

Milwaukee®

Nothing but **HEAVY DUTY.**®



MCS 66

Original instructions
Originalbetriebsanleitung
Notice originale
Istruzioni originali
Manual original
Manual original
Oorspronkelijke gebruiksaanwijzing
Original brugsanvisning
Original bruksanvisning
Bruksanvisning i original

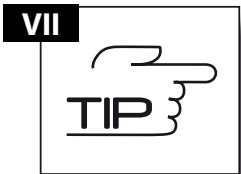
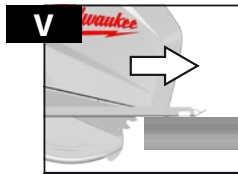
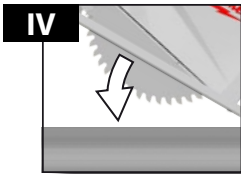
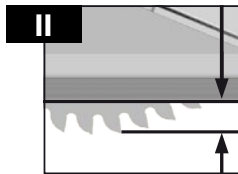
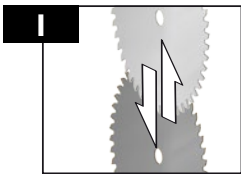

Alkuperäiset ohjeet
Πρωτότυπο οδηγίων χρήσης
Orijinal işletme talimatı
Původním návodem k používání
Původný návod na použití
Instrukcja oryginalna
Eredeti használati utasítás
Izvirna navodila
Originalne pogonske upute
Instrukcijām oriģinālvalodā
Originalni instrukcija

Algupärane kasutusjuhend
Оригинальное руководство по эксплуатации
Orijinal işletme talimatı
Оригинално ръководство за експлоатация
Instrucțiuni de folosire originale
Оригинален прирачник за работа
原始的指南
التعليمات الأصلية

Technical Data, Safety Instructions, Specified Conditions of Use, EC-Declaration of Conformity, Mains connection, Maintenance, Symbols	Please read and save these instructions!	English	11
Technische Daten, Sicherheitshinweise, Bestimmungsgemäße Verwendung, CE-Konformitätserklärung, Netzanschluss, Wartung, Symbole	Bitte lesen und aufbewahren!	Deutsch	14
Caractéristiques techniques, Instructions de sécurité, Utilisation conforme aux prescriptions, Déclaration CE de Conformité, Branchement secteur, Entretien, Symboles	A lire et à conserver soigneusement	Français	17
Dati tecnici, Norme di sicurezza, Utilizzo conforme, Dichiarazione di Conformità CE, Collegamento alla rete, Manutenzione, Simboli	Si prega di leggere e conservare le istruzioni!	Italiano	20
Datos técnicos, Instrucciones de seguridad, Aplicación de acuerdo a la finalidad, Declaración de Conformidad CE, Conexión eléctrica, Mantenimiento, Símbolos	Lea y conserve estas instrucciones por favor!	Español	23
Características técnicas, Instruções de segurança, Utilização autorizada, Declaração de Conformidade CE, Ligação à rede, Manutenção, Símbolos	Por favor leia e conserve em seu poder!	Português	26
Technische gegevens, Veiligheidsadviezen, Voorgeschreven gebruik van het systeem, EC-Konformiteitsverklaring, Net aansluiting, Onderhoud, Symbolen	Lees en let goed op deze adviezen!	Nederlands	29
Tekniske data, Sikkerhedshenvisninger, Tiltænkning formål, CE-Konformitetserklæring, Netttilslutning, Vedligeholdelse, Symboler	Vær venlig at læse og opbevare!	Dansk	32
Tekniske data, Særlige sikkerhedshenvisninger, Formålsmessig bruk, CE-Samsvarserklæring, Nettettkopling, Vedlikehold, Symboler	Vennligst les og oppbevar!	Norsk	35
Tekniska data, Säkerhetsutrustning, Använd maskinen Enligt anvisningarna, CEFörsäkrad, Nätanslutning, Skötsel, Symboler	Läs igenom och spara!	Svenska	38
Tekniset arvot, Turvallisuusohjeet, Tarkoituksenmukainen käyttö, Todistus CE-standardin mukaisuudesta, Verkkoliitäntä, Huolto, Symbolit	Lue ja säilytä!	Suomi	41
Τεχνικά στοιχεία, Ειδικές υποδείξεις ασφαλείας, Χρήση σύμφωνα με το σκοπό προορισμού, Δήλωση πιστότητας ΕΚ, Μητρώο, Χαρακτηριστικά, Συντήρηση, Σύμβολα.	Παρακαλώ διαβάστε τις και φυλάξτε τις!	Ελληνικά	44
Teknik veriler, Güvenliğiniz için talimatlar, Kullanım, CE uygunluk beyanince, Şebeke bağlantısı, Bakım, Semboller	Lütfen okuyun ve saklayın	Türkçe	47
Technická data, Speciální bezpečnostní upozornění, Oblast využití, Ce-prohlášení o shodě, Připojení na síť, Údržba, Symboly	Po přečtení uschovejte	Česky	50
Technické údaje, Špeciálne bezpečnostné pokyny, Použitie podľa a predpisov, CE-Vyhlasenie konformity, Sieťová prípojka, Údržba, Symboly	Prosím prečítať a uschovať!	Slovensky	53
Dane techniczne, Specjalne zalecenia dotyczace bezpieczenstwa, Uzytkowanie zgodne z przeznaczeniem, Swiadectwo zgodnosci ce, Podlaczenie do sieci, Gwarancja, Symbole	Należy uważnie przeczytać i zachować do wglądu!	Polski	56
Műszaki adatok, Különleges biztonsági tudnivalók, Rendeltetésszerű használat, Ce-azonossági nyilatkozat, Hálózati csatlakoztatás, Karbantartás, Szimbólumok	Olvassa el és őrizze meg	Magyar	59
Tehnični podatki, Specialni varnostni napotki, Uporaba v skladu z namembnostjo, Ce-izjava o konformnosti, Omeženi priključek, Vzdrževanje, Simboli	Prosimo preberite in shranite!	Slovensko	62
Tehnički podaci, Specijalne sigurnosne upute, Propisna upotreba, Ce-izjava konformnosti, Priključak na mrežu, Održavanje, Simboli	Molimo pročitati i sačuvati	Hrvatski	65
Tehniskie dati, Speciālie drošības noteikumi, Noteikumiem atbilstošs izmantojums, Atbilstība CE normām, Tikla pieslēgums, Apkope, Simboli	Pielikums lietošanas pamācībai	Latviski	68
Techniniai duomenys, Ypatingos saugumo nuorodos, Naudojimas pagal paskirti, CE Atitikties pareiškimas, Elektros tinklo jungtis, Techninis aptarnavimas, Simboliai	Prašome perskaityti ir neišmesti!	Lietuviškai	71
Tehnilised andmed, Spetsiaalsed turvajuhised, Kasutamine vastavalt otstarbele, EÜ Vastavusavaldus, Võrku ühendamine, Hooldus, Sümbolid	Palun lugege läbi ja hoidke alal!	Eesti	74
Технические данные, Рекомендации по технике безопасности, Использо- вание, Подключение к электросети, Обслуживание, Символы	Пожалуйста прочтите и сохраните эту инструкцию.	Русский	77
Технически данни, Специални указания за безопасност, Използване по предназначение, CE-Декларация за съответствие, Свързване към мрежата, Поддръжка, Символи	Моля прочетете и запазете!	Български	80
Date tehnice, Instrucțiuni de securitate, Condiții de utilizare specificate, Declarație de conformitate, Accumulatori, Întreținere, Simboluri	Va rugăm citiți și păstrați aceste instrucțiuni	Română	83
Технички Податоци, Упатство За Употреба, Специфицирани Услови На Употреба, Еу-декларација За Сообразност, БАТЕРИИ, Одржување, Символи	Ве молиме прочитајте го и чувајте го ова упатство!	Македонски	86
技术数据, 特殊安全指示, 正确地使用机器, 电源插头, 蓄电池, 维修, 符号	请仔细阅读并妥善保存!	中文	89

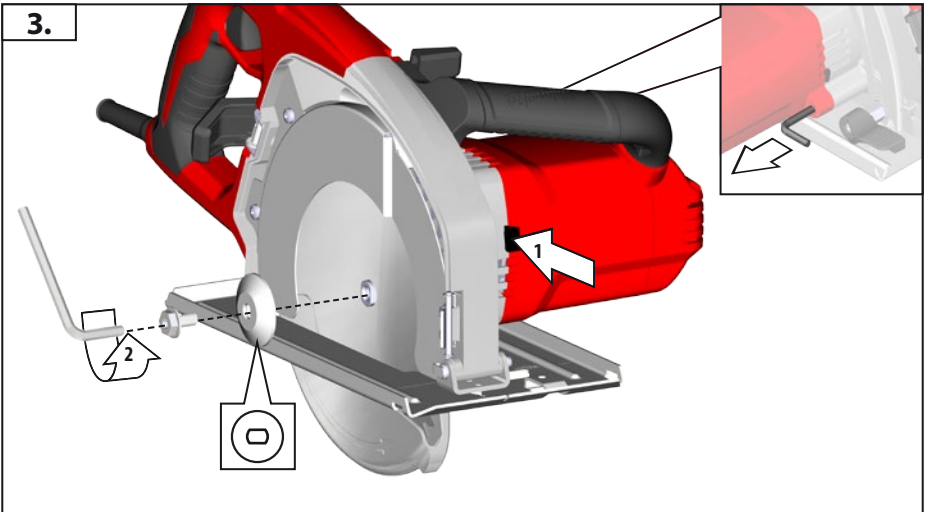
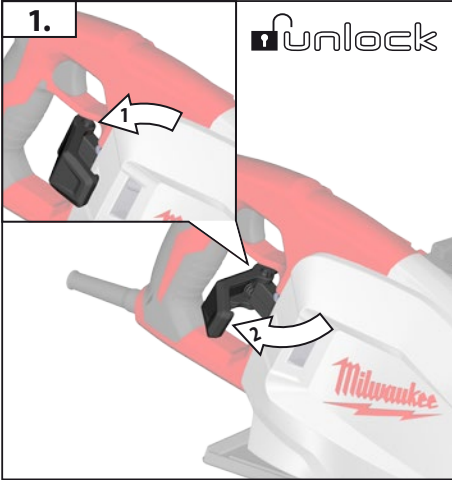
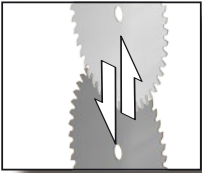


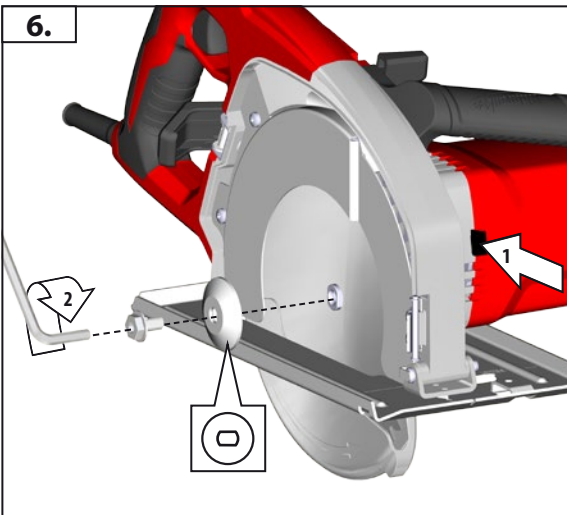
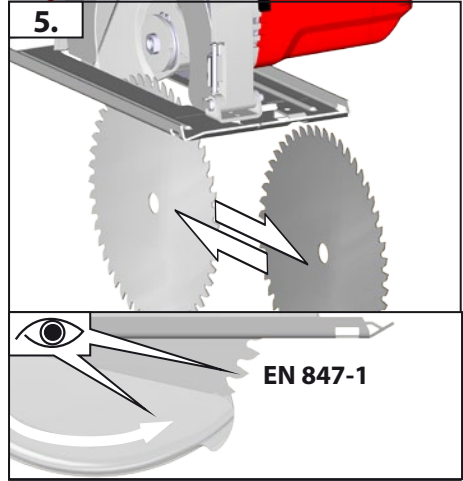
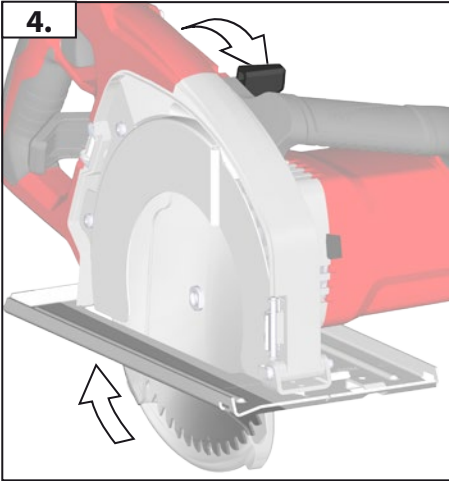
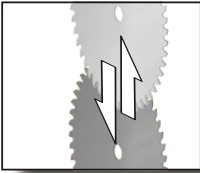
تعليمات السلامة، شروط الاستخدام المحددة، توصيل الموصلات الرئيسية، إعلان المطابقة - الاتحاد الأوروبي، الصيانة، الرموز	يُرجى قراءة وحفظ هذه التعليمات!	العربية	94
--	---------------------------------	----------------	-----------

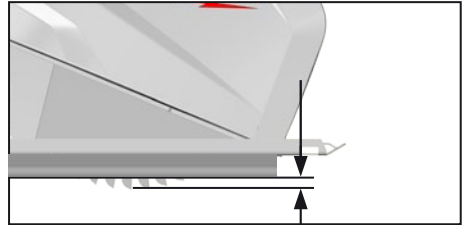
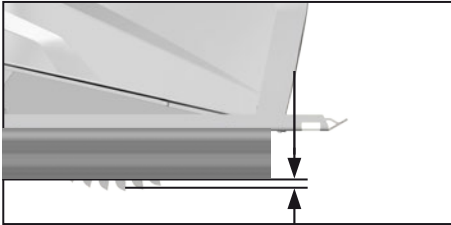
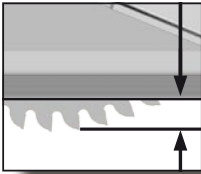



Accessory
Zubehör
Accessoires
Accessorio
Accessorio • Acessório
Toebehoren • Tilbehør
Tilbehør • Tillbehör
Lisälaite • Εξαρτήματα
Akseuar • Прилуштенств
Príslušenstv • Wyposażenie
Azokat a tartozékokat
Oprema • Piederumi
Priedas • Tarvikud
Дополнитель • Аксессуары
Accesoriu • ополнителна
опрема • 配件 • الملحق









Adjust the cutting depth to the thickness of the workpiece. Less than a full tooth of the blade teeth should be visible below the workpiece.
 Passen Sie die Schnitttiefe an die Dicke des Werkstücks an. Es sollte weniger als eine volle Zahnhöhe unter dem Werkstück sichtbar sein.

Adapter la profondeur de coupe à l'épaisseur de la pièce. Moins d'une dent complète devrait apparaître sous la pièce.

Adattare la profondità di taglio allo spessore del pezzo in lavorazione. Nella parte inferiore del pezzo in lavorazione dovrebbe essere visibile meno della completa altezza del dente.

Adaptar la profundidad de corte al grosor de la pieza de trabajo. La hoja de sierra no deberá sobresalir más de un diente de la pieza de trabajo.

Adaptar a profundidade de corte à espessura da peça a ser trabalhada. Deveria estar visível por aproximadamente menos do que uma altura de dente abaixo da peça a ser trabalhada.

Pas de zaagdiepte aan de dikte van het werkstuk aan. Er dient minder dan een volledige tandhoogte onder het werkstuk zichtbaar te zijn.

Tilpas skæredybden efter arbejdsemnets tykkelse. Der må maksimalt være en hel tandhøjde synlig under emnet.

Tilpass skjæredybden til tykkelsen på arbejdsstykket. Det skal være mindre enn en full tannhøyde synlig under arbeidsstykket.

Anpassa såg djupet till arbetsstyckets tjocklek. Den synliga delen av en tand under arbetsstycket måste vara mindre än en hel tand.

Aseta leikkaussyvyys työkappaleen paksuuden mukaan. Työkappaleen alla tulisi terää näkyä korkeintaan täysi hammaskorkeus.

Προσαρμόστε το βάθος κοπής στο πάχος του υπό κατεργασία τεμαχίου. Κάτω το υπό κατεργασία τεμάχιο πρέπει να φαίνεται λιγότερο από ένα ολόκληρο δόντι του πριονοδίσκου.

Kesme derinligini iş parçasının kalınlığına göre ayarlayın. İş parçası altında tam diş uzunluğunun daha azı görünmelidir.

Prizpůsobte hloubku řezu tloušťce obrobku. Pod obrobkem by měla být viditelná méně než celá výška zuba.

Hrúbku rezu prispôbte hrúbke obrobka. Pod obrobkom by malo byť vidieť menej pilového listu ako plnú výšku zuba pily.

Głębokość cięcia należy dopasować do grubości obrabianego przedmiotu. Powinno być widoczne mniej jak pełna wysokość zębów pod obrabianym przedmiotem.

A vágási mélységet a munkadarab vastagságának megfelelően kell megválasztani. A fűrészlapból a munkadarab alatt kevesebb mint egy teljes fogmagasságnynak kell kilátszania.

Prosimo, da globino reza prilagodite debelini obdelovanca. Znaša naj manj kot višina zoba, ki je vidna pod obdelovancem.

Prilagodite dubinu rezanja debljini izratka. Ispod izratka treba biti vidljiv manje od jedan puni zub.

Izvēlieties zāiņģāšanas dziļumu, kas atbilst zāiņģamā priekšmeta biezumam. Zāiņģāšanas dziļumam jābūt tik lielam, lai zem zāiņģamā priekšmeta redzamās asmens daļas augstums būtu mazāks par asmens zobu augstumu.

Pjovimo gylą tinkamai nustatykite pagal ruošinio storą. Ruošinio araėioje turi matytis tiek tik maėiau, nei per visą pjūklo danties aukštą, iėilindusi disko dalis.

Kohandage lõikesügavus tooriku paksusega. Saeketas võib tooriku alt vähem kui ühe täishamba võrra välja ulatuda.

Устанавливайте глубину реза в соответствии с толщиной детали. Под деталью пильное полотно не должно высовываться более чем на один зуб.

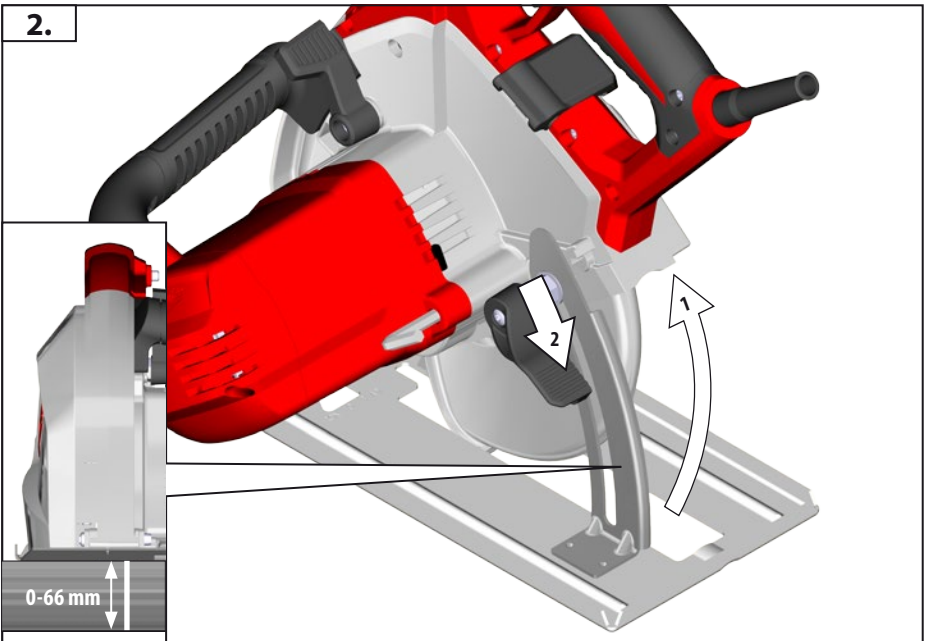
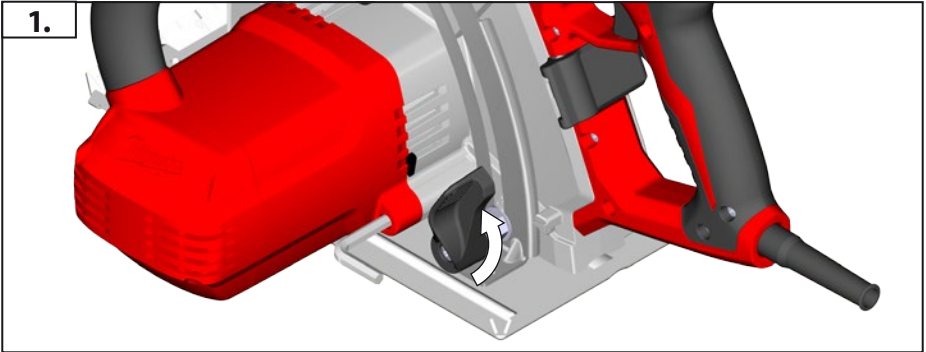
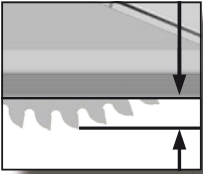
Винаги настройвайте дълбочината нарязане съобразно дебелината на стената на обработвания детайл. От обратната страна на детайла дискът трябва да се подава на разстояние, по-малко от една височина на зъба.

Adaptatiți adâncimea de tăiere la grosimea piesei de lucru. Sub piesa de lucru ar trebui să se vadă mai puțin de înălțimea întregă a unui dinte.

Prilagodete ja dlabochinatu na zasekot vo zavisnosti od gushtinata na obrabotuvanoto parče. Nešto pomalku od cel zabec od sečilo to treba da bude vidljiv pod radnotno parče.

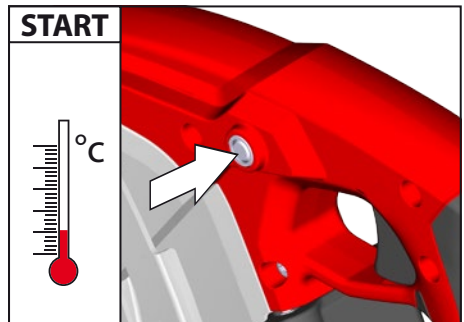
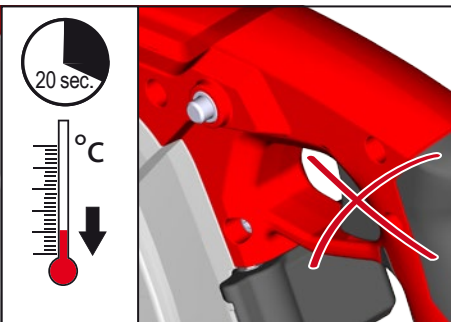
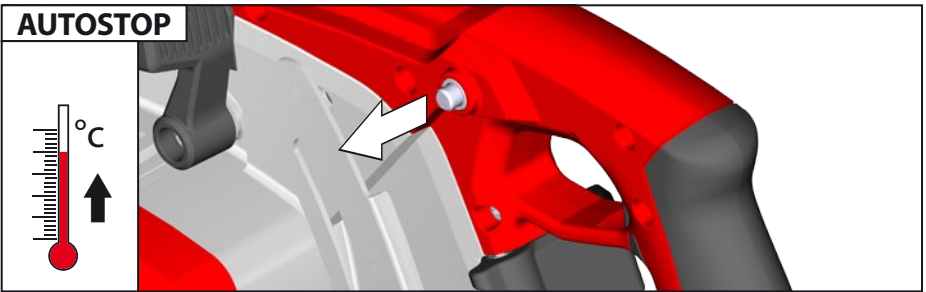
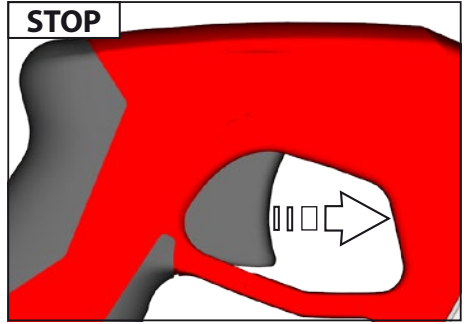
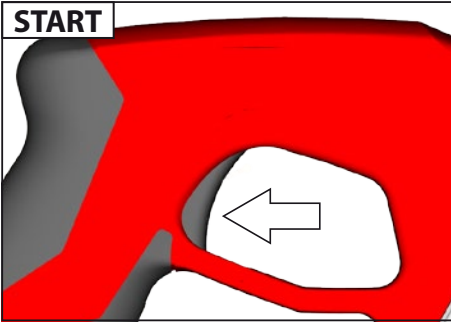
根据工件的厚度设定锯深。不可以让锯齿完全突出于工件之外。

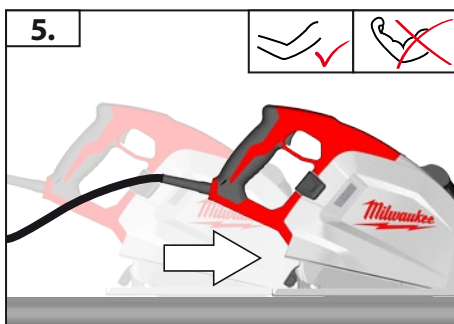
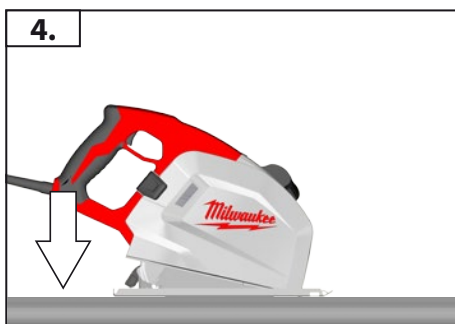
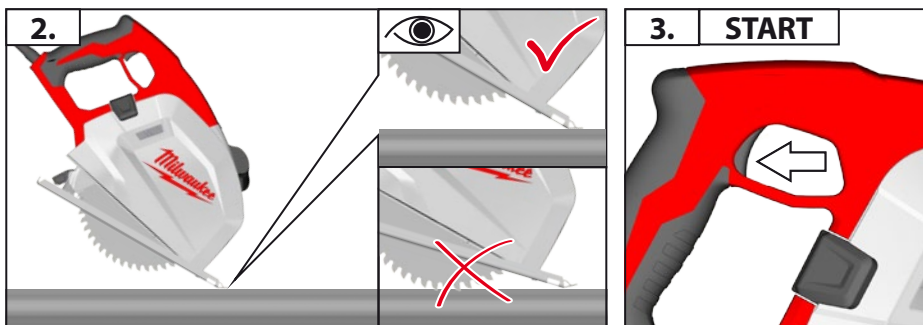
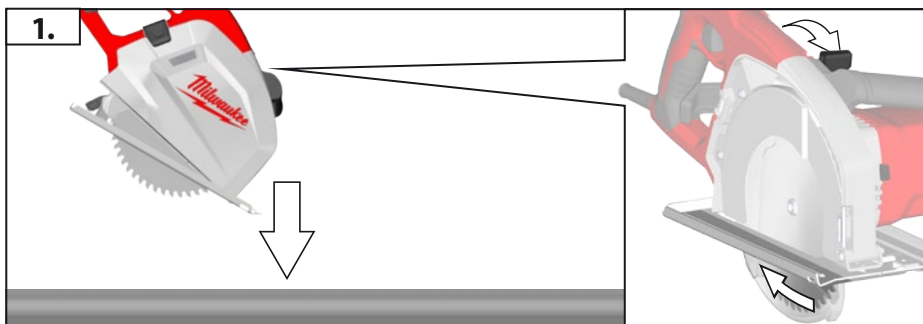
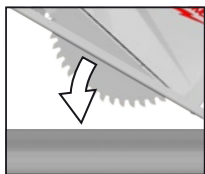
اضبط عمق القطع وفقاً لسمك قطعة العمل. يجب أن تظهر الأسنان أقل من كامل طولها تحت قطعة العمل.

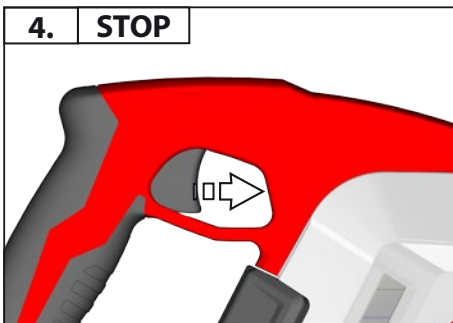
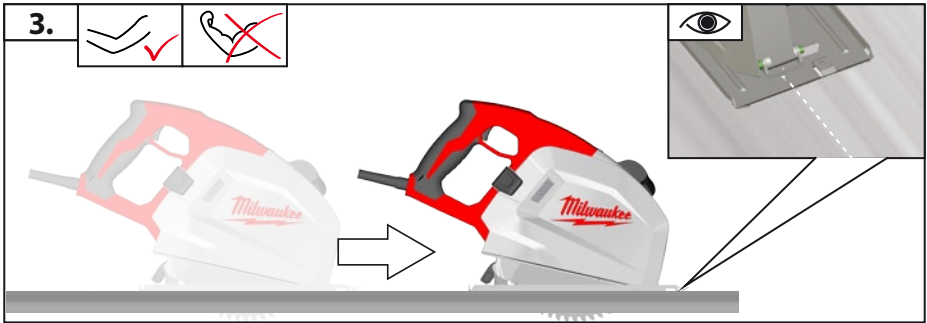
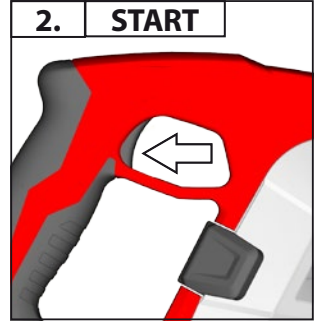
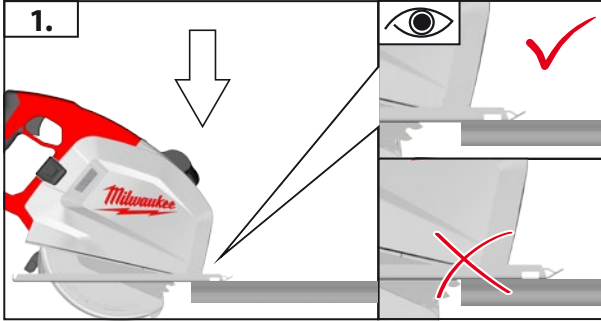
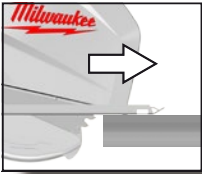


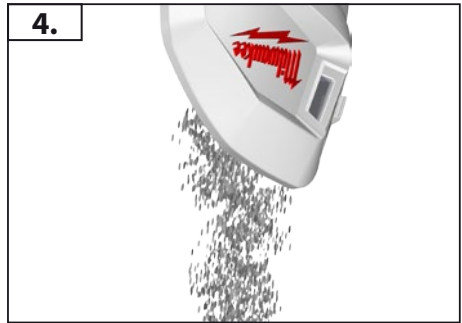
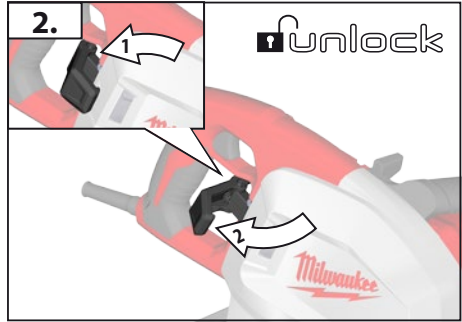


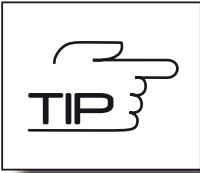
START
STOP



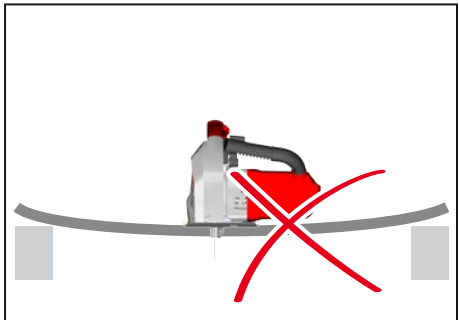
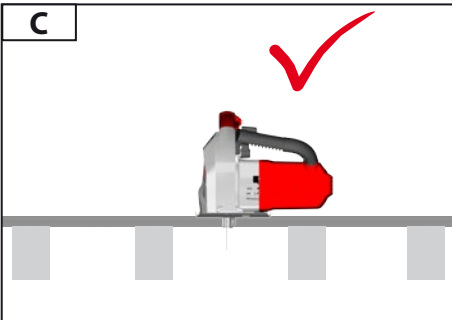
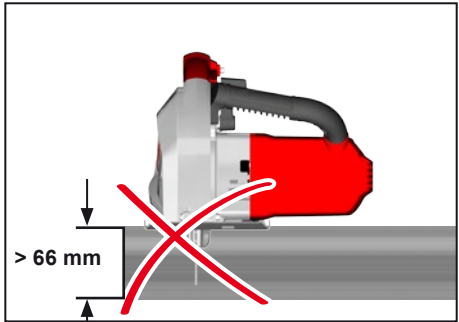
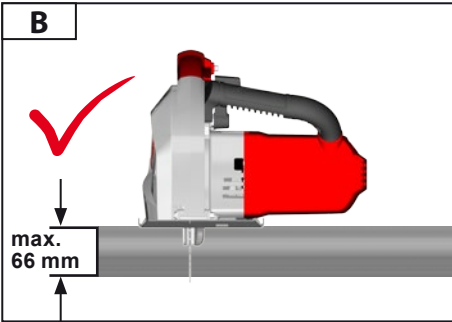
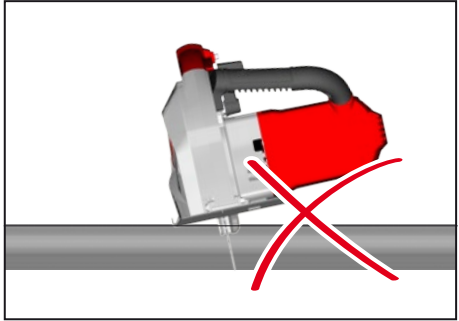
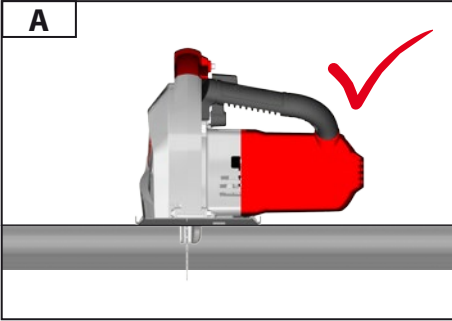








TIP
VII



TECHNICAL DATA	MCS 66
Metal saw	
Production code	4406 16 02... ... 000001-999999
Rated input	1800 W
No-load speed	4000 min ⁻¹
Saw blade dia. x hole dia	203 x 15,87 mm
Maximum cutting capacity Steel plate Angle sections Metal pipe Sections	6 mm 50 x 50 x 6 mm Ø 66 mm max. 66 mm
Weight according EPTA-Procedure 01/2003	6,4 kg
Noise/Vibration Information Measured values determined according to EN 60745. Typically, the A-weighted noise levels of the tool are: Sound pressure level (Uncertainty K=3dB(A)) Sound power level (Uncertainty K=3dB(A))	91,5 dB (A) 102,5 dB (A)
Wear ear protectors! Vibration total values (triaxial vector sum) determined according to EN 60745 Cutting metal: Vibration emission value a _{h,m} Uncertainty K =	3,6 m/s ² 1,5 m/s ²



WARNING

The vibration emission level given in this information sheet has been measured in accordance with a standardised test given in EN 60745 and may be used to compare one tool with another. It may be used for a preliminary assessment of exposure.

The declared vibration emission level represents the main applications of the tool. However if the tool is used for different applications, with different accessories or poorly maintained, the vibration emission may differ. This may significantly increase the exposure level over the total working period.

An estimation of the level of exposure to vibration should also take into account the times when the tool is switched off or when it is running but not actually doing the job. This may significantly reduce the exposure level over the total working period.

Identify additional safety measures to protect the operator from the effects of vibration such as: maintain the tool and the accessories, keep the hands warm, organisation of work patterns.

 **WARNING! Read all safety warnings and all instructions.** Failure to follow the warnings and instructions may result in electric shock, fire and/or serious injury.
Save all warnings and instructions for future reference.

CIRCULAR SAW SAFETY WARNINGS

Cutting procedures

- a)  **DANGER: Keep hands away from cutting area and the blade. Keep your second hand on auxiliary handle, or motor housing.** If both hands are holding the saw, they cannot be cut by the blade.
- b) **Do not reach underneath the workpiece.** The guard cannot protect you from the blade below the workpiece.
- c) **Adjust the cutting depth to the thickness of the workpiece.** Less than a full tooth of the blade teeth should be visible below the workpiece.
- d) **Never hold piece being cut in your hands or across your leg. Secure the workpiece to a stable platform.** It is important to support the work properly to minimize body exposure, blade binding, or loss of control.
- e) **Hold the power tool by insulated gripping surfaces only, when performing an operation where the cutting tool may contact hidden wiring or its own cord.** Contact with a "live" wire will also make exposed metal parts of the power tool "live" and could give the operator an electric shock.
- f) **When ripping, always use a rip fence or straight edge guide.** This improves the accuracy of cut and reduces the chance of blade binding.
- g) **Always use blades with correct size and shape (diamond versus round) of arbour holes.** Blades that do not match the mounting hardware of the saw will run eccentrically, causing loss of control.
- h) **Never use damaged or incorrect blade washers or bolt.** The blade washers and bolt were specially designed for your saw, for optimum performance and safety of operation.

Kickback causes and related warnings

– kickback is a sudden reaction to a pinched, bound or misaligned saw blade, causing an uncontrolled saw to lift up and out of the workpiece toward the operator;

– when the blade is pinched or bound tightly by the kerf closing down, the blade stalls and the motor reaction drives the unit rapidly back toward the operator;

– if the blade becomes twisted or misaligned in the cut, the teeth at the back edge of the blade can dig into the top surface of the wood causing the blade to climb out of the kerf and jump back toward the operator.

Kickback is the result of saw misuse and/or incorrect operating procedures or conditions and can be avoided by taking proper precautions as given below.

a) **Maintain a firm grip with both hands on the saw and position your arms to resist kickback forces. Position your body to either side of the blade, but not in line with the blade.** Kickback could cause the saw to jump backwards, but kickback forces can be controlled by the operator, if proper precautions are taken.

b) **When blade is binding, or when interrupting a cut for any reason, release the trigger and hold the saw motionless in the material until the blade comes to a complete stop. Never attempt to remove the saw from the work or pull the saw backward while the blade is in motion or kickback may occur.** Investigate and take corrective actions to eliminate the cause of blade binding.

c) **When restarting a saw in the workpiece, centre the saw blade in the kerf and check that saw teeth are not engaged into the material.** If saw blade is binding, it may walk up or kickback from the workpiece as the saw is restarted.

d) **Support large panels to minimise the risk of blade pinching and kickback.** Large panels tend to sag under their own weight. Supports must be placed under the panel on both sides, near the line of cut and near the edge of the panel.

e) **Do not use dull or damaged blades.** Unsharpened or improperly set blades produce narrow kerf causing excessive friction, blade binding and kickback.

f) **Blade depth and bevel adjusting locking levers must be tight and secure before making cut.** If blade adjustment shifts while cutting, it may cause binding and kickback.

g) **Use extra caution when sawing into existing walls or other blind areas.** The protruding blade may cut objects that can cause kickback.

Lower guard function

a) **Check lower guard for proper closing before each use. Do not operate the saw if lower guard does not move freely and close instantly. Never clamp or tie the lower guard into the open position.** If saw is accidentally dropped, lower guard may be bent. Raise the lower guard with the retracting handle and make sure it moves freely and does not touch the blade or any other part, in all angles and depths of cut.

b) **Check the operation of the lower guard spring. If the guard and the spring are not operating properly, they must be serviced before use.** Lower guard may operate sluggishly due to damaged parts, gummy deposits, or a build-up of debris.

c) **Lower guard may be retracted manually only for special cuts such as „plunge cuts“ and „compound cuts“.** Raise lower guard by retracting handle and as soon as blade enters the material, the lower guard must be released. For all other sawing, the lower guard should operate automatically.

d) **Always observe that the lower guard is covering the blade before placing saw down on bench or floor.** An unprotected, coasting blade will cause the saw to walk backwards, cutting whatever is in its path. Be aware of the time it takes for the blade to stop after switch is released.

ADDITIONAL SAFETY AND WORKING INSTRUCTIONS:

Wear ear protectors. Exposure to noise can cause hearing loss. Always wear goggles when using the machine. It is recommended to wear gloves, sturdy non slipping shoes and apron.

The dust produced when using this tool may be harmful to health. Do not inhale the dust. Use a dust absorption system and wear a suitable dust protection mask. Remove deposited dust thoroughly, e.g. with a vacuum cleaner.

Do not use saw blades not corresponding to the key data given in these instructions for use.

Do not use abrasion disks in this machine!

Do not fix the on/off switch in the „on“ position when using the saw hand-held.

WORKING INSTRUCTIONS

Adapt the feed speed to avoid overheating the blade tips.

MAINS CONNECTION

Connect only to single-phase AC system voltage as indicated on the rating plate. It is also possible to connect to sockets without an earthing contact as the design conforms to safety class II.

Appliances used at many different locations including wet room and open air must be connected via a residual current device (FI, RCD, PRCD) of 30mA or less.

Make sure the machine is switched off before plugging in.

Do not let any metal parts enter the airing slots - danger of short circuit!

Keep mains lead clear from working range of the machine. Always lead the cable away behind you.

Before use check machine, cable, and plug for any damages or material fatigue. Repairs should only be carried out by authorised Service Agents.



SPECIFIED CONDITIONS OF USE

The Metal Saw may be used to cut lenghtways and mitre a variety of metals, such as metal profiles (UniStrut), pipes, metal studs, channels, aluminium profiles, metal sheets, etc.

Do not use this product in any other way as stated for normal use.

EC-DECLARATION OF CONFORMITY

We declare under our sole responsibility that the product described under "Technical Data" fulfills all the relevant provisions of the directives

2011/65/EU (RoHS)

2006/42/EC

2014/30/EU

and the following harmonized standards have been used.

EN 60745-1:2009 + A11:2010

EN 60745-2-5:2010

EN 55014-1:2006 + A1:2009 + A2:2011

EN 55014-2:1997 + A1:2001 + A2:2008

EN 61000-3-2:2014

EN 61000-3-11:2000

EN 50581:2012



Winnenden, 2016-03-25

Alexander Krug / Managing Director
Authorized to compile the technical file

Technronic Industries GmbH
Max-Eyth-Straße 10, 71364 Winnenden, Germany

MAINTENANCE

Before doing any work on the machine, pull the plug out of the socket.

Be sure to disconnect the tool from the power supply before attaching or removing the saw blade.

Clean tool and guarding system with dry cloth.

Certain cleaning agents and solvents are harmful to plastics and other insulated parts.

The ventilation slots of the machine must be kept clear at all times.

Remove dust regularly. Remove the sawdust which has accumulated inside the saw in order to avoid the risk of fire.

Keep the apparatus handle clean, dry and free of spilt oil or grease.

Check the function of guards.

Regular maintenance and cleaning provide for a long service life and safe handling.

If the supply cord of this power tool is damaged, it must be replaced by a specially prepared cord available through the service organization.

Use only Milwaukee accessories and Milwaukee spare parts. Should components need to be replaced which have not been described, please contact one of our Milwaukee service agents (see our list of guarantee/service addresses).

If needed, an exploded view of the tool can be ordered. Please state the machine type printed as well as the six-digit No. on the label and order the drawing at your local service agents or directly at: Technronic Industries GmbH, Max-Eyth-Straße 10, 71364 Winnenden, Germany.

SYMBOLS



CAUTION! WARNING! DANGER!



Please read the instructions carefully before starting the machine.



Always wear goggles when using the machine.



Before doing any work on the machine, pull the plug out of the socket.



Accessory - Not included in standard equipment, available as an accessory.



Do not dispose of electric tools together with household waste material. Electric tools and electronic equipment that have reached the end of their life must be collected separately and returned to an environmentally compatible recycling facility. Check with your local authority or retailer for recycling advice and collection point.



Class II tool. Tool in which protection against electric shock does not rely on basic insulation only, but in which additional safety precautions, such as double insulation or reinforced insulation, are provided. There being no provision for protective earthing or reliance upon installation conditions.



European Conformity Mark

EurAsian Conformity Mark



TECHNISCHE DATEN	MCS 66
Metallsäge	
Produktionsnummer	4406 16 02... ... 000001-999999
Nennaufnahmeleistung	1800 W
Leerlaufdrehzahl	4000 min ⁻¹
Sägeblatt- \varnothing x Bohrungs- \varnothing	203 x 15,87 mm
Max. Schnittleistung in Stahl Winkelleisen Metallrohre Profile	6 mm 50 x 50 x 6 mm \varnothing 66 mm max. 66 mm
Gewicht nach EPTA-Prozedur 01/2003	6,4 kg
Geräusch/Vibrationsinformation Messwerte ermittelt entsprechend EN 60 745. Der A-bewertete Geräuschpegel des Gerätes beträgt typischerweise: Schalldruckpegel (Unsicherheit K=3dB(A)) Schallleistungspegel (Unsicherheit K=3dB(A))	91,5 dB (A) 102,5 dB (A)
Gehörschutz tragen! Schwingungsgesamtwerte (Vektorsumme dreier Richtungen) ermittelt entsprechend EN 60745. Sägen von Metall: Schwingungsemissionswert a _{n,M} Unsicherheit K =	3,6 m/s ² 1,5 m/s ²



WARNUNG

Der in diesen Anweisungen angegebene Schwingungspegel ist entsprechend einem in EN 60745 genormten Messverfahren gemessen worden und kann für den Vergleich von Elektrowerkzeugen miteinander verwendet werden. Er eignet sich auch für eine vorläufige Einschätzung der Schwingungsbelastung.

Der angegebene Schwingungspegel repräsentiert die hauptsächlichsten Anwendungen des Elektrowerkzeugs. Wenn allerdings das Elektrowerkzeug für andere Anwendungen, mit abweichenden Einsatzwerkzeugen oder ungenügender Wartung eingesetzt wird, kann der Schwingungspegel abweichen. Dies kann die Schwingungsbelastung über den gesamten Arbeitszeitraum deutlich erhöhen.

Für eine genaue Abschätzung der Schwingungsbelastung sollten auch die Zeiten berücksichtigt werden, in denen das Gerät abgeschaltet ist oder zwar läuft, aber nicht tatsächlich im Einsatz ist. Dies kann die Schwingungsbelastung über den gesamten Arbeitszeitraum deutlich reduzieren.

Legen Sie zusätzliche Sicherheitsmaßnahmen zum Schutz des Bedieners vor der Wirkung von Schwingungen fest wie zum Beispiel: Wartung von Elektrowerkzeug und Einsatzwerkzeugen, Warmhalten der Hände, Organisation der Arbeitsabläufe.

⚠️ WARNUNG! Lesen Sie alle Sicherheitshinweise und Anweisungen. Versäumnisse bei der Einhaltung der Sicherheitshinweise und Anweisungen können elektrischen Schlag, Brand und/oder schwere Verletzungen verursachen.
Bewahren Sie alle Sicherheitshinweise und Anweisungen für die Zukunft auf.

⚠️ SICHERHEITSHINWEISE FÜR KREISSÄGEN

Sägeverfahren

- ⚠️ GEFAHR: Kommen Sie mit Ihren Händen nicht in den Sägebereich und an das Sägeblatt. Halten Sie mit Ihrer zweiten Hand den Zusatzgriff oder das Motorgehäuse.** Wenn beide Hände die Kreissäge halten, kann das Sägeblatt diese nicht verletzen.
- Greifen Sie nicht unter das Werkstück.** Die Schutzhaube kann Sie unter dem Werkstück nicht vor dem Sägeblatt schützen.
- Passen Sie die Schnitttiefe an die Dicke des Werkstücks an.** Es sollte weniger als eine volle Zahnhöhe unter dem Werkstück sichtbar sein.

d) **Halten Sie das zu sägende Werkstück niemals in der Hand oder über dem Bein fest. Sichern Sie das Werkstück an einer stabilen Unterlage.** Es ist wichtig, das Werkstück gut zu befestigen, um die Gefahr von Körperkontakt, Klemmen des Sägeblattes oder Verlust der Kontrolle zu minimieren.

e) **Fassen Sie das Elektrowerkzeug an den isolierten Griffflächen an, wenn Sie Arbeiten ausführen, bei denen das Einsatzwerkzeug verborgene Stromleitungen oder das eigene Netzkabel treffen kann.** Kontakt mit einer spannungsführenden Leitung setzt auch Metallteile des Elektrowerkzeuges unter Spannung und führt zu einem elektrischen Schlag.

f) **Verwenden Sie beim Längsschneiden immer einen Anschlag oder eine gerade Kantenführung.** Dies verbessert die Schnittgenauigkeit und verringert die Möglichkeit, dass das Sägeblatt klemmt.

g) **Verwenden Sie immer Sägeblätter in der richtigen Größe und mit passender Aufnahmebohrung (z.B. sternförmig oder rund).** Sägeblätter, die nicht zu den Montageteilen der Säge passen, laufen unrund und führen zum Verlust der Kontrolle.

h) **Verwenden Sie niemals beschädigte oder falsche Sägeblatt-Unterlegscheiben oder -schrauben.** Die Sägeblatt-Unterlegscheiben und -schrauben wurden speziell für Ihre Säge konstruiert, für optimale Leistung und Betriebssicherheit.

Ursachen und Vermeidung eines Rückschlags:

– ein Rückschlag ist die plötzliche Reaktion infolge eines hakenden, klemmenden oder falsch ausgerichteten Sägeblattes, die dazu führt, dass eine unkontrollierte Säge abhebt und sich aus dem Werkstück heraus in Richtung der Bedienperson bewegt;

– wenn sich das Sägeblatt in dem sich schließenden Sägespalt verhakt oder verklemmt, blockiert es, und die Motorkraft schlägt das Gerät in Richtung der Bedienperson zurück;

– wird das Sägeblatt im Sägeschnitt verdreht oder falsch ausgerichtet, können sich die Zähne der hinteren Sägeblattkante in der Oberfläche des Werkstücks verhaken, wodurch sich das Sägeblatt aus dem Sägespalt herausbewegt und die Säge in Richtung der Bedienperson zurückspringt.

Ein Rückschlag ist die Folge eines falschen oder fehlerhaften Gebrauchs der Säge. Er kann durch geeignete Vorsichtsmaßnahmen, wie nachfolgend beschrieben, verhindert werden.

a) **Halten Sie die Säge mit beiden Händen fest und bringen Sie Ihre Arme in eine Stellung, in der Sie den Rückschlagkräften standhalten können. Halten Sie sich immer seitlich des Sägeblattes, nie das Sägeblatt in eine Linie mit Ihrem Körper bringen.** Bei einem Rückschlag kann die Kreissäge rückwärts springen, jedoch kann die Bedienperson die Rückschlagkräfte beherrschen, wenn geeignete Maßnahmen getroffen wurden.

b) **Falls das Sägeblatt verklemmt oder Sie die Arbeit unterbrechen, schalten Sie die Säge aus und halten Sie sie im Werkstoff ruhig, bis das Sägeblatt zum Stillstand gekommen ist. Versuchen Sie nie, die Säge aus dem Werkstück zu entfernen oder sie rückwärts zu ziehen, solange das Sägeblatt sich bewegt, sonst kann ein Rückschlag erfolgen.** Ermitteln und beheben Sie die Ursache für das Verklemmen des Sägeblattes.

c) **Wenn Sie eine Säge, die im Werkstück steckt, wieder starten wollen, zentrieren Sie das Sägeblatt im Sägespalt und überprüfen Sie, ob die Sägezähne nicht im Werkstück verhakt sind.** Klemmt das Sägeblatt, kann es sich aus dem Werkstück heraus bewegen oder einen Rückschlag verursachen, wenn die Säge erneut gestartet wird.

d) **Stützen Sie große Platten ab, um das Risiko eines Rückschlags durch ein klemmendes Sägeblatt zu vermindern.** Große Platten können sich unter ihrem Eigengewicht durchbiegen. Platten müssen auf beiden Seiten abgestützt werden, sowohl in Nähe des Sägespalts als auch an der Kante.

e) **Verwenden Sie keine stumpfen oder beschädigten Sägeblätter.** Sägeblätter mit stumpfen oder falsch ausgerichteten Zähnen verursachen durch einen zu engen Sägespalt eine erhöhte Reibung, Klemmen des Sägeblattes und Rückschlag.

f) **Ziehen Sie vor dem Sägen die Schnitttiefen- und Schnittwinkeleinstellungen fest.** Wenn sich während des Sägens die Einstellungen verändern, kann sich das Sägeblatt verklemmen und ein Rückschlag auftreten.

g) **Seien Sie besonders vorsichtig bei „Tauschnitten“ in bestehende Wände oder andere nicht einsehbare Bereiche.** Das eintauchende Sägeblatt kann beim Sägen in verborgene Objekte blockieren und einen Rückschlag verursachen.

Funktion der unteren Schutzhaube

a) **Überprüfen Sie vor jeder Benutzung, ob die untere Schutzhaube einwandfrei schließt. Verwenden Sie die Säge nicht, wenn die untere Schutzhaube nicht frei beweglich ist und sich nicht sofort schließt. Klemmen oder binden Sie die untere Schutzhaube niemals in geöffneter Position fest.** Sollte die Säge unbeabsichtigt zu Boden fallen, kann die untere Schutzhaube verbogen werden. Öffnen Sie die Schutzhaube mit dem Rückziehhelb und stellen Sie sicher, dass sie sich frei bewegt und bei allen Schnittwinkeln und -tiefen weder Sägeblatt noch andere Teile berührt.

b) **Überprüfen Sie die Funktion der Feder für die untere Schutzhaube. Lassen Sie das Gerät vor dem Gebrauch warten, wenn untere Schutzhaube und Feder nicht einwandfrei arbeiten.** Beschädigte Teile, klebrige Ablagerungen oder Anhäufungen von Spänen lassen die untere Schutzhaube verzögert arbeiten.

c) **Öffnen Sie die untere Schutzhaube von Hand nur bei besonderen Schnitten, wie „Tauch- und Winkelschnitten“.** Öffnen Sie die untere Schutzhaube mit dem Rückziehhelb und lassen Sie diesen los, sobald das Sägeblatt in das Werkstück eintaucht. Bei allen anderen Sägearbeiten muss die untere Schutzhaube automatisch arbeiten.

d) **Legen Sie die Säge nicht auf der Werkbank oder dem Boden ab, ohne dass die untere Schutzhaube das Sägeblatt bedeckt.** Ein ungeschütztes, nachlaufendes Sägeblatt bewegt die Säge entgegen der Schnittrichtung und sägt, was ihm im Weg ist. Beachten Sie dabei die Nachlaufzeit der Säge.

WEITERE SICHERHEITS- UND ARBEITSHINWEISE

Tragen Sie Gehörschutz. Die Einwirkung von Lärm kann Gehörverlust bewirken.

Beim Arbeiten mit der Maschine stets Schutzbrille tragen. Schutzhandschuhe, festes und rutschsicheres Schuhwerk und Schürze werden empfohlen.

Beim Arbeiten entstehender Staub ist oft gesundheitsschädlich und sollte nicht in den Körper gelangen. Staubabsaugung verwenden und zusätzlich geeignete Staubschutzmaske tragen. Abgelagerten Staub gründlich entfernen, z.B. Aufsaugen.

Sägeblätter, die nicht den Kenndaten in dieser Gebrauchsanweisung entsprechen, dürfen nicht verwendet werden.

Keine Schleifscheiben einsetzen!

Ein-/Ausschalter im handgeführten Betrieb nicht festklemmen.

ARBEITSHINWEISE

Vermeiden Sie durch eine angepasste Vorschubgeschwindigkeit die Überhitzung der Sägeblattzähne.

NETZANSCHLUSS

Nur an Einphasen-Wechselstrom und nur an die auf dem Leistungsschild angegebene Netzspannung anschließen. Anschluss ist auch an Steckdosen ohne Schutzkontakt möglich, da ein Aufbau der Schutzklasse II vorliegt.

Steckdosen in Feuchträumen und Außenbereichen müssen mit



Fehlerstrom-Schutzschaltern (FI, RCD, PRCD) ausgerüstet sein. Das verlangt die Installationsvorschrift für Ihre Elektroanlage. Bitte beachten Sie das bei der Verwendung unseres Gerätes.

Gerät nur ausgeschaltet an die Steckdose anschließen.

Wegen Kurzschlussgefahr dürfen Metallteile nicht in die Lüftungsschlitze gelangen.

Anschlusskabel stets vom Wirkungsbereich der Maschine fernhalten. Kabel immer nach hinten von der Maschine wegführen.

Vor jedem Gebrauch Gerät, Anschlusskabel, Verlängerungskabel und Stecker auf Beschädigung und Alterung kontrollieren. Beschädigte Teile nur von einem Fachmann reparieren lassen.

BESTIMMUNGSGEMÄSSE VERWENDUNG

Die Metallsäge ist einsetzbar zum Sägen von geradlinigen Schnitten in verschiedenen Arten von Metall wie z.B. Metallprofile (UniStrut), Rohre, Trockenbauständer, Kabelkanäle, Aluminiumprofile, Bleche, u.a.

Dieses Gerät darf nur wie angegeben bestimmungsgemäß verwendet werden.

CE-KONFORMITÄTSERKLÄRUNG

Wir erklären in alleiniger Verantwortung, dass das unter „Technische Daten“ beschriebene Produkt mit allen relevanten Vorschriften der Richtlinien

2011/65/EU (RoHS)

2006/42/EG

2014/30/EU

und den folgenden harmonisierten normativen Dokumenten übereinstimmt

EN 60745-1:2009 + A11:2010

EN 60745-2-5:2010

EN 55014-1:2006+A1:2009+A2:2011

EN 55014-2:1997 + A1:2001 + A2:2008

EN 61000-3-2:2014

EN 61000-3-11:2000

EN 50581:2012



Winnenden, 2016-03-25

Alexander Krug / Managing Director
Bevollmächtigt die technischen Unterlagen zusammenzustellen.

Techtronic Industries GmbH
Max-Eyth-Straße 10, 71364 Winnenden, Germany

WARTUNG

Vor allen Arbeiten am Gerät den Stecker aus der Steckdose ziehen.

Stellen Sie sicher, dass das Werkzeug von der Stromversorgung getrennt ist, bevor Sie das Sägeblatt anbringen oder abnehmen.

Reinigen Sie Gerät und Schutzeinrichtung mit einem trockenen Tuch.

Manche Reinigungsmittel beschädigen Kunststoff oder andere isolierte Teile.

Stets die Lüftungsschlitze der Maschine sauber halten.

Entfernen Sie regelmäßig den Staub. Entfernen Sie die im Inneren der Säge angehäuften Sägespäne, um Brandrisiken zu vermeiden. Das Gerät sauber und trocken sowie frei von ausgetretenem Öl und Fett halten.

Überprüfen Sie die Funktion der Schutzhauben.

Regelmäßige Wartung und Reinigung sorgen für eine lange Lebensdauer und sichere Handhabung.

Ist die Anschlussleitung des Elektrowerkzeugs beschädigt, muss sie durch eine speziell vorgeschriebene Anschlussleitung ersetzt werden, die über die Kundendienstorganisation erhältlich ist.

Nur Milwaukee Zubehör und Milwaukee Ersatzteile verwenden. Bauteile, deren Austausch nicht beschrieben wurde, bei einer Milwaukee Kundendienststelle auswechseln lassen (Broschüre Garantie/Kundendienstadressen beachten).

Bei Bedarf kann eine Explosionszeichnung des Gerätes unter Angabe der Maschinen Type und der sechsstelligen Nummer auf dem Leistungsschild bei Ihrer Kundendienststelle oder direkt bei Techtronic Industries GmbH, Max-Eyth-Straße 10, 71364 Winnenden, Germany angefordert werden.

SYMBOLE



ACHTUNG! WARNUNG! GEFAHR!



Bitte lesen Sie die Gebrauchsanweisung vor Inbetriebnahme sorgfältig durch.



Beim Arbeiten mit der Maschine stets Schutzbrille tragen.



Vor allen Arbeiten am Gerät den Stecker aus der Steckdose ziehen.



Zubehör - Im Lieferumfang nicht enthalten, empfohlene Ergänzung aus dem Zubehörprogramm.



Elektrogeräte dürfen nicht zusammen mit dem Hausmüll entsorgt werden. Elektrische und elektronische Geräte sind getrennt zu sammeln und zur umweltgerechten Entsorgung bei einem Verwertungsbetrieb abzugeben. Erkundigen Sie sich bei den örtlichen Behörden oder bei Ihrem Fachhändler nach Recyclinghöfen und Sammelstellen.



Elektrowerkzeug der Schutzklasse II. Elektrowerkzeug, bei dem der Schutz vor einem elektrischen Schlag nicht nur von der Basisisolierung abhängt, sondern auch davon, dass zusätzliche Schutzmaßnahmen, wie doppelte Isolierung oder verstärkte Isolierung, angewendet werden. Es gibt keine Vorrichtung zum Anschluss eines Schutzleiters.



CE-Zeichen

EurAsian Konformitätszeichen.

CARACTÉRISTIQUES TECHNIQUES	MCS 66
Scie à métaux	
Numéro de série	4406 16 02... ... 000001-999999
Puissance nominale de réception	1800 W
Vitesse de rotation à vide	4000 min ⁻¹
Ø de la lame de scie et de son alésage	203 x 15,87 mm
Épaisseur maximale de coupe	
Acier	6 mm
Equerres	50 x 50 x 6 mm
Tubes métalliques	Ø 66 mm
Profils	max. 66 mm
Poids suivant EPTA-Procedure 01/2003	6,4 kg
Informations sur le bruit et les vibrations	
Valeurs de mesure obtenues conformément à la EN 60 745. Les mesures réelles (des niveaux acoustiques de l'appareil sont :	
Niveau de pression acoustique (Incertitude K=3dB(A))	91,5 dB (A)
Niveau d'intensité acoustique (Incertitude K=3dB(A))	102,5 dB (A)
Toujours porter une protection acoustique!	
Valeurs totales des vibrations (somme vectorielle de trois sens) établies conformément à EN 60745.	
Sciage des métaux: Valeur d'émission vibratoire a _{h,M}	3,6 m/s ²
Incertitude K =	1,5 m/s ²



AVERTISSEMENT

Le niveau vibratoire indiqué dans ces instructions a été mesuré selon un procédé de mesure normalisé dans la norme EN 60745 et peut être utilisé pour comparer des outils électriques entre eux. Il convient aussi à une estimation provisoire de la sollicitation par les vibrations.

Le niveau vibratoire indiqué représente les applications principales de l'outil électrique. Toutefois, si l'outil électrique est utilisé pour d'autres applications, avec des outils rapportés qui diffèrent ou une maintenance insuffisante, il se peut que le niveau vibratoire diverge. Cela peut augmenter nettement la sollicitation par les vibrations sur tout l'intervalle de temps du travail.

Pour une estimation précise de la sollicitation par les vibrations, on devrait également tenir compte des temps pendant lesquels l'appareil n'est pas en marche ou tourne sans être réellement en service. Cela peut réduire nettement la sollicitation par les vibrations sur tout l'intervalle de temps du travail.

Définissez des mesures de sécurité supplémentaires pour protéger l'utilisateur contre l'influence des vibrations, comme par exemple : la maintenance de l'outil électrique et des outils rapportés, le maintien au chaud des mains, l'organisation des déroulements de travail.

⚠️ AVERTISSEMENT! Lisez toutes les consignes de sécurité et les instructions. Le non-respect des avertissements et instructions indiqués ci après peut entraîner un choc électrique, un incendie et/ou de graves blessures sur les personnes.
Bien garder tous les avertissements et instructions.

⚠️ CONSIGNES DE SÉCURITÉ CONCERNANT LES SCIES CIRCULAIRES

Procédures de coupe

- a) **⚠️ DANGER Bien garder les mains à distance de la zone de sciage et de la lame de scie. Tenir la poignée supplémentaire ou le carter du moteur de l'autre main.** Si vous tenez la scie circulaire des deux mains, celles-ci ne peuvent pas être blessées par la lame de scie.
- b) **Ne pas passer les mains sous la pièce à travailler.** Sous la pièce à travailler, le capot de protection ne peut pas vous protéger de la lame de scie.
- c) **Adapter la profondeur de coupe à l'épaisseur de la pièce.** Moins d'une dent complète devrait apparaître sous la pièce.

d) **Ne jamais tenir la pièce à scier dans la main ou par-dessus la jambe. Fixer la pièce sur un support stable.** Il est important de bien fixer la pièce, afin de réduire au minimum les dangers causés par le contact physique, quand la lame de scie se coince ou lorsqu'on perd le contrôle.

e) **Tenir l'outil uniquement par les surfaces de préhension isolantes, pendant les opérations au cours desquelles l'accessoire coupant peut être en contact avec des conducteurs cachés ou avec son propre câble.** Le contact de l'accessoire coupant avec un fil « sous tension » peut également mettre « sous tension » les parties métalliques exposées de l'outil électrique et provoquer un choc électrique sur l'opérateur.

f) **Toujours utiliser une butée ou un guidage droit de bords pour des coupes longitudinales.** Ceci améliore la précision de la coupe et réduit le danger de voir la lame de scie se coincer.

g) **Toujours utiliser des lames de scie de la bonne taille qui ont une forme appropriée à l'alésage de fixation (par ex. en étoile ou rond).** Les lames de scie qui ne conviennent pas aux parties montées de la scie sont comme voilées et entraînent une perte de contrôle.

h) **Ne jamais utiliser de rondelles ou de vis endomagées ou qui ne conviennent pas à la lame de scie.** Les rondelles et vis pour la lame de scie ont spécialement été construites pour votre scie, pour une performance et une sécurité de fonctionnement optimales.

Causes de contrecoups et comment les éviter:

- un contrecoup est une réaction soudaine d'une lame de scie qui est restée accrochée, qui s'est coincée ou qui est mal orientée qui fait que la scie incontrôlée sort de la pièce à travailler et se dirige vers la personne travaillant avec l'appareil;

- si la lame de scie reste accrochée ou se coince dans la fente sciée qui se ferme, elle se bloque et la force du moteur entraîne l'appareil vers la personne travaillant avec l'appareil;

- si la lame de scie est tordue ou mal orientée dans le tracé de la coupe, les dents du bord arrière de la lame de scie risquent de se coincer dans la surface de la pièce, ce qui fait que la lame de scie saute brusquement de la fente et qu'elle est propulsée vers l'arrière où se trouve la personne travaillant avec l'appareil.

Un contrecoup est la suite d'une mauvaise utilisation ou une utilisation incorrecte de la scie. Il peut être évité en prenant les mesures de précaution comme elles sont décrites ci-dessous.

a) **Bien tenir la scie des deux mains et mettre vos bras dans une position vous permettant de résister à des forces de contrecoup. Toujours positionner votre corps latéralement à la lame de scie, ne jamais positionner la lame de scie de façon qu'elle fasse une ligne avec votre corps.** Lors d'un contrecoup, la scie circulaire risque d'être propulsée vers l'arrière, la personne travaillant avec l'appareil peut cependant contrôler les forces de contrecoup, quand des mesures appropriées ont été prises au préalable.

b) **Si la lame de scie se coince ou que l'opération de sciage est interrompue pour une raison quelconque, lâcher l'interrupteur Marche/ Arrêt et tenir la scie dans la pièce sans bouger, jusqu'à ce que la lame de scie se soit complètement arrêtée. Ne jamais essayer de sortir la scie de la pièce ou de la tirer vers l'arrière tant que la lame de scie bouge ou qu'un contrecoup pourrait se produire.** Déterminer la cause pour laquelle la scie s'est coincée et en remédier au problème.

c) **Si une scie qui s'est bloquée dans une pièce, doit être remise en marche, centrer la lame de scie dans la fente et contrôler que les dents de la scie ne soient pas restées accrochées dans la pièce.** Si la lame de scie est coincée, elle peut sortir de la pièce ou causer un contrecoup quand la scie est remise en marche.

d) **Soutenir des grands panneaux afin d'éliminer le risque d'un contrecoup causé par une lame de scie coincée.** Les grands panneaux risquent de s'arquer sous leur propre poids. Les panneaux doivent être soutenus des deux côtés par des supports, près de la fente de scie ainsi qu'aux bords des panneaux.

e) **Ne pas utiliser de lames de scie émoussées ou endomagées.** Les lames de scie dont les dents sont émoussées ou mal orientées entraînent une fente trop étroite et par conséquent une friction élevée, un coinçage de la lame de scie et un contrecoup.

f) **Resserer les réglages de la profondeur de coupe ainsi que de l'angle de coupe avant le sciage.** La lame de scie risque de se coincer et un contrecoup de se produire si les réglages se modifient lors de l'opération de sciage.

g) **Faire preuve d'une prudence particulière lorsqu'une „coupe en plongée“ est effectuée dans un endroit caché, par ex. un mur.** Lors du sciage, la lame de scie plongeante risque de scier des objets cachés et de causer un contrecoup.

Fonction du capot de protection inférieur

a) **Contrôler avant chaque utilisation que le capot inférieur de protection ferme parfaitement. Ne pas utiliser la scie quand le capot inférieur de protection ne peut pas librement bouger et ne se ferme pas tout de suite. Ne jamais coincer ou attacher le capot inférieur de protection dans le but de la laisser dans sa position ouverte.** Si, par mégarde, la scie tombe par terre, le capot inférieur de protection risque d'être déformé. Ouvrir le capot de protection à l'aide du levier et s'assurer qu'il peut encore bouger librement et ne touche ni la lame de scie ni d'autres éléments de l'appareil, et ceci pour tous les angles de coupe ainsi que pour toutes les profondeurs de coupe.

b) **Contrôler le bon fonctionnement du ressort du capot inférieur de protection. Faire effectuer un entretien de l'appareil avant de l'utiliser, si le capot inférieur de protection et le ressort ne travaillent pas impeccablement.**

Les parties endommagées, des restes de colle ou des accumulations de copeaux font que le capot inférieur de protection travaille plus lentement.

c) **N'ouvrir le capot inférieur de protection manuellement que pour des coupes spéciales telles que les „coupes en plongée et coupes angulaires“.** Ouvrir le capot inférieur de protection à l'aide du levier et le lâcher dès que la lame de scie soit entrée dans la pièce. Pour toutes les autres opérations de sciage, le capot inférieur de protection doit travailler automatiquement.

d) **Ne pas placer la scie sur l'établi ou le sol sans que le capot inférieur de protection couvre la lame de scie.** Une lame de scie non protégée et qui n'est pas encore à l'arrêt total fait bouger la scie dans le sens contraire à la direction de coupe et scie tout ce qui est sur son chemin. Tenir compte du temps de ralentissement de la scie.

AVIS COMPLÉMENTAIRES DE SÉCURITÉ ET DE TRAVAIL

Portez une protection acoustique. L'exposition au bruit pourrait provoquer une diminution de l'ouïe.

Toujours porter des lunettes protectrices en travaillant avec la machine. Des gants de sécurité, des chaussures solides et à semelles antidérapantes et un tablier sont recommandés.

Les poussières dégagées lors du travail sont souvent nocives et ne devraient pas pénétrer dans le corps. Utiliser un dispositif d'aspiration de poussières et porter en plus un masque de protection approprié. Éliminer soigneusement les dépôts de poussières, p. ex. en les aspirant au moyen d'un système d'aspiration de copeaux.

Ne pas utiliser de lames de scie qui ne correspondent pas aux caractéristiques indiquées dans ces instructions d'utilisation.

Ne pas utiliser de disques de meulage!

Ne pas bloquer le commutateur de marche/arrêt lorsque la scie se trouve en guidage manuel.

CONSIGNES DE TRAVAIL

Conformer la vitesse d'avancement afin d'éviter la surchauffe des dents de la lame.

BRANCHEMENT SECTEUR

Raccorder uniquement à un courant électrique monophasé et uniquement à la tension secteur indiquée sur la plaque signalétique. Le raccordement à des prises de courant sans contact de protection est également possible car la classe de protection II est donnée.

Les prises de courant se trouvant à l'extérieur doivent être équipées de disjoncteurs différentiel (FI, RCD, PRCD) conformément aux prescriptions de mise en place de votre installation électrique. Veuillez en tenir compte lors de l'utilisation de notre appareil.

Ne relier l'appareil à la prise de courant que lorsqu'il est débranché. En raison de risques de court-circuit, veiller à ce qu'aucune pièce métallique ne pénètre dans les ouïes de ventilation.

Le câble d'alimentation doit toujours se trouver en dehors du champ d'action de la machine. Toujours maintenir le câble d'alimentation à l'arrière de la machine.

Avant toute utilisation, vérifier que la machine, le câble d'alimentation, le câble de rallonge et la fiche ne sont pas endommagés ni usés. Les cas échéant, les faire remplacer par un spécialiste.

UTILISATION CONFORME AUX PRESCRIPTIONS

La scie à métaux peut être utilisée pour des travaux de sciage de coupes rectilignes dans différentes sortes de métaux, comme par exemple des profilés métalliques (UniStrut), des tuyaux, des supports utilisés dans le second œuvre, des gaines de câble, des profilés d'aluminium, des tôles, etc.

Comme déjà indiqué, cette machine n'est conçue que pour être utilisée conformément aux prescriptions.

DECLARATION CE DE CONFORMITE

Nous déclarons, sous notre responsabilité exclusive, que le produit décrit ici dans les « Caractéristiques techniques » satisfait à toutes les dispositions pertinentes des directives

2011/65/EU (RoHS)

2006/42/CE

2014/30/EU

et que les normes harmonisées suivantes ont été appliquées.

EN 60745-1:2009 + A11:2010

EN 60745-2-5:2010

EN 55014-1:2006+A1:2009+A2:2011

EN 55014-2:1997 + A1:2001 + A2:2008

EN 61000-3-2:2014

EN 61000-3-11:2000

EN 50581:2012



Winnenden, 2016-01-21

Alexander Krug / Managing Director
Autorisé à compiler la documentation technique.
Techtronic Industries GmbH
Max-Eyth-Straße 10, 71364 Winnenden, Germany

ENTRETIEN

Avant tous travaux sur la machine extraire la fiche de la prise de courant.

Assurez-vous de débrancher l'outil du secteur avant de monter ou de démonter la lame de scie.

Nettoyer l'appareil et le dispositif de protection avec un chiffon sec. Certains détergents endommagent les matériaux synthétiques ou d'autres parties isolantes.

Tenir toujours propres les orifices de ventilation de la machine.

Enlever régulièrement la poussière. Éliminez les sciures accumulées à l'intérieur de la scie afin d'éviter tout risque d'incendie.

Maintenir l'appareil nettoyé, sec et libre d'huiles et graisses écoulées.

Contrôler le fonctionnement des protecteurs.

Un entretien et un nettoyage réguliers permettent une longue vie utile et un emploi sûr.

En cas d'endommagement du câble d'alimentation de l'outil électrique, le câble devra être remplacé par un câble d'alimentation approprié disponible chez l'organisation d'assistance technique.

Utiliser uniquement les accessoires Milwaukee et les pièces détachées Milwaukee. Faire remplacer les composants dont le remplacement n'a pas été décrit, par un des centres de service après-vente Milwaukee (observer la brochure avec les adresses de garantie et de service après-vente).

En cas de besoin il est possible de demander un dessin éclaté du dispositif en indiquant le modèle de la machine et le numéro de six chiffres imprimé sur la plaquette de puissance et en s'adressant au centre d'assistance technique ou directement à Techtronic Industries GmbH, Max-Eyth-Straße 10, 71364 Winnenden, Germany.

SYMBOLES



ATTENTION! AVERTISSEMENT! DANGER!



Veuillez lire avec soin le mode d'emploi avant la mise en service



Toujours porter des lunettes protectrices en travaillant avec la machine.



Avant tous travaux sur la machine extraire la fiche de la prise de courant.



Accessoires - Ces pièces ne font pas partie de la livraison. Il s'agit là de compléments recommandés pour votre machine et énumérés dans le catalogue des accessoires.



Les dispositifs électriques ne sont pas à éliminer dans les déchets ménagers. Les dispositifs électriques et électroniques sont à collecter séparément et à remettre à un centre de recyclage en vue de leur élimination dans le respect de l'environnement. S'adresser aux autorités locales ou au détaillant spécialisé en vue de connaître l'emplacement des centres de recyclage et des points de collecte.



Outil électrique en classe de protection II. Outil électrique équipé d'une protection contre la fulguration électrique qui ne dépend seulement de l'isolation de base mais aussi de l'application d'autres mesures de protection telles qu'une double isolation ou une isolation augmentée. La connexion d'un conducteur de protection n'est pas prédisposée.



Marque CE



Marque de qualité EurAsian



DATI TECNICI Sega per metallo	MCS 66
Numero di serie	4406 16 02... ... 000001-999999
Potenza assorbita nominale	1800 W
Numero di giri a vuoto	4000 min ⁻¹
Diametro lama x foro lama	203 x 15,87 mm
Max. capacità di taglio in acciaio ferri angolari Tubi metallici profili	6 mm 50 x 50 x 6 mm Ø 66 mm max. 66 mm
Peso secondo la procedura EPTA 01/2003.	6,4 kg
Informazioni sulla rumorosità/sulle vibrazioni Valori misurati conformemente alla norma EN 60 745. La misurazione A del livello di pressione acustica dell'utensile è di solito di:	
Livello di rumorosità (Incertezza della misura K=3dB(A)) Potenza della rumorosità (Incertezza della misura K=3dB(A))	91,5 dB (A) 102,5 dB (A)
Utilizzare le protezioni per l'udito!	
Valori totali delle oscillazioni (somma di vettori in tre direzionmisurati conformemente alla norma EN 60745 Segatura di metallo: Valore di emissione dell'oscillazione a _{h,m} Incertezza della misura K =	3,6 m/s ² 1,5 m/s ²



AVVERTENZA

Il livello di vibrazioni indicato nelle presenti istruzioni è stato misurato in conformità con un procedimento di misurazione codificato nella EN 60745 e può essere utilizzato per un confronto tra attrezzi elettrici. Inoltre si può anche utilizzare per una valutazione preliminare della sollecitazione da vibrazioni.

Il livello di vibrazioni indicato rappresenta le applicazioni principali dell'attrezzo elettrico. Se viceversa si utilizza l'attrezzo elettrico per altri scopi, con accessori differenti o con una manutenzione insufficiente, il livello di vibrazioni può risultare diverso. E questo può aumentare decisamente la sollecitazione da vibrazioni lungo l'intero periodo di lavorazione.

Ai fini di una valutazione precisa della sollecitazione da vibrazioni si dovrebbero tenere presente anche i periodi in cui l'apparecchio rimane spento oppure, anche se acceso, non viene effettivamente utilizzato. Ciò può ridurre notevolmente la sollecitazione da vibrazioni lungo l'intero periodo di lavorazione.

Stabilite misure di sicurezza supplementari per la tutela dell'operatore dall'effetto delle vibrazioni, come ad esempio: manutenzione dell'attrezzo elettrico e degli accessori, riscaldamento delle mani, organizzazione dei processi di lavoro.

⚠ AVVERTENZA! E' necessario leggere tutte le indicazioni di sicurezza e le istruzioni. In caso di mancato rispetto delle avvertenze di pericolo e delle istruzioni operative si potrà creare il pericolo di scosse elettriche, incendi e/o incidenti gravi.
Conservare tutte le avvertenze di pericolo e le istruzioni operative per ogni esigenza futura.

⚠ INDICAZIONI DI SICUREZZA PER SEGHE CIRCOLARI

Processo di taglio

- a) **⚠ PERICOLO: Mai avvicinare le mani alla zona operativa e neppure alla lama di taglio. Utilizzare la seconda mano per afferrare l'impugnatura supplementare oppure la carcassa del motore.** Afferrando la sega circolare con entrambe le mani, la lama di taglio non potrà costituire una fonte di pericolo per le stesse.
- b) **⚠ Mai afferrare con le mani la parte inferiore del pezzo in lavorazione.** Nella zona al di sotto del pezzo in lavorazione la calotta di protezione non presenta alcuna protezione contro la lama di taglio.

c) **Adattare la profondità di taglio allo spessore del pezzo in lavorazione.** Nella parte inferiore del pezzo in lavorazione dovrebbe essere visibile meno della completa altezza del dente.

d) **Mai tenere con le mani il pezzo in lavorazione che si intende tagliare e neppure appoggiarlo sulla gamba. Assicurare il pezzo in lavorazione su una base di sostegno che sia stabile.** Per ridurre al minimo possibile il pericolo di un contatto con il corpo, la possibilità di un blocco della lama di taglio oppure la perdita del controllo, è importante fissare bene il pezzo in lavorazione.

e) **Quando si eseguono lavori in cui vi è pericolo che l'accessorio impiegato possa arrivare a toccare cavi elettrici nascosti oppure anche il cavo elettrico della macchina stessa, tenere l'elettro utensile afferrandolo sempre alle superfici di impugnatura isolate.** Un contatto con un cavo elettrico mette sotto tensione anche le parti in metallo dell'elettro utensile e provoca quindi una scossa elettrica.

f) **In caso di taglio longitudinale utilizzare sempre una battuta oppure una guida angolare dritta.** In questo modo è possibile migliorare la precisione del taglio riducendo il pericolo che la lama di taglio possa incepparsi.

g) **Utilizzare sempre lame per segatrice che abbiano la misura corretta ed il foro di montaggio adatto (p.es. a stella oppure rotondo).** In caso di lame per segatrice inadatte ai relativi pezzi di montaggio non hanno una rotazione perfettamente circolare e comportano il pericolo di una perdita del controllo.

h) **Mai utilizzare rondelle oppure viti per lama di taglio che non dovessero essere in perfetto stato o che non dovessero essere adatte.** Le rondelle e le viti per lama di taglio sono appositamente previste per la Vostra segatrice e sono state realizzate per raggiungere ottimali prestazioni e massima sicurezza di utilizzo.

Possibile causa ed accorgimenti per impedire un contraccolpo:

- Un contraccolpo è la reazione improvvisa provocata da una lama di taglio rimasta agganciata, che si blocca oppure che non è stata regolata correttamente comportando un movimento incontrollato della sega che sbalza dal pezzo in lavorazione e si sposta in direzione dell'operatore.

- Quando la lama di taglio rimane agganciata oppure si inceppa nella fessura di taglio che si restringe, si provoca un blocco e la potenza del motore fa balzare la macchina indietro in direzione dell'operatore;

- Torcendo la lama nella fessura di taglio oppure regolandola in maniera non appropriata vi è il pericolo che i denti del bordo posteriore della lama restano agganciati nella superficie del pezzo in lavorazione provocando una reazione della lama di taglio che sbalza dalla fessura di taglio e la segatrice salta indietro in direzione dell'operatore.

Un contraccolpo è la conseguenza di un utilizzo non appropriato oppure non corretto della sega. Esso può essere evitato soltanto prendendo misure adeguate di sicurezza come dalla descrizione che segue.

a) **Tenere la sega ben ferma afferrandola con entrambe le mani e portare le braccia in una posizione che Vi permetta di resistere bene alla forza di contraccolpi. Tenere sempre una posizione laterale rispetto alla lama di taglio e mai mettere la lama di taglio in una linea con il Vostro corpo.** In caso di un contraccolpo la sega circolare può balzare all'indietro; comunque, prendendo delle misure adeguate l'operatore può essere in grado di controllare il contraccolpo.

b) **Nel caso in cui la lama di taglio dovesse incepparsi oppure per un qualunque altro motivo l'operazione di taglio con la segatrice dovesse essere interrotta, rilasciare l'interruttore di avvio/arresto e tenere la segatrice in posizione nel materiale fino a quando la lama di taglio non si sarà fermata completamente. Non tentare mai di togliere la segatrice dal pezzo in lavorazione e neppure tirarla all'indietro fintanto che la lama di taglio si muove oppure vi dovesse essere ancora la possibilità di un contraccolpo.** Individuare la possibile causa del blocco della lama di taglio ed eliminarla attraverso interventi adatti.

c) **Volendo avviare nuovamente una segatrice che ancora si trova nel pezzo in lavorazione, centrare la lama nella fessura di taglio ed accertarsi che la dentatura della segatrice non sia rimasta agganciata nel pezzo in lavorazione.** Una lama di taglio inceppata può balzare fuori dal pezzo in lavorazione oppure provocare un contraccolpo nel momento in cui si avvia nuovamente la segatrice.

d) **Per eliminare il rischio di un contraccolpo dovuto al blocco di una lama di taglio, assicurare bene pannelli di dimensioni maggiori.** Pannelli di dimensioni maggiori possono piegarsi sotto il peso proprio. In caso di pannelli è necessario munirli di supporti adatti su entrambi i lati, sia in vicinanza della fessura di taglio che a margine.

e) **Non utilizzare mai lame per segatrice che non siano più**

affilate oppure il cui stato generale non dovesse essere più perfetto. Lame per segatrice non più affilate oppure deformate implicano un maggiore attrito nella fessura di taglio aumentando il pericolo di blocchi e di contraccolpi della lama di taglio.

f) **Prima di eseguire l'operazione di taglio, determinare la profondità e l'angolatura del taglio.** Se durante l'operazione di taglio si modificano le registrazioni è possibile che la lama di taglio si blocchi e che si abbia un contraccolpo.

g) **Si prega di operare con particolare attenzione quando si è in procinto di eseguire un „taglio dal centro“ in una zona nascosta come potrebbe per esempio essere una parete.** La lama di taglio che inizia il taglio su oggetti nascosti può bloccarsi e provocare un contraccolpo.

Funzione della cappa protettiva inferiore

a) **Prima di ogni intervento operativo accertarsi che la calotta di protezione chiuda perfettamente. Non utilizzare la segatrice in caso non fosse possibile muovere liberamente la calotta di protezione inferiore e non potesse essere chiusa immediatamente. Mai bloccare oppure legare la calotta di protezione inferiore in posizione aperta.** Se la segatrice dovesse accidentalmente cadere a terra è possibile che la calotta di protezione inferiore subisca una deformazione. Operando con la leva di ritorno, aprire la calotta di protezione ed accertarsi che possa muoversi liberamente in ogni angolazione e profondità di taglio senza toccare né lama né nessun altro pezzo.

b) **Controllare il funzionamento della molla per la calotta di protezione inferiore. Qualora la calotta di protezione e la molla non dovessero funzionare correttamente, sottoporre la macchina ad un servizio di manutenzione prima di utilizzarla.** Componenti danneggiati, depositi di sporizia appiccicosi oppure accumuli di trucioli comportano una riduzione della funzionalità della calotta inferiore di protezione.

c) **Aprire manualmente la calotta inferiore di protezione solo in caso di tagli particolari come potrebbero essere „tagli dal centro e tagli ad angolo“.** Aprire la calotta inferiore di protezione mediante la leva di ritorno e rilasciare questa non appena la lama di taglio sarà penetrata nel pezzo in lavorazione. Nel caso di ogni altra operazione di taglio la calotta inferiore di protezione deve funzionare automaticamente.

d) **Non poggiare la segatrice sul banco di lavoro oppure sul pavimento se la calotta inferiore di protezione non copre completamente la lama di taglio.** Una lama di taglio non protetta ed ancora in fase di arresto sposta la segatrice in senso contrario a quello della direzione di taglio e taglia tutto ciò che incontra. Tenere quindi sempre in considerazione la fase di arresto della segatrice.

ULTERIORI AVVISI DI SICUREZZA E DI LAVORO

Indossare protezioni acustiche adeguate. L'esposizione al rumore potrebbe comportare una riduzione dell'udito.

Durante l'uso dell'apparecchio utilizzare sempre gli occhiali di protezione. Inoltre si consiglia di usare sistemi di protezione per la respirazione e per l'udito, oltre ai guanti di protezione.

La polvere provocata durante la lavorazione con questo utensile può essere dannosa alla salute e per questo motivo non devono entrare in contatto con il corpo. Usare un sistema d'aspirazione polvere e indossare una maschera di protezione dalla polvere. Rimuovere i depositi di polvere, per esempio con un aspiratore.

Non utilizzare lame non corrispondenti alle specifiche riportate in queste istruzioni d'uso.

Per favore non utilizzare dischi abrasivi

Non bloccare l'interruttore durante il funzionamento manuale.



ISTRUZIONI DI LAVORO

Adeguare la velocità di avanzamento per evitare il surriscaldamento dei denti della lama.

COLLEGAMENTO ALLA RETE

Connettere solo corrente alternata mono fase e solo al sistema di voltaggio indicato sulla piastra. È possibile anche connettere la presa senza un contatto di messa a terra così come prevede lo schema conforme alla norme di sicurezza di classe II.

Gli apparecchi mobili usati all'aperto devono essere collegati interponendo un interruttore di sicurezza (FI, RCD, PRCD) per guasti di corrente.

Inserire la spina nella presa di corrente solo ad apparecchio spento. Non lasciare che nessuna parte metallica venga a contatto con l'apertura dell'areazione - pericolo di corto circuito.

Tenere sempre lontano il cavo di collegamento dall'area di lavoro dell'attrezzo.

Prima di ogni utilizzo controllare che il cavo di alimentazione, eventuali prolunghie e la spina siano integre e senza danni. Eventualmente parti danneggiate devono essere controllate e riparate da un tecnico.

UTILIZZO CONFORME

La sega per metallo è adatta per lunghi tagli su diversi tipi di metallo come per esempio profilati metallici (UniStrut), tubi, canaline, profilati in alluminio, lamiere ecc.

Utilizzare il prodotto solo per l'uso per cui è previsto.

DICHIARAZIONE DI CONFORMITÀ CE

Assumendone la piena responsabilità, dichiariamo che il prodotto descritto nei "Dati tecnici" è conforme alle pertinenti disposizioni delle direttive

2011/65/EU (RoHS)

2006/42/CE

2014/30/EU

e che sono state applicate le seguenti norme armonizzate

EN 60745-1:2009 + A1:2010

EN 60745-2-5:2010

EN 55014-1:2006+A1:2009+A2:2011

EN 55014-2:1997 + A1:2001 + A2:2008

EN 61000-3-2:2014

EN 61000-3-11:2000

EN 50581:2012



Winnenden, 2016-03-25

Alexander Krug / Managing Director
Autorizzato alla preparazione della documentazione tecnica
Techtronic Industries GmbH
Max-Eyth-Straße 10, 71364 Winnenden, Germany

MANUTENZIONE

Prima di effettuare qualsiasi lavoro sulla macchina togliere la spina dalla presa di corrente.

Assicurarsi di aver scollegato l'utensile dall'alimentazione prima di collegarlo o prima di rimuovere la lama.

Pulire l'apparecchio ed il dispositivo di protezione con un panno asciutto.

Alcuni detersivi danneggiano materiali sintetici o altre parti isolanti.

Tener sempre ben pulite le fessure di ventilazione dell'apparecchio.

Eliminare regolarmente la polvere. Eliminare i trucioli accumulati all'interno della sega, onde evitare pericoli d'incendio

Tenere l'apparecchio pulito ed asciutto, nonché libero da oli e grassi fuoriusciti.

Controllare il funzionamento delle cuffie di protezione.

Una regolare manutenzione e pulizia permettono una lunga vita utile ed un uso sicuro.

In caso di danneggiamento del cavo di alimentazione dell'utensile elettrico, il cavo dovrà essere sostituito con apposito cavo di alimentazione disponibile presso l'organizzazione di assistenza tecnica.

Usare solo accessori Milwaukee e pezzi di ricambio Milwaukee. Gruppi costruttivi la cui sostituzione non è stata descritta, devono essere fatti cambiare da un punto di servizio di assistenza tecnica al cliente Milwaukee (vedi depliant garanzia/indirizzi assistenza tecnica ai clienti).

In caso di necessità è possibile richiedere un disegno esploso del dispositivo indicando il modello della macchina ed il numero a sei cifre sulla targa di potenza rivolgendosi al centro di assistenza tecnica o direttamente a Techtronic Industries GmbH, Max-Eyth-Straße 10, 71364 Winnenden, Germany.

SIMBOLI



ATTENZIONE! AVVERTENZA! PERICOLO!



Leggere attentamente le istruzioni per l'uso prima di mettere in funzione l'elettro utensile.



Durante l'uso dell'apparecchio utilizzare sempre gli occhiali di protezione.



Prima di effettuare qualsiasi lavoro sulla macchina togliere la spina dalla presa di corrente.



Accessorio - Non incluso nella dotazione standard, disponibile a parte come accessorio.



I dispositivi elettrici non devono essere smaltiti con i rifiuti domestici. I dispositivi elettrici ed elettronici devono essere raccolti separatamente e devono essere conferiti ad un centro di riciclaggio per lo smaltimento rispettoso dell'ambiente. Chiedere alle autorità locali o al rivenditore specializzato dove si trovano i centri di riciclaggio e i punti di raccolta.



Utensile elettrico di classe di protezione II. Utensile elettrico sul quale la protezione contro la folgorazione elettrica non dipende soltanto dall'isolamento di base, ma anche dall'applicazione di ulteriori misure di protezione, come il doppio isolamento o l'isolamento maggiorato. Non è predisposto il collegamento di un conduttore di protezione.



Marchio CE



Marchio di conformità EurAsian

Italiano

DATOS TÉCNICOS Sierra de metal	MCS 66
Número de producción	4406 16 02... ... 000001-999999
Potencia de salida nominal	1800 W
Velocidad en vacío	4000 min ⁻¹
Disco de sierra - ø x orificio ø	203 x 15,87 mm
Rendimiento máximo de corte Chapa de acero perfiles angulares Tubos metálicos perfiles	6 mm 50 x 50 x 6 mm Ø 66 mm max. 66 mm
Peso de acuerdo con el procedimiento EPTA 01/2003	6,4 kg
Información sobre ruidos / vibraciones Determinación de los valores de medición según norma EN 60 745. El nivel de ruido típico del aparato determinado con un filtro A corresponde a: Presión acústica (Tolerancia K=3dB(A)) Resonancia acústica (Tolerancia K=3dB(A)) Usar protectores auditivos!	91,5 dB (A) 102,5 dB (A)
Nivel total de vibraciones (suma vectorial de tres direcciones) determinado según EN 60745. aserrado de metal: Valor de vibraciones generadas a _{h,m} Tolerancia K =	3,6 m/s ² 1,5 m/s ²




ADVERTENCIA

El nivel vibratorio indicado en estas instrucciones ha sido medido conforme a un método de medición estandarizado en la norma EN 60745, y puede utilizarse para la comparación entre herramientas eléctricas. También es apropiado para una estimación provisional de la carga de vibración.

El nivel vibratorio indicado representa las aplicaciones principales de la herramienta eléctrica. Si, pese a ello, se utiliza la herramienta eléctrica para otras aplicaciones, con útiles adaptables diferentes o con un mantenimiento insuficiente, el nivel vibratorio puede diferir. Esto puede incrementar sensiblemente la carga de vibración durante todo el periodo de trabajo.


Para una estimación exacta de la carga de vibración deberían tenerse en cuenta también los tiempos durante los que el aparato está apagado o, pese a estar en funcionamiento, no está siendo realmente utilizado. Esto puede reducir sustancialmente la carga de vibración durante todo el periodo de trabajo.

Adopte medidas de seguridad adicionales para la protección del operador frente al efecto de las vibraciones, como por ejemplo: mantenimiento de la herramienta eléctrica y de los útiles adaptables, mantener las manos calientes, organización de los procesos de trabajo.

 **ADVERTENCIA! Rogamos leer las indicaciones de seguridad y las instrucciones.** En caso de no atenderse a las advertencias de peligro e instrucciones siguientes, ello puede ocasionar una descarga eléctrica, un incendio y/o lesión grave. **Guardar todas las advertencias de peligro e instrucciones para futuras consultas.**

INSTRUCCIONES DE SEGURIDAD PARA SIERRAS CIRCULARES

Proceso de serrado

-  **PELIGRO: Mantener las manos alejadas del área de corte y de la hoja de sierra. Sujetar con la otra mano la empuñadura adicional o la carcasa motor.** Si la sierra circular se sujeta con ambas manos, éstas no pueden lesionarse con la hoja de sierra.
- No tocar por debajo de la pieza de trabajo.** La caperuza protectora no le protege del contacto con la hoja de sierra por la parte inferior de la pieza de trabajo.
- Adaptar la profundidad de corte al grosor de la pieza de trabajo.** La hoja de sierra no deberá sobresalir más de un diente de la pieza de trabajo.
- Jamás sujetar la pieza de trabajo con la mano o colocarla sobre sus piernas. Fijar la pieza de trabajo sobre una base de asiento firme.** Es importante que la pieza de trabajo quede bien sujeta para reducir el riesgo a accidentarse, a que se atasque la hoja de sierra, o a perder del control sobre el aparato.
- Únicamente sujete el aparato por las empuñaduras aisladas al realizar trabajos en los que el útil pueda tocar conductores eléctricos ocultos o el propio cable del aparato.** El contacto con conductores portadores de tensión puede hacer que las partes metálicas del aparato le provoquen una descarga eléctrica.
- Al realizar cortes longitudinales emplear siempre un tope, o una guía para ángulos rectos.** Esto permite un corte más exacto y además reduce el riesgo a que se atasque la hoja de sierra.

g) **Siempre utilizar las hojas de sierra con las dimensiones correctas y el orificio adecuado (p. ej. en forma de estrella o redondo).** Las hojas de sierra que no correspondan a los elementos de montaje de ésta, giran excéntricas y pueden hacerle perder el control sobre la sierra.

h) **Jamás emplear arandelas o tornillos de sujeción de la hoja de sierra dañados o incorrectos.** Las arandelas y tornillos de sujeción de la hoja de sierra fueron especialmente diseñados para obtener unas prestaciones y seguridad de trabajo máximas.

Causas y prevención contra el rechazo de la sierra:

- El rechazo es una fuerza de reacción brusca que se provoca al engancharse, atascarse o guiar incorrectamente la hoja de sierra, lo que hace que la sierra se salga de forma incontrolada de la pieza de trabajo y resulte impulsada hacia el usuario;

- Si la hoja de sierra se engancha o atasca al cerrarse la ranura de corte, la hoja de sierra se bloquea y el motor impulsa el aparato hacia el usuario;

- Si la hoja de sierra se gira lateralmente o se desalinea, los dientes de la parte posterior de la hoja de sierra pueden engancharse en la cara superior de la pieza de trabajo haciendo que la hoja de sierra se salga de la ranura de corte, y el aparato salga despedido hacia atrás en dirección al usuario.

El rechazo se debe a la utilización inadecuada y/o procedimientos o condiciones de trabajo incorrectos y puede evitarse tomando las precauciones que se detallan a continuación.

a) **Sujetar firmemente la sierra con ambas manos manteniendo los brazos en una posición que le permita oponerse a la fuerza de reacción. Mantener el cuerpo a un lado de la hoja de sierra; jamás colocarse en línea con ella.** Si la sierra retrocede bruscamente al ser rechazada, el usuario puede hacer frente a esta fuerza de reacción siempre que haya tomando unas precauciones adecuadas.

b) **Si la hoja de sierra se atasca, o en caso de tener que interrumpir el trabajo por cualquier otro motivo, soltar el interruptor de conexión/desconexión manteniendo inmóvil la sierra, y esperar a que se haya detenido completamente la hoja de sierra. Jamás intentar sacar la sierra de la pieza de trabajo o tirar de ella hacia atrás mientras esté funcionando la hoja de sierra, puesto que resultaría rechazada.**

Investigar y subsanar convenientemente la causa de atasco de la hoja de sierra.

c) **Para continuar el trabajo con la sierra, centrar primero la hoja de sierra en la ranura y cerciorarse de que los dientes de sierra no toquen la pieza de trabajo.** Si la hoja de sierra está atascada, la sierra puede llegar a salirse de la pieza de trabajo o ser rechazada al ponerse en marcha.

d) **Soportar tableros grandes para evitar un rechazo al atascarse la hoja de sierra.** Los tableros grandes pueden moverse por su propio peso. Los tableros deberán ser soportados a ambos lados, tanto cerca de la línea de corte como al borde.

e) **No usar hojas de sierra melladas ni dañadas.** Las hojas de sierra con dientes mellados o incorrectamente triscados producen una ranura de corte demasiado estrecha, lo que provoca una fricción excesiva y el atasco o rechazo de la hoja de sierra.

f) **Apretar firmemente los dispositivos de ajuste de la profundidad y ángulo de corte antes de comenzar a serrar.** Si la sierra llegase a desajustarse durante el trabajo puede que la hoja de sierra se atasque y resulte rechazada.

g) **Prestar especial atención al realizar un “corte por inmersión” en tabiques u otros materiales de composición desconocida.** Al ir penetrando la sierra ésta puede ser bloqueada por objetos ocultos en el material y hacer que la sierra sea rechazada.

Función de la cubierta de protección inferior

a) **Antes de cada utilización cerciorarse de que la caperuza protectora inferior cierre perfectamente. No usar la sierra si la caperuza protectora inferior no gira libremente o no se cierra de forma instantánea. Jamás bloquear o atar la caperuza protectora inferior para mantenerla abierta.** Si la sierra se le cae puede que se deforme la caperuza protectora inferior. Abrir la caperuza protectora inferior con la palanca y cerciorarse de que se mueva libremente sin que llegue a tocar la hoja de sierra ni otras partes en cualquiera de los ángulos y profundidades de corte.

b) **Controlar el funcionamiento del muelle de recuperación de la caperuza protectora inferior. Antes de su uso hacer reparar el aparato si la caperuza protectora inferior o el resorte no funcionan correctamente.** Las piezas deterioradas, el material adherido pegajoso, o las virutas acumuladas puede hacer que la caperuza protectora inferior se mueva con dificultad.

c) **Solamente abrir manualmente la caperuza protectora inferior al realizar cortes especiales como “cortes por inmersión” o “cortes compuestos”.** Abrir la caperuza protectora inferior con la palanca y soltarla en el momento en que la hoja de sierra haya llegado a penetrar en la pieza de trabajo. En todos los demás trabajos la caperuza protectora deberá trabajar automáticamente.

d) **No depositar la sierra sobre una base si la caperuza protectora inferior no cubre la hoja de sierra.** Una hoja de sierra sin proteger, que no esté completamente detenida, hace que la sierra salga despedida hacia atrás, cortando todo lo que encuentra a su paso. Considerar el tiempo de marcha por inercia hasta la detención de la sierra.

INSTRUCCIONES ADICIONALES DE SEGURIDAD Y LABORALES

¡Utilice protección auditiva! La exposición a niveles de ruido excesivos puede causar la pérdida de audición.

Para trabajar con la máquina, utilizar siempre gafas de protección, guantes, calzado de seguridad antideslizante, así como es recomendable usar protectores auditivos.

El polvo que se produce cuando se usa esta herramienta puede ser perjudicial para la salud. Use un sistema de absorción de polvo y utilice una máscara adecuada de protección contra el polvo. Limpie el polvo depositado, por ejemplo con un aspirador.

No se pueden emplear hojas de sierra cuyos datos codificados no corresponden a estas instrucciones de manejo.

Por favor no emplear muelas abrasivas!

En cortes manuales ni se puede ni se debe enclavar el interruptor de forma fija, para prevenir accidentes.

INDICACIONES PARA EL TRABAJO

Adapte la velocidad de avance para evitar que se sobrecalienten los dientes de la hoja de sierra.

CONEXIÓN ELÉCTRICA

Conectar solamente a corriente AC monofásica y sólo al voltaje indicado en la placa de características. También es posible la conexión a enchufes sin toma a tierra, dado que es conforme a la Clase de Seguridad II.

Conecte siempre la máquina a una red protegida por interruptor diferencial y magnetotérmico (FI, RCD, PRCD), para su seguridad personal, según normas establecidas para instalaciones eléctricas de baja tensión.

Asegurarse que la máquina está desconectada antes de enchufarla.

Evite que cualquier pieza metálica alcance las ranuras de ventilación - ¡peligro de cortocircuito!

Mantener siempre el cable separado del radio de acción de la máquina.

Antes de empezar a trabajar compruebe si está dañada la máquina, el cable o el enchufe. Las reparaciones sólo se llevarán a cabo por Agentes de Servicio autorizados.

APLICACIÓN DE ACUERDO A LA FINALIDAD

La sierra de metal realiza de manera exacta cortes rectos y a inglete en diferentes materiales, como perfiles metálicos, tubos, corrugado, chapa metálica, etc.

No utilice este producto para ninguna otra aplicación que no sea su uso normal.

DECLARACION DE CONFORMIDAD CE

Declaramos bajo nuestra única responsabilidad que el producto descrito bajo „Datos técnicos“ cumple todas las disposiciones pertinentes de las directivas 2011/65/EU (RoHS)

2006/42/CE

2014/30/EU

y que se han implementado y estándares

EN 60745-1:2009 + A11:2010

EN 60745-2-5:2010

EN 55014-1:2006+A1:2009+A2:2011

EN 55014-2:1997 + A1:2001 + A2:2008

EN 61000-3-2:2014

EN 61000-3-11:2000

EN 50581:2012



Winnenden, 2016-03-25

Alexander Krug / Managing Director
Autorizado para la redacción de los documentos técnicos.
Techtronic Industries GmbH
Max-Eyth-Strasse 10, 71364 Winnenden, Germany

MANTENIMIENTO

Desconecte siempre el enchufe antes de llevar a cabo cualquier trabajo en la máquina.

Asegúrese de desconectar la herramienta de la fuente de alimentación antes de ajustar o retirar la hoja de sierra.

Limpie la herramienta y el dispositivo protector con un paño seco.

Algunos detergentes dañan materiales sintéticos u otras partes aisladas.

Las ranuras de ventilación de la máquina deben estar despejadas en todo momento.

Retire regularmente el polvo. Retire las virutas acumuladas en el interior de la sierra para evitar riesgos de incendio.

Mantenga la herramienta limpia, seca y libre de aceite y grasa emergente.

Controle la función de las cubiertas protectoras.

Un mantenimiento y una limpieza regular permitirán una larga vida y un manejo seguro de la herramienta.

Si la línea de conexión de la herramienta eléctrica estuviera dañada, deberá reemplazarse la misma por una línea de alimentación preparada especialmente, la cual puede adquirirse a través de la organización de servicio al cliente.

Utilice solamente accesorios y repuestos Milwaukee. En caso de necesitar reemplazar componentes no descritos, contacte con cualquiera de nuestras estaciones de servicio Milwaukee (consultar lista de servicio técnicos)

Puede solicitar, en caso necesario, una vista despiezada del aparato bajo indicación del tipo de máquina y el número de seis dígitos en la placa indicadora de potencia en su Servicio de Postventa o directamente en Techtronic Industries GmbH, Max-Eyth-Strasse 10, 71364 Winnenden, Germany.

SÍMBOLOS



¡ATENCIÓN! ¡ADVERTENCIA! ¡PELIGRO!



Lea las instrucciones detenidamente antes de conectar la herramienta



Para trabajar con la máquina, utilizar siempre gafas de protección.



Desconecte siempre el enchufe antes de llevar a cabo cualquier trabajo en la máquina.



Accesorio - No incluido en el equipo estándar, disponible en la gama de accesorios.



Los aparatos eléctricos no se deben eliminar junto con la basura doméstica. Los aparatos eléctricos y electrónicos se deben recoger por separado y se deben entregar a una empresa de reciclaje para una eliminación respetuosa con el medio ambiente. Infórmese en las autoridades locales o en su tienda especializada sobre los centros de reciclaje y puntos de recogida.



Herramienta eléctrica de la clase de protección II. Herramientas eléctricas, en las que la protección contra un choque eléctrico no depende solamente del aislamiento básico sino también de la aplicación de medidas adicionales de protección, como doble aislamiento o aislamiento reforzado. No existe dispositivo para la conexión de un conductor protector.



Marca CE



Certificado EAC de conformidad



CARACTERÍSTICAS TÉCNICAS		MCS 66
Serra de metal		
Número de produção		4406 16 02... ... 000001-999999
Potência absorvida nominal		1800 W
Nº de rotações em vazio		4000 min ⁻¹
Ø de disco x Ø da furação		203 x 15,87 mm
Capacidade máx. de corte Chapa de aço ferro angular Tubos metálicos perfis		6 mm 50 x 50 x 6 mm Ø 66 mm max. 66 mm
Peso nos termos do procedimento-EPTA 01/2003		6,4 kg
Informações sobre ruído/vibração Valores de medida de acordo com EN 60 745. O nível de ruído avaliado A do aparelho é tipicamente:		
Nível da pressão de ruído (Incerteza K=3dB(A))		91,5 dB (A)
Nível da potência de ruído (Incerteza K=3dB(A))		102,5 dB (A)
Use protectores auriculares!		
Valores totais de vibração (soma dos vectores das três direcções) determinadas conforme EN 60745.		
Serrar metal: Valor de emissão de vibração a _{h,m}		3,6 m/s ²
Incerteza K =		1,5 m/s ²



Por

ATENÇÃO

O nível vibratório indicado nestas instruções foi medido em conformidade com um procedimento de medição normalizado na EN 60745 e pode ser utilizado para comparar entre si ferramentas eléctricas. O mesmo é também adequado para avaliar provisoriamente o esforço vibratório.

O nível vibratório indicado representa as principais aplicações da ferramenta eléctrica. Se, no entanto, a ferramenta eléctrica for utilizada para outras aplicações, com outras ferramentas adaptadas ou uma manutenção insuficiente, o nível vibratório poderá divergir. Isto pode aumentar consideravelmente o esforço vibratório ao longo de todo o período do trabalho.

Para uma avaliação exacta do esforço vibratório devem também ser considerados os tempos durante os quais o aparelho está desligado ou está a funcionar, mas não está efectivamente a ser utilizado. Isto pode reduzir consideravelmente o esforço vibratório ao longo de todo o período do trabalho.

Defina medidas de segurança suplementares para proteger o operador do efeito das vibrações, como por exemplo: manutenção da ferramenta eléctrica e das ferramentas adaptadas, manter as mãos quentes, organização das sequências de trabalho.

⚠ ATENÇÃO! Leia todas as instruções de segurança e todas as instruções. O desrespeito das advertências e instruções apresentadas abaixo pode causar choque eléctrico, incêndio e/ou graves lesões.

Guarde bem todas as advertências e instruções para futura referência.

⚠ INSTRUÇÕES DE SEGURANÇA PARA SERRAS CIRCULARES

Processo de serragem

- a) **⚠ PERIGO: Mantenha as mãos afastadas da área de corte e da lâmina de corte. Mantenha a sua outra mão segurando o punho adicional ou a carcaça do aparelho.** Se ambas as mãos segurarem a serra circular, estas não poderão ser lesadas pela lâmina de serra.
- b) **Não toque em baixo da peça a ser trabalhada.** A capa de protecção não pode proteger contra a lâmina de serra sob a peça a ser trabalhada.

- c) **Adaptar a profundidade de corte à espessura da peça a ser trabalhada.** Deveria estar visível por aproximadamente menos do que uma altura de dente abaixo da peça a ser trabalhada.
- d) **Jamais segure a peça a ser trabalhada na mão ou sobre a perna. Fixar a peça a ser trabalhada sobre uma base firme.** É importante, fixar bem a peça a ser trabalhada, para minimizar o risco de contacto com o corpo, emperramento da lâmina de serra ou perda de controle.
- e) **Ao executar trabalhos durante os quais possam ser atingidos cabos eléctricos ou o próprio cabo de rede, deverá sempre segurar a ferramenta eléctrica pelas superfícies isoladas do punho.** O contacto com um cabo sob tensão pode colocar peças de metal da ferramenta eléctrica sob tensão e levar a um choque eléctrico.
- f) **Utilize sempre um esbarro ou um guia de cantos recto para efectuar cortes longitudinais.** Isto melhora a exactidão de corte e reduz a probabilidade da lâmina de serra emperrar.

Português

g) **Utilize sempre lâminas de serrar com o tamanho correcto e com orifício de admissão de forma apropriada (p.ex. em forma de estrela ou redonda).** Lâminas de serra que não servem para as peças de montagem da serra, não giram irregularmente e levam à perda do controle.

h) **Jamais utilizar arruelas planas ou parafusos de lâminas de serra danificados ou não apropriados.** As arruelas planas e os parafusos foram construídos especialmente para a sua serra, para uma potência otimizada e segurança operacional.

Causa e prevenção contra um contra-golpe:

- um contra-golpe é uma reacção repentina devido a uma lâmina de serra enganchada, emperrada ou incorrectamente alinhada, que faz com que uma serra descontrolada saia da peça a ser trabalhada e se movimente no sentido da pessoa a operar o aparelho;

- Se a lâmina de serra engancha ou emperrar na fenda de corte, esta é bloqueada, e a força do motor golpea o aparelho no sentido do operador;

- se a lâmina de serrar for torcida ou incorrectamente alinhada no corte, é possível que os dentes do canto posterior da lâmina de serrar se engatem na superfície da peça a ser trabalhada, de modo que a lâmina de serra se movimente para fora da fenda de corte e pule de volta para a pessoa a operar o aparelho.

Um contra-golpe é o resultado de uma utilização errada ou incorrecta da serra. Ele pode ser evitado com apropriadas medidas de precaução, como descrito a seguir.

a) **Segurar a serra firmemente com ambas as mãos e mantenha os braços numa posição, na qual é capaz de suportar as forças de uma contra-golpe. Posicione-se sempre na lateral da lâmina de serra, jamais colocar a lâmina de serra numa linha com o seu corpo.** No caso de um contra-golpe, a serra circular pode pular para trás, no entanto o operador será capaz de dominar a força do contra-golpe se tiver tomado medidas de precaução.

b) **Se a lâmina de serra engancha ou se o processo de serra for interrompido por qualquer outro motivo, deverá soltar o interruptor de ligar-desligar e segurar a serra imóvel na peça a ser trabalhada, até a lâmina de serra parar completamente. Não tente jamais remover a lâmina de serra da peça a ser trabalhada ou puxá-la para trás, enquanto a lâmina ainda estiver em movimento ou enquanto puder ocorrer um contra-golpe.** Encontrar a causa pela qual a lâmina de serra está enganchada e eliminar a causa através de medidas apropriadas.

c) **Se desejar reaccionar uma serra que se encontra na peça a ser trabalhada, deverá centrar a lâmina de serra na fenda de serra e controlar se os dentes da serra não engate na peça a ser trabalhada.** Se a lâmina de serra emperrar, poderá movimentar-se para fora da lâmina de serra ou causar um contra-golpe logo que a serra for reaccionada.

d) **Placas grandes devem ser apoiadas, para reduzir o risco de um contra-golpe devido a uma lâmina de serra emperrada.** Placas grandes podem curvar-se devido ao seu próprio peso. Placas devem ser apoiadas em ambos os lados, tanto nas proximidades da fenda de corte, assim como na borda.

e) **Não utilizar lâminas de serra obtusas ou danificadas.** Lâminas de serra obtusas ou desalinhadas causam devido a uma

fenda de corte demasiado estreita, uma fricção elevada, emperramento da lâmina de serra e contra-golpes.

f) **Antes de serrar, deverá apertar os ajustes de profundidade de corte e de ângulo de corte.** Se os ajustes se alterarem durante o processo de corte, é possível que a lâmina de serra seja emperrada e que ocorra um contra-golpe.

g) **Tenha especialmente cuidado, ao efectuar um “Corte de imersão” numa área escondida, p.ex. uma parede existente.** A lâmina de serra mergulhada pode bloquear-se em objetos escondidos ao serrar e causar um contra-golpe.

Funcionamento da cobertura de protecção inferior

a) **Controlar antes de cada utilização, se a capa de protecção inferior fecha perfeitamente. Não utilize a serra se a capa de protecção inferior não se movimentar livremente e não se fechar imediatamente. Jamais prender ou amarrar a capa de protecção na posição aberta.** Se a serra cair inesperadamente no chão, é possível que a capa de protecção inferior seja entortada. Abrir a capa de protecção com a alavanca para puxar para trás, e assegurar que se movimente livremente e não entre em contacto com a lâmina de serra nem com outras partes ao efectuar todos os tipos de cortes angulares e em todas profundidades de corte.

b) **Controlar a função da mola para a capa de protecção inferior. Permite que seja efectuada uma manutenção do aparelho antes de utilizá-lo, se a capa de protecção inferior e a mola não estiverem funcionando perfeitamente.** Peças danificadas, resíduos aderentes ou acumulações de aparas fazem com que a capa de protecção inferior trabalhe com atraso.

c) **Só abrir a capa de protecção inferior manualmente em certos tipos de corte, como “Cortes de imersão e cortes angulares”.** Abrir a capa de protecção inferior com uma alavanca para puxar para trás e soltar, logo que a lâmina de serra tenha entrado na peça a ser trabalhada. Em todos os outros trabalhos de serra é necessário que a capa de protecção inferior trabalhe automaticamente.

d) **Não depositar a serra sobre a bancada de trabalho nem sobre o chão, sem que a capa de protecção inferior encubra a lâmina de serra.** Uma lâmina de serra não utilizada, e em movimento por inércia, movimenta a serra no sentido contrário do corte e serra tudo que estiver no seu caminho. Observe o tempo de movimento de inércia da serra.

INSTRUÇÕES DE SEGURANÇA E TRABALHO SUPLEMENTARES

Sempre use a protecção dos ouvidos. Os ruídos podem causar surdez.

Usar sempre óculos de protecção ao trabalhar com a máquina. Recomenda-se a utilização de luvas de protecção, protectores para os ouvidos e máscara anti-poeiras.

A poeira gerada ao trabalhar com esta ferramenta pode ser perigosa para a saúde e por isso não deve atingir o corpo. Utilize um sistema de absorção de poeiras e use uma máscara de protecção. Retire completamente a poeira depositada, por exemplo com um aspirador.

É inadmissível a utilização de discos de serra que não correspondam às características especificadas nestas instruções de serviço.

É favor não instalar discos de lixar!

Não bloquear o interruptor quando a máquina for conduzida à mão.



DICAS DE TRABALHO

Ajuste a velocidade de avanço para evitar um sobreaquecimento dos dentes das folhas de serra.

LIGAÇÃO À REDE

Só conectar à corrente alternada monofásica e só à tensão de rede indicada na placa de potência. A conexão às tomadas de rede sem contacto de segurança também é possível, pois trata-se de uma construção da classe de protecção II.

Aparelhos não estacionários, utilizados ao ar livre, devem ser protegidos por um disjuntor de corrente de defeito (FI, RCD, PRCD).

Ao ligar o aspirador à rede, o interruptor deve encontrar-se na posição de desligado.

Não deixe que peças metálicas toquem nas fendas de circulação de ar - perigo de curto-circuitos.

Manter sempre o cabo de ligação fora da zona de acção da máquina.

Antes de cada utilização inspecionar a máquina, o cabo de ligação a extensão e quanto a danos e desgaste. A máquina só deve ser reparada por um técnico especializado.

UTILIZAÇÃO AUTORIZADA

A serra de metal pode ser utilizada para efectuar cortes a direito em diversos tipos de metal, como p. ex. perfis metálicos (UniStrut), tubos, suportes de pré-fabricados, canais de cabos, perfis de alumínio, chapas, etc.

Não use este produto de outra maneira sem ser a normal para a qual foi concebido.

DECLARAÇÃO DE CONFORMIDADE CE

Declaramos, sob a nossa inteira responsabilidade, que o produto descrito em «Dados Técnicos» cumpre todas as disposições relevantes das diretivas

2011/65/EU (RoHS)

2006/42/CE

2014/30/EU

tendo sido seguidas as seguintes normas harmonizadas

EN 60745-1:2009 + A11:2010

EN 60745-2-5:2010

EN 55014-1:2006+A1:2009+A2:2011

EN 55014-2:1997 + A1:2001 + A2:2008

EN 61000-3-2:2014

EN 61000-3-11:2000

EN 50581:2012



Winnenden, 2016-03-25

Alexander Krug / Managing Director
Autorizado a reunir a documentação técnica.

Techtronic Industries GmbH
Max-Eyth-Strasse 10, 71364 Winnenden, Germany

MANUTENÇÃO

Antes de efectuar qualquer intervenção na máquina, tirar a ficha da tomada.

Certifique-se que desliga a ferramenta da rede eléctrica antes de instalar ou remover a lâmina serra.

Limpe o aparelho e o dispositivo de protecção com um pano seco.

Alguns detergentes danificam o plástico ou outras peças isoladas.

Manter desobstruídos os rasgos de ventilação na carcaça da máquina.

Retire regularmente o pó. Retire a serradura acumulada no interior da serra para evitar riscos de incêndio.

Mantenha o aparelho limpo e seco e livre de óleo ou graxa que saiu.

Verifique a função das tampas de protecção.

Uma manutenção e limpeza em intervalos regulares cuida de uma longa vida útil e de um manejo seguro.

Se o condutor de alimentação da ferramenta eléctrica estiver danificado, ele deverá ser substituído por um condutor de alimentação especial que se vende na organização da assistência ao cliente.

Utilizar apenas acessórios Milwaukee e peças sobresselentes Milwaukee. Os componentes cuja substituição não esteja descrita devem ser substituídos num serviço de assistência técnica Milwaukee (consultar a brochura relativa à garantia/moradas dos serviços de assistência técnica).

Se for necessário, um desenho de explosão do aparelho pode ser solicitado do seu posto de assistência ao cliente ou directamente da Techtronic Industries GmbH, Max-Eyth-Strasse 10, 71364 Winnenden, Alemanha, indicando o tipo da máquina e o número de seis posições na chapa indicadora da potência.

SYMBOLE



ATENÇÃO! PERIGO!



Leia atentamente o manual de instruções antes de colocar a máquina em funcionamento.



Usar sempre óculos de protecção ao trabalhar com a máquina.



Antes de efectuar qualquer intervenção na máquina, tirar a ficha da tomada.



Acessório - Não incluído no equipamento normal, disponível como acessório.



Aparelhos eléctricos não devem ser jogados no lixo doméstico. Aparelhos eléctricos e electrónicos devem ser colectados separadamente e entregues a uma empresa de reciclagem para a eliminação correcta. Solicite informações sobre empresas de reciclagem e postos de colecta de lixo das autoridades locais ou do seu vendedor autorizado.



Ferramenta eléctrica da classe de protecção II. Ferramenta eléctrica, na qual a protecção contra choque eléctrico não só depende do isolamento básico, mas também da aplicação de medidas de protecção suplementares, como isolamento duplo ou reforçado. Não há um dispositivo para a conexão dum condutor de protecção.



Marca CE



Marca de conformidade EurAsian.

TECHNISCHE GEGEVENS metaalzaagmachine	MCS 66
Productienummer	4406 16 02... ... 000001-999999
Nominaal afgegeven vermogen	1800 W
Onbelast toerental	4000 min ⁻¹
Zaagblad ø x boring ø	203 x 15,87 mm
Maximal snijvermogen in staal hoekplaten Metaalpijp profielen	6 mm 50 x 50 x 6 mm Ø 66 mm max. 66 mm
Gewicht volgens de EPTA-procedure 01/2003	6,4 kg
Geluids-/trillingsinformatie Meetwaarden vastgesteld volgens EN 60745. Het kenmerkende A-gewogen geluidsniveau van de machine bedraagt: Geluidsdrukniveau (Onzekerheid K=3dB(A)) Geluidsvermogniveau (Onzekerheid K=3dB(A))	91,5 dB (A) 102,5 dB (A)
Draag oorbeschermers!	
Totale trillingswaarden (vectorsom van drie richtingebepaald volgens EN 60745). Zagen van metaal: Trillingsemisiewaarde a _{h,m} Onzekerheid K =	3,6 m/s ² 1,5 m/s ²



WAARSCHUWING

De in deze aanwijzingen vermelde trillingsdruk is gemeten volgens een in EN 60745 genormeerde meetmethode en kan worden gebruikt voor de onderlinge vergelijking van apparaten. Hij is ook geschikt voor een voorlopige inschatting van de trillingsbelasting.

De aangegeven trillingsdruk geldt voor de meest gebruikelijke toepassingen van het elektrische apparaat. Wanneer het elektrische gereedschap echter voor andere doeleinden, met andere dan de voorgeschreven hulpstukken gebruikt of niet naar behoren onderhouden wordt, kan de trillingsdruk afwijken. Dit kan de waarde van de trillingsdruk over de hele werkperiode aanzienlijk verhogen.

Voor een nauwkeurige inschatting van de trillingsdruk moeten ook de tijden in aanmerking worden genomen dat het apparaat uitgeschakeld is of weliswaar loopt, maar niet werkelijk in gebruik is. Dit kan de waarde van de trillingsdruk over de hele werkperiode aanzienlijk verminderen.

Bepaal extra veiligheidsmaatregelen ter bescherming van de bediener tegen de inwerking van trillingen, bijvoorbeeld: onderhoud van elektrische gereedschappen en apparaten, warmhouden van de handen, organisatie van de werkprocessen.

⚠ WAARSCHUWING! Lees alle veiligheidsinstructies en aanwijzingen door. Als de waarschuwingen en voorschriften niet worden opgevolgd, kan dit een elektrische schok, brand of ernstig letsel tot gevolg hebben.

Bewaar alle waarschuwingen en voorschriften voor toekomstig gebruik.

⚠ VEILIGHEIDSLINSTRUCTIES VOOR CIRKELZAGEN

Zaagmethode

- a) **⚠ GEVAAR: Houd uw handen uit de buurt van de zaagomgeving en het zaagblad. Houd met uw andere hand de extra handgreep of het motorhuis vast.** Als u de cirkelzaag met beide handen vasthoudt, kan het zaagblad deze niet verwonden.
- b) **Grijp niet onder het werkstuk.** De beschermkap kan u onder het werkstuk niet tegen het zaagblad beschermen.
- c) **Pas de zaagdiepte aan de dikte van het werkstuk aan.** Er dient minder dan een volledige tandhoogte onder het werkstuk zichtbaar te zijn.

d) **Houd het te zagen werkstuk nooit in uw hand of op uw been vast. Zet het werkstuk op een stabiele ondergrond vast.** Het is belangrijk om het werkstuk goed te bevestigen om het gevaar van contact met het lichaam, vastklemmen van het zaagblad of verlies van de controle te minimaliseren.

e) **Houd het elektrische gereedschap alleen vast aan de geïsoleerde greepvlakken als u werkzaamheden uitvoert waarbij het inzetgereedschap verborgen stroomleidingen of de eigen netkabel kan raken.** Contact met een onder spanning staande leiding zet ook de metalen delen van het elektrische gereedschap onder spanning en leidt tot een elektrische schok.

f) **Gebruik bij het schulpen altijd een aanslag of een rechte randgeleiding.** Dit verbetert de zaagnauwkeurigheid en verkleint de mogelijkheid dat het zaagblad vastklemt.

g) **Gebruik altijd zaagbladen met de juiste maat en vorm (stervormig of rond) van het opnameboorgat.** Zaagbladen die niet bij de montagedelen van de zaagmachine passen, lopen niet rond en leiden tot het verliezen van de controle.

h) **Gebruik nooit beschadigde of verkeerde onderleggringen of schroeven voor het zaagblad.** De onderleggringen en schroeven voor het zaagblad zijn speciaal geconstrueerd voor deze zaagmachine, voor optimaal vermogen en optimale bedrijfszekerheid.

Oorzaken en voorkoming van een terugslag:

- een terugslag is de plotselinge reactie als gevolg van een vasthoudend, klemmend of verkeerd gericht zaagblad, die ertoe leidt dat een ongecontroleerde zaagmachine uit het werkstuk omhoogkomt en in de richting van de bedienende persoon beweegt;

- als het zaagblad in de zich sluitende zaagopening vasthaakt of vastklemt, wordt het geblokkeerd en slaat de motor kracht de machine in de richting van de bedienende persoon terug;

- als het zaagblad in de zaagopening wordt gedraaid of verkeerd wordt gericht, kunnen de tanden van de achterste zaagbladrand in het oppervlak van het werkstuk vasthaken, waardoor het zaagblad uit de zaagopening beweegt en achteruitspringt in de richting van de bedienende persoon.

Een terugslag is het gevolg van het verkeerd gebruik of onjuiste gebruiksomstandigheden van de zaagmachine. Terugslag kan worden voorkomen door geschikte voorzorgsmaatregelen, zoals hieronder beschreven.

a) **Houd de zaagmachine met beide handen vast en houd uw armen zo dat u stand kunt houden ten opzichte van de terugslagkrachten. Blijf altijd opzij van het zaagblad en breng het zaagblad nooit in één lijn met uw lichaam. Bij een terugslag kan de cirkelzaag achteruit springen.** De bedienende persoon kan de terugslagkrachten echter beheersen wanneer geschikte maatregelen zijn getroffen.

b) **Als het zaagblad vastklemt of het zagen om een andere reden wordt onderbroken, laat u de aan/uit-schakelaar los en houd u de zaagmachine in het materiaal rustig tot het zaagblad volledig stilstaat. Probeer nooit om de zaagmachine uit het werkstuk te verwijderen of de machine achteruit te trekken zolang het zaagblad beweegt of een terugslag kan optreden.** Spoor de oorzaak van het klemmen van het zaagblad op en verwijder deze door geschikte maatregelen.

c) **Als u een zaagmachine die in het werkstuk steekt weer wilt starten, centreert u het zaagblad in de zaagopening en controleert u of de zaagtanden niet in het werkstuk zijn vastgehaakt.** Als het zaagblad klemt, kan het uit het werkstuk bewegen of een terugslag veroorzaken als de zaagmachine opnieuw wordt gestart.

d) **Ondersteun grote platen om het risico van een terugslag door een klemmend zaagblad te verminderen.** Grote platen kunnen onder hun eigen gewicht doorbuigen. Platen moeten aan beide zijden worden ondersteund, in de buurt van de zaagopening en aan de rand.

e) **Gebruik geen stompe of beschadigde zaagbladen.** Zaagbladen met stompe of verkeerd gerichte tanden veroorzaken door een te nauwe zaagopening een verhoogde wrijving, vastklemmen van het zaagblad of terugslag.

f) **Draai voor het zagen de instellingen voor de zaagdiepte en de zaaghoek vast.** Als tijdens het zagen de instellingen veranderen, kan het zaagblad vastklemmen kan een terugslag optreden.

g) **Wees bijzonder voorzichtig als u invallend zaagt in een verborgen gedeelte, bijvoorbeeld een bestaande wand.**

Het invallende zaagblad kan bij het zagen in verborgen objecten blokkeren en een terugslag veroorzaken.

Functie van de onderste beschermkap

a) **Controleer voor elk gebruik of de onderste beschermkap correct sluit. Gebruik de zaagmachine niet als de onderste beschermkap niet vrij kan bewegen en niet onmiddellijk sluit. Klem of bind de onderste beschermkap nooit in de geopende stand vast.**

Als de zaagmachine op de vloer valt, kan de onderste beschermkap worden verbogen. Open de beschermkap met de terugtrekhandel en controleer dat deze vrij beweegt en bij alle zaaghoeken en zaagdiepten het zaagblad of andere delen niet aanraakt.

b) **Controleer de functie van de veer voor de onderste beschermkap. Laat voor het gebruik van de machine onderhoud uitvoeren als de onderste beschermkap en de veer niet correct werken.** Beschadigde delen, plakkende aanslag of ophoping van spanen laten de onderste beschermkap vertraagd werken.

c) **Open de onderste beschermkap alleen met de hand bij bijzondere zaagwerkzaamheden, zoals invallend zagen en haaks zagen.** Open de onderste beschermkap met de terugtrekhandel en laat deze los zodra het zaagblad in het werkstuk is binnengedrongen. Bij alle andere zaagwerkzaamheden moet de onderste beschermkap automatisch werken.

d) **Leg de zaagmachine niet op de werkbank of op de vloer zonder dat de onderste beschermkap het zaagblad bedekt.** Een onbeschermd uitlopend zaagblad beweegt de zaagmachine tegen de zaagrichting en zaagt wat er in de weg komt. Let op de uitlooptijd van de zaagmachine.

VERDERE VEILIGHEIDS- EN WERKINSTRUCTIES

Draag oorbeschermers. Lawaai kan gehoorverlies veroorzaken.

Bij het werken met de machine altijd een veiligheidsbril dragen. Werkhandschoenen en stofkapje voor de mond worden aanbevolen.

Stof die vrijkomt tijdens het werken vormt vaak een gevaar voor de gezondheid en mag niet met het lichaam in aanraking komen. Machines met stofafzuiging gebruiken en tevens geschikte stofmaskers dragen. Vrijgekomen stof grondig verwijderen resp. opzuigen.

Zaagbladen, waarvan de gegevens niet overeenkomen welke in de gebruiksaanwijzing staan, mogen niet gebruikt worden.

Geen schuurschijven plaatsen!

Bij niet stationair gebruik de aan-uitschakelaar niet vastzetten.

ARBEIDSWERKINSTRUCTIES

Voorkom dat de zaagbladranden oververhit raken en pas de voortbewegingssnelheid dienovereenkomstig aan.

NETAANSLUITING

Uitsluitend op éénfase-wisselstroom en uitsluitend op de op het typeplaatje aangegeven netspanning aansluiten. Aansluiting is ook mogelijk op een stekerdos zonder aardcontact mogelijk, omdat het is ontworpen volgens veiligheidsklasse II.



Verplaatsbaar gereedschap moet bij het gebruik buiten aan een aardlekschakelaar (FI,RCD,PRCD) aangesloten worden.

Machine alleen uitgeschakeld aan de stekkerdoos aansluiten.

Vanwege kortsluitingsgevaar mogen metaaldeeltjes niet in de luchtschachten terechtkomen.

Snoer altijd buiten werkbereik van de machine houden.

Voor alle ombouw- of onderhoudswerkzaamheden, de stekker uit de wandcontactdoos nemen.

VOORGESCHREVEN GEBRUIK VAN HET SYSTEEM

De metaalzaagmachine is geschikt voor het zagen van rechte zaagsneden in verschillende materiaalsoorten zoals o.a. metaalprofielen (UniStrut), buizen, kabelkanalen, aluminiumprofielen, blik etc.

Dit apparaat uitsluitend gebruiken voor normaal gebruik, zoals aangegeven.

EC - VERKLARING VAN OVEREENSTEMMING

We verklaren geheel onder eigen verantwoordelijkheid dat het product in de "Technische data" voldoet aan alle relevante bepalingen van de richtlijnen

2011/65/EU (RoHS)

2006/42/EG

2014/30/EU

en de volgende geharmoniseerde normen zijn gebruikt.

EN 60745-1:2009 + A11:2010

EN 60745-2-5:2010

EN 55014-1:2006+A1:2009+A2:2011

EN 55014-2:1997 + A1:2001 + A2:2008

EN 61000-3-2:2014

EN 61000-3-11:2000

EN 50581:2012



Winnenden, 2016-03-25

Alexander Krug / Managing Director

Gemachtigd voor samenstelling van de technische documenten

Techtronic Industries GmbH

Max-Eyth-Straße 10, 71364 Winnenden, Germany

ONDERHOUD

Voor alle werkzaamheden aan de machine de stekker uit de contactdoos trekken.

Zorg ervoor dat het werktuig van de stroomvoorziening wordt ontkoppeld voor u het zaagblad vastmaakt of verwijdert.

Reinig het apparaat en de veiligheidsinrichting met een droge doek.

Bepaalde reinigingsmiddelen tasten de kunststof of andere geïsoleerde onderdelen aan.

Altijd de luchtspleten van de machine schoonhouden.

Verwijder regelmatig het stof. Verwijder het zaagsel dat zich binnen in de zaag heeft opgestapeld, om brandgevaar te voorkomen.

Houd het apparaat schoon en droog en vrij van lekkende olie en vet.

Controleer de werking van de veiligheidskappen.

Regelmatig uitgevoerde onderhouds- en reinigingswerkzaamheden waarborgen een lange levensduur en een veilig gebruik.

Als de aansluitleiding van het elektrische gereedschap beschadigd is, moet deze worden vervangen door een speciaal voorbereide aansluitleiding die verkrijgbaar is via de klantenservice-organisatie.

Gebruik uitsluitend Milwaukee toebehoren en onderdelen. Indien componenten die moeten worden vervangen niet zijn beschreven, neem dan contact op met een officieel Milwaukee servicecentrum (zie onze lijst met servicecentra).

Zo nodig kan een explosietekening van het apparaat worden aangevraagd bij uw klantenservice of direct bij Techtronic Industries GmbH, Max-Eyth-Straße 10, 71364 Winnenden, Duitsland onder vermelding van het machinetype en het zescijferige nummer op het typeplaatje.

SYMBOLEN



OPGELET! WAARSCHUWING! GEVAAR!



Graag instructies zorgvuldig doorlezen vóórdat u de machine in gebruik neemt.



Bij het werken met de machine altijd een veiligheidsbril dragen.



Voor alle werkzaamheden aan de machine de stekker uit de contactdoos trekken.



Toebehoren - Wordt niet meegeleverd. Is apart leverbaar. Zie hiervoor het toebehorenprogramma.



Elektrische apparaten mogen niet via het huisafval worden afgevoerd. Elektrische en elektronische apparaten moeten gescheiden worden verzameld en voor een milieuvriendelijke afvoer worden afgegeven bij een recyclingbedrijf. Informeer bij uw gemeente of bij uw vakhandelaar naar recyclingbedrijven en inzamelpunten.



Elektrisch gereedschap van de beschermingsklasse II. Elektrisch gereedschap waarbij de bescherming tegen elektrische schokken niet afhankelijk is van de basisisolatie, maar waarin ook extra veiligheidsmaatregelen worden toegepast zoals dubbele of versterkte isolatie. Er is geen voorziening voor de aansluiting van een aardleiding.



CE-keurmerk



EurAsian-symbool van overeenstemming.



TEKNISKE DATA Metalsaven	MCS 66
Produktionsnummer	4406 16 02... ... 000001-999999
Nominal optagen effekt	1800 W
Omdrejningstal, ubelastet	4000 min ⁻¹
Savklinge- \emptyset x hul- \emptyset	203 x 15,87 mm
Max. skæreydelse Stål Vinkeljern Metalrør Profiler	6 mm 50 x 50 x 6 mm \emptyset 66 mm max. 66 mm
Vægt svarer til EPTA-procedure 01/2003	6,4 kg
Støj/Vibrationsinformation Måleværdier beregnes iht. EN 60 745. Værktøjets A-vurderede støjniveau er typisk: Lydtrykniveau (Usikkerhed K=3dB(A)) Lydeffekt niveau (Usikkerhed K=3dB(A))	91,5 dB (A) 102,5 dB (A)
Brug høreværn! Samlede vibrationsværdier (værdisum for tre retninger) beregnet iht. EN 60745. Savning af metal: Vibrationseksponering $a_{h,m}$ Usikkerhed K =	3,6 m/s ² 1,5 m/s ²



ADVARSEL

Svingningsniveauet, som er angivet i disse anvisninger, er målt i henhold til standardiseret måleprocedure ifølge EN 60745 og kan anvendes til indbyrdes sammenligning mellem el-værktøjer. Svingningsniveauet er ligeledes egnet som foreløbigt skøn over svingningsbelastningen.

Det angivne svingningsniveau er baseret på el-værktøjets primære anvendelsesformål. Hvis el-værktøjet benyttes til andre formål, med andet indsatsværktøj eller ikke vedligeholdes tilstrækkeligt, kan svingningsniveauet afvige. Dette kan øge svingningsbelastningen over den samlede arbejdsperiode betydeligt.

For en nøjagtig vurdering af svingningsbelastningen skal der også tages højde for de tidsperioder, hvor apparatet er slukket, eller hvor apparatet kører, men uden at være i anvendelse. Dette kan reducere svingningsbelastningen over den samlede arbejdsperiode betydeligt.

Supplerende sikkerhedsforanstaltninger til beskyttelse af brugeren mod påvirkninger fra svingninger skal iværksættes, f.eks.: Vedligeholdelse af el-værktøj og indsatsværktøj, varmeholdelse af hænder, organisering af arbejdsprocesser.

⚠ ADVARSEL! Læs alle sikkerhedsanvisninger og øvrige vejledninger. I tilfælde af manglende overholdelse af advarselshenvisningerne og instrukserne er der risiko for elektrisk stød, brand og/eller alvorlige kvæstelser.
Opbevar alle advarselshenvisninger og instrukser til senere brug.

⚠ SIKKERHEDSINSTRUKTIONER FOR RUNDSAVE

Saveprocesser

- ⚠ FARE: Stik aldrig hånden ind i skæreamrådet eller ind til savklingen. Tag fat om støttegrebet eller motorhuset med den anden hånd.** Når man holder rundsaven med begge hænder, kan man ikke komme til at skære fingrene på klingen.
- Stik aldrig hånden ind under arbejdsområdet.** Beskyttelses skjermen giver ingen beskyttelse mod klingen på emnets underside.
- Tilpas skæredybden efter arbejdsområdets tykkelse.** Der må maksimalt være en hel tandhøjde synlig under emnet.
- Hold aldrig et arbejdsområde i hånden eller over et knæ, når der skal saves i det. Emnet skal fikseres på et stabilt underlag.** Det er vigtigt at emnet er gjort godt fast, for at minimere risikoen for at komme til at save sig selv og for at klingen sætter sig fast eller kommer ud af kontrol.
- Hold altid kun elværktøjet i de isolerede grebflader, når du udfører arbejde, hvor indsatsværktøjet kan ramme bøjede strømledninger eller værktøjets eget kabel.** Kontakt med en spændingsførende ledning sætter også metaldele under spænding, hvilket fører til elektrisk stød.
- Anvend altid et anslag eller et lige landstyr ved skæring på langs.** Det vil forbedre skærepræcisionen og reducere muligheden for, at savklingen kan sætte sig fast.
- Anvend altid en savklinge i den rigtige størrelse og med det passende spændeul (f.eks. stjerneformet eller rund).** Savklinger, der ikke passer til monteringsdele på saven, vil køre ujævnt og kan nemt få maskinen til at gå ud af kontrol.
- Anvend aldrig beskadigede eller forkerte underlagsskiver eller skruer til savklingen.** Underlagsskiver og skruer til savklinger bliver konstrueret specielt til den enkelte sav, så man opnår optimal ydelse og driftssikkerhed.

Årsager til og undgåelse af kast (kickback):

- kast betyder en pludselig reaktion på grund af at savklingen er klemt fast, sætter sig fast eller er monteret forkert, og som bevirker, at man mister kontrollen over saven, der bliver løftet opad og ud af arbejdsemnet og bliver slynget op mod brugeren;

- hvis klingens binder eller sætter sig fast i savsnittet, der lukker sig, bliver den blokeret, og motorkraften slynger maskinen tilbage mod brugeren;

- hvis savklingen drejes eller rettes forkert ind i savsnittet, kan tænderne i den bageste del af savklingen bide sig fast i arbejdsemnets overflade, og derefter vil klingens arbejde sig ud af snittet og saven blive slynget tilbage mod brugeren.

Et kast (kickback) opstår som følge af forkert brug eller misbrug af maskinen. Det kan undgås ved at tage nedenstående forholdsregler.

a) **Hold fast på saven med begge hænder og hold armene i en stilling, hvor De kan opfange styrken fra et kast. Stå altid på den ene side af savklingen, savklingen må aldrig stå på linje med kroppen.** Ved et kast kan rundsaven springe bagud, men brugeren kan opfange tilbageslagskraften, hvis man forholder sig rigtigt.

b) **Hvis savklingen binder eller savningen skal afbrydes af en anden grund, så slip start-/stop-kontakten og lad saven blive siddende i emnet, indtil savklingen står helt stille. Prøv aldrig på at tage saven ud af emnet eller at trække den tilbage, så længe savklingen bevæger sig eller der er risiko for kast.** Find ud af, hvorfor savklingen har sat sig fast, og træf egnede forholdsregler, så det ikke kan ske igen.

c) **Når man igen vil starte en sav, som har sat sig fast i emnet, skal savklingen centrereres i savsnittet, hvorefter man kontrollerer, at savtænderne ikke har sat sig fast i emnet.** Hvis savklingen binder, kan den arbejde sig ud af arbejdsemnet og forårsage et kast, når man starter saven igen.

d) **Store plader skal afstøttes for at mindske risikoen for kast, på grund af at savklingen sætter sig fast.** Store plader har en tendens til at bøje ned i midten på grund af deres egenvægt. Plader skal afstøttes på begge sider, både i nærheden af savsnittet og ved pladens kant.

e) **Anvend aldrig en sløv eller beskadiget savklinge.** En savklinge med sløve eller forkert rettede tænder giver et smal savsnit, som kan give en for høj friktion, få klingens til at sætte sig fast og forårsage kast.

f) **Skæredybden og skærevinklen skal indstilles og spændes fast, før man begynder at save.** Hvis indstillingen ændres under savningen, kan savklingen sætte sig fast og der kan opstå kast.

g) **Vær især forsigtig, hvis der skal udføres et „dyksnit“ i et uoverskueligt område, f.eks. i en eksisterende væg.** Savklingen, der skal dykke ned, kan blive blokeret i skjulte genstande og give kast.

Den nederste beskyttelsesskærm funktion

a) **Kontroller først, om den nederste beskyttelseskappe lukker korrekt, hver gang maskinen skal bruges. Anvend aldrig saven, hvis den nederste beskyttelseskappe ikke kan bevæges frit og ikke lukker sig øjeblikkeligt. Den nederste beskyttelseskappe må aldrig klemmes eller bindes fast i åbnet stilling.** Hvis saven

falder ned ved et uheld, kan den nederste beskyttelseskappe blive bøjet. Åbn beskyttelseskappen med tilbagetrækshåndtaget og overbevis Dem om, at den kan bevæges frit og hverken berører savklingen eller andre dele ved alle skærevinkler og -dybder.

b) **Kontroller af fjedrene til den nederste beskyttelseskappe fungerer ordentlig. Få udført service på maskinen, før den bruges igen, hvis den nederste beskyttelseskappe og fjederen ikke fungerer korrekt.** Den nederste beskyttelseskappe kan gå trægt, hvis der er beskadigede dele, klæbrige rester eller

c) **Den nederste beskyttelseskappe må kun åbnes manuelt i forbindelse med specielle snit, f.eks. „dyk – og vinkelsnit“.** Åbn den nederste beskyttelseskappe med tilbagetrækshåndtaget og slip håndtaget igen, så snart savklingen er trængt ned i arbejdsemnet. Ved alle andre former for savning skal den nederste beskyttelseskappe fungere automatisk.

d) **Læg aldrig saven fra Dem på et arbejdsbord eller på jorden, uden at den nederste beskyttelseskappe dækker savklingen.** En ubeskyttet savklinge med efterløb vil få saven til at flytte sig baglæns og vil save i altting, der kommer i vejen for den. Derfor er det vigtigt at holde øje med savens efterløbstid.

YDERLIGERE SIKKERHEDS- OG ARBEJDSINFORMATIONER

Bær høreværn. Støjen kan føre til nedsat hørelse.

Når der arbejdes med maskinen, skal man have beskyttelsesbriller på. Beskyttelseshandsker, skridsikre sko, høreværn og forklæde anbefales.

Støv, som opstår i forbindelse med fræsearbejdet, er ofte sundhedsskadeligt og må ikke trænge ind i kroppen. Brug en støvsuger og bær egnet støvbeskyttelsesmaske. Fjern grundigt aflejet støv (f.eks. ved opugning).

Savklinger, som ikke svarer til data i denne brugsanvisning, må ikke anvendes.

Slibeskiver må ikke indsættes

Ind-/udkobler blokeres ikke i manuel drift.

ARBEJDSANVISNINGER

Undgå ved en tilpasset fremførsningshastighed en overopvarmning af savklingens tænder.

NETTILSLUTNING

Tilslutning må kun foretages til enfaset vekselstrøm og kun til en netspænding, som er i overensstemmelse med angivelsen på mærkepladen. Tilslutning kan også ske til stikdåser uden beskyttelseskontakt, da kapslingsklasse II foreligger.

Stikdåser udendørs skal være forsynet med fejlstrømssikrings-kontakter (FI,RCD,PRCD). Det forlanger installationsforskriften for Deres elektroanlæg. Overhold dette, når De bruger vores maskiner.

Tilslut kun maskinen til stikdåsen i slukket tilstand.

Metaldelen må ikke trænge ind i ventilationsåbningerne, da dette kan føre til kortslutning

Tilslutningskablet holdes hele tiden væk fra maskinens arbejdsområde. Kablet ledes altid bort bag om maskinen.

Kontroller hvergang, før laderen anvendes, at tilslutningskabel, forlængerkabel og stik er i orden. Dele der er beskadiget bør kun repareres hos et autoriseret værksted.



TILTÆNKT FORMÅL

Metalsaven benyttes til at save lige snit i forskellige former for metal som f.eks. metalprofiler (UniStrut), rør, stativkonstruktioner til gipsplader, kabelkanaler, aluminiumsprofiler osv.

Produktet må ikke anvendes på anden måde og til andre formål end foreskrevet.

CE-KONFORMITETSERKLÆRING

Vi erklærer som eneansvarlige, at produktet, som beskrives under „Tekniske data“, opfylder alle de relevante bestemmelser i direktiverne

2011/65/EU (RoHS)

2006/42/EF

2014/30/EU

og følgende harmoniserede standarder er blevet anvendt.

EN 60745-1:2009 + A11:2010

EN 60745-2-5:2010

EN 55014-1:2006+A1:2009+A2:2011

EN 55014-2:1997 + A1:2001 + A2:2008

EN 61000-3-2:2014

EN 61000-3-11:2000

EN 50581:2012



Winnenden, 2016-03-25

Alexander Krug / Managing Director
Autoriseret til at udarbejde de tekniske dokumenter.

Techtronic Industries GmbH
Max-Eyth-Straße 10, 71364 Winnenden, Germany

VEDLIGEHOJDELSE

Før ethvert arbejde med maskinen skal stikket tages ud af stikdåsen.

Husk at afbryde værktøjet fra strømforsyningen inden montering eller udtagning af savklingen.

Rengør maskinen og beskyttelsesudstyret med en tør klud.

Nogle rengøringsmidler beskadiger plast eller andre isolerede dele.

Hold altid maskinens ventilationsåbninger rene.

Fjern regelmæssigt støvet. Fjern savspånerne, der har samlet sig inde i saven, for at undgå risici for brand.

Maskinen skal holdes ren og tør samt fri for olie og fedt, der er løbet ud.

Tjek beskyttelsesskærmens funktion.

Regelmæssig vedligeholdelse og rengøring sørger for en lang holdbarhed og en sikker håndtering.

Hvis elværktøjets tilslutningsledning er beskadiget, skal den erstattes med en specielt forberedt tilslutningsledning, der kan fås via kundeservicens organisation.

Brug kun Milwaukee-tilbehør og Milwaukee-reservedele.

Komponenter, hvor udskiftningsproceduren ikke er beskrevet, skal skiftes ud hos et Milwaukee-servicested (se brochure garanti/kundeserviceadresser).

Hvis det er nødvendigt, kan der bestilles en sprængskitse af værktøjet. Angiv herved venligst maskintypen samt det sekscifrede nummer på mærkepladen og bestil tegningen hos din lokale kundeserviceafdeling eller direkte hos Techtronic Industries GmbH, Max-Eyth-Straße 10, 71364 Winnenden, Tyskland.

SYMBOLER



VIGTIGT! ADVARSEL! FARE!



Læs brugsanvisningen nøje før ibrugtagning.



Når der arbejdes med maskinen, skal man have beskyttelsesbriller på.



Før ethvert arbejde med maskinen skal stikket tages ud af stikdåsen.



Tilbehør - Ikke inkluderet i leveringsomfanget, køb købes som tilbehør.



Elektrisk udstyr må ikke bortskaffes sammen med det almindelige husholdningsaffald. Elektrisk og elektronisk udstyr skal indsamles særskilt og afleveres hos en genbrugsvirksomhed til en miljømæssig forsvarlig bortskaffelse. Spørg de lokale myndigheder eller din forhandler om genbrugsstationer og indsamlingssteder til sådant affald.



Kapslingsklasse II elværktøj. Elværktøj, hvor beskyttelsen mod et elektrisk stød ikke kun afhænger af basisisoleringen men også af, at der anvendes yderligere beskyttelsesforanstaltninger som dobbelt isolering eller forstærket isolering. Der findes ikke udstyr til tilslutning af en beskyttelsesleder.



CE-mærke

EurAsian overensstemmelsesmærke.

TEKNISKE DATA Metallsagen	MCS 66
Produksjonsnummer	4406 16 02... ... 000001-999999
Nominell inngangseffekt	1800 W
Tomgangsturtall	4000 min ⁻¹
Sagblad- \varnothing x hull- \varnothing	203 x 15,87 mm
Maks. kapasitet i stål vinkeljern Metallrør profiler	6 mm 50 x 50 x 6 mm \varnothing 66 mm max. 66 mm
Vekt i henhold til EPTA-Prosedyren 01/2003	6,4 kg
Støy/Vibrasjonsinformasjon Måleverdier fastslått i samsvar med EN 60 745. Det typiske A-bedømte støynivået for maskinen er: Lydtryknivå (Usikkerhet K=3dB(A)) Lydeffektnivå (Usikkerhet K=3dB(A)) Bruk hørselsvern!	91,5 dB (A) 102,5 dB (A)
Totale svingningsverdier (vektorsum fra tre retninger) beregnet jf. EN 60745. Saging av metall: Svinningssemisjonsverdi $a_{h,m}$ Usikkerhet K =	3,6 m/s ² 1,5 m/s ²



ADVARSEL

Svingningsnivået som er angitt i denne instruksjonen er målt i overensstemmelse med målemetoden normert i direktiv EN 60745 og kan brukes til å sammenligne elektromaskiner med hverandre. Den egner seg også for en foreløbig vurdering av svingningsbelastningen.

Det angitte svingningsnivået representerer de hovedsaklige bruk av elektroverktøyet. Men anvendes elektroverktøyet for andre bruk med avvikende utskiftbare verktøy eller vedlikeholdet er utilstrekkelig, kan svingningsnivået være avvikende.

Dette kan forhøye svingningsbelastning betydelig over hele arbeidsperioden. For en nøyaktig vurdering av svingningsbelastningen må også det tas hensyn til tiden apparatet er avslått eller står på, men ikke er i bruk. Dette kan redusere svingningsbelastningen betydelig over hele arbeidsperioden.

Innfør også ekstra sikkerhetstiltak for å beskytte bruker mot utvirkingen av svingningene. Disse kan f.eks. være: vedlikehold av elektroverktøyet og det utskiftbare verktøyet, holde hendene varme, organisasjon av arbeidsforløpet.

⚠ ADVARSEL! Les alle sikkerhetsinstrukser og bruksanvisninger. Feil ved overholdelsen av advarslene og nedenstående anvisninger kan medføre elektriske støt, brann og/eller alvorlige skader.

Ta godt vare på alle advarslene og informasjonene.

⚠ SIKKERHETS INSTRUKSER FOR SIKKELSAGER

Sageprosess

- FARE: Pass på at hendene ikke kommer inn i sagområdet og opp i sagbladet. Hold ekstrahåndtaket eller motorhuset fast med den andre hånden.** Når begge hendene holder sirkelsagen, kan sagbladet ikke skade hendene.
- Ikke grip under arbeidsstykket.** Verneedekelet kan ikke beskytte deg mot sagbladet under arbeidsstykket.
- Tilpass skjæredybden til tykkelsen på arbeidsstykket.** Det skal være mindre enn en full tannhøyde synlig under arbeidsstykket.
- Hold aldri arbeidsstykket som skal sages fast med hånden eller over benet. Sikre arbeidsstykket på et stabilt**

underlag. Det er viktig å feste arbeidsstykket godt for å minimere faren ved kroppskontakt, fastklemming av sagbladet eller hvis du mister kontrollen.

- Ta kun tak i elektroverktøyet på de isolerte gripeflatene, hvis du utfører arbeid der innsatsverktøyet kan treffe på skjulte strømledninger eller den egne strømledningen.** Kontakt med en spenningsførende ledning setter også elektroverktøyet metalldele under spenning og fører til elektriske støt.
- Ved langsskjæring må du alltid bruke et anlegg eller en rett kantføring.** Dette forbedrer skjærenøyaktigheten og reduserer muligheten til at sagbladet klemmer.
- Bruk alltid sagblad med rett størrelse og med passende festehull (f.eks. stjerne-formet eller rund).** Sagblad som ikke passer sammen med sagens montasjedeler, går rundt og fører til tap av kontrollen.
- Bruk aldri skadede eller gale sagblad-underlagsskiver eller -skruer.** Sagblad-underlagsskivene og -skruene ble spesielt konstruert for denne sagen, slik at det oppnås en optimal ytelse og driftssikkerhet.

Årsaker til tilbakeslag og hvordan tilbakeslag kan unngås.

- Et tilbakeslag er en plutselig reaksjon fra et sagblad som har hengt seg opp, klemt seg fast eller er galt innrettet, og som fører til at en ukontrollert sag løftes opp og beveger seg ut av arbeidsstykket og i retning av brukeren.

- Hvis et sagblad henger seg opp eller klemmer seg fast i en sagespalte som lukkes, blokkerer sagen og motorkraften slår sagen tilbake i retning av brukeren.

- Hvis et sagblad dreies galt eller rettes galt opp i sagsnittet, kan tennene til bakre sagbladkant kile seg fast i overflaten til arbeidsstykket, slik at sagbladet beveger seg ut av sagespalten og sagen springer tilbake i retning av brukeren.

Et tilbakeslag er resultat av en gal eller feilaktig bruk av sagen. Det kan unngås ved å følge egnede sikkerhetstiltak som beskrevet nedenstående.

a) **Hold sagen godt fast og plasser armene dine i en stilling som kan ta imot tilbakeslagskrefter. Opphold deg alltid på siden av et sagblad, la aldri sagbladet være i en linje med kroppen din.** Ved et tilbakeslag kan sirkelsagen rykke bakover, men brukeren kan beherske tilbakeslagskreftene, hvis det ble utført egnede tiltak.

b) **Hvis et sagblad klemmer fast eller sagingen avbrytes av andre grunner må du slippe på-/av-bryteren og holde sagen rolig i materialet til sagbladet står helt stille. Forsøk aldri å fjerne sagen fra et arbeidsstykke eller trekke den bakover så lenge sagbladet beveger seg eller det kan oppstå et tilbakeslag.** Finn årsaken til at sagbladet er klemt fast og fjern denne årsaken ved egnede tiltak.

c) **Hvis du vil starte en sag som står fast i arbeidsstykket igjen, sentrerer du sagbladet i sagespalten og kontrollerer om sagtennene ikke har kilt seg fast i arbeidsstykket.** Hvis sagbladet klemmer seg fast, kan det bevege seg ut av arbeidsstykket eller forårsake et tilbakeslag når sagen starter igjen.

d) **Støtt store plater for å redusere risikoen for tilbakeslag fra et fastklemt sagblad.** Store plater kan bøyes av sin egen vekt. Platene må støttes på begge sider, både i nærheten av sagespalten og på kanten.

e) **Bruk ikke butte eller skadede sagblad.** I en for smal sagespalte forårsaker sagblad med butte eller galt opprettede tenner stor friksjon, fastklemming av sagbladet eller tilbakeslag.

f) **Trekk fast skjæredybde- og skjærevinkelinnstillingene fast for sagingen.** Hvis innstillingene forandrer seg i løpet av sagingen, kan sagbladet klemmes fast og det kan oppstå et tilbakeslag.

g) **Vær spesielt forsiktig når du utfører en „innstikksaging“ i et skjult område, f.eks. en eksisterende vegg.** Det innstikkende sagbladet kan blokkere ved saging i skjulte objekter og forårsake et tilbakeslag.

Funksjonen til den nedre vernehetten

a) **Før hver bruk må du kontrollere om det nedre vernedekselet stenger helt. Ikke bruk sagen hvis det nedre vernedekselet ikke kan beveges fritt og ikke berører straks. Klem og bind nedre vernedekselet aldri fast i åpent posisjon.** Hvis sagen skulle falle ned på bakken ved en feiltagelse, kan det nedre vernedekselet bøyes. Åpne vernedekselet med tilbaketrekkingsarmen og pass på at det kan beveges fritt og ikke berører verken sagblad eller andre deler i alle skjærevinkler og -dybder.

b) **Kontroller fjærens funksjon for nedre vernedekselet. La maskinen gjennomgå service før bruk, hvis nedre vernedekselet og fjær ikke virker feilfritt.** Skadede deler, klebrige avleiringer eller sponhauger medfører at nedre vernedekselet reagerer forsinket.

c) **Åpne det nedre vernedekselet manuelt kun ved spesielle snitt, som „innstikk- og vinkelsnitt“.** Åpne det nedre vernedekselet med tilbaketrekkingsarmen og slipp den når sagbladet er trengt inn i arbeidsstykket. Ved alle andre typer saging må det nedre vernedekselet fungere automatisk.

d) **Legg ikke sagen på arbeidsbenken eller gulvet uten at nedre vernedekselet dekker over sagbladet.** Et ubenyttet sagblad som fortsatt roterer beveger sagen i motsatt retning av skjæreretningen og sager alt som er i veien. Ta hensyn til tiden sagen fortsatt roterer etter at den er slått av.

YTTERLIGE SIKKERHETS- OG ARBEIDSinSTRUKSJONER

Bruk hørselsvern. Støy kan føre til tap av hørselen.

Bruk alltid vernebrille når du arbeider med maskinen. Det anbefales å bruke arbeidshansker, faste og sklisikre sko og forkle.

Støv som oppstår under arbeidet er ofte helsefarlig og bør ikke komme inn i kroppen. Bruk støvavsug og i tillegg egnete støvbeskyttelsesmaske. Fjern oppsamlet støv grundig, f.eks. oppsuging.

Ikke bruk sagblad som ikke er i tråd med egenskapene i denne bruksanvisningen.

Bruk ikke slipekiver.

På-/av-bryteren må ikke klemmes fast under håndholdt drift.

ARBEIDSinSTRUKSJONER

Unngå, ved bruk av en tilpasset starthastighet, overoppveting av sagbladets tenner.

NETTILKOPLING

Skal bare tilsluttes utfasevekselstrøm og bare til den på skiltet angitte nettspenning. Tilslutning til stikkontakter uten jordet kontakt er mulig fordi beskyttelse beskyttelsesklasse II er forhanden.

Stikkontakter utendørs må være utstyrt med feilstrøm-sikkerhetsbryter (FI, RCD, PRCD). Dette forlanges av installasjonsforskriften for elektroanlegg. Vennligst følg dette når du bruker vårt apparat.

Påse at maskinen er slått av når du setter inn nettstøpset i stikkontakten.

På grunn av kortslutningsfare må metalldeleer ikke komme inn i lufteåpningene.

Hold ledningen alltid vekk fra maskinens virkeområde. Før ledningen alltid bakover fra maskinen.

Kontroller apparat, tilkopplingsledning, skjøteledning og støpsel for skader og aldring før bruk. La en fagmann reparere skadete deler.

FORMÅLSMESSIG BRUK

Metallsagen brukes til saging av rette kutt i ulike typer metall som f. eks. metallprofiler (UniStrut), rør, bolter, kabelkanaler, aluminiumsprofiler, blikkplater o. a.

Dette apparatet må kun brukes til de oppgitte formål.

CE-SAMSVARERKLÆRING

Vi erklærer i alene ansvar at produktet beskrevet i „Teknisk data“ overensstemmer med alle relevante forskrifter til Eu direktiv 2011/65/EU (RoHS)

2006/42/EC

2014/30/EU

og de følgende harmoniserte normative dokumentene, fyrstikker

EN 60745-1:2009 + A11:2010

EN 60745-2-5:2010

EN 55014-1:2006+A1:2009+A2:2011

EN 55014-2:1997 + A1:2001 + A2:2008

EN 61000-3-2:2014

EN 61000-3-11:2000

EN 50581:2012



Winnenden, 2016-03-25

Alexander Krug / Managing Director

Autorisert til å utarbeide den tekniske dokumentasjonen

Techtronic Industries GmbH

Max-Eyth-Straße 10, 71364 Winnenden, Germany

VEDLIKEHOLD

Trekk støpslet ut av stikkkontakten før du begynner arbeider på maskinen.

Vær sikker på at støpslet er trukket ut av strømkontakten før det demonteres eller monteres sagblad.

Rengjør apparatet og verneinnretningen med en tørr klut.

Noen rensedmidler skader plastikken eller andre isolerte deler.

Hold alltid lufteåpningene på maskinen rene.

Fjern støv regelmessig. For å unngå risikoen for brann må du fjerne sagspon som samler seg inne i sagen.

Hold apparatet rent, tørt og fritt for oljen og fett som skilles ut.

Kontroller funksjonen til vernehettene.

Regelmessig vedlikehold og rengjøring sørger for lang levetid og sikker håndtering.

Er tilkoblingsledningen til elektroverktøyet skadet, må den skiftes ut med en spesielt laget tilkoblingsledning som er å få hos kundeservice organisasjonen.

Bruk kun Milwaukee tilbehør og Milwaukee reservedeler. Komponenter der utskiftning ikke er beskrevet skal skiftes ut hos Milwaukee kundeservice (se brosjyre garanti/kundeserviceadresser).

Ved behov kan det fås en eksplosjonstegning av apparatet hos kundeservice eller direkte hos Techtronic Industries GmbH, Max-Eyth-Straße 10, 71364 Winnenden, Germany ved angivelse av maskinens type og det sekstallige nummeret på maskinens skilt.

SYMBOLER



OBS! ADVARSEL! FARE!



Les nøye gjennom bruksanvisningen før maskinen tas i bruk.



Bruk alltid vernebrille når du arbeider med maskinen.



Trekk støpslet ut av stikkkontakten før du begynner arbeider på maskinen.



Tilbehør - inngår ikke i leveransen, anbefalt komplettering fra tilbehørsprogrammet.



Elektriske apparat skal ikke kastes sammen med vanlig husholdningsavfall. Elektriske og elektroniske apparat skal samles separat og leveres til miljøvennlig deponering til en avfall bedrift. Informer deg hos myndighetene på stedet eller hos din fagforhandler hvor det finnes recycling bedrifter oppsamlingssteder.



Elektroverktøy av verneklasse II. Elektroverktøy hvor beskyttelse mot elektrisk slag ikke bare er avhengig av basisisoleringen, men som også er avhengig av at tilleggsvernetiltak som dobbelt eller forsterket isolering blir brukt. Det finnes ingen innretning for tilkobling av en beskyttelsesleder.



CE-tegn

EurAsian Konformitetstegn.



Nor

TEKNISKA DATA	MCS 66
Metallsåg	
Produktionsnummer	4406 16 02... ... 000001-999999
Nominell upptagen effekt	1800 W
Obelastat varvtal	4000 min ⁻¹
Sågklinga- \emptyset x hål- \emptyset	203 x 15,87 mm
Max. skärkapacitet Plåt Vinkeljärn Metallrör Profiler	6 mm 50 x 50 x 6 mm \emptyset 66 mm max. 66 mm
Vikt enligt EPTA 01/2003	6,4 kg
Buller-/vibrationsinformation Mätvärdena har tagits fram baserade på EN 60 745. A-värdet av maskinens ljudnivå utgör: Ljudtrycksnivå (Onoggrannhet K=3dB(A)) Ljudeffektsnivå (Onoggrannhet K=3dB(A))	91,5 dB (A) 102,5 dB (A)
Använd hörselskydd! Totala vibrationsvärden (vektorsumma ur tre riktningar) framtaget enligt EN 60745. Sågning i metall: Vibrationsemismissionsvärde $a_{h,M}$ Onoggrannhet K =	3,6 m/s ² 1,5 m/s ²



VARNING

Den i de här anvisningarna angivna vibrationsnivån har uppmätts enligt ett i EN 60745 normerat mätförfarande och kan användas vid jämförelse mellan olika elverktyg. Nivån är även lämplig att använda vid en preliminär bedömning av vibrationsbelastningen.

Den angivna vibrationsnivån representerar den huvudsakliga användningen av det aktuella elverktyget. Men om elverktyget ska användas i andra användningsområden, tillsammans med avvikande insatsverktyg eller efter otillräckligt underhåll, kan vibrationsnivån skilja sig. Det kan öka vibrationsbelastningen betydligt under hela arbetstiden.

För att få en exaktare bedömning av vibrationsbelastningen ska även den tid beaktas, under vilken elverktyget är avstängt eller är påslaget, utan att det verkligen används. Det kan reducera vibrationsbelastningen betydligt under hela arbetstiden.

Lägg som skydd för användaren fast extra säkerhetsåtgärder mot vibrationernas verkan, som till exempel: underhåll av elverktyg och insatsverktyg, varmhållning av händer och organisering av arbetsförlopp.

⚠ WARNING! Läs alla säkerhetsanvisningar och andra tillhörande anvisningar. Fel som uppstår till följd av att anvisningarna nedan inte följts kan orsaka elstöt, brand och/eller allvarliga kroppsskador.

Förvara alla varningar och anvisningar för framtida bruk.

⚠ SÄKERHETSANVISNINGAR FÖR CIRKELSÅG

Sågprocess

- ⚠ FARA: Håll händerna på betryggande avstånd från sågområdet och sågklingan. Håll andra handen på stödhandtaget eller motorhuset.** Om båda händerna hålls på sågen kan de inte skadas av sågklingan.
- För inte in handen under arbetsstycket.** Klingskyddet kan under arbetsstycket inte skydda handen mot sågklingan.
- Anpassa sågdjupet till arbetsstyckets tjocklek.** Den synliga delen av en tand under arbetsstycket måste vara mindre än en hel tand.
- Arbetsstycket som ska sågas får aldrig hållas i handen eller över benen. Säkra arbetsstycket på ett stabilt**

underlag. Det är viktigt att arbetsstycket hålls fast ordentligt för undvikande av kontakt med kroppen, inklemning av sågklinga eller förlorad kontroll över sågen.

- Håll fast elverktyget endast vid de isolerade handtagen när arbeten utförs på ställen där insatsverktyget kan skada dolda elledningar eller egen nätsladd.** Om elverktyget kommer i kontakt med en spänningsförande ledning sätts elverktygets metalldelar under spänning som sedan leder till elstöt.
- Vid längsriktad sågning ska alltid ett anslag eller en rak kantstyrning användas.** Detta förbättrar snittnoggrannheten och minskar risken för att sågklingan kommer i kläm.
- Använd alltid sågklingor med rätt storlek och lämpligt infästningshål (t.ex. i stjärnform eller rund).** Sågklingor som inte passar till sågens monteringskomponenter roterar orunt och leder till att kontrollen förloras över sågen.
- Använd aldrig skadade eller felaktiga underläggsbrickor eller skruvar för sågklingan.** Underläggsbrickorna och skruvarna för sågklingan har konstruerats speciellt för denna såg för optimal effekt och driftsäkerhet.

Orsaker för och eliminering av bakslag:

- ett bakslag är en plötslig reaktion hos en sågklinga som hakat upp sig, klämts fast eller är fel inriktad och som leder till att sågen okontrollerat lyfts upp ur arbetsstycket och kastas mot användaren;
- om sågklingan hakar upp sig eller kläms fast i sågspåret som går ihop, kommer klingan att blockera varefter motorkraften kastar sågen i riktning mot användaren;
- om sågklingan snedvrids i sågspåret eller är fel inriktad, kan tänderna på sågklingans bakre kant haka upp sig i arbetsstyckets yta varvid sågklingan går ur sågspåret och hoppar bakåt mot användaren.

Bakslag uppstår till följd av missbruk eller felaktig hantering av sågen. Detta kan undvikas genom skyddsåtgärder som beskrivs nedan.

- Håll stadigt i sågen med båda händerna och håll armarna i ett läge som möjliggör att hålla stånd mot de bakslagskrafter som eventuellt uppstår. Stå alltid på sidan om sågklingan; håll aldrig sågklingan i linje med kroppen.** Vid ett bakslag kan cirkelsågen hoppa bakåt men användaren kan behärska bakslagskraften om lämpliga åtgärder vidtagits.
- Om sågklingan kommer i kläm eller sågning avbryts av annan orsak, släpp Till-Från strömställaren och håll kvar sågen i arbetsstycket tills sågklingan stannat fullständigt. Försök aldrig dra sågen ur arbetsstycket eller bakåt så länge sågklingan roterar eller risk finns för att bakslag uppstår.** Lokalisera orsaken för inklämd sågklinga och avhjälp felet.
- Vill du återstarta en såg som sitter i arbetsstycket centrera sågklingan i sågspåret och kontrollera att sågklingans tänder inte hakat upp sig i arbetsstycket.** Är sågklingan inklämd kan den gå upp ur arbetsstycket eller orsaka bakslag vid återstart av sågen.
- Stöd stora skivor för att reducera risken för ett bakslag till följd av inklämd sågklinga.** Stora och tunga skivor kan böjas ut. Skivorna måste därför stödas på båda sidorna både i närheten av sågspåret och vid skivans kanter.
- Använd inte oskarpa eller skadade sågklingor.** Sågklingor med oskarpa eller fel inriktade tänder medför till följd av ett för smalt sågspar ökad friktion, inklämning av sågklingan och bakslag.
- Före sågning påbörjas dra stadigt fast inställningsanordningarna för sågdjup och snittvinkel.** Om inställningarna förändras under sågning kan sågklingan klämmas fast och orsaka bakslag.
- Var speciellt försiktig vid „insågning“ på ett dolt område, t.ex. i en färdig vägg.** Den inträngande sågklingan kan blockera vid sågning i dolda objekt och förorsaka bakslag.

Funktion för den nedre skyddshuven

- Kontrollera innan sågen används att det undre klingskyddet stänger felfritt. Sågen får inte tas i bruk om det undre klingskyddet inte är fritt rörligt och inte stängs omedelbart. Kläm eller bind inte fast det undre klingskyddet i öppet läge.** Om sågen av misstag faller ner på golvet finns risk att det undre klingskyddet deformeras. Öppna klingskyddet med återdragningsspaken och kontrollera att det är fritt rörligt och att det vid alla snittvinklar och snittdjup varken berör sågklingan eller andra delar.
- Kontrollera funktionen på fjädern till det undre klingskyddet. Låt sågen repareras innan den tas i bruk om undre klingskyddet eller fjädern inte fungerar felfritt.** Skadade delar, klibbiga avlagringar eller anhopning av spån kan hindra det undre klingskyddets rörelse.
- Öppna det undre klingskyddet för hand endast vid speciella snitt som t.ex. „Insågning och vinkelsnitt“.** Öppna det undre klingskyddet med återdragningsspaken och släpp den så fort sågklingan gått in i arbetsstycket. Vid all annan sågning måste det undre klingskyddet fungera automatiskt.
- Se till att sågklingan skyddas av det undre klingskyddet när sågen läggs bort på arbetsbänk eller golv.** En oskyddad och roterande sågklinga förflyttar sågen bakåt och kan såga allt som är i vägen. Beakta även sågens eftergång.

ÖVRIGA SÄKERHETS- OCH ANVÄNDNINGSPÅTÄNKNINGAR

Bär hörselskydd. Buller kan leda till att du förlorar hörseln.

Använd alltid skyddsglasögon, skyddshandskar och hörselskydd.

Damm som uppkommer vid arbeten med denna maskin kan vara skadligt för hälsan om de når kroppen. Använd ett utsugningssystem och bär skyddsmask. Avlägsna kvarblivande damm med t.ex. en dammsugare.

Sågklinga, vars värden inte överensstämmer med data i denna bruksanvisning, får ej användas.

Slipskivor får inte användas!

Lås ej strömbrytaren vid sågning för hand.

ARBETSANVISNINGAR

Se till att matningshastigheten inte är för hög för att förhindra att sågbladets kuggar blir för varma.

NÄTANSLUTNING

Får endast anslutas till 1-fas växelström och till den spänning som anges på dataskylten. Anslutning kan även ske till eluttag utan skyddskontakt, eftersom konstruktionen motsvarar skyddsklass II.

Anslut alltid verktyget till via en felströmbrytare (FI, RCD, PRCD) vid användning utomhus.

Maskinen skall vara fränslagen när kontakten anslutes till vägguttaget.

OBS! Undvik att metalldelar hamnar i luftsplitsarna - risk för kortslutning!

Nätkabeln skall alltid hållas ifrån arbetsområdet. Lägg kabeln bakåt i förhållande till arbetsriktningen.

Bryt alltid strömmen vid ombyggnads- och servicearbeten.



Sve

ANVÄND MASKINEN ENLIGT ANVISNINGARNA

Metallsåg för rak kapning och geringsågning i olika typer av metall som profiler, rör, metalstång, kanaler, aluminiumprofiler, plåtar etc.

Maskinen får endast användas för angiven tillämpning.

CE-FÖRSÄKRAN

Vi tar på vårt ansvar att produkten som har beskrivits under Tekniska data uppfyller alla relevanta villkor i direktiven

2011/65/EU (RoHS)

2006/42/EG

2014/30/EU

samt att följande harmoniserade standarder har använts.

EN 60745-1:2009 + A1:2010

EN 60745-2-5:2010

EN 55014-1:2006+A1:2009+A2:2011

EN 55014-2:1997 + A1:2001 + A2:2008

EN 61000-3-2:2014

EN 61000-3-11:2000

EN 50581:2012



Winnenden, 2016-03-25

Alexander Krug / Managing Director
Befullmäktigad att sammanställa teknisk dokumentation.

Techtronic Industries GmbH
Max-Eyth-Straße 10, 71364 Winnenden, Germany

SKÖTSEL

Drag alltid ur kontakten när du utför arbeten på maskinen.

Koppla alltid bort verktyget från eluttaget innan du sätter dit eller tar bort sågklingan.

Rengör både verktyget och skyddsanordningen med en torr trasa.

En del rengöringsmedel skadar plastmaterialet eller andra isolerade delar på verktyget.

Se till att motorhöljets luftslitsar är rena.

Avlägsna dammet regelbundet. Avlägsna sågspånen inne i sågen för att förhindra brandrisk.

Se till att verktyget alltid är rent och torrt samt fri från olja eller fett.

Kontrollera alltid skyddskåparnas felfria funktion.

Regelbundet underhåll och regelbunden rengöring är förutsättning för en lång livslängd och säker användning.

Om elverktygets anslutningskabel är skadad så ska den bytas ut mot en speciell förmonterad anslutningskabel som kundtjänsten tillhandahåller.

Använd endast Milwaukee-tillbehör och Milwaukee-reservdelar. Komponenter, för vilka inget byte beskrivs, skall bytas ut hos Milwaukee-kundtjänst (se broschyren garanti-/kundtjänstadresser).

Vid behov kan du rekvidrera apparatens sprängskiss antingen hos kundservicen eller direkt hos Techtronic Industries GmbH, Max-Eyth-Straße 10, 71364 Winnenden, Germany. Du ska då ange maskintypen och numret på sex siffror som står på effektskylden.

SYMBOLER



OBSERVERA! VARNING! FARA!



Läs instruktionen noga innan du startar maskinen.



Använd alltid skyddsglasögon.



Drag alltid ur kontakten när du utför arbeten på maskinen.



Tillbehör - Ingår ej i leveransomfånget, erhålles som tillbehör.



Elektriska maskiner och elverktyg som kasseras får inte slängas tillsammans med de vanliga hushållssoporna. Elektriska maskiner och verktyg samt elektronisk utrustning som kasseras ska samlas separat och lämnas till en avfallsstation för miljövänlig avfallshantering. Kontakta den lokala myndigheten respektive kommunen eller fråga återförsäljare var det finns speciella avfallsstationer för elkrot.



Elverktyg skyddsklass II. Elverktyg hos vilket skyddet mot elstötar inte bara är avhängigt av basisoleringen utan också av att det finns extra skyddsåtgärder, som en dubbel isolering eller en förstärkt isolering. Det finns ingen anordning för anslutning av en skyddsledare.



CE-symbol

EurAsian överensstämmelsesymbol.

TEKNISET ARVOT Metallisaha	MCS 66
Tuotantonumero	4406 16 02... ... 000001-999999
Nimellinen teho	1800 W
Kuormittamaton kierrosluku	4000 min ⁻¹
Sahanterän ø x reiän ø	203 x 15,87 mm
Max.leikkausteho Teräslevy kulmaraudat Metalliputkien profiilit	6 mm 50 x 50 x 6 mm Ø 66 mm max. 66 mm
Paino EPTA-menetelyn 01/2003 mukaan	6,4 kg
Melunpäästö-/tärinätiedot Mitta-arvot määritetty EN 60704-1 mukaan. Koneen tyypillinen A-luokitettu melutaso: Melutaso (Epävarmuus K=3dB(A)) Äänenvoimakkuus (Epävarmuus K=3dB(A)) Käytä kuulosuojaimia!	91,5 dB (A) 102,5 dB (A)
Värähtelyn yhteisarvot (kolmen suunnan vektorisummitattuna EN 60745 mukaan. Metallin sahaaminen: Värähtelyemissioarvo a _{h,M} Epävarmuus K =	3,6 m/s ² 1,5 m/s ²



Suo

VAROITUS

Näissä ohjeissa mainittu värähtelytaso on mitattu EN 60745 -standardin mukaisella mittausmenetelmällä ja sitä voidaan käyttää sähkötyökalujen vertaamiseen. Sitä voidaan käyttää myös värähtelyrasituksen väliaikaiseen arviointiin.

Mainittu värähtelytaso edustaa sähkötyökalun pääasiallista käyttöä. Jos sähkötyökalua kuitenkin käytetään muihin tehtäviin, poikkeavin työkaluin tai riittämättömästi huoltaen, värähtelytaso voi olla erilainen. Se voi korottaa värähtelyrasitusta koko työajan osalta.

Tarkan värähtelyrasituksen toteamiseen tulee ottaa huomioon aika, jona laite on kytketty pois tai on kylläkin päällä, mutta ei käytössä. Se voi pienentää värähtelyrasitusta koko työajan osalta.

Määrittele lisäturvatoimenpiteitä käyttäjän suojaamiseksi värinöiden vaikutukselta, kuten esimerkiksi: sähkötyökalujen ja käyttötyökalujen huolto, käsien lämpimänä pitäminen, työvaiheiden organisaatio.

VAROITUS! Lue kaikki, myös annetut turvallisuusmääräykset ja käyttöohjeet. Turvallisuusohjeiden noudattamisen laiminlyönti saattaa johtaa sähköiskuun, tulipaloon ja/tai vakavaan loukkaantumiseen.

Säilytä kaikki turvallisuus- ja muut ohjeet tulevaisuutta varten.

PYÖRÖSAHOJEN TURVALLISUUSMÄÄRÄYKSET

Sahasmenetelmät

- VAARA Pidä kädet loitolla sahausalueelta ja sahanterästä. Pidä toinen käsi lisäkavassa tai moottorikotelossa.** Kun molemmat kädet pitelevät pyörösahaa, sahanterä ei pysty vahingoittamaan niitä.
- Älä pane käsiä työkappaleen alle.** Suojus ei pysty suojaamaan käsiä sahanterältä, jos ne ovat työkappaleen alapuolella.
- Aseta leikkausvyövyys työkappaleen paksuuden mukaan.** Työkappaleen alla tulisi terää näkyä korkeintaan täysi hammaskorkeus.
- Älä koskaan pidä sahattavaa työkappaletta kädessä tai jalkojen päällä. Tue työkappaletta tukevaa alustaa vasten.**

On tärkeää kiinnittää työkappale hyvin, jotta kosketus kehoon, sahanterän jääminen puristukseen ja hallinnan menettäminen estyisi.

- Tartu sähkötyökaluun ainoastaan eristetyistä pinnoista, tehdessäsi työtä, jossa saattaisit osua piilossa olevaan sähköjohtoon tai sahan omaan sähköjohtoon.** Kosketus jännitteeseen johtoon saattaa myös sähkötyökalun metalliosat jännitteisiksi ja johtaa sähköiskuun.
- Käytä aina oikean kokoisia sahanteriä sopivalla kiinnitysreillä (timantinmuotoinen tai pyöreä).** Tämä parantaa sahaustarkkuutta ja pienentää riskin, että sahanterä jää puristukseen.
- Käytä aina oikean kokoisia ja kiinnitysliappaan sopivia sahanteriä (timantinmuotoinen tai pyöreä).** Sahanterät, jotka eivät sovi sahan asennusosiin pyörivät epäkeskeisesti ja johtavat sahan hallinnan menettämiseen.
- Älä koskaan käytä vaurioituneita sahanterän kiinnitysliattoja tai -pulttia.** Sahanterän kiinnitysliatta ja -pultti on suunniteltu erityisesti sahasi varten, antaen parasta mahdollista tehokkuutta ja toimintavarmuutta.

Takaiskun syy ja miten sen estät:

- takaisku on äkillinen reaktio, joka johtuu kiinni tarttuneesta, puristukseen jääneestä tai väärin suunnatusta sahanterästä, joka saa hallitsemattoman sahan ponnahtelemaan ylös työkappaleesta käyttäjää kohti;

- jos sahanterä tarttuu tai jää puristukseen sulkeutuvaan sahausuraan, sitä jarrutetaan voimakkaasti ja moottorin voima saattaa sahan ponnahtamaan taaksepäin käyttäjää kohti;

- jos sahanterä kääntyy tai suunnataan väärin sahausurassa, saattavat sahanterän takareunan hampaat tarttua työkappaleen yläpintaan, jolloin sahanterä kiipeeä ylös urasta ja saha hypähtää käyttäjää kohti.

Takaisku johtuu sahan väärinkäytöstä tai sahan käytöstä vääriin tarkoitukseen tai väärissä olosuhteissa. Se voidaan estää sopivin varotoimin, joita selostetaan seuraavassa.

- Pidä sahaa tukevasti kaksin käsin ja saata käsivarret asentoon, jossa voit vastustaa takaiskun voimaa. Pidä kehosi jommallakummalla puolella sahanterää, mutta ei linjalla sahanterän kanssa.** Takaiskussa sinkoutuu pyörösaha taaksepäin, käyttäjä voi kuitenkin hallita takaiskuvoimia, jos vain noudatetaan määrättyjä varotoimia.
- Jos sahanterä jää puristukseen tai jos sahaus keskeytetään muusta syystä, tulee päästää ote käynnistyskytkimestä ja pitää saha paikoillaan, kunnes terä on pysähtynyt täysin. Älä koskaan koeta vetää sahanterää ylös työkappaleesta tai taaksepäin niin kauan kuin sahanterä pyörii, se saattaa johtaa takaiskuun.** Etsi syy sahanterän puristukseen ja poista se sopivin toimenpitein.
- Kun tahdot käynnistää uudelleen sahan, joka on työkappaleessa, keskitä sahanterä sahausurassa ja tarkista, että hampaat eivät ole tarttuneet työkappaleeseen.** Jos sahanterä on puristuksessa, se saattaa kivetä ylös työkappaleesta tai aiheuttaa takaiskun, kun saha käynnistetään.
- Tue isot levyt, sahanterän puristuksen aiheuttaman takaiskuvaaran minimoimiseksi.** Suurilla levyillä on taipumus taipua oman painonsa takia. Levyt tulee tukea molemmilta puolilta, sekä sahanterän vierestä, että reunoista.
- Älä käytä tylsiä tai vaurioituneita sahanterä.** Sahanterät, joissa on tylsät tai väärin suunnatut hampaat tekevät liian ahtaan sahausuran, mikä johtaa liialliseen kitkaan, sahanterän puristukseen ja takaiskuun.
- Kiristä sahausvyydyden ja leikkauskulman säätöruuvit kiinni.** Jos muutat säätöjä sahausksen aikana, saattaa se johtaa sahanterän puristukseen ja takaiskuun.
- Ole erityisen varovainen kun sahaat "upposauhuksen" peitossa olevaan alueeseen, esim. seinään.** Sahanterä saattaa upotessaan osua piilossa oleviin kohteisiin, jotka aiheuttavat takaiskun.

Alemman suojakuvun toiminta

- Tarkista ennen jokaista käyttöä, että alempi suojus sulkeutuu moitteettomasti. Älä käytä sahaa, jos alempi suojus ei liiku vapaasti ja sulkeudu välittömästi. Älä koskaan purista tai sido alemmaa suojusta auki-asentoon.** Jos saha tahattomasti putoaa lattiaan, saattaa alempi suojus taipua. Nosta suojusta nostovivulla ja varmista, että suojus liikkuu vapaasti, eikä kosketa sahanterää tai muita osia missään sahauskulmassa.

b) **Tarkista alemman suojuksen jousen toiminta. Anna huoltaa saha, jos alempi suojus tai jousi ei toimi moitteettomasti.** Alempi suojus saattaa toimia jäykkäliikkeisesti johtuen violtuneista osista, tahmeista kerrostumista tai lastukasaantumista.

c) **Avaa alempi suojus käsin vain erikoisissa sahausksissa, kuten "uppo- ja kulmasahauksissa".** Avaa alempi suojus nostovivulla, ja päästä se vapaaksi heti, kun sahanterä on opponnut työkappaleeseen. Kaikissa muissa sahaustöissä alemman suojuksen tulee toimia automaattisesti.

d) **Älä aseta sahaa työpenkille tai lattialle, ellei alempi suojus peitä sahanterää. Suojaamaton jälkikäyvä sahanterä kuljettaa sahaa taaksepäin ja sahaa kaiken, mikä osuu sen tielle.** Ota huomioon, että kestää vähän aikaa ennen kuin sahanterä pysähtyy, virran katkaisun jälkeen.

TÄYDENTÄVIÄ TURVALLISUUSMÄÄRÄYKSIÄ JA TYÖSKENTELYOHJEITA

Käytä korvasuojia. Melulle altistuminen voi heikentää kuuloa.

Käytä laitteella työskennellessäsi aina suojalaseja. Suojakäsineiden, turvallisten ja tukevafoijaisten kenkien, kuulosuojainten ja suojaesiliinan käyttöä suositellaan.

Työstössä syntyvä pöly saattaa olla terveydelle vahingollista, joten sen koskettaminen tai hengittäminen tulisi välttää. Liitä kone kohdeimujärjestelmään ja käytä sopivaa pölysuojaa kasvoilla. Poista laskeutunut pöly huolellisesti esimerkiksi pölynimurilla.

Sahanterä, joiden tunnustiedot erivät tästä käyttöohjeesta, ei saa käyttää.

Ei saa käyttää hiomalaikkoja!

Käynnistyskytkintä ei saa käsinohjaussahauksessa lukita.

TYÖSKENTELYOHJEITA

Vältä sahanterän hampaiden ylikuumentumisen käyttämällä tarkoitukseen sopivaa nopeutta.

VERKKOLIITÄNTÄ

Yhdistä ainoastaan yksivaiheiseen vaihtovirtaan, jonka verkkojännite on sama kuin tyyppikilvessä ilmoitettu. Myös liittäminen maadoittamattomiin pistorasioihin on mahdollista, sillä rakenne vastaa turvallisuusluokkaa II.

Ulkokäytössä olevat pistorasiat on varustettava vikavirta-suojakytkimillä (FI, RCD PRCD) sähkölaitteistosi asennusmääräyksen mukaisesti. Muista tarkistaa, että laite liitetään ulkokäytössä ulkopistorasiaan ja neuvottele asiasta sähköasentajasi kanssa.

Laitteen käynnistyskytkin on oltava 0- asennossa, kun tulppa työnnetään pistorasiaan.

Älä päästä metalliesineitä tuuletusaukkoihin - oikosulkuvaara. Pidä sähköjohto poissa koneen käyttöalueelta. Siirrä se aina taaksesi.

Tarkista ennen jokaista käyttökertaa, ettei laitteessa, liitäntäjohdossa, jatkojohdossa ja pistotulpassa ole vaurioita eikä niissä ole tapahtunut muutoksia. Viollisia osia saa korjata vain alan ammattilainen.

TARKOITUKSEN MUKAINEN KÄYTTÖ

Metallisaha on tarkoin aseteltavissa suoria ja viistosaukuisia varten erilaisiin metalleihin kuten metalliprofileihin (UniStrut), putkiin, pultteihin, kanaviin, alumiiniprofileihin, metallilevyihin ym.

Älä käytä tuotetta ohjeiden vastaisesti.

TODISTUS CE-STANDARDIN MUKAISUUDESTA

Vakuutamme täten olevamme yksin vastuussa siitä, että kohdassa "Tekniset tiedot" kuvattu tuote vastaa kaikkia direktiivien merkityksellisiä säädöksiä

2011/65/EU (RoHS)

2006/42/EY

2014/30/EU

ja seuraavia yhdenmukaistettuja standardeja on käytetty.

EN 60745-1:2009 + A11:2010

EN 60745-2-5:2010

EN 55014-1:2006+A1:2009+A2:2011

EN 55014-2:1997 + A1:2001 + A2:2008

EN 61000-3-2:2014

EN 61000-3-11:2010

EN 50581:2012



Winnenden, 2016-03-25

Alexander Krug / Managing Director
Valtuutettu kokoamaan tekniset dokumentit.

Techtronic Industries GmbH
Max-Eyth-Strasse 10, 71364 Winnenden, Germany

HUOLTO

Irrota aina pistotulppa seinäkoskettimesta ennen koneeseen tehtäviä toimempiteitä.

Muista irrottaa laite virtalähteestä, ennen kuin kiinnität tai irrotat sahanterän.

Puhdista laite ja suojavarusteet kuivalla liinalla.

Monet puhdistusaineet vahingoittavat muovia tai muita eristettyjä osia.

Pidä moottorin ilmanottoaukut puhtaina.

Poistakaa pöly säännöllisesti. Poistakaa sahan sisäosiin kertyneet sahanpurut palovaaran välttämiseksi.

Pidä laite puhtaana ja kuivana ja poista ulos valunut öljy tai rasva heti.

Tarkasta suojakupujen toiminta.

Säännöllinen huolto ja puhdistus varmistavat pitkän eliniän ja turvallisen käsittelyn.

Jos sähkötyökalun verkkoliitäntäjohto on vahingoittunut, se täytyy korvata erityisvalmisteisella verkkoliitäntäjohdolla, joka on saatavana teknisen asiakaspalvelun kautta.

Käytä ainoastaan Milwaukee lisätarvikkeita ja Milwaukee varaosia.

Mikäli jokin komponentti, jota ei ole kuvailtu, tarvitsee vaihtoa ota yhteys johonkin Milwaukee palvelupisteistä (kts. listamme takuuhuoltoiliikkeiden/ palvelupisteiden osoitteista)

Tarvittaessa voit pyytää laitteen räjähdyspiirustuksen ilmoittaen koneityypin ja tyypikkilvessä olevan kuusinumeroisen luvun huoltopalvelustasi tai suoraan osoitteella Techtronic Industries GmbH, Max-Eyth-Strasse 10, 71364 Winnenden, Saksa.

SYMBOLIT



HUOMIO! VAROITUS! VAARA!



Lue käyttöohjeet huolellisesti, ennen koneen käynnistämistä.



Käytä laitteella työskennellessäsi aina suojalaseja.



Irrota aina pistotulppa seinäkoskettimesta ennen koneeseen tehtäviä toimempiteitä.



Lisälaite - Ei sisälly vakiovarustukseen, saatavana lisätarvikkeena.



Sähkölaitteita ei saa hävittää yhdessä kotitalousjätteiden kanssa. Sähkö- ja elektroniset laitteet tulee kerätä erikseen ja toimittaa kierrätysliikkeeseen ympäristöstävällistä hävittämistä varten. Pyydä paikallisilta viranomaisilta tai alan kauppiailtasi tarkemmat tiedot kierrätyspisteistä ja keräyspaikoista.



Suojaluokan II sähkötyökalu. Sähkötyökalu, jonka sähköiskunsuojaus ei ole riippuvainen ainoastaan peruseristyksestä, vaan myös siitä, että käytetään lisäturvatoimia, kuten kaksinkertaista eristystä tai vahvistettua eristystä. Laitteessa ei ole suojajohtimen liittämiseen tarvittavia varusteita.



CE-merkki

EurAsian-vaatimusten mukaisuusmerkki.



ΤΕΧΝΙΚΑ ΣΤΟΙΧΕΙΑ μεταλλικό	MCS 66
Αριθμός παραγωγής	4406 16 02... ... 000001-999999
Ονομαστική ισχύς	1800 W
Αριθμός στροφών χωρίς φορτίο	4000 min ⁻¹
Διάμετρος λεπίδας πριονιού x διάμετρος διάτρησης	203 x 15,87 mm
Μέγιστη ικανότητα Σε χάλυβα Σιδερωγωνιά Μεταλλικοί σωλήνες Προφίλ	6 mm 50 x 50 x 6 mm Ø 66 mm max. 66 mm
Βάρος σύμφωνα με τη διαδικασία EPTA 01/2003	6,4 kg
Πληροφορίες θορύβου/δονήσεων Τιμές μέτρησης εξακριβωμένες κατά EN 60 745. Η σύφωνα με την καμπύλη A εκτιμηθείσα στάθμη θορύβου του μηχανήματος αναφέρεται σε: Στάθμη ηχητικής πίεσης (Ανασφάλεια K=3dB(A)) Στάθμη ηχητικής ισχύος (Ανασφάλεια K=3dB(A))	91,5 dB (A) 102,5 dB (A)
Φοράτε προστασία ακοής (ωτασπίδες)! Υλικές τιμές κραδασμών (άθροισμα διανυσμάτων τριών διευθύνσεων) εξακριβώθηκαν σύμφωνα με τα πρότυπα EN 60745. Πριόνισμα μετάλλων: Τιμή εκπομπής δονήσεων a _{h,m} Ανασφάλεια K =	3,6 m/s ² 1,5 m/s ²



ΠΡΟΕΙΔΟΠΟΙΗΣΗ

Το αναφερόμενο σ' αυτές τις οδηγίες επίπεδο δονήσεων έχει μετρηθεί με μια τυποποιημένη σύμφωνα με το EN 60745 μέθοδο μέτρησης και μπορεί να χρησιμοποιηθεί για τη σύγκριση των ηλεκτρικών εργαλείων μεταξύ τους. Αυτό είναι επίσης κατάλληλο για μια προσωρινή εκτίμηση της επιβάρυνσης των δονήσεων.

Το αναφερόμενο επίπεδο δονήσεων αντιπροσωπεύει τις κύριες χρήσεις του ηλεκτρικού εργαλείου. Εάν όμως το ηλεκτρικό χρησιμοποιείται σε άλλες χρήσεις, με διαφορετικά εργαλεία εφαρμογής ή ανεπαρκή συντήρηση, μπορεί να υπάρξει απόκλιση του επιπέδου δονήσεων. Αυτό μπορεί να αυξήσει σημαντικά την επιβάρυνση των δονήσεων για τη συνολική διάρκεια της εργασίας.

Για μια ακριβή εκτίμηση της επιβάρυνσης των δονήσεων οφείλουν επίσης να λαμβάνονται υπόψη οι χρόνοι, στους οποίους η συσκευή είναι απενεργοποιημένη ή είναι μεν ενεργοποιημένη αλλά δεν χρησιμοποιείται πραγματικά. Αυτό μπορεί να μειώσει σημαντικά την επιβάρυνση των δονήσεων για τη συνολική διάρκεια της εργασίας.

Καθορίζετε πρόσθετα μέτρα ασφαλείας για την προστασία του χειριστή από την επίδραση των δονήσεων όπως για παράδειγμα: Συντήρηση του ηλεκτρικού εργαλείου και των εργαλείων εφαρμογής, διατηρείτε ζεστά τα χέρια, οργάνωση των διαδικασιών εργασίας.

⚠ ΠΡΟΕΙΔΟΠΟΙΗΣΗ! Διαβάστε όλες τις Υποδείξεις ασφαλείας και τις Οδηγίες. Αμέλειες κατά την τήρηση των προειδοποιητικών υποδείξεων μπορεί να προκαλέσουν ηλεκτροπληξία, κίνδυνο πυρκαγιάς ή/και σοβαρούς τραυματισμούς.
Φυλάξτε όλες τις προειδοποιητικές υποδείξεις και οδηγίες για κάθε μελλοντική χρήση.

⚠ ΥΠΟΔΕΙΞΕΙΣ ΑΣΦΑΛΕΙΑΣ ΓΙΑ ΔΙΣΚΟΠΡΙΟΝΑ.

Μέθοδοι πριονίσματος

- ⚠ ΚΙΝΔΥΝΟΣ: Μη βάζετε τα χέρια σας στην περιοχή του πριονιού ή στον πριονόδισκο. Κρατάτε με το άλλο [το δεύτερο] χέρι σας την πρόσθετη λαβή ή το περιβλημά του κινητήρα.** Όταν κρατάτε το δισκοπρίονο και με τα δυο σας χέρια τότε ο πριονόδισκος δεν μπορεί να σας τραυματίσει.
- Μη βάζετε τα χέρια σας κάτω από το υπό κατεργασία τεμάχιο.** Ο προφυλακτήρας δεν μπορεί να τα προστατέψει από τον πριονόδισκο όταν αυτό βρίσκεται κάτω από το υπό κατεργασία τεμάχιο.
- Προσαρμόστε το βάθος κοπής στο πάχος του υπό κατεργασία τεμαχίου.** Κάτω το υπό κατεργασία τεμάχιο πρέπει να

φαίνεται λιγότερο από ένα ολόκληρο δόντι του πριονόδισκου.

d) **Μη συγκρατείτε ποτέ το υπό κατεργασία τεμάχιο με το χέρι και μην το ακουμπάτε ποτέ στα πόδια [τα σκέλη] σας. Ασφαλίστε το υπό κατεργασία τεμάχιο επάνω σε μια σταθερή επιφάνεια.** Το καλό στερέωμα του υπό κατεργασία τεμαχίου είναι πολύ σημαντικό επειδή έτσι μειώνεται στο ελάχιστο ο κίνδυνος της επαφής του με το σώμα σας, το μπλοκάρισμα του πριονόδισκου ή η απώλεια του ελέγχου του.

e) **Να πιάνετε το ηλεκτρικό εργαλείο μόνο από τις προβλεπόμενες γι' αυτό το σκοπό μονωμένες επιφανείες του, όταν εκτελείτε εργασίες στις οποίες υπάρχει κίνδυνος το εργαλείο που χρησιμοποιείτε να συναντήσει ηλεκτροφόρους αγωγούς ή το δικό του ηλεκτρικό καλώδιο.** Η επαφή μ' ένα ηλεκτροφόρο αγωγό θέτει τα μεταλλικά τμήματα του ηλεκτρικού εργαλείου επίσης υπό τάση και οδηγεί έτσι σε ηλεκτροπληξία.

f) **Όταν διεξάγετε διαμήκεις [μακρουλές] κοπές χρησιμοποιείτε πάντοτε έναν οδηγό κοπής ή μια διάταξη ευθυγράμμισης της τομής.** Μ' αυτόν τον τρόπο βελτιώνεται η ακρίβεια της τομής κι ελαττώνονται οι πιθανότητες σφηνώματος του πριονόδισκου

Ελληνικά

g) **Χρησιμοποιείτε πάντοτε πριονόδικους με το σωστό μέγεθος και με κατάλληλη τρύπα υποδοχής (π. χ. με στρογγυλή ή αστεροειδή τρύπα).** Πριονόδικοι που δεν ταιριάζουν με τα εξαρτήματα συναρμολόγησης του πριονιού περιτρέφονται ασύμμετρα και οδηγούν στην απώλεια του ελέγχου του μηχανήματος.

h) **Μη χρησιμοποιήσετε ποτέ χαλασμένους ή ακατάλληλους πριονόδικους, ακατάλληλες ροδέλες ή βίδες.** Οι ροδέλες και οι βίδες κατασκευάζονται ειδικά για τον εκάστοτε πριονόδικο και εξασφαλίζουν έτσι τη μέγιστη δυνατή απόδοση και ασφάλεια λειτουργίας.

Αιτίες και αποφυγή κλοστήματος:

-το κλόστημα είναι η απροσδόκητη P553γαντίδραση του πριονόδικου όταν αυτός „σκοντάφει“ ή μπλοκάρει ή όταν είναι λάθος συναρμολογημένος· αυτό προκαλεί το ανασήκωμα του ανεξέλεγκτου πλέον πριονιού από το υπό κατεργασία τεμάχιο και στην κίνηση του με κατεύ

-όταν ο πριονόδικος ή σφηνώσει στη σχισμή πριονίσματος όταν αυτή κλείνει, τότε αυτός μπλοκάρει και η δύναμη του κινητήρα „κλωσά“ το μηχανήμα με κατεύθυνση προς το χειριστή·

-όταν ο πριονόδικος στρεβλώσει ή όταν είναι λάθος συναρμολογημένος, τότε δεν αποκλείεται τα δόντια στην πίσω ακμή του πριονόδικου να σφηνώσουν στην επιφάνεια του υπό κατεργασία τεμαχίου κι έτσι ο πριονόδικος να πεταχτεί έξω από το υπό κατεργασία τεμάχιο και το πριόνι να εκτιναχτεί με κατεύθυνση προς ο χειριστή·

Το κλόστημα αποτελεί συνέπεια ενός εσφαλμένου ή ελλιπού χειρισμού του πριονιού. Μπορεί να αποφευχθεί με κατάλληλα προληπτικά μέτρα, όπως αυτά που περιγράφονται παρακάτω.

a) **Να κρατάτε το πριόνι και με τα δυο σας χέρια και να δίνετε στους βραχιόνες σας μια θέση, στην οποία θα μπορούσατε να αντιμετωπίσετε τυχόν αντιδραστικές δυνάμεις [κλωστήματα] του μηχανήματος. Να στεκαστε πάντα δίπλα από τον πριονόδικο και ποτέ στην ίδια γραμμή μ' αυτόν.** Σε περίπτωση κλοστήματος το διακοπριόνιο μπορεί μεν να εκτιναχτεί προς τα πίσω, όμως, όταν έχουν ληφθεί κατάλληλα προληπτικά μέτρα, ο χειριστής μπορεί να αντιμετωπίσει με επιτυχία το κλόστημα.

b) **Σε περίπτωση που ο πριονόδικος μπλοκάρει ή το πριόνισμα διακοπεί από οποιοδήποτε άλλη αιτία, τότε αφήστε το διακόπτη ON/OFF ελεύθερο και κρατήστε το πριόνι με προεμία μέσα στο υλικό μέχρι να ακινητοποιηθεί εντελώς ο πριονόδικος. Μην προσπαθήσετε ποτέ να απομακρύνετε το πριόνι από το υπό κατεργασία τεμάχιο ή να το τραβήξετε προς τα πίσω όσο ο πριονόδικος κινείται ή όταν υπάρχει ακόμη κίνδυνος κλοστήματος.** Εξακριβώστε την αιτία του μπλοκαρίσματος του πριονόδικου και εξουδετερώστε την με τα κατάλληλα μέτρα.

c) **Όταν θελήσετε να εκκινήσετε πάλι ένα ακινητοποιημένο πριόνι του οποίου ο πριονόδικος βρίσκεται μέσα στο υπό κατεργασία τεμάχιο, ευθυγραμμίστε τον πριονόδικο μέσα στη σχισμή κοπής κι ελέγξτε, μήπως τα δόντια του είναι σφηνωμένα μέσα στο υπό κατεργασία τεμάχιο.** Όταν ο πριονόδικος είναι μπλοκαρισμένος μπορεί να πεταχτεί έξω από το υπό κατεργασία τεμάχιο ή να κλωστήσει όταν το πριόνι τεθεί πάλι σε λειτουργία.

d) **Μεγάλες υπό κατεργασία πλάκες πρέπει να υποστηρίζονται για να μειωθεί ο κίνδυνος κλοστήματος από έναν τυχόν σφηνωμένο πριονόδικο.** Οι μεγάλες πλάκες μπορεί να λυγίσουν από το ίδιο τους το βάρος. Οι πλάκες πρέπει να υποστηρίζονται και στις δυο πλευρές τους, και κοντά στον πριονόδικο και στα άκρα τους.

e) **Μη χρησιμοποιείτε αμβλείς ή χαλασμένους πριονόδικους.** Πριονόδικοι με μη κοφτερά ή με λάθος ευθυγραμμισμένα δόντια προκαλούν, εξαιτίας της πολύ στενής σχισμής πριονίσματος, αύξηση της τριβής, σφηνώμα του πριονόδικου και κλόστημα.

f) **Πριν το πριόνισμα σφίξτε καλά τις διατάξεις ρύθμισης του βάθους και της γωνίας κοπής.** Σε περίπτωση που οι ρυθμίσεις μεταβληθούν κατά τη διάρκεια του πριονίσματος μπορεί να μπλοκάρει ο πριονόδικος και να οδηγήσει έτσι σε κλόστημα.

g) **Προσέχετε ιδιαίτερα όταν διεξάγετε „κοπές βύθισης“ σε μη ορατούς τοίχους, π. χ. σ' έναν ήδη υπάρχοντα τοίχο.** Ο βυθιζόμενος πριονόδικος μπορεί να μπλοκάρει σε μη ορατά αντικείμενα και να οδηγήσει έτσι σε κλόστημα.

Λειτουργία του κάτω καλύμματος προστασίας

a) **Ελέγχετε πριν από κάθε χρήση αν κλείνει άψογα ο κάτω προφυλακτήρας. Μη χρησιμοποιήσετε το πριόνι όταν ο κάτω προφυλακτήρας δεν κινείται ελεύθερα και δεν κλείνει αμέσως. Μη σφηνώσετε και μη δένετε ποτέ τον κάτω προφυλακτήρα για να παραμείνει ανοιχτός.** Ο κάτω προφυλακτήρας μπορεί να στρεβλωθεί σε περίπτωση που το πριόνι πέσει αθέλητα στο έδαφος. Ανοίξτε τον προφυλακτήρα με τη βοήθεια της λαβής και βεβαιωθείτε ότι κινείται ελεύθερα καθώς και ότι δεν εγγίζει τον πριονόδικο ή άλλα τμήματα του πριονιού, σε οποιαδήποτε βάθος ή γωνία κοπής κι αν ρυθμιστεί.

b) **Ελέγξτε τη λειτουργία του ελατηρίου του κάτω προφυλακτήρα. Δώστε το μηχανήμα για συντήρηση πριν το χρησιμοποιήσετε σε περίπτωση που ο κάτω προφυλακτήρας ή/και το ελατήριο δε λειτουργούν άψογα.** Χαλασμένα εξαρτήματα, κολλώδη ιζήματα ή συσσωρεύσεις γραινίλης ή ροκανιδιών επιβραδύνουν την κίνηση του προφυλακτήρα.

c) **Ο κάτω προφυλακτήρας επιτρέπεται να ανοιχτεί με το χέρι μόνο για τη διεξαγωγή ιδιαίτερων κοπών, π. χ. για „κοπές βύθισης και κοπές γωνιών“.** Ανοίξτε τον προφυλακτήρα με τη βοήθεια της λαβής κι αφήστε τον πάλι ελεύθερο μόλις ο πριονόδικος βυθιστεί στο υπό κατεργασία τεμάχιο. Σε όλες τις άλλες εργασίες κοπής ο προφυλακτήρας πρέπει να λειτουργεί αυτόματα.

d) **Μην αποθέσετε ο πριόνι επάνω στο τραπέζι εργασίας ή στο δάπεδο χωρίς ο κάτω προφυλακτήρας να καλύπτει τον πριονόδικο.** Ένας ακάλυπτος πριονόδικος που συνεχίζει να περιστρέφεται κινεί το πριόνι με φορά αντίθετη της φοράς κοπής και πριονίζει ότι συναντήσει στο δρόμο του. Λάβετε υπόψη σας το χρόνο που χρειάζεται μέχρι να ακινητοποιηθεί εντελώς το πριόνι [χρόνος ιχνηλασίας].

ΠΕΡΑΙΤΕΡΩ ΟΔΗΓΙΕΣ ΑΣΦΑΛΕΙΑΣ ΚΑΙ ΧΡΗΣΕΩΣ

Φοράτε ωτοασπίδες. Η επίδραση του θορύβου μπορεί να προκαλέσει απώλεια ακοής.

Στις εργασίες με τη μηχανή φοράτε πάντοτε προστατευτικά γυαλιά. Συνιστάνται τα προστατευτικά γάντια, τα σταθερά και αντιολισθητικά παπούτσια και η ποδιά.

Η δημιουργούμενη κατά την εργασία σκόνη είναι συχνά επιβλαβής για την υγεία και δεν πρέπει να έρχεται σε επαφή με το σώμα. Χρησιμοποιείτε μια διάταξη αναρόφησης της σκόνης και φοράτε επιπλέον μια κατάλληλη προστασία από τη σκόνη. Απομακρύνετε επιμελώς τη μαζεμένη σκόνη, π.χ. με αναρόφηση.

Οι λεπίδες πριονιού, που δεν αντιστοιχούν με τα χαρακτηριστικά στοιχεία σε αυτές τις οδηγίες χρήσης, δεν επιτρέπεται να χρησιμοποιηθούν.

Παρακαλώ, μην τοποθετείτε λειαντικούς δίσκους!

Μην ασφαρίζετε σταθερά το διακόπτη ενεργοποίησης/ απενεργοποίησης στη λειτουργία χειρός.



ΥΠΟΔΕΙΞΙΣ ΕΡΓΑΣΙΑΣ

Αποφύγετε υπερθέρμανση των δοντιών της λάμας του πριονιού ρυθμίζοντας την ταχύτητά του πριονιού.

ΣΥΝΔΕΣΗ ΣΤΟ ΗΛΕΚΤΡΙΚΟ ΔΙΚΤΥΟ

Συνδέστε μόνο σε μονοφασικό εναλλασσόμενο ρεύμα και μόνο σε τάση δικτύου όπως αναφέρεται στην πινακίδα τεχνικών χαρακτηριστικών. Η σύνδεση είναι επίσης επικίτη σε πρίζες χωρίς προστασία επαφής, διότι έχει προβλεφθεί εξοπλισμός κατηγορίας προστασίας II.

Οι πρίζες στους εξωτερικούς χώρους πρέπει να είναι εξοπλισμένες με μικροαυτόματους διακόπτες προστασίας (FI, RCD, PRCD). Αυτό απαιτεί ο σχετικός κανονισμός από την ηλεκτρική σας εγκατάσταση. Προσέξτε παρακαλώ αυτό το σημείο κατά τη χρήση της συσκευής μας.

Συνδέστε τη συσκευή στην πρίζα μόνο όταν είναι απενεργοποιημένη.

Λόγω του κινδύνου βραχυκυκλώματος δεν επιτρέπεται να μπαίνουν μεταλλικά αντικείμενα στις σχισμές εξαερισμού.

Κρατάτε το καλώδιο σύνδεσης πάντοτε μακριά από την περιοχή δράσης της μηχανής. Περνάτε το καλώδιο πάντοτε πίσω από τη μηχανή.

Πριν από κάθε χρήση ελέγχετε τη συσκευή, το καλώδιο σύνδεσης, το καλώδιο επέκτασης (μπαλαντέζα) και το φως για τυχόν ζημιά και γήρανση. Αναθετέτε την επισκευή των κατεστραμμένων εξαρτημάτων μόνο σε έναν ειδικευμένο τεχνίτη.

ΧΡΗΣΗ ΣΥΜΦΩΝΑ ΜΕ ΤΟ ΣΚΟΠΟ ΠΡΟΟΡΙΣΜΟΥ

Το μεταλλικό πριόνι χρησιμοποιείται για πριόνισμα ευθύγραμμων τομών σε διάφορα είδη μετάλλου όπως π.χ. μεταλλικά προφίλ (UniStrut), σωλήνες, βάσεις στεγνής κατασκευής, κανάλια καλωδίων, προφίλ αλουμινίου, λαμαρίνες, κλπ.

Αυτή η συσκευή επιτρέπεται να χρησιμοποιηθεί μόνο σύμφωνα με τον αναφερόμενο σκοπό προορισμού.

ΔΗΛΩΣΗ ΠΙΣΤΟΤΗΤΑΣ ΕΚ

Δηλώνουμε με αποκλειστική μας ευθύνη, ότι το προϊόν που περιγράφεται στα «Τεχνικά Χαρακτηριστικά» συμμορφώνεται με

όλες τις σχετικές διατάξεις των οδηγιών
2011/65/EU (RoHS)
2006/42/EK
2014/30/EU
και έχουν εφαρμοστεί τα ακόλουθα εναρμονισμένα πρότυπα
EN 60745-1:2009 + A11:2010
EN 60745-2-5:2010
EN 55014-1:2006+A1:2009+A2:2011
EN 55014-2:1997 + A1:2001 + A2:2008
EN 61000-3-2:2014
EN 61000-3-11:2000
EN 50581:2012



Winnenden, 2016-03-25

Alexander Krug / Managing Director
Έξουσιοδοτημένος να συντάξει τον τεχνικό φάκελο.
Techtronic Industries GmbH
Max-Eyth-Strasse 10, 71364 Winnenden, Germany

ΣΥΝΤΗΡΗΣΗ

Πριν από κάθε εργασία στη μηχανή τραβάτε το φως από την πρίζα. Αποσυνδέστε το εργαλείο από το ρεύμα πριν τοποθετήσετε ή αφαιρέσετε την λεπίδα κόπτη.

Καθαρίζετε την συσκευή και τον εξοπλισμό προστασίας με ένα στεγνό πανί.

Μερικά απορρυπαντικά προκαλούν φθορές στο πλαστικό και σε άλλα μονωμένα μέρη.

Διατηρείτε πάντοτε τις σχισμές εξαερισμού της μηχανής καθαρές.

Απομακρύνετε τακτικά τη σκόνη. Απομακρύνετε τα πριονίδια που μαζεύονται στο εσωτερικό του πριονιού προς αποφυγή του κινδύνου ανάφλεξης.

Διατηρείτε την συσκευή καθαρή, στεγνή και φροντίστε να μην έχει λεκέδες από διαρροές λαδιού ή γράσου.

Ελέγξτε αν λειτουργεί σωστά η καλύπτρα προστασίας.

Τακτική συντήρηση και καθαρισμός είναι απαραίτητα για μεγάλη διάρκεια ζωής και ασφαλή λειτουργία.

Αν το καλώδιο παροχής ρεύματος της συσκευής έχει υποστεί ζημιά δεν πρέπει να αντικατασταθεί από ένα ειδικά για αυτόν τον σκοπό προετοιμασμένο καλώδιο το οποίο μπορείτε να προμηθευτείτε από την εξυπηρέτηση πελατών.

Χρησιμοποιείτε μόνο αξεσουάρ Milwaukee και ανταλλακτικά Milwaukee. Εξαρτήματα, που η αλλαγή τους δεν περιγράφεται, αντικαθιστώνται σε μια τεχνική υποστήριξη της Milwaukee (βλέπε φυλλάδιο εγγύηση/ διευθύνσεις τεχνικής υποστήριξης).

Σε περίπτωση που το χρειαστείτε μπορείτε να παραγγείλετε λεπτομερές σχέδιο της συσκευής αναφέροντας τον τύπο και τον εξαψήφιο αριθμό που βρίσκεται στην πινακίδα τεχνικών χαρακτηριστικών από την εξυπηρέτηση πελατών ή απευθείας από την Techtronic Industries GmbH, διεύθυνση Max-Eyth-Strasse 10, 71364 Winnenden, Germany.

ΣΥΜΒΟΛΑ



ΠΡΟΣΟΧΗ! ΠΡΟΕΙΔΟΠΟΙΗΣΗ! ΚΙΝΔΥΝΟΣ!



Παρακαλώ διαβάστε σχολαστικά τις οδηγίες χρήσης πριν από την έναρξη λειτουργίας.



Στις εργασίες με τη μηχανή φοράτε πάντοτε προστατευτικά γυαλιά.



Πριν από κάθε εργασία στη μηχανή τραβάτε το φως από την πρίζα.



Εξαρτήματα - Δεν περιλαμβάνονται στα υλικά παράδοση, συνηστούμενη προσθήκη από το πρόγραμμα εξαρτημάτων.



Ηλεκτρικά μηχανήματα δεν επιτρέπεται να απορρίπτονται μαζί με τα οικιακά απορρίμματα. Ηλεκτρικά και ηλεκτρονικά μηχανήματα συλλέγονται ξεχωριστά και παραδίδονται προς ανακύκλωση με τρόπο φιλικό προς το περιβάλλον σε επιχείρηση επεξεργασίας απορριμμάτων. Ενημερωθείτε από τις τοπικές υπηρεσίες ή από ειδικευμένους εμπόρους σχετικά με κέντρα ανακύκλωσης και συλλογής απορριμμάτων.



Ηλεκτρικό εργαλείο κατηγορίας ασφαλείας II. Ηλεκτρικό εργαλείο στο οποίο η προστασία από ηλεκτροπληξία δεν εξαρτάται μόνο από την βασική μόνωση αλλά και από συμπληρωματικά μέτρα ασφαλείας όπως διπλή ή ενισχυμένη μόνωση. Δεν υπάρχει εξοπλισμός για να συνδεθεί με τη γείωση.



Σήμα συμμόρφωσης CE

EurAsian σήμα πιστότητας.

Ελληνικά

TEKNİK VERİLER	MCS 66
Metal testeresi	
Üretim numarası	4406 16 02... ... 000001-999999
Giriş gücü	1800 W
Boştaki devir sayısı	4000 min ⁻¹
Testere bıçağı çapı x delik çapı	203 x 15,87 mm
Maksimum kesme kapasitesi Çelikte Köşebent demiri Metal borular Profiller	6 mm 50 x 50 x 6 mm Ø 66 mm max. 66 mm
Ağırlığı ise EPTA-üretici 01/2003'e göre.	6,4 kg
Gürültü/Vibrasyon bilgileri Ölçüm değerleri EN 60704-1 e göre belirlenmektedir. Aletin, frekansa bağımlı uluslararası ses basıncı seviyesi değerlendirme eğrisi A'ya göre tipik gürültü seviyesi: Ses basıncı seviyesi (Tolerans K=3dB(A)) Akustik kapasite seviyesi (Tolerans K=3dB(A))	91,5 dB (A) 102,5 dB (A)
Koruyucu kulaklık kullanın!	
Toplam titreşim değeri (üç yönün vektör toplamı) EN 60745'e göre belirlenmektedir: Metal yontma: titreşim emisyon değeri a _{B,M} Tolerans K =	3,6 m/s ² 1,5 m/s ²



Tür

UYARI

Bu talimatlarda belirtilen titreşim seviyesi, EN 60745 standardına uygun bir ölçme metodu ile ölçülmüştür ve elektrikli el aletleri birbiriyle karşılaştırmak için kullanılabilir. Ölçüm sonuçları ayrıca titreşim yükünün geçici değerlendirilmesi için de uygundur.

Belirtilen titreşim seviyesi, elektrikli el aletinin genel uygulamaları için geçerlidir. Ancak elektrikli el aleti başka uygulamalar için, farklı eklenti parçalarıyla ya da yetersiz bakım koşullarında kullanılırsa, titreşim seviyesi farklılık gösterebilir. Bu durumda, titreşim yükü toplam çalışma zaman aralığı içerisinde belirgin ölçüde yükselir.

Titreşim yükünün tam bir değerlendirmesi için ayrıca cihazın kapalı olduğu süreler ve cihazın çalışır durumda olduğu, ancak gerçek kullanımda bulunmadığı süreler de dikkate alınmalıdır. Böylelikle, toplam çalışma zamanı aralığı boyunca meydana gelen titreşim yükü belirgin ölçüde azaltılabilir.

Kullanıcıyı titreşimlerin etkisinden korumak üzere, örneğin elektrikli el aletlerinin ve eklenti parçalarının bakımı, ellerin sıcak tutulması ve iş akışlarının organizasyonu gibi ek güvenlik tedbirleri belirleyiniz.

⚠ UYARI! Güvenlikle ilgili bütün açıklamaları. Açıklanan uyarılara ve talimat hükümlerine uyulmadığı takdirde elektrik çarpmalarına, yangınlara ve/veya ağır yaralanmalara neden olunabilir.

Bütün uyarıları ve talimat hükümlerini ileride kullanmak üzere saklayın.

⚠ DAİRE TESTERELERİ İÇİN GÜVENLİK UYARILARI

Testere kesim işlemi

- ⚠ TEHLİKE: Ellerinizi kesilen yere ve testere bıçağına yaklaştırmayın. İkinci elinizle ek tutamağı veya motor gövdesini tutun.** Her iki elinizde daire testereyi tutarsa, testere bıçağı ellerinizi yaralayamaz.
- İş parçasının altını kavramayın.** Koruyucu kapak sizi iş parçası altında sizi testere bıçağından koruyamaz.
- Kesme derinliğini iş parçasının kalınlığına göre ayarlayın.** İş parçası altında tam diş uzunluğunun daha azı görünmelidir.
- Kesilen iş parçasını hiçbir zaman elinizle tutmayın veya bacağına üzerine koymayın. İş parçasını sağlam**

bir zeminde emniyete alın. Bedenle teması önlemek, testere bıçağına sıkışması veya aletin kontrolünün kaybedilmesinin minimum düzeye indirilmesi açısından iş parçasının iyice tespit edilip sıkılması önemlidir.

e) Çalışırken alet ucunun görünmeyen elektrik akımı ileten kablolarla veya aletin kendi sebebe kablosuna temas etme olasılığı varsa elektrikli el aletini sadece izolasyonlu tutamaktan tutun. Elektrik gerilimi ileten kablolarla temasa gelince elektrikli el aletinin metal parçaları da elektrik gerilimine maruz kalır ve elektrik çarpmasına neden olunur.

f) Uzunlamasına kesme yaparken daima bir dayamak veya düz bir kenar kılavuzu kullanın. Bu, kesme hassasiyetini iyileştirir ve testere bıçağına sıkışma olasılığını azaltır.

g) Daima doğru büyüklükte ve biçimi bağlama flanşına uygun testere bıçakları kullanın (ağ şeklinde veya yuvarlak). Testerenin montaj parçalarına uymayan testere bıçaklar, balanssız çalışır ve aletin kontrol dışına çıkma olasılığını artırır.

h) Hiçbir zaman hasarlı testere bıçağı alt besleme diski veya vida kullanmayın. Testere bıçağı alt besleme diski ve vidalar, işletme güvenliğini optimum düzeye getirmek üzere özel olarak tasarlanmış ve üretilmiştir.

Türkçe

Ger i tepme kuvvetinin nedenleri ve buna karşı alınacak önlemler:

- Bir geri tepme kuvveti, takılan, sıkışan veya yanlış doğrultulan bir testere bıçağının beklenmedik reaksiyonudur. Bu durum, aletin kontrolnden ve iş parçasından çıkarak kullanıcıya doğru hareket etmesine neden olabilir;

- Testere bıçağı kesilen hat içinde takılır veya sıkışır, bloke olur. Böyle bir durumda motor kuvveti aleti kullanıcıya doğru geri iter;

- Testere bıçağı kesme hattında açılma yapar veya yanlış doğrultulursa, testere bıçağının arka tarafındaki dişler iş parçasının üst yüzüne takılabilir ve bunun sonucunda da testere bıçağı kesme hattından dışarı çıkarak, geriye doğru kullanıcıya doğru sıçrama yapar.

Bir geri tepme kuvvet, testerenin yanlış veya hatalı kullanımı sonucu ortaya çıkar. Geri tepme kuvvetleri aşağıda açıklanan uygun önlemlerle önenebilir.

a) **Testereyi iki elinizle birlikte sıkıca tutun ve ellerinizi geri tepme kuvvetini karşılayabilecek konumda tutun. Daima testere bıçağının yan tarafında durun, hiçbir zaman testere bıçağı ile aynı hatta bulunmayın.** Geri tepme halinde daire testere geri doğru sıçrar, ancak kullanıcı personel uygun önlemleri almışsa bu geri tepme kuvvetlerini tehlikesiz biçimde karşılayabilir.

b) **Testere bıçağı sıkışır veya kesme işlemi başka herhangi bir nedenle kesilirse, açma/kapama şalterini bırakın ve testere bıçağı tam duruncaya kadar testereyi malzeme içinde sakince tutun. Testere bıçağı hareket ettiği süreçte ve geri tepme kuvveti kendini hissettirdiği süreçte hiçbir zaman testereyi iş parçasından dışarı çıkarmayı denemeyin veya geri çekmeyin.** Testere bıçağının sıkışma nedenini bulun ve bunu uygun önlemlerle giderin.

c) **İş parçası içinde bulunan bir testereyi tekrar çalıştırmak isterseniz, testere bıçağını kesme hattında içinde merkezleyin ve testere dişlerinin iş parçasına takılı olup olmadığını kontrol edin.** Testere bıçağı sıkışır (bloke olur) ve tekrar çalıştırılacak olursa iş parçasından dışarı çıkabilir veya bir geri tepme kuvvetine neden olabilir.

d) **Testere bıçağının sıkışıp geri tepme tehlikesi yaratmaması için büyük boyutlu levhaları keserken güvenli bir biçimde destekleyin.** Büyük boyutlu levhalar kendi ağırlıkları nedeniyle bükülebilir. Bu levhalar her iki yandan, hem kesme hattının yakınından hem de kenardan desteklenmelidir.

e) **Körelmiş veya hasarlı testere bıçakları kullanmayın.** Körelmiş veya yanlış doğrultulmuş testere bıçakları dar kesme hattında büyük bir sürtünme kuvvetinin oluşmasına, testere bıçağının sıkışmasına ve geri tepme kuvvetlerinin oluşmasına neden olurlar.

f) **Kesme işlemine başlamadan önce kesme derinliği ve kesme hızı ayarlarını tam ve hassas biçimde ayarlayarak tespit edin.** Kesme sırasında ayarlar değişecek olursa, testere bıçağı sıkışabilir ve geri tepme kuvveti oluşabilir.

g) **İçini görmediğiniz bir yerde, örneğin bir duvarda „içten kesme“ işlerinde özellikle dikkatli olun.** Malzeme içine dalan testere bıçağı görünmeyen nesnelere nedeniyle bloke olabilir ve geri tepme kuvvetlerine neden olabilir.

Alt koruyucu kapağın fonksiyonu

a) **Her kullanımdan önce alt koruyucu kapağın kusursuz biçimde kapanıp kapanmadığını kontrol edin. Alt koruyucu**

kapak serbestçe hareket etmiyorsa ve hemen kapanmıyorsa testereyi kullanmayın. Alt koruyucu kapağı açık konumda iken hiçbir zaman sıkıyım veya yapıştırmayın. Testere yanlışlıkla yere düşecek olursa, alt koruyucu kapak bükülebilir. Koruyucu kapağı geri çekme kolu ile açın ve serbest hareket edip etmediğini ve bütün kesme açısı ve kesme derinliklerinde ne testere bıçağına ne de diğer parçalara temas edip etmediğini kontrol edin.

b) **Alt koruyucu kapağın yayını kontrol edin. Eğer alt koruyucu kapak ve yayı kusursuz olarak çalışmıyorsa aletinizi bakıma gönderin.** Hasarlı parçalar, yapışkan birikintiler veya talaş birikimleri alt koruyucu kapağın gecikmeli olarak işlev görmesine neden olur.

c) **Alt koruyucu kapağı elinizle sadece „Malzeme içine dalmalı veya açılı“ kesme gibi özel durumlarda açın.** Alt koruyucu kapağı geri çekme kolu ile açın ve testere bıçağı malzeme içine girince serbest bırakın. Bütün diğer kesme işlerinde alt koruyucu kapak otomatik olarak çalışmalıdır.

d) **Alt koruyucu kapak testere bıçağını kapatmadığı süreçte testereyi tezgaha veya yere bırakmayın.** Korunmayan ve serbest dönüşteki testere bıçağı testereyi kesme yönünün tersine hareket ettirir ve önüne gelen malzemeyi keser. Bu sırada testerenin serbest dönüş süresine dikkat edin.

EK GÜVENLİK VE ÇALIŞMA TALIMATLARI

Koruyucu kulaklık kullanın. Gürültü etkisi işitme kaybını etkiler.

Aletle çalışırken daima koruyucu gözlük kullanın. Koruyucu iş eldivenleri, sağlam ve kaymaz ayakkabılar ve iş önlüğü kullanmanızı tavsiye ederiz.

Tahtalar uzun süre işlenirken veya sağlığa zararlı toz çıkaran malzemeler profesyonel olarak işlenirken alet uygun bir toz emme donanımına bağlanmak zorundadır. Profesyonel kullanıcılar diğer malzemelere ilişkin hükümleri yetkili meslek kuruluşu ile açıklığa kavuşturmak zorundadır.

Tanıtmı verileri bu kullanımı kılavuzunda belirtilmemiş tertere bıçaklarını kullanmayın.

Lütfen cihazların içinde taşıma levhaları (diskleri) monte ederek kullanmayın!

Aleti elle kullanırken açma/kapama şalterini kilitlemeyin.

ÇALIŞMA AÇIKLAMALARI

Besleme hızını ayarlayarak testere diski dişlerinin aşırı ısınmasını önleyiniz.

ŞEBEKE BAĞLANTISI

Aleti sadece tek fazlı alternatif akıma ve tip etiketi üzerinde belirtilen şebeke gerilimine bağlayın. Yapısı Koruma sınıfı II'ye girdiğinden alet koruyucu kontaklı prizde de bağlanabilir.

Açık havadaki prizler hatalı akım koruma şalteri (FI, RCD, PRCD) ile donatılmıdır. Bu, elektrik tesisatındaki bir zorunluluktur. Lütfen aletimizi kullanırken bu hususa dikkat edin.

Aleti sadece kapalı iken prize takın.

Kısa devre tehlikesi ortaya çıkacağından metal parçaların havalandırma aralıklarına girmemesi gerekir.

Bağlantı kablosunu aletten uzak tutun. Kablo daima aletin arkasında olmalıdır ve toplanmamalıdır.

Her kullanımdan önce alet, bağlantı kablosu, uzatma kablosu ve fişin hasarlı olup olmadığını ve eskijip eskimediğini kontrol edin. Hasarlı parçaları sadece uzmanına onartın.

KULLANIM

Bu metal testeresi metal profiller (UniStrut), borular, kuru yapı kalıpları, kablo kanalları, alüminyum profiller gibi çok çeşitli metal malzemede düz hatlı kesme işleri için geliştirilmiştir.

Bu alet sadece belirttiği gibi ve usulüne uygun olarak kullanılabilir.

CE UYGUNLUK BEYANI

"Teknik veriler" başlığı altında tanımlanan ürünün, sayılı direktiflerdeki tüm hükümleri

2011/65/EU (RoHS)

2006/42/EC

2014/30/EU

uyumlaştırılmış standartları

EN 60745-1:2009 + A11:2010

EN 60745-2-5:2010

EN 55014-1:2006+A1:2009+A2:2011

EN 55014-2:1997 + A1:2001 + A2:2008

EN 61000-3-2:2014

EN 61000-3-11:2000

EN 50581:2012



Winnenden, 2016-03-25

Alexander Krug / Managing Director
Teknik evrakları hazırlamakla görevlendirilmiştir.

Techtronic Industries GmbH
Max-Eyth-Straße 10, 71364 Winnenden, Germany

BAKIM

Aletin kendinde bir çalışma yapmadan önce fişi prizden çekin.

Testere bıçağını takmadan veya çıkarmadan önce aletin fişini güç kaynağından çektiğinizden emin olun.

Cihazı ve koruyucu tertibatı kuru bir bezle temizleyiniz.

Bazı temizlik maddeleri plastik veya başka izole parçalara zarar verebilir.

Aletin havalandırma aralıklarını daima temiz tutun.

Tozu düzenli olarak alın. Yangın riskini önlemek için testerenin içinde biriken talaşları temizleyiniz.

Cihazı temiz ve kuru tutunuz ve dışına taşan sıvı yağları ve gresleri temizleyiniz

Koruyucu kapakların fonksiyonunu kontrol ediniz.

Düzenli aralıklarda yapılan bakım ve temizlik, uzun bir dayanma ömrü ve güvenli bir kullanım sağlar.

Elektrikli aletin elektrik kablosu hasarlıysa, müşteri hizmeti organizasyonu üzerinden temin edilebilen önceden özel olarak hazırlanmış bir elektrik kablosu ile değiştirilmesi gerekmektedir.

Sadece Milwaukee aksesuarı ve yedek parçası kullanın. Nasıl değiştirileceği açıklanmamış olan yapı parçalarını bir Milwaukee müşteri servisinde değiştirin (Garanti ve servis adresi broşürüne dikkat edin).

Gerektiğinde cihazın ayrıntılı çizimini, güç levhası üzerindeki makine modelini ve altı haneli rakamı belirterek müşteri servisinizden veya doğrudan Techtronic Industries GmbH, Max-Eyth-Straße 10, 71364 Winnenden, Germany adresinden isteyebilirsiniz.

SEMBOLLER



DİKKAT! UYARI! TEHLİKE!



Lütfen aleti çalıştırmadan önce kullanma kılavuzunu dikkatli biçimde okuyun.



Aletle çalışırken daima koruyucu gözlük kullanın.



Aletin kendinde bir çalışma yapmadan önce fişi prizden çekin.



Aksesuar - Teslimat kapsamında değildir, önerilen tamamamlar aksesuar programında.



Elektrikli cihazların evsel atıklarla birlikte bertaraf edilmesi yasaktır. Elektrikli ve elektronik cihazlar ayrılarak biriktirilmeli ve çevreye zarar vermeden bertaraf edilmeleri için bir atık değerlendirme tesisine götürülmelidirler. Yerel makamlara veya satıcınıza geri dönüşüm tesisleri ve atık toplama merkezlerinin yerlerini danışınız.



Koruma sınıfı II olan elektrikli aletler. Elektrik çarpmasına karşı korumanın sadece temel izolasyona bağlı olmayıp, aynı zamanda çift izolasyon veya takviyeli izolasyon gibi ek koruyucu önlemlerin alınmasına bağlı olan elektrikli alet. Bir koruyucu iletken bağlamak için düzeneği bulunmamaktadır.



CE işareti

EurAsian Uyumluluk işareti



Tür

TECHNICKÁ DATA	MCS 66
Pila na kov	
Výrobní číslo	4406 16 02... ... 000001-999999
Jmenovitý výkon	1800 W
Počet otáček při běhu naprázdno	4000 min ⁻¹
Pilový kotouč ø x díra ø	203 x 15,87 mm
Max. kapacita Ocel úhelník Kovové trubky profily	6 mm 50 x 50 x 6 mm Ø 66 mm max. 66 mm
Hmotnost podle prováděcího předpisu EPTA 01/2003	6,4 kg
Informace o hluku / vibracích Naměřené hodnoty odpovídají EN 60 745. V třídě A posuzovaná hladina hluku přístroje činí typicky: Hladina akustického tlaku (Kolísavost K=3dB(A)) Hladina akustického výkonu (Kolísavost K=3dB(A))	91,5 dB (A) 102,5 dB (A)
Používejte chrániče sluchu ! Celkové hodnoty vibrací (vektorový součet tří směrů) zjištěnéve smyslu EN 60745. Řezání kovů: Hodnota vibračních emisí a _{h,m} Kolísavost K =	3,6 m/s ² 1,5 m/s ²



VAROVÁN

Úroveň chvění uvedená v tomto návodu byla naměřena podle metody měření stanovené normou EN 60745 a může být použita pro porovnání elektrického nářadí. Hodí se také pro průběžný odhad zatížení chvěním.

Uvedená úroveň chvění představuje hlavní účely použití elektrického nářadí. Jestliže se ale elektrické nářadí používá pro jiné účely, s odlišnými nástroji nebo s nedostatečnou údržbou, může se úroveň chvění odlišovat. To může značně zvýšit zatížení chvěním během celé pracovní doby.

Pro přesný odhad zatížení chvěním se musí také zohlednit časy, během kterých je přístroj vypnutý nebo kdy je sice v chodu, ale skutečně se s ním nepracuje. To může zatížení chvěním během celé pracovní doby značně snížit.

Stanovte doplňková bezpečnostní opatření pro ochranu obsluhy před účinky chvění jako například: technická údržba elektrického nářadí a nástrojů, udržování teploty rukou, organizace pracovních procesů.

VAROVÁNÍ! Seznamte se se všemi bezpečnostními pokyny a sice i s pokyny. Zanedbání při dodržování varovných upozornění a pokynů mohou mít za následek úder elektrickým proudem, požár a ebo těžká poranění.

Všechna varovná upozornění a pokyny do budoucna uschovejte.

BEZPEČNOSTNÍ POKYNY PRO KOTOUČOVÉ PILY

Postup řezání pilou

- NEBEZPEČÍ: Mějte své ruce mimo oblast řezání a mimo pilový kotouč. Se svou druhou rukou držte přidávné držadlo nebo motorovou skříň.** Pokud obě ruce drží kotoučovou pilu, nemůže je pilový kotouč poranit.
- Nesahejte pod obrobek.** Ochranný kryt Vás pod obrobkem nemůže chránit před pilovým kotoučem.
- Přizpůsobte hloubku řezu tloušťce obrobku.** Pod obrobkem by měla být viditelná méně než celá výška zubu.
- Řezaný obrobek nikdy nedržte v ruce nebo přes nohu. Obrobek zajistěte na stabilní podložce.** Je důležité obrobek

dobře upevnit, aby byl minimalizován kontakt s tělem, přičení pilového kotouče nebo ztráta kontroly.

e) Pokud provádíte práce, při kterých může nasazovací nástroj zasáhnout skrytá elektrická vedení nebo vlastní síťový kabel, pak uchopte elektronářadí pouze na izolovaných plochách držadla. Kontakt s vedením pod napětím přivádí napětí i na kovové díly elektronářadí a vede k úderu elektrickým proudem.

f) Při podélných řezech používejte vždy vodičko nebo přímé vedení podél hrany. To zlepší přesnost řezu a snižuje možnost, že se pilový kotouč vzpříčí.

g) Používejte vždy pilové kotouče ve správné velikosti a s vhodným upínacím otvorem (např. v hvězdicovém tvaru nebo kruhový). Pilové kotouče, jež se nehodí k montážním dílům pily, běží nekruhově a vedou ke ztrátě kontroly.

h) Nikdy nepoužívejte poškozené nebo špatné podložky nebo šrouby kotouče. Podložky a šrouby pilových kotoučů byly zkonstruovány speciálně pro Vaši pilu, pro optimální výkon a provozní bezpečnost.

Příčiny a vyvarování se zpětného rázu:

- zpětný ráz je náhla reakce v důsledku zaseknutí, vzpříčení nebo špatného vyrovnání pilového kotouče, která vede k tomu, že se pila nekontrolovatelně nadzdvihne z obrobku a pohybuje se ve směru obsluhující osoby;

- když se pilový kotouč zasekne nebo vzpříčí do svírající se řezané mezery, zablokuje se a síla motoru udeří strojem zpět ve směru obsluhující osoby;

- pokud se pilový kotouč v řezu stočí nebo je špatně vyrovnán, mohou se zuby zadní hrany pilového kotouče zaseknout do povrchu obrobku, čímž se pilový kotouč nadzvedne z řezané mezery a pila vyskočí zpět ve směru obsluhující osoby.

Zpětný ráz je důsledek špatného nebo chybného použití pily. Lze mu vhodnými preventivními opatřeními, jak je následovně popsáno, zabránit.

a) **Pilu držte pevně oběma rukama a paže dejte do takové polohy, ve které můžete čelit síle zpětného rázu. Držte se vždy stranou pilového kotouče, nedávejte pilový kotouč do jedné přímky s Vaším tělem.** Při zpětném rázu může kotoučová pila skočit vzad, ale obsluhující osoba může síly zpětného rázu překonat, pokud byla učiněna vhodná opatření.

b) **Jestliže se pilový kotouč vzpříčí nebo je-li řezání přerušeno z jiného důvodu, uvolněte spínač a pilu držte klidně v materiálu, až se pilový kotouč zcela zastaví. Nikdy se nepokoušejte odstranit pilu z obrobku nebo ji stáhnout zpět, dokud se pilový kotouč pohybuje nebo by mohl nastat zpětný ráz.** Najděte příčinu vzpříčení pilového kotouče a odstraňte ji vhodnými opatřeními.

c) **Pokud chcete pilu, která je vsazena do obrobku, znovu zapnout, vystředte pilový kotouč v řezané mezeře a zkontrolujte, zda nejsou pilové zuby zaseknuty v obrobku.** Je-li pilový kotouč vzpříčený, může se, pokud se pila znovu zapne, pohnout ven z obrobku nebo způsobit zpětný ráz.

d) **Velké desky podepřete, aby jste zabránili riziku zpětného rázu sevřením pilového kotouče.** Velké desky se mohou vlastní vahou pohnout. Desky musí být podepřeny jak na obou stranách, tak i v blízkosti řezané mezery na kraji.

e) **Nepoužívejte žádné tupé nebo poškozené pilové kotouče.** Pilové kotouče s tupými nebo špatně vyrovnanými zuby způsobí díky úzké pilové mezeře zvýšené tření, svírání pilového kotouče a zpětný ráz.

f) **Před řezáním utáhněte nastavení hloubky a úhlu řezu.** Pokud se během řezání změní nastavení, může se pilový kotouč vzpříčit a nastat zpětný ráz.

g) **Buďte obzvláště opatrní, pokud provádíte "zanořovací řez" do skrytých prostorů, např. stávající stěna.** Zanořující se pilový kotouč se může při řezání zablokovat ve skrytých objektech a způsobit zpětný ráz.

Funkce spodního ochranného krytu

a) **Před každým použitím zkontrolujte, zda se spodní ochranný kryt bezvadně uzavírá. Pilu nepoužívejte, pokud se spodní ochranný kryt nepohybuje volně a neuzavře-li se okamžitě. Spodní ochranný kryt nikdy neupneťte nebo nepřivazujte**

napevno v otevřené poloze. Pokud pila neúmyslně upadne na podlahu, může se spodní ochranný kryt zprohýbat. Otevřete ochranný kryt pomocí páčky pro zpětné vytažení a zajištěte, aby se volně pohyboval a nedotýkal se pilového kotouče ani jiných dílů při všech různých úhlech a hloubkách.

b) **Zkontrolujte funkci pružiny pro spodní ochranný kryt. Nechte stroj před použitím zkontrolovat, pokud spodní ochranný kryt a pružina nepracují bezvadně.** Poškozené díly, lepkavé usazeniny nebo nahromadění třísek brzdí spodní ochranný kryt při práci.

c) **Rukou otevřete spodní ochranný kryt pouze u výjimečných řezů, jako jsou "zanořovací řez" a řez pod úhlem".** Otevřete spodní ochranný kryt pomocí páčky pro zpětné vytažení a uvolněte jej, jakmile pilový kotouč vnikl do obrobku. U všech ostatních řezacích prací musí spodní ochranný kryt pracovat automaticky.

d) **Pilu neodkládejte na pracovní stůl nebo podlahu bez toho, aby spodní ochranný kryt zakrýval pilový kotouč.** Nechráněný, dobíhající pilový kotouč pohybuje pilou proti směru řezání a řeže vše co mu stojí v cestě. Respektujte při tom dobu doběhu pily.

DALŠÍ BEZPEČNOSTNÍ A PRACOVNÍ POKYNY

Používejte chrániče sluchu. Nadměrný hluk může vést ke ztrátě sluchu.

Při práci se strojem neustále nosit ochranné brýle. Doporučuje se používat ochranné rukavice, pevnou protiskluzovou obuv a zástěru.

Prach vznikající při práci bývá zdraví škodlivý, a proto by se neměly vdechovat. Používejte odsávání prachu a navíc se chraňte vhodnou ochrannou maskou. Usazený prach dobře odstraňte, např. odsátím. Pilové kotouče, které neodpovídají požadavkům podle tohoto návodu se nesmí používat.

Nepoužívejte prosím s brusnými kotouči!

Při ručním vedení pily neartutujte vypínač.

PRACOVNÍ POKYNY

Pomocí přiměřené rychlosti posuvu zabraňte přehřátí zubů pilového listu.

PŘIPOJENÍ NA SÍT

Připojit pouze do jednofázové střídavé sítě o napětí uvedeném na štítku. Lze připojit i do zásuvky bez ochranného kontaktu neboť spotřebič je třídy II.

Ve venkovním prostředí musí být zásuvky vybaveny proudovým chráničem (FI, RCD, PRCD). Je to vyžadováno instalačním předpisem pro toto el.zařízení. Dodržujte ho při používání tohoto nářadí, prosím.

Přívodní kabel zapojit do zásuvky jen při vypnutém stroji.

Vzhledem k nebezpečí zkratu se nesmí dostat do odvětrávací mezery kovy.

Neustále dbát na to, aby byl kabel pro připojení k elektrické síti mimo dosah stroje. Kabel vést vždy směrem dozadu od stroje.

Před každým použitím zkontrolujte stroj, kabel, prodlužovací kabel i zástrčky, zda nenesou stopy poškození nebo stárnutí.

Poškozené součástky dejte opravit pouze odborníky.



OBLAST VYUŽITÍ

Pila na kov je vhodná k přímému řezání v různých kovových materiálech jako např. kovové přífily, trubky, kabelové kanály, alu-profil, plechy atd.

Tooto zařízení lze používat jen pro uvedený účel.

CE-PROHLÁŠENÍ O SHODĚ

Prohlašujeme na naši výhradní odpovědnost, že produkt popsán v části „Technické údaje“ splňuje všechna příslušná ustanovení směrnic

2011/65/EU (RoHS)

2006/42/ES

2014/30/EU

a byly použity následující harmonizované normy

EN 60745-1:2009 + A11:2010

EN 60745-2-5:2010

EN 55014-1:2006+A1:2009+A2:2011

EN 55014-2:1997 + A1:2001 + A2:2008

EN 61000-3-2:2014

EN 61000-3-11:2000

EN 50581:2012



Winnenden, 2016-03-25

Alexander Krug / Managing Director
Zplnomocněn k sestavování technických podkladů.

Techtronic Industries GmbH
Max-Eyth-Straße 10, 71364 Winnenden, Germany

ÚDRŽBA

Před zahájením veškerých prací na stroji vytáhnout síťovou zástrčku ze zásuvky.

Ujistěte se, že jste pilu odpojily od zdroje napájení před montáží a demontáží pilového kotouče.

Přístroj a ochranný kryt čistěte suchým hadříkem.

Některé čisticí prostředky poškozují plast nebo jiné izolované části.

Větrací šterbiny nářadí udržujeme stále čisté.

Pravidelně odstraňujte prach. Odstraňujte piliny nashromážděné uvnitř pily, abyste tak zamezili riziku vzniku požáru.

Přístroj udržujte čistý, suchý a očištěný od vyteklého oleje a maziva.

Zkontrolujte funkčnost ochranných krytů.

Pravidelná údržba a čištění zajistí dlouhou životnost a bezpečnou manipulaci.

Pokud je připojovací kabel elektrického přístroje poškozený, musí být nahrazený speciálně upraveným připojovacím kabelem, který je možné získat prostřednictvím firmy poskytující servis pro zákazníky.

Používat výhradně příslušenství Milwaukee a náhradní díly Milwaukee. Díly jejichž výměny nebyla popsána, nechte vyměnit v autorizovaném servisu (viz. "Záruky / Seznam servisních míst")

V případě potřeby si můžete v servisním centru pro zákazníky nebo přímo od firmy Techtronic Industries GmbH, Max-Eyth-Straße 10, 71364 Winnenden, Německo vyžádat schematický náčrt jednotlivých dílů přístroje, když uvedete typ přístroje a šestimístní číslo na výkonovém štítku.

SYMBOLY



POZOR! VAROVÁNÍ! NEBEZPEČÍ!



Před spuštěním stroje si pečlivě pročtete návod k používání.



Při práci se strojem neustále nosit ochranné brýle.



Před zahájením veškerých prací na stroji vytáhnout síťovou zástrčku ze zásuvky.



Příslušenství není součástí dodávky, viz program příslušenství.



Elektrické přístroje se nesmí likvidovat společně s odpadem z domácnosti. Elektrické a elektronické přístroje je třeba sbírat odděleně a odevzdat je v recyklačním podniku na ekologickou likvidaci. Na místních úřadech nebo u vašeho specializovaného prodejce se informujte na recyklační podniky a sběrné dvory.



Elektrický přístroj s třídou ochrany II. Elektrický přístroj, u kterého ochrana před zásahem el. proudem závisí nejen na základní izolaci, ale i na tom, že budou použita také doplňková ochranná opatření, jakými jsou dvojitá izolace nebo zesílená izolace. Neexistuje žádné zařízení pro připojení ochranného vodiče.



Značka CE

Euroasijská značka shody

TECHNICKÉ ÚDAJE	MCS 66
Píla na kov	
Výrobné číslo	4406 16 02... ... 000001-999999
Menovitý príkon	1800 W
Otáčky naprázdno	4000 min ⁻¹
Priemer pílového listu x priemer diery	203 x 15,87 mm
Max. rezný výkon v do ocele uholník Kovová rúra profily	6 mm 50 x 50 x 6 mm Ø 66 mm max. 66 mm
Hmotnosť podľa vykonávacieho predpisu EPTA 01/2003	6,4 kg
Informácia o hluku / vibráciách Namerané hodnoty určené v súlade s EN 60745. V triede A posudzovaná hladina hluku prístroja činí typicky: Hladina akustického tlaku (Kolísavosť K=3dB(A)) Hladina akustického výkonu (Kolísavosť K=3dB(A))	91,5 dB (A) 102,5 dB (A)
Používajte ochranu sluchu! Celkové hodnoty vibrácií (vektorový súčet troch smerov) zistených zmysle EN 60745.	
Rezanie kovov: Hodnota vibračných emisií a _{n,M} Kolísavosť K =	3,6 m/s ² 1,5 m/s ²



Slov

POZOR

Úroveň vibrácií uvedená v týchto pokynoch bola nameraná meracou metódou, ktorú stanovuje norma EN 60745 a je možné ju použiť na vzájomné porovnanie elektrického náradia. Hodí sa aj na predbežné posúdenie kmitavého namáhania.

Uvedená úroveň vibrácií reprezentuje hlavné aplikácie elektrického náradia. Ak sa však elektrické náradie používa pre iné aplikácie, s odlišnými vloženími nástrojmi alebo s nedostatočnou údržbou, môže sa úroveň vibrácií líšiť. Toto môže kmitavé namáhanie v priebehu celej pracovnej doby podstatne zvýšiť.

Pre presný odhad kmitavého namáhania by sa mali tiež zohľadniť doby, v ktorých je náradie vypnuté alebo je síce v chode, ale v skutočnosti sa nepoužíva. Toto môže kmitavé namáhanie v priebehu celej pracovnej doby zreteľne redukovať.

Stanovte dodatočné bezpečnostné opatrenia pre ochranu obsluhy pred účinkami vibrácií, ako napríklad: údržba elektrického náradia a vložení nástrojov, udržiavanie teploty rúk, organizácia pracovných postupov.

⚠️ POZOR! Zoznámte sa so všetkými bezpečnostnými pokynmi. Zanedbanie dodržiavania Výstražných upozornení a pokynov uvedených v nasledujúcom texte môže mať za následok zásah elektrickým prúdom, spôsobí požiar a/alebo ťažké poranenie. **Tieto Výstražné upozornenia a bezpečnostné pokyny starostlivo uschovajte na budúce použitie.**

⚠️ BEZPEČNOSTNÉ POKYNY PRE KOTÚČOVÉ PÍLY

Proces pílenia

- ⚠️ NEBEZPEČENSTVO: Nedávajte ruky do pracovného priestoru píly ani k pílovému listu. Druhou rukou držte prídavnú rukoväť alebo teleso motora.** Ak kotúčovú pílu držia obe ruky, pílový list ich nemôže poraniť.
 - Nesiahajte pod obrobok.** Ochranný kryt vás pod obrobkom nemôže ochraňovať pred pílovým listom.
 - Hrúbku rezu prispôbte hrúbke obrobka.** Pod obrobkom by malo byť vidieť menej pílového listu ako plnú výšku zuba píly.
 - Nikdy nedržte pri rezaní obrobok v ruke ani ho nepridržujte nad nohou. Zabezpečte obrobok na stabilnom podklade.** Je dôležité, aby bol obrobok dobre upevnený,
- aby sa na minimum zmenšilo nebezpečenstvo kontaktu s telom, zablokovania pílového listu alebo straty kontroly.
 - Elektrické náradie držte za izolované plochy rukoväti pri vykonávaní takej práce, pri ktorej by mohol rezací nástroj natrafiť na skryté elektrické vedenia alebo zasiahnuť vlastný prírodný šnúru náradia.** Kontakt s vedením, ktoré je pod napätím, spôsobí, že aj kovové súčiastky náradia sa dostanú pod napätie, čo má za následok zásah obsluhujúcej osoby elektrickým prúdom.
 - Pri pozdĺžnom rezaní vždy používajte doraz, alebo veďte náradie pozdĺž rovnej hrany.** To zlepšuje presnosť rezu a znižuje možnosť zablokovania pílového listu.
 - Používajte vždy pílové listy správnej veľkosti a s vhodným upínacím otvorom (napríklad hviezdicovým alebo okrúhlym).** Pílové listy, ktoré sa nehodia k montážnym súčiastkam píly, nebežia celkom rotačne a spôsobia stratu kontroly obsluhy na náradí.
 - Nikdy nepoužívajte poškodené podložky alebo nesprávne upevňovacie skrutky pílových listov.** Podložky a upevňovacie skrutky pílových listov boli skonštruované špeciálne pre túto pílu, aby dosahovala optimálny výkon a mala optimálnu bezpečnosť prevádzky.

Dôvody spätných rázov a predchádzanie spätným rázom:

- spätný ráz je náhlu reakciou zablokovaného, vzpričeného alebo nesprávne nastaveného pílového listu, ktorý má za následok nekontrolované zdvihnutie pily a jej pohyb od obrobku smerom k obsluhujúcej osobe;

- keď sa pílový list zasekne alebo vzpriči v uzavierajúcej sa štrbine rezu, zablokuje sa a sila motora vyhodí náradie smerom na obsluhujúcu osobu;

- keď je pílový list v reze natočený alebo nesprávne nastavený, môžu sa zuby zadnej hrany pílového listu zahryznúť do povrchovej plochy obrobku, čím sa pílový list vysunie z rezacej štrbiny a pila poskočí smerom k obsluhujúcej osobe.

Spätný ráz je následkom nesprávneho a chybného použitia pily. Vhodnými preventívnymi opatreniami, ktoré popisujeme v nasledujúcim texte, mu možno zabrániť.

a) **Držte pilu dobre oboma rukami a majte paže v takej polohe, v ktorej budete vedieť prípadnú silu spätného rázu zvládnuť. Vždy stojte v bočnej polohe k rovine pílového listu, nikdy nedávajte pílový list do jednej línie so svojím telom.** Pri spätnom ráze môže pila skočiť smerom dozadu, avšak keď sa urobia potrebné opatrenia, môže obsluhujúca osoba silu spätného rázu zvládnuť.

b) **Ak sa pílový list zablokuje alebo ak sa pílenie preruší z iného dôvodu, uvoľnite vypínač a držte pilu v materiáli obrobku dovtedy, kým sa pílový list celkom zastaví. Nikdy sa nepokúšajte vyberať pilu z obrobku alebo ju ťahať smerom dozadu, kým sa pílový list pohybuje alebo kým môže vzniknúť spätný ráz.** Nájdite príčinu zablokovania pílového listu a pomocou vhodných opatrení ju odstráňte.

c) **Keď chcete znova spustiť pílu, ktorá je v obrobku, vycentrujte pílový list v štrbine rezu a skontrolujte, či nie sú zuby pily zaseknuté v materiáli obrobku.** Keď je pílový list zablokovaný, nedá sa v obrobku pohnúť, alebo môže spôsobiť spätný ráz, ak by sa pila znova spustila.

d) **Veľké platne pri pílení podprite, aby ste znížili riziko spätného rázu zablokovaním pílového listu.** Veľké platne sa môžu následkom vlastnej hmotnosti prehnúť. Platne treba podpiepať na oboch stranách, aj v blízkosti štrbiny rezu aj na kraji.

e) **Nepožívajte tupé ani poškodené pílové listy.** Pílové listy s otupenými zubami alebo s nesprávne nastavenými zubami vytvárajú príliš úzku štrbinu rezu a tým spôsobujú zvýšené trenie, blokovanie pílového listu alebo vyvolanie spätného

f) **Pred pílením dobre utiahnite nastavenia hĺbky rezu a uhla rezu.** Keď sa počas pílenia nastavenie zmení, môže sa pílový list zablokovať a spôsobiť spätný ráz náradia.

g) **Osobitne opatrný buďte pri používaní rezania "zapichovaním" (zanorovaním) do skrytého priestoru, napríklad do existujúcej steny.** Zapichovaný pílový list môžu pri pílení zablokovať rôzne skryté objekty, čo môže spôsobiť spätný ráz.

Funkcia spodného ochranného krytu

a) **Pred každým použitím náradia skontrolujte, či bezchybne pracuje spodný ochranný kryt. Nepoužívajte kotúčovú pílu, keď sa dolný ochranný kryt nedá voľne pohybovať a keď okamžite automaticky neuzatvára. Nikdy nezablokujte a neprivádzajte dolný ochranný kryt v otvorenej polohe.** Ak vám pila neúmyselne

spadla na zem, mohol by sa dolný ochranný kryt skriviť. Pomocou vratnej páčky otvoríte ochranný kryt a zabezpečíte, aby sa voľne pohyboval a pri žiadaní z nastaviteľných uhlov rezu a žiadnej z nastaviteľných hĺbok rezu sa nedotýkal ani pílového listu ani ostatných súčiastok náradia.

b) **Skontrolujte činnosť pružiny dolného ochranného krytu. Dajte vykonať na náradí pred jeho použitím opravu, ak dolný ochranný kryt a pružina nepracujú bezchybne.**

Poškodené súčiastky, lepkavé usadeniny alebo nakopania triesok spôsobujú, že dolný ochranný kryt pracuje spomalene.

c) **Otvorte dolný ochranný kryt rukou len pri špeciálnych rezočoch, ako sú "rezanie zapichnutím" a "rezanie šikmých rezov".** Dolný ochranný kryt otvárajte pomocou vratnej páčky a len čo pílový list vnikol do obrábaného materiálu, páčku pusťte. Pri všetkých ostatných prácach musí pracovať dolný ochranný kryt automaticky.

d) **Nikdy nekladte pílu na pracovný stôl ani na podlahu bez toho, aby bol pílový list krytý dolným ochranným krytom.** Nechránený dobiehajúci pílový list spôsobí pohyb pily proti smeru rezu a reže všetko, čo mu stojí v ceste. Všímajte si dobu dobehu pílového listu.

ĎALŠIE BEZPEČNOSTNÉ A PRACOVNÉ POKYNY

Používajte ochranu sluchu. Nadmerný hluk môže viesť k strate sluchu.

Pri práci so strojom vždy noste ochranné okuliare. Odporúčame ochranné rukavice, pevnú protišmykovú obuv a zásteru.

Prach, ktorý vzniká pri práci je často zdravie škodlivý a nemá by sa dostať do tela. Používajte odsávac prachu a noste vhodnú masku proti prachu. Uskladnený prach dôkladne odstráňte, napr. vysať.

Pílové listy, ktoré nezodpovedajú charakteristikám uvedeným v návode na použitie, nesmú sa použiť.

Nepoužívajte prosím s brúsňmi kotúčmi!

Pri ručnom vedení vypínač nearetovať.

NAPŮTKY ZA DELO

Prostredníctvom primeranej rýchlosti posuvu zamedzte prehriatie zubov pílového listu.

SIEŤOVÁ PRÍPOJKA

Pripájať len na jednofázový striedavý prúd a na sieťové napätie uvedené na štítku. Pripojenie je možné aj do zásuviek bez ochranného kontaktu, pretože ide o konštrukciu ochrannej triedy II.

Zásuvky vo vonkajšom prostredí musia byť vybavené ochranným spínačom proti prudovým nárazom (FI, RCD, PRCD). Toto je inštalčný predpis na Vaše elektrické zariadenie. Venujte prosím tomuto pozornost pri používaní nášho prístroja.

Do zásuvky pripájať len vypnutý prístroj.

Z dôvodu nebezpečia skratu sa do vetracích otvorov nesmú dostať kovové predmety.

Pripojovací kábel držte mimo pracovnej oblasti stroja. Kábel smerujte vždy smerom dozadu od stroja.

Pred každým použitím skontrolovať prístroj, pripojovací kábel, predlžovací kábel a zástrčku, či nedošlo k poškodeniu alebo zostárnutiu. Poškodené časti nechať opraviť odborníkom.

POUŽITIE PODĽA PREDPISOV

Píla na kov je určená na robenie priamych rezov do rozličných druhov kovov ako napr. kovových profilov (Uni Strut), rúr, výstuh sádrokartónových stien, káblových kanálov, hliníkových profilov, plechov, a.i.

Tento prístroj sa smie používať len v súlade s uvedenými predpismi.

CE - VYHLÁSENIE KONFORMITY

Na našu výhradnú zodpovednosť vyhlasujeme, že produkt popísaný v časti „Technické údaje“ spĺňa všetky príslušné ustanovenia smerníc

2011/65/EU (RoHS)

2006/42/ES

2014/30/EU

a boli použité nasledovné harmonizované normy

EN 60745-1:2009 + A11:2010

EN 60745-2-5:2010

EN 55014-1:2006+A1:2009+A2:2011

EN 55014-2:1997 + A1:2001 + A2:2008

EN 61000-3-2:2014

EN 61000-3-11:2000

EN 50581:2012



Winnenden, 2016-03-25

Alexander Krug / Managing Director
Splnomocnený zostaviť technické podklady.

Techtronic Industries GmbH
Max-Eyth-Strasse 10, 71364 Winnenden, Germany

ÚDRŽBA

Pred každou prácou na stroji vytiahnite zástrčku zo zásuvky.

Vždy odpojte nástroj od elektrickej siete pred montážou alebo demontážou ostria píly.

Prístroj a ochranné zariadenie čistite suchou handričkou.

Niektoré čistiace prostriedky poškodzujú plast alebo iné izolované časti.

Vetracie otvory udržiavať stále v čistote.

Pravidelne odstraňujte prach. Odstráňte piliny nahromadené vo vnútri píly, aby ste zamedzili riziká vzniku požiaru.

Prístroj udržiavajte čistý a suchý, ako aj bez uniknutého oleja a maziva.

Skontrolujte funkčnosť ochranných krytov.

Pravidelná údržba a čistenie sa postará o dlhú životnosť a bezpečnú manipuláciu.

Ak je prípojný kábel elektrického prístroja poškodený, tak musí byť nahradený špeciálne upraveným prípojným káblom, ktorý je možné získať prostredníctvom organizácie servisu pre zákazníkov.

Používať len Milwaukee príslušenstvo a Milwaukee náhradné diely. Súčasti bez návodu na výmenu treba dat vymeniť v jednom z Milwaukee zákaznických centier (viď brožúru Záruka/Adresy zákaznických centier).

V prípade potreby si môžete v servisnom centre pre zákazníkov alebo priamo od firmy Techtronic Industries GmbH, Max-Eyth-Strasse 10, 71364 Winnenden, Nemecko, vyžiadať schematický náčrt jednotlivých dielov prístroja pri uvedení typu prístroja a šesťmiestneho čísla na výkonovom štítku.

SYMBOLY



POZOR! NEBEZPEČENSTVO!



Pred prvým použitím prístroja si pozorne prečítajte návod na obsluhu.



Pri práci so strojom vždy noste ochranné okuliare.



Pred každou prácou na stroji vytiahnite zástrčku zo zásuvky.



Príslušenstvo - nie je súčasťou štandardnej výbavy, odporúčané doplnenie z programu príslušenstva.



Elektrické prístroje sa nesmú likvidovať spolu s odpadom z domácností. Elektrické a elektronické prístroje treba zbierať oddelene a odovzdať ich v recyklačnom podniku na ekologickú likvidáciu. Na miestnych úradoch alebo u vášho špecializovaného predajcu sa spýtajte na recyklačné podniky a zberné dvory.



Elektrický prístroj triedy ochrany II. Elektrický prístroj, pri ktorom ochrana pred zásahom el. prúdom závisí nie len od základnej izolácie, ale aj od toho, že budú použité aj doplnkové ochranné opatrenia, akými sú dvojité izolácie alebo zosilnená izolácia. Neexistuje žiadne zariadenie na pripojenie ochranného vodiča.



Značka CE

Euroázijská značka zhody



DANE TECHNICZNE	MCS 66
Piła do metalu	
Numer produkcyjny	4406 16 02... ... 000001-999999
Znamionowa moc wyjściowa	1800 W
Prędkość bez obciążenia	4000 min ⁻¹
Średnica ostrza piły x średnica otworu	203 x 15,87 mm
Maksymalna zdolność cięcia Blacha stalowa Kątownik Rury metalowe Profile	6 mm 50 x 50 x 6 mm Ø 66 mm max. 66 mm
Ciężar wg procedury EPTA 01/2003	6,4 kg
Informacja dotycząca szumów/wibracji Zmierzone wartości wyznaczono zgodnie z normą EN 60 745. Poziom szumów urządzenia oszacowany jako A wynosi typowo: Poziom ciśnienia akustycznego (Niepewność K=3dB(A)) Poziom mocy akustycznej (Niepewność K=3dB(A))	91,5 dB (A) 102,5 dB (A)
Należy używać ochraniaczy uszu! Wartości łączne drgań (suma wektorowa trzech kierunków) wyznaczone zgodnie z normą EN 60745 Cięcie metalu: Wartość emisji drgań a _{h,M} Niepewność K =	3,6 m/s ² 1,5 m/s ²



OSTRZEŻENIE

Podany w niniejszych instrukcjach poziom drgań został zmierzony za pomocą metody pomiarowej zgodnej z normą EN 60745 i może być użyty do porównania ze sobą elektronarzędzi. Nadaje się on również do tymczasowej oceny obciążenia wibracyjnego.

Podany poziom drgań reprezentuje główne zastosowania elektronarzędzia. Jeśli jednakże elektronarzędzie użyte zostanie do innych celów z innymi narzędziami roboczymi lub nie jest dostatecznie konserwowane, wtedy poziom drgań może wykazywać odchylenia. Może to wyraźnie zwiększyć obciążenie wibracjami przez cały okres pracy.

Dla dokładnego określenia obciążenia wibracjami należy uwzględnić również czasy, w których urządzenie jest wyłączone względnie jest włączone, lecz w rzeczywistości nie pracuje. Może to spowodować wyraźną redukcję obciążenia wibracyjnego w całym okresie pracy.

Należy wprowadzić dodatkowe środki zapobiegawcze celem ochrony obsługującego przed oddziaływaniem drgań, jak na przykład: konserwacja narzędzi roboczych i elektronarzędzi, nagranie rąk, organizacja przebiegu pracy.

⚠ OSTRZEŻENIE! Prosimy o przeczytanie wskazówek bezpieczeństwa i zaleceń, również tych. Błędy w przestrzeganiu poniższych wskazówek mogą spowodować porażenie prądem, pożar i/lub ciężkie obrażenia ciała.

Należy starannie przechowywać wszystkie przepisy i wskazówki bezpieczeństwa dla dalszego zastosowania.

⚠ WSKAZÓWKI DOTYCZĄCE BEZPIECZEŃSTWA DLA PIŁ TARCZOWYCH

Procedura cięcia

- ⚠ NIEBEZPIECZEŃSTWO: Należy uważać, by ręce nie dostały się w zasięg piłowania i nie dotknęły brzeszczotu. Drugą ręką należy trzymać uchwyt dodatkowy lub obudowę silnika.** Gdy obydwie ręce trzymają piłę tarczową, brzeszczot nie może ich zranić.
- Nie należy chwycić niczego pod obrabianym przedmiotem.** Osłona ochronna nie może chronić Państwa przed brzeszczotem pod obrabianym przedmiotem.
- Głębokość cięcia należy dopasować do grubości obrabianego przedmiotu.** Powinno być widoczne mniej jak pełna

wysokość zębów pod obrabianym przedmiotem.

- Nie należy nigdy trzymać przedmiotu do piłowania w ręce lub podtrzymywać nogą. Obrabiany przedmiot należy zabezpieczyć na stabilnym podłożu.** Ważne jest, by obrabiany przedmiot dobrze umocować, aby zmniejszyć niebezpieczeństwo kontaktu z ciałem, zablokowanie się brzeszczotu lub utraty kontroli nad urządzeniem.
- Podczas prac, przy których elektronarzędzie mogłyby natrafić na ukryte przewody elektryczne lub na własny przewód, należy je trzymać tylko za izolowaną rękkojeść.** Pod wpływem kontaktu z przewodami będącymi pod napięciem, wszystkie części metalowe elektronarzędzia znajdują się również pod napięciem i mogą spowodować porażenie prądem osoby obsługującej.
- Przy cięciach wzdłużnych należy używać zawsze oporu lub prostej prowadnicy krawędzi.** Polesza to dokładność cięcia i zmniejsza możliwość, że brzeszczot się zablokuje.
- Należy używać zawsze brzeszczotów odpowiedniej wielkości i z pasującym otworem zamocowania (np. gwiazdowym lub okrągłym).** Brzeszczoty, które nie pasują do części

montażowych piły kręcą się nierównomiernie i prowadzą do utraty kontroli nad urządzeniem.

h) Nie należy używać nigdy uszkodzonych lub złych podkładek lub śrub do brzeszczotu. Podkładki i śruby do brzeszczotu zostały skonstruowane specjalnie dla Państwa piły, w celu optymalnej wydajności i bezpieczeństwa pracy.

Przyczyny i uniknięcie odbicia zwrotnego:

- Odbicie zwrotne jest nagłą reakcją jako następstwo haczących się, zablokowanych lub nieprawidłowo nastawionych brzeszczotów, które prowadzi do tego, że niekontrolowana piła podnosi się i porusza wysuwając z obrabianego przedmiotu w kierunku osoby obsługującej urządzenie;

- Gdy brzeszczot zahaczy się lub zablokuje w zamykającym się razie, brzeszczot blokuje się a siła silnika odbija urządzenie w kierunku osoby obsługującej urządzenie;

- Gdy brzeszczot zostanie przekreślony lub nieprawidłowo ustawiony w razie, zęby tylnej krawędzi brzeszczotu mogą się zahaczyć na powierzchni obrabianego przedmiotu, przez co brzeszczot wysuwa się z rządu, a piła odskakuje w kierunku osoby obsługującej urządzenie.

Odbicie zwrotne jest następstwem nieprawidłowego lub błędnego używania piły. Można mu zapobiec stosując odpowiednie środki ostrożności, tak jak opisano niżej.

a) Piłę należy trzymać obydwoma rękami a ramiona powinny zająć taką pozycję, w której można oprzeć się siłom odbicia zwrotnego. Należy przyjąć pozycję zawsze z boku brzeszczotu, nigdy nie doprowadzić do tego, by brzeszczot znajdował się na jednej linii z ciałem. Przy odbiciu zwrotnym piła może odskoczyć do tyłu, jednak osoba ją obsługująca może zapanować nad siłami odbicia zwrotnego, gdy zostały przedsięwzięte odpowiednie środki zaradcze.

b) W przypadku, gdy brzeszczot zablokował się lub piłowanie zostało przerwane z innego powodu, należy zwołać wyłącznik/wyłącznik i piłę trzymać spokojnie w obrabianym materiale, aż do momentu, gdy brzeszczot znajduje się całkowicie w bezruchu. Nie należy nigdy próbować wyjęcia piły z obrabianego przedmiotu lub ciągnięcia jej do tyłu tak długo, jak długo brzeszczot znajduje się w ruchu, lub mógłby zdarzyć się odbicie zwrotne. Należy wykryć przyczynę zablokowania się brzeszczotu i usunąć ją odpowiednimi środkami zaradczymi.

c) Gdy chce się ponownie włączyć piłę, która tkwi w obrabianym przedmiocie, należy brzeszczot wycentrować w razie i skontrolować, czy zęby piły nie są zahaczone w obrabianym przedmiocie. W przypadku, gdy brzeszczot jest zablokowany, może on wypaść z obrabianego przedmiotu lub spowodować odbicie zwrotne, gdy piła zostanie ponownie włączona.

d) Duże płyty należy podeprzeć, aby zmniejszyć ryzyko odbicia zwrotnego spowodowane zablokowanym brzeszczotem. Duże płyty mogą się przeciąć pod ciężarem własnym. Płyty muszą być z dwóch stron podparte, zarówno w pobliżu rządu, jak i na krawędzi.

e) Nie należy używać tępych lub uszkodzonych brzeszczotów. Brzeszczoty z tępymi lub nieprawidłowo ustawionymi zębami powodują podwyższone tarcie, zablokowanie i odbicie zwrotne, spowodowane za wąskim rzazem.

f) Przed piłowaniem należy dokręcić nastawienia głębokości i kąty cięcia. W przypadku, gdy nastawienia zmienia

się podczas piłowania, brzeszczot może się zablokować i tym samym wystąpić odbicie zwrotne.

g) Należy być szczególnie ostrożnym przy wykonywaniu „cięcia wgłębnego” w ukrytym zasięgu pracy, np. w istniejącej ścianie. Wgłębiając się brzeszczot może się przy cięciu w ukrytych obiektach zablokować i spowodować odbicie zwrotne.

Funkcja dolnej osłony

a) Przed każdym użyciem należy skontrolować, czy dolna osłona ochronna zamyka się prawidłowo. Nie należy używać piły, gdy dolna osłona ochronna nie porusza się bez przeszkód i nie zamyka się natychmiast. Nie dozwolone jest blokowanie lub przywiązywanie dolnej osłony ochronnej w pozycji otwartej. Gdy piła upadnie niezamierzenie na podłogę, osłona ochronna może się skrzywić. Należy otworzyć osłonę ochronną dźwignią odciągającą i zabezpieczyć, by poruszała się ona bez przeszkód i przy wszystkich kątach i głębokościach cięcia nie dotykała zarówno brzeszczotu jak i innych części.

b) Należy skontrolować funkcjonowanie sprężyny do dolnej osłony ochronnej. Przed użyciem należy urządzenie oddać do oglądu, gdy dolna osłona ochronna i sprężyna pracują nieprawidłowo. Uszkodzone części, klejące się osady lub spiętrzające się wióry powodują opóźnioną pracę osłony ochronnej.

c) Otworzyć ręcznie dolną osłonę ochronną tylko przy szczególnych rodzajach cięcia, takich jak „cięcia wgłębne i pod kątem”. Dolną osłonę ochronną otworzyć dźwignią odciągającą i ponownie zwolnić, skoro tylko brzeszczot zagłębił się w obrabiany przedmiot. Przy wszystkich innych pracach dolna osłona ochronna musi pracować automatycznie.

d) Piły nie należy odkładać na stole roboczym lub podłogę, gdy dolna osłona ochronna nie zakrywa brzeszczotu. Niezabezpieczony, będący na wybiegu brzeszczot porusza piłę w kierunku odwrotnym do kierunku cięcia i nie wystarczy, co stoi na przeszkodzie. Przy tym należy uważać na czas opóźnienia wybiegu piły.

DODATKOWE WSKAZÓWKI BEZPIECZEŃSTWA I INSTRUKCJE ROBOCZE

Stosować środki ochrony słuchu! Hałas może powodować utratę słuchu.

Podczas pracy należy zawsze nosić okulary ochronne. Zalecane jest także noszenie rękawic, mocnego, nie ślizgającego się obuwia oraz ubrania roboczego.

Pył wydzielający się podczas pracy z elektronarzędziem może być szkodliwy dla zdrowia i dlatego też nie powinien on mieć kontaktu z ciałem. Stosować układ pochłaniania pyłu i nosić odpowiednią maskę ochronną. Dokładnie usunąć nagromadzony pył np. przy pomocy odkurzacza.

Nie używać ostrzy nie odpowiadających głównym parametrom podanym w instrukcji obsługi.

Proszę nie stosować tarcz szlifierskich

Nie blokować wyłącznika w pozycji „on” („włączony”) przy pracy z piłą trzymaną w rękach.

WSKAZÓWKI DOTYCZĄCE UŻYTKOWANIA

Poprzez zastosowanie odpowiedniej szybkości posuwu unikać przegrzania zębów pił tarcowych.



PODŁĄCZENIE DO SIECI

Podłączać tylko do źródła zasilania prądem zmiennym jednofazowym i wyłącznie o napięciu podanym na tabliczce znamionowej. Możliwe jest również podłączenie do gniazdka bez uziemienia, ponieważ konstrukcja odpowiada II klasie bezpieczeństwa.

Urządzenia pracujące w wielu różnych miejscach, w tym poza pomieszczeniami zamkniętymi, należy podłączać poprzez ochronny (FI, RCD, PRCD) wyłącznik udarowy.

Przed włożeniem wtyczki do gniazdka upewnić się, czy urządzenie jest wyłączone.

Nie dopuszczać do przedostawania się części metalowych do szczelin powietrznych - niebezpieczeństwo zwarcia!

Kabel zasilający nie może znajdować się w obszarze roboczym elektronarzędzia. Powinien on się zawsze znajdować się za operatorem.

Przed rozpoczęciem pracy sprawdzić, czy na elektronarzędziu, kablu i wtyczce nie ma oznak uszkodzeń lub zmęczenia materiału. Naprawy mogą być przeprowadzane wyłącznie przez upoważnionych Przedstawicieli Serwisu.

WARUNKI UŻYTKOWANIA

Piła do metalu tnie dokładnie przy cięciu wzdłużnym i pod kątem w różnych rodzajach metali, takich jak profile metalowe (UniStrut), rury, śruby, kanały, profile aluminiowe, blacha, itp.

Produkt można użytkować wyłącznie zgodnie z jego normalnym przeznaczeniem.

DEKLARACJA ZGODNOŚCI CE

Oświadczamy na naszą wyłączną odpowiedzialność, że produkt opisany pod „Dane techniczne” spełnia wszystkie istotne przepisy dyrektyw

2011/65/EU (RoHS)

2006/42/WE

2014/30/EU

i zastosowano następujące zharmonizowane normy

EN 60745-1:2009 + A11:2010

EN 60745-2-5:2010

EN 55014-1:2006+A1:2009+A2:2011

EN 55014-2:1997 + A1:2001 + A2:2008

EN 61000-3-2:2014

EN 61000-3-11:2000

EN 50581:2012



Winnenden, 2016-03-25

Alexander Krug / Managing Director
Upelnomocniony do zestawienia danych technicznych
Techtronic Industries GmbH
Max-Eyth-Strasse 10, 71364 Winnenden, Germany

UTRZYMANIE I KONSERWACJA

Przed przystąpieniem do jakichkolwiek prac związanych z elektronarzędziem należy wyjąć wtyczkę z gniazdka.

Należy pamiętać, aby przed założeniem lub zdjęciem tarczy tnącej wyjąć wtyczkę z gniazda sieciowego.

Oczyszczyć urządzenie i elementy zabezpieczające za pomocą suchej ściereczki.

Niektóre środki czyszczące powodują uszkodzenie tworzywa sztucznego lub innych izolowanych części.

Otwory wentylacyjne elektronarzędzia muszą być zawsze drożne.

Regularnie usuwać pył. W celu uniknięcia zagrożenia pożarem należy usuwać wióry gromadzące się we wnętrzu piły.

Utrzymywać urządzenie w stanie czystym i suchym oraz wolnym od wyciekającego oleju i smaru.

Sprawdzić działanie ostów.

Regularna konserwacja i czyszczenie przyczyniają się do wydłużonej trwałości i bezpiecznego użytkowania.

W przypadku uszkodzenia przewodu podłączeniowego elektronarzędzia, należy go zastąpić specjalnie przygotowanym przewodem podłączeniowym, który można nabyć w sieci serwisowej.

Używać tylko i wyłącznie wyposażenia dodatkowego Milwaukee i części zamiennych Milwaukee. Gdyby trzeba było wymienić części, które nie zostały opisane, należy skontaktować się z przedstawicielem serwisu Milwaukee (patrz wykaz adresów punktów usługowych/gwarancyjnych).

W razie potrzeby można zamówić rysunek urządzenia w rozłożeniu na części podając typ maszyny oraz sześciopozycyjny numer na tabliczce znamionowej w Punkcie Obsługi Klienta lub bezpośrednio w firmie Techtronic Industries GmbH, Max-Eyth-Strasse 10, 71364 Winnenden, Germany.

SYMBOLE



UWAGA! OSTRZEŻENIE NIEBEZPIECZEŃSTWO!



Przed uruchomieniem elektronarzędzia zapoznać się uważnie z treścią instrukcji.



Podczas pracy należy zawsze nosić okulary ochronne.



Przed przystąpieniem do jakichkolwiek prac związanych z elektronarzędziem należy wyjąć wtyczkę z gniazdka.



Wyposażenie dodatkowe dostępne osobno.



Urządzenia elektryczne nie mogą być usuwane razem z odpadami pochodzącymi z gospodarstw domowych. Urządzenia elektryczne i elektroniczne należy gromadzić oddzielnie i w celu usuwania ich do odpadów zgodnie z wymaganiami środowiska naturalnego oddawać do przedsiębiorstwa utylizacyjnego. Proszę zasięgnąć informacji o centrach recyklingowych i punktach zbiorczych u władz lokalnych lub u wyspecjalizowanego dostawcy.



Elektronarzędzie klasy ochrony II. Elektronarzędzie, w którym zabezpieczenie przed porażeniem prądowym zależy nie tylko od izolacji podstawowej, lecz również od tego, czy zostały zastosowane dodatkowe środki ochrony, takie jak: izolacja podwójna lub izolacja wzmocniona. Nie ma żadnego urządzenia do podłączenia przewodu ochronnego.



Znak CE



Znak zgodności EurAsian

MŰSZAKI ADATOK	MCS 66
Fémvágó	
Gyártási szám	4406 16 02... ... 000001-999999
Névleges teljesítményfelvétel	1800 W
Üresjárat fordulatszám	4000 min ⁻¹
Fűrészlap átmérő x lyukátmérő	203 x 15,87 mm
Maximum kapacitás	
Acélba	6 mm
Szögvasak	50 x 50 x 6 mm
Fém csövek	Ø 66 mm
Idomdarabok	max. 66 mm
Súly a 01/2003 EPTA-eljárás szerint.	6,4 kg
Zaj-/Vibráció-információ A közölt értékek megfelelnek az EN 60704-1 szabványnak. A készülék munkahelyi zajszintje tipikusan: Hangnyomás szint (bizonytalanság K=3dB(A)) Hangteljesítmény szint (bizonytalanság K=3dB(A)) Hallásvédő eszköz használata ajánlott!	91,5 dB (A) 102,5 dB (A)
Összesített rezgésértékek (három irány vektoriális összeg az EN 60745-nek megfelelően meghatározva). Fém fűrészlelése: rezgésemisszió érték a _{n,M} bizonytalanság K =	3,6 m/s ² 1,5 m/s ²



FIGYELMEZTETÉS

A jelen utasításokban megadott rezgésszint értéke az EN 60745-ben szabályozott mérési eljárásnak megfelelően került leírásra, és használható elektromos szerszámokkal történő összehasonlításhoz. Az érték alkalmas a rezgésterhelés előzetes megbecsülésére is.

A megadott rezgésszint-érték az elektromos szerszám legfőbb alkalmazásait reprezentálja. Ha az elektromos szerszámot azonban más alkalmazásokhoz, eltérő használt szerszámokkal vagy nem elegendő karbantartással használják, a rezgésszint értéke eltérő lehet. Ez jelentősen megnövelheti a rezgésterhelést a munkavégzés teljes időtartama alatt.

A rezgésterhelés pontos megbecsüléséhez azokat az időket is figyelembe kell venni, melyekben a készülék lekapcsolódik, vagy ugyan működik, azonban ténylegesen nincs használatban. Ez jelentősen csökkentheti a rezgésterhelést a munkavégzés teljes időtartama alatt.

Határozzon meg további biztonsági intézkedéseket a kezelő védelmére a rezgések hatása ellen, például: az elektromos és a használt szerszámok karbantartásával, a kezek melegen tartásával, a munkafolyamatok megszervezésével.

⚠ FIGYELMEZTETÉS! Olvasson el minden biztonsági útmutatást és utasítást. A következőkben leírt előírások betartásának elmulasztása áramütésekhez, tűzhoz és/vagy súlyos testi sérülésekhez vezethet.
Kérjük a későbbi használatra gondosan őrizze meg ezeket az előírásokat.

⚠ KÖRFŰRÉSZEKRE VONATKOZÓ BIZTONSÁGI ÚTUTATÁSOK

Fűrészelési mód

- ⚠ VESZÉLY: Sohase tegye be a kezét a fűrészelési területre és sohasé érjen hozzá a fűrészlaphoz. Fogja meg a másik kezével a pótfogantyút vagy a motorházat.** Ha mindkét kezével tartja a körfűrész, akkor az nem tudja megsérteni a kezét.
- Sohase nyúljon be a munkadarab alá.** A védőburkolat a munkadarab alatt nem nyújt védelmet a fűrészlapal szemben.
- A vágási mélységet a munkadarab vastagságának megfelelően kell megválasztani.** A fűrészlapból a munkadarab alatt kevesebb mind egy teljes fogmagasságnynak kell kilátszania.
- Sohase a kezével vagy a lábán vagy a lábával próbálja**

meg a fűrészelésre kerülő munkadarabot lefogni. A megmunkálásra kerülő munkadarabot mindig egy stabil alapra rögzítse. Nagyon fontos, hogy a munkadarabot biztonságosan rögzítse, hogy csökkentse a fűrészlap beékelődésekor felmerülő veszélyeket, mindenekelőtt annak veszélyét, hogy a munkadarab vagy a készülék nekivágódjon valamelyik testrésznek.

- Az elektromos kéziszerszámot csak a szigetelt fogantyú-felületeknél fogva tartsa, ha olyan munkát végez, amelynek során a betétszerszám feszültség alatt álló, kívülről nem látható vezetékhez, vagy a készülék saját hálózati csatlakozó kábeljéhez érhet.** Ha a berendezés egy feszültség alatt álló vezetékhez ér, az elektromos kéziszerszám fémrészei szintén feszültség alá kerülnek és áramütéshez vezetnek.
- Hosszirányú vágásokhoz használjon mindig egy ütközőt vagy egy egyenes vezetőléceket.** Ez megnöveli a vágás pontosságát és csökkenti a fűrészlap beakadásának lehetőségét.
- Mindig csak a helyes méretű és a készüléknek megfelelő rögzítő (például csillagalakú vagy körkeresztmetszetű) nyílással ellátott fűrészlapokat használjon.** Azok a fűrészlapok, amelyek nem illeszkednek a fűrész rögzítő alkatrészeihez, nem futnak körkörösön és ahhoz vezetnek, hogy a kezelő elveszti a készülék feletti uralmát.

h) **Sohase használjon megrongálódott vagy hibás fűrészlap-alátétárcsákat vagy -csavarokat.** A fűrészlap-alátétárcsák és -csavarok kifejezetten az Ön fűrészehez kerültek kifejlesztésre és hozzájárulnak annak optimális teljesítményéhez és biztonságához.

Égy visszarugás okai és megelőzésének módja:

- egy visszarugás a beakadó, beékelődő, vagy hibás helyzetbe állított fűrészlap következtében fellépő hirtelen reakció, amely ahhoz vezet, hogy a fűrész, amely felett a kezelő elvesztette az uralmát, akaratlanul kiemelkedik a munkadarabból és a kezelő személy felé mutató irányba mozdul;

- ha a fűrészlap az összezáródó fűrészelési résbe beakad vagy beékelődik és leblokkol, és a motor ereje az egész készüléket a kezelő személy irányába rántja vissza;

- ha a fűrészlapot megfordítva vagy hibás irányba állítva teszik be a vágásba, a fűrészlap hátsó élén elhelyezkedő fűrészfogak beakadhatnak a munkadarab felületébe, melynek következtében a fűrészlap kilép a vágásból és a fűrész hátrafelé, a kezelő személy felé mutató irányba ugrik.

Egy visszarugás mindig a fűrész hibás vagy helytelen használatának következménye. Ezt az alábbiakban leírásra kerülő megfelelő óvatossági intézkedésekkel meg lehet gátolni.

a) **Tartsa a fűrészt mindkét kezével szorosan fogva és hozza a karjait olyan helyzetbe, amelyben a visszautó erőket jobban fel tudja venni. A fűrészlaphoz viszonyítva mindig oldalt álljon, sohasem hozza a fűrészlapot a testével egy síkba.** Egy visszarugás esetén a körfűrész hátrafelé is tehet egy ugrást, de megfelelő intézkedések meghozatala esetén a kezelő személy a visszautó erőket fel tudja fogni.

b) **Ha a fűrészlap beszorul, vagy a fűrészelési folyamat valami másokd megszakad, engedje el a be-/kikapcsolót és tartsa nyugodtan a fűrészt a munkadarabban, amíg a fűrészlap teljesen le nem áll. Sohasem próbálja meg kivenni a fűrészt a munkadarabból, vagy hátrafelé húzni, amíg a fűrészlap még mozgásban van és amíg még egy visszarugás léphet fel.** Keresse meg a fűrészlap beszorulásának okát és megfelelő intézkedéssel hárítsa el a hibát.

c) **Ha a munkadarabban álló fűrészlapot újra el akarja indítani, először hozza a fűrészlapot a fűrészelési rés közepére, és ellenőrizze, nincs-e beakadva egy vagy több fog a munkadarabba.** Ha a fűrészlap be van szorulva, akkor az újraindításkor kiugorhat a munkadarabból, vagy egy visszarugást is okozhat.

d) **Nagyobb lapok megmunkálásánál támassza ezt megfelelően alá, nehogy egy beszorult fűrészlap következtében visszarugás lépjen fel.** A nagyobb méretű lapok saját súlyuk alatt leléghatnak, illetve meggörgölhetnek. A lapokat mindkét oldalukon, mind a fűrészelési rés közelében, mind a szélükön alá kell támasztani.

e) **Sohase használjon életlen vagy megrongálódott fűrészlapokat.** Az életlen vagy hibásan beállított fogú fűrészlapok egy túl keskeny vágási résben megnövekedett súrlódásból, a fűrészlap beragadásához és visszarugásokhoz vezetnek.

f) **A fűrészelés előtt húzza meg szorosra a vágási mélység és vágási szög beállító elemeket.** Ha a fűrészelés során megváltoznak a beállítások, a fűrészlap beékelődhet és a fűrész visszarúghat.

g) **Különösen óvatosan kell dolgozni, ha egy nem átlátható területen, például egy fal egyik oldalán hajt végre „süllyesztő vágást”.** Az anyagba besüllyedő fűrészlap a fűrészelés közben kívülről nem látható akadályokban megakadhat és ez egy visszarugáshoz vezethet.

Function of the bottom guard

a) **Ellenőrizze minden használat előtt, hogy az alsó védőburkolat tökéletesen zár-e. Ne használja a fűrészt, ha az alsó védőburkolat nem mozog szabadon és nem zár azonnal. Sohasem akassa be vagy kösse meg nyitott helyzetben az alsó védőburkolatot.** Ha a fűrész véletlenül leesik a padlóra, az alsó védőburkolat meggörgölhet. Nyissa ki a visszahúzó karral a védőburkolatot és gondoskodjon arról, hogy az szabadon mozogjon és semmilyen vágási szögönél és vágási mélységnél sem érintse meg sem a fűrészlapot, sem a berendezés egyéb alkatrészeit.

b) **Ellenőrizze az alsó védőburkolat rugójának működését. Ha az alsó védőburkolat és annak mozgató rugója nem működik tökéletesen, akkor végeztesse el a megfelelő karbantartási munkákat.** Megrongálódott alkatrészek, ragasztó-lerakódások, vagy forgácsok lelassítják az alsó védőburkolat működését.

c) **Az alsó védőburkolatot csak különleges vágási módok, mint „süllyesztő és szög vágások” esetén szabad kézzel kinyitani.** Nyissa ki a visszahúzó karral az alsó védőburkolatot, és engedje azt el, mielőtt a fűrészlap behatol a munkadarabba. Az alsó védőburkolatnak minden más fűrészelési munkánál automatikusan kell működnie.

d) **Sohase tegye le a fűrészt a munkapadra vagy a padlóra, ha az alsó védőburkolat nem borítja be teljesen a fűrészlapot.** Egy véletlen, utánfutó fűrészlap a vágási iránnyal ellenkező irányba mozog és mindenbe beleveg, ami az útjába kerül. Ügyeljen ekkor a fűrész utánfutási idejére.

TOVÁBBI BIZTONSÁGI ÉS MUNKAVÉZSÉSI UTASÍTÁSOK

Viseljen hallásvédőt. A zaj hatása hallásvészteszt okozhat.

Munkavégzés közben ajánlatos védőszemüveget viselni. Védőkesztyű, zárt és csúszásmentes cipő, valamint védőkötény használata szintén javasolt.

A munkavégzőskor keletkező por az egészségre ártalmas lehet. Ilyen esetben ajánlatos a megfelelő elszívó berendezés és a védőmaszk használata. A munkaterületen lerakódott port alaposan el kell takarítani.

Ne használjon olyan fűrészlapot, ami nem egyezik meg a használati útmutatóban feltüntetettekkel.

Ne használjuk csiszolókoronggal!

Ne rögzítse az on/off (be/ki) kapcsolót az „on” (be) pozícióban amikor a fűrészt kézben használja.

A HASZNÁLATRA VONATKOZÓ ÚTMUTATÁSOK

A megfelelő előtöltési sebesség megválasztásával kerülje el a fűrészlap túlhevülését.

HÁLÓZATI CSATLAKOZTATÁS

A készüléket csak egyfázisú váltóáramra és a teljesítménytáblán megadott hálózati feszültségre csatlakoztassa. A csatlakoztatás védőérintkező nélküli dugaszolóaljzatokra is lehetséges, mivel a készülék felépítése II. védettségi osztályú.



Szabadban a dugaljat hibaáram-védőkapcsolóval kell ellátni. Az elektromos készülékek üzembehelyezési útmutatása ezt kötelezően előírja (FI, RCD, PRCD). Ügyeljen erre az elektromos kéziszerszámok használatakor is.

Mielőtt áram alá helyezi a gépet, győződjön meg róla, hogy a gép ki van kapcsolva.

Rövidzárlat veszélye miatt a szellőzőnyílásokba nem kerülhetnek fémdarabkák.

Munka közben a hálózati csatlakozókábel a sérülés elkerülése érdekében a munkaterülettől, illetve a készüléktől távol kell tartani.

Használat előtt a készüléket, hálózati csatlakozó- és hosszabítókábeleket, valamint a csatlakozódugót sérülés és esetleges elhasználódás szempontjából felül kell vizsgálni és szükség esetén címeikkel meg kell javíttatni.

RENDELTETTÉSZERŰ HASZNÁLAT

A fémvágó hosszanti irányban és ferdeszögben is pontosan vág különböző típusú anyagokban; pl.: fém profilok (UniStrut), csövek, csatornák, szögvas, alumínium profilok, fém lemez, stb.

A készüléket kizárólag az alábbiakban leírtaknak megfelelően szabad használni.

CE-AZONOSSÁGI NYILATKOZAT

Kizárólagos felelősségünk alapján kijelentjük, hogy a „Műszaki adatok” fejezetben leírt termék megfelel a irányelvek összes vonatkozó rendelkezésének

2011/65/EU (RoHS)

2006/42/EK

2014/30/EU

harmonizált szabvány és a

EN 60745-1:2009 + A11:2010

EN 60745-2-5:2010

EN 55014-1:2006+A1:2009+A2:2011

EN 55014-2:1997 + A1:2001 + A2:2008

EN 61000-3-2:2014

EN 61000-3-11:2000

EN 50581:2012



Winnenden, 2016-03-25

Alexander Krug / Managing Director
Műszaki dokumentáció összeállításra felhatalmazva

Techtronic Industries GmbH
Max-Eyth-Straße 10, 71364 Winnenden, Germany

KARBANTARTÁS

Bármilyen jellegű karbantartás vagy javítás előtt a készüléket áramtalanítani kell.

A fűrészlap felhelyezése és eltávolítása előtt ügyeljen arra, hogy kihúzza a szerszámot az elektromos hálózathoz.

A készüléket és a védőeszközt száraz kendővel tisztítsa.

Némely tisztítószer károsítja a műanyagot, és más szigetelt alkatrészeket.

A készülék szellőzőnyílásait mindig tisztán kell tartani.

Portalanítsa rendszeresen. Távolítsa el a fűrész belsejében lerakódott fűrészport a tűvészély elkerülése érdekében.

Tartsa a készüléket tisztán és szárazon, valamint kifolyt olajoktól és zsíroktól mentesen.

Ellenőrizze a védőburkolatok működését.

A rendszeres karbantartás és tisztítás hosszú élettartamról és biztonságos kezelésről gondoskodik.

Ha az elektromos szerszám tápkábele sérült, úgy speciálisan előkészített tápkábelre kell cserélni, amely a bevészolgálálaton keresztül szerezhető be.

Csak Milwaukee tartozékokat és Milwaukee pótkatrészeket szabad használni. Az olyan elemeket, melyek cseréje nincs ismertetve, cseréltesse ki Milwaukee szervizzel (lásd Garancia/Ügyfélszolgálat címei kiadványt).

Igény esetén a készülékről robbantott rajz kérhető a géptípus és a teljesítménycímként található hatjegyjű szám megadásával az Ön bevészolgálátánál, vagy közvetlenül a Techtronic Industries GmbH-től a Max-Eyth-Straße 10, 71364 Winnenden, Németország címen.

SZIMBÓLUMOK



FIGYELEM! FIGYELMEZTETÉS! VESZÉLY!



Kérjük alaposan olvassa el a tájékoztatót mielőtt a gépet használja.



Munkavégzés közben ajánlatos védőszemüveget viselni.



Bármilyen jellegű karbantartás vagy javítás előtt a készüléket áramtalanítani kell.



Azokat a tartozékokat, amelyek gyárilag nincsenek a készülékhez mellékelve, külön lehet megrendelni.



Az elektromos eszközöket nem szabad a háztartási hulladékkal együtt ártalmatlanítani. Az elektromos és elektronikus eszközöket szelektíven kell gyűjteni, és azokat környezetbarát ártalmatlanítás céljából hulladékhasznosító üzemben kell leadni. A helyi hatóságoknál vagy szakkereskedőjénél tájékozódjon a hulladékudvarokról és gyűjtőhelyekről.



II. védelmi osztályú elektromos szerszám. Olyan elektromos szerszám, amelynél az elektromos áramütés elleni védelem nem csak az alapszigeteléstől függ, hanem amelyben kiegészítő védőintézkedéseket, mint pl. kettős szigetelés vagy megerősített szigetelés, alkalmaznak. Nincs lehetőség védőérintkezéssel csatlakoztatására.



CE-jelölés

Eurázsiai megfelelőségi jelzés.



Mag

TEHNIČNI PODATKI	MCS 66
Žaga za kovino	
Proizvodna številka	4406 16 02... ... 000001-999999
Nazivna sprejemna moč	1800 W
Število vrtljajev v prostem teku	4000 min ⁻¹
List žage ø x vrtni ø	203 x 15,87 mm
Maks. zmogljivost rezanja v v jeklu kotno železo Kovinska cev profili	6 mm 50 x 50 x 6 mm Ø 66 mm max. 66 mm
Teža po EPTA-proceduri 01/2003	6,4 kg
Informacije o hrupnosti/vibracijah Vrednosti merjenja ugotovljene ustrezno z EN 60 745. Raven hrupnosti naprave ovrednotena z A, znaša tipično: Nivo zvočnega tlaka (Nevarnost K=3dB(A)) Višina zvočnega tlaka (Nevarnost K=3dB(A))	91,5 dB (A) 102,5 dB (A)
Nosite zaščito za sluh!	
Skupna vibracijska vrednost (Vektorska vsota treh smerdoločena ustrezno EN 60745. Žaganje kovin: Vibracijska vrednost emisij a _{n,M} Nevarnost K =	3,6 m/s ² 1,5 m/s ²



Slo

OPOZORILO

V teh navodilih navedena raven tresljajev je bila izmerjena po EN60745 normiranem merilnem postopku in lahko služi medsebojni primerjavi električnih orodij. Prav tako je primeren za predhodno oceno obremenitve s tresljaji.

Navedena raven tresljajev navaja najpomembnejše vrste rabe električnega orodja. Kadar se električno orodje uporablja za drugačne namene, z odstopajočimi orodji ali pa z nezadostnim vzdrževanjem, lahko raven tresljajev tudi odstopa. Le to lahko čez celoten delovni čas znatno zviša obremenitev s tresenjem.

Za natančno oceno obremenitve s tresljaji naj bi se upošteval tudi čas v katerem je naprava izklopljena ali sicer teče, vendar dejansko ni v rabi. Le to lahko obremenitev s tresljaji čez celoten delovni čas znatno zmanjša.

Za zaščito upravljalca pred učinkom tresljajev uvedite dodatne zaščitne ukrepe npr.: Vzdrževanje električnega orodja in orodja, delo s toplimi rokami, organizacija delovnih potekov.

⚠ OPOZORILO! Preberite vsa varnostna opozorila in navodila. Napake zaradi neupoštevanja spodaj navedenih opozoril in napotil lahko povzročijo električni udar, požar in/ali težke telesne poškodbe.

Vsa opozorila in napotila shranite, ker jih boste v prihodnje še potrebovali.

⚠ VARNOSTNA OPOZORILO ZA KROŽNE ŽAGE

Postopek žaganja

- NEVARNO: Ne segajte z rokami v območje žaganja in v bližino žaginega lista. Z drugo roko držite dodatni ročaj ali ohišje motorja.** Če boste krožno žago držali z obema rokama, žagin list ne bo mogel poškodovati Vaših rok.
- Ne segajte pod obdelovanec.** Zaščitni okrov vas v tem primeru ne bo mogel zavarovati pred vrtečim se žaginim listom.
- Prosimo, da globino reza prilagodite debelini obdelovanca.** Znaša naj manj kot višina zoba, ki je vidna pod obdelovancem.
- Obdelovanca nikoli ne držite v roki ali čez nogo, ampak ga na stabilni podlagi zavarujte proti premikanju.** Dobra

pritrditve obdelovanca je zelo pomembna, saj je tako nevarnost, da bi prišlo do telesnega stika, zatikanja žaginega lista ali izgube nadzora, minimalna.

- Če izvajate dela, pri katerih bi lahko vstavno orodje zadelo ob skrite električne vodnike ali ob lastni omrežni kabel, držite električno orodje samo za izolirane ročaje.** Stik z vodnikom, ki je pod napetostjo, prenese napetost tudi na kovinske dele električnega orodja in povzroči električni udar.
- Pri vzdolžnih rezih vedno uporabljajte prislon ali ravno robno vodilo.** To bo zagotovilo večjo točnost reza in zmanjšalo nevarnost zatikanja žaginega lista.
- Vedno uporabljajte žagine liste pravilne velikosti, ki se prilagajajo obliki prijemalne prirobnice (rombasta ali okrogla).** Žagini listi, ki se ne ujemajo z montažnimi deli žage, se vrtijo neenakomerno in povzročijo izgubo nadzora nad napravo.
- Nikoli ne uporabljajte poškodovanih oziroma napačnih podložk ali vijakov žaginega lista.** Podložke in vijaki žaginega lista so bili konstruirani posebej za Vašo žago, z namenom doseganja njene optimalne zmogljivosti in varnega delovanja.

Vzroki in preprečevanje povratnega udarca:

- povratni udarec je nepričakovana reakcija zagozdenega, zatakne-nega ali napačno poravnane žaginega lista, zaradi česar se lahko žaga, ki ni več pod nadzorom, premakne iz obdelovanca proti osebi, ki upravlja z žago;

- žagin list se lahko zatakne ali zagodzi v rezu, kar povzroči njegovo blokiranje, moč motorja pa potisne napravo nazaj, proti osebi, ki z njo upravlja;

- če žagin list, ki se nahaja v rezu, zasukate ali če žagin list ni bil pravilno naravnán, se lahko zobje zadnjega roba žaginega lista zataknejo, žagin list skoči iz zareze in odleti vzvratno proti osebi, ki upravlja z žago.

Povratni udarec je posledica napačne uporabe žage. Preprečite ga lahko s primernimi previdnostnimi ukrepi, ki so opisani v nadaljevanju besedila.

a) **Z obema rokama trdno držite žago. Roke premaknite v položaj, v katerem boste lahko kljubovali povratnim udarcem. Vedno stojite ob strani žaginega lista in se nikoli ne premaknite v položaj, v katerem bi bila Vaše telo in žagin list v isti črti.** Pri povratnem udarcu lahko krožna žaga skoči nazaj, vendar pa lahko upravljalec povratne udarce obvlada, če je prej primerno ukrepal.

b) **Če žagin list obtiči ali se žaganje prekine iz drugega razloga, spustite vklopno-izklopno stikalo in mirno držite žago v obdelovancu, dokler se žagin list popolnoma ne ustavi. Nikoli ne poskušajte žage odstraniti iz obdelovanca ali jo potegniti nazaj, dokler se žagin list premika ali dokler bi lahko prišlo do povratnega udarca.** Poiščite vzrok za zatikanje žaginega lista in ga na ustrezen način odstranite.

c) **Če želite žago, ki je obtičala v obdelovancu, ponovno zagnati, centrirajte žagin list v rezu in preverite, če niso zobje zatakneni v obdelovancu.** Zataknen žagin list se lahko izmakne iz obdelovanca in povzroči povratni udarec v trenutku, ko žago ponovno zaženete.

d) **Večje plošče ustrezno podprite in tako zmanjšajte tveganje za nastanek povratnega udarca zaradi zataknenega žaginega lista.** Velike plošče se zaradi lastne teže lahko upognejo, zato jih morate podpreti na obeh straneh, torej blizu reza in na robu.

e) **Ne uporabljajte topih ali poškodovanih žaginih listov.** Žagini listi s topimi ali napačno poravnanimi zobmi zaradi preozkega reza povzročajo večje trenje, zatikanje žaginega lista in povratni udarec.

f) **Pred žaganjem trdno privijte nastavitve za globino reza in rezalni kot.** Če se nastavitve med rezanjem spremenijo, se lahko žagin list zatakne in povzroči povratni udarec.

g) **Še posebno previdni bodite pri »potopnem žaganju« v skrito področje, na primer v obstoječo steno.** Žagin list lahko pri potopnem žaganju skritih predmetov blokira in povzroči povratni udarec.

Funkcija spodnjega zaščitnega pokrova

a) **Pred vsako uporabo naprave preverite brezhibno zapiranje spodnjega zaščitnega okrova. Ne uporabljajte žage, če spodnji zaščitni okrov ni prosto gibljiv in se takoj ne zapre. Spodnjega zaščitnega okrova nikoli ne zatikajte ali fiksirate v odprtem**

položaju. Če pade žaga nenamerno na tla, se lahko spodnji zaščitni okrov zviije. Odprite ga z ročico za odmik in se prepričajte ali je prosto gibljiv. Zaščitni okrov se pri vseh rezalnih kotih in vseh globlinih reza ne sme dotikati niti žaginega lista niti drugih delov žage.

b) **Preglejte delovanje vzmeti za spodnji zaščitni okrov. Če spodnji zaščitni okrov in vzmeti ne delujejo brezhibno, oddajte napravo v popravilo.** Poškodovani deli, lepljive obloge ali nabiranje ostružkov so vzrok za upočasnjeno delovanje spodnjega zaščitnega okrova.

c) **Ročno odpiranje spodnjega zaščitnega okrova je dovoljeno samo pri posebnih rezih, kakršna sta »potopno žaganje in žaganje pod kotom«.** Z ročico za odmik odprite spodnji zaščitni okrov in jo spustite takoj, ko žagin list prodre v obdelovanec. Pri vseh drugih rezih mora spodnji zaščitni okrov delovati samodejno.

d) **Ne odlagajte žage na delovno mizo ali na tla, če spodnji zaščitni okrov ne pokriva žaginega lista.** Nezavarovan, vrteč se žagin list premakne žago v protismeri reza in žaga vse, kar mu je na poti. Upoštevajte čas izteka žage.

NADALJNA VARNOSTNA IN DELOVNA OPOZORILA

Nosite zaščito za sluh. Hrup lahko povzroči izgubo sluha.

Pri delu s strojem vedno nosite zaščitna očala. Priporočamo zaščitne rokavice, trdno obuvalo, varno proti drsenju ter predpasnik.

Prah, ki nastaja pri delu, je pogosto zdravju škodljiv in naj ne zaide v telo. Uporabljajte odesavanje prahu in dodatno nosite primerno masko za zaščito proti prahu. Prah, ki se usede, temeljito očistite, npr. posesajte.

Listi za žago, ki ne odgovarjajo podatkom o značilnosti v tem navodilu za uporabo, se ne smejo uporabiti.

Ne uporabljati brusne plošče

Stikala za vklop/izklop pri ročno vodenem obratovanju ne fiksirajte.

PRACOVNE POKYNY

S primerno hitrostjo podajanja se izogibajte pregrevanju zob žaginega lista.

OMREŽNI PRIKLJUČEK

Priključite samo na enofazni izmenični tok in samo na omrežno napetost, ki je označena na tipski ploščici. Priključitev je možna tudi na vtičnice brez zaščitnega kontakta, ker obstaja nadgradnja zaščitnega razreda.

Vtičnice v zunanem področju morajo biti opremljene z zaščitnimi stikali za okvarni tok (FI, RCD, PRCD). To zahteva instalacijski predpis za vašo električno napravo. Prosimo, da to pri uporabi naše naprave upoštevate.

Napravo priklopite na vtičnico samo v izklopljenem stanju.

Zaradi nevarnosti kratkega stika kovinski deli ne smejo zaiti v špranje za prezačevanje.

Vedno pazite, da se priključni kabel ne približa področju delovanja stroja. Kabel vedno vodite za strojem.

Pred vsako uporabo kontrolirajte napravo, priključni kabel, kabel za podaljšek in vtičak glede poškodb in obrabe. Poskrbite, da poškodovane dele popravijo izključno strokovnjak.



Slo

UPORABA V SKLADU Z NAMEDBNOSTJO

Žaga za kovino je uporabna za žaganje ravnih rezov v različne vrste kovin kot npr. kovinski profili (UniStrut), cevi, suha gradbena stojala, kanali za kable, aluminijскиi profili, pločevina in drugo.

Ta naprava se sme uporabiti samo v skladu z namedbnostjo uporabiti samo za navede namene.

CE-IZJAVA O KONFORMNOSTI

S polno odgovornostjo izjavljamo, da izdelek, opisan pod „Tehnični podatki“ izpolnjuje vse ustrezne določbe direktiv

2011/65/EU (RoHS)

2006/42/ES

2014/30/EU

ter da so bili uporabljeni naslednji harmonizirani standardi

EN 60745-1:2009 + A11:2010

EN 60745-2-5:2010

EN 55014-1:2006+A1:2009+A2:2011

EN 55014-2:1997 + A1:2001 + A2:2008

EN 61000-3-2:2014

EN 61000-3-11:2000

EN 50581:2012



Winnenden, 2016-03-25

Alexander Krug / Managing Director

Pooblaščen za izdelavo spisov tehnične dokumentacije.

Techtronic Industries GmbH

Max-Eyth-Straße 10, 71364 Winnenden, Germany

VZDRŽEVANJE

Pred vsemi deli na stroju izvlecite vtičnik iz vtičnice.

Pred nameščanjem ali odstranjevanjem rezila žage se prepričajte, da ste orodje odklopili z napajanja.

Napravo in zaščitno pripravo čistite s suho krpo.

Mnoga čistilna sredstva poškodujejo umetne mase ali druge izolirane dele.

Pazite na to, da so prežračevalne reže stroja vedno čiste.

Redno odstranite prah. Odstranite v notranjosti žage nakopičeno žagovino, kako bi preprečili rizik vnetja

Napravo vzdržujte čisto in suho kakor tudi prosto uhajajočega olja in masti.

Preverite delovanje ščitnikov.

Redno vzdrževanje in čiščenje poskrbita za dolgo življenjsko dobo in varno rokovanje.

V kolikor je priključna napeljava električnega orodja poškodovana, jo je potrebno nadomestiti s posebej pripravljeno priključno napeljavo, ki je dobavljiva preko servisne organizacije.

Uporabljajte samo Milwaukee pribor in Milwaukee nadomestne dele. Poskrbite, da sestavne dele, katerih zamenjava ni opisana, zamenjajo v Milwaukee servisni službi (upoštevajte brošuro Garancija aslovi servisnih službi).

Po potrebi je mogoče pri vašem servisnem mestu ali neposredno pri Techtronic Industries GmbH, Max-Eyth-Straße 10, 71364 Winnenden, Germany, naročiti eksplozijsko risbo naprave ob navedbi tipa stroja in na tablici navedene šestmestne številke.

SIMBOLI



POZOR! OPOZORILO! NEVARNO!



Prosimo, da pred uporabo pozorno preberete to navodilo za uporabo.



Pri delu s strojem vedno nosite zaščitna očala.



Pred vsemi deli na stroju izvlecite vtičnik iz vtičnice.



Oprema – ni vsebovana v obsegu dobave, priporočeno dopolnilo iz programa opreme.



Električnih naprav ni dovoljeno odstranjevati skupaj z gospodinjskimi odpadki. Električne in elektronske naprave je potrebno zbirati ločeno in za okolju prijazno odstranitev, oddati podjetju za reciklažo. Pri krajevnem uradu ali vašem strokovnem prodajalcu se pozanimajte glede reciklažnih dvorišč in zbirnih mest.



Električno orodje zaščitnega razreda II. Električno orodje, pri katerem zaščita pred električnim udarom ni odvisna zgolj od osnovne izolacije, temveč tudi od tega, da so uporabljeni dodatni ukrepi, kot dvojna ali okrepljena izolacija. Ni priprave za priključek zaščitnega vodnika.



CE-znak



EurAsian oznaka o skladnosti.

TEHNIČKI PODACI	MCS 66
Metalna pila	
Broj proizvodnje	4406 16 02... ... 000001-999999
Snaga nominalnog prijema	1800 W
Broj okretaja praznog hoda	4000 min ⁻¹
List pile- \emptyset x Bušenje- \emptyset	203 x 15,87 mm
Max. učinak rezanja u u čelik Kutnik Metalne cijevi Profili	6 mm 50 x 50 x 6 mm \emptyset 66 mm max. 66 mm
Težina po EPTA-proceduri 01/2003	6,4 kg
Informacije o buci/vibracijama Mjerne vrijednosti utvrđene odgovarajuće EN 60 745. A-ocijenjeni nivo buke aparata iznosi tipično: nivo pritiska zvuka (Nesigurnost K=3dB(A)) nivo učinka zvuka (Nesigurnost K=3dB(A))	91,5 dB (A) 102,5 dB (A)
Nositi zaštitu sluha! Ukupne vrijednosti vibracije (Vektor suma tri smjersu odmjerene odgovarajuće EN 60745 Rezanje metala: Vrijednost emisije vibracije $a_{h,m}$ Nesigurnost K =	3,6 m/s ² 1,5 m/s ²



Hrv

UPOZORENIE

Ova u ovim uputama navedena razina titranja je bila izmjerena odgovarajuće jednom u EN 60745 normiranom mjernom postupku i može se upotrijebiti za usporedbu električnog alata međusobno. Ona je prikladna i za privremenu procjenu titrajnog opterećenja.

Navedena razina titranja reprezentira glavne primjene električnog alata. Ukoliko se električni alat upotrebljava u druge svrhe sa odstupajućim primijenjenim alatima ili nedovoljnim održavanjem, onda razina titranja može odstupati. To može titrajno opterećenje kroz cijeli period rada bitno povisiti.

Za točnu procjenu titrajnog opterećenja se moraju uzeti u obzir i vremena u kojima je uređaj isključen ili u kojima doduše radi, ali nije i stvarno u upotrebi. To može titrajno opterećenje bitno smanjiti za vrijeme cijelog radnog perioda.

Utvrđite dodatne sigurnosne mjere za zaštitu poslužioaca protiv djelovanja titranja kao npr.: Održavanje električnih alata i upotrebljenih alata, održavanje topline ruku, organizacija i radne postupke.


UPOZORENIE! Pročitajte sigurnosne upute i uputnice.

Ako se ne bi poštivala napomene o sigurnosti i upute to bi moglo uzrokovati strujni udar, požar i/ili teške ozljede.

Sačuvajte sve napomene o sigurnosti i upute za buduću primjenu.

SIGURNOSNE UPUTE ZA KRUŽNE PILE

Tehnologija rezanja

-  **OPASNOST Rukama ne zalazite u područje rezanja i do lista pile. Držite s obje ruke dodatnu ručku ili kućište motora.** Ako se obim rukama drži kružna pila, list pile ih ne može ozlijediti.
- Ne stavljajte prste ispod izratka.** Ispod izratka štitnik ih ne može zaštititi od lista pile.
- Prilagodite dubinu rezanja debljini izratka.** Ispod izratka treba biti vidljiv manje od jedan puni zub.
- Piljeni izradak nikada ne držite u rukama ili preko nogu. Izradak osigurajte na stabilnoj podlozi.** Važno je da izradak bude dobro pričvršćen, kako bi se na minimum smanjile opasnosti

od dodira s tijelom, uklještenje lista pile ili gubitak kontrole nad njim.

e) **Ako izvodite radove kod kojih bi radni alat mogao zahvatiti skrivene električne vodove ili vlastiti priključni kabel, električni alat držite samo za izolirane ručke.** Kontakt sa električnim vodom pod naponom, stavlja pod napon i metalne dijelove električnog alata i dovodi do električnog udara.

f) **Kod uzdužnog rezanja koristite uvijek graničnik ili ravnu vodilicu ruba.** Time se poboljšava točnost rezanja i smanjuje mogućnost uklještenja lista pile.

g) **Koristite uvijek listove pile odgovarajuće veličine i odgovarajućeg steznog otvora (npr. zvjezdastog ili okruglog).** Listovi pile koji ne odgovaraju montažnim dijelovima pile, okretat će se neokruglo i mogu dovesti do gubitka kontrole nad pilom.

h) **Ne koristite nikada oštećene ili pogrešne podložne pločice lista pile ili vijke.** Podložne pločice lista pile i vijci specijalno su konstruirani za vašu pilu, za postizanje optimalnog učinka i radne sigurnosti.

Uzroci i izbjegavanje povratnog udara:

– povratni udar je neočekivana reakcija lista pile koji se je uklještió, zaglavio ili je loše uravnotežen, što može dovesti do toga da se list pile može nekontrolirano izvući iz izratka i pomaknuti u smjeru osobe koja radi s uređajem;

– ako bi se list pile uklještió, zaglavio ili blokirao u rasporu piljenja koji se zatvara i ako bi sila motora povratno udarila u uređaj, u smjeru osobe koja s njim radi;

– ako bi se list pile u rezu iskrenuo ili pogrešno izravnao, mogli bi zubi stražnjeg ruba lista pile zahvatiti površinu izratka, zbog čega bi list pile iskočio iz raspora pile i odskočio natrag u smjeru osobe koja radi s pilom.

Povratni udar je posljedica pogrešne ili neispravne uporabe pile. On se može spriječiti prikladnim mjerama opreza, koje su opisane u daljnjem tekstu.

a) **Držite pilu čvrsto s obje ruke i postavite vaše ruke u položaj u kojem se mogu podnijeti sile povratnog udara. Postavite se uvijek bočno uz list pile, a nikada tako da list pile bude u liniji s vašim tijelom.** Kod povratnog udara kružna pila bi mogla odskočiti natrag, a osoba koja radi s kružnom pilom ne bi mogla savladati sile povratnog udara ako se ne bi poduzele prikladne mjere.

b) **Ukoliko bi se list pile zaglavio ili bi se piljenje prekinulo iz nekog drugog razloga, otpustite prekidač za uključivanje za uključivanje-isključivanje i držite pilu mirno u materijalu sve dok se list pile potpuno ne zaustavi. Ne pokušavajte pilu vaditi iz izratka ili je potezati u natrag, sve dok se list pile pomiče ili bi se mogao dogoditi povratni udar.** Pronađite uzrok uklještenja pile i otklonite ga prikladnim mjerama.

c) **Ako pilu koja se je zaglavila u izratku želite ponovno pokrenuti, centrirajte list pile u rasporu piljenja i provjerite da zubi pile nisu zahvatili izradak.** Ako bi se uklještió list pile, on se može pomaknuti iz izratka ili pokušati povratni udar ako će se pile ponovno pokrenuti.

d) **Velike ploče poduprite, kako bi se izbjegla opasnost od povratnog udara zbog uklještenja lista pile.** Velike ploče se mogu saviti pod djelovanjem vlastite težine. Ploče se moraju osloniti na obje strane, kako blizu raspora piljenja, tako i na rubu.

e) **Ne koristite tupe ili oštećene listove pile.** Listovi pile s tupim ili pogrešno izravnanim zubima, uzrokuju zbog uskog raspora piljenja povećano trenje, uklještenje lista pile i povratni udar.

f) **Prije piljenja ustanovite dubine rezanja i namještanja kuta rezanja.** Ako bi se tijekom piljenja promijenila podešavanja, list pile bi se mogao uklještit ili dovesti do povratnog udara.

g) **Budite posebno oprezni ako izvodite „prorezivanje“ u skrivenom području, npr. u postojećem zidu.** Zarezani list pile bi se kod piljenja u skrivenim objektima mogao blokirati i uzrokovati povratni udar.

Funkcija donjeg sigurnosnog poklopc

a) **Prije svake uporabe provjerite da li donji štitnik besprijeekorno zatvara. Ne koristite pilu ako donji štitnik nije slobodno pomičan i ako se odmah ne zatvara. Nikada ne uklještié niti učvrstite donji štitnik u otvorenom položaju.** Ako bi pila nehotično pala na pod, donji štitnik bi se mogao savinuti. Otvorite štitnik poteznom polugom i provjerite da je slobodno pomičan i da kod svih kutova i dubina rezanja ne dodiruje list pile niti ostale dijelove.

b) **Provjerite djelovanje opruge za donji štitnik. Uređaj napravite prije uporabe ako donji štitnik i opruga ne djeluju besprijeekorno.** Oštećeni dijelovi, ljepljive naslage ili nakupine strugotine mogli bi dovesti do usporenog kretanja donjeg štitnika.

c) **Donji štitnik otvarajte rukom samo kod posebnih rezova, kao npr. „rezanje prorezivanjem i kutni rezovi“.** Donji štitnik otvorite polugom za potezanje natrag i oslobodite je čim list pile prođe u izradak. Kod svih drugih radova piljenja donji štitnik mora automatski raditi.

d) **Pilu ne odlažite na radni stol ili pod, ako donji štitnik ne pokriva list pile.** Nezaštićeni list pile koji se zaustavlja pod inercijom, mogao bi pilu pomaknuti suprotno smjeru rezanja i zarezati sve što mu se nađe na putu. Kod toga treba paziti na vrijeme zaustavljanja lista pile pod djelovanjem inercije.

OSTALE SIGURNOSNE I RADNE UPUTE

Nosite zaštitu za sluh. Djelovanje buke može uzrokovati gubitak sluha.

Kod radova sa strojem uvijek nositi zaštitne naočale. Zaštitne rukavice, čvrste i protiv klizanja sigurne cipele kao i pregača se preporučuju.

Prašina koja nastaje kod rada je često štetna po zdravlje i ne bi smjela dospjeti u tijelo. Primijeniti usisavanje prašine i dodatno nositi prikladnu zaštitnu masku protiv prašine. Sleglu prašinu temeljito odstraniti, npr. usisati.

Listovi pile, koji ne odgovaraju karakterističnim podacima u ovoj uputi o upotrebi, se ne smiju upotrebljavati.

Ne upotrebljavati brusne ploče!

Prekidač za uključivanje i isključivanje ne priklještit u ručnom pogonu.

RADNE UPUTE

Izbjegavajte kroz prilagođenu brzinu pomaka pregrijavanje zuba lista pile.

PRIKLJUČAK NA MREŽU

Priključiti samo na jednofaznu naizmjeničnu struju i samo na novu struju, naveden na pločici snage. Priključak je moguć i na utičnice bez zaštitnog kontakta, jer postoji dogradnja zaštitne klase II.

Utičnice na vanjskom području moraju biti opremljene zaštitnim prekidačima za pogrešnu struju (FI, RCD, PRCD). To zahtjeva instalacijski propis za električne uređaje. Molimo da ovo pošujete prilikom upotrebe našeg aparata.

Uređaj priključiti na utičnicu samo kada je isključen.

Zbog opasnosti od kratkog spoja metalni dijelovi ne smiju dospjeti u otvore za prozračivanje.

Priključni kabel uvijek držati udaljenim sa područja djelovanja. Kabel uvijek voditi od stroja prema nazad.

Prije svake upotrebe uređaj, priključni kabel, produžni kabel i utikač provjeriti u svezi oštećenja i starenja. Oštećene dijelove dati popraviti od strane stručnjaka.

PROPIISNA UPOTREBA

Metalna pila je upotrebljiva za piljenje ravnolinijskih rezova u raznim vrstama metala kao npr. metalnih profila (UniStrut), cijevi, profila za gipsploče, kanala za kablove, aluminijske profile, limove i sl.

Ovaj aparat se smije upotrijebiti samo u određene svrhe kao što je navedeno.

CE-IZJAVA KONFORMNOSTI

Izjavljujemo pod vlastitom odgovornošću da proizvod opisan u odjeljku „Tehnički podaci“ ispunjava sve potrebne odredbe smjernica 2011/65/EU (RoHS)

2006/42/EC

2014/30/EU

i da su korišteni sljedeći usklađeni standardi

EN 60745-1:2009 + A11:2010

EN 60745-2-5:2010

EN 55014-1:2006+A1:2009+A2:2011

EN 55014-2:1997 + A1:2001 + A2:2008

EN 61000-3-2:2014

EN 61000-3-11:2000

EN 50581:2012



Winnenden, 2016-03-25

Alexander Krug / Managing Director
Ovlašten za formiranje tehničke dokumentacije.

Techtronic Industries GmbH
Max-Eyth-Straße 10, 71364 Winnenden, Germany

ODRŽAVANJE

Prije radova na stroju izvući utikač iz utičnice.

Prije priključivanja ili uklanjanja lista pile osigurajte da je alat iskopčan iz izvora za napajanje.

Aparat i zaštitni uređaj čistite jednom suhom krpom.

Neka sredstva za čišćenje oštećuju plastiku ili druge izolirane dijelove.

Proreze za prozračivanje stroja uvijek držati čistima.

Prah redovno čistite. Piljevine, koje se nalijepe na unutarnju stranu cirkulara čistite redovno, kako bi izbjegli opasnosti požara.

Aparat čuvati čistim i suhim kao i bez iscurjelog ulja i masti.

Provjerite funkciju zaštitnih kapa.

Redovito održavanje i čišćenje se brinu za dugi vijek trajanja i sigurno rukovanje.

Ukoliko je priključni vod električnog alata oštećen, ovaj se mora promijeniti jednim specijalno podešenim priključnim vodom, koji se može dobiti preko servisne organizacije.

Primijeniti samo Milwaukee opremu i Milwaukee rezervne dijelove. Sastavne dijelove, čija zamjena nije opisana, dati zamijeniti kod jedne od Milwaukee servisnih službi (poštivati brošuru Garancija/ Adrese servisa).

Po potrebi se crtež pojedinih dijelova aparata uz navođenje podatka o tipu stroja i šestznamenastog broja na pločici snage može zatražiti kod vašeg servisa ili direktno kod Techtronic Industries GmbH, Max-Eyth-Straße 10, 71364 Winnenden, Njemačka.

SIMBOLI



PAŽNJA! UPOZORENJE! OPASNOST!



Molimo da pažljivo pročitate uputu o upotrebi prije puštanja u rad.



Kod radova na stroju uvijek nositi zaštitne naočale.



Prije radova na stroju izvući utikač iz utičnice.



Oprema - u opsegu isporuke nije sadržana, preporučena dopuna iz promograma opreme.



Električni uređaji se ne smiju zbrinjavati skupa sa kućnim smećem. Električni uređaji se moraju skupljati odvojeno i predati na zbrinjavanje primjerenom okolišu jednom od pogona za iskorišćavanje. Raspitajte se kod mjesnih vlasti ili kod stručnog trgovca u svezi gospodarstva za recikliranje i mjesta skupljanja.



Električni alat zaštitne kategorije II. Električni alat, čija zaštita od jednog električnog udara ne zavisi samo od osnovne izolacije, već i od toga, da se primijene dodatne zaštitne mjere, kao što su dvostruka izolacija ili pojačana izolacija. Ne postoji nikakva naprava za priključak nekog zaštitnog voda.



Oznaka-CE

EurAsian znak konformnosti.



TEHNISKIE DATI	MCS 66
Metāla zāģis	
Izlaides numurs	4406 16 02... ... 000001-999999
Nominālā atdotā jauda	1800 W
Apgrīzieni tukšgaitā	4000 min ⁻¹
Zāģa ripas ārējais diametrs x iekšējais diametrs	203 x 15,87 mm
Maksimālā griezumā jauda tēraudā Leņķdzelzis Metāla caurule Profili	6 mm 50 x 50 x 6 mm Ø 66 mm max. 66 mm
Svars atbilstoši EPTA -Procedure 01/2003	6,4 kg
Trokšņu un vibrāciju informācija Vertības, kas noteiktas saskaņā ar EN 60 745. A novērtētās aparatūras skaņas līmenis ir: trokšņa spiediena līmenis (Nedrošība K=3dB(A)) trokšņa jaudas līmenis (Nedrošība K=3dB(A))	91,5 dB (A) 102,5 dB (A)
Nēsāt trokšņa slāpētāju! Svārstību kopējā vērtība (Trīs virzienu vektoru summtiek noteikta atbilstoši EN 60745. Metāla zāģis: svārstību emisijas vērtība a _{h,m} Nedrošība K =	3,6 m/s ² 1,5 m/s ²



UZMANĪBU

Instrukcijā norādītā svārstību robežvērtība ir izmērīta mērījumu procesā, kas veikts atbilstoši standartam EN 60745, un to var izmantot elektroinstrumentu savstarpējai salīdzināšanai. Tā ir piemērota arī svārstību noslogojuma pagaidu izvērtēšanai.

Norādītā svārstību robežvērtība ir reprezentatīva elektroinstrumenta pamata pielietojuma jomām. Tomēr, ja elektroinstrumenti tiek pielietots citās jomās, papildus izmantojot neatbilstošus elektroinstrumentus vai pēc nepietiekamas tehniskās apkopes, tad svārstību robežvērtība var atšķirties. Tas var ievērojami palielināt svārstību noslogojumu visa darba laikā.

Precīzai svārstību noslogojuma noteikšanai, ir jāņem vērā arī laiks, kad ierīces ir ieslēgta vai arī ir ieslēgta, tomēr faktiski netiek lietota. Tas var ievērojami samazināt svārstību noslogojumu visa darba laikā.

Integrējiet papildus drošības pasākumus pret svārstību ietekmi lietotājam, piemēram: elektroinstrumentu un darba instrumentu tehniskā apkope, roku siltuma uzturēšana, darba procesu organizācija.

⚠ UZMANĪBU! Izlasiet visu drošības instrukciju un lietošanas pamācību klāt. Šeit sniegto drošības noteikumu un norādījumu neievērošana var izraisīt aizdegšanos un būt par cēloni elektriskajam triecienam vai nopietnam savainojumam.
Pēc izlasīšanas uzglabājiet šos noteikumus turpmākai izmantošanai.

⚠ RIPZĀGA DROŠĪBAS NORĀDES

Zāģēšanas process

- ⚠ BĪSTAMI! Neturiet rokas zāģa asmens tuvumā vai uz tā. Ar otru roku turiet instrumentu aiz papildroktura vai elektrodzinēja korpusa.** Turot ripzāģi ar abām rokām, rotzāģoāis asmens tās nevar savainot.
- Neturiet rokas zem zāģjamā priekšmeta.** Asmens aizsargs nevar pasargāt jūsu rokas no savainojumiem, ja tās atrodas zem zāģjamā priekšmeta.
- Izvēlieties zāģēšanas dziļienu, kas atbilst zāģjamā priekšmeta biezumam.** Zāģēšanas dziļiņam jābūt tik lielam, lai zem zāģjamā priekšmeta redzamās asmens daļas augstums būtu mazāks par asmens zobu augstumu.

d) Nekad neturiet zāģjamo priekšmetu, stingri saspiežot rokā vai atbalstot ar kāju. Novietojiet zāģjamo priekšmetu uz stabila pamata. Ir svarīgi, lai zāģjamais priekšmets būtu labi nostiprināts, jo tas palīdz izvairīties no iermeoša saskaršanās ar zāģa asmeni, zāģa asmens iestrēgšanas zāģjumā, kā arī no kontroles zaudēšanas pār zāģēšanas procesu.

e) Ja darbinstruments var skart slēptu elektropārvades līniju vai instrumenta elektrokabeli, darba laikā turiet elektroinstrumentu aiz izolētajiem rokturiem, nepieskaroties metāla daļām. Darbinstrumentam skarot spriegumnesošu elektrotīkla vadu, spriegums nonāk arī uz elektroinstrumenta metāla daļām un var būt par cēloni elektriskajam triecienam.

f) Veicot zāģēšanu gareniskā virzienā, vienmēr izmantojiet paralēlu vadotni vai vadiet instrumentu gar taisnu malu. Ģādi uzlabojas zāģējuma precizitāte un samazinās asmens iestrēgšanas iespēja zāģjumā.

g) Vienmēr lietojiet pareiza izmēra zāģa asmeni, ar piemērotas formas centrālo atvērsumu (zvaigznes veida vai apaļu). Zāģa asmei, kas neatbilst zāģa stiprinādo elementu formai, necentrējas uz darbvirspas un var novest pie kontroles zaudēšanas pār zāģēšanas procesu.

Instrumentu pieslēgt kontaktligzdai tikai izslēgtā stāvoklī.

Sakarā ar to, ka var izraisīt īsslēdzieni, dzesēšanas atverēs nedrīkst iekļūt nekādi metāla priekšmeti.

Pievienojuma kabeli vienmēr turēt atstatos no mašīnas darbības lauka. Kabelim vienmēr jāatrodas aiz mašīnas.

Pirms katras Instrumenta lietošanas pārbaudiet, vai nav bojāts pievienojuma kabelis, pagarinājuma kabelis un kontaktdakša. Bojātās detaļas drīkst remontēt tikai speciālisti.

NOTEIKUMIEM ATBILŠOŠS IZMANTOJUMS

Metāla zāģis ir izmantojams, lai veiktu taisnus zāģējumus dažāda veida metālos, kā piem., metāla profili (UniStrut), caurules, sauso būvju statņi, kabelkanāli, alumīnija profili, skārdi u.c.

Šo instrumentu drīkst izmantot tikai saskaņā ar minētajiem lietošanas noteikumiem.



Lat

ATBILSTĪBA CE NORMĀM

Mēs ar pilnu atbildību paziņojam, ka izstrādājums, kas raksturots sadaļā „Tehniskie dati”, atbilst visām attiecīgajām prasībām direktīvās

2011/65/EU (RoHS)

2006/42/EK

2014/30/EU

un ir piemēroti šādi saskaņotie standarti

EN 60745-1:2009 + A11:2010

EN 60745-2-5:2010

EN 55014-1:2006+A1:2009+A2:2011

EN 55014-2:1997 + A1:2001 + A2:2008

EN 61000-3-2:2014

EN 61000-3-11:2000

EN 50581:2012



Winnenden, 2016-03-25

Alexander Krug / Managing Director
Pilnvarotais tehniskās dokumentācijas sastādītājs.

Techtronic Industries GmbH
Max-Eyth-Straße 10, 71364 Winnenden, Germany

APKOPE

Pirms jebkādiem darbiem, kas attiecas uz mašīnas apkopi, mašīnu noteikti vajag atvienot no kontaktligzdas.

Pirms zāģa asmens pievienošanas vai noņemšanas noteikti atslēdziet instrumentu no strāvas padeves.

Iekārtu un aizsardzības aprīkojumu jātīra ar tīru un sausu lupatiņu.

Atsevišķi tīrīšanas līdzekļi var sabojāt plastmasas un citas izolējošās detaļas.

Vajag vienmēr uzmanīt, lai būtu tīras dzesēšanas atveres.

Regulāri notīriet putekļus. Lai novērstu ugunsbīstamību, iztīriet zāģa iekšpusē sakrājušās zāģskaidas.

Vienmēr rūpējieties, lai iekārta būtu sausa un tīra, kā arī lai uz tās nebūtu iztecejušās smērvielas paliekas.

Pārbaudiet, vai aizsargaprīkojums darbojas pareizi.

Regulāra iekārtas apkope un tīrīšana nodrošina tās ilgmūžību un drošu ekspluatāciju.

Ja elektroinstrumenta savienojuma kabelis ir bojāts, tas jānomaina pret speciāli sagatavotu kabeli, ko var iegādāties klientu apkalpošanas centrā.

Izmantojiet tikai firmu Milwaukee piederumus un firmas Milwaukee rezerves daļas. Lieciet nomainīt detaļas, kuru nomaina nav aprakstīta, kādā no firmu Milwaukee klientu apkalpošanas servisiem. (Skat. brošūru „Garantija/klientu apkalpošanas serviss“.)

Pēc pieprasījuma, Jūsu Klientu apkalpošanas centrā vai pie Techtronic Industries GmbH, Max-Eyth-Straße 10, 71364 Winnenden, Vācijā, ir iespējams saņemt iekārtas montāžas rasejumu, iepriekš norādot iekārtas modeli un sērijas numuru, kas atrodas uz datu plāksnītes un sastāv no sešiem simboliem.

SIMBOLI



UZMANĪBU! BĪSTAMI!



Pirms sākt lietot instrumentu, lūdzu, izlasiet lietošanas pamācību.



Strādājot ar mašīnu, vienmēr jānēsā aizsargbrilles.



Pirms jebkādiem darbiem, kas attiecas uz mašīnas apkopi, mašīnu noteikti vajag atvienot no kontaktligzdas.



Piederumi - standartaprīkojumā neietvertās, bet ieteicamās papildus komplektācijas detaļas no piederumu programmas.



Elektroiekārtas nedrīkst izmest kopā ar sadzīves atkritumiem. Elektriskās un elektroniskās iekārtas ir jāsavāc atsevišķi un jānodod pārstrādes uzņēmumam, kas no tām atbrīvosies dabai draudzīgā veidā. Meklējiet atbilstošās pārstrādes poligonus un savākšanas punktus vietējās pārvaldes iestādēs vai pie preces pārdevēja.



Il aizsardzības klases elektroinstrumenti. Elektroinstrumenti, kuram aizsardzība pret elektrisko triecienus ir atkarīga ne tikai no pamata izolācijas, bet arī no tā, ka tiek piemēroti papildu aizsardzības pasākumi, piemēram, dubultā izolācija vai pastiprināta izolācija. Aizsarga pieslēgšanai instrumenti nav paredzēti.



CE marķējums



EurAsian atbilstības marķējums.

Latviski

TECHNINIAI DUOMENYS Metalo pjūklų	MCS 66
Produkto numeris	4406 16 02... ... 000001-999999
Vardinė imamoji galia	1800 W
Sūkių skaičius laisva eiga	4000 min ⁻¹
Pjovimo disko ϕ x grežinio ϕ	203 x 15,87 mm
Maks. pjovimo galia Pliene kampiniai metaliniai vamzdžius profiliai	6 mm 50 x 50 x 6 mm ϕ 66 mm max. 66 mm
Prietaiso svoris įvertintas pagal EPTA 2003/01 tyrimų metodiką.	6,4 kg
Informacija apie triukšmą/vibraciją Vertės matuotos pagal EN 60 745. Įvertintas A įrenginio keliamo triukšmo lygis dažniausiai sudaro: Garso slėgio lygis (Paklaida K=3dB(A)) Garso galios lygis (Paklaida K=3dB(A)) Nešioti klausos apsaugines priemones!	91,5 dB (A) 102,5 dB (A)
Bendroji svyravimų reikšmė (trijų krypčių vektorių suma), nustatyta remiantis EN 60745. Metalo pjovimas: Vibravimų emisijos reikšmė $a_{h,M}$ Paklaida K =	3,6 m/s ² 1,5 m/s ²



Liet

DĖMESIO

Instrukcijoje nurodyta svyravimų ribinė vertė yra išmatuota remiantis standartu EN 60745; ji gali būti naudojama keliems elektriniams instrumentams palyginti. Ji taikoma ir laikinai įvertinti svyravimų apkrovą.

Nurodyta svyravimų ribinė vertė yra taikoma pagrindinėse elektrinio instrumento naudojimo srityse. Svyravimų ribinė vertė gali skirtis naudojant elektrinį instrumentą kitose srityse, papildomai naudojant netinkamus elektrinius instrumentus arba juos nepakankamai techniškai prižiūrint. Dėl to viso darbo metu gali žymiai padidėti svyravimų apkrova.

Siekiant tiksliai nustatyti svyravimų apkrovą, būtina atsižvelgti ir į laikotarpį, kai įrenginys yra įjungtas arba išjungtas, tačiau faktiškai nenaudojamas. Dėl to viso darbo metu gali žymiai sumažėti svyravimų apkrova.

Siekiant apsaugoti vartotojus nuo svyravimo įtakos naudojamos papildomos saugos priemonės, pavyzdžiui, elektrinių darbo instrumentų techninė priežiūra, rankų šilumos palaikymas, darbo procesų organizavimas.

⚠ DĖMESIO! Perskaitykite visas saugumo pastabas ir nurodymus. Jei nepaisysite žemiau pateiktų saugos nuorodų ir reikalavimų, gali trenkti elektros smūgis, kilti gaisras ir/arba galite sunkiai susižaloti arba sužaloti kitus asmenis.
Išsaugokite šias saugos nuorodas ir reikalavimus, kad ir ateityje galėtumėte jais pasinaudoti.

⚠ DISKINIO PJŪKLO SAUGUMO NURODYMAI

Pjovimo eiga

- PAVOJUS: Nekiškite rankę prie pjūvio vietos ir prie pjūklų disko. Antrąja ranka laikykite priekinę rankeną arba variklio korpusą.** Jei abiem rankom laikysite pjūklą, pjūklų diskas jį negalės supeisti.
- Nekiškite rankę po apdirbamu ruožiniu.** Apsauginis gaubtas neapsaugos jūsų nuo ruožinio apačioje išlindusio pjūklų disko.
- Pjovimo gylą tinkamai nustatykite pagal ruožinio storą.** Ruožinio apačioje turi matytis diek tiek mažiau, nei per visą pjūklų danties aukštą, išlindusi disko dalis.
- Pjaunamo ruožinio niekada nelaikykite rankose ar pasidėję ant kojos. Padėkite ruožiną ant stabilaus pagrindo.**

Labai svarbu ruošiną tinkamai atvirtinti, kad išvengtumėte kūno kontakto su disku, neupstrigtą pjūklų diskas ar neparastumėte kontrolės.

- Jeigu tikimybė, jog dirbant įrankis gali kliudyti paslėptą laidą, prietaisą laikykite tik už izoliuotų rankenų.** Dėl kontakto su laidininku, kuriuo teka el. srovė, prietaiso metalinėse dalyse gali atsirasti įtampa ir sukelti elektros smūgio pavojų.
- Atlikdami išilginą pjūvą, visada naudokite lygiagrečiai atramą arba kreipiančiąją liniuotę.** Tuomet įpjausite tiksliau ir sumažinsite galimybę pjūklui aštrinti.
- Naudokite tik tinkamo dydžio diskus. Pjūklų disko skylė turi būti reikiamo dydžio ir formos (pvz., įvaigždės formos arba apskrita).** Pjūklų diskai, kurie neatitinka pjūklų tvirtinimo detalės formos, sukasi ekscentriškai, todėl yra prarandama pjūvio kontrolė.
- Niekada nenaudokite papeistų ar netinkamų pjūklų disko tarpinių poverplės ir varštai buvo sukonstruoti specialiai jūsų pjūklui, kad būtų garantuoti optimalūs rezultatai ir saugus darbas.**

ATATRANKOS PRIEPASTYS IR BŪDAI JOS ĮVĖNGTI:

- Atatranka yra staigi pjūklų reakcija, atsirandanti tuomet, kai pjūklų diskas upkliūva, āstringa ar yra blogai nukreipiamas ruođinyje, dēl kurios prietaisas gali nekontroliuojamai iđdōkti iđ ruođinio;

- jei pjūklas yra upspaudpiamas pjūvio vietoje, upkliūva arba up-siblokuoja, variklio jėga staiga sviedpia pjūklā atgal, link naudotojo;

- jei pjūklų diskas perkreipiamas ar neteisingai nukreipiamas pjūvio plydyje, galinės disko dalies dantys gali āsikabinti ā ruođinio pavirđio, todēl pjūklų diskas „iđlipa“ iđ pjūvio plydio ir pjūklas staiga atbōka link naudotojo.

Atatranka yra netinkamo prietaiso naudojimo arba klaidingo valdymo rezultatas. Atitinkamos priemonēs (pr. pemiau) leidpia jos iđvengti.

a) **Pjūklā visada tvirtai suspauskite abiem rankom ir rankas laikykite tokioje padētyje, kad galētumēte āveikti atatranks jėgas. Atsitraukite ā dalā nuo pjūklų disko, kad Jūsō kūnas jokiu būdu nebūtō vienoje linijoje su pjūklų disku.** Dēl atatranks pjūklas gali atbōkti atgal, bet naudojotas turi galimybē suvaldyti atatranks jėgas, jei imsis atitinkamō priemonio.

b) **Jei pjūklų diskas upstringa arba jei dēl kokios nors prieplasties pjovimo procesas yra nutraukiamas, iđjunkite jungiklā ir pjūklō netraukite iđ ruođinio tol, kol pjūklō diskas visiđkai nesustos. Niekada nebandykite pjūklō disko iđtraukti iđ ruođinio ar pjūklā traukti atgal, kol pjūklō diskas dar sukasi, nes tai gali sālygoti atatrankā.** Suraskite pjūklō disko strigimo prieplastā ir imkitēs priemonio jai padalinti.

c) **Jei norite vėl ājungti ruođinyje paliktā pjūklā, centruokite pjūklō diskā pjūvio plydyje ir patikrinkite, ar pjūklō dantys nēra āsikabinē ā ruođinā.** Jei pjūklō diskas stringa, vėl ājungus pjūklā, jis gali iđdōkti iđ ruođinio arba gali āvykti atatranka.

d) **Pjudami dideles plokōtes, jas paremkite iđ apaēios. Taip sumāpinsite pjūklō disko strigimo ir atatranks rizikā.** Didelēs plokōtēs dēl savo svorio iđlinksta. Plokōtes reikia atremti abiejose pusēs, t.y., dalia pjūvio linijos ir dalia plokōtēs krađto.

e) **Nenaudokite atđipsio ar papeistō pjūklō diskō.** Neatdrūs ar blogai sureguliuoti pjūklō dantys palieka siauresnā pjovimo takā, todēl atsiranda per didelē trintis, atatranka, stringa pjūklō diskas.

f) **Prieđ pjaunant būtina tvirtai ir patikimai upverpti svirtelles, kuriomis reguliuojamas pjovimo gylis ir pjūklō disko posvirio kampas.** Jei pjaunant keiēiasi pjūklō disko padėtis, pjūklō diskas gali āstringti ir atsirasti atatranka.

g) **Darydami āpjuvas sienose ar kituose nepermatomuose pavirđiuose, pvz., sienose, elkitēs ypaē atsargiai.** āsigilinantis pjūklō diskas pjaunant gali upkliūti up paslēptō objektō ir sukelti atatrankā.

Apatinio apsauginio gaubto veikimas

a) **Prieđ kiekvienā naudojimā patikrinkite, ar apatinis apsauginis gaubtas tinkamai upsidaro. Nenaudokite pjūklō, jei apatinis apsauginis gaubtas negali laisvai judėti ir tuojau savaime neupsidaro. Niekumet nebandykite upfiksuoti apatinio apsauginio gaubto atidarytoje padētyje, kā nors ten āsprausdami ar jā pririđdami.** Jei pjūklas netyēia nukristō ant kieto pagrindo, gali sulinkti apatinis apsauginis gaubtas. Naudodami atidarymo rankenelē atidarykite jā ir āsitikinkite, kad jis juda laisvai ir nelieēia

nei pjūklō disko, nei kurios nors kitos dalies, pakreipiant pjūklō diskā āvariais kampais ir nustatant āvairō pjovimo gylā.

b) **Patikrinkite, ar tinkamai veikia apatinio apsauginio gaubto spyruoklē. Jei apatinis apsauginis gaubtas ir spyruoklē veikia netinkamai, prieđ naudojimā jiems reikia atlikti techninē profilaktikā.** Dēl papeistō dalio, lipniō neuosēdō arba susikaupusio droplio apatinis gaubtas gali sunkiau judėti.

c) **Apatinā apsauginā gaubtā rankiniu būdu atidaryti galima tik atliekant specialius pjūvius, pvz., panardinant pjūklā ruođinio viduryje ar pjaunant pavertus pjūklō diskā kampu.** Apatinā apsauginā gaubtā pakelkite rankenelē, ir, kai tik pjūklō diskas sulās ā ruođinā, paleiskite apatinā apsauginā gaubtā. Atliekant kitus pjovimo darbus, apatinis apsauginis gaubtas turi atsidaryti ir upsidaryti savaime.

d) **Prieđ padēdami pjūklā ant darbatalio ar ant grindō visada āsitikinkite, kad apatinis apsauginis gaubtas updenggē pjūklō diskā.** Jei apsauginis gaubtas neupsidaro, iđ inercijos besisukantis pjūklō diskas stumia pjūklā atgal ir pjauna viskā, kas pasitaiko j kelyje. Atminkite, kad, atleidus jungiklā, pjūklō diskas visiđkai sustoja tik po kurio laiko.

KITI SAUGUMO IR DARBO NURODYMAI

Nešiokite klausos apsaugos priemones. Dēl didelio triukšmo poveikio gali būti pažeidžiama klausā.

Dirbdami su įrenginiu visada nešiokite apsauginius akinius. Rekomenduotina nešioti apsaugines pirštines, tvirtus batus neslidžiu padu bei prijuoste.

Darbo metu kylančios dulksės dažnai kenkia sveikatai, todēl turētų nepatekti į organizmā. Naudokite dulkių nusiurbimā, papildomai nešiokite tinkamā apsaugos nuo dulkių kaukē. Kruopščiai pašalinkite, pvz. nusiurbkite, nusėdusias dulkes.

Draudžiama naudoti pjovimo diskus, kurie neatitinka šioje naudojimo instrukcijoje nurodytų žyminių duomenų.

Nedėkite šlifavimo diskų!

Valdant ranka, neužfiksuokite įjungiklio/išjungiklio.

DARBO NUORODOS

Dėl suderinto tiekimo greičio išvengsite pjovimo disko dantukų perkaitinimo.

ELEKTROS TINKLŲ JUNGTI

Jungti tik prie vienfazės kintamos elektros srovės ir tik į specifikacijų lentelėje nurodytos įtampos elektros tinklā. Konstruktijos saugos klasē II, todēl galima jungti ir į lizdus be apsauginio kontakto.

Lauke esantys el. lizdai turi būti su gedimo srovės išjungikliais. Tai nurodyta Jūsų elektros įrenginio instaliacijos taisyklēsē (FI, RCD, PRCD). Atsižvelkite į tai, naudodami prietaisā.

Į elektros tinklā junkite tik išjungtā prietaisā.

Saugokite, kad metalinės dalys nepatektų į vėdinimo angas – trumpojo jungimo pavojus.

Maitinimo kabelis turi nebūti įrenginio poveikio srityje. Kabelį visada nuveskite iš galinės įrenginio pusēs.

Kiekvienā kartā prieš naudojimą patikrinkite, ar ant prietaiso, maitinimo kabelio, prailginimo kabelio ir kištuko nematyti pažeidimų ar senėjimo požymių. Sugedusias dalis leiskite taisyti tik specialistams.

NAUDOJIMAS PAGAL PASKIRTĮ

Metalo pjūklu galima tiesiai pjauti įvairias metalo rūšis, pvz. metalinius profiliuotus („UniStrut“), vamzdžius, statybinius karkasus, kabelių kanalus, aliuminio profiliuotus, skardas ir t.t.

Šį prietaisą leidžiama naudoti tik pagal nurodytą paskirtį.

CE ATITIKTIES PAREIŠKIMAS

Prisiimdami visą atsakomybę pareiškiamo, kad gaminys, aprašytas „Technišiose duomenyse“, atitinka taikomus reikalavimus, išdėstytus direktyvose

2011/65/EU (RoHS)

2006/42/EB

2014/30/EU

ir buvo taikyti šie darnieji standartai

EN 60745-1:2009 + A11:2010

EN 60745-2-5:2010

EN 55014-1:2006+A1:2009+A2:2011

EN 55014-2:1997 + A1:2001 + A2:2008

EN 61000-3-2:2014

EN 61000-3-11:2000

EN 50581:2012



Winnenden, 2016-03-25

Alexander Krug / Managing Director
Įgaliojtas parengti techninius dokumentus.

Technetric Industries GmbH
Max-Eyth-Straße 10, 71364 Winnenden, Germany

TECHNINIS APTARNAVIMAS

Prieš atlikdami bet kokius įrenginyje, ištraukite iš lizdo kištuką.

Prieš montuodami ar nuimdami pjūklų geležtę, įrankį nuo elektros maitinimo šaltinio būtina atjunkite.

Sausu skudurėliu nuvalykite prietaisą ir apsauginį įrenginį.

Kai kurios valymo priemonės gali pažeisti plastmasę arba kitas izoliuotas detales.

Įrenginio vėdinimo angos visada turi būti švarios.

Būtina reguliariai nuvalyti dulkes. Dėl priešgaisrinės saugos šalinkite pjūklų viduje susikaupusias medžio drožles.

Laikykite prietaisą švarų ir sausą, nuvalykite ištekėjusį tepalą ir alyvą.

Patikrinkite apsauginio gaubto veikimą.

Reguliari techninė priežiūra ir nuolatinis valymas užtikrins ilgą eksploataavimo laiką ir saugų naudojimą.

Jei elektrinio įrankio prijungimo laidas pažeistas, jį reikia pakeisti specialiu prijungimo laidu, kurį galite užsisakyti klientų aptarnavimo skyriuje.

Naudokite tik „Milwaukee“ priedus ir „Milwaukee“ atsargines dalis. Dalis, kurių keitimas neaprašytas, leidžiama keisti tik „Milwaukee“ klientų aptarnavimo skyriams (žr. garantiją/klientų aptarnavimo skyrių adresus brošiūroje).

Esant poreikiui, nurodžius mašinos modelį ir šešiaženklį numerį, esantį ant specifikacijų lentelės, klientų aptarnavimo centre arba tiesiogiai „Technetric Industries GmbH“, Max-Eyth-Str. 10, 71364 Winnenden, Vokietija, galite užsakyti išplėstinį prietaiso brėžinį.

SIMBOLIAI



DĖMESIO! ĮSPĖJIMAS! PAVOJUS!



Prieš pradėdami dirbti su prietaisu, atidžiai perskaitykite jo naudojimo instrukciją.



Dirbdami su įrenginiu visada nešiokite apsauginius akinius.



Prieš atlikdami bet kokius įrenginyje, ištraukite iš lizdo kištuką.



Priedas – neįeina į tiekimo komplektaciją, rekomenduojamas papildymas iš priedų asortimento.



Elektros prietaisų negalima išmesti kartu su buitinėmis atliekomis. Būtina rūšiuoti elektros ir elektroninius prietaisus ir atiduoti į atliekų perdirbimo centrą, kad jie būtų utilizuoti netersiant aplinkos. Informacijos apie perdirbimo centrus ir atliekų surinkimo įstaigas teiraukitės vietos įstaigoje arba prekybininko.



Il apsaugos klasės elektrinis įrankis. Šio elektrinio įrankio apsauga nuo elektros smūgio priklauso ne tik nuo pagrindinės izoliacijos, bet ir nuo to, kaip naudojamos papildomos apsauginės priemonės, tokios kaip dviguba arba pagerinta izoliacija. Nėra jokio prietaiso apsauginio laido pajungimui.



CE ženklas



„EurAsian“ atitikties ženklas.



TEHNILISED ANDMED	MCS 66
Metallisaagi	
Tootmisnumber	4406 16 02... ... 000001-999999
Nimitarbimine	1800 W
Pöörlemiskiirus tühijooksul	4000 min ⁻¹
Saelehe δ x puuri \emptyset	203 x 15,87 mm
Maks löikevõimsus terases nurkprofiilid Metalltorud profiilid	6 mm 50 x 50 x 6 mm \emptyset 66 mm max. 66 mm
Kaal vastavalt EPTA-protseduurile 01/2003	6,4 kg
Müra/vibratsiooni andmed Mõõteväärtused on kindlaks tehtud vastavalt normile EN 60 745. Seadme tüüpiline hinnanguline (müratase): Helirõhutase (Määramatus K=3dB(A)) Helivõimsuse tase (Määramatus K=3dB(A)) Kandke kaitseks kõrvaklappe!	91,5 dB (A) 102,5 dB (A)
Vibratsiooni koguväärtus (kolme suuna vektorsummamöödetud EN 60745 järgi). Metalli saagimine: Vibratsiooni emissiooni väärtus $a_{h,M}$ Määramatus K =	3,6 m/s ² 1,5 m/s ²



Est

TÄHELEPANU

Antud juhendis toodud võnketase on mõõdetud EN 60745 standardile vastava mõõtesüsteemiga ning seda võib kasutada erinevate elektriseadmete omavahelises võrdlemises. Antud näitaja sobib ka esmaseks võnkekoormuse hindamiseks.

Antud võnketase kehtib elektriseadme kasutamisel sihtotstarbiselt. Kui elektriseadet kasutatakse muudel otstarvetel, muude tööriistadega või seda ei hooldata piisavalt võib võnketase siintoodust erineda. Eeltoodu võib võnketaset märkimisväärselt tõsta terves töökeskkonnas.

Võnketaseme täpselt hindamiseks tuleks arvestada ka aega, mil seade on välja lülitatud või on küll sisse lülitatud, kuid ei ole otseselt kasutusel. See võib märgatavalt vähendada kogu töökeskkonna võnketaset.

Rakendage spetsiaalseid ettevaatusabinõusid töötajate suhtes, kes puutuvad töö käigus palju kokku vibratsiooniga. Nendeks abinõudeks võivad olla, näiteks: elektri- ja tööseadmete korraline hooldus, käte soojendamine, töövoo parem organiseerimine.

⚠ TÄHELEPANU! Lugege kõik ohutusnõuanded ja juhendid läbi. Ohutusnõuete ja juhiste eiramise tagajärjeks võib olla elektrilöökk, tulekahju ja/või rasked vigastused.

Hoidke kõik ohutusnõuded ja juhised edasiseks kasutamiseks hoolikalt alles.

⚠ KETASSAAGIDE OHUTUSJUHISED

Saagimismeetodid

- OHUD:** Hoidke käed löikepiirkonnast ja saekettast eemal. Hoidke teise käega lisakäepidet või mootorikorpusi. Kui hoiate ketassaagi mõlema käega, ei jää käed saeketta ette.
- Ärge viige kätt tooriku alla.** Tooriku all ei saa kettakaitse Teid saeketta eest kaitsta.
- Kohandage löikesügavus tooriku paksusega.** Saeketas võib tooriku alt vähem kui ühe täishamba võrra välja ulatuda.
- Ärge kunagi hoidke saetavat toorikut käes või jalgade peal. Kinnitage toorik stabiilsele alusele.** Tooriku korralik

kinnitamine on oluline, et ohustada võimalikult vähe keha ning piirata saeketta kinnikiildumise ja tööriista kontrolli alt väljumise oht miinimumini.

e) **Kui esineb oht, et seade võib tabada varjatud elektrijuhtmeid või omaenda toitejuhet, tohib seadet hoida üksnes isoleeritud käepidemetest.** Kontakt pingestab all oleva juhtmega pingestab ka seadme metalldetailid ja põhjustab elektrilöögi.

f) **Pikisaagimisel kasutage alati paralleeljuhikut või juhtlauda.** See suurendab löike täpsust ja vähendab saeketta kinnikiildumise ohtu.

g) **Kasutage alati saekettaid, mille siseava suurus ja kuju on õiged (romb või ümar).** Saekettad, mis ei sobi sae völliiga, pöörlevad eksentriliselt ja põhjustavad tööriista väljumise kasutaja kontrolli alt.

h) **Ärge kunagi kasutage kahjustatud või mittesobivaid saeketta alusseibe või polte.** Saeketta alusseibid ja poldid on konstrueeritud spetsiaalselt Teie sae jaoks, tagamaks selle optimaalset jõudlust ja tööohutust.

Tagasilöögi põhjused ja vältimine:

- tagasilöök on sae ootamatu vastureaktsioon, mis tekib, kui saeketas on kinnikiildunud, kõverdunud või selle liikumine on takistatud ning mille tagajärjel tõuseb saag kontrollimatult töödeldavast detailist välja ja „hüppab“ sae kasutaja poole;

- kui sulguv löikejalg saeketta kinni kiilub või selle liikumist takistab, aeglustub saeketta pöörlemine ja mootori vastumõju tulemusel liigub saag kiiresti kasutaja poole;

- kui saeketas löikejäljes väändub või kõverdub, võivad saeketta tagamised hambad jääda pidu pealmisse kihti kinni, mille tagajärjel tuleb saeketas löikejäljest välja ja „hüppab“ tagasi sae kasutaja poole.

Tagasilöök on tööriista väärkasutamise ja/või valede töövõtete tagajärg. Seda saab vältida, võttes tarvitusele sobivad ettevaatusabinõud, mis on toodud allpool.

a) **Hoidke saagi tugevalt mõlema käega ja asetage käed selliselt, et suudaksite seista vastu tagasilöögi kaasnevatele jõududele. Seiske nii, et Teie keha oleks saekettast paremal või vasakul, kuid mitte sellega ühel joonel.** Tagasilöögi mõjul võib saag hüpata tagasi, kuid kasutajal on võimalik tagasilöögi kaasnevaid jõude kontrollida, võttes tarvitusele sobivad ettevaatusabinõud.

b) **Saeketta kinnikiildumisel või lõikamise katkemisel mingil teisel põhjusel vabastage lüliti ja hoidke saagi toorikus liikumatult, kuni saeketas täielikult seiskub. Ärge kunagi püüdke saagi toorikust eemaldada või tagasi tõmmata, kui saeketas pöörleb või kui võib toimuda tagasilöök.** Selgitage välja saeketta kinnikiildumise põhjus ja võtke tarvitusele sobivad meetmed.

c) **Kui soovite tooriku sees olevat saagi uuesti käivitada, sättige saag löikejälje keskele ja kontrollige, et saehambad ei ole toorikusse haardunud.** Kinnikiildunud saeketas võib liikuda üles või tekitada tagasilöögi, kui saag uuesti käivitatakse.

d) **Selleks, et piirata saeketta kinnikiildumise ja tagasilöögi ohtu miinimumini, peab suured plaadid toestama.** Suured plaadid kipuvad omaenda kaalu all painduma. Toestused tuleb paigutada plaadi alla mõlemale küljele, löikejälje lähedale ja plaadi serva äärde.

e) **Ärge kasutage nüri või kahjustatud saeketast.** Teritamata või valesti paigaldatud saekettast tekib kitsas löikejalg, mis põhjustab liigset hõõrdumist, saeketta kinnikiildumist ja tagasilööke.

f) **Enne löike tegemist peavad lõikesügavuse ja -nurga reguleerimise lukustushoovad olema kindlalt kinnitatud.** Kui saeketta seadistused saagimise ajal muutuvad, võib see põhjustada kinnikiildumise ja tagasilöögi.

g) **Olge eriti tähelepanelik, kui teete uputuslõikeid seintes või muudes varjatud piirkondades.** Esileulatav saeketas võib varjatud objektide lõikamisel blokeeruda, mille tagajärjeks on tagasilöök.

Alumise kaitsekatte funktsioon

a) **Iga kord enne kasutamist kontrollige, kas alumine kettakaitse sulgub korralikult. Ärge kasutage saagi, kui alumine kettakaitse ei liigu vabalt ega sulgu koheselt. Alumist kettakaitset ei tohi avatud asendis kinni kiiluda ega siduda.** Kui saag kogemata maha kukub, võib alumine kettakaitse väänduda. Tõstke alumine kettakaitse tagasitõmmatavast käepidemest üles ning

veenduge, et see liigub vabalt ja ei puuduta saeketast ega muid detaile mistahes lõikenurkade ja -sügavuste juures.

b) **Kontrollige alumise kettakaitse vedru funktsioneerimist. Kui alumine kettakaitse ja vedru ei funktsioneerikorralikult, tuleb need enne kasutamist parandada lasta.** Kahjustatud osade, kleepuvate sadestuste või saepuru kuhjumise tõttu võib alumise kettakaitse töötä aeglustuda.

c) **Alumist kettakaitset tuleks käsitsi tagasi tõmmata ainult eriolugete „nagu uputuslõikega ja nurklõikega tegemiseks“.** Avage alumine kettakaitse tagasitõmmatava hoovaga ja vabastage see kohe, kui saeketas on toorikusse sisse tunginud. Kõikide teiste saagimistööde ajal peaks alumine kettakaitse toimima automaatselt.

d) **Enne sae asetamist tööpingile või põrandale jälgige alati, et alumine kettakaitse saeketast katab.** Kaitsemata, järelepöörlev saeketas põhjustab sae liikumise tagasi, lõigates kõike, mis teele jääb. Pöörake tähelepanu sae järelepöörlemise ajale.

EDASISED OHUTUS- JA TÖÖJUHISED

Kandke kaitseks kõrvaklappe. Müra toime võib põhjustada kuulmiskahju.

Masinaga töötades kandke alati kaitseprille. Soovitatavad on kaitsekindad, tugevad ja libisemiskindlad jalanõud ning põll.

Töötamisel tekkinud tolm on sageli tervistkahjustav ning ei tohiks organismi sattuda. Kasutage tolmua äärmisest ja kandke täiendavalt sobivat tolmukaitsemaski. Kogunenud tolm eemaldage põhjalikult, nt imemisega.

Saelehti, mis ei vasta käesoleva kasutamisujuhendi karakteristiku-tele, ei tohi kasutada.

Lihvimiskettaid ei tohi kasutada!

Käsiti juhtides käitamisel ärge kiiluge sisse-välja lüliti kinni.

TÖÖJUHISED

Vältige sobitatud etteandekiirusega saeketta hammaste ülekuumenemist.

VÕRKU ÜHENDAMINE

Ühendage ainult ühefaasilise vahelduvvooluga ning ainult andmesilidil toodud võrgupingega. Ühendada on võimalik ka kaitsekontaktita pistikupesadesse, kuna nende konstruktsioon vastab kaitseklassile II.

Välitingimustes asuvad pistikupesad peavad olema varustatud rikkevoolukaitselülititega (FI, RCD, PRCD). Seda nõutakse Teie elektriseadme installaerimiseeskirjas. Palun pidage sellest meie seadme kasutamisel kinni.

Ühendage seade pistikupessa ainult välja lüüritatult.

Lühiseoht tõttu ei tohi õhutuspiludesse sattuda metalli.

Hoidke ühendusjuhe alati masina tööpiirkonnast eemal. Vedage juhe alati masinast tahapoole.

Enne iga kasutamist kontrollige seadet, ühendusjuhtmeid, pikendusjuhtmeid ja pistikuid, et poleks kahjustusi ega materjali väsimist. Kahjustatud osi laske parandada ainult spetsialistil.



Est

KASUTAMINE VASTAVALT OTSTARBELE

Metallisaagi saab rakendada sirgjooneliste lõigete saagimiseks erinevatesse metalliikidesse, nagu nt metallprofiilidesse (UniStrut), torudesse, kuivehituse alusraamidesse, kaablikanalitesse, alumiiniumprofiilidesse, plekkidesse jt.

Antud seadet tohib kasutada ainult vastavalt äranäidatud otstarbele.

EÜ VASTAVUSAVALDUS

Kinnitame oma ainuvastutust, et „Tehniliste andmete“ all kirjeldatud toode vastab direktiivide kõigile asjakohastele sätetele

2011/65/EU (RoHS)

2006/42/EÜ

2014/30/EU

ning täidetud on järgmistele ühtlustatud standarditele nõuded.

EN 60745-1:2009 + A11:2010

EN 60745-2-5:2010

EN 55014-1:2006+A1:2009+A2:2011

EN 55014-2:1997 + A1:2001 + A2:2008

EN 61000-3-2:2014

EN 61000-3-11:2000

EN 50581:2012



Winnenden, 2016-03-25

Alexander Krug / Managing Director
On volitatud koostama tehnilist dokumentatsiooni.

Techtronic Industries GmbH
Max-Eyth-Straße 10, 71364 Winnenden, Germany

HOOLDUS

Enne kõiki töid masina kallal tõmmake pistik pistikupesast välja.

Enne saeketta kinnitamist või eemaldamist veenduge, et sae toide on lahti ühendatud.

Puhastage seadet ja kaitseesadist kuiva lapiga.

Osad puhastusvahendid kahjustavad plastmassi või muid isoleeritud detaile.

Hoidke masina õhutuspilud alati puhtad.

Eemaldage regulaarselt tolm. Tuleohtu vältimiseks eemaldage sae sisemusse kogunenud saepuru.

Hoidke seade puhas ja kuiv ning eemaldage väljatunginud õli ja mäere.

Kontrollige kaitsekatte talitlust.

Regulaarne hooldus ja puhastamine tagavad pika eluea ning ohutu käsitsemise.

Kui elektritööriista ühendusjuhe on kahjustatud, siis tuleb see spetsiaalselt ettevalmistatud ühendusjuhtmega asendada, mis on saadaval klienditeenindusorganisatsiooni kaudu.

Kasutage ainult Milwaukee tarvikuid ja Milwaukee tagavaraosi. Detailid, mille väljavahetamist pole kirjeldatud, laske välja vahetada Milwaukee klienditeeninduspunktis (vaadake brošüüri garantii / klienditeeninduste aadressid).

Vajadusel saab nõuda seadme plahvatusjoonise võimsussildil oleva masinatüübi ja kuuekohalise numbrilise klienditeeninduspunkti või vahetult firmalt Techtronic Industries GmbH, Max-Eyth-Straße 10, 71364 Winnenden, Germany.

SÜMBOLID



ETTEVAATUST! TÄHELEPANU! OHUD!



Palun lugege enne käikulaskmist kasutamishuhand hoolikalt läbi.



Masina töötedas kandke alati kaitseprille.



Enne kõiki töid masina kallal tõmmake pistik pistikupesast välja.



Tarvikud - ei kuulu tarne komplekti, soovitatav täiendus on saadaval tarvikute programmis.



Elektriseadmeid ei tohi utiliseerida koos majapidamisprügiga. Elektrilised ja elektroonilised seadmed tuleb eraldi kokku koguda ning keskkonnasõbralikuks utiliseerimiseks vastavas käitlusettevõttes ära anda. Kõige kohalikest pädevatest ametitest või edasimüüjalt käitlusjaamade ja kogumispunkte kohta järele.



Kaitseklassi II elektritööriist. Elektritööriist, mille puhul ei sõltu kaitse mitte üksnes baasisolatsioonist, vaid ka täiendavate kaitsemeetmete nagu topeltsolatsiooni või tugevdatud isolatsiooni kohaldamisest. Mehhanism kaitsejuhi ühendamiseks puudub.



CE-märk

Euraasia vastavusmärk.

ТЕХНИЧЕСКИЕ ДАННЫЕ	MCS 66
пила по металлу	
Серийный номер изделия	4406 16 02... ... 000001-999999
Номинальная выходная мощность	1800 W
Число оборотов без нагрузки (об/мин)	4000 min ⁻¹
Диаметр диска пилы x диаметр отверстия	203 x 15,87 mm
Стальной лист Угловые профили Металлическая труба Сортовой металл	6 mm 50 x 50 x 6 mm Ø 66 mm max. 66 mm
Вес согласно процедуре EPTA 01/2003	6,4 kg
Информация по шумам/вибрации Значения замерялись в соответствии со стандартом EN 60 745. Уровень шума прибора, определенный по показателю A, обычно составляет: Уровень звукового давления (Небезопасность K=3dB(A)) Уровень звуковой мощности (Небезопасность K=3dB(A))	91,5 dB (A) 102,5 dB (A)
Пользуйтесь приспособлениями для защиты слуха. Общие значения вибрации (векторная сумма трех направлений) определены в соответствии с EN 60745. Пиление металла: Значение вибрационной эмиссии a _{h,m} Небезопасность K =	3,6 m/s ² 1,5 m/s ²



ВНИМАНИЕ

Указанный в настоящем руководстве уровень вибрации измерен в соответствии с технологией измерения, установленной стандартом EN 60745 и может использоваться для сравнения электроинструментов друг с другом. Он также подходит для предварительной оценки вибрационной нагрузки.

Указанный уровень вибрации представляет основные виды использования электроинструмента. Но если электроинструмент используется для других целей, используемый инструмент отклоняется от указанного или техническое обслуживание было недостаточным, то уровень вибрации может отклоняться от указанного. В этом случае вибрационная нагрузка в течение всего периода работы значительно увеличивается.

Для точной оценки вибрационной нагрузки необходимо также учитывать время, в течение которого прибор отключен или включен, но фактически не используется. В этом случае вибрационная нагрузка в течение всего периода работы может существенно уменьшиться.

Установите дополнительные меры безопасности для защиты пользователя от воздействия вибрации, например: техническое обслуживание электроинструмента и используемого инструмента, поддержание рук в теплом состоянии, организация рабочих процессов.

⚠ ВНИМАНИЕ! Ознакомьтесь со всеми указаниями по безопасности и инструкциями, в том числе с инструкциями. Упущения, допущенные при соблюдении указаний и инструкций по технике безопасности, могут стать причиной электрического поражения, пожара и тяжелых травм. **Сохраняйте эти инструкции и указания для будущего использования.**

⚠ УКАЗАНИЯ ПО БЕЗОПАСНОСТИ ДЛЯ ЦИРКУЛЯРНЫХ ПИЛ

Технология распиливания

- ⚠ ОПАСНОСТЬ: Держите Ваши руки в стороне от пропила и пильного полотна. Держите Вашей второй рукой пилу за дополнительную рукоятку или корпус мотора.** Если Вы обеими руками держите дисковую пилу, то пильное полотно не может ранить Вам руки.
- Не подхватывайте деталь.** Защитный колпак не может защитить под деталью от пильного полотна.
- Устанавливайте глубину реза в соответствии с толщиной детали.** Под деталью пильное полотно не должно высовываться более чем на один зуб.

d) **Никогда не держите распиливаемую деталь в руке или над ногой. Деталь должна надежно лежать на прочной опоре.** Важно хорошо закрепить деталь, чтобы сократить до минимума опасность контакта с телом, заклинивания пильного полотна или потери контроля

e) **Держите электроинструмент только за изолированные поверхности рукояток, если Вы выполняете работы, при которых рабочий инструмент может попасть на скрытую электропроводку или на собственный шнур подключения питания.** Контакт с токоведущим проводом ставит под напряжение также металлические части электроинструмента и ведет к поражению электрическим током.

f) **Используйте всегда при продольном резании упор или прямую направляющую кромку.** Это улучшает точность реза и снижает возможность заклинивания пильного полотна.

g) **Всегда применяйте пильные полотна с правильными размерами и соответствующим отверстием крепления.**

h) **Никогда не применяйте поврежденные или неправильные подкладочные шайбы для пильных дисков или крепежные винты.** Подкладочные шайбы для пильных дисков и крепежные винты специально

сконструированы для Вашей пилы, для оптимальной производительности и эксплуатационной безопасности.

Причины и предотвращение обратного удара:

- обратный удар это неожиданная реакция вследствие цепляющегося, заклинивающегося или неправильно выверенного пильного полотна, которая ведет к выходу неконтролируемой пилы из детали в направлении оператора.

- если пильное полотно зацепится или заклинивается в замыкающемся пропиле, то сила мотора выбивает прибор назад в направлении оператора.

- если пильное полотно будет перекошено или неправильно выверено в пропиле, то зубья задней кромки пилы могут врезаться в поверхность детали, что ведет к выходу пильного полотна из пропила и резкому выбросу пилы в направлении оператора.

Обратный удар является следствием неправильного или ошибочного использования пилы. Он может быть предотвращен соответствующими мерами предосторожности, описанными ниже.

а) Держите пилу крепко обеими руками и расположите при этом руки так, чтобы Вы могли бы противостоять силам обратного удара. Стойте всегда в стороне от оси пильного полотна, не ведите никогда пильное полотно по оси Вашего тела. При обратном ударе пила может выскочить назад, однако, оператор может противостоять силам обратного удара, если были приняты соответствующие меры.

б) При заклинивании пильного полотна или, если резание будет прервано по другой причине, отпустите выключатель и держите пилу спокойно в детали до полной остановки пильного полотна. Никогда не пытайтесь вынуть пильное полотно из детали, вывести его назад пока оно находится во вращении или если может возникнуть обратный удар. Найдите причину заклинивания пильного полотна и устраните ее соответствующими мерами.

с) Если Вы хотите опять включить застрявшую в детали пилу, то сначала отцентрируйте пильное полотно в пропиле и проверьте свободу зубьев полотна. Заклиненное пильное полотно может выйти из детали или вызвать обратный удар при повторном включении пилы.

д) Большие плиты должны лежать на опорах для уменьшения риска обратного удара при заклинивании пильного полотна. Большие плиты могут прогибаться под собственным весом. Плиты должны лежать на опорах с обеих сторон, как вблизи пропила, так и с края.

е) Не пользуйтесь тупыми или поврежденными пильными полотнами. Пильные полотна с тупыми или неправильно выверенными зубьями ведут в результате очень узкого пропила к повышенному трению, заклиниванию пильного полотна и обратному удару.

ф) Перед распиливанием затяните крепко установочное устройство глубины реза и угла пропила. Если при распиливании настройка изменится, то пильное полотно может заклинить и возникнуть обратный удар.

г) Будьте особенно осторожны при выполнении пропила «погружением» в скрытом диапазоне, например в готовой стене. Погружающееся пильное полотно может при пилении заблокироваться в скрытом объекте и вызвать обратный удар.

Функция нижнего защитного кожуха

а) Перед каждым включением проверяйте безупречное замыкание нижнего защитного колпака. Не пользуйтесь пилой, если движение нижнего защитного колпака ограничено и он не сразу закрывается. Никогда не заклинивайте и не завязывайте нижний защитный колпак в открытом положении. Если пила случайно упадет на пол, то нижний защитный колпак может быть погнут.

Откройте защитный колпак рычагом отгигивания и определите наличие свободы движения и отсутствие соприкосновения с пильным полотном или другими частями при всех возможных углах пропила и глубины резания.

б) Проверьте функцию пружины для нижнего защитного колпака. При неисправной функции нижнего защитного колпака и пружины сдайте электроинструмент на техническое обслуживание до начала работы. Поврежденные части, склеивающиеся отложения или скопления стружки являются причиной замедленного срабатывания нижнего защитного колпака.

с) Открывайте нижний защитный колпак вручную только при выполнении особых пропилов, например, пиление с погружением и распиловке под углом. Откройте защитный колпак оттягивающим рычагом и отпустите рычаг сразу как только пильное полотно войдет в деталь. При всех других работах нижний защитный колпак должен работать автоматически.

д) Не кладите пилу на верстак или на пол, не закрыв предварительно пильное полотно защитным колпаком. Незащищенное пильное полотно на выбеге двигает пилу против направления реза и расплывает все, что стоит на пути. Учитывайте при этом продолжительность выбега пилы.

ДОПОЛНИТЕЛЬНЫЕ УКАЗАНИЯ ПО БЕЗОПАСНОСТИ И РАБОТЕ

Используйте наушники! Воздействие шума может привести к потере слуха.

При работе с инструментом всегда надевайте защитные очки. Рекомендуется надевать перчатки, прочные нескользящие ботинки и фартук.

Пыль, образующаяся при работе с данным инструментом, может быть вредна для здоровья и попасть на тело. Пользуйтесь системой пылеудаления и надевайте подходящую защитную маску. Тщательно убирайте скапливающуюся пыль (напр. пылесосом).

Не применяйте диски, несоответствующих параметрам, приведенным в настоящей инструкции по эксплуатации.

Не использовать шлифовальные круги!

Не фиксируйте выключатель в положении „On“ (Вкл.) когда работаете держа пилу в руках.

УКАЗАНИЯ ПО РАБОТЕ

Посредством адаптации скорости подачи избегайте перегрева зубцов пильного полотна.

ПОДКЛЮЧЕНИЕ К ЭЛЕКТРОСЕТИ

Подсоединять только к однофазной сети переменного тока с напряжением, соответствующим указанному на инструменте. Электроинструмент имеет второй класс защиты, что позволяет подключать его к розеткам электропитания без заземляющего вывода.

Электроприборы, используемые во многих различных местах, в том числе на открытом воздухе, должны подключаться через устройство, предотвращающее резкое повышение напряжения (FI, RCD, PRCD).

Перед включением вилки в розетку убедитесь, что машина выключена.

Не приближайте металлические предметы к вентиляционным отверстиям из-за опасности короткого замыкания!

Держите силовой провод вне рабочей зоны инструмента. Всегда прокладывайте кабель за спиной.

Перед включением проверьте инструмент, кабель и вилку на предмет повреждений или усталости материала. Ремонт может производиться только уполномоченными Сервисными Организациями.

ИСПОЛЬЗОВАНИЕ

Дисковая пила по металлу предназначена для резки вдоль и под углом 45 градусов различных материалов, таких как металлические профили, трубы, металлические штифты, водосток, алюминиевые профили, металлические листы, и т.д.

Не пользуйтесь данным инструментом способом, отличным от указанного для нормального применения.

ДЕКЛАРАЦИЯ О СООТВЕТСТВИИ СТАНДАРТАМ ЕС

Мы несем исключительную ответственность за то, что изделие, описанное в разделе «Техническая информация» соответствует всем применимым положениям директив

2011/65/EU (RoHS)

2006/42/EC

2014/30/EU

а также следующим согласованным стандартам

EN 60745-1:2009 + A11:2010

EN 60745-2-5:2010

EN 55014-1:2006+A1:2009+A2:2011

EN 55014-2:1997 + A1:2001 + A2:2008

EN 61000-3-2:2014

EN 61000-3-11:2000

EN 50581:2012



Winnenden, 2016-03-25

Alexander Krug / Managing Director
Уполномочен на составление технической документации.
Techtronic Industries GmbH
Max-Eyth-Straße 10, 71364 Winnenden, Germany

ОБСЛУЖИВАНИЕ

Перед выполнением каких-либо работ по обслуживанию инструмента всегда вынимайте вилку из розетки.

Отключите инструмент от питающей сети перед установкой или снятием режущего полотна.

Очищать прибор и защитное устройство с помощью сухой салфетки.

Некоторые чистящие средства могут повредить пластмассу или другие изолированные части.

Всегда держите охлаждающие отверстия чистыми.

Регулярно удаляйте пыль. Во избежание возгорания удаляйте скопившиеся внутри станка опилки.

Содержать прибор в чистоте и в сухом виде, а также следить, чтобы не выступала масло и смазка.

Проверить функционирование защитных кожухов.

Регулярное техобслуживание и очистка обеспечат продолжительный срок службы и безопасное обращение.

В случае повреждения соединительного провода электрического инструмента необходимо заменить его специально подготовленным соединительным проводом, доступным через организацию по обслуживанию клиентов.

Пользуйтесь аксессуарами и запасными частями Milwaukee. В случае возникновения необходимости в замене, которая не была описана, обращайтесь в один из сервисных центров по обслуживанию электроинструментов Milwaukee (см. список сервисных организаций).

При необходимости, у сервисной службы или непосредственно у фирмы Techtronic Industries GmbH, Max-Eyth-Straße 10, 71364, Винненден, Германия, можно запросить сборочный чертеж устройства, сообщив его тип и шестизначный номер, указанный на фирменной табличке.

СИМВОЛЫ



ВНИМАНИЕ! ПРЕДУПРЕЖДЕНИЕ! ОПАСНОСТИ!



Пожалуйста, внимательно прочтите инструкцию по использованию перед началом любых операций с инструментом.



При работе с инструментом всегда надевайте защитные очки.



Перед выполнением каких-либо работ по обслуживанию инструмента всегда вынимайте вилку из розетки.



Принадлежности - в стандартную комплектацию не входит, поставляется в качестве дополнительной принадлежности.



Электрические устройства нельзя утилизировать вместе с бытовым мусором. Электрические и электронные устройства следует собирать отдельно и сдавать в специализированную утилизирующую компанию для утилизации в соответствии с нормами охраны окружающей среды. Сведения о центрах вторичной переработки и пунктах сбора можно получить в местных органах власти или у вашего специализированного дилера.



Электроинструмент с классом защиты II.

Электроинструмент, в котором защита от электрического удара зависит не только от основной изоляции, но и от того, что принимаются дополнительные защитные меры, такие как двойная изоляция или усиленная изоляция. Нет устройства для подключения защитного провода.



Знак CE



Русский

Сертификата о соответствии

No. RU C-DE.ME77.B.01287

Срок действия сертификата и соответствии по 20.03.2019

000 «Центр по сертификации стандартизации и систем качества электро-машиностроительной продукции» 141400, РФ, Московская область, г. Химки, Ул. Ленинградская, 29



Національний знак відповідності України



Русский

ТЕХНИЧЕСКИ ДАННИ Циркуляр за метал	MCS 66
Производствен номер	4406 16 02... ... 000001-999999
Номинална консумирана мощност	1800 W
Обороти на празен ход	4000 min ⁻¹
Ø на режещия диск x Ø на отвора	203 x 15,87 mm
Макс. производителност на рязане в в стомана винкелно желязо метални тръби профили	6 mm 50 x 50 x 6 mm Ø 66 mm max. 66 mm
Тегло съгласно процедурата EPTA 01/2003	6,4 kg
Информация за шума/вибрациите Измерените стойности са получени съобразно EN 60 745. Оцененото с А ниво на шума на уреда е съответно: Ниво на звукова мощност (Несигурност K=3dB(A)) Ниво на звукова мощност (Несигурност K=3dB(A))	91,5 dB (A) 102,5 dB (A)
Да се носи предпазно средство за слуха! Общите стойности на вибрациите (векторна сума на три посоки) са определени в съответствие с EN 60745. Рязане на метал: Стойност на емисии на вибрациите a _{h,m} Несигурност K =	3,6 m/s ² 1,5 m/s ²



БЪЛ

ВНИМАНИЕ

Посоченото в тези инструкции ниво на вибрациите е измерено в съответствие със стандартизиран в EN 60745 измервателен метод и може да се използва за сравнение на електрически инструменти помежду им. Подходящ е и за временна оценка на вибрационното натоварване.

Посоченото ниво на вибрациите представя основните приложения на електрическия инструмент. Ако обаче електрическият инструмент се използва с друго предназначение, с различни сменяеми инструменти или при недостатъчна техническа поддръжка, нивото на вибрациите може да е различно. Това чувствително може да увеличи вибрационното натоварване по време на целия работен цикъл.

За точната оценка на вибрационното натоварване трябва да се вземат предвид и периодите от време, в които уредът е изключен или работи, но в действителност не се използва. Това чувствително може да намали вибрационното натоварване по време на целия работен цикъл.

Определете допълнителни мерки по техника на безопасност в защита на обслужващия работник от въздействието на вибрациите като например: техническа поддръжка на електрическия инструмент и сменяемите инструменти, поддържане на ръцете топли, организация на работния цикъл.



ВНИМАНИЕ!

Прочетете указанията за безопасност и съветите.

Неспазването на приведените по-долу указания може да доведе до токов удар, пожар и/или тежки травми.

Съхранявайте тези указания на сигурно място.



ИНСТРУКЦИИ ЗА БЕЗОПАСНОСТ ЗА ЦИРКУЛЯРИ.

Процес на рязане

- a) **ОПАСНОСТ:** Дръжте ръцете си на разстояние от зоната на рязане и от циркулярния диск. **С втората си ръка дръжте спомагателната ръкохватка или корпуса на електродвигателя.** Когато държите циркуляра с двете си ръце, няма опасност да ги нараните с режещия диск.
- b) **Не пхайте ръцете си под обработвания детайл.** Предпазният кожух не може да Ви защити в зоната под обработвания детайл.
- c) **Винаги настройвайте дълбочината на рязане съобразно дебелината на стената на обработвания детайл.** От обратната страна на детайла дискът трябва да се подава на разстояние, по-малко от една височина на зъба.

d) **Никога не задръжте обработвания детайл с ръка или на коляното си. Застопорявайте го към стабилна основа.** За да ограничите опасността от нараняване, закланване на циркулярния диск или загуба на контрол на електроинструмента, е изключително важно детайлт да бъде застопорен правилно.

e) **Ако изпълнявате дейности, при които съществува опасност работният инструмент да попадне на скрити проводници под напрежение или да засегне захранваща кабел, допирайте електроинструмента само до електроизолираните ръкохватки.** При влизане на работния инструмент в контакт с проводници под напрежение то се предава по металните детайли на електроинструмента и това може да доведе до токов удар.

f) **При надлъжно разрязване винаги използвайте направляваща опора или прав водещ ръб.** Така точността на рязане ще се подобри, а опасността от закланване на циркулярния диск ще се намали.

g) **Винаги използвайте циркулярни дискове с подходящ размер и форма на присъединителния отвор (звездообразен или кръгъл).** Циркулярни дискове, които не пасват точно на стъпалото на вала, имат биене и могат да предизвикат загуба на контрол над електроинструмента.

български

h) **Никога не използвайте повредени или неподходящи подложни шайби, респ. винтове при застопоряване на циркулярните дискове.** Подложните шайби и винтове са конструирани специално за Вашия циркуляр и осигуряват максимални безопасност и производителност.

Причини за възникване на откат и начини на предотвратяването му:

- откатът е внезапна и неочаквана реакция на циркулярния диск в резултат на заклиняването му или обръщането му в неправилна посока, в следствие на която неконтролираният циркуляр може да излезе от междината на рязане и да се отклони към оператора;

- когато режещият диск се заклини в затварящата се междина на рязане, в резултат на блокирането на въртенето му електронинструментът внезапно се измества назад по посока на оператора;

- ако режещият диск бъде завъртян или наклонен в среза, зъбите от задната му страна се врязват в повърхността на обработвания детайл, в резултат на което режещият диск излиза от междината и циркулярът отскача назад по посока на оператора;

Откатът е резултат от неправилното използване и/или боравене с електронинструмента. Чрез взимането на подходящи предпазни мерки, както е описано по-долу, той може да бъде предотвратен.

a) **Дръжте електронинструмента здраво с двете си ръце и заемайте положение, при което ръцете Ви са насочени да противодействат на евентуално възникнал откат.** Тялото Ви трябва да е разположено странично на равнината на въртене на диска, в никакъв случай фронтално срещу него. При възникване на откат циркулярът може да отскочи назад, но, ако са били взети подходящи предварителни мерки, операторът може да овладее положението.

b) **Ако режещият диск се заклини или разрязването бъде прекъснато по някаква друга причина, отпуснете пусковия прекъсвач и задръжте циркуляра неподвижно в обработвания детайл, докато въртенето на диска спре напълно.** Никога не се опитвайте да извадите електронинструмента от разрязваната междина, докато режещият диск се върти или съществува опасност от възникване на откат. Намерете причината за заклиняването на диска и я отстранете.

c) **Когато включвате повторно циркуляра, докато режещият диск е в разрязваната междина, го центрирайте в нея и предварително се уверете, че зъбите не допират до детайла.** Ако режещият диск се заклини, при повторно включване на електронинструмента той може да излезе от разрязваната междина или да предизвика откат.

d) **За да ограничите опасността от възникване на откат, подпирайте големите плоскости по подходящ начин.** При разрязване големите плоскости имат стремеж да се огънат под действие на собствената си сила на тежестта. Те трябва да бъдат подпирани от двете страни на среза, в близост до него и в близост до отдалечения им край.

e) **Не използвайте затъпени или повредени циркулярни дискове.** Когато дисковете са затъпени или обрънати в неправилна посока, разрязваната междина е тясна, поради което силно се увеличават триенето, както и опасността от заклиняване и откат.

f) **Преди да започнете разрязването, се уверете, че механизмите за регулиране на дълбочината и наклона на разрязване са затегнати здраво.** Ако по време на рязане под действие на възникващите сили настройките се

променят, това може да доведе до заклиняване и откат на електронинструмента.

g) **Когато връзвате диска в стена или други повърхности, под които могат да се крият опасности, бъдете изключително предпазливи.** Режещият диск може да влезе в съприкосновение със скрити под повърхността предмети, да блокира и да предизвика откат.

Функция на долния предпазен капак

a) **Винаги преди започване на работа проверявайте дали долният предпазен кожух се затваря правилно. Не използвайте циркуляра, ако долният предпазен кожух не се движи свободно и не покрива веднага режещия диск. Никога не задръжтайте отворен или не препятствайте по какъвто и да било начин затварянето на долния предпазен кожух.** Ако циркулярът бъде изтърван по невнимание, долният предпазен кожух може да се изкриви. Отворете го с ръкохватката и се уверете, че може да се движи свободно и независимо от настройката на наклона и дълбочината на рязане не допира до циркулярния диск или други подвижни детайли.

b) **Проверявайте дали пружините на долния предпазен кожух функционират правилно. Ако долният предпазен кожух и/или пружината му не работят правилно, преди да бъде използван, електронинструментът трябва да бъде ремонтиран.** В резултат на повреждане на детайли, отлагане на лепливи вещества или натрупване на сътротини долният предпазен кожух може да започне да се движи забавено.

c) **Отваряйте долния предпазен кожух само при изпълняване на специални срезове, напр. разрязване с пробиване или рязане в близост до ъгли.** Отворете долния предпазен кожух с помощта на ръкохватката и я отпуснете веднага след като режещият диск пробие детайла. При всички други случаи долният предпазен кожух трябва да работи автоматично.

d) **Не оставайте циркуляра на работния плот или на земята, без долният предпазен кожух да е покрил режещия диск.** Незащитен циркулярен диск, който се върти, придвижва циркуляра в обратна посока и разрязва намиращите се на пътя му предмети. Затова се съобразявайте с необходимото за спирането на въртенето по инерция време.

ДОПЪЛНИТЕЛНИ УКАЗАНИЯ ЗА РАБОТА И БЕЗОПАСНОСТ

Носете средство за защита на слуха. Шумът може да доведе до загуба на слуха.

При работа с машината винаги носете предпазни очила. Препоръчват се също така предпазни ръкавици, здрави и нехлъзгащи се обувки, както и престилка.

При работа на открито или когато в машината могат да попаднат влага или прах, се препоръчва уредът да се свързва чрез защитен прекъсвач за утечен ток с максимално 30 mA ток на задействане.

Режици дискове, които не отговарят на параметрите в настоящето упътване за експлоатация, не бива да се използват. Моля не използвайте шлифовъчни дискове!

Не запъвайте пусковия бутон при работа на ръчен контрол.

УКАЗАНИЯ ЗА РАБОТА

Посредством подходяща скорост на подаване избягвайте преграването на зъбите на циркуляра.



БЪЛ

ЕЛ. ЗАХРАНВАНЕ

Да се свързва само към еднофазен променлив ток и само към мрежово напрежение, посочено върху заводската табелка. Възможно е и свързване към контакт, който не е от тип „шуко“, понеже конструкцията е от защитен клас II.

Контактите във външните участъци трябва да бъдат оборудвани със защитни прекъсвачи за утечен ток (FI, RCD, PRCD). Това изисква предписанието за инсталиране за електрическата инсталация. Моля спазвайте това при използване на Вашия уред.

Свързвайте уреда към контакта само в изключено състояние.

Във вентилационните щели не бива да попадат метални части поради опасност от късо съединение.

Свързващият кабел винаги да се държи извън работния обсег на машината. Кабелът да се отвежда от машината винаги назад.

Преди всяко използване проверете за повреда и стареене уреда, свързващия кабел, удължителния кабел и щепсела. Повредените части да се ремонтират само от специалист.

ИЗПОЛЗВАНЕ ПО ПРЕДНАЗНАЧЕНИЕ

Металният трион може да се използва за рязане по права линия в различни видове метали, като напр. метални профили (UniStrut), тръби, стойки за сухо строителство, кабелни канали, алуминиеви профили, ламарини и др.

Този уред може да се използва по предназначение само както е посочено.

СЕ - ДЕКЛАРАЦИЯ ЗА СЪОТВЕТСТВИЕ

Ние декларираме, изцяло на наша отговорност, че продуктът, описан в „Технически данни“, съответства на всички необходими изисквания на директивите

2011/65/EU (RoHS)

2006/42/EO

2014/30/EU

и че са използвани следните хармонизирани стандарти

EN 60745-1:2009 + A11:2010

EN 60745-2-5:2010

EN 55014-1:2006+A1:2009+A2:2011

EN 55014-2:1997 + A1:2001 + A2:2008

EN 61000-3-2:2014

EN 61000-3-11:2000

EN 50581:2012



Winnenden, 2016-03-25

Alexander Krug / Managing Director
Упълномощен за съставяне на техническата документация
Techtronic Industries GmbH
Max-Eyth-Strasse 10, 71364 Winnenden, Germany

ПОДДРЪЖКА

Преди каквито и да е работи по машината извадете щепсела от контакта.

Уверете се, че инструментът е с прекъснато електрическо захранване, преди да поставяте или сваляте режещия диск.

Почиствайте уреда и предпазното съоръжение със суха кърпа.

Някои почистващи препарати могат да повредят пластмасата или други изолирани части.

Вентилационните щели на машината да се поддържат винаги чисти.

Почиствайте редовно праха. Почиствайте стърготините, които се събират във вътрешността на циркуляра, за да не допуснете опасност от пожар.

Дръжте уреда чист и сух, както и следете за изтичане на масло и грес.

Проверете функционалността на предпазните капаци.

Редовната поддръжка и редовното почистване осигуряват по-дълъг живот и по-sigурна експлоатация.

Ако е повреден съединителният проводник на електроинструмента, той трябва да се замени със специален предварително подготвен съединителен проводник, който може да се закупи чрез организацията за клиентско обслужване.

Да се използват само аксесоари на Milwaukee и резервни части на Milwaukee. Елементи, чията подмяна не е описана, да се дадат за подмяна в сервиз на Milwaukee (вижте брошурата „Гаранция и адреси на сервиси“).

При необходимост можете да поискате схема на елементите на уреда при посочване на обозначение на машината и шестцифрения номер на табелката за технически данни от Вашия сервиз или директно на Techtronic Industries GmbH, Max-Eyth-Strasse 10, 71364 Winnenden, Германия.

СИМВОЛИ



ВНИМАНИЕ! ПРЕДУПРЕЖДЕНИЕ! ОПАСНОСТ



Преди пускане на уреда в действие моля прочетете внимателно инструкцията за използване.



При работа с машината винаги носете предпазни очила.



Преди каквито и да е работи по машината извадете щепсела от контакта.



Аксесоари - Не се съдържат в обема на доставката, препоръчвано допълнение от програмата за аксесоари.



Електрическите уреди не трябва да се изхвърлят заедно с битовите отпадъци. Електрическото и електронното оборудване трябва да се събират отделно и да се предават на службите за рециклиране на отпадъците според изискванията за опазване на околната среда. Информирайте се при местните служби или при местните специализирани търговци относно местата за събиране и центровете за рециклиране на отпадъци.



Електроинструмент от защитен клас II. Електроинструмент, при който защитата от електрически удар зависи не само от основната изолация, а и от обстоятелството, че се използват допълнителни защитни мерки като двойна изолация или усилена изолация. Няма приспособление за присъединяване на защитен проводник.



CE-знак



EurAsian знак за съответствие.

DATE TEHNICE Cuțitul metalic	MCS 66
Număr producție	4406 16 02... ... 000001-999999
Putere nominală de ieșire	1800 W
Viteza la mers în gol	4000 min ⁻¹
Diametru lamă x diametru orificiu	203 x 15,87 mm
Performanță maximă în Placă de oțel Cornier Țeavă metalică Profile	6 mm 50 x 50 x 6 mm Ø 66 mm max. 66 mm
Greutatea conform „EPTA procedure 01/2003”	6,4 kg
Informație privind zgomotul/vibrațiile Valori măsurate determinate conform EN 60 745. Nivelul de zgomot evaluat cu A al aparatului este tipic de: Nivelul presiunii sonore (Incertitudine K=3dB(A)) Nivelul sunetului (Incertitudine K=3dB(A))	91,5 dB (A) 102,5 dB (A)
Purtați căști de protecție Valorile totale de oscilație (suma vectorială pe trei direcții determinate conform normei EN 60745. Tăiere de metal: Valoarea emisiei de oscilații a _{n,M} Incertitudine K =	3,6 m/s ² 1,5 m/s ²



AVERTISMENT

Gradul de oscilație indicat în prezentele instrucțiuni a fost măsurat în conformitate cu o procedură de măsurare normată prin norma EN 60745 și poate fi folosit pentru a compara uneltele electrice între ele. El se pretează și pentru o evaluare provizorie a solicitării la oscilații.

Gradul de oscilație indicat reprezintă aplicațiile principale ale uneltelor electrice. În cazul în care însă uneltele electrice au fost folosite pentru alte aplicații, ori au fost folosite uneltele de muncă diferite ori acestea nu au fost supuse unei suficiente inspecții de întreținere, gradul de oscilație poate fi diferit.

Acest fapt poate duce la o creștere netă a solicitărilor la oscilații dealungul întregii perioade de lucru. În scopul unei evaluări exacte a solicitării la oscilații, urmează să fie luate în considerație și perioadele de timp în care aparatul a fost oprit ori funcționează dar, în realitate, el nu este folosit în mod practic. Acest fapt poate duce la o reducere netă a solicitărilor la oscilații dealungul întregii perioade de lucru.

Stabiliți măsuri de siguranță suplimentare în scopul protecției utilizatorului de efectele oscilațiilor, de exemplu: inspecție de întreținere a uneltelor electrice și a celor de muncă, păstrarea caldă a mâinilor, organizarea proceselor de muncă.

⚠️ AVERTISMENT! Citiți toate avizele de siguranță și indicațiile. Nerespectarea indicațiilor de avertizare și a instrucțiunilor poate provoca electrocutare, incendii și/sau răni grave.
Păstrați toate indicațiile de avertizare și instrucțiunile în vederea utilizărilor viitoare.

⚠️ INDICAȚII DE SIGURANȚĂ PENTRU TĂIERE CU CIRCULARUL

Procedura de tăiere

- ⚠️ PERICOL: Țineți mâinile departe de zona de tăiere și de pânda de ferăstrău. Cea de-a doua mână țineți-o pe mânerul suplimentar sau pe carcasa motorului.** Dacă țineți ferăstrăul circular cu ambele mâini, pânda de ferăstrău nu le poate răni.
- Nu introduceți mâna sub piesa de lucru.** Apărătoarea nu vă poate proteja sub piesa de lucru.
- Adaptați adâncimea de tăiere la grosimea piesei de lucru.** Sub piesa de lucru ar trebui să se vadă mai puțin de înălțimea întregă a unui dinte.

d) **Nu țineți niciodată în mână sau pe picior piesa de lucru. Asigurați piesa de lucru pe o platformă stabilă.** Este important ca piesa de lucru să fie bine fixată pentru a reduce la minimum pericolul de contact corporal, blocare a pânzei de ferăstrău sau de pierdere a controlului.

e) **Apucați scula electrică numai de mânerul izolat atunci când executați lucrări la care dispozitivul de lucru poate nimeri conductori electrici ascunși sau propriul cablu de alimentare.** Contactul cu un conductor sub tensiune pune sub tensiune și componentele metalice ale sculei electrice și duce la electrocutare.

f) **La tăierea longitudinală folosiți întotdeauna un opritor sau un limitator paralel pentru margini.** Acesta sporește precizia de tăiere și diminuează posibilitatea blocării pânzei de ferăstrău.

g) **Folosiți întotdeauna pânde de ferăstrău de mărime corespunzătoare și cu orificiu de prindere adecvat (de ex în formă de stea sau rotund).** Pânzele de ferăstrău care nu se potrivească elementelor de montaj ale ferăstrăului, se vor roti excentric și vor duce la pierderea controlului.

h) **Nu folosiți niciodată șaibe suport sau șuruburi deteriorate sau greșite pentru pânzele de ferăstrău.** Șaibele suport și șuruburile pentru pânzele de ferăstrău au fost special construite pentru ferăstrăul dv., în vederea atingerii unor performanțe și a unei siguranțe optime în exploatare.

Cauzele și evitarea unui recul:

- reculul este o reacție bruscă provocată de o pânză de ferăstrău înțepenită, blocată sau aliniată greșit, care face ca un ferăstrău necontrolat să se ridice și să iasă afară din piesa de lucru deplasându-se în direcția operatorului;

- dacă pânza de ferăstrău se agață sau se înțepeneste în făgașul de tăiere, ea se blochează iar puterea motorului aruncă mașina înapoi, în direcția operatorului;

- dacă pânza de ferăstrău se răsucește sau se aliniază greșit în tăietură, dinții muchiei posterioare a pânzei de ferăstrău se pot agața în suprafața piesei de lucru, ceea ce face ca pânza de ferăstrău să iasă afară din făgașul de tăiere iar ferăstrăul să sară înapoi, în direcția operatorului.

Reculul este consecința utilizării greșite sau defectuoase a ferăstrăului. El poate fi împiedicat prin măsuri de prevedere adecvate, conform celor descrise în cele ce urmează.

a) **Apucați întotdeauna strâns ferăstrăul cu ambele mâini și aduceți-vă brațele într-o poziție, în care să reziste forțelor de recul. Stați întotdeauna lateral față de pânza de ferăstrău, nu aduceți niciodată pânza de ferăstrău pe aceeași linie cu corpul dv.** În caz de recul ferăstrăul circular poate sări înapoi, însă operatorul are posibilitatea de a stăpâni forțele de recul dacă au fost adoptate măsuri adecvate.

b) **Dacă pânza de ferăstrău se înțepeneste sau dacă tăierea este întreruptă dintr-un anumit motiv, eliberați întrerupătorul pornit-oprit și lăsați ferăstrăul nemișcat în materialul de prelucrat, până când pânza de ferăstrău se oprește complet. Nu încercați niciodată să îndepărtați ferăstrăul din material sau să-l trageți înapoi, atât timp cât pânza de ferăstrău se mai mișcă sau cât mai există încă riscul producerii de recul.** Găsiți cauza înțepenirii pânzei de ferăstrău și înlăturați-o prin măsuri adecvate.

c) **Atunci când dorți să reporniți ferăstrăul rămas în piesa de lucru, centrați pânza de ferăstrău în făgașul de tăiere și verificați dacă dinții acesteia nu sunt agățați în piesa de lucru.** Dacă pânza de ferăstrău este înțepenită, ea poate ieși afară din piesa de lucru sau provoca un recul la repornirea ferăstrăului.

d) **Sprîjiniți plăcile mari pentru a diminua riscul unui recul provocat de o pânză de ferăstrău înțepenită.** Plăcile mari se pot îndoi sub propria lor greutate. Plăcile trebuie sprîjinite pe ambele laturi, atât în apropierea făgașului de tăiere cât și la margine.

e) **Nu folosiți pânze de ferăstrău tocite sau deteriorate.** Pânzele de ferăstrău cu dinții tociți sau aliniați greșit produc, din cauza făgașului de tăiere prea îngust, o frecare crescută, înțepenirea pânzei de ferăstrău și reculul.

f) **Înainte de tăiere fixați prin strângere dispozitivele de reglare a adâncimii și unghiului de tăiere.** Dacă în timpul tăierii reglajele se modifică, pânza de ferăstrău se poate înțepeni și provoca apariția reculului.

g) **Fiți foarte precauți atunci când executați o tăiere cu penetrare directă în material într—un sector ascuns, de ex. într-un perete.** Pânza de ferăstrău care pătrunde în perete se poate bloca în obiecte ascunse și provoca reculul.

Funcția capacului de protecție inferior

a) **Înainte de fiecare întrebuințare, verificați dacă apărătoarea inferioară nu se poate mișca liber și dacă nu se închide instantaneu. Nu fixați și nu legați niciodată apărătoarea inferioară în poziție deschisă.** Dacă ferăstrăul cade accidental pe jos, apărătoarea inferioară se poate îndoi. Deschideți apărătoarea inferioară cu maneta de retragere și asigurați-vă că se poate mișca liber și că în toate unghiurile și adâncimile de tăiere nu atinge nici pânza de ferăstrău și nici celelalte componente.

b) **Verificați funcționarea arcului apărătoarei inferioare.**

Înainte de întrebuințare întrețineți mașina în caz că apărătoarea inferioară și arcul nu lucrează impecabil.

Componentele deteriorate, depunerile vâscoase sau aglomerările de așchii duc la acțiunea lentă a apărătoarei inferioare.

c) **Deschideți manual apărătoarea inferioară numai în cazul operațiilor speciale de tăiere ca „tăieri cu penetrare directă în material și tăieri unghiulare”.** Deschideți apărătoarea inferioară cu maneta de retragere și eliberați-o, de îndată ce pânza de ferăstrău a pătruns în piesa de lucru. La toate celelalte lucrări de tăiere apărătoarea inferioară trebuie să funcționeze automat.

d) **Nu puneți ferăstrăul pe bancul de lucru sau pe podea, fără ca apărătoarea inferioară să acopere pânza de ferăstrău.** O pânză de ferăstrău neprotejată, care se mai învârte din inerție, mișcă ferăstrăul în sens contrar direcției de tăiere și taie tot ce îi stă în cale. Respectați timpul de oprire al ferăstrăului.

INSTRUCȚIUNI SUPLIMENTARE DE SIGURANȚĂ ȘI DE LUCRU

Purtați aparatoare de urechi. Expunerea la zgomot poate duce la pierderea auzului.

Purtați întotdeauna ochelari de protecție atunci când utilizați mașina. Se recomandă purtarea mănușilor, a încălțămintei solide nealunecoase și sortului de protecție.

Praful care apare când se lucrează cu această sculă poate fi dăunător sănătății și prin urmare nu trebuie să atingă corpul. Utilizați un sistem de absorbție a prafului și purtați o mască de protecție împotriva prafului. Îndepărtați cu grijă praful depozitat, de ex. cu un aspirator.

Nu utilizați lamele care nu corespund datelor oferite în prezentele Instrucțiuni de utilizare.

Montarea unor discuri abrazive este interzisă!

Nu fixați comutatorul pornire / oprire în poziția „pornit” când se utilizează ferăstrăul de mână.

INDICAȚII DE LUCRU

Prin utilizarea unei viteze de avans adecvate evitați supraîncălzirea dinților pânzei de ferăstrău.

ALIMENTARE DE LA REȚEA

Conectați numai la priza de curent alternativ monofazat și numai la tensiunea specificată pe placa indicatoare. Se permite conectarea și la prize fără împantantare dacă modelul se conformează clasei II de securitate.

Aparatele utilizate în multe locații diferite inclusiv în aer liber trebuie conectate printr-un disjunct (FI, RCD, PRCD) care previne comutarea.

Asigurați-vă că aparatul este oprit, înainte de conectare.

Nu lăsați nici o piesă metalică să intre în fantele de aerisire - pericol de scurt circuit.

Pastrați cablul de alimentare la o distanță de aria de lucru a mașinii. Întotdeauna țineți cablul în spatele dvs.

Înainte de utilizare verificați mașina, cablul și stecarul pentru orice defecțiuni sau uzură a materialului. Reparațiile trebuie efectuate numai de către agenții de service autorizați.

CONDIȚII DE UTILIZARE SPECIFICATE

Cuțitul metalic taie lungimi și unghiuri cu precizie în diferite tipuri de materiale cum ar fi profile metalice (UniStru!), țevi, stâlpi de metal, canale, profile de aluminiu, plăci metalice, etc.

Nu utilizați acest produs în alt mod decât cel stabilit pentru utilizare normală

DECLARAȚIE DE CONFORMITATE

Declarăm pe propria răspundere că produsul descris în capitolul „Date tehnice” îndeplinește toate cerințele relevante ale directivelor

2011/65/EU (RoHS)

2006/42/CE

2014/30/EU

și au fost utilizate următoarele standarde armonizate

EN 60745-1:2009 + A1:2010

EN 60745-2-5:2010

EN 55014-1:2006+A1:2009+A2:2011

EN 55014-2:1997 + A1:2001 + A2:2008

EN 61000-3-2:2014

EN 61000-3-11:2000

EN 50581:2012



Winnenden, 2016-03-25

Alexander Krug / Managing Director
Împuternicit să elaboreze documentația tehnică.

Techtronic Industries GmbH
Max-Eyth-Straße 10, 71364 Winnenden, Germany

INTREȚINERE

Întotdeauna scoateți stecarul din priza înainte de a efectua intervenții la mașină.

Asigurați-vă că deconectați unealta de la sursa de alimentare înainte de atașarea sau înlăturarea lamei ferăstrăului.

Curățați aparatul și dispozitivul de protecție cu o lavetă uscată.

Unii agenți de curățat deteriorează materialul plastic și alte componente izolate.

Fantele de aerisire ale mașinii trebuie să fie menținute libere tot timpul

Îndepărtați regulat praful. Pentru evitarea pericolului de incendiu, îndepărtați rumegușul acumulat în interiorul ferăstrăului.

Păstrați aparatul curat, uscat și ștergeți-l de uleiul și vaselina care s-au scurs.

Verificați funcționarea carcaselor de protecție.

Întreținerea și curățarea efectuate în mod regulat, asigură o durată de exploatare lungă și o manipulare în condiții de siguranță.

În cazul în care cablul de conectare al sculei electrice este deteriorat, acesta se înlocuiește cu un cablu special pregătit care se poate obține prin centrele de service.

Utilizați numai accesorii și piese de schimb Milwaukee. Dacă unele din componente care nu au fost descrise trebuie înlocuite, vă rugăm contactați unul din agenții de service Milwaukee (vezi lista noastră pentru service / garanții

Dacă este necesar, puteți solicita de la centrul dvs. de service pentru clienți sau direct la Techtronic Industries GmbH, Max-Eyth-Straße 10, 71364 Winnenden, Germania un desen descompus al aparatului prin indicarea tipului de aparat și a numărului cu șase cifre de pe tăblița indicatoare.

SIMBOLURI



PERICOL! AVERTIZARE! ATENȚIE!



Va rugăm citiți cu atenție instrucțiunile înainte de pornirea mașinii



Purtați întotdeauna ochelari de protecție când utilizați mașina.



Întotdeauna scoateți stecarul din priza înainte de a efectua intervenții la mașină.



Accesorii - Nu este inclus în echipamentul standard, disponibil ca accesoriu



Aruncarea aparatelor electrice la gunoii menajer este interzisă. Echipamentele electrice și electronice trebuie colectate separat și predate la un centru de reciclare și eliminare a deșeurilor, pentru a fi eliminate ecologic. Interesați-vă la autoritățile locale sau la comerciantul dvs. de specialitate unde se află centre de reciclare și puncte de colectare.



Sculă electrică cu clasa de protecție II. Sculă electrică la care protecția împotriva unei electrocutări nu depinde doar de izolația de bază, ci și de aplicarea de măsuri suplimentare de protecție, cum ar fi o izolație dublă sau o izolație mai puternică. Nu există un dispozitiv pentru conectarea unui conductor de protecție.



Marcaj CE



Marcaj de conformitate EurAsian.



ТЕХНИЧКИ ПОДАТОЦИ Пила за метали	MCS 66
Производен број	4406 16 02... ... 000001-999999
Определен внес	1800 W
Брзина без оптоварување	4000 min ⁻¹
Сечило на пила дијаметар x дијаметар на отвор	203 x 15,87 mm
Максимален капацитет на сечење Челична плочка Аголни делови#tab# Метална цевка Делови#tab#	6 mm 50 x 50 x 6 mm Ø 66 mm max. 66 mm
Тежина според ЕПТА-процедурата 01/2003	6,4 kg
Информација за бучавата/вибрациите Измерените вредности се одредени согласно стандардот EN 60 745. А-оценетото ниво на бучава на апаратот типично изнесува: Ниво на звучен притисок. (Несигурност K=3dB(A)) Ниво на јачина на звук. (Несигурност K=3dB(A)) Носте штитник за уши.	91,5 dB (A) 102,5 dB (A)
Вкупни вибрациски вредности (векторски збир на трите насоки) пресметани согласно EN 60745. Метали: Вибрациска емисиона вредност a _{h,m} Несигурност K =	3,6 m/s ² 1,5 m/s ²



ПРЕДУПРЕДУВАЊЕ

Нивото на осцилација наведено во овие инструкции е измерено во согласност со мерните постапки нормирани во EN 60745 и може да биде употребено за меѓусебна споредба на електро-алати. Ова ниво може да се употреби и за привремена проценка на оптоварувањето на осцилацијата.

Наведеното ниво на осцилација ги репрезентира главните намени на електро-алатот. Но, доколку електро-алатот се употребува за други намени, со отстапувачки додатоци или со несоодветно одржување, нивото на осцилација може да отстапи. Тоа може значително да го зголеми оптоварувањето на осцилацијата за време на целиот работен период.

За прецизна проценка на оптоварувањето на осцилацијата предвид треба да бидат земени и времињата, во коишто апаратот е исклучен или работи, но фактички не се употребува. Тоа може значително да го намали оптоварувањето на осцилацијата за време на целиот работен период.

Утврдете дополнителни безбедносни мерки за заштита на операторот од влијанието на осцилациите, како на пример: одржување на електро-алатот и на додатоци кон електро-алатот, одржување топли раце, организација на работните процеси.

⚠ ПРЕДУПРЕДУВАЊЕ! Прочитајте ги сите безбедносни упатства и инструкции. Забораване на почитувањето на безбедносните упатства и инструкции можат да предизвикаат електричен удар, пожар и/или тешки повреди.
Сочувајте ги сите безбедносни упатства и инструкции за во иднина.

⚠ НАПОМЕНИ ЗА БЕЗБЕДНОСТ ЗА КРУЖНИ ПИЛИ

Постапка на пилење

- ⚠ Опасност: Држете ги рацете настрана од зоната на сечење. Држете ја другата рака на помошната рачка или кукиштето на моторот.** Доколку пилата ја држите со двете раце, не можете да се пресечете од сечилото.
- Не посегайте под обработуваното парче.** Заштитата не може да Ве заштити од сечилото под обработуваното парче.
- Прилагодете ја длабочината на засекот во зависност од густината на обработуваното парче.** Нешто помалку од цел забег од сечилото треба да биде видлив под работното парче.

d) **Никогаш не го држете парчето кое се обработува со раце или преку нога. Обезбедете го на стабилна површина.** Важно е соодветно да ја потпирате работата како би ја минимизирале телесната изложеност, виткањето на сечилото или губењето контрола.

e) **3) Фаќајте го електро-алатот само на изолирани површини за држење, додека извршувате работи, кај кои приборот може да погоди сокриени струјни водови или сопствениот кабел за напојување со струја.** Контактот со водови што спроведуваат напон, става и метални делови од електро-апаратот под напон и доведува до електричен удар.

f) **При ракување со рачна пила користете бариера или водилка под прав агол.** Ова ја подобрува прецизноста на резот и го намалува ризикот од свиткување на сечилото.

g) **Секогаш користете сечила со соодветна големина и форма (дијамантски наспроти кружни) или кружни пили.** Сечила кои не одговараат на монтираниот хардвер на пилата ќе се движат неправилно предизвикувајќи губење на контролата.

h) **Никогаш не користете оштетени или несоодветни средства за чистење или ... Тие средства и...** Се специјално наменети за вашата пила, за оптимални перформанси и сигурност при користењето.

Причини и начин на спречување на повратен ефект.

повратниот ефект е ненадејна реакција при откршување, свиткување или изместување на сечилото, и предизвикува неконтролираното сечило од пилата да се крене и да излезе од обработуваното парче кон оној кој работи.

кога сечилото е откриено или цврсто завиткано од затворањето, запците на сечилото и реакцијата на моторот ја турка брзо назад кон оној кој работи со неа.

доколку сечилото се извитка или се измести во сечењето, забецот на надворешниот раб на сечилото може да се зарие во горната површина на дрвото правејќи сечилото да излезе од лежиште и да скокне кон оној кој работи.

Повратниот ефект е резултат на неправилна употреба на пилата и/или некоректни работни процедури или услови и може да биде избегнат со преземање на соодветни претпазливи постапки наведени подолу.

a) **Држете цврсто со двете раце кои се поставени да пружат отпор при повратен удар. Поставете го вашето тело од било која страна на сечилото, но не во негова линија.** Повратниот удар може да предизвика пилата да потскокне наназад, но јачината на повратниот удар може да биде контролирана од операторот доколку се преземени соодветни мерки на претпазливост.

b) **Кога сечилото се свиткало, или прекин на сечењето од било која причина, ослободете го прекинувачот и држете го ножот во материјалот без да делувате, се додека не дојде до потполно запирање на сечилото. Никогаш не се обидувајте да ја тргнете пилата или да ја повлечете наназад додека сечилото се движи или може да се појави повратен удар.** Испитујте ги и преземете корективни чекори за да ја елиминирате причината за свиткување на сечилото.

c) **По рестартирање на пилата во обарботуваното парче, центрирајте го сечилото на пилата во крвината и проверете запците на пилата да не се навлезени во материјалот.** Доколку сечилото на пилата е свиткано, може да тргне нагоре или да излезе од обработуваното парче, кога таа ќе се стартува.

d) **Потпирајте ги големите панели како би ги минимизирале ризикот од свиткување на сечилото и повратен удар.** Големите панели имаат тенденција да се свиткаат под сопствената тежина. Мора да биде поставена потпора под панелот од двете страни, блиску до линијата на сечење и блиску до работ на панелот.

e) **Не користете отапени или оштетени сечила.** Ненаострните или не соодветно поставените сечила создаваат остра кривина која предизвикува интензивно триење, виткање на сечилото и повратен удар.

f) **Длабочината на сечилото и прилагодливиот заклучувач на рачката мора да биде стегнат и обезбеден пред да се сече.** Доколку се промени подесувањето за време на сечењето може да дојде со свиткување и повратен удар.

g) **Бидете екстремно претпазливи при рез со забодување во постоечки сидови или други армирани површини.** Ако сечилото на пилата дојде во контакт со предмети скриени под површината, може да ги блокира и да предизвика повратен удар.

Функција на долниот заштитен поклопец

a) **Проверете ја долната заштита дали е соодветно затворена пред секоја употреба. Не работете со пилата доколку долната заштита не се движи слободно и не се затвора моментално. Никогаш не ја затегнувајте ниту врзувајте долната заштита во отворена позиција.** Доколку пилата падне ненамерно, долната заштита може да се свитка. Кренете ја долната заштита со повлекување на рачката и осигурете се дека се движи слободно не допирајќи до сечилото или било кој друг дел под било кој агол и длабочина на засек.

b) **Проверете го функционирањето на федерот на долната заштита. Доколку заштитата и федерот не се отвораат соодветно, мора пред употреба да бидат сервисирани.** Долната заштита може да функционира тромо поради оштетените делови, лепливи остатоци или насобрани делчиња.

c) **Долната заштита треба да биде рачно повлечена само при специјални резови како „резови со забодување“, или „сложени резови,“** Кренете ја долната заштита со повлекување на рачката веднаш штом сечилото влезе во материјалот, долната заштита мора да биде отпуштена. При секое друго сечење, долната заштита мора да работи автоматски.

d) **Секогаш гледајте долната заштита да го покрива сечилото пред пилата да ја спуштите на маса или под.** Незаштитено лизгање на сечилото ќе предизвика пилата да тргне наназад, сечејќи се што ќе се најде на патот. Бидете свесни за потребното време за кое сечилото престанува да работи, по ослободувањето на прекинувачот.

ОСТАНАТИ БЕЗБЕДНОСНИ И РАБОТНИ УПАТСТВА

Носете штитник за уши. Влијанието на бука може да предизвика губење на ситилото за слух.

Секогаш носете ракавици кога ја користите машината. Исто така препорачливо е да се носат очила, цврсти чевли кои не се лизгаат и престилка.

Прашината која се крева при работа со овој алат може да биде штетна по здравјето и затоа не го изложувајте го телото. Користете систем за апсорпција на пращината и носете соодветна заштитна маска. Одстранете ја целосно наталожената прашина пр: со правосмукалка.

Не користете сечила кои не одговараат на пропишаните параметри дадени во овој прирачник за употреба.

Ве молиме не користете абразивни дискови-шмиргли на оваа машина!

Не го фиксирајте прекинувачот во позиција он-вклучено кога ја користите пилата држејќи ја со рака.

РАБОТНИ УПАТСТВА

Со прилагодена брзина на движењето напред, избегнете го прегревањето на забчиниците.



ГЛАВНИ ВРСКИ

Да се спои само за една фаза АС коло и само на главниот напон наведен на плочката. Можно е исто така и поврзување на приклучок без заземјување доколку изведбата соодветствува на безбедност од 2 класа.

Уредите кои се користат на многу различни локации вклучувајќи и отворен простор мора да бидат поврзани за струја преку направата за поврзување (FI, RCD, PRCD).

Бидете сигурни дека машината е исклучена пред да ја вклучите во струја.

Не дозволувајте какви и да се метални делови да дојдат до отворите за вентилација-ризик од куршлус!

Чувајте го кабелот за напојување подалеку од работната површина. Секогаш водете го кабелот позади вас.

Пред употреба проверете ја машината, кабелот и приклучокот од било какви оштетувања или замор на материјалот.

Поправките треба да бидат спроведувани исклучиво од овластени сервисери.

СПЕЦИФИЦИРАНИ УСЛОВИ НА УПОТРЕБА

Металниот сечач сече надолжно и триаголно прецизно во различни типови на метали како метални профили, цевки, метална арматура, канали, алуминиумски профили, метални лимови итн.

Не го користете овој производ на било кој друг начин освен пропишаниот за нормална употреба.

ЕУ-ДЕКЛАРАЦИЈА ЗА СООБРАЗНОСТ

Под целосна лична одговорност изјавуваме дека производот опишан во „Технички податоци“ е во сообразност со сите релевантни прописи од директивите 2011/65/EU (RoHS)

2006/42/EC

2014/30/EU

и дека се применети следните хармонизирани стандарди

EN 60745-1:2009 + A11:2010

EN 60745-2-5:2010

EN 55014-1:2006+A1:2009+A2:2011

EN 55014-2:1997 + A1:2001 + A2:2008

EN 61000-3-2:2014

EN 61000-3-11:2000

EN 50581:2012



Winnenden, 2016-03-25

Alexander Krug / Managing Director
Ополномоштен за составување на техничката документација.

Techtronic Industries GmbH
Max-Eyth-Straße 10, 71364 Winnenden, Germany

ОДРЖУВАЊЕ

Секогаш кога преземате активности врз машината исклучете го кабелот од струјата.

Уверете се дека алатката е исклучена од напојување пред да го прикачите или отстраните сечилото.

Апаратот и заштитната направа очистете ја со сува крпа.

Некои средства за чистење ја оштетуваат пластиката или други изолирани делови.

Вентилациските отвори на машината мора да бидат комплетно отворени постојано.

Оддалечувајте редовно прашина. Внатре во пилата оддалечувајте натрупени струготини, да се избегна ризик на пожар

Одржувајте го апаратот чист и сув како и неизвалкан од истечено масло и масти.

Проверете ја функцијата на заштитните хауби.

Редовно одржување и чистење обезбедува долг век и безбедно ракување.

Доколку приклучниот вод на електричното орудие е оштетено, ќе мора да се замени со специјално подесен вод кој што може да се добие преку сервисната организација.

Користете само Milwaukee додаточи и резервни делови. Доколку некои од компонентите кои не се опишани треба да бидат заменети, Ве молиме контактирајте ги сервисните агенти на Milwaukee (консултирајте ја листата на адреси).

При потреба може да се побара експлозионен цртеж на апаратот со наведување на машинскиот тип и шестоцифрениот број на табличката со учинокот или во Вашата корисничка служба или директно кај Techtronic Industries GmbH, Max-Eyth-Straße 10, 71364 Winnenden, Германија.

СИМБОЛИ



ВНИМАНИЕ! ПРЕДУПРЕДУВАЊЕ! ОПАСНОСТ!



Ве молиме пред да ја стартувате машината обрнете внимание на упатствата за употреба.



Секогаш при користење на машината носете ракавици.



Секогаш кога преземате активности врз машината исклучете го кабелот од струјата.



Дополнителна опрема - Не е вклучена во стандардната, а достапна е како додаток.



Електричните апарати не смеат да се фрлат заедно со домашниот отпад. Електричните и електронските апарати треба да се собираат одделно и да се однесат во соодветниот погон заради нивно фрлање во склад со начелата за заштита на околината. Информирајте се кај Вашите местни служби или кај специјализираниот трговски претставник, каде има такви погони за рециклажа и собирни станици.



Електрично орудие од заштитната категорија II. Електрично орудие чијашто заштита од електричен удар не зависи само од основната изолација туку и од тоа дали ќе се применат дополнителните заштитни мерки како што се дострукуите изолации или појачаната изолација. Не постои никаква направа за приклучување на некој заштитен вод.



CE-знак



EurAsian (Евроазиски) знак на конформитет.

Македонски

技术数据 金属斜切锯	MCS 66
生产号	4406 16 02... ... 000001- 999999
输入功率	1800 W
无负载转速	4000 min ⁻¹
锯刀直径 x 锯刀孔直径	203 x 15,87 mm
最大切割功率在： 在钢 角钢 金属管 型材	6 mm 50 x 50 x 6 mm Ø 66 mm max. 66 mm
重量符合EPTA - Procedure01 / 2003	6,4 kg
噪音/振动信息 本测量值符合 EN 60704-1 条文的规定。器械的标准A-值噪音级为： 音压值 (K-不可靠性=3dB(A)) 音量值 (K-不可靠性=3dB(A)) 请戴上护耳罩！	91,5 dB (A) 102,5 dB (A)
依欧盟 EN 60745 标准确定的振荡总值 (三方向矢量和)。 金属锯开: ah-振荡发射值 a _{h,M} K-不可靠性 =	3,6 m/s ² 1,5 m/s ²



中文

注意

本规程列出的依欧盟EN 60745 标准一项标准测量方法测量的振荡级也可用于电动工具比较并适合于临时振荡负荷估计。

该振荡级代表电动工具的主要应用。电动工具的其他应用，不正确的工作工具或欠缺维护可造成振荡级偏差。此可明确提高总工作期间的振荡负荷。

正确地估计一定工作期间的振荡负荷也要考虑到工具关闭或接通而不使用的期间。此可明确减少总工作期间的振荡负荷。

为提高操作人员对振荡作用的保护得规定补充安全措施：电动工具及工作工具的维护，温手，工作过程组织等。

⚠ 警告！ 阅读所有警告和所有说明。
不遵照以下警告和说明会导致电击、着火和/或严重伤害。
保存所有警告和说明书以备查阅。

⚠ 有关圆锯的安全提示

切锯方法

- a) **⚠ 危险** 双手必须摆在切割范围之外并且远离锯片。操作机器时，第二隻手要握牢辅助手柄或放在马达壳上。如果使用双手握持圆锯，便不会被锯片割伤。
- b) 不可以把手放在工件的下面。防护罩无法保护摆在工件下面的手。
- c) 根据工件的厚度设定锯深。不可以让锯齿完全突出於工件之外。

d) 不可以把正在切割的工件拿在手上或放在腿上。工件必须固定在稳固的平台上。固定好工件之后，不仅可以防止身体意外接触刀片，並且可以降低锯片被卡住或操纵失控的情况。

e) 如果工作时可能割断隐藏著的电线或机器本身的电源线，那麼一定要握著绝缘手柄操作机器。电动工具如果接触了带电的线路，机器上的金属部件会导电，並可能造成操作者触电。

f) 纵割时必须使用档块或直角导引。如此不仅可以增加锯割的准确度，而且可以降低锯片被卡住的机会。

g) 必须使用固定孔尺寸和大小正确的锯片，而且锯片中心的孔要和接头法兰的形状一致（星形或圆形）。锯片的安装孔，如果不能配合锯片的安装部件，开动机器后锯片会偏心运转，甚至会发生失控的状况。

中文

h) 切勿使用损坏的或不合适的锯片垫圈、锯片螺钉。锯片垫圈和锯片螺钉都是针对个别圆锯经过特别设计。使用了是正确的垫圈和螺钉不仅可以提高工作效率，更能够确保操作安全。

反弹的原因和如何避免反弹

- 所谓反弹，指的是一种突然的机器反应。导致机器反弹的原可能是，锯片被钩住了、卡住了或者锯片从安装方式被错误。此时，失控的机器会从工件中滑出，並朝著操作者的方向移动；

- 如果锯片被钩住后卡在锯缝中，锯片转速顿时降低，此时马达的强大反衝力，会急速地把机器弹向操作者；

- 如果锯片在锯缝中扭曲了或者未安装正确，可能导致锯片后端的锯齿卡在工件表面上，更进而把整个锯片从锯缝中拔出，並且锯片也会猛烈地朝著操作者的方向弹跳。

使用错误或操作不当，都会导致圆锯反弹。为了避免上述情况，请确实遵循以下各安全措施。

a) 使用双手握紧圆锯，持机的姿势必须能够抵挡住机器强大的反弹力道。操作机器时要站在机器的侧面，千万不可让锯片和身体在器同一直线上。反弹时圆锯会向后衝撞，但操作者如果采取正确的防范措施，便能够及时控制住弹力。

b) 如果锯片卡住了，或锯割过程因为任何原因突然中断了，必须马上放鬆起停开关，並静待插在工件中的锯片完全停止运动。只要锯片仍继续运动，千万不可尝试著从工件中拔出锯片，或向后抽拉圆锯，否则可能发生反弹。找出导致锯片卡住的原因，並设法排除障碍。

c) 重新开动插在工件中的圆锯时，必须先把锯片放在锯缝的中心，然后检查是否仍有锯齿陷在工件中。如果锯片被卡住，重新开动机器时，锯片可能滑出锯缝或者导致机器反弹。

d) 固定好大的平板，以防止锯片被卡住以及机器反弹。大的平板由于自身重量容易向下弯曲，必须在平板下端的两侧安排支撑，一个放在锯线的附近，一个放在平板的边缘。

e) 不可使用已经变钝或受损的锯片。锯齿如果已经变钝或位置不正，容易因为锯缝过窄，而提高锯割时的磨擦，卡住锯片並引起反弹。

f) 锯割之前必须收紧锯深调整杆和锯角调整杆。如果锯割时设定突然改变了，可能导致锯片被卡牢並且引起反弹。

g) 在墙壁和隐蔽处进行潜锯时必须特别留心。突出的锯片可能接触会引起反弹的物品。

下面防护罩的功能

a) 使用机器之前先检查下防护罩是否能正确关闭。切勿使用下防护罩无法自由移动、无法马上关闭的机器。千万不可以把下防护罩固定在开放的位置。如果不小心让电锯掉落地面，下防护罩可能弯曲变形。使用推杆打开防护罩，並检查防护罩是否能自由移动。在任何锯割角度和锯割深度，防护罩都不能接触锯片或其它的机件。

b) 检查下防护罩弹簧的运作功能。如果下防护罩和弹簧无法正常运作，则必须在使用之前把机器送给专业人员维修。损坏的零件、残留在防护罩上的树脂或锯屑，都会减缓下防护罩的反应速度。

c) 只有进行特别的锯割过程时，例如潜锯和复合式锯法，才可以用手推开下防护罩。使用推柄打开下防护罩，一当锯片咬住工件，便要马上放开下防护罩。在其它的锯割过程，都应该让下防护罩自动打开、关闭。

d) 把圆锯放在工作台或地板上之前，务必检查下防护罩是否已经完全遮盖住锯片。如果防护罩未关闭，而锯片仍继续转动，整个电锯会向后滑走，並破坏所有锯线范围内的物品。注意关机后，锯片继续转动至完全停止所需的时间。

其它安全和工作指示

请戴上耳罩。所发生的噪声会导致听力损失。

操作机器时务必佩戴护目镜。最好也穿戴工作手套、坚固防滑的鞋具和工作围裙。

工作中产生的废尘往往有害健康，最好不要让此类物质接触身体。操作机器时请使用吸尘装置并佩戴防尘面罩。彻底清除堆积的灰尘，例如使用吸尘器。

锯刀片的规格如果与本说明书提供的规格不符，请勿使用。

不可安装研磨片。

用手操作机器时不可固定起停开关。

工作指示

为避免锯片齿过热，应使用合适的进给速度。

电源插头

只能连接单相交流电，只能连接机器铭牌上规定的电压。本机器也可以连接在没有接地装置的插座上，因为本机器的结构符合第II级绝缘。

户外插座必须连接剩余电流防护开关。这是使用电器用品的基本规定。使用本公司机器时，务必遵守这项规定（FI, RCD, PRCD）。

确定开关已经关闭了，才可以把插头插入插座。

不可以让金属碎片掉入通风孔中，可能导致短路。

电源线必须远离机器的作业范围。操作机器时电线必须摆在机身后端。



中文

使用之前，先检查机器、电源电线、延长线和插头是否有任何损坏。损坏的零件只能交给专业电工更换。

正确地使用机器

本金属电锯可以在各类金属上进行直线割锯。例如雕花金属 (UniStrut)、铁管、建地鹰架、电缆管、雕花铝片和铁皮等。

请依照本说明书的指示使用此机器。

维修

在机器上进行任何修护工作之前，务必从插座上拔出插头。

安装或拆卸锯片前，务必确保工具已从电源切断。应用于布清洁机器和防护装置。

某些清洁剂可能会侵蚀机器上的塑料或绝缘部件。

机器的通气孔必须随时保持清洁。

请您定期清除灰尘。为避免发生火灾危险，请您清除聚集在锯子内部的锯末。

务必把机器维持清洁和干燥并清洁流出的油和脂。

务必经常检查防护罩的安全作用。

务必经常把机器维护并清洁，以确保机器的长期寿命和安全操作。

如果电动工具的电源线受损，应换装服务中心提供的特制电线。

只能使用 Milwaukee 的配件和 Milwaukee 的零件。缺少检修说明的机件如果损坏了，必须交给 Milwaukee 的顾客服务中心更换 (参考手册“保证书 / 顾客服务中心地址”)。

如果需要机器的分解图，可以向您的顾客服务中心或直接向 Techtronic Industries GmbH, Max-Eyth-Straße 10, 71364 Winnenden, Germany 联络。案件时必须提供以下资料：机型和机器铭牌上的六位数码码。

符号



请注意！警告！危险！



使用本机器之前请详细阅读使用说明书。



操作机器时务必佩戴护目镜。



在机器上进行任何修护工作之前，务必从插座上拔出插头。



配件 - 不包含在供货范围中。请另外从配件目录选购。



电气工具必须与生活垃圾分开处理。电气机器和电子机器必须单独分开收集并送到回收站以确保符合环境保护的处理。有关回收站和收集站的细节，请与主管当局或您的专业经销商联络。



保护等级II工具。具有不只依赖于基本绝缘，但依赖于双重或强化绝缘等保护措施电击保护的电动工具。没有连接保护线的装置。



欧洲共同体标志

欧亚合格性标志。



شروط الاستخدام المحددة

عند الحاجة يمكن طلب رمز انفجار الجهاز بعد ذكر طراز الآلة والرقم السداسي المذكور على بطاقة طاقة الآلة لدى جهة خدمة العملاء أو مباشرة لدى شركة
Techtronic Industries GmbH
Max-Eyth-Straße 10
71364 Winnenden
ألمانيا

الرموز

تنبيه! تحذيراً خطراً!



يرجى قراءة التعليمات بعناية قبل بدء تشغيل الجهاز.



ارتد دائماً نظارات الوقاية عند استخدام الجهاز.



قبل التعامل مع الآلة، قم سحب القابض من المقبض.



الملحق - ليس مدرجاً كمعدة قياسية، متوفر كملحق.



يحظر التخلص من الأجهزة الكهربائية في القمامة المنزلية. يجب جمع الأجهزة الكهربائية والإلكترونية منفصلة وتسليمها للتخلص منها بشكل لا يضر بالبيئة لدى شركة إعادة استغلال. الرجاء الاستفسار لدى الهيئات المحلية أو لدى التجار المتخصصين عن مواقع إعادة الاستغلال ومواقع الجمع.



أداة كهربائية ذات درجة حماية 2 أداة كهربائية لا تتوقف الحماية فيها من الصعق الكهربائي ليس فقط على العزل الأساسي، بل أيضاً على إجراءات الحماية الإضافية، مثل العزل المزدوج أو العزل المقوى. ليس هناك تجهيزاً لتوصيل تأريض وافي



إعلان المطابقة - الاتحاد الأوروبي



علامة المطابقة الأوروبية الآسيوية



يمكن استخدام منشأ المعادن في القطع الطولي والمائل لمجموعة متنوعة من المعادن، مثل القطاعات المعدنية (UniStrut) والأنابيب والقوائم المعدنية والقضبان وقطاعات الألومنيوم والألواح المعدنية، وغيرها.
لا تستخدم هذا المنتج بأي طريقة أخرى غير مصرح بها للاستخدام العادي.

إعلان المطابقة - الاتحاد الأوروبي

نعلن تحت مسؤوليتنا وحدنا أن المنتج المعين تحت اسم „البيانات الفنية“ يستوفي جميع الأحكام ذات الصلة ضمن التوجيهات

2011/65/EU (Rohs)

2006/42/EG

2014/30/EU

والمعايير المتسقة التالية

EN 60745-1:2009 + A1:2010

EN 60745-2-5:2010

EN 55014-1:2006+A1:2009+A2:2011

EN 55014-2:1997 + A1:2001 + A2:2008

EN 61000-3-2:2014

EN 61000-3-11:2000

EN 50581:2012



Winnenden, 2016-03-25

Alexander Krug / Managing Director
معمدة للمطابقة مع الملف الفني

Techtronic Industries GmbH
Max-Eyth-Straße 10, 71364 Winnenden,
Germany

الصيانة

قبل التعامل مع الآلة، قم سحب القابض من المقبض.
تأكد من فصل الأداة من مزود الطاقة قبل تركيب أو إزالة شفرة المنشار.

نظف الجهاز وحاجب الحماية بفضة جافة.
بعض مواد التنظيف تؤدي إلى ضرر بالبلاستيك أو الأجزاء المعزولة.

يجب أن تكون فتحات تهوية الجهاز نظيفة طوال الوقت.
أزل الغبار دورياً. أزل غبار النشر الناتج عن المنشار والمتراكم بداخله لتجنب خطر الحريق.
حافظ على الجهاز نظيفاً جافاً وخالي من الزيوت والشحوم الخارجية.

افحص أداء حاجب الحماية.

الصيانة الدورية المنتظمة والتنظيف يضمنان العمر الطويل والاستخدام المأمون للجهاز.

إذا تعرض سلك التيار الخاص بالأداة الكهربائية للضرر، يجب استبداله بسلك تيار خاص معد لذلك يمكن الحصول عليه من خدمة العملاء

استخدم فقط ملحقات ميلوكي وكذلك قطع غبار ميلوكي.
إذا كانت المكونات التي يجب تغييرها غير مذكورة، يرجى الاتصال بأحد عملاء صيانة ميلوكي (انظر قائمة عناوين الضمان/الصيانة الخاصة بنا).

الأسباب ووقاية المشغل من رد الفعل العنيف:

- الارتداد هو رد الفعل المفاجئ الناتج عن شفرة المنشار المصغولة أو الموقدة أو غير المستوية، مما يؤدي إلى فقدان السيطرة على المنشار واتجاهه لاعلى وخروجه عن قطعة العمل باتجاه المشغل؛

- عند الضغط على الشفرة أو تقييدها بقوة عند نهاية القطع، تتباطأ الشفرة ويؤدي رد فعل الموتور إلى دفع الوحدة بسرعة باتجاه المشغل؛

- إذا ما انثنت الشفرة أو انحرفت في القطع، قد تعمل الأسنان الخلفية للشفرة على حفر السطح الأعلى للخشب مما يؤدي إلى اندفاع الشفرة خارج الشق والارتداد باتجاه المشغل.

ينتج الارتداد عن الاستخدام الخاطئ للمنشار و/أو إجراءات وحالات التشغيل غير الصحيحة ويمكن تجنب هذا الارتداد باتخاذ التدابير الموضحة أدناه.

(a) امسك المنشار بإحكام باستخدام اليدين واستخدم ذراعيك في مقاومة قوى الارتداد. ليكن جسدك على أحد جانبي الشفرة، وليس بمحاذاة لها. قد يؤدي الارتداد إلى تراجع المنشار إلى الخلف، ولكن يمكن التحكم في قوى الارتداد من قبل المشغل، إذا ما اتخذ التدابير اللازمة.

(b) عند انحناء الشفرة، أو التوقف عن القطع لأي سبب، حرر الزناد وامسك بالمنشار دون تحريكه في المادة حتى تتوقف الشفرة عن الحركة تماما. لا تحاول أبداً إزالة المنشار من العمل أو سحبه إلى الخلف أثناء حركة الشفرة فقد ينتج عن ذلك ارتداد. تحقق من الأمر واتخذ الإجراءات التصحيحية اللازمة للفضاء على سبب انحناء الشفرة.

(c) عند إعادة تشغيل المنشار في القطعة التي يتم العمل عليها، ضع شفرة المنشار في قطع المنشار وتأكد من أن أسنان المنشار ليست مغشقة في المادة. إذا كان هناك شيء يعوق شفرة المنشار، قد يندفع لأعلى أو يحدث رد فعل عنيف عكسي من القطعة التي يتم العمل عليها عند إعادة تشغيل المنشار.

(d) اعمل على دعم الألواح الكبيرة للحد من مخاطر الضغط على الشفرة أو الارتداد. قد نتخني الألواح الكبيرة بفعل وزنها. يتعين وضع دعومات تحت اللوح على كلا الجانبين، بالقرب من خط القطع وحافة اللوح.

(e) لا تستخدم شفرات غير حادة أو تالفة. فالشفرات غير الحادة أو غير المهينة بشكل سليم تحدث شفا ضيقاً بالمنشار مما يسبب احتكاكاً شديداً وإعاقة الشفرة وردود فعل عنيفة.

(f) يجب أن يكون عمق الشفرة ورافعات قفل وضبط السطح المائل محكمة وأمنة قبل القيام بالقطع. إذا تحرك ضبط الشفرة أثناء القطع، فقد يؤدي ذلك إلى الإعاقة أو إلى حدوث رد فعل مفاجئ؛

(g) توخ الحذر الشديد عند ,,القطع العميق" في الحوائط أو أي مناطق أخرى غير ظاهرة. الشفرات البارزة قد تقطع مواد تسبب الارتداد.

وظيفة الواقي السفلي

(a) تحقق من أن الواقي السفلي للتأكد من الإغلاق السليم قبل كل استخدام. لا تشغيل المنشار إذا كان الواقي لا يتحرك بحرية وأغلق في الحال. لا تربط الواقي السفلي وهو في وضع الفتح. إذا سقط المنشار عن طريق الخطأ، فقد ينحني الواقي السفلي. ارفع الواقي السفلي بالمقبض المرتد وتحقق من أنه يتحرك بحرية ولا يلامس الشفرة أو أي جزء آخر، من جميع الزوايا وفي عمق القطع.

(b) تحقق من عمل زنهرك الواقي السفلي. إذا لم يكن الواقي والزنهرك يعملان بشكل صحيح، فإنه يتعين إجراء صيانة لهما قبل الاستخدام. قد يعمل الواقي السفلي ببطء نتيجة للقطع التالفة أو ترسبات الغراء أو تراكم الحطام.

(c) يجب سحب الواقي السفلي يدوياً فقط في حالات أعمال القطع الخاصة، وعمليات القطع العميق وعمليات ,,القطع المركبية". ارفع الواقي السفلي بسحب المقبض وبمجرد دخول الشفرة في المادة، يجب تحرير الواقي السفلي. أما بالنسبة لجميع عمليات النشر الأخرى، يعمل الواقي السفلي بشكل تلقائي.

(d) يجب أن تتأكد دائماً من أن الواقي السفلي يغطي الشفرة قبل وضع المنشار على طاولة العمل أو الأرض. قد تسبب الشفرة غير المحمية أو المغطاة في أن يتحرك المنشار إلى الخلف قاطعاً كل ما يواجهه في مساره. ضع في الحسبان الوقت الذي تستغرقه الشفرة حتى تتوقف بعد تحرير المفتاح.

إرشادات أمان وعمل اضافية

ارتد واقبات الأذن. قد يسبب التعرض للضوضاء إلى فقدان السمع.

استخدم معدة الوقاية. ارتد دائماً نظارة الوقاية عند العمل بالألة. ينصح باستخدام الملابس الواقية مثل الكمامات الواقية من الغبار، والقفازات، والأحذية القوية غير المنزلقة، والخوذات، وواقبات الأذن.

قد تكون الأتربة الناتجة عن استخدام هذه الآلة ضارة بالصحة. لا تستنشق هذه الأتربة. استخدم نظام امتصاص الأتربة وارتد قناعاً واقياً من الأتربة مناسباً. قم بإزالة الأتربة الموجودة تماماً، باستخدام المكنسة الكهربائية على سبيل المثال.

لا تستخدم شفرات منشار لا تتوافق مع البيانات الرئيسية الموضحة في تعليمات الاستخدام هذه.

لا تستخدم أسطوانات الكشط في هذه الماكينة! لا تقم بتثبيت مفتاح تشغيل/إيقاف تشغيل" على الوضع ,,تشغيل" عند استخدام المنشار المحمول باليد.

تصحيح العمل

التكيف مع سرعة التغذية لتجنب الحرارة الزائدة لأسنان الشفرة.

توصيل الموصلات النسبية

قم بالتوصيل بتيار متردد أحادي الطور وبنظام الجهد الكهربائي المحدد على لوحة الجهد المقنن فقط. يمكن أيضاً التوصيل بالمقابس غير المؤرضة حيث يتطابق التصميم مع معايير سلامة الفئة الثانية لحماية الأجهزة الكهربائية.

يجب تزويد القوابس في الغرف الرطبة وفي الأماكن الخارجية بأزرار حماية ضد تيار العطل (FI, RCD, PRCD). هذا يتطلب تعليمات التركيب الخاصة بجهازك. الرجاء مراعاة ذلك عند استخدام جهازنا.

تأكد من إيقاف تشغيل الآلة قبل توصيلها بالمقابس الكهربائي. لا تدع أي جزء معدنية تلمس فتحات التهوية - خطر قصر الدائرة!

ابق السلك الرئيسي بعيداً عن نطاق عمل الجهاز. ابق دائماً السلك بعيداً عنك أو خلفك.

وقبل الاستخدام، تحقق من كبل وقياس الآلة بحثاً عن وجود أي تلف أو كلال بالمواد. يجب تنفيذ الإصلاحات من قبل وكلاء خدمة معتمدين فقط.

MCS 66	البيانات الفنية منشأ معدني
4406 16 02... ... 000001-999999	رمز الإنتاج
1800 W	الدخل المقدر
4000 min ⁻¹	السرعة دون وجود حمل
203 x 15,87 mm	قطر شفرة المنشأ x قطر الثقب
6 mm 50 x 50 x 6 mm Ø 66 mm max. 66 mm	الحد الأقصى لقدرة القطع اللوح الصلب أقسام الزاوية الأنابيب المعدنية القطاعات
6,4 kg	الوزن وفقاً لنهج EPTA رقم 01/2003
معلومات الضوضاء القيم التي تم قياسها محددة وفقاً للمعايير الأوروبية EN 60 745 مستويات ضوضاء الجهاز، تترجح بشكل نموذجي كالتالي:	
91,5 dB (A) 102,5 dB (A)	مستوى ضغط الصوت (الارتياح في القياس ك = 3 ديسيبل (أ)) مستوى شدة الصوت (الارتياح في القياس ك = 3 ديسيبل (أ)) ارتد واقيات الأذن!
معلومات الاهتزاز قيم الذبذبات الإجمالي (مجموع الكميات الموجهة في المحاور الثلاثة) محددة وفقاً للمعايير الأوروبية EN 60745.	
3,6 m/s ² 1,5 m/s ²	نشر المعادن : قيمة انبعاث الذبذبات a _{h,M} الارتياح في القياس ك =

تحذير

تم قياس مستوى انبعاث الذبذبات الموجود بوثيقة المعلومات هذه وفقاً للاختبار القياسي وفقاً للمعايير الأوروبية EN 60745 ويمكن استخدامه لمقارنة جهاز بغيره. كما يمكن استخدامه لعرض تقييم تمهيدي.

يمثل مستوى انبعاث الذبذبات المعلن عنه تطبيقات الجهاز الرئيسية. بالرغم من ذلك، فإنه إذا تم استخدام الجهاز لتطبيقات مختلفة، بملحقات مختلفة أو لم يتم المحافظة عليه، فقد يختلف انبعاث الذبذبات. قد يزيد ذلك بصورة كبيرة من مستوى التعرض للذبذبات طوال فترة العمل الإجمالية.

يجب الوضع في الاعتبار عند تقدير مستوى التعرض للذبذبات مرات إيقاف الجهاز أو تشغيله لكن دون استخدامه في القيام بمهمة. فقد يقل ذلك بصورة كبيرة من مستوى التعرض للذبذبات طوال فترة العمل الإجمالية.

تعرف على معايير السلامة الإضافية لحماية المشغل من آثار الذبذبات مثل: صيانة الجهاز والملحقات، الحفاظ على دواء الأيدي، وتنظيم نماذج العمل.



تحذير! اقرأ جميع تحذيرات السلامة وجميع التعليمات، بما فيها. قد يؤدي الفشل في مراعاة التحذيرات والتعليمات إلى التعرض للإصابة بصدمة كهربائية أو الحرق و/أو إصابة خطيرة. **احفظ جميع التنبيهات والتعليمات للرجوع إليها مستقبلاً.**



تعليمات أمان للمناشير الدائرية

إجراءات القطع



(a) **خطر!** احتفظ بيديك بعيداً عن منطقة القطع والشفرة. في حين تبقى يدك الأخرى على المقبض الإضافي، أو مبيت الموتور. إذا كنت تحمل المنشأ بكلتا يديك، فهذا يحول دون أن تصيبهما الشفرة.

(b) لا تلمس قطعة العمل من أسفل. لا يمكن للواقي أن يحميك من الشفرة الموجودة في الجزء السفلي من قطعة العمل.

(c) اضبط عمق القطع وفقاً لسمك قطعة العمل. يجب أن تظهر الأسنان أقل من كامل طولها تحت قطعة العمل.

(d) لا تحمل القطعة المراد قطعها بيديك أو بين ساقيك. ثبت قطعة العمل في منصة عمل ثابتة. من المهم دعم قطعة العمل بشكل جيد للحد من تعرض الجسم للمخاطر، وانحناء الشفرة أو فقدان السيطرة.

(e) أمسك الآلة الكهربائية من سطح القبض المعزولة فقط، وذلك عند القيام بعملية قد يلمس فيها أحد ملحقات آلة القطع أسلاك مخفية أو السلك الخاص بها. تتسبب ملامسة أحد ملحقات آلة القطع بسلك كهربائي، «موصلة» في جعل الأجزاء المعدنية المكشوفة بالآلة الكهربائية «موصلة» كهربائياً مما يجعل المشغل عرضة لصدمة كهربائية.

(f) عند الفصل استخدم دائماً حاجز القطع أو قائم توجيه مستوي الحواف. فهذا يعمل على تحسين دقة القطع ويقلل من فرص انحناء الشفرة.

(g) استخدم دائماً الشفرات ذات الحجم الصحيح (الشكل المعين مقابل الشكل الدائري) للثقوب المجوفة. تعمل الشفرات التي لا تتناسب مع جهاز التركيب بالمنشار بشكل غريب، بسبب فقدان السيطرة.

(h) لا تستخدم مطلقاً حلقات إحكام شفرة أو مسامير غير مناسبة. حلقات إحكام الشفرة والمسامير مخصصة للمنشار الخاص بك لتحقيق الأداء الأمثل وسلامة التشغيل.

Copyright 2016

Techtronic Industries GmbH
Max-Eyth-Straße 10
71364 Winnenden
Germany

+49 (0) 7195-12-0



(01.16)

4931 4252 18