



- EN
- FR
- DE
- DA
- SV
- FI
- NO

**RY48RM76A**





- Important!** It is essential that you read the instructions in this manual before assembling, maintaining and operating the product.
- Attention!** Il est essentiel que vous lisiez les instructions contenues dans ce manuel avant d'assembler, d'entretenir et d'utiliser le produit.
- Achtung!** Es ist wichtig, dass Sie vor Zusammenbau, Wartung und Benutzung des Produktes die Anweisungen in dieser Anleitung lesen.
- OBS!** Det er vigtigt, at man læser instrukserne i denne brugsanvisning, inden man samler, vedligeholder og betjener produktet.
- Observera!** Det är viktigt att du läser instruktionerna i manualen före montering, användning och underhåll av produkten.
- Huomio!** On tärkeää, että luet tämän käsikirjan ohjeet ennen tuotteen kokoamista, huoltoa ja käyttöä.
- Advarsel!** Det er viktig at du leser instruksjonene i denne manualen før sammensetning, vedlikehold og bruk av produktet

Subject to technical modification | Sous réserve de modifications techniques | Technische Änderungen vorbehalten | Med forbehold for tekniske ændringer | Med förbehåll för tekniska ändringar | Tekniset muutokset varataan | Med forbehold om tekniske endringer.



Safety, performance, and dependability have been given top priority in the design of your ride-on mower.

### INTENDED USE

The ride-on mower is intended for outdoor use only.

The product is designed for domestic lawn mowing. The cutting blade should rotate approximately parallel to the ground over which it is being wheeled. All four wheels should touch the ground while mowing.

The product is to be used only in domestic application by adults who have received adequate training on the hazards and preventive measures or actions taken while using it.

Do not use the product for any other purpose.

### GENERAL PRODUCT SAFETY WARNINGS

**⚠ WARNING! Read all safety warnings, instructions, illustrations and specifications provided with this power tool.** Failure to follow all instructions listed below may result in electric shock, fire, and/or serious injury.

**Save all warnings and instructions for future reference.**

The term "power tool" in the warnings refers to your mains-operated (corded) product or battery-operated (cordless) product.

### WORK AREA SAFETY

- **Keep work area clean and well lit.** Cluttered or dark areas invite accidents.
- **Do not operate power tools in explosive atmospheres, such as in the presence of flammable liquids, gases or dust.** Power tools create sparks which may ignite the dust or fumes.
- **Keep children and bystanders away while operating a power tool.** Distractions can cause you to lose control.

### ELECTRICAL SAFETY

- **Power tool plugs must match the outlet. Never modify the plug in any way. Do not use any adapter plugs with earthed (grounded) power tools.** Unmodified plugs and matching outlets will reduce risk of electric shock.
- **Avoid body contact with earthed or grounded surfaces, such as pipes, radiators, ranges and refrigerators.** There is an increased risk of electric shock if your body is earthed or grounded.
- **Do not expose power tools to rain or wet conditions.** Water entering a power tool will increase the risk of electric shock.
- **Do not abuse the cord. Never use the cord for carrying, pulling or unplugging the power tool. Keep cord away from heat, oil, sharp edges or moving parts.** Damaged or entangled cords increase the risk of electric shock.
- **When operating a power tool outdoors, use an extension cord suitable for outdoor use.** Use of a cord suitable for outdoor use reduces the risk of electric shock.
- **If operating a power tool in a damp location is unavoidable, use a residual current device (RCD) protected supply.** Use of an RCD reduces the risk of electric shock.

### PERSONAL SAFETY

- **Stay alert, watch what you are doing and use common sense when operating a power tool. Do not**

**use a power tool while you are tired or under the influence of drugs, alcohol or medication.** A moment of inattention while operating power tools may result in serious personal injury.

- **Use personal protective equipment. Always wear eye protection.** Protective equipment such as a dust mask, non-skid safety shoes, hard hat or hearing protection used for appropriate conditions will reduce personal injuries.
- **Prevent unintentional starting. Ensure the switch is in the off-position before connecting to power source and/or battery pack, picking up or carrying the tool.** Carrying power tools with your finger on the switch or energising power tools that have the switch on invites accidents.
- **Remove any adjusting key or wrench before turning the power tool on.** A wrench or a key left attached to a rotating part of the power tool may result in personal injury.
- **Do not overreach. Keep proper footing and balance at all times.** This enables better control of the power tool in unexpected situations.
- **Dress properly. Do not wear loose clothing or jewellery. Keep your hair and clothing away from moving parts.** Loose clothes, jewellery or long hair can be caught in moving parts.
- **If devices are provided for the connection of dust extraction and collection facilities, ensure these are connected and properly used.** Use of dust collection can reduce dust-related hazards.
- **Do not let familiarity gained from frequent use of tools allow you to become complacent and ignore tool safety principles.** A careless action can cause severe injury within a fraction of a second.

### POWER TOOL USE AND CARE

- **Do not force the power tool. Use the correct power tool for your application.** The correct power tool will do the job better and safer at the rate for which it was designed.
- **Do not use the power tool if the switch does not turn it on and off.** Any power tool that cannot be controlled with switch is dangerous and must be repaired.
- **Disconnect the plug from the power source and/or remove the battery pack, if detachable, from the power tool before making any adjustments, changing accessories, or storing power tools.** Such preventive safety measures reduce the risk of starting the power tool accidentally.
- **Store idle power tools out of the reach of children and do not allow persons unfamiliar with the power tool or these instructions to operate the power tool.** Power tools are dangerous in the hands of untrained users.
- **Maintain power tools and accessories. Check for misalignment or binding of moving parts, breakage of parts and any other condition that may affect the power tool's operation. If damaged, have the power tool repaired before use.** Many accidents are caused by poorly maintained power tools.
- **Keep cutting tools sharp and clean.** Properly maintained cutting tools with sharp cutting edges are less likely to bind and are easier to control.
- **Use the power tool, accessories and tool bits etc. in accordance with these instructions, taking into**

account the working conditions and the work to be performed. Use of the power tool for operations different from those intended could result in a hazardous situation.

- **Keep handles and grasping surfaces dry, clean and free from oil and grease.** Slippery handles and grasping surfaces do not allow for safe handling and control of the tool in unexpected situations.

#### BATTERY TOOL USE AND CARE

- **Recharge only with the charger specified by the manufacturer.** A charger that is suitable for one type of battery pack may create a risk of fire when used with another battery pack.
- **Use power tools only with specifically designated battery packs.** Use of any other battery packs may create a risk of injury and fire.
- **When battery pack is not in use, keep it away from other metal objects, like paper clips, coins, keys, nails, screws or other small metal objects, that can make a connection from one terminal to another.** Shorting the battery terminals together may cause burns or a fire.
- **Under abusive conditions, liquid may be ejected from the battery; avoid contact. If contact accidentally occurs, flush with water. If liquid contacts eyes, additionally seek medical help.** Liquid ejected from the battery may cause irritation or burns.
- **Do not use a battery pack or tool that is damaged or modified.** Damaged or modified batteries may exhibit unpredictable behaviour resulting in fire, explosion or risk of injury.
- **Do not expose a battery pack or tool to fire or excessive temperature.** Exposure to fire or temperature above 130°C may cause explosion.
- **Follow all charging instructions and do not charge the battery pack or tool outside the temperature range specified in the instructions.** Charging improperly or at temperatures outside the specified range may damage the battery and increase the risk of fire.

#### SERVICE

- **Have your power tool serviced by a qualified repair person using only identical replacement parts.** This will ensure that the safety of the power tool is maintained.
- **Never service damaged battery packs.** Service of battery packs should only be performed by the manufacturer or authorized service providers.

### RIDE-ON MOWER SAFETY WARNINGS

#### TRAINING

- When using the product, the safety rules must be followed. For your safety and that of bystanders, read these instructions before operating the product. Keep the instructions safe for later use.
- Allow only responsible adults who are familiar with and who understand the instructions to use the product.
- Be familiar with the controls and the correct use of the product.
- Always use safety protective devices. Do not use the product without the side discharge chute in place and working properly. The mulch cover should be correctly installed and working properly during mulching

operation.

- Be aware of possible hazards when not using the product or when changing accessories. Following this rule reduces the risk of electric shock, fire, or serious personal injury.
- Never carry passengers or children, even when the blades have stopped. Passengers may fall off and be seriously injured or interfere with the safe operation of the product. Children who have been given rides in the past may suddenly appear in the mowing area for another ride and be run over or backed over by the product.
- Keep in mind that the operator or user is responsible for accidents or hazards occurring to other people or their property.
- Never allow children or people with reduced physical, sensory, or mental capabilities, or persons who are unfamiliar with these instructions to operate, clean, or maintain the product. Local regulations may restrict the age of the operator. Children should be adequately supervised to ensure that they do not play with the product.
- Follow the manufacturer's instructions for proper operation and installation of accessories. Use only accessories approved by the manufacturer. The use of improper accessories may result in injury.
- Never interfere with the intended function of a safety device or reduce the protection provided by a safety device. Check the proper operation of the safety devices regularly.
- Never use the product while people, especially children, or pets are within 15 m because of the danger of objects being thrown by contact with the blade.
- Do not use the product when there is a risk of lightning.
- Do not operate the product in poor lighting. The operator requires a clear view of the work area to identify potential hazards.
- Keep hands and feet away from the cutting area, which is located under the mower deck and inside the side discharge chute. Keep clear of the side discharge chute opening at all times. Do not reach under the mower deck.
- Follow instructions for changing accessories.

#### PREPARATION

- Wear heavy, long trousers, long sleeves, and sturdy, anti-slip footwear. Do not wear short trousers, sandals, or go barefoot. Avoid wearing clothing that is loose-fitting or that has hanging cords or ties.
- Always wear safety glasses with side shields. Use a face mask if the operation is dusty.
- Objects struck by the blade can cause severe injuries to persons. Thoroughly inspect the area where the product is to be used, and remove all rocks, sticks, metal, wire, bones, toys, or other foreign objects. Remember, string or wire may entangle with the blades.
- Before use, always visually inspect the product to ensure that blades, blade nuts, and the cutter assembly are not worn or damaged.
- Never direct discharged material towards anyone. Plan the mowing pattern to avoid discharge of material towards bystanders, roads, sidewalks, windows, and cars. Avoid discharging material against a wall or obstruction, which may cause the material to ricochet back towards the operator.

## OPERATION

- Before starting the product:
  - Check the brake operation.
  - Check the tyre air pressure.
  - Check for loose fasteners.
  - Make sure that all guards are in place and working properly.
  - Check the side discharge chute safety interlock system
  - Test the operator presence safety interlock system.
  - Adjust the seat to the preferred position.
  - Verify the battery charge level.
- The product must be started with the user properly seated and behind the steering wheel. Never start the product if:
  - Not all four wheels are on the ground.
  - The side discharge chute is exposed and is not protected by the mulch cover.
  - Hands and feet of all persons are not clear of the cutting enclosure.
- Disengage the blades when the product is not in use.
- Do not operate the product in an enclosed area.
- Stop the blade when crossing gravel surfaces to avoid discharging gravel and rocks. Drive the product slowly and carefully to avoid loss of control.
- Turn on the motor carefully according to instructions, and keep hands and feet away from blades. Do not put hands or feet near or under rotating parts.
- Do not mow in reverse unless absolutely necessary. Before and while reversing, look behind and down for small children, bystanders, and pets.
- Use extra care when approaching blind corners, shrubs, trees, or other objects including overhanging shrubs, which may block your view.
- Slow down before turning.
- Never leave a running product unattended. Always engage the parking brake, stop the blades, turn off the product, and remove the start key before dismounting.
- Watch for traffic when operating near roadways. Do not operate the mower on roadways.
- Slopes are a major factor related to loss of control and tip-over accidents, which can result in severe injury or death. Operation on all slopes requires extra caution. If you cannot back up the slope or if you feel uneasy on it, do not mow it. Never use the product on steep slopes greater than 15°. Make a copy or cut out the slope guide at the back of this manual, and use it to determine if the slope is too steep for safe operation.
  - Mow up and down; not across the face of slopes.
  - Avoid holes, ruts, bumps, rocks, property stakes, or other hidden objects. Uneven terrain could overturn the product. Tall grass can hide obstacles.
  - Use a slow speed so you will not have to stop suddenly or accidentally accelerate while on a slope.
  - Do not mow on wet grass when on a slope. Tyres can lose traction with the ground and cause you to lose control of the product.
  - Always use the brakes when travelling down the slope. Do not shift to neutral and coast downhill, which may cause you to lose control of the product.
  - Avoid starting, stopping, or turning on a slope. If the tyres lose traction, disengage the blades and proceed slowly straight down the slope.

- Keep all movement on slopes slow and gradual. Do not make sudden changes in speed or direction, which could cause the product to roll over.
- Use extra care while using the product with attachments; they can affect the stability of the product. Do not use the product on steep slopes greater than 15°.
- Do not try to stabilise the product by putting your foot on the ground.
- Do not use the product near drop-offs, ditches, excessively steep slopes, or embankments. The product could suddenly roll over if a wheel goes over the edge or if the edges caves in and result in death or serious personal injury.

## ADDITIONAL CHARGER SAFETY WARNINGS

- The charger is for indoor use only.
- Do not recharge primary cells (non-rechargeable).
- Before every use, examine the supply cord for damage. If there are signs of damage, it must be replaced by a qualified person at an authorised service centre to avoid a hazard.
- Charge the product indoors, in a well-ventilated area. Do not charge the product in a confined space.
- The charger is equipped with a plug featuring a grounding pin and must be plugged into a matching outlet that has been properly installed and grounded in accordance with all local codes and ordinances. Do not use adaptors or modify the plug provided. If it does not fit the outlet, have the proper outlet installed by a qualified electrician.

## ADDITIONAL BATTERY SAFETY WARNINGS

- ⚠ WARNING!** Risk of fire, explosion, or burns. Do not disassemble, expose to heat above 60 °C, or incinerate the battery pack.
- To reduce the risk of fire, personal injury, and product damage due to a short circuit, never immerse the tool, battery pack, or charger in fluid or allow fluid to flow inside them. Corrosive or conductive fluids, such as seawater, certain industrial chemicals, and bleach or bleach-containing products, etc., can cause a short circuit.
  - The battery pack contains acid. If acid comes in contact with skin or clothing, flush immediately with water for 10 minutes. If liquid comes in contact with eyes, seek medical help immediately.
  - Do not charge battery packs that show signs of leaks. Dispose of them properly.

## BATTERY PACK REMOVAL AND PREPARATION FOR RECYCLING

- To preserve natural resources, recycle or dispose of batteries properly.
- The product contains lead-acid batteries. Local regulations may prohibit disposal of lead-acid batteries in ordinary trash. Consult your local waste authority for information regarding available recycling and/or disposal options.

**⚠ WARNING!** Upon removal, cover the battery pack terminals with heavy-duty adhesive tape. Do not attempt to destroy or disassemble the battery pack or remove any of its components. Lead-acid batteries must be recycled or disposed of properly. Never touch both terminals with metal

objects and body parts as short circuit may result. Keep the battery pack away from children. Failure to comply with these warnings could result in fire and serious injury.

## TRANSPORTATION AND STORAGE

- Turn off the product, engage the parking brake, and remove the start key. Make sure that all moving parts have come to a complete stop. Allow the product to cool down before storing or transporting.
- Remove all foreign materials from the product. Store the product in a cool, dry, and well-ventilated place that is inaccessible to children. The start key should be removed and stored in a separate location out of the reach of children.
- Keep the product away from corrosive agents, such as garden chemicals and de-icing salts. Do not store the product outdoors.
- Use extra care when loading or unloading the product onto a trailer or truck. Step on the brake pedal as needed to control the speed. The product freely rolls if it is moved on an inclined surface without stepping on the brake pedal or engaging the parking brake. When loading or unloading the product, do not exceed the maximum recommended operation angle of 15°.
- Use extreme caution when lifting or tilting the product for maintenance, cleaning, storage, or transportation. The blade is sharp. Keep all body parts away from the blade while it is exposed.
- Secure the product as needed using straps or cables to prevent movement during transport.

## TRANSPORTING LEAD-ACID BATTERIES

- Transport the battery in accordance with local and national provisions and regulations.
- Follow all special requirements on packaging and labelling when transporting batteries by a third party. Ensure that no batteries can come in contact with other batteries or conductive materials while in transport by protecting exposed connectors with insulating, non-conductive caps or tape. Do not transport batteries that are cracked or leaking. Check with the forwarding company for further advice.

## TOWING SAFETY WARNINGS

- Use common sense when towing equipment. Too heavy of a load while on a slope is dangerous. Tyres can lose traction with the ground and cause you to lose control of the product.
- Follow the manufacturer's recommendations for wheel weights or counterweights.
- Total towed weight must not exceed the maximum towing load of 136 kg (300 lbs.).
- Attach tow equipment only at the hitch plate.
- Never allow children or others on the towed equipment.
- Stopping distance increases with speed and weight of load being towed. Travel slowly, and allow extra time and distance to stop.
- Do not turn sharply when towing. Use additional caution when turning or operating under adverse surface conditions. Use care when reversing.

## MAINTENANCE

- Use only original manufacturer's replacement parts, accessories and attachments. Failure to do so can cause

possible injury, can contribute to poor performance, and may void your warranty.

- Maintain the product with care and in good working condition. Keep blades sharp and guards in place and in working order. To prevent serious personal injury, prevent damage to the product, and to maintain best performance, replace damaged, bent, cracked, or unevenly worn out blades. An unbalanced blade causes vibration that could damage the motor drive unit or could cause personal injury.
- Never make any adjustments or repairs while the motor is running and the blades are moving.
- Remove the start key from the product before storing, servicing, or changing accessories. Such preventive safety measures reduce the risk of starting the product accidentally.
- Turn off the product, engage the parking brake, and remove the start key. Make sure that all moving parts have come to a complete stop:
  - before leaving the product unattended (including disposal of grass clippings)
  - before clearing blockages or unclogging the discharge chute
  - before checking, cleaning, or working on the product
  - before removing the mulch cover
  - before opening the grass discharge chute cover
  - after striking a foreign object
    - Thoroughly inspect the product for any damage.
    - Replace the blade if it is damaged in any way.
    - Repair any damage before restarting and continuing to operate the product.
  - whenever the product starts to vibrate abnormally (check immediately)
    - Inspect for damage, particularly the blades.
    - Replace the blade if it is damaged in any way.
    - Replace or repair any damaged parts.
    - Check for and tighten any loose parts.
- You may make adjustments and repairs described in this manual. For other repairs, have the product serviced by an authorised service centre only.
- Contact an authorised service centre to replace damaged or unreadable labels.
- Service on the product and the charger must be performed by qualified repair personnel only. Service or maintenance performed by unqualified personnel could result in injury to the user or damage to the product. Have the product serviced by an authorised service centre only.
- Check all nuts, bolts, and screws at frequent intervals for proper tightness to ensure that the product is in safe working condition.
- The blade bolts must be tightened to the recommended torque.
- Check the brakes before each use and frequently during use. Adjust and service the brakes as required.
- The side discharge chute is a spring-loaded guard that covers the side discharge opening on the cutting deck and deflects grass clippings and debris away from the operator. Always ensure that the motor is off and the blades have stopped moving before inspecting, moving, cleaning, or performing maintenance on the side discharge chute.
- Replace damaged blades and bolts in sets to preserve balance.

- Be careful during adjustment of the product to prevent entrapment of the fingers between moving blades and fixed parts of the product.
- The cutting blades continue to rotate for a few seconds after the motor is turned off. When servicing the blades, be aware that even though the power source is switched off, the blades can still be moved. Never place any part of the body in the blade area until you are sure the blades have stopped rotating.
- The blade on the product is sharp. Use extreme caution and wear heavy-duty gloves when fitting, replacing, cleaning or checking bolt security.
- After each use, clean the product with a soft, dry cloth. Any part that is damaged should be properly repaired or replaced by an authorised service centre.
- Keep the product free of grass, leaves, or other debris build-up.
- Do not use water to clean the product. Use an air moving device, such as a compressor or leaf blower to remove grass, leaves, or other debris build up.

### TYRE MAINTENANCE

The product is equipped with tubeless tyres with the following dimensions:

- Front: 33 x 13 x 15 cm
- Rear: 40 x 16 x 20 cm

When tyres are worn, the traction of the mower decreases, which increases the chance of having an accident. Replace the tyres when the depth on the tread is 4 mm or less, or any time there is damage to the tyre. Always use original replacement tyres. Using improper tyres on the product could cause loss of control, which could cause serious personal injury.

Have the tyres replaced only by an authorised service centre.

### TYRE AIR PRESSURE

Check the air pressure in all four tyres before each use. Improper air pressure affects handling, steering response, traction, tyre life, level cutting, and operator comfort. Make sure that tyres are inflated to the recommended air pressure of 1.4 bar.

Tyre air pressure should only be measured or adjusted when tyres are cold.

### TYRE REPAIR

If a leak or flat tyre occurs due to a puncture, the tyre may be repaired using a plug-type patch. If the damage is from a cut, or if the puncture cannot be repaired using a plug, replace the tyre.

### BRAKE ADJUSTMENT

See page 102.

If the mower travels further before stopping when stepping on the brake pedal, the brakes need adjusting.

After final adjustment, test the brakes by driving the mower at normal speed on flat ground to be sure that the mower stops quickly when brake pedal is stepped on.

### CLEARING BLOCKAGES

- Turn off the product, engage the parking brake, and remove the start key. Set the cutting deck to the maximum height. Make sure that all moving parts have come to a complete stop.

- Always wear heavy-duty gloves when checking or clearing a blockage. The blades are sharp and the blockage itself could be a sharp object.
- Check and carefully clear the side discharge chute for blockages.
- Carefully remove any found blockages. Remember that the blade may move during cleaning.

### KNOW YOUR PRODUCT

See page 90.

#### 1. Blade engage knob

The blade engage knob activates or stops the cutting blades.

- Pull up the blade engage knob to activate the blades.
- Press the blade engage knob to stop the blades.

**NOTE:** The blades should stop within 5 seconds. If the blades do not stop, contact an authorised service centre.

#### 2. Headlight button

The headlight button turns the headlights ON and OFF.

#### 3. Power switch

The power switch turns the product ON and OFF. The start key must be inserted before the switch can be operated. When the key is in the accessory position, the power switch is also used to power optional manufacturer-approved mower accessories.

#### 4. Reverse mode button

The reverse mode button turns on the blades when manoeuvring in the reverse direction.

**NOTE:** The blades do not turn on during reverse operation if the reverse mode button is not pressed and the blade engage knob is not pulled up.

#### 5. Battery level indicator / hour meter

The battery level indicator shows the amount of battery charge remaining. The hour meter tracks the total number of hours the product has been used (key in on position) for maintenance purposes.

#### 6. Seat (with operator presence safety interlock system)

The seat has an interlock system that stops the blades if the operator leaves the mower while the blades are running.

Test the system before each use to ensure that it is working correctly.

1. Press the blade engage knob to stop the blades.
2. Insert the start key, and turn it to the ON position.
3. Pull up the blade engage knob to activate the blades.
4. Briefly stand up but do not get off the mower.

The blades should stop within 5 seconds. If the blades do not stop, contact an authorised service centre.

Do not operate the mower until the safety interlock system has been repaired.

#### 7. Charging port

The charging port connects the charger to the mower. The LED indicator provides the status of the battery during charging.

#### 8. Hitch plate

The hitch plate can be used to tow loads of 136 kg (300 lbs.) or less.

#### 9. Cup holder

The cup holder provides a convenient place to store cups or water bottles.

#### 10. Deck height adjustment lever

The deck height adjustment lever raises or lowers the cutting deck.

### 11. Seat adjustment lever

The seat adjustment lever moves the seat to the preferred position.

### 12. Parking brake

The parking brake locks the product in the brake position.

### 13. Side discharge chute with safety interlock system

The side discharge chute deflects grass clippings. Before using the product, check that the side discharge chute is properly closed. It has an interlock system that stops the blades if the chute is accidentally opened during operation.

Stop using the product and have it serviced by an authorised service centre if the blades do not stop when the side discharge chute is lifted during use by an obstacle.

### 14. Reverse pedal

The reverse pedal sets the product to manoeuvre in reverse.

**NOTE:** To cut in reverse, the reverse mode button must also be pressed.

### 15. Brake pedal

The brake pedal slows down and stops the product.

### 16. Accelerator pedal

The accelerator pedal controls the forward speed of the product.

### 17. Headlights

The headlights illuminate the mowing path.

### 18. Start key

The start key turns the power switch to the on, off, or accessory position.

### 19. Mulch cover

The mulch cover covers the side discharge chute, which allows the mower blade to cut and recut for finer clippings.

### 20. Charger

The charger recharges the batteries of the product. It has a keyhole hanging feature for convenient, space-saving storage. When hanging by the keyhole slots, use at least one additional screw in the hole in the mounting flange to secure in place. Always mount the charger in such a way that the charger's LED status light is visible while charging.

### 21. Operator's Manual

The operator's manual provides important safety warnings and instructions on how to properly and safely operate and maintain the product.

## SYMBOLS ON THE PRODUCT



Safety alert



Read and understand all instructions before operating the product. Follow all warnings and safety instructions.



Keep all bystanders, especially children and pets, at least 30 m away from the operating area.



Never carry passengers or children, even when the blades have stopped.



Always look down and behind you before and during backing and make sure children, bystanders, and pets are clear of the area.



Do not operate the product on inclines greater than 15°. Mow up and down slopes, not across.



Guaranteed sound power level



Keep hands and feet away from the blade and cutting area.



Do not step on the cutting deck or on the side discharge chute. Beware of thrown or flying objects.



Keep all bystanders, especially children and pets, at least 30 m away from the operating area.



Remove the start key before maintenance. Beware of thrown or flying objects.



Brake  
Step on the brake pedal to stop the product.



Parking brake



Accelerate  
Step on the accelerator pedal to move forward or backward.



Charging port



European Conformity Mark



British Conformity Mark



EurAsian Conformity Mark



Pull up the blade engage knob to activate the blades. Press the blade engage knob to stop the blades.



The product can be operated in reverse with blades engaged when RMO button is pushed and red button light is on. Always look down and behind you before and when manoeuvring in reverse. Mowing in reverse is not recommended.





Waste electrical products should not be disposed of with household waste. Please recycle where facilities exist. Check with your local authority or retailer for recycling advice.



Ukraine Conformity Mark



For indoor use only

T15A

Time-lag fuse type



To reduce the risk of injury, the user must read and understand user's manual before using this product.



Burst hazard



To reduce the risk of injury or damage, avoid contact with any hot surface.



Failure to use in dry conditions and to observe safe practices can result in electric shock.



Electric shock hazard.



Always unplug the charger from the power supply before connecting to or disconnecting from the battery.



Do not expose the product to rain or use in damp locations.



Keep the product away from all sources of ignition, sparks, and flames. Do not cover any ventilation slots, and provide adequate ventilation during operation.



Keep the product out of the reach of children or untrained individuals.



Wear eye protection.



The battery pack contains acid. If acid comes in contact with skin or clothing, flush immediately with water for 10 minutes.



If liquid gets into your eyes, flush them with clean water for at least 10 minutes, then seek immediate medical attention



Non-spillable. Battery must be recycled.

Pb



The product contains lead-acid batteries. Local regulations may prohibit disposal of lead-acid batteries in ordinary trash. Consult your local waste authority for information regarding available recycling and/or disposal options.



Stopping the mower



Parking the mower



Stop the mower on a flat, level surface. Do not stop the product on slopes.



Press the blade engage knob to stop the blades.



Step on the brake pedal to stop the product.



Step on the parking brake pedal to engage the parking brake.



Turn the start key to the OFF position.



Remove the start key.



Driving the mower



Mowing in reverse



Insert the start key, and turn it to the ON position.



Pull up the blade engage knob to activate the blades.



Step on the accelerator pedal.



Press the reverse mode button.



Step on the reverse pedal.

- If no ramp is available, slowly and carefully drive the product off the frame in reverse while looking down and behind. Driving the product off the frame in the forward direction without a ramp can cause damage to the cutting deck.

## SYMBOLS IN THIS MANUAL



Parts or accessories sold separately



Note



Warning

## UNPACKING

See page 88-89.

- Remove and set aside all accessible packaging and wrap from the unit and parts. Do not discard the packing material until you have carefully inspected and satisfactorily operated the product.
- Inspect the product carefully to ensure that no breakage or damage occurred during shipping.
- If any parts are damaged or missing, contact an authorised service centre. Do not assemble the product until the parts are replaced with new original manufacturer's parts. Assembling the product with damaged, missing, or incorrect parts could result in serious personal injury.
- If any parts are already assembled to the product when you unpack it, verify that the part is assembled correctly, is properly tightened, and is torqued correctly (where applicable) before proceeding to the next assembly step. The use of a product that may have been improperly assembled could result in serious personal injury.

## ASSEMBLY

See page 92-94.

- The product should be assembled while positioned on the bottom frame. When assembly is complete, set the cutting deck to its maximum height, then position a ramp next to the frame bottom, and slowly and carefully drive the product off the frame.
- Strictly adhere to all torque wrench tightening specifications. Failure to do so could cause serious personal injury.
- To prevent accidental starting that could cause serious personal injury, always remove the start key from the product when assembling the parts.
- Use care when driving the product off of the frame, and step on the brake pedal as needed to control the speed. The product freely rolls if it is moved on an inclined surface without stepping on the brake pedal or engaging the parking brake. Failure to follow these instructions can result in loss of control and result in death, serious personal injury, or property damage.

## CHARGER LED INDICATOR

| Charger status | Connected to   |       | LED     |               | Status   |
|----------------|--|-------|---------|---------------|--|
|                | Power supply   | Mower | Charger | Mower         |  |
| Standby        | Yes  | No    | On      | Off           | Ready to charge battery pack   |
| Charging       | Yes  | Yes   | On      | Slow flashing | —  |
| Charger error  | Yes  | Yes   | Off     | Fast flashing | Battery temperature, battery capacity, or charger may be faulty.       |
|                | If the LED status shows error, wait for about 15 minutes to allow the battery and charger to cool down.<br>If the LED status repeats a second time, reset the charger or reinsert the battery.<br>If a different charger charges normally, the charger may be defective.<br>If a different battery charges normally, battery capacity may be faulty. |       |         |               |  |
| Fully charged  | Yes  | Yes   | On      | On            | Fast charging is complete; charger maintains charge mode.              |
| Interlock      | No   | Yes   | Off     | Fast flashing | The plug is still connected to the mower. The mower cannot be started. |
| Defective      | Yes  | Yes   | On      | Fast flashing | The battery pack could be defective.                                   |
|                | If the LED status shows defective, reset the charger or reinsert the battery.<br>If the LED status repeats a second time, try charging a different battery.<br>If a different battery charges normally, dispose of the defective pack (see maintenance section).   |       |         |               |  |

## MAINTENANCE SCHEDULE

|  | Inspect before each use | Every 25 hours | Every 50 hours or yearly | Before storage | Once a month during storage |
|--|-------------------------|----------------|--------------------------|----------------|-----------------------------|
| Check the brake operation.   | x                       |                |                          |                |                             |
| Check the tyre pressure.   | x                       |                |                          |                |                             |
| Check side discharge chute and operator presence safety interlock systems. | x                       |                |                          |                |                             |
| Check for loose fasteners.   | x                       |                |                          | x              |                             |
| Remove all foreign materials from the product.                             | x                       |                |                          | x              |                             |
| Check / Replace mulching blades.   | x                       | x              |                          |                |                             |
| Clean battery terminals.   |                         |                | x                        |                |                             |
| Check and charge the battery.  | x                       |                |                          |                | x                           |

**NOTE:** Maintenance should be performed more frequently when the product is used in dusty areas.

When the product has exceeded the maximum figures specified in the table, maintenance should still be cycled according to the intervals of time or hours stated herein.

If you are unsure how to perform any of the maintenance items listed above, have the product serviced by an authorised service centre only.

## TROUBLESHOOTING

If these solutions do not solve the problem, contact an authorised service centre.

| Problem                                     | Possible cause   | Solution   |
|---|--|--|
| The product does not start.                 | The battery charge is low.   | Charge the battery.  |
|   | The charger is connected to the product.                             | Disconnect the charger from product.   |
|   | The start key is not installed or is in the OFF position.            | Insert the start key, and turn it to the ON position.  |
| The product does not move.                  | Poor battery cable connections                                       | Check and clean all the battery connections.   |
|   | The start key is not installed or is in the OFF position.            | Insert the start key, and turn it to the ON position.  |
|   | The parking brake is engaged.  | Disengage the parking brake.   |
| The product is cutting grass unevenly.      | The brake pedal is pressed and/or accelerator pedal is not pressed.  | Release the brake pedal, and step on the accelerator pedal.  |
|   | The charger is connected to the product.                             | Disconnect the charger from product.   |
|   | The tyre air pressure is uneven.                                     | Check the air pressure in all four tyres.  |
| The product is not mulching properly.       | The mower deck is not level.   | Perform cutting deck level adjustment.   |
|   | The blade is worn, bent, loose, or dull.                             | Replace the blade.   |
|   | There is build-up of debris under the product.                       | Clean the underside of the mower deck.   |
| The product is vibrating at a higher speed. | The mowing speed is too fast.  | Mow at a slower speed.   |
|   | There are wet grass clippings sticking to the underside of the deck. | Wait until the grass dries before mowing.  |
|   | The grass is too high.   | Mow once at a high cutting height, then mow again at the preferred height.   |
| The product is vibrating at a higher speed. | The blade is worn, bent, loose, or dull.                             | Replace the blade.   |
|   | The mowing speed is too fast.  | Mow at a slower speed.   |
|   | The blade is unbalanced, loose, or excessively or unevenly worn.     | Replace the blade.   |
| Poor grass discharge.                       | The motor shaft is bent.   | Stop the motor, and remove the start key. Inspect the product for damage. Have the product serviced by an authorised service centre before restarting. |
|   | The side discharge chute or opening is plugged.                      | Clean the side discharge chute and opening.  |
|   | The grass is wet.  | Allow grass to dry before mowing.  |
| Poor grass discharge.                       | The mowing speed is too fast.  | Mow at a slower speed.   |
|   | The grass is too high.   | Mow once at a high cutting height, then mow again at the desired height.   |

|  |   |   |
|--|---|---|
| The motor stops while cutting.   | The cutting height is set too low.  | Raise the cutting height.   |
|  | The battery charge is low.  | Charge the battery.   |
| The blades do not rotate.  | The battery charge is low.  | Charge the battery.   |
|  | The side discharge interlock switch is not pressed by the side discharge chute. | Push down the side discharge chute, and make sure that it fully presses the side discharge interlock switch.  |
|  | The blade engage knob is down.  | Pull up the blade engage knob to activate the blades.   |
|  | The operator is not fully seated.   | Fully sit down on the seat.   |
| The blades do not rotate while moving in reverse.  | There is build-up of debris under mower.  | Clean the underside of the mower deck.  |
|  | The reverse mode option is off.   | Press the reverse mode button to activate reverse mode.   |
| The product won't reach full speed.  | The blade engage knob is down.  | Pull up the blade engage knob to activate the blades.   |
|  | The battery charge is low.  | Charge the battery.   |
| The blades continue to turn after the operator leaves the seat without engaging the parking brake. | The safety interlock system is not functioning correctly.                       | Ensure that the safety interlock system seat plug is fully connected. If the blades still won't stop, have the product serviced by an authorised service centre only. |
| The headlights are not working.  | The headlights are off.   | Press the headlight button to turn on the headlights.   |
|  | The headlights are damaged.   | Replace the headlights.   |
| The battery does not charge.   | The battery cells are bad.  | Replace the battery.  |
|  | The cable connections are poor.   | Check and clean all the battery connections.  |

## FREQUENTLY ASKED QUESTIONS

- Should the mower remain plugged into the charger when not in use?
  - Yes, continually charge the mower when not in use.
- What is the recommended tyre air pressure, and how often should I check the air pressure in the tyres?
  - For best performance, the tyre air pressure should be 1.4 bar. Check the air pressure in all four tyres before each use.
- What can cause the blades to stop during use?
  - Check the battery level indicator. The deck motor turns off when the battery power gets low to allow you enough time to drive back to the charging location. Drive back and charge the battery immediately.
- If the battery level is not low, slow down or raise the cutting deck to a higher level. High load applications can also cause one or both deck motors to stop.
  - Check that the side discharge chute is properly closed. Push down the side discharge chute, and make sure that it fully presses the side discharge interlock switch.
- When coasting downhill, why does the mower sometimes accelerate and sometimes does not?
  - For your safety and better performance, the mower is designed to automatically limit its speed when travelling on a slope, which may cause fluctuations in speed.
- Why does the mower make a beeping sound when I drive in reverse?
  - To alert anyone nearby of the mower's location.
- When operating the mower, how do I bring the mower to a complete stop?
  - Step on the brake pedal to stop the product. The product is not a hydrostatic drive.
- Why does the mower make a beeping sound when I leave the seat?
  - The parking brake has not been engaged or the start key is still installed and in the ON position. Always remove the key when the mower is not in use.
- When should I use the parking brake?
  - Always engage the parking brake before getting off the mower.
- Can I rinse off the mower deck with a garden hose?
  - Do not clean the product with water. Use a blower or air compressor to clean it.

Votre tondeuse autoportée a été conçue en donnant priorité à la sécurité, à la performance et à la fiabilité.

## UTILISATION PRÉVUE

La tondeuse autoportée est exclusivement destinée à un usage extérieur.

Ce produit est destiné à la tonte du gazon par les particuliers. La lame de coupe doit tourner en position à peu près parallèle au sol sur lequel l'appareil se déplace. L'ensemble des quatre roues doit toucher le sol au cours de la tonte.

Le produit doit uniquement être utilisé dans le cadre d'applications domestiques, par des adultes ayant reçu une formation adéquate concernant les risques et les mesures de prévention à prendre lors de l'utilisation du produit.

Utilisez ce produit pour aucun autre travail.

## AVERTISSEMENTS DE SÉCURITÉ GÉNÉRAUX CONCERNANT LE PRODUIT

**⚠ AVERTISSEMENT!** Lire l'ensemble des instructions des mises en garde de sécurité, des illustrations et des spécifications fournies avec ce produit. Le non-respect des instructions présentées ci-après peut entraîner des accidents tels que des incendies, des chocs électriques et/ou des blessures corporelles graves.

Veillez conserver tous les avertissements et toutes les instructions pour pouvoir vous y reporter ultérieurement.

Dans les avertissements, l'expression « outil électrique » fait référence au produit alimenté sur le secteur (à fil) ou sur batterie (sans fil).

## SÉCURITÉ DE LA ZONE DE TRAVAIL

- **Conserver la zone de travail propre et bien éclairée.** Les zones en désordre ou sombres sont propices aux accidents.
- **Ne pas faire fonctionner les outils électriques en atmosphère explosive, par exemple en présence de liquides inflammables, de gaz ou de poussières.** Les outils électriques produisent des étincelles qui peuvent enflammer les poussières ou les fumées.
- **Maintenir les enfants et les personnes présentes à l'écart pendant l'utilisation de l'outil électrique.** Les distractions peuvent vous faire perdre le contrôle de l'outil.

## SÉCURITÉ ÉLECTRIQUE

- **Il faut que les fiches de l'outil électrique soient adaptées au socle. Ne jamais modifier la fiche de quelque façon que ce soit. Ne pas utiliser d'adaptateurs avec des outils électriques à branchement de terre.** Des fiches non modifiées et des socles adaptés réduisent le risque de choc électrique.
- **Éviter tout contact du corps avec des surfaces reliées à la terre telles que les tuyaux, les radiateurs, les cuisinières et les réfrigérateurs.** Il existe un risque accru de choc électrique si votre corps est relié à la terre.
- **Ne pas exposer les outils électriques à la pluie ou à des conditions humides.** La pénétration d'eau à l'intérieur d'un outil électrique augmente le risque de choc électrique.
- **Ne pas maltraiter le cordon. Ne jamais utiliser le cordon pour porter, tirer ou débrancher l'outil électrique. Maintenir le cordon à l'écart de la chaleur, du lubrifiant, des arêtes vives ou des parties en mouvement.** Des cordons endommagés ou emmêlés augmentent le risque de choc électrique.

- **Lorsqu'on utilise un outil électrique à l'extérieur, utiliser un prolongateur adapté à l'utilisation extérieure.** L'utilisation d'un cordon adapté à l'utilisation extérieure réduit le risque de choc électrique.
- **Si l'usage d'un outil électrique dans un emplacement humide est inévitable, utiliser une alimentation protégée par un dispositif à courant différentiel résiduel (RCD).** L'usage d'un RCD réduit le risque de choc électrique.

## SÉCURITÉ DES PERSONNES

- **Rester vigilant, regarder ce que vous êtes en train de faire et faire preuve de bon sens dans votre utilisation de l'outil électrique. Ne pas utiliser un outil électrique lorsque vous êtes fatigué ou sous l'emprise de drogues, de l'alcool ou de médicaments.** Un moment d'inattention en cours d'utilisation d'un outil électrique peut entraîner des blessures graves.
  - **Utiliser un équipement de protection individuelle. Toujours porter une protection pour les yeux.** Les équipements de protection individuelle tels que les masques contre les poussières, les chaussures de sécurité antidérapantes, les casques ou les protections auditives utilisés pour les conditions appropriées réduisent les blessures.
  - **Éviter tout démarrage intempestif. S'assurer que l'interrupteur est en position arrêt avant de brancher l'outil au secteur et/ou au bloc de batteries, de le ramasser ou de le porter.** Porter les outils électriques en ayant le doigt sur l'interrupteur ou brancher des outils électriques dont l'interrupteur est en position marche est source d'accidents.
  - **Retirer toute clé de réglage avant de mettre l'outil électrique en marche.** Une clé laissée fixée sur une partie tournante de l'outil électrique peut donner lieu à des blessures.
  - **Ne pas se précipiter. Garder une position et un équilibre adaptés à tout moment.** Cela permet un meilleur contrôle de l'outil électrique dans des situations inattendues.
  - **S'habiller de manière adaptée. Ne pas porter de vêtements amples ou de bijoux. Garder les cheveux et les vêtements à distance des parties en mouvement.** Des vêtements amples, des bijoux ou les cheveux longs peuvent être pris dans des parties en mouvement.
  - **Si des dispositifs sont fournis pour le raccordement d'équipements pour l'extraction et la récupération des poussières, s'assurer qu'ils sont connectés et correctement utilisés.** Utiliser des collecteurs de poussière peut réduire les risques dus aux poussières.
  - **Rester vigilant et ne pas négliger les principes de sécurité de l'outil sous prétexte que vous avez l'habitude de l'utiliser.** Une fraction de seconde d'inattention peut provoquer une blessure grave.
- ## UTILISATION ET ENTRETIEN DE L'OUTIL ÉLECTRIQUE
- **Ne pas forcer l'outil électrique. Utiliser l'outil électrique adapté à votre application.** L'outil électrique adapté réalise mieux le travail et de manière plus sûre au régime pour lequel il a été construit.
  - **Ne pas utiliser l'outil électrique si l'interrupteur ne permet pas de passer de l'état de marche à arrêt et inversement.** Tout outil électrique qui ne peut pas être commandé par l'interrupteur est dangereux et il faut le réparer.



- **Débrancher la fiche de la source d'alimentation et/ou enlever le bloc de batteries, s'il est amovible, avant tout réglage, changement d'accessoires ou avant de ranger l'outil électrique.** De telles mesures de sécurité préventives réduisent le risque de démarrage accidentel de l'outil électrique.
- **Conserver les outils électriques à l'arrêt hors de la portée des enfants et ne pas permettre à des personnes ne connaissant pas l'outil électrique ou les présentes instructions de le faire fonctionner.** Les outils électriques sont dangereux entre les mains d'utilisateurs novices.
- **Observer la maintenance des outils électriques et des accessoires.** Vérifier qu'il n'y a pas de mauvais alignement ou de blocage des parties mobiles, des pièces cassées ou toute autre condition pouvant affecter le fonctionnement de l'outil électrique. En cas de dommages, faire réparer l'outil électrique avant de l'utiliser. De nombreux accidents sont dus à des outils électriques mal entretenus.
- **Garder affûtés et propres les outils permettant de couper.** Des outils destinés à couper correctement entretenus avec des pièces coupantes tranchantes sont moins susceptibles de bloquer et sont plus faciles à contrôler.
- **Utiliser l'outil électrique, les accessoires et les lames etc., conformément à ces instructions, en tenant compte des conditions de travail et du travail à réaliser.** L'utilisation de l'outil électrique pour des opérations différentes de celles prévues peut donner lieu à des situations dangereuses.
- **Il faut que les poignées et les surfaces de préhension restent sèches, propres et dépourvues d'huiles et de graisses.** Des poignées et des surfaces de préhension glissantes rendent impossibles la manipulation et le contrôle en toute sécurité de l'outil dans les situations inattendues.

#### UTILISATION DES OUTILS FONCTIONNANT SUR BATTERIES ET PRÉCAUTIONS D'EMPLOI

- **Ne recharger qu'avec le chargeur spécifié par le fabricant.** Un chargeur qui est adapté à un type de bloc de batteries peut créer un risque de feu lorsqu'il est utilisé avec un autre type de bloc de batteries.
- **N'utiliser les outils électriques qu'avec des blocs de batteries spécifiquement désignés.** L'utilisation de tout autre bloc de batteries peut créer un risque de blessure et de feu.
- **Lorsqu'un bloc de batteries n'est pas utilisé, le maintenir à l'écart de tout autre objet métallique, par exemple trombones, pièces de monnaie, clés, clous, vis ou autres objets de petite taille qui peuvent donner lieu à une connexion d'une borne à une autre.** Le court-circuitage des bornes d'une batterie entre elles peut causer des brûlures ou un feu.
- **Dans de mauvaises conditions, du liquide peut être éjecté de la batterie; éviter tout contact. En cas de contact accidentel, nettoyer à l'eau. Si le liquide entre en contact avec les yeux, rechercher en plus une aide médicale.** Le liquide éjecté des batteries peut causer des irritations ou des brûlures.
- **Ne pas utiliser un bloc de batteries ou un outil fonctionnant sur batteries qui a été endommagé ou modifié.** Les batteries endommagées ou modifiées peuvent avoir un comportement imprévisible provoquant un feu, une explosion ou un risque de blessure.

- **Ne pas exposer un bloc de batteries ou un outil fonctionnant sur batteries au feu ou à une température excessive.** Une exposition au feu ou à une température supérieure à 130 °C peut provoquer une explosion.
- Suivre toutes les instructions de charge et ne pas charger le bloc de batteries ou l'outil fonctionnant sur batteries hors de la plage de températures spécifiée dans les instructions. Un chargement incorrect ou à des températures hors de la plage spécifiée de températures peut endommager la batterie et augmenter le risque de feu.

#### ENTRETIEN

- **Faire entretenir l'outil électrique par un réparateur qualifié utilisant uniquement des pièces de rechange identiques.** Cela assure le maintien de la sécurité de l'outil électrique.
- Ne jamais effectuer d'opération d'entretien sur des blocs de batteries endommagés. Il convient que l'entretien des blocs de batteries ne soit effectué que par le fabricant ou les fournisseurs de service autorisés.

#### MISES EN GARDE DE SÉCURITÉ CONCERNANT LA TONDEUSE AUTOPORTÉE

#### FORMATION

- Suivez les règles de sécurité lorsque vous utilisez le produit. Pour votre sécurité et celle des passants, veuillez lire ces instructions avant d'utiliser le produit. Veuillez conserver ces instructions pour vous -y reporter ultérieurement.
- Seuls des adultes responsables familiers avec les instructions et capables de les comprendre sont autorisés à utiliser le produit.
- Familiarisez-vous avec les commandes du produit ainsi qu'avec son utilisation correcte.
- Utilisez toujours des dispositifs de sécurité et de protection. N'utilisez pas le produit si la goulotte de décharge latérale n'est pas en place et si elle ne fonctionne pas correctement. Le couvercle de paillis doit être bien installé et fonctionner correctement lors du paillage.
- Si le produit n'est pas utilisé ou lors du changement d'accessoires, faites attention aux risques possibles. Vous réduirez ainsi les risques d'incendie, de décharge électrique et de blessures corporelles graves.
- Ne transportez jamais de passagers ou d'enfants, même une fois les lames immobilisées. Les passagers pourraient tomber et se blesser gravement, ou empêcher le bon fonctionnement du produit. Les enfants qui ont pu monter sur la tondeuse ou un tracteur dans le passé pourraient surgir subitement dans la zone de tonte pour monter à nouveau, et se faire ainsi renverser par le produit.
- Gardez à l'esprit que l'opérateur est responsable des accidents qui arrivent aux autres personnes présentes dans sa propriété.
- Ne laissez jamais les enfants ou les personnes aux capacités physiques, sensorielles ou mentales réduites, ni les personnes non familiarisées avec ces instructions utiliser, nettoyer ou entretenir le produit. Les lois locales peuvent imposer un âge minimum à l'opérateur. Les enfants doivent être bien surveillés afin de s'assurer qu'ils ne jouent pas avec le produit.





- Suivez les recommandations du fabricant concernant l'utilisation et l'installation correcte des accessoires. N'utilisez que les accessoires recommandés par le fabricant. L'utilisation d'accessoires inadaptés peut entraîner des risques de blessures corporelles graves.
- N'altérer jamais le fonctionnement du dispositif de sécurité, et n'atténuez pas la protection assurée par le dispositif de sécurité. Vérifiez régulièrement le bon fonctionnement des dispositifs de sécurité.
- N'utilisez jamais le produit lorsque des gens, en particulier des enfants, ou des animaux se trouvent à moins de 15 m à cause du risque de projection d'objets par la lame en rotation.
- N'utilisez pas le produit en cas de risque d'éclair.
- N'utilisez pas cet outil dans une zone mal éclairée. L'opérateur doit avoir une bonne vue d'ensemble de la zone de travail pour identifier les dangers éventuels.
- Gardez les mains et les pieds à distance de la zone de coupe qui se trouve sous le carter de coupe et à l'intérieur de la goulotte de décharge latérale. Ne vous approchez jamais de l'ouverture de la goulotte de décharge latérale. Ne mettez pas les mains ou des objets sous le carter de coupe
- Suivez les instructions concernant le changement d'accessoires.

## PRÉPARATION

- Portez des pantalons longs et épais, des manches longues, des chaussures antidérapantes robustes. Ne portez pas de pantalons courts ou de sandales, et ne travaillez pas pieds nus. Évitez de porter des vêtements amples ou qui possèdent des cordons ou attaches qui pendent.
- Portez toujours des lunettes de sécurité avec protections latérales. Portez un masque anti-poussière si l'opération est poussiéreuse.
- Les objets heurtés par la lame peuvent provoquer des blessures graves. Vérifiez avec soin la zone où vous allez utiliser la machine, et retirez-en tous les cailloux, bâtons, objets métalliques, câbles, os, jouets et autres objets étrangers. N'oubliez pas que de la ficelle ou du fil pourrait s'enchevêtrer dans les lames.
- Avant utilisation, inspectez toujours visuellement le produit afin de veiller à ce que les lames, les écrous de lame et l'ensemble de coupe ne sont ni usés ni endommagés.
- Ne dirigez jamais les produits déchargés vers qui que ce soit. Planifiez le schéma de tonte de façon à éviter les décharges de produit vers les personnes se tenant à proximité, les routes, les trottoirs, les fenêtres et les voitures. Évitez également l'éjection de matières vers les murs et obstacles, ce qui pourrait produire un ricochet renvoyant des objets vers l'opérateur.

## UTILISATION

- Avant de démarrer le produit :
  - Vérifiez le fonctionnement du frein.
  - Vérifiez la pression des pneus.
  - Vérifiez le bon serrage des attaches.
  - Assurez-vous que toutes les protections sont en place et qu'elles fonctionnent correctement.
  - Vérifiez le système de verrouillage de sécurité de la goulotte de décharge.
  - Vérifiez le système de verrouillage de sécurité de présence de l'opérateur.
- Réglez le siège à la position souhaitée.
- Vérifiez le niveau de charge de la batterie.
- Le produit doit être mis en marche avec l'utilisateur bien assis derrière le volant. Ne démarrez jamais le produit si:
  - L'ensemble des quatre roues ne repose pas sur le sol.
  - La goulotte de décharge latérale est exposée et n'est pas protégée par le couvercle de paillis
  - Les mains et les pieds de toutes les personnes présentes ne sont pas à l'écart du carter de coupe.
- Désengagez les lames lorsque le produit n'est pas utilisé.
- N'utilisez jamais dans un espace fermé.
- Arrêtez la lame pour franchir les surfaces gravillonneuses afin de ne pas éjecter de cailloux et de gravillons. Conduire le produit lentement et avec prudence afin d'éviter toute perte de contrôle.
- Mettez prudemment le produit sous tension conformément aux instructions et maintenez vos mains et vos pieds éloignés des lames. Ne mettez pas vos pieds ou vos mains sous les pièces en rotation ou à leur proximité.
- Ne tondez pas en marche arrière, sauf en cas de nécessité absolue. Avant et pendant la marche arrière, regardez derrière vous et vers le bas pour vous assurer qu'aucun enfant, individu ou animal domestique ne se trouve à proximité.
- Soyez particulièrement prudent lors de l'approche des angles morts, des buissons, des arbres et des autres objets, dont les arbustes en surplomb, qui peuvent bloquer la vue.
- Ralentissez avant de tourner.
- Ne laissez jamais le produit en marche sans surveillance. Serrez toujours le frein de stationnement, arrêtez les lames, arrêtez le moteur et retirez la clé de contact avant de descendre de la machine.
- Lors d'une utilisation à proximité d'une route, faites attention à la circulation. Ne faites pas fonctionner la tondeuse sur la route.
- Les pentes constituent un facteur majeur dans la survenue des pertes de contrôle et des renversements, et peuvent provoquer ainsi des blessures graves, voire mortelles. La tonte d'un terrain pentu demande des précautions supplémentaires. Ne tondez pas dans une pente s'il est impossible de la remonter en marche arrière ou en cas de manque de confiance quant à la manipulation de la tondeuse. N'utilisez jamais le produit dans des pentes de plus de 15°. Effectuez une copie du « Guide pour tondre en pente » située à la fin de ce manuel, ou découpez-le, et utilisez-le pour déterminer si la pente est trop abrupte pour un fonctionnement en toute sécurité.
  - Tondez dans le sens de la pente, pas en travers.
  - Évitez trous, racines, monticules, pierres et autres objets cachés. Le produit pourrait se retourner sur les terrains irréguliers. Les herbes hautes peuvent masquer les obstacles.
  - Procédez lentement afin d'éviter les arrêts soudains ou les accélérations accidentelles en pente.
  - Ne tondez pas de pelouse mouillée sur un terrain en pente. Les pneus peuvent perdre leur adhérence au sol et provoquer une perte de contrôle du produit.
  - Utilisez toujours les freins lors de la descente de la pente. Ne passez pas au point mort et ne descendez pas une pente en roue libre, au risque de perdre le contrôle du produit.

- Évitez tout démarrage, arrêt ou changement de direction en pente. Si les pneus perdent leur traction, désengagez les lames et descendez lentement la pente.
- Veillez à ce que tous les mouvements effectués en pente soient lents et progressifs. Ne changez pas subitement de vitesse ou de direction, au risque de provoquer un retournement du produit.
- Faites preuve de grande prudence lors de l'utilisation du produit avec des accessoires. Ceux-ci pourraient, en effet, affecter la stabilité du produit. N'utilisez jamais le produit dans des pentes de plus de 15°.
- Ne cherchez pas à stabiliser le produit en posant le pied au sol.
- N'utilisez pas le produit à proximité des à-pics, des fossés, des fortes pentes ou des talus. Le produit pourrait subitement se retourner si une roue passait sur une zone vide ou si les bords s'affaissaient, provoquant ainsi des blessures graves, voire mortelles.

### MISES EN GARDE DE SÉCURITÉ SUPPLÉMENTAIRES CONCERNANT LE CHARGEUR

- Le chargeur n'est prévu que pour une utilisation à l'intérieur.
- Ne rechargez pas les cellules primaires (non rechargeables).
- Avant chaque utilisation, vérifiez que le câble d'alimentation n'est pas endommagé. En cas de signe de dommages, faites procéder à son remplacement par une personne qualifiée ou par un centre de service agréé afin d'éviter tout danger.
- Chargez les produits à l'intérieur, dans une zone bien ventilée. Ne chargez pas le produit dans un espace confiné.
- Le chargeur est équipé d'une fiche comportant une broche de mise à la masse. Il doit être branché à une prise correspondante correctement installée et reliée à la terre, conformément à l'ensemble des codes et ordonnances en vigueur au niveau local. N'utilisez pas d'adaptateur et ne modifiez pas la prise fournie. Si elle ne peut pas être correctement insérée dans la prise, faites installer une prise adéquate par un électricien qualifié.

### MISES EN GARDE DE SÉCURITÉ SUPPLÉMENTAIRES CONCERNANT LA BATTERIE

- ⚠ **AVERTISSEMENT !** Risque d'incendie, d'explosion ou de brûlures. Ne désassemblez pas le bloc de batterie, ne l'exposez pas à une chaleur supérieure à 60 °C, et ne l'incinérez pas.
- Pour réduire le risque d'incendie, de blessures ou d'endommagement du produit causé par un court-circuit, n'immergez jamais l'outil, le bloc de batterie ou le chargeur dans du liquide, et ne laissez jamais de liquide pénétrer dans aucun d'entre eux. Les fluides corrosifs ou conducteurs, tels que l'eau de mer, certains produits chimiques industriels, les produits de blanchiment ou contenant des agents de blanchiment, etc. peuvent provoquer un court-circuit.
- Le bloc de batterie contient de l'acide. Si de l'acide entre en contact avec la peau ou des vêtements, rincez immédiatement à l'eau pendant 10 minutes. En cas de contact avec les yeux, consultez un médecin.

- Ne chargez pas les blocs de batterie présentant des signes de fuite. Mettez-les correctement au rebut.

### RETRAIT ET PRÉPARATION DU BLOC DE BATTERIE EN VUE DE SON RECYCLAGE

- Pour préserver les ressources naturelles, veuillez recycler ou mettre au rebut les batteries de façon appropriée.
- Le produit contient des batteries à l'acide de plomb. Il est possible que la réglementation locale interdise la mise au rebut de batteries à l'acide avec les ordures ménagères. Prenez contact avec votre organisme local de gestion des déchets pour obtenir des informations à propos des conditions de recyclage et/ou de mise au rebut.

⚠ **AVERTISSEMENT!** Lorsque vous retirez une batterie, couvrez ses bornes avec un morceau de ruban adhésif épais. N'essayez pas de détruire ou de démonter le bloc de batterie ou de démonter l'un de ses composants. Les batteries à l'acide de plomb doivent être recyclées ou mises au rebut correctement. De même, ne touchez jamais les deux bornes avec un objet métallique et/ou avec une partie du corps, cela pourrait occasionner un court-circuit. Tenez le bloc de batterie à l'écart des enfants. Le non-respect de ces avertissements pourrait entraîner un incendie et/ou de graves blessures.

### TRANSPORT ET STOCKAGE

- Mettez le produit à l'arrêt, serrez le frein de stationnement et retirez la clé de contact. Assurez-vous que tous les éléments en mouvement se sont bien arrêtés. Laissez le produit refroidir suffisamment avant de le ranger ou de le transporter.
- Débarrassez l'appareil de tous les corps étrangers. Rangez-le dans un endroit frais, sec et correctement ventilé, hors de portée des enfants. La clé de contact doit également être retirée et stockée dans un endroit distinct, hors de portée des enfants.
- Ne le rangez pas à proximité d'agents corrosifs tels que des produits chimiques de jardinage ou des sels de dégel. Ne rangez pas le produit à l'extérieur.
- Faites preuve d'extrême prudence lors du chargement ou du déchargement du produit sur/ depuis une remorque ou un camion. Appuyez sur la pédale de frein si nécessaire pour contrôler la vitesse. Le produit roule librement s'il se déplace sur une surface inclinée sans que la pédale de frein ou le frein de stationnement ne soit actionné(e). Lors du chargement ou du déchargement du produit, ne dépassez pas l'angle de fonctionnement maximum recommandé de 15°.
- Soyez particulièrement prudent lorsque vous inclinez ou soulevez la machine pour l'entretenir, la nettoyer, la ranger ou la transporter. Les lames sont très affûtées. Gardez toutes les parties du corps éloignées de la lame lorsque celle-ci est à découvert.
- Sécurisez le produit si nécessaire à l'aide de sangles ou de câbles afin d'empêcher tout mouvement pendant le transport.

### TRANSPORT DES BATTERIES À L'ACIDE DE PLOMB

- Transportez les batteries en conformité avec les dispositions et règlements locaux et nationaux.
- Respectez toutes les exigences légales particulières concernant l'emballage et l'étiquetage des batteries lorsque vous confiez leur transport à un tiers. Assurez-vous qu'aucune batterie ne puisse entrer en contact avec

une autre batterie ou avec des matériaux conducteurs lors de son transport en isolant les bornes électriques avec du ruban adhésif ou des capuchons isolants non conducteurs. Ne transportez pas une batterie qui serait fendue ou qui fuirait. Demandez conseil au transporteur pour de plus amples informations.

## AVERTISSEMENTS DE SÉCURITÉ CONCERNANT LE REMORQUAGE

- Faites preuve de bon sens lors du remorquage. Une charge trop lourde lors d'un déplacement en pente est dangereuse. Les pneus peuvent perdre leur adhérence au sol et provoquer une perte de contrôle du produit.
- Suivez les recommandations du fabricant concernant les masses de roue ou les contrepoids.
- Le poids total remorqué ne doit pas dépasser la charge de remorquage maximale de 226,8 kg.
- Fixez l'équipement à remorquer uniquement au niveau de la plaque d'attelage.
- Ne laissez jamais d'enfant ni personne d'autre sur l'équipement remorqué.
- La distance d'arrêt augmente avec la vitesse et le poids de la charge remorquée. Déplacez-vous lentement et prévoyez un temps et une distance d'arrêt supplémentaire.
- N'effectuez pas de virage brusque lors du remorquage d'un équipement. Faites preuve de prudence supplémentaire lors de virages ou d'une utilisation de la machine dans des conditions de surface défavorables. Faites preuve de prudence lors d'une marche arrière.

## ENTRETIEN

- N'utilisez que des pièces détachées et accessoires d'origine constructeur. Le non-respect de cette précaution peut entraîner de mauvaises performances, des blessures, et annuler votre garantie.
- Assurez la bonne maintenance du produit et préservez-le en bon état de fonctionnement. Conservez les lames bien tranchantes et veillez à ce que les protections soient en place et en bon état de fonctionnement. Afin d'empêcher les blessures graves, l'endommagement du produit et la dégradation des performances de celui-ci, remplacez les lames endommagées, tordues, fissurées ou inégalement usées. Un mauvais équilibrage de la lame provoque des vibrations susceptibles d'endommager l'unité d'entraînement du moteur ou de provoquer des blessures personnelles.
- N'effectuez jamais de réparations ou d'ajustements lorsque le moteur tourne et que les lames sont en mouvement.
- Retirez la clé de contact du produit avant de procéder au stockage, à l'entretien ou à un changement d'accessoire ; ces mesures de sécurité réduisent le risque de démarrer le produit par accident.
- Mettez le produit à l'arrêt, serrez le frein de stationnement et retirez la clé de contact. Assurez-vous que tous les éléments en mouvement se sont bien arrêtés :
  - avant de laisser le produit sans surveillance (y compris pour la mise au rebut des déchets de tonte) ;
  - avant de nettoyer un blocage ou de décolmater la chute de décharge ;
  - avant de travailler sur le produit, de le vérifier ou de le nettoyer ;
  - avant de retirer le capot de paille ;
  - avant d'ouvrir le capot de la goulotte de décharge d'herbe ;

- après un choc avec un corps étranger.
  - Vérifiez minutieusement tout dommage éventuel de la machine.
  - Remplacez la lame au cas où elle serait endommagée de quelque façon que ce soit.
  - Réparez tout dommage avant de redémarrer la tondeuse et de reprendre la tonte.
- si le produit se met à vibrer de façon anormale (vérifiez immédiatement).
  - vérifiez les dommages éventuels, en particulier lorsque cela concerne les lames ;
  - remplacez la lame au cas où elle serait endommagée de quelque façon que ce soit ;
  - remplacez ou réparez toute pièce endommagée ;
  - vérifiez l'absence d'éléments desserrés et resserrez-les au besoin.
- Vous n'êtes autorisé à effectuer que les réglages et réparations décrits dans ce manuel. Pour les autres réparations, adressez-vous uniquement à un centre de service agréé.
- Contactez un centre de service agréé pour remplacer les étiquettes endommagées ou illisibles.
- Toute opération d'entretien au niveau du produit et du chargeur doit être effectuée exclusivement par du personnel de réparation qualifié. Les réparations et l'entretien effectués par du personnel non qualifié peuvent entraîner des blessures à l'opérateur et endommager l'appareil. Confiez l'entretien du produit à un centre de service agréé.
- Vérifiez régulièrement le bon serrage des écrous, vis et boulons pour vous assurer que le produit soit toujours en bon état de fonctionnement.
- Les boulons de lame doivent être serrés au couple recommandé.
- Vérifiez les freins avant chaque utilisation et régulièrement en cours d'utilisation. Effectuez les ajustements et l'entretien des freins selon les besoins.
- La goulotte de décharge latérale est une protection actionnée par ressort qui couvre l'ouverture de la décharge latérale sur le carter de coupe et dirige les débris de coupe et l'herbe coupée en direction opposée à l'opérateur. Vérifiez toujours que le moteur est coupé et que les lames sont immobilisées avant de procéder à tout(e) inspection, déplacement, nettoyage ou entretien de la goulotte de décharge latérale.
- Remplacez toujours les lames usées ou endommagées ainsi que les boulons dans leur ensemble pour conserver l'équilibrage.
- Lors du réglage de la machine, prenez garde de ne pas vous coincer les doigts entre les lames et les parties fixes de la machine.
- Les lames de coupe continuent à tourner pendant plusieurs secondes une fois le moteur coupé. Lorsque vous entretenez les lames, soyez conscient que les lames ont toujours la possibilité de bouger, même si l'alimentation est coupée. Ne mettez jamais la moindre partie de votre corps dans le périmètre des lames tant que celles-ci n'ont pas fini de tourner.
- La lame dont est équipé le produit est très coupante. Soyez particulièrement prudent et portez des gants solides lorsque vous mettez en place, remplacez, nettoyez ou vérifiez le bon serrage de ses boulons.
- Après chaque utilisation, utilisez un chiffon propre et sec pour nettoyer le produit. Toute pièce endommagée doit être correctement remplacée ou réparée par un centre de service agréé.

- Maintenez le produit exempt d'herbe, de feuilles ou de toute autre accumulation de débris.
- Ne nettoyez pas le produit avec de l'eau. Nettoyez-le avec un produit à jet d'air, tel qu'un compresseur ou une souffleuse de feuilles

## ENTRETIEN DES PNEUS

Le produit est équipé de pneus sans tube aux dimensions suivantes :

- Avant: 33 x 13 x 15 cm
- Arrière: 40 x 16 x 20 cm

L'usure des pneus affecte l'adhérence des pneus et augmente ainsi les risques d'accident. Remplacez les pneus lorsque la profondeur de la nervure est inférieure ou égale à 4 ou dès lors que le pneu est endommagé. Utiliser toujours des pneus de rechange originaux. L'utilisation de pneus incorrects sur le produit pourrait provoquer une perte de contrôle et provoquer des blessures graves.

Confiez le remplacement des pneus à un centre de service agréé.

## PRESSIION DE GONFLAGE DES PNEUS

Avant utilisation, vérifiez la pression de gonflage de tous les pneus. Une mauvaise pression de gonflage affectera la manipulation, la réaction de direction, la traction, la durée de vie des pneus, la régularité de coupe et le confort de l'opérateur. Vérifiez que les pneus sont gonflés à la pression recommandée (1,4 bar).

La pression des pneus doit être mesurée ou ajustée uniquement lorsque les pneus sont froids.

## RÉPARATION DES PNEUS

En cas de dégonflage total ou partiel lié à une crevaison, le pneu peut être réparé au moyen d'une rustine. En cas de dommage causé par une coupure ou si la crevaison ne peut être réparée à l'aide d'une rustine, remplacez le pneu.

## RÉGLAGE DES FREINS

Voir page 102.

Si la tondeuse se déplace plus loin avant de s'arrêter lorsque l'opérateur appuie sur la pédale de frein, il se peut que les freins nécessitent un réglage.

Après un dernier réglage, testez les freins. Pour cela, conduisez la tondeuse à une vitesse normale sur un terrain plat afin de vérifier qu'elle s'arrête rapidement lors d'une pression sur la pédale de frein.

## RETIRER LES BLOCAGES

- Mettez le produit à l'arrêt, serrez le frein de stationnement et retirez la clé de contact. Réglez le carter de coupe à la hauteur maximale. Assurez-vous que tous les éléments en mouvement se sont bien arrêtés.
- Portez toujours des gants de protection épais lorsque vous vérifiez et dégagez un blocage. Les lames sont tranchantes. Le blocage peut être provoqué par un objet tranchant.
- Vérifiez que la goulotte de décharge latérale est exempte de blocage et dégagez toute éventuelle obstruction.
- Retirez soigneusement tout éventuel blocage. Notez que la lame peut bouger pendant le nettoyage.

## APPRENEZ À CONNAÎTRE VOTRE PRODUIT

Voir page 90.

### 1. Bouton d'activation de lame

Le bouton d'activation de la lame active ou désactive les lames de coupe.

- Tirez sur le bouton d'activation des lames pour activer les lames.
- Appuyez sur le bouton d'activation des lames pour arrêter les lames.

**REMARQUE:** Les lames devraient s'arrêter dans un intervalle de 5 secondes. Si les lames ne s'arrêtent pas, contacter un centre de service agréé.

### 2. Bouton Phare

Le bouton de phare permet d'allumer et d'éteindre les phares.

### 3. Interrupteur

L'interrupteur permet d'activer/désactiver le produit. La clé de contact doit être insérée avant de pouvoir actionner l'interrupteur. Une fois la clé en position accessoire, l'interrupteur permet également d'alimenter les accessoires de tonte approuvés par le fabricant sous tension.

### 4. Bouton de mode Marche arrière

Le bouton de marche arrière active les lames lorsque la tondeuse se déplace en marche arrière.

**REMARQUE:** Les lames ne fonctionnent pas pendant l'utilisation en marche arrière si le bouton de marche arrière n'est pas enfoncé et que le bouton d'activation des lames est relevé.

### 5. Indicateur de niveau de batterie/compteur horaire

L'indicateur de niveau de la batterie indique la quantité de charge de batterie restante. Le compteur horaire décompte le nombre total d'heures de fonctionnement du produit (clé de contact sur marche) à des fins de maintenance.

### 6. Siège (avec système de verrouillage de sécurité de présence de l'opérateur)

Le siège est doté d'un système de verrouillage qui arrête les lames si l'opérateur quitte la tondeuse alors que les lames sont en cours de fonctionnement.

Tester le système avant chaque utilisation pour vérifier son bon fonctionnement.

1. Appuyez sur le bouton d'activation des lames pour arrêter les lames.
2. Insérez la clé de contact et mettez-la en position de marche.
3. Tirez sur le bouton d'activation des lames pour activer les lames.
4. Levez-vous un court instant, mais ne quittez pas la tondeuse.

Les lames devraient s'arrêter dans un intervalle de 5 secondes. Si les lames ne s'arrêtent pas, contactez un centre de service agréé.

N'utilisez pas le produit tant que le système de verrouillage de sécurité n'a pas été réparé.

### 7. Port de charge

Le port de charge connecte le chargeur à la tondeuse. L'indicateur LED affiche l'état de la batterie pendant le chargement.

### 8. Plaque d'attelage

La plaque d'attelage peut être utilisée pour remorquer des charges de 136 kg maximum.

### 9. Porte-gobelet

Le porte-gobelet fournit un espace pratique pour placer les tasses ou les bouteilles d'eau.

**10. Levier de réglage de la hauteur du carter de coupe**  
Le levier de réglage de la hauteur d'unité de coupe permet de rehausser ou d'abaisser le carter de coupe.

**11. Levier de réglage du siège**  
Le levier de réglage du siège permet de mettre le siège en position souhaitée.

**12. Frein de stationnement**  
Le frein de stationnement verrouille le produit en position de freinage.

**13. Système de verrouillage de sécurité de la goulotte de décharge latérale**

La goulotte de décharge latérale dévie les résidus de tonte. Avant d'utiliser le produit, vérifiez que la goulotte de décharge latérale est correctement fermée. Elle est dotée d'un système de verrouillage qui arrête les lames si elle s'ouvre accidentellement pendant l'utilisation.

Cessez d'utiliser le produit et confiez-en l'entretien à un centre de service agréé si les lames ne s'arrêtent pas lorsque la goulotte de décharge latérale est soulevée par un obstacle en cours d'utilisation.

**14. Pédale de marche arrière**  
La pédale de marche arrière configure le produit pour qu'il se déplace en marche arrière.

**REMARQUE:** Appuyez sur le bouton de marche arrière pour activer la marche arrière.

**15. Pédale de frein**  
La pédale de frein ralentit ou arrête le produit.

**16. Pédale d'accélération**  
La pédale régule la vitesse du produit.

**17. Phares**  
Les phares éclairent le chemin à tondre.

**18. Clé de contact**  
La clé de contact place l'interrupteur en position marche, arrêt ou accessoire.

**19. Couvercle de pailis**  
Le couvercle de pailis couvre la chute de décharge latérale, ce qui permet à la lame de la tondeuse de couper et de recouper pour obtenir des résidus de plus petite taille

**20. Chargeur**  
Le chargeur recharge les batteries de la tondeuse. Il comporte un crochet pour la clé de contact, pour un stockage pratique offrant un gain de place. Pour l'accrocher par les fentes de trou de serrure, insérez au moins une vis supplémentaire dans le trou présent dans la bride de montage pour le fixer en place. Montez toujours le chargeur de telle sorte que le voyant d'état LED du chargeur est visible lors de la charge.

**21. Manuel d'utilisation**  
Le manuel d'utilisation fournit d'importants avertissements concernant les risques et des instructions sur la façon d'utiliser et d'entretenir le produit correctement et en toute sécurité.



Gardez tous les passants, en particulier les enfants et les animaux, éloignés d'au moins 30 m de la zone de travail



Ne transportez jamais de passagers ou d'enfants, même une fois les lames immobilisées.



Regarder toujours vers le bas et derrière vous avant et pendant la marche arrière et veillez à ce qu'aucun enfant, observateur et animal domestique ne se tienne dans la zone.



N'utilisez jamais le produit sur des pentes de plus de 15°. Tondez dans le sens de la pente, pas en travers.



Niveau de puissance sonore garanti



Éloignez vos pieds et vos mains de la lame et de la zone de coupe.



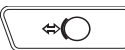
Ne montez pas sur le carter de coupe ou sur la goulotte de décharge latérale. Prenez garde à la projection d'objets au sol et dans les airs.



Gardez tous les passants, en particulier les enfants et les animaux, éloignés d'au moins 30 m de distance de la zone de travail.



Retirez la clé de contact avant tout entretien. Prenez garde à la projection d'objets au sol et dans les airs.



Frein  
Appuyez sur la pédale de frein pour arrêter le produit.



Frein de stationnement



Accélérer  
Appuyez sur la pédale de l'accélérateur pour se déplacer vers l'avant ou vers l'arrière.



Port de charge



Marque de conformité européenne



Marque de conformité britannique



Marque de conformité d'Eurasie

## SYMBOLES APPLIQUÉS SUR LE PRODUIT



Alerte de sécurité



Lisez et comprenez toutes les instructions avant d'utiliser le produit. Respectez l'ensemble des avertissements et consignes de sécurité



Tirez sur le bouton d'activation des lames pour activer les lames. Appuyez sur le bouton d'activation des lames pour arrêter les lames.



**RMO**

Le produit peut être utilisé en marche arrière, avec les lames engagées, lorsque le voyant rouge du bouton est allumé. Regardez toujours vers le bas et derrière vous avant et pendant les manœuvres en marche arrière. La tonte en marche arrière est déconseillée.

Les produits électriques hors d'usage ne doivent pas être jetés avec les ordures ménagères. Recyclez-les par l'intermédiaire des structures disponibles. Contactez les autorités locales ou votre distributeur pour vous renseigner sur les conditions de recyclage.



Marque de conformité ukrainienne



Utilisation à l'intérieur uniquement

**T15A**

Fusible temporisé



Afin de réduire les risques de blessures, il est indispensable de bien lire et de bien comprendre le présent manuel d'utilisation avant d'utiliser cet outil.



Risque d'éclatement



Pour réduire les risques de blessures ou de dommages, évitez tout contact avec les surfaces chaudes.



L'utilisation en milieu humide et le non-respect des consignes de sécurité peuvent entraîner une décharge électrique.



Risque de décharge électrique.



Débranchez toujours le chargeur de l'alimentation avant de le connecter à la batterie ou de la déconnecter de celle-ci.



N'exposez pas ce produit à la pluie et ne l'utilisez pas dans des endroits humides.



Tenez-vous éloigné(e) de toute source d'inflammation, des étincelles et des flammes. Ne couvrez pas les événements de ventilation et assurez une ventilation correcte en cours d'utilisation.



Gardez hors de portée des enfants et des personnes non entraînées.



Portez une protection oculaire.



Le bloc de batterie contient de l'acide. Si de l'acide entre en contact avec la peau ou des vêtements, rincer immédiatement à l'eau pendant 10 minutes.



Si du liquide pénètre dans vos yeux, rincez-les à l'eau claire pendant au moins 10 minutes, puis contactez immédiatement un médecin.



Non déversable. La batterie doit être recyclée.



Le produit contient des batteries à l'acide de plomb. Il est possible que la réglementation locale interdise la mise au rebut de batteries à l'acide avec les ordures ménagères. Prenez contact avec votre organisme local de gestion des déchets pour obtenir des informations à propos des conditions de recyclage et/ou de mise au rebut



Arrêt de la tondeuse



Stationnement de la tondeuse



Arrêtez la tondeuse sur une surface plane et de niveau. N'arrêtez pas la tondeuse sur une pente.



Appuyez sur le bouton d'activation des lames pour arrêter les lames.



Appuyez sur la pédale de frein pour arrêter la tondeuse.



Appuyez sur la pédale de frein pour enclencher le frein de stationnement.



Mettez la clé de contact en position d'arrêt.



Retirez la clé de contact.



Conduite de la tondeuse



Tonte en marche arrière



Insérez la clé de contact et mettez-la en position de marche.



Tirez sur le bouton d'activation des lames pour activer les lames.



Appuyez sur la pédale d'accélération.



Appuyez sur le bouton de mode marche arrière.



Appuyez sur la pédale de marche arrière.

## MONTAGE

Voir page 92-94.

- Le produit doit être assemblé lorsqu'il est positionné sur le bas du bâti. Une fois l'assemblage terminé, réglez le carter de coupe à sa hauteur maximale, positionnez une rampe sur le bas du bâti, puis dégager le produit du bâti en procédant de façon lente et avec prudence
- Observez scrupuleusement toutes les spécifications de serrage de la clé dynamométrique. Le non-respect de cet avertissement peut entraîner de graves blessures.
- Pour éviter tout démarrage accidentel pouvant provoquer des blessures graves, retirez toujours la clé de contact du produit lors de l'assemblage de pièces.
- Faites preuve de prudence lorsque vous faites descendre le produit du bâti et appuyez sur la pédale de frein au besoin pour contrôler la vitesse. Le produit roule librement s'il se déplace sur une surface inclinée sans que la pédale de frein ou le frein de stationnement ne soit actionné(e). Le non-respect de ces instructions peut entraîner une perte de contrôle et provoquer des blessures graves, voire mortelles, ainsi que des dommages matériels.
- Si aucune rampe n'est disponible, faites descendre lentement et soigneusement le produit en marche arrière tout en regardant vers le bas et vers l'arrière. Ne descendez pas le produit du bâti en marche avant et sans rampe, au risque d'endommager le carter de coupe.

EN  
FR  
DE  
DA  
SV  
FI  
NO

## SYMBOLES DE CE MANUEL



Pièces détachées et accessoires vendus séparément



Remarque



Avertissement

## DÉBALLAGE

Voir page 88-89.

- Retirez et mettez de côté l'ensemble du conditionnement et de l'emballage accessibles de l'unité et des pièces. Ne jetez pas les emballages avant d'avoir vérifié et utilisé avec succès le produit.
- Vérifiez le produit avec soin afin de vous assurer qu'il n'a pas été cassé ou endommagé durant le transport.
- Si une pièce quelconque est manquante ou abîmée, veuillez contacter un centre de service agréé. N'assemblez pas le produit avant d'avoir remplacé les pièces par des pièces neuves d'origine. L'assemblage du produit avec des pièces endommagées, manquantes ou incorrectes peut entraîner de graves blessures.
- Dans le cas où des pièces sont déjà assemblées sur le produit lorsque vous le déballez, vérifiez que la pièce est assemblée correctement, qu'elle est correctement serrée et que sa torsion est correcte (le cas échéant) avant de passer à l'étape d'assemblage suivante. L'utilisation d'un appareil qui aurait pu être mal monté est susceptible d'entraîner de graves blessures.

## INDICATEUR LED DU CHARGEUR

| Statut du chargeur | Connecté à  |          | LED      |                     | État  |
|--------------------|---|----------|----------|---------------------|---|
|                    | Alimentation  | Tondeuse | Chargeur | Tondeuse            |   |
| En attente         | Oui   | Non      | Allumé   | Éteint              | Chargeur prêt à recharger une batterie.                                     |
| En charge          | Oui   | Oui      | Allumé   | Freiner Clignotant  | —   |
| Erreur du chargeur | Oui   | Oui      | Éteint   | Clignotement rapide | Température de la batterie, capacité de la batterie ou chargeur défectueux. |
|                    | <p>Si l'état de la LED indique une erreur, attendez environ 15 minutes que la batterie et le chargeur refroidissent.</p> <p>Si l'état de la LED se répète, réinitialisez le chargeur ou réinsérez la batterie.</p> <p>Si un autre chargeur assure une charge normale, le chargeur est peut-être défectueux.</p> <p>Si une autre batterie charge normalement, il se peut que la capacité de la batterie pose problème.</p> |          |          |                     |   |
| Charge complète    | Oui   | Oui      | Allumé   | Allumé              | Le mode charge rapide est terminé, le chargeur continue de charger.         |
| Sécurité           | Non   | Oui      | Éteint   | Clignotement rapide | La fiche est toujours connectée à la tondeuse. La tondeuse ne démarre pas.  |
| Problème           | Oui   | Oui      | Allumé   | Clignotement rapide | Le bloc de batterie pourrait être défectueux.                               |
|                    | <p>Si l'état de la LED indique que le dispositif est défectueux, réinitialisez le chargeur ou réinsérez la batterie.</p> <p>Si l'état de la LED indique toujours un problème, essayez d'utiliser votre chargeur avec une autre batterie.</p> <p>Si une autre batterie peut être chargée normalement, débarrassez-vous de la batterie défectueuse (reportez-vous à la section Entretien).</p>                              |          |          |                     |   |

## PÉRIODICITÉ D'ENTRETIEN

|   | Vérifiez avant chaque utilisation | Toutes les 25 heures | Toutes les 50 heures ou tous les ans | Avant le remisage | Une fois par mois pendant le remisage |
|---|-----------------------------------|----------------------|--------------------------------------|-------------------|---------------------------------------|
| Vérifier le fonctionnement du frein.  | x                                 |                      |                                      |                   |                                       |
| Vérifier la pression des pneus.   | x                                 |                      |                                      |                   |                                       |
| Vérifier la goulotte de décharge et les systèmes de verrouillage de sécurité de présence de l'opérateur | x                                 |                      |                                      |                   |                                       |
| Vérifiez le bon serrage des attaches.   | x                                 |                      |                                      | x                 |                                       |
| Débarrassez l'appareil de tous les corps étrangers.   | x                                 |                      |                                      | x                 |                                       |
| Vérifier/remplacer les lames de paillage  | x                                 | x                    |                                      |                   |                                       |
| Nettoyer les bornes de la batterie  |                                   |                      | x                                    |                   |                                       |
| Vérifier et recharger la batterie.  | x                                 |                      |                                      |                   | x                                     |

**REMARQUE:** La maintenance doit être effectuée plus fréquemment lorsque le produit est utilisé dans des endroits poussiéreux.

Si le produit dépasse les chiffres maximums spécifiés dans le tableau, la maintenance doit être effectuée conformément aux intervalles de temps ou d'heures indiqués.

En cas de doute quant à la manière d'effectuer une des opérations de maintenance décrites précédemment, confiez l'entretien du produit à un centre de service agréé.



## GUIDE DE DÉPANNAGE

Si ces solutions ne résolvent pas le problème, contactez votre centre de service agréé.

| Problème                               | Cause possible  | Solution   |
|--|---|--|
| Le produit ne démarre pas.             | La charge de la batterie est faible.  | Chargez la batterie.   |
|  | Le chargeur est connecté au produit.  | Déconnectez le chargeur du produit.  |
|  | La clé de contact n'est pas installée ou se trouve en position d'arrêt.               | Insérez la clé de contact et mettez-la en position de marche.  |
| Le produit reste immobile.             | Mauvaise connexion des câbles de batterie   | Vérifiez et nettoyez l'ensemble des connexions de batterie.  |
|  | La clé de contact n'est pas installée ou se trouve en position d'arrêt.               | Insérez la clé de contact et mettez-la en position de marche.  |
|  | Le frein de stationnement est serré.  | Desserrez le frein de stationnement.   |
| La tonte se fait de façon inégale.     | La pédale de frein est enfoncée et/ou la pédale de l'accélérateur n'est pas enfoncée. | Relâchez la pédale de frein et appuyez sur la pédale de l'accélérateur.  |
|  | Le chargeur est connecté au produit.  | Déconnectez le chargeur du produit.  |
|  | La pression de gonflage des pneus est irrégulière.                                    | Vérifiez la pression de gonflage des quatre pneus.   |
| Le paillage se fait mal.               | Le carter de coupe n'est pas nivelé.  | Ajustez le niveau du carter de coupe.  |
|  | La lame est usée, tordue, desserrée ou émoussée.                                      | Remplacez la lame.   |
|  | Un amas de débris est présent sous le produit.  | Nettoyez le dessous du carter de coupe.  |
| Le produit vibre à une vitesse élevée. | La vitesse de tonte est trop élevée.  | Tondez plus lentement.   |
|  | De l'herbe humide coupée s'est agglutinée sous le carter.                             | Attendez que l'herbe ait séché avant de la tondre.   |
|  | L'herbe est trop haute.   | Tondez une première fois à une hauteur de coupe élevée, puis une deuxième fois à la hauteur souhaitée.   |
| Le produit vibre à une vitesse élevée. | La lame est usée, tordue, desserrée ou émoussée.                                      | Remplacez la lame.   |
|  | La vitesse de tonte est trop élevée.  | Tondez plus lentement.   |
|  | La lame est déséquilibrée, desserrée, très usée ou usée de façon irrégulière.         | Remplacez la lame.   |
| Le produit vibre à une vitesse élevée. | L'arbre moteur est tordu.   | Arrêtez le moteur et retirez la clé de contact. Inspectez minutieusement le produit afin de vérifier qu'il n'est pas endommagé. Confiez l'entretien du produit à un centre de service agréé avant de redémarrer. |

|  |  |  |
|--|--|--|
|  | La goulotte de décharge latérale ou l'ouverture est bouchée/obstruée.                          | Nettoyer la goulotte de décharge latérale et l'ouverture.  |
| Décharge d'herbe médiocre.   | L'herbe est mouillée.  | Laisser l'herbe sécher avant de tondre.  |
|  | La vitesse de tonte est trop élevée.   | Tondez plus lentement.   |
|  | L'herbe est trop haute.  | Tondez une première fois à une hauteur de coupe élevée, puis une deuxième fois à la hauteur souhaitée.   |
| Le moteur s'arrête en cours de tonte.  | La hauteur de coupe est réglée trop bas.   | Augmentez la hauteur de coupe.   |
|  | La charge de la batterie est faible.   | Chargez la batterie.   |
| Les lames ne tournent pas.   | La charge de la batterie est faible.   | Chargez la batterie.   |
|  | La commande de verrouillage de décharge n'est pas activé par la goulotte de décharge latérale. | Appuyez sur la goulotte de décharge latérale et assurez-vous qu'elle appuie bien sur le contacteur de verrouillage de décharge latérale.   |
|  | Le bouton d'engagement de la lame est enfoncé.   | Tirez sur le bouton d'activation des lames pour activer les lames.   |
|  | L'opérateur n'est pas bien assis.  | Bien s'asseoir sur le siège.   |
| Les lames ne tournent pas lors d'une tonte en marche arrière.  | Un amas de débris est présent sous la tondeuse.  | Nettoyez le dessous du carter de coupe.  |
|  | Le mode de fonctionnement en marche arrière est désactivé.                                     | Appuyer sur le bouton de marche arrière pour activer la marche arrière.  |
| Le produit n'atteint pas sa vitesse maximale.  | Le bouton d'engagement de la lame est enfoncé.   | Tirer le bouton d'activation des lames pour activer les lames.   |
|  | La charge de la batterie est faible.   | Chargez la batterie.   |
| Les lames continuent à tourner alors que l'opérateur a quitté son siège sans serrer le frein de stationnement. | Le système de verrouillage de sécurité ne fonctionne pas correctement.                         | Assurez-vous que la fiche du siège du système de verrouillage de sécurité est bien connectée. Si les lames ne s'arrêtent pas, confiez l'entretien du produit à un centre de service agréé. |
| Les phares ne fonctionnent pas.  | Les phares sont éteints.   | Appuyez sur le bouton des phares pour allumer les phares.  |
|  | Les phares sont endommagés.  | Remplacez les  |
| La batterie ne charge pas.   | Les cellules des batteries sont endommagées.   | Changez la batterie.   |
|  | Les connexions de câble sont défectueuses.   | Vérifiez et nettoyez l'ensemble des connexions de  |

## QUESTIONS FRÉQUEMMENT POSÉES

- La tondeuse doit-elle restée branchée au chargeur lorsqu'elle n'est pas utilisée ?
  - Oui, chargez la tondeuse en continu lorsqu'elle n'est pas utilisée.
- Quelle est la pression de gonflage recommandée pour les pneus et à quelle fréquence dois-je vérifier la pression des pneus ?
  - Pour des performances optimales, la pression des pneus doit être de 1,6 bar. Avant utilisation, vérifiez la pression de gonflage de tous les pneus.
- Pour quelle raison les lames pourraient-elles s'arrêter en cours d'utilisation ?
  - Vérifiez l'indicateur de niveau de la batterie. Le moteur du carter de coupe s'arrête lorsque l'alimentation de la batterie est faible, afin de laisser à l'opérateur suffisamment de temps pour retourner au point de charge. Revenez immédiatement au point de charge et chargez la batterie.
- Si la charge de la batterie n'est pas faible, ralentissez ou rehaussez le niveau du carter de coupe. Les applications à charge élevée peuvent également provoquer l'arrêt de l'un ou l'autre des moteurs du carter de coupe.
  - Vérifiez que la goulotte de décharge latérale est correctement fermée. Appuyez sur la goulotte de décharge latérale et assurez-vous qu'elle appuie bien sur le contacteur de verrouillage de décharge latérale.
- Lors de la descente d'une pente en roue libre, pourquoi est-ce que la tondeuse accélère par moments et pas à d'autres ?
  - Pour votre sécurité et afin d'assurer des performances optimales, la tondeuse est conçue pour limiter automatiquement sa vitesse lors d'un déplacement en pente. Ceci pourrait entraîner des fluctuations de vitesse.
- Pourquoi la tondeuse émet-elle un avertissement sonore lorsque je conduis en marche arrière ?
  - Pour alerter toute personne se trouvant à proximité de la zone de tonte.
- Lors de l'utilisation de la tondeuse, comment immobiliser complètement la tondeuse ?
  - Appuyez sur la pédale de frein pour arrêter le produit. Ce produit n'est pas doté d'un dispositif d'entraînement hydrostatique.
- Pourquoi la tondeuse émet-elle un avertissement sonore lorsque je quitte le siège ?
  - Le frein de stationnement n'a pas été serré ou la clé de contact se trouve encore en position de marche. Retirez toujours la clé lorsque la tondeuse n'est pas utilisée.
- Quand dois-je utiliser le frein de stationnement ?
  - Engagez toujours le frein de stationnement avant de descendre de la tondeuse.
- Est-il possible de rincer le carter de coupe avec un tuyau d'arrosage de jardin ?
  - Ne nettoyez pas le produit avec de l'eau. Nettoyez-le avec une soufflante ou de l'air comprimé.

Sicherheit, Leistung und Zuverlässigkeit hatten oberste Priorität bei der Entwicklung Ihres Aufsitzmähers.

## BESTIMMUNGSGEMÄSSE VERWENDUNG

Der Aufsitzmäher ist ausschließlich zur Nutzung im Freien geeignet.

Das Produkt ist zum Rasenmähen im häuslichen Bereich vorgesehen. Das Messer dreht sich ungefähr parallel zum Boden, über den es sich bewegt. Alle vier Räder müssen beim Mähen den Boden berühren.

Er darf nur von Erwachsenen, die ausreichend über die Gefahren und Vorbeugungs-/ Schutzmaßnahmen unterwiesen wurden, für den Hausgebrauch verwendet werden.

Es darf zu keinen anderen Zwecken verwendet werden.

## ALLGEMEINE SICHERHEITSHINWEISE ZUM GERÄT

**⚠️ WARNUNG! Lesen Sie aufmerksam alle mit diesem Werkzeug gelieferten Warnungen, Anweisungen und Spezifikationen, beziehen Sie sich auf die Illustrationen.** Die Nichtbeachtung der weiter unten aufgeführten Anweisungen kann Unfälle wie Brände, Elektroschocks und/oder schwere Körperverletzungen zur Folge haben.

**Bewahren Sie alle Sicherheitshinweise und Anweisungen für die Zukunft auf.**

Der Begriff „Elektrogerät“ in den Warnhinweisen bezieht sich auf Ihr über einen Stromanschluss (mit Stromkabel) oder mit einem Akku (kabellos) betriebenes Gerät.

## ARBEITSPLATZSICHERHEIT

- **Halten Sie Ihren Arbeitsbereich sauber und gut beleuchtet.** Unordnung oder unbeleuchtete Arbeitsbereiche können zu Unfällen führen.
- **Arbeiten Sie mit dem Elektrowerkzeug nicht in explosionsgefährdeter Umgebung, in der sich brennbare Flüssigkeiten, Gase oder Stäube befinden.** Elektrowerkzeuge erzeugen Funken, die den Staub oder die Dämpfe entzünden können.
- **Halten Sie Kinder und andere Personen während der Benutzung des Elektrowerkzeugs fern.** Bei Ablenkung können Sie die Kontrolle über das Gerät verlieren.

## ELEKTRISCHE SICHERHEIT

- **Der Anschlussstecker des Elektrowerkzeugs muss in die Steckdose passen. Der Stecker darf in keiner Weise verändert werden. Verwenden Sie keine Adapterstecker gemeinsam mit schutzgeerdeten Elektrowerkzeugen.** Unveränderte Stecker und passende Steckdosen verringern das Risiko eines elektrischen Schlages.
- **Vermeiden Sie Körperkontakt mit geerdeten Oberflächen wie von Rohren, Heizungen, Herden und Kühlschränken.** Es besteht ein erhöhtes Risiko durch elektrischen Schlag, wenn Ihr Körper geerdet ist.
- **Halten Sie Elektrowerkzeuge von Regen oder Nässe fern.** Das Eindringen von Wasser in ein Elektrowerkzeug erhöht das Risiko eines elektrischen Schlages.
- **Zweckentfremden Sie die Anschlussleitung nicht, um das Elektrowerkzeug zu tragen, aufzuhängen oder um den Stecker aus der Steckdose zu ziehen. Halten Sie die Anschlussleitung fern von Hitze, Öl, scharfen Kanten oder sich bewegenden Geräteteilen.** Beschädigte oder verwickelte Anschlussleitungen erhöhen das Risiko eines elektrischen Schlages.

- **Wenn Sie mit einem Elektrowerkzeug im Freien arbeiten, verwenden Sie nur Verlängerungsleitungen, die auch für den Außenbereich geeignet sind.** Die Anwendung einer für den Außenbereich geeigneten Verlängerungsleitung verringert das Risiko eines elektrischen Schlages.
- **Wenn der Betrieb des Elektrowerkzeugs in feuchter Umgebung nicht vermeidbar ist, verwenden Sie einen Fehlerstromschutzschalter.** Der Einsatz eines Fehlerstromschutzschalters vermindert das Risiko eines elektrischen Schlages.

## SICHERHEIT VON PERSONEN

- **Seien Sie aufmerksam, achten Sie darauf, was Sie tun, und gehen Sie mit Vernunft an die Arbeit mit einem Elektrowerkzeug. Benutzen Sie kein Elektrowerkzeug, wenn Sie müde sind oder unter dem Einfluss von Drogen, Alkohol oder Medikamenten stehen.** Ein Moment der Unachtsamkeit beim Gebrauch des Elektrowerkzeugs kann zu ernsthaften Verletzungen führen.
- **Tragen Sie persönliche Schutzausrüstung und immer eine Schutzbrille.** Das Tragen persönlicher Schutzausrüstung, wie Staubmaske, rutschfeste Sicherheitsschuhe, Schutzhelm oder Gehörschutz, je nach Art und Einsatz des Elektrowerkzeugs, verringert das Risiko von Verletzungen.
- **Vermeiden Sie eine unbeabsichtigte Inbetriebnahme. Vergewissern Sie sich, dass das Elektrowerkzeug ausgeschaltet ist, bevor Sie es an die Stromversorgung und/oder den Akku anschließen, es aufnehmen oder tragen.** Wenn Sie beim Tragen des Elektrowerkzeugs den Finger am Schalter haben oder das Gerät eingeschaltet an die Stromversorgung anschließen, kann dies zu Unfällen führen.
- **Entfernen Sie Einstellwerkzeuge oder Schraubenschlüssel, bevor Sie das Elektrowerkzeug einschalten.** Ein Werkzeug oder Schlüssel, der sich in einem drehenden Geräteteil befindet, kann zu Verletzungen führen.
- **Vermeiden Sie eine abnormale Körperhaltung. Sorgen Sie für einen sicheren Stand und halten Sie jederzeit das Gleichgewicht.** Dadurch können Sie das Elektrowerkzeug in unerwarteten Situationen besser kontrollieren.
- **Tragen Sie geeignete Kleidung. Tragen Sie keine weite Kleidung oder Schmuck. Halten Sie Haare und Kleidung fern von sich bewegenden Teilen.** Lockere Kleidung, Schmuck oder lange Haare können von sich bewegenden Teilen erfasst werden.
- **Wenn Staubabsaug- und -auffangeinrichtungen montiert werden können, sind diese anzuschließen und richtig zu verwenden.** Verwendung einer Staubabsaugung kann Gefährdungen durch Staub verringern.
- **Wiegen Sie sich nicht in falscher Sicherheit und setzen Sie sich nicht über die Sicherheitsregeln für Elektrowerkzeuge hinweg, auch wenn sie nach vielfachem Gebrauch mit dem Elektrowerkzeug vertraut sind.** Achtloses Handeln kann binnen Sekundenbruchteilen zu schweren Verletzungen führen.

## VERWENDUNG UND BEHANDLUNG DES ELEKTROWERKZEUGS

- **Überlasten Sie das Gerät nicht. Verwenden Sie für Ihre Arbeit das dafür bestimmte Elektrowerkzeug.**

Mit dem passenden Elektrowerkzeug arbeiten Sie besser und sicherer im angegebenen Leistungsbereich.

- **Benutzen Sie kein Elektrowerkzeug, dessen Schalter defekt ist.** Ein Elektrowerkzeug, das sich nicht mehr ein- oder ausschalten lässt, ist gefährlich und muss repariert werden.
- **Ziehen Sie den Stecker aus der Steckdose und/oder entfernen Sie einen abnehmbaren Akku, bevor Sie Geräteeinstellungen vornehmen, Zubehörteile wechseln oder das Gerät weglegen.** Diese Vorsichtsmaßnahme verhindert den unbeabsichtigten Start des Elektrowerkzeugs.
- **Bewahren Sie unbenutzte Elektrowerkzeuge außerhalb der Reichweite von Kindern auf. Lassen Sie Personen das Gerät nicht benutzen, die mit diesem nicht vertraut sind oder diese Anweisungen nicht gelesen haben.** Elektrowerkzeuge sind gefährlich, wenn Sie von unerfahrenen Personen benutzt werden.
- **Pflegen Sie Elektrowerkzeuge und Zubehör mit Sorgfalt. Kontrollieren Sie, ob bewegliche Teile einwandfrei funktionieren und nicht klemmen, ob Teile gebrochen oder so beschädigt sind, dass die Funktion des Elektrowerkzeugs beeinträchtigt ist. Lassen Sie beschädigte Teile vor dem Einsatz des Gerätes reparieren.** Viele Unfälle haben ihre Ursache in schlecht gewarteten Elektrowerkzeugen.
- **Halten Sie Schneidwerkzeuge scharf und sauber.** Sorgfältig gepflegte Schneidwerkzeuge mit scharfen Schneidkanten verklemmen sich weniger und sind leichter zu führen.
- **Verwenden Sie Elektrowerkzeug, Zubehör, Einsatzwerkzeuge usw. entsprechend diesen Anweisungen. Berücksichtigen Sie dabei die Arbeitsbedingungen und die auszuführende Tätigkeit.** Der Gebrauch von Elektrowerkzeugen für andere als die vorgesehenen Anwendungen kann zu gefährlichen Situationen führen.
- **Halten Sie Griffe und Griffflächen trocken, sauber und frei von Öl und Fett.** Rutschige Griffe und Griffflächen erlauben keine sichere Bedienung und Kontrolle des Elektrowerkzeugs in unvorhergesehenen Situationen.

#### VERWENDUNG UND BEHANDLUNG VON AKKUWERKZEUGEN

- **Laden Sie die Akkus nur mit Ladegeräten auf, die vom Hersteller empfohlen werden.** Durch ein Ladegerät, das für eine bestimmte Art von Akku geeignet ist, besteht Brandgefahr, wenn es mit anderen Akkus verwendet wird.
- **Verwenden Sie nur die dafür vorgesehenen Akkus in den Elektrowerkzeugen.** Der Gebrauch von anderen Akkus kann zu Verletzungen und Brandgefahr führen.
- **Halten Sie den nicht benutzten Akku fern von Büroklammern, Münzen, Schlüsseln, Nägeln, Schrauben oder anderen kleinen Metallgegenständen, die eine Überbrückung der Kontakte verursachen könnten.** Ein Kurzschluss zwischen den Akkukontakten kann Verbrennungen oder Feuer zur Folge haben.
- **Bei falscher Anwendung kann Flüssigkeit aus dem Akku austreten. Vermeiden Sie den Kontakt damit. Bei zufälligem Kontakt mit Wasser abspülen. Wenn die Flüssigkeit in die Augen kommt, nehmen Sie zusätzlich ärztliche Hilfe in Anspruch.** Austretende Akkuflüssigkeit kann zu Hautreizungen oder Verbrennungen führen.

- **Benutzen Sie keinen beschädigten oder veränderten Akku.** Beschädigte oder veränderte Akkus können sich unvorhersehbar verhalten und zu Feuer, Explosion oder Verletzungsgefahr führen.
- **Setzen Sie einen Akku keinem Feuer oder zu hohen Temperaturen aus.** Feuer oder Temperaturen über 130°C können eine Explosion hervorrufen.
- **Befolgen Sie alle Anweisungen zum Laden und laden Sie den Akku oder das Akkuwerkzeug niemals außerhalb des in der Betriebsanleitung angegebenen Temperaturbereichs.** Falsches Laden oder Laden außerhalb des zugelassenen Temperaturbereichs kann den Akku zerstören und die Brandgefahr erhöhen.

#### SERVICE

- **Lassen Sie Ihr Elektrowerkzeug nur von qualifiziertem Fachpersonal und nur mit Original-Ersatzteilen reparieren.** Damit wird sichergestellt, dass die Sicherheit des Gerätes erhalten bleibt.
- **Warten Sie niemals beschädigte Akkus.** Sämtliche Wartung von Akkus sollte nur durch den Hersteller oder bevollmächtigte Kundendienststellen erfolgen.

#### SICHERHEITSHINWEISE FÜR AUFSITZMÄHER

#### UNTERWEISUNG

- Die Sicherheitsregeln müssen befolgt werden, wenn dieses Produkt benutzt wird. Lesen Sie für Ihre eigene Sicherheit und die von Außenstehenden diese Anweisungen, bevor Sie das Produkt benutzen. Bitte bewahren Sie die Anweisungen zum späteren Nachschlagen auf.
- Erlauben Sie nur verantwortungsbewussten Erwachsenen, die mit den Anweisungen vertraut sind und diese verstehen, das Produkt zu verwenden.
- Machen Sie sich mit den Bedienelementen und dem ordnungsgemäßen Gebrauch des Produktes vertraut.
- Verwenden Sie immer Schutzvorrichtungen. Verwenden Sie das Produkt nicht, wenn der seitliche Auswurfschacht nicht angebracht ist und ordnungsgemäß funktioniert. Die Mulchabdeckung sollte während des Mulchvorgangs korrekt installiert sein und ordnungsgemäß funktionieren.
- Seien Sie sich möglicher Gefahren bewusst, wenn Sie das Produkt nicht verwenden oder Zubehörteile wechseln. Durch Befolgung dieser Anweisung wird das Risiko von Bränden, elektrischen Schlägen und Körperverletzungen verringert.
- Transportieren Sie niemals Personen oder Kinder, auch wenn die Messer nicht in Betrieb sind. Mitfahrende Personen oder Kinder könnten herunterfallen und schwer verletzt werden oder den sicheren Betrieb des Produkts beeinträchtigen. Kinder, die in der Vergangenheit mitgefahren sind, können plötzlich im Mähbereich für eine weitere Fahrt erscheinen und vom Produkt überfahren oder umgestoßen werden.
- Vergessen Sie nie, dass der Benutzer verantwortlich ist für Unfälle und Gefahren, die an Eigentum Fremder oder an anderen Personen entstehen könnte.
- Lassen Sie niemals Kinder oder Personen mit verminderten physischen, geistigen oder sensorischen Fähigkeiten oder Personen, die mit diesen Anweisungen nicht vertraut sind das Produkt bedienen, reinigen oder warten. Die lokale Gesetzgebung regelt das Mindestalter des Benutzers. Kinder müssen ausreichend beaufsichtigt werden, so dass gewährleistet ist, dass sie nicht mit dem Produkt spielen.



- Befolgen Sie alle Anweisungen des Herstellers zur Installation und zum sicheren Betrieb des Rasenmähers. Benutzen Sie nur geeignete und zugelassene Ersatzteile. Die Benutzung von ungeeignetem Zubehör kann zu Verletzungen führen.
- Beeinträchtigen Sie niemals die vorgesehene Funktion einer Sicherheitseinrichtung und beeinträchtigen Sie nicht den durch eine Sicherheitseinrichtung gebotenen Schutz. Überprüfen Sie regelmäßig den ordnungsgemäßen Betrieb der Sicherheitsvorrichtungen.
- Benutzen Sie das Produkt niemals während Menschen, besonders Kinder, oder Tiere sich im Umkreis von 15 m befinden, weil die Gefahr besteht, dass Gegenstände vom Messer geschleudert werden könnten.
- Benutzen Sie das Produkt nicht, wenn die Gefahr von Blitzschlag besteht.
- Nicht bei schlechter Beleuchtung verwenden. Der Benutzer braucht einen ungehinderten Blick auf den Arbeitsbereich, um mögliche Gefahren zu erkennen.
- Halten Sie Hände und Füße vom Schneidbereich fern, der sich unter dem Mähwerk und in der seitlichen Auswurfkanal befindet. Halten Sie sich zu jeder Zeit von der Öffnung des seitlichen Auswurfkanal fern. Nicht unter das Mähwerk greifen.
- Befolgen Sie die Anweisungen zum Austausch von Zubehörteilen.

## VORBEREITUNG

- Tragen Sie lange, schwere Hosen, Kleidung mit langen Ärmeln und rutschfeste Stiefel. Keine kurze Hosen, Sandalen tragen oder barfuß arbeiten. Vermeiden Sie locker sitzende Kleidung oder Kleidung mit Schnüren oder Bändern zu tragen.
  - Tragen Sie eine Schutz- oder Sicherheitsbrille mit Seitenschutz. Verwenden Sie eine Gesichtsmaske, wenn die Arbeit staubig ist.
  - Von den Messern getroffene Gegenstände können Personen schwer verletzen. Untersuchen Sie den Bereich, in dem die Maschine verwendet werden soll, gründlich und entfernen Sie alle Steine, Stöcke, Metall, Draht, Knochen, Spielzeug oder andere fremde Objekte. Denken Sie daran, dass sich Fäden und Drähte an den Messern verfangen können.
  - Überprüfen Sie das Produkt vor dem Gebrauch immer visuell, um sicherzustellen, dass die Messer, Messermuttern und die Schneidbaugruppe nicht abgenutzt oder beschädigt sind.
  - Werfen Sie das Material niemals in Richtung von Personen aus. Planen Sie den Mähweg, um zu vermeiden, dass Material in Richtung Personen, Straßen, Gehwege, Fenster und Autos ausgeworfen wird. Vermeiden Sie ebenso das Material gegen eine Wand auszuwerfen, es könnte gegen den Benutzer geschleudert werden.
- Stellen Sie den Sitz auf die gewünschte Position ein.
  - Überprüfen Sie den Ladezustand des Akkus.
  - Das Produkt soll erst gestartet werden, wenn der Benutzer ordnungsgemäß sitzt und sich hinter dem Lenkrad befindet. Starten Sie das Produkt niemals, wenn:
    - Nicht alle vier Räder auf dem Boden stehen.
    - Der seitliche Auswurfkanal freigelegt ist und nicht durch die Mulchabdeckung geschützt wird.
    - Hände und Füße aller Personen nicht fern von dem Schneidgehäuse sind.
  - Schalten Sie die Messer aus, wenn das Produkt nicht verwendet wird.
  - Verwenden Sie das Produkt niemals in geschlossenen Räumen.
  - Stoppen Sie die Messer, wenn Sie Kiesflächen überqueren, um das Aufwirbeln von Kies und Steinen zu vermeiden. Fahren
  - Sie das Produkt langsam und vorsichtig, um einen Kontrollverlust zu vermeiden.
  - Schalten Sie den Motor gemäß der Anleitung an und halten Sie Hände und Füße von dem Schnittbereich fern. Halten Sie Ihre Hände oder Füße nicht in die Nähe von oder unter rotierende Teile.
  - Mähen Sie nicht rückwärts, es sei denn, dies ist unbedingt erforderlich. Schauen Sie vor und während des Rückwärtsfahrens immer nach unten und hinten.
  - Seien Sie vorsichtig, wenn Sie sich nicht einsehbar Ecken, Sträuchern, Bäumen, überhängenden Buschwerke oder anderen Objekten nähern, die Ihre Sicht beeinträchtigen könnten.
  - Vor dem Wenden langsamer fahren.
  - Lassen Sie das Produkt nicht unbeaufsichtigt in Betrieb. Ziehen Sie immer die Feststellbremse an, schalten Sie die Messer aus, stoppen Sie den Motor und ziehen Sie den Startschlüssel ab, bevor Sie absteigen.
  - Achten Sie auf den Verkehr, wenn Sie in der Nähe von Straßen arbeiten. Betreiben Sie den Mäher nicht auf Straßen.
  - Steigungen sind ein wichtiger Faktor im Zusammenhang mit Kontrollverlust und Sturzunfällen, die zu schweren oder tödlichen Verletzungen führen können. Wenn Sie bei Gefällen Rasen mähen ist Vorsicht geboten. Wenn Sie den Hang nicht hinunterfahren können oder sich unwohl fühlen, mähen Sie die Fläche nicht. Verwenden Sie das Produkt niemals an steilen Hängen mit mehr als 15° Gefälle. Erstellen Sie eine Kopie oder schneiden Sie die „Hangführung“ am Ende dieses Handbuchs aus, um festzustellen, ob Ihr Hang für einen sicheren Betrieb zu steil ist.
    - Auf und ab mähen; nicht quer über den Hang.
    - Vermeiden Sie Löcher, Furchen, Unebenheiten, Steine oder sonstige versteckte Objekte. Auf unebenem Gelände kann das Produkt umkippen. Hohes Gras kann Hindernisse bergen.
    - Fahren Sie langsam, damit Sie am Hang nicht plötzlich anhalten müssen oder versehentlich beschleunigen.
    - Mähen Sie am Hang kein nasses Gras. Reifen können die Bodenhaftung verlieren und dazu führen, dass Sie die Kontrolle über das Produkt verlieren.
    - Betätigen Sie immer die Bremsen, wenn Sie den Hang hinunterfahren. Schalten Sie nicht in den Leerlauf und rollen Sie bergab. Andernfalls verlieren

## BETRIEB

- Vor dem Starten des Produkts:
  - Überprüfen Sie die Bremsfunktion.
  - Überprüfen Sie den Reifendruck.
  - Überprüfen Sie auf lockere Befestigungen.
  - Stellen Sie sicher, dass alle Schutzvorrichtungen vorhanden sind und ordnungsgemäß funktionieren.
  - Überprüfen Sie das Sicherheitsverriegelungssystem des seitlichen Auswurfkanals
  - Testen Sie das Sicherheitsverriegelungssystem des Bedieners.



Sie möglicherweise die Kontrolle über das Produkt.

- Vermeiden Sie das Starten, Stoppen oder Wenden am Hang. Wenn die Reifen die Traktion verlieren, schalten Sie die Messer ab und fahren Sie langsam geradeaus den Hang hinunter.
- Machen Sie alle Bewegungen an Hängen langsam und schrittweise. Nehmen Sie keine plötzlichen Geschwindigkeits- oder Richtungsänderungen vor, da dies zum Umkippen des Produkts führen kann.
- Seien Sie besonders vorsichtig, wenn Sie das Produkt mit Aufsätzen verwenden. Sie können die Stabilität des Produkts beeinträchtigen. Verwenden Sie das Produkt niemals an steilen Hängen mit mehr als 15° Gefälle.
- Versuchen Sie nicht, das Produkt zu stabilisieren, indem Sie Ihren Fuß auf den Boden stellen.
- Verwenden Sie das Produkt nicht am Rand von Abhängen, Gräben, übermäßigen Steigungen oder Böschungen. Das Produkt kann plötzlich umkippen, wenn ein Rad über eine Kante fährt oder wenn die Kanten nachgeben. Dies kann zum Tod oder zu schweren Verletzungen führen.

#### ZUSÄTZLICHE SICHERHEITSHINWEISE ZUM LADEGERÄT

- Das Ladegerät ist nur für den Innengebrauch geeignet.
- Versuchen Sie niemals, nicht wiederaufladbare Batterien aufzuladen.
- Überprüfen Sie das Netzkabel vor jeder Benutzung auf Schäden. Es muss von einer qualifizierten Person in einem autorisierten Kundendienst ausgetauscht werden, wenn Beschädigungen sichtbar sind, damit eine Gefahr vermieden wird.
- Laden Sie das Gerät in einem Innenraum an einem gut belüfteten Ort auf. Laden Sie das Gerät nicht in einem engen Raum auf.
- Das Ladegerät ist mit einem Stecker mit Erdungsstift ausgestattet und muss an eine passende Steckdose angeschlossen werden, die gemäß den örtlichen Vorschriften und Verordnungen ordnungsgemäß installiert und geerdet wurde. Verwenden Sie keine Adapter und modifizieren Sie den mitgelieferten Stecker nicht. Falls der Stecker nicht zu der Steckdose passt, lassen Sie durch einen qualifizierten Elektriker eine ordnungsgemäße Steckdose installieren.

#### WEITERE SICHERHEITSHINWEISE ZUM AKKU

- ⚠ **WARNUNG!** Brand-, Explosions- oder Verbrennungsgefahr. Zerlegen Sie den Akku nicht, setzen Sie ihn keiner Hitze über 60 °C aus und verbrennen Sie ihn nicht.
- Um die durch einen Kurzschluss verursachte Gefahr eines Brandes, von Verletzungen oder Produktbeschädigungen zu vermeiden, tauchen Sie das Werkzeug, den Wechselakku oder das Ladegerät nicht in Flüssigkeiten ein und sorgen Sie dafür, dass keine Flüssigkeiten in die Geräte und Akkus eindringen. Korrodierende oder leitfähige Flüssigkeiten, wie Salzwasser, bestimmte Chemikalien und Bleichmittel oder Produkte, die Bleichmittel enthalten, können einen Kurzschluss verursachen.
  - Der Akku-Pack enthält Säure. Wenn Säure mit Haut oder Kleidung in Berührung kommt, sofort 10 Minuten lang mit Wasser spülen. Sollte Flüssigkeit in die Augen

gelangen, suchen Sie darüber hinaus einen Arzt auf.

- Laden Sie keine Akkus auf, die Zeichen aufweisen, dass Elektrolyt-Flüssigkeit ausgelaufen ist. Entsorgen Sie sie ordnungsgemäß.

#### SICHERHEITSHINWEISE AKKU

- Zur Erhaltung natürlicher Ressourcen recyceln Sie Akkus bitte bzw. entsorgen Sie sie ordnungsgemäß.
- Das Produkt enthält Blei-Säure-Batterien. Gemäß der örtlichen Vorschriften kann die Entsorgung von Blei-Säure-Batterien im normalen Hausmüll verboten sein. Befragen Sie Ihre örtliche Abfallentsorgung nach Information über mögliche Wiederverwertung und/oder Entsorgung.

⚠ **WARNUNG!** Decken Sie die Pole des Akkupacks nach der Entnahme mit strapazierfähigem Klebeband ab. Versuchen Sie nicht, den Akku zu zerstören oder zu zerlegen oder einzelne Teile zu entfernen. Blei-Säure-Batterien müssen recycelt oder ordnungsgemäß entsorgt werden. Berühren Sie außerdem niemals die beiden Pole mit Metallobjekten und/oder Körperteilen, da dies zu einem Kurzschluss führen kann. Bewahren Sie den Akku außerhalb der Reichweite von Kindern auf. Eine Nichtbeachtung dieser Warnungen kann Feuer und/oder schwere Verletzungen verursachen!

#### TRANSPORT UND LAGERUNG

- Schalten Sie das Produkt aus, ziehen Sie die Feststellbremse an und ziehen Sie den Startschlüssel ab. Stellen Sie sicher, dass alle bewegenden Teile vollständig angehalten sind. Lassen Sie das Produkt ausreichend abkühlen, bevor Sie es lagern oder transportieren.
- Entfernen Sie alle Fremdkörper vom Produkt. Lagern Sie das Produkt an einem kühlen, trockenen und gut belüfteten Ort, der Kindern keinen Zugang bietet. Der Startschlüssel sollte auch entfernt und an einem für Kinder unzugänglichen Ort aufbewahrt werden.
- Von korrodierend wirkenden Stoffen, wie Gartenchemikalien und Enteisungssalzen, fernhalten. Nicht im Freien lagern.
- Gehen Sie beim Laden oder Entladen des Produkts auf einen Anhänger oder LKW besonders vorsichtig vor. Treten Sie nach Bedarf auf das Bremspedal, um die Geschwindigkeit zu regeln. Das Produkt rollt frei, wenn es auf einer geneigten Fläche bewegt wird, ohne auf das Bremspedal zu treten oder die Feststellbremse zu betätigen. Überschreiten Sie beim Laden oder Entladen des Produkts nicht den empfohlenen maximalen Betriebswinkel von 15°.
- Seien Sie extrem vorsichtig, wenn Sie die Maschine zur Wartung, Reinigung oder den Transport anheben oder kippen. Die Schneidwerkzeuge sind scharf. Halten Sie alle Körperteile von dem Messer fern, während das Messer frei liegt.
- Sichern Sie das Produkt bei Bedarf mit Bändern oder Kabeln, um Bewegungen während des Transports zu vermeiden.

#### TRANSPORT VON BLEIAKKUS

- Transportieren Sie Akkus gemäß Ihren örtlichen und nationalen Bestimmungen und Regeln.
- Befolgen Sie alle besonderen Anforderungen für Verpackung und Beschriftung, wenn Sie Akkus von Dritten transportieren lassen. Stellen Sie sicher, dass beim Transport kein Akku in Kontakt mit anderen

Akkus oder leitenden Materialien kommt, indem Sie die freien Anschlüsse mit Isolierband, nichtleitenden Kappen oder Klebeband schützen. Beschädigte oder auslaufende Akkus dürfen nicht transportiert werden. Weitere Informationen erhalten Sie bei Ihrem Transportunternehmen.

#### SICHERHEITSHINWEISE ZUM ZIEHEN VON LASTEN

- Verwenden Sie beim Ziehen gesunden Menschenverstand. Eine zu schwere Last am Hang ist gefährlich. Reifen können die Bodenhaftung verlieren und dazu führen, dass Sie die Kontrolle über das Produkt verlieren.
- Befolgen Sie die Empfehlungen des Herstellers für Radgewichte oder Gegengewichte.
- Das Gesamtgewicht des Anhängers darf die maximale Anhängelast von 136 kg (300 lbs.) nicht überschreiten.
- Anhängervorrichtung nur an der Anhängelplatte befestigen.
- Lassen Sie niemals Kinder oder andere Personen auf die Anhängervorrichtung.
- Der Bremsweg erhöht sich mit der Geschwindigkeit und dem Gewicht der gezogenen Last. Fahren Sie langsam und lassen Sie zusätzliche Zeit und Distanz zum Stoppen.
- Beim Ziehen nicht scharf wenden. Seien Sie besonders vorsichtig, wenn Sie sich drehen oder unter widrigen Oberflächenbedingungen arbeiten. Seien Sie vorsichtig, wenn Sie rückwärts arbeiten.

#### WARTUNG UND PFLEGE

- Verwenden Sie ausschließlich original Ersatzteile, Zubehör und Aufsätze des Herstellers. Nichtbefolgung kann mögliche Verletzungen oder schlechte Leistung verursachen und Ihre Garantie ungültig machen.
- Pflegen Sie das Produkt mit Sorgfalt und halten Sie es in gutem Zustand. Halten Sie die Messer scharf und die Schutzvorrichtungen in Position und in betriebsbereitem Zustand. Ersetzen Sie beschädigte, verbogene, rissige oder ungleichmäßig abgenutzte Messer, um schwere Körperverletzungen und Schäden am Produkt zu vermeiden und eine optimale Leistung zu erzielen. Ein nicht ausgewuchtetes Messer verursacht Vibrationen, die die Motorantriebseinheit beschädigen oder zu Verletzungen führen können.
- Nehmen Sie niemals Einstellungen oder Reparaturen vor, während der Motor läuft und sich die Messer bewegen.
- Entfernen Sie den Startschlüssel vom Produkt bevor Sie es lagern, warten oder Zubehörteile wechseln. Solche präventiven Sicherheitsmaßnahmen vermindern das Risiko eines unbeabsichtigten Starts des Produkts.
- Schalten Sie das Produkt aus, ziehen Sie die Feststellbremse an und ziehen Sie den Startschlüssel ab. Stellen Sie sicher, dass alle bewegenden Teile vollständig angehalten sind.
  - bevor Sie das Produkt unbeaufsichtigt lassen (einschließlich der Entsorgung von Grasschnitt).
  - bevor Sie eine Blockierung lösen oder den Auswurfkanal leeren
  - Bevor Sie das Produkt prüfen, reinigen oder daran arbeiten,
  - bevor Sie die Mulchabdeckung entfernen
  - vor dem Öffnen der Abdeckung des Grasauswurfkanals

- nachdem ein Fremdkörper getroffen wurde
  - Untersuchen Sie die Maschine gründlich auf Schäden.
  - Ersetzen Sie das Messer, wenn es auf irgend eine Weise beschädigt ist.
  - Reparieren Sie den entstandenen Schaden bevor Sie den Rasenmäher wieder starten.
- wenn das Produkt anfängt, ungewöhnlich zu vibrieren (sofort überprüfen).
  - auf Schäden zu überprüfen, besonders die Messer.
  - Ersetzen Sie das Messer, wenn es auf irgend eine Weise beschädigt ist.
  - Beschädigte Teile zu ersetzen oder reparieren.
  - überprüfen Sie ob Teile locker sind und ziehen sie fest, wenn erforderlich
- Sie dürfen die in dieser Bedienungsanleitung beschriebenen Einstellungen und Reparaturen durchführen. Wenden Sie sich zwecks anderer Reparaturen nur an ein autorisiertes Servicecenter.
- Wenden Sie sich an ein autorisiertes Servicecenter, um beschädigte oder unlesbare Etiketten zu ersetzen.
- Die Wartung des Produkts und des Ladegeräts darf nur von qualifiziertem Reparaturpersonal durchgeführt werden. Durch unqualifiziertes Personal durchgeführte Wartungs- oder Pflegearbeiten können zur Verletzung des Benutzers oder der Beschädigung des Produkts führen. Lassen Sie das Gerät nur von einem autorisierten Servicecenter warten.
- Überprüfen Sie Bolzen, Muttern und Schrauben immer wieder, ob alle fest angezogen sind, so dass das Produkt in einem sicheren Zustand ist.
- Die Messerschrauben müssen mit dem empfohlenen Drehmoment angezogen werden.
- Überprüfen Sie die Bremsen vor jedem Gebrauch und häufig während des Gebrauchs. Führen Sie Einstellung und Wartung der Bremsen nach Bedarf durch.
- Der seitliche Auswurfkanal ist ein federbelasteter Schutz, der die seitliche Auswurföffnung des Mähwerks abdeckt und Grasabfälle und Ablagerungen vom Bediener weggleitet. Vergewissern Sie sich immer, dass der Motor ausgeschaltet ist und sich die Messer nicht mehr bewegen, bevor Sie den Seitenauswurfkanal überprüfen, bewegen, reinigen oder warten.
- Ersetzen Sie abgenutzte oder beschädigte Messer und Bolzen in Sätze, um Unwucht zu vermeiden.
- Seien Sie während Einstellarbeiten am Produkt vorsichtig, um zu verhindern, dass Ihre Finger zwischen die beweglichen Messer und befestigte Teile des Produkts gelangen.
- Nach dem Abschalten des Motors drehen sich die Schneidmesser einige Sekunden lang weiter. Seien Sie sich bei der Wartung des Messers bewusst, dass, obwohl die Stromversorgung unterbrochen ist, das Messer immer noch bewegt werden kann. Platzieren Sie niemals einen Körperteil in den Messerbereich, bis Sie sicher sind, dass sich die Messer nicht mehr drehen.
- Das Messer des Produktes ist scharf. Seien Sie vorsichtig und tragen Sie feste Schutzhandschuhe, wenn Sie etwas montieren, austauschen, reinigen oder den Sitz von Schrauben überprüfen.
- Reinigen Sie das Produkt nach jeder Benutzung mit einem weichen, trockenen Lappen. Jedes beschädigte Teil muss durch den autorisierten Kundendienst ordnungsgemäß repariert oder ausgetauscht werden.



- Halten Sie das Produkt frei von Gras, Blättern oder anderen Ablagerungen.
- Reinigen Sie das Produkt nicht mit Wasser. Verwenden Sie zum Reinigen des Produkts ein Luftbewegungsgerät, z. B. einen Kompressor oder ein Laubbläser.

## REIFENPFLEGE

Das Produkt ist mit schlauchlosen Reifen mit folgenden Abmessungen ausgestattet:

- Vorne: 33 x 13 x 15 cm
- Hinten: 40 x 16 x 20 cm

Wenn die Reifen abgenutzt sind, verringert sich die Traktion des Mähers, was die Wahrscheinlichkeit eines Unfalls erhöht. Tauschen Sie die Reifen aus, wenn die Profiltiefe 4 mm oder weniger beträgt oder der Reifen beschädigt ist. Verwenden Sie immer Original-Ersatzreifen. Die Verwendung ungeeigneter Reifen am Produkt kann zum Verlust der Kontrolle und zu schweren Verletzungen führen. Lassen Sie die Reifen nur von einer autorisierten Servicestelle ersetzen.

## REIFENLUFTDRUCK

Überprüfen Sie vor dem Gebrauch den Luftdruck in allen Reifen. Unsachgemäßer Luftdruck beeinträchtigt das Fahrverhalten, das Lenkverhalten, die Traktion, die Lebensdauer der Reifen, das Schneiden auf gleicher Höhe und den Bedienerkomfort. Stellen Sie sicher, dass die Reifen den empfohlenen Druck (1,4 bar) haben.

Der Reifendruck sollte nur bei kalten Reifen gemessen oder eingestellt werden.

## REIFENREPARATUR

Wenn aufgrund eines Einstichs eine Undichtigkeit oder ein platter Reifen auftritt, kann der Reifen mit einem Stopfen repariert werden. Wenn der Schaden von einem Schnitt herrührt oder wenn der Reifenschaden nicht mit einem Stopfen repariert werden kann, tauschen Sie den Reifen aus.

## EINSTELLEN DER BREMSE

Siehe Seite 102.

Wenn der Mäher weiter fährt, wenn Sie auf das Bremspedal treten, müssen die Bremsen möglicherweise angepasst werden.

Testen Sie nach der endgültigen Einstellung die Bremsen, indem Sie den Mäher mit normaler Geschwindigkeit auf ebenem Boden fahren, um sicherzustellen, dass der Mäher schnell stoppt, wenn das Bremspedal betätigt wird.

## BLOCKIERUNGEN ENTFERNEN

- Schalten Sie das Produkt aus, ziehen Sie die Feststellbremse an und ziehen Sie den Startschlüssel ab. Stellen Sie das Mähwerk auf die maximale Höhe ein. Stellen Sie sicher, dass alle bewegenden Teile vollständig angehalten sind.
- Tragen Sie immer feste Schutzhandschuhe, wenn Sie eine Blockierung überprüfen und entfernen. Die Messer sind scharf, und die Blockierung selbst kann ein scharfes Objekt sein.
- Prüfen Sie den Seitenauswurfkanal auf Blockaden und beseitigen Sie sie vorsichtig.
- Wenn Sie Blockaden finden, entfernen Sie sie vorsichtig. Bedenken Sie, dass sich das Messer während der Reinigung bewegen kann.

## MACHEN SIE SICH MIT IHREM PRODUKT VERTRAUT

Siehe Seite 90.

### 1. Knopf zur Messeraktivierung

Der Knopf zur Messeraktivierung aktiviert oder stoppt die Messer.

- Ziehen Sie den Knopf für die Messeraktivierung nach oben, um die Messer zu aktivieren.
- Drücken Sie den Knopf für die Messeraktivierung nach unten, um die Messer auszuschalten.

**HINWEIS:** Die Messer sollten innerhalb von 5 Sekunden anhalten. Wenn die Messer nicht anhalten, wenden Sie sich an ein autorisiertes Servicecenter.

### 2. Scheinwerfertaste

Die Scheinwerfertaste schaltet die Scheinwerfer ein und aus.

### 3. Schlüsselschalter

Der Schlüsselschalter schaltet das Produkt ein und aus. Der Startschlüssel muss eingesteckt sein, bevor der Schalter betätigt werden kann. Wenn sich der Schlüssel in der Zubehörschalter befindet, wird der Netzschalter auch zum Betreiben von optionalem, vom Hersteller zugelassenem Zubehör verwendet.

### 4. Taste für Rückwärtsmodus

Die Taste für den Rückwärtsmodus schaltet die Messer ein, wenn der Rasenmäher rückwärts manövriert wird.

**HINWEIS:** Wenn die Taste für den Rückwärtsmodus nicht gedrückt wird und der Knopf zur Messeraktivierung nicht nach oben gezogen wurde, werden die Messer im Rückwärtsgang nicht eingeschaltet.

### 5. Batteriestandsanzeige / Betriebsstundenzähler

Die Batteriestandsanzeige zeigt die verbleibende Batterieladung an. Der Stundenzähler erfasst die Betriebsstunden (Starterschlüssel auf on-Position). Dies dient zur Wartung.

### 6. Sitz (mit Sicherheitsverriegelungssystem für den Bediener)

Der Sitz verfügt über ein Verriegelungssystem, das die Messer stoppt, wenn der Bediener den Mäher verlässt, während die Messer in Betrieb sind.

Testen Sie das System vor jeder Verwendung, um sicherzustellen, dass es ordnungsgemäß funktioniert.

1. Drücken Sie den Knopf zur Messeraktivierung nach unten, um die Messer auszuschalten.
2. Stecken Sie den Startschlüssel ein und drehen Sie den Schlüssel in die Position ON.
3. Ziehen Sie den Knopf für die Messeraktivierung nach oben, um die Messer zu aktivieren.
4. Stehen Sie kurz auf, aber nicht vom Mäher absteigen. Die Messer sollten innerhalb von 5 Sekunden stoppen. Wenn die Messer nicht stoppen, wenden Sie sich an ein autorisiertes Servicecenter.

Verwenden Sie das Produkt erst, wenn das Sicherheitsverriegelungssystem repariert wurde.

### 7. Ladeanschluss

Der Ladeanschluss verbindet das Ladegerät mit dem Rasenmäher. Die LED-Anzeige zeigt während des Ladens den Status des Akkus an.

### 8. Kupplungsplatte

Mit der Kupplungsplatte können Lasten mit einem Gewicht von höchstens 136 kg (300 lbs.) gezogen werden.

### 9. Getränkehalter

Der Becherhalter bietet eine praktische Option zum

Aufbewahren von Bechern oder Wasserflaschen.

**10. Hebel zur Einstellung der Schnitthöhe**

Der Hebel zur Höhenverstellung des Mähwerks hebt oder senkt das Mähwerk.

**11. Sitzverstellhebel**

Der Sitzverstellhebel bewegt den Sitz in die bevorzugte Position.

**12. Feststellbremse**

Die Feststellbremse arretiert das Produkt in der Bremsposition.

**13. Sicherheitsverriegelungssystem des seitlichen Auswurfkanals**

Der seitliche Auswurfkanal lenkt die Grasabschnitte um. Vergewissern Sie sich vor der Verwendung des Produkts, dass der seitliche Auswurfkanal ordnungsgemäß geschlossen ist. Das Gerät verfügt über ein Verriegelungssystem, das die Messer stoppt, wenn der Auswurfkanal während des Betriebs versehentlich geöffnet wird.

Stellen Sie die Verwendung des Geräts ein und lassen Sie es von einem autorisierten Servicecenter warten, wenn die Messer nicht stoppen, wenn der seitliche Auswurfkanal während des Gebrauchs von einem Hindernis angehoben wird.

**14. Rückwärtspedal**

Beim Treten des Rückwärtspedals kann der Rasenmäher rückwärts manövriert werden.

**HINWEIS:** Um rückwärts zu mähen, drücken Sie die Taste für den Rückwärtsmodus.

**15. Bremspedal**

Das Bremspedal verlangsamt oder stoppt das Produkt.

**16. Gaspedal**

Das Gaspedal steuert die Geschwindigkeit des Produkts.

**17. Scheinwerfer**

Die Scheinwerfer beleuchten den Mähpfad.

**18. Startschlüssel**

Mit dem Startschlüssel kann der Schüsselschalter in die Positionen „On“, „Off“ oder „Accessory“ geschaltet werden.

**19. Mulchabdeckung**

Die Mulchabdeckung deckt den seitlichen Auswurfkanal ab, sodass die Messer feineres Schnittgut schneiden können.

**20. Ladegerät**

Das Ladegerät lädt die Akkus des Mähers auf. Es verfügt über eine Aufhängefunktion für eine bequeme und platzsparende Aufbewahrung. Wenn Sie es an die Langlöcher hängen, verwenden Sie mindestens eine zusätzliche Schraube in der Öffnung im Montageflansch, um sie zu sichern. Immer so montieren, dass die LED-Statusanzeige des Ladegeräts während des Ladevorgangs sichtbar ist.

**21. Bedienungsanleitung**

In der Bedienungsanleitung finden Sie wichtige Sicherheitshinweise und Anweisungen zur korrekten und sicheren Bedienung und Wartung des Geräts.



Vor dem Bedienen des Produkts müssen Sie alle Anweisungen lesen und verstehen. Befolgen Sie alle Warn- und Sicherheitshinweise.



Halten Sie unbeteiligte Personen (insbesondere Kinder und Tiere) mindestens 30 m vom Arbeitsbereich fern.



Transportieren Sie niemals Personen oder Kinder, auch wenn die Messer nicht in Betrieb sind.



Schauen Sie vor und während des Rückwärtsfahrens immer nach unten und hinter sich und achten Sie darauf, dass sich Kinder, Umstehende und Haustiere nicht in der Nähe aufhalten.



Verwenden Sie das Produkt niemals an steilen Hängen mit mehr als 15° Gefälle. Auf und ab mähen; nicht quer über den Hang.



Garantierter Schalleistungspegel



Halten Sie immer Hände und Füße von den Schneidwerkzeugen fern.



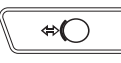
Treten Sie nicht auf das Mähwerk oder den seitlichen Auswurfkanal. Achten Sie auf geschleuderte oder fliegende Objekte.



Halten Sie unbeteiligte Personen (insbesondere Kinder und Tiere) mindestens 30 m vom Arbeitsbereich fern.



Ziehen Sie vor der Wartung den Startschlüssel ab. Achten Sie auf geschleuderte oder fliegende Objekte.



**Bremse**  
Treten Sie auf das Bremspedal, um das Produkt anzuhalten.



**Feststellbremse**



**Beschleunigen**  
Treten Sie auf das Gaspedal, um sich vorwärts oder rückwärts zu bewegen.



**Ladeanschluss**

**SYMBOLS AUF DEM PRODUKT**



Sicherheitswarnung



Europäisches Konformitätskennzeichen

UK  
CA  
EAC

Britisches Konformitätskennzeichen

EurAsian Konformitätszeichen



Ziehen Sie den Knopf für die Messeraktivierung nach oben, um die Messer zu aktivieren. Drücken Sie den Knopf zur Messeraktivierung nach unten, um die Messer auszuschalten.

Das Produkt kann rückwärts mit eingeschalteten Messern betrieben werden, wenn die RMO-Taste gedrückt wird und das rote Licht der Taste leuchtet. Schauen Sie immer vor und hinter sich, wenn Sie rückwärts manövrieren. Rückwärts mähen wird nicht empfohlen.

Elektrische Geräte sollten nicht mit dem übrigen Müll entsorgt werden. Bitte entsorgen Sie diese an den entsprechenden Entsorgungsstellen. Wenden Sie sich an die örtliche Behörde oder Ihren Händler, um Auskunft über die Entsorgung zu erhalten.



RMO



Ukrainisches Konformitätskennzeichen



Nicht im freien verwenden

T15A

Zeitlich verzögerte Sicherung



Um das Risiko von Verletzungen zu minimieren, muss der Benutzer die Bedienungsanleitung lesen und verstehen bevor er dieses Produkt benutzt.



Explosionsrisiko



Vermeiden Sie zur Verringerung des Verletzungs- oder Beschädigungsrisikos Kontakt mit heißen Oberflächen.



Gebrauch in feuchten Konditionen oder Nichtbefolgen der Sicherheitshinweise kann zu Stromschlag führen.



Gefahr von Stromschlag.



Unterbrechen Sie immer die Stromzufuhr des Ladegeräts, bevor Sie den Akku anschließen bzw. die Verbindung des Akkus zum Ladegerät unterbrechen.



Nicht Regen aussetzen oder in feuchter Umgebung benutzen.



Halten Sie sich von Zündquellen, Funken und Flammen fern. Bedecken Sie keine Lüftungsschlitze und sorgen Sie für eine ausreichende Belüftung während des Betriebs.



Halten Sie das Gerät von Kindern oder ungeschulten Personen fern.



Tragen Sie einen Augenschutz.



Der Akku-Pack enthält Säure. Wenn Säure mit Haut oder Kleidung in Berührung kommt, sofort 10 Minuten lang mit Wasser spülen.



Falls die Flüssigkeit in die Augen gerät, spülen Sie diese mindestens 10 Minuten lang mit sauberem Wasser aus und nehmen Sie dann umgehend ärztliche Hilfe in Anspruch.



Pb

Akku auslaufgeschützt. Akku muss recycelt werden.



Pb

Das Produkt enthält Blei-Säure-Batterien. Gemäß der örtlichen Vorschriften kann die Entsorgung von Blei-Säure-Batterien im normalen Hausmüll verboten sein. Befragen Sie Ihre örtliche Abfallentsorgung nach Information über mögliche Wiederverwertung und/oder Entsorgung.



Den Mäher anhalten



Den Mäher abstellen



Halten Sie den Mäher auf einer ebenen Fläche an. Stoppen Sie das Produkt nicht an Hängen.



Drücken Sie den Knopf zur Messeraktivierung nach unten, um die Messer auszuschalten.



Treten Sie auf das Bremspedal, um das Produkt anzuhalten.



Treten Sie auf das Pedal für die Feststellbremse, um die Feststellbremse anzuziehen.

 EN  
 FR  
 DE  
 DA  
 SV  
 FI  
 NO



Drehen Sie den Startschlüssel in die Position OFF.



Entfernen Sie den Startschlüssel.



Den Mäher fahren



Rückwärts mähen



Stecken Sie den Startschlüssel ein und drehen Sie den Schlüssel in die Position ON.



Ziehen Sie den Knopf für die Messeraktivierung nach oben, um die Messer zu aktivieren.



Treten Sie auf das Gaspedal.



Drücken Sie die Rückwärtstaste.



Treten Sie auf das Pedal für den Rückwärtsgang.

## SYMBOLS IN DIESER BEDIENUNGSANLEITUNG



Teile oder Zubehör getrennt erhältlich



HINWEIS



WARNUNG

## AUSPACKEN

Siehe Seite 88-89.

- Entfernen Sie alle zugänglichen Verpackungsmaterialien und wickeln Sie sie vom Gerät und den Teilen ab. Entsorgen Sie nicht die Verpackung, bis Sie das Produkt sorgfältig inspiziert und zu Ihrer Zufriedenheit benutzt haben.
- Untersuchen Sie das Produkt sorgfältig und vergewissern Sie sich, dass während des Transports keine Beschädigungen aufgetreten sind.
- Kontaktieren Sie einen autorisierten Kundendienst, wenn irgendwelche Teile beschädigt sind oder fehlen.

Bauen Sie das Produkt erst zusammen, wenn die Teile durch neue Originalteile des Herstellers ersetzt wurden. Die Montage des Produkts mit beschädigten, fehlenden oder falschen Teilen kann zu ernsthaften Verletzungen führen.

- Wenn beim Auspacken Teile bereits am Produkt montiert sind, überprüfen Sie, ob das Teil korrekt zusammengebaut, fest angezogen und ggf. richtig angezogen ist, bevor Sie mit dem nächsten Montageschritt fortfahren. Die Verwendung eines Produkts, das nicht ordnungsgemäß montiert wurde, kann zu schweren Verletzungen führen.

## MONTAGE

Siehe Seite 92-94.

- Das Produkt sollte montiert werden, während es auf dem Rahmenboden positioniert ist. Wenn die Montage abgeschlossen ist, stellen Sie das Mähwerk auf die maximale Höhe, positionieren Sie eine Rampe neben dem Rahmenboden und fahren Sie das Produkt langsam und vorsichtig vom Rahmen.
- Halten Sie sich beim Anziehen mittels Drehmoment-Schlüssel strikt an die Spezifikationen der Drehmomentwerte. Nichtbeachtung dieser Warnung kann zu schweren Verletzungen führen.
- Entnehmen Sie beim Montieren von Teilen immer den Startschlüssel, um versehentliches Starten zu verhindern; dies könnte zu schwerwiegenden Verletzungen führen.
- Gehen Sie vorsichtig vor, wenn Sie das Produkt vom Rahmen fahren, und treten Sie nach Bedarf auf das Bremspedal, um die Geschwindigkeit zu steuern. Das Produkt rollt frei, wenn es auf einer geneigten Fläche bewegt wird, ohne auf das Bremspedal zu treten oder die Feststellbremse zu betätigen. Bei Nichteinhaltung dieser Hinweise besteht die Gefahr schwerer Verletzungen oder Materialschäden.
- Wenn keine Rampe zur Verfügung steht, fahren Sie das Produkt langsam und vorsichtig rückwärts vom Rahmen ab, während Sie nach unten und hinten schauen. Wenn Sie das Produkt ohne Rampe vom Rahmen nach vorne fahren, kann das Mähwerk beschädigt werden.

## LED-ANZEIGE DES LADEGERÄTES

| Ladestatus                 | Angeschlossen an  |            | LED       |                   | Status  |
|----------------------------|---|------------|-----------|-------------------|---|
|                            | Stromversorgung   | Rasenmäher | Ladegerät | Rasenmäher        |   |
| Bereitschaft               | Ja  | Nein       | An        | Aus               | Ladegerät bereit zum Aufladen eines Akkus   |
| Ladung                     | Ja  | Ja         | An        | Langsames blinken | —   |
| Fehlercodes des Ladegeräts | Ja  | Ja         | Aus       | Schnelles Blinken | Akkutemperatur, Akkukapazität oder Ladegerät kann fehlerhaft sein.                                    |
|                            | Wenn die LED-Anzeige diesen Fehler zeigt, warten Sie etwa 15 Minuten lang, damit sich Akku und Ladegerät abkühlen können.<br>Wenn die LED-Anzeige erneut auftritt, setzen Sie das Ladegerät zurück oder setzen Sie den Akku erneut ein.<br>Wenn ein anderes Ladegerät normal lädt, kann das Ladegerät defekt sein.<br>Wenn ein anderer Akku normal lädt, kann die Akkukapazität zu gering sein. |            |           |                   |   |
| Vollständig geladen        | Ja  | Ja         | An        | An                | Der Schnelllademodus ist beendet, das Ladegerät setzt das Laden fort.                                 |
| Sperre                     | Nein  | Ja         | Aus       | Schnelles Blinken | Der Stecker ist noch an den Rasenmäher angeschlossen. Der Rasenmäher kann nicht eingeschaltet werden. |
| Defekt                     | Ja  | Ja         | An        | Schnelles Blinken | Der Akku kann defekt sein.  |
|                            | Wenn der LED-Status „Defekt“ anzeigt, setzen Sie das Ladegerät zurück oder setzen Sie den Akku erneut ein.<br>Wenn die Leuchtdioden weiterhin einen Fehler anzeigen, versuchen Sie, Ihr Ladegerät mit einem anderen Akku zu verwenden.<br>Wenn ein anderer Akku normal aufgeladen werden kann, entsorgen Sie den defekten Akku (lesen Sie den Abschnitt "Wartung").                             |            |           |                   |   |

## WARTUNGSPLAN

|  | Vor jedem Einsatz inspizieren. | Alle 25 Stunden | Alle 50 Stunden oder jährlich | Vor der Lagerung | Einmal im Monat während der Lagerung |
|--|--------------------------------|-----------------|-------------------------------|------------------|--------------------------------------|
| Überprüfen Sie die Bremsfunktion.  | x                              |                 |                               |                  |                                      |
| Überprüfen Sie den Reifendruck.  | x                              |                 |                               |                  |                                      |
| Überprüfen Sie den seitlichen Auswurfkanal und die Sicherheitsverriegelungssysteme des Bedieners | x                              |                 |                               |                  |                                      |
| Überprüfen Sie auf lockere Verschlüsse.  | x                              |                 |                               | x                |                                      |
| Entfernen Sie alle Fremdkörper vom Produkt.  | x                              |                 |                               | x                |                                      |
| Messer prüfen / ersetzen   | x                              | x               |                               |                  |                                      |
| Akkupole reinigen  |                                |                 | x                             |                  |                                      |
| Prüfen und laden Sie den Akku.   | x                              |                 |                               |                  | x                                    |

**HINWEIS:** Wenn das Gerät in Bereichen mit hohem Staubaufkommen verwendet wird, sollte die Wartung häufiger durchgeführt werden. Wenn das Gerät die in der Tabelle angegebenen Maximalzahlen überschritten hat, sollten die Wartungsintervalle entsprechend den in der Tabelle angegebenen Zeiten oder Stunden festgelegt werden. Wenn Sie sich nicht sicher sind, wie Sie die oben aufgeführten Wartungsarbeiten durchführen sollen, lassen Sie das Produkt nur von einem autorisierten Servicecenter warten.

## FEHLERBEHEBUNG

Falls diese Lösungen das Problem nicht klären, kontaktieren Sie Ihren autorisierten Kundendienst.

| Problem   | Mögliche Ursache   | Lösung  |
|---|--|---|
| Das Gerät startet nicht.                                    | Die Akkuladung ist niedrig.  | Laden Sie den Akku.   |
|   | Das Ladegerät ist an das Produkt angeschlossen.                                    | Trennen Sie das Ladegerät vom Produkt.  |
|   | Der Startschlüssel ist nicht eingesteckt oder befindet sich in der Position OFF.   | Stecken Sie den Startschlüssel ein und drehen Sie den Schlüssel in die Position ON.   |
|   | Schlechte Akkukabelverbindungen  | Überprüfen und reinigen Sie alle Akkuanschlüsse.  |
| Das Produkt bewegt sich nicht.                              | Der Startschlüssel ist nicht eingesteckt oder befindet sich in der Position OFF.   | Stecken Sie den Startschlüssel ein und drehen Sie den Schlüssel in die Position ON.   |
|   | Die Feststellbremse ist angezogen.   | Lösen Sie die Feststellbremse.  |
|   | Das Bremspedal wird getreten und/oder das Gaspedal wird nicht getreten.            | Nehmen Sie den Fuß vom Bremspedal und treten Sie auf das Gaspedal.  |
|   | Das Ladegerät ist an das Produkt angeschlossen.                                    | Trennen Sie das Ladegerät vom Produkt.  |
| Mäher schneidet das Gras ungleichmäßig.                     | Der Reifendruck ist ungleichmäßig.   | Überprüfen Sie den Reifendruck in allen vier Reifen.  |
|   | Das Mähwerk ist nicht eben.  | Führen Sie die Einstellung des Mähwerkniveaus durch.  |
|   | Die Messer sind abgenutzt, verbogen, locker oder stumpf.                           | Ersetzen Sie die Messer.  |
|   | Unter dem Produkt haben sich Ablagerungen gebildet.                                | Reinigen Sie die Unterseite des Gehäuses.   |
|   | Die Mähgeschwindigkeit ist zu schnell.   | Mähen Sie langsamer.  |
| Mäher mulcht nicht richtig.                                 | Nasses Schnittgut kann an dem Unterboden anhaften.                                 | Warten Sie vor dem Mähen bis das Gras getrocknet ist.   |
|   | Das Gras ist zu hoch.  | Mähen Sie einmal in großer Schnitthöhe, dann wieder in der gewünschten Höhe.  |
|   | Die Messer sind abgenutzt, verbogen, locker oder stumpf.                           | Ersetzen Sie die Messer.  |
|   | Die Mähgeschwindigkeit ist zu schnell.   | Mähen Sie langsamer.  |
| Das Gerät beginnt bei höherer Geschwindigkeit zu vibrieren. | Die Messer haben Unwucht, sind locker oder übermäßig oder ungleichmäßig abgenutzt. | Ersetzen Sie die Messer   |
|   | Verbogene Motorwelle.  | Stoppen Sie den Motor und ziehen Sie den Startschlüssel ab. Untersuchen Sie das Produkt gründlich auf Beschädigungen. Lassen Sie das Produkt vor dem Neustart von einem autorisierten Servicecenter warten. |

|  |   |   |
|--|---|---|
|  | Der seitliche Auswurfkanal oder die Öffnung ist verstopft.  | Reinigen Sie den seitlichen Auswurfkanal und die Öffnung.   |
| Schlechter Auswurf des Grases.   | Das Gras ist nass.  | Lassen Sie das Gras trocknen, bevor Sie mähen.  |
|  | Die Mähgeschwindigkeit ist zu schnell.  | Mähen Sie langsamer.  |
|  | Das Gras ist zu hoch.   | Mähen Sie einmal in großer Schnitthöhe, dann wieder in der gewünschten Höhe.  |
| Motor schaltet beim Mähen aus.   | Schnitthöhe ist zu niedrig.   | Vergrößern Sie die Schnitthöhe.   |
|  | Die Akkuladung ist niedrig.   | Laden Sie den Akku.   |
| Die Messer drehen sich nicht.  | Die Akkuladung ist niedrig.   | Laden Sie den Akku.   |
|  | Der Verriegelungsschalter für den seitlichen Auswurf ist nicht am seitlichen Auswurfkanal gedrückt. | Drücken Sie den seitlichen Auswurfkanal nach unten und stellen Sie sicher, dass der Verriegelungsschalter für den seitlichen Auswurf ganz durchgedrückt ist.  |
|  | Der Knopf für die Messeraktivierung ist unten.  | Ziehen Sie den Knopf für die Messeraktivierung nach oben, um die Messer zu aktivieren.  |
|  | Der Bediener sitzt nicht richtig.   | Setzen Sie sich ganz auf den Sitz.  |
| Die Messer drehen sich beim Rückwärtsfahren nicht.   | Unter dem Mäher haben sich Ablagerungen gebildet.   | Reinigen Sie die Unterseite des Gehäuses.   |
|  | Die Option für den Rückwärtsmodus ist deaktiviert.  | Drücken Sie die Rückwärtsmodus-Taste, um den Rückwärtsmodus zu aktivieren.  |
|  | Der Knopf für die Messeraktivierung ist unten.  | Ziehen Sie den Knopf für die Messeraktivierung nach oben, um die Messer zu aktivieren.  |
| Das Produkt erreicht nicht die volle Geschwindigkeit.  | Die Akkuladung ist niedrig.   | Laden Sie den Akku.   |
| Die Messer drehen sich weiter, nachdem der Fahrer den Sitz verlassen hat, ohne die Feststellbremse zu betätigen. | Das Sicherheitsverriegelungssystem funktioniert nicht richtig.                                      | Stellen Sie sicher, dass der Sicherheitsverriegelungssystem-Stecker des Sitzes vollständig angeschlossen ist. Lassen Sie das Produkt nur von einem autorisierten Servicecenter warten, wenn die Messer immer noch nicht anhalten. |
| Die Scheinwerfer funktionieren nicht.  | Die Scheinwerfer sind aus.  | Drücken Sie die Scheinwerfertaste, um die Scheinwerfer einzuschalten.   |
|  | Die Scheinwerfer sind beschädigt.   | Tauschen Sie die Scheinwerfer aus.  |
| Der Akku wird nicht aufgeladen.  | Die Akkuzellen sind kaputt.   | Ersetzen Sie den Akku.  |
|  | Die Kabelverbindungen sind fehlerhaft.  | Überprüfen und reinigen Sie alle Akkuanschlüsse.  |

## HÄUFIG GESTELLTE FRAGEN

- Sollte der Mäher bei Nichtgebrauch am Ladegerät angeschlossen bleiben?
  - Ja, den Mäher bei Nichtgebrauch ständig aufladen.
- Was ist der empfohlene Reifendruck und wie oft sollte ich den Luftdruck in den Reifen prüfen?
  - Für eine optimale Leistung sollte der Reifendruck 1,4 bar betragen. Überprüfen Sie vor dem Gebrauch den Luftdruck in allen Reifen.
- Was kann dazu führen, dass die Messer während des Gebrauchs stehen bleiben?
  - Überprüfen Sie die Akkustandsanzeige. Der Mähwerkmotor schaltet sich aus, wenn der Akku fast leer ist, damit Sie genügend Zeit haben, zum Ladestandort zurückzufahren. Fahren Sie zurück und laden Sie den Akku sofort auf.
- Wenn der Akkustand nicht niedrig ist, fahren Sie langsamer oder heben Sie das Mähwerk auf einen höheren Stand an. Anwendungen mit hoher Last können auch zum Stillstand eines oder beider Mähwerkmotoren führen.
  - Überprüfen Sie, ob der seitliche Auswurfkanal ordnungsgemäß geschlossen ist. Drücken Sie den seitlichen Auswurfkanal nach unten und stellen Sie sicher, dass der Verriegelungsschalter für den seitlichen Auswurf ganz durchgedrückt ist.
- Warum beschleunigt der Mäher beim Bergabrollen manchmal und manchmal nicht?
  - Zu Ihrer Sicherheit und für eine bessere Leistung wurde der Mäher so konstruiert, dass seine Geschwindigkeit beim Befahren von Hängen automatisch begrenzt wird, was zu Geschwindigkeitsschwankungen führen kann.
- Warum piept der Mäher, wenn ich rückwärts fahre?
  - Um alle Personen in der Nähe auf den Standort des Mähers aufmerksam zu machen.
- Wie bringe ich den Mäher beim Betrieb zum Stillstand?
  - Treten Sie auf das Bremspedal, um das Produkt anzuhalten. Dieses Produkt verfügt nicht über einen hydrostatischen Antrieb.
- Warum gibt der Mäher ein Piepton von sich, wenn ich den Sitz verlasse?
  - Die Feststellbremse ist nicht angezogen oder der Startschlüssel steckt noch und befindet sich in der Position ON. Ziehen Sie immer den Schlüssel ab, wenn der Mäher nicht benutzt wird.
- Wann sollte ich die Feststellbremse benutzen?
  - Ziehen Sie immer die Feststellbremse an, bevor Sie den Rasenmäher verlassen.
- Kann ich das Mähwerk mit einem Gartenschlauch abspritzen?
  - Reinigen Sie das Produkt nicht mit Wasser. Verwenden Sie zum Reinigen ein Gebläse oder einen Luftkompressor.



Sikkerhed, ydeevne og pålidelighed har fået højeste prioritet i designet af din plæneklipper med sæde.

### TILTÆNKT ANVENDELSESFORMÅL

Plæneklipperen med sæde er kun beregnet til udendørs brug.

Dette produkt er beregnet til klipning af private plæner. Klippekniven bør rotere omtrent parallelt med den jordoverflade, den køres hen over. Alle fire hjul skal røre ved plænen under klipningen.

Produktet bør kun bruges til hjemmebrug af voksne, som har modtaget tilstrækkelig uddannelse i farer og forebyggende foranstaltninger, der skal iværksættes ved brug af produktet.

Må ikke bruges til andre formål.

### GENERELLE SIKKERHEDSADVARSLER FOR PRODUKTET

**⚠ ADVARSEL! Læs alle omhyggeligt alle advarsler, anvisninger og specifikationer, som følger med maskinen, og studer illustrationerne.** Hvis nedenstående forskrifter ikke overholdes, kan der ske uheld og ulykker som brand, elektrisk stød og/eller alvorlige personskader.

**Gem vejledningen med advarsler og anvisninger til senere opslag.**

Betegnelsen "eldrevet værktøj" i advarselne henviser til jeres ledningsforbundne produkt eller batteridrevet (ledningsfrie) produkt.

### ARBEJDSOMGIVELSER

- **Hold arbejdsområdet rent og godt oplyst.** Rodede eller mørke områder inviterer til ulykker.
- **Brug ikke elværktøjer i eksplosive omgivelser som fx i nærheden af brandbar væske, gas eller støv.** Elværktøjer udløser gnister, som kan antænde støvet eller dampene.
- **Der må ikke være børn og tilskuere i nærheden, når et elværktøj anvendes.** Distractioner kan medføre, at du mister kontrollen.

### ELEKTRISK SIKKERHED

- **Elværktøjets elstik skal passe til elnetkontakten.** Elstikket må aldrig modificeres på nogen som helst måde. Undlad brug af adapterstik til jordede (stelforbundne) elværktøjer. Umodificerede elstik og passende elnetkontakter reducerer faren for elektrisk stød.
- **Undgå kropskontakt med jordede eller stelforbundne overflader som fx rør, radiatorer, komfurer og køleskabe.** Der er forøget risiko for elektrisk stød, hvis din krop er forbundet med jord eller stel.
- **Dette produkt må ikke udsættes for regn eller fugt.** Hvis der trænger vand ind i et elværktøj, øges faren for elektrisk stød.
- **Undlad at misbruge ledningen.** Ledningen må aldrig bruges til at bære eller trække i elværktøjet eller til at trække stikket ud. Ledningen må ikke komme i nærheden af varme, olie, skarpe kanter eller bevægelige dele. Beskadede eller sammenfiltrede ledninger øger faren for elektrisk stød.
- **Når et elværktøj anvendes i det fri, skal der bruges en forlængerledning, der er egnet til udendørs brug.** Brug af ledninger beregnet til udendørs brug reducerer faren for elektrisk stød.

- **Hvis man er nødt til at bruge et elværktøj i fugtige omgivelser, skal strømforsyningen have en fejlstrømsafbryder (RCD-afbryder).** Brug af fejlstrømssikring reducerer faren for elektrisk stød.

### PERSONLIG SIKKERHED

- **Når man bruger et elværktøj, skal man være agtpågivende, iagttage hvad man gør og bruge sund fornuft. Undlad at bruge et elværktøj, hvis du er træt eller påvirket af narkotika, alkohol eller medikamenter.** Et øjeblik uopmærksomhed under brug af motoriserede værktøjer kan medføre alvorlige personskader.
- **Brug personlige værnemidler. Brug altid øjenværn.** Personlige værnemidler som støvmaske, skridsikre sikkerhedssko, beskyttelseshjelm eller høreværn anvendt under de rette betingelser nedsætter antallet af personskader.
- **Forebyg utilsigtet start. Kontrollér, at kontakten er i pos. OFF (=slukket), inden værktøjet sluttes til strømkilde og/eller batteri, samles op eller bæres.** At bære elværktøjer med fingeren på kontakten eller at slutte strøm til elværktøjer med tændt kontakt er at invitere til ulykker.
- **Fjern evt. skruenøgler, inden der tændes for elværktøjet.** En efterladt skruenøgle fastgjort til en roterende del af elværktøjet kan medføre personskader.
- **Overstræk ikke. Sørg for altid at have godt fodfæste og god balance.** Dette giver bedre kontrol over elværktøjet i uventede situationer.
- **Vær ordentligt klædt på. Bær ikke løftsiddende tøj eller smykker. Hold hår og beklædning på afstand af bevægelige dele.** Løstsiddende tøj, smykker eller langt hår kan hænge fast i bevægelige dele.
- **Hvis der findes anordninger for tilslutning af støvudsugnings- og opsamlingsudstyr, skal disse tilsluttes og anvendes korrekt.** Brug af støvopsamling kan reducere støvrelaterede faremomenter.
- **Lad ikke fortroligheden, der er opstået ud fra hyppig brug af et redskab, påvirke dig til at være tilbagelænet og ignorere sikkerhedsprincipper.** En uforsigtig handling kan forårsage alvorlige personskader på en brøkdæl af et sekund.

### BRUG OG PLEJE AF ELVÆRKTØJ

- **Undlad at tvinge produktet. Brug elværktøjet til det tiltænkte anvendelsesformål.** Det korrekte elværktøj klarer opgaven bedre og sikrer med den hastighed, det er designet til.
- **Elværktøjet må ikke tages i brug, hvis TÆND/SLUK-kontakten ikke virker.** Et elværktøj, der ikke kan kontrolleres med TÆND/SLUK-kontakten, er farligt og skal repareres.
- **Fjern stikket fra strømkilden, og/eller fjern batteripakken fra elværktøjet, hvis den er aftagelig, før du foretager justeringer, udskifter tilbehør eller lægger elværktøjet væk.** Disse forebyggende sikkerhedsforanstaltninger reducerer faren for utilsigtet start af elværktøjet.
- **Når elværktøjer ikke bruges, skal de opbevares utilgængeligt for børn; personer, som ikke er fortrolige med elværktøjet eller denne brugsanvisning, må ikke anvende elværktøjet.** Elværktøjer er farlige i hænderne på ukyndige brugere.



- **Vedligehold elværktøj og tilbehør.** Kontrollér, om der er forkert indjusterede eller forbundne bevægelige dele, afbrækkede dele samt andre tilstande, som kan påvirke elværktøjets funktionsmåde. Hvis der konstateres skader, skal elværktøjet repareres inden brug. Mange ulykker skyldes dårligt vedligeholdte elværktøjer.
- **Skærende værktøjer skal holdes skarpe og rene.** Korrekt vedligeholdte skærende værktøjer med skarpe skær er mindre tilbøjelige til at binde/blokere og er lettere at kontrollere.
- **Brug elværktøjet, tilbehøret og værktøjs-bits osv. som foreskrevet i denne brugsanvisning, og tag højde for arbejdsforholdene og den aktuelle arbejdsopgave.** Brug af elværktøjet i strid med de tiltænkte anvendelsesformål kan medføre farlige situationer.
- **Hold håndtagene og gribefladerne tørre, rene og fri for olie og fedt.** Glatte håndtag og gribeflader umuliggør sikker håndtering og kontrol af redskabet i uventede situationer.

## BRUG OG PLEJE AF BATTERIVÆRKTØJ

- **Opladning må kun finde sted med den af producenten foreskrevne oplader.** En oplader, der er beregnet til én type batteri, kan udgøre en brandrisiko, hvis den bruges til en anden batteritype.
- **Brug kun elværktøjer sammen med specifikt godkendte batterier.** Brug af andre batterityper kan medføre fare for personskade og brand.
- **Når batteriet ikke bruges, må det ikke opbevares sammen med metalgenstande som fx papirclips, mønter, nøgler, søm, skruer eller andre metalgenstande, som kan skabe forbindelse mellem batteriets poler.** Hvis batteriets poler kortsluttes, kan det forårsage forbrændinger eller ildbrand.
- **Hvis batteriet misbruges, kan der sprøjte væske ud af det; undgå kontakt med batterivæsken. Ved kontakt med batterivæsken skyldes der med vand. Hvis der kommer væske i øjnene, kontaktes læge straks.** Udsprøjet batterivæske kan forårsage irritation eller forbrændinger.
- **Brug ikke et batteri eller værktøj, der er beskadiget eller modificeret.** Beskadigede eller modificerede batterier kan være ustabile, hvilket kan medføre brand, eksplosion eller personskade.
- **Udsæt ikke batteri eller værktøj for åben ild eller høje temperaturer.** Udsættelse for ild eller temperaturer over 130 °C kan medføre eksplosion.
- **Følg vejledningen for opladning, og oplad ikke batteriet eller værktøjet uden for det temperaturområde, der er angivet i vejledningen.** Forkert opladning eller opladning ved temperaturer uden for det angivne område kan beskadige batteriet og øge risikoen for brand.

## VEDLIGEHOLDELSE

- **Sørg for, at elværktøjet serviceret af en kvalificeret reparatør, som kun benytter sig af originale reservedele.** Herved garanteres sikkerheden for elproduktet.
- **Efterse aldrig beskadigede batteripakker.** Eftersyn af batteripakker bør kun udføres af producenten eller autoriserede serviceleverandører.

## SIKKERHEDSADVARSLER FOR PLÆNEKLIPPER MED SÆDE

### UDDANNELSE

- Når produktet anvendes, skal sikkerhedsreglerne overholdes. Af hensyn til egen og andres sikkerhed skal man læse denne brugsanvisning, inden produktet anvendes. Disse sikkerhedsregler skal opbevares med henblik på senere brug.
- Tillad kun ansvarlige voksne, der er bekendt med og forstår instruktionerne, at bruge produktet.
- Sørg for at blive fortrolig med betjeningselementerne samt den korrekte brug af produktet.
- Brug altid anordninger til sikkerhedsbeskyttelse. Brug ikke produktet uden sideudkastrøret på plads og med korrekt funktion. Tildækningsdækslet skal være korrekt installeret og arbejde korrekt under fremstilling af tildækning.
- Vær opmærksom på mulige farer, når du ikke bruger produktet, eller når du skifter tilbehør. Derved formindskes risikoen for brand, elektrisk stød og personskader.
- Kør aldrig med passagerer eller børn, selv når klingerne er stoppet. Passagererne kan falde af og blive alvorligt kvæstet eller forstyrre sikker betjening af produktet. Børn, der tidligere har fået køreture, kan pludselig optræde i klippeområdet for at få en ny tur og blive kørt over eller bakket over af produktet.
- Husk, at brugeren selv er ansvarlig for ulykker eller farer, som andre personer bliver udsat for.
- Lad aldrig børn eller personer med begrænsede fysiske, sensoriske eller mentale evner eller personer, som ikke er bekendt med denne brugsanvisning, benytte, rengøre eller vedligeholde produktet. Lokale love kan have indflydelse på den tilladte bruger alder. Børn bør holdes under tilstrækkelig opsyn, så man er sikker på, at de ikke leger med produktet.
- Følg producentens instruktioner omkring korrekt anvendelse og installation af tilbehør. Anvend kun tilbehør godkendt af producenten. Brug af ukorrekte tilbehørsdele kan medføre personskader.
- Sørg for aldrig at forstyrre den påtænkte funktion af en sikkerhedsanordning eller mindske den beskyttelse, der ydes af en sikkerhedsanordning. Kontrollér regelmæssigt korrekt funktion af sikkerhedsanordninger.
- Undlad at bruge produktet, mens mennesker, især børn, eller kæledyr opholder sig inden for 15 meter, da der er fare for, at genstande kan blive udslynget ved kontakt med kniven.
- Produktet må ikke benyttes, hvis der er fare for tordenevej.
- Brug ikke produktet i dårlig belysning. Operatøren skal have tydeligt overblik over arbejdsområdet, så han/hun kan identificere evt. faremomenter.
- Hold hænder og fødder væk fra skæreamrådet, der er placeret under plæneklipperens dæk og inde i sideudkastrøret. Hold til enhver tid afstand til sideudkastrørets åbning. Stik aldrig hænder og fødder under dækket på plæneklipperen.
- Følg vejledningen mht. skift af tilbehørsdele.



## FORBEREDELSE

- Bær kraftige, lange bukser, trøje med lange ærme, robust og skridsikkert fodtøj. Bær ikke korte bukser, sandaler, og gå ikke barfodet. Undgå at bære løstsiddende tøj eller frit hængende snører eller slips.
- Vær altid sikkerhedsbriller med sidebeskyttelse. Anvend ansigtsmaske hvis det udførte arbejde støver meget.
- Genstande, der rammes af klingerne, kan forårsage alvorlige skader på personer. Inspicér omhyggeligt det område, hvor maskinen skal anvendes, og fjern alle sten, pinde, metaldele, ledninger, ben, legetøj eller andre fremmedlegemer. Husk, at streng eller wire kan blive sammenfiltret med klingerne.
- Inden brug skal du altid inspicere produktet visuelt for at sikre dig, at klinger, klingemøtrikker og skæreenheden ikke er slidt eller beskadiget.
- Ret aldrig udkastet materiale mod nogen. Planlæg klippemønstret for at undgå udkast af materiale mod tilskuere, veje, fortove, vinduer og biler. Undgå også at skyde slæde materialer på mod mure og andre genstande som kan rикоchere tilbage mod brugeren.

## VEKSELSTRØM

- Inden start af produktet
  - Kontroller bremsens funktion.
  - Tjek dæktrykket.
  - Kontrollér for løse fastgørelselementer.
  - Sørg for, at alle afskærmninger er på plads og fungerer, som de skal.
  - Tjek sideudkaststrørets sikkerhedslåsesystem
  - Test af sikkerhedslåsesystem for tilstedeværelse af operatør
  - Juster sædet til den foretrukne position.
  - Kontroller opladningsniveau for batteri.
- Produktet skal startes med brugeren siddende korrekt og bag rattet. Produktet må aldrig startes, hvis:
  - Alle fire hjul ikke hviler på jorden.
  - Sideudkaststrøret er blottet og er ikke beskyttet af tildækningsdækslet
  - Alle de tilstedeværendes hænder og fødder ikke er fri af klippebeklædningen.
- Frakobl klingerne, når produktet ikke er i brug.
- Arbejd aldrig med motorsaven i lukkede rum.
- Stop klingen, når du krydser grusoverflader for at undgå at udkaste grus og sten. Kør produktet langsomt og omhyggeligt for at undgå kontroltab.
- Tænd forsigtigt for produktet i henhold til anvisningerne, og hold hænder og fødder væk fra klingerne. Anbring aldrig hænder eller fødder i nærheden af eller under roterende dele.
- Klip ikke under bækning, medmindre det er absolut nødvendigt. Inden og under bækning se bagud og ned af hensyn til små børn, tilskuere og kæledyr.
- Vær ekstra forsigtig, når du nærmer dig blinde hjørner, buske, træer og andre ting, herunder overhængende buske, der kan blokere dit udsyn.
- Sænk farten inden drejning.
- Lad aldrig produktet køre uden opsyn. Aktiver parkeringsbremsen, sluk for klingerne, stop produktet, og fjern startnøglen, før du stiger af.

- Vær opmærksom på trafik, når du kører i nærheden af veje. Brug ikke plæneklipperen på veje.
- Skråninger er en vigtig faktor, hvad angår kontroltab og vælteulykker, som kan resultere i alvorlig personskade eller dødsfald. Anvendelse på bakker kræver ekstra forsigtighed. Hvis du ikke kan bakke op ad skråningen, eller hvis du føler dig utilpas på den, skal du undlade at klippe den. Brug aldrig produktet på stejle skråninger på mere end 15°. Lav en kopi, eller klip "Skråningsvejledning" bagerst i denne vejledning ud, og brug den til at bestemme, om din skråning er for stejl til sikker klipping.
  - Klip græsset op og ned og ikke på tværs af skråninger.
  - Undgå huller, riller, buler, sten eller lignende. Ujævnt terræn kan få plæneklipperen til at vælte. Højt græs kan genne genstande.
  - Brug en langsom hastighed, så du ikke behøver at stoppe pludselig eller ved et uheld at accelerere, mens du er på en skråning.
  - Klip ikke på vådt græs, når du befinder dig på en skråning. Dæk kan miste grej og forårsage, at du mister kontrol over produktet.
  - Brug altid bremserne ved kørsel ned af skråningen. Skift ikke til frigear for at rulle ned ad bakke, hvilket kan medføre, at du mister kontrollen over produktet.
  - Undgå at starte, stoppe eller dreje på en skråning. Hvis dækkene mister trækraft, skal du løsne klingerne og fortsætte langsomt lige ned ad skråningen.
  - Afvikl alle bevægelser på skrænter langsomt og gradvist. Foretag ikke pludselige ændringer i hastighed eller retning, som kan få plæneklipperen til at vælte.
  - Vær ekstra forsigtig, mens du bruger produktet med tilbehør. Det kan påvirke produktets stabilitet. Brug aldrig produktet på stejle skråninger på mere end 15°.
  - Forsøg ikke at stabilisere plæneklipperen ved at sætte en fod på jorden.
  - Undgå at bruge produktet nær skrænter, grøfter, meget stejle skåninger eller diger. Produktet kan pludselig rulle rundt, hvis et hjul kører ud over kanten, eller hvis kanterne buer indad og derved kan resultere i dødsfald eller alvorlig personskade.

## YDERLIGERE SIKKERHEDSADVARSLER OM OPLADER

- Opladeren er kun beregnet til indendørs brug.
- Genoplad ikke primærbatterier (ikke-genopladelige).
- Inden hver brug skal man kontrollere elkablet for evt. beskadigelser. Hvis det opviser tegn på skader, skal det udskiftes af en autoriseret person på et autoriseret servicecenter for at undgå farlige situationer.
- Oplad produktet indendørs på et velventileret område. Oplad ikke produktet, hvor der er begrænset plads.
- Opladeren er udstyret med et stik med et jordforbindelsesben og skal tilsluttes et matchende stik, der er korrekt installeret og jordat i overensstemmelse med alle lokale regler og forordninger. Lad være med at bruge adaptere eller ændre det medfølgende stik. alle gældende lokale regler og forskrifter.

## YDERLIGERE SIKKERHEDSADVARSLER OM BATTERI

**⚠ ADVARSEL!** Risiko for brand, eksplosion eller forbrændinger. TLad være med at adskillelse batteripakken, eller udsætte den for varme over 60° C eller afbrænde den.

- For at undgå risiko for brand, kvæstelser eller beskadigelse af produktet forårsaget af kortslutning må værktøjet, batteripakken eller opladeren ikke nedsænkes i vand. Sørg ligeledes for, at der ikke trænger væske ind i enhederne og batterierne. Korroderende eller ledende væsker, f.eks. saltvand, bestemte kemikalier, blegestoffer eller produkter, som indeholder blegemidler, kan forårsage kortslutning.
- Batteripakken indeholder syre. Hvis syre kommer i berøring med huden eller beklædning, så skyl omgående med vand i 10 minutter. Hvis væske kommer i kontakt med øjnene, skal der søges lægehjælp.
- Oplad ikke batteripakker, der viser tegn på lækage. De skal bortskaffes på ordentlig vis.

## UDTAGNING OG FORBEREDELSE AF BATTERIET TIL GENBRUG

- For at spare på naturressourcerne skal batterier genbruges eller bortskaffes i henhold til gældende (miljø) regler.
- Produktet indeholder blysyrebatterier. Lokale forskrifter forbyder muligvis bortskaffelse af blysyrebatterier med alm. affald. Konsultér lokale renovationsmyndigheder for oplysninger om mulige genbrugs-/bortskaffelsesmuligheder.

**⚠ ADVARSEL!** Når batteriet er taget ud, tildækkes dets poler med kraftigt tape. Forsøg ikke at ødelægge eller demontere batteriet eller at fjerne nogle af dets dele. Blysyrebatterier skal genbruges eller bortskaffes på forsvarlig vis. Man må heller aldrig røre ved polerne med metalgenstande og/eller kropsdele, da dette kan udløse kortslutning. Opbevar batteripakken uden for børns rækkevidde. Manglende overholdelse af disse advarsler kan medføre brand og/eller alvorlig personskade.

## TRANSPORT OG OPBEVARING

- Sluk for produktet, aktiver parkeringsbremsen, og fjern startnøglen. Kontrollér, at alle bevægelige dele er standset fuldstændigt. Lad produktet køle af inden opbevaring eller transport i et køretøj.
- Afrens alle fremmedlegemer fra produktet. Opbevar den på et køligt, tørt og godt ventileret sted utilgængeligt for børn. Starttasten skal også fjernes og opbevares på et separat sted uden for børns rækkevidde.
- Sørg for, at produktet ikke kommer i nærheden af korrosive stoffer såsom havekemikalier og strøsalt. Opbevar ikke produktet udendørs
- Vær ekstra forsigtig, når du pålæsser eller aflæsser produktet på en trailer eller lastbil. Træd på brems pedalen efter behov for at regulere hastigheden. Produktet ruller frit, hvis det bevæges på en skrå overflade uden at træde på brems pedalen eller aktivere parkeringsbremsen. Ved aflæsning eller pålæsning af produktet, må den maksimale anbefalede betjeningsvinkel ikke overstige 15°.

- Vær meget forsigtig, når du løfter eller vipper maskinen i forbindelse med vedligeholdelse, rengøring, opbevaring eller transport. Klingen er skarp. Hold alle kropsdele på afstand af klingens, når denne er blottet.
- Fastgør produktet efter behov ved hjælp af stropper eller kabler for at forhindre bevægelse under transport.

## TRANSPORT AF BLYSYREBATTERIER

- Batterier skal transporteres i henhold til lokale og nationale forskrifter og love.
- Når batterier skal transporteres af tredjepart, skal alle specielle krav til emballering og mærkning overholdes. Man skal sikre sig, at ingen batterier under transporten kan komme i kontakt med andre batterier eller ledende materialer ved at beskytte blottede konnektorer med isolerende, ikke-ledende hætter eller tape. Undlad at transportere batterier med revner eller utætheder. Rådfør dig desuden med speditøren.

## SIKKERHEDSADVARSLER FOR BUGSERING

- Brug sund fornuft ved bugsering. En for stor byrde under arbejde på en skråning er farlig. Dæk kan miste vejgreb og forårsage, at du mister kontrol over produktet.
- Følg producentens anbefalinger til hjulvægt eller modvægt.
- Samlet bugseret vægt må ikke overstige maks. bugseringsvægt på 136 kg (300 lbs).
- Fastgør kun bugseringsudstyr på tovophængspladen.
- Lad aldrig børn eller andre opholde sig på det bugserede udstyr.
- Stopafstand øges med hastighed og vægt af lasten under bugsering. Kør langsomt, og afsæt ekstra tid og afstand til at stoppe.
- Foretag ikke skarpe drej under bugsering. Udvis yderligere forsigtighed ved drejning eller betjening under dårlige overfladebetingelser. Vær forsigtig ved kørsel i bakgear.

## VEDLIGEHOLDELSE

- Brug kun originale reservedele, ekstraudstyr og tilbehør fra producenten. I modsat fald er der fare for personskader, dårlig maskinydelse og annullering af garantien.
- Behandl produktet med omhu, og hold det i god funktionstilstand. Hold klingerne skarpe og afskærmninger på plads og i driftsmæssig tilstand. For at forhindre alvorlig personskade skal du forhindre beskadigelse af produktet og for at opretholde den bedste ydelse udskifte beskadigede, bøjede, revnede eller ujævnt slidte klinger. En ubalanceret klinge forårsager vibrationer, der kan beskadige motorens drivenhed eller kan forårsage personskade.
- Foretag aldrig justeringer eller reparationer, mens motoren kører, og klingerne er i bevægelse.
- Fjern startnøglen fra produktet inden opbevaring, servicering eller skift af tilbehør. Sådanne forebyggende sikkerhedsforanstaltninger reducerer risikoen for opstart af produktet ved et uheld.
- Sluk for produktet, aktiver parkeringsbremsen, og fjern startnøglen. Kontrollér, at alle bevægelige dele er standset fuldstændigt:
  - inden produktet efterlades uden opsyn (herunder bortskaffelse af afklippet græs)

- før du fjerner blokerede genstande eller renser græsudkastet
- inden kontrol, rengøring eller arbejde på produktet
- inden fjernelse af tildækningsdæksel
- inden åbning af græsudkasterrørets dæksel.
- efter at have ramt et fremmedelement
  - Inspicér omhyggeligt maskinen for evt. skader.
  - Udskift kniven, hvis den er beskadiget på nogen måde.
  - Reparer skader før græsslåmaskinen genstartes og anvendes igen.
- hvis produktet begynder at vibrere unormalt (kontrolleres omgående).
  - eftersyn for skader, især knivene
  - Udskift kniven, hvis den er beskadiget på nogen måde.
  - udskift eller reparer alle beskadigede dele
  - Kontrollér og efterspænd evt. løse dele.
- Du kan lave justeringer og reparationer beskrevet i denne brugervejledning. Lad kun et autoriseret servicecenter servicere og reparere produktet.
- Kontakt et autoriseret servicecenter med henblik på udskiftning af beskadigede eller ulæselige etiketter.
- Service på produktet og opladeren må kun foretages af kvalificerede reparationsmedarbejdere. Service eller vedligeholdelse udført af ukvalificerede personer kan medføre personskafer på brugeren eller skader på produktet. Lad kun et autoriseret serviceværksted servicere produktet.
- Tjek ofte alle møtrikker, bolte og skruer om de sidder godt fast, og sørg for at produktet fungerer ordentligt.
- Klingeboltene skal spændes til det anbefalede moment.
- Kontroller bremserne inden hver brug og hyppigt under brug. Juster og servicer bremserne i nødvendigt omfang.
- Sideudkasterrøret er en fjederbelastet afskærmning, der dækker sideudkaståbningen på klippedækket og bortleder græsklip og affald væk fra operatøren. Sørg altid for, at motoren er slukket, og at klingerne er ophørt med at bevæge sig før inspektion, bevægelse, rengøring eller vedligeholdelse på sideudkasterrøret.
- Udskift altid slidte eller beskadigede knive og skruer sætvis, så balancen opretholdes.
- Vær forsigtig ved justering af maskinen, så du ikke får fingrene i klemme mellem bevægelige knive og faste maskindele.
- Skæreklingerne fortsætter med at rotere i nogle få sekunder, efter der er lukket for motoren. Når man servicerer knivene, skal man være opmærksom på, at de stadig kan bevæge sig, selv om strømmen er afbrudt. Placer aldrig nogen del af kroppen i klingområdet, før du er sikker på, at klingerne er ophørt med at rotere.
- Kniven på produktet er skarp. Vær forsigtig, og benyt kraftige handsker, når du monterer, udskifter, rengør eller kontrollerer boltsikkerheden.
- Produktet skal rengøres med en blød klud efter hver brug. Enhver del, som bliver beskadiget, skal repareres korrekt eller udskiftes hos et autoriseret servicecenter.
- Hold produktet fri for græs, blade eller andet affald, der har hobet sig op.
- Brug ikke vand til at rengøre produktet. Brug en luftdrevet anordning som en kompressor eller bladblæser til rengøring af produktet.

## VEDLIGEHOLDELSE AF DÆK

Produktet er forsynet med slangeløse dæk med følgende mål:

- Forside: 33 x 13 x 15 cm
- Bagside: 40 x 16 x 20 cm

Når dæk er slidt, mindskes plæneklipperens trækraft, hvilket øger risikoen for en ulykke. Udskift dækkene, når dybden på slidbanen er 4 mm eller mindre, eller når som helst ved beskadigelse af dækket. Brug altid originale ombytningsdæk. Brug af uegnede dæk på produktet kan forårsage kontroltab, der kan føre til alvorlige personskafer. Lad kun et autoriseret serviceværksted udskifte dækkene.

## DÆKTRYK

Kontroller lufttrykket i alle dæk inden brug. Forkert lufttryk påvirker håndtering, styrerespons, trækraft, dæklevetid, niveauskæring og førerkomfort. Kontroller, at dækkene pumpes til det anbefalede tryk (1,4 bar).

Dæktrykket skal kun måles eller justeres, når dækkene er kolde.

## REPARATION AF DÆK

Hvis der opstår en lækage eller et fladt dæk på grund af en punktering, kan dækket repareres ved hjælp af en lap. Hvis skaden er forårsaget af et snit, eller hvis punkteringen ikke kan repareres med en lap, så udskift dækket.

## BREMSEJUSTERING

Se side 102.

Hvis plæneklipperen kører længere, før du stopper, når du træder på bremsepedalen, trænger bremserne muligvis til justering.

Efter den endelige justering skal du teste bremserne ved at køre plæneklipperen med normal hastighed på fladt underlag for at være sikker på, at plæneklipperen stopper hurtigt, når bremsepedalen trykkes ned.

## AFHJÆLPNING AF TILSTOPNING

- Sluk for produktet, aktiver parkeringsbremsen, og fjern startnøglen. Indstil klippedækket til den maksimale højde. Kontrollér, at alle bevægelige dele er standset fuldstændigt.
- Benyt altid kraftige beskyttelseshandsker, når du kontrollerer og afhjælper en tilstopning. Klingerne er skarpe, og selve tilstopningen kan være en skarp genstand.
- Kontrollér og ryd omhyggeligt sideudkasterrøret for tilstopninger.
- Fjern forsigtigt alle tilstopninger. Husk, at kniven kan bevæge sig, når tilstopningen fjernes.

## KEND PRODUKTET

Se side 90.

### 1. Klingeaktiveringsgreb

Klingeaktiveringsknop aktiverer eller stopper skæreklingerne.

- Træk op i grebet til aktivering af klinger for at aktivere klingerne.
- Tryk ned på klingens aktiveringsgreb for at stoppe klingerne.

**BEMÆRK:** Klingerne bør stoppe inden for 5 sekunder.



Hvis klingerne ikke stopper, så kontakt et autoriseret servicecenter.

## 2. Forlygteknapp

Forlygteknappen TÆNDER og SLUKKER forlygterne.

## 3. Strømkontakt

Strømkontakten TÆNDER og SLUKKER for produktet. Startnøglen skal indsættes, før kontakten kan betjenes. Når nøglen er i tilbehørspositionen, bruges strømkontakten også til at drive valgfrit producentgodkendt tilbehør til plæneklipperen.

## 4. Baktilstandsknap

Knappen til baktilstand tænder for klingerne, når man manøvrerer i baglæns retning.

**BEMÆRK:** Knivene aktiveres ikke under baglæns drift, hvis knappen til baglæns tilstand ikke trykkes ned, og knivens tilslutningsgreb ikke trækkes op.

## 5. Batteriniveauidikator/timetæller

Batteriniveauidikatoren viser den resterende mængde strøm på batteriet. Timetælleren sporer det samlede antal timer, som produktet er blevet brugt (indtastes i stillingen TIL) til vedligeholdelsesformål.

## 6. Sæde (med sikkerhedslåsesystem for tilstedeværelse af operatør)

Sædet har et sikkerhedslåsesystem, der stopper klingerne, hvis operatøren forlader plæneklipperen, mens klingerne kører.

Test systemet inden hver brug for at sikre, at det fungerer korrekt.

1. Tryk ned på klingens aktiveringsgreb for at stoppe klingerne.
2. Isæt startnøglen, og drej nøglen til stillingen TIL.
3. Træk op i grebet til aktivering af klinger for at aktivere klingerne.
4. Rejs dig et kort øjeblik, men uden at forlade plæneklipperen.

Klingerne bør stoppe inden for 5 sekunder. Hvis klingerne ikke stopper, så kontakt et autoriseret servicecenter.

Betjen ikke produktet, før sikkerhedslåsesystemet er blevet repareret.

## 7. Opladeport

Opladningsporten forbinder laderen med plæneklipperen. LED-indikatoren angiver batteriets status under opladning.

## 8. Tovophængsplade

Tovophængspladen kan bruges til bugsering af laster på højst 136 kg (300 lbs.) i vægt.

## 9. Kopholder

Kopholderen er et praktisk sted opbevaring af kopper eller vandflasker.

## 10. Justeringshåndtag for højdejustering

Håndtaget til højdejustering af dæk hæver eller sænker klippedækket.

## 11. Justeringshåndtag for sæde

Sædejusteringsgrebet flytter sædet til den forestrukne stilling.

## 12. Parkeringsbremse

Parkeringsbremsen låser produktet i bremseposition.

## 13. Sideudkastrets sikkerhedslåsesystem

Sideudkasttragten skubber det afskårede græs til siden. Kontroller inden brug af produktet, at sideudkastret er lukket forsvarligt. Den har et sikkerhedslåsesystem, der stopper klingerne, hvis tragten ved et uheld skulle åbnes under drift.

Stop med at bruge produktet, og lad det servicere af et autoriseret servicecenter, hvis klingerne ikke stopper, når sideudkastret løftes under brug af en forhindring.

## 14. Bakkepedal

Bakkepedalen får produktet til at køre baglæns.

**BEMÆRK:** Tryk på knappen for baktilstand for at aktivere bakning.

## 15. Bremsepedal

Bremsepedalen sænker hastigheden eller stopper produktet.

## 16. Gaspedal

Gaspedalen styrer hastigheden på produktet.

## 17. Forlygter

Forlygterne belyser klippestien.

## 18. Startnøgle

Startnøglen skifter afbryderen mellem tændt, slukket eller tilbehørsposition.

## 19. Tildækningsdæksel

Tildækningsdækslet dækker sideudkastret, som gør det muligt for plæneklipperklingen at skære og genskære for at opnå finere afklip.

## 20. Oplader

Opladeren genoplader batterierne i plæneklipperen. Den har en ophængningsfunktion til bekvem og pladsbesparende opbevaring. Ved ophæng i nøglehullsslidserne skal du bruge mindst en ekstra skrue i hullet i monteringsflangen til sikkert ophæng på stedet. Monter altid på en sådan måde, at opladerens LED-statuslampe er synlig under opladning.

## 21. Brugsanvisning

Betjeningsvejledningen indeholder vigtige sikkerhedsadvarsler og instruktioner om, hvordan produktet korrekt og sikkert betjenes og vedligeholdes.

## SYMBOLER PÅ PRODUKTET



Sikkerheds Varsel



Læs og forstå alle anvisninger inden betjening af produktet. Overhold alle advarsler og sikkerhedsanvisninger.



Sørg for, at tilskuere (især børn og dyr) har mindst 30 m afstand fra arbejdsområdet.



Kør aldrig med passagerer eller børn, selv når klingerne er stoppet.



Se altid ned og bag ved dig, inden og under bakning, og sørg for, at børn, tilskuere og kæledyr har forladt området.



Brug aldrig produktet på stejle skråninger på mere end 15°. Klip græsset op og ned af skråninger ikke på tværs af skråninger.



Garanteret støjniveau



Hold hænder og fødder på afstand af kniv og klippeområde.



Træd ikke på skæredækket eller på sideudkastret. Pas på udslyngede eller flyvende objekter.





Sørg for, at tilskuere (især børn og dyr) har mindst 30 m afstand fra arbejdsområdet.



Fjern startnøglen inden vedligeholdelse. Pas på udslyngede eller flyvende objekter.



Bremse  
Træd på bremsepedalen for at stoppe produktet.



Parkeringsbremse



Accelerer  
Træd på gaspedalen for at køre frem og tilbage.



Opladeport



Europæisk overensstemmelsesmærkning



Britisk overensstemmelsesmærkning



EurAsian overensstemmelsesmærke



Træk op i grebet til aktivering af klinger for at aktivere klingerne. Tryk ned på klingens aktiveringsgreb for at stoppe klingerne.



Produktet kan betjenes baglæns med klinger indkoblet, når der trykkes på RMO-knappen, og den røde knaplampe lyser. Se altid ned og bag dig, før og når du manøvrerer i bakgear. Græsklipning i bakgear anbefales ikke.



Elektriske affaldsprodukter bør ikke afskaffes sammen med husholdningsaffald. Genbrug venligst hvor faciliteterne tillader dette. Tjek med din lokale kommune eller forhandler for genbrugsråd.



Ukrainsk overensstemmelsesmærkning



Kun til indendørs brug



Forsinkelsessikring



For at mindske risikoen for uheld, så skal brugeren læse og forstå denne brugsanvisning, inden produktet tages i brug.



Sprængningsfare



For at begrænse risikoen for (person) skader skal man undgå kontakt med enhver varm overflade.



Hvis produktet ikke anvendes i et tørt miljø, og hvis operatøren ikke overholder sikkerhedsreglerne, er der fare for elektrisk stød.



Fare for elektrisk stød.



Tag altid opladeren ud af strømforsyningen, før du tilslutter eller frakobler batteriet.



Må ikke udsættes for regn eller bruges på fugtige steder.



Holdes på afstand af alle antændingskilder, gnister og flammer. Dæk ikke ventilationshullerne til, og sørg for tilstrækkelig udluftning under betjening.



Opbevares utilgængeligt for børn og uskoledede personer.



Benyt øjenværn



Batteripakken indeholder syre. Hvis syre kommer i berøring med huden eller beklædning, så skyl omgående med vand i 10 minutter.



Hvis man får væske i øjnene, skylles øjnene med rent vand i mindst 10 minutter, derefter søges omgående læge.



Uden membran. Batteri skal genbruges.



Produktet indeholder blysyrebatterier. Lokale forskrifter forbyder muligvis bortskaffelse af blysyrebatterier med alm. affald. Konsulter lokale renovationsmyndigheder for oplysninger om mulige genbrugs-/bortskaffelsesmuligheder.



Standsning af plæneklipperen



Parkering af plæneklipper





Stop plæneklipperen på en flad, jævn overflade. Stop ikke plæneklipperen på skråninger.



Tryk ned på klingens aktiveringsgreb for at stoppe klingerne.



Træd på bremsepedalen for at stoppe produktet.



Træd på parkeringsbremsepedalen for at aktivere parkeringsbremsen.



Drej startnøglen til FRA-position.



Fjern startnøglen.



Kørsel med plæneklipperen



Plæneklipping i baggear



Isæt startnøglen, og drej nøglen til stillingen TIL.



Træk op i grebet til aktivering af klinger for at aktivere klingerne.



Træd på gaspedalen.



Tryk på knappen for baktilstand.



Træd på bakkepedalen.



Bemærk



Advarsel

## UDPAKNING

Se side 88-89.

- Fjern og sæt al tilgængelig emballage til side, og udpak enheden og dele. Bortskaf ikke indpakningsmaterialet, før du har inspiceret produktet omhyggeligt og anvendt produktet med tilfredsstillende resultat.
- Inspicér produktet omhyggeligt for evt. brud eller skader opstået under transporten.
- Hvis nogle dele er beskadiget eller mangler, skal du kontakte et autoriseret servicecenter. Du bør ikke samle produktet, før delene er blevet udskiftet med nye originale dele fra producenten. Samling af produkt med beskadigede, manglende eller ukorrekte dele kan resultere i alvorlige personskader.
- Hvis nogle af delene allerede er samlet til produktet, når du pakker det ud, skal du kontrollere, at delen er samlet korrekt, er strammet ordentligt og drejet korrekt (hvor relevant), inden du fortsætter til næste monteringsstrin. Bug af et produkt, der evt. er samlet forkert, kan medføre alvorlig personskade.

## MONTERING

Se side 92-94.

- Produktet skal samles, mens det er placeret på bunden af rammen. Når monteringen er afsluttet, skal klippedækket indstilles til dets maksimale højde, og placer derefter en rampe ved siden af rammebunden, og kør langsomt og forsigtigt produktet ud af rammen.
- Overhold nøje alle specifikationer for tilspænding af momentnøglen. Gør man ikke det, er der fare for alvorlige personskader.
- For at forhindre utilsigtet start, der kan medføre alvorlig personskade, skal du altid fjerne startnøglen fra produktet, når du monterer delene.
- Vær forsigtig, når du kører produktet ud af rammen, og træd på bremsepedalen efter behov for at kontrollere hastigheden. Produktet ruller frit, hvis det bevæges på en skrå overflade uden at træde på bremsepedalen eller aktivere parkeringsbremsen. Manglende overholdelse af disse instruktioner kan føre til tab af kontrol og resultere i dødsfald, alvorlig personskade eller materielle skader.
- Hvis der ikke er nogen rampe, skal du langsomt og forsigtigt køre produktet baglæns, mens du ser ned og bagud. Kørsel af produktet fra rammen i retning fremad uden rampe kan forårsage skader på klippedækket.

## SYMBOLER I DENNE BRUGSANVISNING



Dele eller tilbehør, der sælges separat



## LED-INDIKATOR FOR OPLADER

| Status for lader | Forbundet til  |              | LED     |                  | Status  |
|------------------|--|--------------|---------|------------------|---|
|                  | Strømforsyning   | Plæneklipper | Oplader | Plæneklipper     |   |
| Standby          | Ja   | Nej          | Tændt   | Slukket          | Oplader klar til at oplade et batteri.  |
| Under opladning  | Ja   | Ja           | Tændt   | Langsomt Blinker | —   |
| Fejl på oplader  | Ja   | Ja           | Slukket | Blinker hurtigt  | Batteritemperatur, batterikapacitet eller opladeren kan være defekt.          |
|                  | Hvis LED-status viser fejl, skal du vente i cirka 15 minutter for at lade batteriet og opladeren køle af. Hvis LED-statusen gentages endnu en gang, skal du nulstille opladeren eller indsætte batteriet igen. Hvis en anden oplader oplades normalt, kan opladeren være fejlbehæftet. Hvis et andet batteri oplades normalt, kan batterikapaciteten muligvis være defekt. |              |         |                  |   |
| Fuldt opladet    | Ja   | Ja           | Tændt   | Tændt            | Den hurtige opladning er afsluttet, og opladeren bliver ved med at lade op.   |
| Sammenlåst       | Nej  | Ja           | Slukket | Blinker hurtigt  | Stikket er stadig tilsluttet plæneklipperen. Plæneklipperen kan ikke startes. |
| Problem          | Ja   | Ja           | Tændt   | Blinker hurtigt  | Batteripakke kan være fejlbehæftet.   |
|                  | Hvis LED-status viser defekt, skal du nulstille opladeren eller genindsætte batteriet. Hvis kontrollamperne stadig viser fejl, prøves opladeren med et andet batteri. Hvis det andet batteri kan oplades normalt, skal det defekte batteri kasseres (se afsnittet om vedligeholdelse).   |              |         |                  |   |

 EN  
 FR  
 DE  
 DA  
 SV  
 FI  
 NO

## VEDLIGEHOLDELSESOVSIGT

|  | Inspicér før hver ibrugtagning | Hver 25. time | Hver 50 timer eller årligt | Inden opbevaring | En gang om måneden under opbevaring |
|--|--------------------------------|---------------|----------------------------|------------------|-------------------------------------|
| Kontroller bremsens funktion.  | x                              |               |                            |                  |                                     |
| Tjek dæktrykket.   | x                              |               |                            |                  |                                     |
| Tjek sideudkastrør og sikkerhedslåsesystemer for operatørtilstedeværelse | x                              |               |                            |                  |                                     |
| Kontrollér for løse fastgørelseselementer.                               | x                              |               |                            | x                |                                     |
| Afrens alle fremmedlegemer fra produktet.                                | x                              |               |                            | x                |                                     |
| Tjek/udskift tildækningsklinger  | x                              | x             |                            |                  |                                     |
| Rengør batteriterminaler   |                                |               | x                          |                  |                                     |
| Tjek og oplad batteriet.   | x                              |               |                            |                  | x                                   |

**BEMÆRK:** Vedligeholdelse bør udføres mere regelmæssigt, når produktet anvendes på støvede områder.

Når produktet har overskredet de maksimale tal, der er angivet i tabellen, bør vedligeholdelse stadig gennemgå cyklusser i henhold til de tidsintervaller eller timer angivet heri.

Hvis du ikke er sikker på, hvordan man foretager nogen af vedligeholdelsepunkterne ovenstående, så få produktet servicecenteret udelukkende af et autoriseret servicecenter.

## FEJLFINDER

Hvis disse løsninger ikke afhjælper problemet, kontakter man sin autoriserede serviceforhandler.

| Problem  | Mulig årsag  | Løsning   |
|--|--|---|
| Produktet starter ikke.                            | Batteriets ladetilstand er lav.  | Oplad batteriet.  |
|  | Opladeren er tilsluttet til produktet.                                 | Kobl opladeren fra produktet.   |
|  | Startnøglen er ikke installeret eller befinder sig i stillingen FRA.   | Isæt startnøglen, og drej nøglen til stillingen TIL.  |
|  | Dårlige kabelforbindelser til batteri                                  | Tjek og rengør alle batteriforbindelser.  |
| Produktet kan ikke bevæges.                        | Startnøglen er ikke installeret eller befinder sig i stillingen FRA.   | Isæt startnøglen, og drej nøglen til stillingen TIL.  |
|  | Parkeringsbremsen er aktiveret.  | Deaktiver parkeringsbremsen.  |
|  | Bremsepedalen er trykket ned, og/eller gaspedalen er ikke trykket ned. | Frigør bremsepedalen og tråd på gaspedalen.   |
|  | Opladeren er tilsluttet til produktet.                                 | Kobl opladeren fra produktet.   |
| Plæneklipper klipper græs ujævnt.                  | Dæktrykket er usensartet.  | Tjek dæktrykket i alle fire dæk.  |
|  | Plæneklipperens dæk er ikke i vater.                                   | Foretag niveaustilling af klippedæk.  |
|  | Klingen er slidt, bøjet, løs eller sløv.                               | Montér atter kniven.  |
|  | Der er en ophobning af affald under produktet.                         | Rengør undersiden af plæneklipperskjoldet.  |
|  | Klippehastigheden er for høj.  | Klip ved en lavere hastighed.   |
| Plæneklipperen bioklipper ikke græsset ordentligt. | Afklippede, våde græsstrå klæber fast til plæneklipperens underside.   | Vent med at klippe græsset, til det er tørt.  |
|  | Græsset er for højt.   | Klip en gang med høj klippehøjde, og klip derefter i den foretrukne højde.  |
|  | Klingen er slidt, bøjet, løs eller sløv.                               | Montér atter kniven.  |
|  | Klippehastigheden er for høj.  | Klip ved en lavere hastighed.   |
| Produktet vibrerer ved højere hastighed.           | Klingen er ubalanceret, løs eller overdrevent eller ujævnt slidt.      | Montér atter kniven.  |
|  | Motoraksel er bøjet.   | Stop produktet, fjern startnøglen. Undersøg produktet grundigt for eventuel beskadigelse. Lad produktet servicere af et autoriseret servicecenter inden genstart. |
| Dårligt græsudkast.                                | Sideudkastrøret eller åbningen er tilstoppet.                          | Rengør sideudkastrøret og åbningen.   |
|  | Græsset er vådt.   | Lad græsset tørre inden klipning.   |
|  | Klippehastigheden er for høj.  | Klip ved en lavere hastighed.   |
|  | Græsset er for højt.   | Klip en gang med høj klippehøjde, og klip derefter igen i den ønskede højde.  |

|  |  |   |
|--|--|---|
| Motor stopper under klipning.  | Klippehøjden er sat for lavt.                                      | Sæt klippehøjden højere op.   |
|  | Batteriets ladetilstand er lav.                                    | Oplad batteriet.  |
| Klingerne kører ikke rundt.  | Batteriets ladetilstand er lav.                                    | Oplad batteriet.  |
|  | Sideudkastets låsekontakt bliver ikke påvirket af sideudkastrøret. | Tryk ned på sideudkastrøret, og sørg for, at det trykker sideudkastets låsekontakt med fuld kraft.  |
|  | Klingens aktiveringsgreb er nede.                                  | Træk op i grebet til aktivering af klinger for at aktivere klingerne.   |
|  | Operatøren har endnu ikke sat sig helt ned.                        | Sæt dig helt ned på sædet.  |
| Klingerne kører ikke rundt under bakning.  | Der er en ophobning af affald under plæneklipperen.                | Rengør undersiden af plæneklipperskjoldet.  |
|  | Muligheden for bakning er deaktiveret.                             | Tryk på knappen for baktilstand for at aktivere bakning.  |
| Klingerne kører ikke rundt under bakning.  | Klingens aktiveringsgreb er nede.                                  | Træk op i grebet til aktivering af klinger for at aktivere klingerne.   |
|  |  |   |
| Produktet opnår ikke fuld hastighed.   | Batteriets ladetilstand er lav.                                    | Oplad batteriet.  |
| Klingerne fortsætter med at rotere, efter operatøren har forladt sædet uden at aktivere parkeringsbremsen. | Sikkerhedslåsesystemet fungerer ikke korrekt.                      | Sørg for, at sikkerhedssystemets sædestik er tilsluttet fuldt ud<br>Hvis klingerne stadig ikke vil stoppe, så få produktet servicecenteret udelukkende af et autoriseret servicecenter. |
| Forlygterne fungerer ikke.   | Forlygterne er slukket.  | Tryk på forlygteknappen for at aktivere forlygterne.  |
|  | Forlygterne er beskadiget  | Udskift forlygterne.  |
| Batteriet vil ikke oplade.   | Battericellerne er dårlige.  | Udskift batteriet.  |
|  | Kabeltilslutningerne er dårlige.                                   | Tjek og rengør alle batteriforbindelser.  |

## OFTE STILLEDE SPØRSMÅL

- Skal plæneklipperen fortsat være tilsluttet opladeren, når den ikke er i brug?
  - Ja, oplad plæneklipperen til stadighed, når den ikke er i brug.
- Hvad er det anbefalede dæktryk, og hvor ofte skal jeg kontrollere lufttrykket i dækkene?
  - Den bedste ydelse opnås med et dæktryk på 1,6 bar. Kontroller lufttrykket i alle dæk inden brug.
- Hvad forårsagede, at klingerne stoppede under brug?
  - Tjek batteriets niveauindikator. Dæksmotoren slukkes, når batteriet er lavt, så du får nok tid til at køre tilbage til opladningspladsen. Kør tilbage, og oplad batteriet med det samme.
- Hvis batteriniveauet ikke er lavt, skal du sænke hastigheden eller hæve klippedækket til et højere niveau. Applikationer med høj belastning kan også medføre, at den ene eller begge motorer stopper.
  - Kontroller inden brug, at sideudkastret er lukket forsvarligt. Tryk ned på sideudkastret, og sørg for, at det trykker sideudkastets låsekontakt med fuld kraft.
- Hvorfor accelererer klipperen undertiden, når den kører ned ad bakke, og nogle gange ikke?
  - Af hensyn til din sikkerhed og bedre ydelse er plæneklipperen designet til automatisk at begrænse sin hastighed, når du kører på en skråning, hvilket kan forårsage udsving i hastigheden.
- Hvorfor lyder der en biplyd fra klipperen, når jeg kører baglæns?
  - For at alarmere alle om klipperens placering.
- Hvordan får jeg ved betjening af klipperen den til at stoppe helt?
  - Træd på bremsepedalen for at stoppe produktet. Dette produkt har ikke en hydrostatisk transmission.
- Hvorfor lyder der en biplyd fra klipperen, når jeg forlader sædet?
  - Parkeringsbremsen er ikke aktiveret, eller startnøglen er stadig på plads og i stillingen TIL. Fjern altid nøglen, når klipperen ikke er i brug.
- Hvornår skal jeg bruge parkeringsbremsen?
  - Aktiver altid parkeringsbremsen, inden du stiger af plæneklipperen.
- Må jeg skylle plæneklipperens dæksel med en haveslange?
  - Rengør ikke produktet med vand. Brug en blæser eller luftkompressor til at rengøre den.

Säkerhet, prestanda och pålitlighet har fått högsta prioritet vid utformningen av din åkrgräsklippare.

## ANVÄNDNINGSMÅL

Åkrgräsklipparen är endast avsedd för utomhusbruk.

Denna produkt är avsedd för klippning av villaträdgårdar. Klippkniven bör rotera mer eller mindre parallellt mot den yta som ska klippas. Alla fyra hjul måste vara i marken när du klipper.

Produkten bör endast användas för hushållsbruk av vuxna som har fått tillräcklig utbildning gällande riskerna och de förebyggande åtgärder som ska vidtas vid användning av produkten.

Får ej användas för annat ändamål.

## ALLMÄNNA PRODUKTSÄKERHETSVARNINGAR

**⚠ VARNING! Studera alla säkerhetsvarningar och -instruktioner, illustrationer och specifikationer som följer med denna produkt.** Underlåtenhet att respektera dessa föreskrifter kan leda till olyckor som brand, elektriska stötar och/eller allvarliga kroppsskador.

**Spara dessa varningar och instruktioner för senare behov.**

Termen "elektriskt verktyg" i varningarna avser din nätdrivna produkt (med sladd) eller din batteridrivna produkt (utan sladd).

### ARBETSMILJÖ

- **Håll arbetsområdet rent och välupplyst.** Oordnade och mörka områden inbjuder till olyckor.
- **Använd inte kraftverktyg i explosiva atmosfärer, exempelvis i närheten av brännbara vätskor, gaser eller damm.** Kraftverktyg ger upphov till gnistor vilka kan antända damm eller ångor.
- **Håll barn och åskådare borta när du använder ett kraftverktyg.** Distractioner kan få dig att tappa kontrollen.

### ELEKTRISK SÄKERHET

- **Kraftverktygets kontakt måste matcha uttaget. Modifiera inte kontakten på något sätt. Använd inga adapterkontakter med jordade kraftverktyg.** Omodifierade kontakter och matchande uttag minskar risken för elektrisk stöt.
- **Undvik kroppskontakt med jordade ytor, som exempelvis rör, element, spis och kylskåp.** Det föreligger en förhöjd risk för elektrisk stöt om din kropp är jordad.
- **Exponera inte produkten för regn eller väta förhållanden.** Vatten som tränger in i ett kraftverktyg ökar risken för elektrisk stöt.
- **Misshandla inte sladden. Använd aldrig sladden för att bära, dra eller koppla bort kraftverktyget. Håll sladden borta från värme, olja, vassa kanter och rörliga delar.** Skadade eller intrasslade elsladdar ökar risken för elektrisk stöt.
- **Använd en förlängningssladd avsedd för utomhusbruk när du använder kraftverktyget utomhus.** Användning av en sladd lämplig för utomhusbruk minskar risken för elektrisk stöt.
- **Använd en jordfelsbrytare om det är oundvikligt att använda ett kraftverktyg i en fuktig miljö.** Användningen av en jordfelsbrytare minskar risken för elektrisk stöt.

### PERSONLIG SÄKERHET

- **Var uppmärksam på vad du gör och använd sunt förnuft när du använder ett kraftverktyg. Använd inte ett kraftverktyg när du är trött eller påverkad av droger, alkohol eller mediciner.** Ett ögonblicks ouppmärksamhet när du använder kraftverktyg kan orsaka allvarlig personskada.
- **Använd skyddsutrustning. Bär alltid ögonskydd.** Skyddsutrustning som en dammskyddsmask, halkfria skyddsskor, en hård hjälm eller hörselskydd som används under lämpliga förhållanden minskar personskador.
- **Förhindra oavsiktlig start. Säkerställ att strömbrytaren är i av-läge innan du ansluter till uttaget och/eller batteripaketet, innan du lyfter upp verktyget och innan du bär det.** Att bära kraftverktyg med fingret på avtryckaren eller kraftverktyg som är igång bjuder in olyckor.
- **Ta bort eventuella justerings- eller skiftnycklar innan du startar kraftverktyget.** En skiftnyckel eller justeringsnyckel som lämnas kvar i en roterande del av kraftverktyget kan orsaka personskada.
- **Sträck dig inte. Ha alltid ett bra fotfäste och en god balans.** Det ger dig bättre kontroll över kraftverktyget i oväntade situationer.
- **Klä dig korrekt. Använd inte löst åtsittande kläder eller smycken. Håll ditt hår och dina kläder borta från rörliga delar.** Lössittande kläder, smycken och långt hår kan fastna i rörliga delar.
- **Om några uppsamlingsenheter för damm och avfall medföljer ska dessa vara anslutna och användas på ett korrekt sätt.** Användningen av en dammuppsamlare kan minska dammrelaterade faror.
- **Låt inte den erfarenhet som följer med vana vid verktygsanvändning göra dig oförsiktig och ignorera säkerhetsprinciper för verktygsanvändningen.** En oförsiktig handling kan orsaka allvarlig personskada på bara bråkdelen av en sekund.

### ANVÄND OCH TA HAND OM KRAFTVERKTYGET

- **Tvinga inte produkten. Använd rätt kraftverktyg för ditt jobb.** Rätt kraftverktyg gör jobbet bättre och säkrare om det används i den takt som det är designat för.
- **Använd inte kraftverktyget om strömbrytaren inte fungerar för att stänga av och sätta på verktyget.** Alla kraftverktyg som inte kan kontrolleras med strömbrytaren är farliga och måste repareras.
- **Ta ut kontakten ur eluttaget och/eller ta bort batteripaketet, ifall avtagbart, från elverktyget innan du gör några justeringar, byter tillbehör eller förvarar elverktyg.** Sådana förebyggande åtgärder minskar risken för att kraftverktyget startar oavsiktligt.
- **Förvara avstängda kraftverktyg utom räckhåll för barn och låt inte personer som är obekanta med kraftverktyg, eller dessa instruktioner, använda kraftverktyget.** Kraftverktyg är farliga i händerna på otränade användare.
- **Underhåll elverktyg och tillbehör. Kontrollera så att inga rörliga delar är felinriktade eller sitter fast, att inga delar har gått sönder samt att ingenting annat föreligger som kan påverka kraftverktygets användning. Reparera kraftverktyget innan användning om det är skadat.** Många olyckor uppstår på grund av dåligt underhållna kraftverktyg.
- **Håll skärverktyg vassa och rena.** Korrekt underhållna skärverktyg med vassa skärkanter fastnar inte lika lätt



och är lättare att kontrollera.

- **Använd kraftverktyget, tillbehören och borrspetsar etc. i enlighet med dessa anvisningar och ta hänsyn till arbetsförhållanden och det jobb som ska utföras.** Användning av kraftverktyget till andra saker än det är avsett för kan resultera i en farlig situation.
- **Håll handtag och grepp torra, rena och fria från olja och smörj fett.** Hala handtag och grepp innebär osäker hantering och dålig kontroll över verktyget i oväntade situationer.

#### ANVÄNDNING OCH UNDERHÅLL AV BATTERIET

- **Använd endast den batteriladdare som tillverkaren rekommenderar.** En batteriladdare som passar en typ av batteripack kan vara en brandfara om den används med en annan typ av batteripack.
- **Använd eldrivna verktyg med batteripaket som är speciellt utformade för användning tillsammans med produkterna.** Om du använder andra batteripaket ökar du risken för skador och brand.
- **När batteripaketet inte används ska det hållas bort från metallföremål som gem, mynt, nycklar, spikar, skruvar och andra små metallföremål som kan kortsluta batteriets kontakter.** Vid kortslutning av batteriets kontakter finns det risk för brännskador eller brand.
- **Vätska kan läcka ut från batteripaketet vid felaktig användning; undvik kontakt med vätskan. Spola med vatten om du kommer i kontakt med den. Om vätska kommer i kontakt med ögonen ska medicinsk hjälp omedelbart uppsökas.** Den kan orsaka irritation och brännskador.
- **Använd inte en batterienhet eller ett verktyg som är skadat eller har modifierats.** Skadade eller modifierade batterier kan bete sig oförutsägbart, vilket kan leda till brand, explosion eller risk för olycksfall.
- **Utsätt inte ett batteripaket eller ett verktyg för eld eller mycket hög temperatur.** Exponering för eld eller temperaturer över 130 °C kan orsaka explosion.
- **Följ alla anvisningar för laddning och ladda inte batterienheten eller verktyget vid en temperatur utanför det intervall som anges i anvisningarna.** Att ladda på felaktigt sätt eller vid temperaturer utanför det angivna intervallet kan skada batteriet och ökar brandrisken.

#### UNDERHÅLL

- **Låt en kvalificerad serviceperson serva ditt kraftverktyg med identiska utbytesdelar.** Detta säkerställer att kraftverktygets säkerhet bibehålls.
- **Reparera aldrig skadade batteripaket.** Reparation av batteripaket får endast utföras av tillverkaren eller en auktoriserad serviceverkstad.

### SÄKERHETSVARNINGAR FÖR ÅKGRÄSKLIPPARE

#### UTBILDNING

- När man använder produkten måste säkerhetsföreskrifterna följas. För din egen, och andra närvarandes säkerhet, läs alltid dessa instruktioner innan du använder produkten. Förvara instruktionerna på ett säkert ställe för användning vid senare tillfälle.
- Tillåt endast ansvariga vuxna, som är förtrogna med och förstår instruktionerna, att använda produkten.
- Bekanta dig med reglagen och rätt användning av produkten.
- Använd alltid säkerhetsanordningar. Använd inte

produkten utan att sidoutkastet är på plats och fungerar korrekt. Skyddet som används vid mulchning ska vara korrekt monterat och fungera korrekt under mulchning.

- Var medveten om eventuella faror när du inte använder produkten eller när du byter tillbehör. Du minskar därmed riskerna för brand, elstöt eller allvarliga kroppsskador.
- Låt aldrig passagerare eller barn åka med, även om bladen har stannat. Passagerare kan ramla av och skadas allvarligt eller störa säker drift av produkten. Barn som tidigare fått åka med kan plötsligt dyka upp i klippområdet för att få åka igen och köras över eller backas på av produkten.
- Kom ihåg att användaren är ansvarig för olyckor och faror som uppstår för andra människor och deras egendom.
- Se till att barn eller personer med nedsatt fysisk eller psykisk förmåga, eller personer som inte är bekanta med dessa instruktioner, aldrig använder, rengör eller utför underhåll på produkten. Lokala regler kan åldersbegränsa användningen av gräsklipparen. Barn ska alltid övervakas så att de inte leker med produkten.
- Följ tillverkarens instruktioner för korrekt användning och montering av tillbehör. Använd endast tillbehör som är godkända av tillverkaren. Användning av felaktiga tillbehör kan orsaka material- och personskador.
- Mixtra aldrig med en säkerhetsanordnings avsedda funktion eller minska skyddet som en säkerhetsanordning ger. Kontrollera regelbundet att säkerhetsanordningarna fungerar.
- Använd aldrig produkten om personer, särskilt barn, uppehåller sig inom 15 meters radie på grund av faran med föremål som kan komma flygande genom kontakt med kniven.
- Använd inte produkten om det finns risk för blixtnedslag.
- Använd inte produkten vid dålig belysning. Operatören måste ha god överblick över arbetsområdet för att upptäcka potentiella faror.
- Håll händer och fötter borta från klippområdet, som är beläget under klippaggregatet och inuti sidoutkastet. Håll dig alltid borta från sidoutkastets öppning. Rör inte under klippaggregatet.
- Följ anvisningarna för byte av tillbehör.

#### FÖRBEREDELSE

- Använd tjocka långbyxor, långa ärmor och stadiga halksäkra skor. Bär inte korta byxor eller sandaler, gå inte heller barfota. Undvik att bära kläder som sitter löst eller som har hängande bälten och slips.
- Bär alltid säkerhetsglasögon med sidoglas. Använd en ansiktsmask om användningen är dammig.
- Föremål som träffas av bladet kan orsaka allvarliga personskador. Inspektera noggrant arbetsområdet där maskinen ska användas och ta bort alla stenar, pinnar, metallföremål, strängar, ben, leksaker eller andra främmande föremål. Obs! Band eller kablar kan trassla in sig i bladen.
- Innan användning ska du alltid inspektera produkten visuellt för att säkerställa att blad, knivmuttrar och klippenheten inte är slitna eller skadade.
- Rikta aldrig utkastat material mot någon. Planera klippmönstret för att undvika att material kastas mot människor, vägar, trottoarer, fönster och bilar. Undvik också att kasta ut material mot väggar eller hinder som kan få materialet att studsa tillbaka mot användare.



## ANVÄNDNING

- Innan du startar produkten:
  - Kontrollera om bromsen fungerar som den ska.
  - Kontrollera däcktrycket.
  - Kontrollera lösa fästen.
  - Se till att alla skydd är på plats och fungerar korrekt.
  - Kontrollera sidoutkastets säkerhetssystem.
  - Testa säkerhetssystemet för operatörsnärv.
  - Justera sätet till önskad position.
  - Kontrollera batteriets laddningsnivå.
- Produkten måste startas med användaren ordentligt sittande på sätet och bakom ratten. Starta aldrig produkten om:
  - Alla fyra hjulen inte är på marken.
  - Sidoutkastet är exponerat och skyddas inte av mulchingskyddet.
  - alla personers händer och fötter inte är borta från skärnivåns inkapplingen
- Frigör bladen när produkten inte används.
- Använd aldrig kedjesågen i en sluten lokal.
- Stoppa bladet när du kör över grusytor för att undvika att skjuta iväg grus och stenar. Kör produkten långsamt och försiktigt för att inte förlora kontrollen.
- Slå på produkten noga enligt instruktionerna och håll händer och fötter borta från bladen. Placera inte händerna eller fötterna nära eller under roterande delar.
- Klipp inte medan du backar om det inte är absolut nödvändigt. Innan och medan du kör, titta bakåt och nedåt efter barn, människor och husdjur.
- Var extra försiktig när du närmar dig hörn utan fri sikt, buskar, träd eller andra föremål, inklusive överhängande buskar som kan blockera ditt synfält.
- Sakta ner innan du svänger.
- Lämna aldrig produkten påslagen utan uppsikt. Aktivera alltid parkeringsbromsen, stanna bladen, stäng av produkten och ta ur startnyckeln innan du stiger av.
- Se upp för trafik när du kör nära vägar. Använd inte gräsklipparen på vägbanor.
- Slänter är en stor faktor i samband med att föraren tappar kontroll över gräsklipparen eller välter, vilket kan leda till allvarliga skador eller dödsfall. Användning i sluttningar kräver extra försiktighet. Om du inte kan backa uppför slänten eller om det känns obehagligt att göra det, klipp den inte. Använd aldrig produkten i branta slänter med lutning på över 15°. Gör en kopia eller klipp ut "Släntguiden" på baksidan av den här manualen och använd den för att avgöra om din slänt är för brant för att klippas på ett säkert sätt.
  - Klipp uppåt och nedåt; inte långs med slänter.
  - Undvik hål, hjulspår, gupp, stenar och andra dolda föremål. Ojämn terräng kan välta produkten. Högt gräs kan dölja hinder.
  - Använd en långsam hastighet så att du inte behöver stanna plötsligt eller råkar gasa av misstag när du är i en slänt.
  - Klipp inte på vått gräs när du är i en slänt. Däck kan tappa greppet och leda till att du förlorar kontrollen över produkten.
  - Använd alltid bromsarna när du kör nerför slänten. Växla inte till friläge och eller låt gräsklipparen åka fritt nedåt, detta kan leda till att du förlorar kontrollen över produkten.
  - Undvik att starta, stoppa eller vända i en slänt. Om däckan tappat greppet, frigör bladen och fortsätt långsamt rakt nedför slänten.
  - All rörelse i slänter ska vara långsam och gradvis. Gör inga plötsliga förändringar i hastighet eller

riktning, detta kan få produkten att välta.

- Var extra försiktig när du använder produkten med tillbehör; detta kan påverka produktens stabilitet. Använd aldrig produkten i branta slänter med lutning på över 15°.
- Försök inte att stabilisera produkten genom att sätta ned foten på marken.
- Använd inte produkten vid höjdskillnader, diken, alltför branta lutningar eller kullar. Produkten kan plötsligt välta om ett hjul går över kanten eller om kanterna ger efter och kan leda till dödsfall eller allvarlig personskada.

## YTTERLIGARE SÄKERHETSVARNINGAR FÖR LADDARE

- Laddaren är endast avsedd för inomhusbruk.
- Ladda inte om primärbatterier (icke återuppladdningsbara).
- Kontrollera alltid elkabeln före användning. Om det finns tecken på skada ska den bytas ut av utbildad tekniker på godkänt servicecenter för att undvika skaderisk.
- Ladda produkten inomhus, i ett välventilerat område. Ladda inte produkten i ett trångt utrymme.
- Laddaren är utrustad med en kontakt med ett jordningsstift och måste anslutas till ett matchande uttag som är korrekt installerat och jordat i enlighet med alla lokala regler och förordningar. Använd inte adapter och modifiera inte den medföljande kontakten. Om stickkontakten inte passar i vägguttaget måste den bytas ut mot en lämplig kontakt, bytet måste utföras av en behörig elektriker.

EN  
FR  
DE  
DA  
SV  
FI  
NO

## YTTERLIGARE SÄKERHETSVARNINGAR FÖR BATTERIER

⚠ **WARNING!** Risk för brand, explosion eller brännskador. Batteripaketet får inte tas isär, utsättas för värme över 60° eller brännas.

- För att undvika den fara för brand, personskador eller produktskador som orsakas av en kortslutning, doppa inte ner verktyget, utbytesbatteriet eller laddaren i vätskor och se till att ingen vätska kan tränga in i apparaterna eller batterierna. Korroderande eller ledande vätskor, som saltvatten, vissa kemikalier, blekningsmedel eller produkter som innehåller blekmedel, kan orsaka en kortslutning.
- Batteripaketet innehåller syra. Om syra kommer i kontakt med hud eller kläder, spola genast med vatten i tio minuter. Om vätskan kommer i kontakt med ögonen, kontakta också läkare.
- Ladda inte batteripaketet som visar tecken på läckage. Kassera dem på korrekt sätt.

## BORTTAGNING AV BATTERIPACK OCH FÖRBEREDELSE INNAN DET KAN ÅTERVINNAS

- För att spara på våra naturresurser ska batteripack alltid återvinnas eller kastas på korrekt sätt.
- Produkten innehåller blybatterier. Det kan enligt lokala bestämmelser vara förbjudet att slänga blybatterier i soporna. Rådfråga de lokala myndigheter som är ansvariga för avfallshantering för att få information om kassering och/eller återvinning.

⚠ **WARNING!** Täck över batteripackets kontaktytor med kraftig tejp när det har tagits bort från verktyget. Försök inte att förstöra eller plocka isär batteripaketet eller någon av dess komponenter. Blybatterier måste återvinnas eller kasseras på rätt sätt. Ta aldrig på båda kontaktytorna

samtidigt med kroppen eller med metallföremål eftersom det kan kortsluta batteriet. Håll batteripaketet borta från barn. Om dessa varningar inte efterföljs kan det resultera i en brand och/eller allvarliga skador.

## TRANSPORT OCH FÖRVARING

- Stäng av produkten, slå på parkeringsbromsen och ta ur startnyckeln. Se till att samtliga rörliga delar har stannat helt. Låt produkten svalna före du förvarar eller transporterar den i ett fordon.
- Ta bort allt främmande material från produkten. Förvara den svalt och välventilerat på en plats där barn inte kan komma åt den. Startnyckeln ska också tas ur och förvaras på en separat plats utom räckhåll för barn.
- Håll produkten borta från frätande ämnen, såsom trädgårdskemikalier och vägsalt. Förvara inte produkten utomhus.
- Var extra försiktig när du lastar på eller av produkten från en släpvagn eller lastbil. Trampa på bromspedalen efter behov för att kontrollera hastigheten. Produkten rullar fritt om den förflyttas på en lutande yta utan att trampa på bromspedalen eller koppla på parkeringsbromsen. När produkten lastas på eller av får den maximala rekommenderade vinkeln på 15 ° inte överskridas.
- Var extra försiktig då maskinen lyfts eller lutas för underhåll, rengöring, förvaring eller transport. Knivarna är mycket vassa. Se till att alla kroppsdelar är på säkert avstånd då kniven exponeras.
- Sätt vid behov fast produkten med remmar eller kablar för att förhindra att den rör sig under transport.

## TRANSPORTERA BLYBATTERIER

- Transportera batterier enligt lokala och nationella riktlinjer och föreskrifter.
- Följ alla särskilda krav på förpackning och etikettering vid transport av batterier som utförs av tredje part. Se till att inga batterier kan komma i kontakt med andra batterier eller ledande material under transporten genom att skydda exponerade kontaktytor med isolerande, icke ledande överdrag eller tejp. Transportera aldrig batterier som har spruckit eller som läcker. Kontrollera med det transporterande företaget för vidare rådgivning.

## SÄKERHETSVARNINGAR FÖR BOGSERING

- Använd sunt förnuft när du bogserar. För tung last när du befinner dig i en sluttning är farligt. Däck kan tappa greppet och leda till att du förlorar kontrollen över produkten.
- Följ tillverkarens rekommendationer för hjulvikter eller motvikter.
- Den totala bogserade vikten får inte överstiga den maximala bogseringslasten på 136 kg.
- Fäst bogseringsutrustningen endast vid fästplattan.
- Låt aldrig barn eller andra stå på bogseringsutrustningen.
- Stoppavståndet ökar med hastigheten och vikten på lasten som bogseras. Färdas långsamt och tillåt extra tid och avstånd för att stanna.
- Gör inga skarpa svängar när du bogserar. Var extra försiktig när du svänger eller kör under ogynnsamma vägförhållanden. Var försiktig vid backning.

## UNDERHÅLL

- Använd enbart reservdelar och tillbehör från tillverkaren. Om inte kan det eventuellt orsaka skador, sämre

resultat och kan upphäva garantin.

- Underhåll produkten med försiktighet och håll den i gott skick. Håll bladen vassa och skydden på plats och i funktionsdugligt skick. För att förhindra allvarlig personskada, skador på produkten och för att bibehålla bästa prestanda ska skadade, böjda, spruckna eller ojämnt slitna blad bytas ut. Ett obalanserat blad orsakar vibrationer som kan skada motordrivningen eller orsaka personskador.
- Gör aldrig några justeringar eller reparationer medan motorn är igång och bladen rör sig.
- Ta bort startnyckeln från produkten innan du förvarar, underhåller eller byter tillbehör. Dessa säkerhetsåtgärder minskar risken för att produkten ska spontanstärta.
- Stäng av produkten, slå på parkeringsbromsen och ta ur startnyckeln. Se till att samtliga rörliga delar har stannat helt:
  - innan produkten lämnas utan tillsyn (inklusive bortskaffande av klippt gräs).
  - innan du renser en blockering eller tar bort gräs som fastnat i utkastet
  - före kontroll av, rengöring av eller arbete med produkten
  - innan du tar bort mulchingskyddet
  - innan du öppnar gräsutkastets lock
  - efter kollision med ett främmande föremål
    - Besiktiga maskinen noggrant för att upptäcka eventuella skador.
    - Om kniven uppvisar någon typ av skada måste den omedelbart bytas ut.
    - Reparera eventuella skador innan du startar, och fortsätter att använda, gräsklipparen.
  - när maskinen börjar vibrera onormalt (kontrollera omedelbart).
    - Inspektera avseende skador, särskilt skärknivarna
    - Om kniven uppvisar någon typ av skada måste den omedelbart bytas ut.
    - Byt ut eller reparera alla skadade delar.
    - Kontrollera och sätt fast ev. lösa delar.
- Du kan göra de justeringar och reparationer som beskrivs i den här manualen. För övrig och reparation, låt endast ett auktoriserat servicecenter utföra dessa arbeten.
- Kontakta ett auktoriserat servicecenter för att byta ut skadade eller oläsliga etiketter.
- Service på produkten och laddaren får endast utföras av kvalificerad reparatör. Service eller underhåll som utförs av icke utbildad personal kan leda till skador på användare eller produkt. Produkten får endast repareras på ett auktoriserat servicecenter.
- För att vara säker på att produkten är säker att använda, kontrollera alla muttrar, bultar och skruvar regelbundet för att säkerställa att de är åtdragna ordentligt.
- Bladbultarna måste dras åt till rekommenderat vridmoment.
- Kontrollera bromsarna före varje användning och ofta under användning. Justera och serva bromsarna efter behov.
- Sidoutkastet är ett fjäderförsäpat skydd som täcker sidotömningens öppning på klippaggregatet och avleder gräsklipp och skräp bort från operatören. Se alltid till att motorn är avstängd och att bladen har slutat röra sig innan du inspekterar, flyttar, rengör eller utför underhåll på sidoutkastet.



- Byt ut utslitna eller skadade knivar och bultar i set för att bibehålla balansen.
- Var vid inställning av produkten noga med att förhindra att fingrarna fastnar mellan rörliga och fasta delar på maskinen.
- Skärbladen fortsätter att rotera några sekunder efter att motorn stängts av. Vid underhåll eller service av bladen ska du vara medveten om att trots att elförsörjningen är avbruten kan bladet/bladen röra sig. Placera aldrig någon del av kroppen i knivområdet förrän du är säker på att bladen har slutat att rotera.
- Produktens knivar är vassa. Var extremt försiktig och använd grova arbetshandskar vid montering, byte eller kontroll av muttrar.
- Efter rengöring ska maskinen alltid rengöras med en mjuk torr trasa. Skadade delar skall repareras ordentligt eller bytas ut av en auktoriserad servicefirma.
- Håll produkten fri från gräs, löv och annat skräp.
- Använd inte vatten för att rengöra produkten. Använd en luftförllyttande enhet, till exempel en kompressor eller lövblåsare för att rengöra produkten.

### DÄCKUNDERHÅLL

Produkten är utrustad med slanglösa däck med följande dimensioner:

- Fram: 33 x 13 x 15 cm
- Bak: 40 x 16 x 20 cm

När däck är slitna minskar gräsklipparens dragkraft, vilket ökar risken för olyckor. Byt ut däcken när djupet på slitbanan är 4 mm eller mindre, eller närhelst däckets skadats. Använd alltid originaldäck när du byter däck. Att använda fel däck på produkten kan det leda till förlust av kontroll, vilket i sin tur kan orsaka allvarlig personskada.

Däcken får endast bytas på ett auktoriserat servicecenter.

### DÄCKENS LUFTRYCK

Kontrollera luftrycket i alla däck före användning. Felaktigt luftryck påverkar hantering, styrrespons, dragkraft, däckens livslängd, jämn klippning och förarkomfort. Säkerställ att däckerna är pumpade till rekommenderat tryck (1,4 bar).

Däcktrycket ska endast mätas eller justeras när däcken är kalla.

### DÄCKREPARATION

Om ett läckage eller platt däck inträffar på grund av en punktering, kan däckets repareras med en lagningslapp av pluggtyp. Byt däckets om punkteringen orsakats av en skärskada, eller om punkteringen inte kan repareras med en plugg.

### BROMSJUSTERING

Se sida 102.

Om gräsklipparen fortsätter lite innan den stannar när du trampar på bromspedalen, kan bromsarna behöva justeras.

Efter den sista justeringen, testa bromsarna genom att köra gräsklipparen i normal hastighet på plan mark för att vara säker på att gräsklipparen stannar snabbt när du trycker på bromspedalen.

### RENSA BLOCKERINGAR

- Stäng av produkten, slå på parkeringsbromsen och ta ur startnyckeln. Ställ klippaggregatet på maximal höjd. Se till att samtliga rörliga delar har stannat helt.
- Använd alltid grova arbetshandskar vid kontroll av och rensning av blockering. Bladen är vassa och själva blockeringen kan vara ett vasst föremål.

- Kontrollera sidoutkastet efter blockeringar och rengör försiktigt.
- Ta försiktigt bort eventuella blockeringar som upptäcks. Kom ihåg att bladet kan röra sig under rengöring.

### LÄR KÄNNA PRODUKTEN

Se sida 90.

#### 1. Spak för aktivering av blad

Spaken för aktivering av bladen aktiverar eller stoppar skärbladen.

- Dra upp spaken för aktivering av bladen för att aktivera bladen.
- Tryck ner spaken för aktivering av bladen för att stänga av bladen.

**OBS:** Bladen bör stanna inom 5 sekunder. Kontakta ett auktoriserat servicecenter om bladen inte stannar.

#### 2. Strålkastarknapp

Strålkastarknappen slår PÅ och AV strålkastarna.

#### 3. Strömbrytare

Strömbrytaren slår PÅ och AV produkten. Startknappen måste tryckas in innan strömbrytaren kan manövreras. När nyckeln är i tillbehörsläget används strömbrytaren också för att ge ström till tillbehör som är godkända av tillverkaren.

#### 4. Backknapp

Backknappen aktiverar bladen vid manövrering i bakåtgående riktning.

**OBS:** Bladen aktiverar inte backläget om backknappen inte trycks ner och spaken för aktivering av bladen inte dras upp.

#### 5. Batterinivåindikator/timmätare

Batterinivåindikatorn visar hur mycket batteriladdning som finns kvar. Timmätaren spårar det totala antalet timmar som produkten har använts (nyckel i på-läge) för underhållsändamål.

#### 6. Säte (med säkerhetsspärrsystem för operatörsnärvaro)

Sätet har ett spärrsystem som stannar bladen om operatören lämnar gräsklipparen medan bladen är igång.

Testa systemet före varje användning för att se till att det fungerar korrekt.

1. Tryck ner spaken för aktivering av bladen för att stänga av bladen.
2. Sätt in startnyckeln och vrid nyckeln till PÅ-läget.
3. Dra upp spaken för aktivering av bladen för att aktivera bladen.

4. Ställ dig upp en stund men gå inte av gräsklipparen. Bladen bör stanna inom 5 sekunder. Kontakta ett auktoriserat servicecenter om bladen inte stannar.

Använd inte produkten förrän säkerhetsspärrsystemet har reparerats.

#### 7. Laddningsport

Laddningsporten ansluter laddaren till gräsklipparen. LED-indikatorn visar batteristatus vid laddning.

#### 8. Fästplatta

Fästplattan kan användas för att bogsära laster under 136 kg (300 lbs.).

#### 9. Mugghållare

Mugghållaren är en bekväm plats att förvara muggar eller vattenflaskor på.

#### 10. Justeringsspak för däckhöjd

Spaken för justering av däckhöjd lyfter eller sänker klippaggregatet.

### 11. Sätesjusteringsspak

Sitsjusteringsspaken flyttar sätet till önskat läge.

### 12. Parkeringsbroms

Parkeringsbromsen låser produkten i bromsläge.

### 13. Säkerhetsspärrsystemet för sidoutkast

Sidoutkastet avleder gräsclipp. Innan du använder produkten, kontrollera att sidoutkastet är ordentligt stängt. Det har ett spärrsystem som stannar bladen om utkastet oavsiktligt öppnas under drift.

Sluta använda produkten och låt den servas av ett auktoriserat servicecenter om bladen inte stannar när sidoutkastet lyfts av ett hinder under användning.

### 14. Spiegelvävd pedal

Backpedalen ställer in produkten på att manövrera bakåt.

**OBS:** Tryck på backknappen för att aktivera backläget.

### 15. Bromspedal

Bromspedalen saktar ner eller stoppar produkten.

### 16. Gaspedal

Gaspedalen styr produktens hastighet.

### 17. Strålkastare

Strålkastarna lyser upp klippvägen.

### 18. Startnyckel

Startnyckeln vrider strömbrytaren till läget På, Av eller Tillbehör.

### 19. Mulchingskydd

Mulchingskyddet täcker sidoutkastet, vilket gör att klippbladet kan klippas och klippas om för finare klipp.

### 20. Batteriladdare

Laddaren laddar gräsklipparens batterier. Den har en nyckelhållshängfunktion för bekväm, platsbesparande lagring. När den hänger i nyckelhållsspären, använd minst en ytterligare skruv i hålet i monteringsflänsen för att hålla den säkert på plats. Montera alltid så att laddarens LED-statuslampa syns under laddning.

### 21. Användarhandbok

Operatörshandboken innehåller viktiga säkerhetsvarningar och anvisningar om hur produkten ska användas på ett korrekt och säkert sätt, och underhållas.



Garanterad ljudeffektsnivå



Håll händerna och fötterna borta från kniven och klippområdet.



Trampa inte på klippaggregatet eller på sidoutkastet. Se upp för kringkastade eller flygande föremål.



Håll alla åskådare, särskilt barn och husdjur, på minst 30 meters avstånd från arbetsområdet.



Ta bort startnyckeln före underhåll. Se upp för kringkastade eller flygande föremål.



Broms  
Trampa på bromspedalen för att stoppa produkten.



Parkeringsbroms



Gasa  
Trampa på gaspedalen för att köra framåt eller bakåt.



Laddningsport



CE-märkning



Brittisk CE-märkning



EurAsian överensstämmelsesymbol



Dra upp spaken för aktivering av bladen för att aktivera bladen. Tryck ner spaken för aktivering av bladen för att stänga av bladen.



Produkten kan backa medan bladen rör sig när RMO-knappen trycks in och den röda knapplampan lyser. Titta alltid nedåt och bakom dig innan och medan du backar. Att klippa medan du backar rekommenderas inte.



Gamla elektroniska produkter ska inte kastas med hushållssoporna. Återvinn där sådana faciliteter finns. Kontrollera med din lokala myndighet eller säljaren för att få återvinningstips.



Ukrainsk CE-märkning

## SYMBOLER PÅ PRODUKTEN



Säkerhetsvarning



Läs och se till att du förstår alla anvisningar innan du använder produkten. Följ alla varningar och säkerhetsanvisningar.



Håll alla åskådare, särskilt barn och husdjur, på minst 30 meters avstånd från arbetsområdet.



Låt aldrig passagerare eller barn åka med, även om bladen har stannat.



Titta alltid nedåt och bakom dig före och under tiden du backar och se till att barn, människor och husdjur är borta från området.



Använd aldrig produkten i branta slänter med lutning på över 15°. Klipp uppför och nedför slänten; inte längs med.



Endast för användning inomhus

**T15A**

Säkring av fördröjningstyp



För att minska risken för skador måste användaren läsa, och förstå användningsmanualen innan han eller hon använder produkten.



Sprängningsrisk



För att minska risken för skador ska kontakt med varma ytor undvikas.



Om den inte används under torra förutsättningar och med iakttagande av försiktighetsåtgärder kan det leda till elektrisk stöt.



Risk för elektrisk stöt.



Koppla alltid ur laddaren ur strömförsörjningen innan du ansluter till eller kopplar ur batteriet.



Utsätt inte verktyget för regn och använd det inte i fuktiga förhållanden.



Håll utrustningen borta från alla antändningskällor, gnistor och lågor. Täck inte över ventilationsöppningar och säkerställ adekvat ventilation under drift.



Håll utom räckhåll för barn och icke tränade personer.



Bär ögonskydd



Batteripaketet innehåller syra. Om syra kommer i kontakt med hud eller kläder, spola genast med vatten i tio minuter.



Om vätskan kommer i kontakt med ögonen ska de sköljas med rent vatten i minst 10 minuter och läkare måste sedan uppsökas omedelbart.



Slutna batterier. Batteriet måste återvinnas.



Produkten innehåller blybatterier. Det kan enligt lokala bestämmelser vara förbjudet att slänga blybatterier i soporna. Rådfråga de lokala myndigheter som är ansvariga för avfallshantering för att få information om kassering och/eller återvinning.



Stanna gräsklipparen



Parkera gräsklipparen



Stanna klipparen på en plan, jämn yta. Stanna inte produkten i slårter.



Tryck ner spaken för aktivering av bladen för att stänga av bladen.



Trampa på bromspedalen för att stoppa produkten.



Trampa på parkeringsbromspedalen för att aktivera parkeringsbromsen.



Vrid startnyckeln till AV-läget.



Ta bort startnyckeln.



Att köra gräsklipparen



Klippa medan du backar



Sätt i startnyckeln och vrid nyckeln till PÅ-läget.



Dra upp spaken för aktivering av bladen för att aktivera bladen.



Trampa på gaspedalen.



Tryck på backknappen.

EN  
FR  
DE  
DA  
SV  
FI  
NO



Trampa på backpedalen.

## SYMBOLER I MANUALEN



Delar och utrustning säljs separat



OBS



Varning

## UPPACKNING

Se sida 88-89.

- Ta bort och lägg undan alla förpackningar och ta bort dem från enheten och delar. Kasta inte bort förpackningsmaterialet förrän du har kontrollerat och provat produkten.
- Undersök produkten noggrant och se till att inga skador har uppstått under frakten.
- Kontakta ett auktoriserat servicecenter om någon del skulle vara trasig eller saknas. Montera inte produkten förrän delarna byts ut mot nya delar från originaltillverkaren. Att montera produkten med skadade, saknade eller felaktiga delar kan leda till allvarlig personskada.
- Om några delar redan är monterade på produkten när du packar upp den, kontrollera att delen är korrekt monterad, är ordentligt åtdragen och har vridits korrekt (i förekommande fall) innan du fortsätter till nästa monteringssteg. Om du använder en produkt som kan ha monterats felaktigt kan det resultera i allvarliga personskador.

## MONTERING

Se sida 92 - 94.

- Produkten ska monteras medan den är placerad på ramens undersida. När monteringen är klar ställer du in klippaggregatet på dess högsta höjd, placera sedan en ramp vid ramens undersida och kör produkten långsamt och försiktigt från ramen.
- Följ noga alla specifikationer för åtdragning av momentnyckel. Om det inte efterlevs kan det leda till allvarlig personskada.
- För att förhindra oavsiktlig start som kan orsaka allvarlig personskada ska startnyckeln alltid tas ur produkten vid montering av delar.
- Var försiktig när du kör bort produkten från ramen och trampa på bromspedalen efter behov för att styra hastigheten. Produkten rullar fritt om den förflyttas på en lutande yta utan att trampa på bromspedalen eller koppla på parkeringsbromsen. Underlåtenhet att följa dessa instruktioner kan leda till förlust av kontroll och leda till dödsfall, allvarlig personskada eller materiella skador.
- Om ingen ramp är tillgänglig, backa långsamt och försiktigt produkten från ramen medan du tittar nedåt och bakåt. Att köra produkten från ramen framåt utan ramp kan skada klippaggregatet.

## LED-INDIKATOR TILL LADDARE

| Laddarens status | Ansluten till  |              | Diod           |                    | Status   |
|------------------|--|--------------|----------------|--------------------|--|
|                  | Elförsörjning  | Gräsklippare | Batteriladdare | Gräsklippare       |  |
| Standby          | Ja   | Nej          | Lyser          | Släckt             | Laddare klar för uppladdning av ett batteri.   |
| I laddning       | Ja   | Ja           | Lyser          | Långsam<br>Blinkar | —  |
| Fel på laddaren  | Ja   | Ja           | Släckt         | Blinkar<br>snabbt  | Batteritemperatur, batterikapacitet eller bristfällig laddare.                       |
|                  | Om LED-status visar fel, vänta i ca 15 minuter tills batteriet och laddaren har svalnat.<br>Om LED-status visas en andra gång, nollställ laddaren eller sätt i batteriet igen.<br>Om en annan laddare laddar normalt, kan laddaren var defekt.<br>Om ett annat batteri laddar normalt, kan batterikapaciteten var bristfällig. |              |                |                    |  |
| Helt laddat      | Ja   | Ja           | Lyser          | Lyser              | Snabbladdningen är avslutad, laddaren fortsätter att ladda.                          |
| Sammankoppla     | Nej  | Ja           | Släckt         | Blinkar<br>snabbt  | Kontakten är fortfarande ansluten till gräsklipparen.<br>Gräsklipparen startar inte. |
| Problem          | Ja   | Ja           | Lyser          | Blinkar<br>snabbt  | Batteripaket kan vara defekt.  |
|                  | Om LED-statuslampan visar defekt, nollställ laddaren eller sätt i batteriet igen.<br>Om kontrolllamporna fortfarande anger ett problem, försök använda laddaren med ett annat batteri.<br>Om ett annat batteri kan laddas upp normalt, gör dig av med det felaktiga batteriet (se avsnittet underhåll).                        |              |                |                    |  |

## UNDERHÅLLSSCHEMA

|   | Inspektera varje gång den skall användas | Var 25:e timme | Var 50:e timme eller årligen | Innan förvaring | En gång i månaden under förvaring |
|---|--|----------------|------------------------------|-----------------|-----------------------------------|
| Kontrollera om bromsen fungerar som den ska.                    | x  |                |                              |                 |                                   |
| Kontrollera däcktrycket.  | x  |                |                              |                 |                                   |
| Kontrollera sidoutkastet och säkerhetssystemet för förarnärvaro | x  |                |                              |                 |                                   |
| Kontrollera lösa fästen.  | x  |                |                              | x               |                                   |
| Ta bort allt främmande material från produkten.                 | x  |                |                              | x               |                                   |
| Kontrollera/byt ut mulchingblad                                 | x  | x              |                              |                 |                                   |
| Rengör batteripolerna   |  |                | x                            |                 |                                   |
| Kontrollera och ladda batteriet.                                | x  |                |                              |                 | x                                 |

**OBS:** Underhåll bör utföras oftare när produkten används i dammiga områden.

När produkten har uppnått de maximala driftsiffror som anges i tabellen skall underhåll fortfarande utföras i enlighet med de tids- eller timintervall som anges i denna bruksanvisning.

Om du är osäker på hur du utför någon av underhållspunkterna som listas ovan, låt ett auktoriserat servicecenter serva produkten.

## FELSÖKNING

Kontakta din auktoriserade serviceagent om dessa lösningar inte åtgärdar problemet.

| Problem                                     | Möjlig orsak  | Lösning  |
|---|---|--|
| Produkten startar inte.                     | Batteriets laddning är låg.                                       | Ladda batteriet.   |
|   | Laddaren är ansluten till produkten.                              | Koppla loss laddaren från produkten.   |
|   | Startknappen är inte intryckt eller är i AV-läge.                 | Sätt i startnyckeln och vrid nyckeln till PÅ-läget.  |
|   | Dåliga batterikabelanslutningar                                   | Kontrollera och rengör alla batterianslutningar.   |
| Produkten rör sig inte.                     | Startknappen är inte intryckt eller är i AV-läge.                 | Sätt i startnyckeln och vrid nyckeln till PÅ-läget.  |
|   | Parkeringsbromsen är påslagen.                                    | Koppla från parkeringsbromsen.   |
|   | Bromspedalen är nedtryckt och/eller gaspedalen är inte nedtryckt. | Släpp bromspedalen och trampa på gaspedalen.   |
|   | Laddaren är ansluten till produkten.                              | Koppla loss laddaren från produkten.   |
| Klipparen klipper gräset ojämnt.            | Däcktrycket är ojämnt.  | Kontrollera däcktrycket i alla fyra däck.  |
|   | Klippaggregatet är inte plant.                                    | Justera klippaggregatets höjd.   |
|   | Bladet är slitet, böjt, löst eller slött.                         | Byt ut kniven.   |
|   | Det finns ansamling av skräp under produkten.                     | Rengöra undersidan av gräsklipparen.   |
|   | Klippastigheten är för snabb.                                     | Klipp med en lägre hastighet.  |
| Klipparen fördelar inte klipset ordentligt. | Vått gräsklipp har fastnat på undersidan av klippaggregatet.      | Vänta tills gräset har torkat innan du klipper.  |
|   | Gräset är för långt.  | Klipp en gång i en hög klipp höjd, klipp sedan igen i önskad höjd.   |
|   | Bladet är slitet, böjt, löst eller slött.                         | Byt ut kniven.   |
|   | Klippastigheten är för snabb.                                     | Klipp med en lägre hastighet.  |
| Produkten vibrerar vid högre hastigheter.   | Bladet är obalanserat, löst eller överdrivet eller ojämnt slitet. | Byt ut kniven.   |
|   | Motoraxeln är krökt.  | Stanna motorn och ta ur startnyckeln. Inspektera produkten noggrant efter skada. Låt produkten servas av ett auktoriserat servicecenter innan du startar om den. |
| Dåligt gräskast.                            | Sidoutkastet eller öppningen är igentäppt.                        | Rengör sidoutkastet och öppningen.   |
|   | Gräset är vått.   | Låt gräset torka innan du klipper.   |
|   | Klippastigheten är för snabb.                                     | Klipp med en lägre hastighet.  |
|   | Gräset är för långt.  | Klipp en gång i en hög klipp höjd, klipp sedan igen i önskad höjd.   |

|  |   |   |
|--|---|---|
| Motorn stannar medan du klipper.   | Klipphöjden är för låg.                                   | Höj klipphöjden.  |
|  | Batteriets laddning är låg.                               | Ladda batteriet.  |
| Bladen roterar inte.   | Batteriets laddning är låg.                               | Ladda batteriet.  |
|  | Sidotömningens låsbrytare trycks inte in av sidoutkastet. | Tryck ner sidoutkastet och se till att det trycker ner sidouttömningens låsbrytare helt.  |
|  | Spaken för aktivering av bladen är nere.                  | Dra upp spaken för aktivering av bladen för att aktivera bladen.  |
|  | Föraren är inte helt på plats.                            | Sätt dig helt ner på sätet.   |
| Bladen roterar inte när du klipper medan du backar.  | Det finns ansamling av skräp under gräsklipparen.         | Rengöra undersidan av gräsklipparen.  |
|  | Klippning i backläge är avstängt.                         | Tryck på backknappen för att aktivera backläget.  |
| Produkten kommer inte upp i full hastighet.  | Spaken för aktivering av bladen är nere.                  | Dra upp spaken för aktivering av bladen för att aktivera bladen.  |
|  | Batteriets laddning är låg.                               | Ladda batteriet.  |
| Bladen fortsätter att röra sig efter att föraren lämnar sätet utan att slå på parkeringsbromsen. | Säkerhetsspärrsystemet fungerar inte korrekt.             | Säkerställ att kontakten till sätets säkerhetssystem är ordentligt ansluten. Om bladen fortfarande inte stannar, bör produkten endast servas på ett auktoriserat servicecenter. |
| Strålkastarna fungerar inte.   | Strålkastarna är avstängda.                               | Tryck på strålkastarknappen för att slå på strålkastarna.   |
|  | Strålkastarna är skadade.                                 | Byt ut strålkastarna.   |
| Batteriet laddas inte.   | Battericellerna är dåliga.                                | Byt ut batteriet.   |
|  | Kabelanslutningarna är dåliga.                            | Kontrollera och rengör alla batterianslutningar.  |

## VANLIGA FRÅGOR

- Ska gräsklipparen vara kvar i laddaren när den inte används?
  - Ja, ladda gräsklipparen kontinuerligt när den inte används.
- Vad är det rekommenderade däcktrycket och hur ofta ska jag kontrollera lufttrycket i däcken?
  - För bästa prestanda bör däcktrycket vara 1,6 bar. Kontrollera lufttrycket i alla däck före användning.
- Vad kan få bladen att stanna under användning?
  - Kontrollera batterinivåindikatorn. Klippaggregatets motor stängs av när batterinivån blir låg så att du får tillräckligt med tid att köra tillbaka till laddningsplatsen. Kör tillbaka och ladda batteriet omedelbart.
- Om batterinivån inte är låg, sakta ner eller höj klippaggregatet till en högre nivå. Hög belastning kan också orsaka att en eller båda av klippaggregatets motorer stannar.
  - Kontrollera att sidoutkastet är ordentligt stängt. Tryck ner sidoutkastet och se till att det trycker ner sidouttömningens låsbrytare helt.
- När gräsklipparen rullar fritt i friläge, varför accelererar den ibland och ibland inte?
  - För din säkerhet och bättre prestanda är gräsklipparen utformad för att automatiskt begränsa hastigheten när du åker i en slänt, vilket kan orsaka hastighetsfluktuationer.
- Varför gör gräsklipparen ett pipande ljud när jag backar?
  - För att uppmärksamma personer i närheten om gräsklipparen.
- Hur stannar jag gräsklipparen helt när jag kör?
  - Trampa på bromspedalen för att stoppa produkten. Den här produkten har inte hydrostatisk drift.
- Varför gör gräsklipparen ett pipande ljud när jag lämnar sätet?
  - Parkeringsbromsen har inte varit påslagen eller startknappen är fortfarande intryckt och i PÅ-läge. Ta alltid bort nyckeln när gräsklipparen inte används.
- När ska jag använda parkeringsbromsen?
  - Slå alltid på parkeringsbromsen innan du kliver av gräsklipparen.
- Kan jag skölja av klippaggregatet med en trädgårdsslang?
  - Rengör inte produkten med vatten. Använd en fläkt eller luftkompressor för att rengöra den.



Turvallisuus, tehokkuus ja käyttövarmuus ovat päättäjätavaran ruohonleikkurin tärkeimpiä ominaisuuksia.

## KÄYTTÖTARKOITUS

Päättäjätavara ruohonleikkuri on tarkoitettu vain ulkokäyttöön.

Tämä tuote on tarkoitettu kotinurmikon leikkuuseen. Leikkuterän on pyörittävä suunnilleen sen alla olevan maanpinnan suuntaisesti. Jokaisen neljän pyörän tulee koskettaa maata ruohoa leikattaessa.

Käyttötarkoitus on vain aikuisten kotona tapahtuvaa käyttöä varten, käyttäjällä on oltava asianmukaiset tiedot ruiskun käyttöön liittyvistä vaaroista ja niiden ehkäisyä koskevista toimenpiteistä.

Älä käytä muihin tarkoituksiin.

## TUOTTEEN YLEISET TURVALLISUUSVAROITUKSET

△ **VAROITUS!** Lue kaikki laitteen mukana toimitetut turvaohjeet, kuvat ja tekniset tiedot. Hvis nedenstående forskrifter ikke overholdes, kan der ske uheld og ulykker som brand, elektrisk stød og/eller alvorlige personskader.

**Säilytä nämä varoitukset ja ohjeet myöhempiä tarvetta varten.**

Varoituksissa termillä "konetyökalu" viitataan sähkö- (johdolliseen) tai akkukäyttöiseen (johdottomaan) tuotteeseen.

### TYÖYMPÄRISTÖ

- **Pidä työalue siistinä ja valoisaan.** Epäjärjestyksessä olevat ja pimeät alueet myötävaikuttavat onnettomuuksiin.
- **Älä käytä sähkötyökalua räjähdyssaltiliissa paikoissa, kuten helposti syttyvien nesteiden tai kaasujen tai pölyn läheisyydessä.** Sähkötyökalut kipinöivät, mikä saattaa sytyttää pölyn tai höyryt.
- **Pidä lapset ja sivulliset loitolla, kun käytät sähkötyökaluja.** Häiriöt voivat saada koneen riistäytymään hallinnasta.

### SÄHKÖTURVALLISUUS

- **Pistokkeen on sovittava pistorasiaan.** Älä koskaan muunna pistoketta millään tavalla. Älä käytä maadoitettujen sähkötyökalujen kanssa minkäänlaisia sovittin pistokkeita. Alkuperäiset pistokkeet ja niitä vastaavat pistorasiat pienentävät sähköiskun vaaraa.
- **Älä kosketa maadoitettuihin pintoihin, kuten putkiin, lämpöpattereihin, heloihin tai jääkaappeihin.** Jos ruumiisi on maadoitettu, sähköiskun vaara on suurempi.
- **Älä altista tuotetta sateelle tai kosteudelle.** Sähkötyökaluun joutunut vesi kasvattaa sähköiskun vaaraa.
- **Pidä huolta sähköjohdosta.** Älä koskaan kannata vedä sähkötyökalua johdosta tai irrota pistoketta johdosta vetämällä. Pidä johto etäällä kuumista paikoista, öljystä, terävistä kulumista ja liikkuvista osista. Voittunut tai takkuinen johto lisää sähköiskun vaaraa.
- **Kun käytät sähkötyökalua ulkotiloissa, käytä ulkokäyttöön sopivaa jatkojohtoa.** Ulkokäyttöön sopivan johdon käyttö pienentää sähköiskun vaaraa.
- **Jos sähkötyökalua on pakko käyttää kosteissa tiloissa, käytä jäännösvirtalaitteella (RCD) suojattua pistorasiaa.** RCD:n käyttö pienentää sähköiskun vaaraa.

## KÄYTTÄJÄN TURVALLISUUS

- **Ole valpas, katso mitä teet ja käytä maalaisjärkeä, kun käytät sähkötyökalua.** Älä käytä sähkötyökalua väsyneenä tai huumeiden, alkoholin tai lääkkeiden vaikutuksen alaisena. Tarkkaamattomuus sähkötyökalua käytettäessä saattaa johtaa vakavaan loukkaantumiseen.
- **Käytä henkilökohtaisia suojavarusteita.** Käytä aina suojalaseja. Sahan käytönaikaiset suojavaalaineet, kuten hengityssuojain, liukumattomat turvakengät, kypärä tai kuulosuojaimet, vähentävät henkilövahinkoja.
- **Tahattoman käynnistymisen esto.** Varmista, että katkaisin on poissa päältä, ennen kuin kytket koneen virtalähteeseen ja/tai akkuun ja ennen kuin nostat tai kannat konetta. Sähkötyökalun kantaminen sormi katkaisimella ja virran kytkeminen koneeseen, joka on päällä, saattaa johtaa onnettomuuksiin.
- **Irrota säätöavaimet ja jakoavaimet ennen sähkötyökalun käynnistystä.** Sähkötyökalun pyöriivään osaan jätetty jakotai säätöavain saattaa johtaa loukkaantumiseen.
- **Älä kurkota liian pitkälle.** Pysyttele tukevasti jaloillasi äläkä kurkota käsivartta liian kauas. Tällöin sähkötyökalua on helpompi hallita odottamattomissa tilanteissa.
- **Älä pukeudu väliin vaatteisiin, kravattiin tai koruihin, jotka voivat juuttua liikkuviin osiin.** Älä käytä välijä vaatteita tai koruja. Estä hiusten tai vaatteiden takertuminen liikkuviin osiin. Löysät vaatteet, korut ja pitkät hiukset saattavat tarttua liikkuviin osiin.
- **Jos laitetta varten on pölynpoisto- ja keräyslaite, kytke se asianmukaisesti ja käytä sitä oikein.** Pölyn kerääminen voi vähentää pölyyn liittyviä vaaroja.
- **Älä ole huolimaton ja laiminlyö turvaohjeita vain siksi, että olet kokenut muiden laitteiden käytössä.** Huolimaton toiminto voi aiheuttaa välittömän loukkaantumisen.

## SÄHKÖTYÖKALUN KÄYTTÖ JA HUOLTO

- **Älä pakota tuotetta.** Käytä työhön sopivaa sähkötyökalua. Asianmukainen sähkötyökalu hoitaa työt paremmin ja turvallisemmin sillä vauhdilla, jota varten se on suunniteltu.
- **Älä käytä sähkötyökalua, jos se ei käynnisty ja sammu katkaisimesta.** Jos sähkötyökalua ei voida hallita katkaisimella, se on vaarallinen ja vaatii korjaamista.
- **Irrota kosketin virtalähteestä ja/tai akkupaketti konetyökalusta aina ennen säätämistä, lisävarusteiden vaihtamista tai työkalun varastointia.** Tällaiset varoimet pienentävät sitä vaaraa, että kone käynnistyy vahingossa.
- **Varastoi sähkötyökalu pois lasten ulottuvilta äläkä anna kenenkään, joka ei tunne työkonetta tai näitä ohjeita, käyttää sitä.** Sähkötyökalut ovat vaarallisia kouluttamattomien käyttäjien käsissä.
- **Vedligehold elværktøj og tilbehør.** Tarkista, että liikkuvat osat on kohdistettu oikein ja että ne liikkuvat kunnolla, että osia ei ole rikkoutunut ja että mikään muu seikka ei häitää sähkötyökalun toimintaa. Jos sähkötyökalu voittuu, korjaa se ennen käyttöä. Onnettomuudet johtuvat usein sähkötyökalujen huonosta huollosta.
- **Pidä leikkuutyökalut terävinä ja puhtaina.** Asianmukaisesti huolletut leikkuutyökalut, joiden leikkupinnat ovat teräviä, eivät jumiuudu helposti ja niitä on helppo hallita.

- Käytä työkonetta, lisävarusteita, terä jne. näiden ohjeiden mukaisesti, ja huomioi työolosuhteet ja tehtävän työn laatu. Työkoneen käyttö muuhun kuin sille tarkoitettuun työhön voi aiheuttaa vaarallisia tilanteita.
- Pidä kädensijat ja tartuntapinnat kuivina ja puhtaina liasta, öljystä ja rasvasta. Liukkaat kahvat ja tartuntapinnat tekevät käytöstä vaarallista, eikä laitetta voi hallita odottamattomissa tilanteissa.

## AKKUKÄYTTÖISEN TYÖKALUN KÄYTTÖ JA HOITO

- Käytä lataukseen ainoastaan valmistajan suosittelemaa laturia. Yhden tyypiselle akulle sopivan laturin käyttö toisenlaisen akun kanssa voi olla vaarallista.
- Käytä sähkötyökalua ainoastaan sitä varten suunniteltujen akkujen kanssa. Muiden akkujen käyttö voi johtaa loukkaantumiseen ja tulipaloon.
- Kun akkua ei käytetä, pidä se erillään metalliesineistä, kuten paperiliittimistä, kolikoista, avaimista, nauloista, ruuveista ja muista pienistä metalliesineistä, jotka voivat yhdistää akun navat. Akun napojen oikosulkeminen voi aiheuttaa palovammoja ja tulipalon.
- Jos akkua käsitellään väärin, siitä voi vuotaa nestettä; älä kosketa sitä. Jos kosketat sitä vahingossa, huuhtelee se vedellä. Jos nestettä pääsee silmiin, hakeudu välittömästi lääkärin hoitoon. Akusta vuotanut neste voi ärsyttää ihoa ja aiheuttaa palovammoja.
- Vaurioitunutta tai muunneltua akkua tai työkalua ei saa käyttää. Vaurioituneet tai muunnellut akut voivat käyttäytyä odottamattomasti, ja ne voivat johtaa tulipaloon, räjähdykseen, vaaraan tai tapaturmaan.
- Älä altista akkua tai työkalua tulelle tai liian korkealle lämpötilalle. Tullelle tai yli 130 °C:n lämpötilalle altistuminen voi johtaa räjähdykseen.
- Noudata kaikkia latausohjeita äläkä lataa akkua tai työkalua muissa kuin ohjeissa määritellyissä lämpötilaolosuhteissa. Virheellinen lataus tai määritellyistä poikkeavat lämpötilat saattavat johtaa akun vaurioitumiseen ja lisätä tulipalon vaaraa.

## HUOLTO

- Huollata työkone pätevällä huoltomiehellä, joka käyttää ainoastaan asianmukaisia varaosia. Tämä varmistaa, että sähkötyökalu on turvallinen.
- Vaurioituneita akkuja ei koskaan saa huoltaa. Akkuja saa huoltaa vain valmistaja tai valtuutettu huoltoliike.

## PÄÄLTÄAJETTAVAN RUOHONLEIKKURIN TURVALLISUUSVAROITUKSET

## KOULUTUS

- Noudata turvallisuussääntöjä tuotetta käyttäessäsi. Oman ja sivullisten turvallisuuden vuoksi, lue nämä ohjeet ennen tuotteen käynnistämistä. Säilytä ohjeet tulevaa käyttöä varten.
- Anna tuote ainoastaan sellaisten vastuuntuntoisten aikuisten käyttöön, jotka tuntevat ohjeet ja ymmärtävät ne.
- Tutustu ohjaimiin ja tuotteen asianmukaiseen käyttöön.
- Käytä aina suojalaitteita. Älä käytä tuotetta ilman, että sivupoistokouru on paikoillaan ja toimintakunnossa. Silppurin kannen tulee olla asennettuna oikeaoppisesti, ja sen on toimittava kunnolla silppuamisen aikana.

- Varo mahdollisia vaaroja, kun et käytä tuotetta tai kun vaihdat lisävarusteita. Vähennät sähköisku-, tulipalo- ja loukkaantumisvaaraa.
- Älä koskaan kuljeta ruohonleikkurilla ketään – vaikka terät olisivatkin pysähdyksissä. Matkustaja saattaa pudota ja loukkaantua vakavasti tai haitata laitteen turvallista käyttöä. Lapset, jotka ovat joskus päässeet kyytiin, voivat yllättäen ilmaantua leikkuaalueelle päästäkseen uudelleen kyytiin. Tällöin vaarana on, että leikkuri ajaa tai peruuttaa heidän päälleen.
- Muista, että ruohonleikkurin käyttäjä on vastuussa vahingoista ja vaaroista, jotka hän aiheuttaa muille ihmisille ja heidän omaisuuksilleen
- Älä koskaan salli lasten tai ihmisten, joiden fyysiset tai henkiset kyvyt tai aistit ovat heikentyneet, tai näitä ohjeita tuntemattomien käyttäjä, puhdistaa tai huoltaa tuotetta. Paikalliset säädökset saattavat asettaa rajatuksia käyttäjän iälle. Lapsia on pidettävä asianmukaisesti silmällä, jotta he eivät pääse leikkimään tuotteella.
- Noudata valmistajan käyttöohjeita ja lisäosien asentamista koskevia ohjeita. Käytä ainoastaan valmistajan hyväksymiä lisäosia. Sopimattomien lisävarusteiden käyttö voi aiheuttaa vakavaa loukkaantumisvaaraa.
- Älä koskaan hauritse turvalaitteen käyttötarkoitusta tai poista turvalaitteen tarjoamaa suojaa. Tarkista turvalaitteiden oikeaoppinen toiminta säännöllisesti.
- Älä koskaan käytä tuotetta, kun ihmisiä, erityisesti lapsia, tai lemmikkejä on 15 metrin etäisyydellä tuotteesta, koska terää koskettavat kappaleet saattavat sinkoutua ilmaan.
- Älä käytä tuotetta paikassa, jossa on salamaniskun vaara.
- Älä käytä laitetta huonosti valaistuissa olosuhteissa. Käyttäjällä on oltava esteetön näkyvyys työalueelle, jotta hän näkee mahdolliset vaaratekijät.
- Pidä kädet ja jalat poissa leikkuaalueelta. Leikkuaalue on leikkulaiteen alla ja sivupoistokourun sisällä. Pidä sivupoistokourun aukko aina vapaana. Älä kurkottele leikkulaiteen alle.
- Noudata lisävarusteiden vaihtoa koskevia ohjeita.

## VALMISTELUT

- Käytä kestäviä pitkiä housuja, pitkähihaista yläosaa ja vankkoja luistamattomia jalkineita. Älä käytä sortseja ja sandaaleja tai kulje avojaloin. Älä käytä löysiä vaatteita tai vaatteita, joista riippuu nuoria tai siteitä.
- Käytä aina sivusuojilla varustettuja suojalaseja. Käytä suojanaamaria, jos työnteoksi on pölyistä.
- Terän sinkoamat esineet voivat aiheuttaa vakavia henkilövammoja. Tarkista huolella alue, jolla laitetta käytetään, ja poista kaikki kivet, tikut, metallikappaleet, johdot, luut, lelut ja muut vierasesineet. Pidä mielessä, että kaikenlaiset narut ja langat voivat sotkeutua teriin.
- Tarkista tuote aina silmämääräisesti ennen käyttöä varmistaaksesi, että terät, terän mutterit ja leikkurikokonaisuus eivät ole kuluneita tai vaurioituneita.
- Älä koskaan kohdista leikkuaosaa ketään päin. Suunnittele ajoreitit siten, että materiaalia ei sinkoudu sivullisten ja autojen päälle tai teille, jalankulkukäytävälle ja ikkunoihin. Vältä myös poistoainesta sinkoutumasta seinää tai muita esteitä vasten, sillä se saattaa singota takaisin päällesi.

## KÄYTTÖ

- Ennen leikkurin käynnistämistä:
  - Tarkista jarrun toiminta.
  - Tarkista rengaspaine.
  - Tarkista liitäntöjen kireys.
  - Varmista, että kaikki suojukset ovat paikoillaan ja toimivat oikeaoppisesti.
  - Tarkista sivupoistokourun turvalukitusjärjestelmä
  - Tarkista käyttäjän läsnäolon turvalukitusjärjestelmä.
  - Säädä istuin haluamaasi asentoon.
  - Tarkista akun lataustaso.
- Kun tuote käynnistetään, käyttäjän on istuttava tukevasti istuimella ohjauspyörän takana. Älä koskaan käynnistä tuotetta, jos
  - Kaikki neljä pyörää eivät ole maassa.
  - sivupoistokouru on paljaana, silppurin kansi ei suojaa sitä
  - Kädet ja jalat ovat poissa leikkuukotelosta.
- Kytke terät pois päältä, kun tuotetta ei käytetä.
- Älä käytä moottorisahaa suljetussa tilassa.
- Pysäytä terä, kun ylität sorateitä, jotta soraa ja kiviä ei sinkoutuisi. Aja tuotetta hitaasti ja varoen, etten menetä sen hallintaa.
- Käynnistä laite huolellisesti ohjeiden mukaisesti, ja pidä kädet ja jalat kaukana teristä. Älä laita käsiä tai jalkoja lähelle pyöriäviä osia tai niiden alle.
- Älä leikkaa perustusuunnassa, ellei ehdottomasti välttämätöntä. Katso aina taaksesi ja alaspäin, ettei tiellä ole pieniä lapsia, muita sivullisia tai lemmikkieläimiä, ennen kuin peruutat ja peruuttamisen aikana.
- Noudata erityistä varovaisuutta lähellä sokeita kulkimia, pensaita, puita ja muita kohteita, kuten riippuvia pensaita, jotka voivat estää näkyvyyttä.
- Hidasta ennen kuin käännät.
- Älä koskaan jätä käynnissä olevaa tuotetta valvomatta. Aina ennen kuin poistut ruohonleikkurista, kytke käsijarru päälle, sammuta terät, kytke laitteesta virta pois ja irrota virta-avain.
- Varo liikennettä, kun leikkaat teiden lähellä. Leikkurilla ei saa ajaa maanteilla.
- Rinteissä syntyy paljon hallinnan menetyksestä ja kaatumisista johtuvia onnettomuuksia, joista voi olla seurauksena vakava loukkaantuminen tai jopa kuolema. Rinteessä toimiminen vaatii erityistä varovaisuutta. Jos et kykene peruuttamaan rinteessä tai tunnet olosi epävarmaksi, älä leikkaa ruohoa. Älä käytä tuotetta koskaan jyrkissä rinteissä, joiden kaltevuus on yli 15°. Kopioi tai leikkaa tämän käsikirjan lopussa oleva "Rinneajon opas", ja määritä sen avulla, onko rinne turvallisuuden suhteen liian jyrkkä.
  - Leikkaa ylös ja alas: älä leikkaa rinteiden poikki.
  - Vältä koloja, uria, möykkyjä, kiviä ja muita piilossa olevia esteitä. Epätasainen maasto voi johtaa ajoleikkurin kaatumiseen. Korkeassa nurmikossa saattaa olla piilossa esteitä.
  - Käytä hidasta nopeutta, jotta sinun ei tarvitse pysähtyä äkillisesti tai jottet kiihdytä vahingossa rinteessä.
  - Älä leikkaa kosteaa nurmikkoa rinteessä. Renkaiden pito voi heikentyä, jolloin tuotteen hallinta saatetaan menettää.
  - Käytä aina jarruja, kun ajat rinnettä alaspäin. Älä siirrä vapaalle ja aja vapaalla rinnettä alaspäin, sillä vaarana on leikkurin hallinnan menetyks.

- Älä käynnistä, pysähdy tai käännä rinteessä. Jos renkaat menettävät pitoa, kytke terät pois päältä ja aja hitaasti suoraan rinnettä alaspäin.
- Pidä kaikki liikkeet rinteessä hitaina ja asteittaisina. Älä tee äkillisiä nopeus- tai suunnanvaihdoksia, sillä muuten tuote voi kaatua.
- Ole erityisen tarkkana, kun käytät tuotetta lisävarusteiden kanssa. Ne voivat vaikuttaa tuotteen vakauteen. Älä käytä tuotetta koskaan jyrkissä rinteissä, joiden kaltevuus on yli 15°.
- Älä yritä vakauttaa tuotetta asettamalla jalkasi maahan.
- Älä käytä tuotetta jyrkenteiden, ojen, hyvin jyrkkien rinteiden tai töyräiden lähellä. Tuote voi äkillisesti kaatua, jos pyörä yllittää reunan tai jos reuna sortuu: tällöin vaarana on kuolema tai vakava loukkaantuminen.

## LISÄÄ LATORIN TURVALLISUUSVAROITUKSIA

- Laturi on tarkoitettu ainoastaan sisäkäyttöön.
- Ensiöpareja ei saa ladata (ne eivät ole ladattavia).
- Tarkista virtajohto aina ennen käyttöä. Jos löytyy mitään merkkejä vaurioitumisesta, pätevän henkilön on vaihdettava se valtuutetussa huollossa, jotta vältytään vaaroilta.
- Lataa tuote hyvin ilmastoidussa sisätilassa. Älä lataa tuotetta suljetussa tilassa.
- Laturissa on maadoitusnastalla varustettu pistoke, ja se on liitettävä sopivaan pistorasiaan, joka on asennettu ja maadoitettu asianmukaisesti kaikkien paikallisten lakien ja määräysten mukaisesti. Älä käytä sovitimia äläkä muuntele toimitettua pistoketta. Jos pistoketyöntä ei voida kytkeä oikein pistorasiaan, anna sähkömiehen asentaa sopiva pistorasia.

## MUITA AKUN TURVALLISUUSVAROITUKSIA

- ⚠ **VAROITUS!** Tulipalo-, räjähdys- tai palovammojen vaara. Älä pura akkupakkausta, altista sitä yli 60°C:n lämpötilalle tai polta sitä.
- Jotta vältetään lyhytsulun aiheuttama tulipalon, loukkaantumisen tai tuotteen vahingoittumisen vaara, älä koskaan upota työkalua, vaihtoakkuja tai latauslaitetta nesteeseen ja huolehdi siitä, ettei mitään nesteitä pääse tunkeutumaan laitteiden tai akkujen sisään. Syövyttävät tai sähköä johtavat nesteet, kuten suolavesi, tietyt kemikaalit ja alkalisuaineet tai valkaisuaineita sisältävät tuotteet voivat aiheuttaa lyhytsulun.
- Akkupakkaus sisältää happoa. Jos happo joutuu kosketuksiin ihon tai vaatteiden kanssa, huuhtele välittömästi vedellä 10 minuutin ajan. Jos nestettä pääsee silmiin, hakeudu lääkäriin.
- Akkuja ei saa ladata, jos niissä näkyy merkkejä vuotamisesta. Hävitä vuotavat akut oikein.

## AKUN IRROTTAMINEN JA VALMISTELEMINEN KIERÄTYSTÄ VARTEN

- Säädä luonnonvaroja kierrättämällä tai hävittämällä akku asianmukaisesti.
- Tuote sisältää lyijyakkuja. Paikalliset lait voivat estää lyijyakkujen hävittämisen kotitalousjätteen mukana. Pyydä paikallisilta jäteviranomaisilta tietoja kierrätyksestä ja/tai hävittämisestä.

- ⚠ **VAROITUS!** Kun irrotat akun, peitä sen navat kestäväällä teipillä. Älä yritä hävittää tai purkaa akkua tai irrottaa siitä osia. Lyijyakut on kierrätettävä tai hävitettävä

asianmukaisesti. Älä koskaan kosketa molempia napa ja metalliesineillä ja/tai ruumiin osilla, sillä tämä aiheuttaisi oikosulun. Pidä akkupakkaus poissa lasten ulottuvilta. Näiden varoitusten laiminlyönti voi aiheuttaa tulipalon ja/tai vakavan vamman.

## KULJETUS JA VARASTOITAESSA

- Sammuta tuote, kytkä käsijarru päälle ja irrota virta-avain. Varmista, että kaikki liikkuvat osat ovat pysähtyneet täysin. Anna laitteen jäähtyä kunnolla, ennen kuin siirret sen säilytykseen tai kuljetat sitä ajoneuvossa.
- Puhdista laitteesta kaikki vieraat materiaalit. Varastoi laite viileään, kuivaan ja hyvin tuuletettuun paikkaan, jossa lapset eivät pääse siihen käsiksi. Virta-avain on irrotettava ja sitä on säilytettävä erillisessä paikassa lasten ulottumattomissa.
- Pidä tuote erillään syövyttävistä aineista, kuten puutarhakemikaaleista ja jäänestosuolasta. Älä säilytä laitetta ulkona.
- Ole erityisen varovainen, kun lastaat tuotteen perävaunulle tai kuorma-autoon tai kun otat sen siitä. Paina jarrupoljinta tarpeen mukaan nopeuden hallinnoimiseksi. Tuote rullaa vapaasti, jos sitä liikutetaan kaltevalla pinnalla ilman, että jarrupoljinta painetaan tai käsijarru kytketään päälle. Kun tuote lastataan tai poistetaan, älä ylitä suositeltua suurinta toimintakulmaa, joka on 15°.
- Ole erittäin varovainen nostaessasi ja kallistaessasi laitetta huoltoon, puhdistusta, varastointia tai kuljetusta varten. Terä on terävä. Pidä kaikki ruumiinosat poissa terän tieltä terän ollessa paljaana.
- Kiinnitä tuote tarpeen mukaan hihnoilla tai kaapeleilla, jottei se pääsisi liikkumaan kuljetuksen aikana.

## LYIJYAKKUJEN KULJETUS

- Kuljeta akkuja paikallisten ja kansallisten ehtojen ja säädösten mukaisesti.
- Noudata kaikkia pakkaamista ja nimeämistä koskevia erikoissäädöksiä, kun kolmas osapuoli kuljettaa akkuja. Varmista, että mikään akku ei kosketa muita akkuja tai johtavaa materiaalia kuljetuksen aikana suojaamalla paljaat navat eristävillä, johtamattomilla korkeilla tai teipillä. Älä kuljeta akkuja, jotka ovat halkeilleet tai vuotavat. Kysy välitysyrytykseltä lisäneuvoja.

## HINAUKSEN TURVALLISUUSVAROITUKSET

- Käytä maalaisjärkeä hinauksessa. Liian raskas kuorma rinteessä on vaarallinen. Renkaiden pito voi heikentyä, jolloin tuotteen hallinta saatetaan menettää.
- Noudata valmistajan antamia pyörien painoja tai vastapainoja koskevia suosituksia.
- Hinatun kokonaiskuorman ei tule ylittää hinattavan kuorman kokonaispainoa 136 kg (300 naulaa).
- Kiinnitä hinausvaruste ainoastaan hinauslevyyn.
- Älä koskaan päästä lapsia tai muita hinatun laitteen päälle.
- Pysähtymismatka kasvaa nopeuden ja hinatun kuorman painon kasvaessa. Aja hitaasti ja varaa lisäaikaa ja -etäisyyttä pysähtymiseen.
- Älä tee jyrkkiä käännöksiä hinatessasi. Ole erityisen varovainen, kun käännyt tai kun työskentelet haastavassa maastossa. Peruuta varovasti.

## HUOLTO

- Käytä ainoastaan alkuperäisiä valmistajan tuottamia varaosia, lisälaitteita ja lisävarusteita. Tämän noudattamatta jättäminen voi johtaa loukkaantumiseen ja huonoon tulokseen ja voi mitätöidä takuun.
- Säilytä tuotetta huolellisesti ja huolehdi siitä, että se on hyvässä työkunnossa. Pidä terät terävinä ja suojukset paikoillaan ja hyvässä kunnossa. Vakavien henkilövahinkojen ja tuotteen vaurioitumisen estämiseksi ja parhaan suorituskyvyn varmistamiseksi kuluneet, taittuneet, halkeilleet tai epätasaisesti kuluneet terät on vaihdettava. Epätasainen terä aiheuttaa tärinää, joka voi vahingoittaa moottorin käyttöyksikköä tai johtaa loukkaantumisiin.
- Älä koskaan tee mitään säätöjä tai korjauksia moottorin käydessä ja terien liikuessa.
- Irrota virta-avain tuotteesta ennen varastointia, huoltoa tai lisävarusteiden vaihtoa. Ennaltaehkäisevät turvatoimet vähentävät riskiä laitteen käynnistymisestä vahingossa.
- Sammuta tuote, kytkä käsijarru päälle ja irrota virta-avain. Varmista, että kaikki liikkuvat osat ovat pysähtyneet täysin:
  - ennen kuin jätät tuotteen ilman vartiointia (myös nurmikon leikkujätteiden välittämistä varten).
  - Ennen tukoksen poistamista tai poistokourun puhdistusta
  - ennen tuotteen tarkastusta, puhdistusta ja huoltoa
  - ennen silppurin kannen poistoa
  - ennen ruohon poistokourun kannen avaamista
  - vieraseen esineeseen osumisen jälkeen
    - Tarkista laite huolella vaurioiden varalta.
    - Vaihda terä, jos se on mitenkään vioittunut.
    - Huolla mahdolliset vauriot ennen uudelleen käyttöä.
  - Jos tuote alkaa tärinä epänormaalisti (tarkista välittömästi).
    - tarkista laitteen, erityisesti terät, vaurioiden varalta
    - Vaihda terä, jos se on mitenkään vioittunut.
    - Vaihda tai korjaa kaikki vioittuneet osat
    - Tarkista, onko jokin osa löysällä, ja kiristä tarvittaessa.
- Voit tehdä tässä käyttöoppaassa kuvattuja säätöjä ja korjauksia. Huollata ja korjautu ruohonleikkuri ainoastaan valtuutetussa huoltoliikkeessä.
- Ota yhteys valtuutettuun huoltoliikkeeseen vaurioituneiden tai lukeluvottomien merkintöjen vaihtamiseksi.
- Tuotteen ja laturin saa huoltaa ainoastaan valtuutettu korjaushenkilökunta. Siitä, että epäpätevä henkilö huoltaa laitetta, saattaa seurata käyttäjän loukkaantuminen ja laitteen vioittuminen. Huollata saha ainoastaan valtuutetussa huoltoliikkeessä.
- Varmista aina, että ruuvit ja mutterit ovat tiukasti kiinni, jotta tuote olisi aina turvallinen ja käyttövalmis.
- Terän pultit on kiristettävä suositeltuun kiristysmomenttiin.
- Tarkista jarrut ennen kutakin käyttökertaa ja monta kertaa käytön aikana. Säädä ja huolla jarruja tarvittaessa.
- Sivupoistokouru on jousikuormitettu suojus, joka peittää leikkulaatteen sivupoistoaukon ja kohdistaa ruohojätteet ja jäämät pois päin käyttäjältä. Varmista

aina, että moottori on pois päältä ja että terät eivät enää liiku ennen sivupoistokourun tarkastusta, liikkuttamista, puhdistusta tai huoltoa.

- Vaihda kuluneet tai vioittuneet terät ja pultit sarjoina säilyttäaksesi tasapainon.
- Varo laitetta säätäessäsi, että sormet eivät jää liikkuvien terien ja laitteen kiinteiden osien väliin.
- Leikkuuterät jatkavat pyörimistään muutama sekunnin ajan moottorin sammutuksen jälkeen. Kun huollat terää, pidä mielessä, että vaikka pistoke on irrotettu pistorasiasta, terät voivat yhä pyöriä. Älä aseta mitään kehon osaa terän alueelle, kunnes olet varma, että terät ovat täysin pysähdyksissä.
- Tuotteen terä on terävä. Ole varovainen ja käytä paksuja käsineitä asettaessasi pulttia paikoilleen ja asentaessasi tai puhdistaussasi sitä ja tarkistaessasi sen kireyttä.
- Puhdista tuote aina käytön jälkeen pehmeällä ja kuivalla liinalla. Valtuutetun huoltopisteen on korjattava tai vaihdettava vioittuneet osat asianmukaisesti.
- Pidä tuote puhtaana ruohosta, lehdistä ja muista jäämistä.
- Älä puhdista tuotetta vedellä. Käytä ilmaa liikkuvaa laitetta, kuten kompressoria tai lehtipuhallinta, tuotteen puhdistuksessa.

## RENKAAN HUOLTO

Tuote on varustettu sisäkumittomilla renkailla, joiden koko on seuraava:

- Edestä: 33 x 13 x 15 cm
- Taka: 40 x 16 x 20 cm

Kun renkaat ovat kuluneet, leikkurin pito heikkenee, mikä lisää tapaturma-alttiutta. Vaihda renkaat, kun uran syvyys on 4 mm tai vähemmän, tai aina kun rengas on vaurioitunut. Käytä ainoastaan alkuperäisiä vararenkaita. Jos tuotteessa käytetään soveltumattomia renkaita, seurauksena voi olla hallinnan menetys, mikä voi johtaa vakavaan loukkaantumiseen.

Vaihdeta renkaat ainoastaan valtuutetussa huoltoliikkeessä.

## RENGASILMANPAINE

Tarkista kaikkien renkaiden ilmanpaine ennen käyttöä. Virheellinen ilmanpaine vaikuttaa käsittelyyn, ohjaukseen, pitoon, renkaan käyttöikään, leikkurijäljen tasaisuuteen ja käyttäjän mukavuuteen. Varmista, että renkaat on täytetty suositeltuun täyttöpaineeseen (1,4 baaria).

Rengaspaine tulee mitata ja sitä tulee säätää vain renkaiden ollessa kylmiä.

## RENKAAN KORJAUS

Jos renkaaseen tulee reikä tai se tyhjentyy kokonaan piston seurauksena, rengas voidaan korjata tulppatyypillisellä paikalla. Jos rikkoontuminen johtuu villosta tai jos pistokohdtaa ei voi korjata tulpalla, rengas on vaihdettava.

## JARRUJEN SÄÄTÖ

*Katso sivu 102.*

Jos leikkuri liikkuu vielä lisää ennen kuin pysähtyy, vaikka olet painanut jarrupoljinta, jarrut saattavat kaivata säätöä.

Kun on tehty lopullinen säätö, testaa jarruja ajamalla leikkuria normaalilla nopeudella tasaisella maalla. Näin voit varmistaa, että leikkuri pysähtyy nopeasti, kun jarrupoljinta painetaan.

## TUKOKSEN POISTAMINEN

- Sammuta tuote, kytkä käsijarru päälle ja irrota virta-avain. Aseta leikkuulaite enimmäiskorkeudelle. Varmista, että kaikki liikkuvat osat ovat pysähtyneet täysin.
- Käytä aina paksuja suojakäsineitä etsiessäsi ja poistaessasi tukosta. Terät ovat terävät ja tukos itsessään voi olla terävä esine.
- Tarkasta sivun poistokouru ja poista tukokset varovasti.
- Jos näet tukoksia, poista ne varovasti. Muista, että terä saattaa liikkua puhdistuksen aikana.

## TUNNE TUOTTEESI

*Katso sivu 90.*

### 1. Terien käynnistyskatkaisija

Terän kytkentänuppi aktivoi tai pysäyttää leikkuuterät.

- Vedä terän kytkentänuppi ylös terien päälle laittamiseksi.
- Paina terien käynnistyskatkaisija alas terien pysäyttämiseksi.

**HUOMAUTUS:** Terien tulisi pysähtyä 5 sekunnin kuluessa. Jos terät eivät pysähdy, ota yhteyttä valtuutettuun huoltoliikkeeseen.

### 2. Ajovalon painike

Ajovalopainike laittaa ajovalot ON (päälle) ja OFF (pois päältä).

### 3. Virtakytkin

Virtakytkin kytkee tuotteen päälle (ON) ja pois päältä (OFF). Virta-avain on laitettava paikoilleen ennen kuin kytkintä voidaan käyttää. Kun avain on lisävarusteasennossa, virtakytkintä käytetään myös valinnaisten valmistajan hyväksymien leikkurilisävarusteiden tehon antamiseen.

### 4. peruutuspainike

Peruutustilan painike kytkee terät päälle taaksepäin ajattaessa.

**HUOMAUTUS:** Terät eivät käynnisty peruutusikäytön aikana, jos peruutustilan painiketta ei paineta eikä terän lukitusnuppia vedetä ylös.

### 5. Akkutason ilmais-in / tuntimittari

Akkutason ilmais-in näyttää jäljellä olevan akkulatauksen. Tuntimittari kertoo tuotteen käyttötuntien kokonaismäärän (avain päällä) huoltoa varten.

### 6. Istuin (käyttäjän läsnäoloturvalukitusjärjestelmällä)

Istuimessa on lukitusjärjestelmä, joka pysäyttää terät, jos käyttäjä nousee ruohonleikkurilta terien käydessä. Testaa järjestelmä ennen kutakin käyttökertaa tarkistaaksesi, että se toimii kunnolla.

1. Paina terien käynnistyskatkaisija alas terien pysäyttämiseksi.
2. Laita virta-avain paikoilleen ja käännä se ON-asentoon.
3. Vedä terän kytkentänuppi ylös terien päälle laittamiseksi.
4. Nouse hetkeksi, mutta älä laskeudu leikkurin kyydistä.

Terien tulisi pysähtyä 5 sekunnin kuluessa. Jos terät eivät pysähdy, ota yhteyttä valtuutettuun huoltoliikkeeseen.

Älä käytä tuotetta, kunnes turvalukitusjärjestelmä on korjattu.

### 7. Latausportti

Laturi liitetään ruohonleikkuriin latausportin kautta. LED-merkkivalo kertoo akun latauksenaikaisen tilan.

## 8. Vetovely

Hinauslaattaa voi käyttää vetämään enintään 136 kg (300 lbs.) painavia kuormia.

## 9. Kuppipidike

Kuppipidike on kätevä kuppien tai vesipullojen säilyttämiseen.

## 10. Leikkuupään korkeusäättö

Laitteen korkeuden säätövipu nostaa tai laskee leikkuulaitetta.

## 11. Istuimen säätövipu

Istuimen säätövipu liikuttaa istuimen haluttuun asentoon.

## 12. Käsijarru

Käsi lukitsee tuotteen jarrutusasentoon.

## 13. Sivupoistokourun turvalukitusjärjestelmä

Sivukouru ohjaa leikkuujätteet. Tarkista ennen tuotteen käyttöä, että sivupoistokouru on suljettu kunnolla. Siinä on lukitusjärjestelmä, joka pysäyttää terät, jos kouru avataan vahingossa käytön aikana.

Keskeytä leikkurin käyttö ja toimita se huoltoon valtuutettuun huoltoilikeeseen, jos terät eivät pysähdy, kun sivupoistokouru nousee käytön aikana esteen vuoksi.

## 14. Peruutuspoljin

Peruutuspolkimella laite liikkuu taaksepäin.

**HUOMAUTUS:** Paina peruutusilapainiketta peruutus tilan päälle laittamiseksi.

## 15. Jarrupoljin

Jarrupoljin hidastaa tuotetta tai pysäyttää sen.

## 16. Kaasupoljin

Kaasupoljin ohjaa tuotteen nopeutta.

## 17. Ajovalot

Ajovalot valaisevat leikkuureihtiä.

## 18. Käynnistysavain

Virtakytkin kytetään virta-avaimella päälle-, pois- tai lisävarusteasentoon.

## 19. Silppurin kansi

Silppurin kansi peittää sivupoistokourun, jolloin leikkurin terä voi leikata ja leikata uudelleen hienompaa leikkuujätettä varten.

## 20. Laturi

Laturi lataa leikkurin akut. Sen voi ripustaa avaimen rei'istä, mikä tekee säilytyksestä kätevää ja säästää tilaa. Kun se ripustetaan avaimen rei'istä, käytä vähintään yhtä lisäruuvia asennuslaipan aukossa, jotta se pysyy varmasti paikallaan. Asenna aina siten, että laturin tilan merkkivalo näkyy ladattaessa.

## 21. Käyttöohjeet

Käyttäjän käsikirja sisältää tärkeitä turvallisuusvaroituksia ja ohjeita laitteen asianmukaisesta ja turvallisesta käytöstä ja huollosta.



Älä koskaan kuljeta ruohonleikkurilla ketään – vaikka terät olisivatkin pysähdyksissä.



Katso aina alas ja taaksesi ennen kuin ajat taaksepäin ja taaksepäin ajaessasi ja varmista, että alueella ei ole lapsia, muita sivullisia ja lemmikkieläimiä.



Älä käytä tuotetta koskaan jyrkissä rinteissä, joiden kaltevuus on yli 15°. Leikkaa rinteitä ylös ja alas: älä poikittain.



Taattu äänenleveys



Pidä kädet ja jalat poissa terästä ja leikkuualueelta.



Älä astu leikkuulaitteen tai sivupoistokourun päälle. Varo sinkoutuneita ja muita lentäviä esineitä.



Pidä kaikki sivulliset vähintään 30 metrin päässä toiminta-alueelta –erityisesti lapset ja lemmikit.



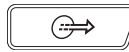
Poista käynnistysavain ennen huoltoa. Varo sinkoutuneita ja muita lentäviä esineitä.



Jarru  
Paina jarrupoljinta tuotteen pysäyttämiseksi.



Käsijarru



Kaasu  
Paina kaasupoljinta ajaaksesi eteen- tai taaksepäin.



Latausportti



Eurooppalainen vaatimustenmukaisuusmerkintä



Brittiläinen vaatimustenmukaisuusmerkintä



EurAsian-vaatimustenmukaisuusmerkintä



Vedä terän kytkentänappi ylös terien päälle laittamiseksi. Paina terien käynnistyskatkaisija alas terien pysäyttämiseksi.

## TUOTTEESSA OLEVAT SYMBOLIT



Varoitus



Kaikki ohjeet on luettava ja ymmärrettävä ennen tuotteen käyttöä. Noudata varoituksia ja turvallisuusohjeita.



Pidä kaikki sivulliset vähintään 30 metrin päässä toiminta-alueelta –erityisesti lapset ja lemmikit.



RMO

Tuotetta voidaan käyttää peruuttamalla terät kytkettyinä päälle, kun RMO-painiketta on painettu ja punaisen painikkeen valo palaa. Katso aina alas ja taaksepäin ennen kuin peruutat. Taaksepäin leikkaamista ei suositella.



Käytöstä poistettavia sähkölaitteita ei pidä hävittää talousjätteiden mukana. Ne on mahdollisuuksien mukaan pantava kiertoon. Kierrätysohjeita antavat kunnan viranomaiset ja vähittäiskauppiat.



Ukrainalainen vaatimustenmukaisuusmerkintä



Vain sisäkäyttöön

T15A

Hidas sulake



Onnettomuusvaarojen vähentämiseksi tämän käsikirjan sisältö on ehdottomasti luettava ja ymmärrettävä ennen työkalun käyttöä.



Korkeapainesuihkuvaara



Vähennä loukkaantumisen ja rikkoutumisen riskiä olemalla koskettamatta mitään kuumaa pintaa.



Jos laitetta ei käytetä kuivassa ympäristössä ja jos turvasääntöjä ei noudateta, saatetaan altistua sähköiskulle.



Sähköiskun vaara.



Irrota laturi aina virransyötöstä ennen akkuun liittämistä tai siitä irrottamista.



Älä saata työkalua sateelle alttiiksi äläkä käytä sitä kosteissa paikoissa.



Pidä poissa syttymislähteiden, kipinöiden ja liekkien luota. Tuuletusaukkoja ei saa peittää, ja käytön aikana täytyy varmistaa riittävä tuuletus.



Pidä poissa lasten ja kouluttamattomien henkilöiden ulottuvilta.



Käytä silmäsuojaimia



Akkupakkaus sisältää happoa. Jos happo joutuu kosketuksiin ihon tai vaatteiden kanssa, huuhtelee välittömästi vedellä 10 minuutin ajan.



Jos nestettä joutuu silmiin, huuhtelee niitä puhtaalla vedellä vähintään 10 minuuttia ja haakeudu sitten lääkärin hoidettavaksi.



Pb

Ei saa kaataa maahan. Akku on kierrätettävä.



Pb

Tuote sisältää lyijyjakkuja. Paikalliset lait voivat estää lyijyakkujen hävittämisen kotitalousjätteen mukana. Pyydä paikallisilta jäteviranomaisilta tietoja kierrätyksestä ja/tai hävittämisestä.



Leikkurin pysäyttäminen



Leikkurin pysäköinti



Pysäytä leikkuri tasaiselle ja vakaalle pinnalle. Älä pysäytä tuotetta rinteeseen.



Paina terien käynnistyskatkaisija alas terien pysäyttämiseksi.



Paina jarrupoljinta tuotteen pysäyttämiseksi.



Käsijarru kytketään päälle käsijarrupoljinta painamalla.



Käännä virta-avain OFF-asentoon.



Poista virta-avain.



Leikkurin ajaminen



Ruohonleikkuu peruuttamalla



Laita virta-avain paikoilleen ja käännä se ON-asentoon.



Vedä terän kytkentänappi ylös terien päälle laittamiseksi.



Paina kaasupoljinta.



Trykk på reversmodus-knappen.



Paina peruutuspoljinta.

## TÄMÄN KÄSIKIRJAN SYMBOLIT



Osat ja lisävarusteet on hankittava erikseen



Huom



Varoitus

## PAKKAUKSEN PURKAMINEN

Katso sivu 88 - 89.

- Irrota ja aseta sivuun kaikki käsillä olevat pakkaus- ja päällystemateriaalit yksiköstä ja osista. Älä hävitä pakkausmateriaaleja, ennen kuin olet tarkastanut tuotteen ja käyttänyt sitä tyydyttävästi.
- Tarkista tuote huolella ja varmista, että se ei ole vioittunut kuljetuksen aikana.
- Jos jokin osa on vioittunut tai puuttuu, soita valtuutettuun palvelukeskukseen ja pyydä apua. Älä kokoa laitetta, ennen kuin osat on korvattu valmistajan uusilla alkuperäisillä osilla. Jos tuote kootaan vaurioituneilla tai virheellisillä osilla tai jos osia puuttuu, seurauksena voi olla vakavia loukkaantumisia.
- Jos laitteeseen on jo koottu osia, kun purat laitteen pakkauksesta, varmista, että osa on koottu oikein sekä kiristetty kunnolla, ja oikeaan vääntömomenttiin (tarvittaessa), ennen kuin jatkat seuraavaan kokoonpanovaiheeseen. Jos laite kootaan virheellisesti, sen käyttö voi johtaa vakaviin vammoihin.

## KOKOONPANO

Katso sivut 92 - 94.

- Tuote tulee koota, kun se on rungon alaosassa. Kun kokoonpano on tehty, aseta leikkuulaite maksimikorkeudelle ja aseta sitten ramppi rungon alaosan viereen ja aja tuote hitaasti ja varoen pois rungolta.
- Noudata ehdottomasti momenttiavaimen kaikkia kiristystietoja. Muutoin seurauksena voi olla vakava loukkaantuminen.
- Ennen kuin laitteeseen asennetaan osia, virta-avain on aina irrotettava, jotta vältetään vakavia henkilövahinkoja

mahdollisesti aiheuttavalta vahingossa tapahtuvalta käynnistymiseltä.

- Ole varovainen, kun ajat tuotteen pois rungolta ja paina jarrupoljinta tarpeen mukaan nopeuden hallitsemiseksi. Tuote rullaa vapaasti, jos sitä liikutetaan kaltevalla pinnalla ilman, että jarrupoljinta painetaan tai käsijarru kytketään päälle. Jos näitä ohjeita ei noudateta, seurauksena voi olla hallinnan menetys ja kuolema, vakava loukkaantuminen tai omaisuusvahinko.
- Jos käytettävissä ei ole ramppia, aja tuote hitaasti ja varoen pois rungolta peruuttamalla ja katso samalla alas ja taaksepäin. Jos tuote ajetaan pois rungosta eteenpäinsuunnassa ilman ramppia, leikkuulaite voi vaurioitua.



## LATURIN LED-VALO

| Laturin tunnistetila    | Liitettyinä |                | Merkkivalo |                   | Tila  |
|-------------------------|-------------|----------------|------------|-------------------|---|
|                         | Virtalähde  | Ruohonleikkuri | Laturi     | Ruohonleikkuri    |   |
| Valmiustila             | Kyllä       | Ei             | Palaa      | Sammunut          | Latauslaite valmis lataamaan akun.  |
| Lataus                  | Kyllä       | Kyllä          | Palaa      | Hidas Viikkuu     | —   |
| Laturiin liittyvä virhe | Kyllä       | Kyllä          | Sammunut   | Nopea viikkuminen | Akun lämpötila, akun kapasiteetti tai laturi voivat olla vioittuneita.<br>Jos LED-tila osoittaa virhettä, odota n. 15 minuuttia, jotta akku ja laturi ehtivät jäähtyä.<br>Jos LED-tila toistuu, nollaa laturi tai aseta akku takaisin paikalleen.<br>Jos toinen laturi lataa normaalisti, laturi saattaa olla viallinen.<br>Jos toinen akku latautuu normaalisti, akun kapasiteetissa saattaa olla vikaa. |
| Täyteen latautunut      | Kyllä       | Kyllä          | Palaa      | Palaa             | Pikalataus on päättynyt, latauslaite jatkaa lataamista.   |
| Lukitus                 | Ei          | Kyllä          | Sammunut   | Nopea viikkuminen | Pistoke on edelleen kytkettynä ruohonleikkuriin. Ruohonleikkuri ei käynnisty.   |
| Vika                    | Kyllä       | Kyllä          | Palaa      | Nopea viikkuminen | Akkupakkaus voi olla viallinen.<br>Jos LED-tila osoittaa vikaa, nollaa laturi tai aseta akku takaisin paikalleen.<br>Jos merkkivalot osoittavat edelleenkin vikaa, kokeile latauslaitetta toisella akulla.<br>Jos toinen akku voidaan ladata normaalisti, hävitä viallinen akku (katso kohdasta huolto).  |

EN  
FR  
DE  
DA  
SV  
FI  
NO

## POLTTOAINESEKOITUKSEN MÄÄRÄ

|  | Tarkista ennen kutakin käyttökertaa | 25 tunnin välein | 50 tunnin välein tai vuosittain | Ennen varastointia | Kerran kuussa varastointiaikana |
|--|-------------------------------------|------------------|---------------------------------|--------------------|---------------------------------|
| Tarkista jarrun toiminta.  | x                                   |                  |                                 |                    |                                 |
| Tarkista rengaspaine.  | x                                   |                  |                                 |                    |                                 |
| Tarkista sivupoistokouru ja käyttäjän läsnäolon turvalukitusjärjestelmät | x                                   |                  |                                 |                    |                                 |
| Tarkista liitäntöjen kireys.   | x                                   |                  |                                 | x                  |                                 |
| Puhdista laitteesta kaikki vieraat materiaalit.                          | x                                   |                  |                                 | x                  |                                 |
| Tarkista/vaihda silppurin terät  | x                                   | x                |                                 |                    |                                 |
| Puhdista akun liittimet  |                                     |                  | x                               |                    |                                 |
| Tarkista ja lataa akku.  | x                                   |                  |                                 |                    | x                               |

**HUOMAUTUS:** Joslaitetta käytetään pölyisessä ympäristössä, se vaatii huoltoa useammin.

Kun laite on ylittännyt taulukossa määritetyn enimmäismäärän, huolto tulee silti tehdä tässä mainittujen aikavälien tai tuntimäärien mukaisesti. Jos et ole varma, kuinka edellä mainitut huoltotoimenpiteet suoritetaan, huollata tuote ainoastaan valtuutetussa huoltoliikkeessä.

## VIANHAKU

Jos nämä ratkaisut eivät ratkaise ongelmaa, ota yhteys valtuutettuun huoltoon.

| Ongelma                                      | Mahdollinen syy   | Ratkaisu  |
|--|---|---|
| Laite ei käynnisty.                          | Akun lataustaso on alhainen.  | Lataa akku.   |
|  | Laturi on liitettyä tuotteeseen.  | Kytke laturi irti tuotteesta.   |
|  | Virta-avain ei ole paikoillaan tai se on OFF-asennossa.                           | Laita virta-avain paikoilleen ja käännä se ON-asentoon.   |
|  | Akun johtoliitännät ovat huonoja  | Tarkista ja puhdista kaikki akun liitännät.   |
| Tuote ei liiku.                              | Virta-avain ei ole paikoillaan tai se on OFF-asennossa.                           | Laita virta-avain paikoilleen ja käännä se ON-asentoon.   |
|  | Käsijarru on kytkettyä.   | Kytke käsijarru pois päältä.  |
|  | Jarrupoljinta painetaan ja/tai kaasupoljinta ei paineta.                          | Vapauta jarrupoljin, ja paina kaasupoljinta.  |
|  | Laturi on liitettyä tuotteeseen.  | Kytke laturi irti tuotteesta.   |
| Ruohonleikkuri leikkaa ruohoa epätasaisesti. | Rengaspaine on epätasainen.   | Tarkista kaikkien neljän renkaan paine.   |
|  | Leikkuulaite ei ole tasassa.  | Säädä leikkuulaitteen asentoa.  |
|  | Terä on kulunut, taipunut, löysä tai tylsä.                                       | Vaihda terä.  |
|  | Tuotteen alle on kertynyt jäämiä.   | Puhdista ruohonleikkurin rungon alapuoli.   |
|  | Leikkausnopeus on liian suuri.  | Leikkaa hitaammin.  |
| Ruohonleikkuri ei silppua asianmukaisesti.   | Märät ruoholeikkujätteet tarttuvat ruohonleikkurin alapuolelle.                   | Anna ruohon kuivua ennen leikkausta.  |
|  | Ruoho on liian korkea.  | Leikkaa kerran suurella leikkuukorkeudella ja sitten haluamallasi korkeudella.  |
|  | Terä on kulunut, taipunut, löysä tai tylsä.                                       | Vaihda terä.  |
|  | Leikkausnopeus on liian suuri.  | Leikkaa hitaammin.  |
| Tuote tärisee suuremmalla nopeudella.        | Terä on epätasapainossa, löysä tai liian kulunut tai se on kulunut epätasaisesti. | Vaihda terä.  |
|  | Moottorin akseli on taipunut.   | Pysäytä moottori ja irrota virta-avain. Tutki saha huolellisesti vaurioiden varalta. Vie kone huollettavaksi valtuutettuun huoltoliikkeeseen ennen uudelleenkäynnistystä. |
| Ruoho sinkoutuu ulos huonosti.               | Sivupoistokouru tai aukko on tukossa.   | Puhdista sivupoistokouru ja aukko.  |
|  | Ruoho on märkää.  | Anna ruohon kuivua ennen leikkausta.  |
|  | Leikkausnopeus on liian suuri.  | Leikkaa hitaammin.  |
|  | Ruoho on liian korkea.  | Leikkaa kerran suurella leikkuukorkeudella ja sitten uudelleen haluamallasi korkeudella.  |

|  |   |   |
|--|---|---|
| Moottori sammuu leikkuun aikana.   | Leikkuukorkeus on asetettu liian matalaksi.           | Nosta leikkuukorkeutta.   |
|  | Akun lataustaso on alhainen.                          | Lataa akku.   |
| Terät eivät pyöri.   | Akun lataustaso on alhainen.                          | Lataa akku.   |
|  | Sivupoistokouru ei paina sivupoiston lukituskytkintä. | Paina sivupoistokouru alas ja varmista, että se painaa sivupoiston lukituskytkintä kokonaan.  |
|  | Terän kytkentänappi on alhaalla.                      | Vedä terän kytkentänappi ylös terien päälle laittamiseksi.  |
|  | Käyttäjää ei ole kunnolla paikoillaan.                | Istu istuimelle kokonaan.   |
| Terät eivät pyöri peruutettaessa.  | Leikkurin alle on kertynyt jäämiä.                    | Puhdista ruohonleikkurin rungon alapuoli.   |
|  | Peruutustila on pois päältä.                          | Paina peruutustilapainiketta peruutustilan päälle laittamiseksi.  |
|  | Terän kytkentänappi on alhaalla.                      | Vedä terän kytkentänappi ylös terien päälle laittamiseksi.  |
| Tuote ei saavuta täyttä nopeutta.  | Akun lataustaso on alhainen.                          | Lataa akku.   |
| Terät jatkavat pyörimistä senkin jälkeen, kun käyttäjä nousee ja ilman, että käsijarru kytketään päälle. | Turvalukitusjärjestelmä ei toimi kunnolla.            | Varmista, että turvalukitusjärjestelmän istuinpistoke on kunnolla liitettyä. Jos terät eivät vielä kukaan pysähdy, huollata tuote valtuutetussa huoltoliikkeessä. |
| Ajovalot eivät toimi.  | Ajovalot ovat sammuksissa.                            | Paina ajovalopainiketta ajovalojen sytyttämiseksi.  |
|  | Ajovalot ovat vaurioituneet.                          | Vaihda ajovalot.  |
| Akku ei lataudu.   | Akkukennot ovat huonoja.                              | Vaihda akku.  |
|  | Kaapeliliitännät ovat heikkoja.                       | Tarkista ja puhdista kaikki akun liitännät.   |

## USEIN KYSYTYT KYSYMYKSET

- Tuleeko leikkuri pitää liitettynä laturiin, kun sitä ei käytetä?
  - Kyllä. Leikkuria tulee ladata jatkuvasti, kun se ei ole käytössä.
- Mikä on suositeltu rengaspaine ja miten usein se tulisi tarkistaa?
  - Jotta suorituskyky olisi paras mahdollinen, rengaspaineen tulisi olla 1,4 baaria. Tarkista kaikkien renkaiden ilmanpaine ennen käyttöä.
- Mikä voi aiheuttaa terien pysähtymisen käytön aikana?
  - Tarkista akun tasonilmaisin. Laitteen moottori sammuu, kun akkuteho laskee. Näin sinulla on riittävästi aikaa palata latausasemaan. Aja takaisin ja lataa akku välittömästi.
- Jos akkutaso on alhainen, hidasta tai nosta leikkuulaite korkeammalle tasolle. Suuret kuormitukset voivat johtaa myös yhden tai molempien laitemoottoreiden pysähtymisen.
  - Tarkista, että sivupoistokouru on suljettu kunnolla. Paina sivupoistokouru alas ja varmista, että se painaa sivupoiston lukituskytkintä kokonaan.
- Kun ajat vapaalla rinnettä alas, miksi leikkuri välillä kiihdyttää ja välillä taas ei?
  - Turvallisuuden ja tehokkuuden lisäämiseksi leikkuri on suunniteltu rajoittamaan nopeuttaan automaattisesti rinteessä, mikä voi johtaa nopeuden vaihteluihin.
- Miksi leikkurista kuuluu piippaava ääni, kun peruutan?
  - Äänellä kerrotaan sivullisille, että leikkuri on lähellä.
- Kun leikkuria käytetään, miten pysäytän leikkurin kokonaan?
  - Paina jarrupoljinta tuotteen pysäyttämiseksi. Tässä tuotteessa ei ole hydrostaattista ajoa.
- Miksi leikkurista kuuluu piippaava ääni, kun nousen istuimelta?
  - Ääni kuuluu, koska käsijarrua ei ole kytketty päälle tai virta-avain on yhä paikoillaan ja ON-asennossa. Poista avain aina, kun leikkuri ei ole käytössä.
- Milloin minun tulisi käyttää käsijarrua?
  - Kytke käsijarru päälle aina ennen kuin nouse pois leikkurin päältä.
- Voinko huuhdella leikkuulaitteen puutarhaletkulla?
  - Älä puhdistu tuotetta vedellä. Käytä puhdistuksessa puhallinta tai ilmakompressoria.

Sikkerhet, ytelse og pålitelighet har hatt topp prioritet ved konstruksjonen av denne sitteklipperen.

### TILTENKT BRUK

Sitteklipperen er kun beregnet til utendørs bruk.

Dette produktet er ment for klipping av plener i private hager. Kniven skal rotere tilnærmedesvis parallelt med underlaget den kjøres over. Alle fire hjul skal ha kontakt med underlaget ved klipping.

Produktet skal kun brukes i husholdningsbruk av voksne som har mottatt tilstrekkelig opplæring om farene og de forebyggende tiltaken som skal tas under bruk av produktet.

Den skal ikke brukes til noe annet formål

### GENERELLE SIKKERHETSADVARSLER FOR PRODUKTET

**⚠ ADVARSEL!** Les alle sikkerhetsadvarsler og -instruksjoner, illustrasjoner og spesifikasjoner som følger med dette produktet. Hvis forskriftene nedenfor ikke overholdes, kan det forårsake ulykker som brann, elektrisk støt og/eller alvorlige personskader.

**Ta vare på disse advarslene og instruksene for å se i dem senere.**

Betegnelsen "elektroverktøy" i advarslene refererer til strømføringsdrevet produkt eller batteridrevet (trådløst) produkt.

### ARBEIDSOMGIVELSER

- **Hold arbeidsområdet rent, ryddig og godt opplyst.** Uryddige og dårlig opplyste områder fører lett til ulykker.
- **Ikke bruk elektrisk verktøy i eksplosive atmosfærer, som der det finnes brennbare væsker, gasser eller støv.** Elektrisk verktøy skaper gnister som kan antenne støv eller gasser.
- **Hold barn og andre på avstand når et elektrisk verktøy brukes.** Distraksjon kan føre til tap av kontroll.

### ELEKTRISK SIKKERHET

- **Støpslet på det elektriske verktøyet må stemme med stikkkontakten.** Foreta aldri noen form for endringer av støpslet. **Ikke bruk noen form for adapterstøpsel til jordet elektrisk verktøy.** Umodifiserte støpsler og passende stikkontakter vil redusere risikoen for elektrisk sjokk.
- **Unngå kroppskontakt med jordede overflater, som vannrør, radiatorer, kokeapparater og kjøleaggregater.** Det er økt risiko for elektrisk støt dersom kroppen din har kontakt med jord.
- **Ikke utsett produktet for regn eller høy fuktighet.** Vann som trenger inn i et elektrisk verktøy vil øke faren for elektrisk støt.
- **Ikke misbruk den elektriske ledningen.** Bruk aldri ledningen til å bære det elektriske verktøyet eller trekke støpslet ut av stikkkontakten. Hold ledningen vekk fra varme, olje, skarpe kanter eller bevegelige deler. Skadet eller sammenfloknet ledning øker risikoen for elektrisk støt.
- **Når du bruker det elektriske verktøyet utendørs, bruk en skjøteledning som er tilpasset utendørs bruk.** Bruk av ledning som er tilpasset utendørs bruk reduserer risikoen for elektrisk støt.
- **Dersom bruk av elektrisk verktøy i fuktige omgivelser ikke er til å unngå, bruk en strømkrets med sikring som er tilpasset verktøyet.** Bruk av strømkrets med sikring reduserer risikoen for elektrisk støt.

### PERSONLIG SIKKERHET

- **Vær våken, se på hva du gjør og bruk fornuft når du arbeider med et elektrisk verktøy. Ikke bruk elektrisk verktøy når du er sliten eller under påvirkning av narkotiske stoffer, alkohol eller medisiner som kan påvirke din reaksjonsevne og/eller dømmekraft.** Et øyeblikks uoppmerksomhet når elektrisk verktøy brukes kan føre til alvorlige personskade.
- **Bruk personlig verneutstyr. Bruk alltid øyebeskyttelse.** Verneutstyr som støvmaske, skliskrike vernesko, hjelm og hørselsvern som brukes ved behov, vil redusere personskader.
- **Forhindre utilsiktet start. Sørg for at bryteren er i posisjon OFF før utstyret kobles til strømmettet og / eller batteripakken, plukkes opp eller bæres.** Å bære det elektriske verktøyet med fingeren på startknappen eller koble strøm til elektrisk verktøy med bryteren i ON inviterer til ulykker.
- **Fjern justeringsnøkler og annet verktøy før du setter strøm på det elektriske verktøyet.** En fastnøkkel eller annet verktøy festet til en roterende del av et elektrisk verktøy når det startes kan føre til personskade.
- **Ikke len deg for langt. Sørg for god fotfeste og god balanse til enhver tid.** Dette gir bedre kontroll over det elektriske verktøyet i en uventet situasjon.
- **Kle deg riktig. Ikke bruk løstsittende plagg og/eller løsthengende smykker.** Hold hår og klær unna bevegelige deler. Løse plagg, smykker og langt hår kan fanges opp av bevegelige deler.
- **Hvis det finnes tilkoblingsmuligheter for oppsagnings- og oppsamlingsutstyr for støv, sørg for at dette blir tilkoblet og brukt på riktig måte.** Bruk av støvoppsamler kan redusere støvrelatert faresituasjoner.
- **Ikke la hyppig bruk av verktøyet føre til at du blir lettfeldig og ignorerer sikkerhetsprinsipper.** En uforsiktig handling kan føre til alvorlige personskader på en brøkdel av et sekund.

### BRUK OG BEHANDLING AV ELEKTRISK VERKTØY

- **Ikke press maskinen. Bruk korrekt elektrisk verktøy for jobben som skal gjøres.** Riktig elektrisk verktøy vil gjøre jobben bedre og tryggere når det brukes slik det var tiltenkt.
- **Ikke bruk verktøyet hvis bryteren ikke slår verktøyet av og på.** Ethvert elektrisk verktøy som ikke kan kontrolleres med bryteren er farlig og må repareres før det kan brukes.
- **Før du gjør justeringer på elektroverktøy, bytter tilbehør eller setter verktøyet bort, må du trekke pluggen ut av strømkilden eller fjerne batteriet hvis dette lar seg gjøre.** Slike forebyggende sikkerhetstiltak reduserer risikoen for utilsiktet start av det elektriske verktøyet.
- **Oppbevar elektrisk verktøy som ikke brukes utenfor barns rekkevidde og la ikke personer som ikke er kjent med det elektriske verktøyet eller dets instruksjoner bruke det.** Elektrisk verktøy er farlig i hendene på uerfarne brukere.
- **Sørg for at elektroverktøy og tilbehør alltid er i god stand. Kontroller for feilinnretting og at bevegelige deler løper fritt, at det ikke finnes ødelagte deler og enhver annen tilstand som kan påvirke det elektriske verktøyet drift.** Hvis skadet må det elektriske verktøyet repareres før bruk. Mange ulykker skyldes dårlig vedlikeholdt elektrisk verktøy.



- **Hold skjæveredskap skarpe og rene.** Korrekt vedlikeholdt skjæreverktøy med skarpe skjærekanter har mindre mulighet for å blokkere seg og er lettere å kontrollere.
- **Bruk det elektriske verktøyet, tilbehøret, verktøybits etc i henhold til disse instruksjonene, der du tar hensyn til arbeidsforholdene og det arbeidet som skal utføres.** Bruk av elektrisk verktøy på en måte det ikke var tiltenkt kan skape farlige situasjoner.
- **Hold håndtak og andre holdeoverflater tørre, rene og fri for olje og smøring.** Unngå å håndtak og andre holdeoverflater er glatte for det reduserer sikker håndtering og styring av verktøyet i uforutsette situasjoner.
- Vær oppmerksom på mulige farer når du ikke bruker produktet eller når du bytter tilbehør. Du reduserer dermed faren for brann, elektrisk støt og alvorlige kroppsskader.
- Kjør aldri med passasjerer eller barn, heller ikke når knivene har stanset. Passasjerer kan falle av og bli alvorlig skadet, eller de påvirker trygg bruk av produktet. Barn som har fått sitte på tidligere, kan plutselig dukke opp i klippeområdet for en ny tur og bli påkjørt eller rygget på av produktet.
- Husk at operatøren eller brukeren er ansvarlig for uhell og farer som andre personer og deres eiendom får påført.
- Du må aldri la barn eller personer med nedsatte fysiske, sensoriske eller mentale evner, eller personer som ikke er fortrolige med denne bruksanvisningen bruke, rengjøre eller vedlikeholde dette produktet. Lokale forskrifter fastlegger brukerens minstealder. Barn må ha riktig tilsyn for å sikre at de ikke leker med produktet.

## BATTERIPRODUKTER - BRUK OG STELL

- **Lad bare med ladere som er spesifisert av produsenten.** En lader som passer til en type batteripakke kan skape risiko for brann dersom den brukes til en annen type batteripakke.
- **Bruk patteriprodukter kun med spesielt tiltenkte batteripakker.** Bruk av andre batteripakker kan føre til risiko for skade og brann.
- **Når batteripakken ikke er i bruk, hold den vekke fra metallgjenstander som binders, mynter, nøkler, spiker, skruer og annet som kan forbinde de to terminalene med hverandre.** Kortslutning av batteriterminalene kan føre til brenning eller brann.
- **Ved feil bruk av batteriet kan det slippe ut væske.** Hvis du får kontakt med væsken fra batteriet, skyll med rikelige mengder vann. Dersom væsken får kontakt med øynene må medisinsk assistanse oppsøkes. Væske som kommer ut av batteriet kan føre til irritasjon eller brannskår.
- **Ikke bruk et batteri eller verktøy som er skadet eller endret.** Batterier som er skadd eller endret, kan oppføre seg uforutsigbart, noe som kan føre til brann, eksplosjon og personskade.
- **Ikke utsett batteriet eller verktøyet for ild eller høy temperatur.** Eksponering for brann eller temperatur over 130 °C kan føre til eksplosjon.
- **Alle ladeinstruksjoner må følges. Ikke lad batteriet eller verktøyet hvis omgivelsestemperaturen er utenfor området som er angitt i bruksanvisningen.** Feil lading eller lading ved temperaturer utenfor det angitte området kan ødelegge batteriet og øke risikoen for brann.

## VEDLIKEHOLD

- **Sørg for at reparasjoner og vedlikehold av ditt elektriske verktøy utføres av kvalifiserte teknikere som kun bruker originale erstatningsdeler.** Dette vil sørge for at sikkerheten med det elektriske verktøyet ivaretas.
- **Aldri utfør vedlikehold på skadde batteripakker.** Vedlikehold av batterier skal bare utføres av produsenten eller autoriserte serviceleverandører.

## SIKKERHETSADVARSLER FOR SITTEKLIPPER

### OPPLÆRING

- Når produktet brukes må sikkerhetsreglene følges. Les disse instruksjonene før du tar i bruk produktet for din egen sikkerhet og sikkerheten til personer som befinner seg i nærheten. Vennligst ta vare på instruksjonene for fremtidig bruk.
- Tillat kun ansvarlige voksne som er kjent med og forstår instruksjonene, å bruke produktet.
- Gjør deg kjent med styringen og riktig bruk av produktet.
- Bruk alltid verneutstyr. Bruk ikke produktet uten utkastertrakten på plass og i god stand. Bioklippdekslet må monteres riktig og fungere som det skal ved bioklipp.

## KLARGJØRING

- Bruk tykke, lange bukser, jakke med lange ermer og sklisikkert fotteøy. Ha ikke på korte bukser og sandaler eller vær barfott. Unngå å bruke klær som er løstsittende eller som har hengende snorer eller belter.
- Bruk alltid vernebriller med sideskjermer. Bruk ansiktsmaske ved støv.
- Gjenstander som treffes av kniven kan forårsake alvorlige personskader. Inspiser området der gressklipperen skal brukes grundig, og fjern alle steiner, pinner, metallbiter, ståltråd, bein, leker og andre fremmedlegemer. Husk på at strenger eller vaier klemme seg fast i med bladene.
- Før bruk må du alltid se over produktet for å sjekke at kniver, knivmuttere og kutteren ikke er slitt eller skadet.
- Send aldri avklipp i noens retning. Planlegg klippemønsteret for å unngå at avklipp sendes mot tilstedeværende personer, veier, fortau, vinduer eller biler. Unngå å sprute kutt mot en vegg eller annet for dette kan føre til at gjenstander spretter tilbake mot operatøren.

## BETJENING

- Før du starter produktet:
  - Sjekk bremsen.
  - Sjekk dekktrykket.
  - Sjekk at ingen fester er løse.
  - Sjekk at alle verneinnretninger er på plass og fungerer som de skal.
  - Sjekk utkastertraktens sikkerhetssperresystem



- Test dødmannsfunksjonen.
- Tilpass setet til ønsket stilling.
- Sjekk batteriets ladenivå.
- Produktet må ikke startes før brukeren sitter riktig på plass, bak rattet. Du må aldri starte produktet hvis:
  - Ikke alle fire hjul er på bakken.
  - utkastertrakten er eksponert og ikke beskyttet av bioklippdeksel
  - Ikke alle personer har hender og føtter unna kuttedelen.
- Slå av knivene når produktet ikke er i bruk.
- Bruk aldri kjedesagen i et lukket område.
- Stans kniven når du passerer over gruslagte overflater, for å unngå utkast av stein og grus. Kjør produktet sakte og forsiktig for å unngå å miste kontrollen.
- Slå produktet forsiktig på i henhold til anvisningene, og hold hender og føtter borte fra bladene. Ikke plasser hender eller føtter under roterende deler.
- Klipp ikke mens du rygger, med mindre det er helt nødvendig. Før og under rygging, se bakover og ned etter barn, voksne og kjæledyr.
- Vær ekstra forsiktig når du nærmer deg uoversiktlige hjørner, busker, trær eller andre objekter, inkludert overhengende busker som kan blokkere visningen.
- Senk farten før du svinger.
- La aldri et produkt som er i gang stå uten tilsyn. Sett alltid på parkeringsbremsen, stopp bladene, slå av produktet og fjern startnøkkelen før demontering.
- Vær oppmerksom på mulig trafikk når du kjører nær veier. Kjør ikke klipperen på veier.
- Bakker er en stor faktor i situasjoner der man mister kontroll eller velter, som kan føre til alvorlige personskader eller død. Ved bruk i skråninger må man være spesielt oppmerksom. Hvis du ikke kan rygge opp bakken, eller hvis bakken gjør deg utrygg, ikke klipp den. Bruk aldri produktet i hellinger over 15°. Ta en kopi av eller klipp ut "Bakkeveiledningen" bakerst i denne manualen og bruk den til å avgjøre om bakken din er for bratt for trygg bruk.
  - Klipp opp og ned, ikke på tvers av bakker.
  - Unngå hull, hjulspor, humper, steiner og andre skjulte gjenstander. Ujevnt terreng kan velte produktet. Fjern alle gjenstander som steiner, trær, grener osv.
  - Bruk lav fart slik at du ikke må bråstanse eller akselererer ved en feil mens du kjører i bakker.
  - Ikke klipp på vått gress i bakker. Dekkene kan miste grepet, slik at du mister kontroll over produktet.
  - Bruk alltid bremsen når du kjører nedover bakken. Skift ikke til fri ved kjøring i nedoverbakker, det kan føre til at du mister kontroll over produktet.
  - Unngå å starte, stanse eller snu i bakker. Hvis dekkene mister grepet, slå av knivene og fortsett sakte rett ned bakken.
  - La alle bevegelser i bakker skje langsomt og gradvis. Gjør ingen brå endringer i fart eller retning, det kan føre til at produktet velter.
  - Vær ekstra forsiktig når du bruker produktet med ekstrastyr; de kan påvirke produktets stabilitet. Bruk aldri produktet i hellinger over 15°.
  - Forsøk ikke å stabilisere produktet ved å sette foten på bakken.
  - Ikke bruk produktet nær terrengfall, grøfter, meget bratte skråninger eller fyllinger. Produktet kan plutselig velte dersom et hjul går over kanten eller dersom kantene gir etter, det kan medføre alvorlige personskader eller død.

## EKSTRA ADVARSLER FOR LADERSIKKERHET

- Dette produktet er kun ment for husholdningsbruk.
- Ikke lad primærceller (ikke-oppladbare).
- Før hver bruk skal strømledningen sjekkes for skader. Hvis det er tegn til skade må ledningen erstattes av en kvalifisert person ved et autorisert servicesenter for å unngå fare.
- Lad produktet innendørs, på et sted med god ventilasjon. Ikke lad produktet i trange områder.
- Laderen har støpsel med jording og må settes i en tilsvarende stikkontakt som er riktig montert og jordet i tråd med alle lokale lover og regler. Ikke bruk adaptere eller endre på det medfølgende støpslet. Hvis støpslet ikke lar seg koble til kontakten, sørg for at et passende støpsel blir montert av en kvalifisert elektriker.

## EKSTRA SIKKERHETSINSTRUKSER FOR BATTERI

- ⚠ **ADVARSEL!** Risiko for brann, eksplosjon eller forbrenninger. Batteripakken må ikke demonteres, utsettes for temperaturer over 60°C eller brennes.
  - For å unngå fare for en brann forårsaket av en kortslutning, av personskader eller skader av produktet, må det forhindres at batteripakken eller laderen dryppes i væsker og også sørges for at ingen væsker kan komme inn i apparatet eller batteriene. Korroderende og ledende væsker som saltvann, visse kjemikalier og blekemidler eller produkt som inneholder blekemidler kan forårsake en kortslutning.
  - Batteripakken inneholder syre. Hvis syren kommer i kontakt med hud eller klær, skyll straks med vann i ti minutter. Søkk i tillegg medisinsk hjelp hvis væske kommer i kontakt med øynene.
  - Ikke lad batteripakker som viser tegn på lekkasjer. Benytt korrekt avhending.

EN  
FR  
DE  
DA  
SV  
FI  
NO

## KLARGJØRING AV BATTERIPAKKEN FOR GJENVINNING

- For å ta vare på naturressursene må batteriet resirkuleres eller avhendes på forsvarlig måte.
- Produktet inneholder blysyrebatterier. Lokal lovgivning kan forby kasting av blysyrebatterier i vanlig husholdningssøppel. Ta kontakt med det lokale renholdsverket for å få informasjon om tilgjengelige resirkulasjons- og/eller avhendingsalternativer.

⚠ **ADVARSEL!** Etter at batteripakken er fjernet må dens terminaler dekkes med kraftig tape. Ikke gjør forsøk på å ødelegge eller demontere batteripakken eller fjerne noen av dens komponenter. Blysyrebatterier må gjenvinnes eller kasseres på riktig måte. Berør aldri begge terminalene med en metallgjenstand og/eller kroppsdel idet det kan føre til kortslutning. Hold batteripakken på avstand fra barn. Unnlattelse av å følge disse advarelsene kan føre til brann og/eller alvorlig skade.

## TRANSPORT OG LAGRING

- Slå av produktet, sett på håndbremsen og fjern startnøkkelen. Påse at alle bevegelige deler har stoppet helt. La produktet kjøle seg ned før oppbevaring eller transport i et kjøretøy.
- Fjern alle fremmedelementer fra produktet. Lagres på et kjølig, tørt og godt ventilert sted som er utilgjengelig for barn. Startnøkkelen bør også fjernes og oppbevares på et annet sted, utilgjengelig for barn.
- Hold avstand til korroderende midler som havekjemikalier og avisings salt. Produktet skal ikke oppbevares utendørs.



- Vær ekstra forsiktig når du laster eller lossrer produktet på lastebil eller henger. Trakk på fotbremsen ved behov for å kontrollere farten. Produktet vil rulle fritt dersom det flyttes på en skrånende overflate uten bruk av fot- eller håndbremsen. Når du laster eller lossrer produktet, ikke overstig den anbefalte maks grensen på 15° helling.
  - Vær meget forsiktig når du løfter eller venter maskinen på siden for vedlikehold, rengjøring, lagring eller transport. Kuttebladet er skarpt. Hold alle kroppsdelene unna bladet når bladet ligger åpent.
  - Sikre produktet med stropper eller kabler for å forhindre bevegelse under transport.
- Kontroller gressklipperen grundig for eventuelle skader.
  - Erstatt kniven dersom den på noen måte er skadet.
  - Reparer ev. skader før du starter gressklipperen og fortsetter med arbeidet.
  - hvis produktet starter å vibrere unormalt (sjekk omgående).
    - Kontroller for skader, spesielt knivene
    - Erstatt kniven dersom den på noen måte er skadet.
    - Erstatt eller reparer enhver skadet del.
    - Undersøk og stram alle løse deler.

## TRANSPORT AV BLYSYREBATTERIER

- Transporter batterier i henhold til lokale og nasjonale lover og forskrifter.
  - Følg alle spesialkrav med hensyn til emballering og merking når batterier transporteres av en tredjepart. Påse at ingen batterier kan komme i kontakt med andre batterier eller ledende materialer under transporten ved å beskytte åpne kontakter med isolasjon, ikkeledende lokk eller tape. Ikke transporter batterier som er sprukne eller som lekket. Kontakt spediteuren for å få ytterligere råd.
- Du kan foreta justeringer og reparasjoner som er beskrevet i denne brukermanualen. For andre reparasjoner må du henvende deg til et autorisert servicesenter.
  - Kontakt et autorisert servicesenter for å skifte ut skadede eller uleselige merkelapper.
  - Service på produktet og laderen må bare utføres av kvalifisert reparasjonspersonell. Service eller vedlikehold utført av ukyndig person kan føre til skader på brukeren eller på produktet. Få utført service på produktet kun av et autorisert servicesenter.

## SIKKERHETSADVARSLER VED TAUING

- Bruk sunn fornuft ved tauing. Å kjøre med for tung last i bakker er farlig. Dekkene kan miste grepet, slik at du mister kontroll over produktet.
  - Følg produsentens anbefalinger for hjulvekter eller motvekter.
  - Den totale tauede vekten må ikke overstige maksimal tauelast på 136 kg (300 pund).
  - Tauestyret må kun festes i tilhengerfestet.
  - La aldri barn eller andre sitte eller stå på det tauede utstyret.
  - Bremselengden øker med fart og vekten til den tauede lasten. Kjør sakte og beregn ekstra tid og avstand til å stanse.
  - Unngå skarpe svinger ved tauing. Vær ekstra forsiktig når du svinger eller kjører på ugunstig underlag. Vær forsiktig i revers.
- Kontroller all mutter, bolter og skruer med jevne mellomrom at de er skrudd fast for å sikre at produktet er i driftssikker stand.
  - Knivboltene må være strammet til anbefalt dreiemoment.
  - Sjekk bremsene før hver bruk og med jevne mellomrom under bruk. Juster og utfør service på bremsene etter behov.
  - Utkastertrakten er et fjærbelastet vern som dekker utkasteråpningen på klipperdekket og sender gress og avfall bort fra operatøren. Forsikre deg alltid om at motoren er slått av og at knivene har sluttet å bevege seg før du inspiserer, flytter, rengjør eller utfører vedlikehold på utkastertrakten.
  - Skift slitte og/eller skadede kniver og bolter i sett for å ivareta balansen.
  - Vær forsiktig ved justering av maskinen slik at du unngår å få fingrene i klem mellom bevegelige kniver og faste deler av maskinen.

## VEDLIKEHOLD

- Bruk kun produsentens originale reservedeler, tilleggsutstyr og påsatter. Dersom dette ikke følges, kan det forårsake personskader, dårlig funksjon og kan annullere garantien din.
  - Sørg for at produktet vedlikeholdes og er i god stand. Hold kniver skarpe og verneinnretninger på plass og i god stand. Bytt ut skadede, bøyd, sprukne eller ujevnt slitte kniver for å forebygge alvorlige personskader og skader på produktet og for å få best ytelse. Ubalanserte kniver lager vibrasjoner som kan skade motoren eller forårsake personskader.
  - Gjør aldri justeringer eller reparasjoner mens motoren er i gang og knivene er i bevegelse.
  - Fjern startnøkkelen fra produktet før lagring, service eller skifte av tilbehør. Slike forebyggende sikkerhetstiltak reduserer risikoen for at produktet startes ved et uhell.
  - Slå av produktet, sett på håndbremsen og fjern startnøkkelen. Påse at alle bevegelige deler har stoppet helt:
    - før du lar produktet stå uten tilsyn (inkludert for å fjerne klipt gress).
    - før du fjerner en blokkering eller renser utkasterøret
    - før kontroll, rensing og arbeider på produktet
    - før du fjerner bioklippdekselet
    - før du åpner dekselet til utkastertrakten
    - etter at en fremmed gjenstand er truffet
- Knivbladene fortsetter å rotere i noen sekunder etter at motoren blir slått av. Når du behandler knivene, vær klar over at de kan fortsatt bevege seg selv om strømtilførselen er slått av. Hold alle kroppsdelene unna knivområdet til du er sikker på at knivene har sluttet å rotere.
  - Kniven på produktet er skarpt. Vis varsomhet og bruk tykke arbeidshansker når du monterer, skifter, rengjør og sjekker hvordan skruene er festet.
  - Etter hver bruk, rens produktet med en myk tørr klut. Enhver del som er skadet må repareres eller skiftes ut på fagmessig måte ved et autorisert serviceverksted.
  - Hold produktet fritt for gress, løv og oppsamling av annet avfall.
  - Bruk ikke vann til å rengjøre produktet. Bruk et blåseapparat, for eksempel kompressor eller løvblåser, til å rengjøre produktet.

## DEKKVEDLIKEHOLD

Produktet er utstyrt med slangeløse dekk med følgende mål:

- Foran: 33 x 13 x 15 cm
- Bak: 40 x 16 x 20 cm

Når dekk blir slitte, reduseres klipperens grep og risikoen for ulykker øker. Skift dekkene når tråddybden blir 4 mm eller mindre, eller dersom dekkene blir skadet. Bruk alltid originaldekk. Bruk av feil dekk på produktet kan føre til tap av kontroll og forårsake alvorlig personskade.





Få utført service på dekkene kun av et autorisert servicesenter.

## DEKKTRYKK

Sjekk lufttrykk i alle dekkene før bruk. Feil lufttrykk påvirker håndtering, styrerespons, grep, dekkenes levetid, jevn klipping og operatørens komfort. Forsikre deg om at dekkene er fylt til anbefalt trykk (1,4 bar).

Dekktrykk skal bare måles og justeres når dekkene er kalde.

## DEKKREPARASJON

Ved punktert eller flatt dekk kan dekket repareres med en lapp av plugg-type. Hvis skaden skyldes et kutt, eller hvis punkteringen ikke kan repareres med plugg, skift ut dekket.

## BREMSEJUSTERING

Se side 102.

Hvis klipperen beveger seg lengre før den stanser når du trækker på bremsen, kan det hende at bremsene trenger justering.

Etter den siste justeringen testes bremsene ved å kjøre klipperen i normal hastighet på flatt underlag for å sjekke at klipperen stanser raskt når fotbremsen brukes.

## FJERNING AV EN BLOKKERING

- Slå av produktet, sett på håndbremsen og fjern startnøkkelen. Sett klipperdekket til maksimal høyde. Påse at alle bevegelige deler har stoppet helt.
- Bruk alltid kraftige arbeidshansker når en blokkering undersøkes og fjernes. Knivene er skarpe, og selve blokkeringen kan være en skarp gjenstand.
- Sjekk og tøm utkastertrakten for blokkeringer.
- Fjern eventuelle blokkeringer forsiktig. Husk at knivene kan bevege seg under rengjøring.

## KJENN PRODUKTET DITT

Se side 90.

### 1. Kniv-bryter

Kniv-bryteren starter eller stanser knivbladene.

- Dra kniv-bryteren opp for å slå på knivene.
- Skyv knivbryteren ned for å slå av knivene.

**MERK:** Knivene skal stanse innen fem sekunder. Hvis knivene ikke stanser, kontakt et autorisert servicesenter.

### 2. Frontlys

Frontlykt-knappen skrur frontlykten på og av.

### 3. Strømbryter

Strømknappen skrur produktet på og av. Startnøkkelen må stå i før strømknappen kan brukes. Når nøkkelen står i tilbehørsposisjonen, kan strømknappen også brukes til å drive valgfritt produsent-godkjent tilbehør til klipperen.

### 4. Reversmodus-knapp

Reversmodusknappen slår på bladene ved manøvrering i reversretning.

**MERK:** Bladene slås ikke på under reversdrift hvis reversmodusknappen ikke er trykket og bladaktiveringsknappen ikke trekkes opp.

### 5. Batterinivåindikator / timemåler

Batterinivåindikatoren viser hvor mye batteriladning som gjenstår. Timemåleren viser det totale antall timer produktet har vært brukt (nøkkel på ON), av vedlikeholdsformål.

### 6. Sete (med sikkerhetsmellomlåssystem for operatørtilstedeværelse)

Setet har et mellomlåssystem som stopper bladene hvis operatøren forlater gressklipperen mens bladene er i gang. Test systemet før hver bruk for å forsikre deg om at det fungerer.

1. Skyv knivbryteren ned for å slå av knivene.
2. Sett i startnøkkelen og vri nøkkelen til ON.
3. Dra kniv-bryteren opp for å slå på knivene.
4. Reis deg kort, uten å gå av klipperen.

Knivene skal stanse innen fem sekunder. Hvis knivene ikke stanser, kontakt et autorisert servicesenter.

Ikke bruk produktet før dødmannsfunksjonen er reparert.

### 7. Ladeport

Ladeporten kobler laderen til klipperen. LED-indikatoren angir statusen til batteriet under ladingen.

### 8. Tilhengerfeste

Tilhengerfestet kan brukes til å taue last på maksimalt 136 kg (300 lbs.).

### 9. Koppholder

Koppholderen gir en praktisk plass for oppbevaring av kopper eller vannflasker.

### 10. Justeringsspak for dekkhøyde

Justeringsspaken for dekkhøyde hever eller senker klipperdekket.

### 11. Justeringsspak for sete

Justeringsspaken for setet beveger setet til foretrukket posisjon.

### 12. Håndbrems

Håndbremsen låser produktet i bremseposisjon.

### 13. Utkastertraktens sikkerhetssperresystem

Sidetammerennen fører ut avklippet gress. Før du bruker produktet, sjekk at utkastertrakten er helt lukket. Den har et mellomlåssystem som stopper bladene hvis rennen utilsiktet åpnes under drift.

Slutt å bruke produktet og få utført service hos et autorisert servicesenter hvis knivene ikke stanser når utkastertrakten løftes under bruk av en hindring.

### 14. Reverspedal

Reverspedalen setter produktet til å manøvrere i revers.

**MERK:** Trykk på reversmodus-knappen for å aktivere reversmodus.

### 15. Fotbrems

Fotbremsen bremser eller stanser produktet.

### 16. Gasspedal

Gasspedalen kontrollerer produktets fart.

### 17. Frontlykter

Frontlyktene tenner klippebanen.

### 18. Startnøkkel

Startnøkkelen dreier strømbryteren til på, av eller tilbehørsposisjonen.

### 19. Bioklippdeksel

Bioklippdekslet dekker utkastertrakten, slik at kniven kan skjære to ganger for finere avklipp.

### 20. Lader

Laderen lader opp klipperens batterier. Den kan henges på nøkkelhenger for praktisk, plassbesparende oppbevaring. Når den henger i nøkkelhulloppheget, bruk minst én ekstra skrue i flensen for å holde den på plass. Heng alltid opp slik at laderens LED-statuslampe er synlig under lading.

### 21. Brukermanual

Brukerhåndboken gir viktige sikkerhetsadvarsler og anvisninger om riktig og sikker drift og vedlikehold av produktet.

## SYMBOLER PÅ PRODUKTET



Sikkerhetsalarm



Les og forstå alle instruksjoner før du betjener produktet. Følg alle advarsler og sikkerhetsanvisninger.



Hold tilskuere, spesielt barn og dyr, på god avstand, det vil si minst 30 meter fra arbeidsområdet



Kjør aldri med passasjerer eller barn, heller ikke når knivene har stanset.



Se alltid ned og bak deg før og under rygging, og forsikre deg om at ingen barn, voksne eller kjæledyr befinner seg i området.



Bruk aldri produktet i hellinger over 15°. Klipp opp og ned bakker, ikke på tvers.



Garantert lydeffektnivå



Hold hender og føtter vekke fra kniv og klippeområdet.



Ikke trakk på klipperdekket eller utkastetrakten.  
utkastedePass opp for gjenstander som slynges ut eller flyr i luften.



Hold tilskuere, spesielt barn og dyr, på god avstand, det vil si minst 30 meter fra arbeidsområdet



Fjern startnøkkelen før vedlikehold.  
utkastedePass opp for gjenstander som slynges ut eller flyr i luften.



Bremsing  
Trakk på fotbremsen for å stanse produktet.



Håndbrems



Akselerering  
Trakk på gasspedalen for å kjøre fremover eller bakover.



Ladeport



Europeisk samsvarsmerking



Britisk samsvarsmerking



EurAsian Konformitetstegn



Dra kniv-bryteren opp for å slå på knivene. Skyv knivbryteren ned for å slå av knivene.



RMO

Produktet kan kjøres i revers med knivene i gang når du trykker på RMO-knappen og den røde lampen lyser. Se alltid ned og bak deg før og under kjøring i revers. Å klippe i revers anbefales ikke.



Avfall fra elektriske produkter skal ikke kastes sammen med husholdningsavfall. Vennligst resirkulervedeksisterende avfallsbehandlingssted. Undersøk hos dine lokale myndigheter eller forhandler for råd om resirkulering.



Ukrainsk samsvarsmerking



Bare for bruk innendørs

T15A

Sikring med forsinkelse



For å redusere faren for personskade må brukeren ha lest og forstått bruksanvisningen før produktet tas i bruk.



Fare for brudd



For å redusere faren for skade på person, unngå kontakt med enhver varm overflate.



Unnlattelse av å bruke under tørre forhold og overse kravene til trygg praksis kan føre til elektrisk støt.



Fare for elektrisk støt.



Koble alltid laderen fra strømforsyningen før tilkobling til eller frakobling fra batteriet.



Ikke utsett verktøyet for regn eller bruk på steder med høy fuktighet.



Hold utstyret vekk fra antennelseskilder, gnister og flammer. Ikke dekk til ventilasjonsåpninger og sørg for tilstrekkelig ventilasjon under drift.



Hold vekke fra barn og uerfarne personer.



Bruk øyeskyttelse



Batteripakken inneholder syre. Hvis syren kommer i kontakt med hud eller klær, skylk straks med vann i ti minutter.



Hvis væske kommer inn i øynene må de skylles med store mengder rent vann i minst 10 minutter, demest må lege oppsøkes.



Sølefri. Batteriet må gjenvinnes.



Produktet inneholder blysyrebatterier. Lokal lovgivning kan forby kasting av blysyrebatterier i vanlig husholdningssjøppel. Ta kontakt med det lokale renholdsverket for å få informasjon om tilgjengelige resirkulasjons- og/eller avhendingsalternativer.



Stans av klipperen



Parkering av klipperen



Stans klipperen på et flatt, jevnt underlag.  
Stans ikke produktet i bakker.



Skyv knivbryteren ned for å slå av knivene.



Trakk på fotbremsen for å stanse produktet.



Trakk på parkeringsbremspedalen for å aktivere parkeringsbremsen.



Vri startnøkkelen til OFF.



Fjern startnøkkelen.



Kjøring av klipperen



Klipping i revers



Sett i startnøkkelen og vri nøkkelen til ON.



Dra kniv-bryteren opp for å slå på knivene.



Trakk på gasspedalen.



Trykk på reversmodus-knappen.



Trakk på reverspedalen.

## SYMBOLER I DENNE MANUALEN



Deler eller tilbehør som er tilgjengelige separat



Merk



Advarsel

## OPPAKKING

Se side 88 - 89.

- Fjern og legg til side all tilgjengelig emballasje og innpakning fra maskinen og delene. Ikke kast emballasjen før det er foretatt en grundig inspeksjon og gjennomført en tilfredsstillende prøve av produktet.
- Inspiser innholdet grundig og påse at det ikke har oppstått skader under transporten.
- Hvis deler er skadet eller mangler, ta kontakt med et autorisert servicesenter. Ikke monter produktet inntil delene er erstattet med nye, originale produsenters deler. Montering av produktet med skadde, manglende eller feil deler kan føre til alvorlig personskade.
- Hvis noen deler allerede er montert til produktet når du pakker det ut, sjekk at de er montert riktig, skrudd ordentlig til og har riktig dreiemoment (der det er aktuelt) før du går videre til neste monteringsstrinn. Bruk av et produkt som ikke er korrekt montert kan føre til alvorlig personskade.

EN  
FR  
DE  
DA  
SV  
FI  
NO

## MONTERING

Se side 92 - 94.

- Produktet skal monteres stående på rammebunnen. Når monteringen er ferdig, sett klipperdekket til maksimal høyde, plasser en rampe ved siden av rammebunnen, og kjør produktet sakte og forsiktig av rammen.
- Følg strengt alle spesifikasjoner angående stramming med momentnøkkel. Hvis denne advarselen ikke følges, kan det føre til alvorlig personskade.
- For å forhindre utilsiktet oppstart som kan forårsake alvorlig personskade, fjern alltid startnøkkelen fra produktet ved montering av delene.
- Vær forsiktig når du kjører produktet av rammen, og trakk på fotbremsen om nødvendig for å kontrollere farten. Produktet vil rulle fritt dersom det flyttes på en skrånende overflate uten bruk av fot- eller håndbremsen. Å la være å følge disse disse instruksjonene kan føre til tap av kontroll og lede til død, alvorlige personskader eller materielle skader.
- Hvis ingen rampe er tilgjengelig, rygg produktet sakte og forsiktig av rammen mens du ser ned og bak deg. Å kjøre produktet fremover ut av rammen uten rampe kan forårsake skader på klipperdekket.

## LED-INDIKATOR FOR LADER

| Laderstatus     | Koblet til   |              | LED   |                 | Status  |
|-----------------|--|--------------|-------|-----------------|---|
|                 | Strømforsyning   | Gressklipper | Lader | Gressklipper    |   |
| Standby         | Ja   | Nei          | På    | Av              | Lader klar til opplading av et batteri.                               |
| Under opplading | Ja   | Ja           | På    | Sakte Blinker   | —   |
| Laderfeil       | Ja   | Ja           | Av    | Hurtig blinking | Batteritemperatur, batterikapasitet eller lader kan være defekt.      |
|                 | Hvis LED-statusen viser feil, vent i ca. 15 minutter for at batteriet og laderen skal kjøle seg av.<br>Hvis LED-status gjentas enda en gang, tilbakestill laderen eller sett inn batteriet på nytt.<br>Hvis en annen lader lader normalt, kan det hende at laderen er defekt.<br>Hvis et annet batteri lades normalt, kan det hende at batterikapasiteten har sviktet. |              |       |                 |   |
| Fulladet        | Ja   | Ja           | På    | På              | Hurtiglading-modusen er slutt, laderen fortsetter å lade.             |
| Mellomlås       | Nei  | Ja           | Av    | Hurtig blinking | Pluggen er fortsatt koblet til klipperen. Klipperen kan ikke startes. |
| Problem         | Ja   | Ja           | På    | Hurtig blinking | Batteripakken kan være defekt.  |
|                 | Hvis LED-statusen viser defekt, tilbakestill laderen eller sett inn batteriet på nytt.<br>Hvis lysene fortsatt tyder på et problem, forsøk å bruke laderen med et annet batteri.<br>Hvis et annet batteri kan lades opp igjen normalt, kvitt deg med det defekte batteriet (se avsnittet vedlikehold).   |              |       |                 |   |

## VEDLIKEHOLDSPLAN

|   | Inspiser for hver gangs bruk: | Hver 25 driftstime | Hver 50 time eller årlig | Før lagring | Én gang i måneden |
|---|-------------------------------|--------------------|--------------------------|-------------|-------------------|
| Sjekk bremsen.                              | x                             |                    |                          |             |                   |
| Sjekk dekktrykket.                          | x                             |                    |                          |             |                   |
| Sjekk utkastertrakten og dødmannsfunksjonen | x                             |                    |                          |             |                   |
| Sjekk at ingen fester er løse.              | x                             |                    |                          | x           |                   |
| Fjern alle fremmedelemerter fra produktet.  | x                             |                    |                          | x           |                   |
| Sjekk/bytt bioklippkniver                   | x                             | x                  |                          |             |                   |
| Rengjør batteripoler                        |                               |                    | x                        |             |                   |
| Kontroller og lad batteriet.                | x                             |                    |                          |             | x                 |

**MERK:** Vedlikehold skal utføres hyppigere når produktet brukes i støvete områder.

Når produktet har overskredet maksimale tallverdier som er spesifisert i tabellen, skal vedlikeholdet fortsatt gjennomføres i henhold til tids- eller timeintervallene som er angitt her.

Hvis du er usikker på hvordan du skal utføre noen av vedlikeholdspunktene som er nevnt ovenfor, ta med produktet til et autorisert servicesenter for vedlikehold.

## FEILSØKING

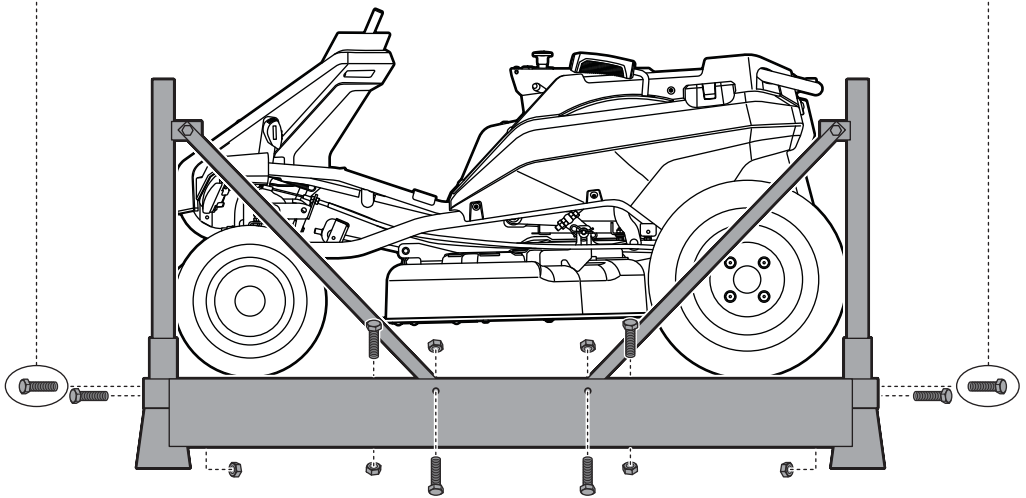
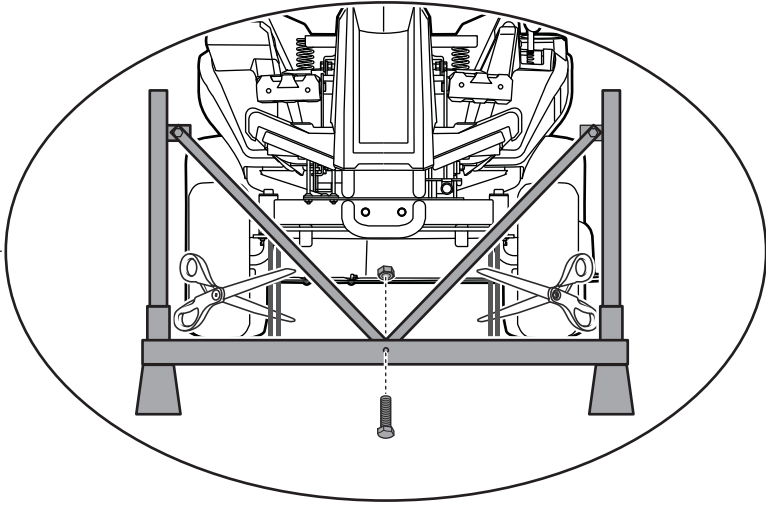
Dersom ikke disse løsningene løser problemet må et autorisert servicesenter kontaktes.

| Problem                                     | Mulig årsak   | Løsning   |
|---|---|---|
| Produktet starter ikke.                     | Batterinivået er lavt.  | Lad batteriet.  |
|   | Laderen er koblet til produktet.                                  | Koble laderen fra produktet.  |
|   | Startnøkkelen er ikke satt i eller står på OFF.                   | Sett i startnøkkelen og vri nøkkelen til ON.  |
|   | Dårlig tilkobling i batterikabel                                  | Sjekk og rengjør alle batteritilkoblinger.  |
| Produktet beveger seg ikke.                 | Startnøkkelen er ikke satt i eller står på OFF.                   | Sett i startnøkkelen og vri nøkkelen til ON.  |
|   | Parkeringsbremsen er aktivert.                                    | Slå av håndbremsen.   |
|   | Bremsepedalen er tråkket ned og/eller gassen er ikke tråkket ned. | Slipp bremsepedalen og tråkk på gasspedalen.  |
|   | Laderen er koblet til produktet.                                  | Koble laderen fra produktet.  |
| Gressklipperen klipper gresset ujevnt.      | Dekktrykket er ujevnt.  | Sjekk dekktrykket i alle fire dekkene.  |
|   | Klipperdekket er ujevnt.  | Juster klipperdekket.   |
|   | Kniven er slitt, bøyd, løs eller sløv.                            | Erstatt kniven.   |
|   | Det er avleiring av avfall under produktet.                       | Rengjør undersiden av gressklipperdekslet.  |
| Gressklipperen mullklipper ikke korrekt.    | Klippefarten er for høy.  | Klipp i lavere fart.  |
|   | Vått gress har festet seg til undersiden av gressklipperdekslet.  | Vent til gresset har tørket før du starter klipping.  |
|   | Gresset er for høyt.  | Klipp én gang i høy klippehøyde, og så en gang til i ønsket høyde.  |
|   | Kniven er slitt, bøyd, løs eller sløv.                            | Erstatt kniven.   |
| Produktet vibrerer ved en høyere hastighet. | Klippefarten er for høy.  | Klipp i lavere fart.  |
|   | Kniven er ubalansert, løst eller svært eller ujevnt slitt.        | Erstatt kniven.   |
| Dårlig utkast av gress.                     | Motorakselen er bøyd.   | Stans motoren og fjern startnøkkelen. Undersøk produktet forsiktig for skade. Få utført service på produktet av et autorisert servicesenter før du starter det igjen. |
|   | Utkastertrakten eller åpningen er tett.                           | Rengjør utkastertrakten og åpningen.  |
|   | Gresset er vått.  | La gresset tørke før du klipper.  |
|   | Klippefarten er for høy.  | Klipp i lavere fart.  |
|   | Gresset er for høyt.  | Klipp én gang i høy klippehøyde, og så en gang til i foretrukket høyde.   |

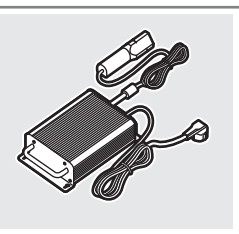
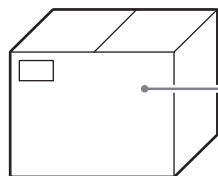
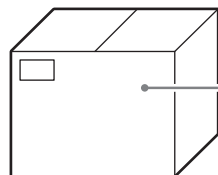
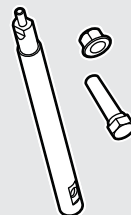
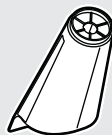
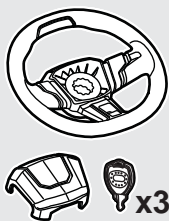
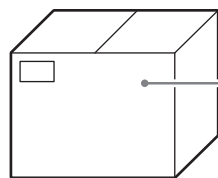
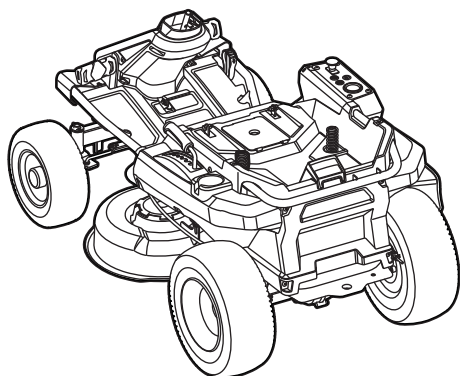
|  |   |  |
|--|---|--|
| Motoren stopper mens den klipper.  | Klippehøyden er satt for lavt.                                  | Hev klippehøyden.  |
|  | Batterinivået er lavt.  | Lad batteriet.   |
| Knivene roterer ikke.  | Batterinivået er lavt.  | Lad batteriet.   |
|  | Utkastertrakten trykker ikke på utkasterens sperresystembryter. | Press ned utkastertrakten, og forsikre deg om at den trykker sperresystembryteren helt ned.  |
|  | Knivbryteren er nede.   | Dra kniv-bryteren opp for å slå på knivene.  |
|  | Sjåføren har ikke satt seg på plass.                            | Sitt helt ned på setet.  |
|  | Det er avleiring av avfall under klipperen.                     | Rengjør undersiden av gressklipperdekslet.   |
| Knivene roterer ikke ved kjøring i revers.   | Reversmodus-alternativet er slått av.                           | Trykk på reversmodus-knappen for å aktivere reversmodus.   |
|  | Knivbryteren er nede.   | Dra kniv-bryteren opp for å slå på knivene.  |
| Produktet når ikke full hastighet.   | Batterinivået er lavt.  | Lad batteriet.   |
| Knivene fortsetter å rotere etter at sjåføren har forlatt setet uten å sette på håndbremsen. | Dødmannsfunksjonen fungerer ikke som den skal.                  | Sjekk at dødmannsfunksjonens seteplugg er helt koblet til. Hvis knivene fortsatt ikke vil stanse, få utført service på produktet kun av et autorisert servicesenter. |
| Frontlyktene virker ikke.  | Frontlyktene er slått av.                                       | Trykk på frontlyktnappen for å slå på frontlyktene.  |
|  | Frontlyktene er skadet.   | Bytt ut frontlyktene.  |
| Batteriet lader ikke.  | Battericellene er dårlig.                                       | Erstatt batteriet.   |
|  | Kabeltilkoblingene er dårlige.                                  | Sjekk og rengjør alle batteritilkoblinger.   |

## OFTE STILTE SPØRSMÅL

- Skal klipperen være koblet til laderen når den ikke er i bruk?
  - Ja, klipperen bør lades kontinuerlig når den ikke er i bruk.
- Hva er anbefalt dekktrykk, og hvor ofte bør jeg sjekke lufttrykket i dekkene?
  - For best ytelse bør dekktrykket være 1,6 bar. Sjekk lufttrykk i alle dekkene før bruk.
- Hva kan være grunnen til at knivene stanser under bruk?
  - Sjekk batterinivåindikatoren. Dekkmotoren skrur seg av når batterinivået blir lavt, slik at du skal rekke å kjøre tilbake til ladestedet. Kjør tilbake og lad batteriet umiddelbart.
- Hvis batterinivået ikke er lavt, senk farten eller hev klipperdekket til et høyere nivå. Høy belastning kan også føre til at én eller begge dekkmotorer stanser.
  - Sjekk at utkastertrakten er helt lukket. Press ned utkastertrakten, og forsikre deg om at den trykker sperresystembryteren helt ned.
- Ved trilling i nedoverbakke, hvorfor akselererer klipperen noen ganger, men andre ganger ikke?
  - Av hensyn til sikkerhet og ytelse er klipperen laget for å begrense farten automatisk når den beveger seg i bakker, og dette kan medføre fartsvariasjoner.
- Hvorfor lager klipperen en pipelyd når jeg kjører i revers?
  - For å varsle personer i nærheten om hvor klipperen befinner seg.
- Når jeg bruker klipperen, hvordan får jeg klipperen til å stanse helt?
  - Trakk på fotbremsen for å stanse produktet. Dette produktet har ikke hydrostatisk motor.
- Hvorfor lager klipperen en pipelyd når jeg forlater setet?
  - Håndbremsen er ikke aktivert, eller startnøkkelen står fortsatt i og på ON. Fjern alltid nøkkelen når klipperen ikke er i bruk.
- Når bør jeg bruke håndbremsen?
  - Sett alltid på håndbremsen før du går av klipperen.
- Kan jeg skylle av klipperdekket med hageslangen?
  - Bruk ikke vann til å rengjøre produktet. Bruk en blåser eller luftkompressor til å rengjøre den.



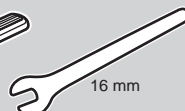
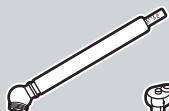




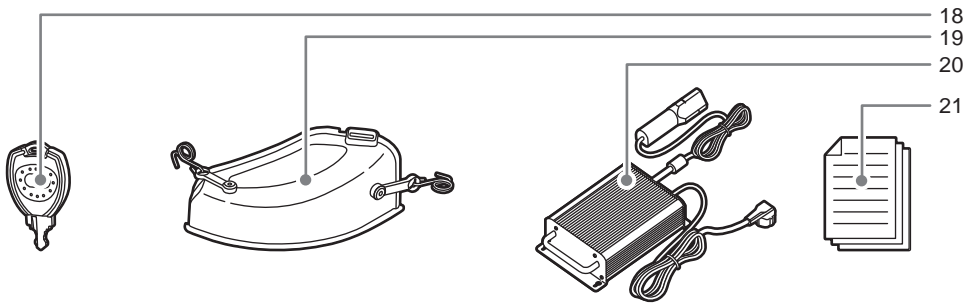
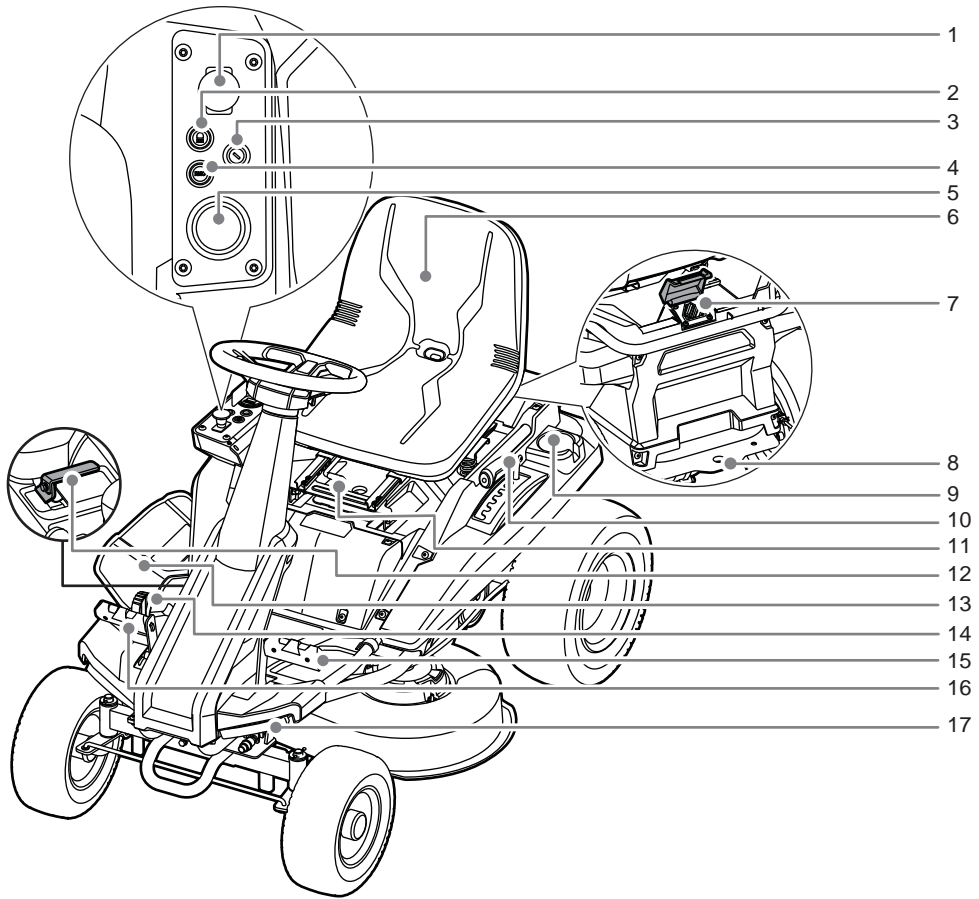
12 mm/13 mm

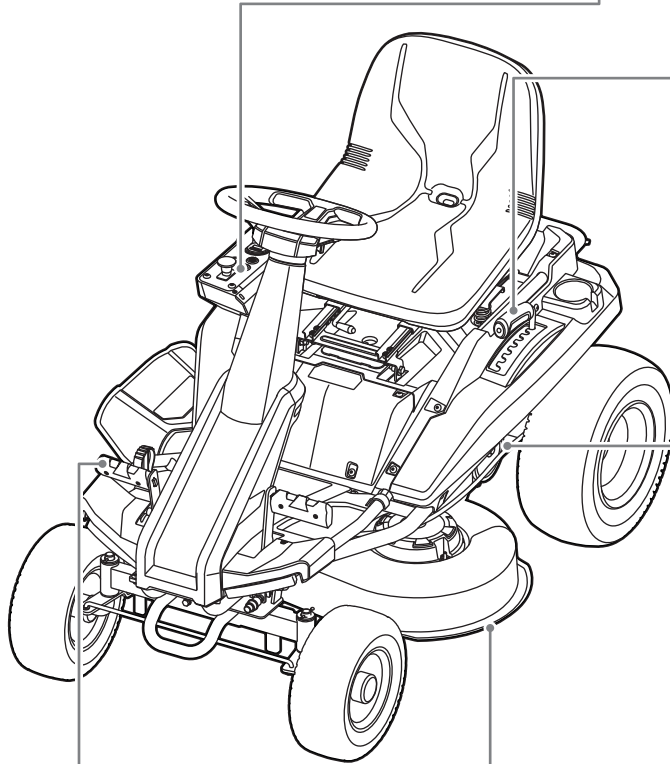
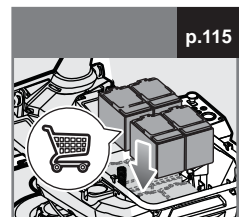
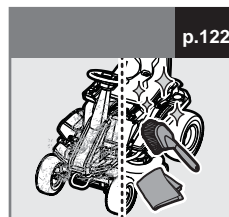
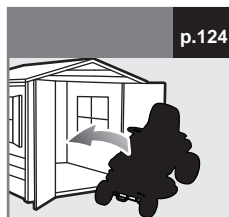
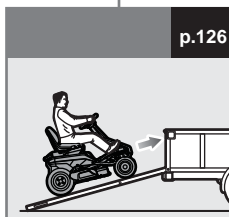
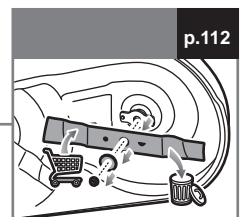
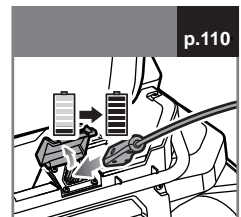
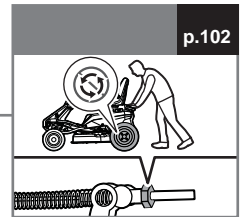
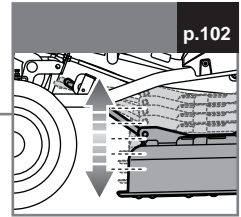
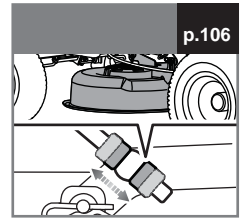
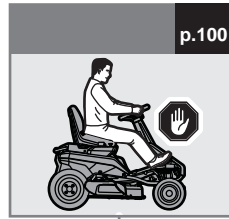


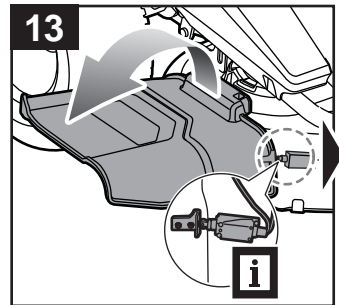
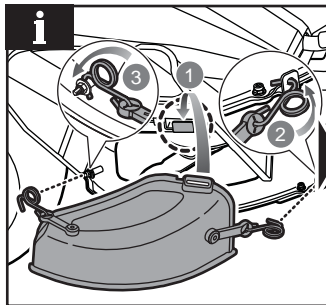
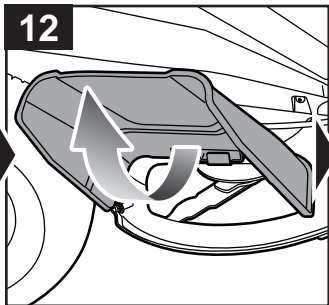
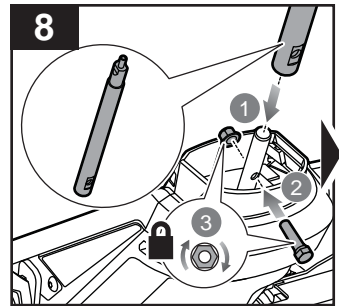
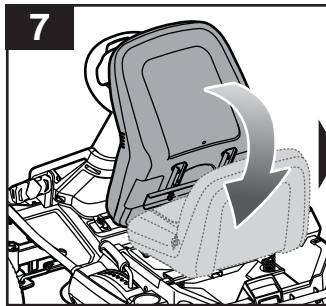
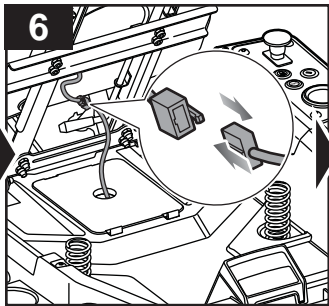
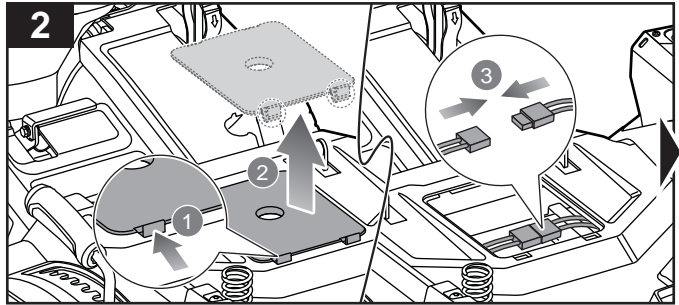
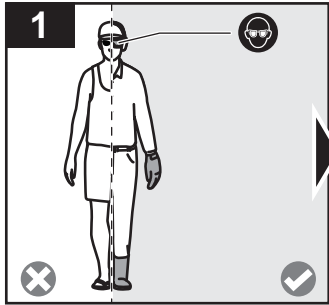
6 mm

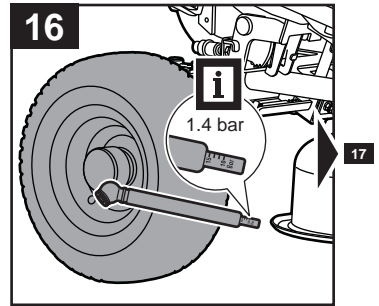
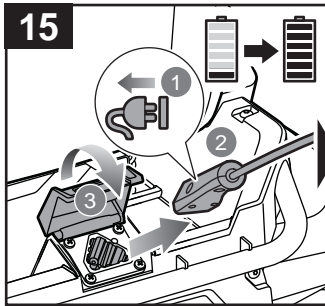
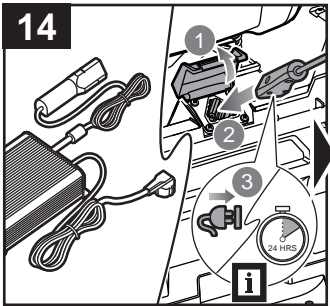
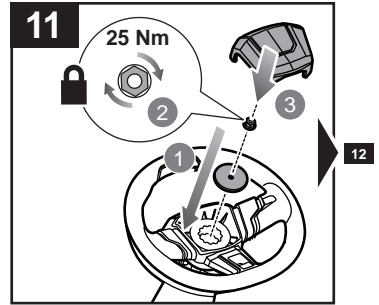
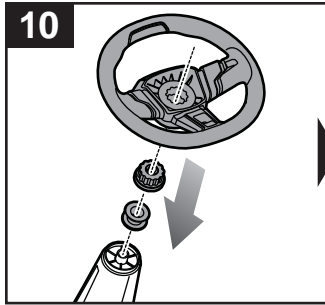
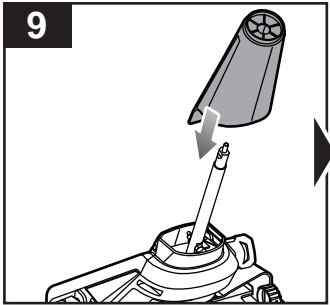
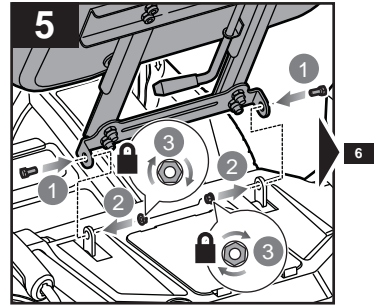
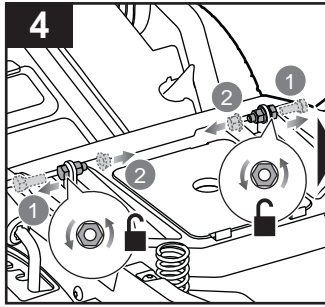
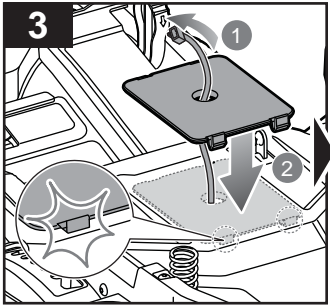


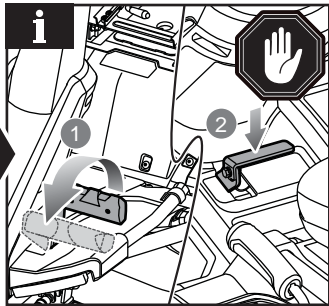
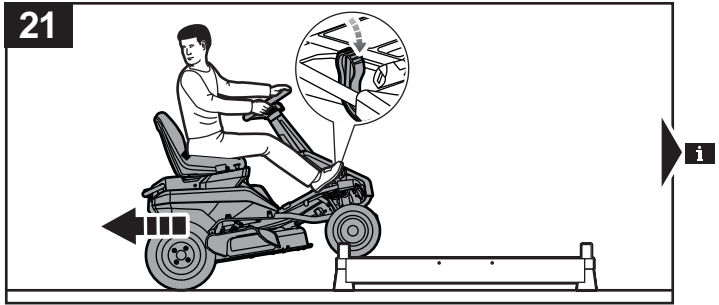
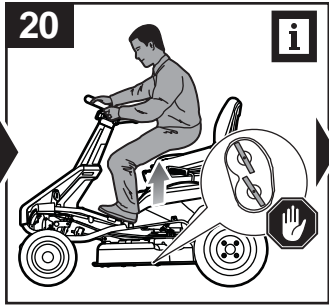
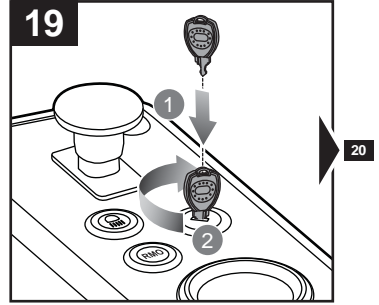
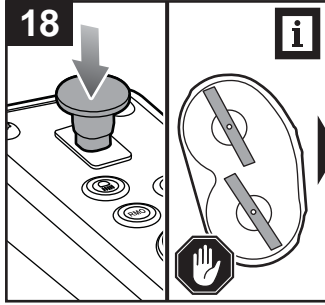
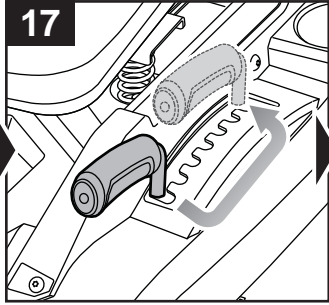
16 mm

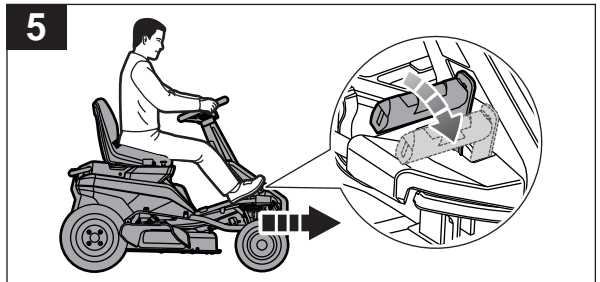
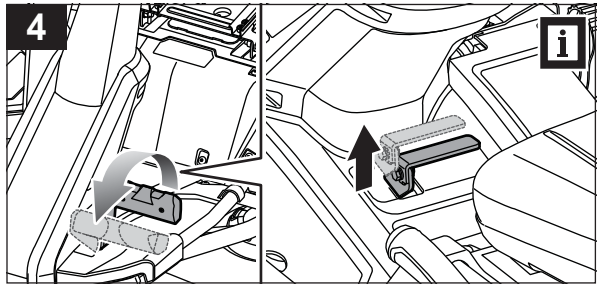
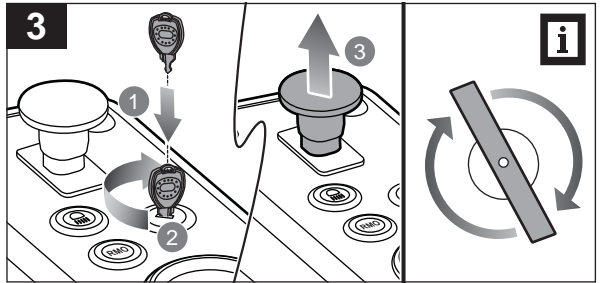
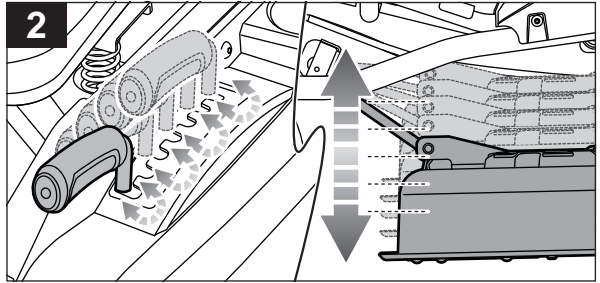
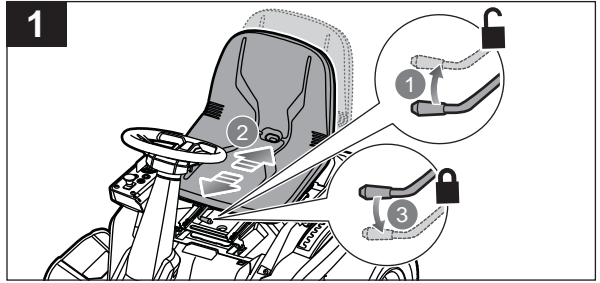


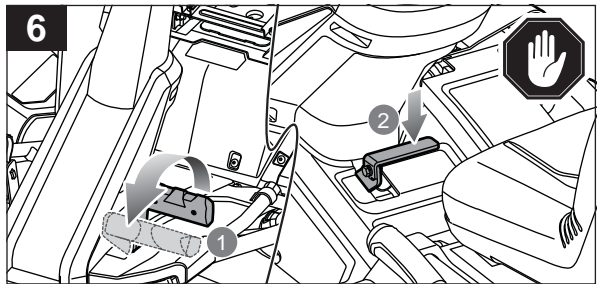
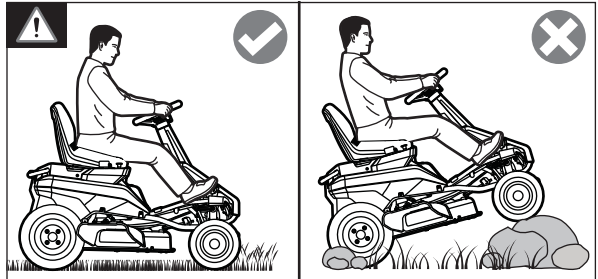
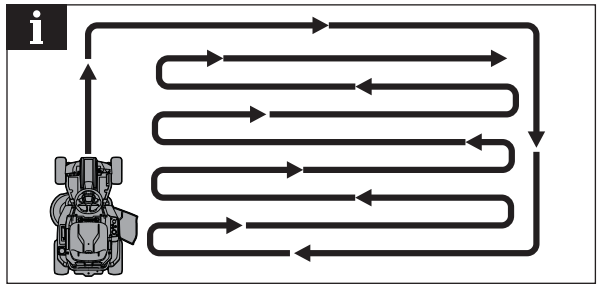










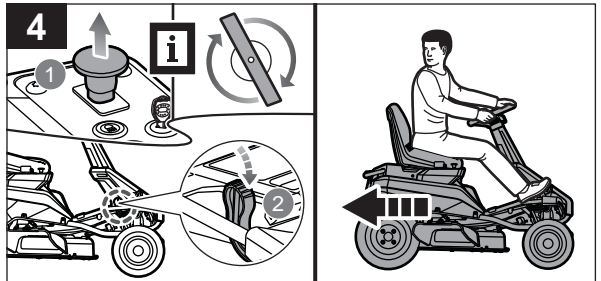
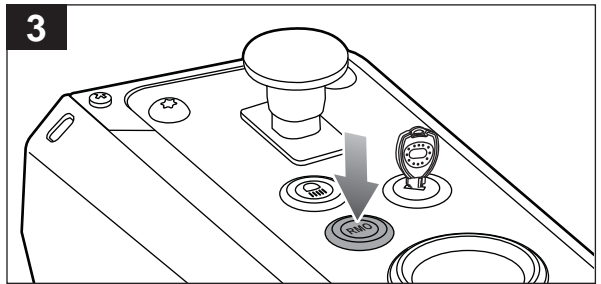
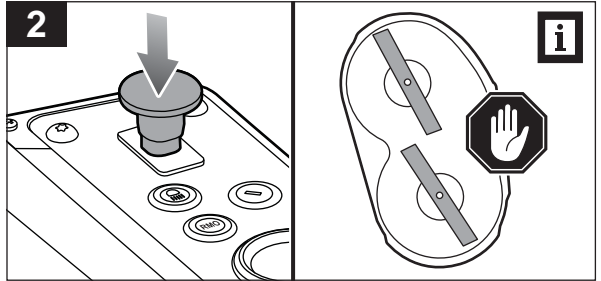
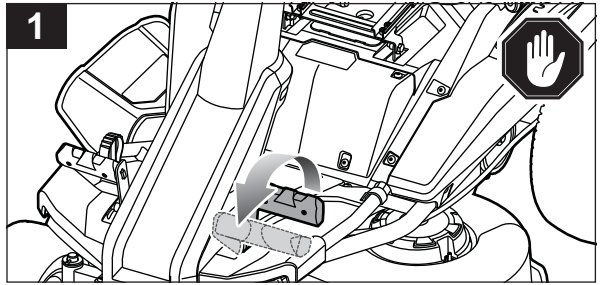






- EN** ■ Ensure that the seat is locked into place before operating the mower. A seat that is not secure can cause the operator to shift and lose control of the mower.
- Before driving to the mowing area or over gravel surfaces, turn off the blades and set the cutting deck to the maximum height.
- FR** ■ Assurez-vous que le siège est verrouillé en place avant d'utiliser la tondeuse. Un siège mal fixé peut provoquer un mouvement de l'opérateur, qui risquerait alors de perdre le contrôle de la tondeuse et de s'exposer à des blessures graves, voire mortelles.
- Avant de vous rendre sur la surface à tondre ou sur d'autres surfaces gravillonnées, éteignez les lames et réglez le plateau de coupe à la hauteur maximale
- DE** ■ Stellen Sie sicher, dass der Sitz eingerastet ist, bevor Sie den Mäher bedienen. Ein nicht sicherer Sitz kann dazu führen, dass sich der Sitz verschiebt und der Bediener die Kontrolle über den Mäher verliert.
- Bevor Sie den Rasenmäher zum Mähbereich oder über Kiesoberflächen fahren, schalten Sie die Messer aus und stellen Sie das Mähwerk auf die maximale Höhe.
- DA** ■ Sørg for, at sædet bliver låst på plads inden betjening af plæneklipperen. Et sæde, der ikke er sikkert, kan få operatøren til at skifte plads og miste kontrollen over plæneklipperen og resultere i mulig død eller alvorlig personskade.
- Inden du kører hen til klippeområdet eller over grusbelægninger, skal du slukke for klingerne og indstille klippeaggregatet til den maksimale højde.
- SV** ■ Se till att sätet är låst på plats innan du använder gräsklipparen. Ett säte som inte sitter säkert kan få operatören att flytta sig och tappa kontrollen över gräsklipparen och leda till eventuell död eller allvarlig personskada.
- Före du kör till klippområdet eller över grusytor, stäng av bladen och ställ in klippaggregatet till maximal höjd.
- FI** ■ Varmista, että istuin on lukittuna paikoilleen ennen leikkurin käyttöä. Jos istuin ei ole lukittuna, käyttäjä voi luisua ja menettää leikkurin hallinnan, mikä voi johtaa kuolemaan tai vakavaan loukkaantumiseen.
- Kytke terät pois päältä ja aseta leikkuulaite enimmäiskorkeuteen ennen leikkuualueelle ajoa tai sorapintoja ylittäessä.
- NO** ■ Forsikre deg om at setet er låst på plass før du bruker klipperen. Et sete som ikke er sikret kan føre til at operatøren mister kontroll over klipperen og lede til død eller alvorlige personskader.
- Før kjøring til klippeområdet eller over grusoverflater, slå av bladene og sett klipperdekket til maksimal høyde.

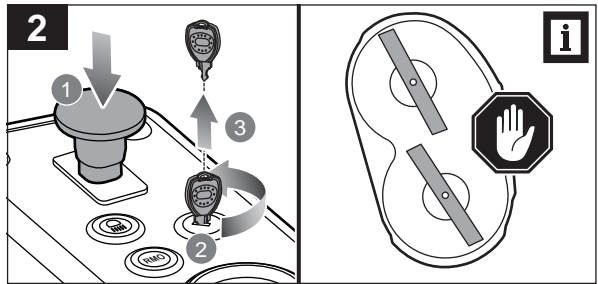
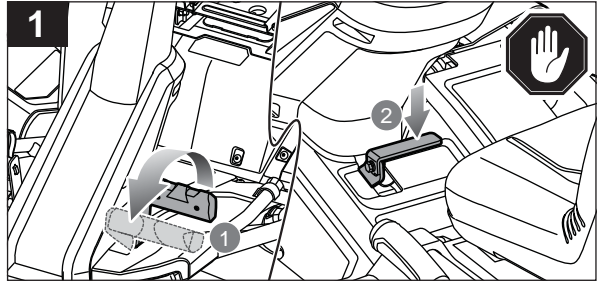
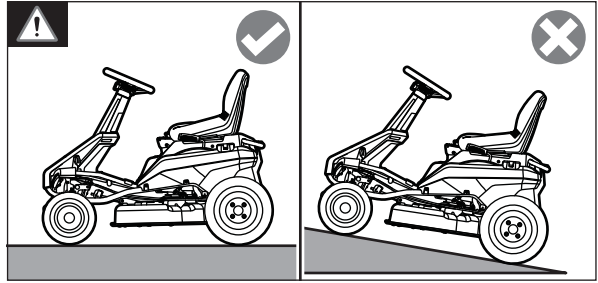






- EN**
- Do not attempt to change the direction of operation while the mower is in motion. Always stop the product before changing the mower direction.
  - Do not mow in reverse unless absolutely necessary. The reverse mode button illuminates in red and the product emits a constant beeping sound when the reverse mode operation is activated.
- FR**
- Ne cherchez pas à changer de sens de fonctionnement lorsque la tondeuse est en mouvement. Attendez toujours une immobilisation complète avant de changer la direction de tonte.
  - Ne tondez pas en marche arrière, sauf en cas de nécessité absolue. Notez que le fonctionnement en mode de marche arrière est activé lorsque le bouton de marche arrière est allumé en rouge et qu'une tonalité continue est émise.
- DE**
- Versuchen Sie nicht, die Arbeitsrichtung zu ändern, während der Mäher in Bewegung ist. Halten Sie immer an, bevor Sie die Richtung des Mähers ändern.
  - Mähen Sie nicht rückwärts, es sei denn, dies ist unbedingt erforderlich. Beachten Sie, dass der Rückwärtsmodus aktiviert ist, wenn die Taste für den Rückwärtsmodus rot leuchtet und ein konstanter Piepton ertönt.
- DA**
- Forsøg ikke at ændre driftsretningen, mens plæneklipperen er i bevægelse. Foretag altid et fuldstændigt stop inden retningsskift for plæneklipperen.
  - Klip ikke under bakning, medmindre det er absolut nødvendigt. Vær opmærksom på, at baktilstandsfunktionen bliver aktiveret, når baktilstandsknappen lyser rødt, og der udsendes en konstant biplyd.
- SV**
- Försök inte ändra körriktningen medan gräsklipparen är i rörelse. Stanna alltid helt innan du ändrar gräsklipparens riktning.
  - Klipp inte medan du backar om det inte är absolut nödvändigt. Observera att klippning i backläge aktiveras när knappen för backläge lyser rött och ett konstant pip ljud hörs.
- FI**
- Älä yritä vaihtaa ajosuuntaa leikkurin liikkussa. Pysäytä leikkuri aina kokonaan ennen kuin vaihdat sen suuntaa.
  - Älä leikkaa peruutus suunnassa, ellei ehdottomasti välttämätöntä. Ota huomioon, että peruutusilakäyttö on päällä, kun peruutusilan painike palaa punaisena ja jatkuva piippaava ääni kuuluu.
- NO**
- Forsøk ikke å endre driftsretning mens klipperen er i bevegelse. Stans alltid helt opp før du endrer klipperretning.
  - Klipp ikke mens du rygger, med mindre det er helt nødvendig. Vær oppmerksom på at klipping i reversmodus aktiveres når reversmodusknappen lyser rødt og det avgis en kontinuerlig pipelyd.

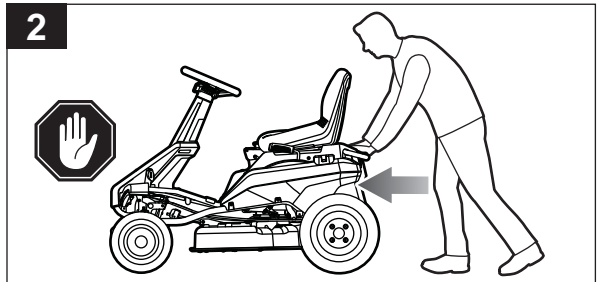
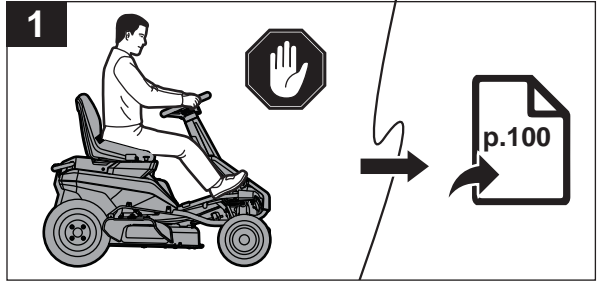
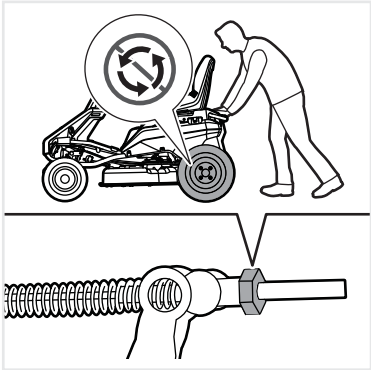
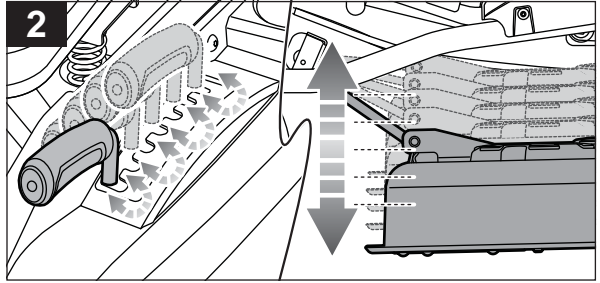
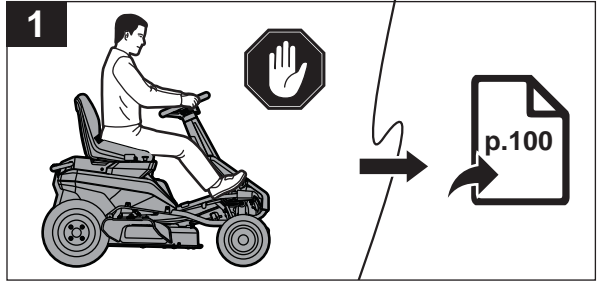
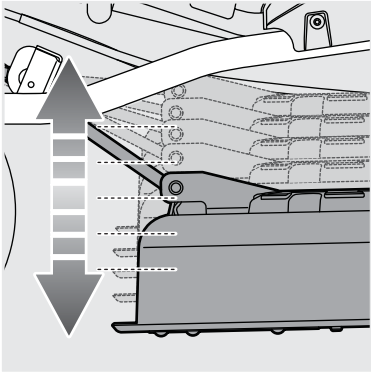






- EN** ■ Always engage the parking brake, turn off the blades, turn off the product, and remove the start key before dismounting from the product. The product emits a beeping sound if the parking brake is not engaged and the start key is left on the power switch.
- FR** ■ Serrez toujours le frein de stationnement, arrêtez les lames, arrêtez le moteur et retirez la clé de contact avant de descendre de la machine. Le produit émet un signal sonore si le frein de stationnement n'est pas enclenché et si la clé de contact est restée sur l'interrupteur d'alimentation.
- DE** ■ Ziehen Sie immer die Feststellbremse an, schalten Sie die Messer aus, stoppen Sie den Motor und ziehen Sie den Startschlüssel ab, bevor Sie absteigen. Das Gerät gibt einen Warnton ab, wenn die Feststellbremse nicht angezogen ist und sich der Startschlüssel noch im Zündschloss befindet.
- DA** ■ Aktiver parkeringsbremsen, sluk for klingerne, stop produktet, og fjern startnøglen, før du stiger af. Produktet udsender en biplyd, hvis parkeringsbremsen ikke er aktiveret, og startnøglen er efterladt i afbryderen.
- SV** ■ Aktivera alltid parkeringsbromsen, stanna bladen, stäng av produkten och ta ur startnyckeln innan du stiger av. Produkten avger ett pipande ljud om parkeringsbromsen inte är påslagen och startnyckeln sitter kvar i strömbrytaren.
- FI** ■ Aina ennen kuin poistut ruohonleikkurista, kytke käsijarru päälle, sammuta terät, kytke laitteesta virta pois ja irrota virta-avain. Laite antaa äänimerkin, jos käsijarru ei ole kytkettyä ja virta-avain jätetty virtakytkimeen.
- NO** ■ Sett alltid på parkeringsbremsen, stopp bladene, slå av produktet og fjern startnøkkelen før demontering. Produktet avgir en pipelyd hvis parkeringsbremsen ikke er satt på og startnøkkelen blir værende på strømbryteren.





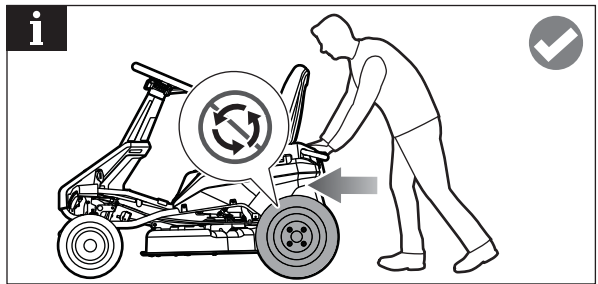
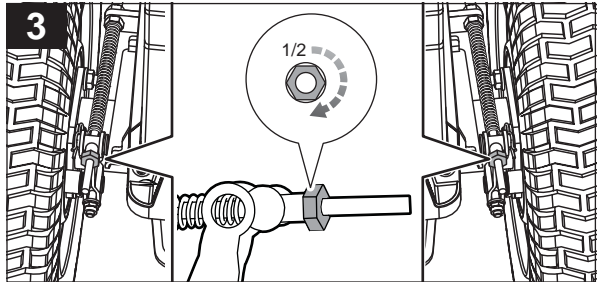
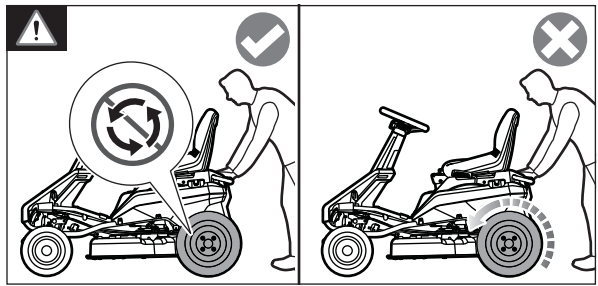


- EN** ■ Firmly hold the adjustment lever when setting the deck height, and release it only when it is secure in the preferred slot.
- FR** ■ Maintenez fermement le levier de réglage de la hauteur du carter de coupe lors du réglage de la hauteur du carter de coupe et relâchez-le uniquement lorsqu'il est sécurisé dans la fente souhaitée.
- DE** ■ Halten Sie den Hebel zur Einstellung der Mähwerkhöhe beim Einstellen der Mähwerkhöhe fest und lassen Sie ihn erst los, wenn er in der gewünschten Aussparung gesichert ist.
- DA** ■ Hold fast i dækkets højdejusteringsgreb ved indstilling af dækkets højde og først frigør det, når det er fastgjort i den ønskede spalte.
- SV** ■ Håll aggregatets höjjusteringsspak ordentligt när du ställer in aggregatets höjd och släpp den bara när den är säker i önskat spår.
- FI** ■ Pitele leikkuupään korkeussäätövipua tiukasti laitteen korkeutta säätäessäsi ja päästä siitä irti vasta kun se on haluamassasi urassa.
- NO** ■ Hold godt tak i justeringsspaken for dekkhøyde når du stiller inn dekkhøyden, og slipp først når den er sikkert plassert på ønsket sted.



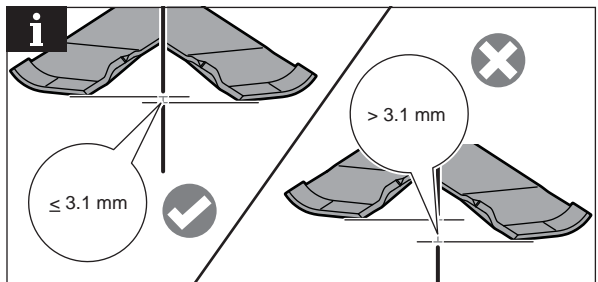
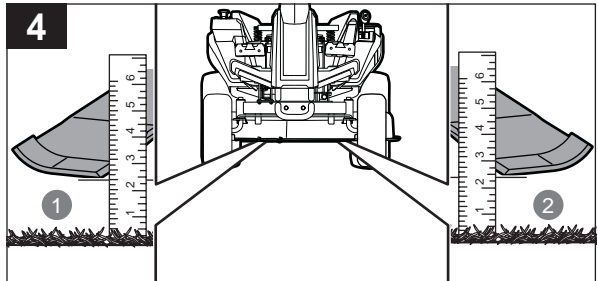
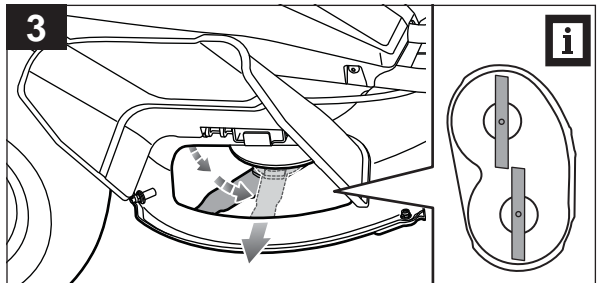
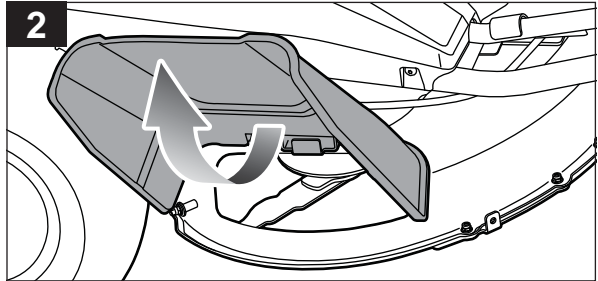
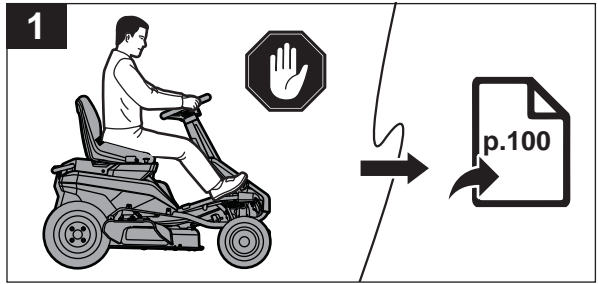
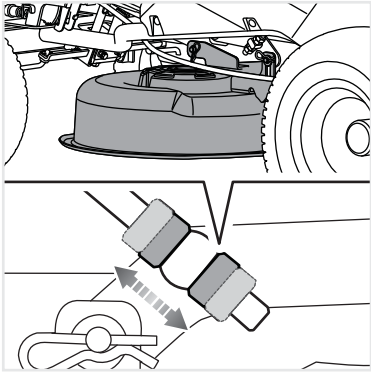
- EN** ■ Turn each adjustment nut 1/2 turn clockwise, then try again to push the mower.  
■ Continue rotating each nut 1/2 turn and testing the until the mower can no longer be moved by pushing.
- FR** ■ Tournez chaque écrou de réglage d'un demi-tour dans le sens horaire, puis essayez à nouveau de pousser la tondeuse.  
■ Continuez à tourner chaque écrou d'un demi-tour et à tester jusqu'à ce que la tondeuse ne puisse plus se déplacer lorsqu'elle est poussée.
- DE** ■ Drehen Sie jede Einstellmutter eine Viertelumdrehung im Uhrzeigersinn und versuchen Sie dann erneut, den Mäher zu schieben.  
■ Drehen Sie jede Mutter eine Viertelumdrehung weiter und testen Sie solange, bis sich der Mäher durch Drücken nicht mehr bewegen lässt.
- DA** ■ Drej hver justeringsmøtrik 1/2 omdrejning med uret, og prøv så igen at skubbe plæneklipperen.  
■ Fortsæt med at rotere hver møtrik 1/2 omdrejning og test, indtil plæneklipperen ikke længere kan flyttes ved at skubbe.
- SV** ■ Vrid varje justeringsmutter 1/2 varv medurs och försök sedan att skjuta på klipperen igen.  
■ Fortsätt rotera varje mutter 1/2 varv och testa tills gräsklipperen inte längre kan flyttas genom att skjuta på den.
- FI** ■ Käännä kutakin säätömutteria 1/2 kierrosta myötäpäivään ja yritä sitten työntää leikkuria uudelleen.  
■ Jatka kääntämällä kutakin mutteria 1/2 kierroksen verran ja testaa, kunnes leikkuria ei enää voida liikuttaa työntämällä.
- NO** ■ Skru hver justeringsmutter 1/2 gang med klokken, og prøv å skyve klipperen igjen.  
■ Fortsett å skru hver mutter 1/2 gang og teste til klipperen ikke lenger kan flyttes ved å skyve.







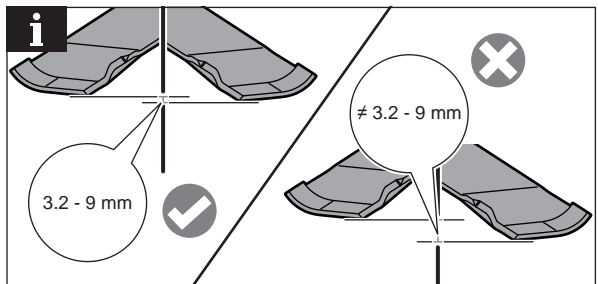
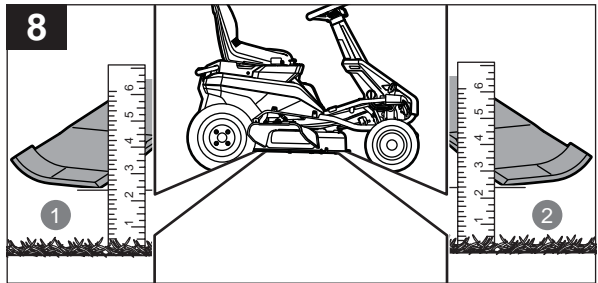
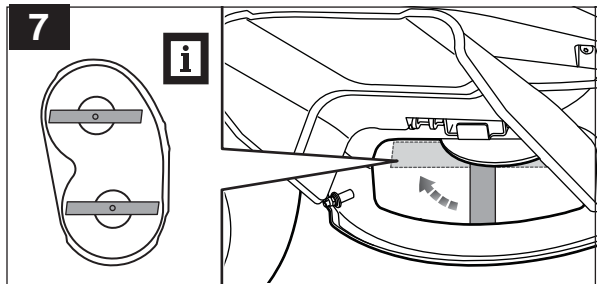
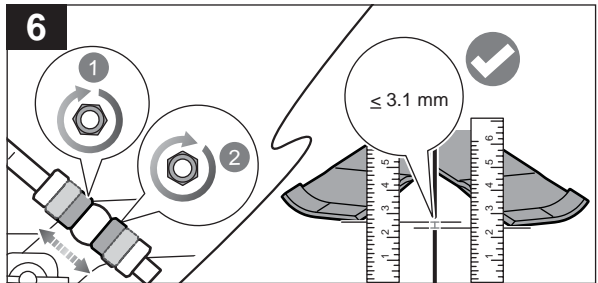
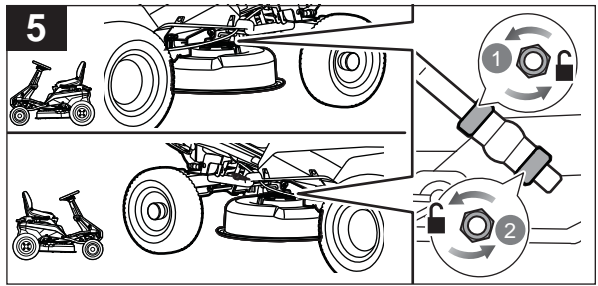


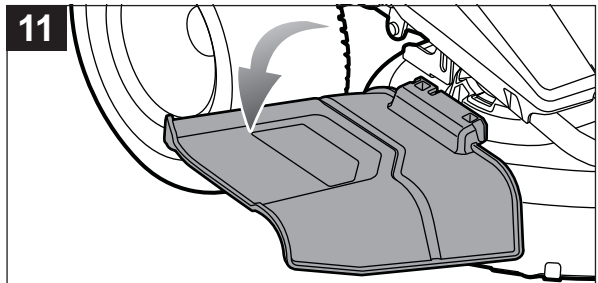
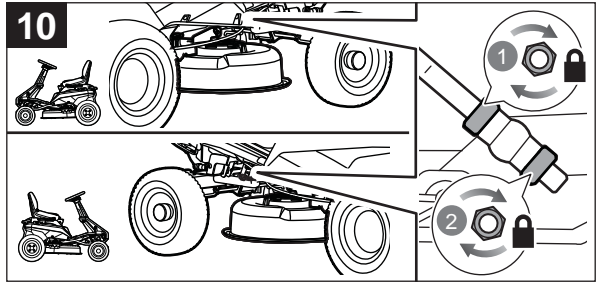
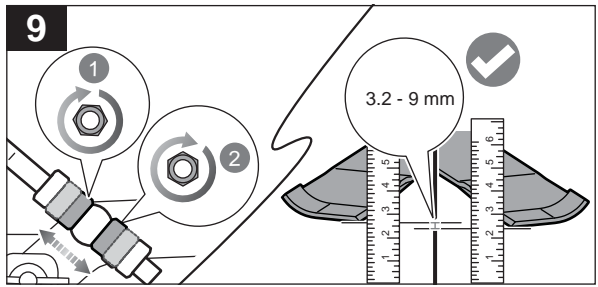


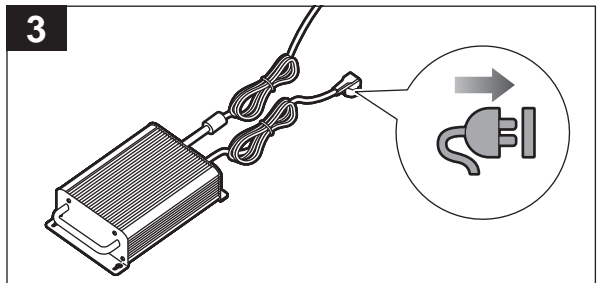
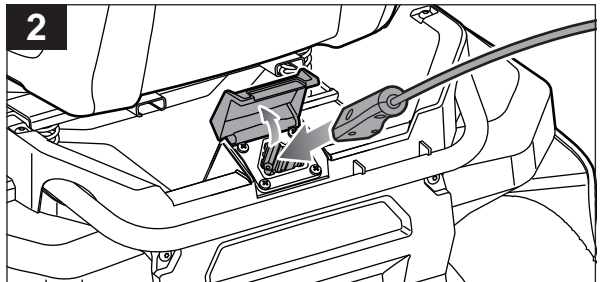
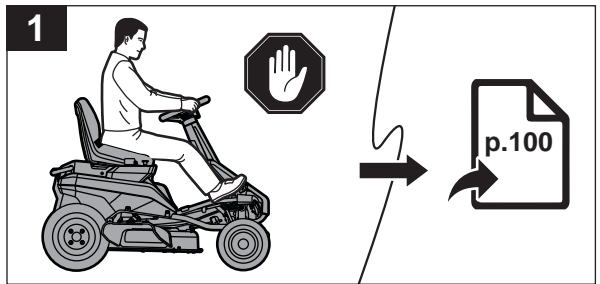
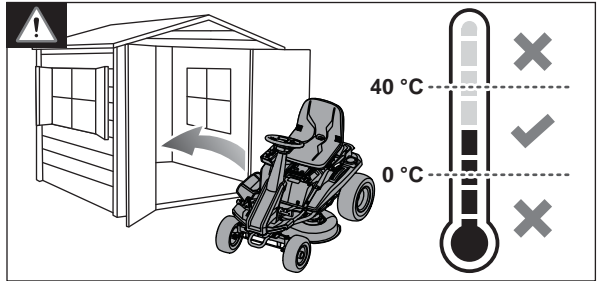
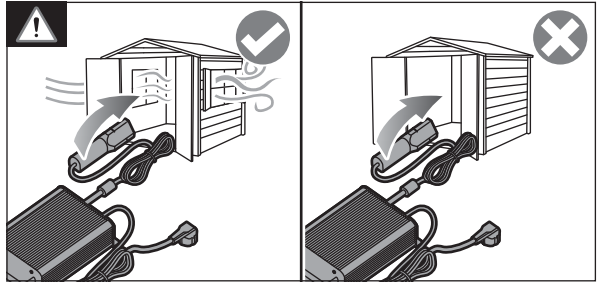
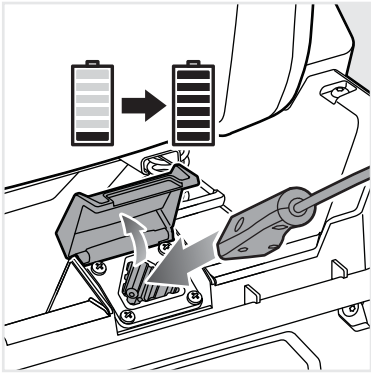


- EN**
- For side-to-side adjustment, the distance between the tip of the blades should be less than or equal to 3.1 mm.
  - For front-to-back adjustment, the front tip of the blade should be between 3.2 mm and 9 mm lower than the rear tip. Make sure to turn the adjustment nuts on both sides equally to prevent throwing off the side-to-side measurement.
- FR**
- Pour l'ajustement transversal, la distance entre la pointe des lames doit être inférieure ou égale à 3,1 mm.
  - Pour l'ajustement longitudinal, la pointe avant de la lame doit être entre 3,2 mm et 9 mm plus basse que la pointe arrière. Tourner de façon égale les écrous de réglage se trouvant de chaque côté afin d'éviter de fausser les mesures transversales.
- DE**
- Für die seitliche Justierung sollte der Abstand zwischen den Messerspitzen maximal 3,1 mm betragen.
  - Für die Längsjustierung sollte die vordere Messerspitze zwischen 3,2 mm und 9 mm niedriger als die hintere Messerspitze liegen. Achten Sie darauf, die Verstellmuttern auf beiden Seiten gleichmäßig zu drehen, um ein Hin- und Herbewegen zu vermeiden.
- DA**
- Til justering af side til side skal afstanden mellem knivspidserne være mindre end eller lig med 3,1 mm.
  - Til justering af front til bag skal knivens forreste spids være mellem 3,2 mm og 9 mm lavere end den bageste spids. Sørg for at dreje justeringsmøtrikkerne på begge sider lige meget for at forhindre, at måling fra side til side tilsidesættes.
- SV**
- Vid justering från sida till sida bör avståndet mellan bladspetsarna vara mindre än eller lika med 3,1 mm.
  - Vid justering från framsida till baksida bör den främre bladspetsen vara mellan 3,2-9 mm lägre än den bakre spetsen. Se till att vrida justeringsmutterna på båda sidor lika mycket för att förhindra att mätningen från sida till sida blir fel.
- FI**
- Sivuttaissäätöä varten terien kärkien välisen etäisyyden on oltava pienempi tai yhtä suuri kuin 3,1 mm.
  - Terän etukärjen on oltava 3,2–9 mm matalampi kuin takakärki, jotta sitä voidaan säätää edestä taakse. Muista kääntää säätömuttereita molemmilla puolilla tasaisesti, jotta sivulta sivulle mittaus ei heittäisi.
- NO**
- For side-til-side-justering skal avstanden mellom spissen på bladene være mindre enn eller lik 3,1 mm.
  - For front-til-bak-justering skal frontspissen på bladet være mellom 3,2 mm og 9 mm lavere enn bakspissen. Pass på at du vrir justeringsmutterne på begge sider like mye for å unngå skjev justering side-til-side.





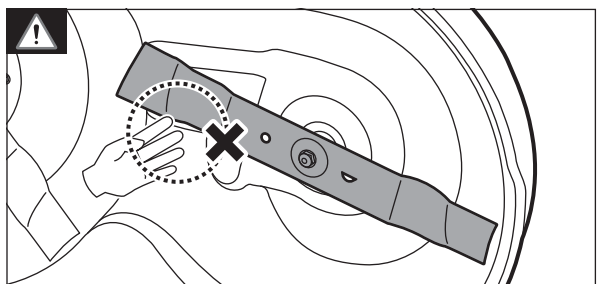
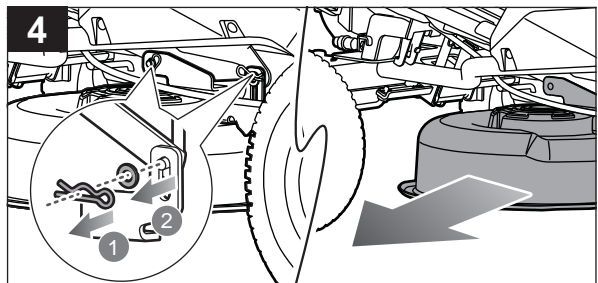
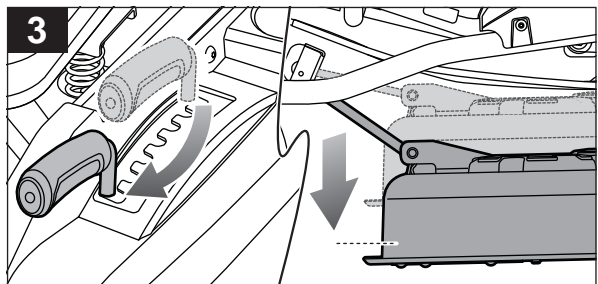
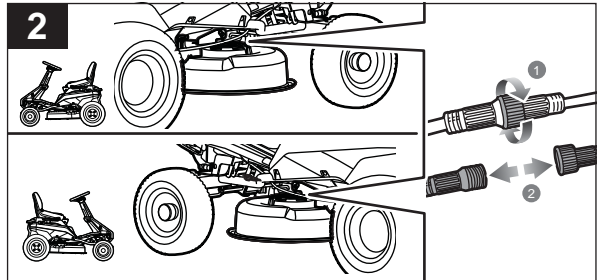
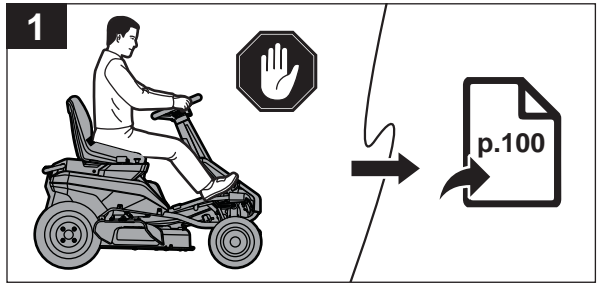
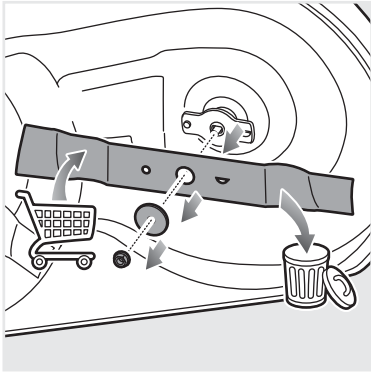






- EN** ■ Charge the product indoors, in a well-ventilated area. Do not charge the product in a confined space. The batteries charge best at temperatures from 0 °C to 40 °C.
- FR** ■ Si la tondeuse se déplace plus loin avant de s'arrêter lorsque l'opérateur appuie sur la pédale de frein, les freins pourraient nécessiter un réglage. Charger les produits à l'intérieur, dans une zone bien ventilée. Ne chargez pas le produit dans un espace confiné. Pour être optimale, la charge des batteries doit s'effectuer à une température comprise entre 0 °C et 40 °C.
- DE** ■ Laden Sie das Gerät in einem Innenraum an einem gut belüfteten Ort auf. Laden Sie das Gerät nicht in einem engen Raum auf. Die Akkus laden sich am besten bei Temperaturen von 0 °C bis 40 °C auf.
- DA** ■ Oplad produktet indendørs på et velventileret område. Oplad ikke produktet, hvor der er begrænset plads. Batterier oplades bedst ved temperaturer fra 0° C til 40° C.
- SV** ■ Ladda produkten inomhus, i ett välventilerat område. Ladda inte produkten i ett trångt utrymme. Batterierna laddas bäst vid temperaturer från 0 °C till 40 °C.
- FI** ■ Lataa tuote hyvin ilmastoidussa sisätilassa. Älä lataa tuotetta suljetussa tilassa. Akut latautuvat parhaiten lämpötiloissa välillä 0–40° C.
- NO** ■ Lad produktet innendørs, på et sted med god ventilasjon. Ikke lad produktet i trange områder. Batteriene lader best i temperaturer fra 0 °C til 40° C.



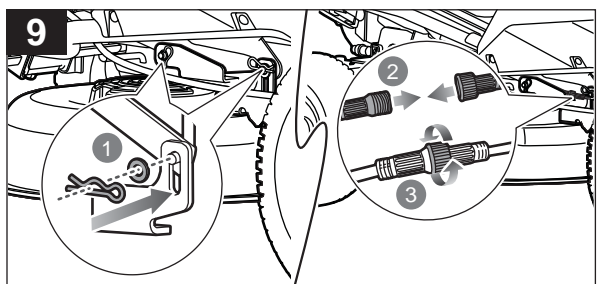
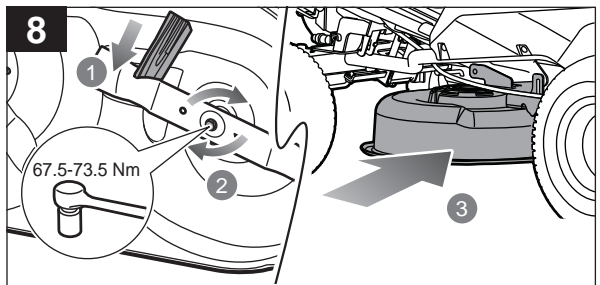
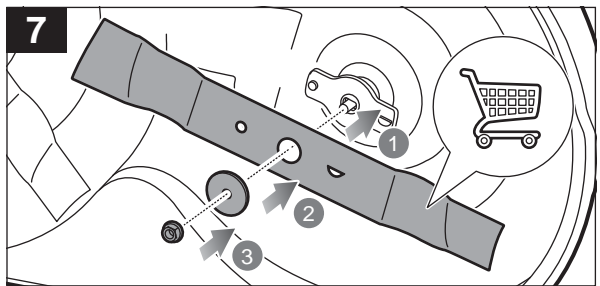
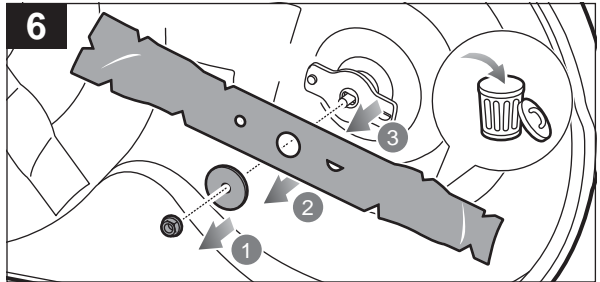
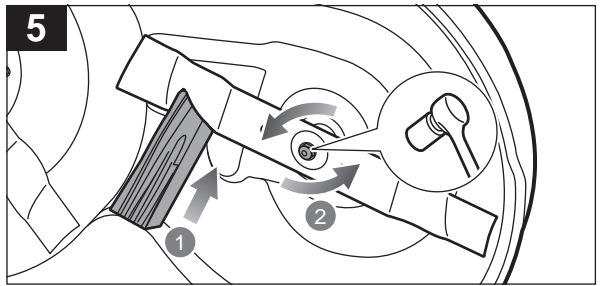


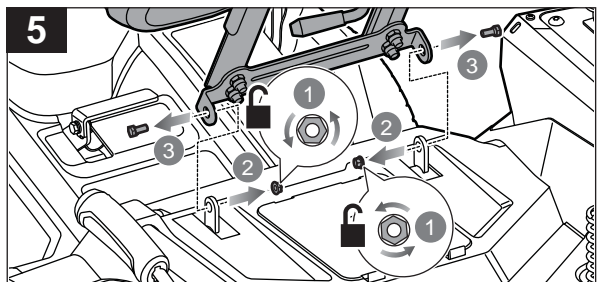
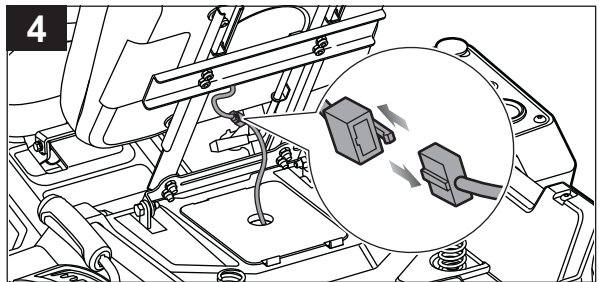
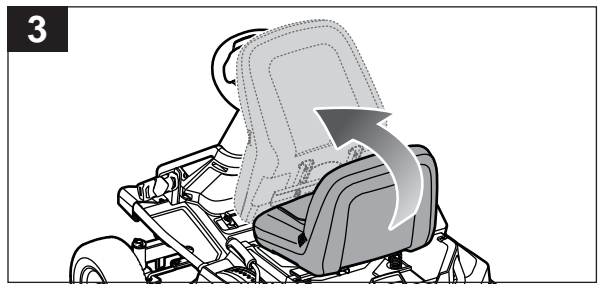
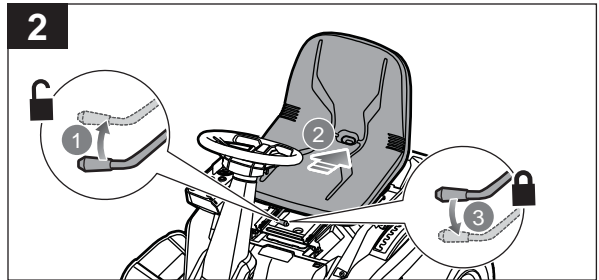
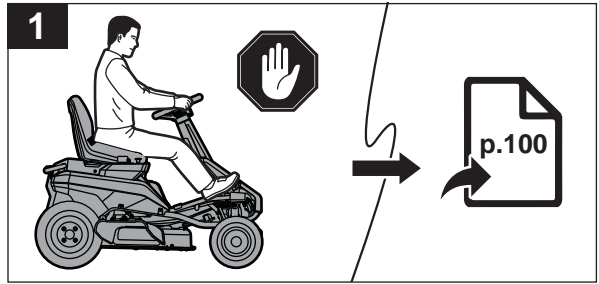
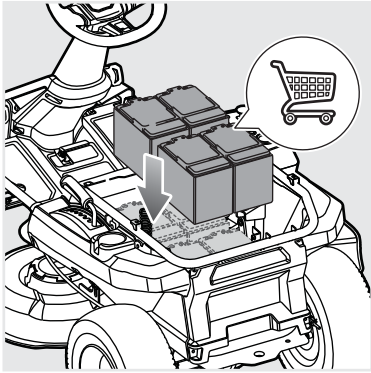


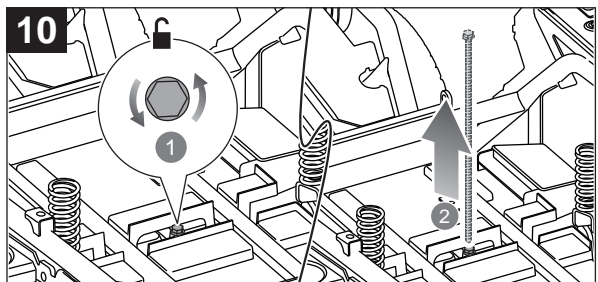
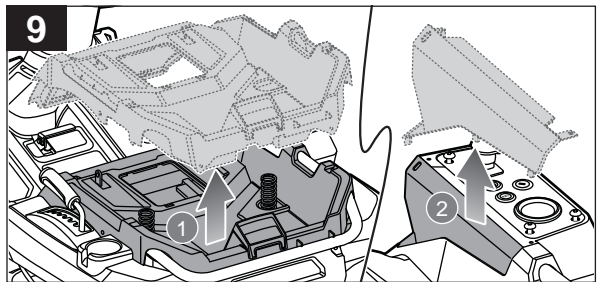
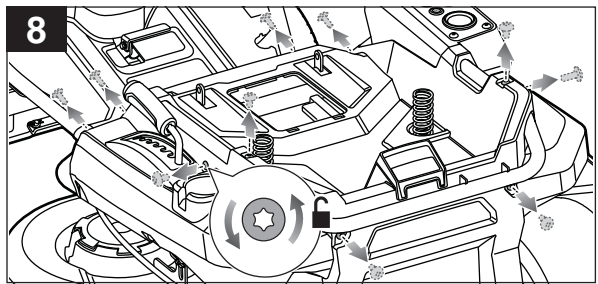
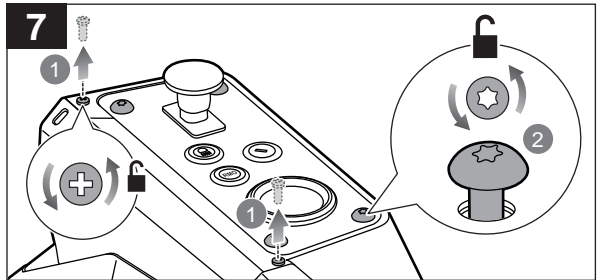
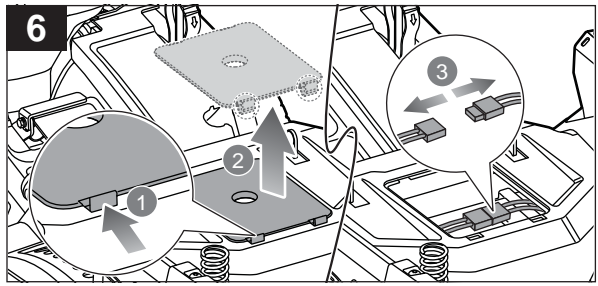


- EN** ■ Ensure that the blade is properly seated and the blade nut is tightened to the torque specification.
- FR** ■ Vérifiez que la lame est correctement installée et que l'écrou de lame est serré aux spécifications ci-dessus.
- DE** ■ Stellen Sie sicher, dass die Messer richtig sitzen und die Mutter mit den angegebenen Drehmomenten festgezogen ist.
- DA** ■ Sørg for, at klinger sidder korrekt, og at klingemøtrikken er strammet iht. momentspecifikationerne ovenfor.
- SV** ■ Se till att bladet sitter ordentligt och att bladmuttern är åtdragen enligt specifikationerna ovan.
- FI** ■ Varmista, että terä on kunnolla paikoillaan ja että terämutteri on kiristetty yllä mainittujen momenttien mukaan.
- NO** ■ Forsikre deg om at kniven sitter sikkert og at knivmutteren er strammet til momentet som er angitt ovenfor.





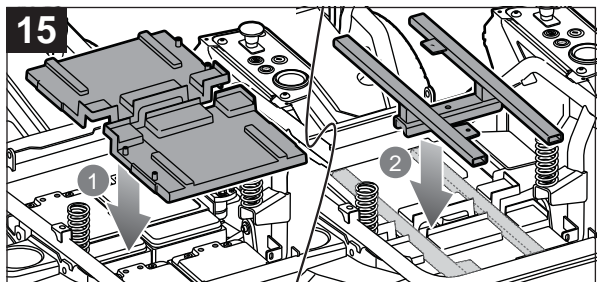
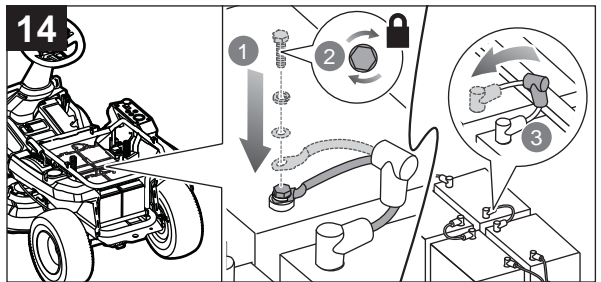
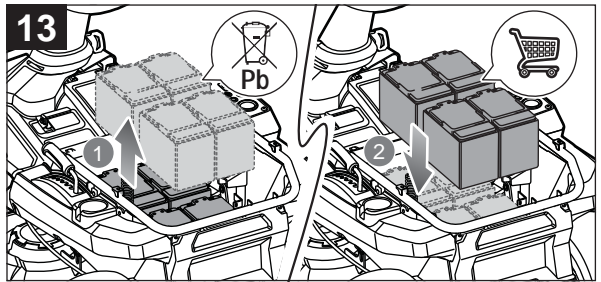
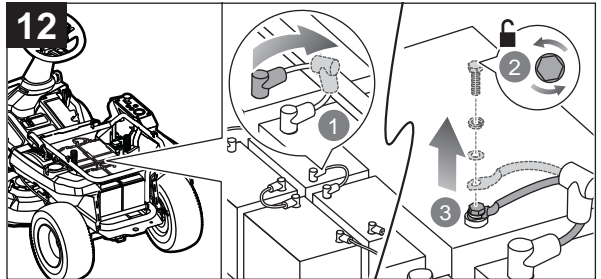
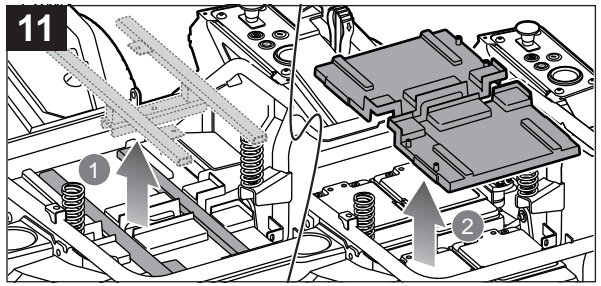


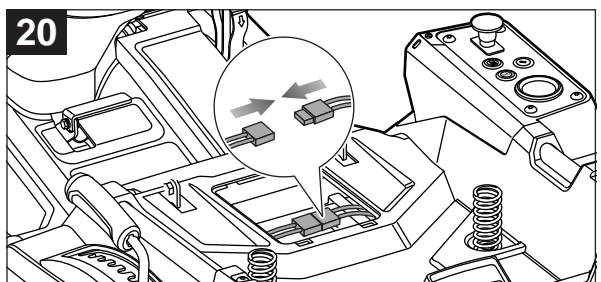
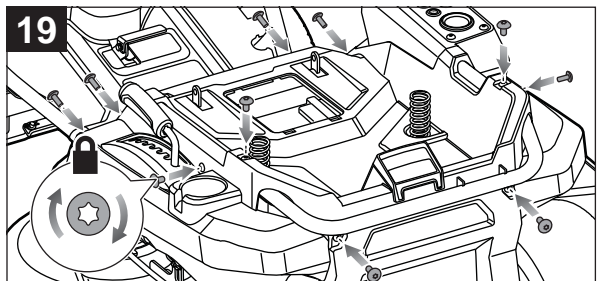
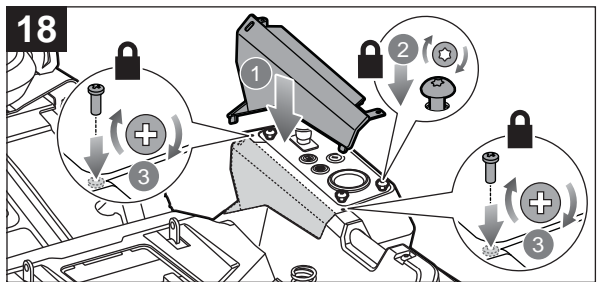
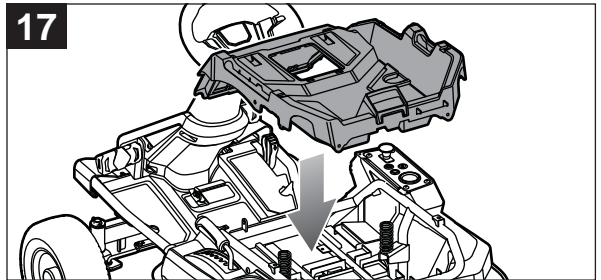
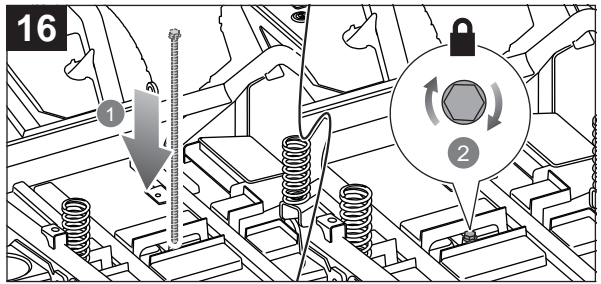


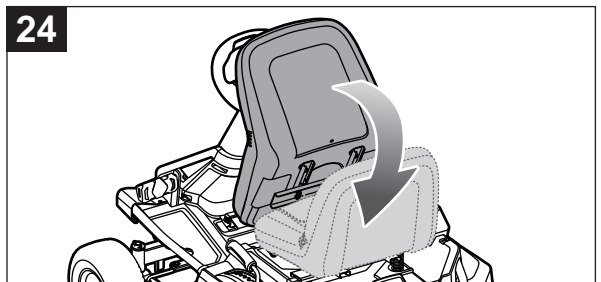
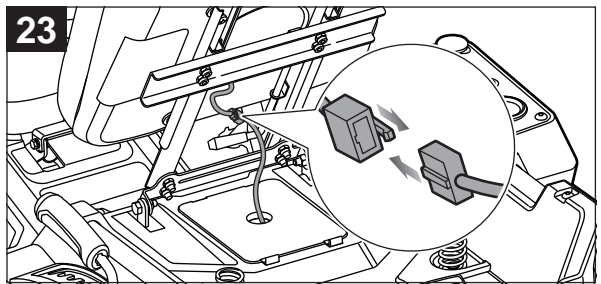
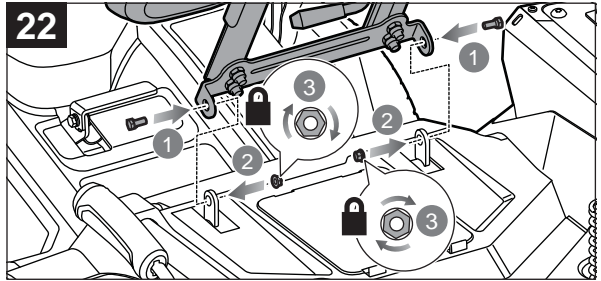
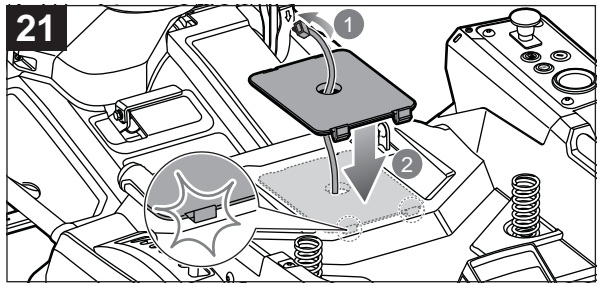


- EN**
- When removing the battery cables, disconnect the negative (black) terminal, then the positive (red) terminal.
  - When disconnecting the rear battery cables, take note of the position of the battery thermistor terminal on the positive post. Make sure to reinstall the terminal in the same location.
  - When reconnecting the battery cables, connecting the positive (red) terminal, then the negative (black) terminal.
  - Make sure not to short circuit the positive and negative terminals.
- FR**
- Au moment de retirer les câbles de la batterie, débranchez la borne négative (noire), puis la borne positive (rouge).
  - Lors de la déconnexion des câbles arrière, notez la position de la borne de la thermistance de batterie sur le montant positif. Veillez à réinstaller la borne dans la même position.
  - Au moment de brancher les câbles de la batterie, connectez la borne positive (rouge), puis la borne négative (noire).
  - Assurez-vous de ne pas court-circuiter les bornes positives et négatives.
- DE**
- Beim Entfernen der Akkukabel entfernen Sie zuerst das Kabel vom negativen (schwarzen) Anschluss, dann das Kabel vom positiven (roten) Anschluss.
  - Achten Sie beim Trennen der hinteren Kabel auf die Position der Akku-Thermistor-Klemme am Pluspol. Stellen Sie sicher, dass Sie die Klemme am selben Ort neu installieren.
  - Beim erneuten Anschließen der Akkukabel schließen Sie zuerst den positiven (roten) und dann den negativen (schwarzen) Anschluss an.
  - Achten Sie darauf, den positiven und den negativen Anschluss nicht kurzzuschließen.
- DA**
- Når du fjerner batterikablerne igen, skal du fjerne den negative (sorte) terminal og derefter den positive (røde) terminal.
  - Når bagkablerne kobles fra, skal du huske placeringen af batteriets termistorterminal på den positive pol. Sørg for at geninstallere terminalen på samme sted.
  - Når du tilslutter batterikablerne igen, skal du tilslutte den positive (røde) terminal og derefter den negative (sorte) terminal.
  - Sørg for ikke at kortslutte de positive og negative terminaler.
- SV**
- När du tar bort batterikablarna, koppla från den negativa (svarta) polen, sedan den positiva (röda) polen.
  - När du kopplar bort de bakre kablarna bör du notera positionen för batteriterminalens termistor på den positiva polen. Se till att installera terminalen på samma plats igen.
  - När du återansluter batterikablarna, anslut den positiva (röda) polen, sedan den negativa (svarta) polen.
  - Se till att inte kortsluta de positiva och negativa polerna.
- FI**
- Kun irrotat akkukaapeleita, irrota ensin miinusnapa (musta) ja sitten plusnapa (punainen).
  - Kun irrotat takakaapelit, kirjaa muistiin akun termistorin liitteen asento positiivisessa navassa. Muista asentaa liitin uudelleen samaan paikkaan.
  - Kun kytket akkukaapelit uudelleen, liitä ensin plusnapa (punainen), sitten miinusnapa (musta).
  - Älä oikosulje plus- ja miinusliittimiä.
- NO**
- Ved fjerning av batterikablene koble fra den negative (svarte) terminalen, deretter den positive (røde) terminalen.
  - Når du kobler fra de bakre kablene, merk deg plasseringen ved den positive polen. Pass på å sette polen tilbake på samme sted.
  - Ved tilkobling til batterikablene koble til den positive (røde) terminalen, deretter den negative (svarte) terminalen.
  - Se til at du ikke kortslutter de positive og negative terminalene.



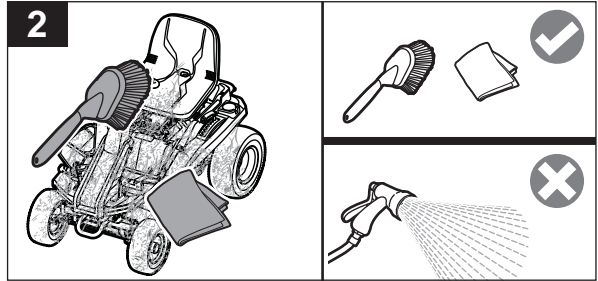
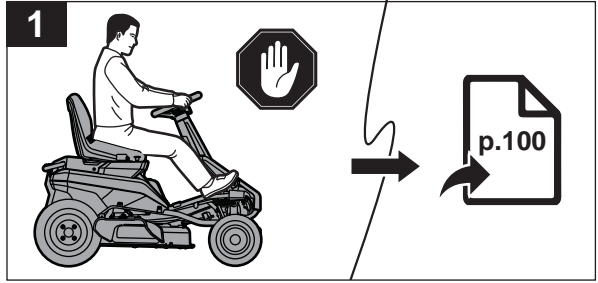
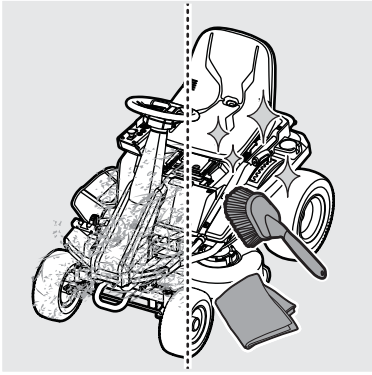








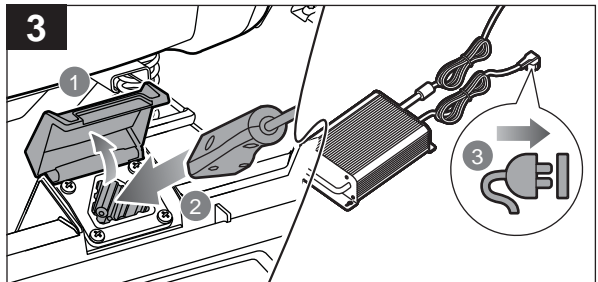
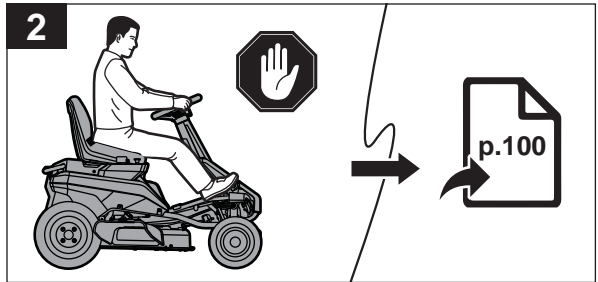
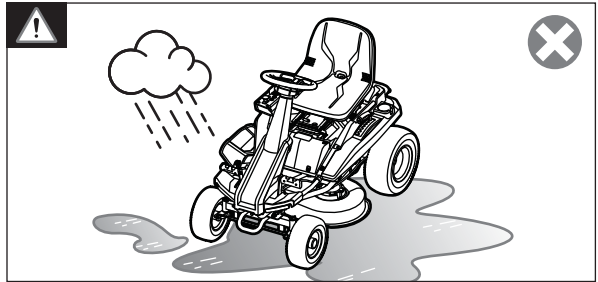
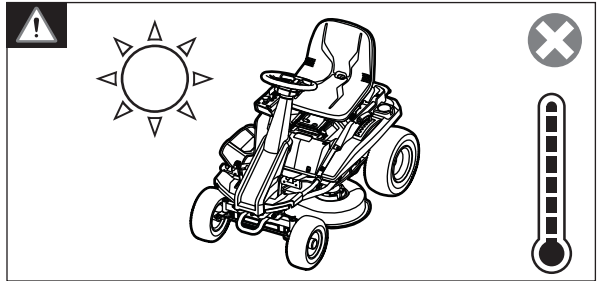
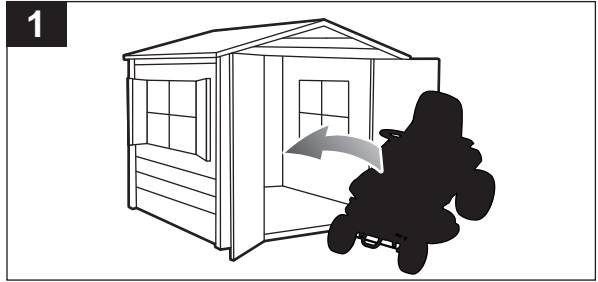
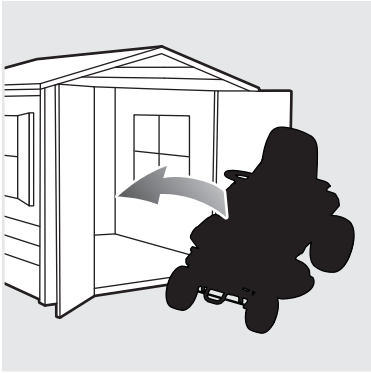






- EN**
- Clean the product with a soft, dry cloth or soft-bristle brush. Do not use water to clean the product.
  - Use an air moving device, such as a compressor or leaf blower to remove grass, leaves, or other debris build up.
- FR**
- Nettoyez le produit à l'aide d'un chiffon doux et sec ou d'une brosse à poils doux. Ne nettoyez pas le produit avec de l'eau.
  - Nettoyez le produit avec un produit à jet d'air, tel qu'un compresseur ou une souffleuse de feuilles.
- DE**
- Reinigen Sie das Gerät mit einem trockenen weichen Tuch oder mit einer weichen Bürste. Reinigen Sie das Produkt nicht mit Wasser.
  - Verwenden Sie zum Reinigen des Produkts ein Luftbewegungsgerät, z. B. einen Kompressor oder ein Laubbläser.
- DA**
- Rengør produktet med en blød, tør klud eller en blød børste. Brug ikke vand til at rengøre produktet.
  - Brug en luftdrevet anordning som en kompressor eller bladblæser til rengøring af produktet.
- SV**
- Rengör produkten med en mjuk, torr trasa eller mjuk nylonborste. Använd inte vatten för att rengöra produkten.
  - Använd en luftförflyttande enhet, till exempel en kompressor eller lövblåsare för att rengöra produkten.
- FI**
- Puhdista laite pehmeällä, kuivalla liinalla tai pehmeäharjaksisella harjalla. Älä puhdista tuotetta vedellä.
  - Käytä ilmaa liikuttavaa laitetta, kuten kompressoria tai lehtipuhallinta, tuotteen puhdistuksessa.
- NO**
- Rengjør produktet med en myk, tørr klut eller mykbustet børste. Bruk ikke vann til å rengjøre produktet.
  - Bruk et blåseapparat, for eksempel kompressor eller løvblåser, til å rengjøre produktet.

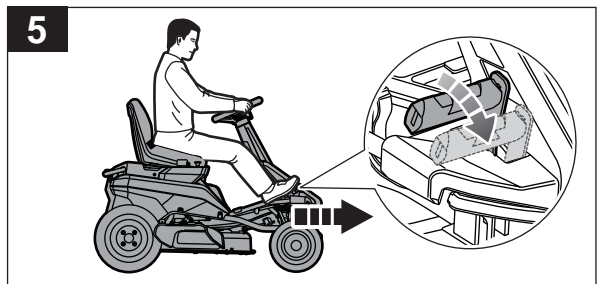
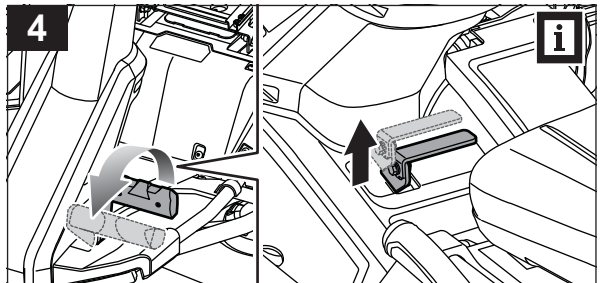
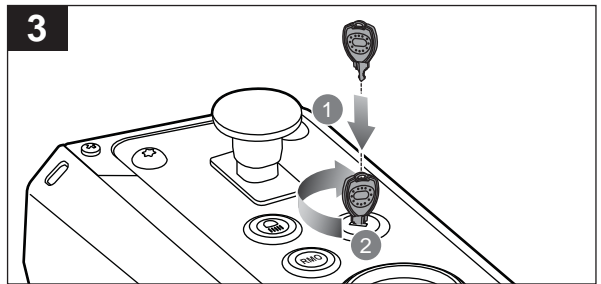
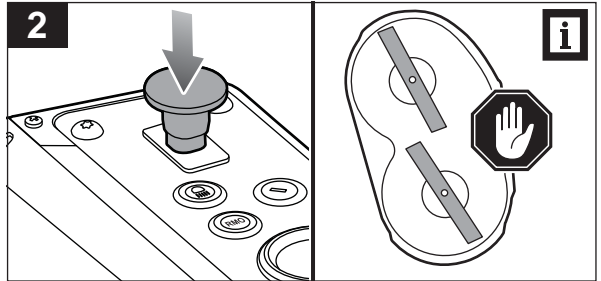
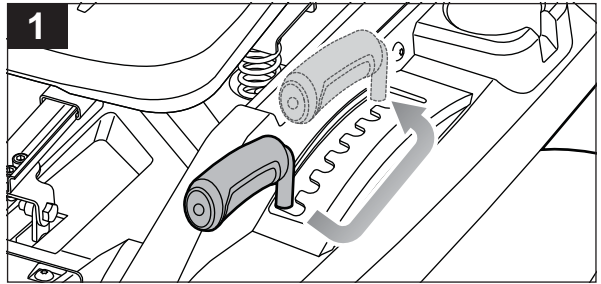
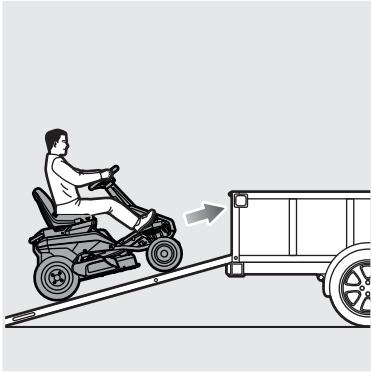






- EN** ■ Charge the product for the entire time of storage. If it is not possible to leave the mower charger connected during storage, charge the batteries at least once a month during storage. The batteries charge best at temperatures from 0 °C to 40 °C.
- FR** ■ Chargez le produit pendant toute la durée de stockage. Si le chargeur ne peut être laissé connecté à la tondeuse pendant le stockage, chargez la batterie au moins une fois par mois. Pour être optimale, la charge des batteries doit s'effectuer à une température comprise entre 0 °C et 40 °C.
- DE** ■ Laden Sie das Gerät während der gesamten Lagerzeit. Wenn das Ladegerät des Mähers während der Lagerung nicht angeschlossen bleiben kann, laden Sie den Akku mindestens einmal im Monat auf. Die Akkus laden sich am besten bei Temperaturen von 0 °C bis 40 °C auf.
- DA** ■ Oplad produktet under hele opbevaringsperioden. Hvis det ikke er muligt at lade plæneklipperen være tilsluttet, skal du sørge for at oplade batterierne mindst en gang om måneden. Batterier oplades bedst ved temperaturer fra 0° C til 40° C.
- SV** ■ Ladda produkten under hela förvaringstiden. Om det inte går att lämna laddaren ansluten till gräsklipparen under förvaring, ladda batterierna minst en gång i månaden. Batterierna laddas bäst vid temperaturer från 0 °C till 40 °C.
- FI** ■ Lataa laitetta koko säilytyksen ajan. Jos laturia ei voi jättää ruohonleikkuriin liitetyksi säilytyksen ajaksi, lataa akut säilytyksen aikana joka tapauksessa ainakin kerran kuukaudessa. Akut latautuvat parhaiten lämpötiloissa välillä 0–40° C.
- NO** ■ Lad produktet for hele lagringstiden. Hvis det ikke er mulig å la klipperladeren være koblet til under lagring, lad batteriene minst én gang i måneden. Batteriene lader best i temperaturer fra 0 °C til 40° C.

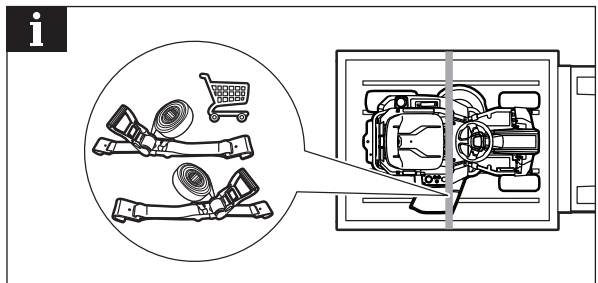
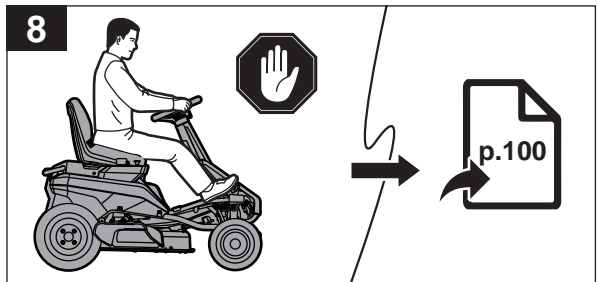
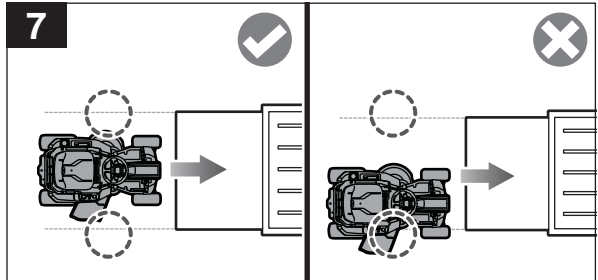
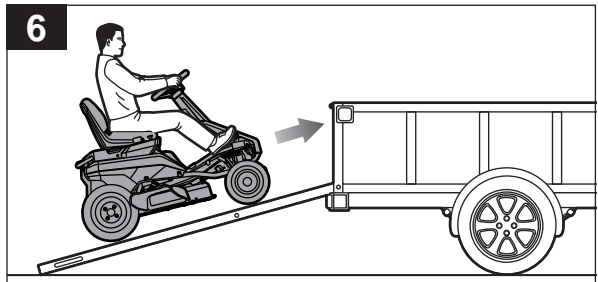






- EN**
- Use care when driving the product off of or onto a trailer or truck. Step on the brake pedal as needed to control the speed.
  - Use one full width loading ramp that is at least 30.5 cm wider than the mower to minimise the risk of the wheels going off the side of the ramp.
- FR**
- Faites preuve de prudence lors du chargement ou du déchargement du produit sur/depus une remorque ou un camion. Appuyez sur la pédale de frein si nécessaire pour contrôler la vitesse.
  - Utilisez une rampe de chargement d'au moins 30,5 cm plus large que la tondeuse afin d'éviter au maximum que les roues quittent la rampe.
- DE**
- Seien Sie vorsichtig, wenn Sie das Produkt von oder auf einen Anhänger oder LKW fahren. Treten Sie nach Bedarf auf das Bremspedal, um die Geschwindigkeit zu regeln.
  - Verwenden Sie eine Laderampe mit voller Breite, die mindestens 30,5 cm breiter als der Mäher ist, um das Risiko zu minimieren, dass die Räder von der Seite der Rampe abrutschen.
- DA**
- Vær forsigtig, når du pålæsser eller aflæsser produktet på en trailer eller lastbil. Træd på bremsepedalen efter behov for at regulere hastigheden.
  - Brug en læsserampe i fuld bredde, der er mindst 30,5 cm bredere end plæneklipperen for at minimere risikoen for, at hjulene kører ud over siden på rampen.
- SV**
- Var försiktig när du kör på eller av produkten från en släpvagn eller lastbil. Trampa på bromspedalen efter behov för att kontrollera hastigheten.
  - Använd en lastningsramp med full bredd som är minst 30,5 cm bredare än gräsklipparen för att minimera risken för att hjulen ska hamna utanför rampen.
- FI**
- Ole erityisen varovainen, kun ajat tuotteen perävaunulle tai kuorma-autoon tai kun otat sen siitä. Paina jarrupoljinta tarpeen mukaan nopeuden hallinnoimiseksi.
  - Käytä yhtä täyden leveyden lastausramppia, joka on vähintään 30,5 cm leveämpi kuin leikkuri. Näin minimoit pyörien rampin ulkopuolelle joutumisen vaaran.
- NO**
- Vær forsiktig når du kjører produktet av eller på en lastebil eller henger. Tråkk på fotbremsen ved behov for å kontrollere farten.
  - Bruk en lasterampe i full bredde som er minst 30,5 cm bredere enn klipperen, for å minimere risikoen for at hjulene skal havne utenfor rampen.




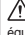










| English   | Français  | Deutsch   | Dansk   |
|---|---|---|---|
| <b>Product specifications</b>   | <b>Caractéristiques produit</b>                               | <b>Produkt-Spezifikationen</b>                          | <b>Produktspecifikationer</b>                           |
| Ride-on mower   | Tondeuse autoportée   | Aufsitzmäher  | Plæneklipper med sæde                                   |
| Model   | Modèle  | Modell  | Model   |
| Weight  | Poids   | Gewicht   | Vikt  |
| Motor   | Moteur  | Motor   | Motor   |
| No-load speed   | Vitesse de rotation à vide                                    | Leerlaufdrehzahl  | Tomgangshastighed                                       |
| Cutting rated power   | Puissance nominale de coupe                                   | Nennleistung der Schneideinheit                         | Nominel klippeeffekt                                    |
| Drive rated power   | Puissance nominale d'entraînement                             | Antriebsnennleistung                                    | Nominel kørselseffekt                                   |
| Height adjustments  | Réglages de la hauteur  | Höheneinstellung  | Højdejusteringer  |
| Wheel size  | Dimension de roue   | Radgröße  | Hjulstørrelse   |
| Front   | Avant   | Vorne   | Forside   |
| Rear  | Arrière   | Hinten  | Bagside   |
| Tyre air pressure   | Pression de gonflage des pneus                                | Reifendruck   | Dæktryk   |
| Cut size  | Taille de coupe   | Größe der Schneideinheit                                | Snitstørrelse   |
| Turning radius  | Rayon de rotation   | Wendekreis  | Drejradius  |
| Maximum speed   | Vitesse maximale  | Maximale Geschwindigkeit                                | Maks. hastighed   |
| Forward   | Avant   | Vorwärts  | Frem  |
| Reverse   | Arrière   | Rückwärts   | Tilbage   |
| Charger   | Modèle de chargeur  | Ladegerätmodell   | Opladermodel  |
| Charger input   | Entrée du chargeur  | Eingangsleistung Ladegerät                              | Oplader-indgang   |
| Charger output  | Sortie du chargeur  | Ladegerät-Ausgang                                       | Laderudgang   |
| Charge time   | Temps de charge   | Ladezeit  | Ladetid   |
| Quick recharge (60%)  | Charge rapide (60%)   | Schnellladevorgang (60%)                                | Hurtig genopladning (60%)                               |
| Battery   | Batterie  | Akku  | Batteri   |
| Battery type: Lead-acid battery   | Type de batterie: Plomb-acide                                 | Batterietyp: Bleisäure                                  | Batteritype: Batterisyre                                |
| Dimensions  | Dimensions  | Abmessungen   | Mål   |
| Kit Details   | Détails du kit  | Kit-Details   | Sætoplysninger  |
| Total weight  | Poids total   | Gesamtgewicht   | Samlet vægt   |
| Vibration level (in accordance with EN ISO 5395-1 and EN ISO 5395-3)      | Niveau de vibration (selon EN ISO 5395-1; EN ISO 5395-3)      | Vibrationsgrad (gemäß EN ISO 5395-1; EN ISO 5395-3)     | Vibrationsniveau (iht. EN ISO 5395-1; EN ISO 5395-3)    |
| Whole body vibration  | Vibrations sur l'ensemble du corps                            | Ganzkörperschwingung                                    | Vibration fra hele enheden                              |
| Hand-arm vibration (steering wheel)                                       | Vibrations main-bras (roue motrice)                           | Hand-Arm-Vibration (Lenkrad)                            | Hånd-arm-vibration (rat)                                |
| Uncertainty   | Incertitude   | Unsicherheit  | Usikkerhed  |
| Noise emission level (in accordance with EN ISO 5395-1 and EN ISO 5395-3) | Niveau d'émission sonore (selon EN ISO 5395-1; EN ISO 5395-3) | Schallenergiepegel (gemäß EN ISO 5395-1; EN ISO 5395-3) | Støjemissionsniveau (iht. EN ISO 5395-1; EN ISO 5395-3) |
| A-weighted sound pressure level   | Niveau de pression sonore pondéré-A                           | A-bewerteter Schalldruckpegel                           | A-vægtet lydtrykniveau                                  |
| Uncertainty   | Incertitude   | Unsicherheit  | Usikkerhed  |
| A-weighted sound power level  | Niveau de puissance sonore pondéré A                          | A-bewerteter SchalleLeistungspegel                      | A-vægtet lyd effektiveau                                |
| Uncertainty   | Incertitude   | Unsicherheit  | Usikkerhed  |

| Accessories  | Accessoires   | Zubehör   | Tilbehør  |
|--|---|---|---|
| Mulching Blades (for Mulching and Side Discharge)  | Lames de paillage (pour le paillage et la décharge latérale)  | Mulchmesser (zum Mulchen und zum seitlichen Auswerfen)  | Mulching klinger (til mulchering og sideudladning)  |
|  <b>WARNING!</b> Current attachments and accessories available for use with the product are listed above. Do not use any attachments or accessories not recommended by the manufacturer of the product. The use of attachments or accessories that are not recommended can result in serious personal injury. |  <b>AVERTISSEMENT!</b> Les équipements et accessoires actuellement disponibles à utiliser avec le produit sont répertoriés ci-dessus. N'utilisez pas de pièces ou accessoires autres que ceux recommandés par le fabricant pour cet appareil. L'utilisation de pièces ou accessoires non recommandés peut entraîner des risques de blessures graves. |  <b>WARNING!</b> Die für das Produkt verfügbaren aktuellen Aufsätze und Zubehörteile sind oben aufgeführt. Verwenden Sie nur vom Hersteller empfohlene Anbau- oder Zubehörteile für dieses Gerät. Die Verwendung von nicht empfohlenen Anbau- oder Zubehörteilen kann zu schweren Verletzungen führen. |  <b>ADVARSEL!</b> Ovenstående er der anført en liste over aktuelt tilbehør og ekstraudstyr, der er til rådighed til brug sammen med produktet. Brug ikke andre dele eller tilbehørsdele end dem, fabrikanten anbefaler til dette apparat. Hvis der anvendes ikke anbefalede dele eller tilbehørsdele, kan man komme alvorligt til skade. |

| Replacement parts    | Pièces de Rechange            | Ersatzteile             | Reserve dele      |
|----------------------|-------------------------------|-------------------------|-------------------|
| Mulch cover          | Couvercle de paillis          | Mulchmesser             | Tildækningsdæksel |
| Side discharge chute | Goulotte de décharge latérale | Seitlicher Auswurfkanal | Sideudkaststrø    |
| Front wheels         | Roues avant                   | Vorderräder             | Forhjul           |
| Rear wheels          | Roues arrière                 | Hinterräder             | Baghjul           |
| Battery              | Batterie                      | Akku                    | Batteri           |





| Svenska  | Suomi  | Norsk  |                          |
|--|--|--|--------------------------|
| <b>Produktspecifikationer</b>                            | <b>Tuotteen tekniset tiedot</b>                                  | <b>Produktspesifikasjoner</b>                        |                          |
| Äkgräsklippare   | Päättäajettava ruohonleikkuri                                    | Sitteklipper   |                          |
| Modell   | Malli  | Modell   | RY48RM76A                |
| Vægt   | Vekt   | Paino  | 178 kg                   |
| Motor  | Moottori   | Motor  | 48 V d.c.                |
| Hastighet utan belastning                                | Nopeus ilman kuormaa   | Tomgangshastighet                                    | 3800/min                 |
| Klippeffekt  | Leikkuun nimellisteho  | Nominell klippeffekt                                 | 850 W                    |
| Driveffekt   | Ajon nimellisteho  | Nominell motoreffekt                                 | 1000 W                   |
| Höjjusteringar   | Korkeussäädöt  | Høydejusteringer                                     | 35 cm - 115 cm           |
| Hjulstorlek  | Pyörän koko  | Hjulstørrelse:                                       |                          |
| Fram   | Edestä   | Foran  | 33 cm                    |
| Bak  | Taka   | Bak  | 40 cm                    |
| Däcktryck  | Rengaspaine  | Dekktrykk  | 1,4 bar                  |
| Klippstorlek   | Leikkuukoko  | Klippstørrelse                                       | 76 cm                    |
| Svängradie   | Kääntösäde   | Snuradius  | 41 cm                    |
| Maximal hastighet  | Suurin nopeus  | Maksimal hastighet                                   |                          |
| Framåt   | Eteen  | Framover   | 8,8 km/h                 |
| Bakåt  | Taaksepäin   | Bakover  | 4,0 km/h                 |
| Laddarmodell   | Laturin malli  | Lademodell   | OP48RM                   |
| Matning till laddare                                     | Laturin syöttö   | Lading   | 220-240 V a.c., 50/60 Hz |
| Laadarens uteffekt                                       | Laturin lähtö  | Ladereffekt  | 20-60 V d.c., 7,5-8 A    |
| Laddningstid   | Charge time  | Ladetid  | <12 H                    |
| Snabbloading (60%)                                       | Pikalataus (60%)   | Hurtiglading (60%)                                   | <6 H                     |
| Batteri  | Akku   | Batteri  | 6-EVF-50 (12 V, 50 Ah)   |
| Batterityp: Bly-syra                                     | Akkutyyppi: Lyijy-happo  | Batteritype: Bly-syre                                |                          |
| Mått   | Mitat  | Mål  | 224 x 135,5 x 177,5 mm   |
| Kitdetaljer  | Pakkaustiedot  | Settdetaljer   | 4 x 6-EVF-50             |
| Total vikt   | Kokonaispaino  | Totalvekt  | 60 kg                    |
| Vibrationsnivå (enligt EN ISO 5395-1; EN ISO 5395-3)     | Tärinätaaso (standardin EN ISO 5395-1; EN ISO 5395-3 mukaisesti) | Vibrasjonsnivå (iht. EN ISO 5395-1; EN ISO 5395-3)   |                          |
| Helkroppsvibrationer                                     | Koko kehon tärinä  | Vibrasjon, hele kroppen                              | 1,4 m/s <sup>2</sup>     |
| Hand-armvibration (ratt)                                 | Käden ja käsivarren tärinä (ohjauspyörä)                         | Vibrasjon, hånd-arm (ratt)                           | 1,0 m/s <sup>2</sup>     |
| Osäkerhet  | Epätarkkuus  | Usikkerhet   | 1,5 m/s <sup>2</sup>     |
| Bullerutsläppsnivå (enligt EN ISO 5395-1; EN ISO 5395-3) | Melutaso (standardin EN ISO 5395-1; EN ISO 5395-3 mukaisesti)    | Støyutslippsnivå (iht. EN ISO 5395-1; EN ISO 5395-3) |                          |
| A-vägd ljudtrycksnivå                                    | A-painotettu äänenpainetaso                                      | A-vektet lydtrykknivå                                | 88,4 dB(A)               |
| Osäkerhet  | Epätarkkuus  | Usikkerhet   | 3 dB                     |
| A-vägd ljudeffektsnivå                                   | A-painotettu äänenteho   | A-vektet lydeffektnivå                               | 96,2 dB(A)               |
| Osäkerhet  | Epätarkkuus  | Usikkerhet   | 0,92 dB                  |

| Tilbehør  | Lisälaitteet   | Tilbehør   |                 |
|---|--|--|-----------------|
| Mulchingblad (för mulching- och sidoutkast)   | Murskainterät (murskaamiseen ja sivulle poistoon)  | Freseblader (for fresing og sidetømming)   | RAC449 (997241) |
| <b>WARNING!</b> Aktuella tillbehör som är tillgängliga för användning med produkten listas ovan. Använd inga andra delar eller tillbehör än sådana som rekommenderas av tillverkaren för detta verktyg. Användning av icke rekommenderade delar eller tillbehör kan medföra risker för allvarliga skador. | <b>VAROITUS!</b> Nykyiset lisälaitteet ja lisävarusteet, joita tuotteen kanssa voidaan käyttää, on luettelu yllä. Älä käytä muita, kuin valmistajan tälle laitteelle suosittelemaa varaosia ja lisävarusteita. Muiden, kuin suositeltujen varaosien ja lisävarusteiden käyttö voi aiheuttaa vakavaa loukkaantumisaavaaraa. | <b>ADVARSEL!</b> Tilhengere og tilbehør som i dag er tilgjengelig for bruk med produktet er oppført nedenfor. Bruk ikke andre deler eller tilbehør enn de som anbefales av fabrikanten til dette apparatet. Bruken av deler eller tilbehør som ikke anbefales kan medføre fare for alvorlige personskader. |                 |

| Utbytesdelar  | Varaosat        | Erstatningsdeler |            |
|---------------|-----------------|------------------|------------|
| Mulchingskydd | Silppurin kansi | Bioklippdeksel   | 5131043771 |
| Sidoutkast    | Sivupoistokouru | Utkastertrakt    | 5131043772 |
| Framhjul      | Etupyörät       | Forhjul          | 5131042542 |
| Bakhjul       | Takapyörät      | Bakhjul          | 5131042543 |
| Batteri       | Akku            | Batteri          | 5131043773 |



## EN ⚠ WARNING

The declared vibration total values and the declared noise emission values given in this instruction manual have been measured in accordance with a standardised test and may be used to compare one tool with another. They may be used for a preliminary assessment of exposure.

The declared vibration and noise emission values represent the main applications of the tool. However, if the tool is used for different applications, used with different accessories, or poorly maintained, the vibration and noise emission may differ. These conditions may significantly increase the exposure levels over the total working period. An estimation of the level of exposure to vibration and noise should take into account the times when the tool is turned off or when it is running idle. These conditions may significantly reduce the exposure level over the total working period.

Identify additional safety measures to protect the operator from the effects of vibration and noise, such as maintaining the tool and the accessories, keeping the hands warm (in case of vibration), and organising work patterns.

## FR ⚠ AVERTISSEMENT

Le niveau total de vibrations et le niveau total d'émissions sonores déclarés indiqués dans ce manuel d'instruction ont été mesurés selon une méthode de test normalisée et peut servir de référence pour comparer les outils entre eux. Ils peuvent servir d'évaluation préliminaire à l'exposition.

Les niveaux d'émissions sonores et de vibrations déclarés représentent les principales applications de l'outil. Toutefois, si l'outil est utilisé pour des applications différentes ou des accessoires différents, ou s'il est mal entretenu, les vibrations émises peuvent varier. Ces facteurs pourraient augmenter considérablement les niveaux d'exposition sur la durée totale d'utilisation. Une estimation du niveau d'exposition aux vibrations et du bruit doit aussi prendre en compte les périodes durant lesquelles l'outil est éteint ou lorsqu'il fonctionne à vide. Ces facteurs pourraient réduire considérablement le niveau d'exposition sur la durée totale d'utilisation.

Identifiez toute mesure de sécurité supplémentaire à observer pour protéger l'opérateur des effets des vibrations et du bruit, comme l'entretien de l'outil et des accessoires, le maintien au chaud des mains (en cas de vibrations), et l'élaboration de schémas de pulvérisation.

## DE ⚠ WARNUNG

Die in dieser Anleitung deklarierten Gesamtwerte der Schwingungsemission und die deklarierten Werte der Geräuschemission wurden gemäß einer standardisierten Testmethode gemessen und können verwendet werden, um Werkzeuge miteinander zu vergleichen. Sie können für eine vorläufige Beurteilung der Belastung verwendet werden.

Die deklarierten Werte für Schwingungs- und Geräuschemission treffen auf die Hauptanwendung des Werkzeugs zu. Wenn jedoch das Werkzeug für verschiedene Anwendungen oder mit unterschiedlichem Zubehör genutzt wird oder schlecht gewartet ist, kann die Schwingungs- und Geräuschemission variieren. Diese Bedingungen können das Belastungsniveau über die gesamte Arbeitszeit deutlich steigern. Eine Schätzung der Schwingungsbelastung sollte auch die Zeiten berücksichtigen, in denen das Werkzeug ausgeschaltet ist oder im Leerlauf läuft. Diese Bedingungen können das Belastungsniveau über die gesamte Arbeitszeit deutlich reduzieren.

Legen Sie zusätzliche Sicherheitsmaßnahmen fest, um den Bediener vor den Auswirkungen von Schwingung und Geräuschen zu schützen, z. B. Warten des Geräts und der Zubehöreile, Warmhalten der Hände (bei Schwingung) und Organisieren der Tätigkeit.

## DA ⚠ ADVARSEL

Vibrations- og støjemissionsværdierne, der er angivet i denne vejledning er målt i overensstemmelse med en standardiseret test og kan bruges til at sammenligne et værktøj med et andet. De kan bruges til en foreløbig vurdering af udsættelse.

De angivne vibrations- og støjemissionsværdier repræsenterer værktøjets hovedanvendelser. Hvis værktøjet imidlertid anvendes til andre formål med forskelligt tilbehør eller er dårligt vedligeholdt, kan vibrations- og lydmissionen afvige. Disse forhold kan i væsentlig grad forøge udsættelsesniveauerne over den samlede arbejdsperiode. Et overslag over udsættelsesniveauet for vibrationer og støj bør også tage højde for de gange, hvor værktøjet er slukket, eller når det kører i tomgang. Disse forhold kan i betragteligt omfang reducere udsættelsesniveauet over den samlede arbejdsperiode.

Find yderligere sikkerhedsforanstaltninger, der kan beskytte operatøren mod virkningerne af vibrationer og støj, såsom vedligeholdelse af værktøjet og tilbehøret, holde hænderne varme (i tilfælde af vibrationer) og organisering af arbejdsmonstre.

## SV ⚠ VARNING

De angivna totala vibrations- och bulleremissionsvärdena som anges i denna instruktionsmanual har uppmätts i enlighet med ett standardiserat test och kan användas för att jämföra olika verktyg. De kan användas för en preliminär bedömning av exponering.

De angivna vibrations- och bulleremissionsvärdena representerar verktygets huvudsakliga användningsområden. Om verktyget emellertid används i andra tillämpningar, med andra tillbehör eller underhålls bristfälligt, kan vibrationer och bulleremission skilja sig från de angivna. Dessa förhållanden kan öka exponeringsnivåerna under den totala arbetsperioden avsevärt. En uppskattning av exponeringsnivån för vibrationer och buller bör även ta med i beräkningen de tider då verktyget är avstängt eller när det är igång men inte används i arbete. Dessa förhållanden kan minska exponeringsnivån under den totala arbetsperioden avsevärt.

Identifiera ytterligare säkerhetsåtgärder för att skydda operatören från effekterna av vibrationer och buller, såsom att underhålla verktyget och tillbehören, hålla händerna varma (i händelse av vibrationer) och organisera arbetsmönster.

## FI ⚠ VAROITUS

Tässä ohjekäsikirjassa tärinälle annettu kokonaisarvo tai ilmoitettu melupäästöarvo on mitattu standardoidun kokeen mukaisesti, ja niitä voidaan käyttää työkalujen vertaamiseen toisiinsa. Niitä voidaan käyttää altistumisen alustavaan arvioimiseen.

Ilmoitetut tärinä- ja melupäästöarvot koskevat työkalun pääkäyttötarkoituksia. Tärinäpäästö voi kuitenkin vaihdella, jos työkalua käytetään eri käyttötarkoituksiin, eri tarvikkeilla tai huonosti huollettuna. Mainitut olosuhteet saattavat nostaa altistumistasoa huomattavasti kokonaistyöajaksi. Tärinän ja melun altistumistason arviointi tulisi ottaa huomioon myös silloin, kun työkalu on kytketty pois päältä tai kun se on käynnissä, mutta sitä ei varsinaisesti käytetä. Mainitut olosuhteet saattavat vähentää huomattavasti altistumistasoa kokonaistyöajaksi.

Lisäturvatoimenpiteillä, kuten työkalun ja välinevarusteiden huoltamisella, käsiin lämpimänä pitämisellä (tärinän tapauksessa) ja työmaiden järjestämisellä, voit suojella käyttäjä tärinältä ja melulta.

## NO ⚠ ADVARSEL

De erklærte totale vibrasjonsverdiene og de erklærte støytstøpsverdiene gitt i denne brukerhåndboken har blitt målt i samsvar med en standardisert test og kan brukes til å sammenligne et verktøy med et annet. De kan brukes for en preliminær vurdering av eksponering.

De opplyste vibrasjons- og støytstøpsverdiene representerer verktøyet hovedbruksområder. Men hvis verktøyet brukes til ulike bruksområder, brukes med ulike tilbehør eller vedlikeholdet er dårlig, kan vibrasjons- og støytstøp være forskjellig. Disse forholdene kan øke eksponeringsnivået betraktelig i løpet av hele arbeidsperioden. En vurdering av eksponeringsnivået for vibrasjon og støy skal ta hensyn til de gangene verktøyet er slått av eller går på tomgang. Disse forholdene kan betydelig redusere eksponeringsnivået over den totale arbeidsperioden.

Identifiser ytterligere sikkerhetstiltak for å beskytte operatøren mot virkningene av vibrasjon og støy, slik som å vedlikeholde verktøyet og tilbehøret, holde hendene varme (i tilfelle vibrasjon) eller organisere arbeidsmønstre.

## EN RYOBI® WARRANTY APPLICATION CONDITIONS

In addition to any statutory rights resulting from the purchase, this product is covered by a warranty as stated below.

1. The warranty period is 12 months for the battery pack and 24 months for the mower. The warranty period commences on the date the product was purchased. This date has to be documented by an invoice or other proof of purchase. The product is designed and dedicated to consumer and private use only. So there is no warranty provided in case of professional or commercial use. This warranty applies only on new products.
2. There is a possibility to extend for a part of the range of power tools (AC/DC) the warranty period over the period described above using the registration on the [www.ryobitools.eu](http://www.ryobitools.eu) website. The eligibility of products for extended warranty is clearly displayed in stores and / or on packaging and is contained within the product documentation. The end user is required to register his/her newly-acquired products online within 30 days from the date of purchase. The end user may register for the extended warranty in his/her country of residence if listed on the online registration form where this option is valid. Furthermore, end users must give their consent to the storage of their personal data that is required to be entered online. They must also accept the terms and conditions. The registration confirmation receipt, which is sent out by e-mail, and the original invoice showing the date of purchase will serve as proof of the extended warranty.
3. The warranty covers all defects of the product during the warranty period due to faults in workmanship or material at the purchase date. The warranty is limited to repair and/or replacement and does not include any other obligations including but not limited to incidental or consequential damages. The warranty is not valid if the product has been misused, used contrary to the instruction manual, or has been incorrectly connected to a power supply. This warranty does not apply to:
  - any damage to the product that is the result of improper or lack of maintenance
  - any product that has been altered or modified
  - any product where original identification (trade mark, serial number) markings have been defaced, altered or removed
  - any damage caused by non-observance of the instruction manual
  - any product not displaying the CE approval mark on the rating plate
  - any product that has been attempted to be repaired by a non-authorised warranty service centre or without prior authorisation by Techtronic Industries
  - any product connected to improper power supply (amps, voltage, frequency)
  - any product used with inappropriate fuel mixture (fuel, oil, ratio of oil / fuel mixture)
  - any damage caused by external influences (water, chemical, physical, shocks) or foreign substances
  - normal wear and tear spare parts
  - inappropriate use, overloading of the tool
  - use of non-approved accessories or parts
  - Accessories provided with the tool or purchased separately including but not limited to blades, saw chains, cutting lines, etc.
  - Any periodic adjustments to or maintenance cleaning of carburetors
  - Components (parts and accessories) subject to natural wear and tear, including but not limited to bump knobs, drive belts, clutch, blades of hedge trimmers or lawn mowers, harness, cable throttle, carbon brushes, power cord, tines, felt washers, hitch pins, blower fans, blower and vacuum tubes, vacuum bag and straps, guide bars, saw chains, hoses, connector fittings, spray nozzles, wheels, spray wands, inner reels, outer spools, cutting lines, spark plugs, air filters, gas filters, mulching blades, etc.
4. For servicing, the product must be sent or presented to a RYOBI authorised service station listed for each country in the following list of service station addresses. In some countries your local RYOBI dealer undertakes to send the product to the RYOBI service organisation. When sending a product to a RYOBI service station, the product should be safely packed without any dangerous contents such as petrol, marked with sender's address and accompanied by a short description of the fault.
5. A repair / replacement under this warranty is free of charge. It does not constitute an extension or a new start of the warranty period. Exchanged parts or products become our property. In some countries delivery charges or postage will have to be paid by the sender. Your statutory rights arising from the purchase of the product remain unaffected.
6. This warranty is valid in the European Community, Switzerland, Iceland, Norway, Liechtenstein, Turkey, Russia, and the United Kingdom. Outside these areas, please contact your authorised RYOBI dealer to determine if another warranty applies.

### AUTHORISED SERVICE CENTRE

Any request or issue with the product can be addressed to your local authorised service centres (visit [www.ryobitools.eu](http://www.ryobitools.eu)) or directly to: Techtronic Industries GmbH, Max Eyth Straße 10, 71364 Winnenden, Germany. Please state the serial number and product type printed on the label.

## FR RYOBI® CONDITIONS D'APPLICATION DE LA GARANTIE

En plus des droits statutaires liés à l'achat, ce produit est couvert par une garantie telle que décrite ci-dessous.

1. La période de garantie est de 12 mois pour le bloc-batterie et de 24 mois pour la tondeuse. La période de garantie pour les clients commence à la date d'achat du produit. Cette date doit être authentifiée par une facture ou tout autre preuve d'achat. Le produit a été conçu en vue d'une utilisation strictement privée. Aucune garantie ne s'applique donc en cas d'utilisation professionnelle ou commerciale.
2. Il existe pour une partie de la gamme « jardin » (AC/DC), une possibilité d'étendre la période de garantie au-delà de la période précédemment décrite en utilisant le formulaire d'enregistrement présent sur le site Internet [www.ryobitools.eu](http://www.ryobitools.eu). L'éligibilité d'un outil est clairement affichée dans les points de vente et/ou sur l'emballage et la documentation. L'utilisateur final doit enregistrer son/ses outil(s) nouvellement acheté(s) en ligne dans les 30 jours qui suivent la date d'achat. L'utilisateur a la possibilité de s'enregistrer pour l'extension de garantie dans son pays de résidence si celui-ci est listé dans le formulaire d'enregistrement en ligne où cette option est valide. L'utilisateur final doit donner son consentement pour l'enregistrement des données requises pour accéder au site et doit accepter les termes et conditions. La confirmation d'enregistrement, envoyée par courrier électronique, ainsi que la facture originale mentionnant la date d'achat serviront de preuve de l'extension de garantie.
3. La garantie couvre pendant la période de garantie les défauts des produits liés à la fabrication et aux matériaux à la date d'achat. La garantie est limitée à la réparation et/ou au remplacement et n'inclut aucune autre obligation, tel que, mais sans s'y limiter, les dommages accessoires ou indirects. La garantie est non valable en cas de mauvaise utilisation du produit, d'utilisation contraire aux instructions du mode d'emploi, ou en cas de branchement incorrect. Cette garantie ne s'applique pas pour :
  - tout dommage au produit résultant d'un mauvais entretien
  - tout produit ayant été altéré ou modifié
  - tout produit dont les marquages originaux d'identification (marque, numéro de série) ont été dégradés, altérés ou retirés
  - tout dommage causé par le non-respect des instructions du mode d'emploi
  - tout produit non CE
  - tout produit ayant subi une tentative de réparation par du personnel non qualifié ou sans autorisation préalable de Techtronic Industries
  - tout produit raccorder à une alimentation secteur non conforme (ampérage, voltage, fréquence)
  - tout produit utilisé avec un mélange inapproprié (essence, huile, pourcentage d'huile)
  - tout dommage causé par des influences extérieures (chimiques, physiques, chocs) ou par des substances étrangères
  - l'usure normale des pièces consommables
  - une utilisation inappropriée, une surcharge de l'outil
  - l'utilisation de pièces ou accessoires non agréés
  - Tout réglage périodique ou tout nettoyage de maintenance des carburateurs
  - les composants (pièces et accessoires) sujets à une usure naturelle, incluant de façon non exhaustive les têtes de fil à frapper, les courroies de transmission, les embrayages, les lames des taille-haies ou des tondeuses à gazon, les harnais, les câbles d'accélérateur, les charbons, les cordons d'alimentation, les fraises de cultivateurs, les rondelles feutre, les goupilles de fraise, les turbines et lame de broyage des souffleurs, les tubes de soufflage et d'aspiration des souffleurs, les sacs de souffleurs et leurs lanières, les guides-chaîne, les chaînes de tronçonneuses, les tuyaux et raccords, les buses et lances de nettoyeurs haute pression, les roues, les recharges de fil des têtes de coupe, les têtes de coupe, le fil de coupe, les bougies d'allumage, les filtres à air, les filtres à essence, etc.
4. Si le produit doit être réparé, envoyez-le à un service après-vente agréé RYOBI dont vous trouverez ci-dessous la liste pour chaque pays. Dans certains pays, votre revendeur RYOBI se chargera d'envoyer le produit à un centre de réparation RYOBI. Lorsque vous envoyez un produit à un service après-vente RYOBI, celui-ci doit être correctement emballé, sans contenir aucun produit dangereux tel que de l'essence, et vous devez indiquer votre adresse ainsi qu'une courte description du problème.
5. Une réparation / un remplacement sous garantie est gratuit(e). Ceci ne constituera pas une extension de garantie ni un nouveau départ de la période de garantie. Les pièces ou les outils remplacés deviennent notre propriété. Dans certains pays, les frais de port devront être assumés par l'expéditeur. Vos droits statutaires restent inchangés.
6. Cette garantie est valable dans la Communauté européenne, la Suisse, l'Islande, la Norvège, le Liechtenstein, la Turquie, la Russie et le Royaume-Uni. En dehors de ces zones, veuillez contacter votre distributeur agréé RYOBI pour déterminer si une autre garantie s'applique.

### SERVICE APRÈS-VENTE AGRÉÉ

Toute demande ou tout problème concernant le produit peut être transmis à votre centre de réparation agréé local (consultez [www.ryobitools.eu](http://www.ryobitools.eu)) ou directement à : Techtronic Industries GmbH, Max Eyth Straße 10, 71364 Winnenden, Germany. Veuillez mentionner le numéro de série et le type de produit imprimé sur l'étiquette.

## DE RYOBI® GARANTIEBEDINGUNGEN

Zusätzlich zu den gesetzlichen Rechten aus dem Kauf gilt für dieses Produkt die nachstehend aufgeführte Garantie.

- Der Garantiezeitraum beträgt 12 Monate für den Akku und 24 Monate für den Rasenmäher. Der Garantiezeitraum beginnt mit dem Datum, an dem das Gerät erworben wird. Dieses Datum muss durch eine Rechnung oder einen anderen Kaufbeleg dokumentiert werden. Dieses Produkt wurde ausschließlich zur privaten Nutzung durch Verbraucher entwickelt. Für den Fall einer professionellen bzw. kommerziellen Nutzung besteht daher keine Garantie.
- Es besteht die Möglichkeit, für einen Teil des Sortiments der Gartenwerkzeuge (AC/DC) den Garantiezeitraum über den oben genannten Zeitraum hinaus zu verlängern, indem der Verbraucher die Registrierung auf der Website [www.ryobitools.eu](http://www.ryobitools.eu) durchführt. Die Berechtigung der Werkzeuge für die Garantieverlängerung ist deutlich im Geschäft und/oder auf der Verpackung beschrieben und in der Produktdokumentation erwähnt. Der Verbraucher muss das neu erworbene Gerät online innerhalb von 30 Tagen ab dem Kaufdatum registrieren. Der Verbraucher kann das Gerät zwecks Garantieverlängerung in seinem Wohnsitzland/Heimatland registrieren, wenn dieses Land auf dem Online-Registrierungsformular aufgeführt und die Option gültig ist. Darüber hinaus muss der Verbraucher seine Zustimmung zur Speicherung der Daten geben, die online eingegeben werden müssen, und er muss die allgemeinen Geschäftsbedingungen akzeptieren. Die Bestätigung der Registrierung, die per E-Mail versandt wird, und die Originalrechnung mit dem Kaufdatum gelten als Beleg für die Garantieverlängerung.
- Die Garantie deckt alle Defekte des Geräts während des Garantiezeitraums ab, die auf zum Zeitpunkt des Kaufs bestehende Verarbeitungs- oder Materialfehler zurückzuführen sind. Die Garantie beschränkt sich auf Reparatur und/oder Ersatz und beinhaltet keine anderen Verpflichtungen, insbesondere keinen Schadenersatz für Folge- oder Nebenschäden. Die Garantie gilt nicht, wenn das Gerät fehlerhaft eingesetzt wurde, gegensätzlich zur Bedienungsanleitung eingesetzt wurde oder falsch angeschlossen wurde. Die Garantie gilt nicht für Folgendes:
  - Schäden am Gerät, die auf unkorrekte Wartung zurückzuführen sind
  - Geräte, an denen Veränderungen vorgenommen wurden
  - Produkte, bei denen die ursprüngliche Identifizierung (Handelsmarke, Seriennummer) unleserlich gemacht, verändert oder entfernt wurde
  - Schäden durch Nichtbeachtung der Bedienungsanleitung
  - nicht-CE-zertifizierte Geräte
  - Geräte, an denen durch nicht-qualifizierte Personen oder ohne vorherige Genehmigung von Technonic Industries Reparaturversuche vorgenommen wurden
  - Geräte, die an unkorrekte Energiequellen (Ampere, Volt, Frequenz) angeschlossen wurden
  - Geräte, die mit einer fehlerhaften Treibstoffmischung (Treibstoff, Öl, Ölanteil) betrieben wurden
  - Schäden durch äußere Einflüsse (chemisch, physisch, Stöße) oder Fremdstoffe
  - normaler Verschleiß von Ersatzteilen
  - unangemessene Nutzung, Überlastung des Geräts
  - Nutzung nicht genehmigter Zubehörteile oder Ersatzteile
  - Regelmäßige Einstellung oder Wartungsreinigung des Vergasers
  - Komponenten (Ersatzteile und Zubehörteile), die natürlichem Verschleiß unterliegen, einschließlich, aber nicht begrenzt auf Service- und Wartungssets, Kohlebürsten, Lager, Spannvorrichtungen, SDS-Bohreraufnahme /Bit-Adapter, Netzkabel, Zusatzhandgriff, Transportkoffer, Schleifplatten, Staubbeutel, Staubabführungen, Filzunterlegscheiben, Bolzen und Federn von Schlagschraubern, einschließlich, aber nicht beschränkt auf Fadenköpfe, Antriebsriemen, Kupplungen, die Klängen von Heckenscheren oder Rasenmähern, Kabelstränge, Gaszüge, Zinken, Steckbolzen, Lüfter, Saug- und Gebläseöhrer oder Düsen, Fangsäcke und Gurte, Führungsschienen, Sägekettens, Schläuche, Verbinder, Sprühdüsen, Räder, Sprühstäbe, innere Rollen, äußere Spulen, Schneidfäden, Zündkerzen, Luftfilter, Benzin-/ Ölfilter, Häcksel-Messer usw.
- Zum Service muss das Gerät zu einer von RYOBI autorisierten Servicestation gebracht oder dorthin gesendet werden. Die Servicestationen für die einzelnen Länder sind in der folgenden Liste aufgeführt. In einigen Ländern sendet Ihr RYOBI-Händler vor Ort das Gerät an das RYOBI-Serviceunternehmen. Beim Einsenden an die RYOBI-Service-Station sollte das Gerät sicher verpackt sein, ohne gefährliche Inhalte wie Benzin, und es sollte mit der Adresse des Absenders und einer kurzen Beschreibung des Fehlers versehen sein.
- Eine Reparatur bzw. ein Ersatz gemäß dieser Garantie ist kostenlos. Hieraus ergibt sich weder eine Garantieverlängerung noch der Beginn eines neuen Garantiezeitraums. Die ausgetauschten Ersatzteile oder Werkzeuge gehen in unser Eigentum über. In einigen Ländern müssen die Zustellgebühren oder die Versandkosten vom Absender gezahlt werden. Ihre gesetzlichen Rechte aus dem Kauf des Geräts bleiben hiervon unberührt.
- Diese Garantie ist gültig in der Europäischen Gemeinschaft, der Schweiz, Island, Norwegen, Liechtenstein, der Türkei, Russland und dem Vereinigten Königreich. Bitte wenden Sie sich außerhalb dieser Gebiete an Ihren autorisierten RYOBI-Händler, um festzustellen, ob eine andere Garantie gilt.

### AUTORISIERTER KUNDENDIENST

Bitte wenden Sie sich bei Fragen zum oder Problemen mit dem Gerät an das örtliche autorisierte Servicecenter (siehe [www.ryobitools.eu](http://www.ryobitools.eu)) oder direkt an: Technonic Industries GmbH, Max Eyth Straße 10, 71364 Winnenden, Germany. Bitte geben Sie die Seriennummer und den auf dem Typenschild aufgedruckten Gerätetyp an.

## DA RYOBI® BETINGELSER FOR GARANTI

Udover lovbestemte rettigheder, som resulterer af købet, er dette produkt dækket af en garanti, som anført herunder.

- Garantiperioden er 12 måneder for batteripakken og 24 måneder for plæneklypperen. Garantiperioden træder i kraft på produktets købsdag. Garantiperioden er 24 måneder for forbrugere og begynder på den dato, som produktet blev købt. Denne dato skal dokumenteres af en faktura eller andet bevis for køb. Produktet er udelukkende designet og dedikeret til forbrugere og privat brug. Så der ydes ingen garanti i tilfælde af professionel eller kommerciel brug.
- Der er en mulighed for at forlænge garantiperioden for en del af udvalget af haveværtøj (AC/DC), hen over den ovenfor beskrevne periode vha. registrering på hjemmesiden [www.ryobitools.eu](http://www.ryobitools.eu). Betingelsen af værktøjet til forlængelse af garantiperioden er tydeligt vist i butikker og/eller på emballage og indeholdt i produktdokumentationen. Slutbrugeren skal registrere hans/hendes nyligt indkøbte værktøj online indenfor 30 dage efter købsdatoen. Slutbrugeren kan registrere sig for den forlængede garanti i sit land, hvis han/hun er optørt på den online registreringsformular, hvor denne mulighed er gyldig. Derudover skal slutbrugere give deres samtykke til at opbevare data, som er påkrævet til indtaste online, og de er nødt til at acceptere vilkår og betingelser. Registreringsbekræftelseskvitteringen, som sendes ud på e-mail, og den originale faktura, som viser købsdatoen, vil fungere som bevis for den forlængede garanti.
- Garantien dækker alle defekter, som et produkt måtte have i løbet af garantiperioden, og som skyldes produktionsfejl eller materialefejl på købsdatoen. Garantien er begrænset til reparation og/eller udskiftning og inkluderer ikke andre forpligtelser, inklusiv men ikke begrænset til tilfældige skader eller følgeskader. Garantien er ugyldig, hvis produktet er blevet misbrugt, brugt uden at overholde vejledningen, eller det er blevet forkerk tilsluttet. Denne garanti gælder ikke:
  - Beskadigelse af produktet, som er et resultat af uegnet vedligeholdelse
  - Et produkt der er blevet ændret eller modificeret
  - Et produkt hvor de originale identifikationsmærkninger (varemærke, serienummer) er blevet ødelagt, ændret eller fjernet.
  - Enhver beskadigelse forårsaget af manglende overholdelse af vejledningen
  - Ethvert ikke CE-produkt
  - Ethvert produkt som er blevet forsøgt repareret af en ukvalificeret professionel eller uden tidligere autorisation af Technonic Industries.
  - Ethvert produkt som er tilsluttet uegnet strømforsyning (ampere, spænding, frekvens)
  - Ethvert produkt som bruges med uegnet brændstofblanding (brændstof, olie, procentdel olie)
  - Enhver skade forårsaget af ekstern påvirkning (kemisk, fysisk, chok) eller fremmedelementer
  - Normal slid på reservedele
  - Uegnet brug, overbelastning af værktøjet
  - Brug af ikke-godkendt tilbehør eller dele
  - Alle regelmæssige justeringer eller vedligeholdelsesrengøring af karburatorer
  - Komponenter (dele og tilbehør) som er udsat for naturlig slid og ælde, inklusiv men ikke begrænset til drejeknapper, drivrem, greb, klinger til hækkeklimmere eller plæneklyppere, seje, kabel gasspæjld, kulborster, elledning, tænder, filtskiver, ophængstapper, blæseventilatorer, blæser- og sugeslang, sugespøse og stropper, styrestrenger, savkæder, slanger, forbindelsespakninger, sprøjtedyser, hjul, sprøjtestave, indvendige ruller, udvendige ruller, udvendige spoler, skærelinjer, tændrør, luftfilter, gasfilter, tildækningsblade etc.
- For eftersyn skal produktet sendes til eller præsenteres for en RYOBI- autoriseret service værksted, som er oplyst for hvert land i den følgende liste over service værksted adresser. I nogle lande påtager din lokale RYOBI-forhandler sig ansvaret for at sende produktet til RYOBI-serviceorganisationen. Når et produkt sendes til en RYOBI-service værksted, skal det pakkes sikkert ind uden noget farligt indhold som benzin, mærkes med afsenderens adresse og med en kort beskrivelse af fejlen.
- En reparation/erstatning under denne garanti er gratis. Den udgår ikke en forlængelse eller en ny start på garantiperioden. Udvekslede dele eller værktøjer bliver vores ejendom. I nogle lande skal leveringsafgifter eller porto betales af afsenderen. Dine lovbestemte rettigheder i forbindelse med købet forbliver uafægtede
- Denne garanti gælder i EU, Schweiz, Island, Norge, Liechtenstein, Tyrkiet, Rusland og Storbritannien. Udover disse områder bedes du kontakte din autoriserede RYOBI-forhandler for at afgøre, om en anden garanti gælder.

### AUTORISEREDE SERVICE/ÆRKSTEDER

Enhver anmodning eller problem angående produktet kan adresseres til dine lokale autoriserede servicecentre (gå ind på [www.ryobitools.eu](http://www.ryobitools.eu)) eller direkte til: Technonic Industries GmbH, Max Eyth Straße 10, 71364 Winnenden, Germany. Angiv serienummer og produkttype, der er trykt på etiketten.

## SV RYOBI® ANVÄNDNINGSVILLKOR FÖR GARANTI

Förutom eventuella lagstadgade rättigheter som uppstår genom köpet, täcks den här produkten av en garanti som anges nedan.

- Garantiperioden är 12 månader för batteripaketet och 24 månader för gräsklipparen. Garantiperioden börjar gälla från produktens inköpsdatum. Detta datum måste dokumenteras på en faktura eller annat köpbevis. Produkten är utformad och avsedd för konsumenter och privat bruk. Därmed tillhandahålls ingen garanti vid yrkesmässigt eller kommersiellt bruk.
- Det finns möjlighet att förlänga garantiperioden för en del av utbudet för trädgårdsverktyg (AC/DC) under den period som anges ovan genom att använda registreringen på webbplatsen [www.ryobitools.eu](http://www.ryobitools.eu). De verktyg som är berättigade till en förlängning av garantiperioden visas tydligt i butik och/eller på förpackningen/och anges i produktdokumentationen. Slut användaren behöver registrera hans/hennes nyförvärvade verktyg online inom 30 dagar från köpdatumet. Slut användaren kan registrera sig för den förlängda garantin i det land där han/hon bor om landet finns angivet i registreringsformuläret online och där detta alternativ är giltigt. Dessutom måste slut användaren ge sitt medgivande till lagring av data vilket krävs vid registrering online samt acceptera villkoren. Bekräftelsekvittot för registreringen som skickas ut via e-post och originalfakturan som visar köpdatumet kommer att gälla som bevis för den förlängda garantin.
- Garantin täcker alla produktdefekter under garantiperioden som beror på brister i utförande eller material vid köpdatumet. Garantin är begränsad gällande reparation och/eller utbyte och inkluderar inte några skyldigheter inklusive men inte begränsat till oförutsedda skador eller följdskador. Garantin är inte giltig om produkten har missbrukats, använts i strid med bruksanvisningen eller inte anslutits på rätt sätt. Denna garanti täcker inte:
  - eventuella skador på produkten som uppstått till följd av felaktigt underhåll
  - produkter som har ändrats eller modifierats
  - produkter där ursprungliga identifieringsmärkningar (varumärke, serienummer) har målats över, ändrats eller tagits bort
  - eventuella skador som uppstått till följd av att bruksanvisningen inte efterföljts
  - alla icke CE-produkter
  - eventuella produkter som har försökts repareras av en icke-kvalificerad yrkesman eller utan föregående medgivande från Technronic Industries.
  - eventuella produkter som anslutits till felaktig strömförsörjning (ampere, volt, frekvens)
  - eventuella produkter som använts med olämplig bränsleblandning (bränsle, olja, oljeprocent)
  - eventuella skador som uppstått till följd av yttre påverkan (kemisk, fysisk, stötar) eller främmande ämnen
  - normalt slitage av reservdelar
  - olämplig användning, överbelastning av verktyget
  - användningen av icke-godkända tillbehör eller delarEventuella periodiska justeringar av eller vid underhållsrengöring av förgasare
- Komponenter (delar och tillbehör) är föremål för naturligt slitage, inklusive men inte begränsat till tryckknappar, drivremmar, koppling, blad till kantrimrar eller gräsklippare, sele, gasreglagevajer, kolborstar, strömstadd, spetsar, filterbrickor, kopplingsprint, blåsflikt, blås- och sugrör, sugåse och remmar, styrskenor, sägkedjor, slangar, anslutningsdonrördel, spraymunstycken, hjul, spraystavar, innerskruvar, ytterskruvar, skärblad, tandstift, luftfilter, gasfilter, sönderdelningsblad osv.
- Vid service måste produkten skickas eller uppvisas för en RYOBI- auktoriserad servicestation som står angiven för varje land i följande adresslista över servicestationer. I vissa länder tar din lokala RYOBI-återförsäljare på sig ansvaret att skicka produkten till RYOBI- serviceorganisationen. När en produkt skickas till en RYOBI-servicestation, ska produkten paketeras säkert utan något farligt innehåll såsom bensin, markeras med avsändarens adress samt en kort beskrivning av felet.
- En reparation/ett utbyte under denna garanti är kostnadsfri. Det utgör inte en förlängning eller förnyelse av garantiperioden. Utbyta delar eller verktyg blir vår egendom. I vissa länder måste leveranskostnader eller porto betalas av avsändaren. Dina lagstadgade rättigheter som härrör från köpet av verktyget förblir opåverkade
- Denna garanti är giltig i Europeiska gemenskapen, Schweiz, Island, Norge, Liechtenstein, Turkiet, Ryssland och Storbritannien. Utanför dessa länder, kontakta din auktoriserade RYOBI-återförsäljare för att avgöra om en annan garanti gäller.

### AUKTORISERAT SERVICECENTER

Varje begäran eller problem avseende produkten kan adresseras till ditt lokala auktoriserade servicecenter (besök [www.ryobitools.eu](http://www.ryobitools.eu)) eller direkt till: Technronic Industries GmbH, Max Eyth Straße 10, 71364 Winnenden, Germany. Ange serienumret och produkttypen som anges på etiketten.

## FI RYOBI®-TAKUUN SOVELTAMISEHDOT

Tällä tuotteella on oston luomien lakisäästeiden oikeuksien ohella alla mainitut mukainen takuu.

- Akkupakkauksen takuuaika on 12 kk, ruohonleikkurin 24 kk. Takuuaika alkaa ostopäivästä. Tämän päivämäärän tulee lukea laskussa tai muussa ostositteessä. Tuote on suunniteltu ja tarkoitettu vain kuluttajien ja yksityiseen käyttöön. Takuu ei siis kata ammatti- eikä kaupallista käyttöä.
- Joidenkin puutarhatyökalujen (AC/DC) takuun kestoa on mahdollista laajentaa yllä mainittua kestoa pidemmäksi verkosivuston [www.ryobitools.eu](http://www.ryobitools.eu) rekisteröinnin kautta. Työkalujen kelpoisuus takuujakson laajennukseen näkyy selkeästi myymälöissä ja/tai pakkauksissa ja/tai tämä tieto sisältyy tuotetodokumentaation. Loppukäyttäjän täytyy rekisteröidä vasta hankitut työkalut internetissä 30 päivän kuluessa ostopäivämäärästä. Loppukäyttäjää voi rekisteröidä laajennettuun takuun kotimaassaan, jos se on luettuna online-rekisteröintilomakkeessa, jossa mainitaan, missä tämä vaihtoehto on voimassa. Loppukäyttäjien täytyy lisäksi hyväksyä tietojen tallennus, jotka heidän täytyy antaa online-tilassa sekä ehdot. Rekisteröinnin vahvistuskuitti, joka lähetetään sähköpostitse, ja alkuperäinen ostopäivämäärän ilmaiseva lasku toimivat laajennettuun takuun tositteina.
- Takuu kattaa kaikki tuotteeseen takuuaikana tulevat viat, joiden aiheuttajina ovat tuotteessa ostopäivänä olleet valmistus- tai materiaaliviat. Takuu on rajoitettu korjaukseen ja/tai vaihtoon eikä se sisällä mitään muita velvoitteita mukaan lukien jatkuvan suunnais- ja seuranaisvahinkoja, mutta rajoittumatta niihin. Takuu ei päde, jos tuotetta on käytetty väärin, käyttöohjeen vastaisesti tai jos se on liitetty virheellisesti. Tämä takuu ei kata:
  - virheellisestä huollosta johtuvia vaurioita
  - muunnettua tai muutettua tuotetta
  - tuotetta, jonka alkuperäiset tunnistemerkinnät (tavaramerkki, sarjanumero) on turmeltu, muutettu tai poistettu
  - tämän käyttöoppaan laiminlyönnistä johtuvia vaurioita
  - ei-CE-tuotetta
  - tuotetta, jota on yritetty korjata epäpätevä ammattilainen tai joka on korjattu ilman Technronic Industriesin ennakkolupaa.
  - tuotetta, joka on liitetty virheelliseen teholahteeseen (ampeirit, jännite, taajuus)
  - tuotetta, jossa on käytetty väärää polttoaineseosta (polttoaine, öljy, öljyprosentti)
  - ulkoisten vaikutusten (kemiallinen, fyysinen, iskut) tai vieraiden aineiden aiheuttamaa vauriota
  - normaaleja kulumia vараasia
  - virheellistä käyttöä, työkalun ylikuormitusta
  - ei-hyväksytyjen tarvikkeiden tai osien käyttöä
  - Kaasutintien säännöllistä säätöä tai ylläpidäviä puhdistuksiaLuonnollisesti kulumia komponentteja (osia tai tarvikkeita), joihin sisältyvät puskunupit, käyttöshinat, kytkin, pensasleikkurien tai ruohonleikkurien terät, valjaat, kaasuvaijeri, hiiharajat, virtajohto, piikit, huopatiivisteet, sokkatapit, puhallintuulettimek, puhallin- ja imupukit, imurien säkit ja hinnat, terälevyt, sanhankejut, letkut, liitososat, suihkusuittimet, pyörät, ruiskutusputket, sisä- ja ulkokelat, leikkusuimmat, hehkutusputket, ilmansuodattimet, kaasusuodattimet, siipputerät yms. näihin kuitenkaan rajoittumatta.
- Tuote on lähetettävä huollettavaksi valtuutettuun RYOBI-huoltoon tai näytettävä siellä. Niiden ositteet kussakin maassa löytyvät seuraavasta luettelosta. Joissakin maissa paikallinen RYOBI-jälleenmyyjä huolehtii tuotteen lähetyksestä RYOBI-huolto-organisaatioon. Kun tuote lähetetään RYOBI-huoltoon, se täytyy pakata hyvin ilman vaarallisia aineita, kuten polttoainetta, ja pakkaukseen täytyy merkitä lähettäjän nimi sekä vian lyhyt kuvaus.
- Takuun kattama korjaus/vaihto on maksuton. Se ei tarkoita takuuajan laajennusta tai alkamista alusta. Vaihdetut osat tai työkalut siirtyvät valmistajan omistukseen. Joissakin maissa lähettäjän täytyy maksaa lähetyskustannukset tai postikulut. Työkalun oston luomat lakisäästeiset oikeudet pysyvät koskemattomina
- Tämä takuu on voimassa Euroopan yhteisössä, Sveitsissä, Islannissa, Norjassa, Liechtensteinissä, Turkissa, Venäjällä ja Yhdistyneessä kuningaskunnassa. Ota näiden alueiden ulkopuolella yhteyttä omaan valtuutettuun RYOBI-jälleenmyyjään ja selvitä, onko jotain muuta takuuta.

### VALTUUTETTU HUOLTO

Kaikki tuotteeseen liittyvät pyynnöt ja kysymykset voidaan osoittaa paikallisille valtuutetuille huoltoilikoille (katso [www.ryobitools.eu](http://www.ryobitools.eu)) tai suoraan osoitteeseen: Technronic Industries GmbH, Max Eyth Straße 10, 71364 Winnenden, Germany. Ilmoita tarraan painettu sarjanumero ja tuotetyyppi.

## **NO** RYOBI® GARANTIBETINGELSER

I tillegg til eventuelle lovbestemte rettigheter som følger av kjøpet, er dette produktet dekket av en garanti som angitt nedenfor.

1. Garantiperioden er 12 måneder for batteripakken og 24 måneder for gressklipperen. Garantitiden gjelder fra produktets kjøpsdato. Denne datoen skal dokumenteres med en faktura eller annet kjøpsbevis. Produktet er designet og beregnet kun til konsument- og privat bruk. Så det gis ingen garanti ved profesjonell eller kommersiell bruk.
2. For en del av utvalget av hageverktøy (AC/DC) er det mulighet til å utvide garantiperioden i den perioden som er beskrevet ovenfor ved bruk av registreringer på nettsidene [www.ryobitools.eu](http://www.ryobitools.eu). Kvalifiseringen av verktøyene for en utvidelse av garantiperioden er tydelig vist i butikker og/eller på pakningen / og finnes innen produktdokumentasjonen. Sluttbrukeren må registrere sine nylig anskaffede verktøy online innen 30 dager etter kjøpsdato. Sluttbrukeren kan registrere seg for den utvidede garantien i sitt land hvis det er opplistet på online registreringsskjemaet der dette alternativet er gyldig. Videre må sluttbrukere gi sitt samtykke til oppbevaring av dataene som kreves for å gå online, og de må godta vilkår og betingelser. Registreringsbekreftelsen, som sendes ut på e-post, og den originale fakturaen som viser kjøpsdato, vil tjene som bevis for den utvidede garantien.
3. Garantien dekker alle defekter i produktet under garantiperioden på grunn av defekter i utførelse eller materiale på kjøpsdato. Garantien er begrenset til å reparere og/eller erstatte og inkluderer ikke noen andre forpliktelser, inkludert, men ikke begrenset til, tilfeldige eller følgesmessige skader. Garantien er ikke gyldig hvis produktet har blitt misbrukt, brukt på annen måte enn det som beskrives i bruksanvisningen eller er koblet til på feil måte. Denne garantien gjelder ikke for:
  - enhver skade på produktet som er resultat av utilstrekkelig vedlikehold
  - ethvert produkt som har blitt endret eller modifisert
  - ethvert produkt der de originale identifiseringsmerkene (varemerke, serienummer) har blitt uleselig, er endret eller fjernet
  - enhver skade som forårsakes av ikke-overholdelse av instruksjonshåndboken
  - ethvert ikke-CE-produkt
  - ethvert produkt som har blitt forsøkt reparert eller av en ikke-kvalifisert fagperson eller uten tidligere autorisasjon fra Techtronic Industries.
  - ethvert produkt tilkoblet feil strømforsyning (ampere, spenning, frekvens)
  - ethvert produkt som brukes med feil drivstoffblanding (drivstoff, olje, prosentandel olje)
  - enhver skade som er forårsaket av eksterne påvirkninger (kjemiske, fysiske, støt) eller fremmede stoffer
  - normal slitasje og slitereservedeler
  - feil bruk, overbelastning av verktøyet
  - bruk av ikke-godkjent tilbehør eller deler
  - Eventuelle periodiske justeringer av eller vedlikeholdsrengjøring av forbrennere
  - Komponenter (deler og tilbehør) som er underlagt naturlig slitasje, inkludert, men ikke begrenset til, bulkknøtter, driveimer, clutch, blader på hekktrimmere eller gressklippere, seler, kabelspjeld, karbonbørster, strømledning, kniver, feltpakninger, heispinner, blåseviser, blåse- og vakuumslinger, vakuumpose og reimer, førerstenger, sagkjeder, strømpær, koblingsmonteringer, spraydyser, hjul, spraystenger, indre spoler, ytre spoler, kuttelinjer, tennplugg, luftfiltre, gassfiltre, mulchingblader osv.
4. For service må produktet sendes eller fremlegges for en RYOBI- autorisert servicestasjon opplistet for hvert land i den følgende listen over servicestasjonsadresser. I noen land sender den lokale RYOBI-forhandleren produktet til RYOBI serviceorganisasjonen. Ved å sende et produkt til en RYOBI servicestasjon skal produktet være sikkert pakket uten noe farlig innhold, slik som bensin, merket med senderens adresse og fulgt av en kort beskrivelse av feilen.
5. En reparasjon/erstatning under denne garantien er gratis. Den utgjør ingen forlengelse eller en ny start av garantiperioden. Utvekslede deler eller verktøy blir vår eiendom. I noen land vil leveringskostnader eller frankering måtte betales av senderen. Dine lovbestemte rettigheter som oppstår fra kjøp av verktøyet forblir uberørte.
6. Denne garantien er gyldig i EU, Sveits, Island, Norge, Liechtenstein, Tyrkia, Russland og Storbritannia. Utenfor disse områdene ta kontakt med din autoriserte RYOBI-forhandler om en annen garanti gjelder.

### **AUTORISERT SERVICESENTER**

Enhver forespørsel eller problem med produktet kan henvises til de lokale autoriserte servicestasjonene (se [www.ryobitools.eu](http://www.ryobitools.eu)) eller direkte til: Techtronic Industries GmbH, Max Eyth Straße 10, 71364 Winnenden, Germany. Angi serienummer og produkttype som er trykket på etiketten.



## EN EC DECLARATION OF CONFORMITY

### Ride-on mower

Brand: RYOBI | Model number<sup>1</sup> | Serial number range<sup>2</sup>

We declare under our sole responsibility that the product mentioned below fulfills all the relevant provisions of the following European Directives, European Regulations and harmonised standards<sup>3</sup>

Measured sound power level..... 96.2 dB(A)  
 Guaranteed sound power level..... 98 dB(A)  
 Conformity assessment method to Annex VI Directive 2000/14/EC amended by 2005/88/EC.

The notified body involved<sup>4</sup>  
 Authorised to compile the technical file:<sup>5</sup>

## FR DÉCLARATION CE DE CONFORMITÉ

### Tondeuse autoportée

Marque: RYOBI | Numéro de modèle<sup>1</sup> | Étendue des numéros de série<sup>2</sup>

Nous déclarons sous notre entière responsabilité que le produit mentionné ci-dessous remplit toutes les dispositions pertinentes des directives et réglementations européennes suivantes, ainsi que des normes harmonisées ci-après<sup>3</sup>

Niveau de puissance sonore mesuré ..... 96,2 dB(A)  
 Niveau de puissance sonore garanti ..... 98 dB(A)  
 Méthode d'évaluation de conformité de l'annexe VI Directive 2000/14/EC modifiée 2005/88/EC.

L'organisme notifié tipule<sup>4</sup>  
 Autorisé à rédiger le dossier technique:<sup>5</sup>

## DE EG-KONFORMITÄTSEKTLÄRUNG

### Aufsitzmäher

Marke: RYOBI | Modellnummer<sup>1</sup> | Seriennummernbereich<sup>2</sup>

Wir erklären in alleiniger Verantwortung, dass das nachstehend erwähnte Produkt allen einschlägigen Bestimmungen der folgenden EU-Richtlinien, EU-Vorschriften und harmonisierten Normen entspricht<sup>3</sup>

Gemessener Schalleistungspegel ..... 96,2 dB(A)  
 Garantierter Schalleistungspegel..... 98 dB(A)  
 Konformitätsbeurteilungsmethode zu Anhang VI Richtlinie 2000/14/EC wie durch 2005/88/EC.

Benannte Stelle<sup>4</sup>  
 Autorisiert die technische Datei zu erstellen:<sup>5</sup>

## DA EF-OVERENSSTEMMELSEKTLÆRING

### Plæneklipper med sæde

Brand: RYOBI | Modellnummer<sup>1</sup> | Seriennummerområde<sup>2</sup>

Vi erklærer under eget ansvar, at produktet nævnt nedenfor opfylder alle de relevante forskrifter i de følgende europæiske direktiver, europæiske forordninger og harmoniserede standarder<sup>3</sup>

Målt støjniveau ..... 96,2 dB(A)  
 Garanteret støjniveau..... 98 dB(A)  
 Overensstemmelsesvurderingsmetode til bilag VI Direktiv 2000/14/EC ændret ved 2005/88/EC.

Den relevante godkendelsesinstans<sup>4</sup>  
 Bemyndiget til at udarbejde det tekniske kartotek:<sup>5</sup>

## SV EG-FÖRSÄKRAN ÖVERENSSTÄMMELSE

### Åkgräsklippare

Marke: RYOBI | Modellnummer<sup>1</sup> | Seriennummerintervall<sup>2</sup>

Vi förklarar under eget ansvar att den produkt som nämns nedan uppfyller alla relevanta föreskrifter i följande europeiska direktiv, europeiska förordningar och harmoniserade standarder<sup>3</sup>

Uppmått ljudeffektnivå ..... 96,2 dB(A)  
 Garanterad ljudeffektnivå..... 98 dB(A)  
 Konformitetsbedömning gjord enligt metod i VI Direktiv 2000/14/EC samt tilläggen i 2005/88/EC.

Meddelandet gällde<sup>4</sup>  
 Godkänd att sammanställa den tekniska filen:<sup>5</sup>

## FI EY-VAATIMUSTENMUKAISUUSVAKUUTUS

### Päättäjettävä ruohonleikkuri

Tuotemerkki: RYOBI | Mallinumero<sup>1</sup> | Sarjanumerovalue<sup>2</sup>

Vakuutamme alla mainitun tuotteen olevan seuraavien eurooppalaisten direktiivien, asetusten ja yhdenmukaistettujen standardien säännösten mukainen<sup>3</sup>

Mitattu äänenteho ..... 96,2 dB(A)  
 Täätty ääniteho ..... 98 dB(A)  
 Säännösten noudattaminen tarkastettu direktiivin 2000/14/EC liitteen VI mukaisesti muunnettu direktiivillä 2005/88/EC.

Ilmoituselin<sup>4</sup>  
 Valtuutettu kokoamaan tekninen tiedosto:<sup>5</sup>

## NO CE-SAMSVARERKLÆRING

### Sitteklipper

Merke: RYOBI | Modellnummer<sup>1</sup> | Seriennummerserie<sup>2</sup>

Vi erklærer på eget ansvar at produktet beskrevet nedenfor oppfyller alle de relevante bestemmelsene i de europeiske direktiver, europeiske forskrifter og harmoniserte standarder<sup>3</sup>

Målt lyd effekt nivå ..... 96,2 dB(A)  
 Garantert lyd effekt nivå ..... 98 dB(A)  
 Metode for vurdering av konformitet til Tillegg VI Direktiv 2000/14/EC endret ved 2005/88/EC.  
 Involvert meddelelsesorgan<sup>4</sup>

Autorisert til å sette sammen den tekniske filen:<sup>5</sup>

## 1 RY48RM76A

2 47539201000001 - 47539201999999

3 2006/42/EC, 2014/30/EU, 2000/14/EC, 2005/88/EC, 2011/65/EU  
 EN ISO 12100: 2010, EN 62841-1: 2015, EN ISO 5395-1: 2013+A1:2018,  
 EN ISO 5395-3:2013+A1:2017+A2:2018, EN 55014-1:2017+A11:2020,  
 EN 55014-2:2015, EN IEC 63000:2018

4 No.0197 – TÜV Rheinland LGA Products GmbH  
 Tillystraße 2 - 90431 Nürnberg – Germany<sup>5</sup>



Todd Chipner  
 Vice President Quality – Asia  
 Winnenden, Oct. 13, 2020

5 Alexander Krug, Managing Director  
 Techtronic Industries GmbH  
 Max-Eyth-Straße 10, 71364 Winnenden, Germany

## GB-DECLARATION OF CONFORMITY

Manufacturer: Techtronic Industries GmbH  
 Max-Eyth-Straße 10, 71364 Winnenden, Germany

We declare as the manufacturer under our sole responsibility that the product mentioned below

Ride-on mower  
 Brand: RYOBI  
 Model number: RY48RM76A  
 Serial number range: 47539201000001 - 47539201999999

fulfills all the relevant provisions of the following Regulations: S.I. 2008/1597 (as amended), S.I. 2016/1091 (as amended), S.I. 2012/3032 (as amended), S.I. 2001/1701 (as amended) and that the following designated standards have been used:

BS EN ISO 12100: 2010, BS EN 62841-1:2015,  
 BS EN ISO 5395-1:2013+A1:2018, BS EN ISO 5395-3: 2013+A1:2017+A2:2018,  
 BS EN 55014-1:2017+A11:2020, BS EN 55014-2:2015, BS EN IEC 63000:2018

Measured sound power level: 96.2 dB(A)  
 Guaranteed sound power level: 98 dB(A)  
 Conformity assessment method to S.I. 2001/1701 Schedule 9 (as amended)

Approved body:  
 No. 8500 – AnP Certification Limited  
 2 Parkfield Street, Rusholme, Manchester, M14 4PN, United Kingdom



Todd Chipner  
 Vice President Quality – Asia  
 Winnenden, Jul. 1, 2021

Authorised to compile the technical file:  
 Alexander Krug, Managing Director  
 Techtronic Industries GmbH  
 Max-Eyth-Straße 10, 71364 Winnenden, Germany

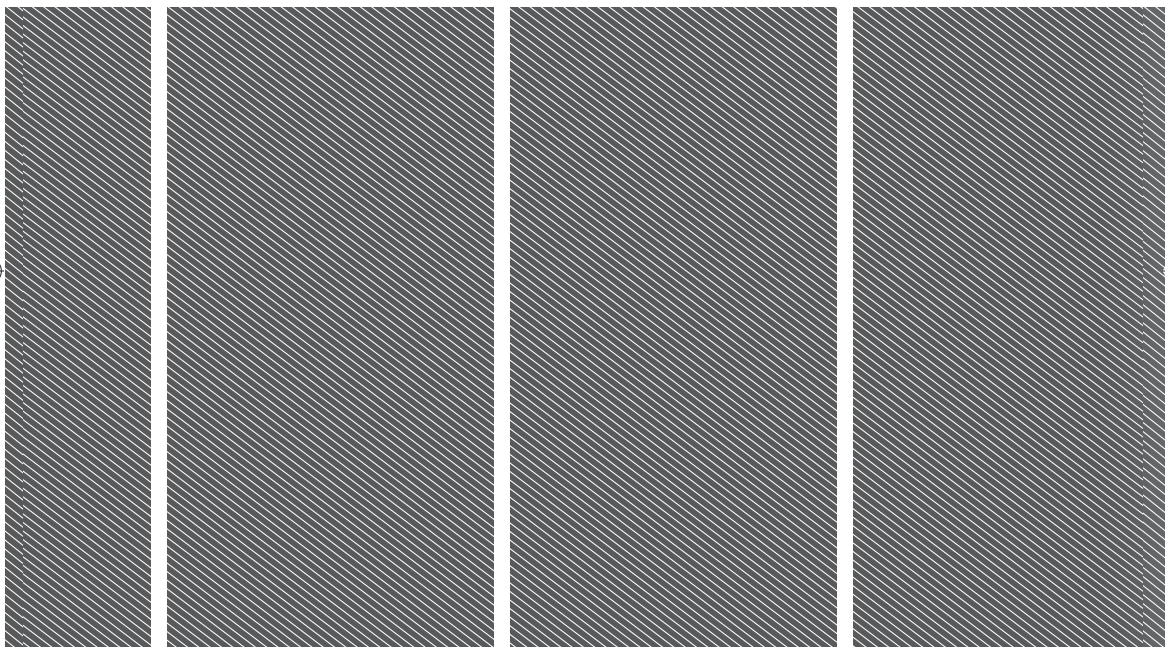




**EN** RYOBI is a trade mark of Ryobi Limited, and is used under license.  
**FR** RYOBI est une marque déposée de Ryobi Limited, et est utilisée sous licence.  
**DE** RYOBI ist ein Markenzeichen von Ryobi Limited und wird in Lizenz verwendet.  
**DA** RYOBI er et varemærke tilhørende Ryobi Limited og bruges under licens.  
**SV** RYOBI är en del av varumärke Ryobi Limited och dess användning är licensierad.  
**FI** RYOBI on Ryobi Limitedin omistama tavaramerkki, ja sitä käytetään lisenssin puitteissa.  
**NO** RYOBI er et varemerke for Ryobi Limited, og brukes under lisens.

© 2020-21 Techtronic Cordless GP.





**Techtronic Industries GmbH**

Max-Eyth-Straße 10,  
71364 Winnenden, Germany

**Techtronic Industries (UK) Ltd**

Fieldhouse Lane  
Marlow Bucks SL7 1HZ  
UK

099749045034-03

