



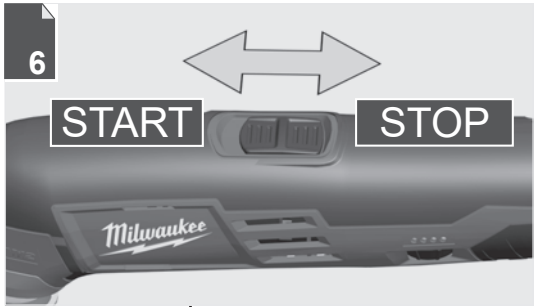
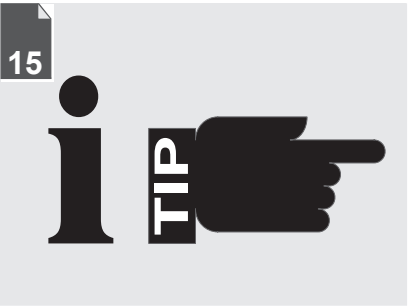
Nothing but **HEAVY DUTY.**<sup>®</sup>



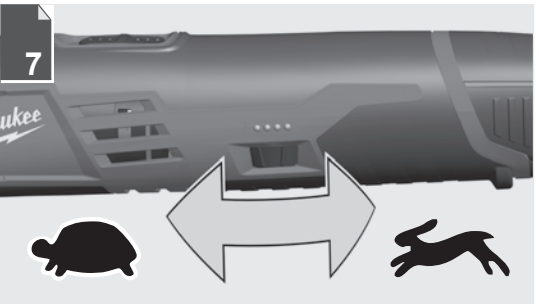
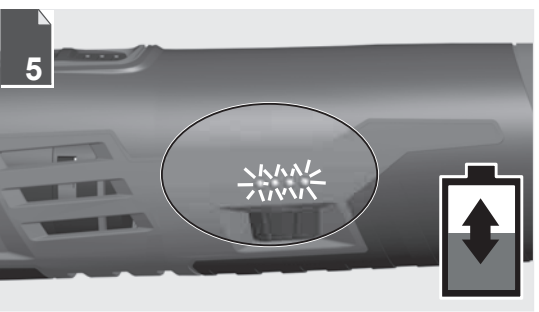
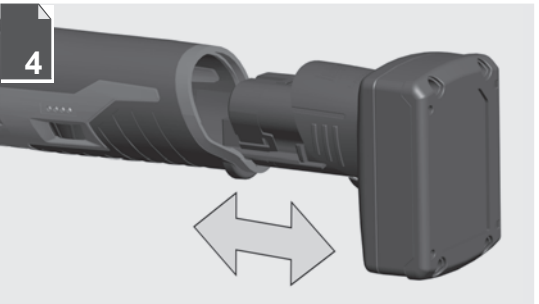
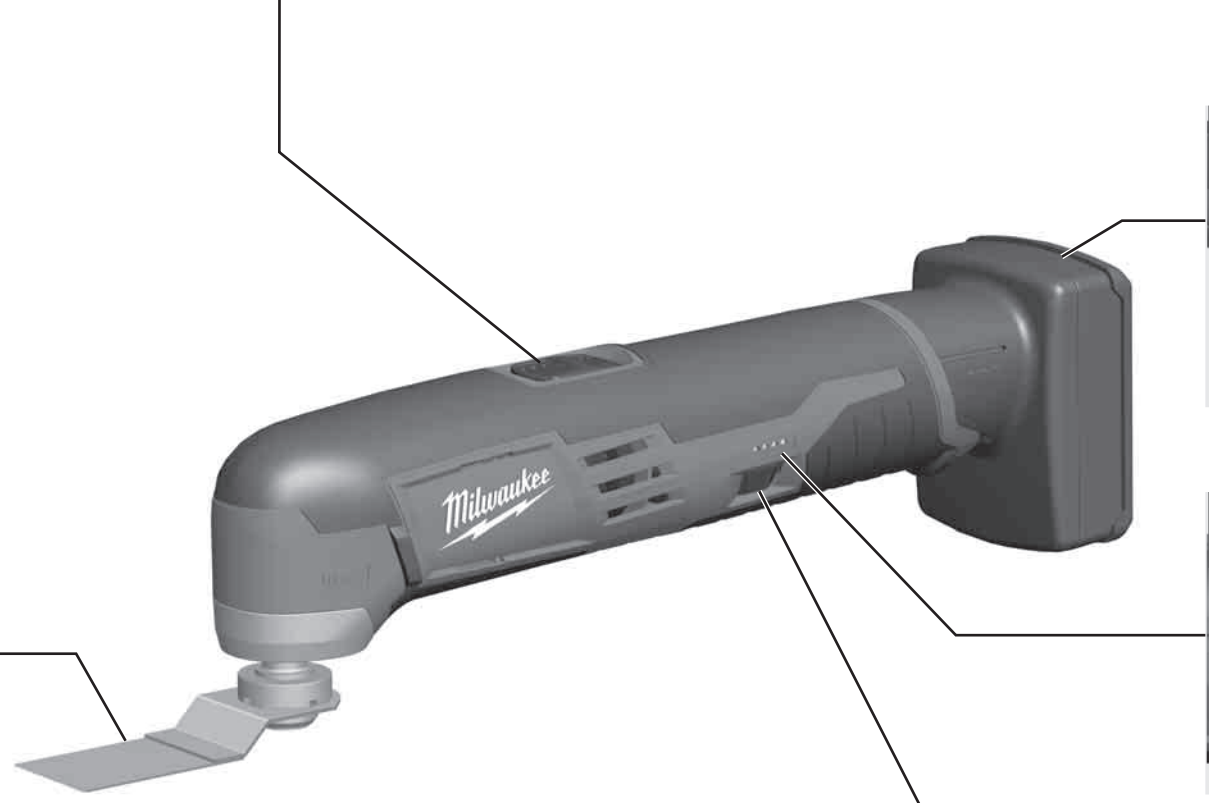
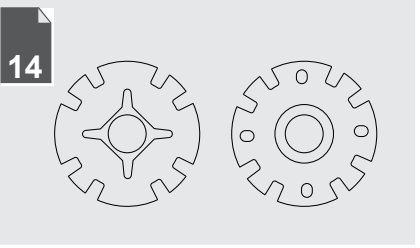
## **C12 MT**

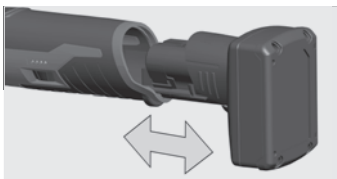
---


Original instructions

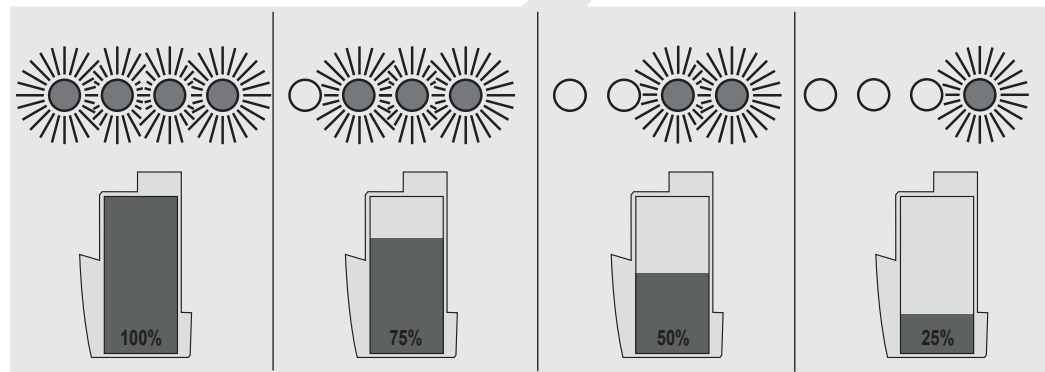
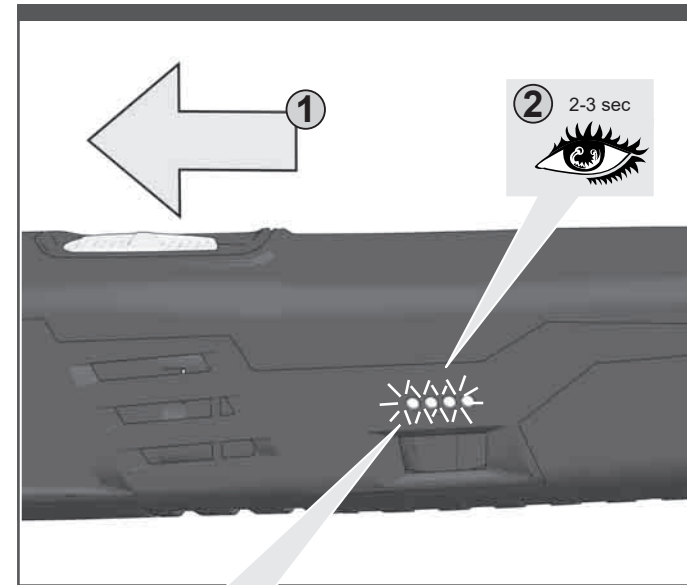
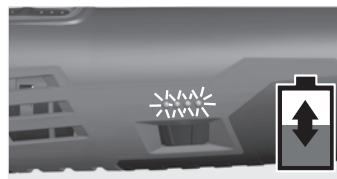
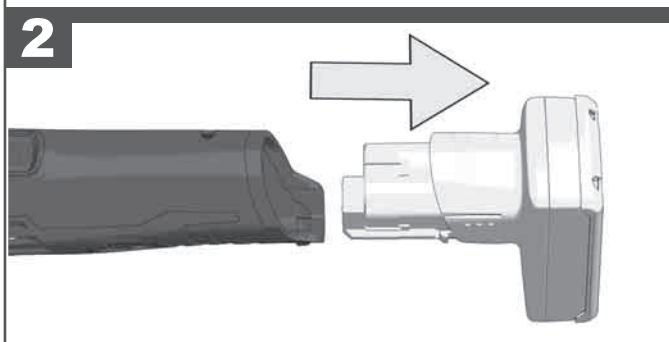
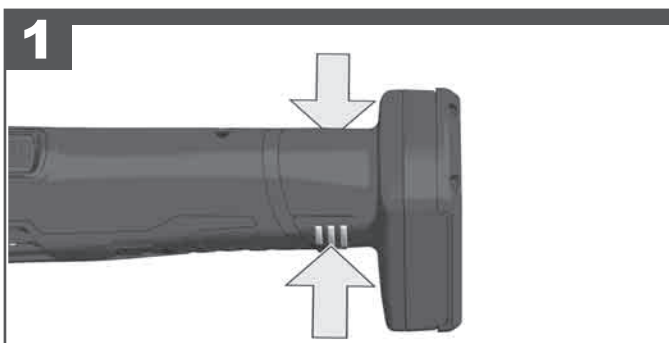
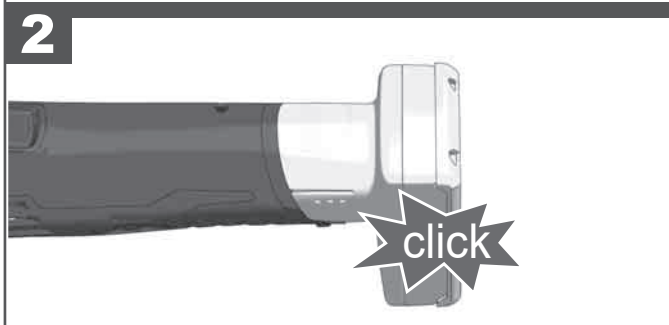
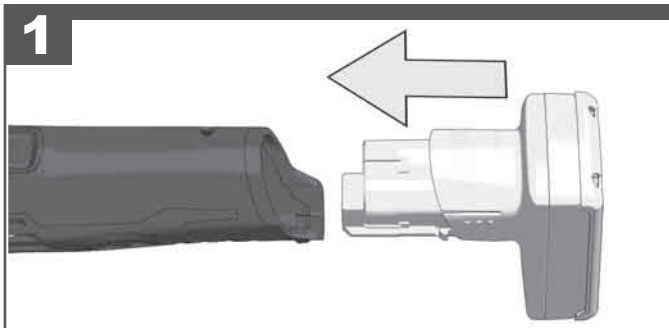


16 Text section with Technical Data, important Safety and Working Hints and description of Symbols



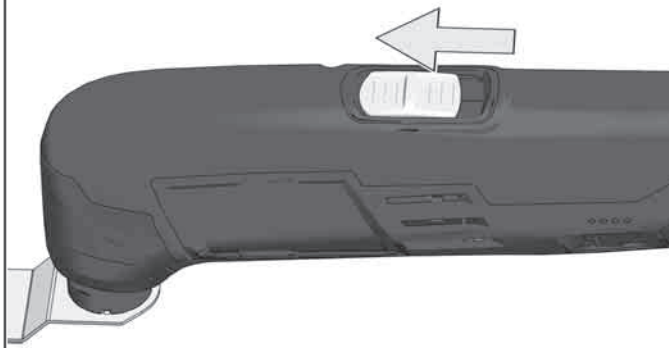


 Remove the battery pack before starting any work on the machine.

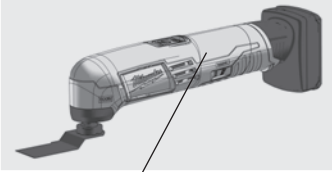
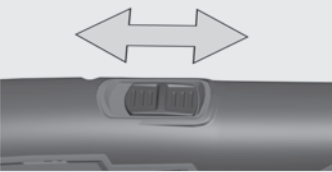
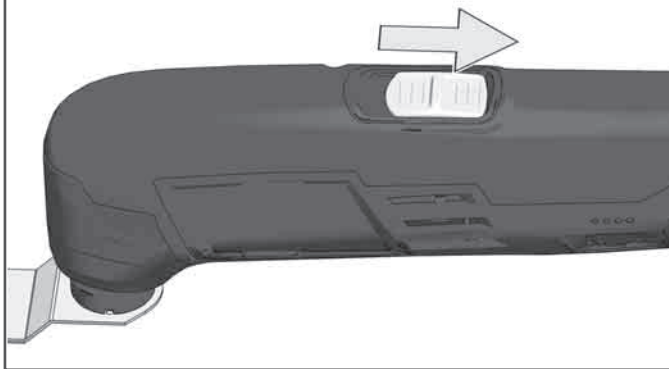




# START

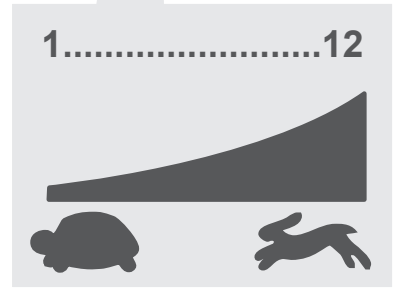
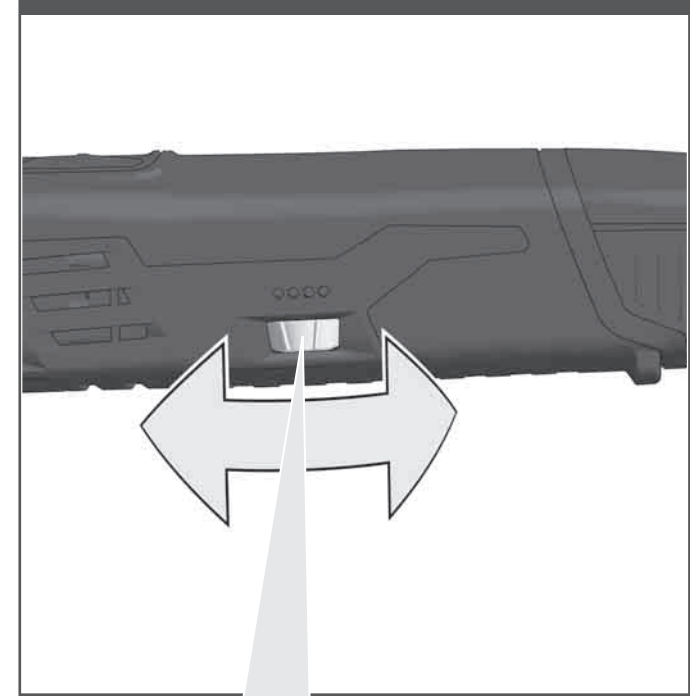


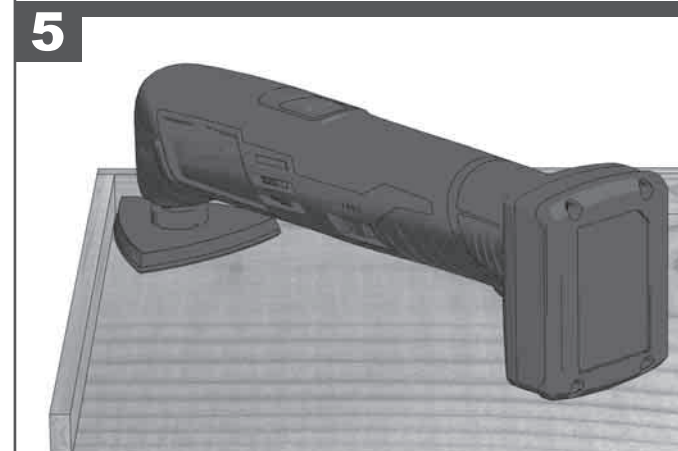
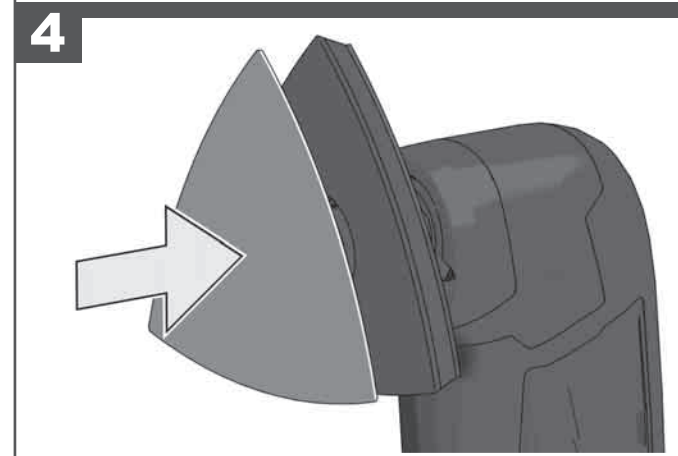
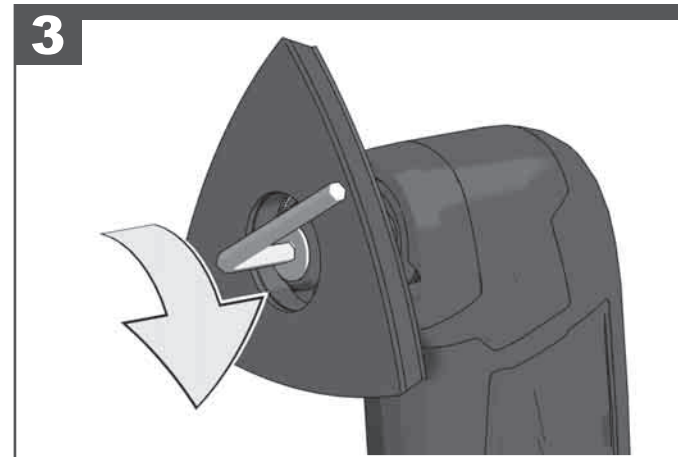
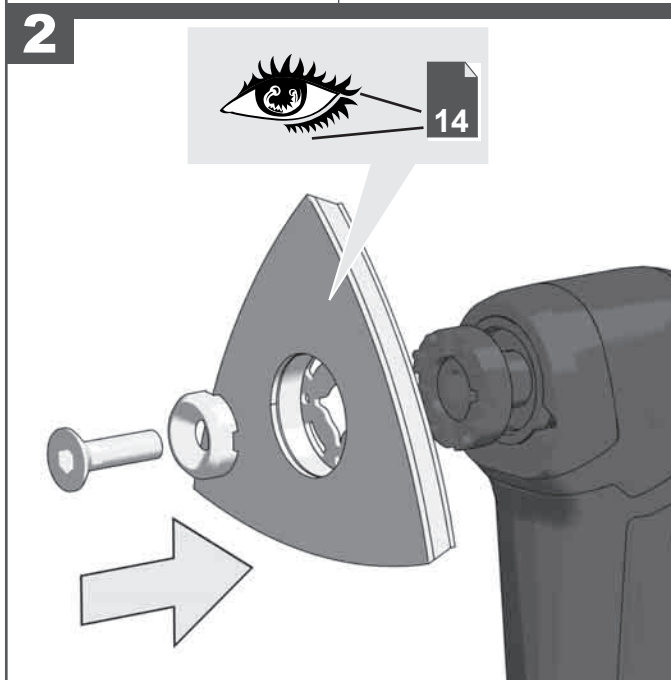
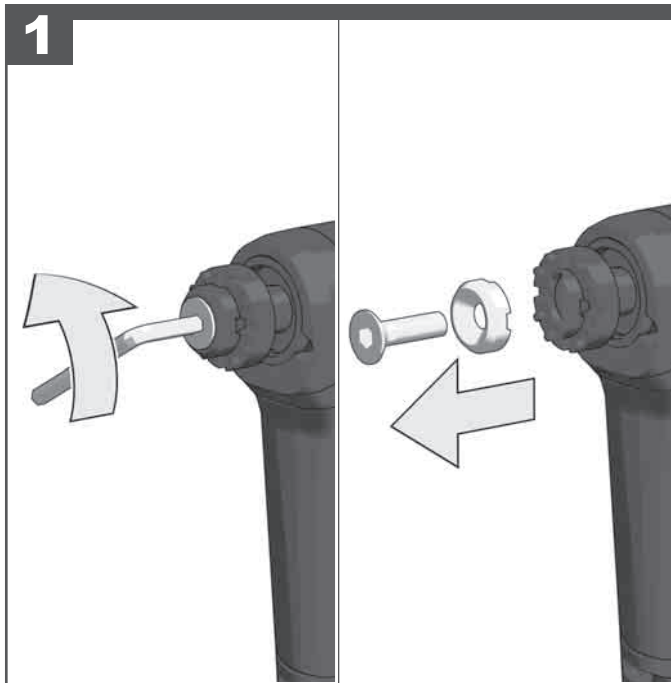
# STOP

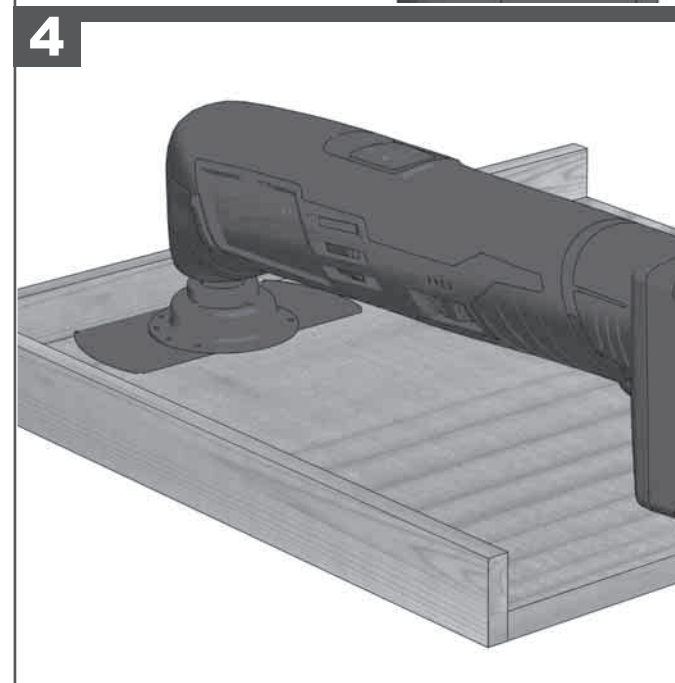
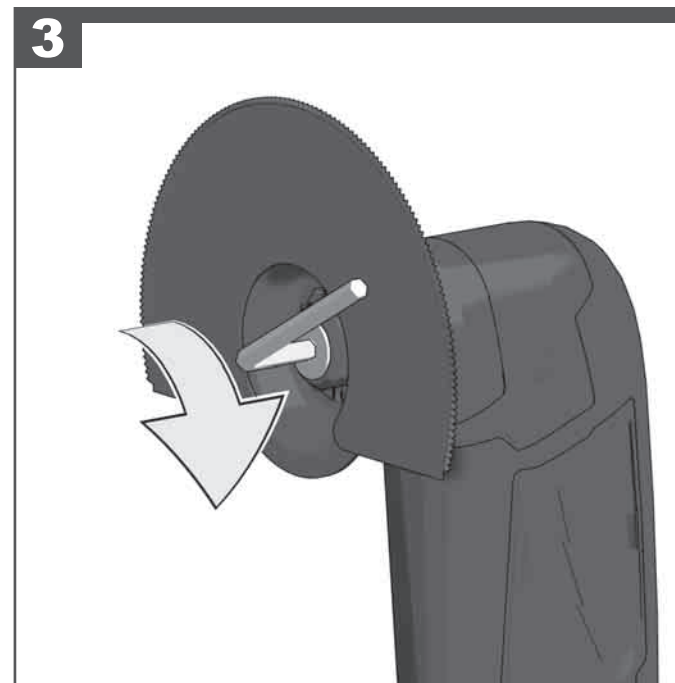
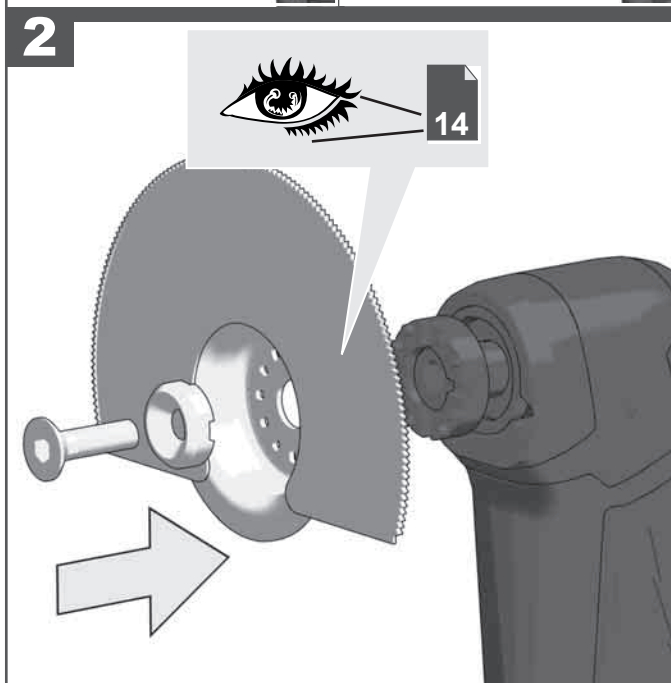
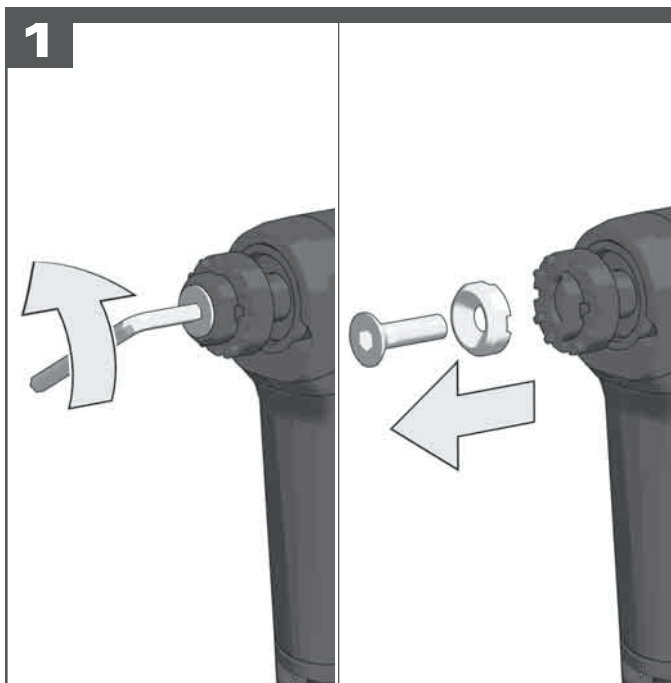


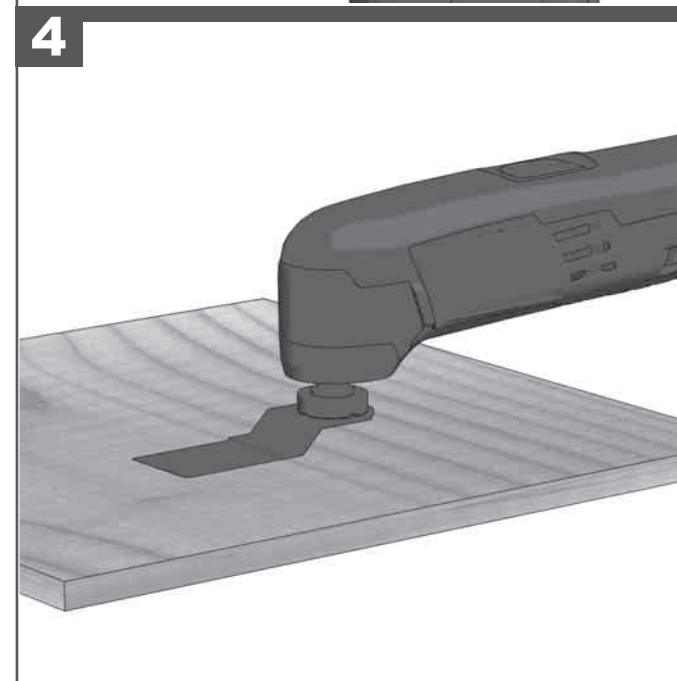
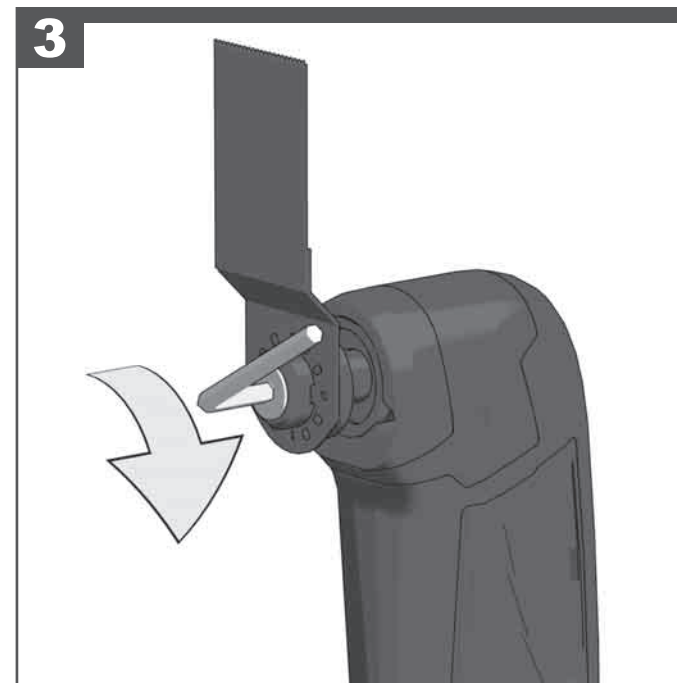
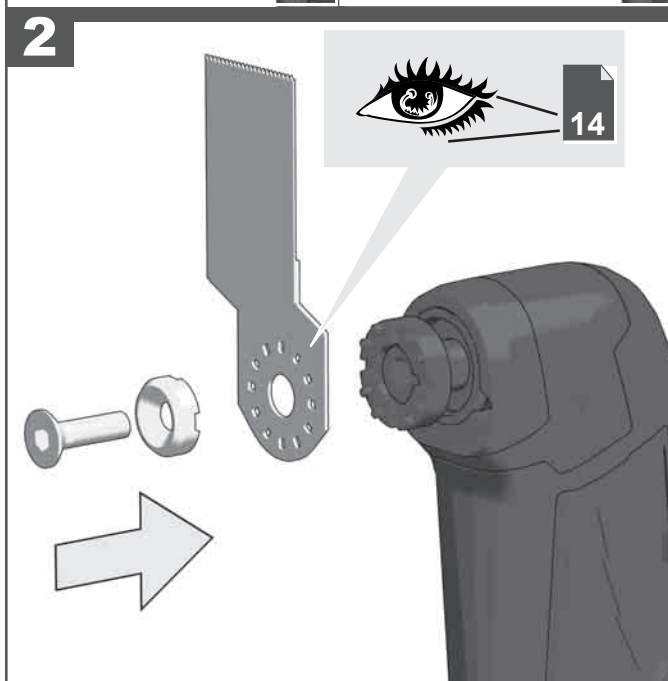
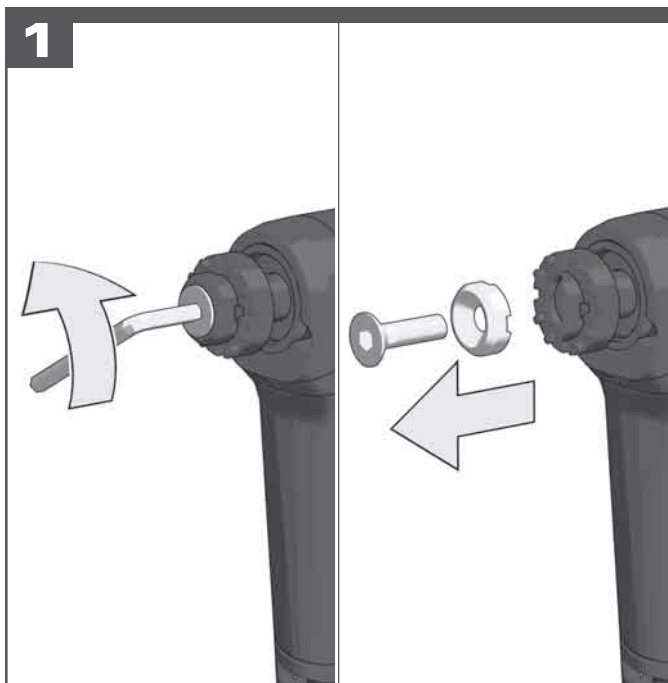
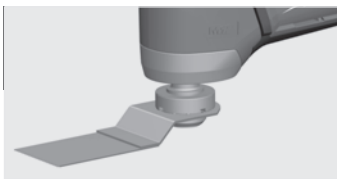
Insulated gripping surface

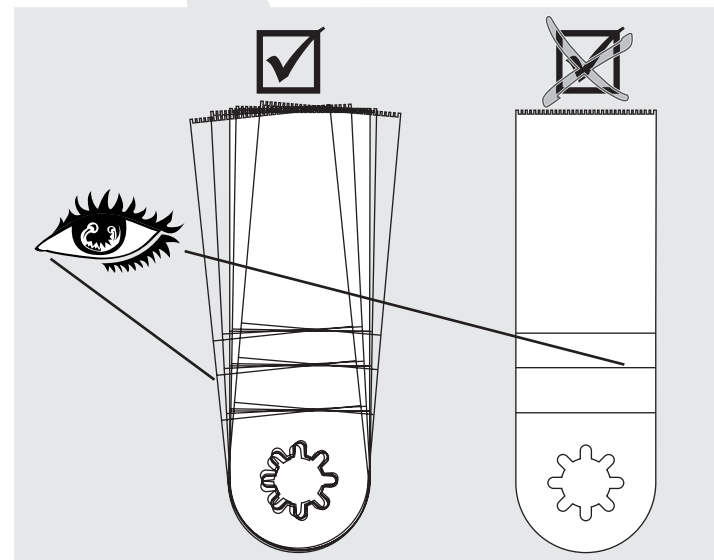
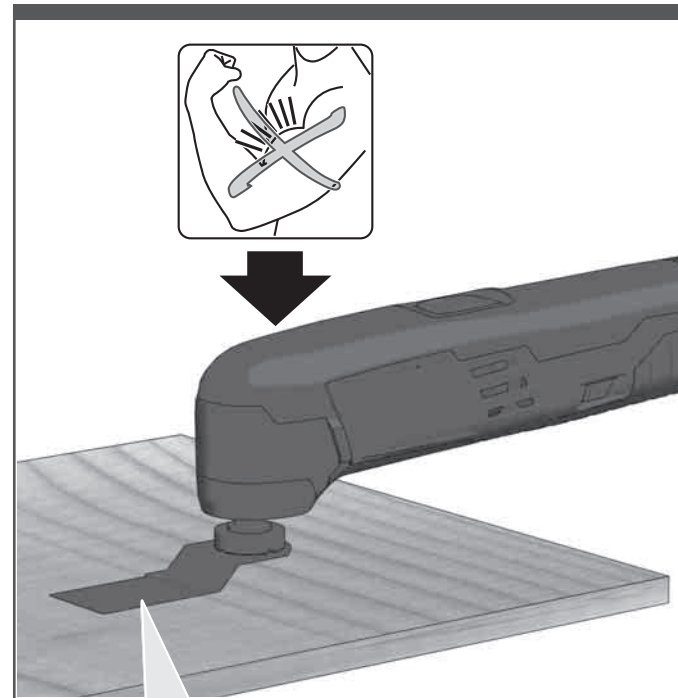
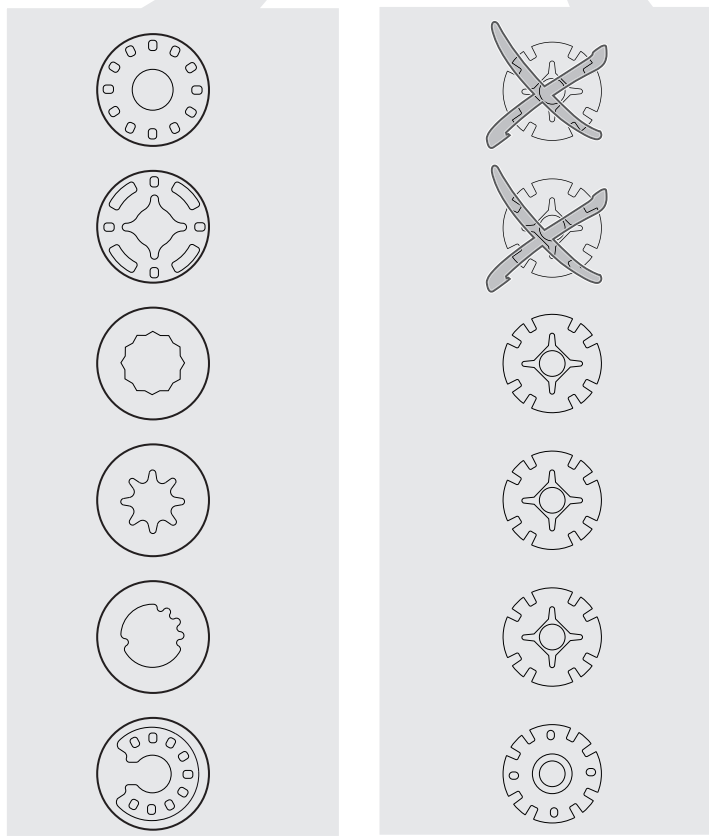
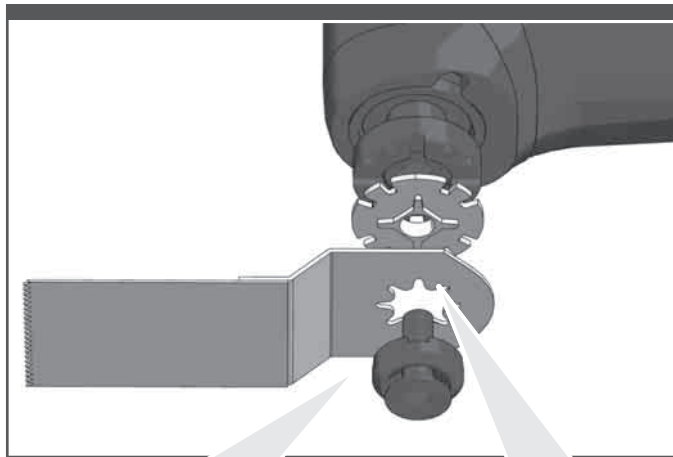
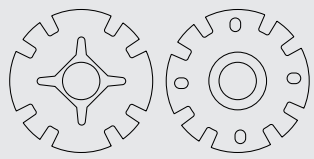
Allow the tool to come to full speed before beginning the work.















**SYMBOLS**

CAUTION! WARNING! DANGER!



Remove the battery pack before starting any work on the machine.



Please read the instructions carefully before starting the machine.



Wear gloves!



Always wear goggles when using the machine.



Do not dispose electric tools, batteries/rechargeable batteries together with household waste material.  
Electric tools and batteries that have reached the end of their life must be collected separately and returned to an environmentally compatible recycling facility.  
Check with your local authority or retailer for recycling advice and collection point.

$n_0$

Stroke rate under no-load

V

Volts



Direct current



European Conformity Mark



British Conformity Mark



Ukraine Conformity Mark

001



EurAsian Conformity Mark

Copyright 2020  
Techtronic Industries GmbH  
Max-Eyth-Str. 10  
71364 Winnenden  
Germany  
+49 (0) 7195-12-0  
[www.milwaukeeetool.eu](http://www.milwaukeeetool.eu)

Techtronic Industries (UK) Ltd  
Fieldhouse Lane  
Marlow Bucks SL7 1HZ  
UK

 **EAC UK  
CA**  
(10.20)  
**4100 4141 77**