

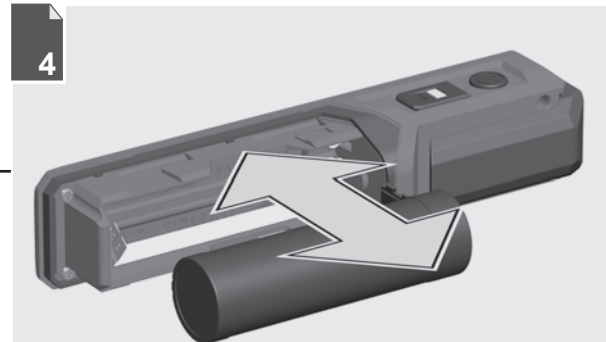
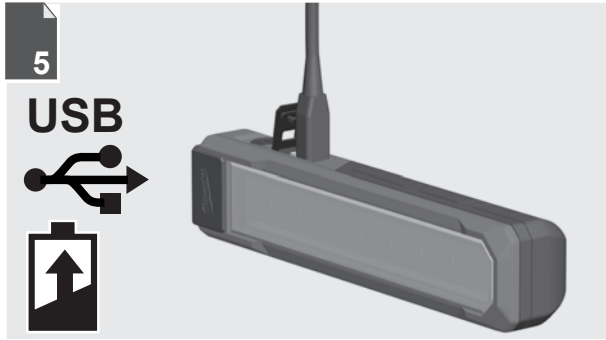
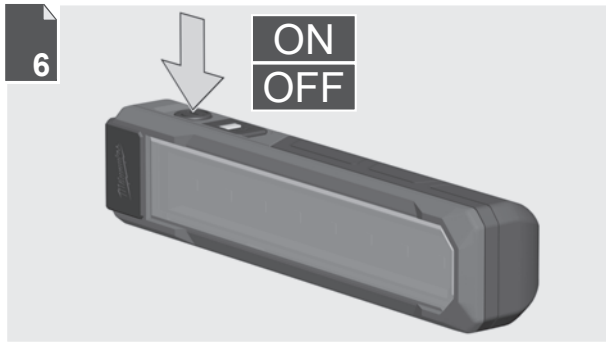
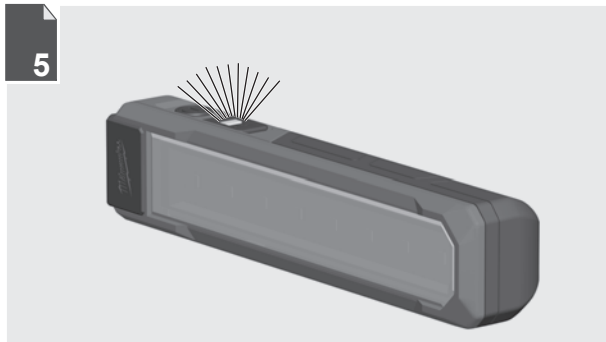


Nothing but **HEAVY DUTY.**[®]



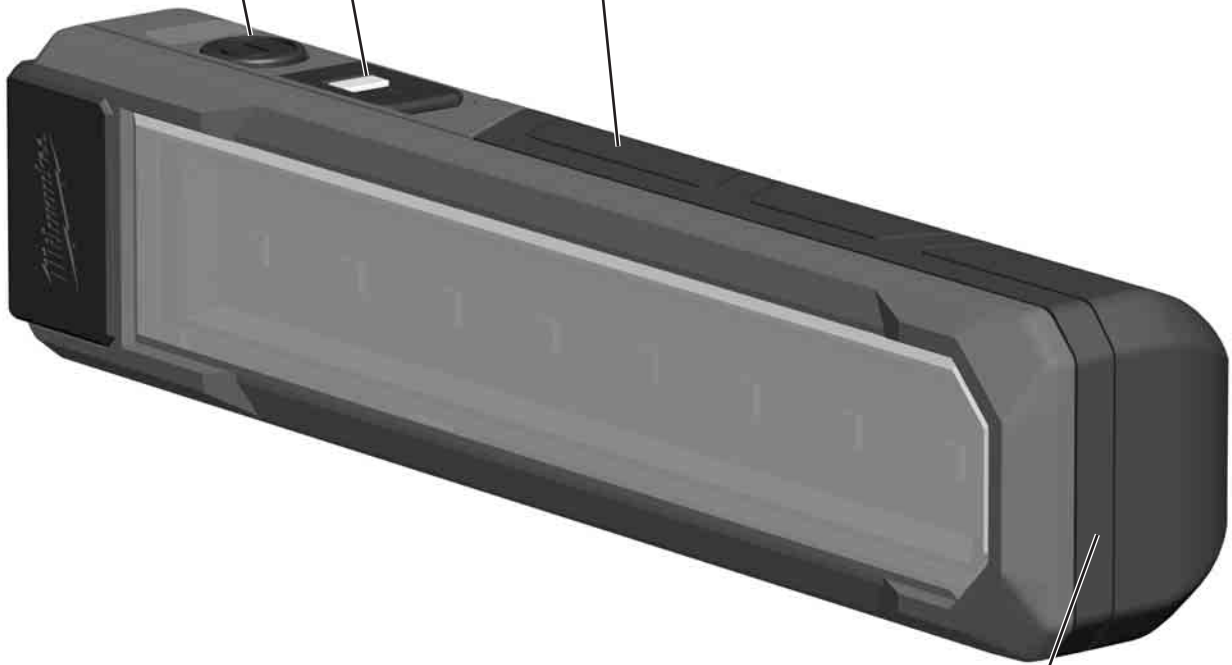
L4 FL

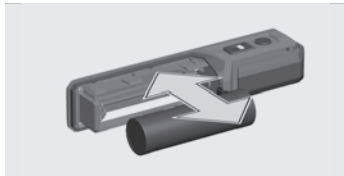
Original instructions



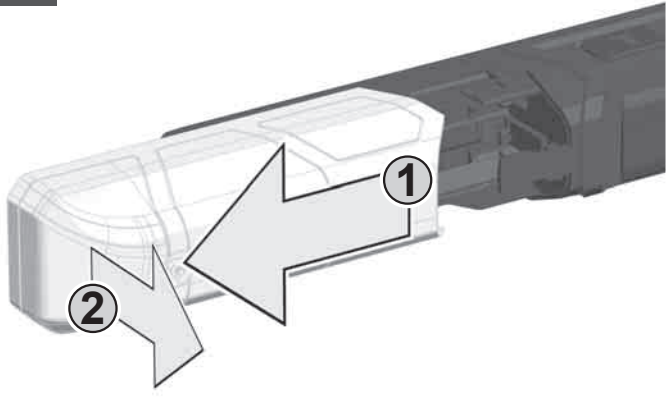
8

Text section with Technical Data, important Safety and Working Hints and description of Symbols

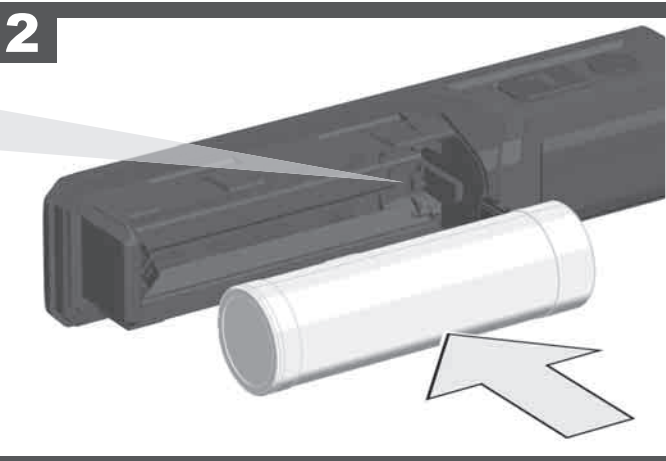




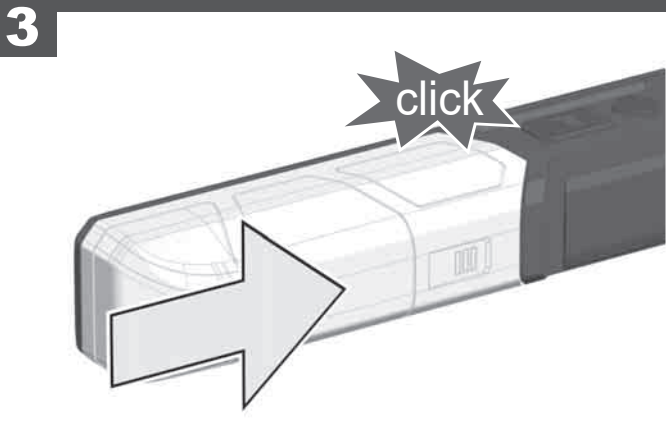
1



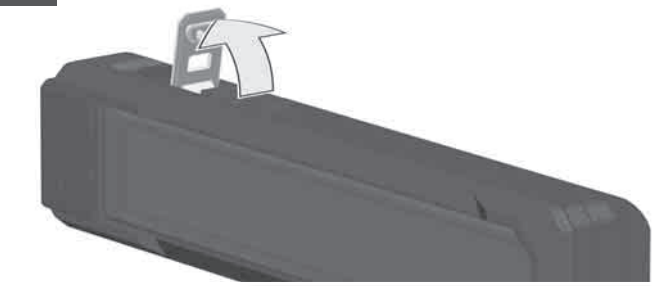
2



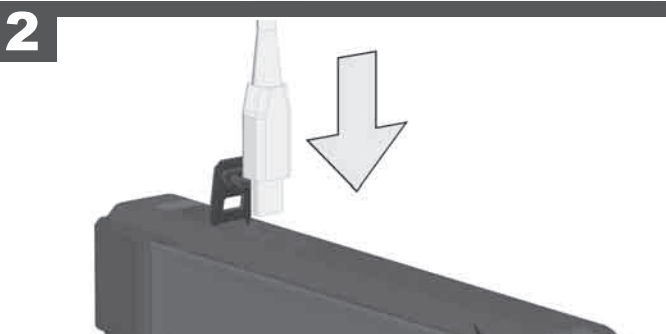
3



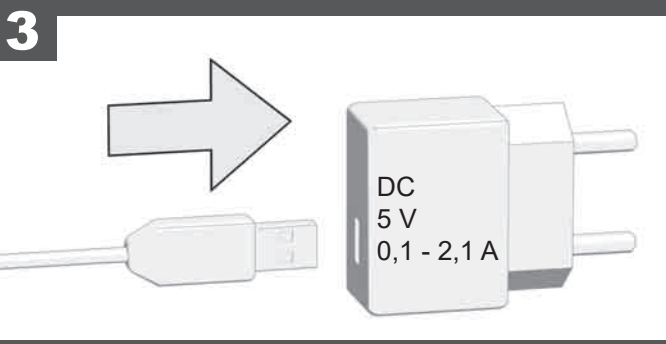
1



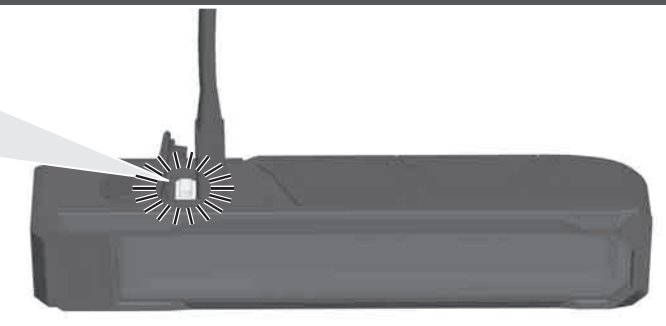
2

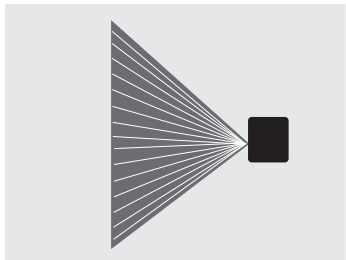
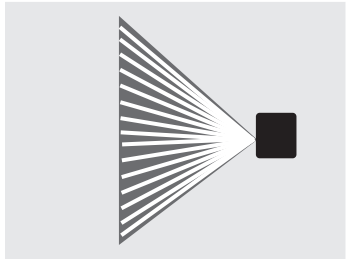
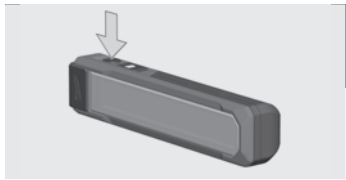


3

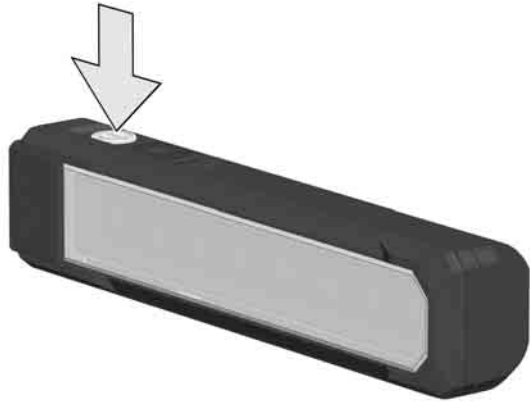


Description see text section.

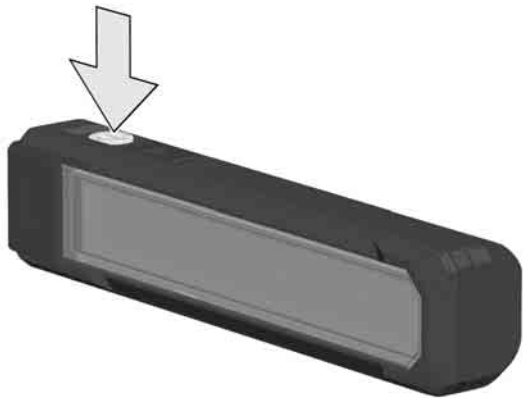




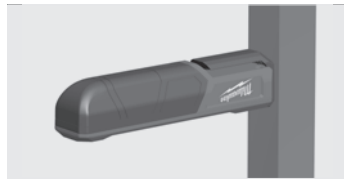
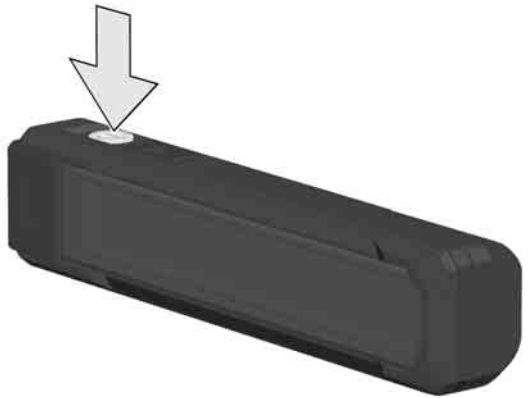
1



2



3



TECHNICAL DATA	BATTERY-LAMP	L4 FL
Rated Power		4,5 W
Lighting time with one fully charged battery		
Mode High		2 h
Mode Low		11 h
Luminous flux		
Mode High		445 lm
Mode Low		100 lm
Charging time		120 min
Colour rendering index (CRI)		.80
Colour temperature		4000 K
Battery voltage		4 V
USB-input		5 V DC; 0,1 A – 2,1 A
Weight		0,2 kg
Recommended battery types		L4B2
Recommended USB power supply		CUSB

⚠ WARNING! Read all safety warnings and all instructions. Failure to follow the warnings and instructions may result in electric shock, fire and/or serious injury. **Save all warnings and instructions for future reference.**

⚠ SAFETY INSTRUCTIONS BATTERY-LAMP

Warning: Do not direct the light beam at persons or animals and do not stare into the light beam yourself (not even from a distance). Staring into the light beam may result in serious injury or vision loss.

Don't use this tool in wet areas.

The light source of this luminaire is not replaceable; when the light source reaches its end of life the whole luminaire shall be replaced.

⚠ SAFETY INSTRUCTIONS BATTERY

Only use Milwaukee Type L4B2 rechargeable batteries. Remove the battery pack before starting any work on the appliance.

Do not dispose of used battery packs in the household refuse or by burning them. Milwaukee Distributors offer to retrieve old batteries to protect our environment.

Do not store the battery pack together with metal objects (short circuit risk).

Battery acid may leak from damaged batteries under extreme load or extreme temperatures. In case of contact with battery acid wash it off immediately with soap and water. In case of eye contact rinse thoroughly for at least 10 minutes and immediately seek medical attention.

Warning! To reduce the risk of fire, personal injury, and product damage due to a short circuit, never immerse your tool, battery pack or charger in fluid or allow a fluid to flow inside them. Corrosive or conductive fluids, such as seawater, certain industrial chemicals, and bleach or bleach containing products, etc., can cause a short circuit.

SPECIFIED CONDITIONS OF USE

The battery-lamp is intended to be used light independent use away from mains supply.

Do not use this product in any other way as stated for normal use.

CHARGING

Plug your USB cable into a power source such as an AC wall adaptor, computer or car port.

The indicator light will display the charging status:

Red flashing: charging, 0-25% charged

Orange flashing: charging 25-80% charged

Green flashing: charging, 80-99% charged

Green solid: 99-100% charged

Red/Green flashing: damaged or faulty battery

If the light indicator flashes red and green, check that the battery is fully seated into the bay. Remove the battery and

reinsert. If the light continues to flash red and green, the battery may be extremely hot or cold, or wet. Allow the battery to cool down, warm up, or dry out and then reinsert. If the problem persists, contact a MILWAUKEE service facility.

FUEL GAUGE

The fuel gauge will display the battery life:

Red flashing: 0-10% remaining

Red solid: 10-25% remaining

Orange solid: 25-80% remaining

Green solid: 80-100% remaining

BATTERIES

Battery packs which have not been used for some time should be recharged before use.

Temperatures in excess of 50°C (122°F) reduce the performance of the battery pack. Avoid extended exposure to heat or sunshine (risk of overheating).

The contacts of chargers and battery packs must be kept clean.

For an optimum life-time, the battery packs have to be fully charged, after used.

To obtain the longest possible battery life remove the battery pack from the charger once it is fully charged.

For battery pack storage longer than 30 days: Store the battery pack where the temperature is below 27°C and away from moisture

Store the battery packs in a 30% - 50% charged condition Every six months of storage, charge the pack as normal.

TRANSPORTING LITHIUM BATTERIES

Lithium-ion batteries are subject to the Dangerous Goods Legislation requirements.

Transportation of those batteries has to be done in accordance with local, national and international provisions and regulations.

- The user can transport the batteries by road without further requirements.
- Commercial transport of Lithium-Ion batteries by third parties is subject to Dangerous Goods regulations. Transport preparation and transport are exclusively to be carried out by appropriately trained persons and the process has to be accompanied by corresponding experts.

When transporting batteries:

- Ensure that battery contact terminals are protected and insulated to prevent short circuit.
- Ensure that battery pack is secured against movement within packaging.
- Do not transport batteries that are cracked or leak.

Check with forwarding company for further advice










MAINTENANCE

The light source of this luminaire is not replaceable; when the light source reaches its end of life the whole luminaire shall be replaced.

Use only Milwaukee accessories and spare parts. Should components need to be replaced which have not been described, please contact one of our Milwaukee service agents (see our list of guarantee/service addresses).

If needed, an exploded view of the tool can be ordered. Please state the machine type printed as well as the six-digit No. on the label and order the drawing at your local service agents or directly at: Techtronic Industries GmbH, Max-Eyth-Straße 10, 71364 Winnenden, Germany.

SYMBOLS

	CAUTION! WARNING! DANGER!
	Please read the instructions carefully before starting the machine.
	Do not stare at the operating light source.
	Class III electrical protection.
	Do not dispose electric tools, batteries/ rechargeable batteries together with household waste material. Electric tools and batteries that have reached the end of their life must be collected separately and returned to an environmentally compatible recycling facility. Check with your local authority or retailer for recycling advice and collection point.
	European Conformity Mark
	British Conformity Mark
	Ukraine Conformity Mark
	EurAsian Conformity Mark

Copyright 2020
Techtronic Industries GmbH
Max-Eyth-Str. 10
71364 Winnenden
Germany
+49 (0) 7195-12-0
www.milwaukeeetool.eu

Techtronic Industries (UK) Ltd
Fieldhouse Lane
Marlow Bucks SL7 1HZ
UK

 **EAC UK
CA**
(10.20)
4100 4149 21