



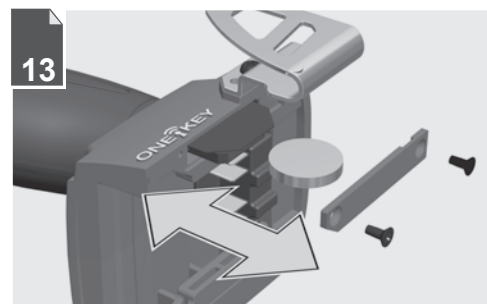
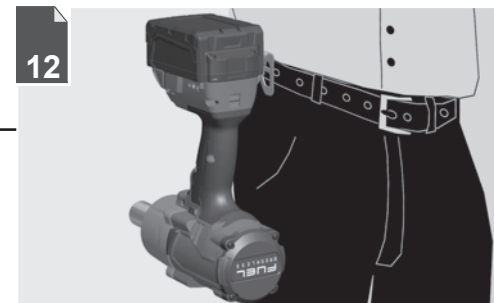
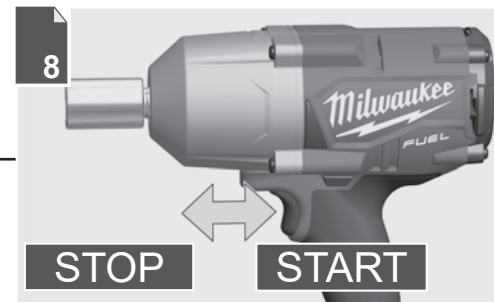
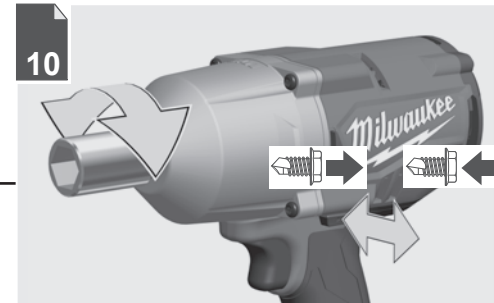
Nothing but **HEAVY DUTY.**



**M18 ONEFHIWP12**  
**M18 ONEFHIWF12**  
**M18 ONEFHIWF34**

---

Original instructions



4 Picture section with operating description and functional description

14 Text section with Technical Data, important Safety and Working Hints and description of Symbols

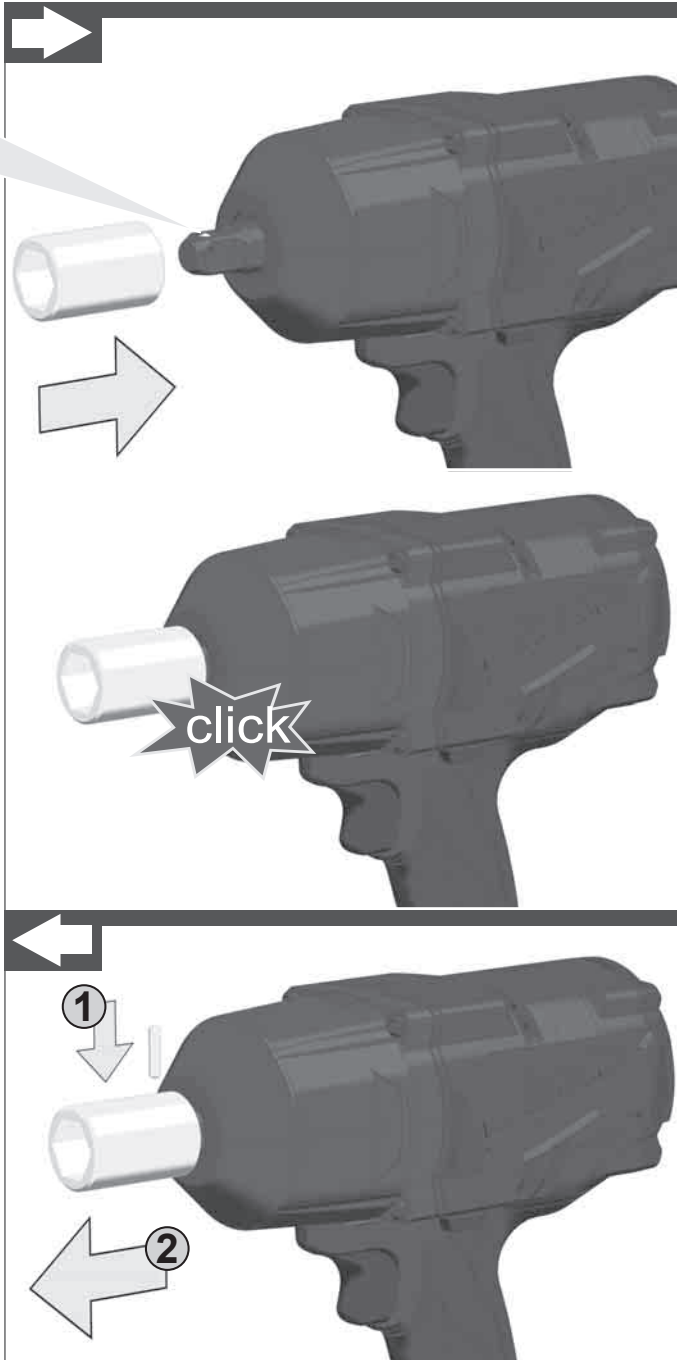
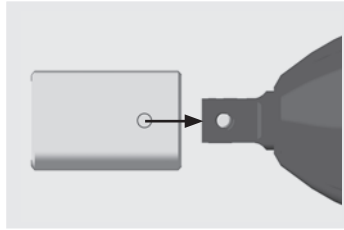
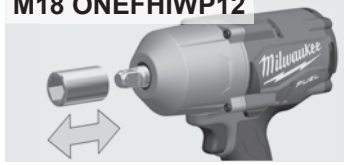


Remove the battery pack before starting any work on the machine.

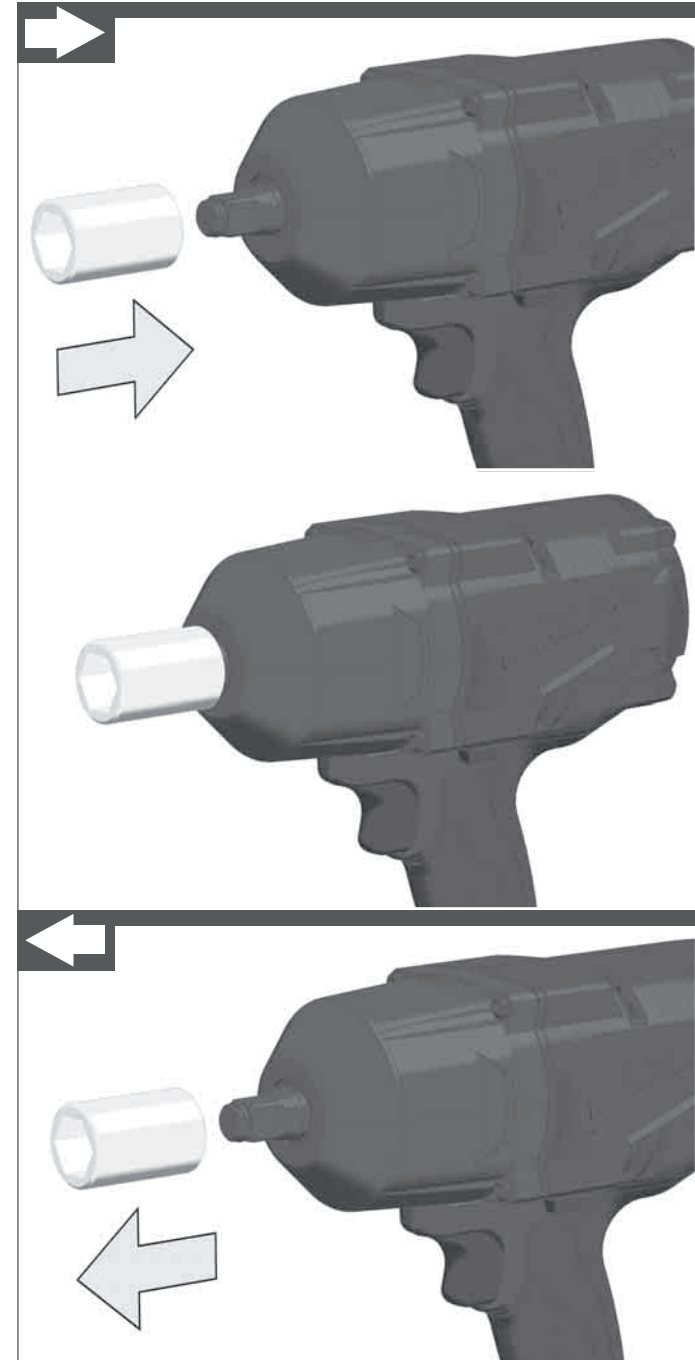


		78-100 %
		55-77 %
		33-54 %
		10-32 %
		< 10 %

M18 ONEFHIWP12



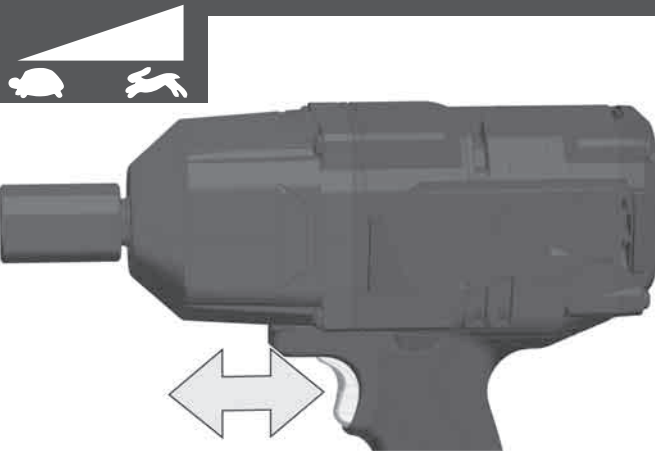
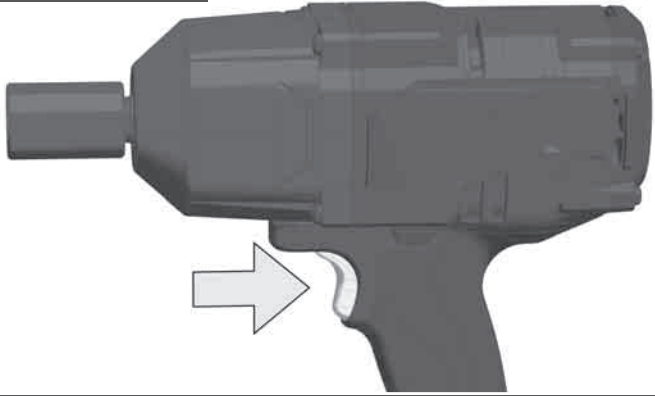
M18 ONEFHIWF12  
M18 ONEFHIWF34



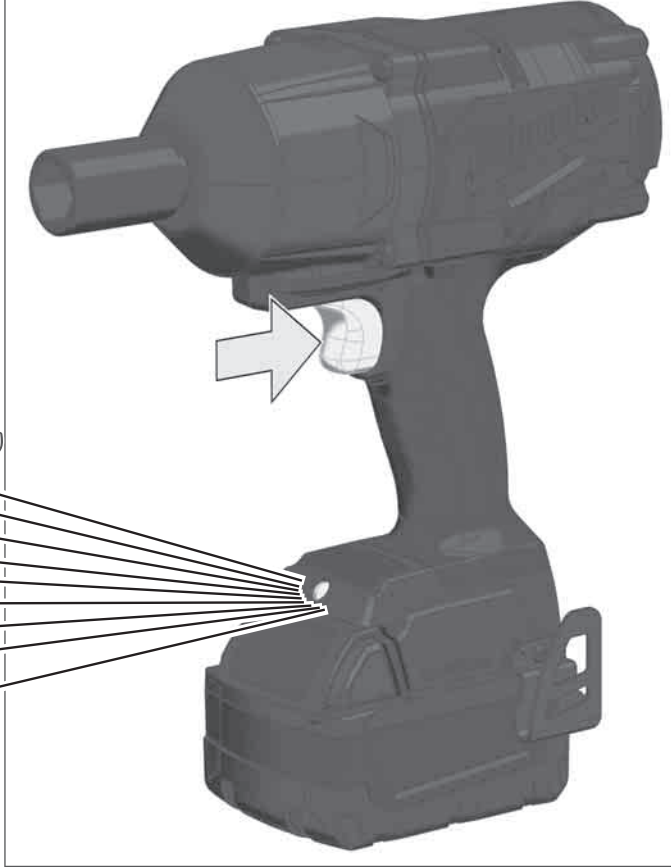
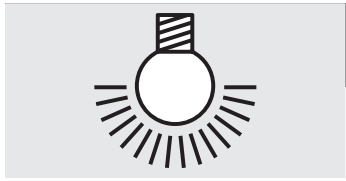


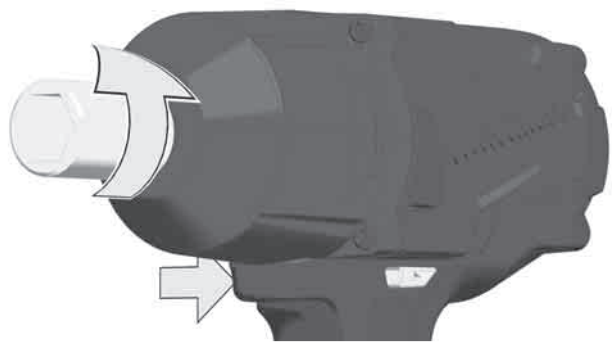
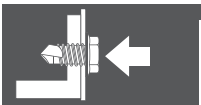
Handle (insulated gripping surface)

# START

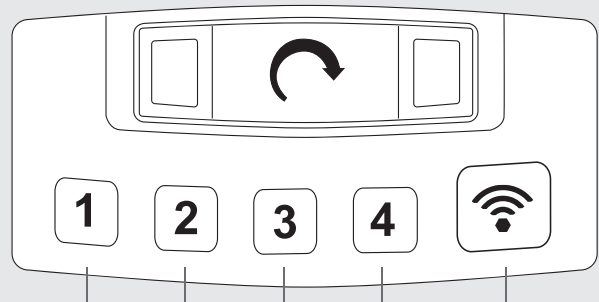
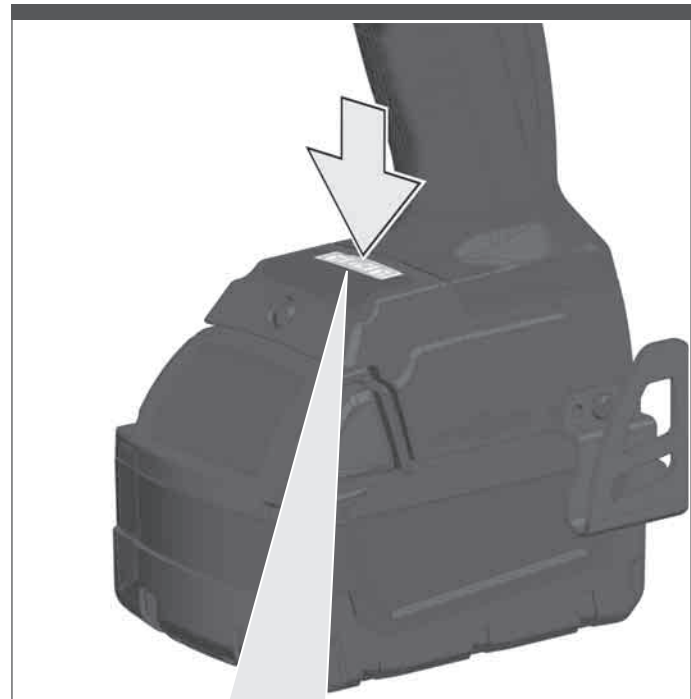
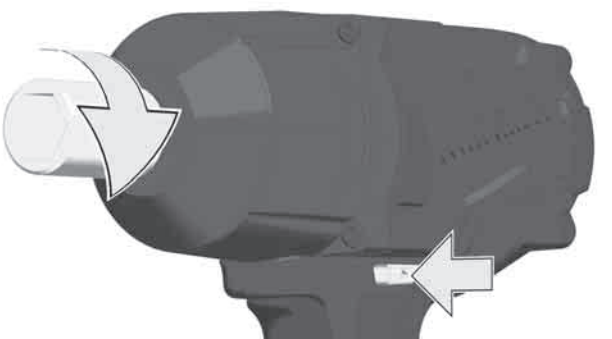
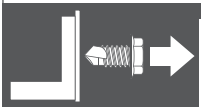


# STOP



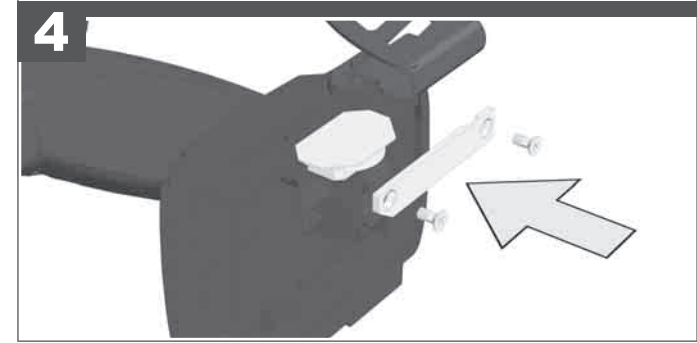
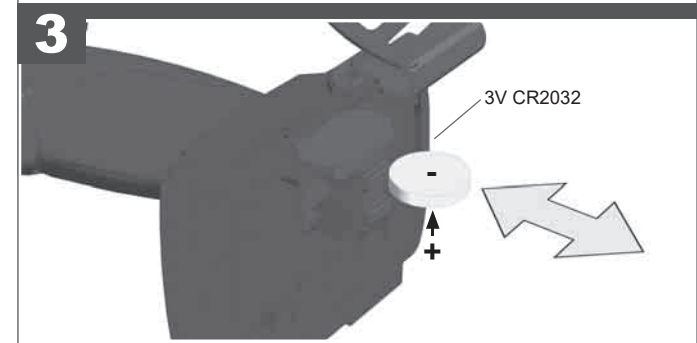
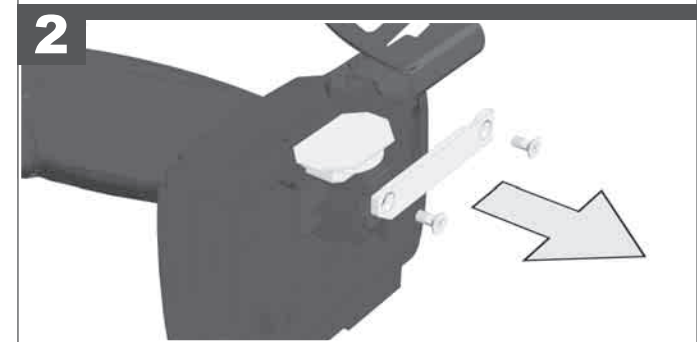
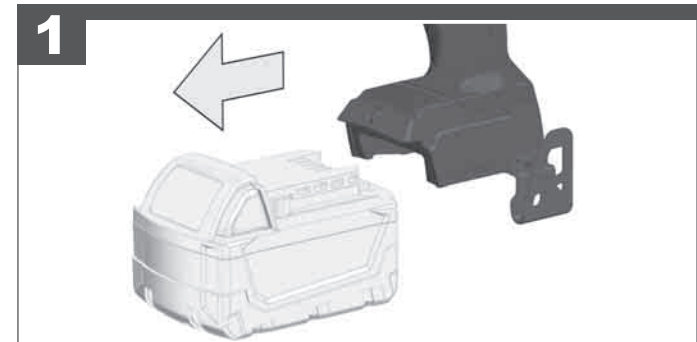
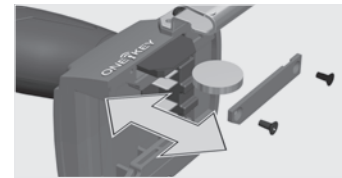
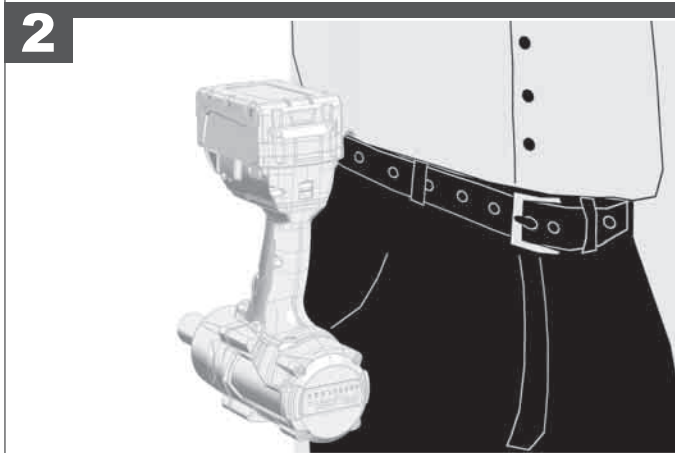
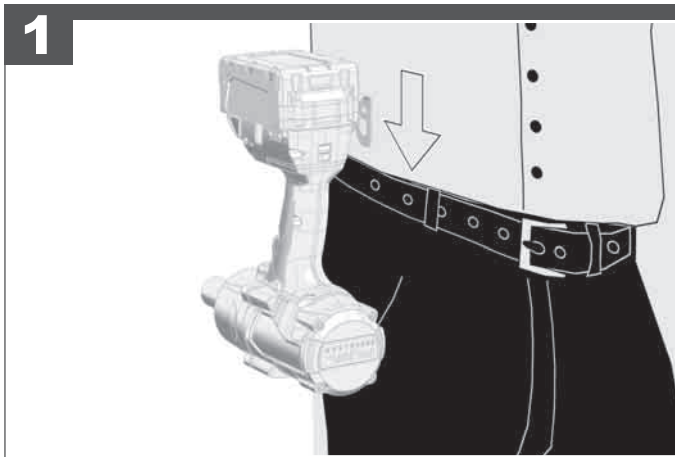
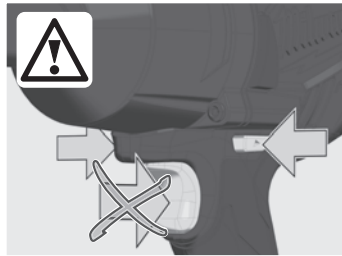
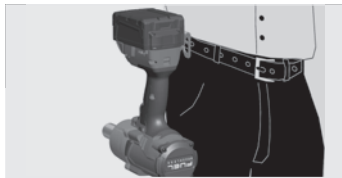


**LOCK**











<b>M18 ONEFHIWP12</b>	$\text{min}^{-1}$	0-950	0-1500	0-1800	0-1800
		0-1150	0-2100	0-2400	0-2400
<b>M18 ONEFHIWF12</b>	$\text{min}^{-1}$	0-550	0-1400	0-1750	0-1750
		0-950	0-1750	0-2100	0-2100
<b>M18 ONEFHIWF34</b>	$\text{min}^{-1}$	0-800	0-1300	0-1800	0-1800
		0-850	0-1850	0-2400	0-2400





**TECHNICAL DATA CORDLESS IMPACT SCREWDRIVER M18 ONEFH1WP12 M18 ONEFH1WF12 M18 ONEFH1WF34**

Production code.....	4671 85 03... ..000001-999999	4671 95 03... ..000001-999999	4672 05 03... ..000001-999999
 No-load speed .....	0-950 min <sup>-1</sup>	0-550 min <sup>-1</sup>	0-800 min <sup>-1</sup>
 Impact range .....	0-1150 min <sup>-1</sup>	0-950 min <sup>-1</sup>	0-850 min <sup>-1</sup>
 No-load speed .....	0-1500 min <sup>-1</sup>	0-1400 min <sup>-1</sup>	0-1300 min <sup>-1</sup>
 Impact range .....	0-2100 min <sup>-1</sup>	0-1750 min <sup>-1</sup>	0-1850 min <sup>-1</sup>
 No-load speed .....	0-1800 min <sup>-1</sup>	0-1750 min <sup>-1</sup>	0-1800 min <sup>-1</sup>
 Impact range .....	0-2400 min <sup>-1</sup>	0-2100 min <sup>-1</sup>	0-2400 min <sup>-1</sup>
 No-load speed .....	0-1800 min <sup>-1</sup>	0-1750 min <sup>-1</sup>	0-1800 min <sup>-1</sup>
 Impact range .....	0-2400 min <sup>-1</sup>	0-2100 min <sup>-1</sup>	0-2400 min <sup>-1</sup>
Torque max.....	1017 Nm	1356 Nm	1627 Nm
Max. diameter bolt / nut .....	M 24	M33	M33
Tool reception .....	1/2" (13 mm)	1/2" (13 mm)	3/4" (19 mm)
Battery voltage.....	18 V	18 V	18 V
Weight according EPTA-Procedure 01/2014 (4.0 Ah / 5.0 Ah) .....	3,2 kg	3,3 kg	3,5 kg
Weight according EPTA-Procedure 01/2014 (9.0 Ah) .....	3,6 kg	3,7 kg	3,9 kg
Frequency band(s) of Bluetooth .....	2402-2480 MHz	2402-2480 MHz	2402-2480 MHz
Radio-frequency power .....	1,8 dBm	1,8 dBm	1,8 dBm
Bluetooth version.....	4.0 BT signal mode	4.0 BT signal mode	4.0 BT signal mode
Recommended ambient operating temperature.....	-18 ... +50 °C	-18 ... +50 °C	-18 ... +50 °C
Recommended battery Type .....	M18B2, M18B4, M18B5, M18B6, M18B9		
Recommended charger Type .....	M12-18C, M12-18AC, M12-18FC, M1418C6		

**Noise/vibration information**

Measured values determined according to EN 62841.

Typically, the A-weighted noise levels of the tool are:

Sound pressure level (Uncertainty K=3dB(A)) .....	94,7 dB (A)	94,9 dB (A)	98,5 dB (A)
Sound power level (Uncertainty K=3dB(A)).....	105,7 dB (A)	105,9 dB (A)	109,5 dB (A)

**Wear ear protectors!**

Total vibration values (vector sum in the three axes) determined according to EN 62841.

Vibration emission value a <sub>h</sub>			
Impact tightening of fasteners of the maximum capacity of the tool .....	18,4 m/s <sup>2</sup>	16,7 m/s <sup>2</sup>	15,9 m/s <sup>2</sup>
Uncertainty K=	1,5 m/s <sup>2</sup>	1,5 m/s <sup>2</sup>	1,5 m/s <sup>2</sup>

**WARNING**

The vibration emission level given in this information sheet has been measured in accordance with a standardised test given in EN 62841 and may be used to compare one tool with another. It may be used for a preliminary assessment of exposure.

The declared vibration emission level represents the main applications of the tool. However if the tool is used for different applications, with different accessories or poorly maintained, the vibration emission may differ. This may significantly increase the exposure level over the total working period.

An estimation of the level of exposure to vibration should also take into account the times when the tool is switched off or when it is running but not actually doing the job. This may significantly reduce the exposure level over the total working period.

Identify additional safety measures to protect the operator from the effects of vibration such as: maintain the tool and the accessories, keep the hands warm, organisation of work patterns.

**WARNING** Read all safety warnings, instructions, illustrations and specifications provided with this power tool. Failure to follow all instructions listed below may result in electric shock, fire and/or serious injury.

Save all warnings and instructions for future reference.

**IMPACT DRIVER SAFETY WARNINGS**

Hold power tool by insulated gripping surfaces, when performing an operation where the fastener may contact hidden wiring. Fasteners contacting a „live“ wire may make exposed metal parts of the power tool „live“ and could give the operator an electric shock.

Wear ear protectors. Exposure to noise can cause hearing loss.

**ADDITIONAL SAFETY AND WORKING INSTRUCTIONS**

Use protective equipment. Always wear safety glasses when working with the machine. The use of protective clothing is recommended, such as dust mask, protective gloves, sturdy non-slip footwear, helmet and ear defenders.

The dust produced when using this tool may be harmful to health. Do not inhale the dust. Wear a suitable dust protection mask.

Do not machine any materials that present a danger to health (e.g. asbestos).

Switch the device off immediately if the insertion tool stalls! Do not switch the device on again while the insertion tool is stalled, as doing so could trigger a sudden recoil with a high reactive force. Determine why the insertion tool stalled and rectify this, paying heed to the safety instructions.

- The possible causes may be:
- it is tilted in the workpiece to be machined
  - it has pierced through the material to be machined
  - the power tool is overloaded

Do not reach into the machine while it is running.

The insertion tool may become hot during use.

- WARNING!** Danger of burns
- when changing tools
  - when setting the device down

Chips and splinters must not be removed while the machine is running.

When working in walls ceiling, or floor, take care to avoid electric cables and gas or waterpipes.

Clamp your workpiece with a clamping device. Unclamped workpieces can cause severe injury and damage.

Remove the battery pack before starting any work on the machine.

Do not dispose of used battery packs in the household refuse or by burning them. Milwaukee Distributors offer to retrieve old batteries to protect our environment.

Do not store the battery pack together with metal objects (short circuit risk).

Use only System M18 chargers for charging System M18 battery packs. Do not use battery packs from other systems.

Never break open battery packs and chargers and store only in dry rooms. Keep dry at all times.

Battery acid may leak from damaged batteries under extreme load or extreme temperatures. In case of contact with battery acid wash it off immediately with soap and water. In case of eye contact rinse thoroughly for at least 10 minutes and immediately seek medical attention.

**WARNING** This device contains a lithium button/coin cell battery. A new or used battery can cause severe internal burns and lead to death in as little as 2 hours if swallowed or enters the body. Always secure the battery cover. If it does not close securely, stop using the device, remove the batteries, and keep it away from children. If you think batteries may have been swallowed or entered the body, seek immediate medical attention.

**Warning!** To reduce the risk of fire, personal injury, and product damage due to a short circuit, never immerse your tool, battery pack or charger in fluid or allow a fluid to flow inside them. Corrosive or conductive fluids, such as seawater, certain industrial chemicals, and bleach or bleach containing products, etc., can cause a short circuit.

**SPECIFIED CONDITIONS OF USE**

The cordless impact wrench can be used to tighten and loosen nuts and bolts wherever no mains connection is available.

Do not use this product in any other way as stated for normal use.

**EC-DECLARATION OF CONFORMITY**

We declare as the manufacturer under our sole responsibility that the product described under "Technical Data" fulfills all the relevant regulations and the directives 2011/65/EU (RoHS), 2014/53/EU, 2006/42/EC, and the following harmonized standards have been used:

- EN 62841-1:2015
- EN 62841-2-2:2014
- EN 55014-1:2017+A11:2020
- EN 55014-2:2015
- EN 62479:2010
- EN 301 489-1 V2.2.3
- EN 301 489-17 V3.1.1
- EN 300 328V2.2.2
- EN IEC 63000:2018

Winnenden, 2021-02-02

Alexander Krug  
Managing Director

Authorized to compile the technical file.

Techtronic Industries GmbH  
Max-Eyth-Straße 10  
71364 Winnenden  
Germany



**GB-DECLARATION OF CONFORMITY**

We declare as the manufacturer under our sole responsibility that the product described under "Technical Data" fulfills all the relevant provisions of the following Regulations S.I. 2008/1597 (as amended), S.I. 2017/1206 (as amended), S.I. 2012/3032 (as amended) and that the following designated standards have been used:

- BS EN 62841-1:2015
- BS EN 62841-2-2:2014
- BS EN 55014-1:2017+A11:2020
- BS EN 55014-2:2015
- BS EN 62479:2010
- EN 301 489-1 V2.2.3
- EN 301 489-17 V3.1.1
- EN 300 328V2.2.2
- BS EN IEC 63000:2018

Winnenden, 2021-02-02


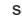


Alexander Krug  
Managing Director

Authorized to compile the technical file.

Techtronic Industries GmbH  
Max-Eyth-Straße 10  
71364 Winnenden  
Germany

**SELECTING MODE**

Allow the tool to come to a complete stop before changing modes. Press the selector button  to cycle between the settings. Select wireless  to change the default settings via the ONE-KEY App on your smart device.

**ONE-KEY™**

To learn more about the ONE-KEY functionality for this tool, please reference the Quick Start guide included with this product or go to [www.milwaukee.com/one-key](http://www.milwaukee.com/one-key). To download the ONE-KEY app, visit the App Store or Google Play from your smart device.

When the product experiences ESD, the speed LED shuts down and the product cannot adjust speed. It needs the battery and coin cell removed and reinserted to recover (see page 6 & 15).

Also, when the product experiences ESD, the Bluetooth communication will be disconnected. It needs to be reset manually to recover.

We considered the results to be within our minimum acceptable performance level according to EN 55014-2 / EN 301489-1 / EN 301489-17.

**BATTERIES**

Battery packs which have not been used for some time should be recharged before use.

Temperatures in excess of 50°C (122°F) reduce the performance of the battery pack. Avoid extended exposure to heat or sunshine (risk of overheating).

The contacts of chargers and battery packs must be kept clean.

For an optimum life-time, after use, the battery packs have to be fully charged.

To obtain the longest possible battery life remove the battery pack from the charger once it is fully charged.

For battery pack storage longer than 30 days:

Store the battery pack where the temperature is below 27°C and away from moisture

Store the battery packs in a 30% - 50% charged condition

Every six months of storage, charge the pack as normal.



## BATTERY PACK PROTECTION

In extremely high torque, binding, stalling and short circuit situations that cause high current draw, the tool will vibrate for about 2 seconds and then the tool will turn OFF.

To reset, release the trigger.

Under extreme circumstances, the internal temperature of the battery could become too high. If this happens, the battery will shut down.

Place the battery on the charger to charge and reset it.

## TRANSPORTING LITHIUM BATTERIES

Lithium-ion batteries are subject to the Dangerous Goods Legislation requirements.

Transportation of those batteries has to be done in accordance with local, national and international provisions and regulations.

- The user can transport the batteries by road without further requirements.
- Commercial transport of Lithium-Ion batteries by third parties is subject to Dangerous Goods regulations. Transport preparation and transport are exclusively to be carried out by appropriately trained persons and the process has to be accompanied by corresponding experts.

When transporting batteries:

- Ensure that battery contact terminals are protected and insulated to prevent short circuit.
- Ensure that battery pack is secured against movement within packaging.
- Do not transport batteries that are cracked or leak.

Check with forwarding company for further advice

## MAINTENANCE

Refer to the ONE-KEY App for information regarding necessary servicing.

Use only Milwaukee accessories and spare parts. Should components need to be replaced which have not been described, please contact one of our Milwaukee service agents (see our list of guarantee/service addresses).

If needed, an exploded view of the tool can be ordered. Please state the machine type printed as well as the six-digit No. on the label and order the drawing at your local service agents or directly at: Techtronic Industries GmbH, Max-Eyth-Straße 10, 71364 Winnenden, Germany.

## SYMBOLS



CAUTION! WARNING! DANGER!



Remove the battery pack before starting any work on the machine.



Please read the instructions carefully before starting the machine.



Do not swallow the coin cell battery!



Do not dispose electric tools, batteries/rechargeable batteries together with household waste material. Electric tools and batteries that have reached the end of their life must be collected separately and returned to an environmentally compatible recycling facility. Check with your local authority or retailer for recycling advice and collection point.

$n_0$

No-load speed

V

Volts



Direct current



European Conformity Mark



British Conformity Mark



Ukraine Conformity Mark



EurAsian Conformity Mark



Copyright 2021

Techtronic Industries GmbH  
Max-Eyth-Str. 10  
71364 Winnenden  
Germany

+49 (0) 7195-12-0

[www.milwaukeeetool.eu](http://www.milwaukeeetool.eu)

Techtronic Industries (UK) Ltd  
Fieldhouse Lane  
Marlow Bucks SL7 1HZ  
UK



**EAC UK  
CA**

(01.21)

**4100 4149 36**