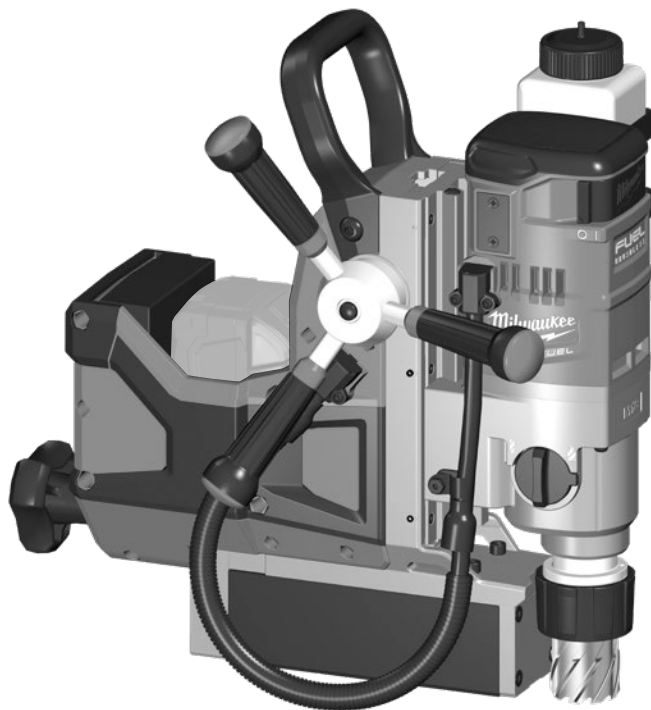


**Milwaukee**<sup>®</sup>

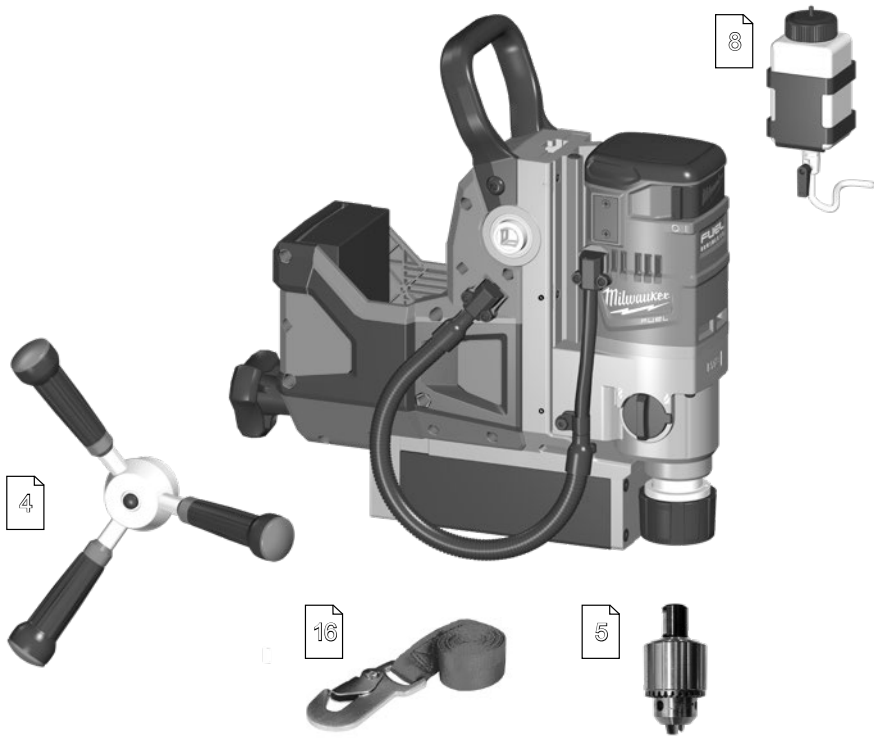
Nothing but **HEAVY DUTY**.<sup>®</sup>



## **M18 FMDP**

---

Original instructions

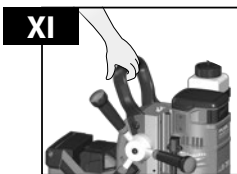
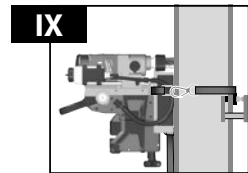
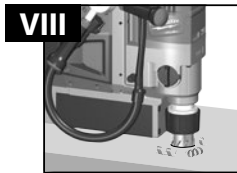
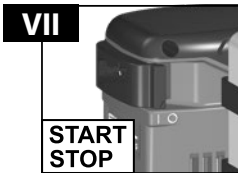
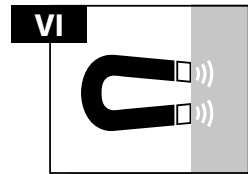
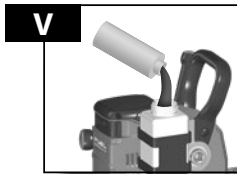
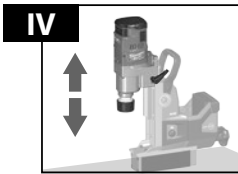
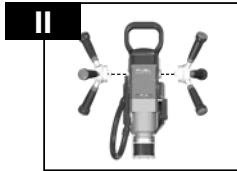
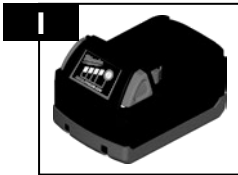
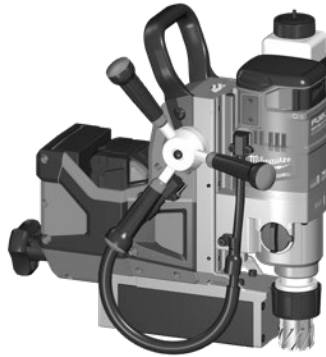


4

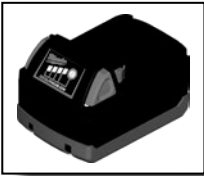
16

5

8



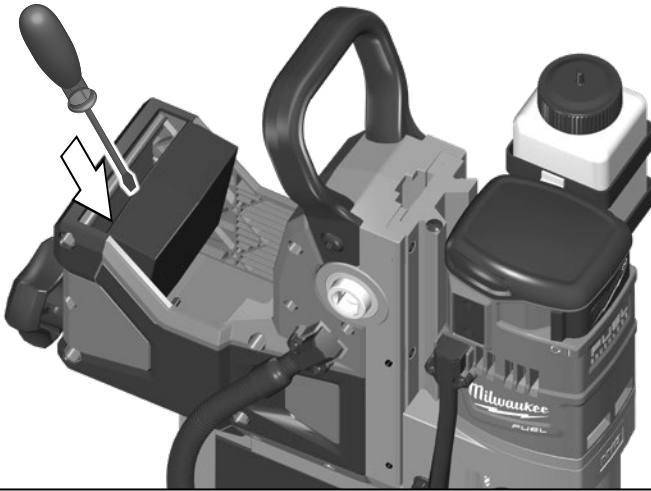
**XII** Technical Data, Safety Instructions, Specified Conditions of Use, Declaration of Conformity, Batteries, Maintenance, Symbols  
**Please read and save these instructions!**



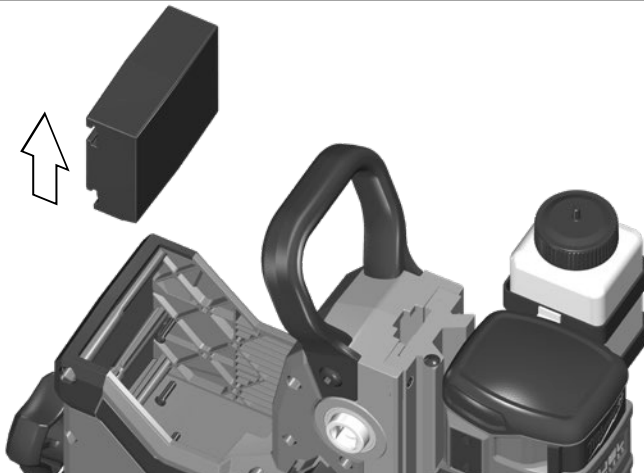
**M18B9 / 9,0 Ah**  
**M18HB / 12,0 Ah**



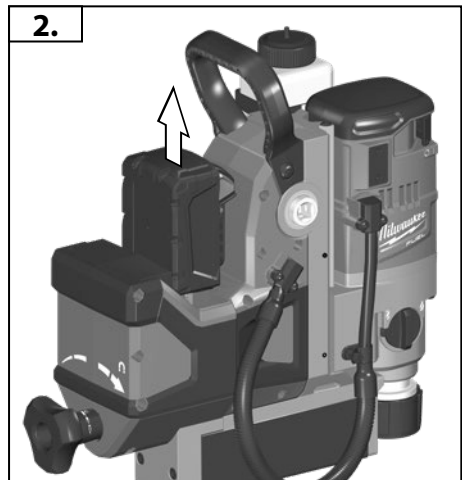
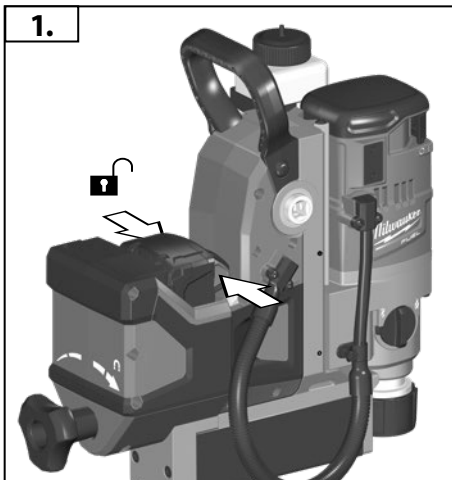
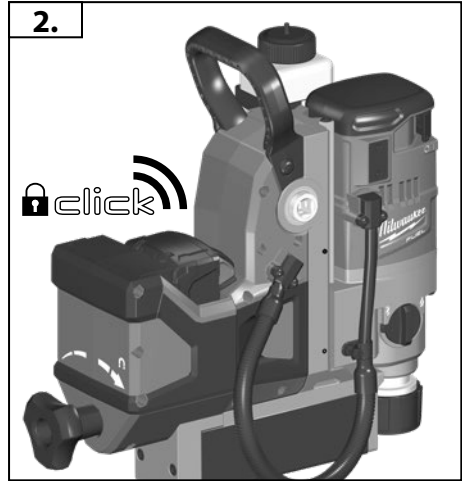
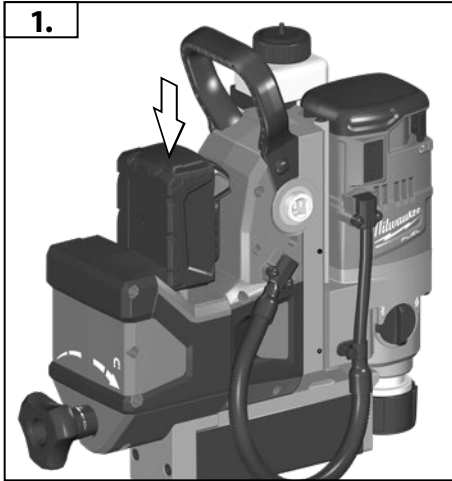
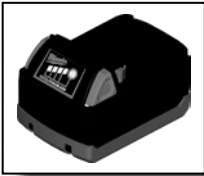
1.

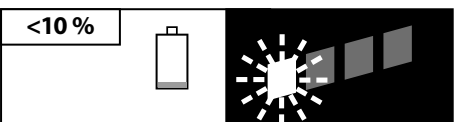
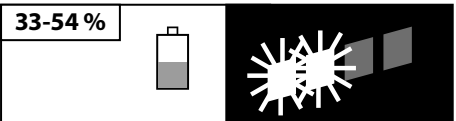
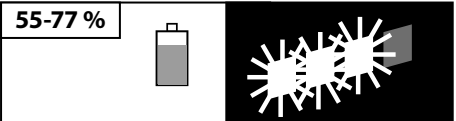
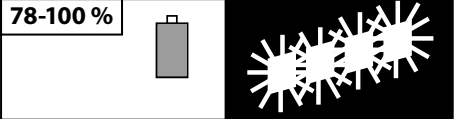
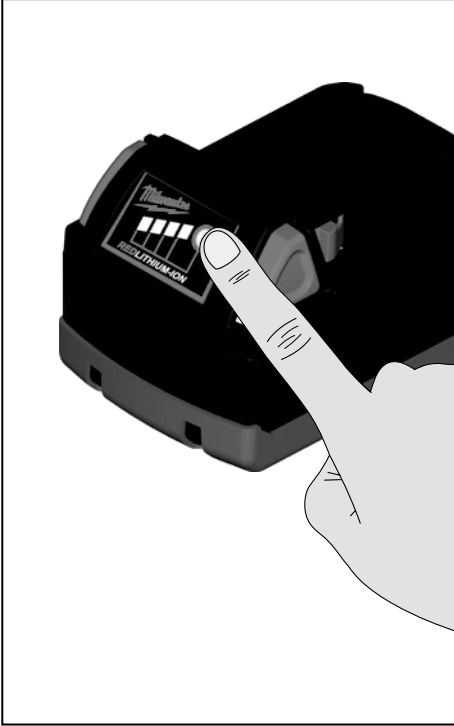


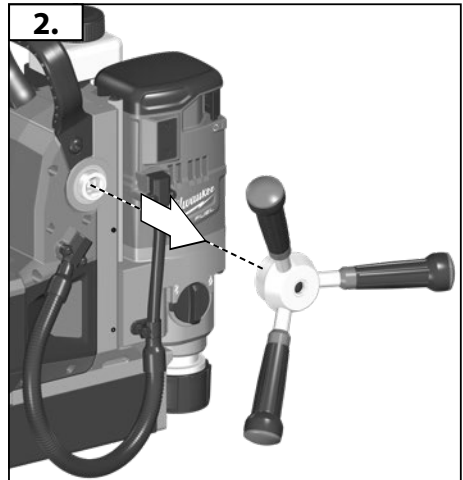
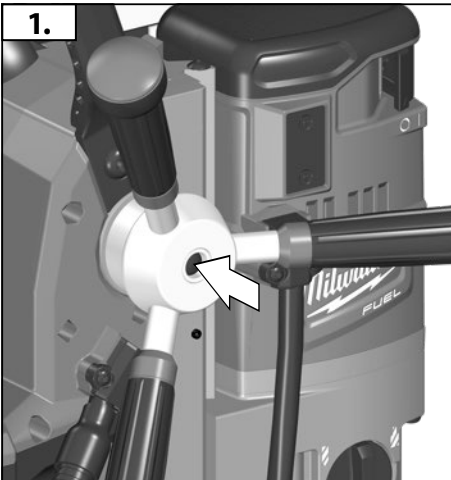
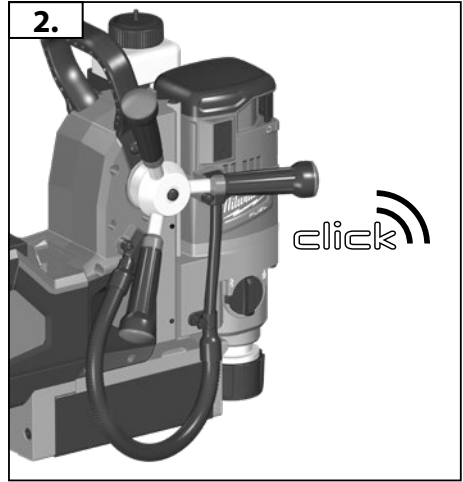
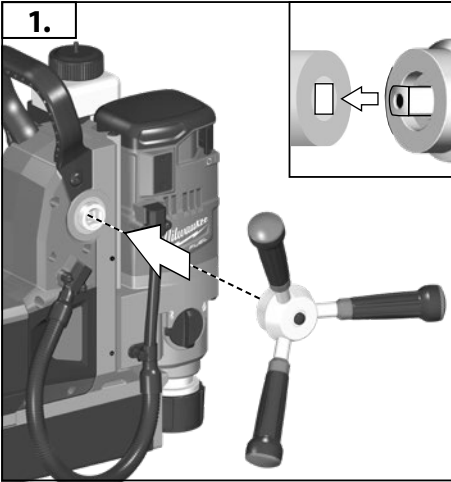
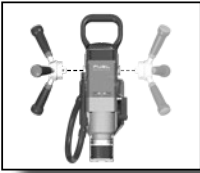
2.

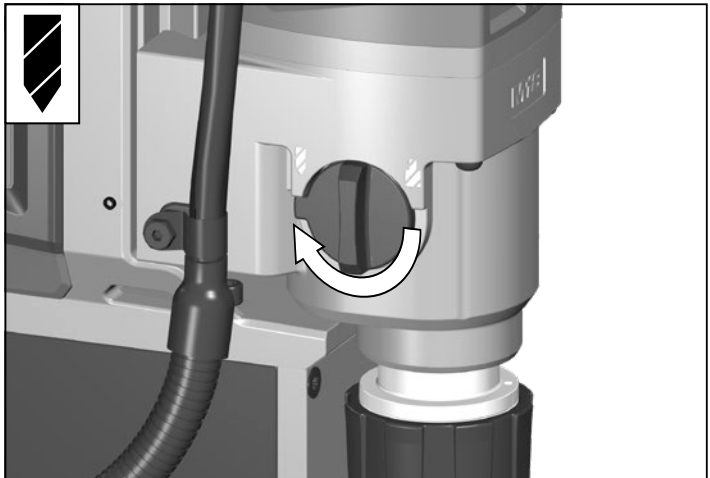
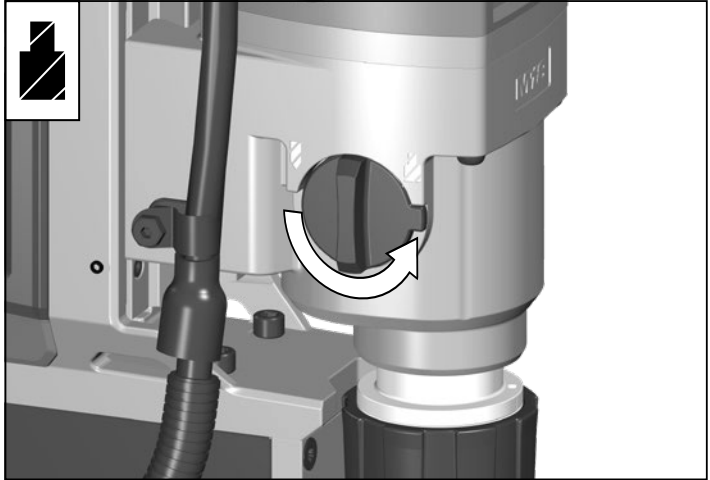


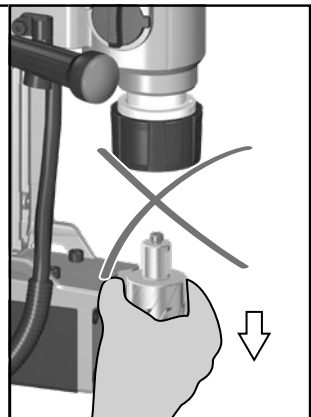
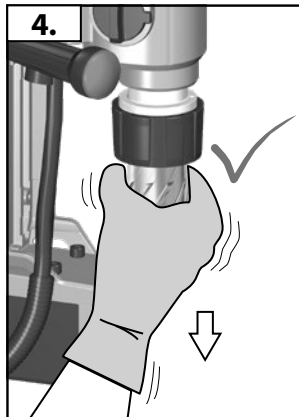
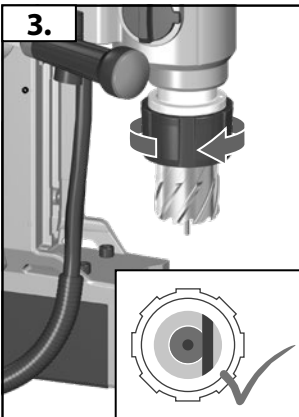
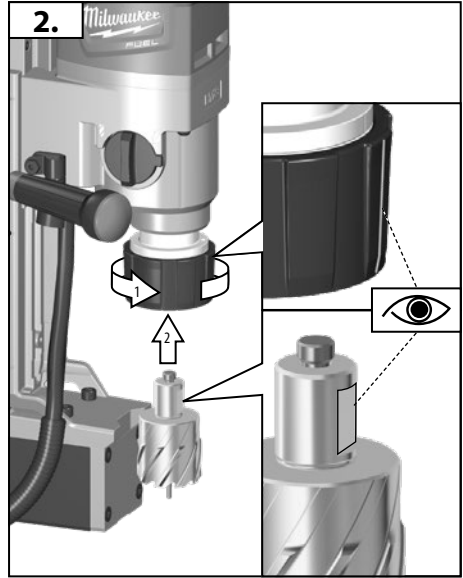
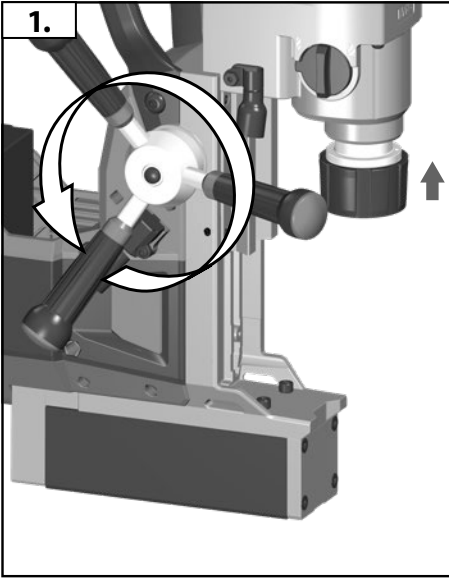


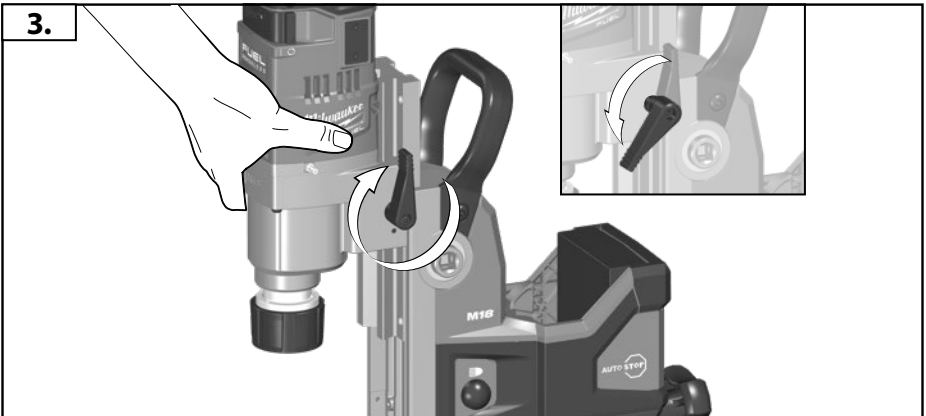
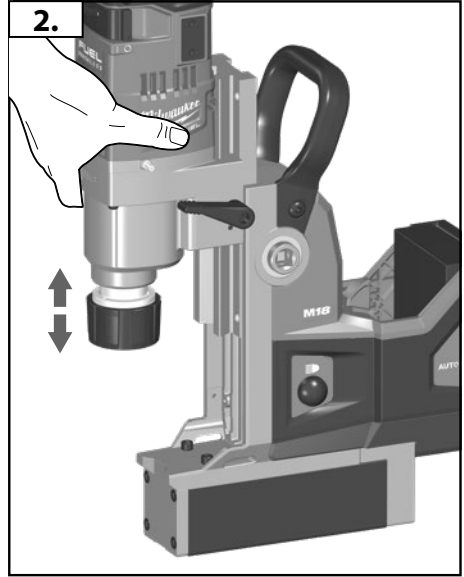
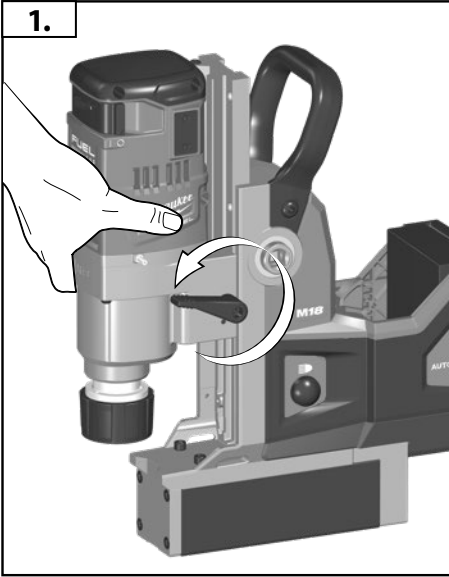
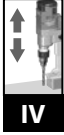
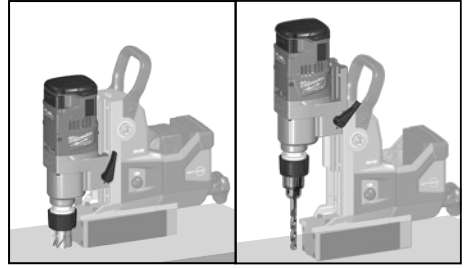
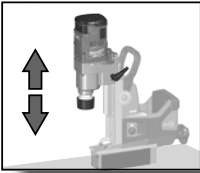


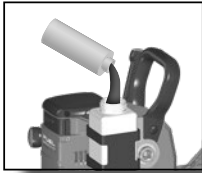




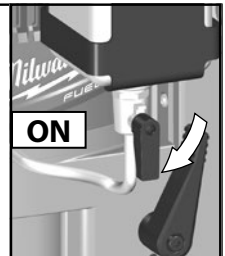
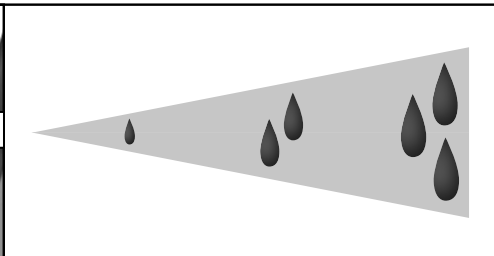
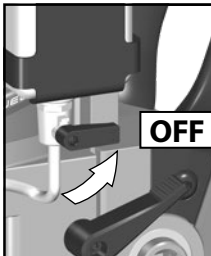
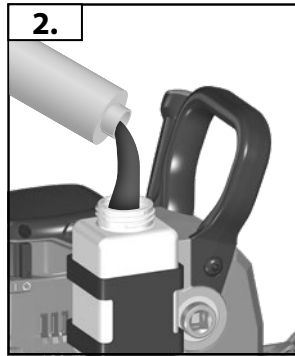
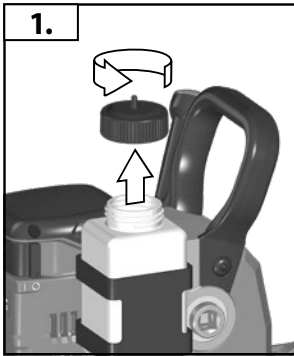
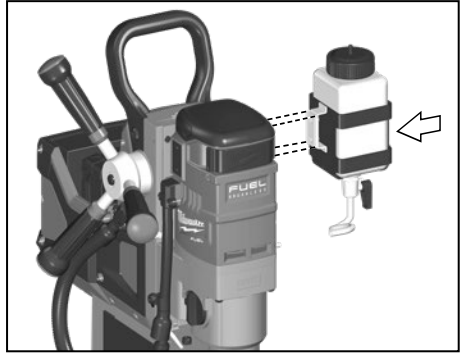
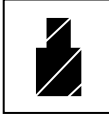


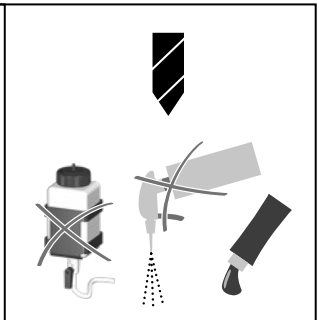
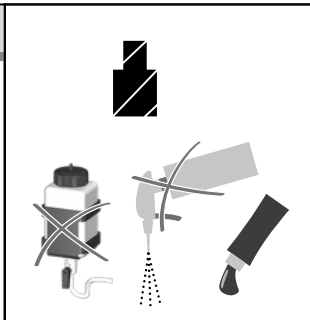
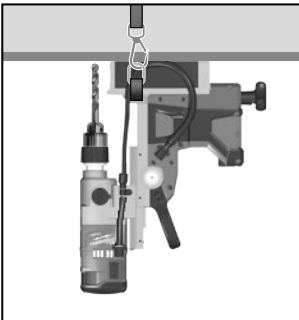
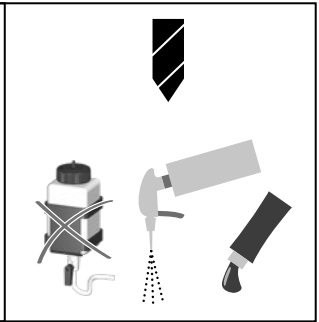
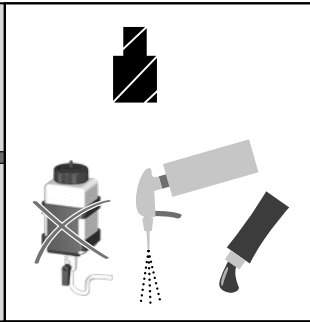
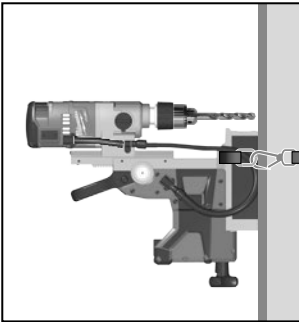
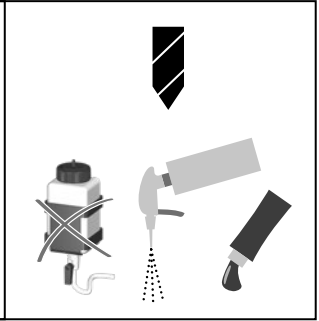
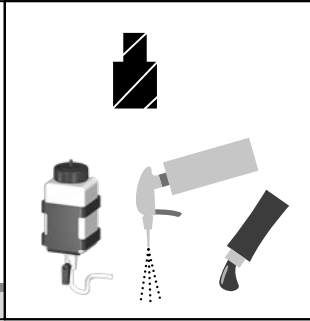
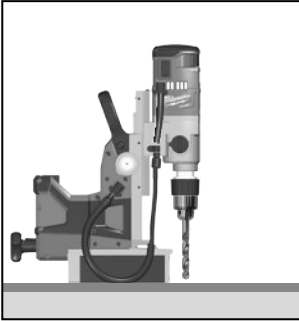
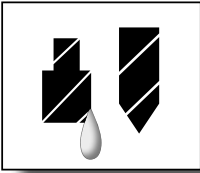




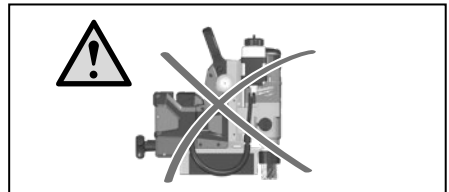
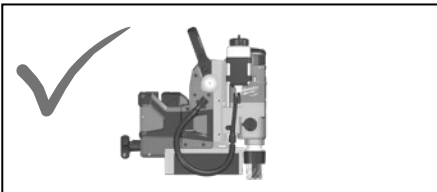
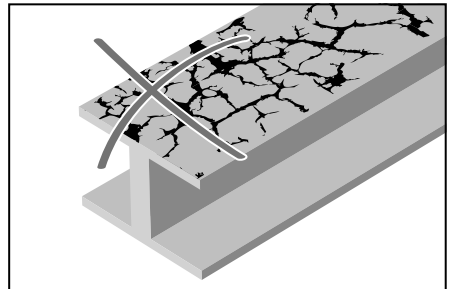
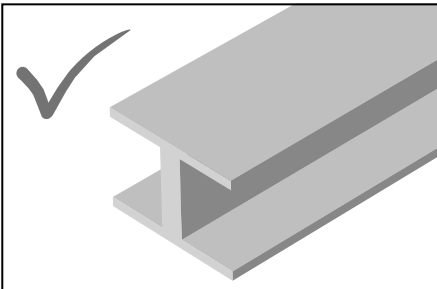
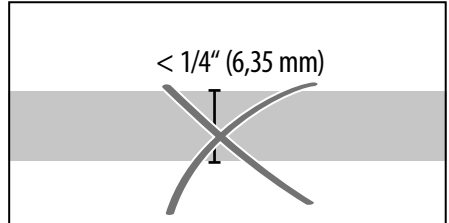
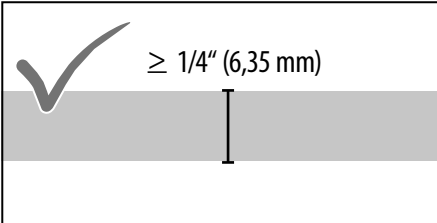
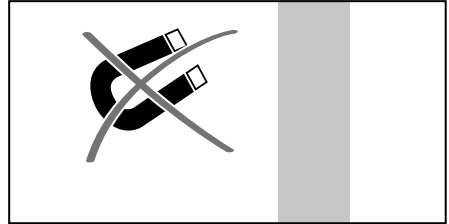
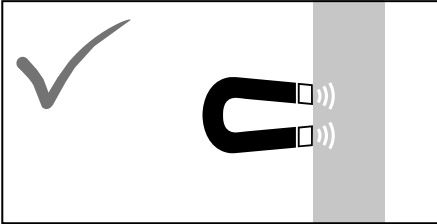
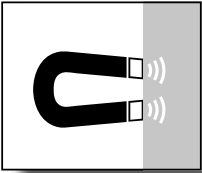


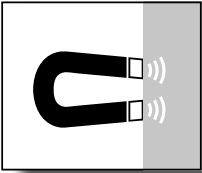
Cutting fluid



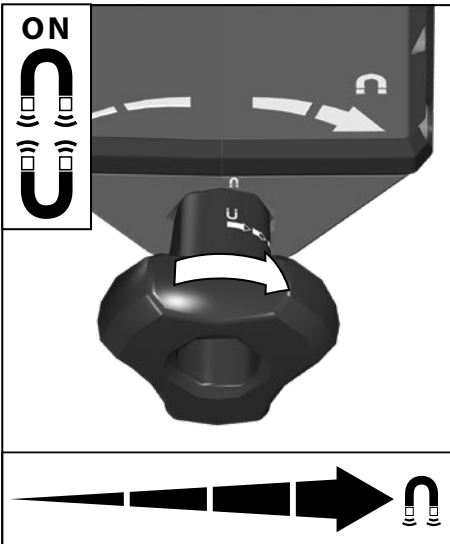
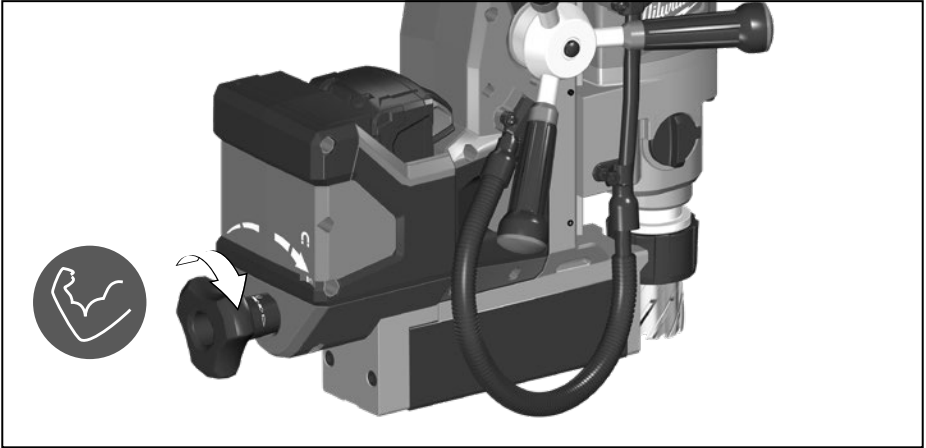


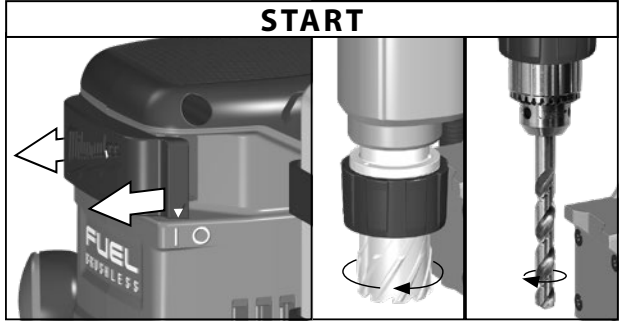
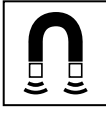
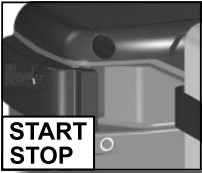




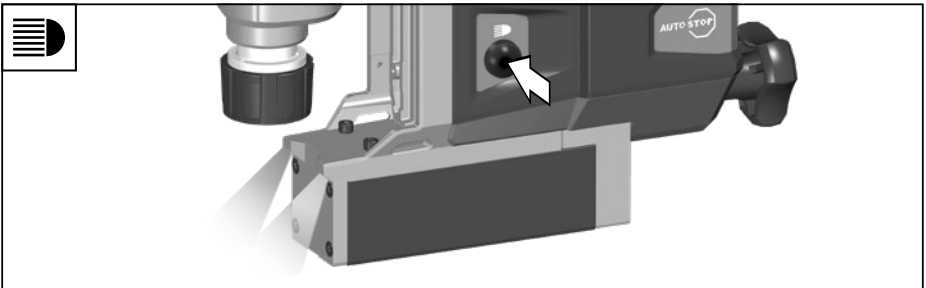
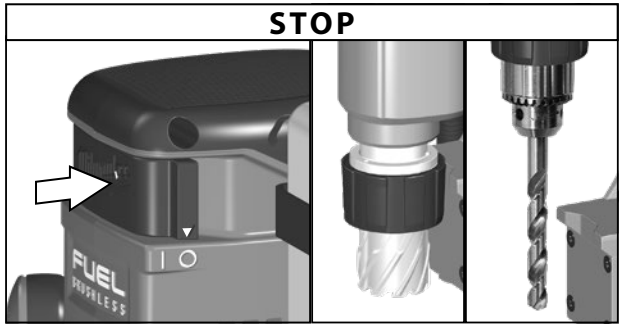


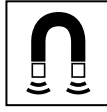
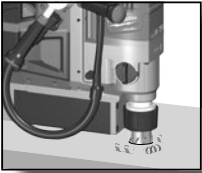
VI



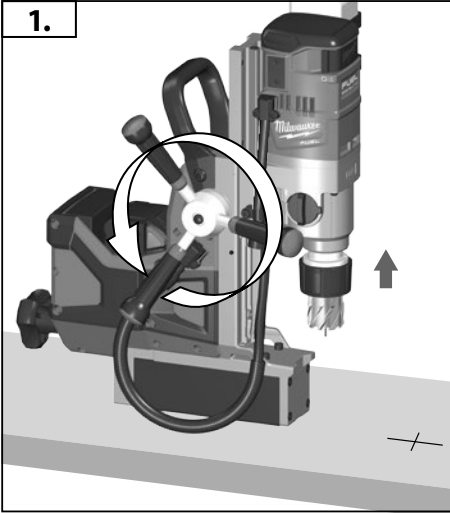


START  
STOP  
VII

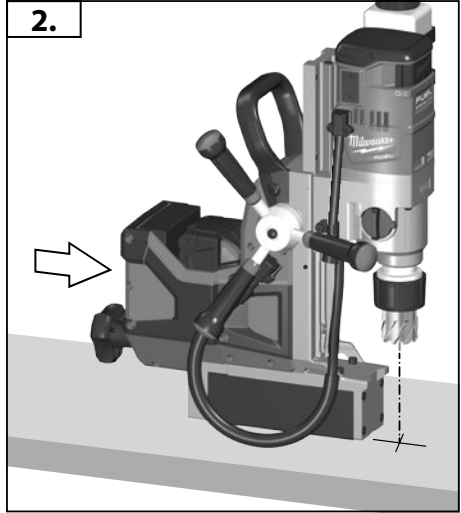




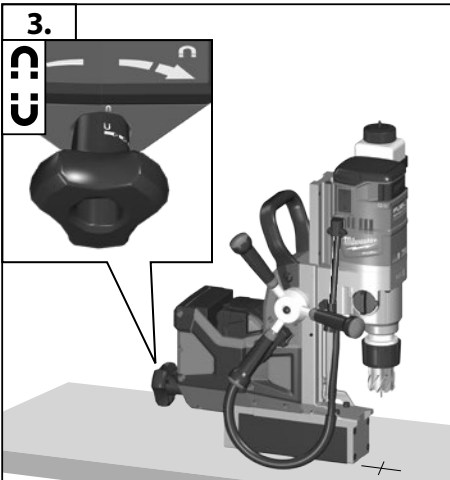
1.



2.

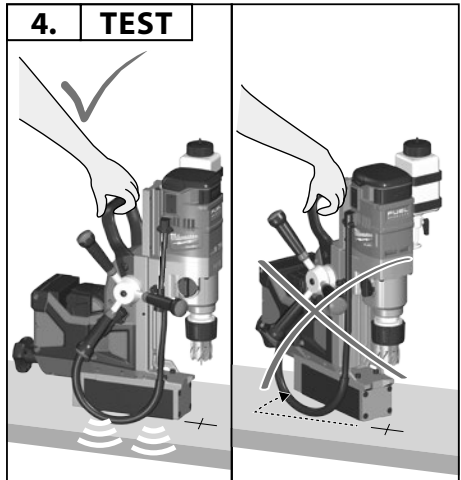


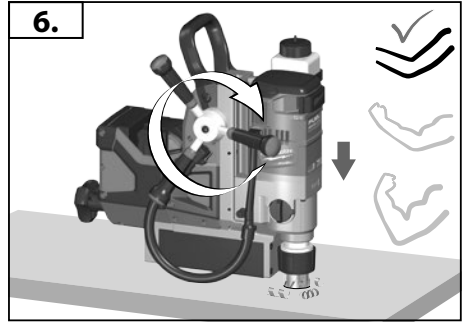
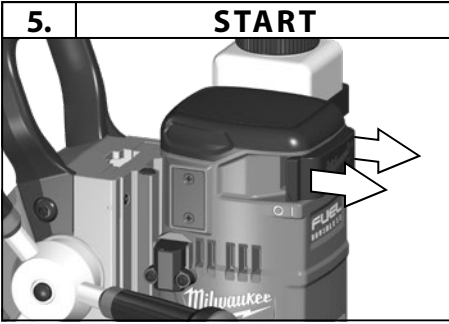
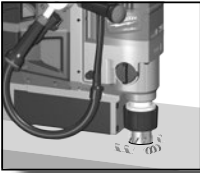
3.



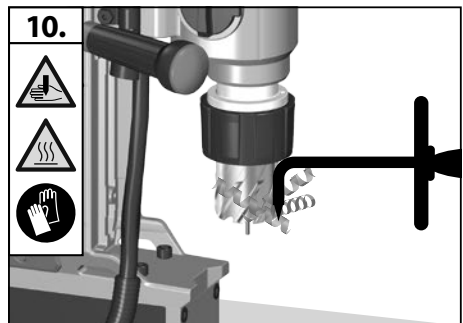
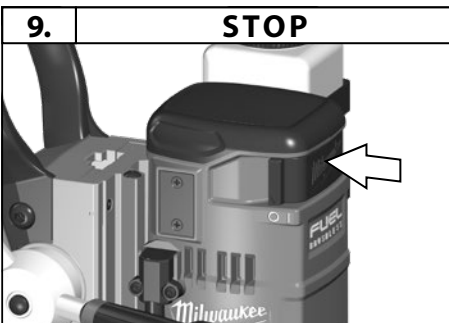
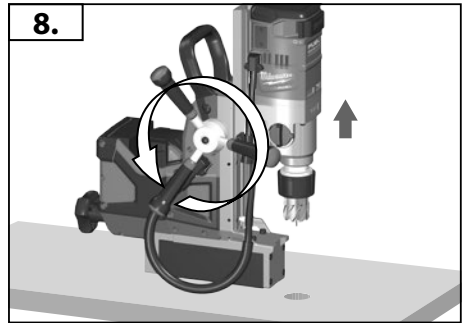
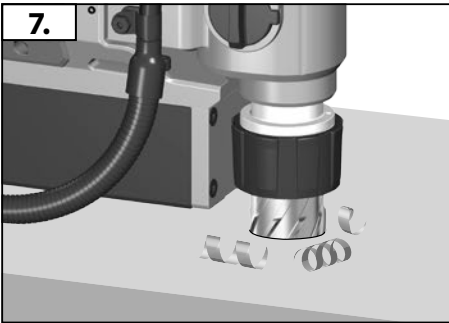
4.

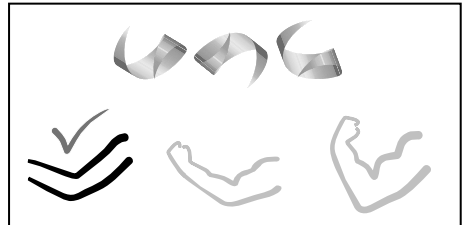
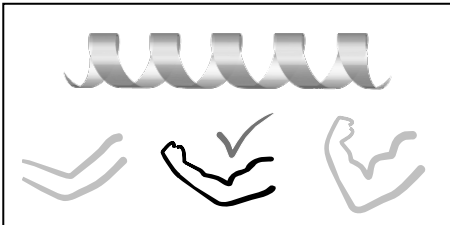
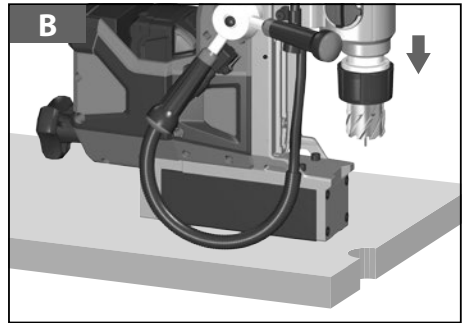
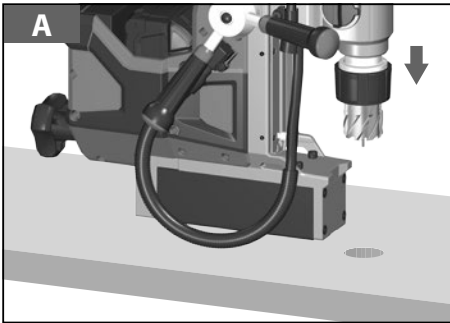
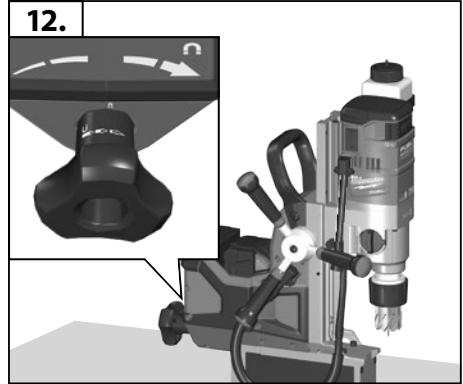
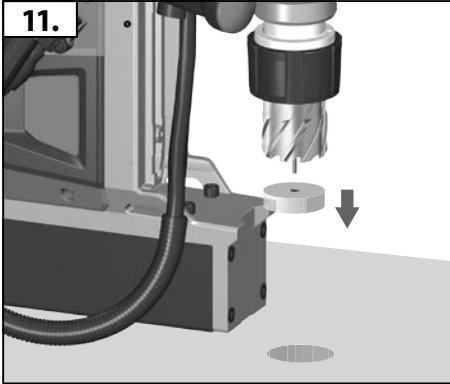
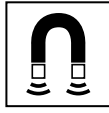
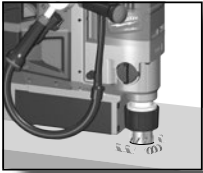
TEST

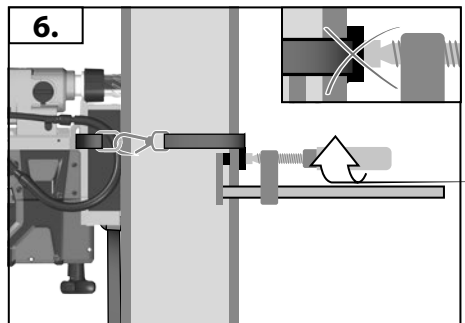
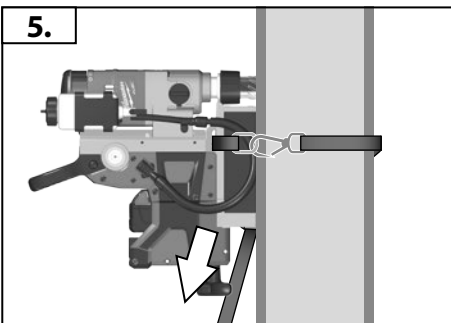
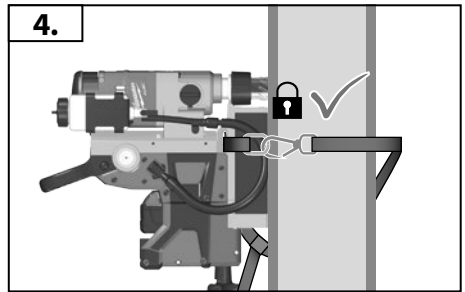
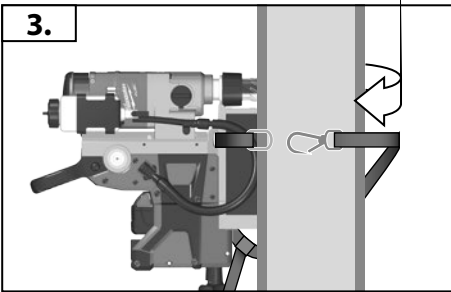
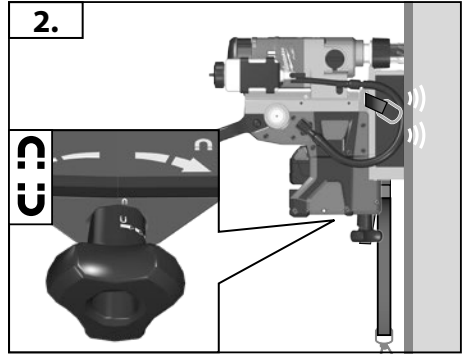
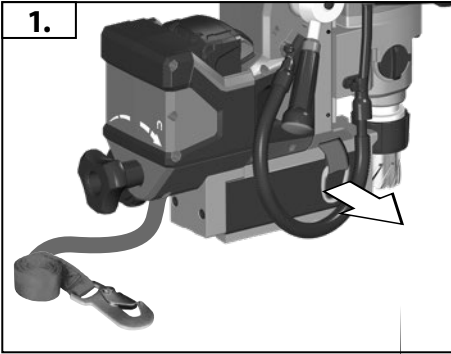
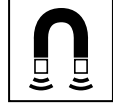
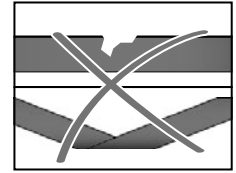
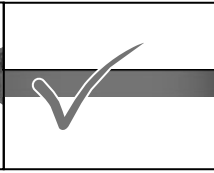
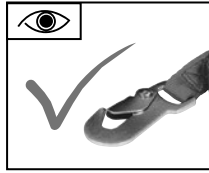
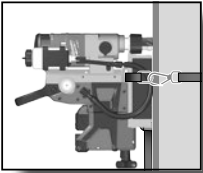


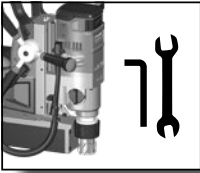


VIII

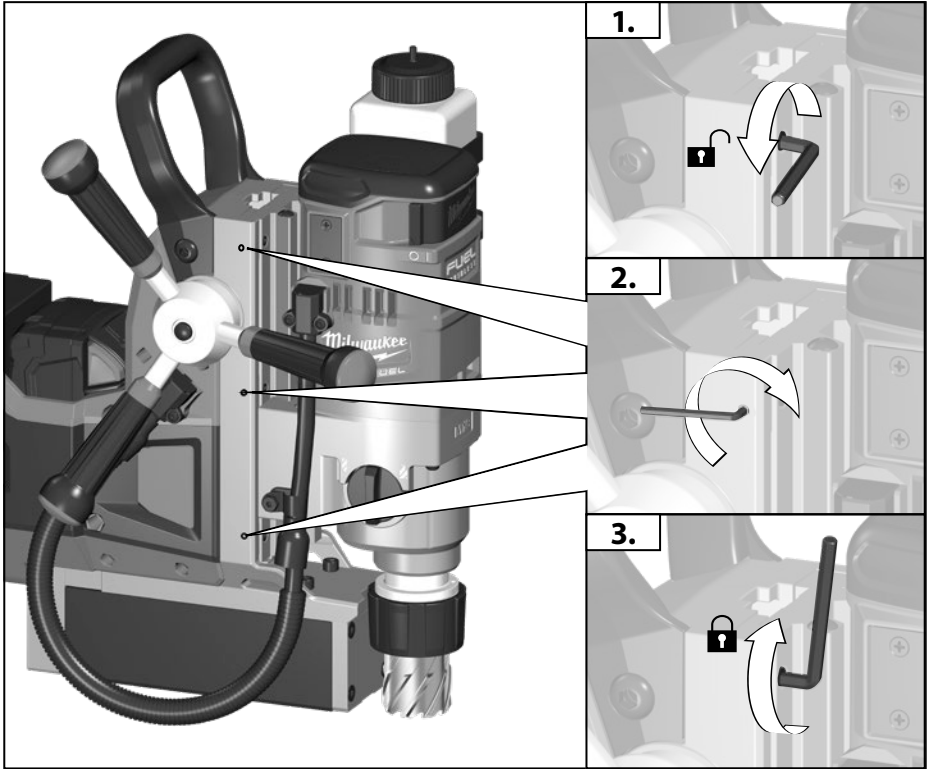




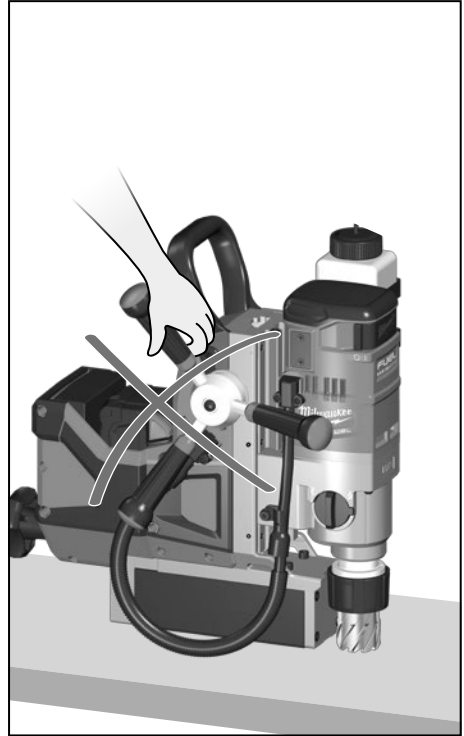
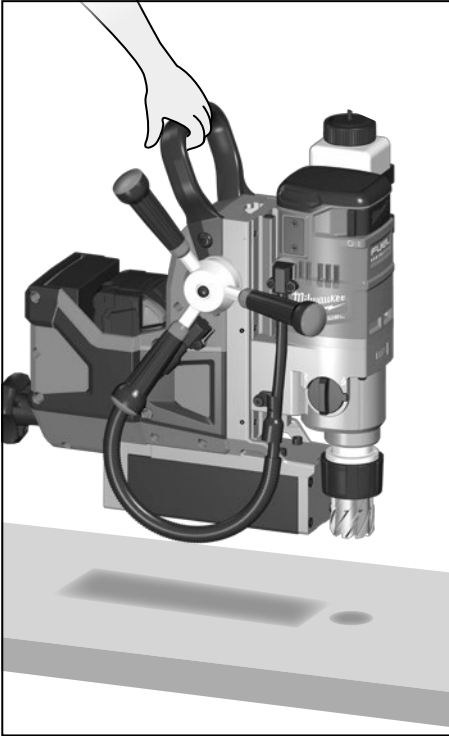
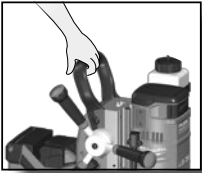




Setting the free motion of the slide







XI

TECHNICAL DATA Magnetic core drilling machine	M18 FMDP
Production code	4692 83 02... ... 000001-999999
Battery voltage	18 V
No-load speed	400 min <sup>-1</sup> 690 min <sup>-1</sup>
Lengths of stroke	146 mm
Max. magnetic power	8,89 kN
Spindle receiver	19 mm Weldon
Drill diameter max. with core hole drill bit	38 mm
Drill diameter max. with solid drill bit	13 mm
Weight according EPTA-Procedure 01/2014 (Li-Ion 2,0 Ah ... 12,0 Ah)	13,9 ... 14,5 kg
Recommended Ambient Operating Temperature	-18°C ... +50°C
Recommended battery types	M18B..., M18HB...
Recommended charger	M12-18..., M1418 C6
<b>Noise information</b>	
Measured values determined according to EN 62841. Typically, the A-weighted noise levels of the tool are:	
Sound pressure level (Uncertainty K=3dB(A))	82,4 dB(A)
Sound power level (Uncertainty K=3dB(A))	93,4 dB(A)
<b>Wear ear protectors!</b>	
<b>Vibration information</b>	
Vibration total values (triaxial vector sum) determined according to EN 62841	
Vibration emission value a <sub>v</sub> (Li-Ion 2,0 Ah)	1,69 m/s <sup>2</sup>
Uncertainty K=	1,5 m/s <sup>2</sup>



## WARNING

The vibration emission level given in this information sheet has been measured in accordance with a standardised test given in EN 62841 and may be used to compare one tool with another. It may be used for a preliminary assessment of exposure.

The declared vibration emission level represents the main applications of the tool. However if the tool is used for different applications, with different accessories or poorly maintained, the vibration emission may differ. This may significantly increase the exposure level over the total working period.

An estimation of the level of exposure to vibration should also take into account the times when the tool is switched off or when it is running but not actually doing the job. This may significantly reduce the exposure level over the total working period.

Identify additional safety measures to protect the operator from the effects of vibration such as: maintain the tool and the accessories, keep the hands warm, organisation of work patterns.



### WARNING!

**Read all safety warnings, instructions, illustrations and specifications provided with this power tool.** Failure to follow the warnings and instructions may result in electric shock, fire and/or serious injury.

**Save all warnings and instructions for future reference.**



### MAGNETIC CORE DRILLING MACHINE SAFETY WARNINGS

Always use the protective shields on the machine. Use protective equipment. Always wear safety glasses when working with the machine. The use of protective clothing is recommended, such as dust mask, protective gloves, sturdy non-slip footwear, helmet and ear defenders.

Never reach into the danger area of the machine when it is running.

Chips and splinters must not be removed while the machine is running.

Do not use a damaged accessory.

Clamp or otherwise secure the workpiece. To reduce the risk of injury, do not hold workpiece by hand.

**WARNING!** Wet connections are shock hazards.

Do not use cutting fluid in an overhead or any other position that allows cutting fluid to enter motor or switch enclosure.

**WARNING!** To reduce the risk of fire, personal injury, and product damage due to a short circuit, never immerse your tool, battery pack or charger in fluid or allow a fluid to flow inside them.

Corrosive or conductive fluids, such as seawater, certain industrial chemicals, and bleach or bleach containing products, etc., Can cause a short circuit.

Never break open battery packs and chargers and store only in dry rooms. Keep dry at all times.

To avoid injury and damage, never immerse the tool, removable battery or charger in liquid or allow liquid to penetrate them.

Use only System M18 chargers for charging System M18 battery packs. Do not use battery packs from other systems.

### SPECIFIED CONDITIONS OF USE

The drill stand is suited for drilling large holes in steel and other ferrous metals.

### WORKING INSTRUCTIONS

The electromagnetic drill press attaches magnetically to 6,35 mm or thicker ferrous stock. Do not use on stock less than 6,35 mm. The magnetic base WILL NOT hold on nonmagnetic grades of stainless steel.

The substrate under the drill stand has to be clean, firm, smooth, dry, without polish and not have any holes in it.

Do not expose the drill stand to rain and do not use in damp or non-flameproof rooms.

Keep constant pressure throughout the entire operation to prevent chips and burrs from falling under the cutting edges. Cutting debris under the cutter can make cutting difficult or impossible.

#### WARNING!

Excessive force will break magnet free.

Avoid contact with cutter tips. Periodically inspect the cutter tips for loose or damaged tips.

The use of cutting fluid is recommended for long life of these cutters.

Secure the magnetic drill stand with the provided safety harness when working slanting or vertical surfaces, or overhead such that it won't fall down in case of power loss.

The safety harness must be applied such that the drill stand will move away from the user in case of power loss.

Check safety belt for any damage and wear before every use. Do not use defective safety belts!

The insertion tool may become hot during use.

#### WARNING! Danger of burns

- when changing tools
- when setting the device down

Do not remove cutter unless slug is removed. Slug may eject unexpectedly.

### AUTO-STOP

AUTO-STOP switches the machine off automatically if there is a too high, jerky operating torque on the magnet. Determine and rectify the cause of the automatic stop by referring to the safety information.

Possible causes can be:

- breakage of the material to be used
- excess load of the electric tool as a result of too high a feed rate
- unclean magnetic surface

Switch the machine off and then switch it back on again.

### RESTART CUTOUT

If the machine is still switched on it will not restart after a power failure. To restart it the machine must be switched off and then on again.

### MOTOR/MAGNET INTERLOCK

The motor/magnet interlock is a feature that prevents power from being applied to the drill motor if the magnet is not energized. The motor magnet interlock also prevents the magnet from being de-energized while the motor is running.

### EC-DECLARATION OF CONFORMITY

We declare under our sole responsibility that the product described under "Technical Data" fulfills all the relevant provisions of the directives

2011/65/EU (RoHS)

2006/42/EC

2014/30/EU

and the following harmonized standards

EN 62841-1:2015

EN 55014-1:2017+A11 2020

EN 55014-2:2015

EN IEC 63000:2018

have been used.



Winnenden, 2020-11-10

Alexander Krug / Managing Director  
Authorized to compile the technical file

Techtronic Industries GmbH

Max-Eyth-Straße 10, 71364 Winnenden, Germany

### GB-DECLARATION OF CONFORMITY

We declare as the manufacturer under our sole responsibility that the product described under „Technical Data“ fulfills all the relevant provisions of the following Regulations

S.I. 2012/3032 (as amended), S.I. 2008/1597 (as amended),

S.I. 2016/1091 (as amended) and that the following designated

standards have been used:

BS EN 62841-1:2015

BS EN 55014-1:2017+A11:2020

BS EN 55014-2:2015

BS EN IEC 63000:2018

have been used.

Winnenden, 2020-11-10

Alexander Krug / Managing Director  
Authorized to compile the technical file

Techtronic Industries GmbH

Max-Eyth-Straße 10, 71364 Winnenden, Germany

### BATTERIES

Battery packs which have not been used for some time should be recharged before use.

Temperatures in excess of 50°C (122°F) reduce the performance of the battery pack. Avoid extended exposure to heat or sunshine (risk of overheating).

The contacts of chargers and battery packs must be kept clean.

For an optimum life-time, the battery packs have to be fully charged, after use.

To obtain the longest possible battery life remove the battery pack from the charger once it is fully charged.



XII

For battery pack storage longer than 30 days: Store the battery pack where the temperature is below 27°C and away from moisture. Store the battery packs in a 30% - 50% charged condition. Every six months of storage, charge the pack as normal.

Do not dispose of used battery packs in the household refuse or by burning them. Milwaukee Distributors offer to retrieve old batteries to protect our environment.

Do not store the battery pack together with metal objects (short circuit risk).

No metal parts must be allowed to enter the battery section of the charger (short circuit risk).

Battery acid may leak from damaged batteries under extreme load or extreme temperatures. In case of contact with battery acid wash it off immediately with soap and water. In case of eye contact rinse thoroughly for at least 10 minutes and immediately seek medical attention.



### BATTERY PACK PROTECTION

In extremely high torque, binding, stalling and short circuit situations that cause high current draw, the tool will vibrate for about 5 seconds, the fuel gauge will flash, and then the tool will turn OFF. To reset, release the trigger. Under extreme circumstances, the internal temperature of the battery pack could raise too much. If this happens, the fuel gauge will flash until the battery pack cooled down. After the lights go off, the work may continue.

Place the battery on the charger to charge and reset it.

### TRANSPORTING LITHIUM BATTERIES

Lithium-ion batteries are subject to the Dangerous Goods Legislation requirements.

Transportation of those batteries has to be done in accordance with local, national and international provisions and regulations.

The user can transport the batteries by road without further requirements.

Commercial transport of Lithium-Ion batteries by third parties is subject to Dangerous Goods regulations. Transport preparation and transport are exclusively to be carried out by appropriately trained persons and the process has to be accompanied by corresponding experts.

When transporting batteries:

Ensure that battery contact terminals are protected and insulated to prevent short circuit.

Ensure that battery pack is secured against movement within packaging.

Do not transport batteries that are cracked or leak.

Check with forwarding company for further advice

### MAINTENANCE

Before use check machine, cable, safety harness and plug for any damages or material fatigue. Repairs should only be carried out by authorised Service Agents.

The ventilation slots of the machine must be kept clear at all times.

From time to time, apply a few drops of oil to the rack toothing. The bearings of the feed shaft are self-cutting and must not be greased. Grease the sliding surface of the carriage with Molykote grease.

Clean dust and debris from tool. Keep tool handles clean, dry and free of oil or grease. Use only mild soap and a damp cloth to clean the tool since certain cleaning agents and solvents are harmful to plastics and other insulated parts. Never use flammable or combustible solvents around tools.

Use only Milwaukee accessories and Milwaukee spare parts. Should components need to be replaced which have not been described, please contact one of our Milwaukee service agents (see our list of guarantee/service addresses).

If needed, an exploded view of the tool can be ordered. Please state the Article No. as well as the machine type printed on the label and order the drawing at your local service agents or directly at: Techtronic Industries GmbH, Max-Eyth-Straße 10, 71364 Winnenden, Germany.

### SYMBOLS



CAUTION! WARNING! DANGER!



Remove the battery pack before starting any work on the appliance.



Always work in pairs when using the drill stand above head height. Carry the electric tool between the two of you to avoid suffering back injuries.



Please read the instructions carefully before starting the machine.



Always wear goggles when using the machine.



Wear ear protectors!



Wear gloves!



DANGER! To reduce the risk of injury, always keep hands, rags, clothing, etc. away from moving parts and chips. Do not try to remove chips while the cutter is rotating. Chips are sharp and can pull objects into moving parts.



Carrying along metal parts and watches is prohibited.



Persons with cardiac pacemakers or other medicinal implants may not use this drill stand.



Carrying of magnetic or electronic media prohibited.



Never expose tool to rain.



Core hole drill bit



Solid drill bit



Do not dispose electric tools, batteries/rechargeable batteries together with household waste material. Electric tools and batteries that have reached the end of their life must be collected separately and returned to an environmentally compatible recycling facility. Check with your local authority or retailer for recycling advice and collection point.

**n<sub>0</sub>** No-load speed

**V** Volts

 Direct Current

 European Conformity Mark

 British Conformity Mark

 Ukraine Conformity Mark  
001

 EurAsian Conformity Mark



Copyright 2020  
Techtronic Industries GmbH  
Max-Eyth-Straße 10  
71364 Winnenden  
Germany  
+49 (0) 7195-12-0  
[www.milwaukeeetool.eu](http://www.milwaukeeetool.eu)

Techtronic Industries (UK) Ltd  
Fieldhouse Lane  
Marlow Bucks SL7 1HZ  
UK



**EAC UK  
CA**

(11.20)

**4100 4250 95**