

**Milwaukee**<sup>®</sup>

Nothing but **HEAVY DUTY**.<sup>®</sup>



## **M18 FTS210**

Original instructions



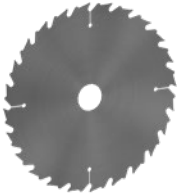
5



7



6



13



7



19

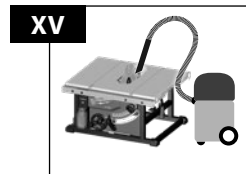
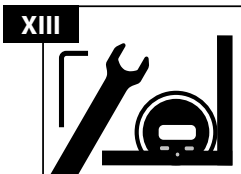
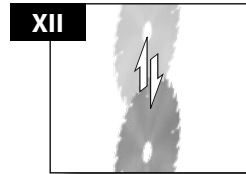
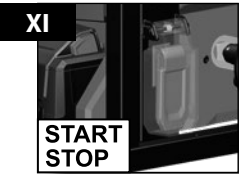
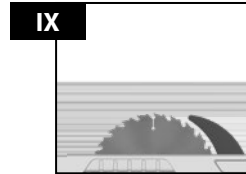
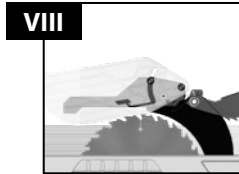
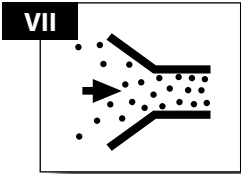
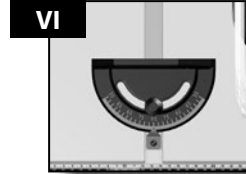
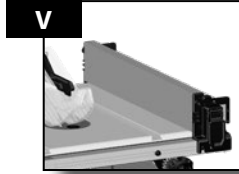
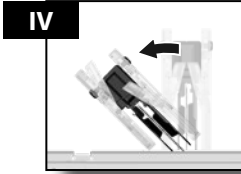
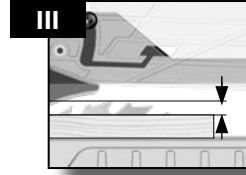
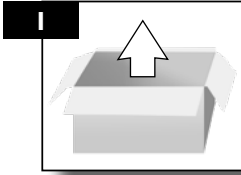


23



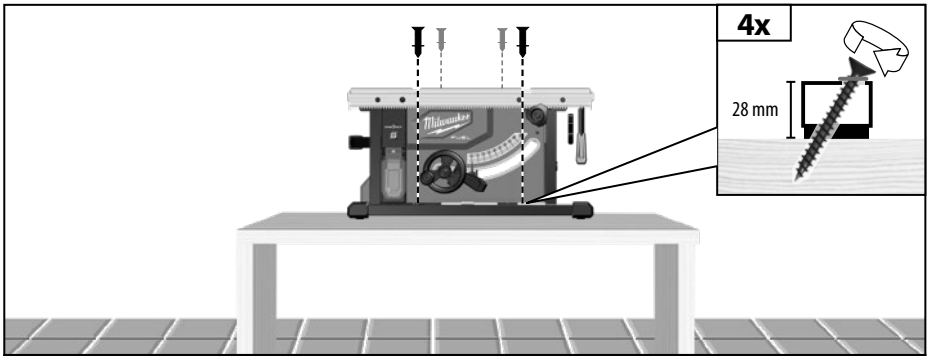
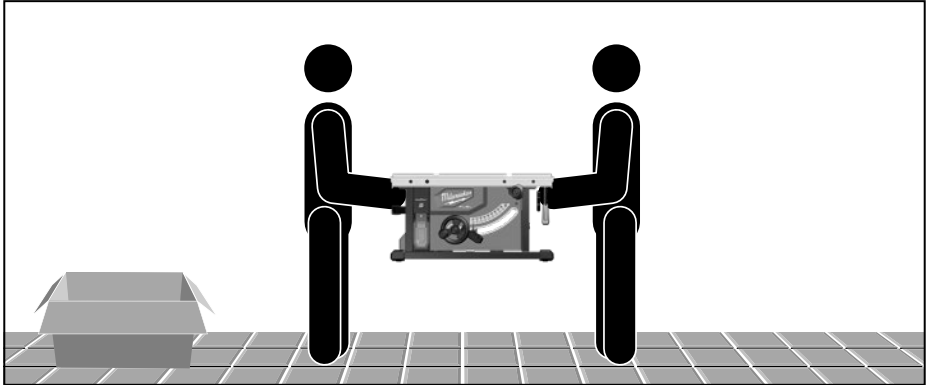
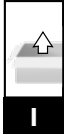
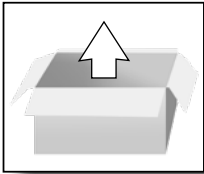
25



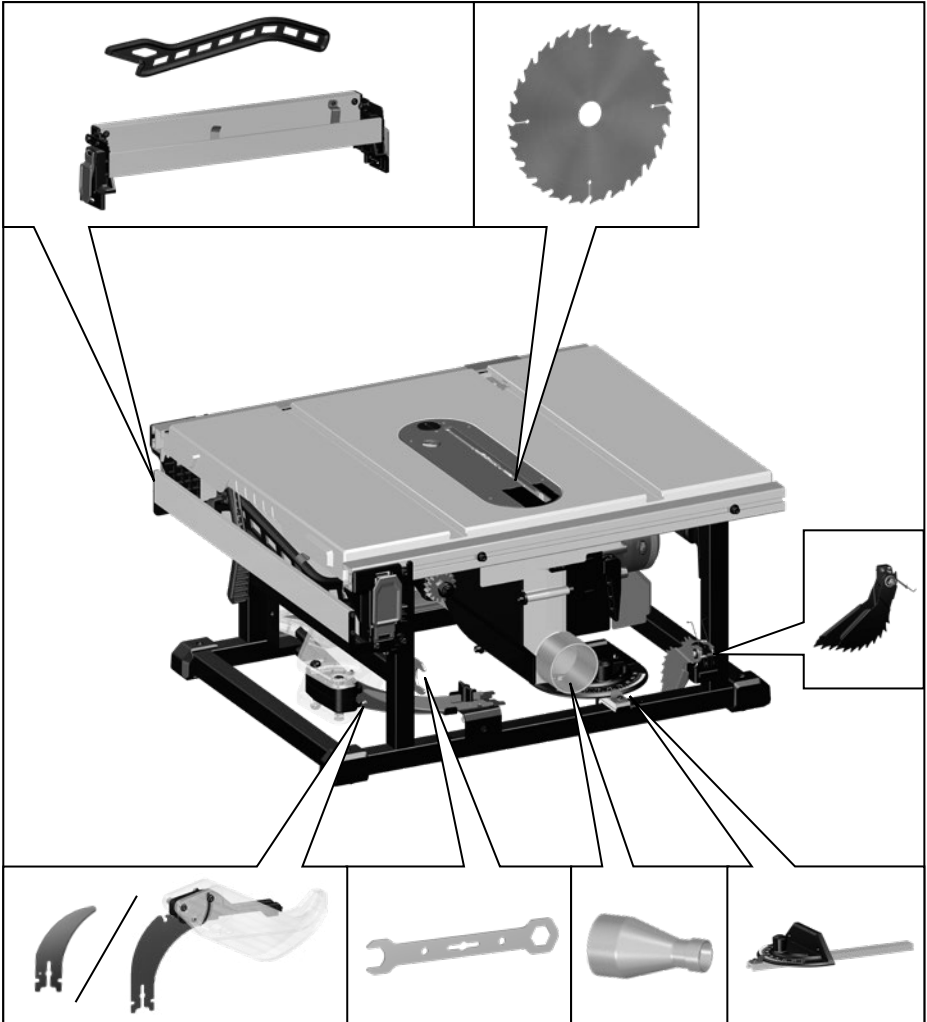
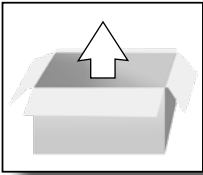


**XVI** Technical Data, Safety Instructions, Specified Conditions of Use, Declaration of Conformity, Batteries, Maintenance, Symbols  
**Please read and save these instructions!**



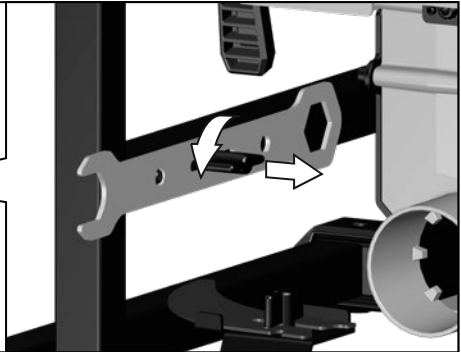
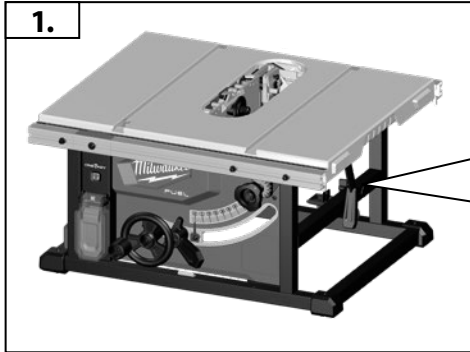


Not included in standard equipment.

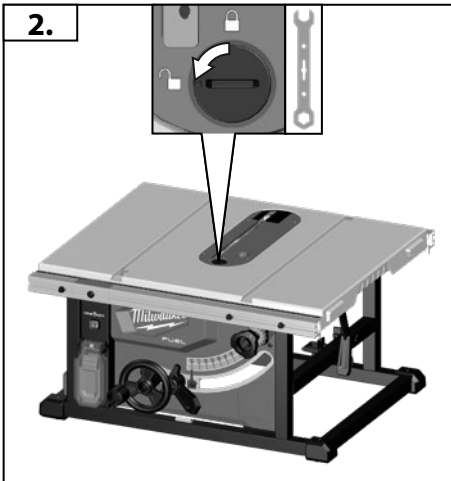




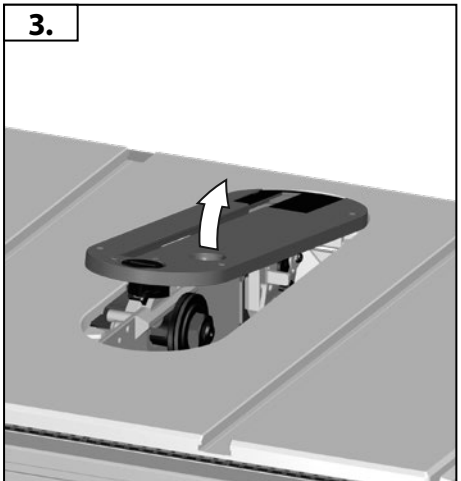
1.

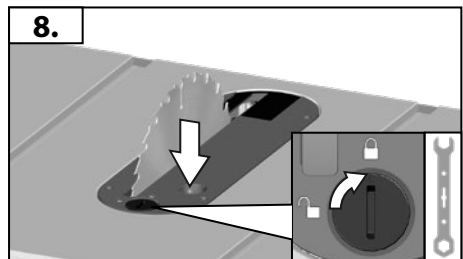
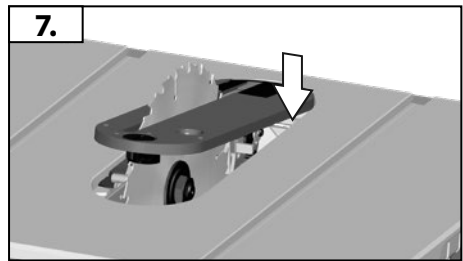
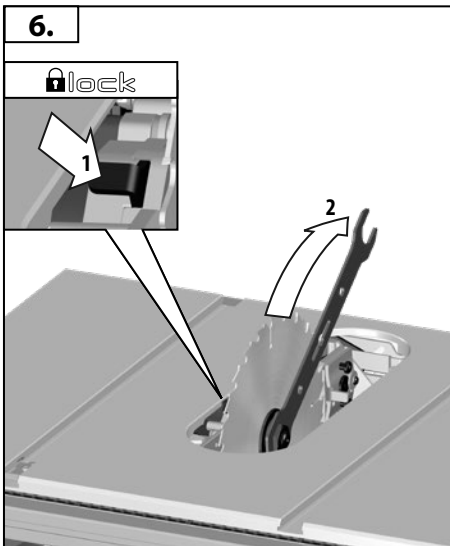
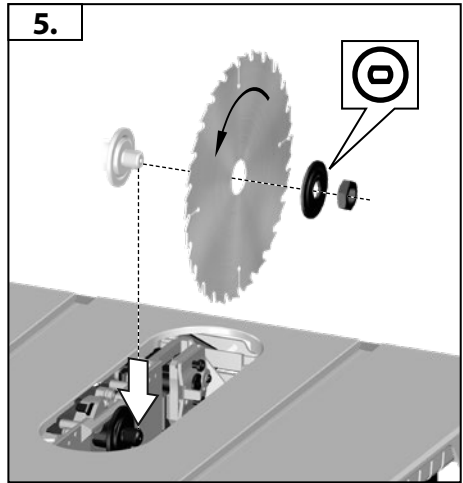
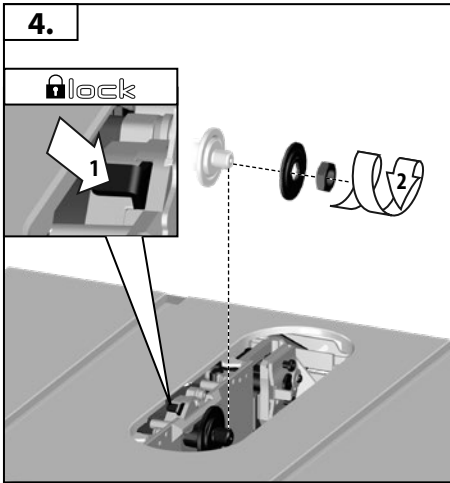
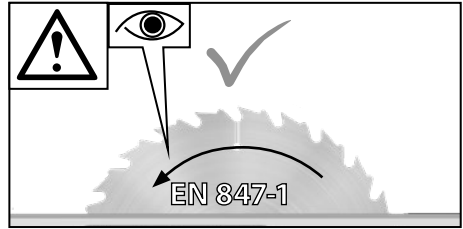


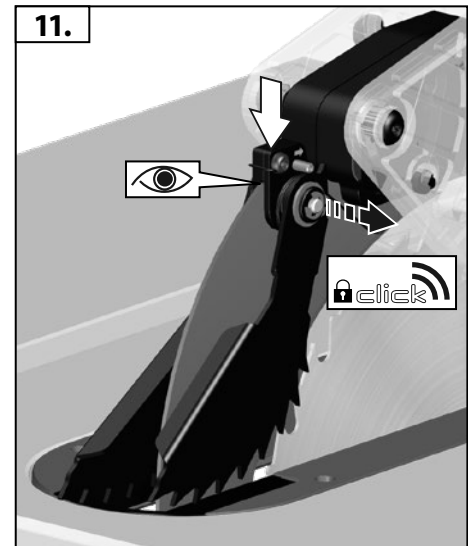
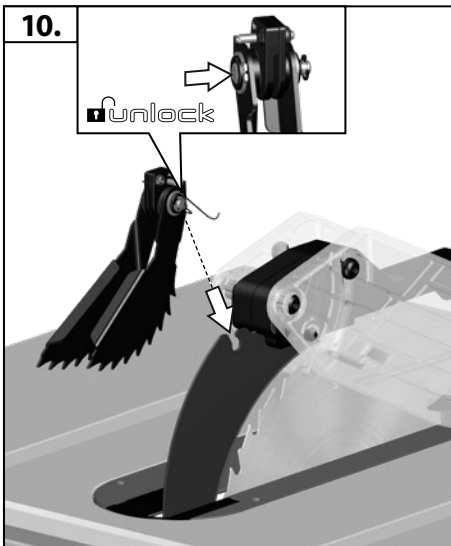
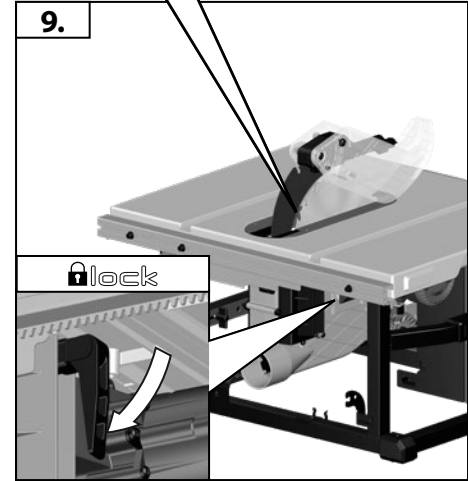
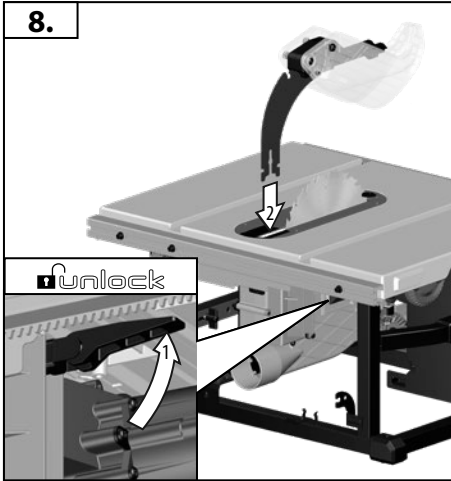
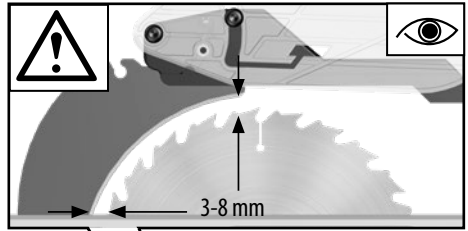
2.



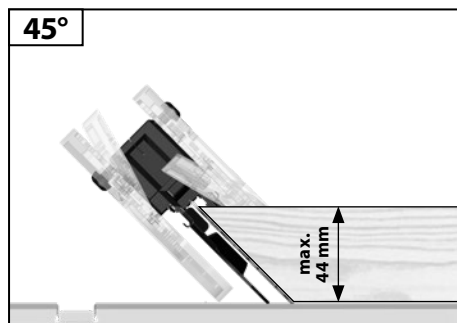
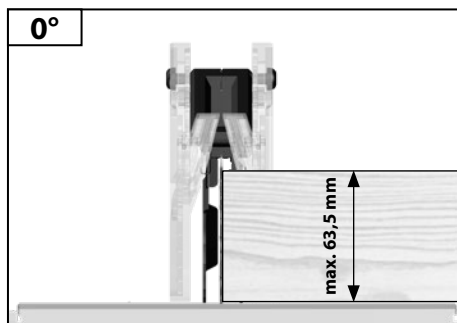
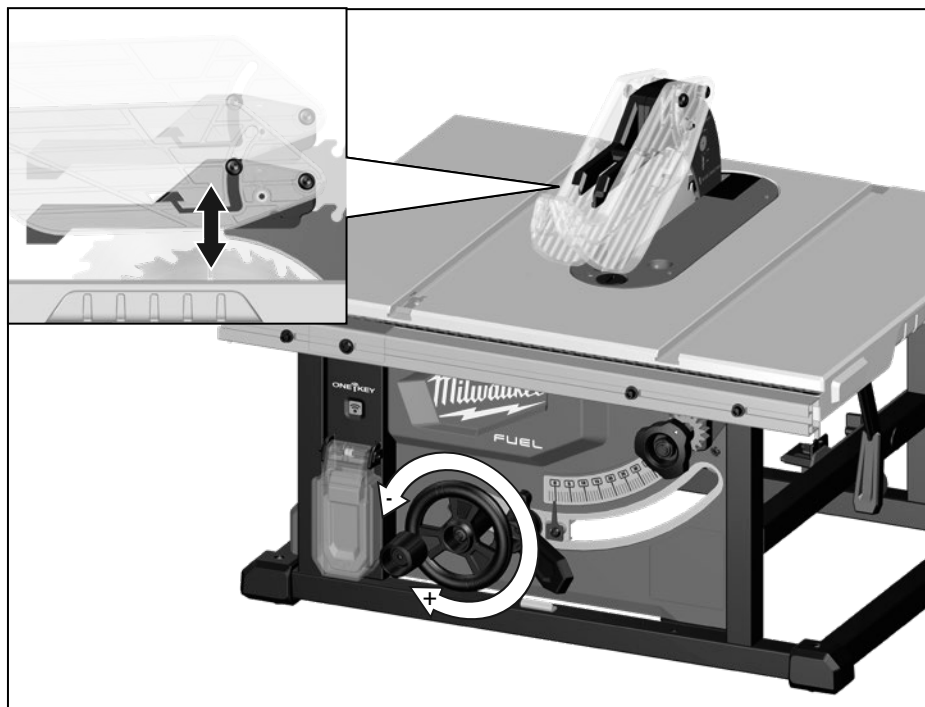
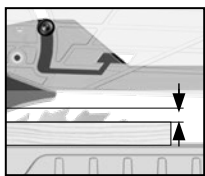
3.

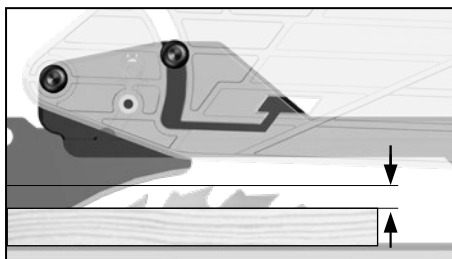
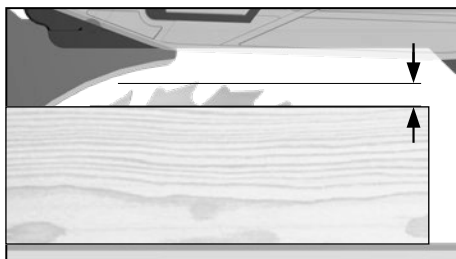
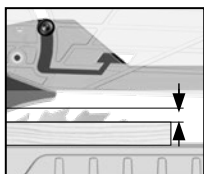




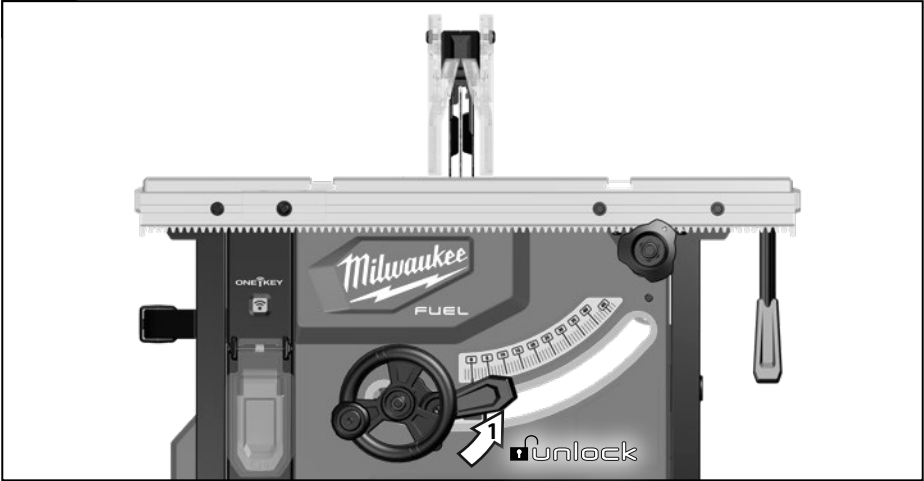
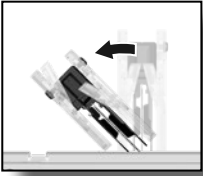




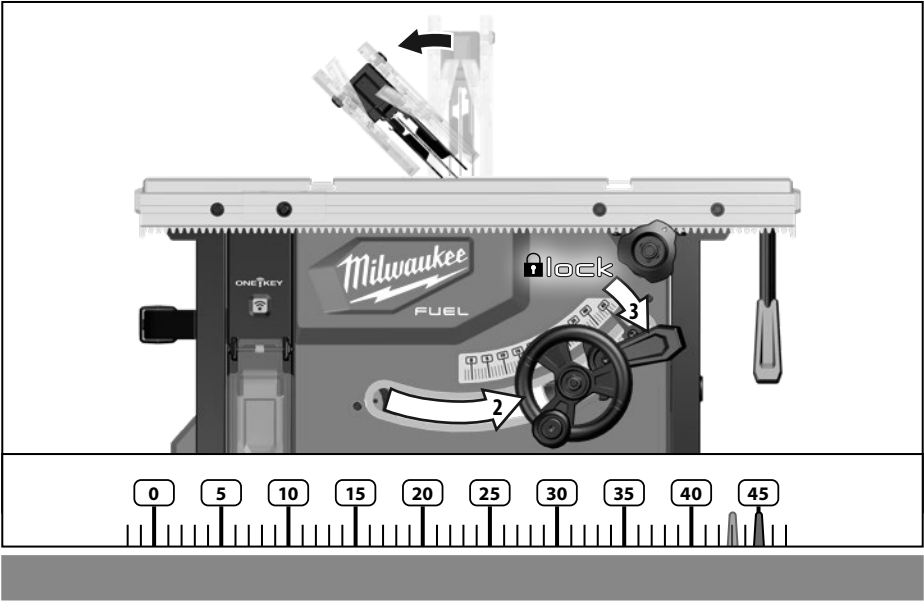


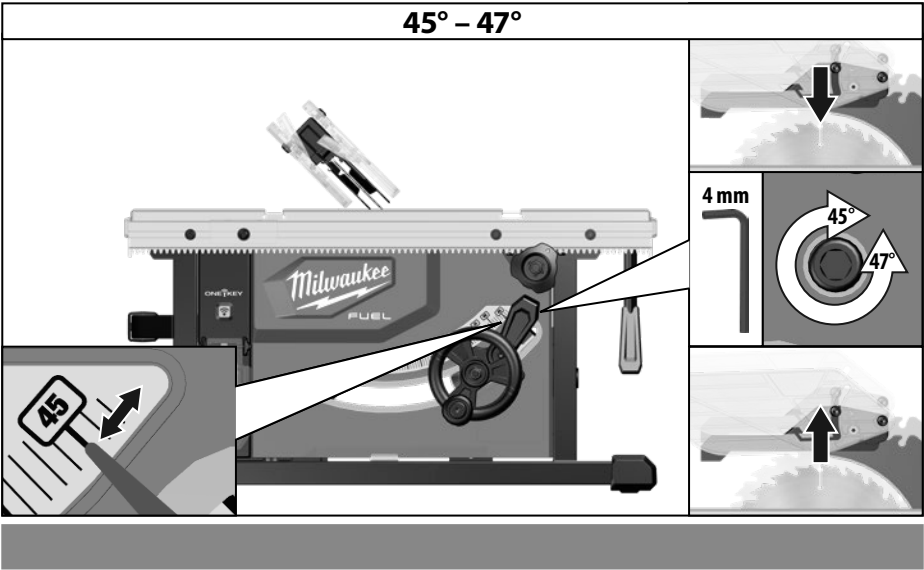
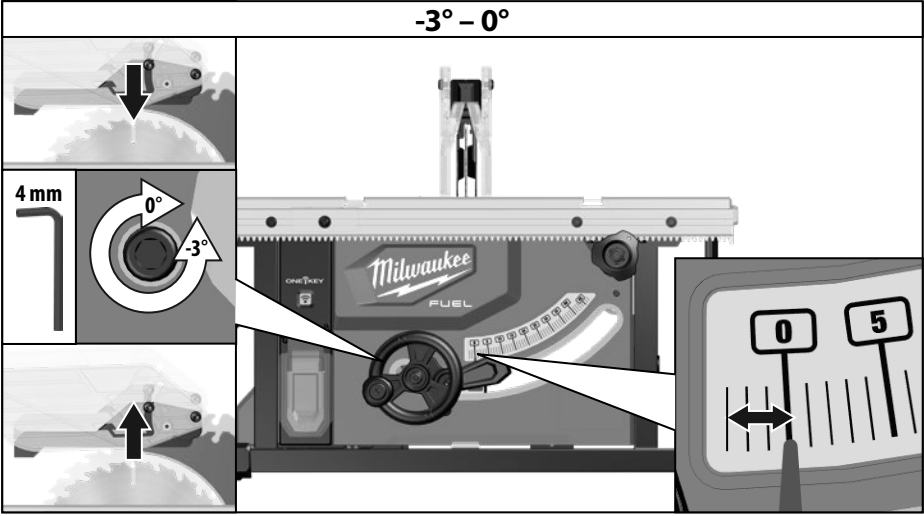
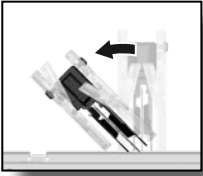


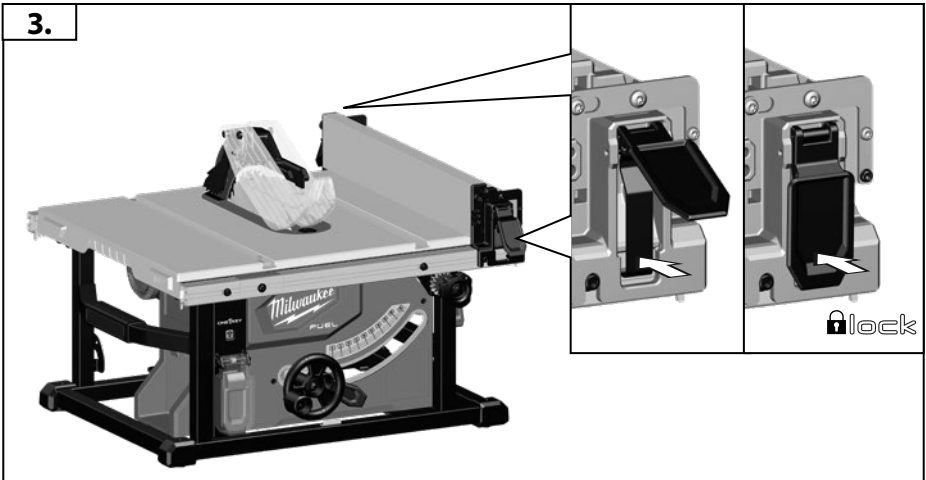
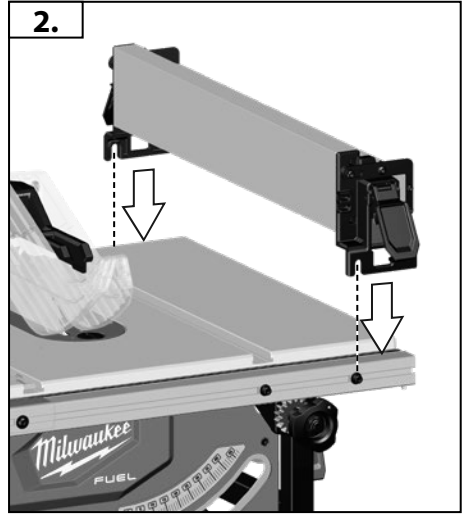
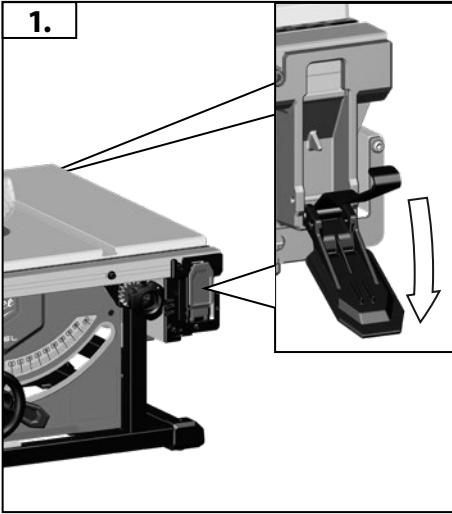
Adjust the cutting depth to the thickness of the workpiece. The sawtooth should come out of the workpiece less than a full tooth height.

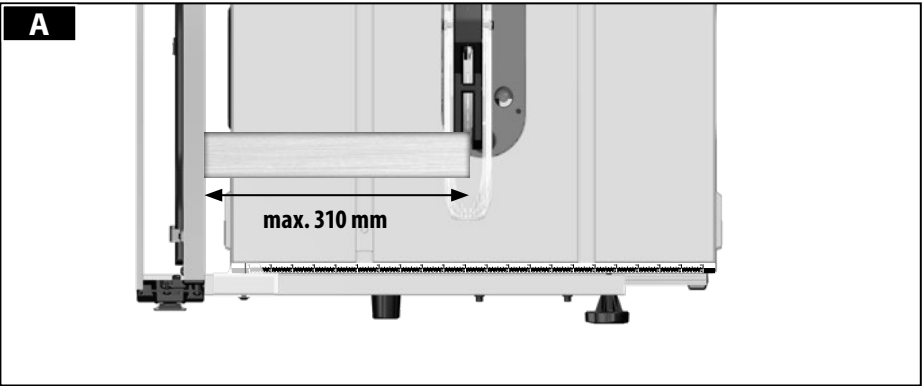
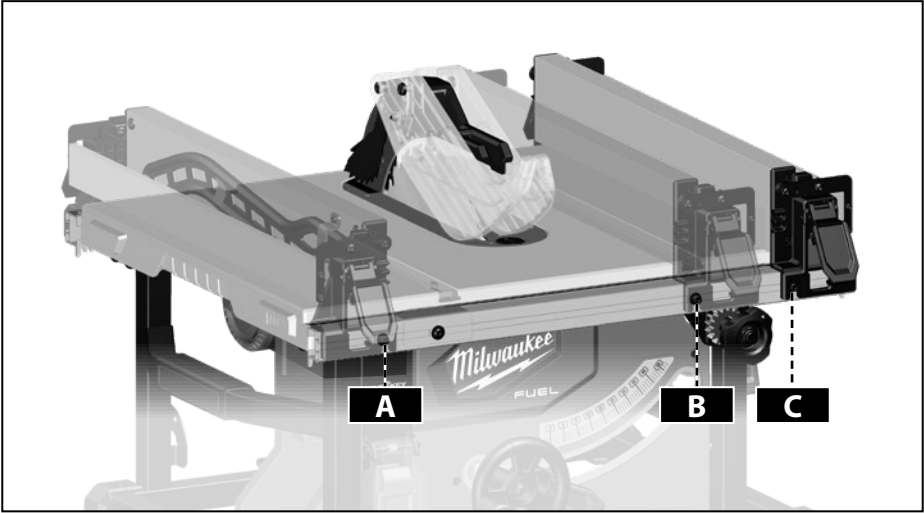


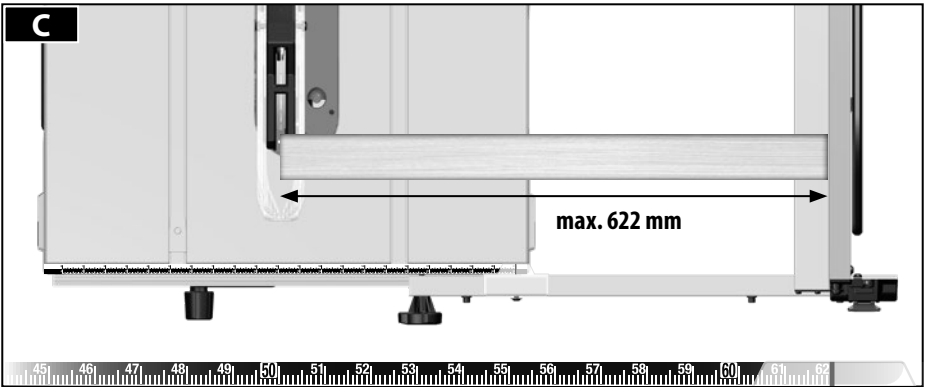
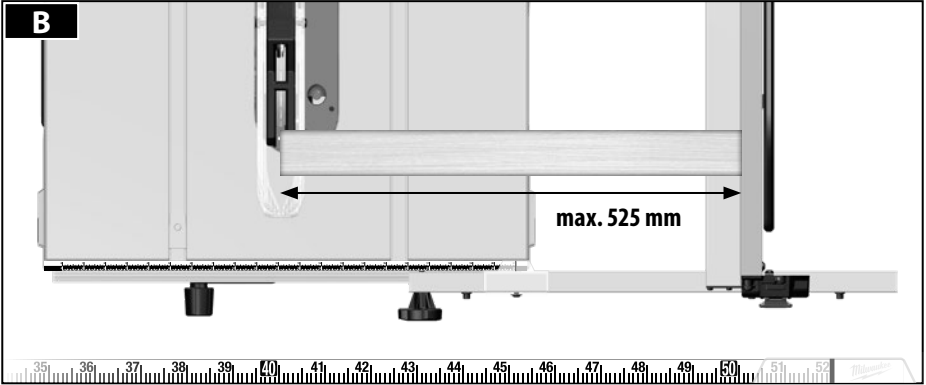
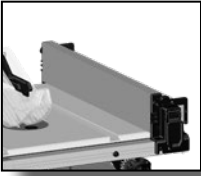
IV

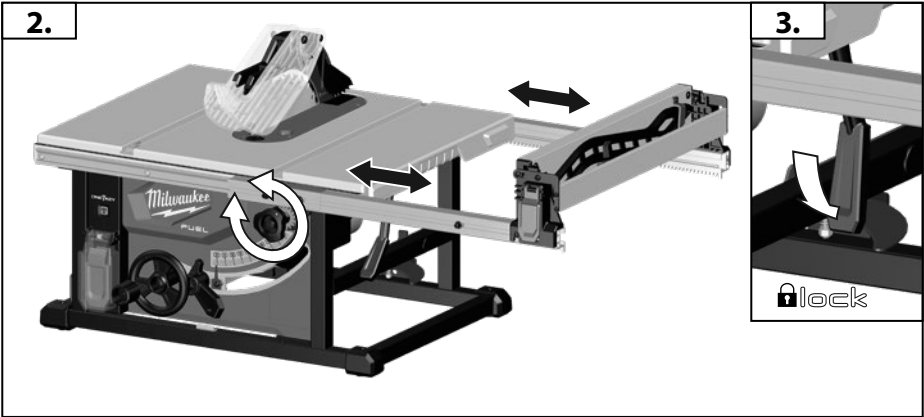
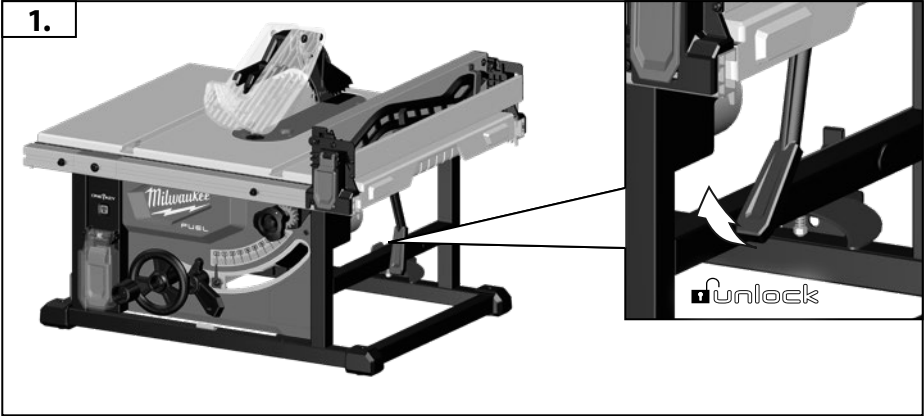
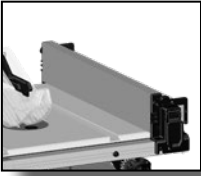




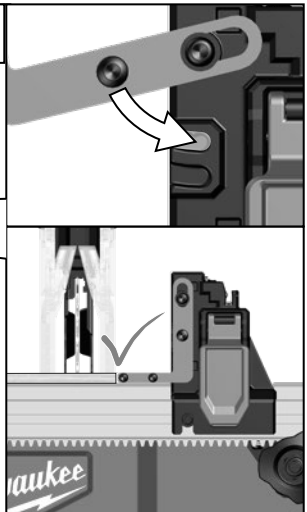
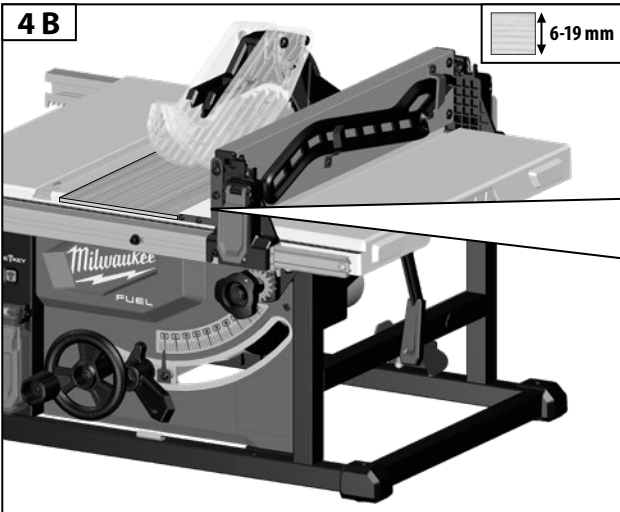
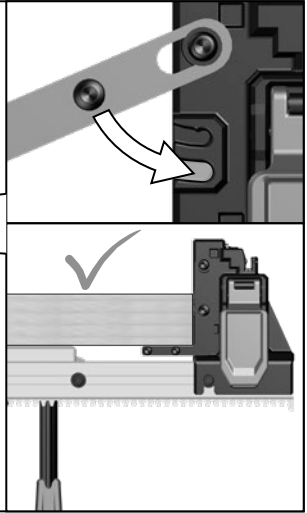
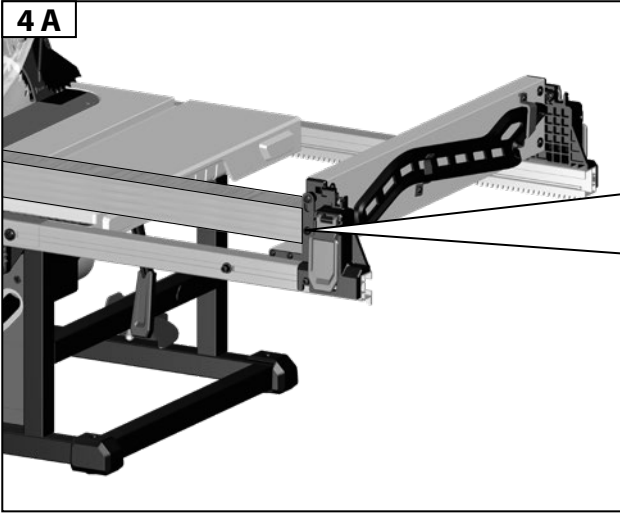
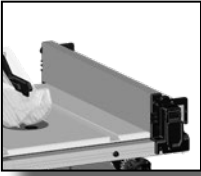


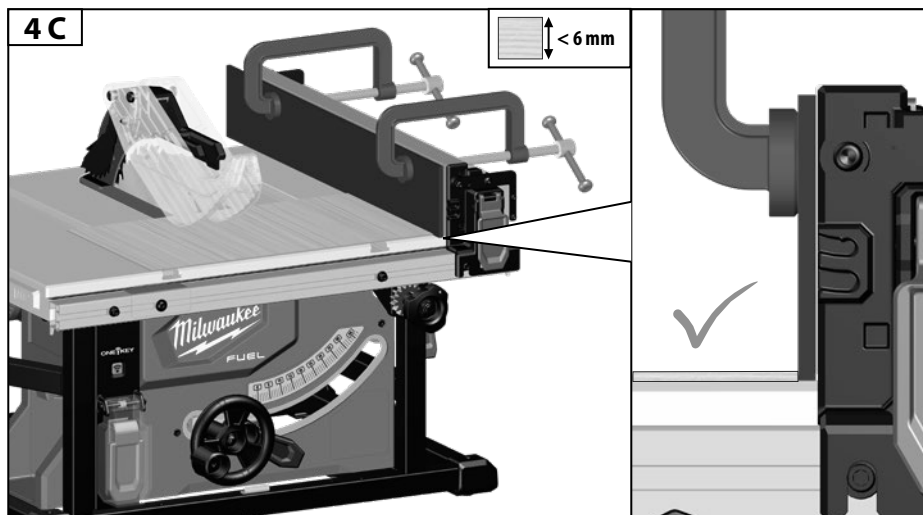


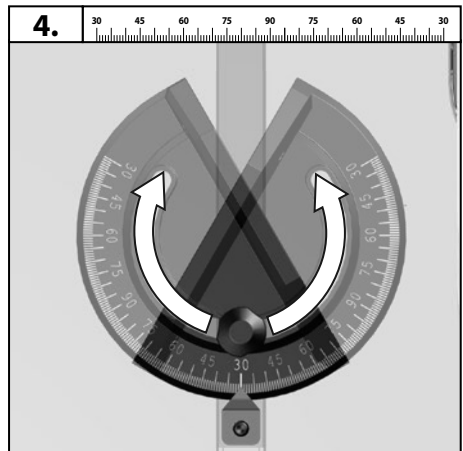
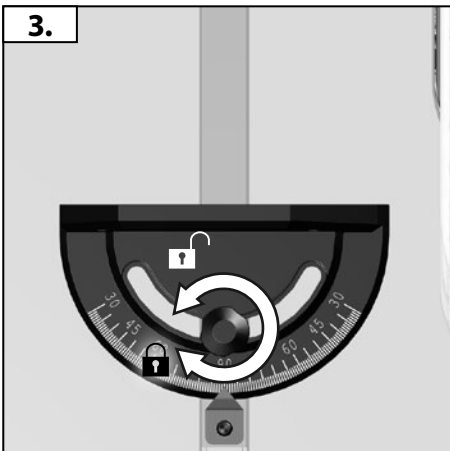
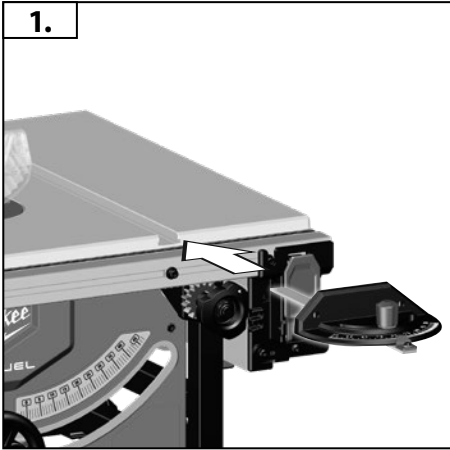


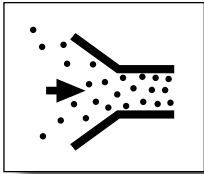






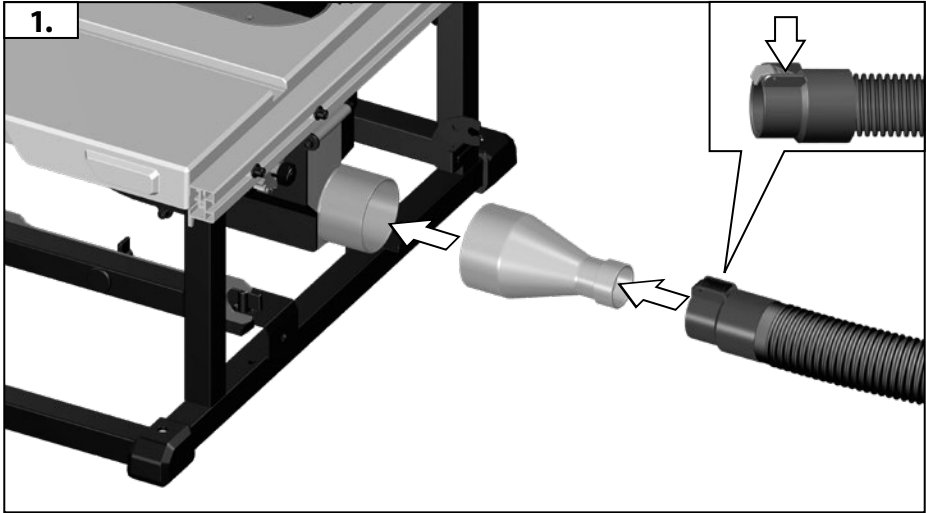


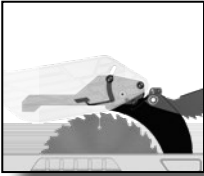






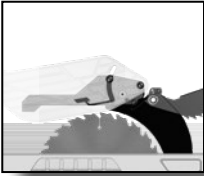
		
A	AS 2-250	4931 4472 95
B	AS300 AS-30 AS-42	4931 4472 94



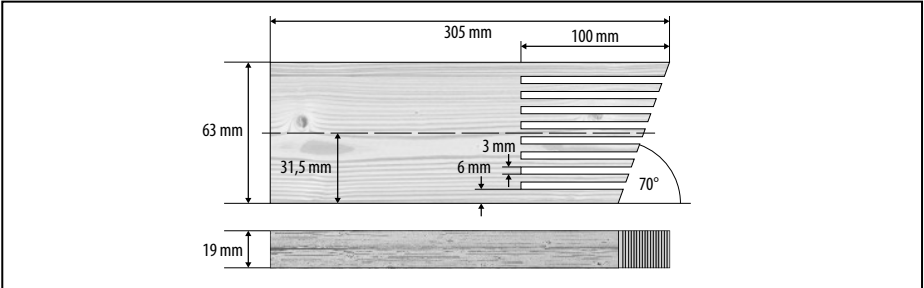
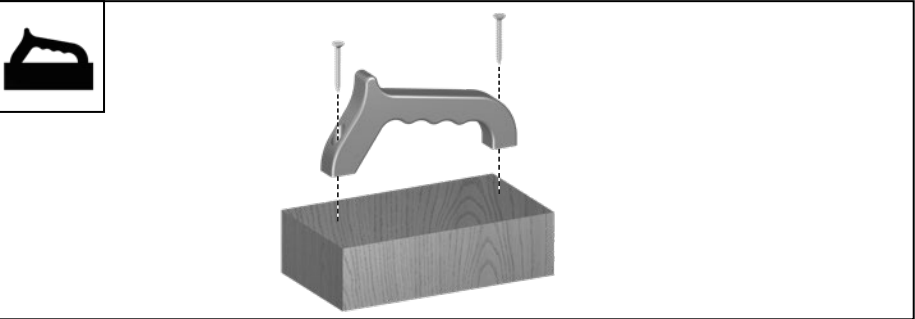


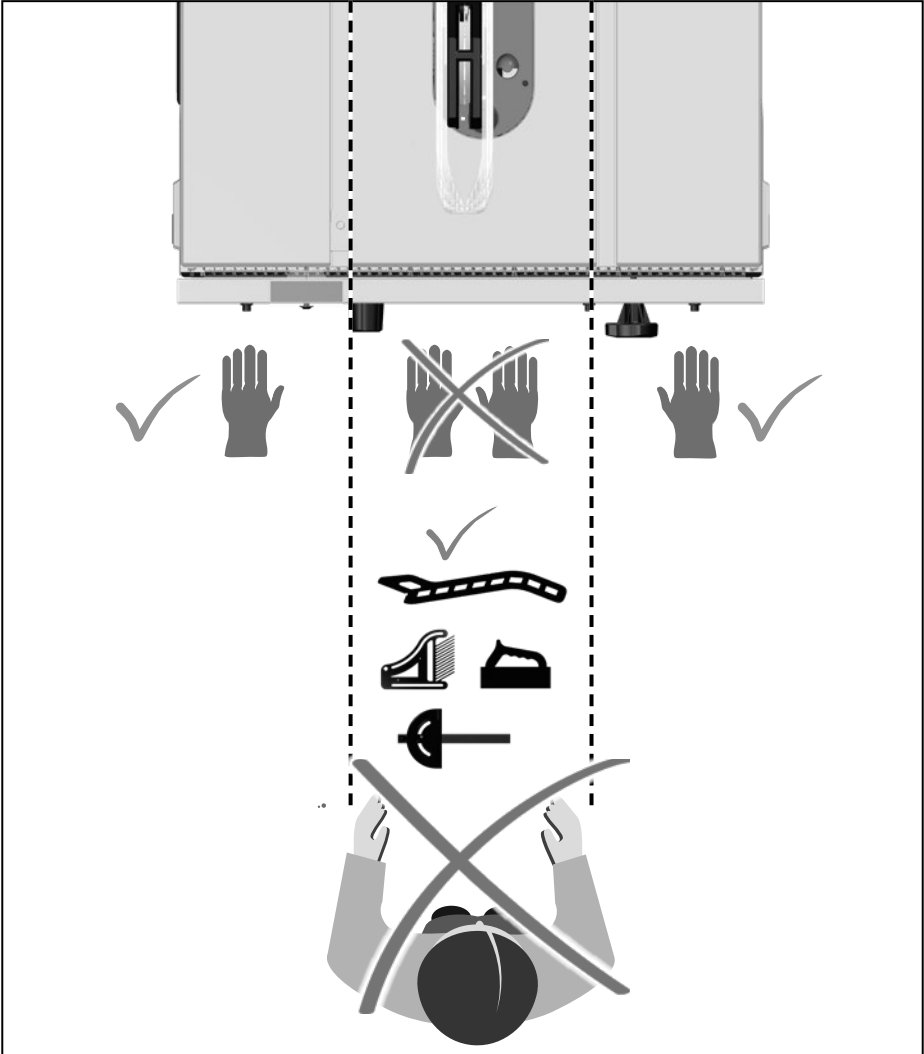
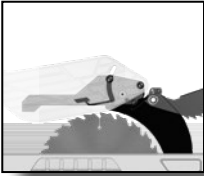
VIII

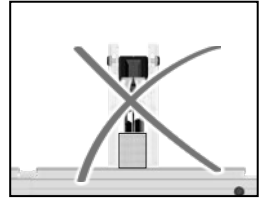
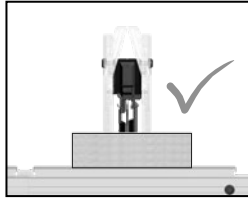
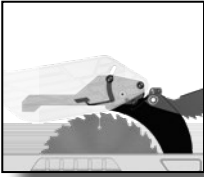




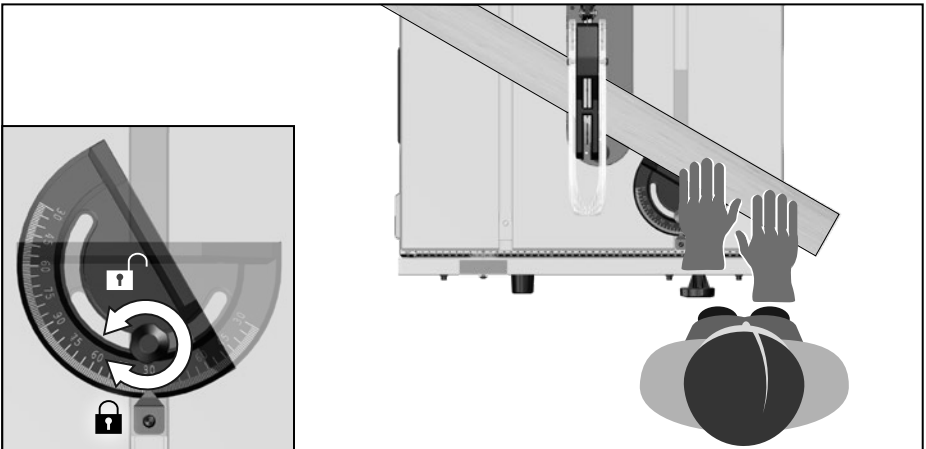
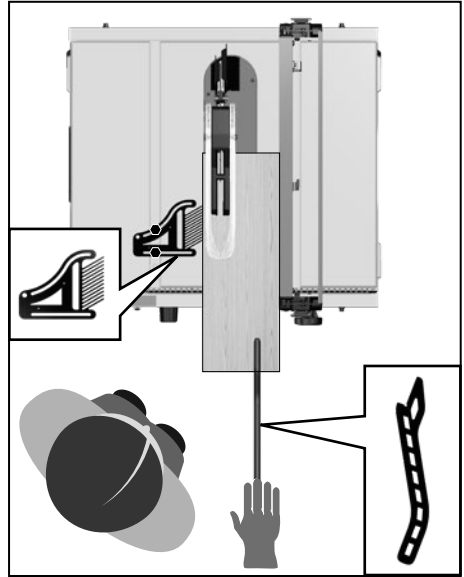
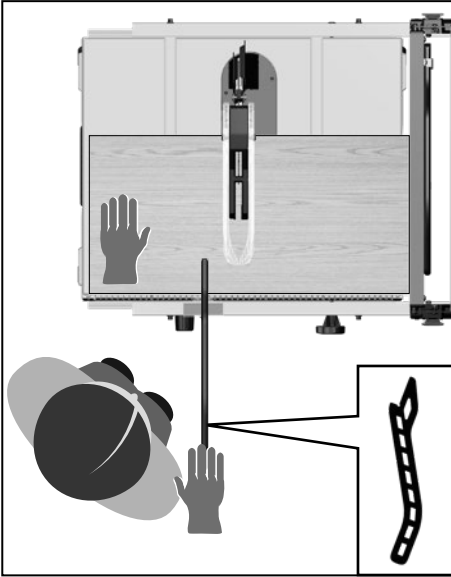
VIII



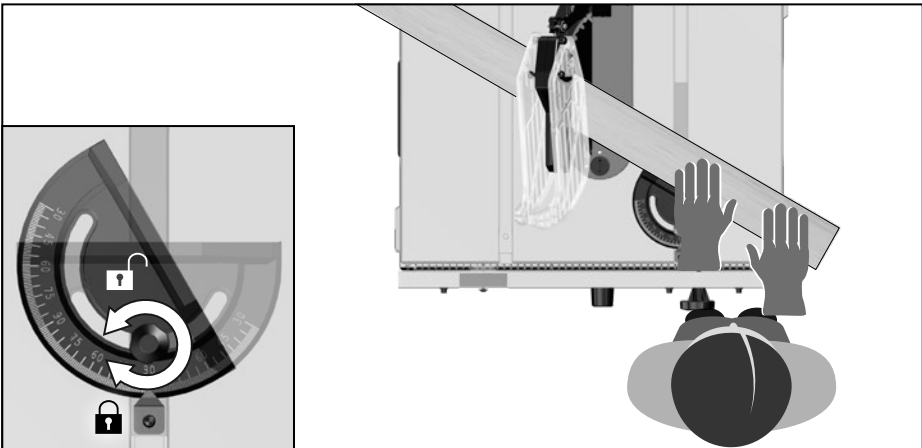
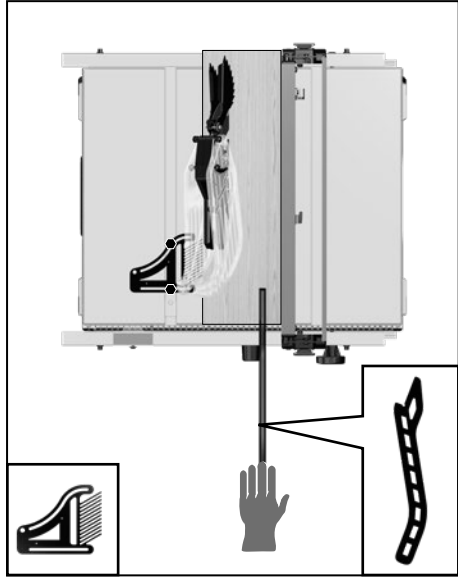
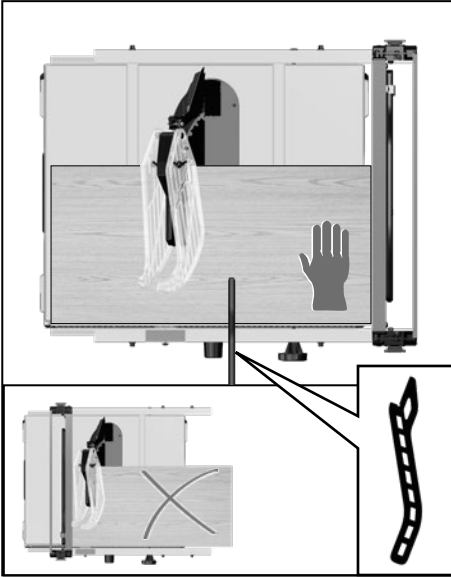
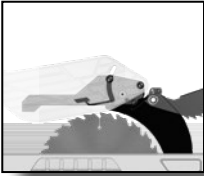


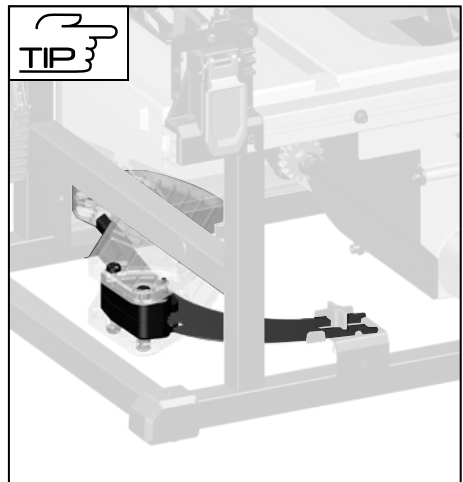
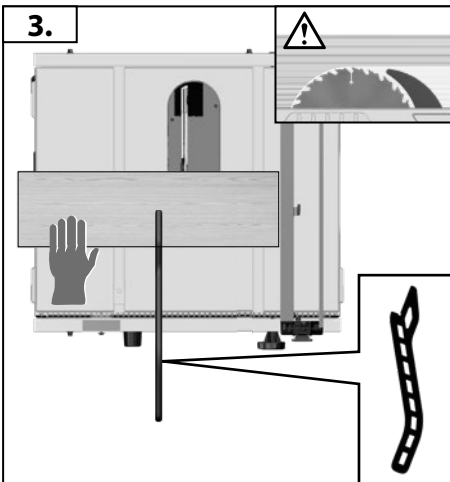
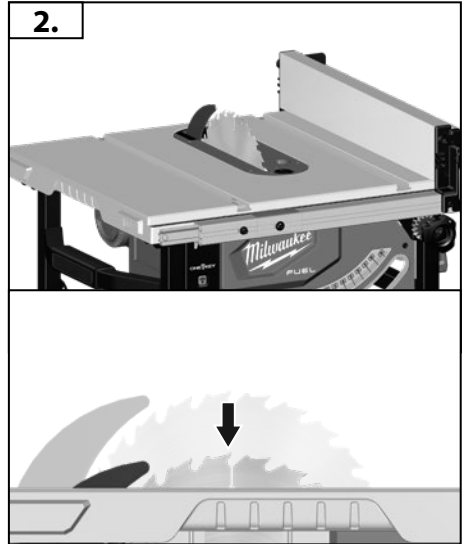
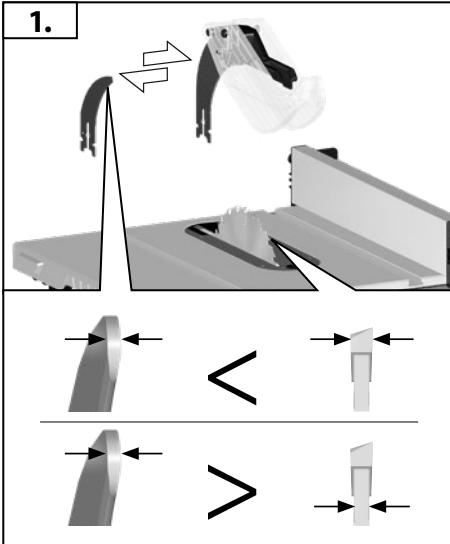
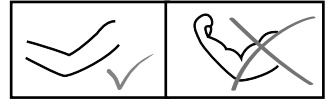
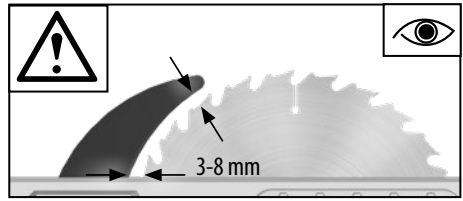
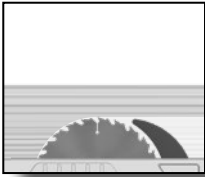


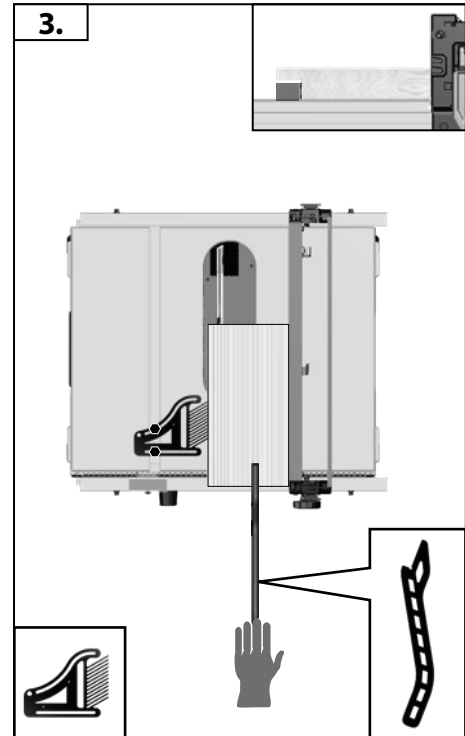
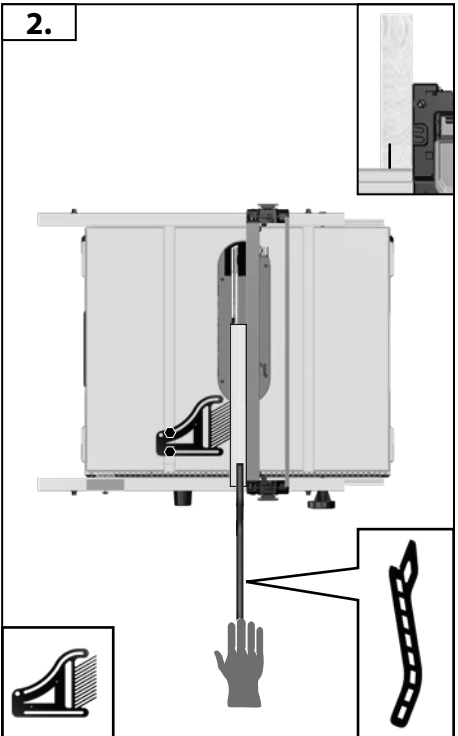
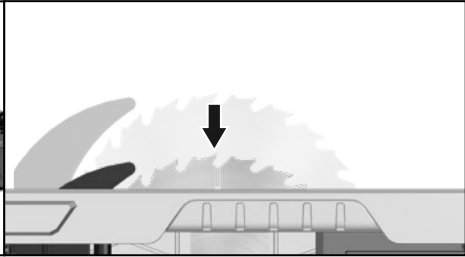
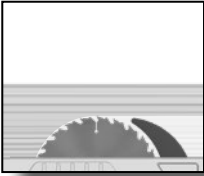
VIII

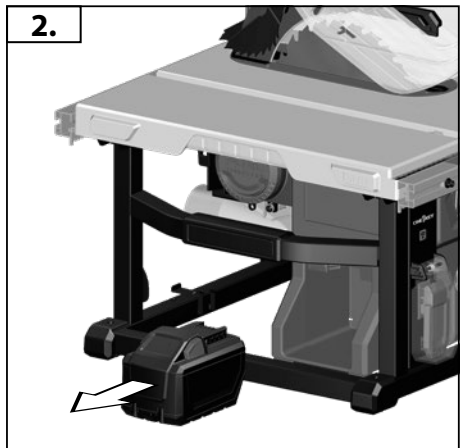
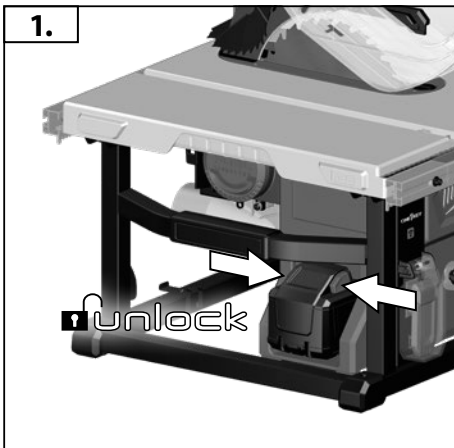
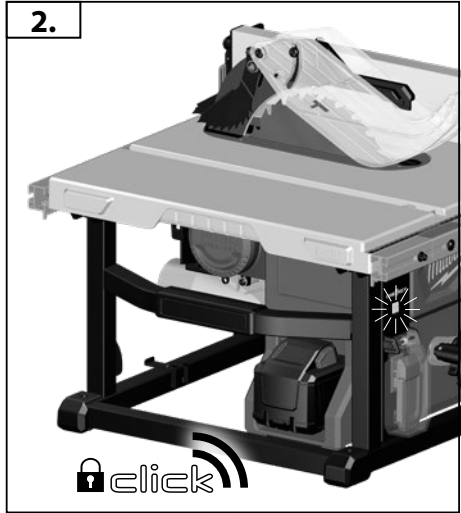
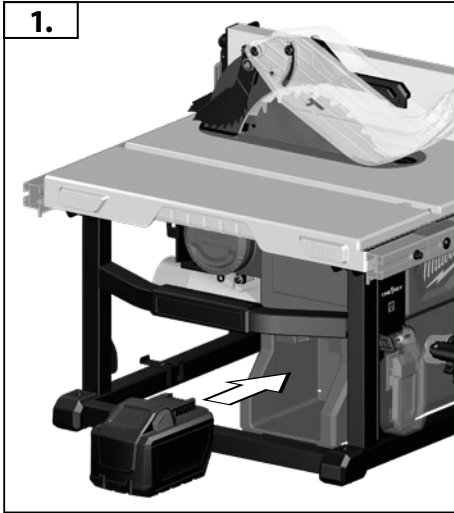


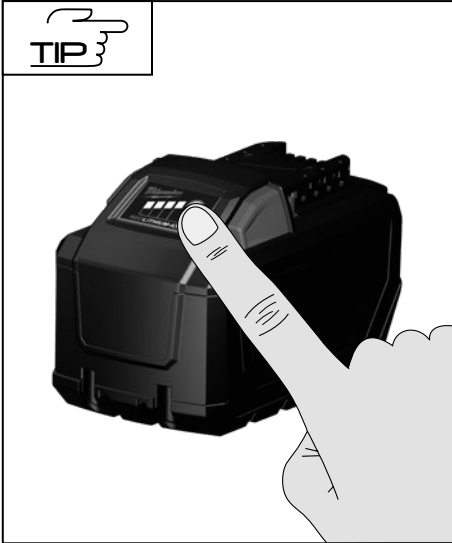






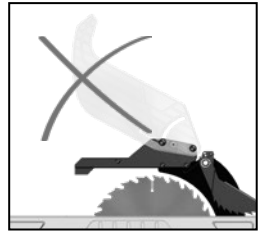
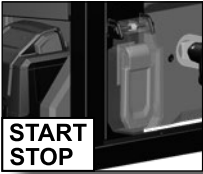






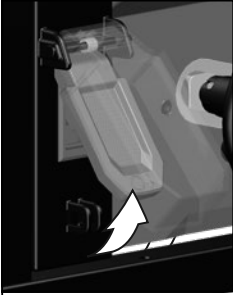
<b>78-100 %</b>		
<b>55-77 %</b>		
<b>33-54 %</b>		
<b>10-32 %</b>		
<b>&lt;10 %</b>		



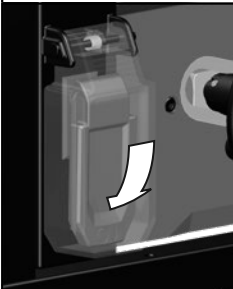


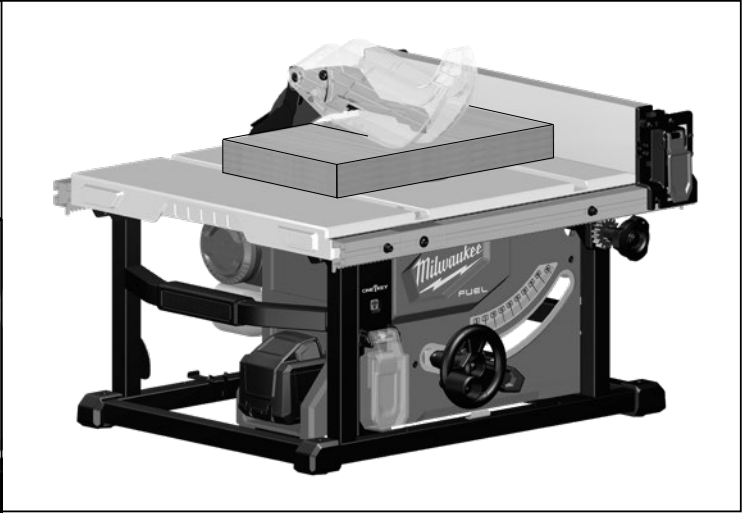
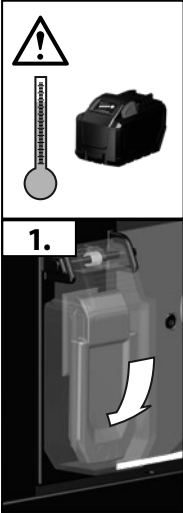
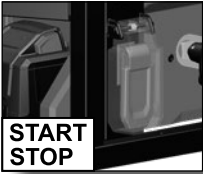
START  
STOP  
X

### Start



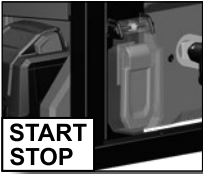
### Stop





START  
STOP  
XI



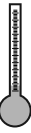


START  
STOP  
X

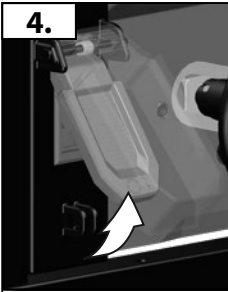
3.



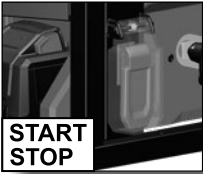
10min



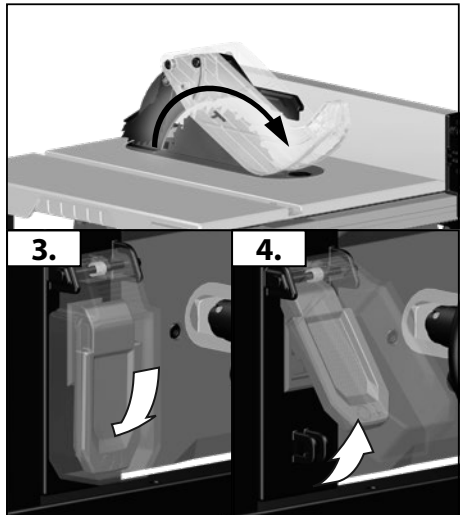
4.

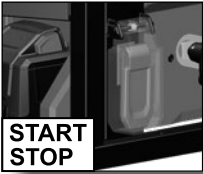






START  
STOP  
XI

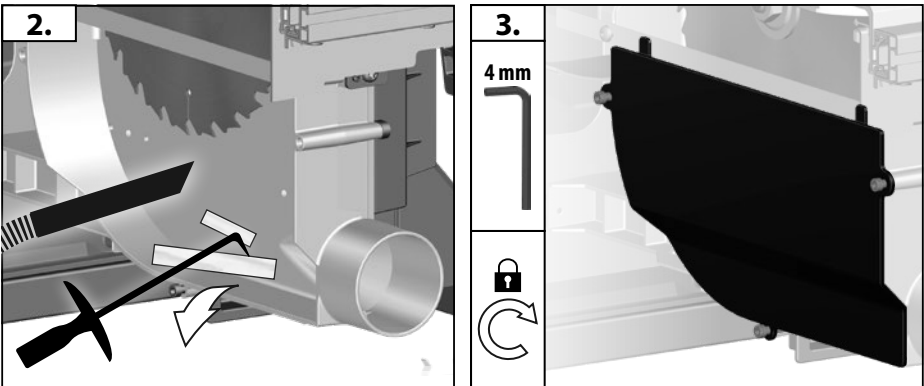
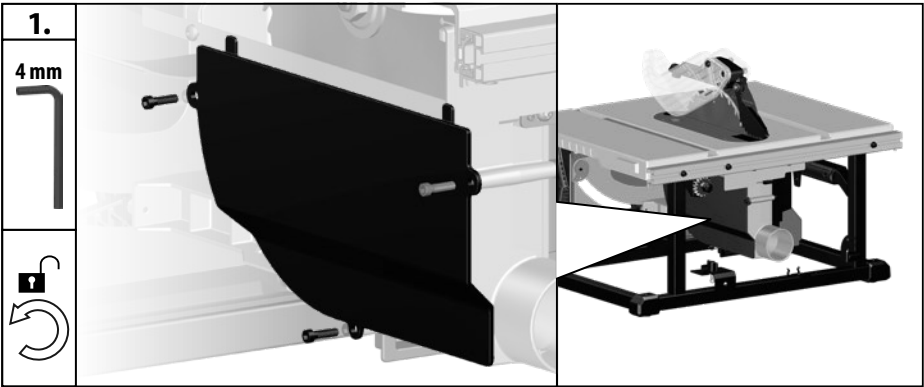


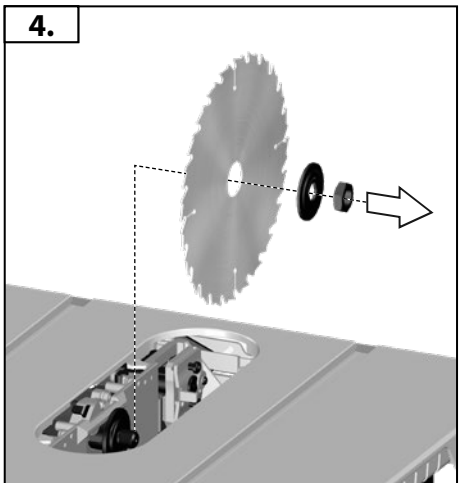
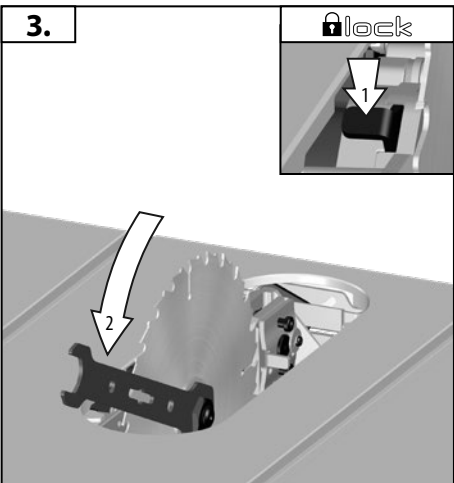
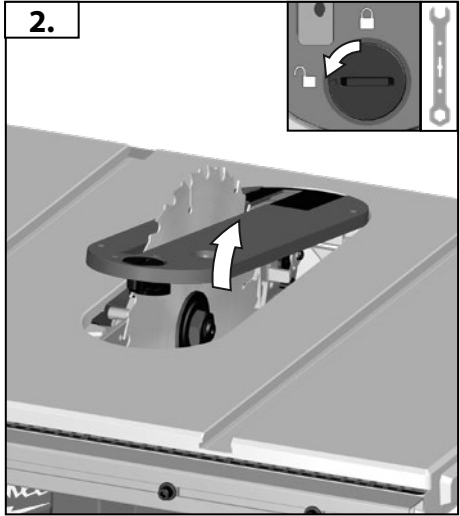
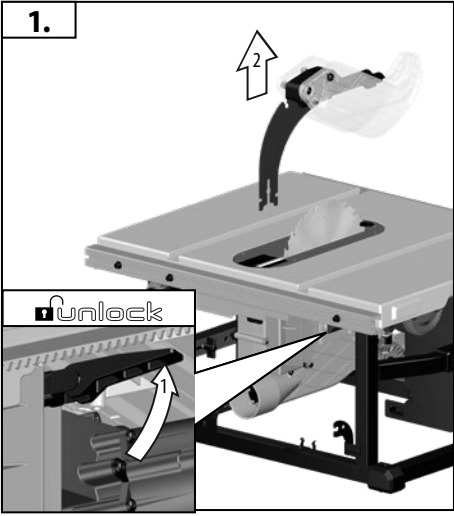
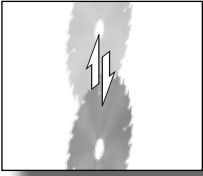


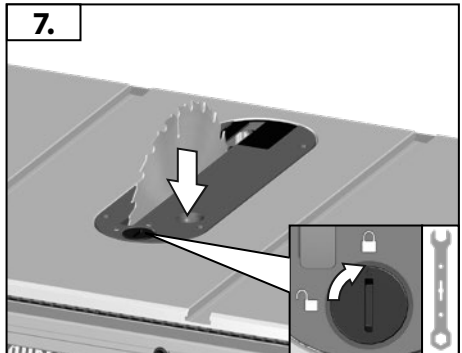
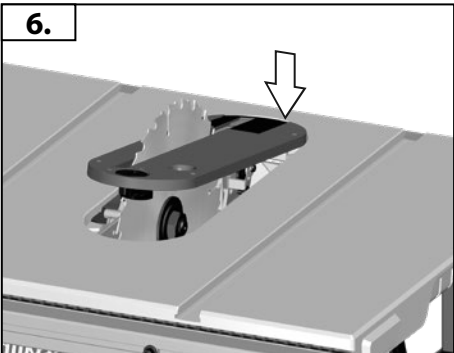
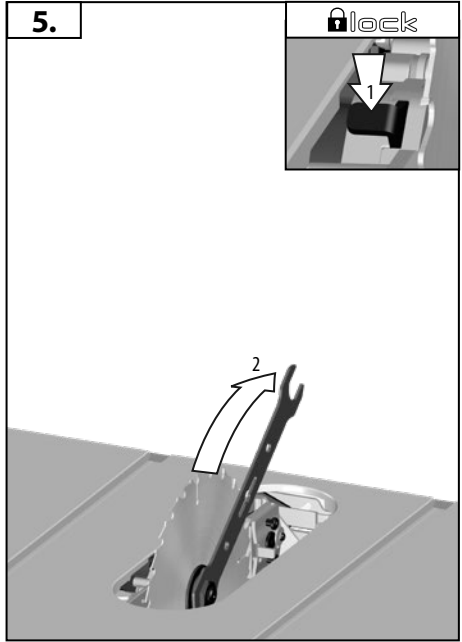
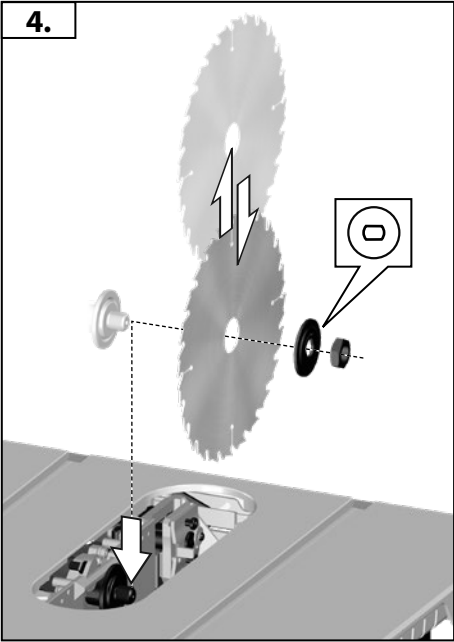
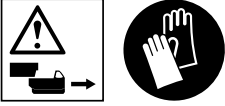
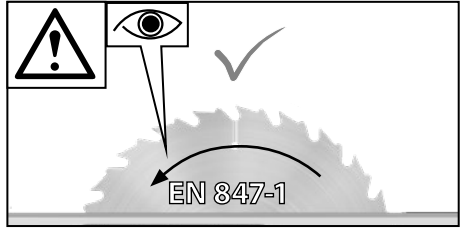
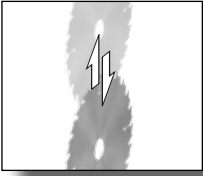
START  
STOP

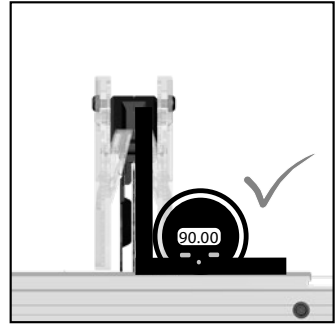
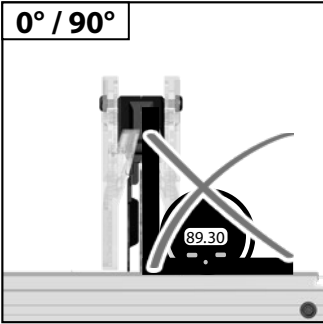


START  
STOP  
XI

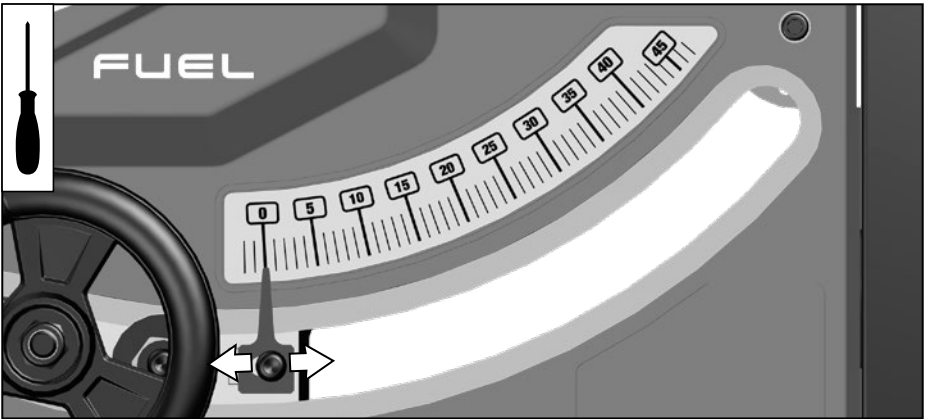


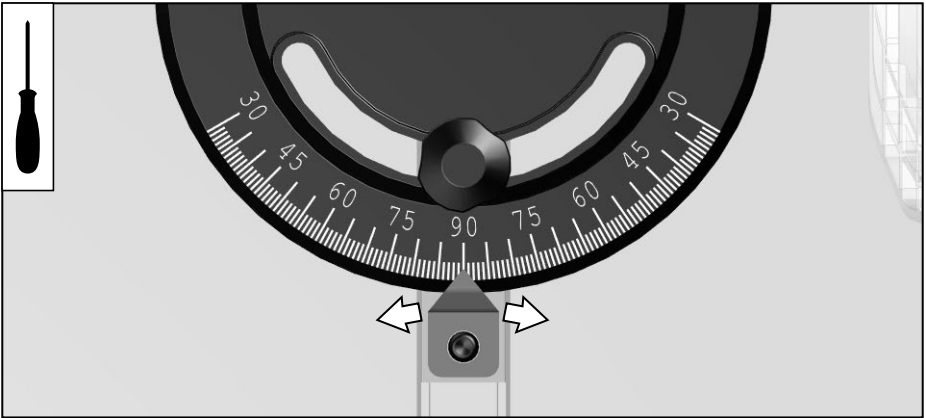
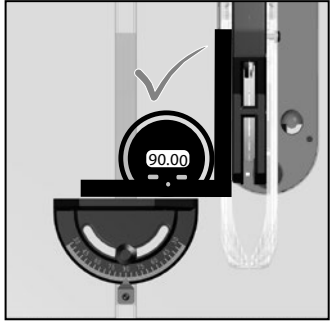
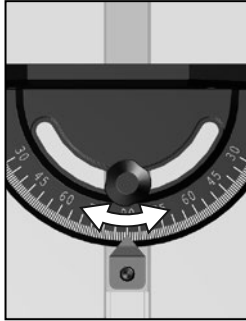
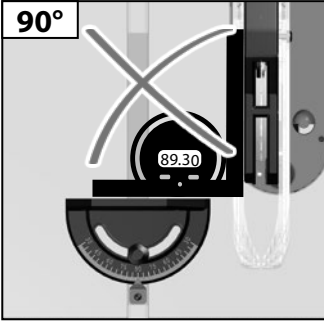


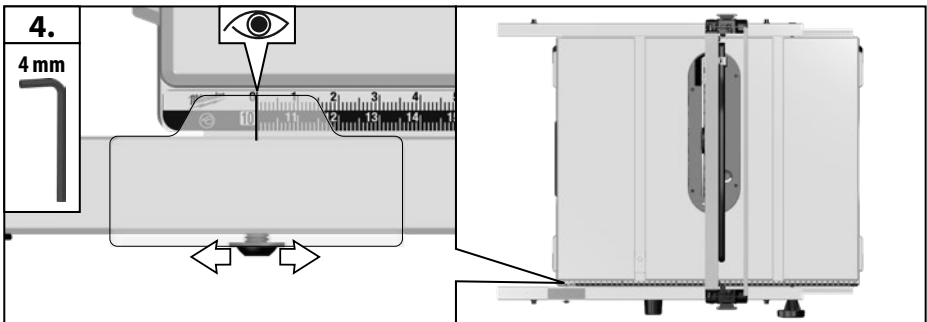
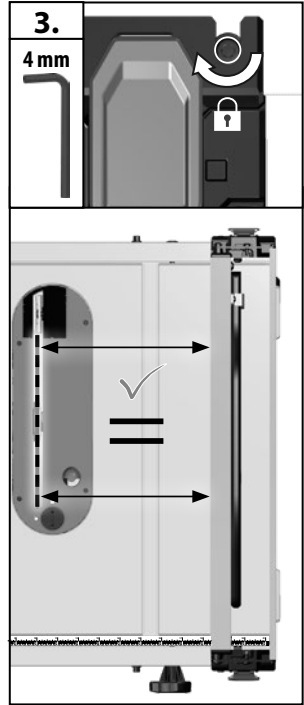
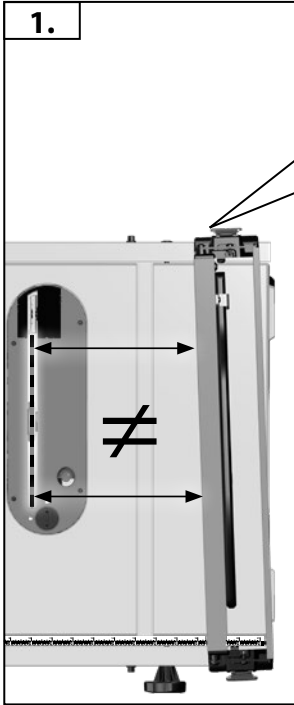


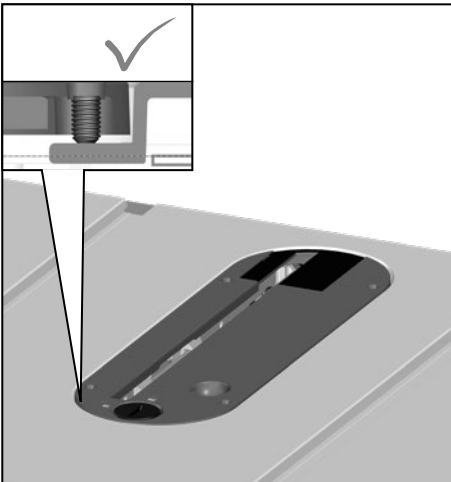
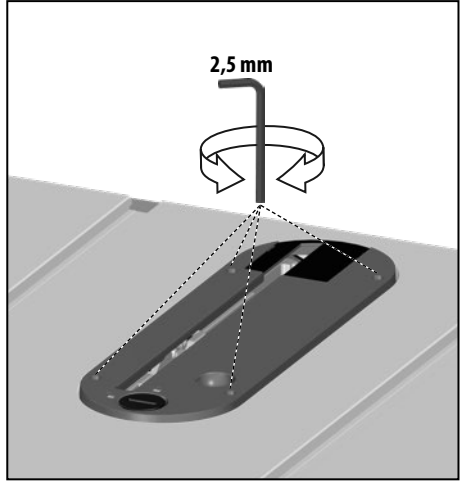
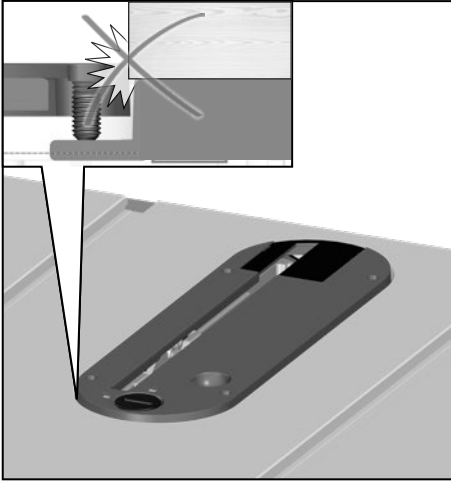


XIII

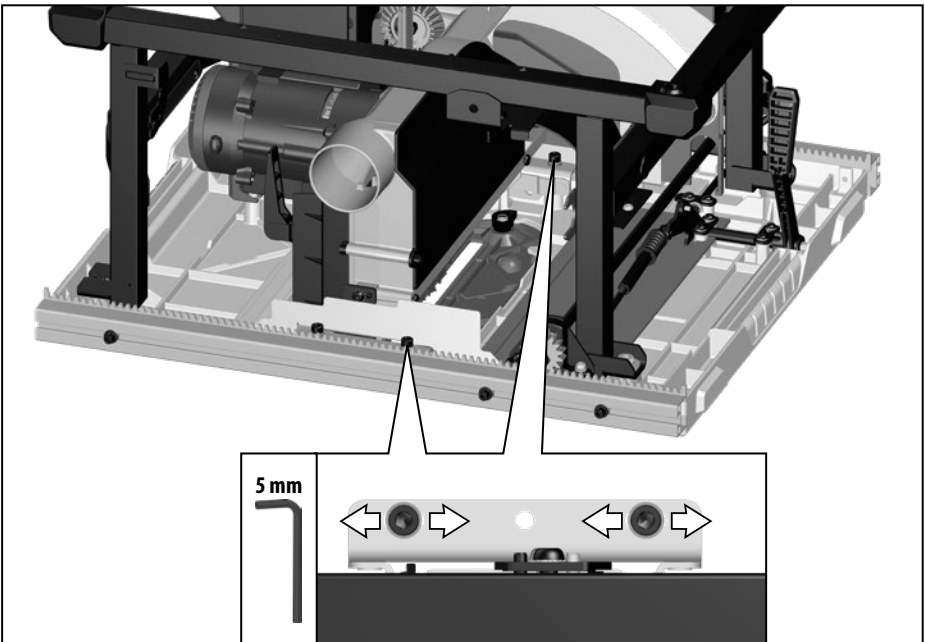
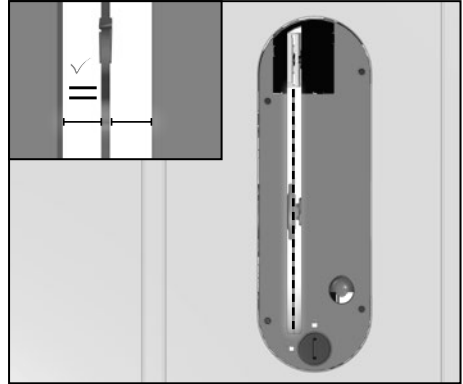
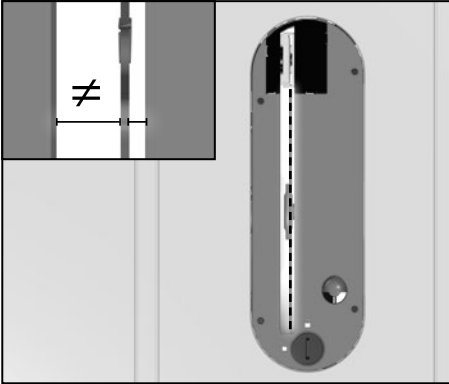


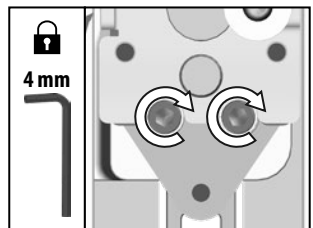
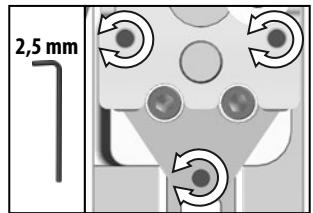
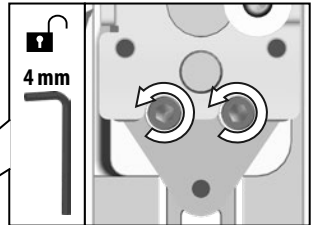
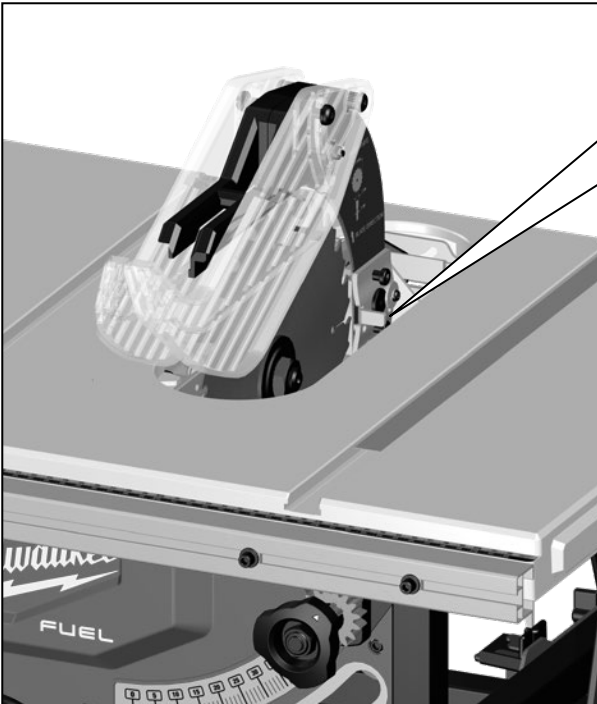
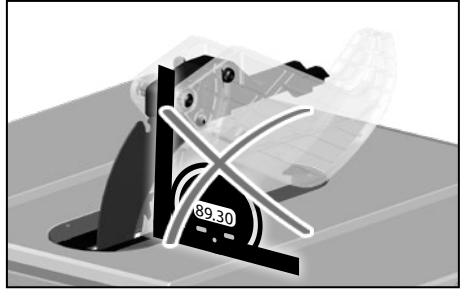
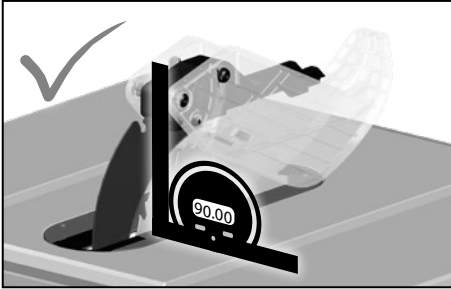


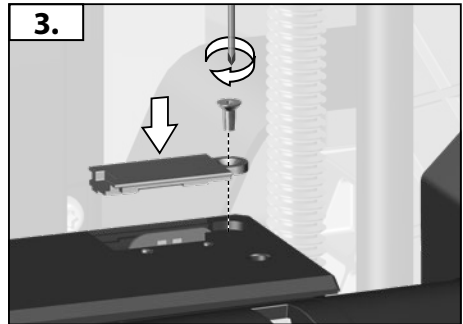
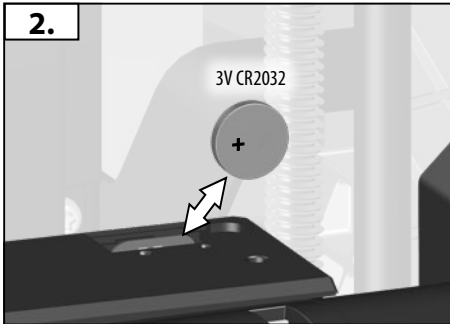
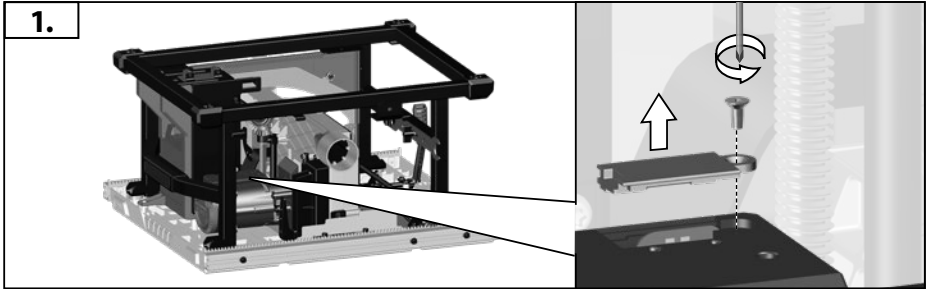


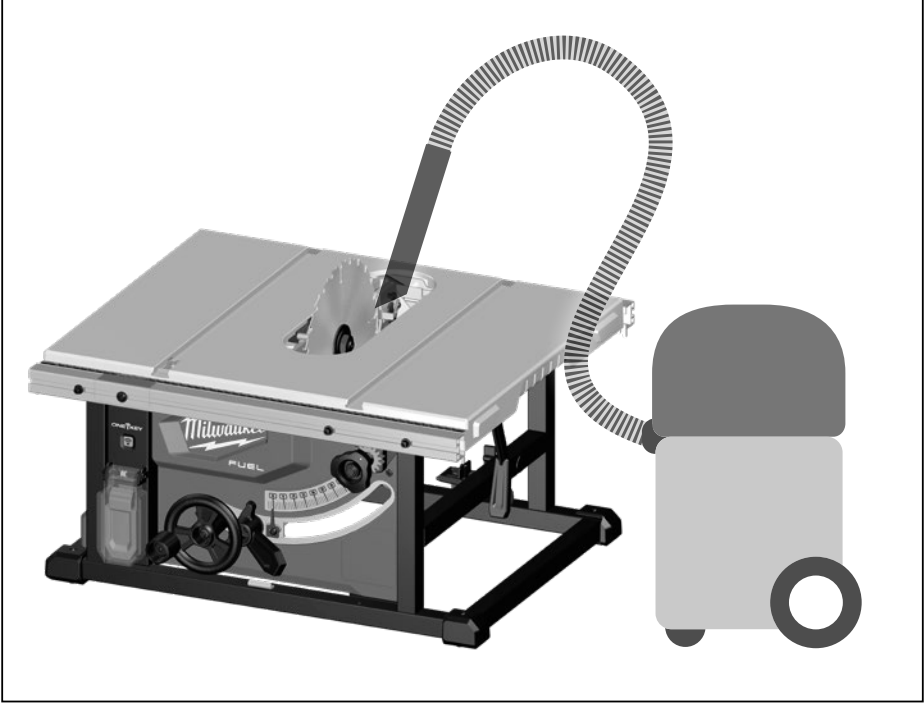
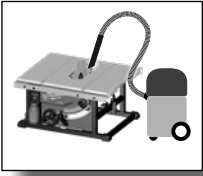




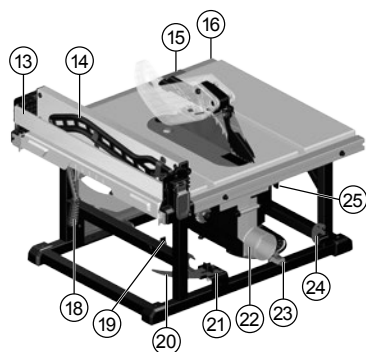
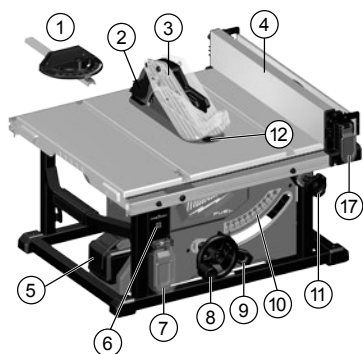








TECHNICAL DATA		M18 FTS210
<b>Circular table saw</b>		
Production code	4609 60 02... ... 000001-999999	
Battery voltage	18 V	
No-load speed	6300 min <sup>-1</sup>	
Frequency band	2402-2480 MHz	
Radio-frequency power	1,8 dBm	
Saw blade dia. x hole dia	210 x 30 mm	
Saw blade body thickness	max. 1,55 mm	
Tooth thickness	min. 1,8 mm max. 2,2 mm	
Max. Cutting depth at 0 / 45°	63,5 / 44 mm	
Distance between rip fence and saw blade max.	Left Right	310 mm 525 mm / 622 mm
Weight according EPTA-Procedure 01/2014 (Li-Ion 2,0 Ah ... 12,0 Ah)	21,2 kg ... 22,3 kg	
Recommended Ambient Operating Temperature	-18°C ... +50°C	
Recommended battery types	M18B... / M18HB...	
Recommended charger	M12-18... / M1418 C6	
<b>Noise information</b>		
Measured values determined according to EN 62841. Typically, the A-weighted noise levels of the tool are:		
Sound pressure level (Uncertainty K=3dB(A))	92,37 dB(A)	
Sound power level (Uncertainty K=3dB(A))	103,37 dB(A)	
<b>Wear ear protectors!</b>		



#### Device description

- ① Miter gauge
- ② Anti-kickback pawls
- ③ Riving knife with guard / Blade guard
- ④ Rip fence
- ⑤ Battery
- ⑥ ONE KEY indicator
- ⑦ Power switch / Switch cover
- ⑧ Height adjusting handwheel
- ⑨ Bevel locking lever
- ⑩ Bevel scale
- ⑪ Fence adjusting wheel
- ⑫ Throat plate / Throat plate latch
- ⑬ Extending flip fence
- ⑭ Push stick
- ⑮ Rip scale indicator
- ⑯ Rip scale
- ⑰ Fence latches
- ⑱ Fence lock
- ⑲ Blade wrench storage / Blade wrench
- ⑳ Riving knife
- ㉑ Riving knife / Riving knife with guard storage
- ㉒ Dust chute
- ㉓ Miter gauge storage
- ㉔ Anti-kickback pawls storage
- ㉕ Riving knife release lever

**⚠ WARNING** Read all safety warnings, instructions, illustrations and specifications provided with this power tool. Failure to follow the warnings and instructions may result in electric shock, fire and/or serious injury. **Save all warnings and instructions for future reference.**

## **⚠ SAFETY INSTRUCTIONS FOR TABLE SAWS**

### **1) Guarding related warnings**

- a) **Keep guards in place. Guards must be in working order and be properly mounted.** A guard that is loose, damaged, or is not functioning correctly must be repaired or replaced.
- b) **Always use saw blade guard, riving knife and anti-kickback device for every through-cutting operation.** For through-cutting operations where the saw blade cuts completely through the thickness of the workpiece, the guard and other safety devices help reduce the risk of injury.
- c) **Immediately reattach the guarding system after completing an operation (such as rabbeting) which requires removal of the guard, riving knife and/or anti-kickback device.** The guard, riving knife, and anti-kickback device help to reduce the risk of injury.
- d) **Make sure the saw blade is not contacting the guard, riving knife or the workpiece before the switch is turned on.** Inadvertent contact of these items with the saw blade could cause a hazardous condition.
- e) **Adjust the riving knife as described in this instruction manual.** Incorrect spacing, positioning and alignment can make the riving knife ineffective in reducing the likelihood of kickback.
- f) **For the riving knife and anti-kickback device to work, they must be engaged in the workpiece.** The riving knife and anti-kickback device are ineffective when cutting workpieces that are too short to be engaged with the riving knife and anti-kickback device. Under these conditions a kickback cannot be prevented by the riving knife and antikickback device.
- g) **Use the appropriate saw blade for the riving knife.** For the riving knife to function properly, the saw blade diameter must match the appropriate riving knife and the body of the saw blade must be thinner than the thickness of the riving knife and the cutting width of the saw blade must be wider than the thickness of the riving knife.

### **2) Cutting procedures warnings**

- a) **⚠ DANGER: Never place your fingers or hands in the vicinity or in line with the saw blade.** A moment of inattention or a slip could direct your hand towards the saw blade and result in serious personal injury.
- b) **Feed the workpiece into the saw blade only against the direction of rotation.** Feeding the workpiece in the same direction that the saw blade is rotating above the table may result in the workpiece, and your hand, being pulled into the saw blade.
- c) **Never use the mitre gauge to feed the workpiece when ripping and do not use the rip fence as a length stop when cross cutting with the mitre gauge.** Guiding the workpiece with the rip fence and the mitre gauge at the same time increases the likelihood of saw blade binding and kickback.

d) **When ripping, always apply the workpiece feeding force between the fence and the saw blade. Use a push stick when the distance between the fence and the saw blade is less than 150 mm, and use a push block when this distance is less than 50 mm.** “Work helping” devices will keep your hand at a safe distance from the saw blade.

e) **Use only the push stick provided by the manufacturer or constructed in accordance with the instructions.** This push stick provides sufficient distance of the hand from the saw blade.

f) **Never use a damaged or cut push stick.** A damaged push stick may break causing your hand to slip into the saw blade.

g) **Do not perform any operation “freehand”. Always use either the rip fence or the mitre gauge to position and guide the workpiece.** “Freehand” means using your hands to support or guide the workpiece, in lieu of a rip fence or mitre gauge. Freehand sawing leads to misalignment, binding and kickback.

h) **Never reach around or over a rotating saw blade.**

Reaching for a workpiece may lead to accidental contact with the moving saw blade.

i) **Provide auxiliary workpiece support to the rear and/or sides of the saw table for long and/or wide workpieces to keep them level.** A long and/or wide workpiece has a tendency to pivot on the table's edge, causing loss of control, saw blade binding and kickback.

j) **Feed workpiece at an even pace. Do not bend or twist the workpiece. If jamming occurs, turn the tool off immediately, unplug the tool then clear the jam.** Jamming the saw blade by the workpiece can cause kickback or stall the motor.

k) **Do not remove pieces of cut-off material while the saw is running.** The material may become trapped between the fence or inside the saw blade guard and the saw blade pulling your fingers into the saw blade. Turn the saw off and wait until the saw blade stops before removing material.

l) **Use an auxiliary fence in contact with the table top when ripping workpieces less than 2 mm thick.** A thin workpiece may wedge under the rip fence and create a kickback.

### **3) Kickback causes and related warnings**

Kickback is a sudden reaction of the workpiece due to a pinched, jammed saw blade or misaligned line of cut in the workpiece with respect to the saw blade or when a part of the workpiece binds between the saw blade and the rip fence or other fixed object. Most frequently during kickback, the workpiece is lifted from the table by the rear portion of the saw blade and is propelled towards the operator.

Kickback is the result of saw misuse and/or incorrect operating procedures or conditions and can be avoided by taking proper precautions as given below.

a) **Never stand directly in line with the saw blade. Always position your body on the same side of the saw blade as the fence.** Kickback may propel the workpiece at high velocity towards anyone standing in front and in line with the saw blade.

b) **Never reach over or in back of the saw blade to pull or to support the workpiece.** Accidental contact with the saw blade may occur or kickback may drag your fingers into the saw blade.

c) **Never hold and press the workpiece that is being cut off against the rotating saw blade.** Pressing the workpiece being cut off against the saw blade will create a binding condition and kickback.

d) **Align the fence to be parallel with the saw blade.** A misaligned fence will pinch the workpiece against the saw blade and create kickback.

e) **Use a featherboard to guide the workpiece against the table and fence when making non-through cuts such as rabbeting.**

A featherboard helps to control the workpiece in the event of a kickback.

f) **Use extra caution when making a cut into blind areas of assembled workpieces.** The protruding saw blade may cut objects that can cause kickback.

g) **Support large panels to minimise the risk of saw blade pinching and kickback.** Large panels tend to sag under their own weight. Support(s) must be placed under all portions of the panel overhanging the table top.

h) **Use extra caution when cutting a workpiece that is twisted, knotted, warped or does not have a straight edge to guide it with a mitre gauge or along the fence.** A warped, knotted, or twisted workpiece is unstable and causes misalignment of the kerf with the saw blade, binding and kickback.

i) **Never cut more than one workpiece, stacked vertically or horizontally.** The saw blade could pick up one or more pieces and cause kickback.

j) **When restarting the saw with the saw blade in the workpiece, centre the saw blade in the kerf so that the saw teeth are not engaged in the material.** If the saw blade binds, it may lift up the workpiece and cause kickback when the saw is restarted.

k) **Keep saw blades clean, sharp, and with sufficient set. Never use warped saw blades or saw blades with cracked or broken teeth.** Sharp and properly set saw blades minimise binding, stalling and kickback.

#### 4) Table saw operating procedure warnings

a) **Turn off the table saw and disconnect the battery pack when removing the table insert, changing the saw blade or making adjustments to the riving knife, antikickback device or blade guard, and when the machine is left unattended.** Precautionary measures will avoid accidents.

b) **Never leave the table saw running unattended. Turn it off and don't leave the tool until it comes to a complete stop.** An unattended running saw is an uncontrolled hazard.

c) **Locate the table saw in a well-lit and level area where you can maintain good footing and balance. It should be installed in an area that provides enough room to easily handle the size of your workpiece.** Cramped, dark areas, and uneven slippery floors invite accidents.

d) **Frequently clean and remove sawdust from under the saw table and/or the dust collection device.** Accumulated sawdust is combustible and may self-ignite.

e) **The table saw must be secured.** A table saw that is not properly secured may move or tip over.

f) **Remove tools, wood scraps, etc. from the table before the table saw is turned on.** Distraction or a potential jam can be dangerous.

g) **Always use saw blades with correct size and shape (diamond versus round) of arbour holes.** Saw blades that do not match the mounting hardware of the saw will run off-centre, causing loss of control.

h) **Never use damaged or incorrect saw blade mounting means such as flanges, saw blade washers, bolts or nuts.** These mounting means were specially designed for your saw, for safe operation and optimum performance.

i) **Never stand on the table saw, do not use it as a stepping stool.** Serious injury could occur if the tool is tipped or if the cutting tool is accidentally contacted.

j) **Make sure that the saw blade is installed to rotate in the proper direction. Do not use grinding wheels, wire brushes, or abrasive wheels on a table saw.** Improper saw blade installation or use of accessories not recommended may cause serious injury.

#### Additional Safety and Working Instructions

Dadoing, plowing, resawing and moulding head cutting is prohibited. Wear ear protectors. Exposure to noise can cause hearing loss.

Use protective equipment. Always wear safety glasses when working with the machine. The use of protective clothing is recommended, such as dust mask, protective gloves, sturdy non-slip footwear, helmet and ear defenders.

The dust produced when using this tool may be harmful to health. Do not inhale the dust. Use a dust absorption system and wear a suitable dust protection mask. Remove deposited dust thoroughly, e.g. with a vacuum cleaner.

Ensure that the machine is always stable and secure.

Before using the tool please read the instructions. If possible have the tool demonstrated.

Do not use saw blades which are damaged or deformed

Only use saw blades which have been properly sharpened.

Use only woodworking blades specified in this manual, which comply with EN 847-1.

To minimise noise, the tool must be sharpened and all noise reducing elements (covers etc.) must be properly adjusted.

Only use tools that meet standard EN 847-1.

Transport and store the tools in a suitable receptacle;

It is necessary to select a saw blade which is suitable for the material being cut.

It is essential to adhere to the maximum speed specified on the saw blade.

Do not use saw blades made of high-speed steel.

Do not use abrasion disks in this machine!

REMOVE ADJUSTING KEYS AND WRENCHES. From habit of checking to see that keys and adjusting wrenches are removed from tool before turning it "ON".

Any faults with the machine, including any related to the safeguard or the saw blades, must be reported to the persons in charge of safety as soon as the faults are discovered.

Never reach into the danger area of the machine when it is running.

Chips and splinters must not be removed while the machine is running.

Do not use the top protective cover as a handle for transportation!

Before transporting the machine, make sure that the top protective guard covers the top section of the saw blade.

Keeping rip fence parallel to the saw blade.

Keep the floor area free of loose material e.g. chips and cut-offs.

In spite of compliance with all relevant design regulations, dangers may still present themselves when the machine is operated, e.g.: workpiece parts being thrown off, parts of damaged tools being thrown off, noise emissions, wood dust emissions.

Remove the battery pack before starting any work on the appliance.

WARNING! To reduce the risk of fire, personal injury, and product damage due to a short circuit, never immerse your tool, battery pack or charger in fluid or allow a fluid to flow inside them.

Corrosive or conductive fluids, such as seawater, certain industrial



chemicals, and bleach or bleach containing products, etc., can cause a short circuit.

Use only System M18 chargers for charging System M18 battery packs. Do not use battery packs from other systems.

Never break open battery packs and chargers and store only in dry rooms. Keep dry at all times.

#### WARNING



This device contains a button-type/coin cell lithium battery. A new or used battery can cause severe internal burns and lead to death in as little as 2 hours if swallowed or if it enters the body. Always secure the cover on the battery compartment. If it does not close securely, stop the device, remove the battery and keep it out of reach of children. If you believe that someone has swallowed the battery or that it has otherwise entered the body, seek immediate medical attention.

#### SPECIFIED CONDITIONS OF USE

Use this circular saw to cut only wood and wood like products.

Never use the Circular table saw to cut materials other than those specified in the instruction manual.

Stock having a round or irregular cross section (such as firewood) must not be cut, as it can not be securely held during cutting. When sawing thin stock layed on edge, a suitable auxiliary fence must be used for firm support.

Rip cutting, cross cutting, mitre cutting and bevel cutting using max. one mounted saw blade.

#### RESIDUAL RISK

Even when the product is used as prescribed, it is still impossible to completely eliminate certain residual risk factors. The following hazards may arise in use and the operator should pay special attention to avoid the following:

- Impairment of hearing, restrict exposure and wear appropriate hearing protection.
- Measures that can be taken by operator to possibly reduce the effects of vibration and limit the amount of exposure.
- Health hazards caused by breathing dust developed when sawing wood, wear a mask if necessary.

#### MAINTENANCE

Remove the battery pack before starting any adjustment, cleaning and maintenance work on the device.

Be sure to disconnect the tool from the power supply before attaching or removing the saw blade.

Remove dust regularly. Remove the sawdust which has accumulated inside the saw in order to avoid the risk of fire.

Replace the table insert when worn

Clean tool and guarding system with dry cloth.

The ventilation slots of the machine must be kept clear at all times.

Use only Milwaukee accessories and Milwaukee spare parts. Should components need to be replaced which have not been described, please contact one of our Milwaukee service agents (see our list of guarantee/ service addresses).

If needed, an exploded view of the tool can be ordered. Please state the Article No. as well as the machine type printed on the label and order the drawing at your local service agents or directly at: Techtronik Industries GmbH, Max-Eyth-Straße 10, 71364 Winnenden, Germany.

#### ONE-KEY™

To learn more about the ONE-KEY functionality of this device, please refer to the Quick Start guide included with this product or go to <http://www.milwaukeeool.com/one-key>

To download the ONE-KEY app, visit the App Store or Google Play from your smart device.

We considered the result to be within our minimum acceptable performance level according to EN 301 489-1/ EN 301 489-17. And we will give the operation guidance to the customer in user manual.

#### BATTERIES

Battery packs which have not been used for some time should be recharged before use.

Temperatures in excess of 50°C (122°F) reduce the performance of the battery pack. Avoid extended exposure to heat or sunshine (risk of overheating).

The contacts of chargers and battery packs must be kept clean.

For an optimum life-time, the battery packs have to be fully charged, after use. Battery packs which have not been used for some time should be recharged before use.

To obtain the longest possible battery life remove the battery pack from the charger once it is fully charged.

For battery pack storage longer than 30 days: Store the battery pack where the temperature is below 27°C and away from moisture. Store the battery packs in a 30% - 50% charged condition. Every six months of storage, charge the pack as normal.

Do not dispose of used battery packs in the household refuse or by burning them. Milwaukee Distributors offer to retrieve old batteries to protect our environment.

Do not store the battery pack together with metal objects (short circuit risk).

Battery acid may leak from damaged batteries under extreme load or extreme temperatures. In case of contact with battery acid wash it off immediately with soap and water. In case of eye contact rinse thoroughly for at least 10 minutes and immediately seek medical attention.

No metal parts must be allowed to enter the battery section of the charger (short circuit risk).

#### BATTERY PACK PROTECTION

In extremely high torque, binding, stalling and short circuit situations that cause high current draw, the tool will stop for about 2 seconds and then the tool will turn OFF. To reset, release the trigger. Under extreme circumstances, the internal temperature of the battery could become too high. If this happens, the battery will shut down. To reset, release the trigger. Under extreme circumstances, the internal temperature of the battery could become too high. If this happens, the battery will shut down. Place the battery on the charger to charge and reset it.

#### TRANSPORTING LITHIUM BATTERIES

Lithium-ion batteries are subject to the Dangerous Goods Legislation requirements.

Transportation of those batteries has to be done in accordance with local, national and international provisions and regulations.

The user can transport the batteries by road without further requirements.

Commercial transport of Lithium-Ion batteries by third parties is subject to Dangerous Goods regulations. Transport preparation and transport are exclusively to be carried out by appropriately trained persons and the process has to be accompanied by corresponding experts.

When transporting batteries:

Ensure that battery contact terminals are protected and insulated to prevent short circuit. Ensure that battery pack is secured against movement within packaging. Do not transport batteries that are cracked or leak. Check with forwarding company for further advice



## EC-DECLARATION OF CONFORMITY

We declare under our sole responsibility that the product described under "Technical Data" fulfills all the relevant provisions of the directives

2011/65/EU (RoHS)

2006/42/EC

2014/53/EU

and the following harmonized standards have been used.

EN 62841-1:2015

EN 62841-3-1:2014+AC:2015+A11:2017

EN 62479:2010

EN 55014-1:2017+A11:2020

EN 55014-2:2015

EN IEC 63000:2018

EN 301 489-1 V2.2.3

EN 301 489-17 V3.1.1

EN 300 328 V2.2.2



Winnenden, 2020-11-11

Alexander Krug / Managing Director  
Authorized to compile the technical file

Techtronic Industries GmbH  
Max-Eyth-Straße 10, 71364 Winnenden, Germany

## GB-DECLARATION OF CONFORMITY

We declare as the manufacturer under our sole responsibility that the product described under „Technical Data“ fulfills all the relevant provisions of the following Regulations

S.I. 2012/3032 (as amended), S.I. 2008/1597 (as amended),

S.I. 2017/1206 (as amended) and that the following designated standards have been used:

BS EN 62841-1:2015

BS EN 62841-3-1:2014+A11:2017

BS EN 62479:2010

BS EN 55014-1:2017+A11:2020

BS EN 55014-2:2015

BS EN IEC 63000:2018

EN 301 489-1 V2.2.3

EN 301 489-17 V3.1.1

EN 300 328 V2.2.2

Winnenden, 2020-11-11

Alexander Krug / Managing Director  
Authorized to compile the technical file

Techtronic Industries GmbH  
Max-Eyth-Straße 10, 71364 Winnenden, Germany

## SYMBOLS



Please read the instructions carefully before starting the machine.



CAUTION! WARNING! DANGER!



Remove the battery pack before starting any work on the appliance.



Wear ear protectors!

Wear a suitable dust protection mask.



Always wear goggles when using the machine.



Wear gloves!



Always keep hands away from the path of the saw blade.



This tool is only suitable for indoor use. Never expose tool to rain.



Accessory - Not included in standard equipment, available as an accessory.



Featherboard and Push Blocks can be purchased from specialist dealers. Please only use high quality accessories.



Do not dispose electric tools, batteries/rechargeable batteries together with household waste material. Electric tools and batteries that have reached the end of their life must be collected separately and returned to an environmentally compatible recycling facility. Check with your local authority or retailer for recycling advice and collection point.

**n<sub>0</sub>**

No-load speed

**V**

Volts



Direct Current



European Conformity Mark



British Conformity Mark



Ukraine Conformity Mark



EurAsian Conformity Mark



Copyright 2021  
Techtronic Industries GmbH  
Max-Eyth-Straße 10  
71364 Winnenden  
Germany  
+49 (0) 7195-12-0  
[www.milwaukeeetool.eu](http://www.milwaukeeetool.eu)

Techtronic Industries (UK) Ltd  
Fieldhouse Lane  
Marlow Bucks SL7 1HZ  
UK



**EAC UK  
CA**

(01.21)

**4100 4252 34**