

Milwaukee[®]

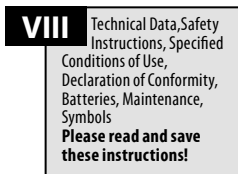
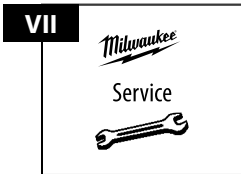
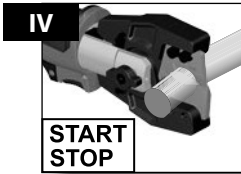
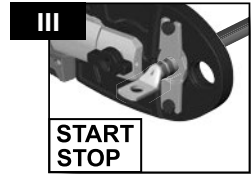
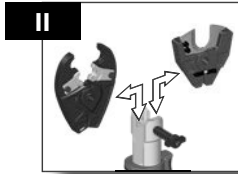
Nothing but **HEAVY DUTY**.[®]



M18 HUCT

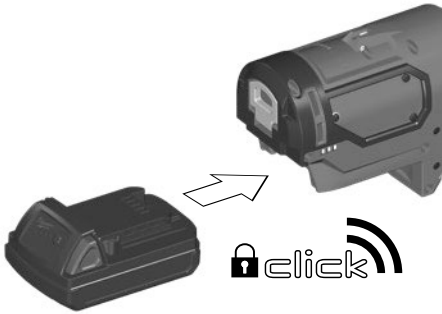
Original instructions







1.



2.

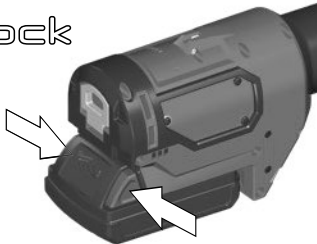


3.

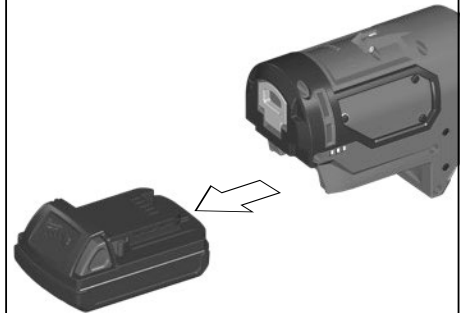


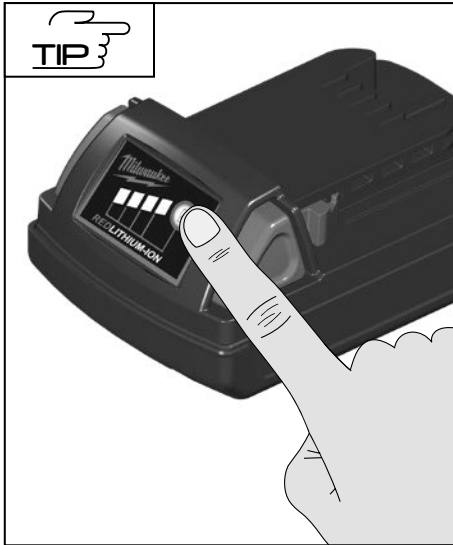
1.

unlock



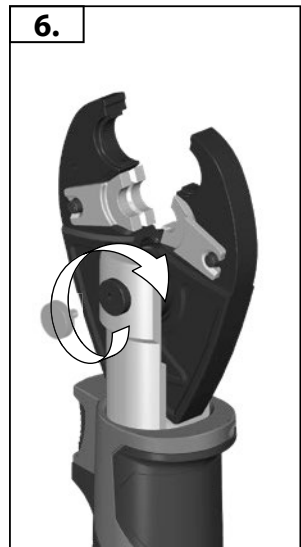
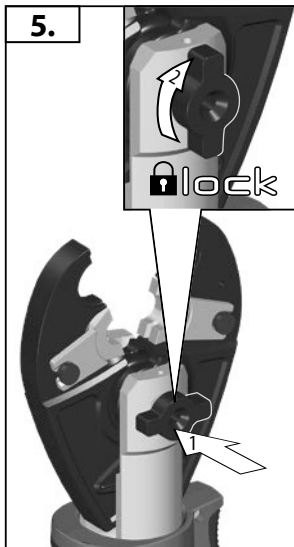
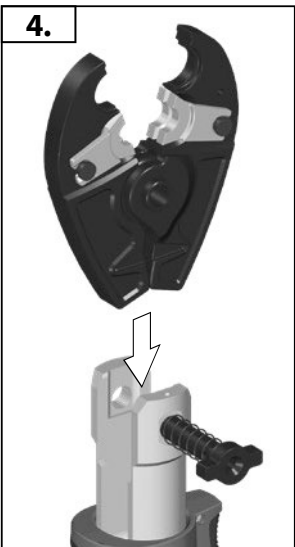
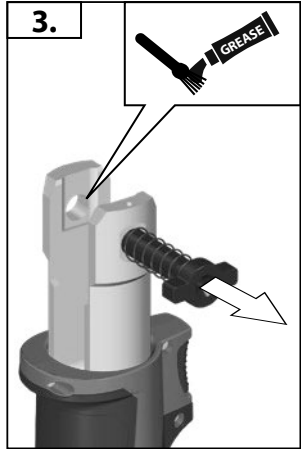
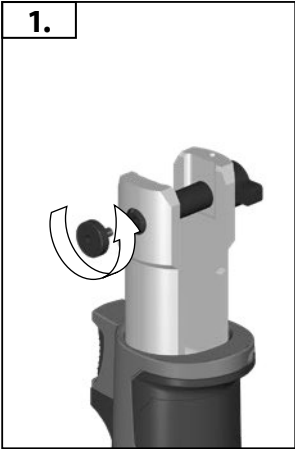
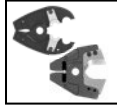
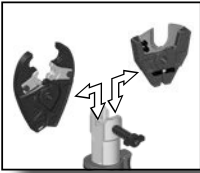
2.

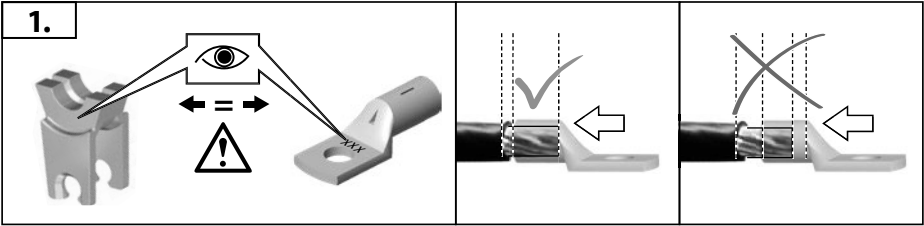
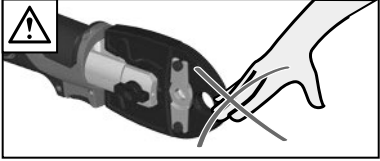
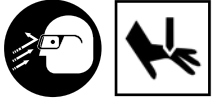
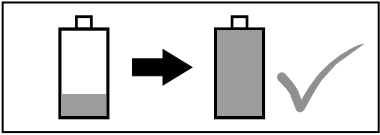
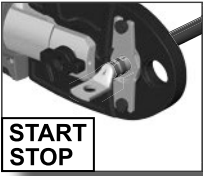




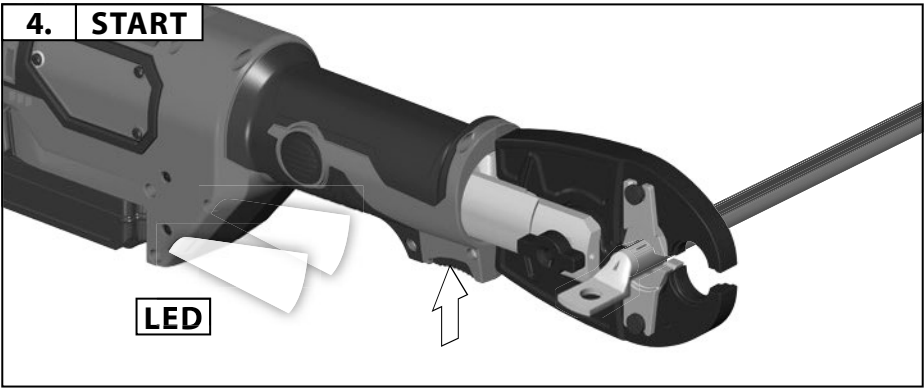
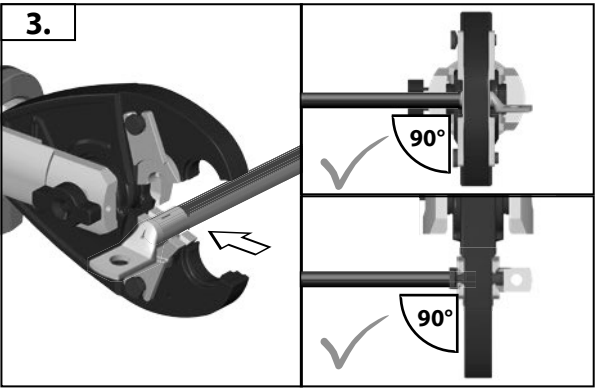
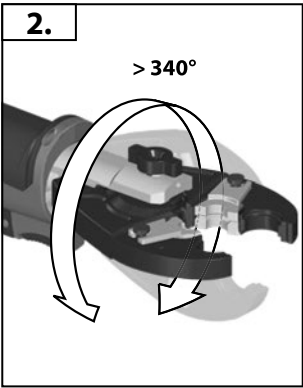
78-100 %		
55-77 %		
33-54 %		
10-32 %		
<10 %		

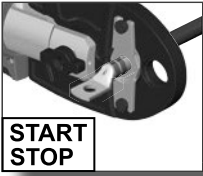






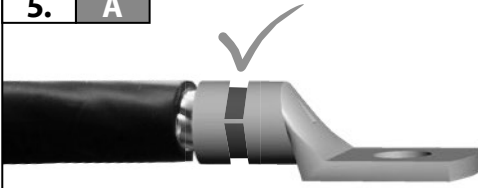
START
STOP



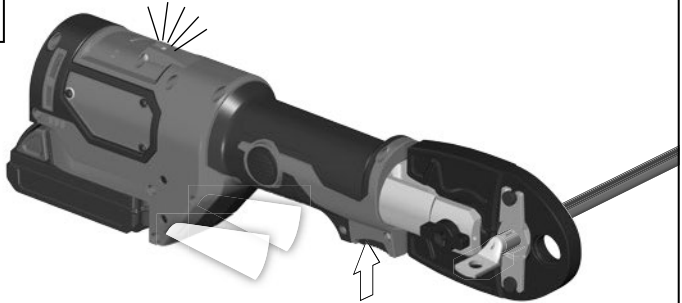


**START
STOP**

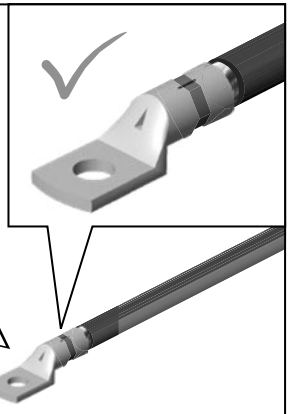
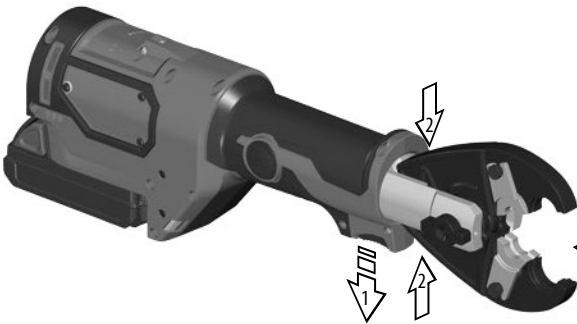
5. A

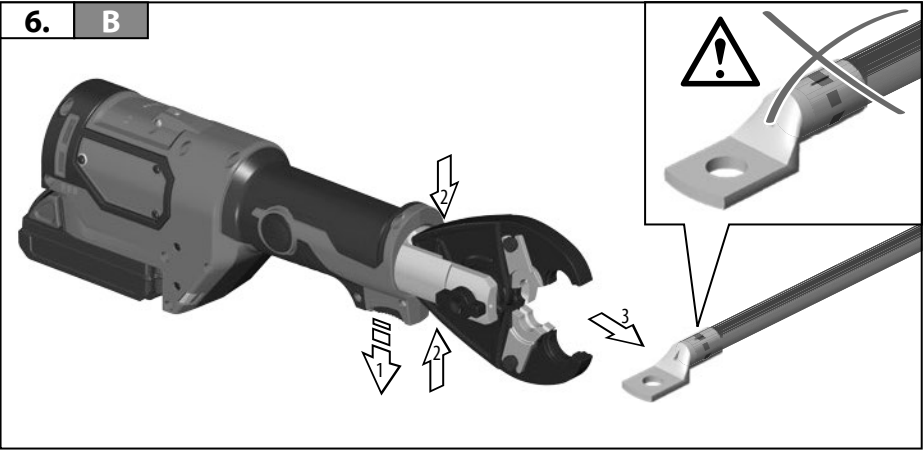
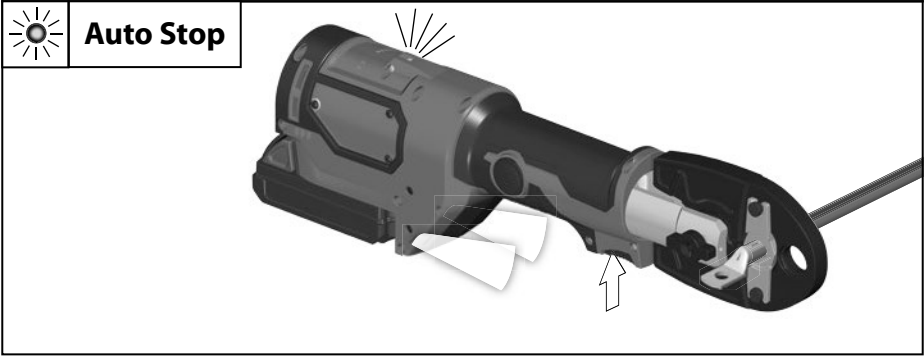
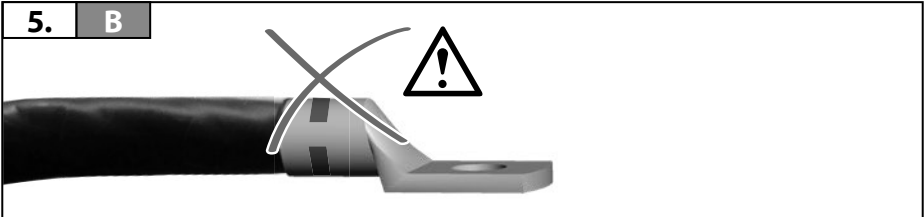
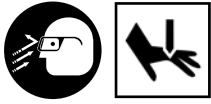
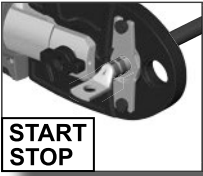


Auto Stop

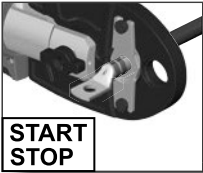


6. A

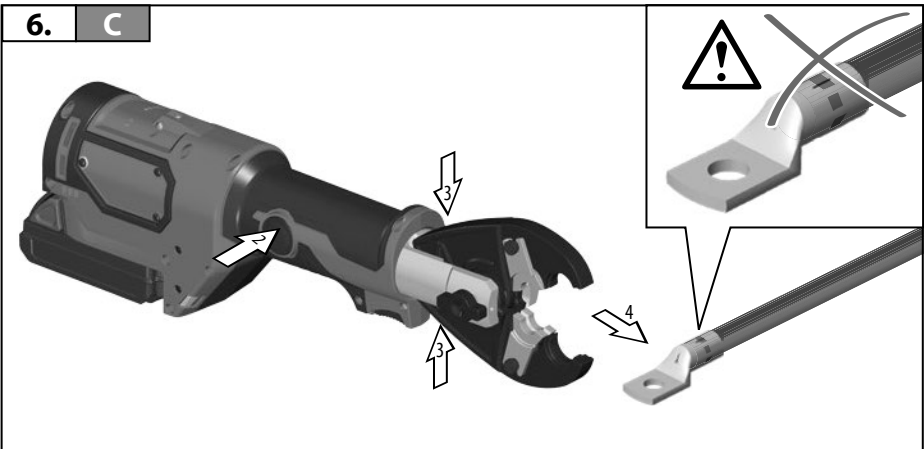
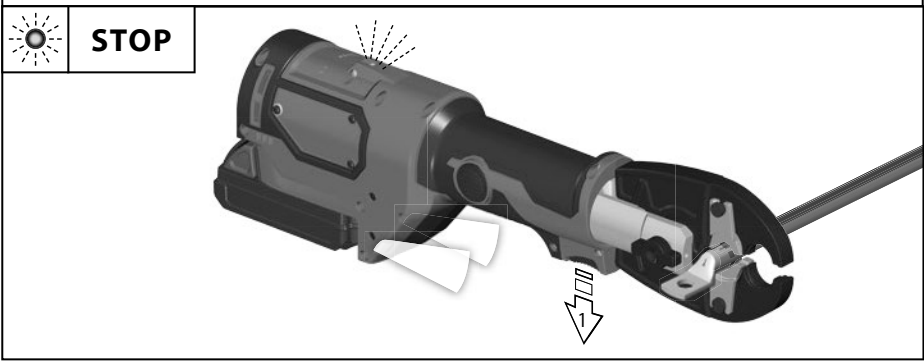


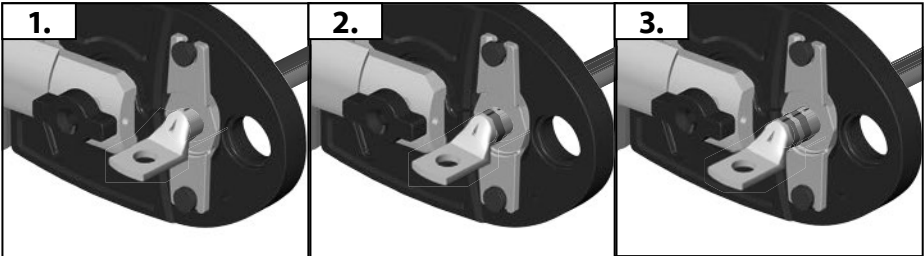
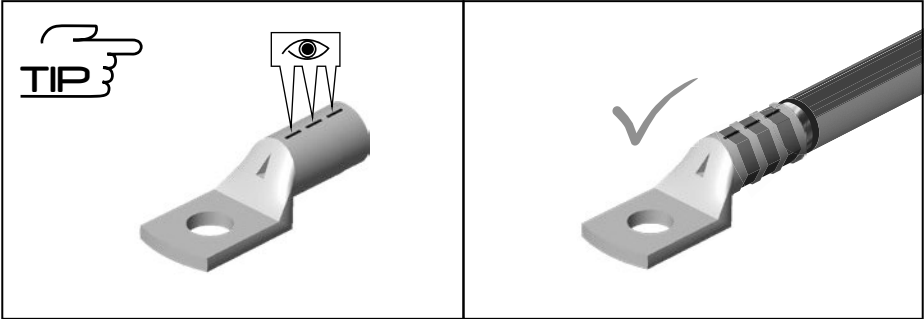
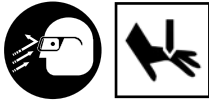
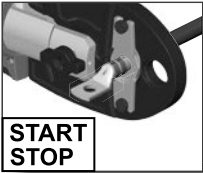


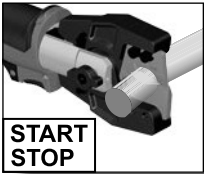
START
STOP



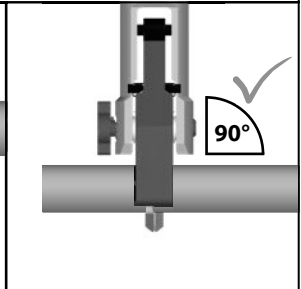
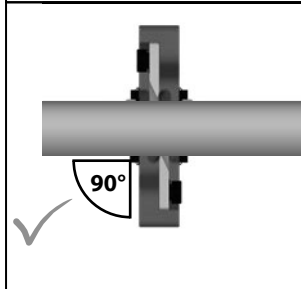
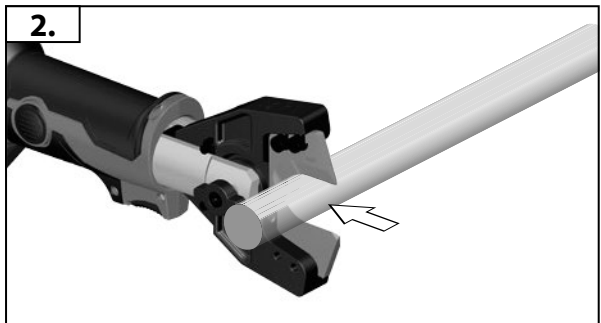
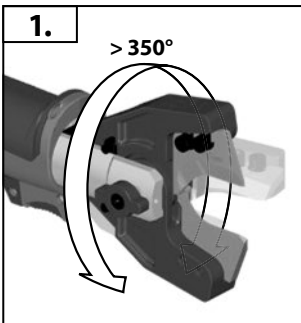
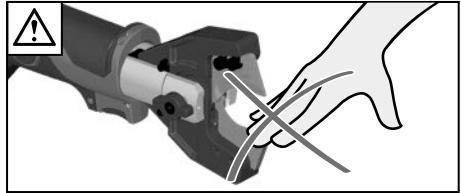
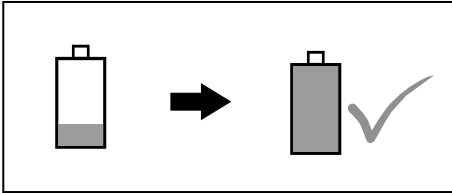
**START
STOP**

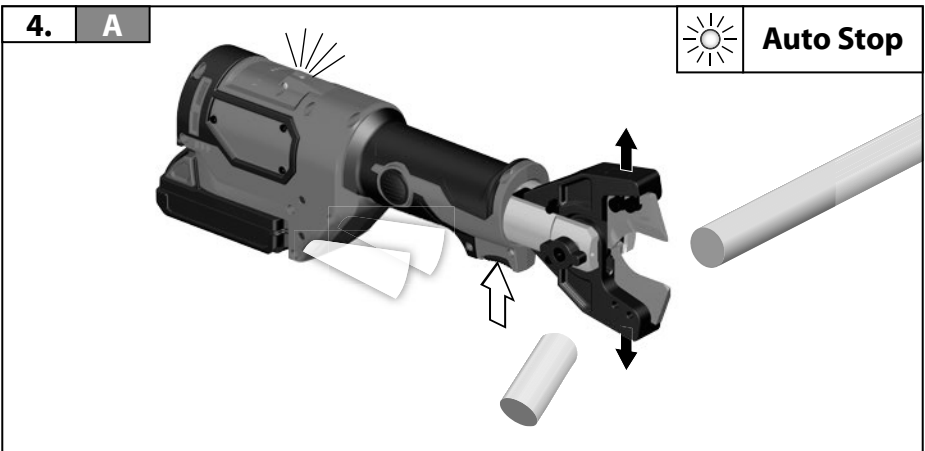
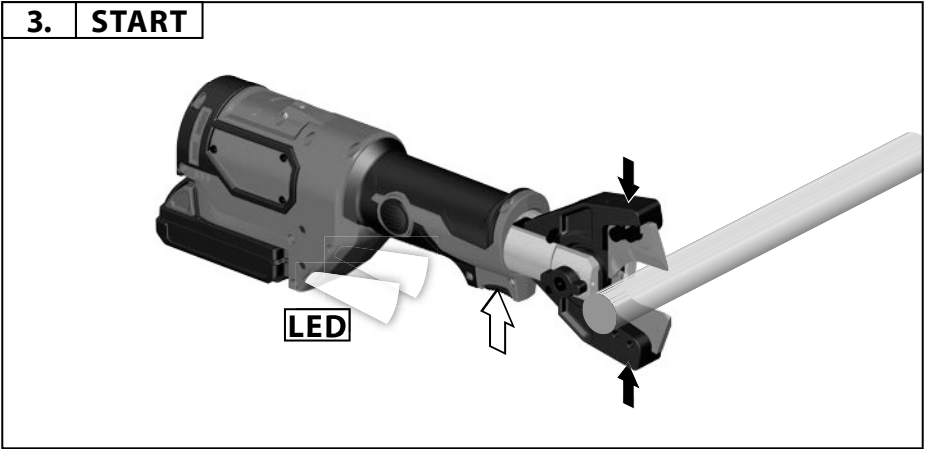
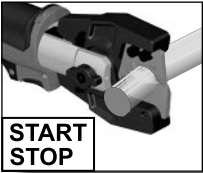


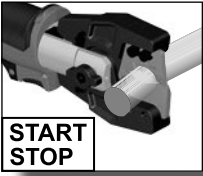




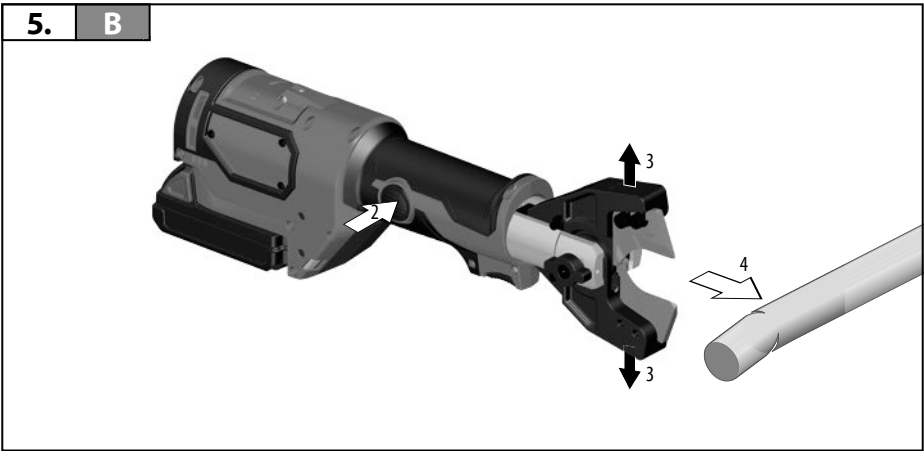
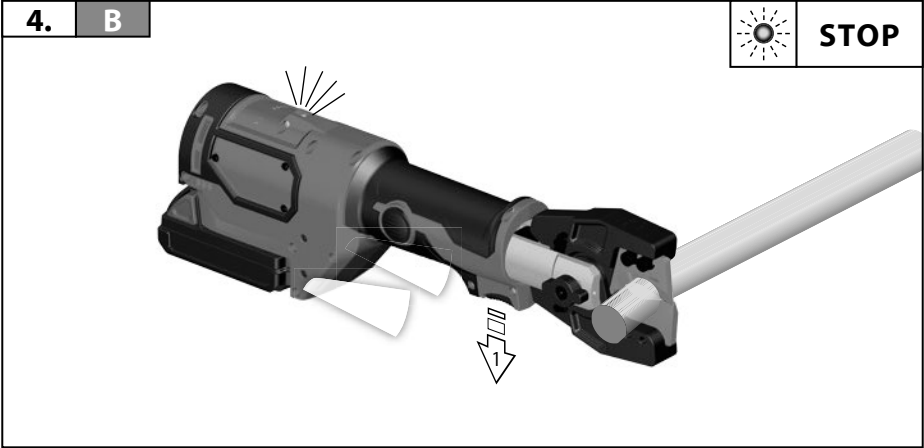
START
STOP

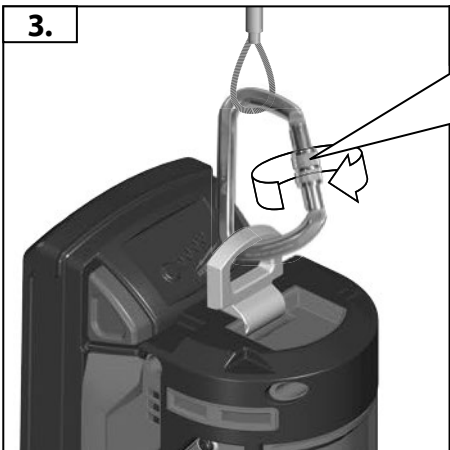
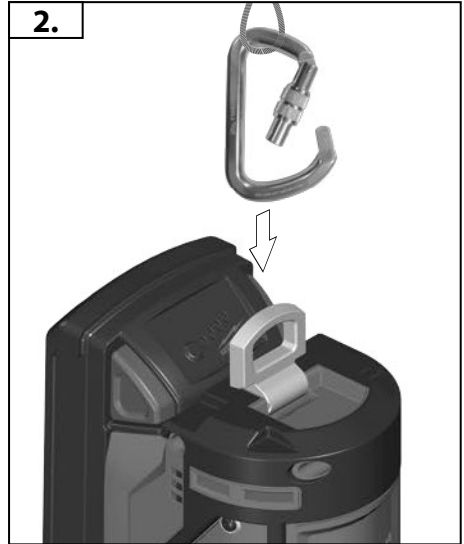




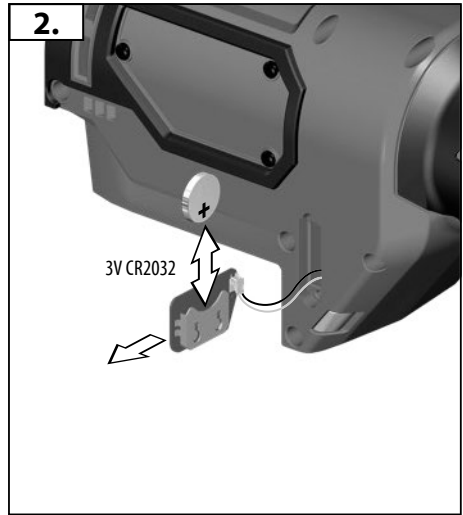
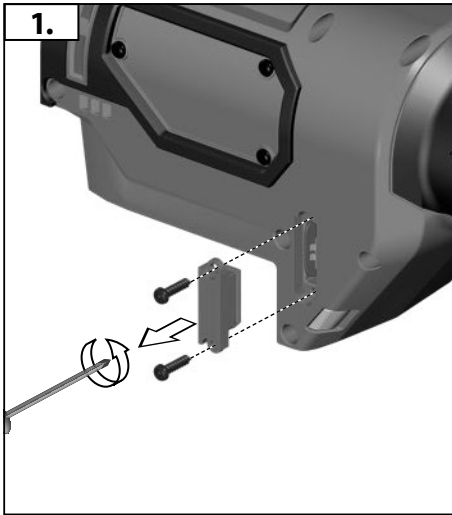


START
STOP
≡

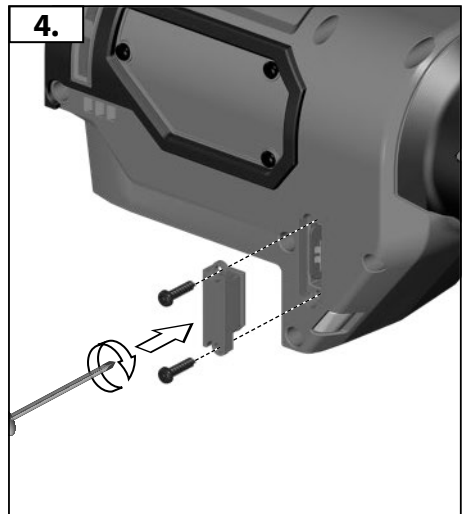
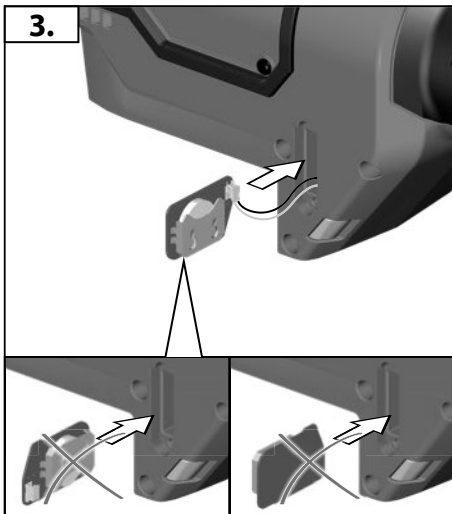


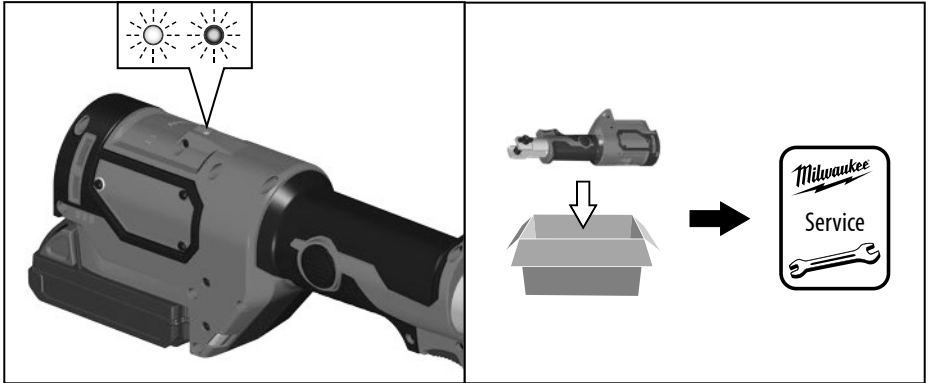








VI





TECHNICAL DATA Crimping- and Cutting Tool		M18 HUCT
Production code	4673 82 02... 000001-999999	
Frequency band	2402 - 2480 MHz	
Radio-frequency power	1,8 dBm	
Battery voltage	18 V	
Nominal force	53 kN	
 Compression range : Diameter max. Copper Aluminium	300 mm ² 150 mm ²	
	 Cutting range depends on material ACSR: Aluminium-/Steel cable max. Copper- / Aluminium-Cable max. Other materials and their diameter are depending on the specific jaws.	22,5 mm 35 mm
Weight according EPTA-Procedure 01/2014 (Li-Ion 2,0 Ah... 9,0Ah)		
with press jaws	3,6 kg ... 4,2 kg	
with cutting jaws	3,7 kg ... 4,3 kg	
Recommended battery types	M18B...	
Recommended charger	M12-18...	
Noise information		
Measured values determined according to EN 62841. Typically, the A-weighted noise levels of the tool are:		
Sound pressure level (Uncertainty K=3dB(A))	74,6 dB (A)	
Sound power level (Uncertainty K=3dB(A))	85,6 dB (A)	
Wear ear protectors!		
Vibration information		
Vibration total values (triaxial vector sum) determined according to EN 62841		
Vibration emission value a _h	0,77 m/s ²	
Uncertainty K=	1,5 m/s ²	

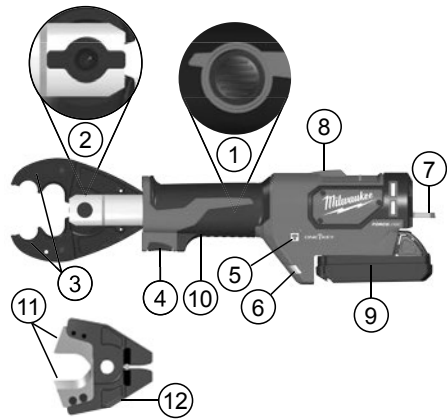
WARNING!

The vibration emission level given in this information sheet has been measured in accordance with a standardised test given in EN 62841 and may be used to compare one tool with another. It may be used for a preliminary assessment of exposure.

The declared vibration emission level represents the main applications of the tool. However if the tool is used for different applications, with different accessories or poorly maintained, the vibration emission may differ. This may significantly increase the exposure level over the total working period.

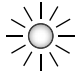

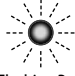

An estimation of the level of exposure to vibration should also take into account the times when the tool is switched off or when it is running but not actually doing the job. This may significantly reduce the exposure level over the total working period.

Identify additional safety measures to protect the operator from the effects of vibration such as: maintain the tool and the accessories, keep the hands warm, organisation of work patterns.



Device description

- | | |
|----------------------------|-------------------------------------|
| ① Hydraulic release button | ⑦ Hanger |
| ② Locking bolts | ⑧ LED /Crimping indicator |
| ③ Crimping jaws | ⑨ Battery |
| ④ Trigger | ⑩ Handle Insulated gripping surface |
| ⑤ ONE KEY indicator | ⑪ Cutting blades |
| ⑥ LED | ⑫ Cutting jaws |

LED indicator	Definition
 Solid Green	Tool completed the operation and reached full crimping pressure.
 Solid Red	Tool completed the operation but did NOT reach full crimping pressure.
 Flashing Red	Tool did NOT complete the operation.
 Flashing Red / Green (after Solid Green or Solid Red)	Tool has reached its service interval (30000 crimps). Red/Green flashing will begin after the solid Red or Green indicator for the operation is displayed. MILWAUKEE recommends that the device be inspected and preventative maintenance completed.



⚠️ WARNING Read all safety warnings, instructions, illustrations and specifications provided with this power tool. Failure to follow the warnings and instructions may result in electric shock, fire and/or serious injury.

Save all warnings and instructions for future reference.

⚠️ SAFETY WARNINGS

The operator of this device must be instructed in the specific dangers associated with using this device and in the essential safety measures before working with it for the first time and at least once a year thereafter.

The operating company must:

- make the operating manual available to the operator and
- ensure that the operator has read and understood it.

Use protective equipment. Always wear goggles when using the device. The use of protective clothing is recommended, such as dust mask, protective gloves, sturdy non-slip footwear, helmet and ear defenders.

Never hold your fingers or other body parts in the working area of the cylinder or the jaws.

Remove the battery pack before starting any adjustment, cleaning and maintenance work on the device.

Only use devices, battery packs and chargers that are in perfect technical condition.

Have damage repaired immediately by an authorised workshop.

To avoid injury and damage, prevent accidental starting of the device.

Remove any setting tools and wrenches before the operation.

Do not work on electrically live parts. Device is NOT insulated.

WARNING! To reduce the risk of fire, personal injury, and product damage due to a short circuit, never immerse your device, battery pack or charger in fluid or allow a fluid to flow inside them.

Corrosive or conductive fluids, such as seawater, certain industrial chemicals, and bleach or bleach containing products, etc., can cause a short circuit.

Compliance with the specified service work and service intervals is mandatory.

Never break open battery packs and chargers and store only in dry rooms. Keep dry at all times.

Use only System M18 chargers for charging System M18 battery packs. Do not use battery packs from other systems.

To avoid injury and damage, never immerse the tool, removable battery or charger in liquid or allow liquid to penetrate them.

WARNING



This device contains a button-type/coin cell lithium battery. A new or used battery can cause severe internal burns and lead to death in as little as 2 hours if swallowed or if it enters the body. Always secure the cover on the battery compartment. If it does not close securely, stop the device, remove the battery and keep it out of reach of children. If you believe that someone has swallowed the battery or that it has otherwise entered the body, seek immediate medical attention.

⚠️ CRIMPING TOOL SAFETY WARNINGS

Crimping tools and crimping devices must only be used by trained personnel in electrotechnical applications.

Check crimping tool, jaws and dies for cracks and other signs of wear before each use.

Only use crimping tools and crimping dies that are in perfect technical condition.

Only use the crimping tool with crimping dies inserted into it.

Only use crimping dies up to 60 kN and with a total width of 22 mm.

Do not touch the press jaws during the pressing operation.

In the event of problems during the crimping process, immediately release the ON switch and press the unlocking button on the hydraulic system. The valve will open and the piston will return to its initial position.

⚠️ CABLE CUTTER SAFETY WARNINGS

Only personnel trained in electrotechnical applications may carry out cutting and splitting of cables and cords with the aid of this cable cutter.

To reduce the risk of explosions, electric shock and damage to property and equipment, never cut live electrical cables. Device is NOT insulated.

Keep hands and loose items of clothing away from cutting tools and other moving parts. There is a risk of serious injury, including severing of limbs.

Never hold the cable cutter by the cutting jaws.

Before using, always check the cutting jaws for cracks and other signs of wear.

The cable cutter may only be used with a cutting tool inserted.

RESIDUAL RISK

Crimping Tool:

Never crimp live connecting materials.

Cable Cutter:

Before the cutting process begins, access must be sealed off in accordance with local regulations.

Only ever cut cables that have been disconnected from the power supply!

Cable and cord may not be exposed to any mechanical forces.

To reduce the risk of injury, wear safety goggles or glasses with side shields.

Failure to comply with this instruction can lead to serious injury, death, fire and other damage to property as a result of electric shock, explosion and/or electric arcs.

SPECIFIED CONDITIONS OF USE

Crimping Tool:

The crimping tool is exclusively designed for crimping connectors and compound materials with dedicated crimping dies.

All live parts, i.e., parts conducting electricity, must be disconnected in the technician's work environment prior to starting work.

Cable Cutter:

The cable cutter is suitable for cutting

- tension-free non-reinforced cables of insulated copper or aluminum, cutting tools depending on cable type



WARNING Read all safety warnings, instructions, illustrations and specifications provided with this power tool. Failure to follow the warnings and instructions may result in electric shock, fire and/or serious injury.

Save all warnings and instructions for future reference.

WORKING INSTRUCTIONS FOR CRIMPING

Use only standardized connectors according to national standards with dedicated crimping dies.

Consult the documents provided by the manufacturer for handling and assembly instructions for connectors.

Check that the nominal diameter of the connecting item corresponds to the nominal diameter of the crimping insert.

Before the crimping process begins, the battery capacity must be checked: minimum 33% (see illustrated description). It may require charging before work commences.

Actuating the control switch initiates the pressing process, which is characterized by the crimping dies coming together.

It is the user's responsibility to check and evaluate that the joint is correct.

Imperfect joints must be crimped again using a new connector.

Action in the event of faults

- Keep the reset switch pressed until the jaws have opened completely
- check the battery capacity
- check the cable and the crimping dies based on the technical data
- If it is suspected that a live cable has been pressed, the crimping tool must be inspected at an authorized, specialist workshop

WORKING INSTRUCTIONS FOR CUTTING

Set-up of the working area

Before work begins, the cables or cords must be disconnected and it must be ensured that they remain isolated from the power supply for the duration of the work.

If it cannot be ensured beyond doubt that the cable or insulated line has been disconnected, no work may be carried out.

It is crucial that local safety provisions and the regulations are observed.

Cable and cord may not be exposed to any mechanical forces and must be secured from any uncontrolled movements following the cut.

Do not expose tools to rain. Do not use tools in damp or wet locations.

Preparation of cable cutter and battery

Before every use:

- Inspect cable cutter for external defects
- Check the cutting tool for cracks and other signs of wear

Only use in perfect condition!


Before the cutting process begins, the battery capacity must be checked: minimum 33% (see illustrated description). It may require charging before work commences.

Preparation for the cutting process

Support and fix the cable or rope to be cut to minimise the risk of uncontrolled movement.

Overhead cables and cords, in particular, can move out of control and cause injury and/or damage.


The cutting head must be positioned at an angle of 90° to the cable or cord, so that the cable can lie in the opened cutting jaws without tension and undesirable shearing forces can be avoided.

 **WARNING: To reduce the risk of explosions, electric shock and damage to property and equipment, never cut live electrical cables.**

Device is NOT insulated. Contact with a live circuit could result in severe injury or death. Turn off power before making a cut. Never cut gas or water lines. Keep hands away from all cutting edges and moving parts. Laceration and amputation can occur.

Always remove battery pack before changing or removing accessories. Only use accessories specifically recommended for this device. Others may be hazardous.

To reduce the risk of injury, wear safety goggles or glasses with side shields.

 **WARNING: To reduce the risk of injury, only cut recommended materials for the blades. (see „Specifications“) Do not attempt to cut other materials.**

Cutting

Before cutting, ensure cutting blades are properly installed.

1. Guide the cable at right angles to the cutting of the cable cutter. Do not attempt to make angled cuts as it will damage the device and cutting blades.

2. Pull and hold the trigger through the operation. An LED will light when the trigger is pulled.

When the cut is complete or the device shuts off, the cutting jaws open independently. If you release the trigger during the cutting operation, you must press the hydraulic reset button to open the cutting jaws.

Note: Workpiece may move slightly during the cut.

Action in the event of faults

- The cable can be broached and become live, in which case always inform the safety officer, stop the cutting process, and initiate suitable protective measures
- Always ensure that the device is and will stay disconnected from the power supply before approached and touching the device
- press and hold the hydraulic reset button until the cutter opens completely
- check the battery capacity
- check the material and material thickness against the technical data
- If it is suspected that a live cable has been cut, the cable-cutter has to be inspected in an authorized specialist workshop

Jammed Blades

Dirt and debris can cause the blades to become jammed together after a cut

- Press and hold the hydraulic release button to ensure the tool has reset.
- Remove the battery pack.
- Follow the picture description to open the cutting bars
- Clean any dirt and debris from the blades before starting another cut.

Cutting Tips

- Do not attempt to make angled cuts as it will damage the device and cutting blades.
- Cut clean material to extend the cutting blade life. Wipe dirt and debris from material and cutting blades before beginning the cut.

MAINTENANCE

Remove the battery pack before starting any adjustment, cleaning and maintenance work on the device.

Never open the device, removable battery or charger.



VIII

Check the device for any problems such as noise or jamming of moving parts that could be affecting the device.

Check the device, jaws and crimping dies and cutting blades for cracks and other signs of wear before each use.

Clean and grease the devices when you have finished work.

Clean and grease the drive rolls, the locking bolts and jaws.

Check that the jaws can move freely.

Replace the crimping dies and cutting blades when they become chipped or damaged.

Check that the cutting edges are sharp and replace worn cutting blades.

Always replace crimping dies and cutting blades as a set.

The ventilation slots of the device must be kept clear at all times.

To avoid injury and damage, never immerse the device, removable battery or charger in liquid or allow liquid to penetrate them.

Further service and repair work may only be carried out by authorized specialist workshops.

The device contains hydraulic fluid. Hydraulic fluids pose a hazard to groundwater. Uncontrolled draining or improper disposal is punishable by law.

The next service deadline is indicated by LED on the device.

This service must be performed at least every 2 years or after 30,000 crimping operations or at the latest when the LED display indicates that a service is due.

Use only Milwaukee accessories and Milwaukee spare parts. Should components need to be replaced which have not been described, please contact one of our Milwaukee service agents (see our list of guarantee/service addresses).

If needed, an exploded view of the tool can be ordered. Please state the Article No. as well as the machine type printed on the label and order the drawing at your local service agents or directly at: Techtronic Industries GmbH, Max-Eyth-Straße 10, 71364 Winnenden, Germany.

ONE-KEY™

To learn more about the ONE-KEY functionality of this device, please refer to the Quick Start guide included with this product or go to <http://www.milwaukeeetool.com/one-key>

To download the ONE-KEY app, visit the App Store or Google Play from your smart device.

We considered the result to be within our minimum acceptable performance level according to EN 301 489-1/ EN 301 489-17. And we will give the operation guidance to the customer in user manual.

BATTERIES

Battery packs which have not been used for some time should be recharged before use. Temperatures in excess of 50°C (122°F) reduce the performance of the battery pack. Avoid extended exposure to heat or sunshine (risk of overheating).

The contacts of chargers and battery packs must be kept clean.

For an optimum life-time, the battery packs have to be fully charged, after use.

To obtain the longest possible battery life remove the battery pack from the charger once it is fully charged.

For battery pack storage longer than 30 days: Store the battery pack where the temperature is below 27°C and away from moisture. Store the battery packs in a 30% - 50% charged condition. Every six months of storage, charge the pack as normal.

Do not dispose of used battery packs in the household refuse or by burning them. Milwaukee Distributors offer to retrieve old batteries to protect our environment.

Do not store the battery pack together with metal objects (short circuit risk).

Battery acid may leak from damaged batteries under extreme load or extreme temperatures. In case of contact with battery acid wash it off immediately with soap and water. In case of eye contact rinse thoroughly for at least 10 minutes and immediately seek medical attention.

No metal parts must be allowed to enter the battery section of the charger (short circuit risk).

TRANSPORTING LITHIUM BATTERIES

Lithium-ion batteries are subject to the Dangerous Goods Legislation requirements.

Transportation of those batteries has to be done in accordance with local, national and international provisions and regulations.

The user can transport the batteries by road without further requirements.

Commercial transport of Lithium-Ion batteries by third parties is subject to Dangerous Goods regulations. Transport preparation and transport are exclusively to be carried out by appropriately trained persons and the process has to be accompanied by corresponding experts.

When transporting batteries:

Ensure that battery contact terminals are protected and insulated to prevent short circuit. Ensure that battery pack is secured against movement within packaging. Do not transport batteries that are cracked or leak. Check with forwarding company for further advice

EC-DECLARATION OF CONFORMITY

We declare under our sole responsibility that the product described under "Technical Data" fulfills all the relevant provisions of the directives

2011/65/EU (RoHS)

2006/42/EC

2014/53/EU

and the following harmonized standards have been used.

EN 62841-1:2015

EN 62479:2010

EN 55014-1:2017+A11:2020

EN 55014-2:2015

EN 301 489-1 V2.2.3

EN 301 489-17 V3.1.1

EN 300 328 V2.2.2

EN IEC 63000:2018



Winnenden, 2020-11-10

Alexander Krug / Managing Director

Authorized to compile the technical file

Techtronic Industries GmbH

Max-Eyth-Straße 10, 71364 Winnenden, Germany

GB-DECLARATION OF CONFORMITY

We declare as the manufacturer under our sole responsibility that the product described under „Technical Data“ fulfills all the relevant provisions of the following Regulations
S.I. 2012/3032 (as amended), S.I. 2008/1597 (as amended),
S.I. 2017/1206 (as amended) and that the following designated standards have been used:

BS EN 62841-1:2015
BS EN 62479:2010
BS EN 55014-1:2017+A11:2020
BS EN 55014-2:2015
EN 301 489-1 V2.2.3
EN 301 489-17 V3.1.1
EN 300 328 V2.2.2
BS EN IEC 63000:2018








Winnenden, 2020-11-10



Alexander Krug / Managing Director
Authorized to compile the technical file

Techtronic Industries GmbH
Max-Eyth-Straße 10, 71364 Winnenden, Germany

SYMBOLS

-  Please read the instructions carefully before starting the machine.
-  Wear goggles.
-  This device contains a button-type/coin cell lithium battery.
-  CAUTION! WARNING! DANGER!
-  Remove the battery pack before starting any work on the appliance.
-  Danger of electric shock
-  WARNING!
Risk of injury from ejected fragments
-  WARNING! Hand injury
-  Accessory - Not included in standard equipment, available as an accessory.
-  = 
-  = 
-  Do not dispose of electric tools together with household waste material. Electric tools and electronic equipment that have reached the end of their life must be collected separately and returned to an environmentally compatible recycling facility. Check with your local authority or retailer for recycling advice and collection point.
- V** Volts
-  Direct Current
- CE** European Conformity Mark
- UKCA** British Conformity Mark
-  Ukraine Conformity Mark
- 001 EAC** EurAsian Conformity Mark



Copyright 2021
Techtronic Industries GmbH
Max-Eyth-Straße 10
71364 Winnenden
Germany
+49 (0) 7195-12-0
www.milwaukeeetool.eu

Techtronic Industries (UK) Ltd
Fieldhouse Lane
Marlow Bucks SL7 1HZ
UK



**EAC UK
CA**

(01.21)

4100 4258 73