

Milwaukee[®]

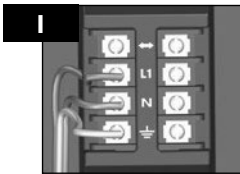
Nothing but **HEAVY DUTY**.[®]



HOBBL 7000

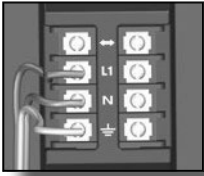
Original instructions





III Technical Data, Safety Instructions, Specified Conditions of Use, EC-Declaration of Conformity, Batteries, Maintenance, Symbols
Please read and save these instructions!

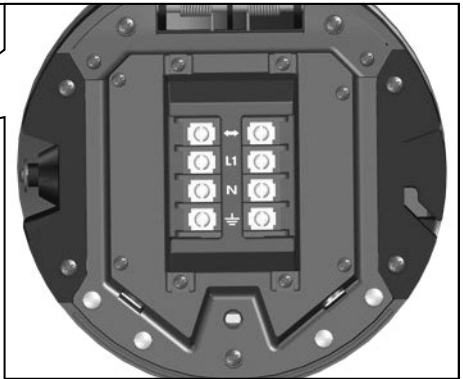


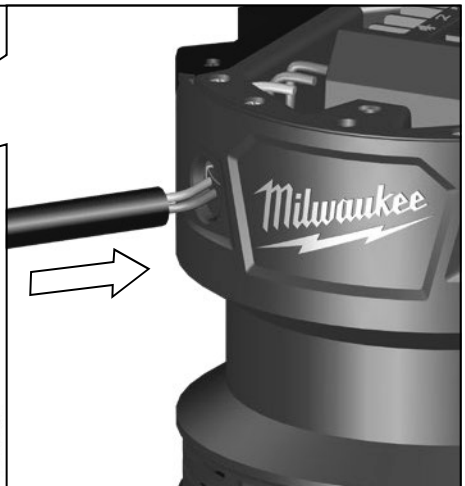
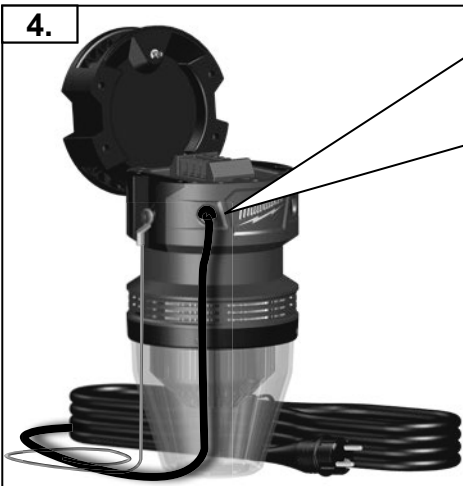
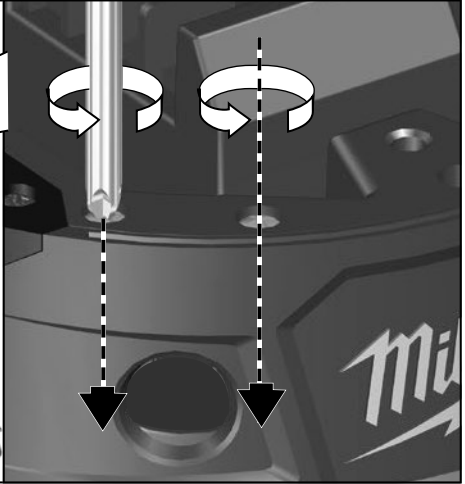
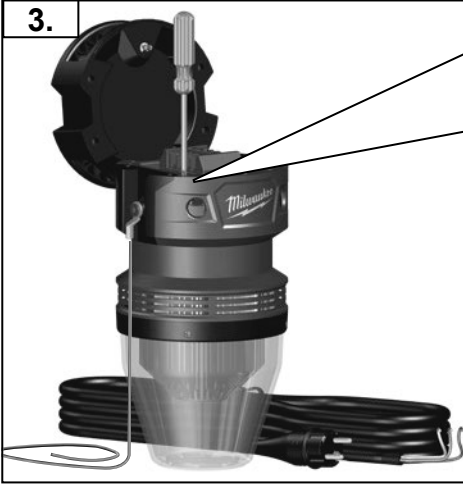
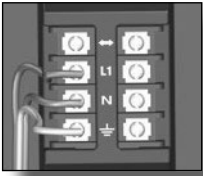


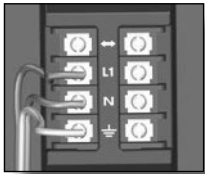
1.



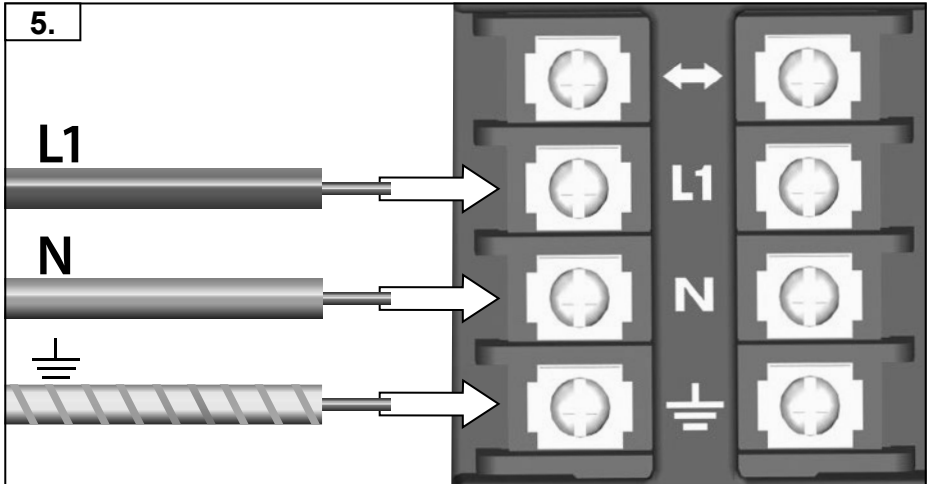
2.



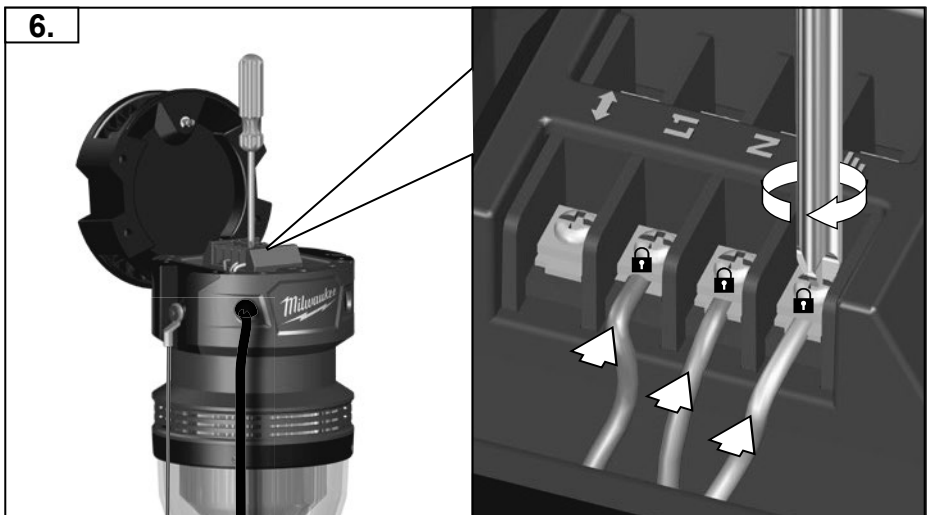


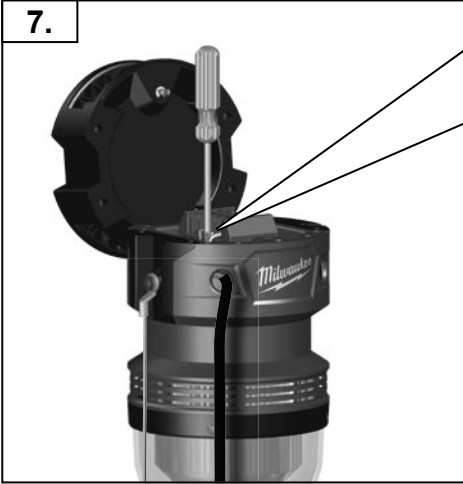
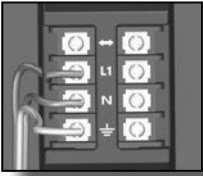


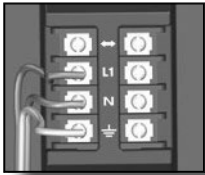
5.



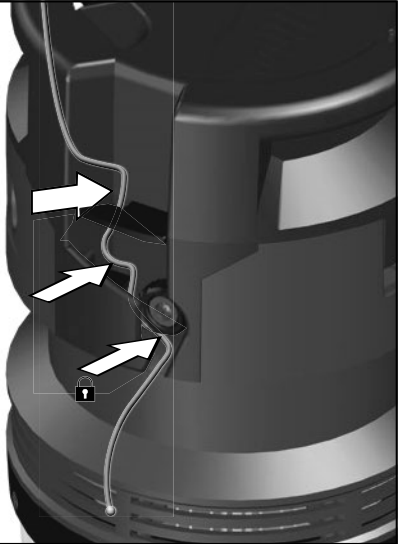
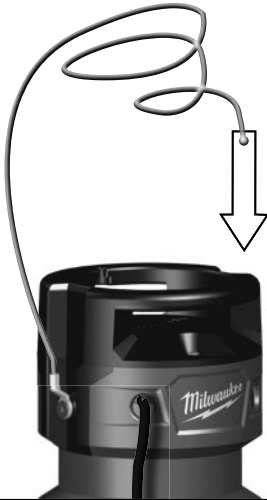
6.





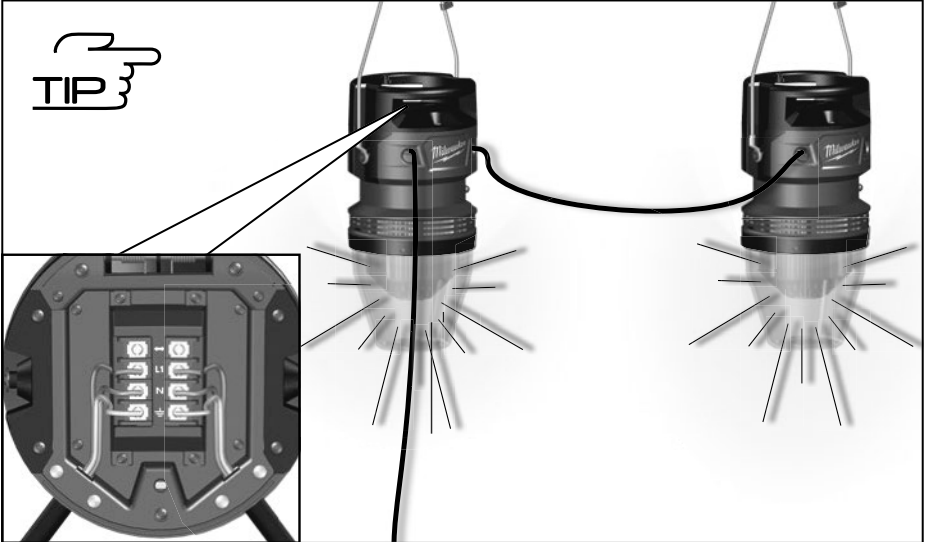
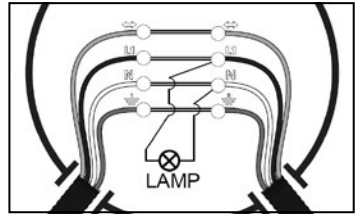
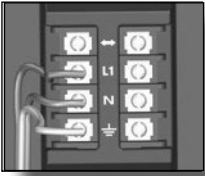


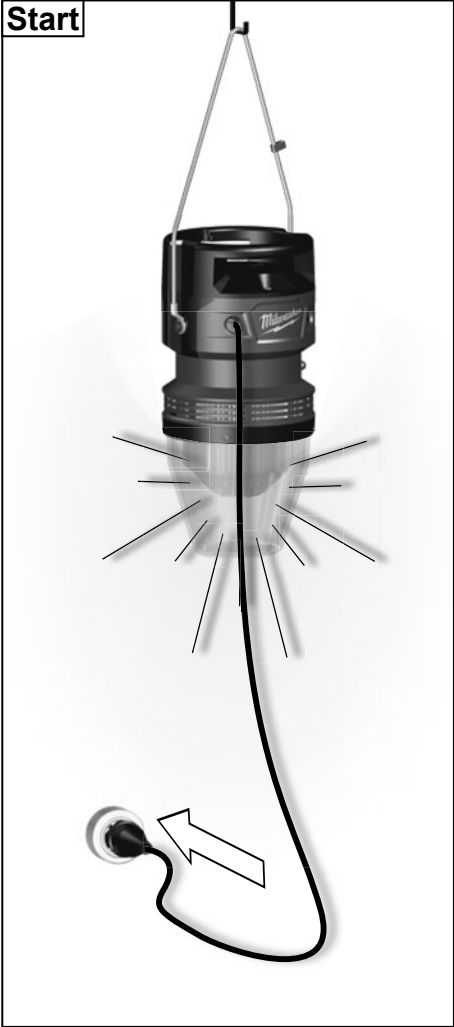
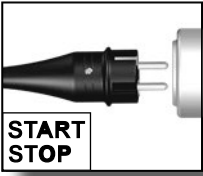
9.



10.







TECHNICAL DATA	HOB1 7000
Lamp	
Volts	110-240 V
Mains frequency	50-60 Hz
Power input	70 W
max. Terminal Block Ampacity	30 A
Weight with power cord	3,8 kg
Weight without cable	3,2kg
Luminous flux	7700 lm
Colour rendering index	70
Colour temperature	4000 K

WARNING! Read all safety warnings and all instructions. Failure to follow the warnings and instructions may result in electric shock, fire and/or serious injury. Save all warnings and instructions for future reference.

SAFETY WARNINGS LAMP

The light has to be installed and maintained by a qualified specialist.

Electric installations may only be completed complying with the national and provincial safety regulations.

For the connection, a VDE-certified connection line (at least H07RN-F 3G1,0) must be used.


LED lights are extremely bright. Please never look directly into the light.

Make sure that the fixing point capacity is more than 3 times of the light weight.

SPECIFIED CONDITIONS OF USE

Luminaire for use in Rooms or parts of buildings for temporary use. Do not use this product in any other way as stated for normal use.

ASSEMBLY AND CONNECTION TO POWER SUPPLY

 Before the installation, always switch off the voltage supply!
Lead the connection line through the intended cable entry.


Connect the cables to the screw terminal according page 4 (N = blue cable, ⊕ = green/yellow cable, L1 = brown cable). (Tightening torque 1,8Nm)

Several lamps can be connected together.

Please observe the following limits.

Fuse	maximum number of lamps
230 V	
10A	25
16A	43
110 V	
10A	10
16A	18

MAINTENANCE

 If the external flexible cable or cord of this luminaire is damaged, it shall be exclusively replaced by the manufacturer or his service agent or similar qualified person in order to avoid a hazard. The light source contained in this luminaire shall only be replaced by the manufacturer or his service agent or a similar qualified person.

Use only Milwaukee accessories and Milwaukee spare parts. Should components need to be replaced which have not been described, please contact one of our Milwaukee service agents (see our list of guarantee/service addresses).

If needed, an exploded view of the tool can be ordered. Please state the Article No. as well as the machine type printed on the label and order the drawing at your local service agents or directly at: Techtronic Industries GmbH, Max-Eyth-Straße 10, 71364 Winnenden, Germany.

SYMBOLS



CAUTION! WARNING! DANGER!



Please read the instructions carefully before starting the machine.



Do not stare at operating lamp.



This tool is only suitable for indoor use. Never expose tool to rain.



Always disconnect the plug from the socket before carrying out any work on the machine.



Caution! Risk of electric shock



Do not dispose of electric tools together with household waste material. Electric tools and electronic equipment that have reached the end of their life must be collected separately and returned to an environmentally compatible recycling facility. Check with your local authority or retailer for recycling advice and collection point.



European Conformity Mark



British Conformity Mark



Ukraine Conformity Mark



EurAsian Conformity Mark



Copyright 2020
Techtronic Industries GmbH
Max-Eyth-Straße 10
71364 Winnenden
Germany
+49 (0) 7195-12-0
www.milwaukeeetool.eu

Techtronic Industries (UK) Ltd
Fieldhouse Lane
Marlow Bucks SL7 1HZ
UK

