



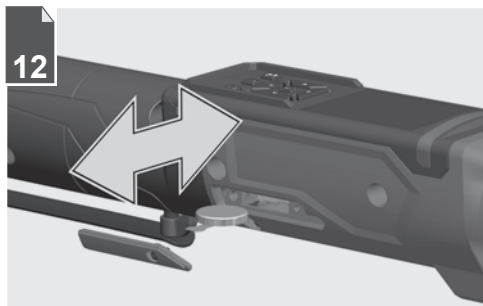
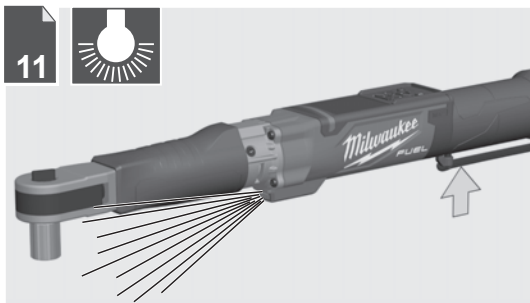
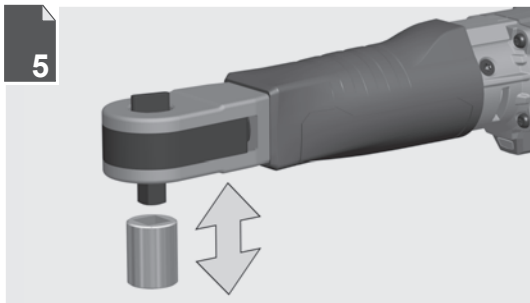
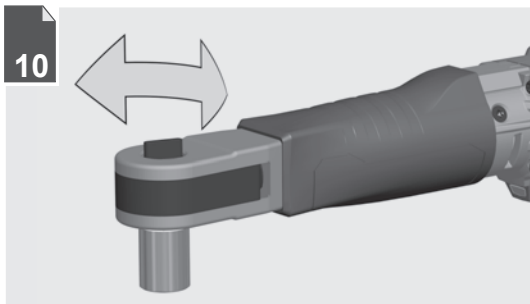
Nothing but **HEAVY DUTY.**[®]



M12 ONEFTR38

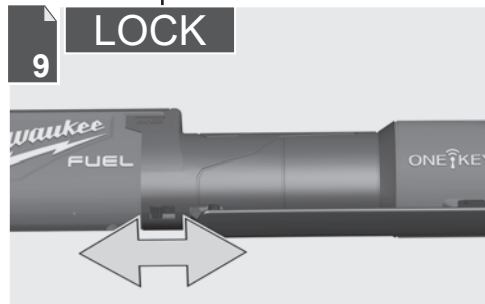
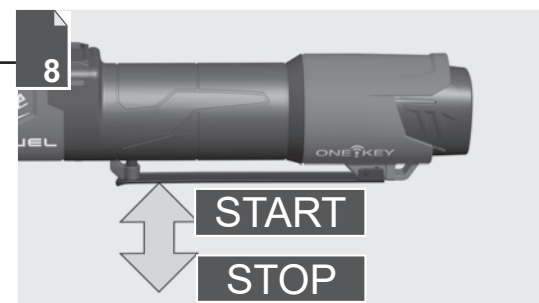
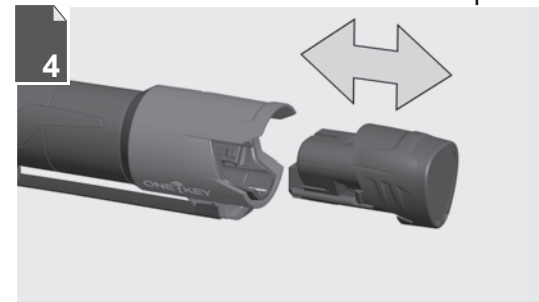
M12 ONEFTR12

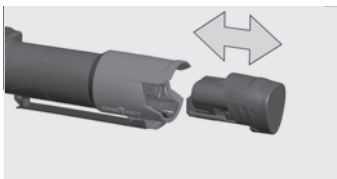
Original instructions



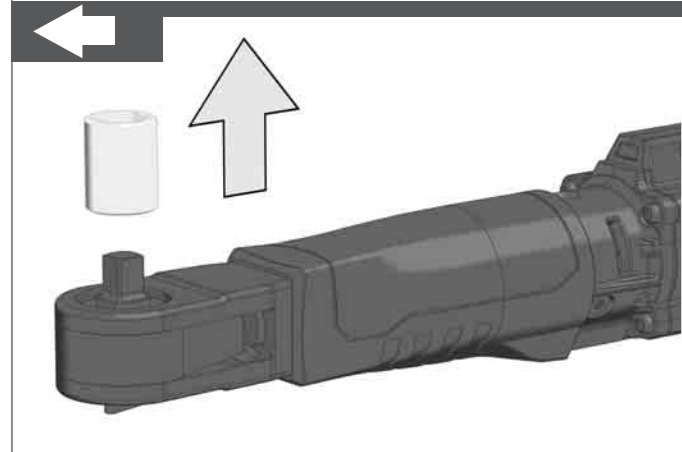
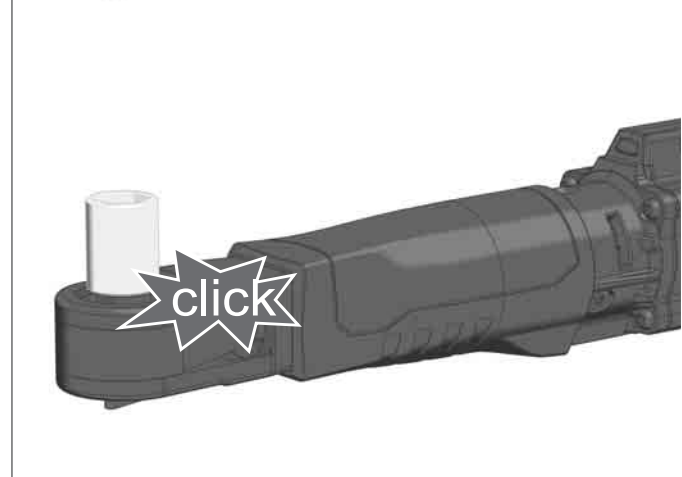
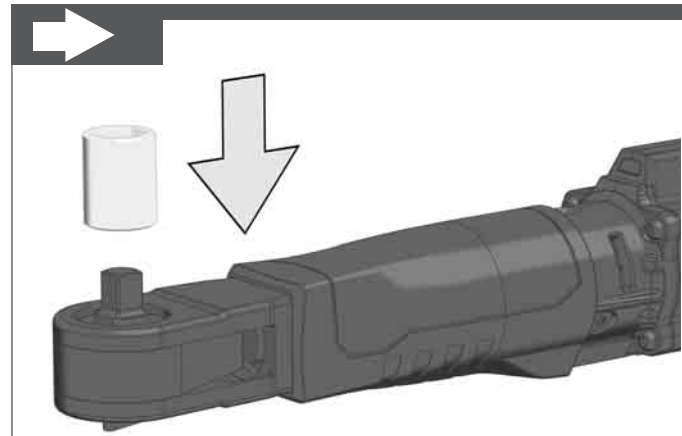
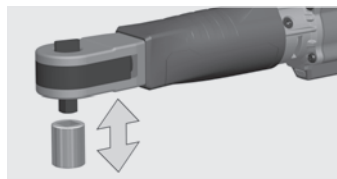
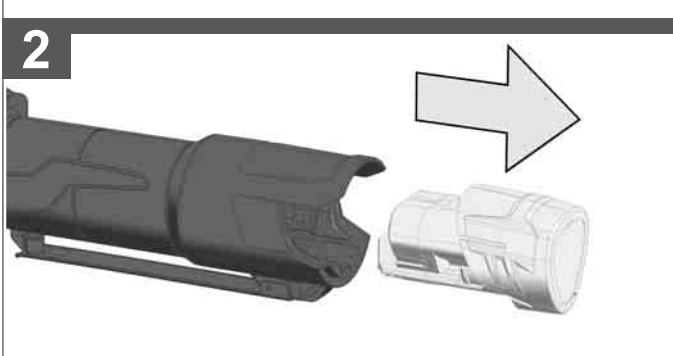
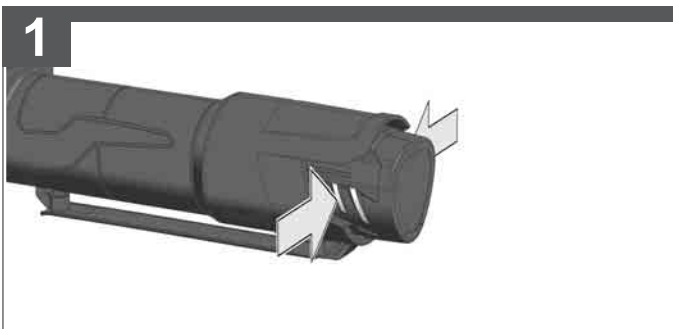
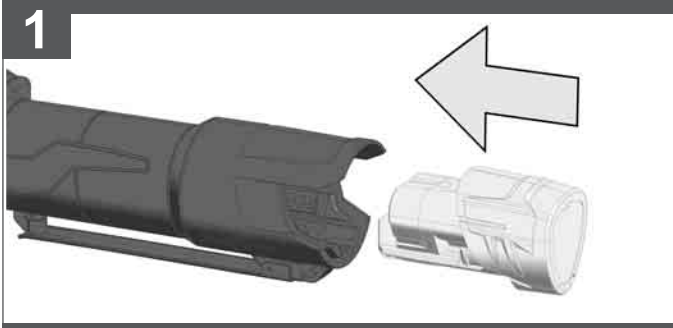
14

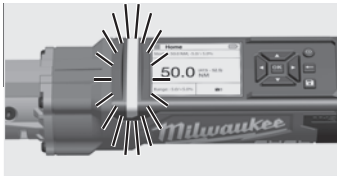
Text section with Technical Data, important Safety and Working Hints and description of Symbols



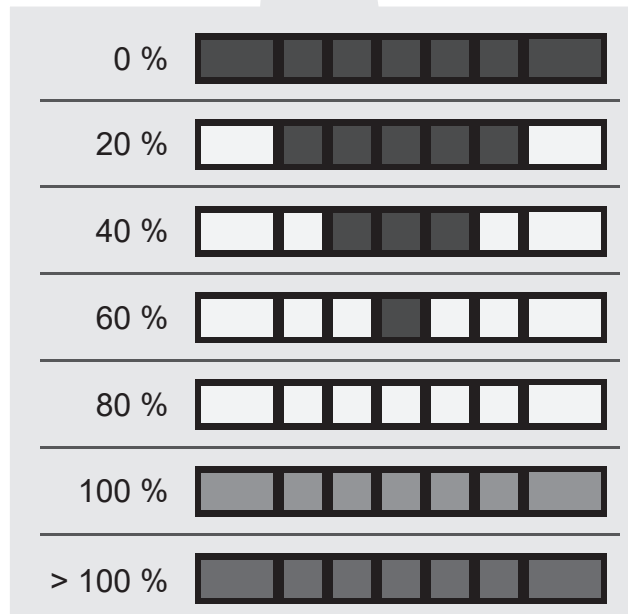
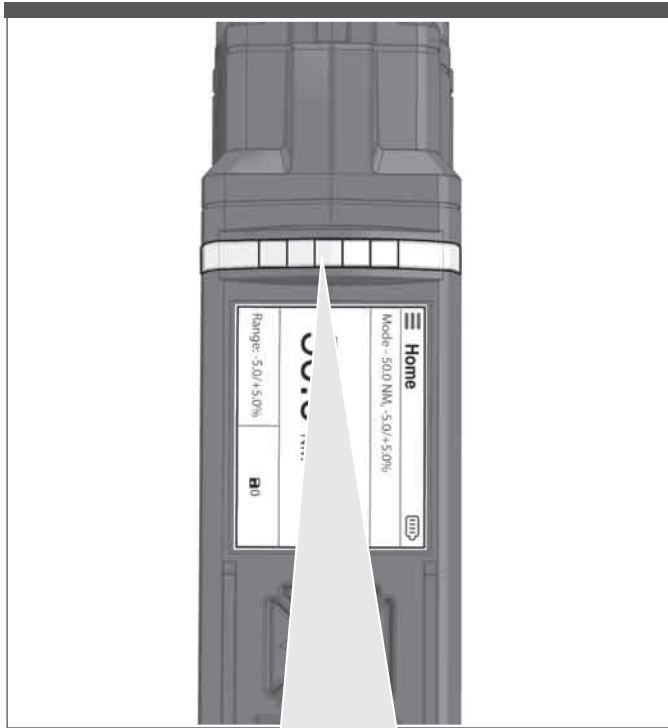


Remove the battery pack before starting any work on the machine.

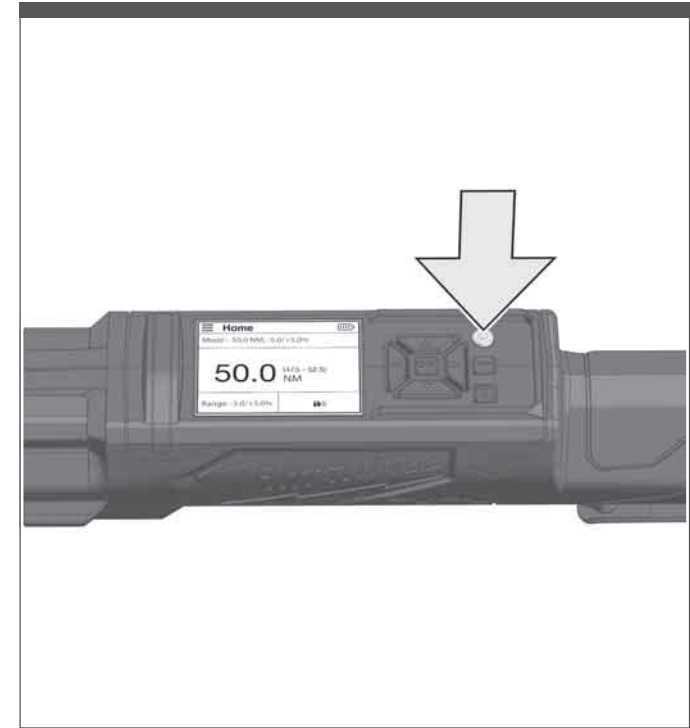


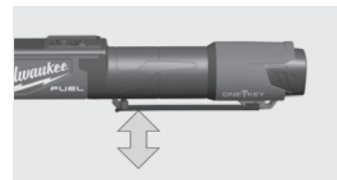
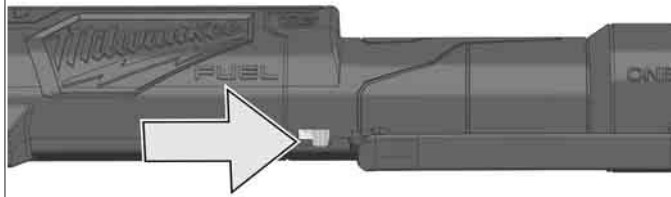
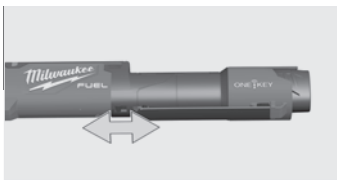


Target torque indicator (detailed description see text section).

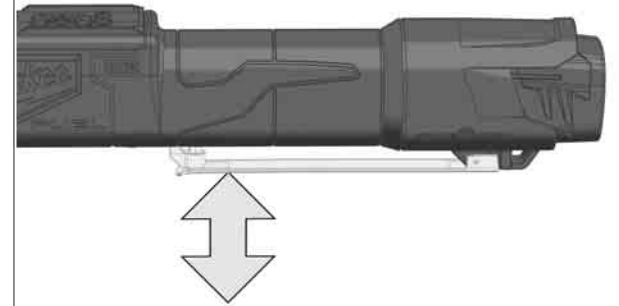
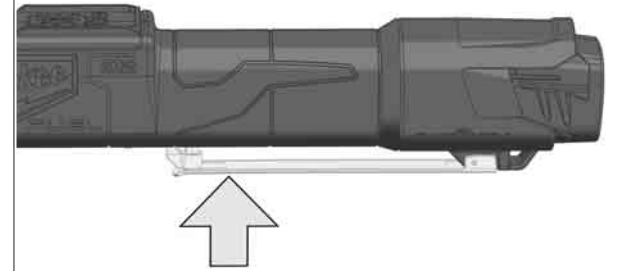


Activate the tool (detailed description see text section).

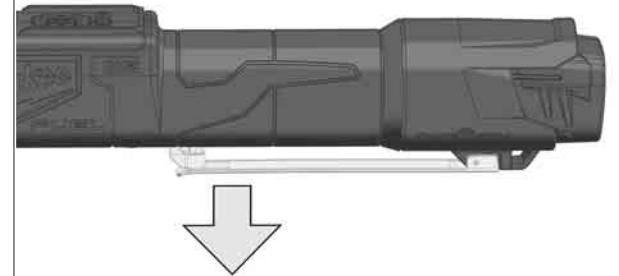


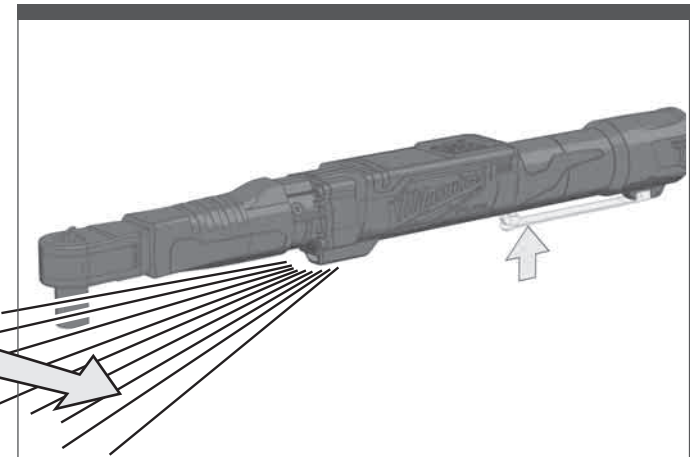
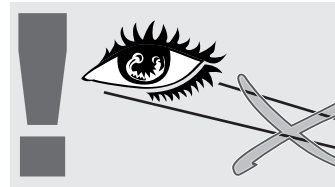
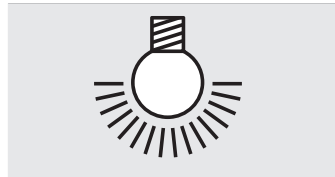
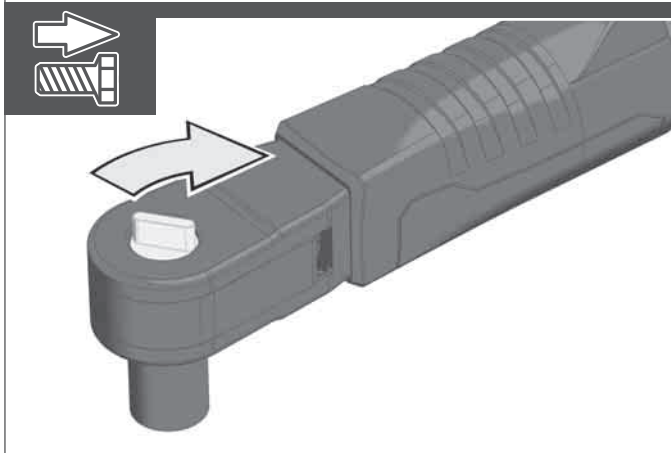
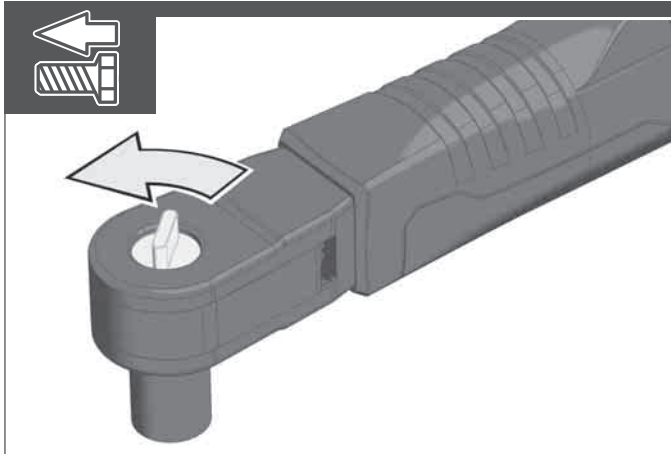
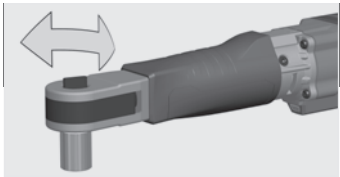


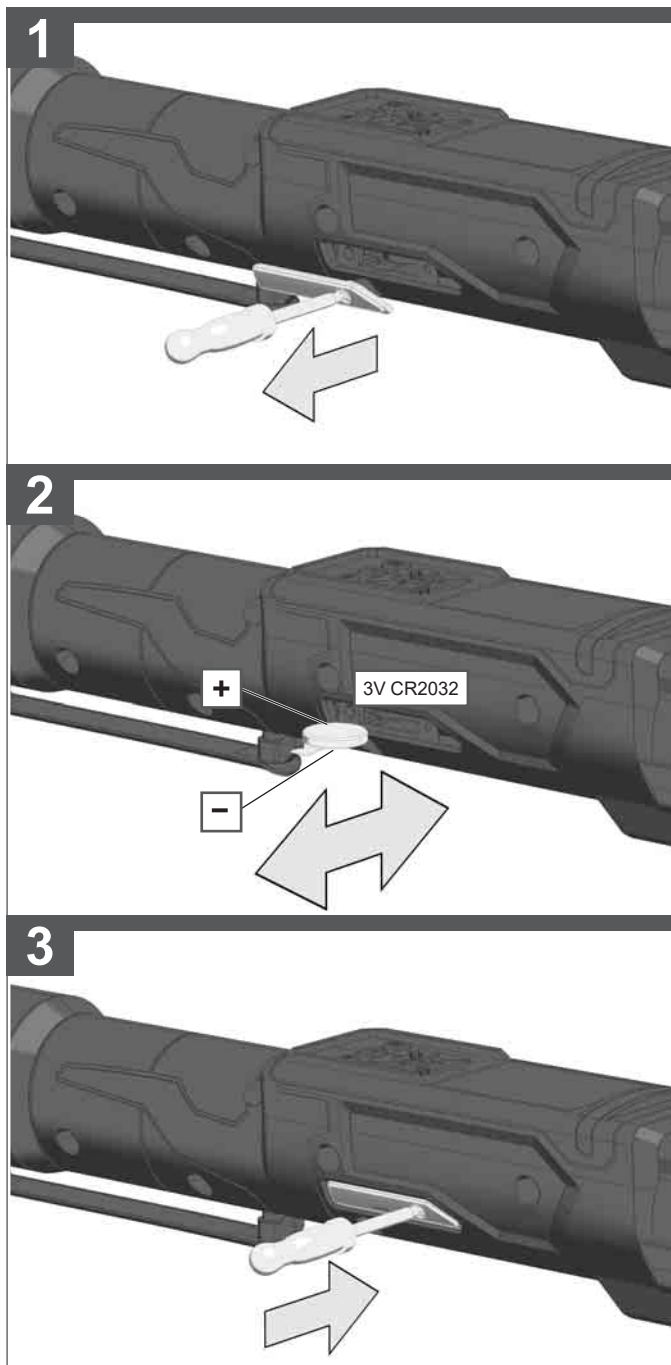
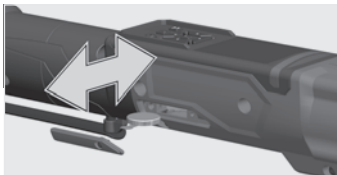
START



STOP







TECHNICAL DATA	DIGITAL TORQUE WRENCH	M12 ONEFTR38	M12 ONEFTR12
Production code.....	4742 38 02.....	4742 48 02.....	4742 48 02.....
Tool reception000001-999999	...000001-999999	...000001-999999
No-load speed3/8" (9,52 mm)1/2" (12 mm)1/2" (12 mm)
Torque max0-100 min ⁻¹0-100 min ⁻¹0-100 min ⁻¹
Battery voltage.....13,6-136 Nm17-203 Nm17-203 Nm
Weight according EPTA-Procedure 01/2014 (2.0 Ah)12 V12 V12 V
Frequency band(s) of Bluetooth2,48 kg2,48 kg2,48 kg
Radio-frequency power2402-2480 MHz2402-2480 MHz2402-2480 MHz
Bluetooth version1,8 dBm1,8 dBm1,8 dBm
Recommended ambient operating temperature4.0 BT signal mode4.0 BT signal mode4.0 BT signal mode
Recommended battery types.....-18°C ... +50°C-18°C ... +50°C-18°C ... +50°C
Recommended charger.....M12B...M12B...M12B...
C12C, M12C4, M12-18...C12C, M12C4, M12-18...C12C, M12C4, M12-18...

Noise/vibration information

Measured values determined according to EN 62841.

Typically, the A-weighted noise levels of the tool are:

Sound pressure level (Uncertainty K=3dB(A)).....	79,99 dB (A)	82,84 dB (A)
Sound power level (Uncertainty K=3dB(A)).....	90,99 dB (A)	93,84 dB (A)

Wear ear protectors!

Total vibration values (vector sum in the three axes) determined according to EN 62841.

Vibration emission value a_h:

Impact tightening of fasteners of the maximum capacity of the tool.....	1,59 m/s ²	3,35 m/s ²
Uncertainty K =	1,50 m/s ²	1,50 m/s ²

WARNING

The vibration and noise emission level given in this information sheet has been measured in accordance with a standardized test given in EN 62841 and may be used to compare one tool with another. It may be used for a preliminary assessment of exposure.

The declared vibration and noise emission level represents the main applications of the tool. However if the tool is used for different applications, with different accessories or poorly maintained, the vibration and noise emission may differ. This may significantly increase the exposure level over the total working period.

An estimation of the level of exposure to vibration and noise should also take into account the times when the tool is switched off or when it is running but not actually doing the job. This may significantly reduce the exposure level over the total working period.

Identify additional safety measures to protect the operator from the effects of vibration and/or noise such as: maintain the tool and the accessories, keep the hands warm, organization of work patterns.

⚠ WARNING Read all safety warnings, instructions, illustrations and specifications provided with this power tool. Failure to follow all instructions listed below may result in electric shock, fire and/or serious injury. **Save all warnings and instructions for future reference.**

TORQUE WRENCH SAFETY WARNINGS

WARNING : To reduce the risk of explosions, electric shock and damage to property and equipment, never tighten and loosen live bolts and nuts. Tool is NOT insulated. Contact with a live components could result in severe injury or death.

Power tool gripping surfaces are not insulated. Not intended for use in an operation where the fastener may contact hidden wiring. Fasteners contacting a "live" wire may make exposed metal parts of the power tool "live" and could give the operator an electric shock.

Use only sockets and other accessories specifically designed for use on wrenches and drivers. Other sockets and accessories might shatter or break causing injury.

Do not push the tool handle when gaining leverage. Adjust your stance and pull on the tool handle to prevent a possible fall while applying torque.

Never use extensions, such as a pipe, on the handle of the tool. This could cause damage to the tool or personal injury due to slippage.

Over-torquing can cause damage. Do not flex the head of the tool for leverage. Excessive force on the tool in anyway will cause permanent damage.

Damaged accessories can cause injury. Inspect accessories to insure a snug fit on fasteners to prevent slippage. Ensure the accessories being used are rated for the torque being applied.

Always ensure the ratchet Forward/Reverse toggle is fully engaged. Misuse of this function will cause damage to the tool.

Apply torque slowly and firmly grasp the handle of the tool. Do not apply pressure to the end of handle. This may result in damage to the tool.

Always verify the calibration of the tool if its capacity has been overloaded or dropped. Refer to the calibration section for more information.

Store tool in a dry place. This tool is not waterproof and can be damaged when submerged in liquids.

Do not drop the tool. This could result in serious damage and may leave the tool inoperable.

Do not use this tool as a hammer. Impacts could damage the tool and will make it inoperable.

Keep this tool away from magnets.

Check that the tool capacity matches or exceeds the use of the application before proceeding. Failure to do so may result in damage to the tool.

ADDITIONAL SAFETY AND WORKING INSTRUCTIONS

Use protective equipment. Always wear safety glasses when working with the machine. The use of protective clothing is recommended, such as dust mask, protective gloves, sturdy non-slip footwear, helmet and ear defenders.

The dust produced when using this tool may be harmful to health. Do not inhale the dust. Wear a suitable dust protection mask.

Do not machine any materials that present a danger to health (e.g. asbestos).

Switch the device off immediately if the insertion tool stalls! Do not switch the device on again while the insertion tool is stalled, as doing so could trigger a sudden recoil with a high reactive force. Determine why the insertion tool stalled and rectify this, paying heed to the safety instructions.

The possible causes may be:

- it is tilted in the workpiece to be machined
- it has pierced through the material to be machined
- the power tool is overloaded

Do not reach into the machine while it is running.

The insertion tool may become hot during use.

- when changing tools
- when setting the device down

Chips and splinters must not be removed while the machine is running.

When working in walls ceiling, or floor, take care to avoid electric cables and gas or waterpipes.

Clamp your workpiece with a clamping device. Unclamped workpieces can cause severe injury and damage.

Remove the battery pack before starting any work on the machine.

Do not dispose of used battery packs in the household refuse or by burning them. Milwaukee Distributors offer to retrieve old batteries to protect our environment.

Do not store the battery pack together with metal objects (short circuit risk).

Use only System M12 chargers for charging System M12 battery packs. Do not use battery packs from other systems.

Never break open battery packs and chargers and store only in dry rooms. Keep dry at all times.

Battery acid may leak from damaged batteries under extreme load or extreme temperatures. In case of contact with battery acid wash it off immediately with soap and water. In case of eye contact rinse thoroughly for at least 10 minutes and immediately seek medical attention.

Warning! To reduce the risk of fire, personal injury, and product damage due to a short circuit, never immerse your tool, battery pack or charger in fluid or allow a fluid to flow inside them. Corrosive or conductive fluids, such as seawater, certain industrial chemicals, and bleach or bleach containing products, etc., can cause a short circuit.



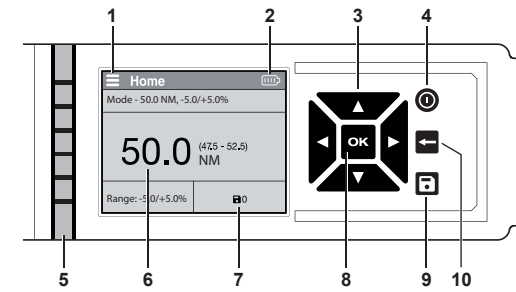
⚠ WARNING This device contains a lithium button/coin cell battery. A new or used battery can cause severe internal burns and lead to death in as little as 2 hours if swallowed or enters the body. Always secure the battery cover. If it does not close securely, stop using the device, remove the batteries, and keep it away from children. If you think batteries may have been swallowed or entered the body, seek immediate medical attention.

SPECIFIED CONDITIONS OF USE

The digital torque wrench can be used to tighten and loosen non-live nuts and bolts.

Do not use this product in any other way as stated for normal use.

DISPLAY AND BUTTONS



- 1 Menu
- 2 Battery indicator
- 3 Arrow buttons
- 4 Power button
- 5 Target torque indicator
- 6 Selected torque
- 7 Number of stored reports
- 8 OK button
- 9 Saved reports button
- 10 Exit button

Target torque indicator

The target torque indicator will display the progress to achieving the target torque in percent.

	2 LED white: 20% reached
	4 LED white: 40% reached
	6 LED white: 60% reached
	All LED white: 80% reached
	All LED green: 100% reached
	All LED red: exceeded target torque.

MENU GUIDE

	Open menu
	Navigate throughout the menu guide Modify settings
	Set a function within each category
	Exit each page
	Save reports

Description	Function
Calibration	This tool was calibrated at the factory with torque measurement instruments. Contact a MILWAUKEE service facility for calibration. Torque parameters comply with ISO 6789-2003 or ASME B107-28-2010.
Modes	Add preset functions to a profile: setup units, target torque, and a percentage range.
Saved Events	Allow for grouping events and to view recent history. (see "saved events/ grouping" section.)
Grouping	Organize events by saving to an open group. (see "saved events/ grouping" section.)

View recent history	Recall recent history from a previous time frame.
Settings	View sub categories within the settings function.
Units	Select units; ft-lbs, in-lbs, Nm and kg-cm
Sound & Haptics	Change ON/OFF options to light, sound and haptics.
Screen Brightness	Select between low, medium and high screen brightness modes.
Screen Display	Select light or dark backlight display.
Language	Change the language setting
Rundown Torque	Add a percentage to the total selected torque. Tool will stop at or near the percentage allowing user to hand tighten for full torque. (See "adjusting rundown torque")
About	General information for a certification count and firmware.
Certification Count	Display the last certified date and a count until the next certification is required. (See "certification" section for more information.)
Firmware	Displays firmware version and tool part number.

Modes

Use the modes function to set up a profile quickly within a couple of steps. Within the modes option: set up units, target torque and percentage range. Once the mode is selected: apply, edit or delete a mode.

Saved Events / Grouping

Save events to use at a later date. Storing in a group will make it easier to recall preset specifications. The tool will not automatically save events. From the main screen, use the left and right arrows ◀▶ and select the save button [S]. To open a group and include saved events within the group. Press and hold the save button [S] for 3 seconds.

ONE-KEY™

Also, when the product experiences ESD, the Bluetooth communication will be disconnected. It needs to be reset manually to recover.

We considered the results to be within our minimum acceptable performance level according to EN 55014-2:2015 / EN 301489-1 V2.1.1 / EN 301489-17 V3.1.1.

TURNING ON/OFF

Hold tool motionless when turning the tool ON. Movement during the initial two second sensor check may affect torque value.

Press the power button [P] to turn the LCD ON.

Press and hold the power button [P] to turn the LCD OFF. The tool will go into standby mode within 2 minutes of nonuse and sleep mode after 10 minutes.

NOTE: In standby mode, pressing the paddle switch or power button will turn the tool back on. In sleep mode, pressing the power button will turn the tool back on.

APPLICATIONS

Making a simple measurement

1. Select the units of measure.
2. Set the target torque.
3. Apply torque. Hold the center of the trigger handle and pull the trigger. While the trigger is pulled "-" "-" is

displayed. The tool will automatically stop before target torque is reached to prevent over torquing.

NOTICE! Do not hold the tool by the boot while applying torque. It will affect the accuracy of the tool and could give inaccurate readings.

4. Finish by hand to reach target torque. Current torque value is displayed.
5. Press [M] to save an event, to stay consistent with the tool.
6. Release torque. The torque reading on the LCD will display for > than 5 seconds or the next trigger pull.

Adjusting torque range

zzTorque range indicates the acceptable range of values for a successful install. Adjust the torque range to meet the recommended torque specifications.

Adjusting rundown torque

Rundown torque is the approximate torque value the motor will stop driving the tool. The tool will tighten the fastener to the selected preset percentage and then stop. Finish by hand to reach target torque.

NOTE: Rundown torque changes the tools output power. Adjust the rundown torque to help prevent over Adjusting torquing target of the torque fastener.

Adjusting target torque

Target torque is the required torque value for the fastener being installed. Adjust the target torque to meet the desired torque specifications.

DISPLAY ALERTS

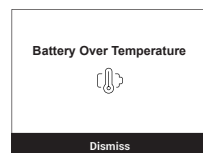
Memory for Saved

Events The tool has a limited amount of memory dedicated to saved events. When keeping a prolonged list of events outside of the tools memory, refer to the ONE-KEY™ app for better backup. To clear your saved events, connect to the ONE-KEY™ app and clear the memory on the tool using the app. This ensures that the events are backed up online within the ONE-KEY™ cloud.

NOTE: The display will prompt that the memory is close to being full or reached capacity.

Over Temperature

If the tool overheats, a warning is displayed. Turn OFF the tool and allow it to cool before continuing.



TROUBLESHOOTING

Problem	Cause	Solution
Wrench does not turn on when power button is pressed.	No battery installed/ battery is not charged	Insert / Replace battery
	Firmware Issue	Turn tool OFF and remove battery Return to a service center to be calibrated.
Torque reading is out of specification.	Calibration required	Return to a service center to be calibrated.
Wrench settings were not saved once battery was removed.	Battery was removed before the setting was saved.	Re-enter settings, press and hold Power button to power down the tool before removing the battery.
Torque zero error	Torque applied while zeroing.	Remove the torque and re-zero the tool.
	Wrench is over torqued.	Return to a service center to be calibrated.
	Wrench was not calibrated correctly.	Return to a service center to be calibrated.
	Failure to the torque sensor.	Return to a service center.
Overtorque	125% of the max torque rating has been applied to the tool.	Return to a service center to be calibrated.
Torque overload	150% of max torque rating has been applied to the tool.	Return to a service center to be calibrated.
Display memory error.	Memory failure	Clear the data in memory.
Display torque uncalibrated.	Torque is uncalibrated.	Return to a service center to be calibrated.
Display warning	Tool needs attention.	Follow steps through warning to proceed.
Display battery over temperature	Wrench has exceeded peak temperature while running.	Turn the tool off and remove the battery.
Display certification needed soon.	Tool will exceed the expiration date for certification soon.	Return to a service center to be calibrated.

Display out of certification.	Tool exceeded the expiration date that is required for certification, tool is overloaded, or 5000 tightening cycles have surpassed.	Return to a service center to be calibrated.
-------------------------------	---	--

BATTERIES

Battery packs which have not been used for some time should be recharged before use.

Temperatures in excess of 50°C (122°F) reduce the performance of the battery pack. Avoid extended exposure to heat or sunshine (risk of overheating).

The contacts of chargers and battery packs must be kept clean.

For an optimum life-time, the battery packs have to be fully charged, after used.

To obtain the longest possible battery life remove the battery pack from the charger once it is fully charged.

For battery pack storage longer than 30 days: Store the battery pack where the temperature is below 27°C and away from moisture Store the battery packs in a 30% - 50% charged condition Every six months of storage, charge the pack as normal.

BATTERY PACK PROTECTION

In extremely high torque, binding, stalling and short circuit situations that cause high current draw, the tool will vibrate for about 5 seconds, the fuel gauge will flash, and then the tool will turn OFF. To reset, release the trigger.

Under extreme circumstances, the internal temperature of the battery pack could raise too much. If this happens, the fuel gauge will flash until the battery pack cooled down. After the lights go off, the work may continue.

TRANSPORTING LITHIUM BATTERIES

Lithium-ion batteries are subject to the Dangerous Goods Legislation requirements.

Transportation of those batteries has to be done in accordance with local, national and international provisions and regulations.

- The user can transport the batteries by road without further requirements.
- Commercial transport of Lithium-Ion batteries by third parties is subject to Dangerous Goods regulations. Transport preparation and transport are exclusively to be carried out by appropriately trained persons and the process has to be accompanied by corresponding experts.

When transporting batteries:

- Ensure that battery contact terminals are protected and insulated to prevent short circuit.
- Ensure that battery pack is secured against movement within packaging.
- Do not transport batteries that are cracked or leak.

Check with forwarding company for further advice

CALIBRATION

This tool was calibrated at the factory with torque measurement instruments. Contact a MILWAUKEE service facility for recalibration. Torque parameters comply with EN ISO 6789-1:2017

This tool will require recalibration after a period of 12 months or 5.000 cycles, whichever occurs first or when the tool was overloaded. Contact your local Milwaukee Tool service center for recalibration.

MAINTENANCE

Refer to the ONE-KEY App for information regarding necessary servicing.

Use only Milwaukee accessories and spare parts. Should components need to be replaced which have not been described, please contact one of our Milwaukee service agents (see our list of guarantee/service addresses).

If needed, an exploded view of the tool can be ordered. Please state the machine type printed as well as the six-digit No. on the label and order the drawing at your local service agents or directly at: Techtronic Industries GmbH, Max-Eyth-Straße 10, 71364 Winnenden, Germany.

EC-DECLARATION OF CONFORMITY

We declare as the manufacturer under our sole responsibility that the product described under "Technical Data" fulfills all the relevant regulations and the directives 2011/65/EU (RoHS), 2014/30/EU, 2006/42/EC, and the following harmonized standards have been used:

EN 62841-1:2015
EN 55014-1:2017
EN 55014-2:2015
EN 62479:2010
EN 301 489-1 V2.2.3
EN 301 489-17 V3.1.1
EN 300 328 V2.2.2
EN ISO 6789-1:2017
EN IEC 63000:2018

Winnenden, 2020-11-04



Alexander Krug
Managing Director



Authorized to compile the technical file.

Techtronic Industries GmbH
Max-Eyth-Straße 10
71364 Winnenden
Germany

A calibration certificate is accompanied with the product and includes the specific serial number and all relevant information according to EN ISO 6789-1:2017.

SYMBOLS



CAUTION! WARNING! DANGER!



Remove the battery pack before starting any work on the machine.



Please read the instructions carefully before starting the machine.



Do not swallow the coin cell battery!



Do not dispose electric tools, batteries/rechargeable batteries together with household waste material.
Electric tools and batteries that have reached the end of their life must be collected separately and returned to an environmentally compatible recycling facility.
Check with your local authority or retailer for recycling advice and collection point.

n

Rated speed

V

Volts



Direct current



European Conformity Mark



Ukraine Conformity Mark



EurAsian Conformity Mark

Copyright 2020

Techtronic Industries GmbH
Max-Eyth-Str. 10
71364 Winnenden
Germany

+49 (0) 7195-12-0

www.milwaukeeetool.eu

Techtronic Industries (UK) Ltd
Fieldhouse Lane
Marlow Bucks SL7 1HZ
UK



(11.20)

4100 4702 21