

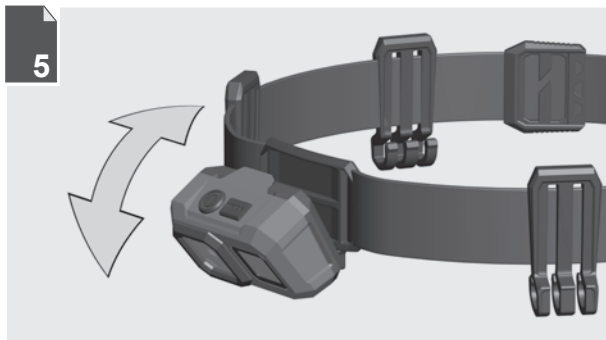
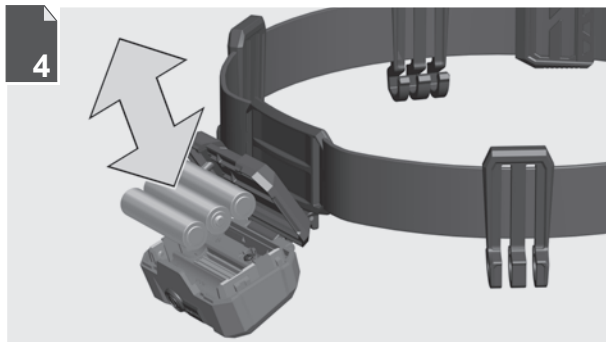
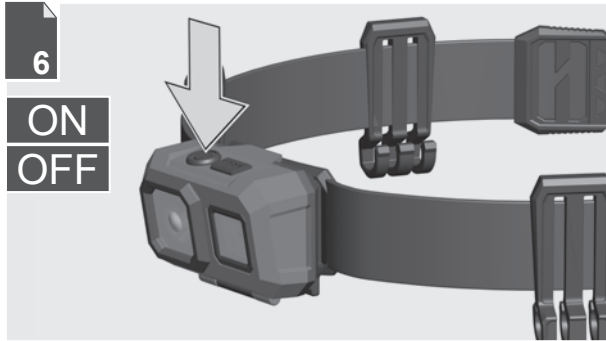
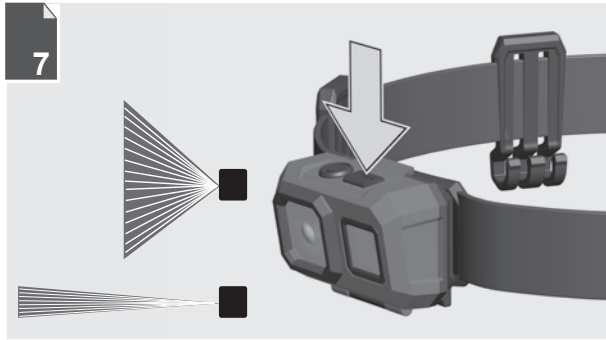
Milwaukee[®]

Nothing but **HEAVY DUTY**[®].



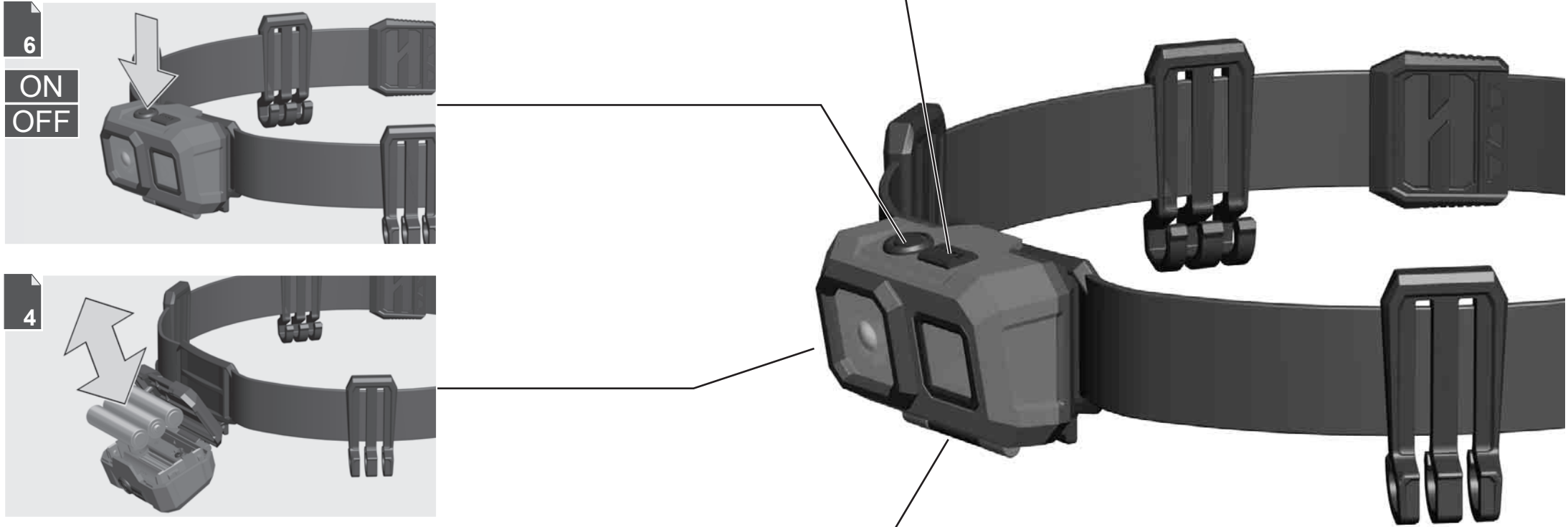
HL-SF

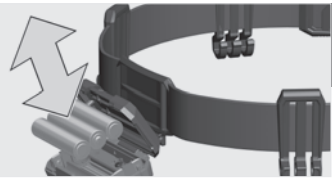
Original instructions



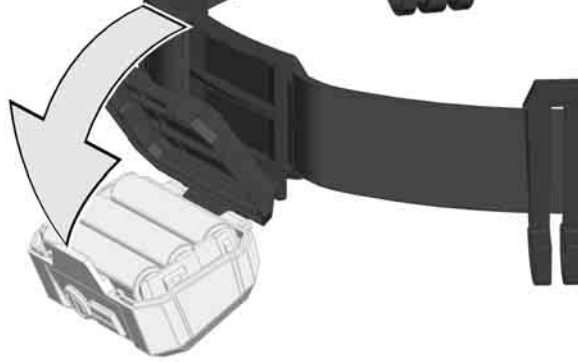
12

Text section with Technical Data, important Safety and Working Hints and description of Symbols

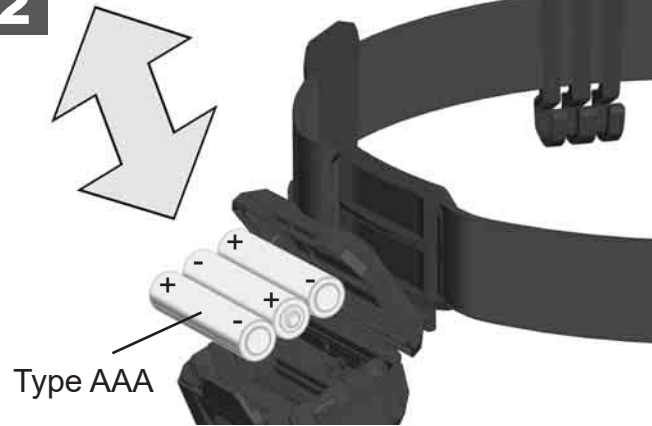




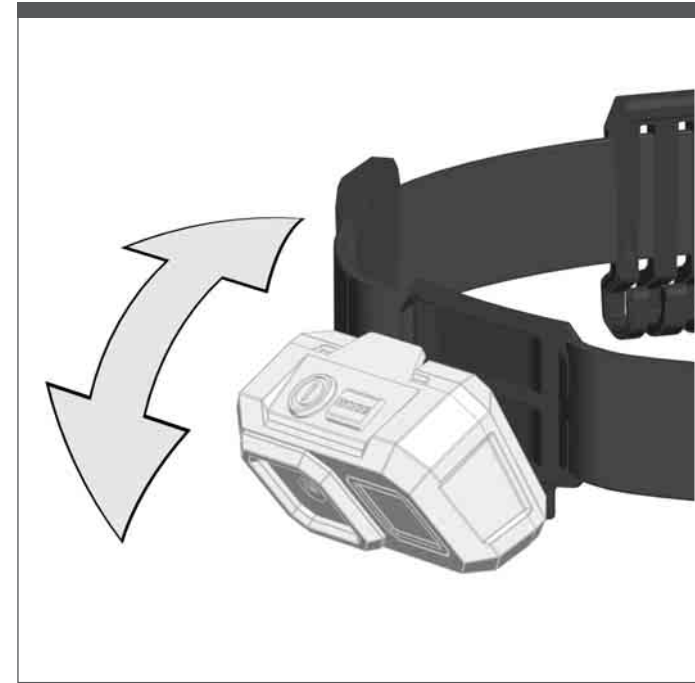
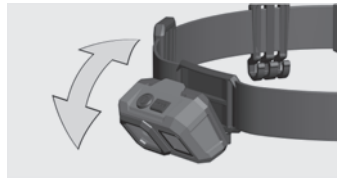
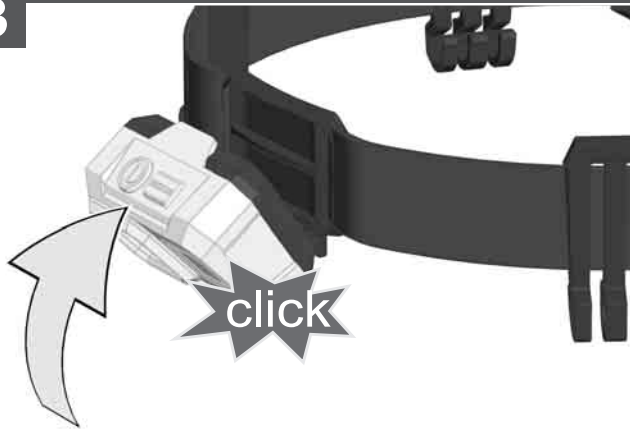
1

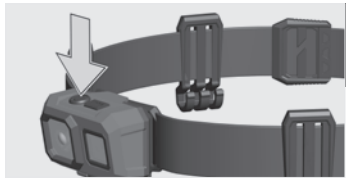


2

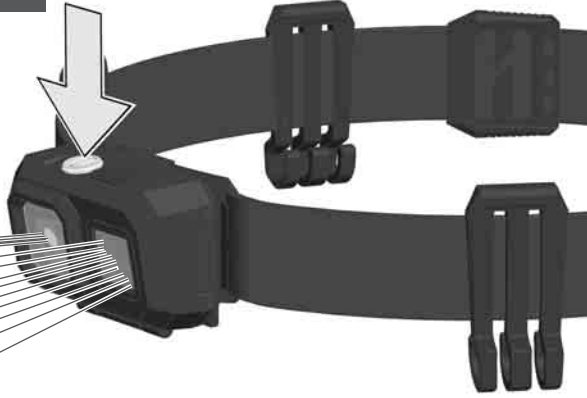


3

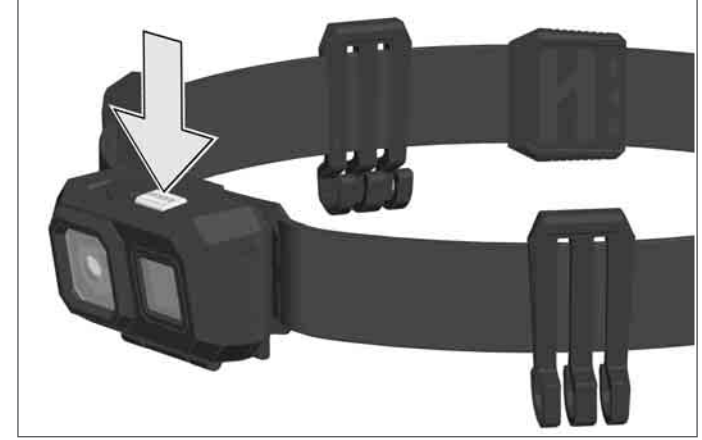
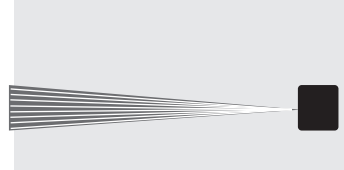
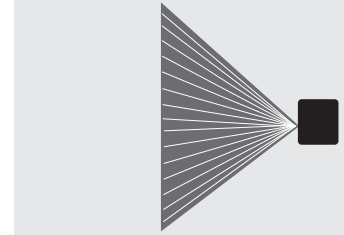
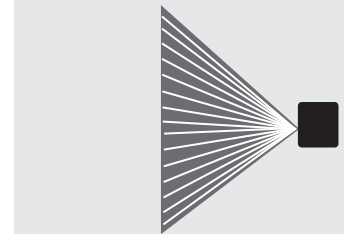
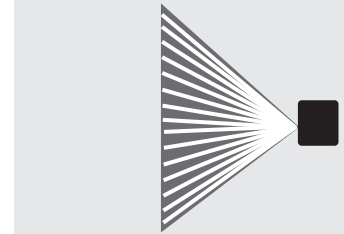
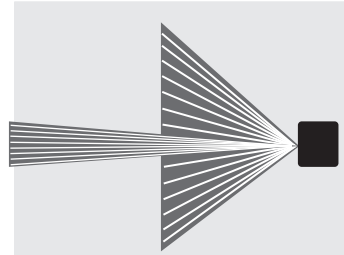
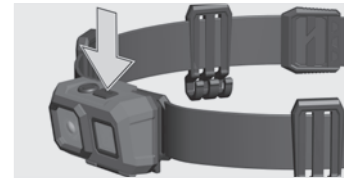
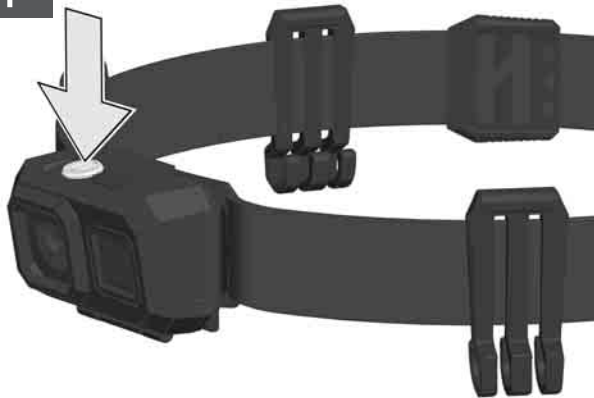




ON



OFF



MODE memory: the selected operating mode is available again when switching on again.

TECHNICAL DATA	BATTERY LAMP	HL-SF
Rated Power input.....		5,5 W
Lighting time		
Spot Mode High.....		4 h
Flood Mode High.....		4 h
Flood Mode Med.....		10 h
Flood Mode Low.....		26 h
Hybrid Mode.....		2 h
Luminous flux		
Spot Mode High.....		350 lm
Flood Mode High.....		350 lm
Flood Mode Med.....		150 lm
Flood Mode Low.....		25 lm
Hybrid Mode.....		450 lm
Colour rendering index (CRI).....		80
Colour temperature.....		4000 K
Battery voltage.....		4,5 V (3x1,5V)
Battery type.....		LR03 / AAA
Weight according EPTA-Procedure 01/2014.....		0,1 kg
Protection class.....		IP 52

⚠ WARNING Read all safety warnings, instructions, illustrations and specifications provided with this power tool. Failure to follow all instructions listed below may result in electric shock, fire and/or serious injury. Save all warnings and instructions for future reference.

⚠ SAFETY INSTRUCTIONS BATTERY LAMP

Warning: Do not direct the light beam at persons or animals and do not stare into the light beam yourself (not even from a distance). Staring into the light beam may result in serious injury or vision loss.

Don't use this tool in wet areas.

The light source of this luminaire is not replaceable; when the light source reaches its end of life the whole luminaire shall be replaced.

⚠ SAFETY INSTRUCTIONS BATTERY

This tool is designed to be powered by 3 LR03 / AAA batteries properly inserted into the instrument. Do not attempt to use with any other voltage or power supply.

Do not leave batteries within the reach of children.

Do not mix new and used batteries. Do not mix brands (or types within brands) of batteries.

Do not mix rechargeable and non-rechargeable batteries.

Install batteries according to polarity (+ / -) diagrams.

Properly dispose of used batteries immediately.

Battery acid may leak from damaged batteries under extreme load or extreme temperatures. In case of contact with battery acid wash it off immediately with soap and water. In case of eye contact rinse thoroughly for at least 10 minutes and immediately seek medical attention.

Warning! To reduce the risk of fire, personal injury, and product damage due to a short circuit, never immerse your tool, battery pack or charger in fluid or allow a fluid to flow inside them. Corrosive or conductive fluids, such as seawater, certain industrial chemicals, and bleach or bleach containing products, etc., can cause a short circuit.

SPECIFIED CONDITIONS OF USE

The headlight is intended to be used light independent use away from mains supply. The headlight is especially designed for head mounting.

Do not use this product in any other way as stated for normal use.











MAINTENANCE

The light source of this luminaire is not replaceable; when the light source reaches its end of life the whole luminaire shall be replaced.

Use only Milwaukee accessories and spare parts. Should components need to be replaced which have not been described, please contact one of our Milwaukee service agents (see our list of guarantee/service addresses).

If needed, an exploded view of the tool can be ordered. Please state the machine type printed as well as the six-digit No. on the label and order the drawing at your local service agents or directly at: Techtronic Industries GmbH, Max-Eyth-Straße 10, 71364 Winnenden, Germany.

SYMBOLS

	CAUTION! WARNING! DANGER!
	Please read the instructions carefully before starting the machine.
	Do not stare at the operating light source.
	Class III electrical protection.
	This tool is only suitable for indoor use. Never expose tool to rain.
	Do not dispose electric tools, batteries/ rechargeable batteries together with household waste material. Electric tools and batteries that have reached the end of their life must be collected separately and returned to an environmentally compatible recycling facility. Check with your local authority or retailer for recycling advice and collection point.
	European Conformity Mark
	British Conformity Mark
	Ukraine Conformity Mark
	EurAsian Conformity Mark

Copyright 2020
Techtronic Industries GmbH
Max-Eyth-Str. 10
71364 Winnenden
Germany
+49 (0) 7195-12-0
www.milwaukeeetool.eu

Techtronic Industries (UK) Ltd
Fieldhouse Lane
Marlow Bucks SL7 1HZ
UK

The logo consists of a circular emblem on the left containing a stylized arrow pointing downwards, with the number '001' below it. To the right of the emblem, the letters 'EAC' are stacked above 'UK', which is stacked above 'CA'.
001 EAC UK CA
(10.20)
4100 4702 83