

**Milwaukee**<sup>®</sup>

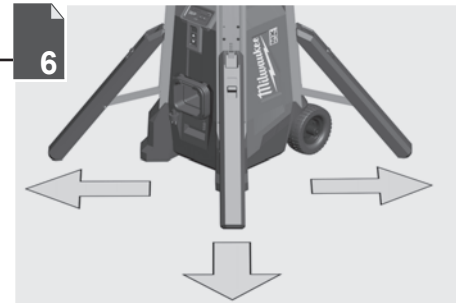
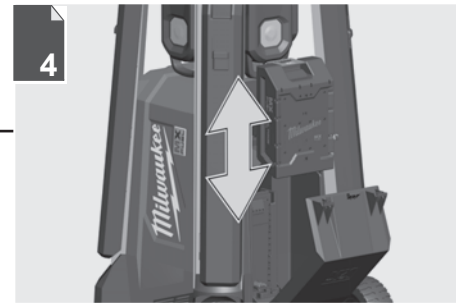
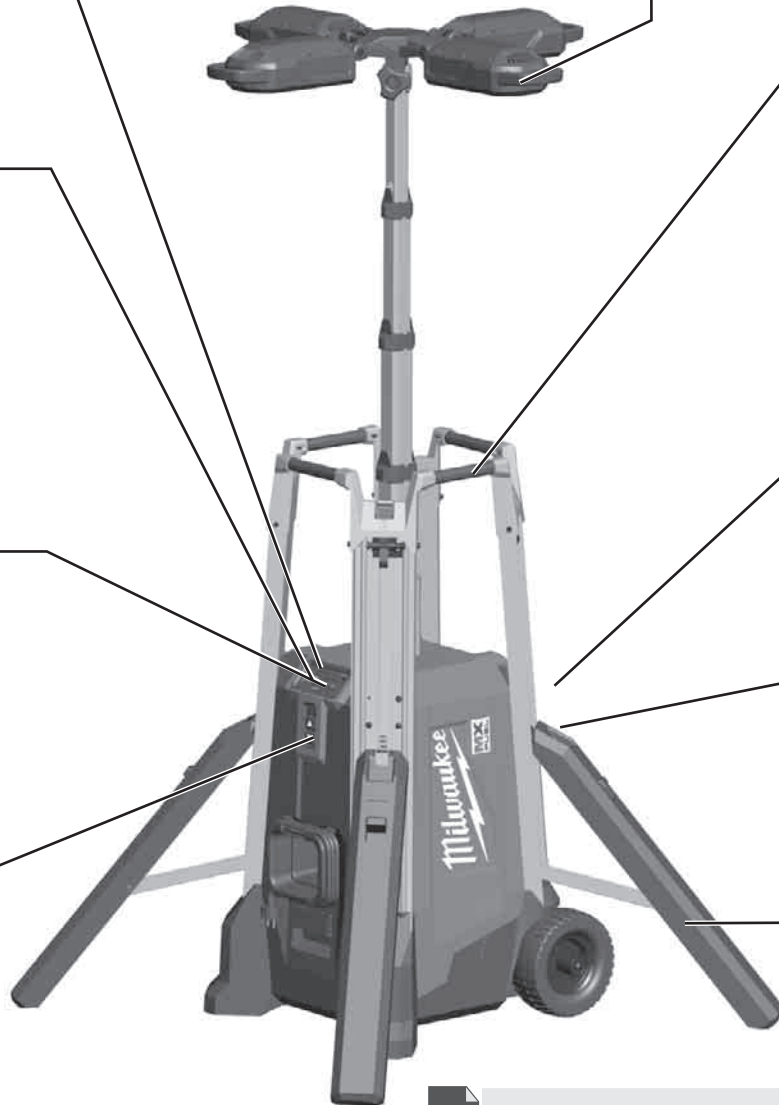
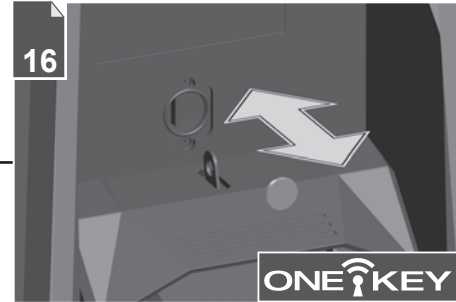
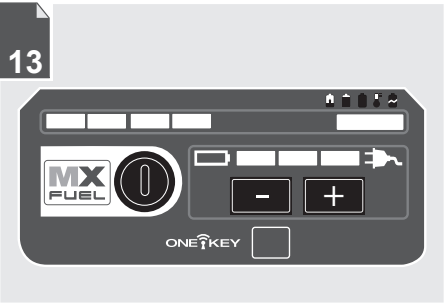
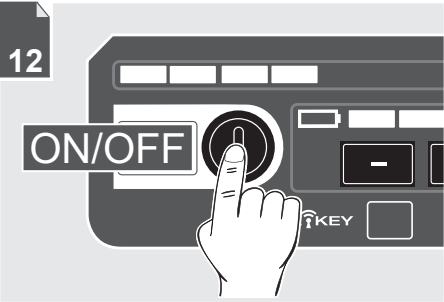
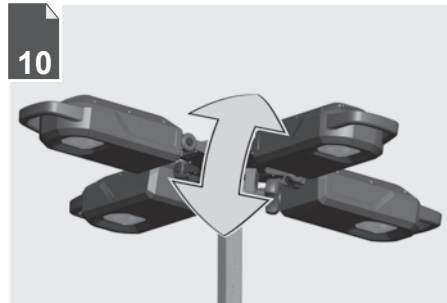
Nothing but **HEAVY DUTY**.<sup>®</sup>



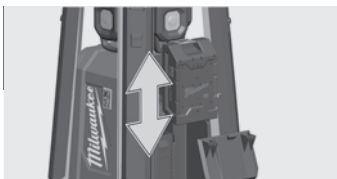
## **MXF TL**

---

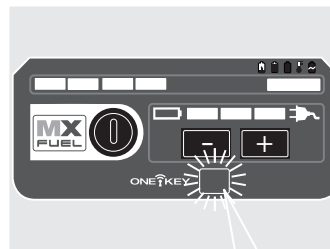
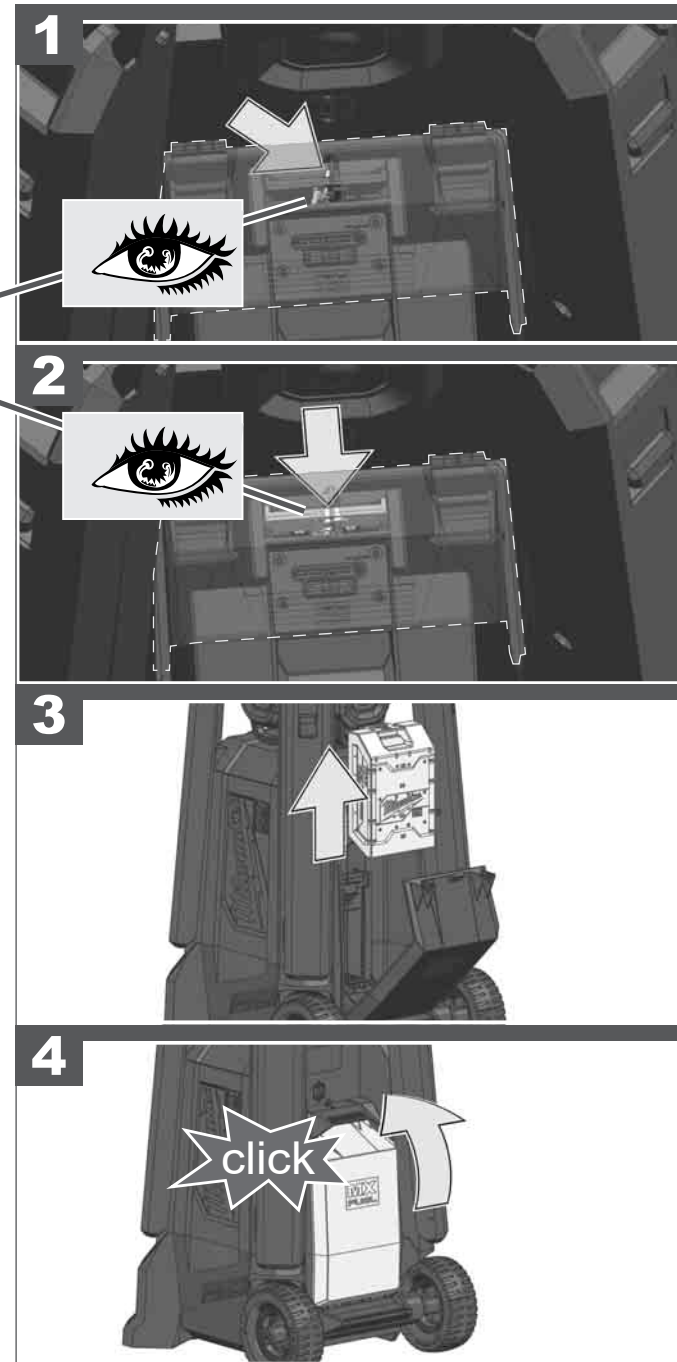
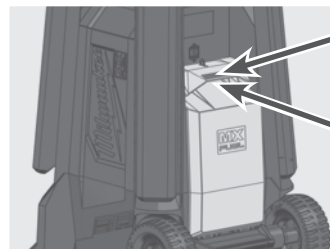
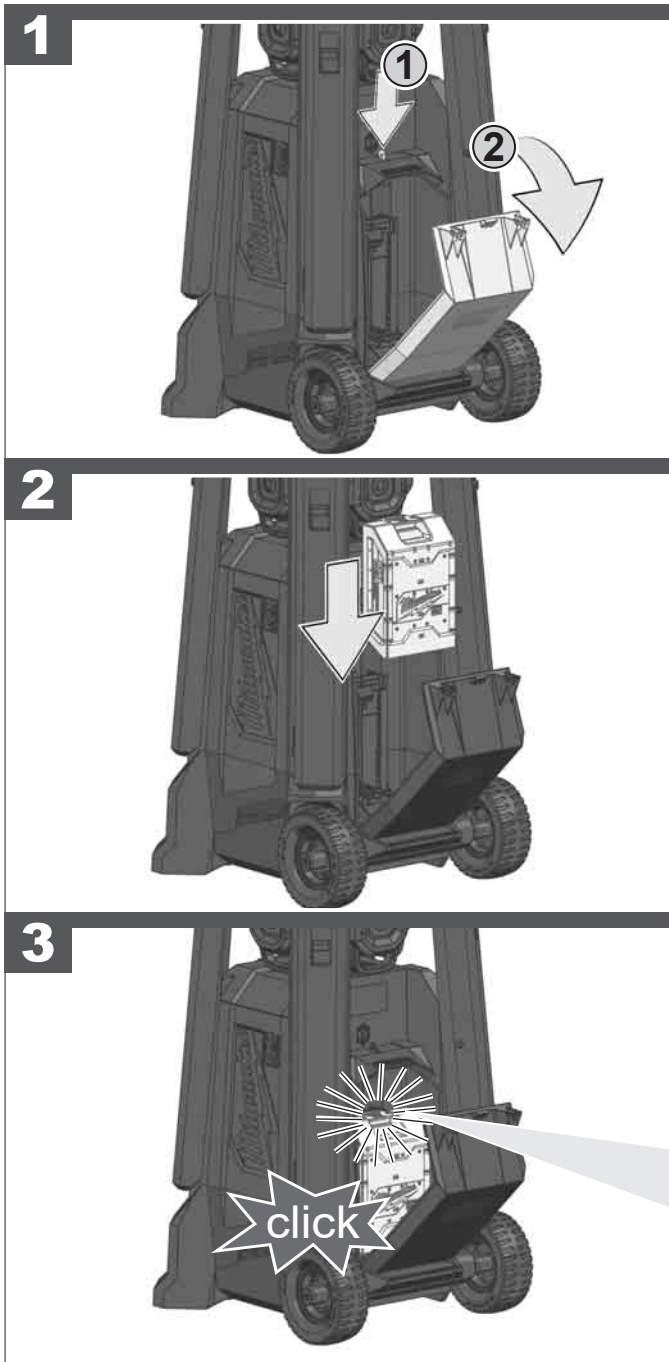
Original instructions

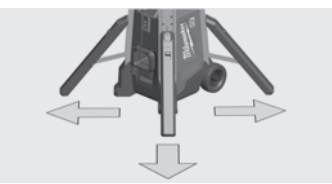


18 Text section with Technical Data, important Safety and Working Hints and description of Symbols



Remove the battery pack before starting any work on the machine.





The light must be placed level and stable. The supports can be individually adapted for this.

**1**

**2**

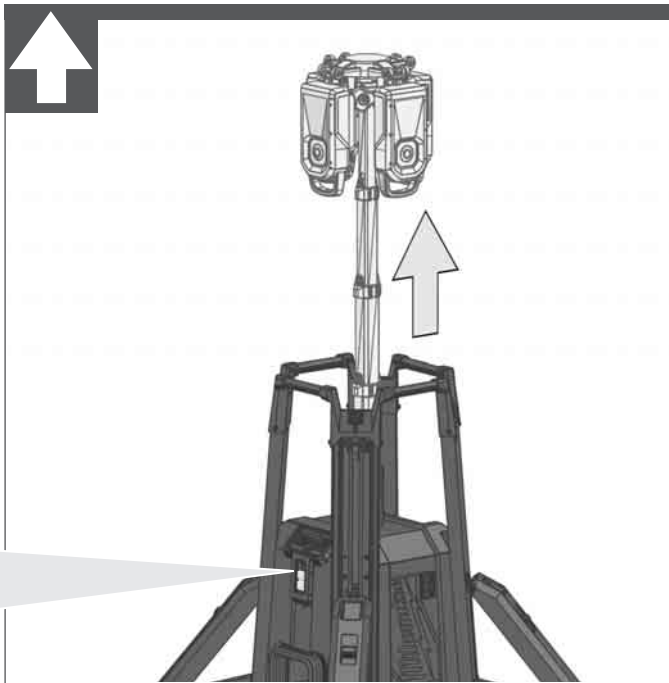
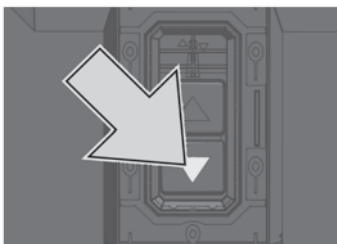
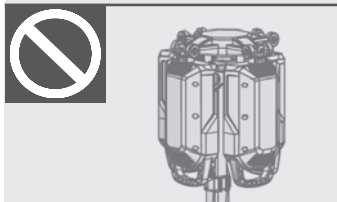
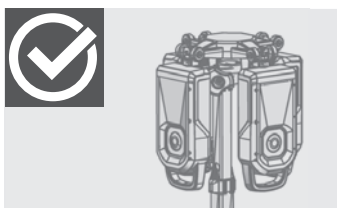
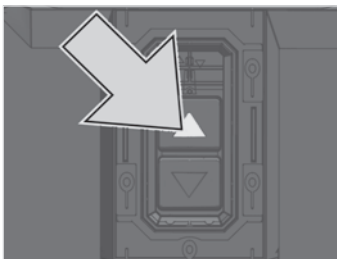
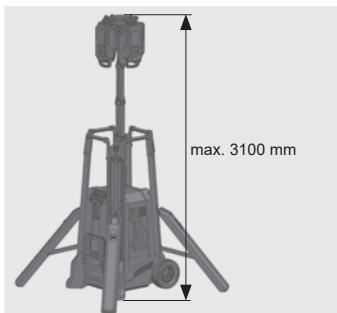
click...click...click...

**1**

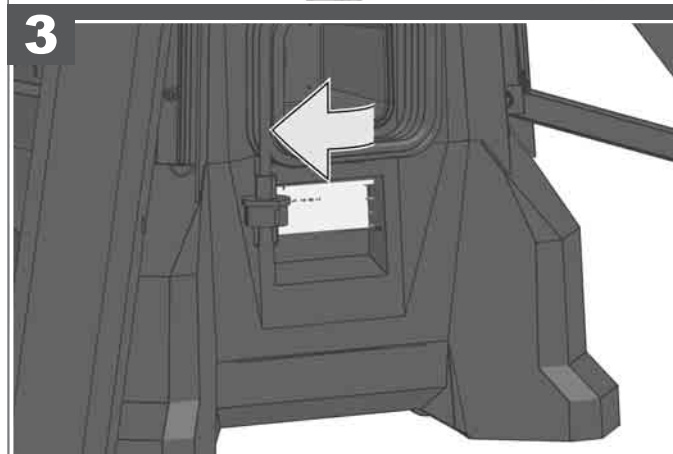
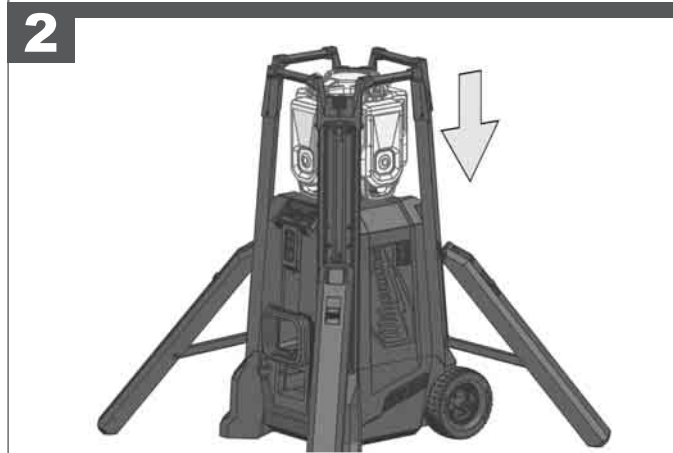
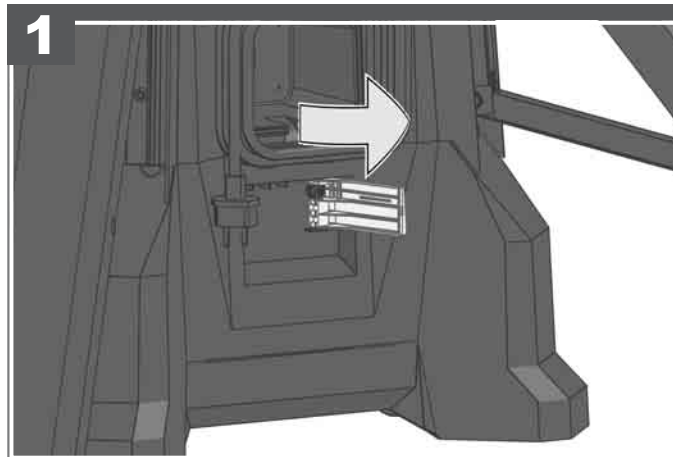
**2**

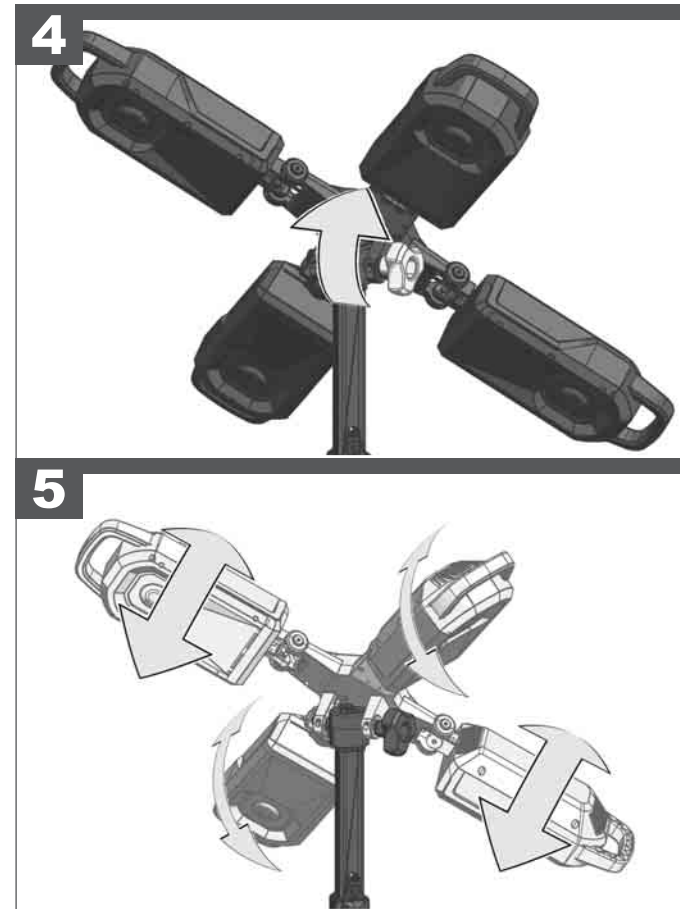
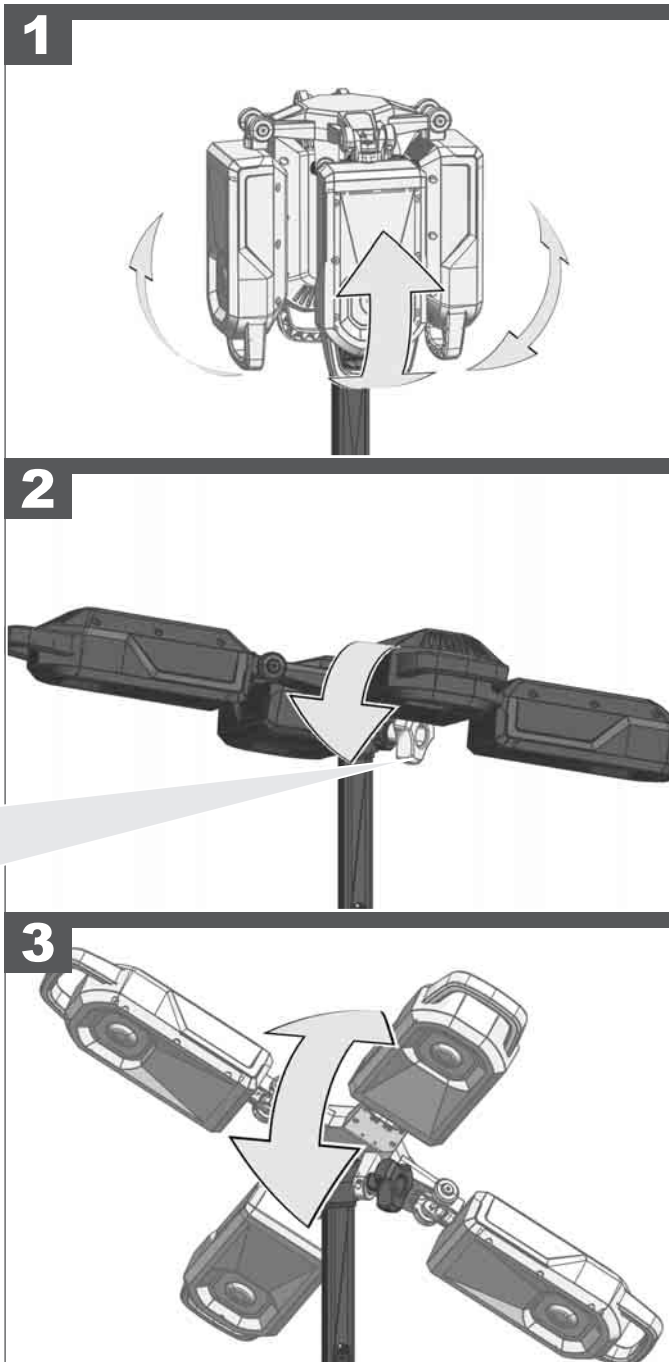
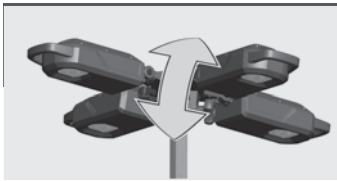
**3**

click



For manual retraction, release the lock.



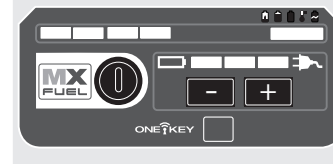
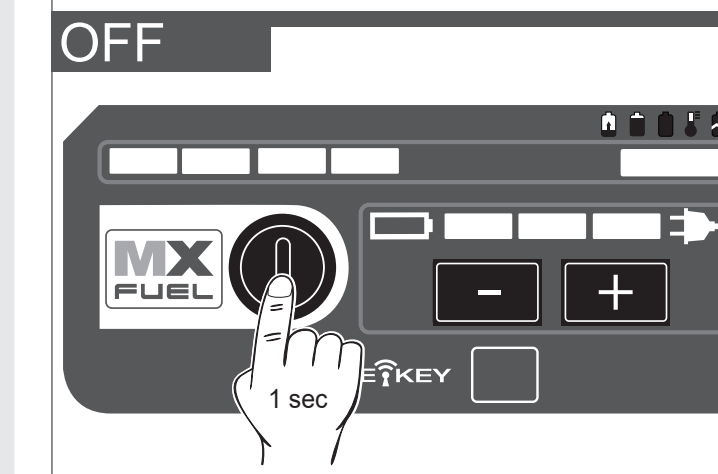
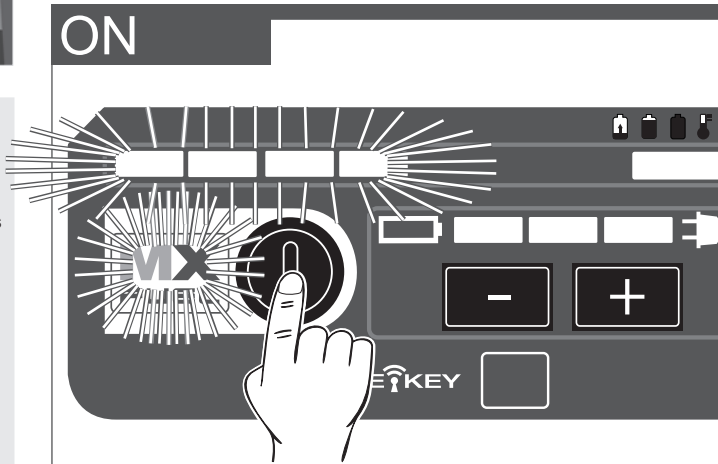




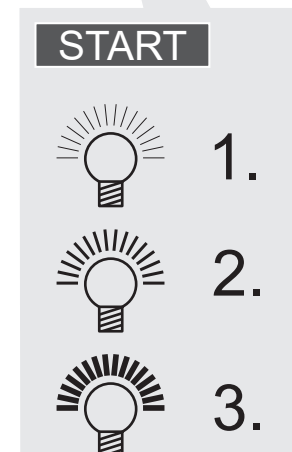
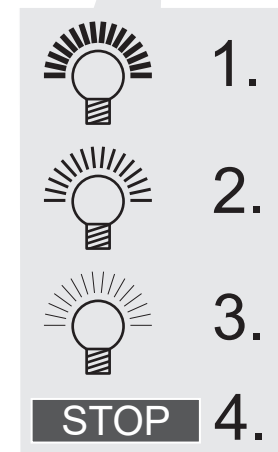
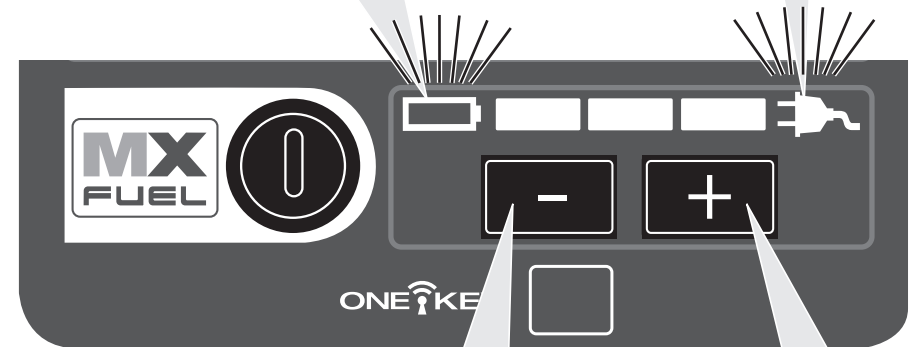
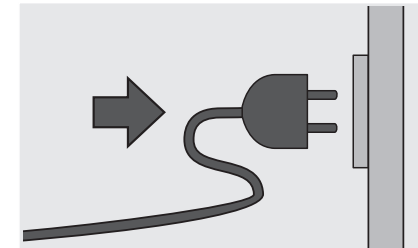
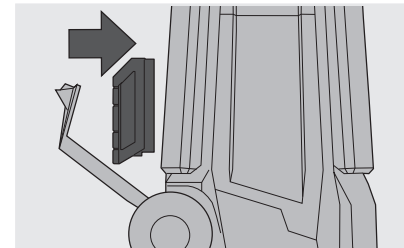


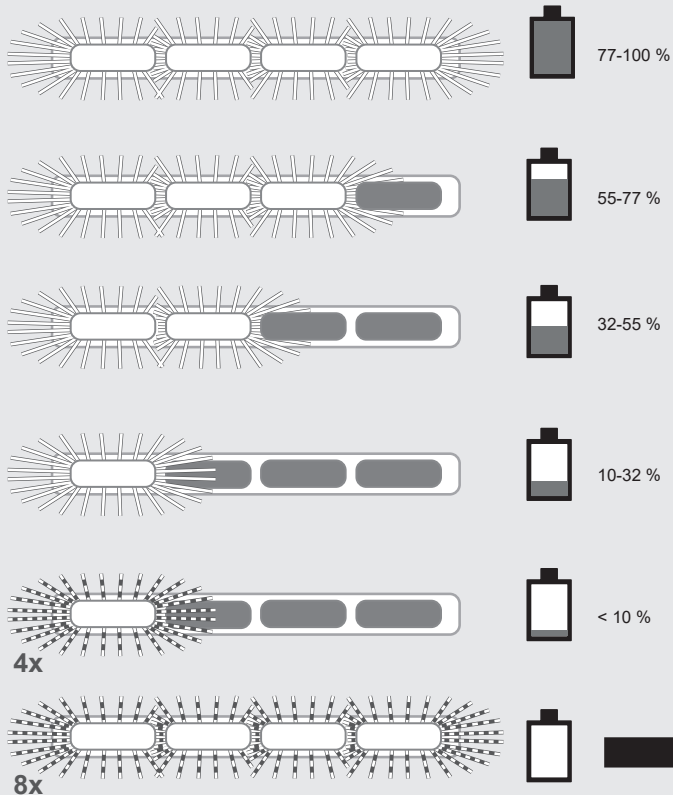
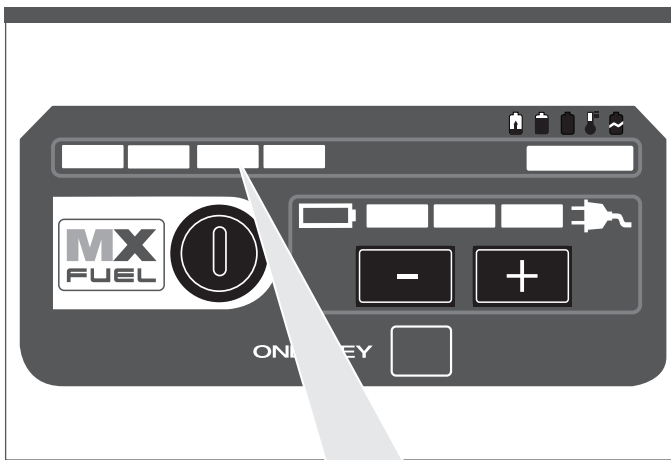
This machine must be activated before switching on.

Press button, LEDs will light up, machine is ready to start.  
 After 15 minutes of inactivity, the machine goes into sleep mode.  
 Press button for 1 sec. to reactivate the machine.  
 Press button again for 1 sec. to deactivate the machine.



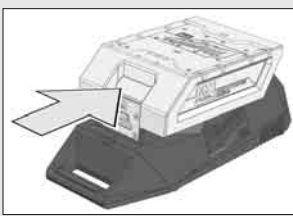
If the light is plugged into a AC outlet, the light runs in AC mode. Currently the battery will be charged.





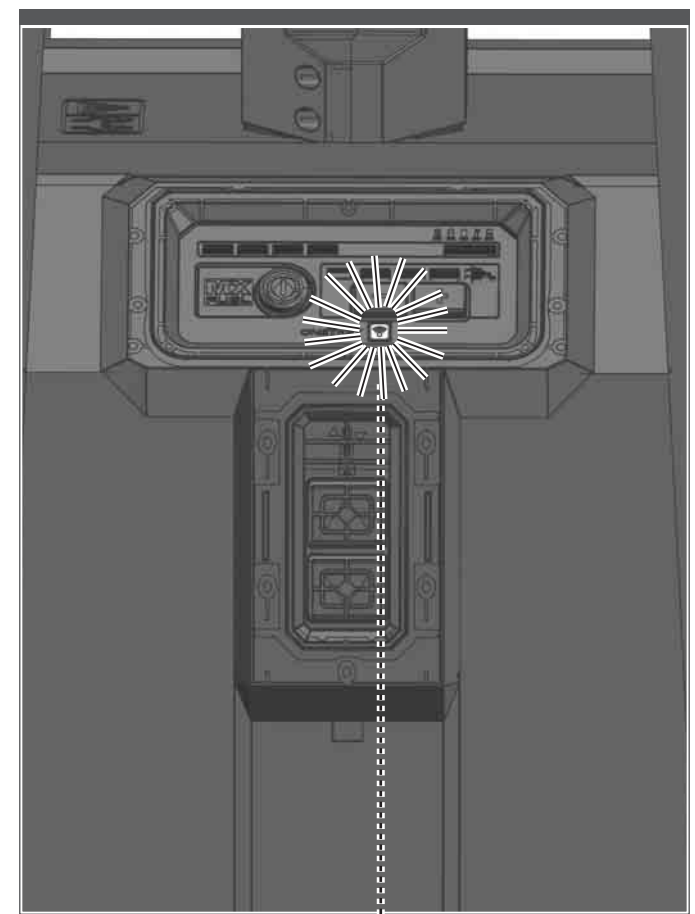
4x

8x

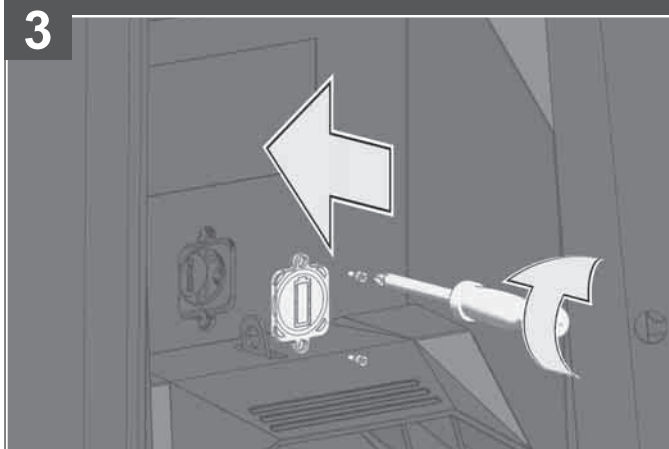
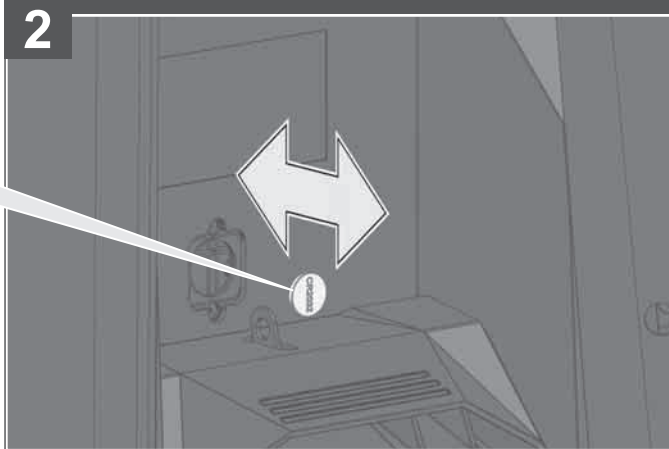
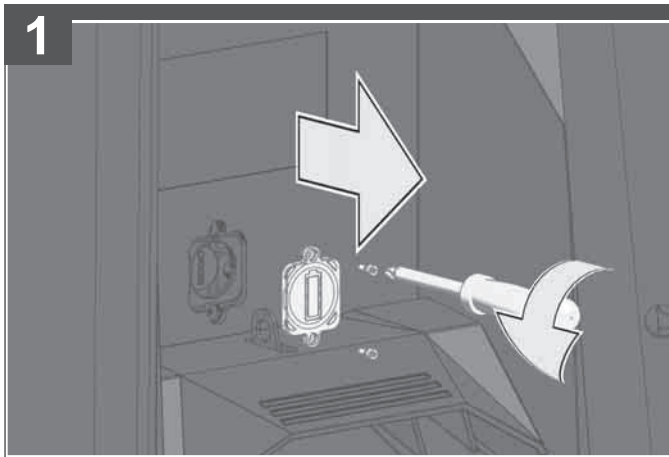


# ONE-KEY

For detailed description of ONE-KEY-function, see text section.







3V CR2032



TECHNICAL DATA	BATTERY-LAMP	MXF TL (EU 220-240V)	MXF TL (UK 110V)	MXF TL (UK 220-240V)
Production Code.....	4747 66 01	4747 75 01	4747 85 01	000000 - 999999
Voltage.....	220-240 V	110 V	220-240 V	000000 - 999999
Frequency.....	50 - 60 Hz	50 - 60 Hz	50 - 60 Hz	000000 - 999999
Rated Power Input Lamp.....	960 W	960 W	960 W	000000 - 999999
Protection class (AC-Mode).....	IP 55	IP 55	-	000000 - 999999
Protection class (DC-Mode).....	IP 55	IP 55	IP 55	000000 - 999999
Charger rated power input.....	480 W	480 W	480 W	000000 - 999999
Quick charge current.....	4,5 A	4,5 A	4,5 A	000000 - 999999
Lighting time with one fully charged battery (6.0 Ah)				000000 - 999999
High Level.....	3 h	3 h	3 h	000000 - 999999
Med Level.....	6 h	6 h	6 h	000000 - 999999
Low Level.....	10 h	10 h	10 h	000000 - 999999
Luminous flux AC-Mode				000000 - 999999
High Level.....	27000 lm	27000 lm	27000 lm	000000 - 999999
Med Level.....	14000 lm	14000 lm	14000 lm	000000 - 999999
Low Level.....	7000 lm	7000 lm	7000 lm	000000 - 999999
Luminous flux DC-Mode				000000 - 999999
High Level.....	20000 lm	20000 lm	20000 lm	000000 - 999999
Med Level.....	10000 lm	10000 lm	10000 lm	000000 - 999999
Low Level.....	5000 lm	5000 lm	5000 lm	000000 - 999999
Colour rendering index (CRI).....	80	80	80	000000 - 999999
Colour temperature.....	4000 K	4000 K	4000 K	000000 - 999999
Weight without packing and battery.....	48 kg	48 kg	48 kg	000000 - 999999
Weight according EPTA-Procedure 01/2014 (3.0 Ah...6.0 Ah).....	51 ... 53 kg	51 ... 53 kg	51 ... 53 kg	000000 - 999999
Frequency band(s) of Bluetooth.....	2402-2480 MHz	2402-2480 MHz	2402-2480 MHz	000000 - 999999
Radio-frequency power.....	1,8 dBm	1,8 dBm	1,8 dBm	000000 - 999999
Bluetooth version.....	40BT signal mode	40BT signal mode	40BT signal mode	000000 - 999999
Recommended ambient operating temperature.....	-18°C ... +50 °C	-18°C ... +50 °C	-18°C ... +50 °C	000000 - 999999
Recommended battery types.....	MXF CP203, MXF XC406	MXF CP203, MXF XC406	MXF CP203, MXF XC406	000000 - 999999

**WARNING** Read all safety warnings, instructions, illustrations and specifications provided with this power tool. Failure to follow all instructions listed below may result in electric shock, fire and/or serious injury. Save all warnings and instructions for future reference.

#### BATTERY LAMP SAFETY INSTRUCTIONS

**WARNING** Do not direct the light beam at persons or animals and do not stare into the light beam yourself (not even from a distance). Staring into the light beam may result in serious injury or vision loss.

**WARNING** This device contains a lithium button/coin cell battery. A new or used battery can cause severe internal burns and lead to death in as little as 2 hours if swallowed or enters the body. Always secure the battery cover. If it does not close securely, stop using the device, remove the batteries, and keep it away from children. If you think batteries may have been swallowed or entered the body, seek immediate medical attention.

Caution – this product is provided with cooling openings in the bottom enclosure. Only install this luminaire on a surface that will not allow accumulation of water into the housing. Keep the product away from puddles, etc.

#### CHARGER SAFETY INSTRUCTIONS

Only the following battery packs can be charged with this charger:

Battery Cat. No.	Cell Type	DC Volts	Capacity	Cell No.
MXFCP203	Li-Ion	72 V	≤ 3.0 Ah	20
MXFXC406	Li-Ion	72 V	≤ 6.0 Ah	2 x 20

Do not try to charge non-rechargeable batteries with this charger.

No metal parts must be allowed to enter the battery section of the charger (short circuit risk).

Never break open battery packs or chargers and store only in dry rooms. Keep dry at all times.

The battery clamps of the charger are fed by the mains supply. Do not touch the tool with conducting objects.

Never charge a damaged battery pack. Replace by a new one.

Before use check machine, cable, and plug for any damages or material fatigue. Repairs should only be carried out by authorised Service Agents.

Use only System MXF chargers for charging System MXF battery packs. Do not use battery packs from other systems.

This appliance is not intended to be used or cleaned by persons with reduced physical, sensory or mental capabilities, or lack of experience or knowledge, unless they have been given instructions concerning the safe use of the appliance by a person legally responsible for their safety. They should be supervised whilst using the appliance. Children shall not

use, clean or play with this appliance, which when not in use should be secured out of their reach.

#### ADDITIONAL SAFETY INSTRUCTIONS

Remove the battery pack before starting any work on the appliance.

Do not dispose of used battery packs in the household refuse or by burning them. Milwaukee Distributors offer to retrieve old batteries to protect our environment.

Do not store the battery pack together with metal objects (short circuit risk).

Battery acid may leak from damaged batteries under extreme load or extreme temperatures. In case of contact with battery acid wash it off immediately with soap and water. In case of eye contact rinse thoroughly for at least 10 minutes and immediately seek medical attention.

**Warning!** To reduce the risk of fire, personal injury, and product damage due to a short circuit, never immerse your tool, battery pack or charger in fluid or allow a fluid to flow inside them. Corrosive or conductive fluids, such as seawater, certain industrial chemicals, and bleach or bleach containing products, etc., can cause a short circuit.

#### SPECIFIED CONDITIONS OF USE

The area light is intended to be used light independent use away from mains supply.

Additionally the charger can charge the specified Milwaukee battery packs.

Do not use this product in any other way as stated for normal use.

#### EC-DECLARATION OF CONFORMITY

We declare as the manufacturer under our sole responsibility that the product described under "Technical Data" fulfills all the relevant regulations and the directives 2011/65/EU (RoHS), 2014/53/EU, 2006/42/EC, and the following harmonized standards have been used:

EN 60335-1:2012+A11:2014+A13:2017+A1:2019+A14:2019+A2:2019  
 EN 60335-2-29:2004+A2:2010+A11:2018  
 EN 60598-1:2015+A1:2018  
 EN 60598-2-4:2018  
 EN 62233:2008  
 EN 62493:2015  
 EN 61547:2009  
 EN 55015:2019+A11:2020  
 EN IEC 61000-3-2:2019  
 EN 61000-3-3:2013+A1:2019  
 EN 301 489-1 V2.2.3  
 EN 301 489-17 V3.1.1  
 EN 300 328 V2.2.2  
 EN 62479:2010  
 EN IEC 63000:2018

Winnenden, 2021-05-05



Alexander Krug  
Managing Director



Authorized to compile the technical file  
 Techtronic Industries GmbH  
 Max-Eyth-Straße 10  
 71364 Winnenden  
 Germany

#### GB-DECLARATION OF CONFORMITY

We declare as the manufacturer under our sole responsibility that the product described under "Technical Data" fulfills all the relevant provisions of the following Regulations S.I. 2008/1597 (as amended), S.I. 2017/1206 (as amended), S.I. 2012/3032 (as amended) and that the following designated standards have been used:

BS EN 60335-1:2012+A13:2017+A2:2019  
 BS EN 60335-2-29:2004+A11:2018  
 BS EN 60598-1:2015+A1:2018  
 BS EN 60598-2-4:2018  
 BS EN 62233:2008  
 BS EN 62493:2015  
 BS EN 61547:2009  
 BS EN 55015:2019+A11:2020  
 BS EN IEC 61000-3-2:2019  
 BS EN 61000-3-3:2013+A1:2019  
 EN 301 489-1 V2.2.3  
 EN 301 489-17 V3.1.1  
 EN 300 328 V2.2.2  
 BS EN 62479:2010  
 BS EN IEC 63000:2018

Winnenden, 2021-05-05



Alexander Krug  
Managing Director

Authorized to compile the technical file.

Techtronic Industries GmbH  
 Max-Eyth-Straße 10  
 71364 Winnenden  
 Germany

#### FUEL GAUGE

When the machine is armed, the fuel gauge displays the battery pack's remaining run time. The fuel gauge mirrors the fuel gauge on the battery pack. When less than 10% of charge is left, one light on the fuel gauge will flash 4 times. When the battery reaches 0% charge, the fuel gauge will flash 8 times. Charge the battery pack.

10-32%    32-55%    55-77%    77-100%

#### ONE-KEY™

To learn more about the ONE-KEY functionality for this tool, please reference the Quick Start guide included with this product or go to [www.milwaukeekeetool.com/one-key](http://www.milwaukeekeetool.com/one-key). To download the ONE-KEY app, visit the App Store or Google Play from your smart device.

Also, when the product experiences ESD, the Bluetooth communication will be disconnected. It needs to be reset manually to recover. In the event of a Bluetooth communication dropout outside of the exclusion band (2280MHz – 2603.5MHz) due to radio frequency interference, a manual reset may be initiated to reestablish the link. We considered the results to be within our minimum acceptable performance level according to EN 61547:2009 / EN 301489-1 / EN 301489-17.

## ONE-KEY™ Indicator

Solid Blue	Wireless mode is active and ready to be configured via the ONE-KEY™ app.
Blinking Blue	Tool is actively communicating with the ONE-KEY™ app.
Blinking Red	Tool is in security lockout and can be unlocked by the owner via the ONE-KEY™ app.

## MAINS CONNECTION

Connect only to single-phase AC current and only to the system voltage indicated on the rating plate. It is also possible to connect to sockets without an earthing contact as the design conforms to safety class II.

## CHARGING TIME

Battery Cat. No.	Volts	Capacity	Charging Time approx.
MXFCP203	72 V	≤ 3.0 Ah	45 min
MXFXC406	72 V	≤ 6.0 Ah	90 min

## LI-ION BATTERIES

The rechargeable batteries are partially charged. The LED on the battery indicates the state of charge.

If it is not used for long periods, the rechargeable battery will switch to the non-operative state.

When fully discharged the rechargeable battery switches off automatically (depth discharge not possible).

Under extreme circumstances, the internal temperature of the battery could become too high. If this happens, the battery will shut down.

Place the battery on the charger to charge and reset it.

The state of charge can be read by pressing the button on the rechargeable battery. The battery can be left in the electric tool while the reading is taken but it must be switched off at least one minute beforehand (otherwise the display will be inaccurate). The number of LEDs illuminated indicates the state of charge. A flashing LED indicates a max. power reserve of 10%.

As a general principle, if the electric tool should fail to work after inserting the rechargeable battery, then the battery should be plugged into the charger. The displays on the battery and charger will then provide information about the condition of the battery.

In low temperatures work may continue at reduced output.

## CHARACTERISTICS

After inserting the battery into the reception of the charger the battery will automatically be charged (red control lamp is illuminated continuously)

When a hot or cold battery pack is inserted into the charger (flashing red lamp), charging will begin automatically once the battery reaches the correct charging temperature (0°C...40°C). The max. charging current is flowing when the temperature of the Li-Ion-battery is between 0°C and 30°C.

The battery's charging time is between 45 min and 90 min, depending on the state of discharge.

Once the battery is fully charged, the LED on the charger changes from red to green.

Remove the battery pack from the tool for charging when convenient for you and your job. Milwaukee batteries do not develop a memory when charged after only a partial discharge. It is not necessary to run down the battery pack before placing it on the charger.






As a general practice, it is best to unplug battery chargers and remove batteries when not in use. No battery pack

damage will occur, however, if the charger and battery pack are left plugged in.

The charger will keep the battery pack fully charged if it is left on the charger. The light indicator will be same as normal charging.

If the light indicator flashes red and green, check that the battery pack is fully seated into the bay. Remove the battery pack and reinsert. If the light continues to flash red and green, remove pack(s) and unplug charger for at least 2 minutes. After 2 minutes, plug charger back in and insert pack. If the problem persists, contact a MILWAUKEE service facility.

## LIGHT INDICATORS

	Continuous red	Charging
	Slow flashing green	Approaching full charge
	Continuous green	Charging is complete
	Fast flashing red	Battery or charger is too hot/cold - charging will begin/resume when battery or charger reaches correct charging temperature
	Flashing red/ green	Damaged or faulty battery pack or charger

## BATTERIES

Battery packs which have not been used for some time should be recharged before use.

Temperatures in excess of 50°C (122°F) reduce the performance of the battery pack. Avoid extended exposure to heat or sunshine (risk of overheating).

The contacts of chargers and battery packs must be kept clean.

For an optimum life-time, the battery packs have to be fully charged, after used.

To obtain the longest possible battery life remove the battery pack from the charger once it is fully charged.

For battery pack storage longer than 30 days:  
Store the battery pack where the temperature is below 27°C and away from moisture  
Store the battery packs in a 30% - 50% charged condition  
Every six months of storage, charge the pack as normal.

## BATTERY PACK PROTECTION

The battery pack has overload protection that protects it from being overloaded and helps to ensure long life. Under extreme stress the battery electronics switch off the machine automatically. To restart, switch the machine off and then on again. If the machine does not start up again, the battery pack may have discharged completely. In this case it must be recharged in the battery charger.

## TRANSPORTING LITHIUM BATTERIES

Lithium-ion batteries are subject to the Dangerous Goods Legislation requirements.

Transportation of those batteries has to be done in accordance with local, national and international provisions and regulations.

- The user can transport the batteries by road without further requirements.
- Commercial transport of Lithium-Ion batteries by third parties is subject to Dangerous Goods regulations. Transport preparation and transport are exclusively to be carried out by appropriately trained persons and the process has to be accompanied by corresponding experts.

When transporting batteries:

- Ensure that battery contact terminals are protected and insulated to prevent short circuit.
- Ensure that battery pack is secured against movement within packaging.
- Do not transport batteries that are cracked or leak.

Check with forwarding company for further advice







## MAINTENANCE


The light source contained in this luminaire shall only be replaced by the manufacturer or his service agent or a similar qualified person.


Use only Milwaukee accessories and spare parts. Should components need to be replaced which have not been described, please contact one of our Milwaukee service agents (see our list of guarantee/service addresses).


If needed, an exploded view of the tool can be ordered. Please state the machine type printed as well as the six-digit No. on the label and order the drawing at your local service agents or directly at: Techtronic Industries GmbH, Max-Eyth-Straße 10, 71364 Winnenden, Germany.


## SYMBOLS

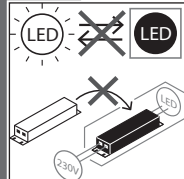
	CAUTION! WARNING! DANGER!
	Remove the battery pack before starting any work on the machine.
	Always disconnect the plug from the socket before carrying out any work on the machine.
	CAUTION: Possibly hazardous optical radiation emitted from this product. Do not stare at operating lamp. May be harmful to the eye.
	Please read the instructions carefully before starting the machine.
	Do not swallow the coin cell battery!


	Do not dispose electric tools, batteries/rechargeable batteries together with household waste material. Electric tools and batteries that have reached the end of their life must be collected separately and returned to an environmentally compatible recycling facility. Check with your local authority or retailer for recycling advice and collection point.
--	--


	Class II tool. Tool in which protection against electric shock does not rely on basic insulation only, but in which additional safety precautions, such as double insulation or reinforced insulation, are provided. There being no provision for protective earthing or reliance upon installation conditions.
---	---

	Do not burn used battery packs.
---	---------------------------------


	Never charge a damaged battery pack. Replace by a new one.
---	--


	The light source and the control device cannot be exchanged. This product contains a light source of energy efficiency class G.
---	---

	Warning! Danger of crushing!
---	------------------------------

	European Conformity Mark
---	--------------------------

	British Conformity Mark
--	-------------------------

	Ukraine Conformity Mark
---	-------------------------

	EurAsian Conformity Mark
---	--------------------------



Copyright 2021

Techtronic Industries GmbH  
Max-Eyth-Str. 10  
71364 Winnenden  
Germany

+49 (0) 7195-12-0

[www.milwaukeeetool.eu](http://www.milwaukeeetool.eu)

Techtronic Industries (UK) Ltd  
Fieldhouse Lane  
Marlow Bucks SL7 1HZ  
UK



**EAC UK  
CA**

(07.21)

**4100 4703 56**