

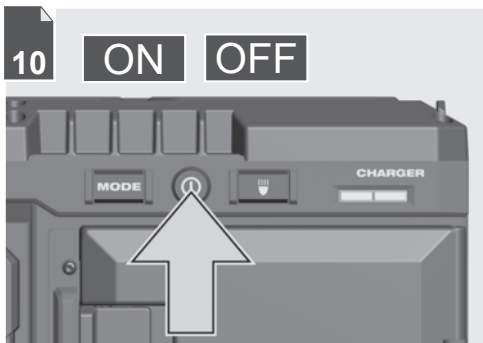


Nothing but **HEAVY DUTY.**[®]

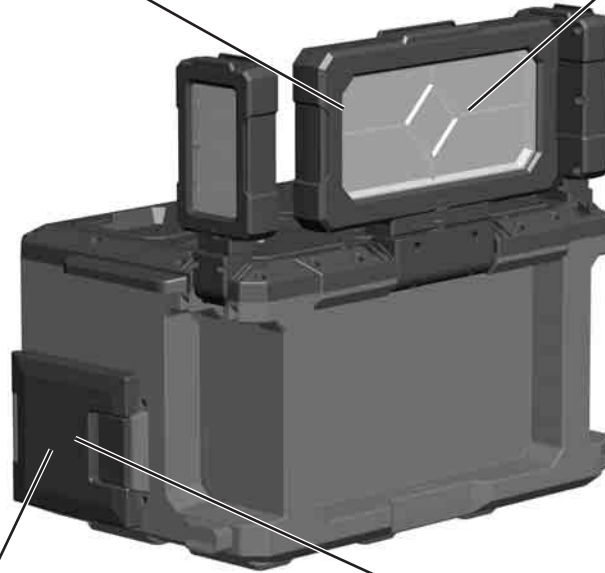
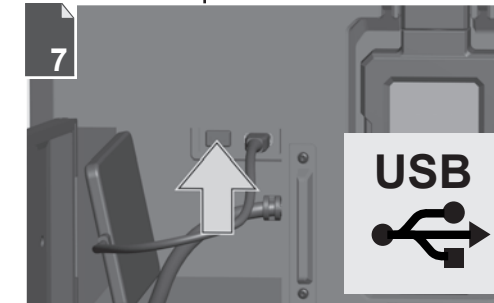
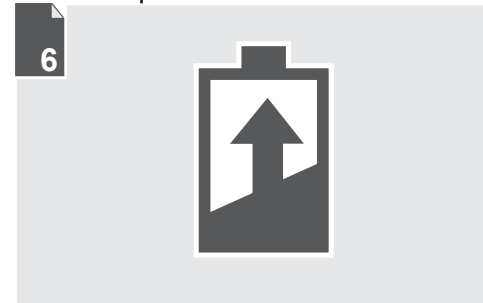
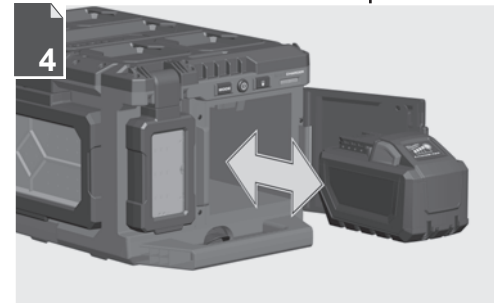
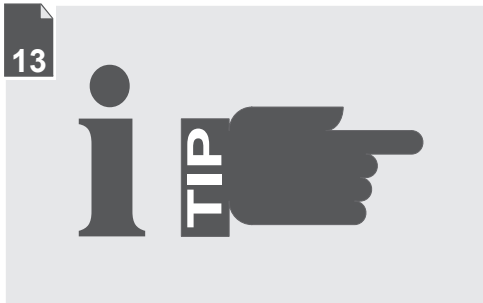
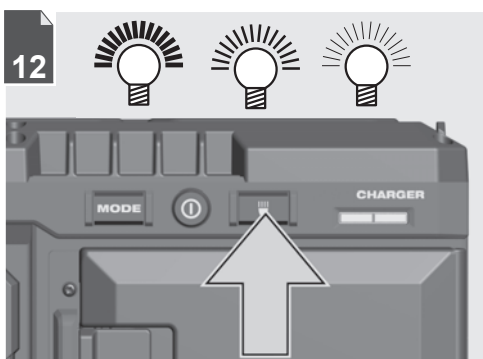
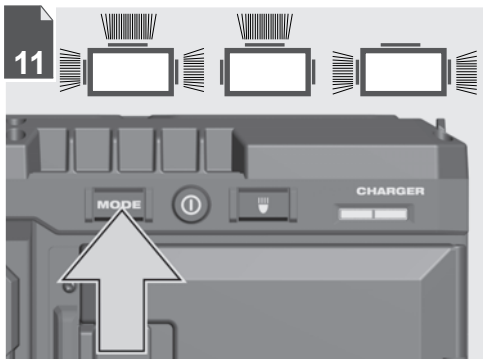
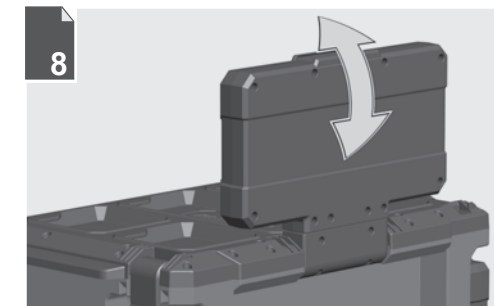
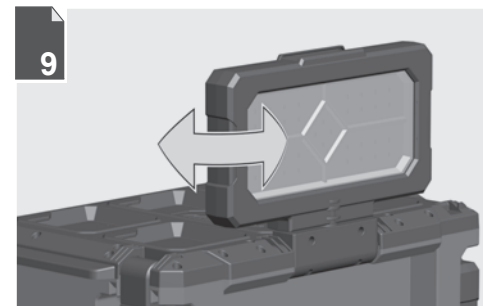


M18 POALC

Original instructions

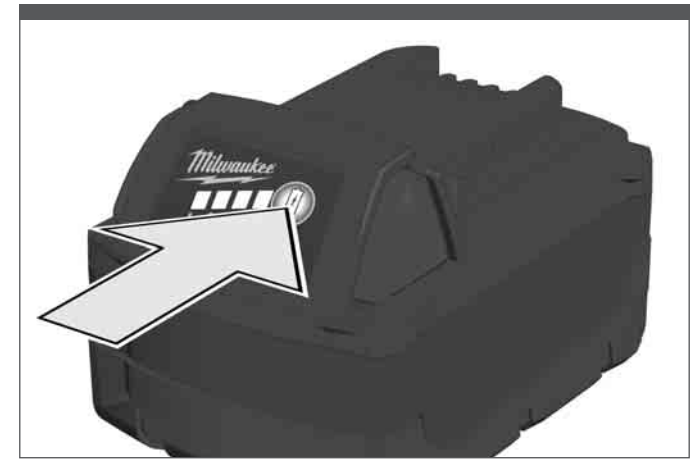
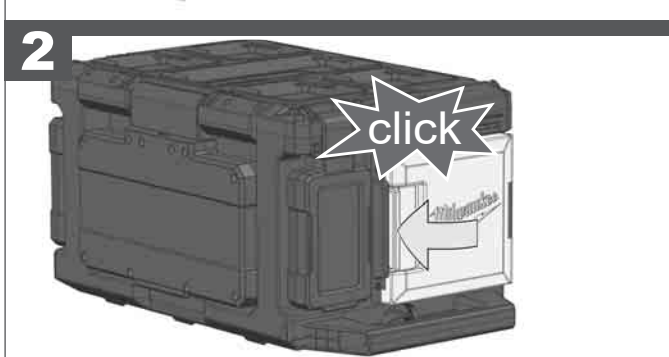
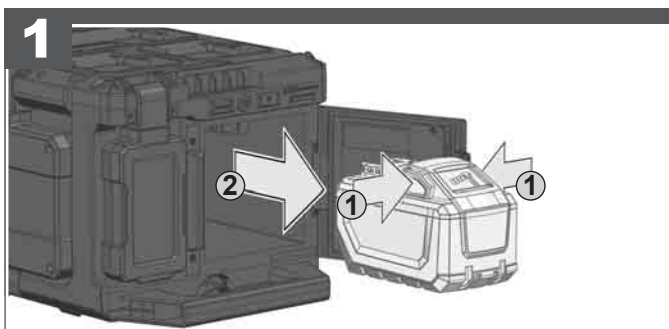
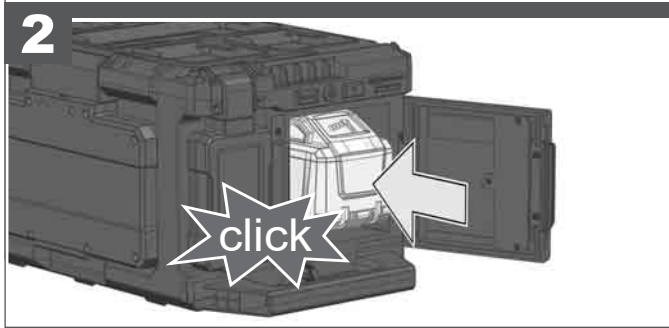
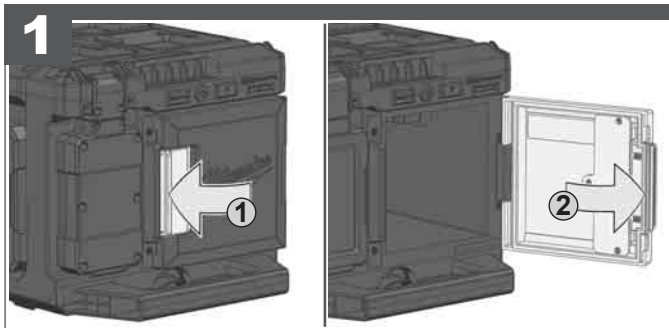


14 Text section with Technical Data, important Safety and Working Hints and description of Symbols





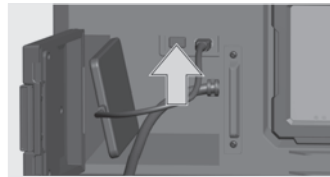
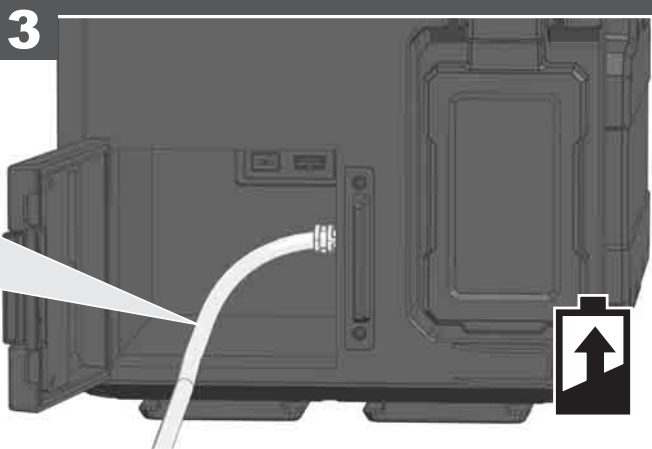
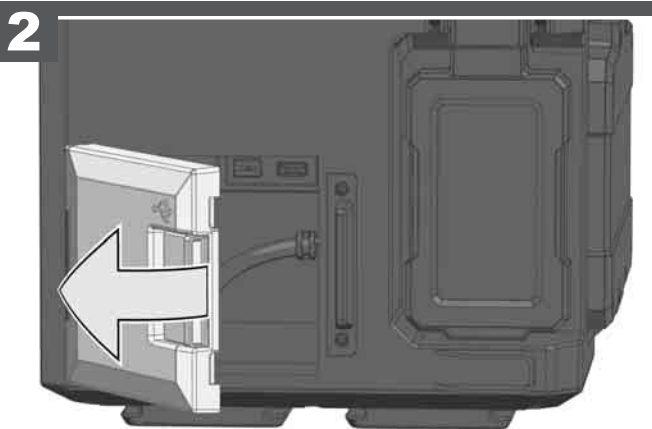
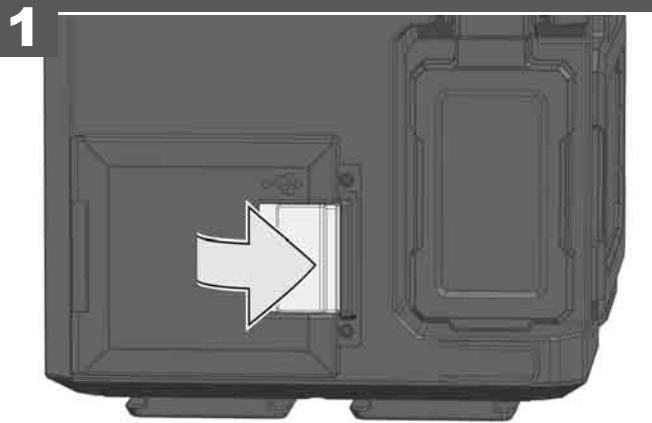
Remove the battery pack before starting any work on the machine.



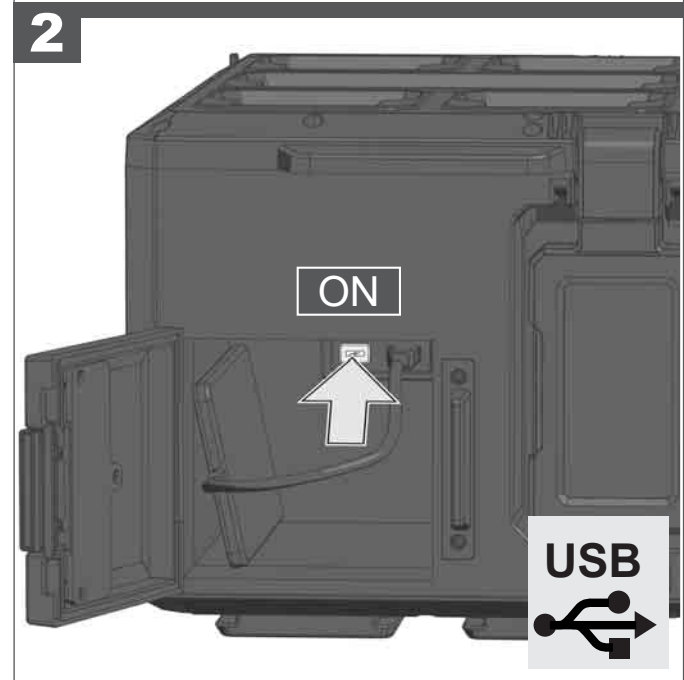
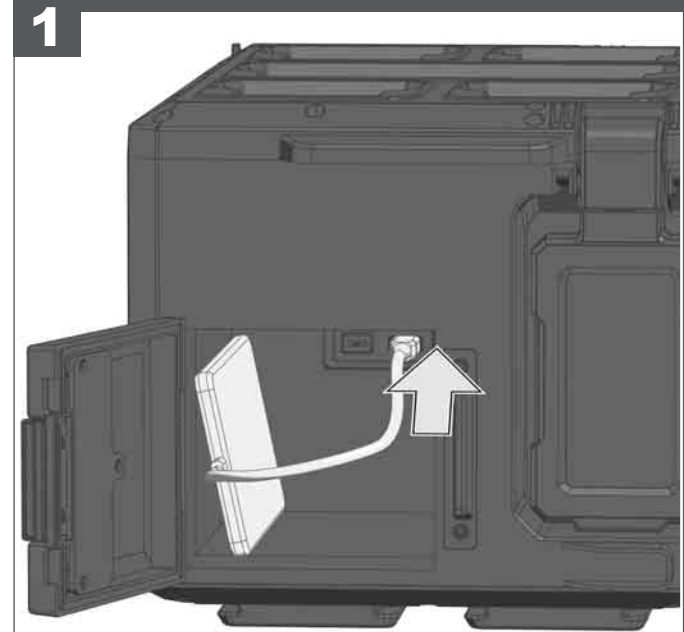
	78-100 %
	55-77 %
	33-54 %
	10-32 %
	< 10 %

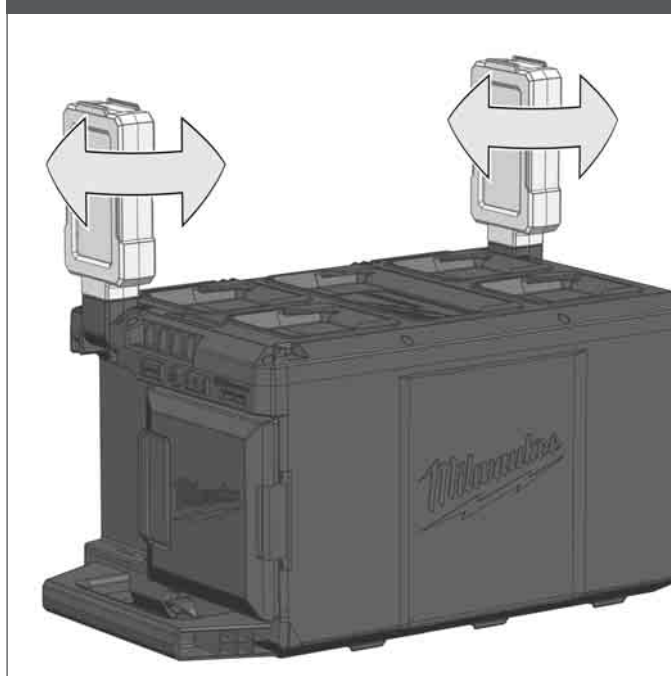
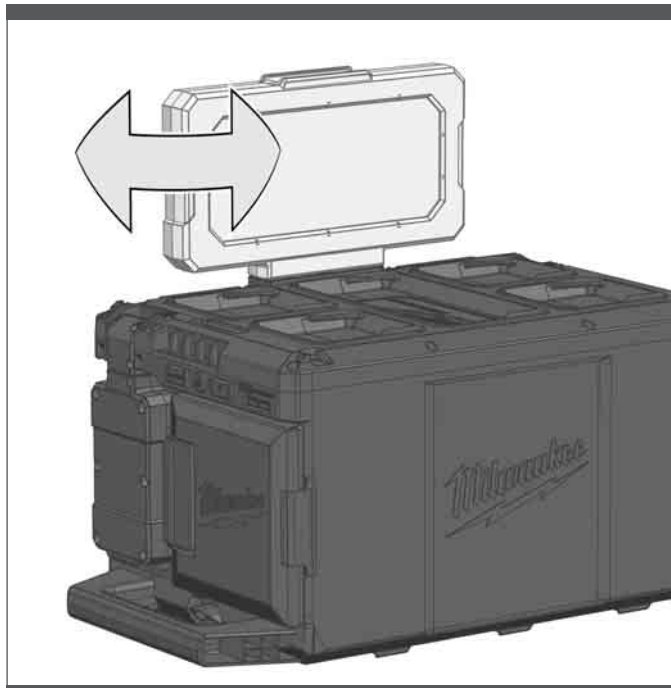
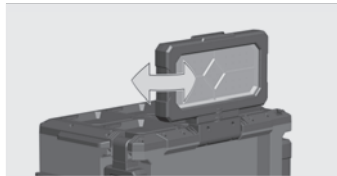
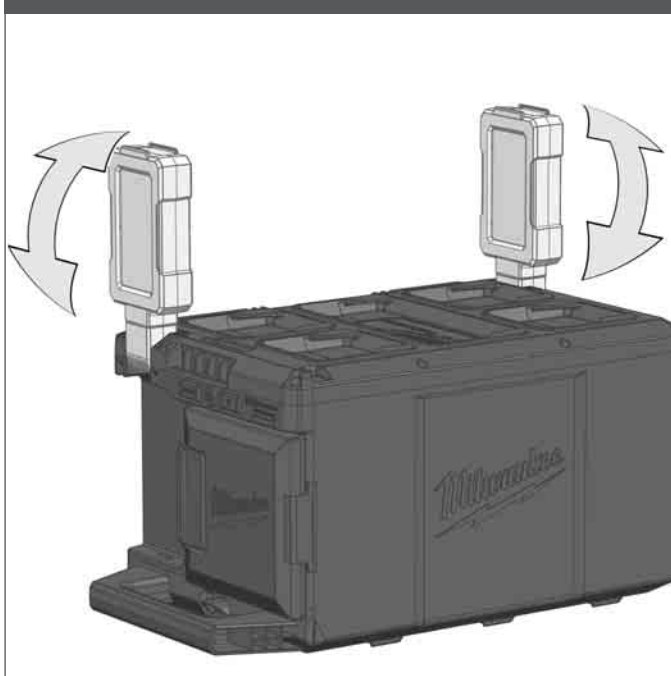
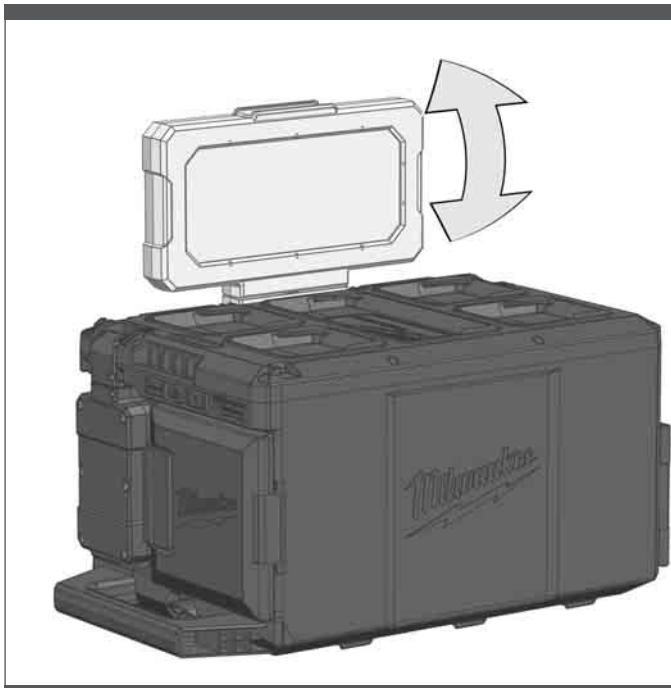
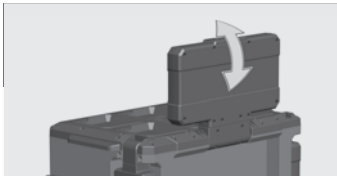


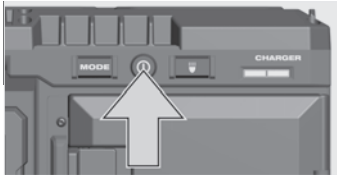
If the light is plugged into a AC outlet, the light runs in AC mode. Currently the battery will be charged.



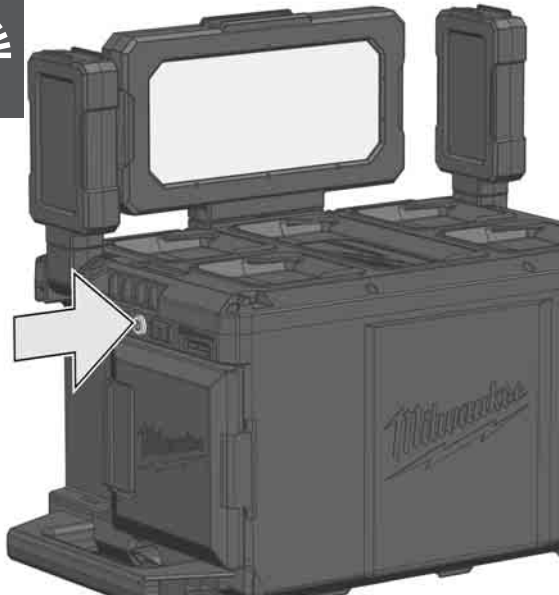
Devices connected to the USB port are supplied with power. Any device that uses more than 2.4 A of DC electrical current will trip a self-resetting function and disable the output.



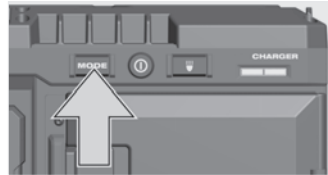
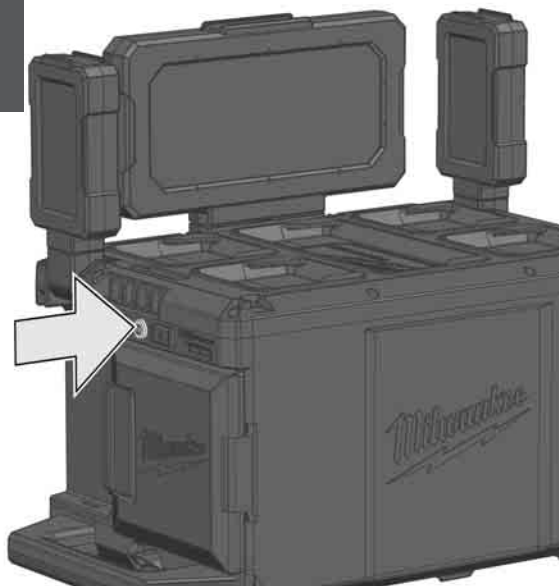




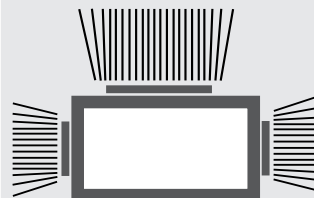
ON



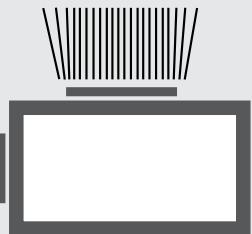
OFF



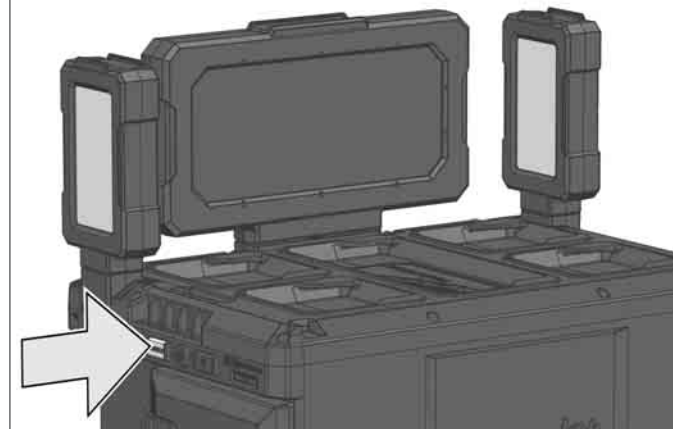
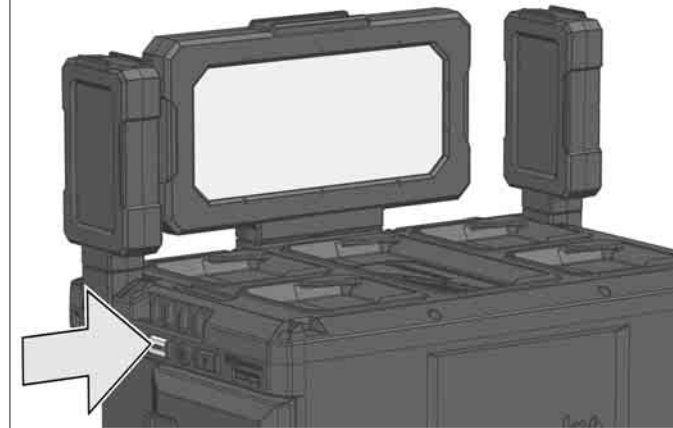
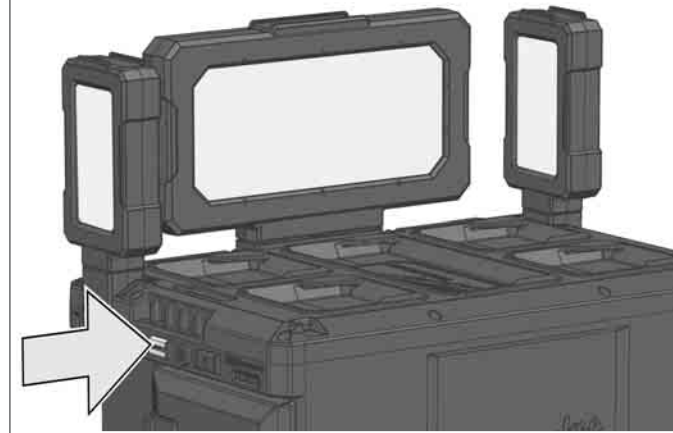
1.

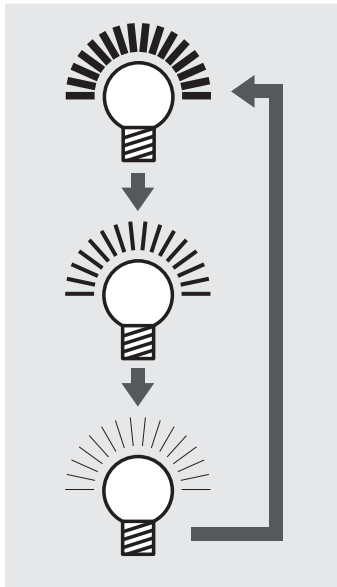
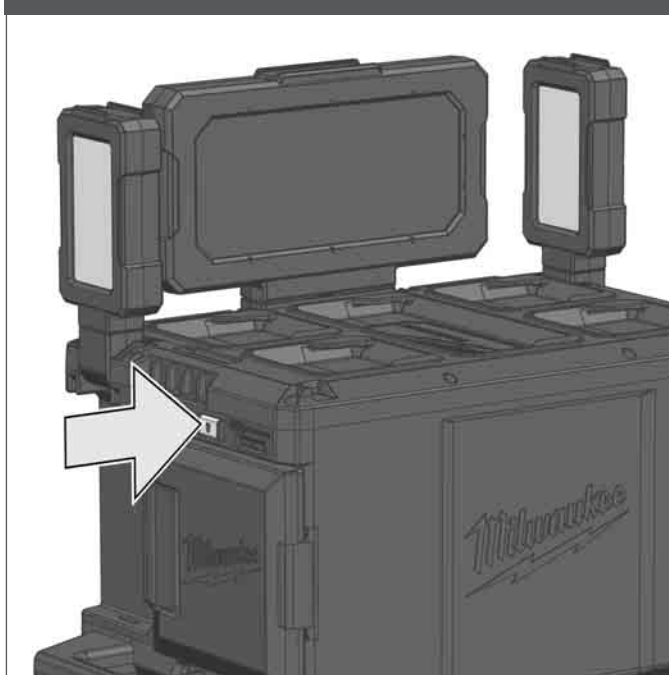
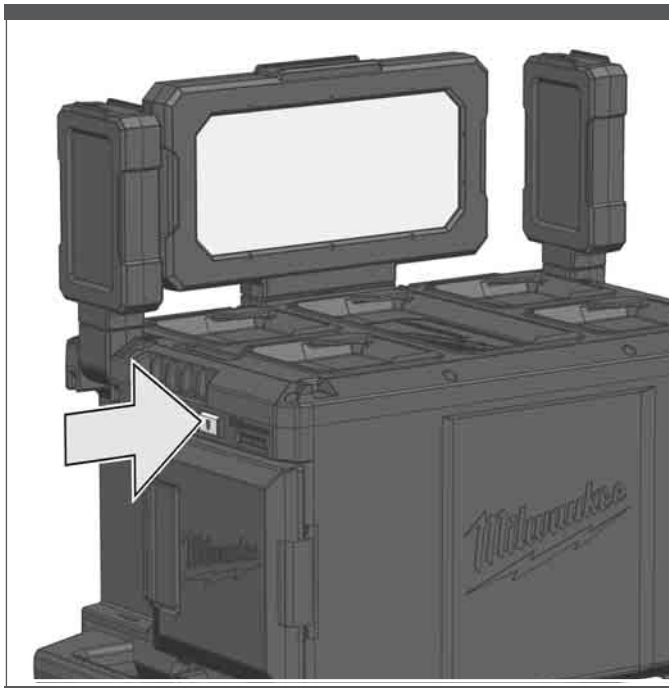


2.

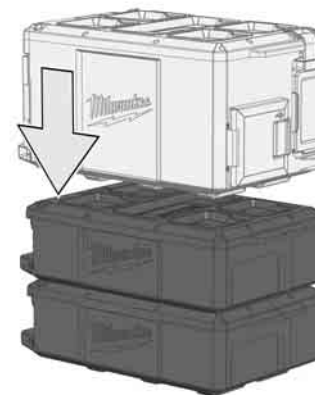


3.

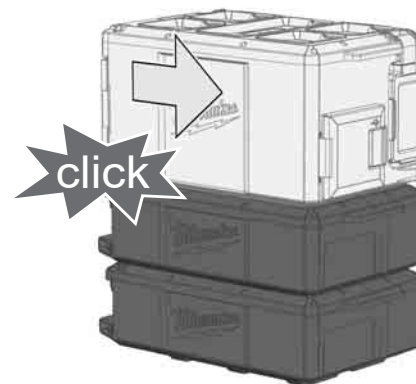




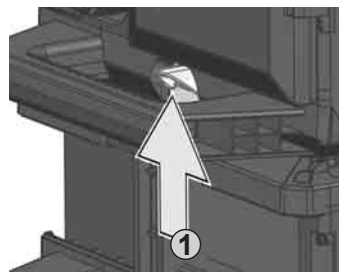
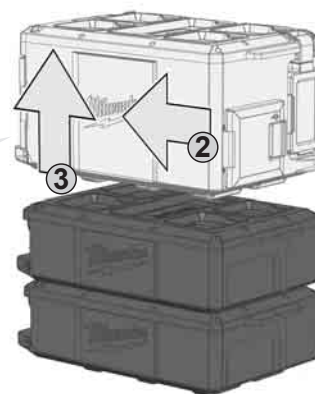
1



2



1



TECHNICAL DATA		BATTERY-LAMP		M18 POALC	
Lighting time with one fully charged battery (5.0 Ah)					
Mode 3 High Level				4 h	
Mode 2 Med Level				8 h	
Mode 1 Low Level				12 h	
Luminous flux					
High Level				3000 lm	
Med Level				1500 lm	
Low Level				1000 lm	
Colour rendering index (CRI)				80	
Colour temperature				4000 K	
AC-Mode					
Voltage				100-240 V	
AC Input				EU:220-240 V; UK:110V, 220-240V	
Rated Power Input				130 W	
Charger rated power input				80 W	
Charger output				18 V	
Quick charge current				3,0 A	
DC-Mode					
Rated Power Input				45 W	
Battery voltage				18 V	
USB Output				5,0 V/2,1A	
Weight without battery				5,5 kg	
Weight according EPTA-Procedure 01/2014 (2.0 Ah ...12.0 Ah)				5,9...6,9 kg	
Protection class				IP 54	

⚠ WARNING Read all safety warnings, instructions, illustrations and specifications provided with this power tool. Failure to follow all instructions listed below may result in electric shock, fire and/or serious injury. Save all warnings and instructions for future reference.

⚠ BATTERY LAMP SAFETY INSTRUCTIONS

⚠ WARNING Do not direct the light beam at persons or animals and do not stare into the light beam yourself (not even from a distance). Staring into the light beam may result in serious injury or vision loss.

⚠ CHARGER SAFETY INSTRUCTIONS

Do not store the battery pack together with metal objects (short circuit risk).

Only the following battery packs can be charged with this charger:

Battery Cat. No.	Cell Type	DC Volts	Capacity	Cell No.
M18B	Li-Ion	18 V	≤ 1.5 Ah	5
M18BX	Li-Ion	18 V	≤ 3.0 Ah	2 x 5
M18B2	Li-Ion	18 V	≤ 2.0 Ah	5
M18B4	Li-Ion	18 V	≤ 4.0 Ah	2 x 5
M18B5	Li-Ion	18 V	≤ 5.0 Ah	2 x 5
M18B6	Li-Ion	18 V	≤ 6.0 Ah	2 x 5
M18B9	Li-Ion	18 V	≤ 9.0 Ah	3 x 5
M18HB3	Li-Ion	18 V	≤ 3.0 Ah	5
M18HB4	Li-Ion	18 V	≤ 4.0 Ah	5
M18HB5.5	Li-Ion	18 V	≤ 5.5 Ah	2 x 5
M18HB8	Li-Ion	18 V	≤ 8.0 Ah	2 x 5
M18HB12	Li-Ion	18 V	≤ 12.0 Ah	3 x 5

Do not try to charge non-rechargeable batteries with this charger.

No metal parts must be allowed to enter the battery section of the charger (short circuit risk).

Never break open battery packs and chargers and store only in dry rooms. Keep dry at all times.

Do not touch the tool with conducting objects.

Never charge a damaged battery pack. Replace by a new one.

Before use check machine, cable, and plug for any damages or material fatigue. Repairs should only be carried out by authorised Service Agents.

This appliance is not intended to be used or cleaned by persons with reduced physical, sensory or mental capabilities, or lack of experience or knowledge, unless they have been given instructions concerning the safe use of the appliance by a person legally responsible for their safety. They should be supervised whilst using the appliance. Children shall not use, clean or play with this appliance, which when not in use should be secured out of their reach.

ADDITIONAL SAFETY INSTRUCTIONS

Remove the battery pack before starting any work on the appliance.

Do not dispose of used battery packs in the household refuse or by burning them. Milwaukee Distributors offer to retrieve old batteries to protect our environment.

Do not store the battery pack together with metal objects (short circuit risk).

Use only compatible Milwaukee chargers from the same battery platform for charging battery packs. Do not use battery packs from other systems.

Battery acid may leak from damaged batteries under extreme load or extreme temperatures. In case of contact with battery acid wash it off immediately with soap and

water. In case of eye contact rinse thoroughly for at least 10 minutes and immediately seek medical attention.

Warning! To reduce the risk of fire, personal injury, and product damage due to a short circuit, never immerse your tool, battery pack or charger in fluid or allow a fluid to flow inside them. Corrosive or conductive fluids, such as seawater, certain industrial chemicals, and bleach or bleach containing products, etc., can cause a short circuit.

SPECIFIED CONDITIONS OF USE

The Battery-lamp is intended to be used light independent use away from mains supply.

Additionally the charger can charge the specified Milwaukee battery packs.

Do not use this product in any other way as stated for normal use.

MAINS CONNECTION

Connect only to single-phase AC system voltage as indicated on the rating plate. It is also possible to connect to sockets without an earthing contact as the design conforms to safety class II.

Please use IP54 degree's connection at least when 250V UK plug connect to the supply.

CHARGING TIME

Battery Cat. No.	Volts	Capacity	Charging Time approx.
M18B	18 V	≤ 1.5 Ah	30 min
M18B2	18 V	≤ 2.0 Ah	40 min
M18BX	18 V	≤ 3.0 Ah	60 min
M18B4	18 V	≤ 4.0 Ah	80 min
M18B5	18 V	≤ 5.0 Ah	100 min
M18B6	18 V	≤ 6.0 Ah	120 min
M18B9	18 V	≤ 9.0 Ah	180 min
M18HB3	18 V	≤ 3.0 Ah	40 min
M18HB4	18 V	≤ 4.0 Ah	40 min
M18HB5.5	18 V	≤ 5.5 Ah	90 min
M18HB8	18 V	≤ 8.0 Ah	130 min
M18HB12	18 V	≤ 12.0 Ah	210 min

LI-ION BATTERIES

The rechargeable batteries are partially charged. The LED on the battery indicates the state of charge.

If it is not used for long periods, the rechargeable battery will switch to the non-operative state.

When fully discharged the rechargeable battery switches off automatically (depth discharge not possible).

Under extreme circumstances, the internal temperature of the battery could become too high. If this happens, the battery will shut down.

Place the battery on the charger to charge and reset it.

The state of charge can be read by pressing the button on the rechargeable battery. The battery can be left in the electric tool while the reading is taken but it must be switched off at least one minute beforehand (otherwise the display will be inaccurate). The number of LEDs illuminated indicates the state of charge. A flashing LED indicates a max. power reserve of 10%.

As a general principle, if the electric tool should fail to work after inserting the rechargeable battery, then the battery should be plugged into the charger. The displays on the battery and charger will then provide information about the condition of the battery.

In low temperatures work may continue at reduced output.

CHARGING CHARACTERISTICS

After inserting the battery into the reception of the charger the battery will automatically be charged (red control lamp is illuminated continuously)

When a hot or cold battery pack is inserted into the charger (flashing red lamp), charging will begin automatically once the battery reaches the correct charging temperature (0°C...60°C). The max. charging current is flowing when the temperature of the Li-Ion-battery is between 5°C and 40°C.

Charging time varies depending on the battery temperature, charge needed and the type of battery pack being charged.





Once the battery is fully charged, the LED on the charger changes from red to green.

Remove the battery pack from the tool for charging when convenient for you and your job. Milwaukee batteries do not develop a "memory" when charged after only a partial discharge. It is not necessary to run down the battery pack before placing it on the charger.

As a general practice, it is best to unplug battery chargers and remove batteries when not in use. No battery pack damage will occur, however, if the charger and battery pack are left plugged in.

If the LED flashes alternately red/green, then the rechargeable battery is either not fully pushed in or there is a fault with the battery or charger. Take the charger and battery out of use immediately for safety reasons and have them inspected by a Milwaukee customer service centre

LIGHT INDICATORS

	Continuous red	Charging
	Continuous green	Charging is complete
	Fast flashing red	Battery is too hot/cold - Charging will begin when battery reaches correct charging temperature
	Flashing red/green	Damaged or faulty battery pack

BATTERIES

Battery packs which have not been used for some time should be recharged before use.

Temperatures in excess of 50°C (122°F) reduce the performance of the battery pack. Avoid extended exposure to heat or sunshine (risk of overheating).

The contacts of chargers and battery packs must be kept clean.

For an optimum life-time, the battery packs have to be fully charged, after used.

To obtain the longest possible battery life remove the battery pack from the charger once it is fully charged.

For battery pack storage longer than 30 days: Store the battery pack where the temperature is below 27°C and away from moisture. Store the battery packs in a 30% - 50% charged condition. Every six months of storage, charge the pack as normal.

TRANSPORTING LITHIUM BATTERIES

Lithium-ion batteries are subject to the Dangerous Goods Legislation requirements.

Transportation of those batteries has to be done in accordance with local, national and international provisions and regulations.

- The user can transport the batteries by road without further requirements.
- Commercial transport of Lithium-Ion batteries by third parties is subject to Dangerous Goods regulations. Transport preparation and transport are exclusively to be carried out by appropriately trained persons and the process has to be accompanied by corresponding experts.

When transporting batteries:

- Ensure that battery contact terminals are protected and insulated to prevent short circuit.
- Ensure that battery pack is secured against movement within packaging.
- Do not transport batteries that are cracked or leak.

Check with forwarding company for further advice

MAINTENANCE

For type Y attachments:

If the external flexible cable or cord of this luminaire is damaged, it shall be exclusively replaced by the manufacturer or his service agent or similar qualified person in order to avoid a hazard.



Caution! Risk of electric shock.

The light source contained in this luminaire shall only be replaced by the manufacturer or his service agent or a similar qualified person.

Use only Milwaukee accessories and spare parts. Should components need to be replaced which have not been described, please contact one of our Milwaukee service agents (see our list of guarantee/service addresses).

If needed, an exploded view of the tool can be ordered. Please state the machine type printed as well as the six-digit No. on the label and order the drawing at your local service agents or directly at: Techtronic Industries GmbH, Max-Eyth-Straße 10, 71364 Winnenden, Germany.

SYMBOLS



CAUTION! WARNING! DANGER!



Please read the instructions carefully before starting the machine.



Always disconnect the plug from the socket before carrying out any work on the machine.



Remove the battery pack before starting any work on the machine.



Do not burn used battery packs.



Never charge a damaged battery pack. Replace with a new one.



Do not stare at the operating light source.



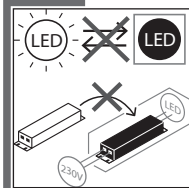
Class II tool.
Tool in which protection against electric shock does not rely on basic insulation only, but in which additional safety precautions, such as double insulation or reinforced insulation, are provided.
There being no provision for protective earthing or reliance upon installation conditions.



Do not dispose electric tools, batteries/rechargeable batteries together with household waste material.
Electric tools and batteries that have reached the end of their life must be collected separately and returned to an environmentally compatible recycling facility.
Check with your local authority or retailer for recycling advice and collection point.



Time-lag fuse 3,15 A



The light source and the control device cannot be exchanged.
This product contains a light source of energy efficiency class E.



European Conformity Mark



British Conformity Mark



Ukraine Conformity Mark



EurAsian Conformity Mark

Copyright 2021

Techtronic Industries GmbH
Max-Eyth-Str. 10
71364 Winnenden
Germany

+49 (0) 7195-12-0

www.milwaukeeetool.eu

Techtronic Industries (UK) Ltd
Fieldhouse Lane
Marlow Bucks SL7 1HZ
UK



(07.21)

4100 4704 26