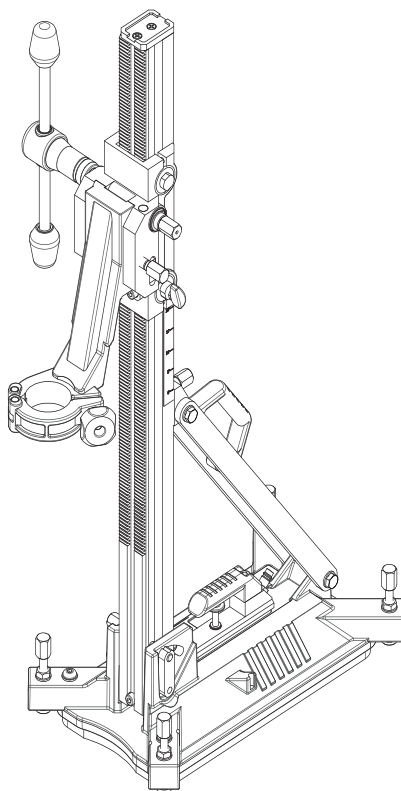


# Milwaukee®

## Nothing but **HEAVY DUTY**®



## **MXF DR255TV**

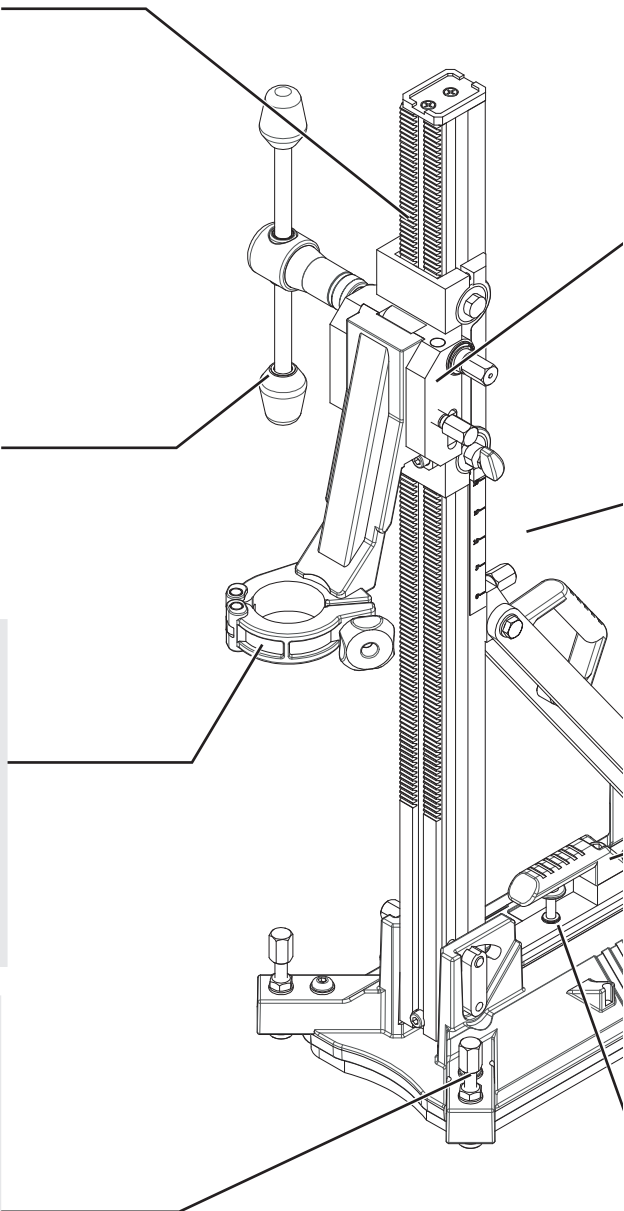
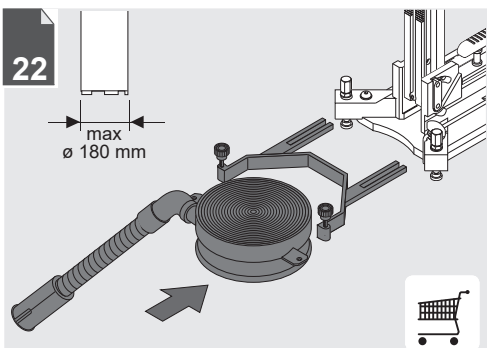
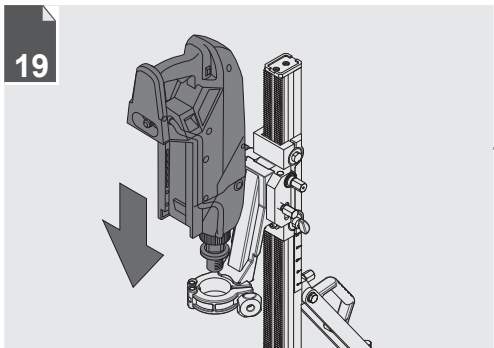
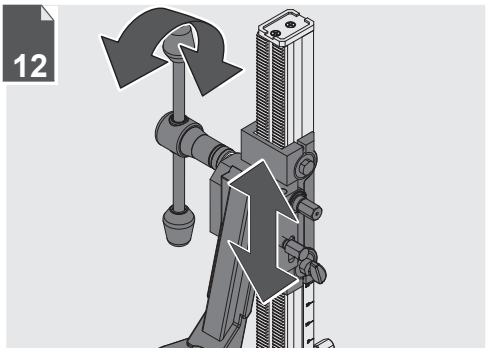
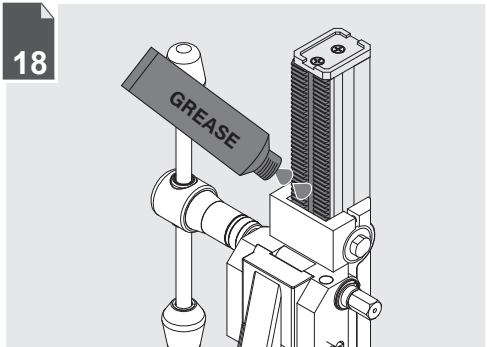
Original instructions  
Originalbetriebsanleitung  
Notice originale  
Istruzioni originali  
Manual original  
Oorspronkelijke gebruiksaanwijzing  
Original brugsanvisning  
Original bruksanvisning  
Bruksanvisning i original  
Alkuperäiset ohjeet

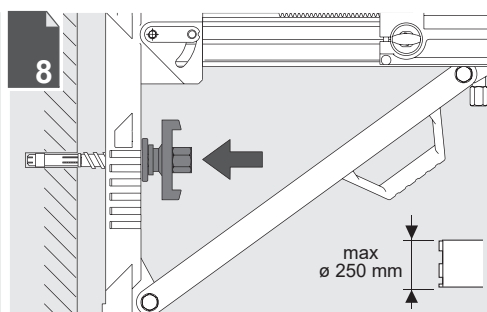
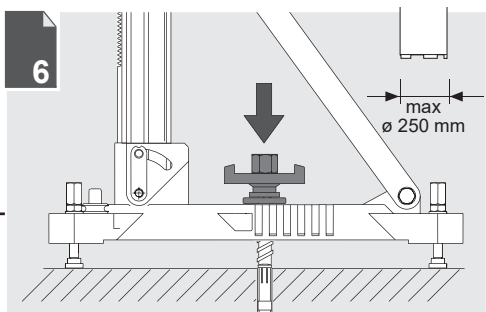
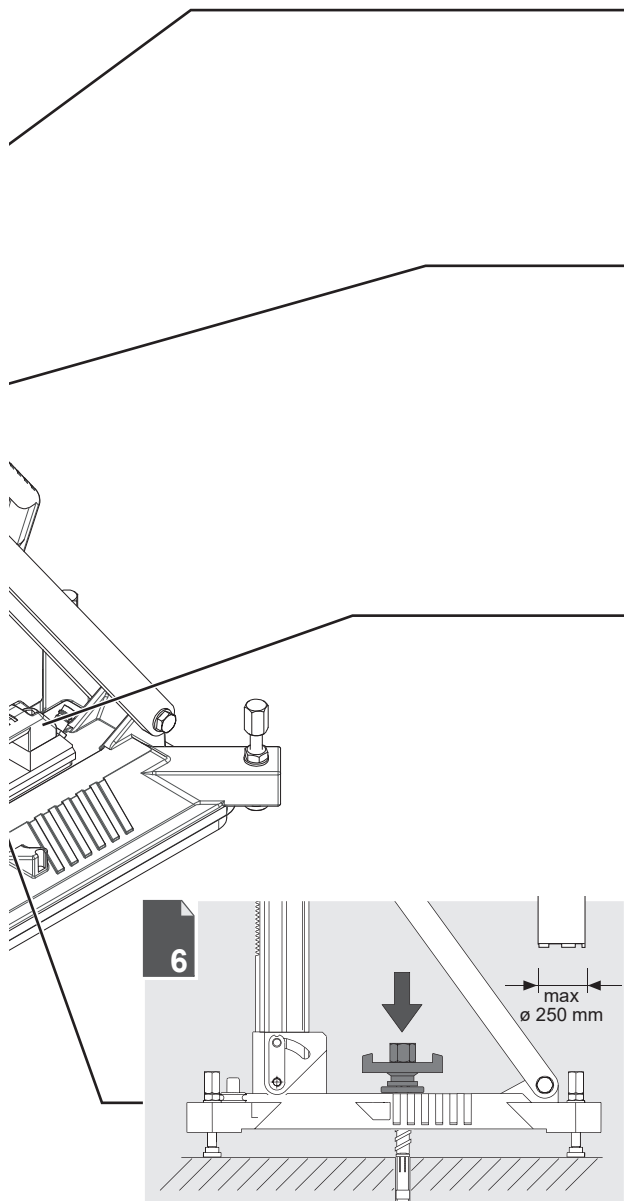
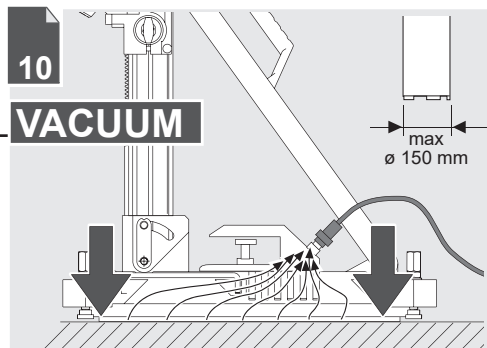
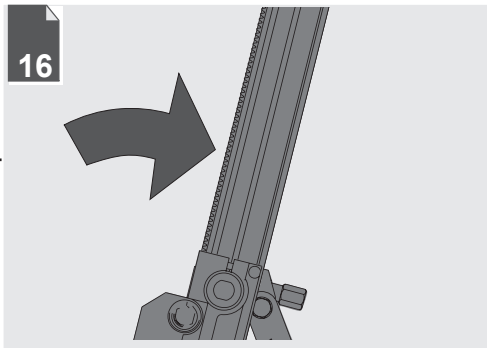
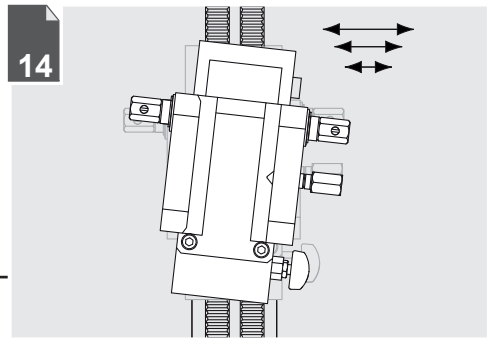
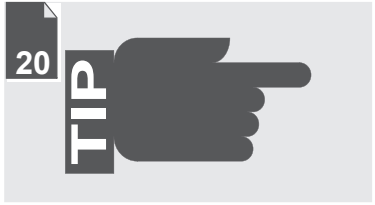
Πρωτότυπο οδηγιών χρήσης  
Orijinal işletme talimatı  
Původním návodem k používání  
Pôvodný návod na použitie  
Instrukcja oryginalną  
Eredeti használati utasítás  
Izvirna navodila  
Originalne pogonske upute  
Instrukcijām oriģinālvalodā  
Originali instrukcija

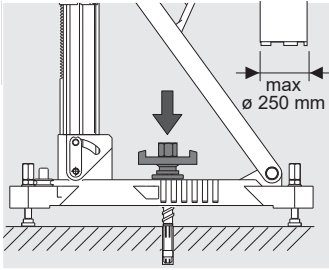
Algupärane kasutusjuhend  
Оригинальное руководство по эксплуатации  
Оригинално ръководство за експлоатация  
Instrucțiuni de folosire originale  
Оригинален прирачник за работа  
Оригінал інструкції з експлуатації  
التعليمات الأصلية

|                    |   |   |          |
|--------------------|---|---|----------|
| <b>ENGLISH</b>     |    | Picture section<br>with operating description and functional description          | <b>4</b> |
| <b>DEUTSCH</b>     |    | Bildteil<br>mit Anwendungs- und Funktionsbeschreibungen                           | <b>4</b> |
| <b>FRANÇAIS</b>    |    | Partie imagée<br>avec description des applications et des fonctions               | <b>4</b> |
| <b>ITALIANO</b>    |    | Sezione illustrata<br>con descrizione dell'applicazione e delle funzioni          | <b>4</b> |
| <b>ESPAÑOL</b>     |    | Sección de ilustraciones<br>con descripción de aplicación y descripción funcional | <b>4</b> |
| <b>PORTUGUES</b>   |    | Parte com imagens<br>explicativas contendo descrição operacional e funcional      | <b>4</b> |
| <b>NEDERLANDS</b>  |    | Beeldgedeelte<br>met toepassings- en functiebeschrijvingen                        | <b>4</b> |
| <b>DANSK</b>       |    | Billedel<br>med anvendelses- og funktionsbeskrivelser                             | <b>4</b> |
| <b>NORSK</b>       |    | Billedel<br>med bruks- og funksjonsbeskrivelse                                    | <b>4</b> |
| <b>SVENSKA</b>     |    | Bilddel<br>med användnings- och funktionsbeskrivning                              | <b>4</b> |
| <b>SUOMI</b>       |    | Kuvasivut<br>käyttö- ja toimintakuvaukset   | <b>4</b> |
| <b>ΕΛΛΗΝΙΚΑ</b>    |    | Τμήμα εικόνων<br>με περιγραφές χρήσης και λειτουργίας                             | <b>4</b> |
| <b>TÜRKÇE</b>      |    | Resim bölümü<br>Uygulama ve fonksiyon açıklamaları ile birlikte                   | <b>4</b> |
| <b>ČESKY</b>       |    | Obrazová část<br>s popisem aplikací a funkcí                                      | <b>4</b> |
| <b>SLOVENSKY</b>   |    | Obrazová část s popisom aplikácií a funkcií                                       | <b>4</b> |
| <b>POLSKI</b>      |    | Część rysunkowa z opisami zastosowania i działania                                | <b>4</b> |
| <b>MAGYAR</b>      |    | Képes részalkalmazási- és működési leírással                                      | <b>4</b> |
| <b>SLOVENSKO</b>   |   | Del slike z opisom uporabe in funkcij   | <b>4</b> |
| <b>HRVATSKI</b>    |  | Dio sa slikama opisima primjene i funkcija  | <b>4</b> |
| <b>LATVISKI</b>    |  | Attēla daļa ar lietošanas un funkciju aprakstiem                                  | <b>4</b> |
| <b>LIETUVIŠKAI</b> |  | Paveikslėlio dalis su vartojimo instrukcija ir funkcijų aprašymais                | <b>4</b> |
| <b>EESTI</b>       |  | Pildiosa kasutusjuhendi ja funktsioonide kirjeldusega                             | <b>4</b> |
| <b>РУССКИЙ</b>     |  | Раздел иллюстраций с описанием эксплуатации и функций                             | <b>4</b> |
| <b>БЪЛГАРСКИ</b>   |  | Част със снимки с описания за приложение и функции                                | <b>4</b> |
| <b>ROMÂNIA</b>     |  | Secvența de imagine cu descrierea utilizării și a funcționării                    | <b>4</b> |
| <b>МАКЕДОНСКИ</b>  |  | Дел со сликисо описи за употреба и функционирање                                  | <b>4</b> |
| <b>УКРАЇНСЬКА</b>  |  | Частина з зображеннями з описом робіт та функцій                                  | <b>4</b> |
| <b>عربي</b>        |  | قسم الصور يوجد به الوصف التشغيلي والوظيفي   | <b>4</b> |

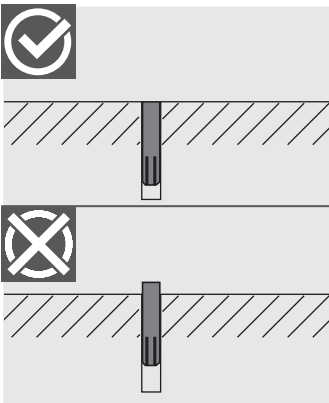
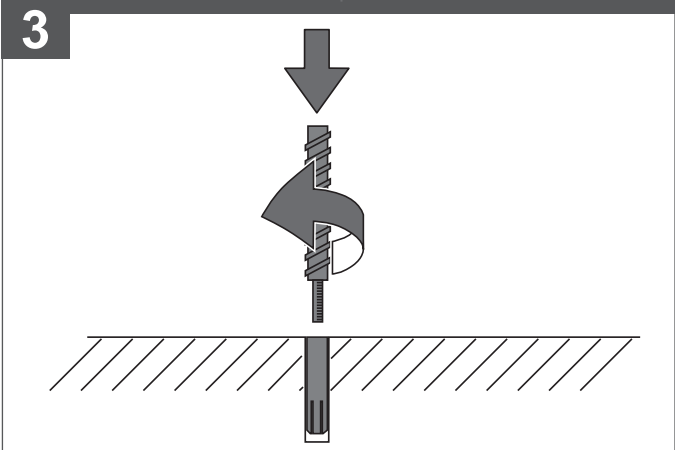
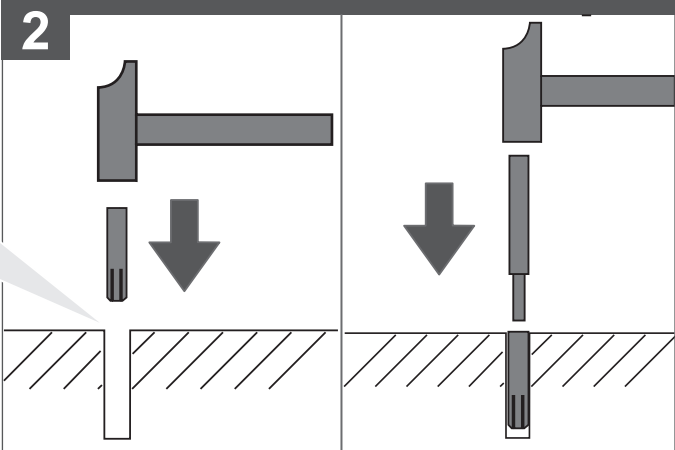
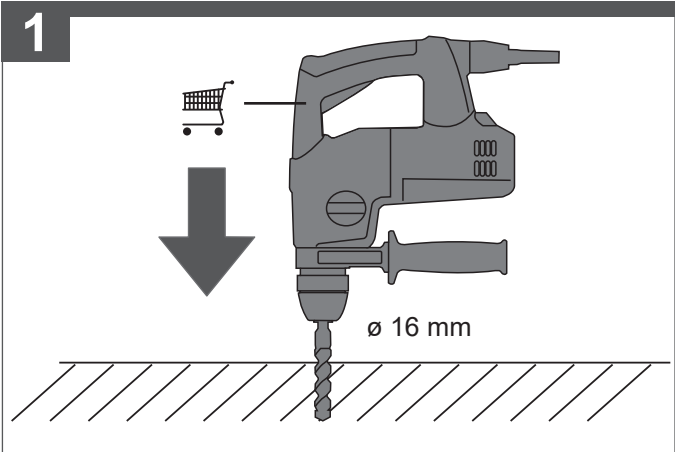
|  |    |
|--|----|
| Text section with Technical Data, important Safety and Working Hints and description of Symbols  | 26 |
| Textteil mit Technischen Daten, wichtigen Sicherheits- und Arbeitshinweisen und Erklärung der Symbole.                                       | 28 |
| Partie textuelle avec les données techniques, les consignes importantes de sécurité et de travail ainsi que l'explication des pictogrammes.  | 30 |
| Sezione testo con dati tecnici, importanti informazioni sulla sicurezza e sull'utilizzo, spiegazione dei simboli.                            | 32 |
| Sección de texto con datos técnicos, indicaciones importantes de seguridad y trabajo y explicación de los símbolos.                          | 34 |
| Parte com texto explicativo contendo Especificações técnicas, Avisos de segurança e de operação e a Descrição dos símbolos.                  | 36 |
| Tekstgedeelte met technische gegevens, belangrijke veiligheids- en arbeidsinstructies en verklaring van de symbolen.                         | 38 |
| Tekstdel med tekniske data, vigtige sikkerheds- og arbejdsanvisninger og symbolforklaring.   | 40 |
| Tekstdel med tekniske data, viktige sikkerhets- og arbeidsinstruksjoner og forklaring av symbolene.  | 42 |
| Tekstdel med tekniska informationer, viktiga säkerhets- och användningsinstruktioner samt symbolförklaringar.                                | 44 |
| Tekstisivut: tekniset tiedot, tärkeät turvallisuus- ja työskentelyohjeet sekä merkkien selitykset.   | 46 |
| Τμήμα κειμένου με τεχνικά χαρακτηριστικά, σημαντικές υποδείξεις ασφαλείας και εργασίας και εξήγηση των συμβόλων.                             | 48 |
| Teknik bilgileri, önemli güvenlik ve çalışma açıklamalarını ve de sembollerin açıklamalarını içeren metin bölümü.                            | 50 |
| Textová část s technickými daty, důležitými bezpečnostními a pracovními pokyny a s vysvětlivkami symbolů                                     | 52 |
| Textová část s technickými datami, důležitými bezpečnostními a pracovními pokyny a s vysvětlivkami symbolů                                   | 54 |
| Część opisowa z danymi technicznymi, ważnymi wskazówkami dotyczącymi bezpieczeństwa i pracy oraz objaśnieniami symboli.                      | 56 |
| Szöveges rész műszaki adatokkal, fontos biztonsági- és munkavégzési útmutatásokkal, valamint a szimbólumok magyarázata.                      | 58 |
| Del besedila s tehničnimi podatki, pomembnimi varnostnimi opozorili in delovnimi navodili in pojasnili simbolov.                             | 60 |
| Dio štiva sa tehničkim podacima, važnim sigurnosnim i radnim uputama i objašnjenjem simbola.   | 62 |
| Teksta daļa ar tehnikajiem parametriem, svarīgiem drošības un darbības norādījumiem, simbolu atšifrējumiem.                                  | 64 |
| Teksto dalis su techniniais duomenimis, svarbiomis saugumo ir darbo instrukcijomis bei simbolių paaiškinimais.                               | 66 |
| Tekstiosa tehniliste näitajate, oluliste ohutus- ja tööjuhenditega ning sümbolite kirjeldustega.   | 68 |
| Текстовый раздел, включающий технические данные, важные рекомендации по безопасности и эксплуатации, а также описание используемых символов. | 70 |
| Част с текст с технически данни, важни указания за безопасност и работа и разяснение на символите.   | 72 |
| Porțiune de text cu date tehnice, indicații importante privind siguranța și modul de lucru și descrierea simbolurilor.                       | 74 |
| Текстуален дел со Технички карактеристики, важни безбедносни и работни упатства и објаснување на симболите.                                  | 76 |
| Текстова частина з техничними даними, важливими вказівками з техніки безпеки та експлуатації і поясненням символів.                          | 78 |
| القسم النصي المزود بالبيانات الفنية والنصائح الهامة للسلامة والعمل ووصف الرموز   | 83 |



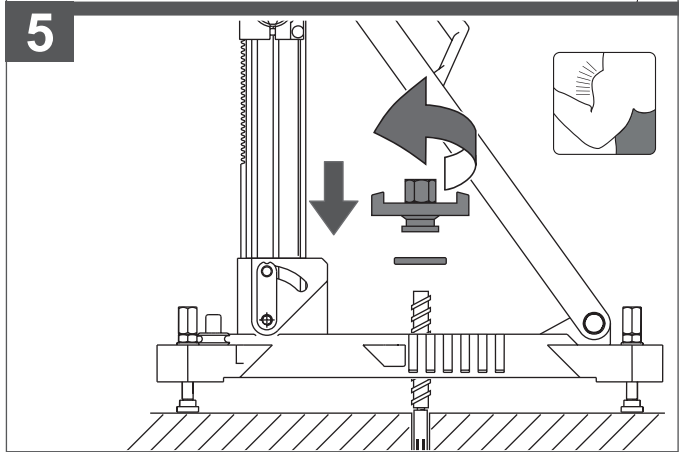
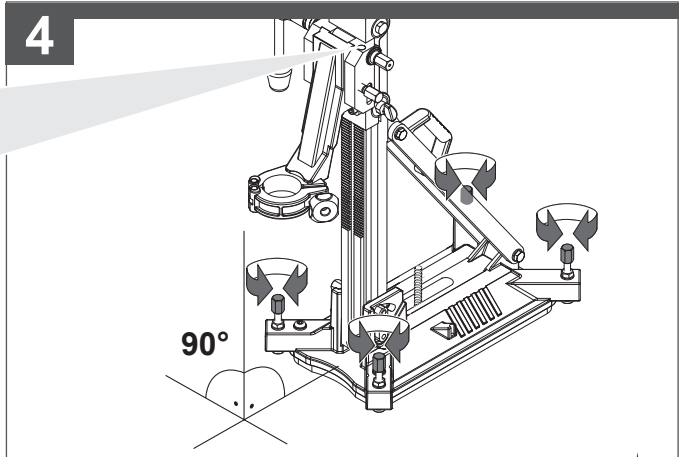
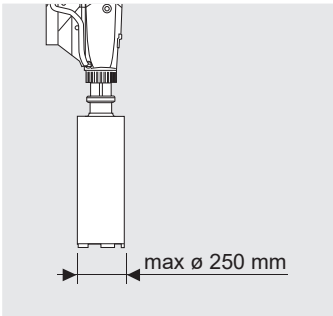
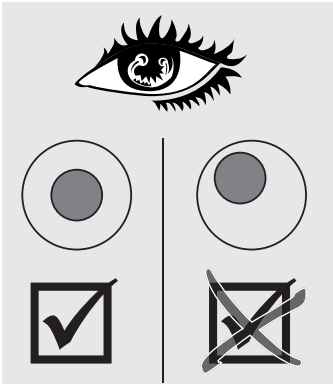


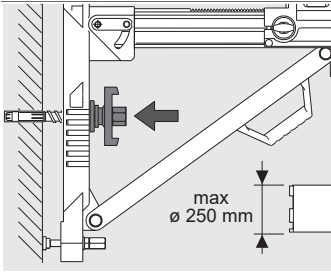


Clean the drill hole!  
 Bohrlloch reinigen!  
 Nettoyer le trou de perçage.  
 Pulire il foro di perforazione!  
 ¡Limpiar el agujero taladrado!  
 Limpe o furo!  
 Reinig het boorgat!  
 Rengør borehullet!  
 Rengjør borehullet!  
 Rengöra borrhålet!  
 Puhdistá poranreikä!  
 Καθαρίστε την οπή διάτρησης!  
 Matkap deliğini temizleyiniz!  
 Vyčistíte vyvrtaný otvor!  
 Vyčistite vyvrtaný otvor!  
 Wyczyścić wywiercony otwór!  
 Tisztítsa ki a furatot!  
 Očistite izvrtino!  
 Buşotinu očistiti!  
 Izīriet urbuma atveri!  
 Išvalyti išgręžtą skylę!  
 Puhastada puruava!  
 Высверленное отверстие очистит!  
 Почистете пробивния отвор!  
 Curățați gaura forată!  
 Исчистете ја дупката од дупчењето!  
 Прочистіть висвердлений отвір!  
 نظف الثقب!

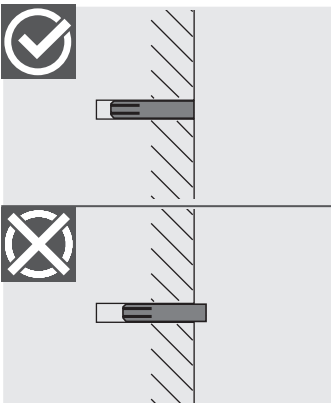
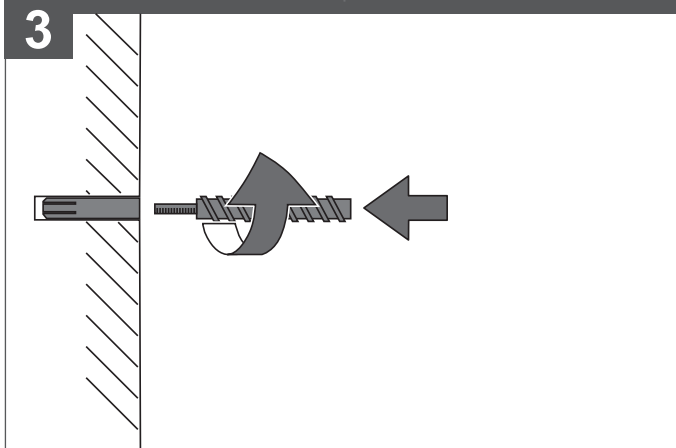
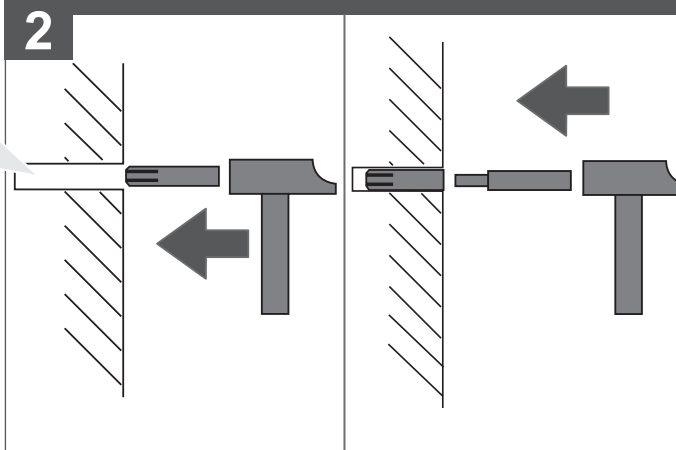
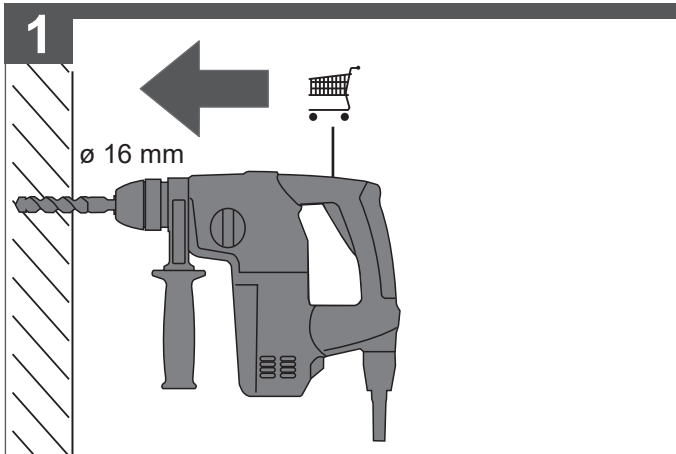


**6**

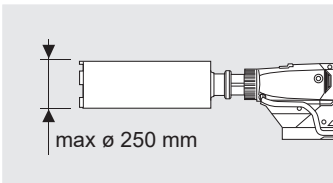
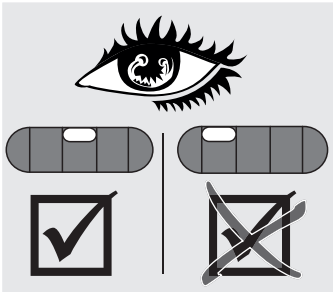
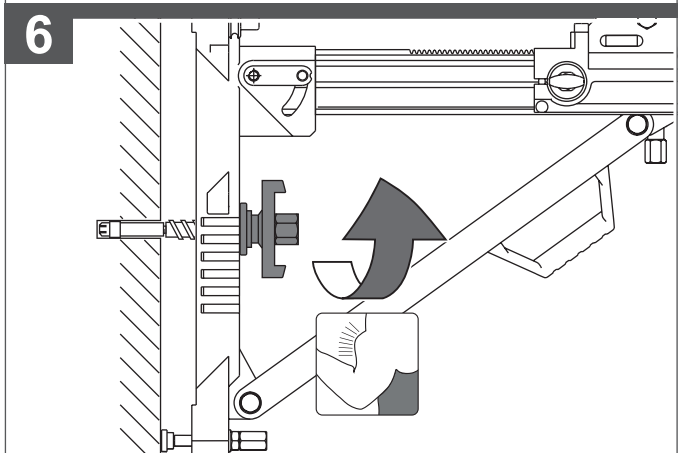
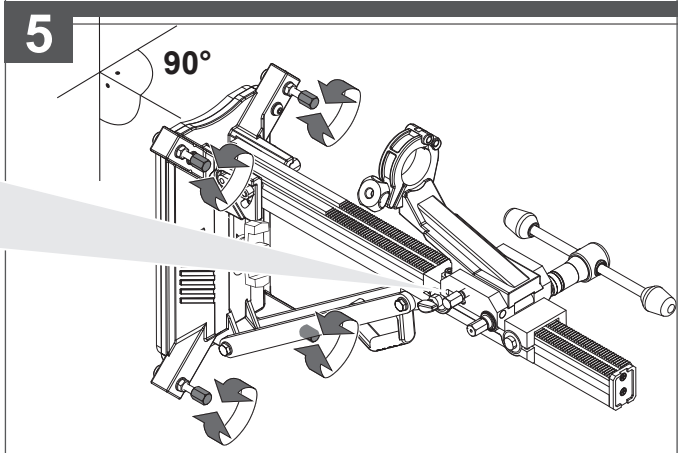
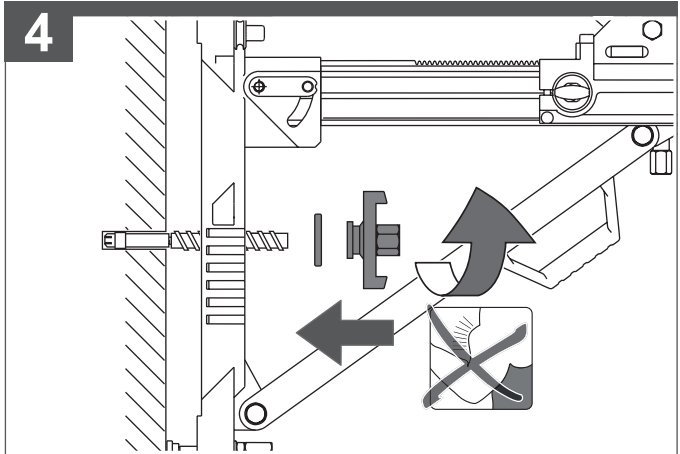


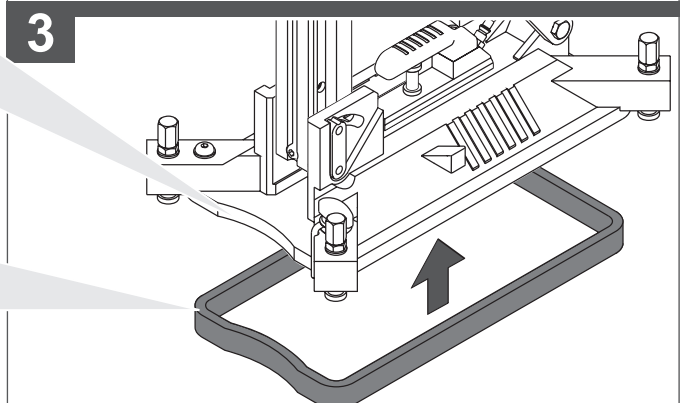
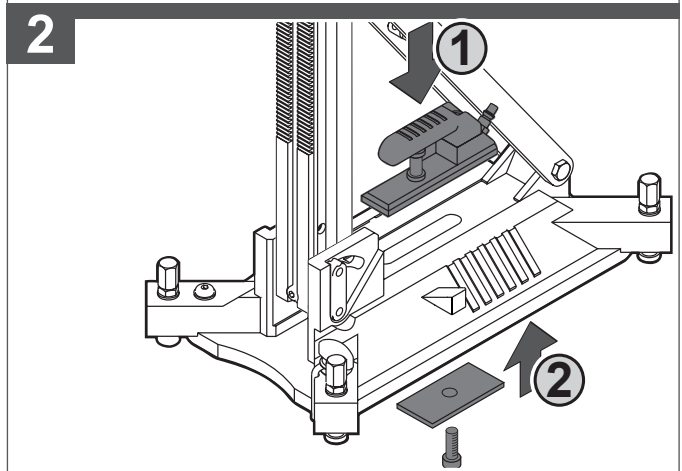
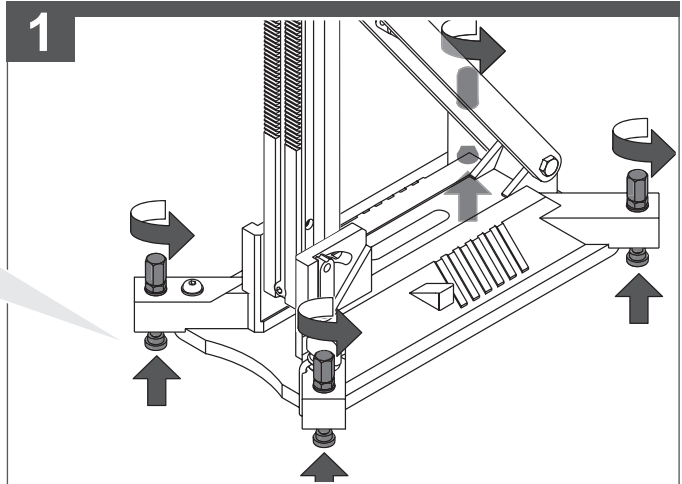
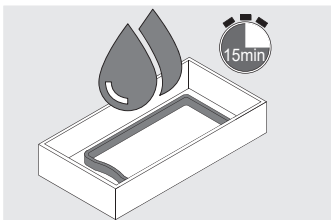
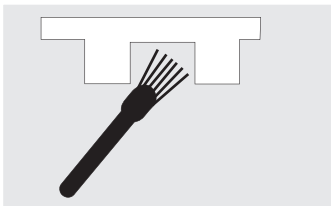
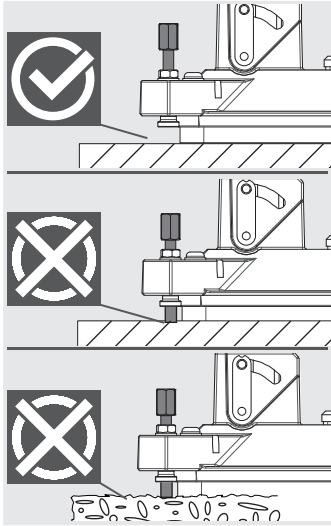
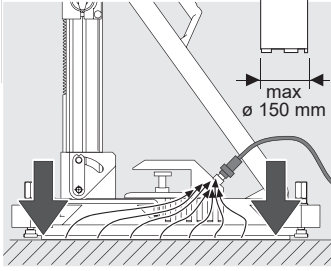


Clean the drill hole!  
 Bohrloch reinigen!  
 Nettoyer le trou de perçage.  
 Pulire il foro di perforazione!  
 ¡Limpiar el agujero taladrado!  
 Limpe o furo!  
 Reiniq het boorgat!  
 Rengør borehullet!  
 Rengjør borehullet!  
 Rengöra borrhålet!  
 Puhdista poranreikä!  
 Καθαρίστε την οπή διάτρησης!  
 Matkap deliğini temizleyiniz!  
 Vyčistěte vyvrtaný otvor!  
 Vyčistite vyvrtaný otvor!  
 Wyczyścić wywiercony otwór!  
 Tisztítsa ki a furatot!  
 Očistite izvrtino!  
 Bušotinu očistiti!  
 Izlīriet urbuma atveri!  
 Išvalyti išgręžtą skylę!  
 Puhastada puruava!  
 Высверленное отверстие очистит!  
 Почистете пробивния отвор!  
 Curățați gaura forată!  
 Исчистете ја дупката од дупчењето!  
 Прочистіть висвердлений отвір!  
 نظف الثقب!

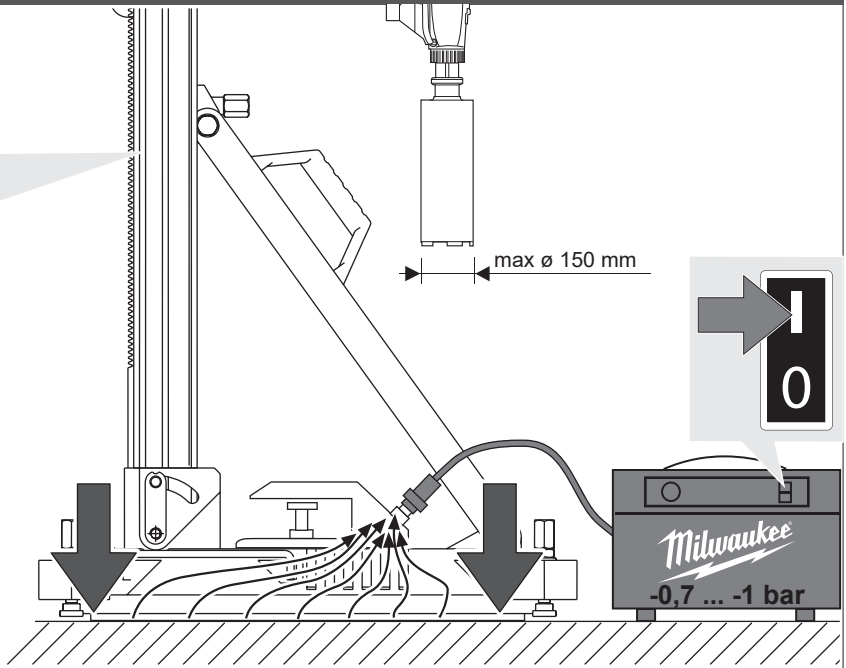
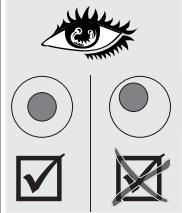




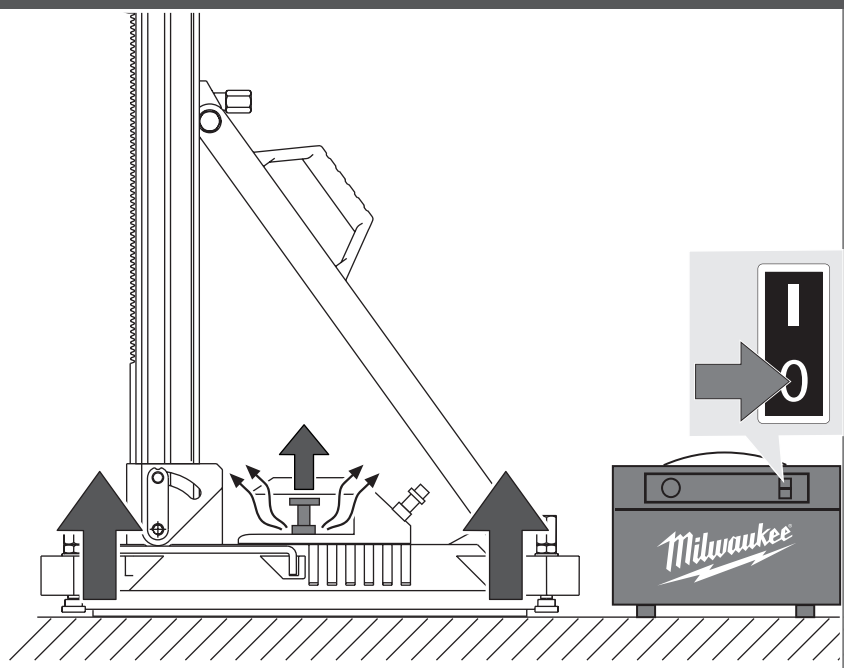




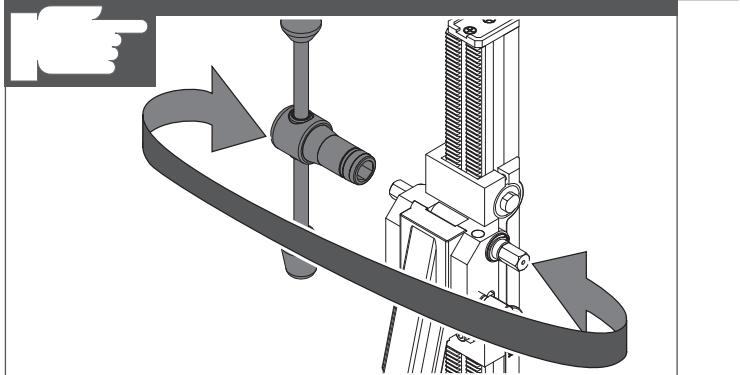
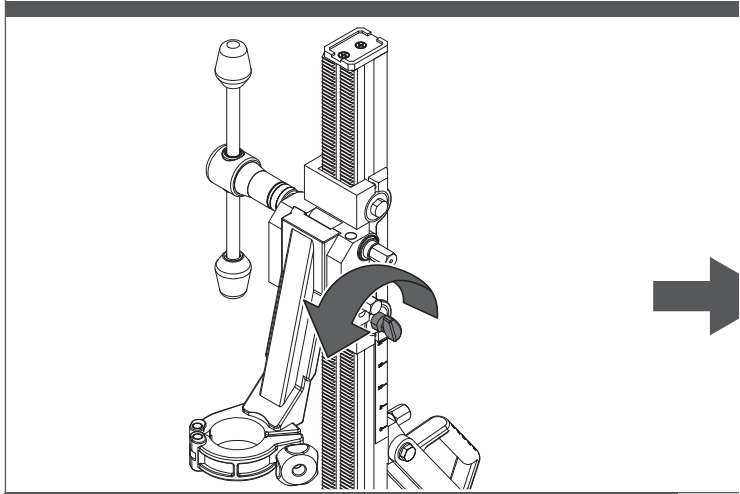
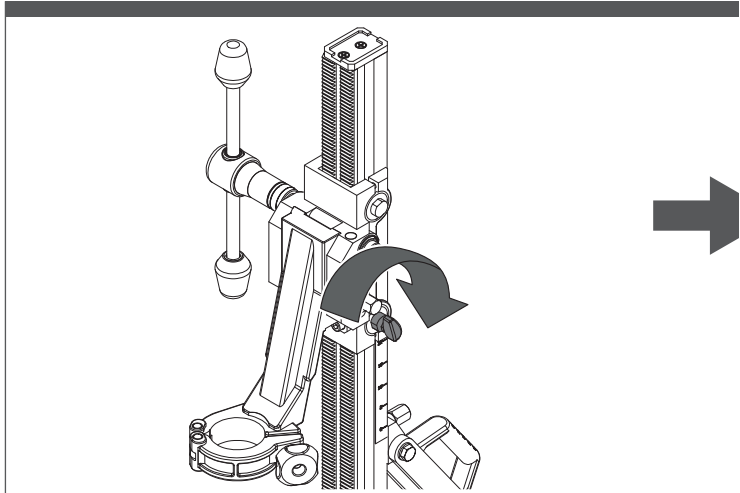
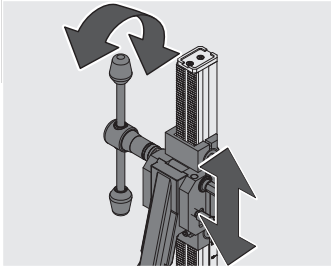
4

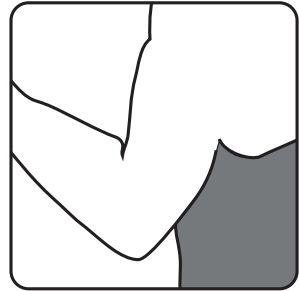
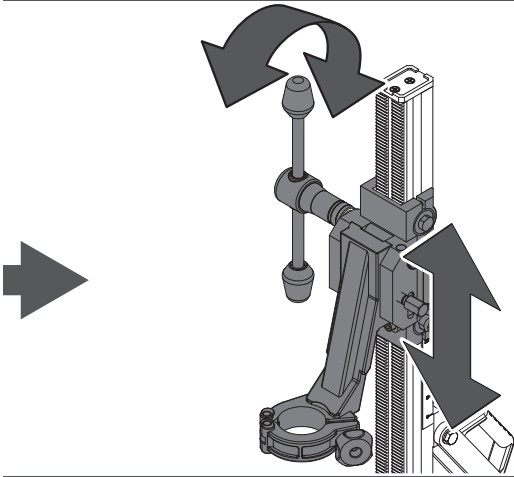
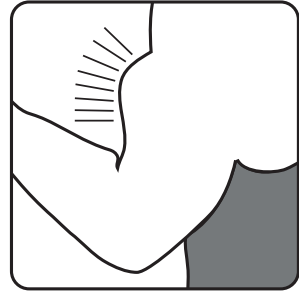
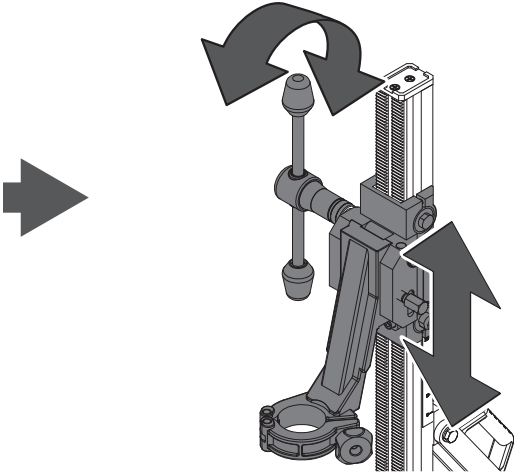


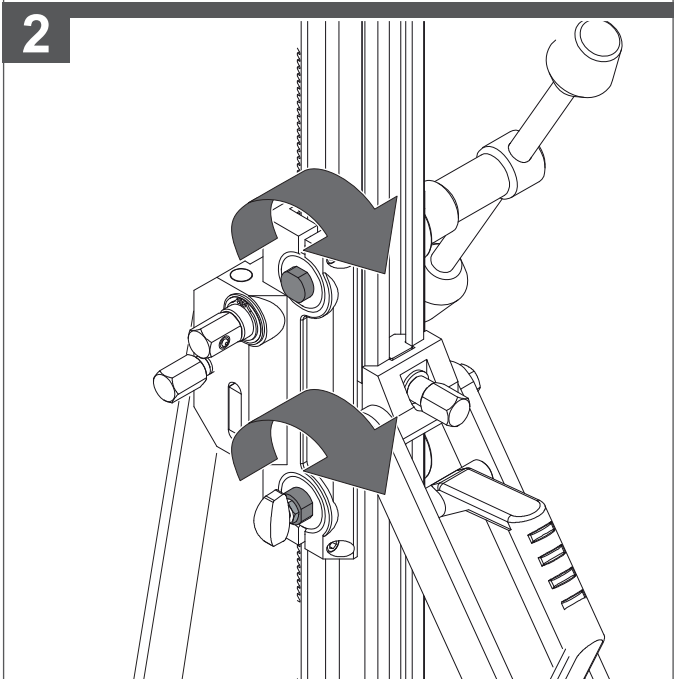
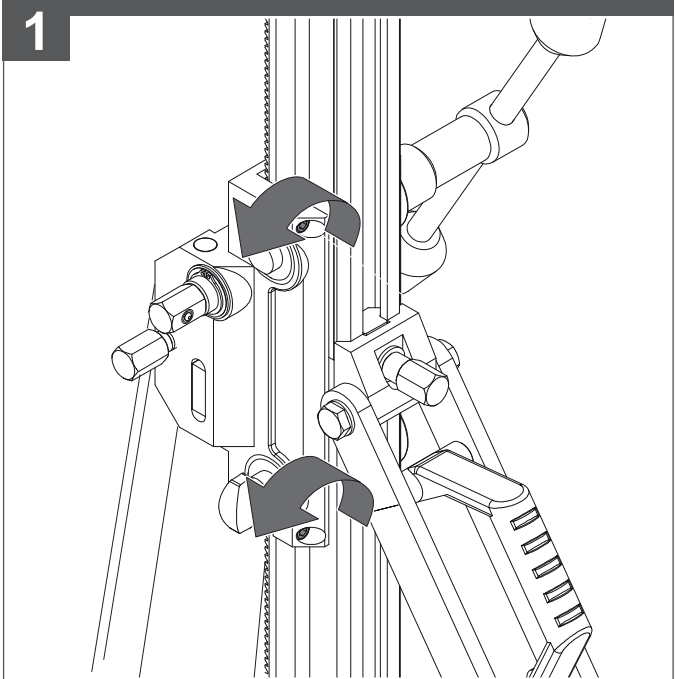
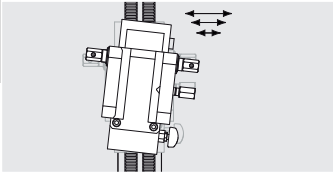
5

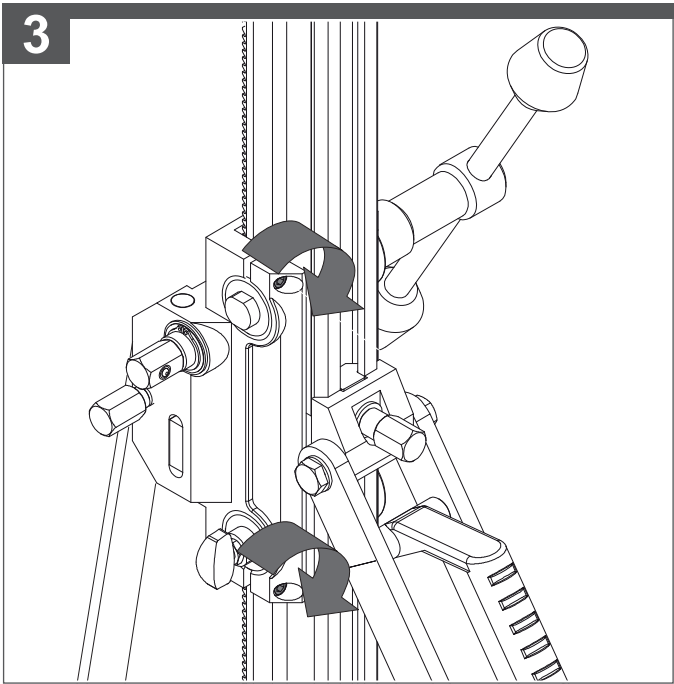


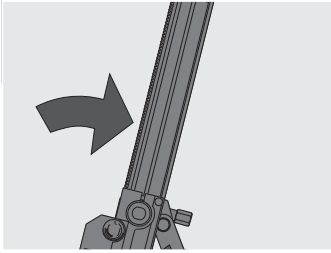
11



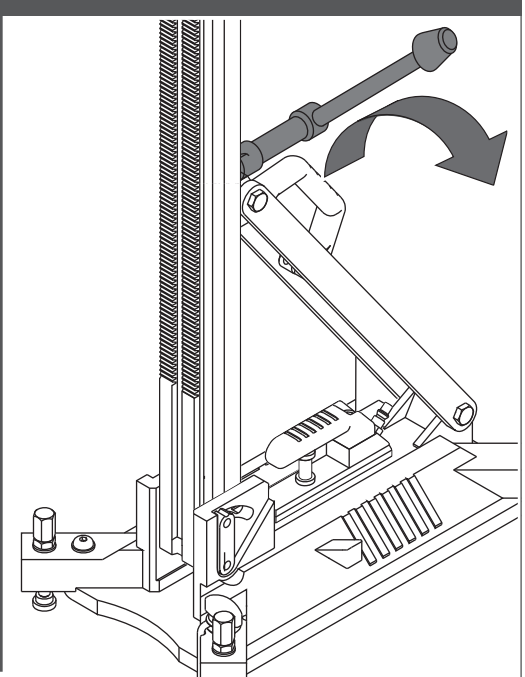
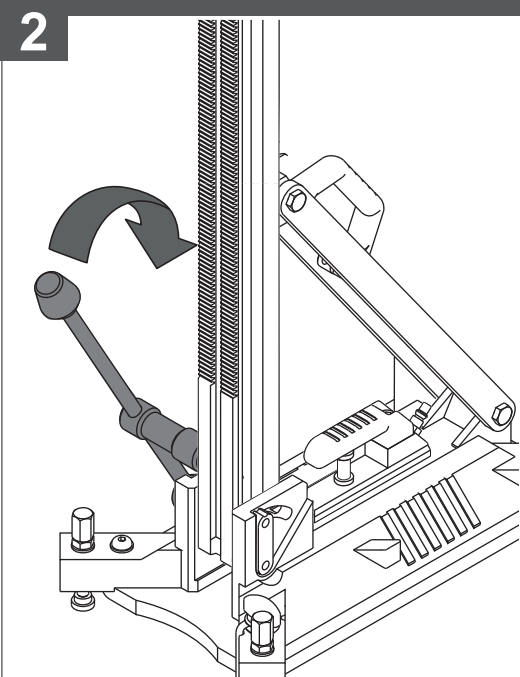
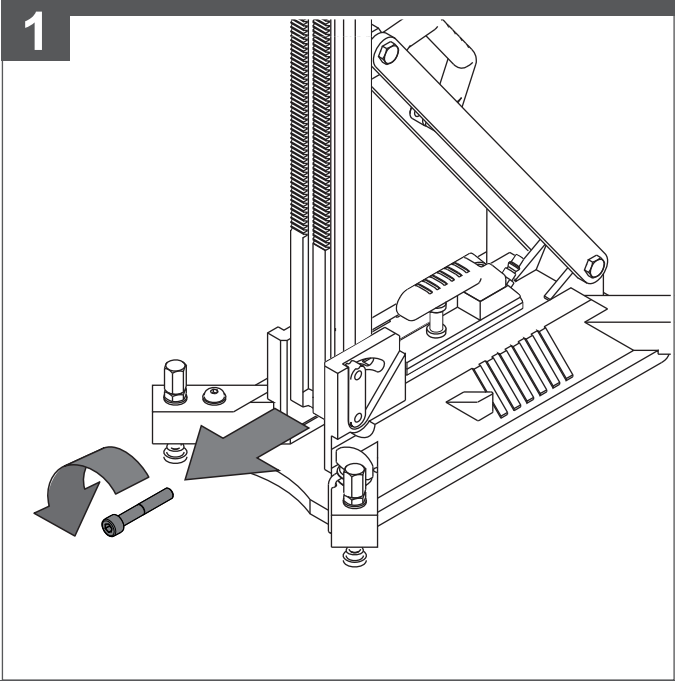




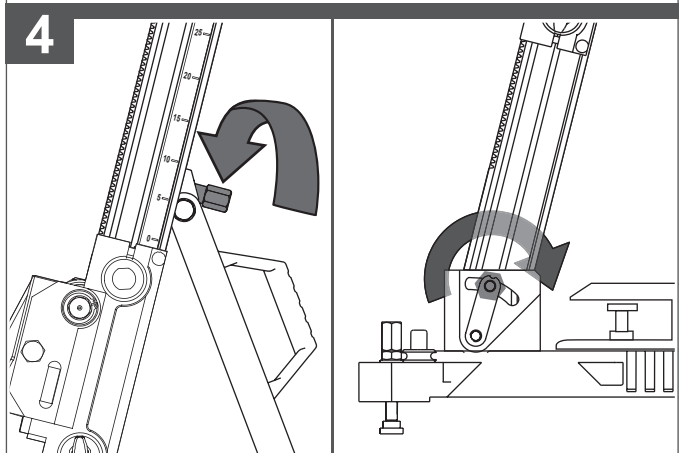
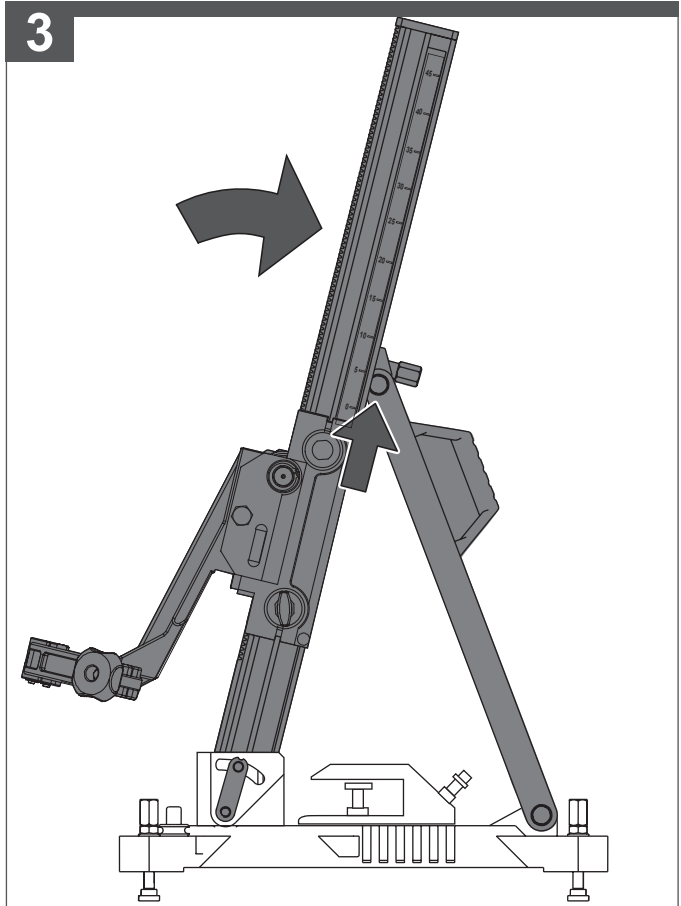
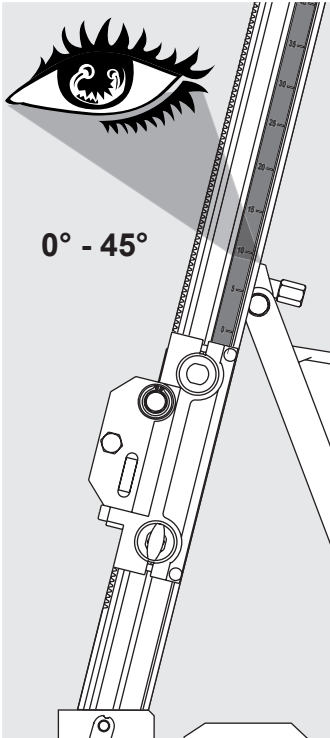


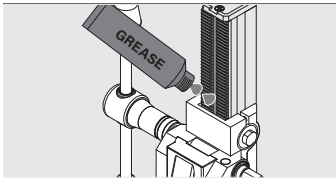


1

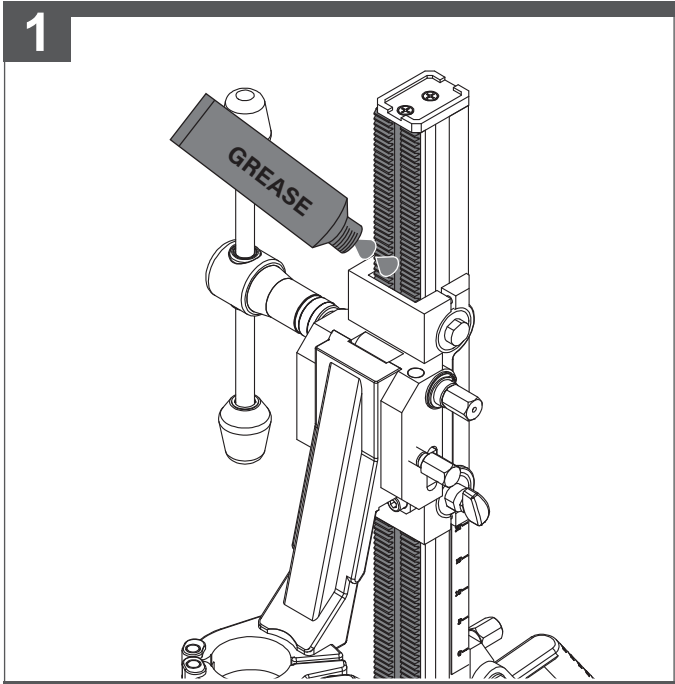




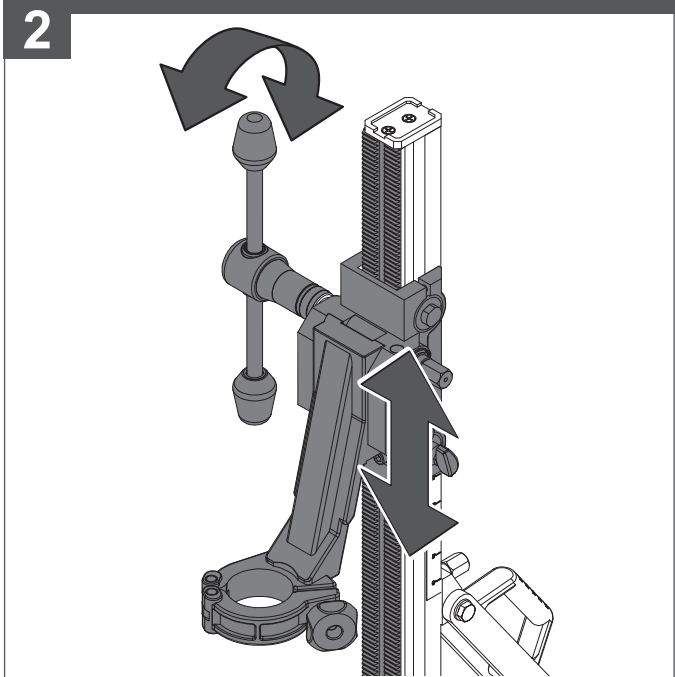


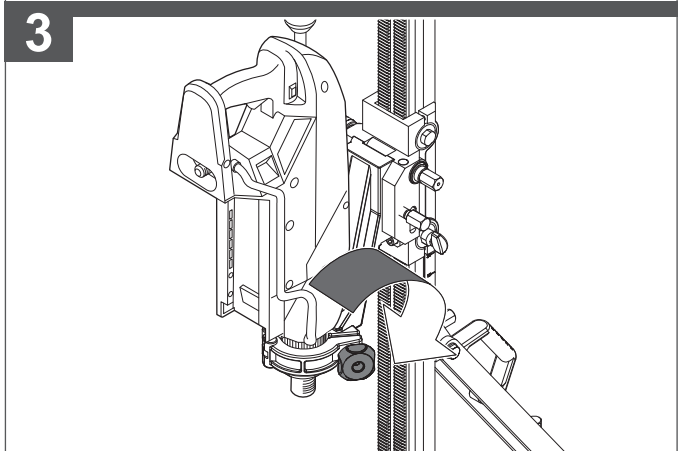
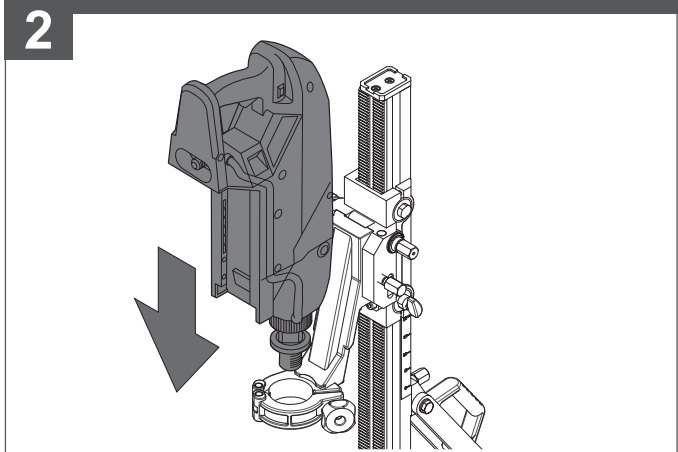
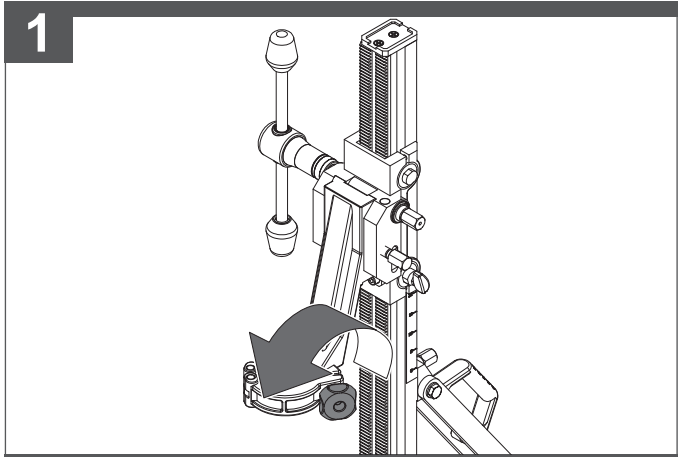
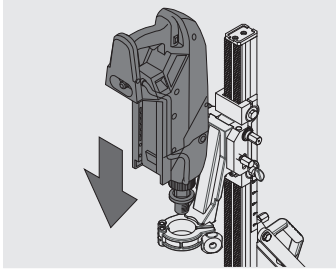


1

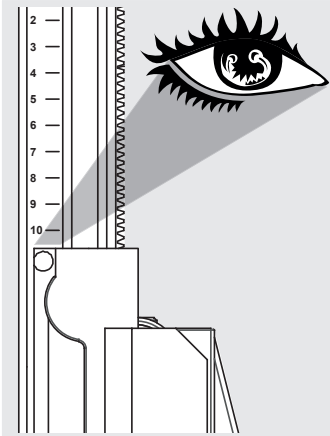


2

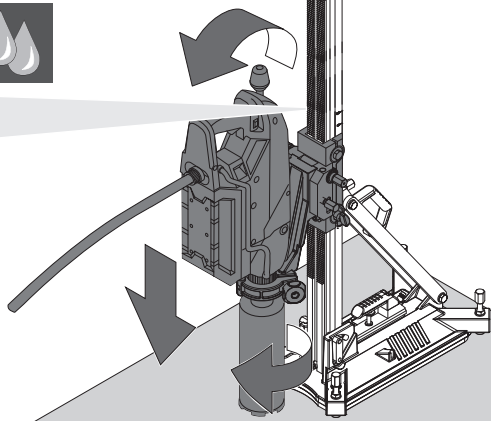




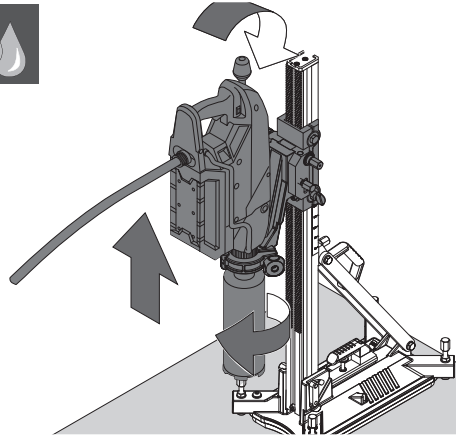




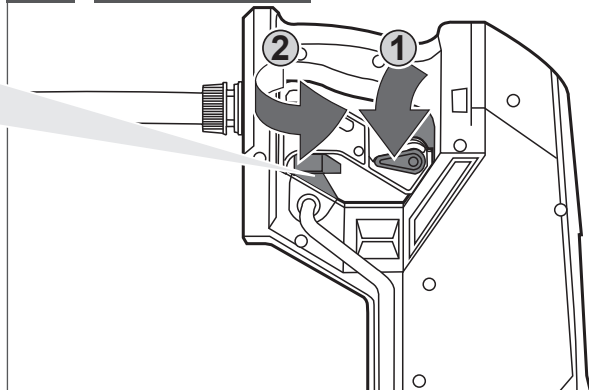
4

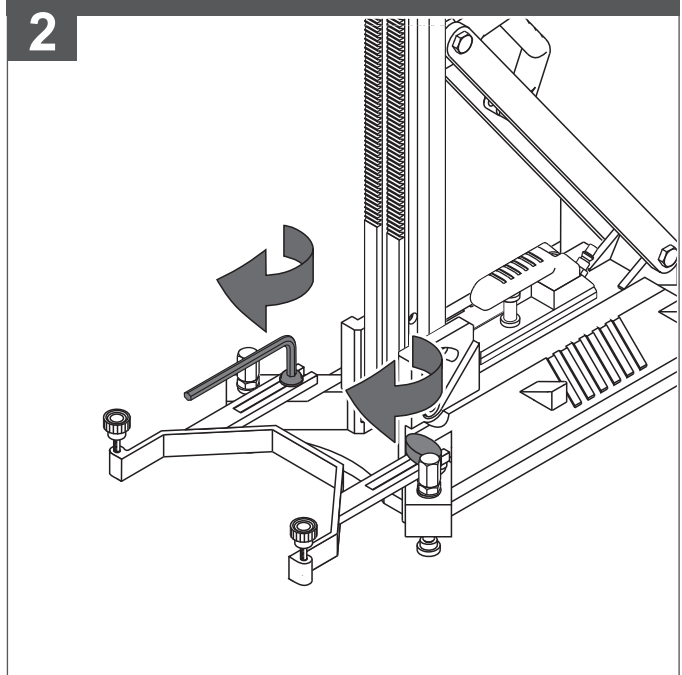
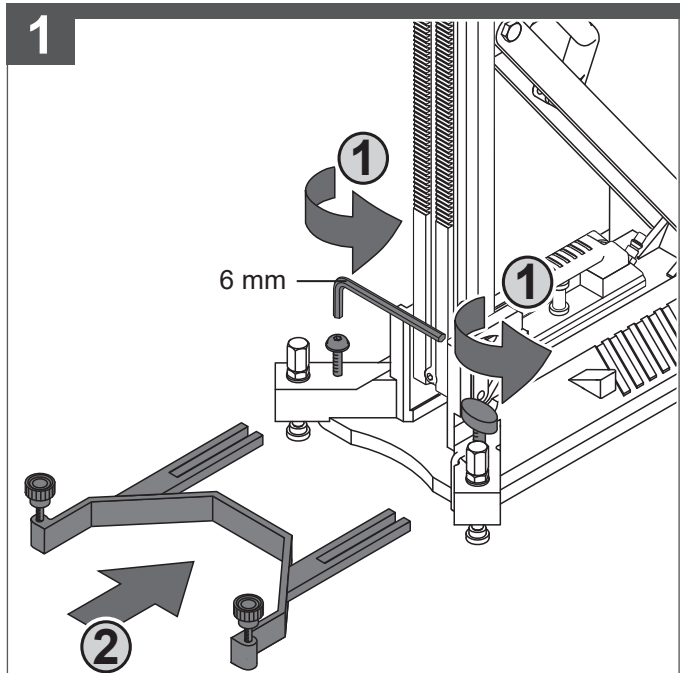
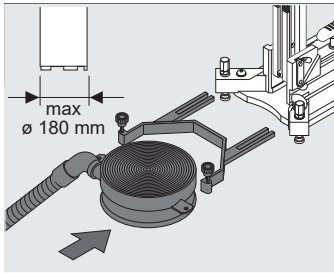


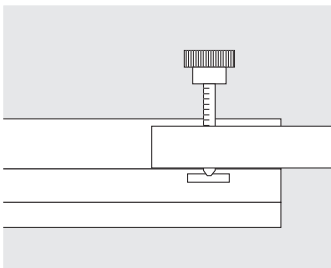
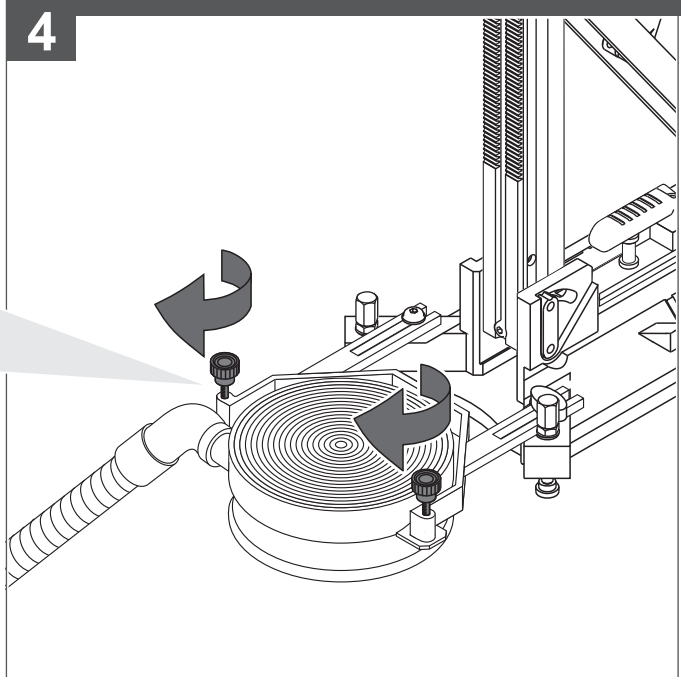
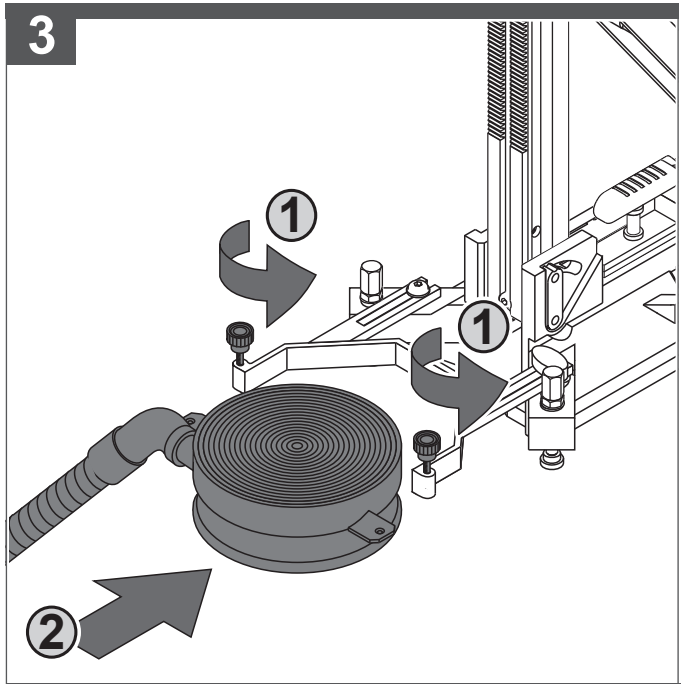
5

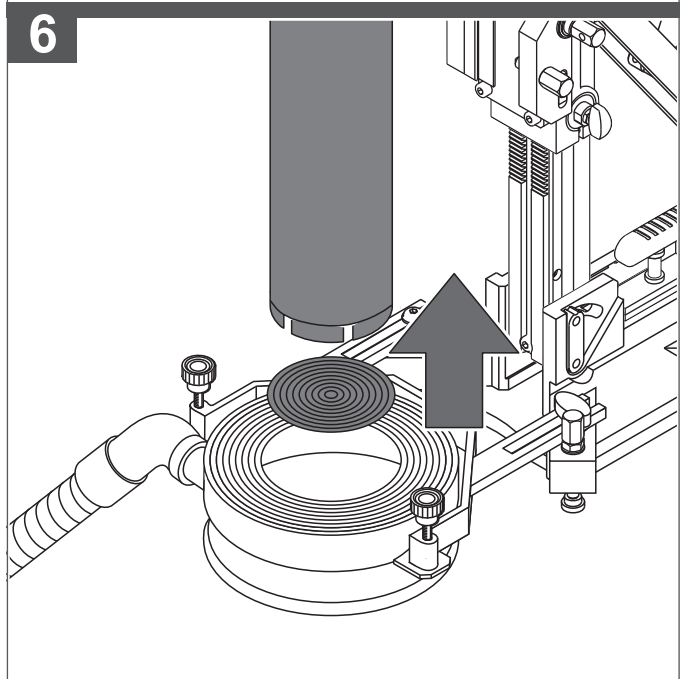
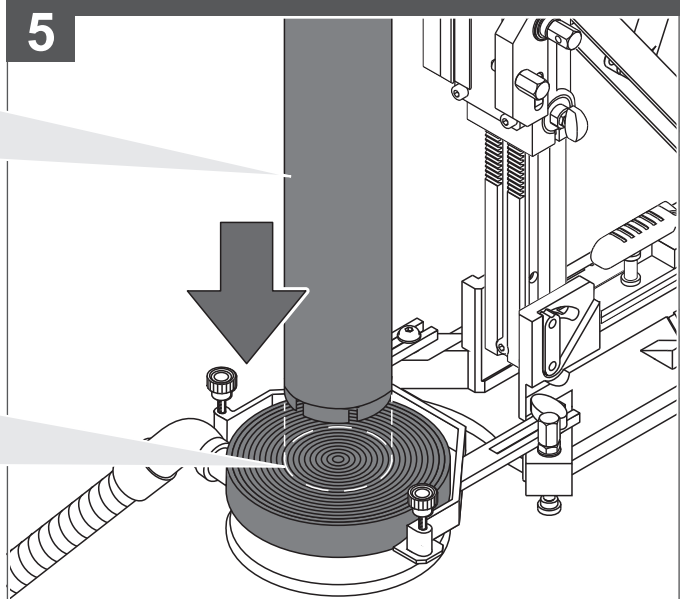
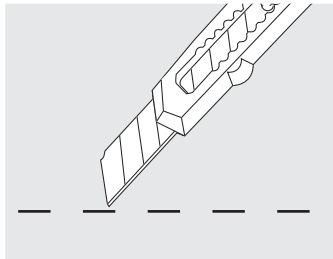
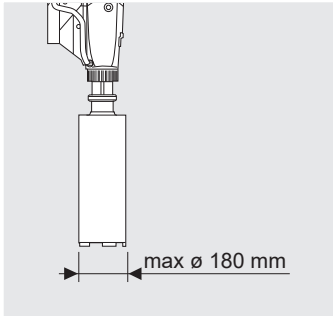


6 STOP

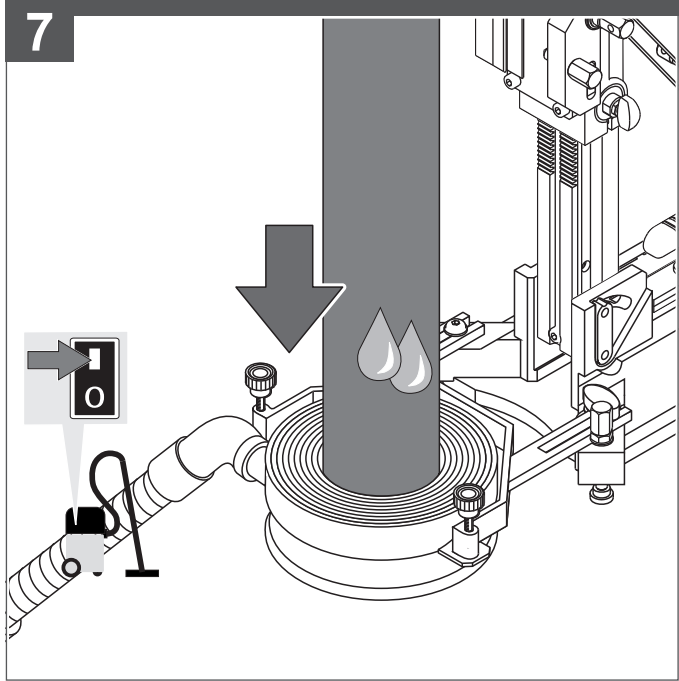
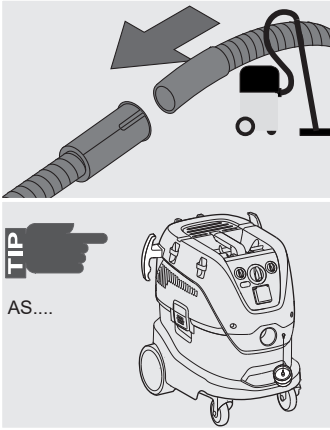












|  |                |
|--|----------------|
| Usable Column length .....                   | 617 mm         |
| Bevel.....                                   | 0-45 °         |
| Drilling capacity max.....                   | 250 mm         |
| Length/Width/Height.....                     | 465/275/975 mm |
| Weight according EPTA-Procedure 01/2014..... | 13,2 kg        |

**⚠ WARNING** Read all safety warnings, instructions, illustrations and specifications provided with this power tool. Failure to follow all instructions listed below may result in electric shock, fire and/or serious injury. **Save all warnings and instructions for future reference.**

### ⚠ DIAMOND DRILL SAFETY WARNINGS

When performing drilling that requires the use of water, route the water away from the operator's work area or use a liquid collection device. Such precautionary measures keep the operator's work dry and reduce the risk of electrical shock.

Operate power tool by insulated grasping surfaces, when performing an operation where the cutting accessory may contact hidden wiring or its own cord. Cutting accessory contacting a "live" wire may make exposed metal parts of the power tool "live" and could give the operator an electric shock.

Wear hearing protection when diamond drilling. Exposure to noise can cause hearing loss.

When the bit is jammed, stop the applying downward pressure and turn off the tool. Investigate and take corrective actions to eliminate the cause of the bit jamming.

When restarting a diamond drill in the workpiece check that the bit rotates freely before starting. If the bit is jammed, it may not start, may overload the tool, or may cause the diamond drill to release from the workpiece.

When securing the drill stand with anchors and fasteners to the workpiece, ensure that the anchoring used is capable of holding and restraining the machine during use. If the workpiece is weak or porous, the anchor may pull out causing the drill stand to release from the workpiece.

When securing the drill stand with a vacuum pad to the workpiece, install the pad on a smooth, clean, non-porous surface. Do not secure to laminated surfaces such as tiles and composite coating. If the workpiece is not smooth, flat or well affixed, the pad may pull away from the workpiece.

Ensure there is sufficient vacuum before and during drilling. If the vacuum is insufficient, the pad may release from the workpiece.

Never perform drilling with the machine secured by the vacuum pad only, except when drilling downwards. If the vacuum is lost, the pad will release from the workpiece.

When drilling through walls or ceilings, ensure to protect persons and the work area on the other side. The bit may extend through the hole or the core may fall out on the other side.

Do not use this tool for overhead drilling with water supply. Water entering the power tool will increase the risk of electric shock.

### ADDITIONAL SAFETY AND WORKING INSTRUCTIONS

When coring through floors, cores generally drop from the bit. Provide proper protection for people and property below the coring area.

Use protective equipment. Always wear safety glasses when working with the machine. The use of protective clothing is recommended, such as dust mask, protective gloves, sturdy non-slip footwear, helmet and ear defenders.

The dust produced when using this tool may be harmful to health. Do not inhale the dust. Wear a suitable dust protection mask.

Do not machine any materials that present a danger to health (e.g. asbestos).

Switch the device off immediately if the insertion tool stalls! Do not switch the device on again while the insertion tool is stalled, as doing so could trigger a sudden recoil with a high reactive force. Determine why the insertion tool stalled and rectify this, paying heed to the safety instructions.

The possible causes may be:

- it is tilted in the workpiece to be machined
- it has pierced through the material to be machined
- the power tool is overloaded

Do not reach into the machine while it is running.

The insertion tool may become hot during use.

- when changing tools
- when setting the device down

Chips and splinters must not be removed while the machine is running.

When working in walls ceiling, or floor, take care to avoid electric cables and gas or waterpipes.

### SPECIFIED CONDITIONS OF USE

The diamond drill stand is intended for use with Milwaukee diamond drills. It must be attached to the floor or wall by means of vacuum or anchors.

Do not use this product in any other way as stated for normal use.

### EC-DECLARATION OF CONFORMITY

We declare under our sole responsibility that the product described under "Technical Data" fulfills all the relevant provisions of the directives 2006/42/EC and the following harmonized standards have been used:

EN 62841-1:2015  
EN 62841-3-6:2015

Winnenden, 2020-01-03



Alexander Krug  
Managing Director



Authorized to compile the technical file

Techtronic Industries GmbH  
Max-Eyth-Straße 10  
71364 Winnenden  
Germany

### OPERATION WITH A VACUUM PUMP.

The substrate under the drill stand has to be clean, firm, smooth, dry, and not have any holes in it. The use on plaster or masonry is not possible.

In case of malfunction, stop the work immediately and remove the drill stand completely.

In case of a malfunction, the vacuum only remains for a short period of time. The retention force depends on the substrate and seal.

Additionally secure the drill stand against falling, e.g. with rope or suitable supports.

## WATER CONNECTION

Core drilling requires the application of water. Supply an adequate water flow!





An adequate supply of water must flow freely and constantly during the entire cut. This Coring Motor are equipped with a built-in water passage to allow water to flow down the inside and up around the outside of the bit. This acts to cool the bit and flush cuttings from the hole.

## MAINTENANCE

Use only Milwaukee accessories and spare parts. Should components need to be replaced which have not been described, please contact one of our Milwaukee service agents (see our list of guarantee/service addresses).

If needed, an exploded view of the tool can be ordered. Please state the Article No. as well as the machine type printed on the label and order the drawing at your local service agents or directly at: Techtronic Industries GmbH, Max-Eyth-Straße 10, 71364 Winnenden, Germany.

## SYMBOLS

|   |  |
|---|--|
|    | CAUTION! WARNING! DANGER!  |
|    | Remove the battery pack before starting any work on the machine.   |
|    | Please read the instructions carefully before starting the machine.  |
|    | Wear gloves!   |
|   | Wear ear protectors!   |
|  | Always wear goggles when using the machine.  |
|  | Wear a protective helmet.  |
|  | Accessory - Not included in standard equipment, available as an accessory.   |
|  | Do not dispose electric tools, batteries/rechargeable batteries together with household waste material.<br>Electric tools and batteries that have reached the end of their life must be collected separately and returned to an environmentally compatible recycling facility.<br>Check with your local authority or retailer for recycling advice and collection point. |
|  | European Conformity Mark   |



Ukraine Conformity Mark

EurAsian Conformity Mark

|   |                |
|---|----------------|
| Nutzbare Säulenlänge.....               | 617 mm         |
| Neigung.....                            | 0-45 °         |
| Bohr-ø max.....                         | 250 mm         |
| Länge/Breite/Höhe.....                  | 465/275/975 mm |
| Gewicht nach EPTA-Prozedur 01/2014..... | 13,2 kg        |

**⚠ WARNUNG!** Lesen Sie alle Sicherheitshinweise, Anweisungen, Darstellungen und Spezifikationen für dieses Elektrowerkzeug. Versäumnisse bei der Einhaltung der nachstehenden Anweisungen können elektrischen Schlag, Brand und/oder schwere Verletzungen verursachen.  
**Bewahren Sie alle Sicherheitshinweise und Anweisungen für die Zukunft auf.**

### ⚠ SICHERHEITSHINWEISE FÜR DIAMANTBOHRMASCHINE

**Wenn beim Bohrvorgang Wasser benötigt wird, den Wasserzuluß vom Arbeitsbereich des Bedieners fernhalten oder einen geeigneten Ablauf vorsehen.** Durch diese Vorsichtsmaßnahmen bleibt der Arbeitsbereich trocken, um die Stromschlaggefahr zu reduzieren.

**Bei Bohrarbeiten, bei denen der Bohreinsatz mit verdeckten stromführenden Leitungen oder mit dem eigenen Stromkabel in Berührung kommen könnte, das Elektrowerkzeug immer an den isolierten Griffflächen anfassen.** Bei Kontakt mit einem stromführenden Kabel kann auch der Bohraufsatz des Werkzeugs stromführend werden und dem Bediener einen Stromschlag versetzen.

**Beim Bohren mit Diamantbohrern immer einen Gehörschutz tragen.** Die Lärmbelastung kann zu Hörschäden führen.

**Wenn der Bohreinsatz blockiert, keinen Druck auf den Bohrer ausüben und das Gerät ausschalten.** Ermitteln und beheben Sie die Ursache für das Blockieren des Bohreinsatzes.

**Vor dem erneuten Ansetzen eines Diamantbohrers an einem Werkstück prüfen, ob der Bohreinsatz frei dreht.** Wenn der Bohreinsatz blockiert ist, startet er möglicherweise nicht oder es kommt zu einer Überlastung des Werkzeugs. Außerdem kann der Diamantbohrer in diesem Fall vom Werkstück abrutschen.

**Beim Befestigen des Bohrständers am Werkstück ist sicherzustellen, dass die Verankerung die Maschine während des Bohrvorgangs halten kann.** Bei dünnen oder porösen Werkstücken kann sich die Verankerung lösen und der Bohrständer kann vom Werkstück abrutschen.

**Beim Sichern des Bohrständers mit einem Saugheber am Werkstück, den Saugheber immer auf einer glatten, sauberen und nicht porösen Oberfläche aufsetzen.** Nicht auf beschichteten Oberflächen, wie Fliesen oder Verbundwerkstoffen, anbringen. Wenn das Werkstück nicht glatt, eben oder gut befestigt ist, kann der Saugheber vom Werkstück abrutschen.

**Sicherstellen, dass vor und während des Bohrvorgangs ein ausreichender Unterdruck besteht.** Bei nicht ausreichendem Unterdruck kann der Saugheber vom Werkstück abrutschen.

**Keine Bohrungen durchführen, wenn die Maschine nur durch den Saugheber gesichert ist. Ausgenommen sind Bohrungen nach unten.** Bei fehlendem Unterdruck rutscht der Saugheber vom Werkstück ab.

**Beim Durchbohren von Wänden oder Decken sicherstellen, dass Personen und Arbeitsbereich auf der anderen Seite geschützt sind.** Der Bohreinsatz könnte auf der anderen Seite austreten oder der Bohrkern herausfallen.

**Das Werkzeug nicht für Überkopparbeiten mit Wasserkühlung verwenden.** Wenn Wasser in das

Elektrowerkzeug eindringt, erhöht sich das Stromschlagrisiko.

### WEITERE SICHERHEITS- UND ARBEITSHINWEISE

Bei Kernbohrungen durch Fußböden fällt der Bohrkern normalerweise aus dem Bohreinsatz. Sorgen Sie für einen ausreichenden Schutz der Personen und Räume unter dem Bohrbereich.

Schutzausrüstung verwenden. Beim Arbeiten mit der Maschine stets Schutzbrille tragen. Schutzkleidung wie Staubschutzmaske, Schutzhandschuhe, festes und rutschsicheres Schuhwerk, Helm und Gehörschutz werden empfohlen.

Beim Arbeiten entstehender Staub ist oft gesundheitsschädlich und sollte nicht in den Körper gelangen. Geeignete Staubschutzmaske tragen.

Es dürfen keine Materialien bearbeitet werden, von denen eine Gesundheitsgefährdung ausgeht (z.B. Asbest).

Beim Blockieren des Einsatzwerkzeuges bitte das Gerät sofort ausschalten! Schalten Sie das Gerät nicht wieder ein, solange das Einsatzwerkzeug blockiert ist; hierbei könnte ein Rückschlag mit hohem Reaktionsmoment entstehen. Ermitteln und beheben Sie die Ursache für die Blockierung des Einsatzwerkzeuges unter Berücksichtigung der Sicherheitshinweise.

Mögliche Ursachen dafür können sein:

- Verkanten im zu bearbeitenden Werkstück
- Durchbrechen des zu bearbeitenden Materials
- Überlasten des Elektrowerkzeuges

Greifen Sie nicht in die laufende Maschine.

Das Einsatzwerkzeug kann während der Anwendung heiß werden.

- bei Werkzeugwechsel
- bei Ablegen des Gerätes

Späne oder Splitter dürfen bei laufender Maschine nicht entfernt werden.

Beim Arbeiten in Wand, Decke oder Fußboden auf elektrische Kabel, Gas- und Wasserleitungen achten.

### BESTIMMUNGSGEMÄSSE VERWENDUNG

Der Diamantbohrständer ist zur Aufnahme von Milwaukee-Diamantbohrmaschinen bestimmt. Er muss mit Hilfe von Dübel am Boden oder an der Wand angebracht werden.

Dieses Gerät darf nur wie angegeben bestimmungsgemäß verwendet werden.

## CE-KONFORMITÄTSERKLÄRUNG

Wir erklären in alleiniger Verantwortung, dass das unter „Technische Daten“ beschriebene Produkt mit alle relevanten Vorschriften der Richtlinie 2006/42/EG und den folgenden harmonisierten normativen Dokumenten übereinstimmt:

EN 62841-1:2015  
EN 62841-3-6:2015

Winnenden, 2020-01-03

Alexander Krug  
Managing Director



Bevollmächtigt die technischen Unterlagen zusammenzustellen.

Techtronic Industries GmbH  
Max-Eyth-Straße 10  
71364 Winnenden  
Germany

## BETRIEB MIT VAKUUMPUMPE

**Der Untergrund unter dem Bohrständer muss sauber, fest, glatt, trocken und frei von Löchern sein.** Der Einsatz auf Putz oder Mauerwerk ist nicht möglich.

**Unterbrechen Sie bei einer Betriebsstörung sofort die Arbeit und nehmen Sie den Bohrständer ganz ab.**

**Bei einer Betriebsstörung bleibt das Vakuum nur für kurze Zeit erhalten.** Die Haltekraft ist untergrund- und dichtungsabhängig.

**Sichern Sie den Bohrständer zusätzlich gegen Herabfallen, z.B. mit einem Seil oder durch geeignetes Abstützen.**

## WASSERANSCHLUSS

Bei Kernlochbohrungen muss Wasser verwendet werden. Sorgen Sie für einen ausreichenden Wasserzufluss!

Es muss immer ein ausreichender Wasserzufluss zum Bohrloch gewährleistet sein. Der Kernbohrmotor ist mit einem Durchflusssystem ausgestattet, in dem das Wasser durch die Bohrspitze in das Bohrloch und von dort entlang des Bohreinsatzes zurückgeleitet wird. Das Wasser dient zum Kühlen der Bohrstelle und zum Herausspülen der Bohrrückstände.

## WARTUNG

Nur Milwaukee Zubehör und Milwaukee Ersatzteile verwenden. Bauteile, deren Austausch nicht beschrieben wurde, bei einer Milwaukee Kundendienststelle auswechseln lassen (Broschüre Garantie/Kundendienstadressen beachten).

Bei Bedarf kann eine Explosionszeichnung des Gerätes unter Angabe der Maschinen Type und der sechsstelligen Nummer auf dem Leistungsschild bei Ihrer Kundendienststelle oder direkt bei Techtronic Industries GmbH, Max-Eyth-Straße 10, 71364 Winnenden, Germany angefordert werden.

## SYMBOLE



ACHTUNG! WARNUNG! GEFAHR!



Vor allen Arbeiten an der Maschine den Wechselakku herausnehmen



Bitte lesen Sie die Gebrauchsanweisung vor Inbetriebnahme sorgfältig durch.



Schutzhandschuhe tragen!



Gehörschutz tragen!



Beim Arbeiten mit der Maschine stets Schutzbrille tragen.



Schutzhelm tragen.



Zubehör - Im Lieferumfang nicht enthalten, empfohlene Ergänzung aus dem Zubehörprogramm.



Elektrogeräte, Batterien/Akkus dürfen nicht zusammen mit dem Hausmüll entsorgt werden. Elektrische Geräte und Akkus sind getrennt zu sammeln und zur umweltgerechten Entsorgung bei einem Verwertungsbetrieb abzugeben. Erkundigen Sie sich bei den örtlichen Behörden oder bei Ihrem Fachhändler nach Recyclinghöfen und Sammelstellen.



Europäisches Konformitätszeichen



Ukrainisches Konformitätszeichen



Euroasiatisches Konformitätszeichen

|   |                |
|---|----------------|
| Longueur de la colonne.....               | 617 mm         |
| Inclinaison.....                          | 0-45 °         |
| Ø max. de perçage.....                    | 250 mm         |
| Longueur/Largeur/Hauteur.....             | 465/275/975 mm |
| Poids suivant EPTA-Procedure 01/2014..... | 13,2 kg        |

**⚠ AVERTISSEMENT!** Lire tous les avertissements de sécurité, les instructions opérationnelles, les illustrations et les spécifications fournies avec cet outil électrique. La non observance des instructions mentionnées ci-dessous peut causer des chocs électriques, des incendies ou de graves blessures. **Bien garder tous les avertissements et instructions.**

### ⚠ CONSIGNES DE SÉCURITÉ POUR CAROTTEUSE DIAMANT

Lorsque le processus de forage requiert d'utiliser de l'eau, maintenir l'arrivée d'eau éloignée de la zone de travail de l'opérateur ou prévoir un dispositif adapté pour la récupération des liquides. Ces mesures de précaution permettent de maintenir la zone de travail sèche pour réduire le risque d'électrocution.

En cas de travaux de forage où le foret peut entrer en contact avec des câbles sous tension non visibles ou avec son propre câble, toujours saisir l'outil électrique par les surfaces de préhension isolées. En cas de contact avec un câble sous tension, le foret de l'outil peut lui aussi être conducteur et électrocuter l'opérateur.

En cas de perçage avec un équipement de carottage au diamant, toujours porter une protection auditive. L'exposition au bruit peut provoquer des lésions auditives.

Si le foret est bloqué, n'exercer aucune pression dessus et arrêter l'appareil. Établir et remédier à la cause du blocage.

Avant de redémarrer une foreuse au diamant sur une pièce à usiner, vérifier que le foret tourne librement. Si le foret est bloqué, il est possible qu'il ne démarre pas, ou il peut provoquer une surcharge de l'outil. De plus, la foreuse au diamant risque de glisser de la pièce à usiner.

Lors de la fixation du bâti sur la pièce à usiner, s'assurer que l'ancre peut maintenir la machine pendant le processus de forage. Si la pièce à usiner est fine ou poreuse, l'ancre peut se desserrer, et le bâti peut alors glisser de la pièce à usiner.

Lors de la fixation du bâti sur la pièce à usiner au moyen d'une ventouse de levage, toujours appliquer la ventouse de levage sur une surface lisse, propre et non poreuse. Ne pas appliquer sur des surfaces revêtues comme le carrelage ou les matériaux composites. Si la pièce à usiner n'est pas lisse, plate ou bien fixée, la ventouse de levage peut glisser de la pièce à usiner.

S'assurer que le vide généré soit suffisant avant et pendant le processus de forage. Si le vide est insuffisant, la ventouse de levage peut glisser de la pièce à usiner.

N'effectuer aucun perçage lorsque la machine est fixée uniquement au moyen de la ventouse de levage, sauf si le perçage se fait vers le bas. En absence de vide, la ventouse de levage glisse de la pièce à usiner.

En cas de perçage de murs ou de plafonds, s'assurer de protéger les personnes et la zone de travail se trouvant de l'autre côté. Le foret peut sortir du trou ou la carotte tomber de l'autre côté du trou.

Ne pas utiliser l'outil pour effectuer des travaux au-dessus de la tête avec refroidissement par eau. Si de l'eau pénètre dans l'outil électrique, cela augmente le risque d'électrocution.

### AVIS COMPLÉMENTAIRES DE SÉCURITÉ ET DE TRAVAIL

Lors de carottage au travers de sols, les carottes tombent normalement du foret. Prévoir une protection appropriée pour les personnes ou les matériels au-dessous de la zone de perforation.

Utiliser l'équipement de protection. Toujours porter des lunettes de protection pendant le travail avec la machine. Il est recommandé de porter des articles de protection, tels que masque antipoussière, gants de protection, chaussures tenant bien aux pieds et antidérapantes, casque et protection acoustique.

Les poussières qui sont dégagées pendant les travaux sont souvent nocives pour la santé et ne devraient pas pénétrer dans le corps. Porter un masque de protection approprié contre les poussières.

Il est interdit de travailler des matériaux dangereux pour la santé (par ex. amiante).

Désactiver immédiatement le dispositif en cas de blocage ! Ne pas réactiver le dispositif avec l'outil bloqué; il y a le risque de provoquer un contrecoup avec moment de réaction élevé. Établir et éliminer la cause du blocage de l'outil en prêtant attention aux consignes de sécurité.

Les causes possibles sont :

- Encastrement dans la pièce à travailler.
- Le dispositif a traversé le matériau à travailler en le cassant.
- Le dispositif électrique a été surchargé.

Ne pas approcher les mains de la partie en mouvement de la machine.

Durant l'utilisation, l'outil peut se surchauffer.

- durant le remplacement de l'outil
- durant la dépose de l'outil

Ne jamais enlever les copeaux ni les éclats lorsque la machine est en marche.

Lors du perçage dans les murs, les plafonds ou les planchers, toujours faire attention aux câbles électriques et aux conduites de gaz et d'eau.

### UTILISATION CONFORME AUX PRESCRIPTIONS

Le montant de perceuse au diamant est conçu pour la réception de perceuses au diamant Milwaukee. Il doit être monté sur le vacuum ou sur le sol ou sur le mur au moyen de chevilles.

Comme déjà indiqué, cette machine n'est conçue que pour être utilisée conformément aux prescriptions.

## DÉCLARATION CE DE CONFORMITÉ

Nous déclarons sous notre propre responsabilité que le produit décrit aux „Données techniques“ est conforme à toutes les dispositions des directives 2006/42/CE et des documents normatifs harmonisés suivants:

EN 62841-1:2015  
EN 62841-3-6:2015

Winnenden, 2020-01-03

Alexander Krug  
Managing Director



Autorisé à compiler la documentation technique.

Techtronic Industries GmbH  
Max-Eyth-Straße 10  
71364 Winnenden  
Germany

## SERVICE À POMPE À VIDE

**Le fond sous le support de perçage doit être propre, solide, lisse, sec et exempt de trous.** Aucune utilisation sur crépi ou sur ouvrage de maçonnerie possible.

**En cas de panne d'exploitation, interrompez immédiatement les travaux et retirez entièrement le support de perçage.**

**Lors d'une panne d'exploitation, le vide ne reste préservé que sur une courte période.** La force portante dépend du support et de l'étanchement.

**Par ailleurs, prenez des mesures de protection supplémentaires pour éviter que le support de perçage ne chute, par ex. à l'aide d'une corde ou d'un étayage adapté.**

## RACCORDEMENT À L'EAU

Les travaux de carottage exigent l'emploi d'eau. Prévoir une alimentation en eau suffisante !

Toujours assurer une alimentation en eau suffisante vers le trou de forage. Le moteur de carotteuse est équipé d'un système de débit permettant à l'eau de s'écouler dans le trou de perçage en passant par l'intérieur du trépan et en ressortissant par l'extérieur de celui-ci. L'eau sert à refroidir le point de forage et à évacuer du trou les débris de forage.

## ENTRETIEN

Utiliser uniquement les accessoires Milwaukee et les pièces détachées Milwaukee. Faire remplacer les composants dont le remplacement n'a pas été décrit, par un des centres de service après-vente Milwaukee (observer la brochure avec les adresses de garantie et de service après-vente).

En cas de besoin il est possible de demander un dessin éclaté du dispositif en indiquant le modèle de la machine et le numéro de six chiffres imprimé sur la plaquette de puissance et en s'adressant au centre d'assistance technique ou directement à Techtronic Industries GmbH, Max-Eyth-Straße 10, 71364 Winnenden, Germany.

## SYMBOLES



ATTENTION! AVERTISSEMENT! DANGER!



Avant tous travaux sur la machine retirer l'accu interchangeable.



Veillez lire avec soin le mode d'emploi avant la mise en service



Porter des gants de protection!



Toujours porter une protection acoustique!



Toujours porter des lunettes protectrices en travaillant avec la machine.



Porter un casque de protection.



Accessoires - Ces pièces ne font pas partie de la livraison. Il s'agit là de compléments recommandés pour votre machine et énumérés dans le catalogue des accessoires.



Les dispositifs électriques, les batteries et les batteries rechargeables ne sont pas à éliminer dans les déchets ménagers. Les dispositifs électriques et les batteries sont à collecter séparément et à remettre à un centre de recyclage en vue de leur élimination dans le respect de l'environnement. S'adresser aux autorités locales ou au détaillant spécialisé en vue de connaître l'emplacement des centres de recyclage et des points de collecte.



Marque de conformité européenne



Marque de conformité ukrainienne



Marque de conformité d'Eurasie

|  |                |
|--|----------------|
| Lunghezza colonna .....                      | 617 mm         |
| incl. a .....                                | 0-45 °         |
| Ø max. Foratura .....                        | 250 mm         |
| Lunghezza/Larghezza/Altezza .....            | 465/275/975 mm |
| Peso secondo la procedura EPTA 01/2014 ..... | 13,2 kg        |

**AVVERTENZA!** Leggere tutte le avvertenze di sicurezza, istruzioni operative, illustrazioni e specifiche fornite con questo elettroutensile. Il mancato rispetto delle istruzioni di seguito riportate può causare scosse elettriche, incendi e/o lesioni gravi.  
Conservare tutte le avvertenze di pericolo e le istruzioni operative per ogni esigenza futura.

#### **INDICAZIONI DI SICUREZZA PER CAROTATRICE**

Se durante la foratura è necessaria dell'acqua, fare sì che l'acqua defluisca dall'area di lavoro dell'operatore oppure prevedere uno scarico adeguato. Queste precauzioni mantengono l'area di lavoro asciutta per ridurre il rischio di scosse elettriche.

Eseguendo lavori di foratura, durante i quali l'accessorio di foratura potrebbe venire a contatto con fili sotto tensione nascosti o con il proprio cavo di alimentazione, tenere sempre l'utensile elettrico per le superfici di presa isolate. In caso di contatto con un cavo sotto tensione, anche l'accessorio di foratura può condurre corrente ed esporre l'operatore al rischio di scosse elettriche.

**Indossare sempre protezioni per l'udito quando si eseguono perforazioni con punte diamantate.**  
L'esposizione al rumore può causare danni all'udito.

**Se la punta si blocca, non esercitare pressione sulla punta e spegnere il dispositivo.** Ricercare ed eliminare la causa del blocco dell'accessorio di foratura.

**Prima di fare ripartire la punta diamantata sul pezzo in lavorazione, accertarsi che la punta giri liberamente.**  
Se la punta è bloccata, potrebbe non avviarsi o l'utensile potrebbe essere sovraccaricato. Inoltre, in questo caso, la punta diamantata potrebbe slittare via dal pezzo in lavorazione.

**Quando si fissa il supporto per trapano su un pezzo in lavorazione, assicurarsi che l'ancoraggio possa trattenere la macchina durante l'operazione di foratura.**  
Con pezzi sottili o porosi da lavorare, l'ancoraggio può allentarsi e il supporto per trapano può slittare via dal pezzo in lavorazione.

**Quando si fissa il supporto per trapano sul pezzo in lavorazione per mezzo di una ventosa, posizionare la ventosa sempre su una superficie liscia, pulita e non porosa.** Non applicare su superfici rivestite come piastrelle o materiali compositi. Se il pezzo in lavorazione non è liscio, piano o ben fissato, la ventosa potrebbe scivolare via dal pezzo in lavorazione.

**Assicurarsi che prima e durante il processo di foratura sia presente il necessario livello di vuoto.** Se il vuoto è insufficiente, la ventosa potrebbe slittare via dal pezzo.

**Non eseguire lavori di foratura se la macchina è fissata solo dalla ventosa. Fanno eccezione i fori praticati verso il basso.** In caso di mancanza di vuoto, la ventosa slitta via dal pezzo in lavorazione.

**Quando si forano pareti o soffitti, assicurarsi che le persone e l'area di lavoro sull'altro lato siano protette.** L'accessorio di foratura potrebbe uscire dall'altro lato o la carota di foratura potrebbe cadere.

**Non utilizzare l'utensile per lavori sopra l'altezza del capo con raffreddamento ad acqua.** Se l'acqua penetra nell'utensile elettrico, aumenta il rischio di scosse elettriche.

#### **ULTERIORI AVVISI DI SICUREZZA E DI LAVORO**

Quando si effettuano lavori di carotaggio attraverso i pavimenti, la carota normalmente cade dall'accessorio di foratura. Assicurarsi che le persone e i locali sotto l'area di foratura siano adeguatamente protetti.

Usare dispositivi di protezione. Durante il lavoro con la macchina bisogna sempre portare occhiali di protezione. Si consiglia di indossare indumenti di protezione come maschera antipolvere, guanti di protezione, scarpe antiscivolo robuste, casco e cuffie di protezione acustica.

La polvere che si produce durante il lavoro è spesso dannosa per la salute e non dovrebbe essere aspirata. Portare un'adeguata mascherina protettiva.

E' vietato lavorare materiali che possono costituire pericoli alla salute (ad es. amianto).

Spegnere immediatamente il dispositivo in caso di bloccaggio! Non riaccendere il dispositivo fino a quando l'utensile ad inserto resta bloccato; esiste il rischio di causare un contraccolpo con elevato momento di reazione. Rilevare ed eliminare la causa del bloccaggio dell'utensile ad inserto tenendo conto delle indicazioni di sicurezza.

Le possibili cause sono:

- Incastro nel pezzo in lavorazione
- Il dispositivo ha attraversato il materiale da lavorare rompendolo
- Il dispositivo elettrico è stato sovraccaricato

Non avvicinare le mani alla parte della macchina in movimento.

Durante l'uso l'utensile ad inserto può surriscaldarsi.

- durante la sostituzione dell'utensile
- durante il deposito dell'utensile

Non rimuovere trucioli o schegge mentre l'utensile è in funzione.

Forando pareti, soffitti o pavimenti, si faccia attenzione ai cavi elettrici e alle condutture dell'acqua e del gas.

#### **UTILIZZO CONFORME**

Il supporto di foratura diamantato è destinato all'alloggiamento dei trapani diamantati Milwaukee. Esso va applicato sul pavimento o alla parete con l'aiuto di ancoranti.

Utilizzare il prodotto solo per l'uso per cui è previsto.



## DICHIARAZIONE DI CONFORMITÀ CE

Dichiariamo sotto la nostra esclusiva responsabilità che il prodotto descritto ai „Dati tecnici“ corrisponde a tutte le disposizioni delle direttive 2006/42/UE e successivi documenti normativi armonizzati:

EN 62841-1:2015  
EN 62841-3-6:2015

Winnenden, 2020-01-03

Alexander Krug  
Managing Director



Autorizzato alla preparazione della documentazione tecnica

Techtronic Industries GmbH  
Max-Eyth-Straße 10  
71364 Winnenden  
Germany

## FUNZIONAMENTO CON POMPA A VUOTO

**Il fondo sotto il supporto di foratura deve essere pulito, solido, liscio, asciutto e privo di buchi.** Non è possibile utilizzarlo su intonaco o opere in muratura.

**In caso di anomalie interrompete immediatamente il lavoro e togliete il supporto completamente.**

**In caso di anomalia la depressione rimane solo per poco tempo.** La forza di tenuta dipende dal fondo e dalla guarnizione.

**Bloccate il supporto di foratura contro la caduta, ad es. mediante una fune o sostenendolo adeguatamente.**

## ATTACCO PER L'ACQUA

Per il carotaggio è necessario utilizzare dell'acqua. Garantire un'alimentazione idrica sufficiente!

Deve essere sempre garantito un sufficiente afflusso d'acqua al foro di carotaggio. Il motore di carotaggio è dotato di un sistema di flussaggio che prevede che l'acqua attraversa la punta, entra nel foro di carotaggio e da lì viene recuperata lungo l'accessorio di foratura. L'acqua viene utilizzata per raffreddare l'area di foratura e per asportare i residui di foratura.

## MANUTENZIONE

Usare solo accessori Milwaukee e pezzi di ricambio Milwaukee. Gruppi costruttivi la cui sostituzione non è stata descritta, devono essere fatti cambiare da un punto di servizio di assistenza tecnica al cliente Milwaukee (vedi depliant garanzia/indirizzi assistenza tecnica ai clienti).

In caso di necessità è possibile richiedere un disegno esploso del dispositivo indicando il modello della macchina ed il numero a sei cifre sulla targa di potenza rivolgendosi al centro di assistenza tecnica o direttamente a Techtronic Industries GmbH, Max-Eyth-Straße 10, 71364 Winnenden, Germany.

## SIMBOLI



ATTENZIONE! AVVERTENZA! PERICOLO!



Prima di iniziare togliere la batteria dalla macchina.



Leggere attentamente le istruzioni per l'uso prima di mettere in funzione l'elettroutensile.



Indossare guanti protettivi!



Utilizzare le protezioni per l'udito!



Durante l'uso dell'apparecchio utilizzare sempre gli occhiali di protezione.



Indossare l'elmetto protettivo.



Accessorio - Non incluso nella dotazione standard, disponibile a parte come accessorio.



I dispositivi elettrici, le batterie e le batterie ricaricabili non devono essere smaltiti con i rifiuti domestici. I dispositivi elettrici e le batterie devono essere raccolti separatamente e devono essere conferiti ad un centro di riciclaggio per lo smaltimento rispettoso dell'ambiente. Chiedere alle autorità locali o al rivenditore specializzato dove si trovano i centri di riciclaggio e i punti di raccolta.



Marchio di conformità europeo



Marchio di conformità ucraino



Marchio di conformità euroasiatico

|   |                |
|---|----------------|
| Longitud de columna .....                               | 617 mm         |
| Inclinación .....                                       | 0-45 °         |
| Máx. diámetro de taladrado .....                        | 250 mm         |
| Longitud/Anchura/Altura .....                           | 465/275/975 mm |
| Peso de acuerdo con el procedimiento EPTA 01/2014 ..... | 13,2 kg        |

**⚠ ADVERTENCIA:** Lea todas las advertencias de peligro, instrucciones, ilustraciones y especificaciones suministradas con esta herramienta eléctrica. En caso de no atenerse a las instrucciones siguientes, ello puede ocasionar una descarga eléctrica, un incendio y/o lesión grave.

Guardar todas las advertencias de peligro e instrucciones para futuras consultas.

#### ⚠ INDICACIONES DE SEGURIDAD PARA PERFORADORA DE DIAMANTE

Si se necesita agua durante el proceso de perforación, mantener la alimentación de agua alejada del área de trabajo del operador o prever un drenaje adecuado.

Mediante estas medidas de prevención se consigue mantener seca el área de trabajo a fin de reducir el riesgo de descargas eléctricas.

**Coger siempre la herramienta eléctrica por las superficies aisladas de la empuñadura siempre que se realicen trabajos de perforación en los que la broca pueda entrar en contacto con cables conductores de corriente o con el cable eléctrico de la misma.** Si se produce un contacto con un cable conductor de corriente es posible que la broca de la herramienta también pase a conducir corriente y provocar una descarga eléctrica en el operador.

**Llevar siempre puesta una protección auditiva al taladrar con taladradoras de diamante.** La emisión de ruido puede provocar lesiones auditivas.

**Si se bloquea la broca de taladro, no ejercer ninguna presión sobre la taladradora y desconectar el aparato.** Busque y solucione la causa por la que se ha quedado bloqueada la broca de taladro.

**Antes de volver a utilizar una taladradora de diamante en una pieza de trabajo, comprobar si la broca de taladro gira libremente.** Si se bloquea la broca de taladro, es posible que no arranque o que se produzca una sobrecarga de la herramienta. Además, en este caso se podría deslizar la taladradora de diamante de la pieza de trabajo.

**Al fijar el soporte de taladro en la pieza de trabajo, es necesario asegurarse de que el anclaje puede mantener sujeta la máquina durante el proceso de perforación.** Con piezas de trabajo finas o porosas, el anclaje se puede soltar, desliziándose entonces el soporte de taladro de la pieza de trabajo.

**Al asegurar el soporte de taladro en la pieza de trabajo con un elevador de ventosa, colocar el elevador de ventosa siempre sobre una superficie lisa, limpia y no porosa.** No colocarlo sobre superficies con revestimiento como baldosas o materiales compuestos. Si la pieza de trabajo no es lisa, plana o su fijación no es correcta, el elevador de ventosa se puede deslizar de la pieza de trabajo.

**Antes y durante el proceso de perforación, asegurarse de que hay suficiente presión negativa.** Si la presión negativa no es suficiente, el elevador de ventosa se puede deslizar de la pieza de trabajo.

**No realizar ninguna perforación si la máquina solo está asegurada mediante el elevador de ventosa, salvo si se trata de perforaciones hacia abajo.** Si no hay presión negativa, el elevador de ventosa se desliza de la pieza de trabajo.

**Al perforar paredes o techos, asegurarse de que las personas y el área de trabajo que se encuentran detrás**

**estén aseguradas.** La broca de taladro podría traspasar al otro lado o el núcleo de perforación podría desprenderse.

**No utilizar la herramienta para trabajos en altura con refrigeración de agua.** Si llega agua al interior de la herramienta aumenta el riesgo de descarga eléctrica.

#### INSTRUCCIONES ADICIONALES DE SEGURIDAD Y LABORALES

Si se realizan perforaciones con corona de taladro a través del suelo, el núcleo de perforación se desprende normalmente de la broca de taladro. Asegúrese de que las personas y los espacios por debajo del área de perforación están suficientemente protegidos.

Utilice el equipamiento de protección. Mientras trabaje con la máquina lleve siempre gafas protectoras. Se recomienda utilizar ropa de protección como máscara protectora contra el polvo, guantes protectores, calzado resistente y antideslizante, casco y protección para los oídos.

El polvo que se produce durante estos trabajos puede ser nocivo a la salud; es por ello es aconsejable que no penetre al cuerpo. Utilice por ello una máscara protectora contra polvo.

No se deben trabajar materiales que conlleven un riesgo para la salud (por ej. amianto).

¡En caso de que se bloquee el útil, el aparato se debe desconectar inmediatamente! No vuelva a conectar el aparato, mientras el útil esté bloqueado; se podría producir un rechazo debido a la reacción de retroceso brusca. Averigüe y elimine la causa del bloqueo del útil, teniendo en cuenta las indicaciones de seguridad.

Causas posibles para ello pueden ser:

- Atascamiento o bloqueo en la pieza de trabajo
- Rotura del material con el que está trabajando
- Sobrecarga de la herramienta eléctrica

No introduzca las manos en la máquina mientras ésta se encuentra en funcionamiento.

El útil se puede calentar durante el uso.

- en caso de cambiar la herramienta
- en caso de depositar el aparato

Nunca se debe intentar limpiar el polvo o viruta procedente del taladrado con la máquina en funcionamiento.

Para trabajar en paredes, techo o suelo, tenga cuidado para evitar los cables eléctricos y tuberías de gas o agua.

#### APLICACIÓN DE ACUERDO A LA FINALIDAD

El soporte para taladradora de diamante está diseñado para soportar taladradoras de diamante Milwaukee. Debe sujetarse mediante tacos al suelo o a la pared.

No utilice este producto para ninguna otra aplicación que no sea su uso normal.

## DECLARACION DE CONFORMIDAD CE

Declaramos bajo nuestra responsabilidad que el producto descrito bajo „Datos técnicos“ está en conformidad con todas las normas relevantes de la directiva 2006/42/UE y con las siguientes normas o documentos normalizados:

EN 62841-1:2015  
EN 62841-3-6:2015

Winnenden, 2020-01-03

Alexander Krug  
Managing Director



Autorizado para la redacción de los documentos técnicos.

Techtronic Industries GmbH  
Max-Eyth-Straße 10  
71364 Winnenden  
Germany

## SERVICIO CON BOMBA DE VACÍO

**El suelo debajo del bastidor tiene que estar limpio, ser firme, liso seco y libre de agujeros.** No es posible la aplicación sobre revoque o mampostería.

**En caso de una avería durante el servicio interrumpa inmediatamente el trabajo y retire el bastidor completo.**

**En caso de una avería durante el servicio el vacío se mantiene sólo por poco tiempo.** La fuerza de suspensión depende del suelo y de la estanqueidad.

**Asegure el bastidor adicionalmente contra caída, p. ej., con una cuerda o mediante apoyos apropiados.**

## CONEXIÓN DE AGUA

En las perforaciones con corona de taladro es necesario utilizar agua. ¡Asegúrese de que la alimentación de agua es suficiente!

Se debe garantizar siempre suficiente alimentación de agua para el agujero taladrado. El motor de corona está equipado con un sistema de flujo en el que el agua es guiada hasta el agujero taladrado a través de la punta de taladro y desde allí a los largo de la broca de taladro. Se usa el agua para enfriar el punto de perforación y para eliminar los restos de perforación.

## MANTENIMIENTO

Utilice solamente accesorios y repuestos Milwaukee. En caso de necesitar reemplazar componentes no descritos, contacte con cualquiera de nuestras estaciones de servicio Milwaukee (consultar lista de servicio técnicos)

Puede solicitar, en caso necesario, una vista despiezada del aparato bajo indicación del tipo de máquina y el número de seis dígitos en la placa indicadora de potencia en su Servicio de Postventa o directamente en Techtronic Industries GmbH, Max-Eyth-Straße 10, 71364 Winnenden, Germany.

## SÍMBOLOS



¡ATENCIÓN! ¡ADVERTENCIA! ¡PELIGRO!



Retire la batería antes de comenzar cualquier trabajo en la máquina.



Lea las instrucciones detenidamente antes de conectar la herramienta



Usar guantes protectores



Usar protectores auditivos!



Para trabajar con la máquina, utilizar siempre gafas de protección.



Llevar casco protector.



Accesorio - No incluido en el equipo estándar, disponible en la gama de accesorios.



Los electrodomésticos y las baterías/acumuladores no se deben eliminar junto con la basura doméstica. Los aparatos eléctricos y los acumuladores se deben recoger por separado y se deben entregar a una empresa de reciclaje para una eliminación respetuosa con el medio ambiente. Infórmese en las autoridades locales o en su tienda especializada sobre los centros de reciclaje y puntos de recogida.



Marcado de conformidad europeo



Marcado de conformidad ucraniano



Marcado de conformidad euroasiático

|   |                |
|---|----------------|
| Comprimento da coluna .....                       | 617 mm         |
| Inclinação .....                                  | 0-45 °         |
| Máx. Ø de furo .....                              | 250 mm         |
| Comprimento/Largura/Altura .....                  | 465/275/975 mm |
| Peso nos termos do procedimento-EPTA 01/2014..... | 13,2 kg        |

**⚠ ADVERTÊNCIA** Devem ser lidas todas as advertências de segurança, instruções, ilustrações e especificações fornecidas com esta ferramenta elétrica. O desrespeito das advertências e instruções apresentadas abaixo pode causar choque elétrico, incêndio e/ou graves lesões. **Guarde bem todas as advertências e instruções para futura referência.**

### ⚠ AVISOS DE SEGURANÇA PARA O BERBEQUIM DE DIAMANTE

**Se água for necessária na perfuração, mantenha o fluxo de água afastado da área de trabalho do operador ou preveja um escoamento adequado.** Com estas medidas de precaução o lugar de trabalho fica seco, o que reduz o risco de choque elétrico.

**Sempre segure a ferramenta elétrica nos punhos isolados durante operação de perfuração, nas quais a ponta de broca pode entrar em contato com linhas elétricas ocultas ou com o próprio cabo elétrico.** Em caso de contato com condutores elétricos, a ponta de broca da ferramenta também pode estar sob tensão e provocar um choque elétrico do utilizador.

**Ao perfurar com brocas de diamante sempre use uma proteção auricular.** O ruído pode provocar problemas auditivos.

**Se a ponta de broca bloquear, não exerça pressão sobre a broca e desligue o dispositivo.** Identifique e elimine a causa do bloqueio da ponta de broca.

**Antes de aplicar novamente a broca de diamante na peça, verifique se a ponta de broca gira livremente.** É possível que a broca não seja iniciada se a ponta de broca bloquear e que a ferramenta seja sobrecarregada. Além disso, neste caso a broca de diamante pode deslizar da ferramenta.

**Ao fixar o engenho de furar na peça, assegure-se de que a ancoragem possa segurar a máquina durante a perfuração.** É possível que a ancoragem se solte e que o engenho de furar deslize da peça em caso de peças finas ou porosas.

**Se o engenho de furar for fixado na peça com uma almofada de vácuo, sempre coloque a almofada de vácuo numa superfície plana, limpa e não porosa.** Não aplique em superfícies revestidas como azulejos ou materiais compostos. Se a peça não estiver fixada de forma lisa, plana ou boa, a almofada de vácuo pode deslizar da peça.

**Assegure-se de que haja um vácuo suficiente durante a perfuração.** Se o vácuo não for suficiente, a almofada de vácuo poderá deslizar da peça.

**Não faça perfurações quando a máquina só estiver fixada com a almofada de vácuo, a não ser que se trate de perfurações para baixo.** Se o vácuo não for suficiente, a almofada de vácuo deslizará da peça.

**Ao perfurar paredes ou tetos, assegure-se de que pessoas e a área de trabalho no outro lado sejam protegidas.** A ponta de broca poderia sair no outro lado ou a amostra de perfuração poderia cair.

**Não use a ferramenta para trabalhos acima do nível da cabeça com refrigeração a água.** Se a água entrar na ferramenta elétrica, o risco de choque elétrico ficará maior.

### INSTRUÇÕES DE SEGURANÇA E TRABALHO SUPLEMENTARES

Na perfuração de núcleos no pavimento, geralmente as amostras de perfuração caem da ponta de broca. Assegure uma proteção suficiente das pessoas e dos espaços abaixo da área de perfuração.

Utilizar equipamento de proteção. Durante os trabalhos com a máquina, usar sempre óculos de proteção. Vestuário de proteção, bem como máscara de pó, sapatos fechados e antiderrapante, capacete e proteção auditiva são recomendados.

O pó que resulta ao trabalhar pode ser nocivo para a saúde, por isso não devendo penetrar no corpo. Use uma máscara de proteção contra pó apropriada.

Não devem ser procesados materiais que representem um perigo para a saúde (p. ex. asbesto).

Desligue o aparelho imediatamente, quando a ferramenta de inserção bloquear! Não ligue o aparelho novamente durante o bloqueio da ferramenta de inserção, pois isso pode levar a um recuo repentino com uma alta força reactiva. Verifique e elimine a causa do bloqueio da ferramenta de inserção, observando as instruções de segurança.

Causas possíveis podem ser:

- Emperramento na peça a trabalhar
- Material a processar rompido
- Sobrecarga da ferramenta eléctrica

Não toque na máquina em operação.

A ferramenta de inserção pode ficar quente durante a operação.

- na troca das ferramentas
- ao depositar o aparelho

Não remover aparas ou lascas enquanto a máquina trabalha.

Ao trabalhar em paredes, tectos e soalhos prestar atenção a que não sejam atingidos cabos eléctricos e canalizações de gás e água.

### UTILIZAÇÃO AUTORIZADA

O suporte da perfuradora de diamante funciona como apoio para as perfuradoras de diamante Milwaukee, devendo ser instalado no solo ou na parede com o auxílio de buchas.

Não use este produto de outra maneira sem ser a normal para o qual foi concebido.

## DECLARAÇÃO DE CONFORMIDADE CE

Declaramos sob responsabilidade exclusiva, que o produto descrito sob „Dados técnicos“ corresponde com todas as disposições relevantes da diretiva 2006/42/CE e dos seguintes documentos normativos harmonizados.

EN 62841-1:2015  
EN 62841-3-6:2015

Winnenden, 2020-01-03

Alexander Krug  
Managing Director



Autorizado a reunir a documentação técnica.

Techtronic Industries GmbH  
Max-Eyth-Straße 10  
71364 Winnenden  
Germany

## FUNCIONAMENTO COM BOMBA DE VÁCUO

**A base por baixo da coluna deve estar limpa, fixa, lisa, seca e sem orifícios.** Não é possível a utilização em reboco ou alvenaria.

**Onderbreek het werk in geval van een bedrijfsstoring onmiddellijk en verwijder de boorstandaard compleet.**

**No caso de uma avaria de funcionamento, o vácuo só permanece durante pouco tempo.** A força de apoio depende da base e da vedação.

**Proteja a coluna adicionalmente para não cair, p.ex., com uma corda ou apoiando-a adequadamente.**

## CONEXÃO DE ÁGUA

Para perfurações de núcleo é necessário usar água. Assegure um fluxo de água suficiente!

Um fluxo de água suficiente ao furo sempre deve estar assegurado. A broca trepanadora está equipada com um sistema de fluxo, no qual a água é guiada ao furo através da ponta de broca e, a seguir, retorna ao longo da ponta de broca. A água destina-se a arrefecer o local perfurado e a lavar os detritos de perfuração.

## MANUTENÇÃO

Utilizar apenas acessórios Milwaukee e peças sobresselentes Milwaukee. Os componentes cuja substituição não esteja descrita devem ser substituídos num serviço de assistência técnica Milwaukee (consultar a brochura relativa à garantia/moradas dos serviços de assistência técnica).

Se for necessário, um desenho de explosão do aparelho pode ser solicitado do seu posto de assistência ao cliente ou directamente da Techtronic Industries GmbH, Max-Eyth-Straße 10, 71364 Winnenden, Alemanha, indicando o tipo da máquina e o número de seis posições na chapa indicadora da potência.

## SYMBOLE



ATENÇÃO! PERIGO!



Antes de efectuar qualquer intervenção na máquina retirar o bloco acumulador.



Leia atentamente o manual de instruções antes de colocar a máquina em funcionamento.



Use luvas de protecção!



Use protectores auriculares!



Usar sempre óculos de protecção ao trabalhar com a máquina.



Use um capacete.



Acessório - Não incluído no equipamento normal, disponível como acessório.



Aparelhos eléctricos, baterias/acumuladores não devem ser jogados no lixo doméstico. Os aparelhos eléctricos e as baterias devem ser colectados separadamente e entregues a uma empresa de reciclagem para a eliminação correcta. Solicite informações sobre empresas de reciclagem e postos de colecta de lixo das autoridades locais ou do seu vendedor autorizado.



Marca de Conformidade Europeia



Marca de Conformidade Ucraniana



Marca de Conformidade Eurasiática

|  |                |
|--|----------------|
| Kolomlengte.....                               | 617 mm         |
| afschuining .....                              | 0-45 °         |
| Boor-Ø max .....                               | 250 mm         |
| Lengte/Breedte/Hoogte .....                    | 465/275/975 mm |
| Gewicht volgens de EPTA-procedure 01/2014..... | 13,2 kg        |

**⚠ WAARSCHUWING!** Lees alle veiligheidsaanschuivingen, voorschriften, afbeeldingen en specificaties voor dit elektrische gereedschap. Als de onderstaande waarschuwingen niet worden opgevolgd, kan dit een elektrische schok, brand of ernstig letsel tot gevolg hebben. **Bewaar alle waarschuwingen en voorschriften voor toekomstig gebruik.**

### ⚠ VEILIGHEIDINSTRUCTIES VOOR DIAMANTBOORMACHINES

**Als bij het boren water nodig is, dient de watertoevoer van het werkbereik van de bediener verwijderd te blijven of te worden voorzien in een geschikte afvoer.** Deze voorzorgsmaatregelen houden het werkbereik droog en verminderen het gevaar voor elektrische schokken.

**Pak het elektrische gereedschap altijd vast aan de geïsoleerde handgrepen wanneer u boorwerkzaamheden uitvoert, waarbij de boor met verdedekte stroomvoerende leidingen of de eigen stroomkabel in contact zou kunnen komen.** Bij contact met een stroomkabel kan ook de boor van het gereedschap onder spanning komen te staan en elektrische schokken veroorzaken.

**Draag tijdens het boren met diamantboren altijd een gehoorbescherming.** De geluidsbelasting kan gehoorschade veroorzaken.

**Oefen geen druk uit op de boormachine als een boor blokkeert en schakel het gereedschap uit.** Bepaal en verhelp de oorzaak voor de blokkering van de boor.

**Controleer voordat u een diamantboor opnieuw tegen een werkstuk plaatst of de boor vrij draait.** Als de boor geblokkeerd is, kan het zijn dat hij niet start of dat het gereedschap wordt overbelast. Bovendien kan de diamantboor in dat geval van het werkstuk glijden.

**Bij de bevestiging van de boorstandaard aan het gereedschap moet worden gewaarborgd dat de verankering de machine tijdens het boren kan vasthouden.** Bij dunne of poreuze werkstukken kan de verankering losraken en de boorstandaard van het gereedschap glijden.

**Bij de borging van de boorstandaard met een zuignap aan het werkstuk moet de zuignap altijd op een glad, schoon en niet poreus oppervlak worden geplaatst.** Niet aanbrengen op gelaagde oppervlakken zoals tegels of compoundmaterialen. Als het werkstuk niet glad, vlak of goed bevestigd is, kan de zuignap van het werkstuk glijden.

**Waarborg dat vóór en tijdens het boren voldoende onderdruk voorhanden is.** Bij een te geringe onderdruk kan de zuignap van het werkstuk glijden.

**Voer geen boringen uit als de machine alleen door middel van de zuignap geborgd is.** Boringen naar beneden zijn hiervan uitgezonderd. Zonder onderdruk glijdt de zuignap van het werkstuk.

**Bij het doorboren van wanden of plafonds moet worden gewaarborgd dat zowel personen als het werkbereik aan de andere kant van de wand of het plafond veilig zijn.** De boor kan aan de andere kant uitsteken of kan de boorkern eruit vallen.

**Gebruik het gereedschap niet voor bovenhoofdse werkzaamheden met waterkoeling.** Als water in het elektrische gereedschap dringt, stijgt het gevaar voor elektrische schokken.

### VERDERE VEILIGHEIDS- EN WERKINSTRUCTIES

Bij kernboringen door vloeren valt de boorkern normaal gesproken uit de boor. Zorg voor voldoende bescherming van de personen en de ruimte onder de boorwerkzaamheden.

Draag veiligheidsuitrusting. Bij werkzaamheden met de machine dient u altijd een veiligheidsbril te dragen. Veiligheidskleding zoals stofmasker, veiligheidshandschoenen, stevig en slipvast schoeisel, helm en gehoorbescherming worden aanbevolen.

Het gedurende het werken vrijkomende stof is doorgaans schadelijk voor de gezondheid en mag niet met het lichaam in aanraking komen. Draag derhalve een geschikt stofbeschermsmasker.

Het is niet toegestaan, materialen te bewerken waarvan een gezondheidsgevaar uitgaat (bijv. asbest).

Schakel het apparaat onmiddellijk uit als het gereedschap blokkeert! Schakel het apparaat niet in zolang het gereedschap geblokkeerd is; dit zou een terugslag met een hoog reactiemoment kunnen veroorzaken. Achterhaal en verhelp de oorzaak voor de blokkering van het gereedschap met inachtneming van de veiligheidsinstructies.

Mogelijke oorzaken voor de blokkering:

- kantelen in het te bewerken werkstuk
- doorbreken van het te bewerken materiaal
- overbelasting van het elektrische gereedschap

Grijp niet in de lopende machine.

Het gereedschap kan heet worden tijdens het gebruik.

- bij het vervangen van het gereedschap
- bij het neerleggen van het apparaat

Spanen of splinters mogen bij draaiende machine niet worden verwijderd.

Bij het werken in wanden, plafonds of vloeren oppassen voor elektriciteitsdraden, gas- of waterleidingen.

### VOORGESCHREVEN GEBRUIK VAN HET SYSTEEM

De diamantboorhouder is bedoeld voor de opname van Milwaukee-diamantboormachines. Hij moet met behulp van deussels op de vloer of aan de muur worden aangebracht.

Dit apparaat uitsluitend gebruiken voor normaal gebruik, zoals aangegeven.

## EC - VERKLARING VAN OVEREENSTEMMING

Wij verklaren in uitsluitende verantwoording dat het onder 'Technische gegevens' beschreven product overeenstemt met alle relevante voorschriften van de richtlijn 2006/42/EG en de volgende geharmoniseerde normatieve documenten:

EN 62841-1:2015  
EN 62841-3-6:2015

Winnenden, 2020-01-03



Alexander Krug  
Managing Director



Gemachtigd voor samenstelling van de technische documenten

Techtronic Industries GmbH  
Max-Eyth-Straße 10  
71364 Winnenden  
Germany

## BEDRIJF MET VACUÛMPOMP

**De ondergrond onder de boorstandaard moet schoon, vast, glad, droog en vrij van gaten zijn.** Het gebruik op pleister- of muurwerk is niet mogelijk.

**Onderbreek het werk in geval van een bedrijfsstoring onmiddellijk en verwijder de boorstandaard compleet.**

**Het vacuüm blijft in geval van een bedrijfsstoring slechts korte tijd behouden.** De houdkracht is afhankelijk van de ondergrond en de afdichting.

**Borg de boorstandaard bovendien bijv. met een kabel of geschikte steunen tegen neerstorten.**

## WATERAANSLUITING

Bij kerngatboringen moet water worden gebruikt. Zorg voor voldoende watertoevoer!

Let altijd op voldoende watertoevoer naar het boorgat. De kernboormotor is uitgerust met een doorstroomsysteem waarbij het water door de boorpunt in het boorgat en daar langs de boor wordt teruggeleid. Het water is bedoeld voor de koeling van het boorgat en het uitspoelen van boormateriaal.

## ONDERHOUD

Gebruik uitsluitend Milwaukee toebehoren en onderdelen. Indien componenten die moeten worden vervangen niet zijn beschreven, neem dan contact op met een officieel Milwaukee servicecentrum (zie onze lijst met servicecentra).

Zo nodig kan een explosietekening van het apparaat worden aangevraagd bij uw klantenservice of direct bij Techtronic Industries GmbH, Max-Eyth-Straße 10, 71364 Winnenden, Duitsland onder vermelding van het machinetype en het zescijferige nummer op het typeplaatje.

## SYMBOLEN



OPGELET! WAARSCHUWING! GEVAAR!



Voor alle werkzaamheden aan de machine de accu verwijderen.



Graag instructies zorgvuldig doorlezen vóórdat u de machine in gebruik neemt.



Draag veiligheidshandschoenen!



Draag oorbeschermers!



Bij het werken met de machine altijd een veiligheidsbril dragen.



Draag een veiligheidshelm.



Toebehoren - Wordt niet meegeleverd. Is apart leverbaar. Zie hiervoor het toebehorenprogramma.



Elektrische apparaten, batterijen en accu's mogen niet via het huisafval worden afgevoerd. Elektrische apparaten en accu's moeten gescheiden worden verzameld en voor een milieuvriendelijke afvoer worden afgegeven bij een recyclingbedrijf. Informeer bij uw gemeente of bij uw vakhandelaar naar recyclingbedrijven en inzamelpunten.



Europees symbool van overeenstemming



Oekraïens symbool van overeenstemming



Euro-Aziatisch symbool van overeenstemming

|  |                |
|--|----------------|
| Søjlelængde .....                            | 617 mm         |
| hældning .....                               | 0-45 °         |
| Bor-ø maks. ....                             | 250 mm         |
| Længde/Bredde/Højde .....                    | 465/275/975 mm |
| Vægt svarer til EPTA-procedure 01/2014 ..... | 13,2 kg        |

**⚠ ADVARSEL** Læs alle advarselsinformationer, anvisninger, figurer og specifikationer, som følger med dette el-værktøj. En manglende overholdelse af alle nedenstående anvisninger kan medføre elektrisk stød, brand og/eller alvorlige kvæstelser. **Opbevar alle advarselshenvisninger og instrukser til senere brug.**

#### ⚠ SIKKERHEDSINSTRUKTIONER FOR DIAMANTBOREMASKINE

Hvis der skal bruges vand til boringen, skal vandet være ledt uden om brugerens arbejdsområde, eller der skal være et passende afløb. Disse sikkerhedsforanstaltninger gør, at arbejdsområdet forbliver tørt, hvilket reducerer risikoen for elektrisk stød.

I forbindelse med borearbejde, hvor borebitten kan komme i kontakt med skjulte strømførende ledninger eller med maskinens eget strømkabel, skal man altid holde el-værktøjet i de isolerede håndtag. Ved kontakt med et strømførende kabel er der også risiko for, at borebitten kan blive strømførende og give brugeren elektrisk stød.

**Brug altid høreværn, når der bores med en diamantboremaskine.** Støjbelastningen kan give høreskader.

Hvis borebitten blokerer, skal du stoppe med at belaste boremaskinen og slukke for den. Undersøg årsagen til blokeringen af borebitten og afhjælp fejlen.

Inden du igen sætter boremaskinen ned mod arbejdsemnet, skal du først teste, om bitten kører uhindret. Hvis borebitten er blokeret, starter den muligvis ikke, eller der sker en overbelastning af værktøjet. En blokering kan også medføre, at diamantboret glider af arbejdsemnet.

Når du fastgør værktøjet til borestativet, skal du sikre dig, at den pågældende forankring er i stand til at holde maskinen under brug. I forbindelse med tynde eller porøse arbejdsemner kan forankringen løsne sig og borestativet kan glide af værktøjet.

Hvis du sikrer borestativet ved hjælp af en vacuumkop på arbejdsemnet, skal vacuumkoppen altid sættes på en glat, ren og ikke porøs overflade. Må ikke anbringes på overflader med belægning, f.eks. fliser eller kompositmaterialer. Hvis arbejdsemnet ikke er glat, jævnt eller tilstrækkeligt fastgjort, kan vacuumkoppen glide af arbejdsemnet.

Sørg for, at der er et tilstrækkeligt vacuum både før og under boring. Hvis der ikke er et tilstrækkeligt vacuum, kan vacuumkoppen glide af arbejdsemnet.

Der må ikke bores, hvis maskinen kun er sikret ved hjælp af en vacuumkop. Undtagen i forbindelse med boring nedad. Ved manglende vacuum glider vacuumkoppen af arbejdsemnet.

Når der bores igennem vægge og lofter, skal du sikre, at personer og arbejdsområdet på den anden side er beskyttede. Borebitten går muligvis hele vejen igennem, eller borekernen falder ud på den anden side.

Værktøjet må ikke bruges med vandkøling til boring over hovedhøjde. Hvis der trænger vand ind i el-værktøjet, øges risikoen for elektrisk stød.

#### YDERLIGERE SIKKERHEDS- OG ARBEJDSINFORMATIONER

Ved kerneboringer igennem gulve, falder borekernen normalt ud af borebitten. Sørg for, at personer og lokaler under boreområdet er forsvarligt beskyttede.

Brug beskyttelsesudstyr. Bær altid sikkerhedsbriller, når du arbejder med maskinen. Vi anbefaler desuden brug af personlig beskyttelsesudrustning, såsom støvmaske, sikkerhedshandsker, fast og skridsikkert skotøj, hjelm og høreværn.

Støv, som opstår under arbejdet, er ofte sundhedsfarligt og bør ikke trænge ind i kroppen. Benyt egnet åndedrætsværn.

Der må ikke bearbejdes nogen materialer, der kan udgøre en sundhedsrisiko (f.eks. asbest).

Sluk straks for maskinen, hvis indsatsværktøjet er blokeret! Tænd ikke for maskinen igen, så længe indsatsværktøjet er blokeret; dette kan føre til et tilbageslag med højt reaktionsmoment. Find frem til og afhjælp årsagen til indsatsværktøjets blokering under hensyntagen til sikkerhedsinstruktionerne.

Mulige årsager hertil kan være:

- at det sidder i klemme i emnet der bearbejdes
- at det har brækket materialet der bearbejdes
- at el-værktøjet er overbelastet

Grib ikke ind i maskinen, når den kører.

Indsatsværktøjet kan blive varmt under brugen.

- ved værktøjskift
- når man lægger maskinen fra sig

Spåner eller splinter må ikke fjernes, medens maskinen kører.

Ved arbejdeboring i væg, loft eller gulv skal man passe på elektriske kabler, gas- og vandledninger.

#### TILTÆNKT FORMÅL

Diamantborestanderen er beregnet til fiksering af Milwaukee-diamantboremaskiner. Den skal monteres på gulvet eller væggen ved hjælp af dyvlér.

Produktet må ikke anvendes på anden måde og til andre formål end foreskrevet.

#### CE-KONFORMITETSERKLÆRING

Vi erklærer som eneansvarlig, at det under „Tekniske data“ beskrevne produkt stemmer overens med alle relevante forskrifter, der følger af direktiv 2006/42/EF samt af følgende harmoniserede normative dokumenter:

EN 62841-1:2015  
EN 62841-3-6:2015

Winnenden, 2020-01-03



Alexander Krug  
Managing Director



Autoriseret til at udarbejde de tekniske dokumenter.

Techtronic Industries GmbH  
Max-Eyth-Straße 10  
71364 Winnenden  
Germany



## DRIFT MED VAKUUMPUMPE

Undergrunden under borestativet skal være ren, fast, glat, tør og uden huller. En anvendelse på puds eller murværk er ikke mulig.

Afbrød straks arbejdet ved en driftsforstyrrelse og tag borestativet helt af.

Ved en driftsforstyrrelse opretholdes vakuummet kun i kort tid. Holdekræften er afhængig af undergrunden og tætningen.

Borestativet skal yderligere sikres mod at falde ned, f.eks. med

## VANDTILSLUTNING

I forbindelse med kernehulboring skal der bruges vand. Sørg for at etablere tilstrækkelig vandtilførsel.

Det skal sikres, at der altid er tilstrækkelig vandtilførsel til borehullet. Kerneboremotoren er udstyret med et gennemstrømningssystem, hvor vandet ledes igennem borespidsen ned i borehullet, hvorfra det ledes tilbage langs med borebitten. Vandet bruges til afkøling af borestedet og til at spule overskydende materiale væk fra boringen.

## VEDLIGEHOLDELSE

Brug kun Milwaukee-tilbehør og Milwaukee-reservedele. Komponenter, hvor udskiftningsproceduren ikke er beskrevet, skal skiftes ud hos et Milwaukee-servicested (se brochure garanti/kundeserviceadresser).

Hvis det er nødvendigt, kan der bestilles en sprængskitse af værktøjet. Angiv herved venligst maskintypen samt det sekscifrede nummer på mærkepladen og bestil tegningen hos din lokale kundeserviceafdeling eller direkte hos Techtronic Industries GmbH, Max-Eyth-Straße 10, 71364 Winnenden, Tyskland.

## SYMBOLER



VIGTIGT! ADVARSEL! FARE!



Ved arbejde inden i maskinen, bør batteriet tages ud.



Læs brugsanvisningen nøje før ibrugtagning.



Brug beskyttelseshandsker!



Brug høreværn!



Når der arbejdes med maskinen, skal man have beskyttelsesbriller på.



Anvend beskyttelseshjelm.



Tilbehør - Ikke inkluderet i leveringsomfanget, køb købes som tilbehør.



Elektrisk udstyr eller (genopladelige) batterier må ikke bortskaffes sammen med det almindelige husholdningsaffald. Elektrisk udstyr og genopladelige batterier skal indsamles særskilt og afleveres hos en genbrugsvirksomhed til en miljømæssig forsvarlig bortskaffelse. Spørg de lokale myndigheder eller din forhandler om genbrugsstationer og indsamlingssteder til sådant affald.



Europæisk konformitetsmærke



Ukrainsk konformitetsmærke



Eurasisk konformitetsmærke

|  |                |
|--|----------------|
| Søylelengde.....                                 | 617 mm         |
| Skråstilling .....                               | 0-45 °         |
| Bor-ø maks .....                                 | 250 mm         |
| Lengde/Bredde/Høyde .....                        | 465/275/975 mm |
| Veikt i henhold til EPTA-Proseduren 01/2014..... | 13,2 kg        |

**⚠ ADVARSEL!** Les gjennom alle sikkerhets advarsler, anvisninger, illustrasjoner og spesifikasjoner for dette elektroverktøyet. Feil ved overholdelsen av advarslene og nedenstående anvisninger kan medføre elektriske støt, brann og/eller alvorlige skader.

Ta godt vare på alle advarslene og informasjonene.

### ⚠ SIKKERHETSINNSTRUKSER FOR DIAMANTBORMASKIN

Når det behøves vann til boringen, må vanntilstrømningen holdes borte fra operatørens arbeidsområde, eller sørg for et egnet avløp. Gjennom disse forsiktighetstiltakene holdes arbeidsområdet tørt, slik at fare for elektrisk sjokk reduseres.

Ved borearbeider der borkronen vil kunne komme i berøring med skjulte strømførende ledninger eller de den egne strømkabelen, skal det elektriske verktøyet alltid gripes med de isolerte håndtakflatene. Ved kontakt med en strømførende kabel kan også verktøyets borkrone bli strømførende og forårsake at operatøren lider elektrisk sjokk.

Ved boring med diamantbor må du alltid ha på deg hørselsvern. Støybelastningen kan føre til hørselsskader.

Dersom borkronen blokkerer, skal det ikke utøves trykk på boret, og apparatet skal slås av. Finn frem til årsaken til at borkronen er blokkert.

Før et diamantbor settes på et arbeidsstykke på nytt, må det kontrolleres at borkronen kan rotere uhindret.

Dersom borkronen er blokkert, starter den muligens ikke, eller verktøyet utsettes for en overbelastning. Dessuten kan diamantboret i dette tilfellet gli av arbeidsstykket.

Når borstativet festes til verkstykket, må det sørges for at forankringen av maskinen kan holde mens det bores. Ved tynne eller porøse arbeidsstykker kan forankringen løsne og borstativet kan gli av arbeidsstykket.

Ved sikring av borstativet på arbeidsstykket med en vakuumløfter, må vakuumløfteren alltid stilles på en glatt, ren og ikke porøs overflate. Still den ikke på belagte overflater som fliser eller sandwichmaterialer. Dersom arbeidsstykket ikke er festet glatt, jevnt eller godt, kan vakuumløfteren gli av arbeidsstykket.

Forviss deg om at det foreligger et tilstrekkelig undertrykk før boringen og mens det bores. Ved utilstrekkelig undertrykk kan vakuumløfteren gli av verkstykket.

Ikke utfør boringer dersom maskinen bare er sikret med vakuumløfteren. Unntak fra dette er boringer i nedovergående retning. Ved manglende undertrykk blir vakuumløfteren av verkstykket.

Når det bores gjennom vegger eller tak, må det sikres at personer og arbeidsområdet på den andre siden er beskyttet. Borkronen kan stikke ut på den andre siden, eller borkjernen kan falle ut.

Verktøyet skal ikke brukes til arbeid over hodehøyde. Dersom vannet trenger inn i det elektriske verktøyet, øker faren for elektrisk sjokk.

### YTTERLIGE SIKKERHETS- OG ARBEIDSSINSTRUKSJONER

Ved kjerneboringer gjennom gulv faller borkjernen vanligvis ut av borkronen. Sørg for en tilstrekkelig beskyttelse av personene og rommene under boreområdet.

Bruk vernebekledning. Ta alltid på vernebrille ved bruk av maskinen. Vernebekledning så vel som støvmaske,

vernehansker, fast og sklisikkert skotøy, hjem og hørselsvern er anbefalt.

Støvet som oppstår ved arbeidet er ofte helsefarlig og skal ikke komme i kontakt med kroppen. Bruk derfor vernemaske som er egnet for støv.

Materialer som er helsefarlig skal ikke bearbeides (f.eks. asbest)

Slå av apparatet med en gang dersom det isatte verktøyet er blokkert! Ikke slå apparatet på igjen så lenge det isatte verktøyet er blokkert; her kan det oppstå et tilbakeslag med høyt reaksjonsmoment. Finn ut hvorfor det isatte verktøyet blokkerer og fjern årsaken til dette. Ta herved hensyn til sikkerhets instruksene.

Mulige årsaker til dette kan være:

- det har forkantet seg i arbeidsemnet som bearbeides
- det har brekt igjennom materialet som bearbeides
- elektroverktøyet er overbelastet

Ikke grip inn i maskinen når den står på og går.

Isatt verktøy kan i bruk bli veldig varmt.

- ved skifting av verktøy
- når apparatet legges ned

Spon eller fliser må ikke fjernes mens maskinen er i gang.

Pass på kabler, gass- og vannledninger når du arbeider i vegger, tak eller gulv.

### FORMÅLSMESSIG BRUK

Diamantborestativet er bestemt til å holde Milwaukee-diamantboremaskiner. Det må plasseres med vacuum, med pluggen på gulvet eller veggen.

Dette apparatet må kun brukes til de oppgitte formål.

### CE-SAMSVARERKLÆRING

Vi erklærer i alene ansvar at produktet beskrevet i „Teknisk data“ overensstemmer med alle relevante forskrifter til Eu direktiv 2006/42/EF og de følgende harmoniserte normative dokumentene.

EN 62841-1:2015  
EN 62841-3-6:2015

Winnenden, 2020-01-03



Alexander Krug  
Managing Director



Autorisert til å utarbeide den tekniske dokumentasjonen

Techtronic Industries GmbH  
Max-Eyth-Straße 10  
71364 Winnenden  
Germany

## DRIFT MED VAKUUMPUMPE

**Bakken under borestativet må være ren, fast, glatt, tørt og uten hull.** Det må ikke stilles på puss eller mur.

**Ved driftsfeil må du straks avbryte arbeidet og ta vekk borestativet helt.**

**Ved driftsfeil holdes vakuomet i kort tid.** Holdekraften er avhengig av underlaget og tetningen.

**Tilleggssikre borestativet mot fall f. eks. med tau eller ved egnet støtte.**

## VANNTILKOBLING

Ved kjerneboreboringer må det brukes vann. Sørg for tilstrekkelig tilløp av vann!

Det må alltid være garantert et tilstrekkelig tilløp av vann til borehullet. Kjernebormotoren er utstyrt med et gjennomstrømningssystem der vannet ledes gjennom borspissen og inn i borehullet, og derfra strømmes det tilbake langsmed borkronen. Vannet tjener til kjøling av stedet der det bores og til utskylning av materialrestene etter boringen.

## VEDLIKEHOLD

Bruk kun Milwaukee tilbehør og Milwaukee reservedeler. Komponenter der utskiftning ikke er beskrevet skal skiftes ut hos Milwaukee kundeservice (se brosjyre garanti/kundeserviceadresser).

Ved behov kan det fås en eksplosjonstegning av apparatet hos kundeservice eller direkte hos Techtronic Industries GmbH, Max-Eyth-Straße 10, 71364 Winnenden, Germany ved angivelse av maskinens type og det sekstallige nummeret på maskinens skilt.

## SYMBOLER

|   |  |
|---|--|
|    | OBS! ADVARSEL! FARE!   |
|    | Ta ut vekselbatteriet før du arbeider på maskinen  |
|    | Les nøye gjennom bruksanvisningen før maskinen tas i bruk.   |
|    | Bruk vernehansker !  |
|    | Bruk hørselsvern!  |
|    | Bruk alltid vernebrille når du arbeider med maskinen.  |
|    | Ha på deg vernehjelm.  |
|    | Tilbehør - inngår ikke i leveransen, anbefalt komplettering fra tilbehørsprogrammet.   |
|    | Elektriske apparater, batterier/oppladbare batterier skal ikke kastes sammen med vanlig husholdningsavfall. Elektriske og elektroniske apparater og oppladbare batterier skal samles separat og leveres til miljøvennlig deponering hos en avfallsbedrift. Informer deg hos myndighetene på stedet eller hos din fagforhandler hvor det finnes recycling bedrifter og oppsamlingssteder. |
|    | Europeisk samsvarsmerke  |
|  | Ukrainsk samsvarsmerke   |
|  | Euroasiatisk samsvarsmerke   |

|                                |                |
|--------------------------------|----------------|
| Pelarlängd .....               | 617 mm         |
| Lutning .....                  | 0-45 °         |
| Max. borrdiam. ....            | 250 mm         |
| Längd/Bredd/Höjd .....         | 465/275/975 mm |
| Vikt enligt EPTA 01/2014 ..... | 13,2 kg        |

**⚠ VARNING!** Läs noga igenom alla säkerhetsanvisningar, illustrationer och specifikationer som medföljer detta elverktyg. Fel som uppstår till följd av att anvisningarna nedan inte följts kan orsaka elstöt, brand och/eller allvarliga kroppsskador. Förvara alla varningar och anvisningar för framtida bruk.

#### ⚠ SÄKERHETSANVISNINGAR FÖR DIAMANTBORRMASKIN

Om vatten behövs vid borring ska vattentillförseln hållas på avstånd från operatörens arbetsområde eller ett lämpligt avlopp anordnas. Genom dessa försiktighetsåtgärder förblir arbetsområdet torrt vilket är nödvändigt för att undvika risken för elektriska stötar.

Om borttillbehöret kan komma i kontakt med döda strömförande ledningar eller med den egna sladden ska du alltid ta tag i elverktygets isolerade greppytor. Vid kontakt med en strömförande kabel kan även verktygets borttillbehör bli strömförande och ge användaren en elektrisk stöt.

Använd alltid hörselskydd vid borring med diamanborr. Bullerbelastning kan leda till hörselskador.

Om borrinsatsen blockeras får inget tryck utövas på bora och apparaten ska stängas av. Ta reda på orsaken till att borttillbehöret blockeras.

Innan en diamanborr placeras mot ett arbetsstycke igen ska man kontrollera att borttillbehöret roterar obehindrat. Om borttillbehöret är blockerat startas det eventuellt inte eller verktyget överbelastas. Dessutom kan det hända att diamanborren glider av från arbetsstycket.

När borrrstativet fästs mot arbetsstycket ska man se till att maskinens förankring kan hålla fast maskinen under borringen. Om arbetsstycket är tunt eller poröst kan förankringen komma loss eller borrrstativet kan glida av från arbetsstycket.

Om borrrstativet säkras mot arbetsstycket med en vakuumliftare ska vakuumliftaren alltid placeras på en slät, ren och icke porös yta. Vakuumliftaren får inte placeras på laminerade ytor såsom glaserade plattor eller kompositbeläggningar. Om arbetsstycket inte är slätt och plant eller om det inte sitter fast ordentligt kan vakuumliftaren glida av från arbetsstycket.

Se till att undertrycket är tillräckligt högt före och under borringen. Om undertrycket är för lågt kan vakuumliftaren glida av från arbetsstycket.

Borra inte om maskinen endast säkras av vakuumliftaren. Ett undantag gäller för borring nedåt. Om undertryck saknas glider vakuumliftaren av från arbetsstycket.

Vid borring genom väggar eller tak ska det säkerställas att personer och arbetsområden på andra sidan är skyddade. Borrinsatsen kan skjuta ut på den andra sidan eller borrkärnan kan falla ner.

Använd inte verktyget för arbeten över huvudhöjd med vattenkylning. Om vatten tränger in i elverktyget ökar risken för elektriska stötar.

#### ÖVRIGA SÄKERHETS- OCH ANVÄNDNINGSPÅBUD

Vid kärnborring genom golvet faller borrkärnan normalt ut ur borrinsatsen. Se till att personer och utrymmen under borrrådet är tillräckligt skyddade.

Använd skyddsutrustning. Använd alltid skyddsglasögon när du använder maskinen. Som skyddsutrustning rekommenderar vi t.ex. en dammskyddsmask, skyddshandskar, stabila och halksäkra skor, hjälm och hörselskydd.

Det damm som bildas under arbetets gång är ofta hälsofarligt och det ska inte komma in i kroppen. Bär därför lämplig skyddsmask.

Det är inte tillåtet att bearbeta material som kan vara hälsovådligt (t.ex. asbest).

Stång av maskinen omedelbart om ett verktyg som används sitter fast! Sätt sedan inte på maskinen igen så länge som verktyget som används fortfarande sitter fast, risk för okontrollerade slag med högt reaktionsmoment. Ta reda på orsaken varför verktyget fastnade och åtgärda orsaken med hänsyn till säkerhetsanvisningarna.

Möjliga orsaker kan vara:

- Verktyget sitter snett i arbetsstycket
- Verktyget går igenom materialet som bearbetas
- Elverktyget är överbelastat

Gå aldrig med händerna in i en maskin som är igång.

Verktyget som används kan bli mycket varmt under användningen.

- vid verktygsbyte
- när man lägger ifrån sig maskinen

Avlägsna aldrig spän eller flisor när maskinen är igång.

Vid arbetenborring i vägg, tak eller golv, var alltid observant på befintliga el-, gas- eller vattenledningar.

#### ANVÄND MASKINEN ENLIGT ANVISNINGARNA

Diamanborrrstativet är avsett för infästning av Milwaukee diamanborrmaskin. Det måste fästas i golvet eller i en vägg med hjälp av pluggar.

Maskinen får endast användas för angiven tillämpning.

#### CE-FÖRSÄKRAN

Vi intygar och ansvarar för att den produkt som beskrivs under „Tekniska data“ överensstämmer med alla relevanta bestämmelser i direktiv 2006/42/EG och följande harmoniserade normerande dokument:

EN 62841-1:2015  
EN 62841-3-6:2015

Winnenden, 2020-01-03



Alexander Krug  
Managing Director



Befullmäktigad att sammanställa teknisk dokumentation.

Techtronic Industries GmbH  
Max-Eyth-Straße 10  
71364 Winnenden  
Germany

## DRIFT MED VAKUUMPUMP

Vid idrifttagning, arbete och underhåll av vakuumanläggningen ska de gällande nationella skyddsföreskrifterna följas.

Avbryt arbetet genast vid en driftstörning och avlägsna borrstativet helt.

Vid en driftstörning bibehålls vakuomet endast under kort tid. Fästkrakterna beror på underlaget och tätningen.

Se dessutom till att borrstativet inte kan falla ned, t.ex. genom att stötta det med en vajer eller liknande.

## VATTENANSLUTNING

Vid kärnborring måste vatten användas. Se till att det alltid finns tillräckligt vattenflöde.

Se till att det alltid finns tillräckligt vattenflöde till borrhålet. Kärnborrmotorn är utrustad med ett genomströmningssystem där vattnet leds genom borrhålets spetsen in i borrhålet och tillbaka från borrhålet längs borrhålets sats. Vattnet kyler borrhålet och spolar ut borrhålets rester.

## SKÖTSEL

Använd endast Milwaukee-tillbehör och Milwaukee-reservdelar. Komponenter, för vilka inget byte beskrivs, skall bytas ut hos Milwaukee-kundtjänst (se broschyren garanti-/kundtjänstadresser).

Vid behov kan du rekommendera apparatens sprängskiss antingen hos kundservicen eller direkt hos Techtronic Industries GmbH, Max-Eyth-Straße 10, 71364 Winnenden, Germany. Du ska då ange maskintypen och numret på sex siffror som står på effektskytten.

## SYMBOLER



OBSERVERA! VARNING! FARA!



Drag ur batteripaketet innan arbete utföres på maskinen.



Läs instruktionen noga innan du startar maskinen.



Bär skyddshandskar!



Använd hörselskydd!



Använd alltid skyddsglasögon.



Använd skyddshjälm.



Tillbehör - Ingår ej i leveransomfånget, erhålles som tillbehör.



Elektriska maskiner, batterier/uppladdningsbara batterier och får inte slängas tillsammans med de vanliga hushållsoporna. Elektriska maskiner och uppladdningsbara batterier ska samlas separat och lämnas till en avfallsstation för miljövänlig avfallshantering. Kontakta den lokala myndigheten respektive kommunen eller fråga återförsäljare var det finns speciella avfallsstationer för elskrot.



Europeiskt konformitetsmärke



Ukrainskt konformitetsmärke



Euroasiatiskt konformitetsmärke

|  |                |
|--|----------------|
| Pylvään pituus .....                     | 617 mm         |
| Kaltevuuskulma .....                     | 0-45 °         |
| Poran ø maks .....                       | 250 mm         |
| Pituus/Leveys/Korkeus .....              | 465/275/975 mm |
| Paino EPTA-menetelyn 01/2014mukaan ..... | 13,2 kg        |

**VAROITUS** Lue kaikki turvallisuusmääräykset, ohjeet, kuvitukset ja erittelyt, jotka toimitetaan tämän sähkötyökalun mukana. Jäljempänä annettujen ohjeiden noudattamisen laiminlyönti saattaa johtaa sähköiskun, tulipaloon ja/tai vakavaan loukkaantumiseen. **Säilytä kaikki turvallisuus- ja muut ohjeet tulevaisuutta varten.**

#### **TIMANTTIPIORAKONEEN TURVALLISUUSOHJEET**

Jos poraustapahtumaan tarvitaan vettä, tulee vedensyöttö pitää poissa käyttäjän työskentelyalueelta tai luoda sopiva poisvirtaus. Näillä varotoimilla työalue säilyy kuivana, jotta vähennetään sähköiskun vaaraa.

**Porauslässä, jossa porauslisäke voisi koskettaa jännitteellisiin johtoihin tai omaan sähköjohtoon, tulee sähkötyökalua aina pidellä vain sen eristetyistä tarttumapinnoista.** Jännitteellisiin johtoihin koskettaminen voi tehdä myös työkalun porauslisäkkeen jännitteelliseksi ja antaa käyttäjälle sähköiskun.

**Porattaessa timanttioralla käytä aina kuulosuojaimia.** Meluraisitus voi aiheuttaa kuulovaurioita.

Jos porauslisäke juuttuu paikalleen, lakkaa painamasta poranterää alaspäin ja sammuta laite. Selvitä porauslisäkkeen juuttumisen syy ja poista se.

**Ennen timanttioran asettamista uudelleen työstökappaleeseen tarkasta, pyöriikö porauslisäke vapaasti.** Jos porauslisäke on jumittunut, se ei ehkä ala enää pyöriä tai työkalu rasittuu liiaksi. Sen ohella timanttiorantera voi tässä tapauksessa luiskahtaa pois työstökappaleesta.

**Porausjalustaa kiinnitettäessä työstökappaleeseen tulee varmistaa, että kiinnitys kykenee pitämään koneen paikallaan porauksen aikana.** Ohuita tai huokoisia työstökappaleita käsiteltäessä kiinnitys voi irrota ja porausjalusta luiskahtaa pois työstökappaleesta.

**Kun porausjalusta varmistetaan työstökappaleeseen imuikiinnittimellä, tulee imuikiinnitin asettaa aina sileälle, puhtaalle, ei huokoiselle pinnalle.** Älä pane sitä pinnoitetuille pinnoille, kuten laatoille tai liitosmateriaaleille. Jos työstökappale ei ole sileä, tasainen tai kiinnitetty lujasti paikalleen, niin imuikiinnitin voi luiskahtaa irti työstökappaleesta.

**Varmista, että ennen porausta ja sen aikana vallitsee riittävä alipaine.** Jos alipaine ei ole riittävä, niin imuikiinnitin voi luiskahtaa pois työstökappaleesta.

**Älä tee porauksia, jos kone on varmistettu vain imuikiinnittimellä. Poikkeuksena ovat poraukset alaspäin.** Jos alipainetta ei ole, niin imuikiinnitin irtoaa työstökappaleesta.

**Porattaessa seinien tai kattojen läpi varmista, että toisella puolella olevat henkilöt ja työalueet on suojattu.** Porauslisäke saattaa mennä toiselle puolelle läpi tai porausydin pudota pois.

**Älä käytä työkalua vesijäähdytyksen kera työskennellessäsi pään yläpuolella.** Jos vettä pääsee sähkötyökaluun, niin sähköiskun vaara suurenee.

#### **TÄYDENTÄVIÄ TURVALLISUUSMÄÄRÄYKSIÄ JA TYÖSKENTELYOHJEITA**

Kun keernaporaus tehdään lattian läpi, niin porausydin putoaa yleensä pois porauslisäkkeestä. Huolehdi siitä, että porausalueen alapuolella olevat henkilöt ja tilat on suojattu riittävästi.

Käytä suojavarusteita. Käytä aina suojalaseja käyttäessäsi konetta. Suosittelemme suojavarusteiden käyttöä, näihin kuuluvat pölysuojanaamari, työkasineet, tukevat, luistamattomat jalkineet, kypärä ja kuulosuojukset.

Koneen käytöstä aiheutuva pöly ja jäte voi olla haitallista terveydelle eikä sen vuoksi tulisi päästä kosketukseen ihon kanssa. Koneella työskennellessä on käytettävä sopivaa suojainta.

Terveydellisiä vaaroja aiheuttavien materiaalien (esim. asbestin) työstäminen on kielletty.

Jos käytetty työkalu juuttuu kiinni, sammuta laite heti! Älä kytke laitetta uudelleen päälle työkalun ollessa vielä kiinni juuttuneena, koska tästä saattaa aiheutua voimakas takaisku. Selvitä työkalun juuttumisen syy ja poista syy turvallisuusmääräyksiä noudattaen.

Mahdollisia syitä voivat olla:

- työkalun vinoutuminen työstökappaleessa
- työstetyn materiaalin puhkaiseminen
- sähkötyökalun ylikuormitus

Älä tartu käynnissä olevan koneen työosiin.

Käytetty työkalu saattaa kuumeta käytön aikana.

- työkalua vaihdettaessa
- laitetta pois laskettaessa

Lastuja tai puruja ei saa poistaa koneen käydessä.

Varo seinään, kattoon tai lattiaan porattaessa osumasta sähköjohtoon, kaasu- ja vesijohtoihin.

#### **TARKOITUKSEN MUKAINEN KÄYTTÖ**

Timanttiorausteline on tarkoitettu käytettäväksi Milwaukee-timanttiorakoneiden kera. Se täytyy kiinnittää vaarnalla lattiaan tai seinään.

Älä käytä tuotetta ohjeiden vastaisesti.

#### **TODISTUS CE-STANDARDIN MUKAISUUDESTA**

Vakuutamme yksinvastuullisesti, että kohdassa „Tekniset tiedot“ kuvattu tuote vastaa kaikkia sitä koskevia direktiivien 2006/42/EY määräyksiä sekä seuraavia harmonisoituja standardisoivia asiakirjoja:

EN 62841-1:2015  
EN 62841-3-6:2015

Winnenden, 2020-01-03



Alexander Krug  
Managing Director



Valtuutettu kokoamaan tekniset dokumentit.

Techtronic Industries GmbH  
Max-Eyth-Straße 10  
71364 Winnenden  
Germany

## KÄYTTÖ TYHJÖPUMPUN KANSSA

Porakoneen pylvään alustan täytyy olla puhdas, kiinteä, tasainen, kuiva eikä siinä saa olla reikiä. Käyttö rappausten tai muurauksen päällä ei ole mahdollista.

Jos käytössä ilmenee häiriö, keskeyttäkää työ välittömästi ja ottakaa porakoneen pylväs kokonaan pois.

Käyttöhäiriön sattuessa tyhjiö säilyy vain vähän aikaa. Pidätysoima riippuu alustasta ja tiivisteestä.

Varmistakaa porakoneen pylväs lisäksi putoamista vastaan, esim. köydellä tai sopivalla tuella.

## VESILIITÄNTÄ

Keernareikiä porattaessa täytyy käyttää vettä. Huolehdi riittävästä vedensyötöstä!

On varmistettava aina riittävä vedentuonti poranreikään. Keernaporauskone on varustettu läpivirtausjärjestelmällä, jossa vesi johdetaan porankärjen läpi poranreikään ja sieltä porauslisäkettä pitkin takaisin. Vettä käytetään porauskohdan jäähdyttämiseen ja porausjätteiden poishuutomiseen.

## HUOLTO

Käytä ainoastaan Milwaukee lisätarvikkeita ja Milwaukee varaosia. Mikäli jokin komponentti, jota ei ole kuvailtu, tarvitsee vaihtoa ota yhteys johonkin Milwaukee palvelupisteistä (kts. listamme takuuhuoltoilikkeiden/ palvelupisteiden osoitteista)

Tarvittaessa voit pyytää laitteen räjähdyspiirustuksen ilmoittaen konetyypin ja tyyppikilvessä olevan kuusinumeroisen luvun huoltopalvelustasi tai suoraan osoitteella Techtronic Industries GmbH, Max-Eyth-Strasse 10, 71364 Winnenden, Saksa.

## SYMBOLIT



HUOMIO! VAROITUS! VAARA!



Ota akku pois ennen kaikkia koneeseen tehtäviä toimenpiteitä.



Lue käyttöohjeet huolellisesti, ennen koneen käynnistämistä.



Käytä suojakäsineitä!



Käytä kuulosuojaimia!



Käytä laitteella työskennellessäsi aina suojalaseja.



Käytä suojakypärää.



Lisälaite - Ei sisälly vakiovarustukseen, saatavana lisäervikkeena.



Sähkölaitteita, paristoja/akkuja ei saa hävittää yhdessä kotitalousjätteiden kanssa. Sähkölaitteet ja akut tulee kerätä erikseen ja toimittaa kierrätysliikkeeseen ympäristöystävällistä hävittämistä varten. Pyydä paikallisilta viranomaisilta tai alan kauppiailtasi tarkemmat tiedot kierrätyspisteistä ja keräyspaikoista.



Euroopan säännönmukaisuusmerkki



Ukrainan säännönmukaisuusmerkki



Euraasian säännönmukaisuusmerkki

|  |                |
|--|----------------|
| Μήκος υποστήριξης.....                           | 617 mm         |
| Κλίση.....                                       | 0-45 °         |
| Μακρ. Διάμετρος τρύπας.....                      | 250 mm         |
| Μήκος/Πλάτος/Ύψος.....                           | 465/275/975 mm |
| Βάρος σύμφωνα με τη διαδικασία ΕΡΤΑ 01/2014..... | 13,2 kg        |

**ΠΡΟΕΙΔΟΠΟΙΗΣΗ!** Διαβάστε όλες τις προειδοποιητικές υποδείξεις, οδηγίες, περιγραφές και προδιαγραφές γι' αυτό το ηλεκτρικό εργαλείο. Αμέλειες κατά την τήρηση των προειδοποιητικών υποδείξεων μπορεί να προκαλέσουν ηλεκτροπληξία, κίνδυνο πυρκαγιάς ή/και σοβαρούς τραυματισμούς. **Φυλάξτε όλες τις προειδοποιητικές υποδείξεις και οδηγίες για κάθε μελλοντική χρήση.**

#### ΟΔΗΓΙΕΣ ΑΣΦΑΛΕΙΑΣ ΓΙΑ ΔΙΑΜΑΝΤΟΤΡΥΠΑΝΑ

Σε περίπτωση που απαιτείται νερό κατά τη διαδικασία διήθησης, να προβλέπεται κατάλληλη απορροή και την εισροή νερού μακριά από το χώρο εργασίας του χειριστή. Μέσω των προστατευτικών μέτρων αυτών παραμένει ο χώρος εργασίας στεγνός και μειώνεται ο κίνδυνος ηλεκτροπληξίας.

Σε εργασίες διήθησης, κατά τις οποίες θα μπορούσε να έρθει η κοπτική κεφαλή σε επαφή με κρυφά, ρευματοφόρα καλώδια ή το καλώδιο του εργαλείου, να κρατάτε το ηλεκτρικό εργαλείο από τις μονωμένες επιφάνειες των χειρολαβών. Σε περίπτωση επαφής με ένα ρευματοφόρο καλώδιο μπορεί να γίνει και η κοπτική κεφαλή του εργαλείου ρευματοφόρα και να προκαλέσει ηλεκτροπληξία στο χειριστή.

Κατά τις διατρήσεις με διαμαντοτρύπανα να χρησιμοποιείτε πάντα προστατευτική ακοή. Η ηχορύπανση μπορεί να επιφέρει προβλήματα ακοής.

Μην ασκείτε πίεση στο δράπανο και να απενεργοποιείτε το εργαλείο, όταν μπλοκάρει το στέλεχος τρυπάνου. Εξακριβώστε και αποκαταστήστε το αίτιο του μπλοκαρίσματος του στέλεχους τρυπάνου.

Ελέγξτε αν περιστρέφεται το στέλεχος τρυπάνου ελεύθερα, πριν την απόθεση ενός διαμαντοτρυπάνου σ' ένα αντικείμενο εργασίας. Εάν μπλοκάρει το στέλεχος τρυπάνου, τότε μπορεί αυτό να μην ξεκινήσει ή να προκύψει μια υπερφόρτιση του εργαλείου. Εκτός αυτού, θα μπορούσε σ' αυτή την περίπτωση να γλιστρήσει το διαμαντοτρύπανο από το αντικείμενο εργασίας.

Κατά τη στερέωση της βάσης τρυπανιών στο αντικείμενο εργασίας πρέπει πάντα να εξασφαλίζεται η ικανότητα της αγκύρωσης, να στηρίζει το μηχάνημα κατά τη διάρκεια της διήθησης. Σε περίπτωση λεπτών ή πορωδών αντικειμένων εργασίας μπορεί να χαλαρώσει η αγκύρωση και να γλιστρήσει η βάση τρυπανιών από το αντικείμενο εργασίας.

Κατά την ασφάλιση της βάσης τρυπανιών στο αντικείμενο εργασίας με μια συγκράτηση βεντούζας να τοποθετείτε πάντα τη συγκράτηση βεντούζας πάνω σε μια λεία και καθαρή επιφάνεια χωρίς πόρους. Μην επιθέτετε σε επιστρωμένες επιφάνειες, όπως πλακάκια ή σύνθετα υλικά. Εάν δεν είναι το αντικείμενο εργασίας λείο, επίπεδο ή καλά στερεωμένο, τότε μπορεί να γλιστρήσει η συγκράτηση βεντούζας από το αντικείμενο εργασίας.

Εξασφαλίστε επαρκή υποπίεση πριν και κατά τη διάρκεια της διαδικασίας διήθησης. Σε περίπτωση ανεπαρκούς υποπίεσης μπορεί να γλιστρήσει η συγκράτηση βεντούζας από το αντικείμενο εργασίας.

Μη διεξάγετε διατρήσεις, όταν ασφαρίζεται το μηχάνημα μόνο με τη συγκράτηση βεντούζας. Εξαιρούνται διατρήσεις προς τα κάτω. Σε περίπτωση ελλείψεως υποπίεσης γλιστράει η συγκράτηση βεντούζας από το αντικείμενο εργασίας.

Κατά τη διήθηση τοίχων και οροφών να εξασφαλίζετε την προστασία ατόμων και του χώρου εργασίας από την άλλη πλευρά. Το στέλεχος τρυπάνου θα μπορούσε να

ξεπροβάλει από την άλλη πλευρά και να πέσει έξω ο πυρήνας διήθησης.

Για εναέριες εργασίες μη χρησιμοποιείτε το εργαλείο με υδρόψυξη. Εάν εισχωρήσει νερό στο ηλεκτρικό εργαλείο, τότε αυξάνεται ο κίνδυνος ηλεκτροπληξίας.

#### ΠΕΡΑΙΤΕΡΩ ΟΔΗΓΙΕΣ ΑΣΦΑΛΕΙΑΣ ΚΑΙ ΧΡΗΣΕΩΣ

Κατά τις διατρήσεις με υπολειπόμενο πυρήνα μέσω πατωμάτων πέφτει κανονικά ο πυρήνας διήθησης από το στέλεχος τρυπάνου. Φροντίστε για επαρκή προστασία των ατόμων και χώρων κάτω από το χώρο διήθησης.

Χρησιμοποιείτε προστατευτικό εξοπλισμό. Κατά την εργασία με τη μηχανή φοράτε πάντα προστατευτικά γυαλιά. Συνιστούμε επίσης προστατευτική ενδυμασία όπως επίσης μάσκα προστασίας αναπνοής, προστατευτικά γάντια, σταθερά και ασφαλή στην ολίσθηση υποδήματα, κράνος και υψοασπίδες.

Η σκόνη που δημιουργείται κατά την εργασία είναι συχνά επιβλαβής για την υγεία και δεν επιτρέπεται να έλθει στο σώμα. Να φοράτε κατάλληλη μάσκα προστασίας από σκόνη.

Μην επεξεργάζεστε επικίνδυνα για την υγεία υλικά (π.χ. αμιάντος).

Σε περίπτωση μπλοκαρίσματος της αρίδας απενεργοποιήστε αμέσως τη συσκευή! Μην ενεργοποιείτε εκ νέου τη συσκευή όσο η αρίδα είναι μπλοκαρισμένη. Σ' αυτή τη περίπτωση θα μπορούσε να προκύψει υψηλή ροπή αντίδρασης. Βρείτε την αιτία του μπλοκαρίσματος της αρίδας και ξεμπλοκάρτε την λαμβάνοντας υπόψη τις οδηγίες ασφαλείας.

Πιθανές αιτίες:

- Η αρίδα μάγκωσε με το προς κατεργασία κομμάτι.
- Σπάσιμο του προς κατεργασία υλικού.
- Υπερφόρτωση του ηλεκτρικού εργαλείου.

Μην απλώνετε τα χέρια σας στην επικίνδυνη περιοχή της μηχανής όταν είναι σε λειτουργία.

Η θερμοκρασία της αρίδας μπορεί να φτάσει σε υψηλά επίπεδα κατά τη λειτουργία.

- κατά την αλλαγή εργαλείου (αρίδας)
- κατά την απόθεση της συσκευής

Τα γρέζια ή οι σκληθρες δεν επιτρέπεται να απομακρύνονται όσο η μηχανή βρίσκεται σε λειτουργία.

Κατά τις εργασίες σε τοίχο, οροφή ή δάπεδο προσέχετε για τυχόν ηλεκτρικά καλώδια και για σωληνες αερίου και νερού.

#### ΧΡΗΣΗ ΣΥΜΦΩΝΑ ΜΕ ΤΟ ΣΚΟΠΟ ΠΡΟΟΡΙΣΜΟΥ

Η βάση τρυπανιού προορίζεται για την υποδοχή των τρυπανιών διαμαντιού της Milwaukee. Αυτή πρέπει να στερεωθεί με τη βοήθεια ουπιάτ στο δάπεδο ή στον τοίχο.

Αυτή η συσκευή επιτρέπεται να χρησιμοποιηθεί μόνο σύμφωνα με τον αναφερόμενο σκοπό προορισμού.



## ΔΗΛΩΣΗ ΠΙΣΤΟΤΗΤΑΣ ΕΚ

Δηλώνουμε υπεύθυνα ότι το προϊόν που περιγράφεται στο κεφάλαιο «Τεχνικά χαρακτηριστικά» είναι συμβατό με τις διατάξεις της Κοινοτικής Οδηγίας 2006/42/ΕΚ και με τα ακόλουθα εναρμονισμένα κανονιστικά έγγραφα:

EN 62841-1:2015  
EN 62841-3-6:2015

Winnenden, 2020-01-03

Alexander Krug  
Managing Director



Εξουσιοδοτημένος να συντάξει τον τεχνικό φάκελο.

Techtronic Industries GmbH  
Max-Eyth-Straße 10  
71364 Winnenden  
Germany

## ΛΕΙΤΟΥΡΓΙΑ ΜΕ ΑΝΤΛΙΑ ΚΕΝΟΥ

**Το υπέδαφος κάτω από τον ορθοστάτη τρυπανιού πρέπει να είναι καθαρό, σταθερό, ίσιο, στεγνό και χωρίς τρύπες.** Η εφαρμογή επάνω σε επίχρισμα ή τοιχοποιία δεν είναι δυνατή.

**Σε περίπτωση προβλήματος λειτουργίας διακόψτε αμέσως την εργασία και αφαιρέστε πλήρως τον ορθοστάτη τρυπανιού.**

**Σε περίπτωση προβλήματος λειτουργίας το κενό διατηρείται μόνο για σύντομο χρονικό διάστημα.** Η δύναμη συγκράτησης εξαρτάται από το υπέδαφος και τη στεγανοποίηση.

**Ασφαλίστε το σύστημα κενού αέρα επιπλέον από πτώσεις, π.χ. με ένα σκοινί ή στηρίζοντάς το κατάλληλα.**

## ΣΥΝΔΕΣΗ ΜΕ ΤΟ ΔΙΚΤΥΟ ΝΕΡΟΥ

Σε διαρρήξεις με υπολειπόμενο πυρήνα πρέπει να χρησιμοποιείται νερό. Φροντίστε για επαρκή εισροή νερού!

Θα πρέπει πάντα να εξασφαλίζεται επαρκής εισροή νερού προς την οπή διάτρησης. Ο κινητήρας καροτιέρας είναι εξοπλισμένος με ένα σύστημα συνεχούς ροής νερού, κατά τη χρήση του οποίου επιστρέφει το νερό από το άκρο τρυπάνου στην οπή διάτρησης κι από κει κατά μήκος του στελέχους τρυπάνου. Το νερό χρησιμεύει στην ψύξη του σημείου διάτρησης και την απομάκρυνση υπολειμμάτων διάτρησης.

## ΣΥΝΤΗΡΗΣΗ

Χρησιμοποιείτε μόνο αξεσουάρ Milwaukee και ανταλλακτικά Milwaukee. Εξαρτήματα, που η αλλαγή τους δεν περιγράφεται, αντικαθίστανται σε μια τεχνική υποστήριξη της Milwaukee (βλέπε φυλλάδιο εγγύηση/διευθύνσεις τεχνικής υποστήριξης).

Σε περίπτωση που το χρειαστείτε μπορείτε να παραγγείλετε λεπτομερές σχέδιο της συσκευής αναφέροντας τον τύπο και τον εξαψήφιο αριθμό που βρίσκεται στην πινακίδα τεχνικών χαρακτηριστικών από την εξυπηρέτηση πελατών ή απευθείας από την Techtronic Industries GmbH, διεύθυνση Max-Eyth-Straße 10, 71364 Winnenden, Germany.

## ΣΥΜΒΟΛΑ



ΠΡΟΣΟΧΗ! ΠΡΟΕΙΔΟΠΟΙΗΣΗ! ΚΙΝΔΥΝΟΣ!



Πριν από κάθε εργασία στη μηχανή αφαιρείτε την ανταλλακτική μπαταρία.



Παρακαλώ διαβάστε σχολαστικά τις οδηγίες χρήσης πριν από την έναρξη λειτουργίας.



Να φοράτε προστατευτικά γάντια!



Φοράτε προστασία ακοής (ωτασπίδες)!



Στις εργασίες με τη μηχανή φοράτε πάντοτε προστατευτικά γυαλιά.



Να φοράτε προστατευτικό κράνος.



Εξαρτήματα - Δεν περιλαμβάνονται στα υλικά παράδοσης, συνιστούμενη προσθήκη από το πρόγραμμα εξαρτημάτων.



Ηλεκτρικά μηχανήματα, μπαταρίες/συσσωρευτές δεν επιτρέπεται να απορρίπτονται μαζί με τα οικιακά απορρίμματα. Ηλεκτρικά μηχανήματα και συσσωρευτές συλλέγονται ξεχωριστά και παραδίδονται προς ανακύκλωση με τρόπο φιλικό προς το περιβάλλον σε επιχείρηση επεξεργασίας απορριμμάτων. Ενημερωθείτε από τις τοπικές υπηρεσίες ή από ειδικευμένους εμπόρους σχετικά με κέντρα ανακύκλωσης και συλλογής απορριμμάτων.



Ευρωπαϊκό σήμα πιστότητας



Ουκρανικό σήμα πιστότητας



Ευρασιατικό σήμα πιστότητας

|   |                |
|---|----------------|
| Sütun uzunluğu.....                           | 617 mm         |
| Meyilde .....                                 | 0-45 °         |
| Maksimum delme .....                          | 250 mm         |
| Uzunluk/Genişlik/Yükseklik.....               | 465/275/975 mm |
| Ağırlığı ise EPTA-üretici 01/2014'e göre..... | 13,2 kg        |

**⚠ UYARI!** Bu elektrikli el aletiyile ilgili bütün uyarıları, talimat hükümlerini, gösterimleri ve spesifikasyonları okuyun. Aşağıda açıklanan talimat hükümlerine uyulmadığı taktirde elektrik çarpmalarına, yangınlara ve/veya ağır yaralanmalara neden olunabilir. **Bütün uyarıları ve talimat hükümlerini ilerde kullanmak üzere saklayın.**

#### ⚠ ELMASLI MATKAP İÇİN UYARILAR

Delik açma sırasında su gerekli olduğunda, su girişini kullanıcının çalışma alanından uzak tutunuz veya suyun uygun şekilde giderilmesini sağlayınız. Bu güvenlik tedbirleriyle, elektrik çarpması tehlikesinin azaltılması için çalışma alanı kuru kalır.

Matkap ucunun üzerinde akım bulunan gizli hatlarla veya kendi elektrik kablosuna temas edebileceği matkap çalışmalarında, elektrikli takım daima yalıtımlı tutma yüzeylerinden tutunuz. Üzerinde akım bulunan bir kabloyla temas halinde takımın matkap ucuna da akım geçebilir ve kullanıcıya elektrik çarpması mümkündür.

Elmas matkap uçlarıyla delik açarken daima bir koruyucu kulaklık takınız. Gürültü yükü işitme hasarlarına neden olabilir.

Matkap ucu bloke olduğunda, matkaba basınç uygulamayınız ve cihazı kapatınız. Matkap ucunun bloke olmasının nedenini bulun ve gideriniz.

Bir elmas ucunu tekrar bir iş parçasına dokundurmadan önce matkap ucunun boşa dönmesini kontrol ediniz. Matkap ucu bloke olduğunda, çalışmayabilir veya takıma aşırı yüklenmesi mümkündür. Bu durumda elmas matkap ucu iş parçasından kayabilir de.

Matkap tutucunun iş parçasına monte edilmesinden önce, makine bağlama düzeneğinin delme işlemi sırasında sabit kalmasını sağlayınız. İnce veya gözenekli iş parçalarında bağlama düzeneği çözülebilir ve matkap tutucu iş parçasından kayabilir.

Matkap tutucunun bir vantuzla iş parçası üzerinde emniyete alınması sırasında vantuzu daima düz, temiz ve gözenekli olmayan bir yüzeye yerleştiriniz. Fayans veya kompozit malzemeler gibi kaplamalı yüzeyler üzerine yerleştirmeyiniz. İş parçası düz, eğimsiz veya iyi tutturulmadığında, vantuz iş parçasından kayabilir.

Delme işleminden önce ve delme sırasında yeterli bir vakum olmasını sağlayınız. Yetersiz bir vakum vantuzun iş parçasından kaymasına neden olabilir.

Makine sadece vantuz ile emniyete alınmışsa, delme işlemi yapmayınız. Aşağı doğru delme işleri hariçtir. Vakum olmadığında vantuz iş parçasından kayacaktır.

Duvar veya tavanları tam delmeden önce, diğer tarafta bulunabilen kişilerin ve çalışma alanının korunmuş olmasını sağlayınız. Matkap ucu diğer taraftan çıkabilir veya çekirdek karşı taraftan düşebilir.

Takımı baş üstü uygulamalarda su soğutmasıyla birlikte kullanmayınız. Elektrikli takımın içine su girdiğinde elektrik çarpması riski bulunmaktadır.

#### EK GÜVENLİK VE ÇALIŞMA TALIMATLARI

Zeminlerde çekirdek delme uygulamalarında çekirdek normalden matkap ucunun içinden düşmektedir. Delik delinen bölgenin altındaki kişilerin ve mekanların yeteri kadar korunmuş olmasını sağlayınız.

Koruma teçhizatı kullanın. Makinada çalışırken devamlı surette koruyucu gözlük takın. Koruyucu elbise ve tozlardan korunma maskesi, emniyet eldivenleri ve sağlam ve kaymaya mukavim ayakkabı giyin. Başlık ve kulaklık tavsiye edilir.

Çalışma sırasında ortaya çıkan toz genellikle sağlığa zararlıdır ve bedeninize temas etmemelidir. Uygun bir koruyucu toz maskesi kullanın

Sağlık tehlikelerine neden olan malzemelerin işlenmesi yasaktır (örn. asbest).

Uca yerleştirilen takımın bloke olması halinde lütfen cihazı hemen kapatın! Uca yerleştirilen takım bloke olduğu süreçte cihazı tekrar çalıştırmayın; bu sırada yüksek reaksiyon momentine sahip bir geri tepme meydana gelebilir. Uca yerleştirilen takımın neden bloke olduğuna bakın ve bu durumu güvenlik uyarılarına dikkat ederek gidiniz.

Olası nedenler şunlar olabilir:

- İşlenen parça içinde takılma
- İşlenen malzemenin delinmesi
- Elektrikli alete aşırı yük binmesi

Ellerinizi çalışmakta olan makinenin içine uzatmayın.

Uca yerleştirilen takım kullanım sırasında ısınabilir.

- takım değiştirme sırasında
- aletin yere bırakılması sırasında

Alet çalışır durumda iken talaş ve kırpıntıları temizlemeye çalışmayın.

Duvar, tavan ve zeminde delik açarken elektrik kablolarına, gaz ve su borularına dikkat edin.

#### KULLANIM

Elmas matkap cihazı Milwaukee elmas delme makineleri için kullanılır. Dübeller yardımı ile tabana veya duvara asılmalıdır.

Bu alet sadece belirtildiği gibi ve usulüne uygun olarak kullanılabilir.

#### CE UYGUNLUK BEYANI

Tek sorumlu olarak „Teknik Veriler“ bölümünde tarif edilen ürünün 2006/42/EC sayılı direktifin ve aşağıdaki harmonize temel belgelerin bütün önemli hükümlerine uygun olduğunu beyan etmekteyiz:

EN 62841-1:2015  
EN 62841-3-6:2015

Winnenden, 2020-01-03



Alexander Krug  
Managing Director



Teknik evrakları hazırlamakla görevlendirilmiştir.

Techronic Industries GmbH  
Max-Eyth-Straße 10  
71364 Winnenden  
Germany

## VAKUM POMPALI İŞLETİM

Delgi sisteminin altındaki zemin temiz, sabit, düz, kuru ve deliksiz olmalıdır. Sva veya duvar üzeri kullanımı imkân yoktur.

İletim arzasında ii derhal durdurunuz ve delgi sistemini tamamen çıkarınız.

İletim arzasında vakum yalnızca kısa süre etkisini sürdürür. Tutma gücü zemin ve sızdırmazla baldr.

Delgi sistemini halat veya uygun destek vs ile dümeye kar emniyet altına

## SU BAĞLANTISI

Çekirdek delme uygulamalarında su kullanılması zorunludur. Yeteri kadar su girişi sağlayınız!

Açılan deliğe her zaman yeteri kadar su girişi sağlanmalıdır. Karot matkap motoru, içinde suyun matkap ucundan açılan deliğe ve oradan matkap ucu boyunca geri iletildiği bir akış sistemiyle donatılmıştır. Su, açılan deliğin soğutulması ve deliğin açılması sırasında oluşan artıkların yıkanması içindir.

## BAKIM

Sadece Milwaukee aksesuarı ve yedek parçası kullanın. Nasıl değiştirileceği açıklanmamış olan yapı parçalarını bir Milwaukee müşteri servisinde değiştirin (Garanti ve servis adresi broşürüne dikkat edin).

Gerektiğinde cihazın ayrıntılı çizimini, güç levhası üzerindeki makine modelini ve altı haneli rakamı belirterek müşteri servisizden veya doğrudan Techtronic Industries GmbH, Max-Eyth-Straße 10, 71364 Winnenden, Germany adresinden isteyebilirsiniz.

## SEMBOLLER



DİKKAT! UYARI! TEHLİKE!



Aletin kendinde bir çalışma yapmadan önce kartuş aküyü çıkarın.



Lütfen aleti çalıştırmadan önce kullanma kılavuzunu dikkatli biçimde okuyun.



Koruyucu eldivenlerinizi takınız!



Koruyucu kulaklık kullanın!



Aletle çalışırken daima koruyucu gözlük kullanın.



Koruyucu baret giyin.



Aksesuar - Teslimat kapsamında değildir, önerilen tamamlamalar aksesuar programında.



Elektrikli cihazların, pillerin/akülerin evsel atıklarla birlikte bertaraf edilmesi yasaktır. Elektrikli cihazlar ve aküler ayrılarak biriktirilmeli ve çevreye zarar vermeden bertaraf edilmeleri için bir atık değerlendirme tesisine götürülmelidirler. Yerel makamlara veya satıcınıza geri dönüşüm tesisleri ve atık toplama merkezlerinin yerlerini danışınız.



Avrupa uyumluluk işareti



Ukrayna uyumluluk işareti



Avrasya uyumluluk işareti

|   |                |
|---|----------------|
| Délka sloupu.....                                     | 617 mm         |
| naklonění.....  | 0-45 °         |
| Vrtací ø max. ....                                    | 250 mm         |
| Délka/Šířka/Výška.....                                | 465/275/975 mm |
| Hmotnost podle prováděcího předpisu EPTA 01/2014..... | 13,2 kg        |

**VAROVÁNÍ!** Přečtěte si všechna výstražná upozornění, pokyny, zobrazení a specifikace pro toto elektrické nářadí. Zanedbání při dodržování výstražných upozornění a pokynů uvedených v následujícím textu může mít za následek zásah elektrickým proudem, způsobit požár a/nebo těžké poranění. **Všechna varovná upozornění a pokyny do budoucna uschovejte.**

#### **BEZPEČNOSTNÍ PŘEDPISY PRO VRTAČKU S DIAMANTOVÝM VRTÁKEM**

**Pokud bude při vrtání potřebná voda, přítok vody držte mimo dosah pracovní oblasti obsluhy nebo si zajistěte vhodný odtok.** Díky těmto preventivním bezpečnostním opatřením zůstane pracovní oblast suchá, aby se snížilo nebezpečí zásahu elektrickým proudem.

**Při vrtacích pracích, při kterých by mohlo dojít ke kontaktu vrtacího nástavce se skrytými vedeními pod napětím nebo s vlastním elektrickým kabelem, držte elektrické nářadí vždy za izolované uchopovací plochy.** Při kontaktu s kabelem pod napětím se může i vrtací nástavec nástroje stát vodivým a způsobit obsluhu zásah elektrickým proudem.

**Při vrtání s diamantovými vrtáky noste vždy ochranu sluchu.** Zatížení hlukem může vést k poškozením sluchu.

**Když je vrtací nástavec zablokovaný, nevyvíjejte na vrták žádný tlak a vypněte přístroj.** Zjistěte a odstraňte příčinu pro blokování vrtacího nástavce.

**Před novým nasazením diamantového vrtáku na obrobek zkontrolujte, jestli se vrtací nástavec volně otáčí.** Pokud je vrtací nástavec zablokovaný, podle možnosti se nespustí nebo dojde k přetížení nástroje. Kromě toho může v tomto případě diamantový vrták sklouznout z obrobku.

**Před upevněním vrtacího stojanu na obrobku se ujistěte, že ukotvení stroje může během vrtání držet.** U tenkých nebo porézniích obrobků se může ukotvení uvolnit a vrtací stojan může sklouznout z obrobku.

**Při zabezpečení vrtacího stojanu pomocí přísavného držáku na obrobku, přísavný držák osazujte vždy na hladkém, čistém a neporézniím povrchu.** Neupevněte na vrstvených plochách jako jsou dlaždice nebo kompozitní materiály. Pokud obrobek není upevněný hladce, rovně nebo dobře, může přísavný držák sklouznout z obrobku.

**Ujistěte se, že před a během vrtání existuje dostatečný podtlak.** Při nedostatečném podtlaku může přísavný držák sklouznout z obrobku.

**Nevykonávejte žádná vrtání, pokud je stroj zabezpečený pouze přísavným držákem.** Výjimkou jsou vrtání směrem dolů. Při chybějícím podtlaku přísavný držák sklouzne z obrobku.

**Při provrtávání stěn nebo stropů se ujistěte, že osoby a pracovní oblast jsou na druhé straně chráněné.** Vrtací nástavec by mohl vystoupit na druhé straně nebo by mohl vypadnout vrtné jádro.

**Nepoužívejte nástroj s chlazením vodou při pracích nad hlavou.** Pokud voda vnikne do elektrického nářadí, zvýší se riziko zásahu elektrickým proudem.

#### **DALŠÍ BEZPEČNOSTNÍ A PRACOVNÍ POKYNY**

Při jádrových vrtáních skrz podlahy vrtné jádro vypadává normálně z vrtacího nástavce. Postarejte se o dostatečnou ochranu osob a prostor pod oblastí vrtání.

Použijte ochranné vybavení. Při práci s elektrickým nářadím používejte vždy ochranné brýle. Doporučujeme rovněž použití součástí ochranného oděvu a ochranné obuvi, jako protiprašné masky, ochranných rukavic, pevné a neklouzající obuvi, ochranné přilby a ochrany sluchu.

Prach vznikající při práci s tímto nářadím může být zdraví škodlivý. Proto by neměl přijít do styku s tělem. Používejte při práci vhodnou ochranou masku.

Nesmějí se opravovávat materiály, které mohou způsobit ohrožení zdraví (např. azbest)

Při zablokování nasazeného nástroje přístroj okamžitě vypněte! Přístroj nezapínejte, pokud je nasazený nástroj zablokovaný; mohl by při tom vzniknout zpětný náraz s vysokým reakčním momentem. Zjistěte příčinu zablokování nasazeného nástroje a odstraňte ji při dodržení bezpečnostních pokynů.

Možnými příčinami mohou být:

- vzpříčení v opracovávaném obrobku
- přelomení opracovávaného materiálu
- přetížení elektrického přístroje

Nezasahujte do běžícího stroje.

Nasazený nástroj se může během používání rozpálit.

- při výměně nástroje
- při odkládání přístroje

Pokud stroj běží, nesmí být odstraňovány třísky nebo odstěpky.

Při vrtání do zdi, stropu nebo podlahy dávat pozor na elektrické kabely, plynová a vodovodní potrubí.

#### **OBLAST VYUŽITÍ**

Stojan na diamantový vrták je určen k upínání diamantových vrtáčků. Připevňuje se pomocí hmoždinky na podlahu nebo na stěnu.

Toto zařízení lze používat jen pro uvedený účel.

#### **CE-PROHLÁŠENÍ O SHODĚ**

Výhradně na vlastní zodpovědnost prohlašujeme, že se výrobek popsany v „Technických údajích“ shoduje se všemi relevantními předpisy směrnice 2006/42/ES a s následujícími harmonizovanými normativními dokumenty:

EN 62841-1:2015  
EN 62841-3-6:2015

Winnenden, 2020-01-03



Alexander Krug  
Managing Director



Zplnomocněn k sestavování technických podkladů.

Techtronics Industries GmbH  
Max-Eyth-Straße 10  
71364 Winnenden  
Germany

## PRÁCE S VAKUOVÝM ČERPADLEM

Podklad pod stojanem musí být čistý, pevný, hladký, suchý a bez děr. Nasazení na omítku nebo zdivo není možné.

Při poruše provozu přerušete okamžitě práci a odstavte zcela stojan.

Při poruše provozu se vakuum udrží jen po krátkou dobu. Pevnost držení je závislá na podkladu a utěsnění.

Zajistěte dodatečně stojan proti spadnutí, např. lanem nebo vhodnou podpěrou.

## PŘÍPOJKA VODY

Při jádrových vrtáních otvorů se musí použít voda. Postarejte se o dostatečný přítok vody!

Musí být vždy zaručen dostatečný přítok vody k vrtané díře. Jádrová vrtačka je vybavena průtokovým systémem, v kterém se vede voda přes hrot vrtáku do vrtané díry a odtud podél vrtacího nástavce. Voda slouží na chlazení místa vrtání a na vyplachování zbytků z vrtání.

## ÚDRŽBA

Používat výhradně příslušenství Milwaukee a náhradní díly Milwaukee. Díly jejichž výměny nebyla popsána, nechte vyměnit v autorizovaném servisu (viz. "Žáruky / Seznam servisních míst")

V případě potřeby si můžete v servisním centru pro zákazníky nebo přímo od firmy Techtronic Industries GmbH, Max-Eyth-Straße 10, 71364 Winnenden, Německo vyžádat schematický náčrt jednotlivých dílů přístroje, když uvedete typ přístroje a šestimístné číslo na výkonovém štítku.

## SYMBOLY



POZOR! VAROVÁN! NEBEZPEČÍ!



Před zahájením veškerých prací na vrtacím šroubováku vyjmout výměnný akumulátor.



Před spuštěním stroje si pečlivě přečtěte návod k používání.



Používejte ochranné rukavice!



Používejte chrániče sluchu !



Při práci se strojem neustále nosit ochranné brýle.



Noste ochrannou pílbu.



Příslušenství není součástí dodávky, viz program příslušenství.



Elektrická zařízení, baterie/akumulátory se nesmí likvidovat společně s odpadem z domácností. Elektrická zařízení, baterie/akumulátory je třeba sbírat odděleně a odevzdat je v recyklačním podniku na ekologickou likvidaci. Na místních úřadech nebo u vašeho specializovaného prodejce se informujte na recyklační podniky a sběrné dvory.



Značka shody v Evropě



Značka shody na Ukrajině



Značka shody pro oblast Eurasie

|   |                |
|---|----------------|
| Višina stebra.....                                      | 617 mm         |
| Uhly zošikmenia vertikálne.....                         | 0-45 °         |
| Max. priemer vrtu.....                                  | 250 mm         |
| Dĺžka/Šírka/Výška.....                                  | 465/275/975 mm |
| Hmotnosť podľa vykonávacieho predpisu EPTA 01/2014..... | 13,2 kg        |

**VAROVANIE!** Prečítajte si všetky výstražné upozornenia, pokyny, znázornenia a špecifikácie pre toto elektrické náradie. Zanedbanie pri dodržiavaní výstražných upozornení a pokynov uvedených v nasledujúcom texte môže mať za následok zásah elektrickým prúdom, spôsobiť požiar a/alebo ťažké poranenie.  
Tieto Výstražné upozornenia a bezpečnostné pokyny starostlivo uschovajte na budúce použitie.

### BEZPEČNOSTNÉ PREDPISY PRE VRŤAČKU S DIAMANTOVÝM VRŤAKOM

Ak bude pri vrtaní potrebná voda, prítok vody držte mimo dosahu pracovnej oblasti obsluhy alebo si zaobstarajte vhodný odtok. Vďaka týmto preventívnym bezpečnostným opatreniam zostane pracovná oblasť suchá, aby sa znížilo nebezpečenstvo zásahu elektrickým prúdom.

Pri vrtacích prácach, pri ktorých by mohlo dôjsť ku kontaktu vrtacieho nadstavca so skrytými vedeniami pod napätím alebo s vlastným elektrickým káblom, chytajte elektrické náradie vždy za izolované úchopné plochy. Pri kontakte s káblom pod napätím sa môže aj vrtací nadstavec nástroja stať vodivým a spôsobiť obsluhu zásah elektrickým prúdom.

Pri vrtaní s diamantovými vrtákmi noste vždy ochranu sluchu. Zataženie hlukom môže viesť k poškodeniam sluchu.

Keď je vrtací nadstavec zablokovaný, nevyvíjajte na vrták žiadny tlak a vypnite prístroj. Zistíte a odstránite príčinu pre blokovanie vrtacieho nadstavca.

Pred novým nasadením diamantového vrtáka na obrobok skontrolujte, či sa vrtací nadstavec voľne otáča. Keď je vrtací nadstavec zablokovaná, podľa možnosti sa nespustí alebo dôjde k preťaženiu nástroja. Okrem toho môže v tomto prípade diamantový vrták sklznúť z obrobku.

Pred upevnením vrtacieho stojana na obrobku sa uistite, že ukotvenie stroja môže počas vrtania držať. Pri tenkých alebo poréznych obrobkoch sa môže ukotvenie uvoľniť a vrtací stojan môže sklznúť z obrobku.

Pri zabezpečení vrtacieho stojana pomocou prísavného držiaka na obrobku, prísavný držiak osadzujte vždy na hladkom, čistom a neporéznom povrchu. Neupevňujte na vrstvených plochách ako dlaždice alebo kompozitné materiály. Keď obrobok nie je upevnený hladko, rovno alebo dobre, môže prísavný držiak sklznúť z obrobku.

Uistite sa, že pred a počas vrtania existuje dostatočný podtlak. Pri nedostatočnom podtlaku môže prísavný držiak sklznúť z obrobku.

Nevykonávajte žiadne vrtania, keď je stroj zabezpečený iba prísavným držiakom. Výnimkou sú vrtania smerom dole. Pri chýbajúcom podtlaku prísavný držiak sklzne z obrobku.

Pri prevrtávaní stien alebo stropov sa uistite, že osoby a pracovná oblasť sú na druhej strane chránené. Vrtací nadstavec by mohol vystúpiť na druhej strane alebo by mohlo vypadnúť vrtné jadro.

Nástroj pri prácach nad hlavou nepoužívajte s chladením vodou. Keď voda vnikne do elektrického náradia, zvýši sa riziko zásahu elektrickým prúdom.

### ĎALŠIE BEZPEČNOSTNÉ A PRACOVNÉ POKYNY

Pri jadrových vrtaniach cez podlahy vrtné jadro vypadáva normálne z vrtacieho nadstavca. Postarajte sa o dostatočnú ochranu osôb a priestorov pod oblasťou vrtania.

Použite ochranné vybavenie. Pri práci s elektrickým náradím používajte vždy ochranné okuliare. Doporučujeme taktiež použitie súčastí ochranného odevu a ochrannej obuvi, ako sú protiprašná maska, ochranné rukavice, pevná a nekľzajúca obuv, ochranná prilba a ochrana sluchu.

Prach vznikajúci pri práci môže byť škodlivý zdraviu. Pri práci nosiť vhodnú ochrannú masku, aby sa nedostal do ľudského organizmu.

Nesmú sa opracovávať materiály, ktoré môžu spôsobiť ohrozenie zdravia (napr. azbest)

Pri zablokovaní nasadeného nástroja prístroj okamžite vypnite! Prístroj nezapínajte, pokiaľ je nasadený nástroj zablokovaný; mohol by pri tom vzniknúť spätný náraz s vysokým reakčným momentom. Príčinu zablokovania nasadeného nástroja zistíte a odstránite so zohľadnením bezpečnostných pokynov.

Možnými príčinami môžu byť:

- spriečenie v opracovávanom obrobku
- prelomenie opracovávaného materiálu
- preťaženie elektrického prístroja

Nezasahujte do bežiacieho stroja.

Nasadený nástroj sa počas používania môže rozhorčiť.

- pri výmene nástroja
- pri odkladaní prístroja

Triesky alebo úlomky sa nesmú odstraňovať za chodu stroja.

Pri práci v stene, strope alebo v podlahe dávajte pozor na elektrické káble, plynové a vodovodné potrubia.

### POUŽITIE PODĽA PREDPISOV

Stojan na diamantový vrták je určený na upínanie diamantových vrtáčiek. Pripevňuje sa pomocou hmoždinky na podlahu alebo na stenu.

Tento prístroj sa smie používať len v súlade s uvedenými predpismi.

### CE - VYHLÁSENIE KONFORMITY

Výhradne na vlastnú zodpovednosť vyhlasujeme, že výrobok popísaný v "Technických údajoch" sa zhoduje so všetkými relevantnými predpismi smernice 2006/42/EC a nasledujúcimi harmonizujúcimi normatívnymi dokumentmi:

EN 62841-1:2015  
EN 62841-3-6:2015

Winnenden, 2020-01-03



Alexander Krug  
Managing Director



Spnomocnený zostaviť technické podklady.

Techtronic Industries GmbH  
Max-Eyth-Straße 10  
71364 Winnenden  
Germany

## PREVÁDZKA S VÁKUOVÝM ČERPADLOM

Podklad pod stojanovú vrtačku musí byť čistý, pevný, hladký, suchý a nesmie mať diery. Použitie na omietku alebo na stenu nie je možné.

V prípade poruchy prevádzky okamžite prácu prerušte a stojanovú vrtačku úplne snímte.

V prípade poruchy prevádzky zostáva vákuum zachované len na krátky čas. Pridržavacia sila je závislá od podkladu a tesnosti.

Zabezpečte stojanovú vrtačku dodatočne proti spadnutiu, napr. lanom alebo vhodnou podperou.

## PRÍPOJKA VODY

Pri jadrových vrtaniach otvorov sa musí použiť voda. Postarajte sa o dostatočný prítok vody!

Musí byť vždy zaručený dostatočný prítok vody k vrtanej diere. Jadrová vrtačka je vybavená prietokovým systémom, v ktorom sa vedie voda cez hrot vrtačky do vrtanej diery a odiaľ pozdĺž vrtacieho nadstavca. Voda slúži na chladenie miesta vrtania a na vyplachovanie zvyškov vrtania.

## ÚDRZBA

Používať len Milwaukee príslušenstvo a Milwaukee náhradné diely. Súčiastky bez návodu na výmenu treba dať vymeniť v jednom z Milwaukee zákazníckych centier (viď brožúru Záruka/Adresy zákazníckych centier).

V prípade potreby si môžete v servisnom centre pre zákazníkov alebo priamo od firmy Techtronic Industries GmbH, Max-Eyth-Straße 10, 71364 Winnenden, Nemecko, vyžiadať schematický náčrt jednotlivých dielov prístroja pri uvedení typu prístroja a šesťmiestneho čísla na výkonovom štítku.

## SYMBOLY



POZOR! NEBEZPEČENSTVO!



Pred každou prácou na stroji výmenný akumulátor vytiahnuť.



Pred prvým použitím prístroja si pozorne prečítajte návod na obsluhu.



Používajte ochranné rukavice!



Používajte ochranu sluchu!



Pri práci so strojom vždy noste ochranné okuliare.



Noste ochrannú prilbu.



Príslušenstvo - nie je súčasťou štandardnej výbavy, odporúčané doplnenie z programu príslušenstva.



Elektrické zariadenia, batérie/akumulátory sa nesmú likvidovať spolu s odpadom z domácností. Elektrické zariadenia, batérie/akumulátory treba zbierať oddelene a odovzdať ich v recyklačnom podniku na ekologickú likvidáciu. Na miestnych úradoch alebo u vášho špecializovaného predajcu sa spýtajte na recyklačné podniky a zberné dvory.



Značka zhody v Európe



Značka zhody na Ukrajine



Značka zhody pre oblasť Eurázie

|  |                |
|--|----------------|
| Długość kolumny .....                  | 617 mm         |
| Nachylenie .....                       | 0-45 °         |
| Maks. zdolność wiercenia .....         | 250 mm         |
| Długość/Szerokość/Wysokość .....       | 465/275/975 mm |
| Ciężar wg procedury EPTA 01/2014 ..... | 13,2 kg        |

**⚠ OSTRZEŻENIE!** Należy przeczytać wszystkie wskazówki bezpieczeństwa, instrukcje, opisy i specyfikacje dotyczące tego elektronarzędzia. Zaniedbania w przestrzeganiu poniższych wskazówek mogą spowodować porażenie prądem, pożar i/lub ciężkie obrażenia ciała. Należy starannie przechowywać wszystkie przepisy i wskazówki bezpieczeństwa dla dalszego zastosowania.

#### **⚠ WSKAZÓWKI BEZPIECZEŃSTWA DOT. WIERTARKI DIAMENTOWEJ**

Jeśli podczas wiercenia potrzebna będzie woda, należy utrzymywać dopływ wody z dala od miejsca pracy operatora lub zapewnić odpowiedni odpływ. Powyższe środki ostrożności utrzymują stanowisko pracy w stanie suchym, zmniejszając w ten sposób ryzyko porażenia prądem elektrycznym.

Podczas wiercenia, gdy końcówka wiertła może mieć kontakt z ukrytymi przewodami przewodzącymi prąd lub własnym kablem zasilającym, zawsze należy trzymać elektronarzędzie za izolowane powierzchnie chwytające. W przypadku kontaktu z kablem pod napięciem elektrycznym, napięcie może przewodzić również końcówka wiertła, doprowadzając w ten sposób do porażenia prądem operatora.

Podczas wiercenia wiertłami diamentowymi zawsze należy stosować naszłuki ochronne. Narażenie na hałas może prowadzić do uszkodzenia słuchu.

W przypadku zablokowania wiertła nie należy wywierać nacisku na wiertło, lecz wyłączyć narzędzie. Ustalić i skorygować przyczynę blokady wiertła.

Przed ponownym użyciem wiertła diamentowego na obrabianym przedmiocie należy sprawdzić, czy wkładka wiertła obraca się swobodnie. Jeśli wiertło jest nadal zablokowane, narzędzie może nie rozpocząć pracy lub może dojść do jego przeciążenia. Ponadto wiertło diamentowe może w tym przypadku ześlizgnąć się z obrabianego przedmiotu.

Przy mocowaniu stojaka wiertarskiego do obrabianego przedmiotu należy upewnić się, że zakotwienie jest w stanie utrzymać maszynę podczas wiercenia. W przypadku wiercenia w cienkich lub porowatych przedmiotach zakotwienie może się poluzować, a podstawa wiertła może ześlizgnąć się z obrabianego przedmiotu.

Przy mocowaniu podstawy wiertła do obrabianego przedmiotu za pomocą lewara ssącego, lewar ssący należy zawsze umieszczać na gładkiej, czystej i nieporowatej powierzchni. Nie stosować na powierzchniach powlekanych, takich jak płytki lub kompozyty. Jeśli przedmiot obrabiany nie jest gładki, płaski lub dobrze zamocowany, syfon może ześlizgnąć się z przedmiotu obrabianego.

Upewnić się, że przed i w trakcie procesu wiercenia dostępne jest wystarczające podciśnienie. Jeśli podciśnienie jest niewystarczające, lewar ssący może ześlizgnąć się z obrabianego przedmiotu.

Nie wiercić żadnych otworów, jeśli maszyna jest zabezpieczona tylko za pomocą lewara ssącego. Wyjątek stanowią otwory nawiercane w dół. W przypadku braku podciśnienia lewar ssący ześlizguje się z obrabianego przedmiotu.

Podczas wiercenia w ścianach lub sufitach należy zatroszczyć się o ochronę osób i stanowisk pracy znajdujących się po drugiej stronie. Wkładka wiertła

może wyjść z drugiej strony, bądź wypaść może rdzeń wiertniczy.

Nie należy używać narzędzia do pracy nad głową w przypadku chłodzenia wodą. W przypadku przedostania się wody do elektronarzędzia zwiększa się ryzyko porażenia prądem elektrycznym.

#### **DODATKOWE WSKAZÓWKI BEZPIECZEŃSTWA I INSTRUKCJE ROBOCZE**

Podczas rdzeniowania otworu wiertniczego w podłodze rdzeń wiertniczy zwykle wypada z wiertła. Należy zapewnienie odpowiednią ochronę osób i pomieszczeń znajdujących się pod miejscem wiercenia.

Stosować wyposażenie ochronne. Przy pracy maszyną zawsze nosić okulary ochronne. Zalecana jest odzież ochronna, jak maska pyłochronna, rękawice ochronne, mocne i chroniące przed poślizgiem obuwie, kask i ochronniki słuchu.

Kurz powstający przy pracy z tym elektronarzędziem może być szkodliwy dla zdrowia, w związku z tym nie powinien dotrzeć do ciała. Nosić odpowiednią maskę przeciwpyłową.

Nie wolno obrabiać materiałów, które mogą być przyczyną zagrożenia zdrowia (na przykład azbestu).

W przypadku zablokowania narzędzia nasazanego należy natychmiast wyłączyć urządzenie! Nie należy ponownie włączać urządzenia tak długo, jak długo narzędzie nasadzone jest zablokowane; przy tym mogłyby powstać odrzut zwrotny o dużym momencie reakcyjnym. Należy wykrzyć i usunąć przyczynę zablokowania narzędzia nasazanego uwzględniając wskazówki dotyczące bezpieczeństwa.

Możliwymi przyczynami tego mogą być:

- Skośne ustawienie się w poddawany obróbce przedmiocie obrabianym
- Przerwanie materiału poddawanego obróbce
- Przeciążenie narzędzia elektrycznego

Nie należy sięgać do wnętrza maszyny będącej w ruchu.

Narzędzie nasadzone może w trakcie użytkowania stać się gorące.

- przy wymianie narzędzia
- przy odstawianiu urządzenia

Podczas pracy elektronarzędzia nie wolno usuwać trocin ani drzazg.

Podczas pracy przy ścianach, sufitach i podłodze należy uważać na kable elektryczne, przewody gazowe i wodociągowe.

#### **WARUNKI UŻYTKOWANIA**

Stojak wiertniczy do świdrów diamentowych przeznaczony jest do mocowania wiertarek Milwaukee z wiertłami/świdrami diamentowymi. Należy go przymocować do podłoża lub ściany kołkami rozporowymi.

Produkt można użytkować wyłącznie zgodnie z jego normalnym przeznaczeniem.



## DEKLARACJA ZGODNOŚCI CE

Oświadczamy na naszą wyłączną odpowiedzialność, że produkt opisany w punkcie „Dane techniczne” jest zgodny ze wszystkimi istotnymi przepisami Dyrektywy 2006/42/WE oraz z następującymi zharmonizowanymi dokumentami normatywnymi:

EN 62841-1:2015  
EN 62841-3-6:2015

Winnenden, 2020-01-03

Alexander Krug  
Managing Director



Upelnomocniony do zestawienia danych technicznych

Techtronic Industries GmbH  
Max-Eyth-Straße 10  
71364 Winnenden  
Germany

## OBSŁUGA Z POMPA PRÓŻNIOWA

Podoe pod stojak wiertniczy musi by czyste, pewne, gadkie i nie moe posiada otworów. Stosowanie na tynku lub murze nie jest moliwe.

**W razie usterki podczas pracy naley natychmiast przerwa prac i cakowicie zdj stojak wiertniczy.**

**W razie usterki przy pracy pronia zostaje utrzymana przez krótki okres czasu. Sia przytrzymujca jest uzalenioma od podoa i uszczelek.**

**Stojak wiertniczy naley koniecznie dodatkowo zabezpieczy przed spadaniem, np. za pomoc liny lub poprzez odpowiednie podparcie.**

## PRZYŁĄCZE WODY

W trakcie wiercenia rdzeniowego naley stosowac wodę. Nalezy zapewnić wystarczającą ilość wody!

Nalezy zapewnić nieustanny dostateczny dopływ wody do otworu wiertniczego. Silnik do wiercenia rdzeniowego wyposazony jest w system przeplywowy, w którym woda jest doprowadzana z powrotem przez wiertlo do otworu i stamtąd wzdłuż wiertla. Woda jest wykorzystywana w celu chłodzenia miejsca wiercenia oraz do wyplukiwania pozostałości po wierceniu.

## UTRZYMANIE I KONSERWACJA

Uzywac tylko i wyłącznie wyposazenia dodatkowego Milwaukee i części zamiennych Milwaukee. Gdyby trzeba było wymienić części, które nie zostały opisane, nalezy skontaktowac się z przedstawicielem serwisu Milwaukee (patrz wykaz adresów punktów usługowych/gwarancyjnych).

W razie potrzeby można zamowić rysunek urządzenia w rozłożeniu na części podając typ maszyny oraz sześciocyfrowy numer na tabliczce znamionowej w Punkcie Obsługi Klienta lub bezpośrednio w firmie Techtronic Industries GmbH, Max-Eyth-Straße 10, 71364 Winnenden, Germany.

## SYMBOLE

|  |  |
|--|--|
|  | UWAGA! OSTRZEŻENIE<br>NIEBEZPIECZEŃSTWO!   |
|  | Przed przystąpieniem do jakichkolwiek prac na elektronarzędziu nalezy wyjac wkładkę akumulatorową.   |
|  | Przed uruchomieniem elektronarzędzia zapoznac się uważnie z treścią instrukcji.  |
|  | Nosic rękawice ochronne!   |
|  | Nalezy uzywac ochroniaczy uszu!  |
|  | Podczas pracy nalezy zawsze nosic okulary ochronne.  |
|  | Nosic kask ochronny.   |
|  | Wyposazenie dodatkowe dostepne osobno.   |
|  | Urządzenia elektryczne, baterie/akumulatory nie mogą być usuwane razem z odpadami pochodzącymi z gospodarstw domowych. Urządzenia elektryczne i akumulatory nalezy gromadzic oddzielnie i w celu usuwania ich do odpadów zgodnie z wymaganiami środowiska naturalnego oddawac do przedsiębiorstwa utylizacyjnego. Proszę zasięgnac informacji o centrach recyklingowych i punktach zbiorczych u władz lokalnych lub u wyspecjalizowanego dostawcy. |
|  | Europejski Certyfikat Zgodności  |
|  | Ukraiński Certyfikat Zgodności   |
|  | Euroazjatycki Certyfikat Zgodności   |

|   |                |
|---|----------------|
| Oszlop hossz.....                       | 617 mm         |
| dőlésszög.....                          | 0-45 °         |
| Max. Furat-ø.....                       | 250 mm         |
| Hosszúság/Szélesség/Magasság.....       | 465/275/975 mm |
| Súly a 01/2014EPTA-eljárás szerint..... | 13,2 kg        |

**FIGYELMEZTETÉS!** Olvassa el az elektromos készítséghez vonatkozó összes biztonsági útmutatót, utasítást, ábrát és specifikációt. A következőkben leírt utasítások betartásának elmulasztása áramütésekhez, tűzhöz és/vagy súlyos testi sérülésekhez vezethet.  
**Kérjük a későbbi használatra gondosan őrizze meg ezeket az előírásokat.**

### BIZTONSÁGI ÚTMUTATÁSOK GYÉMÁNTFŰRŐGÉPHEZ

Ha a fúrás során vízre van szükség, akkor a vízellátást távol kell tartani a kezelő munkavégzési területétől, vagy megfelelő lefolyót kell kialakítani. Ezekkel az óvintézkedésekkel a munkaterület száraz marad az áramütés veszélyének csökkentése érdekében.

Olyan fúrás munkálatoknál, amelyeknél a fűrófej rejtett, feszültség alatti vezetékkel vagy a saját elektromos kábelével érintkezhet, az elektromos szerszámot mindig a szigetelt markolatnál kell megfogni. Feszültség alatti kábelrel történő érintkezés esetén a szerszám fűrófeje is feszültség alá kerülhet, és így a kezelő áramütést szenvedhet.

Gyémánt fűróval történő munkavégzésnél mindig hallásvédőt kell viselni. A zajterhelés halláskárosodást okozhat.

Ha a fűrófej megszorul, ne gyakoroljon nyomást a fűróra, és kapcsolja ki a készüléket. Határozza és szüntesse meg a fűrófej megszorulásának okát.

Mielőtt a gyémánt fűró tismét a munkadarabra helyezné, ellenőrizze, hogy a fűrófej szabadon forog-e. Ha a fűrófej megszorul, lehet, hogy nem indul el, és előfordulhat, hogy túlterhelik a szerszámot. Ezenkívül a gyémánt fűró ebben az esetben lecsúszhat a munkadarabról.

A fűróállvány munkadarabon történő rögzítésekor biztosítani kell, hogy a rögzítés meg tudja tartani a gépet a fúrás során. Vékony vagy porózus munkadaraboknál a rögzítési kilazulhat, és a fűróállvány lecsúszhat a munkadarabról.

Ha a fűróállványt szívóemelővel rögzítik a munkadarabon, a szívóemelőt mindig sima, tiszta és nem porózus felületre kell felhelyezni. Ne helyezze bevonattal ellátott felületekre, csempére vagy kompozit anyagokra. Ha a munkadarab nem sima, sík vagy nincs jól rögzítve, akkor a szívóemelő lecsúszhat a munkadarabról.

Biztosítsa, hogy a fúrás előtt és alatt elegendő vákuum álljon fenn. Nem elegendő vákuum esetén a szívóemelő lecsúszhat a munkadarabról.

Ne fúrjon, ha a gépet csak a szívóemelő biztosítja. Kivételt képeznek ez alól a lefelé irányuló furatok. Hiányzó vákuum esetén a szívóemelő lecsúszik a munkadarabról.

Falak vagy mennyezetek átfúrásakor biztosítsa, hogy a másik oldalon lévő személyek és a munkaterület védve legyen. A fűrófej a másik oldalon kiérhet, vagy a fúrattag kieshet.

Ne használja a szerszámot fej feletti munkáknál vízhűtéssel. Ha víz kerül az elektromos szerszámába, megnövekedhet az áramütés kockázata.

### TOVÁBBI BIZTONSÁGI ÉS MUNKAVÉGZÉSI UTASÍTÁSOK

Padlókon átmenő magfuratoknál a fúrattag normál esetben kiesik a fűrófejből. Gondoskodjon a fúrás helye alatt tartózkodó személyek és helyiségek megfelelő védelméről.

Használjon védőfelszerelést! Ha a gépen dolgozik, mindig hordjon védőszemüveget! Javasoljuk a védőruházat, úgymint porvédő maszk, védőcipő, erős és csúszásbiztos lábbeli, sisak és hallásvédő használatát.

A munka során keletkező por gyakran egészségre káros, ezért ne kerüljön a szervezetbe.  
Hordjon e célra alkalmas porvédőmaszkot.

Nem szabad olyan anyagokat megmunkálni, amelyek egészségre veszélyesek (pl. azbesztet).

A betétszerszám elakadásakor azonnal ki kell kapcsolni a készüléket! Addig ne kapcsolja vissza a készüléket, amíg a betétszerszám elakadása fennáll; ennek során nagy ellennyomatékú visszarúgás történhet. Határozza és szüntesse meg a betétszerszám elakadásának okát a biztonsági útmutatások betartása mellett.

Ennek következők lehetnek az okai:

- a szerszám elakad a megmunkálandó munkadarabban
- a megmunkálandó anyag átszakadt
- az elektromos szerszám túlterhelése

Ne nyúljon a járó gépbe.

A betétszerszám az alkalmazás során felforrósodhat.

- szerszámcserék
- a készülék lerakásakor

A munka közben keletkezett forgácsokat, szilánkokat, törmelékét, stb. csak a készülék teljes leállása után szabad a munkaterületről eltávolítani.

Falban, földben, aljzatban történő fúrásnál fokozottan ügyelni kell az elektromos-, víz- és gázvezetésekre.

### RENDELTESSZERŰ HASZNÁLAT

A gyémántfűróállvány Milwaukee-gyémántfűrógépek rögzítésére való. Az állványt dübelekkel kell a talajhoz vagy falhoz rögzíteni.

A készüléket kizárólag az alábbiakban leírtaknak megfelelően szabad használni.

### CE-AZONOSSÁGI NYILATKOZAT

Egyedüli felelősséggel kijelentjük, hogy a „Műszaki Adatok” alatt leírt termék a 2006/42/EK irányelvvel minden releváns előírásának, ill. az alábbi harmonizált normatív dokumentumoknak megfelel:

EN 62841-1:2015  
EN 62841-3-6:2015

Winnenden, 2020-01-03



Alexander Krug  
Managing Director



Műszaki dokumentáció összeállításra felhatalmazva

Techtronic Industries GmbH  
Max-Eyth-Straße 10  
71364 Winnenden  
Germany

## ÜZEMELTETÉS VÁKUUMSZIVATTYÚVAL

A fűróállvány alatti alapnak tisztának, szilárdnak, simának, száraznak és lyukaktól mentesnek kell lennie. A vakolaton vagy falazaton történő alkalmazás nem lehetséges.

**Üzemzavar esetén azonnal meg kell szakítani a munkát, és teljesen vegye le a fűróállványt.**

**Üzemzavar esetén a vákuum csak rövid ideig marad meg.** A tartóerő függ az alaptól és a tömítéstől.

**A fűróállvány leesés ellen használjon kiegészítő biztosítást, pl. kötelet vagy megfelelő letámasztást.**

## VÍZCSATLAKOZÁS

Magfúratoknál vizet kell használni. Gondoskodjon elegendő vízellátásról!

Mindig elegendő vízellátást kell biztosítani a fűrt lyukhoz. A magfűró motor átfolyórendszerrel van felszerelve, amelyben a víz a fűrócsúcson keresztül a fűrt lyukba, majd onnan a fűrófej mentén visszavezetésre kerül. A víz a fűrés helyének hűtésére és a fűrésből származó maradványok kiöblítésére szolgál.

## KARBANTARTÁS

Csak Milwaukee tartozékokat és Milwaukee pótalkatrészeket szabad használni. Az olyan elemeket, melyek cseréje nincs ismertetve, cseréltesse ki Milwaukee szervizzel (lásd Garancia/Ügyfélszolgálat címei kiadványt).

Igény esetén a készülékről robbantott rajz kérhető a géptípus és a teljesítménycímként található hatjegyű szám megadásával az Ön vevőszolgálatánál, vagy közvetlenül a Techtronic Industries GmbH-től a Max-Eyth-Straße 10, 71364 Winnenden, Németország címen.

## SZIMBÓLUMOK

|   |   |
|---|---|
|    | FIGYELEM! FIGYELMEZTETÉS! VESZÉLY!  |
|    | Karbantartás, javítás, tisztítás, stb. előtt az akkumulátort ki kell venni a készülékből.   |
|    | Kérjük alaposan olvassa el a tájékoztatót mielőtt a gépet használja.  |
|    | Hordjon védőeszközt!  |
|    | Hallásvédő eszköz használata ajánlott!  |
|    | Munkavégzés közben ajánlatos védőszemüveget viselni.  |
|    | Viseljen védősisakot.   |
|    | Azokat a tartozékokat, amelyek gyárilag nincsenek a készülékhez mellékelve, külön lehet megrendelni.  |
|    | Az elektromos eszközöket, elemeket/akkukat nem szabad a háztartási hulladékkal együtt ártalmatlanítani. Az elektromos eszközöket és akkukat szelektíven kell gyűjteni, és azokat környezetbarát ártalmatlanítás céljából hulladékhasznosító üzemben kell leadni. A helyi hatóságoknál vagy szakkereskedőjénél tájékozódjon a hulladékudvarokról és gyűjtőhelyekről. |
|  | Európai megfelelőségi jelölés   |
|  | Ukrán megfelelőségi jelölés   |
|  | Eurázsiai megfelelőségi jelölés   |

|                                     |                |
|-------------------------------------|----------------|
| Džka stlpu.....                     | 617 mm         |
| Jeralni kot navpično.....           | 0-45 °         |
| Vrtalni maksimalnega $\phi$ .....   | 250 mm         |
| Dolžina/Sirina/Višina.....          | 465/275/975 mm |
| Teža po EPTA-proceduri 01/2014..... | 13,2 kg        |

**⚠ OPOZORILO!** Preberite vsa varnostna opozorila in navodila, prikaze in specifikacije tega električnega orodja. Zakasnelo upoštevanje sledečih navodil lahko povzroči električni udar, požar in/ali težke poškodbe. **Vsa opozorila in napolila shranite, ker jih boste v prihodnje še potrebovali.**

#### **⚠ VARNOSTNA NAVODILA ZA DIAMANTNE VRTALNIKE**

Če je med postopkom vrtnja potrebna voda, dovoda vode ne približujte delovnemu območju upravljavca ali predvidite ustrezen odtok. S temi previdnostnimi ukrepi ostane delovno območje suho, da se zmanjša nevarnost električnega udara.

Pri vrtnjih, pri katerih lahko vrtalni nastavek pride v stik z zakritimi električnimi vodi ali z lastnim električnim kablom, električni kabel vedno držite na izoliranih prijemnih površinah. Pri stiku z električnimi kablom lahko postane električno prevoden tudi vrtalni nastavek orodja in upravljavec lahko doživi električni udar.

Pri vrtnju z diamantnimi svedri vedno uporabljajte zaščito za sluh. Obremenitev s hrupom lahko privede do poškodbe sluha.

Če je vložek za vrtnje blokiran, ne pritiskajte preveč na sveder in izklopite napravo. Ugotovite in odpravite vzrok za blokiranje vložka za vrtnje.

Pred ponovno namestitvijo diamantnega svedra na obdelovanec preverite, ali se vložek za vrtnje prosto vrti. Če je vložek za vrtnje blokiran, se morda na zažene ali pride do preobremenitve orodja. Poleg tega lahko diamantni sveder v tem primeru zdrsne z obdelovanca.

Pri pritjevanju stojala za svedre na obdelovanec je treba zagotoviti, da lahko sidrišče vzdrži stroj med postopkom vrtnja. Pri tankih ali poroznih obdelovancih se lahko sidrišče odvije in stojalo za svedre lahko zdrsne z obdelovanca.

Pri pritrditvi stojala za svedre s sesalno natego na obdelovanec, sesalno natego vedno namestite na gladko, čisto in neporozno površino. Ne namestite na prevlečene površine, kot so ploščice ali sestavljeni materiali. Če obdelovanec ni gladek, raven ali dobro pritrjen, lahko sesalna natega zdrsne z obdelovanca.

Zagotovite, da pred in med postopkom vrtnja obstaja dovolj visok nadtlak. Pri nezadostnem nadtlaku lahko sesalna natega zdrsne z obdelovanca.

Ne izvajajte vrtnj, če je stroj zavarovan samo s sesalno natego. Izjeme so vrtnja navzdol. Pri manjkajočem nadtlaku zdrsne sesalna natega z obdelovanca.

Pri vrtnju skozi stene ali strope se prepričajte, da so osebe in delovno območje na drugi strani zavarovani. Vložek za vrtnje bi lahko izstopil na drugi strani ali izpadlo vrtalno jedro.

Orodja ne uporabljajte za dela nad višino glave z vodnim hlajenjem. Če voda zaide v električno orodje, se poveča tveganje električnega udara.

#### **NADALJNA VARNOSTNA IN DELOVNA OPOZORILO**

Pri jedrovnem vrtnju skozi tla vrtalno jedro običajno pade iz vložka za vrtnje. Poskrbite za zadostno zaščito oseb in prostorov po vrtalnim območjem.

Uporabite zaščitno opremo. Pri delu s strojem vedno nosite zaščitna očala. Priporočajo se zaščitna oblačila, kot npr. maska za zaščito proti prahu, zaščitne rokavice, trdno in nedrseče obuvanje, čelada in zaščita za sluh.

Prah, ki nastaja pri delu, je pogosto zdravju škodljiv in naj ne zaide v telo. Nosite ustrezno masko proti prahu.

Obdelava materialov, iz katerih izhaja ogroženost zdravja (npr. azbest), ni dovoljena.

V primeru blokade orodja napravo takoj izklopite! Naprave ponovno ne vklopljate dokler je orodje blokirano; pri tem bi lahko prišlo do povratnega udara z velikim reakcijskim momentom. Ugotovite in odpravite vzroke blokade orodja ob upoštevanju varnostnih navodil.

Možni razlogi so lahko:

- Zagozditve v obdelovancu
- prežganje obdelovanega materiala
- Preobremenitev električnega orodja

Ne segajte v stroj v teku.

Orodje lahko med uporabo postane vroče.

- pri menjavi orodja
- pri odlaganju naprave

Trske ali iveri se pri tekočem stroju ne smejo odstranjevati.

Pri delih na steni, stropu ali v tleh pazite na električne kable, plinske in vodne napeljave.

#### **UPORABA V SKLADU Z NAMEMBNOSTJO**

Stojalo diamantnega vrtalnika je predvideno za priključek Milwaukee-Diamantnih vrtalnikov. Na tla ali v zid ga je potrebno pritrditi s pomočjo vložkov.

Ta naprava se sme uporabiti samo v skladu z namembnostjo uporabiti samo za navede namene.

#### **CE-IZJAVA O KONFORMNOSTI**

V lastni odgovornosti izjavljamo, da se pod „Tehnični podatki“ opisan proizvod ujema z vsemi relevantnimi predpisi smernice 2006/42/ES in s sledečimi harmoniziranimi normativnimi dokumenti:

EN 62841-1:2015  
EN 62841-3-6:2015

Winnenden, 2020-01-03



Alexander Krug  
Managing Director



Pooblaščen za izdelavo spisov tehnične dokumentacije.

Techtronic Industries GmbH  
Max-Eyth-Straße 10  
71364 Winnenden  
Germany

## OBRATOVANJE Z VAKUUMSKO ČRPALKO

Podlaga pod stojalom vrtnega stroja mora biti ista, trdna, gladka, suha in brez lukenj. Uporaba na ometu ali zidu ni možna.

V primeru motnje v obratovanju takoj prekinite delo in stojalo vrtnega stroja popolnoma snemite.

Pri motnji v obratovanju se vakuum ohrani samo malo asa. Držalna sila je odvisna od podlage in tesnjenja.

Stojalo vrtnega stroja dodatno zavarujte pred padcem na tla, npr. s pomojo žice ali ustrezne podpore.

## PRIKLJUČEK ZA VODO

Pri jedrovnih izvrtinah je treba uporabljati vodo. Poskrbite za zadostno dovajanje vode!

Zagotovljen mora biti zadosten dovod vode do izvrtine. Vrtalnik za jedrovanje je opremljen s pretočnim sistemom, v katerem voda teče skozi konico svedra v izvrtino in od tam nazaj vzdolž vložka za vrtanje. Voda je namenjena za hlajenje vrtnega mesta in izpiranje ostankov vrtanja.

## VZDRŽEVANJE

Uporabljajte samo Milwaukee pribor in Milwaukee nadomestne dele. Poskrbite, da sestavne dele, katerih zamenjava ni opisana, zamenjajo v Milwaukee servisni službi (upoštevajte brošuro Garancija aslovi servisnih služb).

Po potrebi je mogoče pri vašem servisnem mestu ali neposredno pri Techtronic Industries GmbH, Max-Eyth-Straße 10, 71364 Winnenden, Germany, naročiti eksplozijsko risbo naprave ob navedbi tipa stroja in na tablici navedene šestmestne številke.

## SIMBOLI



POZOR! OPOZORILO! NEVARNO!



Pred vsemi deli na stroji odstranite izmenljivi akumulator.



Prosimo, da pred uporabo pozorno preberete to navodilo za uporabo.



Nositi zaščitne rokavice



Nosite zaščito za sluh!



Pri delu s strojem vedno nosite zaščitna očala.



Nosite zaščitno čelado.



Oprema – ni vsebovana v obsegu dobave, priporočeno dopnilo iz programa opreme.



Električnih naprav, baterij/akumulatorjev ni dovoljeno odstranjevati skupaj z gospodinjskimi odpadki. Električne naprave in akumulatorje je potrebno zbirati ločeno in za okolju prijazno odstranitev, oddati podjetju za reciklažo. Pri krajevnem uradu ali vašem strokovnem prodajalcu se pozanimajte glede reciklažnih dvorišč in zbirnih mest.



Evropska oznaka za združljivost



Ukrajinska oznaka za združljivost



Evrazijska oznaka za združljivost

|  |                |
|--|----------------|
| Duljina sajle .....                    | 617 mm         |
| Kut kosog rezanja vertikalni .....     | 0-45 °         |
| Bušenje- $\phi$ maksimalno .....       | 250 mm         |
| Dužina/Širina/Visina .....             | 465/275/975 mm |
| Težina po EPTA-proceduri 01/2014 ..... | 13,2 kg        |

**⚠ UPOZORENIE!** Treba pročitati sve napomene o sigurnosti, upute, prikaze i specifikacije za ovaj električni alat. Propusti kod pridržavanja sljedećih uputa može uzrokovati strujni udar, požar i/ili teške ozljede. **Sačuvajte sve napomene o sigurnosti i upute za buduću primjenu.**

### ⚠ SIGURNOSNE UPUTE ZA DIJAMANTNU BUŠILICU

**Ako je kod postupka bušenja potrebna voda, dovod vode držati udaljenim od radnog područja poslužioca ili predviđjeti jedan prikladan odvod.** Ovom mjerom opreza radno područje ostaje suho, čime se smanjuje opasnost od strujnog udara.

**Kod bušačih radova, kod kojih bi bušači umetak mogao doći u dodir sa skrivenim vodovima pod naponom ili sa svojim električnim kabelom, električni alat držati uvijek na izoliranim površinama drške.** Kod kontakta s nekim kablom pod naponom bi i bušeći umetak alata mogao biti pod napon i poslužiocu nanijeti strujni udar.

**Kod bušenja s dijamantnim svrdlima uvijek nositi zaštitu sluha.** Buka može prouzročiti oštećenje sluha.

**Ako bušači umetak blokira, ne vršiti nikakav pritisak na svrdlo, a napravu isključiti.** Istražite i uklonite uzrok blokiranja bušačeg umetka.

**Prije ponovnog postavljanja dijamantnog svrdla na neki izradak provjeriti, da li se bušači umetak slobodno vrti.** Ako je bušači umetak blokiran, može biti da on ne starta ili da dolazi do preopterećivanja alata. Osim toga bi dijamantno svrdlo u tome slučaju moglo skliznuti sa izratka.

**Kod pričvršćivanja stalka bušilice na izratku se mora uvjeriti, da pričvršćenje može držati stroj za vrijeme postupka bušenja.** Kod tankih ili poroznih izradaka pričvršćenje bi se moglo olabaviti a stalak bušilice bi mogao skliznuti sa izratka.

**Kod osiguranja stalka bušilice s nekom teglicom na izratku, teglicu uvijek postaviti na glatku i čistu površinu i nikada na neku poroznu površinu.** Ne postavljati na premazane površine, pločice ili višeslojne materijale. Ako izradak nije gladak, ravan i nije dobro pričvršćen, teglica bi mogla skliznuti sa izratka.

**Uvjeriti se, da prije i za vrijeme postupka bušenja postoji dovoljan podtlak.** Kod nedovoljnog podtlaka teglica bi mogla skliznuti sa izratka.

**Ne izvoditi nikakva bušenja ako je stroj osiguran samo sa teglicom.** Iznimke su bušotine nadolje. Kod nedostatnog podtlaka teglica sklizne sa izratka.

**Kod bušenja zidova ili stropova uvjeriti se, da su osobe i radno područje na drugoj strani zaštićene.** Bušači umetak bi na drugoj strani mogao izaći, ili bi bušače jezgro moglo ispasti.

**Alat ne koristiti za radove iznad glave sa vodenim hlađenjem.** Ako voda dospje u električni alat, raste rizik od strujnog udara.

### OSTALE SIGURNOSNE I RADNE UPUTE

Kod jezgarskih bušenja kroz pod, bušače jezgro u normalnom slučaju ispada iz bušačeg umetka. Pobrinite se za dovoljnu zaštitu osoba i prostorija ispod područja bušenja.

Upotrebljavati zaštitnu opremu. Kod radova sa strojem uvijek nositi zaštitne naočale. Preporučuje se zaštitna odjeća, kao zaštitna maska protiv prašine, zaštitne rukavice, čvrste i protiv klizanja sigurne cipele, šljem i zaštitu sluha.

Prašina koja nastaje prilikom rada je često nezdrava i ne bi smijela dospjeti u tijelo. Nositi prikladnu zaštitnu masku protiv prašine.

Ne smiju se obrađivati nikakvi materijali, od kojih prijeto opasnost po zdravlje (npr. azbest).

Kod blokiranja alata koji se upotrebljava uređaj molimo odmah isključiti! Uređaj nemojte ponovno uključiti za vrijeme dok je alat koji se upotrebljava blokiran; time može doći do povratnog udara sa visokim reakcijskim momentom. Pronađite i otklonite uzrok blokiranja alata koji se upotrebljava uz poštivanje sigurnosnih uputa.

Mogući uzroci tome mogu biti:

- Izobličavanje u izratku koji se obrađuje
- Probijanje materijala koji se obrađuje
- Preopterećenje električnog alata

Nemojte sezati u stroj koji radi.

Upotrebljeni alat se može za vrijeme korištenja zagrijati.

- kod promjene alata
- kod odlaganja uređaja

Piljevina ili iverige se za vrijeme rada stroja ne smiju odstranjivati.

Kod radova na zidu, stropu ili podu paziti na električne kablove kao i vodove plina i vode.

### PROPISNIA UPOTREBA

Dijamantno postolje bušilice je određeno za prihvatanje Milwaukee dijamantnih bušilica. Ono mora biti postavljeno na podu ili na zidu uz pomoć zaglavica.

Ovaj aparat se smije upotrijebiti samo u određene svrhe kao što je navedeno.

### CE-IZJAVA KONFORMNOSTI

Izjavljujemo na osobnu odgovornost, da je proizvod opisan pod „Tehnički podaci“, sukladan sa svim relevantnim propisima smjernice 2006/42/EC i sa slijedećim harmoniziranim normativnim dokumentima:

EN 62841-1:2015  
EN 62841-3-6:2015

Winnenden, 2020-01-03



Alexander Krug  
Managing Director



Ovlašten za formiranje tehničke dokumentacije.

Techronic Industries GmbH  
Max-Eyth-Straße 10  
71364 Winnenden  
Germany

## POGON S VAKUUMSKOM PUMPOM

Podloga ispod stalka za bušenje mora biti čista, glatka, suha i bez rupa. Upotreba na žbuki ili zidu nije moguća.

Kod smetnje pogona odmah prekinite rad i stalak za bušenje posve skinite.

Kod smetnje pogona vakuum ostaje samo za kratko vrijeme održan. Snaga držanja zavisi o podlozi i gustoći.

Stalak za bušenje osigurajte dodatno protiv padanja, npr. jednim užetom ili prikladnim podupiranjem.

## PRIKLJUČAK VODE

Kod jezgarskih bušenja rupa se mora uporabiti voda. Pobrinite se za dovoljan dovod vode!

Prema bušotini mora biti uvijek osiguran dovoljan dovod vode. Jezgarski bušilica je opremljena jednim protočnim sustavom, u kome se voda kroz vrh svrdla vodi u bušotinu i od tamo uzduž bušačeg umetka vodi nazad. Voda služi za hlađenje mjesta bušenja i za ispiranje ostataka od bušenja.

## ODRŽAVANJE

Primijeniti samo Milwaukee opremu i Milwaukee rezervne dijelove. Sastavne dijelove, čija zamjena nije opisana, dati zamijeniti kod jedne od Milwaukee servisnih službi (poštivati brošuru Garancija/Adrese servisa).

Po potrebi se crtež pojedinih dijelova aparata uz navođenje podatka o tipu stroja i šestznamenastog broja na pločici snage može zatražiti kod vašeg servisa ili direktno kod Techtronic Industries GmbH, Max-Eyth-Straße 10, 71364 Winnenden, Njemačka.

## SIMBOLI



PAŽNJA! UPOZORENIE! OPASNOST!



Prije svih radova na stroju izvaditi bateriju za zamjenu.



Molimo da pažljivo pročitate uputu o upotrebi prije puštanja u rad.



Nositi zaštitne rukavice!



Nositi zaštitu sluha!



Kod radova na stroju uvijek nositi zaštitne naočale.



Nositi zaštitnu kacigu.



Oprema - u opsegu isporuke nije sadržana, preporučena dopuna iz promgrama opreme.



Elektrouređaji, baterije/akumulatori se ne smiju zbrinjavati skupa sa kućnim smećem. Električni uređaji akumulatori se moraju skupljati odvojeno i predati na zbrinjavanje primjereno okolišu jednom od pogona za iskorišćavanje. Raspitajte se kod mjesnih vlasti ili kod stručnog trgovca u svezi gospodarstva za recikliranje i mjesta skupljanja.



Europski znak suglasnosti



Ukrajinski znak suglasnosti



Euroazijski znak suglasnosti

|   |                |
|---|----------------|
| Kolonnas garums.....                          | 617 mm         |
| Zāģēšanas leņķis Vertikālais .....            | 0-45 °         |
| Urbšanas diametrs maks. ....                  | 250 mm         |
| Garums/Platums/Augstums .....                 | 465/275/975 mm |
| Svars atbilstoši EPTA -Procedure 01/2014..... | 13,2 kg        |

**▲ BRĪDINĀJUMS** Izlasiet visus šim elektroinstrumentam pievienotos drošības brīdinājumus, instrukcijas, ilustrācijas un specififikācijas. Nespēja ievērot visas zemāk uzskaitītās instrukcijas var novest pie elektrošoka, ugunsgrēka un/vai smagiem savainojumiem.  
**Pēc izlasīšanas uzglabājiet šos noteikumus turpmākai izmantošanai.**

### ▲ DIMANTA URBJMAŠĪNAS DROŠĪBAS NORĀDES

Ja urbšanas procesam ir nepieciešams ūdens, tad raugiet, lai ūdens padeve atrastos pietiekamā attālumā no lietotāja darba zonas, vai arī iepilnojiat piemērotu noplūdi. Šāds drošības pasākums novērsīs mitruma rašanos darba zonā un samazinās strāvas trieciena draudus.

Veicot urbšanas darbus, kuru laikā urbis varētu saskarties ar pārsegtām, strāvu vadošām daļām, vai strāvas kabeli, vienmēr turiet elektroinstrumentu aiz izolētajām rokturu virsmām. Nonākot saskarē ar strāvu vadošu kabeli, strāvu vadīt arī instrumenta urbis, pakļaujot lietotāju strāvas trieciena draudiem.

Veicot urbšanu ar dimanta urbjiem, vienmēr lietojiet dzirdes aizsardzību. Trokšņa emisija var radīt dzirdes traucējumus.

Ja urbis iekļējas, nespiediet uz urbjā statīvu un izslēdziet iekārtu. Nosakiet un novērsiet urbja iekļēšanās cēloni.

Pirms atkārtot sagataves urbšanu ar dimanta urbi, pārbaudiet vai urbis griežas brīvi. Ja urbis ir bloķēts, tas, iespējams, netiks iedarbināts vai arī izraisīs instrumenta pārslodzi. Turklāt šādā gadījumā dimanta urbis var noslīdēt no sagataves.

Piestiprinot urbja statīvu sagatavei, jāpārlecinās, ka enkura stiprinājums urbšanas procesa laikā var noturēt iekārtu. Urbjot plānas vai porainas sagataves enkura stiprinājums var atbrīvoties, izraisot urbja statīva noslīdēšanu no sagataves.

Piestiprinot urbja statīvu sagatavei ar piesūcekni, vienmēr novietojiet piesūcekni uz līdzenas, tīras un nevis uz porainas virsmas. Nepiestipriniet to pie virsmām ar pārklājumu, piemēram flīzēm vai saistvielām. Piesūceknis var noslīdēt no sagataves, ja tā nav gluda, līdzena vai arī nav labi piestiprināta.

Pārlecinieties, ka pirms urbšanas procesa un tā laikā tiek nodrošināts pietiekams vakuums. Piesūceknis var noslīdēt no sagataves, ja vakuums nav pietiekams.

Neveiciet urbumus, ja iekārta ir nostiprināta tikai ar piesūcekni. Izņēmums ir lejup veicamie urbumi. Piesūceknis var noslīdēt no sagataves, ja netiek nodrošināts vakuums.

Caururbjot sienas vai griestus, nodrošiniet pretējā pusē esošās personas un darba zonu. Urbis var izvirzīties otrā pusē vai arī var izkrist urbja kronis.

Veicot darbus virs galvas un vertikālā virzienā, nelietojiet darbarīka ūdens dzesēšanu. Ūdenim iekļūstot elektroinstrumentā, palielinās strāvas trieciena risks.

### CITAS DROŠĪBAS UN DARBA INSTRUKCIJAS

Urbjot grīdu ar kronurbī, izurbtā daļa parasti mēdz izkrist no kronurbja. Nodrošiniet pietiekamu zem urbšanas zonas esošo personu un telpu aizsardzību.

Jāizmanto aizsargaprikojums. Strādājot ar mašīnu, vienmēr jānēsā aizsargbrilles. Ieteicams nēsāt aizsargapgērbus, kā piemēram, aizsargmasku, aizsargcimdus, kurpes no stingra un neslīdīga materiāla, ķiveri un ausu aizsargus.

Putekļi, kas rodas darba gaitā, bieži ir kaitīgi veselībai un tiem nevajadzētu nokļūt organismā. Jānēsā piemērota maska, kas pasargā no putekļiem.

Nedrīkst apstrādāt materiālus, kas rada draudus veselībai (piemēram, azbestu).

Ja izmantojamais darba rīks tiek bloķēts, nekavējoties izslēgt ierīci! Neieslēdziet ierīci, kamēr izmantojamais darba rīks ir bloķēts; var rasties atsitiens ar augstu griezes momentu. Noskaidrojiet un novērsiet izmantojamā darba rīka bloķēšanas iemeslu, ievērojot visas drošības norādes.

Iespējamie iemesli:

- iesprūdis apstrādājamajā materiālā
- apstrādājamais materiāls ir caursists
- elektroinstrumenti ir pārslogoti

Leslēgtai ierīcei nepieskarieties.

Izmantojamais darba rīks darba gaitā var stipri sakarst.

- veicot darba rīka nomaiņu
- noliekot iekārtu

Skaidas un atlūzas nedrīkst ņemt ārā, kamēr mašīna darbojas.

Veicot darbus sienu, griestu un grīdas apvidū, vajag uzmanīties, lai nesabojātu elektriskos, gāzes un ūdens vadus.

### NOTEIKUMIEM ATBILSTOŠS IZMANTOJUMS

Dimanta urbja statne ir piemērota Milwaukee dimanta urbmašīnai. To ir jānostiprina pie sienas vai grīdas ar dībeļiem.

Šo instrumentu drīkst izmantot tikai saskaņā ar minētajiem lietošanas noteikumiem.

### ATBILSTĪBA CE NORMĀM

Mēs apliecinām, ka produkts, kura tehniskie parametri aprakstīti „tehnisko datu lapā”, pilnībā atbilst prasībām saskaņā ar direktīvām 2006/42/ES un attiecīgajiem harmonizētajiem normatīvajiem dokumentiem:

EN 62841-1:2015  
EN 62841-3-6:2015

Winnenden, 2020-01-03



Alexander Krug  
Managing Director



Pilnvarotais tehniskās dokumentācijas sastādītājs.

Techtronic Industries GmbH  
Max-Eyth-Straße 10  
71364 Winnenden  
Germany



## VAKUUMSŪKŅA EKSPLUATĀCIJA

Pamatnei zem urbja statīva ir jābūt tīrai, stingrai, gludai, sausai un bez jebkādiem caurumiem. To nav iespējams lietot uz apmetuma vai mūra.

Darbības traucējumu gadījumā nekavējoties pārtrauciet darbu un noņemiet urbja statīvu pilnībā.

Darbības traucējumu gadījumā vakuums saglabājas tikai īsu laika periodu. Aiztures spēks ir atkarīgs no pamatnes un izolācijas.

Papildus nodrošiniet urbja statīvu pret nokrišanu, piemēram, ar virvi vai piemērotiem balstiem.

## ŪDENS PIESLĒGUMS

Veicot urbumus ar kroņurbī, nepieciešama ūdens padeve. Nodrošiniet pietiekamū ūdens padevi!

Raugiet, lai vienmēr tiktu nodrošināta pietiekama ūdens padeve uz urbšanas atveri. Kroņurbja motors ir aprīkots ar caurplūdes sistēmu, kas ūdeni pa urbja galu padod urbumā un no turienes ūdens plūst atpakaļ gar urbi. Ūdens dzesē urbumu un veicina urbšanas laikā radīto atlikumu izskalošanu.

## APKOPE

Izmantojiet tikai firmu Milwaukee piederumus un firmas Milwaukee rezerves daļas. Lieciet nomainīt detaļas, kuru nomaina nav aprakstīta, kādā no firmu Milwaukee klientu apkalpošanas servisiem. (Skat. brošūru „Garantija/klientu apkalpošanas serviss“.)

Pēc pieprasījuma, Jūsu Klientu apkalpošanas centrā vai pie Technotronic Industries GmbH, Max-Eyth-Straße 10, 71364 Winnenden, Vācijā, ir iespējams saņemt iekārtas montāžas rasējumu, iepriekš norādot iekārtas modeli un sērijas numuru, kas atrodas uz datu plāksnītes un sastāv no sešiem simboliem.

## SIMBOLI



UZMANĪBU! BĪSTAMI!



Pirms mašīnai veikt jebkāda veida apkopes darbus, ir jāizņem ārā akumulators.



Pirms sākt lietot instrumentu, lūdzu, izlasiet lietošanas pamācību.



Jāvalkā aizsargcimdi!



Nēsāt trokšņa slāpētāju!



Strādājot ar mašīnu, vienmēr jānēsā aizsargbrilles.



Jāvalkā aizsargķivere.



Piederumi - standartaprīkojumā neietvertās, bet ieteicamās papildus komplektācijas detaļas no piederumu programmas.



Elektriskus aparātus, baterijas/akumulatorus nedrīkst utilizēt kopā ar mājaisimniecības atkritumiem. Elektriski aparāti un akumulatori ir jāsavāc atsevišķi un jānodod atkritumu pārstrādes uzņēmumā videi saudzīgai utilizācijai. Jautājiet vietējā iestādē vai savam specializētājam tirgotājam, kur atrodas atkritumu pārstrādes uzņēmumi vai savākšanas punkti.



Eiropas atbilstības zīme



Ukrainas atbilstības zīme



Eirāzijas atbilstības zīme

|  |                |
|--|----------------|
| Atramos ilgis .....  | 617 mm         |
| Istrižo pjūvio kampas vertikaloje plokštumoje .....                  | 0-45 °         |
| Maks. Gręžimo $\emptyset$ .....                                      | 250 mm         |
| Ilgis/Plotis/Aukštis .....   | 465/275/975 mm |
| Prietaiso svoris įvertintas pagal EPTA 2014/01 tyrimų metodiką ..... | 13,2 kg        |

**⚠ WARNING** Perskaitykite visus saugumo įspėjimus, instrukcijas, peržiūrėkite iliustracijas ir specifikacijas, pateiktas kartu su šiuo įrankiu. Jei nepaisysite visų toliau pateiktų instrukcijų, gali trenkti elektros smūgis, kilti gaisras ir/arba galite sunkiai susižaloti arba sužaloti kitus asmenis. **Išsaugokite šias saugos nuorodas ir reikalavimus, kad ir ateityje galėtumėte jais pasinaudoti.**

### ⚠ SAUGOS NURODYMAI DEIMANTINIAM GRAŽTUI

Jei gręžimo metu reikia vandens, vandens tiekimas turėtų būti įrengtas atokiau nuo naudotojo arba numatytas tinkamas nuvedimas. Ėmusis šių atsargumo priemonių darbo zona lieka sausa ir tokiu būdu sumažinamas elektros smūgio pavojus.

**Atlikdami gręžimo darbus, kurių metu gręžiamas paviršius su uždengtomis elektros linijomis arba, kur galimai galima prisiliesti prie elektros laido, elektrinį įrankį visuomet laikykite už izoliuotų rankenos vietų.** Prisilietus prie laido, kuriuo teka elektros srovė, per įrankio gręžimo antgalį taip pat gali tekėti elektros srovė ir tokiu būdu naudotojui kyla elektros smūgio pavojus.

Gręždami su deimantiniais gražtais visuomet dėvėkite klausos apsaugą. Dėl triukšmo gali būti pažeista klausa.

**Kai gręžtuvo antgalis užsiblokuoja, jo nespaukite ir prietaisą išjunkite.** Nustatykite ir pašalinkite gręžtuvo antgalio blokavimo priežastį.

**Prieš naudodami deimantinį gražtą, ant ruošinio patikrinkite, ar gražtas sukasi laisvai.** Jei gražto antgalis užblokuotas, jo nepavyksta įjungti arba yra įrankio perkrova. Be to, tokiu atveju deimantinis gražtas gali nuslysti nuo ruošinio.

**Prie ruošinio tvirtindami gręžtuvo stovą įsitikinkite, kad įrenginio įtvirtinimas išlaikys viso gręžimo metu.** Jei ruošiniai ploni ar akyti, įtvirtinimas gali atsilaisvinti ir gręžtuvo stovas gali nuslysti nuo ruošinio.

**Tvirtindami gręžtuvo stovą prie ruošinio vakuuminio siurbtuku, vakuuminį siurbtuką visuomet tvirtinkite prie lygaus, švaraus, ir neaktyvio paviršiaus.** Netvirtinkite prie paviršių su danga, pvz., paviršiaus, padengto plytelėmis arba kompozicinėmis medžiagomis. Jei ruošinys neslidus, nelygus arba netinkamai pritvirtintas, vakuuminis siurbtukas gali nuo ruošinio nuslysti.

**Įsitikinkite, kad prieš gręžimą ir jo metu bus pakankamas vakuomo kiekis.** Jei vakuomo kiekis nepakankamas, vakuuminis siurbtukas gali nuo ruošinio nuslysti.

**Negręžkite, jeigu įrenginys apsaugotas tik vakuuminio siurbtuku.** Tai netaikoma gręžimui žemyn. Jei vakuumas nepakankamas, vakuuminis siurbtukas gali nuslysti nuo ruošinio.

**Prieš gręždami sienas arba lubas įsitikinkite, kad kitoje apsaugoti pusėje esantys žmonės ir darbo zonos.** Gręžtuvo antgalis kitoje pusėje gali išlįsti arba gali iškristi gręžtuvo šerdis.

**Įrankio nenaudokite gręždami virš galvos ir naudodami aušinimo vandenį.** Jei vanduo pateks į elektrinį įrankį, padidėja elektros smūgio rizika.

### KITI SAUGUMO IR DARBO NURODYMAI

Gręžiant grindis, įprastai gręžtuvo šerdis iš gręžtuvo antgalio iškrenta. Pasirūpinkite reikiama žmonių ir patalpų apsauga po gręžiama zona.

Dėvėkite apsaugines priemones. Dirbdami su mašina visada užsidėkite apsauginius akinius. Rekomenduotina dėvėti apsaugines priemones: apsaugos nuo dulkių respiratorius, apsaugines pirštines, kietus batus neslidžiais padais, šalną ir klausos apsaugos priemones.

Darbo metu susidarancios dulkės yra dažnai kenksmingos sveikatai ir todėl turėtų nepatekti į organizmą. Dėvėti tinkamą apsauginę kaukę nuo dulkių.

Negalima apdirbti medžiagų, dėl kurių galimi sveikatos pažeidimai (pvz., asbesto).

Blokuojant įstatomąjį įrankį būtina išjungti prietaisą! Neįjunkite prietaiso, kol įstatomasis įrankis yra užblokuotas; galimas grįžtamasis smūgis su dideliu sukimo momentu. Atsivėlgdami į saugumo nurodymus, nustatykite ir pašalinkite įstatomojo įrankio blokavimo priežastį.

Galimos priežastys:

- Susidariusios apdirbamo ruošinio briaunos
- Apdirbamos medžiagos pratrūkimas
- Elektros įrankio perkrova

Nekiškite rankų į veikiančią mašiną.

Naudojamas įstatomasis įrankis gali įkaisti.

- keičiant įrankį
- padedant prietaisą

Draudžiama išiminti drožles ar nuopjovas, įrenginius veikiančius.

Dirbdami senoje, lubose arba grindyse, atkreipkite dėmesį į elektros laidus, dujų ir vandens vamzdžius.

### NAUDOJIMAS PAGAL PASKIRTĮ

Deimantinių gręžtuvų stovas yra skirtas įtvirtinti „Milwaukee“ gręžtuvus su deimantinėmis galvutėmis. Jį mūrvinėmis reikia pritvirtinti prie grindų arba prie sienos. Šį prietaisą leidžiama naudoti tik pagal nurodytą paskirtį.

### CE ATITIKTIES PAREIŠKIMAS

Remiantis bendrais atsakomybės reikalavimais pareiškiamo, jog skyriuje „Techniniai duomenys“ aprašytas produktas atitinka visus toliau pateiktų juridinių direktyvų reikalavimus: 2006/42/EB ir kitus su jomis susijusius norminius dokumentus:

EN 62841-1:2015  
EN 62841-3-6:2015

Winnenden, 2020-01-03



Alexander Krug  
Managing Director



Įgaliotas parengti techninius dokumentus.

Techtronic Industries GmbH  
Max-Eyth-Straße 10  
71364 Winnenden  
Germany

## DARBAS SU VAKUUMINIU SIURBLIU

**Pagrindas po gražto stovu turi būti švarus, tvirtas, lygus, sausas ir be skylių.** Prietaisą naudoti ant tinko ar mūro negalima.

**Jei prietaisas blogai veikia, nedelsdami nutraukite darbą ir visiškai nuimkite gražto stovą.**

**Jei prietaisas blogai veikia, vakuumas išlieka tik trumpą laiką.** Vakuomo išlaikymo galia priklauso nuo pagrindo ir sandariklio.

**Papildomai apsaugokite gražto stovą, kad jis nenukristų, pvz., virve ar tinkamomis atramomis.**

## VANDENS TIEKIMO SISTEMA

Gręždami kerno skylės, naudokite vandenį. Pasirūpinkite, kad būtų tinkamai tiekiamas vanduo!

Turite užtikrinti pakankamą vandens tiekimą į gręžimo skylę. Šerdinio gręžtuvo variklis turi pratekėjimo sistemą, kurioje vanduo teka iš gręžtuvo viršūnės į gręžiamą skylę ir iš ten per gražtą gražinamas atgal. Vanduo reikalingas, kad aušintų gręžiamą vietą ir iš jos išskalautų gręžimo metu patekusius likučius.

## TECHNINIS APTARNAVIMAS

Naudokite tik „Milwaukee“ priedus ir „Milwaukee“ atsargines dalis. Dalis, kurių keitimas neaprašytas, leidžiama keisti tik „Milwaukee“ klientų aptarnavimo skyriams (žr. garantiją/klientų aptarnavimo skyrių adresus brošiūroje).

Esant poreikiui, nurodžius mašinos modelį ir šešiaženklį numerį, esantį ant specifikacijų lentelės, klientų aptarnavimo centre arba tiesiogiai „Techtronic Industries GmbH“, Max-Eyth-Str. 10, 71364 Winnenden, Vokietija, galite užsakyti išplėstinį prietaiso brėžinį.

## SIMBOLIAI



DĖMESIO! ĮSPĖJIMAS! PAVOJUS!



Prieš atlikdami bet kokius darbus įrenginyje, išimkite keičiamą akumuliatorių.



Prieš pradėdami dirbti su prietaisu, atidžiai perskaitykite jo naudojimo instrukciją.



Lietojiet aizsardzības cimdus!



Nešioti klausos apsaugines priemones!



Dirbdami su įrenginiu visada nešiokite apsauginius akinius.



Apsauginio šalmo dėvėjimas.



Priedas – neįeina į tiekimo komplektaciją, rekomenduojamas papildymas iš priedų asortimento.



Elektros prietaisų, baterijų/akumuliatorių šalinti kartu su būtinėmis atliekomis negalima. Elektros prietaisus ir akumuliatorius reikia surinkti atskirai ir atiduoti perdirbimo įmonei, kad būtų pašalinti aplinkai saugiu būdu. Vietos valdžios institucijose arba specializuotose prekybos vietose pasidomėkite apie perdirbimo ir surinkimo centrus.



Europos atitikties ženklas



Ukrainos atitikties ženklas



Eurazijos atitikties ženklas

|   |                |
|---|----------------|
| Samba pikkus .....                              | 617 mm         |
| Kaldenurk vertikaalne .....                     | 0-45 °         |
| Puuri ø max .....                               | 250 mm         |
| Pikkus/Laius/Kõrgus .....                       | 465/275/975 mm |
| Kaal vastavalt EPTA-protseduurile 01/2014 ..... | 13,2 kg        |

**⚠ TÄHELEPANU!** Kõik selle elektrilise tööriistaga kaasasolevad ohutusnõuded, juhised, joonised ja spetsifikatsioonid tuleb läbi lugeda. Kõigi allpool loetletud juhiste eiramise tagajärjeks võib olla elektrilöök, tulekahju ja/või rasked vigastused. **Hoidke kõik ohutusnõuded ja juhised edasiseks kasutamiseks hoolikalt alles.**

#### ⚠ OHUTUSJUHISED TEEMANTPUURIMISMASINALE

**Kui puurimiseks on vaja vett, ärge laske sellel voolata kasutaja tööpiirkonda, vaid tagage sobiv äravool.** Nende ettevaatusabinõudega hoiate tööpiirkonna kuivana; see vähendab elektrilöögi ohtu.

**Kuna puurimistööde ajal võib puuriotsak kokku puutuda pingestatud juhtmete või iseenda voolukaabliga, hoidke alati kinni vaid käepideme isoleeritud piirkonnast.** Pingestatud kaabliga kokku puutumine võib pingestada ka tööriista puuriotsakut, mis võib viia selleni, et tööriista kasutaja saab elektrilöögi.

**Kui töötate teemantpuuriga, kandke alati kuulmekaitset.** Mürasaaste võib kahjustada kuulmist.

**Kui puuriotsak jääb kinni, ei tohi puurile survet avaldada; seade tuleb välja lülitada.** Tehke kindlaks puuriotsaku kinnijäämise põhjus ja kõrvaldage viga.

**Enne teemantpuuri taaskasutamist kontrollige toorikut, kas puuriotsak pöörleb vabalt.** Kui puuriotsak on tõkestatud, võib juhtuda, et see ei hakka tööle või tööriist koormatakse üle. Sellisel juhul võib teemantpuur toorikult maha libiseda.

**Puurialuse kinnitamisel tooriku külge tuleb veenduda, et ankurid suudab masinat puurimise ajal hoida.** Ohukeste või poorseste toorikute puhul võib kinnitus lahti tulla ja puurialus toorikult maha libiseda.

**Kui kinnitate puurialuse tooriku külge vaakumhaaratsi abil, tuleb vaakumhaarats paigaldada alati siledale, puhtale ja poorideta pinnale.** Mitte paigaldada kaetud pindadele, nagu nt plaatide või komposiitmaterjalide peale. Kui toorik ei ole sile, tasane ega korralikult kinnitatud, võib vaakumhaarats toorikult maha libiseda.

**Veenduge, et enne puurimist ja puurimise ajal oleks tagatud piisav vaakum.** Ebapiisava vaakumi korral võib sifoon toorikult maha libiseda.

**Puurimine on keelatud, kui masin on kinnitatud üksnes vaakumhaaratsi abil. Välja arvatud puuraugud allapoole.** Puuduiliku vaakumi korral libiseb sifoon toorikult maha.

**Seinte või lagede läbipuurimisel veenduge, et inimesed ja tööpiirkond oleks teisest otsast kaitstud.** Puuriotsak võib teisest otsast välja tulla või puursüdamik välja kukkuda.

**Ärge kasutage tööriista vesijahutust pea kohal tehtavate tööde korral.** Kui vesi satub tööriista, suureneb elektrilöögi oht.

#### EDASISED OHUTUS- JA TÖÖJUHISED

Põrandasse südamikpuuraukude tegemise ajal kukub puursüdamik tavaliselt puuriotsakust välja. Tagage puurimispiirkonnas inimeste ja ruumide piisav kaitse.

Kasutada kaitsevarustust. Masinaga töötamisel kanda alati kaitseprille. Kaitseriieetusena soovitatatakse kasutada tolmumaski kaitsekindaid, kinniseid ja libisemisvastase tallaga jalanõusid, kiivrit ja kuulmisteede kaitset.

Töö ajal tekkiv tolm on sageli tervistkahjustav ning ei tohiks sattuda organismi. Kanda sobivat kaitsemaski.

Töödelda ei tohi materjale, millest lähtub oht tervisele (nt asbest).

Palun lülitage seade rakendustööriista blokeerumise korral kohe välja! Ärge lülitage seadet sisse tagasi, kuni rakendustööriist on blokeeritud; seejuures võib kõrge reaktsioonimomendiga tagasilöökk tekkida. Tehke ohutusjuhiseid arvesse võttes kindlaks ja kõrvaldage rakendustööriista blokeerumise põhjus.

Selle võimalikeks põhjusteks võivad olla:

- viltu asetumine töödeldavas toorikus
- töödeldava materjali läbimurdamine
- elektritööriista ülekoormamine

Ärge sisestage jäsemeid töötavasse masinasse.

Rakendustööriist võib kasutamise ajal kuumaks minna.

- tööriista vahetamisel
- seadme ärapanemisel

Puru ega pilpaid ei tohi eemaldada masina töötamise ajal.

Seina, lae või põranda tööde puhul pidage silmas elektrijuhtmeid, gaasi- ja veetorusid.

#### KASUTAMINE VASTAVALT OTSTARBELE

Teemant-puurimisrakis on ette nähtud Milwaukee-teemantpuurmasinate kinnitamiseks. Paigaldada tüüblite abil põranda või seina külge.

Antud seadet tohib kasutada ainult vastavalt äranäidatud otstarbele.

#### EÜ VASTAVUSAVALDUS

Me deklareerime ainuisikuliselt vastutades, et lõigus „Tehnilised andmed“ kirjeldatud toode vastab direktiivide 2006/42/EÜ kõigile olulisele tähtsusega eeskirjadele ning järgmistele harmoniseeritud normatiivsetele dokumentidele:

EN 62841-1:2015  
EN 62841-3-6:2015

Winnenden, 2020-01-03



Alexander Krug  
Managing Director



On volitatud koostama tehnilist dokumentatsiooni.

Techtronic Industries GmbH  
Max-Eyth-Straße 10  
71364 Winnenden  
Germany

#### OPERATSIOON VAAKUMPUMBIGA

**Substraat puurmasina stendi all peab olema puhas, kindel, tasane, kuiv ja ilma ükski auki selle sisemuses.** Kasutamine plaastri või müüritise peal pole võimalik.

**Kui on talitlushäire, on vaja tööd kohe lõpetada ja täiesti taandada puurmasina stendist.**

**Kui on talitlushäire, vaakum püsib ainult lühiajaliselt.** Säilitamisajal sõltub substraadist ja tihendist.

**On võimalik lisa kindlustada puurmasina stendit langemise vastu, nt. kōie või sobilikku toetusega.**

## VEEÜHENDUS

Südamikpuuraukude korral tuleb kasutada vett. Tagage piisav veejuurdevool.

Puuriaugule peab olema alati tagatud piisav vee juurdevool. Südamikpuuri mootor on varustatud läbivoolusüsteemiga, milles vesi juhitakse puuriotsa kaudu puurrauku ja sealt mööda puuriotsakut tagasi. Vesi jahutab puurimiskohta ja puhastab seda puurimisjääkidest.

## HOOLDUS

Kasutage ainult Milwaukeee tarvikuid ja Milwaukeee tagavaraosi. Detailid, mille väljavahetamist pole kirjeldatud, laske välja vahetada Milwaukeee klienditeeninduspunktis (vaadake brošüüri garantii / klienditeeninduste aadressid).

Vajadusel saab nõuda seadme plahvatusjoonise võimsussildil oleva masinatüübi ja kuuekohalise numbri alusel klienditeeninduspunkti või vahetult firmalt Techtronic Industries GmbH, Max-Eyth-Straße 10, 71364 Winnenden, Germany.

## SÜMBOLID



ETTEVAATUST! TÄHELEPANU! OHUD!



Enne kõiki töid masina kallal võtke vahetatav aku välja.



Palun lugege enne käikulaskmist kasutamisyhend hoolikalt läbi.



Kanda kaitsekindaid!



Kandke kaitseks kõrvaklappe!



Masinaga töötades kandke alati kaitseprille.



Kandke kaitsekiivrit.



Tarvikud - ei kuulu tarne komplekti, soovitatav täiendus on saadaval tarvikute programmis.



Elektriseadmeid, patareisid/akusid ei tohi utiliseerida koos majapidamisprügiga.

Elektriseadmed ja akud tuleb eraldi kokku koguda ning kõrvaldada keskkonnasõbralikul moel töötlemiskeskusesse. Küsige infot jäätmekäitlusjaamade ja kogumispunktide kohta oma kohalike ametnike või edasimüüja käest.



Euroopa vastavusmärk



Ukraina vastavusmärk

Euraasia vastavusmärk

|  |                |
|--|----------------|
| Длина стоек .....                          | 617 mm         |
| Наклон .....                               | 0-45 °         |
| Макс. Ø Производительность сверления ..... | 250 mm         |
| Длина/Ширина/высота .....                  | 465/275/975 mm |
| Вес согласно процедуре ЕРТА 01/2014 .....  | 13,2 kg        |

**⚠ ВНИМАНИЕ!** Ознакомьтесь со всеми предупреждениями относительно безопасного использования, инструкциями, иллюстративным материалом и техническими характеристиками, поставляемыми с этим электроинструментом. Несоблюдение всех нижеследующих инструкций может привести к поражению электрическим током, пожару и/или тяжелым травмам. Сохраняйте эти инструкции и указания для будущего использования.

### ⚠ УКАЗАНИЯ ПО БЕЗОПАСНОСТИ ДЛЯ ДРЕЛИ ДЛЯ АЛМАЗНОГО СВЕРЛЕНИЯ

Если в процессе сверления нужна вода, подвод воды следует держать в отдалении от рабочей области оператора или предусмотреть подходящий сток. Благодаря таким мерам предосторожности рабочая область остается сухой, и снижается опасность поражения электрическим током.

Во время сверлильных работ, при которых сверлильная насадка может соприкоснуться со скрытыми токонесущими проводами или с собственным силовым кабелем, брать электрический инструмент можно только за изолированные поверхности ручек. При контакте с токопроводящими кабелями сверлильная насадка инструмента может проводить ток, в результате чего оператор может получить поражение электрическим током.

При сверлении алмазными сверлами обязательно носить средства защиты органов слуха. Шумовое воздействие может привести к поражению слуха.

Если сверлильную насадку заклинило, не следует оказывать давление на инструмент и выключить устройство. Выяснить и устранить причину заклинивания сверлильной насадки.

Перед повторным использованием алмазного сверла на заготовке проверьте, свободно ли вращается сверлильная насадка. Если сверлильную насадку заклинило, она может не начать вращаться, или произойдет перегрузка инструмента. Кроме того, алмазное сверло может сосколызнуть с заготовки.

При закреплении сверлильной стойки на заготовке необходимо обеспечить, чтобы анкерное крепление удерживало станок в процессе сверления. На тонких или пористых заготовках анкерное крепление может ослабиться, и стойка соскользнет с заготовки.

При фиксации сверлильной стойки на заготовке при помощи вакуумной присоски следует устанавливать вакуумную присоску только на гладкую, чистую и непористую поверхность. Нельзя устанавливать присоску на облицованные поверхности, например, на плитку или композитные слоистые материалы. Если поверхность заготовки не гладкая, не ровная или заготовка не закреплена прочно, вакуумная присоска может соскользнуть с заготовки.

Убедиться, что вакуум перед сверлением и в процессе сверления достаточный. Если вакуум недостаточный, вакуумная присоска может соскользнуть с заготовки.

Не выполнять сверлильные работы, когда станок закреплён только вакуумной присоской. Исключением является только сверление в направлении вниз. Если вакуум отсутствует, вакуумная присоска соскользнет с заготовки.

При сверлении стен или потолков насквозь обеспечьте, чтобы были защищены люди в рабочей области с другой стороны стены или потолка. Сверлильная насадка может выйти с другой стороны, либо может выпасть высверленный керн.

Инструмент не предназначен для работ в направлении вверх с водяным охлаждением. Если вода проникнет в электрический инструмент, риск поражения электрическим током повышается.

### ДОПОЛНИТЕЛЬНЫЕ УКАЗАНИЯ ПО БЕЗОПАСНОСТИ И РАБОТЕ

При колонковом сверлении вниз через пол высверленный керн обычно выпадает из сверлильной насадки. Обеспечить достаточную защиту людей и помещений под участком сверления.

Пользоваться средствами защиты. Работать с инструментом всегда в защитных очках. Рекомендуется спецодежда: пылезащитная маска, защитные перчатки, прочная и нескользящая обувь, каска и наушники.

Пыль, возникающая при работе данным инструментом, может нанести вред здоровью. Не следует допускать её попадания в организм. Надевайте противопылевой респиратор.

Запрещается обрабатывать материалы, которые могут нанести вред здоровью (напр., асбест).

При блокировании используемого инструмента немедленно выключить прибор! Не включайте прибор до тех пор, пока используемый инструмент заблокирован, в противном случае может возникнуть отдача с высоким реактивным моментом. Определите и устраните причину блокирования используемого инструмента с учетом указаний по безопасности.

Возможными причинами могут быть:

- перекос заготовки, подлежащей обработке
- разрушение материала, подлежащего обработке
- перегрузка электроинструмента

Не прикасаться к работающему станку.

Используемый инструмент может нагреваться во время применения.

- при смене инструмента
- при укладывании прибора

Не убирайте опилки и обломки при включенном инструменте.

При работе в стенах, потолках или полу следите за тем, чтобы не повредить электрические кабели или водопроводные трубы.

### ИСПОЛЬЗОВАНИЕ

Стойка предназначена для крепления на ней станков алмазного бурения Milwaukee. Она крепится на полу или стене при помощи дюбелей.

Не пользуйтесь данным инструментом способом, отличным от указанного для нормального применения.

## ДЕКЛАРАЦИЯ О СООТВЕТСТВИИ СТАНДАРТАМ ЕС

Мы заявляем под собственную ответственность, что изделие, описанное в разделе „Технические характеристики“, соответствует всем важным предписаниям Директивы 2006/42/ЕС и приведенным далее гармонизированным нормативным документам:

EN 62841-1:2015  
EN 62841-3-6:2015

Winnenden, 2020-01-03

Alexander Krug  
Managing Director



Уполномочен на составление технической документации.

Techtronic Industries GmbH  
Max-Eyth-Straße 10  
71364 Winnenden  
Germany

## ЭКСПЛУАТАЦИЯ С ВАКУУМНЫМ НАСОСОМ

Основание под стойкой сверлильного станка должно быть чистым, прочным, ровным, сухим и не иметь отверстий. Использование штукатурки или кладки не допускается.

В случае неисправности немедленно прекратите работу и полностью демонтируйте стойку сверлильного станка.

В случае неисправности вакуум сохраняется непродолжительное время. Удерживающая сила зависит от основания и уплотнения.

Во избежание падения стойки сверлильного станка дополнительно закрепите её, например, с помощью верёвки или подходящей подпорки.

## ПОДВОД ВОДЫ

Для сверления отверстий под резьбу необходимо использовать воду. Обеспечить достаточный приток воды!

Необходимо обеспечить постоянное поступление достаточного количества воды к отверстию. Двигатель для установки колонкового сверления оборудован проточной системой, в которой вода поступает через кончик сверла в высверливаемое отверстие, а оттуда выводится назад вдоль сверлильной насадки. Вода служит для охлаждения точки сверления и вымывания отходов сверления.

## ОБСЛУЖИВАНИЕ

Пользуйтесь аксессуарами и запасными частями Milwaukee. В случае возникновения необходимости в замене, которая не была описана, обращайтесь в один из сервисных центров по обслуживанию электроинструментов Milwaukee (см. список сервисных организаций).

При необходимости, у сервисной службы или непосредственно у фирмы Techtronic Industries GmbH, Max-Eyth-Straße 10, 71364, Виннenden, Германия, можно запросить сборочный чертеж устройства, сообщив его тип и шестизначный номер, указанный на фирменной табличке.

## СИМВОЛЫ



ВНИМАНИЕ! ПРЕДУПРЕЖДЕНИЕ!  
ОПАСНОСТЬ!



Выньте аккумулятор из машины перед проведением с ней каких-либо манипуляций.



Пожалуйста, внимательно прочтите инструкцию по использованию перед началом любых операций с инструментом.



Надевать защитные перчатки!



Пользуйтесь приспособлениями для защиты слуха.



При работе с инструментом всегда надевайте защитные очки.



Надевать каску.



Принадлежности - В стандартную комплектацию не входит, поставляется в качестве дополнительной принадлежности.



Электроприборы, батареи/аккумуляторы запрещено утилизировать вместе с бытовым мусором.  
Электрические приборы и аккумуляторы следует собирать отдельно и сдавать в специализированную компанию для утилизации в соответствии с нормами охраны окружающей среды.  
Получите в местных органах власти или у вашего специализированного дилера сведения о центрах вторичной переработки и пунктах сбора.



Европейский знак соответствия



Украинский знак соответствия



Евразийский знак соответствия

|  |                |
|--|----------------|
| Дължина на колони.....                       | 617 mm         |
| Наклон вертикално.....                       | 0-45 °         |
| Макс. Диаметър на свредлото.....             | 250 mm         |
| Дължина/Ширина/височина.....                 | 465/275/975 mm |
| Тегло съгласно процедурата EPTA 01/2014..... | 13,2 kg        |

**⚠ ВНИМАНИЕ!** Прочетете всички указания за безопасност, инструкции, илюстрации и спецификации за този електроинструмент. Пропуските при спазване на приведените по-долу указания могат да доведат до токов удар, пожар и/или тежки травми.  
**Запазете всички указания и инструкции за безопасност за бъдещето.**

### ⚠ ИНСТРУКЦИИ ЗА БЕЗОПАСНОСТ ЗА ДИАМАНТЕНО-ПРОБИВНА МАШИНА

**Ако по време на пробиването е необходима вода, дръжте подаваната вода встрани от работната зона на обслужвания или предвидете подходяща възможност за оттичане.** Чрез тази мярка за безопасност работната зона остава суха, за да се намали опасността от електр

При пробивни работи, при които свредлото би могло да влезе в контакт с покрити кабели, провеждащи електричество, или със собствения електрически кабел винаги хващайте електроинструмента за изолираните ръкохватки. При контакт с кабел, провеждащ електричест

При пробиването с диамантени свредла винаги носете защита за слуха. Шумовото натоварване може да причини слухови увреждания.

Когато пробивното свредло блокира, не упражнявайте натиск и изключете уреда. Потърсете и отстранете причината за блокирането на пробивното свредло.

Преди да поставите отново диамантено свредло, проверете върху детайл дали пробивното свредло се върти свободно. Ако пробивното свредло е блокирано, то вероятно няма да стартира или ще се стигне до претоварване на инструмента. Освен това в този случай диам

При закрепването на стойката за бормашината към детайла трябва да се гарантира, че фиксирането може да издържи машината по време на пробиването. При тънки или порести детайли фиксирането може да се разхлаби и стойката за бормашината да се изплъзне от дета

При обезопасяването на стойката за бормашината с вакуумен държач винаги поставяйте вакуумния държач върху равна, чиста и непореста повърхност. Не прикрепяйте към повърхности с покрития, като плочки или свързващи материали. Ако детайлът не е гладък, равен

Уверете се, че преди и по време на пробиването е налице достатъчно подналягане. При недостатъчно подналягане вакуумният държач може да се изплъзне от детайла.

Не извършвайте пробивания, когато машината е фиксирана само с вакуумния държач. Изключение са само пробиванията в посока надолу. При липса на подналягане вакуумният държач се изплъзва от детайла.

При пробиване на стени или тавани се уверете, че хората и работната зона от другата страна са защитени. Свредлото би могло да излезе от другата страна или сърцевината да изпадне.

Не използвайте инструмента за работа с водно охлаждане в наведено положение. Ако в електроинструмента попадне вода, рискът от токов удар се увеличава.

### ДОПЪЛНИТЕЛНИ УКАЗАНИЯ ЗА РАБОТА И БЕЗОПАСНОСТ

Обикновено при ядрови пробивания през подове сърцевината изпада от свредлото. Погрижете се за достатъчна защита на хората и помещенията под зоната на пробиване.

Да се използват предпазни средства. При работа с машината винаги носете предпазни очила. Препоръчват се защитно облекло и прахозащитна маска, защитни ръкавици, здрави и нехлъзгащи се обувки, каска и предпазни средства за слуха.

Прахът, който се образува при работа, често е вреден за здравето и не бива да попада в тялото. Да се носи подходяща прахозащитна маска.

Не е разрешена обработката на материали, които представляват опасност за здравето (напр. азбест).

Ако използваният инструмент блокира, изключете веднага уреда! Не включвайте уреда отново, докато използваният инструмент е блокиран; това би могло да доведе до откат с висока реактивна сила. Открийте и отстранете причината за блокирането на използвания инструмент и майки в предвид инструкциите за безопасност.

Възможните причини за това могат да бъдат:

- Заклинване в обработваната част
- Пробиване на материала
- Пренатоварване на електрическия инструмент

Не бъркайте в машината, докато тя работи.

Използваният инструмент може да загрее по време на употреба.

- при смяна на инструмента
- при оставяне на уреда

Стружки или отчупени парчета да не се отстраняват, докато машина работи.

При работа в стени, тавани или подове внимавайте за кабели, газопроводи и водопроводи.

### ИЗПОЛЗВАНЕ ПО ПРЕДНАЗНАЧЕНИЕ

Стойката на диамантеното свредло се използва за закрепване на машини с диамантени свредла Милуоки. Тя трябва да се монтира с помощта на дюбел към пода или стената.

Този уред може да се използва по предназначение само както е посочено.



## СЕ - ДЕКЛАРАЦИЯ ЗА СЪОТВЕТСТВИЕ

Заявяваме под собствена отговорност, че описаният в „Технически данни“ продукт съответства на всички важни разпоредби на директива 2006/42/ЕО, както и на всички следващи нормативни документи във тази връзка.

EN 62841-1:2015  
EN 62841-3-6:2015

Winnenden, 2020-01-03



Alexander Krug  
Managing Director



Упълномощен за съставяне на техническата документация

Techtronic Industries GmbH  
Max-Eyth-Straße 10  
71364 Winnenden  
Germany

## РАБОТА С ВАКУУМНА ПОМПА

Основата под стойката на бормашината трябва да бъде чиста, здрава, суха и без дупки. Не е възможна употребата под мазилка или зидария.

При смущение веднага преустановете работата и свалете стойката за бормашината.

При смущение във функционирането вакуумът се запазва само за кратко. Задържащата сила зависи от основата и от уплътнението.

Подсигурете стойката допълнително срещу падане, например с въже или с подходяща подпора.

## ВРЪЗКА ЗА ВОДА

При ядкови пробивания трябва да се използва вода. Осигурете достатъчно подаване на вода!









Винаги трябва да е гарантирано достатъчно подаване на вода към пробивния отвор. Бормашината за ядково пробиване е оборудвана с проточна система, в която водата се отвежда през острието на свердлото към пробивния отвор, а оттам се връща обратно по протежен

## ПОДДРЪЖКА

Да се използват само аксесоари на Milwaukee и резервни части на Milwaukee. Елементи, чията подмяна не е описана, да се дадат за подмяна в сервиз на Milwaukee (вижте брошурата „Гаранция и адреси на сервиси“).

При необходимост можете да поискате схема на елементите на уреда при посочване на обозначение на машината и шестцифрения номер на табелката за технически данни от Вашия сервиз или директно на Techtronic Industries GmbH, Max-Eyth-Straße 10, 71364 Winnenden, Германия.

## СИМВОЛИ

|   |  |
|---|--|
|    | ВНИМАНИЕ! ПРЕДУПРЕЖДЕНИЕ!<br>ОПАСНОСТ  |
|    | Преди започване на каквито е да работи по машината извадете акумулатора.   |
|    | Преди пускане на уреда в действие моля прочетете внимателно инструкцията за използване.  |
|    | Да се носят предпазни ръкавици!  |
|    | Да се носи предпазно средство за слуха!  |
|    | При работа с машината винаги носете предпазни очила.   |
|    | Носете защитен шлем.   |
|    | Аксесоари - Не се съдържат в обема на доставката, препоръчвано допълнение от програмата за аксесоари.  |
|    | Електрическите уреди, батерии/акумулаторни батерии не трябва да се изхвърлят заедно с битовите отпадъци. Електрическите уреди и акумулаторни батерии трябва да се събират отделно и да се предават на службите за рециклиране на отпадъците според изискванията за опазване на околната среда. Информирайте се при местните служби или при местните специализирани търговци относно местата за събиране и центровете за рециклиране на отпадъци. |
|    | Европейски знак за съответствие  |
|   | Украински знак за съответствие   |
|  | Евро-азиатски знак за съответствие   |

|  |                |
|--|----------------|
| Lungime stâlp .....                              | 617 mm         |
| Înclinare .....                                  | 0-45 °         |
| Maxim Capacitate de perforare .....              | 250 mm         |
| Lungime/Lățime/Înălțime .....                    | 465/275/975 mm |
| Greutatea conform „EPTA procedure 01/2014” ..... | 13,2 kg        |

**⚠️ AVERTISMENT** A se citi toate avertismentele, instrucțiunile, ilustrațiile și specificațiile privind siguranța furnizate cu această unealtă electrică. Nerespectarea tuturor instrucțiunilor listate mai jos poate cauza șocuri electrice, incendii și/sau vătămări corporale grave. **Păstrați toate indicațiile de avertizare și instrucțiunile în vederea utilizărilor viitoare.**

### ⚠️ INSTRUCȚIUNI DE SIGURANȚĂ PENTRU MAȘINA DE GĂURIT CU CAROTĂ DIAMANTATĂ

La efectuarea de carotări care necesită utilizarea de apă, dirijați apa în afara zonei de lucru a operatorului sau utilizați un dispozitiv de colectare a apei. Astfel de măsuri de siguranță feresc operatorul de umezeală și reduc riscul de șocuri electrice.

**Țineți unealta electrică de suprafețele de apucare izolate la efectuarea de operații la care cuțitul poate intra în contact cu cabluri ascunse sau cu propriul cablu de alimentare.** Cuțitele care intră în contact cu un conductor sub tensiune pot pune sub tensiune componentele metalice expuse ale unelei electrice și pot cauza operatorului un șoc electric.

**Purtați căști de protecție la carotarea cu cap diamantat.** Expunerea la zgomot poate cauza pierderea auzului.

**Când cuțitul este blocat, încetați aplicarea de presiune descendentă și opriți unealta.** Investigați și luați măsuri de remediere pentru eliminarea cauzei blocării cuțitului.

**Înainte de a reporni o carotieră diamantată în piesa de prelucrat, verificați dacă cuțitul se rotește liber înainte de a porni.** Dacă cuțitul este blocat, este posibil să nu pornească, să suprasolicite mașina sau să cauzeze degajarea carotierei diamantate din piesa de prelucrat.

**La fixarea suportului carotierei cu ancore și elemente de fixare pe piesa de prelucrat, asigurați-vă că dispozitivele de ancorare utilizate au capacitatea de a reține și fixa mașina în timpul utilizării.** Dacă piesa de prelucrat este slabă sau poroasă, este posibilă desprinderea ancorei și degajarea suportului carotierei de pe piesa de prelucrat.

**La fixarea suportului carotierei pe piesa de prelucrat cu o ventuză, instalați ventuza pe o suprafață netedă, curată, lipsită de porozități.** A nu se fixa pe suprafețe laminate precum dalele și acoperirile compozite. Dacă piesa de prelucrat nu este netedă, plană sau bine fixată, ventuza se poate desprinde de aceasta.

**Asigurați-vă că aspirația este suficientă înaintea și în timpul găuririi.** Dacă aspirația este insuficientă, este posibilă desprinderea ventuzei de pe piesa de lucru.

**A nu se efectua niciodată găuriri cu mașina fixată doar cu ventuza, cu excepția găuririlor în direcție descendentă.** Dacă se pierde aspirația, este posibilă desprinderea ventuzei de pe piesa de lucru.

**La carotarea prin pereți sau planșee, asigurați protecția persoanelor și a zonei de lucru de pe partea cealaltă.** Cuțitul poate pătrunde prin gaură sau carota poate cădea pe partea cealaltă.

**A nu se utiliza această unealtă pentru găurire în direcție ascendentă cu alimentare cu apă.** Pătrunderea apei în unealta electrică va crește riscul de șoc electric.

### INSTRUCȚIUNI SUPLIMENTARE DE SIGURANȚĂ ȘI DE LUCRU

La carotarea prin podele, carotele cad în general de pe cuțit. Asigurați protecția adecvată a persoanelor și a bunurilor aflate sub zona de carotare.

Folosiți echipament de protecție. Purtați întotdeauna ochelari de protecție când lucrați cu mașina. Se recomandă utilizarea hainelor de protecție ca de ex. Măști contra prafului, mănuși de protecție, încălțăminte stabilă nealunecoasă, cască și aparatoare de urechi.

Praful care apare când se lucrează cu această sculă poate fi dăunător sănătății și prin urmare nu trebuie să atingă corpul. Purtați o mască de protecție corespunzătoare împotriva prafului.

Nu se admite prelucrarea unui material care poate pune în pericol sănătatea operatorului (de exemplu azbestul).

La blocarea sculei demontabile vă rugăm să deconectați imediat aparatul! Nu conectați aparatul atâta timp cât scula demontabilă este blocată; dacă o faceți, s-ar putea să se producă un recul cu un cuplu mare de reacție. Găsiți și remediați cauza de blocare a sculei demontabile respectând indicațiile pentru siguranță.

Cauzele posibile pot fi:

- Agățarea în piesa de prelucrat
- Străpungerea materialului de prelucrat
- Suprasolicitarea sculei electrice

Nu atingeți părțile mașinii aflate în rotație.

Scula introdusă poate să devină fierbinte în timpul utilizării.

- la schimbarea sculei
- la depunerea aparatului

Rumegușul și spanul nu trebuie îndepărtate în timpul funcționării mașinii.

Când se lucrează pe pereți, tavan sau dușumea, aveți grijă să evitați cablurile electrice și țevile de gaz sau de apă.

### CONDIIȚII DE UTILIZARE SPECIFICATE

Stativul de găurire este destinat fixării mașinilor de găurit Milwaukee cu burghiu diamantat. El trebuie să fie montat pe podea sau în perete cu ajutorul unor dibluri.

Nu utilizați acest produs în alt mod decât cel stabilit pentru utilizare normală

### DECLARAȚIE DE CONFORMITATE

Declarăm pe propria răspundere că produsul descris la „Date tehnice” este în concordanță cu toate prevederile legale relevante ale Directivei 2006/42/CE și cu următoarele norme armonizate:

EN 62841-1:2015  
EN 62841-3-6:2015

Winnenden, 2020-01-03



Alexander Krug  
Managing Director



Împuternicit să elaboreze documentația tehnică.

Techtronic Industries GmbH  
Max-Eyth-Straße 10  
71364 Winnenden  
Germany

## FUNȚIONARE CU POMPĂ DE VID

Substratul de sub suportul de găurit trebuie să fie curat, stabil, neted, uscat și fără goluri. Aplicarea pe tencuială sau zidărie nu este posibilă.

**În cazul unui deranjament în funcționare întrerupeți imediat lucrul și scoateți complet suportul de găurit.**

**În cazul unui deranjament în funcționare, vidul se menține doar pentru un scurt timp.** Forța de prindere depinde de substrat și de etanșare.

**Asigurați în mod suplimentar suportul de găurit împotriva căderii, de ex. cu o frânghie sau printr-un reazem adecvat.**

## RACORD DE APĂ

Carotarea necesită aplicarea de apă. Asigurați un flux de apă adecvat!

Pe parcursul întregii operații de carotare trebuie să existe un flux de apă adecvat, liber și constant. Motorul de carotieră este dotat cu un pasaj de apă încorporat care permite apei să curgă în jos în interior și în sus în exteriorul cuțitului. Acesta are rolul de răcirea a cuțitului și de evacuare a carotei din gaură.

## INTREȚINERE

Utilizați numai accesoriile și piesele de schimb Milwaukee. Dacă unele din componentele care nu au fost descrise trebuie înlocuite, vă rugăm contactați unul din agenții de service Milwaukee (vezi lista noastră pentru service / garanții

Dacă este necesar, puteți solicita de la centrul dvs. de service pentru clienți sau direct la Techtronic Industries GmbH, Max-Eyth-Straße 10, 71364 Winnenden, Germania un desen descompus al aparatului prin indicarea tipului de aparat și a numărului cu șase cifre de pe tăblița indicatoare.

## SIMBOLURI



PERICOL! AVERTIZARE! ATENȚIE!



Îndepărtați acumulatorul înainte de începerea lucrului pe mașina



Va rugăm citiți cu atenție instrucțiunile înainte de pornirea mașinii



Purtați mănuși de protecție!



Purtați căști de protecție



Purtați întotdeauna ochelari de protecție când utilizați mașina.



Purtați cască de protecție.



Accesorii - Nu este inclus în echipamentul standard, disponibil ca accesorii



Aparatele electrice, bateriile/acumulatorii nu se elimină împreună cu deșeurile menajere. Aparatele electrice și acumulatorii se colectează separat și se predau la un centru de reciclare, în vederea eliminării ecologice. Informați-vă de la autoritățile locale sau de la comercianții acreditați în legătură cu centrele de reciclare și de colectare.



Marcă de conformitate europeană



Marcă de conformitate ucraineană



Marcă de conformitate eurasiatică

|   |                |
|---|----------------|
| Должина на столб.....                       | 617 mm         |
| агол на навалување вертикално.....          | 0-45 °         |
| макс. Капацитет на дупчење.....             | 250 mm         |
| Должина/Ширина/висина.....                  | 465/275/975 mm |
| Тежина според ЕПТА-процедурата 01/2014..... | 13,2 kg        |

**⚠ ПРЕДУПРЕДУВАЊЕ!** Прочитајте ги сите безбедносни упатства, инструкции, илустрации и спецификации за овој електричен алат. Недоследно почитување на подолу наведените упатства може да предизвика електричен удар, пожар и/или сериозни повреди.

Сочувајте ги сите безбедносни упатства и инструкции за во иднина.

### ⚠ БЕЗБЕДНОСНИ НАПОМЕНИ ЗА ДИЈАМАНСКА БУШИЛИЦА

Ако во процесот на дупчењето е неопходна вода, потокот на водата треба да е далеку од работно место на ракувачот или да се предвиди прикладен начин за истечување на водата. Така работното место ќе остане суво и ќе се намали опасноста од струен удар.

Ако при дупчење држачот може да влезе во контакт со покриени кабли под напон или со сопствениот кабел на дупчалката, секогаш ја фаќајте електричната алатка за изолираните површини на дршките. По контакт со кабел под напон, држачот исто може да биде под напон и да предизвика струен удар на ракувачот.

При дупчење со дијамантска круна секогаш ја носете заштита за слухот. Силниот шум може да го оштети слухот.

Ако држачот блокира, не ја притискајте со сила дупчалката, веќе е исклучете. Најдете ја причината за блокирањето на држачот и е отстранете.

Пред одново да поставите дијамантска бургија, проверете дали држачот се врти слободно. Ако држачот е блокиран, тој нема да се заврти или алатката ќе се претовари. Покрај тоа, во таков случај дијамантската бургија може да ислизне од делот што се обработува.

При прицврстување на сталакот врз делот што се обработува, треба да се уверите дека по време на дупчењето закотвувањето ќе ја издржи машината. Ако делот што се обработува е тенок или порозен, закотвувањето може да се разлабави и сталакот да се ислизне од делот што се обработува.

Ако користите вакуумска дигалка, за да го прицврстите сталакот врз делот што се обработува, секогаш ја поставувајте дигалката на глатка, чиста и не порозна површина на делот. Не ја поставувајте вакуумската дигалка на површини со покривка, како на пример, керамички плочки или композитни материјали. Ако делот што се обработува не е гладок, равен или не е добре прицврстен, вакуумската дигалка може да ислизне.

Бидете сигурни дека пред и по време на дупчењето има доволно силен вакуум. Ако вакуумот не е доволно силен, вакуумската дигалка може да ислизне од делот што се обработува.

Не пробивајте, ако машината е прицврстена само со вакуумска дигалка. Исклучување го прават отвори кои се пробиваат надолу. Ако нема вакуум, вакуумската дигалка може да се ислизне од делот што се обработува.

Ако пробивате сид или таван, уверете се дека луѓето од другата страна се заштитени. Држачот може да излезе од другата страна на сидот или материјалот од пробениот отвор да падне од таванот.

Кога оладувате со вода, не работете со алатката на височина над главата. Ако во електричната алатка проникне вода, се зголемува опасноста од струен удар.

### ОСТАНАТИ БЕЗБЕДНОСНИ И РАБОТНИ УПАТСТВА

Ако ги пробивате крунести отвори низ подот, материјалот од пробениот отвор нормално пада од држачот. Осигурете доволна заштита за луѓето што се наоѓаат под зоната за дупчењето.

Употребувајте заштитна опрема. При работа со машината постојано носете заштитни очила. Се препорачува заштитна облека како: маска за заштита од прашина, заштитни ракавици, цврсти чевли што не се лизгаат, кацига и заштита за уши.

Пршината која се создава при користење на овој алат може да биде штетна по здравјето. Не ја вдишувајте. Носете соодветна заштитна маска.

Не смеат да бидат обработувани материјали кои што можат да го загрозат здравјето (на пр. азбест).

Доколку употребуваното орудие се блокира, молиме веднаш да се исклучи апаратот! Не го вклучувајте апаратот повторно додека употребуваното орудие е блокирано; притоа би можело да дојде до повратен удар со висок момент на реакција. Испитајте и отстранете ја причината за блокирањето на употребеното орудие имајќи ги во предвид напомените за безбедност.

Можни причини би можеле да се:

- Закантување во парчето кое што се обработува
- Кршење поради продирање на материјалот кој што се обработува
- Преоптоварување на електричното орудие

Не фаќајте во машината кога работи.

Употребеното орудие за време на примената може да стане многу жешко.

- при менување на орудие
- при ставање на апаратот на страна

Прашината и струготините не смеат да се одстрануваат додека е машината работи.

Кога работите на сидови, таван или под внимавајте да ги избегнете електричните, гасните и водоводни инсталации.

### СПЕЦИФИЦИРАНИ УСЛОВИ НА УПОТРЕБА

Штандот за вежба за дијаманти е наменет за употреба со вежби за дијаманти во Милвоки. Мора да биде прикачена на подот или на wallидот со помош на вакуум или сидра.

Не го користете овој производ на било кој друг начин освен пропишаниот за нормална употреба.

## ЕУ-ДЕКЛАРАЦИЈА ЗА СООБРАЗНОСТ

Во своја сопствена одговорност изјавуваме дека под „Технички податоци“ опишаниот производ е во склад со сите релевантни прописи од регулативата 2006/42/ЕС и следните хармонизирачки нормативни документи:

EN 62841-1:2015  
EN 62841-3-6:2015

Winnenden, 2020-01-03



Alexander Krug  
Managing Director



Ополномоштен за составување на техничката документација.

Techtronic Industries GmbH  
Max-Eyth-Straße 10  
71364 Winnenden  
Germany

## ОПЕРАЦИЈА СО ВАКУУМ ПУМП

Подлогата под држачот за вежба треба да биде чиста, цврста, мазна, суво и да нема дупки во неа. Употребата на гипс или тидарија не е можна.

Во случај на дефект, запрете ја работата веднаш и целосно извадете ја држачката за вежбање.

Во случај на дефект, вакуумот останува само за краток временски период. Силата за задржување зависи од подлогата и заптивката.

Дополнително, прицврстете го држачот за вежба против паѓање, на пр. со јаже или соодветни потпори.

## ПРИКЛУЧОК ЗА ВОДА

При пробивање на крунести отвори треба да се користи вода. Осигурете доволен воден поток!

Секогаш треба да е осигурен доволен воден поток кон отворот за дупчење. Дијамантската дупчалка е опремена со систем за протекување на водата, со тоа што водата истекнува од врвот на држачот во отворот за дупчење и по тоа се враќа обратно по должината на држачот. Водата служи за оладување на местото за дупчење и ги одмива останките од дупчење.

## ОДРЖУВАЊЕ

Користете само Milwaukee додаточи и резервни делови. Доколку некои од компонентите кои не се опишани треба да бидат заменети, Ве молиме контактирајте ги сервисните агенти на Milwaukee (консултирајте ја листата на адреси).

При потреба може да се побара експлозионен цртеж на апаратот со наведување на машинскиот тип и шестоцифрениот број на табличката со учиниот или во Вашата корисничка служба или директно кај Techtronic Industries GmbH, Max-Eyth-Straße 10, 71364 Winnenden, Германија.

## СИМБОЛИ



ВНИМАНИЕ! ПРЕДУПРЕДУВАЊЕ!  
ОПАСНОСТ!



Извадете го батерискиот склоп пред отпочнување на каков и да е зафат врз машината.



Ве молиме пред да ја стартувате машината обрнете внимание на упатствата за употреба.



Носете ракавици!



Носете штитник за уши.



Секогаш при користење на машината носете ракавици.



Да се носи заштитен шлем.



Дополнителна опрема - Не е вклучена во стандардната, а достапна е како додаток.



Електричните апарати и батериите што се полнат не смеат да се фрлат заедно со домашниот отпад. Електричните апарати и батериите треба да се собираат одделно и да се однесат во соодветниот погон заради нивно фрлање во склад со начелата за заштита на околината. Информирајте се кај Вашите местни служби или кај специјализираниот трговски претставник, каде има такви погони за рециклажа и собирни станици.



Европска ознака за сообразност



Украинска ознака за сообразност



Евроазиска ознака за сообразност

МАКЕДОНСКИ 77

|   |                |
|---|----------------|
| Довжина стояків .....                       | 617 mm         |
| Нахил .....                                 | 0-45 °         |
| Ø свердління макс. ....                     | 250 mm         |
| Довжина/Ширина/висота .....                 | 465/275/975 mm |
| Вага згідно з процедурою EPTA 01/2014 ..... | 13,2 kg        |

**⚠ УВАГА!** Ознайомитись з усіма попередженнями з безпечного використання, інструкціями, ілюстративним матеріалом та технічними характеристиками, які надаються з цим електричним інструментом. Недотримання всіх наведених нижче інструкцій може призвести до ураження електричним струмом, пожежі та/або важких травм.  
Зберігайте всі вказівки з техніки безпеки та інструкції на майбутнє.

### ⚠ ВКАЗІВКИ З ТЕХНІКИ БЕЗПЕКИ ДЛЯ ДРИЛЯ АЛМАЗНОГО СВЕРДЛІННЯ

Якщо під час свердління потрібна вода, тримайте підведення води подалі від робочої зони оператора або забезпечте відповідний стік. Ці запобіжні заходи сприятимуть утриманню робочої зони сухою, щоб зменшити ризик ураження електричним струмом.

Під час свердління, коли бурильна голівка може контактувати з прихованими дротами, що перебувають під напругою, або з власним кабелем живлення, завжди тримайте електричний інструмент за ізольовані поверхні для утримання. Контакт бурильної голівки інструменту з кабелем, що перебуває під напругою, може також спричинити появу в ній струму та викликати ураження оператора електричним струмом.

Під час свердління алмазним буром завжди носити засоби захисту для слуху. Шумовий вплив може спричинити ураження слуху.

Якщо бурильну голівку заклинило, не тисніть на свердло та вимкніть пристрій. Визначте та усуньте причину заклинювання бурильної голівки.

Перш ніж знову закріпити алмазний бур на заготівці, перевірте, чи бурильна голівка вільно обертається. Якщо бурильну голівку заклинило, вона може не запуститися або спричинити перевантаження інструменту. Крім того, алмазний бур у цьому випадку може зісковзнути з заготівки.

Закріплюючи свердлильну стійку на заготівці, переконайтесь, що анкерне кріплення може утримувати машину під час процесу буріння. Якщо заготівки тонкі або пористі, кріплення може послабитись, внаслідок чого свердлильна стійка може зісковзнути з заготівки.

Закріплюючи свердлильну стійку на заготівці за допомогою вакуумного утримувача, завжди розташуйте його на гладкій, чистій і непористій поверхні. Не встановлюйте на поверхнях з покриттям, як-от плитка або композити. Якщо заготівка не гладка, не рівна та не закріплена належним чином, вакуумний утримувач може з неї зісковзнути.

Переконайтесь, що є достатній вакуум до і під час процесу свердління. Якщо вакууму недостатньо, це може спричинити зісковзування вакуумного утримувача з заготівки.

Не свердли, якщо машина закріплена лише за допомогою вакуумного утримувача. Виняток становить свердління вниз. За відсутності вакууму вакуумний утримувач висковзує з заготівки.

Просвердлюючи крізь стіни чи стелю, переконайтесь у безпеці для людей та захисті робочої зони з іншого боку. Бурильна голівка може вийти з іншого боку або випасти бурова колонка.

Не використовуйте інструмент, якщо ведеться робота з закинутою головою та охолодженням водою. Якщо вода потрапить до електроінструменту, збільшується ризик ураження електричним струмом.

### ДОДАТКОВІ ІНСТРУКЦІЇ З ТЕХНІКИ БЕЗПЕКИ ТА ЕКСПЛУАТАЦІЇ

При колонковому свердлінні через підлогу бурова колонка зазвичай випадає із бурильної голівки. Забезпечте належний захист людей та території під зоною свердління.

Використовуйте індивідуальні засоби захисту. Під час роботи з машиною завжди носити захисні окуляри. Радимо використовувати захисний одяг, як наприклад маску для захисту від пилу, захисні рукавиці, міцне та нековзне взуття, каску та засоби захисту органів слуху.

Пил, що утворюється під час роботи, часто буває шкідливим для здоров'я; він не повинен потрапляти в організм. Носити відповідну маску для захисту від пилу.

Не можна обробляти матеріали, небезпечні для здоров'я (наприклад, азбест).

При блокуванні вставного інструменту негайно вимкніть прилад! Не вмикайте прилад, якщо вставний інструмент заблокований; при цьому може виникати віддача з високим зворотним моментом. Визначити та усунути причину блокування вставного інструменту з урахуванням вказівок з техніки безпеки.

Можливі причини:

- Перекіс в заготівці, що обробляється
- Пробивання оброблюваного матеріалу
- Перевантаження електроінструменту

Частини тіла не повинні потрапляти в машину, коли вона працює.

Вставний інструмент може нагріватися під час роботи.

- при заміні інструменту
- при відкладанні приладу

Не можна видаляти стружку або уламки, коли машина працює.

Під час роботи на стінах, стелях або підлозі звертати увагу на електричні кабелі, газові та водопровідні лінії.

### ВИКОРИСТАННЯ ЗА ПРИЗНАЧЕННЯМ

Алмазна свердлильна стійка призначена для кріплення дрилів алмазного свердління Milwaukee. Її необхідно кріпити дюбелями до підлоги або стіни.

Цей прилад можна використовувати тільки за призначенням так, як вказано в цьому документі.

## СЕРТИФІКАТ ВІДПОВІДНОСТІ ВИМОГАМ ЄС

Ми заявляємо на власну відповідальність, що виріб, описаний в „Технічних даних“, відповідає всім застосовним положенням директиви 2006/42/EG, та наступним гармонізованим нормативним документам:

EN 62841-1:2015  
EN 62841-3-6:2015

Winnenden, 2020-01-03

Alexander Krug  
Managing Director



Уповноважений із складання технічної документації.

Techtronic Industries GmbH  
Max-Eyth-Straße 10  
71364 Winnenden  
Germany

## ЕКСПЛУАТАЦІЯ З ВАКУУМНИМ НАСОСОМ

**Основа під свердлильною стійкою повинна бути чистою, міцною, гладкою, сухою та не мати отворів.** Не можна використовувати її на штукатурці або муруванні.

**У разі несправності негайно припиніть роботу та повністю зніміть свердло.**

**При неполадках в роботі вакуум зберігається лише нетривалий час.** Утримуюча сила залежить від основи та убільнення.

**Додатково зафіксуйте свердлильну стійку, щоб вона не могла впасти, наприклад, тросом або підпірками.**

## ПІДКЛЮЧЕННЯ ДО ВОДИ

Для колонкового свердління отворів необхідно використовувати воду. Переконайтеся, що у вас достатньо води!

До просвердленого отвору постійно має бути забезпечений достатній потік води. Двигун для колонкового свердління оснащений проточною системою, в якій вода через вістря свердла потрапляє до просвердленого отвору, а звідти повертається вздовж бурильної голівки. Вода використовується для охолодження місця буріння та для вимивання залишків від буріння.

## ОБСЛУГОВУВАННЯ

Використовувати тільки комплектуючі та запчастини Milwaukee. Деталі, заміна яких не описується, замінювати тільки в відділі обслуговування клієнтів Milwaukee (зверніть увагу на брошуру „Гарантія / адреси сервісних центрів“).

У разі необхідності можна запросити креслення з зображенням вузлів машини в перспективному вигляді, для цього потрібно звернутися в ваш відділ обслуговування клієнтів або безпосередньо в Techtronic Industries GmbH, Max-Eyth-Straße 10, 71364 Winnenden, Німеччина, та вказати тип машини та шестизначний номер на фірмовій табличці з даними машини.

## СИМВОЛИ



УВАГА! ПОПЕРЕДЖЕННЯ! НЕБЕЗПЕЧНО!



Перед будь-якими роботами на машині виїняти змінну акумуляторну батарею



Уважно прочитайте інструкцію з експлуатації перед введенням приладу в дію.



Носити захисні рукавиці!



Використовувати засоби захисту органів слуху!



Під час роботи з машиною завжди носити захисні окуляри.



Носити захисний шолом.



Комплектуючі - не входять в обсяг постачання, рекомендовані доповнення з програми комплектуючих.



Електроприлади, батареї/акумулятори заборонено утилізувати разом з побутовим сміттям.

Електричні прилади і акумулятори слід збирати окремо і здавати в спеціалізовану компанію для утилізації відповідно до норм охорони довкілля.  
Зверніться до місцевих органів або до вашого дилера, щоб отримати адреси пунктів вторинної переробки та пунктів прийому.



Європейський знак відповідності



Український знак відповідності



Євразійський знак відповідності

УКРАЇНСЬКА 79







|   |   |
|---|---|
|    | تنبيه! تحذير! خطر!  |
|    | قم بإزالة حزمة البطارية قبل البدء في أي أعمال على الجهاز.   |
|    | يرجى قراءة التعليمات بعناية قبل بدء تشغيل الجهاز.   |
|    | ارتدِ النظارات!   |
|    | ارتدِ واقيات الأذن!   |
|    | ارتدِ دائماً نظارات الوقاية عند استخدام الجهاز.   |
|    | ارتدي قبعة.   |
|    | الملحق - ليس مدرجاً كمعدة قياسية، متوفر كملحق.  |
|    | يحظر التخلص من الأجهزة الكهربائية والبطاريات/البطاريات القابلة للشحن في القمامة المنزلية. يجب جمع الأجهزة الكهربائية والبطاريات القابلة للشحن منفصلة وتسليمها للتخلص منها بشكل لا يضر بالبيئة لدى شركة إعادة استغلال. الرجاء الاستفسار لدى الهيئات المحلية أو لدى التجار المتخصصين عن مواقع إعادة الاستغلال ومواقع الجمع. |
|  | علامة التوافق الأوروبية   |
|  | علامة التوافق الأوكرانية  |
|  | علامة التوافق الأوروبية الآسيوية  |

|            |                                   |
|------------|-----------------------------------|
| 617 mm     | طول العمود                        |
| 0-45 °     | الأسطح المائلة                    |
| 275 mm     | أقصى حجم لقطر الثقب               |
| 465/275 mm | الطول/العرض/ارتفاع                |
| 13,2 kg    | الوزن وفقاً لنهج EPTA رقم 01/2014 |

- عند وضع الجهاز لا يجب إزالة التشارة والشظايا أثناء تشغيل الآلة.
- عند العمل في سقف الحوائط أو الأرضية، توخ الحذر وتجنب الكابلات الكهربائية وأنابيب الغاز أو المياه.

**شروط الاستخدام المحددة**

تم تصميم حامل المتقاب المعين الشكل لكي يُستخدم مع متاقب Milwaukee® المعنية الشكل. يجب تثبيته بالأرض أو على الحائط من خلال أدوات التثبيت. لا تستخدم هذا المنتج بأي طريقة أخرى غير مصرح بها للاستخدام العادي.

**إعلان المطابقة - الاتحاد الأوروبي**

بموجب هذا نقر على مسؤوليتنا المفردة، أن المنتج المذكور الموصوف تحت «البيانات الفنية» يلي جميع التعليمات الهامة الخاصة بالمعايير 2006/42/EG ويتطابق مع وثائق المعايير المتوافقة التالية:

EN 62841-1:2015  
EN 62841-3-6:2015

Winnenden, 2020-01-03

  
Alexander Krug  
Managing Director  
معتمدة للمطابقة مع الملف الفني  
Techtronic Industries GmbH  
Max-Eyth-Straße 10  
71364 Winnenden  
Germany

**التشغيل باستخدام مضخة التفرغ**

يجب أن تكون المادة الموجودة أسفل حامل المتقاب نظيفة وثابتة وناعمة وجافة ولا تحتوي على أية ثقوب. لا يمكن استخدامه في أعمال الجص والبناء.

في حالة حدوث خلل ، قم بإيقاف العمل على الفور وإزالة حامل المتقاب بالكامل.

في حالة وجود خلل وظفي، يظل الفراغ لفترة وجيزة من الوقت. تعتمد قوة الاحتجاز على الطبيعة السطحية والختن.

قم بتأمين حامل الثقب بصورة إضافية من السقوط، على سبيل المثال باستخدام حبل أو أي وسائل دعم مناسبة.

**وصلة الإمداد بالماء**

في حالة إجراء تثب اللب يجب استخدام الماء. أعمل على توفير سيلان كافي للماء. من الضروري دائماً ضمان توافر سيلان ماء كافي لمنطقة الثقب. آلة ثقب اللب مزودة بنظام سيولة فيه يجري الماء عبر رأس الثقب في الثقب وإعادته من هناك بمحاذاة رأس المتقاب. الماء يهدف إلى تبريد موضع الثقب ولطرد بقايا الثقب خارجاً.

**الصيانة**

استخدم فقط ملحقات ميلوكي وكذلك قطع غيار ميلوكي. إذا كانت المكونات التي يجب تغييرها غير منكرة، يرجى الاتصال بأحد عملاء صيانة ميلوكي (انظر قائمة عناوين الضمان/الصيانة الخاصة بنا).

عند الحاجة يمكن طلب رمز انفجار الجهاز بعد ذكر طراز الآلة والرقم السداسي المذكور على بطاقة طاقة الآلة لدى جهة خدمة العملاء أو مباشرة لدى شركة Techtronic Industries GmbH  
Max-Eyth-Straße 10  
71364 Winnenden  
ألمانيا

**تحذير** اقرأ جميع تحذيرات الأمان والتعليمات والصور والمواصفات الواردة مع هذه المعدة الكهربائية. المخالفة في اتباع التعليمات المذكورة أسفله قد يكون نتيجتها صدمة كهربائية، حريق و / أو إصابة بالغة.

احتفظ بجميع التنبيهات والتعليمات للرجوع إليها مستقبلاً.

**تحذيرات سلامة متقاب ماسي**

إذا كانت هناك حاجة للماء عند عملية الثقب، أهد سيلان الماء من منطقة عمل المستخدم أو قم بإعداد مجال تصريف مناسب. من خلال إجراء الوقاية هذه يظل مجال العمل جافاً للحد من خطر الإصابة بصعقة كهربائية.

في حالة أعمال الثقب التي يمكن أن يأتي فيها ملامسة رأس المتقاب لخطوط تيار كهربائي مغطاة أو مع سلك التيار الخاص بالجهاز، يتم الإمساك بالجهاز الكهربائي دائماً من المقبض المعزول. عند ملامسة سلك يحمل تيار كهربائي فقد يقوم رأس المتقاب بتوصيل الكهرباء ويتسبب في صعقة كهربائية للمستخدم.

في حالة الثقب يتأق من الماس يجب دائماً ارتداء واقي للسمع. الضوضاء يمكن أن تؤدي إلى ضرر بالسمع.

إذا حدثت عرقلة لعمود الثقب، لا تقم بممارسة الضغط على المتقاب و قم بإيقاف تشغيل الجهاز. قم بالتحرري عن سبب عرقلة عمود الثقب ثم قم بإزالة الت.

قبل إعادة وضع متقاب جديد من الماس على قطعة العمل تحقق ، عما إذا كان عمود المتقاب يدور بدون عرقلة. إذا حدثت عرقلة لعمود المتقاب، فقد لا يبدأ المتقاب في العمل أو قد يحدث تحميل مفرط على الآلة. بخلاف ذلك قد ينزلق الثاقب الماسي في هذه الحالة من قطعة العمل.

في حالة تثبيت حامل المتقاب على قطعة العمل، تحقق من أن تثبيت الماكينة يتحمل العبء أثناء عملية الثقب. في حالة قطع العمل الرقيقة أو المسامية قد تنفك أدوات التثبيت وقد ينزلق حامل المتقاب عن قطعة العمل.

في حالة تأمين حامل المتقاب برافعة شطف على قطعة العمل، ضع رافع الشطف دائماً على سطح مستوي نظيف وغير مسامي. يحظر الوضع على أسطح مغطاة بطبقات مثل البلاط أو المواد المركبة. إذا لم تكن قطعة العمل لمساءً أو مستوية أو مثبتة جيداً فقد ينزلق الرافع بالشطف عن قطعة العمل.

تأكد من أن هناك ضغط خواني كافي قبل وإنشاء عملية الثقب. في حالة الضغط الخواني غير الكافي قد ينزلق الرافع بالشطف عن قطعة العمل.

لا تجري أي أعمال ثقب، إذا كانت الماكينة مومنة فقط من خلال الرافع بالشطف يستثنى من ذلك أعمال الثقب إلى أسفل. في حالة غياب الضغط الخواني ينزلق رافع الشطف عن قطعة العمل.

في حالة ثقب الحوائط أو الأسقف تحقق من أن الأشخاص ومواضع العمل على الجهة الأخرى مومنة. فقد يخرج رأس المتقاب من الجهة الأخرى أو قد يسقط القلب المتقوب.

لا تستخدم الأداة في الأعمال التي تتم فوق الرأس بالتبريد بالماء. إذا وصل الماء إلى داخل أداة العمل الكهربائية يرتفع خطر الإصابة بصعقة كهربائية.

**إرشادات أمان وعمل إضافية**

في حالة ثقب القلب عبر الأرضيات يسقط قلب القطعة المثقوبة في العادة من رأس المتقاب. أعمل على توفير الحماية الكافية للأشخاص والغرف التي تحت منطقة الثقب.

استخدم معدة الوقاية. ارتد دائماً نظارة الوقاية عند العمل بالآلة. ينصح باستخدام الملابس الواقية مثل الكمادات الواقية من الغبار، والقفازات، والأحذية القوية غير المنزلقة، والخوذات، وواقبات الأذن.

قد تكون الأتربة الناتجة عن استخدام هذه الآلة ضارة بالصحة. لا تستنشق هذه الأتربة. ارتد قناعاً وافيًا من الأتربة مناسباً.

لا يجوز استخدام مواد ينجم عنها أضرار على الصحة (حزير صخري).

الرجاء إيقاف تشغيل الجهاز على الفور في حالة عرقلة أداة الاستعمال!

لا تقم بتشغيل الجهاز مرة أخرى، طالما أن الأداة المستعملة لازالت في حالة عرقلة؛ حيث يمكن أن يحدث هنا ارتداد عكسي مصحوب بقوة رد فعل عالية.

قم بالبحث وإزالة أسباب عرقلة أداة الاستعمال مع مراعاة تعليمات الأمان.

من المحتمل أن تكون الأسباب هي:

- انحدر في القطعة المخصصة للاستعمال
- اختراق المواد المخصصة للاستعمال
- زيادة الحمل على الآلة الكهربائية
- لا تلامس بيدك الماكينة أثناء دورانها.
- الأداة المستخدمة قد تسخن خلال الاستخدام.
- عند استبدال الأداة

Copyright 2020  
Techtronic Industries GmbH  
Max-Eyth-Straße 10  
71364 Winnenden  
Germany  
+49 (0) 7195-12-0



(02.20)

**4931 4704 08**