

# Milwaukee®

Nothing but **HEAVY DUTY.**®



## C12 PC

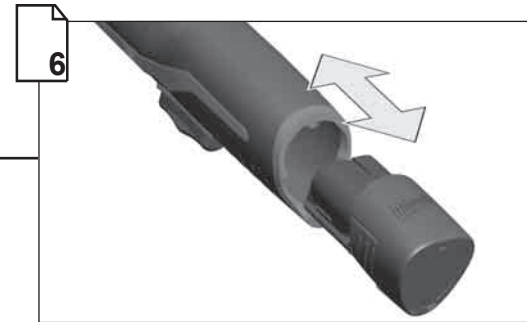
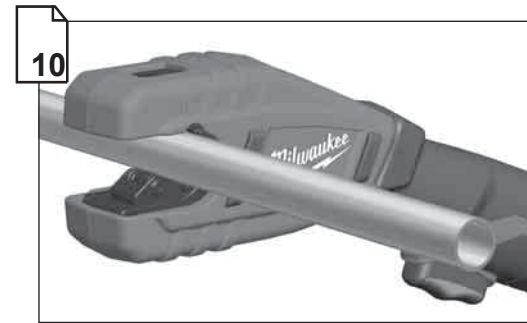
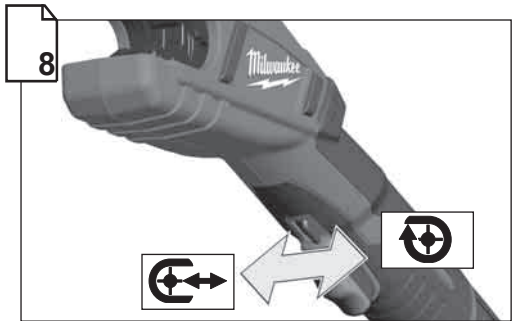
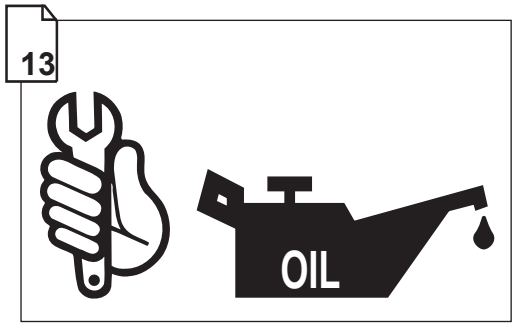
Original instructions  
Originalbetriebsanleitung  
Notice originale  
Istruzioni originali  
Manual original  
Oorspronkelijke  
gebruiksaanwijzing  
Original brugsanvisning  
Original bruksanvisning  
Bruksanvisning i original  
Alkuperäiset ohjeet

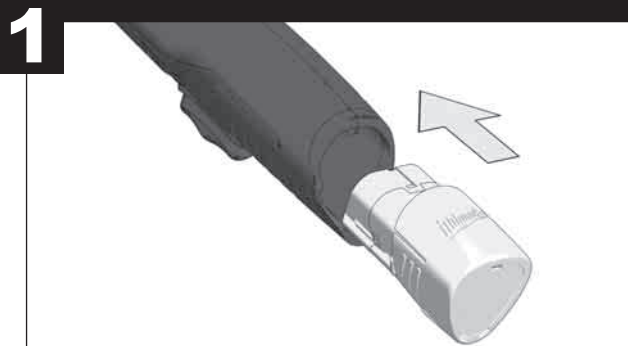
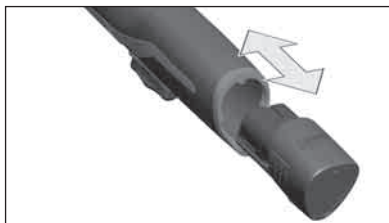
Πρωτότυπο οδηγιών χρήσης  
Orijinal işletme talimatı  
Původním návodem k  
používání  
Původný návod na použitie  
Instrukcją oryginalną  
Eredeti használati utasítás  
Izvirna navodila  
Originalne pogonske upute  
Instrukcijām oriģinālvalodā  
Originali instrukcija

Algupärane kasutusjuhend  
Оригинальное руководство  
по эксплуатации  
Оригинално ръководство за  
експлоатация  
Instrucțiuni de folosire  
originale  
Оригинален прирачник за  
работа  
Оригінал інструкції з  
експлуатації  
التعليمات الأصلية

<b>ENGLISH</b>		Picture section with operating description and functional description	<b>4</b>
<b>DEUTSCH</b>		Bildteil mit Anwendungs- und Funktionsbeschreibungen	<b>4</b>
<b>FRANÇAIS</b>		Partie imagée avec description des applications et des fonctions	<b>4</b>
<b>ITALIANO</b>		Sezione illustrata con descrizione dell'applicazione e delle funzioni	<b>4</b>
<b>ESPAÑOL</b>		Sección de ilustraciones con descripción de aplicación y descripción funcional	<b>4</b>
<b>PORTUGUES</b>		Parte com imagens explicativas contendo descrição operacional e funcional	<b>4</b>
<b>NEDERLANDS</b>		Beelddedeelte met toepassings- en functiebeschrijvingen	<b>4</b>
<b>DANSK</b>		Billedel med anvendelses- og funktionsbeskrivelser	<b>4</b>
<b>NORSK</b>		Billedel med bruks- og funksjonsbeskrivelse	<b>4</b>
<b>SVENSKA</b>		Bilddel med användnings- och funktionsbeskrivning	<b>4</b>
<b>SUOMI</b>		Kuvasivut käyttö- ja toimintakuvaukset	<b>4</b>
<b>ΕΛΛΗΝΙΚΑ</b>		Τμήμα εικόνων με περιγραφές χρήσης και λειτουργίας	<b>4</b>
<b>TÜRKÇE</b>		Resim bölümü Uygulama ve fonksiyon açıklamaları ile birlikte	<b>4</b>
<b>ČESKY</b>		Obrazová část s popisem aplikací a funkcí	<b>4</b>
<b>SLOVENSKY</b>		Obrazová část s popisom aplikácií a funkcií	<b>4</b>
<b>POLSKI</b>		Część rysunkowa z opisami zastosowania i działania	<b>4</b>
<b>MAGYAR</b>		Képes részalkalmazási- és működési leírásokkal	<b>4</b>
<b>SLOVENSKO</b>		Del slike z opisom uporabe in funkcij	<b>4</b>
<b>HRVATSKI</b>		Dio sa slikama opisima primjene i funkcija	<b>4</b>
<b>LATVISKI</b>		Attēla daļa ar lietošanas un funkciju aprakstiem	<b>4</b>
<b>LIETUVIŠKAI</b>		Paveikslėlio dalis su vartojimo instrukcija ir funkcijų aprašymais	<b>4</b>
<b>EESTI</b>		Pildiosa kasutusjuhendi ja funktsioonide kirjeldusega	<b>4</b>
<b>РУССКИЙ</b>		Раздел иллюстраций с описанием эксплуатации и функций	<b>4</b>
<b>БЪЛГАРСКИ</b>		Част със снимки с описание за приложение и функции	<b>4</b>
<b>ROMÂNIA</b>		Secvența de imagine cu descrierea utilizării și a funcționării	<b>4</b>
<b>МАКЕДОНСКИ</b>		Дел со слики со описи за употреба и функционирање	<b>4</b>
<b>УКРАЇНСЬКА</b>		Частина з зображеннями з описом робіт та функцій	<b>4</b>
<b>عربي</b>		قسم الصور يوجد به الوصف التشغيلي والوظيفي	<b>4</b>

Text section with Technical Data, important Safety and Working Hints and description of Symbols	<b>14</b>
Textteil mit Technischen Daten, wichtigen Sicherheits- und Arbeitshinweisen und Erklärung der Symbole.	<b>16</b>
Partie textuelle avec les données techniques, les consignes importantes de sécurité et de travail ainsi que l'explication des pictogrammes.	<b>18</b>
Sezione testo con dati tecnici, importanti informazioni sulla sicurezza e sull'utilizzo, spiegazione dei simboli.	<b>20</b>
Sección de texto con datos técnicos, indicaciones importantes de seguridad y trabajo y explicación de los símbolos.	<b>22</b>
Parte com texto explicativo contendo Especificações técnicas, Avisos de segurança e de operação e a Descrição dos símbolos.	<b>24</b>
Tekstgedeelte met technische gegevens, belangrijke veiligheids- en arbeidsinstructies en verklaring van de symbolen.	<b>26</b>
Tekstdel med tekniske data, vigtige sikkerheds- og arbejdsanvisninger og symbolforklaring.	<b>28</b>
Tekstdel med tekniske data, viktige sikkerhets- og arbeidsinstruksjoner og forklaring av symbolene.	<b>30</b>
Tekstdel med tekniska informationer, viktiga säkerhets- och användningsinstruktioner samt symbolförklaringar.	<b>32</b>
Tekstisivut: tekniset tiedot, tärkeät turvallisuus- ja työskentelyohjeet sekä merkien selitykset.	<b>34</b>
Τμήμα κειμένου με τεχνικά χαρακτηριστικά, σημαντικές υποδείξεις ασφαλείας και εργασίας και εξήγηση των συμβόλων.	<b>36</b>
Teknik bilgileri, önemli güvenlik ve çalışma açıklamalarını ve de sembollerin açıklamalarını içeren metin bölümü.	<b>38</b>
Textová část s technickými daty, důležitými bezpečnostními a pracovními pokyny a s vysvětlivkami symbolů	<b>40</b>
Textová část s technickými datami, důležitými bezpečnostními a pracovními pokyny a s vysvětlivkami symbolov	<b>42</b>
Część opisowa z danymi technicznymi, ważnymi wskazówkami dotyczącymi bezpieczeństwa i pracy oraz objaśnieniami symboli.	<b>44</b>
Szöveges rész műszaki adatokkal, fontos biztonsági- és munkavégzési útmutatásokkal, valamint a szimbólumok magyarázata.	<b>46</b>
Del besedila s tehničnimi podatki, pomembnimi varnostnimi opozorili in delovnimi navodili in pojasnili simbolov.	<b>48</b>
Dio štiva sa tehničkim podacima, važnim sigurnosnim i radnim uputama i objašnjenjem simbola.	<b>50</b>
Teksta daļa ar tehnikajiem parametriem, svarīgiem drošības un darbības norādījumiem, simbolu atšifrējumiem.	<b>52</b>
Teksto dalis su techniniais duomenimis, svarbiomis saugumo ir darbo instrukcijomis bei simbolių paaiškinimais.	<b>54</b>
Tekstiosa tehniliste näitajate, oluliste ohutus- ja tööjuhenditega ning sümbolite kirjeldustega.	<b>56</b>
Текстовый раздел, включающий технические данные, важные рекомендации по безопасности и эксплуатации, а также описание используемых символов.	<b>58</b>
Част с текст с технически данни, важни указания за безопасност и работа и разяснение на символите.	<b>60</b>
Porțiune de text cu date tehnice, indicații importante privind siguranța și modul de lucru și descrierea simbolurilor.	<b>62</b>
Tekstuaelen del со Технички карактеристики, важни безбедносни и работни упатства и објаснување на симболите.	<b>64</b>
Текстова частина з техничними даними, важливими вказівками з техніки безпеки та експлуатації і поясненням символів.	<b>66</b>
القسم النصي المزود بالبيانات الفنية والنصائح الهامة للسلامة والعمل ووصف الرموز	<b>71</b>





Remove the battery pack before starting any work on the machine.  
Vor allen Arbeiten an der Maschine den Wechselakku herausnehmen

Avant tous travaux sur la machine retirer l'accu interchangeable.

Prima di iniziare togliere la batteria dalla macchina.

Retire la batería antes de comenzar cualquier trabajo en la máquina.

Antes de efectuar cualquier intervención na máquina retirar o bloco acumulador.

Voor alle werkzaamheden aan de machine de akku verwijderen.

Ved arbejde inden i maskinen, bør batteriet tages ud.

Ta ut vekslebatteriet før du arbeider på maskinen

Drag ur batteripaket innan arbete utföres på maskinen.

Ota akku pois ennen kaikkia koneeseen tehtäviä toimenpiteitä.

Πριν από κάθε εργασία στη μηχανή αφαιρέστε την ανταλλακτική μπαταρία.

Aletin kendinde bir çalışma yapmadan önce kartuş aküyü çıkarın.

Před zahájením veškerých prací na vrtacím šroubovákú vyjmout výměnný akumulátor.

Pred každou prácou na stroji výměnný akumulátor vytiahnuť.

Przed przystąpieniem do jakichkolwiek prac na elektronarzędziu należy wyjąć wkładkę akumulatorową.

Karbantartás, javítás, tisztítás, stb. előtt az akkumulátort ki kell venni a készülékből.

Pred deli na stroju izvlcite izmenljivi akumulator.

Prije svih radova na stroju izvaditi bateriju za zamjenu.

Pirms mašīnai veikt jebkāda veida apkopes darbus, ir jāizņem arī akumulātors.

Prieš atlikdami bet kokius darbus įrenginyje, išimkite keičiamą akumuliatorių.

Enne kõiki töid masina kallal võtke vahetatav aku välja.

Виньте аккумулятор из машины перед проведением с ней каких-либо манипуляций.

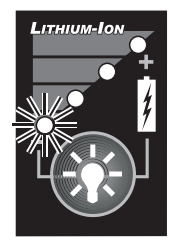
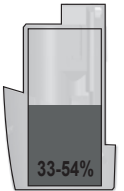
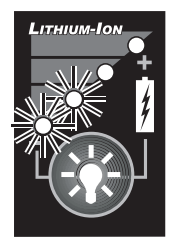
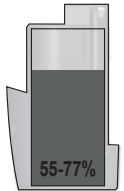
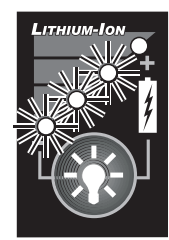
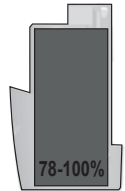
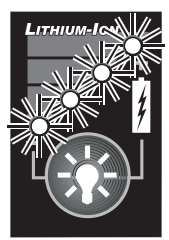
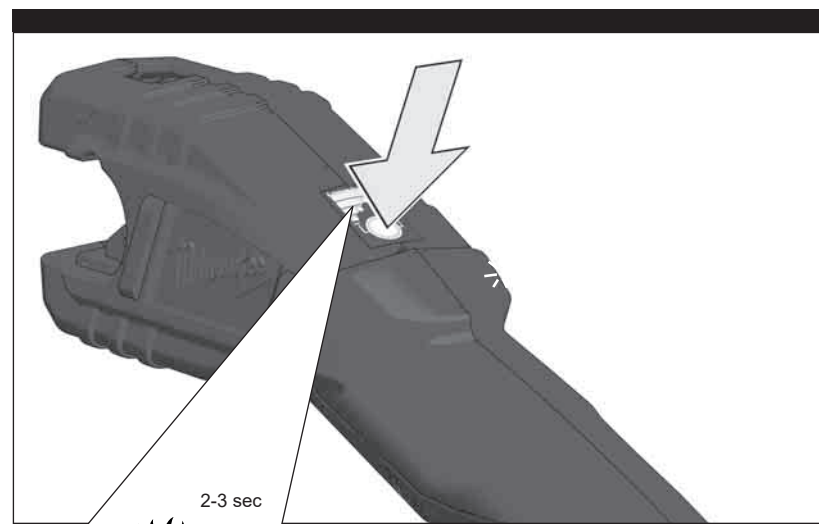
Преди започване на каквито е да е работи по машината извадете акумулатора.

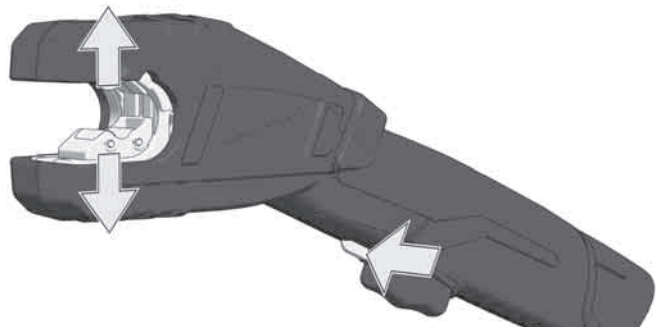
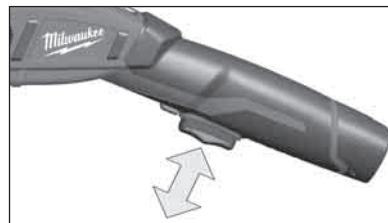
Scoateți acumulatorul înainte de a începe orice intervenție pe mașină.

Отстранете ја батеријата пред да започнете да ја користите машината.

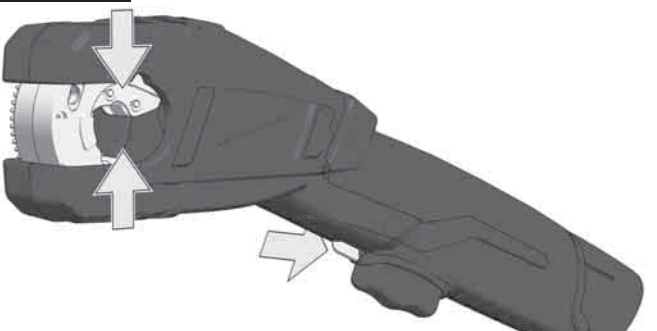
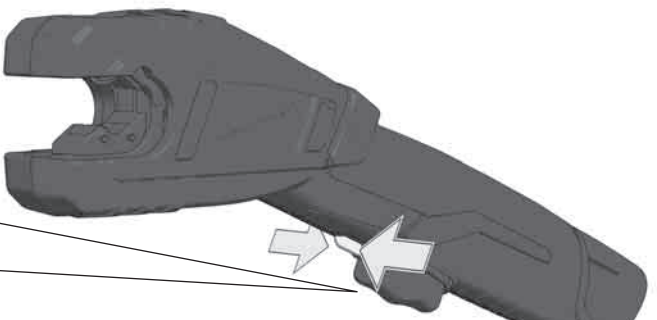
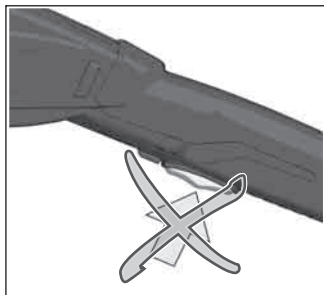
Перед будь-якими роботами на машині вийняти змінну акумуляторну батарею.

قم بإزالة حزمة البطارية قبل البدء في أي أعمال على الجهاز.

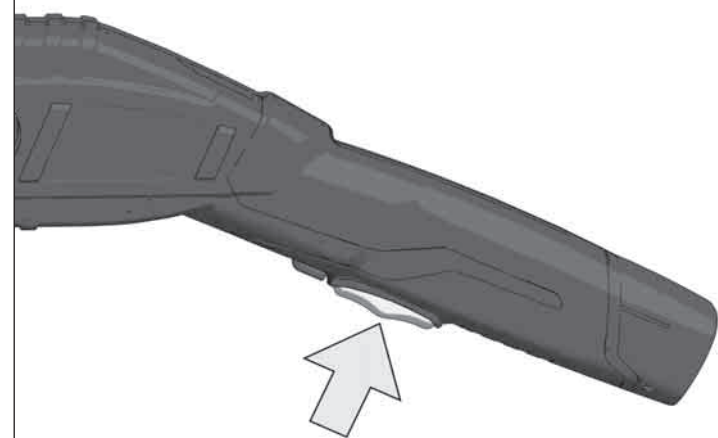




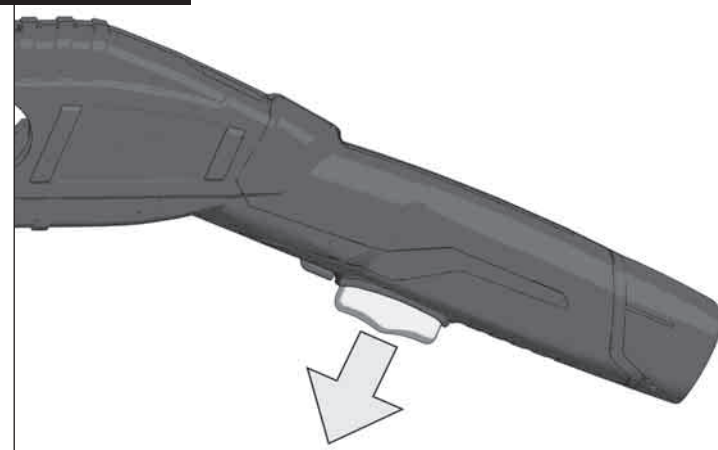
**LOCK**

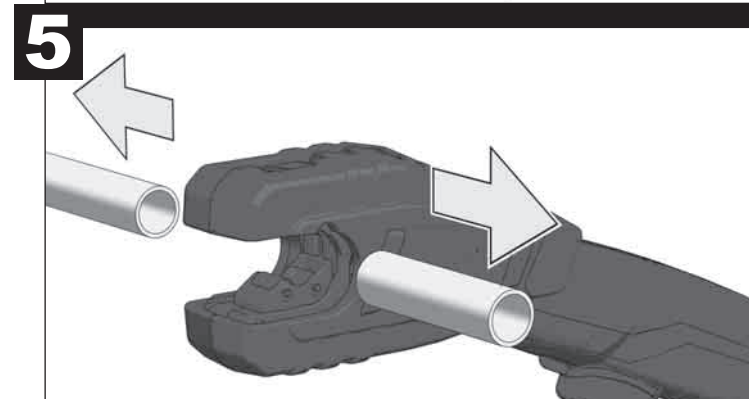
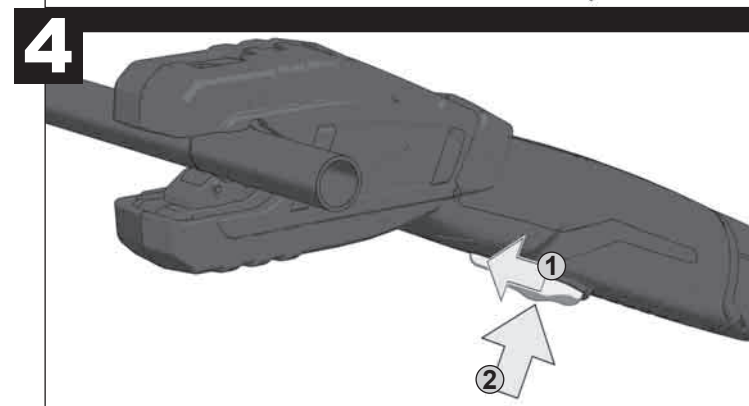
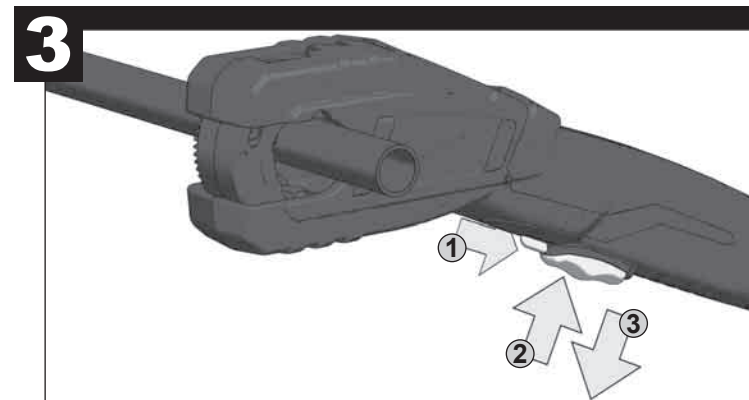
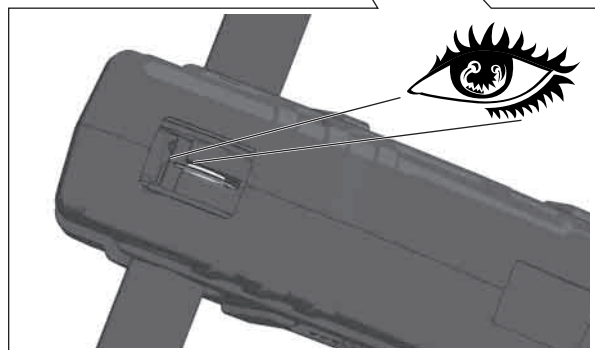
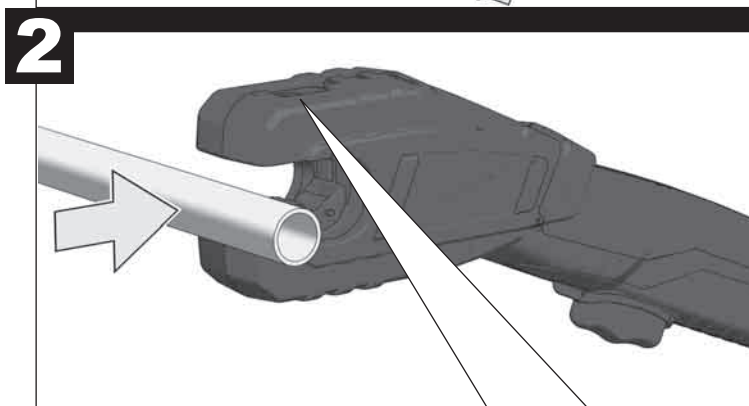
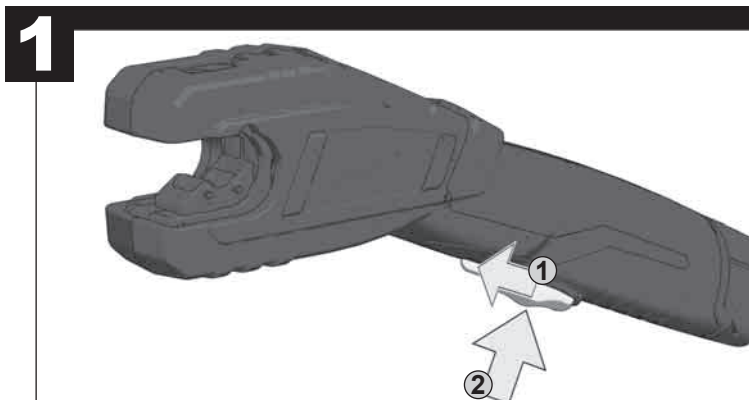
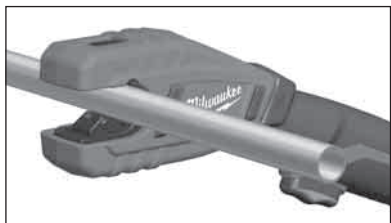


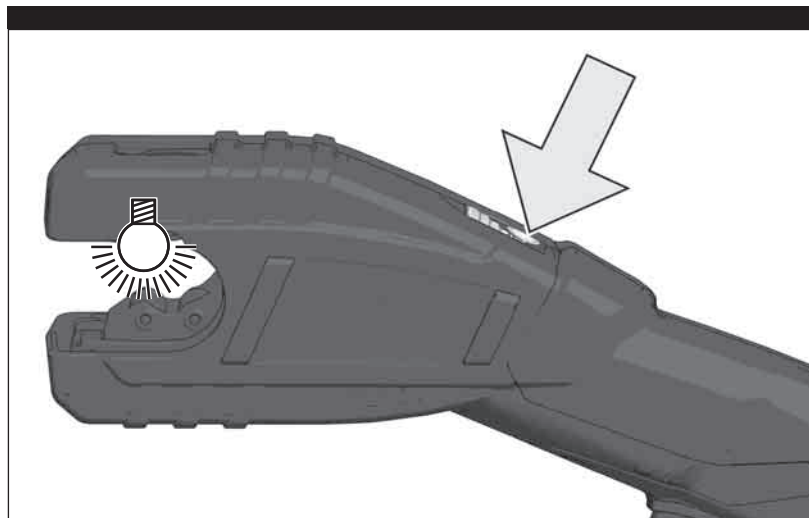
**START**



**STOP**

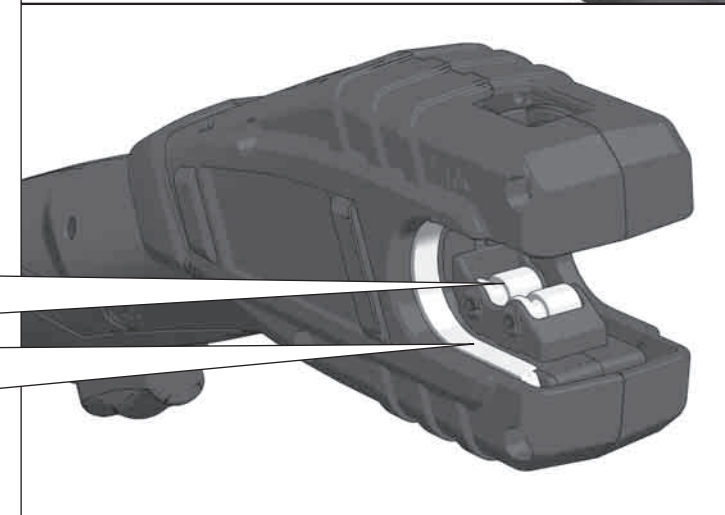
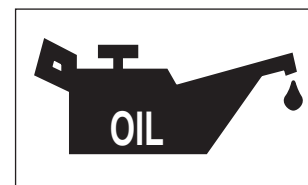
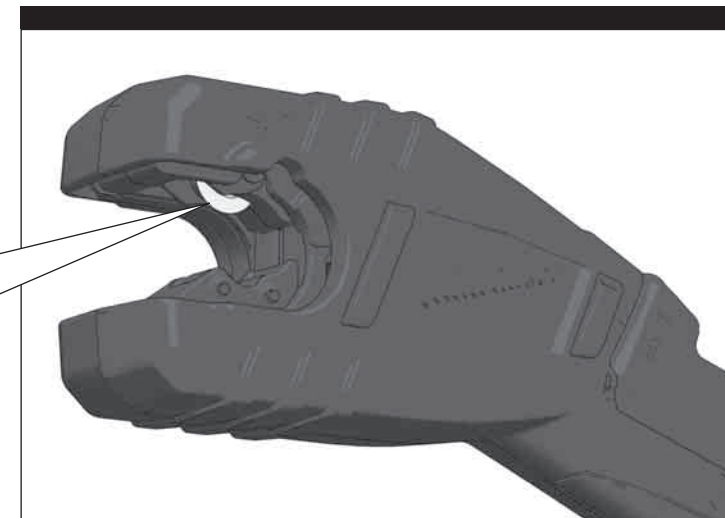






The LED will go off automatically after about a minute.  
Die LED schaltet sich nach einer Minute automatisch ab.  
La LED s'éteint automatiquement après une minute.  
Il LED si spegne automaticamente dopo un minuto.  
El LED se desconecta automáticamente al cabo de un minuto.  
O LED desliga-se automaticamente após um minuto.  
Na een minuut schakelt de LED automatisch uit.  
Lysdiodene går automatisk ud efter et minut.  
Lysdiodene slås automatisk av etter et minutt.  
Efter en minut kopplas LED automatiskt ur.  
Valodiiodi sammuu automaattisesti yhden minuutin jälkeen.  
Η λυχνία LED απενεργοποιείται αυτόματα μετά από ένα λεπτό.  
LED ışığı birkaç dakika sonra otomatik olarak kapanır.  
Kontrolka LED se po minutě automaticky vypne.  
LED se po eni minuti avtomatsko izklopi.  
Po jednej minucie LED automatycznie wyłączy się.  
A LED egy perc után automatikusan kikapcsol.  
LED se po eni minuti avtomatsko izklopi.  
LED se poslije jedne minute automatski isključuje.  
LED automātiski atslēdzas pēc 1 minūtes.  
Po kelių minučių šviesos diodas automatiškai išsijungia.  
Märgutuli lülitub ühe minuti möödudes automaatselt välja.  
Светодиод автоматически выключается через одну минуту.  
Светодиодът се изключва автоматично след 1 минута.  
LED-ul se stinge automat după un minut.  
ЛЕД диодата автоматски се изключува по една минута.

يتوقف مؤشر LED تلقائياً بعد حوالي دقيقة.



**TECHNICAL DATA** **PIPE CUTTER** **C 12 PC**

Production code..... 4523 22 05...  
 ..... 4312 18 05...  
 .....000001-999999  
 Pipe diameter ..... 12 mm, 15 mm, 18 mm, 22 mm, 25 mm, 28 mm  
 Battery voltage..... 12 V  
 Weight according EPTA-Procedure 01/2014..... 1,5 kg

**Noise/vibration information**

Measured values determined according to EN 60 745.  
 Typically, the A-weighted noise levels of the tool are:  
 Sound pressure level (Uncertainty K=3dB(A))..... 70 dB (A)  
 The noise level when working can exceed 80 dB (A).

**Wear ear protectors!**

Total vibration values (vector sum in the three axes) determined according to EN 60745.

Vibration emission value a<sub>v</sub> ..... < 2,5 m/s<sup>2</sup>  
 Uncertainty K = ..... 1,5 m/s<sup>2</sup>

**WARNING**

The vibration emission level given in this information sheet has been measured in accordance with a standardised test given in EN 60745 and may be used to compare one tool with another. It may be used for a preliminary assessment of exposure.

The declared vibration emission level represents the main applications of the tool. However if the tool is used for different applications, with different accessories or poorly maintained, the vibration emission may differ. This may significantly increase the exposure level over the total working period.

An estimation of the level of exposure to vibration should also take into account the times when the tool is switched off or when it is running but not actually doing the job. This may significantly reduce the exposure level over the total working period.

Identify additional safety measures to protect the operator from the effects of vibration such as: maintain the tool and the accessories, keep the hands warm, organisation of work patterns.

**WARNING! Read all safety warnings and all instructions.** Failure to follow the warnings and instructions may result in electric shock, fire and/or serious injury.  
**Save all warnings and instructions for future reference.**

**SAFETY INSTRUCTIONS**

**Wear ear protectors.** Exposure to noise can cause hearing loss.

Always wear goggles when using the machine. It is recommended to wear gloves, sturdy non slipping shoes and apron.

Keep hands and loose clothes away from all cutting edges and moving parts.

To reduce the risk of explosion, electric shock and property damage, never cut gas lines, electrical lines, or full water lines. Shut off water and drain lines before making a cut.

Remove the battery pack before starting any work on the machine.

Do not dispose of used battery packs in the household refuse or by burning them. Milwaukee Distributors offer to retrieve old batteries to protect our environment.

Do not store the battery pack together with metal objects (short circuit risk).

Use only System C12 chargers for charging System C12 battery packs. Do not use battery packs from other systems.

Battery acid may leak from damaged batteries under extreme load or extreme temperatures. In case of contact with battery acid wash it off immediately with soap and water. In case of eye contact rinse thoroughly for at least 10 minutes and immediately seek medical attention.

**Warning!** To reduce the risk of fire, personal injury, and product damage due to a short circuit, never immerse your tool, battery pack or charger in fluid or allow a fluid to flow inside them. Corrosive or conductive fluids, such as seawater, certain industrial chemicals, and bleach or bleach containing products, etc., can cause a short circuit.

**SPECIFIED CONDITIONS OF USE**

The pipe cutter is designed for cutting copper pipes.  
 Do not work on pieces of tubing less than 12.5 mm long. Small or bent pieces can be pulled into the jaws of the cutting tool and damage it.

Do not use this product in any other way as stated for normal use.

**EC-DECLARATION OF CONFORMITY**

We declare under our sole responsibility that the product described under "Technical Data" fulfills all the relevant regulations and the directives 2011/65/EU (RoHS), 2014/30/EU, 2006/42/EC, and the following harmonized standards have been used:

EN 60745-1:2009 + A11:2010  
 EN 55014-1:2017:A11 2020  
 EN 55014-2:2015  
 EN IEC 63000:2018

Winnenden, 2020-11-06

*Alexander Krug*

Alexander Krug  
 Managing Director  
 Authorized to compile the technical file.

Techtronic Industries GmbH  
 Max-Eyth-Straße 10  
 71364 Winnenden  
 Germany



**GB-DECLARATION OF CONFORMITY**

We declare as the manufacturer under our sole responsibility that the product described under "Technical Data" fulfills all the relevant provisions of the following Regulations S.I. 2008/1597 (as amended), S.I. 2016/1091 (as amended), S.I. 2012/3032 (as amended) and that the following designated standards have been used:

BS EN 60745-1:2009 + A11:2010  
 BS EN 55014-1:2017:A11 2020  
 BS EN 55014-2:2015  
 BS EN IEC 63000:2018

Winnenden, 2020-11-06

*Alexander Krug*

Alexander Krug  
 Managing Director  
 Authorized to compile the technical file.

Techtronic Industries GmbH  
 Max-Eyth-Straße 10  
 71364 Winnenden  
 Germany

**BATTERIES**

Battery packs which have not been used for some time should be recharged before use.

Temperatures in excess of 50°C (122°F) reduce the performance of the battery pack. Avoid extended exposure to heat or sunshine (risk of overheating).

The contacts of chargers and battery packs must be kept clean.

For an optimum life-time, the battery packs have to be fully charged, after use.

To obtain the longest possible battery life remove the battery pack from the charger once it is fully charged.

For battery pack storage longer than 30 days: Store the battery pack where the temperature is below 27°C and away from moisture

Store the battery packs in a 30% - 50% charged condition Every six months of storage, charge the pack as normal.

**BATTERY PACK PROTECTION**

In extremely high torque, binding, stalling and short circuit situations that cause high current draw, the tool will vibrate for about 5 seconds, the fuel gauge will flash, and then the tool will turn OFF. To reset, release the trigger.

Under extreme circumstances, the internal temperature of the battery could become too high. If this happens, the fuel gauge will flash and the battery pack cool and then continue work.

**TRANSPORTING LITHIUM BATTERIES**

Lithium-ion batteries are subject to the Dangerous Goods Legislation requirements.

Transportation of those batteries has to be done in accordance with local, national and international provisions and regulations.

- The user can transport the batteries by road without further requirements.
- Commercial transport of Lithium-Ion batteries by third parties is subject to Dangerous Goods regulations. Transport preparation and transport are exclusively to be carried out by appropriately trained persons and the process has to be accompanied by corresponding experts.

When transporting batteries:

- Ensure that battery contact terminals are protected and insulated to prevent short circuit.
- Ensure that battery pack is secured against movement within packaging.
- Do not transport batteries that are cracked or leak.

Check with forwarding company for further advice

**MAINTENANCE**

Use only Milwaukee accessories and spare parts. Should components need to be replaced which have not been described, please contact one of our Milwaukee service agents (see our list of guarantee/service addresses).

If needed, an exploded view of the tool can be ordered. Please state the machine type printed as well as the six-digit No. on the label and order the drawing at your local service agents or directly at: Techtronic Industries GmbH, Max-Eyth-Straße 10, 71364 Winnenden, Germany.

**SYMBOLS**

- CAUTION! WARNING! DANGER!
- Please read the instructions carefully before starting the machine.
- Remove the battery pack before starting any work on the machine.
- Do not dispose electric tools, batteries/rechargeable batteries together with household waste material. Electric tools and batteries that have reached the end of their life must be collected separately and returned to an environmentally compatible recycling facility. Check with your local authority or retailer for recycling advice and collection point.
- Keep hands away from all cutting edges and moving parts. Fingers can be pulled into cutting carriage and be cut or crushed.
- Cutting.
- Carriage open.
- European Conformity Mark
- British Conformity Mark
- Ukraine Conformity Mark
- EurAsian Conformity Mark



Produktionsnummer .....	4523 22 05...
.....	4312 18 05...
.....	...000001-999999
Rohr-Ø .....	12 mm, 15 mm, 18 mm, 22 mm, 25 mm, 28 mm
Spannung Wechselakku .....	12 V
Gewicht nach EPTA-Prozedur 01/2014 .....	1,5 kg

**Geräusch/Vibrationsinformation**

Messwerte ermittelt entsprechend EN 60 745.  
 Der A-bewertete Geräuschpegel des Gerätes beträgt typischerweise:  
 Schalldruckpegel (Unsicherheit K=3dB(A)) ..... 70 dB (A)  
 Der Geräuschpegel beim Arbeiten kann 80 dB (A) überschreiten.

**Gehörschutz tragen!**

Schwingungsgesamtwerte (Vektorsumme dreier Richtungen) ermittelt entsprechend EN 60745.  
 Schwingungsemissionswert  $a_w$  ..... < 2,5 m/s<sup>2</sup>  
 Unsicherheit K = ..... 1,5 m/s<sup>2</sup>

**WARNUNG**

Der in diesen Anweisungen angegebene Schwingungspegel ist entsprechend einem in EN 60745 genormten Messverfahren gemessen worden und kann für den Vergleich von Elektrowerkzeugen miteinander verwendet werden. Er eignet sich auch für eine vorläufige Einschätzung der Schwingungsbelastung.

Der angegebene Schwingungspegel repräsentiert die hauptsächlichlichen Anwendungen des Elektrowerkzeugs. Wenn allerdings das Elektrowerkzeug für andere Anwendungen, mit abweichenden Einsatzwerkzeugen oder ungenügender Wartung eingesetzt wird, kann der Schwingungspegel abweichen. Dies kann die Schwingungsbelastung über den gesamten Arbeitszeitraum deutlich erhöhen.

Für eine genaue Abschätzung der Schwingungsbelastung sollten auch die Zeiten berücksichtigt werden, in denen das Gerät abgeschaltet ist oder zwar läuft, aber nicht tatsächlich im Einsatz ist. Dies kann die Schwingungsbelastung über den gesamten Arbeitszeitraum deutlich reduzieren.

Legen Sie zusätzliche Sicherheitsmaßnahmen zum Schutz des Bedieners vor der Wirkung von Schwingungen fest wie zum Beispiel: Wartung von Elektrowerkzeug und Einsatzwerkzeugen, Warmhalten der Hände, Organisation der Arbeitsabläufe.

**⚠️ WARNUNG! Lesen Sie alle Sicherheitshinweise und Anweisungen.** Versäumnisse bei der Einhaltung der Sicherheitshinweise und Anweisungen können elektrischen Schlag, Brand und/oder schwere Verletzungen verursachen. **Bewahren Sie alle Sicherheitshinweise und Anweisungen für die Zukunft auf.**

**SPEZIELLE SICHERHEITSHINWEISE**

**Tragen Sie Gehörschutz.** Die Einwirkung von Lärm kann Gehörverlust bewirken.

Beim Arbeiten mit der Maschine stets Schutzbrille tragen. Schutzhandschuhe, festes und rutschsicheres Schuhwerk und Schürze werden empfohlen.

Hände und lockere Kleidung von Schneidwerkzeugen und anderen beweglichen Teilen entfernt halten.

Um das Risiko von Explosionen, Elektrischem Schlag und Sachschaden zu reduzieren, niemals Gasleitungen, elektrische Leitungen oder gefüllte Wasserleitungen schneiden. Wasserleitungen vor dem Schneiden entleeren.

Vor allen Arbeiten an der Maschine den Wechselakku herausnehmen

Verbrauchte Wechselakkus nicht ins Feuer oder in den Hausmüll werfen. Milwaukee bietet eine umweltgerechte Alt-Wechselakku-Entsorgung an; bitte fragen Sie Ihren Fachhändler.

Wechselakku nicht zusammen mit Metallgegenständen aufbewahren (Kurzschlussgefahr).

Wechselakku des Systems C12 nur mit Ladegeräten des Systems C12 laden. Keine Akkus aus anderen Systemen laden.

Unter extremer Belastung oder extremer Temperatur kann aus beschädigten Wechselakkus Batterieflüssigkeit auslaufen. Bei Berührung mit Batterieflüssigkeit sofort mit Wasser und Seife abwaschen. Bei Augenkontakt sofort mindestens 10 Minuten gründlich spülen und unverzüglich einen Arzt aufsuchen.

**Warnung!** Um die durch einen Kurzschluss verursachte Gefahr eines Brandes, von Verletzungen oder

Produktbeschädigungen zu vermeiden, tauchen Sie das Werkzeug, den Wechselakku oder das Ladegerät nicht in Flüssigkeiten ein und sorgen Sie dafür, dass keine Flüssigkeiten in die Geräte und Akkus eindringen. Korrodierende oder leitfähige Flüssigkeiten, wie Salzwasser, bestimmte Chemikalien und Bleichmittel oder Produkte, die Bleichmittel enthalten, können einen Kurzschluss verursachen.

**BESTIMMUNGSGEMÄSSE VERWENDUNG**

Der Rohrschneider ist geeignet zum Trennen von Rohren aus Kupfer.

Rohrstücke, die kürzer als 12,5 mm sind, dürfen nicht bearbeitet werden. Kurze oder verbogene Stücke können in das Schneidrad geraten und das Werkzeug beschädigen.

Dieses Gerät darf nur wie angegeben bestimmungsgemäß verwendet werden.

**CE-KONFORMITÄTSERKLÄRUNG**

Wir erklären in alleiniger Verantwortung, dass das unter „Technische Daten“ beschriebene Produkt mit allen relevanten Vorschriften der Richtlinie 2011/65/EU (RoHS), 2014/30/EU, 2006/42/EG und den folgenden harmonisierten normativen Dokumenten übereinstimmt:

- EN 60745-1:2009 + A11:2010
- EN 55014-1:2017:A11 2020
- EN 55014-2:2015
- EN IEC 63000:2018

Winnenden, 2020-11-06

*Alexander Krug*

Alexander Krug  
 Managing Director

Bevollmächtigt die technischen Unterlagen zusammenzustellen



Techtronic Industries GmbH  
 Max-Eyth-Straße 10  
 71364 Winnenden  
 Germany

**AKKUS**

Längere Zeit nicht benutzte Wechselakkus vor Gebrauch nachladen.

Eine Temperatur über 50°C vermindert die Leistung des Wechselakkus. Längere Erwärmung durch Sonne oder Heizung vermeiden.

Die Anschlusskontakte an Ladegerät und Wechselakku sauber halten.

Für eine optimale Lebensdauer müssen nach dem Gebrauch die Akkus voll geladen werden.

Für eine möglichst lange Lebensdauer sollten die Akkus nach dem Aufladen aus dem Ladegerät entfernt werden.

Bei Lagerung des Akkus länger als 30 Tage:  
 Akku bei ca. 27°C und trocken lagern.  
 Akku bei ca. 30%-50% des Ladezustandes lagern.  
 Akku alle 6 Monate erneut aufladen.

**AKKUÜBERLASTSCHUTZ**

Bei Überlastung des Akkus durch sehr hohen Stromverbrauch, z.B. extrem hohe Drehmomente, Verklemmen des Bohrers, plötzlichem Stopp oder Kurzschluss, vibriert das Elektrowerkzeug 5 Sekunden lang, die Ladeanzeige blinkt und das Elektrowerkzeug schaltet sich selbsttätig ab.  
 Zum Wiedereinschalten, den Schalterdrücker loslassen und dann wieder einschalten.

Unter extremen Belastungen erhitzt sich der Akku zu stark. In diesem Fall blinken alle Lampen der Ladeanzeige bis der Akku abgekühlt ist. Nach Erlöschen der Ladeanzeige kann weitergearbeitet werden.

**TRANSPORT VON LITHIUM-IONEN-AKKUS**

Lithium-Ionen-Akkus fallen unter die gesetzlichen Bestimmungen zum Gefahrguttransport.

Der Transport dieser Akkus muss unter Einhaltung der lokalen, nationalen und internationalen Vorschriften und Bestimmungen erfolgen.

- Verbraucher dürfen diese Akkus ohne Weiteres auf der Straße transportieren.
- Der kommerzielle Transport von Lithium-Ionen-Akkus durch Speditionen unterliegt den Bestimmungen des Gefahrguttransports. Die Versandvorbereitungen und der Transport dürfen ausschließlich von entsprechend geschulten Personen durchgeführt werden. Der gesamte Prozess muss fachmännisch begleitet werden.

Folgende Punkte sind beim Transport von Akkus zu beachten:

- Stellen Sie sicher, dass die Kontakte geschützt und isoliert sind, um Kurzschlüsse zu vermeiden.
- Achten Sie darauf, dass der Akkupack innerhalb der Verpackung nicht verrutschen kann.
- Beschädigte oder auslaufende Akkus dürfen nicht transportiert werden.

Wenden Sie sich für weitere Hinweise an Ihr Speditionsunternehmen.

**WARTUNG**

Nur Milwaukee Zubehör und Ersatzteile verwenden. Bauteile, deren Austausch nicht beschrieben wurde, bei einer Milwaukee Kundendienststelle auswechseln lassen (Broschüre Garantie/Kundendienstadressen beachten).

Bei Bedarf kann eine Explosionszeichnung des Gerätes unter Angabe der Maschinen Type und der sechsstelligen Nummer auf dem Leistungsschild bei Ihrer Kundendienststelle oder direkt bei Techtronic Industries

GmbH, Max-Eyth-Straße 10, 71364 Winnenden, Germany angefordert werden.

**SYMBOLS**

-  ACHTUNG! WARNUNG! GEFAHR!
-  Bitte lesen Sie die Gebrauchsanweisung vor Inbetriebnahme sorgfältig durch.
-  Vor allen Arbeiten an der Maschine den Wechselakku herausnehmen
-  Elektrogeräte, Batterien/Akkus dürfen nicht zusammen mit dem Hausmüll entsorgt werden. Elektrische Geräte und Akkus sind getrennt zu sammeln und zur umweltgerechten Entsorgung bei einem Verwertungsbetrieb abzugeben. Erkundigen Sie sich bei den örtlichen Behörden oder bei Ihrem Fachhändler nach Recyclinghöfen und Sammelstellen.
-  Hände vom Schneidwerkzeug und anderen beweglichen Teilen entfernt halten. Finger können in den Schneidmechanismus geraten und abgetrennt oder verletzt werden.
-  Schneiden.
-  Schneidwerkzeug öffnen.

-  Europäisches Konformitätszeichen
-  Britisches Konformitätszeichen
-  Ukrainisches Konformitätszeichen
-  Euroasiatisches Konformitätszeichen

**CARACTÉRISTIQUES TECHNIQUES****COUPE-TUBES****C 12 PC**

Numéro de série .....	4523 22 05...
.....	4312 18 05...
.....	...000001-999999
Ø de tuyauterie .....	12 mm, 15 mm, 18 mm, 22 mm, 25 mm, 28 mm
Tension accu interchangeable .....	12 V
Poids suivant EPTA-Procédure 01/2014 .....	1,5 kg

**Bruits et vibrations**

Valeurs de mesure obtenues conformément à la EN 60 745.

La mesure réelle (A) du niveau de bruit de l'outil est Niveau de pression acoustique (Incertitude K=3dB(A)) ..... 70 dB (A)  
Le niveau de bruit à l'état de marche peut dépasser 80 dB (A).

**Toujours porter une protection acoustique!**

Valeurs totales des vibrations (somme vectorielle de trois sens) établies conformément à EN 60745.

Valeur d'émission vibratoire  $a_{hv}$  ..... < 2,5 m/s<sup>2</sup>  
Incertitude K = ..... 1,5 m/s<sup>2</sup>

**AVERTISSEMENT**

Le niveau vibratoire indiqué dans ces instructions a été mesuré selon un procédé de mesure normalisé dans la norme EN 60745 et peut être utilisé pour comparer des outils électriques entre eux. Il convient aussi à une estimation provisoire de la sollicitation par les vibrations.

Le niveau vibratoire indiqué représente les applications principales de l'outil électrique. Toutefois, si l'outil électrique est utilisé pour d'autres applications, avec des outils rapportés qui diffèrent ou une maintenance insuffisante, il se peut que le niveau vibratoire diverge. Cela peut augmenter nettement la sollicitation par les vibrations sur tout l'intervalle de temps du travail.

Pour une estimation précise de la sollicitation par les vibrations, on devrait également tenir compte des temps pendant lesquels l'appareil n'est pas en marche ou tourne sans être réellement en service. Cela peut réduire nettement la sollicitation par les vibrations sur tout l'intervalle de temps du travail.

Définissez des mesures de sécurité supplémentaires pour protéger l'utilisateur contre l'influence des vibrations, comme par exemple : la maintenance de l'outil électrique et des outils rapportés, le maintien au chaud des mains, l'organisation des déroulements de travail.

**AVIS! Lire complètement les instructions et les indications de sécurité.**

Le non-respect des avertissements et instructions indiqués ci après peut entraîner un choc électrique, un incendie et/ou de graves blessures sur les personnes.

**Bien garder tous les avertissements et instructions.**

**INSTRUCTIONS DE SÉCURITÉ PARTICULIÈRES**

**Portez une protection acoustique.** L'influence du bruit peut provoquer la surdité.

Toujours porter des lunettes protectrices en travaillant avec la machine. Des gants de sécurité, des chaussures solides et à semelles antidérapantes et un tablier sont recommandés.

Tenir les mains et les vêtements flottants à l'écart des outils de coupe et des autres pièces en mouvement.

Afin de réduire le risque d'explosion, de décharges électriques et de dommages matériels, il est impératif de ne jamais couper des conduites de gaz, des lignes électriques ou des conduites d'eau qui sont remplies. Les conduites d'eau doivent être vidées avant la coupe.

Avant tous travaux sur la machine retirer l'accu interchangeable.

Ne pas jeter les accus interchangeables usés au feu ou avec les déchets ménagers. Milwaukee offre un système d'évacuation écologique des accus usés.

Ne pas conserver les accus interchangeables avec des objets métalliques (risque de court-circuit)

Ne charger les accus interchangeables du système C 12 qu'avec le chargeur d'accus du système C 12. Ne pas charger des accus d'autres systèmes.

En cas de conditions ou températures extrêmes, du liquide caustique peut s'échapper d'un accu interchangeable endommagé. En cas de contact avec le liquide caustique de la batterie, laver immédiatement avec de l'eau et du savon. En cas de contact avec les yeux, rincer soigneusement avec de l'eau et consulter immédiatement un médecin.

**Attention!** Pour réduire le risque d'incendie, de blessures corporelles et de dommages cau-sés par un court-circuit, ne jamais immerger l'outil, le bloc-piles ou le chargeur dans un liquide ou laisser couler un fluide à l'intérieur de celui-ci. Les fluides corrosifs ou conducteurs, tels que l'eau de mer, certains produits chim-iques industriels, les produits de blanchiment ou de blanchi-ment, etc., Peuvent provoquer un court-circuit.

**UTILISATION CONFORME AUX PRESCRIPTIONS**

Le coupe-tubes convient à la coupe des tubes en cuivre.

Les tronçons de tubes inférieurs à 12,5 mm ne doivent pas être usinés. Les tronçons courts ou tordus peuvent se loger dans la roue de coupe et endommager l'appareil.

Comme déjà indiqué, cette machine n'est conçue que pour être utilisée conformément aux prescriptions.

**DECLARATION CE DE CONFORMITÉ**

Nous déclarons sous notre seule responsabilité que le produit décrit sous « Caractéristiques techniques » concorde avec toutes les consignes pertinentes de la directive 2011/65 EU (RoHS), 2014/30/UE, 2006/42/CE et les documents normatifs harmonisés suivants :

EN 60745-1:2009 + A11:2010  
EN 55014-1:2017:A11 2020  
EN 55014-2:2015  
EN IEC 63000:2018

Winnenden, 2020-11-06



Alexander Krug  
Managing Director

Autorisé à compiler la documentation technique.

Techtronic Industries GmbH  
Max-Eyth-Straße 10  
71364 Winnenden  
Germany

**ACCUS**

Recharger les accus avant utilisation après une longue période de non utilisation.

Une température supérieure à 50°C amoindrit la capacité des accus. Éviter les expositions prolongées au soleil ou au chauffage.

Tenir propres les contacts des accus et des chargeurs.

Après l'usage, les accus doivent être chargés entièrement pour une durée de vie optimale.

Pour une plus longue durée de vie, enlever les batteries du chargeur de batterie quand celles-ci seront chargées.

En cas d'entreposage de la batterie pour plus de 30 jours: Entreposer la batterie à 27°C environ dans un endroit sec. Entreposer la batterie avec une charge d'environ 30% - 50%. Recharger la batterie tous les 6 mois.

**PROTECTION DE L'ACCU CONTRE LES SURCHARGES**

En cas d'une surcharge de l'accu à cause d'une très haute consommation de courant, par exemple suite à des couples extrêmement élevés, un coincement du foret, un arrêt soudain ou un court-circuit, l'outil électrique vibre pendant 5 secondes, l'indicateur de charge clignote et l'outil électrique se déconnecte automatiquement.

Pour le ré-enclencher, relâcher le poussoir de l'interrupteur, puis enclencher à nouveau l'appareil. Sous des sollicitations extrêmes, l'accu s'échauffe trop fortement. Dans ce cas, tous les témoins de l'indicateur de charge clignotent jusqu'à ce que l'accu se soit refroidi. Il est possible de continuer à travailler dès que l'indicateur de charge s'est éteint.

**TRANSPORT DE BATTERIES LITHIUM-ION**

Les batteries lithium-ion sont soumises aux dispositions législatives concernant le transport de produits dangereux.

Le transport de ces batteries devra s'effectuer dans le respect des dispositions et des normes locales, nationales et internationales.

- Les utilisateurs peuvent transporter ces batteries sans restrictions.
- Le transport commercial de batteries lithium-ion est réglé par les dispositions concernant le transport de produits dangereux. La préparation au transport et le transport devront être effectués uniquement par du personnel formé de façon adéquate. Tout le procédé devra être géré d'une manière professionnelle.

Durant le transport de batteries il faut respecter les consignes suivantes :

- S'assurer que les contacts soient protégés et isolés en vue d'éviter des courts-circuits.
- S'assurer que le groupe de batteries ne puisse pas se déplacer à l'intérieur de son emballage.
- Des batteries endommagées ou des batteries perdant du liquide ne devront pas être transportées.

Pour tout renseignement complémentaire veuillez vous adresser à votre transporteur professionnel.

**ENTRETIEN**

Utiliser uniquement les accessoires Milwaukee et les pièces détachées Milwaukee. Faire remplacer les composants dont le remplacement n'a pas été décrit, par un des centres de service après-vente Milwaukee (observer la brochure avec les adresses de garantie et de service après-vente).

En cas de besoin il est possible de demander un dessin éclaté du dispositif en indiquant le modèle de la machine et le numéro de six chiffres imprimé sur la plaquette de puissance et en s'adressant au centre d'assistance technique ou directement à Techtronic Industries GmbH, Max-Eyth-Straße 10, 71364 Winnenden, Germany.

**SYMBLES**

ATTENTION! AVERTISSEMENT! DANGER!



Veuillez lire avec soin le mode d'emploi avant la mise en service



Avant tous travaux sur la machine retirer l'accu interchangeable.



Les dispositifs électriques, les batteries et les batteries rechargeables ne sont pas à éliminer dans les déchets ménagers. Les dispositifs électriques et les batteries sont à collecter séparément et à remettre à un centre de recyclage en vue de leur élimination dans le respect de l'environnement. S'adresser aux autorités locales ou au détaillant spécialisé en vue de connaître l'emplacement des centres de recyclage et des points de collecte.



Garder les mains à l'écart de l'outil de coupe et des autres pièces en mouvement. Les doigts peuvent parvenir dans le mécanisme de coupe et être sectionnés ou blessés.



Couper.



Ouvrir l'outil de coupe.



Marque de conformité européenne



Marque de conformité britannique



Marque de conformité ukrainienne



Marque de conformité d'Eurasie

DATI TECNICI	TAGLIATUB	C 12 PC
Numero di serie .....	4523 22 05...	
.....	4312 18 05...	
.....	...00001-999999	
Ø del tubo .....	12 mm, 15 mm, 18 mm, 22 mm, 25 mm, 28 mm	
Tensione batteria .....	12 V	
Peso secondo la procedura EPTA 01/2014.....	1,5 kg	

#### Informazioni sulla rumorosità e sulla vibrazione

Valori misurati conformemente alla norma EN 60 745.

La misurazione A della pressione del livello sonoro di un utensile di solito deve essere:

Livello di rumorosità (Incertezza della misura  $K=3dB(A)$ )..... 70 dB (A)

Il livello di rumorosità durante le lavorazioni può superare gli 80 dB (A).

#### Utilizzare le protezioni per l'udito!

Valori totali delle oscillazioni (somma di vettori in tre direzioni) misurati conformemente alla norma EN 60745

Valore di emissione dell'oscillazione  $a_v$  ..... < 2,5 m/s<sup>2</sup>

Incertezza della misura  $K =$  ..... 1,5 m/s<sup>2</sup>

#### AVVERTENZA

Il livello di vibrazioni indicato nelle presenti istruzioni è stato misurato in conformità con un procedimento di misurazione codificato nella EN 60745 e può essere utilizzato per un confronto tra attrezzi elettrici. Inoltre si può anche utilizzare per una valutazione preliminare della sollecitazione da vibrazioni.

Il livello di vibrazioni indicato rappresenta le applicazioni principali dell'attrezzo elettrico. Se viceversa si utilizza l'attrezzo elettrico per altri scopi, con accessori differenti o con una manutenzione insufficiente, il livello di vibrazioni può risultare diverso. E questo può aumentare decisamente la sollecitazione da vibrazioni lungo l'intero periodo di lavorazione.

Ai fini di una valutazione precisa della sollecitazione da vibrazioni si dovrebbero tenere presente anche i periodi in cui l'apparecchio rimane spento oppure, anche se acceso, non viene effettivamente utilizzato. Ciò può ridurre notevolmente la sollecitazione da vibrazioni lungo l'intero periodo di lavorazione.

Stabilite misure di sicurezza supplementari per la tutela dell'operatore dall'effetto delle vibrazioni, come ad esempio: manutenzione dell'attrezzo elettrico e degli accessori, riscaldamento delle mani, organizzazione dei processi di lavoro.

**AVVERTENZA! Leggere tutte le istruzioni ed indicazioni di sicurezza.** In caso di mancato rispetto delle avvertenze di pericolo e delle istruzioni operative si potrà creare il pericolo di scosse elettriche, incendi e/o incidenti gravi.

**Conservare tutte le avvertenze di pericolo e le istruzioni operative per ogni esigenza futura.**

#### NORME DI SICUREZZA

**Indossare protezioni acustiche adeguate.** L'esposizione prolungata al rumore senza protezione può causare danni all'udito.

Durante l'uso dell'apparecchio utilizzare sempre gli occhiali di protezione. Inoltre si consiglia di usare sistemi di protezione per la respirazione e per l'udito, oltre ai guanti di protezione.

Tenere lontane le mani e l'abbigliamento dagli utensili da taglio e da altre parti mobili.

Per ridurre il rischio di esplosioni, scosse elettriche e danni materiali non tagliare mai condutture del gas, condotti elettrici o condutture piene di acqua. Prima di tagliare le condutture d'acqua, svuotarle.

Prima di iniziare togliere la batteria dalla macchina.

Non gettare le batterie esaurite sul fuoco o nella spazzatura di casa. La Atlas Copco offre infatti un servizio di recupero batterie usate.

Nel vano d'innesto per la batteria del caricatore non devono entrare parti metalliche (pericolo di cortocircuito).

Le batterie del System C 12 sono ricaricabili esclusivamente con i caricatori del System C 12. Le batterie di altri sistemi non possono essere ricaricate.

Nel caso di batterie danneggiate da un carico eccessivo o da temperature alte, l'acido di queste potrebbe fuoriuscire. In caso di contatto con l'acido delle batterie lavarsi immediatamente con acqua e sapone. In caso di contatto con gli occhi risciacquare immediatamente con acqua per almeno 10 minuti e contattare subito un medico.

**Attenzione!** Per ridurre il rischio d'incendio, di lesioni o di danni al prodotto causati da corto circuito, non immergere mai l'utensile, la batteria ricaricabile o il carica batterie in un liquido e non lasciare mai penetrare alcun liquido all'interno dei dispositivi e delle batterie. I fluidi corrosivi o conduttori come acqua salata, alcuni agenti chimici, agenti candeggianti o prodotti contenenti agenti candeggianti potrebbero provocare un corto circuito.

#### UTILIZZO CONFORME

Il tagliatubi è idoneo a tagliare tubi in rame.

Non lavorare spezzoni di tubo più corti di 12,5 mm.

Spezzoni corti o piegati potrebbero entrare nella ruota di taglio e danneggiare l'utensile.

Utilizzare il prodotto solo per l'uso per cui è previsto.

#### DICHIARAZIONE DI CONFORMITÀ CE

Dichiaro sotto la nostra esclusiva responsabilità che il prodotto descritto ai "Dati tecnici" corrisponde a tutte le disposizioni delle direttive 2011/65/EU (RoHS), 2014/30/UE, 2006/42/CE e successivi documenti normativi armonizzati:

EN 60745-1:2009 + A11:2010


EN 55014-1:2017:A11 2020

EN 55014-2:2015

EN IEC 63000:2018

Winnenden, 2020-11-06

  
Alexander Krug  
Managing Director



Autorizzato alla preparazione della documentazione tecnica

Techtronic Industries GmbH

Max-Eyth-Straße 10

71364 Winnenden

Germany

#### BATTERIE

Batterie non utilizzate per molto tempo devono essere ricaricate prima dell'uso.

A temperature superiori ai 50°C, la potenza della batteria si riduce.

Evitare di esporre l'accumulatore a surriscaldamento prolungato, dovuto ad esempio ai raggi del sole o ad un impianto di riscaldamento.

Per una durata di vita ottimale, dopo l'uso le batterie devono essere completamente ricaricate.

caricabatterie quando saranno cariche.

In caso di immagazzinaggio della batteria per più di 30 giorni:

Immagazzinare la batteria a circa 27°C in ambiente asciutto.

Immagazzinare la batteria con carica di circa il 30% - 50%.

Ricaricare la batteria ogni 6 mesi.

#### DISPOSITIVO ANTISOVRACCARICO ACCUMULATORE

In caso di sovraccarico dell'accumulatore dovuto ad un consumo molto elevato di corrente, ad es. momenti di coppia estremamente elevati, bloccaggio della punta del trapano, arresto improvviso o corto circuito, l'utensile elettrico vibra per 5 secondi, il display di carica lampeggia e l'elettrodotto si spegne automaticamente.

Per riaccenderlo rilasciare l'interruttore e poi riaccenderlo.

Se sottoposto a sollecitazioni estreme l'accumulatore si riscalda eccessivamente. In questo caso lampeggiano tutte le spie del display di carica finché l'accumulatore non è raffreddato. Quando il display di carica si spegne si può continuare a lavorare.

#### TRASPORTO DI BATTERIE AGLI IONI DI LITIO

Le batterie agli ioni di litio sono soggette alle disposizioni di legge sul trasporto di merce pericolosa.

Il trasporto di queste batterie deve avvenire rispettando le disposizioni e norme locali, nazionali ed internazionali.

- Gli utilizzatori possono trasportare queste batterie su strada senza alcuna restrizione.
- Il trasporto commerciale di batterie agli ioni di litio è regolato dalle disposizioni sul trasporto di merce pericolosa. Le preparazioni al trasporto ed il trasporto stesso devono essere svolti esclusivamente da persone idoneamente istruite. Tutto il processo deve essere gestito in maniera professionale.

Durante il trasporto di batterie occorre tenere conto di quanto segue:

- Assicurarsi che i contatti siano protetti ed isolati per evitare corto circuiti.
- Accertarsi che il gruppo di batterie non possa spostarsi all'interno dell'imballaggio.
- Batterie danneggiate o batterie che perdono liquido non devono essere trasportate.

Per ulteriori informazioni si prega di contattare il proprio trasportatore.

#### MANUTENZIONE

Usare solo accessori Milwaukee e pezzi di ricambio Milwaukee. Gruppi costruttivi la cui sostituzione non è stata descritta, devono essere fatti cambiare da un punto di servizio di assistenza tecnica al cliente Milwaukee (vedi depliant garanzia/indirizzi assistenza tecnica ai clienti).

In caso di necessità è possibile richiedere un disegno esploso del dispositivo indicando il modello della macchina ed il numero a sei cifre sulla targa di potenza rivolgendosi al centro di assistenza tecnica o direttamente a Techtronic Industries GmbH, Max-Eyth-Straße 10, 71364 Winnenden, Germany.

#### SIMBOLI



ATTENZIONE! AVVERTENZA! PERICOLO!



Leggere attentamente le istruzioni per l'uso prima di mettere in funzione l'elettrodotto.



Prima di iniziare togliere la batteria dalla macchina.



I dispositivi elettrici, le batterie e le batterie ricaricabili non devono essere smaltiti con i rifiuti domestici.

I dispositivi elettrici e le batterie devono essere raccolti separatamente e devono essere conferiti ad un centro di riciclaggio per lo smaltimento rispettoso dell'ambiente. Chiedere alle autorità locali o al rivenditore specializzato dove si trovano i centri di riciclaggio e i punti di raccolta.



Tenere lontane le mani dall'utensile da taglio e altre parti mobili. Le dita possono finire nel meccanismo di taglio e venire tranciate o ferite.



Tagliare.



Aprire l'utensile da taglio.



Marchio di conformità europeo



Marchio di conformità britannico



Marchio di conformità ucraino



Marchio di conformità euroasiatico

## DATOS TÉCNICOS CORTATUBOS C 12 PC

Número de producción .....	4523 22 05...
.....	4312 18 05...
.....	...00001-999999
Ø del tubo.....	12 mm, 15 mm, 18 mm, 22 mm, 25 mm, 28 mm
Voltaje de batería.....	12 V
Peso de acuerdo con el procedimiento EPTA 01/2014 .....	1,5 kg

### Información sobre ruido y vibraciones

Determinación de los valores de medición según norma EN 60 745.

La presión acústica se eleva normalmente

Presión acústica (Tolerancia K=3dB(A)).....70 dB (A)

El nivel de ruido, con la máquina trabajando, podrá sobrepasar circunstancialmente 80 dB (A).

### Usar protectores auditivos!

Nivel total de vibraciones (suma vectorial de tres direcciones) determinado según EN 60745.

Valor de vibraciones generadas  $a_{hv}$ ..... < 2,5 m/s<sup>2</sup>

Tolerancia K =..... 1,5 m/s<sup>2</sup>

### ADVERTENCIA

El nivel vibratorio indicado en estas instrucciones ha sido medido conforme a un método de medición estandarizado en la norma EN 60745, y puede utilizarse para la comparación entre herramientas eléctricas. También es apropiado para una estimación provisional de la carga de vibración.

El nivel vibratorio indicado representa las aplicaciones principales de la herramienta eléctrica. Si, pese a ello, se utiliza la herramienta eléctrica para otras aplicaciones, con útiles adaptables diferentes o con un mantenimiento insuficiente, el nivel vibratorio puede diferir. Esto puede incrementar sensiblemente la carga de vibración durante todo el periodo de trabajo.

Para una estimación exacta de la carga de vibración deberían tenerse en cuenta también los tiempos durante los que el aparato está apagado o, pese a estar en funcionamiento, no está siendo realmente utilizado. Esto puede reducir sustancialmente la carga de vibración durante todo el periodo de trabajo.

Adopte medidas de seguridad adicionales para la protección del operador frente al efecto de las vibraciones, como por ejemplo: mantenimiento de la herramienta eléctrica y de los útiles adaptables, mantener las manos calientes, organización de los procesos de trabajo.

**⚠ ATENCIÓN: Lea atentamente las indicaciones e instrucciones de seguridad.** En caso de no atenderse a las advertencias de peligro e instrucciones siguientes, ello puede ocasionar una descarga eléctrica, un incendio y/o lesión grave.

**Guardar todas las advertencias de peligro e instrucciones para futuras consultas.**

### INSTRUCCIONES DE SEGURIDAD

**¡Utilice protección auditiva!** La exposición a niveles de ruido excesivos puede causar pérdida de audición

Para trabajar con la máquina, utilice siempre gafas de protección, guantes, calzado de seguridad antideslizante, así como es recomendable usar protectores auditivos.

Las manos y las ropas sueltas deben mantenerse alejadas de las herramientas de corte y otras piezas móviles.

Para reducir el riesgo de explosiones, choque eléctrico y daños materiales, no se deben cortar nunca tuberías de gas, líneas eléctricas o tuberías de agua llenas. Las tuberías de agua se han de vaciar antes del corte.

Retire la batería antes de comenzar cualquier trabajo en la máquina.

No tire las baterías usadas a la basura ni al fuego. Los Distribuidores Milwaukee ofrecen un servicio de recogida de baterías antiguas para proteger el medio ambiente.

No almacene la batería con objetos metálicos (riesgo de cortocircuito).

Recargar solamente los acumuladores del Sistema C 12 en cargadores C 12. No intentar recargar acumuladores de otros sistemas.

En caso de sobrecarga o alta temperatura, pueden llegar a producirse escapes de ácido provenientes de la batería. En caso de contacto con éste, limpie inmediatamente la zona con agua y jabón. Si el contacto es en los ojos, límpiese concienzudamente con agua durante 10 minutos y acuda inmediatamente a un médico.

**Advertencia!** Para reducir el riesgo de incendio, lesión personales y daños al producto debido a un cortocircuito, no

sumerja nunca la herramienta, el paquete de baterías o el cargador en líquido ni permita que fluya un fluido dentro de ellos. Los fluidos corrosivos o conductivos, como el agua de mar, ciertos productos quími-cos industriales y blanqueadores o lejías que contienen, etc., Pueden causar un cortocircuito.

### APLICACIÓN DE ACUERDO A LA FINALIDAD

La cortadora de tubos sirve para la separación de tubos de cobre.

No se pueden mecanizar piezas de tubería de una longitud inferior a 12,5 mm. Es posible que las piezas cortas o dobladas puedan acabar en la rueda de corte, dañando así la herramienta.

No utilice este producto para ninguna otra aplicación que no sea su uso normal.

### DECLARACION DE CONFORMIDAD CE

Declaramos bajo nuestra responsabilidad que el producto descrito bajo "Datos técnicos" está en conformidad con todas las normas relevantes de la directiva 2011/65/EU (RoHS), 2014/30/UE, 2006/42/CE y con las siguientes normas o documentos normalizados:

EN 60745-1:2009 + A11:2010

EN 55014-1:2017:A11 2020

EN 55014-2:2015

EN IEC 63000:2018

Winnenden, 2020-11-06



Alexander Krug  
Managing Director

Autorizado para la redacción de los documentos técnicos.

Techtronic Industries GmbH

Max-Eyth-Straße 10

71364 Winnenden

Germany



## BATERIA

Las baterías no utilizadas durante cierto tiempo deben ser recargadas antes de usar.

Las temperaturas superiores a 50°C reducen el rendimiento de la batería. Evite una exposición excesiva a fuentes de calor o al sol (riesgo de sobrecalentamiento).

Los puntos de contacto de los cargadores y las baterías se deben mantener limpios.

Para un tiempo de vida óptimo, deberán cargarse completamente las baterías después de su uso.

Para garantizar la máxima capacidad y vida útil, las baterías recargables se deberán retirar del cargador una vez finalizada la carga.

En caso de almacenar la batería recargable más de 30 días:

Almacenar la batería recargable en un lugar seco a una temperatura de aproximadamente 27°C.

Almacenar la batería recargable con un estado de carga del 30% y 50% aproximadamente.

Recargar la batería cada 6 meses.

### PROTECCIÓN CONTRA SOBRECARGA DE LA BATERÍA

En caso de sobrecarga de la batería a causa de un consumo de corriente demasiado elevado, por ejemplo, en momentos de torsión extremadamente altos, atasco de la broca, de una parada o cortocircuito repentinos; el aparato eléctrico vibra durante 5 segundos, el indicador de carga parpadea y el aparato eléctrico se desconecta automáticamente.

Para conectarlo de nuevo, soltar el botón de encendido y después conectarlo otra vez.

Bajo cargas extremas la batería se calienta demasiado. En este caso, todas las luces del indicador de carga parpadean hasta que la batería se enfría. Cuando se apaga el indicador de carga se puede trabajar de nuevo.

### TRANSPORTE DE BATERÍAS DE IONES DE LITIO

Las baterías de iones de litio caen bajo las disposiciones legales relativas al transporte de mercancías peligrosas.

El transporte de estas baterías recargables debe llevarse a cabo, observando las normas y disposiciones locales, nacionales e internacionales.

- Los consumidores pueden transportar estas baterías recargables sin el menor reparo en la calle.
- El transporte comercial de baterías recargables de iones de litio por empresas de transportes está sometido a las disposiciones del transporte de mercancías peligrosas. Las preparaciones para el envío y el transporte deben ser llevados a cabo exclusivamente por personas instruidas adecuadamente. El proceso completo debe ser supervisado por personal competente.

Los siguientes puntos se deben observar para el transporte de las baterías recargables:

- Se debe asegurar que los contactos estén protegidos y aislados para evitar que se produzcan cortocircuitos.
- Preste atención a que el conjunto de baterías recargables no se pueda desplazar dentro del envase.
- Las baterías recargables deterioradas o derramadas no se deben transportar.

Rogamos que para cualquier información adicional se dirija a su empresa de transportes.

## MANTENIMIENTO

Utilice solamente accesorios y repuestos Milwaukee. En caso de necesitar reemplazar componentes no descritos, contacte con cualquiera de nuestras estaciones de servicio Milwaukee (consultar lista de servicio técnicos)

Puede solicitar, en caso necesario, una vista despiezada del aparato bajo indicación del tipo de máquina y el número de seis dígitos en la placa indicadora de potencia en su Servicio de Postventa o directamente en Techtronic Industries GmbH, Max-Eyth-Straße 10, 71364 Winnenden, Germany.

### SÍMBOLOS



¡ATENCIÓN! ¡ADVERTENCIA! ¡PELIGRO!



Lea las instrucciones detenidamente antes de conectar la herramienta



Retire la batería antes de comenzar cualquier trabajo en la máquina.



Los electrodomésticos y las baterías/acumuladores no se deben eliminar junto con la basura doméstica.

Los aparatos eléctricos y los acumuladores se deben recoger por separado y se deben entregar a una empresa de reciclaje para una eliminación respetuosa con el medio ambiente. Infórmese en las autoridades locales o en su tienda especializada sobre los centros de reciclaje y puntos de recogida.



Las manos deben mantenerse alejadas de la herramienta de corte y otras piezas móviles. Los dedos podrían engancharse en el mecanismo de corte y resultar amputados o lesionados.



Cortar



Abra la herramienta de corte



Marcado de conformidad europeo



Marcado de conformidad británico



Marcado de conformidad ucraniano



Marcado de conformidad euroasiático

CARACTERÍSTICAS TÉCNICAS	CORTA-TUBO	C 12 PC
Número de produção.....	4523 22 05...	
.....	4312 18 05...	
.....	...000001-999999	
Tubo-ø .....	12 mm, 15 mm, 18 mm, 22 mm, 25 mm, 28 mm	
Tensão do acumulador .....	12 V	
Peso nos termos do procedimento-EPTA 01/2014.....	1,5 kg	

#### Informações sobre ruído e vibrações

Valores de medida de acordo com EN 60 745.  
Normalmente o nível de pressão de ruído da ferramenta é  
Nível da pressão de ruído (Incertez K=3dB(A)).....70 dB (A)  
Onível de ruído a trabalhar pode exceder 80 dB (A).  
**Use protectores auriculares!**

Valores totais de vibração (soma dos vectores das três direcções) determinadas conforme EN 60745.

Valor de emissão de vibração  $a_{hv}$  ..... < 2,5 m/s<sup>2</sup>  
Incerteza K = ..... 1,5 m/s<sup>2</sup>

#### ATENÇÃO

O nível vibratório indicado nestas instruções foi medido em conformidade com um procedimento de medição normalizado na EN 60745 e pode ser utilizado para comparar entre si ferramentas eléctricas. O mesmo é também adequado para avaliar provisoriamente o esforço vibratório.

O nível vibratório indicado representa as principais aplicações da ferramenta eléctrica. Se, no entanto, a ferramenta eléctrica for utilizada para outras aplicações, com outras ferramentas adaptadas ou uma manutenção insuficiente, o nível vibratório poderá divergir. Isto pode aumentar consideravelmente o esforço vibratório ao longo de todo o período do trabalho.

Para uma avaliação exacta do esforço vibratório devem também ser considerados os tempos durante os quais o aparelho está desligado ou está a funcionar, mas não está efectivamente a ser utilizado. Isto pode reduzir consideravelmente o esforço vibratório ao longo de todo o período do trabalho.

Defina medidas de segurança suplementares para proteger o operador do efeito das vibrações, como por exemplo: manutenção da ferramenta eléctrica e das ferramentas adaptadas, manter as mãos quentes, organização das sequências de trabalho.

**⚠️ ADVERTÊNCIA! Leia todas as instruções de segurança e todas as instruções.** O desrespeito das advertências e instruções apresentadas abaixo pode causar choque eléctrico, incêndio e/ou graves lesões.  
**Guarde bem todas as advertências e instruções para futura referência.**

#### INSTRUÇÕES DE SEGURANÇA

**Sempre use a protecção dos ouvidos.** A influência de ruídos pode causar surdez.

Usar sempre óculos de protecção ao trabalhar com a máquina. Recomenda-se a utilização de luvas de protecção, protectores para os ouvidos e máscara anti-poeiras.

Manter as mãos e o vestuário largo afastados de ferramentas de corte e de outras peças móveis.

Com vista a minimizar o risco de explosões, choque eléctrico e danos materiais, nunca cortar tubos de gás, tubos eléctricos ou condutas de água cheias. Esvaziar as condutas de água antes de as cortar.

Antes de efectuar qualquer intervenção na máquina retirar o bloco acumulador.

Não queimar acumuladores gastos nem deitá-los no lixo doméstico. A Milwaukee possui uma eliminação de acumuladores gastos que respeita o meio ambiente.

Não guardar acumuladores junto com objectos metálicos (perigo de curto-circuito).

Use apenas carregadores do Sistema C 12 para recarregar os acumuladores do Sistema C 12. Não utilize acumuladores de outros sistemas.

Em caso de cargas ou temperaturas extremas, um acumulador de substituição danificado poderá verter líquido de bateria. Se entrar em contacto com este líquido, deverá lavar-se imediatamente com água e sabão. Em caso de contacto com os olhos, enxágue-os bem e de imediato durante pelo menos 10 minutos e consulte um médico o mais depressa possível.

**⚠️ Advertência!** Para evitar o risco de incêndio, de feridas ou de danificação do produto causado por um curto-circuito, não imerja a bateria intercambiável ou o carregador em líquidos e assegure-se de que líquidos não penetrem nos aparelhos ou nas baterias. Líquidos corrosivos ou condutivos como água salgada, determinadas substâncias químicas ou produtos que contenham branqueadores podem causar um curto-circuito.

#### UTILIZAÇÃO AUTORIZADA

O cortador de tubos destina-se à separação de tubos de cobre.

Tubos mais curtos do que 12,5 mm não devem ser processados. Tubos curtos ou deformados podem entrar na roda de corte e danificar a ferramenta.

Não use este produto de outra maneira sem ser a normal para o qual foi concebido.

#### DECLARAÇÃO DE CONFORMIDADE CE

Declaramos sob responsabilidade exclusiva, que o produto descrito sob "Dados técnicos" corresponde com todas as disposições relevantes da diretiva 2011/65/EU (RoHS), 2014/30/UE, 2006/42/CE e dos seguintes documentos normativos harmonizados.

EN 60745-1:2009 + A11:2010

EN 55014-1:2017:A11 2020

EN 55014-2:2015

EN IEC 63000:2018

Winnenden, 2020-11-06

*Alexander Krug*

Alexander Krug  
Managing Director

Autorizado a reunir a documentação técnica.

Techtronic Industries GmbH

Max-Eyth-Straße 10



71364 Winnenden  
Germany

#### ACUMULADOR

Acumuladores não utilizados durante algum tempo devem ser recarregados antes da sua utilização.

Temperaturas acima de 50°C reduzem a capacidade do bloco acumulador. Evitar exposição prolongada ao sol ou a caloríferos.

Manter limpos os contactos eléctricos no carregador e no bloco acumulador.

Para uma vida útil óptima dos acumuladores, terá que carregá-los plenamente após a sua utilização.

Para assegurar uma vida útil longa, o pacote de bateria deve ser removido da carregadora depois do carregamento.

Se o pacote de bateria for armazenado por mais de 30 dias: Armazene o pacote de bateria com aprox. 27°C em um lugar seco.

Armazene o pacote de bateria com aprox. 30%-50% da carga completa.

Carregue o pacote de bateria novamente de 6 em 6 meses.

#### PROTECÇÃO DE SOBRECARGA DE BATERIA

No caso de sobrecarga da bateria devido a um consumo de corrente demasiado elevado, por exemplo um binário de rotação extremamente elevado, um bloqueio da broca, uma paragem repentina ou um curto-circuito, a ferramenta eléctrica vibra durante 5 segundos, o indicador de carregamento de bateria começa a piscar e a ferramenta eléctrica desliga-se automaticamente.

Para a ligar novamente, desligar e voltar a ligar o interruptor Sob condições extremas, a bateria aquece demasiado. Nesse caso, todas as luzes do indicador de carregamento de bateria piscam até que esta arrefeça. Após as luzes do indicador de carregamento de bateria se apagarem, pode-se continuar a trabalhar.

#### TRANSPORTE DE BATERIAS DE IÃO-LÍTIO

Baterias de ião-lítio estão sujeitas às disposições da legislação relativa às substâncias perigosas.

O transporte destas baterias deve ser efetuado de acordo com as disposições e os regulamentos locais, nacionais e internacionais.

- O utilizador pode efetuar o transporte rodoviário destas baterias sem restrições.
- O transporte comercial de baterias de ião-lítio por terceiros está sujeito aos regulamentos relativos às substâncias perigosas. A preparação do transporte e o transporte devem ser executados exclusivamente por pessoas instruídas e o processo deve ser acompanhado pelos especialistas correspondentes.

Observe o seguinte no transporte de baterias:

- Assegure-se de que os contactos terminais estejam protegidos e isolados para evitar um curto-circuito.
- Assegure-se de que o bloco da bateria esteja protegido contra movimentos na embalagem.
- Não transporte baterias danificadas ou que tenham fuga.

Para instruções mais detalhadas consulte a companhia de transportes

#### MANUTENÇÃO

Utilizar apenas acessórios Milwaukee e peças sobresselentes Milwaukee. Os componentes cuja substituição não esteja descrita devem ser substituídos num serviço de assistência técnica Milwaukee (consultar a brochura relativa à garantia/moradas dos serviços de assistência técnica).

Se for necessário, um desenho de explosão do aparelho pode ser solicitado do seu posto de assistência ao cliente ou directamente da Techtronic Industries GmbH, Max-Eyth-Straße 10, 71364 Winnenden, Alemanha,

indicando o tipo da máquina e o número de seis posições na chapa indicadora da potência.

#### SYMBOLE



ATENÇÃO! PERIGO!



Leia atentamente o manual de instruções antes de colocar a máquina em funcionamento.



Antes de efectuar qualquer intervenção na máquina retirar o bloco acumulador.



Aparelhos eléctricos, baterias/acumuladores não devem ser jogados no lixo doméstico. Os aparelhos eléctricos e as baterias devem ser colectados separadamente e entregues a uma empresa de reciclagem para a eliminação correcta. Solicite informações sobre empresas de reciclagem e postos de colecta de lixo das autoridades locais ou do seu vendedor autorizado.



Manter as mãos afastadas da ferramenta de corte e de outras peças móveis. Os dedos podem ficar presos no mecanismo de corte e sofrer ferimentos ou cortes.



Cortar.



Abrir a ferramenta de corte.



Marca de Conformidade Europeia



Marca de Conformidade Britânica



Marca de Conformidade Ucraniana

Marca de Conformidade Eurasiática

**TECHNISCHE GEGEVENS****BUISSNIJDER****C 12 PC**

Productienummer .....	4523 22 05...
.....	4312 18 05...
.....	...00001-999999
Buis-Ø .....	12 mm, 15 mm, 18 mm, 22 mm, 25 mm, 28 mm
Spanning wisselakku .....	12 V
Gewicht volgens de EPTA-procedure 01/2014 .....	1,5 kg

**Informatie over geluid en trillingen**

Meetwaarden vastgesteld volgens EN 60 745.

Het kenmerkende A-gewaardeerde geluidsdrukniveau van de machine bedraagt

Geluidsdrukniveau (Onzekerheid K=3dB(A)) ..... 70 dB (A)

Bij werken kan het geluidsniveau 80 dB (A) overschrijden.

**Drag oorbeschermers!**

Totale trillingswaarden (vectorsom van drie richtingen) bepaald volgens EN 60745.

Trillingsemissieaarde  $a_h$  ..... < 2,5 m/s<sup>2</sup>

Onzekerheid K = ..... 1,5 m/s<sup>2</sup>

**WAARSCHUWING**

De in deze aanwijzingen vermelde trillingsdruk is gemeten volgens een in EN 60745 genormeerde meetmethode en kan worden gebruikt voor de onderlinge vergelijking van apparaten. Hij is ook geschikt voor een voorlopige inschatting van de trillingsbelasting.

De aangegeven trillingsdruk geldt voor de meest gebruikelijke toepassingen van het elektrische apparaat. Wanneer het elektrische gereedschap echter voor andere doeleinden, met andere dan de voorgeschreven hulpstukken gebruikt of niet naar behoren onderhouden wordt, kan de trillingsdruk afwijken. Dit kan de waarde van de trillingsdruk over de hele werkperiode aanzienlijk verhogen.

Voor een nauwkeurige inschatting van de trillingsdruk moeten ook de tijden in aanmerking worden genomen dat het apparaat uitgeschakeld is of weliswaar loopt, maar niet werkelijk in gebruik is. Dit kan de waarde van de trillingsdruk over de hele werkperiode aanzienlijk verminderen.

Bepaal extra veiligheidsmaatregelen ter bescherming van de bediener tegen de inwerking van trillingen, bijvoorbeeld: onderhoud van elektrische gereedschappen en apparaten, warmhouden van de handen, organisatie van de werkprocessen.

**⚠ WAARSCHUWING! Lees alle veiligheidsinstructies en aanwijzingen.** Als de waarschuwingen en voorschriften niet worden opgevolgd, kan dit een elektrische schok, brand of ernstig letsel tot gevolg hebben.  
**Bewaar alle waarschuwingen en voorschriften voor toekomstig gebruik.**

**VEILIGHEIDSAADVIEZEN**

**Drag oorbeschermers.** Blootstelling aan geluid kan het gehoor beschadigen.

Bij het werken met de machine altijd een veiligheidsbril dragen. Werkhandschoenen en stofkapje voor de mond worden aanbevolen.

Handen en loshangende kleding verwijderd houden van snijwerktuigen en andere bewegende delen.

Ter vermindering van het risico voor explosies, elektrische schokken en materiële schade mogen nooit gasleidingen, elektrische leidingen of gevulde waterleidingen worden doorgesneden. Waterleidingen moeten worden geleegd vóór het doorsnijden.

Voor alle werkzaamheden aan de machine de accu verwijderen.

Verbruikte accu's niet in het vuur of bij het huisvuil werpen. Milwaukee biedt namelijk een milieuvriendelijke recyclingmethode voor uw oude accu's.

Wisselakku's niet bij metalen voorwerpen bewaren (kortsluitingsgevaar!).

Wisselakku's van het Akku-Systeem C 12 alléén met laadapparaten van het Akku-Systeem C 12 laden. Geen accu's van andere systemen laden.

Onder extreme belasting of extreme temperaturen kan uit de accu accu-vloeistof lopen. Na contact met accu-vloeistof direct afwassen met water en zeep. Bij oogcontact direct minstens 10 minuten grondig spoelen en onmiddellijk een arts raadplegen.

**Waarschuwing!** Voorkom brand, persoonlijk letsel of materiële schade door kortsluiting en dompel het

gereedschap, de wisselaccu en het laadtoestel niet onder in vloeistoffen en waarborg dat geen vloeistoffen in de apparaten en accu's kunnen dringen. Corrosieve of geleidende vloeistoffen zoals zout water, bepaalde chemicaliën, bleekmiddelen of producten die bleekmiddelen bevatten, kunnen een kortsluiting veroorzaken.

**VOORGESCHREVEN GEBRUIK VAN HET SYSTEEM**

De buissnijder is geschikt voor het doorslijpen van koperbuizen.

Buisstukken die korter zijn dan 12,5 mm mogen niet worden bewerkt. Korte of gebogen stukken kunnen in de bekken van het snijwiel terecht komen en het gereedschap beschadigen.

Dit apparaat uitsluitend gebruiken voor normaal gebruik, zoals aangegeven.

**EC - VERKLARING VAN OVEREENSTEMMING**

Wij verklaren in uitsluitende verantwoording dat het onder 'Technische gegevens' beschreven product overeenstemt met alle relevante voorschriften van de richtlijn 2011/65/EU (RoHS), 2014/30/EU, 2006/42/EG en de volgende geharmoniseerde normatieve documenten:

EN 60745-1:2009 + A11:2010

EN 55014-1:2017:A11 2020

EN 55014-2:2015

EN IEC 63000:2018

Winnenden, 2020-11-06



Alexander Krug  
Managing Director



Gemachtigd voor samenstelling van de technische documenten

Technronic Industries GmbH  
Max-Eyth-Straße 10

71364 Winnenden  
Germany

**AKKU**

Langere tijd niet toegepaste wisselakku's vóór gebruik altijd naladen.

Een temperatuur boven de 50°C vermindert de capaciteit van de accu. Langdurige verwarming door zon of hitte vermijden.

De aansluitcontacten aan het laadapparaat en de accu schoonhouden.

Voor een optimale levensduur moeten de accu's na het gebruik volledig opgeladen worden.

Voor een zo lang mogelijke levensduur van de accu's dienen deze na het opladen uit het laadtoestel te worden verwijderd.

Bij een langere opslag van de accu dan 30 dagen:

accu bij ca. 27 °C droog bewaren.

accu bij ca. 30 % - 50 % van de laadtoestand bewaren.

accu om de 6 maanden opnieuw opladen.

**OVERBELASTINGSBEVEILIGING VAN DE ACCU**

Bij overbelasting van de accu door zeer hoog stroomverbruik, bijv. extreem hoge draaimomenten, klemmen van de boor, plotseling stoppen of kortsluiting, vibreert het elektrische gereedschap gedurende 5 seconden, de laadweergave knippert en het elektrische gereedschap schakelt automatisch uit.

Om het gereedschap weer in te schakelen, moet u de drukschakelaar loslaten en vervolgens weer inschakelen.

Onder extreme belastingen wordt de accu te heet. In dit geval knipperen alle lampen van de laadweergave totdat de accu afgekoeld is. Na het doven van de laadweergave kunt u weer verder werken.

**TRANSPORT VAN LITHIUM-IONEN-ACCUS**

Lithium-ionen-accu's vallen onder de wettelijke bepalingen inzake het transport van gevaarlijke goederen.

Voor het transport van deze accu's moeten de lokale, nationale en internationale voorschriften en bepalingen in acht worden genomen.

- Verbruikers mogen deze accu's zonder meer over de weg transporteren.
- Het commerciële transport van lithium-ionen-accu's door expeditiebedrijven is onderhevig aan de bepalingen inzake het transport van gevaarlijke goederen. De verzendingsvoorbereidingen en het transport mogen uitsluitend worden uitgevoerd door dienovereenkomstig opgeleide personen. Het complete proces moet vakkundig worden begeleid.

Onderstaande punten moeten bij het transport van accu's in acht worden genomen:

- Waarborg ter vermindering van kortsluitingen dat de contacten beschermd en geïsoleerd zijn.
- Let op dat het accupack in de verpakking niet kan verschuiven.
- Beschadigde of lekkende accu's mogen niet worden getransporteerd.

Neem voor meer informatie contact op met uw expeditiebedrijf.

**ONDERHOUD**

Gebruik uitsluitend Milwaukee toebehoren en onderdelen. Indien componenten die moeten worden vervangen niet zijn beschreven, neem dan contact op met een officieel Milwaukee servicecentrum (zie onze lijst met servicecentra).

Zo nodig kan een explosietekening van het apparaat worden aangevraagd bij uw klantenservice of direct bij Technronic Industries GmbH, Max-Eyth-Straße 10, 71364 Winnenden, Duitsland onder vermelding van het machinetype en het zescijferige nummer op het typeplaatje.

**SYMBOLEN**

OPGELET! WAARSCHUWING! GEVAAR!



Graag instructies zorgvuldig doorlezen vóórdat u de machine in gebruik neemt.



Voor alle werkzaamheden aan de machine de accu verwijderen.



Elektrische apparaten, batterijen en accu's mogen niet via het huisafval worden afgevoerd. Elektrische apparaten en accu's moeten gescheiden worden verzameld en voor een milieuvriendelijke afvoer worden afgegeven bij een recyclingbedrijf. Informeer bij uw gemeente of bij uw vakhandelaar naar recyclingbedrijven en inzamelpunten.



Houd de handen verwijderd van snijgereedschappen en andere bewegende delen. De vingers kunnen in het snijmechanisme getrokken en daardoor letsel oplopen of zelfs afgesneden worden.



Snijden.



Snijgereedschap openen.



Europees symbool van overeenstemming



Brits symbool van overeenstemming



Oekraïens symbool van overeenstemming

Euro-Aziatisch symbool van overeenstemming

## TEKNISKE DATA RØRSKÆRERE C 12 PC

Produktionsnummer .....	4523 22 05...
.....	4312 18 05...
.....	...00001-999999
Rør-ø .....	12 mm, 15 mm, 18 mm, 22 mm, 25 mm, 28 mm
Udskiftningsbatteriets spænding .....	12 V
Vægt svarer til EPTA-procedure 01/2014 .....	1,5 kg

### Støj-/vibrationsinformation

Måleværdier beregnes iht. EN 60745.

Værktøjets A-vægtede lydtrykniveau er typisk

Lydtrykniveau (Usikkerhed K=3dB(A)) ..... 70 dB (A)

Under arbejde med værktøjet kan lydniveauet overstige 80 dB (A).

### Brug høreværn!

Samlede vibrationsværdier (værdisum for tre retninger) beregnet iht. EN 60745.

Vibrationseksponering  $a_{hv}$  ..... < 2,5 m/s<sup>2</sup>

Usikkerhed K = ..... 1,5 m/s<sup>2</sup>

### ADVARSEL

Svingningsniveauet, som er angivet i disse anvisninger, er målt i henhold til standardiseret måleprocedure ifølge EN 60745 og kan anvendes til indbyrdes sammenligning mellem el-værktøjer. Svingningsniveauet er ligeledes egnet som foreløbigt skøn over svingningsbelastningen.

Det angivne svingningsniveau er baseret på el-værktøjets primære anvendelsesformål. Hvis el-værktøjet benyttes til andre formål, med andet indsatsværktøj eller ikke vedligeholdes tilstrækkeligt, kan svingningsniveauet afvige. Dette kan øge svingningsbelastningen over den samlede arbejdsperiode betydeligt.

For en nøjagtig vurdering af svingningsbelastningen skal der også tages højde for de tidsperioder, hvor apparatet er slukket, eller hvor apparatet kører, men uden at være i anvendelse. Dette kan reducere svingningsbelastningen over den samlede arbejdsperiode betydeligt.

Supplerende sikkerhedsforanstaltninger til beskyttelse af brugeren mod påvirkninger fra svingninger skal iværksættes, f.eks.: Vedligeholdelse af el-værktøj og indsatsværktøj, varmholdelse af hænder, organisering af arbejdsprocesser.

**A ADVARSEL!** Læs alle sikkerhedsinformationer og instruktioner. I tilfælde af manglende overholdelse af advarselshenvisningerne og instrukserne er der risiko for elektrisk stød, brand og/eller alvorlige kvæstelser.

Opbevar alle advarselshenvisninger og instrukser til senere brug.

### SIKKERHEDSHENVISNINGER

**Bær høreværn.** Støjpåvirkning kan bevirke tab af hørelse.

Når der arbejdes med maskinen, skal man have beskyttelsesbriller på. Beskyttelseshandsker, skridsikre sko, høreværn og forklæde anbefales.

Hold hænder og løsthængende tøj på afstand af skæreværktøjer og andre bevægelige dele.

For at nedsætte risikoen for eksplosion, elektrisk stød og materiel skade må der aldrig skæres i gasledninger, elektriske ledninger eller fyldte vandledninger.

Vandledninger skal tømmes, før skærearbejdet påbegyndes.

Ved arbejde inden i maskinen, bør batteriet tages ud.

Opbrugte udskiftningsbatterier må ikke brændes eller kasseres sammen med alm. husholdningsaffald. Milwaukee har en miljørigtig bortskaftelse af gamle udskiftningsbatterier, henvend Dem til Deres forhandler.

Opbevar ikke udskiftningsbatterier sammen med metalgenstande af fare for kortslutning.

Brug kun C 12 ladeapparater for opladning af System C 12 batterier.

I tilfælde af en ekstrem belastning eller ekstrem temperatur kan der flyde batterivæske ud af et beskadiget batteri. Hvis De kommer i berøring med batterivæsken, skal den vaskes godt og grundigt af med vand og sæbe. I tilfælde af øjenkontakt, skal man mindst skylle øjnene godt og grundigt igennem i 10 minutter og omgående opsøge en læge.

**Advarsel!** For at undgå risiko for brand, kvæstelser eller beskadigelse af produktet forårsaget af kortslutning må værktøjet, batteripakken eller opladeren ikke nedsænkes i vand. Sørg ligeledes for, at der ikke trænger væske ind i enhederne og batterierne. Korroderende eller ledende

væsker, f.eks. saltvand, bestemte kemikalier, blegestoffer eller produkter, som indeholder blegestoffer, kan forårsage kortslutning.

### TILTÆNKT FORMÅL

Rørskæreren er egnet til overskæring af rør af kobber.

Rørstykker med en længde på over 12,5 mm må ikke bearbejdes. Korte eller bøjedede stykker kan komme ind i skærehjulet og beskadige værktøjet.

Produktet må ikke anvendes på anden måde og til andre formål end foreskrevet.

### CE-KONFORMITETSERKLÆRING

Vi erklærer som eneansvarlig, at det under "Tekniske data" beskrevne produkt stemmer overens med alle relevante forskrifter, der følger af direktiv 2011/65/EU (RoHS), 2014/30/EU, 2006/42/EF samt af følgende harmoniserede normative dokumenter:

EN 60745-1:2009 + A11:2010

EN 55014-1:2017:A11 2020

EN 55014-2:2015

EN IEC 63000:2018

Winnenden, 2020-11-06



Alexander Krug  
Managing Director

Autoriseret til at udarbejde de tekniske dokumenter.

Techtronic Industries GmbH  
Max-Eyth-Straße 10  
71364 Winnenden  
Germany



## BATTERI

Langere tid ned til toegepaste wisselakku's voór gebruik altijd naladen.

Een temperatuur boven de 50°C vermindert de capaciteit van de accu. Langdurige verwarming door zon of hitte vermijden.

De aansluitkontakten aan het laadapparaat en de accu schoonhouden.

Voor een optimale levensduur moeten de accu's na het gebruik volledig opgeladen worden.

Voor een zo lang mogelijke levensduur van de accu's dienen deze na het opladen uit het laadtoestel te worden verwijderd.

Bij een langere opslag van de accu dan 30 dagen:

accu bij ca. 27 °C droog bewaren.

accu bij ca. 30 % - 50 % van de laadtoestand bewaren.

accu om de 6 maanden opnieuw opladen.

### OVERBELASTNINGSSIKRING FOR BATTERI

Overbelastes batteriet på grund af meget højt strømforbrug, f.eks. som følge af ekstremt høje drejningsmomenter, fastklemning af bor, pludseligt stop eller kortslutning, vibrerer el-værktøjet i 5 sekunder, ladeindikatoren blinker, og el-værktøjet slukker af sig selv.

For at tænde igen slippes trykknappen, hvorefter du tænder el-værktøjet igen.

Ved ekstreme belastninger bliver batteriet for varmt. I så fald blinker alle lamper på ladeindikatoren, indtil batteriet er kølet af. Når ladeindikatoren går ud, kan arbejdet genoptages.

### TRANSPORT AF LITHIUM-BATTERIER

Lithium-batterier er omfattet af lovgivningen om transport af farligt gods.

Transporten af disse batterier skal ske under overholdelse af lokale, nationale og internationale regler og bestemmelser.

- Forbrugere må transportere disse batterier på veje uden yderligere krav.
- Den kommercielle transport af lithium-batterier ved speditjonsfirmaer er omfattet af reglerne for transport af farligt gods. Forberedelsen af forsendelse og transport må kun udføres af tilsvarende trænedede personer. Den samlede proces skal følges af fagfolk.

Følgende punkter skal overholdes ved transport af batterier:

- Sørg for at kontakterne er beskyttet og isoleret for at forhindre kortslutninger.
- Sørg for at batteripakken ikke kan bevæge sig inden for emballagen.
- Beskadigede eller lækkende batterier må ikke transporteres.

Kontakt dit speditjonsfirma for at få yderligere oplysninger.

### VEDLIGEHOLDELSE

Brug kun Milwaukee-tilbehør og Milwaukee-reservedele. Komponenter, hvor udskiftningsproceduren ikke er beskrevet, skal skiftes ud hos et Milwaukee-servicested (se brochure garanti/kundeserviceadresser).

Hvis det er nødvendigt, kan der bestilles en sprængskitse af værktøjet. Angiv herved venligst maskintypen samt det sekscifrede nummer på mærkepladen og bestil tegningen hos din lokale kundeserviceafdeling eller direkte hos Techtronic Industries GmbH, Max-Eyth-Straße 10, 71364 Winnenden, Tyskland.

## SYMBOLER



VIGTIGT! ADVARSEL! FARE!



Læs brugsanvisningen nøje før ibrugtagning.



Ved arbejde inden i maskinen, bør batteriet tages ud.



Elektrisk udstyr eller (genopladelige) batterier må ikke bortskaffes sammen med det almindelige husholdningsaffald. Elektrisk udstyr og genopladelige batterier skal indsamles særskilt og afleveres hos en genbrugsvirksomhed til en miljømæssig forsvarlig bortskaftelse. Spørg de lokale myndigheder eller din forhandler om genbrugsstationer og indsamlingssteder til sådant affald.



Hold hænder på afstand af skæreværktøj og andre bevægelige dele. Fingre kan komme ind i skæremekanismen og kappes af eller beskadiges.



Skæring.



Åbn skæreværktøj.



Europæisk konformitetsmærke



Britisk konformitetsmærke



Ukrainsk konformitetsmærke



Eurasisk konformitetsmærke





## TEKNISKA DATA RÖRAVSKÄRAREN C 12 PC

Produktionsnummer .....	4523 22 05...
.....	4312 18 05...
.....	...000001-999999
Rördiameter.....	12 mm, 15 mm, 18 mm, 22 mm, 25 mm, 28 mm
Batterispänning.....	12 V
Vikt enligt EPTA 01/2014 .....	1,5 kg

### Ljud-/vibrationsdata

Mätvärdena har tagits fram baserade på EN 60 745.

A-värdet av maskinens ljudtrycksnivå är

Ljudtrycksnivå (Onoggrannhet K=3dB(A)).....70 dB (A)

Ljudnivån vid arbete kan överskrida 80 dB (A).

### Använd hörselskydd!

Totala vibrationsvärden (vektorsumma ur tre riktningar) framtaget enligt EN 60745.

Vibrationsemissionsvärde  $a_{11}$  ..... < 2,5 m/s<sup>2</sup>

Onoggrannhet K = ..... 1,5 m/s<sup>2</sup>

### VARNING

Den i de här anvisningarna angivna vibrationsnivån har uppmätts enligt ett i EN 60745 normerat mätförfarande och kan användas vid jämförelse mellan olika elverktyg. Nivån är även lämplig att använda vid en preliminär bedömning av vibrationsbelastningen.

Den angivna vibrationsnivån representerar den huvudsakliga användningen av det aktuella elverktyget. Men om elverktyget ska användas i andra användningsområden, tillsammans med avvikande insatsverktyg eller efter otillräckligt underhåll, kan vibrationsnivån skilja sig. Det kan öka vibrationsbelastningen betydligt under hela arbetstiden.

För att få en exaktare bedömning av vibrationsbelastningen ska även den tid beaktas, under vilken elverktyget är avstängt eller är påslaget, utan att det verkligen används. Det kan reducera vibrationsbelastningen betydligt under hela arbetstiden.

Lägg som skydd för användaren fast extra säkerhetsåtgärder mot vibrationernas verkan, som till exempel: underhåll av elverktyg och insatsverktyg, varmhållning av händer och organisering av arbetsförlöpp.

**⚠ VARNING! Läs all säkerhetsinformation och alla anvisningar.** Fel som uppstår till följd av att anvisningarna nedan inte följts kan orsaka elstöt, brand och/eller allvariga kroppsskador.  
**Förvara alla varningar och anvisningar för framtida bruk.**

### SÄKERHETSUTRUSTNING

**Bär hörselskydd.** Bullerbelastning kan orsaka hörselskador.

Använd alltid skyddsglasögon, skyddshandskar och hörselskydd.

Håll händer och lös klädsel borta från skärverktyg och andra rörliga delar.

Skär aldrig gasledningar, elektriska ledningar eller fyllda vattenledningar för att reducera risken för explosion, elektrisk stöt och saksador. Töm vattenledningar före skärandet.

Drag ur batteripaket innan arbete utföres på maskinen.

Kasta inte förbrukade batterier. Lämna dem till Milwaukee Tools för återvinning.

Förvara ej batteriet ihop med metallföremål, kortslutning kan uppstå.

System C 12 batterier laddas endast i System C 12 laddare. Ladda inte batterier från andra system.

Under extrem belastning eller extrem temperatur kan batterivätska tränga ut ur skadade utbytesbatterier. Vid beröring med batterivätska tvätta genast av med vatten och tvål. Vid ögonkontakt spola genast i minst 10 minuter och kontakta genast läkare.

**Varning!** För att undvika den fara för brand, personsador eller produktskador som orsakas av en kortslutning, doppa inte ner verktyget, utbytesbatteriet eller laddaren i vätskor och se till att ingen vätska kan tränga in i apparaterna eller batterierna. Korroderande eller ledande vätskor, som saltvatten, vissa kemikalier, blekningsmedel eller produkter som innehåller blekmedel, kan orsaka en kortslutning.

### ANVÄND MASKINEN ENLIGT ANVISNINGARNA

Röravskäraren lämpar sig för att kapa kopparrör.

Rörstycken som är kortare än 12,5 mm får inte bearbetas. Korta eller krökta stycken kan dras in i kapningshjulet och skada verktyget.

Maskinen får endast användas för angiven tillämpning.

### CE-FÖRSÄKRAN

Vi intygar och ansvarar för att den produkt som beskrivs under "Tekniska data" överensstämmer med alla relevanta bestämmelser i direktiv 2011/65/EU (RoHS), 2014/30/EU, 2006/42/EG och följande harmoniserade normerande dokument:

EN 60745-1:2009 + A11:2010

EN 55014-1:2017:A11 2020

EN 55014-2:2015

EN IEC 63000:2018

Winnenden, 2020-11-06



Alexander Krug  
Managing Director



Befullmäktigad att sammanställa teknisk dokumentation.

Techtronic Industries GmbH  
Max-Eyth-Straße 10  
71364 Winnenden  
Germany

### BATTERIER

Batteri som ej använts på länge måste laddas före nytt bruk. En temperatur över 50°C reducerar batteriets effekt. Undvik längre uppvärmning tex i solen eller nära ett element.

Se till att anslutningskontaktarna i laddaren och på batteriet är rena.

För en optimal livslängd ska batterierna laddas helt igen efter användningen.

För att få en så lång livslängd som möjligt bör laddningsbara batterier avlägsnas från laddaren när de är laddade.

Om laddningsbara batterier lagras längre än 30 dagar:

Lagra batteriet torrt och vid ca 27°C.

Lagra batteriet vid ca 30%-50% av laddningskapaciteten.

Ladda batterierna på nytt var 6:e månad.

### BATTERI-ÖVERBELASTNINGSSKYDD

Om det laddningsbara batteriet överbelastas genom en mycket hög strömförbrukning, t.ex. extremt höga vridmoment, om borsten kläms fast, ett plötsligt stopp eller en kortslutning, så vibrerar elverktyget i 5 sekunder, laddningsindikeringen blinkar och elverktyget fränkopplas automatiskt.

För att sedan sätta på elverktyget igen släpper du

tryckbrytaren och tillkopplar sedan verktyget igen.

Vid en extrem belastning blir det laddningsbara batteriet för

varmt. I detta fall blinkar alla lampor på

laddningsindikeringen så länge tills batteriet har svalnat. När

laddningsindikeringen har slocknat kan du fortsätta med

arbetet.

### TRANSPORTERA LITIJUMJON-BATTERIER

För litiumjon-batterier gäller de lagliga föreskrifterna för transport av farligt gods på väg.

Därför får dessa batterier endast transporteras enligt gällande lokala, nationella och internationella föreskrifter och bestämmelser.

- Konsumenter får transportera dessa batterier på allmän väg utan att behöva beakta särskilda föreskrifter.
- För kommersiell transport av litiumjon-batterier genom en speditorsfirma gäller emellertid bestämmelserna för transport av farligt gods på väg. Endast personal som känner till alla tillämpliga föreskrifter och bestämmelser får förbereda och genomföra transporten. Hela processen ska följas upp på fackmässigt sätt.

Följande ska beaktas i samband med transporten av batterier:

- Säkerställ att alla kontakter är skyddade och isolerade för att undvika kortslutning.
- Se till att batteripacken inte kan glida fram och tillbaka i förpackningen.
- Transportera aldrig batterier som läcker, har runnit ut eller är skadade.

För mer information vänligen kontakta din speditorsfirma.

### SKÖTSEL

Använd endast Milwaukee-tillbehör och Milwaukee-reservdelar. Komponenter, för vilka inget byte beskrivs, skall bytas ut hos Milwaukee-kundtjänst (se broschyren garanti-/kundtjänstadresser).

Vid behov kan du rekvidrera apparatens sprängskiss antingen hos kundservicen eller direkt hos Techtronic Industries GmbH, Max-Eyth-Straße 10, 71364 Winnenden, Germany. Du ska då ange maskintypen och numret på sex siffror som står på effektskylten.

### SYMBOLER



OBSERVERA! VARNING! FARA!



Läs instruktionen noga innan du startar maskinen.



Drag ur batteripaket innan arbete utföres på maskinen.



Elektriska maskiner, batterier/uppladdningsbara batterier och får inte slängas tillsammans med de vanliga hushållssoporna.

Elektriska maskiner och uppladdningsbara batterier ska samlas separat och lämnas till en avfallsstation för miljövänlig avfallshantering. Kontakta den lokala myndigheten respektive kommunen eller fråga återförsäljare var det finns speciella avfallsstationer för elskrot.



Håll händer borta från skärverktygen eller andra rörliga delar. Fingrar kan hamna i skärmekanismen och skadas eller förloras.



Skära



Öppna skärverktyg.



Europeiskt konformitetsmärke



Britiskt konformitetsmärke



Ukrainskt konformitetsmärke



Euroasiatiskt konformitetsmärke





**TEKNİK VERİLER****BORU KESKİSİ****C 12 PC**

Üretim numarası .....	4523 22 05...
.....	4312 18 05...
.....	...00001-999999
Borular .....	12 mm, 15 mm, 18 mm, 22 mm, 25 mm, 28 mm
Kartuş akü gerilimi .....	12 V
Ağırlığı ise EPTA-üretici 01/2014'e göre .....	1,5 kg

**Gürültü ve titreşim önleme hakkında bilgi**

Ölçüm değerleri EN 60 745 e göre belirlenmektedir.  
Aletin A değerlendirmeli gürültü seviyesi tipik olarak şu değerdedir:

Ses basıncı seviyesi (Tolerans K=3dB(A)) .....	70 dB (A)
Çalışma sırasında gürültü seviyesi 80 dB (A)'yı aşabilir. <b>Koruyucu kulaklık kullanın!</b>	

Toplam titreşim değeri (üç yönün vektör toplamı) EN 60745'e göre belirlenmektedir:

titreşim emisyon değeri $a_h$ .....	< 2,5 m/s <sup>2</sup>
Tolerans K = .....	1,5 m/s <sup>2</sup>

**UYARI**

Bu talimatlarda belirtilen titreşim seviyesi, EN 60745 standardına uygun bir ölçme metodu ile ölçülmüştür ve elektrikli el aletleri birbirine karşılaştırmak için kullanılabilir. Ölçüm sonuçları ayrıca titreşim yükünün geçici değerlendirilmesi için de uygundur.

Belirtilen titreşim seviyesi, elektrikli el aletinin genel uygulamaları için geçerlidir. Ancak elektrikli el aleti başka uygulamalar için, farklı eklenti parçalarıyla ya da yetersiz bakım koşullarında kullanılırsa, titreşim seviyesi farklılık gösterebilir. Bu durumda, titreşim yükü toplam çalışma zaman aralığı içerisinde belirgin ölçüde yükselebilir.

Titreşim yükünün tam bir değerlendirmesi için ayrıca cihazın kapalı olduğu süreler ve cihazın çalışır durumda olduğu, ancak gerçek kullanımda bulunmadığı süreler de dikkate alınmalıdır. Böylelikle, toplam çalışma zamanı aralığı boyunca meydana gelen titreşim yükü belirgin ölçüde azaltılabilir.

Kullanıcıyı titreşimlerin etkisinden korumak üzere, örneğin elektrikli el aletlerinin ve eklenti parçalarının bakımı, ellerin sıcak tutulması ve iş akışlarının organizasyonu gibi ek güvenlik tedbirleri belirleyiniz.

**UYARI! Bütün güvenlik notlarını ve talimatları okuyunuz.** Açıklanan uyarılara ve talimat hükümlerine uyulmadığı takdirde elektrik çarpmalarına, yangınlara ve/veya ağır yaralanmalara neden olunabilir.  
**Bütün uyarıları ve talimat hükümlerini ileride kullanmak üzere saklayın.**

**GÜVENLİĞİNİZ İÇİN TALİMATLAR**

**Koruyucu kulaklık kullanın.** Çalışırken çıkan gürültü işitme kayıplarına neden olabilir.

Aletle çalışırken daima koruyucu gözlük kullanın. Koruyucu eldivenleri, sağlam ve kaymaz ayakkabılar ve iş önlüğü kullanmanızı tavsiye ederiz.

Ellerinizi ve bol ve geniş elbiselerinizi kesme aletlerinden ve diğer hareketli parçalardan uzak tutun.

Patlama, elektrik çarpması ve maddi hasar riskolarını en aza indirmek için hiçbir zaman gaz kablolarını, elektrik kablolarını veya içi dolu bulunan su borularını kesmeyin. Kesme işlemi yapmadan önce su borularını boşaltın.

Aletin kendinde bir çalışma yapmadan önce kartuş aküyü çıkarın.

Kullanılmış kartuş aküleri ateşe veya ev çöplerine atmayın. Milwaukee, kartuş akülerin çevreye zarar vermeyecek biçimde tasfiye edilmesine olanak sağlayan hizmet sunar; lütfen bu konuda yetkili satıcınızdan bilgi alın.

Kartuş aküleri metal parça veya eşyalarla birlikte saklamayın (kısa devre tehlikesi).

C 12 sistemli kartuş aküleri sadece C 12 sistemli şarj cihazları ile şarj edin. Başka sistemli aküleri şarj etmeyin.

Aşırı zorlanma veya aşırı ısınma sonucu hasar gören kartuş akülerden batarya sıvısı dışarı akabilir. Batarya sıvısı ile temasa gelen yeri hemen bol su ve sabunla yıkayın. Batarya sıvısı gözünüze kaçacak olursa en azından 10 dakika yıkayın ve zaman geçirmeden bir hekime başvurun.

**Uyarı!** Bir kısa devreden kaynaklanan yangın, yaralanma veya ürün hasarları tehlikesini önlemek için aleti, güç paketini veya şarj cihazını asla sıvıların içine daldırmayınız ve cihazların ve pillerin içine sıvı girmesini önleyiniz. Tuzlu su, belirli kimyasallar, ağartıcı madde veya ağartıcı madde

içeren ürünler gibi korozif veya iletken sıvılar kısa devreye neden olabilir.

**KULLANIM**

Boru kesici, bakır boruların ayrılması için uygundur. 12,5 mm'den kısa olan boru parçalarının işlenmesi yasak. Kısa veya eğilmiş parçalar kesme çarkına takılıp alete hasar verebilir.

Bu alet sadece belirttiği gibi ve usulüne uygun olarak kullanılabilir.

**CE UYGUNLUK BEYANI**

Tek sorumlu olarak "Teknik Veriler" bölümünde tarif edilen ürünün 2011/65/EU (RoHS), 2014/30/EU, 2006/42/EC sayılı direktifin ve aşağıdaki harmonize temel belgelerin bütün önemli hükümlerine uygun olduğunu beyan etmekteyiz:

EN 60745-1:2009 + A11:2010  
EN 55014-1:2017:A11 2020  
EN 55014-2:2015  
EN IEC 63000:2018

Winnenden, 2020-11-06



Alexander Krug  
Managing Director

Teknik evrakları hazırlamakla görevlendirilmiştir.  
Techtronic Industries GmbH  
Max-Eyth-Straße 10  
71364 Winnenden  
Germany

**AKÜ**

Uzun süre kullanım dışı kalmış kartuş aküleri kullanmadan önce şarj edin.

50°C üzerindeki sıcaklıklar kartuş akünün performansını düşürür. Akünün güneş ışığı veya mekân sıcaklığı altında uzun süre ısınmamasına dikkat edin.

Şarj cihazı ve kartuş aküdeki bağlantı kontaklarını temiz tutun.

Akünün ömrünün mükemmel bir şekilde uzun olması için kullandıktan sonra tamamen doldurulması gerekir.

Ömrünün mümkün olduğu kadar uzun olması için akülerin yüklemeye yapıldıktan sonra doldurma cihazından uzaklaştırılması gerekir.

Akünün 30 günden daha fazla depolanması halinde: Aküyü takriben 27°C'de kuru olarak depolayın.

Aküyü yüklemeye durumunun takriben % 30 - %50 olarak depolayın.

Aküyü her 6 ay yeniden doldurun.

**AKÜNÜN AŞIRI YÜKLENMEYE KARŞI KORUNMASI**

Pek fazla elektrik tüketiminden dolayı, örneğin aşırı fazla devir momentleri, matkapların sıkışması, aniden durma veya kısa devre gibi aküye aşırı yüklenme durumunda elektro cihazı 5 saniye titreşir, yüklemeye göstergesi yanıp söner ve elektro cihaz kendiliğinden durur. Yeniden çalıştırmak için şalter baskısını serbest bırakın ve bundan sonra tekrar çalıştırın. Akü aşırı yüklenmeden dolayı fazla ısınır. Bu durumda akü soğuyana kadar yüklemeye göstergesinin bütün lambaları yanıp söner. Gösterge lambalarının sönmelerinden sonra tekrar çalışmaya devam edilebilir.

**LİTYUM İYON PİLLERİN TAŞINMASI**

Lityum iyon piller tehlikeli madde taşımacılığı hakkındaki yasal hükümler tabidir.

Bu piller, bölgesel, ulusal ve uluslararası yönetmeliklere ve hükümlere uyularak taşınmak zorundadır.

- Tüketiciler bu pilleri herhangi bir özel şart aranmaksızın karayoluyla taşıyabilirler.
- Lityum iyon pillerin nakliye şirketleri tarafından ticari taşımacılığı için tehlikeli madde taşımacılığının hükümleri geçerlidir. Sevk hazırlığı ve taşıma sadece ilgili eğitimi görmüş personel tarafından gerçekleştirilebilir. Bütün süreç uzmanca bir refakatçilik altında gerçekleştirilmek zorundadır.

Pillerin taşınması sırasında aşağıdaki hususlara dikkat edilmesi gerekmektedir:

- Kısa devre oluşmasını önlemek için kontakların korunmuş ve izole edilmiş olması sağlanmalıdır.
- PİL paketinin ambalajı içinde kaymamasına dikkat ediniz.
- Hasarlı veya akmış pillerin taşınması yasaktır.

Ayrıca bilgiler için nakliye şirketinize başvurunuz.

**BAKIM**

Sadece Milwaukee aksesuarı ve yedek parçası kullanın. Nasıl değiştirileceği açıklanmamış olan yapı parçalarını bir Milwaukee müşteri servisinde değiştirin (Garanti ve servis adresi broşürüne dikkat edin).

Gerektiğinde cihazın ayrıntılı çizimini, güç levhası üzerindeki makine modelini ve altı haneli rakamı belirterek müşteri servisinizden veya doğrudan Techtronic Industries GmbH, Max-Eyth-Straße 10, 71364 Winnenden, Germany adresinden isteyebilirsiniz.

**SEMBOLLER**

DİKKAT! UYARI! TEHLİKE!



Lütfen aleti çalıştırmadan önce kullanma kılavuzunu dikkatli biçimde okuyun.



Aletin kendinde bir çalışma yapmadan önce kartuş aküyü çıkarın.



Elektrikli cihazların, pillerin/akülerin evsel atıklarla birlikte bertaraf edilmesi yasaktır. Elektrikli cihazlar ve aküler ayrılarak biriktirilmeli ve çevreye zarar vermeden bertaraf edilmeleri için bir atık değerlendirme tesisine götürülmelidir. Yerel makamlara veya satıcınıza geri dönüşüm tesisleri ve atık toplama merkezlerinin yerlerini danışınız.



Ellerinizi kesme aleti ve diğer hareketli parçalardan uzak tutun. Parmaklarınız kesme mekanizmasına kaçabilir, kopabilir veya yaralanabilir.



Kesme işlemi



Kesme aletinin açılması



Avrupa uyumluluk işareti



Britanya uyumluluk işareti



Ukrayna uyumluluk işareti



Avrasya uyumluluk işareti





DANE TECHNICZNE	PRZECINARKA	C 12 PC
-----------------	-------------	---------

Numer produkcyjny	4523 22 05...
	4312 18 05...
	...000001-999999
ø rury	12 mm, 15 mm, 18 mm, 22 mm, 25 mm, 28 mm
Napięcie baterii akumulatorowej	12 V
Ciężar wg procedury EPTA 01/2014	1,5 kg

#### Informacja dotycząca szumów / wibracji

Zmierzone wartości wyznaczone zgodnie z normą EN 60 745. Typowy poziom ciśnienia akustycznego mierzony wg krzywej A:

Poziom ciśnienia akustycznego (Niepewność K=3dB(A))	70 dB (A)
Poziom hałasu podczas pracy może przekroczyć 80 dB (A). <b>Należy używać ochroniaczy uszu!</b>	

Wartości łączne drgań (suma wektorowa trzech kierunków) wyznaczone zgodnie z normą EN 60745

Wartość emisji drgań a <sub>h</sub>	< 2,5 m/s <sup>2</sup>
Niepewność K =	1,5 m/s <sup>2</sup>

#### OSTRZEŻENIE

Podany w niniejszych instrukcjach poziom drgań został zmierzony za pomocą metody pomiarowej zgodnej z normą EN 60745 i może być użyty do porównania ze sobą elektronarzędzi. Nadaje się on również do tymczasowej oceny obciążenia wibracyjnego.

Podany poziom drgań reprezentuje główne zastosowania elektronarzędzia. Jeśli jednakże elektronarzędzie użyte zostanie do innych celów z innymi narzędziami roboczymi lub nie jest dostatecznie konserwowane, wtedy poziom drgań może wykazywać odchylenia. Może to wyraźnie zwiększyć obciążenie wibracjami przez cały okres pracy.

Dla dokładnego określenia obciążenia wibracjami należy uwzględnić również czasy, w których urządzenie jest wyłączone względnie jest włączone, lecz w rzeczywistości nie pracuje. Może to spowodować wyraźną redukcję obciążenia wibracyjnego w całym okresie pracy.

Należy wprowadzić dodatkowe środki zapobiegawcze celem ochrony obsługującego przed oddziaływaniem drgań, jak na przykład: konserwacja narzędzi roboczych i elektronarzędzi, nagrzanie rąk, organizacja przebiegu pracy.

**A OSTRZEŻENIE! Należy przeczytać wszystkie wskazówki dotyczące bezpieczeństwa i instrukcje.** Błędy w przestrzeganiu poniższych wskazówek mogą spowodować porażenie prądem, pożar i/lub ciężkie obrażenia ciała.  
**Należy starannie przechowywać wszystkie przepisy i wskazówki bezpieczeństwa dla dalszego zastosowania.**

#### INSTRUKCJE DOTYCZĄCE BEZPIECZEŃSTWA

**Stosować środki ochrony słuchu!** Narażenie na hałas może spowodować utratę słuchu.

Podczas pracy należy zawsze nosić okulary ochronne. Zalecane jest także noszenie rękawic, mocnego, nie ślizgającego się obuwia oraz ubrania roboczego.

Ręce i luźną odzież trzymać z daleka od narzędzi tnących i innych części ruchomych.

Aby zredukować ryzyko eksplozji, porażenia prądem elektrycznym i szkód materialnych nigdy nie ciąć przewodów gazowych, przewodów elektrycznych lub napełnionych przewodów wodnych. Przed cięciem należy opróżnić przewody wodne.

Przed przystąpieniem do jakichkolwiek prac na elektronarzędziu należy wyjąć wkładkę akumulatorową.

Zużytych akumulatorów nie wolno wrzucać do ognia ani traktować jako odpadów domowych. Milwaukee oferuje ekologiczną utylizację zużytych akumulatorów.

Nie przechowywać akumulatorów wraz z przedmiotami metalowymi (niebezpieczeństwo zwarcia).

Akumulatory Systemu C 12 należy ładować wyłącznie przy pomocy ładowarek Systemu C 12. Nie ładować przy pomocy tych ładowarek akumulatorów innych systemów.

W skrajnych warunkach temperaturowych lub przy bardzo dużym obciążeniu może dochodzić do wycieku kwasu akumulatorowego z uszkodzonych baterii akumulatorowych. W przypadku kontaktu z kwasem akumulatorowym należy natychmiast przemyć miejsce kontaktu wodą z mydłem. W przypadku kontaktu z oczami należy dokładnie przepłukiwać

oczy przynajmniej przez 10 minut i zwrócić się natychmiast o pomoc medyczną.

**Ostrzeżenie!** Aby uniknąć niebezpieczeństwa pożaru, obrażeń lub uszkodzeń produktu na skutek zwarcia, nie wolno zanurzać narzędzia, akumulatora wymiennego ani ładowarki w cieczach i należy zatroszczyć się o to, aby do urządzeń i akumulatorów nie dostały się żadne ciecz. Zwarcie spowodować mogą korodujące lub przewodzące ciecz, takie jak woda morska, określone chemikalia i wybielacze lub produkty zawierające wybielacze.

#### WARUNKI UŻYTKOWANIA

Przecinak do rur jest przeznaczony do cięcia rur z miedzi.

Nie należy obrabiać odcinków rur krótszych niż 12,5 mm. Do dłutaka mogą dostać się krótkie lub wygięte elementy, doprowadzając w ten sposób do uszkodzenia narzędzia.

Produkt można użytkować wyłącznie zgodnie z jego normalnym przeznaczeniem.

#### DEKLARACJA ZGODNOŚCI CE

Oświadczamy na naszą wyłączną odpowiedzialność, że produkt opisany w punkcie "Dane techniczne" jest zgodny ze wszystkimi istotnymi przepisami Dyrektywy 2011/65/UE (RoHS), 2014/30/UE, 2006/42/WE oraz z następującymi zharmonizowanymi dokumentami normatywnymi:

EN 60745-1:2009 + A11:2010  
EN 55014-1:2017:A11 2020  
EN 55014-2:2015  
EN IEC 63000:2018

Winnenden, 2020-11-06

Alexander Krug  
Managing Director

Pełnomocniony do zestawienia danych technicznych



Techtronic Industries GmbH  
Max-Eyth-Straße 10  
71364 Winnenden  
Germany

#### BATERIE AKUMULATOROWE

Akumulatory, które nie były przez dłuższy czas użytkowane, należy przed użyciem naładować.

W temperaturze powyżej 50°C następuje spadek osiągniętych wkładki akumulatorowej. Unikaj długotrwałego wystawienia na oddziaływanie ciepła lub promieni słonecznych (niebezpieczeństwo przegrzania).

Styki ładowarek i wkładki akumulatorowych należy utrzymywać w czystości

W celu zagwarantowania optymalnej żywotności należy po zakończonej eksploatacji naładować akumulatory do pełna.

Dla zapewnienia możliwie długiej żywotności akumulatory należy wyjąć z ładowarki po ich naładowaniu.

W przypadku składowania akumulatorów dłużej aniżeli 30 dni:

Przechowywać je w suchym miejscu w temperaturze ok. 27°C.

Ładować je ponownie co 6 miesięcy.

#### ZABEZPIECZENIE PRZECIĄŻENIOWE AKUMULATORA

W przypadku przeciążenia akumulatora przez bardzo duży pobór prądu, na przykład wskutek ekstremalnie dużych momentów obrotowych, zakleszczenia wiertła, nagłego stopu lub zwarcia, narzędzie ręczne z napędem elektrycznym wibruje przez 5 sekund, migła wskaźnik ładowania i narzędzie samoczynnie wyłącza się.

W celu ponownego włączenia narzędzia należy zwolnić przycisk przełączający, a następnie ponownie go włączyć. Przy ekstremalnych obciążeniach akumulator nagrzewa się za mocno. W takim przypadku wszystkie lampki wskaźnika ładowania migają tak długo, aż akumulator ochłodzi się. Po zgaśnięciu wskaźnika ładowania można kontynuować pracę.

#### TRANSPORT AKUMULATORÓW LITOWO-JONOWYCH

Akumulatory litowo-jonowe podlegają ustawowym przepisom dotyczącym transportu towarów niebezpiecznych.

Transport tych akumulatorów winien odbywać się przy przestrzeganiu lokalnych, krajowych i międzynarodowych rozporządzeń i przepisów.

- Odbiorcom nie wolno transportować tych akumulatorów po drogach ot tak po prostu.
- Komercyjny transport akumulatorów litowo-jonowych przez przedsiębiorstwa spedycyjne podlega przepisom dotyczącym transportu towarów niebezpiecznych. Przygotowania do wysyłki oraz transport mogą być wykonywane wyłącznie przez odpowiednio przeszkolone osoby. Cały proces winien odbywać się pod fachowym nadzorem.

W czasie transportu akumulatorów należy przestrzegać następujących punktów:

- Celem uniknięcia zwarcia należy upewnić się, że zestyki są zabezpieczone i zaizolowane.
- Zwracać uwagę na to, aby zespół akumulatorów nie mógł się przemieszczać we wnętrzu opakowania.
- Nie wolno transportować akumulatorów uszkodzonych lub z wyciekającym z elektrolytem.

Odnosnie dalszych wskazówek należy zwrócić się do swojego przedsiębiorstwa spedycyjnego.

#### UTRZYMANIE I KONSERWACJA

Używać tylko i wyłącznie wyposażenia dodatkowego Milwaukee i części zamiennych Milwaukee. Gdyby trzeba było wymienić części, które nie zostały opisane, należy skontaktować się z przedstawicielem serwisu Milwaukee (patrz wykaz adresów punktów usługowych/gwarancyjnych).

W razie potrzeby można zamówić rysunek urządzenia w rozłożeniu w części podając typ maszynory oraz sześciopozycyjny numer na tabliczce znamionowej w Punkcie Obsługi Klienta lub bezpośrednio w firmie Techtronic Industries GmbH, Max-Eyth-Straße 10, 71364 Winnenden, Germany.

#### SYMBOLE



**UWAGA! OSTRZEŻENIE NIEBEZPIECZEŃSTWO!**



Przed uruchomieniem elektronarzędzia zapoznać się uważnie z treścią instrukcji.



Przed przystąpieniem do jakichkolwiek prac na elektronarzędziu należy wyjąć wkładkę akumulatorową.



Urządzenia elektryczne, baterie/akumulatory nie mogą być usuwane razem z odpadami pochodzącymi z gospodarstw domowych. Urządzenia elektryczne i akumulatory należy gromadzić oddzielnie i w celu usuwania ich do odpadów zgodnie z wymaganiami środowiska naturalnego oddawać do przedsiębiorstwa utylizacyjnego. Proszę zasięgnąć informacji o centrach recyklingowych i punktach zbiorczych u władz lokalnych lub u wyspecjalizowanego dostawcy.



Ręce trzymać z daleka od narzędzi tnących i innych części ruchomych. Palce mogłyby dostać się do mechanizmu tnącego i zostać odcięte lub okaleczone.



Cięcie.



Otworzyć narzędzie tnące.



Europejski Certyfikat Zgodności



Brytyjski Certyfikat Zgodności



Ukraiński Certyfikat Zgodności



Euroazjatycki Certyfikat Zgodności







**TEHNIČKI PODACI****REZAČ****C 12 PC**

Broj proizvodnje.....	4523 22 05...
.....	4312 18 05...
.....	...00001-999999
Cijev- $\varnothing$ .....	12 mm, 15 mm, 18 mm, 22 mm, 25 mm, 28 mm
Napon baterije za zamjenu .....	12 V
Težina po EPTA-proceduri 01/2014.....	1,5 kg

**Informacije o buci / vibracijama**

Mjerne vrijednosti utvrđene odgovarajuće EN 60 745.  
 A-procjenjeni nivo pritiska zvuka aparata iznosi tipično nivo pritiska zvuka (Nesigurnost  $K=3dB(A)$ ).....70 dB (A)  
 Nivo buke može kod rada prekoračiti 80 dB (A).  
**Nositi zaštitu sluha!**

Ukupne vrijednosti vibracije (Vektor suma tri smjera) su odmjerene odgovarajuće EN 60745

Vrijednost emisije vibracije $a_h$ .....	< 2,5 m/s <sup>2</sup>
Nesigurnost K = .....	1,5 m/s <sup>2</sup>

**UPOZORENJE**

Ova u ovim uputama navedena razina titranja je bila izmjerena odgovarajuće jednom u EN 60745 normiranom mjernom postupku i može se upotrijebiti za usporedbu električnog alata međusobno. Ona je prikladna i za privremenu procjenu titrajnog opterećenja.

Navedena razina titranja reprezentira glavne primijene električnog alata. Ukoliko se električni alat upotrebljava u druge svrhe sa odstupajućim primijenjenim alatima ili nedovoljnim održavanjem, onda razina titranja može odstupati. To može titrajno opterećenje kroz cijeli period rada bitno povisiti.

Za točnu procjenu titrajnog opterećenja se moraju uzeti u obzir i vremena u kojima je uređaj isključen ili u kojima doduše radi, ali nije i stvarno u upotrebi. To može titrajno opterećenje bitno smanjiti za vrijeme cijelog radnog perioda.

Utvrđite dodatne sigurnosne mjere za zaštitu poslužioca protiv djelovanja titranja kao npr.: Održavanje električnih alata i upotrebljenih alata, održavanje topline ruku, organizacija i radne postupke.

**⚠ UPOZORENJE! Pročitajte molimo sve sigurnosna upozorenja i upute.** Ako se ne bi poštivala napomene o sigurnosti i upute to bi moglo uzrokovati strujni udar, požar i/ili teške ozljede.  
**Sačuvajte sve napomene o sigurnosti i upute za buduću primjenu.**

**SPECIJALNE SIGURNOSNE UPUTE**

**Nosite zaštitu za sluh.** Djelovanje buke može dovesti do gubitka sluha.

Kod radova sa strojem uvijek nositi zaštitne naočale. Zaštitne rukavice, čvrste i protiv klizanja sigurne cipele kao i pregača se preporučuju.

Ruke i labavu odjeću držati udaljene od reznih alata i pokretnih dijelova.

Da bi se rizik od eksplozije, električnog udara ili materijalnih šteta smanjio, plinske vodove, električne vodove ili napunjenje vodovode nikada ne rezati. Vodovode prije rezanja isprazniti.

Prije svih radova na stroju izvaditi bateriju za zamjenu.

Istrošene baterije za zamjenu ne baciti u vatra ili u kućno smeće. Milwaukee nudi mogućnost uklanjanja starih baterija odgovarajuće okolini. Milwaukee nudi mogućnost uklanjanja starih baterija odgovarajuće okolini; upitajte molimo Vašeg stručnog trgovca.

Baterije za zamjenu ne čuvati skupa sa metalnim predmetima (opasnost od kratkog spoja).

Baterije sistema C 12 puniti samo sa uređajem za punjenje sistema C 12. Ne puniti baterije iz drugih sistema.

Pod ekstremnim opterećenjem ili ekstremne temperature može iz oštećenih baterija iscuriti baterijska tekućina. Kod dodira sa baterijskom tekućinom odmah isprati sa vodom i sapunom. Kod kontakta sa očima odmah najmanje 10 minuta temeljno ispirati i odmah potražiti liječnika.

**Upozorenje!** Zbog izbjegavanja opasnosti od požara jednim kratkim spojem, opasnosti od ozljeda ili oštećenja proizvoda, alat, izmjenjivi akumulator ili napravu za punjenje ne uronjavati u tekućine i pobrinite se za to, da u uređaje ili akumulator ne prodiru nikakve tekućine. Korozirajuće ili

vodljive tekućine kao slana voda, određene kemikalije i sredstva za bijeljenje ili proozvodi koji sadrže sredstva bijeljenja, mogu prouzročiti kratak spoj.

**PROPISNA UPOTREBA**

Rezač cijevi je prikladan za rezanje cijevi od bakra.

Komadi cijevi koji su kraći od 12,5 mm se ne smiju obrađivati. Kratki ili savijeni komadi mogu dospjeti u kotač za rezanje i time oštetiti alat.

Ovaj aparat se smije upotrijebiti samo u određene svrhe kao što je navedeno.

**GE-IZJAVA KONFORMNOSTI**

Izjavljujemo na osobnu odgovornost, da je proizvod opisan pod "Tehnički podaci", sukladan sa svim relevantnim propisima smjernice 2011/65/EU (RoHS), 2014/30/EU, 2006/42/EC i sa slijedećim harmoniziranim normativnim dokumentima:

EN 60745-1:2009 + A11:2020  
 EN 55014-1:2017:A11 2020  
 EN 55014-2:2015  
 EN IEC 63000:2018

Winnenden, 2020-11-06



Alexander Krug  
 Managing Director



Ovlašten za formiranje tehničke dokumentacije.

Techtronic Industries GmbH  
 Max-Eyth-Straße 10  
 71364 Winnenden  
 Germany

**BATERIJE**

Baterije koje duže vremena nisu korištene, prije upotrebe napuniti.

Temperatura od preko 50°C smanjuje učinak baterija. Duže zagrijavanje od strane sunca ili grijanja izbjeci.

Priključne kontakte na uređaju za punjenje i baterijama držati čistima.

Za optimalni vijek trajanja se akumulatori poslije upotrebe moraju sasvim napuniti.

Za što moguće duži vijek trajanja, akumulatori se nakon punjenja moraju odstraniti iz punjača.

Kod skladištenja akumulatora duže od 30 dana: Akumulator skladištiti na suhom kod ca. 27°C. Akumulator skladištiti kod ca. 30%-50% stanja punjenja. Akumulator ponovno napuniti svakih 6 mjeseci.

**ZAŠTITA OD PREOPTEREĆENJA AKUMULATORA**

Kod preopterećenja akumulatora kroz vrlo visoku potrošnju struje, npr. ekstremno visoki zakretni momenti, naglim zaustavljanjem ili kratkim spojem, električni alat vibrira za vrijeme od 5 sekundi, pokazivač punjenja treperi i električni alat se samostalno isključuje.

Za ponovno uključivanje ispuštiti okidač sklopke i zatim ponovno uključiti. Pod ekstremnim opterećenjima se akumulator prejako zagrije. U tome slučaju trepere sve lampice pokazivača punjenja, sve dok se akumulator ne ohladi. Poslije gašenja pokazivača punjenja se može nastaviti sa radom.

**TRANSPORT LITIJSKIH IONSKIH BATERIJA**

Litijske-ionske baterije spadaju pod zakonske odredbe u svezi transporta opasne robe.

Prijevoz ovih baterija mora uslijediti uz poštovanje lokalnih, nacionalnih i internacionalnih propisa i odredaba.

- Korisnici mogu bez ustručavanja ove baterije transportirati po cestama.
- Komercijalni transport litijsko-ionskih baterija od strane transportnih poduzeća spada pod odredbe o transportu opasne robe. Otpremničke pripreme i transport smiju izvoditi isključivo odgovarajuće školovane osobe. Kompletan proces se mora pratiti na stručan način.

Kod transporta baterija se moraju poštivati slijedeće točke:

- Uvjerite se da su kontakti zaštićeni i izolirani kako bi se izbjegli kratki spojevi.
- Pazite na to, da blok baterija unutar pakiranja ne može proklizavati.
- Oštećene ili iscurjele baterije se ne smiju transportirati.

U svezi ostalih uputa obratite se vašem prijevoznom poduzeću.

**ODRŽAVANJE**

Primijeniti samo Milwaukee opremu i Milwaukee rezervne dijelove. Sastavne dijelove, čija zamjena nije opisana, dati zamijeniti kod jedne od Milwaukee servisnih službi (poštivati brošuru Garancija/Adrese servisa).

Po potrebi se crtež pojedinih dijelova aparata uz navođenje podatka o tipu stroja i šestznamenastog broja na pločici snage može zatražiti kod vašeg servisa ili direktno kod Techtronic Industries GmbH, Max-Eyth-Straße 10, 71364 Winnenden, Njemačka.

**SIMBOLI**

PAŽNJA! UPOZORENJE! OPASNOST!



Molimo da pažljivo pročitate uputu o upotrebi prije puštanja u rad.



Prije svih radova na stroju izvaditi bateriju za zamjenu.



Elektroređaji, baterije/akumulatori se ne smiju zbrinjavati skupa sa kućnim smećem. Električni uređaji akumulatori se moraju skupljati odvojeno i predati na zbrinjavanje primjereno okolišu jednom od pogona za iskorišćavanje. Raspitajte se kod mjesnih vlasti ili kod stručnog trgovca u svezi gospodarstva za recikliranje i mjesta skupljanja.



Ruke držati udaljene od reznog alata i pokretnih dijelova. Prsti mogu dospjeti u rezni mehanizam i biti odrezani ili povrijeđeni.



Rezanje



Rezni alat otvoriti.



Europski znak suglasnosti



Britanski znak suglasnosti



Ukrajinski znak suglasnosti



Euroazijski znak suglasnosti



**TECHNINIAI DUOMENYS VAMZDŽIŲ PJAUSTYKLĖ C 12 PC**

Produkto numeris .....	4523 22 05...
.....	4312 18 05...
.....	...000001-999999
Vamzdžio skersmuo .....	12 mm, 15 mm, 18 mm, 22 mm, 25 mm, 28 mm
keičiamo akumuliatoriaus įtampa .....	12 V
Prietaiso svoris įvertintas pagal EPTA 01/2014 tyrimų metodiką.....	1,5 kg

**Informacija apie keliamą triukšmą / vibraciją**  
 Vertės matuotos pagal EN 60 745.  
 Prietaisui būdingas garso slėgio lygis, koreguotas pagal A dažnio charakteristiką.  
 Garso slėgio lygis (Paklaida K=3dB(A)) ..... 70 dB (A)  
 Dirbant triukšmo lygis gali viršyti 80 dB (A).  
**Nešioti klausos apsaugines priemones!**

Bendroji svyravimų reikšmė (trijų krypčių vektorių suma), nustatyta remiantis EN 60745.  
 Vibravimų emisijos reikšmė a<sub>p</sub> ..... < 2,5 m/s<sup>2</sup>  
 Paklaida K = ..... 1,5 m/s<sup>2</sup>

**DĖMESIO**  
 Instrukcijoje nurodyta svyravimų ribinė vertė yra išmatuota remiantis standartu EN 60745; ji gali būti naudojama keliems elektriniams instrumentams palyginti. Ji taikoma ir laikinai įvertinti svyravimų apkrovą.  
 Nurodyta svyravimų ribinė vertė yra taikoma pagrindinėse elektrinio instrumento naudojimo srityse. Svyravimų ribinė vertė gali skirtis naudojant elektrinį instrumentą kitose srityse, papildomai naudojant netinkamus elektrinius instrumentus arba juos nepakankamai techniškai prižiūrint. Dėl to viso darbo metu gali žymiai padidėti svyravimų apkrova.  
 Siekiant tiksliai nustatyti svyravimų apkrovą, būtina atsižvelgti ir į laikotarpį, kai įrenginys yra išjungtas arba įjungtas, tačiau faktiškai nenaudojamas. Dėl to viso darbo metu gali žymiai sumažėti svyravimų apkrova.  
 Siekiant apsaugoti vartotojus nuo svyravimo įtakos naudojamos papildomos saugos priemonės, pavyzdžiui, elektrinių darbo instrumentų techninė priežiūra, rankų šilumos palaikymas, darbo procesų organizavimas.

**⚠️ ĮSPĖJIMAS! Perskaitykite visus saugos nurodymus ir instrukcijas.** Jei nepaisysite žemiau pateiktų saugos nuorodų ir reikalavimų, gali trenkti elektros smūgis, kilti gaisras ir/arba galite suklikti surižaloti arba sužaloti kitus asmenis.  
**Įsisaugokite šias saugos nuorodas ir reikalavimus, kad ir ateityje galėtumėte jais pasinaudoti.**

**YPATINGOS SAUGUMO NUORODOS**

**Nešioti klausos apsaugos priemones.** Triukšmo poveikyje galima netekti klausos.  
 Dirbdami su įrenginiu visada nešioti apsauginius akinius. Rekomenduotina nešioti apsaugines pirštines, tvirtus batus neslidžiu padu bei prijuostę.  
 Rankomis ir laisvais rūbais nesilieskite prie pjovimo įrankių ir kitų judančių dalių.  
 Norint sumažinti sprogimo, elektros smūgio ir materialinės žalos riziką, niekada nepajaukite dujų linijų, elektros linijų arba pripildytų vandens linijų. Prieš pjaudami ištuštinkite vandens linijas.  
 Prieš atlikdami bet kokius darbus įrenginyje, išimkite keičiamą akumuliatorių.  
 Sunaudotų keičiamų akumuliatorių nedeginkite ir nemeskite į buitines atliekas. „Milwaukee“ siūlo tausojantį aplinką sudėvėtų keičiamų akumuliatorių tvarkymą, apie tai prekybos atstovo.  
 Keičiamų akumuliatorių nelaikykite kartu su metaliniais daiktai (trumpojo jungimo pavojus).  
 Keičiamus „C 12“ sistemos akumuliatorius kraukite tik „C 12“ sistemos įkrovikliais. Nekraukite kitų sistemų akumuliatorių.  
 Ekstremalių apkrovų arba ekstremalios temperatūros poveikyje iš keičiamų akumuliatorių gali ištekėti akumuliatoriaus skystis. Išsitempus akumuliatoriaus skystį, tuoj pat nuplaukite vandeniu su muilu. Patekus į akis, tuoj pat ne trumpiau kaip 10 minučių gausiai skalaukite vandeniu ir tuoj pat kreipkitės į gydytoją.  
**Įspėjimas!** Siekdami išvengti trumpojo jungimo sukeliama gaisro pavojaus, sužalojimų arba produkto pažeidimų, neikiškite įrankio, keičiamo akumuliatoriaus arba įkroviklio į skysčius ir pasirūpinkite, kad į prietaisus arba akumuliatorius

nepatektų jokių skysčių. Koroziją sukeliantys arba laidūs skysčiai, pvz., rūsus vanduo, tam tikri chemikalai ir balikliai arba produktai, kurių sudėtyje yra baliklių, gali sukelti trumpąjį jungimą.

**NAUDOJIMAS PAGAL PASKIRTĮ**

Vamzdžių pjoviklis yra pritaikytas varinių vamzdžių pjovimui. Neleidžiama apdirbti vamzdžio dalių, kurios yra trumpesnės nei 12,5 mm. Trumpos arba lenktos dalys gali patekti į pjovimo ratuką ir pažeisti įrankį.  
 Šį prietaisą leidžiama naudoti tik pagal nurodytą paskirtį.

**CE ATITIKTIES PAREIŠKIMAS**

Remiantis bendrais atsakomybės reikalavimais pareiškiamo, jog skyriuje "Techniniai duomenys" aprašytas produktas atitinka visus toliau pateiktą juridinių direktyvų reikalavimus: 2011/65/EU (RoHS), 2014/30/ES, 2006/42/EB ir kitus su jomis susijusius norminius dokumentus:  
 EN 60745-1:2009 + A11:2010  
 EN 55014-1:2017:A11 2020  
 EN 55014-2:2015  
 EN IEC 63000:2018

Winnenden, 2020-11-06

*Alexander Krug*  
 Alexander Krug  
 Managing Director  
 Įgaliotas parengti techninius dokumentus.  
 Techtronic Industries GmbH  
 Max-Eyth-Straße 10  
 71364 Winnenden  
 Germany



**AKUMULIATORIAI**

Ilgesnį laiką nenaudotus keičiamus akumuliatorius prieš naudojimą įkraukite.  
 Aukštesnė nei 50°C temperatūra mažina keičiamų akumuliatorių galią. Venkite ilgesnio saulės ar šilumos šaltinių poveikio.  
 Įkroviklio ir keičiamo akumuliatoriaus jungiamieji kontaktai visada turi būti švarūs.  
 Pasinaudoję prietaisu, visiškai įkraukite akumuliatorių, kad prietaisas veiktų optimaliai ilgai.  
 Siekiant užtikrinti kuo ilgesnį baterijos tarnavimo laiką, reikėtų ją po atlikto įkrovimo iškart išimti iš įkroviklio.  
 Bateriją laikant ilgiau nei 30 dienų, būtina atkreipti dėmesį į šias nuorodas: bateriją laikyti sausoje aplinkoje, esant apie 27 °C temperatūrai. Baterijos įkrovimo lygis turi būti nuo 30 % iki 50 %. Baterija pakartotinai turi būti įkraunama kas 6 mėnesius.

**APSAUGA NUO AKUMULIATORIAUS PERKROVOS**

Esant akumuliatoriaus perkrovai dėl pernelyg didelio srovės suvartojimo, pvz.: itin didelių apsučių, grežtuvo užsikirtimo, staigaus sustabdymo ar trumpojo jungimo, elektrinis įrankis vibruoja 5 sekundes, signalinis įkrovos rodmuo pradeda mirksėti ir elektrinis įrankis automatiškai išsijungia. Norint įrankį pakartotinai įjungti, reikia atleisti jungiklį ir vėl jį įjungti.  
 Esant ekstremalioms apkrovoms akumuliatorius per stipriai įkaista. Tokiu atveju visos įkrovos lemputės mirksi taip ilgai, kol akumuliatorius atvėsta. Užgesus įkrovos rodmėnims įrankiu galima naudotis toliau.

**LIČIO JONŲ AKUMULIATORIŲ PERVEŽIMAS**

Ličio jonų akumuliatoriams taikomos įstatyminės nuostatos dėl pavojingų krovinių pervežimų.  
 Šiuos akumuliatorius pervežti būtina laikantis vietinių, nacionalinių ir tarptautinių direktyvų ir nuostatų.  
 • Naudotojai šiuos akumuliatorius gali naudoti savo transporte be jokių kitų sąlygų.  
 • Už komercinį ličio jonų akumuliatorių pervežimą atsako ekspedicijos įmonė pagal nuostatas dėl pavojingų krovinių pervežimo. Pasiruošimo išsiųsti ir pervežimo darbus gali atlikti tik atitinkamai išmokyti asmenys. Visas procesas privalo būti prižiūrimas.  
 Pervežant akumuliatorius būtina laikytis šių punktų:  
 • Siekiant išvengti trumpųjų jungimų, įsitikinkite, kad kontaktai yra apsaugoti ir izoliuoti.  
 • Atkreipkite dėmesį, kad akumuliatorius pakuotės viduje neslidinėtų.  
 • Draudžiama pervežti pažeistus arba tekančius akumuliatorius.  
 Dėl detalesnių nurodymų kreipkitės į savo ekspedicijos įmonę.

**TECHNINIS APTARNAVIMAS**

Naudokite tik „Milwaukee“ priedus ir „Milwaukee“ atsargines dalis. Dalis, kurių keitimas neaprašytas, leidžiama keisti tik „Milwaukee“ klientų aptarnavimo skyriams (žr. garantiją/klientų aptarnavimo skyrių adresus brošiūroje).  
 Esant poreikiui, nurodžius mašinos modelį ir šešiaženklį numerį, esantį ant specifikacijų lentelės, klientų aptarnavimo centre arba tiesiogiai „Techtronic Industries GmbH“, Max-Eyth-Str. 10, 71364 Winnenden, Vokietija, galite užsakyti išplėstinį prietaiso brėžinį.

**SYMBOLIAI**

	DĖMESIO! ĮSPĖJIMAS! PAVOJUS!
	Prieš pradėdami dirbti su prietaisu, atidžiai perskaitykite jo naudojimo instrukciją.
	Prieš atlikdami bet kokius darbus įrenginyje, išimkite keičiamą akumuliatorių.
	Elektros prietaisų, baterijų/akumuliatorių šalinti kartu su būtinėmis atliekomis negalima. Elektros prietaisus ir akumuliatorius reikia surinkti atskirai ir atiduoti perdavimo įmonei, kad būtų pašalinti aplinkai saugiu būdu. Vietos valdžios institucijose arba specializuotose prekybos vietose pasidomėkite apie perdavimo ir surinkimo centrus.
	Rankas laikykite atokiau nuo pjovimo įrankio ir kitų judančių dalių. Pjovimo mechanizmas į vidų patekusius pirštus gali nupjauti ar sužeisti.
	Pjovimas.
	Pjovimo įrankio atidarymas.
	Europos atitikties ženklas
	Britanijos atitikties ženklas
	Ukrainos atitikties ženklas
	Eurazijos atitikties ženklas



ТЕХНИЧЕСКИЕ ДАННЫЕ	ТРУБОРЕЗ	С 12 PC
Серийный номер изделия .....	4523 22 05...	
.....	4312 18 05...	
.....	...00001-999999	
Диаметр трубы .....	12 mm, 15 mm, 18 mm, 22 mm, 25 mm, 28 mm	
Вольтаж аккумулятора .....	12 V	
Вес согласно процедуре ЕРТА 01/2014 .....	1,5 kg	

#### Информация по шумам / вибрации

Значения измерялись в соответствии со стандартом EN 60 745.

Обычное низкочастотное звуковое давление, производимое инструментом, составляет

Уровень звукового давления (Небезопасность K=3dB(A)) ..... 70 dB (A)

Уровень шума во время работы может превышать 80 dB (A).

#### Пользуйтесь приспособлениями для защиты слуха.

Общие значения вибрации (векторная сумма трех направлений) определены в соответствии с EN 60745.

Значение вибрационной эмиссии  $a_w$  ..... < 2,5 m/s<sup>2</sup>

Небезопасность K = ..... 1,5 m/s<sup>2</sup>

#### ВНИМАНИЕ

Указанный в настоящем руководстве уровень вибрации измерен в соответствии с технологией измерения, установленной стандартом EN 60745 и может использоваться для сравнения электроинструментов друг с другом. Он также подходит для предварительной оценки вибрационной нагрузки.

Указанный уровень вибрации представляет основные виды использования электроинструмента. Но если электроинструмент используется для других целей, используемый инструмент отклоняется от указанного или техническое обслуживание было недостаточным, то уровень вибрации может отклоняться от указанного. В этом случае вибрационная нагрузка в течение всего периода работы значительно увеличивается.

Для точной оценки вибрационной нагрузки необходимо также учитывать время, в течение которого прибор отключен или включен, но фактически не используется. В этом случае вибрационная нагрузка в течение всего периода работы может существенно уменьшиться.

Установите дополнительные меры безопасности для защиты пользователя от воздействия вибрации, например: техническое обслуживание электроинструмента и используемого инструмента, поддержание рук в теплом состоянии, организация рабочих процессов.

**⚠ ПРЕДУПРЕЖДЕНИЕ! Прочтите все указания по безопасности и инструкции.** Упущения, допущенные при соблюдении указаний и инструкций по технике безопасности, могут стать причиной электрического поражения, пожара и тяжелых травм.  
**Сохраняйте эти инструкции и указания для будущего использования.**

#### РЕКОМЕНДАЦИИ ПО ТЕХНИКЕ БЕЗОПАСНОСТИ

**Используйте наушники!** Воздействие шума может привести к потере слуха.

При работе с инструментом всегда надевайте защитные очки. Рекомендуется надевать перчатки, прочные нескользящие ботинки и фартук.

Руки и свободная одежда должны находиться на расстоянии от режущих инструментов и других подвижных частей.

Для уменьшения риска взрывов, удара электрическим током и материального ущерба никогда не разрезайте газопроводы, электропроводку или наполненные водопроводные линии. Перед резкой опорожните водопроводные линии.

Выньте аккумулятор из машины перед проведением с ней каких-либо манипуляций.

Не выбрасывайте использованные аккумуляторы вместе с домашним мусором и не сжигайте их. Дистрибьюторы компании Milwaukee предлагают восстановление старых аккумуляторов, чтобы защитить окружающую среду.

Не храните аккумуляторы вместе с металлическими предметами во избежание короткого замыкания.

Для зарядки аккумуляторов модели С 12 используйте только зарядным устройством С 12. Не заряжайте аккумуляторы других систем.

Аккумуляторная батарея может быть повреждена и дать течь под воздействием чрезмерных температур или повышенной нагрузки. В случае контакта с аккумуляторной кислотой немедленно промойте место контакта мылом и

водой. В случае попадания кислоты в глаза промойте глаза в течение 10 минут и немедленно обратитесь за медицинской помощью.

**Предупреждение!** Для предотвращения опасности пожара в результате короткого замыкания, травм и повреждения изделия не опускайте инструмент, сменный аккумулятор или зарядное устройство в жидкости и не допускайте попадания жидкостей внутрь устройств или аккумуляторов. Коррозионные и проводящие жидкости, такие как соленый раствор, определенные химикаты, отбеливающие средства или содержащие их продукты, могут привести к короткому замыканию.

#### ИСПОЛЬЗОВАНИЕ

Труборез предназначен для резки труб из меди.

Трубы короче 12,5 мм не подлежат обработке. Короткие или изогнутые элементы могут попасть в отрезной диск и повредить инструмент.

Не пользуйтесь данным инструментом способом, отличным от указанного для нормального применения.

#### ДЕКЛАРАЦИЯ О СООТВЕТСТВИИ СТАНДАРТАМ ЕС

Мы заявляем под собственную ответственность, что изделие, описанное в разделе "Технические характеристики", соответствует всем важным предписаниям Директивы 2011/65/EU (Директива об ограничении применения опасных веществ в электрических и электронных приборах), 2014/30/EU, 2006/42/EC и приведенным далее гармонизированным нормативным документам:

EN 60745-1:2009 + A11:2010

EN 55014-1:2017:A11 2020

EN 55014-2:2015

EN IEC 63000:2018

Winnenden, 2020-11-06



Alexander Krug  
Managing Director



Уполномочен на составление технической документации.

Techtronic Industries GmbH

Max-Eyth-Straße 10

71364 Winnenden

Germany

#### АККУМУЛЯТОР

Перед использованием аккумулятора, которым не пользовались некоторое время, его необходимо зарядить.

Температура свыше 50°C снижает работоспособность аккумуляторов. Избегайте продолжительного нагрева или прямого солнечного света (риск перегрева).

Контакты зарядного устройства и аккумуляторов должны содержаться в чистоте.

Для обеспечения оптимального срока службы аккумулятор необходимо полностью заряжать после использования прибора.

Для достижения максимально возможного срока службы аккумуляторы после зарядки следует вынимать из зарядного устройства.

При хранении аккумулятора более 30 дней:

Храните аккумулятор при 27°C в сухом месте.

Храните аккумулятор с зарядом примерно 30% - 50%.

Каждые 6 месяцев аккумулятор следует заряжать.

#### ЗАЩИТА АККУМУЛЯТОРА ОТ ПЕРЕГРУЗКИ

В случае перегрузки аккумулятора по причине слишком большого потребления электроэнергии, например, при экстремально большом крутящем моменте, заклинивании сверла, внезапной остановке или коротком замыкании, электроприбор вибрирует в течение 5 секунд, загорается индикатор заряда аккумулятора и электроприбор автоматически выключается. Для повторного включения следует отжать кнопку включения и потом снова включить. При слишком высоких нагрузках аккумулятор перегревается. В этом случае загораются все лампы индикатора заряда аккумулятора. Когда аккумулятор остынет и лампы погаснут – можно продолжать работу.

#### ТРАНСПОРТИРОВКА ЛИТИЙ-ИОННЫХ АККУМУЛЯТОРОВ

Литий-ионные аккумуляторы в соответствии с предписаниями закона транспортируются как опасные грузы.

Транспортировка этих аккумуляторов должна осуществляться с соблюдением местных, национальных и международных предписаний и положений.

- Эти аккумуляторы могут перевозиться по улице потребителем без дальнейших обязательств.
- При коммерческой транспортировке литий-ионных аккумуляторов экспедиторскими компаниями действуют положения, касающиеся транспортировки опасных грузов. Подготовка к отправке и транспортировка должны производиться исключительно специально обученными лицами. Весь процесс должен находиться под контролем специалиста.

При транспортировке аккумуляторов необходимо соблюдать следующие пункты:

- Убедитесь, что контакты защищены и изолированы во избежание короткого замыкания.
- Следите за тем, чтобы аккумуляторный блок не соскользнул внутри упаковки.
- Транспортировка поврежденных или протекающих аккумуляторов запрещена.

За дополнительными указаниями обратитесь к своему экспедитору.

#### ОБСЛУЖИВАНИЕ

Пользуйтесь аксессуарами и запасными частями Milwaukee. В случае возникновения необходимости в замене, которая не была описана, обращайтесь в один из сервисных центров по обслуживанию электроинструментов Milwaukee (см. список сервисных организаций).

При необходимости, у сервисной службы или непосредственно у фирмы Techtronic Industries GmbH, Max-Eyth-Straße 10, 71364, Винненден, Германия, можно запросить сборочный чертеж устройства, сообщив его тип и шестизначный номер, указанный на фирменной табличке.

#### СИМВОЛЫ



ВНИМАНИЕ! ПРЕДУПРЕЖДЕНИЕ! ОПАСНОСТИ!



Пожалуйста, внимательно прочтите инструкцию по использованию перед началом любых операций с инструментом.



Выньте аккумулятор из машины перед проведением с ней каких-либо манипуляций.



Электроприборы, батареи/аккумуляторы запрещено утилизировать вместе с бытовым мусором. Электрические приборы и аккумуляторы следует собирать отдельно и сдавать в специализированную компанию для утилизации в соответствии с нормами охраны окружающей среды.

Получите в местных органах власти или у вашего специализированного дилера сведения о центрах вторичной переработки и пунктах сбора.



Держите руки на расстоянии от режущих инструментов и других подвижных частей. Пальцы могут попасть в режущий механизм, их может отрезать, или они могут получить повреждение.



Резка.



Открытие режущего инструмента.



Европейский знак соответствия



Британский знак соответствия



Евразийский знак соответствия

Украинский знак соответствия



DATE TEHNICE	TĂIETORUL DE ȚEAVĂ	C 12 PC
Număr producție .....	4523 22 05...	
.....	4312 18 05...	
.....	...00001-999999	
Ø țeavă .....	12 mm, 15 mm, 18 mm, 22 mm, 25 mm, 28 mm	
Tensiune acumulator .....	12 V	
Greutatea conform „EPTA procedure 01/2014” .....	1,5 kg	

#### Informație privind zgomotul / vibrațiile

Valori măsurate determinate conform EN 60 745.

Valoarea reală A a nivelului presiunii sonore a sculei este :

Nivelul presiunii sonore (Nesiguranță K=3dB(A)).....70 dB (A)

Nivelul zgomotului în timpul lucrului poate depăși 80 dB (A)

#### Purtați căști de protecție

Valorile totale de oscilație (suma vectorială pe trei direcții) determinate conform normei EN 60745.

Valoarea emisiei de oscilații  $a_w$  ..... < 2,5 m/s<sup>2</sup>

Nesiguranță K = ..... 1,5 m/s<sup>2</sup>

#### AVERTISMENT

Gradul de oscilație indicat în prezentele instrucțiuni a fost măsurat în conformitate cu o procedură de măsurare normată prin norma EN 60745 și poate fi folosit pentru a compara unele electrice între ele. El se pretează și pentru o evaluare provizorie a solicitării la oscilații.

Gradul de oscilație indicat reprezintă aplicațiile principale ale uneltelor electrice. În cazul în care însă uneltele electrice au fost folosite pentru alte aplicații, ori au fost folosite unelte de muncă diferite ori acestea nu au fost supuse unei suficiente inspecții de întreținere, gradul de oscilație poate fi diferit. Acest fapt poate duce la o creștere netă a solicitării la oscilații dealungul întregii perioade de lucru.

În scopul unei evaluări exacte a solicitării la oscilații, urmează să fie luate în considerație și perioadele de timp în care aparatul a fost oprit ori funcționează dar, în realitate, el nu este folosit în mod practic. Acest fapt poate duce la o reducere netă a solicitărilor la oscilații dealungul întregii perioade de lucru.

Stabiliți măsuri de siguranță suplimentare în scopul protecției utilizatorului de efectele oscilațiilor, de exemplu: inspecție de întreținere a uneltelor electrice și a celor de muncă, păstrarea caldă a mâinilor, organizarea proceselor de muncă.

**A** **AVERTIZARE! Citiți toate indicațiile de siguranță și toate instrucțiunile.** Nerespectarea indicațiilor de avertizare și a instrucțiunilor poate provoca electrocutare, incendii și/sau răni grave. **Păstrați toate indicațiile de avertizare și instrucțiunile în vederea utilizărilor viitoare.**

#### INSTRUCȚIUNI DE SECURITATE

**Purtați aparatoare de urechi.** Expunerea la zgomot poate produce pierderea auzului.

Purtați întotdeauna ochelari de protecție atunci când utilizați mașina. Se recomandă purtarea mănușilor, a încălțămintei solide nealunecoase și sortului de protecție.

Țineți-vă mâinile și obiectele lejere de îmbrăcăminte la distanță de sculele tăietoare și alte piese mobile.

În vederea reducerii riscului de explozie, electrocutare și pagube materiale, nu tăiați niciodată conducte de gaz, cabluri electrice sau țevi de apă pline. Goliți țevile de apă înainte de tăiere.

Scoateți acumulatorul înainte de a începe orice intervenție pe mașină.

Nu aruncați acumulatorii uzați la containerul de reziduri menajere și nu îi ardeți. Milwaukee Distributors se oferă să recupereze acumulatorii vechi pentru protecția mediului înconjurător.

Nu depozitați acumulatorul împreună cu obiecte metalice (risc de scurtcircuit)

Folosiți numai încărcătoare System C 12 pentru încărcarea acumulatorilor System C 12. Nu folosiți acumulatori din alte sisteme.

Acidul se poate scurge din acumulatorii deteriorați la încărcături sau temperaturi extreme. În caz de contact cu acidul din acumulator, spălați imediat cu apă și săpun. În caz de contact cu ochii, clătiți cu atenție timp de cel puțin 10 minute și apelați imediat la îngrijire medicală.

**Avertizare!** Pentru a reduce pericolul unui incendiu i evitarea r/nirilor sau deteriorarea produsului în urma unui

scurtcircuit nu imersai scula, acumulatorul de schimb sau înc/rc/torul în lichide i asigurai-v/ s/ nu p/trund/ lichide în aparate i acumulatori. Lichidele corosive sau cu conductibilitate, precum apa s/rat/, anumite substane chimice i în/lbitori sau produse ce conin în/lbitori, pot provoca un scurtcircuit.

#### CONDIȚII DE UTILIZARE SPECIFICATE

Dispozitivul pentru tăiat țevi este adecvat pentru debitarea țevilor din cupru.

Este interzisă prelucrarea bucăților de țeavă mai mici de 12,5 mm. Bucăți scurte sau îndoite pot ajunge în roata de tăiere și deteriora scula.

Nu utilizați acest produs în alt mod decât cel stabilit pentru utilizare normală

#### DECLARAȚIE DE CONFORMITATE

Declarăm pe propria răspundere că produsul descris la "Date tehnice" este în concordanță cu toate prevederile legale relevante ale Directivei 2011/65/EU (RoHS), 2014/30/UE, 2006/42/CE și cu următoarele norme armonizate:

EN 60745-1:2009 + A11:2010

EN 55014-1:2017:A11 2020

EN 55014-2:2015

EN IEC 63000:2018

Winnenden, 2020-11-06



Alexander Krug  
Managing Director



Împuternicit să elaboreze documentația tehnică.

Techtronic Industries GmbH  
Max-Eyth-Straße 10  
71364 Winnenden  
Germany

#### ACUMULATORI

Acumulatorii care nu au fost utilizați o perioadă de timp trebuie reîncărcați înainte de utilizare.

Temperatura mai mare de 50°C (122°F) reduce performanța acumulatorului. Evitați expunerea prelungită la căldură sau radiație solară (risc de supraîncălzire)

Contactele încărcătoarelor și acumulatorilor trebuie păstrate curate.

Pentru o durabilitate optimă, acumulatorii trebuie reîncărcați complet după folosire.

Pentru o durată de viață cât mai lungă, acumulatorii ar trebui scoși din încărcător după încărcare.

La depozitarea acumulatorilor mai mult de 30 zile:

Acumulatorii se depozitează la cca. 27°C și la loc uscat.

Acumulatorii se depozitează la nivelul de încărcare de cca. 30%-50%.

Acumulatorii se încarcă din nou la fiecare 6 luni.

#### PROTECȚIE SUPRĂÎNCĂRCARE ACUMULATOR

În cazul unei suprasolicitări a acumulatorului datorită unui consum excesiv de curent electric, de ex. datorită unor momente de turație extrem de înalte, a prinderii burghiului, a unei opriri subite sau a unui scurt circuit, scula electrică trepidează timp de 5 secunde, indicația stării de încărcare pâlpâie și scula electrică se deconectează de la sine. Pentru reconectare dați drumul întrerupătorului și conectați din nou. În cazul unor sarcini extreme, acumulatorul se încinge prea tare. În acest caz toate lămpile indicației stării de încărcare pâlpâie până când acumulatorul s-a răcit. După ce indicația stării de încărcare s-a stins se poate lucra mai departe.

#### TRANSPORTUL ACUMULATORILOR CU IONI DE LITIU

Acumulatorii cu ioni de litiu cad sub incidența prescripțiilor legale pentru transportul de mărfuri periculoase.

Transportul acestor acumulatori trebuie să se efectueze cu respectarea prescripțiilor și reglementărilor pe plan local, național și internațional.

- Consumatorilor le este permis transportul rutier nerestricționat al acestui tip de acumulatori.
- Transportul comercial al acumulatorilor cu ioni de litiu prin intermediul firmelor de expediție și transport este supus reglementărilor transportului de mărfuri periculoase. Pregătirea pentru expediție și transportul au voie să fie efectuate numai de către personal instruit corespunzător. Întregul proces trebuie asistat în mod competent.

Următoarele puncte trebuie avute în vedere la transportul acumulatorilor:

- Pentru a se evita scurtcircuitele, asigurați-vă de faptul că sunt protejate și izolate contactele.
- Aveți grijă ca pachetul de acumulatori să nu poată aluneca în altă poziție în interiorul ambalajului său.
- Este interzis transportarea unor acumulatori deteriorați sau care pierd lichid.

Pentru indicații suplimentare adresați-vă firmei de expediție și transport cu care colaborați.

#### INTREȚINERE

Utilizați numai accesorii și piese de schimb Milwaukee. Dacă unele din componentele care nu au fost descrise trebuie înlocuite , vă rugăm contactați unul din agenții de service Milwaukee (vezi lista noastră pentru service / garanție)

Dacă este necesar, puteți solicita de la centrul dvs. de service pentru clienți sau direct la Techtronic Industries GmbH, Max-Eyth-Straße 10, 71364 Winnenden, Germania un desen descompus al aparatului prin indicarea tipului de aparat și a numărului cu șase cifre de pe tăblița indicatoare.

#### SIMBOLURI



PERICOL! AVERTIZARE! ATENȚIE!



Va rugăm citiți cu atenție instrucțiunile înainte de pornirea mașinii



Îndepărtați acumulatorul înainte de începerea lucrului pe mașina



Aparatele electrice, bateriile/acumulatorii nu se elimină împreună cu deșeurile menajere. Aparatele electrice și acumulatorii se colectează separat și se predau la un centru de reciclare, în vederea eliminării ecologice. Informații-vă de la autoritățile locale sau de la comerțanții acreditați în legătură cu centrele de reciclare și de colectare.



Țineți-vă mâinile la distanță de scula tăietoare și de alte piese în mișcare. Degetele pot ajunge în mecanismul de tăiere, fapt care poate avea ca rezultat pierderea sau rănirea lor.



Tăiere.



Deschiderea sculei de tăiere.



Marcă de conformitate europeană



Marcă de conformitate britanică



Marcă de conformitate ucraineană



Marcă de conformitate eurasiatică









إنتاج عدد.....	4523 22 05.....
.....	4312 18 05.....
.....	000001-999999.....
الحد الأدنى لقطر الأنبوب.....	12 mm, 15 mm, 18 mm, 22 mm, 25 mm, 28 mm
فولطية البطارية.....	12 V
الوزن وفقا لنهج EPTA رقم 01/2014.....	1,5 kg

## معلومات الضوضاء/الذبذبات

القيم التي تم قياسها محددة وفقا للمعايير الأوروبية EN 60 745 مستويات ضوضاء الجهاز، ترجيحاً بشكل نمونجي كالتالي:  
مستوى ضغط الصوت (الارتياح في القياس = 3 ديسيبل (A)) ..... 70 dB (A)  
من الممكن أن يتجاوز مستوى الضوضاء عند التشغيل 85 ديسيبل (A).....  
ارتد وأقيات الأذن!

قيم الذبذبات الإجمالي (مجموع الكميات الموجهة في المحاور الثلاثة) محددة وفقا للمعايير الأوروبية EN 60745.

قيمة انبعاث الذبذبات (ah) ..... < 2,5 m/s<sup>2</sup>  
الارتياح في القياس ..... 1,5 m/s<sup>2</sup>

## تحذير!

تم قياس مستوى انبعاث الذبذبات الموجود بوثيقة المعلومات هذه وفقا للاختبار القياسي وفقاً للمعايير الأوروبية EN 60745 ويمكن استخدامه لمقارنة جهاز بغيره. كما يمكن استخدامه لعرض تقييم تمهيدي.

يمثل مستوى انبعاث الذبذبات المعلن عنه تطبيقات الجهاز الرئيسية. بالرغم من ذلك، فإنه إذا ما تم استخدام الجهاز لتطبيقات مختلفة، فملحقات مختلفة أو لم يتم المحافظة عليه، فقد يختلف انبعاث الذبذبات. قد يزيد ذلك بصورة كبيرة من مستوى التعرض للذبذبات طوال فترة العمل الإجمالية.

يجب الوضع في الاعتبار عند تقدير مستوى التعرض للذبذبات مرات إيقاف الجهاز أو تشغيله لكن دون استخدامه في القيام ب مهمة. فقد يقل ذلك بصورة كبيرة من مستوى التعرض للذبذبات طوال فترة العمل الإجمالية.

تعرف على معايير السلامة الإضافية لحماية المشغل من آثار الذبذبات مثل: صيانة الجهاز والملحقات، الحفاظ على دفة الأيدي، وتنظيم نماذج العمل.

## تحذير!

اقرأ جميع تحذيرات السلامة وجميع التعليمات، بما فيها.

قد يؤدي الفشل في سرعة التحذيرات والتعليمات إلى التعرض للإصابة بصدمة كهربية أو الحرق و/أو إصابة خطيرة.

احتفظ بجميع التنبيهات والتعليمات للرجوع إليها مستقبلا.

## تعليمات السلامة

ارتد وأقيات الأذن. قد يسبب التعرض للضوضاء فقدان السمع.

ارتد نظارات الوقاية عند استخدام الجهاز دانما. ينصح بارتداء قفازات الوقاية، الأحذية القوية غير المنزلقة والمنزور.

اجعل الأيدي والملابس الفضفاضة بعيداً عن كافة الحواف القاطعة والأجزاء المتحركة.

للحد من مخاطر الانفجار أو الصدمة الكهربائية أو دمار العقاز، لا تقطع مطلقاً خطوط الغاز أو الكهرباء أو خطوط المياه المتلثة. يجب إيقاف تشغيل خطوط الصرف والمياه قبل القيام بعملية القطع.

قم بإزالة حزمة البطارية قبل البدء في أي أعمال على الجهاز.

لا تتخلص من البطاريات المستعملة مع النفايات المنزلية أو بحرقها. يقدم موزعو ميلوكي خدمة استعادة البطاريات القديمة لحماية البيئة.

لا تقم بتخزين البطارية مع الأشياء المعدنية (خطر قصر الدائرة) ..

استخدم فقط شواحن C 12 System لشحن بطاريات C 12 System .  
لا تستخدم بطاريات من أنظمة أخرى.

قد يتسرب حامض البطارية من البطاريات التالفة في ظروف الحمل الزائد بدرجة كبيرة أو في درجات الحرارة الشديدة. في حالة ملامسة حامض البطارية اغسل بيدك فوراً بالماء والصابون. في حالة ملامسة السائل للعينين اشطفهما جيداً لمدة 10 دقائق على الأقل واطلب العناية الطبية فوراً.

**تحذير!** لتجنب أخطار الحرق أو الإصابة أو الإضرار بالمنج التي تتجم عن الماس الكهربائي، لا تعمر الأداة أو البطارية القابلة للاستبدال أو جهاز الشحن في السوائل وأحرص على أن لا تصل السوائل إلى داخل الجهاز والبطارية. السوائل المؤدية للتآكل أو الموصلة للتيار الكهربائي، مثل الماء المالح ومركبات كيميائية معينة ومواد التبييض أو المنتجات التي تشمل على مواد تبيض، يمكن أن تؤدي إلى حدوث ماس كهربائي.

يجب إعادة شحن البطارية غير المستخدمة لفترة قبل الاستخدام.

تنقل درجات الحرارة التي تتجاوز 50°سليزيوس (122°فهرنهايت) من أداء البطارية. تجنب التعرض الزائد للحرارة أو أشعة الشمس (خطر التسخين) ..

يجب الحفاظ على محتويات الشواحن و البطاريات نظيفة.

للحصول على فترة استخدام مثالية، يجب شحن البطاريات تماماً، بعد الاستخدام.

للحصول على أطول عمر ممكن للبطارية، انزع البطارية من الشاحن بمجرد شحنها تماماً.

لتخزين البطارية أكثر من 30 يوم:

خزن البطارية بحيث تكون درجة الحرارة أقل من 27° سليزيوس وبعيدا عن أي رطوبة

خزن البطارية مشحونة بنسبة تتراوح بين 30-50 %

اشحن البطارية كالمعتاد، وذلك كل ستة أشهر من التخزين.

## حماية البطارية

في المواقف التي يكون فيها عزم الدوران عالٍ بشدة، وإعاقه الحركة والتباطأً والقصور في الدائرة الكهربائية الذي ينتج عنه سحب لقدر كبير من التيار الكهربائي، ستتهز الآلة لمدة 2 ثانية ثم تتوقف عن العمل.  
لإعادة ضبط حرر الزناد.

في الظروف القصوى للعمل، قد ترتفع درجة حرارة البطارية الداخلية بشدة. إذا ما حدث ذلك، ستتوقف البطارية عن العمل.

## نقل بطاريات الليثيوم

تخضع بطاريات الليثيوم أبون لشروط قوانين نقل السلع الخطرة.

ويجب نقل هذه البطاريات وفقاً للأحكام والقوانين المحلية والوطنية والدولية.

• يمكن للمستخدم نقل البطاريات برأ دون الخضوع لشروط أخرى.  
يخضع النقل التجاري لبطاريات الليثيوم أبون عن طريق الغير إلى قوانين نقل السلع الخطرة. يتعين أن يقوم أفراد مدربون جيداً بالإعداد لعملية النقل والقيام بها بصحة خبراء مثلهم.

متى تُنقل البطاريات:

• عند التأكد من حماية أطراف توصيل البطارية وعزلها تجنباً لحدوث قصر بالدائرة.  
• عند التأكد من حماية حزمة البطارية من الحركة داخل صندوق التعبئة.  
يُرعى عدم نقل البطاريات التي بها تشققات أو تسربات.

يُرعى البحث مع شركة الشحن عن نصيحة أخرى

## الصبابة

استخدم فقط ملحقات ميلوكي وكذلك قطع غيار ميلوكي. إذا كانت المكونات التي يجب تغييرها غير مذكورة، يرجى الاتصال بأحد عملاء صيانة ميلوكي (انظر قائمة عناوين الضمان/الصيانة الخاصة بنا).

عند الحاجة يمكن طلب رمز انفجار الجهاز بعد ذكر طراز الآلة والرقم السداسي المذكور على بطاقة طاقة الآلة لدى جهة خدمة العملاء أو مباشرة لدى شركة

Techtronic Industries GmbH  
Max-Eyth-Straße 10  
71364 Winnenden  
ألمانيا

تنبيه! تحذير! خطراً!



يرجى قراءة التعليمات بعناية قبل بدء تشغيل الجهاز.



انزع البطارية قبل التعامل مع الجهاز.



يحظر التخلص من الأجهزة الكهربائية والبطاريات/البطاريات القابلة للشحن في القمامة المنزلية. يجب جمع الأجهزة الكهربائية والبطاريات القابلة للشحن منفصلة وتسليمها للتخلص منها بشكل لا يضر بالبيئة لدى شركة إعادة استغلال.

الرجاء الاستفسار لدى الهيئات المحلية أو لدى التجار المتخصصين عن مواقع إعادة الاستغلال ومواقع الجمع.



أحرص على أن تكون الأيدي بعيدة عن جميع الحواف القاطعة والأجزاء المتحركة. قد يتم سحب الأصابع إلى حاضن القطع وتعرض للقطع أو تُسحق.



القطع.



فتح الحاضن.



علامة التوافق الأوروبية



علامة التوافق البريطانية



علامة التوافق الأوكرانية



علامة التوافق الأوروبية الآسيوية

Copyright 2020

Techtronic Industries GmbH  
Max-Eyth-Str. 10  
71364 Winnenden  
Germany

+49 (0) 7195-12-0

[www.milwaukeeetool.eu](http://www.milwaukeeetool.eu)

Techtronic Industries (UK) Ltd  
Fieldhouse Lane  
Marlow Bucks SL7 1HZ  
UK



**EAC UK  
CA**

(11.20)

**4931 4147 04**