

Milwaukee®

Nothing but **HEAVY DUTY**®



M18 HUCT

Original instructions
Originalbetriebsanleitung
Notice originale
Istruzioni originali
Manual original
Manual original
Oorspronkelijke
gebruiksaanwijzing
Original brugsanvisning
Original bruksanvisning
Bruksanvisning i original

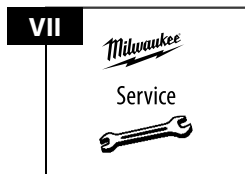
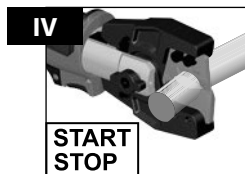
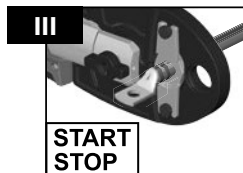
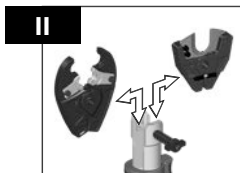
Alkuperäiset ohjeet
Πρωτότυπο οδηγίων χρήσης
Orijinal işletme talimatı
Původním návodem k používání
Pôvodný návod na použitie
Instrukcją oryginalną
Eredeti használati utasítás
Izvirna navodila
Originalne pogonske upute
Instrukcijām oriģinālvadā
Originalni instrukcija

Algupärane kasutusjuhend
Оригинальное руководство
по эксплуатации
Оригинално ръководство за
експлоатация
Instrucțiuni de folosire originale
Оригинален прирачник за
работа
Оригінал інструкції з
експлуатації
التعليمات الأصلية

Technical Data, Safety Instructions, Specified Conditions of Use, Declaration of Conformity, Batteries, Maintenance, Symbols	Please read and save these instructions!	English	17
Technische Daten, Sicherheitshinweise, Bestimmungsgemäße Verwendung, CE-Konformitätserklärung, Akku, Wartung, Symbole	Bitte lesen und aufbewahren!	Deutsch	22
Caractéristiques techniques, Instructions de sécurité, Utilisation conforme aux prescriptions, Déclaration CE de Conformité, Accus, Entretien, Symboles	A lire et à conserver soigneusement	Français	27
Dati tecnici, Norme di sicurezza, Utilizzo conforme, Dichiarazione di Conformità CE, Batterie, Manutenzione, Simboli	Si prega di leggere e conservare le istruzioni!	Italiano	32
Datos técnicos, Instrucciones de seguridad, Aplicación de acuerdo a la finalidad, Declaración de Conformidad CE, Batería, Mantenimiento, Símbolos	Lea y conserve estas instrucciones por favor!	Español	37
Características técnicas, Instruções de segurança, Utilização autorizada, Declaração de Conformidade CE, Acumulador, Manutenção, Símbolo	Por favor leia e conserve em seu poder!	Português	42
Technische gegevens, Veiligheidsadviezen, Voorgeschreven gebruik van het systeem, EC-Konformiteitsverklaring, Akku, Onderhoud, Symbolen	Lees en let goed op deze adviezen!	Nederlands	47
Tekniske data, Sikkerhedshenvisninger, Tiltænkent formål, CE-Konformitetserklæring, Batteri, Vedligeholdelse, Symboler	Vær venlig at læse og opbevare!	Dansk	52
Tekniske data, Spesielle sikkerhedshenvisninger, Formålsmessig bruk, CE-Samsvarserklæring, Batterier, Vedlikehold, Symboler	Vennligst les og oppbevar!	Norsk	57
Tekniska data, Säkerhetsutrustning, Använd maskinen Enligt anvisningarna, CEFörsäkrar, Batterier, Skötsel, Symboler	Läs igenom och spara!	Svenska	62
Tekniset arvot, Turvallisuusohjeet, Tarkoituksenmukainen käyttö, Todistus CE-standardinmukaisuudesta, Akku, Huolto, Symbolit	Lue ja säilytä!	Suomi	67
Τεχνικά στοιχεία, Ειδικές υποδείξεις ασφαλείας, Χρήση σύμφωνα με το σκοπό προοριζομένου, Δήλωση πιστότητας ΕΚ, Μηταρίες, Χαρακτηριστικά, Συντήρηση, Σύμβολα.	Παρακαλώ διαβάστε τις και φυλάξτε τις!	Ελληνικά	72
Teknik veriler, Güvenliğinizi için talimatlar, Kullanım, CE uyumluluk beyanice, Akü, Bakım, Semboller	Lütfen okuyun ve saklayın	Türkçe	77
Technická data, Speciální bezpečnostní upozornění, Oblast využití, Ce-prohlášení o shodě, Akumulátory, Údržba, Symboly	Po přečtení uschovejte	Česky	82
Technické údaje, Špeciálne bezpečnostné pokyny, Použitie podľa a predpisov, CE-Vyhľadanie konformity, Sieťová prípojka, Údržba, Symboly	Prosím prečítať a uschovať!	Slovensky	87
Dane techniczne, Specjalne zalecenia dotyczące bezpiecze'nstwa, Uzytkowanie zgodne z przeznaczeniem, Swiadectwo zgodności ce, Podłączenie do sieci, Gwarancja, Symbole	Należy uważnie przeczytać i zachować do wglądu!	Polski	92
Műszaki adatok, Különleges biztonsági tudnivalók, Rendeltetésszerű használat, Ce-azonosítási nyilatkozat, Hálózati csatlakoztatás, Karbantartás, Szimbólumok	Olvassa el és őrizze meg	Magyar	97
Tehnični podatki, Specialni varnostni napotki, Uporaba v skladu z namembnostjo, Ce-izjava o konformnosti, Omrežni priključek, Vzdrževanje, Simboli	Prosimo preberite in shranite!	Slovensko	102
Tehnički podaci, Specijalne sigurnosne upute, Propisna upotreba, CE-Izjava konformnosti, Priključak na mrežu, Održavanje, Simboli	Molimo pročitati i sačuvati	Hrvatski	107
Tehniskie dati, Speciālie drošības noteikumi, Noteikumiem atbilstošs izmantojums, Atbilstība CE normām, Tikla pieslēgums, Apkope, Simboli	Pielikums lietošanas pamācībai	Latviski	112
Techniniai duomenys, Ypatingos saugumo nuorodos, Naudojimas pagal paskirti, CE Atitikties pareiškimas, Elektros tinklo jungtis, Techninis aptarnavimas, Simboliai	Prašome perskaityti ir neišmesti!	Lietuviškai	117
Tehnilised andmed, Spetsiaalsed turvajuhised, Kasutamine vastavalt otstarbele, EÜ Vastavusavaldus, Võrku ühendamine, Hooldus, Sümbolid	Palun lugege läbi ja hoidke alati!	Eesti	122
Технические данные, Рекомендации по технике безопасности, Использо- вание, Подключение к электросети, Обслуживание, Символы	Пожалуйста прочтите и сохраните эту инструкцию.	Русский	127
Технически данни, Специални указания за безопасност, Използване по предназначение, CE-Декларация за съответствие, Съвързване към мрежата, Поддръжка, Символи	Моля прочетете и запазете!	Български	133
Date tehnice, Instrucțiuni de securitate, Condiții de utilizare specifice, Declarație de conformitate, Acumulatori, Intreținere, Simboluri	Va rugăm citiți și păstrați aceste instrucțiuni	Română	138
Технички Податоци, Упатство За Употреба, Специфицирани Услови На Употреба, Еу-декларација За Сообразност, БАТЕРИИ, Одржување, Символи	Ве молиме прочитајте го и чувајте го ова упатство!	Македонски	143
Технічні характеристики, Вказівки З Техніки Безпеки, Використання за призначенням, Сертифікат Відповідності Вимогам Єс, Акумуляторна, Обслуговування, Символи	Прочитайте та збережіть цю інструкцію.	Українська	148
تعليمات السلامة شروط الاستخدام المحددة، البطاريات، إعلان المطابقة - الاتحاد الأوروبي، الصيانة، الرموز	يُرجى قراءة وحفظ هذه التعليمات!	العربية	157

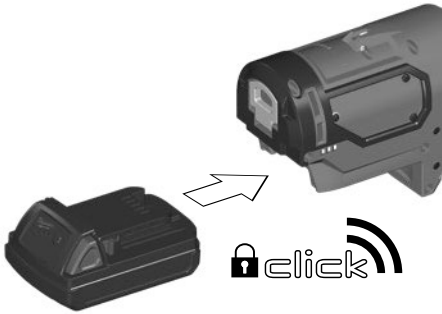








1.



2.

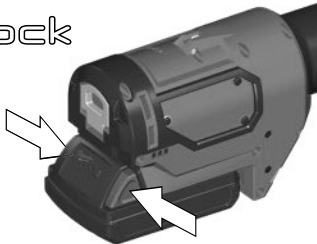


3.

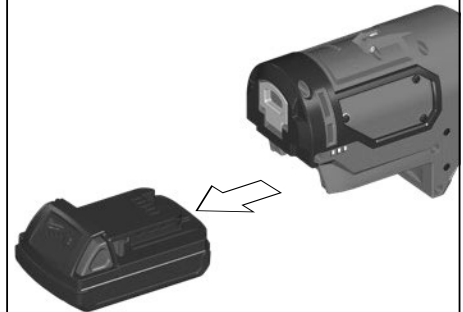


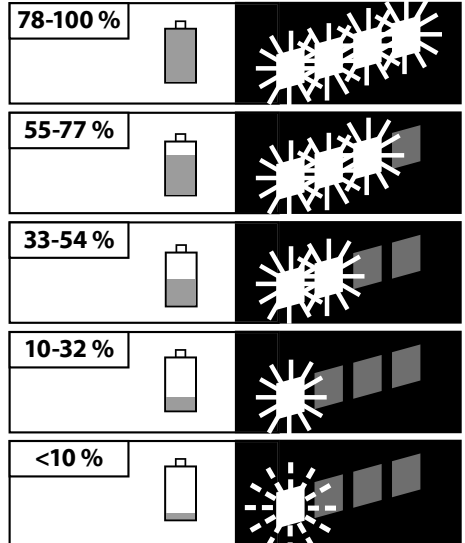
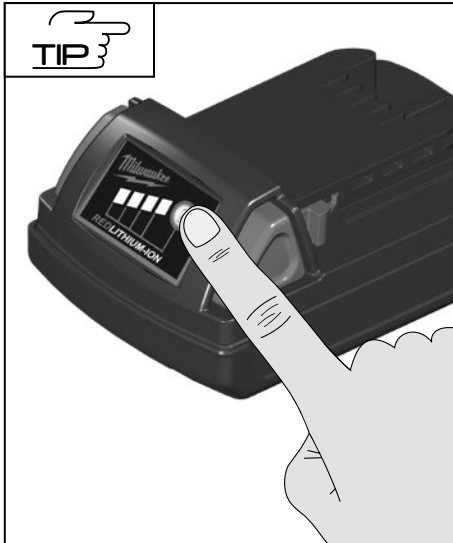
1.

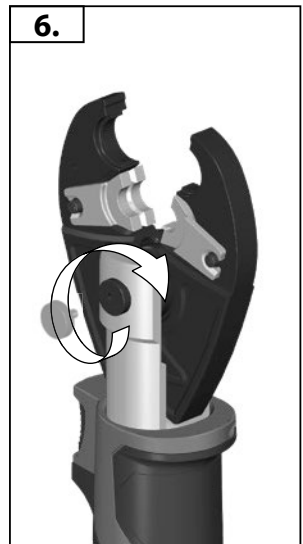
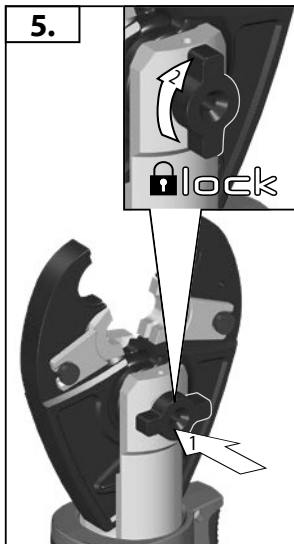
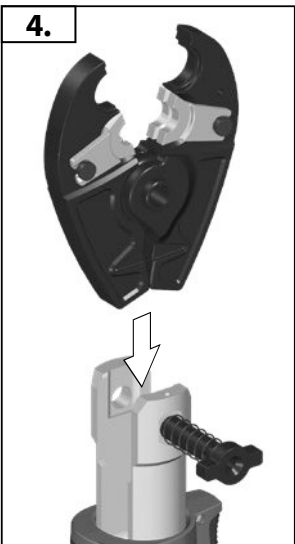
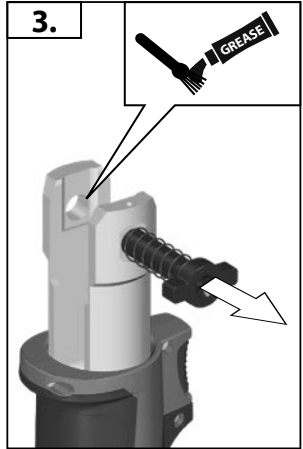
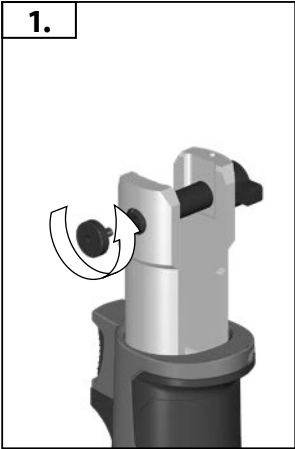
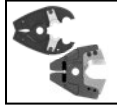
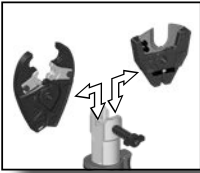
unlock

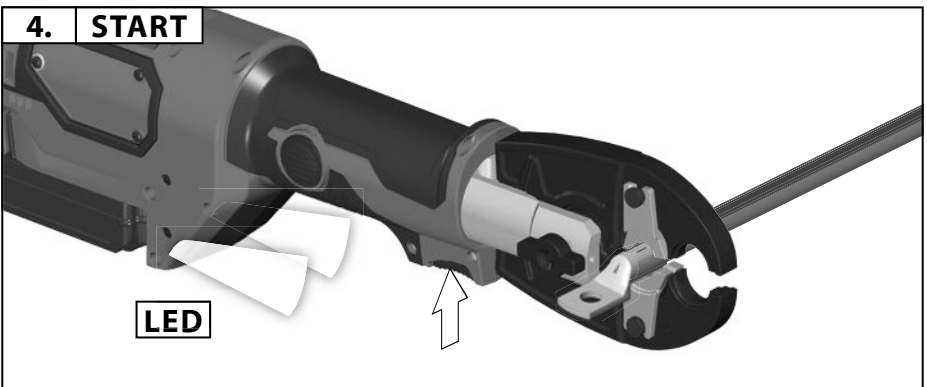
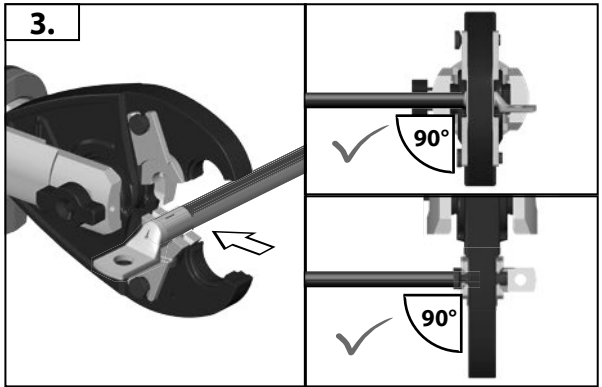
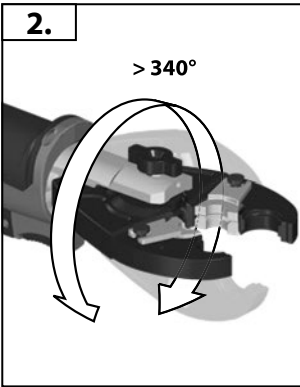
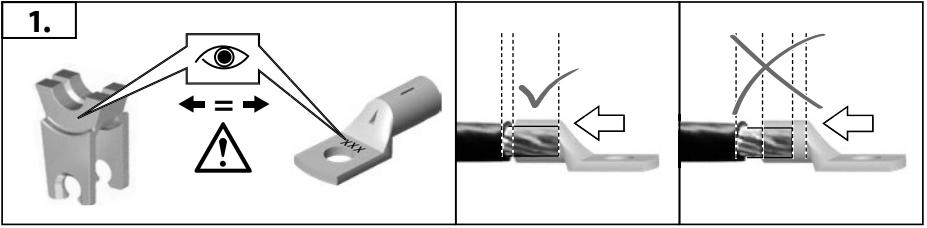
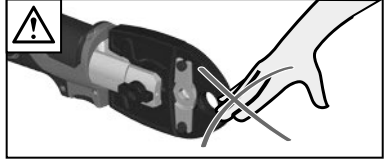
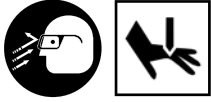
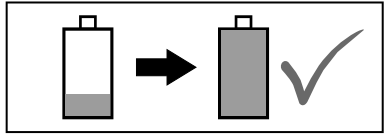
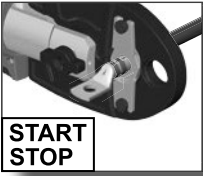


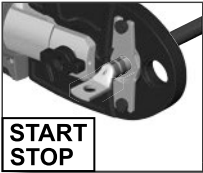
2.





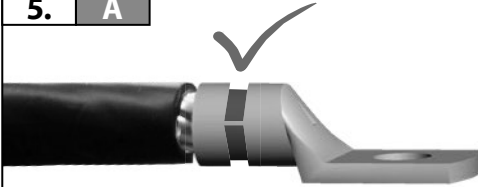




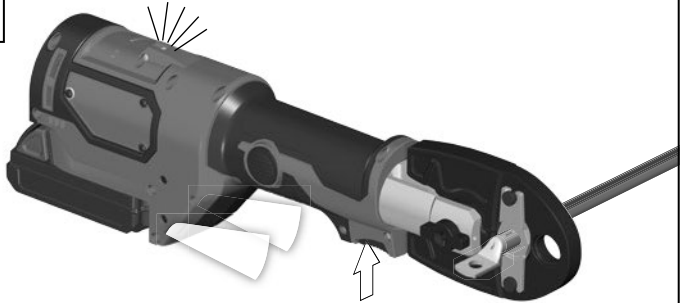


**START
STOP**

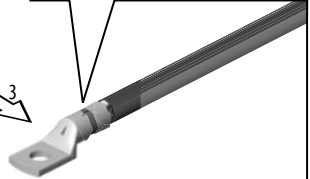
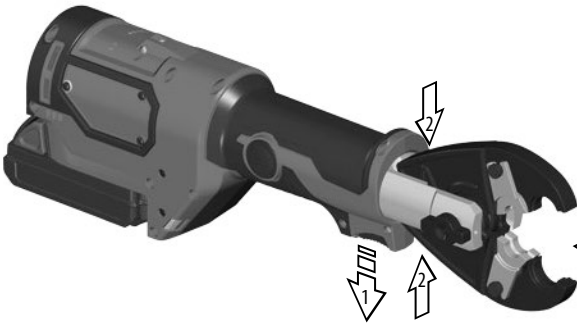
5. A

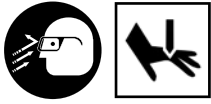
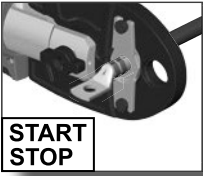


Auto Stop

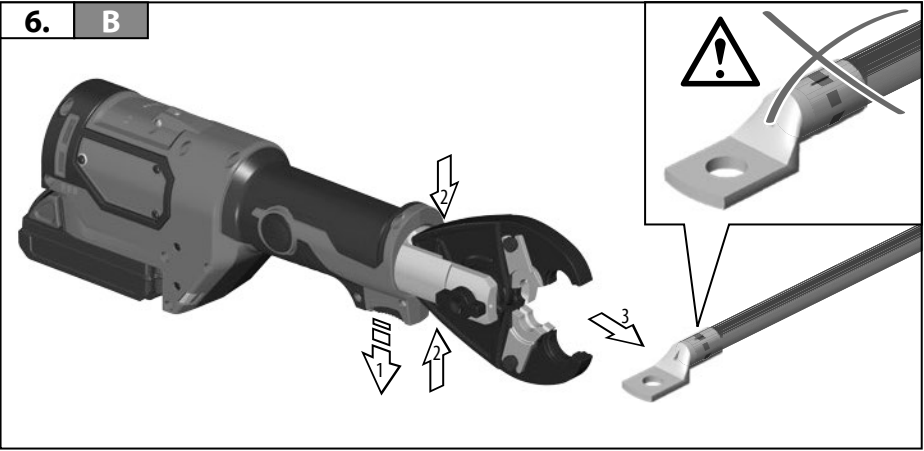
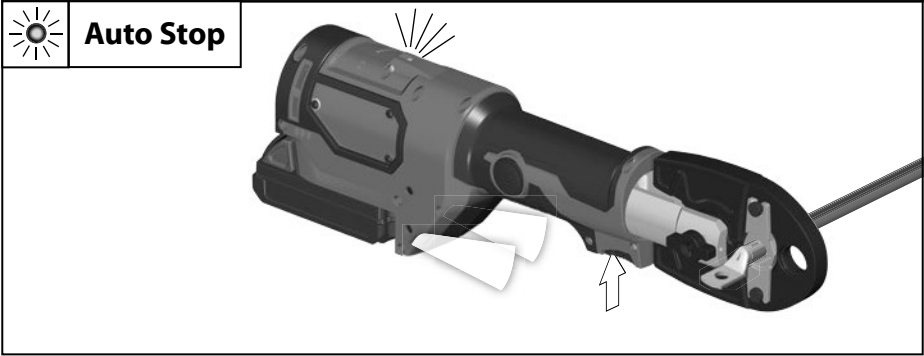


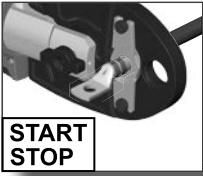
6. A



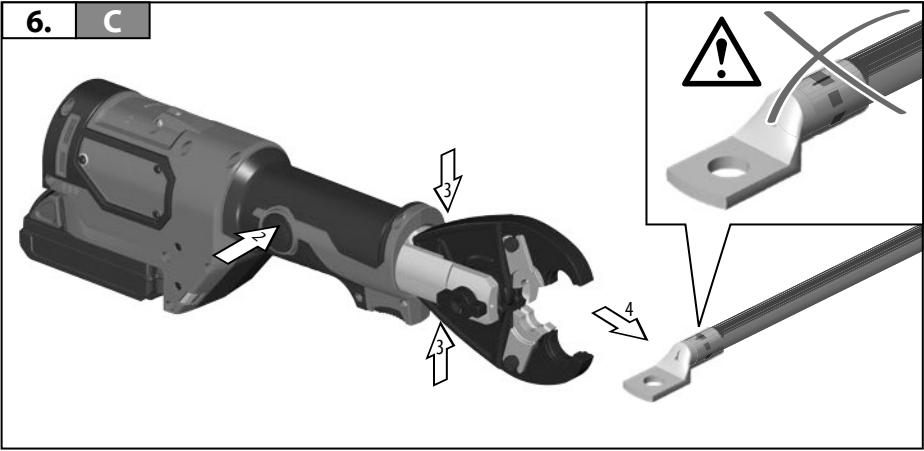
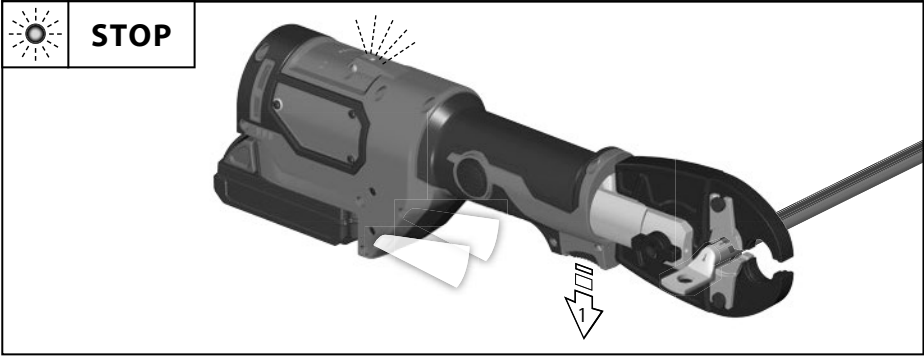
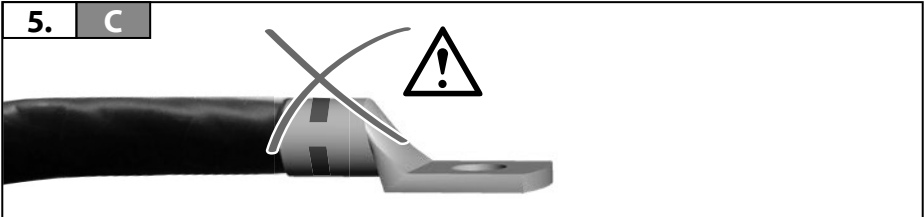


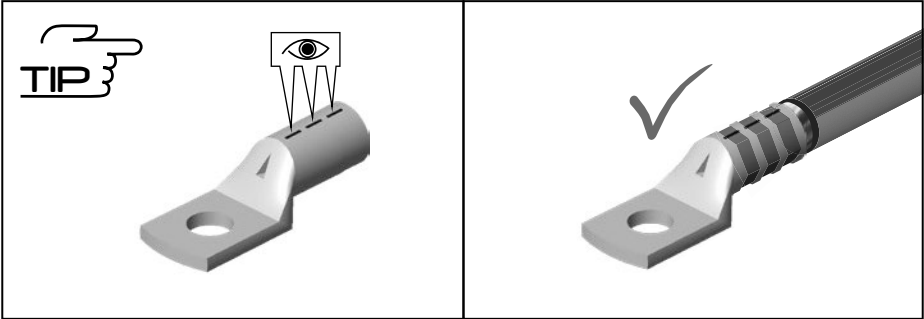
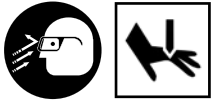
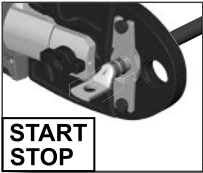
START
STOP



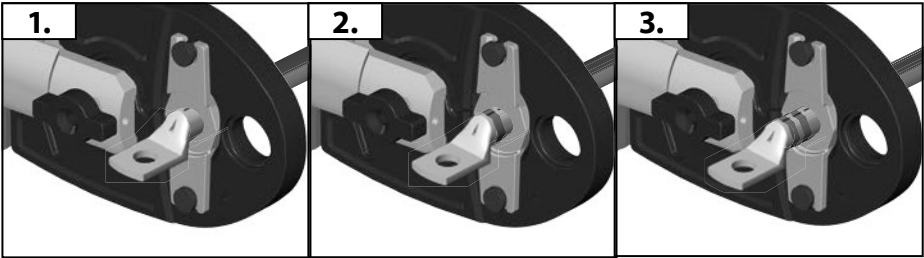


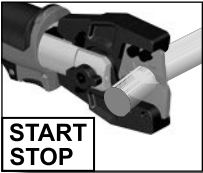
**START
STOP**



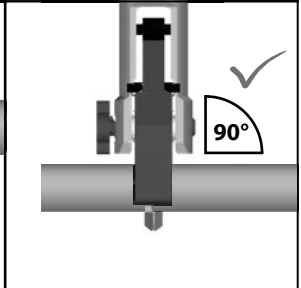
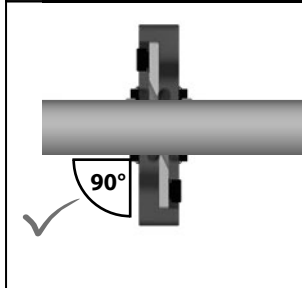
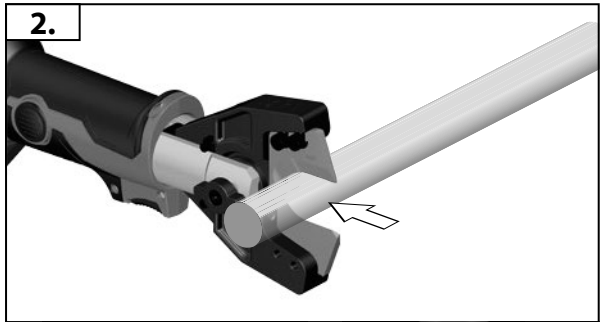
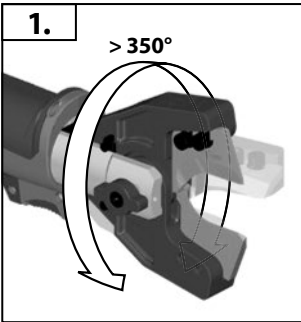
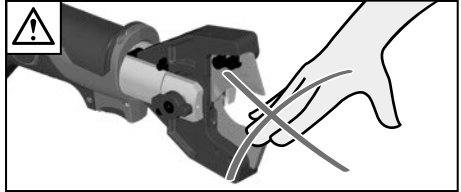
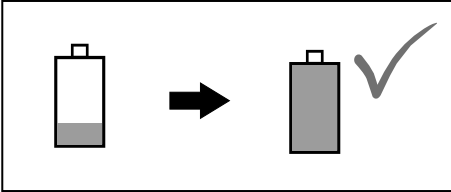


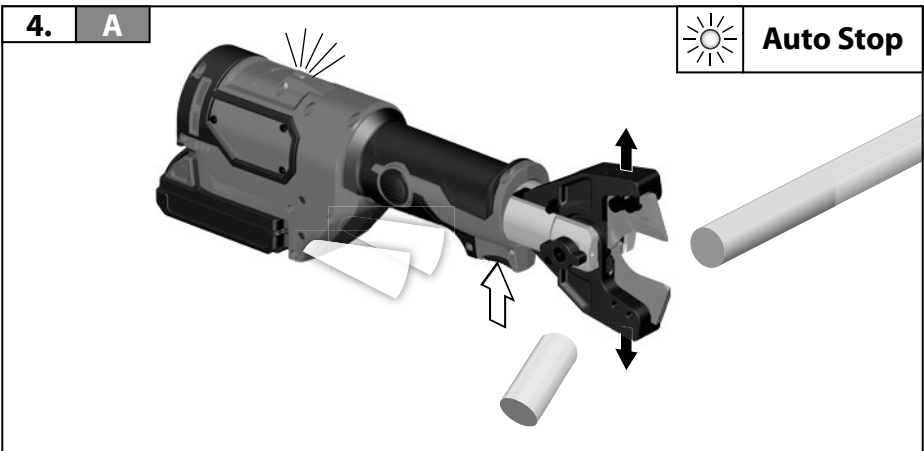
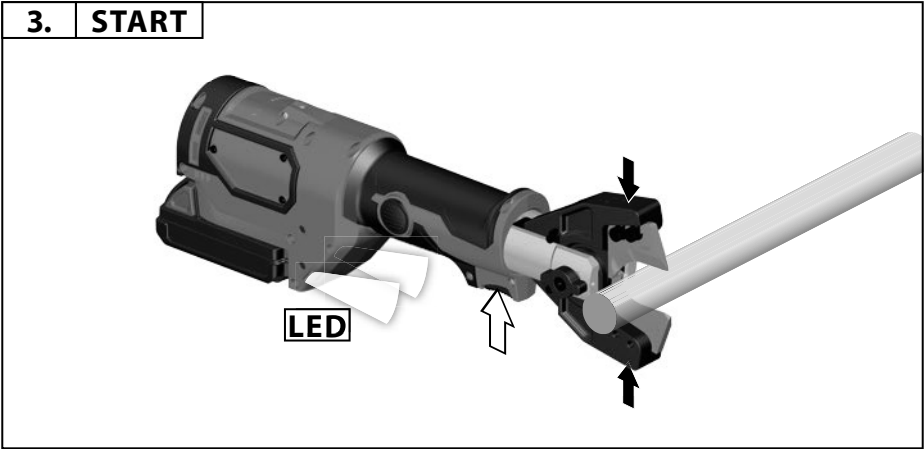
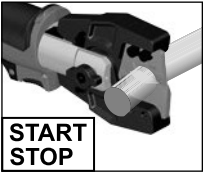
START
STOP

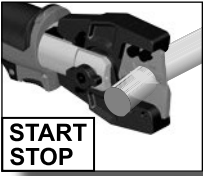




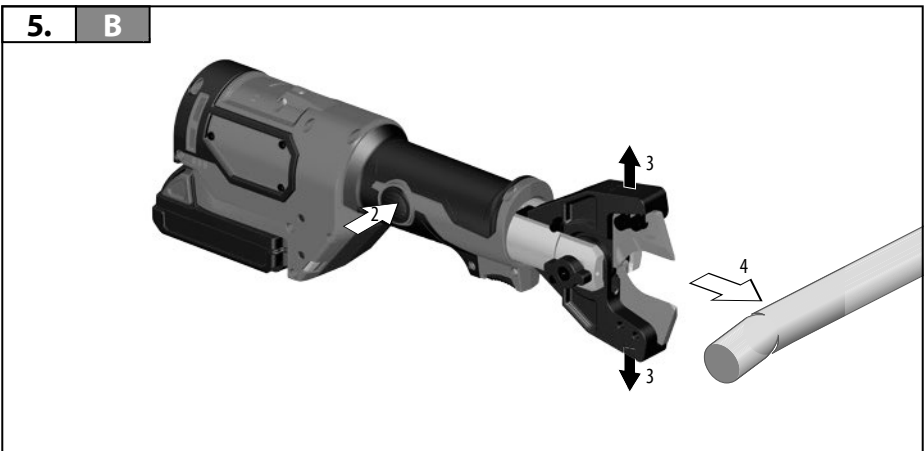
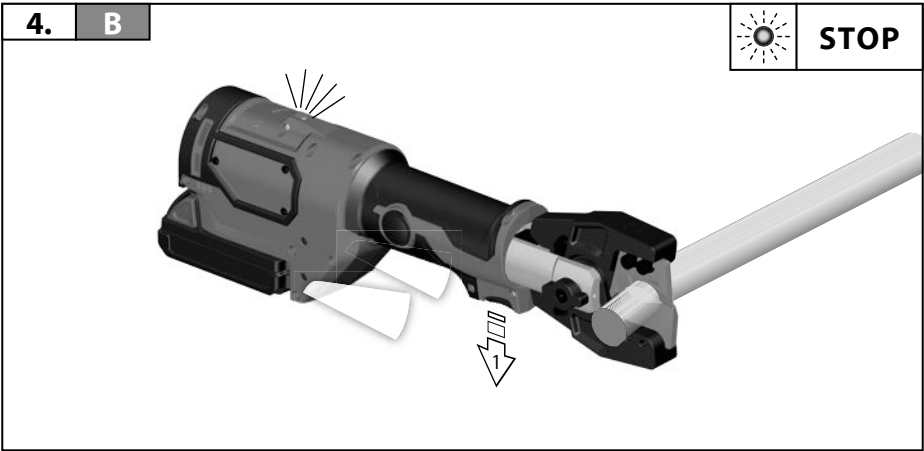
START
STOP

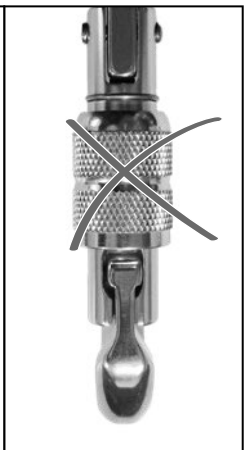
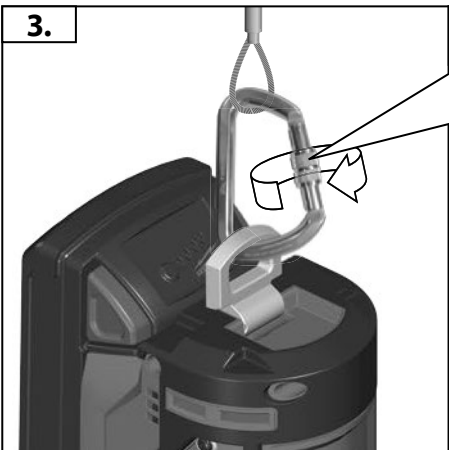
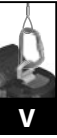
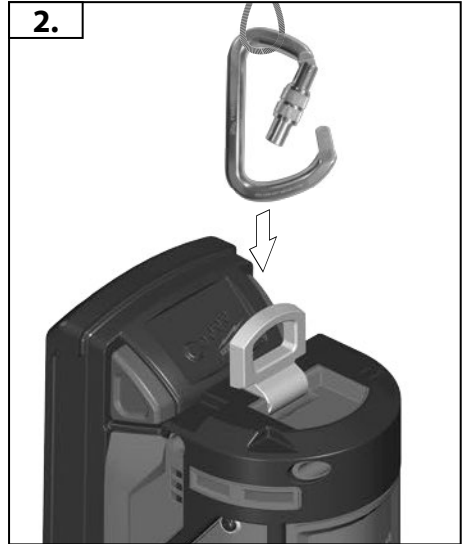




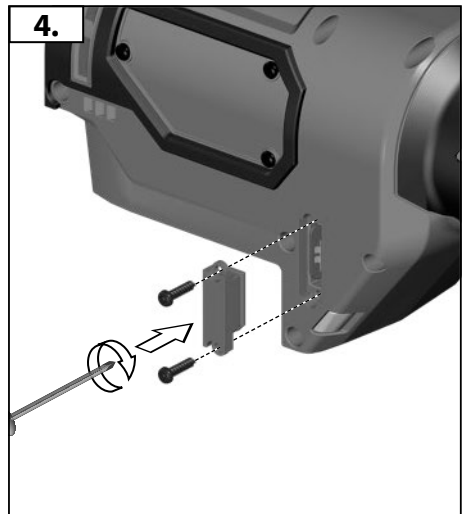
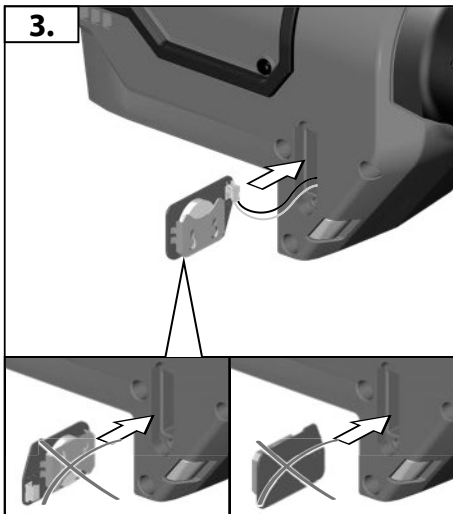
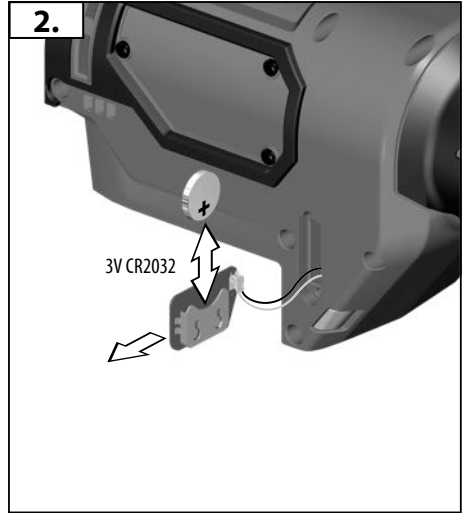
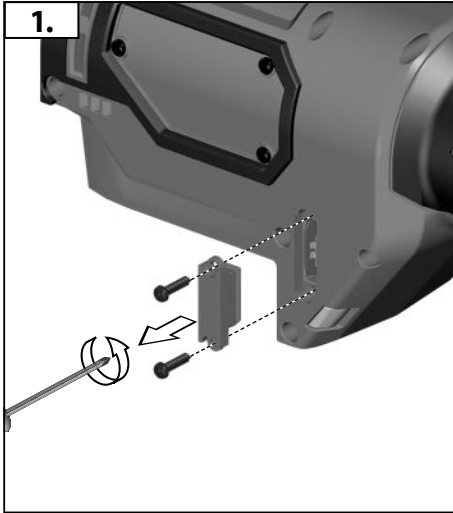


START
STOP
≡

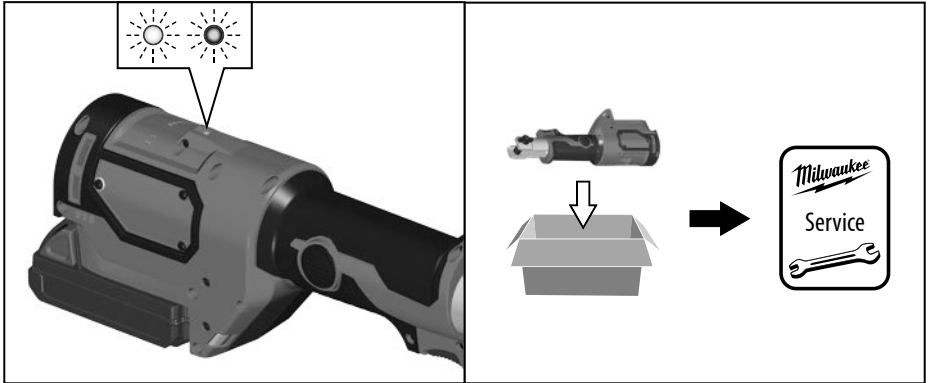










VII



TECHNICAL DATA Crimping- and Cutting Tool		M18 HUCT
Production code	4673 82 02... 000001-999999	
Frequency band	2402 - 2480 MHz	
Radio-frequency power	1,8 dBm	
Battery voltage	18 V	
Nominal force	53 kN	
 Compression range : Diameter max. Copper Aluminium	300 mm ² 150 mm ²	
	 Cutting range depends on material ACSR: Aluminium-/Steel cable max. Copper- / Aluminium-Cable max. Other materials and their diameter are depending on the specific jaws.	22,5 mm 35 mm
Weight according EPTA-Procedure 01/2014 (Li-Ion 2,0 Ah...9,0Ah)		
with press jaws	3,6 kg ... 4,2 kg	
with cutting jaws	3,7 kg ... 4,3 kg	
Recommended battery types	M18B...	
Recommended charger	M12-18...	
Noise information		
Measured values determined according to EN 62841. Typically, the A-weighted noise levels of the tool are:		
Sound pressure level (Uncertainty K=3dB(A))	74,6 dB (A)	
Sound power level (Uncertainty K=3dB(A))	85,6 dB (A)	
Wear ear protectors!		
Vibration information		
Vibration total values (triaxial vector sum) determined according to EN 62841		
Vibration emission value a _v	0,77 m/s ²	
Uncertainty K=	1,5 m/s ²	

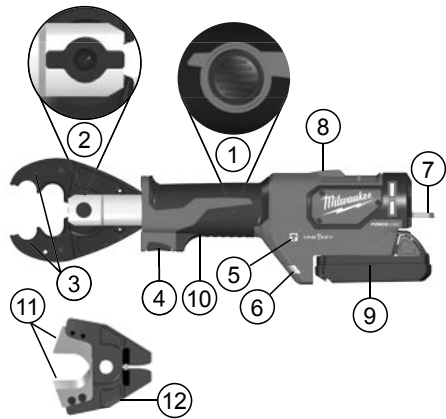
WARNING!

The vibration emission level given in this information sheet has been measured in accordance with a standardised test given in EN 62841 and may be used to compare one tool with another. It may be used for a preliminary assessment of exposure.

The declared vibration emission level represents the main applications of the tool. However if the tool is used for different applications, with different accessories or poorly maintained, the vibration emission may differ. This may significantly increase the exposure level over the total working period.




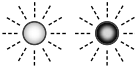
An estimation of the level of exposure to vibration should also take into account the times when the tool is switched off or when it is running but not actually doing the job. This may significantly reduce the exposure level over the total working period.

Identify additional safety measures to protect the operator from the effects of vibration such as: maintain the tool and the accessories, keep the hands warm, organisation of work patterns.



Device description

- | | |
|----------------------------|-------------------------------------|
| ① Hydraulic release button | ⑦ Hanger |
| ② Locking bolts | ⑧ LED /Crimping indicator |
| ③ Crimping jaws | ⑨ Battery |
| ④ Trigger | ⑩ Handle Insulated gripping surface |
| ⑤ ONE KEY indicator | ⑪ Cutting blades |
| ⑥ LED | ⑫ Cutting jaws |

LED indicator	Definition
 Solid Green	Tool completed the operation and reached full crimping pressure.
 Solid Red	Tool completed the operation but did NOT reach full crimping pressure.
 Flashing Red	Tool did NOT complete the operation.
 Flashing Red / Green (after Solid Green or Solid Red)	Tool has reached its service interval (30000 crimps). Red/Green flashing will begin after the solid Red or Green indicator for the operation is displayed. MILWAUKEE recommends that the device be inspected and preventative maintenance completed.



⚠️ WARNING Read all safety warnings, instructions, illustrations and specifications provided with this power tool. Failure to follow the warnings and instructions may result in electric shock, fire and/or serious injury.

Save all warnings and instructions for future reference.

⚠️ SAFETY WARNINGS

The operator of this device must be instructed in the specific dangers associated with using this device and in the essential safety measures before working with it for the first time and at least once a year thereafter.

The operating company must:

- make the operating manual available to the operator and
- ensure that the operator has read and understood it.

Use protective equipment. Always wear goggles when using the device. The use of protective clothing is recommended, such as dust mask, protective gloves, sturdy non-slip footwear, helmet and ear defenders.

Never hold your fingers or other body parts in the working area of the cylinder or the jaws.

Remove the battery pack before starting any adjustment, cleaning and maintenance work on the device.

Only use devices, battery packs and chargers that are in perfect technical condition.

Have damage repaired immediately by an authorised workshop.

To avoid injury and damage, prevent accidental starting of the device.

Remove any setting tools and wrenches before the operation.

Do not work on electrically live parts. Device is NOT insulated.

WARNING! To reduce the risk of fire, personal injury, and product damage due to a short circuit, never immerse your device, battery pack or charger in fluid or allow a fluid to flow inside them.

Corrosive or conductive fluids, such as seawater, certain industrial chemicals, and bleach or bleach containing products, etc., can cause a short circuit.

Compliance with the specified service work and service intervals is mandatory.

Never break open battery packs and chargers and store only in dry rooms. Keep dry at all times.

Use only System M18 chargers for charging System M18 battery packs. Do not use battery packs from other systems.

To avoid injury and damage, never immerse the tool, removable battery or charger in liquid or allow liquid to penetrate them.

WARNING



This device contains a button-type/coin cell lithium battery. A new or used battery can cause severe internal burns and lead to death in as little as 2 hours if swallowed or if it enters the body. Always secure the cover on the battery compartment. If it does not close securely, stop the device, remove the battery and keep it out of reach of children. If you believe that someone has swallowed the battery or that it has otherwise entered the body, seek immediate medical attention.

⚠️ CRIMPING TOOL SAFETY WARNINGS

Crimping tools and crimping devices must only be used by trained personnel in electrotechnical applications.

Check crimping tool, jaws and dies for cracks and other signs of wear before each use.

Only use crimping tools and crimping dies that are in perfect technical condition.

Only use the crimping tool with crimping dies inserted into it.

Only use crimping dies up to 60 kN and with a total width of 22 mm.

Do not touch the press jaws during the pressing operation.

In the event of problems during the crimping process, immediately release the ON switch and press the unlocking button on the hydraulic system. The valve will open and the piston will return to its initial position.

⚠️ CABLE CUTTER SAFETY WARNINGS

Only personnel trained in electrotechnical applications may carry out cutting and splitting of cables and cords with the aid of this cable cutter.

To reduce the risk of explosions, electric shock and damage to property and equipment, never cut live electrical cables. Device is NOT insulated.

Keep hands and loose items of clothing away from cutting tools and other moving parts. There is a risk of serious injury, including severing of limbs.

Never hold the cable cutter by the cutting jaws.

Before using, always check the cutting jaws for cracks and other signs of wear.

The cable cutter may only be used with a cutting tool inserted.

RESIDUAL RISK

Crimping Tool:

Never crimp live connecting materials.

Cable Cutter:

Before the cutting process begins, access must be sealed off in accordance with local regulations.

Only ever cut cables that have been disconnected from the power supply!

Cable and cord may not be exposed to any mechanical forces.

To reduce the risk of injury, wear safety goggles or glasses with side shields.

Failure to comply with this instruction can lead to serious injury, death, fire and other damage to property as a result of electric shock, explosion and/or electric arcs.

SPECIFIED CONDITIONS OF USE

Crimping Tool:

The crimping tool is exclusively designed for crimping connectors and compound materials with dedicated crimping dies.

All live parts, i.e., parts conducting electricity, must be disconnected in the technician's work environment prior to starting work.

Cable Cutter:

The cable cutter is suitable for cutting

- tension-free non-reinforced cables of insulated copper or aluminum, cutting tools depending on cable type



WARNING Read all safety warnings, instructions, illustrations and specifications provided with this power tool. Failure to follow the warnings and instructions may result in electric shock, fire and/or serious injury.

Save all warnings and instructions for future reference.

WORKING INSTRUCTIONS FOR CRIMPING

Use only standardized connectors according to national standards with dedicated crimping dies.

Consult the documents provided by the manufacturer for handling and assembly instructions for connectors.

Check that the nominal diameter of the connecting item corresponds to the nominal diameter of the crimping insert.

Before the crimping process begins, the battery capacity must be checked: minimum 33% (see illustrated description). It may require charging before work commences.

Actuating the control switch initiates the pressing process, which is characterized by the crimping dies coming together.

It is the user's responsibility to check and evaluate that the joint is correct.

Imperfect joints must be crimped again using a new connector.

Action in the event of faults

- Keep the reset switch pressed until the jaws have opened completely
- check the battery capacity
- inspect the cable and the crimping dies based on the technical data
- If it is suspected that a live cable has been pressed, the crimping tool must be inspected at an authorized, specialist workshop

WORKING INSTRUCTIONS FOR CUTTING

Set-up of the working area

Before work begins, the cables or cords must be disconnected and it must be ensured that they remain isolated from the power supply for the duration of the work.

If it cannot be ensured beyond doubt that the cable or insulated line has been disconnected, no work may be carried out.

It is crucial that local safety provisions and the regulations are observed.

Cable and cord may not be exposed to any mechanical forces and must be secured from any uncontrolled movements following the cut.

Do not expose tools to rain. Do not use tools in damp or wet locations.

Preparation of cable cutter and battery

Before every use:

- Inspect cable cutter for external defects
 - Check the cutting tool for cracks and other signs of wear
- Only use in perfect condition!

Before the cutting process begins, the battery capacity must be checked: minimum 33% (see illustrated description). It may require charging before work commences.

Preparation for the cutting process

Support and fix the cable or rope to be cut to minimise the risk of uncontrolled movement.

Overhead cables and cords, in particular, can move out of control and cause injury and/or damage.


The cutting head must be positioned at an angle of 90° to the cable or cord, so that the cable can lie in the opened cutting jaws without tension and undesirable shearing forces can be avoided.

 **WARNING: To reduce the risk of explosions, electric shock and damage to property and equipment, never cut live electrical cables.**

Device is NOT insulated. Contact with a live circuit could result in severe injury or death. Turn off power before making a cut. Never cut gas or water lines. Keep hands away from all cutting edges and moving parts. Laceration and amputation can occur.

Always remove battery pack before changing or removing accessories. Only use accessories specifically recommended for this device. Others may be hazardous.

To reduce the risk of injury, wear safety goggles or glasses with side shields.

 **WARNING: To reduce the risk of injury, only cut recommended materials for the blades. (see „Specifications“) Do not attempt to cut other materials.**

Cutting

Before cutting, ensure cutting blades are properly installed.

1. Guide the cable at right angles to the cutting of the cable cutter. Do not attempt to make angled cuts as it will damage the device and cutting blades.

2. Pull and hold the trigger through the operation. An LED will light when the trigger is pulled.

When the cut is complete or the device shuts off, the cutting jaws open independently. If you release the trigger during the cutting operation, you must press the hydraulic reset button to open the cutting jaws.

Note: Workpiece may move slightly during the cut.

Action in the event of faults

- The cable can be broached and become live, in which case always inform the safety officer, stop the cutting process, and initiate suitable protective measures
- Always ensure that the device is and will stay disconnected from the power supply before approached and touching the device
- press and hold the hydraulic reset button until the cutter opens completely
- check the battery capacity
- check the material and material thickness against the technical data
- If it is suspected that a live cable has been cut, the cable-cutter has to be inspected in an authorized specialist workshop

Jammed Blades

Dirt and debris can cause the blades to become jammed together after a cut

- Press and hold the hydraulic release button to ensure the tool has reset.
- Remove the battery pack.
- Follow the picture description to open the cutting bars
- Clean any dirt and debris from the blades before starting another cut.

Cutting Tips

- Do not attempt to make angled cuts as it will damage the device and cutting blades.
- Cut clean material to extend the cutting blade life. Wipe dirt and debris from material and cutting blades before beginning the cut.

MAINTENANCE

Remove the battery pack before starting any adjustment, cleaning and maintenance work on the device.

Never open the device, removable battery or charger.



Check the device for any problems such as noise or jamming of moving parts that could be affecting the device.

Check the device, jaws and crimping dies and cutting blades for cracks and other signs of wear before each use.

Clean and grease the devices when you have finished work.

Clean and grease the drive rolls, the locking bolts and jaws.

Check that the jaws can move freely.

Replace the crimping dies and cutting blades when they become chipped or damaged.

Check that the cutting edges are sharp and replace worn cutting blades.

Always replace crimping dies and cutting blades as a set.

The ventilation slots of the device must be kept clear at all times.

To avoid injury and damage, never immerse the device, removable battery or charger in liquid or allow liquid to penetrate them.

Further service and repair work may only be carried out by authorized specialist workshops.

The device contains hydraulic fluid. Hydraulic fluids pose a hazard to groundwater. Uncontrolled draining or improper disposal is punishable by law.

The next service deadline is indicated by LED on the device.

This service must be performed at least every 2 years or after 30,000 crimping operations or at the latest when the LED display indicates that a service is due.

Use only Milwaukee accessories and Milwaukee spare parts. Should components need to be replaced which have not been described, please contact one of our Milwaukee service agents (see our list of guarantee/service addresses).

If needed, an exploded view of the tool can be ordered. Please state the Article No. as well as the machine type printed on the label and order the drawing at your local service agents or directly at: Techtronic Industries GmbH, Max-Eyth-Straße 10, 71364 Winnenden, Germany.

ONE-KEY™

To learn more about the ONE-KEY functionality of this device, please refer to the Quick Start guide included with this product or go to <http://www.milwaukeeetool.com/one-key>

To download the ONE-KEY app, visit the App Store or Google Play from your smart device.

We considered the result to be within our minimum acceptable performance level according to EN 301 489-1/ EN 301 489-17. And we will give the operation guidance to the customer in user manual.

BATTERIES

Battery packs which have not been used for some time should be recharged before use. Temperatures in excess of 50°C (122°F) reduce the performance of the battery pack. Avoid extended exposure to heat or sunshine (risk of overheating).

The contacts of chargers and battery packs must be kept clean.

For an optimum life-time, the battery packs have to be fully charged, after use.

To obtain the longest possible battery life remove the battery pack from the charger once it is fully charged.

For battery pack storage longer than 30 days: Store the battery pack where the temperature is below 27°C and away from moisture. Store the battery packs in a 30% - 50% charged condition. Every six months of storage, charge the pack as normal.

Do not dispose of used battery packs in the household refuse or by burning them. Milwaukee Distributors offer to retrieve old batteries to protect our environment.

Do not store the battery pack together with metal objects (short circuit risk).

Battery acid may leak from damaged batteries under extreme load or extreme temperatures. In case of contact with battery acid wash it off immediately with soap and water. In case of eye contact rinse thoroughly for at least 10 minutes and immediately seek medical attention.

No metal parts must be allowed to enter the battery section of the charger (short circuit risk).

TRANSPORTING LITHIUM BATTERIES

Lithium-ion batteries are subject to the Dangerous Goods Legislation requirements.

Transportation of those batteries has to be done in accordance with local, national and international provisions and regulations.

The user can transport the batteries by road without further requirements.

Commercial transport of Lithium-Ion batteries by third parties is subject to Dangerous Goods regulations. Transport preparation and transport are exclusively to be carried out by appropriately trained persons and the process has to be accompanied by corresponding experts.

When transporting batteries:

Ensure that battery contact terminals are protected and insulated to prevent short circuit. Ensure that battery pack is secured against movement within packaging. Do not transport batteries that are cracked or leak. Check with forwarding company for further advice

EC-DECLARATION OF CONFORMITY

We declare under our sole responsibility that the product described under "Technical Data" fulfills all the relevant provisions of the directives

2011/65/EU (RoHS)

2006/42/EC

2014/53/EU

and the following harmonized standards have been used.

EN 62841-1:2015

EN 62479:2010

EN 55014-1:2017+A11:2020

EN 55014-2:2015

EN 301 489-1 V2.2.3

EN 301 489-17 V3.1.1

EN 300 328 V2.2.2

EN IEC 63000:2018



Winnenden, 2020-11-10

Alexander Krug / Managing Director

Authorized to compile the technical file

Techtronic Industries GmbH

Max-Eyth-Straße 10, 71364 Winnenden, Germany

GB-DECLARATION OF CONFORMITY

We declare as the manufacturer under our sole responsibility that the product described under „Technical Data“ fulfills all the relevant provisions of the following Regulations
S.I. 2012/3032 (as amended), S.I. 2008/1597 (as amended),
S.I. 2017/1206 (as amended) and that the following designated standards have been used:

BS EN 62841-1:2015
BS EN 62479:2010
BS EN 55014-1:2017+A11:2020
BS EN 55014-2:2015
EN 301 489-1 V2.2.3
EN 301 489-17 V3.1.1
EN 300 328 V2.2.2
BS EN IEC 63000:2018











Winnenden, 2020-11-10





Alexander Krug / Managing Director
Authorized to compile the technical file

Techtronic Industries GmbH
Max-Eyth-Straße 10, 71364 Winnenden, Germany

SYMBOLS

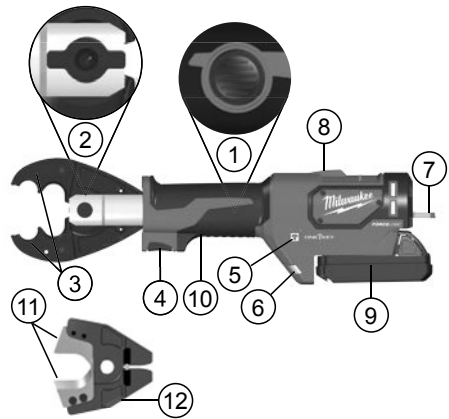
-  Please read the instructions carefully before starting the machine.
-  Wear goggles.
-  This device contains a button-type/coin cell lithium battery.
-  CAUTION! WARNING! DANGER!
-  Remove the battery pack before starting any work on the appliance.
-  Danger of electric shock
-  WARNING!
Risk of injury from ejected fragments
-  WARNING! Hand injury
-  Accessory - Not included in standard equipment, available as an accessory.
-  = 
-  = 
-  Do not dispose of electric tools together with household waste material. Electric tools and electronic equipment that have reached the end of their life must be collected separately and returned to an environmentally compatible recycling facility. Check with your local authority or retailer for recycling advice and collection point.
- V** Volts
-  Direct Current
- CE** European Conformity Mark
- UK CA** British Conformity Mark
-  Ukraine Conformity Mark
- 001 EAC** EurAsian Conformity Mark



TECHNISCHE DATEN Press- und Schneidwerkzeug		M18 HUCT
Produktionsnummer	4673 82 02... 000001-999999	
Frequenzband	2402 - 2480 MHz	
Sendeleistung	1,8 dBm	
Spannung Wechselakku	18 V	
Nennkraft	53 kN	
 Pressbereich : Querschnitt max. Kupfer Aluminium	300 mm ² 150 mm ²	
	 Schnittbereich materialabhängig ACSR: Aluminium-/Stahlseile max. Kupfer- / Aluminium-Kabel max. Weitere Materialien und deren Durchmesser sind abhängig von den spezifischen Backen.	22,5 mm 35 mm
Gewicht nach EPTA-Prozedur 01/2014 (Li-Ion 2,0 Ah...9,0Ah)		
mit Pressbacken	3,6 kg ... 4,2 kg	
mit Schneidbacken	3,7 kg ... 4,3 kg	
Empfohlene Akku Typen	M18B...	
Empfohlene Ladegeräte	M12-18...	
Geräuschinformation		
Messwerte ermittelt entsprechend EN 62841. Der A-bewertete Geräuschpegel des Gerätes beträgt typischerweise:		
Schalldruckpegel (Unsicherheit K=3dB(A))	74,6 dB (A)	
Schalleistungspegel (Unsicherheit K=3dB(A))	85,6 dB (A)	
Gehörschutz tragen!		
Vibrationsinformationen		
Schwingungsgesamtwerte (Vektorsumme dreier Richtungen) ermittelt entsprechend EN 62841.		
Schwingungsemissionswert a _h	0,77 m/s ²	
Unsicherheit K=	1,5 m/s ²	




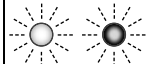


D



Gerätebeschreibung

- | | |
|-------------------------------------|---|
| ① Entriegelungs-Knopf der Hydraulik | ⑦ Aufhängebügel |
| ② Verriegelungsbolzen | ⑧ LED Leuchte / Pressanzeige |
| ③ Pressbacken | ⑨ Akku |
| ④ Auslöser | ⑩ Gerätehandgriff Isolierte Grifffläche |
| ⑤ ONE KEY Anzeige | ⑪ Schneidklingen |
| ⑥ LED Leuchte | ⑫ Schneidbacken |

LED Anzeige	Beschreibung
 Einfarbig Grün	Das Gerät hat den Vorgang beendet und die volle Presskraft erreicht.
 Einfarbig Rot	Das Gerät hat den Vorgang abgeschlossen, hat aber KEINE vollständige Presskraft erreicht.
 Blinkend Rot	Das Gerät hat den Vorgang NICHT abgeschlossen.
 Blinkend Rot / Grün (nach Einfarbig Grün oder Einfarbig Rot)	Das Gerät hat sein Wartungsintervall erreicht (30000 Pressvorgänge). Rotes / Grünes Blinken beginnt, nachdem die durchgehende Rote oder Grüne Anzeige für den Vorgang angezeigt wurde. MILWAUKEE empfiehlt, das Gerät zu überprüfen und die periodische Wartung durchzuführen.

WARNUNG!

Der in diesen Anweisungen angegebene Schwingungspegel ist entsprechend einem in EN 62841 genormten Messverfahren gemessen worden und kann für den Vergleich von Elektrowerkzeugen miteinander verwendet werden. Er eignet sich auch für eine vorläufige Einschätzung der Schwingungsbelastung.

Der angegebene Schwingungspegel repräsentiert die hauptsächlichlichen Anwendungen des Elektrowerkzeugs. Wenn allerdings das Elektrowerkzeug für andere Anwendungen, mit abweichenden Einsatzwerkzeugen oder ungenügender Wartung eingesetzt wird, kann der Schwingungspegel abweichen. Dies kann die Schwingungsbelastung über den gesamten Arbeitszeitraum deutlich erhöhen.

Für eine genaue Abschätzung der Schwingungsbelastung sollten auch die Zeiten berücksichtigt werden, in denen das Gerät abgeschaltet ist oder zwar läuft, aber nicht tatsächlich im Einsatz ist. Dies kann die Schwingungsbelastung über den gesamten Arbeitszeitraum deutlich reduzieren.

Legen Sie zusätzliche Sicherheitsmaßnahmen zum Schutz des Bedieners vor der Wirkung von Schwingungen fest wie zum Beispiel: Wartung von Elektrowerkzeug und Einsatzwerkzeugen, Warmhalten der Hände, Organisation der Arbeitsabläufe.

⚠️ WARNUNG Lesen Sie alle Sicherheitshinweise, Anweisungen, Abbildungen und technischen Daten, mit denen dieses Elektrowerkzeug versehen ist. Versäumnisse bei der Einhaltung der nachfolgenden Anweisungen können elektrischen Schlag, Brand und/oder schwere Verletzungen verursachen.

Bewahren Sie alle Sicherheitshinweise und Anweisungen für die Zukunft auf.

⚠️ SICHERHEITSHINWEISE

Der Bediener dieses Gerätes ist vor der erstmaligen Aufnahme der Tätigkeit und danach, mindestens einmal jährlich, vor den besonderen Gefahren beim Umgang mit diesem Gerät und über die notwendigen Sicherheitsvorkehrungen zu unterweisen.

Der Betreiber muss:

- dem Bediener die Betriebsanleitung zugänglich machen und sich vergewissern, dass der Bediener sie gelesen und verstanden hat.

Schutzausrüstung verwenden. Beim Arbeiten mit dem Gerät stets Schutzbrille tragen. Schutzkleidung wie Staubschutzmaske, Schutzhandschuhe, festes und rutschsicheres Schuhwerk, Helm und Gehörschutz werden empfohlen.

Halten Sie niemals Finger oder andere Körperteile in den Arbeitsbereich des Zylinders und der Backen.

Vor allen Einstell-, Reinigungs- und Wartungsarbeiten am Gerät den Wechselakku herausnehmen.

Gerät, Wechselakku und Ladegerät nur in technisch einwandfreiem Zustand verwenden.

Beschädigungen sofort von einer autorisierten Fachwerkstatt reparieren lassen.

Um Verletzungen oder Schäden zu vermeiden, verhindern Sie unbeabsichtigtes Starten des Gerätes.

Entfernen Sie verwendete Einstellwerkzeuge oder Schlüssel vor dem Arbeitsvorgang.

Es dürfen keine unter elektrischer Spannung stehenden Teile bearbeitet werden. Das Gerät gilt als NICHT isoliert.

WARNUNG! Um die durch einen Kurzschluss verursachte Gefahr eines Brandes, von Verletzungen oder Produktbeschädigungen zu vermeiden, tauchen Sie das Gerät, den Wechselakku oder das Ladegerät nicht in Flüssigkeiten ein und sorgen Sie dafür, dass keine Flüssigkeiten in die Geräte und Akkus eindringen. Korrodierende oder leitfähige Flüssigkeiten, wie Salzwasser, bestimmte Chemikalien und Bleichmittel oder Produkte, die Bleichmittel enthalten, können einen Kurzschluss verursachen.

Wartung und Wartungsintervalle zwingend einhalten.

Wechselakkus und Ladegeräte nicht öffnen und nur in trockenen Räumen lagern. Vor Nässe schützen.

Wechselakkus des Systems M18 nur mit Ladegeräten des Systems M18 laden. Keine Akkus aus anderen Systemen laden.

Um Verletzungen oder Schäden zu vermeiden, tauchen Sie ihr Werkzeug, Wechselakku oder Ladegerät nie in Flüssigkeit oder lassen eine Flüssigkeit in sie fließen.

WARNUNG

⚠️ Dieses Gerät enthält eine Lithium-Knopf-/Münzzellenbatterie. Eine neue oder gebrauchte Batterie kann schwere interne Verbrennungen verursachen und zum Tod in weniger als 2 Stunden führen, wenn sie verschluckt oder in den Körper gelangt. Sichern Sie immer den Batteriefachdeckel. Wenn er nicht sicher schließt, stoppen Sie das Gerät, entfernen Sie die Batterie und halten Sie sie von Kindern fern. Wenn Sie glauben, dass Batterien verschluckt oder in den Körper eingedrungen sind, suchen Sie sofortige ärztliche Hilfe auf.

⚠️ SICHERHEITSHINWEISE FÜR PRESSWERKZEUGE

Presswerkzeug und Presseinsätze dürfen nur von einer elektrotechnisch unterwiesenen Fachkraft verwendet werden.

Vor jedem Gebrauch Presswerkzeug, -backen und -einsätze auf Risse und sonstige Verschleißerscheinungen prüfen.

Presswerkzeug und Presseinsätze sind nur in technisch einwandfreiem Zustand zu verwenden.

Das Presswerkzeug darf nur mit eingesetzten Presseinsätzen verwendet werden.

Nur Presseinsätze bis 60 kN mit einer Gesamtbreite von 22 mm verwenden.

Berühren Sie die Pressbacken während des Pressvorgangs nicht.

Lassen Sie bei Störungen während des Pressvorgangs sofort den EIN-Schalter los und drücken Sie den Entriegelungs-Knopf der Hydraulik. Das Ventil öffnet und der Kolben fährt in die Ausgangsposition zurück.

⚠️ SICHERHEITSHINWEISE FÜR KABELSCHNEIDER

Das Schneiden bzw. Trennen von Kabeln und Seilen mithilfe dieses Kabelschneiders darf nur durch eine elektrotechnisch unterwiesene Person erfolgen.

Um das Risiko von Explosionen, elektrischem Schlag, Sach- und Geräteschäden zu reduzieren, niemals stromführende elektrische Leitungen schneiden. Das Gerät gilt als NICHT isoliert.

Hände und lockere Kleidung von Schneidwerkzeugen und anderen beweglichen Teilen entfernt halten. Es besteht die Gefahr von schweren Verletzungen oder Abtrennung von Gliedmaßen.

Halten Sie den Kabelschneider nie an den Schneidbacken.

Vor jedem Gebrauch die Schneidbacken auf Risse und sonstige Verschleißerscheinungen prüfen.

Der Kabelschneider darf nur mit eingesetztem Schneidwerkzeug verwendet werden.

RESTRISIKEN

Presswerkzeug:

Nur unter nicht elektrischer Spannung stehende Verbindungsmaterialien verpressen.

Kabelschneider:

Vor Beginn des Schneidvorganges muss entsprechend den lokalen Regelungen eine Absperrung gegen Zutritt eingerichtet sein.

Nur spannungsfreie Kabel schneiden!

Kabel und Seile dürfen keinen mechanischen Kräften ausgesetzt sein. Um das Risiko von Verletzungen zu verringern, sollten Sie stets eine Schutzbrille oder eine Brille mit Seitenschutz tragen.

Bei Nichtbeachtung besteht die Gefahr von schweren Verletzungen, Tod, Feuer oder sonstige Sachschäden durch Stromschlag, Explosion und oder Lichtbogen.



BESTIMMUNGSGEMÄSSE VERWENDUNG

Presswerkzeug:

Das Presswerkzeug darf ausschließlich zum Verpressen von Verbindungsmaterialien, für die die entsprechenden Presseinsätze vorgesehen sind, verwendet werden.

Vor Arbeitsbeginn sind alle aktiven, d.h. stromführenden Teile im Arbeitsumfeld des Monteurs freizuschalten.

Kabelschneider:

Der Kabelschneider ist geeignet zum Trennen von

- spannungsfreien nicht-armierten Kabeln aus isoliertem Kupfer oder Aluminium, Schneidwerkzeuge jeweils kabeltypabhängig

⚠️ WARNUNG Lesen Sie alle Sicherheitshinweise, Anweisungen, Bilderungen und technischen Daten, mit denen dieses Elektrowerkzeug versehen ist. Versäumnisse bei der Einhaltung der nachfolgenden Anweisungen können elektrischen Schlag, Brand und/oder schwere Verletzungen verursachen.

Bewahren Sie alle Sicherheitshinweise und Anweisungen für die Zukunft auf.

ARBEITSHINWEISE ZUM PRESSEN

Nur genormte Verbindungsartikel nach nationalen geltenden Standards sowie die dafür vorgesehenen Presseinsätze verwenden.

Entnehmen Sie die Verarbeitungs- und Montageanweisungen für Verbindungsartikel den Unterlagen des Herstellers.

Prüfen Sie, ob die Nennweite des Verbindungsartikels mit der Nennweite des Presseinsatzes übereinstimmt.

Vor Beginn des Pressvorgangs muss die Akku-Kapazität überprüft werden: mindestens 33% (siehe Bildbeschreibung). Eventuell muss dieser vor Arbeitsbeginn geladen werden.

Die Betätigung des Bedienungsschalters leitet den Pressvorgang ein, der durch das Zusammenfahren der Presseinsätze gekennzeichnet wird.

Die Prüfung und Beurteilung einer korrekten Verpressung obliegt dem Anwender.

Nicht korrekte Verbindungen müssen mit einem neuen Verbindungsartikel nochmals verpresst werden.

Verhalten bei Störungen

- Rückstellschalter gedrückt halten bis zum vollständigen Öffnen der Backen
- prüfen der Akku-Kapazität
- Prüfen des Kabels und der Presseinsätze an Hand der technischen Daten
- Bei Verdacht des Pressens eines spannungsführenden Kabels muss das Presswerkzeug in einer autorisierten Fachwerkstatt überprüft werden

ARBEITSHINWEISE ZUM SCHNEIDEN

Einrichtung des Arbeitsbereichs

Vor Arbeitsbeginn muss ein spannungsfreier Zustand der Leitungen oder Seile hergestellt und für die Dauer der Arbeiten sichergestellt werden.

Kann das freigeschaltete Kabel oder die freigeschaltete isolierte Leitung nicht eindeutig festgestellt werden, dürfen keine Arbeiten durchgeführt werden.

Auf lokale Sicherheitsvorschriften und Regelungen ist unbedingt zu achten.

Kabel und Seile dürfen keinen mechanischen Kräften ausgesetzt sein und müssen gegebenenfalls gegen unkontrollierte Bewegungen nach dem Schnitt gesichert werden.

Setzen Sie das Gerät nicht dem Regen aus und benutzen Sie es nicht in nasser oder feuchter Umgebung.

Vorbereiten von Kabelschneider und Akku

Vor jedem Gebrauch:

- Kabelschneider auf äußere Mängel untersuchen
- Schneidwerkzeuge auf Risse und sonstige Verschleißerscheinungen prüfen

Nur in einwandfreiem Zustand verwenden!

Vor Beginn des Schneidvorgangs muss die Akku-Kapazität überprüft werden: mindestens 33% (siehe Bildbeschreibung). Eventuell muss dieser vor Arbeitsbeginn geladen werden.

Vorbereitung Schneidvorgang

Stützen und fixieren Sie das zu schneidende Kabel oder Seil, um das Risiko einer unkontrollierten Bewegung zu minimieren.

Insbesondere können Freileitungen und Seile unkontrolliert in Bewegung geraten und Verletzungen und / oder Beschädigungen verursachen.

Der Schneidkopf muss in einem Winkel von 90° zum Kabel oder Seil angelegt sein so dass dieses ohne Spannungen in den geöffneten Schneidbacken zum Liegen kommt und ungünstige Scherkräfte vermieden werden.

⚠️ WARNUNG: Um das Risiko von Explosionen, elektrischem Schlag, Sach- und Geräteschaden zu reduzieren, niemals stromführende elektrische Leitungen schneiden.

Das Gerät gilt als NICHT isoliert. Der Kontakt mit einem spannungsführenden Stromkreis kann schwerwiegende Verletzungen bis hin zum Tod verursachen. Unterbrechen Sie stets die Stromzufuhr, bevor Sie einen Schnitt tätigen. Schneiden Sie nie in Gas- oder Wasserleitungen. Halten Sie Ihre Hände von den Schneidwerkzeugen und anderen beweglichen Teilen fern. Es besteht die Gefahr schwerer Verletzungen oder der Abtrennung von Gliedmaßen.

Entfernen Sie stets den Wechselakku, bevor Sie Zubehörteile austauschen oder entfernen. Verwenden Sie ausschließlich das speziell für dieses Gerät empfohlene Zubehör. Die Benutzung von anderem Zubehör ist gefährlich.

Um das Risiko von Verletzungen zu verringern, sollten Sie stets eine Schutzbrille oder eine Brille mit Seitenschutz tragen.

⚠️ WARNUNG: Um Verletzungsrisiken zu vermindern, sollten nur Materialien geschnitten werden, die für die Schneidklingen geeignet sind. (siehe „Technische Daten“) Versuchen Sie keine anderen Materialien zu schneiden.

Schneidvorgang

Vergewissern Sie sich vor dem Schneiden, dass die Schneidklingen ordnungsgemäß montiert sind.

1. Führen Sie das Kabel rechtwinklig an die Schneiden des Kabelschneiders. Versuchen Sie keine schrägen Schnitte, da diese das Gerät und die Schneidklingen beschädigen würden.

2. Drücken Sie den Auslöser und halten Sie ihn gedrückt.

Es schaltet sich eine LED-Leuchtanzeige ein, sobald der Auslöser gedrückt wird.

Wenn der Schnitt durchgeführt ist oder das Gerät abschaltet, öffnen sich die Schneidbacken selbständig. Lassen Sie jedoch

den Auslöser während des Schneidvorgangs los, müssen Sie den Entriegelungsknopf der Hydraulik betätigen, damit sich die Schneidbacken öffnen.

Hinweis: Es ist möglich, dass sich das Kabel während des Schneidens leicht bewegt.

Verhalten bei Störungen

- das Kabel kann angeschnitten und spannungsführend sein, immer den Sicherheitsbeauftragten informieren, den Schneidvorgang abbrechen, geeignete Sicherungsmaßnahmen einleiten
- stellen Sie vor Annäherung und Berührung des Kabelschneiders immer sicher dass das Gerät spannungsfrei ist und bleibt
- Entriegelungsknopf der Hydraulik gedrückt halten bis zum vollständigen Öffnen der Schneiden
- prüfen der Akku-Kapazität
- prüfen des Materials und der Materialstärke an Hand der technischen Daten
- Bei Verdacht des Schneidens eines spannungsführenden Kabels muss der Kabelschneider in einer autorisierten Fachwerkstatt überprüft werden

Verklebte Schneiden

Schmutz und Anhaftungen können dazu führen, dass sich die Schneiden nach dem Schnitt verkleben.

- Halten Sie den Entriegelungsknopf der Hydraulik gedrückt um sicherzustellen, dass das Gerät druckentlastet ist
- Entfernen Sie den Wechselakku
- Folgen Sie der Bildbeschreibung zum Öffnen der Schneidbacken
- Reinigen Sie die Schneidbacken von Schmutz und Anhaftungen bevor Sie einen weiteren Schnitt ausführen

Tipps zum Schneiden von Kabeln

- Versuchen Sie keine schrägen Schnitte, da diese das Gerät und die Schneidklingen beschädigen würden.
- Schneiden Sie nur saubere Kabel um die Lebensdauer der Schneidklingen zu verlängern. Wischen Sie Schmutz und Anhaftungen von Kabel und Schneidklingen vor dem Schneidvorgang.

WARTUNG

Vor allen Einstell-, Reinigungs- und Wartungsarbeiten am Gerät den Wechselakku herausnehmen.

Öffnen Sie nie das Gerät, den Wechselakku oder das Ladegerät.

Überprüfen Sie das Gerät auf etwaige Probleme wie Geräusch oder Festsitzen von beweglichen Teilen die das Gerät beeinträchtigen können.

Vor jedem Gebrauch Gerät, Backen und Presseinsätze und Schneidklingen auf Risse und sonstige Verschleisserscheinungen prüfen.

Nach Beendigung der Arbeiten Geräte reinigen.

Pressrollen, Verriegelungsbolzen und Backen reinigen und fetten.

Leichtgängigkeit der Backen überprüfen.

Tauschen Sie die Presseinsätze und Schneidklingen aus, wenn diese brüchig werden oder Beschädigungen aufweisen.

Auf scharfe Schneidklingen achten bzw. abgenutzte Schneidklingen durch neue ersetzen.

Tauschen Sie die Presseinsätze und Schneidklingen immer paarweise aus.

Stets die Lüftungsschlitze des Gerätes sauber halten.

Um Verletzungen oder Schäden zu vermeiden, tauchen Sie ihr Gerät, Wechselakku oder Ladegerät nie in Flüssigkeit oder lassen eine Flüssigkeit in sie fließen.

Weitere Wartungs- und Reparaturarbeiten dürfen nur durch autorisierte Fachwerkstätten ausgeführt werden.

Das Gerät enthält Hydrauliköl, welches eine Gefahr für das Grundwasser darstellt. Unkontrolliertes Ablassen oder unsachgemäße Entsorgung steht unter Strafe.

Auf dem Gerät wird die nächste Wartung durch LED angezeigt.

Diese Wartung muss mindestens alle 2 Jahre oder nach 30000 Pressvorgängen durchgeführt werden oder spätestens, wenn dies die LED-Anzeige signalisiert.

Nur Milwaukee Zubehör und Milwaukee Ersatzteile verwenden. Bauteile, deren Austausch nicht beschrieben wurde, bei einer Milwaukee Kundendienststelle auswechseln lassen (Broschüre Garantie/Kundendienstadressen beachten).

Bei Bedarf kann eine Explosionszeichnung des Gerätes unter Angabe der Maschinen Type und der sechsstelligen Nummer auf dem Leistungsschild bei Ihrer Kundendienststelle oder direkt bei Techntron Industries GmbH, Max-Eyth-Straße 10, 71364 Winnenden, Germany angefordert werden.

ONE-KEY™

Um mehr über die ONE-KEY Funktionalität dieses Gerätes zu erfahren, lesen Sie die beiliegende Schnellstartanleitung oder besuchen Sie uns im Internet unter <http://www.milwaukeeetool.com/one-key> Sie können die ONE-KEY App über den App Store oder Google Play auf Ihr Smartphone herunterladen.

Das Prüfergebnis erfüllt unsere Mindestanforderungen nach EN 301489-1 / EN 301489-17. Wir händigen dem Benutzer die Betriebsanweisungen in Form der Bedienungsanleitung aus.

AKKUS

Längere Zeit nicht benutzte Wechselakkus vor Gebrauch nachladen. Eine Temperatur über 50°C vermindert die Leistung des Wechselakkus. Längere Erwärmung durch Sonne oder Heizung vermeiden.

Die Anschlusskontakte an Ladegerät und Wechselakku sauber halten.

Für eine optimale Lebensdauer müssen nach dem Gebrauch die Akkus voll geladen werden.

Für eine möglichst lange Lebensdauer sollten die Akkus nach dem Aufladen aus dem Ladegerät entfernt werden.

Bei Lagerung des Akkus länger als 30 Tage: Akku bei ca. 27°C und trocken lagern. Akku bei ca. 30%-50% des Ladezustandes lagern. Akku alle 6 Monate erneut aufladen.

Verbrauchte Wechselakkus nicht ins Feuer oder in den Hausmüll werfen. Milwaukee bietet eine umweltgerechte Alt-Wechselakku-Entsorgung an; bitte fragen Sie Ihren Fachhändler.

Wechselakkus nicht zusammen mit Metallgegenständen aufbewahren (Kurzschlussgefahr).

Unter extremer Belastung oder extremer Temperatur kann aus beschädigten Wechselakkus Batteriefähigkeit auslaufen. Bei Berührung mit Batteriefähigkeit sofort mit Wasser und Seife abwaschen. Bei Augenkontakt sofort mindestens 10 Minuten gründlich spülen und unverzüglich einen Arzt aufsuchen.

In den Wechselakku-Einschubschacht der Ladegeräte dürfen keine Metallteile gelangen (Kurzschlussgefahr).

TRANSPORT VON LITHIUM-IONEN-AKKUS

Lithium-Ionen-Akkus fallen unter die gesetzlichen Bestimmungen zum Gefahrguttransport.

Der Transport dieser Akkus muss unter Einhaltung der lokalen, nationalen und internationalen Vorschriften und Bestimmungen erfolgen.



Verbraucher dürfen diese Akkus ohne Weiteres auf der Straße transportieren.

Der kommerzielle Transport von Lithium-Ionen-Akkus durch Speditionsunternehmen unterliegt den Bestimmungen des Gefahrguttransports. Die Versandvorbereitungen und der Transport dürfen ausschließlich von entsprechend geschulten Personen durchgeführt werden. Der gesamte Prozess muss fachmännisch begleitet werden.

Folgende Punkte sind beim Transport von Akkus zu beachten:

Stellen Sie sicher, dass die Kontakte geschützt und isoliert sind, um Kurzschlüsse zu vermeiden. Achten Sie darauf, dass der Akkupack innerhalb der Verpackung nicht verrutschen kann. Beschädigte oder auslaufende Akkus dürfen nicht transportiert werden. Wenden Sie sich für weitere Hinweise an Ihr Speditionsunternehmen.

CE-KONFORMITÄTSERKLÄRUNG

Wir erklären in alleiniger Verantwortung, dass das unter „Technische Daten“ beschriebene Produkt mit allen relevanten Vorschriften der Richtlinien

2011/65/EU (RoHS)

2006/42/EG

2014/53/EU

und den folgenden harmonisierten normativen Dokumenten übereinstimmt

EN 62841-1:2015

EN 62479:2010

EN 55014-1:2017+A11:2020

EN 55014-2:2015

EN 301 489-1 V2.2.3

EN 301 489-17 V3.1.1

EN 300 328 V2.2.2

EN IEC 63000:2018



Winnenden, 2020-11-10

Alexander Krug / Managing Director
Bevollmächtigt die technischen Unterlagen zusammenzustellen.
Techtronic Industries GmbH
Max-Eyth-Straße 10, 71364 Winnenden, Germany

SYMBOLE



Bitte lesen Sie die Gebrauchsanweisung vor Inbetriebnahme sorgfältig durch.



Schutzbrille tragen.



Dieses Gerät enthält eine Lithium Knopf-/Münzzellenbatterie.



ACHTUNG! WARNUNG! GEFAHR!



Vor allen Arbeiten am Gerät den Wechselakku herausnehmen.



Gefahr eines elektrischen Schlags



WARNUNG!
Verletzungsgefahr durch wegfliegende Bruchstücke



WARNUNG! Handverletzung



Zubehör - Im Lieferumfang nicht enthalten, empfohlene Ergänzung aus dem Zubehörprogramm.



Elektrogeräte dürfen nicht zusammen mit dem Hausmüll entsorgt werden. Elektrische und elektronische Geräte sind getrennt zu sammeln und zur umweltgerechten Entsorgung bei einem Verwertungsbetrieb abzugeben. Erkundigen Sie sich bei den örtlichen Behörden oder bei Ihrem Fachhändler nach Recyclinghöfen und Sammelstellen.

V

Spannung



Gleichstrom



Europäisches Konformitätszeichen





Britisches Konformitätszeichen



Ukrainisches Konformitätszeichen



Euroasiatisches Konformitätszeichen

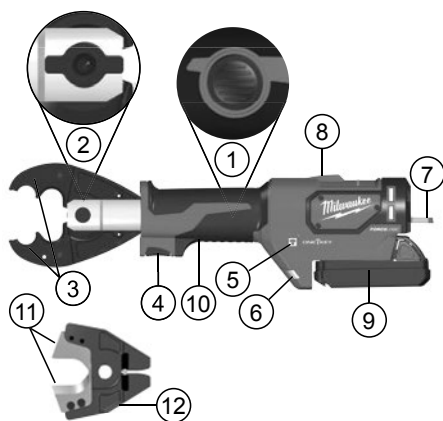
CARACTÉRISTIQUES TECHNIQUES Outil de sertissage et de coupe		M18 HUCT
Numéro de série	4673 82 02... 000001-999999	
Bande de fréquence	2402 - 2480 MHz	
Puissance de radiofréquence	1,8 dBm	
Tension accu interchangeable	18 V	
Force nominale	53 kN	
Zone de pressage : Section max.		
 Cuivre	300 mm ²	
Aluminium	150 mm ²	
Zone de coupe dépend du matériau		
 ACSR: Aluminium-/Câbles en acier max.	22,5 mm	
Cuivre- / Aluminium-Câble max.	35 mm	
D'autres matériaux et leur diamètre dépendent des mâchoires spécifiques.		
Poids suivant EPTA-Procédure 01/2014 (Li-Ion 2,0 Ah...9,0Ah)		
avec mâchoires de pressage	3,6 kg ... 4,2 kg	
avec mâchoires de coupe	3,7 kg ... 4,3 kg	
Batteries conseillées	M18B...	
Chargeurs conseillés	M12-18...	
Informations sur le bruit		
Valeurs de mesure obtenues conformément à la EN 62841. Les mesures réelles (des niveaux acoustiques de l'appareil sont :)		
Niveau de pression acoustique (Incertitude K=3dB(A))	74,6 dB (A)	
Niveau d'intensité acoustique (Incertitude K=3dB(A))	85,6 dB (A)	
Toujours porter une protection acoustique!		
Informations sur les vibrations		
Valeurs totales des vibrations (somme vectorielle de trois sens) établies conformément à EN 62841.		
Valeur d'émission vibratoire a _v	0,77 m/s ²	
Incertitude K=	1,5 m/s ²	

AVERTISSEMENT!

Le niveau vibratoire indiqué dans ces instructions a été mesuré selon un procédé de mesure normalisé dans la norme EN 62841 et peut être utilisé pour comparer des outils électriques entre eux. Il convient aussi à une estimation provisoire de la sollicitation par les vibrations. Le niveau vibratoire indiqué représente les applications principales de l'outil électrique. Toutefois, si l'outil électrique est utilisé pour d'autres applications, avec des outils rapportés qui diffèrent ou une maintenance insuffisante, il se peut que le niveau vibratoire diverge. Cela peut augmenter nettement la sollicitation par les vibrations sur tout l'intervalle de temps du travail.




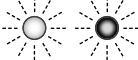
Pour une estimation précise de la sollicitation par les vibrations, on devrait également tenir compte des temps pendant lesquels l'appareil n'est pas en marche ou tourne sans être réellement en service. Cela peut réduire nettement la sollicitation par les vibrations sur tout l'intervalle de temps du travail.

Définissez des mesures de sécurité supplémentaires pour protéger l'utilisateur contre l'influence des vibrations, comme par exemple : la maintenance de l'outil électrique et des outils rapportés, le maintien au chaud des mains, l'organisation des déroulements de travail.



Description du dispositif

- | | |
|--|-----------------------------------|
| ① Bouton de déclenchement du système hydraulique | ⑦ Crochet |
| ② Boulons de verrouillage | ⑧ LED / Voyant de sertissage |
| ③ Mâchoires de pressage | ⑨ Batterie |
| ④ Déclencheur | ⑩ Poignée Surface de prise isolée |
| ⑤ Voyant CLÉ | ⑪ Lames de coupe |
| ⑥ LED | ⑫ Mâchoires de coupe |

Voyant LED	Définition
 Fixe Vert	L'outil a terminé l'opération et a atteint une pression de sertissage maximale.
 Fixe Rouge	L'outil a terminé l'opération mais N'a PAS atteint une pression de sertissage maximale.
 Bouton clignotant Rouge	L'outil N'a PAS terminé l'opération.
 Bouton clignotant Rouge / Vert (après Fixe Vert ou Fixe Rouge)	L'outil a atteint sa période d'entretien (30000 sertissages). Le bouton commencera à clignoter rouge/vert une fois que le voyant s'allumera en rouge ou en vert fixe pour l'opération. MILWAUKEE recommande que l'appareil soit inspecté et que les travaux de maintenance préventifs soient exécutés.



Fr

⚠ AVERTISSEMENT Lisez toutes les consignes de sécurité, instructions, présentations et données que vous recevez avec l'appareil. Le non-respect des avertissements et instructions indiqués ci après peut entraîner un choc électrique, un incendie et/ou de graves blessures sur les personnes.

Bien garder tous les avertissements et instructions.

⚠ INSTRUCTIONS DE SÉCURITÉ PARTICULIÈRES

L'opérateur de cet appareil doit avoir reçu des instructions concernant les dangers spécifiques associés à son utilisation et des mesures de sécurité essentielles avant de travailler avec pour la première fois et au moins une fois par an par la suite.

La société d'exploitation doit :

- mettre la notice technique à la disposition de l'opérateur et
- s'assurer que l'opérateur l'a lue et comprise.

Utiliser l'équipement de protection. Toujours porter des lunettes protectrices en travaillant avec l'appareil. Il est recommandé de porter des articles de protection, tels que masque antipoussière, gants de protection, chaussures tenant bien aux pieds et antidérapantes, casque et protection acoustique.

Ne jamais introduire les doigts ou d'autres parties du corps dans la zone de travail du cylindre ou des mâchoires de pressage.

Retirer le bloc-batterie avant de procéder à tout réglage, nettoyage et travail de maintenance sur l'appareil.

Utiliser uniquement des appareils, blocs-piles et chargeurs en parfait état technique.

Faire immédiatement réparer d'éventuels dommages chez une usine autorisée.

Pour éviter tout dommage, empêcher le démarrage accidentel de l'appareil

Retirer les outils de réglage et clés avant de procéder à la coupe.

Ne pas traiter de pièces sous tension électrique. L'appareil N'EST PAS isolé.

AVERTISSEMENT! Pour réduire le risque d'incendie, de blessures corporelles et de dommages causés par un court-circuit, ne jamais immerger l'appareil, le bloc-piles ou le chargeur dans un liquide ou laisser couler un fluide à l'intérieur de celui-ci. Les fluides corrosifs ou conducteurs, tels que l'eau de mer, certains produits chimiques industriels, le blanchiment ou les produits de blanchiment etc. peuvent provoquer un court-circuit.

Il est impératif de respecter les instructions et les intervalles d'entretien.

Ne pas ouvrir les accus interchangeables et les chargeurs et ne les stocker que dans des locaux secs. Les protéger contre l'humidité.

Ne charger les accus interchangeables du système M18 qu'avec le chargeur d'accus du système M18. Ne pas charger des accus d'autres systèmes.

Pour éviter des blessures et des dommages, ne jamais immerger l'outil, la batterie amovible ou le chargeur dans un liquide ou permettre à du liquide d'y pénétrer.

AVERTISSEMENT

⚠ Cet appareil contient une pile bouton lithium / batterie au lithium. Une batterie neuve ou usagée peut causer de graves brûlures internes et entraîner la mort en moins de 2 heures en cas d'ingestion ou si elle pénètre dans le corps. Fixez toujours le couvercle sur le compartiment de la batterie. S'il ne se ferme pas hermétiquement, arrêtez l'appareil, retirez la batterie et gardez-la hors de la portée des enfants. Si vous pensez que quelqu'un a ingéré la batterie ou que la batterie a pénétré dans le corps, consultez immédiatement un médecin.

⚠ CONSIGNES DE SÉCURITÉ POUR LES OUTILS DE PRESSAGE

Les outils de sertissage et les dispositifs de sertissage ne doivent être utilisés que par du personnel dûment formé dans les applications électrotechniques.

Avant toute utilisation, vérifier que l'outil, les mâchoires de pressage et les matrices ne présentent pas de fissures et d'autres signes d'usure.

N'utiliser qu'un outil de pressage et des matrices en parfait état technique.

L'outil de pressage ne doit être utilisé qu'avec les matrices insérées.

N'utiliser que des matrices de 60 kN maximum d'une largeur totale de 22 mm.

Ne touchez pas les mâchoires de pressage pendant le pressage.

En cas de dérangements pendant l'opération de pressage, lâchez immédiatement l'interrupteur MARCHE et appuyez sur le bouton de déverrouillage de l'hydraulique. La vanne s'ouvrira et le piston rétablira sa position de partance.

⚠ CONSIGNES DE SÉCURITÉ POUR LES COUPE-CÂBLES

Seule une personne ayant reçu des instructions dans le domaine de l'électrotechnique a le droit de couper ou sectionner des câbles.

Pour réduire le risque d'explosions, d'électrocution et de dommages au niveau du matériel et de l'équipement, ne jamais sectionner de câbles électriques sous tension. L'appareil N'EST PAS isolé.

Tenir les mains et les vêtements amples à distance des outils de coupe et autres pièces mobiles. Risque de blessure grave, y compris le sectionnement de membres.

Ne jamais tenir le coupe-câble au niveau des mâchoires de coupe.

Avant l'usage, toujours vérifier que les mâchoires de coupe ne présentent pas de fissures ou d'autres signes d'usure.

Le coupe-câble peut uniquement être utilisé avec un outil de coupe inséré.

RISQUES RÉSIDUELS

Outil de pressage:

Ne sertissez jamais les matériaux de connexion sous tension.

Coupe-câbles:

Avant que le processus de coupe ne commence, l'accès doit être bloqué conformément aux réglementations locales.

À tout moment, ne couper que des câbles qui ne sont plus sous tension!

Les câbles ne doivent pas être exposés à des forces mécaniques.

Pour réduire le risque de blessure, porter des lunettes de sécurité ou des lunettes dotées d'écrans latéraux.

Le non-respect de cette instruction peut entraîner des blessures graves, la mort, un incendie et d'autres dommages matériels résultant d'une électrocution, d'une explosion et/ou d'arcs électriques.



UTILISATION CONFORME AUX PRESCRIPTIONS

Outil de pressage :

L'outil de pressage doit exclusivement être utilisé pour le pressage de matériaux de connexion pour lesquels les matrices correspondantes sont prévues.

Toutes les pièces sous tension, c'est-à-dire les pièces conduisant de l'électricité, doivent être débranchées dans l'environnement de travail du technicien avant le début des travaux.

Coupe-câbles :

Le coupe-câble convient pour découper

- des câbles sans tension non-renforcés en cuivre ou aluminium isolé, les outils de coupe dépendant du type de câble

 **AVERTISSEMENT** Lisez toutes les consignes de sécurité, instructions, présentations et données que vous recevez avec l'appareil. Le non-respect des avertissements et instructions indiqués ci après peut entraîner un choc électrique, un incendie et/ou de graves blessures sur les personnes.

Bien garder tous les avertissements et instructions.

CONSIGNES DE TRAVAIL POUR LE SERTISSAGE

N'utiliser que des articles de connexion conformes aux normes en vigueur nationales ainsi que les matrices prévues à cet effet.

Vous trouverez les instructions de traitement et de montage pour les articles de connexion dans les documents du fabricant.

Vérifiez si la largeur nominale de l'article de connexion correspond à la largeur nominale de la matrice.

Avant que le processus de sertissage ne commence, la capacité de la batterie doit être vérifiée : minimum 33 % (voir description illustrée). Elle peut devoir être chargée avant que le travail ne commence.

L'actionnement de l'interrupteur de commande déclenche le processus de pressage caractérisé par l'apparition des matrices de sertissage.

La vérification et l'évaluation d'un pressage correct incombent à l'utilisateur.

Les connexions incorrectes doivent être de nouveau pressées avec un nouvel article de connexion.

Action en cas de défauts

- Maintenez le bouton de réinitialisation enfoncé jusqu'à ce que les mâchoires s'ouvrent complètement
- Contrôler la capacité de la batterie
- Inspectez le câble et les matrices de sertissage en vous référant aux données techniques
- Si vous soupçonnez qu'un câble sous tension a été comprimé, l'outil de sertissage doit être inspecté dans un atelier spécialisé agréé

CONSIGNES DE TRAVAIL POUR LA COUPE

Configuration de la zone de travail

Avant le début du travail, mettre les conduites ou câbles hors tension ; cet état doit être maintenu tout au long des travaux.

S'il n'est pas possible d'assurer indubitablement que le câble ou la ligne isolée n'est plus sous tension, tout travail est interdit.

Il faut impérativement tenir compte des consignes de sécurité et réglementations locales.

Les câbles ne doivent pas être exposés à des forces mécaniques et doivent, le cas échéant, être protégés contre les mouvements incontrôlés après la coupe.

N'exposez pas l'appareil à la pluie et ne l'utilisez pas dans un environnement mouillé ou humide.

Préparation du coupe-câble et de la batterie

Avant toute utilisation :

- Inspecter le coupe-câble pour constater d'éventuels défauts externes
- Vérifier que l'outil de coupe ne présente pas de fissures ou d'autres signes d'usure

Uniquement utiliser en parfait état !

Avant que le processus de coupe ne commence, la capacité de la batterie doit être vérifiée : minimum 33 % (voir description illustrée). Elle peut devoir être chargée avant que le travail ne commence.

Préparation du processus de coupe

Soutenez et fixez le câble à couper afin de minimiser le risque de mouvement incontrôlé.

En particulier, les lignes aériennes et les câbles peuvent se mettre en mouvement de façon incontrôlée et provoquer des blessures et/ou des dégradations.


La tête de coupe doit être placée de sorte à former un angle de 90° avec le câble, pour qu'elle se place sans contrainte dans les mâchoires de coupe ouvertes et que les forces de cisaillement défavorables soient évitées.

 **AVERTISSEMENT:** Pour réduire le risque d'explosions, d'électrocution et de dommages au niveau du matériel et de l'équipement, ne jamais sectionner de câbles électriques sous tension.

L'appareil N'EST PAS isolé. Un contact avec un circuit sous tension pourrait entraîner des blessures graves ou la mort. Couper le courant avant d'effectuer une coupe. Ne jamais sectionner de conduites de gaz ou de canalisations d'eau. Tenir les mains à distance de toutes les arêtes vives et pièces en déplacement. Risque de laceration et d'amputation.

Toujours retirer le bloc-pile avant de modifier ou retirer des accessoires. Utiliser uniquement des accessoires spécifiquement recommandés pour cet appareil. D'autres accessoires pourraient être dangereux.

Pour réduire le risque de blessure, porter des lunettes de sécurité ou des lunettes dotées d'écrans latéraux.

 **AVERTISSEMENT:** Pour réduire le risque de blessures, uniquement couper des matériaux recommandés pour les lames. (cf. « Spécifications ») Ne pas essayer de couper d'autres matériaux.

Coupe

Avant de couper, s'assurer que les lames de coupe sont correctement installées.

1. Placez le câble à angle droit au niveau des tranchants du coupe-câble. Ne pas essayer de réaliser des coupes en angle, ce qui risque d'endommager l'appareil et les lames de coupe.

2. Tirer et maintenir le déclencheur tout au long de l'opération. Une LED s'allume lorsque le déclencheur est tiré.

Lorsque la coupe est terminée ou l'appareil s'éteint, les mâchoires de coupe s'ouvrent automatiquement. Si vous actionnez le



déclencher pendant la coupe, vous devez appuyer sur le bouton de réinitialisation hydraulique pour ouvrir les mâchoires de coupe. Remarque: La pièce à usiner peut se déplacer légèrement durant la coupe.

Action en cas de défauts

- Le câble peut être entaillé et sous tension, toujours informer le préposé à la sécurité, annuler le processus de coupe, prendre des mesures de sécurité appropriées
- Assurez-vous toujours que le dispositif est et restera déconnecté du secteur avant d'approcher et de toucher le dispositif.
- Appuyer sur le bouton de réinitialisation et le maintenir enclenché jusqu'à ce que le coupe-câble s'ouvre complètement.
- Contrôler la capacité de la batterie
- Contrôler le matériau et l'épaisseur du matériau par rapport aux caractéristiques techniques
- Si vous soupçonnez qu'un câble sous tension a été coupé, le coupe-câble doit être inspecté dans un atelier spécialisé agréé

Lames bloquées

La saleté et les débris peuvent entraîner un blocage des lames les unes avec les autres après une coupe

- Appuyer sur le déclencheur de réarmement et le maintenir enclenché pour s'assurer que l'outil s'est réinitialisé.
- Retirer le bloc-batterie.
- Suivez la description de l'illustration pour ouvrir les mâchoires de coupe
- Nettoyer la saleté et les débris des lames avant de démarrer une autre coupe.

Conseils de coupe

- Ne pas essayer de réaliser des coupes en angle, ce qui risque d'endommager l'appareil et les lames de coupe.
- Couper du matériau propre pour prolonger la durée de vie de la lame de coupe. Essayer la saleté et les débris du matériau et des lames de coupe avant de commencer la coupe.

ENTRETIEN

Retirer le bloc-batterie avant de procéder à tout réglage, nettoyage et travail de maintenance sur l'appareil.

Ne jamais ouvrir l'appareil, la batterie amovible ou le chargeur.

Vérifier que l'appareil ne présente pas de problèmes tels que le bruit ou le blocage de pièces en mouvement qui pourrait affecter l'appareil.

Avant chaque utilisation, contrôler s'il y a des fissurations ou d'autres manifestations d'usure sur l'appareil, les mâchoires et les matrices de sertissage ainsi que les lames de coupe.

Nettoyer et graisser les appareils lorsque les travaux sont terminés.

Nettoyez et graissez les rouleaux d'entraînement, les boulons de verrouillage et les mâchoires.

Vérifier que les mâchoires peuvent se déplacer librement.

Remplacer les matrices de sertissage et les lames de coupe lorsqu'elles commencent à être ébréchées ou endommagées.

Vérifier que les arêtes de coupe sont tranchantes et remplacer les lames de coupe usées.

Toujours remplacer l'ensemble des matrices de sertissage et des lames de coupe.

Tenir toujours propres les orifices de ventilation de l'appareil.

Pour éviter des blessures et des dommages, ne jamais immerger l'appareil la batterie amovible ou le chargeur dans un liquide ou permettre à du liquide d'y pénétrer.

D'autres interventions d'entretien et de réparation devront être effectuées exclusivement par des usines spécialisées et autorisées.

L'appareil contient de l'huile hydraulique qui représente un danger pour les couches acquifères. La vidange incontrôlée ou la décharge non correcte sont punissables.

La prochaine échéance de maintenance est indiquée par un signal lumineux LED sur l'appareil.

Cette maintenance doit être effectuée au moins tous les 2 ans ou au bout de 30000 pressages, ou au plus tard lorsque l'affichage par LED s'allume.

Utiliser uniquement les accessoires Milwaukee et les pièces détachées Milwaukee. Faire remplacer les composants dont le remplacement n'a pas été décrit, par un des centres de service après-vente Milwaukee (observer la brochure avec les adresses de garantie et de service après-vente).

Si besoin est, une vue éclatée de l'appareil peut être fournie. S'adresser, en indiquant bien le numéro porté sur la plaque signalétique, à votre station de service après-vente (voir liste jointe) ou directement à Techtronic Industries GmbH, Max-Eyth-Straße 10, 71364 Winnenden, Germany.

ONE-KEY™

Pour en savoir plus sur la fonctionnalité ONE-KEY de cet appareil, lisez les instructions rapides ci-jointes ou rendez-nous visite sur Internet sur <http://www.milwaukeetool.com/one-key>

Vous pouvez télécharger l'appli ONE-KEY sur votre smartphone via l'App Store ou Google Play.

Le résultat d'essai répond à nos exigences min. suivant EN 301489-1 / EN 301489-17. De plus, nous donnerons le guide de fonctionnement au client dans le manuel de l'utilisateur.

ACCUS

Recharger les accus avant utilisation après une longue période de non utilisation. Une température supérieure à 50°C amoindrit la capacité des accus. Éviter les expositions prolongées au soleil ou au chauffage.

Tenir propres les contacts des accus et des chargeurs.

Pour une durée de vie optimale, les accus doivent être chargés à fond après l'utilisation.

Pour une plus longue durée de vie, enlever les batteries du chargeur de batterie quand celles-ci seront chargées.

En cas d'entreposage de la batterie pour plus de 30 jours: Entreposer la batterie à 27°C environ dans un endroit sec. Entreposer la batterie avec une charge d'environ 30% - 50%. Recharger la batterie tous les 6 mois.

Ne pas jeter les accus interchangeables usés au feu ou avec les déchets ménagers. Milwaukee offre un système d'évacuation écologique des accus usés.

Ne pas conserver les accus interchangeables avec des objets métalliques (risque de court-circuit)

En cas de conditions ou températures extrêmes, du liquide caustique peut s'échapper d'un accus interchangeable endommagé.

En cas de contact avec le liquide caustique de la batterie, laver immédiatement avec de l'eau et du savon. En cas de contact avec les yeux, rincer soigneusement avec de l'eau et consulter immédiatement un médecin.

Aucune pièce métallique ne doit pénétrer dans le logement d'accu du chargeur (risque de court-circuit)

TRANSPORT DE BATTERIES LITHIUM-ION

Les batteries lithium-ion sont soumises aux dispositions législatives concernant le transport de produits dangereux.

Le transport de ces batteries devra s'effectuer dans le respect des dispositions et des normes locales, nationales et internationales.

Les utilisateurs peuvent transporter ces batteries sans restrictions.

Le transport commercial de batteries lithium-ion est réglé par les dispositions concernant le transport de produits dangereux. La préparation au transport et le transport devront être effectués uniquement par du personnel formé de façon adéquate. Tout le procédé devra être géré d'une manière professionnelle.

Durant le transport de batteries il faut respecter les consignes suivantes :

S'assurer que les contacts soient protégés et isolés en vue d'éviter des courts-circuits. S'assurer que le groupe de batteries ne puisse pas se déplacer à l'intérieur de son emballage. Des batteries endommagées ou des batteries perdant du liquide ne devront pas être transportées. Pour tout renseignement complémentaire veuillez vous adresser à votre transporteur professionnel.

DÉCLARATION CE DE CONFORMITÉ

Nous déclarons, sous notre responsabilité exclusive, que le produit décrit ici dans les « Caractéristiques techniques » satisfait à toutes les dispositions pertinentes des directives

2011/65/UE (RoHS)

2006/42/CE

2014/53/UE

et que les normes harmonisées suivantes ont été appliquées.

EN 62841-1:2015

EN 62479:2010

EN 55014-1:2017+A11:2020

EN 55014-2:2015

EN 301 489-1 V2.2.3

EN 301 489-17 V3.1.1

EN 300 328 V2.2.2

EN IEC 63000:2018



Winnenden, 2020-11-10

Alexander Krug / Managing Director

Autorisé à compiler la documentation technique.

Techtronic Industries GmbH

Max-Eyth-Straße 10, 71364 Winnenden, Germany

SYMBÔLES



Veillez lire avec soin le mode d'emploi avant la mise en service



Porter des lunettes de protection.



Cet appareil contient une pile bouton lithium / batterie au lithium.



ATTENTION! AVERTISSEMENT! DANGER!



Avant tous travaux sur l'appareil retirer l'accu interchangeable.



Risque d'électrocution



AVERTISSEMENT!

Risque de blessures dû à la projection de fragments



AVERTISSEMENT! Blessure des mains



Accessoires - Ces pièces ne font pas partie de la livraison. Il s'agit là de compléments recommandés pour votre machine et énumérés dans le catalogue des accessoires.



=



=



Les dispositifs électriques ne sont pas à éliminer dans les déchets ménagers. Les dispositifs électriques et électroniques sont à collecter séparément et à remettre à un centre de recyclage en vue de leur élimination dans le respect de l'environnement. S'adresser aux autorités locales ou au détaillant spécialisé en vue de connaître l'emplacement des centres de recyclage et des points de collecte.

V

Tension



Courant continu



Marque de conformité européenne



Marque de conformité britannique



Marque de conformité ukrainienne



Marque de conformité d'Eurasie



DATI TECNICI		M18 HUCT
Pinza crimpatrice con bordi da taglio		
Numero di serie	4673 82 02...	000001-999999
Banda di frequenza	2402 - 2480 MHz	
Potenza a radiofrequenza	1,8 dBm	
Tensione batteria	18 V	
Forza nominale	53 kN	
Gamma di pressatura : Taglio trasversale max.		
 Rame	300 mm ²	
 Alluminio	150 mm ²	
Area di taglio a seconda del materiale		
 ACSR: Alluminio-/Funi in acciaio max.	22,5 mm	
 Rame- / Alluminio-Cavo max.	35 mm	
Gli altri materiali e il loro diametro dipendono dalle ganasce specifiche.		
Peso secondo la procedura EPTA 01/2014 (Li-Ion 2,0 Ah...9,0Ah)		
con ganasce di compressione	3,6 kg ... 4,2 kg	
con ganasce da taglio	3,7 kg ... 4,3 kg	
Batterie consigliate	M18B...	
Caricatori consigliati	M12-18...	
Informazioni sulla rumorosità		
Valori misurati conformemente alla norma EN 62841. La misurazione A del livello di pressione acustica dell'utensile è di solito di:		
Livello di rumorosità (Incertezza della misura K=3dB(A))	74,6 dB (A)	
Potenza della rumorosità (Incertezza della misura K=3dB(A))	85,6 dB (A)	
Utilizzare le protezioni per l'udito!		
Informazioni sulle vibrazioni		
Valori totali delle oscillazioni (somma di vettori in tre direzioni) misurati conformemente alla norma EN 62841		
Valore di emissione dell'oscillazione a _h	0,77 m/s ²	
Incertezza della misura K=	1,5 m/s ²	

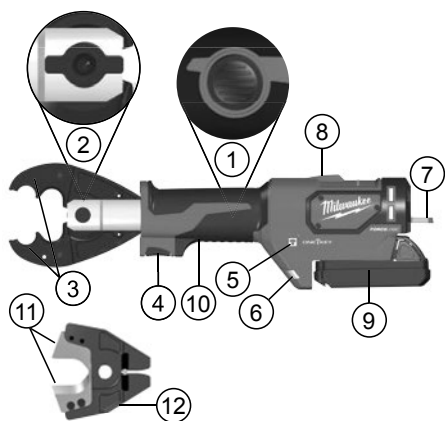
AVVERTENZA!

Il livello di vibrazioni indicato nelle presenti istruzioni è stato misurato in conformità con un procedimento di misurazione codificato nella EN 62841 e può essere utilizzato per un confronto tra attrezzi elettrici. Inoltre si può anche utilizzare per una valutazione preliminare della sollecitazione da vibrazioni.

Il livello di vibrazioni indicato rappresenta le applicazioni principali dell'attrezzo elettrico. Se viceversa si utilizza l'attrezzo elettrico per altri scopi, con accessori differenti o con una manutenzione insufficiente, il livello di vibrazioni può risultare diverso. E questo può aumentare decisamente la sollecitazione da vibrazioni lungo l'intero periodo di lavorazione.

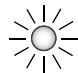

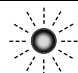
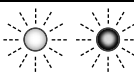
Ai fini di una valutazione precisa della sollecitazione da vibrazioni si dovrebbero tenere presente anche i periodi in cui l'apparecchio rimane spento oppure, anche se acceso, non viene effettivamente utilizzato. Ciò può ridurre notevolmente la sollecitazione da vibrazioni lungo l'intero periodo di lavorazione.

Stabilite misure di sicurezza supplementari per la tutela dell'operatore dall'effetto delle vibrazioni, come ad esempio: manutenzione dell'attrezzo elettrico e degli accessori, riscaldamento delle mani, organizzazione dei processi di lavoro.



Descrizione del dispositivo

- | | |
|----------------------------------|---|
| ① Pulsante di rilascio idraulico | ⑦ Gancio |
| ② Bullone di bloccaggio | ⑧ LED /Indicatore di crimpaggio |
| ③ Ganasce di compressione | ⑨ Batteria |
| ④ Levetta di scatto | ⑩ Impugnatura Superficie di presa isolata |
| ⑤ Indicatore ONE KEY | ⑪ Lame per taglio |
| ⑥ LED | ⑫ Ganasce da taglio |

Indicatore LED	Definizione
 Fisso Verde	L'utensile ha completato l'operazione e ha raggiunto la pressione di crimpaggio completa.
 Fisso Rosso	L'utensile ha completato l'operazione, ma NON ha raggiunto la pressione di crimpaggio completa.
 Intermittente Rosso	L'utensile NON ha completato l'operazione.
 Intermittente Rosso / Verde (dopo Fisso Verde o Fisso Rosso)	L'utensile ha raggiunto l'intervallo di manutenzione (30000 crimpa). Il lampeggiamento in rosso/verde inizierà dopo la visualizzazione dell'indicatore rosso o verde fisso di funzionamento. MILWAUKEE raccomanda di eseguire ispezioni e la manutenzione preventiva del dispositivo.

⚠ AVVERTENZA Leggere tutte le avvertenze di sicurezza, le istruzioni, le illustrazioni e i dati forniti a corredo dell'apparecchio. In caso di mancato rispetto delle avvertenze di pericolo e delle istruzioni operative si potrà creare il pericolo di scosse elettriche, incendi e/o incidenti gravi.

Conservare tutte le avvertenze di pericolo e le istruzioni operative per ogni esigenza futura.

⚠ NORME DI SICUREZZA

L'operatore di questo dispositivo deve essere istruito sui pericoli specifici associati all'uso del dispositivo e sulle essenziali misure di sicurezza prima di iniziare a lavorare con lo stesso per la prima volta, e successivamente almeno una volta l'anno.

Il gestore deve:

- mettere a disposizione dell'operatore il manuale d'uso e assicurarsi che l'operatore l'abbia letto e compreso.
- Usare dispositivi di protezione. Indossare sempre occhiali durante l'uso del dispositivo. Si consiglia di indossare indumenti di protezione come maschera antipolvere, guanti di protezione, scarpe antiscivolo robuste, casco e cuffie di protezione acustica.

Mai tenere le dita o altre parti del corpo nell'area di lavoro del cilindro o delle ganasce.

Prima di eseguire qualsiasi operazione di regolazione, pulizia e manutenzione del dispositivo, rimuovere la batteria.

Utilizzare solo dispositivi, pacchi batterie e caricabatterie in condizioni tecniche perfette.

Fare immediatamente riparare eventuali danni da un'officina autorizzata.

Per prevenire lesioni o danni, evitare l'avvio accidentale del dispositivo.

Rimuovere eventuali utensili di regolazione e chiavi prima del funzionamento.

Non eseguire lavorazioni su parti sotto tensione elettrica. Il dispositivo NON è isolato.

AVVERTENZA! Per ridurre il rischio d'incendio, lesione personale e danni al prodotto dovuti a corto circuito, non immergere mai il dispositivo, pacco batteria o caricabatteria in fluido ed evitare sempre l'ingresso di fluido all'interno di essi. Fluidi corrosivi o conduttivi come acqua di mare, certe sostanze chimiche industriali, e candeggina o prodotti contenenti candeggina, ecc., possono provocare un corto circuito.

E' imperativo rispettare le istruzioni e gli intervalli di manutenzione.

Non aprire nè la batteria nè il caricatore e conservarli solo in luogo asciutto. Proteggerli dalla umidità.

Le batterie del System M18 sono ricaricabili esclusivamente con i caricatori del System M18. Le batterie di altri sistemi non possono essere ricaricate.

Per evitare lesioni o danni, non immergere mai l'utensile, la batteria rimovibile o il caricabatteria in un liquido e non consentire mai a un liquido di penetrare nell'utensile, nella batteria rimovibile o nel caricabatteria.

AVVERTENZA

⚠ Questo dispositivo contiene una batteria a bottone al litio. Una batteria nuova o usata può causare ustioni interne gravi e causare la morte in 2 ore se ingerita o se penetra nell'organismo. Assicurare sempre il coperchio sullo scomparto batterie. Se non si chiude saldamente, arrestare il dispositivo, rimuovere la batteria e tenerla lontano dalla portata dei bambini. Se credete che qualcuno abbia ingerito la batteria, o che la stessa sia entrata in altro modo nell'organismo di qualcuno, cercate immediatamente assistenza medica.

⚠ AVVERTENZE DI SICUREZZA PER PRESSATRICI

Gli utensili e i dispositivi di crimpaggio devono essere utilizzati esclusivamente da personale qualificato e competente in applicazioni elettrotecniche.

Prima di ciascun uso, verificare l'assenza di incrinature e altri segni di usura sulla pressatrice, sulle ganasce e gli inserti.

Utilizzare la pressatrice e gli inserti solo in condizioni tecniche ineccepibili.

Utilizzare la pressatrice solo con inserti per crimpare montati.

Usare solo inserti per crimpare fino a 60 kN, con una larghezza totale di 22 mm.

Durante l'operazione di pressatura, non toccare le ganasce di compressione.

In caso di anomalie durante l'operazione di pressatura, rilasciare immediatamente l'interruttore di AZIONAMENTO e premere il pulsante di sblocco idraulico. La valvola si aprirà e lo stantuffo tornerà nella sua posizione di partenza.

⚠ AVVERTENZE DI SICUREZZA PER TAGLIACAVI

Il taglio o la troncatura di cavi e funi per mezzo di questo tagliacavi possono essere svolti esclusivamente da personale elettrotecnico qualificato.

Per ridurre il rischio di esplosioni, scosse elettriche e danni alla proprietà e all'apparecchiatura, non tagliare mai cavi elettrici sotto tensione. Il dispositivo NON è isolato.

Tenere le mani e abiti larghi lontano dagli utensili di taglio e da altre parti mobili. Sussiste il rischio di gravi lesioni, tra cui la recisione degli arti.

Non impugnare mai il tagliacavi dalle ganasce di taglio.

Prima di utilizzare il tagliacavi, controllare sempre che non vi siano incrinature o altri segni di usura sulle ganasce.

Il tagliacavi può essere utilizzato solo se è stato inserito un utensile da taglio.

RISCHI RESIDUI

Pressatrice:

Non crimpare mai materiali di collegamento sotto tensione.

Tagliacavi:

Prima di iniziare il processo di taglio occorre bloccare l'accesso in conformità alle disposizioni locali.

Tagliare solo cavi che siano stati scollegati dall'alimentazione elettrica!

Cavi e funi non possono essere sottoposti a forze meccaniche.

Per ridurre il rischio di lesioni, indossare occhiali di sicurezza o occhiali con protezioni laterali.

La mancata osservanza di questa misura può portare a lesioni gravi, morte, incendio o altri danni alla proprietà come risultato di una scossa elettrica, di un'esplosione e/o di un arco elettrico.



Pressatrice:

La pressatrice deve essere utilizzata esclusivamente per la pressatura di materiali di connessione per i quali sono previsti i corrispondenti inserti per crimpare.

Tutte le parti sotto tensione, ad es. quelle che conducano elettricità, vanno scollegate nell'ambiente di lavoro del tecnico prima di iniziare il lavoro.

Tagliacavi:

Il tagliacavi è adatto a tagliare:

- cavi non rinforzati liberi tensione in rame o alluminio isolato, gli utensili di taglio dipendono dal tipo di cavo

AVVERTENZA Leggere tutte le avvertenze di sicurezza, le istruzioni, le illustrazioni e i dati forniti a corredo dell'apparecchio. In caso di mancato rispetto delle avvertenze di pericolo e delle istruzioni operative si potrà creare il pericolo di scosse elettriche, incendi e/o incidenti gravi.

Conservare tutte le avvertenze di pericolo e le istruzioni operative per ogni esigenza futura.

ISTRUZIONI DI LAVORO PER LA CRIMPATURA

Utilizzare connettori a norma secondo gli standard nazionali vigenti e montare gli inserti per crimpare appositamente previsti. Per le istruzioni di lavorazione e montaggio dei connettori, consultare la documentazione del fabbricante.

Verificare che la larghezza nominale del connettore coincida con quella dell'inserto per crimpare.

Prima di iniziare il processo di crimpaggio, occorre verificare la carica della batteria: minimo 33% (vedere illustrazione). Se necessario, la batteria deve essere caricata prima di iniziare il lavoro.

Azionando l'interruttore di controllo si avvia il processo di pressatura, che è caratterizzato dall'avvicinamento delle matrici di crimpaggio.

È a carico dell'utilizzatore verificare e giudicare la correttezza della pressatura.

Le giunzioni non corrette devono essere ancora pressate con un nuovo connettore.

Comportamento in caso di guasti

- Tenere premuto l'interruttore di reset fin quando le ganasce non si siano aperte completamente
- controllare la capacità della batteria
- Ispezionare il cavo e le matrici di crimpaggio sulla base dei dati tecnici
- Se si sospetta di aver pressato un cavo sotto tensione, l'utensile di crimpaggio deve essere ispezionato in un'officina specializzata autorizzata

ISTRUZIONI DI LAVORO PER IL TAGLIO**Allestimento della zona di lavoro**

Prima di iniziare a lavorare, per le condotte o le funi devono essere create condizioni di assenza di tensione, che vanno garantite per tutta la durata dei lavori.

Se non è possibile garantire con certezza che il cavo o la linea isolata siano stati scollegati, non è possibile eseguire lavori.

Le prescrizioni di sicurezza e le norme locali devono essere assolutamente rispettate.

Cavi e funi non possono essere sottoposti a forze meccaniche e all'occorrenza vanno assicurati per impedire movimenti fuori controllo dopo il taglio.

Non esporre l'apparecchio alla pioggia, non utilizzarla nell'ambiente bagnato o umido.

Preparazione dei tagliacavi e della batteria

Prima di ogni utilizzo:

- Controllare che il tagliacavi non abbia difetti esterni
- Controllare che non vi siano incrinature o altri segni di usura sul tagliacavi

Utilizzare solo se in perfette condizioni!

Prima di iniziare il processo di taglio, occorre verificare la carica della batteria: minimo 33% (vedere illustrazione). Se necessario, la batteria deve essere caricata prima di iniziare il lavoro.

Preparazione per il processo di taglio

Sostenere e fissare il cavo o la fune da tagliare, per ridurre al minimo il rischio di un movimento incontrollato.

In particolare le condotte aeree e le funi possono subire movimenti incontrollati e causare lesioni e/o danni.

La testa di taglio deve essere applicata sul cavo o sulla fune con un angolo di 90°, in modo che essi si collochino senza tensioni nelle ganasce di taglio aperte, onde evitare forze di taglio sfavorevoli.

AVVERTENZA: Per ridurre il rischio di esplosioni, scosse elettriche e danni alla proprietà e all'apparecchiatura, non tagliare mai cavi elettrici sotto tensione.

Il dispositivo NON è isolato. Il contatto con un circuito sotto tensione può causare lesioni gravi o la morte. Interrompere sempre l'alimentazione elettrica prima di eseguire un taglio. Non tagliare mai condotte del gas o condotte d'acqua. Tenere le mani lontane dagli utensili da taglio e dalle parti in movimento. Pericolo di lacerazione e amputazione.

Rimuovere sempre il pacco batteria prima di sostituire o rimuovere gli accessori. Utilizzare esclusivamente accessori raccomandati per questo dispositivo. L'uso di accessori diversi è pericoloso.

Per ridurre il rischio di lesioni, indossare occhiali di sicurezza o occhiali con protezioni laterali.

AVVERTENZA: Per ridurre il rischio di lesioni, tagliare solo materiale adatto alle lame montate (vedere „Dati tecnici“). Non provare a tagliare materiali diversi.

Taglio

Prima di iniziare a tagliare, assicurarsi che le lame per taglio siano state montate correttamente.

1. Muovere il cavo perpendicolarmente al filo della lama del tagliacavi. Evitare di eseguire tagli obliqui, onde evitare di danneggiare il dispositivo e le lame per taglio.

2. Premere la levetta di scatto e tenerla premuta durante l'intera operazione.

Non appena la levetta di scatto venga premuta, si accende una spia LED.

Quando il taglio è stato eseguito o si spegne il dispositivo, le ganasce di taglio si aprono automaticamente. Tuttavia, se si rilancia la levetta di scatto durante l'operazione di taglio, è necessario premere il pulsante di sblocco idraulico per aprire le ganasce di taglio.

Avviso: È possibile che il cavo si muova leggermente durante l'operazione di taglio.

Comportamento in caso di guasti

- il cavo può essere intaccato e sotto tensione, informare sempre il responsabile della sicurezza, interrompere la procedura di taglio, applicare le misure di sicurezza adeguate
- Assicurarsi sempre che il dispositivo sia scollegato e rimanga scollegato dall'alimentazione elettrica prima di avvicinarsi e toccare il dispositivo
- premere e tenere premuto il pulsante reset fino a quando il tagliacavi non si apra completamente
- controllare la capacità della batteria
- controllare il materiale e lo spessore del materiale in base ai dati tecnici
- Se si sospetta di avere tagliato un cavo sotto tensione, il tagliacavi deve essere controllato in un'officina specializzata autorizzata

Le lame si sono inceppate

Sporco e residui possono causare l'inceppamento delle lame dopo un'operazione di taglio

- Premere e rilasciare il rilascio della levetta di scatto per assicurarsi che l'utensile sia resettato.
- Rimuovere il pacco batteria.
- Seguire la descrizione per immagini ai fini dell'apertura delle ganasce di taglio
- Rimuovere sporco e residui dalle lame prima di iniziare un'altra operazione di taglio.

Consigli per il taglio di cavi

- Evitare di eseguire tagli obliqui, evitare di danneggiare il dispositivo e le lame per taglio.
- Tagliare materiale pulito per allungare la durata di vita delle lame di taglio. Rimuovere sporco e residui dal materiale e dalle lame per taglio prima di iniziare l'operazione di taglio.

MANUTENZIONE

Prima di eseguire qualsiasi operazione di regolazione, pulizia e manutenzione del dispositivo, rimuovere la batteria.

Non aprire mai il dispositivo, la batteria rimovibile o il caricabatteria.

Controllare che il dispositivo non presenti eventuali problemi, come rumore o inceppamento di parti in movimento che potrebbero avere effetti sullo stesso.

Prima di ogni uso, controllare che non vi siano incrinature e altri segni di usura sul dispositivo, le ganasce, le matrici e lame per taglio.

Pulire e ingrassare i dispositivi una volta finito il lavoro.

Pulire e ingrassare i rulli guida, il bullone di bloccaggio e le ganasce.

Controllare che le ganasce non siano ostacolate nel movimento.

Sostituire le matrici e le lame per taglio quando siano scheggiate o danneggiate.

Controllare che gli spigoli di taglio siano affilati e sostituire eventuali lame per taglio usurate.

Sostituire sempre le matrici e le lame per taglio insieme.

È necessario mantenere sempre pulite le aole di ventilazione del dispositivo.

Per evitare lesioni e danni, non immergere mai il dispositivo, la batteria rimovibile o il caricabatteria in un liquido, ed evitare sempre che un liquido penetri in essi.

Ulteriori lavori di manutenzione e riparazione possono essere svolti esclusivamente da officine specializzate autorizzate.

L'apparecchio contiene olio idraulico che costituisce un pericolo per le falde acquifere. Lo scarico incontrollato o lo smaltimento non corretto sono punibili.

La successiva scadenza di manutenzione è indicata da una spia LED sul dispositivo.

Questa manutenzione deve essere eseguita ogni 2 anni o dopo 30000 pressature, oppure quando è segnalato dall'indicatore LED.

Usare solo accessori Milwaukee e pezzi di ricambio Milwaukee. Gruppi costruttivi la cui sostituzione non è stata descritta, devono essere fatti cambiare da un punto di servizio di assistenza tecnica al cliente Milwaukee (vedi depliant garanzia/indirizzi assistenza tecnica ai clienti).

In caso di mancanza del disegno esploso, può essere richiesto al seguente indirizzo: Techtronic Industries GmbH, Max-Eyth-Straße 10, 71364 Winnenden, Germany.

ONE-KEY™

Per saperne di più sulla funzionalità ONE-KEY che permette di comandare questo dispositivo con un solo comando, consultare la guida rapida inclusa in questo prodotto o andare su <http://www.milwaukeeetool.com/one-key>

È possibile scaricare sullo smartphone l'app ONE-KEY dall'App Store o da Google Play.

Il risultato di collaudo corrisponde ai nostri requisiti minimi secondo EN 301489-1 / EN 301489-17. Forniremo al cliente una guida al funzionamento nel manuale d'uso.

BATTERIE

Batterie non utilizzate per molto tempo devono essere ricaricate prima dell'uso. A temperature superiori ai 50°C, la potenza della batteria si riduce.

Evitare di esporre l'accumulatore a surriscaldamento prolungato, dovuto ad esempio ai raggi del sole o ad un impianto di riscaldamento.

Per una ottimale vita utile è necessario ricaricare completamente le batterie dopo l'uso.

Per una più lunga durata, rimuovere le batterie dal caricabatterie quando saranno cariche.

In caso di immagazzinaggio della batteria per più di 30 giorni: Immagazzinare la batteria a circa 27°C in ambiente asciutto. Immagazzinare la batteria con carica di circa il 30% - 50%. Ricaricare la batteria ogni 6 mesi.

Non gettare le batterie esaurite sul fuoco o nella spazzatura di casa. La Milwaukee offre infatti un servizio di recupero batterie usate.

Nel vano d'innesto per la batteria del caricatore non devono entrare parti metalliche. (pericolo di cortocircuito).

Nel caso di batterie danneggiate da un carico eccessivo o da temperature alte, l'acido di queste potrebbe fuoriuscire. In caso di contatto con l'acido delle batterie lavarsi immediatamente con acqua e sapone. In caso di contatto con gli occhi risciacquare immediatamente con acqua per almeno 10 minuti e contattare subito un medico.

Non conservare le batterie con oggetti metallici (pericolo di cortocircuito).

TRASPORTO DI BATTERIE AGLI IONI DI LITIO

Le batterie agli ioni di litio sono soggette alle disposizioni di legge sul trasporto di merce pericolosa.

Il trasporto di queste batterie deve avvenire rispettando le disposizioni e norme locali, nazionali ed internazionali.



Gli utilizzatori possono trasportare queste batterie su strada senza alcuna restrizione.

Il trasporto commerciale di batterie agli ioni di litio è regolato dalle disposizioni sul trasporto di merce pericolosa. Le preparazioni al trasporto ed il trasporto stesso devono essere svolti esclusivamente da persone idoneamente istruite. Tutto il processo deve essere gestito in maniera professionale.

Durante il trasporto di batterie occorre tenere conto di quanto segue:

Assicurarsi che i contatti siano protetti ed isolati per evitare corto circuiti. Accertarsi che il gruppo di batterie non possa spostarsi all'interno dell'imballaggio. Batterie danneggiate o batterie che perdono liquido non devono essere trasportate. Per ulteriori informazioni si prega di contattare il proprio trasportatore.

DICHIARAZIONE DI CONFORMITÀ CE

Assumendone la piena responsabilità, dichiariamo che il prodotto descritto nei "Dati tecnici" è conforme alle pertinenti disposizioni delle direttive

2011/65/UE (RoHS)

2006/42/CE

2014/53/UE

e che sono state applicate le seguenti norme armonizzate

EN 62841-1:2015

EN 62479:2010

EN 55014-1:2017+A11:2020

EN 55014-2:2015

EN 301 489-1 V2.2.3

EN 301 489-17 V3.1.1

EN 300 328 V2.2.2

EN IEC 63000:2018



Winnenden, 2020-11-10

Alexander Krug / Managing Director

Autorizzato alla preparazione della documentazione tecnica

Techtron Industries GmbH

Max-Eyth-Straße 10, 71364 Winnenden, Germany

SIMBOLI



Leggere attentamente le istruzioni per l'uso prima di mettere in funzione l'elettrodomestico.



Indossare occhiali protettivi.



Questo dispositivo contiene una batteria a bottone al litio.



ATTENZIONE! AVVERTENZA! PERICOLO!



Prima di iniziare togliere la batteria dalla apparecchiatura.



Pericolo di scossa elettrica



AVVERTENZA!

Pericolo di lesioni a causa dell'espulsione di frammenti



AVVERTENZA! Lesione delle mani



Accessorio - Non incluso nella dotazione standard, disponibile a parte come accessorio.



I dispositivi elettrici non devono essere smaltiti con i rifiuti domestici. I dispositivi elettrici ed elettronici devono essere raccolti separatamente e devono essere conferiti ad un centro di riciclaggio per lo smaltimento rispettoso dell'ambiente. Chiedere alle autorità locali o al rivenditore specializzato dove si trovano i centri di riciclaggio e i punti di raccolta.

V

Volt



Corrente continua



Marchio di conformità europeo



Marchio di conformità britannico

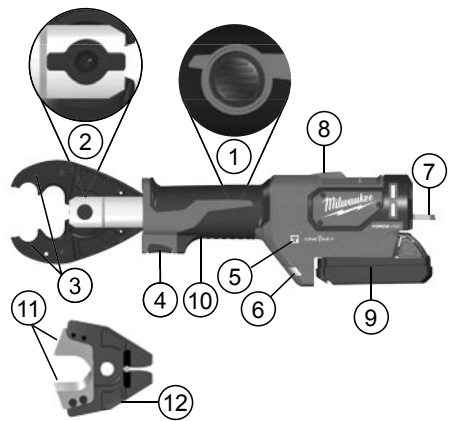


Marchio di conformità ucraino






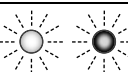
Marchio di conformità euroasiatico

DATOS TÉCNICOS	
Herramienta de corte y engaste	
Número de producción	4673 82 02... 000001-999999
Banda de frecuencia	2402 - 2480 MHz
Potencia de radiofrecuencia	1,8 dBm
Voltaje de batería	18 V
Fuerza nominal	53 kN
Margen de compresión : Sección transversal máx.	
 Cobre	300 mm ²
 Aluminio	150 mm ²
Área de corte en función del material	
 ACSR: Aluminio-/Cables de acero máx.	22,5 mm
 Cobre- / Aluminio-Cable máx.	35 mm
Otros materiales y sus diámetros dependen de las mordazas correspondientes.	
Peso de acuerdo con el procedimiento EPTA 01/2014	
(Li-Ion 2,0 Ah ... 9,0Ah)	3,6 kg ... 4,2 kg
con mordazas de prensado	3,7 kg ... 4,3 kg
con mordazas de corte	
Juegos de baterías recomendados	M18B...
Cargadores recomendados	M12-18...
Información sobre ruidos	
Determinación de los valores de medición según norma EN 62841. El nivel de ruido típico del aparato determinado con un filtro A corresponde a:	
Presión acústica (Tolerancia K=3dB(A))	74,6 dB (A)
Resonancia acústica (Tolerancia K=3dB(A))	85,6 dB (A)
Usar protectores auditivos!	
Informaciones sobre vibraciones	
Nivel total de vibraciones (suma vectorial de tres direcciones) determinado según EN 62841.	
Valor de vibraciones generadas a _h	0,77 m/s ²
Tolerancia K=	1,5 m/s ²



Descripción del dispositivo

- | | |
|----------------------------------|---|
| ① Botón de liberación hidráulica | ⑦ Gancho |
| ② Pernos de bloqueo | ⑧ LED /Indicador de crimpado |
| ③ Mordazas de prensado | ⑨ Batería |
| ④ Disparador | ⑩ Manija Superficie de agarre con aislamiento |
| ⑤ Indicador ONE KEY | ⑪ Cuchillas de corte |
| ⑥ LED | ⑫ Mordazas de corte |

Indicador LED	Definición
 Encendido Verde	La herramienta completó la operación y alcanzó la presión máxima de crimpado.
 Encendido Rojo	La herramienta completó la operación, pero NO alcanzó la presión máxima de crimpado.
 Parpadeante Rojo	La herramienta NO completó la operación.
 Parpadeante Rojo / Verde (después Encendido Verde o Encendido Rojo)	La herramienta alcanzó su intervalo de servicio (30000 Crimpados). La luz empezará a parpadear en rojo o verde una vez se haya mostrado el indicador de operación rojo o verde. MILWAUKEE recomienda la inspección del dispositivo y un mantenimiento preventivo.

ADVERTENCIA!

El nivel vibratorio indicado en estas instrucciones ha sido medido conforme a un método de medición estandarizado en la norma EN 62841, y puede utilizarse para la comparación entre herramientas eléctricas. También es apropiado para una estimación provisional de la carga de vibración.

El nivel vibratorio indicado representa las aplicaciones principales de la herramienta eléctrica. Si, pese a ello, se utiliza la herramienta eléctrica para otras aplicaciones, con útiles adaptables diferentes o con un mantenimiento insuficiente, el nivel vibratorio puede diferir. Esto puede incrementar sensiblemente la carga de vibración durante todo el periodo de trabajo.

Para una estimación exacta de la carga de vibración deberían tenerse en cuenta también los tiempos durante los que el aparato está apagado o, pese a estar en funcionamiento, no está siendo realmente utilizado. Esto puede reducir sustancialmente la carga de vibración durante todo el periodo de trabajo.

Adopte medidas de seguridad adicionales para la protección del operador frente al efecto de las vibraciones, como por ejemplo: mantenimiento de la herramienta eléctrica y de los útiles adaptables, mantener las manos calientes, organización de los procesos de trabajo.



E

⚠ ADVERTENCIA Lea las indicaciones de seguridad, instrucciones, descripciones y datos que se incluyen en el aparato. En caso de no atenderse a las advertencias de peligro e instrucciones siguientes, ello puede ocasionar una descarga eléctrica, un incendio y/o lesión grave.

Guardar todas las advertencias de peligro e instrucciones para futuras consultas.

⚠ INSTRUCCIONES DE SEGURIDAD

El operario de este dispositivo debe haber recibido instrucciones sobre los peligros asociados con el uso de este dispositivo y sobre las medidas de seguridad básicas para el mismo por primera vez y, como mínimo, una vez al año posteriormente.

La compañía operadora debe:

- poner el manual de instrucciones a disposición del operario y
- asegurar que el operario lo haya leído y comprendido.

Utilice el equipamiento de protección. Lleve siempre puestas gafas de protección al utilizar el dispositivo. Se recomienda utilizar ropa de protección como máscara protectora contra el polvo, guantes protectores, calzado resistente y antideslizante, casco y protección para los oídos.

No mantenga nunca sus dedos u otras extremidades en el área de trabajo del cilindro de las mordazas.

Retirar la batería antes de iniciar cualquier trabajo de ajuste, limpieza y mantenimiento en el dispositivo.

Utilice únicamente dispositivos, paquetes de baterías y cargadores que se encuentren en perfectas condiciones técnicas.

Los deterioros deben ser reparados inmediatamente por un taller especializado autorizado.

Para evitar lesiones y daños, evite el arranque accidental del dispositivo.

Antes de la operación, retire cualquier herramienta de colocación o llaves.

No se deben procesar piezas que se encuentren bajo tensión. El dispositivo NO está aislado.

ADVERTENCIA! Para reducir el riesgo de incendio, lesiones personales y daños al producto a causa de un cortocircuito, nunca sumerja su dispositivo, el paquete de baterías o el cargador en líquidos ni permita que los líquidos puedan penetrar en los mismos. Los líquidos corrosivos o conductivos, como el agua marina, ciertos productos químicos industriales, lejía o productos que contengan lejía, etc., pueden causar un cortocircuito.

El mantenimiento y los intervalos de mantenimiento se deben observar obligatoriamente.

No abra nunca las baterías ni los cargadores y guárdelos sólo en lugares secos. Protéjalos de la humedad en todo momento.

Recargar solamente los acumuladores del Sistema M18 en cargadores M18. No intentar recargar acumuladores de otros sistemas.

Para evitar lesiones y daños, nunca sumerja la herramienta, la batería extraíble o el cargador en líquidos ni permita que penetre líquido en su interior.

ADVERTENCIA



Este dispositivo contiene una batería de litio de botón. En caso de ingestión o de que entre en el cuerpo, una batería nueva o usada puede provocar quemaduras internas y causar la muerte en 2 horas. Asegure siempre la tapa del compartimento de la batería. Si no se cierra correctamente, detenga el dispositivo, retire la batería o mantenga fuera del alcance de los niños. Si cree que alguien puede haber ingerido la batería o que puede haber entrado en el cuerpo de alguna otra manera, acuda inmediatamente a un médico.

⚠ INDICACIONES DE SEGURIDAD PARA Prensadoras

Las herramientas y los dispositivos de crimpado únicamente deben ser usados por personal entrenado en aplicaciones electro-técnicas.

Antes de usar la prensadora, mordazas y anillos, compruebe que no presenten grietas ni ningún otro tipo de signo de desgaste.

Emplee la prensadora y las matrices de prensado solo si están en un perfecto estado técnico.

La prensadora solo puede ser empleada con las matrices de prensado insertadas.

Emplee solo matrices de prensado de hasta 60 kN con un ancho total de 22 mm.

No toque las mordazas de prensado durante el proceso de prensado.

En caso de fallos durante el proceso de prensado, suelte de inmediato el interruptor ON y pulse el botón de desbloqueo del sistema hidráulico. La válvula se abre y el émbolo se vuelve a desplazar a la posición inicial.

⚠ INDICACIONES DE SEGURIDAD PARA EL Cortacables

Solo el personal capacitado especialmente en electrotecnia podrá llevar a cabo el corte o la separación de líneas eléctricas y cables utilizando este cortacables.

Para reducir el riesgo de explosiones, descargas eléctricas y daños a la propiedad, nunca corte líneas eléctricas energizadas. El dispositivo NO está aislado.

Mantenga las manos y prendas de ropa ligeras alejadas de las herramientas de corte y otras piezas móviles. Existe riesgo de lesiones graves, incluyendo la amputación de extremidades.

Nunca sujete el cortador de cables por las mordazas de corte.

Antes de utilizarlo, compruebe siempre las mordazas de corte en busca de grietas u otros signos de desgaste.

El cortador de cables solo puede utilizarse con una herramienta de corte insertada.

PELIGROS RESIDUALES

Prensadora:

Para el crimpado nunca utilice cables conductores.

Cortacables:

Antes de que comience el proceso de corte, se deberá cerrar el acceso de conformidad con las disposiciones locales.

Solo deberán cortarse cables que se hayan desconectado de la fuente de alimentación!

Las líneas eléctricas y los cables no pueden someterse a ningún tipo de fuerzas mecánicas.

Para reducir el riesgo de lesiones, lleve puestas gafas de seguridad o gafas con visera deslizable.



E

La inobservancia de esta instrucción puede derivar en lesiones graves, la muerte, incendio y otros tipos de daños a la propiedad como resultado de una descarga eléctrica, una explosión y/o arcos eléctricos.

APLICACIÓN DE ACUERDO A LA FINALIDAD

Prensadora:

La prensadora solo se debe emplear para prensar materiales de unión para los que estén previstas las matrices de prensado correspondientes.

Todas las partes conductoras deben estar desconectadas en el entorno de trabajo del técnico antes de que se inicie el trabajo.

Cortacables:

El cortador de cables puede cortar:

- cables sin tensión y cables no reforzados de aluminio o cobre aislado, las herramientas de corte dependen del tipo de cable

⚠ ADVERTENCIA Lea las indicaciones de seguridad, instrucciones, descripciones y datos que se incluyen en el aparato. En caso de no atenderse a las advertencias de peligro e instrucciones siguientes, ello puede ocasionar una descarga eléctrica, un incendio y/o lesión grave.

Guardar todas las advertencias de peligro e instrucciones para futuras consultas.

INDICACIONES PARA EL TRABAJO PARA ENGASTAR

Emplee únicamente conectores normalizados conforme a estándares nacionales vigentes y las matrices de prensado correspondientes.

Remítase a la documentación del fabricante en la que encontrará las instrucciones de uso y montaje de los conectores.

Compruebe que el diámetro nominal del conector coincida con el de la matriz de prensado.

Antes de que se inicie el proceso de crimpado, debe comprobarse la capacidad de la batería: mínimo 33 % (véase descripción ilustrada). Puede ser necesario cargarla antes de comenzar a trabajar.

Cuando se acciona el botón de control, se inicia el proceso de compresión, caracterizado por la unión de los cables por crimpado.

El usuario es responsable de comprobar y evaluar que el prensado sea correcto.

Las uniones incorrectas se deben volver a prensar con un nuevo conector.

Cómo actuar en caso de fallos

- Mantenga presionado el botón de reinicio hasta que las garras se hayan abierto por completo
- Compruebe la capacidad de la batería
- Inspeccione los cables y los puntos de crimpado según la información técnica
- Si sospecha que se ha crimpado un cable conductor, lleve la herramienta a un taller especializado autorizado para su inspección

INDICACIONES PARA EL TRABAJO PARA CORTAR

Configuración del área de trabajo

Antes de comenzar con los trabajos se deberán desenergizar las líneas eléctricas o los cables, y asegurarlos durante el tiempo que dure el trabajo.

Si no puede asegurarse más allá de toda duda que el cable o la línea aislada han sido desconectados, no se podrá llevar a cabo trabajo alguno.

Se deberán tener en cuenta obligatoriamente las disposiciones y las normas de seguridad locales.

Las líneas eléctricas y los cables no pueden someterse a ningún tipo de fuerzas mecánicas y, a su vez, tienen que estar asegurados contra movimientos incontrolados tras el corte.

No exponga las herramientas a la lluvia. No utilice las herramientas en lugares húmedos o mojados.

Preparación del cortador de cables y de la batería

Antes de cada uso:

- Inspeccione el cortador de cables en busca de defectos externos
- Compruebe la herramienta de corte en busca de grietas u otros signos de desgaste

¡Utilice el dispositivo únicamente en perfectas condiciones!

Antes de que comience el proceso de corte, se deberá comprobar la capacidad de la batería: mínimo 33 % (véase la ilustración de la descripción). Puede ser necesario cargarla antes de comenzar a trabajar.

Preparación para el proceso de corte

Apoye y fije la línea eléctrica o el cable a cortar con el fin de minimizar el riesgo de movimientos incontrolados.

En particular, las líneas aéreas y los cables pueden moverse sin control y causar lesiones y/o daños.

El cabezal de corte tiene que colocarse sobre la línea eléctrica o el cable en un ángulo de 90°, de forma que se sitúe en las mordazas abiertas sin tensión para poder evitar fuerzas de corte desfavorables.

⚠ ADVERTENCIA: Para reducir el riesgo de explosiones, descargas eléctricas y daños a la propiedad, nunca corte líneas eléctricas energizadas.

El dispositivo NO está aislado. El contacto con un circuito energizado puede resultar en lesiones graves o la muerte. Interrumpa el suministro eléctrico antes de hacer un corte. Nunca corte conductos de gas o tuberías de agua. Mantenga las manos alejadas de todos los bordes cortantes y de las piezas móviles. Pueden producirse laceraciones y amputaciones.

Retire siempre el paquete de baterías antes de cargar o retirar los accesorios. Utilice únicamente accesorios recomendados específicamente para este dispositivo. Otros podrían ser peligrosos.

Para reducir el riesgo de lesiones, lleve puestas gafas de seguridad o gafas con visera deslizante.

⚠ ADVERTENCIA: Para reducir el riesgo de lesiones, corte únicamente materiales recomendados para las cuchillas. (véanse las „especificaciones“) No intente cortar otros materiales.

Proceso de corte

Antes de efectuar el corte, asegúrese de que las cuchillas de corte estén instaladas correctamente.

1. Coloque el cable en ángulo recto sobre la cuchilla del cortacables. No intente hacer cortes en bisel, pues esto podría dañar el dispositivo y las cuchillas de corte.

2. Pulse el disparador y manténgalo pulsado durante la operación. Cuando el disparador esté pulsado se encenderá una luz LED.



Cuando el corte ha finalizado o el dispositivo se apaga, las mordazas de corte se abren de forma independiente. Si suelta el gatillo durante la operación de corte, deberá pulsar el botón de restablecimiento hidráulico para abrir las mordazas de corte.

Observación: La pieza de trabajo puede moverse ligeramente durante el corte.

Cómo actuar en caso de fallos

- El cable puede estar cortado y energizado, siempre se debe informar al encargado de seguridad, detener el proceso de corte y tomar las medidas de seguridad adecuadas
- Asegúrese siempre de que el dispositivo está y permanecerá desconectado del suministro eléctrico antes de aproximarse y tocar el dispositivo
- Pulse y mantenga pulsado el botón de restablecimiento hasta que el cortador se abra completamente
- Compruebe la capacidad de la batería
- Compruebe el material y el grosor del material comparándolos con los datos técnicos
- Si se sospecha que se ha cortado un cable energizado, se deberá inspeccionar el cortador de cables en un taller especializado autorizado



Cuchillas atascadas

La suciedad y los restos de material pueden hacer que las cuchillas se atasquen después de hacer un corte

- Pulse y mantenga pulsado el disparador de apertura para asegurar que la herramienta se ha restablecido.
- Retirar la batería.
- Siga la descripción de la imagen para abrir las mordazas
- Retire cualquier suciedad o restos de material de las cuchillas antes de iniciar un nuevo corte.

Consejos para cortar

- No intente hacer cortes en bisel, pues esto podría dañar el dispositivo y las cuchillas de corte.
- Haga cortes limpios del material para prolongar la vía útil de la cuchilla de corte. Elimine la suciedad y los restos del material y de las cuchillas de corte antes de hacer el corte.

MANTENIMIENTO

Retirar la batería antes de iniciar cualquier trabajo de ajuste, limpieza y mantenimiento en el dispositivo.

Nunca abra el dispositivo, la batería extraíble o el cargador.

Compruebe el dispositivo en busca de problemas como ruidos o atascos de las partes móviles que pudieran estar afectando al dispositivo.

Compruebe el dispositivo, las mordazas, los troqueles de engaste y las cuchillas de corte en busca de grietas y otros signos de desgaste antes de cada uso.

Limpie y engrase los dispositivos cuando haya finalizado su trabajo.

Limpie y engrase los rodillos motrices, el perno de bloqueo y las mordazas.

Compruebe que las mordazas puedan moverse libremente.

Reemplace los troqueles de engaste y las cuchillas de corte cuando se astillen o dañen.

Compruebe que los bordes de corte estén afilados y reemplace las cuchillas de corte que estén gastadas.

Reemplace siempre los troqueles de engaste y las cuchillas de corte como set.

Las ranuras de ventilación del dispositivo se deben mantener despejadas en todo momento.

Para evitar lesiones y daños, no sumerja nunca el dispositivo, la batería extraíble o el cargador en líquidos ni permita que los líquidos penetren en los mismos.

Cualquier otra tarea de mantenimiento o reparación solo puede ser llevada a cabo por un taller técnico autorizado.

El aparato contiene aceite hidráulico que supone un peligro para las aguas subterráneas. La evacuación incontrolada o eliminación inadecuada se penalizan legalmente.

La próxima fecha límite para el mantenimiento se indica a través de un indicador LED en el dispositivo.

El mantenimiento se debe realizar, como mínimo, cada dos años o cada 30000 procesos de prensado o, a más tardar, cuando el indicador LED así lo señalice.

Utilice solamente accesorios y repuestos Milwaukee. En caso de necesitar reemplazar componentes no descritos, contacte con cualquiera de nuestras estaciones de servicio Milwaukee (consultar lista de servicio técnicos)

En caso necesario, puede solicitar un despiece de la herramienta. Por favor indique el número de impreso que hay en la etiqueta y pida el despiece a la siguiente dirección: Techtronic Industries GmbH, Max-Eyth-Straße 10, 71364 Winnenden, Germany.

ONE-KEY™

Para obtener más información sobre la funcionalidad ONE-KEY de este dispositivo, por favor, consulte la Guía Rápida incluida junto con este producto o diríjase a <http://www.milwaukeeetool.com/one-key>

Puede descargar en su teléfono móvil la aplicación ONE-KEY en la App Store o en Google Play.

El resultado de la prueba cumple con los requisitos mínimos conforme a EN 301489-1 / EN 301489-17. Y ofreceremos al cliente las indicaciones de uso en nuestro manual de usuario.

BATERIA

Las baterías no utilizadas durante cierto tiempo deben ser recargadas antes de usar. Las temperaturas superiores a 50°C reducen el rendimiento de la batería. Evite una exposición excesiva a fuentes de calor o al sol (riesgo de sobrecalentamiento).

Los puntos de contacto de los cargadores y las baterías se deben mantener limpios.

Para un tiempo óptimo de vida, deberán cargarse las baterías completamente después de su uso.

Para garantizar la máxima capacidad y vida útil, las baterías recargables se deberían retirar del cargador una vez finalizada la carga.

En caso de almacenar la batería recargable más de 30 días:

Almacenar la batería recargable en un lugar seco a una temperatura de aproximadamente 27°C. Almacenar la batería recargable con un estado de carga del 30% y 50% aproximadamente. Recargar la batería cada 6 meses.

No tire las baterías usadas a la basura ni al fuego. Los Distribuidores Milwaukee ofrecen un servicio de recogida de baterías antiguas para proteger el medio ambiente.

No almacene la batería con objetos metálicos (riesgo de cortocircuito).

En caso de sobrecarga o alta temperatura, pueden llegar a producirse escapes de ácido provenientes de la batería. En caso de contacto con éste, limpie inmediatamente la zona con agua y jabón.

Si el contacto es en los ojos, límpiense concienzudamente con agua durante 10 minutos y acuda inmediatamente a un médico

No introduzca en la cavidad del cargador objetos metálicos (riesgo de cortocircuito).

TRANSPORTE DE BATERÍAS DE IONES DE LITIO

Las baterías de iones de litio caen bajo las disposiciones legales relativas al transporte de mercancías peligrosas.

El transporte de estas baterías recargables debe llevarse a cabo, observando las normas y disposiciones locales, nacionales e internacionales.

Los consumidores pueden transportar estas baterías recargables sin el menor reparo en la calle.

El transporte comercial de baterías recargables de iones de litio por empresas de transportes está sometido a las disposiciones del transporte de mercancías peligrosas. Las preparaciones para el envío y el transporte deben ser llevados a cabo exclusivamente por personas instruidas adecuadamente. El proceso completo debe ser supervisado por personal competente.

Los siguientes puntos se deben observar para el transporte de las baterías recargables:

Se debe asegurar que los contactos estén protegidos y aislados para evitar que se produzcan cortocircuitos. Preste atención a que el conjunto de baterías recargables no se pueda desplazar dentro del envase. Las baterías recargables deterioradas o derramadas no se deben transportar. Rogamos que para cualquier información adicional se dirija a su empresa de transportes.

DECLARACIÓN DE CONFORMIDAD CE

Declaramos bajo nuestra única responsabilidad que el producto descrito bajo „Datos técnicos“ cumple todas las disposiciones pertinentes de las directivas

2011/65/UE (RoHS)

2006/42/CE

2014/53/UE

y que se han implementado y estándares

EN 62841-1:2015

EN 62479:2010

EN 55014-1:2017+A11:2020

EN 55014-2:2015

EN 301 489-1 V2.2.3

EN 301 489-17 V3.1.1

EN 300 328 V2.2.2

EN IEC 63000:2018



Winnenden, 2020-11-10

Alexander Krug / Managing Director

Autorizado para la redacción de los documentos técnicos.

Techtronic Industries GmbH

Max-Eyth-Straße 10, 71364 Winnenden, Germany

SÍMBOLOS



Lea las instrucciones detenidamente antes de conectar la herramienta



Llevar gafas de protección.



Este dispositivo contiene una batería de litio de botón.



¡ATENCIÓN! ¡ADVERTENCIA! ¡PELIGRO!



Retire la batería antes de comenzar cualquier trabajo el aparato.



Peligro de descarga eléctrica



ADVERTENCIA!

Peligro de lesiones por esquirlas que pudieran salir despedidas.



ADVERTENCIA! Lesiones en las manos



Accesorio - No incluido en el equipo estándar, disponible en la gama de accesorios.



Los aparatos eléctricos no se deben eliminar junto con la basura doméstica. Los aparatos eléctricos y electrónicos se deben recoger por separado y se deben entregar a una empresa de reciclaje para una eliminación respetuosa con el medio ambiente. Infórmese en las autoridades locales o en su tienda especializada sobre los centros de reciclaje y puntos de recogida.

V

Voltios



Corriente continua



Marcado de conformidad europeo



Marcado de conformidad británico





Marcado de conformidad ucraniano



Marcado de conformidad euroasiático

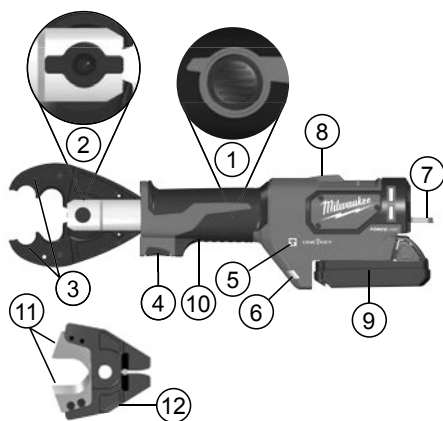


E

CARACTERÍSTICAS TÉCNICAS		M18 HUCT
Ferramenta de cortar e crimpar		
Número de produção	4673 82 02...	000001-999999
Banda de frequências	2402 - 2480 MHz	
Potência de radiofrequências	1,8 dBm	
Tensão do acumulador	18 V	
Força nominal	53 kN	
 Área de pressão : Corte transversal no máx. cobre alumínio	300 mm ²	150 mm ²
	Área de corte depende do material	
 ACSR: alumínio-/Cabos de aço no máx. cobre- / alumínio- Cabo no máx. Os outros materiais e respetivo diâmetro dependem das peças de aperto específicas.	22,5 mm	35 mm
	Peso nos termos do procedimento-EPTA 01/2014 (Li-Ion 2,0 Ah...9,0Ah)	
	com maxilas de compressão	3,6 kg ... 4,2 kg
com maxilas de corte		
Conjuntos de baterias recomendados	M18B...	
Carregadores recomendados	M12-18...	
Informações sobre ruído		
Valores de medida de acordo com EN 62841. O nível de ruído avaliado A do aparelho é tipicamente:		
Nível da pressão de ruído (Incertez K=3dB(A))	74,6 dB (A)	
Nível da potência de ruído (Incertez K=3dB(A))	85,6 dB (A)	
Use protectores auriculares!		
Informações sobre vibração		
Valores totais de vibração (soma dos vectores das três direcções) determinadas conforme EN 62841.		
Valor de emissão de vibração a _h	0,77 m/s ²	
Incerteza K=	1,5 m/s ²	



Por



Descrição do dispositivo

- | | |
|---------------------------------|-----------------------------------|
| ① Botão de liberação hidráulica | ⑦ Gancho de suspensão |
| ② Parafusos de bloqueio | ⑧ LED /Indicador de crimpagem |
| ③ Maxilas de compressão | ⑨ Bateria |
| ④ Gatilho | ⑩ Pega Superfície de pega isolada |
| ⑤ Indicador de UMA CHAVE | ⑪ Lâminas de corte |
| ⑥ LED | ⑫ Mandíbulas de corte |

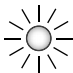

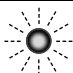
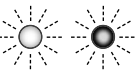
ATENÇÃO!

O nível vibratório indicado nestas instruções foi medido em conformidade com um procedimento de medição normalizado na EN 62841 e pode ser utilizado para comparar entre si ferramentas eléctricas. O mesmo é também adequado para avaliar provisoriamente o esforço vibratório.

O nível vibratório indicado representa as principais aplicações da ferramenta eléctrica. Se, no entanto, a ferramenta eléctrica for utilizada para outras aplicações, com outras ferramentas adaptadas ou uma manutenção insuficiente, o nível vibratório poderá divergir. Isto pode aumentar consideravelmente o esforço vibratório ao longo de todo o período do trabalho.

Para uma avaliação exacta do esforço vibratório devem também ser considerados os tempos durante os quais o aparelho está desligado ou está a funcionar, mas não está efectivamente a ser utilizado. Isto pode reduzir consideravelmente o esforço vibratório ao longo de todo o período do trabalho.

Defina medidas de segurança suplementares para proteger o operador do efeito das vibrações, como por exemplo: manutenção da ferramenta eléctrica e das ferramentas adaptadas, manter as mãos quentes, organização das seqüências de trabalho.

Indicador LED	Definição
 Sólido Verde	A ferramenta completou a operação e atingiu a pressão integral de crimpagem.
 Sólido Vermelho	A ferramenta completou a operação mas NÃO atingiu a pressão integral de crimpagem.
 Luz intermitente Vermelho	A ferramenta NÃO concluiu a operação.
 Luz intermitente Vermelho / Verde (depois Sólido Verde ou Sólido Vermelho)	A ferramenta atingiu o seu intervalo de serviço (30000 crimpes). Depois de o indicador vermelho ou verde sólido para a operação ser exibido, aparecerá uma luz intermitente vermelha/verde. A MILWAUKEE recomenda que o dispositivo seja inspecionado e que seja realizada a manutenção preventiva.

⚠️ ATENÇÃO Ler todas as indicações de segurança, instruções, representações e dados fornecidos juntamente com o aparelho. O desrespeito das advertências e instruções apresentadas abaixo pode causar choque eléctrico, incêndio e/ou graves lesões.

Guarde bem todas as advertências e instruções para futura referência.

⚠️ INSTRUÇÕES DE SEGURANÇA

O operador deste dispositivo deve ser instruído quanto aos perigos específicos associados à sua utilização e às medidas essenciais de segurança, antes de trabalhar com o dispositivo pela primeira vez e, pelo menos, uma vez por ano.

A empresa operadora deve:

- disponibilizar o manual de utilização ao operador e
- assegurar que o operador leu e compreendeu o manual.

Utilizar equipamento de protecção. Quando utilizar o dispositivo, use sempre óculos de protecção. Vestuário de protecção, bem como máscara de pó, sapatos fechados e antiderrapante, capacete e protecção auditiva são recomendados.

Nunca mantenha os dedos ou outras partes do corpo na área de trabalho do cilindro ou das mandíbulas.

Remova o bloco da bateria antes de iniciar qualquer trabalho de ajuste, limpeza e manutenção no dispositivo.

Utilize apenas dispositivos, blocos da bateria e carregadores que estejam em perfeita condição técnica.

Deixe uma oficina especializada reparar os danos imediatamente.

Para evitar ferimentos e danos, previna o arranque acidental do dispositivo.

Antes da operação, remova quaisquer ferramentas de ajuste e chaves.

Não podem ser processadas peças que estejam sob tensão eléctrica. O dispositivo NÃO está isolado.

ATENÇÃO! Para reduzir o risco de incêndio, ferimentos e danos no produto devido a um curto-circuito, nunca mergulhe o dispositivo, o bloco da bateria ou o carregador em fluidos nem permita que entrem fluidos no seu interior. Fluidos corrosivos ou condutores, tais como a água do mar, certos produtos químicos industriais e lixívia ou produtos que contenham lixívia, etc., podem causar um curto-circuito.

Sempre observe a manutenção e os intervalos de manutenção.

Carregadores só devem ser utilizados em recintos secos.

Use apenas carregadores do Sistema M18 para recarregar os acumuladores do Sistema M18. Não utilize acumuladores de outros sistemas.

Para evitar lesões e danos, nunca mergulhe a ferramenta, a bateria amovível ou o carregador em líquidos nem permita que entrem líquidos no seu interior.

ATENÇÃO



Este dispositivo contém uma pilha de célula de lítio tipo botão/moeda. Uma pilha de nova ou usada pode causar queimaduras internas graves e levar à morte em menos de 2 horas, em caso de ingestão ou se ela penetrar no corpo. Fixe sempre a tampa do compartimento da pilha. Se ela não for fechada seguramente, pare o dispositivo, remova a pilha e mantenha-a fora do alcance de crianças. Se achar que alguém engoliu a pilha ou se ela tiver de algum outro modo penetrado no corpo, procure imediatamente um médico.

⚠️ INDICAÇÕES DE SEGURANÇA PARA FERRAMENTAS DE COMPRESSÃO

As ferramentas e os equipamentos de crimpagem devem ser utilizados apenas por pessoal treinado em aplicações eletrotécnicas.

Antes de cada utilização, verificar a ferramenta, as maxilas e os acessórios de compressão quanto a fissuras e outros sinais de desgaste.

Utilizar a ferramenta e os acessórios de compressão apenas num estado técnico perfeito.

A ferramenta de compressão apenas pode ser utilizada com acessórios de compressão colocados.

Utilizar apenas acessórios de compressão até 60 kN com uma largura total de 22 mm.

Não tocar nas maxilas de compressão durante o processo de compressão.

Em caso de avarias durante o processo de compressão, soltar imediatamente o interruptor de ligação e premir o botão de desbloqueio do sistema hidráulico. A válvula abre e o êmbolo volta à posição inicial.

⚠️ INDICAÇÕES DE SEGURANÇA PARA CORTA-CABOS

O corte e a separação de cabos e fios com a ajuda deste corta-cabos apenas podem ser realizados por pessoas devidamente instruídas. Para reduzir o risco de explosões, choque eléctrico e danos materiais e ao equipamento, nunca corte cabos eléctricos energizados. O dispositivo NÃO está isolado.

Mantém as mãos e vestuário solto afastados de ferramentas de corte e de outras peças móveis. Há um risco de lesões graves, incluindo corte dos membros.

Nunca segure o cortador de cabos pelas mandíbulas de corte.

Antes de utilizar, verifique sempre se as mandíbulas de corte apresentam fendas e outros sinais de desgaste.

O cortador de cabos apenas pode ser utilizado com uma ferramenta de corte inserida.

RISCOS RESIDUAIS

Ferramenta de compressão:

Nunca crimpe materiais de ligação sob tensão.

Corta-cabos:

Antes de iniciar o processo de corte, o acesso deve ser vedado de acordo com os regulamentos locais.

Corte apenas cabos que tenham sido desligados da alimentação eléctrica!

Os cabos e os fios não podem estar sujeitos a forças mecânicas.

Para reduzir o risco de lesões, use óculos de segurança ou óculos com protecção lateral.

O incumprimento desta instrução pode causar lesões graves, morte, incêndio e outros danos materiais, como resultado de choque eléctrico, explosões e/ou arcos eléctricos.

UTILIZAÇÃO AUTORIZADA

Ferramenta de compressão:

A ferramenta de compressão apenas pode ser utilizada para a compressão de materiais de conexão para os quais tenham sido previstos os acessórios de compressão correspondentes.

As peças sob tensão, ou seja, as peças condutoras de electricidade, devem ser desligadas no ambiente de trabalho do técnico, antes do início do trabalho.



Por

Corta-cabos:

O cortador de cabos é adequado para o corte de:

- cabos não reforçados, livres de tensão, feitos de cobre ou alumínio isolado. As ferramentas de corte dependem do tipo de cabo.

⚠ ATENÇÃO Ler todas as indicações de segurança, instruções, representações e dados fornecidos juntamente com o aparelho. O desrespeito das advertências e instruções apresentadas abaixo pode causar choque eléctrico, incêndio e/ou graves lesões.

Guarde bem todas as advertências e instruções para futura referência.

DICAS DE TRABALHO PARA CRIMPAR

Utilizar apenas artigos de conexão normalizados em conformidade com as normas nacionais aplicáveis e os acessórios de compressão previstos para o efeito.

Consultar as instruções de processamento e de montagem para artigos de conexão na documentação do fabricante.

Verificar se a largura nominal do artigo de conexão corresponde à largura nominal do acessório de compressão.

Antes de começar a crimpagem, é necessário verificar a capacidade da bateria: no mínimo 33% (ver a descrição ilustrada). Poderá ser necessário carregar a bateria antes de começar o trabalho.

Ao se acionar o interruptor de controlo, é iniciado o processo de prensagem, o qual se caracteriza pela junção dos mordentes de crimpagem.

A verificação e a avaliação de uma compressão correta são responsabilidade do utilizador.

Conexões incorretas devem ser novamente comprimidas com um novo artigo de conexão.

O que fazer em caso de falhas

- Mantenha pressionado o botão de reset, até os mordentes se abrirem completamente
- Verifique a capacidade da bateria
- Inspeccione o cabo e os mordentes de crimpagem com base nos dados técnicos
- Caso se suspeite de que foi cortado um cabo energizado, a ferramenta de crimpagem terá de ser inspeccionada numa oficina especializada autorizada

DICAS DE TRABALHO PARA CORTAR

Configuração da área de trabalho

Antes de iniciar o trabalho, é necessário assegurar que as linhas e os cabos se encontram livres de tensão e que continuarão pelo tempo de duração do trabalho.

Se não for possível assegurar sem qualquer dúvida que se desligou o cabo ou linha isolada, não se pode realizar nenhum trabalho.

Dever-se-ão respeitar obrigatoriamente as disposições de segurança e regulamentos locais.

Os cabos e os fios não podem estar sujeitos a forças mecânicas e devem estar protegidos contra eventuais movimentos incontrolados após o corte.

Não exponha as ferramentas à chuva. Não utilize as ferramentas em locais húmidos ou molhados.

Preparação do cortador de cabos e da bateria

Antes de cada utilização:

- Inspeccione o cortador de cabos quanto a defeitos externos

- Verifique se a ferramenta de corte apresenta fendas e outros sinais de desgaste

Utilize apenas se estiver em perfeitas condições!

Antes de começar o processo de corte, deve ser verificada a capacidade da bateria: no mínimo 33% (veja a descrição ilustrada). Poderá ser necessário carregar a bateria antes de começar o trabalho.

Preparação para o processo de corte

Apoie e fixe o cabo ou fio a ser cortado, a fim de se minimizar o risco de um movimento descontrolado.

Em particular, os cabos e linhas ao ar livre poderão ter um movimento incontrolável e causar ferimentos e/ou danos.

A cabeça de corte deve estar posicionada num ângulo de 90° em relação ao cabo ou fio, de modo que este se encontre livre de tensões nos mordentes de corte, a fim de se evitar forças de corte desfavoráveis.

⚠ ATENÇÃO: Para reduzir o risco de explosões, choque eléctrico e danos materiais e no equipamento, nunca corte cabos eléctricos energizados.

O dispositivo NÃO está isolado. O contacto com um circuito energizado poderia resultar em lesões graves ou morte.

Desligue a energia eléctrica antes de efetuar um corte. Nunca corte linhas de gás ou de água. Mantenha as mãos afastadas de todas as arestas de corte e peças em movimento. Pode ocorrer laceração e amputação.

Remova sempre o bloco da bateria, antes de mudar ou remover os acessórios. Utilize apenas acessórios especificamente recomendados para este dispositivo. Outros podem ser perigosos.

Para reduzir o risco de lesões, use óculos de segurança ou óculos com proteção lateral.

⚠ ATENÇÃO: Para reduzir o risco de lesões, corte apenas os materiais recomendados para as lâminas. (Consulte as «Especificações») Não tente cortar outros materiais.

Corte

Antes de cortar, certifique-se de que as lâminas de corte estão devidamente instaladas.

1. Coloque o cabo em ângulo reto nas lâminas do corta-cabos. Não tente fazer cortes em ângulo, pois danificam o dispositivo e as lâminas de corte.

2. Puxe e segure o gatilho durante toda a operação. Quando o gatilho é puxado, acende-se um LED.

Quando o corte estiver concluído ou o dispositivo desligar-se, as mandíbulas de corte abrem independentemente. Se soltar o gatilho durante a operação de corte, tem de pressionar o botão de reposição hidráulica para abrir as mandíbulas de corte.

Nota: A peça de trabalho pode mover-se ligeiramente durante o corte.

O que fazer em caso de falhas

- o cabo pode estar cortado e encontrar-se sob tensão; informar sempre o responsável pela segurança, interromper o processo de corte, iniciar as medidas de segurança adequadas
- Certifique-se sempre de que o dispositivo está e permanecerá desligado da alimentação eléctrica, antes de se aproximar e de tocar no dispositivo
- Pressione e mantenha pressionado o botão de reposição até que o cortador se abra completamente
- Verifique a capacidade da bateria

- Verifique o material e a respetiva espessura em comparação com os dados técnicos
- Caso se suspeite de que foi cortado um cabo energizado, o cortador de cabos deve ser inspecionado numa oficina especializada autorizada

Lâminas encravadas

A sujidade e os detritos podem fazer com que as lâminas fiquem encravadas após um corte

- Pressione e mantenha pressionado o gatilho de libertação para garantir que a ferramenta foi reposta.
- Remova o bloco da bateria.
- Siga a descrição das imagens para abrir os mordentes de corte
- Limpe toda a sujidade e detritos das lâminas antes de iniciar outro corte.

Dicas de corte

- Não tente fazer cortes em ângulo, pois danificam o dispositivo e as lâminas de corte.
- Corte material limpo para prolongar a vida útil da lâmina de corte. Limpe a sujidade e os detritos do material e das lâminas de corte, antes de começar o corte.

MANUTENÇÃO

Remova o bloco da bateria antes de iniciar qualquer trabalho de ajuste, limpeza e manutenção no dispositivo.

Nunca abra o dispositivo, a bateria amovível ou o carregador.

Verifique o dispositivo quanto a eventuais problemas, tais como ruído ou bloqueio de peças móveis que poderiam estar a afetar o dispositivo.

Antes de cada utilização, verifique se o dispositivo, as mandíbulas, os moldes de crimpar e as lâminas de corte apresentam fendas e outros sinais de desgaste.

Limpe e lubrifique os dispositivos depois de terminar o trabalho.

Limpe e lubrifique os rolos de acionamento, os parafusos de bloqueio e as mandíbulas.

Verifique se as mandíbulas conseguem mover-se livremente.

Substitua os moldes de crimpar e as lâminas de corte quando ficarem lascados ou danificados.

Verifique se as arestas de corte estão afiadas e substitua as lâminas de corte gastas.

Substitua sempre os moldes de crimpar e as lâminas de corte como um conjunto.

As ranhuras de ventilação do dispositivo devem ser mantidas sempre desobstruídas.

Para evitar lesões e danos, nunca mergulhe o dispositivo, a bateria amovível ou o carregador em líquidos nem permita que entrem líquidos no seu interior.

Posteriores trabalhos de manutenção e reparação só podem ser efetuados por oficinas de especialistas autorizados.

O aparelho contém óleo hidráulico que representa um perigo para o lençol freático. Uma evacuação descontrolada ou eliminação incorreta é punível.

O momento para a realização da manutenção seguinte é indicado pelo LED no dispositivo.

Esta manutenção deve ser realizada, pelo menos, a cada 2 anos, ou após 30 000 processos de compressão, ou o mais tardar quando for sinalizada através da indicação LED.

Utilizar apenas acessórios Milwaukee e peças sobresselentes Milwaukee. Os componentes cuja substituição não esteja descrita devem ser substituídos num serviço de assistência técnica

Milwaukee (consultar a brochura relativa à garantia/moradas dos serviços de assistência técnica).

A pedido e mediante indicação da referência que consta da chapa de características da máquina, pode requerer-se um desenho explosivo da ferramenta eléctrica a: Techtronic Industries GmbH, Max-Eyth-Straße 10, 71364 Winnenden, Germany.

ONE-KEY™

Para saber mais sobre a funcionalidade ONE-KEY deste dispositivo, consulte o guia de iniciação rápida fornecido com este produto ou vá a <http://www.milwaukeetool.com/one-key>

Pode-se descarregar a app ONE-KEY para o smartphone através da App Store ou do Google Play.

O resultado do teste satisfaz as nossas exigências mínimas nos termos das normas EN 301489-1 / EN 301489-17. Forneceremos ao cliente a orientação de operação contida no manual do utilizador.

ACUMULADOR

Acumuladores não utilizados durante algum tempo devem ser recarregados antes da sua utilização. Temperaturas acima de 50°C reduzem a capacidade do bloco acumulador. Evitar exposição prolongada ao sol ou a caloríferos.

Mantenha limpos os contactos eléctricos no carregador e no bloco acumulador.

Para uma vida útil óptima das baterias, terá que carregá-las plenamente após a sua utilização.

Para assegurar uma vida útil longa, o pacote de bateria deve ser removido da carregadora depois do carregamento.

Se o pacote de bateria for armazenado por mais de 30 dias: Armazene o pacote de bateria com aprox. 27°C em um lugar seco. Armazene o pacote de bateria com aprox. 30%-50% da carga completa. Carregue o pacote de bateria novamente de 6 em 6 meses.

Não queimar acumuladores gastos nem deitá-los no lixo doméstico. A Milwaukee possui uma eliminação de acumuladores gastos que respeita o meio ambiente.

Não guardar acumuladores junto com objectos metálicos (perigo de curto-circuito).

Em caso de cargas ou temperaturas extremas, um acumulador de substituição danificado poderá verter líquido de bateria. Se entrar em contacto com este líquido, deverá lavar-se imediatamente com água e sabão. Em caso de contacto com os olhos, enxágue-os bem e de imediato durante pelo menos 10 minutos e consulte um médico o mais depressa possível.

Não abrir acumuladores e carregadores. Armazená-los em recintos secos. Protegê-los contra humidade.

TRANSPORTE DE BATERIAS DE IÃO-LÍLIO

Baterias de ião-lítio estão sujeitas às disposições da legislação relativa às substâncias perigosas.

O transporte destas baterias deve ser efetuado de acordo com as disposições e os regulamentos locais, nacionais e internacionais.

O utilizador pode efetuar o transporte rodoviário destas baterias sem restrições.

O transporte comercial de baterias de ião-lítio por terceiros está sujeito aos regulamentos relativos às substâncias perigosas. A preparação do transporte e o transporte devem ser executados exclusivamente por pessoas instruídas e o processo deve ser acompanhado pelos especialistas correspondentes.

Observe o seguinte no transporte de baterias:

Assegure-se de que os contactos terminais estejam protegidos e isolados para evitar um curto-circuito. Assegure-se de que o bloco



da bateria esteja protegido contra movimentos na embalagem. Não transporte baterias danificadas ou que tenham fuga. Para instruções mais detalhadas consulte a companhia de transportes

DECLARAÇÃO DE CONFORMIDADE CE

Declaramos, sob a nossa inteira responsabilidade, que o produto descrito em «Dados Técnicos» cumpre todas as disposições relevantes das diretivas

2011/65/UE (RoHS)

2006/42/CE

2014/53/UE

tendo sido seguidas as seguintes normas harmonizadas

EN 62841-1:2015

EN 62479:2010

EN 55014-1:2017+A11:2020

EN 55014-2:2015

EN 301 489-1 V2.2.3

EN 301 489-17 V3.1.1

EN 300 328 V2.2.2

EN IEC 63000:2018



Winnenden, 2020-11-10

Alexander Krug / Managing Director
Autorizado a reunir a documentação técnica.

Techtronic Industries GmbH
Max-Eyth-Straße 10, 71364 Winnenden, Germany

SYMBOLS



Leia atentamente o manual de instruções antes de colocar a máquina em funcionamento.



Use óculos de proteção.



Este dispositivo contém uma pilha de célula de lítio tipo botão/moeda.



ATENÇÃO! PERIGO!



Antes de efectuar qualquer intervenção o aparelho retirar o bloco acumulador.



Perigo de choque eléctrico



ATENÇÃO!
Existe perigo de ferimentos devido a estilhaços de corte



ATENÇÃO! Ferimentos nas mãos



Acessório - Não incluído no equipamento normal, disponível como acessório.



Aparelhos eléctricos não devem ser jogados no lixo doméstico. Aparelhos eléctricos e electrónicos devem ser colectados separadamente e entregues a uma empresa de reciclagem para a eliminação correcta. Solicite informações sobre empresas de reciclagem e postos de colecta de lixo das autoridades locais ou do seu vendedor autorizado.

V

Volts



Corrente contínua



Marca de Conformidade Europeia



Marca de Conformidade Britânica

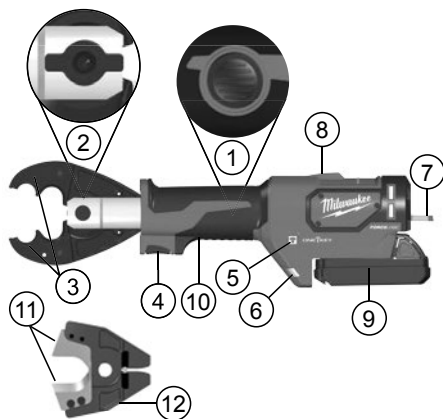


Marca de Conformidade Ucraniana



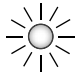


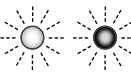
Marca de Conformidade Eurasiática

TECHNISCHE GEGEVENS Krimp- en kniptang		M18 HUCT
Productienummer	4673 82 02... 000001-999999	
Frequentieband	2402 - 2480 MHz	
Radiofrequent vermogen	1,8 dBm	
Spanning wisselakku	18 V	
Nominale kracht	53 kN	
Persberek : Diameter max.		
 Koper	300 mm ²	
 Aluminium	150 mm ²	
Snijberek afhankelijk van het materiaal		
 ACSR: Aluminium-/Staaabels max.	22,5 mm	
 Koper- / Aluminium-Kabel max.	35 mm	
Andere materialen en hun diameter zijn afhankelijk van de betreffende bek.		
Gewicht volgens de EPTA-procedure 01/2014 (Li-Ion 2,0 Ah...9,0Ah)		
met persbekken	3,6 kg ... 4,2 kg	
met snijbekken	3,7 kg ... 4,3 kg	
Aanbevolen accupacks	M18B...	
Aanbevolen laadtoestellen	M12-18...	
Geluidsinformatie		
Meetwaarden vastgesteld volgens EN 62841. Het kenmerkende A-gewogen geluidsniveau van de machine bedraagt:		
Geluidsdruk niveau (Onzekerheid K=3dB(A))	74,6 dB (A)	
Geluidsvermogen niveau (Onzekerheid K=3dB(A))	85,6 dB (A)	
Draag oorbeschermers!		
Trillingsinformatie		
Totale trillingswaarden (vectorsom van drie richtingebepaald volgens EN 62841.		
Trillingsemissiewaarde a _n	0,77 m/s ²	
Onzekerheid K=	1,5 m/s ²	



Beschrijving van het apparaat

- | | |
|-----------------------------------|------------------------------------|
| ① Hydraulische ontgrendelingsknop | ⑦ Hanger |
| ② Vergrendelingspennen | ⑧ Led /Krimpindicator |
| ③ Persbekken | ⑨ Accu |
| ④ Hendel | ⑩ Handgreep Geïsoleerde handgrepen |
| ⑤ ONE KEY-indicator | ⑪ Knipmessen |
| ⑥ Led | ⑫ Knipbekken |

Ledindicator	Definitie
 Continu Groen	Gereedschap heeft de taak afgerond en de volledige krimpdruk is bereikt.
 Continu Rood	Gereedschap heeft de taak afgerond en de volledige krimpdruk is NIET bereikt.
 Knipperend Rood	Gereedschap heeft de taak NIET afgerond.
 Knipperend Rood / Groen (na Continu Groen of Continu Rood)	Gereedschap heeft een onderhoudsinterval bereikt (30000 krimpen). Nadat de indicator voor bediening continu rood of groen heeft gebrand, knippert het licht rood/groen. MILWAUKEE raadt aan het gereedschap te controleren en preventief onderhoud uit te voeren.

WAARSCHUWING!

De in deze aanwijzingen vermelde trillingsdruk is gemeten volgens een in EN 62841 genoemde meetmethode en kan worden gebruikt voor de onderlinge vergelijking van apparaten. Hij is ook geschikt voor een voorlopige inschatting van de trillingsbelasting.

De aangegeven trillingsdruk geldt voor de meest gebruikelijke toepassingen van het elektrische apparaat. Wanneer het elektrische gereedschap echter voor andere doeleinden, met andere dan de voorgeschreven hulpstukken gebruikt of niet naar behoren onderhouden wordt, kan de trillingsdruk afwijken. Dit kan de waarde van de trillingsdruk over de hele werkperiode aanzienlijk verhogen. Voor een nauwkeurige inschatting van de trillingsdruk moeten ook de tijden in aanmerking worden genomen dat het apparaat uitgeschakeld is of weliswaar loopt, maar niet werkelijk in gebruik is. Dit kan de waarde van de trillingsdruk over de hele werkperiode aanzienlijk verminderen.

Bepaal extra veiligheidsmaatregelen ter bescherming van de bediener tegen de inwerking van trillingen, bijvoorbeeld: onderhoud van elektrische gereedschappen en apparaten, warmhouden van de handen, organisatie van de werkprocessen.



⚠ WAARSCHUWING Lees en bekijk alle veiligheidsaanwijzingen, aanwijzingen, afbeeldingen en gegevens die u bij het apparaat ontvangt. Als de waarschuwingen en voorschriften niet worden opgevolgd, kan dit een elektrische schok, brand of ernstig letsel tot gevolg hebben.

Bewaar alle waarschuwingen en voorschriften voor toekomstig gebruik.

⚠ VEILIGHEIDSADVIEZEN

De gebruiker van dit gereedschap moet zijn geïnstrueerd over de specifieke gevaren met betrekking tot het gebruik van dit gereedschap en in de essentiële veiligheidsmaatregelen voordat hij of zij hiermee aan het werk gaat. Vervolgens moet deze instructie ten minste jaarlijks worden herhaald.

Het bedrijf dat het gebruikt moet:

- zorgen dat de bedieningshandleiding beschikbaar is voor de operator en
 - zorgen dat de operator deze heeft gelezen en begrepen.
- Draag veiligheidsuitrusting. Draag altijd een veiligheidsbril tijdens het gebruik van het gereedschap. Veiligheidskleding zoals stofmasker, veiligheidshandschoenen, stevig en slipvast schoeisel, helm en gehoorbescherming worden aanbevolen.

Houd nooit vingers of andere lichaamsdelen in het werkgebied van de cilinder of de bekken.

Verwijder de accu voordat u de instellingen van het apparaat aanpast, het apparaat schoonmaakt of onderhoud pleegt.

Gebruik gereedschappen, accupacks en opladers uitsluitend als deze in technische perfecte staat zijn.

Laat beschadigingen onmiddellijk verhelpen in een geautoriseerde werkplaats.

Vorkom dat het apparaat onbedoeld in werking treedt om schade te voorkomen.

Verwijder alle afstelgereedschappen en sleutels voordat u met het gereedschap gaat werken.

Het is verboden om delen die onder elektrische spanning staan te bewerken. Het gereedschap is NIET geïsoleerd.

WAARSCHUWING! Dompel het gereedschap, accupacks of opladers nooit onder in een vloeistof en voorkom dat vloeistof erin binnendringt om de kans op brand, persoonlijk letsel en schade aan het product door kortsluiting ontstaat. Bijtende of geleidende vloeistoffen, zoals zeewater, bepaalde industriële chemicaliën en bleekmiddel of producten die bleekmiddel bevatten enzovoort, kunnen kortsluiting veroorzaken.

Houd u strikt aan de onderhouds- en instandhoudingsinstructies.

Wisselakku's en laadapparaten niet openen en alleen in droge ruimtes opslaan. Tegen vocht beschermen.

Wisselakku's van het Akku-Systeem M18 alléén met laadapparaten van het Akku-Systeem M18 laden. Geen akku's van andere systemen laden.

Om verwondingen te voorkomen mag u het gereedschap, de verwijderbare accu of de lader nooit in een vloeistof dopen of vloeistof in deze apparaten laten doordringen.

WAARSCHUWING

⚠ Dit apparaat heeft een type knoepcel-lithiumbatterij. Een nieuwe of gebruikte batterij kan leiden tot ernstige interne verbrandingen en tot de dood in minder dan twee uur indien ingeslikt of in het lichaam geplaatst. Zet de deksel van het batterijvak altijd goed vast. Als het niet goed sluit, het apparaat stoppen, de batterij verwijderen en buiten bereik van kinderen houden. Als u denkt dat iemand een batterij heeft ingeslikt of op een andere manier in het lichaam heeft geplaatst, direct een arts raadplegen.

⚠ VEILIGHEIDSAANWIJZINGEN VOOR PERSGEREEDSCHAPPEN

Krimpgereedschap en -apparatuur mag alleen door personeel worden gebruikt dat geschoold is in elektrotechnische applicaties. Controleer het perswerktuig, de bekken en inzetstukken vóór elk gebruik op scheuren en andere tekenen van slijtage.

Gebruik persgereedschap en persinzetstukken alleen in technisch onberispelijke toestand.

Het persapparaat mag alleen met aangebrachte persinzetstukken worden gebruikt.

Gebruik alleen persinzetstukken tot 60 kN met een totale breedte van 22 mm.

Raak de persbekken niet aan tijdens het persen.

Laat bij storingen tijdens het persen onmiddellijk de AAN-schakelaar los en druk op de ontgrendelingsknop van de hydrauliek. De klep opent en de zuiger stuurt terug naar zijn uitgangspositie.

⚠ VEILIGHEIDSAANWIJZINGEN VOOR KABELSNIJDERS

Het snijden of scheiden van kabels met behulp van deze draadsnijder mag alleen door een gediplomeerd elektrotechnicus gebeuren.

Om het risico op explosies, elektrische schokken en schade aan eigendommen en apparatuur te beperken, is het raadzaam om nooit onder spanning staande elektrische kabels door te knippen. Het gereedschap is NIET geïsoleerd.

Houd handen en losse kleding uit de buurt van snijwerktuigen en andere bewegende delen. Er bestaat een kans op ernstig letsel, waaronder het afsnijden van ledematen.

Houd de kabelknipper nooit vast aan de snijklaauwen.

Controleer voor gebruik altijd of de snijklaauwen scheuren vertonen of andere tekenen van slijtage.

De kabelknipper mag uitsluitend worden gebruikt als het knipgereedschap er is ingestoken.

RESTERENDE GEVAREN

Persgereedschap:

Nooit verbindingsmaterialen onder spanning krimpen.

Draadsnijders:

Voordat het knipproces begint, moet de locatie zijn afgezet in overeenstemming met de lokale regelgeving.

Knip alleen kabels door die zijn losgekoppeld van de stroomtoevoer!

Kabels mogen niet aan mechanische krachten worden blootgesteld.

Om het risico op verwondingen te beperken is het raadzaam om een veiligheidsbril te dragen met zijschermen.



Wanneer u niet handelt in overeenstemming met deze instructies, kan dit leiden tot zwaar letsel, dood, brand of andere schade aan eigendommen en resulteren in elektrische schokken, explosies en/of vlambogen.

VOORGESCHREVEN GEBRUIK VAN HET SYSTEEM

Persgereedschap:

Het perswerktuig mag uitsluitend worden gebruikt voor het persen van verbindingsmaterialen die zijn bedoeld voor de betreffende persinzetstukken.

Alle onderdelen onder spanning, d.w.z. delen die elektriciteit geleiden, moeten worden afgesloten in het werkgedeelte van de monteur vóór met de werkzaamheden wordt begonnen.

Draadsnijders:

De kabelknipper is geschikt voor het knippen van

- spanningsvrije gewapende en niet-gewapende kabels van geïsoleerd koper of aluminium, snijwerktuigen afhankelijk van het kabeltype



WAARSCHUWING Lees en bekijk alle veiligheidsaanwijzingen, aanwijzingen, afbeeldingen en gegevens die u bij het apparaat ontvangt. Als de waarschuwingen en voorschriften niet worden opgevolgd, kan dit een elektrische schok, brand of ernstig letsel tot gevolg hebben.

Bewaar alle waarschuwingen en voorschriften voor toekomstig gebruik.

ARBEIDSinSTRUCTIES VOOR KRIMPEN

Gebruik alleen genormeerde verbindingsmaterialen die voldoen aan de nationaal geldende standaarden en die daarvoor bedoelde persinzetstukken.

U vindt de verwerkings- en montageaanwijzingen voor verbindingsmaterialen in de documentatie van de fabrikant.

Controleer of de nominale wijde van het verbindingsmateriaal overeenkomt met de nominale wijde van het persinzetstuk.

Voordat het krimpproces begint, moet de accupaciteit worden gecontroleerd: minimaal 33% (zie geïllustreerde beschrijving). Mogelijk moet deze worden opgeladen voordat de werkzaamheden beginnen.

Het activeren van de bedieningsschakelaar start het drukproces, dat is te zien aan het samenkomen van de krimpprofielen.

De gebruiker is er verantwoordelijk voor de persing te controleren en te beoordelen of deze correct is uitgevoerd.

Niet goed uitgevoerde verbindingen moeten nogmaals worden geperst met nieuw verbindingsmateriaal.

Handelingen bij storingen

- Houd de resetschakelaar ingedrukt tot de klauwen volledig open zijn
- controleer de accupaciteit
- Controleer de kabel en de krimpprofielen op basis van technische gegevens
- Indien u mogelijk een onder spanning staande kabel hebt ingedrukt, moet het krimp gereedschap worden gecontroleerd in een goedgekeurde specialistische werkplaats

ARBEIDSinSTRUCTIES VOOR KNIPPEN

Indeling van het werkgebied

Voor begin van de werkzaamheden moeten de leidingen en kabels spanningsloos worden gemaakt en er moet worden gezorgd dat ze voor de duur van de werkzaamheden spanningsloos blijven.

Als niet absoluut kan worden gegarandeerd dat de kabel of geïsoleerde leiding is losgekoppeld, mogen er geen werkzaamheden worden uitgevoerd.

Lokale veiligheidsvoorschriften en -regels moeten altijd worden nageleefd.

Kabels mogen niet aan mechanische krachten worden blootgesteld en moeten eventueel worden beveiligd tegen ongecontroleerde bewegingen na het snijden.

Stel het apparaat niet aan regen bloot en gebruik dit niet in een vochtige of natte omgeving.

Vorbereidingen voor de kabelknipper en accu

Voorafgaand aan ieder gebruik:

- Inspecteer de kabelknipper op externe defecten
- Controleer het knipgereedschap op scheuren en andere tekenen van slijtage

Alleen gebruiken in perfecte conditie!

Voordat het knipproces begint, moet de accupaciteit worden gecontroleerd: minimaal 33% (zie geïllustreerde beschrijving). Mogelijk moet deze worden opgeladen voordat de werkzaamheden beginnen.

Vorbereidingen voor het knipproces

Maak de te snijden kabel vast en ondersteun deze om zo het risico op ongecontroleerde bewegingen te minimaliseren.

Met name bovengrondse leidingen en kabels kunnen ongecontroleerde bewegingen maken en daardoor letsel en/of schade toebrengen.

De snijkop moet in een hoek van 90° op de kabel staan, zodat deze zonder spanning in de geopende snijkop ligt en ongunstige afschuifkrachten worden vermeden.



WAARSCHUWING: Om het risico op explosies, elektrische schokken en schade aan eigendommen en apparatuur te beperken, is het raadzaam om nooit onder spanning staande elektrische kabels door te knippen.

Het gereedschap is NIET geïsoleerd. Contact met een stroomcircuit onder spanning kan resulteren in zwaar letsel of de dood. Schakel de stroom uit voordat u begint met knippen. Knip nooit gas- of waterleidingen door. Houd de handen uit de buurt van alle snijdende oppervlakken en bewegende delen. Anders is er kans op ernstig letsel en zelfs verlies van ledematen.

Verwijder de accupack altijd voor u accessoires vervangt of verwijdt. Gebruik uitsluitend accessoires die specifiek worden aanbevolen voor dit gereedschap. Andere accessoires kunnen gevaar opleveren.

Om het risico op verwondingen te beperken is het raadzaam om een veiligheidsbril te dragen met zijschermen.



WAARSCHUWING: Om het risico op verwondingen te beperken, mag u alleen materialen knippen die geschikt zijn voor de bladen. (zie "Specificaties") Probeer geen andere materialen te knippen.



Knippen

Controleer voor het knippen of de knipmessen correct gemonteerd zijn.

1. Voer de kabel loodrecht in de snijder van de draadsnijder. Probeer niet om kabels schuin af te knippen, omdat daardoor het gereedschap en de knipmessen zullen beschadigen.

2. Duw de hendel in en houd deze vast gedurende de gehele operatie.

Er licht een ledlampje op wanneer de hendel wordt ingedrukt.

Wanneer het apparaat klaar is met knippen of uitschakelt, openen de knipbekken zich automatisch. Als u de hendel loslaat tijdens het knippen, moet u de hydraulische reset-knop indrukken om de knipbekken te openen.

Opmerking: Het werkstuk kan enigszins bewegen tijdens het knippen.

Handelingen bij storingen

- de kabel kan aangesneden zijn en onder spanning staan, altijd de veiligheidsfunctionaris informeren, het snijproces afbreken, passende veiligheidsmaatregelen inzetten
- Zorg er altijd voor dat het apparaat losgekoppeld is en blijft van de stroomtoevoer voordat u in de buurt komt en het apparaat aanraakt
- druk de resetknop in en houd deze ingedrukt tot de snijklaauwen volledig openen
- controleer de accucapaciteit
- controleer het materiaal en de dikte van het materiaal en vergelijk het met de gegevens op het technische gegevensblad
- Indien u mogelijk een onder spanning staande kabel hebt doorgeknipt, moet de kabelknipper worden gecontroleerd in een goedgekeurde specialistische werkplaats

Geblokkeerde bladen

Vuil en rommel kunnen er voor zorgen dat de bladen geblokkeerd raken na het knippen

- Druk de loskoppelhendel in en houd deze ingedrukt om te zorgen dat het gereedschap gereset is.
- Verwijder de accu.
- Volg de beeldbeschrijving voor het openen van de snijbek
- Verwijder alle vuil en rommel van de bladen voordat u aan een nieuwe knip begint.

Tips voor het knippen

- Probeer niet om kabels schuin af te knippen, omdat daardoor het gereedschap en de knipmessen zullen beschadigen.
- Knip schoon materiaal om de levensduur van de knipmessen te verlengen. Veeg vuil en rommel van het materiaal en de knipmessen voor u begint met knippen.

ONDERHOUD

Verwijder de accu voordat u de instellingen van het apparaat aanpast, het apparaat schoonmaakt of onderhoud pleegt.

Open nooit het gereedschap, de accupack of de oplader.

Controleer het gereedschap op eventuele problemen, zoals geluid of vastlopen van bewegende delen, die de werking van het gereedschap kunnen beïnvloeden.

Controleer het gereedschap, de klauwen en de krimpklauwen en knipmessen voor gebruik op scheuren en andere tekenen van slijtage.

Reinig en smeer de gereedschappen na het voltooiën van de werkzaamheden.

Reinig en smeer de aandrijfrollen, de vergrendelingspen en de bekken.

Controleer of de klauwen vrij kunnen bewegen.

Verwijder de krimpklauwen en knipmessen wanneer deze gesplinterd of beschadigd zijn.

Controleer of de snijranden scherp zijn en vervang afgesleten knipmessen.

Vervang de krimpklauwen en knipmessen altijd als set.

De ventilatiesleuven van het gereedschap moeten altijd vrij zijn.

Dompel het gereedschap, de accupack of de oplader nooit onder in een vloeistof dopen en voorkom dat vloeistof erin binnendringt om persoonlijk letsel of schade te voorkomen.

Ander onderhoud en reparaties mogen uitsluitend worden uitgevoerd door geautoriseerde werkplaatsen.

Het apparaat bevat hydrauliekolie die een bedreiging vormt voor het grondwater. Ongecontroleerd afblazen of incorrecte afvalverwijdering kan worden bestraft.

De volgende onderhoudstermijn wordt gemiddeld door de led op het gereedschap.

Dit onderhoud moet ten minste elke 2 jaar of na 30.000 keer persen worden uitgevoerd of ten laatste wanneer dit wordt aangegeven met de led-indicator.

Gebruik uitsluitend Milwaukee toebehoren en onderdelen. Indien componenten die moeten worden vervangen niet zijn beschreven, neem dan contact op met een officieel Milwaukee servicecentrum (zie onze lijst met servicecentra).

Onder vermelding van het nummer op het machineplaatje is desgewenst een doorsnedetekening van de machine verkrijgbaar bij: Techtronic Industries GmbH, Max-Eyth-Strasse 10, 71364 Winnenden, Germany.

ONE-KEY™

Meer informatie over de ONE-KEY™-functionaliteit van dit gereedschap vindt u in de Quick Start-handleiding die bij dit product is meegeleverd of op <http://www.milwaukeetool.com/one-key>

Van de App Store of Google Play kunt u de ONE-KEY app downloaden naar uw smartphone.

Het testresultaat voldoet aan onze minimumvereisten conform EN 301489-1 / EN 301489-17. Daarnaast geven wij de klanten in deze gebruikshandleiding informatie over het gebruik.

AKKU

Langere tijd niet toegepaste wisselakku's vóór gebruik altijd naladen. Een temperatuur boven de 50°C vermindert de capaciteit van de accu. Langdurige verwarming door zon of hitte vermijden.

De aansluitcontacten aan het laadapparaat en de accu schoonhouden.

Voor een optimale levensduur moeten de accu's na het gebruik volledig opgeladen worden.

Voor een zo lang mogelijke levensduur van de accu's dienen deze na het opladen uit het laadtoestel te worden verwijderd.

Bij een langere opslag van de accu dan 30 dagen: accu bij ca. 27 °C droog bewaren. accu bij ca. 30 % - 50 % van de laadtoestand bewaren. accu om de 6 maanden opnieuw opladen.

Verbruikte akku's niet in het vuur of bij het huisvuil werpen. Milwaukee biedt namelijk een milieuvriendelijke recyclingmethode voor uw oude akku's.

Wisselakku's niet bij metalen voorwerpen bewaren (kortsluitingsgevaar!).

Onder extreme belasting of extreme temperaturen kan uit de accu accu-vloeistof lopen. Na contact met accu-vloeistof direct afwassen

met water en zeep. Bij oogcontact direct minstens 10 minuten grondig spoelen en onmiddellijk een arts raadplegen.
In de wisselakku-opnameschacht van het laadapparaat mogen géén metaaldeeltjes komen (kortsluitingsgevaar!).

TRANSPORT VAN LITHIUM-IONEN-ACCU'S

Lithium-ionen-accu's vallen onder de wettelijke bepalingen inzake het transport van gevaarlijke goederen.

Voor het transport van deze accu's moeten de lokale, nationale en internationale voorschriften en bepalingen in acht worden genomen.

Verbruikers mogen deze accu's zonder meer over de weg transporteren.

Het commerciële transport van lithium-ionen-accu's door expeditiebedrijven is onderhevig aan de bepalingen inzake het transport van gevaarlijke goederen. De verzendingsvoorbereidingen en het transport mogen uitsluitend worden uitgevoerd door dienovereenkomstig opgeleide personen. Het complete proces moet vakkundig worden begeleid.

Onderstaande punten moeten bij het transport van accu's in acht worden genomen:

Waarborg ter vermindering van kortsluitingen dat de contacten beschermd en geïsoleerd zijn. Let op dat het accupack in de verpakking niet kan verschuiven. Beschadigde of lekkende accu's mogen niet worden getransporteerd. Neem voor meer informatie contact op met uw expeditiebedrijf.

EC - VERKLARING VAN OVEREENSTEMMING

We verklaren geheel onder eigen verantwoordelijkheid dat het product in de "Technische data" voldoet aan alle relevante bepalingen van de richtlijnen

2011/65/EU (RoHS)

2006/42/EG

2014/53/EU

en de volgende geharmoniseerde normen zijn gebruikt.

EN 62841-1:2015

EN 62479:2010

EN 55014-1:2017+A11:2020

EN 55014-2:2015

EN 301 489-1 V2.2.3

EN 301 489-17 V3.1.1

EN 300 328 V2.2.2

EN IEC 63000:2018



Winnenden, 2020-11-10

Alexander Krug / Managing Director

Gemachtigd voor samenstelling van de technische documenten

Techtronic Industries GmbH

Max-Eyth-Straße 10, 71364 Winnenden, Germany

SYMBOLLEN



Graag instructies zorgvuldig doorlezen vóórdat u de machine in gebruik neemt.



Draag een veiligheidsbril!



Dit apparaat heeft een type knoopcel-lithiumbatterij.



OPGELET! WAARSCHUWING! GEVAAR!



Voor alle werkzaamheden aan de apparat de akku verwijderen.



Risico op een elektrische schok



WAARSCHUWING!
Verwondingsgevaar door wegvliegende brokstukken



WAARSCHUWING! Verwonding van de handen



Toebehoren - Wordt niet meegeleverd. Is apart leverbaar. Zie hiervoor het toebehorenprogramma.



Elektrische apparaten mogen niet via het huisafval worden afgevoerd. Elektrische en elektronische apparaten moeten gescheiden worden verzameld en voor een milieuvriendelijke afvoer worden afgegeven bij een recyclingbedrijf. Informeer bij uw gemeente of bij uw vakhandelaar naar recyclingbedrijven en inzamelpunten.



Spanning



Gelijkstroom



Europees symbool van overeenstemming



Brits symbool van overeenstemming





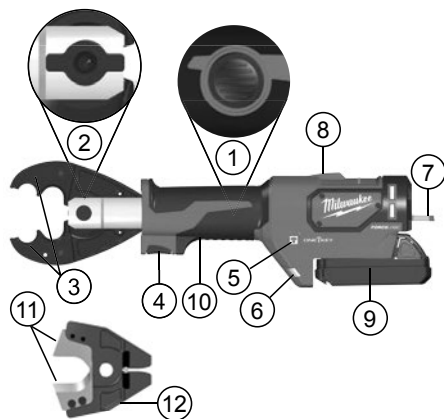
Oekraïens symbool van overeenstemming



Euro-Aziatisch symbool van overeenstemming

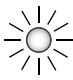





TEKNISKE DATA		M18 HUCT
Presse- og skæreværktøj		
Produktionsnummer	4673 82 02...	000001-999999
Frekvensbånd	2402 - 2480 MHz	
Radiofrekvenseffekt	1,8 dBm	
Udskiftningsbatteriets spænding	18 V	
Nominal kraft	53 kN	
 Klemmeområde : Tværsnit maks. Kobber Aluminium	300 mm ²	150 mm ²
	Skæreområde afhænger af materiale	
 ACSR: Aluminium-/Stålwire maks. Kobber- / Aluminium-Kabel maks. Andre materialer og deres diameter afhænger af den specifikke kæbe.	22,5 mm	35 mm
	Vægt svarer til EPTA-procedure 01/2014 (Li-Ion 2,0 Ah...9,0Ah)	
	med pressebakker	3,6 kg ... 4,2 kg
med gevindskærebakker		
Anbefalede batteripakker	M18B...	
Anbefalede opladere	M12-18...	
Støjinformation		
Måleværdier beregnes iht. EN 62841. Værktøjets A-vurderede støjniveau er typisk:		
Lydtrykniveau (Usikkerhed K=3dB(A))	74,6 dB (A)	
Lydeffekt niveau (Usikkerhed K=3dB(A))	85,6 dB (A)	
Brug høreværn!		
Vibrationsinformation		
Samlede vibrationsværdier (værdisum for tre retninger) beregnet iht. EN 62841.		
Vibrationseksponering a _v	0,77 m/s ²	
Usikkerhed K=	1,5 m/s ²	



Apparatbeskrivelse

- | | |
|--------------------------|--------------------------------|
| ① Hydraulisk udløserknop | ⑦ Hænger |
| ② Låsebolte | ⑧ LED /Presseindikator |
| ③ Pressebakker | ⑨ Batteri |
| ④ Udløser | ⑩ Håndtag Isolerede grebflader |
| ⑤ ONE KEY indikator | ⑪ Skæreklinger |
| ⑥ LED | ⑫ Skærebakker |

LED indikator	Definition
	Værktøjet har fuldført opgaven og nåede det maksimale presstryk.
Lyser konstant Grøn	
	Værktøjet har fuldført opgaven men nåede IKKE det maksimale presstryk.
Lyser konstant Rød	
	Værktøjet fuldførte IKKE opgaven.
Blinker Rød	
	Værktøjet har nået sit serviceinterval (30000 presninger). Røde/grønne blink starter efter visningen af den konstante røde eller grønne indikator for processen. MILWAUKEE anbefaler, at apparatet inspiceres og der gennemføres forebyggende vedligeholdelse.
Blinker Rød / Grøn (efter Lyser konstant Grøn eller Lyser konstant Rød)	

ADVARSEL!

Svingningsniveauet, som er angivet i disse anvisninger, er målt i henhold til standardiseret måleprocedure ifølge EN 62841 og kan anvendes til indbyrdes sammenligning mellem el-værktøjer. Svingningsniveauet er ligeledes egnet som foreløbigt skøn over svingningsbelastningen.

Det angivne svingningsniveau er baseret på el-værktøjets primære anvendelsesformål. Hvis el-værktøjet benyttes til andre formål, med andet indsatsværktøj eller ikke vedligeholdes tilstrækkeligt, kan svingningsniveauet afvige. Dette kan øge svingningsbelastningen over den samlede arbejdsperiode betydeligt.

For en nøjagtig vurdering af svingningsbelastningen skal der også tages højde for de tidsperioder, hvor apparatet er slukket, eller hvor apparatet kører, men uden at være i anvendelse. Dette kan reducere svingningsbelastningen over den samlede arbejdsperiode betydeligt.

Supplerende sikkerhedsforanstaltninger til beskyttelse af brugeren mod påvirkninger fra svingninger skal iværksættes, f.eks.:

Vedligeholdelse af el-værktøj og indsatsværktøj, varmholdelse af hænder, organisering af arbejdsprocesser.

⚠ ADVARSEL Læs alle sikkerhedsanvisninger, anvisninger, instruktioner og data, der følger med enheden. I tilfælde af manglende overholdelse af advarselshenvisningerne og instrukterne er der risiko for elektrisk stød, brand og/eller alvorlige kvæstelser.

Opbevar alle advarselshenvisninger og instrukser til senere brug.

⚠ SIKKERHEDSHENVISNINGER

Operatøren af dette apparat skal være instrueret i de særlige farer, som er forbundet med brugen af dette apparat, samt i de grundlæggende sikkerhedsforanstaltninger, forud for arbejdet med den første gang og mindst en gang årligt efterfølgende.

Den driftsansvarlige virksomhed skal:

- sørge for, at operatøren har adgang til en brugermanual og
- sikre, at operatøren har læst og forstået den.

Brug beskyttelsesudstyr. Bær altid beskyttelsesbriller, når du bruger apparatet. Vi anbefaler desuden brug af personlig beskyttelsesudrustning, såsom støvmaske, sikkerhedshandsker, fast og skridsikkert skotøj, hjelm og høreværn.

Hold aldrig dine fingre eller andre kropstele i cylinderens eller bakkernes arbejdsområde.

Fjern batteripakken inden du starter enhver form for justering, rengøring og vedligeholdelse af apparatet.

Benyt kun apparater, batteripakker og opladere, som er i perfekt teknisk stand.

Lad straks beskadigelser reparere på et autoriseret værksted.

For at undgå kvæstelser og skader, så forebyg at apparatet kan startes ved et uheld.

Fjern alle justeringsværktøjer og nøgler inden apparatet benyttes.

Du må ikke bearbejde dele, der står under elektrisk spænding. Apparatet er IKKE isoleret.

ADVARSEL! For at mindske risikoen for brand, kvæstelse og skader på produktet pga. kortslutning, så nedsenk aldrig dit apparat, din batteripakke eller oplader i væske og tillad ikke, at en væske løber inde i dem. Ætsende eller ledende væsker, såsom havvand, bestemte kemikalier til industrien, og blegemiddel eller produkter, der indeholder blegemiddel etc., kan forårsage en kortslutning.

Service og serviceintervaller skal ubetinget overholdes.

Udskiftningsbatterier og opladere må ikke åbnes og skal opbevares i tørre rum. Beskyt dem mod fugtighed.

Brug kun M18 ladeapparater for opladning af System M18 batterier.

For at undgå person- og materialeskade, må værktøjet, det aftagelige batteri eller opladeren aldrig dykkes ned i eller gennemtrænges af væske.

ADVARSEL



Dette apparat indeholder et knapcelle litium batteri. Et nyt eller brugt batteri kan forårsage alvorlige indre forbrændinger og medføre døden på kun 2 timer, hvis det sluges eller kommer ind i kroppen. Batterihusets lukning skal altid være sikret. Hvis det ikke lukkes sikkert, stop apparatet, fjern batteriet og hold det udenfor børns rækkevidde. Hvis du har mistanke om, at nogen har slugt batteriet eller at det er kommet ind i kroppen på anden måde, skal du opsøge en læge med det samme.

⚠ SIKKERHEDSANVISNINGER FOR PRESSEVÆRKTØJER

Presseværktøj og presseapparater skal udelukkende betjenes af personale, som er uddannet til elektrotekniske anvendelser.

Kontrollér inden hver brug, om der er revner eller anden slitage på presseværktøj, -bakker og -indsats.

Brug kun presseværktøj og presseindsats, hvis de er i teknisk upåklagelig stand.

Presseværktøjet må kun bruges med isatte presseindsats.

Brug kun presseindsats op til 60 kN med en samlet bredde på 22 mm.

Rør ikke ved pressebakkerne under presseprocessen.

Hvis der er driftsforstyrrelser under presseprocessen, skal du straks slippe ON-kontakten og trykke hydraulikkens frigørelsesknap. Ventilen vil åbne og stemplet vende tilbage i sin udgangsposition.

⚠ SIKKERHEDSANVISNINGER FOR KABELSKÆRER

Hv. skæring og adskillelse af kabler og wirer ved hjælp af denne kabelskærer må kun udføres af en elektroteknisk uddannet person.

For at minimere risikoen for eksplosioner, elektrisk stød og skade på ejendom og udstyr, må der aldrig skæres i strømførende el-ledninger. Apparatet er IKKE isoleret.

Hænder og løstsiddende tøj må ikke komme i nærheden af skæreværktøjer og andre bevægelige dele. Der er fare for alvorlig skade, herunder amputationer af lemme.

Grib aldrig kabelskæreren ved skærekæben.

Før brug skal skærekæben altid efterses for revner og andre tegn på slitage.

Kabelskæreren må kun anvendes med et indsat skæreværktøj.

RESTRISICI

Presseværktøj:

Tændte forbindelsesmaterialer må aldrig presses.

Kabelskærer:

Før skæreprocessen starter, skal adgangen afspærres i overensstemmelse med de lokale regler.

Skær kun kabler, som ikke er strømførende!

Kabler og wirer må ikke udsættes for nogen form for mekaniske kræfter.

Bær beskyttelsesbriller eller briller med sideafskærmning for at reducere risikoen for personskade.

Hvis denne henvisning ikke følges kan det føre til alvorlig personskade, død, brand eller anden skade på ejendom som følge af elektrisk stød, eksplosion og/eller buedannelser.



TILTÆNKT FORMÅL

Presseværktøj:

Presseværktøjet må udelukkende bruges til at presse forbindelsesmateriale, som de pågældende presseindsatser er beregnet til.

Før arbejdet påbegyndes, skal alle tændte komponenter, f.eks. strømførende dele, være afbrudte indenfor teknikerens arbejdsområde.

Kabelskærere:

Kabelskæreren er egnet til skæring

• spændingsfrie ikke forstærkede kabler af isoleret kobber eller aluminium, skæreværktøjer afhænger af kabeltypen

⚠ ADVARSEL Læs alle sikkerhedsanvisninger, anvisninger, instruktioner og data, der følger med enheden. I tilfælde af manglende overholdelse af advarselshenvisningerne og instrukserne er der risiko for elektrisk stød, brand og/eller alvorlige kvæstelser.

Opbevar alle advarselshenvisninger og instrukser til senere brug.

ARBEJDSANVISNINGER TIL PRESNING

Du må kun bruge standardiserede forbindelsesdele iht. nationalt gældende standarder samt de presseindsatser, der passer til den pågældende opgave.

Forarbejdnings- og montageanvisningerne for forbindelsesdelene fremgår af producentens dokumentation.

Kontrollér, om forbindelsesdelens pålydende vidde stemmer overens med presseindsatsens pålydende vidde.

Før der presses, skal batteriets kapacitet kontrolleres: minimum 33% (se illustreret beskrivelse). Det kan være nødvendigt at oplade før arbejdet begynder.

Ved at tænde for kontakten, starter presningen, som er kendetegnet ved, ved at presseindsatsene køres sammen.

Det er brugerens ansvar at kontrollere og vurdere, om presningen foretages korrekt.

Forførte samlinger skal presses på ny med en ny forbindelsesdel.

Forholdsregler i tilfælde af forstyrrelse

- Hold tilbagestillingskontakten nede, indtil kæberne er helt åbne
- kontrollér batterikapaciteten
- Undersøg kablet og presseindsatsene på baggrund af de tekniske data
- Hvis der er mistanke om, at et strømført kabel er blevet presset, skal presseværktøjet efterses på et autoriseret specialværksted

ARBEJDSANVISNINGER TIL SKÆRING

Indretning af arbejdsområdet

Før arbejdets begyndelse skal det sikres, at kablerne eller wirene ikke er tilsluttet til el-nettet, og at strømmen er afbrudt under hele arbejdet.

Hvis der er usikkerhed om, hvorvidt kablet eller den isolerede ledning er strømførende eller ej, må der ikke udføres noget arbejde. Lokale sikkerhedsforskrifter og regler skal følges under alle omstændigheder.

Kabler og wire må ikke udsættes for mekaniske kræfter, og skal i givet fald sikres mod ukontrollerede bevægelser efter snittet.

Udsæt ikke værktøjet for regn. Brug ikke værktøjet i fugtige eller våde omgivelser.

Forberedelse af kabelskærer og batteri

Før hver brug:

- Undersøg kabelskæreren for ydre fejl
 - Eftersøg skæreværktøjet for revner og andre tegn på slitage
- Må kun bruges i upåklagelig tilstand!
- Før der skæres, skal batteriets kapacitet kontrolleres: minimum 33% (se illustreret beskrivelse). Det kan være nødvendigt at oplade før arbejdet begynder.

Forberedelse af skæreprocessen

Støt og fastgør kablet eller wiren, som skal skæres for at minimere risikoen for en ukontrolleret bevægelse.

Specielt frithængende kabler og wire kan bevæge sig ukontrolleret og forårsage person- og/eller materialeskade.

Skærehovedet skal placeres i en 90° vinkel til kablet eller wiren, således at kablet eller wiren kan ligge i den åbne skærekæbe uden spænding, så uønskede forskydningskræfter undgås.

⚠ ADVARSEL: For at minimere risikoen for eksplosioner, elektrisk stød og skade på ejendom og udstyr, må der aldrig skæres i strømførende el-ledninger.

Apparatet er IKKE isoleret. Kontakten til et kredsløb under strøm kan føre til alvorlig personskade eller død. Afbryd strømmen før der foretages et snit. Skær aldrig i gas eller vandledninger. Hold hænderne væk fra alle skæresider og bevægende dele. Fare for alvorlig personskade og amputation.

Fjern altid batteripakken før tilbehør udskiftes eller fjernes. Anvend kun tilbehør, som anbefales specielt til dette apparat. Andet tilbehør kan være farligt.

Bær beskyttelsesbriller eller briller med sideafskærmning for at reducere risikoen for personskade.

⚠ ADVARSEL: For at minimere risikoen for personskade, må der kun skæres i materiale, som er anbefalet til klingerne. (se „Specifikationer“) Forsøg ikke at skære i andre materialer.

Skæring

Før der skæres, skal det sikres, at skæreklingerne er monteret korrekt.

1. Placér kablet, som skal bearbejdes, vinkelret ved kabelskæreren skæreenhed. Forsøg ikke at lave vinklede snit, da det vil skade apparatet og skæreklingerne.
 2. Tryk og hold på udløseren under hele forløbet.
- En LED lyser når udløseren trykkes.

Hvis skæringen er fuldført eller apparatet slukker, åbner skærebakkerne af sig selv. Hvis du slipper udløseren under skæringen, skal du trykke den hydrauliske nulstillingsknop for at åbne skærebakkerne. Bemærk: Arbejdsobjektet kan evt. bevæge sig lidt under skærearbejdet.

Forholdsregler i tilfælde af forstyrrelse

- Kablet kan være blevet snittet og være strømført, informér altid den sikkerhedsansvarlige, afbryd skæreprocessen, og indled de passende beskyttelsestiltag
- Vær altid sikker på, at kabelskæreren er og forbliver afbrudt fra el-nettet før apparatet nærmes og berøres
- Tryk og hold nulstillingsknappen indtil skæreren åbner helt
- kontrollér batterikapaciteten
- Sammenhold materiale og materialetykkelse med de tekniske data

- Hvis der er mistanke om, at en strømført kabel er blevet skåret, skal kabelskæreren efterses på et autoriseret specialværksted

Fastsiddende klinger

Snavs og rester kan forårsage, at klingerne sætter sig fast efter et snit

- Tryk og hold nulstillings udløseren for at sikre at værktøjet er nulstillet.
- Fjern batteripakken.
- Følg illustrationen for at åbne skærekæben
- Fjern snavs og rester fra klingerne før et nyt snit påbegyndes.

Skære Tips

- Forsøg ikke at lave vinklede snit, da det vil skade apparatet og skæreklingerne.
- Skær i rent materiale for at forlænge skæreklingernes levetid. Tør snavs og rester af materiale og skæreklinger inden skæringen påbegyndes.

VEDLIGEHOLDELSE

Fjern batteripakken inden du starter enhver form for justering, rengøring og vedligeholdelse af apparatet.

Åbn aldrig apparatet, det aftagelige batteri eller opladeren.

Efterse apparatet for enhver form for problemer, såsom larm eller bevægelige dele, som har sat sig fast, og som kan påvirke apparatet.

Efterse for hver brug apparatet, bakkerne og presseindsatserne og skæreklingerne for revner og andre tegn på slidtage.

Rengør og fedt apparaterne ind, når du er færdig med arbejdet.

Rengør og fedt drivrullerne, låseboltene og bakkerne ind.

Efterse at bakkerne kan bevæge sig frit.

Udskift presseindsatserne og skæreklingerne, når de får revner eller andre skader.

Efterse at skærekanten er skarpe og udskift slidte skæreklinger.

Udskift altid presseindsatser og skæreklinger som et sæt.

Ventilationsåbningerne på apparatet skal altid holdes fri.

For at undgå kvæstelser og skader, så nedsænk aldrig apparatet, det aftagelige batteri eller opladeren i en væske, og tillad ikke at væske flyder igennem dem.

Yderligere service og reparationer må kun udføres af autoriserede og specialiserede værksteder.

Maskinen indeholder hydraulikolie, som er til fare for grundvandet. Ukontrolleret udtømning eller ukorrekt bortskaffelse er strafbart ved lov.

Den næste servicetermin vises med LED på apparatet.

Denne vedligeholdelse skal gennemføres mindst hvert 2. år eller efter 30.000 presseprocesser eller senest, når LED-lampen signalerer det.

Brug kun Milwaukee-tilbehør og Milwaukee-reservedele. Komponenter, hvor udskiftningsproceduren ikke er beskrevet, skal skiftes ud hos et Milwaukee-servicested (se brochure garantikundeserviceadresser).

Ved opgivelse af type nr. der er angivet på maskinens effektskilt, kan de rekvirere en reservedelstegning, ved henvendelse til: Techtronic Industries GmbH, Max-Eyth-Straße 10, 71364 Winnenden, Germany.

ONE-KEY™

For at læse mere om dette apparats ONE-KEY funktionalitet, så se venligst quick start guiden, der følger med dette produkt, eller besøg <http://www.milwaukeeetool.com/one-key>

Du kan downloade ONE-KEY-app'en til din smartphone fra App Store eller Google Play.

Kontrolresultatet opfylder vores minimumskrav iht. EN 301489-1 / EN 301489-17. Og vi sørger for, at kunden får driftsvejledningen som del af vores brugervejledning.

BATTERI

Udskiftningsbatterier, der ikke har været brugt i længere tid, efterlades inden brug. Ved temperaturer over 50°C formindskes batteriets effekt. Undgå direkte sollys og stærk varme.

Tilslutningskontakterne på oplader og udskiftningsbatterier skal holdes rene.

For at opnå en optimal levetid skal de genopladelige batterier oplades fuldt efter brug.

For at sikre en så lang levetid som muligt skal batterierne tages ud af ladeaggregatet efter opladning.

Skal batterierne opbevares længere end 30 dage: Temperatur ca. 27°C i tørre omgivelser. Opbevares ved ca. 30%-50% af ladetilstanden. Batteri skal genoplades hver 6. måned.

Opbrugte udskiftningsbatterier må ikke brændes eller kasseres sammen med alm. husholdningsaffald. Milwaukee har en miljørigtig bortskaffelse af gamle udskiftningsbatterier, henvend Dem til Deres forhandler.

Opbevar ikke udskiftningsbatterier sammen med metalgenstande af fare for kortslutning.

I tilfælde af en ekstrem belastning eller ekstrem temperatur kan der flyde batterivæske ud af et beskadiget batteri. Hvis De kommer i berøring med batterivæsken, skal den vaskes godt og grundigt af med vand og sæbe. I tilfælde af øjenkontakt, skal man mindst skylle øjnene godt og grundigt igennem i 10 minutter og omgående opsøge en læge.

Metaldele o.lign må ikke komme i berøring med rummet beregnet for udskiftningsbatteriet (kortslutningsfare).

TRANSPORT AF LITHIUM-BATTERIER

Lithium-batterier er omfattet af lovgivningen om transport af farligt gods.

Transporten af disse batterier skal ske under overholdelse af lokale, nationale og internationale regler og bestemmelser.

Forbrugere må transportere disse batterier på veje uden yderligere krav.

Den kommercielle transport af lithium-batterier ved speditorsfirmaer er omfattet af reglerne for transport af farligt gods. Forberedelsen af forsendelse og transport må kun udføres af tilsvarende trænedte personer. Den samlede proces skal følges af fagfolk.

Følgende punkter skal overholdes ved transport af batterier:

Sørg for at kontakterne er beskyttet og isoleret for at forhindre kortslutninger. Sørg for at batteripakken ikke kan bevæge sig inden for emballagen. Beskadigede eller lækkenne batterier må ikke transporteres. Kontakt dit speditorsfirma for at få yderligere oplysninger.



CE-KONFORMITETSERKLÆRING

Vi erklærer som eneansvarlige, at produktet, som beskrives under „Tekniske data“, opfylder alle de relevante bestemmelser i direktiverne

2011/65/EU (RoHS)

2006/42/EF

2014/53/EU

og følgende harmoniserede standarder er blevet anvendt.

EN 62841-1:2015

EN 62479:2010

EN 55014-1:2017+A11:2020

EN 55014-2:2015

EN 301 489-1 V2.2.3

EN 301 489-17 V3.1.1

EN 300 328 V2.2.2

EN IEC 63000:2018



Winnenden, 2020-11-10

Alexander Krug / Managing Director

Autoriseret til at udarbejde de tekniske dokumenter.

Techtronic Industries GmbH

Max-Eyth-Straße 10, 71364 Winnenden, Germany

SYMBOLER



Læs brugsanvisningen nøje før ibrugtagning.



Brug beskyttelsesbriller.



Dette apparat indeholder et knapcelle litium batteri.



VIGTIGT! ADVARSEL! FARE!



Ved arbejde inden i maskinen, bør batteriet tages ud.



Fare for elektrisk stød

ADVARSEL!



Fare for kvæstelser på grund af omkringflyvende fragmenter.



ADVARSEL! Håndskader



Tilbehør - Ikke inkluderet i leveringsomfanget, kab købes som tilbehør.



Elektrisk udstyr må ikke bortskaffes sammen med det almindelige husholdningsaffald. Elektrisk og elektronisk udstyr skal indsamles særskilt og afleveres hos en genbrugsvirksomhed til en miljømæssig forsvarlig bortskaffelse. Spørg de lokale myndigheder eller din forhandler om genbrugsstationer og indsamlingssteder til sådant affald.

V

Spænding



Jævnstrøm



Europæisk konformitetsmærke



Britisk konformitetsmærke


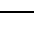




Ukrainsk konformitetsmærke

001

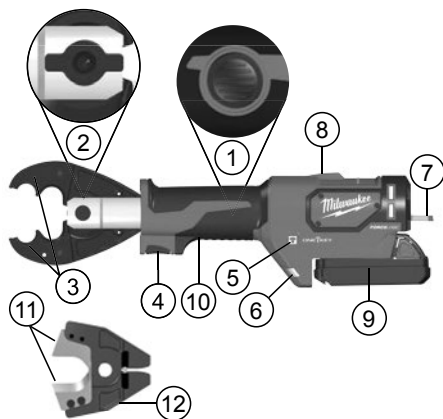


Eurasisk konformitetsmærke

TEKNISKE DATA		M18 HUCT
Krympe- og skjæreverktøy		
Produksjonsnummer	4673 82 02... 000001-999999	
Frekvensbånd	2402 - 2480 MHz	
Sendeeffekt	1,8 dBm	
Spenningsvekselbatteri	18 V	
Nominell kraft	53 kN	
Pressområde : Tverrsnitt maks.		
 Kobber	300 mm ²	
 Aluminium	150 mm ²	
Kutteområde Avhengig av materialtype		
 ACSR: Aluminium-/Ståltau maks.	22,5 mm	
 Kobber- / Aluminium-Kabel maks.	35 mm	
Andre materialer og deres diameter avhenger av spesifikk dreipatron.		
Vekt i henhold til EPTA-Prosedyren 01/2014 (Li-Ion 2,0 Ah...9,0Ah)		
med pressbakker	3,6 kg ... 4,2 kg	
med kuttebakker	3,7 kg ... 4,3 kg	
Anbefalte batteripakker	M18B...	
Anbefalte ladere	M12-18...	
Støyinformasjon		
Måleverdier fastslått i samsvar med EN 62841. Det typiske A-bedomte støynivået for maskinen er:		
Lydtrykknivå (Usikkerhet K=3dB(A))	74,6 dB (A)	
Lydeffektnivå (Usikkerhet K=3dB(A))	85,6 dB (A)	
Bruk hørselsvern!		
Vibrasjonsinformasjoner		
Totale svingningsverdier (vektorsum fra tre retninger) beregnet jf. EN 62841.		
Svingningsemisjonsverdi a _h	0,77 m/s ²	
Usikkerhet K=	1,5 m/s ²	




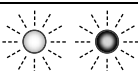
ADVARSEL!

Svingningsnivået som er angitt i denne instruksjonen er målt i overensstemmelse med målemetoden normert i direktiv EN 62841 og kan brukes til å sammenligne elektromaskiner med hverandre. Den egner seg også for en foreløbig vurdering av svingningsbelastningen. Det angitte svingningsnivået representerer de hovedsaklige bruk av elektroverktøyet. Men anvendes elektroverktøyet for andre bruk med avvikende utskiftbare verktøy eller vedlikeholdet er utilstrekkelig, kan svingningsnivået være avvikende. Dette kan forhøye svingningsbelastning betydelig over hele arbeidsperioden. For en nøyaktig vurdering av svingningsbelastningen må også det tas hensyn til tiden apparatet er avslått eller står på, men ikke er i bruk. Dette kan redusere svingningsbelastningen betydelig over hele arbeidsperioden. Innfør også ekstra sikkerhetstiltak for å beskytte bruker mot utvirkningen av svingningene. Disse kan f.eks. være: vedlikehold av elektroverktøyet og det utskiftbare verktøyet, holde hendene varme, organisasjon av arbeidsforløpet.



Beskrivelse av verktøyet

- | | |
|------------------------------|-------------------------------|
| ① Hydraulisk utløsningsknapp | ⑦ Henger |
| ② Låsebolter | ⑧ LED /Pressviser |
| ③ Pressbakker | ⑨ Batteri |
| ④ Starter | ⑩ Håndtak Isoleret gripeflate |
| ⑤ ONE KEY-viser | ⑪ Knivblader |
| ⑥ LED | ⑫ Skjæreklo |

LED-viser	Definisjon
 Konstant Grønt	Verktøyet har fullført prosessen og nådd maksimal pressekraft.
 Konstant Rødt	Verktøyet har fullført prosessen, men kunne ikke nå maksimal pressekraft.
 Blinker Rødt	Verktøyet kunne ikke fullføre prosessen.
 Blinker Rødt / Grønt (etter Konstant Grønt eller Konstant Rødt)	Verktøyet har nådd sitt serviceintervall (30000 pressing). Vil begynne å blinke rødt/grønt etter at viseren for prosessen har lyst konstant rødt eller grønt. MILWAUKEE anbefaler å få enheten kontrollert, og at det utføres forebyggende vedlikehold.



⚠ ADVARSEL Les alle sikkerhetsanvisninger, instruksjer, bildeforklaringer og data som fulgte med maskinen. Feil ved overholdelsen av advarslene og nedenstående anvisninger kan medføre elektriske støt, brann og/eller alvorlige skader.

Ta godt vare på alle advarslene og informasjonene.

⚠ SPESIELLE SIKKERHETSHENVISNINGER

Brukeren av denne enheten må være informert om de spesielle farene forbundet ved bruk av enheten og om vesentlige sikkerhetsregler før den tas i bruk. Deretter må brukeren informeres minst én gang årlig.

Den virkende bedriften må:

- gjøre bruksanvisningen tilgjengelig for brukeren og
- forsikre om at brukeren har lest og forstått den.

Bruk vernebekledning. Bruk alltid vernebriller når du bruker enheten. Vernebekledning så vel som støvmaske, vernehansker, fast og sklisikkert skotøy, hjem og hørselsvern er anbefalt.

Aldri hold fingre eller andre kroppsdeler innen området der sylinderen eller kloen opererer.

Ta ut batteriet før du endrer, rengjør eller vedlikeholder enheten.

Enheten, det eksterne batteriet og laderen skal kun brukes så lenge de er i perfekt teknisk tilstand.

Skader skal med en gang repareres av et autorisert fagverksted.

For å unngå skader eller ødeleggelse, må du forhindre at enheten starter tilfeldig.

Fjern alle setteverktøy og skrunøkler før bruk.

Det er ikke tillatt å jobbe på deler som står under elektrisk spenning. Enheten er IKKE isolert.

ADVARSEL! For å redusere risikoen for brann, personskader og andre ødeleggelse grunnet kortslutning, må enheten, det eksterne batteriet eller laderen aldri senkes i vann eller tillate at vann flyter inn i dem. Etsende eller ledende væsker, f.eks. saltvann, noen industrielle kjemikalier, blekemiddel eller produkter som inneholder blekemiddel o.s.v. kan forårsake kortslutning.

Vedlikehold og vedlikeholdsintervaller må alltid inneholdes.

Ikke åpne vekselbatterier og ladere, de skal oppbevares i tørre rom. Beskyttes mot fuktighet.

Vekselbatterier av systemet M18 skal kun lades med lader av systemet M18. Ikke lad opp batterier fra andre systemer.

For å forebygge skader eller ødeleggelse dypp aldri verktøyet, det eksterne batteriet eller laderen i væske eller la væske trenge inn i noen av delene.

ADVARSEL



Apparatet bruker knapp/myntcelle lithiumbatteri. Et nytt eller brukt batteri kan forårsake indre forbrenninger eller døden innen kun 2 timer, dersom det svelges eller kommer inn i kroppen på annen måte. Dekselet til batteriboksen må alltid være sikret. Dersom det ikke er mulig å lukke boksen helt, stopp apparatet, fjern batteriet og oppbevare det utilgjengelig for barn. Dersom du har mistanke om, at noen har svelget batteriet eller at det på annen måte har kommet inn i kroppen, må du søke medisinsk hjelp umiddelbart.

⚠ SIKKERHETSANVISNINGER FOR PRESSVERKTØY

Presserverktøy og presseapparat må kun brukes av fagpersonell med elektroteknisk trening.

Sjekk presserverktøy, bakker og innsatser før hver bruk for sprekker og annen slitasje.

Presserverktøyet og pressinnsatser skal kun brukes når de er i feilfri stand.

Presserverktøyet må kun brukes når en pressinnsats er satt på.

Bruk kun pressinnsatser inntil 60 kN med en total bredde på inntil 22 mm.

Ikke ta på pressbakkene mens pressingen pågår.

Ved feil under pressingen må du slippe PÅ-bryteren omgående og trykke låseknappen til hydraulikken. Ventilen åpner seg og kolben går tilbake til utgangsposisjonen.

⚠ SIKKERHETSANVISNINGER FOR KABELKUTTERE

Skjære eller kutte kabler eller wirer med kabelkutteren skal kun utføres av en person med elektroteknisk opplæring.

For å redusere risikoen for en eksplosjon, elektrisk støt eller skade på eiendom og utstyr, skjær aldri i kabler med strøm. Enheten er IKKE isolert.

Hold hender og løstsittende klær unna kutteenheten og andre bevegelige deler. Det er fare for alvorlige skader, blant annet avklemt kroppsdeler.

Hold aldri kabelkutteren i kloen.

Før bruk må du alltid kontrollere at kloen ikke har hakk eller andre tegn til slitasje.

Kabelkutteren skal kun brukes med et innsatt kutteverktøy.

RESTFARER

Pressverktøy:

Kutt aldri i material, som står under spenning.

Kabelkutter:

Før du begynner med kuttingen må området være sikret i henhold til lokale reguleringer.

Kutt aldri kabler som ikke er koblet fra strømforsyningen!

Kabler og wirer må ikke utsettes for mekanisk kraft.

For å minimere risikoen for skaler, bruk vernebriller eller briller med sidebeskyttelse.

Dersom disse instruksjonene ikke overholdes, kan dette føre til alvorlige skader, død, brann eller skade på eiendom som følge av elektrisk støt, eksplosjon og/eller lysbue.

FORMÅLSMESSIG BRUK

Pressverktøy:

Pressverktøyet må utelukkende brukes til å sammenpresse forbindelsesmaterialer med den dertil tiltenkte pressinnsatsen.

Alt som er under spenning, f.eks komponenter, som leder strøm, må være frakoblet i det området, som teknikeren arbeider, før han begynner med jobben.

Kabelkutter:

Kabelkutteren egner seg for skjæring av

- spenningsfrie, ikke-forsterkede kabler, laget av isolert kobber eller aluminium, skjæreverktøy avhengig av kabeltypen

⚠ ADVARSEL Les alle sikkerhetsanvisninger, instruksjer, bildeforklaringer og data som fulgte med maskinen. Feil ved overholdelsen av advarslene og nedenstående anvisninger kan medføre elektriske støt, brann og/eller alvorlige skader.

Ta godt vare på alle advarslene og informasjonene.

ARBEIDSinSTRUKSJONER FOR KRYMPING

Bruk kun normerte koblingsstykker iht. nasjonalt gjeldende standarder med den dertil tiltenkte pressinnsatsen.

Se produsentens dokumentasjon for prosesserings- og monteringsanvisninger av koblingsstykker.

Sjekk om den nominelle bredden til koblingsstykket samsvarer med den nominelle bredden til pressinnsatsen.

Før han begynner med pressingen, må han kontrollere batteriets kapasitet: minimum 33% (se illustrert beskrivelse). Det er mulig at batteriet må lades før en begynner med arbeidet.

Pressen starter, når man aktiverer kontrollbryteren. Dette ser du ved at pressestemplene går sammen.

Det er brukers ansvar å sjekke og vurdere om en sammenpressing er riktig.

Ikke korrekt utførte forbindelser må presses sammen igjen med et nytt presestykke.

Tiltak i tilfelle feil

- Hold reset-knappen inne til kloen er helt åpen
- kontroller batteriets kapasitet
- Kontroller ledningen og pressestemplene i henhold til teknisk informasjon
- Dersom det er mistanke om at ledningen, som ble presset, sto under spenning, må presseverktøyet kontrolleres av et autorisert verksted

ARBEIDSinSTRUKSJONER FOR KUTTING

Oppsett av arbeidsområdet

Før arbeidet begynner må en forsikre seg om at ledningene eller wirene ikke står under strøm, og at de ikke kan komme under strøm så lenge arbeidet pågår.

Dersom det ikke kan forsikres over enhver tvil at kablene eller isolerte linjer er frakoblet, må man ikke fortsette arbeidet.

Ta hensyn til lokale regler og forskrifter om sikkerhet.

Kabler og wirer må ikke utsettes for mekanisk kraft, og de må sikres mot ukontrollerte bevegelser etter at de er kuttet.

Ikke utsett verktøy for regn. Ikke bruk verktøy i fuktige eller våte omgivelser.

Forberedelser av kabelkutteren og batteriet

Før hver bruk:

- Kontroller kabelkutteren for eksterne mangler
- Kontroller at kutteverktøyet ikke har hakk eller andre tegn til slitasje

Kun til bruk i perfekt tilstand!

Før en begynner med kuttingen, må man sjekke batteriets kapasitet: minimum 33% (se illustrert beskrivelse). Det er mulig at batteriet må lades før en begynner med arbeidet.

Forberedelser av kuttingen

Kabler og wirer som skal kuttes må støttes opp og festes for å minimere risikoen for ukontrollerte bevegelser.

Spesielt luftledninger og wirer kan bevege seg ukontrollert og føre til personskader og/eller andre ødeleggelser.

Skjærehodet må holdes i en rett vinkel på kabelen eller wiren, slik at de faller i de åpne gjengebakkene uten spenning og blir liggende. Slik unngås ugunstige skjærkrefter.

⚠ ADVARSEL: For å redusere risikoen for en eksplosjon, elektrisk støt eller skade på eiendom og utstyr, skjær aldri i kabler med strøm.

Enheten er IKKE isolert. Kontakt med en aktiv strømkrets kan føre til alvorlige skader eller døden. Skru av strømmen før du kutter. Kutt aldri i gassledninger eller vannrør. Hold fingrene unna alle skjærekanter og deler som beveger seg. Det kan føre til vevsskader og amputasjoner.

Ta alltid ut batteriet før du bytter eller fjerner tilleggsutstyr. Bruk kun tilleggsutstyr, som er spesielt anbefalt for denne enheten. Annet utstyr kan være farlig.

For å minimere risikoen for skaler, bruk vernebriller eller briller med sidebeskyttelse.

⚠ ADVARSEL: For å minimere risikoen for skade, kutt kun materialer som er anbefalt for bladene. (se «spesifikasjoner») Ikke forsøk å kutte andre materialer.

Kutte

Før kutting, kontroller at knivbladene er installert på riktig måte.

1. Legg kabelen i en rett vinkel i forhold til knivene på kabelkutteren. Ikke forsøk å lage et vinklet kutt. Dette vil ødelegge enheten og knivbladene.

2. Trekk og hold starteren hele tiden under jobben.

Et LED-lys vil lyse når starteren trekkes opp.

Etter fullført skjæring eller når enheten er slått av, åpnes skjærekloen av seg selv. Dersom du utløser starteren mens skjæringen pågår, må du trykke på den hydrauliske tilbakestillingsknappen for å åpne skjærekloen.

OBS: Arbeidsstykket kan bevege seg noe under kuttingen.

Tiltak i tilfelle feil

- kabelen kan allerede ha et kutt og lede strøm. Informer alltid sikkerhetsansvarlig, avbryt arbeidet og begynn med passende sikringstiltak
- Vær alltid sikker på at verktøyet er og vil forbli frakoblet fra strømforsyningen før du nærmer deg og berører verktøyet
- Trykk og hold tilbakestillingsknappen til kabelkutteren åpnes helt
- kontroller batteriets kapasitet
- kontroller materialet og materialets tykkelse i forhold til tekniske data
- Dersom der er mistanke om at det er kuttet en kabel med strøm, må kabelkutteren kontrolleres av et verksted med en autorisert spesialist

Blokkerte blader

Smuss og produktrester kan blokkere bladene etter kuttingen

- Trykk og hold utløseren for å forsikre at verktøyet er tilbakestillt.
- Ta ut batteriet.
- Følg beskrivelsen på bildene for å åpne gjengebakkene
- Rengjør bladene for smuss og produktrester før du fortsetter med neste kutt.

Kuttetips

- Ikke forsøk å lage et vinklet kutt. Dette vil ødelegge enheten og knivbladene.
- Kutt i rent materiale for å forlenge knivbladenes levetid. Tørk vekk smuss og produktrester fra materialet og knivbladene før du starter kuttingen.



VEDLIKEHOLD

Ta ut batteriet før du endrer, rengjør eller vedlikeholder enheten.

Du må aldri åpne enheten, det eksterne batteriet eller laderen.

Kontroller enheten for eventuelle problemer som lyder eller blokkering av bevegelige deler, som kan påvirke enheten.

Kontroller at enheten, kloen, bakkene og knivbladene ikke har hakk eller andre tegn til slitasje.

Rengjør og smør enhetennår du er ferdig med arbeidet.

Gjør rent og smør rullene, låseboltene og kloen.

Kontroller at kloen kan bevege seg fritt.

Skift bakker og knivblader når de har fått hakk eller er ødelagt.

Kontroller at skjærekantene er skarpe, og skift knivbladenedersom de er slitt.

Skift alltid alle bakkene og knivbladene samtidig.

Enhets ventilasjonsåpninger må aldri tildekkes.

For å unngå skader eller ødeleggelser må enheten, det eksterne batteriet eller laderen aldri dypes i væske eller la væske trenge inn i noen av delene.

Ytterligere vedlikehold og reparasjoner skal kun utføres av autoriserte spesialistverksteder.

Apparatet inneholder hydraulikkolje som er en fare for grunnvannet. Ukontrollerte utslipp eller usaksmessige deponering av oljen er straffbart.

Neste service er vist som LED på enheten.

Dette vedlikeholdet må utføres minst annenhvert år eller etter 30 000 pressinger eller senest når denne LED-lampen indikerer dette.

Bruk kun Milwaukee tilbehør og Milwaukee reservedeler. Komponenter der utskifting ikke er beskrevet skal skiftes ut hos Milwaukee kundeservice (se brosjyre garanti/kundeserviceadresser).

Ved behov kan du be om en eksplosjonstegning av apparatet hos din kundeservice eller direkte hos Techtronic Industries GmbH, Max-Eyth-Straße 10, 71364 Winnenden, Germany. Oppgi maskintype og det nummeret på typeskiltet.

ONE-KEY™

Mer informasjon om ONE-KEY funksjonaliteten for denne enheten finner du i Quick Start guiden som er vedlagt dette produktet eller gå til <http://www.milwaukeeetool.com/one-key>

Du kan også laste ned vår ONE-Key app til din smarttelefon fra App Store eller Google Play.

Testen oppfyller våre minimumskrav i henhold til EN 301489-1 / EN 301489-17. Og vi kommer til å gi kunden en driftsveiledning i bruksanvisningen.

BATTERIER

Vekselbatterier som ikke er brukt over lengre tid skal etterlades før bruk. En temperatur over 50°C reduserer vekselbatteriets kapasitet. Unngå oppvarming i sol eller ved varmeovner (fyring) i lengre tid.

Hold tilkopplingskontaktene på lader og vekselbatteri rene.

For optimal holdbarhet må batteriene lades opp helt etter bruk.

For å sikre en lengst mulig brukstid av batteriene skal disse etter oppladning taes ut av laderen.

Ved lagring av batteriene lengre enn 30 dager: Lagre batteriet tørt ved ca. 27°C. Lagre batteriet ved en oppladningstilstand på ca. 30%-50%. Lade opp batteriet igjen etter 6 måneder.

Ikke kast brukte vekselbatterier i varmen eller husholdningssavfallet. Milwaukee tilbyr en miljøriktig deponering av gamle vekselbatterier; vennligst spør din fagforhandler.

Ikke oppbevar vekselbatterier sammen med metallgjenstander (kortslutningsfare).

Under ekstreme belastninger og ekstreme temperaturer kan det lekke ut batterivæske fra utskiftbare batterier. Ved berøring med batterivæske, vask umiddelbart med såpe og vann. Ved kontakt med øynene må øynene skylles grundig i rennende vann i minst 10 minutter. Oppsøk lege umiddelbart.

Metalldeleler må ikke komme inn i innskyvningsjakten for vekselbatterier på ladere (kortslutningsfare).

TRANSPORT AV LITUM-ION-BATTERI

Litium-ion-batterier faller under de lovfestede forskriftene om transport av farlig gods.

Transporten av disse batteriene må rette seg etter lokale, nasjonale og internasjonale forskrifter og bestemmelser.

Forbruker har lov å transportere disse batteriene på gaten uten reglementering.

Den kommersielle transport av Litium-ion-batterier av spedisjonsfirma faller under bestemmelsene om transport av farlig gods. Forberedningene av forsendelsen og transport skal utelukkende gjennomføres av personer som har blitt skolert til dette. Hele prosessen skal følges opp av fagfolk.

Følgende punkter skal tas hensyn til ved transport:

Kontroller at kontaktene er beskyttet og isolert for å unngå kortslutning. Pass på at batteripakken i forpakningen ikke kan skli fram og tilbake. Skadede eller batterier som lekker er det ikke lov å transportere. Ta kontakt med spedisjonsfirma for ytterlige henvisninger.

CE-SAMSVARSERKLÆRING

Vi erklærer i alene ansvar at produktet beskrevet i „Teknisk data“ overensstemmer med alle relevante forskrifter til Eu direktiv 2011/65/EU (RoHS)

2006/42/EC

2014/53/EU

og de følgende harmoniserte normative dokumentene, fyrstikker EN 62841-1:2015

EN 62479:2010

EN 55014-1:2017+A11:2020

EN 55014-2:2015

EN 301 489-1 V2.2.3

EN 301 489-17 V3.1.1

EN 300 328 V2.2.2

EN IEC 63000:2018



Winnenden, 2020-11-10

Alexander Krug / Managing Director

Autorisert til å utarbeide den tekniske dokumentasjonen

Techtronic Industries GmbH

Max-Eyth-Straße 10, 71364 Winnenden, Germany

Norsk

SYMBOLER



Les nøye gjennom bruksanvisningen før maskinen tas i bruk.



Bruk vernebrille.



Apparatet bruker knapp/myntcelle lithiumbatteri.



OBS! ADVARSEL! FARE!



Ta ut vekselbatteriet før du arbeider på maskinen



Fare for elektrisk støt



ADVARSEL!

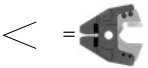
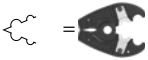
Fare for personskader på grunn av biter som slynges ut



ADVARSEL! Håndsaker



Tilbehør - inngår ikke i leveransen, anbefalt komplettering fra tilbehørsprogrammet.



Elektriske apparat skal ikke kastes sammen med vanlig husholdningsavfall. Elektriske og elektroniske apparat skal samles separat og leveres til miljøvennlig deponering til en avfall bedrift. Informer deg hos myndighetene på stedet eller hos din fagforhandler hvor det finnes recycling bedrifter oppsamlingssteder.

V Volt

== Likestrøm



Europeisk samsvarsmerke



Britisk samsvarsmerke





Ukrainsk samsvarsmerke



Euroasiatisk samsvarsmerke



Nor

TEKNISKA DATA Crimp- och skärverktyg		M18 HUCT
Produktionsnummer	4673 82 02... 000001-999999	
Frekvensband	2402 - 2480 MHz	
Radiofrekvenseffekt	1,8 dBm	
Batterispänning	18 V	
Nominell kraft	53 kN	
 Pressområde : Tvärsnitt max. Koppar Aluminium	300 mm ²	150 mm ²
	Skärområde beroende på material	
 ACSR: Aluminium-/Stålvajrar max. Koppar- / Aluminium-Kabel max. Andra material och deras diametrar beror på de specifika käftarna.	22,5 mm	35 mm
	Vikt enligt EPTA 01/2014 (Li-Ion 2,0 Ah...9,0Ah)	
	med pressbackar med kapkätär	3,6 kg ... 4,2 kg 3,7 kg ... 4,3 kg
Rekommenderade batterier (Akkupacks)	M18B...	
Rekommenderade laddare	M12-18...	
Bullerinformation		
Mätvärdena har tagits fram baserade på EN 62841. A-värdet av maskinens ljudnivå utgör:		
Ljudtrycksnivå (Onoggrannhet K=3dB(A))	74,6 dB (A)	
Ljudeffektnivå (Onoggrannhet K=3dB(A))	85,6 dB (A)	
Använd hörselskydd!		
Vibrationsinformation		
Totala vibrationsvärden (vektorsumma ur tre riktningar) framtaget enligt EN 62841.		
Vibrationsemissionsvärde a _h Onoggrannhet K=	0,77 m/s ² 1,5 m/s ²	

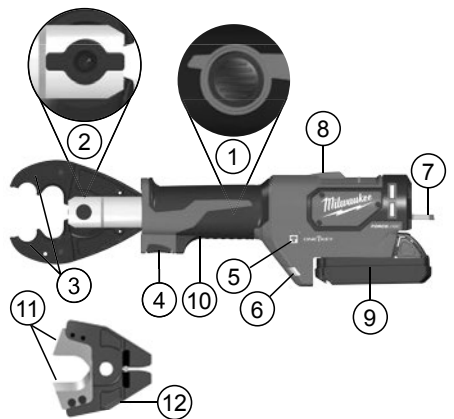
VARNING!

Den i de här anvisningarna angivna vibrationsnivå har uppmätt enligt ett i EN 62841 normerat mätförfarande och kan användas vid jämförelse mellan olika elverktyg. Nivån är även lämplig att använda vid en preliminär bedömning av vibrationsbelastningen.

Den angivna vibrationsnivån representerar den huvudsakliga användningen av det aktuella elverktyget. Men om elverktyget ska användas i andra användningsområden, tillsammans med avvikande insatsverktyg eller efter otillräckligt underhåll, kan vibrationsnivån skilja sig. Det kan öka vibrationsbelastningen betydligt under hela arbetstiden.

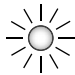
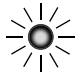


För att få en exaktare bedömning av vibrationsbelastningen ska även den tid beaktas, under vilken elverktyget är avstängt eller är påslaget, utan att det verkligen används. Det kan reducera vibrationsbelastningen betydligt under hela arbetstiden.

Lägg som skydd för användaren fast extra säkerhetsåtgärder mot vibrationernas verkan, som till exempel: underhåll av elverktyg och insatsverktyg, varmhållning av händer och organisering av arbetsförlöpp.



Enhetsbeskrivning

- | | |
|------------------------------|-----------------------------|
| ① Utlösningsknapp hydraulisk | ⑦ Hållare |
| ② Låsbulnar | ⑧ LED /Press-indikator |
| ③ Pressbackar | ⑨ Batteri |
| ④ Avtryckare | ⑩ Handtag Isolerad greppyta |
| ⑤ ONE KEY indikator | ⑪ Skärstål |
| ⑥ LED | ⑫ Gångbackar |

LED-indikator	Definition
 Enfärgad Grön	Verktyget har slutfört processen och nått full presskraft.
 Enfärgad Röd	Verktyget har slutfört processen men har INTE nått full presskraft.
 Blinkande Röd	Verktyget har INTE slutfört processen.
 Blinkande Röd / Grön (efter Enfärgad Grön eller Enfärgad Röd)	Verktyget har nått sin serviceintervall (30000 pressprocesser). Rött/grönt blinkande ljus börjar efter det att den enfärgade röda eller gröna indikatorn för drift visas. MILWAUKEE rekommenderar att kontrollera utrustningen och genomföra det regelbundna förebyggande underhållet.

⚠ VARNING Läs alla säkerhetsanvisningar, instruktioner, beskrivningar och uppgifter som du får tillsammans med apparaten. Fel som uppstår till följd av att anvisningarna nedan inte följts kan orsaka elstöt, brand och/eller allvarliga kroppsskador.

Förvara alla varningar och anvisningar för framtida bruk.

⚠ SÄKERHETSUTRUSTNING

Operatören av denna utrustning måste före första användningen och därefter årligen instrueras om de särskilda faror som är förknippade med användning av denna utrustning och om de grundläggande säkerhetsåtgärder som måste vidtas.

Driftsbolaget måste:

- göra bruksanvisningen tillgänglig för operatören och
- säkerställa att operatören har läst och förstått den.

Använd skyddsutrustning. Bär alltid skyddsglasögon när du använder utrustningen. Som skyddsutrustning rekommenderar vi t ex en dammskyddsmask, skyddshandskar, stabila och halksäkra skor, hjälm och hörselskydd.

Håll aldrig fingrar eller andra kroppsdelar i cylinderns eller chuckarnas arbetsområde.

Ta bort batteripacket innan du börjar med att utföra inställningar, rengöring och underhåll på utrustningen.

Använd utrustning, batteripack och laddare endast om de är tekniskt felfritt skick.

Kontakta omedelbart en auktoriserad fackverkstad för reparation om produkten skulle vara skadad.

Undvik oavsiktlig start av utrustningen för att förhindra personskador och materialskador.

Ta bort eventuella inställningsverktyg och skiftnycklar före driften.

Delar som står under elektrisk spänning får inte bearbetas. Utrustningen är INTE isolerad.

VARNING! För att reducera risken för brand, person- och produktskador på grund av en kortslutning får din utrustning, ditt batteripack eller din laddare aldrig doppas i någon vätska och inte heller får vätska tränga in i nämnda föremål. Frätande eller ledande vätskor såsom saltvatten, vissa kemikalier och blekmedel eller produkter, som innehåller blekmedel kan orsaka en kortslutning.

Genomför absolut allt föreskrivet underhåll och beakta underhållsintervallerna.

Batterier lagras torrt och skyddas för fukt.

System M18 batterier laddas endast i System M18 laddare. Ladda inte batterier från andra system.

För att undvika person- eller materialskador doppa aldrig verktyget, det löstagbara batteriet eller laddaren i vätska och låt inte vätska penetrera dessa.

VARNING

⚠ Denna anordning innehåller ett litium knappcells batteri. Ett nytt eller använt batteri kan orsaka allvarliga inre brännskador och leda till döden på endast 2 timmar om det sväljs eller kommer in i kroppen. Säkra alltid batterifackets lock. Om det inte stänger ordentligt, stanna anordningen, ta ut batteriet och håll det utom räckhåll för barn. Uppsök omedelbart läkare om du tror att någon har sväljt batteriet eller det har kommit in i kroppen på annat sätt.

⚠ SÄKERHETSANVISNINGAR FÖR PRESSVERKTYG

Pressverktyg och pressinsatser får endast användas av personal som utbildats i elektrotekniska användningar.

Kontrollera pressverktyg, pressbackar och pressinsatser med avseende på sprickor och andra tecken på slitage före varje användning.

Pressverktyg och pressinsatser ska endast användas i tekniskt felfritt skick.

Pressverktyget får endast användas med isatta pressinsatser.

Använd endast pressinsatser upp till 60 kN med en total bredd på 22 mm.

Vidrör inte pressbackarna under pressningen.

Släpp genast PÅ-knappen vid störningar under pressningen, och tryck på hydraulsystemets upplåsningsknapp. Ventilen öppnas och kolven går tillbaka till utgångsläget.

⚠ SÄKERHETSANVISNINGAR FÖR KABELAVBITARE

Att skära resp. kapa kablar och vajrar med hjälp av denna kabelavbitare får endast utföras av en person med utbildning i elektroteknik.

För att minska risken för explosioner, elektriska stötar och egendoms- och utrustningsskador, skär aldrig av elförande elektriska kablar. Utrustningen är INTE isolerad.

Håll händer och löst sittande kläder borta från skärverktyg och andra rörliga delar. Det finns en risk för allvarlig skada, vilket inkluderar avslitning av armar och ben.

Håll aldrig i kabelsaxen i skärbladen.

Innan användning, kontrollera alltid skärbladen för sprickor och andra tecken på slitage.

Kabelsaxen kan endast användas med ett insatt skärverktyg.

KVARSTÄENDE RISKER

Pressverktyg:

Pressa inte ihop spänningsförande anslutningsmaterial.

Kabelavbitare:

Innan skärprocessen påbörjas måste området avskämmas i enlighet med lokala föreskrifter.

Skär endast av kablar som har kopplats bort från strömförsörjningen!

Kablar och linor får inte vara utsatta för mekaniska belastningar.

För att minska risken för personskador, använd skyddsglasögon eller glasögon med sideskydd.

Underlåtenhet att efterkomma denna anvisning kan leda till allvarliga personskador, dödsfall, brand och annan skada på egendom till följd av elektriska stötar, explosion och/eller elbögar.

ANVÄND MASKINEN ENLIGT ANVISNINGARNA

Pressverktyg:

Pressverktyget får endast användas för pressning av förbindningsmaterial som respektive pressinsatser är avsedda för.

Innan arbetet påbörjas måste alla aktiva, dvs. spänningsförande delar i montörens arbetsområde kyljas från strömmen.



Sve

Kabelavbitare:

Kabelsaxen är till för att skära

- spänningsfria icke förstärkta kablar av isolerad koppar eller aluminium, skärverktyg beroende på kabeltyp

⚠ WARNING Läs alla säkerhetsanvisningar, instruktioner, beskrivningar och uppgifter som du får tillsammans med apparaten. Fel som uppstår till följd av att anvisningarna nedan inte följts kan orsaka elstöt, brand och/eller allvarliga kroppsskador.

Förvara alla varningar och anvisningar för framtida bruk.

ARBETSANVISNINGAR FÖR CRIMPNING

Använd endast standardiserade förbindningsprodukter enligt gällande nationella standarder samt de pressinsatser som är avsedda för dessa.

Bearbetnings- och monteringsanvisningar för förbindningsprodukter framgår av dokumentationen från tillverkaren.

Kontrollera om förbindningsproduktens nominella bredd överensstämmer med pressinsatsens nominella bredd.

Innan pressningen påbörjas måste batterikapaciteten kontrolleras: minst 33 % (se illustrerad beskrivning). Det kan kräva laddning innan arbetet påbörjas.

Genom att använda manöverknappen sätter man igång pressningen, som kännetecknas av att pressbackarna går ihop.

Det åligger användaren att kontrollera och bedöma om pressningen är korrekt.

Förbindningar som inte är korrekta måste pressas om med en ny förbindningsprodukt.

Åtgärder vid fel

- Håll återställningsknappen intryckt tills pressbackarna har öppnats fullständigt
- kontrollera batterikapaciteten
- Kontrollera kabeln och pressformarna med de tekniska specifikationerna som grundval
- Om man misstänker att en spänningsförande kabel har pressats måste pressverktyget inspekteras i en auktoriserad verkstad

ARBETSANVISNINGAR FÖR SKÄRNING

Uppställning av arbetsområdet

Innan arbetet påbörjas måste ledningarna eller kablarna göras spänningslösa och säkras för den tid som arbetena pågår.

Om det inte kan säkerställas bortom allt tvivel att kabeln eller den isolerade linjen har fränkopplats kan inget arbete utföras.

Lokala säkerhetsföreskrifter och bestämmelser måste under alla omständigheter beaktas.

Kablar och linor får inte vara utsatta för mekaniska belastningar och måste eventuellt säkras mot okontrollerade rörelser efter kapningen.

Utsätt inte verktyg för regn. Använd inte verktyg i fuktiga eller våta utrymmen.

Förberedelse av kabelsax och batteri

Innan varje användning:

- Inspektera kabelskäraren för externa defekter
 - Kontrollera skärverktyget för sprickor och andra tecken på slitage
- Använd endast vid perfekt skick!

Innan skärprocessen påbörjas måste batterikapaciteten kontrolleras: minst 33 % (se illustrerad beskrivning). Det kan kräva laddning innan arbetet påbörjas.

Förberedelse för skärprocessen

Stötta och fixera den kabel eller linan som ska kapas för att minimera risken för en okontrollerad rörelse.

I synnerhet kan luftledningarna och linor okontrollerat hamna i rörelse och orsaka personskadorna och/eller materiella skador.

Skärhuvudet måste läggas an mot kabeln eller linan i en vinkel på 90°, så att denna ligger utan spänning i de öppnade käftarna och man undviker ogynnsamma skjuvkrafter.

⚠ WARNING: För att minska risken för explosioner, elektriska stötar och egendoms- och utrustningsskador, skär aldrig av elförande elektriska kablar.

Utrustningen är INTE isolerad. Kontakt med en strömförande krets kan leda till allvarliga skador eller dödsfall. Stäng av strömmen innan du skär. Skär aldrig gas- eller vattenledningar. Håll händerna borta från alla skäreppor och rörliga delar. Skärsår eller amputation kan förekomma. Ta alltid ut batteripaketet innan du byter eller tar bort tillbehör. Använd endast tillbehör som specifikt rekommenderas för denna utrustning. Andra kan vara farliga.

För att minska risken för personskadorna, använd skyddsglasögon eller glasögon med sidoskydd.

⚠ WARNING: För att minska risken för personskadorna, skär endast i material rekommenderade för bladen. (se "Specifikationer") Försök inte att skära i andra material.

Skärning

Innan du skär måste du förvissa dig om att skärbladen är korrekt installerade.

1. För kabeln i rätt vinkel mot kabelavbitarens egg. Försök inte göra vinklade skärningar eftersom det kommer att skada utrustningen och skärstälén.

2. Flytta skjutreglaget till olåst läge. Dra och håll in avtryckaren under operationen.

Ett LED-ljus kommer att tändas när avtryckaren trycks in.

När skärningen har slutförts eller utrustningen stängs av öppnas gångbackarna automatiskt. Om du släpper avtryckaren under pågående skärning, måste du trycka på återställningsknappen för hydrauliken för att öppna gångbackarna.

Observera: Arbetsstycket kan röra sig något under skärningen.

Åtgärder vid fel

- kabeln kan vara skuren och spänningsförande, informera alltid säkerhetsansvarig, avbryt kapningen, vidta lämpliga säkerhetsåtgärder
- Säkerställ alltid att enheten är och fortsätter vara fränkopplad från strömförsörjningen innan du närmar dig eller rör vid enheten
- Tryck och håll in återställningsknappen tills bladen öppnar sig helt
- kontrollera batterikapaciteten
- kontrollera material och materialtjocklek mot den tekniska datan
- Om man misstänker att en strömförande kabel har skurits av måste kabelsaxen inspekteras i en auktoriserad verkstad

Blad som fastnar

Smuts och skräp kan orsaka att bladen fastnar i varandra efter en skärning

- Tryck och håll in frigöringsavtryckaren för att säkerställa att verktyget är återställt.
- Ta bort batteriet.
- Följ beskrivningen på bilderna för att öppna käftarna



- Ta bort eventuell smuts och eventuellt skräp från bladen innan du påbörjar nästa skärning.

Skärtpips

- Försök inte göra vinklade skärningar eftersom det kommer att skada utrustningen och skärstälten.
- Skär rena material för att förlänga skärstålens livslängd. Torka bort smuts och vidhäftningar från material och skärstål innan du börjar skära.

SKÖTSEL

Ta bort batteripacket innan du börjar med att utföra inställningar, rengöring och underhåll på utrustningen.

Öppna aldrig utrustningen, det löstagbara batteriet eller laddaren.

Kontrollera utrustningen med avseende på eventuella problem såsom oljud eller att rörliga delar fastnar vilket kan påverka utrustningen.

Kontrollera utrustningen, chuckar och crimpverktyg och skärstål före varje användning med avseende på sprickor och andra tecken på slitage.

Rengör och smörj utrustningen när du avslutat ditt arbete.

Rengör och smörj drivrullarna, läsbultarna och chuckarna.

Kontrollera att chuckarna kan röra sig fritt.

Byt ut crimpverktygen och skärstålen när de har sprickor eller skador.

Kontrollera att skärkanterna är vassa och byt ut slitna skärstål.

Byt alltid ut crimpverktyg och skärstål som ett set.

Ventilationsöppningarna på utrustningen måste alltid vara fria.

För att undvika personsador och materialsador doppa aldrig utrustningen, det löstagbara batteriet eller laddaren i vätska och låt inte vätska tränga in i dessa föremål.

Andra underhållsarbeten och reparationer får endast utföras av auktoriserade specialverkstäder.

I apparaten finns hydraulolja som är farlig för grundvattnet. Det är straffbart att tappa av hydraulolja okontrollerat eller att ta hand om den som avfall på annat än föreskrivet sätt.

Nästa underhållsintervall indikeras med lysdioder på utrustningen.

Detta underhåll måste utföras minst vartannat år eller efter 30.000 pressningar eller senast när LED-lampan indikerar det.

Använd endast Milwaukee-tillbehör och Milwaukee-reservdelar. Komponenter, för vilka inget byte beskrivs, skall bytas ut hos Milwaukee-kundtjänst (se broschyren garanti-/kundtjänstadresser).

Vid behov av sprängskiss, kan en sådan, genom att uppge maskinens art. nr. (som finns på typskylten) erhållas från: Techtronic Industries GmbH, Max-Eyth-Strasse 10, 71364 Winnenden, Germany.

ONE-KEY™

För att ta reda på mer om ONE-KEY funktionaliteten på denna utrustning, läs medföljande snabbstartsguide eller besök <http://www.milwaukeeetool.com/one-key>

Du kan ladda ner ONE-KEY-appen till din smarttelefon via App Store eller Google Play.

Provresultatet uppfyller våra minimikrav enligt EN 301489-1 / EN 301489-17. Och vi kommer att ge kunden en handledning för drift i bruksanvisningen.

BATTERIER

Batteri som ej använts på länge måste laddas före nytt bruk. En temperatur över 50°C reducerar batteriets effekt. Undvik längre uppvärmning tex i solen eller nära ett element.

Se till att anslutningskontaktarna i laddaren och på batteriet är rena.

För att batterierna ska få lång livslängd ska de laddas fulla efter användning.

För att få en så lång livslängs som möjligt bör laddningsbara batterier avlägsnas från laddaren när de är laddade.

Om laddningsbara batterier lagras längre än 30 dagar: Lagra batteriet torrt och vid ca 27°C. Lagra batteriet vid ca 30%-50% av laddningskapaciteten. Ladda batterierna på nytt var 6:e månad. Kasta inte förbrukade batterier. Lämn dem till Milwaukee Tools för återvinning.

Förvara ej batteriet ihop med metallföremål, kortslutning kan uppstå.

Under extrem belastning eller extrem temperatur kan batterivätska tränga ut ur skadade utbytesbatterier. Vid beröring med batterivätska tvätta genast av med vatten och tvål. Vid ögonkontakt spola genast i minst 10 minuter och kontakta genast läkare.

Se upp så att inga metallföremål hamnar i laddarens batterischakt, kortslutning kan uppstå.

TRANSPORTERA LITIJUMJON-BATTERIER

För litiumjon-batterier gäller de lagliga föreskrifterna för transport av farligt gods på väg.

Därför får dessa batterier endast transporteras enligt gällande lokala, nationella och internationella föreskrifter och bestämmelser.

Konsumenter får transportera dessa batterier på allmän väg utan att behöva beakta särskilda föreskrifter.

För kommersiell transport av litiumjon-batterier genom en speditorsfirma gäller emellertid bestämmelserna för transport av farligt gods på väg. Endast personal som känner till alla tillämpliga föreskrifter och bestämmelser får förbereda och genomföra transporten. Hela processen ska följas upp på fackmässigt sätt.

Följande ska beaktas i samband med transporten av batterier:

Säkerställ att alla kontakter är skyddade och isolerade för att undvika kortslutning. Se till att batteripacken inte kan glida fram och tillbaka i förpackningen. Transportera aldrig batterier som läcker, har runnit ut eller är skadade. För mer information vänligen kontakta din speditorsfirma.



Sve

CE-FÖRSÄKRAN

Vi tar på vårt ansvar att produkten som har beskrivits under Tekniska data uppfyller alla relevanta villkor i direktiven

2011/65/EU (RoHS)

2006/42/EG

2014/53/EU

samt att följande harmoniserade standarder har använts.

EN 62841-1:2015

EN 62479:2010

EN 55014-1:2017+A11:2020

EN 55014-2:2015

EN 301 489-1 V2.2.3

EN 301 489-17 V3.1.1

EN 300 328 V2.2.2

EN IEC 63000:2018



Winnenden, 2020-11-10

Alexander Krug / Managing Director

Befullmäktigad att sammanställa teknisk dokumentation.

Techtronic Industries GmbH

Max-Eyth-Straße 10, 71364 Winnenden, Germany

SYMBOLER



Läs instruktionen noga innan du startar maskinen.



Använd skyddsglasögon.



Denna anordning innehåller ett litium knappcells batteri.



OBSERVERA! VARNING! FARA!



Drag ur batteripaket innan arbete utföres på maskinen.



Risk för elektrisk stöt



WARNING!
Skaderisk på grund av ivägflygande brottstycken



WARNING! Handskada



Tillbehör - Ingår ej i leveransomfånget, erhålles som tillbehör.



Elektriska maskiner och elverktyg som kasseras får inte slängas tillsammans med de vanliga hushållssoporna. Elektriska maskiner och verktyg samt elektronisk utrustning som kasseras ska samlas separat och lämnas till en avfallsstation för miljövänlig avfallshantering. Kontakta den lokala myndigheten respektive kommunen eller fråga återförsäljare var det finns speciella avfallsstationer för elkrot.



Volts



Likström



Europeiskt konformitetsmärke



Britiskt konformitetsmärke



Ukrainskt konformitetsmärke

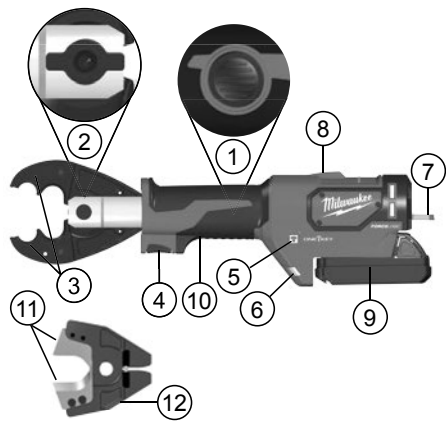


Euroasiatiskt konformitetsmärke

TEKNISET ARVOT Puristus- ja leikkuutyökalu	M18 HUCT
Tuotantonumero	4673 82 02... 000001-999999
Radiotaajuus	2402 - 2480 MHz
Lähetysteho	1,8 dBm
Jännite vaihtoakku	18 V
Nimellisvoima	53 kN
Puristusalue : Poikkileikkaus maks. Kupari Alumiini	300 mm ² 150 mm ²
Leikkusulottuvuus materiaalin mukaan ACSR: Alumiini-/Vaijerit maks. Kupari- / Alumiini-Kaapeli maks. Muut materiaalit ja niiden halkaisija riippuvat erityisistä leuoista.	22,5 mm 35 mm
Paino EPTA-menetelyn 01/2014 mukaan (Li-Ion 2,0 Ah...9,0Ah) mukana puristusleuat mukana leikkuuleuat	3,6 kg ... 4,2 kg 3,7 kg ... 4,3 kg
Suosittelut akkusarjat	M18B...
Suosittelut latauslaitteet	M12-18...
Melunpäästötiedot Mitta-arvot määritetty EN 62841 mukaan. Koneen tyyppilinen A-luokitettu melutaso: Melutaso (Epävarmuus K=3dB(A)) Äänenvoimakkuus (Epävarmuus K=3dB(A)) Käytä kuulosuojaimia!	74,6 dB (A) 85,6 dB (A)
Tärinätiedot Värähtelyn yhteisarvot (kolmen suunnan vektorisummitattuna EN 62841 mukaan. Värähtelyemissioarvo a _h Epävarmuus K=	0,77 m/s ² 1,5 m/s ²





VAROITUS!

Näissä ohjeissa mainittu värähtelytaso on mitattu EN 62841 -standardin mukaisella mittausmenetelmällä ja sitä voidaan käyttää sähkötyökalujen vertaamiseen. Sitä voidaan käyttää myös värähtelyrasituksen väliaikaiseen arviointiin. Mainittu värähtelytaso edustaa sähkötyökalun pääasiallista käyttöä. Jos sähkötyökalua kuitenkin käytetään muihin tehtäviin, poikkeavin työkaluun tai riittämättömästi huoltaen, värähtelytaso voi olla erilainen. Se voi korottaa värähtelyrasitusta koko työajan osalta. Tarkan värähtelyrasituksen toteamiseen tulee ottaa huomioon aika, jona laite on kytketty pois tai on kylläkin päällä, mutta ei käytössä. Se voi pienentää värähtelyrasitusta koko työajan osalta. Määrittele lisäturvatoimenpiteitä käyttäjän suojaamiseksi värinöiden vaikutukselta, kuten esimerkiksi: sähkötyökalujen ja käyttötyökalujen huolto, käsien lämpimän pitäminen, työvaiheiden organisaatio.



Laitteen kuvaus

- | | |
|-------------------------------|-------------------------------------|
| ① Hydraulinen vapautuspainike | ⑦ Kannatin |
| ② Lukituspultit | ⑧ LED /Puristus-merkkivalo |
| ③ Puristusleuat | ⑨ Akku |
| ④ Liipaisin | ⑩ Käsiselkä Eristetty tarttumapinta |
| ⑤ ONE KEY -merkkivalo | ⑪ Leikkuuterät |
| ⑥ LED | ⑫ Leikkuuleuat |

LED-merkkivalo	Määritelmä
 Jatkuva Vihreä	Työkalu on päättänyt prosessin ja saavuttanut täydellisen puristuspaineen.
 Jatkuva Punainen	Työkalu on päättänyt prosessin mutta ei ole saavuttanut täydellistä puristuspainetta.
 Vilkkuva Punainen	Työkalu ei ole suorittanut prosessia.
 Vilkkuva Punainen / Vihreä (jälkeen Jatkuva Vihreä tai Jatkuva Punainen)	Työkalu on saavuttanut huoltovälin (30000 puristus). Punainen/vihreä vilkkuminen alkaa sen jälkeen, kun prosessin jatkuva punainen tai vihreä merkkivalo näkyy näytössä. MILWAUKEE suosittelee laitteen tarkistamista ja ennaltaehkäisevää huoltoa.



Suo

VAROITUS Lue kaikki varoimenpiteet, ohjeet, kuvalliset esitykset ja tiedot, jotka toimitetaan laitteen mukana. Turvallisuusohjeiden noudattamisen laiminlyönti saattaa johtaa sähköiskun, tulipaloon ja/tai vakavaan loukkaantumiseen.

Säilytä kaikki turvallisuus- ja muut ohjeet tulevaisuutta varten.

TURVALLISUUSOHJEET

Tämän laitteen käyttäjää on ohjeistettava erityisistä vaaralanteista, jotka liittyvät laitteen käyttöön, sekä olennaisista turvallisuutta koskevista toimenpiteistä ennen ensimmäistä työskentelykertaa laitteella sekä vähintään kerran vuodessa tämän jälkeen.

Laitteen omistajan on:

- annettava laitteen käyttöohje käyttäjän käyttöön
- varmistettava, että laitteen käyttäjä on lukenut ja ymmärtänyt käyttöohjeen sisällön.

Käytä suojarusteita. Käytä aina suojaajaseja laitetta käytettäessä. Suosittelemme suojarusteiden käyttöä, näihin kuuluvat pölysuojanaamarit, työkasineet, tukevat, luistamattomat jalkineet, kypärä ja kuulosuojukset.

Älä koskaan pistä sormia tai muita ruumiinosia sylinterin tai leulkojen työskentelyalueelle.

Poista akku ennen laitteen säätö-, puhdistus- ja huoltotöiden aloittamista.

Käytä laitetta, irrotettavaa akkuja ja latureita vain teknisesti moitteettomassa kunnossa.

Anna valtuutetun alan ammattikorjaamon korjata vauriot heti.

Estä laitteen tahaton käynnistäminen välttääksesi loukkaantumisen ja vahingot.

Irrota kaikki säätötyökalut ja kiintoavaimet ennen puristusta.

Älä työstä osia, joissa on jännitettä. Laite EI ole eristetty.

VAROITUS! Jotta vältetään oikosulun aiheuttama tulipalon, loukkaantumisen tai tuotteen vahingoittumisen vaara, älä koskaan upota laitetta, irrotettavaa akkuja tai laturia nesteeseen ja huolehdi siitä, ettei mitään nesteitä pääse tunkeutumaan laitteiden tai akkujen sisään. Syövyttävät tai sähköä johtavat nesteet, kuten suolavesi, tietyt kemikaalit ja valkaisuaineet tai valkaisuaineita sisältävät tuotteet voivat aiheuttaa oikosulun.

Noudata annettuja huolto-ohjeita ja huoltotöiden aikavälejä.

Vaihtoakkuja ja latauslaitteita ei saa avata. Säilytys vain kuivissa tiloissa. Suojattava kosteudelta.

Käytä ainoastaan System M18 latauslaitetta System M18 akkujen lataukseen. Älä käytä muiden järjestelmien akkuja.

Älä koskaan upota laitetta, irrotettavaa akkuja tai laturia nesteeseen tai anna nesteen päästä niihin loukkaantumisten ja vahinkojen välttämiseksi.

VAROITUS



Tämä laite sisältää litium-nappipariston. Uusi tai käytetty akku voi aiheuttaa vakavia sisäisiä palovammoja ja johtaa kuolemaan alle kahdessa tunnissa, jos se niellään tai joutuu jollakin muulla tavalla kehoon. Kiinnitä aina paristolokeron kansi. Jos se ei sulkeudu turvallisesti, pysäytä laite, poista akku ja pidä se lasten ulottumattomissa. Jos epäilet, että jokin henkilö on niellyt akun tai että se on joutunut jollakin muulla tavalla kehoon, tämän henkilön täytyy hakeutua välittömästi lääkärin hoitoon.

PURISTUSTYÖKALUA KOSKEVAT TURVALLISUUSOHJEET

Puristustyökaluja ja puristuslaitteita saa käyttää vain sähkötekni-
sissä sovelluksissa koulutettu henkilöstö.

Tarkasta puristustyökalu, leuat ja -palat ennen jokaista käyttö-
kertaa halkeamilta ja muilta kulumisilta.

Puristustyökalua ja -paloja saa käyttää vain teknisesti moitteetto-
massa kunnossa.

Puristustyökalua saa käyttää vain, kun siihen on kiinnitetty
puristuspalat.

Käytä vain puristuspaloja 60 kN:iin asti ja joiden kokonaisleveys
on 22 mm.

Älä kosketa puristuspaloja puristustyökalun aikana.

Päästä häiriötapaussissa puristamisen aikana PÄÄLLE-kytkimestä
heti irti ja paina hydraulikkaan vapautuspainiketta. Venttiili avaa ja
mäntä ajaa takaisin lähtöasemaansa.

JOHTOLEIKKURIA KOSKEVAT VAROITENPITEET

Vain sähkötekniistä koulutusta saaneet henkilöt saavat leikata
kaapeleita ja vajereita tämän kaapelileikkurin avulla.

Älä koskaan leikkaa sähköjohtoja, joissa on jännitettä. Näin
vältytään räjähdyksiltä, sähköiskulta ja omaisuusvahingoilta. Laite
EI ole eristetty.

Älä laita käsiä tai päästä väljäjä vaatetusta leikkuriin ja muihin liik-
kuviin osiin. Vakava loukkaantumisaara, mukaan lukien raajojen
irtileikkautuminen.

Älä koskaan tartu kaapelileikkuriin kidoista.

Tarkista laitteen kidat aina halkeamilta tai muilta kulumisilta ennen
käyttöä.

Kaapelileikkuria voi käyttää ainoastaan, kun siihen on asennettu
leikkuutyökalu.

JÄÄMÄRISKIT

Puristustyökalu:

Älä koskaan purista jännitteisiä liitosmateriaaleja.

Johtoleikkuri:

Pääsy paikalle on estettävä paikallisia määräyksiä noudattamalla
ennen kuin leikkuutyöt aloitetaan.

Leikkaa vain kaapeleita, jotka ovat jännitteettömiä!

Kaapeleita ja vajereita ei saa altistaa mekaanisille voimille.

Suoja-alasien tai sivusuojallisten lasien käyttö vähentää vammautu-
misen vaaraa.

Tämän ohjeen noudattamatta jättäminen voi johtaa vakaviin
vammiin, kuolemaan, tulipaloon tai muihin omaisuusva-
hinkoihin, jotka seuraavat sähköiskusta, räjähdyksestä ja/tai
sähkövalokaarista.

TARKOITUKSEN MUKAINEN KÄYTTÖ

Puristustyökalu:

Puristustyökalua saa käyttää vain liitäntämateriaalien puristami-
seen, joille on vastaavat puristuspalat.

Kaikki jännitteiset osat eli sähköä johtavat osat tekniikon työympä-
ristössä on irrotettava ennen työn aloittamista.

Johtoleikkuri:

Kaapelileikkuri soveltuu seuraavien materiaalien leikkaamiseen:

- jännitteettömät vahvistamattomat eristetyistä kuparista tai
alumiinista valmistetut kaapelit, leikkuutyökalut riippuen
kaapelityypistä

VAROITUS Lue kaikki varoimenpiteet, ohjeet, kuvalliset esitykset ja tiedot, jotka toimitetaan laitteen mukana. Turvallisuusohjeiden noudattamisen laiminlyönti saattaa johtaa sähköiskun, tulipaloon ja/tai vakavaan loukkaantumiseen.

Säilytä kaikki turvallisuus- ja muut ohjeet tulevaisuutta varten.

TYÖSKENTELYOHJEITA PURISTAMISEEN

Käytä vain normitettuja liitostuotteita voimassa olevien kansallisten määräysten mukaan sekä niihin tarkoitettuja puristuspaloja. Valmistajan asiakirjoista löydät liitostuotteiden työstö- ja asennusohjeet.

Tarkasta, täsmääkö liitostuotteen nimellisveveys puristusalan nimellisvevyyteen.

Ennen kuin puristusprosessi aloitetaan, on akun lataus tarkistettava: lataustaso vähintään 33 % (ks. kuvitettu ohje). Voi olla, että on tarpeen ladata akku ennen töiden aloittamista.

Ohjauskytkimen käyttö käynnistää puristusprosessin, jolle on tunnusomaista, että puristusmuotit liikkuvat yhteen.

Käyttäjää vastaa suoritettujen puristuksen tarkastamisesta sekä sen onnistumisen arvioinnista.

Virheelliset liitännät on liitettävä uudestaan uudella liitostuotteella.

Miten toimia häiriötilanteissa

- Pidä nollauspainiketta painettuna, kunnes leuat ovat avautuneet kokonaan
- tarkasta akun teho
- Tarkista kaapeli ja puristusmuotit teknisten tietojen perusteella
- Puristustyökälu on tarkastettava valtuutetun asiantuntevan korjaajan toimesta, jos on aihetta epäillä, että sähköä johtavia johtoja on puristettu

TYÖSKENTELYOHJEITA LEIKKAAMISEEN

Työskentelyalueen valmistelu

Kaapeleiden ja vaijereiden on oltava jännitteettömät ennen kuin työ aloitetaan, samoin on varmistettava niiden jännitteettömyyksen aikana.

Älä suorita kaapelitöitä, jos varmuudella ei voi varmistaa, että kaapelit tai eristetyt linjat ovat jännitteettömiä.

Paikalliset turvallisuusmääräykset on ehdottomasti otettava huomioon.

Kaapeleita ja vaijereita ei saa altistaa mekaanisille voimille ja tarvittaessa on varmistettava, että ne eivät liiku kontrolloimattomasti leikkaamisen jälkeen.

Älä altista työkaluja sateelle. Älä käytä työkaluja kosteissa tai märissä paikoissa.

Kaapelileikkurin ja akun valmistelu

Ennen jokaista käyttökertaa:

- Tarkasta kaapelileikkuri ulkoisilta vaurioilta
- Tarkasta leikkuutyökälu halkeamilta ja muilta kulumilta

Käytä vain moitteettomassa kunnossa!

Ennen kuin leikkuutyö aloitetaan, on akun lataus tarkistettava: lataustaso vähintään 33 % (ks. kuvitettu ohje). Voi olla, että on tarpeen ladata akku ennen töiden aloittamista.

Leikkuutyön valmistelu

Tue ja kiinnitä leikattava kaapeli tai vaijeri minimoidaksesi kontrolloimattoman liikkeen riskin.

Erityisesti vapaasti olevat kaapelit ja vaijerit voivat liikkua kontrolloimattomasti ja aiheuttaa loukkaantumisia ja / tai vaurioita.

Leikkuupää on asetettava 90° kulmaan kaapeliin tai vaijeriin nähden, siten että kaapeli tai vaijeri asettuu jännitteettömästi auki oleviin leikkuuleukoihin ja haitalliset leikkuuvoimat vältetään.

VAROITUS: Älä koskaan leikkaa sähköjohtoja, joissa on jännitettä. Näin vältetään räjähdysiltä, sähköiskulta ja omaisuusvahingoilta.

Laite EI ole eristetty. Kosketus jännitteeseen voi aiheuttaa vakavia vammoja tai kuoleman. Kytke virta pois päältä ennen leikkuuta. Älä koskaan leikkaa kaasu- tai vesiputkia. Älä koske leikkuuteriini ja leikkuviini osiin käsin. Voit saada haavoja tai seurauksena voi olla amputaatio.

Irrota akkuyksikkö aina ennen kuin vaihdat tai irrotat lisävarusteita. Käytä vain erityisesti tälle laitteelle suositeltuja lisävarusteita. Muut voivat aiheuttaa vahinkoja. Suojalasin tai sivusuojallisten lasien käyttö vähentää vammautumisen vaaraa.

VAROITUS: Leikkaa vain leikkuuterille suositeltuja materiaaleja loukkaantumisaaran vähentämiseksi. (ks. Tekniset tiedot) Älä yritä leikata muita materiaaleja.

Leikkaus

Varmista, että leikkuuterät on asennettu asianmukaisesti ennen kuin aloitat leikkuutyön.

1. Vie kaapeli suorassa kulmassa kaapelileikkurin leikkuuterien väliin. Älä yritä leikata kulmia, koska se vahingoittaa laitetta ja leikkuuteriä.

2. Siirrä liukuukytkin ei lukittuun asentoon. Vedä ja pidä liipaisimesta koko toiminnan aikana. LED palaa, kun liipaisimesta vedetään.

Leikkuuleuat avautuvat itsenäisesti, kun leikkaus on valmis tai laite sammuu. Jos vapautat liipaisimen leikkaamisen aikana, sinun on painettava hydraulista nollauspainiketta avatakseen leikkuuleuat. Huomaa: Työstettävä kappale voi liikkua hieman leikkuaan aikana.

Miten toimia häiriötilanteissa

- kaapelissa voi olla viiltoja ja se voi johtaa virtaa, tiedota aina turvallisuudesta vastaava henkilöä, keskeytä leikkuuprosessi, käynnistä tarvittavat turvallisuusohjeet
- Varmista aina, että laite on irrotettu virtalähteestä eikä sitä liitetä virtalähteeseen ennen kuin tartut siihen.
- paina ja pidä palautuspainikkeesta kunnes leikkuri avautuu kokonaan
- tarkasta akun teho
- tarkasta materiaalin ja sen paksuuden tekniset tiedot
- Kaapelileikkuri on tarkastettava valtuutetun asiantuntevan korjaajan toimesta, jos on aihetta epäillä, että sähköä johtavia johtoja on leikattu.

Jumittuneet leikkuuterät

Lika ja ainesjäämät yhdessä voivat aiheuttaa leikkuuterien jumittumisen leikkuaan jälkeen.

- Varmista laitteen palautus painamalla ja pitämällä vapautinta.
- Irrota akkuyksikkö.
- Noudata kuvaestystä leikkuuleukojen avaamiseksi
- Puhdista lika ja ainesjäämät leikkuuteristä ennen kuin aloitat leikkaamisen uudestaan.



Suo

Ohjeita leikkutyön suorittamiseksi

- Älä yritä leikata kulumia, koska se vahingoittaa laitetta ja leikkuuteriä.
- Leikkuuteri säilyy pitkäikäisenä, kun leikkaat puhdasta materiaalia. Pyyhi lika ja ainesjäämät materiaalista ja leikkuuteristä ennen kuin leikkaat.

HUOLTO

Poista akku ennen laitteen säätö-, puhdistus- ja huoltotöiden aloittamista.

Älä koskaan avaa laitetta, irrotettavaa akkua tai laturia.

Tarkasta laite häiriöiden, kuten liikkuvien osien aiheuttaman melun tai niiden luovuttamisen osalta, jotka voivat vaikuttaa laitteen käyttöön.

Tarkasta laite, leuat, puristustyökalut ja leikkuuterät halkeamilta ja muilta kulumilta varalta ennen jokaista käyttökertaa.

Puhdista ja rasvaa käyttöelä, lukituspulkit ja leuat.

Tarkasta, että leuat liikkuvat vapaasti.

Vaihda puristustyökalut ja leikkuuterät uusiin, kun niiden reunat ovat murtuneita tai ne ovat vahingoittuneita.

Tarkasta, että leikkuuterät ovat teräviä ja vaihda kuluneet kidat uusiin.

Vaihda puristustyökalut ja leikkuuterät aina sarjana.

Pidä laitteen ilmanottoaukot puhtaina.

Älä koskaan upota laitetta, irrotettavaa akkua tai laturia nesteeseen tai anna nesteen päästä niihin loukkaantumisten ja vahinkojen välttämiseksi.

Muut hoito- ja korjaustyöt saa suorittaa vain valtuutetut erikoistyneet työpajat.

Laitte sisältää hydraulioilijä, joka on vaarallista pohjavedelle.

Valvottoman poislaskeminen tai asiantuntematon hävittäminen on rangaistava teko.

Laitteessa oleva LED-merkkivalonäyttöä seuraavan huollon ajankohdan.

Tämä huolto on suoritettava vähintään joka 2. vuosi tai 30 000 puristuskerran jälkeen tai viimeistään, kun LED-näyttö ilmoittaa huoltotarpeesta.

Käytä ainoastaan Milwaukee lisävarusteita ja Milwaukee varaosia. Mikäli jokin komponentti, jota ei ole kuvailtu, tarvitsee vaihtoa ota yhteys johonkin Milwaukee palvelupisteistä (kts. listamme takuuhuoltoilijoiden/ palvelupisteiden osoitteista)

Tarpeen vaatiessa voit pyytää lähettämään laitteen kokoonpanopiirustuksen ilmoittamalla arvokilven numeron seuraavasta osoitteesta: Techtronic Industries GmbH, Max-Eyth-Straße 10, 71364 Winnenden, Germany.

ONE-KEY™

Lue mukana toimitettu pikäkäyttöohje tai käy verkossa sivulla <http://www.milwaukeeetool.com/one-key> tutustuaksesi tämän laitteen ONE-KEY-toiminnallisuuteen.

Voit ladata ONE-KEY-sovelluksen App Storen tai Google Playn kautta älypuhelimellesi.

Koestustulos täyttää standardien EN 301489-1 / EN 301489-17 mukaiset vähimmäisvaatimuksemme. Annamme ohjausta toiminnasta asiakkaille käyttöoppaassa.

AKKU

Pitkään käyttämättä olleet vaihtoakut on ladattava ennen käyttöä. Yli 50°C lämpötilassa akun suorituskyky heikkenee. Vältä hien akkujen säilyttämistä auringossa tai kuumissa tiloissa.

Pidä aina latauslaitteen ja akun kosketinpinnat puhtaina.

Optimaalisen käyttöiän saavuttamiseksi akut on ladattava täyteen käytön jälkeen.

Mahdollisimman pitkän elinajan takaamiseksi akut tulee poistaa laturista lataamisen jälkeen.

Akkua yli 30 päivää säilytettäessä: Säilytä akku yli 27 °C:ssa ja kuivassa. Säilytä akku sen latauksen ollessa 30 % - 50 %. Lataa akku 6 kuukauden välein uudelleen.

Käytettyjä vaihtoakkua ei saa polttaa eikä poistaa normaalin jätehuollon kautta. Milwaukeella on tarjolla vanhoja vaihtoakkua varten ympäristöystävällinen jätehuoltopalvelu.

Vaihtoakkua ei saa säilyttää yhdessä metalliesineiden kanssa (oikosulkuvaara).

Vaurioituneesta akusta saattaa erityisen kovassa käytössä tai poikkeavassa lämpötilassa vuotaa akkuhappoa. Ihonkohta, joka on joutunut kosketukseen akkuhapon kanssa on viipymättä pestävä vedellä ja saippualla. Silmä, johon on joutunut akkuhappoa, on huuhdeltava vedellä vähintään 10 minuutin ajan, jonka jälkeen on viipymättä hakeuduttava lääkäriin apuun.

On varottava, ettei latauslaitteiden vaihtoakkulatauskoloon joudu metalliesineitä (oikosulkuvaara).

LITIUMI-IONI AKKUKUJEN KULJETTAMINEN

Litiumi-ioniakut kuuluvat vaarallisten aineiden kuljetuksesta annettujen lakien piiriin.

Näiden akkujen kuljettaminen täytyy suorittaa noudattaen paikallisia, kansallisia ja kansainvälisiä määräyksiä ja säädöksiä.

Kuluttajat saavat ilman muuta kuljettaa näitä akkua teitä pitkin.

Kaupallisessa kuljetuksessa huolintaliikkeiden täytyy kuljettaa litiumi-ioniakkua vaarallisten aineiden kuljetuksesta annettujen määräysten mukaisesti. Ainoastaan tähän vastaavasti koulutetut henkilöt saavat suorittaa kuljetuksen valmistelutoimet ja itse kuljetuksen. Koko prosessia tulee valvoa asiantuntevasti.

Seuraavat kohdat tulee huomioida akkua kuljetettaessa:

Varmista, että akkujen kontaktit on suojattu ja eristetty, jotta vältetään lyhytsulut. Huolehdi siitä, ettei akkusarja voi luiskahtaa paikaltaan pakkauksen sisällä. Vahingoittuneita tai vuotavia akkua ei saa kuljettaa. Pyydä tarkemmat tiedot huolintaliikkeeltäsi.

TODISTUS CE-STANDARDINMUKAISUUDESTA

Vakuutamme täten olevamme yksin vastuussa siitä, että kohdassa "Tekniset tiedot" kuvattu tuote vastaa kaikkia direktiivien merkityksellisiä säädöksiä

2011/65/EU (RoHS)

2006/42/EY

2014/53/EU

ja seuraavia yhdenmukaistettuja standardeja on käytetty.

EN 62841-1:2015

EN 62479:2010

EN 55014-1:2017+A11:2020

EN 55014-2:2015

EN 301 489-1 V2.2.3

EN 301 489-17 V3.1.1

EN 300 328 V2.2.2

EN IEC 63000:2018



Winnenden, 2020-11-10

Alexander Krug / Managing Director

Valtuutettu kokoamaan tekniset dokumentit.

Techtronic Industries GmbH

Max-Eyth-Straße 10, 71364 Winnenden, Germany

SYMBOLIT



Lue käyttöohjeet huolellisesti, ennen koneen käynnistämistä.



Käytä suojalaseja.



Tämä laite sisältää litium-nappipariston.



HUOMIO! VAROITUS! VAARA!



Ota akku pois ennen kaikkia koneeseen tehtäviä toimenpiteitä.



Sähköiskun vaara



VAROITUS!

Murtuneet osat voivat aiheuttaa vammoja



VAROITUS! Käden loukkaaminen



Lisälaite - Ei sisälly vakiovarustukseen, saatavana lisätarvikkeena.



Sähkölaitteita ei saa hävittää yhdessä kotitalousjätteiden kanssa. Sähkö- ja elektroniset laitteet tulee kerätä erikseen ja toimittaa kierrätysliikkeeseen ympäristöystävällistä hävittämistä varten. Pyydä paikallisilta viranomaisilta tai alan kauppiailta tarkemmat tiedot kierrätyspisteistä ja keräyspaikoista.

V

Jännite



Tasavirta



Euroopan säännönmukaisuusmerkki



Britannian säännönmukaisuusmerkki



Ukrainan säännönmukaisuusmerkki



001



Euraasian säännönmukaisuusmerkki

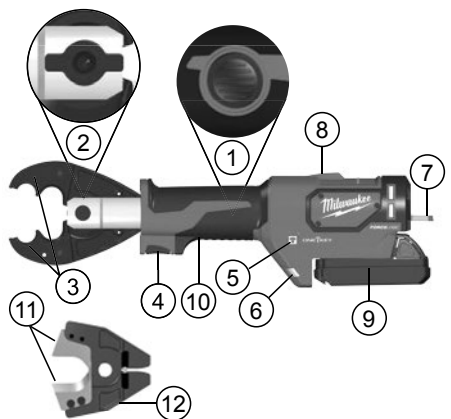


ΤΕΧΝΙΚΑ ΣΤΟΙΧΕΙΑ Εργαλείο πρεσαρίσματος και κοπής	M18 HUCT
Αριθμός παραγωγής	4673 82 02... 000001-999999
Ζώνη συχνοτήτων	2402 - 2480 MHz
Ισχύς εκπομπής	1,8 dBm
Τάση ανταλλακτικής μπαταρίας	18 V
Ονομαστική δύναμη	53 kN
Περιοχή συμπίεσης: Εγκάρσια τομή Μέγ. Χαλκός Αλουμίνιο	300 mm ² 150 mm ²
Περιοχή κοπής ανάλογα με το υλικό ACSR: Αλουμίνιο-/Χαλύβδινα σχοινιά Μέγ. Χαλκός / Αλουμίνιο-Καλώδιο Μέγ. Άλλα υλικά και η διάμετρος τους εξαρτώνται από τις συγκεκριμένες σιαγόνες.	22,5 mm 35 mm
Βάρος σύμφωνα με τη διαδικασία EPTA 01/2014 (Li-Ion 2,0 Ah ... 9,0Ah) με σιαγόνες συμπίεσης με σιαγόνες κοπής	3,6 kg ... 4,2 kg 3,7 kg ... 4,3 kg
Συνιστώμενη δέσμη συσσωρευτών	M18B...
Συνιστώμενη συσκευή φόρτισης	M12-18...
Πληροφορίες θορύβου Τιμές μέτρησης εξακριβωμένες κατά EN 62841. Η σύμφωνη με την καμπύλη A εκτιμηθείσα στάθμη θορύβου του μηχανήματος αναφέρεται σε: Στάθμη ηχητικής πίεσης (Ανασφάλεια K=3dB(A)) Στάθμη ηχητικής ισχύος (Ανασφάλεια K=3dB(A)) Φοράτε προστασία ακοής (ωσπίτιδες)!	74,6 dB (A) 85,6 dB (A)
Πληροφορίες δονήσεων Υλικές τιμές κραδασμών (άθροισμα διανυσμάτων τριών διευθύνσεων) εξακριβώθηκαν σύμφωνα με τα πρότυπα EN 62841. Τιμή εκπομπής δονήσεων a _n Ανασφάλεια K=	0,77 m/s ² 1,5 m/s ²

ΠΡΟΕΙΔΟΠΟΙΗΣΗ!



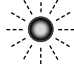

Το αναφερόμενο σ' αυτές τις οδηγίες επίπεδο δονήσεων έχει μετρηθεί με μια τυποποιημένη σύμφωνα με το EN 62841 μέθοδο μέτρησης και μπορεί να χρησιμοποιηθεί για τη σύγκριση των ηλεκτρικών εργαλείων μεταξύ τους. Αυτό είναι επίσης κατάλληλο για μια προσωρινή εκτίμηση της επιβάρυνση των δονήσεων.

Το αναφερόμενο επίπεδο δονήσεων αντιπροσωπεύει τις κύριες χρήσεις του ηλεκτρικού εργαλείου. Εάν όμως το ηλεκτρικό χρησιμοποιείται σε άλλες χρήσεις, με διαφορετικά εργαλεία εφαρμογής ή ανεπαρκή συντήρηση, μπορεί να υπάρξει απόκλιση του επιπέδου δονήσεων. Αυτό μπορεί να αυξήσει σημαντικά την επιβάρυνση των δονήσεων για τη συνολική διάρκεια της εργασίας. Για μια ακριβή εκτίμηση της επιβάρυνσης των δονήσεων οφείλουν επίσης να λαμβάνονται υπόψη οι χρόνοι, στους οποίους η συσκευή είναι απενεργοποιημένη ή είναι μεν ενεργοποιημένη αλλά δεν χρησιμοποιείται πραγματικά. Αυτό μπορεί να μειώσει σημαντικά την επιβάρυνση των δονήσεων για τη συνολική διάρκεια της εργασίας. Καθορίζετε πρόσθετα μέτρα ασφαλείας για την προστασία του χειριστή από την επίδραση των δονήσεων όπως για παράδειγμα: Συντήρηση του ηλεκτρικού εργαλείου και των εργαλείων εφαρμογής, διατηρείτε ζεστά τα χέρια, οργάνωση των διαδικασιών εργασίας.



Περιγραφή συσκευής

- | | |
|---|-------------------------------------|
| ① Κομπί απελευθέρωσης υδραυλικού συστήματος | ⑦ Αναρτήρας |
| ② Μπουλόνια ασφάλισης | ⑧ Λυχνία LED /Δείκτης πρεσαρίσματος |
| ③ Σιαγόνες συμπίεσης | ⑨ ΜΠΑΤΑΡΙΑ |
| ④ Σκανδάλη | ⑩ Λαβή Μονωμένη επιφάνεια λαβής |
| ⑤ Δείκτης ONE KEY | ⑪ Λεπίδες κοπής |
| ⑥ Λυχνία LED | ⑫ Σιαγόνες κοπής |

Δείκτης LED	Ορισμός
 Μονόχρωμο Πράσινο	Το εργαλείο ολοκλήρωσε τη λειτουργία και επιτεύχθηκε πλήρης πίεση πρεσαρίσματος.
 Μονόχρωμο Κόκκινο	Το εργαλείο ολοκλήρωσε τη λειτουργία αλλά ΔΕΝ επιτεύχθηκε πλήρης πίεση πρεσαρίσματος.
 Αναβοσβήνει Κόκκινο	Το εργαλείο ΔΕΝ ολοκλήρωσε τη λειτουργία.
 Αναβοσβήνει Κόκκινο / Πράσινο (μετά Μονόχρωμο Πράσινο ή Μονόχρωμο Κόκκινο)	Το διάστημα συντήρησης του εργαλείου έχει επιτευχθεί (30000 πρεσαρίσματα). Το κόκκινο/πράσινο θα αρχίσει να αναβοσβήνει αφού εμφανιστεί η ένδειξη μονόχρωμου κόκκινου ή πράσινου για τη λειτουργία. Η MILWAUKEE συνιστά την επιθεώρηση της συσκευής και την ολοκλήρωση της προληπτικής συντήρησης.



ΠΡΟΕΙΔΟΠΟΙΗΣΗ Διαβάστε όλες τις υποδείξεις ασφαλείας, τις οδηγίες, τις εικόνες και τα δεδομένα, τα οποία θα λάβετε μαζί με το μηχάνημα. Αμέλειες κατά την τήρηση των προειδοποιητικών υποδείξεων μπορεί να προκαλέσουν ηλεκτροπληξία, κίνδυνο πυρκαγιάς ή/και σοβαρούς τραυματισμούς.

Φυλάξτε όλες τις προειδοποιητικές υποδείξεις και οδηγίες για κάθε μελλοντική χρήση.



ΕΙΔΙΚΕΣ ΥΠΟΔΕΙΞΕΙΣ ΑΣΦΑΛΕΙΑΣ

Πριν από την πρώτη χρήση και, στη συνέχεια, τουλάχιστον μία φορά το χρόνο, ο χειριστής της συσκευής πρέπει να ενημερώνεται σχετικά με τους ειδικούς κινδύνους που αφορούν τη χρήση της συσκευής, καθώς και με τα βασικά μέτρα ασφαλείας.

Η εταιρεία εκμετάλλευσης πρέπει:

- να παραδώσει το χειριδίδιο λειτουργίας στο χειριστή και
 - να διασφαλίσει ότι ο χειριστής το έχει διαβάσει και κατανοήσει.
- Χρησιμοποιείτε προστατευτικό εξοπλισμό. Στις εργασίες με τη συσκευή φοράτε πάντοτε προστατευτικά γυαλιά. Συνιστούμε επίσης προστατευτική ενδυμασία όπως επίσης μάσκα προστασίας αναπνοής, προστατευτικά γάντια, σταθερά και ασφαλή στην ολίσθηση υποδήματα, κράνος και ωτοασπίδες.

Μη βάζετε ποτέ δάχτυλα ή άλλα μέρη του σώματός σας στην περιοχή λειτουργίας του κυλίνδρου και των σιαγόνων.

Αφαιρέστε το πακέτο συσσωρευτών, προτού ξεκινήσετε οποιαδήποτε εργασία ρύθμισης, καθαρισμού και συντήρησης στη συσκευή.

Χρησιμοποιείτε μόνο συσκευές, πακέτα συσσωρευτών και συσκευές φόρτισης που βρίσκονται σε καλή κατάσταση.

Σε περίπτωση βλάβης επισκευάστε τα άμεσα σε ένα εξουσιοδοτημένο συνεργείο.

Για να αποφύγετε τραυματισμούς και ζημιές, αποτρέπετε την ακούσια εκκίνηση της συσκευής.

Αφαιρέστε όλα τα εργαλεία ρύθμισης και τα κλειδιά πριν την εκτέλεση εργασιών.

Απαγορεύεται η επεξεργασία εξαρτημάτων που βρίσκονται υπό τάση. Η συσκευή ΔΕΝ είναι μονωμένη.

ΠΡΟΕΙΔΟΠΟΙΗΣΗ! Για να αποτρέπετε τον κίνδυνο πυρκαγιάς, τραυματισμών ή ζημιών του προϊόντος λόγω βραχυκυκλώματος, να μη βυθίζετε τη συσκευή, το πακέτο συσσωρευτών ή τη συσκευή φόρτισης σε υγρά και να φροντίζετε, ώστε να μη διασπύουν υγρά στις συσκευές και τους συσσωρευτές. Διαβρωτικές ή αγώγιμες υγρές ουσίες, όπως αλατόνερο, ορισμένες χημικές ουσίες και λευκαντικά ή προϊόντα που περιέχουν λευκαντικά, μπορεί να προκαλέσουν βραχυκύκλωμα.

Τηρείστε οπωσδήποτε τις προθεσμίες και τα διαστήματα συντήρησης.

Μην ανοίγετε τις ανταλλακτικές μπαταρίες και τους φορτιστές και χρησιμοποιείτε για αποθήκευση μόνο στεγνούς χώρους. Προστατεύετε τις ανταλλακτικές μπαταρίες και τους φορτιστές από την υγρασία.

Φορτίζετε τις ανταλλακτικές μπαταρίες του συστήματος M18 μόνο με φορτιστές του συστήματος M18. Μη φορτίζετε μπαταρίες από άλλα συστήματα.

Για να αποφύγετε τραυματισμούς και ζημιές, μη βυθίζετε ποτέ το εργαλείο, τον επαναφορτιζόμενο συσσωρευτή ή τη συσκευή φόρτισης σε υγρό και μην επιτρέπετε ποτέ να εισχωρήσει υγρό σε αυτά.

ΠΡΟΕΙΔΟΠΟΙΗΣΗ



Αυτή η συσκευή περιέχει μία μπαταρία λιθίου τύπου κομψού/κέρματος. Μία νέα ή χρησιμοποιημένη μπαταρία μπορεί να προκαλέσει σοβαρά εσωτερικά εγκαύματα και να οδηγήσει σε θάνατο σε μόλις 2 ώρες σε περίπτωση κατάποσης ή εισόδου στο σώμα. Στερεώνετε πάντα το καπάκι στη θήκη μπαταριών. Εάν δεν κλείνει με ασφάλεια, σταματήστε τη συσκευή, αφαιρέστε την μπαταρία και κρατήστε την μακριά από παιδιά. Εάν πιστεύετε ότι κάποιος έχει καταπιεί την μπαταρία ή ότι έχει εισέλθει με άλλο τρόπο στο σώμα, αναζητήστε άμεση ιατρική φροντίδα.



ΥΠΟΔΕΙΞΕΙΣ ΑΣΦΑΛΕΙΑΣ ΓΙΑ ΕΡΓΑΛΕΙΑ ΣΥΜΠΙΞΗΣ

Οι πρέσες ακροδεκτών και οι συσκευές προσαρτισματος πρέπει να χρησιμοποιούνται μόνο από εκπαιδευμένο προσωπικό σε ηλεκτροτεχνικές εφαρμογές.

Ελέγχετε τα εργαλεία, τις σιαγόνες και τα εξαρτήματα συμπίεσης για ενδεχόμενες ενδείξεις σχισμών ή άλλων φθορών, πριν από κάθε χρήση.

Χρησιμοποιείτε τα εργαλεία και τα εξαρτήματα συμπίεσης μόνο, εφόσον βρίσκονται σε τεχνικά άρτια κατάσταση.

Το εργαλείο συμπίεσης μπορεί να χρησιμοποιηθεί μόνο, εφόσον έχουν τοποθετηθεί τα εξαρτήματα συμπίεσης.

Χρησιμοποιείτε μόνο εξαρτήματα συμπίεσης έως 60 kN, συνολικού πλάτους 22 mm.

Μην αγγίζετε τις σιαγόνες συμπίεσης κατά τη διάρκεια της διαδικασίας συμπίεσης.

Σε περίπτωση δυσλειτουργιών κατά τη διαδικασία συμπίεσης, απελευθερώστε αμέσως το διακόπτη ON και πιέστε το κουμπί απασφάλισης του υδραυλικού συστήματος. Η βαλβίδα ανοίγει και ο κύλινδρος γυρνάει στην αρχική του θέση.



ΥΠΟΔΕΙΞΕΙΣ ΑΣΦΑΛΕΙΑΣ ΓΙΑ ΚΟΦΤΕΣ ΚΑΛΩΔΙΩΝ

Η κοπή ή ο διαχωρισμός καλωδίων και σχοινιών με τη βοήθεια αυτού του κόφτη καλωδίων επιτρέπεται να εκτελείται μόνο από άτομα με ηλεκτροτεχνική εκπαίδευση.

Για να μειώσετε τον κίνδυνο εκρήξεων, ηλεκτροπληξίας, υλικών ζημιών και ζημιών στον εξοπλισμό, μην κόβετε ποτέ ρευματοφόρα ηλεκτρικά καλώδια. Η συσκευή ΔΕΝ είναι μονωμένη.

Διατηρείτε τα χέρια και τα φαρδιά ρούχα μακριά από εργαλεία κοπής και άλλα κινούμενα εξαρτήματα. Υπάρχει κίνδυνος σοβαρών τραυματισμών, συμπεριλαμβανομένου κοψίματος άκρων του σώματος.

Μην κρατάτε ποτέ τον κόφτη καλωδίων από τις σιαγόνες κοπής.

Πριν από τη χρήση ελέγχετε πάντα τις σιαγόνες κοπής για ρωγμές και άλλες ενδείξεις φθοράς.

Ο κόφτης καλωδίων μπορεί να χρησιμοποιηθεί μόνο με τοποθετημένο το εργαλείο κοπής.

ΛΟΙΠΟΙ ΚΙΝΔΥΝΟΙ

Εργαλεία συμπίεσης:

Μην πρεσάρετε ποτέ υλικά σύνδεσης που βρίσκονται υπό ηλεκτρική τάση.

Κόφτης καλωδίων:

Πριν από την έναρξη της διαδικασίας κοπής πρέπει να εμποδίζεται η πρόσβαση σύμφωνα με τους τοπικούς κανονισμούς.

Κόβετε μόνο καλώδια, τα οποία έχουν αποσυνδεθεί από το ηλεκτρικό ρεύμα!

Τα καλώδια και τα σχοινιά δεν επιτρέπεται να είναι εκτεθειμένα σε μηχανικές δυνάμεις.



Για να μειώσετε τον κίνδυνο τραυματισμών, φοράτε προστατευτικά γυαλιά ή γυαλιά με πλάγια προστατευτικά.

Η μη τήρηση αυτής της οδηγίας μπορεί να οδηγήσει σε σοβαρούς τραυματισμούς, θάνατο, πυρκαγιά και άλλες υλικές ζημιές λόγω ηλεκτροπληξίας, έκρηξης και/ή ηλεκτρικών τόξων.

ΧΡΗΣΗ ΣΥΜΦΩΝΑ ΜΕ ΤΟ ΣΚΟΠΟ ΠΡΟΟΡΙΣΜΟΥ

Εργαλεία συμπίεσης:

Το εργαλείο συμπίεσης μπορεί να χρησιμοποιηθεί μόνο για τη συμπίεση συνδετικών υλικών, να χροιά προορίζονται για τα αντίστοιχα εξαρτήματα συμπίεσης.

Πριν από την έναρξη της εργασίας, όλα τα μέρη που βρίσκονται υπό ηλεκτρική τάση, δηλαδή τα μέρη που μεταφέρουν ηλεκτρική ενέργεια πρέπει να αποσυνδέονται στο περιβάλλον εργασίας του τεχνικού.

Κόφτης καλωδίων:

Ο κόφτης καλωδίων προορίζεται για το διαχωρισμό

- μη ενισχυμένων καλωδίων χωρίς τάση από μονωμένο χαλκό ή αλουμίνιο, εργαλεία κοπής ανάλογα με τον τύπο καλωδίου

⚠️ ΠΡΟΕΙΔΟΠΟΙΗΣΗ Διαβάστε όλες τις υποδείξεις ασφαλείας, τις οδηγίες, τις εικόνες και τα δεδομένα, τα οποία θα λάβετε μαζί με το μηχάνημα. Αμέλειες κατά την τήρηση των προειδοποιητικών υποδείξεων μπορεί να προκαλέσουν ηλεκτροπληξία, κίνδυνο πυρκαγιάς ή/και σοβαρούς τραυματισμούς. **Φυλάξτε όλες τις προειδοποιητικές υποδείξεις και οδηγίες για κάθε μελλοντική χρήση.**

ΥΠΟΔΕΙΞΕΙΣ ΕΡΓΑΣΙΑΣ ΓΙΑ ΠΡΕΣΑΡΙΣΜΑ

Χρησιμοποιείτε μόνο πρότυπα είδη σύνδεσης, σύμφωνα με τα γγχωρία ισχύοντα πρότυπα, όπως και τα προβλεπόμενα για το μηχάνημα εξαρτήματα συμπίεσης.

Οι οδηγίες επεξεργασίας και συναρμολόγησης των ειδών σύνδεσης περιλαμβάνονται στο έντυπο του κατασκευαστή.

Ελέγξτε εάν συμφωνεί η ονομαστική εσωτερική διάμετρος του είδους σύνδεσης με την ονομαστική εσωτερική διάμετρο του εξαρτήματος συμπίεσης.

Πριν από την έναρξη της διαδικασίας πρεσαρίσματος πρέπει να ελέγχεται η χωρητικότητα του συσσωρευτή: ελάχιστη 33% (βλέπε εικονογραφημένη περιγραφή). Ενδεχομένως να είναι απαραίτητη η φόρτιση πριν από την έναρξη της εργασίας.

Με την ενεργοποίηση του διακόπτη ελέγχου γίνεται εκκίνηση της διαδικασίας πρεσαρίσματος, η οποία χαρακτηρίζεται από το γεγονός ότι οι μήτρες πρεσαρίσματος ενώνονται.

Ο έλεγχος και η αξιολόγηση της σωστής συμπίεσης αποτελούν ευθύνη του χρήστη.

Οι συνδέσεις που δεν πραγματοποιήθηκαν σωστά θα πρέπει να συμπίεστούν εκ νέου, με νέο εξάρτημα συμπίεσης.

Συμπεριφορά σε περίπτωση βλάβης

- Κρατήστε πατημένο τον διακόπτη επαναφοράς έως ότου ανοίξουν εντελώς οι σιαγόνες
- Ελέγξτε τη χωρητικότητα του συσσωρευτή
- Επιθεωρήστε το καλώδιο και τις μήτρες πρεσαρίσματος με βάση τα τεχνικά στοιχεία
- Εάν υπάρχει η υποψία ότι έχει πρεσαριστεί ένα ρευματοφόρο καλώδιο, η πρέσα ακροδεκτών πρέπει να ελεγχθεί σε ένα εξουσιοδοτημένο, εξειδικευμένο συνεργείο

ΥΠΟΔΕΙΞΕΙΣ ΕΡΓΑΣΙΑΣ ΓΙΑ ΚΟΠΗ

Προετοιμασία χώρου εργασίας

Πριν από την έναρξη της εργασίας, τα καλώδια ή τα σχοινιά πρέπει να είναι χωρίς τάση και να διασφαλίζεται ότι παραμένουν χωρίς τάση κατά τη διάρκεια της εργασίας.

Εάν δεν διασφαλιστεί πέραν κάθε αμφιβολίας ότι το καλώδιο ή ο αγωγός με μόνωση έχει αποσυνδεθεί, δεν επιτρέπεται να εκτελούνται εργασίες.

Οι τοπικές διατάξεις ασφαλείας και οι κανονισμοί πρέπει να λαμβάνονται οπωσδήποτε υπόψη.

Τα καλώδια και τα σχοινιά δεν επιτρέπεται να είναι εκτεθειμένα σε μηχανικές δυνάμεις και πρέπει, εάν χρειαστεί, να είναι ασφαλισμένα έναντι ανεξέλεγκτων κινήσεων μετά την κοπή.

Μην εκθέτετε τα εργαλεία στη βροχή. Μη χρησιμοποιείτε εργαλεία σε υγρούς ή βρεγμένους χώρους.

Προετοιμασία του κόφτη καλωδίων και του συσσωρευτή

Πριν από κάθε χρήση:

- Ελέγχετε τον κόφτη καλωδίων για εξωτερικές ζημιές
- Ελέγχετε το εργαλείο κοπής για ρωγμές και άλλες ενδείξεις φθοράς

Να χρησιμοποιείται μόνο σε άριστη κατάσταση!

Πριν από την έναρξη της διαδικασίας κοπής πρέπει να ελέγχεται η χωρητικότητα του συσσωρευτή: ελάχιστη 33% (βλέπε εικονογραφημένη περιγραφή). Ενδεχομένως να είναι απαραίτητη η φόρτιση πριν από την έναρξη της εργασίας.

Προετοιμασία της διαδικασίας κοπής

Στηρίξτε και στερεώστε το καλώδιο ή το σχοινί που πρόκειται να κόψετε, προκειμένου να ελαχιστοποιήσετε τον κίνδυνο μίας ανεξέλεγκτης κίνησης.

Ειδικότερα, τα εναέρια καλώδια και σχοινιά μπορούν να αρχίσουν να κινούνται ανεξέλεγκτα και να προκαλέσουν τραυματισμούς και/ή ζημιές.

Η κεφαλή κοπής πρέπει να τοποθετηθεί σε γωνία 90° ως προς το καλώδιο ή το σχοινί, έτσι ώστε το καλώδιο ή το σχοινί να βρίσκεται χωρίς τάση στις ανοιχτές σιαγόνες κοπής και να αποφεύγονται ανεπιθύμητες δυνάμεις διάτμησης.

⚠️ ΠΡΟΕΙΔΟΠΟΙΗΣΗ: Για να μειώσετε τον κίνδυνο εκρήξεων, ηλεκτροπληξίας, υλικών ζημιών και ζημιών στον εξοπλισμό, μην κόβετε ποτέ ρευματοφόρα ηλεκτρικά καλώδια.

Η συσκευή ΔΕΝ είναι μονωμένη. Η επαφή με ρευματοφόρο κύκλωμα μπορεί να οδηγήσει σε σοβαρούς τραυματισμούς ή θάνατο. Διακόψτε την παροχή ρεύματος, πριν εκτελέσετε μία κοπή. Μην κόβετε ποτέ αγωγούς αερίου ή νερού. Κρατάτε τα χέρια σας μακριά από όλες τις ακμές κοπής και τα κινούμενα μέρη. Υπάρχει κίνδυνος κοψίματος και ακρωτηριασμού.

Αφαιρείτε πάντα το πακέτο συσσωρευτών πριν από την αλλαγή ή αφαίρεση εξαρτημάτων. Χρησιμοποιείτε μόνο εξαρτήματα που συνιστώνται ειδικά για αυτήν τη συσκευή. Η χρήση άλλων εξαρτημάτων μπορεί να είναι επικίνδυνη. Για να μειώσετε τον κίνδυνο τραυματισμών, φοράτε προστατευτικά γυαλιά ή γυαλιά με πλάγια προστατευτικά.

⚠️ ΠΡΟΕΙΔΟΠΟΙΗΣΗ: Για να μειώσετε τον κίνδυνο τραυματισμών, κόβετε μόνο υλικά που συνιστώνται για τις λεπίδες. (βλέπε «Προδιαγραφές») Μην επιχειρήσετε να κόψετε άλλα υλικά.

Κοπή

Πριν από την κοπή βεβαιωθείτε ότι οι λεπίδες κοπής είναι σωστά τοποθετημένες.

1. Τοποθετήστε το καλώδιο σε ορθή γωνία επάνω στις ακμές κοπής του κόφτη καλωδίων. Μην επιχειρήσετε να εκτελέσετε λοξοτομές, καθώς θα προκληθούν ζημιές στη συσκευή και τις λεπίδες κοπής.

2. Πατήστε και κρατήστε πατημένη τη σκανδάλη κατά τη διάρκεια της κοπής.

Η λυχνία LED θα ανάψει, όταν πατήσετε τη σκανδάλη.

Όταν η κοπή ολοκληρωθεί ή η συσκευή απενεργοποιηθεί, οι σιαγόνες κοπής ανοίγουν αυτόματα. Εάν απελευθερώσετε τη σκανδάλη κατά τη διάρκεια των εργασιών κοπής, πρέπει να πατήσετε το υδραυλικό κουμπί επαναφοράς για να ανοίξετε τις σιαγόνες κοπής.

Σημείωση: Το τεμάχιο προς επεξεργασία ενδέχεται να μετακινηθεί ελαφρώς κατά τη διάρκεια της κοπής.

Συμπεριφορά σε περίπτωση βλάβης

- το καλώδιο ενδέχεται να είναι κομμένο και να φέρει ρεύμα, ενημερώνετε πάντα τον υπεύθυνο ασφαλείας, διακόπτετε τη διαδικασία κοπής, λαμβάνετε κατάλληλα μέτρα ασφαλείας
- Διασφαλίζετε πάντα ότι η συσκευή είναι και παραμένει αποσυνδεδεμένη από το ηλεκτρικό ρεύμα, πριν πλησιάσετε και αγγίξετε τη συσκευή
- Πατήστε και κρατήστε πατημένο το κουμπί επαναφοράς, μέχρι ο κόφτης να ανοίξει πλήρως
- Ελέγξτε τη χωρητικότητα του συσσωρευτή
- Ελέγξτε το υλικό και το πάχος του υλικού με βάση τα τεχνικά στοιχεία
- Εάν υπάρχει η υποψία ότι έχει κοπεί ρευματοφόρο καλώδιο, ο κόφτης καλωδίων πρέπει να ελεγχθεί από εξουσιοδοτημένο εξειδικευμένο συνεργείο

Μαγκωμένες λεπίδες

Οι ακαθαρσίες και τα θραύσματα μπορεί να προκαλέσουν το μάγκωμα των λεπίδων μετά την κοπή

- Πατήστε και κρατήστε πατημένη τη σκανδάλη απελευθέρωσης, για να βεβαιωθείτε ότι έχει γίνει επαναφορά του εργαλείου.
- Αφαιρέστε το πακέτο συσσωρευτών.
- Ακολουθήστε την περιγραφή των εικόνων για το άνοιγμα των σιαγόνων κοπής
- Καθαρίστε τυχόν ακαθαρσίες και θραύσματα από τις λεπίδες, πριν ξεκινήσετε άλλη κοπή.

Συμβουλές κοπής

- Μην επιχειρήσετε να εκτελέσετε λοξοτομές, καθώς θα προκληθούν ζημιές στη συσκευή και τις λεπίδες κοπής.
- Κόβετε καθαρά υλικά, για να επιμηκύνετε τη διάρκεια ζωής των λεπίδων κοπής. Σκουπίστε τις ακαθαρσίες και τα θραύσματα από το υλικό και τις λεπίδες κοπής, πριν ξεκινήσετε την κοπή.

ΣΥΝΤΗΡΗΣΗ

Αφαιρέστε το πακέτο συσσωρευτών, προτού ξεκινήσετε οποιαδήποτε εργασία ρύθμισης, καθαρισμού και συντήρησης στη συσκευή.

Μην ανοίγετε ποτέ τη συσκευή, τον επαναφορτιζόμενο συσσωρευτή ή τη συσκευή φόρτισης.

Ελέγχετε τη συσκευή για ενδεχόμενα προβλήματα όπως θόρυβο ή μάγκωμα των κινούμενων μερών, τα οποία μπορεί να επηρεάσουν τη συσκευή.

Πριν από κάθε χρήση της συσκευής, των σιαγόνων και των μητρών προσαρίσματος και λεπίδων κοπής ελέγξτε αν αυτά παρουσιάζουν ρωγμές ή άλλου είδους φθορές.

Καθαρίστε και λιπάνετε τις συσκευές μετά το τέλος των εργασιών.

Καθαρίστε και λιπάνετε τους κυλίνδρους συγκράτησης, το μπουλόνι ασφάλισης και τις σιαγόνες.

Ελέγξτε ότι οι σιαγόνες μπορούν να κινηθούν ελεύθερα.

Αντικαταστήστε τις μήτρες προσαρίσματος και λεπίδες κοπής, όταν παρουσιάσουν θραύσεις ή ζημιές.

Ελέγξτε ότι οι ακμές κοπής είναι αιχμηρές και αντικαταστήστε τις φθαρμένες λεπίδες κοπής.

Αντικαθιστάτε πάντα τις μήτρες προσαρίσματος και λεπίδες κοπής ανά ζεύγη.

Διατηρείτε πάντοτε τις σχισμές εξαερισμού της συσκευής καθαρές.

Για να αποφύγετε τραυματισμούς και ζημιές, μη βυθίζετε ποτέ τη συσκευή, τον επαναφορτιζόμενο συσσωρευτή ή τη συσκευή φόρτισης σε υγρό και μην επιτρέπετε ποτέ να εισχωρήσει υγρό σε αυτά.

Περαιτέρω εργασίες συντήρησης και επισκευής επιτρέπεται να διεξάγονται μόνο από εξειδικευμένα συνεργεία.

Η συσκευή περιέχει υδραυλικό λάδι που χρησιμοποιείται το οποίο αποτελεί κίνδυνο για τα υπόγεια ύδατα. Η ανεξέλεγκτη απόρριψη και η λανθασμένη διάθεση τιμωρούνται.

Η επόμενη συντήρηση υποδεικνύεται από τη λυχνία LED επάνω στη συσκευή.

Αυτή η συντήρηση απαιτείται τουλάχιστον κάθε 2 χρόνια ή μετά από 30.000 διαδικασίες συμπίεσης, το αργότερο, μόλις ανάψει η ένδειξη LED.

Χρησιμοποιείτε μόνο αξεσουάρ Milwaukee και ανταλλακτικά Milwaukee. Εξαρτήματα, που η αλλαγή τους δεν περιγράφεται, αντικαθιστώνται σε μια τεχνική υποστήριξη της Milwaukee (βλέπε φυλλάδιο εγγύηση/ διευθύνσεις τεχνικής υποστήριξης).

Όταν χρειάζεται, μπορείτε να ζητήσετε ένα σχέδιο συναρμολόγησης της συσκευής, δίνοντας τον τύπο της μηχανής και αριθμό στην πινακίδα ισχύος, από το κέντρο σέρβις ή απευθείας από τη φίρμα Techtronic Industries GmbH, Max-Eyth-Strasse 10, 71364 Winnenden, Germany.

ONE-KEY™

Προκειμένου να κατεβάσετε περισσότερα για τη λειτουργικότητα ONE-KEY της εν λόγω συσκευής, διαβάστε τον επισυναπτόμενο οδηγό γρήγορης εκκίνησης ή επισκεφτείτε τη σελίδα μας στο Διαδίκτυο <http://www.milwaukeetool.com/one-key>

Μπορείτε να κατεβάσετε την εφαρμογή ONE-KEY στο Smartphone σας από το App Store ή το Google Play.

Το αποτέλεσμα δοκιμής εκπληρώνει τις ελάχιστες απαιτήσεις μας κατά EN 301489-1 / EN 30149-17. Κα θα προσφέρουμε καθοδήγηση στον πελάτη σχετικά με τον τρόπο λειτουργίας σε μορφή ενχειριδίου χρήσης.

ΜΠΑΤΑΡΙΕΣ

Επαναφορτίζετε τις ανταλλακτικές μπαταρίες που δεν έχουν χρησιμοποιηθεί για μεγαλύτερο χρονικό διάστημα πριν τη χρήση. Μια θερμοκρασία πάνω από 50°C μειώνει την ισχύ της ανταλλακτικής μπαταρίας. Αποφύγετε τη θέρμανση για μεγαλύτερο χρονικό διάστημα από τον ήλιο ή τις συσκευές θέρμανσης.

Διατηρείτε τις επαφές σύνδεσης στο φορτιστή και στην ανταλλακτική μπαταρία καθαρές.

Για μια άριστη διάρκεια ζωής πρέπει μετά τη χρήση οι μπαταρίες να φορτιστούν πλήρως.

Για μια κατά το δυνατόν μεγάλη διάρκεια ζωής οι μπαταρίες μετά τη φόρτιση ορεΐλουν να αφαιρεθούν από το φορτιστή.



Για την αποθήκευση της μπαταρίας για διάστημα μεγαλύτερο των 30 ημερών: Αποθηκεύετε τη μπαταρία περ. στους 27°C σε στεγνό χώρο. Αποθηκεύετε τη μπαταρία περ. στο 30%-50% της κατάστασης φόρτισης. Κάθε 6 μήνες φορτίζετε εκ νέου τη μπαταρία.

Μην πετάτε τις μεταχειρισμένες ανταλλακτικές μπαταρίες στη φωτιά ή στα οικιακά απορρίμματα. Η Milwaukee προσφέρει μια απόσυρση των παλιών ανταλλακτικών μπαταριών σύμφωνα με τους κανόνες προστασίας του περιβάλλοντος, ρωτήστε παρακαλώ σχετικά στο ειδικό κατάστημα πώλησης.

Μην αποθηκεύετε τις ανταλλακτικές μπαταρίες μαζί με μεταλλικά αντικείμενα (κίνδυνος βραχυκυκλώματος).

Όταν υπάρχει υπερβολική καταπόνηση ή υψηλή θερμοκρασία μπορεί να τρέξει υγρό μπαταρίας από τις χαλασμένες επαναφορτιζόμενες μπαταρίες. Αν έρθετε σε επαφή με υγρό μπαταρίας να πλυθείτε αμέσως με νερό και σαπούνι. Σε περίπτωση επαφής με τα μάτια να πλυθείτε σχολαστικά για τουλάχιστον 10 λεπτά και να αναζητήσετε αμέσως ένα γιατρό.

Στη θήκη υποδοχής των ανταλλακτικών μπαταριών του φορτιστή δεν επιτρέπεται να φθάσουν μεταλλικά αντικείμενα (κίνδυνος βραχυκυκλώματος).



EL

ΜΕΤΑΦΟΡΑ ΤΩΝ ΜΠΑΤΑΡΙΩΝ ΙΟΝΤΩΝ ΛΙΘΙΟΥ

Οι μπαταρίες ιόντων λιθίου υπόκεινται στις απαιτήσεις των νομικών διατάξεων για την μεταφορά επικινδύνων εμπορευμάτων.

Η μεταφορά τέτοιων μπαταριών πρέπει να πραγματοποιείται τηρώντας τους τοπικούς, εθνικούς και διεθνείς κανονισμούς και τις αντίστοιχες διατάξεις.

Επιτρέπεται η μεταφορά τέτοιων μπαταριών στο δρόμο χωρίς περαιτέρω απαιτήσεις.

Η εμπορική μεταφορά μπαταριών ιόντων λιθίου από εταιρείες μεταφορών υπόκειται στις απαιτήσεις των νομικών διατάξεων για την μεταφορά επικινδύνων εμπορευμάτων. Οι προετοιμασίες αποστολής και η μεταφορά πραγματοποιούνται αποκλειστικά από ειδικά εκπαιδευμένα πρόσωπα. Η συνολική διαδικασία συνοδεύεται από εξειδικευμένο προσωπικό.

Κατά τη μεταφορά μπαταριών ιόντων λιθίου πρέπει να προσέχετε τα εξής:

Φροντίστε τα σημεία επαφών να είναι προστατευμένα και μονωμένα ώστε να αποφευχθούν βραχυκυκλώματα. Προσέξτε το πακέτο μπαταριών να είναι σταθερό μέσα στη συσκευασία και να μη γλιστρά. Η μεταφορά μπαταριών που παρουσιάζουν φθορές ή διαρροές δεν επιτρέπεται. Για περισσότερες πληροφορίες απευθυνθείτε στην εταιρεία μεταφορών.

ΔΗΛΩΣΗ ΠΙΣΤΟΤΗΤΑΣ ΕΚ

Δηλώνουμε με αποκλειστική μας ευθύνη, ότι το προϊόν που περιγράφεται στα «Τεχνικά Χαρακτηριστικά» συμμορφώνεται με όλες τις σχετικές διατάξεις των οδηγιών

2011/65/EE (RoHS)

2006/42/EK

2014/53/EE

και έχουν εφαρμοστεί τα ακόλουθα εναρμονισμένα πρότυπα

EN 62841-1:2015

EN 62479:2010

EN 55014-1:2017+A11:2020

EN 55014-2:2015

EN 301 489-1 V2.2.3

EN 301 489-17 V3.1.1

EN 300 328 V2.2.2

EN IEC 63000:2018



Winnenden, 2020-11-10

Alexander Krug / Managing Director
Εξουσιοδοτημένος να συντάξει τον τεχνικό φάκελο.
Techtronic Industries GmbH
Max-Eyth-Straße 10, 71364 Winnenden, Germany

ΣΥΜΒΟΛΑ



Παρακαλώ διαβάστε σχολαστικά τις οδηγίες χρήσης πριν από την έναρξη λειτουργίας.



Φοράτε προστατευτικά γυαλιά.



Αυτή η συσκευή περιέχει μία μπαταρία λιθίου τύπου κομπιού/κέρματος.



ΠΡΟΣΟΧΗ! ΠΡΟΕΙΔΟΠΟΙΗΣΗ! ΚΙΝΔΥΝΟΣ!



Πριν από κάθε εργασία στη μηχανή αφαιρείτε την ανταλλακτική μπαταρία.



Κίνδυνος ηλεκτροπληξίας



ΠΡΟΕΙΔΟΠΟΙΗΣΗ!

Διαβάστε όλες τις υποδείξεις ασφαλείας και τις οδηγίες.



ΠΡΟΕΙΔΟΠΟΙΗΣΗ! Τραυματισμός χεριών



Εξαρτήματα - Δεν περιλαμβάνονται στα υλικά παράδοσης, συνιστούμε την προθήκη από το πρόγραμμα εξαρτημάτων.



=



=



Ηλεκτρικά μηχανήματα δεν επιτρέπεται να απορρίπτονται μαζί με τα οικιακά απορρίμματα. Ηλεκτρικά και ηλεκτρονικά μηχανήματα συλλέγονται ξεχωριστά και παραδίδονται προς ανακύκλωση με τρόπο φιλικό προς το περιβάλλον σε επιχείρηση επεξεργασίας απορριμμάτων. Ενημερωθείτε από τις τοπικές υπηρεσίες ή από ειδικευμένους εμπόρους σχετικά με κέντρα ανακύκλωσης και συλλογής απορριμμάτων.

V

Βολτ



Συνεχές ρεύμα



Ευρωπαϊκό σήμα πιστότητας



Βρετανικό σήμα πιστότητας



Ουκρανικό σήμα πιστότητας

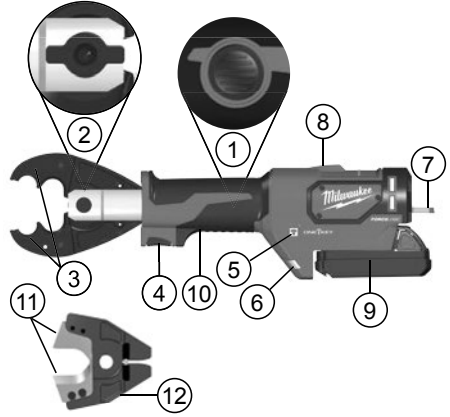
001



Ευρωπαϊκό σήμα πιστότητας

Ελληνικά

TEKNİK VERİLER	
Krepleme ve Kesme Aleti	
Üretim numarası	4673 82 02... 000001-999999
Frekans bandı	2402 - 2480 MHz
İletim gücü	1,8 dBm
Kartuş akü gerilimi	18 V
Pres Kuvveti	53 kN
Basın Alanı : Kesit Maks.	
Bakır	300 mm ²
Alüminyum	150 mm ²
Kesim alanı malzemeye bağlıdır	
ACSR: Alüminyum-/Çelik halat Maks.	22,5 mm
Bakır- / Alüminyum-Kablo Maks.	35 mm
Diğer malzemeler ve çapları belirli çenelere bağlıdır.	
Ağırlığı ise EPTA-üretici 01/2014'e göre (Li-Ion 2,0 Ah...9,0Ah)	
Pres lokmaları ile	3,6 kg ... 4,2 kg
Pafta lokmaları ile	3,7 kg ... 4,3 kg
Tavsiye edilen güç paketleri	M18B...
Tavsiye edilen şarj aletleri	M12-18...
Gürültü bilgileri	
Ölçüm değerleri EN 62841 e göre belirlenmektedir. Aletin, frekansa bağımlı uluslararası ses basıncı seviyesi değerlendirme eğrisi A'ya göre tipik gürültü seviyesi:	
Ses basıncı seviyesi (Tolerans K=3dB(A))	74,6 dB (A)
Akustik kapasite seviyesi (Tolerans K=3dB(A))	85,6 dB (A)
Koruyucu kulaklık kullanın!	
Vibrasyon bilgileri	
Toplam titreşim değeri (üç yönün vektör toplamı) EN 62841'e göre belirlenmektedir:	
titreşim emisyon değeri a _h	0,77 m/s ²
Tolerans K=	1,5 m/s ²



Cihazın tanımı

- | | |
|------------------------------------|------------------------------------|
| ① Hidrolik serbest bırakma düğmesi | ⑦ Askı |
| ② Kilit civataları | ⑧ LED /Krep göstergesi |
| ③ Pres lokmaları | ⑨ Akü |
| ④ Tetik | ⑩ Tutamak İzolasyonlu tutma yüzeyi |
| ⑤ ONE KEY göstergesi | ⑪ Kesme bıçakları |
| ⑥ LED | ⑫ Kesme çeneleri |

LED gösterge	Tanım
	Alet çalışmayı tamamladı ve tam krep basıncına ulaştı.
	Alet çalışmayı tamamladı ancak tam krep basıncına ULAŞMADI.
	Alet çalışmayı TAMAMLAMADI.
	Alet bakım aralığına ulaştı (30000 krepler). İşlem için sağlam Kırmızı veya Yeşil göstergesi görüntüledikten sonra Kırmızı/Yeşil yanıp sönmeye başlayacaktır. MILWAUKEE, cihazın kontrol edilmesini ve koruyucu bakımın tamamlanmasını tavsiye eder.
	Yanıp sönmeye başlayacaktır. MILWAUKEE, cihazın kontrol edilmesini ve koruyucu bakımın tamamlanmasını tavsiye eder.
	Yanıp sönmeye başlayacaktır. MILWAUKEE, cihazın kontrol edilmesini ve koruyucu bakımın tamamlanmasını tavsiye eder.
	Yanıp sönmeye başlayacaktır. MILWAUKEE, cihazın kontrol edilmesini ve koruyucu bakımın tamamlanmasını tavsiye eder.

UYARI!

Bu talimatlarda belirtilen titreşim seviyesi, EN 62841 standardına uygun bir ölçme metodu ile ölçülmüştür ve elektrikli el aletleri birbiriyle karşılaştırmak için kullanılabilir. Ölçüm sonuçları ayrıca titreşim yükünün geçici değerlendirilmesi için de uygundur. Belirtilen titreşim seviyesi, elektrikli el aletinin genel uygulamaları için geçerlidir. Ancak elektrikli el aleti başka uygulamalar için, farklı eklenti parçalarıyla ya da yetersiz bakım koşullarında kullanılırsa, titreşim seviyesi farklılık gösterebilir. Bu durumda, titreşim yükü toplam çalışma zaman aralığı içerisinde belirgin ölçüde yükselebilir. Titreşim yükünün tam bir değerlendirmesi için ayrıca cihazın kapalı olduğu süreler ve cihazın çalışır durumda olduğu, ancak gerçek kullanımda bulunmadığı süreler de dikkate alınmalıdır. Böylelikle, toplam çalışma zamanı aralığı boyunca meydana gelen titreşim yükü belirgin ölçüde azaltılabilir. Kullanıcıyı titreşimlerin etkisinden korumak üzere, örneğin elektrikli el aletlerinin ve eklenti parçalarının bakımı, ellerin sıcak tutulması ve iş açışlarının organizasyonu gibi ek güvenlik tedbirleri belirleyiniz.



Tür

⚠ UYARI Cihazla birlikte gelen tüm güvenlik uyarılarını, talimatları, çizimleri ve bilgileri okuyun. Açıklanan uyarılara ve talimat hükümlerine uyulmadığı takdirde elektrik çarpmalarına, yangınlara ve/veya ağır yaralanmalara neden olunabilir.

Bütün uyarıları ve talimat hükümlerini ileride kullanmak üzere saklayın.

⚠ GÜVENLİĞİNİZ İÇİN TALİMATLAR

Bu cihazın operatörü, cihazı ilk kez kullanmadan önce ve bundan en fazla bir yıl sonra bu cihazı kullanmakla bağlantılı belirli tehlikeler ve temel güvenlik önlemleri konusunda eğitilmiş olmalıdır.

İşletme şirketi bunları yapması gerekir:

- Operatörün kullanma kılavuzuna erişebilmesini sağlamak
- ve okuyup anladığından emin olmak.

Koruma teçhizatı kullanın. Cihazı kullanırken daima gözlük takın. Korumaya elbise ve tozlardan korunma maskesi, emniyet eldivenleri ve sağlam ve kaymaya mukavim ayakkabı giyin. Başlık ve kulaklık tavsiye edilir.

Asla parmaklarınızı veya başka vücut kısımlarınızı silindirin veya çenelerinin çalışma alanı içine tutmayın.

Cihaz üzerinde herhangi bir ayar, temizlik ve bakım çalışmasına başlamadan önce pil paketini çıkarın.

Cihazları, pil paketlerini ve şarj cihazlarını sadece teknik olarak kusursuz durumdaysa kullanınız.

Hasarları derhal yetkili bir tamirhanede tamir ettiriniz.

Yaralanma ve hasardan kaçınmak için cihazın kazayla çalışmasını önleyin.

İşlem öncesinde bütün ayar aletlerini ve anahtarları çıkarın.

Elektrik gerilimi altındaki parçalar asla işlenemez. Cihaz yalıtımlı DEĞİLDİR.

UYARI! Bir kısa devreden kaynaklanan yangın, yaralanma veya ürün hasarları tehlikesini önlemek için cihazı, pil paketini veya şarj cihazını asla sıvıların içine daldırmayın ve içlerine sıvı girmesini önleyin. Tuzlu su, belirli kimyasallar, ağartıcı madde veya ağartıcı madde içeren ürünler gibi korozif veya iletken sıvılar kısa devreye neden olabilir.

Bakım ve bakım aralıklarına mutlaka uyunuz.

Kartuş aküleri ve şarj cihazını açmayın ve sadece kuru yerlerde saklayın. Neme ve ıslanmaya karşı koruyun.

M18 sistemli kartuş aküleri sadece M18 sistemli şarj cihazları ile şarj edin. Başka sistemli aküleri şarj etmeyin.

Yaralanma ve hasarları önlemek için aleti, çıkarılabilir pili veya şarj cihazını asla bir sıvıya batırmayın, içlerine sıvı girmesine izin vermemeyin.

UYARI



Bu cihaz, düğme tipi/yassı lityum pil içerir. Yeni veya kullanılmış bir pil yutulursa ya da vücuda girerse, 2 saat gibi kısa bir sürede ciddi iç yanıklara ve ölüme neden olabilir. Kapağı pil bölümüne her zaman sabitleyin. Güvenli bir şekilde kapanmıyorsa, cihazı durdurun, pili çıkarın ve çocukların erişemeyeceği bir yerde saklayın. Birinin pili yuttuğundan veya pilin vücuda girdiğinden şüpheleniyorsanız, derhal tıbbi yardım isteyin.

⚠ PRES TAKIMLARI İÇİN GÜVENLİK BİLGİLERİ

Krep aletleri ve krep cihazları yalnızca elektroteknik uygulamalarda eğitimli personel tarafından kullanılmalıdır.

Her kullanımdan önce, pres takımını, lokmalarını ve kalıplarını çatlaklara ve diğer aşınma belirtilerine karşı kontrol edin.

Sadece teknik olarak kusursuz durumdaki pres takımı ve pres kalıplarını kullanın.

Pres takımı sadece pres kalıpları takılıken kullanılabilir.

Sadece 22 mm toplam genişliğe sahip maks. 60 kN pres kalıpları kullanın.

Pres işlemi sırasında pres lokmaları ile temas etmeyin.

Pres işlemi sırasında herhangi bir arıza meydana gelirse AÇIK şalterini serbest bırakın ve hidrolik kilit açma düğmesine basın. Valf açılır ve piston başlangıç konumuna geri hareket eder.

⚠ BORU KESİCİ İÇİN GÜVENLİK BİLGİLERİ

Boru ve halatların bu boru kesici yardımıyla kesilmesi veya ayrılması işlemleri sadece elektroteknik eğitimli bir kişi tarafından yapılmalıdır.

Patlama, elektrik çarpması ve mal ve ekipmana hasar riskini düşürmek için asla gerilimli kabloları kesmeyin. Cihaz yalıtımlı DEĞİLDİR.

Elleri ve sarkan giysileri kesici aletlerden ve diğer hareketli parçalardan uzak tutun. Vücut azalarının kesilmesi dahil, ciddi yaralanma tehlikesi mevcuttur.

Kablo kesiciyi asla kesici çenelerden tutmayın.

Kullanmadan önce, kesici çeneleri çatlak ve diğer aşınma belirtileri yönünden mutlaka kontrol edin.

Kablo kesici sadece bir kesici alet tıklararak kullanılabilir.

KALAN TEHLİKELER

Pres takımı:

Gerilimli bağlantı malzemelerini asla kreplemeyin.

Boru kesici:

Kesme süreci başlamadan, erişimin yerel düzenlemelere uygun olarak kapatılmış olması gerekir.

Sadece ve sadece güç kaynağıyla bağlantısı kesilmiş kabloları kesin! Borular ve halatlar mekanik kuvvete maruz bırakılmamalıdır.

Yaralanma riskini azaltmak için emniyet gözlüğü veya yan korumalı gözlük kullanın.

Bu talimatın aksine hareket etmek elektrik çarpması, patlama ve/veya elektrik arkından kaynaklanacak ciddi yaralanmaya, ölüme, yangına ve diğer maddi hasarlara neden olabilir.

KULLANIM

Pres takımı:

Pres takımı sadece uygun pres kalıplarının öngörülmesi olduğu bağlantı malzemelerinin preslenmesi için kullanılabilir.

Çalışmaya başlamadan önce, teknisyenin çalışma ortamında elektrik ileten tüm gerilimli parçaların bağlantısı kesilmelidir.

Boru kesici:

Kablo kesici;

- gerilsiz takviyesiz yalıtılmış bakır veya alüminyum kabloların kesilmesi için uygundur; kesme aletleri kablo türüne bağlıdır

⚠️ UYARI Cihazla birlikte gelen tüm güvenlik uyarılarını, talimatları, çizimleri ve bilgileri okuyun. Açıklanan uyarılara ve talimat hükümlerine uyulmadığı takdirde elektrik çarpmalarına, yangınlara ve/veya ağır yaralanmalara neden olunabilir.
Bütün uyarıları ve talimat hükümlerini ileride kullanmak üzere saklayın.

ÇALIŞMA AÇIKLAMALARI KREPLEME İÇİN

Yürürlükteki ulusal standartlara uygun bağlantı elemanları ve bunun için öngörülüş pres kalıpları kullanın.

Bağlantı elemanlarına ilişkin işleme ve montaj talimatlarını üretici dokümanlarında bulabilirsiniz.

Bağlantı elemanı nominal genişliğinin pres kalıbı nominal genişliğiyle uyuşup uyuşmadığını kontrol edin.

Krep işlemi başlamadan önce, pil kapasitesi kontrol edilmelidir: asgari %33 (bakınız resimli açıklama). İş başlamadan önce şarj gerektirebilir.

Kontrol anahtarının çalıştırılması, krep kalıplarının bir araya gelmesiyle karakterize edilen presleme işlemini başlatır.

Doğru presleme yapılıp yapılmadığına ilişkin ölçme ve değerlendirme kullanıcının sorumluluğundadır.

Hatalı bağlantılar yeni bağlantı elemanlarıyla bir kez daha preslenmelidir.

Arıza durumunda yapılacaklar

- Çeneler tamamen açılana kadar sıfırlama anahtarını basılı tutun
- Pil kapasitesini kontrol edin
- Kabloyu ve krep kalıplarını teknik verilere göre kontrol edin
- Gerilimli bir kablunun preslendiğinden kuşku duyulması halinde, krep aletinini yetkili bir uzman atölyede kontrol edilmesi gerekir

ÇALIŞMA AÇIKLAMALARI KESME İÇİN

Çalışma alanının hazırlanması

Çalışmaya başlamadan önce boru ve halatlar gerilimsiz durumda olmalı ve çalışma süresince bu durum güvenceye alınmalıdır.

Kablo veya yalıtımlı devrenin bağlantısının kesildiği kuşkuya yer bırakmayacak şekilde belirlenemezse, hiçbir iş yapılamaz.

Yerel güvenlik yönetmeliklerine ve düzenlemelere riayet edilmelidir.

Borular ve halatlar mekanik kuvvete maruz bırakılmamalı ve gerekirse kesildikten sonra kontrolsüz hareketlere karşı güvenceye alınmalıdır.

Aletleri yağmur altında bırakmayın. Aletleri nemli veya ıslak yerlerde kullanmayın.

Kablo kesici ve pilin hazırlanması

Her kullanımdan önce:

- Kablo kesicisi dış hasar yönünden kontrol edin
- Kablo kesicisi çatlak ve diğer aşınma belirtileri yönünden kontrol edin

Sadece mükemmel durumdaysa kullanın!

Kesme işlemi başlamadan önce, pil kapasitesi kontrol edilmelidir: asgari %33 (bakınız resimli açıklama). İş başlamadan önce şarj gerektirebilir.

Kesme sürecine hazırlanma

Kontrolsüz hareket riskini en az indirmek için kesilecek boru veya halatı destekleyin ve sabitleyin.

Özellikle havai boru ve halatlar kontrolsüz hareket edebilir ve yaralanma ve/veya hasara neden olabilir.

Kesme kafası, açık pafta lokmasına gerilimsiz yerleştirilmeleri ve uygunuz biçme kuvvetine neden olmamaları için boru veya halatlara 90° açılı olmalıdır.

⚠️ UYARI: Patlama, elektrik çarpması ve mal ve ekipmana hasar riskini düşürmek için asla gerilimli kabloları kesmeyin.

Cihaz yalıtımlı DEĞİLDİR. Gerilimli bir devreyi kesmek ciddi yaralanmaya ya da ölüme yol açabilir. Kesim yapmadan önce gücü kesin. Asla gaz veya su hatlarını kesmeyin. Ellerinizi bütün kesici uçlardan ve hareketli aksamdan uzak tutun. Kesik ya da ampütasyon oluşabilir.

Aksesuarları değiştirmeden ya da çıkarmadan önce pil paketini daima çıkarın. Sadece bu cihaz için özellikle tavsiye edilen aksesuarları kullanın. Farklı aksesuarlar tehlikeli olabilir.

Yaralanma riskini azaltmak için emniyet gözlüğü veya yan korumalı gözlük kullanın.

⚠️ UYARI: Yaralanma riskini azaltmak için, sadece bıçaklar için tavsiye edilen malzemeleri kesin. (bkz. „Teknik Özellikler“) Başka malzeme kesmeye çalışmayın.

Kesme

Kesmeden önce, kesme bıçaklarının doğru takıldığından emin olun.

1. Boruyu, boru kesicisinin kesici kenarlarına dik açıyla yönlendirin. Cihaza ve kesme bıçaklarına hasar vereceğinden, açılı kesimler yapmaya çalışmayın.

2. Tetiği çekin ve operasyon sırasında çekili tutun.

Tetik çekildiğinde bir LED ışık yanacaktır.

Kesme işlemi tamamlandı cihaz durduğunda, kesme çeneleri kendiliğinden açılır. Kesme işlemi esnasında tetiği serbest bırakırsanız, kesme çenelerini açmak için hidrolik resetleme (sıfırlama) düğmesine basmanız gerekir.

Not: İşlenecek parça kesme işlemi sırasında hafifçe hareket edebilir.

Arıza durumunda yapılacaklar

- Kablo kesik ve gerilimli olabilir; bu durumda daima güvenli görevlisini bilgilendirin, kesme işlemi iptal edin ve uygun güvenlik önlemlerini uygulayın
- Alete yaklaşıp dokunmadan önce aletin güç kaynağıyla bağlantısı mutlaka kesilmiş olmalı ve kesilmiş kalmalıdır
- Sıfırlama (resetleme) düğmesine basın ve kesici tamamiyle açılana kadar basılı tutun
- Pil kapasitesini kontrol edin
- Malzeme ve malzeme kalınlığını teknik verilerle karşılaştırarak kontrol edin
- Gerilimli bir kablunun kesildiğinden kuşku duyulması halinde, kablo kesicinin yetkili bir uzman atölyede kontrol edilmesi gerekir

Bıçakların sıkışması

Pislik ve döküntüler kesim işleminden sonra bıçakların sıkışmasına neden olabilir

- Aletin sıfırlandığından emin olmak için serbest bırakma tetiğine basıp basılı tutun.
- Pil paketini çıkarın.
- Pafta lokmalarını açmak için resimli açıklamaya riayet edin
- Yeni bir kesme işleminde başlamadan önce, bıçaklardaki kir ve döküntüleri temizleyin.



Tür

Kesme Tavsiyeleri

- Cihaza ve kesme bıçaklarına hasar vereceğinden, açılı kesimler yapmaya çalışmayın.
- Kesme bıçağının ömrünü uzatmak için temiz malzeme kesin. Kesmeye başlamadan önce malzeme ve kesme bıçaklarının üzerindeki kir ve döküntüleri silin.

BAKIM

Cihaz üzerinde herhangi bir ayar, temizlik ve bakım çalışmasına başlamadan önce pil paketini çıkarın.

Cihazı, çıkarılabilir pili ya da şarj cihazını asla açmayın.

Cihazı, gürültü veya hareketli aksamda cihazı etkileyebilecektir sıkışmalar gibi sorunlar yönünden kontrol edin.

Her kullanımdan önce cihazı, çeneleri, krepleme lokmalarını ve kesme bıçaklarını çatlaklıklar ve başka aşınma belirtileri yönünden kontrol edin.

Çalışmayı tamamladıktan sonra cihazları temizleyin ve yağlayın.

Tahrik silindirleri, kilit civataları ve çeneleri temizleyip gresleyin.

Çenelerin serbestçe hareket edebildiklerinden emin olun.

Ağızları bozulmuş ya da hasarlı krepleme lokmaları ve kesme bıçaklarını değiştirin.

Kesme uçlarının keskin olup olmadığını kontrol edin, aşınmış kesme bıçaklarını değiştirin.

Krepleme lokmaları ve kesme bıçaklarını hep takım olarak değiştirin.

Cihazın havalandırma aralıklarını daima temiz tutun.

Yaralanma ve hasarları önlemek için cihazı, çıkarılabilir pili veya şarj cihazını asla bir sıvıya batırmayın, içlerine sıvı girmesine izin vermeyin.

Diğer bakım ve tamir işleri sadece yetkili tamirhaneler tarafından yapılabilir.

Cihaz, yeraltı suları için bir tehlike oluşturan hidrolik yağ içermektedir. Kontrolsüz olarak boşaltılması veya usulüne uygun olmayacak şekilde imha edilmesi cezalandırılır.

Bir sonraki bakım tarihi cihazın üzerindeki LED ile belirtilir.

En az iki senede bir ya da 30.000 pres işleminin ardından veya en geç LED göstergesi bunun sinyalini verdiği anda bakım uygulanmalıdır.

Sadece Milwaukee aksesuarı ve yedek parçası kullanın. Nasıl değiştirileceği açıklanmamış olan yapı parçalarını bir Milwaukee müşteri servisinde değiştirin (Garanti ve servis adresi broşürüne dikkat edin).

Gerektiği takdirde aletin dağıtım görünüş şeması, alet tipinin ve tip etiketi üzerindeki sayının bildirilmesi koşuluyla müşteri servisinden veya doğrudan Techtronic Industries GmbH, Max-Eyth-Straße 10, 71364 Winnenden, Germany adresinden istenebilir.

ONE-KEY™

Bu cihazın ONE-KEY işlevi hakkında daha fazla bilgi edinmek için ekteki Hızlı Başlangıç Kılavuzunu okuyun ya da <http://www.milwaukeeetool.com/one-key> adresini ziyaret edin.

ONE-KEY uygulamasını App Store ya da Google Play aracılığıyla akıllı telefonunuza indirebilirsiniz.

Kontrol sonucu EN 301489-1 / EN 301489-17 standardına göre asgari taleplerimizi yerine getirmektedir. İşletim kılavuzunu kullanma kılavuzuyla birlikte müşteriye sunacağız.

AKÜ

Uzun süre kullanım dışı kalmış kartuş aküleri kullanmadan önce şarj edin. 50°C üzerindeki sıcaklıklar kartuş akünün performansını düşürür. Akünün güneş ışığı veya mekân sıcaklığı altında uzun süre ısınmasına dikkat edin.

Şarj cihazı ve kartuş aküdeki bağlantı kontaklarını temiz tutun.

Akünün ömrünün mükemmel bir şekilde uzun olması için kullanıldıktan sonra tamamen doldurulması gerekir.

Ömrünün mümkün olduğu kadar uzun olması için akülerin yüklem yapıldıktan sonra doldurma cihazından uzaklaştırılması gerekir.

Akünün 30 günden daha fazla depolanması halinde: Aküyü takriben 27°C'de kuru olarak depolayın. Aküyü yüklem durumunun takriben % 30 - %50 olarak depolayın. Aküyü her 6 ay yeniden doldurun.

Kullanılmış kartuş aküleri ateşe veya ev çöplerine atmayın. Milwaukee, kartuş akülerin çevreye zarar vermeyecek biçimde tasfiye edilmesine olanak sağlayan hizmet sunar; lütfen bu konuda yetkili satıcınızdan bilgi alın.

Kartuş aküleri metal parça veya eşyalarla birlikte saklamayın (kısa devre tehlikesi).

Aşırı zorlanma veya aşırı ısınma sonucu hasar gören kartuş akülerden batarya sıvısı dışarı akabilir. Batarya sıvısı ile temasa gelen yeri hemen bol su ve sabunla yıkayın. Batarya sıvısı gözüne kaçacak olursa en azından 10 dakika yıkayın ve zaman geçirmeden bir hekime başvurun.

Şarj cihazının kartuş akü yuvasına hiçbir şekilde metal parçalar kaçmamalıdır (kısa devre tehlikesi).

LITYUM İYON PİLLERİN TAŞINMASI

Lityum iyon piller tehlikeli madde taşımacılığı hakkındaki yasal hükümler tabidir.

Bu piller, bölgesel, ulusal ve uluslararası yönetmeliklere ve hükümlere uyularak taşınmak zorundadır.

Tüketiciler bu pilleri herhangi bir özel şart aranmaksızın karayoluyla taşıyabilirler.

Lityum iyon pillerin nakliye şirketleri tarafından ticari taşımacılığı için tehlikeli madde taşımacılığının hükümleri geçerlidir. Sevk hazırlığı ve taşıma sadece ilgili eğitimi görmüş personel tarafından gerçekleştirilebilir. Bütün süreç uzmanca bir refakatçilik altında gerçekleştirilmektedir.

Pillerin taşınması sırasında aşağıdaki hususlara dikkat edilmesi gerekmektedir:

Kısa devre oluşmasını önlemek için kontakların korunmuş ve izole edilmiş olmasını sağlayınız. Pil paketinin ambalajı içinde kaymamasına dikkat ediniz. Hasarlı veya akmış pillerin taşınması yasaktır. Ayrıca bilgiler için nakliye şirketinize başvurunuz.

CE UYGUNLUK BEYANI

"Teknik veriler" başlığı altında tanımlanan ürünün, sayılı direktiflerdeki tüm hükümleri

2011/65/EU (RoHS)

2006/42/EC

2014/53/EU

uyumlaştırılmış standartları

EN 62841-1:2015

EN 62479:2010

EN 55014-1:2017+A11:2020

EN 55014-2:2015

EN 301 489-1 V2.2.3

EN 301 489-17 V3.1.1

EN 300 328 V2.2.2

EN IEC 63000:2018



Winnenden, 2020-11-10

Alexander Krug / Managing Director
Teknik evrakları hazırlamakla görevlendirilmiştir.
Techtronic Industries GmbH
Max-Eyth-Straße 10, 71364 Winnenden, Germany

SEMBOLLER



Lütfen aleti çalıştırmadan önce kullanma kılavuzunu dikkatli biçimde okuyun.



Koruyucu gözlük takınız.



Bu cihaz, düğme tipi/yassı lityum pil içerir.



DİKKAT! UYARI! TEHLİKE!



Aletin kendinde bir çalışma yapmadan önce kartuş aküyü çıkarın.



Elektrik çarpması tehlikesi



UYARI!
İş parçalarının savrulması



UYARI! El yaralanması



Aksesuar - Teslimat kapsamında değildir, önerilen tamamlayıcı aksesuar programında.



Elektrikli cihazların evsel atıklarla birlikte bertaraf edilmesi yasaktır. Elektrikli ve elektronik cihazlar ayrılarak biriktirilmeli ve çevreye zarar vermeden bertaraf edilmeleri için bir atık değerlendirme tesisine götürülmelidirler. Yerel makamlara veya satıcınıza geri dönüşüm tesisleri ve atık toplama merkezlerinin yerlerini danışınız.

V

Voltaj



Doğru akım



Avrupa uyumluluk işareti



Britanya uyumluluk işareti

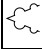



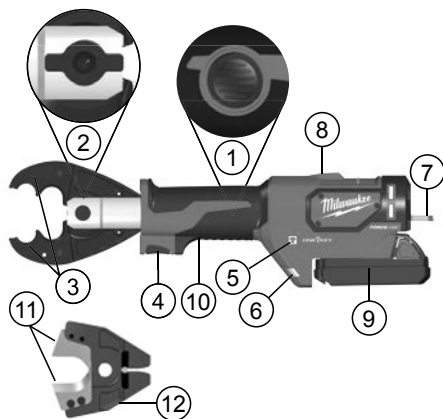
Ukrayna uyumluluk işareti



Avrasya uyumluluk işareti

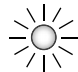





TECHNICKÁ DATA		M18 HUCT
Krimpovací a řezný nástroj		
Výrobní číslo	4673 82 02...	000001-999999
Kmitočtové pásmo	2402 - 2480 MHz	
Radiofrekvenční výkon	1,8 dBm	
Napětí výměnného akumulátoru	18 V	
Jmenovitá síla	53 kN	
 Lisovací rozsah : Průřez max. Měď Hliník	300 mm ²	150 mm ²
	Oblast řezu závisí na materiálu	
 ACSS: Hliník-/Ocelová lana max. Měď- / Hliník-Kabel max. Ostatní materiály a jejich průměr závisí na specifických čelistech.	22,5 mm	35 mm
	Hmotnost podle prováděcího předpisu EPTA 01/2014	
	(Li-Ion 2,0 Ah...9,0Ah) s lisovacími čelistmi s řezacími čelistmi	3,6 kg ... 4,2 kg 3,7 kg ... 4,3 kg
Doporučené akupaky	M18B...	
Doporučené nabíječky	M12-18...	
Informace o hluku		
Naměřené hodnoty odpovídají EN 62841. V třídě A posuzovaná hladina hluku přístroje činí typicky:		
Hladina akustického tlaku (Kolísavost K=3dB(A))	74,6 dB (A)	
Hladina akustického výkonu (Kolísavost K=3dB(A))	85,6 dB (A)	
Používejte chrániče sluchu!		
Informace o vibracích		
Celkové hodnoty vibrací (vektorový součet tří směrů) zjištěné v smyslu EN 62841.		
Hodnota vibračních emisí a _n	0,77 m/s ²	
Kolísavost K=	1,5 m/s ²	



Popis zařízení

- | | |
|-----------------------------------|---------------------------------------|
| ① Hydraulické uvolňovací tlačítko | ⑦ Háček |
| ② Zajišťovací svorníky | ⑧ LED kontrolka /Krimpovací indikátor |
| ③ Lisovacími čelistmi | ⑨ Akumulátor |
| ④ Spoušť | ⑩ Rukojeť Izolovaná uchopovací plocha |
| ⑤ Indikátor ONE KEY | ⑪ Řezné čepce |
| ⑥ LED kontrolka | ⑫ Řezné kleště |

LED indikátor	Definice
 Nepřerušované Zelená	Nástroj dokončil operaci a dosáhl plného krimpovacího tlaku.
 Nepřerušované Červená	Nástroj dokončil operaci, ale NEDOSÁHL plného krimpovacího tlaku.
 Blikající Červená	Nástroj NEDOKONČIL operaci.
 Blikající Červená / Zelená (po Nepřerušované Zelené nebo Nepřerušované Červené)	Nástroj dosáhl servisního intervalu (30000 krimpování). Červené/Zelené blikání se spustí po zobrazení nepřerušovaného Červeného nebo Zeleného indikátoru operace. MILWAUKEE doporučuje, aby bylo zařízení zkontrolováno a byla dokončena preventivní údržba.

VAROVÁNÍ!

Úroveň chvění uvedená v tomto návodu byla naměřena podle metody měření stanovené normou EN 62841 a může být použita pro porovnání elektrického nářadí. Hodi se také pro průběžný odhad zatížení chvěním.

Uvedená úroveň chvění představuje hlavní účely použití elektrického nářadí. Jestliže se ale elektrické nářadí používá pro jiné účely, s odlišnými nástroji nebo s nedostatečnou údržbou, může se úroveň chvění odlišovat. To může značně zvýšit zatížení chvěním během celé pracovní doby.

Pro přesný odhad zatížení chvěním se musí také zohlednit čas, během kterých je přístroj vypnutý nebo kdy je síce v chodu, ale skutečně se s ním nepracuje. To může zatížení chvěním během celé pracovní doby značně snížit.

Stanovte doplňková bezpečnostní opatření pro ochranu obsluhy před účinky chvění jako například: technická údržba elektrického nářadí a nástrojů, udržování teploty rukou, organizace pracovních procesů.

VAROVÁNÍ Přečtěte si všechny bezpečnostní pokyny, instrukce, popisy a údaje, které obdržíte s přístrojem. Zanedbání při dodržování varovných upozornění a pokynů mohou mít za následek úder elektrickým proudem, požár a ebo těžká poranění.

Všechna varovná upozornění a pokyny do budoucna uschovejte.

SPECIÁLNÍ BEZPEČNOSTNÍ UPOZORNĚNÍ

Obsluha tohoto zařízení musí být poučena o konkrétních nebezpečích spojených s použitím tohoto zařízení a o základních bezpečnostních opatřeních před začátkem první práce s ním a pak přinejmenším jednou za rok.

Provozní podnik musí:

- poskytnout obsluze návod k použití a
- zajistit, aby si ho obsluha přečetla a pochopila.

Použijte ochranné vybavení. Při používání zařízení vždy noste ochranné brýle. Doporučujeme rovněž použití součástí ochranného oděvu a ochranné obuvi, jako protiprašné masky, ochranných rukavic, pevné a neklouzající obuvi, ochranné přilby a ochrany sluchu.

Nikdy nemějte Vaše prsty nebo jiné části těla v pracovním prostoru válce nebo kleští.

Před spuštěním jakýchkoliv úprav, čištění a údržby na zařízení vyberte akumulátorový článek.

Zařízení, akumulátorové články a nabíječku používejte pouze tehdy, když jsou v perfektním technickém stavu.

Poškození nechte okamžitě opravit v autorizované speciální dílně.

Zabraňte náhodnému spuštění zařízení, aby nedošlo ke zranění nebo poškození.

Před provozem odstraňte všechny nastavovací nástroje a klíče na matice.

Nesmí se opravovat díly pod elektrickým napětím. Zařízení NENÍ izolováno.

VAROVÁNÍ! Abyste snížili riziko požáru, zranění osob a poškození výrobku v důsledku zkratu, nikdy neponořujte Vaše zařízení, akumulátorový článek nebo nabíječku do kapaliny a zabraňte jí, aby do nich vnikla. Korozivní nebo vodivé kapaliny, jako je mořská voda, některé průmyslové chemikálie a bělidla nebo produkty obsahující bělidlo, atd., mohou způsobit zkrat.

Je nutné provádět údržbu a dodržovat intervaly údržby.

Náhradní akumulátory ani nabíječku neotvírejte, skladujte je v suchu, chraňte před vlhkem.

Akumulátor systému M18 nabíjejte pouze nabíječkou systému M18. Nenabíjejte akumulátory jiných systémů.

Aby nedošlo ke zranění nebo poškození, neponořujte nikdy nástroj, vyjimatelnou baterii nebo nabíječku do kapaliny a nedovolte, aby do nich nějaká kapalina vnikla.

VAROVÁNÍ



Toto zařízení obsahuje knoflíkovou/mincovou lithiovou baterii. Nová nebo použitá baterie může způsobit vážné vnitřní popáleniny a vést k usmrcení do 2 hodin, pokud je spolknuta nebo vstoupila do těla. Vždy zajištěte kryt prostoru pro baterie. Pokud se bezpečně neuzavře, zařízení zastavte, vyjměte baterii a držte ji mimo dosah dětí. Pokud si myslíte, že někdo spolkl baterii nebo jinak vstoupila do těla, okamžitě vyhledejte lékařskou pomoc.

BEZPEČNOSTNÍ POKYNY PRO LISOVACÍ NÁSTROJE

Krimpovací nástroje a krimpovací zařízení smí používat pouze personál vyškolený v elektrotechnických aplikacích.

Před použitím zkontrolujte lisovací nástroj, čelisti a vložky na trhliny a jiná opotřebení.

Lisovací nástroj a lisovací vložky používejte pouze v technicky bezvadném stavu.

Lisovací nástroj se smí používat pouze s nasazenými lisovacími vložkami.

Používejte pouze lisovací vložky do 60 kN a celkové šířky 22 mm.

Během lisování se nedotýkejte lisovacích čelistí.

V případě poruchy během lisování okamžitě pusťte zapínací spínač a stiskněte tlačítko odblokování hydrauliky. Ventili se otevře a píst přejde zpět do výchozí polohy.

BEZPEČNOSTNÍ POKYNY PRO ŘEZAČKU KABELŮ

Řezání nebo dělení kabelů a lan pomocí této řezačky kabelů smí provádět pouze elektrotechnicky vyškolená osoba.

Aby se snížilo nebezpečí výbuchu, zasažení elektrickým proudem a poškození majetku a vybavení, neřežte nikdy elektrické kabely pod napětím. Zařízení NENÍ izolováno.

Ruce a volné oblečení mějte v dostatečné vzdálenosti od řezacích nástrojů a jiných pohyblivých dílů. Hrozí nebezpečí těžkého zranění, včetně amputace končetin.

Nikdy nedržte řezačku kabelů za řezací čelisti.

Před použitím vždy zkontrolujte praskliny a další známky opotřebení řezacích čelistí.

Řezačka kabelů se smí používat jen s vloženým řezacím nástrojem.

ZBÝVAJÍCÍ RIZIKA

Lisovací nástroj:

Živé spojovací materiály nikdy nekrimpujte.

Řezačka kabelů:

Před začátkem řezacího procesu je nutné uzavřít přístup bodle místních předpisů.

Kabely řežte pouze tehdy, když jsou odpojené od elektrického napájení!

Kabely a lana nesmí být vystaveny mechanickým silám.

Aby se snížilo nebezpečí zranění, používejte bezpečnostní brýle nebo brýle s bočními štítky.

Nedodržení tohoto pokynu může vést k těžkému zranění, usmrcení, požáru a ke hmotným škodám v důsledku zasažení elektrickým proudem, výbuchu a/nebo elektrického oblouku.

OBLAST VYUŽITÍ

Lisovací nástroj:

Lisovací nástroj se smí používat výhradně k lisování spojovacích materiálů, pro které jsou určeny příslušné lisovací vložky.

Všechny živé části, tj. části, které vedou elektrickou energii, musí být před zahájením práce odpojeny v pracovním prostředí techniků.

Řezačka kabelů:

Řezačka kabelů je vhodná na řezání

- beznapětových zesílených kabelů z izolované mědi nebo hliníku, řezných nástrojů v závislosti na typu kabelu



VAROVÁNÍ Přečtěte si všechny bezpečnostní pokyny, instrukce, popisy a údaje, které obdržíte s přístrojem.

Zanedbání při dodržování varovných upozornění a pokynů mohou mít za následek úder elektrickým proudem, požár a ebo těžká poranění.

Všechna varovná upozornění a pokyny do budoucna uschovejte.

PRACOVNÍ POKYNY NA KRIMPOVÁNÍ

Používejte pouze normované spojovací díly podle platných národních standardů a k tomu určené lisovací vložky.

Dodržujte pokyny ke zpracování a montáži spojovacích dílů podle podkladů výrobce.

Zkontrolujte, zda jmenovitá šířka spojovacích dílů souhlasí s jmenovitou šířkou lisovací vložky.

Před začátkem procesu krimpování je nutné zkontrolovat kapacitu baterie: minimálně 33% (viz ilustrovaný popis). Před zahájením prací může být zapotřebí nabítí.

Spuštění ovládacího spínače iniciuje lisovací proces charakterizovaný spojením krimpovacích matic.

Kontrola a posouzení správného slisování je záležitostí uživatele.

Chybné spoje se musí ještě jednou slisovat pomocí nového spojovacího dílu.

Postup v případě závady

- Držte resetovací spínač stisknutý, až se kleště úplně otevřou
- zkontrolujte kapacitu baterie
- Na základě technických údajů zkontrolujte kabel a krimpovací matrice
- Při podezření na zlisování živého kabelu musíte nechat zkontrolovat krimpovací nástroj v autorizovaném specializovaném servisu

PRACOVNÍ POKYNY NA ŘEZÁNÍ

Příprava pracovního prostoru

Před započetím práce musí být zajištěn beznapěťový stav vodičů nebo lan a musí být zaručen po celou dobu trvání prací.

Pokud nelze nade vší pochybnost zaručit, že je kabel nebo izolované vedení odpojené, nesmí se provádět žádná práce.

Je bezpodmínečně nutné dodržovat místní bezpečnostní předpisy a nařízení.

Kabely a lana nesmějí být vystaveny mechanickým silám a popřípadě musí být zabezpečeny proti nekontrolovaným pohybům po provedení řezu.

Přístroj nevystavujte dešti a nepoužívejte v mokřem či vlhkém prostředí.

Příprava řezačky kabelů a baterie

Před každým použitím:

- Zkontrolujte, jestli řezačka kabelů nemá žádné vnější závady
- Zkontrolujte praskliny a další známky opotřebení řezacího nástroje

Používejte jen v perfektním stavu!


Před začátkem řezacího procesu je nutné zkontrolovat kapacitu baterie: minimálně 33% (viz ilustrovaný popis). Před zahájením prací může být zapotřebí nabítí.

Příprava na řezací proces

Podepřete a upevněte kabel nebo lano, které chcete řezat, aby se minimalizovalo riziko nekontrolovaného pohybu.


Zejména nadzemní vedení a lana se mohou pohybovat nekontrolovaně a způsobit zranění a / nebo poškození.

Řezná hlava musí být umístěna v úhlu 90° ke kabelu nebo lano tak, aby se bez napětí usadil/o v otevřených závitových čelistech a zabránilo se tak nepříznivým stříhovým silám.

 **VAROVÁNÍ:** Aby se snížilo nebezpečí výbuchu, zasažení elektrickým proudem a poškození majetku a vybavení, neřežte nikdy elektrické kabely pod napětím. Zařízení **NENÍ** izolováno. Dotyk s obvodem pod napětím může vést k těžkému zranění nebo usmrcení. Než provedete řezání, odpojte elektrické napájení. Nikdy neřežte plynové nebo vodní trubky. Nesahejte rukama do blízkosti žádných řezacích břitů a pohyblivých částí. Může dojít k potrhání a amputaci.

Před výměnou nebo odstraněním příslušenství vždy vyjměte akumulátorový článek. Používejte jen příslušenství výslovně doporučené pro toto zařízení. Jiné může být nebezpečné.

Aby se snížilo nebezpečí zranění, použijte bezpečnostní brýle nebo brýle s bočními štítky.

 **VAROVÁNÍ:** Aby se snížilo nebezpečí zranění, řežte jen materiály doporučené pro nože. (viz „Specifikace“) **Nepokoušejte se řezat jiné materiály.**

Řezání

Než začnete řezat, ujistěte se, že řezné čepele jsou správně namontované.

1. Kabel ved'te v pravém úhlu k řezání řezačky kabelů. Nepokoušejte se provádět úhlové řezy, protože by se tím poškodilo zařízení a řezné čepele.
2. Během práce táhněte za spoušť a držte ji. Když zatáhnete za spoušť, rozsvítí se LED kontrolka.

Po dokončení řezu nebo po vypnutí zařízení se řezné kleště otevřou nezávisle. Pokud uvolníte spoušť během řezání, musíte stisknout hydraulické resetovací tlačítko, abyste otevřeli řezné kleště. Poznámka: Zpracovávání řezů se může během řezu lehce pohybovat.

Postup v případě závady

- Kabel může být nařiznutý a být pod napětím, vždy informujte bezpečnostního technika, přerušte proces řezání, učinite vhodná bezpečnostní opatření
- Než se přiblížíte k zařízení a dotknete se ho, vždy se přesvědčte, že je zařízení odpojené od elektrického napájení a také tak zůstane
- stiskněte a podržte tlačítko resetu, dokud se řezačka úplně neotevře
- zkontrolujte kapacitu baterie
- zkontrolujte materiál a tloušťku materiálu podle technických údajů
- Při podezření na říznutí do kabelu pod napětím musíte nechat zkontrolovat řezačku kabelů v autorizovaném specializovaném servisu

Zaseknuté nože

Špína a nečistoty mohou způsobit zaseknutí nožů po řezání

- Stiskněte a přidržte uvolňovací spoušť, aby proběhl reset nástroje.
- Vyjměte sadu baterií.
- Postupujte podle popisu obrázku pro otevření závitových čelistí
- Než začnete další řez, očistěte z nožů veškerou špínu a nečistoty.

Typy pro řezání

- Nepokoušejte se provádět úhlové řezy, protože by se tím poškodilo zařízení a řezné čepule.
- Řežte čistý materiál, aby se prodloužila životnost řezných čepelí. Než začnete řezat, otřete špinu a nečistoty z materiálu a řezných čepelí.

ÚDRŽBA

Před spuštěním jakýchkoliv úprav, čištění a údržby na zařízení vyberte akumulátorový článek.

Nikdy neotevírejte zařízení, vyjimatelnou baterii ani nabíječku.

Zkontrolujte zařízení s ohledem na jakékoli problémy, např. hluk nebo zaseknutí pohyblivých částí, které by mohly mít negativní vliv na zařízení.

Před každým použitím zkontrolujte zařízení, kleště a krimpovací razidla a řezné čepule ohledně prasklin a jiných známek opotřebení. Vyčistěte a namažte zařízení, když jste s nimi skončili práci.

Vyčistěte a namažte válečky pohonu, zajišťovací svorníky a kleště. Zkontrolujte, jestli se kleště mohou volně pohybovat.

Vyměňte krimpovací razidla a řezné čepule, když se jejich části odštípnou nebo poškodí.

Zkontrolujte, jestli jsou břity ostré, a vyměňte opotřebované řezné čepule.

Vždy vyměňujte krimpovací razidla a řezné čepule jako jednu sadu. Větrací otvory zařízení musí být vždy udržovány v čistotě.

Aby nedošlo ke zranění nebo poškození, neponořujte nikdy zařízení, vyjimatelnou baterii nebo nabíječku do kapaliny a nedovolte, aby do nich nějaká kapalina vnikla.

Další servisní a opravárenské práce mohou provádět pouze autorizované odborné provozovny.

Přístroj obsahuje hydraulický olej, který představuje nebezpečí pro podzemní vodu. Jeho nekontrolované vypouštění nebo neodborná likvidace jsou trestné.

Další servisní termín je indikován LED světlem na zařízení.

Tato údržba se musí provádět minimálně každé 2 roky nebo po 30 000 lisovacích procesech nebo nejpозději, když to signalizuje LED indikátor.

Používat výhradně příslušenství Milwaukee a náhradní díly Milwaukee. Díly jejichž výměny nebyla popsána, nechte vyměnit v autorizovaném servisu (viz „Záruky / Seznam servisních míst“).

Při potřebě podrobného rozkresu konstrukce, oslovte informaci o typu a čísle přímo servis a nebo výrobce, Techtronic Industries GmbH, Max-Eyth-Straße 10, 71364 Winnenden, Germany.

ONE-KEY™

Pokud se chcete dozvědět více o funkcionalitě ONE-KEY tohoto zařízení, podívejte se prosím do Průvodce rychlým startem, který je součástí tohoto výrobku nebo jděte na <http://www.milwaukeetool.com/one-key>

Aplikaci ONE-KEY si můžete stáhnout na Váš smartphone z App Store nebo Google Play.

Výsledek zkoušky splňuje naše minimální požadavky v souladu s normami EN 301489-1 / EN 301489-17. A zákazníkovi dáme provozní pokyny v uživatelské příručce.

AKUMULÁTORY

Déle nepoužívané akumulátory je nutné před použitím znovu nabít. Teplota přes 50°C snižuje výkon akumulátoru. Chraňte před dlouhým přehříváním na slunci či u topení.

Kontakty nabíječky a akumulátoru udržujte v čistotě.

Pro optimální životnost je nutné akumulátory po použití plně dobít.

K zabezpečení dlouhé životnosti by se akumulátory měly po nabití vyjmout z nabíječky.

Při skladování akumulátoru po dobu delší než 30 dní: Skladujte akumulátor v suchu při cca 27°C. Skladujte akumulátor při cca 30%-50% nabíjecí kapacity. Opakujte nabíjení akumulátoru každých 6 měsíců.

Použitě nevyhazujte do domovního odpadu nebo do ohně. Milwaukee nabízí ekologickou likvidaci starých článků, ptejte se u vašeho obchodníka s nářadím.

Náhradní akumulátor neskladujte s kovovými předměty, nebezpečí zkratu.

Při extrémní zátěži či vysoké teplotě může z akumulátoru vytekat kapalina. Při zasažení touto kapalinou okamžitě zasažená místa omyjte vodou a mýdlem. Při zasažení očí okamžitě důkladně po dobu alespoň 10min. omývat a neodkladně vyhledat lékaře.

V nabíjecím postu nabíječky neskladujte kovové předměty, nebezpečí zkratu.

PŘEPRAVA LITHIUM-IONTOVÝCH BATERIÍ

Lithium-iontové baterie spadají podle zákonných ustanovení pod přepravu nebezpečného nákladu.

Přeprava těchto baterií se musí realizovat s dodržováním lokálních, vnitrostátních a mezinárodních předpisů a ustanovení.

Spotřebitelé mohou tyto baterie bez problémů přepravovat po komunikacích.

Komerční přeprava lithium-iontových baterií prostřednictvím přepravních firem podléhá ustanovením o přepravě nebezpečného nákladu. Přípravu k vyexpedování a samotnou přepravu smějí vykonávat jen příslušně vyškolené osoby. Na celý proces se musí odborně dohlížet.

Při přepravě baterií je třeba dodržovat následující:

Zajistěte, aby kontakty byly chráněné a izolované, aby se zamezilo zkratům. Dávejte pozor na to, aby se svazek baterií v rámci balení nemohl sesmeknout. Poškozené a vyteklé baterie se nesmějí přepravovat. Ohledně dalších informací se obraťte na vaši přepravní firmu.



CE-PROHLÁŠENÍ O SHODĚ

Prohlašujeme na naši výhradní odpovědnost, že produkt popsán v části „Technické údaje“ splňuje všechna příslušná ustanovení směrnic

2011/65/EU (RoHS)

2006/42/ES

2014/53/EU

a byly použity následující harmonizované normy

EN 62841-1:2015

EN 62479:2010

EN 55014-1:2017+A11:2020

EN 55014-2:2015

EN 301 489-1 V2.2.3

EN 301 489-17 V3.1.1

EN 300 328 V2.2.2

EN IEC 63000:2018



Winnenden, 2020-11-10

Alexander Krug / Managing Director

Zplnomocněn k sestavování technických podkladů.

Techtronic Industries GmbH

Max-Eyth-Straße 10, 71364 Winnenden, Germany

SYMBOLY



Před spuštěním stroje si pečlivě přečtěte návod k používání.



Noste ochranné brýle.



Toto zařízení obsahuje knoflíkovou/mincovou lithiovou baterii.



POZOR! VAROVÁN! NEBEZPEČÍ!



Před zahájením veškerých prací na vrtacím šroubováků vyjmout výměnný akumulátor.



Nebezpečí úrazu elektrickým proudem



VAROVÁNÍ!
Nebezpečí poranění odletujícími úlomky.



VAROVÁNÍ! Poranění ruky



Příslušenství není součástí dodávky, viz program příslušenství.



Elektrické přístroje se nesmí likvidovat společně s odpadem z domácností. Elektrické a elektronické přístroje je třeba sbírat odděleně a odevzdat je v recyklačním podniku na ekologickou likvidaci. Na místních úřadech nebo u vašeho specializovaného prodejce se informujte na recyklační podniky a sběrné dvory.

V

Napájení



Stejnoseměrný proud



Značka shody v Evropě



Značka shody v Británii







Značka shody na Ukrajině

001



Značka shody pro oblast Eurasie

TECHNICKÉ ÚDAJE	M18 HUČT
Krimpovací a rezný nástroj	
Výrobné číslo	4673 82 02... 000001-999999
Frekvenčné pásmo	2402 - 2480 MHz
Vysokofrekvenčný výkon	1,8 dBm
Napätie výmenného akumulátora	18 V
Moč stiskania	53 kN
Tlačové centrum : Prierez max.	
 Meď	300 mm ²
 Hliník	150 mm ²
Rezný rozsah závisí od materiálu	
 ACSR: Hliník-/Jeklena pletenica max.	22,5 mm
 Meď- / Hliník-Kábel max.	35 mm
Ostatné materiály a ich priemer závisia od špecifických čelustí.	
Hmotnosť podľa vykonávacieho predpisu EPTA 01/2014	
(Li-Ion 2,0 Ah...9,0Ah)	3,6 kg ... 4,2 kg
s lisovacími čelustami	3,7 kg ... 4,3 kg
s strižnými čelustami	
Odporúčané akupaky	M18B...
Odporúčané nabíjačky	M12-18...
Informácia o hluku	
Namerané hodnoty určené v súlade s EN 62841. V triede A posudzovaná hladina hluku prístroja číni typicky:	
Hladina akustického tlaku (Kolísavosť K=3dB(A))	74,6 dB (A)
Hladina akustického výkonu (Kolísavosť K=3dB(A))	85,6 dB (A)
Používajte ochranu sluchu!	
Informácie o vibráciách	
Celkové hodnoty vibrácií (vektorový súčet troch smerov) zistených zmysle EN 62841.	
Hodnota vibračných emisií a _h	0,77 m/s ²
Kolísavosť K=	1,5 m/s ²

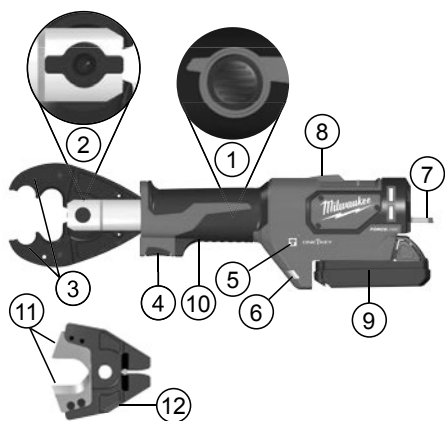
POZOR!

Úroveň vibrácií uvedená v týchto pokynoch bola nameraná meracou metódou, ktorú stanovuje norma EN 62841 a je možné ju použiť na vzájomné porovnanie elektrického náradia. Hodí sa aj na predbežné posúdenie kmitavého namáhania.

Uvedená úroveň vibrácií reprezentuje hlavné aplikácie elektrického náradia. Ak sa však elektrické náradie používa pre iné aplikácie, s odlišnými vložnými nástrojmi alebo s nedostatočnou údržbou, môže sa úroveň vibrácií líšiť. Toto môže kmitavé namáhanie v priebehu celej pracovnej doby podstatne zvýšiť.




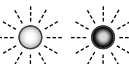
Pre presný odhad kmitavého namáhania by sa mali tiež zohľadniť doby, v ktorých je náradie vypnuté alebo je síce v chode, ale v skutočnosti sa nepoužíva. Toto môže kmitavé namáhanie v priebehu celej pracovnej doby zreteľne redukovať.

Stanovte dodatočné bezpečnostné opatrenia pre ochranu obsluhy pred účinkami vibrácií, ako napríklad: údržba elektrického náradia a vložných nástrojov, udržiavanie teploty rúk, organizácia pracovných postupov.



Opis zariadenia

- | | |
|------------------------------------|------------------------------------|
| ① Hydraulické uvoľňovacie tlačidlo | ⑦ Držalo |
| ② Zaisťovacie svorníky | ⑧ LED /Krimpovací indikátor |
| ③ Lisovacími čelustami | ⑨ Akumulátor |
| ④ Spúšťač | ⑩ Rukoväť Izolovaná úchopná plocha |
| ⑤ Indikátor ONE KEY | ⑪ Rezný čepele |
| ⑥ LED | ⑫ Rezný kliešte |

LED indikátor	Definícia
 Neprerušované zelené	Nástroj dokončil operáciu a dosiahol plný krimpovací tlak.
 Neprerušované červené	Nástroj dokončil operáciu, ale NEDOSIAHOL plný krimpovací tlak.
 Blikajúce červené	Nástroj NEDOKONČIL operáciu.
 Blikajúce červené / zelené (po Neprerušované zelené alebo Neprerušované červené)	Nástroj dosiahol svoj servisný interval (30000 krimpovania). Červené/Zelené blikanie začne po tom, čo sa zobrazí neprerušovaný Červený alebo Zelený indikátor operácie. MILWAUKEE odporúča, aby bol prístroj skontrolovaný a bola dokončená preventívna údržba.



⚠ POZOR Prečítajte si všetky bezpečnostné upozornenia, pokyny, vyobrazenia a údaje, ktoré dostanete spolu s prístrojom. Zanedbanie dodržiavania Výstražných upozornení a pokynov uvedených v nasledujúcom texte môže mať za následok zásah elektrickým prúdom, spôsobiť požiar a/alebo ťažké poranenie.

Tieto Výstražné upozornenia a bezpečnostné pokyny starostlivo uschovajte na budúce použitie.

⚠ ŠPECIÁLNE BEZPEČNOSTNÉ POKYNY

Operátor tohto prístroja musí byť poučený o konkrétnych nebezpečenstvách spojených s používaním tohto prístroja a o základných bezpečnostných opatreniach pred prvotným začatím práce s ním a potom minimálne raz za rok.

Prevádzkujúca spoločnosť musí:

- dať prevádzkový manuál k dispozícii operátorovi a
- uistiť sa, že operátor si ho prečítal a pochopil.

Použite ochranné vybavenie. Pri používaní prístroja vždy noste ochranné okuliare. Doporučujeme taktiež použitie súčasti ochranného odevu a ochrannej obuvi, ako sú protiprašná maska, ochranné rukavice, pevná a neklzájúca obuv, ochranná prilba a ochrana sluchu.

Nikdy nemajte Vaše prsty alebo iné časti tela v pracovnom priestore valca alebo klieští.

Pred spustením akýchkoľvek úprav, čistenia a údržby na prístroji vyberte akumulátorový článok.

Prístroje, akumulátorové články a nabíjačky používajte len vtedy, ak sú v perfektnom technickom stave.

Poškodenia nechajte okamžite opraviť v autorizovanej špecializovanej dielni.

Zabráňte náhodnému spusteniu prístroja, aby nedošlo k zraneniu alebo poškodeniu.

Pred prevádzkou odstráňte akékoľvek nastavovacie nástroje a maticové kľúče.

Nesmiete spracovávať žiadne dielce, ktoré stoja pod elektrickým napätím. Prístroj NIE je izolovaný.

POZOR! Aby ste znížili riziko požiaru, zranenia osôb a poškodenia výrobu v dôsledku skratu, nikdy neponárajte Váš prístroj, akumulátorový článok alebo nabíjačku do kvapaliny a zabráňte jej, aby do nich vnikla. Korozívne alebo vodivé kvapaliny, ako je morská voda, niektoré priemyselné chemikálie a bieliadlá alebo produkty obsahujúce bieliadlo, atď., môžu spôsobiť skrat.

Nutne dodržiavajte údržbu a intervaly údržby.

Výmenné akumulátory a nabíjacie zariadenia neotvárajte a skladovať len v suchých priestoroch. Chrániť pred vlhkosťou.

Výmenné akumulátory systému M18 nabíjajte len nabíjacími zariadeniami systému M18. Akumulátory iných systémov týmto zariadením nenabíjajte.

Aby nedošlo k poraneniu a poškodeniam, nikdy neponárajte nástroj, vymeniteľnú batériu ani nabíjačku do kvapaliny a zabráňte vniknutiu kvapaliny do nich.

POZOR



Toto zariadenie obsahuje gombíkovú/mincovú lítiovú batériu. Nová alebo použitá batéria môže spôsobiť vážne vnútorné popáleniny a viesť k usmrteniu do 2 hodín v prípade, že je prehltnutá alebo vstúpi do tela. Vždy zaistite kryt batériového priestoru. Ak sa bezpečne neuzavrie, zariadenie zastavte, vyberte batériu a držte ju mimo dosahu detí. Ak si myslíte, že niekto prehltnul batériu alebo že inak vstúpila do tela, okamžite vyhľadajte lekársku pomoc.

⚠ BEZPEČNOSTNÉ UPOZORNENIA PRE LISOVACIE NÁSTROJE

Krimpovacie nástroje a krimpovacie zariadenia smú používať výhradne vyškolení pracovníci v elektrotechnických aplikáciách.

Pred každým použitím lisovacie nástroj, lisovacie čeluste a vložky skontrolujte ohľadom výskytu trhlin a ostatných príznakov opotrebenia.

Lisovací nástroj a lisovacie vložky používajte iba vtedy, ak sú v technicky bezchybnom stave.

Lisovací nástroj sa smie používať iba s nasadenými lisovacími vložkami.

Používajte iba lisovacie vložky do 60kN s celkovou šírkou do 22 mm.

Počas procesu lisovania sa nedotýkajte lisovacích čelustí.

Pri poruchách počas procesu lisovania okamžite pusťte tlačidlo ZAP a stlaďte odistovací gombík hydrauliky. Ventil sa otvorí a piest prejde späť do východiskovej polohy.

⚠ BEZPEČNOSTNÉ UPOZORNENIA PRE STRIHAČE KÁBLOV

Rezanie oziroma ločevanie kablov in pletenic s tem rezalnikom kablov sme izvajati samo oseba z elektrotehničnim znanjem.

Za účelom zníženia rizika výbuchu, úrazu elektrickým prúdom a poškodenia majetku a vybavenia nikdy nerezte živé elektrické káble. Prístroj NIE je izolovaný.

Ruky i voľnejší odev držte zďaleka od strižných nástrojov a iných pohyblivých častí. Existuje riziko vážneho poranenia, vrátane amputácie končatín.

Nikdy nedržte rezačku kablov za reznú čelustu.

Pred použitím vždy skontrolujte reznú čelustu ohľadom prasklín a iných známkov opotrebenia.

Rezačka kablov sa smie používať iba s vloženým rezným nástrojom.

ZVÝŠKOVÉ RIZIKÁ

Lisovací nástroj:

Živé spojovacie materiály nikdy nekrmpujete.

Strihač kablov:

Predtým, než začne proces rezania, musí byť prístup zablokovaný v súlade s miestnymi predpismi.

Vždy reže iba káble, ktoré boli odpojené od prívodu elektrickej energie!

Kabli in pletenice ne smejo biti izpostavljени mehanskim silam.

Na zníženie rizika zranenia používajte ochranné okuliare alebo okuliare s bočnými ochrannými štítmí.

Nedodržanie tohto pokynu môže viesť k vážnemu poraneniu, úmrtiu, požiaru a iným škodám na majetku v dôsledku zásahu elektrickým prúdom, výbuchu a/alebo elektrických oblúkov.



Slov

POUŽITIE PODĽA PREDPISOV

Lisovací nástroj:

Lisovací nástroj sa smie používať výhradne na zlisovanie toho spojovacieho materiálu, pre ktorý sú určené dané lisovacie vložky. Všetky živé časti, t.j. časti, ktoré vedú elektrickú energiu, musia byť odpojené v pracovnom prostredí technikov pred začatím práce.

Strihač káblov:

Rezačka káblov je vhodná na rezanie

- beznapätových nezosilnených káblov z izolovanej medi alebo hliníka, rezných nástrojov v závislosti od typu kábla

⚠ POZOR Prečítajte si všetky bezpečnostné upozornenia, pokyny, vyobrazenia a údaje, ktoré dostanete spolu s prístrojom. Zanedbanie dodržiavania Výstražných upozornení a pokynov uvedených v nasledujúcom texte môže mať za následok zásah elektrickým prúdom, spôsobiť požiar a/alebo ťažké poranenie.

Tieto Výstražné upozornenia a bezpečnostné pokyny starostlivo uschovajte na budúce použitie.

NAPOTKI ZA DELO NA KRIMPOVANIE

Používajte výhradne normovaný spojovací materiál podľa štandardov platných vo vašej krajine a na tento účel určené lisovacie vložky.

Pokyny pre spracovávanie a montáž spojovacieho materiálu získate z podkladov príslušných výrobcov.

Skontrolujte, či sa menovitá svetlosť spojovacieho materiálu zhoduje s menovitou svetlosťou lisovacej vložky.

Predtým, než začne proces krimpovania, musí byť skontrolovaná kapacita batérie: minimálne 33% (pozri ilustrovaný opis). Pred začatím prác môže byť nutné nabíjanie.

Spustenie ovládacieho spínača iniciuje lisovací proces, ktorý je charakteristický tým, že krimpovacie matrice sa spoja.

Za kontrolu a posúdenie správneho zlisovania nesie zodpovednosť používateľ.

Nesprávne spoje treba ešte raz zlisovať pomocou nového spojovacieho materiálu.

Postup v prípade poruchy

- Držte resetovací spínač stlačený, kým sa kliešte úplne neotvorí
- skontrolujte kapacitu batérie
- Skontrolujte kábel a krimpovacie matrice na základe technických údajov
- Ak je podozrenie, že bol zlisovaný živý kábel, krimpovací nástroj musí byť skontrolovaný v autorizovanom odbornom servise

NAPOTKI ZA DELO NA REZANIE

Nastavenie pracovnej oblasti

Pred začatkom dela je treba vzpostaviť breznápnostno stanje napeljav ali pletenic in to stanje zagotoviti, dokler trajajo dela.

Ak nemožno bez pobyhý zabezpečiť, že kábel alebo izolované vedenie sú odpojené, nesmiete tu vykonávať žiadnu prácu.

Obvezno je treba upoštevati varnostne predpise in pravila.

Kabli in pletenice ne smejo biti izpostavljeni mehanskim silam in morajo biti po potrebi zavarovani pred nenadzorovanimi premiki po rezu.

Pristroj nevstavujate daždu a nepoužívajte v mokrom či vlhkem prostredí.

Príprava rezačky káblov a batérie

Pred každým použitím:

- Skontrolujte rezačku káblov ohľadom vonkajších chýb
- Skontrolujte rezný nástroj ohľadom prasklín a iných známk opotrebenia

Používajte len v bezchybnom stave!

Predtým, než začne proces rezania, musí byť skontrolovaná kapacita batérie: minimálne 33% (pozri ilustrovaný opis). Pred začatím prác môže byť nutné nabíjanie.

Príprava na rezanie

Podprite in fiksirajte kábel ali pletenico, ki jo želite rezati, da zmanjšate tveganje nenadzorovanega premika.

Zlasti nadzemni vodi in pletenice se lahko nenadzorovano premikajo in povzročijo telesne poškodbe in/ali poškodbe.

Rezična glava mora biti glede na kábel ali pletenico postavljena pod 90-stopinjskim kotom, tako da se ta brez napetosti nalega in odprti rezilnih čeljustih in da se prepričajo neugodne strižne sile.

⚠ POZOR: Za účelom zníženia rizika výbuchu, úrazu elektrickým prúdom a poškodenia majetku a vybavenia nikdy nerezte živé elektrické káble.

Pristroj NIE je izolovaný. Kontakt so živým okruhom by mohol mať za následok vážne zranenie alebo úmrtie. Pred rezom vypnite prívod elektrického prúdu. Nikdy nerezte plynové vedenia ani vodovody. Ruky držte v bezpečnej vzdialenosti od všetkých rezných hran a pohyblivých častí. Mohlo by dôjsť k tržným ranám alebo k amputácii končatín.

Pred výmenou alebo odstránením príslušenstva vždy vyberte akumulátorový článok. Používajte iba príslušenstvo špecificky odporúčané pre tento prístroj. Iné môže byť nebezpečné.

Na zníženie rizika zranenia používajte ochranné okuliare alebo okuliare s bočnými ochrannými štítmami.

⚠ POZOR: Pre zníženie rizika zranenia reže iba materiály odporúčané pre čepele. (pozri „Špecifikácie“) Nepokúšajte sa rezať iné materiály.

Rezanie

Pred rezaním sa uistite, že rezné čepele sú správne namontované.

1. Speljite kábel pravokotno na rezila rezalnika káblov. Nepokúšajte sa vykonávať rezý pod uhlom, pretože by ste poškodili prístroj a rezné čepele.

2. Ťahajte a držte spúšťač počas celej operácie. LED sa rozsvieti pri potiahnutí spúšťača.

Po dokončení rezu alebo po vypnutí prístroja sa rezné kliešte otvorí nezávisle. Ak uvoľníte spúšť počas rezania, musíte stlačiť hydraulické resetovacie tlačidlo, aby ste otvorili rezné kliešte.

Poznámka: Obrobok sa môže počas rezu mierne pohybovať.

Postup v prípade poruchy

- Kábel je ľahko poškodený ali pod napetostjo, o tem vedno obvestite odgovorno osebo za varnost, prekinite postopek rezanja, uvedite ustrezne varnostne ukrepe.
- Vždy sa uistite, že zariadenie je a zostane odpojené od napájania pred tým, než sa k nemu priblížite a dotknete sa ho
- stlačte a podržte resetovacie tlačidlo, kým sa rezačka úplne neotvorí
- skontrolujte kapacitu batérie
- skontrolujte materiál a hrúbku materiálu podľa technických údajov



Slov

- Ak je podozrenie, že bol narezaný živý kábel, rezačka káblov musí byť skontrolovaná v autorizovanom odbornom servise

Zaseknuté čepele

Špina a nečistoty môžu spôsobiť, že čepele sa dohromady zaseknú po vykonaní rezu

- Stlačte a podržte uvoľňovací spúšťač, aby ste zabezpečili resetovanie nástroja.
- Vyberte akumulátorový článok.
- Za odpiranie rezilných čeljustí si oglejte opis slike.
- Pred začatím ďalšieho rezu očistite z čepeľí špinu a nečistoty.

Tipy k rezaniu

- Nepokúšajte sa vykonávať rezy pod uhlom, pretože by ste poškodili prístroj a rezné čepele.
- Režte čistý materiál, aby ste predĺžili životnosť reznej čepele. Pred začatím rezu utrite špinu a nečistoty z materiálu a rezných čepeľí.

ÚDRZBA

Pred spustením akýchkoľvek úprav, čistenia a údržby na prístroji vyberte akumulátorový článok.

Nikdy neotvárajte prístroj, vymeniteľnú batériu ani nabíjačku.

Skontrolujte prístroj ohľadom akýchkoľvek problémov, ako je hluk alebo zaseknutie pohyblivých častí, ktoré by mohli mať negatívny vplyv na prístroj.

Pred každým použitím skontrolujte prístroj, kliešte a krimpovacie razidlá a rezné čepele ohľadom prasklín a iných známk opotrebenia.

Vyčistite a namažte prístroje, keď ste s nimi skončili prácu.

Vyčistite a namažte valčeky pohonu, zaistovacie svorníky a kliešte.

Skontrolujte voľný pohyb klieští.

Vymeňte krimpovacie razidlá a rezné čepele, keď sú ich časti odlomené alebo poškodené.

Skontrolujte ostrosť rezných hrán a opotrebované rezné čepele vymeňte.

Vždy vymeňte krimpovacie razidlá a rezné čepele ako jednu súpravu.

Vetracie otvory prístroja musia byť vždy udržiavané v čistote.

Aby nedošlo k poraneniu a poškodeniam, nikdy neponárajte prístroj, vymeniteľnú batériu ani nabíjačku do kvapaliny a zabráňte vniknutiu kvapaliny do nich.

Ďalšie servisné a opravárske práce môžu vykonávať iba autorizované odborné prevádzky.

Prístroj obsahuje hydraulický olej, ktorý predstavuje nebezpečenstvo pre podzemnú vodu. Jeho nekontrolované vypúšťanie alebo neodborná likvidácia sú trestné.

Ďalší servisný termín je indikovaný LED svetlom na prístroji.

Túto údržbu treba vykonať prinajmenšom každé 2 roky alebo po 30000 lisovacích procesoch alebo najneskôr vtedy, keď vám to signalizuje LED ukazovateľ.

Používať len Milwaukee príslušenstvo a Milwaukee náhradné diely. Súčiastky bez návodu na výmenu treba dať vymeniť v jednom z Milwaukee zákazníckych centier (viď brožúru Záruka/Adresy zákazníckych centier).

Pri udaní typu stroja a čísla nachádzajúceho sa na štítku dá sa v prípade potreby vyžiadať explozivná schéma prístroja od vášho zákazníckeho centra alebo priamo v Techtronic Industries GmbH, Max-Eyth-Straße 10, 71364 Winnenden, Germany.

ONE-KEY™

Ak sa chcete dozvedieť viac o funkcionalite ONE-KEY tohto prístroja, pozrite si prosím Sprievodcu rýchlym štartom, ktorý je súčasťou tohto výrobku alebo choďte na <http://www.milwaukeekeetool.com/one-key>

Aplikáciu ONE KEY si môžete na svoj smartphone stiahnuť z app storeu alebo z Google Play.

Výsledok skúšky spĺňa naše minimálne požiadavky v súlade s normami EN 301489-1 / EN 301489-17. In uporabniku bomo v navodilih za uporabo navedli smernice za obratovanje.

AKUMULÁTORY

Dlhší čas nepoužívané výmenné akumulátory pred použitím dobíť. Teplota vyššia ako 50°C znižuje výkon výmenného akumulátora. Zabráňte dlhšiemu ohriatiu slnkom alebo kúrením.

Prípadné kontakty na nabíjacom zariadení a výmennom akumulátore udržiavať čisté.

Pre optimálnu životnosť je nutné akumulátory po použití plne dobíť.

K zabezpečeniu dlhej životnosti by sa akumulátory mali po nabití vybrať z nabíjačky.

Pri skladovaní akumulátora po dobu dlhšiu než 30 dní: Skladujte akumulátor v suchu pri cca 27°C. Skladujte akumulátor pri cca 30%-50% nabíjacej kapacity. Opakujte nabíjanie akumulátora každých 6 mesiacov.

Opotrebované výmenné akumulátory nezahadzujte do ohňa alebo medzi domový odpad. Milwaukee ponúka likvidáciu starých výmenných akumulátorov, ktorá je v súlade s ochranou životného prostredia; informujte sa u Vášho predajcu.

Výmenné akumulátory neskladovať spolu s kovovými predmetmi (nebezpečenstvo skratu).

Pri extrémnych záťažach alebo extrémnych teplotách môže dôjsť k vytekaniu batérovej tekutiny z poškodeného výmenného akumulátora. Ak dôjde ku kontaktu pokožky s roztokom, postihnuté miesto umyť vodou a mydlom. Ak sa roztok dostane do očí, okamžite ich dôkladne vypláchnuť po dobu min. 10 min a bezodkladne vyhľadať lekára.

Do zasúvacieho otvoru pre výmenné akumulátory na nabíjacom zariadení, sa nesmú dostať žiadne kovové predmety (nebezpečenstvo skratu).

PREPRAVA LÍTIOVO-IÓNOVÝCH BATÉRIÍ

Lítiovo-iónové batérie podľa zákonných ustanovení spadajú pod prepravu nebezpečného nákladu.

Preprava týchto batérií sa musí realizovať s dodržiavaním lokálnych, vnútroštátnych a medzinárodných predpisov a ustanovení. Spotrebiteľia môžu tieto batérie bez problémov prepravovať po cestách.

Komerčná preprava lítiovo-iónových batérií prostredníctvom špedičných firiem podlieha ustanoveniam o preprave nebezpečného nákladu. Prípravu k vyexpedovaniu a samotnú prepravu smú vykonávať iba adekvátne vyškolené osoby. Na celý proces sa musí odborné dohliadať.

Pri preprave batérií treba dodržiavať nasledovné:

Zabezpečte, aby boli kontakty chránené a izolované, aby sa zamedzilo skratom. Dávajte pozor na to, aby sa zväzok batérií v rámci balenia nemohol zošmyknúť. Poškodené a vytečené batérie sa nesmú prepravovať. Kvôli ďalším informáciám sa obráťte na vašu špedičnú firmu.



Slov

CE - VYHLÁSENIE KONFORMITY

Na našu výhradnú zodpovednosť vyhlasujeme, že produkt popísaný v časti „Technické údaje“ spĺňa všetky príslušné ustanovenia smerníc

2011/65/EÚ (RoHS)

2006/42/ES

2014/53/EÚ

a boli použité nasledovné harmonizované normy

EN 62841-1:2015

EN 62479:2010

EN 55014-1:2017+A11:2020

EN 55014-2:2015

EN 301 489-1 V2.2.3

EN 301 489-17 V3.1.1

EN 300 328 V2.2.2

EN IEC 63000:2018



Winnenden, 2020-11-10

Alexander Krug / Managing Director

Spĺnomocnený zostaviť technické podklady.

Techtronic Industries GmbH

Max-Eyth-Straße 10, 71364 Winnenden, Germany

SYMBOLY



Pred prvým použitím prístroja si pozorne prečítajte návod na obsluhu.



Noste ochranné okuliare.



Toto zariadenie obsahuje gombíkovú/mincovú lítiovú batériu.



POZOR! NEBEZPEČENSTVO!



Pred každou prácou na stroji výmenný akumulátor vyťahnuť.



Nebezpečenstvo úderu elektrickým prúdom



POZOR!
Výstraha pred odmrštenými predmetmi



POZOR! Poranenie ruky



Príslušenstvo - nie je súčasťou štandardnej výbavy, odporúčané doplnenie z programu príslušenstva.



Elektrické prístroje sa nesmú likvidovať spolu s odpadom z domácností. Elektrické a elektronické prístroje treba zbierať oddelene a odovzdať ich v recyklačnom podniku na ekologickú likvidáciu. Na miestnych úradoch alebo u vášho špecializovaného predajcu sa spýtajte na recyklačné podniky a zberné dvory.

V

Napätie



Jednosmerný prúd



Značka zhody v Európe



Značka zhody v Británii




Značka zhody na Ukrajine



Značka zhody pre oblasť Eurázie



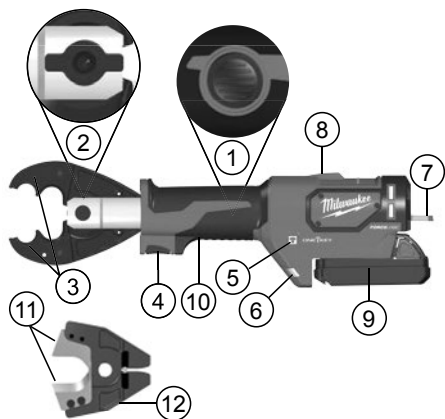
DANE TECHNICZNE Zaciskarka i narzędzie tnące		M18 HUCT
Numer produkcyjny	4673 82 02... 000001-999999	
zakres częstotliwości	2402 - 2480 MHz	
moc częstotliwości radiowej	1,8 dBm	
Napięcie baterii akumulatorowej	18 V	
Siła znamionowa	53 kN	
Zakres zaciskania : Przekrój maks.		
 Miedź	300 mm ²	
Aluminium	150 mm ²	
Zakres cięcia w zależności od rodzaju materiału		
ACSR: Aluminium-/Stalowe liny maks.	22,5 mm	
Miedź / Aluminium-Kabel maks.	35 mm	
Inne materiały i ich średnica zależą od konkretnych szczegół.		
Ciężar wg procedury EPTA 01/2014 (Li-Ion 2,0 Ah...9,0Ah)		
ze szczękami zaciskowymi	3,6 kg ... 4,2 kg	
ze szczękami tnącymi	3,7 kg ... 4,3 kg	
Zalecane zestawy akumulatorowe	M18B...	
Zalecane ładowarki	M12-18...	
Informacja dotycząca szumów		
Zmierzone wartości wyznaczono zgodnie z normą EN 62841. Poziom szumów urządzenia oszacowany jako A wynosi typowo:		
Poziom ciśnienia akustycznego (Niepewność K=3dB(A))	74,6 dB (A)	
Poziom mocy akustycznej (Niepewność K=3dB(A))	85,6 dB (A)	
Należy używać ochroniaczy uszu!		
Informacje dotyczące drgań		
Wartości łączne drgań (suma wektorowa trzech kierunków) wyznaczone zgodnie z normą EN 62841		
Wartość emisji drgań a _h	0,77 m/s ²	
Niepewność K=	1,5 m/s ²	

OSTRZEŻENIE!

Podany w niniejszych instrukcjach poziom drgań został zmierzony za pomocą metody pomiarowej zgodnej z normą EN 62841 i może być użyty do porównania ze sobą elektronarzędzi. Nadaje się on również do tymczasowej oceny obciążenia wibracyjnego.




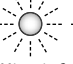
Podany poziom drgań reprezentuje główne zastosowania elektronarzędzia. Jeśli jednakże elektronarzędzie użyte zostanie do innych celów z innymi narzędziami roboczymi lub nie jest dostatecznie konserwowane, wtedy poziom drgań może wykazywać odchylenia. Może to wyraźnie zwiększyć obciążenie wibracjami przez cały okres pracy.

Dla dokładnego określenia obciążenia wibracjami należy uwzględnić również czas, w których urządzenie jest wyłączone względnie jest włączone, lecz w rzeczywistości nie pracuje. Może to spowodować wyraźną redukcję obciążenia wibracyjnego w całym okresie pracy. Należy wprowadzić dodatkowe środki zapobiegawcze celem ochrony obsługującego przed oddziaływaniem drgań, jak na przykład: konserwacja narzędzi roboczych i elektronarzędzi, nagranie ręk, organizacja przebiegu pracy.



Opis urządzenia

- | | |
|------------------------------------|---|
| ① Przycisk włączający hydrauliczkę | ⑦ Wieszadło |
| ② Śruby blokujące | ⑧ Dioda LED /Wskaźnik cięcia |
| ③ Szczękami zaciskowymi | ⑨ Akumulator |
| ④ Spust | ⑩ Uchwyt izolowana powierzchnia uchwytu |
| ⑤ Wskaźnik ONE KEY | ⑪ Ostrza tnące |
| ⑥ Dioda LED | ⑫ Szczęki tnące |

Wskaźnik LED	Definicja
	Narzędzie zakończyło działanie i osiągnęło pełną siłę zacisku.
Światło stałe Zielony	
	Narzędzie zakończyło działanie, lecz NIE osiągnęło pełnej siły zacisku.
Światło stałe Czerwony	
	Narzędzie NIE zakończyło działania.
Miganie Czerwony	
	Zakończył się interwał serwisowania narzędzia (30000 procesy przecinania).
Miganie czerwony / Zielony (po Światło stałe Zielony lub Światło stałe Czerwony)	Miganie czerwonej/zielonej diody rozpocznie się po zaświeceniu się czerwonego lub zielonego wskaźnika działania. MILWAUKEE zaleca, aby sprawdzić urządzenie przeprowadzić konserwację zapobiegawczą.

⚠ OSTRZEŻENIE Przeczytać wszystkie wskazówki bezpieczeństwa, instrukcje, ilustracje i dane dołączone do urządzenia. Błędy w przestrzeganiu poniższych wskazówek mogą spowodować porażenie prądem, pożar i/lub ciężkie obrażenia ciała.

Należy starannie przechowywać wszystkie przepisy i wskazówki bezpieczeństwa dla dalszego zastosowania.

⚠ INSTRUKCJE DOTYCZĄCE BEZPIECZEŃSTWA

Przed rozpoczęciem pracy z urządzeniem po raz pierwszy, a potem co najmniej raz w roku operator tego urządzenia musi zostać poinstruowany w zakresie określonych zagrożeń związanych z jego użytkowaniem oraz w zakresie najważniejszych środków bezpieczeństwa.

Eksploatator musi:

- udostępnić instrukcję użytkowania operatorowi i
 - upewnić się, że operator przeczytał ją i zrozumiał.
- Stosować wyposażenie ochronne. Zawsze nosić okulary ochronne podczas korzystania z urządzenia. Zalecana jest odzież ochronna, jak maska pyłochronna, rękawice ochronne, mocne i chroniące przed poślizgiem obuwie, kask i ochronniki słuchu.

Nigdy nie wkładać palców ani innych części ciała do obszaru pracy siłowników lub szczęk.

Przed rozpoczęciem jakichkolwiek regulacji, czyszczenia i konserwacji urządzenia należy wyjąć akumulator.

Używać urządzeń, wymiennych baterii i ładowarek wyłącznie w nienagannym stanie technicznym.

Naprawę uszkodzeń należy natychmiast zlecić autoryzowanemu warsztatowi specjalistycznemu.

W celu uniknięcia obrażeń i uszkodzeń należy zapobiec przypadkowemu uruchomieniu urządzenia.

Przed użyciem usunąć wszelkie narzędzia nastawcze i klucze.

Nie wolno zaciskać żadnych części znajdujących się pod napięciem elektrycznym. Urządzenie NIE jest izolowane.

OSTRZEŻENIE! Aby zmniejszyć ryzyko pożaru, obrażeń ciała lub uszkodzeń produktu w wyniku zwarcia, nigdy nie zanurzać urządzenia, wymiennej baterii ani ładowarki w cieczy ani nie dopuszczać, aby ciecz przeniknęła do ich wnętrza. Płyny agresywne korozyjnie i przewodzące prąd elektryczny jak woda morską, niektóre przemysłowe substancje chemiczne i środki wybielające lub produkty zawierające środki wybielające itd. mogą powodować zwarcie.

Bez względu należy przestrzegać konserwacji i przedziałów czasu pomiędzy konserwacjami.

Nie otwierać wkładek akumulatorowych i ładowarek. Przechowywać w suchych pomieszczeniach. Chronić przed wilgocią.

Akumulatory Systemu M18 należy ładować wyłącznie przy pomocy ładowarek Systemu M18. Nie ładować przy pomocy tych ładowarek akumulatorów innych systemów.

W celu uniknięcia obrażeń lub szkód nigdy nie należy zanurzać narzędzia, wymiennej baterii ani ładowarki w cieczy ani nie dopuszczać, aby ciecz przeniknęła do ich wnętrza.

OSTRZEŻENIE

⚠ Urządzenie posiada guzikową baterię litową. W przypadku połknięcia lub dostania się do organizmu nowej lub używanej baterii może dojść do poparzenia wewnętrznych części ciała a nawet śmierci w ciągu zaledwie 2 godzin. Zawsze zabezpieczyć pokrywę na komorze baterii. Jeśli nie zostanie bezpiecznie zamknięta, zatrzymać urządzenie, usunąć baterię i trzymać ją w miejscu niedostępnym dla dzieci. W razie stwierdzenia połknięcia lub dostania się baterii do organizmu w inny sposób, należy niezwłocznie skonsultować się z lekarzem.

⚠ WSKAZÓWKI BEZPIECZEŃSTWA DLA PRASEK HYDRAULICZNYCH

Narzędzia i urządzenia przecinające powinny być używane wyłącznie przez personel przeszkolony w zakresie obsługi produktów elektrotechnicznych.

Przed każdym użyciem należy sprawdzić prasę, szczęki i wkłady zaciskowe pod kątem pęknięć i śladów zużycia.

Używać tylko prasek i wkładów zaciskowych w nienagannym stanie technicznym.

Praski można używać wyłącznie z włożoną wkładką zaciskową.

Używać tylko wkładów zaciskowych do 60 kN o szerokości całkowitej 22 mm.

Nie wolno dotykać szczęk zaciskowych podczas zaciskania.

W przypadku zakłóceń podczas zaciskania należy niezwłocznie zwolnić przycisk WŁĄCZANIA i wcisnąć przycisk odblokowania hydrauliki. Zawór otwiera się i tłok przemieszcza się z powrotem do pozycji wyjściowej.

⚠ WSKAZÓWKI BEZPIECZEŃSTWA DLA NOŻYC DO KABLI

Przecinanie lub rozcinanie kabli i lin za pomocą przecinarki może być wykonywane wyłącznie przez osoby poinstruowane w zakresie przeprowadzania prac elektrotechnicznych.

W celu zmniejszenia ryzyka wybuchu, porażenia prądem elektrycznym i szkód materialnych i sprzętowych, nigdy nie przecinać kabli elektrycznych znajdujących się pod napięciem. Urządzenie NIE jest izolowane.

Trzymać ręce i luźne elementy ubrania z dala od narzędzi tnących i innych ruchomych części. Występuje ryzyko poważnych obrażeń, w tym obciążenia kończyn.

Nigdy nie trzymać przecinarki do kabli za szczęki tnące.

Przed użyciem zawsze sprawdzić szczęki tnące pod kątem pęknięć i innych oznak zużycia.

Przecinarki do kabli można używać wyłącznie z zamontowanym narzędziem tnącym.

ZAGROŻENIA RESZTKOWE

Praska hydrauliczna:

Nigdy nie przecinać przewodów znajdujących się pod napięciem.

Nożyce do kabli:

Przed rozpoczęciem cięcia odpowiedni obszar zamknąć i zabezpieczyć przed dostępem zgodnie z lokalnymi przepisami.

Ciąć wyłącznie kable nieznajdujące się pod napięciem!

Kable i liny nie mogą być poddawane działaniu sił mechanicznych.

Aby zmniejszyć ryzyko obrażeń, zawsze należy nosić okulary ochronne lub okulary z osłonami bocznymi.



W przypadku nieprzebrzegania niniejszej instrukcji istnieje zagrożenie poważnych obrażeń, śmierci, pożaru lub innych szkód materialnych spowodowanych porażeniem prądem elektrycznym, wybuchem i/lub łukiem elektrycznym.

WARUNKI UŻYTKOWANIA

Praska hydrauliczna:

Praski hydraulicznej należy używać wyłącznie do zaciskania elementów złącznych, do których przewidziane są odpowiednie wkłady zaciskowe.

Wszystkie części znajdujące się pod napięciem tj. części przewodzące prąd elektryczny, muszą zostać odłączone w odpowiednim dla środowiska roboczym przed rozpoczęciem prac.

Nozycy do kabli:

Przecinarka do kabli nadaje się do cięcia:

- beznapięciowych, niezbrojonych kabli z izolowanej miedzi lub aluminium, narzędzia tnące dobrać w zależności od rodzaju kabla

⚠ OSTRZEŻENIE Przeczytać wszystkie wskazówki bezpieczeństwa, instrukcje, ilustracje i dane dołączone do urządzenia. Błędy w przestrzeganiu poniższych wskazówek mogą spowodować porażenie prądem, pożar i/lub ciężkie obrażenia ciała.

Należy starannie przechowywać wszystkie przepisy i wskazówki bezpieczeństwa dla dalszego zastosowania.

WSKAZÓWKI DOTYCZĄCE UŻYTKOWANIA DO ZACISKANIA

Używać wyłącznie znormalizowanych elementów złącznych zgodnie z obowiązującymi w kraju zastosowania normami oraz odpowiednich wkładów zaciskowych.

Instrukcje obróbki i montażu elementów złącznych należy pobrać z dokumentacji producenta.

Sprawdzić czy średnica nominalna elementów złącznych jest zgodna ze średnicą nominalną wkładu zaciskowego.

Przed rozpoczęciem przecinania sprawdzić pojemność baterii: minimum 33% (patrz opis na ilustracji). W razie konieczności naładować przed rozpoczęciem pracy.

Włączenie przełącznika sterowania rozpoczyna proces przecinania, podczas którego następuje zamykanie się tłoczników zaciskowych.

Sprawdzenia i oceny odpowiedniego zacisku dokonuje użytkownik.

Nieprawidłowe połączenia należy zacisnąć ponownie, stosując nowy element złączny.

Postępowanie w przypadku błędów

- Przytrzymać wciśnięty przełącznik resetowania aż do całkowitego otwarcia się szczęk
- sprawdzić pojemność baterii
- Sprawdzić kabel i tłoczniaki zaciskowe zgodnie z danymi technicznymi
- W przypadku podejrzenia zaciśnięcia kabla znajdującego się pod napięciem, przecinak musi zostać poddany kontroli w autoryzowanym warsztacie specjalistycznym

WSKAZÓWKI DOTYCZĄCE UŻYTKOWANIA DO CIĘCIA

Przygotowanie obszaru roboczego

Przed rozpoczęciem cięcia należy zapewnić, aby podczas trwania prac przewody lub liny nie znajdowały się pod napięciem.

W przypadku, gdy nie da się jednoznacznie stwierdzić, że kabel lub izolowany przewód został odłączony, nie wolno wykonywać żadnych prac.

Bez względu należy przestrzegać lokalnych przepisów bezpieczeństwa i regulacji.

Kable i liny nie mogą być poddawane działaniu sił mechanicznych i należy je w razie konieczności zabezpieczyć przed niekontrolowanymi ruchami po wykonaniu cięcia.

Nie wystawiać narzędzi na działanie deszczu. Nie używać narzędzi w miejscach wilgotnych lub mokrych.

Przygotowanie przecinarki do kabli i baterii

Przed każdym użyciem:

- Sprawdzić przecinarkę do kabli pod kątem wad zewnętrznych
- Sprawdzić narzędzie tnące pod kątem pęknięć i innych oznak zużycia

Używać wyłącznie w nienagannym stanie!

Przed rozpoczęciem cięcia sprawdzić pojemność baterii: minimum 33% (patrz opis na ilustracji). W razie konieczności naładować przed rozpoczęciem pracy.

Przygotowanie procesu cięcia

Podeprzeć i unieruchomić przecinany kabel lub linę w celu minimalizacji ryzyka wynikającego z niekontrolowanego ruchu kabla.

W szczególności przewody i liny napowietrzne mogą w sposób nieskontrolowany się poruszyć, powodując obrażenie i / lub szkody.

Głowicę tnącą należy przyłożyć do kabla lub liny pod kątem 90° tak, aby bez naprężenia znalazła się ona w otwartych szczękach tnących, eliminując powstanie niekorzystnych sił tnących.

⚠ OSTRZEŻENIE: W celu zmniejszenia ryzyka wybuchu, porażenia prądem elektrycznym i szkód materialnych i sprzętowych, nigdy nie przecinać kabli elektrycznych znajdujących się pod napięciem.

Urządzenie NIE jest izolowane. Kontakt z obwodem elektrycznym znajdującym się pod napięciem może spowodować poważne obrażenia lub śmierć. Przed wykonywaniem cięcia należy wyłączyć zasilanie. Nigdy nie wolno przecinać przewodów gazowych ani wodociągów. Ręce należy trzymać z dala od krawędzi tnących i ruchomych elementów. Występuje ryzyko ciężkich obrażeń lub obciążenia kończyn.

Przed wymianą lub usuwaniem wyposażenia zawsze należy wyciągnąć wymienną baterię. Zawsze należy używać wyłącznie wyposażenia specjalnie zalecanego dla tego urządzenia. Używanie innego wyposażenia jest niebezpieczne.

Aby zmniejszyć ryzyko obrażeń, zawsze należy nosić okulary ochronne lub okulary z osłonami bocznymi.

⚠ OSTRZEŻENIE: W celu zredukowania ryzyka obrażeń, ciąć wyłącznie materiały zalecane dla ostrzy. (patrz „Speyfikacje”) Nie próbować ciąć innych materiałów.

Cięcie

Przed rozpoczęciem cięcia należy się upewnić, że ostrzą są prawidłowo zamontowane.

1. Kabel należy wprowadzić na ostrza przecinarki pod kątem prostym. Nie próbować wykonywać ukośnych cięć, ponieważ uszkodzi to urządzenie ostrza tnące.

2. Wcisnąć i przytrzymać spust.

Gdy spust jest wciśnięty, świeci się dioda LED.

Po ukończeniu cięcia lub podczas wyłączenia urządzenia szczękę tnącą otwierają się samoistnie. W przypadku zwolnienia spustu podczas operacji cięcia, w celu otwarcia szczęk tnących należy nacisnąć hydrauliczny przycisk resetowania.

Uwaga: Podczas przecinania kabel może się delikatnie przesunąć.

Postępowanie w przypadku błędów

- kabel może być nacięty lub znajdować się pod napięciem, zawsze zawiadomić inspektora BHP, przerwać proces cięcia, zastosować odpowiednie środki bezpieczeństwa
- Przed podejściem do urządzenia i dotknięciem go zawsze upewnić się, że nie znajduje się ono pod napięciem i pozostanie w takim stanie
- wcisnąć i przytrzymać przycisk reset, aż przecinarka w pełni się otworzy
- sprawdzić pojemność baterii
- sprawdzić materiał i jego grubość w oparciu o dane techniczne
- W przypadku podejrzenia przecięcia kabla znajdującego się pod napięciem, przecinarka musi zostać poddana kontroli w autoryzowanym warsztacie specjalistycznym

Zakleszczone krawędzie tnące

Zabrudzenia i przylegające pozostałości mogą doprowadzić do tego, że po wykonaniu cięcia krawędzie tnące zakleszczą się

- Wcisnąć i przytrzymać spust zwalniający aby upewnić się, że narzędzie zostało zresetowane.
- Usunąć wymienne baterie.
- Należy postępować zgodnie z opisem na obrazku dotyczącym otwierania szczęk tnących
- Wyczyścić wszelkie zabrudzenia z krawędzi tnących przed rozpoczęciem kolejnego cięcia.

Wskazówki dotyczące przecinania kabli

- Nie próbować wykonywać ukośnych cięć, ponieważ uszkodzi to urządzenie ostrza tnące.
- Ciąć wyłącznie czyste kable, co pozwoli wydłużyć żywotność ostrzy. Wytrzeć zabrudzenia i przylegające pozostałości z kabli i ostrzy przed rozpoczęciem cięcia.

UTRZYMANIE I KONSERWACJA

Przed rozpoczęciem jakichkolwiek regulacji, czyszczenia i konserwacji urządzenia należy wyjąć akumulator.

Nigdy nie otwierać urządzenia, wymiennej baterii ani ładowarki.

Sprawdzić urządzenie pod kątem jakichkolwiek problemów takich jak hałas, zakleszczanie się ruchomych elementów, co może mieć wpływ na prawidłowe działanie urządzenia.

Sprawdzić urządzenie, szczęki i matryce zaciskające oraz ostrza tnące pod kątem pęknięć i innych oznak zużycia.

Wyczyścić i nasmarować urządzenie po zakończeniu pracy.

Należy oczyścić i nasmarować rolki napędowe, śrubę blokującą i szczęki.

Sprawdzić, czy szczęki poruszają się swobodnie.

Wymienić matryce zaciskające i ostrza tnące, gdy są wyszczerbione lub uszkodzone.

Sprawdzić, czy krawędzie tnące są ostre, a zużyte ostrza tnące wymienić.

Zawsze wymieniać matryce zaciskające i ostrza tnące parami.

Otwory wentylacyjne urządzenia muszą być utrzymywane w czystości przez cały czas.

W celu uniknięcia obrażeń lub szkód nigdy nie należy zanurzać urządzenia, wymiennej baterii ani ładowarki w cieczy ani nie dopuszczać, aby ciecz przeniknęła do ich wnętrza.

Pozostałe prace serwisowe i naprawcze mogą być wykonywane wyłącznie przez autoryzowane warsztaty specjalistyczne.

Urządzenie zawiera olej hydrauliczny, który stanowi zagrożeniem dla wody gruntowej. Niekontrolowane spuszczenie oleju lub niewłaściwe usuwanie oleju do odpadów jest karalne.

Kolejny termin serwisowania jest wyświetlony na wskaźniku LED na urządzeniu.

Konserwację tę należy przeprowadzić co najmniej raz na 2 lata lub po 30000 wytyczeni lub najpóźniej, gdy włączy się dioda sygnalizacyjna.

Używać tylko i wyłącznie wyposażenia dodatkowego Milwaukee i części zamiennych Milwaukee. Gdyby trzeba było wymienić części, które nie zostały opisane, należy skontaktować się z przedstawicielem serwisu Milwaukee (patrz wykaz adresów punktów usługowych/gwarancyjnych).

Na życzenie można otrzymać rysunek widoku zespołu rozebranego. Przy zamawianiu należy podać numer oraz typ elektronarzędzia umieszczony na tabliczce znamionowej. Zamówienia można dokonać albo u lokalnych przedstawicieli serwisu, albo bezpośrednio w Techtronic Industries GmbH, Max-Eyth-Straße 10, 71364 Winnenden, Germany.

ONE-KEY™

Aby dowiedzieć się więcej na temat funkcji ONE-KEY urządzenia, zapoznaj się z instrukcją obsługi dołączonej do produktu lub odwiedź stronę <http://www.milwaukeeetool.com/one-key>

Możesz pobrać aplikację ONE-KEY z sklepu App Store lub Google Play na swojego smartfona.

Wynik badania spełnia nasze minimalne wymagania zgodnie z normą EN 301489-1 / EN 301489-17. Przekazemy też klientowi wytyczne operacyjne w instrukcji obsługi.

BATERIE AKUMULATOROWE

Akumulatory, które nie były przez dłuższy czas użytkowane, należy przed użyciem naładować. W temperaturze powyżej 50°C następuje spadek osiągniętych pojemności akumulatorowej. Unikaj długotrwałego wystawienia na oddziaływanie ciepła lub promieni słonecznych (niebezpieczeństwo przegrzania).

Styki ładowarek i wkładek akumulatorowych należy utrzymywać w czystości

Dla zapewnienia optymalnej żywotności akumulatory po użyciu należy naładować do pełnej pojemności.

Dla zapewnienia możliwie długiej żywotności akumulatory należy wyjąć z ładowarki po ich naładowaniu.

W przypadku składowania akumulatorów dłużej niż 30 dni: Przechowywać je w suchym miejscu w temperaturze ok. 27°C.

Przechowywać je w stanie naładowanym do ok. 30% - 50%.

Ładować je ponownie co 6 miesięcy.

Zużytych akumulatorów nie wolno wrzucać do ognia ani traktować jako odpadów domowych. Milwaukee oferuje ekologiczną utylizację zużytych akumulatorów.

Nie przechowywać akumulatorów wraz z przedmiotami metalowymi (niebezpieczeństwo zwarcia).

W skrajnych warunkach temperaturowych lub przy bardzo dużym obciążeniu może dochodzić do wycieku kwasu akumulatorowego z uszkodzonych baterii akumulatorowych. W przypadku kontaktu



z kwasem akumulatorowym należy natychmiast przemyć miejsce kontaktu wodą z mydłem. W przypadku kontaktu z oczami należy dokładnie przepłukiwać oczy przynajmniej przez 10 minut i zwrócić się natychmiast o pomoc medyczną.

Do ładowarki nie wolno wkładać żadnych przedmiotów metalowych (niebezpieczeństwo zwarcia).

TRANSPORT AKUMULATORÓW LITOWO-JONOWYCH

Akumulatory litowo-jonowe podlegają ustawowemu przepisom dotyczącym transportu towarów niebezpiecznych.

Transport tych akumulatorów winien odbywać się przy przestrzeganiu lokalnych, krajowych i międzynarodowych rozporządzeń i przepisów.

Odbiorcom nie wolno transportować tych akumulatorów po drogach ot tak po prostu.

Komercyjny transport akumulatorów litowo-jonowych przez przedsiębiorstwa spedycyjne podlega przepisom dotyczącym transportu towarów niebezpiecznych. Przygotowania do wysyłki oraz transport mogą być wykonywane wyłącznie przez odpowiednio przeszkolone osoby. Cały proces winien odbywać się pod fachowym nadzorem.

W czasie transportu akumulatorów należy przestrzegać następujących punktów:

Celem uniknięcia zwarcia należy upewnić się, że zestyki są zabezpieczone i zaizolowane. Zwracać uwagę na to, aby zespół akumulatorów nie mógł się przemieszczać we wnętrzu opakowania. Nie wolno transportować akumulatorów uszkodzonych lub z wyciekającym z elektrolitem. Odnośnie dalszych wskazówek należy zwrócić się do swojego przedsiębiorstwa spedycyjnego.

DEKLARACJA ZGODNOŚCI CE

Oświadczamy na naszą wyłączną odpowiedzialność, że produkt opisany pod „Dane techniczne” spełnia wszystkie istotne przepisy dyrektyw

2011/65/UE (RoHS)

2006/42/WE

2014/53/UE

i zastosowano następujące zharmonizowane normy

EN 62841-1:2015

EN 62479:2010

EN 55014-1:2017+A11:2020

EN 55014-2:2015

EN 301 489-1 V2.2.3

EN 301 489-1 V3.1.1

EN 300 328 V2.2.2

EN IEC 63000:2018



Winnenden, 2020-11-10

Alexander Krug / Managing Director
Upełnomocniony do zestawienia danych technicznych
Techtronic Industries GmbH
Max-Eyth-Straße 10, 71364 Winnenden, Germany

SYMBOLE



Przed uruchomieniem elektronarzędzia zapoznać się uważnie z treścią instrukcji.



Należy nosić okulary ochronne.



Urządzenie posiada guzikową baterię litową.



UWAGA! OSTRZEŻENIE NIEBEZPIECZEŃSTWO!



Przed przystąpieniem do jakichkolwiek prac na elektronarzędziu należy wyjąć wkładkę akumulatorową.



Ryzyko porażenia prądem elektrycznym



OSTRZEŻENIE!
Niebezpieczeństwo zranienia odpryskującymi odłamkami



OSTRZEŻENIE! Uraz ręki



Wyposażenie dodatkowe dostępne osobno.



Urządzenia elektryczne nie mogą być usuwane razem z odpadami pochodzącymi z gospodarstw domowych. Urządzenia elektryczne i elektroniczne należy gromadzić oddzielnie i w celu usuwania ich do odpadów zgodnie z wymaganiami środowiska naturalnego oddawać do przedsiębiorstwa utylizacyjnego. Proszę zasięgnąć informacji o centrach recyklingowych i punktach zbiorczych u władz lokalnych lub u wyspecjalizowanego dostawcy.

V Napięcie



Prąd stały



Europejski Certyfikat Zgodności



Brytyjski Certyfikat Zgodności



Ukraiński Certyfikat Zgodności

001



Euroazjatycki Certyfikat Zgodności

MŰSZAKI ADATOK Csúspaszoló- és vágószerszám	M18 HUCT
Gyártási szám	4673 82 02... 000001-999999
Frekvenciasáv	2402 - 2480 MHz
Jelerősség	1,8 dBm
Akkumulátor feszültség	18 V
Névleges energia	53 kN
Munkaterület : Keresztmetszet max.	
rész	300 mm ²
alumínium	150 mm ²
Vágási terület anyagtól függ	
Acéllal megerősített alumíniumkábel:	22,5 mm
alumínium-/Acélkötevek max.	35 mm
rész- / alumínium-Kábel max.	
Más anyagok és átmérők a konkrét pófkától függenek.	
Súly a 01/2014 EPTA-eljárás szerint (Li-Ion 2,0 Ah...9,0Ah)	
présfófkával	3,6 kg ... 4,2 kg
vágófófkával	3,7 kg ... 4,3 kg
Ajánlott akkusomagok	M18B...
Ajánlott töltőkészülékek	M12-18...
Zajinformáció	
A közölt értékek megfelelnek az EN 62841 szabványnak. A készülék munkahelyi zajszintje tipikusan:	
Hangnyomás szint (K bizonytalanság=3dB(A))	74,6 dB (A)
Hangteljesítmény szint (K bizonytalanság=3dB(A))	85,6 dB (A)
Hallásvédő eszköz használata ajánlott!	
Vibráció-információk	
Összesített rezgésértékek (három irány vektorális összeg az EN 62841-nek megfelelően meghatározva.	
rezgésemisszió érték a _h	0,77 m/s ²
K bizonytalanság	1,5 m/s ²

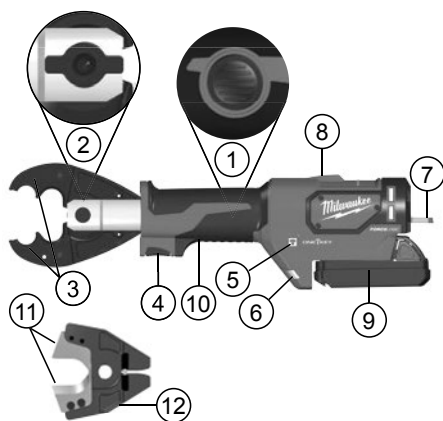
FIGYELMEZTETÉS!

A jelen utasításokban megadott rezgésszint értéke az EN 62841-ben szabályozott mérési eljárásnak megfelelően került leírásra, és használható elektromos szerszámokkal történő összehasonlításhoz.

Az érték alkalmas a rezgésterhelés előzetes megbecslésére is. A megadott rezgésszint-érték az elektromos szerszám legfőbb alkalmazásait reprezentálja. Ha az elektromos szerszámot azonban más alkalmazásokhoz, eltérő használt szerszámokkal vagy nem elegendő karbantartással használják, a rezgésszint értéke eltérő lehet. Ez jelentősen megnövelheti a rezgésterhelést a munkavégzés teljes időtartama alatt.

A rezgésterhelés pontos megbecsléséhez azokat az időket is figyelembe kell venni, melyekben a készülék lekapcsolódik, vagy ugyan működik, azonban ténylegesen nincs használatban. Ez jelentősen csökkentheti a rezgésterhelést a munkavégzés teljes időtartama alatt.

Határozzon meg további biztonsági intézkedéseket a kezelő védelmére a rezgések hatása ellen, például: az elektromos és a használt szerszámok karbantartásával, a kezek melegen tartásával, a munkafolyamatok megszervezésével.



Eszközleírás

- | | |
|---------------------------|----------------------------------|
| ① Hidraulikus kioldó gomb | ⑦ Függesztő |
| ② Reteszelő csap | ⑧ LED /Krimpelési jelzőlámpa |
| ③ Présfófkával | ⑨ Akkumulátor |
| ④ Indítógomb | ⑩ Fogantyú Szigetelt fogófelület |
| ⑤ ONE KEY jelzőlámpa | ⑪ Vágópengék |
| ⑥ LED | ⑫ Vágópófkák |

LED-es jelzőlámpa Meghatározás

	A szerszám befejezte a műveletet vagy elérte a teljes krimpelési nyomást.
	A szerszám befejezte a műveletet, de NEM érte el a teljes krimpelési nyomást.
	A szerszám NEM fejezte be a műveletet.
	A szerszám elérte szervizidőszakának végét (30000 krimpék). Vörös/zöld villogó jelzés kezdődik, miután a művelet folyamatos Vörös vagy Zöld jelzése megjelent. A MILWAUKEE az eszköz rendszeres felülvizsgálatát és megelőző karbantartását ajánlja.



▲ FIGYELMEZTETÉS Olvasson el minden, a géppel együtt megkapott biztonsági utalást, utasítást, ábrázolást és adatot. A következőkben leírt előírások betartásának elmulasztása áramütésekhez, tűzhöz és/vagy súlyos testi sérülésekhez vezethet.

Kérjük a későbbi használatra gondosan őrizze meg ezeket az előírásokat.

▲ KÜLÖNLÉGES BIZTONSÁGI TUDNIVALÓK

Ennek az eszköznek a kezelőjét – a vágóval történő első munkavégzést megelőzően, majd ezt követően legalább évente – ki kell oktatni az eszközzel való munkavégzéssel járó speciális veszélyekről és az alapvető biztonsági intézkedésekről.

Az üzemeltetést végző vállalati köteles:

- az üzemeltetési kézikönyvet a kezelő rendelkezésére bocsátani, és
- gondoskodni arról, hogy a kezelő elolvassa a kézikönyvet, és megértse annak tartalmát.

Használjon védőfelszerelést! Az eszköz használata során mindig viseljen védőszemüveget. Javasoljuk a védőruházat, úgymint porvédő maszk, védőcipő, erős és csúszásbiztos lábbeli, sisak és hallásvédő használatát.

Soha ne tartsa az ujjait vagy más testrészeit a henger vagy a pofák munkaterületébe.

Az eszközön végzett mindenmű beállítás, tisztítás és karbantartás megkezdése előtt vegye ki az akkumulátort.

Az eszközöket, a cserélhető akkumulátort és a töltőt csak akkor használja, ha azok tökéletes műszaki állapotban vannak.

A sérüléseket azonnal javíttassa meg arra jogosult szakműhelyben.

Sérülés és anyagi kár elkerülése érdekében akadályozza meg az eszköz véletlen beindítását.

Távolítson el minden beállító szerszámot és kulcsot az üzemeltetés előtt.

Elektromos feszültség alatt álló részeket tilos megmunkálni. Az eszköz NEM szigetelt.

FIGYELMEZTETÉS! Tűz, személyi sérülés és termékkárosodás rövidzár miatt fellépő kockázatának csökkentése érdekében soha ne merítse az eszközt, az akkumulátort vagy a töltőt folyadékba és ne engedje folyadék bejutását azokba. Korrodáló vagy áramvezető folyadékok – így tengervíz, egyes ipari vegyszerek, klór vagy klór tartalmú termékek stb. – rövidzárat okozhatnak.

A karbantartási műveletek és a karbantartási intervallumok betartása kötelező.

Az akkumulátort, töltőt nem szabad megbontani és kizárólag száraz helyen szabad tárolni. Nedvességtől óvni kell.

Az M18 elnevezésű rendszerhez tartozó akkumulátorokat kizárólag a rendszerhez tartozó töltővel töltsen fel. Ne használjon más rendszerbe tartozó töltőt.

A sérülés és károsodás elkerülése érdekében a szerszámot, a cserélhető akkumulátort és a töltőt soha ne merítse folyadékba, és ne engedje folyadék behatolását ezekbe.

FIGYELMEZTETÉS



Az eszköz lítium gomelemeket tartalmaz. Az új vagy használt elem akár 2 órán belül súlyos belső égési sérülést okozhat és halálhoz vezethet, ha lenyelik vagy ha a testbe kerül. Mindig rögzítse az elemtartó fedelét. Ha a fedél nem zár stabilan, akkor állítsa le az eszközt, vegye ki az elemet és tartsa gyermekek által nem hozzáférhető helyen. Azonnal hívjon orvost, ha úgy véli, hogy valaki lenyelte az elemet vagy más módon a testébe került.

▲ BIZTONSÁGI TUDNIVALÓK PRÉSSZERSZÁMOKHOZ

A krimpelő szerszámokat és a krimpelő eszközöket elektrotechnikai célokra csak szakképzett személyek használhatják.

A prészserszámokat, -pofákat és -betéteket mindegyik használatba vétel előtt felül kell vizsgálni repedésekre és egyéb kopási jelenségekre.

A prészserszámokat és a présbetéteket csak műszakilag kifogástalan állapotban használja.

A prészserszámokat csak behelyezett présbetéttel együtt szabad használni.

Présbetéteket csak 60 kN-ig és 22 mm-es teljes szélességgel használjon.

Ne érintse meg a présfolyamat alatt a préspofákat.

Ha a présfolyamat során zavarok lépnének fel, azonnal engedje le a BE-kapcsolót és nyomja meg a hidraulika kireteszelő gombját. A szelep kinyílik, és a dugattyú visszatér a kiindulási pozícióba.

▲ BIZTONSÁGI TUDNIVALÓK KÁBELVÁGÓKHOZ

A kábelek és a kötelek vágását, ill. szétválasztását a kábelvágó segítségével csak az elektrotechnika terén megfelelő képzésben részesült személyek végezhetik.

Robbanás, villamos áramütés, valamint vagyoni és berendezéskár kockázatának csökkentése érdekében soha ne vágjon élő (áram alatt levő) villamos kábeleket. Az eszköz NEM szigetelt.

Tartsa távol a vágószerszámoktól és a többi mozgó résztől kezeit és a lazán felfekvő ruházatát. Súlyos sérülés, így végtagok leszakításának veszélye áll fenn.

A kábelvágót soha ne fogja meg a vágópofáknál.

Használat előtt mindig ellenőrizze, hogy nincsenek-e repedések és egyéb elhasználódási nyomok a vágópofákon.

A kábelvágót csak behelyezett vágószerszámmal szabad használni.

FENNMARADÓ VESZÉLYEK

Présszerszámok:

Soha ne krimpeljen áram alatt levő anyagokat.

Kábelvágó:

A vágási folyamat megkezdése előtt a helyi előírásoknak megfelelően le kell zárni a területet.

Mindig csak olyan kábeleket vágjon, amelyek le vannak választva az áramellátásról!

A kábeleket és a köteleket nem szabad kitenni mechanikai erők hatásának.

A sérülési kockázat csökkentése érdekében viseljen munkavédelmi szemüveget vagy oldalsó védőölemezrel rendelkező szemüveget.

Ennek az utasításnak a figyelmen kívül hagyása súlyos sérüléshez, halálhoz, tűzhöz és egyéb vagyoni kárhoz vezethet villamos áramütés, robbanás és/vagy villamos ívek miatt.

RENDELTESSZERŰ HASZNÁLAT

Présszerszámok:

A prészserszám kizárólag az adott présbetéteknek megfelelő összekötő anyagok préselésére használható.

A technikus munkakörnyezetében levő minden, áram alatt levő alkatrészt – így az áramvezető részeket – a munka megkezdése előtt le kell választani az áramellátásról.

Kábelvágó:

A kábelvágó az alábbiak vágására alkalmas:

- szigetelt réz vagy alumínium vezetőjű feszültségmentes nem megerősített kábelek, a vágószerszámok a kábeltípustól függenek

▲ FIGYELMEZTETÉS Olvasson el minden, a géppel együtt megkapott biztonsági utalást, utasítást, ábrázolást és adatot. A következőkben leírt előírások betartásának elmulasztása áramütésekhez, tűzhoz és/vagy súlyos testi sérülésekhez vezethet.

Kérjük a későbbi használatra gondosan őrizze meg ezeket az előírásokat.

A HASZNÁLATRA VONATKOZÓ ÚTMUTATÁSOK CSUPASZOLÁSHOZ

Csak a nemzeti normák szerinti szabvány összekötő termékeket és az ezekhez előírt présbetéteket használja.

Összekötő termékek feldolgozási és szerelési utasításai a gyártó dokumentációjában találhatók.

Vizsgálja felül, hogy az összekötő termék névleges szélessége megfelel-e a présbetét névleges szélességének.

A krimpelési (vágási-sajtolási) folyamat megkezdése előtt az akkumulátor kapacitását ellenőrizni kell: az előírt érték legalább 33%-a legyen (lásd az illusztrált leírást). A munka megkezdése előtt szükség lehet töltésre.

A vezérlőkapcsoló működtetése elindítja a sajtolási folyamatot, amelyet a krimpelő szerszámok összezáródása jellemez.

A helyes préselés felülvizsgálatát és megítélését az alkalmazónak kell elvégeznie.

A helytelen összekötéseket ismételtlen préselni kell egy új összekötő termékkel.

Teendők üzemzavar esetén

- A reset kapcsolót tartsa lenyomva, amíg a pofák teljesen ki nem nyitnak
- ellenőrizze az akkumulátorkapacitást
- A műszaki adatok alapján vizsgálja meg a kábel- és a krimpelő préserszámot
- Ha felmerül a gyanú, hogy áram alatt levő kábelt sajtoltak, akkor a krimpelő szerszámot hivatalos szakműhelyben át kell vizsgáltatni

A HASZNÁLATRA VONATKOZÓ ÚTMUTATÁSOK VÁGÁSHOZ

A munkaterület előkészítése

A munka megkezdése előtt biztosítani kell a vezetékek és a kötelek feszültségmentes állapotát, és azt az állapotot a munkavégzés teljes időtartamára fenn kell tartani.

Nem kezdhető meg a munka abban az esetben, ha kétséget kizáróan nem garantálható, hogy a kábel vagy a szigetelt vezeték le van választva.

Feltétlenül tartsa be a helyi biztonsági előírásokat és szabályozásokat.

A kábeleket és a köteleket nem szabad kitenni mechanikai erők hatásának, és adott esetben biztosítani kell őket a vágás utáni akaratlan mozgásokkal szemben.

A berendezést tilos nedves, vagy vizes környezetben használni és kitenni eső hatásának.

A kábelvágó és az akkumulátor előkészítése

Minden használat előtt:

- Vizsgálja meg a kábelvágót, hogy nincsenek-e rajta külső hiányosságok
- Ellenőrizze, hogy nincsenek-e repedések és egyéb elhasználódási nyomok a vágószerszámon

Csak tökéletes állapotban használja!

A vágási folyamat megkezdése előtt az akkumulátor kapacitását ellenőrizni kell: az előírt érték legalább 33% (lásd az illusztrált leírást). A munka megkezdése előtt szükség lehet töltésre.

A vágási folyamat előkészítése

Az akaratlan mozgás kockázatának minimálisra csökkentése érdekében támassza meg és rögzítse a vágni kívánt kábelt vagy kötelet.

Különösen a légvezetékek és a szabaddá vált kötelek fejthetnek ki akaratlan mozgást és okozhatnak sérülést vagy károsodást.

A vágófejet 90°-os szögben kell a kábelhez vagy a kötelhez illeszteni azzal a céllal, hogy a kábel vagy a kötel feszültségmentesen a nyitott vágópofák közé fekdüjön, és el lehessen kerülni a kedvezőtlen nyíróerőket.

▲ FIGYELMEZTETÉS: Robbanás, villamos áramütés, valamint vagyon és berendezéskár kockázatának csökkentése érdekében soha ne vágjon élő (áram alatt levő) villamos kábeleket.

Az eszköz NEM szigetelt. Az áram alatt levő kábellel való érintkezés súlyos sérülést vagy halált okozhat. Vágás előtt kapcsolja ki a tápfeszültséget. Soha ne vágjon gáz- vagy vízvezetéket. Tartsa távol a kezét a vágóélektől és a mozgó alkatrészekről. Végtagok leszakadása vagy levágása következhet be.

Töltés vagy tartozékok kiemelése előtt mindig vegye ki az akkumulátort. Csak kifejezetten ehhez az eszközhöz ajánlott tartozékokat használjon. Minden egyéb veszélyes lehet.

A sérülési kockázat csökkentése érdekében viseljen munkavédelmi szemüveget vagy oldalsó védőlemezzel rendelkező szemüveget.

▲ FIGYELMEZTETÉS: A sérülésveszély elkerülésének érdekében csak a pengékhez ajánlott anyagokat vágjon. (lásd a „Műszaki adatok” c. fejezetet) Más anyagokat ne próbáljon vágni.

Vágás

Vágás előtt gondoskodjon arról, hogy a vágópengék megfelelően legyenek behelyezve.

1. Vezesse a kábelét derékszögben a kábelvágó vágóéleire. Ferde vágást ne kíséreljen meg, mert az károsítja az eszközt és a vágópengéket.

2. Húzza meg az indítógombot, és üzem közben tartsa lenyomva. Az indítógomb meghúzott állapotában minden LED világít.

Ha a vágás kész vagy az eszköz kikapcsol, akkor a vágópofák önállóan kinyílnak. Ha a vágási művelet alatt elengedi az indítógombot, akkor a vágópofák nyitáshoz le kell nyomni a hidraulika kioldó gombját.

Megjegyzés: A vágás során kissé elmozdulhat a munkadarab.

Teendők üzemzavar esetén

- a megvágott kábel feszültség alatt állhat – mindig tájékoztassa a biztonsági felelőst, szakítsa meg a vágási folyamatot, hozza meg a megfelelő biztonsági intézkedéseket



- Mindig gondoskodjon arról, hogy az eszköz le legyen választva az erősáramú hálózatról, mielőtt az eszközt megközelíti és megérinti
- nyomja meg és tartsa lenyomva a gombot, amíg a vágó teljesen ki nem nyílik
- ellenőrizze az akkumulátorkapacitást
- ellenőrizze az anyagot és az anyagvastagságot a műszaki adatok alapján
- Ha felmerül a gyanú, hogy áram alatt levő kábelt vágta át, akkor a kábelvágót hivatalos szakműhelyben át kell vizsgáltatni

Beszorult pengék

Egy-egy vágás után a szennyeződés és a törmelék a pengék beszorulását okozhatja

- Nyomja le és tartsa lenyomva a kioldógombot, hogy a szerszám alaphelyzetbe álljon.
- Vegye ki az akkumulátort.
- A vágópofák kinyitáshoz kövesse a képleírast
- Az újabb vágás indítása előtt távolítsa el a szennyeződéseket és a törmelékét a pengék közül.



Mag

Vágási tippek

- Ferde vágást ne kíséreljen meg, mert az károsítja az eszközt és a vágópengéket.
- A vágópenge élettartamának növelése érdekében tiszta anyagot vágjon. A vágás megkezdése előtt törölje le a szennyeződést és a törmelékét az anyagról és a vágópengékről.

KARBANTARTÁS

Az eszközön végzett mindennemű beállítás, tisztítás és karbantartás megkezdése előtt vegye ki az akkumulátort.

Soha ne nyissa fel az eszközt, a cserélhető akkumulátort vagy a töltőt.

Vizsgálja meg az eszközt bármilyen olyan probléma – zaj, mozgó alkatrészek beszorulása – tekintetében, amely befolyással lehet az eszközre.

Minden használat előtt ellenőrizze, hogy nincsenek-e repedések és egyéb elhasználódási nyomok az eszközön, a pofákon és a csuszapolóbetéteken és vágópengéken.

A munka befejezése után tisztítsa meg és zsírozza be az eszközöket.

Tisztítsa meg és zsírozza be a sajtoló görgőket, a reteszelő csapot és a pofákat.

Ellenőrizze, hogy a pofák akadálytalanul mozognak-e.

Cserélje ki a csuszapolóbetéteket és a vágópengéket, ha töredezetek vagy sérültek.

Ellenőrizze, hogy a vágóélek élesek-e, és cserélje ki az elhasznált vágópengéket.

A csuszapolóbetéteket és a vágópengéket mindig garnitúrában cserélje.

Az eszköz szellőző nyílásait minden esetben szabadon kell hagyni.

A sérülés és károsodás elkerülése érdekében eszközt, a cserélhető akkumulátort és a töltőt soha ne merítse folyadékba, és ne engedje folyadék behatolását ezekbe.

További szerviz- és javítási munkát csak hivatalos szakszervek végezhetnek.

A készülék hidraulikaolajat tartalmaz, amely veszélyt jelent a talajvízre. Az olaj ellenőrzetlen leeresztése vagy szakszerűtlen ártalmatlanítása büntetendő.

A következő szerviz időpontját az eszközön levő LED jelzi.

A karbantartást legalább 2 évente vagy 30.000 présfolyamat után, de legkésőbb a LED-kijelző szignálja után, el kell végezni.

Csak Milwaukee tartozékokat és Milwaukee pótkatrészeket szabad használni. Az olyan elemeket, melyek cseréje nincs ismertetve, cseréltesse ki Milwaukee szervizzel (lásd Garancia/Ügyfélszolgálat címei kiadványt).

Szükség esetén a készülékek robbantott ábráját – a készülék típusa és azonosító száma alapján a területileg illetékes Milwaukee márkaszerviztől vagy közvetlenül a gyártótól (Techtronic Industries GmbH, Max-Eyth-Straße 10, 71364 Winnenden, Germany) lehet kérni.

ONE-KEY™

Az eszköz ONE-KEY funkcióinak részletes ismertetését megtalálja a termékhez mellékelte Gyors Kezdés útmutatóban vagy ezen a honlapon: <http://www.milwaukeeool.com/one-key>

A ONE-KEY alkalmazás az App Store-ból vagy a Google Play-ből tölthető le.

A vizsgálati eredmény teljesíti az EN 301489-1 / EN 301489-17 szerinti minimális követelményeinket. Az üzemeltetési útmutatót a felhasználói kézikönyvben biztosítjuk a vevő számára.

AKKUK

A hosszabb ideig üzemben kívüli lévő akkumulátort használat előtt ismétellen fel kell tölteni. 50°C feletti hőmérsékletnél csökkenhet az akkumulátor teljesítménye. Kerülni kell a túlzottan meleg helyen vagy napon történő hosszabb idejű tárolást.

A töltő és az akkumulátor csatlakozóit mindig tisztán kell tartani.

Az optimális élettartam érdekében használat után az akkukat teljesen fel kell tölteni.

A lehetőleg hosszú élettartamhoz az akkukat feltöltés után ki kell venni a töltőkészülekből.

Az akku 30 napot meghaladó tárolása esetén: Az akkut kb. 27 °C-on, száraz helyen kell tárolni. Az akkut kb. 30-50%-os töltöttségi állapotban kell tárolni. Az akkut 6 havonta újra fel kell tölteni.

A használt akkumulátort ne dobja tűzbe vagy a háztartási szemétkébe. Tájékozódjon a szakszerű megsemmisítés helyi lehetőségeiről.

Az akkumulátort ne tárolja együtt fém tárgyakkal. (Rövidzárlat veszélye).

Akkumulátor sav folyhat a sérült akkumulátorból extrém terhelés alatt, vagy extrém hő miatt. Ha az akkumulátor sav a bőrére kerül azonnal mossa meg szappanos vízzel. Szembe kerülés esetén folyóvíz alatt tartsa a szemét minimum 10 percig és azonnal forduljon orvoshoz.

Ügyeljen arra, hogy a töltő aknájába ne kerüljön semmilyen fém tárgy, mert ez rövidzárlatot okozhat.

LÍTIUM-ION AKKUK SZÁLLÍTÁSA

A lítium-ion akku a veszélyes áruk szállítására vonatkozó törvényi rendelkezések hatálya alá tartoznak.

Az ilyen akku szállításának a helyi, országos és nemzetközi előírások és rendelkezések betartása mellett kell történnie.

A fogyasztók minden további nélkül szállíthatják az ilyen akkukat közúton.

A lítium-ion akku szállítmányozási vállalatok általi kereskedelmi célú szállítására a veszélyes áruk szállítására vonatkozó rendelkezések érvényesek. A kiszállítás előkészítését és a szállítást kizárólag megfelelő képzettségű személyek végezhetik. A teljes folyamatnak szakmai felügyelet alatt kell történnie.

A következő pontokat kell figyelembe venni akku szállításakor:

Biztosítsa, hogy a rövidzárlatok elkerülése érdekében az érintkezők védve és szigetelve legyenek. Ügyeljen arra, hogy az akkucsomag

ne tudjon elcsúszni a csomagoláson belül. Tilos sérült vagy kifolyt akkukat szállítani. További útmutatásokért forduljon szállítmányozási vállalatához.

CE-AZONOSSÁGI NYILATKOZAT

Kizárólagos felelősségünk alapján kijelentjük, hogy a „Műszaki adatok” fejezetben leírt termék megfelel a irányelvek összes vonatkozó rendelkezésének

2011/65/EU (RoHS)

2006/42/EK

2014/53/EU

harmonizált szabvány és a

EN 62841-1:2015

EN 62479:2010

EN 55014-1:2017+A11:2020

EN 55014-2:2015

EN 301 489-1 V2.2.3

EN 301 489-17 V3.1.1

EN 300 328 V2.2.2

EN IEC 63000:2018



Winnenden, 2020-11-10

Alexander Krug / Managing Director

Műszaki dokumentáció összeállításra felhatalmazva

Techtronic Industries GmbH

Max-Eyth-Straße 10, 71364 Winnenden, Germany

SZIMBÓLUMOK



Kérjük alaposan olvassa el a tájékoztatót mielőtt a gépet használja.



Viseljen védőszemüveget.



Az eszköz lítium gomelemeket tartalmaz.



FIGYELEM! FIGYELMEZTETÉS! VESZÉLY!



Karbantartás, javítás, tisztítás, stb. előtt az akkumulátort ki kell venni a készülékből.



Áramütés veszélye áll fenn



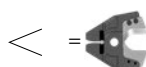
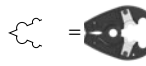
FIGYELMEZTETÉS!
Elhajított tárgyak!



FIGYELMEZTETÉS! Kéz sérülése



Azokat a tartozékokat, amelyek gyárilag nincsenek a készülékhez mellékelve, külön lehet megrendelni.



Az elektromos eszközöket nem szabad a háztartási hulladékkal együtt ártalmatlanítani. Az elektromos és elektronikus eszközöket szelektíven kell gyűjteni, és azokat környezetbarát ártalmatlanítás céljából hulladékhasznosító üzemben kell leadni. A helyi hatóságoknál vagy szakkereskedőjénél tájékozódjon a hulladékudvarokról és gyűjtőhelyekről.

V

Volt



Egyenáram



Európai megfelelőségi jelölés



Egyesült királyságbeli megfelelőségi jelölés

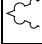





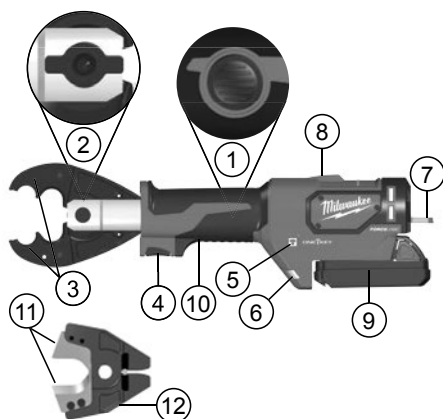
Ukrán megfelelőségi jelölés



Eurázsiai megfelelőségi jelölés



TEHNIČNI PODATKI		M18 HUCT
Stiskalno in rezilno orodje		
Proizvodna številka	4673 82 02... 000001-999999	
Frekvenčni pas	2402 - 2480 MHz	
Radiojsko frekvenco	1,8 dBm	
Napetost izmenljivega akumulatorja	18 V	
Lisovacia sila	53 kN	
Novinarsko središče : Premer maks.		
 Baker	300 mm ²	
 Aluminij	150 mm ²	
Območje rezanja odvisno od vrste materiala		
 ACSR: Aluminij-/Ocelové laná maks.	22,5 mm	
 Baker- / Aluminij-Kabel maks.	35 mm	
Drugi materiali in njihov premer so odvisni od posebnih željosti.		
Teža po EPTA-proceduri 01/2014 (Li-Ion 2,0 Ah...9,0Ah)		
s stiskalnimi čeljustmi	3,6 kg ... 4,2 kg	
s rezalnimi čeljustmi	3,7 kg ... 4,3 kg	
Priporočeni kompleti akumulatorjev	M18B...	
Priporočeni polnilniki	M12-18...	
Informacije o hrupnosti		
Vrednosti merjenja ugotovljene ustrezno z EN 62841. Raven hrupnosti naprave ovrednotena z A, znaša tipično:		
Nivo zvočnega tlaka (Nevarnost K=3dB(A))	74,6 dB (A)	
Višina zvočnega tlaka (Nevarnost K=3dB(A))	85,6 dB (A)	
Nosite zaščito za sluh!		
Informacije o vibracijah		
Skupna vibracijska vrednost (Vektorska vsota treh smerdoločena ustrezno EN 62841.		
Vibracijska vrednost emisij a _n	0,77 m/s ²	
Nevarnost K=	1,5 m/s ²	



Opis naprave

- | | |
|----------------------------------|--|
| ① Gumb za sprostitvev hidravlike | ⑦ Háčik |
| ② Zaklepni sornik | ⑧ Lučka LED /Indikator stiskalnih čeljusti |
| ③ Stiskalnimi čeljustmi | ⑨ Baterije |
| ④ Sprožilo | ⑩ Ročaj orodja Izolirana prijemalna površina |
| ⑤ Indikator ONE KEY | ⑪ Rezila |
| ⑥ Lučka LED | ⑫ Rezilne čeljusti |

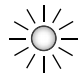

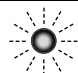
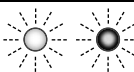
OPOZORILO!

V teh navodilih navedena raven tresljajev je bila izmerjena po EN 62841 normiranem merilnem postopku in lahko služi medsebojni primerjavi električnih orodij. Prav tako je primeren za predhodno oceno obremenitve s tresljaji.

Navedena raven tresljajev navaja najpomembnejše vrste rabe električnega orodja. Kadar se električno orodje uporablja za drugačne namene, z odstopajočimi orodji ali pa z nezadostnim vzdrževanjem, lahko raven tresljajev tudi odstopa. Le to lahko čez celoten delovni čas znatno zviša obremenitev s tresenjem.

Za natančno oceno obremenitve s tresljaji naj bi se upošteval tudi čas v katerem je naprava izklopljena ali sicer teče, vendar dejansko ni v rabi. Le to lahko obremenitev s tresljaji čez celoten delovni čas znatno zmanjša.

Za zaščito upravljalca pred učinkom tresljajev uvedite dodatne zaščitne ukrepe npr.: Vzdrževanje električnega orodja in orodja, delo s toplimi rokami, organizacija delovnih potekov.

LED indikator	Opredelitev
	Orodje je končalo opravilo in doseglo največji stiskalni tlak.
Neprekinjeno Zelena	
	Orodje je končalo opravilo, vendar NI doseglo največjega stiskalnega tlaka.
Neprekinjeno Rdeča	
	Orodje NI končalo opravila.
Utripajoče Rdeča	
	Orodje je doseglo servisni interval. (30000 stiskalne čeljusti). Rdeče/Zelena utripanje se začne, ko se za opravilo prikaže neprekinjen rdeč ali zelen indikator. MILWAUKEE priporoča redne preglede naprave in preventivno vzdrževanje.
Utripajoče Rdeča / Zelena (po Neprekinjeno Zelena ali Neprekinjeno Rdeča)	

⚠ OPOZORILO Preberite vse varnostne napotke, navodila, prikaze in podatke, ki ste jih prejeli skupaj z napravo. Napake zaradi neupoštevanja spodaj navedenih opozoril in napotil lahko povzročijo električni udar, požar in/ali težke telesne poškodbe.

Vsa opozorila in napotila shranite, ker jih boste v prihodnje še potrebovali.

⚠ SPECIALNI VARNOSTNI NAPOTKI

Upravljevec te naprave se mora pred prvim uporabljenjem in potem najmanj enkrat letno seznaniti s posebnimi nevarnostmi pri uporabi te naprave in s potrebnimi varnostnimi ukrepi.

Lastnik mora:

- upravljavcu dati na voljo navodila za uporabo in
- se prepričati, da jih je upravljevec prebral in razumel.

Uporabite zaščitno opremo. Pri uporabi te naprave stroja vedno nosite zaščitna očala. Priporočajo se zaščitna oblačila, kot npr. maska za zaščito proti prahu, zaščitne rokavice, trdno in neдрseče obuvalo, čelada in zaščita za sluh.

Nikoli ne držite prstov ali drugih delov telesa v delovnem območju cilindra ali čeljusti.

Pred nastavitvami, čiščenjem in vzdrževanjem na napravi odstranite nadomestni akumulator.

Naprave, nadomestne akumulatorje in polnilnike uporabljajte samo v tehnično brezhibnem stanju.

Poškodbe dajte takoj popraviti v avtoriziranemu strokovnemu obratu.

Za preprečevanje telesnih poškodb ali škode preprečite neželeni zagon naprave.

Pred uporabo odstranite vsa nastavitvena orodja in ključe za matice (francoze).

Delov pod električno napetostjo ni dovoljeno obdelovati. Naprava NI izolirana.

OPOZORILO! Da bi zmanjšali nevarnost požarov, telesnih poškodb in poškodb izdelka zaradi kratkega stika, nikoli ne potopite naprave, nadomestnega akumulatorja ali polnilnika v tekočino ali preprečite da bi tekočina prodrla vanje. Jedke ali prevodne tekočine, kot so morska voda, določene industrijske kemikalije in belila ali izdelki, ki vsebujejo belila itd. lahko povzročijo kratek stik.


Dosledno se držite vzdrževanja in vzdrževalnih intervalov.

Izmenljivih akumulatorjev in polnilnih aparatov ne odpirajte in jih hranite samo v suhih prostorih. Zaščitite jih pred mokrotjo.

Izmenljive akumulatorje sistema M18 polnite samo s polnilnimi aparati sistema M18. Ne polnite nobenih akumulatorjev iz drugih sistemov.

Za preprečevanje telesnih poškodb ali škode orodja, nadomestnega akumulatorja ali polnilnika nikoli ne potaplajte v tekočino ali dovolite, da tekočina vstopi vanje.

OPOZORILO

 Ta naprava ima gumbasto/litijevo baterijo. Nova ali rabljena baterija lahko povzroči hude notranje opekline in povzroči smrt v samo 2 urah, če se pogoltne ali pride v telo na kakšen drug način. Vedno zavarujte pokrov na predelu za baterije. Če se predel ne zapira varno, zaustavite napravo, odstranite baterijo in jo hranite zunaj dosega otrok. Če menite, da je nekdo pogoltnil baterijo ali je prišla v telo na kakšen drug način, takoj poiščite zdravniško pomoč.

⚠ VARNOSTNI NAPOTKI ZA STISKALNA ORODJA

Stiskalna orodja in stiskalne naprave sme uporabljati samo oseba, ki je usposobljena za izvajanje elektrotehničnih aplikacij.

Pred vsako uporabo je treba preveriti, da na stiskalnem orodju, čeljustih in vstavkih ni razpok ali drugih znakov obrabe.

Stiskalno orodje in stiskalne nastavke je dovoljeno uporabljati le v tehnično brezhibnem stanju.

Stiskalno orodje je dovoljeno uporabljati le z vstavljenimi stiskalnimi nastavki.

Uporabljajte le stiskalne nastavke do 60 kN s skupne širine 22 mm. Med stiskanjem se ne dotikajte stiskalnih čeljusti.

V primeru motenj med stiskanjem takoj spustite stikalo za VKLOP in pritisnite gumb za odklepanje hidravlike. Ventil se odpre in bat se vrne nazaj v izhodišni položaj.

⚠ VARNOSTNA NAVODILA ZA REZALNIK KABLOV

Rezanje, resp. delenje kablov a lan pomocou tohto strihača kablov smie vykonávat iba elektrotechnicky vyškolená osoba.

Za zmanjšanje tveganja eksplozij, električnega udara, materialne škode in poškodb na napravi, nikoli ne režite električnih napeljav, ki so pod električno napetostjo. Naprava NI izolirana.

Z rokami in ohlapnimi oblačili se ne približujte rezalnemu orodju in drugim premikajočim se delom. Obstaja nevarnost hudih telesnih poškodb ali trganja udov.

Noža za kable nikoli ne držite za rezilne čeljusti.

Pred vsako uporabo preverite nož za kable glede razpok in drugih vidnih sledi obrabe.

Nož za kable je dovoljeno uporabljati samo z vstavljenim rezilnim orodjem.

PREOSTALE NEVARNOSTI

Stiskalno orodje:

Nikoli ne stiskajte povezovalnih materialov kabla.

Rezalnik kablov:

Pred začetkom postopka rezanja mora biti v skladu z lokalnimi predpisi nameščena zapora za dostop.

Režite samo kable, ki niso pod napetostjo!

Káble a laná nesmú byť vystavené mechanickým silám.

Za zmanjšanje telesnih poškodb vedno nosite zaščitna očala ali očala s stransko zaščito.

Pri neupoštevanju obstaja nevarnost hudih telesnih poškodb, smrti, požara ali drugih materialnih škod zaradi električnega udara, eksplozije ali svetlobnega loka.

UPORABA V SKLADU Z NAMEMBNOSTJO

Stiskalno orodje:

Stiskalno orodje je dovoljeno uporabljati izključno za stiskanje zunanjih materialov, za katere so predvideni ustrezni stiskalni nastavki.

Vse dele pod napetostjo, tj. dele, skozi katere teče električni tok, je v tehničnem delovnem okolju potrebno izklopiti pred začetkom dela.

Rezalnik kablov:

Rezalnik kabla je primeren za rezanje kablov

- brez napetosti neokrepljeni kabli iz izoliranega bakra ali aluminija, rezalna orodja odvisna od vrste kabla



Slo

⚠ OPOZORILO Preberite vse varnostne napotke, navodila, prikaze in podatke, ki ste jih prejeli skupaj z napravo. Napake zaradi neupoštevanja spodaj navedenih opozoril in napotil lahko povzročijo električni udar, požar in/ali težke telesne poškodbe.

Vsa opozorila in napotila shranite, ker jih boste v prihodnje še potrebovali.

PRACOVNE POKYNY ZA STISKANJE

Uporabljajte le standardne vezne artikle, za katere veljajo nacionalni standardi, ter za to predvidene stiskalne nastavke.

Navodila za obdelavo in montažo veznih artiklov najdete v dokumentaciji proizvajalca.

Preverite, da se nazivne vrednosti veznega artikla ujemajo z nazivnimi vrednostmi stiskalnega nastavka.

Pred pričetkom postopka stiskanja je potrebno preveriti zmogljivost akumulatorja, ki mora biti najmanj 33 % (glejte opis slike). Morda ga je treba pred začetkom dela napolniti.

Aktiviranje krmilnega stikala sproži postopek stiskanja, pri čemer se stiskalne čeljusti dotaknejo druga druge.

Za preverjanje in oceno pravnega stiskanja je zadolžen uporabnik. Nepravilne spoje je treba popraviti z novim veznim artiklom.

Ravnanje ob motnjah

- Držite stikalo za ponastavitev dokler se stiskalne čeljusti popolnoma ne odprejo.
- Preverite zmogljivost akumulatorja.
- Preglejte kabel in stiskalne čeljusti na podlagi tehničnih podatkov.
- Če sumite, da je prišlo do stiska kabla, ki je pod električnim tokom, je potrebno opraviti pregled stiskalnega orodja pri pooblaščenem serviserju.

PRACOVNE POKYNY ZA REZANJE

Prilagoditev delovnega območja

Pred začetkom práce musí být vytvořen stav vodičův alebo lán bez napätia a musí i zostať zabezpečený po celú dobu trvania prác. Če ni mogoče jasno zagotoviti, da sta kabel ali izolirana napeljava odklopljena, se dela ne smejo izvajati.

Je bezpodmielne nutné dodržovat místne bezpečnostné predpisy a nariadenia.

Káble a laná nesmú byť vystavené mechanickým silám a popripade musia byť zabezpečené proti nekontrolovaným pohybom po vykonaní rezu.

Naprave ne izpostavljajte na dežju in je ne uporabljajte v vlažnem ali mokrem okolju.

Prilagoditev noža za kable in akumulatorja

Pred vsako uporabo:

- Preglejte nože za kable glede zunanjih pomanjkljivosti.
- Preverite rezilna orodja glede razpok in drugih vidnih sledi obrabe.

Uporabljajte samo v brezhibnem stanju!

Pred začetkom postopka rezanja je treba preveriti zmogljivost akumulatorja: najmanj 33 % (glejte opis slike). Morda ga je treba pred začetkom dela napolniti.

Prilagoditev za postopek rezanja

Podprite a upevnite kábel alebo lano, ktoré chcete rezat', aby sa minimalizovalo riziko nekontrolovaného pohybu.

Najmä nadzemné vedenia a laná sa môžu nekontrolovane uvísti do pohybu a spôsobit' zranenia a / alebo poškodenia.

Rezná hlava musí byť priložená v uhle 90° ku káblu alebo lanu tak, aby sa bez napätia položoval/o v otvorených závitových čeljustiach a aby sa zabránilo nepriaznivým strihovým silám.

⚠ OPOZORILO: Za zmanjšanje tveganja eksplozij, električnega udara, materialne škode in poškodb na napravi, nikoli ne režite električnih napeljav, ki so pod električno napetostjo.

Naprava NI izolirana. Stik s tokokrogom, ki je pod električno napetostjo, lahko povzroči hude telesne poškodbe in smrt. Vedno prekinite dovajanje električne energije, preden začnete rezati. Nikoli ne režite plinske ali vodne napeljave. Rok ne približujte rezilnim orodjem in drugim premičnim delom. Obstaja nevarnost hudih telesnih poškodb ali odtrganja udov.

Vedno odstranite nadomestni akumulator, preden dele pribora zamenjate ali odstranite. Uporabljajte izključno pribor, ki je posebej priporočen za to napravo. Uporaba drugega pribora je nevarna.

Za zmanjšanje telesnih poškodb vedno nosite zaščitna očala ali očala s stransko zaščito.

⚠ OPOZORILO: Za zmanjšanje tveganj telesnih poškodb režite samo materiale, ki so primerni za rezila. (glejte „Tehnični podatki“) Ne poskušajte rezati drugih materialov.

Rezanje kablov

Pred rezanjem se prepričajte, da so rezila pravilno nameščena.

1. Kábel vedte v pravom uhle k ostriam strihača kablov. Ne delajte posebnih rezov, ker bi to lahko poškodovalo napravo in rezila.
2. Pritisnite sprožilno in ga med opravlom držite pritisnjene. Ko pritisnete sprožilno, se vklopi lučka LED.

Ko je rez izveden ali naprava izklopljena, se rezilne čeljusti odprejo samodejno. Če med rezanjem spustite sprožilno, morate pritisniti povratno stikalo hidravlike, da se rezilne čeljusti odprejo.

Napotek: Mogoče je, da se kabel med rezanjem nekoliko premika.

Ravnanje ob motnjah

- Kábel môže byť narezaný a byť pod napätím, vždy informujte bezpečnostného technika, prerušte proces rezania, urobte vhodné bezpečnostné opatrenia
- Pred približevanjem in dotikanjem noža za kable se vedno prepričajte, da naprava ni in ne bo pod napetostjo
- Povratno stikalo držite pritisnjeno, dokler se rezila popolnoma ne odprejo.
- Preverite zmogljivost akumulatorja.
- Preverite material in debelino materiala na podlagi tehničnih podatkov
- Če sumite, da režete kabel, ki je pod napetostjo, je treba nož za kable preveriti v pooblaščenem servisni delavnici.

Zataknejene rezilne čeljusti

Umazanja in obloge lahko privedejo do tega, da se rezila po rezu zataknejo.

- Pritisnite povratno stikalo in ga držite pritisnjene, da zagotovite, da naprava ni pod tlakom.
- Odstranite nadomestni akumulator.
- Pre otvorenje závitových čeljustí postupujte podľa opisu na obrázku

- Z rezilnih čeljusti odstranite umazanijo in obloge, preden izvedete naslednji rez.

Nasveti za rezanje kablov

- Ne delajte posebnih rezov, ker bi to lahko poškodovalo napravo in rezila.
- Režite samo čiste kable, da podaljšate življenjsko dobo rezil. Pred rezanjem s kablov in rezil odstranite umazanijo in obloge.

VZDRŽEVANJE

Pred nastavitvami, čiščenjem in vzdrževanjem na napravi odstranite nadomestni akumulator.

Nikoli ne odpirajte naprave, nadomestnega akumulatorja ali polnilnika.

Preverite napravo glede morebitnih težav, kot je zvok ali zataknevitv premičnih delov, ki bi lahko ovirali napravo.

Pred vsako uporabo preverite napravo, čeljusti ter stiskalne nastavke in rezila glede razpok in drugih vidnih sledi obrabe.

Očistite in namastite naprave, ko končate delo.

Očistite in namastite pritisne valje, zaklepni sornik in čeljusti.

Preverite, ali se čeljusti pomikajo z lahkoto.

Zamenjajte stiskalne nastavke in rezila, ko postanejo lomljiva ali so vidno poškodovana.

Pazite na ostra rezila oziroma obrabljena rezila nadomestite z novimi.

Stiskalne nastavke in rezila vedno zamenjajte v parih.

Prezračevalne odprtine naprave morajo biti vedno čiste.

Za preprečevanje telesnih poškodb ali škode naprave, nadomestnega akumulatorja ali polnilnika nikoli ne potaplajte v tekočino ali dovolite, da tekočina vstopi vanje.

Nadaljnje storitve in popravila smejo izvajati samo pooblaščenec specializirane delavnice.

Naprava vsebuje hidravlično olje, ki predstavlja nevarnost za podtalnico. Nenadzorovan izpust ali nestrokovno odstranjevanje je kaznivo.

Naslednji rok za servis prikaže LED na napravi.

To vzdrževanje je treba opraviti vsaj vsaki 2 leti ali po 30000 stiskanjih ali najpozneje, ko vas na to opomni LED-prikazovalnik.

Uporabljajte samo Milwaukee pribor in Milwaukee nadomestne dele. Poskrbite, da sestavne dele, katerih zamenjava ni opisana, zamenjajo v Milwaukee servisni službi (upoštevajte brošuro Garancija aslovi servisnih služb).

Po potrebi se lahko pri vaši servisni službi ali direktno pri Techtronic Industries GmbH naroči eksplozijska risba naprave ob navedbi tipa stroja in številke s tipske ploščice Techtronic Industries GmbH, Max-Eyth-Straße 10, 71364 Winnenden, Germany.

ONE-KEY™

Če želite izvedeti več o delovanju z ENIM KLJUČEM te naprave, si oglejte navodila za hiter zagon, ki vsebujejo ta izdelek ali obiščite spletno stran <http://www.milwaukeetool.com/one-key>

Aplikacijo ONE-KEY si lahko snamete na pametni telefon v trgovini App Store ali Google Play.

Preizkusni izid izpolnjuje naše minimalne zahteve po EN 301489-1 / EN 301489-17. A. Zákazníkoví dáme prevádzkové pokyny v užívateľskej príručke.

AKUMULATORJI

Izmenljive akumulatorje, ki jih daljši čas niste uporabljali, pred uporabo naknadno napolnite. Temperatura nad 50°C zmanjšuje zmogljivost izmenljivega akumulatorja. Izogibajte se daljšemu segrevanju zaradi sončnih žarkov ali gretja.

Pazite, da ostanejo priključni kontakti na polnilnem aparatu in izmenljivem akumulatorju čisti.

za optimalno življenjsko dobo je potrebno akumulatorje po uporabi do konca napolniti.

Za čim daljšo življenjsko dobo naj se akumulatorji po napolnitvi vzamejo ven iz naprave za polnjenje.

Pri skladiščenju akumulatorjev dalj kot 30 dni: Akumulator skladiščiti pri 27°C in na suhem. Akumulator skladiščiti pri 30%-50% stanja polnjenja. Akumulator spet napolniti vsakih 6 mesecev.

Izrabljenih izmenljivih akumulatorjev ne mečite v ogenj ali v gospodinjске odpadke. Milwaukee nudi okolju prijazno odlaganje starih izmenljivih akumulatorjev; prosimo povprašajte vašega strokovnega trgovca.

Izmenljivih akumulatorjev ne hranite skupaj s kovinskimi predmeti (nevarnost kratkega stika).

Pod ekstremno obremenitvijo ali ob ekstremni temperaturi iz poškodovanega izmenljivega akumulatorja lahko izteka akumulatorska tekočina. Po stiku z akumulatorsko tekočino prizadeto mesto takoj izperite z vodo in milom. Po stiku z očmi takoj najmanj 10 minut dolgo temeljito izpirajte in nemudoma obiščite zdravnika.

V odprtino za nameščanje izmenljivih akumulatorjev na polnilnih aparatih ne smejo zaiti nikakršni kovinski deli (nevarnost kratkega stika).

TRANSPORT LITIJ-IONSkih AKUMULATORJEV

Litij-ionski akumulatorji so podvrženi zakonskim določbam transporta nevarnih snovi.

Transport teh akumulatorjev se mora izvajati upoštevajoč lokalne, nacionalne in mednarodne predpise in določbe.

Potrošniki lahko te akumulatorje še nadalje transportirajo po cesti.

Komerčni transport litij-ionskih akumulatorjev s strani špediterskih podjetij je potrjen določbam transporta nevarnih snovi. Priprava odpreme in transporta se lahko vrši izključno s strani ustrezno izšolanih oseb. Celoten proces je potrebno strokovno spremljati.

Pri transportu akumulatorjev je potrebno upoštevati sledeče točke:

V izogib kratkim stikom zagotovite, da bodo kontakti zaščiteni in izolirani. Bodite pozorni na to, da paket akumulatorja v notranjosti embalaže ne bo mogel zdrsniti. Poškodovanih ali iztekajočih akumulatorjev ni dovoljeno transportirati. Za nadaljnja navodila se obrnite na vaše špeditersko podjetje.



Slo

CE-IZJAVA O KONFORMNOSTI

S polno odgovornostjo izjavljamo, da izdelek, opisan pod „Tehnični podatki“ izpolnjuje vse ustrezne določbe direktiv

2011/65/EU (RoHS)

2006/42/ES

2014/53/EU

ter da so bili uporabljeni naslednji harmonizirani standardi

EN 62841-1:2015

EN 62479:2010

EN 55014-1:2017+A11:2020

EN 55014-2:2015

EN 301 489-1 V2.2.3

EN 301 489-17 V3.1.1

EN 300 328 V2.2.2

EN IEC 63000:2018



Winnenden, 2020-11-10

Alexander Krug / Managing Director

Pooblaščen za izdelavo spisov tehnične dokumentacije.

Techtronic Industries GmbH

Max-Eyth-Straße 10, 71364 Winnenden, Germany



SIMBOLI



Prosimo, da pred uporabo pozorno preberete to navodilo za uporabo.



Nosite zaščitna očala.



Ta naprava ima gumbasto/litijevo baterijo.



POZOR! OPOZORILO! NEVARNO!



Pred vsemi deli na stroji odstranite izmenljivi akumulator.



Nevarnost električnega udara



OPOZORILO!

Zavarujte se pred odbitimi in letečimi predmeti



OPOZORILO! Poškodbe rok



Oprema – ni vsebovana v obsegu dobave, priporočeno dopolnilo iz programa opreme.



Električnih naprav ni dovoljeno odstranjevati skupaj z gospodinjskimi odpadki. Električne in elektronske naprave je potrebno zbirati ločeno in za okolju prijazno odstranitev, oddati podjetju za reciklažo. Pri krajevnem uradu ali vašem strokovnem prodajalcu se pozanimajte glede reciklažnih dvorišč in zbirnih mest.



Napetost



Enosmerni tok



Evropska oznaka za združljivost



Britanska oznaka za združljivost



Ukrajinska oznaka za združljivost



Evrazijska oznaka za združljivost

TEHNIČKI PODACI Alat za nabiranje i rezanje		M18 HUCT
Broj proizvodnje	4673 82 02... 000001-999999	
Frekvencijski pojas	2402 - 2480 MHz	
Radiofrekvencijska snaga	1,8 dBm	
Napon baterije za zamjenu	18 V	
sila stiskanja	53 kN	
Press područje : Presjek max.	Bakar	300 mm ²
	Aluminij	150 mm ²
Područje rezanja Kabel	ACSR: Aluminij-/Čelična užad max.	22,5 mm
	Bakar- / Aluminij-Drugi materijali i njihovi promjeri ovisi o posebnim čeljustima. max.	35 mm
Težina s mrežnim kablom		
Težina po EPTA-proceduri 01/2014 (Li-Ion 2,0 Ah . . .9,0Ah)		
s čeljustima za presovanje	3,6 kg ... 4,2 kg	
s čeljustima za rezanje	3,7 kg ... 4,3 kg	
Preporučeni akumulatorski paket	M18B...	
Preporučeni punjači	M12-18...	
Informacije o buci		
Mjerne vrijednosti utvrđene odgovarajuće EN 62841. A-ocijenjeni nivo buke aparata iznosi tipično:		
Nivo pritiska zvuka (Nesigurnost K=3dB(A))	74,6 dB (A)	
Nivo učinka zvuka (Nesigurnost K=3dB(A))	85,6 dB (A)	
Nositi zaštitu sluha!		
Informacije o vibracijama		
Ukupne vrijednosti vibracije (Vektor suma tri smjersu odmjerene odgovarajuće EN 62841		
Vrijednost emisije vibracije a _h	0,77 m/s ²	
Nesigurnost K=	1,5 m/s ²	

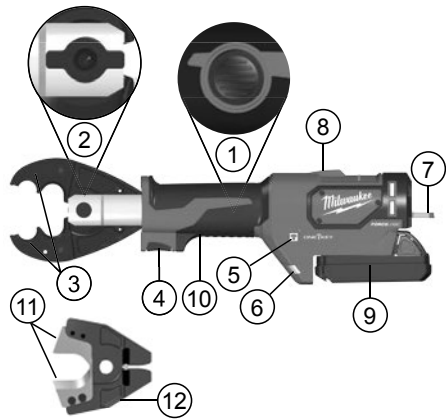
UPOZORENIE!

Ova u ovim uputama navedena razina titranja je bila izmjerena odgovarajuće jednom u EN 62841 normiranom mjernom postupku i može se upotrijebiti za usporedbu električnog alata međusobno. Ona je prikladna i za privremenu procjenu titrajnog opterećenja.

Navedena razina titranja reprezentira glavne primjene električnog alata. Ukoliko se električni alat upotrebljava u druge svrhe sa odstupajućim primijenjenim alatima ili nedovoljnim održavanjem, onda razina titranja može odstupati. To može titrajno opterećenje kroz cijeli period rada bitno povisiti.



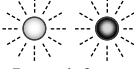
Za točnu procjenu titrajnog opterećenja se moraju uzeti u obzir i vremena u kojima je uređaj isključen ili u kojima doduše radi, ali nije i stvarno u upotrebi. To može titrajno opterećenje bitno smanjiti za vrijeme cijelog radnog perioda.

Utvrđite dodatne sigurnosne mjere za zaštitu poslužioaca protiv djelovanja titranja kao npr.: Održavanje električnih alata i upotrebljanje alata, održavanje topline ruku, organizacija i radne postupke.



Opis proizvoda

- | | |
|----------------------------------|---|
| ① Hidraulični gumb za otpuštanje | ⑦ Nosač |
| ② Vijci za blokiranje | ⑧ LED /Indikator za krimpjanje |
| ③ čeljustima za presovanje | ⑨ Akumulator |
| ④ Okidač | ⑩ Držak uređaja izolirana površina za držanje |
| ⑤ Indikator s JEDNOM TIPKOM | ⑪ Oštrice za rezanje |
| ⑥ LED | ⑫ Stezaljke za rezanje |

LED indikator	Definicija
	Alat je završio radnju i dosegnuo puni tlak krimpjanja.
Trajno Zelono	
	Alat je završio radnju, ali NIJE dosegnuo puni tlak krimpjanja.
Trajno Crveno	
	Alat NIJE završio radnju.
Treperće Crveno	
	Alat je dosegnuo svoj servisni interval (30000 krimpjovi). Crveno/zeleno treperenje počinje nakon što se za radnju prikaže trajni crveni ili zeleni indikator. Tvrtka MILWAU-KEE preporučuje da se uređaj provjeri i da se obavi preventivno održavanje.
Treperće Crveno / Zelono (nakon Trajno Zelono ili Trajno Crveno)	



Hrv

⚠ UPOZORENJE Pročitajte sve sigurnosne upute, napomene, prikaze i podatke koje dobijete uz uređaj. Ako se ne bi poštivale napomene o sigurnosti i upute to bi moglo uzrokovati strujni udar, požar i/ili teške ozljede.

Sačuvajte sve napomene o sigurnosti i upute za buduću primjenu.

⚠ SPECIJALNE SIGURNOSNE UPUTE

Rukovatelj ovim uređajem mora prije prvog rukovanja te nakon toga, najmanje jednom godišnje, biti poučen o naročitim opasnostima tijekom rukovanja uređajem te o potrebnim sigurnosnim mjerama.

Tvrtka mora:

- rukovatelju osigurati pristup uputama za rukovanje i
- osigurati da ih rukovatelj pročitati i razumije.

Upotrebjavati zaštitnu opremu. Uvijek nosite naočale i zaštitu za sluh dok koristite uređaj. Preporučuje se zaštitna odjeća, kao zaštitna maska protiv prašine, zaštitne rukavice, čvrste i protiv klizanja sigurne cipele, sljem i zaštitu sluha.

Nikada ne zadržavajte prste ili druge dijelove tijela u radnom području cilindra ili stezaljki.

Prije početka postavljanja, čišćenja ili održavanja uređaja izvadite baterije.

Uređaje, zamjensku bateriju i punjače koristite samo ako su u besprijekornom tehničkom stanju.

Oštećenja odmah dati na popravak autoriziranoj stručnoj radionici.

Kako bi se izbjegle ozljede i oštećenja, osigurajte da se uređaj ne pokrene automatski.

Prije rada uklonite sve korištene alate i ključeve za postavljanje.

Ne smiju se obrađivati dijelovi koji su pod strujnim naponom. Uređaj NIJE izoliran.

UPOZORENIE! Kako bi se smanjio rizik od požara, tjelesnih ozljeda i oštećenja proizvoda uslijed kratkog spoja, nikada ne uranjajte svoj uređaj, bateriju ili punjač u tekućinu te pazite da tekućina ne prodire u njih. Korozivne i provodne tekućine, poput morske vode, određenih industrijskih kemikalija, izbjeljivača i proizvoda koji sadrže izbjeljivače itd., mogu prouzročiti kratki spoj.

Obavezno se pridržavati održavanja i intervala održavanja.

Baterije za zamjenu i uređaje za punjenje ne otvarati i čuvati ih samo u suhim prostorijama. Čuvati protiv vlage.

Baterije sistema M18 puniti samo sa uređajem za punjenje sistema M18. Ne puniti baterije iz drugih sistema.

Kako biste izbjegli ozljede, nikada ne uranjajte alatku, zamjensku bateriju ili punjač u tekućinu odnosno na dozvolite da tekućina dospije u njih.

UPOZORENIE



Uređaj sadrži gumbaste litijevе baterije. Nova ili korištena baterija mogu prouzročiti teške unutarnje opekotine i smrt u samo dva sata ako se proguta ili uđu u tijelo. Uvijek pazite na to da je baterijski pretinac prekriven. Ako nije dobro zatvoren, zaustavite uređaj i uklonite bateriju te ju držite izvan dohvata djece. Ako mislite da je netko progutao bateriju ili da je ona na drugi način ušla u tijelo, zatražite liječnički savjet.

⚠ SIGURNOSNE UPUTE ZA ALATKE ZA PRESOVANJE

Alate za krimpavanje i uređaje za krimpavanje smije koristiti samo osoblje obučeno za elektrotehničke uređaje.

Prije svake uporabe provjerite ima li na alatki za presovanje, čeljusti za presovanje i umecima za presovanje pukotina i drugih znakova ishabanosti.

Alatku za presovanje i umetke za presovanje koristite u tehnički besprijekornom stanju.

Alatka za presovanje smije se koristiti samo s ugrađenim umecima za presovanje.

Koristite samo umetke za presovanje do 60 kN ukupne širine od 22 mm.

Ne dodirujte čeljusti za presovanje za vrijeme presovanja.

Kod smetnji tijekom presovanja odmah pustite prekidač EIN i pritisnite gumb hidraulike za otpuštanje. Ventil se otvara a klip se vraća na polaznu poziciju.

⚠ SIGURNOSNE UPUTE ZA REZAČE KABELA

Rezanje odn. razdvajanje kabela i užadi pomoću ovoga rezača kabela smije obavljati samo osoba koja se razumije u elektrotehniku.

Kako biste smanjili rizik od eksplozije, strujnog udara ili oštećenje imovine i opreme, nikada ne sječite kabele pod električnim naponom. Uređaj NIJE izoliran.

Ruke i odjeću nepripijenu uz tijelo držati dalje od alatki za rezanje i drugih pokretnih dijelova. Postoji opasnost od teških ozljeda uključujući otkidanje ekstremiteta.

Sjekač kabela nikada ne držite za čeljusti za sječenje.

Provjerite prije svake upotrebe imaju li čeljusti za sječenje napuklina ili znakova pohabanosti.

Sjekač kabela smije se koristiti samo s umetnutnim alatom za sječenje.

PREOSTALE OPASNOSTI

Alatka za presovanje:

Nemojte nikad krimpati spojne materijale pod naponom.

Rezač kabela:

Prije postupka sječenja mora se sukladno lokalnim propisima postaviti ograda za onemogućavanje pristupa.

Sječite samo kabele koji nisu pod naponom!

Kablovi i užad ne smiju se izlagati mehaničkim silama.

Kako biste smanjili rizik od ozljeda, nosite zaštitne rukavice ili naočale s bočnom zaštitom.

U slučaju ignoriranja ovog upozorenja može doći do ozbiljne ozljede, smrti, požara i druge materijalne štete usljed strujnog udara, eksplozije i/ili električnog luka.

PROPIISNA UPOTREBA

Alatka za presovanje:

Alatka za presovanje isključivo se smije koristiti za presovanje materijala za povezivanje za koje su predviđeni odgovarajući umeci za presovanje.

Svi dijelovi pod naponom, npr., dijelovi koji provode elektricitet, moraju biti odspojeni u radnom okruženju tehničara prije nego što on počne s radom.

Rezač kabela:

Rezač kabla prikladan je za rezanje

- neojačanih nezategnutih kabela od izoliranog bakra ili aluminijskih, reznih alata ovisno o vrsti kabela

⚠ UPOZORENIE Pročitajte sve sigurnosne upute, napomene, prikaze i podatke koje dobijete uz uređaj. Ako se ne bi poštivala napomene o sigurnosti i upute to bi moglo uzrokovati strujni udar, požar i/ili teške ozljede.

Sačuvajte sve napomene o sigurnosti i upute za buduću primjenu.

RADNE UPUTE ZA NABIRANJE

Koristite samo normirane artikle za povezivanje prema nacionalnim važećim standardima te za to predviđene umetke za presovajanje.

Upute za obradu i montažu za artikle za spajanje preuzmite iz odgovarajućih uputa proizvođača.

Provjerite je li nominalni unutarnji dijаметar artikla za povezivanje odgovara nominalnom unutarnjem dijamentru umetka za presovajanje.

Prije postupka krimpiranja mora se provjeriti kapacitet baterije: minimalno 33 % (pogledajte opis na slici). Možda će se morati napuniti prije početka posla.

Aktiviranjem kontrolne sklopke pokreće se postupak prešanja čija je karakteristika približavanje kalupa za krimpiranje.

Provjere i ocjena ispravnog presovajanja je obveza korisnika.

Neispravni spojevi moraju se iznova presovati novim artiklom za spajanje.

Postupci u slučaju grešaka

- Sklopku za resetiranje držite pritisnutom dok se čeljusti ne otvore do kraja
- provjerite kapacitet baterije
- Provjerite kabel i kalup za krimpiranje na temelju tehničkih podataka
- Ako se sumnja da je kabel koji se preša pod naponom, alat za krimpiranje treba provjeriti ovlaštena specijalizirana radionica

RADNE UPUTE ZA REZANJE

Pripremanje radnog područja

Prije početka posla nužno je osigurati da vodovi ili užad ne budu pod naponom te da tako ostanu tijekom cijelog vremena trajanja radova.

Ukoliko se ne može bez sumnje utvrditi isključeni kabel ili isključeni izolirani vod, ne smije se obavljati posao.

Obvezno se moraju poštovati lokalni sigurnosni propisi i pravila.

Kablovi i užad ne smiju se izlagati mehaničkim silama te moraju po potrebi biti osigurani protiv nekontroliranog pomicanja nakon sječenja.

Pumpa ne smije biti izložena kiši niti se smije koristiti u mokroj ili vlažnoj sredini.

Priprema sjekača kabela i baterije

Prije svake upotrebe:

- Provjerite ima li sjekač kabela vanjskih oštećenja
- Provjerite prije svake upotrebe imaju li čeljusti za sječenje napuklina ili znakova pohanabosti

Koristite alat samo u savršenom stanju!

Prije postupka sječenja mora se provjeriti kapacitet baterije: minimalno 33% (vidi opis na slici). Možda će se morati napuniti prije početka posla.

Priprema za proces sječenja

Poduprite ili fiksirajte kabel ili užu koje sijećete kako biste minimizirali rizik nekontroliranog pomicanja.

Naročito kod slobodnih vodova i užadi postoji mogućnost nekontroliranog pomicanja te posljedičnih ozljeda i/ili oštećenja.

Rezna glava mora se postaviti pod kutom od 90° u odnosu na kabel ili užu tako da ona bez natezanja uđe u rezu čeljusti te se izbjegnu nepovoljne sile smicanja.

⚠ UPOZORENIE: Kako biste smanjili rizik od eksplozije, strujnog udara ili oštećenje imovine i opreme, nikada ne sijećite kabele pod električnim naponom.

Uređaj NIJE izoliran. Kontakt sa strujnim vodom pod naponom može prouzročiti ozbiljne ozljede ili smrt. Isključite dovod struje prije sječenja. Nikada ne sijećite plinske ili vodovodne vodove. Držite ruke dalje od alata za sječenje i pokretnih dijelova. Postoji opasnost od teških ozljeda ili amputacije ekstremiteta.

Uvijek uklonite bateriju prije mijenjanja ili uklanjanja pribora. Koristiti isključivo pribor koji je preporučeno za ovaj uređaj. Korištenje drugog pribora može biti opasno.

Kako biste smanjili rizik od ozljeda, nosite zaštitne rukavice ili naočale s bočnom zaštitom.

⚠ UPOZORENIE: Da biste umanjili rizik ozljede samo rezite preporučene materijale za oštrice. (pogledajte „Tehničke podatke“) Ne pokušavajte sjeći druge materijale.

Sječenje

Prije rezanja pazite da su oštrice za rezanje ispravno postavljene.

1. Postavite kabel pod pravim kutom na oštrice rezača kabela. Ne pokušavajte izvoditi rezove pod kutom jer će to oštetiti uređaj i oštrice za rezanje.

2. Povucite i držite okidač tijekom rukovanja. LED svjetlo će se upaliti kad je okidač povučen.

Kad se proces rezanja završi ili se uređaj ugasi, stezaljke se otvaraju samostalno. Ako oslobodite otkopac za vrijeme rezanja, za otvaranje stezaljki morate pritisnuti tipku za hidrauličko resetiranje. Napomena: Obradak se može blago pomaknuti tijekom sječenja.

Postupci u slučaju grešaka

- kabel može biti zasječen i pod naponom, odmah informirajte osobu zaduženu za sigurnost, prekinite rezanje, poduzmite odgovarajuće sigurnosne mjere
- Uvijek se pobrinite da je uređaj isključen i da će ostati isključen iz napajanja strujom prije prilaska i dodirivanja uređaja
- pritisnite i držite gumb za resetiranje dok se sjekač u potpunosti ne otvori
- provjerite kapacitet baterije
- provjerite materijal i njegovu gustoću na osnovi tehničkih podataka
- Ako se sumnja da je kabel pod naponom, sjekač kabela treba biti provjeren od strane ovlaštene specijalizirane radionice

Zakočene oštrice

Priljavština i nakupine mogu uzrokovati da se oštrice zakače jedna za drugu nakon sječenja

- Pritisnite i držite okidač za resetiranje da biste resetirali alatku.
- Izvadite baterije.
- Slijedite upute na slikovnom prikazu za otvaranje reznih čeljusti
- Očistite svu prljavštinu i nakupine s oštrica prije započinjanja novog sječenja.



Savjeti za sječenje

- Ne pokušavajte izvoditi rezove pod kutom jer će to oštetiti uređaj i oštrice za rezanje.
- Režite čisti materijal kako biste produžili životni vijek oštrice za rezanje. Obrišite prljavštinu i nakupine s materijala i oštrica za rezanje prije nego što počnete s rezanjem.

ODRŽAVANJE

Prije početka postavljanja, čišćenja ili održavanja uređaja izvadite baterije.

Nikada ne otvarajte uređaj, zamjenjive baterije ili punjač.

Provjerite ima li uređaj bilo kakvih problema, kao što su buka ili zaglavljivanje pomičnih dijelova koji bi mogli utjecati na njega.

Prije svake uporabe provjerite imaju li uređaj, stezaljke i kalupi za krimpavanje i oštrice za rezanje pukotine ili druge znakove habanja. Očistite i namjestite uređaje kada završite s poslom.

Očistite i podmazite radne valjke, vijak za blokiranje i stezaljke.

Provjerite mogu li se stezaljke slobodno pomicati.

Zamijenite kalupe za krimpavanje i oštrice za rezanje kad se otkrnu ili oštete.

Provjerite jesu li rezni rubovi oštri te zamijenite istrošene oštrice za rezanje.

Uvijek zamijenite cijeli set kalupa za krimpavanje i oštrica za rezanje.

Ventilacijski otvori uređaja moraju uvijek biti čisti.

Kako biste izbjegli ozljede ili oštećenja, nikada ne uranjajte uređaj, zamjensku bateriju ili punjač u tekućinu odnosno ne dozvolite da tekućina prođe u njih.

Dodatne servisne radove i popravke smiju provoditi samo ovlaštene specijalizirane radionice.

Uređaj sadrži hidrauličko ulje, koje predstavlja opasnost za podzemnu vodu. Nekontrolirano ispuštanje i nestručno zbrinjavanje se kažnjava.

Vrijeme sljedećeg servisa prikazuje se LED diodom na uređaju.

To servisiranje mora se izvršiti najmanje svake 2 godine ili nakon 30000 presovanja ili najkasnije kada to LED zaslon signalizira.

Primijeniti samo Milwaukee opremu i Milwaukee rezervne dijelove. Sastavne dijelove, čija zamjena nije opisana, dati zamijeniti kod jedne od Milwaukee servisnih službi (poštivati brošuru Garancija/ Adrese servisa).

Po potrebi se može zatražiti crtež eksplozije aparata uz davanje podataka o tipu stroja i desetoznamenkastog broja na pločici snage kod Vaše servisne službe ili direktno kod Techtronic Industries GmbH, Max-Eyth-Straße 10, 71364 Winnenden, Germany.

ONE-KEY™

Kako biste saznali više o ONE-KEY funkcionalnosti ovog uređaja, pogledajte vodič za brzo pokretanje ili idite na mrežnu stranicu <http://www.milwaukeetool.com/one-key>

Aplikaciju ONE-KEY možete preuzeti na vaš pametni telefon preko App Store ili Google Play.

Rezultat ispitivanja ispunjava naše najmanje zahtjeve po EN 301489-1 / EN 301489-17. I dostavit ćemo smjernice za uporabu kupcu u uputstvu za uporabu.

BATERIJE

Baterije koje duže vremena nisu korištene, prije upotrebe napuniti. Temperatura od preko 50°C smanjuje učinak baterija. Duže zagrijavanje od strane sunca ili grijanja izbjeci.

Priključne kontakte na uređaju za punjenje i baterijama držati čistima.

Za optimalni vijek trajanja se akumulatori poslije upotrebe moraju sasvim napuniti.

Za što moguće duži vijek trajanja, akumulatori se nakon punjenja moraju odstraniti iz punjača.

Kod skladištenja akumulatora duže od 30 dana: Akumulator skladištiti na suhom kod ca. 27°C. Akumulator skladištiti kod ca. 30%-50% stanja punjenja. Akumulator ponovno napuniti svakih 6 mjeseci.

Istrošene baterije za zamjenu ne baciti u vatru ili u kućno smeće. Milwaukee nudi mogućnost uklanjanja starih baterija odgovarajuće okolini. Milwaukee nudi mogućnost uklanjanja starih baterija odgovarajuće okolini; upitajte molimo Vašeg stručnog trgovca.

Baterije za zamjenu ne čuvati skupa sa metalnim predmetima (opasnost od kratkog spoja).

Pod ekstremnim opterećenjem ili ekstremne temperature može iz oštećenih baterija iscuriti baterijska tekućina. Kod dodira sa baterijskom tekućinom odmah isprati sa vodom i sapunom. Kod kontakta sa očima odmah najmanje 10 minuta temeljno ispirati i odmah potražiti liječnika.

U prostor za punjenje baterija u uređaju za punjenje ne smiju dospijeti metalni dijelovi (opasnost od kratkog spoja).

TRANSPORT LITIJSKIH IONSKIH BATERIJA

Litijske-ionske baterije spadaju pod zakonske odredbe u svezi transporta opasne robe.

Prijevoz ovih baterija mora uslijediti uz poštivanje lokalnih, nacionalnih i internacionalnih propisa i odredaba.

Korisnici mogu bez ustručavanja ove baterije transportirati po cestama.

Komercijalni transport litijsko-ionskih baterija od strane transportnih poduzeća spada pod odredbe o transportu opasne robe. Otpremničke pripreme i transport smiju izvoditi isključivo odgovarajuće školovane osobe. Kompletni proces se mora pratiti na stručan način.

Kod transporta baterija se moraju poštivati sljedeće točke:

Uvjerite se da su kontakti zaštićeni i izolirani kako bi se izbjegli kratki spojevi. Pazite na to, da blok baterija unutar pakiranja ne može proklizavati. Oštećene ili iscurjele baterije se ne smiju transportirati. U svezi ostalih uputa obratite se vašem prijevoznom poduzeću.



Hrv

CE-IZJAVA KONFORMNOSTI

Izjavljujemo pod vlastitom odgovornošću da proizvod opisan u odjeljku „Tehnički podaci“ ispunjava sve potrebne odredbe smjernica

2011/65/EU (RoHS)

2006/42/EC

2014/53/EU

i da su korišteni sljedeći usklađeni standardi

EN 62841-1:2015

EN 62479:2010

EN 55014-1:2017+A11:2020

EN 55014-2:2015

EN 301 489-1 V2.2.3

EN 301 489-17 V3.1.1

EN 300 328 V2.2.2

EN IEC 63000:2018



Winnenden, 2020-11-10

Alexander Krug / Managing Director

Ovlašten za formiranje tehničke dokumentacije.

Techtronic Industries GmbH

Max-Eyth-Straße 10, 71364 Winnenden, Germany

SIMBOLI



Molimo da pažljivo pročitate uputu o upotrebi prije puštanja u rad.



Nositi zaštitne naočale.



Uređaj sadrži gumbaste litijeve baterije.



PAŽNJA! UPOZORENIE! OPASNOST!



Prije svih radova na stroju izvaditi bateriju za zamjenu.



Opasnost od strujnog udara



UPOZORENIE!

Opasnost od letećih dijelova.



UPOZORENIE! Povreda ruku



Oprema - u opsegu isporuke nije sadržana, preporučena dopuna iz promgrama opreme.



Električni uređaji se ne smiju zbrinjavati skupa sa kućnim smećem. Električni uređaji se moraju skupljati odvojeno i predati na zbrinjavanje primjereno okolišu jednom od pogona za iskorišćavanje. Raspitajte se kod mjesnih vlasti ili kod stručnog trgovca u svezi gospodarstva za recikliranje i mjesta skupljanja.

V

Napon



Istosmjerna struja



Europski znak suglasnosti



Britanski znak suglasnosti



Ukrajinski znak suglasnosti



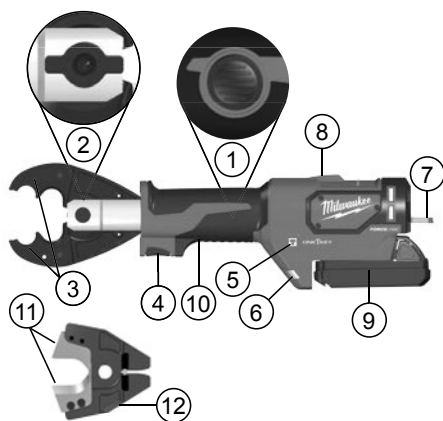
Euroazijski znak suglasnosti



TEHNISKIE DATI		M18 HUCT
Presēšanas un griešanas instruments		
Izlaides numurs	4673 82 02...	000001-999999
Frekvenču josla	2402 - 2480 MHz	
Signāla jauda	1,8 dBm	
Akumulātorā spriegums	18 V	
presēšanas spēks	53 kN	
Preses telpa : Šķēsgriezums maksimālais	Varš	300 mm ²
	Alumīnijs	150 mm ²
Griešanas diapazons Kabelis	ACSR: Alumīnijs-/Tērauda troses maksimālais	22,5 mm
	Varš- / Alumīnijs-Citi materiāli un to diametrs ir atkarīgs no specifiskajām satverēm. maksimālais Svārs ar strāvas kabeli	35 mm
Svars atbilstoši EPTA -Procedure 01/2014 (Li-Ion 2,0 Ah...9,0Ah)	ar presēšanas žokļiem	3,6 kg ... 4,2 kg
	ar griežējžokļiem	3,7 kg ... 4,3 kg
Ieteicamie akumulatoru komplekti	M18B...	
Ieteicamās uzlādes ierīces	M12-18...	
Trokšņu informācija		
Vērtības, kas noteiktas saskaņā ar EN 62841. A novērtētās aparātūras skaņas līmenis ir:		
Trokšņa spiediena līmenis (Nedrošība K=3dB(A))	74,6 dB (A)	
Trokšņa jaudas līmenis (Nedrošība K=3dB(A))	85,6 dB (A)	
Nēsāt trokšņa slāpētāju!		
Vibrāciju informācija		
Svārstību kopējā vērtība (Trīs virzienu vektoru summtiek noteiktas atbilstoši EN 62841.		
svārstību emisijas vērtība a _v	0,77 m/s ²	
Nedrošība K=	1,5 m/s ²	



Lat



Ierīces apraksts

- | | |
|---------------------------------|--|
| ① Hidraulikas atbloķēšanas poga | ⑦ Pakarināšanas oša |
| ② Bloķēšanas skrūves | ⑧ Gaismas diode /Presēšanas indikators |
| ③ Presēšanas žokļiem | ⑨ Baterija |
| ④ Mēlīte | ⑩ Rokturis Izolēta satveršanas virsma |
| ⑤ ONE KEY indikators | ⑪ Griešanas asmeņi |
| ⑥ Gaismas diode | ⑫ Griešanas spiles |

Diožu indikators	Apraksts
Vienkrāsains Zaļš	Ierīce ir pabeigusi procesu un sasniegusi pilnu presēšanas spēku.
Vienkrāsains Sarkans	Ierīce ir pabeigusi procesu, bet NAV sasniegusi pilnu presēšanas spēku.
Mirgošana Sarkans	Ierīce NAV pabeigusi procesu.
Mirgošana Sarkans / Zaļš (pēc Vienkrāsains Zaļš vai Vienkrāsains Sarkans)	Ierīce sasniegusi apkopes intervālu (30000 Presēšanas procesi). Mirgošana sarkanā/ zaļā krāsā sākas pēc tam, kad procesam ir parādīts vienkrāsains zaļš/sarkans indikators. MILWAUKEE iesaka pārbaudīt iekārtu un veikt tās profilaktisko apkopi.

Latviski

⚠ UZMANĪBU Izlasiet visus drošības norādījumus, instrukcijas, attēlus un datus, ko saņemat kopā ar ierīci. Šeit sniegto drošības noteikumu un norādījumu neievērošana var izraisīt aizdegšanos un būt par cēloni elektriskajam triecienam vai nopietnam savainojumam.

Pēc izlasīšanas uzglabājiet šos noteikumus turpmāki izmantošanai.

⚠ SPECIĀLIE DROŠĪBAS NOTEIKUMI

Šīsekārtlietotajam pirms darba uzsākšanas un turpmāk vismaz reizi gadā jāsaņem informācija par specifiskiem riskiem, kas saistīti ar šīsekārtlietošanu un svarīgiem drošības pasākumiem.

Darba izpildes uzņēmumiem:

- jānodrošina operatora piekļuve lietošanas instrukcijai un
- jāseko, lai operators būtu iepazinies ar tās saturu un to izpratis. Jāizmanto aizsargapriekojums. Iekārtaslietošanas laikā obligāti jāvalkā brilles. Ieteicams nēsāt aizsargapgērbus, kā piemēram, aizsargmasku, aizsargcimdus, kurpes no stingra un neslīdīga materiāla, ķiveri un ausu aizsargus.

Pirksti vai citas ķermeņa daļas nedrīkst atrasties cilindra vaišpīļu darba zonā.

Pirms instrumenta regulēšanas, tīrīšanas vai tehniskās apkopes atvienojiet akumulatora komplektu.

Lietojiet tikai tādus iekārtas, akumulatoru kompleksus un lādētājus, kuru tehniskais stāvoklis ir nevainojams.

Bojājumu rašanās gadījumā nekavējoties nodot rīku labošanai specializētā servisā.

Lai novērstu miesas bojājumu vai mantiska zaudējuma riskus, nodrošinieties pret nejaūšu ierīces palaidi.

Noņemiet visus regulēšanas darbarīkus un uzgriežņatslēgas pirms iekārtas lietošanas.

Nedrīkst apstrādāt detaļas, kurās ir elektriskais spriegums. Iekārta NAV elektriski izolēta.

UZMANĪBU! Lai samazinātu ugunsgrēka risku, miesas bojājumu un iekārtas bojājumu iespēju sakarā ar issavienojumu, nedrīkst iegremdēt iekārtu, akumulatoru komplektu vai lādētāju šķidrumā vai pieļaut šķidruma iekļūšanu tajos. Korozīvi vai strāvu vadoši šķidrumi, piemēram, jūras ūdens, dažas rūpnieciskās ķīmikālijas, balinātāji vai balinātājus saturoši izstrādājumi u.c., var izraisīt issavienojumu.

Obligāti veikt iekārtas apkopi un stingri ievērot apkopes intervālus.

Akumulātorus un lādētājus nedrīkst taisīt vaļā un tie jāuzglabā sausās telpās.

M18 sistēmas akumulātorus lādēt tikai ar M18 sistēmas lādētājiem. Nedrīkst lādēt citus akumulātorus no citām sistēmām.

Lai izvairītos no savainojumiem un bojājumiem, instrumentu, akumulatoru vai lādētāju nekad nemērciet ūdenī un neļaujiet tajos iekļūt mitrumam.

UZMANĪBU

⚠ Šai ierīcei ir pogas/monētas tipa litija baterija. Ja jauna vai lietota baterija tiek norīta vai nonāk ķermenī, tā ar izraisīt smagus iekšējus apdegumus un nāvi ātrāk nekā 2 stundu laikā. Vienmēr nostipriniet baterijas nodalījuma vāciņu. Ja tas droši neaizveras, apturiet ierīci, izņemiet bateriju un noglabājiet bērniem nepieejamā vietā. Ja domājat, ka baterijas ir norītas vai citādi nonākušas ķermenī, nekavējoties meklējiet medicīnisku palīdzību.

⚠ DROŠĪBAS NORĀDĪJUMI, LIETOJOT PRESĒŠANAS INSTRUMENTUS

Presēšanas instrumentus un presēšanas mehānismus drīkst lietot tikai elektrotehnikas speciālisti.

Katreiz pirms lietošanas pārbaudiet, vai presēšanas instrumentam, žokļiem un ieliktniņiem nav plaisu un citu nodiluma pazīmju.

Lietojiet tikai tehniski nevainojamu presēšanas instrumentu un presēšanas ieliktnus.

Presēšanas instrumentu drīkst lietot tikai kopā ar ievietotiem presēšanas ieliktniņiem.

Lietojiet tikai presēšanas ieliktnus līdz 60 kN ar kopējo platumu 22 mm.

Presēšanas laikā nepieskarieties presēšanas žokļiem.

Ja presēšanas laikā rodas traucējumi, uzreiz atļaidiet ieslēgšanas slēdzi un nospiediet hidrauliskās sistēmas atbloķēšanas pogu. Atveras ventilis atveras un virzulis atgriežas sākuma pozīcijā.

⚠ DROŠĪBAS NORĀDĪJUMI, LIETOJOT KABEĻU GRIEZĒJU

Kabeļu un trošu griešanu vai nogriešanu drīkst veikt tikai par elektrotehniku apmācīta persona.

Lai mazinātu eksplozijas, elektriskās strāvas trieciena draudus un risku sabojāt ipašumu vai ierīci, nekad nedrīkst griezt zem sprieguma esošos kabeļus. Iekārta NAV elektriski izolēta.

Nepietuviniet rokas un brīvu apģērbu griežējinstrumentiem un citām kustīgām detaļām. Pastāv nopietnu savainojumu, tostarp ekstremitāšu zaudēšanas, risks.

Nekad nesatveriet kabeļu griezēju aiz griešanas žokļiem.

Pirms lietošanas pārlicinieties, ka griešanas žokļos nav plaisu vai cita veida bojājumu.

Kabeļu griezēju pieļaujams izmantot tikai ar ievietotiem griešanas žokļiem.

PĀRĒJIE RISKI

Presēšanas instruments:

Nepresējiet savienojošos materiālus, kuros ir elektriskais spriegums.

Kabeļu griezējs:

Pirms griešanas uzsākšanas darbības vieta jānorobežo atbilstoši vietējiem noteikumiem.

Drīkst griezt tikai kabeļus, kas atvienoti no barošanas avota!

Kabeļus un troses nedrīkst ietekmēt mehāniski spēki.

Lai mazinātu savainošanās risku, valkājiet aizsargbrilles vai brilles ar sānu vairodziniem.

Šo noteikumu neievērošana var izraisīt nopietnus savainojumus, nāvi, ugunsgrēku vai ipašumu bojājumus, ko izsauc elektriskās strāvas trieciens, eksplozija un/vai elektriskais loks.

NOTEIKUMIEM ATBILSTOŠS IZMANTOJUMS

Presēšanas instruments:

Presēšanas instrumentu drīkst lietot tikai tādu savienošanas materiālu presēšanai, kuriem ir paredzēti attiecīgie presēšanas ieliktni.

Pirms darba sākuma montiera darba vidē ir jāatslēdz visas aktīvās, proti, spriegumu vadošās detaļas.

Kabeļu griezējs:

Kabeļu griezējs ir piemērots šādu materiālu griešanai:



Lat

- nenospriegoti, nēarmēti izolēti vara vai alumīnija kabeļi; griešanas instrumenti ir atkarīgi no kabeļa tipa

⚠ UZMANĪBU Izlasiet visus drošības norādījumus, instrukcijas, attēlus un datus, ko sapemat kopā ar ierīci. Šeit sniegto drošības noteikumu un norādījumu neievērošana var izraisīt aizdegšanos un būt par cēloni elektriskajam triecienam vai nopietnam savainojumam.

Pēc izlasīšanas uzglabājiet šos noteikumus turpmāki izmantošanai.

DARBA NORĀDĪJUMI APPRESĒŠANAI

Lietojiet tikai standartizētas savienotājdetaļas atbilstoši valsts standartiem, kā arī šim nolūkam paredzētos presēšanas ieliktņus. Savienotājdetaļu apstrādes un montāžas norādījumi ir sniegti ražotāja dokumentos.

Pārbaudiet, vai savienotājdetaļas nominālais platumas atbilst presēšanas ieliktņa nominālajam platumam.

Pirms presēšanas ir jāpārbauda akumulatora uzlādes līmenis: tam jābūt vismaz 33% (skat. ilustrēto aprakstu). Var gadīties, ka pirms darba akumulatoru būs nepieciešams uzlādēt.

Vadības slēdža nospiešana aktivizē presēšanu, par ko liecina presēšanas ieliktņu savirzīšanās.

Lietotājam jāpārbauda un jānovērtē, vai spresēšana ir veikta pareizi.

Nepareizi savienojumi jāspresē vēlreiz ar jaunu savienotājdetaļu.

Rīcība neparedzētās situācijās

- Atiestates slēdzi turiet nospiestu, līdz žokļi ir pilnībā atvēršies
- pārbaudiet akumulatora lādiņu
- Pārbaudiet kabeļi un presēšanas ieliktņus, ņemot vērā tehniskos datus
- Ja radušās aizdomas, ka ir presēts spriegumu vadošs kabelis, kabeļu griezējs jāpārbauda pilnvarotā servisā

DARBA NORĀDĪJUMI GRIEŠANAI

Darba vietas sagatavošana

Pirms darba sākuma un to laikā jānodrošina, lai vadi un troses nebūtu nospriegotas.

Ja nav iespējams droši pārliecināties par to, ka kabelis vai izolētā līnija ir atslēgta, nekādus darbus uzsākt nedrīkst.

Noteikti jāievēro spēkā esošie drošības noteikumi un normas.

Kabeļu un troses nedrīkst ietekmēt mehāniski spēki un, ja nepieciešams, pēc griezuma tie/tās jānostiprina pret nekontrolētām kustībām.

Nepakļaujiet instrumentus lietus iedarbībai. Nelietojiet instrumentus mitros vai slapjos apstākļos.

Kabeļu griezēja un akumulatora sagatavošana

Katru reizi pirms lietošanas:

- Apskatiet, vai kabeļu griezējam nav ārēju defektu
- Pārliecinieties, ka griešanas asmeņiem nav plaisu vai citu bojājumu

Lietojiet tikai perfektā kārtībā esošu instrumentu!

Pirms griešanas uzsākšanas pārbaudiet akumulatora uzlādes līmeni: tas nedrīkst būt mazāks par 33% (skat. ilustrēto aprakstu). Var gadīties, ka pirms darba akumulatoru būs nepieciešams uzlādēt.

Sagatavošanās griešanai

Atbalstiet un nofiksējiet griezamo kabeļi vai trosi, lai līdz minimumam samazinātu nekontrolētas kustības risku.

Jo īpaši brīvēstāvoši vadi un troses var sākt nekontrolēti kustēties un izraisīt traumas un/vai bojājumus.

Griezējgalva jāpieliek pie kabeļa vai troses 90° leņķī, lai tas/tā bez nospriegojuma novietotos atvērto griezējžokļos un lai izvairītos no nelabvēlīgiem cirpes spēkiem.

⚠ UZMANĪBU: Lai mazinātu eksplozijas, elektriskās strāvas trieciena draudus un risku sabojāt īpašumu vai ierīci, nekad nedrīkst griezt zem sprieguma esošus kabeļus.

Iekārta NAV elektriski izolēta. Saskaņā ar zem sprieguma esošu vadu var izraisīt smagus savainojumus vai nāvi. Pirms griešanas izslēdziet spriegumu! Nekad nemēģiniet pārgriezt gāzes vai ūdensvada caurules! Turiet rokas tālāk no visām griešanas šķautnēm un kustīgajiem elementiem. Tie var izraisīt grieztas brūces vai pat amputēt ekstremitātes.

Pirms iekārtas piederumu nomaiņas vai noņemšanas obligāti jāatvieno akumulatora komplekts. Izmantojiet tikai šai ierīcei paredzētus piederumus. Citu piederumu izmantošana var būt bīstama.

Lai mazinātu savainošanās risku, valkājiet aizsargbrilles vai brilles ar sānu vairodziņiem.

⚠ UZMANĪBU: Lai izvairītos no savainojumiem, izmantojiet tikai attiecīgajam griežamajam materiālam piemērotus asmeņus. (skat. „Specifikāciju”) Nemēģiniet griezt nepiemērotus materiālus.

Griešana

Pirms griešanas pārliecinieties, vai asmeņi ir pareizi uzstādīti.

1. Virziet kabeļi taisnā leņķī pie kabeļu griezēja asmeņiem. Nemēģiniet veikt leņķveida griezumus, jo tādejādi tiks sabojāta ierīce un asmeņi.

2. Nospiediet mēlīti un visu operācijas laiku turiet to nospiestu. Piespiežot mēlīti, iedegas gaismas diode.

Kad griešana ir pabeigta vai ierīce izslēdzas, griešanas spīles atveras automātiski. Ja trigeris tiek atlaists griešanas laikā, griešanas spīļu atvēršanai jānospiež hidrauliskās atiestatīšanas poga.

Piezīme: Griešanas laikā kabelis var nedaudz izkustēties.

Rīcība neparedzētās situācijās

- Kabelis var tikt iegriezts un būt ar spriegumu, vienmēr informējiet par drošību atbildīgo personu, pārtrauciet griešanu, veiciet atbilstīgus drošības pasākumus
- Vienmēr pārliecinieties, ka kabelis atvienots no sprieguma un nodrošināts šādā stāvoklī, un tikai pēc tam tuvojieties tam un aizskariet to.
- nospiediet un turiet nospiestu atiestates pogu, līdz griezēja žokļi pilnībā atvēršies
- pārbaudiet akumulatora lādiņu
- pārbaudiet materiāla un materiāla biežuma atbilstību tehniskajai specifikācijai
- Ja radušās aizdomas, ka ir griezts zem sprieguma esošs kabelis, kabeļu griezējs jānodod pārbaudei pilnvarota servisa speciālistiem

Iestrēguši asmeņi

Netirumi un skaidas var kļūt par iemeslu tam, ka pēc griešanas žokļi iestrēgst



Lat

- Nospiediet un turiet nospiešanu atstāties mēlīti, lai panāktu ierīces atiestāti.
- Noņemiet akumulatora komplektu.
- Ievērojiet ilustrēto aprakstu griezējzokļu atvēršanai
- Pirms uzsākat jaunu griešanas darbu, rūpīgi notīriet no asmeņiem netīrumus un skaidas.

Ieteikumi griešanai

- Nemēģiniet veikt leņķveida griezumus, jo tādējādi tiks sabojāta ierīce un asmeņi.
- Griežiet tikai tīrus materiālus, lai paildzinātu asmeņu lietošanas laiku. Noslaukiet netīrumus un grūzus no materiāla un asmeņiem pirms griešanas sākšanas.

APKOPE

Pirms instrumenta regulēšanas, tīrīšanas vai tehniskās apkopes atvienojiet akumulatora komplektu.

Nemēģiniet atvērt iekārtu, pārvietojamo akumulatoru vai lādētāju.

Pārbaudiet, vai iekārtainav radušās problēmas, piemēram, troksnis vai kustošos daļu iestrēgšana.

Pārbaudiet, vai iekārta, spilesunpresēšanas ieliktni un asmeņi nav saplaisājuši vai arī tiem nav radušās kādas citas nolietotības pazīmes.

Pēc darba beigām notīriet un ieeļļojiet iekārtas.

Notīriet un ieeļļojiet piedziņas rullīšus, bloķēšanas skrūves un spiles.

Pārbaudiet, vai spiles var brīvi pārvietoties.

Nomainiet presēšanas ieliktnus un asmeņus, ja tajos radušies robi vai cita veida bojājumi.

Pārļieciniet, vai asmeņi ir uzasināti, un nomainiet nodilušus asmeņus.

Vienmēr nomainietpresēšanas ieliktnus un asmeņus vienlaikus.

Ventilācijas spraugām iekārtā vienmēr jābūt nenosprostotām.

Lai izvairītos no miesas bojājumiem un mantiskiem zaudējumiem, iekārtu, pārvietojamo akumulatoru vai lādētāju nedrīkst iemērkāt šķīdumā vai pieļaut, ka tajos iekļūst šķidrums.

Papildu apkopes un remonta darbus atļauts veikt tikai pilnvarotām specializētām darbnīcām.

Iekārtā atrodas hidrauliskā eļļa, kas rada draudus gruntsdūņiem. Nekontrolēta eļļas noplūde vai nekompetenta tās iznīcināšana ir sodāma.

Nākamo apkopes termiņu norāda LED, kas atrodas uz iekārtas.

Šī apkope jāveic vismaz reizi 2 gados vai pēc 30 000 presēšanas reizēm, vai ne vēlāk kā tad, kad signalizē LED indikators.

Izmantojiet tikai firmu Milwaukee piederumus un firmas Milwaukee rezerves daļas. Lieciet nomainīt detaļas, kuru nomainā nav aprakstīta, kādā no firmu Milwaukee klientu apkalpošanas servisiem. (Skat. brošūru „Garantija/klientu apkalpošanas serviss“.)

Ja nepieciešams, klientu apkalpošanas servisā vai tieši pie firmas Techtronic Industries GmbH, Max-Eyth-Strasse 10, 71364 Winnenden, Germany, var pieprasīt instrumenta numurs, kas norādīts uz jaudas paneļa.

ONE-KEY™

Lai uzzinātu vairāk par šīs iekārtas ONE-KEY funkcijām, lūdzu, skatiet iekārtas piegādes komplektā iekļauto atīrās palaišanas rokasgrāmatu vai apmeklējiet tīmekļa vietni <http://www.milwaukee-tool.com/one-key>

ONE-KEY lietotni savā viedtālrunī varat lejupielādēt no App Store vai Google Play.

Pārbaudes rezultāts izpilda mūsu minimālās prasības atbilstoši standartam EN 301489-1 / EN 301489-17. Lietošanas instrukcijas klientam ir sniegtas lietotāja rokasgrāmatā.

AKUMULĀTORI

Akumulātori, kas ilgāku laiku nav izmantoti, pirms lietošanas jāuzlādē. Pie temperatūras, kas pārsniedz 50°C, akumulatoru darbība tiek negatīvi ietekmēta. Vajag izvairīties no ilgākas saules un karstuma iedarbības.

Lādētāja un akumulatoru pievienojuma kontakti jāuztur tīri.

Lai baterijas darba ilgums būtu optimāls, pēc iekārtas izmantošanas tā jāuzlādē.

Lai akumulatori kalpotu pēc iespējas ilgāku laiku, tos pēc uzlādes ieteicams atvienot no lādētājierīces.

Akumulatoru uzglabāšana ilgāk kā 30 dienas: uzglabāt akumulatoru pie aptuveni 27°C un sausā vietā. Uzglabāt akumulatoru uzlādes stāvoklī aptuveni pie 30%-50%. Uzlādēt akumulatoru visus 6 mēnešus no jauna.

Izmantotos akumulatorus nedrīkst mest uguni vai parastajos atkritumos. Firma Milwaukee piedāvā iespēju vecos akumulatorus savākt apkārtējo vidi saudzējošā veidā; jautājiet specializētā veikalā.

Akumulatorus nav ieteicams glabāt kopā ar metāla priekšmetiem (iespējams īsslēgums).

Pie ārkārtas slodzes un ārkārtas temperatūrām no bojātā akumulatora var izteciēt akumulatora šķidrums. Ja nonākt saskarsmē ar akumulatora šķidrumu, saskarsmes vieta nekavējoties jānomazgā ar ūdeni un ziepēm. Ja šķidrums nonācis acīs, acis vismaz 10 min. skalot un nekavējoties konsultēties ar ārstu.

Jāuzmanās, lai akumulatoru lādētājā nenokļūtu nekādi metāla priekšmeti (iespējams īsslēgums).

LITĪJA JONU AKUMULĀTORU TRANSPORTĒŠANA

Uz litija jonu akumulatoriem attiecas noteikumi par bīstamo kravu pārvadāšanu.

Šo akumulatoru transportēšana jāveic saskaņā ar vietējiem, valsts un starptautiskajiem normatīvajiem aktiem un noteikumiem.

Patērētāja darbības, pārvadājot šos akumulatorus pa autoceļiem, nav reglamentētas.

Uz litija jonu akumulatoru komerciālu transportēšanu, ko veic ekspedīcijas uzņēmums, attiecas bīstamo kravu pārvadāšanas noteikumi. Sagatavošanas darbus un transportēšanu drīkst veikt tikai atbilstoši apmācīts personāls. Viss process jāveic profesionāli.

Veicot akumulatoru transportēšanu, jāievēro:

Pārļieciniet, ka kontakti ir aizsargāti un izolēti, lai izvairītos no īssavienojumiem. Pārļieciniet, ka akumulators iepakojumā nevar paslidēt. Bojātus vai tekošus akumulatorus nedrīkst transportēt. Plašāku informāciju Jūs varat saņemt no ekspedīcijas uzņēmuma.



ATBILSTĪBA CE NORMĀM

Mēs ar pilnu atbildību paziņojam, ka izstrādājums, kas raksturots sadaļā „Tehniskie dati”, atbilst visām attiecīgajām prasībām direktīvās

2011/65/ES (RoHS)

2006/42/EK

2014/53/ES

un ir piemēroti šādi saskaņotie standarti

EN 62841-1:2015

EN 62479:2010

EN 55014-1:2017+A11:2020

EN 55014-2:2015

EN 301 489-1 V2.2.3

EN 301 489-17 V3.1.1

EN 300 328 V2.2.2

EN IEC 63000:2018



Winnenden, 2020-11-10

Alexander Krug / Managing Director

Pilnvarotais tehniskās dokumentācijas sastādīšanā.

Techtronic Industries GmbH

Max-Eyth-Straße 10, 71364 Winnenden, Germany

SIMBOLI



Pirms sākt lietot instrumentu, lūdzu, izlasiet lietošanas pamācību.



Jālieto aizsargbrilles.



Šai ierīcei ir pogas/monētas tipa litija baterija.



UZMANĪBU! BĪSTAMI!



Pirms mašīnai veikt jebkāda veida apkopes darbus, ir jāizņem arī akumulators.



Elektriskā trieciena risks



UZMANĪBU!
atpakaj atmetajām sagataves daļām



UZMANĪBU! Roku savainojumi



Piederumi - standartapriekojumā neietvertās, bet ieteicamās papildus komplektācijas detaļas no piederumu programmas.



Elektroiekārtas nedrīkst izmest kopā ar sadzīves atkritumiem. Elektriskās un elektroniskās iekārtas ir jāsavāc atsevišķi un jānodod pārstrādes uzņēmumam, kas no tām atbrīvosies dabai draudzīgā veidā. Meklējiet otrreizējās pārstrādes poligonus un savākšanas punktus vietējās pārvaldes iestādēs vai pie preces pārdevēja.



Spriegums



Līdzstrāva



Eiropas atbilstības zīme



Lielbritānijas atbilstības zīme



Ukrainas atbilstības zīme



Eirāzijas atbilstības zīme

Latviski

TECHNINIAI DUOMENYS		M18 HUCT
Apspaudimo ir kirpimo įrankis		
Produkto numeris	4673 82 02...	000001-999999
dažnių juosta	2402 - 2480 MHz	
radijo dažnių galia	1,8 dBm	
Keičiamo akumuliatoriaus įtampa	18 V	
presavimo jėga	53 kN	
Spaudai : Skerspjūvis maks.		
Varis	300 mm ²	
Aliuminis	150 mm ²	
Pjovimo diapazonas Kabelis		
ACSR: Aliuminis-/Plieniniai lynai maks.	22,5 mm	
Varis- / Aliuminis-Kitos medžiagos ir jų skersmuo priklausau nuo konkrečių žnybtų. maks.	35 mm	
Svoris su maitinimo laidu		
Prietaiso svoris įvertintas pagal EPTA 01/2014 tyrimų metodiką (Li-Ion 2,0 Ah...9,0Ah)	3,6 kg ... 4,2 kg	
su suspaudimo trinkelemis su kirpimo trinkelemis	3,7 kg ... 4,3 kg	
Rekomenduojami akumuliatoriai	M18B...	
Rekomenduojami įkrovikliai	M12-18...	
Informacija apie keliamą triukšmą		
Vertės matuotos pagal EN 62841. Įvertintas A įrenginio keliamo triukšmo lygis dažniausiai sudaro:		
Garso slėgio lygis (Paklaida K=3dB(A))	74,6 dB (A)	
Garso galios lygis (Paklaida K=3dB(A))	85,6 dB (A)	
Nešioti klausos apsaugines priemones!		
Informacija apie vibraciją		
Bendroji svyravimų reikšmė (trijų krypčių vektorių suma), nustatyta remiantis EN 62841.		
Vibravimų emisijos reikšmė a _n	0,77 m/s ²	
Paklaida K=	1,5 m/s ²	

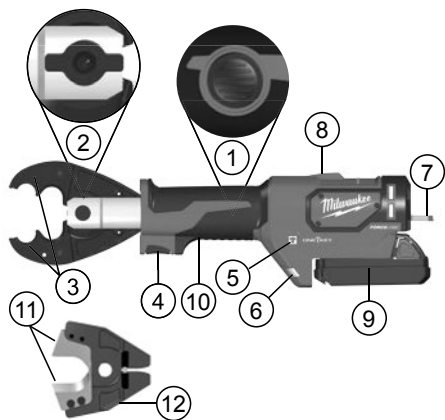
DĖMESIO!

Instrukcijoje nurodyta svyravimų ribinė vertė yra išmatuota remiantis standartu EN 62841; ji gali būti naudojama keliems elektriniams instrumentams palyginti. Ji taikoma ir laikinai įvertinti svyravimų apkrovą.

Nurodyta svyravimų ribinė vertė yra taikoma pagrindinėse elektrinio instrumento naudojimo srityse. Svyravimų ribinė vertė gali skirtis naudojant elektrinį instrumentą kitose srityse, papildomai naudojant netinkamus elektrinius instrumentus arba juos nepakankamai techniškai prižiūrint. Dėl to viso darbo metu gali žymiai padidėti svyravimų apkrova.

Siekiant tiksliai nustatyti svyravimų apkrovą, būtina atsižvelgti ir į laikotarpį, kai įrenginys yra išjungtas arba įjungtas, tačiau faktiškai nenaudojamas. Dėl to viso darbo metu gali žymiai sumažėti svyravimų apkrova.





Siekiant apsaugoti vartotojus nuo svyravimo įtakos naudojamų papildomos saugos priemonės, pavyzdžiui, elektrinių darbo instrumentų techninė priežiūra, rankų šilumos palikymas, darbo procesų organizavimas.



Įrenginio aprašymas

- | | |
|----------------------------------|---|
| ① Hidraulikos atleidimo mygtukas | ⑦ Laikiklis |
| ② Fiksavimo varžtai | ⑧ LED /Sugnybimo indikatorius |
| ③ Suspaudimo trinkelemis | ⑨ Akumuliatorius |
| ④ Gaidukas | ⑩ Rankena Izoliuotas rankenos paviršius |
| ⑤ ONE KEY indikatorius | ⑪ Kirpimo geležtės |
| ⑥ LED | ⑫ Kirpimo žiaunos |

LED indikatorius Apibrėžimas

	Įrankis užbaigė veiksmą ir pasiekė visą sugnybimo slėgį.
Nepertraukiamai dega Žalia	
	Įrankis užbaigė veiksmą, tačiau nepasiekė viso sugnybimo slėgio.
Nepertraukiamai dega Raudona	
	Įrankis neužbaigė veiksmo.
Mirksi Raudona	
	Pasiektas įrankio priežiūros intervalas (30000 sugnybia). Po to, kai buvo rodomas nepertraukiamai degantis raudonas arba žalias veiksmo indikatorius, raudonas / žalias indikatorius pradės mirksėti. MILWAUKEE rekomenduoja apžiūrėti įrenginį ir atlikti profilaktinę techninę priežiūrą.
Mirksi Raudona / Žalia (po Nepertraukiamai dega Žalia arba Nepertraukiamai dega Raudona)	



⚠ DĖMESIO Perskaitykite visas saugos nuorodas, instrukcijas, iliustracijas ir duomenis, kuriuos gaunate su prietaisu. Jei nepaisysite žemiau pateiktų saugos nuorodų ir reikalavimų, gali trenkti elektros smūgis, kilti gaisras ir/arba galite sunkiai susižaloti arba sužaloti kitus asmenis.

Išsaugokite šias saugos nuorodas ir reikalavimus, kad ir ypatinge galėtumėte jais pasinaudoti.

⚠ YPATINGOS SAUGUMO NUORODOS

Šio įrenginio naudotojas turi būti informuotas apie konkrečius pavojus, susijusius su šio įrenginio naudojimu, ir pagrindines saugos priemones prieš jam pirmą kartą imantis darbo, o vėliau – bent kartą per metus.

Veiklą vykdanči jmonė turi:

- Pasirūpinti, kad naudotojas turėtų naudojimo instrukciją,
- užtikrinti, kad naudotojas ją perskaitytų ir suprastų.

Dėvėkite apsaugines priemones. Naudodami įrenginį visada nešiokite apsauginius akinius ir klausos apsaugą. Rekomenduotina dėvėti apsaugines priemones: apsaugos nuo dulkių respiratorius, apsaugines pirštines, kietus batus neslidžiais padais, šalną ir klausos apsaugos priemones.

Niekada nelaikykite pirštų ar kitų kūno dalių žiaunų cilindro darbinėje srityje.

Prieš reguliuodami, valydami ir atlikdami techninę įrenginio priežiūrą išimkite akumuliatorių.

Įrenginius, akumuliatorių kompleksus ir įkroviklius naudokite tik tada, jei jų techninė būklė yra nepriekaištinga.

Remontuoti pažeidimus nedelsdami paveskite įgaliotoms dirbtuvėms.

Norėdami išvengti susižeidimų ir gedimų, apsaugokite įrenginį nuo netyčinio įsijungimo.

Prieš naudojimą pašalinkite bet kokius nustatymo įrankius ir veržliarakčius.

Draudžiama apdirbti elektros įtampą turinčias dalis. Įrenginys NĖRA izoliuotas.

DĖMESIO! Siekdami sumažinti gaisro, sužalojimo ir gaminio apgadinimo pavojų dėl trumpojo jungimo, niekada nemerkite įrenginio, akumuliatorių komplekto ar įkroviklio į skystį, neleiskite jų viduje tekėti skysčiui. Koroziją sukelti gali laidūs skysčiai, pavyzdžiui, jūros vanduo, tam tikri pramoniniai chemikalai, balikliai ar gaminiai, kurių sudėtyje yra baliklio, gali sukelti trumpąjį jungimą.

Būtina vykdyti techninę priežiūrą ir laikytis jos atlikimo intervalų.

Keičiamų akumuliatorių ir įkroviklių nelaikykite atvirai. Laikykite tik sausoje vietoje. Saugokite nuo drėgmės.

Keičiamus M18 sistemos akumuliatorius kraukite tik „M18“ sistemos įkrovikliais. Nekraukite kitų sistemų akumuliatorių.

Niekada nemerkite įrankio, išimamo akumuliatoriaus ar įkroviklio į skystį ir neleiskite skysčiui į juos patekti, kad išvengtumėte sužalojimų ir žalos.

DĖMESIO



Įrenginyje yra mygtuko / tabletės tipo ličio maitinimo elementas. Prarytas ar kaip nors kitaip patekęs į organizmą naujas arba naudotas maitinimo elementas per 2 valandas gali sukelti sunkių vidinių nudegimų ar mirtį. Visada pritvirtinkite maitinimo elemento skyriaus dangtį. Jei dangtis neužsidaro, išjunkite įrenginį, išimkite maitinimo elementą ir padėkite jį vaikams nepasiekiamoje vietoje. Jei manote, kad koks nors asmuo galėjo praryti maitinimo elementą arba jis kaip nors kitaip pateko į organizmą, nedelsdami kreipkitės į gydytoją.

⚠ SUSPAUDIMO ĮRANKIŲ SAUGOS NUORODOS

Sugnybimo įrankius ir įrenginius turi naudoti tik kvalifikuotas personalas, atliekantis elektrotechninius darbus.

Kaskart prieš naudodami patikrinkite suspaudimo įrankį, trinkeles ir įdėklus, ar neturi trūkių ir kitų susidėvėjimo požymių.

Galima naudoti tik nepriekaištingos techninės būklės suspaudimo įrankį ir suspaudimo įdėklus.

Suspaudimo įrankį leidžiama naudoti tik su įstatytais suspaudimo įdėklais.

Naudokite tik suspaudimo įdėklus iki 60 kN, kurių bendrasis plotis 22 mm.

Suspaudimo proceso metu nelieskite suspaudimo trinkelėlių.

Kilus sutrikimams suspaudimo proceso metu, nedelsdami atleiskite įjungimo jungiklį ir nuspauskite hidraulinės įrangos atrakinimo rankenėlę. Atsidaro vožtuvas ir stūmoklis grįžta į pradinę padėtį.

⚠ KABELIŲ KARPYTUVO SAUGOS NUORODOS

Pjaustyti arba karpyti kabelius ir lynus šiuo kabelių karpytuvu leidžiama tik elektrotechnikos srityje instruktuotam asmeniui.

Norėdami sumažinti sprogingų, elektros šoko ir žalos nuosavybei ir įrangai pavojų, niekada nenukirpkite elektros kabelių, kuriais teka elektros srovė. Įrenginys NĖRA izoliuotas.

Rankas ir laisvus drabužius laikykite atokiau nuo kirpimo įrankių ir kitų judančių dalių. Kyla pavojus rimtai susižaloti, taip pat pavojus netekti galūnių.

Niekada nelaikykite laidų kirpimo žnyplių už kirpimo žiočių.

Prieš naudodami, visada patikrinkite kirpimo žnyplių žiotis, ar yra įtrūkimų ar kitų nusidėvėjimo požymių.

Laidų karpymo žnyples galima naudoti tik su įstatytu karpymo įrankiu.

KITI PAVOJAI

Suspaudimo įrankis:

Niekada nesugnybkite jungiamųjų medžiagų, kuriomis teka elektros srovė.

Kabelių karpytuvas:

Prieš pradėdami kirpimo procesą, būtina izoliuoti prieigą laikantis vietos nuostatų.

Visada kirpkite tik nuo maitinimo šaltinio atjungtus kabelius!

Kabelių ir lynų negali veikti mechaninės jėgos.

Kad sumažintumėte pavojų susižaloti, dėvėkite apsauginius akinius arba akinius su šoniniais skydeliais.

Nesilaikant šio nurodymo, galimi rimti sužalojimai, mirtis, gaisras ir kita žala nuosavybei dėl elektros šoko, sprogingo ir (arba) elektros lankinės iškrovos.

NAUDOJIMAS PAGAL PASKIRTĮ

Suspaudimo įrankis:

Suspaudimo įrankį leidžiama naudoti tik jungiamųjų medžiagų, kuriomis yra numatyti atitinkami suspaudimo įdėklai, suspaudimui.

Prieš pradėdami darbą technikas turi atjungti visas dalis, kuriomis teka elektros srovė.

Kabelių karpytuvas:

Kabelių kirpimo žirkklės tinka

- nesutvirtintiems laidams iš izoliuoto vario ar aliuminio, kuriais neteka įtampa, kirpti. Konkretus kirpimo įrankis priklauso nuo kabelio tipo

⚠ DĖMESIO Perskaitykite visas saugos nuorodas, instrukcijas, iliustracijas ir duomenis, kuriuos gaunate su prietaisu. Jei nepaisysite žemiau pateiktų saugos nuorodų ir reikalavimų, gali trenkti elektros smūgis, kilti gaisras ir/arba kalte sunkiai susižaloti arba sužaloti kitus asmenis.

Išsaugokite šias saugos nuorodas ir reikalavimus, kad ir ateityje galėtumėte jais pasinaudoti.

DARBO NUORODOS APSPAUDIMUI

Naudokite tik standartizuotus jungiamuosius gaminius, atitinkančius šalyje galiojančius standartus, bei tam numatytus suspaudimo įdėklus.

Jungiamųjų gaminių apdirbimo ir montavimo instrukcijas rasite gamintojo dokumentuose.

Patikrinkite, ar jungiamojo gaminio vardinis skersmuo sutampa su suspaudimo įdėklo vardinio skersmeniu.

Prieš pradėdam sugnybimą reikia patikrinti akumuliatoriaus talpą: minimali talpa yra 33 % (žr. iliustruotą aprašymą). Prieš pradėdam darbą gali prireikti įkrauti.

Įjungus valdymo jungiklį pradėdamas spaudimo procesas, sugnybimo antgaliai susiglaudžia.

Patikrinti ir įvertinti teisingą suspaudimą privalo naudotojas.

Neteisingas jungtis reikia dar kartą suspausti nauju jungiamuoju gaminiu.

Veiksmai gedimų atveju

- Laikykite nuspaustą atleidimo jungiklį, kol žiotys visiškai atsivers
- patikrinkite akumuliatoriaus talpą
- Vadovaudamiesi techniniais duomenimis apžiūrėkite kabelį ir sugnybimo antgalius
- Jei įtariama, kad buvo suspaustas kabelis, kuriuo teka elektros srovė, reikia patikrinti sugnybimo įrankį įgaliotose specialistų dirbtuvėse

DARBO NUORODOS KIRPIMUI

Darbo vietos paruošimas

Prieš pradėdam darbą, būtina sukurti linijų arba lynų būseną be įtampas, ir ją užtikrinti, kol truks darbai.

Jei neįmanoma visiškai užtikrinti, kad kabelis arba izoliuota linija būtų atjungta, negalima atlikti jokių darbų.

Būtina laikytis vietinių saugos reikalavimų ir taisyklių.

Kabelių ir lynų negali veikti mechaninės jėgos, ir juos, esant reikalui, po kirpimo būtina apsaugoti nuo nevaldomo judėjimo.

Saugokite įrankius nuo lietaus. Nedirbkite su įrankiais esant rūkui ar drėgnose vietose.

Laidų kirpimo žnyplių ir akumuliatoriaus paruošimas

Prieš kiekvieną naudojimą:

- Patikrinkite laidų kirpimo žnyplės, ar nėra išorinių defektų
- Patikrinkite kirpimo įrankį, ar nėra įtrūkimų ar kitų nusidėvėjimo požymių

Naudokite tik puikios būklės!

Prieš prasidedant kirpimo procesui būtina patikrinti akumuliatoriaus talpą: minimali – 33 % (žr. iliustruotą aprašymą). Prieš pradėdam darbą gali prireikti įkrauti.

Pasiruošimas kirpimo procesui

Paremkite ir užfiksukite kerpamą kabelį arba lyną, kad sumažintumėte nevaldomo judėjimo riziką.

Ypač gali imti nevaldomai judėti oro linijos ir lynai ir sukelti sužalojimų ir (arba) pažeidimų.

Kirpimo galvutė turi būti pridėta 90° kampu kabelio arba lyno atžvilgiu, kad šis be įtempių atsiriemtų į atidarytą kirpimo trinkele, ir būtų išvengta nepalankių šlyties jėgų.

⚠ DĖMESIO: Norėdami sumažinti sprogmųjų, elektros šoko ir žalos nuosavybei ir įrangai pavojų, niekada nenurpinkite elektros kabelių, kuriais teka elektros srovė.

Įrenginys NĖRA izoliuotas. Prisilietus prie grandinės, kuria teka srovė, galimi rimti sužalojimai arba mirtis. Išjunkite maitinimą prieš kirpdami. Niekada nekirpkite dujų ar vandens linijų. Nelieskite jokių aštriųjų briaunų ar judančių dalių. Galimos plėštinės žaizdos arba amputacija.

Prieš keisdami ar nuimdami priedus, visada išimkite akumuliatorių komplektą. Naudokite tik priedus, specialiai rekomenduotus šiam įrenginiui. Kiti gali būti pavojingi.

Kad sumažintumėte pavojų susižaloti, dėvėkite apsauginius akinius arba akinius su šoniniais skydeliais.

⚠ DĖMESIO: Norėdami sumažinti susižalojimo pavojų, kirpkite medžiagas, rekomenduojamas kirpti šiomis geležtėmis. (žr. „Techninės savybės“) Nebandykite kirpti kitų medžiagų.

Kirpimas

Prieš kirpdami pasirūpinkite, kad kirpimo geležtės būtų tinkamai įtaisytos.

1. Kreipkite kabelį statmenai prie kabelių karpymo ašmenų. Nebandykite kirpti kampu, nes taip galite sugadinti įrenginį ir kirpimo geležtę.

2. Paspauskite gaiduką ir jį laikykite atlikdami operaciją. Kai gaidukas nuspaustas, šviečia LED indikatorius.

Nukirpus arba išsijungus įrenginiui, kirpimo žiaunos atsidaro pačios. Jei atleidžiame paleidkį kirpimo operacijos metu, turite paspausti hidraulinį nustatymo iš naujo mygtuką, kad atidarytumėte kirpimo žiaunas.

Pastaba: Kerpamas objektas gali šiek tiek judėti.

Veiksmai gedimų atveju

- kabelis gali būti įpjautas ir turėti įtampą, visada informuokite saugos įgaliotinį, nutraukite kirpimo procesą, imkitės tinkamų apsaugos priemonių
- Visada užtikrinkite, kad įrenginys būtų atjungtas nuo maitinimo šaltinio prieš priartėdami ir jį liesdami
- paspauskite ir palaikykite nustatymo iš naujo mygtuką, kol žnyplės visiškai atsidarys
- patikrinkite akumuliatoriaus talpą
- patikrinkite medžiagą ir medžiagos storį, palyginę su techniniais duomenimis
- Jei įtariama, kad buvo nukirptas kabelis, kuriuo teka elektros srovė, reikia patikrinti laidų kirpimo žnyplės įgaliotose specialistų dirbtuvėse

Užstrigusios geležtės

Dėl nešvarumų ir nuolaužų geležtės po kirpimo gali užstrigti

• Paspauskite ir palaikykite atlaisvinimo gaiduką, kad užtikrintumėte, jog įrankis nustatytas iš naujo.

• Išimkite akumuliatorių.

• vadovaukitės vaizdiniu aprašymu, kad atidarytumėte kirpimo trinkeles



Liet

- Nuvalykite nuo geležčių bet kokius nešvarumus ir nuolužas prieš vėl pradėdami kirpti.

Kirpimo patarimai

- Nebandykite kirpti kampu, nes taip galite sugadinti įrenginį ir kirpimo geležtes.
- Kad kirpimo geležtės ilgiau tarnautų, kirpkite švarią medžiagą. Nuvalykite nešvarumus ir nuolužas nuo medžiagos ir kirpimo geležčių prieš pradėdami kirpti.

TECHNINIS APTARNAVIMAS

Prieš reguliuodami, valydami ir atlikdami techninę įrenginio priežiūrą išimkite akumuliatorių.

Niekada neardykite įrenginio, išimamo akumulatoriaus ar įkroviklio.

Patikrinkite įrenginį, ar nėra kokių požymių, pavyzdžiui, judančių dalių triukšmo arba strigimo, kas galėtų pakenkti įrenginiui.

Kiekvieną kartą prieš naudodami patikrinkite įrenginį, žiaunas ir apspaudimo antgalius ar kirpimo geležtes, ar nėra įtrūkimų ar kitų nusidėvėjimo požymių.

Baigę darbą nuvalykite ir patepkite įrenginius.

Nuvalykite ir sutepkite pavaros velenėlius, fiksavimo varžtą ir žiaunas.

Patikrinkite, ar žiaunos gali laisvai judėti.

Pakeiskite aplūsius arba apgadintus apspaudimo antgalius ir kirpimo geležtes.

Patikrinkite, ar kirpimo briaunos yra aštrios, taip pat pakeiskite nusidėvėjusias kirpimo geležtes.

Visada keiskite visą apspaudimo antgalių ir kirpimo geležčių komplektą.

Įrenginio ventiliacijos angos visada turi būti neuždengtos.

Norėdami išvengti sužalojimų ir žalos, niekada neįmerkite įrenginio, išimamo akumulatoriaus arba įkroviklio į skystį ir neleiskite skysčiui prasiskverbti į juos.

Kitus priežiūros ir remonto darbus turi atlikti tik įgaliotų specializuotų dirbtuvių personalas.

Prietaise yra hidraulinės alyvos, kuri kelia pavojų gruntuiniams vandenims. Už jos išleidimą arba netinkamą utilizavimą gresia bauda.

Kitą priežiūros terminą nurodo LED, esantys ant įrenginio.

Šią techninę priežiūrą reikia atlikti ne rečiau kaip kas 2 metus arba po 30000 suspaudimo procesų, arba vėliausiai tada, kai tai signalizuoja LED rodmuo.

Naudokite tik „Milwaukee“ priedus ir „Milwaukee“ atsargines dalis. Dalis, kurių keitimas neaprašytas, leidžiama keisti tik „Milwaukee“ klientų aptarnavimo skyriams (žr. garantiją/klientų aptarnavimo skyrių adresus brošiūroje).

Jei reikia, nurodant įrenginio tipą bei specifikacijų lentelėje esantį numerį, iš klientų aptarnavimo skyriaus arba tiesiai iš Techtronic Industries GmbH, Max-Eyth-Straße 10, 71364 Winnenden, Germany, galima užsisakyti prietaiso surinkimo brėžinius.

ONE-KEY™

Norėdami daugiau sužinoti apie šio įrenginio funkciją ONE-KEY, žr. su šiuo gaminiu priededamą Trumpąjį žinyną arba eikite į svetainę <http://www.milwaukeetool.com/one-key>

Jūs galite iš „App Store“ arba „Google Play“ į savo išmanųjį telefoną atsisiųsti ONE-KEY programėlę.

Bandyimų rezultatai atitinka mūsų minimalius reikalavimus pagal EN 301489-1 / EN 301489-17. Naudojimo patarimų klientui bus pateikiama naudotojo vadove.

AKUMULATORIAI

Ilgesnį laiką nenaudotus keičiamus akumuliatorius prieš naudojimą įkraukite. Aukštesnė nei 50°C temperatūra mažina keičiamų akumuliatorių galią. Venkite ilgesnio saulės ar šilumos šaltinių poveikio.

Įkroviklio ir keičiamo akumulatoriaus jungiamieji kontaktai visada turi būti švarūs.

Kad prietaisas kuo ilgiau veiktų, pasinaudoję juo, iki galo įkraukite akumuliatorius.

Siekiant užtikrinti kuo ilgesnį baterijos tarnavimo laiką, reikėtų ją po atlikto įkrovimo iškart išimti iš įkroviklio.

Bateriją laikant ilgiau nei 30 dienų, būtina atkreipti dėmesį į šias nuorodas: bateriją laikyti sausoje aplinkoje, esant apie 27 °C temperatūrai. Baterijos įkrovimo lygis turi būti nuo 30% iki 50%. Baterija pakartotinai turi būti įkraunama kas 6 mėnesius.

Sunaudotų keičiamų akumuliatorių nedeginkite ir nemeskite į buitines atliekas. „Milwaukee“ siūlo tausojantį aplinką sudėvėtų keičiamų akumuliatorių tvarkymą, apie tai prekybos atstovo.

Keičiamų akumuliatorių nelaikykite kartu su metaliniais daiktais (trumpojo jungimo pavojus).

Ekstremalių apkrovų arba ekstremalios temperatūros poveikyje iš keičiamų akumuliatorių gali išstėkti akumulatoriaus skystis. Išsitiesus akumulatoriaus skystį, tuoj pat nuplaukite vandeniu su muilu. Patekus į akis, tuoj pat ne trumpiau kaip 10 minučių gausiai skalaukite vandeniu ir tuoj pat kreipkitės į gydytoją.

Į įkroviklių keičiamiems akumuliatoriams įstatymų skirtą vamzdį turi nepatekti jokios metalinės dalys (trumpojo jungimo pavojus).

LIČIO JONŲ AKUMULIATORIŲ PERVEŽIMAS

Ličio jonų akumuliatoriams taikomos įstatyminės nuostatos dėl pavojingų krovinių pervežimų.

Šiuos akumuliatorius pervežti būtina laikantis vietinių, nacionalinių ir tarptautinių direktyvų ir nuostatų.

Naudotojai šiuos akumuliatorius gali naudoti savo transporte be jokių kitų sąlygų.

Už komercinį ličio jonų akumuliatorių pervežimą atsako ekspedicijos įmonė pagal nuostatas dėl pavojingų krovinių pervežimo. Pasiruošimo išsiųsti ir pervežimo darbus gali atlikti tik atitinkamai išmokyti asmenys. Visas procesas privalo būti prižiūrimas.

Pervežant akumuliatorius būtina laikytis šių punktų:

Siekiant išvengti trumpųjų jungimų, įsitikinkite, kad kontaktai yra apsaugoti ir izoliuoti. Atkreipkite dėmesį, kad akumuliatorius pakuočės viduje neslidinėtų. Draudžiama pervežti pažeistus arba tekančius akumuliatorius. Dėl detalesnių nurodymų kreipkitės į savo ekspedicijos įmonę.



Liet

CE ATITIKTIES PAREIŠKIMAS

Prisiimdami visą atsakomybę pareiškiame, kad gaminys, aprašytas „Techniniuose duomenyse“, atitinka taikomus reikalavimus, išdėstytus direktyvose

2011/65/ES (RoHS)

2006/42/EB

2014/53/ES

ir buvo taikyti šie darnieji standartai

EN 62841-1:2015

EN 62479:2010

EN 55014-1:2017+A11:2020

EN 55014-2:2015

EN 301 489-1 V2.2.3

EN 301 489-17 V3.1.1

EN 300 328 V2.2.2

EN IEC 63000:2018



Winnenden, 2020-11-10

Alexander Krug / Managing Director

Igaliotas parengti techninius dokumentus.

Techtronic Industries GmbH

Max-Eyth-Straße 10, 71364 Winnenden, Germany

SIMBOLIAI



Prieš pradėdami dirbti su prietaisu, atidžiai perskaitykite jo naudojimo instrukciją.



Dėvėkite apsauginius akinius.



Įrenginyje yra mygtuko / tabletės tipo ličio maitinimo elementas.



DĖMESIO! ĮSPĖJIMAS! PAVOJUS!



Prieš atlikdami bet kokius darbus įrenginyje, išimkite keičiamą akumuliatorių.



Elektros smūgio pavojus



DĖMESIO!
skrendančių dalių



DĖMESIO! Rankų sužalojimas



Priedas – neįeina į tiekimo komplektaciją, rekomenduojamas papildymas iš priėdų asortimento.



Elektros prietaisų negalima išmesti kartu su buitinėmis atliekomis. Būtina rūšiuoti elektros ir elektroninius prietaisus ir atiduoti j atliekų perdirbimo centrą, kad jie būtų utilizuoti netešiant aplinkos. Informacijos apie perdirbimo centrus ir atliekų surinkimo įstaigas teiraukitės vietos įstaigoje arba prekybininko.

V

Įtampa



Nuolatinė srovė



Europos atitikties ženklas



Britanijos atitikties ženklas




Ukrainos atitikties ženklas

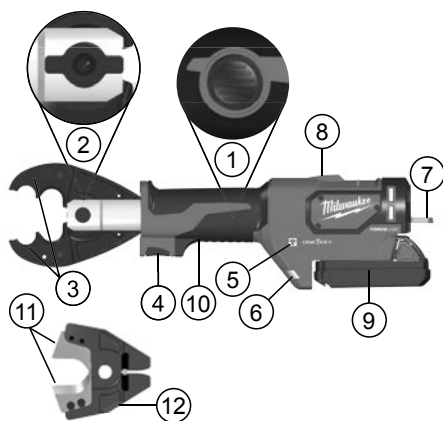
001



Eurazijos atitikties ženklas

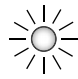





TEHNILISED ANDMED Press- ja lõiketangid		M18 HUCT
Tootmisnumber	4673 82 02... 000001-999999	
Sagedusriba	2402 - 2480 MHz	
Saatevõimsus	1,8 dBm	
Vahetatava aku pinge	18 V	
surujõud	53 kN	
 Tugistruktuurid : Ristlõige max Vask Alumiinium	300 mm ²	150 mm ²
	Lõiketsoon Kaabel	
ACSR terasaluumiiniumjuhtmed: Alumii- nium-/Terastross max	22,5 mm	
Vask- / Alumiinium-Muud materjalid ja nende läbimõõt sõltuvad konkreetsetest haaratsitest. max	35 mm	
Kaal koos toitekaabliga		
Kaal vastavalt EPTA-protseduurile 01/2014 (Li-Ion 2,0 Ah...9,0Ah)		
pressimis- ja lõikepaksidega	3,6 kg ... 4,2 kg	3,7 kg ... 4,3 kg
Soovituslik akupakid	M18B...	
Soovituslik laadija	M12-18...	
Müra andmed		
Mõõteväärtused on kindlaks tehtud vastavalt normile EN 62841. Seadme tüüpiline hinnanguline (müratase): Helirõhutase (Määramatus K=3dB(A))	74,6 dB (A)	
Helivõimsuse tase (Määramatus K=3dB(A)) Kandke kaitseks kõrvaklappe!	85,6 dB (A)	
Vibratsiooni andmed		
Vibratsiooni koguväärtus (kolme suuna vektorsummamõõdetud EN 62841 järgi).		
Vibratsiooni emissiooni väärtus a _n	0,77 m/s ²	
Määramatus K=	1,5 m/s ²	



Seadme kirjeldus

- | | |
|--------------------------------|---------------------------------------|
| ① Hüdraulika vabastusnupp | ⑦ Riputi |
| ② Lukustuspoldid | ⑧ LED-lamp /Lainestusnäidik |
| ③ Pressimis- ja lõikepaksidega | ⑨ Aku |
| ④ Päästik | ⑩ Käepide Isoleeritud pideme piirkond |
| ⑤ ÜHE VÕTME näidik | ⑪ Lõiketerad |
| ⑥ LED-lamp | ⑫ Lõikelõuad |

LED-näidik	Määratlus
	Tööriist lõpetas toimingu ja saavutas täieliku lainestussurve.
Pidev Roheline	
	Tööriist lõpetas toimingu, kuid ei saavutanud täielikku lainestussurvet.
Pidev Punane	
	Tööriist ei lõpetanud toimingut.
Vilkuv Punane	
	Tööriist on saavutanud hooldusintervalli (30000 lained). Punane/roheline tuli hakkab vilkuma pärast seda, kui kuvatakse toimingust märku andev pidev punane või roheline tuli. MILWAUKEE soovib teha seadmele ülevaatus ja ennetav hooldus.
Vilkuv Punane / Roheline (pärast Pidev Roheline või Pidev Punane)	

TÄHELEPANU!

Antud juhendis toodud võnketase on mõõdetud EN 62841 standardile vastava mõõtesüsteemiga ning seda võib kasutada erinevate elektriseadmete omavahelises võrdlemises. Antud näitaja sobib ka esmaseks võnkekoormuse hindamiseks.

Antud võnketase kehtib elektriseadme kasutamisel sihtotstarbeliselt. Kui elektriseadet kasutatakse muudel otstarvetel, muude tööriistadega või seda ei hooldata piisavalt võib võnketase siintoodust erineda. Eeltoodu võib võnketaset märkimisväärselt tõsta terves töökeskkonnas.

Võnketaseme täpselt hindamiseks tuleks arvestada ka aega, mil seade on välja lülitatud või on küll sisse lülitatud, kuid ei ole otseselt kasutuses. See võib märgatavalt vähendada kogu töökeskkonna võnketaset.

Rakendage spetsiaalseid ettevaatusabinõusid töötajate suhtes, kes puutuvad töö käigus palju kokku vibratsiooniga. Nendeks abinõudeks võivad olla, näiteks: elektri- ja tööseadmete korraline hooldus, käte soojendamine, töövoo parem organiseerimine.



TÄHELEPANU Lugege kõik seadmega kaasas olevad ohutusjuhised, juhendid, joonised ja andmed läbi.

Ohutusnõuete ja juhiste eiramise tagajärjeks võib olla elektrilöök, tulekahju ja/või rasked vigastused.

Hoidke kõik ohutusnõuded ja juhised edasiseks kasutamiseks hoolikalt alles.



SPETSIAALSED TURVAJUHISED

Selle seadme operaator peab enne seadme esmakordset kasutamist ja seejärel vähemalt kord aastas läbima instruktaazi, mille käigus teda teavitatakse seadme kasutamise kaasnevatest ohtudest ja olulistest ohutusabinõudest.

Käituseetevõtte peab:

- tagama kasutusjuhendi kättesaadavuse kasutajale ning
- kindlustama, et kasutaja loeb selle läbi ja saab sellest aru.

Kasutada kaitsevarustust. Kandke seadme kasutamise ajal alati prille. Kaitseriietusena soovitatakse kasutada tolmumaski kaitsekindaid, kinniseid ja libisemisvastase tallaga jalanõusid, kiivrit ja kuulmisteede kaitset.

Ärge hoidke sõrmi ega muid kehaosi silindri ega lõugade tööpiirkonnas.

Eemaldage akupakk enne seadme reguleerimist, puhastamist ja hooldust.

Kasutage üksnes töökorras olevaid seadmeid, akusid ja laadijaid ainult siis, kui need on laitmatu tehnilises seisukorras.

Laske kahjustused kohe volitatud oskustöökojas remontida.

Vigastuste ja kahjustuste vältimiseks jälgige, et seade ei käivituks juhuslikult.

Enne tööoperatsioonide tegemist eemaldage seadistusvahendid.

Ei tohi töödelda elektripingel all olevaid osi. Seade EI OLE isoleeritud.

TÄHELEPANU! Lühise tõttu tekkingu tuleohtu, kehavigastuste ja tootekahjustuste vältimiseks ärge asetage seadet, akusid või laadijat mitte kunagi vedelikku sisse ega laske vedelikel nende sisse sattuda. Korrosiivsed ja elektrit juhtivad vedelikud, näiteks merevesi, teatud tööstuskemikaalid, pleegitid ja pleegiteid sisaldavad tooted jne võivad põhjustada lühise.

Pidage hooldusest ja hooldusintervallidest kohustuslikult kinni.

Ärge avage vahetatavaid akusid ega laadijaid ning ladustage neid ainult kuivades ruumides. Kaitske niiskuse eest.

Laadige süsteemi M18 vahetatavaid akusid ainult süsteemi M18 laadijatega. Ärge laadige nendega teiste süsteemide akusid.

Vigastuste ja kahjustuste vältimiseks ärge asetage tööriista, eemaldavat akut ega laadijat vette ega laske vedelikel neisse tungida.

TÄHELEPANU



See seade sisaldab nõopatarei (liitumpatarei). Uus või kasutatud patarei võib põhjustada raskeid sisemisi põletusi ja surma vaid 2 tunniga pärast allaneelamist või organismi sattumist. Kinnitage alati akupesa kate. Kui see ei sulgu turvaliselt, seisake seade, eemaldage patarei ja hoidke seda lastele kättesaamatult. Kui kahtlustate, et keegi on patarei alla neelanud või see on muul viisil organismi sisenenud, pöörduge kohe arsti poole.



PRESSIMISINSTRUMENTIDE OHUTUSJUHISED

Lainestustööriistu ja -seadmeid tohivad kasutada ainult elektrotehnika alase väljaõppega töötajad.

Kontrollige enne iga kasutamist pressimisinstrumendil, -pakkidel ja otsikutel pragusid ja muid kulumisnähtusid.

Pressimisinstrumendi ja pressimisotsikuid tuleb kasutada ainult tehniliselt laitmatu seisukorras.

Pressimisinstrumendi tohib kasutada ainult paigaldatud pressimisotsikutega.

Kasutage ainult üldlausega 22 mm kuni 60 kN pressimisotsikuid.

Ärge puudutage pressimisoperatsiooni ajal pressimispakke.

Vabastage pressimisoperatsiooni ajal esinevate tõrgete korral SEES-lüliti koheselt lahti ja vajutage hüdraulika vabastussuppu. Ventiil avaneb ja kolb liigub lähteasendisse tagasi.



KAABLILÕIKURI OHUTUSJUHISED

Selle kaablilõikuriga tohivad kaableid ja trosse lõigata vaid elektrotehnika alaste teadmistega spetsialistid.

Plahvatus, elektrilöögi ja materiaalse kahju ohu vähendamiseks ärge kunagi lõigake pingel all olevaid elektrijuhtmeid. Seade EI OLE isoleeritud.

Hoidke käed ja lahtine riietus lõikeinstrumentidest ja teistest liikuvatest osadest eemal. Raskete vigastuste oht, sh jäsemete amputeerimise oht.

Ärge hoidke kaablilõikurit kunagi lõikehaaratsitest.

Enne kasutamist kontrollige alati, ega lõikehaaratsitel pole mõrasid või muid kulumismärke.

Kaablilõikurit võib kasutada ainult siis, kui lõiketööriist on ühendatud.

JÄÄKOHUD

Pressimisinstrument:

Ärge kunagi lainestage pingestatud ühendusmaterjale.

Kaablilõikuri:

Enne lõikamise alustamist tuleb juurdepääs kooskõlas kohalike eeskirjadega piirata.

Lõigake kaableid vaid siis, kui need on toitevõrgust lahutatud!

Kaabel ja tross ei tohi jääda mehaaniliste jõudude mõju alla.

Vigastusohu vältimiseks kandke kaitseprille või küljekaitsetega prille.

Selle juhise eiramine võib põhjustada elektrilöögi, plahvatus- ja/või elektrikaare tõttu raskeid vigastusi, surma, tulekahju ja muud materiaalseid kahju.

KASUTAMINE VASTAVALT OTSTARBELE

Pressimisinstrument:

Pressimisinstrumendi tohib kasutada eranditult ainult vastavatele pressimisotsikutele ettenähtud liitmikukomponentide pressimiseks.

Kõik tehniku tööpiirkonnas olevad pingestatud osad, st elektrit juhtivad osad tuleb enne töö alustamist lahutada.

Kaablilõikuri:

Kaablilõikuriga saab lõigata

- pingevabu tugevdamata kaableid, mis on valmistatud isoleeritud vasest või alumiiniumist, lõiketööriistad sõltuvad kaablitüübist



TÄHELEPANU Lugege kõik seadmega kaasas olevad ohutusjuhised, juhendid, joonised ja andmed läbi.

Ohutusnõuete ja juhiste eiramise tagajärjeks võib olla elektrilöök, tulekahju ja/või rasked vigastused.

Hoidke kõik ohutusnõuded ja juhised edasiseks kasutamiseks hoolikalt alles.



TÖÜJUHISED PRESSIMISEKS

Kasutage ainult vastavalt siseriiklikele standardite järgi standardiseeritud liitmikukomponente ning nende jaoks ettenähtud pressimisotsikuid.

Lugege liitmikukomponentide töötus- ja montaažjuhendeid enne tootja dokumentatsioonist.

Kontrollige, kaas liitmikukomponendi nimilaius vastab pressimisotsiku nimiläiusele.

Enne lainestamise alustamist tuleb kontrollida aku laetust: see peab olema vähemalt 33% (vt joonistega kirjeldust). Vajadusel tuleb akut enne töö alustamist laadida.

Juhtliiti aktiveerimine käivitab pressimise, mida iseloomustab lainestusvormide kokkuvajutamine.

Vastutus korrakse pressliite kontrollimise ja hindamise eest lasub kasutajal.

Ebakorrektset ühendused tuleb uue liitmikukomponendiga uuesti pressida.

Tegutsemine rikete korral

- Hoidke lähtestuslülitit all, kuni lõuad on täielikult avanenud
- kontrollige aku laetust
- Kontrollige kaablit ja lainestusvorme lähtuvalt tehnilistest andmetest
- Kui kahtlustate, et olete pressinud pingestatud kaablit, laske lainestustööriista kontrollida volitatud eritöökojas

TÖÜJUHISED LÕIKAMISEKS

Tööpiirkonna ettevalmistamine

Enne tööga alustamist peab kaablid ja trossid voolupinge alt vabastama ja tagama selle oleku kogu tööde kestvuse ajaks.

Kui ei suudeta täiesti kindlalt tagada, et kaabel või isoleeritud juhe on lahutatud, ei tohi tööd teha.

Kindlasti peab järgima kohalike ohutusnõudeid ja regulatsioone.

Kaabel ja tross ei tohi jääda mehaaniliste jõudude mõju alla ja vajadusel peab nad kindlustama lõike ajal kontrollimatu liikuma hakkamise vastu.

Ärge jätke tööriistu vihma kätte. Ärge kasutage tööriistu niisketes või märgades paikades.

Kaabli lõikuri ja aku ettevalmistamine

Enne iga kasutamist:

- kontrollige, ega kaabli lõikuril ei ole väliseid kahjustusi;
- kontrollige, ega lõiketööriistal pole mõrasid või muid kulumismärke.

Kasutage üksnes laitmatus seisukorras seadet!

Enne lõikamise alustamist tuleb kontrollida aku laetust: see peab olema vähemalt 33% (vt joonistega kirjeldust). Vajadusel tuleb akut enne töö alustamist laadida.

Lõikamise ettevalmistamine

Toestage ja kinnitage lõigatav kaabel või tross nii, et selle kontrollimatu liikuma hakkamise risk oleks viidud miinimumini.

Eriti suur oht kontrollimatult liikuma hakata on õhuliinidel ja trossidel ning see võib põhjustada vigastusi ja/või kahjustusi.

Lõikepaega tuleb kaablile või trossile asetada 90° all ning kaabel või tross ei tohi avatud lõikepakide vahel pinget all olla. See hoiab ära soovimatut nihkejõu mõju.



TÄHELEPANU: Plahvatuse, elektrilöögi ja materiaalse kahju ohu vähendamiseks ärge kunagi lõigake pinget all olevaid elektrijuhtmeid.

Seade EI OLE isoleeritud. Kokkupuude pingestatud ahelaga võib kaasa tuua raske vigastuse või surma. Enne lõike tegemist lülitage toide välja. Ärge kunagi lõigake gaasi- või veetorusid. Hoidke käed kõigest lõikeservadest ja liikuvatest osadest eemal. Vastasel juhul võite saada lõikevigastusi või võib tekkida amputatsioon.

Eemaldage akupakk alati enne tarvikute vahetamist või eemaldamist. Kasutage üksnes selle seadme jaoks soovitud tarvikuid. Muud tarvikud võivad olla ohtlikud.

Vigastusohu vähendamiseks kandke kaitseprille või küljekaitsemetega prille.



TÄHELEPANU: Vigastusohu vähendamiseks lõigake üksnes materjale, mida on lubatud lõiketeradega lõigata. (vt „Tehniline kirjeldus“) Ärge püüdke lõigata muid materjale.

Lõikamine

Enne lõikamist veenduge, et lõiketerad on korralikult paigaldatud.

1. Asetage kaabel kaabli lõikuri teradele täisnurga all. Ärge üritage lõigata nurga all, sest see kahjustab seadet ja lõiketeri.

2. Tõmmake ja hoidke päästikut kogu kasutamise ajal.

Päästiku tõmbamisel süttib LED-lamp.

Kui lõikamine on lõpetatud või seade lülitub välja, avanevad lõikelõuad iseseisvalt. Kui vabastate lõikamise ajal päästiku, peate vajutama lõikelõuadega avamiseks hüdraulika lähtestusnuppu.

Märkus: Töödeldav detail võib lõikamise ajal veidi liikuda.

Tegutsemine rikete korral

- Kaabel võib olla lõigatud ja voolu juhtida. Teavitage sellest alati ohusete eest vastutavat isikut, katkestage lõikamine, võtke tarvitusel sobivad ohutusmeetmed.
- Jälgige enne seadme juurde minemist ja selle puudutamist alati, et seade oleks toiteallikast lahutatud ja jääks toiteallikast lahutatuks
- vajutage ja hoidke lähtestusnuppu all, kuni lõikur tuleb täielikult lahti
- kontrollige aku laetust
- kontrollige, kas materjal ja selle paksus vastab tehniliste andmetele
- Kui kahtlustate, et olete lõiganud pingestatud kaablit, laske kaabli lõikurit kontrollida volitatud eritöökojas

Kinni kiilunud lõiketerad

Mustus ja jäätmed võivad põhjustada lõiketerade kinnikiilumist pärast lõiget

- Vajutage ja hoidke vabastusnuppu, et tööriist vabaneks.
- Eemaldage akupakk.
- Lõikepakide avamise kohta vt pildidel olevat kirjeldust.
- Puhastage lõiketeradelt enne järgmise lõike alustamist mustust ja jäätmed.

Lõikeotsad

- Ärge üritage lõigata nurga all, sest see kahjustab seadet ja lõiketeri.



Est

- Lõiketera eluea pikendamiseks lõigake puhast materjali. Enne lõikamist pühkige mustus ja jäätmed materjalilt ja lõiketeradelt ära.

HOOLDUS

Eemaldage akupakk enne seadme reguleerimist, puhastamist ja hooldust.

Ärge kunagi avage seadet, eemaldatavat akut ega laadijat.

Kontrollige, ega seadmel ei ole probleeme, näiteks müra või kinni kiilunud liikuvaid osi, mis võivad seadet ohustada.

Kontrollige enne iga kasutamist, ega seadmel, lõugadel või pressvormidel ja lõiketeradel pole mõrasid või muid kulumismärke.

Puhastage ja määrige seadmed pärast töö lõpetamist.

Puhastage ja määrige ajamirullikud, lukustuspolgid ja lõuad.

Kontrollige, kas lõuad saavad vabalt liikuda.

Kui pressvormid ja lõiketerad muutuvad sakiliseks või kahjustuvad, tuleb need välja vahetada.

Kontrollige, kas lõikeservad on teravad, ning vahetage kulunud lõiketerad.

Vahetage pressvormid ja lõiketerad alati välja komplektina.

Seadme ventilatsioonivad peavad olema alati vabad.

Vigastuste ja kahjustuste vältimiseks ärge asetage seadet, eemaldatavat akut ega laadijat vette ega laske vedelikel neisse tungida.

Lisaks tuleb lasta hooldus- ja remonditööd alati teha volitatud spetsialistil.

Seade sisaldab hüdraulikaõli, mis kujutab endast ohtu põhjaveele. Kontrollimatu väljalaskmine või asjatundmatu utiliseerimine on karistatav.

Järgmist hooldustähtaega tähistab seadmel olev LED-lamp.

Hooldus tuleb teostada vähemal iga 2 aasta või 30 000 pressimiso-peratsiooni järel või hiljemalt siis, kui seda näitab LED näidik.

Kasutage ainult Milwaukee tarvikuid ja Milwaukee tagavaraosi. Detailid, mille väljavahetamist pole kirjeldatud, laske välja vahetada Milwaukee klienditeeninduspunktis (vaadake brošüüri garantii / klienditeeninduste aadressid).

Vajaduse korral võite tellida seadme läbilõikejoonise, näidates ära masina tüübi ja andmesildil oleva numbri. Selleks pöörduge klienditeeninduspunkti või otse: Techtronic Industries GmbH, Max-Eyth-Straße 10, 71364 Winnenden, Germany.

ONE-KEY™

Lisateabe saamiseks selle seadme ONE-KEY funktsiooni kohta lugege tootega kaasas olevat lühijuhendit või külastage veebilehte <http://www.milwaukeetool.com/one-key>

ONE-KEY rakenduse saate App Store või Google Play kaudu oma nutitelefonile alla laadida.

Katsetulemus täidab meie miinimumnõudeid EN 301489-1 / EN 301489-17 järgi. Klient saab kasutusjuhiseid lugeda kasutusjuhendist.

AKUD

Pikemat aega mittekasutatud akusid laadige veel enne kasutamist. Temperatuur üle 50 °C vähendab vahetatava aku töövõimet. Vältige pikemat soojenemist päikese või kütteseadme mõjul.

Hoidke laadija ja vahetatava aku ühenduskontaktid puhtad.

Optimaalse patarei eluea tagamiseks, pärast kasutamist lae patareiplokk täielikult.

Akud tuleks võimalikult pika kasutusea saavutamiseks pärast täislaadimist laadijast välja võtta.

Aku ladustamisel üle 30 päeva: Ladustage akut kuivas kohas ja 27°C juures. Ladustage akut ja 30-50% laetusseisundis. Laadige aku iga 6 kuu tagant täis.

Ärge visake tarvitatud vahetatavaid akusid tulle ega olmeprügisse. Milwaukee pakub vanade akude keskkonnahoidlikku käitlust; palun küsige oma erialaselt tarnijalt.

Ärge säilitage vahetatavaid akusid koos metallesemetega (lühiseht).

Äärmuslikul koormusel või äärmuslikul temperatuuril võib kahjustatud vahetatavast akust akuvedelik välja voolata. Akuvedelikuga kokkupuutumise korral peske kohe vee ja seebiga. Silma sattumise korral loputage kiiresti põhjalikult vähemalt 10 minutit ning pöörduge viivitamatult arsti poole.

Laadijal olevasse vahetatava aku ühenduskambri ehi tohi sattuda metalloosi (lühiseht).

LIITIUMIOONAKUDE TRANSPORTIMINE

Liitiumioonakud on allutatud ohtlike ainete transportimisega seonduvatele õigusaktidele.

Nende akude transportimine peab toimuma kohalikest, siseriiklikest ja rahvusvahelistest eeskirjadest ning määrustest kinni pidades.

Tarbijad tohivad neid akusid edasiste piiranguteta tänaval transportida.

Liitiumioonakude komertstransport ekspedeerimisettevõtte kaudu on allutatud ohtlike ainete transportimisega seonduvatele õigusaktidele. Tarne-ettevalmistusj ja transporti tohivad teostada eranditult vastavalt koolitatud isikud. Kogu protsessi tuleb asjatundlikult jälgida.

Akude transportimisel tuleb järgida järgmisi punkte:

Tehke kindlaks, et kontaktid on lühiste vältimiseks kaitsitud ja isoleeritud. Pöörake tähelepanu sellele, et akupakk ei saaks pakendis nihkuda. Kahjustatud või välja voolanud akusid ei tohi kasutada. Pöörduge edasiste juhiste saamiseks ekspedeerimisettevõtte poole.



EÜ VASTAVUSAVALDUS

Kinnitame oma ainuvastutusel, et „Tehniliste andmete“ all kirjeldatud toode vastab direktiivide kõigile asjakohastele sätetele

2011/65/EU (RoHS)

2006/42/EÜ

2014/53/EU

ning täidetud on järgmiste ühtlustatud standardite nõuded.

EN 62841-1:2015

EN 62479:2010

EN 55014-1:2017+A11:2020

EN 55014-2:2015

EN 301 489-1 V2.2.3

EN 301 489-17 V3.1.1

EN 300 328 V2.2.2

EN IEC 63000:2018



Winnenden, 2020-11-10

Alexander Krug / Managing Director

On volitatud koostama tehnilist dokumentatsiooni.

Techtronic Industries GmbH

Max-Eyth-Straße 10, 71364 Winnenden, Germany

SÜMBOLID



Palun lugege enne käikulaskmist kasutamisujuhend hoolikalt läbi.



Kandke kaitseprille.



See seade sisaldab nõõppatarei (liitiumpatarei).



ETTEVAATUST! TÄHELEPANU! OHUD!



Enne kõiki töid masina kallal võtke vahetatav aku välja.



Elektrilöögi oht



TÄHELEPANU!

töödeldava eseme küljest tükide eemalpaiskumine



TÄHELEPANU! Käevigastus



Tarvikud - ei kuulu tarne komplekti, soovitatav täiendus on saadaval tarvikute programmis.



Elektriseadmeid ei tohi utiliseerida koos majapidamisprügiga. Elektrilised ja elektroonilised seadmed tuleb eraldi kokku koguda ning keskkonnasõbralikuks utiliseerimiseks vastavas käitlusettevõttes ära anda. Küsige kohalikest pädevatest ametitest või edasimüüjalt käitlusjaamade ja kogumispunktide kohta järele.

V

Pinge



Alalisvool



Euroopa vastavusmärk





Ühendkuningriigi vastavusmärk



Ukraina vastavusmärk



Euraasia vastavusmärk

ТЕХНИЧЕСКИЕ ДАННЫЕ		M18 НУСТ
Обжимной и режущий инструмент		
Серийный номер изделия	4673 82 02... 000001-999999	
диапазон частот	2402 - 2480 MHz	
мощность радиоизлучения	1,8 dBm	
Вольтаж аккумулятора	18 V	
Номинальное усилие	53 kN	
Область применения пресса : Поперечное сечение макс.		
 Медь	300 mm ²	
 Алюминий	150 mm ²	
Диапазон резки Провод		
Сталеалюминиевый кабель:	22,5 mm	
Алюминий-/Стальные тросы макс.	35 mm	
Медь-/Алюминий-Другие материалы и их диаметр подбираются в зависимости от используемых тисков. макс.		
Вес с учетом сетевого шнура		
Вес согласно процедуре EPTA 01/2014 (Li-Ion 2,0 Ah...9,0Ah)		
прессовальными тисками	3,6 kg ... 4,2 kg	
режущими тисками	3,7 kg ... 4,3 kg	
Рекомендованные аккумуляторные блоки	M18B...	
Рекомендованные зарядные устройства	M12-18...	
Информация по шумам		
Значения замерялись в соответствии со стандартом EN 62841. Уровень шума прибора, определенный по показателю A, обычно составляет:		
Уровень звукового давления (Небезопасность K=3dB(A))	74,6 dB (A)	
Уровень звуковой мощности (Небезопасность K=3dB(A))	85,6 dB (A)	
Пользуйтесь приспособлениями для защиты слуха.		
Информация по вибрации		
Общие значения вибрации (векторная сумма трех направлений) определены в соответствии с EN 62841.		
Значение вибрационной эмиссии a _n	0,77 m/s ²	
Небезопасность K=	1,5 m/s ²	

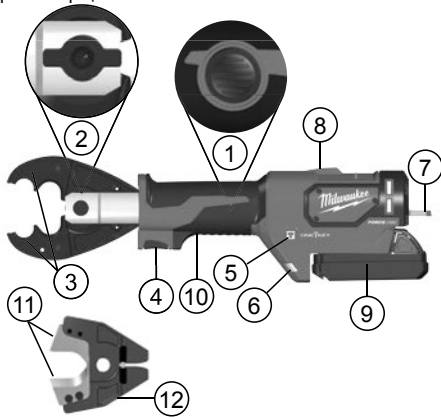
ВНИМАНИЕ!

Указанный в настоящем руководстве уровень вибрации измерен в соответствии с технологией измерения, установленной стандартом EN 62841 и может использоваться для сравнения электроинструментов друг с другом. Он также подходит для предварительной оценки вибрационной нагрузки.

Указанный уровень вибрации представляет основные виды использования электроинструмента. Но если электроинструмент используется для других целей, используемый инструмент отклоняется от указанного или техническое обслуживание было недостаточным, то уровень вибрации может отклоняться от указанного. В этом случае вибрационная нагрузка в течение всего периода работы значительно увеличивается. Для точной оценки вибрационной нагрузки необходимо также учитывать время, в течение которого прибор отключен или включен, но фактически не используется. В этом случае вибрационная нагрузка в течение всего периода работы может существенно уменьшиться.



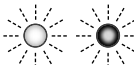
Установите дополнительные меры безопасности для защиты

пользователя от воздействия вибрации, например: техническое обслуживание электроинструмента и используемого инструмента, поддержание рук в теплом состоянии, организация рабочих процессов.



Описание устройства

- | | |
|---|--|
| ① Гидравлический переключатель разъединения | ⑦ Подвесной кронштейн |
| ② Блокировочные болты | ⑧ Светодиод/Индикатор обжатия |
| ③ прессовальными тисками | ⑨ Аккумулятор |
| ④ Пусковой курок | ⑩ Рукоятка Изолированная поверхность ручки |
| ⑤ Индикатор ONE KEY | ⑪ Режущие лезвия |
| ⑥ Светодиод | ⑫ Резака |

Светодиодный индикатор	Определение
 Горит Зеленый	Инструмент завершил операцию и достиг полного давления обжатия.
 Горит Красный	Инструмент завершил операцию, но НЕ достиг полного давления обжатия.
 Мигает Красный	Инструмент НЕ завершил операцию.
 Мигает Красный / Зеленый (после Горит Зеленый или Горит Красный)	Инструмент нуждается в обслуживании (30000 обжатие). После того как для определенной операции будет отображен непрерывно горящий красный или зеленый индикатор, индикатор начнет мигать красным/зеленым цветом. Компания MILWAU-KEE рекомендует провести осмотр и профилактическое обслуживание устройства.



⚠ ВНИМАНИЕ Ознакомьтесь с правилами техники безопасности, техническими регламентами, изображениями и данными, прилагаемыми к устройству. Упущения, допущенные при не соблюдении указаний и инструкций по технике безопасности, могут стать причиной электрического поражения, пожара и тяжелых травм.

Сохраняйте эти инструкции и указания для будущего использования.

⚠ РЕКОМЕНДАЦИИ ПО ТЕХНИКЕ БЕЗОПАСНОСТИ

Перед началом работ на устройстве и далее не реже одного раза в год оператор устройства должен быть проинструктирован относительно опасностей, характерных для использования данного устройства, и об основных мерах безопасности.

Эксплуатирующая компания обязана:

- предоставить руководство по эксплуатации в распоряжение оператора;
 - и убедиться в том, что оператор прочел и принял к сведению информацию, предоставленную в руководстве.
- Пользоваться средствами защиты. При использовании устройства обязательно пользуйтесь защитными очками. Рекомендуется спецоджда: пылезащитная маска, защитные перчатки, прочная и нескользящая обувь, каска и наушники.

Избегайте попадания пальцев и других частей тела в рабочую зону цилиндра или тисков.

Перед началом любых работ по настройке, очистке или техническому обслуживанию устройства извлеките аккумулятор.

Используйте устройство, аккумуляторные батареи и зарядные устройства, находящиеся исключительно в идеальном техническом состоянии.

Повреждения должны незамедлительно устраняться в сертифицированном сервисном центре.

Во избежание ранений и порчи имущества исключите возможность случайного включения устройства.

Перед тем как приступить к работе, уберите все настроечные инструменты и ключи.

Не обрабатывайте детали, находящиеся под электрическим напряжением. Устройство НЕ изолировано.

ВНИМАНИЕ! Чтобы предотвратить риск пожара, получения травмы или повреждения изделия по причине короткого замыкания, не погружайте устройство, аккумуляторную батарею или зарядное устройство в жидкость и не допускайте попадания в них жидкости. Жидкости, вызывающие коррозию, или токопроводящие жидкости, такие как морская вода, некоторые промышленные химикаты, отбеливатели или содержащие их продукты и т.п. могут вызвать короткое замыкание.

Строго соблюдать указания по техобслуживанию и его интервалам.

Никогда не вскрывайте аккумуляторы или зарядные устройства и храните их только в сухих помещениях. Следите, чтобы они всегда были сухими.

Для зарядки аккумуляторов модели M18 используйте только зарядным устройством M18. Не заряжайте аккумуляторы других систем.

Во избежание ранения и порчи имущества ни в коем случае не опускайте инструмент, съемный аккумулятор и зарядное устройство в жидкость и не допускайте проникновения жидкости внутрь этих устройств.

ВНИМАНИЕ



Устройство использует кнопочный/плоский круглый литиевый аккумулятор. Новый или использованный аккумулятор может вызвать сильные внутренние ожоги и привести к смерти в течение 2 часов в случае проглатывания или попадания в организм. Всегда закрепляйте крышку аккумуляторного отсека. Если она не закрывается надежно, остановите устройство, извлеките аккумулятор и храните его в недоступном для детей месте. Если вы считаете, что человек проглотил аккумулятор или что аккумулятор иным образом попал в организм, обратитесь за экстренной медицинской помощью.

⚠ ТЕХНИКА БЕЗОПАСНОСТИ ПРИ РАБОТЕ С ПРЕСС-ФОРМАМИ

Обжимные инструменты и устройства должны использоваться только персоналом, обученным работе с электротехническими приборами.

Каждый раз перед использованием пресс-формы, тисков и обжимных штампов проверяйте их на отсутствие трещин и иных признаков износа.

Пользуйтесь пресс-формой и обжимными штампами только если они находятся в безупречном техническом состоянии.

Работать с пресс-формой можно только в том случае, если в нее вставлен обжимной штамп.

Используйте только обжимные штампы до 60 кН с общей шириной 22 мм.

Не касайтесь прессовальных тисков во время прессования.

При возникновении неисправности во время прессования немедленно отпустите выключатель и нажмите кнопку разблокировки гидравлики. Клапан откроется, а поршень вернется в исходное положение.

⚠ ТЕХНИКА БЕЗОПАСНОСТИ ПРИ РАБОТЕ С КАБЕЛЬНЫМ НОЖОМ

Разрезание или разделение кабелей и тросов с помощью этого кабельного ножа может производиться только лицами, знакомыми с правилами обращения с электроинструментами. Для снижения риска взрыва, поражения электрическим током и порчи имущества и оборудования ни в коем случае не разрезайте подключенные к сети электрические кабели. Устройство НЕ изолировано.

Держите руки и свободные элементы одежды вдали от режущих инструментов и других движущихся частей. Существует опасность тяжелого ранения, включая отрывание конечностей.

Ни в коем случае не держите кабелерез за резак.

Перед использованием всегда проверяйте резак на наличие трещин или других признаков износа.

Кабелерез может использоваться только со вставленным режущим инструментом.

ОСТАТОЧНЫЕ ОПАСНОСТИ

Пресс-форма:

Ни в коем случае не выполняйте обжатие материалов под напряжением.

Кабельный нож:

Перед началом процесса разрезания необходимо заблокировать доступ к месту проведения работ согласно местным нормам.

Допускается только разрезание кабелей, которые были отключены от источника питания!

Кабели и тросы не должны подвергаться воздействию механических сил.

Для снижения риска ранения носите защитные очки или очки с боковыми щитками.

Несоблюдение этого указания может привести к тяжелому ранению, смерти, пожару или другому повреждению имущества в результате удара электрическим током, взрыва и/или возникновения электрической дуги.

ИСПОЛЬЗОВАНИЕ

Пресс-форма:

Пресс-форма может использоваться исключительно для прессования таких соединительных материалов, для которых предусмотрены соответствующие обжимные штампы.

Перед началом работ необходимо отсоединить все детали под напряжением, т. е. детали, проводящие электрический ток, находящиеся в области работы технического специалиста.

Кабельный нож:

Кабельный резак подходит для резки:

- не натяжных неармированных кабелей с медной или алюминиевой изоляцией; режущие инструменты выбираются в зависимости от типа кабеля

⚠ ВНИМАНИЕ Ознакомьтесь с правилами техники безопасности, техническими регламентами, изображениями и данными, прилагаемыми к устройству. Упущения, допущенные при не соблюдении указаний и инструкций по технике безопасности, могут стать причиной электрического поражения, пожара и тяжелых травм.

Сохраняйте эти инструкции и указания для будущего использования.

УКАЗАНИЯ ПО РАБОТЕ ДЛЯ ОБЖИМА

Используйте только стандартизированные соединительные элементы, соответствующие национальным нормам, и специально предусмотренные обжимные штампы.

Инструкции по обработке и монтажу соединительных элементов см. в документации производителя.

Убедитесь, что номинальная ширина соединительного элемента совпадает с номинальной шириной обжимного штампа.

Перед началом обжатия необходимо проверить заряд аккумулятора: он должен составлять не менее 33 % (см. иллюстрированное описание). Перед началом работы может потребоваться зарядка аккумулятора.

Нажатие переключателя управления запускает процесс прессования, в ходе которого обжимные штампы смыкаются друг с другом.

Ответственность за проверку и оценку правильности процесса прессования несет пользователь.

Неадекватным образом выполненные соединения должны пройти повторную процедуру прессования с помощью нового соединительного продукта.

Действия в случае сбоев

- Удерживайте переключатель возврата в исходное состояние, пока тиски не откроются полностью
- Проверьте заряд аккумулятора
- Осмотрите кабель и обжимные штампы согласно техническим данным
- Если есть подозрение касательно обжатия токоведущего кабеля, необходимо проверить обжимный инструмент в уполномоченной специализированной мастерской

УКАЗАНИЯ ПО РАБОТЕ ДЛЯ РАЗРЕЗАНИЯ

Обустройство рабочей зоны

Перед началом работ необходимо убедиться, что провода или тросы обесточены, и поддерживать их в обесточенном состоянии при выполнении работ.

Если отсутствует возможность удостовериться в отключении кабеля или изолированной линии от питания, проведение работ запрещено.

Обязательно соблюдайте местные правила безопасности и нормы.

Кабели и тросы не должны подвергаться воздействию механических сил и при необходимости должны быть зафиксированы во избежание неконтролируемого перемещения после разрезания.

Не подвергайте инструменты воздействию дождя. Не используйте инструменты во влажной или сырой среде.

Подготовка кабелереза и аккумулятора

Перед каждым использованием выполняйте указанные ниже действия.

- Проверьте кабелерез на наличие внешних повреждений
- Проверьте режущий инструмент на наличие трещин или других признаков износа

Используйте только инструменты, находящиеся в безупречном состоянии!

Перед началом процесса разрезания необходимо проверить заряд аккумулятора: он должен составлять не менее 33 % (см. иллюстрированное описание). Перед началом работы может потребоваться зарядка аккумулятора.

Подготовка к процессу разрезания

Расположите кабели или тросы на опоре или зафиксируйте их, чтобы снизить риск неконтролируемого перемещения.

В частности, свободно висящие провода и тросы подвержены неконтролируемому перемещению, что может стать причиной ранений и/или порчи имущества.

Режущая головка должна располагаться под углом 90° к кабелю или тросу, чтобы они пролегли в открытом зеве режущего инструмента без натяжения, что позволит избежать нежелательных усилий разрезания.



⚠ ВНИМАНИЕ: Для снижения риска взрыва, поражения электрическим током и порчи имущества и оборудования ни в коем случае не разрезайте подключенные к сети электрические кабели.

Устройство НЕ изолировано. Контакт с цепью под напряжением может привести к тяжелому ранению или смерти. Перед выполнением разреза отключите питание. Ни в коем случае не разрезайте газо- или водопроводы. Держите руки на безопасном расстоянии от режущих кромок и движущихся деталей. Возможны глубокие порезы или отрывание конечностей.

Перед заменой или удалением вспомогательных принадлежностей обязательно извлеките аккумулятор. Используйте только рекомендованные для данного устройства аксессуары. Другие принадлежности могут представлять опасность.

Для снижения риска ранения носите защитные очки или очки с боковыми щитками.

⚠ ВНИМАНИЕ: Во избежание ранения разрежьте только рекомендуемые для лезвий материалы. (см. раздел «Спецификации») Не пытайтесь разрезать другие материалы.

Разрезание

Перед резкой убедитесь в том, что режущие лезвия установлены должным образом.

1. Направьте кабель к режущей поверхности кабельного ножа под прямым углом. Не пытайтесь делать рез под углом, так как это приведет к поломке устройства и режущих лезвий.

2. Нажмите и удерживайте курок во время работы. При нажатии пускового курка загорается светодиодный индикатор.

По завершении разрезания или после выключения устройства резки откроется автономно. Если вы отпускаете пусковой курок во время разрезания, необходимо нажать кнопку гидравлического сброса, чтобы открыть резки.

Примечание: Во время разрезания заготовка может слегка смещаться.

Действия в случае сбоев

- Если существует вероятность того, что разрезанный кабель находится под напряжением, обязательно уведомите об этом ответственного за безопасность, останавливайте процесс разрезания и принимайте соответствующие меры безопасности
- Всегда убеждайтесь в том, что устройство является и остается обесточенным, прежде чем приближаться и прикасаться к нему
- Нажмите и удерживайте кнопку сброса, пока режущее устройство не откроется полностью
- Проверьте заряд аккумулятора
- Проверьте материал и его толщину согласно техническим данным
- Если есть подозрение касательно разрезания токоведущего кабеля, необходимо проверить кабелерез в уполномоченной специализированной мастерской

Заклинивание лезвий

Грязь и посторонние частицы могут приводить к заклиниванию лезвий после разрезания

- Нажмите и удерживайте курок разблокировки, чтобы вернуть инструмент в исходное состояние.
- Извлеките аккумулятор.
- Для того чтобы открыть зев режущего инструмента, следуйте иллюстрированному описанию
- Перед началом нового процесса разрезания удалите грязь и посторонние частицы с лезвий.

Советы по разрезанию

- Не пытайтесь делать рез под углом, так как это приведет к поломке устройства и режущих лезвий.
- Для продления срока службы режущих лезвий лучше резать материалы с чистой поверхностью. Перед началом резки удалите с материала и режущих лезвий грязь и обрезки.

ОБСЛУЖИВАНИЕ

Перед началом любых работ по настройке, очистке или техническому обслуживанию устройства извлеките аккумулятор.

Ни в коем случае не вскрывайте устройство, съемную аккумуляторную батарею или зарядное устройство.

Проверьте устройство на наличие неполадок, таких как шум при работе или заклинивание движущихся частей, которые могут оказывать влияние на работу устройства.

Перед началом работ проверьте устройство, тиски а также обжимные штампы и режущие лезвия на наличие трещин или других признаков износа.

После окончания работ произведите очистку и смазку устройств.

Очищайте и смазывайте приводные валики, блокирующие болты и резки.

Убедитесь в том, что тиски могут свободно двигаться.

Замените обжимные штампы и режущие лезвия в случае появления на них сколов или их повреждения.

Убедитесь в том, что режущие лезвия острые, и замените изношенные режущие лезвия.

Производите замену обжимных штампов и режущих лезвий только комплектом.

Следите за тем, чтобы вентиляционные отверстия устройства были всегда чистыми.

Во избежание травм и повреждений не погружайте устройство, аккумуляторную батарею или зарядное устройство в жидкость и не допускайте попадания в них жидкости.

Дальнейшие сервисные и ремонтные работы должны выполняться только в авторизованных специализированных ремонтных мастерских.

В устройстве содержится гидравлическое масло, представляющее опасность для грунтовых вод. Неконтролируемый слив или ненадлежащая утилизация наказывается штрафом.

При наступлении очередного срока проведения технического обслуживания на устройстве загорится светодиод.

Техобслуживание должно проводиться не реже чем один раз в 2 года или после 30000 операций прессования либо, самое позднее, при появлении светодиодного сигнала.

Пользуйтесь аксессуарами и запасными частями Milwaukee. В случае возникновения необходимости в замене, которая не была описана, обращайтесь в один из сервисных центров по обслуживанию электроинструментов Milwaukee (см. список сервисных организаций).

При необходимости может быть заказан чертеж инструмента с трехмерным изображением деталей. Пожалуйста, укажите номер и тип инструмента и закажите чертеж у Ваших местных агентов или непосредственно у Techtronic Industries GmbH, Max-Eyth-Straße 10, 71364 Winnenden, Germany.

ONE-KEY™

Чтобы узнать больше о технических возможностях ONE-KEY данного устройства, обратитесь к краткому руководству пользователя, поставляемому с изделием, или перейдите по ссылке <http://www.milwaukeeetool.com/one-key>

Вы можете загрузить приложение ONE-KEY на свой смартфон через App Store или Google Play.

Результат испытания соответствует нашим минимальным требованиям согласно EN 301489-1 / EN 301489-17. Мы предоставим заказчику инструкции по эксплуатации в руководстве пользователя.

АККУМУЛЯТОР

Перед использованием аккумулятора, которым не пользовались некоторое время, его необходимо зарядить. Температура свыше 50°C снижает работоспособность аккумуляторов. Избегайте продолжительного нагрева или прямого солнечного света (риск перегрева).

Контакты зарядного устройства и аккумуляторов должны содержать в чистоте.

Для обеспечения оптимального срока службы аккумулятор необходимо полностью заряжать после использования прибора.

Для достижения максимально возможного срока службы аккумуляторы после зарядки следует вынимать из зарядного устройства.

При хранении аккумулятора более 30 дней: Храните аккумулятор при 27°C в сухом месте. Храните аккумулятор с зарядом примерно 30% - 50%. Каждые 6 месяцев аккумулятор следует заряжать.

Не выбрасывайте использованные аккумуляторы вместе с домашним мусором и не сжигайте их. Дистрибьюторы компании Milwaukee предлагают восстановление старых аккумуляторов, чтобы защитить окружающую среду.

Не храните аккумуляторы вместе с металлическими предметами во избежание короткого замыкания.

Аккумуляторная батарея может быть повреждена и дать течь под воздействием чрезмерных температур или повышенной нагрузки. В случае контакта с аккумуляторной кислотой немедленно промойте место контакта мылом и водой. В случае попадания кислоты в глаза промойте глаза в течении 10 минут и немедленно обратитесь за медицинской помощью.

Не допускается попадания каких-либо металлических предметов в аккумуляторный отсек зарядного устройства во избежание короткого замыкания.

ТРАНСПОРТИРОВКА ЛИТИЙ-ИОННЫХ АККУМУЛЯТОРОВ

Литий-ионные аккумуляторы в соответствии с предписаниями закона транспортируются как опасные грузы.

Транспортировка этих аккумуляторов должна осуществляться с соблюдением местных, национальных и международных предписаний и положений.

Эти аккумуляторы могут перевозиться по улице потребителем без дальнейших обязательств.

При коммерческой транспортировке литий-ионных аккумуляторов экспедиторскими компаниями действующим положения, касающиеся транспортировки опасных грузов. Подготовка к отправке и транспортировка должны производиться исключительно специально обученными лицами. Весь процесс должен находиться под контролем специалиста.

При транспортировке аккумуляторов необходимо соблюдать следующие пункты:

Убедитесь, что контакты защищены и изолированы во избежание короткого замыкания. Следите за тем, чтобы аккумуляторный блок не соскользнул внутри упаковки. Транспортировка поврежденных или протекающих аккумуляторов запрещена. За дополнительными указаниями обратитесь к своему экспедитору.



ДЕКЛАРАЦИЯ О СООТВЕТСТВИИ СТАНДАРТАМ ЕС

Мы несем исключительную ответственность за то, что изделие, описанное в разделе «Техническая информация» соответствует всем применимым положениям директив

2011/65/EU (RoHS)

2006/42/EC

2014/53/EU

а также следующим согласованным стандартам

EN 62841-1:2015

EN 62479:2010

EN 55014-1:2017+A11:2020

EN 55014-2:2015

EN 301 489-1 V2.2.3

EN 301 489-1 V3.1.1

EN 300 328 V2.2.2

EN IEC 63000:2018



Winnenden, 2020-11-10

Alexander Krug / Managing Director

Уполномочен на составление технической документации.

Techtronic Industries GmbH

Max-Eyth-Straße 10, 71364 Winnenden, Germany

СИМВОЛЫ



Пожалуйста, внимательно прочтите инструкцию по использованию перед началом любых операций с инструментом.



Носить защитные очки.



Устройство использует кнопочный/плоский круглый литиевый аккумулятор.



ВНИМАНИЕ! ПРЕДУПРЕЖДЕНИЕ! ОПАСНОСТЬ!



Выньте аккумулятор из машины перед проведением с ней каких-либо манипуляций.



Опасность поражения электрическим током



ВНИМАНИЕ!

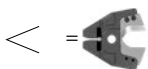
Опасность получения травм из-за разлетающихся обломков



ВНИМАНИЕ! Травма руки



Принадлежности - В стандартную комплектацию не входит, поставляется в качестве дополнительной принадлежности.



Электрические устройства нельзя утилизировать вместе с бытовым мусором. Электрические и электронные устройства следует собирать отдельно и сдавать в специализированную утилизирующую компанию для утилизации в соответствии с нормами охраны окружающей среды. Сведения о центрах вторичной переработки и пунктах сбора можно получить в местных органах власти или у вашего специализированного дилера.

V Напряжение

 Постоянный ток



Европейский знак соответствия



Британский знак соответствия



Украинский знак соответствия



Знак Евразийского Соответствия

ТЕХНИЧЕСКИ ДАННИ	
Инструмент за рязане и кримпване	
Производствен номер	4673 82 02... 000001-999999
Радиочестотна лента	2402 - 2480 MHz
Радиочестотна мощност	1,8 dBm
Напрежение на акумулатора	18 V
Сила на пресоване	53 kN
Прес пространство : Напречно сечение макс.	
Мед	300 mm ²
Алуминий	150 mm ²
Диапазон на рязане Кабел	
ACSR: Алюминий-/Стоманени въжета макс.	22,5 mm
Мед- / Алюминий-Останалите материали и техният диаметър зависят от конкретните челюсти. макс.	35 mm
Тегло със захранващия кабел	
Тегло съгласно процедурата EPTA 01/2014 (Li-Ion 2,0 Ah... 9,0Ah)	
с пресови челюсти	3,6 kg ... 4,2 kg
с режещи челюсти	3,7 kg ... 4,3 kg
Препоръчителни акумулаторни батерии	M18B...
Препоръчителни зарядни устройства	M12-18...
Информация за шума	
Измерените стойности са получени съобразно EN 62841.	
Оцененото с А ниво на шума на уреда е съответно:	
Равнище на звуковото налягане (Несигурност K=3dB(A))	74,6 dB (A)
Равнище на мощността на звука (Несигурност K=3dB(A))	85,6 dB (A)
Да се носи предпазно средство за слуха!	
Информация за вибрациите	
Общите стойности на вибрациите (векторна сума на три посоки) са определени в съответствие с EN 62841.	
Стойност на емисии на вибрациите a _n	0,77 m/s ²
Несигурност K=	1,5 m/s ²

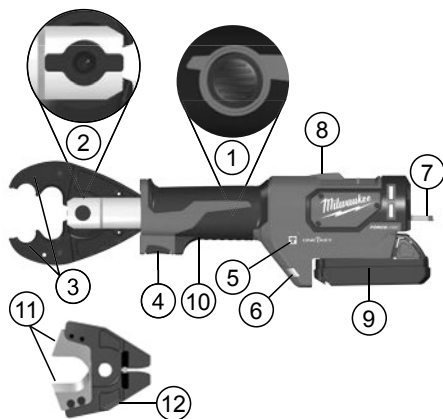
ВНИМАНИЕ!

Посоченото в тези инструкции ниво на вибрациите е измерено в съответствие със стандартизиран в EN 62841 измервателен метод и може да се използва за сравнение на електрически инструменти помежду им. Подходящ е и за временна оценка на вибрационното натоварване.

Посоченото ниво на вибрациите представя основните приложения на електрическия инструмент. Ако обаче електрическият инструмент се използва с друго предназначение, с различни сменяеми инструменти или при недостатъчна техническа поддръжка, нивото на вибрациите може да е различно. Това чувствително може да увеличи вибрационното натоварване по време на целия работен цикъл.


За точната оценка на вибрационното натоварване трябва да се вземат предвид и периодите от време, в които уредът е изключен или работи, но в действителност не се използва. Това чувствително може да намали вибрационното натоварване по време на целия работен цикъл.

Определете допълнителни мерки по техника на безопасност за защита на обслужващия работник от въздействието на вибрациите като например: техническа поддръжка на електрическия инструмент и сменяемите инструменти, поддръжане на ръцете топли, организация на работния цикъл.



Описание на устройството

- | | |
|--------------------------------------|--|
| ① Бутон за хидравлично освобождаване | ⑦ Ухо |
| ② Застопоряващи болтове | ⑧ Светодиод /Индикатор за кримпване |
| ③ пресови челюсти | ⑨ Акумулаторна батерия |
| ④ Спусък | ⑩ Ръкохватка Изолирана повърхност за хващане |
| ⑤ Индикатор ONE KEY | ⑪ Режещи остриета |
| ⑥ Светодиод | ⑫ Режещи челюсти |

Светодиоден индикатор	Определение
 Свети постоянно Зелено	Инструментът е извършил операцията и е постигнато пълно притискане за кримпване.
 Свети постоянно Червено	Инструментът е извършил операцията, НО не е постигнато пълно притискане за кримпване.
 Премигва Червено	Инструментът не е извършил операцията.
 Премигва Червено / Зелено (след Свети постоянно Зелено или Свети постоянно Червено)	Инструментът е достигнал броя операции, след който се изисква обслужване (30000 кримпвания). Индикаторът ще започне да премигва в червено/зелено, след като светне постоянният индикатор за операцията (червено/зелено). Ние от MILWAU-KEE препоръчваме уредът да бъде инспектиран и да му бъде извършена профилактика.



БЪЛ

⚠ ВНИМАНИЕ Прочетете всички указания за безопасност, инструкции, изображенията и техническите данни, които получавате с уреда. Пропуски при спазването на указанията и на инструкциите за безопасност могат да доведат до токов удар, пожар и/или тежки наранявания.

Запазете всички указания и инструкции за безопасност за бъдещето.

⚠ СПЕЦИАЛНИ УКАЗАНИЯ ЗА БЕЗОПАСНОСТ

Операторът на този уред трябва да бъде инструктиран относно специфичните опасности, свързани с използването на уреда и относно съществените мерки за безопасност, преди да започне работа с нея за първи път и поне веднъж в годината след това. Фирмата изпълнител следва да:

- осигури на оператора достъп до ръководството за експлоатация и
- да се увери, че операторът го е прочел и разбрал.

Да се използват предпазни средства. Винаги носете защитни очила при използване на уреда. Препоръчват се защитно облекло и прахозащитна маска, защитни ръкавици, здрави и нехлъзгави са обувки, каска и предпазни средства за слуха.

Никога не дръжте пръстите си или други части на тялото в работната зона на цилиндъра и на челюстите.

Преди да настроите, почиствате и извършвате дейности по поддръжката на уреда, извадете батерията.

Използвайте уреда, батерията и зарядното устройство само ако са в перфектно техническо състояние.

Отстранете повредите незабавно в оторизиран специализиран сервиз.

За да избегнете наранявания и щети, не допускайте случайното стартиране на уреда.

Отстранете всички инструменти и ключове за настройка, преди да извършите операцията.

Да не се работи по части под електрическо напрежение. Уредът НЕ е изолиран.

ВНИМАНИЕ! За да избегнете опасност от пожар, наранявания и повреждане на уреда, предизвикани от късо съединение, не потапяйте уреда, батерията или зарядното устройство в течности и не допускайте попадането на течности в тях. Корозиращи или електропроводими течности като солена вода, някои промишлени химикали, избелващи вещества или продукти, съдържащи избелващи вещества, могат да предизвикат късо съединение.

Спазвайте стриктно времето за и интервалите на поддръжка.

Не отваряйте акумулатори и зарядни устройства и ги съхранявайте само в сухи помещения. Пазете ги от влага.

Акумулатори от системата M18 да се зареждат само със зарядни устройства от системата M18 laden. Да не се зареждат акумулатори от други системи.

За да избегнете нараняване и повреда, никога не потапяйте инструмента, сменяемата батерия или зарядното в течност и не позволявайте проникването на течност в тях.

ВНИМАНИЕ



Това устройство се запазва с клетъчна литиева батерия от тип копче. Както новите, така и използваните батерии могат да причинят тежки вътрешни изгаряния и доведат до смърт за не повече от 2 часа след поглъщане или попадане в тялото. Винаги проверявайте дали капачето на батерията е добре затворено. Ако не се затваря добре, спрете устройството, извадете батерията и я дръжте далече от деца. Ако мислите, че някой може да е погълнал батерията или че тя е попаднала в тялото по друг начин, потърсете незабавна медицинска помощ.

⚠ УКАЗАНИЯ ЗА БЕЗОПАСНОСТ ПРИ РАБОТА С ПРЕСОВИЯ ИНСТРУМЕНТИ

Инструментите и уредите за кримпване да се използват единствено от обучени и компетентни електротехници.

Преди всяка употреба проверявайте пресовия инструмент, пресовите челюсти и накрайници за пукнатини и други признаци на износване.

Използвайте пресовия инструмент и пресовите накрайници само в технически изправно състояние.

Пресовият инструмент може да се използва само с монтирани пресови накрайници.

Използвайте пресови накрайници до 60 kN с обща ширина от 22 mm.

Не докосвайте челюстите по време на пресоване.

При неизправности по време на пресоване незабавно отпуснете превключвателя ВКЛ. и натиснете бутона за освобождаване на хидравликата. Клапанът се отваря и буталото се връща в изходна позиция.

⚠ УКАЗАНИЯ ЗА БЕЗОПАСНОСТ ПРИ РАБОТА С КЛЕЩИ РЕЗАЧКИ ЗА КАБЕЛИ

Рязането съответно разделянето на кабели и въжета с помощта на тези клещи резачки може да се извършва само от инструктиран електротехнически персонал.

За да намалите риска от експлозия, токов удар и увреждане на собственост, никога не прерязвайте електрически кабели под напрежение. Уредът НЕ е изолиран.

Дръжте ръцете си и широки дрехи далече от режещи инструменти и други движещи се части. Съществува риск от сериозно нараняване, включително отрязване на крайниците. Никога не хващайте резачката за кабели за режещите челюсти. Преди употреба, винаги проверявайте режещите челюсти за пукнатини и други признаци на износване.

Резачката за кабели може да се използва само когато е поставен резец.

ОСТАТЪЧНИ РИСКОВЕ

Пресов инструмент:

Никога не кримпвайте проводници под напрежение.

Клещи резачки за кабели:

Преди да започнете да режете, достъпът до зоната трябва да бъде блокиран в съответствие с местните разпоредби.

Никога не режете кабели, които не са изключени от захранването!

Кабелите и въжетата не бива да се излагат на механични сили.

За да намалите риска от нараняване, носете защитни очила или очила със странични предпазители.

Неспазването на тази инструкция може да причини сериозни наранявания, смърт, пожар и други имуществени вреди в резултат на токов удар, експлозия и/или електрически дъги.

ИЗПОЛЗВАНЕ ПО ПРЕДНАЗНАЧЕНИЕ

Пресов инструмент:

Пресовият инструмент може да се използва само за кримпване на свързващи материали, за които са предвидени съответните пресови накрайници.

Всички компоненти под напрежение (по които протича ток) в работното поле на техника, трябва да бъдат изключени, преди да започнете работа.

Клещи резачки за кабели:

Кабелната резачка е подходяща за рязане на:

- необтегнати неармирани изолирани кабели от мед или алуминий, резците зависят от типа кабел;

⚠ ВНИМАНИЕ Прочетете всички указания за безопасност, инструкции, изображенията и техническите данни, които получавате с уреда.

Пропуски при спазването на указанията и на инструкциите за безопасност могат да доведат до токов удар, пожар и/или тежки наранявания.

Запазете всички указания и инструкции за безопасност за бъдещето.

УКАЗАНИЯ ЗА РАБОТА ЗА КРИМПВАНЕ

Да се използват само нормирани свързващи елементи в съответствие с приложимите национални стандарти, както и подходящи за тях пресови накрайници.

Указанията за обработка и монтаж на свързващите елементи са посочени в техническата документация на производителя.

Проверете дали номиналният вътрешен диаметър на свързващия елемент съпада с този на пресовия накрайник.

Преди да започнете да кримпвате, проверете заряда на батерията — той трябва да бъде най-малко 33% (вж. илюстрираното описание). Може да е необходимо да заредите батерията, преди да започнете работа.

При задействане на контролния ключ започва притискане на кабела, т.е. кримпващата глава се стяга.

Проверката и оценката на правилното кримпване е отговорност на потребителя.

Неправилно изпълнените връзки следва да се кримпват повторно с нов свързващ елемент.

Действия при неизправности

- Дръжте ключа за връщане в изходно състояние натиснат, докато челюстите не се отворят напълно
- Проверете заряда на батерията.
- Проверете кабела и кримпващата глава според техническите данни
- Ако се съмнявате, че сте пресовали кабел, по който тече ток, инструментът за кримпване трябва да бъде инспектиран в упълномощен специализиран сервиз

УКАЗАНИЯ ЗА РАБОТА ЗА РЯЗАНЕ

Подготовка на работното поле

Преди започване на работа се спира подаването на напрежение към проводниците или въжетата и за времето на работните действие се осигурява безопасността.

Не извършвайте никаква работа, ако не сте напълно сигурни, че кабелът или изолираният проводник е изключен.

Задължително да се спазват местните правила за безопасност и разпоредби.

Кабелите и въжетата не бива да се излагат на механични сили и евентуално след срязването трябва да се обезопасят срещу неконтролирани движения.

Не излагайте уреда на дъжд и не употребявайте в мокра или влажна среда.

Подготовка на резачката за кабели и на батерията

Преди всяка употреба:

- Огледайте резачката на кабели за външни дефекти;
- Проверете резачката за пукнатини и други признаци на износване;

Използвайте само ако е в отлично състояние!

Преди да започнете да режете, трябва да проверите капацитета на батерията: минимум 33% (вж. илюстрираното описание). Може да е необходимо да заредите батерията, преди да започнете работа.

Подготовка за рязане

Придържайте и фиксирайте кабела за рязане, за да се сведе до минимум рискът от неконтролирано движение.

Най-вече кабели в свободното пространство и въжета могат да се движат неконтролируемо и да причинят наранявания и / или повреди.

Режещата глава трябва е разположена под ъгъл от 90° спрямо кабела или въжето, така че той/то да попадне без обтягане в отворените челюсти и да се избегнат неблагоприятни усилия при рязане.

⚠ ВНИМАНИЕ: За да намалите риска от експлозия, токов удар и увреждане на собственост, никога не прерязвайте електрически кабели под напрежение.

Уредът НЕ е изолиран. Контактът с ел. верига под напрежение може да причини сериозни наранявания или смърт. Изключете захранването, преди да извършите срязването. Никога не режете газопроводи и водопроводи. Дръжте ръцете си далеч от режещите ръбове и движещите се части. В противен случай може да се стигне до разкъсване и ампутация.

Винаги изваждайте батерията, преди да смените или отстранявате аксесоари. Използвайте само аксесоари, които се препоръчват специално за този уред. Различни аксесоари могат да бъдат опасни.

За да намалите риска от нараняване, носете защитни очила или очила със странични предпазители.

⚠ ВНИМАНИЕ: За да намалите риска от нараняване, режете единствено материал, подходящи за остриетата. (вж. „Спецификации“.) Не опитвайте да режете други материали.



Рязане

Преди рязане се уверете, че режещите остриета са поставени правилно.

1. Прокарайте кабела перпендикулярно на остриетата на клещите резачки. Не опитвайте да режете под ъгъл, тъй като това ще повреди уреда и режещите остриета.

2. Натиснете спусъка и го задръжте, докато трае операцията. Когато спусъкът бъде дръпнат, ще светне светодиолен индикатор.

Когато приключите с рязането или уредът се изключи, режещите челюсти ще се отворят сами. Ако освободите спусъка по време на рязане, за да отворите режещите челюсти, ще трябва да натиснете хидравличния бутон за връщане в изходно положение.

Забележка: Възможно е по време на разрязването кабелът да се мърда леко.

Действия при неизправности

- Кабелът може да е подрязан и токопроводящ, винаги информирайте служителя по безопасността, прекратете процеса на рязане, вземете подходящи мерки за безопасност
- Винаги проверявайте дали устройството е изключено от захранването, както и че то няма да бъде включено, преди да се приближите и да го докоснете.
- Натиснете и задръжте бутон за връщане в изходно положение, докато резачката не се отвори напълно.
- Проверете заряда на батерията.
- Проверете дали материалът и неговата дебелина отговарят на техническите спецификации.
- Ако се съмнявате, че сте срязали кабел, по който тече ток, резачката за кабели трябва да бъде инспектирана в упълномощен специализиран сервис.

Засичане на остриетата

Останалите след срязане мръсотията и отломки могат да предизвикат засичане на остриетата.

- Натиснете и задръжте освобождаващия спусък, за да върнете инструмента в изходно състояние.
- Извадете батерията.
- Следвайте описанието на изображението за отваряне на челюстите
- Почистете мръсотията и отломките от остриетата, преди да започнете друго рязане.

Съвети за рязане

- Не опитвайте да режете под ъгъл, тъй като това ще повреди уреда и режещите остриета.
- Режете почистени кабели, за да удължите живота на режещото острие. Избършете мръсотията и отломките от режещите остриета, преди да започнете рязането.

ПОДДРЪЖКА

Преди да настроите, почистете и извършвате действия по поддръжката на уреда, извадете батерията.

Никога не отваряйте уреда, сменяемата батерия или зарядното устройство.

Проверявайте уреда за проблеми, като например шум или засичане на движещите се части, които могат да повлияят на работата на уреда.

Преди употреба, винаги проверявайте уреда, челюстите, кримпващата матрица и режещите остриета за пукнатини и други признаци на износване.

След приключване на работа уредите трябва да се почистят и смажат.

Почиствайте и смазвайте задвижващите ролки, застопоряващите болтове и челюстите.

Проверявайте дали челюстите могат да се движат свободно.

Подменяйте кримпващата матрица и режещите остриета, когато се нащърбят или повредят.

Проверявайте дали режещите ръбове са остри и подменяйте износените режещи остриета.

Винаги подменяйте кримпващата матрица и режещите остриета едновременно.

Вентилационните отвори на уреда да се поддържат винаги чисти.

За да избегнете нараняване и повреда, никога не потапяйте уреда, сменяемата батерия или зарядното в течност и не позволявайте проникването на течност в тях.

По-нататъшни действия по обслужването и ремонтването на уреда могат да се извършват единствено в упълномощени специализирани работилници.

Уредът съдържа хидравлично масло, което представлява опасност за подпочвените води. Неконтролираното му изпускане или неправомерно изхвърляне като отпадък се наказва от закона.

Срокът за следващото сервизно обслужване се указва на светодиоления дисплей на уреда.

Тази поддръжка следва да се извършва минимум на всеки 2 години или след 30000 операции на пресоване, или най-късно при индикация на LED дисплея.

Да се използват само аксесоари на Milwaukee и резервни части на Milwaukee. Елементи, чиято подмяна не е описана, да се дадат за подмяна на сервиз на Milwaukee (вижте брошурата „Гаранция и адреси на сервизи“).

При необходимост можете да поискате за уреда от Вашия сервиз или директно от Techtronic Industries GmbH, Max-Eyth-Straße 10, 71364 Winnenden, Germany, чертеж за в случай на експлозия, като посочите типа на машината и номер върху заводската табелка.

ONE-KEY™

За да научите повече за функционалността ONE KEY на този уред, прочетете приложеното кратко ръководство или ни посетете в интернет на <http://www.milwaukee.com/one-key>

Можете да изтеглите ONE KEY приложението на Вашия смартфон от App Store или Google Play.

Резултатът от изпитванията отговаря на нашите минимални изисквания съгласно EN 301489-1 / EN 301489-17. На клиента ще бъдат предоставени указания за експлоатация в ръководството за употреба.

АКУМУЛАТОРИ

Акумулатори, които не са ползвани по-дълго време, преди употреба да се дозаредят. Температура над 50°C намалява мощността на акумулатора. Да се избягва по-продължително нагряване на сънците или от отопление.

Поддържайте чисти присъединителните контакти на зарядното устройство и на акумулатора.

За оптимална продължителност на живот след употреба батериите трябва да се заредят напълно.

За възможно по-дълга продължителност на живот батериите трябва да се изваждат от уреда след зареждане.

При съхранение на батериите за повече от 30 дни: съхранявайте батерията при прилб. 27°C и на сухо място. Съхранявайте батерията при 30 до 50 % от заряда. Зареждайте батерията на всеки 6 месеца.

Не изхвърляйте изхабените акумулатори в огъня или в битовите отпадъци. Milwaukee предлага екологосъобразно събиране на старите акумулатори; моля попитайте Вашия специализиран търговец.

Не съхранявайте акумулаторите заедно с метални предмети (опасност от късо съединение).

При екстремно натоварване или екстремна температура от повредени акумулатори може да изтече батерийна течност. При допир с такава течност веднага измийте с вода и сапун. При контакт с очите веднага изплаквайте старателно най-малко 10 минути и незабавно потърсете лекар.

В гнездото за акумулатори на зарядните устройства не бива да попадат метални части (опасност от късо съединение).

ПРЕВОЗ НА ЛИТИЕВО-ЙОННИ БАТЕРИИ

Литиево-йонните батерии са предмет на законовите разпоредби за превоз на опасни товари.

Превозът на тези батерии трябва да се извършва в съответствие с местните, националните и международните разпоредби и регламенти.

Потребителите могат да превозват тези батерии по пътя без допълнителни изисквания.

Превозът на литиево-йонни батерии от транспортни компании е предмет на законовите разпоредбите за превоз на опасни товари. Подготовката на превоза и самият превоз трябва да се извършват само от обучени лица. Целият процес трябва да е под професионален надзор.

Спазвайте следните изисквания при превоз на батерии:

Уверете се, че контактите са защитени и изолирани, за да се избегне късо съединение. Уверете се, че няма опасност от разместване на батерията в опаковката. Не превозвайте повредени батерии или такива с течове. Обърнете се към Вашата транспортна компания за допълнителни инструкции.

СЕ - ДЕКЛАРАЦИЯ ЗА СЪОТВЕТВИЕ

Ние декларираме, изцяло на наша отговорност, че продуктът, описан в „Технически данни“, съответства на всички необходими изисквания на директивите

2011/65/EC (RoHS)

2006/42/EO

2014/53/EC

и че са използвани следните хармонизирани стандарти

EN 62841-1:2015

EN 62479:2010

EN 55014-1:2017+A11:2020

EN 55014-2:2015

EN 301 489-1 V2.2.3

EN 301 489-17 V3.1.1

EN 300 328 V2.2.2

EN IEC 63000:2018



Winnenden, 2020-11-10

Alexander Krug / Managing Director
Упълномощен за съставяне на техническата документация
Techtronic Industries GmbH
Max-Eyth-Straße 10, 71364 Winnenden, Germany

СИМВОЛИ



Преди пускане на уреда в действие моля прочетете внимателно инструкцията за използване.



Носете предпазни очила.



Това устройство се захранва с клетъчна литиева батерия от тип копче.



ВНИМАНИЕ! ПРЕДУПРЕЖДЕНИЕ! ОПАСНОСТ



Преди започване на каквито и да е работи по машината извадете акумулатора.



Опасност от токов удар



ВНИМАНИЕ!
Предупреждение за отхвърлени предмети



ВНИМАНИЕ! Нараняване на ръцете



Акcesoари - Не се съдържат в обема на доставката, препоръчвано допълнение от програмата за акcesoари.



=



=



Електрическите уреди не трябва да се изхвърлят заедно с битовите отпадъци. Електрическото и електронното оборудване трябва да се събират отделно и да се предават на службите за рециклиране на отпадъците според изискванията за опазване на околната среда. Информирайте се при местните служби или при местните специализирани търговци относно местата за събиране и центровете за рециклиране на отпадъци.



Напрежение



Постоянен ток



Европейски знак за съответствие



Британски знак за съответствие




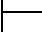
Украински знак за съответствие

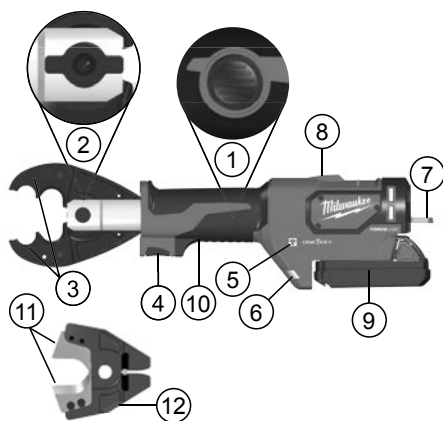


Евро-азиатски знак за съответствие






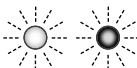
български

DATE TEHNICE Sculă de sertizare și tăiere		M18 HUCT
Număr producție	4673 82 02... 000001-999999	
Banda de frecvențe	2402 - 2480 MHz	
Puterea de radiofrecvență	1,8 dBm	
Tensiune acumulator	18 V	
forța de presare	53 kN	
zona de presă : Secțiune max.		
 Cupru	300 mm ²	
 Aluminiu	150 mm ²	
Zona de tăiere Cablu		
ACSR (Cablu ACSR OL-AL din aluminiu ranforsat cu oțel): Aluminiu-/Cordoane din oțel max.	22,5 mm	
Cupru- / Aluminiu-Alte materiale și diametrele acestora depind de fălcile specifice. max.	35 mm	
Greutate cu cablu de alimentare		
Greutatea conform „EPTA procedure 01/2014” (Li-Ion 2,0 Ah . . .9,0Ah)		
cu fălci de presare	3,6 kg ... 4,2 kg	
cu fălci de tăiere	3,7 kg ... 4,3 kg	
Seturi de baterii recomandate	M18B...	
Încărcător de baterii recomandat	M12-18...	
Informație privind zgomotul		
Valori măsurate determinate conform EN 62841. Nivelul de zgomot evaluat cu A al aparatului este tipic de:		
Nivelul presiunii sonore (Nesiguranță K=3dB(A))	74,6 dB (A)	
Nivelul sunetului (Nesiguranță K=3dB(A))	85,6 dB (A)	
Purtati căști de protecție		
Informații privind vibrațiile		
Valorile totale de oscilație (suma vectorială pe trei direcții determinate conform normei EN 62841.		
Valoarea emisiei de oscilații a _n	0,77 m/s ²	
Nesiguranță K=	1,5 m/s ²	



Descrierea dispozitivului

- | | |
|--------------------------------|---------------------------------------|
| ① Buton hidraulic de eliberare | ⑦ Etrier de suspendare |
| ② Șuruburi de blocare | ⑧ LED /Indicator sertizare |
| ③ Fălci de presare | ⑨ Acumulator |
| ④ Declanșator | ⑩ Mâner Suprafață de prindere izolată |
| ⑤ Indicator ONE KEY | ⑪ Lame de tăiere |
| ⑥ LED | ⑫ Fălci de tăiere |

Indicator LED	Definiție
 Solid Verde	Scula a finalizat operațiunea și a ajuns la presiunea completă pentru sertizare.
 Solid Roșu	Scula a finalizat operațiunea dar NU a ajuns la presiunea completă pentru sertizare.
 Pălpăire Roșu	Scula NU a finalizat operațiunea.
 Pălpăire Roșu / Verde (după Solid Verde sau Solid Roșu)	Scula a ajuns la intervalul de service (30000 sertizează). Pălpăirea roșie/verde va începe după ce indicatorul roșu sau verde al operațiunii este afișat. MILWAUKEE recomandă ca dispozitivul să fie verificat și să se efectueze operațiunile de întreținere.

AVERTISMENT!

Gradul de oscilație indicat în prezentele instrucțiuni a fost măsurat în conformitate cu o procedură de măsurare normată prin norma EN 62841 și poate fi folosit pentru a compara unelte electrice între ele. El se pretează și pentru o evaluare provizorie a solicitării la oscilații. Gradul de oscilație indicat reprezintă aplicațiile principale ale uneltelor electrice. În cazul în care însă uneltele electrice au fost folosite pentru alte aplicații, ori au fost folosite unelte de muncă diferite ori acestea nu au fost supuse unei suficiente inspecții de întreținere, gradul de oscilație poate fi diferit. Acest fapt poate duce la o creștere netă a solicitărilor la oscilații dealungul întregii perioade de lucru. În scopul unei evaluări exacte a solicitării la oscilații, urmează să fie luate în considerare și perioadele de timp în care aparatul a fost oprit ori funcționează dar, în realitate, el nu este folosit în mod practic. Acest fapt poate duce la o reducere netă a solicitărilor la oscilații dealungul întregii perioade de lucru. Stabiliți măsuri de siguranță suplimentare în scopul protecției utilizatorului de efectele oscilațiilor, de exemplu: inspecție de întreținere a uneltelor electrice și a celor de muncă, păstrarea caldă a mâinilor, organizarea proceselor de muncă.

⚠️ AVERTISMENT Citiți toate instrucțiunile de securitate, recomandările, reprezentările grafice și datele pe care le primiți livrate împreună cu aparatul. Nerespectarea indicațiilor de avertizare și a instrucțiunilor poate provoca electrocutare, incendii și/sau răni grave.

Pastrați toate indicațiile de avertizare și instrucțiunile în vederea utilizărilor viitoare.

⚠️ INSTRUCȚIUNI DE SECURITATE

Operatorul acestui dispozitiv trebuie să fie instruit cu privire la pericolele specifice asociate utilizării acestui dispozitiv și cu privire la măsurile de siguranță esențiale, înainte de a lucra cu acesta pentru prima oară și apoi cel puțin anual.

Firma de exploatare trebuie:

- să pună la dispoziția operatorului manualul de exploatare și
 - și să se asigure că operatorul a citit și a înțeles conținutul acestuia.
- Folosiți echipament de protecție. Purtați întotdeauna ochelari compleți atunci când utilizați dispozitivul. Se recomandă utilizarea hainelor de protecție ca de ex. Măști contra prafului, mănuși de protecție, încălțăminte stabilă nealunecoasă, cască și aparatoare de urechi.

Nu țineți niciodată degetele sau ale părții ale corpului în zona de acțiune a cilindrului sau a fălcilor.

Îndepărtați blocul de baterii înainte de a începe orice lucrare de ajustare, curățare și întreținere asupra dispozitivului.

Utilizați numai dispozitive, blocuri de baterii și încărcătoare care sunt în stare tehnică perfectă.

Deteriorările trebuie reparate imediat de către un atelier autorizat.

Pentru a evita răniurile și pagubele, preveniți pornirea accidentală a dispozitivului.

Îndepărtați toate sculele de reglare și cheile fixe înainte de operare.

Nu este permisă prelucrarea de componente aflate sub tensiune electrică. Dispozitivul NU este izolat.

AVERTISMENT! Pentru a reduce riscul de incendiu, rănirea personalului și deteriorarea produsului din cauza unui scurtcircuit, nu imersați niciodată dispozitivul, blocul de baterii sau încărcătorul în fluide și nici nu permiteți pătrunderea fluidelor în acestea. Fluidele corozive sau conductive, cum ar fi apa de mare, anumite substanțe chimice industriale și înălbitorul sau produsele cu conținut de înălbitor etc. pot provoca scurtcircuitul.


Operațiile și intervalele de întreținere trebuie respectate în mod obligatoriu.

Nu deschideți niciodată acumulatorii și încărcătoarele și pastrați-le numai în încăperi uscate. Pastrați-le întotdeauna uscate.

Folosiți numai încărcătoare System M18 pentru încărcarea acumulatorilor System M18. Nu folosiți acumulatori din alte sisteme.

Pentru a evita răniurile și deteriorările, nu scufundați niciodată în lichide unealta, bateria detașabilă sau încărcătorul și nu permiteți niciodată pătrunderea lichidelor în acestea.

AVERTISMENT

 Această sculă conține o baterie rotundă specializată tip litiu. O baterie nouă sau folosită poate cauza arsuri interne severe și poate provoca chiar decesul chiar și în 2 ore dacă este înghițită sau dacă intră în corp. Asigurați mereu capacul de pe compartimentul cu baterii. Dacă nu se închide în mod sigur, opriți dispozitivul, îndepărtați bateria și nu o lăsați la îndemâna copiilor. Dacă suspectați că cineva a înghițit o baterie sau că aceasta a intrat în corp prin alte modalități, apelați de urgență la un medic.

⚠️ INSTRUCȚIUNI DE SECURITATE PENTRU SCULELE DE PRESARE

Sculele și dispozitivele de sertizat trebuie folosite doar de către personalul instruit în aplicații electro-tehnice.

Înainte de fiecare utilizare verificați sculele, fălcile și inserțiile de presare să nu prezinte fisuri sau alte urme de uzură.

Utilizați sculele și inserțiile de presare doar în stare tehnică impecabilă.

Scula de presare poate fi utilizată doar cu inserțiile de presat montate.

Utilizați doar inserții de presare de până la 60 kN cu o lățime totală de 22 mm.

Nu atingeți fălcile presei în timpul procesului de presare.

În cazul defecțiunilor apărute în timpul procesului de presare eliberați imediat butonul ON (PORNIT) și apăsați butonul de deblocare a hidraulicii. Ventilul se deschide iar pistonul revine în poziția inițială.

⚠️ INSTRUCȚIUNI DE SECURITATE PENTRU TĂIETOARE DE CABLU

Tăierea, resp. debitarea cablurilor și cordoanelor cu ajutorul acestui tăietor de cabluri are voie să fie făcută numai de o persoană instruită în domeniul electrotehnic.

Pentru a reduce riscul de explozii, electrocutare, daune materiale și deteriorarea echipamentului, nu tăiați niciodată cabluri electrice aflate sub tensiune. Dispozitivul NU este izolat.

Țineți mâinile și îmbrăcămintea largă departe de piesele de tăiat sau de alte componente mobile. Există riscul unor răni severe, incluzând amputarea membrelor.

Nu țineți niciodată dispozitivul de tăiere a cablurilor de fălcile de tăiere.

Înainte de utilizare, verificați întotdeauna ca fălcile de tăiere să nu prezinte crăpături sau alte semne de uzură.

Dispozitivul de tăiere al cablurilor are voie să fie utilizat numai cu o unealtă de tăiere inserată.

RISCURI REZIDUALE

Sculă de presare:

Nu sertizați pe loc niciodată materiale de legătură.

Tăietor cablu:

Înainte de începerea procesului de tăiere, accesul trebuie restricționat în conformitate cu reglementările locale.

Tăiați întotdeauna cablurile numai după ce au fost deconectate de la alimentarea electrică!

Cablurile și cordoanele nu au voie să fie expuse la forțe mecanice.

Pentru a reduce riscul răniurilor, purtați măști de siguranță pentru ochi sau ochelari cu protecții laterale.

Incapacitatea de conformare cu această instrucțiune poate avea ca urmări răni grave, deces, incendiu și alte daune materiale, ca rezultat al electrocutării, exploziei și/sau arcurilor electrice.

CONDIȚII DE UTILIZARE SPECIFICATE

Sculă de presare:

Scula de presare poate fi utilizată în exclusivitate pentru presarea materialelor de conectare, pentru care sunt prevăzute inserțiile de presare aferente.

Toate componentele aflate sub tensiune, de ex. părți de conductivitate electrică, trebuie să fie deconectate în momentul de lucru al tehnicianului înainte ca acesta să înceapă munca.



Ro

Tăietor cablu:

Dispozitivul pentru tăierea cablurilor este adecvat pentru a tăia

- cabluri neranforșate scoase de sub tensiune, confecționate din cupru sau aluminiu izolat, instrumentele de tăiere depinzând de tipul de cablu

⚠️ AVERTISMENT Citiți toate instrucțiunile de securitate, recomandările, reprezentările grafice și datele pe care le primiți livrate împreună cu aparatul. Nerespectarea indicațiilor de avertizare și a instrucțiunilor poate provoca electrocutare, incendii și/sau răni grave.

Păstrați toate indicațiile de avertizare și instrucțiunile în vederea utilizărilor viitoare.

INDICAȚII DE LUCRU PENTRU SERTIZARE

Utilizați doar conectori normați conform standardelor naționale, precum și inserțiile de presare adecvate în acest sens.

Vă rugăm să respectați instrucțiunile de prelucrare și de montare pentru conectori din documentația pusă la dispoziție de producător.

Verificați dacă dimensiunea nominală a conectorului este conformă cu cea a inserției de presare.

Înainte de începerea procesului de sertizare, trebuie verificată capacitatea bateriei: minimum 33% (a se vedea descrierea ilustrată). Este posibil să fie necesară reincărcarea înainte de începerea lucrărilor.

Aționarea întrerupătorului de control inițiază procesul de presare, care este caracterizat prin împreunarea fălcilor de la cleștele de sertizat.

Verificarea și evaluarea unui proces corect de presare se află în îndemâna utilizatorului.

Legăturile realizate greșit trebuie presate din nou cu un conector nou.

Acțiune în caz de defecțiuni

- Apăsăți butonul de reset până când fălcile cleștelui s-au deschis complet
- verificați capacitatea bateriei
- verificați cablul și fălcile cleștelui de sertizat bazându-vă pe datele tehnice
- Dacă se suspectează că a fost presat vreun cablu aflat sub tensiune, scula de sertizat trebuie verificată la un atelier specializat autorizat

INDICAȚII DE LUCRU PENTRU TĂIERE

Pregătirea zonei de lucru

Înainte de începerea lucrului trebuie să se scoată de sub tensiune liniile și cordoanele, iar această stare trebuie asigurată pe întreaga durată a lucrărilor.

Dacă nu se poate asigura fără nicio urmă de îndoială întreruperea alimentării electrice a cablurilor sau liniei izolate, nu se va efectua nicio lucrare.

Se vor respecta neapărat prevederile și reglementările locale privind siguranța.

Cablurile și cordoanele nu au voie să fie expuse la forțe mecanice și, dacă este cazul, trebuie asigurate contra mișcărilor necontrolate după tăiere.

Nu expuneți utilajul ploii și nu-l utilizați în mediu umed sau ud.

Pregătirea dispozitivului de tăiere al cablurilor și bateriei înainte de fiecare utilizare:

- Verificați ca dispozitivul de tăiere a cablurilor să nu prezinte defecte externe
- Verificați ca dispozitivul de tăiere să nu prezinte crăpături sau alte semne de uzură

A se utiliza numai în condiție perfectă!

Înainte de începerea procesului de tăiere trebuie verificată capacitatea bateriei: minimum 33% (a se vedea descrierea ilustrată). Este posibil să fie necesară reincărcarea înainte de începerea lucrărilor.

Pregătirea procesului de tăiere

Sprinjii și fixați cablul sau cordonul care urmează să fie tăiate, astfel încât să reducăți la minimum riscul unei mișcări necontrolate.

Mișcarea necontrolată poate să apară în mod special în cazul liniilor și cordoanelor libere, putând fi provocate leziuni și/sau daune.

Capul de tăiere trebuie amplasat în unghi de 90° față de cablu sau cordon, astfel încât cablu sau cordon să stea fără tensionare între fălcile de tăiere deschise și să se evite forțele de forfecare nefavorabile.

⚠️ AVERTISMENT: Pentru a reduce riscul de explozie, electrocutare, daune materiale și deteriorarea echipamentului, nu tăiați niciodată cabluri electrice aflate sub tensiune.

Dispozitivul NU este izolat. Contactul cu un circuit aflat sub tensiune poate avea drept rezultat răni grave sau deces. Înainte de a executa o tăiere, opriți alimentarea electrică. Nu tăiați niciodată conducte de gaz sau apă. Feriți-vă mâinile de toate muchiile tăioase și piesele mobile. Pot fi cauzate sfâșieri sau amputări.

Scoateți întotdeauna blocul de baterii înainte de înlocuirea sau demontarea accesoriilor. Utilizați numai accesoriile recomandate în mod specific pentru acest dispozitiv. Altele pot fi riscante.

Pentru a reduce riscul rănilor, purtați măști de siguranță pentru ochi sau ochelari cu protecții laterale.

⚠️ AVERTISMENT: Pentru a reduce riscul de răni, tăiați numai materialele recomandate pentru lame. (a se vedea „Specificatii”) Nu încercați să tăiați alte materiale.

Tăiere

Înainte de tăiere, asigurați-vă că lamele de tăiere sunt montate corespunzător.

1. Introduceți cablul în unghi drept în fălcile de tăiere ale tăietorului de cabluri. Nu încercați să faceți tăieri oblice, deoarece acest lucru va deteriora dispozitivul și lamele de tăiere.

2. Trageți și mențineți tras declanșatorul în timpul utilizării.

Atunci când declanșatorul este tras se aprinde un LED.

După ce tăierea este finalizată sau dacă dispozitivul se deconectează, fălcile de tăiere se deschid independent. Dacă eliberați declanșatorul în timpul operației de tăiere, trebuie să apăsați butonul de resetare a sistemului hidraulic pentru a deschide fălcile de tăiere.

Notă: Este posibil ca piesa să se miște ușor în timpul tăierii.

Acțiune în caz de defecțiuni

- cablu poate fi tăiat și se poate afla sub tensiune, informați întotdeauna persoanele însărcinate cu siguranța, sistați procesul de tăiere, implementați măsuri de siguranță adecvate
- Asigurați-vă întotdeauna că dispozitivul este și rămâne deconectat de la sursa de alimentare electrică înainte de a vă apropia de el sau de a-l atinge
- apăsați și mențineți apăsat butonul de resetare până când dispozitivul de tăiere se deschide complet

- verificați capacitatea bateriei
- verificați materialul și grosimea materialului ținând cont de datele tehnice
- Dacă se suspectează că a fost tăiat vreun cablu aflat sub tensiune, dispozitivul de tăiere al cablurilor trebuie verificat de un atelier specializat autorizat

Lame îndeștate

Murdăria și reziduurile pot cauza îndeștarea între ele a lamelor după o tăiere

- Apăsăți mențineți apăsat declanșatorul de deblocare, pentru a vă asigura că dispozitivul de tăiere s-a resetat.
- Scoateți blocul bateriei.
- Urmăți descrierea ilustrată pentru deschiderea fălcilor de tăiere
- Înainte de a începe o altă tăiere, curățați de pe lame toată murdăria și toate reziduurile.

Sfaturi pentru tăiere

- Nu încercați să faceți tăieri oblice, deoarece acest lucru va deteriora dispozitivul și lamele de tăiere.
- Tăiați materiale curate, pentru a extinde durata de viață a lamelor de tăiere. Înainte de începerea tăierii, curățați murdăria și reziduurile de pe material și de pe lamele de tăiere.

ÎNȚEȚINERE

Îndepărtați blocul de baterii înainte de a începe orice lucrare de ajustare, curățare și întreținere asupra dispozitivului.

Nu desfaceți niciodată dispozitivul, bateria detașabilă sau încărcătorul.

Verificați ca dispozitivul să nu prezinte nicio problemă, cum ar fi zgomotul sau îndeștarea componentelor mobile, care ar putea afecta dispozitivul.

Înainte de fiecare utilizare, verificați ca dispozitivul, fălcile și inserțiile de sertizare și lamele de tăiere să nu prezinte crăpături sau alte semne de uzură.

Curățați și gresați dispozitivul după ce ați încheiat lucrarea.

Curățați și ungeți cu vaselină rolele de acționare, șuruburile de blocare și fălcile.

Verificați dacă fălcile se pot mișca fără obstrucții.

Înlocuiți inserțiile de sertizare și lamele de tăiere dacă sunt ciobite sau deteriorate.

Verificați dacă muchiile de tăiere sunt ascuțite și înlocuiți lamele de tăiere uzate.

Înlocuiți întotdeauna în set inserțiile de sertizare și lamele de tăiere.

Fantele de ventilare ale dispozitivului trebuie menținute curate în permanență.

Pentru a evita rănirea și deteriorarea, nu imersați niciodată dispozitivul, bateria detașabilă sau încărcătorul în fluide și nici nu permiteți pătrunderea fluidelor în acestea.

Lucrările de service și de reparație suplimentare au voie să fie efectuate numai de ateliere de specialitate autorizate.

Aparatul conține ulei hidraulic care reprezintă un pericol pentru apa freatică. Golirea necontrolată sau eliminarea necorespunzătoare a acestuia este pasibilă de pedeapsă.

Următorul termen de service este indicat prin LED-ul de pe dispozitiv.

Aceste lucrări de întreținere trebuie efectuate cel puțin o dată la fiecare 2 ani sau după 30000 de procedee de presare, sau cel mult în momentul în care afișajul LED indică acest lucru.

Utilizați numai accesorii și piese de schimb Milwaukee. Dacă unele din componente care nu au fost descrise trebuie înlocuite, vă rugăm contactați unul din agenții de service Milwaukee (vezi lista noastră pentru service / garanți

Dacă este necesar, se poate comanda o imagine descompusă a sculei. Vă rugăm menționați numărul art. Precum și tipul mașinii tipărit pe etichetă și comandați desenul la agenții de service locali sau direct la Techronic Industries GmbH, Max-Eyth-Straße 10, 71364 Winnenden, Germany.

ONE-KEY™

Pentru a afla mai multe despre funcționalitatea ONE-KEY a acestui dispozitiv, vă rugăm să consultați ghidul rapid anexat acestui produs sau să accesați <http://www.milwaukeeool.com/one-key> Puteți descărca aplicația ONE-KEY de pe App Store sau Google Play pe Smartphone-ul dvs.

Rezultatul verificării satisface cerințele noastre minime în conformitate cu EN 301489-1 / EN 301489-17. Vom transmite clientului ghidul operațional integrat în Manualul de utilizare.

ACUMULATORI

Acumulatorii care nu au fost utilizați o perioadă de timp trebuie reîncărcați înainte de utilizare Temperatura mai mare de 50°C (122°F) reduce performanța acumulatorului. Evitați expunerea prelungită la căldură sau radiație solară (risc de supraîncălzire) Contactele încărcătoarelor și acumulatorilor trebuie păstrate curate.

În scopul optimizării duratei de funcționare, bateriile trebuie reîncărcate complet după utilizare.

Pentru o durată de viață cât mai lungă, acumulatorii ar trebui scoși din încărcător după încărcare.

La depozitarea acumulatorilor mai mult de 30 zile: Acumulatorii se depozitează la cca. 27°C și la loc uscat. Acumulatorii se depozitează la nivelul de încărcare de cca. 30%-50%. Acumulatorii se încarcă din nou la fiecare 6 luni.

Nu aruncați acumulatorii uzați la containerul de reziduri menajere și nu îi ardeți. Milwaukee Distributors se oferă să recupereze acumulatorii vechi pentru protecția mediului înconjurător.

Nu depozitați acumulatorul împreună cu obiecte metalice (risc de scurtcircuit)

Acidul se poate scurge din acumulatorii deteriorați la încălcături sau temperaturi extreme. În caz de contact cu acidul din acumulator, spălați imediat cu apă și săpun. În caz de contact cu ochii, clătiți cu atenție timp de cel puțin 10 minute și apelați imediat la îngrijire medicală.

Nu se permite introducerea nici unei piese metalice în locașul pentru acumulator al încărcătorului. (risc de scurtcircuit)

TRANSPORTUL ACUMULATORILOR CU IONI DE LITIU

Acumulatorii cu ioni de litiu cad sub incidența prescripțiilor legale pentru transportul de mărfuri periculoase.

Transportul acestor acumulatori trebuie să se efectueze cu respectarea prescripțiilor și reglementărilor pe plan local, național și internațional.

Consumatorilor le este permis transportul rutier nerestricționat al acestui tip de acumulatori.

Transportul comercial al acumulatorilor cu ioni de litiu prin intermediul firmelor de expediție și transport este supus reglementărilor transportului de mărfuri periculoase. Pregătirile pentru expediție și transportul au voie să fie efectuate numai



de către personal instruit corespunzător. Întregul proces trebuie asistat în mod competent.

Următoarele puncte trebuie avute în vedere la transportul acumulatorilor:

Pentru a se evita scurtcircuitul, asigurați-vă de faptul că sunt protejate și izolate contactele. Aveți grijă ca pachetul de acumulatori să nu poată aluneca în altă poziție în interiorul ambalajului său. Este interzis transportarea unor acumulatori deteriorați sau care pierd lichid. Pentru indicații suplimentare adresați-vă firmei de expediție și transport cu care colaborați.

DECLARAȚIE DE CONFORMITATE

Declarăm pe propria răspundere că produsul descris în capitolul „Date tehnice” îndeplinește toate cerințele relevante ale directivelor

2011/65/UE (RoHS)

2006/42/CE

2014/53/UE

și au fost utilizate următoarele standarde armonizate

EN 62841-1:2015

EN 62479:2010

EN 55014-1:2017+A11:2020

EN 55014-2:2015

EN 301 489-1 V2.2.3

EN 301 489-17 V3.1.1

EN 300 328 V2.2.2

EN IEC 63000:2018



Winnenden, 2020-11-10

Alexander Krug / Managing Director

Împuternicit să elaboreze documentația tehnică.

Techtronic Industries GmbH

Max-Eyth-Straße 10, 71364 Winnenden, Germany

SIMBOLURI



Va rugăm citiți cu atenție instrucțiunile înainte de pornirea mașinii



Purtați ochelari de protecție:



Această sculă conține o baterie rotundă specializată tip litiu.



PERICOL! AVERTIZARE! ATENȚIE!



Îndepărtați acumulatorul înainte de începerea lucrului pe mașina



Pericol de șoc electric



AVERTISMENT!

Avvertiment împotriva obiectelor aruncate



AVERTISMENT! Vătămarea mâinilor



Accesorii - Nu este inclus în echipamentul standard, disponibil ca accesoriu



Aruncarea aparatelor electrice la gunoiul menajer este interzisă. Echipamentele electrice și electronice trebuie colectate separat și predate la un centru de reciclare și eliminare a deșeurilor, pentru a fi eliminate ecologic. Interesați-vă la autoritățile locale sau la comerciantul dvs. de specialitate unde se află centre de reciclare și puncte de colectare.

V

Tensiune



Curent continuu



Marcă de conformitate europeană



Marcă de conformitate britanică





Marcă de conformitate ucraineană

001



Marcă de conformitate eurasiatică

ТЕХНИЧКИ ПОДАТОЦИ		M18 HУСТ
Алат за спојување и сечење		
Производен број	4673 82 02...	000001-999999
Фреквентен опсег	2402 - 2480 MHz	
Моќност на предавателот	1,8 dBm	
Волтажа на батеријата	18 V	
Притисок сила	53 kN	
Мерно подрачје : Пресек макс.		
 Бакар	300 mm ²	
 Алуминиум	150 mm ²	
Зона на сечење Кабел		
ACSR: Алуминиум-/Челични сајли макс.	22,5 mm	
Бакар- / Алуминиум-Другите материјали и нивниот дијаметар зависат од конкретните запци. макс. Ter со кабел за напојување	35 mm	
Тежина според ЕПТА-процедурата 01/2014 (Li-Ion 2,0 Ah...9,0Ah)		
со челуст за пресување	3,6 kg ... 4,2 kg	
со челуст за сечење	3,7 kg ... 4,3 kg	
Препорачани комплекти акумулаторски батерии	M18B...	
Препорачани полначи	M12-18...	
Информации за бучавата		
Измерените вредности се одредени согласно стандардот EN 62841. А-оценетото ниво на бучава на апаратот типично изнесува:		
Ниво на звучен притисок. (Несигурност K=3dB(A))	74,6 dB (A)	
Ниво на јачина на звук. (Несигурност K=3dB(A))	85,6 dB (A)	
Носте штитник за уши.		
Информации за вибрации		
Вкупни вибрациски вредности (векторски збир на трите насоки) пресметани согласно EN 62841.		
Вибрациска емисиона вредност a _h Несигурност K	0,77 m/s ² 1,5 m/s ²	

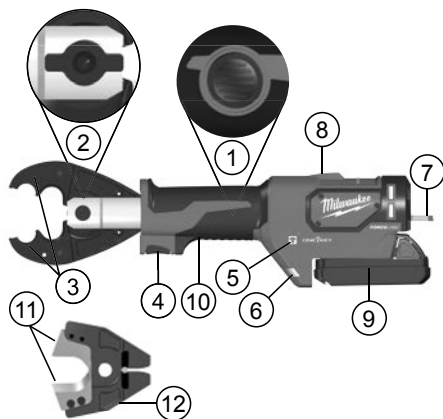
ПРЕДУПРЕДУВАЊЕ!

Нивото на осцилација наведено во овие инструкции е измерено во согласност со мерните постапки нормирани во EN 62841 и може да биде употребено за меѓусебна споредба на електро-алати. Ова ниво може да се употреби и за привремена проценка на оптоварувањето на осцилацијата.

Наведеното ниво на осцилација ги репрезентира главните намени на електро-алатот. Но, доколку електро-алатот се употребува за други намени, со отстапувачки додатоци или со несоодветно одржување, нивото на осцилација може да отстапи. Тоа може значително да го зголеми оптоварувањето на осцилацијата за време на целиот работен период.



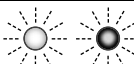
За прецизна проценка на оптоварувањето на осцилацијата предвид треба да бидат земени и времињата, во коишто апаратот е исклучен или работи, но фактички не се употребува.

Тоа може значително да го намали оптоварувањето на осцилацијата за време на целиот работен период
Утврдете дополнителни безбедносни мерки за заштита на операторот од влијанието на осцилациите, како на пример: одржување на електро-алатот и на додатоци кон електро-алатот, одржување топли раце, организација на работните процеси.



Опис на уредот

- | | |
|---------------------------------------|---------------------------------------|
| ① Копче за активација на хидрауликата | ⑦ Закачалка |
| ② Завртки за заклучување | ⑧ LED /Индикатор за пресувањето |
| ③ челуст за пресување | ⑨ Батерија |
| ④ Активатор (окидач) | ⑩ Рачка Изолирана површина на дршката |
| ⑤ Индикатор ONE KEY | ⑪ Секачи |
| ⑥ LED | ⑫ Челуст за режење |

LED индикатор	Опис
	Уредот го заврши процесот и достигна полна сила на пресување.
Еднобојно Зелено	
	Уредот го заврши процесот, ама НЕ ДОСТИГНА полна сила на пресување.
Еднобојно Црвено	
	Уредот НЕ го заврши процесот.
Трепкаво Црвено	
	Уредот го достигна интервалот за сервисирање. (30000 Процеси на пресување). Почнува да трепка црвено / зелено, откако привремено се покажала црвена или зелена индикација за процесот. MILWAUKEE препорачува уредот да го проверувате и да вршите периодично превентивно сервисирање.
Трепкаво Црвено / Зелено (после Еднобојно Зелено или Еднобојно Црвено)	





ПРЕДУПРЕДУВАЊЕ Прочитајте ги сите безбедносни напомени, упатства, цртежи и податоци, коишто ги добивате заедно со уредот. Заборавање на почитувањето на безбедносните упатства и инструкции можат да предизвикаат електричен удар, пожар и/или тешки повреди.

Сочувајте ги сите безбедносни упатства и инструкции за во иднина.



УПАТСТВО ЗА УПОТРЕБА

Пред да работи првпат со него и најмалку еднаш годишно, операторот на овој уред мора да биде обучен за специфичните опасности коишто се поврзани со користењето на овој алат и за неопходните безбедносни мерки.

Компанијата што е ангажирана мора:

- Прирачникот за работа да му го стави на располагање на операторот и
 - да се увери дека операторот го прочитал и го разбрал.
- Употребувајте заштитна опрема. Секогаш при користење на уредот носете заштитниочила. Се препорачува заштитна облека како: маска за заштита од прашина, заштитни ракавици, цврсти чевли што не се лигзаат, кацига и заштита за уши.

Никогаш не држете ги прстите или други делови од телото во работното подрачје на цилиндарот или на челуста.

Пред да почнете со било какво подесување, чистење и сервисирање на уредот, извадете ја батеријата.

Користете само уред, батерии и полначи кои се во технички беспрекорна состојба.

Во случај на оштетување истите веднаш да бидат дадени на авторизирана стручна работилница на поправка.

За да избегнете повреди и оштетувања, спречете го случајното стартување на уредот.

Пред да почнете со ракувањето, отстранете ги сите алатки за подесување и клучеви.

Не смеат да се обработуваат никакви делови кои се под електричен напон. Уредот НЕ е изолиран.

ПРЕДУПРЕДУВАЊЕ! За да го намалите ризикот од пожар, повреда и оштетување на производот поради краток спој, уредот, батеријата или полначот немојте никогаш да ги потопувате во течност и не дозволувајте во нив да продере течност. Корозивни или електроспроводливи течности, како што се морска вода, одредени индустриски хемикалии и избелувачки средства или производи што содржат избелувачки средства и сл., можат да предизвикаат краток спој.

Обавезно е потребно придржување кон одржувањето и интервали-те на одржување.

Не ги отворајте насилно батериите и полначите, и чувајте ги само на суво место. Чувајте ги постојано суви.

Користете исклучиво Систем M18 за полнење на батерии од M18 систем. Не користете батерии од друг систем.

За да избегнете повреда и оштетување, алатот, преносливата батерија или полначот никогаш не потопувајте ги во течност или, пак, не дозволувајте во нив да навлезе вода.

ПРЕДУПРЕДУВАЊЕ



Овој уред содржи една копчеста литиумска батерија. Доколку се голтне, или доколку влезе во телото, нова или стара батерија може да предизвика тешки внатрешни изгореници и да доведе до смрт за помалку од два часа. Секогаш обезбедувајте го поклопецот на батеријата. Доколку не се затвора добро, запрете го уредот, извадете ја батеријата и држете ја понастрана од деца. Ако мислите дека батеријата била голтната или дека влегла во телото, веднаш побарајте лекарска помош.



БЕЗБЕДНОСНИ НАПОМЕНИ ЗА АЛАТОТ ЗА ПРЕСУВАЊЕ

Алатот за пресување и додатоците за пресување смеат да ги користи само стручњаци со електротехничка обука.

Пред секоја употреба, проверете го алатот за пресување, пневматската челуст и вметоците да не имаат пукнатини и други форми на изабеност.

Алатот за пресување и вметоците за пресување треба да се користат само во технички беспрекорна состојба.

Алатот за пресување смее да се користи само со наместени вметоци за пресување.

Користете само вметоци за пресување до 60 kN со вкупна ширина од 22 mm.

Не допирајте ја челуста за пресување за време процесот на пресување.

Во случај на дефекти за време пресувањето веднаш исклучете ја склопката за вклучување и притиснете го копчето за откочување на хидрауликата. Вентилот се отвора и клипот се враќа во појдовната позиција.



БЕЗБЕДНОСНИ УПАТВА ЗА СЕКАЧОТ ЗА КАБЕЛ

Сечење, односно одвојување на кабли и сајли со помош на овој секач на кабли смее да врши само лице со електротехничка квалификација.

За да се намали ризикот од експлози, струен удар и оштетување на имотот и опремата, немојте никогаш да сечете електрични кабли под напон. Уредот НЕ е изолиран.

Рацете и лабавата облека држете ги понастрана од алатот за сечење и другите подвижни делови. Постои ризик од сериозна повреда, вклучувајќи оштетување на екстремитетите.

Никогаш немојте секачот за кабел да го држите за челуста за сечење.

Пред употреба, секогаш проверувајте ја челуста за сечење да не има пукнатини и други знаци на изабеност.

Секачот за кабел може да се користи само со вметнат алат за сечење.

ОСТАТОЧНИ ОПАСНОСТИ

Алат за пресување:

Пресувањето да се врши само на спојни елементи кои не се под електричен напон.

Секач за кабел:

Пред да почне процесот на сечење, пристапот мора да биде забранет во склад со локалните прописи.

Сечете само кабли кои се исклучени од електричен напон! Кабелот и сајлите не смеат да бидат изложени на никакви механички сили.

За да го намалите ризикот од повреда, носете сигурносни очила или очила со странични штитници.

Непочитувањето на овие упатства може да доведе до сериозна повреда, смрт, пожар и други материјални штети како последица на струен удар, експлозија и/или електричен лак.

СПЕЦИФИЦИРАНИ УСЛОВИ НА УПОТРЕБА

Алат за пресување:

Алатот за пресување смее да се користи исклучиво за пресување на спојни материјали кои се предвидени за соодветните вметоци за пресување.

Пред почетокот со работа, да се исклучат сите активни делови (т.е. делови под напон) во опкружување на монтерот.

Секач за кабел:

Секачот за кабли е погоден за сечење на

- ненапрегнати, неармирани кабли од изолиран бакар или алуминиум, алат за сечење завсно од типот на кабелот

⚠ ПРЕДУПРЕДУВАЊЕ Прочитајте ги сите безбедносни напомени, упатства, цртежи и податоци, коишто ги добивате заедно со уредот. Заборавање на почитувањето на безбедносните упатства и инструкции можат да предизвикаат електричен удар, пожар и/или тешки повреди. **Сочувајте ги сите безбедносни упатства и инструкции за во иднина.**

РАБОТНИ УПАТСТВА ЗА ПРЕСУВАЊЕ

Користете само стандардни спојни елементи според национално важечките стандарди, како и за тоа предвидени вметоци за пресување.

Погледнете ги упатствата за обработка и монтажа за спојните елементи од документацијата на производителот.

Проверете дали номиналната ширина на спојниот елемент одговара на вметокот за пресување.

Пред почеток на пресувањето, мора да се провери капацитетот на батеријата: минимум 33% (види го описот на сликата). Може да е неопходно полнење пред да започне работата.

Активирањето на контролната склопка го стартува пресувањето, кое се забележува по задвижувањето на уредот за пресување.

Проверката и проценката на едно точно пресување е во надлежност на корисникот.

Неточните спојки мора да се пресуваат повторно со нов споен елемент.

Постапка во случај на грешки

- Држете ја притисната склопката за ресетирање сè додека челуста не се отвори целосно.
- проверете го капацитетот на батеријата
- Проверка на кабелот и на додаточите за пресување врз основа на техничките податоци
- Доколку се сомневате дека пресувате некој кабел под напон, алатот за пресување мора да се испита во некој овластена сервис.

РАБОТНИ УПАТСТВА ЗА СЕЧЕЊЕ

распоред на работната зона

Пред почетокот на работата, мора да се создаде ненапонска состојба на водовите или сајлите и истата да биде обезбедена додека трае изведувањето на работите.

Доколку не може да се обезбеди кабелот или изолираниот вод да се исклучи, не смее да се извршува никаква работа.

Задолжително мора да се почитуваат локалните безбедносни прописи и регулативи.

Каблите и сајлите не смеат да бидат изложени на никакви механички сили, и евентуално да бидат осигурани против неконтролирани движења по отсечувањето.

Алатот не изложувајте го на дожд. Алатот не користете го на влажни или мокри места.

Подготовка на секачот за кабли и на батеријата

Пред секоја употреба:

- Проверете го секачот за кабли да не има надворешни дефекти
- Проверете го уредот за сечење да не има пукнатини и други знаци на изабеност

Користете го само во беспрекорна состојба!

Пред да почне процесот на сечење, мора да се провери капацитетот на батеријата: минимум 33% (види илустриран опис). Може да е неопходно полнење пред да започне работата.

Подготовка за процесот на сечење

Потпрете го и прицврстете го кабелот или сајлата што треба да се сечат за да го минимизирате ризикот од неконтролирано движење.

Во неконтролирано движење особено може да се најдат слободните водови и сајлите и да предизвикаат повреди и/или оштетувања.

Главата за сечење мора да се постави под агол од 90° во однос на кабелот или сајлата, така што тој(таа) да може без напор да влезе во отворената челуста за сечење и да се избегнат неповолни сили на сечење.

⚠ ПРЕДУПРЕДУВАЊЕ: За да се намали ризикот од експлозии, струен удар и оштетување на имотот и опремата, **немојте никогаш да сечете електрични кабли под напон.**

Уредот НЕ е изолиран. Контактот со струјни кола под напон може да доведе до тешки повреди или смрт. Исклучете ја струјата пред да сечете. Немојте никогаш да сечете гасоводни или водоводни цевки. Рацете држете ги настрана од сите остри рабови и подвижни делови. Може да дојде до кинење и ампултација.

Секогаш вадете ја батеријата пред да менувате или да отстранувате некаков прибор. Користете само прибор кој е конкретно препорачан за овој уред. Друг прибор може да биде ризичен.

За да го намалите ризикот од повреда, носете сигурносни очила или очила со странични штитници.

⚠ ПРЕДУПРЕДУВАЊЕ: За да го намалите ризикот од повреда, **со нежевите сечете само препорачани материјали.** (види „Спецификации“) **Немојте да се обидувате да сечете други материјали.**

Сечење

Пред сечењето, осигурајте се дали секачите се прописно монтирани.

1. Кабелот ставете го под прав агол врз секачите од секачот на кабли. Немојте да се обидувате да правите сечење под агол, бидејќи тоа ќе го оштети уредот и секачите.

2. Повлечете го и држете го активаторот за време на операцијата.

Ќе се вклучи LED светилка штом го повлечете активаторот.



Кога резот е завршен или уредот ќе се исклучи, челуста за режење се отвора независно. Ако го пуштите прекинувачот за време на сечењето, мора да го притиснете копчето за ресетирање на хидрауликата за да се отвори челуста за режење.

Забелешка: Парчето кое се обработува движете го пополека за време на сечењето.

Постапка во случај на грешки

- кабелот може да биде засечен и под напон, секогаш извествувајте го лицето кое е одговорно за безбедноста, прекинете ја постапката на сечење, преземете соодветни сигурносни мерки
- Секогаш осигурувајте се дали уредот е исклучен и дали ќе остане исклучен од напон пред да му пријдете и го допрете уредот
- Притиснете и држете го копчето за ресетирање додека секачот не се отвори целосно
- проверете го капацитетот на батеријата
- проверете го материјалот и неговата дебелина дали соодветствуваат на техничките податоци
- Доколку се сомневате дека бил пресечен кабел под напон, секачот за кабли треба да се провери во специјализирана работилница

Заглавени ножеви

Нечистотијата и отпадоците може да предизвикаат ножевите да се заглават после сечењето

- Притиснете го и држете го деблокаторот на активаторот за да се осигурате дека алатката се ресетирала.
- Извадете ја батеријата.
- Следете го описот на сликата за отворање на челуста
- Исчистете ја секоја нечистотија и отпадоци од ножевите пред да започнете ново сечење.

Совети за сечењето

- Немојте да се обидувате да правите сечење под агол, бидејќи тоа ќе го оштети уредот и секачите.
- Сечете чист материјал, бидејќи со тоа му го продолжувате векот на употреба на ножот. Избришете ја нечистотијата и отпадоците од материјалот и од секачите пред да почнете со сечењето.

ОДРЖУВАЊЕ

Пред да почнете со било какво подесување, чистење и сервисирање на уредот, извадете ја батеријата.

Никогаш немојте да ги отворате уредот, батеријата или полначот.

Проверете го уредот дали има било какви проблеми, на пр. дали бучи или да не има заглавени подвижни делови кои би можеле да влијаат врз алатката.

Пред секоја употреба, проверете ги уредот, челуста и вметоците за спојница и секачите да не имаат пукнатини и други знаци на абеење.

По завршување на работата, исчистете и подмачкајте го уредот.

Исчистете ги и подмачкајте ги погонските валјаци, завртките за заклучување и челуста.

Проверете дали може челуста да се движи слободно.

Заменете ги вметоците за спојница и секачите штом ќе станат избабени или оштетени.

Проверете дали рабовите за сечење се остри и заменете ги избабените секачи.

Вметоците за спојница и секачите секогаш менувајте ги во комплет.

Вентилациските отвори на алатот мора постојано да бидат слободни.

За да избегнете повреда и оштетување, уредот, батеријата или полначот немојте никогаш да ги потопувате во течност, ниту, пак, дозволувајте во нив да продере течност.

Освен тоа, сервисирањето и поправките смеат да ги извршуваат само овластени специјализирани работилници.

Апаратот содржи хидрау-лично масло кое што претста-вува опасност за подземните води. Неконтро-лирано испуштање или нестручно флање е казниво.

Наредното сервисирање е наведено со LED на самиот уред.

Ова сервисирање мора да се прави најмалку на секои 2 години или после 30000 пресувања или најдоцна кога ќе се појави LED-сигналот.

Користете само Milwaukee додатоци и резервни делови. Доколку некои од компонентите кои не се опишани треба да бидат заменети, Ве молиме контактирајте ги сервисните агенти на Milwaukee (консултирајте ја листата на адреси).

Доколку е потребно можно е да биде набавен детален приказ на алатот. Ве молиме наведете го бројот на артиклот како и типот на машина кој е отпечатан на етикетата и порачајте ја скицата кај локалниот застапник или директно кај: Techtronic Industries GmbH, Max-Eyth-Strasse 10, 71364 Winnenden, Germany.

ONE-KEY™

За да дознаете повеќе за ONE-KEY функциите на овој уред, прочитајте го приложеното упатство за Брз старт или посетете нè на веб-страницата: <http://www.milwaukeeetool.com/one-key>

Апликацијата ONE-KEY можете да ја симнете на Вашиот смартфон преку App Store или Google Play.

Резултатот од инспекцијата ги исполнува нашите минимални барања според EN 301489-1 / EN 301489-17. Во прирачникот за корисници на муштериите ќе им дадеме упатство за ракување.

БАТЕРИИ

Батериите кои не биле користени подолго време треба да се наполнат пред употреба. Температура повисока од 50oC (122oF) го намалуваат траењето на батериите. Избегнувајте подолго изложување на батериите на високи температури или сонце (ризик од прегревање).

Клемите на полначот и батериите мора да бидат чисти.

За оптимален работен век батериите мора да се наполнат целосно по употреба.

За можно подолг век на траење, апаратите после нивното полнење треба да бидат извадени од апаратот за полнење на батериите.

Во случај на складирање на батеријата подолго од 30 дена: Акумулаторот да се чува на температура од приближно 27°C и на суво место. Акумулаторот да се складира на приближно 30%-50% од состојбата на наполнетост. Акумулаторот повторно да се наполни на секои 6 месеци.

Не ги оставајте искористените батери во домашниот отпад и не горете ги. Дистрибутерите на Милвоки ги собираат старите батери, со што ја штитат нашата околина.

Не ги чувајте батериите заедно со метални предмети (ризик од краток спој).

Киселината од оштетените батериите може да истече при екстремн напон или температури. Доколку дојдете во контакт



Mak

со исатата, измијте се веднаш со сапун и вода. Во случај на контакт со очите плакнете ги убаво најмалку 10 минути и задолжително одете на лекар.

Метални парчиња не смеат да навлезат во делот за полнење на батерија (ризик од краток спој).

ТРАНСПОРТ НА ЛИТИУМ-ЈОНСКИ БАТЕРИИ

Литиум-јонските батерии подлежат на законските одредби за транспорт на опасни материи.

Транспортот на овие батерии мора да се врши согласно локалните, националните и меѓународните прописи и одредби.

Потрошувачите на овие батерии може да вршат непречен патен транспорт на истите.

Комерцијалниот транспорт на литиум-јонски батерии од страна на шпедитерски претпријатија подлежат на одредбите за транспорт на опасни материи. Подготовките за шпедиција и транспорт треба да ги вршат исклучиво соодветно обучени лица. Целокупниот процес треба да биде стручно надгледуван.

При транспортот на батерии треба да се внимава на следното:

Осигурајте се дека контактите се заштитени и изолирани, а сето тоа со цел да се избегнат кратки споеви. Внимавајте да не дојде до изместување на батериите во нивната амбалажа. Забранет е транспорт на оштетени или протечени литиум-јонски батерии. За понатамошни инструкции обратете се до Вашето шпедитерско претпријатие.

ЕУ-ДЕКЛАРАЦИЈА ЗА СООБРАЗНОСТ

Под целосна лична одговорност изјавуваме дека производот опишан во „Технички податоци“ е во сообразност со сите релевантни прописи од директивите

2011/65/EU (RoHS)

2006/42/EC

2014/53/EU

и дека се применети следните хармонизирани стандарди

EN 62841-1:2015

EN 62479:2010

EN 55014-1:2017+A11:2020

EN 55014-2:2015

EN 301 489-1 V2.2.3

EN 301 489-17 V3.1.1

EN 300 328 V2.2.2

EN IEC 63000:2018



Winnenden, 2020-11-10

Alexander Krug / Managing Director
Ополномоштен за составување на техничката документација.

Techtronic Industries GmbH

Max-Eyth-Straße 10, 71364 Winnenden, Germany

СИМБОЛИ



Ве молиме пред да ја стартувате машината обрнете внимание на упатствата за употреба.



Да се носат заштитни очила.



Овој уред содржи една копчеста литиумска батерија.



ВНИМАНИЕ! ПРЕДУПРЕДУВАЊЕ! ОПАСНОСТ!



Извадете го батерискиот склоп пред отпочнување на каквo и да е зафат врз машината.



Опасност од струен удар



ПРЕДУПРЕДУВАЊЕ!
Летање на делови од работните предмети



ПРЕДУПРЕДУВАЊЕ! Повреда на рацете



Дополнителна опрема - Не е вклучена во стандардната, а достапна е како додаток.



Електричните апарати не смеат да се фрлат заедно со домашниот отпад. Електричните и електронските апарати треба да се собираат одделно и да се однесат во соодветниот погон заради нивно фрлање во склад со начелата за заштита на околината. Информирајте се кај Вашите местни служби или кај специјализираниот трговски претставник, каде има такви погони за рециклажа и собирни станици.

V

Напон



Истосмерна струја



Европска ознака за сообразност



Британска ознака за сообразност



Украинска ознака за сообразност

001



Евроазиска ознака за сообразност



ТЕХНІЧНІ ХАРАКТЕРИСТИКИ	
Обжимний та різальний інструмент	
Номер виробу	4673 82 02... 000001-999999
діапазон частот	2402 - 2480 MHz
потужність радіовипромінювання	1,8 dBm
Напруга знімної акумуляторної батареї	18 V
Номинальна сила	53 kN
Ділянка пресування : Поперечний переріз макс. Мідь Алюміній	300 mm ² 150 mm ²
Область розрізання Кабель ACSR: Алюміній-/Сталеві троси макс. Мідь- / Алюміній-Інші матеріали та їх діаметр залежать від конкретних лежат. макс. Маса зі шнуром живлення	22,5 mm 35 mm
Вага згідно з процедурою EPTA 01/2014 (Li-Ion 2,0 Ah... 9,0Ah)	
з притискувальними колодками з різакми	3,6 kg ... 4,2 kg 3,7 kg ... 4,3 kg
Рекомендовані акумулятори	M18B...
Рекомендовані зарядні пристрої	M12-18...
Інформація про шум	
Виміряні значення визначені згідно з EN 62841. Рівень шуму „А“ приладу становить в типовому випадку: Рівень звукового тиску (похибка K = 3 дБ(А)) Рівень звукової потужності (похибка K = 3 дБ(А))	74,6 dB (A) 85,6 dB (A)
Використовувати засоби захисту органів слуху!	
Інформація щодо вібрації	
Сумарні значення вібрації (векторна сума трьох напрямків), встановлені згідно з EN 62841.	
Значення вібрації a _h похибка K =	0,77 m/s ² 1,5 m/s ²

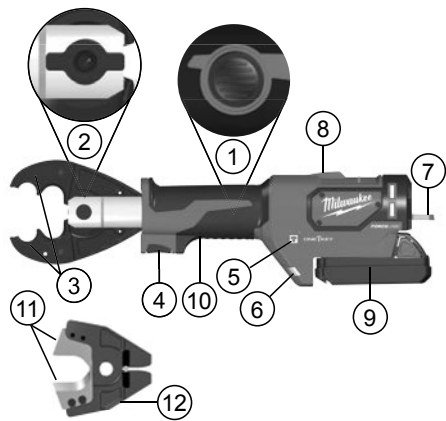
ПОПЕРЕДЖЕННЯ!

Рівень вібрації, вказаний в цій інструкції, вимірювався згідно з методом вимірювання, нормованим стандартом EN 62841, і може використовуватися для порівняння електроінструментів. Він призначений також для попередньої оцінки навантаження від вібрації.

Вказаний рівень вібрації відповідає основним сферам використання електроінструменту. Але якщо електроінструмент використовується для іншої мети, з іншими вставними інструментами або при недостатньому технічному обслуговуванні, рівень вібрації може бути іншим. Це може значно підвищити навантаження від вібрації за весь період роботи.


Для точної оцінки навантаження від вібрації необхідно також враховувати час, коли прилад вимкнений або увімкнений, але фактично не використовується. Це може значно зменшити навантаження від вібрації за весь період роботи.

Визначте додаткові заходи безпеки для захисту оператора від дії вібрації, наприклад: Технічне обслуговування електроінструменту та вставних інструментів, зігрівання рук, організація робочих процесів.



Опис пристрою

- | | |
|--------------------------------------|------------------------------------|
| ① Гідравлічний перемикач роз'єднання | ⑦ Підвісний кронштейн |
| ② Блокувальні болти | ⑧ Світлодіод / Індикатор обжимання |
| ③ притискувальними колодками | ⑨ Акумуляторна батарея |
| ④ Пусковий курок | ⑩ Ручка Ізольована поверхня ручки |
| ⑤ Індикатор ONE KEY | ⑪ Різальні леза |
| ⑥ Світлодіод | ⑫ Різак |

Світлодіодний індикатор	Визначення
	Інструмент завершив операцію та досяг повного тиску обжимання.
Горить Зелений	
	Інструмент завершив операцію, але НЕ досяг повного тиску обжимання.
Горить Червоний	
	Інструмент НЕ завершив операцію.
Блимає Червоний	
	Інструмент потребує обслуговування (30000 обжимання). Після того як для певної операції буде відображено червоний чи зелений індикатор, що горить безперервно, індикатор почне блимати червоним/зеленим кольором. MILWAUKEE рекомендує оглянути пристрій і вжити заходи з профілактичного обслуговування.
Блимає Червоний / Зелений (після Горить Зелений або Горить Червоний)	

⚠ ПОПЕРЕДЖЕННЯ Ознайомтеся з усіма вказівками щодо техніки безпеки, інструкціями, ілюстраціями та відомостями, що було надано разом із приладом.

Упущення при дотриманні вказівок з техніки безпеки та інструкцій можуть призвести до ураження електричним струмом, пожежі та/або тяжких травм.

Зберігайте всі вказівки з техніки безпеки та інструкції на майбутнє.

⚠ ВКАЗІВКИ З ТЕХНІКИ БЕЗПЕКИ ДЛЯ

Оператор цього пристрою повинен проходити інструктаж стосовно особливих ризиків, пов'язаних із використанням цього пристрою, та стосовно необхідних заходів безпеки. Інструктаж проводиться перед першим використанням пристрою та в подальшому щонайменше раз на рік. Компанія, що експлуатує пристрій, зобов'язана:

- надати оператору посібник із експлуатації;
- та переконатися в тому, що оператор прочитав і прийняв до уваги інформацію, викладену в посібнику.

Використовуйте індивідуальні засоби захисту. Під час використання пристрою завжди носіть захисні окуляри. Радімо використовувати захисний одяг, як наприклад маску для захисту від пилу, захисні рукавиці, міцне та нековзне взуття, каску та засоби захисту органів слуху.

У жодному разі не тримайте пальці або інші частини тіла в робочій зоні циліндра та лещат.

Перед початком будь-яких робіт із налаштування, очищення чи технічного обслуговування пристрою вийміть акумулятор. Використовуйте пристрій, акумулятор і зарядний пристрій лише в тому випадку, якщо вони мають бездоганний технічний стан.

Пошкодження негайно усунути в авторизованій спеціальній майстерні.

Щоб уникнути поранень і пошкодження майна, усуньте можливість випадкового вмикання пристрою.

Перед роботою виймайте будь-які регульовальні інструменти та ключі.

Заборононо обробляти деталі, що знаходяться під електричним струмом. Пристрій НЕ має ізоляції.

ПОПЕРЕДЖЕННЯ! Для запобігання небезпеці пожежі, травмування людей і пошкодження виробів в результаті короткого замикання не занурюйте пристрій, акумулятор або зарядний пристрій у рідину та не допускайте потрапляння рідини всередину пристроїв або акумуляторів. Корозійні і струмопровідні рідини, такі як солоний розчин, певні промислові хімікати, вибілювальні засоби або продукти, що їх містять, можуть призвести до короткого замикання.

Обов'язково виконувати технічне обслуговування відповідно до вказаних інтервалів.

Не відкривати знімні акумуляторні батареї і зарядні пристрої та зберігати їх лише в сухих приміщеннях. Берегти від вологи.

Знімні акумуляторні батареї системи M18 заряджати лише зарядними пристроями системи M18. Не заряджати акумуляторні батареї інших систем.

Щоб уникнути травм та пошкодження майна, в жодному разі не опускайте інструмент, знімний акумулятор і зарядний пристрій у рідину та не допускайте проникнення рідини всередину цих пристроїв.

ПОПЕРЕДЖЕННЯ



Пристрій використовує кнопковий/плаский круглий літійовий акумулятор. Новий або використаний акумулятор може спричинити сильні внутрішні опіки та призвести до смерті протягом 2 годин у разі проковтування чи потрапляння в організм. Завжди закріплюйте кришку акумуляторного відсіку. Якщо вона не закривається надійно, зупиніть пристрій, вийміть акумулятор і зберігайте його в недоступному для дітей місці. Якщо ви вважаєте, що людина проковтнула акумулятор чи що акумулятор іншим шляхом потрапив в організм, зверніться за терміновою медичною допомогою.

⚠ ПРАВИЛА ТЕХНІКИ БЕЗПЕКИ ПРИ РОБОТІ З ЗАТИСНИМ ІНСТРУМЕНТОМ

Обжимні інструменти та пристрої повинні використовуватися тільки персоналом, навченим роботі з електротехнічними приладами.

Перед кожним використанням перевіряйте затискний інструмент, притискувальні колодки і обжимні вставки на наявність тріщин або інших проявів зношення.

Використовуйте затискний інструмент і обжимні вставки лише в технічно бездоганному стані.

Затискний інструмент можна використовувати лише зі встановленими обжимними вставками.

Використовуйте обжимні вставки до 60 кН із загальною шириною 22 мм.

Під час затискання не торкайтеся притискувальних колодок.

У разі несправностей під час затискання негайно відпустіть вимикач EIN (УВІМК.) і натисніть кнопку розблокування гідравлічного механізму. Клапан відкривається, поршень просувається назад в вихідне положення.

⚠ ПРАВИЛА ТЕХНІКИ БЕЗПЕКИ ПРИ РОБОТІ З ІНСТРУМЕНТОМ ДЛЯ РОЗРІЗАННЯ КАБЕЛЮ

Розрізання чи розділення кабелів і тросів за допомогою цього кабельного ножа може виконуватися лише особами, ознайомленими з правилами поводження з електроінструментами.

Для зниження ризику вибуху, ураження електричним струмом чи пошкодження майна й обладнання в жодному разі не розрізайте під'єднані до мережі електричні кабелі. Пристрій НЕ має ізоляції.

Тримайте руки та вільний одяг на безпечній відстані від різальних інструментів і інших рухомих частин. Існує небезпека тяжких травм, в тому числі відокремлення кічків.

У жодному разі не тримайте кабелеріз за різак.

Тримайте інструмент завжди перевіряйте різак на наявність тріщин чи інших ознак зношення.

Кабелеріз можна використовувати лише зі встановленим різальним інструментом.

ЗАЛИШКОВІ НЕБЕЗПЕКИ

Затискний інструмент:

У жодному разі не виконуйте обжимання матеріалів під напругою.

Інструмент для розрізання кабелю:

Перед початком процесу розрізання необхідно заблокувати доступ до місця проведення робіт згідно з місцевими нормами. Допускається розрізання лише тих кабелів, які були від'єднані від джерела живлення!

Кабелі та троси не повинні піддаватися дії механічних сил.



УКР

Для зниження ризику травмування носіть захисні окуляри чи окуляри з боковими щитками.

Невиконання цієї інструкції може призвести до тяжких травм, смерті, пожежі чи іншого пошкодження майна внаслідок ураження електричним струмом, вибуху та/або виникнення електричної дуги.

ВИКОРИСТАННЯ ЗА ПРИЗНАЧЕННЯМ

Затискний інструмент:

Затискний інструмент можна використовувати для затискання з'єднувальних матеріалів, для яких передбачено відповідні обжимні вставки.

Перед початком робіт необхідно від'єднати всі деталі під напругою, тобто деталі, що проводять електричний струм, які знаходяться в області роботи технічного спеціаліста.

Інструмент для розрізання кабелю:

Кабелеріз придатний для розрізання

- не армованих ізольованих кабелів без натягу, виготовлених із міді або алюмінію, різальні інструменти залежать від типу кабелю

⚠ ПОВЕРЕДЖЕННЯ Ознайомтеся з усіма вказівками щодо техніки безпеки, інструкціями, ілюстраціями та відомостями, що було надано разом із приладом. Упущення при дотриманні вказівок з техніки безпеки та інструкцій можуть призвести до ураження електричним струмом, пожежі та/або тяжких травм.

Зберігайте всі вказівки з техніки безпеки та інструкції на майбутнє.

ВКАЗІВКИ ЩОДО ЕКСПЛУАТАЦІЇ ДЛЯ ОБЖИМАННЯ

Використовуйте лише стандартні з'єднувачі, що відповідають чинним національним нормам, а також призначені для них обжимні вставки.

Для отримання інструкцій щодо обробки та монтажу з'єднувачів див. документацію виробника.

Перевіряйте відповідність номінальної ширини з'єднувача номінальній ширині обжимної вставки.

Перед початком процесу обжимання необхідно перевірити заряд акумулятора: він повинен становити щонайменше 33 % (див. ілюстрований опис). Перед початком роботи може бути необхідно зарядити акумулятор.

Натискання перемикача управління запускає процес пресування, в ході якого обжимні штампи замикаються один з одним.

Відповідальність за перевірку й оцінку належного затискання несе користувач.

Неправильно виконані з'єднання необхідно виправити, виконавши затискання повторно з використанням нового з'єднувача.

Дії в разі збоїв

- Утримуйте перемикач повернення в вихідне положення, доки лещата не відкриються повністю
- Перевірте заряд акумулятора
- Огляньте кабель та обжимні штампи відповідно до технічних відомостей
- Якщо є підозра стосовно того, що було обжато кабель під напругою, обжимний інструмент необхідно передати для огляду в уповноважену спеціалізовану майстерню

ВКАЗІВКИ ЩОДО ЕКСПЛУАТАЦІЇ ДЛЯ РОЗРІЗАННЯ

Облаштування робочої зони

Перед початком робіт необхідно перевірити знеструмленість дротів або тросів і підтримувати їх у знеструмленому стані під час виконання робіт.

Якщо неможливо переконатися у від'єднанні кабелю чи ізольованої лінії від живлення, виконання робіт заборонено. Обов'язково дотримуйтеся місцевих правил безпеки та норм.

Кабелі та троси не повинні піддаватися дії механічних сил і за необхідності повинні бути зафіксовані, щоб уникнути неконтрольованого переміщення після розрізання.

Бережіть інструменти від дощу. Не використовуйте інструменти у вологому чи воємому середовищі.

Підготовка кабелеріза й акумулятора

Перед кожним використанням виконуйте вказані нижче дії.

- Перевірте кабелеріз на наявність зовнішніх пошкоджень
- Перевірте різальний інструмент на наявність тріщин або інших ознак зношення

Використовуйте інструменти лише в бездоганному технічному стані!

Перед початком процесу розрізання необхідно перевірити заряд акумулятора: він повинен становити щонайменше 33 % (див. ілюстрований опис). Перед початком роботи може бути необхідно зарядити акумулятор.

Підготовка до розрізання

Розташуйте кабелі чи троси на опорі та зафіксуйте їх, щоб знизити ризик неконтрольованого переміщення.

Зокрема, дроти та троси, що вільно висять, можуть неконтрольовано переміщуватися, що може спричинити поранення та/або пошкодження майна.

Різальна голівка повинна розташовуватися під кутом 90° до кабелю чи троса, щоб вони проходили в отворі різального інструменту без натягу, що дозволить уникнути небажаних зусиль при розрізанні.

⚠ ПОВЕРЕДЖЕННЯ: Для зниження ризику вибуху, ураження електричним струмом чи пошкодження майна й обладнання в жодному разі не розрізайте під'єднані до мережі електричні кабелі.

Пристрій НЕ має ізоляції. Контакт із контуром під напругою може призвести до важких травм чи смерті. Перед розрізанням вимкніть живлення. У жодному разі не розрізайте газо- чи водопроводи. Тримайте руки на безпечній відстані від різальних кромок і рухомих деталей. Можливі глибокі порізи чи відривання кінцівок.

Перед заміною чи видаленням допоміжного приладдя завжди виймайте акумулятор. Використовуйте допоміжне приладдя, спеціально рекомендоване для цього пристрою. Інше приладдя може бути небезпечним.

Для зниження ризику травмування носіть захисні окуляри чи окуляри з боковими щитками.

⚠ ПОВЕРЕДЖЕННЯ: Щоб уникнути травмування, розрізайте лише ті матеріали, які відповідають лезам пристрою. (див. розділ «Специфікації»). Не намагайтеся розрізати інші матеріали.

Розрізання

Перед розрізанням переконайтеся в тому, що різальні леза встановлено правильно.

1. Спрямуйте кабель до різальної поверхні кабельного ножа під прямим кутом. Не намагайтеся виконувати кутові розрізи, оскільки це призведе до пошкодження пристрою та різальних лез..

2. Натисніть і утримуйте пусковий курок від час роботи. Під час натискання курка горить світлодіодний індикатор. Після завершення розрізання чи після вимкнення пристрою різки відкриються автономно. Якщо ви відпускаєте пусковий курок під час розрізання, необхідно натиснути кнопку гідравлічного скидання, щоб відкрити різки.

Примітка: Під час розрізання заготовка може трохи зсуватися.

Дії в разі збоїв

- Якщо є імовірність того, що після розрізання кабель знаходиться під напругою, завжди повідомляйте про це відповідального за безпеку, зупиняйте процес розрізання та вживайте відповідні заходи безпеки
- Завжди переконуйтеся в тому, що пристрій є та залишається знеструмлений, перш ніж наблизитися та торкатися його
- Натисніть і утримуйте кнопку скидання, доки різальний пристрій не відкриється повністю
- Перевірте заряд акумулятора
- Перевірте матеріал та його товщину згідно з технічними специфікаціями
- Якщо є підозра стосовно того, що було розрізано кабель під напругою, кабелеріз необхідно передати для огляду в уповноважену спеціалізовану майстерню

Заклинювання лез

Бруд і сторонні частки можуть призводити до заклинювання лез після розрізання

- Натисніть і утримуйте курок розблокування, щоб повернути інструмент у початковий стан.
- Вийміть акумулятор.
- Щоб відкрити різальний інструмент, дотримуйтеся ілюстрованого опису
- Перед початком нового процесу розрізання видаліть бруд і сторонні частки з лез.

Поради щодо розрізання

- Не намагайтеся виконувати кутові розрізи, оскільки це призведе до пошкодження пристрою та різальних лез..
- Для подовження строку служби різальних лез розрізайте чистий матеріал. Перед початком розрізання витирайте з матеріалу та різальних лез бруд і сторонні частки.

ОБСЛУГОВУВАННЯ

Перед початком будь-яких робіт із налаштування, очищення чи технічного обслуговування пристрою вийміть акумулятор. У жодному разі не відкривайте пристрій, знімний акумулятор чи зарядний пристрій.

Перевіряйте пристрій на наявність будь-яких проблем, таких як шуми чи заклинювання рухомих деталей, що може впливати на роботу пристрою.

Перед кожним використанням перевіряйте пристрій, лещата, обжимні штампи та різальні леза на наявність тріщин або інших ознак зношення.

Після закінчення робіт очистуйте та змащуйте пристрій.

Очищуйте та змащуйте привідні валики, блокувальні болти та лещата.

Переконайтеся в тому, що лещата рухаються вільно.

Замінійте обжимні штампи та різальні леза, якщо вони мають щербини чи пошкодження.

Перевіряйте гострість різальних кромок і замінійте зношені різальні леза.

Завжди замінійте обжимні штампи та різальні леза повним комплектом.

Завжди підтримуйте чистоту вентиляційних отворів пристрою.

Щоб уникнути травм та пошкодження майна, в жодному разі не опускайте пристрій, знімний акумулятор і зарядний пристрій у рідину та не допускайте проникнення рідини всередину цих пристроїв.

Подальші роботи з обслуговування та ремонту можуть виконуватися лише уповноваженими спеціалізованими майстернями.

Прилад містить гідравлічну оливу, яка небезпечна для ґрунтових вод. Неконтрольоване зливання або неналежна утилізація караються.

Дата наступного обслуговування вказується на пристрої за допомогою світлодіода.

Обслуговування необхідно проводити не рідше одного разу на 2 роки або після 30000 операцій затискання, але не пізніше того, коли про це сповістить відповідний світлодіодний індикатор.

Використовувати тільки комплектуючі та запчастини Milwaukee. Деталі, заміна яких не описується, замінювати тільки в відділі обслуговування клієнтів Milwaukee (зверніть увагу на брошуру „Гарантія / адреси сервісних центрів”).

У разі необхідності можна запросити креслення з зображенням вузлів машини в перспективному вигляді, для цього потрібно звернутися в ваш відділ обслуговування клієнтів або безпосередньо в Techtronic Industries GmbH, Max-Eyth-Straße 10, 71364 Winnenden, Німеччина, та вказати тип машини та шестизначний номер на фірмовій таблиці з даними машини.

ONE-KEY™

Додаткову інформацію щодо функції ONE-KEY цього пристрою див. в наданому до цього продукту короткому посібнику щодо початку роботи або на нашому інтернет-сайті <http://www.milwaukee.com/one-key>

Можна завантажити застосунок ONE-KEY через App Store або Google Play на ваш смартфон.

Результат випробування відповідає нашим мінімальним вимогам згідно з EN 301489-1 / EN 301489-17. Ми надамо замовнику інструкції з експлуатації в посібнику користувача.

АКУМУЛЯТОРНІ БАТАРЕЇ

Знімну акумуляторну батарею, що не використовувалася тривалий час, перед використанням необхідно підзарядити. Температура понад 50 °C зменшує потужність знімної акумуляторної батареї. Уникайте тривалого нагрівання сонячними променями або системою обігріву.

З'єднувальні контакти зарядного пристрою та знімної акумуляторної батареї повинні бути чистими.

Для забезпечення оптимального строку експлуатації акумуляторні батареї після використання необхідно повністю зарядити.

Для забезпечення максимального можливого терміну експлуатації акумуляторні батареї після зарядки необхідно виймати з зарядного пристрою.

При зберіганні акумуляторної батареї понад 30 днів: Зберігати акумуляторну батарею при температурі приблизно 27 °C в



сухому місці. Зберігати акумуляторну батарею в стані зарядки приблизно 30-50%. Кожні 6 місяців заново заряджати акумуляторну батарею.

Відпрацьовані знімні акумуляторні батареї не можна кидати у вогонь або викидати з побутовими відходами. Milwaukee пропонує утилізацію старих знімних акумуляторних батарей, безпечну для довкілля; зверніться до свого дилера.

Не зберігати знімні акумуляторні батареї разом з металевими предметами (небезпека короткого замикання).

При екстремальному навантаженні або при екстремальній температурі з пошкодженої змінної акумуляторної батареї може витікати електроліт. При потрапленні електроліту на шкіру його негайно необхідно змити водою з милом. При потрапленні в очі їх необхідно негайно ретельно промити, щонайменше 10 хвилин, та негайно звернутися до лікаря. В гніздо зарядного пристрою, яке призначене для встановлення змінної акумуляторної батареї, не повинні потрапляти металеві деталі (небезпека короткого замикання).



ТРАНСПОРТУВАННЯ ЛІТІЙ-ІОННИХ АКУМУЛЯТОРНИХ БАТАРЕЙ

Літій-іонні акумуляторні батареї підпадають під законоположення про перевезення небезпечних вантажів.

Транспортування таких акумуляторних батарей повинно відбуватися із дотриманням місцевих, національних та міжнародних приписів та положень.

споживачі можуть без проблем транспортувати ці акумуляторні батареї по вулиці.

Комерційне транспортування літій-іонних акумуляторних батарей експедиторськими компаніями підпадає під положення про транспортування небезпечних вантажів. Підготовку до відправлення та транспортування можуть здійснювати виключно особи, які пройшли відповідне навчання. Весь процес повинні контролювати кваліфіковані фахівці.

При транспортуванні акумуляторних батарей необхідно дотримуватись зазначених далі пунктів:

Переконайтеся в тому, що контакти захищені та ізольовані, щоб запобігти короткому замиканню. Слідкуйте за тим, щоб акумуляторна батарея не переміщувалася всередині упаковки. Пошкоджені акумуляторні батареї, або акумуляторні батареї, що потекли, не можна транспортувати. Для отримання подальших вказівок звертайтеся до своєї експедиторської компанії.

СЕРТИФІКАТ ВІДПОВІДНОСТІ ВИМОГАМ ЄС

Ми заявляємо на власну відповідальність, що виріб, описаний в „Технічних даних“, відповідає всім застосовним положенням директиви

2011/65/EU (RoHS)

2006/42/EC

2014/53/EU

та наступним гармонізованим нормативним документам:

EN 62841-1:2015

EN 62479:2010

EN 55014-1:2017+A11:2020

EN 55014-2:2015

EN 301 489-1 V2.2.3

EN 301 489-17 V3.1.1

EN 300 328 V2.2.2

EN IEC 63000:2018



Winnenden, 2020-11-10

Українська

Alexander Krug / Managing Director
Уповноважений із складання технічної документації.
Techtronic Industries GmbH
Max-Eyth-Straße 10, 71364 Winnenden, Germany

СИМВОЛИ

- Уважно прочитайте інструкцію з експлуатації перед введенням приладу в дію.
- Носити захисні окуляри.
- Пристрій використовує кнопковий/плаский круглий літійовий акумулятор.
- УВАГА! ПОПЕРЕДЖЕННЯ! НЕБЕЗПЕЧНО!**
- Перед будь-якими роботами на приладі вийняти змінну акумуляторну батарею.
- Небезпека ураження електрострумом
- ПОПЕРЕДЖЕННЯ!**
Небезпека травмування при відлітанні частин матеріалу
- ПОПЕРЕДЖЕННЯ! Травмування рук**
- Комплектуючі - не входять в обсяг постачання, рекомендовані доповнення з програми комплектуючих.
- =
- =
- Електричні прилади не можна утилізувати з побутовими відходами. Електричні та електронні прилади необхідно збирати окремо та здавати в спеціалізовані підприємства для утилізації, що не шкодить навколишньому середовищу. Зверніться до місцевих органів або до вашого дилера, щоб отримати адреси пунктів вторинної переробки та пунктів прийому.
- V** Напруга
- Постійний струм
- CE** Європейський знак відповідності
- UKCA** Британський знак відповідності
- Український знак відповідності
- 001 EAC** Євроазіатський знак відповідності

تعلن تحت مسؤوليتنا وحدنا أن المنتج المعين تحت اسم
"البيانات الفنية" يستوفي جميع الأحكام ذات الصلة ضمن
التوجيهات

2011/65/EU (RoHS)
2006/42/EG
2014/53/EU

والمعايير المتسقة التالية
EN 62841-1:2015
EN 62479:2010

EN 55014-1:2017+A11:2020
EN 55014-2:2015

EN 301 489-1 V2.2.3
EN 301 489-17 V3.1.1

EN 300 328 V2.2.2
EN IEC 63000:2018

Winnenden, 2020-11-10



Alexander Krug



Alexander Krug / Managing Director

معمدة للمطابقة مع الملف الفني

Techtronic Industries GmbH
Max-Eyth-Straße 10, 71364 Winnenden,
Germany

يرجى قراءة التعليمات بعناية قبل بدء تشغيل الجهاز.



ارتد نظارات.



يحتوي هذا الجهاز على بطارية من خلايا الليثيوم
على شكل عملة معدنية/زرار.



تنبيه! تحذيرا! خطرا!



انزع البطارية قبل التعامل مع الجهاز.



خطر التعرض لصعقة كهربائية



تحذيرا!

خطر الإصابة من الشطايا المتطايرة



تحذيرا! إصابة اليد



الملحق - ليس مدرجا كمعدة قياسية، متوفر كملحق.



يحظر التخلص من الأجهزة الكهربائية في القمامة
المنزلية. يجب جمع الأجهزة الكهربائية والإلكترونية
منفصلة وتسليمها للتخلص منها بشكل لا يضر
بالبيئة لدى شركة إعادة استغلال. الرجاء الاستفسار
لدى الهيئات المحلية أو لدى التجار المتخصصين عن
مواقع إعادة الاستغلال ومواقع الجمع.



الجهد الكهربى



التيار المستمر



علامة التوافق الأوروبية



علامة التوافق البريطانية



علامة التوافق الأوكرانية



علامة التوافق الأوروبية الآسيوية



قم بإزالة حزمة البطارية قبل بدء أية أعمال للتعديل والتنظيف والصيانة على الجهاز.

لا تفتح أبداً الجهاز أو البطارية القابلة للإزالة أو الشاحن.

تحقق من الجهاز للتأكد من عدم وجود أية مشكلات مثل ضوضاء أو انحناس الأجزاء المتحركة التي يمكن أن تؤثر على الجهاز.

تحقق من الجهاز والفوك وقوالب التعضين والشفرات القاطعة للتأكد من عدم وجود شقوق وأية علامات أخرى للتأكد قبل كل استخدام.

قم بتنظيف وتزييت الأجهزة عند الانتهاء من العمل.

نظف الأسطوانات المتحركة وبرغي الغلق والزرادية وشحماًها.

تحقق من أن الزرديات تتحرك بحرية.

استبدل قوالب التعضين والشفرات القاطعة عندما تصبح مكسورة أو تالفة.

تحقق من أن حواف شفرات القطع حادة واستبدل الشفرات القاطعة المتآكلة.

استبدل دائماً قوالب التعضين والشفرات القاطعة كجمموعة واحدة.

يجب أن تكون فتحات تهوية الجهاز فارغة طوال الوقت.

لتجنب الإصابة والتلف، لا تغمر الجهاز أو البطارية القابلة للإزالة أو الشاحن في سائل أو تسمح للسائل باختراقها.

أعمال الصيانة والإصلاح الأخرى يجب ألا تتم إلا بمعرفة ورش فنية متخصصة.

تحتوي الآلة على سائل هيدروليكي. تُشكل السوائل

الهيدروليكية خطورة على المياه الجوفية. ويعاقب القانون على التصريف غير المرغوب أو التخلص غير الملائم من النفايات.

يبرز ميعاد الصيانة التالي من خلال إشارة لمبة LED على الجهاز.

يجب إجراء هذه الصيانة مرة واحدة على الأقل كل سنتين أو كل 3000 عملية كبس أو على أقصى تقدير عندما يضيء مبین لمبة اللید.

استخدم فقط ملحقات ميلوكي وكذلك قطع غيار ميلوكي.

إذا كانت المكونات التي يجب تغييرها غير مذكورة، يرجى الاتصال بأحد عملاء صيانة ميلوكي (انظر قائمة عناوين الضمان/الصيانة الخاصة بنا).

عند الحاجة يمكن طلب رمز انفجار الجهاز بعد ذكر طراز الآلة والرقم السداسي المذكور على بطاقة طاقة الآلة لدى جهة خدمة العملاء أو مباشرة لدى شركة

Techtronic Industries GmbH
Max-Eyth-Straße 10, 71364 Winnenden
ألمانيا

™ ONE-KEY

لمعرفة المزيد حول عمل خاصية "المفتاح الواحد" المزود بها هذا الجهاز، اقرأ الدليل المختصر المرفق أو تفضل بزيارة موقع الإنترنت

<http://www.milwaukeetool.com/one-key>

يمكنك تحميل تطبيق "المفتاح الواحد" عن طريق App Store أو Google Play على هاتفك الذكي.

نتائج الفحص تلبى أقل متطلباتنا تبعاً للمعايير EN 301489-1 / EN 301489-17. وسندقم إرشادات التشغيل للعميل في دليل المستخدم.

البطاريات

يجب إعادة شحن البطارية غير المستخدمة لفترة قبل الاستخدام. تقلل درجات الحرارة التي تتجاوز 50° سيلزيوس (122° فهرنهايت) من أداء البطارية. تجنب التعرض الزائد للحرارة أو أشعة الشمس (خطر التسخين)..

يجب الحفاظ على مستويات الشحن والشواحن و البطاريات نظيفة. للحصول على فترة استخدام مثالية، يجب شحن البطاريات تماماً بعد الاستخدام.

للحصول على أطول عمر ممكن للبطارية، انزع البطارية من الشاحن بمجرد شحنها تماماً.

لتخزين البطارية أكثر من 30 يوم: خزن البطارية بحيث

تكون درجة الحرارة أقل من 27° سيلزيوس وبعيداً عن أي رطوبة خزن البطارية مشحونة بنسبة تتراوح بين % 30-50 اشحن البطارية كاملاً، وذلك كل ستة أشهر من التخزين.

لا تتخلص من البطاريات المستعملة مع النفايات المنزلية أو بحرقها. يقدم موزع ميلوكي خدمة استعادة البطاريات القديمة لحماية البيئة.

لا تقم بتخزين البطارية مع الأشياء المعدنية (خطر قصر الدائرة)..

قد يتسرب حامض البطارية من البطاريات التالفة في ظروف الحمل الزائد بدرجة كبيرة أو في درجات الحرارة الشديدة.

في حالة ملامسة حامض البطارية اغسل يديك فوراً بالماء والصابون. في حالة ملامسة السائل للعينين اشطفهما جيداً لمدة 10 دقائق على الأقل واطلب العناية الطبية فوراً.

يجب تجنب دخول أي أجزاء معدنية في قسم البطارية الخاصة بالشاحن (خطر الماس الكهربائي)..

نقل بطاريات الليثيوم

تخضع بطاريات الليثيوم أيون لشروط قوانين نقل السلع الخطرة.

ويجب نقل هذه البطاريات وفقاً للأحكام والقوانين المحلية والوطنية والدولية.

يمكن للمستخدم نقل البطاريات براً دون الخضوع لشروط أخرى.

يخضع النقل التجاري لبطاريات الليثيوم أيون عن طريق الغير إلى قوانين نقل السلع الخطرة. يتعين أن يقوم أفراد مدربون جيداً بالإعداد لعملية النقل والقيام بها بصحبة خبراء مثلهم.

متى تُنقل البطاريات:

عند التأكد من حماية أطراف توصيل البطارية وعزلها تجنباً لحدوث قصر بالدائرة. عند التأكد من حماية حزمة البطارية من الحركة داخل صندوق التعبئة. يُرجى عدم نقل البطاريات التي بها تشققات أو تسريبات. يُرجى البحث مع شركة الشحن عن نصيحة أخرى

احفظ جميع التنبيهات والتعليمات للرجوع إليها مستقبلاً.

نصائح العمل للتفتيش

لا تستخدم سوى موصلات معيارية مستوفية للمعايير القياسية المحلية وأن يتم استخدامها مع أطراف الكيس المخصصة لها. تؤخذ تعليمات التشغيل والتكريب المتعلقة بالموصلات من مستندات الجهة الصانعة لها.

تأكد من توافق العرض الاسمي للموصل مع العرض الاسمي لطرف الكيس.

قبل بدء عملية التفتيش، يجب التحقق من سعة البطارية: بحد أدنى 33% (انظر الوصف الموضح). قد تتطلب الشحن قبل بدء العمل.

يؤدي تشغيل مفتاح التحكم إلى بدء عملية الضغط، والتي تنتهي بالتفاهة قوالب التفتيش معاً.

التأكد من وتقييم مدى صحة عملية الكيس يقع على عاتق المستخدم.

يجب إعادة كيس التوصيلات غير الصحيحة بموصل جديد مرة أخرى.

الإجراء الواجب اتباعه في حالة حدوث أخطاء

• استمر في الضغط على مفتاح إعادة الضبط حتى فتح الفكوك تماماً

• تحقق من سعة البطارية

• افحص الكابل وقوالب التفتيش استناداً إلى البيانات الفنية

• في حالة الاشتباه في الضغط على كابل مشحون بالتيار الكهربائي، يتعين فحص أداة التفتيش في ورشة عمل متخصصة ومعتمدة

نصائح العمل للقطع

إعداد منطقة العمل

قبل بدء العمل يجب إنتاج حالة خالية من الجهد في التوصيلات والحبال وتأمين هذه الحالة طيلة مدة الأعمال. إذا لم يكن من الممكن نهائياً ضمان فصل الكابلات أو الخط المعزول، فلا يجوز تنفيذ أية أعمال. لا بد من مراعاة تعليمات الأمان والتشريعات المحلية المعمول بها.

يجب ألا تتعرض الكابلات والحبال لأية قوى ميكانيكية ويجب أن تأمينها حين الضرورة ضد أية حركات غير مراقبة بعد القطع.

لا تعرض الأدوات للمطر. لا تستخدم الأدوات في مواقع رطبة أو مبللة.

تجهيز قاطع الكابلات والبطارية

قبل كل استخدام:

• افحص قاطع الكابلات للتأكد من عدم وجود عيوب خارجية

• تحقق من أداة القطع للتأكد من عدم وجود شقوق وأية علامات أخرى للتآكل

لا تستخدم الجهاز إلا وهو في حالة ممتازة!

قبل بدء عملية القطع، يجب التحقق من سعة البطارية: بحد أدنى 33% (انظر الوصف الموضح). قد تتطلب الشحن قبل بدء العمل.

التجهيز لعملية القطع

ادعم وثّبت الكابل أو الحبل المراد قطعه، من أجل تقليل خطر حدوث حركة غير محكومة.

يمكن أن تتحرك الوصلات الحرة والحبال بشكل خاص بصورة غير مراقبة وتحدث إصابات و/أو أضرار.

يجب أن يوضع رأس القطع بزاوية 90 درجة على الكابل أو الحبل، بحيث يستقر هذا أو ذلك دون جهد في داخل فكوك القطع المفتوحة ويتم جذب أية قوى قطع غير مناسبة.



تحذير: للحد من خطر الانفجارات والصدمات الكهربائية وتلف الممتلكات والمعدات، لا تقطع أبداً الكابلات الكهربائية المشحونة بالتيار الكهربائي.

الجهاز ليس معزولاً. قد يؤدي التلامس مع دائرة مشحونة بتيار كهربائي إلى إصابات شديدة أو الوفاة. أوقف التشغيل قبل إجراء القطع. لا تقطع أبداً خطوط الغاز أو خطوط المياه. أبعاد يحد عن جميع حواف القطع والأجزاء المتحركة. فقد يحدث لها تمزق أو يترس.

قم دائماً بإزالة حزمة البطارية قبل تغيير الملحقات أو إزالتها. لا تستخدم سوى الملحقات الموصى بها خصيصاً لهذا الجهاز. فقد ينطوي استخدام غيرها على خطورة. للحد من خطر الإصابة، ارتد نظارة واقية أو نظارة مزودة بحاجز حماية جانبي.



تحذير: للحد من خطر الإصابة، اقطع فقط المواد الموصى بها للشفرات. (انظر ,,المواصفات") لا تحاول قطع مواد أخرى.

القطع

قبل القطع، تأكد من تركيب شفرات القطع بشكل صحيح.

1. مد الكابل بزاوية قائمة إلى شفرات قاطعة الكابلات. لا تحاول إجراء عمليات قطع زاوية، لأن ذلك سيؤدي إلى تلف جهاز والشفرات القاطعة.

2. أمسك القطع (المقايض) بإحكام. حرك ا سيضاء مؤشر LED عندما يتم سحب الزناد. عند اكتمال القطع أو توقف الجهاز عن التشغيل، تفتح الزرادية القاطعة بشكل مستقل. إذا أطلقت الزناد أثناء عملية القطع، يجب عليك أن تضع زر إعادة التشغيل الهيدروليكي كي تفتح الزرادية القاطعة.

ملاحظة: قد تتحرك قطعة العمل قليلاً أثناء القطع.

الإجراء الواجب اتباعه في حالة حدوث أخطاء

• يمكن أن يكون الكابل مقطوعاً وموصلًا للجهد، دائماً أبلغ متعهد الأمان بإيقاف عملية القطع واتخاذ إجراءات أمان مناسبة

• تأكد دائماً أن الجهاز مفصلاً ومن أنه سيظل مفصلاً عن مصدر الإمداد بالطاقة قبل الاقتراب من الجهاز ولمسه واضغط مع الاستمرار على زر إعادة الضبط حتى يُفتح القاطع بالكامل

• تحقق من سعة البطارية

• تحقق من المادة ومن سمك المادة بناءً على البيانات التقنية

• في حالة الاشتباه في قطع كابل مشحون بالتيار الكهربائي، فيجب فحص قاطع الكابلات في ورشة عمل متخصصة ومعتمدة

الشفرات المحشورة

يمكن أن تتشبب الأوساخ والبقايا في انحرش الشفرات معاً بعد القطع

• اضغط مع الاستمرار على زناد التحرير للتأكد من إعادة ضبط الأداة.

• قم بإزالة حزمة البطارية.

• اتبع الشرح المصور لفتح فكوك القطع

• نظف أية أوساخ وبقايا من الشفرات قبل بدء عملية قطع أخرى.

نصائح القطع

• لا تحاول إجراء عمليات قطع زاوية، لأن ذلك سيؤدي إلى تلف جهاز والشفرات القاطعة.

• اقطع مواد نظيفة لتمديد عمر الشفرة القاطعة. امسح الأوساخ والبقايا الناتجة عن المواد والشفرات القاطعة قبل بدء عملية القطع.



لا تستخدم المكبس وأطراف الكبس إلا عندما تكون بحالة فنية سليمة.

غير مسموح باستخدام المكبس إلا في وجود أطراف كبس مركبة.

لا تستخدم سوى أطراف الكبس التي تتميز بقوة 60 كيلونيوتن متر وعرض إجمالي 22 مم.

لا تلمس فوك الكبس أثناء عملية الكبس.

في حالة ظهور أعطال أثناء عملية الكبس اترك زر التشغيل فوراً واضغط على زر تحرير الهيدروليك. حيث سيفتح الصمام ويعود المكبس إلى وضعه الأولي.

⚠️ تعليمات السلامة المتعلقة بقطاعة الكابلات

يجب ألا يتم قطع أو فصل الكابلات والحوال باستخدام قطعة الكابلات هذه إلا من خلال شخص مدرب على التكنولوجيا الكهربائية.

للحد من خطر الانفجارات والصدمات الكهربائية وتلف الممتلكات والمعدات، لا تقطع أبداً الكابلات الكهربائية المشحونة بالتيار الكهربائي. الجهاز ليس معزولاً.

احرص على إبعاد يدك وملابسك الفضفاضة عن أدوات القطع وما عداهما من الأجزاء المتحركة. هناك خطر الإصابة الخطيرة، بما في ذلك قطع الأطراف.

لا تمسك أبداً قاطع الكابلات من فكي القطع.

قبل الاستعمال، تحقق دائماً من فكي القطع للتأكد من عدم وجود تشققات وأية علامات أخرى للتآكل.

لا يجوز استخدام قاطع الكابلات إلا مع إدخال أداة قطع.

⚠️ المخاطر المتبقية

المكبس:

تجنب نثني مواد التوصيل المشحونة بالتيار الكهربائي.

قطاعة الكابلات:

قبل بدء عملية القطع، يجب حظر دخول منطقة العمل وفقاً للوائح المحلية.

لا تقطع سوى الكابلات التي تم فصلها عن مصدر الإمداد بالطاقة!

يجب ألا تتعرض الكابلات والحوال لأي قوى ميكانيكية.

للحد من خطر الإصابة، ارتدِ نظارة واقية أو نظارة مزودة بحاجز حماية جانبي.

يمكن أن يؤدي عدم الامتثال لهذه التعليمات إلى إصابات خطيرة ووقاية وحوادث وتلف للممتلكات كنتيجة للصدمة الكهربائية أو الانفجار أو الأقواس الكهربائية أو جميع ما سبق.

⚠️ شروط الاستخدام المحددة

المكبس:

غير مسموح باستخدام المكبس إلا لكبس موصلات بأطراف كبس ملائمة.

تعيين أن تكون جميع الأجزاء المشحونة بالتيار الكهربائي، تعني الأجزاء التي تعمل على توصيل الكهرباء، مفصولة في بيئة عمل الفني قبل بدء العمل.

قطاعة الكابلات:

قاطع الكابلات مناسب لقطع

• الكابلات غير المدعمة الخالية من الجهد من نحاس أو ألومنيوم معزول، ومعدات القطع تعتمد على نوع الكابل

⚠️

تحذير اقرأ جميع تعليمات السلامة والإرشادات والشروح والبيانات المرفقة مع الجهاز. قد يؤدي الفشل في مراعاة التحذيرات والتعليمات إلى التعرض للإصابة بصدمة كهربائية أو الحرق و/أو إصابة خطيرة.

⚠️ تحذير اقرأ جميع تعليمات السلامة والإرشادات

والشروح والبيانات المرفقة مع الجهاز. قد يؤدي الفشل في مراعاة التحذيرات والتعليمات إلى التعرض للإصابة بصدمة كهربائية أو الحرق و/أو إصابة خطيرة.

⚠️ احتفظ بجميع التنبيهات والتعليمات للرجوع إليها مستقبلاً.

⚠️ تعليمات السلامة

يجب أن يتم تعريف مشغل الجهاز بالمخاطر المحددة المرتبطة باستخدام هذا الجهاز وبتدابير السلامة الأساسية قبل العمل به لأول مرة وعلى الأقل مرة واحدة في السنة بعد ذلك.

يجب على شركة التشغيل:

• توفير دليل التشغيل للمشغل

• والتأكد من أن المشغل قرأ وفهمه.

استخدم معدة الوقاية، ارتدِ دائماً نظارات واقية عند استخدام الجهاز. ينصح باستخدام الملابس الواقية مثل الكمامات الواقية من الغبار، والقفازات، والأحذية القوية غير المنزلقة، والخوذات، وواقيات الأذن.

لا تضع أصابعك أو أية أجزاء أخرى من جسمك في منطقة عمل الأسطوانة أو الزراريات.

قم بإزالة حزمة البطارية قبل بدء أية أعمال للتعديل والتنظيف والصيانة على الجهاز.

لا تستخدم أجهزة وعبوات بطاريات وشواحن إلا إذا كانت في حالة ممتازة من الناحية التقنية.

يجب إصلاح الأجزاء التالفة فوراً من خلال ورشة عمل معتمدة. لتجنب الإصابة والضرر، تجنب التشغيل العرضي للجهاز.

قم بإزالة أية أدوات ضبط أو مفاتيح ربط قبل إجراء العملية. غير مسموح بالعمل على أجزاء يسري بها الجهد الكهربائي. الجهاز ليس معزولاً.

تحذير لتقليل خطر الحرق أو الإصابة الشخصية أو الإضرار بالمنتج بسبب ماس كهربائي، لا تغمر جهازك أو علبة البطارية أو الشاحن في سائل واحرص على ألا يصل سائل إلى داخلها. السوائل المؤدية للتآكل أو الموصلة للتيار الكهربائي، مثل الماء المالح ومركبات كيميائية معينة ومواد التبييض أو المنظفات التي تشمل على مواد تبييض، يمكن أن تؤدي إلى حدوث ماس كهربائي.

يُعد الامتثال لعمل خدمة محدد وفترات الخدمة أمراً لازماً.

لا تقم أبداً بفتح قفل البطارية والشواحن ولا تخزينهم إلا في غرف جافة. وحافظ عليها جاف طوال الوقت.

استخدم فقط شواحن System M18 لشحن بطاريات Sys-tem M18. لا تستخدم بطاريات من أنظمة أخرى.

لتجنب الإصابة والتلف، لا تغمر الأداة أو البطارية القابلة للإزالة أو الشاحن في سائل أو تسمح للسائل باختراقها.

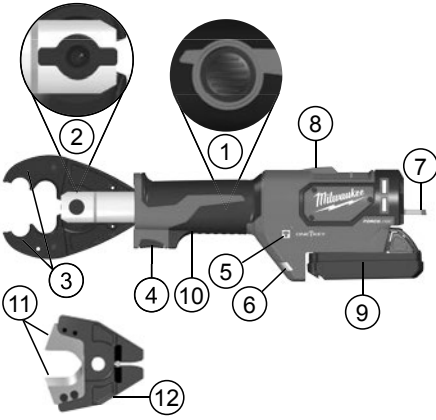
⚠️ تحذير

يحتوي هذا الجهاز على بطارية من خلايا الليثيوم على شكل عملة معدنية/أزرار. قد تتسبب البطارية الجديدة أو المستعملة في حرائق داخلية عديدة وتؤدي إلى الوفاة في أقل من ساعتين في حالة بلعها أو دخولها الجسم. احرص على تثبيت الغطاء بمقصورة البطارية دوماً. وفي حالة عدم إغلاقه بإحكام، أوقف الجهاز، وأزل البطارية واحتفظ بها بعيداً عن متناول الأطفال. إذا كنت تعتقد أن شخصاً ما قد بلع البطارية أو أنها دخلت إلى الجسم، فاطلب العناية الطبية الفورية.

⚠️ تعليمات السلامة المتعلقة بالمكبس

يجب ألا يتم استخدام أدوات وأجهزة التثبيت إلا من خلال شخص مدرب في التطبيقات الكهربائية الفنية.

قبل أي استخدام احرص على فحص المكبس وفوك الكبس وأطراف الكبس من حيث وجود تشققات بها أو أية مظاهر تآكل أخرى.



وصف الجهاز

- ① زر التحرير الهيدروليكي ⑧ مؤشر LED / مؤشر التنئية
- ② براغي غلق
- ③ فكوك الكبس
- ④ الزناد
- ⑤ مؤشر مفتاح واحد
- ⑥ مؤشر LED
- ⑦ عروة التعليق
- ⑨ البطارية
- ⑩ مقبض مساحة المقبض معزولة
- ⑪ شفرات قاطعة
- ⑫ زرادية قاطعة

التعريف	مؤشر LED
أكملت الأداة العملية ووصلت إلى ضغط التنئية الكامل.	
أكملت الأداة العملية ولكنها لم تصل إلى ضغط التنئية الكامل.	
لم تكمل الأداة العملية.	
وصلت الأداة إلى فاصل الخدمة الخاص بها (30000 التنئيات). يبدأ الوميض الأحمر/الأخضر بعد عرض المؤشر الأحمر أو الأخضر الثابت للعملية.	
وميض أحمر / أخضر (بعد ثابت أخضر أو ثابت أحمر)	

M18 HUCT	البيانات الفنية أداة تغصون وقطع
4673 82 02... 000001-999999	إنتاج عدد
2402 - 2480 MHz	نطاق التردد
1,8 dBm	قدرة التردد الراديوي
18 V	فولطية البطارية
53 kN	القوة الاسمية
300 mm ² 150 mm ²	مجموعة الضغط : المقطع العرضي الحد الأقصى النحاس الألمنيوم
22,5 mm 35 mm	نطاق القطع كابل الألمنيوم المقوى بالفولاذ: الألمنيوم- /حبال من الصلب الحد الأقصى النحاس- / الألمنيوم- المواد الأخرى وأقطارها تعتمد على الفكوك المخصصة. الحد الأقصى الوزن مع سلك التيار
01/2014	الوزن وفقا لنهج EPTA رقم (Li-Ion 2,0 Ah...9,0Ah)
3,6 kg ... 4,2 kg 3,7 kg ... 4,3 kg	مع فكوك الكبس مع فكوك القطع
M18B...	البطاريات المنصوح بها
M12-18...	جهاز الشحن المنصوح به
معلومات الضوضاء القيم التي تم قياسها محددة وفقا للمعايير الأوروبية EN 62841 مستويات ضوضاء الجهاز، ترجيحاً بشكل نموذجي كالتالي:	
74,6 dB (A)	مستوى ضغط الصوت (الارتباب في القياس = 3 ديسيبل)
85,6 dB (A)	مستوى شدة الصوت (الارتباب في القياس = 3 ديسيبل) ارتد وأقيات الأذن!
معلومات الاهتزاز قيم الذبذبات الإجمالي (مجموع الكميات الموجهة في المحاور الثلاثة) محددة وفقا للمعايير الأوروبية EN 62841.	
0,77 m/s ² 1,5 m/s ²	قيمة انبعاث الذبذبات a _h الارتباب في القياس

تحذير!

تم قياس مستوى انبعاث الذبذبات الموجود بوثيقة المعلومات هذه وفقاً للاختبار القياسي وفقاً للمعايير الأوروبية EN 62841 ويمكن استخدامه لمقارنة جهاز بغيره. كما يمكن استخدامه لعرض تقييمي.

يمثل مستوى انبعاث الذبذبات المعلن عنه تطبيقات الجهاز الرئيسية. بالرغم من ذلك، فإنه إذا ما تم استخدام الجهاز لتطبيقات مختلفة، بمحطات مختلفة أو لم يتم المحافظة عليه، فقد يختلف انبعاث الذبذبات. قد يزيد ذلك بصورة كبيرة من مستوى التعرض للذبذبات طوال فترة العمل الإجمالية.

يجب الوضع في الاعتبار عند تقدير مستوى التعرض للذبذبات مرات إيقاف الجهاز أو تشغيله لكن دون استخدامه في القيام بمهمة. فقد يقل ذلك بصورة كبيرة من مستوى التعرض للذبذبات طوال فترة العمل الإجمالية.

تعرف على معايير السلامة الإضافية لحماية المشغل من آثار الذبذبات مثل: صيانة الجهاز والملحقات، الحفاظ على دفة الأيدي، وتنظيم نماذج العمل.



Copyright 2021
Techtronic Industries GmbH
Max-Eyth-Straße 10
71364 Winnenden
Germany
+49 (0) 7195-12-0
www.milwaukeeetool.eu

Techtronic Industries (UK) Ltd
Fieldhouse Lane
Marlow Bucks SL7 1HZ
UK



**EAC UK
CA**

(01.21)

4931 4258 73