

Milwaukee®

Nothing but **HEAVY DUTY**®



M18 HUP700

Original instructions
Originalbetriebsanleitung
Notice originale
Istruzioni originali
Manual original
Manual original
Oorspronkelijke
gebruiksaanwijzing
Original brugsanvisning
Original bruksanvisning
Bruksanvisning i original

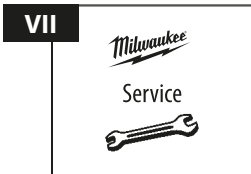
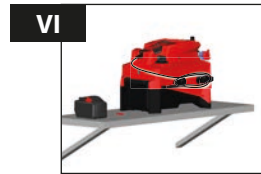
Alkuperäiset ohjeet
Πρωτότυπο οδηγίων χρήσης
Orijinal işletme talimatı
Původním návodem k používání
Původný návod na použití
Instrukcją oryginalną
Eredeti használati utasítás
Izvirna navodila
Originalne pogonske upute
Instrukcijām oriēināvalodā
Originali instrukcija

Algupärane kasutusjuhend
Оригинальное руководство
по эксплуатации
Οριγiνάλιο ρυководство за
експлоатация
Instrucțiuni de folosire originale
Оригинален прирачник за
работа
Оригiнал iнструкції з
експлуатації
التعليمات الأصلية

Technical Data, Safety Instructions, Specified Conditions of Use, EC-Declaration of Conformity, Batteries, Maintenance, Symbols	Please read and save these instructions!	English	24
Technische Daten, Sicherheitshinweise, Bestimmungsgemäße Verwendung, CE-Konformitätserklärung, Akku, Wartung, Symbole	Bitte lesen und aufbewahren!	Deutsch	31
Caractéristiques techniques, Instructions de sécurité, Utilisation conforme aux prescriptions, Déclaration CE de Conformité, Accus, Entretien, Symboles	A lire et à conserver soigneusement	Français	38
Dati tecnici, Norme di sicurezza, Utilizzo conforme, Dichiarazione di Conformità CE, Batterie, Manutenzione, Simboli	Si prega di leggere e conservare le istruzioni!	Italiano	45
Datos técnicos, Instrucciones de seguridad, Aplicación de acuerdo a la finalidad, Declaración de Conformidad CE, Batería, Mantenimiento, Símbolos	Lea y conserve estas instrucciones por favor!	Español	52
Características técnicas, Instruções de segurança, Utilização autorizada, Declaração de Conformidade CE, Acumulador, Manutenção, Símbolo	Por favor leia e conserve em seu poder!	Português	59
Technische gegevens, Veiligheidsadviezen, Voorgeschreven gebruik van het systeem, EC-Konformiteitsverklaring, Akku, Onderhoud, Symbolen	Lees en let goed op deze adviezen!	Nederlands	66
Tekniske data, Sikkerhedshenvisninger, Tiltænkent formål, CE-Konformitetserklæring, Batteri, Vedligeholdelse, Symboler	Vær venlig at læse og opbevare!	Dansk	73
Tekniske data, Spesielle sikkerhetshenvisninger, Formålsmessig bruk, CE-Samsvarserklæring, Batterier, Vedlikehold, Symboler	Vennligst les og oppbevar!	Norsk	80
Tekniska data, Säkerhetsutrustning, Använd maskinen Enligt anvisningarna, CEFörsäkran, Batterier, Skötsel, Symboler	Läs igenom och spara!	Svenska	86
Tekniset arvot, Turvallisuusohjeet, Tarkoituksenmukainen käyttö, Todistus CE-standardinmukaisuudesta, Akku, Huolto, Symbolit	Lue ja säilytä!	Suomi	93
Τεχνικά στοιχεία, Ειδικές υποδείξεις ασφαλείας, Χρήση σύμφωνα με το σκοπό προοριζομένου, Δήλωση πιστότητας ΕΚ, Μπαταρίες, Συντήρηση, Σύμβολα.	Παρακαλούμε να τις διαβάσετε και να τις φυλάξετε!	Ελληνικά	100
Teknik veriler, Güvenliğiniz için talimatlar, Kullanım, CE uygunluk beyanice, Akü, Bakım, Semboller	Lütfen okuyun ve saklayın	Türkçe	108
Technická data, Speciální bezpečnostní upozornění, Oblast využití, Ce-prohlášení o shodě, Akumulátory, Údržba, Symboly	Po přečtení uschovejte	Česky	115
Technické údaje, Speciálne bezpečnostné pokyny, Použitie podľa predpisov, CE-Vyhľadanie konformity, Akumulátory, Údržba, Symboly	Prosím prečítať a uschovať!	Slovensky	122
Dane techniczne, Specjalne zalecenia dotyczace bezpieczenstwa, Uzytkowanie zgodne z przeznaczeniem, Swiadectwo zgodnosci ce, Batterie Akumulatorowe, Utrzymanie, Symbole	Należy uważnie przeczytać i zachować do wglądu!	Polski	129
Műszaki adatok, Különleges biztonsági tudnivalók, Rendeltetésszerű használat, A-azonossági nyilatkozat, Akuk, Karbantartás, Szimbólumok	Olvassa el és őrizze meg	Magyar	136
Tehnični podatki, Specialni varnostni napotki, Uporaba v skladu z namembnostjo, Ce-izjava o konformnosti, Akumulatorji, Vzdrževanje, Simboli	Prosimo preberite in shranite!	Slovenščina	143
Tehnički podaci, Specijalne sigurnosne upute, Propisna upotreba, CE-Izjava konformnosti, Baterije, Održavanje, Simboli	Molimo pročitati i sačuvati	Hrvatski	150
Tehniskie dati, Speciālie drošības noteikumi, Noteikumiem atbilstošs izmantojums, Atbilstība CE normām, Akumulātori, Apkope, Simboli	Lūdzu, izlasīt un uzglabāt!	Latviski	157
Techniniai duomenys, Ypatingos saugumo nuorodos, Naudojimas pagal paskirti, CE Atitikties pareiškimas, Akumulatoriai, Techninis aptarnavimas, Simboliai	Prašome perskaityti ir neišmesti!	Lietuviškai	164
Tehnilised andmed, Spetsiaalsed turvajuhtised, Kasutamise vastavalt otstarbele, EÜ Vastavusavaldus, Akud, Hooldus, Sümbolid	Palun lugege läbi ja hoidke alati!	Eesti	171
Технические данные, Указания по безопасности, Использование, Декларация о соответствии стандартам ЕС, Аккумулятор, Обслуживание, Символы	Пожалуйста прочтите и сохраните эту инструкцию.	Русский	178
Технически данни, Специални указания за безопасност, Използване по предназначение, CE - Декларация за съответствие, Аккумулятори, Поддръжка, Символи	Моля прочетете и запазете!	Български	187
Date tehnice, Instrucțiuni de securitate, Condiții de utilizare specifice, Declarație de conformitate, Acumulatori, Întreținere, Simboluri	Va rugăm citiți și păstrați aceste instrucțiuni	Română	195
Технички податоци, Упатства за употреба, Специфицирани услови на употреба, EУ- декларација за Сообразност, Батерии, Одржување, Символи	Ве молиме прочитајте го и чувајте го ова упатство!	Македонски	202
Технічні характеристики, Вказівки з Техніки Безпеки, Використання за призначенням, Сертифікат Відповідності Вимогам ЄС, Акумуляторні батареї, Обслуговування, Символи	Прочитайте та збережіть цю інструкцію.	Українська	209
البيانات الفنية، تعليمات السلامة، شروط الاستخدام المحددة، البطاريات، إعلان المطابقة - الاتحاد الأوروبي، الصيانة، الرموز	يُرجى قراءة وحفظ هذه التعليمات!	العربية	223







Accessory
Zubehör
Accessoires
Accessorio
Accessorio • **Acessório**
Toebehoren • **Tilbehør**
Tilbehør • **Tilbehør**
Lisälaite • **Εξαρτήματα**
Aksesuar • **Prisluženstv**
Prisluženstv • **Wyposażenie**
Azokat a tartozékokat
Oprema • **Piederumi**
Priedas • **Tarvikud**
Дополнитель • **Аксесоари**
Accessorii • **ополнителна**
опрема • **Комплектуючі**
الملحق

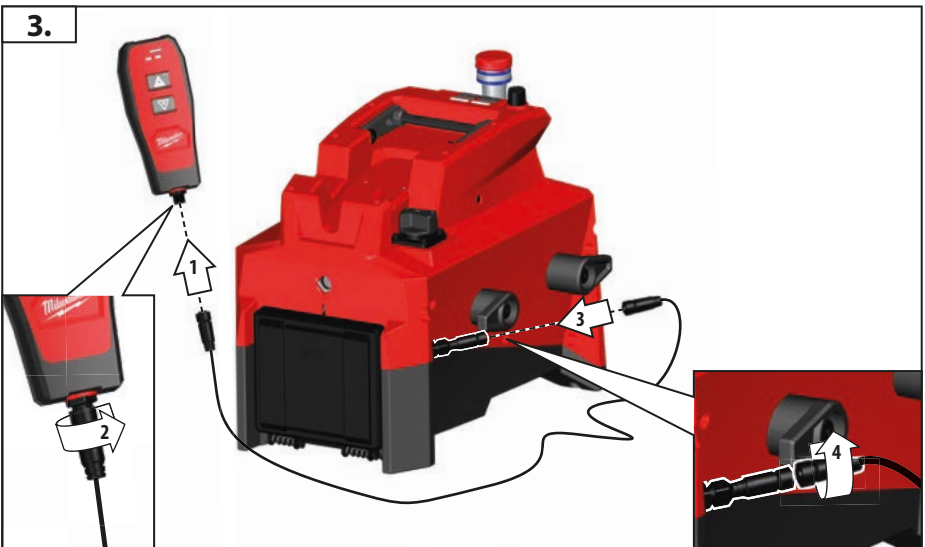
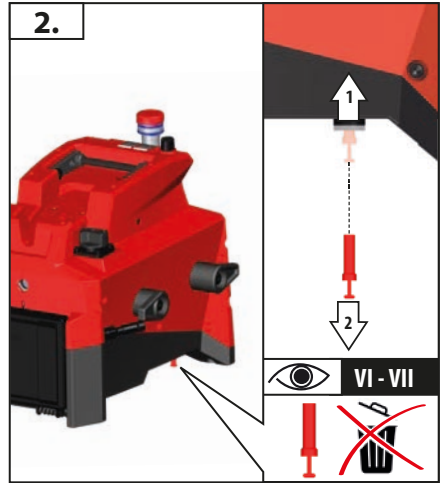
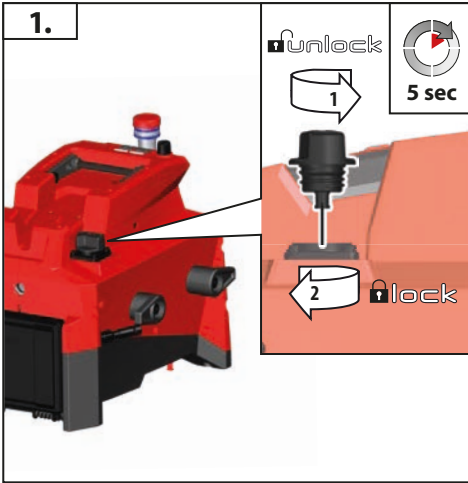


Before putting the device into operation, read the entire original operating instructions, in particular strictly following the instructions on page 25 and following.	English
Vor Inbetriebnahme gesamte Originalbetriebsanleitung lesen, insbesondere die Hinweise auf Seite 32 streng befolgen.	Deutsch
Avant de mettre l'appareil en service, lisez l'intégralité du manuel d'utilisation original et suivez scrupuleusement les instructions à parti de la page 39.	Français
Prima di mettere in funzione il dispositivo, leggere integralmente le istruzioni per l'uso originali, attenendosi scrupolosamente soprattutto alle istruzioni alla pagina 46 e seguenti.	Italiano
Antes de la puesta en marcha del dispositivo, lea el manual de instrucciones original en su totalidad y, en particular, siga estrictamente las instrucciones de la página 53 y siguientes.	Español
Antes de colocar o dispositivo em operação, ler na íntegra as instruções de operação originais, dando especial atenção às instruções da página 60 e seguintes.	Português
Voordat het apparaat weer wordt gebruikt, moeten alle oorspronkelijke aanwijzingen omtrent gebruik worden doorgelezen. Met name de aanwijzingen op pagina 67 en verder moeten strikt in acht worden genomen.	Nederlands
Inden du sætter apparatet i drift, så læs hele den originale betjeningsvejledning, idet du især følger instruktionerne på side 74 og de efterfølgende sider til punkt og prikke.	Dansk
Før du tar verktøyet i bruk, må du lese hele bruksanvisningen og spesielt følge de henvisningene fra og med side 81.	Norsk
Läs hela originalbruksanvisningen och iaktta i synnerhet instruktionerna på sidan 87 och följande innan du tar enheten i drift.	Svenska
Lue alkuperäiset käyttöohjeet kokonaisuudessaan ennen laitteen käyttämistä, erityisesti noudattaen tarkasti ohjeita sivulta 94 lähtien.	Suomi
Πριν θέσετε τη συσκευή σε λειτουργία, διαβάστε ολόκληρο το πρωτότυπο εγχειρίδιο οδηγιών λειτουργίας, τηρώντας αυστηρά ιδίως τις υποδείξεις από τη σελίδα 101 και μετά.	Ελληνικά
Cihazı işletmeye almadan önce, orijinal işletme talimatının tümünü okuyun ve özellikle 109. sayfa ve sonrasındaki talimatlara kesinlikle uyun.	Türkçe
Před uvedením zařízení do provozu si přečtete celý původní návod k obsluze, zejména postupujte podle pokynů na straně 116 a následujících.	Česky
Pred uvedením zariadenia do prevádzky si prečítajte celý pôvodný návod na obsluhu, najmä postupujte prísne podľa pokynov na strane 123 a nasledujúcich.	Slovensky
Przed uruchomieniem urządzenia należy przeczytać całą oryginalną instrukcję obsługi, w szczególności ściśle przestrzegając instrukcji na stronie 130 i kolejnych.	Polski
Az eszköz üzembe helyezésé előtt olvassa el a teljes eredeti üzemeltetési útmutatót, különösen a 137. és következő oldalon szereplő utasításokat szigorúan betartva.	Magyar
Pred začetkom uporabe naprave preberite celotna navodila za uporabo, zlasti strogo upoštevajte navodila na strani 144 in v nadaljevanju.	Slovenščina
Prije puštanja uređaja u pogon pročitajte cjelokupne originalne upute za rukovanje, pri čemu se posebno strogo pridržavajte uputa navedenih na 151. stranici i naknadnim stranicama.	Hrvatski
Pirms ierīces lietošanas sāksīšanās izlasiet visas oriģinālās lietošanas instrukcijas un it īpaši stingri ievērojiet norādījumus 158. un nākamajās lappusēs.	Latviski
Prieš pradēdami naudoti ierēnginj perskaitykite visas naudojimo instrukcijas. Labai griežtai laikykites 165 ir tolesniuose puslapiuose pateikiamų instrukcijų.	Lietuviškai
Enne seadme kasutuselevõttu tuleb läbi lugeda kogu algupärase kasutusjuhend, eelkõige tuleb järgida alates lk 172 olevaid juhiseid.	Eesti
Перед вводом устройства в эксплуатацию полностью прочтите оригинальную инструкцию по эксплуатации, в частности, строго следуйте инструкциям, приведенным на стр. 179 и далее.	Русский
Преди да включите уреда, прочетете докрай оригиналните указания за ползване и по-конкретно указанията на страница 188 и нататък, които следва да спазвате стриктно.	Български
Înainte de a pune dispozitivul în funcțiune, citiți toate instrucțiunile de operare originale, în special urmând cu strictețe instrucțiunile de la pagina 196 și următoarele.	Română
Пред да го пуштите уредот во работа, прочитајте го целото оригинално упатство за работа, а особено строго почитувајќи ги упатствата на страница 203 и следните страници.	Македонски
Перед введенням пристрою в експлуатацію повністю прочитайте оригінальну інструкцію з експлуатації, зокрема, суворо дотримуйтесь інструкцій, наведених на стор. 210 і далі.	Українська

قبل تشغيل الجهاز، اقرأ تعليمات التشغيل الأصلية بالكامل، والتزم التزاماً تاماً بتعليمات الواردة في صفحة 222 وما يليها على وجه الخصوص.



GB	First Commissioning	SVE	Första idrifttagningen	LAT	Pirmā lietošanas reize
D	Erstinbetriebnahme	SUO	Ensimmäinen käyttöönotto	LIET	Pirmasis naudojimas
FR	Première mise en service	EL	Πρώτη θέση σε λειτουργία	EST	Esimene kasutamine
I	Prima messa in funzione	TÜZ	İlk İşletmeye Alma	РУС	Первый ввод в эксплуатацию
E	Primera puesta en marcha	ČES	První uvedení do provozu	БЪЛ	Първоначално пускане в експлоатация
POR	Primeira colocação em funcionamento	SLOV	Prvé uvedenie do prevádzky	RO	Prima punere în funcțiune
NED	Eerste inbedrijfstelling	POL	Pierwsze uruchomienie	MAK	Прво пуштање во погон
DAN	Første ibrugtagning	MAG	Beüzemelés	УКР	Перше введення в експлуатацію
NOR	Ta i bruk verktøyet for første gang	SLO	Začetek uporabe	ARA	التشغيل الأول
		HRV	Prvo puštanje u rad		





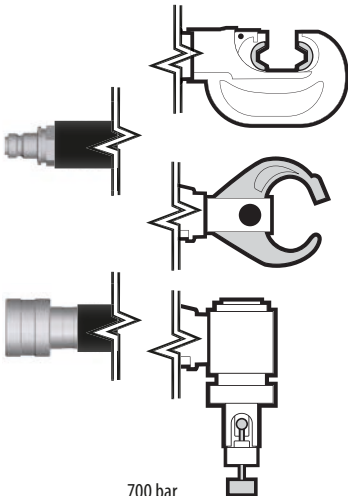
M18 HUP700
700 bar
1/4"



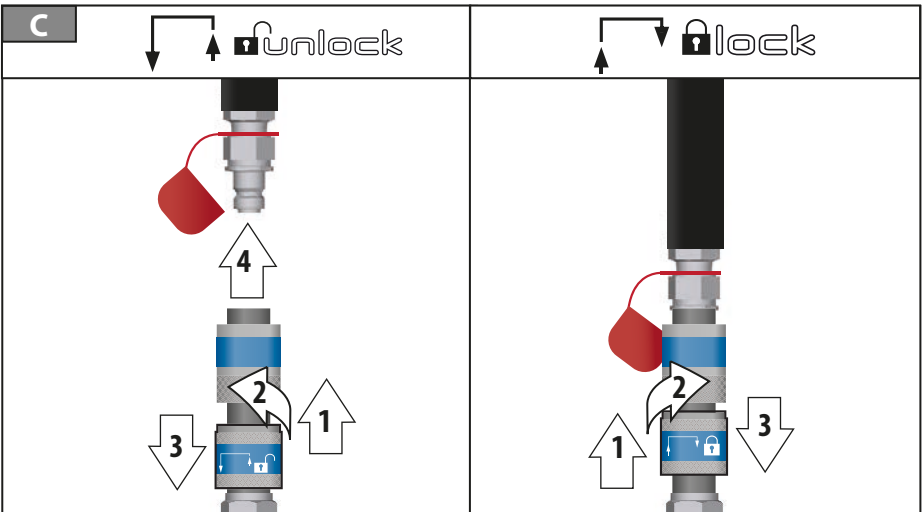
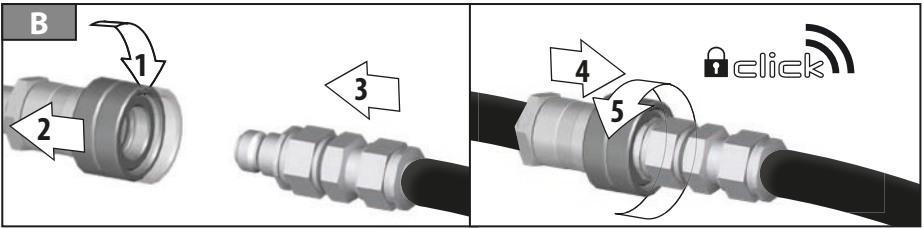
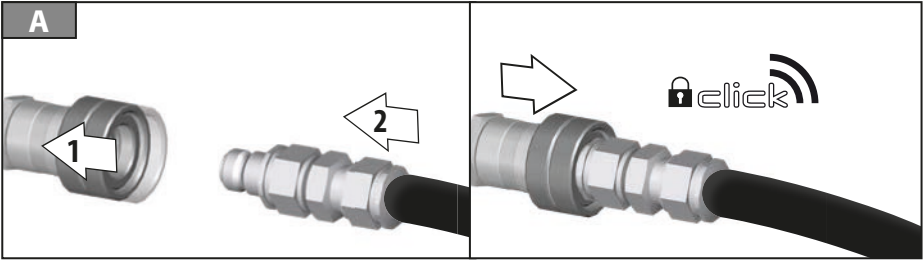
min. 700 bar
1/4"

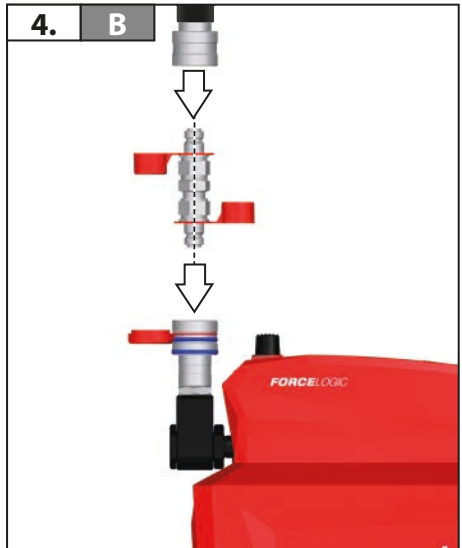
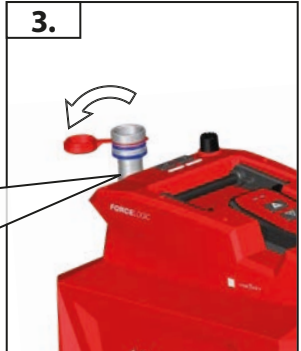
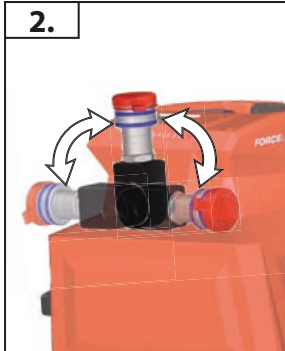


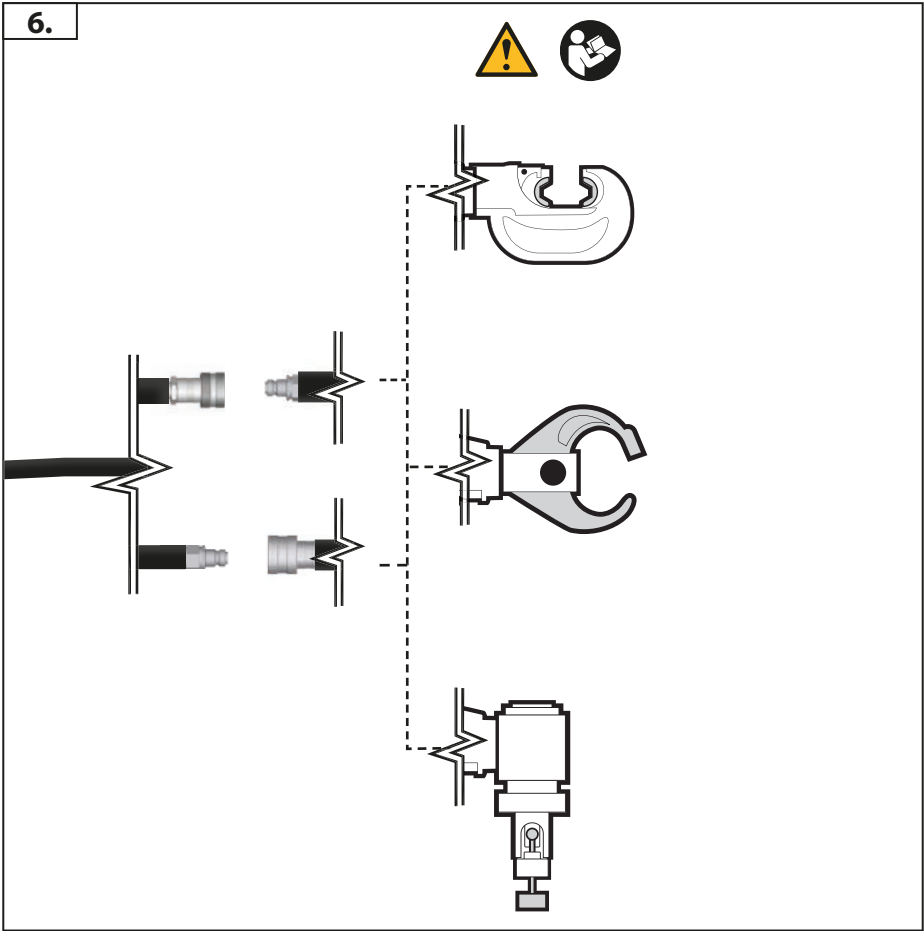
min. 700 bar
1/4" / 1/4"

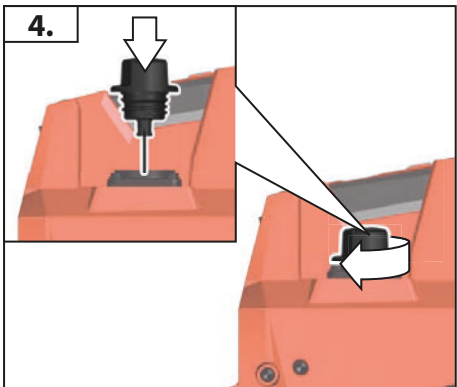
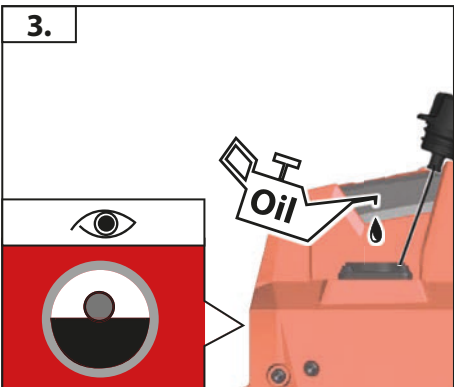
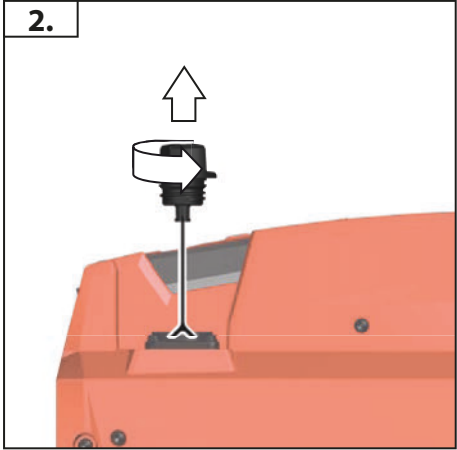
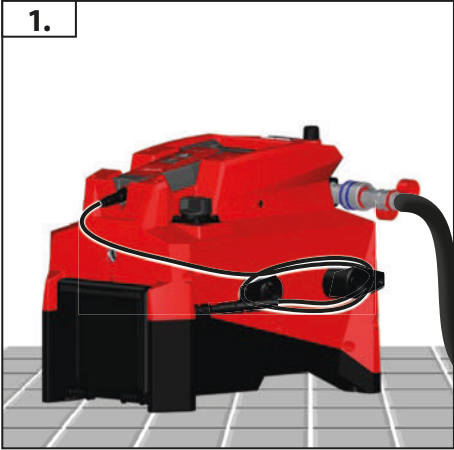


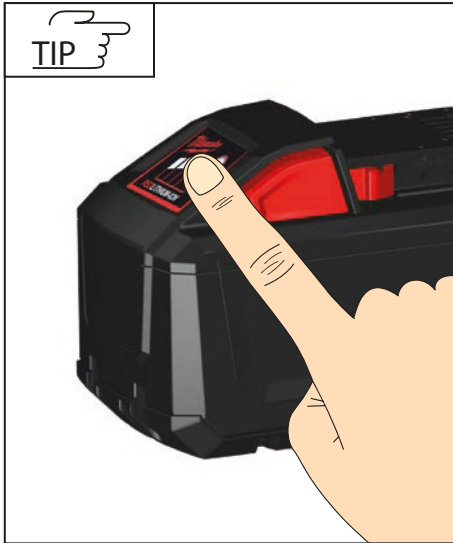
700 bar
1/4":





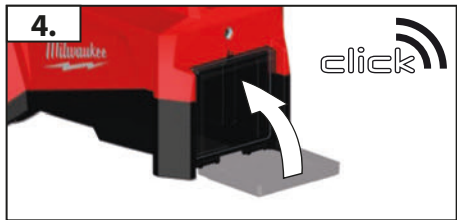
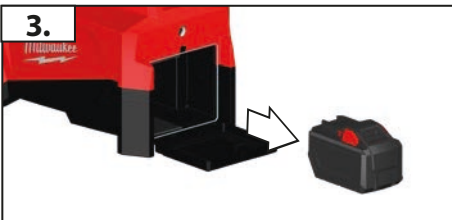
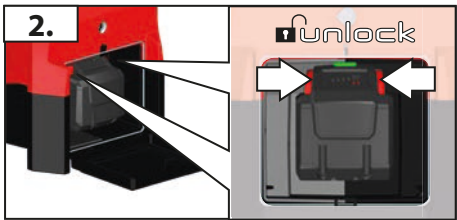
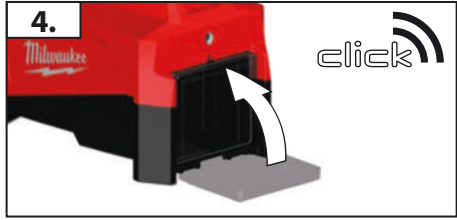
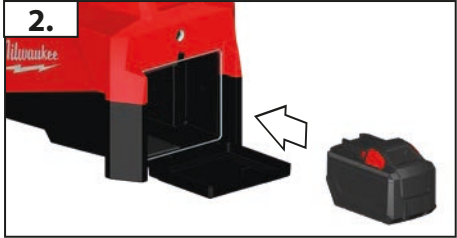
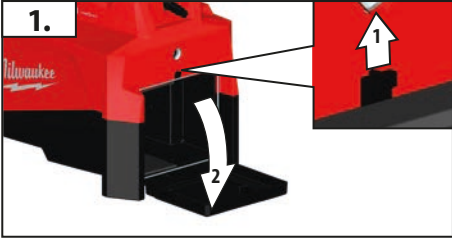


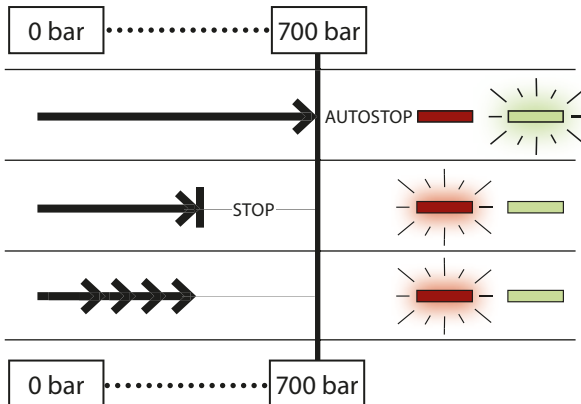
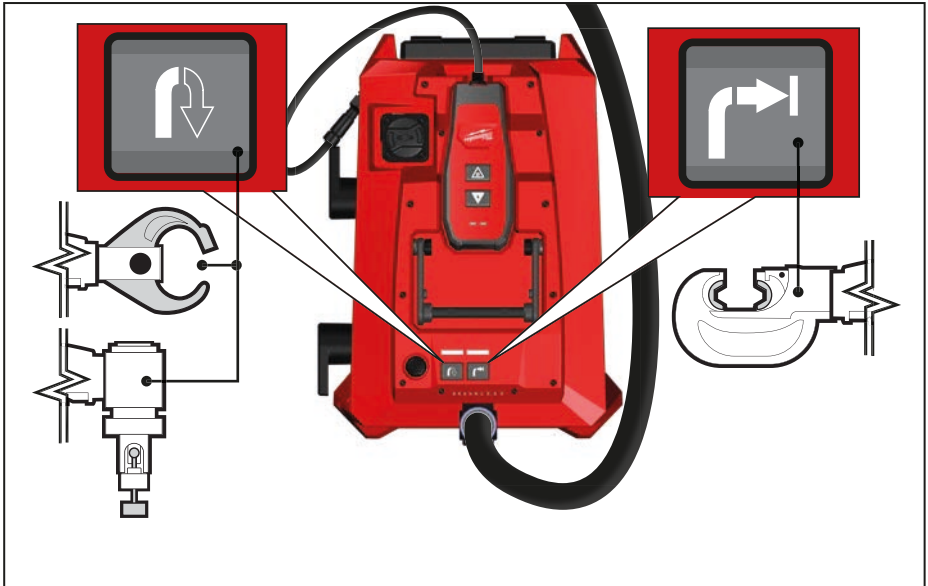
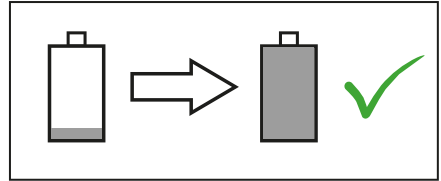


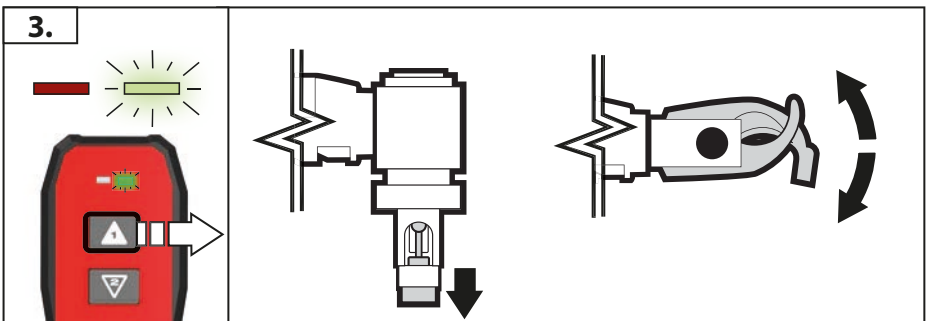
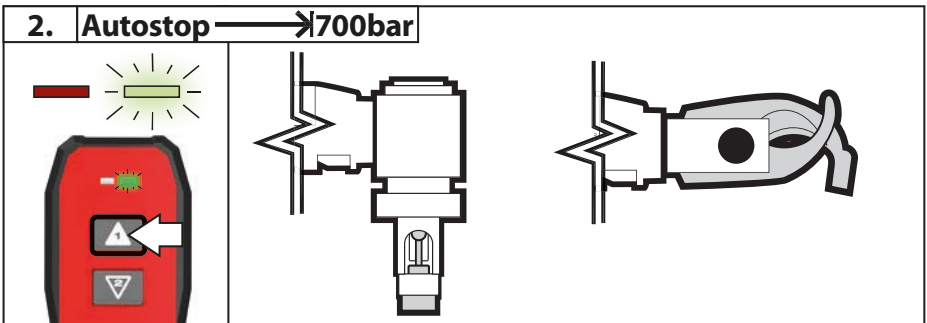
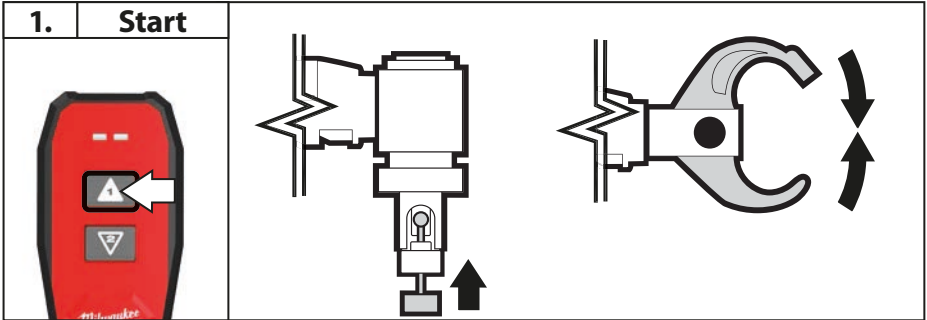
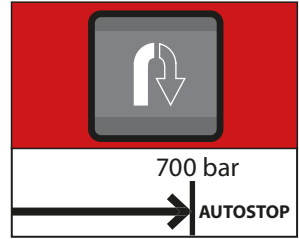


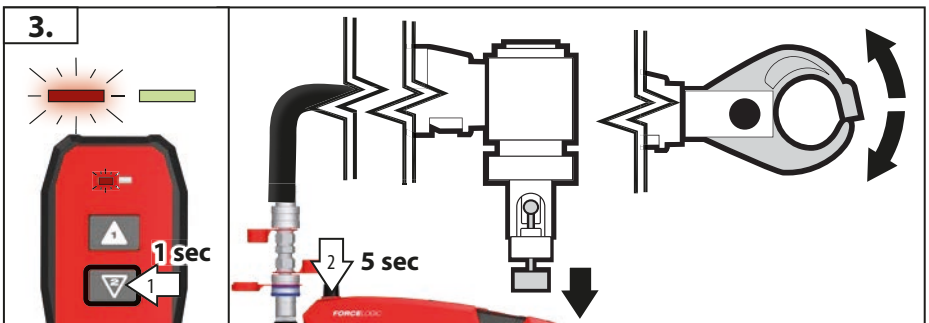
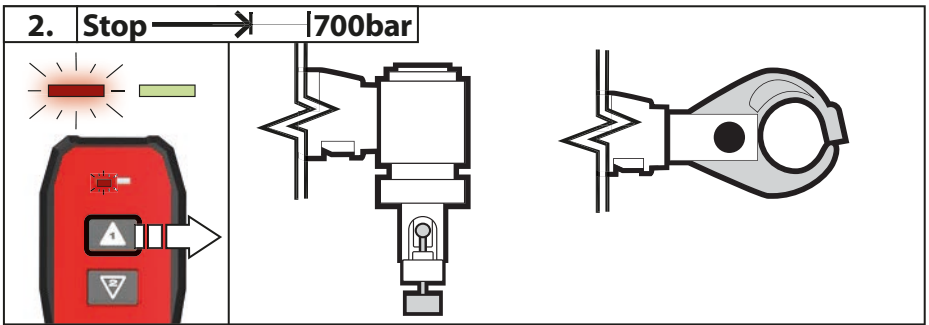
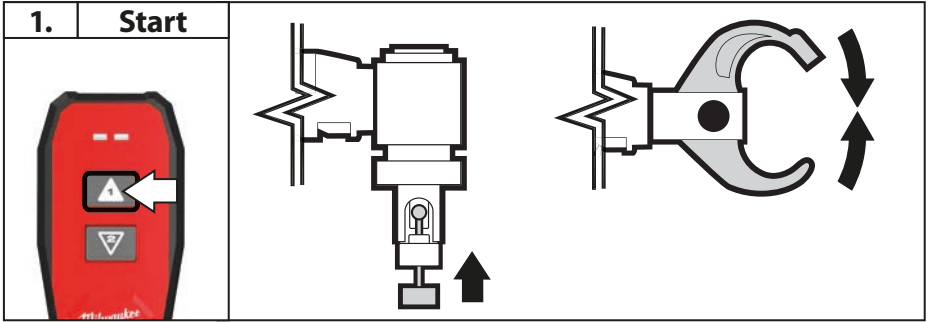
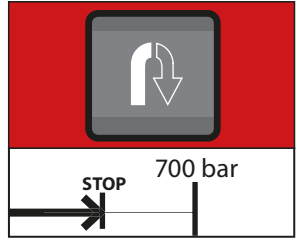
78-100 %		
55-77 %		
33-54 %		
10-32 %		
<10 %		

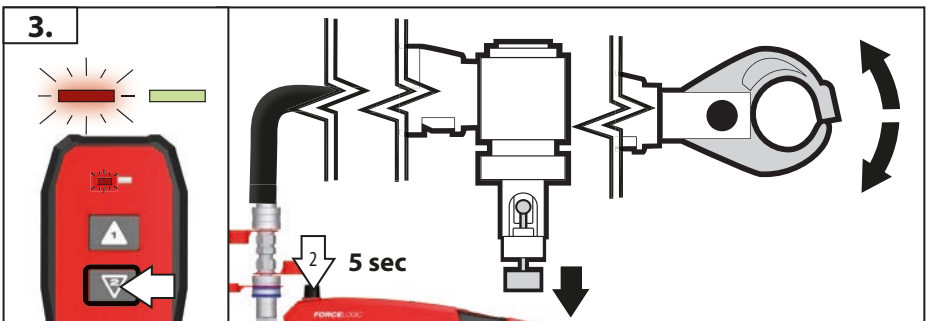
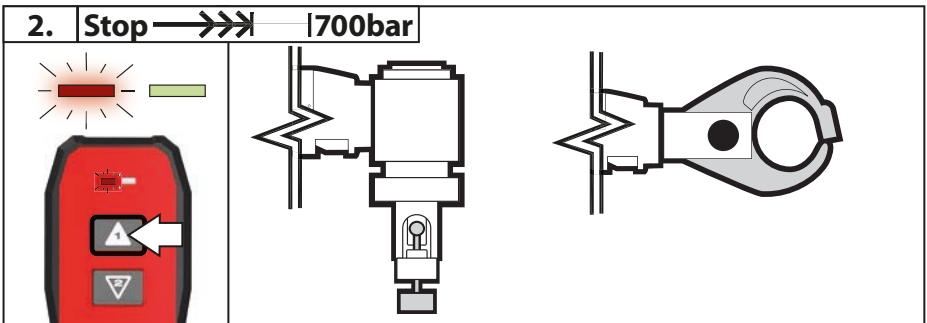
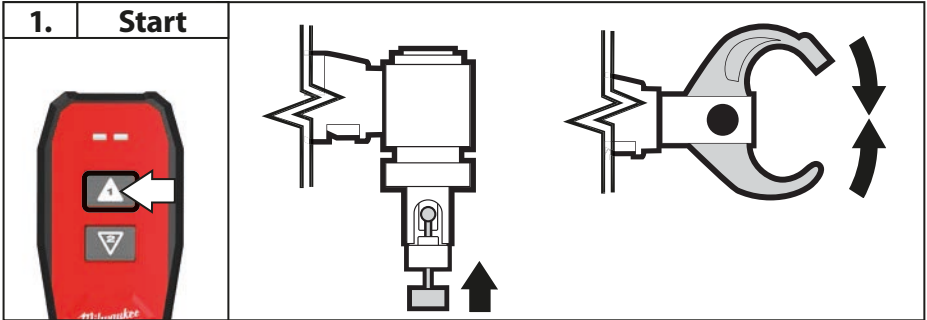
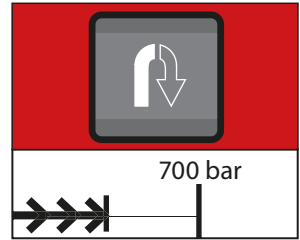


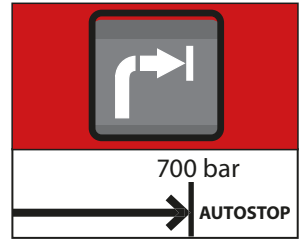



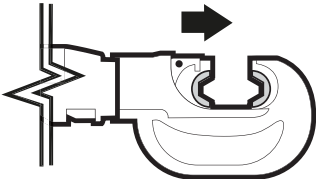





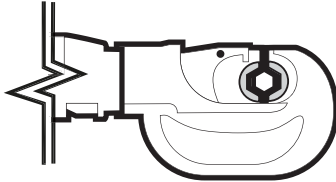



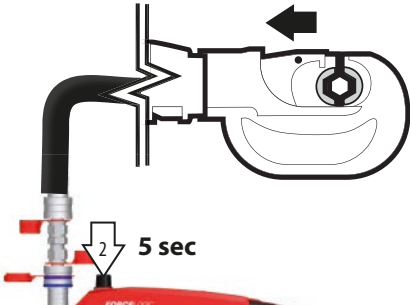


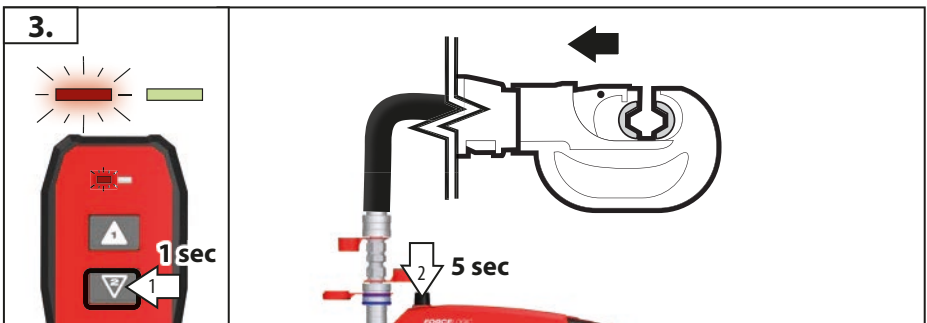
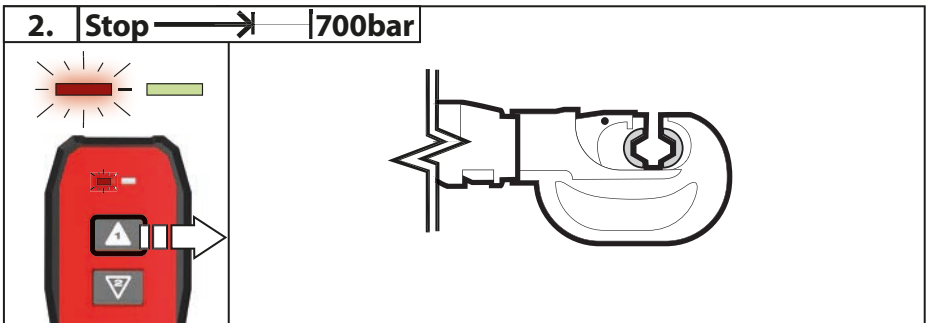
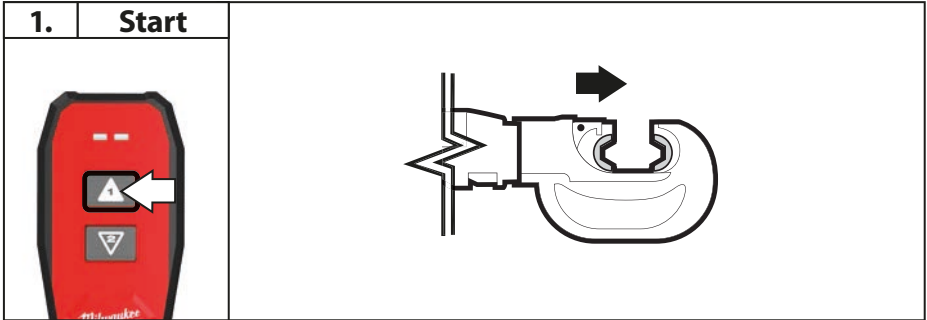
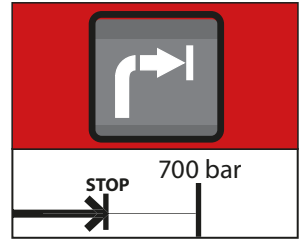


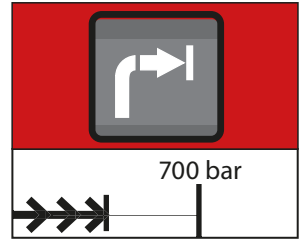
<p>1. Start</p> 	
--	---



<p>2. Autostop → 700bar</p> 	
---	--

<p>3.</p> 	
--	---



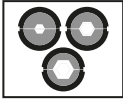


<p>1. Start</p>	
------------------------	--

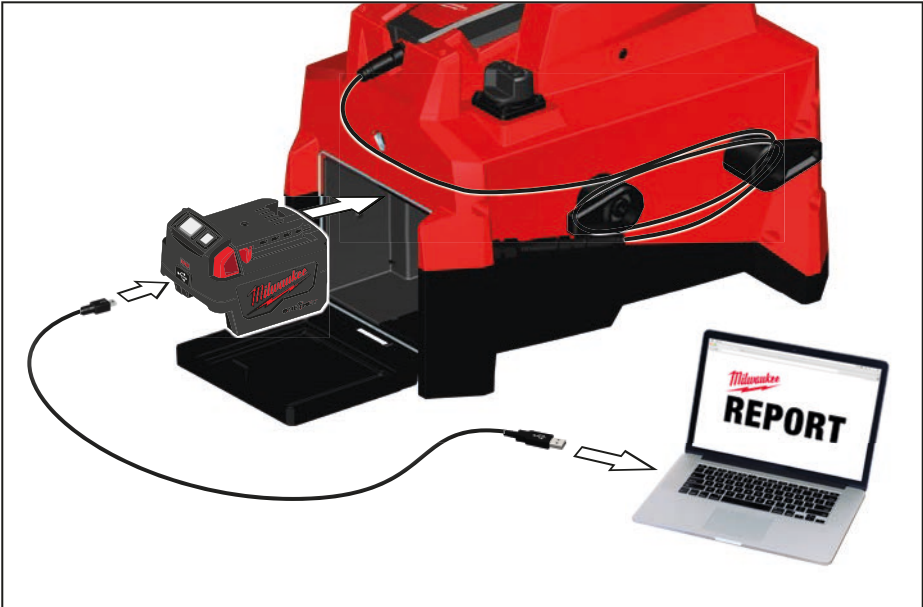


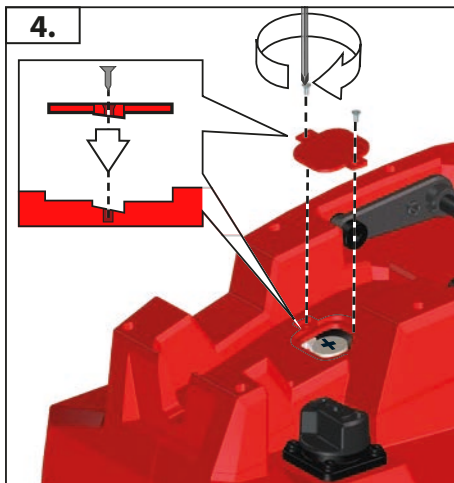
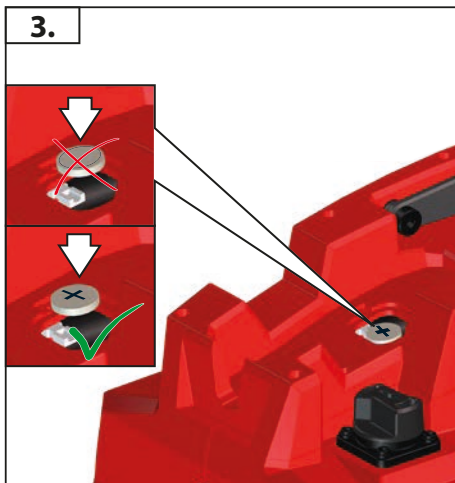
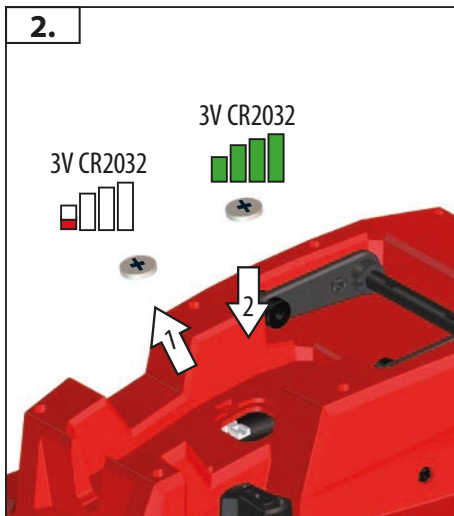
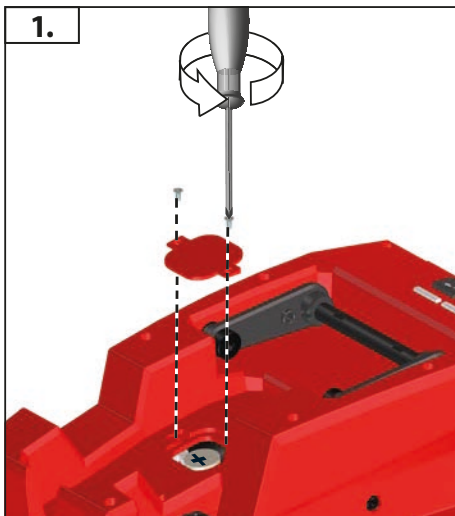
<p>2. Stop → → → 700bar</p>	
--------------------------------------	--

<p>3.</p>	
------------------	--

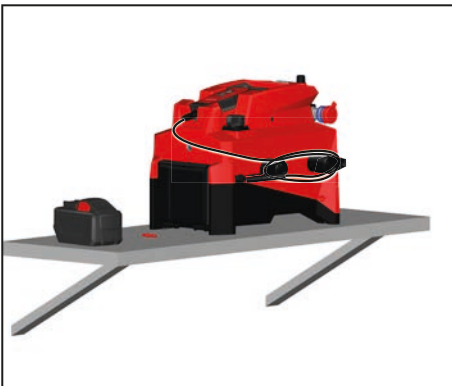
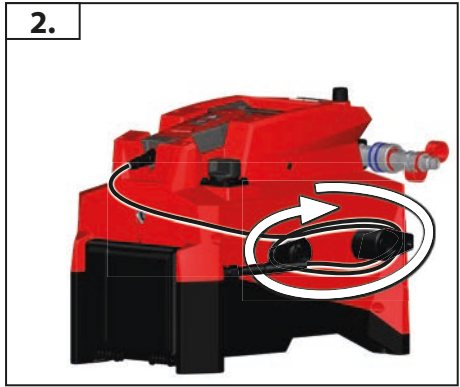
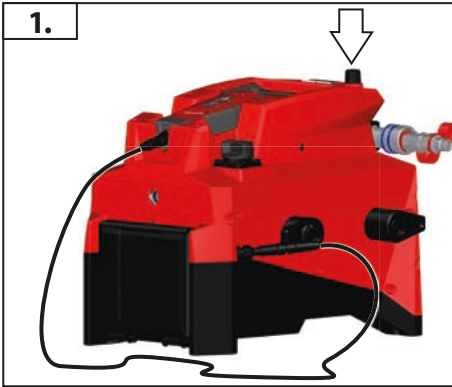
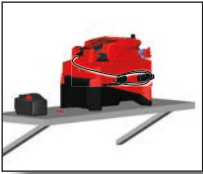


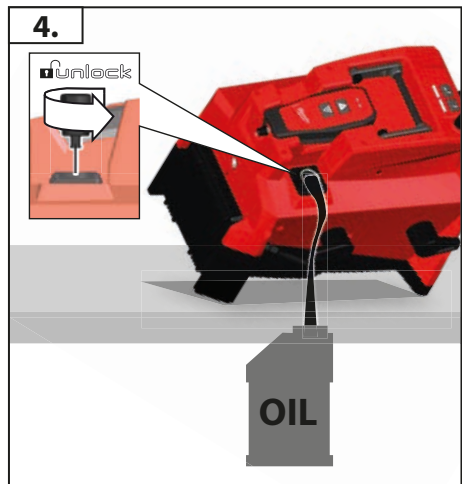
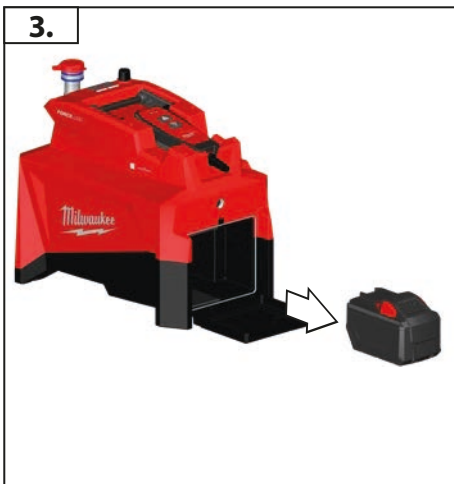
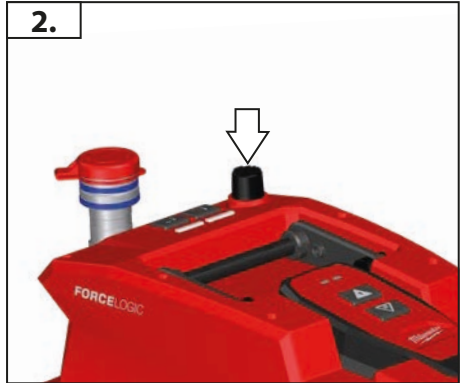
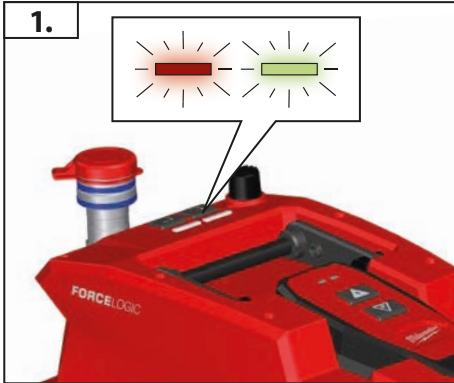
ONE KEY
V

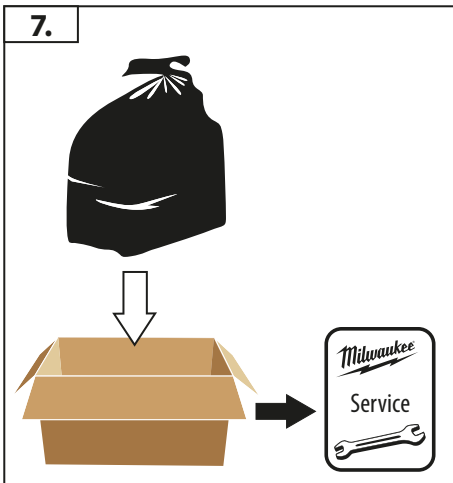
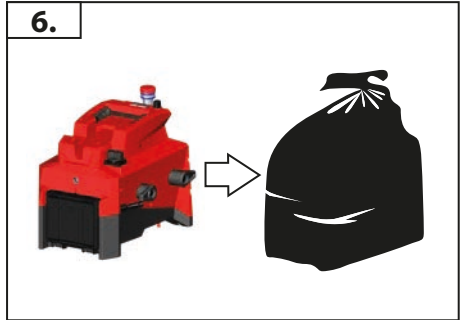
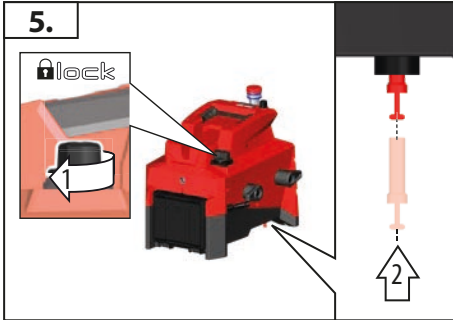




V



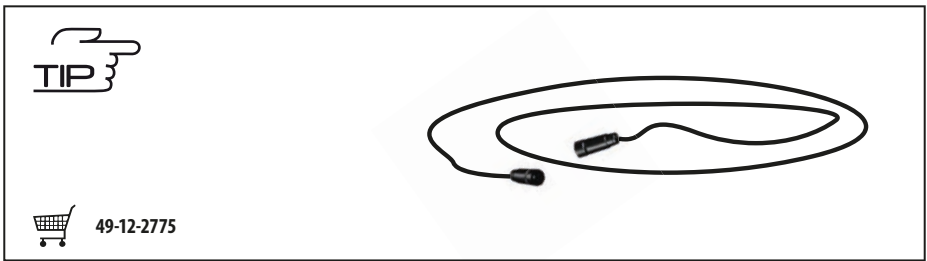






TIP

 49-12-2776



TIP

 49-12-2775

TECHNICAL DATA Hydraulic Pump	M18 HUP700
Production code	4745 35 01... ... 000001-999999
Frequency band(s) of Bluetooth	2402-2480 MHz
Radio-frequency power	1,8 dBm
Bluetooth version	4.0 BT signal mode
Battery voltage	18 V
Nominal force pressure	700 bar
Protection class	IP54
Maximum Tip angle	34°
Nominal Flow Rate	
Low Pressure	2,0 l/min
High Pressure	0,4 l/min
Total oil volume	1,6 l
Consumable oil volume	1,3 l
Weight according EPTA-Procedure 01/2014 (Li-Ion 8,0 Ah ... 12,0 Ah)	16,0..., 16,5 kg
Recommended Ambient Operating Temperature	-18°C ... +50°C
Recommended battery types	M18B9 M18HB8 ..., M18HB12
Recommended charger	M12-18..., M1418 C6
Noise information	
Measured values determined according to EN 62841. Typically, the A-weighted noise levels of the tool are:	
Sound pressure level (Uncertainty K=3dB(A))	77,7 dB (A)
Sound power level (Uncertainty K=3dB(A))	88,7 dB (A)



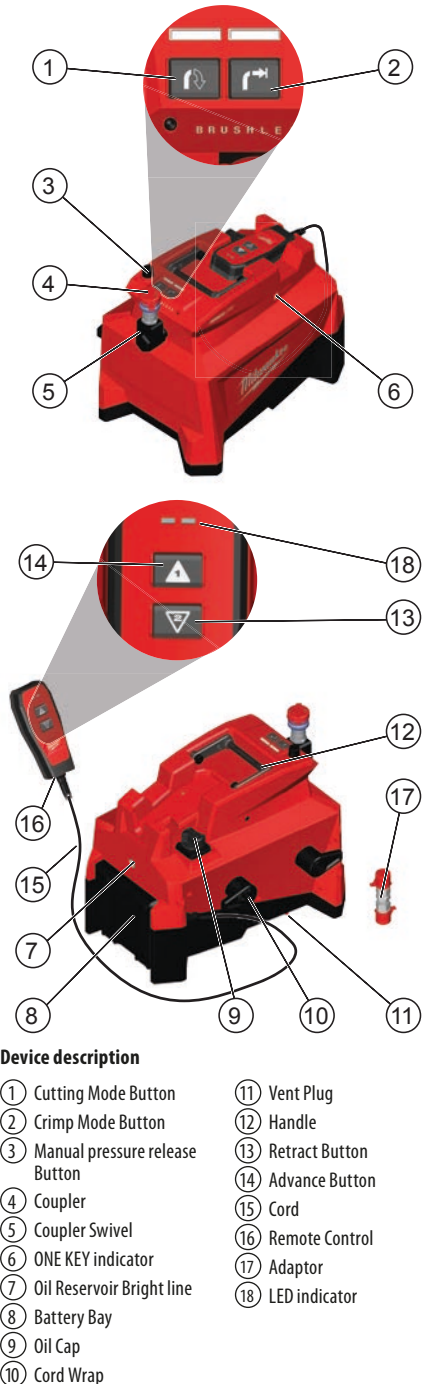
WARNING

The noise emission level given in this information sheet has been measured in accordance with a standardized test given in EN 62841 and may be used to compare one tool with another. It may be used for a preliminary assessment of exposure.

The declared noise emission level represents the main applications of the tool. However if the tool is used for different applications, with different accessories or poorly maintained, noise emission may differ. This may significantly increase the exposure level over the total working period.

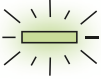
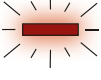
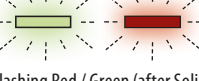
An estimation of the level of exposure to noise should also take into account the times when the tool is switched off or when it is running but not actually doing the job. This may significantly reduce the exposure level over the total working period.

Identify additional safety measures to protect the operator from the effects of noise such as: maintain the tool and the accessories and organization of work patterns.



Device description

- | | |
|----------------------------------|------------------|
| ① Cutting Mode Button | ⑪ Vent Plug |
| ② Crimp Mode Button | ⑫ Handle |
| ③ Manual pressure release Button | ⑬ Retract Button |
| ④ Coupler | ⑭ Advance Button |
| ⑤ Coupler Swivel | ⑮ Cord |
| ⑥ ONE KEY indicator | ⑯ Remote Control |
| ⑦ Oil Reservoir Bright line | ⑰ Adaptor |
| ⑧ Battery Bay | ⑱ LED indicator |
| ⑨ Oil Cap | |
| ⑩ Cord Wrap | |

LED indicator	Definition
 Solid Green	Tool completed the operation and reached full crimping pressure.
 Solid Red	Tool completed the operation but did NOT reach full crimping pressure.
 Flashing Red / Green (after Solid Green or Solid Red)	Tool has reached its service interval (20000 crimps). Red/ Green flashing will begin after the solid Red or Green indicator for the operation is displayed. MILWAUKEE recommends that the tool be inspected and preventative maintenance completed.

NOTE: If the indicator shows red, check the oil levels and ensure that no leaks are happening in the attachments. Confirm that all connections are secure and the attachments are proper for the job. Operate again. If the problem persists, return the tool to a MILWAUKEE service facility.

⚠ WARNING Read all safety warnings, instructions, illustrations and specifications provided with this power tool. Failure to follow all instructions listed below may result in electric shock, fire and/or serious injury.

Save all warnings and instructions for future reference.

⚠ SAFETY WARNINGS

Hydraulic pumps manufactured by Techtronic Industries GmbH are developed for use with crimping, cutting and stamping heads. According to this specific use, they are not equipped with an oil non return safety system.

For this reason, use in applications different from those intended (for example with hydraulic jacks, lifting systems or similar) can be dangerous and may lead to severe injuries of the operator.

Techtronic Industries GmbH does not accept any liability arising from the use of its hydraulics pumps for applications different from crimping, cutting and stamping.

Do not build up pressure if the pump is not connected to the flexible hose and the head as this may damage the pump quick coupler, precipitating oil seepage.

High pressure flexible hoses are subject to a natural ageing process which can result in a reduction in performance potentially affecting safety of the operator. As a result their life span is limited. In order to ensure safe use of their units, Techtronic Industries GmbH recommends, Hydraulic hoses must be replaced regularly according to the manufacturer's instruction, even if there are no visible damages.

Keep the pump and flexible hose away from naked flames and sources of heat above 70°C.

Before using the pump always check the integrity of the flexible hose and the quick couplers making sure there are no abrasions, cuts, deformations or swellings.

The factory fitted guards must be in place at each end of the flexible hose. Do not touch the flexible hose when under pressure.

When using the pump, the flexible hose must be uncoiled and laid out straight. Before disconnecting the flexible hose, check that the ram of the head is completely retracted, ensure a sufficient quantity of oil for subsequent operations.

The pump is unsuitable for continuous use and should be allowed to cool down following uninterrupted, successive crimping operations; for instance, having exhausted a fully charged battery in one session, delay battery replacement for a few minutes.

Protect the pump, battery and charger from rain and moisture. Water will damage the pump Electro-hydraulic tools should not be operated in pouring rain.

The operator of this device must be instructed in the specific dangers associated with using this device and in the essential safety measures before working with it for the first time and at least once a year thereafter.

The operating company must:

- make the operating manual available to the operator and
- ensure that the operator has read and understood it.

Use protective equipment. Always wear safety glasses when working with the machine. The use of protective clothing is recommended, such as dust mask, protective gloves, sturdy non-slip footwear, helmet and ear defenders.

- **Inspect pump, hoses, couplers, and fittings for wear or damage. Replace worn, damaged, or missing components with manufacturer's replacement parts.** Worn or damaged components can fail, resulting in injury. Failure to observe this warning could result in severe injury or death.

- **Ensure pump is in the desired mode of operation before use.**

- **Do not use hands to check for leaks.** High pressure oil easily punctures skin, causing serious injury, gangrene, or death. If injured, seek medical help immediately to remove oil.

- Ensure pump is below the maximum tilt angle.

- Check the oil level and adjust if necessary. Low oil may result in injury or property damage. For best performance, always use MILWAUKEE Force Logic™ Hydraulic Oil (4932 4720 04) to refill the reservoir.

- **Depressurize hydraulic system before servicing, connecting or disconnecting the hose or other hydraulic connection elements: Always press manual release button in advance.**

- **Wear eye protection when operating or servicing this tool.** Failure to wear eye protection could result in serious eye injury from flying debris or hydraulic oil.

- **Only use hoses and attachments that are single acting and rated 10,000 psi (700 bar) or higher.**

- **For best performance, use hoses that are prefilled with oil.** If the hoses are not pre-filled, bleed the system before operating.

- **Never operate the pump without a hose or attachment.**

- **For best performance, always use MILWAUKEE Force Logic™ Hydraulic Oil (4932 4720 04) to refill the reservoir.**

- **For optimal functionality, use M18™ REDLITHIUM™ 8.0 Ah battery or higher.**

- **Follow accessory manufacturers operator's manual.** Other uses may cause damage to the tool, accessories and workpiece.

- **Bleed the system if necessary.**

Never hold your fingers or other body parts in the working area of the cylinder or the jaws.

Remove the battery pack before starting any adjustment, cleaning and maintenance work on the device.



Only use devices, battery packs and chargers that are in perfect technical condition.

Have damage repaired immediately by an authorised workshop.

To avoid injury and damage, prevent accidental starting of the device.

Remove any setting tools and wrenches before the operation.

Do not work on electrically live parts. Device is NOT insulated.

Keep hands and loose items of clothing away from cutting tools and other moving parts.

In the event of problems during the crimping process, immediately release the ON switch and press the unlocking button on the hydraulic system. The valve will open and the piston will return to its initial position.

WARNING! To reduce the risk of fire, personal injury, and product damage due to a short circuit, never immerse your device, battery pack or charger in fluid or allow a fluid to flow inside them. Corrosive or conductive fluids, such as seawater, certain industrial chemicals, and bleach or bleach containing products, etc., can cause a short circuit.

Compliance with the specified service work and service intervals is mandatory.

Never break open battery packs and chargers and store only in dry rooms. Keep dry at all times.

Use only System M18 chargers for charging System M18 battery packs. Do not use battery packs from other systems.

To avoid injury and damage, never immerse the tool, removable battery or charger in liquid or allow liquid to penetrate them.

WARNING



This device contains a button-type/coin cell lithium battery. A new or used battery can cause severe internal burns and lead to death in as little as 2 hours if swallowed or if it enters the body. Always secure the cover on the battery compartment. If it does not close securely, stop the device, remove the battery and keep it out of reach of children. If you believe that someone has swallowed the battery or that it has otherwise entered the body, seek immediate medical attention.

CRIMPING TOOL SAFETY WARNINGS

Crimping tools and crimping devices must only be used by trained personnel in electrotechnical applications.

Never crimp live connecting materials.

Check crimping tool, jaws and dies for cracks and other signs of wear before each use.

Only use crimping tools and crimping dies that are in perfect technical condition.

Only use the crimping tool with crimping dies inserted into it.

Do not touch the press jaws and the press bolt during the pressing operation.

In the event of problems during the crimping process, immediately release the ON switch and press the unlocking button on the hydraulic system. The valve will open and the piston will return to its initial position.

CABLE CUTTER SAFETY WARNINGS

Only personnel trained in electrotechnical applications may carry out cutting and splitting of cables and cords with the aid of this cable cutter.

To reduce the risk of explosions, electric shock and damage to property and equipment, never cut live electrical cables. Device is NOT insulated.

Keep hands and loose items of clothing away from cutting tools and other moving parts. There is a risk of serious injury, including severing of limbs.

Before the cutting process begins, access must be sealed off in accordance with local regulations.

Only ever cut cables that have been disconnected from the power supply!

Cable and cord may not be exposed to any mechanical forces.

To reduce the risk of injury, wear safety goggles or glasses with side shields.

Failure to comply with this instruction can lead to serious injury, death, fire and other damage to property as a result of electric shock, explosion and/or electric arcs.

Never hold the cable cutter by the cutting jaws.

Before using, always check the cutting jaws for cracks and other signs of wear.

The cable cutter may only be used with a cutting tool inserted.

KNOCKOUT TOOL SAFETY WARNINGS

Check the cutting tool for cracks or any other signs of wear before using. Only use cutting tools and cutting devices if they are in perfect technical condition.

Only operate the device with the cutting tool inserted into it. Do not use in or near live electrical panels. Only work on de-energized electrical panels.

Check whether the nominal width of the die corresponds to the nominal width of the punch.

Use tool only with knockout dies and punches rated for the peak output force of this tool. Any other use may cause injuries or damage to the tool.

Keep cutting tools sharp and clean. Properly maintained cutting tools with sharp cutting edges are less likely to get jammed and are easier to control.

SPECIFIED CONDITIONS OF USE

Accessories and Tool heads:

Intended use: only for single acting accessories and tool heads, nominal pressure 700 bar; max. oil displacement 1,35l

Crimping Tool:

The crimping tool is exclusively designed for crimping connectors and compound materials with dedicated crimping dies.

All live parts, i.e., parts conducting electricity, must be disconnected in the technician's work environment prior to starting work.

Cable Cutter:

The cable cutter is suitable for cutting:

- tension-free non-reinforced cables of insulated copper or aluminum, cutting tools depending on cable type

Knockout tool:

The Knockout tool may only be used for punching in Materials with the provided stamps and matrices.



WARNING Read all safety warnings, instructions, illustrations and specifications provided with this power tool.

Failure to follow all instructions listed below may result in electric shock, fire and/or serious injury.

Save all warnings and instructions for future reference.



GENERAL INSTRUCTIONS

Priming the hydraulic system:

The tool should be primed any time that it has run dry of oil.

To prime the system:

1. Remove the battery pack.
2. Inspect the oil sight line and ensure the tool has enough oil.
3. Connect the coupler to an accessory head that will siphon out the air and excess oil.

NOTE: The coupler must be panted straight up, and the tool must be positioned lower than the accessory head.

4. Insert the battery pack.
5. Press the crimp mode button.
6. Run the tool.

NOTE: It may take up to 30 seconds for air and oil to start coming out.

7. Once the oils starts coming out, press and hold the manual release button for two seconds, then release both buttons.
8. Repeat steps 5-7 three to four times.

NOTE: While priming the system, make sure the oil level does not drop below the oil sight line. Refill te reservoir if necessary.

Bleeding the accessory:

Accessories should be bled of air any time an accessory has been serviced, unused for a long period of time or is connected to a hose that is not pre-filled with oil.

Please also consult accessory manufacturer's recommendations for further bleeding instructions.

To bleed an accessory:

1. Remove the battery pack.
2. Connect the accessory hose to the coupler.

NOTE: The coupler must be pointed to the side, and the tool must be positioned higher than the accessory hose and head.

3. Insert the battery pack.
4. Press the crimp mode button.
5. Run the tool until the cycle completes, and the LED indicator lights green.
6. Press and hold the m anual release button for two seconds, then release both buttons.
7. Repeat steps 4-6 three to four times.

NOTE: While bleeding the accessory, make sure the oil level does not drop below the oil sight line. Refill the reservoir if necessary.

WORKING INSTRUCTIONS FOR CRIMPING

Use only standardized connectors according to national standards with dedicated crimping dies.

Consult the documents provided by the manufacturer for handling and assembly instructions for connectors.

Check that the nominal diameter of the connecting item corresponds to the nominal diameter of the crimping insert.

Before the crimping process begins, the battery capacity must be checked: minimum 33% (see illustrated description). It may require charging before work commences.

Actuating the control switch initiates the pressing process, which is characterized by the movement of the press pin bolt.

It is the user's responsibility to check and evaluate that the joint is correct.

Imperfect joints must be crimped again using a new connector.

Action in the event of faults

- Keep the reset switch pressed until the jaws have opened completely
- check the battery capacity
- Check the cable and the connection item according to the technical data.
- If it is suspected that a live cable has been pressed, the crimping tool must be inspected at an authorized, specialist workshop

WORKING INSTRUCTIONS FOR CUTTING

Set-up of the working area

Before work begins, the cables or cords must be disconnected and it must be ensured that they remain isolated from the power supply for the duration of the work.

If it cannot be ensured beyond doubt that the cable or insulated line has been disconnected, no work may be carried out.

It is crucial that local safety provisions and the regulations are observed.

Cable and cord may not be exposed to any mechanical forces and must be secured from any uncontrolled movements following the cut.

Do not expose tools to rain. Do not use tools in damp or wet locations.

Preparation of cable cutter and battery

Before every use:

- Inspect cable cutter for external defects
 - Check the cutting tool for cracks and other signs of wear
- Only use in perfect condition!

Before the cutting process begins, the battery capacity must be checked: minimum 33% (see illustrated description). It may require charging before work commences.

Preparation for the cutting process

Support and fix the cable or rope to be cut to minimise the risk of uncontrolled movement.

Overhead cables and cords, in particular, can move out of control and cause injury and/or damage.

The cutting head must be positioned at an angle of 90° to the cable or cord, so that the cable can lie in the opened cutting jaws without tension and undesirable shearing forces can be avoided.



WARNING: To reduce the risk of explosions, electric shock and damage to property and equipment, never cut live electrical cables.

Device is NOT insulated. Contact with a live circuit could result in severe injury or death. Turn off power before making a cut. Never cut gas or water lines. Keep hands away from all cutting edges and moving parts. Laceration and amputation can occur.

Always remove battery pack before changing or removing accessories. Only use accessories specifically recommended for this tool. Others may be hazardous.

To reduce the risk of injury, wear safety goggles or glasses with side shields.



WARNING: To reduce the risk of injury, only cut recommended materials for the blades. (see „Specifications“) Do not attempt to cut other materials.



Cutting

Before cutting, ensure blades are properly installed.

1. Guide the cable at right angles to the cutting of the cable cutter.
Do not attempt to make angled cuts as it will damage the workpiece and blades.
2. Pull and hold the trigger through the operation.
An LED will light when the trigger is pulled.
3. Once cutting has been carried out, or the tool is switched off, let the release button go again and press the hydraulic reset button so that the cutting bars open.

NOTE: Workpiece may move slightly during the cut.

Action in the event of faults

- The cable can be broached and become live, in which case always inform the safety officer, stop the cutting process, and initiate suitable protective measures
- Always ensure that the device is and will stay disconnected from the power supply before approached and touching the device
- press and hold the hydraulic reset button until the cutter opens completely
- check the battery capacity
- check the material and material thickness against the technical data
- If it is suspected that a live cable has been cut, the cable-cutter has to be inspected in an authorized specialist workshop

Jammed Blades

Dirt and debris can cause the blades to become jammed together after a cut

- Press and hold the hydraulic release button to ensure the tool has reset.
- Remove the battery pack.
- Follow the picture description to open the cutting bars
- Clean any dirt and debris from the blades before starting another cut.

Cutting Tips

- Do not attempt to make angled cuts as it will damage the workpiece and blades.
- Cut clean material to extend the blade life. Wipe dirt and debris from material and blades before beginning the cut.

WORKING INSTRUCTIONS FOR PUNCHING

Check if the nominal diameter of the matrice is equal to the nominal size of the stamp.

MAINTENANCE

Remove the battery pack before starting any adjustment, cleaning and maintenance work on the device.

Never open the device, removable battery or charger.

Check the device for any problems such as noise or jamming of moving parts that could be affecting the device.

The ventilation slots of the device must be kept clear at all times.

To avoid injury and damage, never immerse the device, removable battery or charger in liquid or allow liquid to penetrate them.

Further service and repair work may only be carried out by authorized specialist workshops.

The device contains hydraulic fluid. Hydraulic fluids pose a hazard to groundwater. Uncontrolled draining or improper disposal is punishable by law.

The next service deadline is indicated by LED on the device.

Return the tool, battery pack, and charger to a MILWAUKEE service facility for repair. After six months to one year, depending on use, return the tool, battery pack and charger to a MILWAUKEE service facility for inspection. Use only Milwaukee accessories and Milwaukee spare parts. Should components need to be replaced which have not been described, please contact one of our Milwaukee service agents (see our list of guarantee/service addresses).

If the tool does not start or operate at full power with a fully charged battery pack, clean the contacts on the battery pack. If the tool still does not work properly, return the tool, charger and battery pack, to a MILWAUKEE service facility for repairs.

Service Interval

Refer to the ONE-KEY App for information regarding necessary servicing, such as fluid replacement. Return the tool to a MILWAUKEE service facility for all repairs and maintenance.

NOTE: The week and year of tool manufacture may be needed. This information can be found on the serial number located on the tool nameplate.

If needed, an exploded view of the tool can be ordered. Please state the Article No. as well as the machine type printed on the label and order the drawing at your local service agents or directly at: Techtronic Industries GmbH, Max-Eyth-Straße 10, 71364 Winnenden, Germany.

For safe shipping, we recommend packing the hydraulic pump in a sealed, oil resistant plastic bag and using the original packaging.

ONE-KEY™

To learn more about the ONE-KEY functionality of this device, please refer to the Quick Start guide included with this product or go to <http://www.milwaukeeetool.com/one-key>

To download the ONE-KEY app, visit the App Store or Google Play from your smart device.

We considered the result to be within our minimum acceptable performance level according to EN 301489-1/ EN 301489-17. And we will give the operation guidance to the customer in user manual.



BATTERIES

Battery packs which have not been used for some time should be recharged before use. Temperatures in excess of 50°C (122°F) reduce the performance of the battery pack. Avoid extended exposure to heat or sunshine (risk of overheating).

The contacts of chargers and battery packs must be kept clean.

For an optimum life-time, the battery packs have to be fully charged, after use.

To obtain the longest possible battery life remove the battery pack from the charger once it is fully charged.

For battery pack storage longer than 30 days: Store the battery pack where the temperature is below 27°C and away from moisture. Store the battery packs in a 30% - 50% charged condition. Every six months of storage, charge the pack as normal.

Do not dispose of used battery packs in the household refuse or by burning them. Milwaukee Distributors offer to retrieve old batteries to protect our environment.

Do not store the battery pack together with metal objects (short circuit risk).

Battery acid may leak from damaged batteries under extreme load or extreme temperatures. In case of contact with battery acid wash it off immediately with soap and water. In case of eye contact rinse thoroughly for at least 10 minutes and immediately seek medical attention.

No metal parts must be allowed to enter the battery section of the charger (short circuit risk).

TRANSPORTING LITHIUM BATTERIES

Lithium-ion batteries are subject to the Dangerous Goods Legislation requirements.

Transportation of those batteries has to be done in accordance with local, national and international provisions and regulations.

The user can transport the batteries by road without further requirements.

Commercial transport of Lithium-Ion batteries by third parties is subject to Dangerous Goods regulations. Transport preparation and transport are exclusively to be carried out by appropriately trained persons and the process has to be accompanied by corresponding experts.

When transporting batteries:

Ensure that battery contact terminals are protected and insulated to prevent short circuit. Ensure that battery pack is secured against movement within packaging. Do not transport batteries that are cracked or leak. Check with forwarding company for further advice

EC-DECLARATION OF CONFORMITY

We declare under our sole responsibility that the product described under "Technical Data" fulfills all the relevant provisions of the directives

2011/65/EU (RoHS)

2000/14/EC

2006/42/EC

2014/53/EU

and the following harmonized standards have been used.

EN 62841-1:2015

EN 62479:2010

EN 55014-1:2017

EN 55014-2:2015

EN 301 489-1 V2.1.1 (2017-02)

EN 301 489-17 V3.1.1 (2017-02)

EN 300 328 V2.1.1 (2016-11)

EN IEC 63000:2018

Measured sound power level 87,2 dB(A)

Guaranteed sound power level 89,0 dB(A)

Uncertainty K = 1,5 dB(A)

Conformity assessment procedure according 2000/14/EC to Annex V

Notified Body:

DEKRA Certification B.V. (0344)

Meander 1051/P.O. Box 5185

6825 MS ARNHEIM/6802 ED ARNHEIM

Netherlands



Winnenden,

Alexander Krug / Managing Director
Authorized to compile the technical file

Techtronic Industries GmbH
Max-Eyth-Straße 10, 71364 Winnenden, Germany



SYMBOLS



Please read the instructions carefully before starting the machine.



Wear goggles.



This device contains a button-type/coin cell lithium battery.



CAUTION! WARNING! DANGER!



Remove the battery pack before starting any work on the appliance.



Danger of electric shock



WARNING!
Risk of injury from ejected fragments



WARNING! Hand injury



The guaranteed sound power level shown on this label is 89 dB



Do not dispose electric tools, batteries/rechargeable batteries together with household waste material. Electric tools and batteries that have reached the end of their life must be collected separately and returned to an environmentally compatible recycling facility. Check with your local authority or retailer for recycling advice and collection point.



Voltage



Direct Current



European Conformity Mark



Ukraine Conformity Mark



EurAsian Conformity Mark



TECHNISCHE DATEN Hydraulikpumpe	M18 HUP700
Produktionsnummer	4745 35 01... ... 000001-999999
Bluetooth-Frequenzband (Frequenzbänder)	2402-2480 MHz
Hochfrequenzleistung	1,8 dBm
Bluetooth-Version	4.0 BT signal mode
Spannung Wechselakku	18 V
Nennkraftdruck	700 bar
Schutzklasse	IP54
Maximaler Neigungswinkel	34°
Nenndurchfluss	
Niederdruck	2,0 l/min
Hochdruck	0,4 l/min
Gesamt-Ölmenge	1,6 l
Verbrauchbare Ölmenge	1,3 l
Gewicht nach EPTA-Prozedur 01/2014 (Li-Ion 8,0 Ah...12,0 Ah)	16,0..., 16,5 kg
Empfohlene Umgebungstemperatur für den Betrieb	-18°C ... +50°C
Empfohlene Akku Typen	M18B9 M18HB8 ..., M18HB12
Empfohlene Ladegeräte	M12-18..., M1418 C6
Geräuschinformation	
Messwerte ermittelt entsprechend EN 62841. Der A-bewertete Geräuschpegel des Gerätes beträgt typischerweise:	
Schalldruckpegel (Unsicherheit K=3dB(A))	77,7 dB (A)
Schalleistungspegel (Unsicherheit K=3dB(A))	88,7 dB (A)

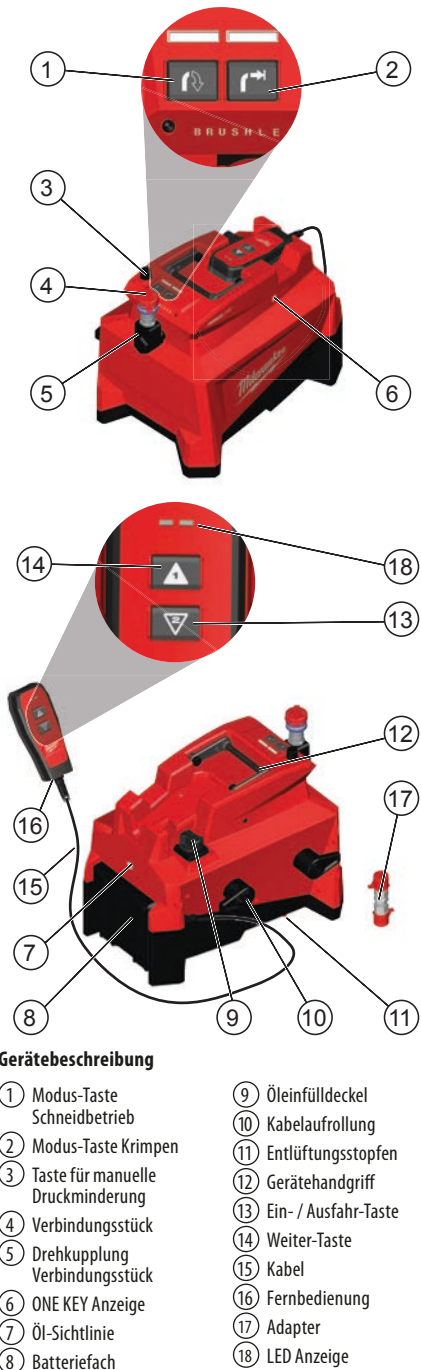
WARNUNG

Der in diesen Merkblatt angegebene Geräuschemissionswert ist entsprechend einem in EN 62841 genormten Testverfahren gemessen worden und kann für den Vergleich von Werkzeugen miteinander verwendet werden. Er eignet sich auch für eine vorläufige Einschätzung der Belastung.

Der angegebene Geräuschemissionswert repräsentiert die hauptsächlichen Anwendungen des Werkzeugs. Wenn allerdings das Werkzeug für andere Anwendungen oder mit abweichendem Zubehör eingesetzt wird oder es ungenügend gewartet ist, kann der Geräuschemissionswert abweichen. Dies kann die Belastung über den gesamten Arbeitszeitraum deutlich erhöhen.

Für eine genaue Abschätzung der Belastung durch Lärm sollten auch die Zeiten berücksichtigt werden, in denen das Werkzeug abgeschaltet ist oder zwar läuft, aber nicht tatsächlich im Einsatz ist. Dies kann die Belastung über den gesamten Arbeitszeitraum deutlich reduzieren.

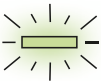
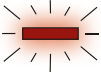
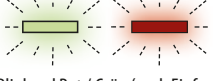
Legen Sie zusätzliche Sicherheitsmaßnahmen zum Schutz des Bedieners vor der Wirkung von Lärm fest wie zum Beispiel: Wartung des Werkzeugs und des Zubehörs und Organisation der Arbeitsabläufe.



Gerätebeschreibung

- | | |
|--|------------------------|
| ① Modus-Taste
Schneidbetrieb | ⑨ Öleinfülldeckel |
| ② Modus-Taste Krimpen | ⑩ Kabelaufrollung |
| ③ Taste für manuelle
Druckminderung | ⑪ Entlüftungstopfen |
| ④ Verbindungsstück | ⑫ Gerätehandgriff |
| ⑤ Drehkupplung
Verbindungsstück | ⑬ Ein- / Ausfahr-Taste |
| ⑥ ONE KEY Anzeige | ⑭ Weiter-Taste |
| ⑦ Öl-Sichtlinie | ⑮ Kabel |
| ⑧ Batteriefach | ⑯ Fernbedienung |
| | ⑰ Adapter |
| | ⑱ LED Anzeige |



LED Anzeige	Beschreibung
 Einfarbig Grün	Das Gerät hat den Vorgang beendet und die volle Presskraft erreicht.
 Einfarbig Rot	Das Gerät hat den Vorgang abgeschlossen, hat aber KEINE vollständige Presskraft erreicht.
 Blinkend Rot / Grün (nach Einfarbig Grün oder Einfarbig Rot)	Das Gerät hat sein Wartungsintervall erreicht (20000 Pressvorgänge). Rotes / Grünes Blinken beginnt, nachdem die durgehende Rote oder Grüne Anzeige für den Vorgang angezeigt wurde. MILWAUKEE empfiehlt, das Werkzeug zu überprüfen und die periodische Wartung durchzuführen.



HINWEIS: Falls die Anzeige rot leuchtet, überprüfen Sie den Ölstand und stellen Sie sicher, dass die Anbaugeräte dicht sind. Vergewissern Sie sich, dass alle Verbindungen gesichert und die Anbaugeräte für die Aufgabe geeignet sind. Wieder einschalten. Sollte das Problem fortbestehen, senden Sie das Gerät an eine MILWAUKEE Kundendienststelle zurück.

⚠️ WARNUNG Lesen Sie alle Sicherheitshinweise, Anweisungen, Abbildungen und technischen Daten, mit denen dieses Elektrowerkzeug versehen ist. Versäumnisse bei der Einhaltung der nachfolgenden Anweisungen können elektrischen Schlag, Brand und/oder schwere Verletzungen verursachen.

Bewahren Sie alle Sicherheitshinweise und Anweisungen für die Zukunft auf.

⚠️ SICHERHEITSHINWEISE

Hydraulikpumpen der Techtronic Industries GmbH sind für den Einsatz mit Crimp-, Schneid- und Stanzköpfen entwickelt. Entsprechend dieses Einsatzzweckes sind sie nicht mit einem Ölrücklaufsicherungssystem ausgestattet.

Von daher kann der Einsatz in anderen als den vorgesehenen Anwendungen (z. B. mit Hydraulikhebern, Hebeanlagen oder Ähnlichem) gefährlich sein und zu schweren Verletzungen des Bedienpersonals führen.

Die Techtronic Industries GmbH haftet nicht bei Einsatz unserer Hydraulikpumpen in anderen Anwendungen als Crimpen, Schneiden und Stanzen.

Bauen Sie keinen Druck auf, wenn die Pumpe nicht an den Flexschlauch und den Kopf angeschlossen ist, da dies den Schnellverbinder der Pumpe beschädigen und das Austreten von Öl verursachen kann.

Flexible Hochdruckschläuche unterliegen einem natürlichen Alterungsprozess, der zu Leistungseinbußen führen kann, welche möglicherweise die Sicherheit des Bedienpersonals beeinträchtigen. Infolgedessen ist ihre Lebensdauer begrenzt. Um den sicheren Betrieb unserer Geräte zu gewährleisten, empfiehlt die Techtronic Industries GmbH, Hydraulikschläuche regelmäßig gemäß den

Anweisungen des Herstellers auszutauschen, auch wenn keine sichtbaren Schäden vorliegen.

Halten Sie die Pumpe und den Flexschlauch fern von offenem Feuer und Wärmequellen über 70 °C.

Überprüfen Sie vor jeder Inbetriebnahme der Pumpe den Schlauch und die Schnellverbinder auf Beschädigungen, Schnitte, Verformungen und Beulen.

Die werkseitig angebrachten Schutzvorrichtungen müssen an jedem Ende des Flexschlauchs vorhanden sein. Berühren Sie den Flexschlauch nicht, wenn er unter Druck steht.

Bei Gebrauch der Pumpe muss der Flexschlauch abgewickelt und gerade ausgelegt werden. Vergewissern Sie sich vor dem Abziehen des Flexschlauchs, dass der Kolben des Kopfes vollständig eingezogen ist. Sorgen Sie dafür, dass für die nachfolgenden Arbeiten ausreichend Öl vorhanden ist.

Die Pumpe ist nicht für den Dauerbetrieb geeignet und sollte nach ohne Unterbrechung aufeinander folgenden Crimpvorgängen abkühlen. Wurde beispielsweise in einem Arbeitsabschnitt ein vollständig geladener Akku bis zur Entleerung ausgeschöpft, warten Sie mit dem Akkutauch einige Minuten.

Schützen Sie Pumpe, Akku und Ladegerät vor Regen und Feuchtigkeit. Wasser beschädigt die Pumpe. Elektrohydraulische Geräte sollten nicht bei strömendem Regen betrieben werden.

Der Bediener dieses Gerätes ist vor der erstmaligen Aufnahme der Tätigkeit und danach, mindestens einmal jährlich, vor den besonderen Gefahren beim Umgang mit diesem Gerät und über die notwendigen Sicherheitsvorkehrungen zu unterweisen.

Der Betreiber muss:

- dem Bediener die Betriebsanleitung zugänglich machen und
- sich vergewissern, dass der Bediener sie gelesen und verstanden hat.

Schutzausrüstung verwenden. Beim Arbeiten mit der Maschine stets Schutzbrille tragen. Schutzkleidung wie Staubschutzmaske, Schutzhandschuhe, festes und rutschsicheres Schuhwerk, Helm und Gehörschutz werden empfohlen.

- **Überprüfen Sie Pumpe, Schläuche, Verbindungsstücke und Anschlüsse auf Verschleiß oder Beschädigung. Ersetzen Sie abgenutzte, beschädigte oder fehlende Komponenten durch Ersatzteile des Herstellers.** Abgenutzte oder beschädigte Komponenten funktionieren unter Umständen nicht fehlerfrei und können so zu Verletzungen führen. Die Nichtbeachtung dieses Warnhinweises kann schwerwiegende Verletzungen bis hin zum Tod nach sich ziehen.
- **Stellen Sie vor dem Gebrauch sicher, dass sich die Pumpe im gewünschten Betriebsmodus befindet.**
- **Verwenden Sie nicht Ihre Hände, um nach Undichtigkeiten zu suchen.** Unter Hochdruck stehendes Öl kann die Haut problemlos durchbohren und zu schweren Verletzungen, Wundbrand oder sogar zum Tod führen. Suchen Sie im Verletzungsfall unverzüglich einen Arzt auf, um das Öl entfernen zu lassen.
- Stellen Sie sicher, dass sich die Pumpe unterhalb des maximalen Neigungswinkels befindet.
- Überprüfen Sie den Ölstand und korrigieren Sie ihn, falls erforderlich. Zu wenig Öl kann zu Personen- oder Sachschäden führen. Verwenden Sie stets MILWAUKEE Force Logic™-Hydrauliköl (4932 4720 04), um die beste Leistung zu erzielen.
- **Machen Sie das Hydrauliksystem drucklos, bevor Sie den Schlauch oder andere hydraulische Verbindungselemente warten, anschließen oder abziehen. Drücken Sie zuvor stets die Taste für manuelle Druckminderung.**

- **Tragen Sie einen Augenschutz, wenn Sie dieses Gerät bedienen oder warten.** Wird kein Augenschutz getragen, kann dies zu schweren Augenverletzungen durch herumfliegende Teile oder Hydrauliköl führen.
- **Verwenden Sie nur einfachwirkende Schläuche und Zubehörteile, die für einen Druck von mindestens 700 bar (10.000 PSI) ausgelegt sind.**
- **Verwenden Sie für optimale Leistung mit Öl vorgefüllte Schläuche.** Sind die Schläuche nicht vorgefüllt, entlüften Sie das System vor dem Betrieb.
- **Betreiben Sie die Pumpe niemals ohne Schlauch oder Aufsatz.**
- **Verwenden Sie stets MILWAUKEE Force Logic™-Hydrauliköl (4932 4720 04), um die beste Leistung zu erzielen.**
- **Verwenden Sie für eine optimale Funktion mindestens einen M18™ REDLITHIUM™ 8.0 Ah-Akku.**
- **Befolgen Sie die Bedienungsanleitung des Zubehöherstellers.** Andere Anwendungen können das Gerät, Zubehör und Werkstück beschädigen.
- **Falls erforderlich, entlüften Sie das System.**

Halten Sie niemals Finger oder andere Körperteile in den Arbeitsbereich des Zylinders und der Backen.

Vor allen Einstell-, Reinigungs- und Wartungsarbeiten am Gerät den Wechselakku herausnehmen.

Gerät, Wechselakku und Ladegerät nur in technisch einwandfreiem Zustand verwenden.

Beschädigungen sofort von einer autorisierten Fachwerkstatt reparieren lassen.

Um Verletzungen oder Schäden zu vermeiden, verhindern Sie unbeabsichtigtes Starten des Gerätes.

Entfernen Sie verwendete Einstellwerkzeuge oder Schlüssel vor dem Arbeitsvorgang.

Es dürfen keine unter elektrischer Spannung stehenden Teile bearbeitet werden. Das Gerät gilt als NICHT isoliert.

Hände und lockere Kleidung von Schneidwerkzeugen und anderen beweglichen Teilen entfernt halten.

Lassen Sie bei Störungen während des Pressvorgangs sofort den EIN-Schalter los und drücken Sie den Entriegelungs-Knopf der Hydraulik. Das Ventil öffnet und der Kolben fährt in die Ausgangsposition zurück.

WARNUNG! Um die durch einen Kurzschluss verursachte Gefahr eines Brandes, von Verletzungen oder Produktbeschädigungen zu vermeiden, tauchen Sie das Gerät, den Wechselakku oder das Ladegerät nicht in Flüssigkeiten ein und sorgen Sie dafür, dass keine Flüssigkeiten in die Geräte und Akkus eindringen. Korrodierende oder leitfähige Flüssigkeiten, wie Salzwasser, bestimmte Chemikalien und Bleichmittel oder Produkte, die Bleichmittel enthalten, können einen Kurzschluss verursachen.

Wartung und Wartungsintervalle zwingend einhalten.

Wechselakkus und Ladegeräte nicht öffnen und nur in trockenen Räumen lagern. Vor Nässe schützen.

Wechselakku des Systems M18 nur mit Ladegeräten des Systems M18 laden. Keine Akkus aus anderen Systemen laden.

Um Verletzungen oder Schäden zu vermeiden, tauchen Sie ihr Werkzeug, Wechselakku oder Ladegerät nie in Flüssigkeit oder lassen eine Flüssigkeit in sie fließen.

WARNUNG



Dieses Gerät enthält eine Lithium Knopf-/Münzzellenbatterie. Eine neue oder gebrauchte Batterie kann schwere interne Verbrennungen verursachen und zum Tod in weniger als 2 Stunden führen, wenn sie verschluckt oder in den Körper gelangt. Sichern Sie immer den Batteriefachdeckel. Wenn er nicht sicher schließt, stoppen Sie das Gerät, entfernen Sie die Batterie und halten Sie sie von Kindern fern. Wenn Sie glauben, dass Batterien verschluckt oder in den Körper eingedrungen sind, suchen Sie sofortige ärztliche Hilfe auf.



SICHERHEITSHINWEISE FÜR PRESSWERKZEUGE

Presswerkzeug und Presseinsätze dürfen nur von einer elektrotechnisch unterwiesenen Fachkraft verwendet werden.

Verpressen Sie niemals unter elektrischer Spannung stehende Verbindungsmaterialien.

Vor jedem Gebrauch Presswerkzeug, -backen und -einsätze auf Risse und sonstige Verschleißerscheinungen prüfen.

Presswerkzeug und Presseinsätze sind nur in technisch einwandfreiem Zustand zu verwenden.

Das Presswerkzeug darf nur mit eingesetzten Presseinsätzen verwendet werden.

Berühren Sie die Spannbacke und den Pressdorn während des Pressvorgangs nicht.

Lassen Sie bei Störungen während des Pressvorgangs sofort den EIN-Schalter los und drücken Sie den Entriegelungs-Knopf der Hydraulik. Das Ventil öffnet und der Kolben fährt in die Ausgangsposition zurück.



SICHERHEITSHINWEISE FÜR KABELSCHNEIDER

Das Schneiden bzw. Trennen von Kabeln und Seilen mithilfe dieses Kabelschneiders darf nur durch eine elektrotechnisch unterwiesene Person erfolgen.

Um das Risiko von Explosionen, elektrischem Schlag, Sach- und Geräteschaden zu reduzieren, niemals stromführende elektrische Leitungen schneiden. Das Gerät gilt als NICHT isoliert.

Hände und lockere Kleidung von Schneidwerkzeugen und anderen beweglichen Teilen entfernt halten. Es besteht die Gefahr von schweren Verletzungen oder Abtrennung von Gliedmaßen.

Vor Beginn des Schneidvorganges muss entsprechend den lokalen Regelungen eine Absperrung gegen Zutritt eingerichtet sein.

Nur spannungsfreie Kabel schneiden!

Kabel und Seile dürfen keinen mechanischen Kräften ausgesetzt sein.

Um das Risiko von Verletzungen zu verringern, sollten Sie stets eine Schutzbrille oder eine Brille mit Seitenschutz tragen.

Bei Nichtbeachtung besteht die Gefahr von schweren Verletzungen, Tod, Feuer oder sonstige Sachschäden durch Stromschlag, Explosion und Lichtbogen.

Halten Sie den Kabelschneider nie an den Schneidbacken.

Vor jedem Gebrauch die Schneidbacken auf Risse und sonstige Verschleißerscheinungen prüfen.

Der Kabelschneider darf nur mit eingesetztem Schneidwerkzeug verwendet werden.



D

SICHERHEITSHINWEISE FÜR STANZEN

Vor jedem Gebrauch die Schneidwerkzeuge auf Risse und sonstige Verschleißerscheinungen prüfen. Schneidwerkzeuge und Schneidgeräte nur in technisch einwandfreiem Zustand verwenden.

Das Gerät darf nur mit eingesetztem Schneidwerkzeug verwendet werden. Verwenden Sie nicht in oder in der Nähe von unter spannung stehenden Schaltkästen. Arbeiten Sie nur an spannungsfrei geschalteten Schaltkästen.

Prüfen Sie, ob die Nennweite der Matrize mit der Nennweite des Stempels übereinstimmt.

Verwenden Sie das Werkzeug nur mit Stempeln und Matrizen die für die max. Nennkraft zugelassen sind. Andere können Verletzungen oder Beschädigungen hervorrufen.

Halten Sie Schneidwerkzeuge scharf und sauber. Richtig gepflegte Schneidwerkzeuge mit scharfen Schneidkanten verkleben sich weniger und sind leichter zu kontrollieren.

BESTIMMUNGSGEMÄSSE VERWENDUNG

Zubehör und Werkzeugköpfe:

Bestimmungsgemäße Verwendung: nur für einfachwirkendes Zubehör und Werkzeugköpfe, Nenndruck 700 bar; max. Ölverdrängung 1,35 l

Presswerkzeug:

Das Presswerkzeug darf ausschließlich zum Verpressen von Verbindungsmaterialien, für die die entsprechenden Presseinsätze vorgesehen sind, verwendet werden.

Vor Arbeitsbeginn sind alle aktiven, d.h. stromführenden Teile im Arbeitsumfeld des Monteurs freizuschalten.

Kabelschneider:

Der Kabelschneider ist geeignet zum Trennen von:

- spannungsfreien nicht-armierten Kabeln aus isoliertem Kupfer oder Aluminium, Schneidwerkzeuge jeweils kabeltypabhängig

Stanzwerkzeug:

Das Stanzwerkzeug darf nur zum Einstanzen von Materialien mit den mitgelieferten Stempeln und Matrizen verwendet werden.

 **WARNUNG** Lesen Sie alle Sicherheitshinweise, Anweisungen, Bilderungen und technischen Daten, mit denen dieses Elektrowerkzeug versehen ist. Versäumnisse bei der Einhaltung der nachfolgenden Anweisungen können elektrischen Schlag, Brand und/oder schwere Verletzungen verursachen.

Bewahren Sie alle Sicherheitshinweise und Anweisungen für die Zukunft auf.

ALLGEMEINE ANWEISUNGEN

Vorbereiten des Hydrauliksystems:

Das Gerät sollte jedes Mal neu vorbereitet werden, wenn das Öl komplett verbraucht wurde.

So bereiten Sie das System vor:

1. Entfernen Sie den Wechselakku
2. Überprüfen Sie die Öl-Sichtlinie und stellen Sie sicher, dass genug Öl im Gerät ist.
3. Verbinden Sie das Verbindungsstück mit einem Zubehörsstück, das die Luft und das überschüssige Öl absaugt.

HINWEIS: Das Verbindungsstück muss gerade nach oben zeigen und das Gerät muss tiefer als das Zubehörteil positioniert sein.

4. Akku einsetzen.
5. Drücken Sie die Taste für den Crimp-Modus.
6. Starten Sie das Gerät.

HINWEIS: Es kann bis zu 30 Sekunden dauern, bis Luft und Öl austreten.

7. Sobald das Öl austritt, halten Sie die Taste für manuelle Druckminderung zwei Sekunden lang gedrückt und lassen Sie dann beide Tasten los.

8. Wiederholen Sie die Schritte 5-7 drei- bis viermal.

HINWEIS: Achten Sie beim Vorbereiten des Systems darauf, dass der Ölstand nicht unter die Öl-Sichtlinie fällt. Füllen Sie den Tank bei Bedarf auf.

Entlüften des Zubehörs:

Das Zubehör sollte jedes Mal entlüftet werden, wenn ein Zubehörteil gewartet wurde, längere Zeit nicht verwendet wurde oder an einen Schlauch angeschlossen ist, der nicht mit Öl vorgefüllt ist.

Weitere Anweisungen zum Entlüften finden Sie auch in den Empfehlungen des Zubehöherstellers.

So entlüften Sie ein Zubehörteil:

1. Entfernen Sie den Wechselakku
2. Schließen Sie den Zubehörschlauch an das Verbindungsstück an.

HINWEIS: Das Verbindungsstück muss zur Seite zeigen und das Gerät muss höher als der Zubehörschlauch und das Zubehörteil positioniert sein.

3. Akku einsetzen.
4. Drücken Sie die Taste für den Crimp-Modus.
5. Lassen Sie das Gerät laufen, bis der Zyklus abgeschlossen ist und die LED-Anzeige grün aufleuchtet.
6. Halten Sie die Taste für manuelle Druckminderung zwei Sekunden lang gedrückt und lassen Sie dann beide Tasten los.
7. Wiederholen Sie die Schritte 4-6 drei- bis viermal.

HINWEIS: Achten Sie beim Entlüften des Zubehörs darauf, dass der Ölstand nicht unter die Öl-Sichtlinie fällt. Füllen Sie den Tank bei Bedarf auf.

ARBEITSHINWEISE ZUM PRESSEN

Nur genormte Verbindungsartikel nach nationalen geltenden Standards sowie die dafür vorgesehenen Presseinsätze verwenden.

Entnehmen Sie die Verarbeitungs- und Montageanweisungen für Verbindungsartikel den Unterlagen des Herstellers.

Prüfen Sie, ob die Nennweite des Verbindungsartikels mit der Nennweite des Presseinsatzes übereinstimmt.

Vor Beginn des Pressvorgangs muss die Akku-Kapazität überprüft werden: mindestens 33% (siehe Bildbeschreibung). Eventuell muss dieser vor Arbeitsbeginn geladen werden.

Die Betätigung des Bedienungsschalters leitet den Pressvorgang ein, der durch die Bewegung des Pressdorns gekennzeichnet wird. Die Prüfung und Beurteilung einer korrekten Verpressung obliegt dem Anwender.

Nicht korrekte Verbindungen müssen mit einem neuen Verbindungsartikel nochmals verpresst werden.

Verhalten bei Störungen

- Rückstellschalter gedrückt halten bis zum vollständigen Öffnen der Backen
- prüfen der Akku-Kapazität
- Prüfen des Kabels und des Verbindungsartikels an Hand der technischen Daten.
- Bei Verdacht des Pressens eines spannungsführenden Kabels muss das Presswerkzeug in einer autorisierten Fachwerkstatt überprüft werden

ARBEITSHINWEISE ZUM SCHNEIDEN

Einrichtung des Arbeitsbereichs

Vor Arbeitsbeginn muss ein spannungsfreier Zustand der Leitungen oder Seile hergestellt und für die Dauer der Arbeiten sichergestellt werden.

Kann das freigeschaltete Kabel oder die freigeschaltete isolierte Leitung nicht eindeutig festgestellt werden, dürfen keine Arbeiten durchgeführt werden.

Auf lokale Sicherheitsvorschriften und Regelungen ist unbedingt zu achten.

Kabel und Seile dürfen keinen mechanischen Kräften ausgesetzt sein und müssen gegebenenfalls gegen unkontrollierte Bewegungen nach dem Schnitt gesichert werden.

Setzen Sie das Gerät nicht dem Regen aus und benutzen Sie es nicht in nasser oder feuchter Umgebung.

Vorbereiten von Kabelschneider und Akku

Vor jedem Gebrauch:

- Kabelschneider auf äußere Mängel untersuchen
- Schneidwerkzeuge auf Risse und sonstige Verschleißerscheinungen prüfen

Nur in einwandfreiem Zustand verwenden!

Vor Beginn des Schneidvorgangs muss die Akku-Kapazität überprüft werden: mindestens 33% (siehe Bildbeschreibung). Eventuell muss dieser vor Arbeitsbeginn geladen werden.

Vorbereitung Schneidvorgang

Stützen und fixieren Sie das zu schneidende Kabel oder Seil, um das Risiko einer unkontrollierten Bewegung zu minimieren.


Insbesondere können Freileitungen und Seile unkontrolliert in Bewegung geraten und Verletzungen und / oder Beschädigungen verursachen.

Der Schneidkopf muss in einem Winkel von 90° zum Kabel oder Seil angelegt sein so dass dieses ohne Spannungen in den geöffneten Schneidbacken zum liegen kommt und ungünstige Scherkräfte vermieden werden.

 **WARNUNG: Um das Risiko von Explosionen, elektrischem Schlag, Sach- und Geräteschaden zu reduzieren, niemals stromführende elektrische Leitungen schneiden. Das Gerät gilt als NICHT isoliert. Der Kontakt mit einem spannungsführenden Stromkreis kann schwerwiegende**

Verletzungen bis hin zum Tod verursachen. Unterbrechen Sie stets die Stromzufuhr, bevor Sie einen Schnitt tätigen. Schneiden Sie nie in Gas- oder Wasserleitungen. Halten Sie Ihre Hände von den Schneidwerkzeugen und anderen beweglichen Teilen fern. Es besteht die Gefahr schwerer Verletzungen oder der Abtrennung von Gliedmaßen. Entfernen Sie stets den Wechselakku, bevor Sie Zubehörteile auswechseln oder entfernen. Verwenden Sie ausschließlich das speziell für dieses Werkzeug empfohlene Zubehör. Die Benutzung von anderem Zubehör ist gefährlich.

Um das Risiko von Verletzungen zu verringern, sollten Sie stets eine Schutzbrille oder eine Brille mit Seitenschutz tragen.

 **WARNUNG: Um Verletzungsrisiken zu vermindern, sollten nur Materialien geschnitten werden, die für die Schneidklingen geeignet sind. (siehe „Technische Daten“) Versuchen Sie keine anderen Materialien zu schneiden.**

Schneidvorgang

Vergewissern Sie sich vor dem Schneiden, dass die Klingen ordnungsgemäß montiert sind.

1. Führen Sie das Kabel rechtwinklig an die Schneiden des Kabelschneiders. Versuchen Sie keine schrägen Schnitte, da diese das Werkzeug und die Klingen beschädigen würden.
2. Drücken Sie den Auslöser und halten Sie ihn gedrückt. Es schaltet sich eine LED-Leuchtanzeige ein, sobald der Auslöser gedrückt wird.
3. Wenn der Schnitt durchgeführt ist oder das Werkzeug abgeschaltet, lassen Sie den Auslöser wieder los und betätigen Sie den Entriegelungsknopf der Hydraulik damit sich die Schneidbacken öffnen.

HINWEIS: Es ist möglich, dass sich das Kabel während des Schneidens leicht bewegt.

Verhalten bei Störungen

- das Kabel kann angeschnitten und spannungsführend sein, immer den Sicherheitsbeauftragten informieren, den Schneidvorgang abbrechen, geeignete Sicherheitsmaßnahmen einleiten
- stellen Sie vor Annäherung und Berührung des Kabelschneiders immer sicher, dass das Gerät spannungsfrei ist und bleibt
- Entriegelungsknopf der Hydraulik gedrückt halten bis zum vollständigen Öffnen der Schneiden
- prüfen der Akku-Kapazität
- prüfen des Materials und der Materialstärke an Hand der technischen Daten
- Bei Verdacht des Schneidens eines spannungsführenden Kabels muss der Kabelschneider in einer autorisierten Fachwerkstatt überprüft werden

Verklebte Schneiden

Schmutz und Anhaftungen können dazu führen, dass sich die Schneiden nach dem Schnitt verkleben.

- Halten Sie den Entriegelungsknopf der Hydraulik gedrückt um sicherzustellen, dass das Gerät druckentlastet ist
- Entfernen Sie den Wechselakku
- Folgen Sie der Bildbeschreibung zum Öffnen der Schneidbacken
- Reinigen Sie die Schneidbacken von Schmutz und Anhaftungen bevor Sie einen weiteren Schnitt ausführen



Tipps zum Schneiden von Kabeln

- Versuchen Sie keine schrägen Schnitte, da diese das Werkzeug und die Klingen beschädigen würden.
- Schneiden Sie nur saubere Kabel um die Lebensdauer der Klingen zu verlängern. Wischen Sie Schmutz und Anhaftungen von Kabel und Klingen vor dem Schneidvorgang

ARBEITSHINWEISE ZUM STANZEN

Prüfen Sie, ob die Nennweite der Matrize mit der Nennweite des Stempels übereinstimmt.

WARTUNG

Vor allen Einstell-, Reinigungs- und Wartungsarbeiten am Gerät den Wechselakku herausnehmen.

Öffnen Sie nie das Gerät, den Wechselakku oder das Ladegerät.

Überprüfen Sie das Gerät auf etwaige Probleme wie Geräusch oder Festsitzen von beweglichen Teilen die das Gerät beeinträchtigen können.

Stets die Lüftungsschlitze des Gerätes sauber halten.

Um Verletzungen oder Schäden zu vermeiden, tauchen Sie ihr Gerät, Wechselakku oder Ladegerät nie in Flüssigkeit oder lassen eine Flüssigkeit in sie fließen.

Weitere Wartungs- und Reparaturarbeiten dürfen nur durch autorisierte Fachwerkstätten ausgeführt werden.

Das Gerät enthält Hydrauliköl, welches eine Gefahr für das Grundwasser darstellt. Unkontrolliertes Ablassen oder unsachgemäße Entsorgung steht unter Strafe.

Auf dem Gerät wird die nächste Wartung durch LED angezeigt.

Senden Sie das Gerät, den Akku und das Ladegerät zur Reparatur an eine MILWAUKEE Kundendienststelle. Senden Sie das Gerät, den Akku und das Ladegerät je nach Verwendung nach sechs Monaten bis zu einem Jahr zur Überprüfung an eine MILWAUKEE Kundendienststelle. Nur Milwaukee Zubehör und Milwaukee Ersatzteile verwenden. Bauteile, deren Austausch nicht beschrieben wurde, bei einer Milwaukee Kundendienststelle auswechseln lassen (Broschüre Garantie/Kundendienstadressen beachten).

Wenn das Gerät trotz vollständig geladenem Akku nicht anspricht oder nicht die volle Leistung erbringt, reinigen Sie die Kontakte des Akkus. Sollte das Gerät immer noch nicht richtig funktionieren, senden Sie das Gerät, das Ladegerät und den Akku zur Reparatur an eine MILWAUKEE Kundendienststelle.

Wartungsintervall

In der ONE-KEY-App finden Sie Informationen zu erforderlichen Wartungsarbeiten, z. B. zum Austausch von Flüssigkeiten. Geben Sie das Gerät für alle Reparaturen und Wartungsarbeiten an eine MILWAUKEE Kundendienststelle zurück.

HINWEIS: Möglicherweise müssen die Woche und das Jahr der Herstellung des Geräts angegeben werden. Diese Informationen finden Sie auf der Seriennummer auf dem Typenschild des Geräts.

Bei Bedarf kann eine Explosionszeichnung des Gerätes unter Angabe der Maschinen Type und der sechsstelligen Nummer auf dem Leistungsschild bei Ihrer Kundendienststelle oder direkt bei Techtronic Industries GmbH, Max-Eyth-Straße 10, 71364 Winnenden, Germany angefordert werden.

Für einen sicheren Versand empfehlen wir, die Hydraulikpumpe in einem versiegelten, ölbeständigen Kunststoffbeutel und in der Originalverpackung zu verpacken.

ONE-KEY™

Um mehr über die ONE-KEY Funktionalität dieses Gerätes zu erfahren, lesen Sie die beiliegende Schnellstartanleitung oder besuchen Sie uns im Internet unter <http://www.milwaukeeool.com/one-key>

Sie können die ONE-KEY App über den App Store oder Google Play auf Ihr Smartphone herunterladen.

Das Prüfergebnis erfüllt unsere Mindestanforderungen nach EN 301489-1 / EN 301489-17. Wir händigen dem Benutzer die Betriebsanweisungen in Form der Bedienungsanleitung aus.

AKKUS

Längere Zeit nicht benutzte Wechselakkus vor Gebrauch nachladen. Eine Temperatur über 50°C vermindert die Leistung des Wechselakkus. Längere Erwärmung durch Sonne oder Heizung vermeiden.

Die Anschlusskontakte an Ladegerät und Wechselakku sauber halten.

Für eine optimale Lebensdauer müssen nach dem Gebrauch die Akkus voll geladen werden.

Für eine möglichst lange Lebensdauer sollten die Akkus nach dem Aufladen aus dem Ladegerät entfernt werden.

Bei Lagerung des Akkus länger als 30 Tage: Akku bei ca. 27°C und trocken lagern. Akku bei ca. 30%-50% des Ladezustandes lagern. Akku alle 6 Monate erneut aufladen.

Verbrauchte Wechselakkus nicht ins Feuer oder in den Hausmüll werfen. Milwaukee bietet eine umweltgerechte Alt-Wechselakku-Entsorgung an; bitte fragen Sie Ihren Fachhändler.

Wechselakku nicht zusammen mit Metallgegenständen aufbewahren (Kurzschlussgefahr).

Unter extremer Belastung oder extremer Temperatur kann aus beschädigten Wechselakkus Batterieflüssigkeit auslaufen. Bei Berührung mit Batterieflüssigkeit sofort mit Wasser und Seife abwaschen. Bei Augenkontakt sofort mindestens 10 Minuten gründlich spülen und unverzüglich einen Arzt aufsuchen.

In den Wechselakku-Einschubschacht der Ladegeräte dürfen keine Metallteile gelangen (Kurzschlussgefahr).

TRANSPORT VON LITHIUM-IONEN-AKKUS

Lithium-Ionen-Akkus fallen unter die gesetzlichen Bestimmungen zum Gefahrguttransport.

Der Transport dieser Akkus muss unter Einhaltung der lokalen, nationalen und internationalen Vorschriften und Bestimmungen erfolgen.

Verbraucher dürfen diese Akkus ohne Weiteres auf der Straße transportieren.

Der kommerzielle Transport von Lithium-Ionen-Akkus durch Speditionsunternehmen unterliegt den Bestimmungen des Gefahrguttransports. Die Versandvorbereitungen und der Transport dürfen ausschließlich von entsprechend geschulten Personen durchgeführt werden. Der gesamte Prozess muss fachmännisch begleitet werden.

Folgende Punkte sind beim Transport von Akkus zu beachten:

Stellen Sie sicher, dass die Kontakte geschützt und isoliert sind, um Kurzschlüsse zu vermeiden. Achten Sie darauf, dass der Akkupack innerhalb der Verpackung nicht verrutschen kann. Beschädigte oder auslaufende Akkus dürfen nicht transportiert werden. Wenden Sie sich für weitere Hinweise an Ihr Speditionsunternehmen.

CE-KONFORMITÄTSERKLÄRUNG

Wir erklären in alleiniger Verantwortung, dass das unter „Technische Daten“ beschriebene Produkt mit allen relevanten Vorschriften der Richtlinien

2011/65/EU (RoHS)

2000/14/EG

2006/42/EG

2014/53/EU

und den folgenden harmonisierten normativen Dokumenten übereinstimmt

EN 62841-1:2015

EN 62479:2010

EN 55014-1:2017

EN 55014-2:2015

EN 301 489-1 V2.1.1 (2017-02)

EN 301 489-17 V3.1.1 (2017-02)

EN 300 328 V2.1.1 (2016-11)

EN IEC 63000:2018

Gemessener Schallleistungspegel 87,2 dB(A)

Garantierter Schallleistungspegel 89,0 dB(A)

Unsicherheit K= 1,5 dB(A)

Konformitätsbewertungsverfahren nach 2000/14/EG Anhang V

Benannte Stelle:

DEKRA Certification B.V. (0344)

Meander 1051/P.O.Box 5185

6825 MS ARNHEIM/6802 ED ARNHEIM

Netherlands



Winnenden,

Alexander Krug / Managing Director

Bevollmächtigt die technischen Unterlagen zusammenzustellen.

Techtronic Industries GmbH

Max-Eyth-Straße 10, 71364 Winnenden, Germany

SYMBOLS



Bitte lesen Sie die Gebrauchsanweisung vor Inbetriebnahme sorgfältig durch.



Schutzbrille tragen.



Dieses Gerät enthält eine Lithium Knopf-/Münzzellenbatterie.



ACHTUNG! WARNUNG! GEFAHR!



Vor allen Arbeiten am Gerät den Wechselakku herausnehmen.



Gefahr eines elektrischen Schlags



WARNUNG! Verletzungsgefahr durch wegfliegende Bruchstücke



WARNUNG! Handverletzung



Der auf diesem Etikett angegebene garantierte Schallleistungspegel beträgt 89 dB



Elektrogeräte, Batterien/Akkus dürfen nicht zusammen mit dem Hausmüll entsorgt werden. Elektrische Geräte und Akkus sind getrennt zu sammeln und zur umweltgerechten Entsorgung bei einem Verwertungsbetrieb abzugeben. Erkundigen Sie sich bei den örtlichen Behörden oder bei Ihrem Fachhändler nach Recyclinghöfen und Sammelstellen.

V

Spannung



Gleichstrom



Europäisches Konformitätszeichen



Ukrainisches Konformitätszeichen



Euroasiatisches Konformitätszeichen



CARACTÉRISTIQUES TECHNIQUES Pompe hydraulique	M18 HUP700
Numéro de série	4745 35 01... ... 000001-999999
Bande (bandes) de fréquence Bluetooth	2402-2480 MHz
Puissance à haute fréquence	1,8 dBm
Version Bluetooth	4.0 BT signal mode
Tension accu interchangeable	18 V
Pression de force de nominale	700 bar
Classe de protection	IP54
Angle de pointe maximum	34°
Débit nominal	
Basse pression	2,0 l/min
Haute pression	0,4 l/min
Volume total d'huile	1,6 l
Volume total de consommables	1,3 l
Poids suivant EPTA-Procédure 01/2014 (Li-Ion 8,0 Ah...12,0 Ah)	16,0..., 16,5 kg
Température ambiante conseillée pour le fonctionnement	-18°C ... +50°C
Batteries conseillées	M18B9 M18HB8 ..., M18HB12
Chargeurs conseillés	M12-18..., M1418 C6
Informations sur le bruit	
Valeurs de mesure obtenues conformément à la EN 62841. Les mesures réelles (des niveaux acoustiques de l'appareil) sont :	
Niveau de pression acoustique (Incertitude K=3dB(A))	77,7 dB (A)
Niveau d'intensité acoustique (Incertitude K=3dB(A))	88,7 dB (A)



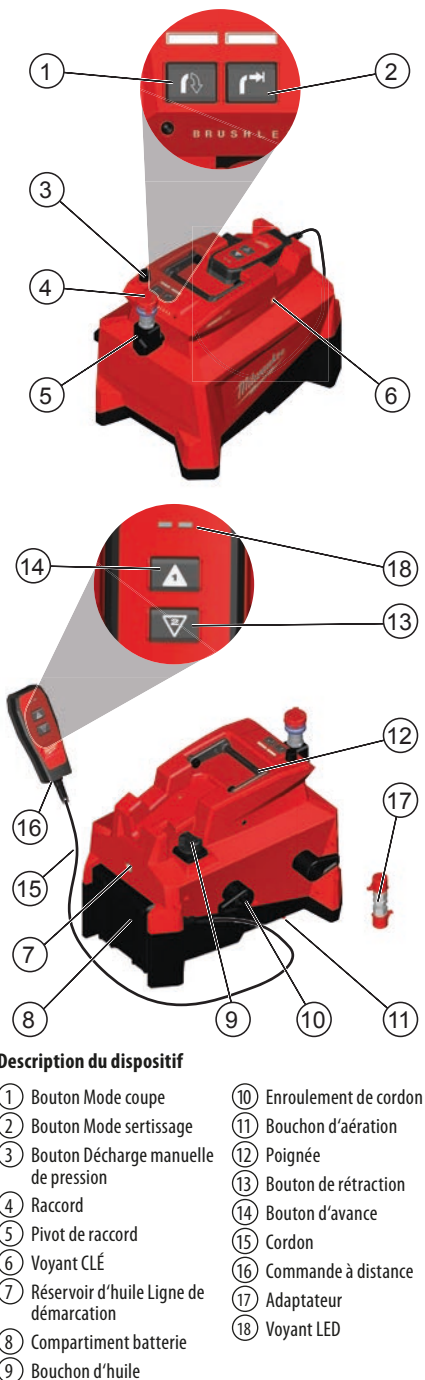
AVERTISSEMENT

La valeur des émissions sonores indiquée dans cette fiche technique a été mesurée selon une procédure de test répondant à la norme EN 62841 et peut être utilisée pour comparer des outils entre eux. Elle peut aussi être utilisée pour effectuer une évaluation préliminaire de l'exposition.

La valeur des émissions sonores indiquée concerne les principales applications de l'outil. Cependant, si l'outil est utilisé pour d'autres applications ou avec des accessoires différents, ou s'il n'est pas suffisamment entretenu, la valeur des émissions sonores peut différer. Ceci peut se traduire par une nette augmentation de l'exposition tout au long de la période de travail.

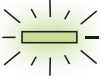
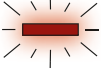
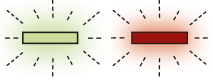
Pour obtenir une évaluation exacte de l'exposition au bruit, il convient de prendre aussi en compte les moments où l'outil est éteint, ou lorsqu'il est en marche mais n'est pas utilisé. Ceci peut se traduire par une nette diminution de l'exposition tout au long de la période de travail.

Déterminez les mesures de sécurité supplémentaires relatives à la protection de l'utilisateur contre les effets du bruit, telles que la maintenance de l'outil et de l'accessoire et l'organisation du travail.



Description du dispositif

- | | |
|--|-------------------------|
| ① Bouton Mode coupe | ⑩ Enroulement de cordon |
| ② Bouton Mode sertissage | ⑪ Bouchon d'aération |
| ③ Bouton Décharge manuelle de pression | ⑫ Poignée |
| ④ Raccord | ⑬ Bouton de rétraction |
| ⑤ Pivot de raccord | ⑭ Bouton d'avance |
| ⑥ Voyant CLÉ | ⑮ Cordon |
| ⑦ Réservoir d'huile Ligne de démarcation | ⑯ Commande à distance |
| ⑧ Compartiment batterie | ⑰ Adaptateur |
| ⑨ Bouchon d'huile | ⑱ Voyant LED |

Voyant LED	Définition
 Fixe Vert	L'outil a terminé l'opération et a atteint une pression de sertissage maximale.
 Fixe Rouge	L'outil a terminé l'opération mais N'a PAS atteint une pression de sertissage maximale.
 Bouton clignotant Rouge / Vert (après Fixe Vert ou Fixe Rouge)	L'outil a atteint sa période d'entretien (20000 sertissages). Le bouton commencera à clignoter rouge/vert une fois que le voyant s'allumera en rouge ou en vert fixe pour l'opération. MILWAUKEE recommande que l'outil soit inspecté et que les travaux de maintenance préventifs soient exécutés.

REMARQUE: Si l'indicateur est rouge, vérifiez les niveaux d'huile et assurez-vous de l'absence de fuite au niveau des accessoires. Vérifiez que toutes les connexions sont sécurisées et que les accessoires sont adaptés pour le travail. Faites fonctionner à nouveau. Si le problème persiste, renvoyez l'outil au service après-vente MILWAUKEE.

⚠ AVERTISSEMENT Lisez toutes les consignes de sécurité, instructions, présentations et données que vous recevez avec l'appareil. Le fait de ne pas suivre toutes les instructions données ci-dessous peut provoquer un choc électrique, un incendie et/ou une blessure grave.

Bien garder tous les avertissements et instructions.

⚠ INSTRUCTIONS DE SÉCURITÉ PARTICULIÈRES

Les pompes hydrauliques fabriquées par Techtronic Industries GmbH sont conçues pour être utilisées avec des têtes de sertissage, de coupe et d'estampage. Du fait de cette utilisation spécifique, elles ne sont pas équipées de système de sécurité anti-retour d'huile.

Aussi peut-il être dangereux de les utiliser pour des applications différentes de celles prévues (par exemple avec des vérins hydrauliques, des systèmes de levage ou autres), celles-ci pouvant même être à l'origine de graves blessures pour l'opérateur.

Techtronic Industries GmbH décline toute responsabilité du fait de l'utilisation de ses pompes hydrauliques pour des applications différentes du sertissage, de la coupe et de l'estampage.

N'augmentez pas la pression si la pompe n'est pas raccordée au tuyau flexible et à la tête pour éviter d'endommager le raccord rapide de la pompe et de provoquer l'infiltration d'huile.

Les tuyaux flexibles haute pression subissent un vieillissement naturel pouvant entraîner une réduction des performances et potentiellement affecter la sécurité de l'opérateur. Leur durée de vie est donc limitée. Pour assurer la sécurité d'utilisation de ses unités, Techtronic Industries GmbH recommande de remplacer les flexibles hydrauliques régulièrement, conformément aux instructions du fabricant, même en l'absence de dommage visible.

Tenez la pompe et le tuyau flexible à l'écart des flammes nues et des sources de chaleur supérieures à 70 °C.

Avant d'utiliser la pompe, vérifiez toujours l'intégrité du tuyau flexible et des raccords rapides en vous assurant de l'absence d'abrasion, de coupures, de déformations ou de gonflements.

Les protections installées en usine doivent être en place à chaque extrémité du tuyau flexible. Ne touchez pas le tuyau flexible lorsqu'il est sous pression.

Lors de l'utilisation de la pompe, le tuyau flexible doit être déroulé et posé droit. Avant de débrancher le tuyau flexible, vérifiez que la tête est complètement rentrée et assurez-vous de disposer d'une quantité d'huile suffisante pour les opérations suivantes.

La pompe ne convient pas à une utilisation continue et doit avoir refroidi suite à des opérations de sertissage successives et ininterrompues ; par exemple, après avoir vidé totalement une batterie en session, attendez quelques minutes avant de la remplacer.

Protégez la pompe, la batterie et le chargeur de la pluie et de l'humidité. L'eau pourrait endommager la pompe. Les outils électrohydrauliques ne doivent pas être utilisés sous la pluie.

L'opérateur de cet appareil doit avoir reçu des instructions concernant les dangers spécifiques associés à son utilisation et des mesures de sécurité essentielles avant de travailler avec pour la première fois et au moins une fois par an par la suite.

La société d'exploitation doit :

- mettre la notice technique à la disposition de l'opérateur et
- s'assurer que l'opérateur l'a lue et comprise.
- Utiliser l'équipement de protection. Toujours porter des lunettes de protection pendant le travail avec la machine. Il est recommandé de porter des articles de protection, tels que masque antipoussière, gants de protection, chaussures tenant bien aux pieds et antidérapantes, casque et protection acoustique.
- **Inspectez la pompe, les tuyaux, les connecteurs et les raccords pour vous assurer qu'ils ne sont ni usés ni endommagés. Remplacez les composants usés, endommagés ou manquants par des pièces de rechange du fabricant.** Les composants usés ou endommagés peuvent tomber en panne, entraînant des blessures. Le non-respect de cet avertissement peut entraîner des blessures graves, voire mortelles.
- **Assurez-vous que la pompe soit dans le mode de fonctionnement souhaité avant de l'utiliser.**
- **N'utilisez pas vos mains pour vérifier la présence de fuites.** L'huile haute pression peut facilement passer à travers la peau, provoquant des blessures graves, la gangrène ou la mort. En cas de blessure, consultez immédiatement un médecin pour enlever l'huile.
- Assurez-vous que la pompe soit en dessous de son angle d'inclinaison maximal.
- Vérifiez le niveau d'huile et ajustez-le si nécessaire. Une quantité d'huile faible peut provoquer des blessures ou des dommages matériels. Pour de meilleures performances, utilisez toujours l'huile hydraulique MILWAUKEE Force Logic™ (4932 4720 04) pour remplir le réservoir.
- **Dépressurisez le système hydraulique avant de procéder à l'entretien, au branchement ou au débranchement du tuyau ou de tout autre élément de raccordement hydraulique : appuyez toujours au préalable sur le bouton de déclenchement manuel.**
- **Portez des lunettes de protection lorsque vous utilisez ou entretenez cet outil.** Le fait de ne pas porter de protection oculaire peut entraîner des blessures oculaires graves causées par des débris volants ou l'huile hydraulique.



- **Utiliser uniquement des flexibles et des accessoires à simple effet d'une puissance nominale de 700 bars (10 000 psi) ou plus.**
- **Pour des performances optimales, utilisez des flexibles préremplis d'huile.** Si les flexibles ne sont pas préremplis, purgez le système avant de l'utiliser.
- **Ne faites jamais fonctionner la pompe sans tuyau ni accessoire.**
- **Pour de meilleures performances, utilisez toujours l'huile hydraulique MILWAUKEE Force Logic™ (4932 4720 04) pour remplir le réservoir.**
- **Pour une fonctionnalité optimale, utilisez une batterie M18™ REDLITHIUM™ 8,0 Ah ou supérieure.**

• **Suivez les instructions du fabricant d'accessoires.** D'autres utilisations peuvent endommager l'outil, les accessoires et la pièce.

• **Purgez le système si nécessaire.**

Ne jamais introduire les doigts ou d'autres parties du corps dans la zone de travail du cylindre ou des mâchoires de pressage.

Retirer le bloc-batterie avant de procéder à tout réglage, nettoyage et travail de maintenance sur l'appareil.

Utiliser uniquement des appareils, blocs-piles et chargeurs en parfait état technique.

Faire immédiatement réparer d'éventuels dommages chez une usine autorisée.

Pour éviter tout dommage, empêcher le démarrage accidentel de l'appareil

Retirer les outils de réglage et clés avant de procéder à la coupe.

Ne pas traiter de pièces sous tension électrique. L'appareil N'EST PAS isolé.

Tenir les mains et les vêtements amples à distance des outils de coupe et autres pièces mobiles.

En cas de dérangements pendant l'opération de pressage, lâchez immédiatement l'interrupteur MARCHE et appuyez sur le bouton de déverrouillage de l'hydraulique. La vanne s'ouvrira et le piston rétablira sa position de partance.

AVERTISSEMENT! Pour réduire le risque d'incendie, de blessures corporelles et de dommages causés par un court-circuit, ne jamais immerger l'appareil, le bloc-piles ou le chargeur dans un liquide ou laisser couler un fluide à l'intérieur de celui-ci. Les fluides corrosifs ou conducteurs, tels que l'eau de mer, certains produits chimiques industriels, le blanchiment ou les produits de blanchiment etc. peuvent provoquer un court-circuit.

Il est impératif de respecter les instructions et les intervalles d'entretien.

Ne pas ouvrir les accus interchangeables et les chargeurs et ne les stocker que dans des locaux secs. Les protéger contre l'humidité.

Ne charger les accus interchangeables du système M18 qu'avec le chargeur d'accus du système M18. Ne pas charger des accus d'autres systèmes.

Pour éviter des blessures et des dommages, ne jamais immerger l'outil, la batterie amovible ou le chargeur dans un liquide ou permettre à du liquide d'y pénétrer.

AVERTISSEMENT



Cet appareil contient une pile bouton lithium / batterie au lithium. Une batterie neuve ou usagée peut causer de graves brûlures internes et entraîner la mort en moins de 2 heures en cas d'ingestion ou si elle pénètre dans le corps. Fixez toujours le couvercle sur le compartiment de la batterie. S'il ne se ferme pas hermétiquement, arrêtez l'appareil, retirez la batterie et gardez-la hors de la portée des enfants. Si vous pensez que quelqu'un a ingéré la batterie ou que la batterie a pénétré dans le corps, consultez immédiatement un médecin.



CONSIGNES DE SÉCURITÉ POUR LES OUTILS DE PRESSAGE

Les outils de sertissage et les dispositifs de sertissage ne doivent être utilisés que par du personnel dûment formé dans les applications électrotechniques.

Ne sertissez jamais les matériaux de connexion sous tension.

Avant toute utilisation, vérifier que l'outil, les mâchoires de pressage et les matrices ne présentent pas de fissures et d'autres signes d'usure.

N'utiliser qu'un outil de pressage et des matrices en parfait état technique.

L'outil de pressage ne doit être utilisé qu'avec les matrices insérées.

Ne pas toucher les mâchoires de la presse et le boulon de pressage pendant l'opération de pressage.

En cas de dérangements pendant l'opération de pressage, lâchez immédiatement l'interrupteur MARCHE et appuyez sur le bouton de déverrouillage de l'hydraulique. La vanne s'ouvrira et le piston rétablira sa position de partance.



CONSIGNES DE SÉCURITÉ POUR LES COUPE-CÂBLES

Seule une personne ayant reçu des instructions dans le domaine de l'électrotechnique a le droit de couper ou sectionner des câbles.

Pour réduire le risque d'explosions, d'électrocution et de dommages au niveau du matériel et de l'équipement, ne jamais sectionner de câbles électriques sous tension. L'appareil N'EST PAS isolé.

Tenir les mains et les vêtements amples à distance des outils de coupe et autres pièces mobiles. Risque de blessure grave, y compris le sectionnement de membres.

Avant que le processus de coupe ne commence, l'accès doit être bloqué conformément aux réglementations locales.

À tout moment, ne couper que des câbles qui ne sont plus sous tension!

Les câbles ne doivent pas être exposés à des forces mécaniques.

Pour réduire le risque de blessure, porter des lunettes de sécurité ou des lunettes dotées d'écrans latéraux.

Le non-respect de cette instruction peut entraîner des blessures graves, la mort, un incendie et d'autres dommages matériels résultant d'une électrocution, d'une explosion et/ou d'arcs électriques.

Ne jamais tenir le coupe-câble au niveau des mâchoires de coupe.

Avant l'usage, toujours vérifier que les mâchoires de coupe ne présentent pas de fissures ou d'autres signes d'usure.

Le coupe-câble peut uniquement être utilisé avec un outil de coupe inséré.



CONSIGNES DE SÉCURITÉ POUR LES PRESSES DE DÉCOUPAGE

Avant toute utilisation, vérifier que les outils de coupe ne présentent pas de fissures et d'autres signes d'usure. N'utiliser que des outils de coupe et appareils de coupe en parfait état technique.



Fr

L'appareil ne doit être utilisé qu'avec l'outil de coupe inséré. Ne pas utiliser dans ou à proximité d'armoires de commande sous tension. Travaillez uniquement sur des armoires de commande hors tension. Vérifiez si la largeur nominale de la matrice correspond à la largeur nominale du poinçon.

Utilisez l'outil uniquement avec des poinçons et matrices autorisés pour la force nominale max. D'autres éléments peuvent provoquer des blessures ou des détériorations.

Maintenez les outils de coupe tranchants et propres. Les outils de coupe bien entretenus avec des arêtes de coupe tranchantes se coincent moins et sont plus faciles à contrôler.

UTILISATION CONFORME AUX PRESCRIPTIONS

Accessoires et têtes d'outils :

Utilisation prévue : uniquement pour des accessoires simple effet et des têtes d'outil, pression nominale 700 bars ; déplacement d'huile maxi 1,35 l

Outil de pressage :

L'outil de pressage doit exclusivement être utilisé pour le pressage de matériaux de connexion pour lesquels les matrices correspondantes sont prévues.

Toutes les pièces sous tension, c'est-à-dire les pièces conduisant de l'électricité, doivent être débranchées dans l'environnement de travail du technicien avant le début des travaux.


Coupe-câbles :

Le coupe-câble convient pour couper :

- des câbles sans tension non-renforcés en cuivre ou aluminium isolé, les outils de coupe dépendant du type de câble

Outil de frappe :

L'outil de frappe ne peut être utilisé que pour poinçonner des matériaux avec les matrices et les tampons fournis.

 **AVERTISSEMENT** Lisez toutes les consignes de sécurité, instructions, présentations et données que vous recevez avec l'appareil. Le fait de ne pas suivre toutes les instructions données ci-dessous peut provoquer un choc électrique, un incendie et/ou une blessure grave.

Bien garder tous les avertissements et instructions.

INSTRUCTIONS GÉNÉRALES

Amorçage du système hydraulique :

L'outil doit être réamorcé chaque fois qu'il a tourné sans huile.

Pour amorcer le système :

1. Retirer le bloc-batterie.
2. Inspectez le regard d'huile pour vous assurer que l'outil contient suffisamment d'huile.
3. Connectez le raccord à une tête auxiliaire chargée de siphonner l'air et l'excès d'huile.

REMARQUE : Le raccord doit être directement pointé vers le haut, et l'outil doit être placé plus bas que la tête auxiliaire.

4. Mettez le pack accu en place.
5. Appuyez sur le bouton du mode sertissage.
6. Faites tourner l'outil.

REMARQUE : Cela peut prendre jusqu'à 30 secondes pour que l'air et l'huile commencent à sortir.

7. Dès que l'huile commence à sortir, appuyez sur le bouton de déclenchement manuel et maintenez-le enfoncé pendant deux secondes, puis relâchez les deux boutons.

8. Répétez les étapes 5 à 7 trois à quatre fois.

REMARQUE : Lors de l'amorçage du système, assurez-vous que le niveau d'huile ne descende pas sous la ligne de visée. Si nécessaire, remplissez le réservoir.

Purge de l'accessoire :

L'air doit être purgé des accessoires après chaque opération de service, s'ils n'ont pas été utilisés pendant une longue période ou s'ils sont raccordés à un tuyau souple non prérempli d'huile.

Veillez également consulter les recommandations du fabricant d'accessoires pour obtenir des instructions supplémentaires pour la purge.

Pour purger un accessoire :

1. Retirer le bloc-batterie.
2. Reliez le tuyau de l'accessoire au raccord.

REMARQUE : Le raccord doit être dirigé vers le côté et l'outil doit être positionné plus haut que le tuyau et la tête.

3. Mettez le pack accu en place.
4. Appuyez sur le bouton du mode sertissage.
5. Faites tourner l'outil jusqu'à ce que le cycle soit terminé et que l'indicateur à LED soit vert.
6. Appuyez sur le bouton de déclenchement manuel et maintenez-le enfoncé pendant deux secondes, puis relâchez les deux boutons.
7. Répétez les étapes 4 à 6 trois à quatre fois.

REMARQUE : Lors de la purge de l'accessoire, assurez-vous que le niveau d'huile ne descende pas sous la ligne de visée. Si nécessaire, remplissez le réservoir.

CONSIGNES DE TRAVAIL POUR LE SERTISSAGE

N'utiliser que des articles de connexion conformes aux normes en vigueur nationales ainsi que les matrices prévues à cet effet.

Vous trouverez les instructions de traitement et de montage pour les articles de connexion dans les documents du fabricant.

Vérifiez si la largeur nominale de l'article de connexion correspond à la largeur nominale de la matrice.

Avant que le processus de sertissage ne commence, la capacité de la batterie doit être vérifiée : minimum 33 % (voir description illustrée). Elle peut devoir être chargée avant que le travail ne commence.

L'actionnement de l'interrupteur de commande déclenche le processus de pressage, qui se caractérise par le mouvement du boulon de la gouille.

La vérification et l'évaluation d'un pressage correct incombent à l'utilisateur.

Les connexions incorrectes doivent être de nouveau pressées avec un nouvel article de connexion.

Action en cas de défauts

- Maintenez le bouton de réinitialisation enfoncé jusqu'à ce que les mâchoires s'ouvrent complètement
- Contrôler la capacité de la batterie
- Vérifier le câble et l'élément de raccordement en fonction des caractéristiques techniques.
- Si vous soupçonnez qu'un câble sous tension a été comprimé, l'outil de sertissage doit être inspecté dans un atelier spécialisé agréé



CONSIGNES DE TRAVAIL POUR LA COUPE

Configuration de la zone de travail

Avant le début du travail, mettre les conduites ou câbles hors tension ; cet état doit être maintenu tout au long des travaux. S'il n'est pas possible d'assurer indubitablement que le câble ou la ligne isolée n'est plus sous tension, tout travail est interdit.

Il faut impérativement tenir compte des consignes de sécurité et réglementations locales.

Les câbles ne doivent pas être exposés à des forces mécaniques et doivent, le cas échéant, être protégés contre les mouvements incontrôlés après la coupe.

N'exposez pas l'appareil à la pluie et ne l'utilisez pas dans un environnement mouillé ou humide.

Préparation du coupe-câble et de la batterie

Avant toute utilisation :

- Inspecter le coupe-câble pour constater d'éventuels défauts externes
- Vérifier que l'outil de coupe ne présente pas de fissures ou d'autres signes d'usure

Uniquement utiliser en parfait état !

Avant que le processus de coupe ne commence, la capacité de la batterie doit être vérifiée : minimum 33 % (voir description illustrée). Elle peut devoir être chargée avant que le travail ne commence.

Préparation du processus de coupe

Soutenez et fixez le câble à couper afin de minimiser le risque de mouvement incontrôlé.

En particulier, les lignes aériennes et les câbles peuvent se mettre en mouvement de façon incontrôlée et provoquer des blessures et/ou des dégradations.

La tête de coupe doit être placée de sorte à former un angle de 90° avec le câble, pour qu'elle se place sans contrainte dans les mâchoires de coupe ouvertes et que les forces de cisaillement défavorables soient évitées.

⚠ AVERTISSEMENT: Pour réduire le risque d'explosions, d'électrocution et de dommages au niveau du matériel et de l'équipement, ne jamais sectionner de câbles électriques sous tension.

L'appareil N'EST PAS isolé. Un contact avec un circuit sous tension pourrait entraîner des blessures graves ou la mort. Couper le courant avant d'effectuer une coupe. Ne jamais sectionner de conduites de gaz ou de canalisations d'eau. Tenir les mains à distance de toutes les arêtes vives et pièces en déplacement. Risque de lacération et d'amputation.

Toujours retirer le bloc-batterie avant de modifier ou retirer des accessoires. Utiliser uniquement des accessoires spécifiquement recommandés pour cet outil. D'autres accessoires pourraient être dangereux.

Pour réduire le risque de blessure, porter des lunettes de sécurité ou des lunettes dotées d'écrans latéraux.

⚠ AVERTISSEMENT: Pour réduire le risque de blessures, uniquement couper des matériaux recommandés pour les lames. (cf. « Spécifications ») Ne pas essayer de couper d'autres matériaux.

Coupe

Avant de couper, s'assurer que les lames sont correctement installées.

1. Placez le câble à angle droit au niveau des tranchants du coupe-câble. Ne pas essayer de réaliser des coupes en angles, ce qui risque d'endommager la pièce à usiner et les lames.
2. Tirer et maintenir le déclencheur tout au long de l'opération. Une LED s'allume lorsque le déclencheur est tiré.
3. Lorsque la coupe est effectuée ou que l'outil s'arrête, relâchez le déclencheur et actionnez le bouton de réinitialisation afin que les mâchoires de coupe s'ouvrent.

REMARQUE: La pièce à usiner peut se déplacer légèrement durant la coupe.

Action en cas de défauts

- Le câble peut être entaillé et sous tension, toujours informer le préposé à la sécurité, annuler le processus de coupe, prendre des mesures de sécurité appropriées
- Assurez-vous toujours que le dispositif est et restera déconnecté du secteur avant d'approcher et de toucher le dispositif.
- Appuyer sur le bouton de réinitialisation et le maintenir enclenché jusqu'à ce que le coupe-câble s'ouvre complètement.
- Contrôler la capacité de la batterie
- Contrôler le matériau et l'épaisseur du matériau par rapport aux caractéristiques techniques
- Si vous soupçonnez qu'un câble sous tension a été coupé, le coupe-câble doit être inspecté dans un atelier spécialisé agréé

Lames bloquées

La saleté et les débris peuvent entraîner un blocage des lames les unes avec les autres après une coupe

- Appuyer sur le déclencheur de réarmement et le maintenir enclenché pour s'assurer que l'outil s'est réinitialisé.
- Retirer le bloc-batterie.
- Suivez la description de l'illustration pour ouvrir les mâchoires de coupe
- Nettoyer la saleté et les débris des lames avant de démarrer une autre coupe.

Conseils de coupe

- Ne pas essayer de réaliser des coupes en angles, ce qui risque d'endommager la pièce à usiner et les lames.
- Couper du matériau propre pour prolonger la durée de vie de la lame. Essuyer la saleté et les débris du matériau et des lames avant de commencer la coupe.

INSTRUCTIONS DE TRAVAIL POUR LE POINÇONNAGE

Vérifiez que le diamètre nominal de la matrice soit égal à la taille nominale du tampon.



ENTRETIEN

Retirer le bloc-batterie avant de procéder à tout réglage, nettoyage et travail de maintenance sur l'appareil.

Ne jamais ouvrir l'appareil, la batterie amovible ou le chargeur.

Vérifier que l'appareil ne présente pas de problèmes tels que le bruit ou le blocage de pièces en mouvement qui pourrait affecter l'appareil.

Tenir toujours propres les orifices de ventilation de l'appareil.

Pour éviter des blessures et des dommages, ne jamais immerger l'appareil la batterie amovible ou le chargeur dans un liquide ou permettre à du liquide d'y pénétrer.

D'autres interventions d'entretien et de réparation devront être effectuées exclusivement par des usines spécialisées et autorisées. L'appareil contient de l'huile hydraulique qui représente un danger pour les couches aquifères. La vidange incontrôlée ou la décharge non correcte sont punissables.

La prochaine échéance de maintenance est indiquée par un signal lumineux LED sur l'appareil.

Renvoyez l'outil, le bloc-batterie et le chargeur à un service après-vente MILWAUKEE pour réparation. Au bout de six mois à un an, en fonction de l'utilisation, renvoyez l'outil, le bloc-batterie et le chargeur dans un centre de service MILWAUKEE pour inspection. Utiliser uniquement les accessoires Milwaukee et les pièces détachées Milwaukee. Faire remplacer les composants dont le remplacement n'a pas été décrit, par un des centres de service après-vente Milwaukee (observer la brochure avec les adresses de garantie et de service après-vente).

Si l'outil ne s'allume pas ou ne fonctionne pas à pleine puissance lorsque ses batteries sont chargées, nettoyer les contacts des batteries. Si l'outil ne fonctionne toujours pas correctement, renvoyer l'outil, le chargeur et les batteries à un service après-vente MILWAUKEE afin de le faire réparer.

Intervalle de service

Reportez-vous à l'application ONE-KEY pour plus d'informations sur les opérations de maintenance nécessaires, telles que le remplacement de fluide. Renvoyez l'outil à un service après-vente MILWAUKEE pour tous les travaux de réparation et d'entretien.

REMARQUE: La semaine et l'année de fabrication de l'outil peuvent être nécessaires. Cette information se trouve sur le numéro de série situé sur la plaque signalétique de l'outil.

Si besoin est, une vue éclatée de l'appareil peut être fournie. S'adresser, en indiquant bien le numéro porté sur la plaque signalétique, à votre station de service après-vente (voir liste jointe) ou directement à Techtronic Industries GmbH, Max-Eyth-Straße 10, 71364 Winnenden, Germany.

Pour un transport en toute sécurité, nous vous recommandons d'emballer la pompe hydraulique dans un sac en plastique étanche résistant à l'huile et en utilisant son emballage d'origine.

ONE-KEY™

Pour en savoir plus sur la fonctionnalité ONE-KEY de cet appareil, lisez les instructions rapides ci-jointes ou rendez-nous visite sur Internet sur <http://www.milwaukeetool.com/one-key>

Vous pouvez télécharger l'appli ONE-KEY sur votre smartphone via l'App Store ou Google Play.

Le résultat d'essai répond à nos exigences min. suivant EN 301489-1 / EN 301489-17. De plus, nous donnerons le guide de fonctionnement au client dans le manuel de l'utilisateur.

ACCUS

Recharger les accus avant utilisation après une longue période de non utilisation. Une température supérieure à 50°C amoindrit la capacité des accus. Éviter les expositions prolongées au soleil ou au chauffage.

Tenir propres les contacts des accus et des chargeurs.

Pour une durée de vie optimale, les accus doivent être chargés à fond après l'utilisation.

Pour une plus longue durée de vie, enlever les batteries du chargeur de batterie quand celles-ci seront chargées.

En cas d'entreposage de la batterie pour plus de 30 jours: Entreposer la batterie à 27°C environ dans un endroit sec. Entreposer la batterie avec une charge d'environ 30% - 50%. Recharger la batterie tous les 6 mois.

Ne pas jeter les accus interchangeables usés au feu ou avec les déchets ménagers. Milwaukee offre un système d'évacuation écologique des accus usés.

Ne pas conserver les accus interchangeables avec des objets métalliques (risque de court-circuit)

En cas de conditions ou températures extrêmes, du liquide caustique peut s'échapper d'un accu interchangeable endommagé. En cas de contact avec le liquide caustique de la batterie, laver immédiatement avec de l'eau et du savon. En cas de contact avec les yeux, rincer soigneusement avec de l'eau et consulter immédiatement un médecin.

Aucune pièce métallique ne doit pénétrer dans le logement d'accu du chargeur (risque de court-circuit)

TRANSPORT DE BATTERIES LITHIUM-ION

Les batteries lithium-ion sont soumises aux dispositions législatives concernant le transport de produits dangereux.

Le transport de ces batteries devra s'effectuer dans le respect des dispositions et des normes locales, nationales et internationales.

Les utilisateurs peuvent transporter ces batteries sans restrictions.

Le transport commercial de batteries lithium-ion est réglé par les dispositions concernant le transport de produits dangereux. La préparation au transport et le transport devront être effectués uniquement par du personnel formé de façon adéquate. Tout le procédé devra être géré d'une manière professionnelle.

Durant le transport de batteries il faut respecter les consignes suivantes :

S'assurer que les contacts soient protégés et isolés en vue d'éviter des courts-circuits. S'assurer que le groupe de batteries ne puisse pas se déplacer à l'intérieur de son emballage. Des batteries endommagées ou des batteries perdant du liquide ne devront pas être transportées. Pour tout renseignement complémentaire veuillez vous adresser à votre transporteur professionnel.



DÉCLARATION CE DE CONFORMITÉ

Nous déclarons, sous notre responsabilité exclusive, que le produit décrit ici dans les « Caractéristiques techniques » satisfait à toutes les dispositions pertinentes des directives

2011/65/UE (RoHS)

2000/14/CE

2006/42/CE

2014/53/UE

et que les normes harmonisées suivantes ont été appliquées.

EN 62841-1:2015

EN 62479:2010

EN 55014-1:2017

EN 55014-2:2015

EN 301 489-1 V2.1.1 (2017-02)

EN 301 489-17 V3.1.1 (2017-02)

EN 300 328 V2.1.1 (2016-11)

EN IEC 63000:2018

Niveau de puissance acoustique mesuré 87,2 dB(A)

Niveau de puissance acoustique garanti 89,0 dB(A)

Incertitude $K=1,5$ dB(A)

Procédure d'évaluation de la conformité selon l'annexe V de la norme 2000/14/CE

Organisme notifié:

DEKRA Certification B.V. (0344)

Meander 1051/P.O.Box 5185

6825 MS ARNHEIM/6802 ED ARNHEIM

Netherlands



Winnenden,

Alexander Krug / Managing Director

Autorisé à compiler la documentation technique.

Techtronic Industries GmbH

Max-Eyth-Straße 10, 71364 Winnenden, Germany

SYMBOLES



Veuillez lire avec soin le mode d'emploi avant la mise en service



Porter des lunettes de protection.



Cet appareil contient une pile bouton lithium / batterie au lithium.



ATTENTION! AVERTISSEMENT! DANGER!



Avant tous travaux sur l'appareil retirer l'accu interchangeable.



Risque d'électrocution



AVERTISSEMENT!

Risque de blessures dû à la projection de fragments



AVERTISSEMENT! Blessure des mains



Le niveau de puissance acoustique garanti indiqué sur cette étiquette est 89 dB



Les dispositifs électriques, les batteries et les batteries rechargeables ne sont pas à éliminer dans les déchets ménagers. Les dispositifs électriques et les batteries sont à collecter séparément et à remettre à un centre de recyclage en vue de leur élimination dans le respect de l'environnement. S'adresser aux autorités locales ou au détaillant spécialisé en vue de connaître l'emplacement des centres de recyclage et des points de collecte.

V

Tension



Courant continu



Marque de conformité européenne



Marque de conformité ukrainienne



Marque de conformité d'Eurasie



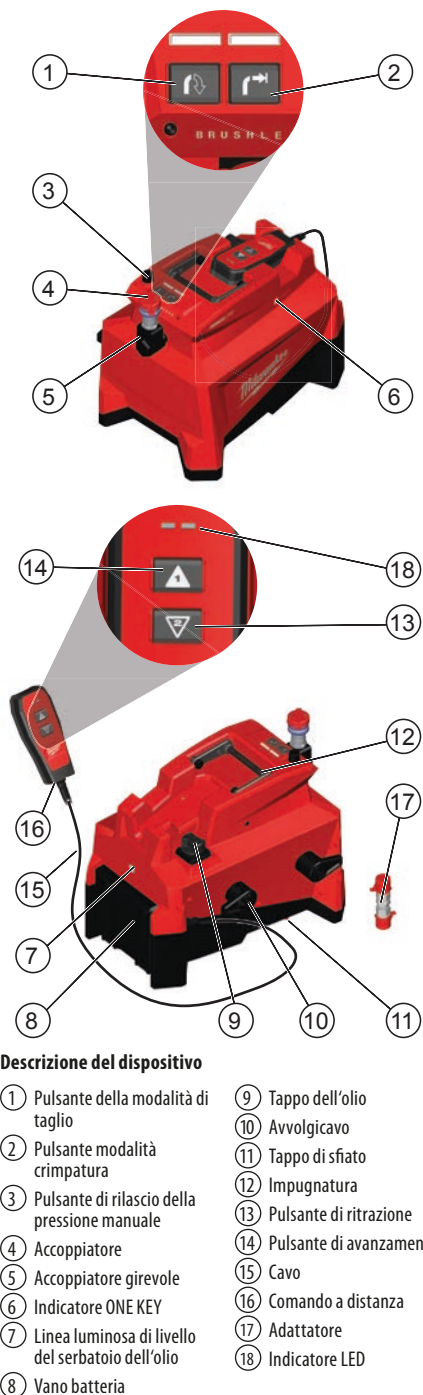
DATI TECNICI Pompa idraulica	M18 HUP700
Numero di serie	4745 35 01... ... 000001-999999
Banda (bande) di frequenza Bluetooth	2402-2480 MHz
Potenza ad alta frequenza	1,8 dBm
Versione Bluetooth	4.0 BT signal mode
Tensione batteria	18 V
Pressione di forza nominale	700 bar
Classe di protezione	IP54
Angolo massimo di punta	34°
Portata nominale	
Bassa pressione	2,0 l/min
Alta pressione	0,4 l/min
Volume totale dell'olio	1,6 l
Volume dell'olio di consumo	1,3 l
Peso secondo la procedura EPTA 01/2014 (Li-Ion 8,0 Ah...12,0 Ah)	16,0..., 16,5 kg
Temperatura ambiente consigliata per il funzionamento	-18°C ... +50°C
Batterie consigliate	M18B9 M18HB8 ..., M18HB12
Caricatori consigliati	M12-18..., M1418 C6
Informazioni sulla rumorosità	
Valori misurati conformemente alla norma EN 62841. La misurazione A del livello di pressione acustica dell'utensile è di solito di:	
Livello di rumorosità (Incertezza della misura K=3dB(A))	77,7 dB (A)
Potenza della rumorosità (Incertezza della misura K=3dB(A))	88,7 dB (A)

AVVERTENZA

Il livello di emissione sonora indicato in questa scheda informativa è stato misurato secondo una procedura di test standardizzata definita nella norma EN 62841 e può essere utilizzato per confrontare un utensile con un altro. Può essere utilizzato per una valutazione preliminare dell'esposizione.

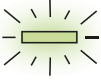
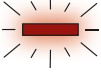

Il livello di emissione sonora dichiarato si riferisce alle principali applicazioni dell'utensile. Se l'utensile viene invece utilizzato per applicazioni diverse, con accessori diversi o in uno stato di scarsa manutenzione, le emissioni sonore possono differire. Questo può aumentare significativamente il livello di esposizione per l'intero periodo di lavoro.

Una stima del livello di esposizione al rumore dovrebbe anche tener conto dei tempi in cui l'utensile è spento o in cui è acceso ma non sta effettivamente lavorando. Questo può ridurre significativamente il livello di esposizione riferito all'intero periodo di lavoro. Identificare ulteriori misure di sicurezza per proteggere l'operatore dagli effetti del rumore, come ad esempio la manutenzione dell'utensile e degli accessori e l'organizzazione delle procedure di lavoro.



Descrizione del dispositivo

- | | |
|---|----------------------------|
| 1 Pulsante della modalità di taglio | 9 Tappo dell'olio |
| 2 Pulsante modalità crimpatura | 10 Avvolgicavo |
| 3 Pulsante di rilascio della pressione manuale | 11 Tappo di sfiato |
| 4 Accoppiatore | 12 Impugnatura |
| 5 Accoppiatore girevole | 13 Pulsante di ritrazione |
| 6 Indicatore ONE KEY | 14 Pulsante di avanzamento |
| 7 Linea luminosa di livello del serbatoio dell'olio | 15 Cavo |
| 8 Vano batteria | 16 Comando a distanza |
| | 17 Adattatore |
| | 18 Indicatore LED |

Indicatore LED	Definizione
 Fisso Verde	L'utensile ha completato l'operazione e ha raggiunto la pressione di crimpaggio completa.
 Fisso Rosso	L'utensile ha completato l'operazione, ma NON ha raggiunto la pressione di crimpaggio completa.
 Intermittente Rosso / Verde (dopo Fisso Verde o Fisso Rosso)	L'utensile ha raggiunto l'intervallo di manutenzione (20000 crimpa). Il lampeggiamento in rosso/verde inizierà dopo la visualizzazione dell'indicatore rosso o verde fisso di funzionamento. MILWAUKEE raccomanda di eseguire ispezioni e la manutenzione preventiva dell'utensile.



AVVISO: Se l'indicatore è rosso, controllare i livelli dell'olio e assicurarsi che non vi siano perdite negli accessori. Verificare che tutti i collegamenti siano sicuri e che gli accessori siano adatti al lavoro da svolgere. Azionare nuovamente. Se l'utensile continua a non funzionare correttamente, restituire l'utensile a un centro di assistenza MILWAUKEE.

⚠️ AVVERTENZA Leggere tutte le avvertenze di sicurezza, le istruzioni, le illustrazioni e i dati forniti a corredo dell'apparecchio. In caso di mancata osservanza delle seguenti istruzioni vi è il pericolo di provocare una scossa elettrica, di sviluppare incendi e/o di provocare seri incidenti.

Conservare tutte le avvertenze di pericolo e le istruzioni operative per ogni esigenza futura.

⚠️ NORME DI SICUREZZA

Le pompe idrauliche prodotte da Techtronic Industries GmbH sono sviluppate per l'utilizzo con teste di crimpatura, taglio e stampaggio. Coerentemente con questo utilizzo specifico, non sono dotate di un sistema di sicurezza per il non ritorno dell'olio.

Per questo motivo, l'utilizzo in applicazioni diverse da quelle previste (ad esempio con martinetti idraulici, sistemi di sollevamento o simili) può essere pericoloso e può causare gravi lesioni all'operatore.

Techtronic Industries GmbH non si assume alcuna responsabilità derivante dall'uso delle sue pompe idrauliche per applicazioni diverse dalla crimpatura, dal taglio e dallo stampaggio.

Non creare pressione se la pompa non è collegata al tubo flessibile e alla testa, poiché ciò potrebbe danneggiare l'accoppiatore rapido della pompa, provocando una fuoriuscita d'olio.

I tubi flessibili ad alta pressione sono soggetti ad un processo di invecchiamento naturale che può comportare una riduzione delle prestazioni, compromettendo così la sicurezza dell'operatore. Di conseguenza, la loro durata di vita è limitata. Per garantire un utilizzo sicuro delle sue unità, Techtronic Industries GmbH raccomanda di sostituire regolarmente i tubi idraulici secondo le istruzioni del produttore, anche in assenza di danni visibili.

Tenere la pompa e il tubo flessibile lontano da fiamme libere e fonti di calore al di sopra dei 70 °C.

Prima di utilizzare la pompa, controllare sempre l'integrità del tubo flessibile e degli accoppiatori rapidi, assicurandosi che non siano presenti abrasioni, tagli, deformazioni o rigonfiamenti.

Le protezioni montate di fabbrica devono essere posizionate ad ogni estremità del tubo flessibile. Non toccare il tubo flessibile quando è sotto pressione.

Quando si utilizza la pompa, il tubo flessibile deve essere srotolato e steso dritto. Prima di scollegare il tubo flessibile, verificare che il pistone della testa sia completamente retracts, assicurarsi che la quantità di olio sia sufficiente per eseguire le successive operazioni.

La pompa non è adatta all'uso continuo e dovrebbe essere lasciata raffreddare in seguito a operazioni di crimpatura successive e ininterrotte; ad esempio, dopo aver esaurito una batteria completamente carica in una sessione, ritardare di qualche minuto la sostituzione della batteria stessa.

Proteggere la pompa, la batteria e il caricabatterie dalla pioggia e dall'umidità: l'acqua danneggia la pompa. Gli attrezzi elettroidraulici non devono essere utilizzati in caso di pioggia battente.

L'operatore di questo dispositivo deve essere istruito sui pericoli specifici associati all'uso del dispositivo e sulle essenziali misure di sicurezza prima di iniziare a lavorare con lo stesso per la prima volta, e successivamente almeno una volta l'anno.

Il gestore deve:

- mettere a disposizione dell'operatore il manuale d'uso e
- assicurarsi che l'operatore l'abbia letto e compreso.

Usare dispositivi di protezione. Durante il lavoro con la macchina bisogna sempre portare occhiali di protezione. Si consiglia di indossare indumenti di protezione come maschera antipolvere, guanti di protezione, scarpe antiscivolo robuste, casco e cuffie di protezione acustica.

- **Ispezionare la pompa, i tubi flessibili, gli accoppiatori e i raccordi per verificare che non siano usurati o danneggiati. Sostituire i componenti usurati, danneggiati o mancanti con parti di ricambio del produttore.** I componenti usurati o danneggiati possono rompersi, causando lesioni. La mancata osservanza di questa avvertenza potrebbe causare lesioni gravi o la morte.
- **Prima di procedere all'utilizzo, assicurarsi che la pompa sia impostata sulla modalità di funzionamento desiderata.**
- **Non utilizzare le mani per verificare l'eventuale presenza di perdite.** L'olio ad alta pressione fora facilmente la pelle, causando lesioni gravi, cancrena o morte. In caso di ferite, consultare immediatamente un medico per rimuovere l'olio.
- Assicurarsi che la pompa sia al di sotto dell'angolo massimo di inclinazione.
- Controllare il livello dell'olio e regolarlo se necessario. La mancanza di olio può causare lesioni o danni materiali. Per ottenere le migliori prestazioni, utilizzare sempre olio idraulico MILWAUKEE Force Logic™ (4932 4720 04) per riempire il serbatoio.
- **Depressurizzare l'impianto idraulico prima di eseguire la manutenzione, collegare o scollegare il tubo flessibile o altri elementi di collegamento idraulico. Premere sempre prima il pulsante di rilascio manuale.**
- **Indossare una protezione per gli occhi durante l'uso o la manutenzione di questo attrezzo.** Il mancato utilizzo della protezione per gli occhi può causare gravi lesioni oculari dovute a detriti volanti o a olio idraulico.
- **Utilizzare solo tubi flessibili e attacchi a semplice effetto con pressione nominale pari o superiore a 700 bar (10.000 psi).**

- **Per ottenere le migliori prestazioni, utilizzare tubi flessibili precaricati con olio.** Se i tubi flessibili non sono precaricati, spurgare il sistema prima dell'utilizzo.
- **Non azionare mai la pompa senza un tubo flessibile o un accessorio.**
- **Per ottenere le migliori prestazioni, utilizzare sempre olio idraulico MILWAUKEE Force Logic™ (4932 4720 04) per riempire il serbatoio.**
- **Per una funzionalità ottimale, utilizzare la batteria M18™ REDLITHIUM™ da 8,0 Ah o superiore.**
- **Attenersi al manuale d'uso del produttore degli accessori.** Un uso differente può causare danni all'utensile, agli accessori e al pezzo in lavorazione.
- **Spurgare il sistema se necessario.**

Mai tenere le dita o altre parti del corpo nell'area di lavoro del cilindro o delle ganasce.

Prima di eseguire qualsiasi operazione di regolazione, pulizia e manutenzione del dispositivo, rimuovere la batteria.

Utilizzare solo dispositivi, pacchi batterie e caricabatterie in condizioni tecniche perfette.

Fare immediatamente riparare eventuali danni da un'officina autorizzata.

Per prevenire lesioni o danni, evitare l'avvio accidentale del dispositivo.

Rimuovere eventuali utensili di regolazione e chiavi prima del funzionamento.

Non eseguire lavorazioni su parti sotto tensione elettrica. Il dispositivo NON è isolato.

Tenere le mani e abiti larghi lontano dagli utensili di taglio e da altre parti mobili.

In caso di anomalie durante l'operazione di pressatura, rilasciare immediatamente l'interruttore di AZIONAMENTO e premere il pulsante di sblocco idraulico. La valvola si aprirà e lo stantuffo tornerà nella sua posizione di partenza.

AVVERTENZA! Per ridurre il rischio d'incendio, lesione personale e danni al prodotto dovuti a corto circuito, non immergere mai il dispositivo, pacco batteria o caricabatteria in fluido ed evitare sempre l'ingresso di fluido all'interno di essi. Fluidi corrosivi o conduttivi come acqua di mare, certe sostanze chimiche industriali, e candeggina o prodotti contenenti candeggina, ecc., possono provocare un corto circuito.

E' imperativo rispettare le istruzioni e gli intervalli di manutenzione.

Non aprire nè la batteria nè il caricatore e conservarli solo in luogo asciutto. Proteggerli dalla umidità.

Le batterie del System M18 sono ricaricabili esclusivamente con i caricatori del System M18. Le batterie di altri sistemi non possono essere ricaricate.

Per evitare lesioni o danni, non immergere mai l'utensile, la batteria rimovibile o il caricabatteria in un liquido e non consentire mai a un liquido di penetrare nell'utensile, nella batteria rimovibile o nel caricabatteria.

AVVERTENZA



Questo dispositivo contiene una batteria a bottone al litio. Una batteria nuova o usata può causare ustioni interne gravi e causare la morte in 2 ore se ingerita o se penetra nell'organismo. Assicurare sempre il coperchio sullo scomparto batterie. Se non si chiude saldamente, arrestare il dispositivo, rimuovere la batteria e tenerla lontano dalla portata dei bambini. Se credete che qualcuno abbia ingerito la batteria, o che la stessa sia entrata in altro modo nell'organismo di qualcuno, cercate immediatamente assistenza medica.

AVVERTENZE DI SICUREZZA PER PRESSATRICI

Gli utensili e i dispositivi di crimpaggio devono essere utilizzati esclusivamente da personale qualificato e competente in applicazioni elettrotecniche.

Non crimpare mai materiali di collegamento sotto tensione.

Prima di ciascun uso, verificare l'assenza di incrinature e altri segni di usura sulla pressatrice, sulle ganasce e gli inserti.

Utilizzare la pressatrice e gli inserti solo in condizioni tecniche ineccepibili.

Utilizzare la pressatrice solo con inserti per crimpare montati.

Durante l'operazione di pressatura non toccare le ganasce e il perno.

In caso di anomalie durante l'operazione di pressatura, rilasciare immediatamente l'interruttore di AZIONAMENTO e premere il pulsante di sblocco idraulico. La valvola si aprirà e lo stantuffo tornerà nella sua posizione di partenza.

AVVERTENZE DI SICUREZZA PER TAGLIACAVI

Il taglio o la troncatura di cavi e funi per mezzo di questo tagliacavi possono essere svolti esclusivamente da personale elettrotecnico qualificato.

Per ridurre il rischio di esplosioni, scosse elettriche e danni alla proprietà e all'apparecchiatura, non tagliare mai cavi elettrici sotto tensione. Il dispositivo NON è isolato.

Tenere le mani e abiti larghi lontano dagli utensili di taglio e da altre parti mobili. Sussiste il rischio di gravi lesioni, tra cui la recisione degli arti.

Prima di iniziare il processo di taglio occorre bloccare l'accesso in conformità alle disposizioni locali.

Tagliare solo cavi che siano stati scollegati dall'alimentazione elettrica!

Cavi e funi non possono essere sottoposti a forze meccaniche.

Per ridurre il rischio di lesioni, indossare occhiali di sicurezza o occhiali con protezioni laterali.

La mancata osservanza di questa misura può portare a lesioni gravi, morte, incendio o altri danni alla proprietà come risultato di una scossa elettrica, di un'esplosione e/o di un arco elettrico.

Non impugnare mai il tagliacavi dalle ganasce di taglio.

Prima di utilizzare il tagliacavi, controllare sempre che non vi siano incrinature o altri segni di usura sulle ganasce.

Il tagliacavi può essere utilizzato solo se è stato inserito un utensile da taglio.



AVVERTENZE DI SICUREZZA PER PUNZONATRICI

Prima di ciascun uso, verificare l'assenza di incrinature e altri segni di usura sugli utensili da taglio. Utilizzare utensili e dispositivi da taglio solo in condizioni tecniche ineccepibili.

Utilizzare l'apparecchio solo con utensile da taglio inserito. Non utilizzare l'apparecchio all'interno o nelle vicinanze di quadri di distribuzione sotto tensione. Lavorare solo su quadri in assenza di tensione.

Verificare che la larghezza nominale della matrice coincida con quella del punzone.

Utilizzare l'utensile solo con punzoni e matrici omologati per la max forza nominale. Altrimenti, si possono provocare lesioni o danneggiamenti.

Mantenere affilati e puliti gli utensili da taglio. Curandoli correttamente e mantenendo il tagliente affilato, si incastrano di meno e si controllano più agevolmente.

UTILIZZO CONFORME

Accessori e teste utensili:

Uso previsto: solo per accessori e teste utensili a semplice effetto, pressione nominale di 700 bar; massima portata olio 1,35 l

Pressatrice:

La pressatrice deve essere utilizzata esclusivamente per la pressatura di materiali di connessione per i quali sono previsti i corrispondenti inserti per crimpare.

Tutte le parti sotto tensione, ad es. quelle che conducano elettricità, vanno scollegate nell'ambiente di lavoro del tecnico prima di iniziare il lavoro.


Tagliacavi:

Il tagliacavi è adatto a tagliare:

- cavi non rinforzati liberi tensione in rame o alluminio isolato, gli utensili di taglio dipendono dal tipo di cavo

Punzonatrice idraulica per fori:

La punzonatrice idraulica per fori può essere utilizzata esclusivamente per la punzonatura di materiali con i timbri e le matrici in dotazione.

 **AVVERTENZA** Leggere tutte le avvertenze di sicurezza, le istruzioni, le illustrazioni e i dati forniti a corredo dell'apparecchio. In caso di mancata osservanza delle seguenti istruzioni vi è il pericolo di provocare una scossa elettrica, di sviluppare incendi e/o di provocare seri incidenti.

Conservare tutte le avvertenze di pericolo e le istruzioni operative per ogni esigenza futura.

ISTRUZIONI GENERALI

Adescamento del sistema idraulico:

L'utensile deve essere adescato ogni volta che l'olio è esaurito.

Per adescare il sistema:

1. Rimuovere il pacco batteria.
2. Ispezionare l'indicatore di livello dell'olio e assicurarsi che l'utensile abbia abbastanza olio.
3. Collegare l'accoppiatore a una testa dell'accessorio che aspiri l'aria e l'olio in eccesso.

AVVISO: L'accoppiatore deve essere puntato verso l'alto e l'utensile va posizionato più in basso rispetto alla testa dell'accessorio.

4. Inserire il pacco batterie.
5. Premere il pulsante modalità crimpatura.

6. Avviare l'utensile.

AVVISO: L'uscita dell'aria e dell'olio potrebbe iniziare non prima di 30 secondi.

7. Una volta che l'olio inizia a fuoriuscire, tenere premuto il pulsante di rilascio manuale per due secondi, quindi rilasciare entrambi i pulsanti.
8. Ripetere i punti 5-7 tre o quattro volte.

AVVISO: Durante l'adescamento del sistema, assicurarsi che il livello dell'olio non scenda al di sotto dell'indicatore di livello dell'olio. Riempire il serbatoio dell'olio, se necessario.

Spurgo dell'accessorio:

Gli accessori devono essere spurgati d'aria ogni volta che un accessorio è stato sottoposto a manutenzione, è rimasto inutilizzato per un lungo periodo di tempo o quando è collegato a un tubo flessibile non precaricato d'olio.

Consultare anche le raccomandazioni del produttore degli accessori per ulteriori istruzioni di spurgo.

Per spurgare un accessorio:

1. Rimuovere il pacco batteria.
 2. Collegare il tubo flessibile accessorio all'accoppiatore.
- AVVISO:** L'accoppiatore deve essere puntato lateralmente e l'utensile va posizionato più in alto rispetto al tubo flessibile e alla testa dell'accessorio.
3. Inserire il pacco batterie.
 4. Premere il pulsante modalità crimpatura.
 5. Far funzionare l'utensile fino al termine del ciclo, quando l'indicatore LED si illuminerà di verde.
 6. Tenere premuto il pulsante di rilascio manuale per due secondi, quindi rilasciare entrambi i pulsanti.
 7. Ripetere i punti 4-6 tre o quattro volte.

AVVISO: Durante lo spurgo dell'accessorio, assicurarsi che il livello dell'olio non scenda al di sotto dell'indicatore di livello dell'olio. Riempire il serbatoio, se necessario.

ISTRUZIONI DI LAVORO PER LA CRIMPATURA

Utilizzare connettori a norma secondo gli standard nazionali vigenti e montare gli inserti per crimpare appositamente previsti. Per le istruzioni di lavorazione e montaggio dei connettori, consultare la documentazione del fabbricante.

Verificare che la larghezza nominale del connettore coincida con quella dell'inserto per crimpare.

Prima di iniziare il processo di crimpaggio, occorre verificare la carica della batteria: minimo 33% (vedere illustrazione). Se necessario, la batteria deve essere caricata prima di iniziare il lavoro. L'azionamento dell'interruttore di controllo avvia il processo di pressatura, il quale è caratterizzato dal movimento del perno di pressatura.

È a carico dell'utilizzatore verificare e giudicare la correttezza della pressatura.

Le giunzioni non corrette devono essere ancora pressate con un nuovo connettore.

Comportamento in caso di guasti

- Tenere premuto l'interruttore di reset fin quando le ganasce non si siano aperte completamente
- controllare la capacità della batteria
- Controllare il cavo e l'elemento di connessione sulla base dei dati tecnici.

- Se si sospetta di aver pressato un cavo sotto tensione, l'utensile di crimpaggio deve essere ispezionato in un'officina specializzata autorizzata

ISTRUZIONI DI LAVORO PER IL TAGLIO

Allestimento della zona di lavoro

Prima di iniziare a lavorare, per le condotte o le funi devono essere create condizioni di assenza di tensione, che vanno garantite per tutta la durata dei lavori.

Se non è possibile garantire con certezza che il cavo o la linea isolata siano stati scollegati, non è possibile eseguire lavori.

Le prescrizioni di sicurezza e le norme locali devono essere assolutamente rispettate.

Cavi e funi non possono essere sottoposti a forze meccaniche e all'occorrenza vanno assicurati per impedirne movimenti fuori controllo dopo il taglio.

Non esporre l'apparecchio alla pioggia, non utilizzarla nell'ambiente bagnato o umido.

Preparazione dei tagliacavi e della batteria

Prima di ogni utilizzo:

- Controllare che il tagliacavi non abbia difetti esterni
- Controllare che non vi siano incrinature o altri segni di usura sui tagliacavi

Utilizzare solo se in perfette condizioni!

Prima di iniziare il processo di taglio, occorre verificare la carica della batteria: minimo 33% (vedere illustrazione). Se necessario, la batteria deve essere caricata prima di iniziare il lavoro.

Preparazione per il processo di taglio

Sostenere e fissare il cavo o la fune da tagliare, per ridurre al minimo il rischio di un movimento incontrollato.

In particolare le condotte aeree e le funi possono subire movimenti incontrollati e causare lesioni e/o danni.

La testa di taglio deve essere applicata sul cavo o sulla fune con un angolo di 90°, in modo che essi si collochino senza tensioni nelle ganasce di taglio aperte, onde evitare forze di taglio sfavorevoli.

⚠ AVVERTENZA: Per ridurre il rischio di esplosioni, scosse elettriche e danni alla proprietà e all'apparecchiatura, non tagliare mai cavi elettrici sotto tensione.

Il dispositivo NON è isolato. Il contatto con un circuito sotto tensione può causare lesioni gravi o la morte. Interrompere sempre l'alimentazione elettrica prima di eseguire un taglio. Non tagliare mai condotte del gas o condotte d'acqua. Tenere le mani lontane dagli utensili da taglio e dalle parti in movimento. Pericolo di lacerazione e amputazione.

Rimuovere sempre il pacco batterie prima di sostituire o rimuovere gli accessori. Utilizzare esclusivamente accessori raccomandati per questo utensile. L'uso di accessori diversi è pericoloso.

Per ridurre il rischio di lesioni, indossare occhiali di sicurezza o occhiali con protezioni laterali.

⚠ AVVERTENZA: Per ridurre il rischio di lesioni, tagliare solo materiale adatto alle lame montate (vedere „Dati tecnici“). Non provare a tagliare materiali diversi.

Taglio

Prima di iniziare a tagliare, assicurarsi che le lame siano state montate correttamente.

1. Muovere il cavo perpendicolarmente al filo della lama del tagliacavi. Evitare di eseguire tagli obliqui, onde evitare di danneggiare il pezzo e le lame.
2. Premere la levetta di scatto e tenerla premuta durante l'intera operazione. Non appena la levetta di scatto venga premuta, si accende una spia LED.
3. Una volta eseguito il taglio, o una volta disattivato l'utensile, rilasciare nuovamente il pulsante di attivazione e azionare l'interruttore di ritorno, in modo da aprire le ganasce di taglio.

AVVISO: È possibile che il cavo si muova leggermente durante l'operazione di taglio.

Comportamento in caso di guasti

- il cavo può essere intaccato e sotto tensione, informare sempre il responsabile della sicurezza, interrompere la procedura di taglio, applicare le misure di sicurezza adeguate
- Assicurarsi sempre che il dispositivo sia scollegato e rimanga scollegato dall'alimentazione elettrica prima di avvicinarsi e toccare il dispositivo
- premere e tenere premuto il pulsante reset fino a quando il tagliacavi non si apra completamente
- controllare la capacità della batteria
- controllare il materiale e lo spessore del materiale in base ai dati tecnici
- Se si sospetta di avere tagliato un cavo sotto tensione, il tagliacavi deve essere controllato in un'officina specializzata autorizzata

Le lame si sono inceppate

Sporco e residui possono causare l'inceppamento delle lame dopo un'operazione di taglio

- Premere e rilasciare il rilascio della levetta di scatto per assicurarsi che l'utensile sia resettato.
- Rimuovere il pacco batteria.
- Seguire la descrizione per immagini ai fini dell'apertura delle ganasce di taglio
- Rimuovere sporco e residui dalle lame prima di iniziare un'altra operazione di taglio.

Consigli per il taglio di cavi

- Evitare di eseguire tagli obliqui, onde evitare di danneggiare il pezzo e le lame.
- Tagliare materiale pulito per allungare la durata di vita delle lame. Rimuovere sporco e residui dal materiale e dalle lame prima di iniziare l'operazione di taglio.

ISTRUZIONI DI SICUREZZA PER LA PUNZONATURA

Verificare che il diametro nominale della matrice corrisponda alla dimensione nominale dello stampo.



MANUTENZIONE

Prima di eseguire qualsiasi operazione di regolazione, pulizia e manutenzione del dispositivo, rimuovere la batteria.

Non aprire mai il dispositivo, la batteria rimovibile o il caricabatteria.

Controllare che il dispositivo non presenti eventuali problemi, come rumore o inceppamento di parti in movimento che potrebbero avere effetti sullo stesso.

È necessario mantenere sempre pulite le aole di ventilazione del dispositivo.

Per evitare lesioni e danni, non immergere mai il dispositivo, la batteria rimovibile o il caricabatteria in un liquido, ed evitare sempre che un liquido penetri in essi.

Ulteriori lavori di manutenzione e riparazione possono essere svolti esclusivamente da officine specializzate autorizzate.

L'apparecchio contiene olio idraulico che costituisce un pericolo per le falde acquifere. Lo scarico incontrollato o lo smaltimento non corretto sono punibili.

La successiva scadenza di manutenzione è indicata da una spia LED sul dispositivo.

Restituire l'utensile, il pacco batterie e il caricabatteria ad un centro di assistenza MILWAUKEE per la riparazione. Dopo sei mesi o un anno, a seconda dell'uso, portare l'utensile, il pacco batterie e il caricabatteria ad un centro di assistenza MILWAUKEE per un'ispezione. Usare solo accessori Milwaukee e pezzi di ricambio Milwaukee. Gruppi costruttivi la cui sostituzione non è stata descritta, devono essere fatti cambiare da un punto di servizio di assistenza tecnica al cliente Milwaukee (vedi depliant garanzia/indirizzi assistenza tecnica ai clienti).

Se l'utensile non si avvia o non funziona a piena potenza con la batteria completamente carica, pulire i contatti della batteria. Se l'utensile continua a non funzionare correttamente, restituire l'utensile, il caricatore e la batteria a un centro di assistenza MILWAUKEE per eseguire una riparazione.

Intervallo di manutenzione

Fare riferimento all'applicazione ONE-KEY per informazioni sulle operazioni di manutenzione necessarie, come la sostituzione del fluido. Portare l'utensile, il caricatore e la batteria a un centro di assistenza MILWAUKEE per tutti gli interventi di riparazione e manutenzione.

AVVISO: Potrebbe essere necessario indicare la settimana e l'anno di produzione dell'utensile. Queste informazioni sono riportate sul numero di serie riportato sulla targhetta identificativa dell'utensile.

In caso di mancanza del disegno esploso, può essere richiesto al seguente indirizzo: Techtronic Industries GmbH, Max-Eyth-Straße 10, 71364 Winnenden, Germany.

Per una spedizione sicura, si consiglia di imballare la pompa idraulica in un sacchetto di plastica sigillato e resistente all'olio e di utilizzare l'imballaggio originale.

ONE-KEY™

Per saperne di più sulla funzionalità ONE-KEY che permette di comandare questo dispositivo con un solo comando, consultare la guida rapida inclusa in questo prodotto o andare su <http://www.milwaukeeool.com/one-key>

È possibile scaricare sullo smartphone l'app ONE-KEY dall'App Store o da Google Play.

Il risultato di collaudo corrisponde ai nostri requisiti minimi secondo EN 301489-1 / EN 301489-17. Forniremo al cliente una guida al funzionamento nel manuale d'uso.

BATTERIE

Batterie non utilizzate per molto tempo devono essere ricaricate prima dell'uso. A temperature superiori ai 50°C, la potenza della batteria si riduce.

Evitare di esporre l'accumulatore a surriscaldamento prolungato, dovuto ad esempio ai raggi del sole o ad un impianto di riscaldamento.

Per una ottimale vita utile è necessario ricaricare completamente le batterie dopo l'uso.

Per una più lunga durata, rimuovere le batterie dal caricabatterie quando saranno cariche.

In caso di immagazzinaggio della batteria per più di 30 giorni: Immagazzinare la batteria a circa 27°C in ambiente asciutto. Immagazzinare la batteria con carica di circa il 30% - 50%. Ricaricare la batteria ogni 6 mesi.

Non gettare le batterie esaurite sul fuoco o nella spazzatura di casa. La Milwaukee offre infatti un servizio di recupero batterie usate.

Nel vano d'innesto per la batteria del caricatore non devono entrare parti metalliche. (pericolo di cortocircuito).

Nel caso di batterie danneggiate da un carico eccessivo o da temperature alte, l'acido di queste potrebbe fuoriuscire. In caso di contatto con l'acido delle batterie lavarsi immediatamente con acqua e sapone. In caso di contatto con gli occhi risciacquare immediatamente con acqua per almeno 10 minuti e contattare subito un medico.

Non conservare le batterie con oggetti metallici (pericolo di cortocircuito).

TRASPORTO DI BATTERIE AGLI IONI DI LITIO

Le batterie agli ioni di litio sono soggette alle disposizioni di legge sul trasporto di merce pericolosa.

Il trasporto di queste batterie deve avvenire rispettando le disposizioni e norme locali, nazionali ed internazionali.

Gli utilizzatori possono trasportare queste batterie su strada senza alcuna restrizione.

Il trasporto commerciale di batterie agli ioni di litio è regolato dalle disposizioni sul trasporto di merce pericolosa. Le preparazioni al trasporto ed il trasporto stesso devono essere svolti esclusivamente da persone idoneamente istruite. Tutto il processo deve essere gestito in maniera professionale.

Durante il trasporto di batterie occorre tenere conto di quanto segue:

Assicurarsi che i contatti siano protetti ed isolati per evitare corto circuiti. Accertarsi che il gruppo di batterie non possa spostarsi all'interno dell'imballaggio. Batterie danneggiate o batterie che perdono liquido non devono essere trasportate. Per ulteriori informazioni si prega di contattare il proprio trasportatore.



DICHIARAZIONE DI CONFORMITÀ CE

Assumendone la piena responsabilità, dichiariamo che il prodotto descritto nei "Dati tecnici" è conforme alle pertinenti disposizioni delle direttive

2011/65/UE (RoHS)

2000/14/CE

2006/42/CE

2014/53/UE

e che sono state applicate le seguenti norme armonizzate

EN 62841-1:2015

EN 62479:2010

EN 55014-1:2017

EN 55014-2:2015

EN 301 489-1 V2.1.1 (2017-02)

EN 301 489-17 V3.1.1 (2017-02)

EN 300 328 V2.1.1 (2016-11)

EN IEC 63000:2018

Livello di potenza sonora misurato 87,2 dB(A)

Livello di potenza sonora garantito 89,0 dB(A)

Incertezza della misura $K= 1,5$ dB(A)

Procedura di valutazione della conformità secondo la direttiva

2000/14/CE, Allegato V

Organismo notificato:

DEKRA Certification B.V. (0344)

Meander 1051/P.O.Box 5185

6825 MS ARNHEIM/6802 ED ARNHEIM

Netherlands



Winnenden,

Alexander Krug / Managing Director

Autorizzato alla preparazione della documentazione tecnica

Techtronic Industries GmbH

Max-Eyth-Straße 10, 71364 Winnenden, Germany

SIMBOLI



Leggere attentamente le istruzioni per l'uso prima di mettere in funzione l'elettrodomestico.



Indossare occhiali protettivi.



Questo dispositivo contiene una batteria a bottone al litio.



ATTENZIONE! AVVERTENZA! PERICOLO!



Prima di iniziare togliere la batteria dalla apparecchiatura.



Pericolo di scossa elettrica



AVVERTENZA!

Pericolo di lesioni a causa dell'espulsione di frammenti



AVVERTENZA! Lesione delle mani



Il livello di potenza sonora garantito indicato su questa etichetta è il seguente: 89 dB



I dispositivi elettrici, le batterie e le batterie ricaricabili non devono essere smaltiti con i rifiuti domestici. I dispositivi elettrici e le batterie devono essere raccolti separatamente e devono essere conferiti ad un centro di riciclaggio per lo smaltimento rispettoso dell'ambiente. Chiedere alle autorità locali o al rivenditore specializzato dove si trovano i centri di riciclaggio e i punti di raccolta.

V

Voltaggio



Corrente continua



Marchio di conformità europeo



Marchio di conformità ucraino

001



Marchio di conformità euroasiatico



DATOS TÉCNICOS Bomba hidráulica	M18 HUP700
Número de producción	4745 35 01... ... 000001-999999
Banda(s) de frecuencia Bluetooth	2402-2480 MHz
Potencia de alta frecuencia	1,8 dBm
Versión Bluetooth	4.0 BT signal mode
Voltaje de batería	18 V
Fuerza nominal de presión	700 bar
Clase de protección	IP54
Ángulo máximo de inclinación	34°
Caudal nominal	
Baja presión	2,0 l/min
Alta presión	0,4 l/min
Volumen total de aceite	1,6 l
Volumen de aceite consumible	1,3 l
Peso de acuerdo con el procedimiento EPTA 01/2014 (Li-Ion 8,0 Ah...12,0 Ah)	16,0..., 16,5 kg
Temperatura ambiente recomendada para la operación	-18°C ... +50°C
Juegos de baterías recomendados	M18B9 M18HB8 ..., M18HB12
Cargadores recomendados	M12-18..., M1418 C6
Información sobre ruidos	
Determinación de los valores de medición según norma EN 62841. El nivel de ruido típico del aparato determinado con un filtro A corresponde a:	
Presión acústica (Tolerancia K=3dB(A))	77,7 dB (A)
Resonancia acústica (Tolerancia K=3dB(A))	88,7 dB (A)

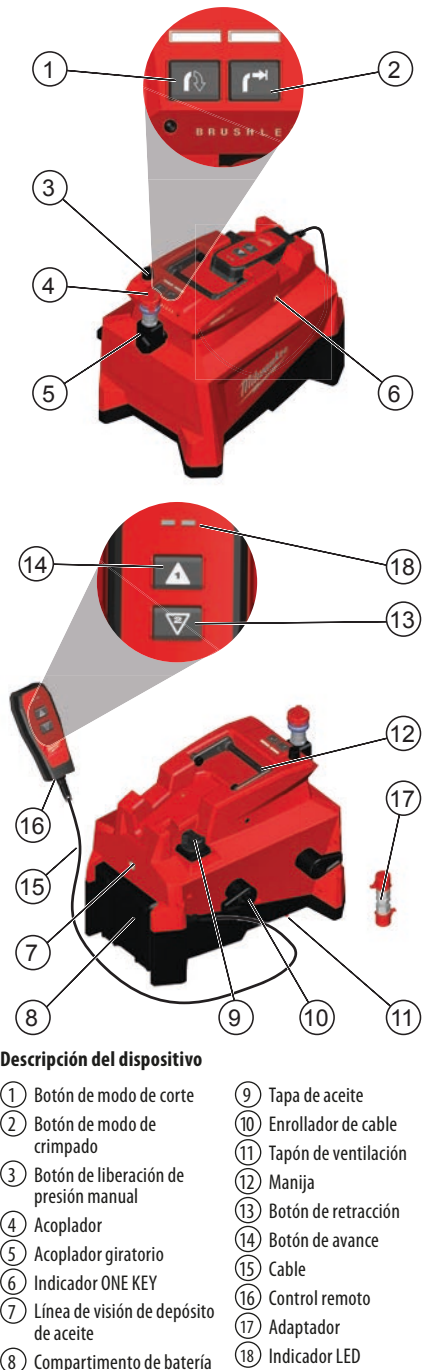
ADVERTENCIA

El valor de emisión de ruidos indicado en esta hoja informativa ha sido medido conforme a un método de medición de pruebas estandarizado en la norma EN 62841, y puede utilizarse para la comparación entre herramientas. También es apropiado para una estimación provisional de la carga.

El valor de emisión de ruidos indicado representa las aplicaciones principales de la herramienta. Si por el contrario se usase la herramienta para otras aplicaciones o con accesorios diferentes o no se realizase el suficiente mantenimiento de la misma, el valor de emisión de ruidos puede ser diferente. Esto puede incrementar sensiblemente la carga durante todo el periodo de trabajo.

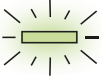
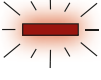

Para una estimación exacta de la carga provocada por ruidos deberían tenerse en cuenta también los tiempos durante los que la herramienta está apagada o, pese a estar en funcionamiento, no está siendo realmente utilizado. Esto puede reducir sensiblemente la carga durante todo el periodo de trabajo.

Adopte medidas de seguridad adicionales para la protección del operador frente al efecto de los ruidos, como por ejemplo: Mantenimiento de la herramienta y de los accesorios y organización de procesos de trabajo.



Descripción del dispositivo

- | | |
|---|------------------------|
| ① Botón de modo de corte | ⑨ Tapa de aceite |
| ② Botón de modo de crimpado | ⑩ Enrollador de cable |
| ③ Botón de liberación de presión manual | ⑪ Tapón de ventilación |
| ④ Acoplador | ⑫ Manija |
| ⑤ Acoplador giratorio | ⑬ Botón de retracción |
| ⑥ Indicador ONE KEY | ⑭ Botón de avance |
| ⑦ Línea de visión de depósito de aceite | ⑮ Cable |
| ⑧ Compartimento de batería | ⑯ Control remoto |
| | ⑰ Adaptador |
| | ⑱ Indicador LED |

Indicador LED	Definición
 Encendido Verde	La herramienta completó la operación y alcanzó la presión máxima de crimpado.
 Encendido Rojo	La herramienta completó la operación, pero NO alcanzó la presión máxima de crimpado.
 Parpadeante Rojo / Verde (después Encendido Verde o Encendido Rojo)	La herramienta alcanzó su intervalo de servicio (20000 Crimpados). La luz empezará a parpadear en rojo o verde una vez se haya mostrado el indicador de operación rojo o verde. MILWAUKEE recomienda la inspección de la herramienta y un mantenimiento preventivo.

OBSERVACIÓN: Si el indicador aparece en rojo, compruebe los niveles de aceite y asegúrese de que no existan fugas en los accesorios. Confirme que todas las conexiones sean seguras y que los accesorios sean adecuados para el trabajo. Opere de nuevo. Si el problema persiste, devuelva la herramienta a una instalación de servicio de MILWAUKEE.

⚠ ADVERTENCIA Lea las indicaciones de seguridad, instrucciones, descripciones y datos que se incluyen en el aparato. En caso de no atenderse a las instrucciones siguientes, ello puede provocar una electrocución, incendio y/o lesiones serias.

Guardar todas las advertencias de peligro e instrucciones para futuras consultas.

⚠ INSTRUCCIONES DE SEGURIDAD

Las bombas hidráulicas fabricadas por Techtronic Industries GmbH han sido desarrolladas para su uso con cabezales de crimpado, corte y estampación. De acuerdo con este uso específico, no están equipadas con un sistema de seguridad contra el retorno de aceite. Por esta razón, el uso en aplicaciones diferentes de las previstas (por ejemplo, con gatos hidráulicos, sistemas de elevación o similares) puede ser peligroso y provocar lesiones graves al operador. Techtronic Industries GmbH no asume ninguna responsabilidad derivada del uso de sus bombas hidráulicas para aplicaciones distintas del crimpado, corte y estampación.

No aumente la presión si la bomba no está conectada a la manguera flexible y al cabezal, ya que esto podría dañar el acoplador rápido de la bomba y precipitar la filtración de aceite.

Las mangueras flexibles de alta presión están sujetas a un proceso de envejecimiento natural que puede dar lugar a una reducción del rendimiento pudiendo esto afectar a la seguridad del operario. Por consiguiente, su vida útil es limitada. Para garantizar un uso seguro de sus equipos, Techtronic Industries GmbH recomienda que las mangueras hidráulicas se sustituyan regularmente de acuerdo con las instrucciones del fabricante, incluso si no hay daños visibles.

Mantenga la bomba y la manguera alejadas de llamas y fuentes de calor por encima de los 70 °C.

Antes de utilizar la bomba, compruebe siempre la integridad de la manguera flexible y de los acoplamientos rápidos, asegurándose de que no haya abrasiones, cortes, deformaciones o hinchazones.

Los protectores instalados en fábrica deben estar en su lugar en cada extremo de la manguera flexible. No toque la manguera flexible cuando esté bajo presión.

Al utilizar la bomba, la manguera flexible debe desenrollarse y colocarse en línea recta. Antes de desconectar la manguera flexible, compruebe que el pistón del cabezal esté completamente retraído, asegúrese de que haya suficiente aceite para las siguientes operaciones.

La bomba no es adecuada para un uso continuo y se debe permitir que se enfríe después de operaciones de crimpado sucesivas e ininterrumpidas; por ejemplo, después de haber agotado una batería completamente cargada en una sesión, reemplace la batería pasados unos minutos.

Proteja la bomba, la batería y el cargador de la lluvia y la humedad. El agua dañará la bomba. Las herramientas electrohidráulicas no deben utilizarse bajo lluvia intensa.

El operario de este dispositivo debe haber recibido instrucciones sobre los peligros asociados con el uso de este dispositivo y sobre las medidas de seguridad básicas para el mismo por primera vez y, como mínimo, una vez al año posteriormente.

La compañía operadora debe:

- poner el manual de instrucciones a disposición del operario y
- asegurar que el operario lo haya leído y comprendido.

Utilice el equipamiento de protección. Mientras trabaje con la máquina lleve siempre gafas protectoras. Se recomienda utilizar ropa de protección como máscara protectora contra el polvo, guantes protectores, calzado resistente y antideslizante, casco y protección para los oídos.

- **Inspeccione la bomba, las mangueras, los acopladores y los empalmes en busca de desgaste o daños. Reemplace los componentes desgastados, dañados o faltantes con piezas de repuesto del fabricante.** Los componentes desgastados o dañados pueden fallar, resultando en lesiones. La inobservancia de esta advertencia puede causar lesiones graves o la muerte.
- **Asegúrese de que la bomba esté en el modo de operación deseado antes de usarla.**
- **No utilice las manos para comprobar si hay fugas.** El aceite de alta presión perfora fácilmente la piel, causando lesiones graves, gangrena o la muerte. Si se lesiona, busque ayuda médica inmediatamente para eliminar el aceite.
- Asegúrese de que la bomba esté por debajo del ángulo de inclinación máximo.
- Compruebe el nivel de aceite y ajústelo si es necesario. Un nivel bajo de aceite puede provocar lesiones o daños materiales. Para obtener el mejor rendimiento, utilice siempre aceite hidráulico MILWAUKEE Force Logic™ (4932 4720 04) para rellenar el depósito.
- **Despresurice el sistema hidráulico antes de realizar tareas de mantenimiento, conectar o desconectar la manguera u otros elementos de conexión hidráulica: presione siempre con antelación el botón de desbloqueo manual.**
- **Use protección ocular cuando opere o dé servicio a esta herramienta.** Si no se usa protección ocular, se pueden producir lesiones oculares graves a causa de los residuos proyectados o del aceite hidráulico.
- **Utilice únicamente mangueras y accesorios de simple efecto con una presión nominal de 10 000 psi (700 bar) o superior.**



- **Para obtener el mejor rendimiento, utilice mangueras que estén llenadas previamente con aceite.** Si las mangueras no están previamente llenadas, purgue el sistema antes de ponerlo en funcionamiento.
- **Nunca opere la bomba sin una manguera o accesorio.**
- **Para obtener el mejor rendimiento, utilice siempre aceite hidráulico MILWAUKEE Force Logic™ (4932 4720 04) para rellenar el depósito.**
- **Para un funcionamiento óptimo, utilice una batería M18™ REDLITHIUM™ 8,0 Ah o superior.**
- **Siga el manual del fabricante del accesorio.** Otros usos pueden causar daños a la herramienta, los accesorios y la pieza de trabajo.
- **Si es necesario, purgue el sistema.**

No mantenga nunca sus dedos u otras extremidades en el área de trabajo del cilindro de las mordazas.

Retirar la batería antes de iniciar cualquier trabajo de ajuste, limpieza y mantenimiento en el dispositivo.

Utilice únicamente dispositivos, paquetes de baterías y cargadores que se encuentren en perfectas condiciones técnicas.

Los deterioros deben ser reparados inmediatamente por un taller especializado autorizado.

Para evitar lesiones y daños, evite el arranque accidental del dispositivo.

Antes de la operación, retire cualquier herramienta de colocación o llaves.

No se deben procesar piezas que se encuentren bajo tensión. El dispositivo NO está aislado.

Mantenga las manos y prendas de ropa ligeras alejadas de las herramientas de corte y otras piezas móviles.

En caso de fallos durante el proceso de prensado, suelte de inmediato el interruptor ON y pulse el botón de desbloqueo del sistema hidráulico. La válvula se abre y el émbolo se vuelve a desplazar a la posición inicial.

ADVERTENCIA! Para reducir el riesgo de incendio, lesiones personales y daños al producto a causa de un cortocircuito, nunca sumerja su dispositivo, el paquete de baterías o el cargador en líquidos ni permita que los líquidos puedan penetrar en los mismos. Los líquidos corrosivos o conductivos, como el agua marina, ciertos productos químicos industriales, lejía o productos que contengan lejía, etc., pueden causar un cortocircuito.

El mantenimiento y los intervalos de mantenimiento se deben observar obligatoriamente.

No abra nunca las baterías ni los cargadores y guárdelos sólo en lugares secos. Protéjalos de la humedad en todo momento.

Recargar solamente los acumuladores del Sistema M18 en cargadores M18. No intentar recargar acumuladores de otros sistemas.

Para evitar lesiones y daños, nunca sumerja la herramienta, la batería extraíble o el cargador en líquidos ni permita que penetre líquido en su interior.

ADVERTENCIA



Este dispositivo contiene una batería de litio de botón. En caso de ingesta o de que entre en el cuerpo, una batería nueva o usada puede provocar quemaduras internas y causar la muerte en 2 horas. Asegure siempre la tapa del compartimento de la batería. Si no se cierra correctamente, detenga el dispositivo, retire la batería o mantenga fuera del alcance de los niños. Si cree que alguien puede haber ingerido la batería o que puede haber entrado en el cuerpo de alguna otra manera, acuda inmediatamente a un médico.



INDICACIONES DE SEGURIDAD PARA PRENSADORAS

Las herramientas y los dispositivos de crimpado únicamente deben ser usados por personal entrenado en aplicaciones electrotécnicas.

Para el crimpado nunca utilice cables conductores.

Antes de usar la prensadora, mordazas y anillos, compruebe que no presenten grietas ni ningún otro tipo de signo de desgaste.

Emplee la prensadora y las matrices de prensado solo si están en un perfecto estado técnico.

La prensadora solo puede ser empleada con las matrices de prensado insertadas.

No toque las mordazas del perno de presión durante la operación de prensado.

En caso de fallos durante el proceso de prensado, suelte de inmediato el interruptor ON y pulse el botón de desbloqueo del sistema hidráulico. La válvula se abre y el émbolo se vuelve a desplazar a la posición inicial.



INDICACIONES DE SEGURIDAD PARA EL CORTACABLES

Solo el personal capacitado especialmente en electrotecnia podrá llevar a cabo el corte o la separación de líneas eléctricas y cables utilizando este cortacables.

Para reducir el riesgo de explosiones, descargas eléctricas y daños a la propiedad, nunca corte líneas eléctricas energizadas. El dispositivo NO está aislado.

Mantenga las manos y prendas de ropa ligeras alejadas de las herramientas de corte y otras piezas móviles. Existe riesgo de lesiones graves, incluyendo la amputación de extremidades.

Antes de que comience el proceso de corte, se deberá cerrar el acceso de conformidad con las disposiciones locales.

Solo deberán cortarse cables que se hayan desconectado de la fuente de alimentación!

Las líneas eléctricas y los cables no pueden someterse a ningún tipo de fuerzas mecánicas.

Para reducir el riesgo de lesiones, lleve puestas gafas de seguridad o gafas con visera deslizable.

La inobservancia de esta instrucción puede derivar en lesiones graves, la muerte, incendio y otros tipos de daños a la propiedad como resultado de una descarga eléctrica, una explosión y/o arcos eléctricos.

Nunca sujete el cortador de cables por las mordazas de corte.

Antes de utilizarlo, compruebe siempre las mordazas de corte en busca de grietas u otros signos de desgaste.

El cortador de cables solo puede utilizarse con una herramienta de corte insertada.

INDICACIONES DE SEGURIDAD PARA TROQUELADORAS

Antes de usar las herramientas de corte, compruebe que no haya grietas ni signos de desgaste. Emplee las herramientas y aparatos de corte solo si están en un perfecto estado técnico.

El aparato solo se puede emplear con la herramienta de corte insertada. No las emplee en cuadros eléctricos bajo tensión o en sus proximidades. Trabaje únicamente en cuadros eléctricos sin tensión.

Compruebe que el diámetro nominal de las matrices coincida con el troquel.

Emplee la herramienta solo con troqueles y matrices que estén homologadas para la fuerza nominal máxima. En caso contrario, se pueden producir daños o lesiones.

Mantenga las herramientas de corte afiladas y limpias. Las herramientas de corte bien cuidadas con aristas cortantes afiladas se atascan menos y son más fáciles de controlar.

APLICACIÓN DE ACUERDO A LA FINALIDAD

Accesorios y cabezales de herramientas:

Uso previsto: solo para accesorios de efecto simple y cabezales de herramientas, presión nominal 700 bar; máx. desplazamiento de aceite 1,3 l

Prensadora:

La prensadora solo se debe emplear para prensar materiales de unión para los que estén previstas las matrices de prensado correspondientes.

Todas las partes conductoras deben estar desconectadas en el entorno de trabajo del técnico antes de que se inicie el trabajo.


Cortacables:

El cortador de cables es apto para cortar:

- cables sin tensión y cables no reforzados de aluminio o cobre aislado, las herramientas de corte dependen del tipo de cable

Herramienta de troquel:

La herramienta de troquelado solo se puede utilizar para punzonar materiales con los sellos y matrices suministrados.

 **ADVERTENCIA** Lea las indicaciones de seguridad, instrucciones, descripciones y datos que se incluyen en el aparato. En caso de no atenerse a las instrucciones siguientes, ello puede provocar una electrocución, incendio y/o lesiones serias. **Guardar todas las advertencias de peligro e instrucciones para futuras consultas.**

INSTRUCCIONES GENERALES

Cebado del sistema hidráulico:

La herramienta debe cebarse cada vez que se haya agotado el aceite.

Para cebar el sistema:

1. Retirar la batería.
2. Inspeccione la línea de visión de aceite y asegúrese de que la herramienta tenga suficiente aceite.
3. Conecte el acoplador a un cabezal accesorio que extraerá el aire y el exceso de aceite.

OBSERVACIÓN: El acoplador se debe colocar recto y la herramienta se debe colocar más abajo que el cabezal accesorio.

4. Inserte la batería.
5. Presione el botón del modo de crimpado.

6. Arranque la herramienta.

OBSERVACIÓN: El aire y el aceite pueden tardar hasta 30 segundos en salir.

7. Una vez que los aceites empiecen a salir, presione y mantenga presionado el botón de liberación manual durante dos segundos, luego suelte ambos botones.
8. Repita los pasos 5-7 de tres a cuatro veces.

OBSERVACIÓN: Mientras se ceba el sistema, asegúrese de que el nivel de aceite no descienda por debajo de la línea de visión de aceite y rellene el depósito si es necesario.

Purgar el accesorio:

Los accesorios deben ser purgados de aire cada vez que un accesorio reciba mantenimiento, no haya sido utilizado durante un largo período de tiempo o se conecte a una manguera que no esté llena previamente con aceite.

Consulte también las recomendaciones del fabricante del accesorio para obtener más instrucciones sobre el purgado.

Para purgar un accesorio:

1. Retirar la batería.
 2. Conecte la manguera accesorio al acoplador.
- OBSERVACIÓN:** El acoplador debe estar apuntando hacia un lado, y la herramienta debe estar más alta que la manguera y el cabezal accesorios.
3. Inserte la batería.
 4. Presione el botón del modo de crimpado.
 5. Haga funcionar la herramienta hasta que se complete el ciclo y el indicador led se ilumine en verde.
 6. Mantenga pulsado el botón de liberación manual durante dos segundos y, a continuación, suelte ambos botones.
 7. Repita los pasos 4-6 de tres a cuatro veces.

OBSERVACIÓN: Mientras purga el accesorio, asegúrese de que el nivel de aceite no descienda por debajo de la línea de visión de aceite y rellene el depósito si es necesario.

INDICACIONES PARA EL TRABAJO PARA ENGASTAR

Emplee únicamente conectores normalizados conforme a estándares nacionales vigentes y las matrices de prensado correspondientes.

Remítase a la documentación del fabricante en la que encontrará las instrucciones de uso y montaje de los conectores.

Compruebe que el diámetro nominal del conector coincida con el de la matriz de prensado.

Antes de que se inicie el proceso de crimpado, debe comprobarse la capacidad de la batería: mínimo 33 % (véase descripción ilustrada). Puede ser necesario cargarla antes de comenzar a trabajar.

Accionando el interruptor de control se inicia el proceso de prensado, que se caracteriza por el movimiento del perno de presión.

El usuario es responsable de comprobar y evaluar que el prensado sea correcto.

Las uniones incorrectas se deben volver a prensar con un nuevo conector.

Cómo actuar en caso de fallos

- Mantenga presionado el botón de reinicio hasta que las garras se hayan abierto por completo
- Compruebe la capacidad de la batería



- Compruebe el cable y el elemento de conexión de conformidad con los datos técnicos.
- Si sospecha que se ha crimpado un cable conductor, lleve la herramienta a un taller especializado autorizado para su inspección

INDICACIONES PARA EL TRABAJO PARA CORTAR

Configuración del área de trabajo

Antes de comenzar con los trabajos se deberán desenergizar las líneas eléctricas o los cables, y asegurarlos durante el tiempo que dure el trabajo.

Si no puede asegurarse más allá de toda duda que el cable o la línea aislada han sido desconectados, no se podrá llevar a cabo trabajo alguno.

Se deberán tener en cuenta obligatoriamente las disposiciones y las normas de seguridad locales.

Las líneas eléctricas y los cables no pueden someterse a ningún tipo de fuerzas mecánicas y, a su vez, tienen que estar asegurados contra movimientos incontrolados tras el corte.

No exponga las herramientas a la lluvia. No utilice las herramientas en lugares húmedos o mojados.

Preparación del cortador de cables y de la batería

Antes de cada uso:

- Inspeccione el cortador de cables en busca de defectos externos
- Compruebe la herramienta de corte en busca de grietas u otros signos de desgaste

¡Utilice el dispositivo únicamente en perfectas condiciones!

Antes de que comience el proceso de corte, se deberá comprobar la capacidad de la batería: mínimo 33 % (véase la ilustración de la descripción). Puede ser necesario cargarla antes de comenzar a trabajar.

Preparación para el proceso de corte

Apoye y fije la línea eléctrica o el cable a cortar con el fin de minimizar el riesgo de movimientos incontrolados.

En particular, las líneas aéreas y los cables pueden moverse sin control y causar lesiones y/o daños.

El cabezal de corte tiene que colocarse sobre la línea eléctrica o el cable en un ángulo de 90°, de forma que se sitúe en las mordazas abiertas sin tensión para poder evitar fuerzas de corte desfavorables.

⚠ ADVERTENCIA: Para reducir el riesgo de explosiones, descargas eléctricas y daños a la propiedad, nunca corte líneas eléctricas energizadas.

El dispositivo NO está aislado. El contacto con un circuito energizado puede resultar en lesiones graves o la muerte. Interrumpa el suministro eléctrico antes de hacer un corte. Nunca corte conductos de gas o tuberías de agua. Mantenga las manos alejadas de todos los bordes cortantes y de las piezas móviles. Pueden producirse laceraciones y amputaciones.

Retire siempre la batería antes de cambiar o retirar accesorios. Utilice únicamente accesorios recomendados específicamente para esta herramienta. Otros podrían ser peligrosos.

Para reducir el riesgo de lesiones, lleve puestas gafas de seguridad o gafas con visera deslizable.

⚠ ADVERTENCIA: Para reducir el riesgo de lesiones, corte únicamente materiales recomendados para las cuchillas. (véanse las „especificaciones“) No intente cortar otros materiales.

Proceso de corte

Antes de cortar, asegúrese de que las cuchillas estén instaladas correctamente.

1. Coloque el cable en ángulo recto sobre la cuchilla del cortacables. No intente hacer cortes angulares, pues esto dañará la pieza de trabajo y las cuchillas.
2. Pulse el disparador y manténgalo pulsado durante la operación. Cuando el disparador esté pulsado se encenderá una luz LED.
3. Cuando se haya efectuado el corte o la herramienta se haya apagado, vuelva a soltar el gatillo y accione el interruptor de retroceso para que se abran las mordazas de corte.

OBSERVACIÓN: La pieza de trabajo puede moverse ligeramente durante el corte.

Cómo actuar en caso de fallos

- El cable puede estar cortado y energizado, siempre se debe informar al encargado de seguridad, detener el proceso de corte y tomar las medidas de seguridad adecuadas
- Asegúrese siempre de que el dispositivo está y permanecerá desconectado del suministro eléctrico antes de aproximarse y tocar el dispositivo
- Pulse y mantenga pulsado el botón de restablecimiento hasta que el cortador se abra completamente
- Compruebe la capacidad de la batería
- Compruebe el material y el grosor del material comparándolos con los datos técnicos
- Si se sospecha que se ha cortado un cable energizado, se deberá inspeccionar el cortador de cables en un taller especializado autorizado

Cuchillas atascadas

La suciedad y los restos de material pueden hacer que las cuchillas se atasquen después de hacer un corte

- Pulse y mantenga pulsado el disparador de apertura para asegurar que la herramienta se ha restablecido.
- Retirar la batería.
- Siga la descripción de la imagen para abrir las mordazas
- Retire cualquier suciedad o restos de material de las cuchillas antes de iniciar un nuevo corte.

Consejos para cortar

- No intente hacer cortes angulares, pues esto dañará la pieza de trabajo y las cuchillas.
- Corte material limpio para prolongar la vida útil de las cuchillas. Retire la suciedad y los restos del material y de las cuchillas antes de comenzar el corte.

INSTRUCCIONES DE TRABAJO PARA EL PUNZONADO

Compruebe si el diámetro nominal de la matriz es igual al tamaño nominal del sello.

MANTENIMIENTO

Retirar la batería antes de iniciar cualquier trabajo de ajuste, limpieza y mantenimiento en el dispositivo.

Nunca abra el dispositivo, la batería extraíble o el cargador.

Compruebe el dispositivo en busca de problemas como ruidos o atascos de las partes móviles que pudieran estar afectando al dispositivo.

Las ranuras de ventilación del dispositivo se deben mantener despejadas en todo momento.

Para evitar lesiones y daños, no sumerja nunca el dispositivo, la batería extraíble o el cargador en líquidos ni permita que los líquidos penetren en los mismos.

Cualquier otra tarea de mantenimiento o reparación solo puede ser llevada a cabo por un taller técnico autorizado.

El aparato contiene aceite hidráulico que supone un peligro para las aguas subterráneas. La evacuación incontrolada o eliminación inadecuada se penalizan legalmente.

La próxima fecha límite para el mantenimiento se indica a través de un indicador LED en el dispositivo.

Devuelva la herramienta, el paquete de baterías y el cargador a un centro de servicio de MILWAUKEE para su reparación. Tras seis meses a un año, dependiendo del uso, devuelva la herramienta, el paquete de baterías y el cargador a una instalación de servicio de MILWAUKEE para su inspección. Utilice solamente accesorios y repuestos Milwaukee. En caso de necesitar reemplazar componentes no descritos, contacte con cualquiera de nuestras estaciones de servicio Milwaukee (consultar lista de servicio técnicos)

Si la herramienta no arranca o funciona a plena potencia con el paquete de baterías completamente cargado, limpie los contactos del paquete de baterías. Si la herramienta sigue sin funcionar correctamente, devuelva la herramienta, el cargador y el paquete de baterías a un centro de servicio de MILWAUKEE para su reparación.

Intervalo de servicio

Consulte la aplicación ONE-KEY para obtener información sobre el mantenimiento necesario, como la sustitución de líquidos.

Devuelva la herramienta a un taller de servicio de MILWAUKEE para todas las reparaciones y el mantenimiento.

OBSERVACIÓN: La semana y el año de fabricación de la herramienta pueden ser necesarios. Esta información figura en el número de serie en la placa de características de la herramienta.

En caso necesario, puede solicitar un despiece de la herramienta. Por favor indique el número de impreso que hay en la etiqueta y pida el despiece a la siguiente dirección: Techtronic Industries GmbH, Max-Eyth-Straße 10, 71364 Winnenden, Germany.

Para un transporte seguro, recomendamos embalar la bomba hidráulica en una bolsa sellada y resistente al aceite usando el embalaje original.

ONE-KEY™

Para obtener más información sobre la funcionalidad ONE-KEY de este dispositivo, por favor, consulte la Guía Rápida incluida junto con este producto o diríjase a <http://www.milwaukeetool.com/one-key>

Puede descargar en su teléfono móvil la aplicación ONE-KEY en la App Store o en Google Play.

El resultado de la prueba cumple con los requisitos mínimos conforme a EN 301489-1 / EN 301489-17. Y ofreceremos al cliente las indicaciones de uso en nuestro manual de usuario.

BATERÍA

Las baterías no utilizadas durante cierto tiempo deben ser recargadas antes de usar. Las temperaturas superiores a 50°C reducen el rendimiento de la batería. Evite una exposición excesiva a fuentes de calor o al sol (riesgo de sobrecalentamiento).

Los puntos de contacto de los cargadores y las baterías se deben mantener limpios.

Para un tiempo óptimo de vida, deberán cargarse las baterías completamente después de su uso.

Para garantizar la máxima capacidad y vida útil, las baterías recargables se deberían retirar del cargador una vez finalizada la carga.

En caso de almacenar la batería recargable más de 30 días: Almacenar la batería recargable en un lugar seco a una temperatura de aproximadamente 27°C. Almacenar la batería recargable con un estado de carga del 30% y 50% aproximadamente. Recargar la batería cada 6 meses.

No tire las baterías usadas a la basura ni al fregadero. Los Distribuidores Milwaukee ofrecen un servicio de recogida de baterías antiguas para proteger el medio ambiente.

No almacene la batería con objetos metálicos (riesgo de cortocircuito).

En caso de sobrecarga o alta temperatura, pueden llegar a producirse escapes de ácido provenientes de la batería. En caso de contacto con éste, limpie inmediatamente la zona con agua y jabón. Si el contacto es en los ojos, límpiese concienzudamente con agua durante 10 minutos y acuda inmediatamente a un médico

No introduzca en la cavidad del cargador objetos metálicos (riesgo de cortocircuito).

TRANSPORTE DE BATERÍAS DE IONES DE LITIO

Las baterías de iones de litio caen bajo las disposiciones legales relativas al transporte de mercancías peligrosas.

El transporte de estas baterías recargables debe llevarse a cabo, observando las normas y disposiciones locales, nacionales e internacionales.

Los consumidores pueden transportar estas baterías recargables sin el menor reparo en la calle.

El transporte comercial de baterías recargables de iones de litio por empresas de transportes está sometido a las disposiciones del transporte de mercancías peligrosas. Las preparaciones para el envío y el transporte deben ser llevados a cabo exclusivamente por personas instruidas adecuadamente. El proceso completo debe ser supervisado por personal competente.

Los siguientes puntos se deben observar para el transporte de las baterías recargables:

Se debe asegurar que los contactos estén protegidos y aislados para evitar que se produzcan cortocircuitos. Preste atención a que el conjunto de baterías recargables no se pueda desplazar dentro del envase. Las baterías recargables deterioradas o derramadas no se deben transportar. Rogamos que para cualquier información adicional se dirija a su empresa de transportes.



DECLARACION DE CONFORMIDAD CE

Declaramos bajo nuestra única responsabilidad que el producto descrito bajo „Datos técnicos“ cumple todas las disposiciones pertinentes de las directivas

2011/65/UE (RoHS)

2000/14/CE

2006/42/CE

2014/53/UE

y que se han implementado y estándares

EN 62841-1:2015

EN 62479:2010

EN 55014-1:2017

EN 55014-2:2015

EN 301 489-1 V2.1.1 (2017-02)

EN 301 489-17 V3.1.1 (2017-02)

EN 300 328 V2.1.1 (2016-11)

EN IEC 63000:2018

Nivel de potencia sonora medido 87,2 dB(A)

Nivel de potencia sonora garantizado 89,0 dB(A)

Tolerancia K= 1,5 dB(A)

Procedimiento de evaluación de la conformidad según el anexo V de la Directiva 2000/14/CE

Organismo designado:

DEKRA Certification B.V. (0344)

Meander 1051/P.O.Box 5185

6825 MS ARNHEIM/6802 ED ARNHEIM

Netherlands



Winnenden,

Alexander Krug / Managing Director

Autorizado para la redacción de los documentos técnicos.

Techtronic Industries GmbH

Max-Eyth-Straße 10, 71364 Winnenden, Germany

SÍMBOLOS



Lea las instrucciones detenidamente antes de conectar la herramienta



Llevar gafas de protección.



Este dispositivo contiene una batería de litio de botón.



¡ATENCIÓN! ¡ADVERTENCIA! ¡PELIGRO!



Retire la batería antes de comenzar cualquier trabajo el aparato.



Peligro de descarga eléctrica



ADVERTENCIA!

Peligro de lesiones por esquirlas que pudieran salir despedidas.



ADVERTENCIA! Lesiones en las manos



El nivel de potencia acústica garantizado que se indica en esta etiqueta es 89 dB



Los electrodomésticos y las baterías/acumuladores no se deben eliminar junto con la basura doméstica. Los aparatos eléctricos y los acumuladores se deben recoger por separado y se deben entregar a una empresa de reciclaje para una eliminación respetuosa con el medio ambiente. Infórmese en las autoridades locales o en su tienda especializada sobre los centros de reciclaje y puntos de recogida.

V

Tensión



Corriente continua



Marcado de conformidad europeo



Marcado de conformidad ucraniano

001



Marcado de conformidad euroasiático

CARACTERÍSTICAS TÉCNICAS Bomba hidráulica	M18 HUP700
Número de produção	4745 35 01... ... 000001-999999
Banda de frequência Bluetooth (bandas de frequência)	2402-2480 MHz
Potência de alta frequência	1,8 dBm
Versão Bluetooth	4.0 BT signal mode
Tensão do acumulador	18 V
Pressão nominal da força	700 bar
Classe de proteção	IP54
Ângulo máx. da ponta	34°
Taxa de débito nominal	
Baixa pressão	2,0 l/min
Alta pressão	0,4 l/min
Volume de óleo total	1,6 l
Volume de óleo consumível	1,3 l
Peso nos termos do procedimento-EPTA 01/2014 (Li-Ion 8,0 Ah...12,0 Ah)	16,0..., 16,5 kg
Temperatura ambiente recomendada para a operação	-18°C ... +50°C
Conjuntos de baterias recomendados	M18B9 M18HB8..., M18HB12
Carregadores recomendados	M12-18..., M1418 C6
Informações sobre ruído	
Valores de medida de acordo com EN 62841. O nível de ruído avaliado A do aparelho é tipicamente:	
Nível da pressão de ruído (Incertez K=3dB(A))	77,7 dB (A)
Nível da potência de ruído (Incertez K=3dB(A))	88,7 dB (A)

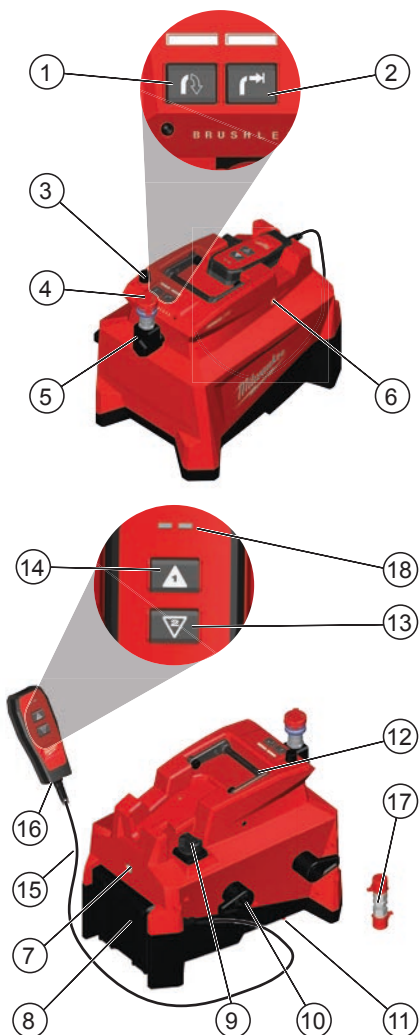
ATENÇÃO

O valor de emissão sonora indicado neste folheto foi medido de acordo com um processo de teste normalizado na norma EN 62841 e pode ser usado para comparar ferramentas. Ele também se destina a avaliar provisoriamente o nível de ruído.

O valor de emissão sonora indicado representa as aplicações principais da ferramenta. Se a ferramenta for usada para outras aplicações ou com outros acessórios ou não for mantida suficientemente, o valor de emissão sonora pode aumentar-se significativamente durante o período de trabalho inteiro.

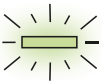
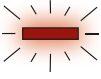
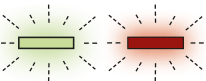
Para avaliar exatamente o nível de ruído também devem ser considerados os períodos em que a ferramenta está desligada ou está a operar, mas não está realmente sendo usada. Isso pode reduzir significativamente o nível de ruído durante o período de trabalho inteiro.

Determine medidas de segurança suplementares para a proteção do utilizador contra o efeito do ruído como, por exemplo: manutenção da ferramenta e dos acessórios e organização dos processos de trabalho.



Descrição do dispositivo

- | | |
|---|------------------------|
| ① Botão Modo Corte | ⑩ Guarda-fio |
| ② Botão Modo Engastar | ⑪ Tampão da ventilação |
| ③ Botão de desbloqueio por pressão manual | ⑫ Pega |
| ④ Acoplador | ⑬ Botão de retração |
| ⑤ Acoplador rotativo | ⑭ Botão de avanço |
| ⑥ Indicador de UMA CHAVE | ⑮ Fio |
| ⑦ Reservatório do óleo Linha brilhante | ⑯ Controle remoto |
| ⑧ Compartimento da bateria | ⑰ Adaptador |
| ⑨ Tampão do óleo | ⑱ Indicador LED |

Indicador LED	Definição
 Sólido Verde	A ferramenta completou a operação e atingiu a pressão integral de crimpagem.
 Sólido Vermelho	A ferramenta completou a operação mas NÃO atingiu a pressão integral de crimpagem.
 Luz intermitente Vermelho / Verde (depois Sólido Verde ou Sólido Vermelho)	A ferramenta atingiu o seu intervalo de serviço (20000 crimps). Depois de o indicador vermelho ou verde sólido para a operação ser exibido, aparecerá uma luz intermitente vermelha/verde. A MILWAUKEE recomenda que a ferramenta seja inspecionada e concluída uma manutenção preventiva.



Por

NOTA: Se o indicador estiver vermelho, verifique os níveis do óleo e certifique-se de que não existem fugas nos acessórios. Verifique se todas as uniões/ligações estão bem apertadas e se os acessórios são adequados à operação a realizar. Coloque novamente em funcionamento. Se o problema persistir, devolva a ferramenta a um serviço de assistência técnica da MILWAUKEE.

⚠ ATENÇÃO Ler todas as indicações de segurança, instruções, representações e dados fornecidos juntamente com o aparelho. O desrespeito das seguintes instruções pode levar a um choque eléctrico, incêndio e/ou graves lesões.

Guarde bem todas as advertências e instruções para futura referência.

⚠ INSTRUÇÕES DE SEGURANÇA

As bombas hidráulicas fabricadas pela Techtronic Industries GmbH são desenvolvidas para usar com cabeças de engaste, de corte e de impressão. Em função desta utilização específica, elas não estão equipadas com um sistema de segurança de não retorno do óleo.

Por esta razão, uma utilização diferentes da descrita na utilização prevista, ex., com macacos hidráulicos, sistemas de elevação ou similar) pode ser perigoso e provocar lesões graves no operador.

A Techtronic Industries GmbH não assume quaisquer responsabilidades derivadas da utilização das suas bombas hidráulicas para outras aplicações que não o engaste, o corte e a gravação.

Não acumular pressão se a bomba não estiver ligada ao tubo flexível e à cabeça porque tal pode causar danos no acoplador rápido da bomba e causar derramamento de óleo.

Os tubos flexíveis de alta pressão sofrem um processo de desgaste natural que pode resultar numa diminuição do desempenho, com potencial risco para a segurança do operador. Em resultado disso, a sua vida útil é limitada. Para garantir a utilização segura das suas unidades, a Techtronic Industries GmbH recomenda que os tubos hidráulicos sejam substituídos regularmente, respeitando as instruções do fabricante, mesmo se não existirem danos visíveis.

Mantenha a bomba e o tubo flexível afastados de chamas abertas e de fontes de calor acima dos 70°C.

Antes de usar a bomba, verifique sempre a integridade do tubo flexível e dos acopladores rápidos, certificando-se de estão livres de desgaste, cortes, deformações ou dilatações.

Certifique-se de que todos os resguardos existentes no local de instalação estão devidamente encaixados, em cada uma das extremidades do tubo flexível. Não toque no tubo flexível, se este se encontrar sob pressão.

Ao usar a bomba, o tubo flexível deve estar desenrolado e esticado num plano horizontal. Antes de retirar o tubo flexível da respetiva entrada, verifique se o rebordo da cabeça está completamente recolhido e garanta que está disponível um volume de óleo suficiente para as operações subsequentes.

A bomba não é indicada para o uso contínuo. Sempre que a bomba seja utilizada em operações de engaste sucessivas, de modo ininterrupto, deverá aguardar-se que arrefeça, p. ex., depois de descarregar uma carga completa de bateria numa sessão, a mudança da bateria deverá ser adiada alguns minutos.

Proteja a bomba, a bateria e o carregador da chuva e da humidade. A água danifica a bomba. As ferramentas eletro-hidráulicas não podem ser operadas debaixo de chuva.

O operador deste dispositivo deve ser instruído quanto aos perigos específicos associados à sua utilização e às medidas essenciais de segurança, antes de trabalhar com o dispositivo pela primeira vez e, pelo menos, uma vez por ano.

A empresa operadora deve:

- disponibilizar o manual de utilização ao operador e
- assegurar que o operador leu e compreendeu o manual.

Utilizar equipamento de protecção. Durante os trabalhos com a máquina, usar sempre óculos de protecção. Vestuário de protecção, bem como máscara de pó, sapatos fechados e antiderrapante, capacete e protecção auditiva são recomendados.

• **Inspecione a bomba, os tubos, os acopladores e as válvulas quanto a desgaste e danos. Substitua os componentes gastos, danificados ou em falta por peças de substituição do fabricante.** Os componentes gastos ou danificados podem falhar, resultando em ferimentos. A inobservância desta advertência poderá resultar em ferimentos graves ou morte.

• **Antes de utilizar, certifique-se de que a bomba se encontra no modo de operação desejado.**

• **Não use as mãos, para verificar se existem fugas.** A alta pressão do óleo pode facilmente furar a pele, causando ferimentos graves, gangrena ou morte. No caso de ferimentos, procure imediatamente um médico, para remover o óleo.

• Certifique-se de que a bomba se encontra abaixo do ângulo de inclinação.

• Verifique o nível do óleo e, se necessário, ajuste-o. O baixo nível do óleo pode causar ferimentos pessoais ou danos materiais. Para obter o melhor desempenho, use sempre óleo hidráulico MILWAUKEE Force Logic™ (4932 4720 04), para reabastecer o reservatório.

• **Antes de uma manutenção, despressurize sempre o sistema hidráulico, ligando ou desligando o tubo ou outros elementos de ligação hidráulicos: prima sempre antes o botão de desbloqueio manual.**

• **Use proteção visual quando operar ou realizar a manutenção desta ferramenta.** Não usar proteção ocular pode resultar em ferimentos graves nos olhos causados pela projecção de resíduos soltos ou de óleo hidráulico.

• **Utilize apenas tubos ou acessórios que sejam de ação simples e classificados com 10.000 psi (700 bar) ou superior.**

- **Para um melhor desempenho, use tubos abastecidos previamente com óleo.** Se os tubos não estiverem pré-abastecidos, purgar o sistema antes de o colocar em funcionamento.
- **Nunca opere a bomba desprovida de um tubo ou acessório.**
- **Para obter o melhor desempenho, use sempre óleo hidráulico MILWAUKEE Force Logic™ (4932 4720 04), para reabastecer o reservatório.**
- **Para um funcionamento ótimo, utilize uma bateria M18™ REDLITHIUM™ 8.0 Ah ou superior.**
- **Tenha em atenção o manual de operador do fabricante do acessório.** As utilizações diferentes da prevista podem danificar a ferramenta, os acessórios e a peça de trabalho.
- **Se necessário, purgue o sistema.**

Nunca mantenha os dedos ou outras partes do corpo na área de trabalho do cilindro ou das mandíbulas.

Remova o bloco da bateria antes de iniciar qualquer trabalho de ajuste, limpeza e manutenção no dispositivo.

Utilize apenas dispositivos, blocos da bateria e carregadores que estejam em perfeita condição técnica.

Deixe uma oficina especializada reparar os danos imediatamente.

Para evitar ferimentos e danos, previna o arranque acidental do dispositivo.

Antes da operação, remova quaisquer ferramentas de ajuste e chaves.

Não podem ser processadas peças que estejam sob tensão elétrica. O dispositivo NÃO está isolado.

Manter as mãos e vestuário solto afastados de ferramentas de corte e de outras peças móveis.

Em caso de avarias durante o processo de compressão, soltar imediatamente o interruptor de ligação e premir o botão de desbloqueio do sistema hidráulico. A válvula abre e o êmbolo volta à posição inicial.

ATENÇÃO! Para reduzir o risco de incêndio, ferimentos e danos no produto devido a um curto-circuito, nunca mergulhe o dispositivo, o bloco da bateria ou o carregador em fluidos nem permita que entrem fluidos no seu interior. Fluidos corrosivos ou condutores, tais como a água do mar, certos produtos químicos industriais e lixívia ou produtos que contenham lixívia, etc., podem causar um curto-circuito.

Sempre observe a manutenção e os intervalos de manutenção.

Carregadores só devem ser utilizados em recintos secos.

Use apenas carregadores do Sistema M18 para recarregar os acumuladores do Sistema M18. Não utilize acumuladores de outros sistemas.

Para evitar lesões e danos, nunca mergulhe a ferramenta, a bateria amovível ou o carregador em líquidos nem permita que entrem líquidos no seu interior.

ATENÇÃO



Este dispositivo contém uma pilha de célula de lítio tipo botão/moeda. Uma pilha de nova ou usada pode causar queimaduras internas graves e levar à morte em menos de 2 horas, em caso de ingestão ou se ela penetrar no corpo. Fixe sempre a tampa do compartimento da pilha. Se ela não for fechada seguramente, pare o dispositivo, remova a pilha e mantenha-a fora do alcance de crianças. Se achar que alguém engoliu a pilha ou se ela tiver de algum outro modo penetrado no corpo, procure imediatamente um médico.

INDICAÇÕES DE SEGURANÇA PARA FERRAMENTAS DE COMPRESSÃO

As ferramentas e os equipamentos de crimpagem devem ser utilizados apenas por pessoal treinado em aplicações eletrotécnicas.

Nunca crimpe materiais de ligação sob tensão.

Antes de cada utilização, verificar a ferramenta, as maxilas e os acessórios de compressão quanto a fissuras e outros sinais de desgaste.

Utilizar a ferramenta e os acessórios de compressão apenas num estado técnico perfeito.

A ferramenta de compressão apenas pode ser utilizada com acessórios de compressão colocados.

Durante a operação de pressão, não toque nas mandíbulas nem no parafuso de pressão.

Em caso de avarias durante o processo de compressão, soltar imediatamente o interruptor de ligação e premir o botão de desbloqueio do sistema hidráulico. A válvula abre e o êmbolo volta à posição inicial.

INDICAÇÕES DE SEGURANÇA PARA CORTA-CABOS

O corte e a separação de cabos e fios com a ajuda deste corta-cabos apenas podem ser realizados por pessoas devidamente instruídas. Para reduzir o risco de explosões, choque elétrico e danos materiais e no equipamento, nunca corte cabos elétricos energizados. O dispositivo NÃO está isolado.

Manter as mãos e vestuário solto afastados de ferramentas de corte e de outras peças móveis. Há um risco de lesões graves, incluindo corte dos membros.

Antes de iniciar o processo de corte, o acesso deve ser vedado de acordo com os regulamentos locais.

Corte apenas cabos que tenham sido desligados da alimentação elétrica!

Os cabos e os fios não podem estar sujeitos a forças mecânicas.

Para reduzir o risco de lesões, use óculos de segurança ou óculos com proteção lateral.

O incumprimento desta instrução pode causar lesões graves, morte, incêndio e outros danos materiais, como resultado de choque elétrico, explosões e/ou arcos elétricos.

Nunca segure o cortador de cabos pelas mandíbulas de corte.

Antes de utilizar, verifique sempre se as mandíbulas de corte apresentam fendas e outros sinais de desgaste.

O cortador de cabos apenas pode ser utilizado com uma ferramenta de corte inserida.

INDICAÇÕES DE SEGURANÇA PARA PRENSAS

Verificar as ferramentas de corte quanto a fissuras e outros sinais de desgaste antes de cada utilização. Utilizar ferramentas e aparelhos de corte apenas num estado técnico perfeito.

O aparelho apenas pode ser utilizado com uma ferramenta de corte colocada. Não utilizar em caixas de comutação sob tensão nem na sua proximidade. Trabalhar apenas em caixas de comutação sem tensão.

Verificar se a largura nominal da matriz corresponde à largura nominal do marcador.

Utilizar a ferramenta apenas com marcadores e matrizes permitidos para a força nominal máxima. Outros marcadores e matrizes podem causar ferimentos ou danos.

Manter as ferramentas de corte afiadas e limpas. Ferramentas de corte bem cuidadas com arestas de corte afiadas prendem menos e são mais fáceis de controlar.



UTILIZAÇÃO AUTORIZADA

Cabeças de acessórios e da ferramenta:

Utilização prevista: exclusivamente para acessórios de aço simples e cabeças de ferramenta, pressão nominal de 700 bar, deslocação de óleo máx. 1,35l

Ferramenta de compressão:

A ferramenta de compressão apenas pode ser utilizada para a compressão de materiais de conexão para os quais tenham sido previstos os acessórios de compressão correspondentes.

As peças sob tensão, ou seja, as peças condutoras de electricidade, devem ser desligadas no ambiente de trabalho do técnico, antes do início do trabalho.

Corta-cabos:

A ferramenta de corte de cabos é adequada para o corte de:

- cabos não reforçados, livres de tensão, feitos de cobre ou alumínio isolado. As ferramentas de corte dependem do tipo de cabo.

Saca-bocados hidráulico:

O saca-bocados hidráulico só pode ser usado para efetuar furos em materiais com os punções e matrizes fornecidos.



ATENÇÃO Ler todas as indicações de segurança, instruções, representações e dados fornecidos juntamente com o aparelho. O desrespeito das seguintes instruções pode levar a um choque eléctrico, incêndio e/ou graves lesões.

Guarde bem todas as advertências e instruções para futura referência.

INSTRUÇÕES GERAIS

Preparar o sistema hidráulico:

Sempre que ficar sem óleo, a ferramenta deve ser preparada.

Para preparar o sistema:

1. Remova o bloco da bateria.
2. Controlar o nível do óleo pelo visor e garantir que a ferramenta tem óleo suficiente.
3. Ligar o acoplador a uma cabeça de acessório que purgue o ar e o óleo em excesso.

NOTA: O acoplador deve estar virado para cima e a ferramenta tem de estar posicionada num nível inferior em relação à cabeça do acessório.

4. Introduza a bateria.
5. Premir o botão do modo de engaste.
6. Ligue a ferramenta.

NOTA: Pode demorar até 30 segundos antes que o ar e o óleo comecem a vazar.

7. Assim que o óleo começar a vazar, prima e mantenha premido o botão de desbloqueio manual durante dois segundos e, em seguida, liberte os dois botões.
8. Repita os passos 5-7 três ou quatro vezes.

NOTA: Enquanto prepara o sistema, certifique-se de que o nível do óleo não desce abaixo do nível do óleo no visor. Se necessário, reabasteça o reservatório.

Sangrar o acessório:

O ar dos acessórios deve ser purgado sempre que o acessório seja sujeito a manutenção, não seja utilizado durante um longo período de tempo ou seja ligado a um tubo que não esteja previamente abastecido com óleo.

Para obter mais instruções acerca da purga, consulte também as recomendações do fabricante do acessório.

Para purgar um acessório:

1. Remova o bloco da bateria.
2. Ligue o tubo do acessório ao acoplador.

NOTA: O acoplador deve estar virado para o lado e a ferramenta tem de estar posicionada num nível superior em relação ao tubo e à cabeça do acessório.

3. Introduza a bateria.
4. Premir o botão do modo de engaste.
5. Deixar a ferramenta a trabalhar até que o ciclo termine e o indicador de LED fique iluminado a verde.
6. Prima e mantenha premido o botão de desbloqueio manual durante dois segundos, e, em seguida, liberte os dois botões.
7. Repita os passos 4-6 três ou quatro vezes.

NOTA: Enquanto purga o sistema, certifique-se de que o nível do óleo não desce abaixo do nível do óleo no visor. Se necessário, reabasteça o reservatório.

DICAS DE TRABALHO PARA CRIMPAR

Utilizar apenas artigos de conexão normalizados em conformidade com as normas nacionais aplicáveis e os acessórios de compressão previstos para o efeito.

Consultar as instruções de processamento e de montagem para artigos de conexão na documentação do fabricante.

Verificar se a largura nominal do artigo de conexão corresponde à largura nominal do acessório de compressão.

Antes de começar a crimpagem, é necessário verificar a capacidade da bateria: no mínimo 33% (ver a descrição ilustrada). Poderá ser necessário carregar a bateria antes de começar o trabalho.

O acionamento do interruptor de controlo inicia o processo de pressão, que se caracteriza pelo movimento do parafuso do pino de pressão.

A verificação e a avaliação de uma compressão correta são responsabilidade do utilizador.

Conexões incorretas devem ser novamente comprimidas com um novo artigo de conexão.

O que fazer em caso de falhas

- Mantenha pressionado o botão de reset, até os mordentes se abrirem completamente
- Verifique a capacidade da bateria
- Verifique o cabo e o elemento de ligação, em conformidade com os dados técnicos.
- Caso se suspeite de que foi cortado um cabo energizado, a ferramenta de crimpagem terá de ser inspecionada numa oficina especializada autorizada

DICAS DE TRABALHO PARA CORTAR

Configuração da área de trabalho

Antes de iniciar o trabalho, é necessário assegurar que as linhas e os cabos se encontram livres de tensão e que continuarão pelo tempo de duração do trabalho.

Se não for possível assegurar sem qualquer dúvida que se desligou o cabo ou linha isolada, não se pode realizar nenhum trabalho.

Dever-se-ão respeitar obrigatoriamente as disposições de segurança e regulamentos locais.



Os cabos e os fios não podem estar sujeitos a forças mecânicas e devem estar protegidos contra eventuais movimentos incontrolados após o corte.

Não exponha as ferramentas à chuva. Não utilize as ferramentas em locais húmidos ou molhados.

Preparação do cortador de cabos e da bateria

Antes de cada utilização:

- Inspeccione o cortador de cabos quanto a defeitos externos
- Verifique se a ferramenta de corte apresenta fendas e outros sinais de desgaste

Utilize apenas se estiver em perfeitas condições!

Antes de começar o processo de corte, deve ser verificada a capacidade da bateria: no mínimo 33% (veja a descrição ilustrada). Poderá ser necessário carregar a bateria antes de começar o trabalho.

Preparação para o processo de corte

Apoie e fixe o cabo ou fio a ser cortado, a fim de se minimizar o risco de um movimento descontrolado.

Em particular, os cabos e linhas ao ar livre poderão ter um movimento incontrolável e causar ferimentos e/ou danos.

A cabeça de corte deve estar posicionada num ângulo de 90° em relação ao cabo ou fio, de modo que este se encontre livre de tensões nos mordentes de corte, a fim de se evitar forças de corte desfavoráveis.

⚠ ATENÇÃO: Para reduzir o risco de explosões, choque elétrico e danos materiais e no equipamento, nunca corte cabos elétricos energizados.

O dispositivo NÃO está isolado. O contacto com um circuito energizado poderia resultar em lesões graves ou morte. Desligue a energia elétrica antes de efetuar um corte. Nunca corte linhas de gás ou de água. Mantenha as mãos afastadas de todas as arestas de corte e peças em movimento. Pode ocorrer laceração e amputação.

Remova sempre o bloco da bateria, antes de mudar ou remover os acessórios. Utilize apenas acessórios especificamente recomendados para esta ferramenta. Outros podem ser perigosos.

Para reduzir o risco de lesões, use óculos de segurança ou óculos com proteção lateral.

⚠ ATENÇÃO: Para reduzir o risco de lesões, corte apenas os materiais recomendados para as lâminas. (Consulte as «Especificações») Não tente cortar outros materiais.

Corte

Antes de cortar, certifique-se de que as lâminas estão devidamente instaladas.

1. Coloque o cabo em ângulo reto nas lâminas do corta-cabos. Não tente fazer cortes em ângulo, pois danificam a peça de trabalho e as lâminas.
2. Puxe e segure o gatilho durante toda a operação. Quando o gatilho é puxado, acende-se um LED.
3. Assim que tiver efetuado o corte ou desativado a ferramenta, solte novamente o acionador e prima mecanismo de reinicialização, para que se abram os mordentes de corte.

NOTA: A peça de trabalho pode mover-se ligeiramente durante o corte.

O que fazer em caso de falhas

- O cabo pode estar cortado e encontrar-se sob tensão; informar sempre o responsável pela segurança, interromper o processo de corte, iniciar as medidas de segurança adequadas
- Certifique-se sempre de que o dispositivo está e permanecerá desligado da alimentação elétrica, antes de se aproximar e de tocar no dispositivo
- Pressione e mantenha pressionado o botão de reposição até que o cortador se abra completamente
- Verifique a capacidade da bateria
- Verifique o material e a respetiva espessura em comparação com os dados técnicos
- Caso se suspeite de que foi cortado um cabo energizado, o cortador de cabos deve ser inspecionado numa oficina especializada autorizada

Lâminas encravadas

A sujidade e os detritos podem fazer com que as lâminas fiquem encravadas após um corte

- Pressione e mantenha pressionado o gatilho de libertação para garantir que a ferramenta foi reposta.
- Remova o bloco da bateria.
- Siga a descrição das imagens para abrir os mordentes de corte
- Limpe toda a sujidade e detritos das lâminas antes de iniciar outro corte.

Dicas de corte

- Não tente fazer cortes em ângulo, pois danificam a peça de trabalho e as lâminas.
- Corte material limpo para prolongar a vida útil da lâmina. Limpe a sujidade e os detritos do material e das lâminas antes de começar o corte.

INSTRUÇÕES DE TRABALHO PARA EFETUAR FUROS

Verifique se o diâmetro nominal das matrizes é igual ao tamanho nominal do punção.

MANUTENÇÃO

Remova o bloco da bateria antes de iniciar qualquer trabalho de ajuste, limpeza e manutenção no dispositivo.

Nunca abra o dispositivo, a bateria amovível ou o carregador.

Verifique o dispositivo quanto a eventuais problemas, tais como ruído ou bloqueio de peças móveis que poderiam estar a afetar o dispositivo.

As ranhuras de ventilação do dispositivo devem ser mantidas sempre desobstruídas.

Para evitar lesões e danos, nunca mergulhe o dispositivo, a bateria amovível ou o carregador em líquidos nem permita que entrem líquidos no seu interior.

Posteriore trabalhos de manutenção e reparação só podem ser efetuados por oficinas de especialistas autorizados.

O aparelho contém óleo hidráulico que representa um perigo para o lençol freático. Uma evacuação descontrolada ou eliminação incorrecta é punível.

O momento para a realização da manutenção seguinte é indicado pelo LED no dispositivo.

Devolva a ferramenta, o conjunto da bateria e o carregador a uma unidade de manutenção da MILWAUKEE, a fim de serem reparados. No período posterior de seis meses a um ano, devolva a ferramenta, o conjunto da bateria e o carregador a uma unidade de manutenção da MILWAUKEE, a fim de serem inspecionados. Utilizar apenas acessórios Milwaukee e peças sobresselentes Milwaukee.



Os componentes cuja substituição não esteja descrita devem ser substituídos num serviço de assistência técnica Milwaukee (consultar a brochura relativa à garantia/moradas dos serviços de assistência técnica).

Se a ferramenta não arrancar ou não funcionar em potência máxima com uma bateria totalmente carregada, limpe os elementos de contacto da bateria. Se a ferramenta, ainda assim, continuar a não funcionar devidamente, devolva a ferramenta, o carregador e a bateria a uma unidade de manutenção da MILWAU-KEE, a fim de serem reparados.

Intervalos de manutenção

Para mais informações sobre a manutenção necessária, p. ex., mudança do fluido, consulte a aplicação ONE-KEY. Devolva a ferramenta a um serviço de assistência técnica da MILWAUKEE, para ser sujeita a reparação e manutenção.

NOTA: Pode ser necessário saber a semana e o ano de fabrico da ferramenta. Esta informação pode ser consultada no número de série que se encontra na chapa de características da ferramenta.

A pedido e mediante indicação da referência que consta da chapa de características da máquina, pode requerer-se um desenho explosivo da ferramenta eléctrica a: Techtronic Industries GmbH, Max-Eyth-Straße 10, 71364 Winnenden, Germany.

Para um envio seguro, recomendamos que a bomba hidráulica seja embalada num saco plástico selado e resistente a óleo, dentro da embalagem original.

ONE-KEY™

Para saber mais sobre a funcionalidade ONE-KEY deste dispositivo, consulte o guia de iniciação rápida fornecido com este produto ou vá a <http://www.milwaukeeetool.com/one-key>

Pode-se descarregar a app ONE-KEY para o smartphone através da App Store ou do Google Play.

O resultado do teste satisfaz as nossas exigências mínimas nos termos das normas EN 301489-1 / EN 301489-17. Forneceremos ao cliente a orientação de operação contida no manual do utilizador.

ACUMULADOR

Acumuladores não utilizados durante algum tempo devem ser recarregados antes da sua utilização. Temperaturas acima de 50°C reduzem a capacidade do bloco acumulador. Evitar exposição prolongada ao sol ou a caloríferos.

Manter limpos os contactos eléctricos no carregador e no bloco acumulador.

Para uma vida útil óptima das baterias, terá que carregá-las plenamente após a sua utilização.

Para assegurar uma vida útil longa, o pacote de bateria deve ser removido da carregadora depois do carregamento.

Se o pacote de bateria for armazenado por mais de 30 dias: Armazene o pacote de bateria com aprox. 27°C em um lugar seco. Armazene o pacote de bateria com aprox. 30%-50% da carga completa. Carregue o pacote de bateria novamente de 6 em 6 meses.

Não queimar acumuladores gastos nem deitá-los no lixo doméstico. A Milwaukee possui uma eliminação de acumuladores gastos que respeita o meio ambiente.

Não guardar acumuladores junto com objectos metálicos (perigo de curto-circuito).

Em caso de cargas ou temperaturas extremas, um acumulador de substituição danificado poderá verter líquido de bateria. Se entrar em contacto com este líquido, deverá lavar-se imediatamente com água e sabão. Em caso de contacto com os olhos, enxágue-os bem e de imediato durante pelo menos 10 minutos e consulte um médico o mais depressa possível.

Não abrir acumuladores e carregadores. Armazená-los em recintos secos. Protegê-los contra humidade.

TRANSPORTE DE BATERIAS DE IÃO-LÍTIO

Baterias de ião-lítio estão sujeitas às disposições da legislação relativa às substâncias perigosas.

O transporte destas baterias deve ser efetuado de acordo com as disposições e os regulamentos locais, nacionais e internacionais.

O utilizador pode efetuar o transporte rodoviário destas baterias sem restrições.

O transporte comercial de baterias de ião-lítio por terceiros está sujeito aos regulamentos relativos às substâncias perigosas. A preparação do transporte e o transporte devem ser executados exclusivamente por pessoas instruídas e o processo deve ser acompanhado pelos especialistas correspondentes.

Observe o seguinte no transporte de baterias:

Assegure-se de que os contatos terminais estejam protegidos e isolados para evitar um curto-circuito. Assegure-se de que o bloco da bateria esteja protegido contra movimentos na embalagem. Não transporte baterias danificadas ou que tenham fuga. Para instruções mais detalhadas consulte a companhia de transportes

DECLARAÇÃO DE CONFORMIDADE CE

Declaramos, sob a nossa inteira responsabilidade, que o produto descrito em «Dados Técnicos» cumpre todas as disposições relevantes das diretivas

2011/65/UE (RoHS)

2000/14/CE

2006/42/CE

2014/53/UE

tendo sido seguidas as seguintes normas harmonizadas

EN 62841-1:2015

EN 62479:2010

EN 55014-1:2017

EN 55014-2:2015

EN 301 489-1 V2.1.1 (2017-02)

EN 301 489-17 V3.1.1 (2017-02)

EN 300 328 V2.1.1 (2016-11)

EN IEC 63000:2018

Nível de potência acústica medido 87,2 dB(A)

Nível de potência acústica garantido 89,0 dB(A)

Incerteza K= 1,5 dB(A)

Procedimento de avaliação da conformidade de acordo com a diretiva 2000/14/CE, no Anexo V

Ponto designado:

DEKRA Certification B.V. (0344)

Meander 1051/P.O.Box 5185

6825 MS ARNHEIM/6802 ED ARNHEIM

Netherlands



Winnenden,

Alexander Krug / Managing Director

Autorizado a reunir a documentação técnica.

Techtronic Industries GmbH

Max-Eyth-Straße 10, 71364 Winnenden, Germany

SYMBÓLE



Leia atentamente o manual de instruções antes de colocar a máquina em funcionamento.



Use óculos de proteção.



Este dispositivo contém uma pilha de célula de lítio tipo botão/moeda.



ATENÇÃO! PERIGO!



Antes de efectuar qualquer intervenção o aparelho retirar o bloco acumulador.



Perigo de choque eléctrico



ATENÇÃO!

Existe perigo de ferimentos devido a estilhaços de corte



ATENÇÃO! Ferimentos nas mãos



O nível de potência sonora garantido exibido nesta etiqueta é 89 dB



Aparelhos eléctricos, baterias/acumuladores não devem ser jogados no lixo doméstico. Os aparelhos eléctricos e as baterias devem ser colectados separadamente e entregues a uma empresa de reciclagem para a eliminação correcta. Solicite informações sobre empresas de reciclagem e postos de colecta de lixo das autoridades locais ou do seu vendedor autorizado.

V

Tensão



Corrente contínua



Marca de Conformidade Europeia



Marca de Conformidade Ucrainiana



Marca de Conformidade Eurasiática



TECHNISCHE GEGEVENS Hydraulische pomp	M18 HUP700
Productienummer	4745 35 01... ... 000001-999999
Bluetooth-frequentieband (frequentiebanden)	2402-2480 MHz
Hoogfrequent vermogen	1,8 dBm
Bluetooth-versie	4.0 BT signal mode
Spanning wisselakku	18 V
Nominale drukkracht	700 bar
Beschermingsklasse	IP54
Maximale kantelhoek	34°
Nominaal debiet	
Lage druk	2,0 l/min
Hoge druk	0,4 l/min
Totaal olievolume	1,6 l
Verbruikbaar olievolume	1,3 l
Gewicht volgens de EPTA-procedure 01/2014 (Li-Ion 8,0 Ah...12,0 Ah)	16,0..., 16,5 kg
Aanbevolen omgevingstemperatuur voor het bedrijf	-18°C ... +50°C
Aanbevolen accupacks	M18B9 M18HB8 ..., M18HB12
Aanbevolen laadtoestellen	M12-18..., M1418 C6
Geluidsinformatie	
Meetwaarden vastgesteld volgens EN 62841. Het kenmerkende A-gewogen geluidsniveau van de machine bedraagt:	
Geluidsdrukniveau (Onzekerheid K=3dB(A))	77,7 dB (A)
Geluidsvermogniveau (Onzekerheid K=3dB(A))	88,7 dB (A)

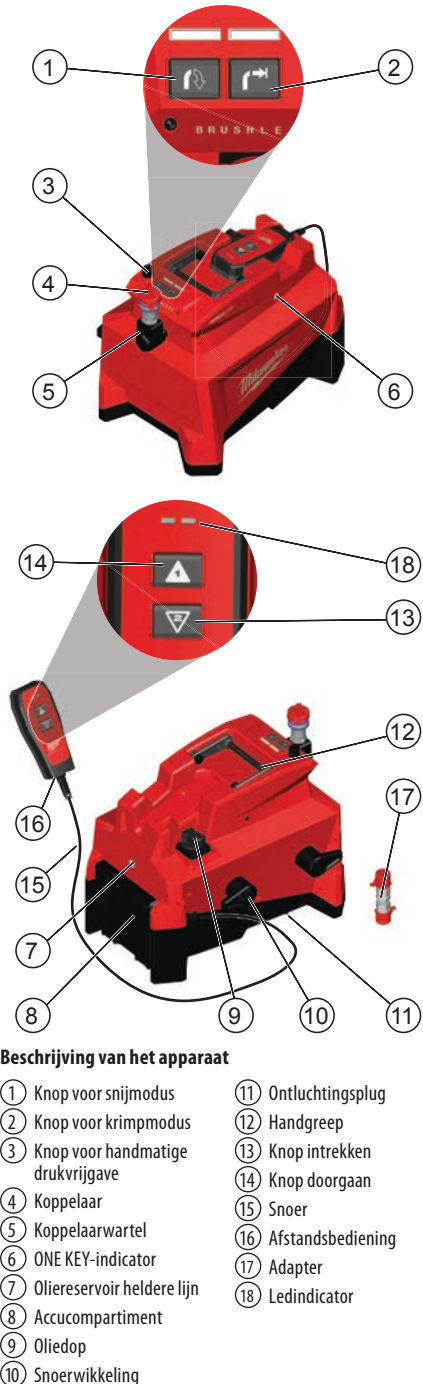


WAARSCHUWING

De in dit gegevensblad vermelde geluidsemisiewaarde is gemeten volgens een in EN 62841 gernormeerde testprocedure en kan worden gebruikt voor de onderlinge vergelijking van gereedschappen. Hij is ook geschikt voor een eerste beoordeling van de belasting. De aangegeven geluidsemisiewaarde geldt voor de belangrijkste toepassingen van het gereedschap. Als het gereedschap echter voor andere toepassingen of met ander toebehoren wordt gebruikt of onvoldoende wordt onderhouden, kan de geluidsemisiewaarde variëren. Hierdoor kan de belasting over de gehele werkperiode aanzienlijk stijgen.

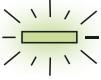
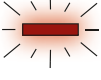
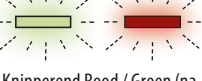
Voor een nauwkeurige inschatting van de geluidsbelasting moet tevens rekening worden gehouden met de tijdstippen waarop het apparaat uitgeschakeld is of weliswaar loopt, maar niet daadwerkelijk in gebruik is. Hierdoor kan de belasting over de gehele werkperiode aanzienlijk dalen.

Bepaal aanvullende veiligheidsmaatregelen om de gebruiker te beschermen tegen de inwerking van lawaai, zoals onderhoud van het gereedschap en het toebehoren en de organisatie van werkprocessen.



Beschrijving van het apparaat

- | | |
|-------------------------------------|---------------------|
| ① Knop voor snijmodus | ⑪ Ontluchtungsplug |
| ② Knop voor krimpmodus | ⑫ Handgreep |
| ③ Knop voor handmatige drukvrijgave | ⑬ Knop intrekken |
| ④ Koppelaar | ⑭ Knop doorgaan |
| ⑤ Koppelaarwartel | ⑮ Snoer |
| ⑥ ONE KEY-indicator | ⑯ Afstandsbediening |
| ⑦ Oliereservoir heldere lijn | ⑰ Adapter |
| ⑧ Accucompartiment | ⑱ Ledindicator |
| ⑨ Oliedop | |
| ⑩ Snoerwikkeling | |

Ledindicator	Definitie
 Continu Groen	Gereedschap heeft de taak afgerond en de volledige krimpdruk is bereikt.
 Continu Rood	Gereedschap heeft de taak afgerond en de volledige krimpdruk is NIET bereikt.
 Knipperend Rood / Groen (na Continu Groen of Continu Rood)	Gereedschap heeft een onderhoudsinterval bereikt (20000 krimpen). Nadat de indicator voor bediening continu rood of groen heeft gebrand, knippert het licht rood/groen. MILWAUKEE raadt aan het gereedschap te controleren en preventief onderhoud uit te voeren.

OPMERKING: Als het indicatorlampje rood brandt, moeten de oliepeilen worden gecontroleerd en moet worden gekeken of er geen lekkage in de hulpstukken is. Controleer of alle aansluitingen goed vastzitten en of de hulpstukken geschikt zijn voor de taak. Bedien nogmaals. Als het probleem blijft aanhouden, moet het gereedschap naar een MILWAUKEE-servicepunt worden gebracht.

⚠ WAARSCHUWING Lees en bekijk alle veiligheidsaanwijzingen, aanwijzingen, afbeeldingen en gegevens die u bij het apparaat ontvangt. Als u de volgende aanwijzingen niet in acht neemt, kunt u een elektrische schok, brand en/of ernstig letsel het gevolg zijn.

Bewaar alle waarschuwingen en voorschriften voor toekomstig gebruik.

⚠ VEILIGHEIDSADVIEZEN

Door Techtronic Industries GmbH vervaardigde hydraulische pompen zijn ontwikkeld voor gebruik met krimp-, snij- en stampkoppen. In overeenstemming met dit specifieke gebruiksdoel zijn ze niet uitgerust met een olieterugsagsysteem.

Om deze reden kan gebruik in toepassingen die afwijken van het beoogde gebruik (bijvoorbeeld met hydraulische krikken, hefsystemen e.d.) gevaarlijk zijn en leiden tot ernstig letsel bij de bediener. Techtronic Industries GmbH is niet aansprakelijk voor het gebruik van de hydraulische pompen voor andere toepassingen dan krimpen, snijden en stampen.

Zorg ervoor dat er geen druk wordt opgebouwd als de pomp niet is aangesloten op de flexibele slang en de kop, omdat dit de pompsnelkoppelaar kan beschadigen met olie lekkage als gevolg.

Flexibele hogedrukslangen zijn onderhevig aan een natuurlijk verouderingsproces dat kan leiden tot prestatieverlies, wat de veiligheid van de bediener in gevaar kan brengen. Als gevolg daarvan is de levensduur beperkt. Om veilig gebruik van de producten te waarborgen, adviseert Techtronic Industries GmbH om hydraulische slangen regelmatig te vervangen conform de aanwijzingen van de fabrikant, zelfs als er geen zichtbare schade is.

Houd de pomp en flexibele slang uit de buurt van open vuur en warmtebronnen boven 70°C.

Controleer voor gebruik van de pomp altijd de onberispelijke toestand van de flexibele slang en snelkoppelaars en kijk of er geen afgeschaafde plekken, insnijdingen, vervormingen of opbollingen zijn.

De in de fabriek aangebrachte beschermingen moeten aan het einde van elke flexibele slang zitten. Raak de flexibele slang niet aan als deze onder druk staat.

Bij gebruik van de pomp moet de flexibele slang zijn afgewikkeld en recht zijn gelegd. Voor het loskoppelen van de flexibele slang moet worden gecontroleerd of de pluinjer van de kop volledig is ingetrokken, zodat er voldoende olie is voor aansluitende handelingen.

De pomp is niet geschikt voor continu gebruik en moet afkoelen na ononderbroken, opeenvolgende krimpwerkzaamheden; wacht bijvoorbeeld enkele minuten als u in een sessie een lege accu moet vervangen die volledig was opgeladen.

Bescherm de pomp, accu en lader tegen regen en vocht. Water zal de pomp beschadigen. Elektrisch-hydraulische gereedschappen mogen niet in de stromende regen worden gebruikt.

De gebruiker van dit gereedschap moet zijn geïnstrueerd over de specifieke gevaren met betrekking tot het gebruik van dit gereedschap en in de essentiële veiligheidsmaatregelen voordat hij of zij hiermee aan het werk gaat. Vervolgens moet deze instructie ten minste jaarlijks worden herhaald.

Het bedrijf dat het gebruikt moet:

- zorgen dat de bedieningshandleiding beschikbaar is voor de operator en
- zorgen dat de operator deze heeft gelezen en begrepen.

Draag veiligheidsuitrusting. Bij werkzaamheden met de machine dient u altijd een veiligheidsbril te dragen. Veiligheidskleding zoals stofmasker, veiligheidshandschoenen, stevig en slipvast schoeisel, helm en gehoorbescherming worden aanbevolen.

- **Inspecteer de pomp, slangen, koppelaars en aansluitingen op slijtage of schade. Vervang versleten, beschadigde of ontbrekende onderdelen door reserveonderdelen van de fabrikant.** Versleten of beschadigde onderdelen kunnen het bevegen, met letsel tot gevolg. Het niet in acht nemen van deze waarschuwing kan leiden tot ernstig of dodelijk letsel.
- **Zorg er voor gebruik voor dat de pomp in de gewenste bedieningsmodus is.**
- **Gebruik niet uw handen om op lekkage te controleren.** Hogedrukolie kan gemakkelijk in de huid dringen en ernstig letsel, gangreen of dodelijk letsel veroorzaken. Schakel bij letsel onmiddellijk medische hulp in om olie te verwijderen.
- Zorg ervoor dat de pomp onder de maximale kantelhoek zit.
- Controleer het oliepeil en pas dit indien nog aan. Een laag oliepeil kan leiden tot letsel of materiële schade. Gebruik voor optimale prestaties altijd MILWAUKEE Force Logic™ Hydraulic Oil (4932 4720 04) om het reservoir bij te vullen.
- **Maak het hydraulische systeem drukloos voor onderhoud door de slang of andere hydraulische aansluitementen te koppelen of te ontkoppelen: druk vooraf altijd op de knop voor handmatige vrijgave.**
- **Draag oogbescherming als u dit gereedschap gebruikt of onderhoud.** Als u geen oogbescherming draagt is er een risico van ernstig oogletsel door rondvliegende resten of hydraulische olie.
- **Gebruik alleen enkelvoudig werkende slangen en hulpstukken die 10.000 psi (700 bar) of hoger geïndiceerd zijn.**



- **Gebruik voor optimale prestaties slangen die vooraf met olie zijn gevuld.** Als de slangen niet vooraf zijn gevuld, moet het systeem voor gebruik worden ontlucht.
- **Gebruik de pomp nooit zonder slang of hulpstuk.**
- **Gebruik voor optimale prestaties altijd MILWAUKEE Force Logic™ Hydraulische Oil (4932 4720 04) om het reservoir bij te vullen.**
- **Gebruik voor optimale werking een M18™ REDLITHIUM™ 8.0 Ah accu of hoger.**
- **Neem de handleiding van de fabrikant van het toebehoren in acht.** Ander gebruik kan het gereedschap, het toebehoren en het werkstuk beschadigen.
- **Ontlucht het systeem indien nodig.**

Houd nooit vingers of andere lichaamsdelen in het werkgebied van de cilinder of de bekken.

Verwijder de accu voordat u de instellingen van het apparaat aanpast, het apparaat schoonmaakt of onderhoud pleegt.

Gebruik gereedschappen, accupacks en opladers uitsluitend als deze in technische perfecte staat zijn.

Laat beschadigingen onmiddellijk verhelpen in een geautoriseerde werkplaats.

Voorom dat het apparaat onbedoeld in werking treedt om schade te voorkomen.

Verwijder alle afstelgereedschappen en sleutels voordat u met het gereedschap gaat werken.

Het is verboden om delen die onder elektrische spanning staan te bewerken. Het gereedschap is NIET geïsoleerd.

Houd handen en losse kleding uit de buurt van snijwerktuigen en andere bewegende delen.

Laat bij storingen tijdens het persen onmiddellijk de AAN-schakelaar los en druk op de ontgrendelingsknop van de hydrauliek. De klep opent en de zuiger stuurt terug naar zijn uitgangspositie.

WAARSCHUWING! Dompel het gereedschap, accupacks of opladers nooit onder in een vloeistof en voorkom dat vloeistof erin binnendringt om de kans op brand, persoonlijk letsel en schade aan het product door kortsluiting ontstaat. Bijtende of geleidende vloeistoffen, zoals zeewater, bepaalde industriële chemicaliën en bleekmiddel of producten die bleekmiddel bevatten enzovoort, kunnen kortsluiting veroorzaken.

Houd u strikt aan de onderhouds- en instandhoudingsinstructies.

Wisselakku's en laadapparaten niet openen en alleen in droge ruimtes opslaan. Tegen vocht beschermen.

Wisselakku's van het Akku-Systeem M18 alléén met laadapparaten van het Akku-Systeem M18 laden. Geen akku's van andere systemen laden.

Om verwondingen te voorkomen mag u het gereedschap, de verwijderbare accu of de lader nooit in een vloeistof dopen of vloeistof in deze apparaten laten doordringen.

WAARSCHUWING



Dit apparaat heeft een type knoopcel-lithiumbatterij. Een nieuwe of gebruikte batterij kan leiden tot ernstige interne verbrandingen en tot de dood in minder dan twee uur indien ingeslikt of in het lichaam geplaatst. Zet de deksel van het batterijvak altijd goed vast. Als het niet goed sluit, het apparaat stoppen, de batterij verwijderen en buiten bereik van kinderen houden. Als u denkt dat iemand een batterij heeft ingeslikt of op een andere manier in het lichaam heeft geplaatst, direct een arts raadplegen.



VEILIGHEIDSAANWIJZINGEN VOOR PERSGEREEDSCHAPPEN

Krimpgereedschap en -apparatuur mag alleen door personeel worden gebruikt dat geschoold is in elektrotechnische applicaties. Nooit verbindingsmaterialen onder spanning krimpen.

Controleer het perswerktuig, de bekken en inzetstukken vóór elk gebruik op scheuren en andere tekenen van slijtage.

Gebruik persgereedschap en persinzetstukken alleen in technisch onberispelijke toestand.

Het persapparaat mag alleen met aangebrachte persinzetstukken worden gebruikt.

Raak de persbekken en de persbout tijdens het persen niet aan.

Laat bij storingen tijdens het persen onmiddellijk de AAN-schakelaar los en druk op de ontgrendelingsknop van de hydrauliek. De klep opent en de zuiger stuurt terug naar zijn uitgangspositie.



VEILIGHEIDSAANWIJZINGEN VOOR KABELSNIJDERS

Het snijden of scheiden van kabels met behulp van deze draadsnijder mag alleen door een gediplomeerd elektrotechnicus gebeuren.

Om het risico op explosies, elektrische schokken en schade aan eigendommen en apparatuur te beperken, is het raadzaam om nooit onder spanning staande elektrische kabels door te knippen. Het gereedschap is NIET geïsoleerd.

Houd handen en losse kleding uit de buurt van snijwerktuigen en andere bewegende delen. Er bestaat een kans op ernstig letsel, waaronder het afsnijden van ledematen.

Voor dat het knipproces begint, moet de locatie zijn afgezet in overeenstemming met de lokale regelgeving.

Knip alleen kabels door die zijn losgekoppeld van de stroomtoevoer!

Kabels mogen niet aan mechanische krachten worden blootgesteld.

Om het risico op verwondingen te beperken is het raadzaam om een veiligheidsbril te dragen met zicscherm.

Wanneer u niet handelt in overeenstemming met deze instructies, kan dit leiden tot zwaar letsel, dood, brand of andere schade aan eigendommen en resulteren in elektrische schokken, explosies en/of vlammbogen.

Houd de kabelknipper nooit vast aan de snijklaauwen.

Controleer voor gebruik altijd of de snijklaauwen scheuren vertonen of andere tekenen van slijtage.

De kabelknipper mag uitsluitend worden gebruikt als het knipgereedschap er is ingestoken.



VEILIGHEIDSAANWIJZINGEN VOOR STANSEN

Controleer het snijgereedschap voor elk gebruik op scheuren en andere tekenen van slijtage. Gebruik snijgereedschap en snijapparaten alleen in technisch onberispelijke toestand.

Het apparaat mag alleen met aangebracht snijgereedschap worden gebruikt. Gebruik het apparaat niet in of in de buurt van onder spanning staande schakelkasten. Werk alleen in spanningsvrij geschakelde schakelkasten.

Controleer of de nominale breedte van de matrijs overeenkomt met de nominale breedte van de stempel.

Gebruik het werktuig alleen met stempels en matrijzen die zijn toegelaten voor de maximale nominale kracht, anders kan letsel of schade het gevolg zijn.

Houd de snijgereedschappen scherp en schoon. Goed onderhouden snijgereedschappen met scherpe snijkanten raken minder vastgeklemd en kunnen gemakkelijker worden gecontroleerd.

VOORGESCHREVEN GEBRUIK VAN HET SYSTEEM

Toebehoren- en gereedschapkoppen:

Beoogd gebruik: alleen voor enkelvoudig werkende toebehoren- en gereedschapkoppen, nominale druk 700 bar; max. olieverplaatting 1,35l

Persgereedschap:

Het perswerktuig mag uitsluitend worden gebruikt voor het persen van verbindingsmaterialen die zijn bedoeld voor de betreffende persinzetstukken.

Alle onderdelen onder spanning, d.w.z. delen die elektriciteit geleiden, moeten worden afgesloten in het werkgedeelte van de monteur vóór met de werkzaamheden wordt begonnen.

Draadsnijders:

De kabelknipper is geschikt om de volgende materialen te knippen:

- spanningsvrije gewapende en niet-gewapende kabels van geïsoleerd koper of aluminium, snijwerktuigen afhankelijk van het kabeltype

Uitdrijfgereedschap:

Het uitdrijfgereedschap mag alleen worden gebruikt voor ponsen in materialen met de voorziene stempels en matrijzen.



WAARSCHUWING Lees en bekijk alle veiligheidsaanwijzingen, aanwijzingen, afbeeldingen en gegevens die u bij het apparaat ontvangt. Als u de volgende aanwijzingen niet in acht neemt, kunnen een elektrische schok, brand en/of ernstig letsel het gevolg zijn.

Bewaar alle waarschuwingen en voorschriften voor toekomstig gebruik.

ALGEMENE AANWIJZINGEN

Hydraulisch systeem vullen:

Het gereedschap moet altijd worden gevuld als er geen olie meer is.

Systeem vullen:

1. Verwijder de accu.
2. Inspecteer de oliezichtlijn en controleer of het gereedschap voldoende olie heeft.
3. Sluit de koppelaar aan op een toebehorenkop die de lucht en overtollige olie overhevelt.

OPMERKING: De koppelaar moet rechtop worden gericht en het gereedschap moet lager dan de toebehorenkop worden geplaatst.

4. Plaats de accu.
5. Druk op de knop voor krimpmodus.
6. Laat het gereedschap draaien.

OPMERKING: Het kan tot 30 seconden duren voordat lucht en olie naar buiten komen.

7. Als de olie naar buiten komt, moet de knop voor handmatige vrijgave twee seconden worden ingedrukt en vervolgens moeten beide knoppen worden losgelaten.
8. Herhaal stappen 5-7 drie tot vier keer.

OPMERKING: Tijdens het vullen van het systeem moet ervoor worden gezorgd dat olie niet onder de oliezichtlijn komt. Vul het reservoir indien nodig opnieuw bij.

Toebehoren ontluften:

Toebehoren moeten altijd worden ontluft als een toebehoren is onderhouden, lange tijd niet is gebruikt of is aangesloten op een slang die niet vooraf met olie is gevuld.

Raadpleeg ook de aanbevelingen van de fabrikant van het toebehoren voor verdere ontluftingsaanwijzingen.

Een toebehoren ontluften:

1. Verwijder de accu.
2. Sluit de slang van het toebehoren aan op de koppelaar.

OPMERKING: De koppelaar moet naar de zijkant worden gericht en het gereedschap moet hoger dan de slang en kop van het toebehoren worden geplaatst.

3. Plaats de accu.
4. Druk op de knop voor krimpmodus.
5. Laat het gereedschap draaien tot de cyclus is voltooid en het led-indicatorlampje groen brandt.
6. Houd de knop voor handmatige vrijgave twee seconden ingedrukt en laat beide knoppen vervolgens los.
7. Herhaal stappen 4-6 drie tot vier keer.

OPMERKING: Tijdens het ontluften van het toebehoren moet ervoor worden gezorgd dat het oliepeil niet onder de oliezichtlijn komt. Vul het reservoir indien nodig opnieuw bij.

ARBEIDSinSTRUCTIES VOOR KRIMPEN

Gebruik alleen genormeerde verbindingsmaterialen die voldoen aan de nationaal geldende standaarden en de daarvoor bedoelde persinzetstukken.

U vindt de verwerkings- en montageaanwijzingen voor verbindingsmaterialen in de documentatie van de fabrikant.

Controleer of de nominale diameter van het verbindingsmateriaal overeenkomt met de nominale breedte van het persinzetstuk.

Voordat het krimproces begint, moet de accucapaciteit worden gecontroleerd: minimaal 33% (zie geïllustreerde beschrijving). Mogelijk moet deze worden opgeladen voordat de werkzaamheden beginnen.

Het activeren van de bedieningsschakelaar start het persproces, dat is te zien aan de beweging van de persbout.

De gebruiker is er verantwoordelijk voor de persing te controleren en te beoordelen of deze correct is uitgevoerd.

Niet goed uitgevoerde verbindingen moeten nogmaals worden geparst met nieuw verbindingsmateriaal.

Handelingen bij storingen

- Houd de resetschakelaar ingedrukt tot de klauwen volledig open zijn
- controleer de accucapaciteit
- Controleer de kabel en het aansluitmateriaal aan de hand van de technische gegevens.
- Indien u mogelijk een onder spanning staande kabel hebt ingedrukt, moet het krimgereedschap worden gecontroleerd in een goedgekeurde specialistische werkplaats

ARBEIDSinSTRUCTIES VOOR KNIPPEN

Indeling van het werkgebied

Voor begin van de werkzaamheden moeten de leidingen en kabels spanningsloos worden gemaakt en er moet worden gezorgd dat ze voor de duur van de werkzaamheden spanningsloos blijven.



Als niet absoluut kan worden gegarandeerd dat de kabel of geïsoleerde leiding is losgekoppeld, mogen er geen werkzaamheden worden uitgevoerd.

Lokale veiligheidsvoorschriften en -regels moeten altijd worden nageleefd.

Kabels mogen niet aan mechanische krachten worden blootgesteld en moeten eventueel worden beveiligd tegen ongecontroleerde bewegingen na het snijden.

Stel het apparaat niet aan regen bloot en gebruik dit niet in een vochtige of natte omgeving.

Vorbereidingen voor de kabelknipper en accu

Voorafgaand aan ieder gebruik:

- Inspecteer de kabelknipper op externe defecten
- Controleer het knipgereedschap op scheuren en andere tekenen van slijtage

Alleen gebruiken in perfecte conditie!

Voordat het knipproces begint, moet de accucapaciteit worden gecontroleerd: minimaal 33% (zie geïllustreerde beschrijving). Mogelijk moet deze worden opgeladen voordat de werkzaamheden beginnen.

Vorbereidingen voor het knipproces

Maak de te snijden kabel vast en ondersteun deze om zo het risico op ongecontroleerde bewegingen te minimaliseren.

Met name bovengrondse leidingen en kabels kunnen ongecontroleerde bewegingen maken en daardoor letsel en/of schade toebrengen.

De snijkop moet in een hoek van 90° op de kabel staan, zodat deze zonder spanning in de geopende snijbek ligt en ongunstige afschuifkrachten worden vermeden.

⚠ WAARSCHUWING: Om het risico op explosies, elektrische schokken en schade aan eigendommen en apparatuur te beperken, is het raadzaam om nooit onder spanning staande elektrische kabels door te knippen. Het gereedschap is NIET geïsoleerd. Contact met een stroomcircuit onder spanning kan resulteren in zwaar letsel of de dood. Schakel de stroom uit voordat u begint met knippen. Knip nooit gas- of waterleidingen door. Houd de handen uit de buurt van alle snijdende oppervlakken en bewegende delen. Anders is er kans op ernstig letsel en zelfs verlies van ledematen.

Verwijder altijd de accu voordat u accessoires vervangt of verwijdert. Gebruik alleen accessoires die specifiek worden aanbevolen voor dit gereedschap. Andere accessoires kunnen een gevaar opleveren.

Om het risico op verwondingen te beperken is het raadzaam om een veiligheidsbril te dragen met zijschermen.

⚠ WAARSCHUWING: Om het risico op verwondingen te beperken, mag u alleen materialen knippen die geschikt zijn voor de bladen. (zie "Specificaties") Probeer geen andere materialen te knippen.

Knippen

Controleer voor het knippen of de bladen correct geïnstalleerd zijn.

1. Voer de kabel loodrecht in de snijder van de draadsnijder. Probeer geen diagonale knip uit te voeren. Dit beschadigt het werkstuk en de bladen.
2. Duw de hendel in en houd deze vast gedurende de gehele operatie. Er licht een ledlampje op wanneer de hendel wordt ingedrukt.

3. Na het snijden of als het gereedschap uitschakelt, de ontgrensdeling weer loslaten en de resetknop indrukken zodat de snijbek open.

OPMERKING: Het werkstuk kan enigszins bewegen tijdens het knippen.

Handelingen bij storingen

- de kabel kan aangesneden zijn en onder spanning staan, altijd de veiligheidsfunctionaris informeren, het snijproces afbreken, passende veiligheidsmaatregelen inzetten
- Zorg er altijd voor dat het apparaat losgekoppeld is en blijft van de stroomtoevoer voordat u in de buurt komt en het apparaat aanraakt
- druk de resetknop in en houd deze ingedrukt tot de snijklaauwen volledig openen
- controleer de accucapaciteit
- controleer het materiaal en de dikte van het materiaal en vergelijk het met de gegevens op het technische gegevensblad
- Indien u mogelijk een onder spanning staande kabel hebt doorgesneden, moet de kabelknipper worden gecontroleerd in een goedgekeurde specialistische werkplaats

Geblokkeerde bladen

Vuil en rommel kunnen er voor zorgen dat de bladen geblokkeerd raken na het knippen

- Druk de loskoppelhendel in en houd deze ingedrukt om te zorgen dat het gereedschap gereset is.
- Verwijder de accu.
- Volg de beeldbeschrijving voor het openen van de snijbek
- Verwijder alle vuil en rommel van de bladen voordat u aan een nieuwe knip begint.

Tips voor het knippen

- Probeer geen diagonale knip uit te voeren. Dit beschadigt het werkstuk en de bladen.
- Zorg dat de te knippen materialen schoon zijn voor een langere levensduur van de bladen. Veeg vuil en rommel van het materiaal en de bladen voordat u begint met knippen.

WERKAANWIJZING VOOR PONSEN

Controleer of de nominale diameter van de matrix gelijk is aan de nominale grootte van de stempel.

ONDERHOUD

Verwijder de accu voordat u de instellingen van het apparaat aanpast, het apparaat schoonmaakt of onderhoud pleegt.

Open nooit het gereedschap, de accupack of de oplader.

Controleer het gereedschap op eventuele problemen, zoals geluid of vastlopen van bewegende delen, die de werking van het gereedschap kunnen beïnvloeden.

De ventilatiesleuven van het gereedschap moeten altijd vrij zijn.

Dompel het gereedschap, de accupack of de oplader nooit onder in een vloeistof doppen en voorkom dat vloeistof erin binnendringt om persoonlijk letsel of schade te voorkomen.

Ander onderhoud en reparaties mogen uitsluitend worden uitgevoerd door geautoriseerde werkplaatsen.

Het apparaat bevat hydrauliekolie die een bedreiging vormt voor het grondwater. Ongecontroleerd afblazen of incorrecte afvalverwijdering kan worden bestraft.

De volgende onderhoudstermijn wordt gemeld door de led op het gereedschap.

Breng het gereedschap, het accupack en de lader naar een MILWAUKEE-servicepunt voor reparatie. Breng het gereedschap, het accupack en de lader na zes maanden tot een jaar naar een MILWAUKEE-servicepunt voor inspectie. Gebruik uitsluitend Milwaukee toebehoren en onderdelen. Indien componenten die moeten worden vervangen niet zijn beschreven, neem dan contact op met een officieel Milwaukee servicecentrum (zie onze lijst met servicecentra).

Reinig de elektrische contacten op het accupack wanneer het gereedschap niet start of op vol vermogen werkt. Als het gereedschap daarna nog steeds niet goed werkt biedt u het gereedschap, de lader en het accupack bij een MILWAUKEE-servicecentrum ter reparatie aan.

Onderhoudsinterval

Raadpleeg de ONE-KEY-app voor informatie over noodzakelijk onderhoud, zoals vloeistofvervanging. Breng het gereedschap voor alle reparaties en onderhoudswerkzaamheden naar een MILWAUKEE-servicepunt.

OPMERKING: De week en het jaar van vervaardiging van het gereedschap kunnen nodig zijn. Deze informatie staat in het serienummer op het typeplaatje.

Onder vermelding van het nummer op het machineplaatje is desgewenst een doorsnedetekening van de machine verkrijgbaar bij: Technic Industries GmbH, Max-Eyth-Strasse 10, 71364 Winnenden, Germany.

Voor veilige verzending adviseren wij dat de hydraulische pomp in een afgesloten, olieresistente plastic zak wordt verpakt en dat de originele verpakking wordt gebruikt.

ONE-KEY™

Meer informatie over de ONE-KEY™-functionaliteit van dit gereedschap vindt u in de Quick Start-handleiding die bij dit product is meegeleverd of op <http://www.milwaukeeetool.com/one-key>

Van de App Store of Google Play kunt u de ONE-KEY app downloaden naar uw smartphone.

Het testresultaat voldoet aan onze minimumvereisten conform EN 301489-1 / EN 301489-17. Daarnaast geven wij de klanten in deze gebruikshandleiding informatie over het gebruik.

AKKU

Langere tijd niet toegepaste wisselakku's vóór gebruik altijd naladen. Een temperatuur boven de 50°C vermindert de capaciteit van de accu. Langdurige verwarming door zon of hitte vermijden. De aansluitcontacten aan het laadapparaat en de accu schoonhouden.

Voor een optimale levensduur moeten de accu's na het gebruik volledig opgeladen worden.

Voor een zo lang mogelijke levensduur van de accu's dienen deze na het opladen uit het laadtoestel te worden verwijderd.

Bij een langere opslag van de accu dan 30 dagen: accu bij ca. 27°C droog bewaren. accu bij ca. 30% - 50% van de laadtoestand bewaren. accu om de 6 maanden opnieuw opladen.

Verbruikte akku's niet in het vuur of bij het huisvuil werpen. Milwaukee biedt namelijk een milieuvriendelijke recyclingmethode voor uw oude akku's.

Wisselakku's niet bij metalen voorwerpen bewaren (kortsluitingsgevaar!).

Onder extreme belasting of extreme temperaturen kan uit de accu accu-vloeistof lopen. Na contact met accu-vloeistof direct

afwassen met water en zeep. Bij oogcontact direct minstens 10 minuten grondig spoelen en onmiddellijk een arts raadplegen.

In de wisselakku-opnameschacht van het laadapparaat mogen géén metaaldeeltjes komen (kortsluitingsgevaar!).

TRANSPORT VAN LITHIUM-IONEN-ACCU'S

Lithium-ionen-accu's vallen onder de wettelijke bepalingen inzake het transport van gevaarlijke goederen.

Voor het transport van deze accu's moeten de lokale, nationale en internationale voorschriften en bepalingen in acht worden genomen.

Verbruikers mogen deze accu's zonder meer over de weg transporteren.

Het commerciële transport van lithium-ionen-accu's door expeditiebedrijven is onderhevig aan de bepalingen inzake het transport van gevaarlijke goederen. De verzendingsvoorbereidingen en het transport mogen uitsluitend worden uitgevoerd door dienovereenkomstig opgeleide personen. Het complete proces moet vakkundig worden begeleid.

Onderstaande punten moeten bij het transport van accu's in acht worden genomen:

Waarborg ter vermindering van kortsluitingen dat de contacten beschermd en geïsoleerd zijn. Let op dat het accupack in de verpakking niet kan verschuiven. Beschadigde of lekende accu's mogen niet worden getransporteerd. Neem voor meer informatie contact op met uw expeditiebedrijf.



EC - VERKLARING VAN OVEREENSTEMMING

We verklaren geheel onder eigen verantwoordelijkheid dat het product in de "Technische data" voldoet aan alle relevante bepalingen van de richtlijnen

2011/65/EU (RoHS)

2000/14/EG

2006/42/EG

2014/53/EU

en de volgende geharmoniseerde normen zijn gebruikt.

EN 62841-1:2015

EN 62479:2010

EN 55014-1:2017

EN 55014-2:2015

EN 301 489-1 V2.1.1 (2017-02)

EN 301 489-17 V3.1.1 (2017-02)

EN 300 328 V2.1.1 (2016-11)

EN IEC 63000:2018

Gemeten geluidsdrumniveau 87,2 dB(A)

Gegarandeerd geluidsdrumniveau 89,0 dB(A)

Onzekerheid K= 1,5 dB(A)

Conformiteit beoordeeld conform 2000/14/EC tot annex V

Benoemde instantie:

DEKRA Certification B.V. (0344)

Meander 1051/P.O.Box 5185

6825 MS ARNHEIM/6802 ED ARNHEIM

Netherlands



Winnenden,

Alexander Krug / Managing Director

Gemachtigd voor samenstelling van de technische documenten

Techtronic Industries GmbH

Max-Eyth-Straße 10, 71364 Winnenden, Germany

SYMBOLEN



Graag instructies zorgvuldig doorlezen vóórdat u de machine in gebruik neemt.



Draag een veiligheidsbril!



Dit apparaat heeft een type knoopcel-lithiumbatterij.



OPGELET! WAARSCHUWING! GEVAAR!



Voor alle werkzaamheden aan de apparat de accu verwijderen.



Risico op een elektrische schok



WAARSCHUWING!

Verwondingsgevaar door wegvliegende brokstukken



WAARSCHUWING! Verwonding van de handen



Het gegarandeerde geluidsvermogensniveau op dit label is 89 dB



Elektrische apparaten, batterijen en accu's mogen niet via het huisafval worden afgevoerd. Elektrische apparaten en accu's moeten gescheiden worden verzameld en voor een milieuvriendelijke afvoer worden afgegeven bij een recyclingbedrijf. Informeer bij uw gemeente of bij uw vakhandelaar naar recyclingbedrijven en inzamelpunten.



Spanning



Gelijkstroom



Europees symbool van overeenstemming



Oekraïens symbool van overeenstemming



Euro-Aziatisch symbool van overeenstemming

TEKNISKE DATA Hydraulikpumpe	M18 HUP700
Produktionsnummer	4745 35 01... ... 000001-999999
Bluetooth-frekvensbånd	2402-2480 MHz
Højfrekvenseffekt	1,8 dBm
Bluetooth-version	4.0 BT signal mode
Udskiftningsbatteriets spænding	18 V
Nominel kraft tryk	700 bar
Beskyttelsesklasse	IP54
Maksimal hældningsvinkel	34°
Nominel strømningshastighed	
Lavt tryk	2,0 l/min
Højt tryk	0,4 l/min
Samlet oliemængde	1,6 l
Oliemængde til forbrug	1,3 l
Vægt svarer til EPTA-procedure 01/2014 (Li-Ion 8,0 Ah...12,0 Ah)	16,0..., 16,5 kg
Anbefalet omgivelsestemperatur til driften	-18°C ... +50°C
Anbefalede batteripakker	M18B9 M18HB8 ..., M18HB12
Anbefalede opladere	M12-18..., M1418 C6
Støjinformation	
Måleværdier beregnes iht. EN 62841. Værktøjets A-vurderede støjniveau er typisk:	
Lydtrykniveau (Usikkerhed K=3dB(A))	77,7 dB (A)
Lydeffekt niveau (Usikkerhed K=3dB(A))	88,7 dB (A)

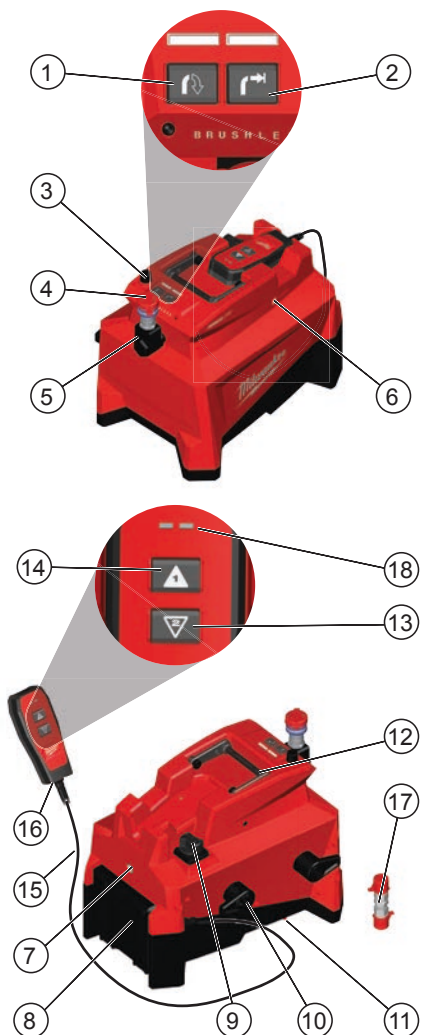
ADVARSEL

Det i denne brochure oplyste støjemissionsniveau er blevet målt iht. den standardiserede testmetode jf. den europæiske standard EN 62841 og kan bruges til at sammenligne værktøjer med hinanden. Niveaulet kan også bruges til en midlertidig vurdering af støjbelastningen.

Det oplyste støjemissionsniveau repræsenterer værktøjets primære anvendelse. Vær dog opmærksom på, at hvis værktøjet bruges til andre anvendelser eller med forskelligt tilbehør, eller hvis det ikke er tilstrækkeligt vedligeholdt, kan støjemissionsniveauet afvige. Dette kan medføre en betydelig forøgelse af støjbelastningen hen over den samlede arbejdsperiode.

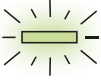
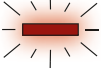
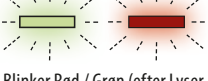
Til en præcis vurdering af støjbelastningen bør man også medtage det tidsrum, hvor værktøjet er frakoblet eller stadig kører, men ikke er i drift. Dette kan medføre en betydelig reduktion af støjbelastningen hen over den samlede arbejdsperiode.

Til brugerens beskyttelse mod udsættelse for støj skal der fastlægges yderligere sikkerhedsforanstaltninger, f.eks.: Vedligeholdelse af værktøjet og dets tilbehør samt tilrettelæggelse af arbejdsplanen.



Apparatbeskrivelse

- | | |
|--------------------------------|------------------------|
| ① Skæringsfunktionsknap | ⑪ Udluftningsprop |
| ② Sammenpresningsfunktionsknap | ⑫ Håndtag |
| ③ Manuel trykkudløserknap | ⑬ Tilbagetrækningsknap |
| ④ Kobling | ⑭ Fremrykningsknap |
| ⑤ Drejekobling | ⑮ Kabel |
| ⑥ ONE KEY indikator | ⑯ Fjernbetjening |
| ⑦ Oliebeholder lys linje | ⑰ Adapter |
| ⑧ Batterirum | ⑱ LED indikator |
| ⑨ Olieåbning | |
| ⑩ Kabeloppruller | |

LED indikator	Definition
 Lyser konstant Grøn	Værktøjet har fuldført opgaven og nåede det maksimale presstryk.
 Lyser konstant Rød	Værktøjet har fuldført opgaven men nåede IKKE det maksimale presstryk.
 Blinker Rød / Grøn (efter Lyser konstant Grøn eller Lyser konstant Rød)	Værktøjet har nået sit serviceinterval (20000 presninger). Røde/grønne blink starter efter visningen af den konstante røde eller grønne indikator for processen. MILWAUKEE anbefaler, at værktøjet efterses, og at forebyggende vedligeholdelse udføres.



BEMÆRK: Hvis indikatoren viser rødt, så tjek oliestandene, og sørg for at sikre dig, at der ikke er nogen lækager i tilbehøret. Bekræft, at alle forbindelser er sikre, samt at tilbehøret er det rigtige til opgaven. Benyt igen. Hvis problemet fortsætter, så send værktøjet tilbage til en MILWAUKEE serviceafdeling.

⚠ ADVARSEL Læs alle sikkerhedsanvisninger, anvisninger, instruktioner og data, der følger med enheden. Overholder du ikke følgende instruktioner, kan du få elektrisk stød, der kan opstå brand og/eller du kan blive kvæstet alvorligt.

Opbevar alle advarselshenvisninger og instrukser til senere brug.

⚠ SIKKERHEDSHENVISNINGER

Hydraulikpumper fremstillet af Techtronic Industries GmbH er udviklet til at blive brugt med sammenpresnings-, skære- og stempehoveder. I henhold til denne specifikke brug, er de ikke udstyret med et sikkerhedssystem, der sørger for, at olien ikke løber retur. Derfor kan brug i anvendelser, der afviger fra de tilsigtede (for eksempel med hydrauliske donkrafte, løftesystemer eller lignende) være farligt, og det kan føre til, at operatøren får alvorlige kvæstelser.

Techtronic Industries GmbH er ikke ansvarlig ift. brug af deres hydraulikpumper til anvendelser, der adskiller sig fra sammenpresning, skæring og stempeling.

Opbyg ikke tryk, hvis pumpen ikke er forbundet med flexslangen og hovedet, da det kan beskadige pumpens lynkobling, hvilket kan medføre udsving af olie.

Flexslanger til højt tryk udsættes for en naturlig aldriansproces, som kan medføre en mindre ydelse, hvilket potentielt kan påvirke operatørens sikkerhed. Derfor er deres levetid begrænset. For at sikre sikker brug af deres enheder, anbefaler Techtronic Industries GmbH, at hydraulikslanger jævnligt skal udskiftes i overensstemmelse med producentens anvisninger, også selvom der ikke er nogen synlige skader.

Hold pumpen og flexslangen væk fra åben ild og varmekilder, der er mere end 70°C varme.

Tjek altid inden brug af pumpen, at flexslangen og lynkoblingerne er intakte, for at sikre dig, at der ikke er slitage, snit, deformationer eller opsvulminger.

De fabriksmonterede afskærmninger skal være på plads i hver ende af flexslangen. Rør ikke ved flexslangen, når den står under tryk.

Når pumpen bruges, skal flexslangen være foldet ud og lagt ud, så den ligger lige. Inden frakobling af flexslangen, så tjek, at hovedets kolbe er helt trukket tilbage, og sørg for en tilstrækkelig mængde olie til efterfølgende brug.

Pumpen er uegnet til permanent brug, og bør have tid til at køle ned efter uafbrudte, fortsatte sammenpresningsopgaver; for eksempel er det sådan, at hvis du har tømt et fuldt opladet batteri på én gang, så vent nogle minutter med at udskifte batteriet.

Beskyt pumpen, batteriet og opladeren mod regn og fugt. Vand vil skade pumpen. Elektrohydraulisk værktøj bør ikke benyttes, når det regner kraftigt.

Operatøren af dette apparat skal være instrueret i de særlige farer, som er forbundet med brugen af dette apparat, samt i de grundliggende sikkerhedsforanstaltninger, forud for arbejdet med den første gang og mindst en gang årligt efterfølgende.

Den driftsansvarlige virksomhed skal:

- sørge for, at operatøren har adgang til en brugermanual og
- sikre, at operatøren har læst og forstået den.

Brug beskyttelsesudstyr. Bær altid sikkerhedsbriller, når du arbejder med maskinen. Vi anbefaler desuden brug af personlig beskyttelsesudrustning, såsom støvmaske, sikkerhedshandsker, fast og skridsikkert skotøj, hjelm og høreværn.

- **Undersøg pumpe, slanger, koblinger og fittings for slitage og skader. Udskift slidte, beskadigede eller manglende komponenter med producentens reservedele.** Slidte eller beskadigede komponenter kan svigte og medføre kvæstelser. Hvis denne advarsel ikke følges, kan det medføre alvorlige kvæstelser eller dødsfald.
- **Sørg inden brug for at sikre dig, at pumpen befinder sig i den ønskede driftstilstand.**
- **Brug ikke hænderne til at tjekke for lækager.** Højtryksolie kan nemt gennembyrde huden og forårsage alvorlige kvæstelser, koldbrand eller dødsfald. Ved kvæstelser, så søg straks lægehjælp for at fjerne olien.
- Sørg for at sikre dig, at pumpen befinder sig under den maksimale hældningsvinkel.
- Tjek oliestanden og juster, hvis det er nødvendigt. En lav oliestand kan medføre kvæstelser eller materielle skader. For den bedste ydelse, så brug altid MILWAUKEE Force Logic™ hydraulikolie (4932 4720 04) til at fylde beholderen op igen.
- **Fjern trykket fra det hydrauliske system inden vedligeholdelse, tilslutning eller frakobling af slangen eller andre hydrauliske forbindelselementer: Tryk altid i forvejen på den manuelle udløserknop.**
- **Bær øjenværn, når du benytter eller vedligeholder dette værktøj.** Hvis du ikke bruger øjenværn, kan det medføre alvorlige øjenskader pga. flyvende materiale eller hydraulikolie.
- **Brug kun slanger og tilbehør, som er enkeltvirkende og vurderet til 10.000 psi (700 bar) eller højere.**
- **For den bedste ydelse, så brug slanger, som er forudfyldt med olie.** Hvis slangerne ikke er forudfyldte, så udluft systemet inden brug.
- **Brug aldrig pumpen uden en slange eller tilbehør.**
- **For den bedste ydelse, så brug altid MILWAUKEE Force Logic™ hydraulikolie (4932 4720 04) til at fylde beholderen op igen.**

- **For optimal funktionalitet, så brug M18™ REDLITHIUM™ 8.0 Ah batteri eller højere.**
- **Følg betjeningsvejledningen fra producenten af tilbehøret.** Anden brug kan medføre beskadigelse af værktøjet, tilbehøret og arbejdsområdet.
- **Udluft systemet, hvis det er nødvendigt.**

Hold aldrig dine fingre eller andre kroppsdele i cylinderens eller bakkernes arbejdsområde.

Fjern batteripakken inden du starter enhver form for justering, rengøring og vedligeholdelse af apparatet.

Benyt kun apparater, batteripakker og opladere, som er i perfekt teknisk stand.

Lad straks beskadigelse reparere på et autoriseret værksted.

For at undgå kvæstelser og skader, så forebyg at apparatet kan startes ved et uheld.

Fjern alle justeringsværktøjer og nøgler inden apparatet benyttes.

Du må ikke bearbejde dele, der står under elektrisk spænding. Apparatet er IKKE isoleret.

Hænder og løstsiddende tøj må ikke komme i nærheden af skære- værktøjer og andre bevægelige dele.

Hvis der er driftsforstyrrelser under presseprocessen, skal du straks slippe ON-kontakten og trykke hydraulikkens frigørelsesknop. Ventilen vil åbne og stemplet vende tilbage i sin udgangsposition.

ADVARSEL! For at mindske risikoen for brand, kvæstelse og skader på produktet pga. kortslutning, så nedsænk aldrig dit apparat, din batteripakke eller oplader i væske og tillad ikke, at en væske løber inde i dem. Ætsende eller ledende væsker, såsom havvand, bestemte kemikalier til industrien, og blegemiddel eller produkter, der indeholder blegemiddel etc., kan forårsage en kortslutning. Service og serviceintervaller skal ubetinget overholdes.

Udskiftningsbatterier og opladere må ikke åbnes og skal opbevares i tørre rum. Beskyt dem mod fugtighed.

Brug kun M18 ladeapparater for opladning af System M18 batterier.

For at undgå person- og materialeskade, må værktøjet, det aftagelige batteri eller opladeren aldrig dykkes ned i eller gennemtrænges af væske.

ADVARSEL



Dette apparat indeholder et knapcelle litium batteri. Et nyt eller brugt batteri kan forårsage alvorlige indre forbrændinger og medføre døden på kun 2 timer, hvis det sluges eller kommer ind i kroppen. Batterihusets lukning skal altid være sikret. Hvis det ikke lukkes sikkert, stop apparatet, fjern batteriet og hold det udenfor børns rækkevidde. Hvis du har mistanke om, at nogen har slugt batteriet eller at det er kommet ind i kroppen på anden måde, skal du opsøge en læge med det samme.

SIKKERHEDSANVISNINGER FOR PRESSEVÆRKTØJER

Presseværktøj og presseapparater skal udelukkende betjenes af personale, som er uddannet til elektrotekniske anvendelser.

Tændte forbindelsesmaterialer må aldrig presses.

Kontrollér inden hver brug, om der er revner eller anden slitage på presseværktøj, -bakker og -indsatser.

Brug kun presseværktøj og presseindsatser, hvis de er i teknisk upåklagelig stand.

Presseværktøjet må kun bruges med isatte presseindsatser.

Rør ikke ved pressebakkerne og pressebolten under presningen.

Hvis der er driftsforstyrrelser under presseprocessen, skal du straks slippe ON-kontakten og trykke hydraulikkens frigørelsesknop. Ventilen vil åbne og stemplet vende tilbage i sin udgangsposition.



SIKKERHEDSANVISNINGER FOR KABELSKÆRER

Hv. skæring og adskillelse af kabler og wirer ved hjælp af denne kabelskærer må kun udføres af en elektroteknisk uddannet person.

For at minimere risikoen for eksplosioner, elektrisk stød og skade på ejendom og udstyr, må der aldrig skæres i strømførende el-ledninger. Apparatet er IKKE isoleret.

Hænder og løstsiddende tøj må ikke komme i nærheden af skære- værktøjer og andre bevægelige dele. Der er fare for alvorlig skade, herunder amputationer af ledlemme.

For skæreforløbet starter, skal adgangen afspærres i overens- stemmelse med de lokale regler.

Skær kun kabler, som ikke er strømførende!

Kabler og wirer må ikke udsættes for nogen form for mekaniske kræfter.

Bær beskyttelsesbriller eller briller med sideafskærmning for at reducere risikoen for personskade.

Hvis denne henvisning ikke følges kan det føre til alvorlig personskade, død, brand eller anden skade på ejendom som følge af elektrisk stød, eksplosion og/eller buedannelser.

Grib aldrig kabelskæreren ved skærekæben.

For brug skal skærekæben altid efterses for revner og andre tegn på slitage.

Kabelskæreren må kun anvendes med et indsat skæreværktøj.



SIKKERHEDSANVISNINGER FOR STANSER

Kontrollér inden hver brug, om der er revner eller anden slitage på skæreværktøjerne. Brug kun skæreværktøj og skæreapparater, hvis de er i teknisk upåklagelig stand.

Enheden må kun bruges med isat skæreværktøj. Brug det ikke ved eller i nærheden af afbryderskabe, der står under spænding. Du bør kun arbejde ved spændingsfri afbryderskabe.

Kontrollér, om matricens pålydende vidde stemmer overens med stemplets pålydende vidde.

Brug kun værktøjet med stempler og matricer, der er tilladt til den maksimale nominelle kraft. Andre kan fremkalde personskader eller materielle skader.

Sørg for, at skæreværktøjet er skarpt og rent. Godt vedligeholdt skæreværktøj med skarpe skærekanter kommer ikke så let i klemme og er lettere at kontrollere.

TILTÆNKT FORMÅL

Tilbehør og værktøjshoveder:

Tilsigtet brug: Kun til enkeltvirkende tilbehør og værktøjshoveder, nominelt tryk 700 bar; max. oliefor skydning 1,35l

Presseværktøj:

Presseværktøjet må udelukkende bruges til at presse forbindelses- materiale, som de pågældende presseindsatser er beregnet til.

Før arbejdet påbegyndes, skal alle tændte komponenter, f.eks. strømførende dele, være afbrudte indenfor teknikerens arbejdsområde.

Kabelskærer:

Kabelskæreren er egnet til at skære:

- spændingsfrie ikke forstærkede kabler af isoleret kobber eller aluminium, skæreværktøjer afhænger af kabeltypen

Udkaster:



Udkasteren må kun benyttes til stansning i materialer med de leverede stempler og matricer.

⚠ ADVARSEL Læs alle sikkerhedsanvisninger, anvisninger, instruktioner og data, der følger med enheden. Overholder du ikke følgende instruktioner, kan du få elektrisk stød, der kan opstå brand og /eller du kan blive kvæstet alvorligt.

Opbevar alle advarselsenhvisninger og instrukser til senere brug.

GENERELLE INSTRUKTIONER

Ansugning af det hydrauliske system:

Værktøjet bør altid ansuges, når det er løbet tør for olie.

For at ansuge systemet:

1. Fjern batteripakken.
2. Inspicer oliestandslinjen og sørg for, at værktøjet har tilstrækkeligt med olie.
3. Tilslut koblingen til et tilbehørshoved, som vil tømme luften og den overskydende olie.

BEMÆRK: Koblingen skal vende lige op, og værktøjet skal placeres lavere end tilbehørshovedet.

4. Indsæt batteripakken.
5. Tryk på sammenpresningsfunktionsknappen.
6. Start værktøjet.

BEMÆRK: Det kan tage op til 30 sekunder, før luften og olien begynder at komme ud.

7. Når olien begynder at komme ud, så tryk og hold den manuelle udløserknop i to sekunder, og giv så slip på begge knapper.
8. Gentag trin 5-7 tre til fire gange.

BEMÆRK: Mens systemet ansuges, så sørg for at sikre dig, at oliestanden ikke falder under oliestandslinjen. Fyld beholderen igen, hvis det er nødvendigt.

Udluftning af tilbehøret:

Tilbehør bør udlufte hver gang tilbehør er blevet vedligeholdt, ikke har været benyttet i længere tid, eller er forbundet med en slange, som ikke er forudfyldt med olie.

Læs også anbefalingerne fra producenten af tilbehøret for yderligere instruktioner ift. udluftning.

Udluftning af tilbehør:

1. Fjern batteripakken.
 2. Forbind tilbehørets slange til koblingen.
- BEMÆRK:** Koblingen skal vende ud mod siden, og værktøjet skal placeres højere end tilbehørets slange og hoved.
3. Indsæt batteripakken.
 4. Tryk på sammenpresningsfunktionsknappen.
 5. Lad værktøjet køre, indtil cyklussen er færdig og LED indikatoren lyser grønt.
 6. Tryk og hold den manuelle udløserknop nede i to sekunder og giv så slip på begge knapper.
 7. Gentag trin 4-6 tre til fire gange.

BEMÆRK: Mens tilbehøret udlufte, så sørg for at sikre dig, at oliestanden ikke falder under oliestandslinjen. Fyld beholderen igen, hvis det er nødvendigt.

ARBEJDSANVISNINGER TIL PRESNING

Du må kun bruge standardiserede forbindelsesdele iht. nationalt gældende standarder samt de presseindsatser, der passer til den pågældende opgave.

Forarbejdnings- og montageanvisningerne for forbindelsesdelene fremgår af producentens dokumentation.

Kontrollér, om forbindelsesdelens pålydende vidde stemmer overens med presseindsatsens pålydende vidde.

Før der presses, skal batteriets kapacitet kontrolleres: minimum 33% (se illustreret beskrivelse). Det kan være nødvendigt at oplade før arbejdet begynder.

Betjening af kontrolafbryderen initierer presseprocessen, der er kendetegnet ved bevægelse af pressestiftbolten.

Det er brugerens ansvar at kontrollere og vurdere, om presningen foretages korrekt.

Forkerte samlinger skal presses på ny med en ny forbindelsesdel.

Forholdsregler i tilfælde af forstyrrelse

- Hold tilbagestillingskontakten nede, indtil kæberne er helt åbne
- kontrollér batterikapaciteten
- Kontroller kablet og forbindelselementet i overensstemmelse med de tekniske data.
- Hvis der er mistanke om, at et strømført kabel er blevet presset, skal presseværktøjet efterses på et autoriseret specialværksted

ARBEJDSANVISNINGER TIL SKÆRING

Indretning af arbejdsområdet

Før arbejdet begyndelse skal det sikres, at kablerne eller wirene ikke er tilsluttet til el-nettet, og at strømmen er afbrudt under hele arbejdet.

Hvis der er usikkerhed om, hvorvidt kablet eller den isolerede ledning er strømførende eller ej, må der ikke udføres noget arbejde. Lokale sikkerhedsforskrifter og regler skal følges under alle omstændigheder.

Kabler og wiren må ikke udsættes for mekaniske kræfter, og skal i givet fald sikres mod ukontrollerede bevægelser efter snittet.

Udsæt ikke værktøjet for regn. Brug ikke værktøjet i fugtige eller våde omgivelser.

Forberedelse af kableskærer og batteri

Før hver brug:

- Undersøg kableskæreren for ydre fejl
 - Efterså skæreværktøjet for revner og andre tegn på slitage
- Må kun bruges i upåklagelig tilstand!

Før der skæres, skal batteriets kapacitet kontrolleres: minimum 33% (se illustreret beskrivelse). Det kan være nødvendigt at oplade før arbejdet begynder.

Forberedelse af skæreprocessen

Støt og fastgør kablet eller wiren, som skal skæres for at minimere risikoen for en ukontrolleret bevægelse.

Specielt frithængende kabler og wiren kan bevæge sig ukontrolleret og forårsage person- og/eller materialeskade.


Skærehovedet skal placeres i en 90° vinkel til kablet eller wiren, således at kablet eller wiren kan ligge i den åbne skærekæbe uden spænding, så uønskede forskydningskræfter undgås.

⚠ ADVARSEL: For at minimere risikoen for eksplosioner, elektrisk stød og skade på ejendom og udstyr, må der aldrig skæres i strømførende el-ledninger.

Apparatet er IKKE isoleret. Kontakten til et kredsløb under strøm kan føre til alvorlig personskade eller død. Afbryd strømmen før der foretages et snit. Skær aldrig i gas eller vandledninger. Hold hænderne væk fra alle skæresider og bevægende dele. Fare for alvorlig personskade og amputation.

Fjern altid batteripakken før tilbehør udskiftes eller fjernes. Anvend kun tilbehør, som er specielt anbefalet til dette værktøj. Andet tilbehør kan være farligt.

Bær beskyttelsesbriller eller briller med sideafskærmning for at reducere risikoen for personskade.

 **ADVARSEL:** For at minimere risikoen for personskade, må der kun skæres i materiale, som er anbefalet til klingerne. (se „Specifikationer“) Forsøg ikke at skære i andre materialer.

Skæring

Før der skæres, skal det sikres, at klingerne er monteret korrekt.

1. Placér kablet, som skal bearbejdes, vinkelret ved kabelskærens skæreenhed. Forsøg aldrig at lave skæve snit, da dette vil skade værktøj og klinger.
2. Tryk og hold på udløseren under hele forløbet. En LED lyser når udløseren trykkes.
3. Når et snit er gennemført eller værktøjet slukkes, slippes udløseren igen, og nulstillingskontakten trykkes, for at åbne skærekæben.

BEMÆRK: Arbejdsobjektet kan evt. bevæge sig lidt under skærearbejdet.

Forholdsregler i tilfælde af forstyrrelse

- Kablet kan være blevet snittet og være strømført, informér altid den sikkerhedsansvarlige, afbryd skæreprcessen, og indled de passende beskyttelsestiltag
- Vær altid sikker på, at kabelskæreren er og forbliver afbrudt fra el-nettet før apparatet nærmes og berøres
- Tryk og hold nulstillingsknappen indtil skæreren åbner helt
- kontrollér batterikapaciteten
- Sammenhold materiale og materialetykkelser med de tekniske data
- Hvis der er mistanke om, at en strømført kabel er blevet skåret, skal kabelskæreren efterses på et autoriseret specialværksted

Fastsiddende klinger

Snags og rester kan forårsage, at klingerne sætter sig fast efter et snit

- Tryk og hold nulstillings udløseren for at sikre at værktøjet er nulstillet.
- Fjern batteripakken.
- Følg illustrationen for at åbne skærekæben
- Fjern snags og rester fra klingerne før et nyt snit påbegyndes.

Skære Tips

- Forsøg aldrig at lave skæve snit, da dette vil skade værktøj og klinger.
- Skær i rent materiale for at forlænge klingernes levetid. Tør snags og rester af materiale og klinger før der startes med at skære et snit.

ARBEJDSANVISNINGER IFT. STANSNING

Tjek, om matrixens nominelle diameter svarer til stemplets nominelle størrelse.

VEDLIGEHOLDELSE

Fjern batteripakken inden du starter enhver form for justering, rengøring og vedligeholdelse af apparatet.

Åbn aldrig apparatet, det aftagelige batteri eller opladeren.

Efterse apparatet for enhver form for problemer, såsom larm eller bevægelige dele, som har sat sig fast, og som kan påvirke apparatet.

Ventilationsåbningerne på apparatet skal altid holdes fri.

For at undgå kvæstelser og skader, så nedsænk aldrig apparatet, det aftagelige batteri eller opladeren i en væske, og tillad ikke at væske flyder igennem dem.

Yderligere service og reparationer må kun udføres af autoriserede og specialiserede værksteder.

Maskinen indeholder hydraulikolie, som er til fare for grundvandet. Ukontrolleret udtømmning eller ukorrekt bortskaffelse er strafbart ved lov.

Den næste servicetermin vises med LED på apparatet.

Send værktøjet, batteripakken og opladeren tilbage til en MILWAUKEE serviceafdeling, så de kan repareres. Send værktøjet, batteripakken og opladeren tilbage til en MILWAUKEE serviceafdeling efter seks måneder og op til et år, alt afhængig af brugen, så de kan repareres. Brug kun Milwaukee-tilbehør og Milwaukee-reservedele. Komponenter, hvor udskiftningsproceduren ikke er beskrevet, skal skiftes ud hos et Milwaukee-servicested (se brochure garanti/kundeserviceadresser).

Hvis værktøjet ikke starter eller ikke kører med fuld kraft med en fuldt opladet batteripakke, så rens kontakterne på batteripakken. Hvis værktøjet fortsat ikke virker korrekt, så send værktøjet, opladeren og batteripakken tilbage til en MILWAUKEE serviceafdeling, så det kan repareres.

Serviceinterval

Se ONE-KEY app'en for oplysninger om nødvendig vedligeholdelse, såsom udskiftning af væske. Send ift. alle reparationer og al vedligeholdelse værktøjet tilbage til en MILWAUKEE serviceafdeling.

BEMÆRK: Ugen og året for fremstillingen af værktøjet er evt. påkrævet. Denne oplysning kan læses vha. serienummeret, der befinder sig på værktøjets typeskilt.

Ved opgivelse af type nr. der er angivet på maskinens effektskilt, kan de rekvirere en reservedelstegning, ved henvendelse til: Techtronic Industries GmbH, Max-Eyth-Straße 10, 71364 Winnenden, Germany.

Ift. sikker forsendelse, anbefaler vi at pakke hydraulikpumpen i en forsejlet plastikpose, der er modstandsdygtig over for olie, samt at bruge den originale emballage.

ONE-KEY™

For at læse mere om dette apparats ONE-KEY funktionalitet, så se venligst quick start guiden, der følger med dette produkt, eller besøg <http://www.milwaukeeetool.com/one-key>

Du kan downloade ONE-KEY-app'en til din smartphone fra App Store eller Google Play.

Kontrolresultatet opfylder vores minimumskrav iht. EN 301489-1 / EN 301489-17. Og vi sørger for, at kunden får driftsvejledningen som del af vores brugervejledning.



BATTERI

Udskiftningsbatterier, der ikke har været brugt i længere tid, efterlades inden brug. Ved temperaturer over 50°C formindskes batteriets effekt. Undgå direkte sollys og stærk varme.

Tilslutningskontakterne på oplader og udskiftningsbatterier skal holdes rene.

For at opnå en optimal levetid skal de genopladelige batterier oplades fuldt efter brug.

For at sikre en så lang levetid som muligt skal batterierne tages ud af ladeaggregatet efter opladning.

Skal batterierne opbevares længere end 30 dage: Temperatur ca. 27°C i tørre omgivelser. Opbevares ved ca. 30%-50% af ladetilstanden. Batteri skal genoplades hver 6. måned.

Opbrugte udskiftningsbatterier må ikke brændes eller kasseres sammen med alm. husholdningsaffald. Milwaukee har en miljørigtig bortskaffelse af gamle udskiftningsbatterier, henvend Dem til Deres forhandler.

Opbevar ikke udskiftningsbatterier sammen med metalgenstande af fare for kortslutning.

I tilfælde af en ekstrem belastning eller ekstrem temperatur kan der flyde batterivæske ud af et beskadiget batteri. Hvis De kommer i berøring med batterivæsken, skal den vaskes godt og grundigt af med vand og sæbe. I tilfælde af øjenkontakt, skal man mindst skylle øjnene godt og grundigt igennem i 10 minutter og omgående opsøge en læge.

Metaldele o. lign. må ikke komme i berøring med rummet beregnet for udskiftningsbatteriet (kortslutningsfare).

TRANSPORT AF LITHIUM-BATTERIER

Lithium-batterier er omfattet af lovgivningen om transport af farligt gods.

Transporten af disse batterier skal ske under overholdelse af lokale, nationale og internationale regler og bestemmelser.

Forbrugere må transportere disse batterier på veje uden yderligere krav.

Den kommercielle transport af lithium-batterier ved speditjonsfirmaer er omfattet af reglerne for transport af farligt gods. Forberedelsen af forsendelse og transport må kun udføres af tilsvarende trænedte personer. Den samlede proces skal følges af fagfolk.

Følgende punkter skal overholdes ved transport af batterier:

Sørg for at kontakterne er beskyttet og isoleret for at forhindre kortslutninger. Sørg for at batteripakken ikke kan bevæge sig inden for emballagen. Beskadigede eller lækkende batterier må ikke transporteres. Kontakt dit speditjonsfirma for at få yderligere oplysninger.

CE-KONFORMITETSERKLÆRING

Vi erklærer som eneansvarlige, at produktet, som beskrives under „Tekniske data“, opfylder alle de relevante bestemmelser i direktiverne

2011/65/EU (RoHS)

2000/14/EF

2006/42/EF

2014/53/EU

og følgende harmoniserede standarder er blevet anvendt.

EN 62841-1:2015

EN 62479:2010

EN 55014-1:2017

EN 55014-2:2015

EN 301 489-1 V2.1.1 (2017-02)

EN 301 489-17 V3.1.1 (2017-02)

EN 300 328 V2.1.1 (2016-11)

EN IEC 63000:2018

Målt lyd effektniveau 87,2 dB(A)

Garanteret lyd effektniveau 89,0 dB(A)

Usikkerhed K= 1,5 dB(A)

Overensstemmelsesvurderingsprocedure iht. 2000/14/EF til bilag V

Nævnt sted:

DEKRA Certification B.V. (0344)

Meander 1051/P.O. Box 5185

6825 MS ARNHEIM/6802 ED ARNHEIM

Netherlands



Winnenden,

Alexander Krug / Managing Director

Autoriseret til at udarbejde de tekniske dokumenter.

Techtronic Industries GmbH

Max-Eyth-Straße 10, 71364 Winnenden, Germany



SYMBOLER



Læs brugsanvisningen nøje før ibrugtagning.



Brug beskyttelsesbriller.



Dette apparat indeholder et knapcelle litium batteri.



VIGTIGT! ADVARSEL! FARE!



Ved arbejde inden i maskinen, bør batteriet tages ud.



Fare for elektrisk stød



ADVARSEL!

Fare for kvæstelser på grund af omkringflyvende fragmenter.



ADVARSEL! Håndskader



Det garanterede lydeffektniveau, som vises på dette mærkat, er 89 dB



Elektrisk udstyr eller (genopladelige) batterier må ikke bortskaffes sammen med det almindelige husholdningsaffald. Elektrisk udstyr og genopladelige batterier skal indsamles særskilt og afleveres hos en genbrugsvirksomhed til en miljømæssig forsvarlig bortskaffelse. Spørg de lokale myndigheder eller din forhandler om genbrugsstationer og indsamlingssteder til sådant affald.

V Spænding



Jævnstrøm



Europæisk konformitetsmærke



Ukrainsk konformitetsmærke



Eurasisk konformitetsmærke



TEKNISKE DATA Hydraulikkpumpe	M18 HUP700
Produksjonsnummer	4745 35 01... ... 000001-999999
Bluetooth-Frekvensbånd (Frekvensbånd)	2402-2480 MHz
Høyfrekvens ytelse	1,8 dBm
Bluetooth-versjon	4.0 BT signal mode
Spenning vekselbatteri	18 V
Nominelt trykk	700 bar
Verneklasse	IP54
Maksimal tippvinkel	34°
Nominell gjennomstrømningsmengde	
Lavt trykk	2,0 l/min
Høyt trykk	0,4 l/min
Totalt oljevolum	1,6 l
Olje forbruksvolum	1,3 l
Vekt i henhold til EPTA-Prosedyren 01/2014 (Li-Ion 8,0 Ah...12,0 Ah)	16,0..., 16,5 kg
Anbefalt omgivelsestemperatur for drift	-18°C ... +50°C
Anbefalte batteripakker	M18B9 M18HB8 ..., M18HB12
Anbefalte ladere	M12-18..., M1418 C6
Støyinformasjon	
Måleverdier fastslått i samsvar med EN 62841. Det typiske A-bedømte støynivået for maskinen er:	
Lydtrykknivå (Usikkerhet K=3dB(A))	77,7 dB (A)
Lydeffektnivå (Usikkerhet K=3dB(A))	88,7 dB (A)



Nor

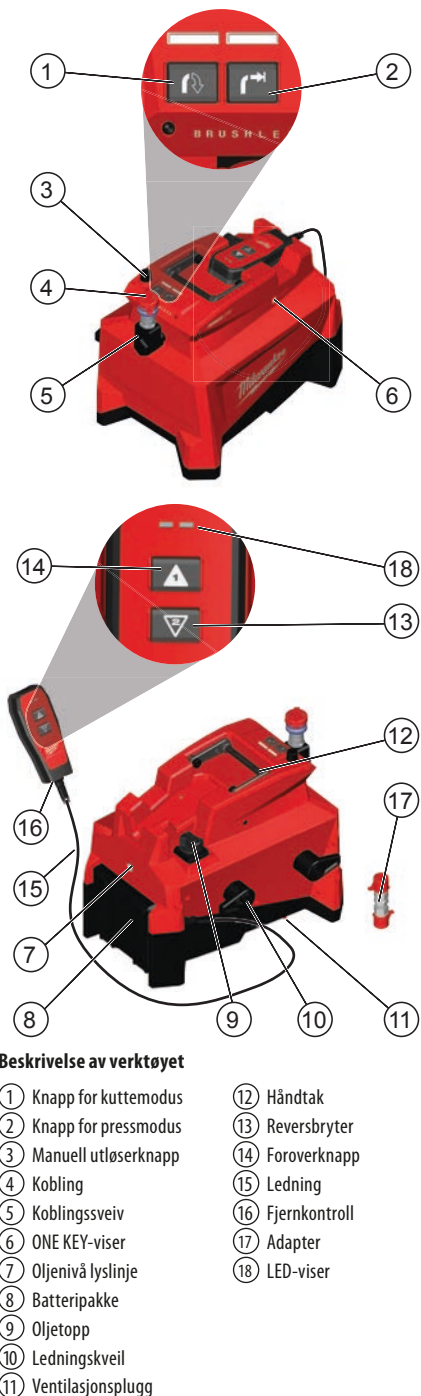
ADVARSEL

Støyemisjonsverdien som er angitt i denne veiledningen har blitt målt i samsvar med en testprosess som er standardisert i EN 62841 og kan brukes til å sammenligne verktøy med hverandre. Den egner seg også til en foreløpig vurdering av belastningen.

Den angitte støyemisjonsverdien gjelder for verktøyets vanligste bruksområder. Dersom imidlertid verktøyet skal brukes til andre applikasjoner eller med avvikende tilbehør eller vedlikeholdet er mangelfullt, kan støyemisjonsverdien avvike. Dette kan øke belastningen i vesentlig grad over hele arbeidets tidsrom.

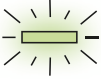
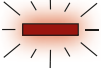

For å kunne vurdere støybelastningen nøyaktig, bør også tidene tas med i beregningen der verktøyet er slått av eller vel er slått på, men ikke virkelig er i bruk. Dette kan redusere belastningen i vesentlig grad over hele arbeidets tidsrom.

Fastlegg ekstra sikkerhetstiltak til beskyttelse av operatøren mot virkningene av støy, eksempelvis: Vedlikehold av verktøyet og tilbehør samt organisasjonen av arbeidsrutinene.



Beskrivelse av verktøyet

- | | |
|------------------------|-----------------|
| ① Knapp for kuttemodus | ⑫ Håndtak |
| ② Knapp for pressmodus | ⑬ Reversbryter |
| ③ Manuell utløserknapp | ⑭ Foroverknapp |
| ④ Kobling | ⑮ Ledning |
| ⑤ Koblingsveiv | ⑯ Fjernkontroll |
| ⑥ ONE KEY-viser | ⑰ Adapter |
| ⑦ Oljenivå lyslinje | ⑱ LED-viser |
| ⑧ Batteripakke | |
| ⑨ Oljetopp | |
| ⑩ Ledningskeiv | |
| ⑪ Ventilasjonsplugg | |

LED-viser	Definisjon
 Konstant Grønt	Verktøyet har fullført prosessen og nådd maksimal pressekraft.
 Konstant Rødt	Verktøyet har fullført prosessen, men kunne ikke nå maksimal pressekraft.
 Blinker Rødt / Grønt (etter Konstant Grønt eller Konstant Rødt)	Verktøyet har nådd sitt serviceintervall (20000 pressing). Vil begynne å blinke rødt/grønt etter at viseren for prosessen har lyst konstant rødt eller grønt. MILWAUKEE anbefaler å få verktøyet kontrollert, og at det utføres forebyggende vedlikehold.

OBS: Dersom markøren lyser rødt, må du sjekke oljenivået og forsikre deg om at det ikke er lekkasje i tilbehøret. Sørg for at alle forbindelsene er tette og at du bruker riktig tilbehør til jobben. Prøv igjen. Hvis verktøyet fortsatt ikke fungerer riktig, send verktøyet tilbake til et MILWAUKEE-serviceanlegg.

⚠ ADVARSEL Les alle sikkerhetsanvisninger, instruksjoner, bildeforklaringer og data som fulgte med maskinen. Hvis du ikke følger følgende anvisninger, kan det oppstå elektriske støt, ild og/eller store skader.

Ta godt vare på alle advarslene og informasjonene.

⚠ SPESIELLE SIKKERHETSHENVISNINGER

Hydraulikkpumpene produseres av Techtronic Industries GmbH og er utviklet for å bruk sammen med pressbakker, kuttere eller stempelhoder. Til denne spesielle bruken er pumpen utstyrt med en tilbakeslagsventil for olje.

Av denne grunn kan all bruk som avviker fra det pumpen er beregnet for (for eksempel med hydrauliske jekker, løftesystemer eller lignende), være farlig og kan føre til alvorlige personskader.

Techtronic Industries GmbH kan ikke holdes ansvarlig for noe som oppstår fordi hydraulikkpumpen er brukt til noe annet enn pressing, kutting eller stemping.

Dersom pumpen ikke er koblet til en fleksibel slange og hode, må det ikke bygge seg opp trykk. Dette kan ødelegge pumpens hurtigkobler slik at den lekker olje.

Fleksible trykkslanger går gjennom en naturlig aldringsprosess. Dette kan føre til redusert ytelse, som igjen kan påvirke brukerens sikkerhet. Dette gjør at slangen har begrenset levetid. For sikker bruk av verktøyet anbefaler Techtronic Industries GmbH å bytte hydraulikkslangen regelmessig og jamfør produsentens instruksjoner, selv om slangen ikke har noen synlige skader.

Hold pumpen og den fleksible slangen unna åpen flamme og varmekilder varmere enn 70°C.

Før du tar pumpen i bruk, må du alltid sjekke den fleksible slangen og hurtigkoblerens tilstand og forsikre deg om at de ikke har rifter, kutt, deformasjoner eller hevelser.

Dekslene fra produsenten må bli værende i begge ender av den fleksible slangen. Ikke berør den fleksible slangen så lenge den står under trykk.

Når du bruker pumpen, må du først kveile den fleksible slangen helt ut og rette den ut. Før du kobler av den fleksible slangen, må du kontrollere at hodet har trukket seg helt tilbake og at du har nok olje for de neste oppgavene.

Pumpen egner seg ikke for kontinuerlig bruk og må kjøles ned etter sammenhengende langvarig pressearbeid. For eksempel dersom du har brukt opp et helt batteri i en omgang, bør du vente litt før du setter i et oppladet batteri.

Beskytt pumpen, batteriet og laderen mot regn og fuktighet.

Vann vil ødelegge pumpen. Ikke bruk elektrohydrauliske enheter i pøsende regn.

Brukeren av denne enheten må være informert om de spesielle farene forbundet ved bruk av enheten og om vesentlige sikkerhetsregler før den tas i bruk. Deretter må brukeren informeres minst én gang årlig.

Den virkende bedriften må:

- gjøre bruksanvisningen tilgjengelig for brukeren og
- forsikre om at brukeren har lest og forstått den.

Bruk vernebekledning. Ta alltid på vernebrille ved bruk av maskinen. Vernebekledning så vel som støvmaske, vernehansker, fast og sklisikkert skotøy, hjem og hørselsvern er anbefalt.

• **Kontroller pumpen, slangene, koblingene og andre deler for slitasje og ødeleggelse. Bytt ut slitte, ødelagte eller manglende deler med produsentens originale reservedeler.** Slitte eller ødelagte deler kan slutte å fungere og føre til personskader. Hvis du ikke følger denne advarselen, kan det føre til alvorlige personskader eller ha døden som følge.

• **Sørg for at pumpen er i ønsket modus før du begynner på arbeidet.**

• **Ikke bruk hendene for å «se» etter lekkasjer.** Olje under høyt trykk skjærer enkelt igjennom huden og kan forårsake alvorlige personskader, kolbrenn eller døden. Dersom du er skadet, må du søke medisinsk hjelp umiddelbart for å fjerne oljen.

• Sørg for at oljenivået er under den maksimale vippevinkelen.

• Kontroller oljenivået og fyll på om nødvendig. For lite olje kan forårsake personskader eller skader på anlegget. For best ytelse bør du alltid bruke MILWAUKEE Force Logic™ hydraulikkolje (4932 4720 04) når du fyller olje.

• **Løs trykket på hydraulikksystemet før service, kobler til eller fra en slange eller andre hydrauliske koblingslemmer: trykk alltid på den manuelle frigjøringsknappen på forhånd.**

• **Bruk vernebriller når du bruker verktøyet eller gjennomfører service.** Dersom du ikke bruker vernebriller, kan dette føre til alvorlige skader på øyet fra flygende smuss eller olje.

• **Bruk kun enkeltvirkende slanger og tilbehør som tåler 10 000 psi (700 bar) eller mer.**

• **Bruk slanger som er fylt med olje på forhånd.** Dersom slangene ikke er fylt med olje på forhånd, må du luften systemet før du bruker det.

• **Bruk aldri pumpen uten slange eller tilbehør.**

• **For best ytelse bør du alltid bruke MILWAUKEE Force Logic™ hydraulikkolje (4932 4720 04) når du fyller olje.**

• **Bruk M18™ REDLITHIUM™ 8.0 Ah batteri eller større for best funksjonalitet.**

• **Følg bruksanvisningen fra produsenten av tilbehøret.** Feil bruk kan ødelegge verktøyet, tilbehøret og emnet du arbeider på.

• **Luft systemet om nødvendig.**



Aldri hold fingre eller andre kroppsdeler innen området der sylindren eller kloen opererer.

Ta ut batteriet før du endrer, rengjør eller vedlikeholder enheten.

Enheden, det eksterne batteriet og laderen skal kun brukes så lenge de er i perfekt teknisk tilstand.

Skader skal med en gang repareres av et autorisert fagverksted.

For å unngå skader eller ødeleggelse, må du forhindre at enheten starter tilfeldig.

Fjern alle setteverktøy og skrunøkler før bruk.

Det er ikke tillatt å jobbe på deler som står under elektrisk spenning. Enheden er IKKE isolert.

Hold hender og løstsittende klær unna kutteenheten og andre bevegelige deler.

Ved feil under pressingen må du slippe PÅ-bryteren omgående og trykke låseknappen til hydraulikken. Ventilen åpner seg og kolben går tilbake til utgangsposisjonen.

ADVARSEL! For å redusere risikoen for brann, personskader og andre ødeleggelse grunnet kortslutning, må enheten, det eksterne batteriet eller laderen aldri senkes i vann eller tillate at vann flyter inn i dem. Etsende eller ledende væsker, f.eks. saltvann, noen industrielle kjemikalier, blekemiddel eller produkter som inneholder blekemiddel o.s.v. kan forårsake kortslutning.

Vedlikehold og vedlikeholdsintervaller må alltid inneholdes.

Ikke åpne vekselbatterier og ladere, de skal oppbevares i tørre rom. Beskyttes mot fuktighet.

Vekselbatterier av systemet M18 skal kun lades med lader av systemet M18. Ikke lad opp batterier fra andre systemer.

For å forebygge skader eller ødeleggelse dypp aldri verktøyet, det eksterne batteriet eller laderen i væske eller la væske trenge inn i noen av delene.

ADVARSEL



Apparatet bruker knapp/myntcelle lithiumbatteri. Et nytt eller brukt batteri kan forårsake indre forbrenninger eller døden innen kun 2 timer, dersom det svelges eller kommer inn i kroppen på annen måte. Dekselet til batteriboksen må alltid være sikret. Dersom det ikke er mulig å lukke boksen helt, stopp apparatet, fjern batteriet og oppbevare det utilgjengelig for barn. Dersom du har mistanke om, at noen har svelget batteriet eller at det på annen måte har kommet inn i kroppen, må du søke medisinsk hjelp umiddelbart.

SIKKERHETSANVISNINGER FOR PRESSVERKTØY

Presseverktøy og presseapparat må kun brukes av fagpersonell med elektroteknisk trening.

Kutt aldri i material, som står under spenning.

Sjekk presseverktøy, bakker og innsatser før hver bruk for sprekker og annen slitasje.

Pressverktøyet og pressinnsatser skal kun brukes når de er i feilfri stand.

Pressverktøyet må kun brukes når en pressinnsats er satt på.

Ikke berør presskloene og trykkstiften under pressingen.

Ved feil under pressingen må du slippe PÅ-bryteren omgående og trykke låseknappen til hydraulikken. Ventilen åpner seg og kolben går tilbake til utgangsposisjonen.

SIKKERHETSANVISNINGER FOR KABELKUTTERE

Skjære eller kutte kabler eller wirer med kabelkutteren skal kun utføres av en person med elektroteknisk opplæring.

For å redusere risikoen for en eksplosjon, elektrisk støt eller skade på eiendom og utstyr, skjær aldri i kabler med strøm. Enheten er IKKE isolert.

Hold hender og løstsittende klær unna kutteenheten og andre bevegelige deler. Det er fare for alvorlige skader, blant annet avklemt kroppsdeler.

Før du begynner med kuttingen må området være sikret i henhold til lokale reguleringer.

Kutt aldri kabler som ikke er koblet fra strømforsyningen!

Kabler og wirer må ikke utsettes for mekanisk kraft.

For å minimere risikoen for skaler, bruk vernebriller eller briller med sidebeskyttelse.

Dersom disse instruksjonene ikke overholdes, kan dette føre til alvorlige skader, død, brann eller skade på eiendom som følge av elektrisk støt, eksplosjon og/eller lysbue.

Hold aldri kabelkutteren i kloen.

Før bruk må du alltid kontrollere at kloen ikke har hakk eller andre tegn til slitasje.

Kabelkutteren skal kun brukes med et innsatt kutteverktøy.

SIKKERHETSANVISNINGER FOR STANSER

Sjekk kutteenheten før hver bruk for sprekker og annen slitasje. Kutteenheten og selve kutteren skal kun brukes når de er i feilfri stand.

Apparatet må kun brukes når kutteenheten er satt på. Må ikke brukes i eller i nærheten av spenningsførende koblingsbokser. Slike arbeider må kun utføres når koblingsboksen er koblet spenningsfri. Sjekk om den nominelle bredden til matrisen samsvarer med den nominelle bredden til stempelet.

Bruk verktøyet kun med stempler og matriser som er godkjent for den maksimale nominelle kraften. Annet kan føre til personskade eller materielle skader.

Hold kutteverktøyet skarpt og rent. Ved bruk av kutteverktøy med skarpe egger som blir vedlikeholdt riktig vil du oppleve mindre fastklemming i til verktøyet er lettere å kontrollere.

FORMÅLSMESSIG BRUK

Tilbehør og verktøyhoder:

Egnet bruk: kun for enkeltvirkende tilbehør og verktøyhoder, nominelt trykk 700 bar; maks. oljeslagvolum 1,35l

Pressverktøy:

Pressverktøyet må utelukkende brukes til å sammenpresse forbindelsesmaterialer med den dertil tiltenkte pressinnsatsen.

Alt som er under spenning, f.eks komponenter, som leder strøm, må være frakoblet i det området, som teknikeren arbeider, før han begynner med jobben.

Kabelkutter:

Kabelkutter egner seg for skjæring av:

- spenningsfrie, ikke-forsterkede kabler, laget av isolert kobber eller aluminium, skjæreverktøy avhengig av kabeltypen

Stanseverktøy:

Stanseverktøyet skal kun brukes til å stanse materialer enten med et stempel eller en matrise.



ADVARSEL Les alle sikkerhetsanvisninger, instruksjer, bildeforklaringer og data som fulgte med maskinen. Hvis du ikke følger følgende anvisninger, kan det oppstå elektriske støt, ild og/eller store skader.

Ta godt vare på alle advarelsene og informasjonene.

SIKKERHETSINSTRUKSJONER

Priming av hydraulikksystemet:

Verktøyet må primes hver gang etter at det har gått tomt for olje.

Prime systemet:

1. Ta ut batteriet.
2. Kontroller den synlige oljelinjen og sørg for at du har nok olje.
3. Fest koblingen til et utstyrshode, dette vil transportere ut all luft og overflødig olje.

OBS: Koblingen må stå helt rett opp og ned og verktøyet må være plassert lavere enn utstyrshodet.

4. Sett i batteriet.
5. Trykk på knappen for krympemodus.
6. La verktøyet gå.

OBS: Det kan ta opp til 30 sekunder før det kommer ut luft og olje.

7. Så snart oljen begynner å komme ut, holder du «manual release»-knappen inne i 2 sekunder, deretter slipper du knappen.
8. Gjenta steg 5-7 tre til fire ganger.

OBS: Mens du grunner systemet, må du forsikre deg om at oljenivået ikke faller under den synlige linjen. Fyll på med mer olje om nødvendig.

Lufting av tilbehøret:

Tilbehøret må luftes hver gang det har vært på service, stått ubrukt i en lang periode eller er koblet til en slange som ikke er forhåndsfylt med olje.

Hold deg også til anbefalingene fra tilbehørets produsent angående lufting.

Luft tilbehøret:

1. Ta ut batteriet.
2. Fest tilbehørslangen til koblingen.

OBS: Koblingen skal peke til siden, og verktøyet må holdes høyere enn tilbehørslangen og hodet.

3. Sett i batteriet.
4. Trykk på knappen for krympemodus.
5. Kjør verktøyet til det har fullført en hel syklus og LED-indikatoren lyser grønt.
6. Holder «manual release»-knappen inne i 2 sekunder, deretter slipper du begge knappene.
7. Gjenta steg 4-6 tre til fire ganger.

OBS: Mens du lufter tilbehøret, må du forsikre deg om at oljenivået ikke faller under den synlige linjen. Fyll på med mer olje om nødvendig.

ARBEIDSSINSTRUKSJONER FOR KRYMPING

Bruk kun normerte koblingsstykker iht. nasjonalt gjeldende standarder med den dertil tiltenkte presinnsatsen.

Se produsentens dokumentasjon for prosesserings- og monteringsanvisninger av koblingsstykker.

Sjekk om den nominelle bredden til koblingsstykket samsvarer med den nominelle bredden til presinnsatsen.

Før han begynner med pressingen, må han kontrollere batteriets kapasitet: minimum 33% (se illustrert beskrivelse). Det er mulig at batteriet må lades før en begynner med arbeidet.

Ved å aktivere kontrollbryteren initierer man presseprosessen, som kjennetegnes av bevegelsen av trykkstiften.

Det er brukerens ansvar å sjekke og vurdere om en sammenpressing er riktig.

Ikke korrekt utførte forbindelser må presses sammen igjen med et nytt presstykke.

Tiltak i tilfelle feil

- Hold reset-knappen inne til kloen er helt åpen
- kontroller batteriets kapasitet
- Kontroller kabelen og tilkoblingselementet i henhold til teknisk informasjon.
- Dersom det er mistanke om at ledningen, som ble presset, sto under spenning, må presseverktøyet kontrolleres av et autorisert verksted

ARBEIDSSINSTRUKSJONER FOR KUTTING

Oppsett av arbeidsområdet

Før arbeidet begynner må en forsikre seg om at ledningene eller wirene ikke står under strøm, og at de ikke kan komme under strøm så lenge arbeidet pågår.

Dersom det ikke kan forsikres over enhver tvil at kablene eller isolerte linjer er frakoblet, må man ikke fortsette arbeidet.

Ta hensyn til lokale regler og forskrifter om sikkerhet.

Kabler og wirer må ikke utsettes for mekanisk kraft, og de må sikres mot ukontrollerte bevegelser etter at de er kuttet.

Ikke utsett verktøyt for regn. Ikke bruk verktøyt i fuktige eller våte omgivelser.

Forberedelser av kabelkutteren og batteriet

Før hver bruk:

- Kontroller kabelkutteren for eksterne mangler
- Kontroller at kutteverktøyet ikke har hakk eller andre tegn til slitasje

Kun til bruk i perfekt tilstand!

Før en begynner med kuttingen, må man sjekke batteriets kapasitet: minimum 33% (se illustrert beskrivelse). Det er mulig at batteriet må lades før en begynner med arbeidet.

Forberedelser av kuttingen

Kabler og wirer som skal kuttes må støttes opp og festes for å minimere risikoen for ukontrollerte bevegelser.

Spesielt luftledninger og wirer kan bevege seg ukontrollert og føre til personskader og/eller andre ødeleggelser.

Skjærehodet må holdes i en rett vinkel på kabelen eller wiren, slik at de faller i de åpne gjengebakkene uten spenning og blir liggende. Slik unngås ugunstige skjærkrefter.



ADVARSEL: For å redusere risikoen for en eksplosjon, elektrisk støt eller skade på eiendom og utstyr, skjær aldri i kabler med strøm.

Enheten er IKKE isolert. Kontakt med en aktiv strømkrets kan føre til alvorlige skader eller døden. Skru av strømmen før du kutter. Kutt aldri i gassledninger eller vannrør. Hold fingrene unna alle skjærekanter og deler som beveger seg. Det kan føre til vevsskader og amputasjoner.

Ta alltid ut batteriet før du bytter eller fjerner tilleggsutstyr. Bruk kun tilleggsutstyr som er spesielt anbefalt for dette verktøyet. Annet utstyr kan være farlig.

For å minimere risikoen for skaler, bruk vernebriller eller briller med sidebeskyttelse.



⚠ ADVARSEL: For å minimere risikoen for skade, kutt kun materialer som er anbefalt for bladene. (se «spesifikasjoner») Ikke forsøk å kutte andre materialer.

Kutte

Før kutting, kontroller at alle bladene er installert på riktig måte.

1. Legg kabelen i en rett vinkel i forhold til knivene på kabelkutteren. Ikke forsøk å lage et vinklet kutt. Dette vil ødelegge arbeidsstykket og bladene.
2. Trekk og hold starteren hele tiden under jobben. Et LED-lys vil lyse når starteren trekkes opp.
3. Når kuttet er utført eller verktøyet er slått av, kan du slippe starteren. Start returbryteren, slik at gjengebakkene åpner seg.

OB5: Arbeidsstykket kan bevege seg noe under kuttingen.

Tiltak i tilfelle feil

- kabelen kan allerede ha et kutt og lede strøm. Informer alltid sikkerhetsansvarlig, avbryt arbeidet og begynn med passende sikringstiltak
- Vær alltid sikker på at verktøyet er og vil forbli frakoblet fra strømforsyningen før du nærmer deg og berører verktøyet
- Trykk og hold tilbakestillingsknappen til kabelkutteren åpnes helt
- kontroller batteriets kapasitet
- kontroller materialet og materialets tykkelse i forhold til tekniske data
- Dersom der er mistanke om at det er kuttet en kabel med strøm, må kabelkutteren kontrolleres av et verksted med en autorisert spesialist

Blokkerte blader

Smuss og produktrester kan blokkere bladene etter kuttingen

- Trykk og hold utløseren for å forsikre at verktøyet er tilbakestilt.
- Ta ut batteriet.
- Følg beskrivelsen på bildene for å åpne gjengebakkene
- Rengjør bladene for smuss og produktrester før du fortsetter med neste kutt.

Kuttetips

- Ikke forsøk å lage et vinklet kutt. Dette vil ødelegge arbeidsstykket og bladene.
- Kutt i rent materiale for å forlenge bladens levetid. Tørk vekk smuss og produktrester fra materialet og bladene før du starter kuttingen.

SIKKERHETSINSTRUKSJONER FOR STANSEVERKTØYET

Kontroller at diametern på matrisen er lik den nominelle størrelsen på stampelet.

VEDLIKEHOLD

Ta ut batteriet før du endrer, rengjør eller vedlikeholder enheten.

Du må aldri åpne enheten, det eksterne batteriet eller laderen.

Kontroller enheten for eventuelle problemer som lyder eller blokkering av bevegelige deler, som kan påvirke enheten.

Enhets ventilasjonsåpninger må aldri tildekkes.

For å unngå skader eller ødeleggelser må enheten, det eksterne batteriet eller laderen aldri dyppes i væske eller la væske trenge inn i noen av delene.

Ytterligere vedlikehold og reparasjoner skal kun utføres av autoriserte spesialistverksteder.

Apparatet inneholder hydraulikkolje som er en fare for grunnvannet. Ukontrollerte utslipp eller usaksmessige deponering av oljen er straffbart.

Neste service er vist som LED på enheten.

Ved reparasjoner skal laderen og batteripakken leveres inn til et MILWAUKEE-serviceanlegg. Etter seks måneder til et år, avhengig av hvor mye verktøyet er brukt, skal verktøyet, laderen og batteripakken leveres inn til et MILWAUKEE-serviceanlegg for kontroll. Bruk kun Milwaukee tilbehør og Milwaukee reservedeler. Komponenter der utskiftning ikke er beskrevet skal skiftes ut hos Milwaukee kundeservice (se brosjyre garanti/kundeserviceadresser).

Hvis verktøyet ikke starter eller opererer ved full drift med en fullt ladet batteripakke, rengjør kontaktene på batteripakken. Hvis verktøyet fortsatt ikke fungerer riktig, lever tilbake verktøyet, laderen og batteripakken, til et MILWAUKEE-serviceanlegg for reparasjoner.

Serviceintervall

På ONE-KEY-appen får du informasjon om nødvendig vedlikehold, som for eksempel skifte av væsker. Verktøyet skal leveres inn til et MILWAUKEE-serviceanlegg for alle slags reparasjoner og service.

OB5: Du vil trenge produksjonsuken og -året på verktøyet. Denne informasjonen finner du på serienummeret på verktøyet navneskilt.

Ved behov kan du be om en eksplosjonstegning av apparatet hos din kundeservice eller direkte hos Techtronic Industries GmbH, Max-Eyth-Straße 10, 71364 Winnenden, Germany. Oppgi maskintype og det nummeret på typeskiltet.

For sikker transport, anbefaler vi at du pakker hydraulikk-pumpen i en tett og oljesikker plastikkpose og at du bruker originalemballasjen.

ONE-KEY™

Mer informasjon om ONE-KEY funksjonaliteten for denne enheten finner du i Quick Start guiden som er vedlagt dette produktet eller gå til <http://www.milwaukeetool.com/one-key>

Du kan også laste ned vår ONE-Key app til din smarttelefon fra App Store eller Google Play.

Testen oppfyller våre minimumskrav i henhold til EN 301489-1 / EN 301489-17. Og vi kommer til å gi kunden en driftsveiledning i bruksanvisningen.

BATTERIER

Vekselbatterier som ikke er brukt over lengre tid skal etterlades før bruk. En temperatur over 50°C reduserer vekselbatteriets kapasitet. Unngå oppvarming i sol eller ved varmeovner (fyring) i lengre tid.

Hold tilkøplingskontaktene på lader og vekselbatteri rene.

For optimal holdbarhet må batteriene lades opp helt etter bruk.

For å sikre en lengst mulig brukstid av batteriene skal disse etter oppladning taes ut av laderen.

Ved lagring av batteriene lengre enn 30 dager: Lagre batteriet tørt ved ca. 27°C. Lagre batteriet ved en oppladningstilstand på ca. 30%-50%. Lade opp batteriet igjen etter 6 måneder.

Ikke kast brukte vekselbatterier i varmen eller husholdningssavfallet. Milwaukee tilbyr en miljøriktig deponering av gamle vekselbatterier; vennligst spør din fagforhandler.

Ikke oppbevar vekselbatterier sammen med metallgjenstander (kortslutningsfare).

Under ekstreme belastninger og ekstreme temperaturer kan det lekke ut batterivæske fra utskiftbare batterier. Ved berøring med batterivæske, vask umiddelbart med såpe og vann. Ved kontakt med øynene må øynene skylles grundig i rennende vann i minst 10 minutter. Oppsøk lege umiddelbart.

Metalldeler må ikke komme inn i innskyvningsjakten for vekselbatterier på ladere (kortslutningsfare).



Nor

TRANSPORT AV LITUM-ION-BATTERI

Litium-ion-batterier faller under de lovfestede forskriftene om transport av farlig gods.

Transporten av disse batteriene må rette seg etter lokale, nasjonale og internasjonale forskrifter og bestemmelser.

Forbruker har lov å transportere disse batteriene på gaten uten reglementering.

Den kommersielle transport av Litium-ion-batterier av spedisjonsfirma faller under bestemmelsene om transport av farlig gods. Forberedningene av forsendelsen og transport skal utelukkende gjennomføres av personer som har blitt skolert til dette. Hele prosessen skal følges opp av fagfolk.

Følgende punkter skal tas hensyn til ved transport:

Kontroller at kontaktene er beskyttet og isolert for å unngå kortslutninger. Pass på at batteripakken i forpakningen ikke kan skli fram og tilbake. Skadede eller batterier som lekker er det ikke lov å transportere. Ta kontakt med spedisjonsfirma for ytterlige henvisninger.

CE-SAMSVARERKLÆRING

Vi erklærer i alene ansvar at produktet beskrevet i „Teknisk data“ overensstemmer med alle relevante forskrifter til Eu direktiv 2011/65/EU (RoHS)

2000/14/EC

2006/42/EC

2014/53/EU

og de følgende harmoniserte normative dokumentene, fyrstikker

EN 62841-1:2015

EN 62479:2010

EN 55014-1:2017

EN 55014-2:2015

EN 301 489-1 V2.1.1 (2017-02)

EN 301 489-17 V3.1.1 (2017-02)

EN 300 328 V2.1.1 (2016-11)

EN IEC 63000:2018

Målt lydeffektnivå 87,2 dB(A)

Garantert lydeffektnivå 89,0 dB(A)

Usikkerhet $K=1,5$ dB(A)

Prosedyre for samsvarsvurdering jamfør 2000/14/EC til vedlegg V

Nevnte sted:

DEKRA Certification B.V. (0344)

Meander 1051/P.O.Box 5185

6825 MS ARNHEIM/6802 ED ARNHEIM

Netherlands



Winnenden,

Alexander Krug / Managing Director

Autorisert til å utarbeide den tekniske dokumentasjonen

Techtronic Industries GmbH

Max-Eyth-Straße 10, 71364 Winnenden, Germany

SYMBOLER



Les nøye gjennom bruksanvisningen før maskinen tas i bruk.



Bruk vernebrille.



Apparatet bruker knapp/myntcelle lithiumbatteri.



OBS! ADVARSEL! FARE!



Ta ut vekselbatteriet før du arbeider på maskinen



Fare for elektrisk støt



ADVARSEL!

Fare for personskader på grunn av biter som slynges ut



ADVARSEL! Håndskader



89 dB

Det garanterte lydeffektnivået som vises på denne etiketten er: 89 dB



Elektriske apparater, batterier/oppladbare batterier skal ikke kastes sammen med vanlig husholdningsavfall. Elektriske og elektroniske apparater og oppladbare batterier skal samles separat og leveres til miljøvennlig deponering hos en avfallsbedrift. Informer deg hos myndighetene på stedet eller hos din fagforhandler hvor det finnes recycling bedrifter og oppsamlingssteder.

V

Spenning



Likestrøm



Europeisk samsvarsmerke



Ukrainsk samsvarsmerke



001



Euroasiatisk samsvarsmerke



Nor

TEKNISKA DATA Hydraulpump	M18 HUP700
Produktionsnummer	4745 35 01... ... 000001-999999
Bluetooth-frekvensband	2402-2480 MHz
Högfrekvenseffekt	1,8 dBm
Bluetooth-Version	4.0 BT signal mode
Batterispänning	18 V
Nominellt tryck	700 bar
Skyddsklass	IP54
Maximal spetsvinkel	34°
Nominellt pumpflöde	
Lågtryck	2,0 l/min
Högtryck	0,4 l/min
Total oljevolym	1,6 l
Förbrukningsbar oljevolym	1,3 l
Vikt enligt EPTA 01/2014 (Li-Ion 8,0 Ah...12,0 Ah)	16,0... 16,5 kg
Rekommenderad omgivningstemperatur för driften	-18°C ... +50°C
Rekommenderade batterier (Akkupacks)	M18B9 M18HB8 ..., M18HB12
Rekommenderade laddare	M12-18..., M1418 C6
Bullerinformation	
Mätvärdena har tagits fram baserade på EN 62841. A-värdet av maskinens ljudnivå utgör:	
Ljudtrycksnivå (Onoggrannhet K=3dB(A))	77,7 dB (A)
Ljudeffektsnivå (Onoggrannhet K=3dB(A))	88,7 dB (A)



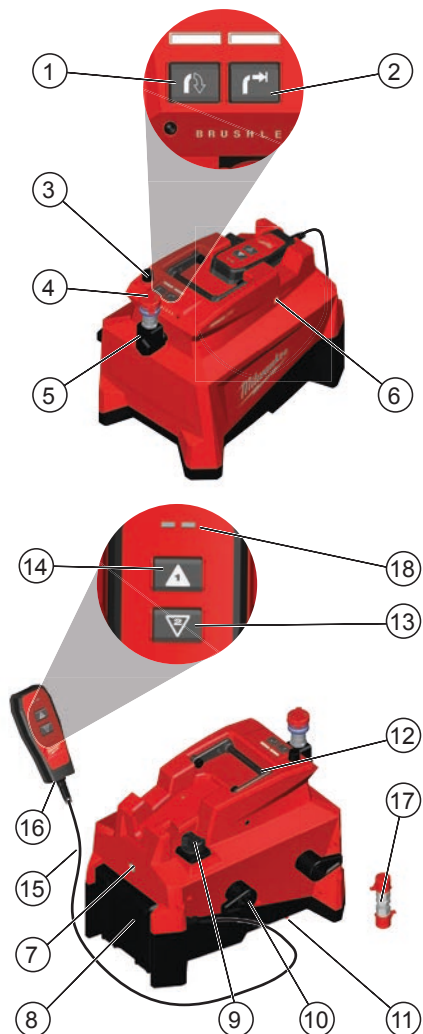
VARNING

Det i det här faktabladet angivna bulleremissionsvärdet har uppmätts enligt ett i EN 62841 normerat testförfarande och kan användas vid jämförelse mellan olika verktyg. Det är även lämplig att använda vid en preliminär bedömning av belastningen.

Det angivna bulleremissionsvärdet representerar den huvudsakliga användningen av det aktuella verktyget. Men om verktyget används för andra tillämpningar eller tillsammans med avvikande tillbehör eller om det är otillräckligt underhållet, kan bulleremissionsvärdet vara ett annat. Det kan öka belastningen betydligt under den totala arbetstiden.

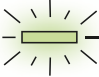
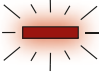
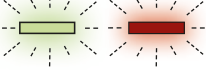
För att få en exaktare bedömning av belastningen orsakad av buller ska även den tid beaktas, under vilken verktyget är avstängt eller är påslaget, utan att det verkligen används. Det kan reducera belastningen betydligt under den totala arbetstiden.

Lägg som skydd för användaren fast extra säkerhetsåtgärder mot bullers verkan, som till exempel: underhåll av verktyget och tillbehören och organisering av arbetsflöppet.



Enhetsbeskrivning

- | | |
|---------------------------------|-----------------|
| ① Knapp skärningsläge | ⑩ Sladdvinda |
| ② Knapp pressningsläge | ⑪ Plugg |
| ③ Knapp manuell tryckavlastning | ⑫ Handtag |
| ④ Koppling | ⑬ Bakåtknapp |
| ⑤ Kopplingsled | ⑭ Framåtknapp |
| ⑥ ONE KEY indikator | ⑮ Sladd |
| ⑦ Oljebehållare oljeståndsglas | ⑯ Fjärrkontroll |
| ⑧ Batterifack | ⑰ Adapter |
| ⑨ Oljelock | ⑱ LED-indikator |

LED-indikator	Definition
 Enfärgad Grön	Verktyget har slutfört processen och nått full presskraft.
 Enfärgad Röd	Verktyget har slutfört processen men har INTE nått full presskraft.
 Blinkande Röd / Grön (efter Enfärgad Grön eller Enfärgad Röd)	Verktyget har nått sin serviceintervall (20000 pressprocesser). Rött/grönt blinkande ljus börjar efter det att den enfärgade röda eller gröna indikatorn för drift visas. MILWAUKEE rekommenderar att kontrollera verktyget och genomföra det regelbundna förebyggande underhållet.

OBSERVERA: Om indikatorn visar rött kontrollera oljenivåerna och se till att det inte finns några läckor i tillbehören. Förvissa dig om att alla anslutningar är säkra och att du har de rätta tillbehören för jobbet. Arbeta igen. Om problemet kvarstår, lämna verktyget till en MILWAUKEE serviceverkstad.

⚠ VARNING Läs alla säkerhetsanvisningar, instruktioner, beskrivningar och uppgifter som du får tillsammans med apparaten. Om nedanstående anvisningar ignoreras finns risk för att elstöt, brand och/eller allvarliga personskador uppstår.

Förvara alla varningar och anvisningar för framtida bruk.

⚠ SÄKERHETSUTRUSTNING

Hydrauliska pumpar tillverkade av Techtronic Industries GmbH har utvecklats för användning med press-, skär- och stanshuvuden. Enligt denna specifika användning är de inte utrustade med ett oljereturssystem.

Av denna anledning kan användningar som avviker från de avsedda (till exempel med hydrauliska domkrafter, lyftsystem eller liknande) vara farliga och leda till allvarliga personskador för operatören.

Techtronic Industries GmbH ansvarar inte för användning av sina hydrauliska pumpar för andra ändamål än pressning, skärning och stansning.

Bygg inte upp trycket om pumpen inte är ansluten till den böjliga slangen och huvudet, eftersom det kan skada pumpens snabbkoppling och orsaka oljeläckage.

Böjliga högtrycksslangar är föremål för en naturlig åldringsprocess som kan resultera i minskad prestanda som potentiellt kan påverka operatörens säkerhet. Av denna anledning är deras livslängd begränsad. För att garantera en säker användning av företagets enheter rekommenderar Techtronic Industries GmbH att hydraulslangar måste bytas regelbundet enligt tillverkarens anvisningar, även om det inte finns synliga skador.

Håll pumpen och den böjliga slangen borta från öppna lågor och värmekällor över 70 °C.

Innan pumpen används måste den böjliga slangen och snabbkopplingarna alltid kontrolleras med avseende på skador, snitt, formförändringar och svällningar.

Skydden som monterats på fabriken måste vara på plats i varje ände av den böjliga slangen. Ta inte i den böjliga slangen när den är trycksatt.

När pumpen används måste den böjliga slangen lindas av komplett och läggas ut rakt. Innan den böjliga slangen kopplas bort måste man kontrollera att huvudets kolv är helt indragen. Se till att det finns en tillräcklig mängd olja för efterföljande arbeten.

Pumpen är inte avsedd för kontinuerlig drift och bör svalna efter oavbrutna, på varandra följande pressningar; till exempel, vänta några minuter med att byta batteri efter att ha tömt ett fulladdat batteri under en session.

Skydda pumpen, batteriet och laddaren mot regn och fukt. Vatten skadar pumpen. Elektrohydrauliska verktyg får inte användas i ösregn.

Operatören av denna utrustning måste före första användningen och därefter årligen instrueras om de särskilda faror som är förknippade med användning av denna utrustning och om de grundläggande säkerhetsåtgärder som måste vidtas.

Driftsbolaget måste:

- göra bruksanvisningen tillgänglig för operatören och
- säkerställa att operatören har läst och förstått den.

Använd skyddsutrustning. Använd alltid skyddsglasögon när du använder maskinen. Som skyddsutrustning rekommenderar vi i ex en dammskyddsmask, skyddshandskar, stabila och halksäkra skor, hjälm och hörselskydd.

• **Kontrollera pump, slangar, kopplingar och anslutningar med avseende på slitage eller skador. Byt ut slitna, skadade eller saknade komponenter med reservdelar från tillverkaren.** Slitna eller skadade komponenter kan sluta fungera, vilket kan orsaka personskador. Underlåtenhet att beakta denna varning kan orsaka allvarliga personskador eller dödsfall.

• **Förvissa dig om att pumpen befinner sig i önskat driftläge innan du använder den.**

• **Använd inte händerna för att kontrollera om det finns läckor.** Högtrycksolja kan lätt punktera huden och orsaka allvarliga personskador, kallbrand eller dödsfall. Vid skada, uppsök omedelbart läkare för att få hjälp med att avlägsna oljan.

• Förvissa dig om att pumpen befinner sig under den maximala lutningsvinkeln.

• Kontrollera oljenivån och justera vid behov. För lite olja kan leda till personskador eller materiella skador. För bästa prestanda, använd alltid MILWAUKEE Force Logic™ hydraulolja (4932 4720 04) för att fylla på behållaren.

• **Minska trycket i hydraulsystemet före underhåll och innan du ansluter eller kopplar bort slangen eller andra hydraulanslutningar: Tryck alltid först på knappen för manuell utlösning.**

• **Använd ögonskydd när du använder detta verktyg eller utför underhåll.** Underlåtenhet att bära ögonskydd kan leda till allvarliga ögonskador på grund av kringflygande skräp eller hydraulolja.

• **Använd endast enkelverkande slangar och tillbehör med ett tryck på minst 700 bar (10 000 psi).**

• **För optimal prestanda, använd slangar som är förfyllda med olja.** Om slangarna inte är förfyllda måste systemet avluftas före drift.

• **Använd aldrig pumpen utan slang eller tillbehör.**

• **För bästa prestanda, använd alltid MILWAUKEE Force Logic™ hydraulolja (4932 4720 04) för att fylla på behållaren.**



- **För optimal funktionalitet, använd M18™ REDLITHIUM™ 8,0 Ah batteri eller högre.**
- **Följ bruksanvisningen från tillbehörens tillverkare.** Andra användningar kan skada verktyget, tillbehören och arbetsstycket.
- **Lufta systemet vid behov.**

Håll aldrig fingrar eller andra kroppsdelar i cylinderns eller chuckarnas arbetsområde.

Ta bort batteripacket innan du börjar med att utföra inställningar, rengöring och underhåll på utrustningen.

Använd utrustning, batteripack och laddare endast om de är i tekniskt felfritt skick.

Kontakta omedelbart en auktoriserad fackverkstad för reparation om produkten skulle vara skadad.

Undvik oavsiktligt start av utrustningen för att förhindra personsador och materialsador.

Ta bort eventuella inställningsverktyg och skiftnycklar före driften. Delar som står under elektrisk spänning får inte bearbetas. Utrustningen är INTE isolerad.

Håll händer och löst sittande kläder borta från skärverktyg och andra rörliga delar.

Släpp genast PÅ-knappen vid störningar under pressningen, och tryck på hydraulsystemets upplåsningsknapp. Ventilen öppnas och kolven går tillbaka till utgångsläget.

WARNING! För att reducera risken för brand, person- och produktskador på grund av en kortslutning får din utrustning, ditt batteripack eller din laddare aldrig doppas i någon vätska och inte heller får vätska tränga in i nämnda föremål. Frätande eller ledande vätskor såsom saltvatten, vissa kemikalier och blekmedel eller produkter, som innehåller blekmedel kan orsaka en kortslutning. Genomför absolut allt föreskrivet underhåll och beakta underhållsintervallerna.

Batterier lagras torrt och skyddas för fukt.

System M18 batterier laddas endast i System M18 laddare. Ladda inte batterier från andra system.

För att undvika person- eller materialsador doppa aldrig verktyget, det löstagbara batteriet eller laddaren i vätska och låt inte vätska penetrera dessa.

WARNING



Denna anordning innehåller ett litium knappcells batteri. Ett nytt eller använt batteri kan orsaka allvarliga inre brännskador och leda till döden på endast 2 timmar om det sväljs eller kommer in i kroppen. Säkra alltid batterifackets lock. Om det inte stänger ordentligt, stanna anordningen, ta ut batteriet och håll det utom räckhåll för barn. Uppsök omedelbart läkare om du tror att någon har sväljt batteriet eller det har kommit in i kroppen på annat sätt.

SAKERHETSANVISNINGAR FÖR PRESSVERKTYG

Pressverktyg och pressinsatser får endast användas av personal som utbildats i elektrotekniska användningar.

Pressa inte ihop spänningsförande anslutningsmaterial.

Kontrollera pressverktyg, pressbackar och pressinsatser med avseende på sprickor och andra tecken på slitage före varje användning.

Pressverktyg och pressinsatser ska endast användas i tekniskt felfritt skick.

Pressverktyget får endast användas med isatta pressinsatser.

Rör inte vid chuckarna och pressdornet under pågående pressning.

Släpp genast PÅ-knappen vid störningar under pressningen, och tryck på hydraulsystemets upplåsningsknapp. Ventilen öppnas och kolven går tillbaka till utgångsläget.



SAKERHETSANVISNINGAR FÖR KABELAVBITARE

Att skära resp. kapa kablar och vajrar med hjälp av denna kabelavbitare får endast utföras av en person med utbildning i elektroteknik.

För att minska risken för explosioner, elektriska stötar och egendoms- och utrustningsskador, skär aldrig av elförande elektriska kablar. Utrustningen är INTE isolerad.

Håll händer och löst sittande kläder borta från skärverktyg och andra rörliga delar. Det finns en risk för allvarlig skada, vilket inkluderar avslitning av armar och ben.

Innan skärprocessen påbörjas måste området avskärmas i enlighet med lokala föreskrifter.

Skär endast av kablar som har kopplats bort från strömförsörjningen!

Kablar och linor får inte vara utsatta för mekaniska belastningar.

För att minska risken för personsador, använd skyddsglasögon eller glasögon med sideskydd.

Underlåtenhet att efterkomma denna anvisning kan leda till allvarliga personsador, dödsfall, brand och annan skada på egendom till följd av elektriska stötar, explosion och/eller elbögar.

Håll aldrig i kabelsaxen i skärbladen.

Innan användning, kontrollera alltid skärbladen för sprickor och andra tecken på slitage.

Kabelsaxen kan endast användas med ett insatt skärverktyg.



SAKERHETSANVISNINGAR FÖR STANSVERKTYG

Kontrollera skärverktygen med avseende på sprickor och andra tecken på slitage före varje användning. Använd skärverktyg och skärapparater endast när de är i tekniskt felfritt skick.

Apparaten får endast användas med isatt skärverktyg. Använd inte apparaten i eller i närheten av kopplingskåp som står under spänning. Arbeta endast på kopplingskåp som har gjorts spänningsfria. Kontrollera om konkvavformens nominella bredd överensstämmer med stämpelns nominella bredd.

Använd verktyget endast med stämpelar och konkvavformar som är godkända för den maximala nominella kraften. Andra kan orsaka skador på person eller material.

Håll skärverktyg vassa och rena. Välskötta skärverktyg med vassa skäreppor kärvar mindre och är lättare att kontrollera.

ANVÄND MASKINEN ENLIGT ANVISNINGARNA

Tillbehör och verktygshuvuden:

Avsedd användning: endast för enkelverkande tillbehör och verktygshuvuden, nominellt tryck 700 bar; max. undanträngd olja 1,35 liter

Pressverktyg:

Pressverktyget får endast användas för pressning av förbindningsmaterial som respektive pressinsatser är avsedda för.

Innan arbetet påbörjas måste alla aktiva, dvs. spänningsförande delar i montörens arbetsområde skiljas från strömmen.

Kabelavbitare:

Kabelsaxen lämpar sig för att kapa

- spänningsfria icke förstärkta kablar av isolerad koppar eller aluminium, skärverktyg beroende på kabeltyp

Stansverktyg (knockout tool):

Stansverktyget (knockout tool) får endast användas för stansning i material med de medföljande stämplarna och matriserna.

⚠️ WARNING Läs alla säkerhetsanvisningar, instruktioner, beskrivningar och uppgifter som du får tillsammans med apparaten. Om nedanstående anvisningar ignoreras finns risk för att elstöt, brand och/eller allvarliga personskador uppstår.

Förvara alla varningar och anvisningar för framtida bruk.

ALLMÄNNA ANVISNINGAR

Luftning av det hydrauliska systemet:

Verktyget ska luftas varje gång det har torrkört.

Luftning av systemet:

1. Ta bort batteriet.
2. Kontrollera oljeståndsglasets nivå och se till att verktyget har tillräckligt med olja.
3. Anslut kopplingen till ett tillbehörshuvud som suger ut luften och överskottsoljan.

OBSERVERA: Kopplingen måste peka rakt upp och verktyget måste placeras lägre än tillbehörshuvudet.

4. Sätt i batteriet.
5. Tryck på knappen pressningsläge.
6. Kör verktyget.

OBSERVERA: Det kan ta upp till 30 sekunder innan luft och olja börjar komma ut.

7. Så snart oljorna börjar komma ut, tryck och håll inne den manuella utlösningssknappen i två sekunder och släpp sedan båda knapparna.
8. Upprepa stegen 5–7 tre till fyra gånger.

OBSERVERA: Se till att oljenivån inte sjunker under oljeståndsglasets nivå när du luftar systemet. Fyll på behållaren vid behov.

Luftning av tillbehöret:

Tillbehör bör tömmas på luft varje gång ett tillbehör har underhållits, inte används under en lång tid eller ansluts till en slang som inte är förfylld med olja.

Se även rekommendationerna från tillbehörens tillverkare för ytterligare instruktioner om luftning.

Att lufta ett tillbehör:

1. Ta bort batteriet.
2. Anslut tillbehörets slang till kopplingen.

OBSERVERA: Kopplingen måste peka åt sidan och verktyget måste placeras högre än tillbehörets slang och huvud.

3. Sätt i batteriet.
4. Tryck på knappen pressningsläge.
5. Kör verktyget tills cykeln avslutas och LED-indikatorn lyser grönt.
6. Tryck och håll inne den manuella utlösningssknappen i två sekunder och släpp sedan båda knapparna.
7. Upprepa stegen 4–6 tre till fyra gånger.

OBSERVERA: Se till att oljenivån inte sjunker under oljeståndsglasets nivå när du luftar tillbehöret. Fyll på behållaren vid behov.

ARBETSANVISNINGAR FÖR CRIMPNING

Använd endast standardiserade förbindningsprodukter enligt gällande nationella standarder samt de pressinsatser som är avsedda för dessa.

Bearbetnings- och monteringsanvisningar för förbindningsprodukter framgår av dokumentationen från tillverkaren.

Kontrollera om förbindningsproduktens nominella bredd överensstämmer med pressinsatsens nominella bredd.

Innan pressningen påbörjas måste batterikapaciteten kontrolleras: minst 33 % (se illustrerad beskrivning). Det kan kräva laddning innan arbetet påbörjas.

Genom att använda manöverknappen sätter man igång pressningen, som kännetecknas av pressdornets rörelser.

Det åligger användaren att kontrollera och bedöma om pressningen är korrekt.

Förbindningar som inte är korrekta måste pressas om med en ny förbindningsprodukt.

Åtgärder vid fel

- Håll återställningssknappen intryckt tills pressbackarna har öppnats fullständigt
- kontrollera batterikapaciteten
- Kontrollera kabeln och anslutningsobjektet i enlighet med de tekniska specifikationerna.
- Om man misstänker att en spänningsförande kabel har pressats måste pressverktyget inspekteras i en auktoriserad verkstad

ARBETSANVISNINGAR FÖR SKÄRNING

Uppställning av arbetsområdet

Innan arbetet påbörjas måste ledningarna eller kablarna göras spänningslösa och säkras för den tid som arbetena pågår.

Om det inte kan säkerställas bortom allt tvivel att kabeln eller den isolerade linjen har frånkopplats kan inget arbete utföras.

Lokala säkerhetsföreskrifter och bestämmelser måste under alla omständigheter beaktas.

Kablar och linor får inte vara utsatta för mekaniska belastningar och måste eventuellt säkras mot okontrollerade rörelser efter kapningen.

Utsätt inte verktyg för regn. Använd inte verktyg i fuktiga eller våta utrymmen.

Förberedelse av kabelsax och batteri

Innan varje användning:

- Inspektera kabelsaxen för externa defekter
 - Kontrollera skärverktyget för sprickor och andra tecken på slitage
- Använd endast vid perfekt skick!



Sve

Innan skärprocessen påbörjas måste batterikapaciteten kontrolleras: minst 33 % (se illustrerad beskrivning). Det kan kräva laddning innan arbetet påbörjas.

Förberedelse för skärprocessen

Stötta och fixera den kabel eller lina som ska kapas för att minimera risken för en okontrollerad rörelse.

I synnerhet kan luftledningarna och linor okontrollerat hamna i rörelse och orsaka personskador och/eller materiella skador.

Skärhuvudet måste läggas an mot kabeln eller linan i en vinkel på 90°, så att denna ligger utan spänning i de öppnade käftarna och man undviker ogynnsamma skjuvkrafter.

⚠ WARNING: För att minska risken för explosioner, elektriska stötar och egendoms- och utrustningsskador, skär aldrig av förlöande elektriska kablar.

Utrustningen är INTE isolerad. Kontakt med en ström-förande krets kan leda till allvarliga skador eller dödsfall. Stäng av strömmen innan du skär. Skär aldrig gas- eller vattenledningar. Håll händerna borta från alla skåreggar och rörliga delar. Skärsår eller amputation kan förekomma.

Ta alltid ur batteriet innan du ändrar eller tar bort tillbehör. Använd endast tillbehör som specifikt rekommenderas för detta verktyg. Andra kan vara farliga.

För att minska risken för personskador, använd skyddsglasögon eller glasögon med sidoskydd.

⚠ WARNING: För att minska risken för personskador, skär endast i material rekommenderade för bladen. (se "Specifikationer") Försök inte att skära i andra material.

Skärning

Innan du skär, försäkra dig om att bladen är korrekt installerade.

1. För kabeln i rätt vinkel mot kabelavbitarens egg. Försök inte göra vinklade skärningar eftersom det kommer att skada arbetsstycket och bladen.
2. Flytta skjutreglaget till låst läge. Dra och håll in avtryckaren under operationen.
Ett LED-ljus kommer att tändas när avtryckaren trycks in.
3. När kapningen utförts eller verktyget stängs av, släpper du åter avtryckaren och trycker på återställningsknappen för att öppna käftarna.

OBSERVERA: Arbetsstycket kan röra sig något under skärningen.

Åtgärder vid fel

- kabeln kan vara skuren och spänningsförande, informera alltid säkerhetsansvarig, avbryt kapningen, vidta lämpliga säkerhetsåtgärder
- Säkerställ alltid att enheten är och fortsätter vara fränkopplad från strömförsörjningen innan du närmar dig eller rör vid enheten
- Tryck och håll in återställningsknappen tills bladen öppnar sig helt
- kontrollera batterikapaciteten
- kontrollera material och materialtjocklek mot den tekniska datan
- Om man misstänker att en strömförande kabel har skurits av måste kabelsaxen inspekteras i en auktoriserad verkstad

Blad som fastnat

Smuts och skräp kan orsaka att bladen fastnar i varandra efter en skärning

- Tryck och håll in frigöringsavtryckaren för att säkerställa att verktyget är återställt.
- Ta bort batteriet.
- Följ beskrivningen på bilderna för att öppna käftarna
- Ta bort eventuell smuts och eventuellt skräp från bladen innan du påbörjar nästa skärning.

Skärtpis

- Försök inte göra vinklade skärningar eftersom det kommer att skada arbetsstycket och bladen.
- Skär rena material för att förlänga bladens livslängd. Torka bort smuts och skräp från material och blad innan du påbörjar skärning.

ARBETSINSTRUKTIONER FÖR STANSNING

Kontrollera om matrisens nominella diameter är lika med stämpelns nominella storlek.

SKÖTSEL

Ta bort batteripaketet innan du börjar med att utföra inställningar, rengöring och underhåll på utrustningen.

Öppna aldrig utrustningen, det löstagbara batteriet eller laddaren.

Kontrollera utrustningen med avseende på eventuella problem såsom oljud eller att rörliga delar fastnar vilket kan påverka utrustningen.

Ventilationsöppningarna på utrustningen måste alltid vara fria.

För att undvika personskador och materialskador doppa aldrig utrustningen, det löstagbara batteriet eller laddaren i vätska och låt inte vätska tränga in i dessa föremål.

Andra underhållsarbeten och reparationer får endast utföras av auktoriserade specialverkstäder.

I apparaten finns hydraulolja som är farlig för grundvattnet. Det är straffbart att tappa av hydraulolja okontrollerat eller att ta hand om den som avfall på annat än föreskrivet sätt.

Nästa underhållsintervall indikeras med lysdioder på utrustningen.

Lämna verktyget, batteripaketet och laddaren till en MILWAUKEE serviceverkstad för reparation. Efter sex månader till ett år, beroende på användning, lämna verktyget, batteripaketet och laddaren till en MILWAUKEE serviceverkstad för inspektion. Använd endast Milwaukee-tillbehör och Milwaukee-reservdelar. Komponenter, för vilka inget byte beskrivs, skall bytas ut hos Milwaukee-kundtjänst (se broschyren garanti-/kundtjänstadresser).

Om verktyget inte startar eller arbetar med full kapacitet med ett fulladdat batteri, måste kontaktarna på batteriet rengöras. Om verktyget fortfarande inte fungerar korrekt, lämna tillbaka verktyget, laddaren och batteripaketet till en MILWAUKEE serviceverkstad för reparation.

Serviceintervall

ONE-KEY-appen innehåller information om nödvändigt underhåll, såsom till exempel vätskebyte. Lämna verktyget till en MILWAUKEE serviceverkstad för reparation och underhåll.

OBSERVERA: Eventuellt krävs veckan och året för verktygets tillverkning. Denna information finns på serienumret på verktygets typskylt.

Vid behov av sprängskiss, kan en sådan, genom att uppge maskinens art. nr. (som finns på typskylten) erhållas från: Techtronic Industries GmbH, Max-Eyth-Straße 10, 71364 Winnenden, Germany.

För säker transport rekommenderar vi att packa den hydrauliska pumpen i en förseglad, oljebeständig plastpåse och att därvid använda originalförpackningen.

ONE-KEY™

För att ta reda på mer om ONE-KEY funktionaliteten på denna utrustning, läs medföljande snabbstartsguide eller besök <http://www.milwaukeetool.com/one-key>

Du kan ladda ner ONE-KEY-appen till din smarttelefon via App Store eller Google Play.

Provresultatet uppfyller våra minimikrav enligt EN 301489-1 / EN 301489-17. Och vi kommer att ge kunden en handledning för drift i bruksanvisningen.

BATTERIER

Batteri som ej använts på länge måste laddas före nytt bruk. En temperatur över 50°C reducerar batteriets effekt. Undvik längre uppvärmning tex i solen eller nära ett element.

Se till att anslutningskontaktarna i laddaren och på batteriet är rena.

För att batterierna ska få lång livslängd ska de laddas fulla efter användning.

För att få en så lång livslängs som möjligt bör laddningsbara batterier avlägsnas från laddaren när de är laddade.

Om laddningsbara batterier lagras längre än 30 dagar: Lagra batteriet torrt och vid ca 27°C. Lagra batteriet vid ca 30%-50% av laddningskapaciteten. Ladda batterierna på nytt var 6:e månad.

Kasta inte förbrukade batterier. Lämna dem till Milwaukee Tools för återvinning.

Förvara ej batteriet ihop med metallföremål, kortslutning kan uppstå.

Under extrem belastning eller extrem temperatur kan batteri-vätska tränga ut ur skadade utbytesbatterier. Vid beröring med batteri-vätska tvätta genast av med vatten och tvål. Vid ögonkontakt spola genast i minst 10 minuter och kontakta genast läkare.

Se upp så att inga metallföremål hamnar i laddarens batterischakt, kortslutning kan uppstå.

TRANSPORTERA LITIJUMJON-BATTERIER

För litiumjon-batterier gäller de lagliga föreskrifterna för transport av farligt gods på väg.

Därför får dessa batterier endast transporteras enligt gällande lokala, nationella och internationella föreskrifter och bestämmelser.

Konsumenter får transportera dessa batterier på allmän väg utan att behöva beakta särskilda föreskrifter.

För kommersiell transport av litiumjon-batterier genom en speditiionsfirma gäller emellertid bestämmelserna för transport av farligt gods på väg. Endast personal som känner till alla tillämpliga föreskrifter och bestämmelser får förbereda och genomföra transporten. Hela processen ska följas upp på fackmässigt sätt.

Följande ska beaktas i samband med transporten av batterier:

Säkerställ att alla kontakter är skyddade och isolerade för att undvika kortslutning. Se till att batteripacken inte kan glida fram och tillbaka i förpackningen. Transportera aldrig batterier som läcker, har runnit ut eller är skadade. För mer information vänligen kontakta din speditiionsfirma.

CE-FÖRSÄKRAN

Vi tar på vårt ansvar att produkten som har beskrivits under Tekniska data uppfyller alla relevanta villkor i direktiven

2011/65/EU (RoHS)

2000/14/EG

2006/42/EG

2014/53/EU

samt att följande harmoniserade standarder har använts.

EN 62841-1:2015

EN 62479:2010

EN 55014-1:2017

EN 55014-2:2015

EN 301 489-1 V2.1.1 (2017-02)

EN 301 489-17 V3.1.1 (2017-02)

EN 300 328 V2.1.1 (2016-11)

EN IEC 63000:2018

Uppmätt ljudtrycksnivå 87,2 dB(A)

Garanterad ljudtrycksnivå 89,0 dB(A)

Onoggrannhet K= 1,5 dB(A)

Förfarande för bedömning om överensstämmelse enligt 2000/14/EG bilaga V

Nämnt organ:

DEKRA Certification B.V. (0344)

Meander 1051/P.O.Box 5185

6825 MS ARNHEIM/6802 ED ARNHEIM

Netherlands

CE Winnenden,


Alexander Krug / Managing Director

Befullmäktigad att sammanställa teknisk dokumentation.

Techtronic Industries GmbH

Max-Eyth-Straße 10, 71364 Winnenden, Germany



SYMBOLER



Läs instruktionen noga innan du startar maskinen.



Använd skyddsglasögon.



Denna anordning innehåller ett litium knappcells batteri.



OBSERVERA! VARNING! FARA!



Drag ur batteripaket innan arbete utföres på maskinen.



Risk för elektrisk stöt



VARNING!
Skaderisk på grund av ivägflygande brottstycken



VARNING! Handskada



Den garanterade ljudeffektnivån som anges på denna etikett är 89 dB



Elektriska maskiner, batterier/uppladdningsbara batterier och får inte slängas tillsammans med de vanliga hushållssoporna. Elektriska maskiner och uppladdningsbara batterier ska samlas separat och lämnas till en avfallsstation för miljövänlig avfallshantering. Kontakta den lokala myndigheten respektive kommunen eller fråga återförsäljare var det finns speciella avfallsstationer för elskrot.

V

Spänning



Likström



Europeiskt konformitetsmärke



Ukrainskt konformitetsmärke



Euroasiatiskt konformitetsmärke



TEKNISET ARVOT Hydraulipumppu	M18 HUP700
Tuotantomero	4745 35 01... ... 000001-999999
Bluetooth-taajuus (taajuudet)	2402-2480 MHz
Suurin suurtaajuusteho	1,8 dBm
Bluetooth-versio	4.0 BT signal mode
Jännite vaihtoakku	18 V
Paineen nimellisvoima	700 bar
Suojaluokka	IP54
Suuttimen suurin kulma	34°
Nimellinen virtausnopeus	
Matala paine	2,0 l/min
Korkea paine	0,4 l/min
Öljyn kokonaistilavuus	1,6 l
Kulutetun öljyn tilavuus	1,3 l
Paino EPTA-menetelmän 01/2014 mukaan (Li-Ion 8,0 Ah...12,0 Ah)	16,0..., 16,5 kg
Suosittelun ympäristön lämpötila käytön aikana	-18°C ... +50°C
Suosittelut akkusarjat	M18B9 M18HB8 ..., M18HB12
Suosittelut latauslaitteet	M12-18..., M1418 C6
Melunpäästötiedot	
Mitta-arvot määritetty EN 62841 mukaan. Koneen tyypillinen A-luokitettu melutaso:	
Melutaso (Epävarmuus K=3dB(A))	77,7 dB (A)
Äänenvoimakkuus (Epävarmuus K=3dB(A))	88,7 dB (A)

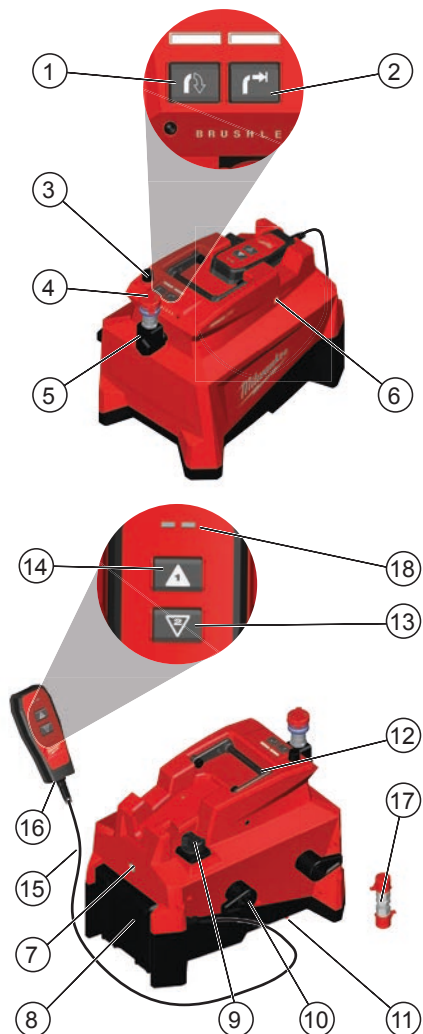
VAROITUS

Tässä ohjelehdessä annettu melunpäästöarvo on mitattu standardilla EN 62841 normitetulla koestusmenetelmällä ja sitä voidaan käyttää työkalujen vertailuun keskenään. Sitä voidaan käyttää myös rasituksen alustavaan arvioon.

Annettu melunpäästöarvo edustaa työkalun pääasiallisia sovellusalueita. Jos työkalua käytetään muihin tarkoituksiin tai poikkeavien varusteiden, tai jos sitä ei ole huollettu riittävän hyvin, niin melunpäästöarvo saattaa poiketa tästä. Seurauksena voi olla rasituksen huomattava lisääntyminen kokonaistyöajan puitteissa.

Melurasituksen tarkkaa arviointia varten tulisi ottaa huomioon myös ne ajat, jolloin työkalu on sammutettu tai se käy, mutta sitä ei sillä hetkellä käytetä. Tämä saattaa huomattavasti vähentää rasitusta kokonaistyöajan puitteissa.

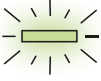
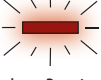

Määrää lisätoimenpiteitä käyttäjän suojaamiseksi melun haittavaikutuksilta, kuten esimerkiksi: työkalun ja varusteiden huolto sekä työvaiheiden organisointi.



Laitteen kuvaus

- | | |
|---------------------------------------|------------------|
| ① Leikkaustilapainike | ⑪ Tuuletustulppa |
| ② Puristustilapainike | ⑫ Käsi kahva |
| ③ Manuaalinen paineen vapautuspainike | ⑬ Perutuspainike |
| ④ Kytkin | ⑭ Syöttöpainike |
| ⑤ Kytkinvipu | ⑮ Kaapeli |
| ⑥ ONE KEY -merkkivalo | ⑯ Kauko-ohjaus |
| ⑦ Öljysäiliön kirkas viiva | ⑰ Sovitin |
| ⑧ Akkukenno | ⑱ LED-merkkivalo |
| ⑨ Öljyn kansi | |
| ⑩ Kaapelisuojaus | |



LED-merkkivalo	Määritelmä
 Jatkuva Vihreä	Työkalu on päättynyt prosessin ja saavuttanut täydellisen puristuspaineen.
 Jatkuva Punainen	Työkalu on päättynyt prosessin mutta El ole saavuttanut täydellistä puristuspainetta.
 Viikkuva Punainen / Vihreä (jälkeen Jatkuva Vihreä tai Jatkuva Punainen)	Työkalu on saavuttanut huoltovälin (20000 puristus). Punainen/vihreä vilkkuminen alkaa sen jälkeen, kun prosessin jatkuva punainen tai vihreä merkkivalo näkyi näytössä. MILWAUKEE suosittelee työkalun tarkistamista ja ennaltaehkäisevää huoltoa.



HUOMAA: Tarkasta öljytasot ilmaisimen näyttäessä punaista, ja varmista, ettei lisävarusteissa ole vuotoja. Varmista, että kaikki liitännät ovat tiukkoja ja että lisävarusteet sopivat tehtävään työhön. Käynnistä. Ongelman jatkuessa palauta työkalu MILWAUKEE-huoltoon.

VAROITUS Lue kaikki varoimenpiteet, ohjeet, kuvalliset esitykset ja tiedot, jotka toimitetaan laitteen mukana. Ellet noudata seuraavia ohjeita, saattaa se johtaa sähköiskun, tulipaloon ja/tai vaikeisiin loukkaantumisiin.

Säilytä kaikki turvallisuus- ja muut ohjeet tulevaisuutta varten.

TURVALLISUUSOHJEET

Techtronic Industries GmbH:n hydraulipumput on tarkoitettu käytettäväksi yhdessä puristus-, leikkaus- ja painopäiden kanssa. Tämän tietyn käyttötarkoituksen mukaisesti niissä ei ole öljyn takaiskuvirtojärjestelmää.

Tämän vuoksi käyttö muuhun kuin käyttötarkoitukseen (esim. hydraulisten tunkkien, nostojärjestelmien tms. kanssa) voi olla vaarallista ja johtaa vakaviin käyttäjän vammoihin.

Techtronic Industries GmbH ei vastaa seurauksista, kun hydraulipumppuja käytetään muuhun kuin puristus-, leikkaus- ja painotarkoitukseen.

Älä paineista pumppua, mikäli sitä ei ole liitetty joustavaan letkuun ja sen päähän, sillä tämä voi vaurioittaa pumpun pikaliittintä ja jouduttaa öljyn tiikmistä.

Joustavat korkeapaineletkut vanhenevat luonnollisesti, mikä vanheneminen voi aiheuttaa tehon heikkenemistä ja mahdollisesti vaikuttaa käyttäjän turvallisuuteen. Toisin sanoen letkujen käyttöaika on rajallinen. Techtronic Industries GmbH suosittelee yksiköjensä turvallisen käytön takaamiseksi vaihtamaan hydrauliletkut säännöllisesti valmistajan ohjeiden mukaan silloinkin, kun näkyviä vaurioita ei ole.

Pidä pumppu ja joustava letku poissa avotulesta ja 70 °C ylittävistä lämmönlähteistä.

Tarkasta aina ennen pumpun käyttämistä, että joustava letku ja pikaliittimet ovat moitteettomassa kunnossa ja ettei niissä ole kulumia, viiltoja, epämüodostumia tai pullistumia.

Tehdasasetettujen suojusten on oltava paikoillaan joustavan letkun molemmissa päissä. Älä kosketa paineistettua joustavaa letkua.

Pumppua käytettäessä on joustava letku avattava suoraksi. Tarkasta ennen joustavan letkun irrottamista, että pään hydraulimäntä on vedetty kokonaan sisään, ja varmista, että öljyä on riittävästi seuraavia toimenpiteitä varten.

Pumppu ei sovi jatkuvaan käyttöön, ja sen on annettava jäähtyä keskeyttämättömin peräkkäisten puristus-toimenpiteiden jälkeen. Esimerkiksi, kun täyteen ladattu akku on tyhjentynyt yhden istunnon aikana, odota muutama minuutti ennen akun vaihtamista.

Suojaa pumppu, akku ja laturi sateelta ja kosteudelta. Vesi vaurioittaa pumppua. Sähköhydraulisia työkaluja ei tulisi käyttää sateessa.

Tämän laitteen käyttäjää on ohjeistettava erityisesti vaarallanteista, jotka liittyvät laitteen käyttöön, sekä olennaisista turvallisuutta koskevista toimenpiteistä ennen ensimmäistä työskentelykertaa laitteella sekä vähintään kerran muuossa tämän jälkeen.

Laitteen omistajan on:

- annettava laitteen käyttöohje käyttäjän käyttöön
- varmistettava, että laitteen käyttäjä on lukenut ja ymmärtänyt käyttöohjeen sisällön.

Käytä suojavarusteita. Käytä aina suojalaseja käytettäessä konetta. Suosittelemme suojavarusteiden käyttöä, näihin kuuluvat pölysuojajanaamari, työkasineet, tukevat, luistamattomat jalkineet, kypärä ja kuulosuojukset.

- **Tarkasta pumpun, letkujen, kytkinten ja liitososien kulumat ja vauriot. Vaihda kuluneet, vaurioituneet tai puuttuvat osat valmistajan varaosilla.** Kuluneet tai vahingoittuneet osat voivat pettää ja aiheuttaa vammoja. Tämän varoituksen noudattamatta jättäminen voi aiheuttaa vakavia vammoja tai kuoleman.
- **Varmista, että pumppu on halutussa käyttötilassa ennen sen käyttämistä.**
- **Älä tarkasta vuotoja käsillä.** Korkeapaineinen öljy läpäisee helposti ihon ja aiheuttaa vakavia vammoja, kuoliota tai kuoleman. Mikäli olet vahingoittunut, hakeudu välittömästi hoitoon öljyn poistamiseksi.
- Varmista, että pumpun kallistuskuuma on pienempi kuin suurin mahdollinen.
- Tarkasta öljyn taso ja säädä sitä tarvittaessa. Matala öljy voi aiheuttaa vammoja tai omaisuusvahinkoa. Paras teho saavutetaan aina käyttämällä MILWAUKEE Force Logic™ hydraulioiljyä (4932 4720 04) öljysäiliön täyttämiseen.
- **Vapauta hydraulijärjestelmän paine ennen sen huoltamista, letkun tai muiden hydrauliliitännän osien liittämistä tai irrottamista: paina aina manuaalista vapautuspainiketta etukäteen.**
- **Käytä silmiensuojainta käytettäessäsi tai huoltaessasi tätä työkalua.** Silmiensuojaimen käyttämättä jättäminen voi lentävien jäämien tai hydraulioiljyn vuoksi aiheuttaa vakavia silmävammoja.
- **Käytä vain yksivaiheisia letkuja ja lisälaitteita, joiden luokitus on 10 000 psi (700 bar) tai enemmän.**
- **Paras teho saavutetaan käyttämällä letkuja, jotka on esitetyt öljyllä.** Jos letkuja ei ole esitetyt, ilmaa järjestelmä ennen sen käyttämistä.
- **Älä koskaan käytä pumppua ilman letkua tai lisälaitetta.**
- **Paras teho saavutetaan aina käyttämällä MILWAUKEE Force Logic™ hydraulioiljyä (4932 4720 04) öljysäiliön täyttämiseen.**
- **Ihanteellista toimintaa varten käytä M18™ REDLITHIUM™ 8,0 Ah -akkuja tai parempaa.**

• Noudata lisävarustevalmistajan käyttöohjetta.

Muut käyttötavat voivat vaurioittaa työkalua, lisälaitteita ja työkalupaltea.

• Ilmaa järjestelmä tarvittaessa.

Älä koskaan pistä sormia tai muita ruumiinosia sylinterin tai leukojen työskentelyalueelle.

Poista akku ennen laitteen säätö-, puhdistus- ja huoltoitöiden aloittamista.

Käytä laitetta, irrotettavaa akkuja ja latureita vain teknisesti moitteettomassa kunnossa.

Anna valtuutetun alan ammattikorjaamon korjata vauriot heti.

Estä laitteen tahaton käynnistäminen välttääksesi loukkaantumisen ja vahingot.

Irrota kaikki säätötyökalut ja kiintoavaimet ennen puristusta.

Älä työstä osia, joissa on jännitettä. Laite EI ole eristetty.

Älä laita käsiä tai päästä väljää vaateetusta leikkuriin ja muihin liikkuviin osiin.

Päästä häiriötapaussissa puristamisen aikana PÄÄLLE-kytkimestä heti irti ja paina hydrauliiikan vapautuspainiketta. Venttiili avaa ja mäntä ajaa takaisin lähtöasemaansa.

VAROITUS! Jotta vältetään oikosulun aiheuttama tulipalon, loukkaantumisen tai tuotteen vahingoittamisen vaara, älä koskaan upota laitetta, irrotettavaa akkuja tai laturia nesteeseen ja huolehdi siitä, ettei mitään nesteitä pääse tunkeutumaan laitteiden tai akkujen sisään. Syövyttävät tai sähköä johtavat nesteet, kuten suolavesi, tietyt kemikaalit ja valkaisuaineet tai valkaisuaineita sisältävät tuotteet voivat aiheuttaa oikosulun.

Noudata annettuja huolto-ohjeita ja huoltoitöiden aikavälejä.

Vaihtoakkuja ja latauslaitteita ei saa avata. Säilytys vain kuivissa tiloissa. Suojattava kosteudelta.

Käytä ainoastaan System M18 latauslaitetta System M18 akkujen lataukseen. Älä käytä muiden järjestelmien akkuja.

Älä koskaan upota laitetta, irrotettavaa akkuja tai laturia nesteeseen tai anna nesteen päästä niihin loukkaantumisten ja vahinkojen välttämiseksi.

VAROITUS



Tämä laite sisältää litium-nappipariston. Uusi tai käytetty akku voi aiheuttaa vakavia sisäisiä palovammoja ja johtaa kuolemaan alle kahdessa tunnissa, jos se niellään tai joutuu jollakin muulla tavalla kehoon. Kiinnitä aina paristolokeron kansi. Jos se ei sulkeudu turvallisesti, pysäytä laite, poista akku ja pidä se lasten ulottumattomissa. Jos epäilet, että jokin henkilö on niellyt akun tai että se on joutunut jollakin tavalla kehoon, tämän henkilön täytyy hakeutua välittömästi lääkäriin hoitoon.

▲ PURISTUSTYÖKALUA KOSKEVAT TURVALLISUUSOHJEET

Puristustyökaluja ja puristuslaitteita saa käyttää vain sähkötekniisissä sovelluksissa koulutettu henkilöstö.

Älä koskaan purista jännitteisiä liitosmateriaaleja.

Tarkasta puristustyökalu, leuat ja -palat ennen jokaista käyttöä kertaa halkeamilta ja muilta kulumisilta.

Puristustyökalua ja -paloja saa käyttää vain teknisesti moitteettomassa kunnossa.

Puristustyökalua saa käyttää vain, kun siihen on kiinnitetty puristuspalat.

Älä kosketa puristusleukoja ja puristustappipulttia puristustoiminnan aikana.

Päästä häiriötapaussissa puristamisen aikana PÄÄLLE-kytkimestä heti irti ja paina hydrauliiikan vapautuspainiketta. Venttiili avaa ja mäntä ajaa takaisin lähtöasemaansa.



JOHTOLEIKKURIA KOSKEVAT VAROITIMENPITEET

Vain sähkötekniistä koulutusta saaneet henkilöt saavat leikata kaapeleita ja vaijereita tämän kaapelileikkurin avulla.

Älä koskaan leikkaa sähköjohtoja, joissa on jännitettä. Näin vältytään räjähdyksiltä, sähköiskulta ja omaisuusvahingoilta. Laite EI ole eristetty.

Älä laita käsiä tai päästä väljää vaateetusta leikkuriin ja muihin liikkuviin osiin. Vakava loukkaantumisvaara, mukaan lukien rajojen irtileikkautuminen.

Pääsy paikalle on estettävä paikallisia määräyksiä noudattamalla ennen kuin leikkuutyöt aloitetaan.

Leikkaa vain kaapeleita, jotka ovat jännitteettömiä!

Kaapeleita ja vaijereita ei saa altistaa mekaanisille voimille.

Suojalasien tai sivusuojallisten lasien käyttö vähentää vammautumisen vaaraa.

Tämän ohjeen noudattamatta jättäminen voi johtaa vakaviin vammoihin, kuolemaan, tulipaloon tai muihin omaisuusvahinkoihin, jotka seuraavat sähköiskusta, räjähdyksestä ja/tai sähkövalokaarista.

Älä koskaan tartu kaapelileikkuriin kidoista.

Tarkista laitteen kidat aina halkeamilta tai muilta kulumisilta ennen käyttöä.

Kaapelileikkuria voi käyttää ainoastaan, kun siihen on asennettu leikkuutyökalu.



STANSSAUSLAITTEITA KOSKEVAT TURVALLISUUSOHJEET

Tarkasta leikkuri ennen jokaista käyttöä halkeamilta ja muilta kulumisilta. Leikkureita ja leikkulaiteita saa käyttää vain teknisesti moitteettomassa kunnossa.

Laitetta saa käyttää vain, kun siihen on kiinnitetty leikkuri. Älä käytä sitä jännitteessä olevissa ohjauslaatikoissa tai niiden läheisyydessä. Suorita töitä ainoastaan jännitteettömillä ohjauslaatikoilla.

Tarkasta, täsmääkö leikkaimen tyynyn nimellisveveys leiman nimellisvevyeeseen.

Käytä työkalussa vain leimoja ja leikkaimen tyynyjä, jotka ovat sallitun maksiminimellisvoiman mukaisia. Muista voi aiheutua loukkaantumisia tai vahinkoja.

Pidä leikkuri terävänä ja puhtaana. Oikeanlainen leikkurin hoito takaa, että terävät leikkureunat takertuvat toisiinsa vähemmän ja niitä on helpompi tarkastaa.

TARKOITUKSEN MUKAINEN KÄYTTÖ

Lisälaitteet ja työkalupäät:

Käyttötarkoitus: vain yksivaiheisille lisävarusteille ja työkalupäille, nimellispaine 700 bar; suurin öljyn siirto 1,35 l

Puristustyökalu:

Puristustyökalua saa käyttää vain liitännämateriaalien puristamiseen, joille on vastaavat puristuspalat.

Kaikki jännitteiset osat eli sähköä johtavat osat teknikon työympäristössä on irrotettava ennen työn aloittamista.

Johtoleikkuri:

Kaapelileikkuri soveltuu seuraavien materiaalien leikkaamiseen:



- jännitteettömät vahvistamattomat eristetyistä kuparista tai alumiinista valmistetut kaapelit, leikkuutyökalut riippuen kaapelityypistä

Reikätyökalu:

Reikätyökalua voidaan käyttää vain materiaalien reiättämiseen mukana toimitetuilla painimilla ja muoteilla.

VAROITUS Lue kaikki varoimenpiteet, ohjeet, kuvalliset esitykset ja tiedot, jotka toimitetaan laitteen mukana. Ellet noudata seuraavia ohjeita, saattaa se johtaa sähköiskuun, tulipaloon ja/tai vaikeisiin loukkaantumisiin.

Säilytä kaikki turvallisuus- ja muut ohjeet tulevaisuutta varten.

YLEISET OHJEET

Hydraulijärjestelmän käynnistystyttö:

Työkalulle on tehtävä käynnistystyttö aina, kun öljy on loppunut.

Järjestelmän käynnistystyttö:

1. Irrota akkuyksikkö.
2. Tarkasta öljyn tähtystysiiva ja varmista, että työkalussa on riittävästi öljyä.
3. Liitä kytkin lisävarusteen päähän, joka juoksuuttaa ulos ilman ja ylimääräisen öljyn.

HUOMAA: Kytkin on suunnattava suoraan ylöspäin ja työkalu on sijoitettava lisävarustepäätä alemmaksi.

4. Aseta akkuyksikkö paikoilleen.
5. Paina puristustilapainiketta.
6. Käynnistä työkalu.

HUOMAA: Ilman ja öljyn tulo voi kestää jopa 30 sekuntia.

7. Kun öljy alkaa tulla, paina, pidä manuaalista vapautuspainiketta painettuna kahden sekunnin ajan ja vapauta molemmat painikkeet.
8. Toista vaiheet 5–7 kolmesta neljään kertaa.

HUOMAA: Varmista järjestelmän käynnistystyön aikana, että öljytaso ei putoa öljyn tähtystysiivan alapuolelle. Täytä säiliö tarvittaessa uudelleen.

Lisävarusteen ilmaaminen:

Lisävaruste on ilmattava aina sen huollon jälkeen tai kun sitä ei ole käytetty pitkään aikaan tai kun se on liitetty öljyllä esitäyttämättömään letkuun.

Kysy myös lisävarusteen valmistajalta suosituksia lisäilmaamista varten.

Lisävarusteen ilmaaminen:

1. Irrota akkuyksikkö.
2. Liitä lisävarusteen letku kytkimeen.

HUOMAA: Kytkin on suunnattava sivulle päin, ja työkalu on sijoitettava lisävarusteen letkua ja päätä korkeammalle.

3. Aseta akkuyksikkö paikoilleen.
4. Paina puristustilapainiketta.
5. Anna työkalun käydä sykli loppuun, vihreä LED-merkkivalo syttyy.
6. Paina ja pidä manuaalista vapautuspainiketta painettuna kahden sekunnin ajan, ja vapauta molemmat painikkeet.
7. Toista vaiheet 4–6 kolmesta neljään kertaa.

HUOMAA: Varmista lisävarustetta ilmatessasi, että öljytaso ei putoa öljyn tähtystysiivan alapuolelle. Täytä säiliö tarvittaessa uudelleen.

TYÖSKENTELYOHJEITA PURISTAMISEEN

Käytä vain normitettuja liitostuotteita voimassa olevien kansallisten määräysten mukaan sekä niihin tarkoitettuja puristuspaljoja.

Valmistajan asiakirjoista löydät liitostuotteiden työstö- ja asennusohjeet.

Tarkasta, täsmääkö liitostuotteen nimellisveveys puristuspalan nimellisvevyeeseen.

Ennen kuin puristusprosessi aloitetaan, on akun lataus tarkistettava: lataustaso vähintään 33 % (ks. kuvitettu ohje). Voi olla, että on tarpeen ladata akku ennen töiden aloittamista.

Ohjauskytkimen käyttö käynnistää puristusprosessin, jolle on tunnusomaista puristustappilutin liike.

Käyttäjä vastaa suoritettujen puristuksen tarkastamisesta sekä sen onnistumisen arvioinnista.

Virheelliset liitännät on liitettävä uudestaan uudella liitostuotteella.

Miten toimia häiriötilanteissa

- Pidä nollauspainiketta painettuna, kunnes leuat ovat avautuneet kokonaan
- tarkasta akun teho
- Tarkasta johto ja liitososa teknisten tietojen mukaisesti.
- Puristustyökalu on tarkastettava valtuutetun asiantuntevan korjaajan toimesta, jos on aihetta epäillä, että sähkökö johtavia johtoja on puristettu

TYÖSKENTELYOHJEITA LEIKKAAMISEEN

Työskentelyalueen valmistelu

Kaapeleiden ja vaijereiden on oltava jännitteettömät ennen kuin työ aloitetaan, samoin on varmistettava niiden jännitteettömyys työn aikana.

Älä suorita kaapelitöitä, jos varmuudella ei voi varmistaa, että kaapelit tai eristetyt linjat ovat jännitteettömiä.

Paikalliset turvallisuusmääräykset on ehdottomasti otettava huomioon.

Kaapeleita ja vaijereita ei saa altistaa mekaanisille voimille ja tarvittaessa on varmistettava, että ne eivät liiku kontrolloimattomasti leikkaamisen jälkeen.

Älä altista työkaluja sateelle. Älä käytä työkaluja kosteissa tai märissä paikoissa.

Kaapelileikkurin ja akun valmistelu

Ennen jokaista käyttökertaa:

- Tarkasta kaapelileikkuri ulkosilta vaurioilta
 - Tarkasta leikkuutyökalu halkeamilta ja muilta kulumilta
- Käytä vain moitteettomassa kunnossa!

Ennen kuin leikkuutyö aloitetaan, on akun lataus tarkistettava: lataustaso vähintään 33 % (ks. kuvitettu ohje). Voi olla, että on tarpeen ladata akku ennen töiden aloittamista.

Leikkuutyön valmistelu

Tue ja kiinnitä leikkava kaapeli tai vaijeri minimoidaksesi kontrolloimattoman liikkeen riskin.

Erityisesti vapaasti olevat kaapelit ja vaijerit voivat liikkua kontrolloimattomasti ja aiheuttaa loukkaantumisia ja / tai vaurioita.

Leikkuupää on asetettava 90° kulmaan kaapeliin tai vaijeriin nähden, siten että kaapeli tai vaijeri asettuu jännitteettömästi auki oleviin leikkuuleukoihin ja haitalliset leikkuuvoimat vältetään.

VAROITUS: Älä koskaan leikkaa sähköjohtoja, joissa on jännitettä. Näin välttyään räjähdyksiltä, sähköiskulta ja omaisuusvahingoilta.

Laitte ei ole eristetty. Kosketus jännitteeseen voi aiheuttaa vakavia vammoja tai kuoleman. Kytke virta pois päältä ennen leikkausta. Älä koskaan leikkaa kaasu- tai vesiputkia. Älä koske leikkuuteriin ja liikkuviin osiin käsin. Voit saada haavoja tai seurauksena voi olla amputaatio. Irrota akkuyksikkö aina ennen kuin vaihdat tai irrotat lisävarusteita. Käytä vain erityisesti tälle työkalulle suositeltuja lisävarusteita. Muut voivat aiheuttaa vahinkoja. Suojalasien tai sivusuojallisten lasien käyttö vähentää vammautumisen vaaraa.

VAROITUS: Leikkaa vain leikkuuterille suositeltuja materiaaleja loukkaantumista välttämiseksi. (ks. Tekniset tiedot) Älä yritä leikata muita materiaaleja.

Leikkaus

Varmista, että terät on kiinnitetty asianmukaisesti ennen kuin aloitat leikkuutyön.

1. Vie kaapeli suorassa kulmassa kaapelileikkurin leikkuuterien väliin. Älä yritä leikata kulmia, koska se vahingoittaa työstettävää kappaletta ja leikkuuteriä.
2. Siirrä liukuytkin ei lukittuun asentoon. Vedä ja pidä liipaisimesta koko toiminnan aikana.
LED palaa, kun liipaisimesta vedetään.
3. Leikkuaan jälkeen, tai kun työkalu kytkeytyy pois päältä, vapauta laukkaisin ja paina palautuskytkintä, jotta leikkuuleuat avautuvat.

HUOMAA: Työstettävä kappale voi liikkua hieman leikkuaan aikana.

Miten toimia häiriötilanteissa

- kaapelissa voi olla viiltoja ja se voi johtaa virtaa, tiedota aina turvallisuudesta vastaavaa henkilöä, keskeytä leikkuuprosessi, käynnistä tarvittavat turvallisuustoimenpiteet
- Varmista aina, että laite on irrotettu virtalähteestä eikä sitä liitetä virtalähteeseen ennen kuin tartut siihen.
- paina ja pidä palautuspainikkeesta kunnes leikkuri avautuu kokonaan
- tarkasta akun teho
- tarkasta materiaalin ja sen paksuuden tekniset tiedot
- Kaapelileikkuri on tarkastettava valtuutetun asiantuntijan korjauksen toimesta, jos on aihetta epäillä, että sähköä johtavia johtoja on leikattu.

Jumittuneet leikkuuterät

Lika ja ainesjäämät yhdessä voivat aiheuttaa leikkuuterien jumittumisen leikkuaan jälkeen.

- Varmista laitteen palautus painamalla ja pitämällä vapautinta.
- Irrota akkuyksikkö.
- Noudata kuvasititystä leikkuuleukojen avaamiseksi
- Puhdista lika ja ainesjäämät leikkuuteristä ennen kuin aloitat leikkaamisen uudestaan.

Ohjeita leikkuutyön suorittamiseksi

- Älä yritä leikata kulmia, koska se vahingoittaa työstettävää kappaletta ja leikkuuteriä.
- Leikkuuterä säilyy pitkikäikäisenä, kun leikkaat puhdasta materiaalia. Pyyhi lika ja ainesjäämät materiaalista ja leikkuuterästä ennen kuin leikkaat.

TYÖOHJEET REIKÄÄ VARTEN

Tarkasta vastaako mallin nimellishalkaisija painimen nimelliskoko.

HUOLTO

Poista akku ennen laitteen säätö-, puhdistus- ja huoltotöiden aloittamista.

Älä koskaan avaa laitetta, irrotettavaa akkua tai laturia.

Tarkasta laite häiriöiden, kuten liikkuvien osien aiheuttaman melun tai niiden jumittumisen osalta, jotka voivat vaikuttaa laitteen käyttöön.

Pidä laitteen ilmanottoaukot puhtaina.

Älä koskaan upota laitetta, irrotettavaa akkua tai laturia nesteeseen tai anna nesteen päästä niihin loukkaantumisten ja vahinkojen välttämiseksi.

Muut hoito- ja korjaustyöt saa suorittaa vain valtuutetut erikoistyneet työpajat.

Laitte sisältää hydraulioilyä, joka on vaarallista pohjavedelle.

Valvomatonta poislaskeminen tai asiantunteamaton hävittäminen on rangaistava teko.

Laitteessa oleva LED-merkkivalonäyttöä seuraavan huollon ajankohdan.

Palauta työkalu, akkupaketti ja laturi MILWAUKEE-huoltoon korjattavaksi. Palauta työkalu, akkupaketti ja laturi käytöstä riippuen kuudesta kahteentoista kuukauden kuluttua MILWAUKEE-huoltoon tarkastettavaksi. Käytä ainoastaan Milwaukee lisätarvikkeita ja Milwaukee varaosia. Mikäli jokin komponentti, jota ei ole kuvailtu, tarvitsee vaihtoa tuo yhteys johonkin Milwaukee palvelupisteistä (kts. listamme takuuhuoltoilikeiden/ palvelupisteiden osoitteista)

Jos työkalu ei käynnisty tai toimi täydellä teholla täysin ladatulla akulla, puhdista akkupaketin koskettimet. Jos työkalu ei siltikään toimi kunnolla, palauta työkalu, laturi ja akkupaketti MILWAUKEE-palveluun korjattavaksi.

Huoltoväli

Tarkasta ONE-KEY-sovelluksesta tarvittavat huoltotiedot, kuten esimerkiksi nesteiden vaihdon aikataulun. Palauta työkalu MILWAUKEE-huoltoon kaikkia korjaus- ja huoltotöitä varten.

HUOMAA: Tarvitset mahdollisesti tiedon työkalun valmistusviikosta ja -vuodesta. Löydät tämän tiedon työkalun tehdaskilven sarjanumerosta.

Tarpeen vaatiessa voit pyytää lähettämään laitteen kokoonpanopiirustuksen ilmoittamalla arvokilven numeron seuraavasta osoitteesta: Techtronic Industries GmbH, Max-Eyth-Strasse 10, 71364 Winnenden, Germany.

Suosittellemme pakkaamaan hydraulipumpun suljettuun, öljynkestävään muovipussiin ja käyttämään alkupeleistä pakkausta turvallista lähettämistä varten.

ONE-KEY™

Lue mukana toimitettu pikäkäyttöohje tai käy verkossa sivulla <http://www.milwaukeeool.com/one-key> tutustuaaksesi tämän laitteen ONE-KEY-toiminnallisuuteen.

Voit ladata ONE-KEY-sovelluksen App Storen tai Google Playn kautta älypuhelimellesi.

Koestustulos täyttää standardien EN 301489-1 / EN 301489-17 mukaiset vähimmäisvaatimuksemme. Annamme ohjausta toiminnasta asiakkaille käyttöoppaassa.



Suo

AKKU

Pitkään käyttämättä olleet vaihtoakut on ladattava ennen käyttöä. Yli 50°C lämpötilassa akun suorituskyky heikkenee. Vältäthän akkujen säilyttämistä auringossa tai kuumissa tiloissa.

Pidä aina latauslaitteen ja akun kosketinpinnat puhtaina.

Optimaalisen käyttöön saavuttamiseksi akut on ladattava täyteen käytön jälkeen.

Mahdollisimman pitkän elinajan takaamiseksi akut tulee poistaa laturista lataamisen jälkeen.

Akkuja yli 30 päivää säilytettäessä: Säilytä akku yli 27 °C:ssa ja kuivassa. Säilytä akku sen latauksen ollessa 30 % - 50 %. Lataa akku 6 kuukauden välein uudelleen.

Käytettyjä vaihtoakkuja ei saa polttaa eikä poistaa normaalin jätehuollon kautta. Milwaukeella on tarjolla vanhoja vaihtoakkuja varten ympäristöstävällinen jätehuoltopalvelu.

Vaihtoakkuja ei saa säilyttää yhdessä metalliesineiden kanssa (oikosulkuvaara).

Vaurioituneesta akusta saattaa erityisen kovassa käytössä tai poikkeavassa lämpötilassa vuotaa akkuhappoa. Ihonkohta, joka on joutunut kosketukseen akkuhapon kanssa on viipymättä pestävä vedellä ja saippualla. Silmä, johon on joutunut akkuhappoa, on huuhdeltava vedellä vähintään 10 minuutin ajan, jonka jälkeen on viipymättä hakeuduttava lääkärin apuun.

On varottava, ettei latauslaitteiden vaihtoakkulatauskoloon joudu metalliesineitä (oikosulkuvaara).



LITIUMI-IONIAKKUJEN KULJETTAMINEN

Litiumi-ioniakut kuuluvat vaarallisten aineiden kuljetuksesta annettujen lakien piiriin.

Näiden akkujen kuljettaminen täytyy suorittaa noudattaen paikallisia, kansallisia ja kansainvälisiä määräyksiä ja säädöksiä.

Kuluttajat saavat ilman muuta kuljettaa näitä akkuja teitä pitkin.

Kaupallisessa kuljetuksessa huolintaliikkeiden täytyy kuljettaa litiumi-ioniakkuja vaarallisten aineiden kuljetuksesta annettujen määräysten mukaisesti. Ainoastaan tähän vastaavasti koulutetut henkilöt saavat suorittaa kuljetuksen valmistelutoimet ja itse kuljetuksen. Koko prosessia tulee valvoa asiantuntevasti.

Seuraavat kohdat tulee huomioida akkuja kuljetettaessa:

Varmista, että akkujen kontaktit on suojattu ja eristetty, jotta vältetään lyhytsulut. Huolehdi siitä, ettei akkusarja voi luiskahdtaa paikaltaan pakkauksen sisällä. Vahingoittuneita tai vuotavia akkuja ei saa kuljettaa. Pyydä tarkemmat tiedot huolintaliikkeeltäsi.

TODISTUS CE-STANDARDINMUKAISUUDESTA

Vakuutamme täten olemamme yksin vastuussa siitä, että kohdassa "Tekniset tiedot" kuvattu tuote vastaa kaikkia direktiivien merkityksellisiä säädöksiä

2011/65/EU (RoHS)

2000/14/EY

2006/42/EY

2014/53/EU

ja seuraavia yhdenmukaistettuja standardeja on käytetty.

EN 62841-1:2015

EN 62479:2010

EN 55014-1:2017

EN 55014-2:2015

EN 301 489-1 V2.1.1 (2017-02)

EN 301 489-17 V3.1.1 (2017-02)

EN 300 328 V2.1.1 (2016-11)

EN IEC 63000:2018

Mitattu äänenvoiman taso 87,2 dB(A)

Taattu äänenvoiman taso 89,0 dB(A)

Epävarmuus K= 1,5 dB(A)

Vaatimustenmukaisuuden arviointimenettely 2000/14/EY liitteen

V mukaisesti

Nimitetty laitos:

DEKRA Certification B.V. (0344)

Meander 1051/P.O. Box 5185

6825 MS ARNHEIM/6802 ED ARNHEIM

Netherlands



Winnenden,

Alexander Krug / Managing Director
Valtuutettu kokoamaan tekniset dokumentit.

Techtronic Industries GmbH
Max-Eyth-Strasse 10, 71364 Winnenden, Germany

SYMBOLIT



Lue käyttöohjeet huolellisesti, ennen koneen käynnistämistä.



Käytä suojalaseja.



Tämä laite sisältää litium-nappipariston.



HUOMIO! VAROITUS! VAARA!



Ota akku pois ennen kaikkia koneeseen tehtäviä toimenpiteitä.



Sähköiskun vaara



VAROITUS!
Murtuneet osat voivat aiheuttaa vammoja



VAROITUS! Käden loukkaaminen



Tässä kilvessä näytetty taattu äänitehon taso on 89 dB



Sähkölaitteita, paristoja/akkuja ei saa hävittää yhdessä kotitalousjätteiden kanssa. Sähkölaitteet ja akut tulee kerätä erikseen ja toimittaa kierrätysliikkeeseen ympäristöystävällistä hävittämistä varten. Pyydä paikallisilta viranomaisilta tai alan kauppiaaltilta tarkemmat tiedot kierrätyspisteistä ja keräyspaikoista.



Jännite



Tasavirta



Euroopan säännönmukaisuusmerkki



Ukrainan säännönmukaisuusmerkki



Euraasian säännönmukaisuusmerkki



ΤΕΧΝΙΚΑ ΣΤΟΙΧΕΙΑ Υδραυλική αντλία	M18 HUP700
Αριθμός παραγωγής	4745 35 01... ... 000001-999999
Ζώνη/ες συχνότητων Bluetooth	2402-2480 MHz
Μέγιστη ισχύς υψηλής	1,8 dBm
Έκδοση Bluetooth	4.0 BT signal mode
Τάση ανταλλακτικής μπαταρίας	18 V
Όνομαστική δύναμη πίεσης	700 bar
Βαθμός προστασίας	IP54
Μέγιστη γωνία ακίδας	34°
Όνομαστικός ρυθμός ροής	
Χαμηλή πίεση	2,0 l/min
Υψηλή πίεση	0,4 l/min
Συνολικός υδραυλικός όγκος	1,6 l
Καταναλωσιμος υδραυλικός όγκος	1,3 l
Βάρος σύμφωνα με τη διαδικασία EPTA 01/2014 (Li-Ion 8,0 Ah...12,0 Ah)	16,0..., 16,5 kg
Συνιστώμενη θερμοκρασία περιβάλλοντος για τη λειτουργία	-18°C ... +50°C
Συνιστώμενη δέσμη συσσωρευτών	M18B9 M18HB8 ..., M18HB12
Συνιστώμενη συσκευή φόρτισης	M12-18..., M1418 C6
Πληροφορίες θορύβου	
Τιμές μέτρησης εξακριβωμένες κατά EN 62841. Η σύμφωνα με την κομπύλη A εκτιμηθείσα στάθμη θορύβου του μηχανήματος αναφέρεται σε:	
Στάθμη ηχητικής πίεσης (Ανασφάλεια K=3dB(A))	77,7 dB (A)
Στάθμη ηχητικής ισχύος (Ανασφάλεια K=3dB(A))	88,7 dB (A)

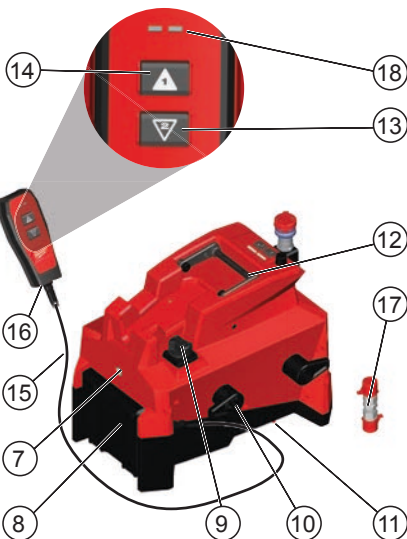
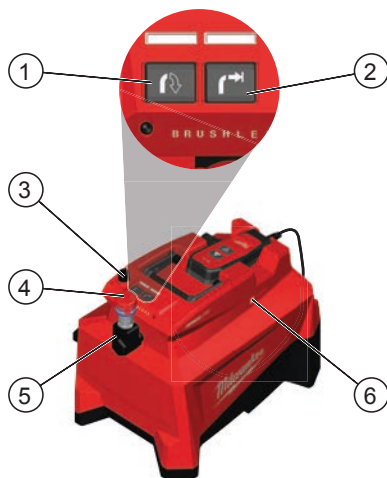
ΠΡΟΕΙΔΟΠΟΙΗΣΗ

Η δεδομένη σ' αυτό το πληροφοριακό δελτίο τιμή εκπομπής θορύβου έχει υπολογιστεί σύμφωνα με μια τυποποιημένη στο πρότυπο EN 62841 διαδικασία δοκιμής και μπορεί να χρησιμοποιείται για τη σύγκριση εργαλείων. Αυτή ενδεικνύεται επίσης και για μια προσωρινή εκτίμηση της επιβάρυνσης.

Η δεδομένη τιμή εκπομπής θορύβου αντιπροσωπεύει την κύρια εφαρμογή του εργαλείου. Ωστόσο μπορεί να διαφέρει η τιμή εκπομπής θορύβου, όταν το εργαλείο χρησιμοποιείται για άλλες εφαρμογές ή με διαφορετικά εξαρτήματα ή δεν συντηρείται επαρκώς. Αυτό μπορεί να αυξήσει την επιβάρυνση καθ' όλη τη διάρκεια της εργασίας σημαντικά.

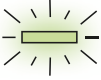
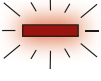

Για μια ακριβή εκτίμηση της ηχητικής επιβάρυνσης θα πρέπει να λαμβάνονται υπόψη και τα χρονικά διαστήματα, κατά τα οποία είναι το εργαλείο απενεργοποιημένο ή να μην λειτουργεί, αλλά δεν είναι πραγματικά σε χρήση. Αυτό μπορεί να μειώσει την επιβάρυνση καθ' όλη τη διάρκεια της εργασίας σημαντικά.

Για την προστασία του χειριστή από την επίδραση του θορύβου καθορίστε επιρόσθητα μέτρα ασφαλείας, όπως για παράδειγμα: συντήρηση του εργαλείου και των προσαρτημένων εξαρτημάτων και οργάνωση των διαδικασιών διεξαγωγής των εργασιών.



Περιγραφή συσκευής

- | | |
|---|------------------------|
| 1 Κομπι λειτουργίας κοπής | 9 Καπάκι λαδιού |
| 2 Κομπι λειτουργίας σύφιξης ακροδεκτών | 10 Περιτύλιξη καλωδίου |
| 3 Κομπι χειροκίνητης απελευθέρωσης πίεσης | 11 Πώμα εξερεύσεως |
| 4 Σύνδεσμος | 12 Λαβή |
| 5 Περιστεροφόμος σύνδεσμος | 13 Κομπι ανάσπασης |
| 6 Δείκτης ONE KEY | 14 Κομπι προώθησης |
| 7 Ορατή ένδειξη στάθμης λαδιού | 15 Καλώδιο |
| 8 Εσοχή μπαταρίας | 16 Τηλεχειριστήριο |
| | 17 Προσαρμογέας |
| | 18 Δείκτης LED |

Δείκτης LED	Ορισμός
 Μονόχρωμο Πράσινο	Το εργαλείο ολοκλήρωσε τη λειτουργία και επιτεύχθηκε πλήρης πίεση προεαρίσματος.
 Μονόχρωμο Κόκκινο	Το εργαλείο ολοκλήρωσε τη λειτουργία αλλά ΔΕΝ επιτεύχθηκε πλήρης πίεση προεαρίσματος.
 Αναβοσβήνει Κόκκινο / Πράσινο (μετά Μονόχρωμο Πράσινο ή Μονόχρωμο Κόκκινο)	Το διάστημα συντήρησης του εργαλείου έχει επιτευχθεί (20000 προεαρίσματα). Το κόκκινο/πράσινο θα αρχίσει να αναβοσβήνει αφού εμφανιστεί η ένδειξη μονόχρωμου κόκκινου ή πράσινου για τη λειτουργία. Η MILWAUKEE συνιστά την επιθεώρηση του εργαλείου και την ολοκλήρωση της προληπτικής συντήρησης.

ΣΗΜΕΙΩΣΗ: Εάν ο δείκτης εμφανίζεται κόκκινος, ελέγξτε τη στάθμη λαδιού και βεβαιωθείτε πως δεν σημειώνονται διαρροές στα προσαρτούμενα εξαρτήματα. Βεβαιωθείτε πως όλες οι συνδέσεις είναι ασφαλείς και πως τα προσαρτούμενα εξαρτήματα είναι κατάλληλα για την εκτελούμενη εργασία. Θέστε ξανά σε λειτουργία. Εάν το πρόβλημα επιμένει, επιστρέψτε το εργαλείο σε ένα σημείο τεχνικής υποστήριξης (σέρβις) της MILWAUKEE.

⚠️ ΠΡΟΕΙΔΟΠΟΙΗΣΗ Διαβάστε όλες τις υποδείξεις ασφαλείας, τις οδηγίες, τις εικόνες και τα δεδομένα, τα οποία θα λάβετε μαζί με το μηχάνημα. Η μη τήρηση των οδηγιών που ακολουθούν, μπορεί να οδηγήσει σε ηλεκτροπληξία, φωτιά και/ή σε σοβαρούς τραυματισμούς.

Φυλάξτε όλες τις προειδοποιητικές υποδείξεις και οδηγίες για κάθε μελλοντική χρήση.

⚠️ ΕΙΔΙΚΕΣ ΥΠΟΔΕΙΞΕΙΣ ΑΣΦΑΛΕΙΑΣ

Οι υδραυλικές αντλίες που κατασκευάζονται από την Techtronic Industries GmbH είναι σχεδιασμένες για χρήση με κεφαλές σύσφιξης ακροδεκτών, διάτμησης και διαμόρφωσης. Σύμφωνα με τη συγκεκριμένη χρήση δεν είναι εξοπλισμένες με σύστημα ασφαλείας αντεπιστροφής λαδιού.

Για τον σκοπό αυτό η χρήση σε εφαρμογές πέραν της ενδεδειγμένης (για παράδειγμα με υδραυλικούς γρύλους, συστήματα ανύψωσης ή παρεμφερείς εφαρμογές) ενέχει κινδύνους και ενδέχεται να επιφέρει σοβαρό τραυματισμό του χειριστή.

Η Techtronic Industries GmbH δεν αναγνωρίζει καμία ευθύνη που απορρέει από τη χρήση των υδραυλικών της αντλιών σε εφαρμογές πέραν της σύσφιξης ακροδεκτών, διάτμησης και διαμόρφωσης.

Μην συσσωρεύετε πίεση εάν η αντλία δεν έχει συνδεθεί σε εύκαμπο σωλήνα και στην κεφαλή αφού αυτό μπορεί να προκαλέσει ζημιά στον ταχυσύνδεσμο της αντλίας, προκαλώντας διαρροή λαδιού.

Οι εύκαμπτοι σωλήνες υψηλής πίεσης υπόκεινται σε διαδικασία φυσικής γήρανσης που μπορεί να επιφέρει μείωση της απόδοσης θέτοντας ενδεχομένως σε κίνδυνο τον χειριστή. Ως εκ τούτου η διάρκεια ζωής τους είναι περιορισμένη. Προκειμένου να

διασφαλίσει την ασφαλή χρήση των προϊόντων της, η Techtronic Industries GmbH συνιστά την τακτική αντικατάσταση των εύκαμπτων σωλήνων σύμφωνα με τις οδηγίες του κατασκευαστή, ακόμα και εάν δεν υπάρχουν εμφανείς φθορές.

Κρατάτε την αντλία και τον εύκαμπο σωλήνα μακριά από ακάλυπτες φλόγες και πηγές θερμότητας άνω των 70 °C.

Πριν χρησιμοποιήσετε την αντλία, να βεβαιώνετε πάντα πως οι εύκαμπτοι σωλήνες και οι ταχυσύνδεσμοι βρίσκονται σε άριστη κατάσταση και πως δεν παρουσιάζουν σημάδια απόσχισης, κοψίματα, παραμορφώσεις ή εξογκώματα.

Τα εργοστασιακά τοποθετημένα περιβλήματα προστασίας πρέπει να βρίσκονται στη θέση τους. Μην αγγίζετε τον εύκαμπο σωλήνα όταν βρίσκεται υπό πίεση.

Όταν χρησιμοποιείτε την αντλία, ο εύκαμπτος σωλήνας πρέπει να είναι ξεδιπλωμένος και ίσιος. Πριν αποσυνδέσετε τον εύκαμπο σωλήνα, βεβαιωθείτε πως το έμβολο της κεφαλής έχει αποσυρθεί εντελώς και πως υπάρχει διαθέσιμη επαρκής ποσότητα λαδιού για επόμενες χρήσεις.

Η αντλία δεν είναι κατάλληλη για συνεχή χρήση και πρέπει να αφήνεται να κρυώσει μετά από αδιάλειπτες, διαδοχικές εργασίες σύσφιξης ακροδεκτών, για παράδειγμα εάν έχει εξαντληθεί μια πλήρως φορτισμένη μπαταρία σε έναν κύκλο, καθυστερήστε την αντικατάσταση της μπαταρίας για λίγα λεπτά.

Προστατεύετε την αντλία, τη συστοιχία μπαταριών και τον φορτιστή από τη βροχή και την υγρασία. Το νερό μπορεί να προκαλέσει βλάβη στην αντλία. Τα ηλεκτροδυναμικά εργαλεία δεν πρέπει να χρησιμοποιούνται στη βροχή.

Πριν από την πρώτη χρήση και, στη συνέχεια, τουλάχιστον μία φορά το χρόνο, ο χειριστής της συσκευής πρέπει να ενημερώνεται σχετικά με τους ειδικούς κινδύνους που αφορούν τη χρήση της συσκευής, καθώς και με τα βασικά μέτρα ασφαλείας.

Η εταιρεία εκμετάλλευσης πρέπει:

- να παραδώσει το χειριρίδιο λειτουργίας στο χειριστή και
- να διασφαλίσει ότι ο χειριστής το έχει διαβάσει και κατανοήσει. Χρησιμοποιείτε προστατευτικό εξοπλισμό. Κατά την εργασία με τη μηχανή φοράτε πάντα προστατευτικά γυαλιά. Συνιστούμε επίσης προστατευτική ενδυμασία όπως επίσης μάσκα προστασίας αναπνοής, προστατευτικά γάντια, σταθερά και ασφαλή στην ολίσθηση υποδήματα, κράνος ή ωτοασπίδες.

- **Επιθεωρείτε την αντλία, τους εύκαμπτους σωλήνες, τους συνδέσμους και τα ρακόρ σύνδεσης για φθορές ή ζημιές. Αντικαθιστάτε τα στοιχεία που έχουν υποστεί φθορά, ζημιά ή λείπουν με νησία ανταλλακτικά του κατασκευαστή.** Στοιχεία που έχουν φθαρεί ή υποστεί ζημιά μπορεί να προκαλέσουν αστοχία και επακόλουθο τραυματισμό. Σε περίπτωση μη συμμόρφωσης με την προειδοποίηση είναι πιθανή η πρόκληση σοβαρών ή θανατηφόρων τραυματισμών.

- **Βεβαιωθείτε πως στην αντλία έχει επιλεγεί ο επιθυμητός τρόπος λειτουργίας πριν τη χρησιμοποιήσετε.**

- **Μην χρησιμοποιείτε τα χέρια σας για να ελέγξετε την ύπαρξη διαρροών λαδιού.** Το λάδι υπό υψηλή πίεση μπορεί να διαπεράσει το δέρμα προκαλώντας σοβαρό τραυματισμό, γάγγραινα ή θάνατο. Σε περίπτωση τραυματισμού ζητήστε αμέσως ιατρική βοήθεια για την αφαίρεση του λαδιού.

- Βεβαιωθείτε πως η αντλία βρίσκεται χαμηλότερα από τη μέγιστη γωνία κλίσης.

- Ελέγξτε τη στάθμη λαδιού και προσαρμόστε ανάλογα. Η χαμηλή στάθμη λαδιού μπορεί να προκαλέσει σωματικές βλάβες ή υλικές ζημιές. Για καλύτερη απόδοση χρησιμοποιείτε πάντα το MILWAUKEE Force Logic™ Hydraulic Oil (4932 4720 04) για την αναπλήρωση του ρεζερβουάρ λαδιού.



- **Αποσυνδέετε το υδραυλικό σύστημα πριν τη συντήρηση, τη σύνδεση ή την αποσύνδεση του εύκαμπτου σωλήνα ή άλλων στοιχείων της υδραυλικής σύνδεσης: Πατάτε πάντα πρώτα το κουμπί χειροκίνητης απελευθέρωσης.**
- **Φοράτε γυαλιά προστασίας όταν χειρίζεστε το εργαλείο συντήρησης.** Σε αντίθετη περίπτωση είναι πιθανή η πρόκληση σοβαρής οφθαλμικής βλάβης από εκτοξευόμενα θραύσματα ή υδραυλικό λάδι.
- **Χρησιμοποιείτε μόνο εύκαμπτους σωλήνες και προσαρτώμενα εξαρτήματα απλής ενέργειας και ονομαστικής πίεσης 10.000 psi (700 bar) και άνω.**
- **Για καλύτερη απόδοση χρησιμοποιείτε εύκαμπτους σωλήνες προπληρωμένους με λάδι.** Εάν οι εύκαμπτοι σωλήνες δεν είναι προπληρωμένοι, εξεραρώστε το σύστημα πριν το θέσετε σε λειτουργία.
- **Ποτέ μην θέσετε την αντλία σε λειτουργία χωρίς εύκαμπτο σωλήνα ή προσαρτούμενο εξάρτημα.**
- **Για καλύτερη απόδοση χρησιμοποιείτε πάντα το MILWAUKEE Force Logic™ Hydraulic Oil (4932 4720 04) για την αναπλήρωση του ρεζερβουάρ λαδιού.**
- **Για βέλτιστη λειτουργία, χρησιμοποιείτε μπαταρία M18™ REDLITHIUM™ 8.0 Ah ή ανώτερη.**

- **Λάβετε υπόψη τα εγχειρίδια οδηγιών χρήσης του κατασκευαστή των παρελκόμενων εξαρτημάτων.** Άλλες χρήσεις μπορούν να προκαλέσουν ζημιά στο εργαλείο, στα παρελκόμενα εξαρτήματα και στο τεμάχιο προς κατεργασία.
- **Εξαερώστε το σύστημα, εφόσον χρειάζεται.**

Μη βάζετε ποτέ δάχτυλα ή άλλα μέρη του σώματός σας την περιοχή λειτουργίας του κυλίνδρου και των σιαγόνων.

Αφαιρέστε το πακέτο συσσωρευτών, προτού ξεκινήσετε οποιαδήποτε εργασία ρύθμισης, καθαρισμού και συντήρησης στη συσκευή.

Χρησιμοποιείτε μόνο συσκευές, πακέτα συσσωρευτών και συσκευές φόρτισης που βρίσκονται σε καλή κατάσταση.

Σε περίπτωση βλάβης επισκευάστε τα άμεσα σε ένα εξουσιοδοτημένο συνεργείο.

Για να αποφύγετε τραυματισμούς και ζημιές, αποτρέπετε την ακούσια εκκίνηση της συσκευής.

Αφαιρέστε όλα τα εργαλεία ρύθμισης και τα κλειδιά πριν την εκτέλεση εργασιών.

Απαγορεύεται η επεξεργασία εξαρτημάτων που βρίσκονται υπό τάση. Η συσκευή ΔΕΝ είναι μονωμένη.

Διατηρείτε τα χέρια και τα φαρδιά ρούχα μακριά από εργαλεία κοπής και άλλα κινούμενα εξαρτήματα.

Σε περίπτωση δυσλειτουργιών κατά τη διαδικασία συμπίεσης, απελευθερώστε αμέσως το διακόπτη ON και πιέστε το κουμπί απασφάλισης του υδραυλικού συστήματος. Η βαλβίδα ανοίγει και ο κύλινδρος γυρνάει στην αρχική του θέση.

ΠΡΟΕΙΔΟΠΟΙΗΣΗ! Για να αποτρέπετε τον κίνδυνο πυρκαγιάς, τραυματισμών ή ζημιών του προϊόντος λόγω βραχυκυκλώματος, να μη βυθίζετε τη συσκευή, το πακέτο συσσωρευτών ή τη συσκευή φόρτισης σε υγρά και να φροντίζετε, ώστε να μη διεισδύουν υγρά στις συσκευές και τους συσσωρευτές. Διαβρωτικές ή αγώγιμες υγρές ουσίες, όπως αλατόνερο, ορισμένες χημικές ουσίες και λευκαντικά ή προϊόντα που περιέχουν λευκαντικά, μπορεί να προκαλέσουν βραχυκύκλωμα.

Τηρείστε οπωσδήποτε τις προθεσμίες και τα διαστήματα συντήρησης.

Μην ανοίγετε τις ανταλλακτικές μπαταρίες και τους φορτιστές και χρησιμοποιείτε για αποθήκευση μόνο στεγνούς χώρους. Προστατεύετε τις ανταλλακτικές μπαταρίες και τους φορτιστές από την υγρασία.

Φορτίζετε τις ανταλλακτικές μπαταρίες του συστήματος M18 μόνο με φορτιστές του συστήματος M18. Μη φορτίζετε μπαταρίες από άλλα συστήματα.

Για να αποφύγετε τραυματισμούς και ζημιές, μη βυθίζετε ποτέ το εργαλείο, τον επαναφορτιζόμενο συσσωρευτή ή τη συσκευή φόρτισης σε υγρά και μην επιτρέπετε ποτέ να εσχωρήσει υγρό σε αυτά.

ΠΡΟΕΙΔΟΠΟΙΗΣΗ



Αυτή η συσκευή περιέχει μία μπαταρία λιθίου τύπου κομπούλι/κέρματος. Μία νέα ή χρησιμοποιημένη μπαταρία μπορεί να προκαλέσει σοβαρά εσωτερικά εγκαύματα και να οδηγήσει σε θάνατο σε μόλις 2 ώρες σε περίπτωση κατάποσης ή εισόδου στο σώμα. Στερεώνετε πάντα το καπάκι στη θήκη μπαταριών. Εάν δεν κλείνει με ασφάλεια, σταματήστε τη συσκευή, αφαιρέστε την μπαταρία και κρατήστε την μακριά από παιδιά. Εάν πιστεύετε ότι κάποιοι έχει καταπιεί την μπαταρία ή ότι έχει εισέλθει με άλλο τρόπο στο σώμα, αναζητήστε άμεσα ιατρική φροντίδα.



ΥΠΟΔΕΙΞΙΣ ΑΣΦΑΛΕΙΑΣ ΓΙΑ ΕΡΓΑΛΕΙΑ ΣΥΜΠΙΕΣΗΣ

Οι πρέσες ακροδεκτών και οι συσκευές πρεσαρίσματος πρέπει να χρησιμοποιούνται μόνο από εκπαιδευμένο προσωπικό σε ηλεκτροτεχνικές εφαρμογές.

Μην πρεσάρτε ποτέ υλικά σύνδεσης που βρίσκονται υπό ηλεκτρική τάση.

Ελέγχετε τα εργαλεία, τις σιαγόνες και τα εξαρτήματα συμπίεσης για ενδοχόμενες ενδείξεις σχισμών ή άλλων φθορών, πριν από κάθε χρήση.

Χρησιμοποιείτε τα εργαλεία και τα εξαρτήματα συμπίεσης μόνο, εφόσον βρίσκονται σε τεχνικά άρτια κατάσταση.

Το εργαλείο συμπίεσης μπορεί να χρησιμοποιηθεί μόνο, εφόσον έχουν τοποθετηθεί τα εξαρτήματα συμπίεσης.

Μην αγγίζετε τις σιαγόνες και τη ράβδο πείρου πρεσαρίσματος κατά τη διάρκεια της λειτουργίας πρεσαρίσματος.

Σε περίπτωση δυσλειτουργιών κατά τη διαδικασία συμπίεσης, απελευθερώστε αμέσως το διακόπτη ON και πιέστε το κουμπί απασφάλισης του υδραυλικού συστήματος. Η βαλβίδα ανοίγει και ο κύλινδρος γυρνάει στην αρχική του θέση.



ΥΠΟΔΕΙΞΙΣ ΑΣΦΑΛΕΙΑΣ ΓΙΑ ΚΟΦΤΕΣ ΚΑΛΩΔΙΩΝ

Η κοπή ή ο διαχωρισμός καλωδίων και σχοινιών με τη βοήθεια αυτού του κόφτη καλωδίων επιτρέπεται να εκτελείται μόνο από άτομα με ηλεκτροτεχνική εκπαίδευση.

Για να μειώσετε τον κίνδυνο εκρήξεων, ηλεκτροπληξίας, υλικών ζημιών και ζημιών στον εξοπλισμό, μην κόβετε ποτέ ρευματοφόρα ηλεκτρικά καλώδια. Η συσκευή ΔΕΝ είναι μονωμένη.

Διατηρείτε τα χέρια και τα φαρδιά ρούχα μακριά από εργαλεία κοπής και άλλα κινούμενα εξαρτήματα. Υπάρχει κίνδυνος σοβαρών τραυματισμών, συμπεριλαμβανομένου κοψίματος άκρων του σώματος.

Πριν από την έναρξη της διαδικασίας κοπής πρέπει να εμποδίζεται η πρόσβαση σύμφωνα με τους τοπικούς κανονισμούς.

Κόβετε μόνο καλώδια, τα οποία έχουν αποσυνδεθεί από το ηλεκτρικό ρεύμα!

Τα καλώδια και τα σχοινιά δεν επιτρέπεται να είναι εκτεθειμένα σε μηχανικές δυνάμεις.

Για να μειώσετε τον κίνδυνο τραυματισμών, φοράτε προστατευτικά γυαλιά ή γυαλιά με πλάγια προστατευτικά.

Η μη τήρηση αυτής της οδηγίας μπορεί να οδηγήσει σε σοβαρούς τραυματισμούς, θάνατο, πυρκαγιά και άλλες υλικές ζημιές λόγω ηλεκτροπληξίας, εκρήξης και/ή ηλεκτρικών τόξων.

Μην κρατάτε ποτέ τον κόφτη καλωδίων από τις σιαγόνες κοπής.

Πριν από τη χρήση ελέγχετε πάντα τις σιαγόνες κοπής για ρωγμές και άλλες ενδείξεις φθοράς.

Ο κόφτης καλωδίων μπορεί να χρησιμοποιηθεί μόνο με τοποθετημένο το εργαλείο κοπής.

ΥΠΟΔΕΙΞΕΙΣ ΑΣΦΑΛΕΙΑΣ ΓΙΑ ΣΤΙΓΕΣ

Ελέγχετε τα εργαλεία κοπής για ενδεχόμενες ενδείξεις σχισμών ή άλλων φθορών, πριν από κάθε χρήση. Χρησιμοποιείτε τα εργαλεία και τα μηχανήματα κοπής μόνο, εφόσον βρίσκονται σε τεχνικά άρτια κατάσταση.

Το μηχάνημα μπορεί να χρησιμοποιηθεί μόνο, εφόσον έχει τοποθετηθεί το εργαλείο κοπής. Να μη χρησιμοποιούνται σε ή κοντά σε κιβώτια χειρισμού που βρίσκονται υπό τάση. Εργάζεστε μόνο σε κιβώτια χειρισμού που είναι απενεργοποιημένα και δε βρίσκονται τάση.

Ελέγξτε εάν συμφωνεί η ονομαστική εσωτερική διάμετρος της μήτρας με την ονομαστική εσωτερική διάμετρο του στίγας.

Χρησιμοποιείτε το μηχάνημα μόνο με στιγείς και μήτρες που έχουν εγκριθεί για τη μέγιστη ονομαστική δύναμη. Στην αντίθετη περίπτωση ενέχει κίνδυνος τραυματισμών και υλικών ζημιών.

Διατηρείτε τα εργαλεία κοπής αιχμηρά και καθαρά. Τα ορθά συντηρημένα εργαλεία κοπής, με αιχμηρές άκρες κοπής, παθαίνουν λιγότερες εμπλοκές και είναι ευκολότερα στον έλεγχό τους.

ΧΡΗΣΗ ΣΥΜΦΩΝΑ ΜΕ ΤΟ ΣΚΟΠΟ ΠΡΟΟΡΙΣΜΟΥ

Εξαρτήματα και κεφαλές εργαλείων:

Ενδεδειγμένη χρήση: μόνο για εξαρτήματα απλής ενέργειας και κεφαλές εργαλείων, ονομαστικής πίεσης 700 bar, μέγιστη εκτόπιση λαδιού 1,35l

Εργαλεία συμπίεσης:

Το εργαλείο συμπίεσης μπορεί να χρησιμοποιηθεί μόνο για τη συμπίεση συνδεδετικών υλικών, τα οποία προορίζονται για τα αντίστοιχα εξαρτήματα συμπίεσης.

Πριν από την έναρξη της εργασίας, όλα τα μέρη που βρίσκονται υπό ηλεκτρική τάση, δηλαδή τα μέρη που μεταφέρουν ηλεκτρική ενέργεια πρέπει να αποσυνδεθούν στο περιβάλλον εργασίας του τεχνικού.

Κόφτης καλωδίων:

Ο κόφτης καλωδίων είναι κατάλληλος για κοπή:

- μη ενισχυμένων καλωδίων χωρίς τάση από μονωμένο χαλκό ή αλουμίνιο, εργαλεία κοπής ανάλογα με τον τύπο καλωδίου

Υδραυλική πόντα (Knockout):

Η χρήση της υδραυλικής πόντας επιτρέπεται μόνο για τη διάνοιξη οπών σε υλικά με τις παρεχόμενες μήτρες και έμβολα.

ΠΡΟΕΙΔΟΠΟΙΗΣΗ Διαβάστε όλες τις υποδείξεις ασφαλείας, τις οδηγίες, τις εικόνες και τα δεδομένα, τα οποία θα λάβετε μαζί με το μηχάνημα. Η μη τήρηση των οδηγιών που ακολουθούν, μπορεί να οδηγήσει σε ηλεκτροπληξία, φωτιά και/ή σε σοβαρούς τραυματισμούς.

Φυλάξτε όλες τις προειδοποιητικές υποδείξεις και οδηγίες για κάθε μελλοντική χρήση.

ΓΕΝΙΚΕΣ ΟΔΗΓΙΕΣ

Αρχική πλήρωση του υδραυλικού συστήματος:

Η αρχική πλήρωση του υδραυλικού συστήματος απαιτείται κάθε φορά που σημειώνεται εξάντληση του λαδιού.

Για την αρχική πλήρωση του συστήματος:

1. Αφαιρέστε το πακέτο συσσωρευτών.
2. Επιθεωρήστε τη γραμμή ένδειξης της στάθμης λαδιού και βεβαιωθείτε πως διαθέτει επαρκή ποσότητα λαδιού.
3. Συνδέστε τον σύνδεσμο σε μία κεφαλή εξαρτήματος το οποίο θα απαντήσει τον αέρα και το πλεονάζον λάδι.

ΣΗΜΕΙΩΣΗ: Ο σύνδεσμος πρέπει να δείχνει προς τα πάνω και το εργαλείο πρέπει να είναι τοποθετημένο χαμηλότερα από την κεφαλή του εξαρτήματος.

4. Εισαγάγετε το πακέτο συσσωρευτών.
5. Πατήστε το κουμπί λειτουργίας σύσφιξης ακροδεκτών.
6. Θέστε σε λειτουργία το εργαλείο.

ΣΗΜΕΙΩΣΗ: Μπορεί να χρειαστούν έως και 30 δευτερόλεπτα μέχρι να αρχίσει η εκροή αέρα και λαδιού.

7. Μόλις τα λάδια αρχίσουν να εξέρχονται, πατήστε και κρατήστε πατημένο το κουμπί χειροκίνητης απελευθέρωσης για δύο δευτερόλεπτα και μετά αφήστε και τα δύο κουμπιά.

8. Επαναλάβετε τα βήματα 5-7 τρεις με τέσσερις φορές.

ΣΗΜΕΙΩΣΗ: Κατά την αρχική πλήρωση του συστήματος βεβαιωθείτε πως η στάθμη λαδιού δεν πέφτει κάτω από την ένδειξη στάθμης λαδιού. Αναπληρώστε το ρεζερβουάρ, εφόσον χρειάζεται.

Εξαέρωση εξαρτήματος:

Τα εξαρτήματα πρέπει να εξαερώνονται μετά από συντήρηση/επισκευή του εξαρτήματος, παραμονή εκτός χρήσης για μακρό διάστημα ή σύνδεση του εξαρτήματος σε εύκαμπο σωλήνα που δεν έχει προπληρωθεί με λάδι.

Λάβετε υπόψη και τις συστάσεις του κατασκευαστή του εξαρτήματος για περαιτέρω οδηγίες σχετικά με την εξαέρωση.

Για να εξαερώσετε ένα εξάρτημα:

1. Αφαιρέστε το πακέτο συσσωρευτών.
2. Συνδέστε τον εύκαμπο σωλήνα του εξαρτήματος στον σύνδεσμο.

ΣΗΜΕΙΩΣΗ: Ο σύνδεσμος πρέπει να δείχνει προς το πλάι και το εργαλείο πρέπει να είναι τοποθετημένο ψηλότερα από τον εύκαμπο σωλήνα και την κεφαλή του εξαρτήματος.

3. Εισαγάγετε το πακέτο συσσωρευτών.
4. Πατήστε το κουμπί λειτουργίας σύσφιξης ακροδεκτών.
5. Θέστε σε λειτουργία το εργαλείο μέχρι να ολοκληρωθεί ο κύκλος και η λυχνία LED να ανάψει πράσινη.
6. Πατήστε και κρατήστε πατημένο για δύο δευτερόλεπτα το κουμπί χειροκίνητης απελευθέρωσης, μετά απελευθερώστε και τα δύο κουμπιά.
7. Επαναλάβετε τα βήματα 4-6 τρεις με τέσσερις φορές.

ΣΗΜΕΙΩΣΗ: Όταν εξαερώνετε το εξάρτημα βεβαιωθείτε πως η στάθμη λαδιού δεν θα πέσει κάτω από την ορατή ένδειξη στάθμης λαδιού. Αναπληρώστε το ρεζερβουάρ, εφόσον χρειάζεται.

ΥΠΟΔΕΙΞΕΙΣ ΕΡΓΑΣΙΑΣ ΓΙΑ ΠΡΕΣΑΡΙΣΜΑ

Χρησιμοποιείτε μόνο πρότυπα είδη σύνδεσης, σύμφωνα με τα εγχώρια ισχύοντα πρότυπα, όπως και τα προβλεπόμενα για το μηχάνημα εξαρτήματα συμπίεσης.



Οι οδηγίες επεξεργασίας και συναρμολόγησης των ειδών σύνδεσης περιλαμβάνονται στο έντυπο του κατασκευαστή.

Ελέγξτε εάν συμφωνεί η ονομαστική εσωτερική διάμετρος του είδους σύνδεσης με την ονομαστική εσωτερική διάμετρο του εξαρτήματος συμπίεσης.

Πριν από την έναρξη της διαδικασίας προσαρίσματος πρέπει να ελέγχεται η χωρητικότητα του συσσωρευτή: ελάχιστη 33% (βλέπε εικονογραφημένη περιγραφή). Ενδεχομένως να είναι απαραίτητη η φόρτιση πριν από την έναρξη της εργασίας.

Πατώντας τον διακόπτη ελέγχου ενεργοποιείται η διαδικασία προσαρίσματος, η οποία χαρακτηρίζεται από την κίνηση της ράβδου πείρου προσαρίσματος.

Ο έλεγχος και η αξιολόγηση της σωστής συμπίεσης αποτελούν ευθύνη του χρήστη.

Οι συνδέσεις που δεν πραγματοποιήθηκαν σωστά θα πρέπει να συμπίεστούν εκ νέου, με νέο εξάρτημα συμπίεσης.

Συμπεριφορά σε περίπτωση βλάβης

- Κρατήστε πατημένο τον διακόπτη επαναφοράς έως ότου ανοίξουν εντελώς οι σιαγόνες
- Ελέγξτε τη χωρητικότητα του συσσωρευτή
- Ελέγχετε το καλώδιο και το εξάρτημα σύνδεσης με βάση τα τεχνικά στοιχεία.
- Εάν υπάρχει η υποψία ότι έχει προσαρτιστεί ένα ρευματοφόρο καλώδιο, η πράσα ακροδεκτών πρέπει να ελεγχθεί σε ένα εξουσιοδοτημένο, εξειδικευμένο συνεργείο

ΥΠΟΔΕΙΞΕΙΣ ΕΡΓΑΣΙΑΣ ΓΙΑ ΚΟΠΗ

Προετοιμασία χώρου εργασίας

Πριν από την έναρξη της εργασίας, τα καλώδια ή τα σχοινιά πρέπει να είναι χωρίς τάση και να διασφαλιστεί ότι παραμένουν χωρίς τάση κατά τη διάρκεια της εργασίας.

Εάν δεν διασφαλιστεί πέραν κάθε αμφιβολίας ότι το καλώδιο ή ο αγωγός με μόνωση έχει αποσυνδεθεί, δεν επιτρέπεται να εκτελούνται εργασίες.

Οι τοπικές διατάξεις ασφαλείας και οι κανονισμοί πρέπει να λαμβάνονται οπωσδήποτε υπόψη.

Τα καλώδια και τα σχοινιά δεν επιτρέπεται να είναι εκτεθειμένα σε μηχανικές δυνάμεις και πρέπει, εάν χρειαστεί, να είναι ασφαλισμένα έναντι ανεξέλεγκτων κινήσεων μετά την κοπή.

Μην εκθέτετε τα εργαλεία στη βροχή. Μη χρησιμοποιείτε εργαλεία σε υγρούς ή βρεγμένους χώρους.

Προετοιμασία του κόφτη καλωδίων και του συσσωρευτή

Πριν από κάθε χρήση:

- Ελέγχετε τον κόφτη καλωδίων για εξωτερικές ζημιές
- Ελέγχετε το εργαλείο κοπής για ρωγμές και άλλες ενδείξεις φθοράς

Να χρησιμοποιείται μόνο σε άριστη κατάσταση!

Πριν από την έναρξη της διαδικασίας κοπής πρέπει να ελέγχεται η χωρητικότητα του συσσωρευτή: ελάχιστη 33% (βλέπε εικονογραφημένη περιγραφή). Ενδεχομένως να είναι απαραίτητη η φόρτιση πριν από την έναρξη της εργασίας.

Προετοιμασία της διαδικασίας κοπής

Στηρίξτε και στερεώστε το καλώδιο ή το σχοινί που πρόκειται να κόψετε, προκειμένου να ελαχιστοποιήσετε τον κίνδυνο μίας ανεξέλεγκτης κίνησης.

Ειδικότερα, τα εναέρια καλώδια και σχοινιά μπορούν να αρχίσουν να κινούνται ανεξέλεγκτα και να προκαλέσουν τραυματισμούς και/ή ζημιές.

Η κεφαλή κοπής πρέπει να τοποθετηθεί σε γωνία 90° ως προς το καλώδιο ή το σχοινί, έτσι ώστε το καλώδιο ή το σχοινί να βρίσκεται χωρίς τάσεις στις ανοιχτές σιαγόνες κοπής και να αποφεύγονται ανεπιθύμητες δυνάμεις διάτμησης.



ΠΡΟΕΙΔΟΠΟΙΗΣΗ: Για να μειώσετε τον κίνδυνο εκρήξεων, ηλεκτροπληξίας, υλικών ζημιών και ζημιών στον εξοπλισμό, μην κόβετε ποτέ ρευματοφόρα ηλεκτρικά καλώδια.

Η συσκευή ΔΕΝ είναι μονωμένη. Η επαφή με ρευματοφόρο κύκλωμα μπορεί να οδηγήσει σε σοβαρούς τραυματισμούς ή θάνατο. Διακόψτε την παροχή ρεύματος, πριν εκτελέσετε μία κοπή. Μην κόβετε ποτέ αγωγούς αερίου ή νερού. Κρατάτε τα χέρια σας μακριά από όλες τις ακμές κοπής και τα κινούμενα μέρη. Υπάρχει κίνδυνος κοψίματος και ακρωτηριασμού.

Αφαιρείτε πάντα το πακέτο συσσωρευτών πριν από την αλλαγή ή αφαίρεση εξαρτημάτων. Χρησιμοποιείτε μόνο εξαρτήματα που συνιστώνται ειδικά για αυτό το εργαλείο. Η χρήση άλλων εξαρτημάτων μπορεί να είναι επικίνδυνη. Για να μειώσετε τον κίνδυνο τραυματισμών, φοράτε προστατευτικά γυαλιά ή γυαλιά με πλάγια προστατευτικά.



ΠΡΟΕΙΔΟΠΟΙΗΣΗ: Για να μειώσετε τον κίνδυνο τραυματισμών, κόβετε μόνο υλικά που συνιστώνται για τις λεπίδες. (βλέπε «Προδιαγραφές») Μην επιχειρήσετε να κόψετε άλλα υλικά.

Κοπή

Πριν από την κοπή βεβαιωθείτε ότι οι λεπίδες είναι σωστά τοποθετημένες.

1. Τοποθετήστε το καλώδιο σε ορθή γωνία επάνω στις ακμές κοπής του κόφτη καλωδίων. Μην επιχειρήσετε να εκτελέσετε λοξοτομές, καθώς θα προκληθούν ζημιές στο τεμάχιο προς επεξεργασία και τις λεπίδες.
2. Πατήστε και κρατήστε πατημένη τη σκανδάλη κατά τη διάρκεια της κοπής.
Η λυχνία LED θα ανάψει, όταν πατήσετε τη σκανδάλη.
3. Όταν ολοκληρωθεί η κοπή ή απενεργοποιηθεί το εργαλείο, απελευθερώστε και πάλι τη σκανδάλη και πατήστε τον διακόπτη επαναφοράς, προκειμένου να ανοίξουν οι σιαγόνες κοπής.

ΣΗΜΕΙΩΣΗ: Το τεμάχιο προς επεξεργασία ενδέχεται να μετακινηθεί ελαφρώς κατά τη διάρκεια της κοπής.

Συμπεριφορά σε περίπτωση βλάβης

- Το καλώδιο ενδέχεται να είναι κομμένο και να φέρει ρεύμα, ενημερώνετε πάντα τον υπεύθυνο ασφαλείας, διακόπτετε τη διαδικασία κοπής, λαμβάνετε κατάλληλα μέτρα ασφαλείας
- Διασφαλίζετε πάντα ότι η συσκευή είναι και παραμένει αποσυνδεδεμένη από το ηλεκτρικό ρεύμα, πριν πλησιάσετε και αγγίξετε τη συσκευή
- Πατήστε και κρατήστε πατημένο το κουμπί επαναφοράς, μέχρι ο κόφτης να ανοίξει πλήρως
- Ελέγξτε τη χωρητικότητα του συσσωρευτή
- Ελέγξτε το υλικό και το πάχος του υλικού με βάση τα τεχνικά στοιχεία
- Εάν υπάρχει η υποψία ότι έχει κοπεί ρευματοφόρο καλώδιο, ο κόφτης καλωδίων πρέπει να ελεγχθεί από εξουσιοδοτημένο εξειδικευμένο συνεργείο

Μαγκωμένες λεπίδες

Οι ακαθαρσίες και τα θραύσματα μπορεί να προκαλέσουν το μάγκωμα των λεπίδων μετά την κοπή

- Πατήστε και κρατήστε πατημένη τη σκανδάλη απελευθέρωσης, για να βεβαιωθείτε ότι έχει γίνει επαναφορά του εργαλείου.
- Αφαιρέστε το πακέτο συσσωρευτών.
- Ακολουθήστε την περιγραφή των εικόνων για το άνοιγμα των σιαγόνων κοπής
- Καθαρίστε τυχόν ακαθαρσίες και θραύσματα από τις λεπίδες, πριν ξεκινήσετε άλλη κοπή.

Συμβουλές κοπής

- Μην επιχειρήσετε να εκτελέσετε λοξοτομές, καθώς θα προκληθούν ζημιές στο τεμάχιο προς επεξεργασία και τις λεπίδες.
- Κόβετε καθαρά υλικά, για να επιμηκύνετε τη διάρκεια ζωής των λεπίδων. Σκουπίστε τις ακαθαρσίες και τα θραύσματα από το υλικό και τις λεπίδες, πριν ξεκινήσετε την κοπή.

ΟΔΗΓΙΕΣ ΕΡΓΑΣΙΑΣ ΓΙΑ ΔΙΑΤΡΗΣΗ

Ελέγξτε εάν η ονομαστική διάμετρος της μήτρας είναι ίση με τον ονομαστικό μέγεθος του εμβόλου.

ΣΥΝΤΗΡΗΣΗ

Αφαιρέστε το πακέτο συσσωρευτών, προτού ξεκινήσετε οποιαδήποτε εργασία ρύθμισης, καθαρισμού και συντήρησης στη συσκευή.

Μην ανοίγετε ποτέ τη συσκευή, τον επαναφορτιζόμενο συσσωρευτή ή τη συσκευή φόρτισης.

Ελέγχετε τη συσκευή για ενδεχόμενα προβλήματα όπως θόρυβο ή μάγκωμα των κινούμενων μερών, τα οποία μπορεί να επηρεάσουν τη συσκευή.

Διατηρείτε πάντοτε τις σχισμές εξαερισμού της συσκευής καθαρές.

Για να αποφύγετε τραυματισμούς και ζημιές, μη βυθίζετε ποτέ τη συσκευή, τον επαναφορτιζόμενο συσσωρευτή ή τη συσκευή φόρτισης σε υγρό και μην επιτρέπετε ποτέ να εισχωρήσει υγρό σε αυτά.

Περαιτέρω εργασίες συντήρησης και επισκευής επιτρέπεται να διεξάγονται μόνο από εξειδικευμένα συνεργεία.

Η συσκευή περιέχει υδραυλικό λάδι που χρησιμοποιείται το οποίο αποτελεί κίνδυνο για τα υπόγεια ύδατα. Η ανεξέλεγκτη απόρριψη και η λανθασμένη διάθεση τιμωρούνται.

Η επόμενη συντήρηση υποδεικνύεται από τη λυχνία LED επάνω στη συσκευή.

Επιστρέψτε το εργαλείο, τον φορτιστή και το πακέτο συσσωρευτών σε ένα σημείο τεχνικής υποστήριξης (σέρβις) της MILWAUKEE προς επισκευή. Μετά από έξι έως δώδεκα μήνες, ανάλογα με τη χρήση, επιστρέψτε το εργαλείο, τον φορτιστή και το πακέτο συσσωρευτών σε ένα σημείο τεχνικής υποστήριξης (σέρβις) της MILWAUKEE προς επιθεώρηση. Χρησιμοποιείτε μόνο αξεσουάρ Milwaukee και ανταλλακτικά Milwaukee. Εξαρτήματα, που η αλλαγή τους δεν περιγράφεται, αντικαθιστούνται σε μια τεχνική υποστήριξη της Milwaukee (βλέπε φυλλάδιο εγγύηση/ διευθύνσεις τεχνικής υποστήριξης).

Εάν το εργαλείο δεν λειτουργεί ή δεν λειτουργεί σε πλήρη ισχύ με μια πλήρως φορτισμένη μπαταρία, καθαρίστε τις επαφές του πακέτου μπαταρίας. Εάν το εργαλείο εξακολουθεί να μην λειτουργεί σωστά, επιστρέψτε το εργαλείο, τον φορτιστή και το πακέτο μπαταρίας σε ένα σημείο τεχνικής υποστήριξης (σέρβις) της MILWAUKEE προς επισκευή.

Διάστημα σέρβις

Συμβουλευθείτε την εφαρμογή ONE-KEY App για πληροφορίες σχετικά με τις απαιτούμενες ενέργειες συντήρησης, όπως η αλλαγή υγρού. Επιστρέψτε το εργαλείο σε ένα σημείο τεχνικής υποστήριξης (σέρβις) της MILWAUKEE για όλες τις εργασίες επισκευής και συντήρησης.

ΣΗΜΕΙΩΣΗ: Ενδοχόμενος να χρειαστεί η εβδομάδα και το έτος κατασκευής του εργαλείου. Τα συγκεκριμένα στοιχεία αναφέρονται στον σειριακό αριθμό που βρίσκεται στην πινακίδα τύπου του εργαλείου.

Όταν χρειάζεται, μπορείτε να ζητήσετε ένα σχέδιο συναρμολόγησης της συσκευής, δίνοντας τον τύπο της μηχανής και αριθμό στην πινακίδα ισχύος, από το κέντρο σέρβις ή απευθείας από τη φίρμα Techtronic Industries GmbH, Max-Eyth-Strasse 10, 71364 Winnenden, Germany.

Για ασφαλή μεταφορά συνιστούμε να συσκευάσετε την υδραυλική αντλία σε μια σφραγισμένη, ανθεκτική στα λάδια πλαστική τσάντα και να χρησιμοποιήσετε τη γνήσια συσκευασία.

ONE-KEY™

Προκειμένου να μάθετε περισσότερα για τη λειτουργικότητα ONE-KEY της εν λόγω συσκευής, διαβάστε τη συνοπτικό οδηγό γρήγορης εκκίνησης ή επισκεφτείτε τη σελίδα μας στο Διαδίκτυο <http://www.milwaukeeool.com/one-key>

Μπορείτε να κατεβάσετε την εφαρμογή ONE-KEY στο Smartphone σας από το App Store ή το Google Play.

Το αποτέλεσμα δοκιμής εκπληρώνει τις ελάχιστες απαιτήσεις μας κατά EN 301489-1 / EN 30149-17. Και θα προσφέρουμε καθοδήγηση στον πελάτη σχετικά με τον τρόπο λειτουργίας σε μορφή εγχειριδίου χρήσης.

ΜΠΑΤΑΡΙΕΣ

Επαναφορτίστε τις ανταλλακτικές μπαταρίες που δεν έχουν χρησιμοποιηθεί για μεγαλύτερο χρονικό διάστημα πριν τη χρήση. Μια θερμοκρασία πάνω από 50°C μειώνει την ισχύ της ανταλλακτικής μπαταρίας. Αποφύγετε τη θέρμανση για μεγαλύτερο χρονικό διάστημα από τον ήλιο ή τις συσκευές θέρμανσης.

Διατηρείτε τις επαφές σύνδεσης στο φορτιστή και στην ανταλλακτική μπαταρία καθαρές.

Για μια άριστη διάρκεια ζωής πρέπει μετά τη χρήση οι μπαταρίες να φορτιστούν πλήρως.

Για μια κατά το δυνατόν μεγάλη διάρκεια ζωής οι μπαταρίες μετά τη φόρτιση οφείλουν να αφαιρεθούν από το φορτιστή.

Για την αποθήκευση της μπαταρίας για διάστημα μεγαλύτερο των 30 ημερών: Αποθηκεύετε τη μπαταρία περ. στους 27°C σε στεγνό χώρο. Αποθηκεύετε τη μπαταρία περ. στο 30%-50% της κατάστασης φόρτισης. Κάθε 6 μήνες φορτίζετε εκ νέου τη μπαταρία.

Μην πετάτε τις μεταχειρισμένες ανταλλακτικές μπαταρίες στη φωτιά ή στα οικιακά απορρίμματα. Η Milwaukee προσφέρει μια απόσυρση των παλιών ανταλλακτικών μπαταριών σύμφωνα με τους κανόνες προστασίας του περιβάλλοντος, ρωτήστε παρακαλώ σχετικά στο ειδικό κατάστημα πώλησης.

Μην αποθηκεύετε τις ανταλλακτικές μπαταρίες μαζί με μεταλλικά αντικείμενα (κίνδυνος βραχυκυκλώματος).



Όταν υπάρχει υπερβολική καταπόνηση ή υψηλή θερμοκρασία μπορεί να τρέξει υγρό μπαταρίας από τις χαλασμένες επαναφορτιζόμενες μπαταρίες. Αν έρθετε σε επαφή με υγρό μπαταρίας να πλυθείτε αμέσως με νερό και σαπούνι. Σε περίπτωση επαφής με τα μάτια να πλυθείτε σχολαστικά για τουλάχιστον 10 λεπτά και να αναζητήσετε αμέσως ένα γιατρό.

Στη θήκη υποδοχής των ανταλλακτικών μπαταριών του φορτιστή δεν επιτρέπεται να φθάνουν μεταλλικά αντικείμενα (κίνδυνος βραχυκυκλώματος).

ΜΕΤΑΦΟΡΑ ΤΩΝ ΜΠΑΤΑΡΙΩΝ ΙΟΝΤΩΝ ΛΙΘΙΟΥ

Οι μπαταρίες ιόντων λιθίου υπόκεινται στις απαιτήσεις των νομικών διατάξεων για την μεταφορά επικινδύνων εμπορευμάτων. Η μεταφορά τέτοιων μπαταριών πρέπει να πραγματοποιείται τηρώντας τους τοπικούς, εθνικούς και διεθνείς κανονισμούς και τις αντίστοιχες διατάξεις.

Επιτρέπεται η μεταφορά τέτοιων μπαταριών στο δρόμο χωρίς περαιτέρω απαιτήσεις.

Η εμπορική μεταφορά μπαταριών ιόντων λιθίου από εταιρείες μεταφορών υπόκειται στις απαιτήσεις των νομικών διατάξεων για την μεταφορά επικινδύνων εμπορευμάτων. Οι προετοιμασίες αποστολής και η μεταφορά πραγματοποιούνται αποκλειστικά από ειδικά εκπαιδευμένα πρόσωπα. Η συνολική διαδικασία συνοδεύεται από εξειδικευμένο προσωπικό.

Κατά τη μεταφορά μπαταριών ιόντων λιθίου πρέπει να προσέχετε τα εξής:

Φροντίστε τα σημεία επαφών να είναι προστατευμένα και μονωμένα ώστε να αποφευχθούν βραχυκυκλώματα. Προσέξτε το πακέτο μπαταριών να είναι σταθερό μέσα στη συσκευασία και να μη γλιστρά. Η μεταφορά μπαταριών που παρουσιάζουν φθορές ή διαρροές δεν επιτρέπεται. Για περισσότερες πληροφορίες απευθυνθείτε στην εταιρεία μετάφορων.

ΔΗΛΩΣΗ ΠΙΣΤΟΤΗΤΑΣ ΕΚ

Δηλώνουμε με αποκλειστική μας ευθύνη, ότι το προϊόν που περιγράφεται στα «Τεχνικά Χαρακτηριστικά» συμμορφώνεται με όλες τις σχετικές διατάξεις των οδηγιών

2011/65/EE (RoHS)

2000/14/ΕΚ

2006/42/ΕΚ

2014/53/ΕΕ

και έχουν εφαρμοστεί τα ακόλουθα εναρμονισμένα πρότυπα

EN 62841-1:2015

EN 62479:2010

EN 55014-1:2017

EN 55014-2:2015

EN 301 489-1 V2.1.1 (2017-02)

EN 301 489-17 V3.1.1 (2017-02)

EN 300 328 V2.1.1 (2016-11)

EN IEC 63000:2018

Μετρημένη στάθμη ηχητικής ισχύος 87,2 dB(A)

Εγγυημένη στάθμη ηχητικής ισχύος 89,0 dB(A)

Ανασφάλεια K= 1,5 dB(A)

Διαδικασία αξιολόγησης συμμόρφωσης σύμφωνα με την Οδηγία

2000/14/ΕΚ στο Παράρτημα V

Κοινοποιημένος οργανισμός :

DEKRA Certification B.V. (0344)

Meander 1051/P.O. Box 5185

6825 MS ARNHEIM/6802 ED ARNHEIM

Netherlands



Winnenden,

Alexander Krug / Managing Director

Εξουσιοδοτημένος να συντάξει τον τεχνικό φάκελο.

Techtronic Industries GmbH

Max-Eyth-Straße 10, 71364 Winnenden, Germany

ΣΥΜΒΟΛΑ



Παρακαλώ διαβάστε σχολαστικά τις οδηγίες χρήσης πριν από την έναρξη λειτουργίας.



Φοράτε προστατευτικά γυαλιά.



Αυτή η συσκευή περιέχει μία μπαταρία λιθίου τύπου κομπιού/κέρματος.



ΠΡΟΣΟΧΗ! ΠΡΟΕΙΔΟΠΟΙΗΣΗ! ΚΙΝΔΥΝΟΣ!



Πριν από κάθε εργασία στη μηχανή αφαιρείτε την ανταλλακτική μπαταρία.



Κίνδυνος ηλεκτροπληξίας



ΠΡΟΕΙΔΟΠΟΙΗΣΗ!

Διαβάστε όλες τις υποδείξεις ασφαλείας και τις οδηγίες.



ΠΡΟΕΙΔΟΠΟΙΗΣΗ! Τραυματισμός χεριών



Η εγγυημένη στάθμη θορύβου που αναφέρεται σε αυτή την ετικέτα είναι 89 dB



Ηλεκτρικά μηχανήματα, μπαταρίες/συσσωρευτές δεν επιτρέπεται να απορρίπτονται μαζί με τα οικιακά απορρίμματα. Ηλεκτρικά μηχανήματα και συσσωρευτές συλλέγονται ξεχωριστά και παραδίδονται προς ανακύκλωση με τρόπο φιλικό προς το περιβάλλον σε επιχείρηση επεξεργασίας απορριμμάτων. Ενημερωθείτε από τις τοπικές υπηρεσίες ή από ειδικευμένου εμπόρου σχετικά με κέντρα ανακύκλωσης και συλλογής απορριμμάτων.

V Τάση



Συνεχές ρεύμα



Ευρωπαϊκό σήμα πιστότητας



Ουκρανικό σήμα πιστότητας

001



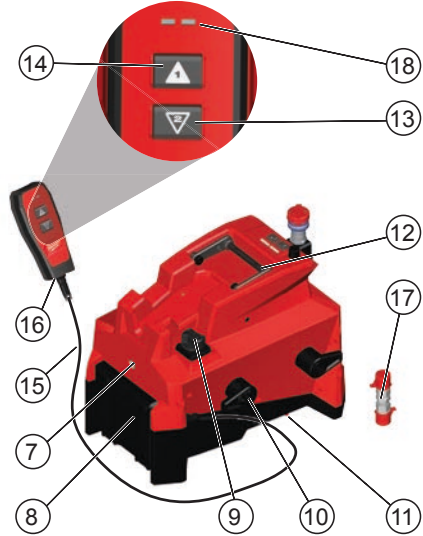
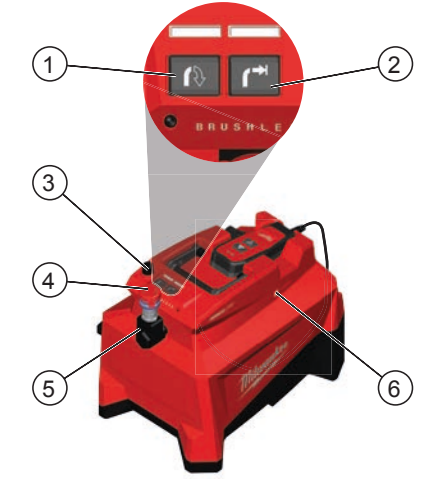
Ευρασιατικό σήμα πιστότητας



TEKNİK VERİLER Hidrolik Pompa	M18 HUP700
Üretim numarası	4745 35 01... ... 000001-999999
Bluetooth frekans bandı (frekans bantları)	2402-2480 MHz
Yüksek frekans gücü	1,8 dBm
Bluetooth sürümü	4.0 BT signal mode
Kartuş akü gerilimi	18 V
Nominal güç basıncı	700 bar
Koruma sınıfı	IP54
Azami Eğim açısı	34°
Nominal Debi	
Düşük Basınc	2,0 l/min
Yüksek Basınc	0,4 l/min
Toplam yağ hacmi	1,6 l
Kullanılabilir yağ hacmi	1,3 l
Ağırlığı ise EPTA-üretici 01/2014'e göre (Li-Ion 8,0 Ah...12,0 Ah)	16,0..., 16,5 kg
Çalıştırılması için tavsiye edilen ortam sıcaklığı	-18°C ... +50°C
Tavsiye edilen güç paketleri	M18B9 M18HB8 ..., M18HB12
Tavsiye edilen şarj aletleri	M12-18..., M1418 C6
Gürültü bilgileri	
Ölçüm değerleri EN 62841 e göre belirlenmektedir. Aletin, frekansa bağımlı uluslararası ses basıncı seviyesi değerlendirme eğrisi A'ya göre tipik gürültü seviyesi:	
Ses basıncı seviyesi (Tolerans K=3dB(A))	77,7 dB (A)
Akustik kapasite seviyesi (Tolerans K=3dB(A))	88,7 dB (A)



Tür



UYARI

Bu bilgi broşüründe belirtilmiş olan ses emisyon değeri, EN 62841 standardında normlaştırılmış bir test yöntemine göre ölçülmüştür ve takımların birbirleriyle karşılaştırılması için kullanılabilir. Yükün geçici olarak tahmin edilmesine de uygundur.

Belirtilen ses emisyon değeri takımın başlıca olarak uygulamasını temsil etmektedir. Ancak takım başka uygulamalar için veya farklı aksesuarlarla kullanıldığında veya bakımı yetersiz yapılırsa ses emisyon değeri farklı olabilir. Bu durum yükü bütün çalışma süresi için belirgin şekilde artırabilir.

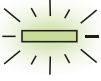
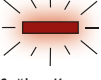
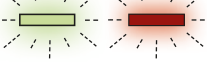
Ses yükünün tam olarak tahmin edilmesi için, takımın kapalı olduğu veya açık olduğu, ancak takımla fiilen çalışmadığı sürelerin de göz önünde bulundurulması gerekmektedir. Bu durum yükü bütün çalışma süresi için belirgin şekilde artırabilir.

Kullanıcısı ses etkisinden korumak için ek güvenlik tedbirleri belirleyiniz, örneğin: takımın ve aksesuarın bakımı ve iş süreçlerinin organizasyonu.

Cihazın tanımı

- | | |
|---|-----------------------|
| ① Kesme Modu Düğmesi | ⑪ Havalandırma Tapası |
| ② Kıvrırma Modu Butonu | ⑫ Tutamak |
| ③ Manüel basınç serbest bırakma Düğmesi | ⑬ Toplama Düğmesi |
| ④ Kuplör | ⑭ İleri Düğmesi |
| ⑤ Kuplör Muylusu | ⑮ Kablo |
| ⑥ ONE KEY göstergesi | ⑯ Uzaktan Kumanda |
| ⑦ Yağ Tankı Seviye çizgisi | ⑰ Adaptör |
| ⑧ Pil Bölmesi | ⑱ LED gösterge |
| ⑨ Yağ Kapağı | |
| ⑩ Kablo Makarası | |

Türkçe

LED gösterge	Tanım
 Sağlam Yeşil	Alet çalışmayı tamamladı ve tam krep basıncına ulaştı.
 Sağlam Kırmızı	Alet çalışmayı tamamladı ancak tam krep basıncına ULAŞMADI.
 Yanıp sönmeye Kırmızı / Yeşil (sonra Sağlam Yeşil veya Sağlam Kırmızı)	Alet bakım aralığına ulaştı (20000 krepler). İşlem için sağlam Kırmızı veya Yeşil göstergesi görüntüledikten sonra Kırmızı/Yeşil yanıp sönmeye başlayacaktır. MILWAUKEE, aletin kontrol edilmesini ve koruyucu bakımın tamamlanmasını tavsiye eder.

NOT: Gösterge kırmızı yanıyor, yağ seviyelerini kontrol edin ve eklentilerde sızıntı olup olmadığını denetleyin. Tüm bağlantıları sıkı ve eklentilerin iş için uygun olduğunu doğrulayın. Yeniden çalıştırın. Sorun devam ederse, aleti bir MILWAUKEE servis tesisine gönderin.

⚠ UYARI Cihazla birlikte gelen tüm güvenlik uyarılarını, talimatları, çizimleri ve bilgileri okuyun. Aşağıdaki talimat hükümlerine uymadığınız takdirde elektrik çarpması, yangın veya ağır yaralanma tehlikesi ile karşılaşabilirsiniz.

Bütün uyarıları ve talimat hükümlerini ileride kullanmak üzere saklayın.

⚠ GÜVENLİĞİNİZ İÇİN TALİMATLAR

Techtronic Industries GmbH tarafından üretilen hidrolik pompalar kıvrırma, kesme ve sıkılama kafalarıyla kullanılmak üzere geliştirilmiştir. Bu özel kullanım uyarınca, pompalar yağın geri dönüşünü önleyecek bir güvenlik sistemiyle donatılmış değildir. Bu nedenle, amaçlananlar dışında uygulamalarda (örneğin hidrolik rikolarda, kaldırma sistemleri ya da benzerinde) kullanılmaları tehlikeli olabilir ve operatörün ciddi şekilde yaralanmasına yol açabilir.

Techtronic Industries GmbH hidrolik pompalarının kıvrırma, kesme ve sıkıştırma dışında herhangi bir uygulama için kullanılması doğabilecek hiçbir sorumluluk kabul etmez.

Pompanın hızlı kuplörüne hasar verip yağ sızıntısına neden olabileceğinden, pompa esnek hortuma ve kafaya bağlı değilse basınç oluşturmayın.

Yüksek basınçlı esnek hortumlar, sonunda operatörün güvenliğini tehlikeye atabilecek bir performans düşüklüğüne yol açabilecek doğal bir eskime sürecine tabidir. Bu nedenle, yararlı ömürleri sınırlıdır. Techtronic Industries GmbH ürünlerinin güvenli kullanılması sağlamak için görünür hasarı bulunmamasına rağmen Hidrolik hortumların üreticinin talimatları uyarınca düzenli olarak değiştirilmesini tavsiye eder.

Pompa ve esnek hortumu çıplak alevlerden ve 70°C'yi aşan ısı kaynaklarından uzak tutun.

Pompayı kullanmadan önce her zaman esnek hortumun ve hızlı kuplörlerin bütünlüğünü kontrol edin ve aşınma, kesik, şekil bozukluğu veya kabarıklık bulunmadığından emin olun.

Esnek hortumun her iki ucunda da fabrikada takılan korkulukların bulunması gerekir. Basınç altındayken esnek hortuma dokunmayın. Pompayı kullanırken, esnek hortumun açılmış ve düz olması gerekir. Esnek hortumu sökmeden önce, kafa mahmuzunun bütünüyle çekili olup olmadığını kontrol edin, daha sonraki işlemler için yeterli yağın varlığını emin olun.

Pompa sürekli kullanım için uygun olmayıp kesintisiz ve birbirini izleyen kıvrırma işlemlerinden sonra soğutulması gerekir; örneğin, tam şarjlı bir pilin bir oturulmuş boşalmasından sonra, pil değişimini birkaç dakika erteleyin.

Pompayı, pili ve şarj ünitesini yağmur ve nemden koruyun. Su pompaya zarar verir. Elektrikli hidrolik aletler yağmur altında kullanılmamalıdır.

Bu cihazın operatörü, cihazı ilk kez kullanmadan önce ve bundan en fazla bir yıl sonra bu cihazı kullanmakla bağlantılı belirli tehlikeler ve temel güvenlik önlemleri konusunda eğitilmiş olmalıdır.

İşletme şirketinin sunuları yapması gerekir:

- Operatörün kullanma kılavuzuna erişebilmesini sağlamak
- ve okuyup anladığından emin olmak.

Koruma teçhizatı kullanın. Makinada çalışırken devamlı surette koruyucu gözlük takın. Koruyucu elbise ve tozlardan korunma maskesi, emiyet eldivenleri ve sağlam ve kaymaya mukavim ayakkabı giyin. Başlık ve kulaklık tavsiye edilir.

• **Pompayı, hortumları, kuplörleri ve bağlantıları aşınma ve hasar yönünden kontrol edin. Aşınmış, hasarlı ya da eksik bileşenleri üreticinin yedek parçalarıyla değiştirin.**

Aşınmış ya da hasarlı bileşenler arızalanabilir, yaralanmaya neden olabilir. Bu uyarıya uyulmaması ciddi yaralanmaya ya da ölüme yol açabilir.

• **Kullanımdan önce, pompanın istenen işlem modunda bulunduğundan emin olun.**

• **Sızıntıları kontrol etmek için ellerinizi kullanmayın.**

Yüksek basınçlı yağ cildi deler, ciddi yaralanmaya, kangrene, hatta ölüme neden olur. Yaralanma halinde, yağı temizlemek için derhal tıbbi yardım alın.

• Pompanın azami eğim açısının altında bulunduğundan emin olun.

• Yağ seviyesini kontrol edin, gerekirse düzeltin. Düşük yağ yaralanmaya ya da maddi hasara yol açabilir. En iyi performans için, depoyu doldururken daima MILWAUKEE Force Logic™ Hidrolik Yağı (4932 4720 04) kullanın.

• **Hortuma veya diğer hidrolik bağlantı elemanlarına bakım yaparken, takar ya da sökerken hidrolik sistemin basıncını gidirin. Önce daima manüel serbest bırakma düğmesine basın.**

• **Bu aleti çalıştırır ya da bakımını yaparken, göz koruması kullanın.** Göz koruması kullanmamak uçan döküntü veya hidrolik yağ nedeniyle gözlerde ciddi yaralanmaya yol açabilir.

• **Sadece tek taraflı çalışan ve 10.000 psi (700 bar) ya da üstü sınıftan hortum ve bağlantıları kullanın.**

• **En iyi performans için, önceden yağ doldurulmuş hortumlar kullanın.** Hortumlar önceden doldurulmamışsa, çalıştırmadan önce sistemi boşaltın.

• **Hortumsuz ya da bağlantısız bir pompayı asla kullanmayın.**

• **En iyi performans için, depoyu doldururken daima MILWAUKEE Force Logic™ Hidrolik Yağı (4932 4720 04) kullanın.**

• **Optimum işlevsellik için M18™ REDLITHIUM™ 8.0 Ah veya daha yüksek pil kullanın.**



• **Aksesuar üreticilerinin işletme talimatlarına uyun.** Farklı kullanımlar alette, aksesuarlarda ve iş parçasında hasara yol açabilir.

• **Gerekliyse, sistemi boşaltın.**

Asla parmaklarınızı veya başka vücut kısımlarınızı silindirin veya çenelerinin çalışma alanı içine tutmayınız.

Cihaz üzerinde herhangi bir ayar, temizlik ve bakım çalışmasına başlamadan önce pil paketini çıkarın.

Cihazları, pil paketlerini ve şarj cihazlarını sadece teknik olarak kusursuz durumdaysa kullanınız.

Hasarları derhal yetkili bir tamirhanede tamir ettiriniz.

Yaralanma ve hasardan kaçınmak için cihazın kazayla çalışmasını önleyin.

İşlem öncesinde bütün ayar aletlerini ve anahtarları çıkarın.

Elektrik gerilimi altındaki parçalar asla işlenemez. Cihaz yalıtımlı DEĞİLDİR.

Elleri ve sarkan giysileri kesici aletlerden ve diğer hareketli parçalardan uzak tutun.

Pres işlemleri sırasında herhangi bir arıza meydana gelirse AÇIK şalterini serbest bırakın ve hidrolik kilit açma düğmesine basın. Valf açılır ve piston başlangıç konumuna geri hareket eder.

UYARI! Bir kisa devreden kaynaklanan yangın, yaralanma veya ürün hasarları tehlikesini önlemek için cihazı, pil paketini veya şarj cihazını asla sıvıların içine daldırmayın ve içlerine sıvı girmesini önleyin. Tuzlu su, belirli kimyasallar, ağartıcı madde veya ağartıcı madde içeren ürünler gibi korozif veya iletken sıvılar kısa devreye neden olabilir.

Bakım ve bakım aralıklarına mutlaka uyunuz.

Kartuş aküleri ve şarj cihazını açmayın ve sadece kuru yerlerde saklayın. Neme ve ıslanmaya karşı koruyun.

M18 sistemli kartuş aküleri sadece M18 sistemli şarj cihazları ile şarj edin. Başka sistemli aküleri şarj etmeyin.

Yaralanma ve hasarları önlemek için aleti, çıkarılabilir pili veya şarj cihazını asla bir sıvıya batırmayın, içlerine sıvı girmesine izin vermeyin.

UYARI



Bu cihaz, düğme tipi/yassı lityum pil içerir. Yeni veya kullanılmış bir pil yutulursa ya da vücuda gireirse, 2 saat gibi kısa bir sürede ciddi iç yanıklara ve ölüme neden olabilir. Kapağı pil bölmesine her zaman sabitleyin. Güvenli bir şekilde kapanıyorsa, cihazı durdurun, pili çıkarın ve çocukların erişemeyeceği bir yerde saklayın. Birinin pili yuttuğundan veya pilin vücuda girdiğinden şüpheleniyorsanız, derhal tıbbi yardım isteyin.

▲ PRES TAKIMLARI İÇİN GÜVENLİK BİLGİLERİ

Krep aletleri ve krep cihazları yalnızca elektroteknik uygulamalarda eğitimli personel tarafından kullanılmalıdır.

Gerilimli bağlantı malzemelerini asla kreplemeyin.

Her kullanımdan önce, pres takımını, lokmalarını ve kalıplarını çatlaklara ve diğer aşınma belirtilerine karşı kontrol edin.

Sadece teknik olarak kusursuz durumdaki pres takımı ve pres kalıplarını kullanın.

Pres takımı sadece pres kalıpları takılıyken kullanılabilir.

Pres işlemleri sırasında pres çenelerine ve pres pim vidalarına dokunmayın.

Pres işlemleri sırasında herhangi bir arıza meydana gelirse AÇIK şalterini serbest bırakın ve hidrolik kilit açma düğmesine basın. Valf açılır ve piston başlangıç konumuna geri hareket eder.

▲ BORU KESİCİ İÇİN GÜVENLİK BİLGİLERİ

Boru ve halatların bu boru kesici yardımıyla kesilmesi veya ayrılması işlemleri sadece elektroteknik eğitimli bir kişi tarafından yapılmalıdır.

Patlama, elektrik çarpması ve mal ve ekipmana hasar riskini düşürmek için asla gerilimli kabloları kesmeyin. Cihaz yalıtımlı DEĞİLDİR.

Elleri ve sarkan giysileri kesici aletlerden ve diğer hareketli parçalardan uzak tutun. Vücut azalarının kesilmesi dahil, ciddi yaralanma tehlikesi mevcuttur.

Kesme süreci başlamadan, erişimin yerel düzenlemeler uygun olarak kapatılmış olması gerekir.

Sadece ve sadece güç kaynağıyla bağlantısı kesilmiş kabloları kesin! Borular ve halatlar mekanik kuvvete maruz bırakılmamalıdır.

Yaralanma riskini azaltmak için emniyet gözlüğü veya yan korumalı gözlük kullanın.

Bu talimatın aksine hareket etmek elektrik çarpması, patlama ve/veya elektrik arkından kaynaklanacak ciddi yaralanmaya, ölüme, yangına ve diğer maddi hasarlara neden olabilir.

Kablo kesiciyi asla kesici çenelerden tutmayın.

Kullanmadan önce, kesici çeneleri çatlak ve diğer aşınma belirtileri yönünden mutlaka kontrol edin.

Kablo kesici sadece bir kesici alet takılarak kullanılabilir.

▲ ZİMBALAR İÇİN GÜVENLİK BİLGİLERİ

Her kullanımdan önce, kesici aletleri çatlaklara ve diğer aşınma belirtilerine karşı kontrol edin. Sadece teknik olarak kusursuz durumdaki kesici alet ve cihazları kullanın.

Cihaz sadece kesici alet takılıyken kullanılabilir. Gerilim altındaki şalter kutularının içinde ya da yakınında kullanmayın. Sadece gerilimsiz şalter kutularında çalışma yapın.

Kalıp nominal genişliğinin zimba nominal genişliğiyle uyuşup uyuşmadığını kontrol edin.

Aleti sadece maks. nominal güç için izin verilen zimba ve kalıplarla birlikte kullanın. Aksi takdirde yaralanma ve hasar meydana gelebilir.

Kesici aletleri keskin ve temiz tutun. Keskin kenarlara sahip, bakımı doğru yapılmış kesici aletler daha az sıkışır ve daha kolay kullanılır.

KULLANIM

Aksesuar ve Alet kafaları:

Amaçlanan kullanım: sadece taraflı aksesuar ve alet kafaları için, nominal basınç 700 bar; azami yağ hacmi 1,35 l

Pres takımı:

Pres takımı sadece uygun pres kalıplarının öngörülmesi olduğu bağlantı malzemelerinin preslenmesi için kullanılabilir.

Çalışmaya başlamadan önce, teknisyenin çalışma ortamında elektrik ileten tüm gerilimli parçaların bağlantısı kesilmelidir.

Boru kesici:

Kesme işlemi için kablo kesme makinesi uygundur:

• gerilimsiz takviyesiz yalıtılmış bakır veya alüminyum kabloların kesilmesi için uygundur; kesme aletleri kablo türüne bağlıdır

İtme aleti:

İtme aleti sadece materyalleri sağlanan zimba ve matrislerle zimbalamak için kullanılabilir.



UYARI Cihazla birlikte gelen tüm güvenlik uyarılarını, talimatları, çizimleri ve bilgileri okuyun. Aşağıdaki talimat hükümlerine uymadığınız takdirde elektrik çarpması, yangın veya ağır yaralanma tehlikesi ile karşılaşabilirsiniz.

Bütün uyarıları ve talimat hükümlerini ileride kullanmak üzere saklayın.

GENEL TALIMATLAR

Hidrolik sistemin doldurulması:

Alet yağsız kaldığı her sefer doldurulmalıdır.

Sistemin doldurulması için:

1. Pıl paketini çıkarın.
2. Yağ seviye çizgisini kontrol edin ve alette yeterli yağ bulunduğundan emin olun.
3. Kuplörü havayı ve fazlalık yağı boşaltacak bir aksesuar kafasına bağlayın.

NOT: Kuplörün doğruca yukarıya dönük, aletin de aksesuar kafasından daha aşağıya yerleştirilmiş olması gerekir.

4. Pıl paketini takın.
5. Kıvrırma modu düğmesine basın.
6. Aleti çalıştırın.

NOT: Hava ve yağın çıkmaya başlaması 30 saniye kadar sürebilir.

7. Yağ çıkmaya başladığında, manüel serbest bırakma düğmesine basıp iki saniye boyunca basılı tutun, sonra her iki düğmeyi de bırakın.
8. 5. ila 7. adımları üç veya dört kez tekrarlayın.

NOT: Sistemi doldururken yağ seviyesinin yağ çizgisinin altına düşmesine dikkat edin. Gerekliyorsa, depoyu takviye edin.

Aksesuarın boşaltılması:

Bir aksesuar bakım gördükten, uzun bir süre çalışmadıktan ya da önceden yağ doldurulmamış bir hortuma bağladıktan sonra her zaman boşaltılmalıdır.

Daha ayrıntılı boşaltma talimatları için, lütfen aksesuar üreticisinin tavsiyelerine bakın.

Bir aksesuarın boşaltılması:

1. Pıl paketini çıkarın.
2. Aksesuar hortumunu kuplöre bağlayın.

NOT: Kuplörün yana dönük, aletin de aksesuar hortumundan ve kafasından daha yükseğe yerleştirilmiş olması gerekir.

3. Pıl paketini takın.
4. Kıvrırma modu düğmesine basın.
5. Aleti döngü tamamlanana ve LED gösterge yeşil yanana kadar çalıştırın.
6. Manüel serbest bırakma düğmesine basıp iki saniye boyunca basılı tutun, sonra her iki düğmeyi de bırakın.
7. 4. ila 6. adımları üç veya dört kez tekrarlayın.

NOT: Aksesuarı boşaltırken, yağ seviyesinin yağ çizgisinin altına düşmesine dikkat edin. Gerekliyorsa, depoyu takviye edin.

ÇALIŞMA AÇIKLAMALARI KREPLEME İÇİN

Yürürlükteki ulusal standartlara uygun bağlantı elemanları ve bunun için öngörülüş pres kalıpları kullanın.

Bağlantı elemanlarına ilişkin işleme ve montaj talimatlarını üretici dokümanlarında bulabilirsiniz.

Bağlantı elemanı nominal genişliğinin pres kalıbı nominal genişliğiyle uyuşup uyuşmadığını kontrol edin.

Krep işlemi başlamadan önce, pıl kapasitesi kontrol edilmelidir: asgari %33 (bakınız resimli açıklama). İş başlamadan önce şarj gerektirebilir.

Kontrol anahtarının çalıştırılması, pres pim vidasının hareketiyle karakterize edilen presleme işlemini başlatır.

Doğru presleme yapıp yapılmadığına ilişkin ölçme ve değerlendirme kullanıcının sorumluluğundadır.

Hatalı bağlantılar yeni bağlantı elemanlarıyla bir kez daha preslenmelidir.

Arıza durumunda yapılacaklar

- Çeneler tamamen açılana kadar sıfırlama anahtarını basılı tutun
- Pıl kapasitesini kontrol edin
- Kablo ve bağlantı ögesini teknik verilere göre kontrol edin.
- Gerilimli bir kablonun preslendiğinden kuşku duyulması halinde, krep aletinin yetkili bir uzman atölyede kontrol edilmesi gerekir

ÇALIŞMA AÇIKLAMALARI KESME İÇİN

Çalışma alanının hazırlanması

Çalışmaya başlamadan önce boru ve halatlar gerilimsiz durumda olmalı ve çalışma süresince bu durum güvenceye alınmalıdır.

Kablo veya yalıtımlı devrenin bağlantısının kesildiği kuşkuya yer bırakmayacak şekilde belirlenemezse, hiçbir iş yapılamaz.

Yerel güvenlik yönetmeliklerine ve düzenlemelere riayet edilmelidir.

Borular ve halatlar mekanik kuvvete maruz bırakılmamalı ve gerekirse kesildikten sonra kontrolsüz hareketlere karşı güvenceye alınmalıdır.

Aletleri yağmur altında bırakmayın. Aletleri nemli veya ıslak yerlerde kullanmayın.

Kablo kesici ve pili hazırlanması

Her kullanımdan önce:

- Kablo kesiciyi dış hasar yönünden kontrol edin
- Kablo kesiciyi çatlak ve diğer aşınma belirtileri yönünden kontrol edin

Sadece mükemmel durumdaysa kullanın!

Kesme işlemi başlamadan önce, pıl kapasitesi kontrol edilmelidir: asgari %33 (bakınız resimli açıklama). İş başlamadan önce şarj gerektirebilir.

Kesme sürecine hazırlanma

Kontrolsüz hareket riskini en aza indirmek için kesilecek boru veya halatı destekleyin ve sabitleyin.

Özellikle havaı boru ve halatlar kontrolsüz hareket edebilir ve yaralanma ve/veya hasara neden olabilir.

Kesme kafası, açık pafta lokmasına gerilimsiz yerleştirilmeleri ve uygunsun biçme kuvvetine neden olmamaları için boru veya halatlara 90° açılı olmalıdır.



Tür

⚠ UYARI: Patlama, elektrik çarpması ve mal ve ekipmana hasar riskini düşürmek için asla gerilimli kabloları kesmeyin.

Cihaz yalıtımlı DEĞİLDİR. Gerilimli bir devreyi kesmek ciddi yaralanmaya ya da ölüme yol açabilir. Kesim yapmadan önce gücü kesin. Asla gaz veya su hatlarını kesmeyin. Ellerinizi bütün kesici uçlardan ve hareketli aksamdan uzak tutun. Kesik ya da ampütasyon oluşabilir. Aksesuar değiştirir ya da çıkarırken her zaman pil takımını çıkarın. Sadece bu alet için özellikle tavsiye edilen aksesuarları kullanın. Farklı aksesuarlar tehlikeli olabilir. Yaralanma riskini azaltmak için emniyet gözlüğü veya yan korumalı gözlük kullanın.

⚠ UYARI: Yaralanma riskini azaltmak için, sadece bıçaklar için tavsiye edilen malzemeleri kesin. (bkz. „Teknik Özellikler“) Başka malzeme kesmeye çalışmayın.

Kesme

Kesmeden önce, bıçakların doğru takıldığından emin olun.

1. Boruyu, boru kesicisinin kesici kenarlarına dik açıyla yönlendirin. İşlenecek parçaya ve bıçaklara hasar vereceğinden, açılı kesimler yapmaya çalışmayın.
2. Tetiği çekin ve operasyon sırasında çekili tutun. Tetik çekildiğinde bir LED ışık yanacaktır.
3. Kesme işlemi tamamlandığında veya alet kapatıldığında, tetiği serbest bırakın ve pafta lokmalarının açılması için sıfırlama anahtarına basın.

NOT: İşlenecek parça kesme işlemi sırasında hafifçe hareket edebilir.

Arıza durumunda yapılacaklar

- Kablo kesik ve gerilimli olabilir; bu durumda daima güvenlik görevlisini bilgilendirin, kesme işlemini iptal edin ve uygun güvenlik önlemlerini uygulayın
- Alete yaklaşıp dokunmadan önce aletin güç kaynağıyla bağlantısı mutlaka kesilmiş olmalı ve kesilmiş kalmalıdır
- Sıfırlama (resetleme) düğmesine basın ve kesici tamamiyla açılana kadar basılı tutun
- Pil kapasitesini kontrol edin
- Malzeme ve malzeme kalınlığını teknik verilerle karşılaştırarak kontrol edin
- Gerilimli bir kablodan kesildiğinden kuşku duyulması halinde, kablo kesicinin yetkili bir uzman atölyede kontrol edilmesi gerekir

Bıçakların Sıkışması

Pislik ve döküntüler kesim işleminden sonra bıçakların sıkışmasına neden olabilir

- Aletin sıfırlandığından emin olmak için serbest bırakma tetiğine basıp basılı tutun.
- Pil paketini çıkarın.
- Pafta lokmalarını açmak için resimli açıklamaya riayet edin
- Yeni bir kesme işleminde başlamadan önce, bıçaklardaki kir ve döküntüleri temizleyin.

Kesme Tavsiyeleri

- İşlenecek parçaya ve bıçaklara hasar vereceğinden, açılı kesimler yapmaya çalışmayın.
- Bıçak ömrünü uzatmak için temiz malzeme kesin. Kesmeye başlamadan önce malzeme ve bıçakların üzerindeki kir ve döküntüleri silin.

ZİMBALAMAK İÇİN ÇALIŞMA TALİMATLARI

Matrisin nominal çapının zımbanın nominal çapına eşit olup olmadığını kontrol edin.

BAKIM

Cihaz üzerinde herhangi bir ayar, temizlik ve bakım çalışmasını başlamadan önce pil paketini çıkarın.

Cihazı, çıkarılabilir pili ya da şarj cihazını asla açmayın.

Cihazı, gürlü veya hareketli aksamda cihazı etkileyebilecek sıkışmalar gibi sorunlar yönünden kontrol edin.

Cihazın havalandırma aralıklarını daima temiz tutun.

Yaralanma ve hasarları önlemek için cihazı, çıkarılabilir pili veya şarj cihazını asla bir sıvıya batırmayın, içlerine sıvı girmesine izin vermeyin.

Diğer bakım ve tamir işleri sadece yetkili tamirhaneler tarafından yapılabilir.

Cihaz, yeraltı suları için bir tehlike oluşturan hidrolik yağ içermektedir. Kontrolsüz olarak boşaltılması veya usulüne uygun olmayacak şekilde imha edilmesi cezalandırılır.

Bir sonraki bakım tarihi cihazın üzerindeki LED ile belirtilir.

Aleti, şarj cihazını ve pil paketini onarım için bir MILWAUKEE servis tesisine gönderin. Kullanıma bağlı olarak, altı ay ya da bir yıl sonra aleti, şarj cihazını ve pil paketini denetim için bir MILWAUKEE servis tesisine gönderin. Sadece Milwaukee aksesuarı ve yedek parçası kullanın. Nasıl değiştirileceği açıklanmamış olan yapı parçalarını bir Milwaukee müşteri servisinde değiştirin (Garanti ve servis adresi broşürüne dikkat edin).

Pil paketi tam olarak şarj edilmişken alet başlamaz veya tam güçle çalışmazsa, pil paketindeki temas noktalarını temizleyin. Alet hala düzgün çalışmazsa, aleti, şarj cihazını ve pil paketini onarım için bir MILWAUKEE servis tesisine gönderin.

Servis aralığı

Sıvı değişimi gibi gerekli değiştirme işlemleriyle ilgili bilgi için, ONE-KEY Uygulamasına bakın. Her türlü onarım ve bakım için aleti bir MILWAUKEE servis tesisine gönderin.

NOT: Aletin üretim yılı ve haftası gerekli olabilir. Bu bilgileri aletin isim levhasındaki seri numarasında bulabilirsiniz.

Gerektiği takdirde aletin dağınık görüntü şeması, alet tipinin ve tip etiketi üzerindeki sayının bildirilmesi koşuluyla müşteri servisinden veya doğrudan Techtron Industries GmbH, Max-Eyth-Straße 10, 71364 Winnenden, Germany adresinden istenebilir.

Güvenli nakliye için hidrolik pompanın orijinal ambalajıyla birlikte yağa dirençli, kapalı bir plastik torbayla sevki tavsiye ediyoruz.

ONE-KEY™

Bu cihazın ONE-KEY işlevi hakkında daha fazla bilgi edinmek için ekteki Hızlı Başlangıç Kılavuzuna okuyun ya da <http://www.milwaukeekeetool.com/one-key> adresini ziyaret edin.

ONE-KEY uygulamasını App Store ya da Google Play aracılığıyla akıllı telefonunuza indirebilirsiniz.

Kontrol sonucu EN 301489-1 / EN 301489-17 standardına göre asgari taleplerimizi yerine getirmektedir. İşletim kılavuzunu kullanma kılavuzuyla birlikte müşteriye sunacağız.

AKÜ

Uzun süre kullanım dışı kalmış kartuş aküleri kullanmadan önce şarj edin. 50°C üzerinde ki sıcaklıklar kartuş akünün performansını düşürür. Akünün güneş ışığı veya mekân sıcaklığı altında uzun süre ısınmamasına dikkat edin.

Şarj cihazı ve kartuş aküdeki bağlantı kontaklarını temiz tutun.

Akünün ömrünün mükemmel bir şekilde uzun olması için kullandıktan sonra tamamen doldurulması gerekir.

Ömrünün mümkün olduğu kadar uzun olması için akülerin yüklemeye yapıldıktan sonra doldurma cihazından uzaklaştırılması gerekir.

Akünün 30 günden daha fazla depolanması halinde: Aküyü takriben 27°C'de kuru olarak depolayın. Aküyü yüklemeye durumunun takriben % 30 - %50 olarak depolayın. Aküyü her 6 ay yeniden doldurun.

Kullanılmış kartuş aküleri ateşe veya ev çöplerine atmayın. Milwaukee, kartuş akülerin çevreye zarar vermeyecek biçimde tasfiye edilmesine olanak sağlayan hizmet sunar; lütfen bu konuda yetkili satıcınızdan bilgi alın.

Kartuş aküleri metal parça veya eşyalarla birlikte saklamayın (kısa devre tehlikesi).

Aşırı zorlanma veya aşırı ısınma sonucu hasar gören kartuş akülerden batarya sıvısı dışarı akabilir. Batarya sıvısı ile temasa gelen yeri hemen bol su ve sabunla yıkayın. Batarya sıvısı gözüne kaçacak olursa en azından 10 dakika yıkayın ve zaman geçirmeden bir hekime başvurun.

Şarj cihazının kartuş akü yuvasına hiçbir şekilde metal parçalar kaçmamalıdır (kısa devre tehlikesi).

LITYUM İYON PİLLERİN TAŞINMASI

Lityum iyon piller tehlikeli madde taşımacılığı hakkındaki yasal hükümler tabidir.

Bu piller, bölgesel, ulusal ve uluslararası yönetmeliklere ve hükümlere uyularak taşınmak zorundadır.

Tüketiciler bu pilleri herhangi bir özel şart aranmaksızın karayoluyla taşıyabilirler.

Lityum iyon pillerin nakliye şirketleri tarafından ticari taşımacılığı için tehlikeli madde taşımacılığının hükümleri geçerlidir.

Sevk hazırlığı ve taşıma sadece ilgili eğitimi görmüş personel tarafından gerçekleştirilebilir. Bütün süreç uzmanca bir refakatçilik altında gerçekleştirilmek zorundadır.

Pillerin taşınması sırasında aşağıdaki hususlara dikkat edilmesi gerekmektedir:

Kısa devre oluşmasını önlemek için kontakların korunmuş ve izole edilmiş olmasını sağlayınız. Pil paketinin ambalajı içinde kaymamasına dikkat ediniz. Hasarlı veya akmış pillerin taşınması yasaktır. Ayrıca bilgiler için nakliye şirketinize başvurunuz.

CE UYGUNLUK BEYANI

"Teknik veriler" başlığı altında tanımlanan ürünün, sayılı direktiflerdeki tüm hükümleri

2011/65/EU (RoHS)

2000/14/EC

2006/42/EC

2014/53/EU

uyumlaştırılmış standartları

EN 62841-1:2015

EN 62479:2010

EN 55014-1:2017

EN 55014-2:2015

EN 301 489-1 V2.1.1 (2017-02)

EN 301 489-17 V3.1.1 (2017-02)

EN 300 328 V2.1.1 (2016-11)

EN IEC 63000:2018

Ölçülen gürültü emisyonu seviyesi 87,2 dB(A)

Garanti edilen gürültü emisyonu seviyesi 89,0 dB(A)

Tolerans K= 1,5 dB(A)

2000/14/EC Ek V uyarınca uygunluk değerlendirme prosedürü

Onaylanmış kuruluş:

DEKRA Certification B.V. (0344)

Meander 1051/P.O.Box 5185

6825 MS ARNHEIM/6802 ED ARNHEIM

Netherlands

CE Winnenden,

Alexander Krug

Alexander Krug / Managing Director

Teknik evrakları hazırlamakla görevlendirilmiştir.

Techtronic Industries GmbH

Max-Eyth-Straße 10, 71364 Winnenden, Germany



Tür

SEMBOLLER



Lütfen aleti çalıştırmadan önce kullanma kılavuzunu dikkatli biçimde okuyun.



Koruyucu gözlük takınız.



Bu cihaz, düğme tipi/yassı lityum pil içerir.



DİKKAT! UYARI! TEHLİKE!



Aletin kendinde bir çalışma yapmadan önce kartuş aküyü çıkarın.



Elektrik çarpması tehlikesi



UYARI!
İş parçalarının savrulması



UYARI! El yaralanması



Bu levhada gösterilen garanti edilmiş ses güç seviyesi 89 dB



Elektrikli cihazların, pillerin/akülerin evsel atıklarla birlikte bertaraf edilmesi yasaktır. Elektrikli cihazlar ve aküler ayrılarak biriktirilmeli ve çevreye zarar vermeden bertaraf edilmeleri için bir atık değerlendirme tesisine götürülmelidirler. Yerel makamlara veya satıcınıza geri dönüşüm tesisleri ve atık toplama merkezlerinin yerlerini danışınız.

V Voltaj

--- Doğru akım



Avrupa uyumluluk işareti



Ukrayna uyumluluk işareti



Avrasya uyumluluk işareti

TECHNICKÁ DATA Hydraulické čerpadlo	M18 HUP700
Výrobní číslo	4745 35 01... ... 000001-999999
Frekvenční pásmo (frekvenční pásma) Bluetooth	2402-2480 MHz
Vysokofrekvenční	1,8 dBm
Verze Bluetooth	4.0 BT signal mode
Napětí výměnného akumulátoru	18 V
Jmenovitý tlak síly	700 bar
Třída ochrany	IP54
Maximální úhel hrotu	34°
Jmenovitý průtok	
Nízký tlak	2,0 l/min
Vysoký tlak	0,4 l/min
Celkový objem oleje	1,6 l
Spotřeba oleje	1,3 l
Hmotnost podle prováděcího předpisu EPTA 01/2014 (Li-Ion 8,0 Ah...12,0 Ah)	16,0..., 16,5 kg
Doporučená teplota okolí pro provoz	-18°C ... +50°C
Doporučené akupaky	M18B9 M18HB8..., M18HB12
Doporučené nabíječky	M12-18..., M1418 C6
Informace o hluku	
Naměřené hodnoty odpovídají EN 62841. V třídě A posuzovaná hladina hluku přístroje činí typicky:	
Hladina akustického tlaku (Kolisavost K=3dB(A))	77,7 dB (A)
Hladina akustického výkonu (Kolisavost K=3dB(A))	88,7 dB (A)

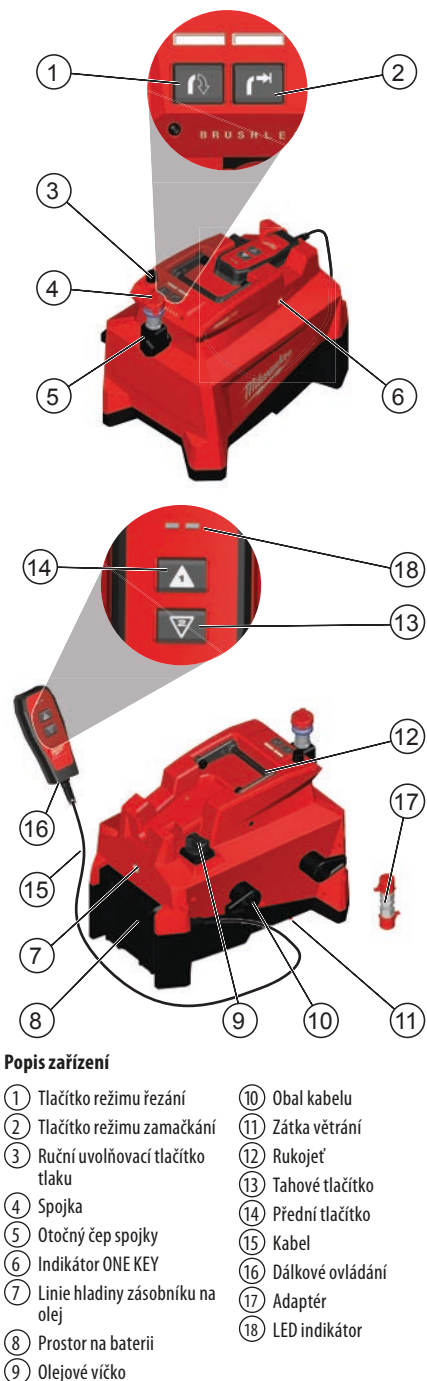
VAROVÁNÍ

Hodnota emise hluku uvedená v tomto katalogovém listu byla změřena podle testovací metody normované v EN 62841 a může se použít pro vzájemné porovnání přístrojů. Hodí se také pro předběžný odhad zatížení.

Uvedená hodnota emise hluku reprezentuje hlavní aplikace přístroje. Když se však přístroj použije pro jiné aplikace nebo se použije s odlišným příslušenstvím nebo se na něm vykonává nedostatečná údržba, hodnota emise hluku se může odlišovat. To může zřetelně zvýšit zatížení během celé pracovní doby.

Pro přesnější odhad zatížení hlukem by se měly zohlednit také časy, během kterých je nástroj vypnutý nebo během kterých sice běží, ale skutečně se nepoužívá. To může zřetelně snížit zatížení během celé pracovní doby.

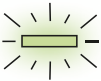
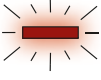
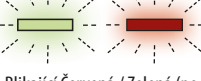
Stanovte dodatečná bezpečnostní opatření na ochranu obsluhy před působením hluku, jako například: údržba přístroje a příslušenství a organizace pracovních postupů.



Popis zařízení

- | | |
|-----------------------------------|---------------------|
| 1 Tlačítko režimu řezání | 10 Obal kabelu |
| 2 Tlačítko režimu zamačkání | 11 Zátka větrání |
| 3 Ruční uvolňovací tlačítko tlaku | 12 Rukojeť |
| 4 Spojka | 13 Tahové tlačítko |
| 5 Otočný čep spojky | 14 Přední tlačítko |
| 6 Indikátor ONE KEY | 15 Kabel |
| 7 Linie hladiny zásobníku na olej | 16 Dálkové ovládání |
| 8 Prostor na baterii | 17 Adaptér |
| 9 Olejové víčko | 18 LED indikátor |



LED indikátor	Definice
 Nepřerušované Zelená	Nástroj dokončil operaci a dosáhl plného krimpovacího tlaku.
 Nepřerušované Červená	Nástroj dokončil operaci, ale NEDOSÁHL plného krimpovacího tlaku.
 Blikající Červená / Zelená (po Nepřerušované Zelená nebo Nepřerušované Červená)	Nástroj dosáhl servisního intervalu (20000 krimpování). Červeně/Zeleně blikání se spustí po zobrazení nepřerušované Červeného nebo Zeleného indikátoru operace. MILWAUKEE doporučuje provést kontrolu nástroje a dokončit preventivní údržbu.



POZNÁMKA: Pokud indikátor svítí červeně, zkontrolujte hladinu oleje a ujistěte se, že v přídavných zařízeních nedochází k únikům. Ujistěte se, že všechna připojení jsou zabezpečena a že přídavná zařízení jsou vhodná pro danou úlohu. Znovu spusťte provoz. Pokud problém přetrvává, vraťte nástroj do servisního zařízení MILWAUKEE.

VAROVÁNÍ Přečtěte si všechny bezpečnostní pokyny, instrukce, popisy a údaje, které obdržíte s přístrojem. Pokud následující pokyny nedodržíte, může to vést k úderu elektrickým proudem, požáru nebo těžkým poraněním.

Všechna varovná upozornění a pokyny do budoucna uschovejte.

SPECIÁLNÍ BEZPEČNOSTNÍ UPOZORNĚNÍ

Hydraulická čerpadla vyráběná společností Techtronic Industries GmbH jsou vyvíjena pro použití se zamačkávacími, řezacími a lisovacími hlavami. Podle tohoto specifického použití nejsou vybaveny bezpečnostním systémem pro zpětný chod oleje.

Z tohoto důvodu může být použití v jiných aplikacích, než které jsou zamýšleny (například s hydraulickými zvedáky, zvedacími systémy apod.) nebezpečné a může vést k těžkým zraněním obsluhy.

Společnost Techtronic Industries GmbH nepřijímá žádnou odpovědnost vyplývající z použití hydraulických čerpadel pro aplikace odlišné od zamačkávací, řezání a lisování.

Pokud čerpadlo není připojeno k ohebné hadici a hlavě, nezvyšujte tlak, protože by to mohlo poškodit rychlospojku čerpadla a mohlo by dojít k úniku oleje.

Vysokotlaké ohebné hadice podléhají procesu přirozeného stárnutí, které může vést ke snížení výkonu, což může mít vliv na bezpečnost obsluhy. V důsledku toho je jejich životnost omezená. Aby bylo zajištěno bezpečné používání jejich jednotek, společnost Techtronic Industries GmbH doporučuje, aby byly hydraulické hadice pravidelně vyměňovány podle pokynů výrobce, i když nejsou viditelná poškození.

Čerpadlo a ohebnou hadici udržujte mimo dosah otevřeného ohně a zdrojů tepla nad 70 °C.

Před použitím čerpadla a ujistěte se, že nedochází k otěrům, řezům, deformacím nebo vyboulením.

Na obou koncích ohebné hadice musí být na místě namontované ochranné kryty. Nedotýkejte se ohebné hadice, když je pod tlakem. Při používání čerpadla musí být ohebná hadice rozvinuta a položena rovně. Před odpojením ohebné hadice zkontrolujte, zda je čelo hlavy zcela zasunuté, zajistěte dostatečné množství oleje pro následné operace.

Čerpadlo je nevhodné pro nepřetržitě používání a mělo by se nechat ochladit po nepřetržitých následných zamačkávacích operacích; například po vybití plně nabitých baterií v jedné relaci, zdržení při výměně baterie o několik minut.

Chraňte čerpadlo, baterii a nabíječku před deštěm a vlhkostí. Voda poškodí čerpadlo. Elektrohydraulické nářadí by nemělo být provozováno za silného deště.

Obsluha tohoto zařízení musí být poučena o konkrétních nebezpečích spojených s použitím tohoto zařízení a o základních bezpečnostních opatřeních před začátkem první práce s ním a pak přinejmenším jednou za rok.

Provozní podnik musí:

- poskytnout obsluze návod k použití a
- zajistit, aby si ho obsluha přečetla a pochopila.

Použijte ochranné vybavení. Při práci s elektrickým nářadím používejte vždy ochranné brýle. Doporučíme rovněž použití součástí ochranného oděvu a ochranné obuvi, jako protiprašné masky, ochranných rukavic, pevné a nekouzající obuvi, ochranné přilby a ochrany sluchu.

Zkontrolujte opotřebení nebo poškození čerpadla, hadic, spojek a armatur. Opatřované, poškozené nebo chybějící součásti vyměňte za náhradní díly výrobce.

Opatřované nebo poškozené součásti mohou selhat a způsobit zranění. Nedodržení tohoto varování může mít za následek vážné zranění nebo smrt.

Před použitím zkontrolujte, zda je čerpadlo v požadovaném provozním režimu.

Ke kontrole těsnosti nepoužívejte ruce. Olej pod vysokým tlakem snadno naruší kůži a způsobí vážné zranění, gangrénu nebo smrt. Při poranění okamžitě vyhledejte lékařskou pomoc, abyste odstranili olej.

Zajistěte, aby čerpadlo bylo pod maximálním úhlem náklonu. Zkontrolujte hladinu oleje a v případě potřeby ji upravte. Nízký stav oleje může způsobit zranění nebo poškození majetku. Chcete-li dosáhnout nejlepšího výkonu, k naplnění nádrže vždy použijte hydraulický olej MILWAUKEE Force Logic™ (4932 4720 04).

Před servisem, připojením nebo odpojením hadice nebo jiných hydraulických spojovacích prvků zbatve hydraulický systém tlaku: Vždy nejdříve stiskněte ruční uvolňovací tlačítko.

Při obsluze nebo údržbě tohoto nástroje noste ochranu očí. Nedodržení ochrany očí může mít za následek vážné poškození očí létajícími zbytky nebo hydraulickým olejem.

Používejte pouze hadice a příslušenství, které jsou jednoúčelové a mají jmenovitý tlak 10 000 psi (700 bar) nebo vyšší.

Pro dosažení nejlepšího výkonu používejte hadice, které jsou předplněny olejem. Pokud hadice nejsou předplněné, před uvedením do provozu systém odvzdušněte.

Nikdy nepoužívejte čerpadlo bez hadice nebo nástavného zařízení.

Chcete-li dosáhnout nejlepšího výkonu, k naplnění nádrže vždy použijte hydraulický olej MILWAUKEE Force Logic™ (4932 4720 04).

• **Pro optimální funkčnost použijte baterii M18™ REDLITHIUM™ 8,0 Ah nebo vyšší.**

• **Postupujte podle návodu k obsluze výrobců příslušenství.**

Jiné použití může způsobit poškození nářadí, příslušenství a obrobku.

• **V případě potřeby systém odvdzdušněte.**

Nikdy nemějte Vaše prsty nebo jiné části těla v pracovním prostoru válce nebo kleští.

Před spuštěním jakýchkoliv úprav, čištění a údržby na zařízení vyberte akumulátorový článek.

Zařízení, akumulátorové články a nabíječky používejte pouze tehdy, když jsou v perfektním technickém stavu.

Poškození nechte okamžitě opravit v autorizované speciální dílně.

Zabraňte náhodnému spuštění zařízení, aby nedošlo ke zranění nebo poškození.

Před provozem odstraňte všechny nastavovací nástroje a klíče na matici.

Nesmí se opravovávat díly pod elektrickým napětím. Zařízení NENÍ izolováno.

Ruce a volné oblečení mějte v dostatečné vzdálenosti od řezacích nástrojů a jiných pohyblivých dílů.

V případě poruchy během lisování okamžitě pusťte zapínací spínač a stiskněte tlačítko odblokování hydrauliky. Ventil se otevře a píst přejde zpět do výchozí polohy.

VAROVÁNÍ! Abyste snížili riziko požáru, zranění osob a poškození výrobku v důsledku zkratu, nikdy neponožte Vaše zařízení, akumulátorový článek nebo nabíječku do kapaliny a zabraňte jí, aby do nich vnikla. Korozivní nebo vodivé kapaliny, jako je mořská voda, některé průmyslové chemikálie a bělidla nebo produkty obsahující bělidlo, atd., mohou způsobit zkrat.

Je nutné provádět údržbu a dodržovat intervaly údržby.

Náhradní akumulátory ani nabíječku neotvírejte, skladujte je v suchu, chráňte před vlhkem.

Akumulátor systému M18 nabíjejte pouze nabíječkou systému M18. Nenabíjejte akumulátory jiných systémů.

Aby nedošlo ke zranění nebo poškození, neponožte nikdy nástroj, vyjimatelnou baterii nebo nabíječku do kapaliny a nedovolte, aby do nich nějaká kapalina vnikla.

VAROVÁNÍ



Toto zařízení obsahuje knoflíkovou/mincovou lithiovou baterii. Nová nebo použitá baterie může způsobit vážné vnitřní popáleniny a vést k usmrcení do 2 hodin, pokud je spolknuta nebo vstoupila do těla. Vždy zajistěte kryt prostoru pro baterie. Pokud se bezpečně neuzavře, zařízení zastavte, vyjměte baterii a držte ji mimo dosah dětí. Pokud si myslíte, že někdo spolkl baterii nebo jinak vstoupila do těla, okamžitě vyhledejte lékařskou pomoc.

BEZPEČNOSTNÍ POKYNY PRO LISOVACÍ NÁSTROJE

Krimpovací nástroje a krimpovací zařízení smí používat pouze personál vyškolený v elektrotechnických aplikacích.

Živé spojovací materiály nikdy nekrimpujte.

Před použitím zkontrolujte lisovací nástroj, čelisti a vložky na trhliny a jiná opotřebení.

Lisovací nástroj a lisovací vložky používejte pouze v technicky bezvadném stavu.

Lisovací nástroj se smí používat pouze s nasazenými lisovacími vložkami.

Během lisování se nedotýkejte lisovacích kleští ani šroubu lisovacího kolíku.

V případě poruchy během lisování okamžitě pusťte zapínací spínač a stiskněte tlačítko odblokování hydrauliky. Ventil se otevře a píst přejde zpět do výchozí polohy.



BEZPEČNOSTNÍ POKYNY PRO ŘEZAČKU KABELŮ

Řezání nebo dělení kabelů a lan pomocí této řezačky kabelů smí provádět pouze elektrotechnicky vyškolená osoba.

Aby se snížilo nebezpečí výbuchu, zasažení elektrickým proudem a poškození majetku a vybavení, neřežte nikdy elektrické kabely pod napětím. Zařízení NENÍ izolováno.

Ruce a volné oblečení mějte v dostatečné vzdálenosti od řezacích nástrojů a jiných pohyblivých dílů. Hrozí nebezpečí těžkého zranění, včetně amputace končetin.

Před začátkem řezacího procesu je nutné uzavřít přístup podle místních předpisů.

Kabely řežte pouze tehdy, když jsou odpojené od elektrického napájení!

Kabely a lana nesmí být vystaveny mechanickým silám.

Aby se snížilo nebezpečí zranění, používejte bezpečnostní brýle nebo brýle s bočními štítky.

Nedodržení tohoto pokynu může vést k těžkému zranění, usmrcení, požáru a ke hmotným škodám v důsledku zasažení elektrickým proudem, výbuchu a/nebo elektrického oblouku.

Nikdy nedržte řezačku kabelů za řezací čelisti.

Před použitím vždy zkontrolujte praskliny a další známky opotřebení řezacích čelistí.

Řezačka kabelů se smí používat jen s vloženým řezacím nástrojem.



BEZPEČNOSTNÍ POKYNY PRO LISOVADLA

Před použitím zkontrolujte řezací nástroje a přístroje na trhliny a jiná opotřebení. Řezací nástroje a přístroje používejte pouze v technicky bezvadném stavu.

Přístroj se smí používat pouze s nasazeným řezacím nástrojem. Nepoužívejte v rozvaděčích, které jsou pod napětím nebo v blízkosti takových rozvaděčů. Pracujte pouze na rozvaděčích odpojených od napětí.

Zkontrolujte, zda jmenovitá šířka lisovnice souhlasí s jmenovitou šířkou lisovacího razidla.

Nástroj používejte pouze s lisovacími razidly a lisovnicemi určenými pro max. jmenovitou sílu. Jiné mohou způsobit poranění nebo poškození.

Řezací nástroje udržujte ostré a čisté. Správně udržované řezací nástroje s ostrými jmenovitými hranami se méně často zaseknou a snadněji se kontrolují.

OBLAST VYUŽITÍ

Příslušenství a hlavy nástroje:

Účel použití: pouze pro jednoúčelové příslušenství a hlavy nástroje, jmenovitý tlak 700 bar; max. objem oleje 1,35 l

Lisovací nástroj:

Lisovací nástroj se smí používat výhradně k lisování spojovacích materiálů, pro které jsou určeny příslušné lisovací vložky.

Všechny živé části, tj. části, které vedou elektrickou energii, musí být před zahájením práce odpojeny v pracovním prostředí.

Řezačka kabelů:

Řezačka kabelů je vhodná na řezání:

- beznapětových zesílených kabelů z izolované mědi nebo hliníku, řezných nástrojů v závislosti na typu kabelu



Vyrážecí nástroj:

Vyrážecí nástroj lze použít pouze k ražení do materiálů s dodanými razidly a maticemi.

VAROVÁNÍ Přečtěte si všechny bezpečnostní pokyny, instrukce, popisy a údaje, které obdržíte s přístrojem. Pokud následující pokyny nedodržíte, může to vést k úderu elektrickým proudem, požáru nebo těžkým poraněním.

Všechna varovná upozornění a pokyny do budoucna uschovejte.

OBEČNÉ POKYNY

Plnění hydraulického systému:

Nářadí by mělo být naplněno vždy, jakmile dojde k vyschnutí oleje.

Pro naplnění systému:

1. Vyjměte sadu baterií.
2. Zkontrolujte hladinu pro kontrolu oleje a ujistěte se, že nástroj má dostatek oleje.
3. Připojte spojku k hlavici příslušenství, která odsaje vzduch a přebytečný olej.

POZNÁMKA: Spojka musí směřovat přímo nahoru a nástroj musí být umístěn níže než hlava příslušenství.

4. Vložte akumulátor.
5. Stiskněte tlačítko pro režim lisování.
6. Spusťte nástroj.

POZNÁMKA: Může trvat až 30 sekund, než začne unikat vzduch a olej.

7. Jakmile začne olej vytékat, stiskněte a podržte ruční uvolňovací tlačítko po dobu dvou sekund, poté uvolněte obě tlačítka.
8. Opakujte kroky 5–7 třikrát až čtyřikrát.

POZNÁMKA: Během plnění systému se ujistěte, že hladina oleje neklesne pod průzor oleje. V případě potřeby doplňte nádrž.

Odvzdušnění příslušenství:

Příslušenství by mělo být odvzdušňováno vždy při provádění servisních činností, pokud nebylo dlouho používáno nebo je připojeno k hadici, která není předem naplněna olejem.

Další pokyny k odvzdušnění najdete také v doporučeních výrobce příslušenství.

Pro odvzdušnění příslušenství:

1. Vyjměte sadu baterií.
2. Připojte hadici příslušenství ke spojce.

POZNÁMKA: Spojka musí směřovat do strany a nástroj musí být umístěn výše než hadice a hlava příslušenství.

3. Vložte akumulátor.
4. Stiskněte tlačítko pro režim lisování.
5. Uvedte nástroj do chodu a vyčkejte, dokud se cyklus nedokončí a LED indikátor nezsvítí zeleně.
6. Stiskněte a podržte ruční uvolňovací tlačítko na dvě sekundy a poté uvolněte obě tlačítka.
7. Opakujte kroky 4–6 třikrát až čtyřikrát.

POZNÁMKA: Během odvzdušňování příslušenství se ujistěte, že hladina oleje neklesne pod průzor oleje. V případě potřeby doplňte nádrž.

PRACOVNÍ POKYNY NA KRIMPOVÁNÍ

Používejte pouze normované spojovací díly podle platných národních standardů a k tomu určené lisovací vložky.

Dodržujte pokyny ke zpracování a montáži spojovacích dílů podle podkladů výrobce.

Zkontrolujte, zda jmenovitá šířka spojovacích dílů souhlasí s jmenovitou šířkou lisovací vložky.

Před začátkem procesu krimpování je nutné zkontrolovat kapacitu baterie: minimálně 33% (viz ilustrovaný popis). Před zahájením prací může být zapotřebí nabít.

Zapnutím ovládacího spínače se spustí proces lisování, pro který je příznačný pohyb šroubu lisovacího kolíku.

Kontrola a posouzení správného slisování je záležitostí uživatele.

Chybné spoje se musí ještě jednou slisovat pomocí nového spojovacího dílu.

Postup v případě závady

- Držte resetovací spínač stisknutý, až se kleště úplně otevrou
- zkontrolujte kapacitu baterie
- Zkontrolujte kabel a spojovací díl podle technických údajů.
- Při podezření na zlisování živého kabelu musíte nechat zkontrolovat krimpovací nástroj v autorizovaném specializovaném servisu

PRACOVNÍ POKYNY NA ŘEZÁNÍ

Příprava pracovního prostoru

Před započetím práce musí být zajištěn beznapěťový stav vodičů nebo lan a musí být zaručen po celou dobu trvání prací.

Pokud nelze nade vší pochybnost zaručit, že je kabel nebo izolované vedení odpojené, nesmí se provádět žádné práce.

Je bezpodmínečně nutné dodržovat místní bezpečnostní předpisy a nařízení.

Kabely a lana nesmějí být vystaveny mechanickým silám a popřípadě musí být zabezpečeny proti nekontrolovaným pohybům po provedení řezu.

Přístroj nevystavujte dešti a nepoužívejte v mokřem či vlhkém prostředí.

Příprava řezačky kabelů a baterie

Před každým použitím:

- Zkontrolujte, jestli řezačka kabelů nemá žádné vnější závady
- Zkontrolujte praskliny a další známky opotřebení řezacího nástroje

Používejte jen v perfektním stavu!

Před začátkem řezacího procesu je nutné zkontrolovat kapacitu baterie: minimálně 33% (viz ilustrovaný popis). Před zahájením prací může být zapotřebí nabít.

Příprava na řezací proces

Podepřete a upevněte kabel nebo lano, které chcete řezat, aby se minimalizovalo riziko nekontrolovaného pohybu.

Zejména nadzemní vedení a lana se mohou pohybovat nekontrolovaně a způsobit zranění a / nebo poškození.

Řezná hlava musí být umístěna v úhlu 90° ke kabelu nebo lano tak, aby se bez napětí usadil/o v otevřených závitových čelistech a zabránilo se tak nepříznivým stříhovým silám.

VAROVÁNÍ: Aby se snížilo nebezpečí výbuchu, zasažení elektrickým proudem a poškození majetku a vybavení, neřežte nikdy elektrické kabely pod napětím.

Zařízení NENÍ izolováno. Dotyk s obvodem pod napětím může vést k těžkému zranění nebo usmrcení. Než provedete řezání, odpojte elektrické napájení. Nikdy neřežte plynové nebo vodní trubky. Nesahejte rukama do blízkosti žádných řezacích břitů a pohyblivých částí. Může dojít k potrhání a amputaci.

Před výměnou nebo odstraněním příslušenství vždy vyjměte sadu baterií. Používejte jen příslušenství výslovně doporučené pro tento nástroj. Jiné může být nebezpečné.

Aby se snížilo nebezpečí zranění, používejte bezpečnostní brýle nebo brýle s bočními štítky.

VAROVÁNÍ: Aby se snížilo nebezpečí zranění, řežte jen materiály doporučené pro nože. (viz „Specifikace“) Nepokoušejte se řezat jiné materiály.

Řezání

Než začnete řezat, ujistěte se, že jsou nože správně namontované.

1. Kabel veďte v pravém úhlu k řezání řezačky kabelů. Nepokoušejte se provádět úhlové řezy, protože by se tím poškodily zpracovávány díl a nože.
2. Během práce táhněte za spoušť a držte ji. Když zatáhnete za spoušť, rozsvítí se LED kontrolka.
3. Když je řez proveden nebo se nástroj vypne, uvolněte znovu spouštěč a stiskněte resetovací tlačítko, aby se otevřely závitové čelisti.

POZNÁMKA: Zpracovávány díl se může během řezu lehce pohybovat.

Postup v případě závady

- Kabel může být nařiznutý a být pod napětím, vždy informujte bezpečnostního technika, přerušete proces řezání, učiňte vhodná bezpečnostní opatření
- Než se přiblížíte k zařízení a dotknete se ho, vždy se přesvědčte, že je zařízení odpojené od elektrického napájení a také tak zůstanete
- stiskněte a přidržte tlačítko resetu, dokud se řezačka úplně neotevíře
- zkontrolujte kapacitu baterie
- zkontrolujte materiál a tloušťku materiálu podle technických údajů
- Při podezření na říznutí do kabelu pod napětím musíte nechat zkontrolovat řezačku kabelů v autorizovaném specializovaném servisu

Zaseknuté nože

- Špina a nečistoty mohou způsobit zaseknutí nožů po řezání
- Stiskněte a přidržte uvolňovací spoušť, aby proběhl reset nástroje.
- Vyjměte sadu baterií.
- Postupujte podle popisu obrázku pro otevření závitových čelistí
- Než začnete další řez, očistíte z nožů veškerou špinu a nečistoty.

Tipy pro řezání

- Nepokoušejte se provádět úhlové řezy, protože by se tím poškodily zpracovávány díl a nože.
- Řežte čistý materiál, aby se prodloužila životnost nožů. Než začnete řezat, otřete špinu a nečistoty z materiálu a nožů.

PRACOVNÍ POKYNY K PROVÁDĚNÍ RAŽENÍ

Zkontrolujte, zda se jmenovitý průměr matice rovná jmenovité velikosti razidla.

ÚDRŽBA

Před spuštěním jakýchkoliv úprav, čištění a údržby na zařízení vyberte akumulátorový článek.

Nikdy neotevírejte zařízení, vyjímatelnou baterii ani nabíječku.

Zkontrolujte zařízení s ohledem na jakékoli problémy, např. hluk nebo zaseknutí pohyblivých částí, které by mohly mít negativní vliv na zařízení.

Větrací otvory zařízení musí být vždy udržovány v čistotě.

Aby nedošlo ke zranění nebo poškození, neponořujte nikdy zařízení, vyjímatelnou baterii nebo nabíječku do kapaliny a nedovoďte, aby do nich nějaká kapalina vnikla.

Další servisní a opravárenské práce mohou provádět pouze autorizované odborné provozovny.

Přístroj obsahuje hydraulický olej, který představuje nebezpečí pro podzemní vodu. Jeho nekontrolované vypouštění nebo neodborná likvidace jsou trestné.

Další servisní termín je indikován LED světlem na zařízení.

Vraťte nářadí, baterii a nabíječku do servisního střediska MILWAUKEE k opravě. Po šesti měsících až jednom roce, v závislosti na použití, vraťte nářadí, baterii a nabíječku do servisního střediska MILWAUKEE ke kontrole. Používat výhradně příslušenství Milwaukee a náhradní díly Milwaukee. Díly jejichž výměny nebyla popsána, nechte vyměnit v autorizovaném servisu (viz „Záruky / Seznam servisních míst“)

Pokud se nástroj nespustí nebo nefunguje na plný výkon při plně nabitém akumulátoru, vyčistěte kontakty na akumulátoru. Pokud nástroj stále nefunguje správně, vraťte nástroj, nabíječku a akumulátor do servisního střediska MILWAUKEE na opravu.

Servisní interval

Informace o nezbytné údržbě, jako je například výměna kapaliny, najdete v aplikaci ONE-KEY. Pro všechny opravy a údržbu vraťte nástroj do servisního střediska MILWAUKEE.

POZNÁMKA: Může být zapotřebí informace o týdnu a roce výroby nástroje. Tyto informace naleznete na sériovém čísle umístěném na typovém štítku nástroje.

Při potřebě podrobného rozkresu konstrukce, oslovte informaci o typu a čísle přímo servis a nebo výrobce, Technich Industries GmbH, Max-Eyth-Strasse 10, 71364 Winnenden, Germany.

Pro bezpečnou přepravu doporučujeme zabalit hydraulické čerpadlo do utěsněného plastového sáčku odolného vůči oleji a použít originální obal.

ONE-KEY™

Pokud se chcete dozvědět více o funkcionalitě ONE-KEY tohoto zařízení, podívejte se prosím do Průvodce rychlým startem, který je součástí tohoto výrobku nebo jděte na <http://www.milwaukeetool.com/one-key>

Aplikaci ONE-KEY si můžete stáhnout na Váš smartphone z App Store nebo Google Play.

Výsledek zkoušky splňuje naše minimální požadavky v souladu s normami EN 301489-1 / EN 301489-1. A zákazníkovi dáme provozní pokyny v uživatelské příručce.

AKUMULÁTORY

Déle nepoužívané akumulátory je nutné před použitím znovu nabít. Teplota přes 50°C snižuje výkon akumulátoru. Chraňte před dlouhým přehříváním na slunci či u topení.

Kontakty nabíječky a akumulátoru udržujte v čistotě.

Pro optimální životnost je nutné akumulátory po použití plně dobít.



K zabezpečení dlouhé životnosti by se akumulátory měly po nabíjení vyjmout z nabíječky.

Při skladování akumulátoru po dobu delší než 30 dní: Skladujte akumulátor v suchu při cca 27°C. Skladujte akumulátor při cca 30%-50% nabíjecí kapacitě. Opakujte nabíjení akumulátoru každých 6 měsíců.

Použité nevyhazujte do domovního odpadu nebo do ohně. Milwaukee nabízí ekologickou likvidaci starých článků, ptejte se u vašeho obchodníka s náradím.

Náhradní akumulátor neskladujte s kovovými předměty, nebezpečí zkratu.

Při extrémní zátěži či vysoké teplotě může z akumulátoru vytékat kapalina. Při zasažení touto kapalinou okamžitě zasažená místa omyjte vodou a mýdlem. Při zasažení očí okamžitě důkladně po dobu alespoň 10min. omývat a neodkladně vyhledat lékaře.

V nabíjecím postu nabíječky neskladujte kovové předměty, nebezpečí zkratu.

PŘEPRAVA LITHIUM-IONTOVÝCH BATERIÍ

Lithium-iontové baterie spadají podle zákonných ustanovení pod přepravu nebezpečného nákladu.

Přeprava těchto baterií se musí realizovat s dodržováním lokálních, vnitrostátních a mezinárodních předpisů a ustanovení.

Spotřebitelé mohou tyto baterie bez problémů přepravovat po komunikacích.

Komerční přeprava lithium-iontových baterií prostřednictvím přepravních firem podléhá ustanovením o přepravě nebezpečného nákladu. Přípravu k vyexpedování a samotnou přepravu směji vykonávat jen příslušně vyškolené osoby. Na celý proces se musí odborně dohlížet.

Při přepravě baterií je třeba dodržovat následující:

Zajistěte, aby kontakty byly chráněné a izolované, aby se zamezilo zkratům. Dávejte pozor na to, aby se svazek baterií v rámci balení nemohl sesmeknout. Poškozené a vyteklé baterie se nesmějí přepravovat. Ohledně dalších informací se obraťte na vaši přepravní firmu.

CE-PROHLÁŠENÍ O SHODĚ

Prohlašujeme na naši výhradní odpovědnost, že produkt popsán v části „Technické údaje“ splňuje všechna příslušná ustanovení směrnice

2011/65/EU (RoHS)

2000/14/ES

2006/42/ES

2014/53/EU

a byly použity následující harmonizované normy

EN 62841-1:2015

EN 62479:2010

EN 55014-1:2017

EN 55014-2:2015

EN 301 489-1 V2.1.1 (2017-02)

EN 301 489-17 V3.1.1 (2017-02)

EN 300 328 V2.1.1 (2016-11)

EN IEC 63000:2018

Naměřená hladina akustického výkonu 87,2 dB(A)

Zaručená hladina akustického výkonu 89,0 dB(A)

Kolisavost K= 1,5 dB(A)

Postup posuzování shody podle směrnice 2000/14/ES k Příloze V

Uvedené místo:

DEKRA Certification B.V. (0344)

Meander 1051/P.O.Box 5185

6825 MS ARNHEIM/6802 ED ARNHEIM

Netherlands

CE Winnenden,



Alexander Krug / Managing Director
Zplnomocněn k sestavování technických podkladů.

Techtronic Industries GmbH

Max-Eyth-Straße 10, 71364 Winnenden, Germany

SYMBOLY



Před spuštěním stroje si pečlivě přečtěte návod k používání.



Noste ochranné brýle.



Toto zařízení obsahuje knoflíkovou/mincovou lithiovou baterii.



POZOR! VAROVÁN! NEBEZPEČÍ!



Před zahájením veškerých prací na vrtacím šroubováku vyjmout výměnný akumulátor.



Nebezpečí úrazu elektrickým proudem



VAROVÁNÍ!
Nebezpečí poranění odletujícími úlomky.



VAROVÁNÍ! Poranění ruky



Zaručená hladina akustického výkonu uvedená na tomto štítku je 89 dB



Elektrická zařízení, baterie/akumulátory se nesmí likvidovat společně s odpadem z domácností. Elektrická zařízení, baterie/akumulátory je třeba sbírat odděleně a odevzdat je v recyklačním podniku na ekologickou likvidaci. Na místních úřadech nebo u vašeho specializovaného prodejce se informujte na recyklační podniky a sběrné dvory.

V napětí



Stejnosměrný proud



Značka shody v Evropě



Značka shody na Ukrajině



Značka shody pro oblast Eurasie



TECHNICKÉ ÚDAJE Hydraulické čerpadlo	M18 HUP700
Výrobné číslo	4745 35 01... ... 000001-999999
Frekvenčné pásmo (frekvenčné pásma) Bluetooth	2402-2480 MHz
Vysokofrekvenčný	1,8 dBm
Verzia Bluetooth	4.0 BT signal mode
Napätie výmenného akumulátora	18 V
Nominálny tlak sily	700 bar
Trieda ochrany	IP54
Maximálny uhol hrotu	34°
Nominálna prietoková rýchlosť	
Nízky tlak	2,0 l/min
Vysoký tlak	0,4 l/min
Celkový objem oleja	1,6 l
Spotrebný objem oleja	1,3 l
Hmotnosť podľa vykonávacieho predpisu EPTA 01/2014 (Li-Ion 8,0 Ah...12,0 Ah)	16,0..., 16,5 kg
Odporúčaná teplota okolia pre prevádzku	-18°C ... +50°C
Odporúčane akupaky	M18B9 M18HB8..., M18HB12
Odporúčane nabíjačky	M12-18..., M1418 C6
Informácia o hluku	
Namerané hodnoty určené v súlade s EN 62841. V triede A sudzovaná hladina hluku prístroja čini typicky:	
Hladina akustického tlaku (Kolisavosť K=3dB(A))	77,7 dB (A)
Hladina akustického výkonu (Kolisavosť K=3dB(A))	88,7 dB (A)



Slov

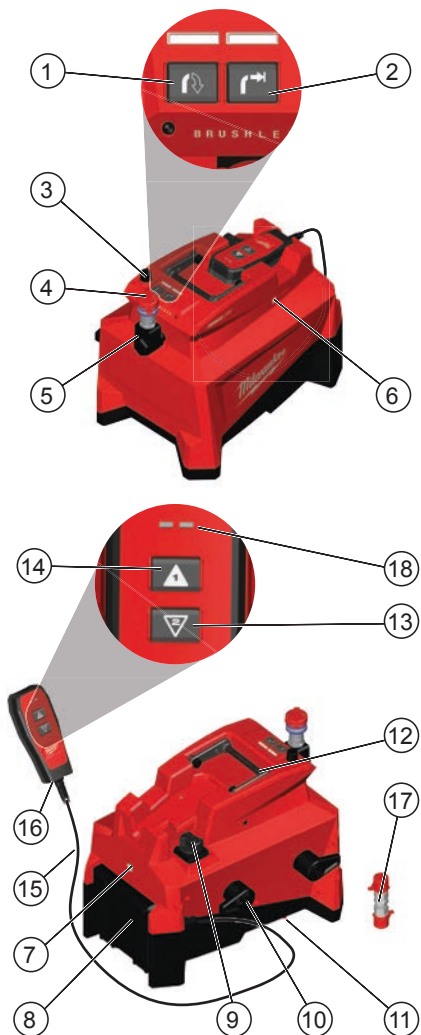
POZOR

Hodnota emisie hluku uvedená v tomto katalógovom liste bola odmeraná podľa testovacej metódy normovanej v EN 62841 a môže sa použiť na vzájomné porovnanie prístrojov. Hodí sa tiež na predbežný odhad zaťaženia.

Uvedená hodnota emisie hluku reprezentuje hlavné aplikácie prístroja. Keď sa avšak použije prístroj na iné aplikácie alebo sa použije s odlišným príslušenstvom alebo sa na ňom vykonáva nedostatočná údržba, hodnota emisie hluku sa môže odlišovať. To môže zreteľne zvýšiť zaťaženie počas celej pracovnej doby.

Pre presnejší odhad zaťaženia hlukom by sa mali zohľadniť aj časy, v ktorých je nástroj vypnutý alebo v ktorých síce beží, ale nie je skutočne v nasadení. To môže zreteľne znížiť zaťaženie počas celej pracovnej doby.

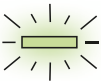
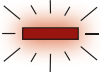
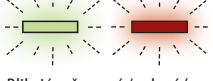
Stanovte dodatočné bezpečnostné opatrenia na ochranu obsluhy pred pôsobením hluku, ako napríklad: údržba prístroja a príslušenstva a organizácia pracovných postupov.



Opis zariadenia

- | | |
|---------------------------------------|------------------------|
| ① Tlačidlo režimu rezania | ⑩ Vinutie kábla |
| ② Tlačidlo režimu krimpovania | ⑪ Odvzdušňovacia zátka |
| ③ Manuálne uvoľňovacie tlačidlo tlaku | ⑫ Rukoväť |
| ④ Spojka | ⑬ Tlačidlo stiahnutia |
| ⑤ Otočný čap spojky | ⑭ Tlačidlo postupu |
| ⑥ Indikátor ONE KEY | ⑮ Kábel |
| ⑦ Svetlá čiara nádrže na olej | ⑯ Diaľkové ovládanie |
| ⑧ Stojan batérie | ⑰ Adaptér |
| ⑨ Uzáver oleja | ⑱ LED indikátor |

Slovensky

LED indikátor	Definícia
 Neprerušované zelené	Nástroj dokončil operáciu a dosiahol plný krimpovací tlak.
 Neprerušované červené	Nástroj dokončil operáciu, ale NEDOSIAHOL plný krimpovací tlak.
 Blikajúce červené / zelené (po Neprerušované zelené alebo Neprerušované červené)	Nástroj dosiahol svoj servisný interval (20000 krimpovania). Červené/Zelené blikanie začne po tom, čo sa zobrazí neprerušovaný Červený alebo Zelený indikátor operácie. MILWAUKEE odporúča, aby bol nástroj kontrolovaný a bola dokončená preventívna údržba.

POZNÁMKA: Ak indikátor svieti na červeno, skontrolujte hladiny oleja a uistite sa, že v príslušenstve nedochádza k žiadnym únikom. Potvrďte, že všetky pripojenia sú bezpečné a príslušenstvo je vhodné pre danú úlohu. Znova vykonávajte činnosť. Ak problém pretrváva, vráťte nástroj do servisného strediska MILWAUKEE.

⚠️ POZOR Prečítajte si všetky bezpečnostné upozornenia, pokyny, vyobrazenia a údaje, ktoré dostanete spolu s prístrojom. Ak by ste nedodržali nasledujúce pokyny, mohlo by to mať za následok zásah elektrickým prúdom, vznik požiaru a/alebo vážne poranenie.

Tieto Výstražné upozornenia a bezpečnostné pokyny starostlivo uschovajte na budúce použitie.

⚠️ ŠPECIÁLNE BEZPEČNOSTNÉ POKYNY

Hydraulické čerpadlá vyrobené spoločnosťou Techtronic Industries GmbH sú vyvinuté na použitie s krimpovacími, rezacími a lisovacími hlavami. Podľa tohto špecifického použitia nie sú vybavené nevrátnym bezpečnostným systémom oleja.

Z tohto dôvodu môže byť použitie v aplikáciách iných, ako sú určené (napríklad s hydraulickými zdvíhákmi, zdvíhacími systémami alebo podobne), nebezpečné a môže viesť k ťažkým zraneniam pracovníka obsluhy.

Techtronic Industries GmbH nepreberá žiadnu zodpovednosť vyplývajúcu z používania hydraulických čerpadel pre aplikácie iné ako krimpovanie, rezanie a lisovanie.

Ak čerpadlo nie je pripojené k ohybnej hadici a hlave, nezvyšujte tlak, pretože by to mohlo poškodiť rýchlospojku čerpadla a spôsobiť presakovanie oleja.

Vysokotlakové ohybné hadice podliehajú procesu prirodzeného starnutia, čo môže viesť k zníženiu výkonu s možným vplyvom na bezpečnosť pracovníka obsluhy. V dôsledku toho je ich životnosť obmedzená. Aby sa zaistilo bezpečné používanie jednotiek, spoločnosť Techtronic Industries GmbH odporúča pravidelnú výmenu hydraulických hadíc podľa pokynov výrobcu, aj keď nie sú viditeľné žiadne poškodenia.

Čerpadlo a ohybnú hadicu udržiavajte mimo dosahu otvoreného ohňa a zdrojov tepla nad 70 °C.

Pred použitím čerpadla vždy skontrolujte celistvosť ohybnej hadice a rýchlospojok a uistite sa, že sa nevyskytujú odery, zárezy, deformácie ani vypukliny.

Na oboch koncoch ohybnej hadice musia byť umiestnené ochranné kryty namontované vo výrobe. Nedotýkajte sa ohybnej hadice, keď je pod tlakom.

Pri používaní čerpadla musí byť ohybná hadica rozvinutá a položená rovno. Pred odpojením ohybnej hadice skontrolujte, či je piest hlavy úplne stiahnutý, zabezpečte dostatočné množstvo oleja pre ďalšie operácie.

Čerpadlo je nevhodné na nepretržité používanie a malo by sa nechať ochladiť po nepretržitých, za sebou idúcich krimpovacích operáciách; napríklad po vybití úplne nabitej batérie v jednej relácii oneskorte výmenu batérie o niekoľko minút.

Chráňte čerpadlo, batériu a nabíjačku pred dažďom a vlhkosťou. Voda poškodí čerpadlo. Elektrohydraulické nástroje by sa nemali používať v silnom daždi.

Operátor tohto prístroja musí byť poučený o konkrétnych nebezpečenstvách spojených s používaním tohto prístroja a o základných bezpečnostných opatreniach pred prvotným začatím práce s ním a potom minimálne raz za rok.

Prevádzkujúca spoločnosť musí:

- dať prevádzkový manuál k dispozícii operátorovi a
- uistiť sa, že operátor si ho prečítal a pochopil.

Použitie ochranného vybavenie. Pri práci s elektrickým náradím používajte vždy ochranné okuliare. Doporučujeme taktiež použitie súčasti ochranného odevu a ochranné obuvi, ako sú protiprašná maska, ochranné rukavice, pevná a nekĺžajúca obuv, ochranná prilba a ochrana sluchu.

- **Skontrolujte opotrebovanie alebo poškodenie čerpadla, hadíc, spojok a príslušenstva. Opotrebované, poškodené alebo chýbajúce komponenty vymeňte za náhradné diely výrobcu.** Opotrebované alebo poškodené komponenty môžu zlyhať a spôsobiť zranenie. Nedodržanie tohto upozornenia by mohlo viesť k vážnemu zraneniu alebo smrti.

- **Pred použitím skontrolujte, či je čerpadlo v požadovanom režime prevádzky.**

- **Na kontrolu úniku nepoužívajte ruky.** Vysokotlakový olej ľahko prerazí pokožku a spôsobí vážne zranenie, gangrénu alebo smrť. Ak dôjde k poraneniu, okamžite vyhľadajte lekársku pomoc pre odstránenie oleja.

- Uistite sa, že čerpadlo je pod maximálnym uhlom naklonenia.

- Skontrolujte hladinu oleja a v prípade potreby ju upravte. Nízka hladina oleja môže spôsobiť zranenie alebo poškodenie majetku. Na dosiahnutie najlepšieho výkonu na naplnenie nádrže vždy používajte hydraulický olej MILWAUKEE Force Logic™ (4932 4720 04).

- **Pred vykonaním servisu, pripojením alebo odpojením hadice alebo iných hydraulických spojovacích prvkov odtlačte hydraulický systém: Najskôr vždy stlačte ručné uvoľňovacie tlačidlo.**

- **Pri prevádzke alebo servise tohto nástroja noste ochranu očí.** Ak nebudete nosiť ochranu očí, môže to viesť k vážnemu zraneniu očí lietajúcimi úložkami alebo hydraulickým olejom.

- **Používajte iba hadice a príslušenstvo, ktoré je jednočinné a má hodnotu 10 000 psi (700 barov) alebo vyššiu.**

- **Na dosiahnutie najlepšieho výkonu používajte hadice predplnené olejom.** Ak hadice nie sú predplnené, systém pred prevádzkou odvzdušnite.

- **Nikdy neprevádzkujte čerpadlo bez hadice alebo príslušenstva.**



Slov

- **Na dosiahnutie najlepšieho výkonu na naplnenie nádrže vždy používajte hydraulický olej MILWAUKEE Force Logic™ (4932 4720 04).**
- **Pre optimálnu funkčnosť používajte batériu M18™ REDLITHIUM™ 8,0 Ah alebo vyššiu.**
- **Postupujte podľa prevádzkového návodu výrobcov príslušenstva.** Iné použitie môže spôsobiť poškodenie nástroja, príslušenstva a obrobku.
- **V prípade potreby odvdzúňte systém.**

Nikdy nemajte Vaše prsty alebo iné časti tela v pracovnom priestore valca alebo klieští.

Pred spustením akýchkoľvek úprav, čistenia a údržby na prístroji vyberte akumulátorový článok.

Prístroje, akumulátorové články a nabíjačky používajte len vtedy, ak sú v perfektnom technickom stave.

Poškodenia nechajte okamžite opraviť v autorizovanej špecializovanej dielni.

Zabráňte náhodnému spusteniu prístroja, aby nedošlo k zraneniu alebo poškodeniu.

Pred prevádzkou odstráňte akékoľvek nastavovacie nástroje a maticové kľúče.

Nesmiete spracovávať žiadne dielce, ktoré stoja pod elektrickým napätím. Prístroj NIE je izolovaný.

Ruky i voľnejší odev držte zďaleka od strižných nástrojov a iných pohyblivých častí.

Pri poruchách počas procesu lisovania okamžite pusťte tlačidlo ZAP a stlačte odistovací gombík hydrauliky. Ventil sa otvorí a piest prejde späť do východiskovej polohy.

POZOR! Aby ste znížili riziko požiaru, zranenia osôb a poškodenia výrobku v dôsledku skratu, nikdy neponárajte Váš prístroj, akumulátorový článok alebo nabíjačku do kvapaliny a zabráňte jej, aby do nich vnikla. Korozívne alebo vodivé kvapaliny, ako je morská voda, niektoré priemyselné chemikálie a bieliadlá alebo produkty obsahujúce bieliadlo, atď., môžu spôsobiť skrat.

Nutne dodržiavajte údržbu a intervaly údržby.

Výmenné akumulátory a nabíjacie zariadenia neotvárajte a skladovať len v suchých priestoroch. Chrániť pred vlhkosťou.

Výmenné akumulátory systému M18 nabíjajte len nabíjacími zariadeniami systému M18. Akumulátory iných systémov týmto zariadením nenabíjajte.

Aby nedošlo k poraneniu a poškodeniam, nikdy neponárajte nástroj, vymeniteľnú batériu ani nabíjačku do kvapaliny a zabráňte vniknutiu kvapaliny do nich.

POZOR



Toto zariadenie obsahuje gombíkovú/mincovú lítiovú batériu. Nová alebo použitá batéria môže spôsobiť vážne vnútorné popáleniny a viesť k usmrteniu do 2 hodín v prípade, že je prehnutá alebo vstúpi do tela. Vždy zaistíte kryt batérového priestoru. Ak sa bezpečne neuzavrie, zariadenie zastavte, vyberte batériu a držte ju mimo dosahu detí. Ak si myslíte, že niekto prehltol batériu alebo že inak vstúpila do tela, okamžite vyhľadajte lekársku pomoc.

⚠ BEZPEČNOSTNÉ UPOZORNENIA PRE LISOVACIE NÁSTROJE

Krimpovacie nástroje a krimpovacie zariadenia smú používať výhradne vyškolení pracovníci v elektrotechnických aplikáciách.

Živé spojovacie materiály nikdy nekrimpujte.

Pred každým použitím lisovací nástroj, lisovacie čeluste a vložky skontrolujte ohľadom výskytu trhlin a ostatných príznakov opotrebenia.

Lisovací nástroj a lisovacie vložky používajte iba vtedy, ak sú v technicky bezchybnom stave.

Lisovací nástroj sa smie používať iba s nasadenými lisovacími vložkami.

Počas lisovania sa nedotýkajte lisovacích klieští ani skrutky lisovacieho kolíku.

Pri poruchách počas procesu lisovania okamžite pusťte tlačidlo ZAP a stlačte odistovací gombík hydrauliky. Ventil sa otvorí a piest prejde späť do východiskovej polohy.



BEZPEČNOSTNÉ UPOZORNENIA PRE STRIHAČE KÁBLOV

Rezanje oziroma ločevanie kablov in pletenic s tem rezalnikom kablov sme izvajali samo oseba z elektrotehničnim znanjem.

Za účelom zníženia rizika výbuchu, úrazu elektrickým prúdom a poškodenia majetku a vybavenia nikdy nerezte živé elektrické káble. Prístroj NIE je izolovaný.

Ruky i voľnejší odev držte zďaleka od strižných nástrojov a iných pohyblivých častí. Existuje riziko vážneho poranenia, vrátane amputácie končatín.

Predtým, než začne proces rezania, musí byť prístup zablokovaný v súlade s miestnymi predpismi.

Vždy reže iba káble, ktoré boli odpojené od prívodu elektrickej energie!

Kabli in pletenice ne smejo biti izpostavljeni mehanskim silam. Na zníženie rizika zranenia používajte ochranné okuliare alebo okuliare s bočnými ochrannými štítmí.

Nedodržanie tohto pokynu môže viesť k vážnemu poraneniu, úmrtiu, požiaru a iným škodám na majetku v dôsledku zásahu elektrickým prúdom, výbuchu a/alebo elektrických oblúkov.

Nikdy nederzte rezačku káblrov za reznú čelustu.

Pred použitím vždy skontrolujte reznú čelustu ohľadom prasklín a iných známkov opotrebenia.

Rezačka káblrov sa smie používať iba s vloženým rezným nástrojom.



BEZPEČNOSTNÉ UPOZORNENIA PRE DIEROVAČE

Pred každým použitím strižné nástroje skontrolujte ohľadom výskytu trhlin a ostatných príznakov opotrebenia. Strižné nástroje a strižné prístroje používajte iba vtedy, ak sú v technicky bezchybnom stave.

Prístroj sa smie používať iba s nasadeným strižným nástrojom. Nepoužívajte v rozvodných skrinách stojacích pod napätím ani v ich blízkosti. Pracujte len na rozvodných skrinách prepnutých do stavu bez napätia.

Skontrolujte, či sa menovitá svetlosť matrice zhoduje s menovitou svetlosťou razidla.

Nástroj používajte iba s razidlami a maticami, ktoré sú prípustné pre max. menovitú silu. Iné totiž môžu spôsobiť zranenia alebo poškodenia.

Strižné nástroje udržiavajte ostré a čisté. Správne ošetrované strižné nástroje s ostrými strižnými hranami sa menej zakliesňujú a dajú sa i ľahšie ovládať.

POUŽITIE PODĽA PREDPISOV

Príslušenstvo a nástrojové hlavy:

Zamýšľané použitie: iba pre jednočinné príslušenstvo a nástrojové hlavy, nominálny tlak 700 barov; max. objem oleja 1,35l



Slov

Lisovací nástroj:

Lisovací nástroj sa smie používať výhradne na zlisovanie toho spojovacieho materiálu, pre ktorý sú určené dané lisovacie vložky. Všetky živé časti, t.j. časti, ktoré vedú elektrickú energiu, musia byť odpojené v pracovnom prostredí technikov pred začatím práce.

Strihač káblov:

Rezačka káblov je vhodná na rezanie:

- beznapätových nezosilnených káblov z izolovanej medi alebo hliníka, rezných nástrojov v závislosti od typu kábla

Vyberací nástroj:

Vyberací nástroj sa môže použiť iba na dierovanie v materiáloch s priloženými razidlami a maticami.



POZOR Prečítajte si všetky bezpečnostné upozornenia, pokyny, vyobrazenia a údaje, ktoré dostanete spolu s prístrojom. Ak by ste nedodržali nasledujúce pokyny, mohlo by to mať za následok zásah elektrickým prúdom, vznik požiaru a/alebo vážne poranenie.

Tieto Výstražné upozornenia a bezpečnostné pokyny starostlivo uschovajte na budúce použitie.

VŠEOBECNÉ POKYNY

Plnenie hydraulického systému:

Nástroj by mal byť plnený vždy, keď dôjde k vyschnutiu oleja.

Na plnenie systému:

1. Vyberte akumulátorový článok.
2. Skontrolujte kontrolnú čiaru oleja a ubezpečte sa, že nástroj má dostatok oleja.
3. Pripojte spojku k hlave príslušenstva, ktorá odsaje vzduch a prebytočný olej.

POZNÁMKA: Spojka musí byť nasmerovaná priamo nahor a nástroj musí byť umiestnený nižšie ako hlava príslušenstva.

4. Vložte akumulátor.
5. Stlačte tlačidlo režimu krimpovania.
6. Spustite nástroj.

POZNÁMKA: Môže trvať až 30 sekúnd, kým začne vychádzať vzduch a olej.

7. Akonáhle olej začne vychádzať, stlačte a podržte ručné uvoľňovacie tlačidlo na dve sekundy a potom uvoľnite obe tlačidlá.
8. Opakujte kroky 5-7 trikrát až štyrikrát.

POZNÁMKA: Počas plnenia systému zabezpečte, aby hladina oleja neklesla pod kontrolnú čiaru oleja. V prípade potreby doplňte nádrž.

Odvzdušnenie príslušenstva:

Príslušenstvo by malo byť odzdušnené vždy, keď bolo príslušenstvo servisované, nepoužívalo sa dlhú dobu alebo je pripojené k hadici, ktorá nie je predplnená olejom.

Ďalšie pokyny týkajúce sa odzdušňovania nájdete aj v odporúčaní výrobcu príslušenstva.

Na odzdušnenie príslušenstva:

1. Vyberte akumulátorový článok.
2. Pripojte hadicu príslušenstva k spojke.

POZNÁMKA: Spojka musí byť nasmerovaná do strany a nástroj musí byť umiestnený vyššie ako hadica a hlava príslušenstva.

3. Vložte akumulátor.
4. Stlačte tlačidlo režimu krimpovania.

5. Nástroj používajte, kým sa cyklus neskončí a indikátor LED sa nerozsvieti na zeleno.

6. Stlačte a podržte ručné uvoľňovacie tlačidlo na dve sekundy a potom uvoľnite obe tlačidlá.

7. Opakujte kroky 4-6 trikrát až štyrikrát.

POZNÁMKA: Počas odzdušňovania príslušenstva zabezpečte, aby hladina oleja neklesla pod kontrolnú čiaru oleja. V prípade potreby doplňte nádrž.

NAPOTKI ZA DELO NA KRIMPOVANIE

Používajte výhradne normovaný spojovací materiál podľa štandardov platných vo vašej krajine a na tento účel určené lisovacie vložky.

Pokyny pre spracovávanie a montáž spojovacieho materiálu získate z podkladov príslušných výrobcov.

Skontrolujte, či sa menovitá svetlosť spojovacieho materiálu zhoduje s menovitou svetlosťou lisovacej vložky.

Predtým, než začne proces krimpovania, musí byť skontrolovaná kapacita batérie: minimálne 33% (pozri ilustrovaný opis). Pred začatím prác môže byť nutné nabíjanie.

Aktivácia ovládacieho spínača iniciuje proces lisovania, ktorý sa vyznačuje pohybom skrutky lisovacieho kolíku.

Za kontrolu a posúdenie správneho zlisovania nesie zodpovednosť používateľ.

Nesprávne spoje treba ešte raz zlisovať pomocou nového spojovacieho materiálu.

Postup v prípade poruchy

- Držte resetovací spínač stlačený, kým sa kliešte úplne neotvorí
- skontrolujte kapacitu batérie
- Skontrolujte kábel a položku spojenia podľa technických údajov.
- Ak je podozrenie, že bol zlisovaný živý kábel, krimpovací nástroj musí byť skontrolovaný v autorizovanom odbornom servise

NAPOTKI ZA DELO NA REZANIE

Nastavenie pracovnej oblasti

Pred začetkom dela je treba vzpostaviť breznepetostno stanje napeljav ali pletenic in to stanje zagotoviti, dokler trajajo dela. Ak nemožno bez pochyb zabezpečiť, že kábel alebo izolované vedenie sú odpojené, nesmiete tu vykonávať žiadnu prácu.

Obvezno je treba upoštevati varnostne predpise in pravila.

Kabli in pletenice ne smejo biti izpostavljeni mehanskim silam in morajo biti po potrebi zavarovani pred nenadzorovanimi premiki po rezu.

Prístroj nevytvajujte dažđu a nepoužívajte v mokrom či vlhkem prostredí.

Príprava rezačky káblov a batérie

Pred každým použitím:

- Skontrolujte rezačku káblov ohľadom vonkajších chýb
- Skontrolujte rezný nástroj ohľadom prasklín a iných známk opotrebenia

Používajte len v bezchybnom stave!

Predtým, než začne proces rezania, musí byť skontrolovaná kapacita batérie: minimálne 33% (pozri ilustrovaný opis). Pred začatím prác môže byť nutné nabíjanie.

Príprava na rezanie

Podprite in fiksirajte kábel ali pletenico, ki jo želite rezati, da zmanjšate tveganje nenadzorovanega premika.



Zlasti nadzemní vodi in pletenice sa lahko nenadzorovano premikajo in povzročijo telesne poškodbe in/ali poškodbe. Rezična glava mora biti glede na kabel ali pletenico postavljena pod 90-stopinjskim kotom, tako da se ta brez napetosti nalega v odprtih rezilnih čeljustih in da se preprečijo neugodne strižne sile.

⚠ POZOR: Za účelom zníženia rizika výbuchu, úrazu elektrickým prúdom a poškodenia majetku a vybavenia nikdy nerezte živé elektrické káble.

Pri stroj NIE je izolovaný. Kontakt so živým okruhom by mohol mať za následok vážne zranenie alebo úmrtie. Pred rezom vypnite prívod elektrického prúdu. Nikdy nerezte plynové vedenia ani vodovody. Ruky držte v bezpečnej vzdialenosti od všetkých rezných hrán a pohyblivých častí. Mohlo by dôjsť k trzným ranám alebo k amputácii končatin. Pred výmenou alebo odobratím príslušenstva vždy vyberte akumulátorový článok. Používajte iba príslušenstvo špecificky odporúčané pre tento nástroj. Iné môže byť nebezpečné.

Na zníženie rizika zranenia používajte ochranné okuliare alebo okuliare s bočnými ochrannými štítmí.

⚠ POZOR: Pre zníženie rizika zranenia reže iba materiály odporúčané pre čepele. (pozri „Špecifikácie“) Nepokúšajte sa rezat iné materiály.

Rezanie

Pre rezaním sa uistite, že čepele sú správne namontované.

1. Speljite kabel pravokotno na rezila rezalnika kablov. Nepokúšajte sa vykonávať rezy pod uhlom, pretože by ste poškodili obrobok a čepele.
2. Ťahajte a držte spúšťač počas celej operácie. LED sa rozsvieti pri potiahnutí spúšťača.
3. Ko je rez izveden ali ko je orodje izklopljeno, spustite sprožilo in aktivirajte ponastavitveno stikalo, da se odprejo rezilne čeljusti.

POZNÁMKA: Obrobok sa môže počas rezu mierne pohybovať.

Postup v prípade poruchy

- Kabel je lahko poškodovan ali pod napetostjo, o tem vedno obvestite odgovorno osebo za varnost, prekinite postopek rezanja, uvedite ustrezne varnostne ukrepe.
- Vždy sa uistite, že zariadenie je a zostane odpojené od napájania pred tým, než sa k nemu priblížite a dotknete sa ho
- stlačte a podržte resetovacie tlačidlo, kým sa rezačka úplne neotvorí
- skontrolujte kapacitu batérie
- skontrolujte materiál a hrúbku materiálu podľa technických údajov
- Ak je podozrenie, že bol narezaný živý kábel, rezačka kablov musí byť skontrolovaná v autorizovanom odbornom servise

Zaseknuté čepele

Špina a nečistoty môžu spôsobiť, že čepele sa dohromady zaseknú po vykonaní rezu

- Stlačte a podržte uvoľňovací spúšťač, aby ste zabezpečili resetovanie nástroja.
- Vyberte akumulátorový článok.
- Za odpiranje rezilnih čeljustí si oglejte opis slike.
- Pred začatím ďalšieho rezu očistite z čepeli špinu a nečistoty.

Tipy k rezaniu

- Nepokúšajte sa vykonávať rezy pod uhlom, pretože by ste poškodili obrobok a čepele.
- Režte čistý materiál, aby ste predĺžili životnosť čepele. Pred začatím rezu utrite špinu a nečistoty z materiálu a čepele.

PRACOVNÉ POKYNY PRE RAZENIE

Skontrolujte, či sa nominálny priemer matrice rovná nominálnej veľkosti razidla.

ÚDRZBA

Pred spustením akýchkoľvek úprav, čistenia a údržby na stroji vyberte akumulátorový článok.

Nikdy neotvárajte prístroj, vymeniteľnú batériu ani nabíjačku.

Skontrolujte prístroj ohľadom akýchkoľvek problémov, ako je hluk alebo zaseknutie pohyblivých častí, ktoré by mohli mať negatívny vplyv na prístroj.

Vetracie otvory prístroja musia byť vždy udržiavané v čistote.

Aby nedošlo k poraneniu a poškodeniam, nikdy neponárajte prístroj, vymeniteľnú batériu ani nabíjačku do kvapaliny a zabráňte vniknutiu kvapaliny do nich.

Ďalšie servisné a opravárenské práce môžu vykonávať iba autorizované odborné prevádzky.

Prístroj obsahuje hydraulický olej, ktorý predstavuje nebezpečenstvo pre podzemnú vodu. Jeho nekontrolované vypúšťanie alebo neodborná likvidácia sú trestné.

Ďalší servisný termín je indikovaný LED svetlom na prístroji.

Vráťte nástroj, akumulátor a nabíjačku do servisného strediska MILWAUKEE na opravu. Po šiestich mesiacoch až jednom roku, v závislosti od používania, vráťte nástroj, akumulátor a nabíjačku do servisu MILWAUKEE na kontrolu. Používať len Milwaukee príslušenstvo a Milwaukee náhradné diely. Súčiastky bez návodu na výmenu treba dat vymeniť v jednom z Milwaukee zákaznických centier (viď brožúru Záruka/Adresy zákaznických centier).

Ak sa nástroj nespustí alebo nefunguje na plný výkon pri plne nabitom akumulátore, vyčistite kontakty na akumulátore. Ak nástroj stále nefunguje správne, vráťte nástroj, nabíjačku a akumulátor do servisného strediska MILWAUKEE na opravu.

Servisný interval

Informácie o potrebnom servise, ako je napríklad výmena kvapaliny, nájdete v aplikácii ONE-KEY. Vráťte nástroj do servisného strediska MILWAUKEE na vykonanie všetkých opráv a údržby.

POZNÁMKA: Môže byť potrebný týždeň a rok výroby nástroja. Tieto informácie nájdete na výrobnom čísle umiestnenom na štítku nástroja.

Pri udaní typu stroja a čísla nachádzajúceho sa na štítku dá sa v prípade potreby vyžiadať explozivná schéma prístroja od vášho zákaznického centra alebo priamo v Techtronic Industries GmbH, Max-Eyth-Straße 10, 71364 Winnenden, Germany.

Pre bezpečnú prepravu odporúčame zabalenie hydraulického čerpadla do uteseného plastového vreca odolného voči oleju a použitie originálneho balenia.



Slov

ONE-KEY™

Ak sa chcete dozvedieť viac o funkcionalite ONE-KEY tohto prístroja, pozrite si prosím Sprivodcu rýchlym štartom, ktorý je súčasťou tohto výrobku alebo choďte na <http://www.milwaukee-tool.com/one-key>

Aplikáciu ONE KEY si môžete na svoj smartphone stiahnuť z app storeu alebo z Google Play.

Výsledok skúšky spĺňa naše minimálne požiadavky v súlade s normami EN 301489-1 / EN 301489-17. In uporabniku bomo v navodilih za uporabo navedli smernice za obratovanje.

AKUMULÁTORY

Dlhší čas nepoužívané výmenné akumulátory pred použitím dobiť. Teplota vyššia ako 50°C znižuje výkon výmenného akumulátora. Zabráňte dlhšiemu ohriatiu slnkom alebo kúrením.

Pripájacie kontakty na nabíjacom zariadení a výmennom akumulátore udržiavať čisté.

Pre optimálnu životnosť je nutné akumulátory po použití plne dobiť.

K zabezpečeniu dlhej životnosti by sa akumulátory mali po nabití vybrať z nabíjačky.

Pri skladovaní akumulátora po dobu dlhšiu než 30 dní: Skladujte akumulátor v suchu pri cca 27°C. Skladujte akumulátor pri cca 30%-50% nabíjacej kapacity. Opakujte nabíjanie akumulátora každých 6 mesiacov.

Opatrované výmenné akumulátory nezahadzujte do ohňa alebo medzi domový odpad. Milwaukee ponúka likvidáciu starých výmenných akumulátorov, ktorá je v súlade s ochranou životného prostredia; informujte sa u vášho predajcu.

Výmenné akumulátory neskladovať spolu s kovovými predmetmi (nebezpečenstvo skratu).

Pri extrémnych záťažach alebo extrémnych teplotách môže dôjsť k vytekaniu batérovej tekutiny z poškodeného výmenného akumulátora. Ak dôjde ku kontaktu pokožky s roztokom, postihnuté miesto umyť vodou a mydlom. Ak sa roztok dostane do očí, okamžite ich dôkladne vypláchnuť po dobu min. 10 min a bezodkladne vyhľadať lekára.

Do zasúvacieho otvoru pre výmenné akumulátory na nabíjacom zariadení, sa nesmú dostať žiadne kovové predmety (nebezpečenstvo skratu).

PREPRAVA LÍTIOVO-IÓNOVÝCH BATÉRIÍ

Lítiovo-iónové batérie podľa zákonných ustanovení spadajú pod prepravu nebezpečného nákladu.

Preprava týchto batérií sa musí realizovať s dodržiavaním lokálnych, vnútroštátnych a medzinárodných predpisov a ustanovení.

Spotrebiteľia môžu tieto batérie bez problémov prepravovať po cestách.

Komerčná preprava lítiovo-iónových batérií prostredníctvom špeciálnych firiem podlieha ustanoveniam o preprave nebezpečného nákladu. Prípravu k vyexpedovaniu a samotnú prepravu smú vykonávať iba adekvátne vyškolené osoby. Na celý proces sa musí odborné dohliadať.

Pri preprave batérií treba dodržiavať nasledovné:

Zabezpečte, aby boli kontakty chránené a izolované, aby sa zamedzilo skratom. Dávajte pozor na to, aby sa zväzok batérií v rámci balenia nemohol zošmyknúť. Poškodené a vytečené batérie sa nesmú prepravovať. Kvôli ďalším informáciám sa obráťte na vašu špeciálnu firmu.

CE - VYHLÁSENIE KONFORMITY

Na našu výhradnú zodpovednosť vyhlasujeme, že produkt popísaný v časti „Technické údaje“ spĺňa všetky príslušné ustanovenia smerníc

2011/65/EÚ (RoHS)

2000/14/ES

2006/42/ES

2014/53/EU

a boli použité nasledovné harmonizované normy

EN 62841-1:2015

EN 62479:2010

EN 55014-1:2017

EN 55014-2:2015

EN 301 489-1 V2.1.1 (2017-02)

EN 301 489-17 V3.1.1 (2017-02)

EN 300 328 V2.1.1 (2016-11)

EN IEC 63000:2018

Nameraná hladina akustického výkonu 87,2 dB(A)

Garantovaná hladina akustického výkonu 89,0 dB(A)

Kolisavosť K= 1,5 dB(A)

Postup posudzovania zhody podľa 2000/14/ES k Prílohe V

Menované miesto:

DEKRA Certification B.V. (0344)

Meander 1051/P.O.Box 5185

6825 MS ARNHEIM/6802 ED ARNHEIM

Netherlands

 Winnenenden,




Alexander Krug / Managing Director
Splnomocnený zostaviť technické podklady.

Technonic Industries GmbH


Max-Eyth-Straße 10, 71364 Winnenden, Germany




SYMBOLY

 Pred prvým použitím prístroja si pozorne prečítajte návod na obsluhu.

 Noste ochranné okuliare.


 Toto zariadenie obsahuje gombíkovú/mincovú lítiovú batériu.

 POZOR! NEBEZPEČENSTVO!


 Pred každou prácou na stroji výmenný akumulátor vyťahnuť.

 Nebezpečenstvo úderu elektrickým prúdom

 POZOR!
Výstraha pred odmrštenými predmetmi

 POZOR! Poranenie ruky

 Zaručená úroveň akustického výkonu uvedená na tomto štítku je 89 dB


 Elektrické zariadenia, batérie/akumulátory sa nesmú likvidovať spolu s odpadom z domácností. Elektrické zariadenia, batérie/akumulátory treba zbierať oddelene a odovzdať ich v recyklačnom podniku na ekologickú likvidáciu. Na miestnych úradoch alebo u vášho špecializovaného predajcu sa spýtajte na recyklačné podniky a zberné dvory.

V Napätie

 Jednosmerný prúd

 Značka zhody v Európe

 Značka zhody na Ukrajine

 Značka zhody pre oblasť Eurázie



DANE TECHNICZNE Pompa hydrauliczna	M18 HUP700
Numer produkcyjny	4745 35 01... ... 000001-999999
Pasma (pasma) częstotliwości Bluetooth	2402-2480 MHz
Moc wysokiej częstotliwości	1,8 dBm
Wersja Bluetooth	4.0 BT signal mode
Napięcie baterii akumulatorowej	18 V
Nominalna siła docisku	700 bar
Klasa ochrony	IP54
Maksymalny kąt nachylenia	34°
Nominalne natężenie przepływu	
Niskie ciśnienie	2,0 l/min
Wysokie ciśnienie	0,4 l/min
Całkowita objętość oleju	1,6 l
Objętość oleju eksploatacyjnego	1,3 l
Ciężar wg procedury EPTA 01/2014 (Li-Ion 8,0 Ah...12,0 Ah)	16,0..., 16,5 kg
Zalecana temperatura otoczenia w trakcie eksploatacji	-18°C ... +50°C
Zalecane zestawy akumulatorowe	M18B9 M18HB8 ..., M18HB12
Zalecane ładowarki	M12-18..., M1418 C6
Informacja dotycząca szumów	
Zmierzone wartości wyznaczono zgodnie z normą EN 62841. Poziom szumów urządzenia oszacowany jako A wynosi typowo:	
Poziom ciśnienia akustycznego (Niepewność K=3dB(A))	77,7 dB (A)
Poziom mocy akustycznej (Niepewność K=3dB(A))	88,7 dB (A)

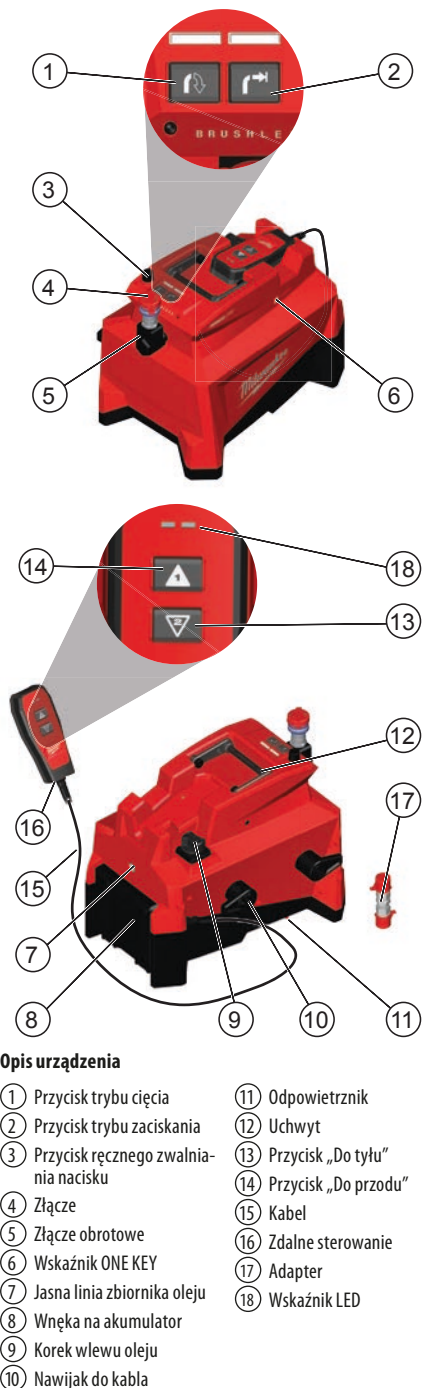
OSTRZEŻENIE

Wartość emisji hałasu podana w niniejszej karcie charakterystyki została zmierzona zgodnie ze znormalizowaną procedurą kontrolną określoną w normie EN 62841 i może być wykorzystywana do porównywania ze sobą poszczególnych narzędzi. Nadaje się również do wstępnej oceny obciążenia.

Podana wartość emisji hałasu jest aktualna w przypadku głównych zastosowań narzędzia. Jednakże jeśli narzędzie jest używane do innych celów lub w połączeniu z innymi akcesoriami, bądź nie jest poddawane należytej konserwacji, wartość emisji hałasu może się różnić. Może to znacznie zwiększyć obciążenie w całym okresie roboczym.

W celu dokładnego oszacowania poziomu hałasu należy również wziąć pod okresy, w których narzędzie jest wyłączone lub pracuje, ale nie jest faktycznie używane. W ten sposób można znacznie zmniejszyć obciążenie w całym okresie roboczym.

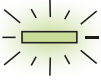
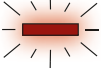

Należy ustanowić dodatkowe środki bezpieczeństwa w celu ochrony operatora przed skutkami hałasu, takie jak: Konserwacja narzędzi i akcesoriów oraz organizacja procesów pracy.



Opis urządzenia

- | | |
|--|-------------------------|
| 1 Przycisk trybu cięcia | 11 Odpowietrznik |
| 2 Przycisk trybu zaciskania | 12 Uchwyt |
| 3 Przycisk ręcznego zwalniania nacisku | 13 Przycisk „Do tyłu” |
| 4 Złącze | 14 Przycisk „Do przodu” |
| 5 Złącze obrotowe | 15 Kabel |
| 6 Wskaźnik ONE KEY | 16 Zdalne sterowanie |
| 7 Jasna linia zbiornika oleju | 17 Adapter |
| 8 Wnęka na akumulator | 18 Wskaźnik LED |
| 9 Korek wlewu oleju | |
| 10 Nawijak do kabla | |



Wskaźnik LED	Definicja
 Światło stałe Zielony	Narzędzie zakończyło działanie i osiągnęło pełną siłę zacisku.
 Światło stałe Czerwony	Narzędzie zakończyło działanie, lecz NIE osiągnęło pełnej siły zacisku.
 Miganie Czerwony / Zielony (po Światło stałe Zielony lub Światło stałe Czerwony)	Zakończył się interwał serwisowania narzędzia (20000 procesy przecinania). Miganie czerwonej/zielonej diody rozpocznie się po zaświeceniu się czerwonego lub zielonego wskaźnika działania. MILWAUKEE zaleca, aby sprawdzić narzędzie i przeprowadzić konserwację zapobiegawczą.

UWAGA: Jeśli wskaźnik świeci na czerwono, sprawdź poziomy oleju i upewnij się, że nie ma wycieków w osprzęcie. Sprawdź, czy wszystkie połączenia są bezpieczne, a osprzęt jest odpowiedni do zadania. Uruchomić ponownie. Jeśli problem będzie się powtarzał, oddać narzędzie do punktu serwisowego MILWAUKEE.

⚠️ OSTRZEŻENIE Przeczytać wszystkie wskazówki bezpieczeństwa, instrukcje, ilustracje i dane dołączone do urządzenia. Jeśli nie będą przestrzegane następujące przepisy, może dojść do porażenia prądem, pożaru i/lub ciężkich obrażeń ciała.

Należy starannie przechowywać wszystkie przepisy i wskazówki bezpieczeństwa dla dalszego zastosowania.

⚠️ INSTRUKCJE DOTYCZĄCE BEZPIECZEŃSTWA

Pompy hydrauliczne produkowane przez Techtronic Industries GmbH zostały opracowane do użytku z głowicami do zaciskania, cięcia i tłoczenia. Zgodnie z tym konkretnym zastosowaniem nie są one wyposażone w bezzwrotny układ bezpieczeństwa oleju.

Z tego powodu użycie w zastosowaniach innych niż przewidziane (na przykład z podnośnikami hydraulicznymi, systemami podnoszenia itp.) może być niebezpieczne i może prowadzić do poważnych obrażeń operatora.

Techtronic Industries GmbH nie ponosi żadnej odpowiedzialności wynikającej z użycia pomp hydraulicznych do zastosowań innych niż zaciskanie, cięcie i tłoczenie.

Nie należy zwiększać ciśnienia, jeśli pompa nie jest podłączona do elastycznego węża i głowicy, ponieważ może to uszkodzić szybkołatające pompy, powodując wyciek oleju.

Elastyczne węże wysokociśnieniowe podlegają procesowi naturalnego starzenia, co może skutkować obniżeniem wydajności, co z kolei może mieć wpływ na bezpieczeństwo operatora. W rezultacie ich żywotność jest ograniczona. Aby zapewnić bezpieczne użytkowanie urządzeń, Techtronic Industries GmbH zaleca, aby przewody hydrauliczne były regularnie wymieniane zgodnie z instrukcją producenta, nawet jeśli nie ma widocznych uszkodzeń.

Pompę i elastyczny wąż trzymać z dala od otwartego ognia i źródeł ciepła powyżej 70°C.

Przed użyciem pompy należy zawsze sprawdzić integralność elastycznego węża i szybkołatające, upewniając się, że nie ma żadnych przetarć, przecięć, deformacji ani napęcznień.

Fabrycznie zamontowane osłony muszą znajdować się na każdym końcu elastycznego węża. Nie dotykać elastycznego węża znajdujących się pod ciśnieniem.

Podczas korzystania z pompy elastyczny wąż musi być rozwinięty i ułożony prosto. Przed odłączeniem elastycznego węża sprawdzić, czy siłownik głowicy jest całkowicie schowany, i upewnić się, że ilość oleju jest wystarczająca do kolejnych operacji.

Pompa nie nadaje się do ciągłego użytkowania i należy ją pozostawić do ostygnięcia po nieprzerwanych, kolejnych operacjach zaciskania; na przykład po wyczerpaniu całkowicie naładowanego akumulatora w trakcie jednej sesji opóźnić jego wymianę o kilka minut.

Chronić pompę, akumulator i ładowarkę przed deszczem i wilgocią. Woda uszkadza pompę. Narzędzia elektrohydrauliczne nie powinny być używane w deszczu.

Przed rozpoczęciem pracy z urządzeniem po raz pierwszy, a potem co najmniej raz w roku operator tego urządzenia musi zostać poinstruowany w zakresie określonych zagrożeń związanych z jego użytkowaniem oraz w zakresie najważniejszych środków bezpieczeństwa.

Eksploatator musi:

- udostępnić instrukcję użytkowania operatorowi i
- upewnić się, że operator przeczytał ją i zrozumiał.
- Stosować wyposażenie ochronne. Przy pracy maszyną zawsze nosić okulary ochronne. Zalecana jest odzież ochronna, jak maska pyłochronna, rękawice ochronne, mocne i chroniące przed poślizgiem obuwie, kask i ochronniki słuchu.
- **Sprawdzić pompę, węże, złącza i złączki pod kątem zużycia lub uszkodzenia. Wymienić zużyte, uszkodzone lub brakujące elementy na części zamienne producenta.** Zużyte lub uszkodzone elementy mogą ulec uszkodzeniu, powodując obrażenia. Nieprzestrzeganie tego ostrzeżenia może spowodować poważne obrażenia lub śmierć.
- **Przed użyciem należy upewnić się, że pompa znajduje się w pożądanym trybie pracy.**
- **Nie sprawdzać szczelność rękoma.** Olej pod wysokim ciśnieniem łatwo przebija skórę, powodując poważne obrażenia, zgorzel lub śmierć. W przypadku odniesienia obrażeń natychmiast wezwać pomoc medyczną w celu usunięcia oleju.
- Upewnić się, że pompa znajduje się poniżej maksymalnego kąta nachylenia.
- Sprawdzić poziom oleju i wyregulować w razie potrzeby. Niski poziom oleju może spowodować obrażenia ciała lub zniszczenie menia. Aby uzyskać najlepszą wydajność, zawsze używać oleju hydraulicznego MILWAUKEE Force Logic™ (4932 4720 04) do napełniania zbiornika.
- **Przed przystąpieniem do serwisowania, odłączenia węża lub innych hydraulicznych elementów łączących należy pozbawić ciśnienia układ hydrauliczny: zawsze należy wcześniej nacisnąć przycisk ręcznego zwalniania.**
- **Nosić okulary ochronne podczas obsługi lub serwisowania tego narzędzia.** Niezastosowanie ochrony oczu może spowodować poważne obrażenia oczu latającymi odłamkami lub olejem hydraulicznym.
- **Używać wyłącznie węży i osprzętu jednostronnego działania o ciśnieniu znamionowym 10 000 psi (700 barów) lub wyższym.**

- **Aby uzyskać najlepszą wydajność, używać węży wstępnie napełnionych olejem.** Jeśli węże nie są napełnione, należy odpowietrzyć system przed uruchomieniem.
- **Nigdy nie uruchamiać pompy bez węża lub osprzętu.**
- **Aby uzyskać najlepszą wydajność, zawsze używać oleju hydraulicznego MILWAUKEE Force Logic™ (4932 4720 04) do napełniania zbiornika.**
- **Aby uzyskać optymalną funkcjonalność, użyć akumulatora M18™ REDLITHIUM™ 8,0 Ah lub nowszego.**
- **Postępować zgodnie z instrukcją obsługi producenta akcesoriów.** Inne zastosowania mogą spowodować uszkodzenie narzędzia, akcesoriów i przedmiotu obrabianego.
- **Odpowietrzyć układ, jeśli to konieczne.**

Nigdy nie wkładać palców ani innych części ciała do obszaru pracy siłowników lub szczęk.

Przed rozpoczęciem jakichkolwiek regulacji, czyszczenia i konserwacji urządzenia należy wyjąć akumulator.

Używać urządzeń, wymiennych baterii i ładowarek wyłącznie w nienagannym stanie technicznym.

Naprawę uszkodzeń należy natychmiast zlecić autoryzowanemu warsztatowi specjalistycznemu.

W celu uniknięcia obrażeń i uszkodzeń należy zapobiec przypadkowemu uruchomieniu urządzenia.

Przed użyciemsunąć wszelkie narzędzia nastawcze i klucze.

Nie wolno zaciskać żadnych części znajdujących się pod napięciem elektrycznym. UrządzenieNIE jest izolowane.

Trzymać ręce i luźne elementy ubrania z dala od narzędzi tnących i innych ruchomych części.

W przypadku zakłóceń podczas zaciskania należy niezwłocznie zwolnić przycisk WŁĄCZANIA i wcisnąć przycisk odblokowania hydrauliki. Zawór otwiera się i tłok przemieszcza się z powrotem do pozycji wyjściowej.

OSTRZEŻENIE! Aby zmniejszyć ryzyko pożaru, obrażeń ciała lub uszkodzeń produktu w wyniku zwarcia, nigdy nie zanurzać urządzenia, wymiennej baterii ani ładowarki w cieczy ani nie dopuszczać, aby ciecz przeniknęła do ich wnętrza. Płyny agresywne korozyjne i przewodzące prąd elektryczny jak woda morska, niektóre przemysłowe substancje chemiczne i środki wybielające lub produkty zawierające środki wybielające itd. mogą powodować zwarcie.

Bezwzględnie należy przestrzegać konserwacji i przedziałów czasu pomiędzy konserwacjami.

Nie otwierać wkładek akumulatorowych i ładowarek.

Przechowywać w suchych pomieszczeniach. Chronić przed wilgocią.

Akumulatory Systemu M18 należy ładować wyłącznie przy pomocy ładowarek Systemu M18. Nie ładować przy pomocy tych ładowarek akumulatorów innych systemów.

W celu uniknięcia obrażeń lub szkód nigdy nie należy zanurzać narzędzia, wymiennej baterii ani ładowarki w cieczy ani nie dopuszczać, aby ciecz przeniknęła do ich wnętrza.

OSTRZEŻENIE



Urządzenie posiada guzikową baterię litową. W przypadku poknięcia lub dostania się do organizmu nowej lub używanej baterii może dojść do poparzenia wewnętrznych części ciała a nawet śmierci w ciągu zaledwie 2 godzin. Zawsze zabezpieczyć pokrywę na komorze baterii. Jeśli nie zostanie bezpiecznie zamknięta, zatrzymać urządzenie, usunąć baterię i trzymać ją w miejscu niedostępnym dla dzieci. W razie stwierdzenia poknięcia lub dostania się baterii do organizmu w inny sposób, należy niezwłocznie skonsultować się z lekarzem.

WSKAZÓWKI BEZPIECZEŃSTWA DLA PRASEK HYDRAULICZNYCH

Narzędzia i urządzenia przecinające powinny być używane wyłącznie przez personel przeszkolony w zakresie obsługi produktów elektrotechnicznych.

Nigdy nie przecinać przewodów znajdujących się pod napięciem.

Przed każdym użyciem należy sprawdzić praszkę, szczękę i wkłady zaciskowe pod kątem pęknięć i śladów zużycia.

Używać tylko praszek i wkładów zaciskowych w nienagannym stanie technicznym.

Praski można używać wyłącznie z włożoną wkładką zaciskową.

Nie dotykać szczęk zaciskowych ani patrycy podczas zaciskania.

W przypadku zakłóceń podczas zaciskania należy niezwłocznie zwolnić przycisk WŁĄCZANIA i wcisnąć przycisk odblokowania hydrauliki. Zawór otwiera się i tłok przemieszcza się z powrotem do pozycji wyjściowej.

WSKAZÓWKI BEZPIECZEŃSTWA DLA NOŻYC DO KABLI

Przecinanie lub rozcinanie kabli i lin za pomocą przecinarki może być wykonywane wyłącznie przez osoby poinstruowane w zakresie przeprowadzania prac elektrotechnicznych.

W celu zmniejszenia ryzyka wybuchu, porażenia prądem elektrycznym i szkód materialnych i sprzętowych, nigdy nie przecinać kabli elektrycznych znajdujących się pod napięciem. UrządzenieNIE jest izolowane.

Trzymać ręce i luźne elementy ubrania z dala od narzędzi tnących i innych ruchomych części. Występuje ryzyko poważnych obrażeń, w tym obciążenia kończyn.

Przed rozpoczęciem cięcia odpowiedni obszar zamknąć i zabezpieczyć przed dostępem zgodnie z lokalnymi przepisami.

Ciąć wyłącznie kable niezajdujące się pod napięciem!

Kable i liny nie mogą być poddawane działaniu sił mechanicznych. Aby zmniejszyć ryzyko obrażeń, zawsze należy nosić okulary ochronne lub okulary z osłonami bocznymi.

W przypadku nieprzestrzegania niniejszej instrukcji istnieje zagrożenie poważnych obrażeń, śmierci, pożaru lub innych szkód materialnych spowodowanych porażeniem prądem elektrycznym, wybuchem i/lub łukiem elektrycznym.

Nigdy nie trzymać przecinarki do kabli za szczęki tnące.

Przed użyciem zawsze sprawdzić szczęki tnące pod kątem pęknięć i innych oznak zużycia.

Przecinarki do kabli można używać wyłącznie z zamontowanym narzędziem tnącym.

WSKAZÓWKI BEZPIECZEŃSTWA DLA TŁOCZNIKÓW OTWORÓW

Przed każdym użyciem należy sprawdzić narzędzie przecinające pod kątem pęknięć i śladów zużycia. Używać tylko narzędzi i urządzeń tnących w nienagannym stanie technicznym.

Urządzenia można używać wyłącznie z włożonym narzędziem tnącym. Nie należy używać skrzynek rozdzielczych znajdujących się pod napięciem lub będących w pobliżu takich skrzynek. Pracować wyłącznie z użyciem skrzynek rozdzielczych odłączonych od napięcia.

Sprawdzić czy średnica nominalna matrycy jest zgodna ze średnicą nominalną stempla tnącego.

Używać narzędzia wyłącznie ze stemplami i matrycami odpowiednimi do maks. siły tłoczenia. Inne mogą spowodować urazy lub uszkodzenia.



Utrzymywać narzędzia tnące w czystym stanie i naostrzone. Odpowiednio pielęgnowane narzędzia tnące z ostrymi krawędziami ostro rządzają się zakleszczają i łatwiej je kontrolować.

WARUNKI UŻYTKOWANIA

Aksesoria i głowice narzędzi:

Przeznaczenie: tylko do akcesoriów i głowic narzędzi jednostronnego działania, ciśnienie nominalne 700 barów; maks. wytrzymałość oleju 1,35 l

Praska hydrauliczna:

Praski hydraulicznej należy używać wyłącznie do zaciskania elementów łącznych, do których przewidziane są odpowiednie wkłady zaciskowe.

Wszystkie części znajdujące się pod napięciem tj. części przewodzące prąd elektryczny, muszą zostać odłączone w odpowiednim dla środowiska roboczym przed rozpoczęciem prac.

Nożyce do kabli:

Przecinarka do kabli nadaje się do cięcia:

- beznapięciowych, niezbrojonych kabli z izolowanej miedzi lub aluminium, narzędzia tnące dobrą w zależności od rodzaju kabla

Urządzenie do wybijania:

Urządzenia do wybijania można używać tylko do wykrawania w materiałach za pomocą dostarczonych stempli i matryc.

⚠ OSTRZEŻENIE Przeczytaj wszystkie wskazówki bezpieczeństwa, instrukcje, ilustracje i dane dołączone do urządzenia. Jeśli nie będą przestrzegane następujące przepisy, może dojść do porażenia prądem, pożaru i/lub ciężkich obrażeń ciała.

Należy starannie przechowywać wszystkie przepisy i wskazówki bezpieczeństwa dla dalszego zastosowania.

OGÓLNE INSTRUKCJE

Zalanie układu hydraulicznego:

Narzędzie należy zalać za każdym razem, gdy wyschnie olej.

Aby zalać układ:

1. Usunąć wymienne baterie.
2. Sprawdzić linię wskaźnika oleju i upewnić się, że narzędzie ma wystarczającą ilość oleju.
3. Podłączyć złącze do głowicy akcesoriów, która wysysa powietrze i nadmiar oleju.

UWAGA: Złącze musi być skierowane prosto w górę, a narzędzie musi być umieszczone niżej niż głowica akcesoriów.

4. Włożyć wymienne baterie.
5. Wcisnąć przycisk trybu zaciskania.
6. Uruchoić narzędzie.

UWAGA: Spuszczenie powietrza i oleju może potrwać do 30 sekund.

7. Gdy oleje zaczną wypływać, nacisnąć i przytrzymać przycisk ręcznego zwalniania przez dwie sekundy, a następnie zwolnić oba przyciski.

8. Powtórzyć kroki 5-7 trzy do czterech razy.

UWAGA: Podczas zalewania układu upewnić się, że poziom oleju nie spada poniżej linii wskaźnika oleju. W razie potrzeby uzupełnić zbiornik.

Odpowietrzanie akcesoriów:

Aksesoria należy odpowietrzyć za każdym razem, gdy są serwisowane, nieużywane przez długi czas lub podłączone do węża, który nie jest napełniony olejem.

Należy się również zapoznać z zaleceniami producenta akcesoriów w celu uzyskania dalszych instrukcji dotyczących wycieków.

Aby odpowietrzyć wyposażenie:

1. Usunąć wymienne baterie.
2. Podłączyć wąż wyposażenia do złącza.

UWAGA: Złącze musi być skierowane w bok, a narzędzie musi znajdować się wyżej niż wąż i głowica wyposażenia.

3. Włożyć wymienne baterie.
4. Wcisnąć przycisk trybu zaciskania.
5. Uruchoić narzędzie i pozwolić, by pracowało, aż cykl się zakończy, a wskaźnik LED zaświeci się na zielono.
6. Nacisnąć i przytrzymać przycisk ręcznego zwalniania przez dwie sekundy, a następnie zwolnić oba przyciski.
7. Powtórzyć kroki 4-6 trzy do czterech razy.

UWAGA: Podczas odpowietrzania wyposażenia upewnić się, że poziom oleju nie spada poniżej linii wskaźnika oleju. W razie potrzeby uzupełnić zbiornik.

WSKAZÓWKI DOTYCZĄCE UŻYTKOWANIA DO ZACISKANIA

Używać wyłącznie znormalizowanych elementów łącznych zgodnie z obowiązującymi w kraju zastosowaniami normami oraz odpowiednich wkładów zaciskowych.

Instrukcje obróbki i montażu elementów łącznych należy pobrać z dokumentacji producenta.

Sprawdzić czy średnica nominalna elementów łącznych jest zgodna ze średnicą nominalną wkładu zaciskowego.

Przed rozpoczęciem przecinania sprawdzić pojemność baterii: minimum 33% (patrz opis na instrukcji). W razie konieczności naładować przed rozpoczęciem pracy.

Wciśnięcie przełącznika sterowania inicjuje proces zaciskania i powoduje ruch patrycy.

Sprawdzenia i oceny odpowiedniego zacisku dokonuje użytkownik.

Nieprawidłowe połączenia należy zacisnąć ponownie, stosując nowy element łączny.

Postępowanie w przypadku błędów

- Przytrzymać wciśnięty przełącznik resetowania aż do całkowitego otwarcia się szczęk
- sprawdzić pojemność baterii
- Sprawdzić kabel i element łączeniowy zgodnie z danymi technicznymi.
- W przypadku podejrzenia zaciśnięcia kabla znajdującego się pod napięciem, przecinak musi zostać poddany kontroli w autoryzowanym warsztacie specjalistycznym

WSKAZÓWKI DOTYCZĄCE UŻYTKOWANIA DO CIĘCIA

Przygotowanie obszaru roboczego

Przed rozpoczęciem cięcia należy zapewnić, aby podczas trwania prac przewody lub liny nie znajdowały się pod napięciem.

W przypadku, gdy nie da się jednoznacznie stwierdzić, że kabel lub izolowany przewód został odłączony, nie wolno wykonywać żadnych prac.

Bezwzględnie należy przestrzegać lokalnych przepisów bezpieczeństwa i regulacji.

Kable i liny nie mogą być poddawane działaniu sił mechanicznych i należy je w razie konieczności zabezpieczyć przed niekontrolowanymi ruchami po wykonaniu cięcia.

Nie wystawiać narzędzi na działanie deszczu. Nie używać narzędzi w miejscach wilgotnych lub mokrych.

Przygotowanie przecinarki do kabli i baterii

Przed każdym użyciem:

- Sprawdzić przecinarkę do kabli pod kątem wad zewnętrznych
- Sprawdzić narzędzie tnące pod kątem pęknięć i innych oznak zużycia

Używać wyłącznie w nienagannym stanie!

Przed rozpoczęciem cięcia sprawdzić pojemność baterii: minimum 33% (patrz opis na ilustracji). W razie konieczności naładować przed rozpoczęciem pracy.

Przygotowanie procesu cięcia

Podpreźć i unieruchomić przecinany kabel lub linę w celu minimalizacji ryzyka wynikającego z niekontrolowanego ruchu kabla. W szczególności przewody i liny napowietrzne mogą w sposób nieskontrolowany się poruszyć, powodując obrażenia i / lub szkody. Głowicę tnącą należy przyłożyć do kabla lub liny pod kątem 90° tak, aby bez naprężenia znalazła się ona w otwartych szczękach tnących, eliminując powstanie niekorzystnych sił tnących.

⚠ OSTRZEŻENIE: W celu zmniejszenia ryzyka wybuchu, porażenia prądem elektrycznym i szkód materialnych i sprzętowych, nigdy nie przecinać kabli elektrycznych znajdujących się pod napięciem.

Urządzenie NIE jest izolowane. Kontakt z obwodem elektrycznym znajdującym się pod napięciem może spowodować poważne obrażenia lub śmierć. Przed wykonywaniem cięcia należy wyłączyć zasilanie. Nigdy nie wolno przecinać przewodów gazowych ani wodociągów. Ręce należy trzymać z dala od krawędzi tnących i ruchomych elementów. Występuje ryzyko ciężkich obrażeń lub obcięcia kończyn.

Przed wymianą lub usuwaniem wyposażenia zawsze należy wyciągnąć wymienną baterię. Zawsze należy używać wyłącznie wyposażenia specjalnie zalecanego dla tego narzędzia. Używanie innego wyposażenia jest niebezpieczne.

Aby zmniejszyć ryzyko obrażeń, zawsze należy nosić okulary ochronne lub okulary z osłonami bocznymi.

⚠ OSTRZEŻENIE: W celu zredukowania ryzyka obrażeń, ciąć wyłącznie materiały zalecane dla ostrzy. (patrz „Specyfikacja”) Nie próbować ciąć innych materiałów.

Cięcie

Przed rozpoczęciem cięcia należy się upewnić, że ostrza są prawidłowo zamontowane.

1. Kabel należy wprowadzić na ostrza przecinarki pod kątem prostym. Nie próbować wykonywać ukośnych cięć, ponieważ uszkodzi to kabel, jak i ostrza.
2. Wcisnąć i przytrzymać spust. Gdy spust jest wciśnięty, świeci się dioda LED.
3. Po dokonaniu cięcia lub gdy narzędzie się wyłączy, należy ponownie zwolnić mechanizm wyłączający i uruchomić przycisk resetu, aby szczęki tnące się otworzyły.

UWAGA: Podczas przecinania kabel może się delikatnie przesunąć.

Postępowanie w przypadku błędów

- kabel może być nacięty lub znajdować się pod napięciem, zawsze zawiadomić inspektora BHP, przerwać proces cięcia, zastosować odpowiednie środki bezpieczeństwa
- Przed podejściem do urządzenia i dotknięciem go zawsze upewnić się, że nie znajduje się ono pod napięciem i pozostanie w takim stanie
- wcisnąć i przytrzymać przycisk reset, aż przecinarka w pełni się otworzy
- sprawdzić pojemność baterii
- sprawdzić materiał i jego grubość w oparciu o dane techniczne
- W przypadku podejrzenia przecięcia kabla znajdującego się pod napięciem, przecinarka musi zostać poddana kontroli w autoryzowanym warsztacie specjalistycznym

Zakleszczone krawędzie tnące

Zabrudzenia i przylegające pozostałości mogą doprowadzić do tego, że po wykonaniu cięcia krawędzie tnące zakleszczą się

- Wcisnąć i przytrzymać spust zwalniający aby upewnić się, że narzędzie zostało zresetowane.
- Usunąć wymienne baterie.
- Należy postępować zgodnie z opisem na obrazku dotyczącym otwierania szczęk tnących
- Wycyścić wszelkie zabrudzenia z krawędzi tnących przed rozpoczęciem kolejnego cięcia.

Wskazówki dotyczące przecinania kabli

- Nie próbować wykonywać ukośnych cięć, ponieważ uszkodzi to kabel, jak i ostrza.
- Ciąć wyłącznie czyste kable, co pozwoli wydłużyć żywotność ostrzy. Wytrzeć zabrudzenia i przylegające pozostałości z kabli i ostrzy przed rozpoczęciem cięcia.

INSTRUKCJE ROBOCZE DOTYCZĄCE TŁOCZENIA

Sprawdzić, czy średnica nominalna matrycy jest równa nominalnemu rozmiarowi stempla.

UTRZYMANIE I KONSERWACJA

Przed rozpoczęciem jakichkolwiek regulacji, czyszczenia i konserwacji urządzenia należy wyjąć akumulator.

Nigdy nie otwierać urządzenia, wymiennej baterii ani ładowarki.

Sprawdzić urządzenie pod kątem jakichkolwiek problemów takich jak hałas, zakleszczanie się ruchomych elementów, co może mieć wpływ na prawidłowe działanie urządzenia.

Otwory wentylacyjne urządzenia muszą być utrzymywane w czystości przez cały czas.

W celu uniknięcia obrażeń lub szkód nigdy nie należy zanurzać urządzenia, wymiennej baterii ani ładowarki w cieczy ani nie dopuszczać, aby ciecz przeniknęła do ich wnętrza.

Pozostałe prace serwisowe i naprawcze mogą być wykonywane wyłącznie przez autoryzowane warsztaty specjalistyczne.

Urządzenie zawiera olej hydrauliczny, który stanowi zagrożeniem dla wody gruntowej. Niekontrolowane spuszczenie oleju lub niewłaściwe usuwanie oleju do odpadów jest karalne.

Kolejny termin serwisowania jest wyświetlony na wskaźniku LED na urządzeniu.



Zwrócić narzędzie, akumulator i ładowarkę do punktu serwisowego MILWAUKEE w celu naprawy. Po sześciu miesiącach do roku, w zależności od użytkowania, zwrócić narzędzie, akumulator i ładowarkę do punktu serwisowego MILWAUKEE w celu kontroli. Używać tylko i wyłącznie wyposażenia dodatkowego Milwaukee i części zamiennych Milwaukee. Gdyby trzeba było wymienić części, które nie zostały opisane, należy skontaktować się z przedstawicielem serwisu Milwaukee (patrz wykaz adresów punktów usługowych/gwarancyjnych).

Jeśli urządzenie nie uruchomi się lub nie będzie działać pełną mocą przy całkowicie naładowanej baterii, wyczyścić styki baterii. Jeśli urządzenie nadal nie działa prawidłowo, zwrócić urządzenie, ładowarkę i baterię do punktu serwisowego MILWAUKEE w celu naprawy.

Interwał serwisowy

Informacje na temat niezbędnych czynności serwisowych, takich jak wymiana płynu, można znaleźć w aplikacji ONE-KEY. Zwrócić narzędzie do punktu serwisowego MILWAUKEE w celu wykonania wszystkich napraw i konserwacji.

UWAGA: W tym celu może być wymagane podanie tygodnia i roku produkcji narzędzia. Informacje te można znaleźć w numerze seryjnym znajdującym się na tabliczce znamionowej narzędzia.

Na życzenie można otrzymać rysunek widoku zespołu rozebranego. Przy zamawianiu należy podać numer oraz typ elektronarzędzia umieszczony na tabliczce znamionowej. Zamówienia można dokonać albo u lokalnych przedstawicieli serwisu, albo bezpośrednio w Techtronic Industries GmbH, Max-Eyth-Straße 10, 71364 Winnenden, Germany.

Aby zapewnić bezpieczną wysyłkę, zalecamy zapakowanie pompy hydraulicznej w szczelną, odporną na olej plastikową torbę i użycie oryginalnego opakowania.

ONE-KEY™

Aby dowiedzieć się więcej na temat funkcji ONE-KEY urządzenia, zapoznaj się z instrukcją obsługi dołączoną do produktu lub odwiedź stronę <http://www.milwaukeeool.com/one-key>

Możesz pobrać aplikację ONE-KEY z sklepu App Store lub Google Play na swojego smartfona.

Wynik badania spełnia nasze minimalne wymagania zgodnie z normą EN 301489-1 / EN 301489-17. Przekażemy też klientowi wytyczne operacyjne w instrukcji obsługi.

BATERIE AKUMULATOROWE

Akumulatory, które nie były przez dłuższy czas użytkowane, należy przed użyciem naładować. W temperaturze powyżej 50°C następuje spadek osiągniętych wkladki akumulatorowej. Unikać długotrwałego wystawienia na oddziaływanie ciepła lub promieni słonecznych (niebezpieczeństwo przegrzania).

Styki ładowarek i wkładki akumulatorowych należy utrzymywać w czystości

Dla zapewnienia optymalnej żywotności akumulatory po użyciu należy naładować do pełnej pojemności.

Dla zapewnienia możliwie długiej żywotności akumulatory należy wyjąć z ładowarki po ich naładowaniu.

W przypadku składowania akumulatorów dłużej aniżeli 30 dni: Przechowywać je w suchym miejscu w temperaturze ok. 27°C. Przechowywać je w stanie naładowanym do ok. 30% - 50%. Ładować je ponownie co 6 miesięcy.

Zużytych akumulatorów nie wolno wrzucać do ognia ani traktować jako odpadów domowych. Milwaukee oferuje ekologiczną utylizację zużytych akumulatorów.

Nie przechowywać akumulatorów wraz z przedmiotami metalowymi (niebezpieczeństwo zwarcia).

W skrajnych warunkach temperaturowych lub przy bardzo dużym obciążeniu może dochodzić do wycieku kwasu akumulatorowego z uszkodzonych baterii akumulatorowych. W przypadku kontaktu z kwasem akumulatorowym należy natychmiast przemyć miejsce kontaktu wodą z mydłem. W przypadku kontaktu z oczami należy dokładnie przepłukiwać oczy przynajmniej przez 10 minut i zwrócić się natychmiast o pomoc medyczną.

Do ładowarki nie wolno wkładać żadnych przedmiotów metalowych (niebezpieczeństwo zwarcia).

TRANSPORT AKUMULATORÓW LITOWO-JONOWYCH

Akumulatory litowo-jonowe podlegają ustawowym przepisom dotyczącym transportu towarów niebezpiecznych.

Transport tych akumulatorów winien odbywać się przy przestrzeganiu lokalnych, krajowych i międzynarodowych rozporządzeń i przepisów.

Odbiorcom nie wolno transportować tych akumulatorów po drogach o tak po prostu.

Komercyjny transport akumulatorów litowo-jonowych przez przedsiębiorstwa spedycyjne podlega przepisom dotyczącym transportu towarów niebezpiecznych. Przygotowania do wysyłki oraz transport mogą być wykonywane wyłącznie przez odpowiednio przeszkolone osoby. Cały proces winien odbywać się pod fachowym nadzorem.

W czasie transportu akumulatorów należy przestrzegać następujących punktów:

Celem uniknięcia zwarcia należy upewnić się, że zestyki są zabezpieczone i zaizolowane. Zwracać uwagę na to, aby zespół akumulatorów nie mógł się przemieszczać we wnętrzu opakowania. Nie wolno transportować akumulatorów uszkodzonych lub z wyciekającym z elektrolitem. Odnosnie dalszych wskazań należy zwrócić się do swojego przedsiębiorstwa spedycyjnego.

DEKLARACJA ZGODNOŚCI CE

Oświadczamy na naszą wyłączną odpowiedzialność, że produkt opisany pod „Dane techniczne” spełnia wszystkie istotne przepisy dyrektyw

2011/65/UE (RoHS)

2000/14/WE

2006/42/WE

2014/53/UE

i zastosowano następujące zharmonizowane normy

EN 62841-1:2015

EN 62479:2010

EN 55014-1:2017

EN 55014-2:2015

EN 301 489-1 V2.1.1 (2017-02)

EN 301 489-17 V3.1.1 (2017-02)

EN 300 328 V2.1.1 (2016-11)

EN IEC 63000:2018

Zmierzony poziom mocy akustycznej 87,2 dB(A)

Gwarantowany poziom mocy akustycznej 89,0 dB(A)

Niepewność K= 1,5 dB(A)

Procedura oceny zgodności zgodnie z 2000/14/WE do załącznika V

Jednostka notyfikowana:

DEKRA Certification B.V. (0344)

Meander 1051/P.O.Box 5185

6825 MS ARNHEIM/6802 ED ARNHEIM

Netherlands



Winnenden,

Alexander Krug / Managing Director

Upelnomocniony do zestawienia danych technicznych

Techtronic Industries GmbH

Max-Eyth-Straße 10, 71364 Winnenden, Germany

SYMBOLY



Przed uruchomieniem elektronarzędzia zapoznać się uważnie z treścią instrukcji.



Należy nosić okulary ochronne.



Urządzenie posiada guzikową baterię litową.



UWAGA! OSTRZEŻENIE NIEBEZPIECZEŃSTWO!



Przed przystąpieniem do jakichkolwiek prac na elektronarzędziu należy wyjąć wkładkę akumulatorową.



Ryzyko porażenia prądem elektrycznym



OSTRZEŻENIE!
Niebezpieczeństwo zranienia odpryskującymi odłamkami



OSTRZEŻENIE! Uraz ręki



Gwarantowany poziom mocy akustycznej przedstawiony na tej etykiecie to 89 dB



Urządzenia elektryczne, baterie/akumulatory nie mogą być usuwane razem z odpadami pochodzącymi z gospodarstw domowych. Urządzenia elektryczne i akumulatory należy gromadzić oddzielnie i w celu usuwania ich do odpadów zgodnie z wymaganiami środowiska naturalnego oddawać do przedsiębiorstwa utylizacyjnego. Proszę zasięgnąć informacji o centrach recyklingowych i punktach zbiorczych u władz lokalnych lub u wyspecjalizowanego dostawcy.



Napięcie



Prąd stały



Europejski Certyfikat Zgodności



Ukraiński Certyfikat Zgodności



Euroazjatycki Certyfikat Zgodności



Pol

MŰSZAKI ADATOK Hidraulikus szivattyú	M18 HUP700
Gyártási szám	4745 35 01... ... 000001-999999
Bluetooth-frekvenciasáv (frekvenciasávok)	2402-2480 MHz
Nagyfrekvenciájú	1,8 dBm
Bluetooth-verzió	4.0 BT signal mode
Akkumulátor feszültség	18 V
Névleges szorító nyomás	700 bar
Védelmi osztály	IP54
Maximális csúcshőszög	34°
Névleges átfolyási sebesség	
Alacsony nyomás	2,0 l/min
Magas nyomás	0,4 l/min
Olaj össztérfogat	1,6 l
Elfogyasztható olajmennyiség	1,3 l
Súly a 01/2014 EPTA-eljárás szerint (Li-Ion 8,0 Ah...12,0 Ah)	16,0..., 16,5 kg
Üzemeléshez ajánlott környezeti hőmérséklet	-18°C ... +50°C
Ajánlott akkusomagok	M18B9 M18HB8 ..., M18HB12
Ajánlott töltőkészülékek	M12-18..., M1418 C6
Zajinformáció	
A közölt értékek megfelelnek az EN 62841 szabványnak. A készülék munkahelyi zajszintje tipikusan:	
Hangnyomás szint (K bizonytalanság=3dB(A))	77,7 dB (A)
Hangteljesítmény szint (K bizonytalanság=3dB(A))	88,7 dB (A)



Mag

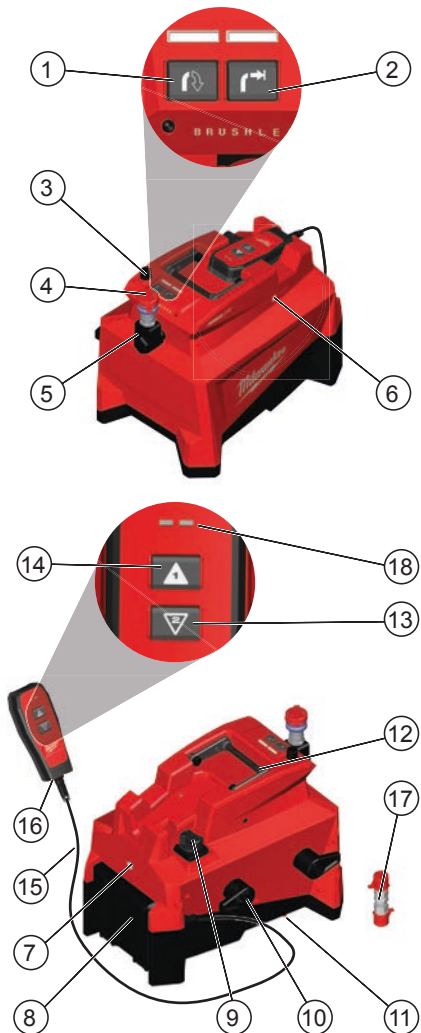
FIGYELMEZTETÉS

Az ebben a tájékoztatóban megadott zajkibocsátási értéket az EN 62841 szabványosított teszteljárás szerint mérték, és felhasználható a szerszámok egymással történő összehasonlításához. A terhelés előzetes megbecsülésére is alkalmas.

A megadott zajkibocsátási érték a szerszám legfőbb alkalmazásait reprezentálja. Ha a szerszámot azonban más alkalmazásokra vagy eltérő tartozékokkal használja, illetve nem megfelelően tartja karban, úgy a zajkibocsátási érték eltérhet ettől. Ez jelentősen megnövelheti a terhelést a munkavégzés teljes idejére.

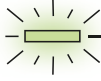
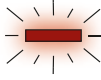
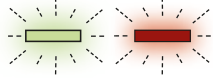
A zajterhelés pontos megállapításához azokat az időszakokat is figyelembe kell venni, amikor a szerszám ki van kapcsolva, vagy ugyan megy, de ténylegesen nem használják. Ez jelentősen lecsökkentheti a terhelést a munkavégzés teljes idejére.

A kezelő zajhatás elleni védelme érdekében határozzon meg további biztonsági intézkedéseket, pl. a szerszám és a tartozékok karbantartása, valamint a munkafolyamatok szervezése.



Eszközleírás

- | | |
|---------------------------|---------------------|
| ① Vágás üzemmód gomb | ⑪ Légtelenítő dugó |
| ② Csupaszoló üzemmód gomb | ⑫ Fogantyú |
| ③ Kézi nyomáskiloldó gomb | ⑬ Behúzó gomb |
| ④ Toldó | ⑭ Továbbító gomb |
| ⑤ Csulklós toldó | ⑮ Zsinór |
| ⑥ ONE KEY jelzőlámpa | ⑯ Távirányító |
| ⑦ Olajtartály jelzővonal | ⑰ Adapter |
| ⑧ Akkumulátor-rekesz | ⑱ LED-es jelzőlámpa |
| ⑨ Olajbetöltő sapka | |
| ⑩ Zsinórburkolat | |

LED-es jelzőlámpa	Meghatározás
 Folyamatos Zöld	A szerszám befejezte a műveletet vagy elérte a teljes krimpelési nyomást.
 Folyamatos Vörös	A szerszám befejezte a műveletet, de NEM érte el a teljes krimpelési nyomást.
 Villogó Vörös / Zöld (után Folyamatos Zöld vagy Folyamatos Vörös)	A szerszám elérte szervizidőszakának végét (20000 krimpék). Vörös/zöld villogó jelzés kezdődik, miután a művelet folyamatos Vörös vagy Zöld jelzése megjelent. A MILWAUKEE a szerszám rendszeres felülvizsgálatát és megelőző karbantartását ajánlja.

MEGJEGYZÉS: Ha a jelző pirosat mutat, ellenőrizze az olajsínt, és ügyeljen rá, hogy ne legyenek szivárgások a tartozékokban. Ellenőrizze minden csatlakozás stabilitását és a tartozékok adott munkához való megfelelését. Működtesse ismét. Ha a probléma továbbra is fennáll, juttassa vissza a szerszámot egy MILWAUKEE szervizbe.

▲ FIGYELMEZTETÉS Olvasson el minden, a géppel együtt megkapott biztonsági utalást, utasítást, ábrázolást és adatot. Ha nem tartja be a következő előírásokat, akkor ez áramütéshez, tűzhöz és/vagy súlyos személyi sérülésekhez vezethet.

Kérjük a későbbi használatra gondosan őrizze meg ezeket az előírásokat.

▲ KÜLÖNLEGES BIZTONSÁGI TUDNIVALÓK

A Techtronic Industries GmbH által gyártott hidraulikus szivattyúk csupaszoló, vágó és préselő fejekhez kerültek kifejlesztésre. A konkrét felhasználás szerint nincsenek felszerelve olajvisszafolyást megakadályozó biztonsági rendszerrel.

Ezért a rendeltetésről eltérő használat (például hidraulikus emelők, emelőrendszerek vagy hasonló) veszélyes lehet és a kezelő súlyos sérüléséhez vezethet.

A Techtronic Industries GmbH nem vállal a hidraulikus szivattyúinak csupaszolónak, vágónak és préselésen kívüli felhasználásából adódó semminemű felelősséget.

Ne hozzon létre nyomást, ha a szivattyú nem csatlakozik flexibilis tömlőhöz és a fejhez, mert ez károsíthatja a szivattyú gyorscsatlakozóját és olajszivárgást okozhat.

A nagynyomású flexibilis tömlők természetes öregedési folyamaton mennek keresztül, ami a kezelő biztonságát érintő teljesítményjellemzők csökkenését eredményezheti. Ezért életartamuk korlátozott. A Techtronic Industries GmbH berendezéseinek biztonságos használata érdekében azt ajánlja, hogy a hidraulikus tömlőket a gyártó utasításának megfelelően rendszeresen cserélje, még akkor is, ha nincsenek látható károsodások.

A szivattyút és a flexibilis tömlőt nyílt lángtól és 70 °C feletti hőforrásoktól tartsa távol.

A szivattyú használata előtt mindig ellenőrizze a flexibilis tömlő és gyorscsatlakozók épségét, hogy nincsenek-e kidörzsölve, elvágva, eldeformálódva vagy megduzzadva.

A gyárilag elhelyezett védőburkolatoknak a flexibilis tömlő mindkét végén a helyett kell lenniük. Ne fogja meg a nyomás alatt levő flexibilis tömlőt.

A szivattyú használata során a flexibilis tömlő nem lehet felcsévélt állapotban, hanem egyenesen lefektetve. A flexibilis tömlő leválasztása előtt ügyeljen rá, hogy a szerszámszám teljesen visszakerüljön alapállásba, és elegendő olaj legyen a következő műveletekhez.

A szivattyú nem alkalmas folyamatos használatra, és a megszakítás nélkül egymást követő csupaszolási műveletek után hagyni kell, hogy a szerszám lehűljön; például egy teljesen feltöltött akkumulátor egy munkamenetben történt lemerítése után az akkumulátor cseréjét pár perccel halassa el.

A szivattyút, az akkumulátort és a töltőt óvja esőtől és nedvességtől. A víz károsítja a szivattyút. Az elektro-hidraulikus szerszámokat zuhógó esőben nem szabad üzemeltetni.

Ennek az eszköznek a kezelőjét – a vágóval történő első munkavégzést megelőzően, majd ezt követően legalább évente – ki kell oktatni az eszközzel való munkavégzéssel járó speciális veszélyekről és az alapvető biztonsági intézkedésekről.

Az üzemeltetést végző vállalat köteles:

- az üzemeltetési kézikönyvet a kezelő rendelkezésére bocsátani, és
- gondoskodni arról, hogy a kezelő elolvassa a kézikönyvet, és megértse annak tartalmát.

Használjon védőfelszerelést! Ha a gépen dolgozik, mindig hordjon védőszemüveget! Javasoljuk a védőruházat, úgymint porvédő maszk, védőcipő, erős és csúszásbiztos lábbeli, sisak és hallásvédő használatát.

- **Vizsgálja át a szivattyút, a tömlőket, a csatlakozókat és a szerelvények kopását és sérüléseit. A kopott, sérült vagy hiányzó alkatrészeket a gyártó pótkatrézre cserélje.** A kopott vagy sérült alkatrészek meghibásodhatnak, ami sérülést okoz. Ennek a figyelmeztetésnek a figyelmen kívül hagyása súlyos sérüléshez vagy halálhoz vezethet.

- **Használat előtt gondoskodjon róla, hogy a szivattyú a kívánt üzemmódban legyen.**

- **Ne kézzel ellenőrizze az esetleges szivárgásokat.** A nagy nyomású olaj kiszűrja a bőrt, ami súlyos sérülést, üszkösödést vagy halált okoz. Sérülést esetén azonnal kérjen orvosi segítséget az olaj eltávolításához.

- Gondoskodjon róla, hogy a szivattyú a maximális dőlésszög alatt legyen.

- Ellenőrizze az olajsínt és szükség esetén töltsé utána. Az alacsony olajsínt sérüléshez vagy vagyoni kárhoz vezethet. A legjobb teljesítmény érdekében mindig MILWAUKEE Force Logic™ hidraulikaolajat (4932 4720 04) használjon a tartály utántöltésére.

- **Szervizelés, a tömlő vagy egyéb hidraulikus elemek csatlakoztatása vagy leválasztása előtt nyomásmentesítse a hidraulikus rendszert: előzetesen mindig nyomja meg a kioldó gombot.**

- **Szerszám működtetése vagy szervizelése során viseljen szemvédő eszközt.** A szemvédő eszköz viselésének elmulasztása esetén az elrepülő törmelék vagy a hidraulikaolaj súlyos szem sérülést okozhat.

- **Csak egy műveletben csatlakoztatható és legalább 700 bar (10 000 psi) névleges nyomásra méretezett tömlőket és csatlakoztatott eszközöket használjon.**

- **A legjobb teljesítmény érdekében előrelé a töltött tömlőket használjon.** Ha a tömlők nincsenek előre töltve, működtetés előtt légtelenítse a rendszert.



- **Tömlő vagy csatlakoztatott eszközök nélkül soha ne működtesse a szivattyút.**
- **A legjobb teljesítmény érdekében mindig MILWAUKEE Force Logic™ hidraulikaolajat (4932 4720 04) használjon a tartály utántöltésére.**
- **Az optimális működés érdekében M18™ REDLITHIUM™ típusú, legalább 8,0 Ah-ás akkumulátort használjon.**
- **Tartsa be a tartozékok gyártóinak kezelési útmutatóját.** Egyéb használat károsíthatja a szerszámot, a tartozékokat és a munkadarabot.
- **Szükség szerint légtelenítse a rendszert.**

Soha ne tartsa az ujait vagy más testrészeit a henger vagy a pofák munkaterületébe.

Az eszközön végzett mindennemű beállítás, tisztítás és karbantartás megkezdése előtt vegye ki az akkumulátort.

Az eszközöket, a cserélhető akkumulátort és a töltőt csak akkor használja, ha azok tökéletes műszaki állapotban vannak.

A sérüléseket azonnal javíttassa meg arra jogosult szakműhelyben.

Sérülés és anyagi kár elkerülése érdekében akadályozza meg az eszköz véletlen beindítását.

Távolítsa el minden beállító szerszámot és kulcsot az üzemeltetés előtt.

Elektromos feszültség alatt álló részeket tilos megmunkálni. Az eszköz NEM szigetelt.

Tartsa távol a vágószerszámoktól és a többi mozgó résztől kezeit és a lazan felfekvő ruházatot.

Ha a présfolyamat során zavarok lépnének fel, azonnal engedje el a BE-kapcsolót és nyomja meg a hidraulika kiretessző gombját. A szelep kinyílik, és a dugattyú visszatér a kiindulási pozícióba.

FIGYELMEZTETÉS! Tűz, személyi sérülés és termékkárosodás rövidzár miatt fellépő kockázatának csökkentése érdekében soha ne merítse az eszközt, az akkumulátort vagy a töltőt folyadékba és ne engedje folyadék bejutását azokba. Korrodáló vagy áramvezető folyadékok – így tengervíz, egyes ipari vegyszerek, klór vagy klór tartalmú termékek stb. – rövidzárat okozhatnak.

A karbantartási műveletek és a karbantartási intervallumok betartása kötelező.

Az akkumulátort, töltőt nem szabad megbontani és kizárólag száraz helyen szabad tárolni. Nedvességtől óvni kell.

Az M18 elnevezésű rendszerhez tartozó akkumulátorokat kizárólag a rendszerhez tartozó töltővel töltsse fel. Ne használjon más rendszerbe tartozó töltőt.

A sérülés és károsodás elkerülése érdekében a szerszámot, a cserélhető akkumulátort és a töltőt soha ne merítse folyadékba, és ne engedje folyadék behatolását ezekbe.

FIGYELMEZTETÉS



Az eszköz lítium gomelemeket tartalmaz. Az új vagy használt elem akár 2 órán belül súlyos belső égési sérülést okozhat és halálhoz vezethet, ha lenyelik vagy ha a testbe kerül. Mindig rögzítse az elemtartó fedelét. Ha a fedél nem zár stabilan, akkor állítsa le az eszközt, vegye ki az elemet és tartsa gyermekek által nem hozzáférhető helyen. Azonnal hívjon orvost, ha úgy véli, hogy valaki lenyelte az elemet vagy más módon a testébe került.

⚠ BIZTONSÁGI TUDNIVALÓK PRÉSSZERSZÁMOKHOZ

A krimpelő szerszámokat és a krimpelő eszközöket elektrotechnikai célokra csak szakképzett személyek használhatják.

Soha ne krimpeljen áram alatt levő anyagokat.

A prészserszámokat, -pofákat és -betéteket mindegyik használatba vétel előtt felül kell vizsgálni repedésekre és egyéb kopási jelenségekre.

A prészserszámokat és a présbetéteket csak műszakilag kifogástalan állapotban használja.

A prészserszámokat csak behelyezett présbetétrel együtt szabad használni.

A préselési művelet közben ne nyúljon a nyomópofákhoz és a nyomótüskéhez.

Ha a présfolyamat során zavarok lépnének fel, azonnal engedje el a BE-kapcsolót és nyomja meg a hidraulika kiretessző gombját. A szelep kinyílik, és a dugattyú visszatér a kiindulási pozícióba.



BIZTONSÁGI TUDNIVALÓK KÁBELVÁGÓKHOZ

A kábelek és a kötelek vágását, ill. szétválasztását a kábelvágó segítségével csak az elektrotechnika terén megfelelő képzésben részesült személyek végezhetik.

Robbanás, villamos áramütés, valamint vagyoni és berendezéskár kockázatának csökkentése érdekében soha ne vágjon élő (áram alatt levő) villamos kábeleket. Az eszköz NEM szigetelt.

Tartsa távol a vágószerszámoktól és a többi mozgó résztől kezeit és a lazan felfekvő ruházatot. Súlyos sérülés, így végtagok leszakításának veszélye áll fenn.

A vágási folyamat megkezdése előtt a helyi előírásoknak megfelelően le kell zárni a területet.

Mindig csak olyan kábeleket vágjon, amelyek le vannak választva az áramellátásról!

A kábeleket és a köteleket nem szabad kitenni mechanikai erők hatásának.

A sérülési kockázat csökkentése érdekében viseljen munkavédelmi szemüveget vagy oldalsó védőlemezrel rendelkező szemüveget.

Ennek az utasításnak a figyelmen kívül hagyása súlyos sérüléshez, halálhoz, tűzhez és egyéb vagyoni kárhoz vezethet villamos áramütés, robbanás és/vagy villamos ívek miatt.

A kábelvágót soha ne fogja meg a vágópofáknál.

Használat előtt mindig ellenőrizze, hogy nincsenek-e repedések és egyéb elhasználódási nyomok a vágópofákon.

A kábelvágót csak behelyezett vágószerszámmal szabad használni.



BIZTONSÁGI TUDNIVALÓK LYUKASZTÓGÉPEKHEZ

A vágószerszámokat mindegyik használatba vétel előtt felül kell vizsgálni repedésekre és egyéb kopási jelenségekre. A vágószerszámokat és vágókészülékeket csak műszakilag kifogástalan állapotban használja.

A készüléket csak behelyezett vágószerszámmal együtt szabad használni. Ne használja a készüléket feszültség alatt vagy közelében álló kapcsolószekrényeknél. Csak feszültségmentes kapcsolószekrényeken végezzen el munkálatokat.

Vizsgálja felül, hogy a stencil névleges szélessége megfelel-e a pecsét névleges szélességének.

A szerszámot csak a max. névleges erőnek megfelelő stencillekek és pecsétlekek használja. Egyéb alkatrészek sérüléseket vagy anyagi károkat okozhatnak.

A vágószerszámok legyenek mindig élesek és tiszták. A helyesen karbantartott vágószerszámok éles szélei ritkábban szorulnak be és könnyebben ellenőrizhetők.

RENDELTETTÉSSZERŰ HASZNÁLAT

Tartozékok és szerszámfejek:

Renderletésszerű használat: csak egyszeres működésű tartozékokhoz és szerszámfejekhez, névleges nyomás 700 bar; max. olajleomlás 1,35 l

Présszerszámok:

A présszerszám kizárólag az adott présbetéteknek megfelelő összekötő anyagok préselésére használható.

A technikus munkakörnyezetében levő minden, áram alatt levő alkatrészt – így az áramvezető részeket – a munka megkezdése előtt le kell választani az áramellátásról.

Kábelvágó:

A kábelvágó az alábbiak vágására alkalmas:

- szigetelt réz vagy alumínium vezetőjű feszültségmentes nem megerősített kábelek, a vágószerszámok a kábelvégeket függenek

Kiűtő szerszám:

A kiűtő szerszámot csak a mellékelt présszerszámmal és matricákkal szabad használni anyagokban végzett stancolásra.

▲ FIGYELMEZTETÉS Olvasson el minden, a géppel együtt megkapott biztonsági utalást, utasítást, ábrázolást és adatot. Ha nem tartja be a következő előírásokat, akkor ez áramütéshez, tüzhez és/vagy súlyos személyi sérülésekhez vezethet. **Kérjük a későbbi használatra gondosan őrizze meg ezeket az előírásokat.**

ÁLTALÁNOS UTASÍTÁSOK

A hidraulikarendszer feltöltése:

A szerszámot minden olyan esetben fel kell tölteni, amikor szárazra futott.

A rendszer feltöltése:

- Vegye ki az akkumulátort.
- Ellenőrizze az olaj szintjelzését és gondoskodjon róla, hogy a szerszámban elegendő olaj legyen.
- A csatlakozót olyan tartozékfejre csatlakoztassa, amely kiengedi a levegőt és a felesleges olajat.

MEGJEGYZÉS: A csatlakozót egyenesen felfelé kell tartani, és a szerszámot a tartozékfej szintje alatt kell tartani.

- Helyezze be az akkumulátort.
- Nyomja meg a Csupaszoló üzemmód gombot.
- Működtesse a szerszámot.

MEGJEGYZÉS: Akár 30 másodpercet is igénybe vehet a levegő és az olaj megjelenése.

- Amint az olaj megjelenik, nyomja meg és két másodpercig tartsa lenyomva a kézi kioldó gombot, majd engedje fel mindkét gombot.
- Ismételje meg az 5-7. lépéseket háromszor-négyszer.

MEGJEGYZÉS: A rendszer feltöltése során ügyeljen rá, hogy az olajsint ne essen az olajsint-jelzés alá. Szükség esetén töltsen fel tartályt.

A tartozékok légtelenítése:

A tartozékokat a tartozék szervizelése, hosszabb idejű használaton kívüli állapota vagy olajjal előzetesen fel nem töltött tömlőhöz való csatlakoztatása esetén légteleníteni kell.

További légtelenítési utasításokat lásd a tartozék gyártójának ajánlásai között.

Tartozékok légtelenítése:

- Vegye ki az akkumulátort.
- Csatlakoztassa a tartozék tömlőjét a csatlakozóhoz.

MEGJEGYZÉS: A csatlakozónak oldalra kell néznie, és a szerszámot a tartozék tömlője és feje felett kell tartani.

- Helyezze be az akkumulátort.
- Nyomja meg a Csupaszoló üzemmód gombot.
- Működtesse a szerszámot a ciklus befejezéséig és a LED-es jelzőlámpa zöld színű jelzéséig.
- Nyomja meg és két másodpercig tartsa lenyomva a kézi kioldó gombot, majd engedje fel mindkét gombot.
- Ismételje meg a 4-6. lépéseket háromszor-négyszer.

MEGJEGYZÉS: A tartozék légtelenítése során ügyeljen rá, hogy az olajsint ne essen az olajsint-jelzés alá. Szükség esetén töltsen fel a tartályt.

A HASZNÁLATRA VONATKOZÓ ÚTMUTATÁSOK CSUPASZOLÁSHOZ

Csak a nemzeti normák szerinti szabvány összekötő termékeket és az ezekhez előírt présbetéteket használja.

Összekötő termékek feldolgozási és szerelési utasításai a gyártó dokumentációjában található.

Vizsgálja felül, hogy az összekötő termék névleges szélessége megfelel-e a présbetét névleges szélességének.

A krimpelési (vágási-sajtolási) folyamat megkezdése előtt az akkumulátor kapacitását ellenőrizni kell: az előírt érték legalább 33 %-a legyen (lásd az illusztrált leírást). A munka megkezdése előtt szükség lehet töltésre.

A vezérlőkapcsoló működtetése elindítja a préselési folyamatot, amelyet a nyomótüske összezáródása jellemez.

A helyes préselés felülvizsgálatát és megítélését az alkalmazónak kell elvégeznie.

A helytelen összeköttetéseket ismételtlen préselni kell egy új összekötő termékkel.

Teendők üzemmód esetén

- A reset kapcsolót tartsa lenyomva, amíg a pofák teljesen ki nem nyitnak
- ellenőrizze az akkumulátorkapacitást
- A műszaki adatok alapján vizsgálja meg a kábelt és az összekötő elemet.
- Ha felmerül a gyanú, hogy áram alatt levő kábelt sajtoltak, akkor a krimpelő szerszámot hivatalos szakműhelyben át kell vizsgáltatni

A HASZNÁLATRA VONATKOZÓ ÚTMUTATÁSOK VÁGÁSHOZ

A munkaterület előkészítése

A munka megkezdése előtt biztosítani kell a vezetékek és a kötelek feszültségmentes állapotát, és ezt az állapotot a munkavégzés teljes időtartamára fenn kell tartani.

Nem kezdhető meg a munka abban az esetben, ha kétséget kizáróan nem garantálható, hogy a kábel vagy a szigetelt vezeték le van választva.

Feltétlenül tartsa be a helyi biztonsági előírásokat és szabályozásokat.



A kábeleket és a köteleket nem szabad kitenni mechanikai erők hatásának, és adott esetben biztosítani kell őket a vágás utáni akaratlan mozgásokkal szemben.

A berendezést tilos nedves, vagy vizes környezetben használni és kitenni eső hatásának.

A kábelvágó és az akkumulátor előkészítése

Minden használat előtt:

- Vizsgálja meg a kábelvágót, hogy nincsenek-e rajta külső hiányosságok
- Ellenőrizze, hogy nincsenek-e repedések és egyéb elhasználódási nyomok a vágószerszámon

Csak tökéletes állapotban használja!

A vágási folyamat megkezdése előtt az akkumulátor kapacitását ellenőrizni kell: az előírt érték legalább 33% (lásd az illusztrált leírást). A munka megkezdése előtt szükség lehet töltésre.

A vágási folyamat előkészítése

Az akaratlan mozgás kockázatának minimálisra csökkentése érdekében támassza meg és rögzítse a vágni kívánt kábelt vagy kötelet.

Különösen a légyzetékek és a szabaddá vált kötelek fejthetnek ki akaratlan mozgást és okozhatnak sérülést vagy károsodást.

A vágófejet 90°-os szögben kell a kábelhez vagy a kötélhez illeszteni azzal a céllal, hogy a kábel vagy a kötél feszültségmentesen a nyitott vágópofák közé feküdjön, és el lehessen kerülni a kedvezőtlen nyíróerőket.



FIGYELMEZTETÉS: Robbanás, villamos áramütés, valamint vagyoni és berendezéskár kockázatának csökkentése érdekében soha ne vágjon élő (áram alatt levő) villamos kábeleket.

Az eszköz **NEM** szigetelt. Az áram alatt levő kábellel való érintkezés súlyos sérülést vagy halált okozhat. Vágás előtt kapcsolja ki a tápfeszültséget. Soha ne vágjon gáz- vagy vízvezetékét. Tartsa távol a kezét a vágóélektől és a mozgó alkatrészeketől. Végtagok leszakadása vagy levágása következhet be.

Töltés vagy tartozékok kiemelése előtt mindig vegye ki az akkumulátort. Csak kifejezetten ehhez a szerszámhoz ajánlott tartozékokat használjon. Minden egyéb veszélyes lehet.

A sérülési kockázat csökkentése érdekében viseljen munkavédelmi szemüveget vagy oldalsó védőlemezzel rendelkező szemüveget.



FIGYELMEZTETÉS: A sérülésveszély elkerülésének érdekében csak a pengékhez ajánlott anyagokat vágjon. (lásd a „Műszaki adatok” c. fejezetet) Más anyagokat ne próbáljon vágni.

Vágás

Vágás előtt gondoskodjon arról, hogy a pengék megfelelően legyenek behelyezve.

1. Vezesse a kábelt derékszögben a kábelvágó vágóéleibe. Ferde vágást ne kíséreljen meg, mert az károsítja a munkadarabot és a pengéket.
2. Húzza meg az indítógombot, és üzem közben tartsa lenyomva. Az indítógomb meghúzott állapotában minden LED világít.
3. A vágás vagy a gép kikapcsolása után engedje el újra a kioldót, és hozzá működésbe a visszaállító kapcsolót, hogy a vágópofák kinyíljanak.

MEGJEGYZÉS: A vágás során kissé elmozdulhat a munkadarab.

Teendők üzemmódozár esetén

- a megvágott kábel feszültség alatt állhat – mindig tájékozottan a biztonsági felelőst, szakítsa meg a vágási folyamatot, hozza meg a megfelelő biztonsági intézkedéseket
- Mindig gondoskodjon arról, hogy az eszköz le legyen választva az erősáramú hálózatról, mielőtt az eszközt megközelíti és megérinti
- nyomja meg és tartsa lenyomva a gombot, amíg a vágó teljesen ki nem nyílik
- ellenőrizze az akkumulátorkapacitást
- ellenőrizze az anyagot és az anyagvastagságot a műszaki adatok alapján
- Ha felmerül a gyanú, hogy áram alatt levő kábelt vágtak át, akkor a kábelvágót hivatalos szakműhelyben át kell vizsgáltatni

Beszorult pengék

Egy-egy vágás után a szennyeződés és a törmelék a pengék beszorulását okozhatja

- Nyomja le és tartsa lenyomva a kioldógombot, hogy a szerszám alaphelyzetbe álljon.
- Vegye ki az akkumulátort.
- A vágópofák kinyitásához kövesse a képleírást
- Az újabb vágás indítása előtt távolítsa el a szennyeződéseket és a törmelékét a pengék közül.

Vágási tippek

- Ferde vágást ne kíséreljen meg, mert az károsítja a munkadarabot és a pengéket.
- A penge élettartamának növelése érdekében tiszta anyagot vágjon. A vágás megkezdése előtt törölje le a szennyeződést és a törmelékét az anyagról és a pengékről.

MUNKAUTASÍTÁSOK STANCOLÁSHOZ

Ellenőrizze, hogy a matrica névleges átmérője azonos-e a prészserszám névleges méretével.

KARBANTARTÁS

Az eszközön végzett mindennemű beállítás, tisztítás és karbantartás megkezdése előtt vegye ki az akkumulátort.

Soha ne nyissa fel az eszközt, a cserélhető akkumulátort vagy a töltőt.

Vizsgálja meg az eszközt bármilyen olyan probléma – zaj, mozgó alkatrészek beszorulása – tekintetében, amely befolyással lehet az eszközhöz.

Az eszköz szellőző nyílásait minden esetben szabadon kell hagyni.

A sérülés és károsodás elkerülése érdekében az eszközt, a cserélhető akkumulátort és a töltőt soha ne merítse folyadékba, és ne engedje folyadék behatolását ezekbe.

További szerviz- és javítási munkát csak hivatalos szakszervezet végezhetnek.

A készülék hidraulikaolajat tartalmaz, amely veszélyt jelent a talajvízre. Az olaj ellenőrizetlen leeresztése vagy szakszerűtlen ártalmatlanítása büntetendő.

A következő szerviz időpontját az eszközön levő LED jelzi.

Javítás céljából juttassa vissza a szerszámot, az akkumulátort és a töltőt egy MILWAUKEE szervizbe. A használatról függően hat hónap – egy év eltelte után felülvizsgálat céljából juttassa vissza a szerszámot, az akkumulátort és a töltőt egy MILWAUKEE szervizbe. Csak Milwaukee tartozékokat és Milwaukee pótalkatrészeket szabad használni.

Az olyan elemeket, melyek cseréje nincs ismertetve, cseréltesse ki Milwaukee szervizzel (lásd Garancia/Ügyfélszolgálat címei kiadványt).

Ha teljesen feltöltött akkumulátor mellett a szerszám nem indul vagy nem üzemel teljes kapacitáson, akkor tisztítsa meg az akkumulátor érintkezőit. Ha a termék továbbra sem működik megfelelően, akkor javítás céljából juttassa vissza a szerszámot, a töltőt és az akkumulátort egy MILWAUKEE szervizbe.

Szervizgyakoriság

A szükséges szervizeléssel – így a folyadékpótlással – kapcsolatos tájékoztatást lásd a ONE-KEY alkalmazásban. Javítás és karbantartás céljából juttassa vissza a szerszámot egy MILWAUKEE szervizbe.

MEGJEGYZÉS: A szerszám gyártásának hete és éve szükségessé lehet. Ezt az adatot a szerszám típusabláján levő gyártási számban találja meg.

Szükség esetén a készülékek robbantott ábráját – a készülék típusa és azonosító száma alapján a területileg illetékes TTI márkaszerviztől vagy közvetlenül a gyártótól (Techtronic Industries GmbH, Max-Eyth-Straße 10, 71364 Winnenden, Germany) lehet kérni.

A biztonságos szállításhoz javasoljuk a hidraulikus szivattyú lezárát, olajálló műanyag zsákba történő becsomagolását és az eredeti csomagolás használatát.

ONE-KEY™

Az eszköz ONE-KEY funkcióinak részletes ismertetését megtalálja a termékhez mellékelt Gyors Kezdés útmutatóban vagy ezen a honlapon: <http://www.milwaukeetool.com/one-key>

A ONE-KEY alkalmazás az App Store-ból vagy a Google Play-ből tölthető le.

A vizsgálati eredmény teljesíti az EN 301489-1 / EN 301489-17 szerinti minimális követelményeinket. Az üzemeltetési útmutatót a felhasználói kézikönyvben biztosítjuk a vevő számára.

AKKUK

A hosszabb ideig üzemben kívüli lévő akkumulátort használat előtt ismételtelen fel kell tölteni. 50°C feletti hőmérsékletnél csökkenhet az akkumulátor teljesítménye. Kerülni kell a túlzottan meleg helyen vagy napon történő hosszabb idejű tárolást.

A töltő és az akkumulátor csatlakozóit mindig tisztán kell tartani.

Az optimális élettartam érdekében használat után az akkukat teljesen fel kell tölteni.

A lehetőleg hosszú élettartamhoz az akkukat feltöltés után ki kell venni a töltőkészülekből.

Az akku 30 napot meghaladó tárolása esetén: Az akkut kb. 27 °C-on, száraz helyen kell tárolni. Az akkut kb. 30-50%-os töltöttségi állapotban kell tárolni. Az akkut 6 havonta újra fel kell tölteni.

A használt akkumulátort ne dobja tűzbe vagy a háztartási szemétkébe. Tájékozódjon a szakszerű megsemmisítés helyi lehetőségeiről.

Az akkumulátort ne tárolja együtt fém tárgyakkal. (Rövidzárlat veszélye).

Akkumulátor sav folyhat a sérült akkumulátorból extrém terhelés alatt, vagy extrém hő miatt. Ha az akkumulátor sav a bőrére kerül azonnal mossa meg szappanos vízzel. Szembe kerülés esetén folyóvíz alatt tartsa a szemét minimum 10 percig és azonnal forduljon orvoshoz.

Ügyeljen arra, hogy a töltő aknájába ne kerüljön semmilyen fém tárgy, mert ez rövidzárlatot okozhat.

LÍTIUM-ION AKKUK SZÁLLÍTÁSA

A lítium-ion akkuk a veszélyes áruk szállítására vonatkozó törvényi rendelkezések hatálya alá tartoznak.

Az ilyen akkuk szállításának a helyi, országos és nemzetközi előírások és rendelkezések betartása mellett kell történnie.

A fogyasztók minden további nélkül szállíthatják az ilyen akkukat közúton.

A lítium-ion akkuk szállítmányozási vállalatok általi kereskedelmi célú szállítására a veszélyes áruk szállítására vonatkozó rendelkezések érvényesek. A kiszállítás előkészítését és a szállítást kizárólag megfelelő képzettségű személyek végezhetik. A teljes folyamatnak szakmai felügyelet alatt kell történnie.

A következő pontokat kell figyelembe venni akkuk szállításakor:

Biztosítsa, hogy a rövidzárlatot elkerülése érdekében az érintkezők védve és szigetelve legyenek. Ügyeljen arra, hogy az akkucsomag ne tudjon elcsúszni a csomagoláson belül. Tilos sérült vagy kifolyt akkukat szállítani. További útmutatásokért forduljon szállítmányozási vállalatához.



Mag

CE-AZONOSSÁGI NYILATKOZAT

Kizárólagos felelősségünk alapján kijelentjük, hogy a „Műszaki adatok” fejezetben leírt termék megfelel a irányelvek összes vonatkozó rendelkezésének

2011/65/EU (RoHS)

2000/14/EK

2006/42/EK

2014/53/EU

harmonizált szabvány és a

EN 62841-1:2015

EN 62479:2010

EN 55014-1:2017

EN 55014-2:2015

EN 301 489-1 V2.1.1 (2017-02)

EN 301 489-17 V3.1.1 (2017-02)

EN 300 328 V2.1.1 (2016-11)

EN IEC 63000:2018

Mért hangteljesítményszint 87,2 dB(A)

Szavatolt hangteljesítményszint 89,0 dB(A)

K bizonytalanság= 1,5 dB(A)

Megfelelőség értékelési eljárása 2000/14/EK V. melléklete szerint

Megnevezett szerv:

DEKRA Certification B.V. (0344)

Meander 1051/P.O.Box 5185

6825 MS ARNHEIM/6802 ED ARNHEIM

Netherlands



Winnenden,

Alexander Krug / Managing Director

Műszaki dokumentáció összeállításra felhatalmazva

Techtronic Industries GmbH

Max-Eyth-Strasse 10, 71364 Winnenden, Germany

SZIMBÓLUMOK



Kérjük alaposan olvassa el a tájékoztatót mielőtt a gépet használja.



Viseljen védőszemüveget.



Az eszköz lítium gombaelemek tartalmaz.



FIGYELEM! FIGYELMEZTETÉS! VESZÉLY!



Karbantartás, javítás, tisztítás, stb. előtt az akkumulátort ki kell venni a készülékből.



Áramütés veszélye áll fenn



FIGYELMEZTETÉS!

Elhajított tárgyak!



FIGYELMEZTETÉS! Kéz sérülése



Az ezen a címkén feltüntetett garantált hangteljesítményszint 89 dB



Az elektromos eszközöket, elemeket/akkukat nem szabad a háztartási hulladékkal együtt ártalmatlanítani. Az elektromos eszközöket és akkukat szelektíven kell gyűjteni, és azokat környezetbarát ártalmatlanítás céljából hulladékhasznosító üzemben kell leadni. A helyi hatóságoknál vagy szakkereskedőjénél tájékozódjon a hulladékudvarokról és gyűjtőhelyekről.

V

Feszültség



Egyenáram



Európai megfeleléségi jelölés



Ukrán megfeleléségi jelölés

001



Eurázsiai megfeleléségi jelölés



TEHNIČNI PODATKI Hidravlična črpalka	M18 HUP700
Proizvodna številka	4745 35 01... ... 000001-999999
Bluetooth-Frekvenčni pas (Frekvenčni pasovi)	2402-2480 MHz
Visokofrekvenčna	1,8 dBm
Bluetooth-verzija	4.0 BT signal mode
Napetost izmenljivega akumulatorja	18 V
Nazivna sila tlaka	700 bar
Razred zaščite	IP54
Največji kot konice	34°
Nazivna hitrost pretoka	
Nizek tlak	2,0 l/min
Visok tlak	0,4 l/min
Skupna prostornina olja	1,6 l
Uporabna prostornina olja	1,3 l
Teža po EPTA-proceduri 01/2014 (Li-Ion 8,0 Ah... 12,0 Ah)	16,0..., 16,5 kg
Priporočena temperatura okolice za obratovanje	-18°C ... +50°C
Priporočeni kompleti akumulatorjev	M18B9 M18HB8 ..., M18HB12
Priporočeni polnilniki	M12-18..., M1418 C6
Informacije o hrupnosti	
Vrednosti merjenja ugotovljene ustrezno z EN 62841. Raven hrupnosti naprave ovrednotena z A, znaša tipično:	
Nivo zvočnega tlaka (Nevarnost K=3dB(A))	77,7 dB (A)
Višina zvočnega tlaka (Nevarnost K=3dB(A))	88,7 dB (A)

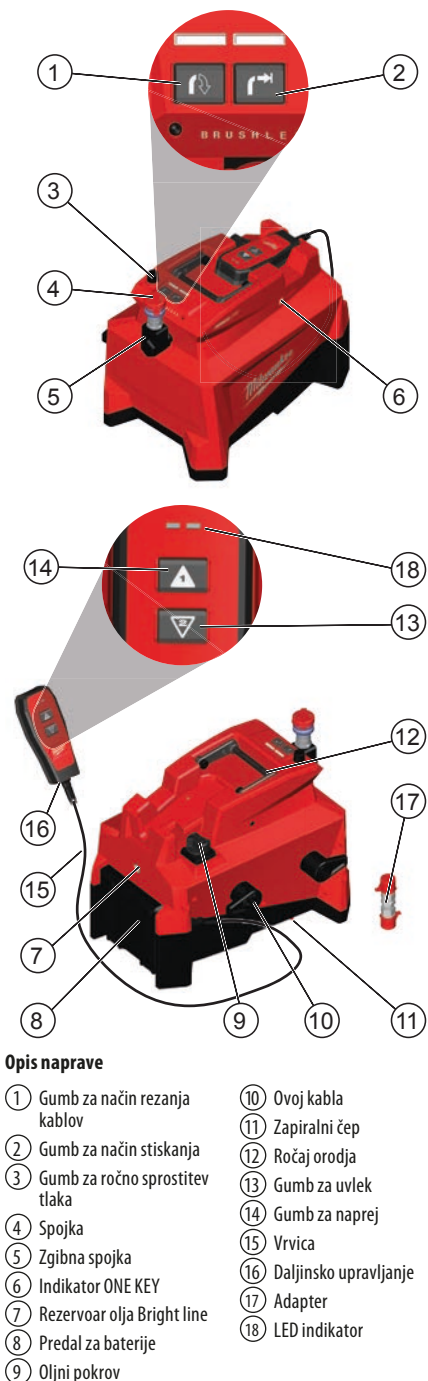
OPOZORILO

Raven vibracij, navedena v tehničnem listu, je bila izmerjena ustrezno standardiziranemu merilnemu postopku v EN 62841 in se lahko uporabi za primerjavo orodij med seboj. Primerna je tudi za začasno oceno obremenitve.

Navedena raven vibracij predstavlja dejanske uporabe orodja. Če pa se orodje uporabi za druge uporabe ali z odstopajočim priborom ali ni zadostno vzdrževano, lahko raven vibracij odstopa. To lahko obremenitev občutno poveča skozi celotno delovno obdobje.

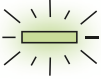
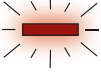
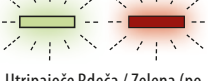
Za natančno oceno obremenitve z vibracijami je treba upoštevati tudi obdobja, v katerih je naprava izklopljena ali sicer dela, vendar se dejansko ne uporablja. To lahko obremenitev občutno zmanjša skozi celotno delovno obdobje.

Določite dodatne varnostne ukrepe za zaščito upravljavca pred učinki vibracij, kot na primer: vzdrževanje električnih orodij in pribora ter organizacija delovnih postopkov.



Opis naprave

- | | |
|-----------------------------------|-------------------------|
| ① Gumb za način rezanja kablov | ⑩ Ovoj kabla |
| ② Gumb za način stiskanja | ⑪ Zapiralni čep |
| ③ Gumb za ročno sprostitvev tlaka | ⑫ Ročaj orodja |
| ④ Spojka | ⑬ Gumb za uvlek |
| ⑤ Zgibna spojka | ⑭ Gumb za naprej |
| ⑥ Indikator ONE KEY | ⑮ Vrvica |
| ⑦ Rezervoar olja Bright line | ⑯ Daljinsko upravljanje |
| ⑧ Predal za baterije | ⑰ Adapter |
| ⑨ Oljni pokrov | ⑱ LED indikator |

LED indikator	Opreelitev
 Neprekinjeno Zelena	Orodje je končalo opravilo in doseglo največji stiskalni tlak.
 Neprekinjeno Rdeča	Orodje je končalo opravilo, vendar NI doseglo največjega stiskalnega tlaka.
 Utripajoče Rdeča / Zelena (po Neprekinjeno Zelena ali Neprekinjeno Rdeča)	Orodje je doseglo servisni interval. (20000 stiskalne čeljusti). Rdeče/Zeleno utripanje se začne, ko se za opravilo prikaže neprekinjen rdeč ali zelen indikator. MILWAUKEE priporoča redne preglede orodja in preventivno vzdrževanje.



NAPOTEK: Če indikator sveti rdeče, preverite nivo olja in se prepričajte, da vgradne naprave tesnijo. Prepričajte se, da so vsi spoji varni in priključki primerni za opravilo. Znova vklopite. Če napaka še vedno obstaja, vrnite orodje servisni službi MILWAUKEE.

⚠ OPOZORILO Preberite vse varnostne napotke, navodila, prikaze in podatke, ki ste jih prejeli skupaj z napravo. Zaradi nespoštovanja spodaj navedenih navodil lahko pride do električnega udara, požara in/ali težkih telesnih poškodb.

Vsa opozorila in napotila shranite, ker jih boste v prihodnje še potrebovali.

⚠ SPECIJNI VARNOSTNI NAPOTKI

Hidravlične črpalke podjetja Techtronic Industries GmbH so razvite za uporabo s stiskalnimi, rezalnimi in vtiskovalnimi glavami. V skladu s to določeno uporabo niso opremljene s protipovratnim varnostnim sistemom za olje.

Zaradi tega je lahko uporaba za drugačne namene od predvidenih (npr. s hidravličnimi vitli, dviznimi sistemi, ali podobno) nevarna in povzroči hude telesne poškodbe uporabljavca.

Podjetje Techtronic Industries GmbH ne prevzema jamstva za uporabo vaših hidravličnih črpalk za drugačno uporabo kot stiskanje, rezanje in vtiskovanje.

Ne zvišujte tlaka, ko črpalka ni priključena na gibko cev in glavo, ker bi to lahko poškodovalo hitro spojko črpalke in povzročilo iztekanje olja.

Gibke visokotlačne črpalke so podvržene naravnemu postopku staranja, kar lahko privede do zmanjšanja zmogljivosti, ki lahko vpliva na varnost upravljavca. Zaradi tega je njihova življenjska doba omejena. Za zagotavljanje varne uporabe njenih enot podjetje Techtronic Industries GmbH priporoča, da hidravlične cevi redno menjate po navodilih proizvajalca tudi, če ni vidnih poškodb.

Črpalke in gibke cevi ne približujte odprtemu ognju in virom toplote nad 70 °C.

Pred uporabo črpalke vedno gibke cevi in hitre spojke glede poškodb, in se prepričajte, da niso odrgnjene, urezan, preoblikovane ali nabrekle.

Tovarniško nameščene zaščitne naprave morajo biti nameščene na vsakem koncu gibke cevi. Ne dotikajte se gibkih cevi, ki so pod tlakom.

Med uporabo črpalke mora biti gibka cev odvita in položena naravnost. Preden odklopite gibko cev, se prepričajte, da je bat glave popolnoma uvlečen, in poskrbite za zadostno količino olja za poznejša dela.

Črpalka ni primerna za trajno delovanje in se mora po neprekinjenih, zaporednih postopkih stiskanja ohladiti. Če se na primer popolnoma napolnjena akumulatorska baterija iztroši pri eni uporabi, odložite menjavo baterije za nekaj minut.

Zaščitne črpalke, baterijo in polnilnik pred dežjem in vlago. Voda bo poškodovala črpalko. Električna hidravlična orodja ne smejo delovati v dežju.

Upravljalcev te naprave se mora pred prvim opravljenim in potem najmanj enkrat letno seznaniti s posebnimi nevarnostmi pri uporabi te naprave in s potrebnimi varnostnimi ukrepi.

Lastnik mora:

- upravljavcu dati na voljo navodila za uporabo in
- se prepričati, da jih je upravljavec prebral in razumel.

Uporabite zaščitno opremo. Pri delu s strojem vedno nosite zaščitna očala. Priporočajo se zaščitna oblačila, kot npr. maska za zaščito proti prahu, zaščitne rokavice, trdno in neдрseče obuvalo, čelada in zaščita za sluh.

- **Preverite črpalko, cevi, spojke in priključke glede obrabe ali poškodb. Obrabljene, poškodovane ali manjkajoče sestavne dele zamenjajte z nadomestnimi deli proizvajalca.** Obrabljene ali poškodovani sestavni deli lahko privedejo do napak v delovanju, kar povzroči telesne poškodbe. Neupoštevanje tega opozorila lahko povzroči hude telesne poškodbe ali smrt.

- **Pred uporabo črpalke se prepričajte, da je v zelenem načinu delovanja.**

- **Netesnosti ne preverjajte z roko.** Visokotlačno olje lahko prodre skozi kožo in povzroči resne telesne poškodbe, opekline ali smrt. Pri telesnih poškodbah takoj obiščite zdravnika, da odstrani olje.

- Prepričajte se, da je črpalka pod največjim kotom nagiba.

- Preverite nivo olja in ga po potrebi nastavite. Nizek nivo lahko povzroči telesne poškodbe ali materialno škodo. Za doseganje optimalne zmogljivosti za polnjenje rezervoarja olja vedno uporabite hidravlično olje MILWAUKEE Force Logic™ Hydraulic Oil (4932 4720 04).

- **Iz hidravličnega sistema vedno izpusite tlak, preden servisirate, priključite ali odklopite cevi ali druge hidravlične povezovalne elemente: pred tem vedno pritisnite gumb za ročno sprostitve.**

- **Med uporabo ali vzdrževanjem orodja nosite zaščito za oči.** Če ne nosite zaščitne oči, lahko to povzroči hude poškodbe oči zaradi letočih delov ali hidravličnega olja.

- **Uporabljajte samo cevi in priključke z enojnim delovanjem in s tlakom 10,000 psi (700 bar) ali več.**

- **Za boljše zmogljivost uporabljajte cevi, ki so predhodno napolnjene z oljem.** Če cevi niso predhodno napolnjene, sistem pred uporabo odzračite.

- **Črpalke nikoli ne uporabljajte brez cevi ali priključka.**

- **Za doseganje optimalne zmogljivosti za polnjenje rezervoarja olja vedno uporabite hidravlično olje MILWAUKEE Force Logic™ Hydraulic Oil (4932 4720 04).**

- **Za optimalno delovanje uporabljajte akumulatorsko baterijo M18™ REDLITHIUM™ 8,0 Ah ali več.**

- **Upoštevajte navodila za uporabo proizvajalca dodatne opreme.** Drugačne uporabe lahko poškodujejo orodje, dodatno opremo in obdelovanec.

- **Če je potrebno, odzračite sistem.**

Nikoli ne držite prstov ali drugih delov telesa v delovnem območju cilindra ali čeljusti.

Pred nastavitvami, čiščenjem in vzdrževanjem na napravi odstranite nadomestni akumulator.

Naprave, nadomestne akumulatorje in polnilnike uporabljajte samo v tehnično brezhibnem stanju.

Poškodbe dajte takoj popraviti v avtoriziranemu strokovnemu obratu.

Za preprečevanje telesnih poškodb ali škode preprečite neželeni zagon naprave.

Pred uporabo odstranite vsa nastavitvena orodja in ključje za matice (francoze).

Delov pod električno napetostjo ni dovoljeno obdelovati. Naprava NI izolirana.

Z rokami in ohlapnimi oblačili se ne približujte rezalnemu orodju in drugim premikajočim se delom.

V primeru motenj med stiskanjem takoj spustite stikalo za VKLOP in pritisnite gumb za odklepanje hidravlike. Ventil se odpre in bat se vrne nazaj v izhodiščni položaj.

OPOZORILO! Da bi zmanjšali nevarnost požarov, telesnih poškodb in poškodb izdelka zaradi kratkega stika, nikoli ne potopite naprave, nadomestnega akumulatorja ali polnilnika v tekočino ali preprečite da bi tekočina prodrla vanje. Jedke ali prevodne tekočine, kot so morska voda, določene industrijske kemikalije in belila ali izdelki, ki vsebujejo belila itd. lahko povzročijo kratek stik.

Dosledno se držite vzdrževanj in vzdrževalnih intervalov.

Izmenljivih akumulatorjev in polnilnih aparatov ne odpirajte in jih hranite samo v suhih prostorih. Zaščitite jih pred mokroto.

Izmenljive akumulatorje sistema M18 polnite samo s polnilnimi aparati sistema M18. Ne polnite nobenih akumulatorjev iz drugih sistemov.

Za preprečevanje telesnih poškodb ali škode orodja, nadomestnega akumulatorja ali polnilnika nikoli ne potaplajte v tekočino ali dovolite, da tekočina vstopi vanje.

OPOZORILO



Ta naprava ima gumbasto/litijevo baterijo. Nova ali rabljena baterija lahko povzroči hude notranje opekline in povzroči smrt v samo 2 urah, če se pogoltne ali pride v telo na kakšen drug način. Vedno zavarujte pokrov na predelu za baterije. Če se predel ne zapira varno, zaustavite napravo, odstranite baterijo in jo hranite zunaj dosega otrok. Če menite, da je nekdo pogotlnil baterijo ali je prišla v telo na kakšen drug način, takoj poiščite zdravniško pomoč.

VARNOSTNI NAPOTKI ZA STISKALNA ORODJA

Stiskalna orodja in stiskalne naprave sme uporabljati samo oseba, ki je usposobljena za izvajanje elektrotehničnih aplikacij.

Nikoli ne stiskajte povezovalnih materialov kabla.

Pred vsako uporabo je treba preveriti, da na stiskalnem orodju, čeljustih in vstavkih ni razpok ali drugih znakov obrabe.

Stiskalno orodje in stiskalne nastavke je dovoljeno uporabljati le v tehnično brezhibnem stanju.

Stiskalno orodje je dovoljeno uporabljati le z vstavljenimi stiskalnimi nastavki.

Med stiskanjem se ne dotikajte stiskalnih čeljusti in stiskalnega vijaka.

V primeru motenj med stiskanjem takoj spustite stikalo za VKLOP in pritisnite gumb za odklepanje hidravlike. Ventil se odpre in bat se vrne nazaj v izhodiščni položaj.

VARNOSTNA NAVODILA ZA REZALNIK KABLOV

Rezanje, resp. delenje kablov a lán pomocou tohto strihača kablov smie vykonávat iba elektrotechnicky vyškolená osoba.

Za zmanjšanje tveganja eksplozij, električnega udara, materialne škode in poškodb na napravi, nikoli ne režite električnih napeljav, ki so pod električno napetostjo. Naprava NI izolirana.

Z rokami in ohlapnimi oblačili se ne približujte rezalnemu orodju in drugim premikajočim se delom. Obstaja nevarnost hudih telesnih poškodb ali trganja udov.

Pred začetkom postopka rezanja mora biti v skladu z lokalnimi predpisi nameščena zapora za dostop.

Režite samo kable, ki niso pod napetostjo!

Káble a láná nesmú být vystavené mechanickým silám.

Za zmanjšanje telesnih poškodb vedno nosite zaščitna očala ali očala s stransko zaščito.

Pri neupoštevanju obstaja nevarnost hudih telesnih poškodb, smrti, požara ali drugih materialnih škod zaradi električnega udara, eksplozije ali svetlobnega loka.

Noža za kable nikoli ne držite za rezilne čeljusti.

Pred vsako uporabo preverite nož za kable glede razpok in drugih vidnih sledi obrabe.

Nož za kable je dovoljeno uporabljati samo z vstavljenim rezilnim orodjem.

VARNOSTNA NAVODILA ZA ŠTANCE

Pred vsako uporabo preverite, da na rezalnem orodju ni razpok in drugih znakov obrabe. Rezalna orodja in rezalne naprave je dovoljeno uporabljati le v tehnično brezhibnem stanju.

Napravo je dovoljeno uporabljati le z vstavljenim rezalnim orodjem. Ne uporabljajte v stikalnih omaricah pod napetostjo ali v njihovi bližini. Delajte le na stikalnih omaricah, ki niso pod napetostjo.

Preverite, da se nazivne vrednosti matrice ujemajo z nazivnimi vrednostmi pečata.

Uporabljajte orodje le s pečati in matricami, ki so dovoljeni za maksimalno nazivno moč. Druga lahko povzročijo telesne poškodbe ali škodo.

Rezalno orodje naj bo ostro in čisto. Pravilno vzdrževano rezalno orodje z ostrimi rezili se manj zatika in ga je lažje nadzorovati.

UPORABA V SKLADU Z NAMEDNOSTJO

Dodatna oprema in glave orodja:

Predvidena uporaba: samo za dodatno opremo in glave orodja z enojnim delovanjem, nazivnim tlakom 700 bar; najv. pretok olja 1,35 l

Stiskalno orodje:

Stiskalno orodje je dovoljeno uporabljati izključno za stiskanje vez-nih materialov, za katere so predvideni ustrezni stiskalni nastavki. Vse dele pod napetostjo, tj. dele, skozi katere teče električni tok, je v tehničnem delovnem okolju potrebno izklopiti pred začetkom dela.

Rezalnik kablov:

Prepričajte se, da je rezalnik kabla varno nameščen:

- brez napetosti neokrepljeni kabli iz izoliranega bakra ali aluminija, rezalna orodja odvisna od vrste kabla

Izsekovalno orodje:

Izsekovalno orodje se sme uporabljati samo za prebijanje materia-lov s priloženimi žigi in matricami.



⚠ OPOZORILO Preberite vse varnostne napotke, navodila, prikaze in podatke, ki ste jih prejeli skupaj z napravo. Zaradi neupoštevovanja spodaj navedenih navodil lahko pride do električnega udara, požara in/ali težkih telesnih poškodb. **Vsa opozorila in napotila shranite, ker jih boste v prihodnje še potrebovali.**

SPLOŠNI NAPOTKI

Priprava hidravličnega sistema:

orodje je treba vedno napolniti, če je delovalo brez olja.

Za pripravo sistema:

1. Odstranite nadomestni akumulator.
2. preverite oljno cev in se prepričajte, da ima orodje dovolj olja.
3. Spojko povežite z dodatno opremo, ki bo odvajala zrak in odvečno olje.

NAPOTEK: Spojka mora biti speljana naravnost navzgor, orodje pa mora biti nameščeno nižje od glave dodatne opreme.

4. Vstavite akumulatorsko baterijo.
5. Pritisnite gumb za način stiskanja.
6. Zaženite orodje.

NAPOTEK: Da začne uhajati zrak in iztekati olje, lahko traja 30 sekund.

7. Ko olje začne iztekati, pritisnite gumb za ročno sprostitvev in ga pridržite dve sekundi, nato pa sprostitve oba gumba.
8. Korake 5–7 ponovite trikrat do štirikrat.

NAPOTEK: Med polnjenjem sistema pazite, da nivo olja ne pade pod črto olja. Po potrebi napolnite rezervoar.

Odzračevanje dodatne opreme:

Dodatna oprema je treba odzračiti vsakokrat, ko je bil del opreme vzdrževan, dlje časa neuporabljen ali priključena na cev, ki ni napolnjena z oljem.

Dodatna navodila za odzračevanje najdete tudi v navodilih proizvajalca.

Za odzračevanje dodatne opreme:

1. Odstranite nadomestni akumulator.
2. cev dodatne opreme povežite s spojko.

NAPOTEK: Spojka mora biti nameščena ob strani, orodje pa mora biti nameščeno višje od cevi in glave dodatne opreme.

3. Vstavite akumulatorsko baterijo.
4. Pritisnite gumb za način stiskanja.
5. Pustite orodje delovati, dokler se cikel ne dokonča in LED indikator ne zasveti zeleno.
6. Pritisnite gumb za ročno sprostitvev in ga pridržite dve sekundi, nato pa sprostitve oba gumba.
7. Korake 4–6 ponovite trikrat do štirikrat.

NAPOTEK: Med odzračevanjem dodatne opreme pazite, da nivo olja ne pade pod črto olja. Po potrebi napolnite rezervoar.

PRACOVNE POKYNY ZA STISKANJE

Uporabljajte le standardne vezne artikle, za katere veljajo nacionalni standardi, ter za to predvidene stiskalne nastavke.

Navodila za obdelavo in montažo veznih artiklov najdete v dokumentaciji proizvajalca.

Preverite, da se nazivne vrednosti veznega artikla ujemajo z nazivnimi vrednostmi stiskalnega nastavka.

Pred pričetkom postopka stiskanja je potrebno preveriti zmogljivost akumulatorja, ki mora biti najmanj 33 % (glejte opis slike). Morda ga je treba pred začetkom dela napolniti.

Aktiviranje krmilnega stikala sproži postopek stiskanja, pri čemer se stikalni vijak premakne.

Za preverjanje in oceno pravilnega stiskanja je zadolžen uporabnik. Nepravilne spoje je treba popraviti z novim veznim artiklom.

Ravnanje ob motnjah

- Držite stikalo za ponastavitev dokler se stikalne čeljusti popolnoma ne odprejo.
- Preverite zmogljivost akumulatorja.
- Preglejte kabel in povezovalni element v skladu s tehničnimi podatki.
- Če sumite, da je prišlo do stiska kabla, ki je pod električnim tokom, je potrebno opraviti pregled stikalnega orodja pri pooblaščenem serviserju.

PRACOVNE POKYNY ZA REZANJE

Priprava delovnega območja

Pred začetim práce musí byť vytvorený stav vodičov alebo lán bez napätia a musí i zostať zabezpečený po celú dobu trvania prác.

Če ni mogoče jasno zagotoviti, da sta kabel ali izolirana napeljava odklopljena, se dela ne smejo izvajati.

Je bezpodmienečne nutné dodržiavať miestne bezpečnostné predpisy a nariadenia.

Káble a láná nesmú byť vystavené mechanickým silám a popripáde musia byť zabezpečené proti nekontrolovaným pohybom po vykonaní rezu.

Naprave ne izpostavljajte na dežju in je ne uporabljajte v vlažnem ali mokrem okolju.

Priprava noža za kable in akumulatorja

Pred vsako uporabo:

- Preglejte nože za kable glede zunanjih pomanjkljivosti.
- Preverite rezilna orodja glede razpok in drugih vidnih sledi obrabe.

Uporabljajte samo v brezhibnem stanju!

Pred začetkom postopka rezanja je treba preveriti zmogljivost akumulatorja: najmanj 33 % (glejte opis slike). Morda ga je treba pred začetkom dela napolniti.

Priprava za postopek rezanja

Podprite a upevnite kábel alebo lano, ktoré chcete rezať, aby sa minimalizovalo riziko nekontrolovaného pohybu.

Najmä nadzemné vedenia a láná sa môžu nekontrolovane uviesť do pohybu a spôsobiť zranenia a / alebo poškodenia.

Rezná hlava musí byť priložená v uhle 90° ku káblu alebo lanu tak, aby sa bez napätia polohoval/o v otvorených závitových čelustiach a aby sa zabránilo nepriaznivým strihovým silám.

⚠ OPOZORILO: Za zmanjšanje tveganja eksplozij, električnega udara, materialne škode in poškodb na napravi, nikoli ne režite električnih napeljav, ki so pod električno napetostjo.

Naprava NI izolirana. Stik s tokokrogom, ki je pod električno napetostjo, lahko povzroči hude telesne poškodbe in smrt. Vedno prekinite dovajanje električne energije, preden začnete rezati. Nikoli ne režite plinske ali vodne napeljave. Rok ne približujte rezilnim orodjem in drugim premičnim delom. Obstaja nevarnost hudih telesnih poškodb ali odtrganja udov.



Slo

Vedno odstranite nadomestni akumulator, preden dele pribora zamenjate ali odstranite. Uporabljajte izključno pribor, ki je posebej priporočen za to orodje. Uporaba drugega pribora je nevarna.

Za zmanjšanje telesnih poškodb vedno nosite zaščitna očala ali očala s stransko zaščito.

⚠ OPOZORILO: Za zmanjšanje tveganj telesnih poškodb režite samo materiale, ki so primerni za rezila. (glejte „Tehnični podatki“) Ne poskušajte rezati drugih materialov.

Rezanje kablov

Pred rezanjem se prepričajte, da so rezila pravilno nameščena.

1. Kabel vedte v pravom uhlje k ostrim strihača kablov. Ne delajte posebnih rezov, ker bi to lahko poškodovalo orodje in rezila.
2. Pritisnite sprožilno in ga med opravljanjem držite pritisnjena. Ko pritisnete sprožilno, se vklopi lučka LED.
3. Ko je rez hotovy alebo sa nástroj vypne, spúšťač znovu uvoľnite a stlačte resetovacie tlačidlo, aby sa otvorili závitové čeluste.

NAPOTEK: Mogoče je, da se kabel med rezanjem nekoliko premika.

Ravnanje ob motnjah

- Kábel môže byť narezaný a byť pod napätím, vždy informujte bezpečnostného technika, prerušte proces rezania, urobte vhodné bezpečnostné opatrenia
- Pred približovanjem in dotikanjem noža za kable se vedno prepričajte, da naprava ni in ne bo pod napetostjo
- Povratno stikalo držite pritisnjeno, dokler se rezila popolnoma ne odprejo.
- Preverite zmogljivost akumulatorja.
- Preverite material in debelino materiala na podlagi tehničnih podatkov
- Če sumite, da režete kabel, ki je pod napetostjo, je treba nož za kable preveriti v pooblaščenih servisnih delavnicah.

Zataknenje rezilne čeljusti

Umazanija in obloge lahko privedejo do tega, da se rezila po rezu zataknejo.

- Pritisnite povratno stikalo in ga držite pritisnjena, da zagotovite, da naprava ni pod tlakom.
- Odstranite nadomestni akumulator.
- Pre otvorenie závitových čeljustí postupujte podľa opisu na obrázku
- Z rezilnih čeljusti odstranite umazanijo in obloge, preden izvedete naslednji rez.

Nasveti za rezanje kablov

- Ne delajte posebnih rezov, ker bi to lahko poškodovalo orodje in rezila.
- Režite samo čiste kable, da podaljšate življenjsko dobo rezil. Pred rezanjem s kablov in rezil odstranite umazanijo in obloge.

DELOVNA NAVODILA ZA VTISKOVANJE

Preverite, ali nazivni premer matrice ustreza nazivni velikosti žiga.

VZDRŽEVANJE

Pred nastavitvami, čiščenjem in vzdrževanjem na napravi odstranite nadomestni akumulator.

Nikoli ne odpirajte naprave, nadomestnega akumulatorja ali polnilnika.

Preverite napravo glede morebitnih težav, kot je zvok ali zataknevanje premičnih delov, ki bi lahko ovirali napravo.

Prezračevalne odprtine naprave morajo biti vedno čiste.

Za preprečevanje telesnih poškodb ali škode naprave, nadomestnega akumulatorja ali polnilnika nikoli ne potaplajte v tekočino ali dovolite, da tekočina vstopi vanje.

Nadaljnje storitve in popravila smejo izvajati samo pooblaščené specializirane delavnice.

Naprava vsebuje hidravlično olje, ki predstavlja nevarnost za podtalnico. Nenadzorovano izpust ali nestrokovno odstranjevanje je kaznivo.

Naslednji rok za servis prikaže LED na napravi.

Orodje, akumulatorsko baterijo in polnilnik vrnite servisni službi MILWAUKEE v popravilo. Po šestih mesecih ali enem letu, odvisno od uporabe, orodje, akumulatorsko baterijo in polnilnik vrnite servisni službi MILWAUKEE v pregled. Uporabljajte samo Milwaukee pribor in Milwaukee nadomestne dele. Poskrbite, da sestavne dele, katerih zamenjava ni opisana, zamenjajo v Milwaukee servisni službi (upoštevajte brošuro Garancija aslovi servisnih služb).

Če se orodje ne vklopi ali deluje pri polni moči s popolnoma napolnjenim akumulatorjem, očistite kontakte na akumulatorju. Če orodje še vedno ne deluje pravilno, vrnite orodje, polnilnik in baterijo servisni službi MILWAUKEE v popravilo.

Servisni interval

Glejte aplikacijo ONE-KEY za informacije v zvezi s potrebnimi vzdrževanji kot je menjava tekočine. V primeru popravil in vzdrževanja orodje vrnite servisni službi MILWAUKEE.

NAPOTEK: Teden in leto izdelave orodja so morda potrebni.

Te podatke najdete na serijski številki na tipski plošči orodja.

Po potrebi se lahko pri vaši servisni službi ali direktno pri Technronic Industries GmbH naroči eksplozijska risba naprave ob navedbi tipa stroja in številke s tipske ploščice Technronic Industries GmbH, Max-Eyth-Straße 10, 71364 Winnenden, Germany.

Za varno pošiljanje priporočamo, da hidravlično črpalko zapakirate v zaprto plastično vrečko, odporno na olje, in uporabite originalno embalažo.

ONE-KEY™

Če želite izvedeti več o delovanju z ENIM KLJUČEM te naprave, si oglejte navodila za hiter zagon, ki vsebujejo ta izdelek ali obiščite spletno stran <http://www.milwaukeetool.com/one-key>

Aplikacijo ONE-KEY si lahko snamete na pametni telefon v trgovini App Store ali Google Play.

Preizkusni izid izpolnjuje naše minimalne zahteve po EN 301489-1 / EN 301489-17. A zákazníkovi dáme prevádzkové pokyny v užívateľskej príručke.

AKUMULATORJI

Izmenljive akumulatorje, ki jih daljši čas niste uporabljali, pred uporabo naknadno napolnite. Temperatura nad 50°C zmanjšuje zmogljivost izmenljivega akumulatorja. Izogibajte se daljšemu segrevanju zaradi sončnih žarkov ali gretja.

Pazite, da ostanejo priključni kontakti na polnilnem aparatu in izmenljivem akumulatorju čisti.

za optimalno življenjsko dobo je potrebno akumulatorje po uporabi do konca napolniti.

Za čim daljšo življenjsko dobo naj se akumulatorji po napolnitvi zamejejo ven iz naprave za polnjenje.



Pri skladiščenju akumulatorjev dalj kot 30 dni: Akumulator skladiščiti pri 27°C in na suhem. Akumulator skladiščiti pri 30%-50% stanja polnjenja. Akumulator spet napolniti vsakih 6 mesecev.

Izrabljenih izmenljivih akumulatorjev ne mečite v ogenj ali v gospodinjne odpadke. Milwaukee nudi okolju prijazno odlaganje starih izmenljivih akumulatorjev; prosimo povprašajte vašega strokovnega trgovca.

Izmenljivih akumulatorjev ne hranite skupaj s kovinskimi predmeti (nevarnost kratkega stika).

Pod ekstremno obremenitvijo ali ob ekstremni temperaturi iz poškodovanega izmenljivega akumulatorja lahko izteka akumulatorska tekočina. Po stiku z akumulatorsko tekočino prizadeto mesto takoj izperite z vodo in milom. Po stiku z očmi takoj najmanj 10 minut dolgo temeljito izpirajte in nemudoma obiščite zdravnika.

V odprtino za nameščanje izmenljivih akumulatorjev na polnilnih aparatih ne smejo zaiti nikakršni kovinski deli (nevarnost kratkega stika).



Slo

TRANSPORT LITIJ-IONSkih AKUMULATORJEV

Litij-ionski akumulatorji so podvrženi zakonskim določbam transporta nevarnih snovi.

Transport teh akumulatorjev se mora izvajati upoštevajoč lokalne, nacionalne in mednarodne predpise in določbe.

Potrošniki lahko te akumulatorje še nadalje transportirajo po cesti.

Komercialni transport litij-ionskih akumulatorjev s strani špediterskih podjetij je podvržen določbam transporta nevarnih snovi. Priprava odpreme in transporta se lahko vrši izključno s strani ustrezno izšolanih oseb. Celoten proces je potrebno strokovno spremljati.

Pri transportu akumulatorjev je potrebno upoštevati sledeče točke:

V izogib kratkim stikom zagotovite, da bodo kontakti zaščiteni in izolirani. Bodite pozorni na to, da paket akumulatorja v notranjosti embalaže ne bo mogel zdrsniti. Poškodovanih ali iztekajočih akumulatorjev ni dovoljeno transportirati. Za nadaljnja navodila se obrnite na vaše špeditersko podjetje.

CE-IZJAVA O KONFORMNOSTI

S polno odgovornostjo izjavljamo, da izdelek, opisan pod „Tehnični podatki“ izpolnjuje vse ustrezne določbe direktiv

2011/65/EU (RoHS)

2000/14/ES

2006/42/ES

2014/53/EU

ter da so bili uporabljeni naslednji harmonizirani standardi

EN 62841-1:2015

EN 62479:2010

EN 55014-1:2017

EN 55014-2:2015

EN 301 489-1 V2.1.1 (2017-02)

EN 301 489-17 V3.1.1 (2017-02)

EN 300 328 V2.1.1 (2016-11)

EN IEC 63000:2018

Izmerjena višina zvočnega tlaka 87,2 dB(A)

Garantirana višina zvočnega tlaka 89,0 dB(A)

Nevarnost K= 1,5 dB(A)

Postopek za oceno skladnosti v skladu s standardom 2000/14/ES k Prilogi V

Imenovano mesto:

DEKRA Certification B.V. (0344)

Meander 1051/P.O.Box 5185

6825 MS ARNHEIM/6802 ED ARNHEIM

Netherlands

 Winnenden,


Alexander Krug / Managing Director

Pooblaščen za izdelavo spisov tehnične dokumentacije.

Techtronic Industries GmbH

Max-Eyth-Straße 10, 71364 Winnenden, Germany

SIMBOLI



Prosimo, da pred uporabo pozorno preberete to navodilo za uporabo.



Nosite zaščitna očala.



Ta naprava ima gumbasto/litijevo baterijo.



POZOR! OPOZORILO! NEVARNO!



Pred vsemi deli na stroji odstranite izmenljivi akumulator.



Nevarnost električnega udara



OPOZORILO!

Zavarujte se pred odbitimi in letečimi predmeti



OPOZORILO! Poškodbe rok



Zagotovljena raven zvočne moči, prikazana na tej nalepki, je 89 dB



Električnih naprav, baterij/akumulatorjev ni dovoljeno odstranjevati skupaj z gospodinjstvi odpadki. Električne naprave in akumulatorje je potrebno zbirati ločeno in za okolju prijazno odstranitev, oddati podjetju za reciklažo. Pri krajevnem uradu ali vašem strokovnem prodajalcu se pozanimajte glede reciklažnih dvorišč in zbirnih mest.



Napetost



Enosmerni tok



Evropska oznaka za združljivost



Ukrajinska oznaka za združljivost



Evrazijska oznaka za združljivost



TEHNIČKI PODACI Hidraulička pumpa	M18 HUP700
Broj proizvodnje	4745 35 01... ... 000001-999999
Bluetooth-pojas frekvencija (pojasevi frekvencija)	2402-2480 MHz
Visokofrekvencijska	1,8 dBm
Bluetooth-Verzija	4.0 BT signal mode
Napon baterije za zamjenu	18 V
Nazivna pritisna sila	700 bar
Razred zaštite	IP54
Najveći kut nagiba vrha	34°
Nazivna količina potiskivanja	
Nizak tlak	2,0 l/min
Visok tlak	0,4 l/min
Ukupan volumen ulja	1,6 l
Potrošni volumen ulja	1,3 l
Težina po EPTA-proceduri 01/2014 (Li-Ion 8,0 Ah...12,0 Ah)	16,0..., 16,5 kg
Preporučena temperatura okoline za pogon	-18°C ... +50°C
Preporučeni akumulatorski paket	M18B9 M18HB8 ..., M18HB12
Preporučeni punjači	M12-18..., M1418 C6
Informacije o buci	
Mjerne vrijednosti utvrđene odgovarajuće EN 62841. A-ocijenjeni nivo buke aparata iznosi tipično:	
Nivo pritiska zvuka (Nesigurnost K=3dB(A))	77,7 dB (A)
Nivo učinka zvuka (Nesigurnost K=3dB(A))	88,7 dB (A)



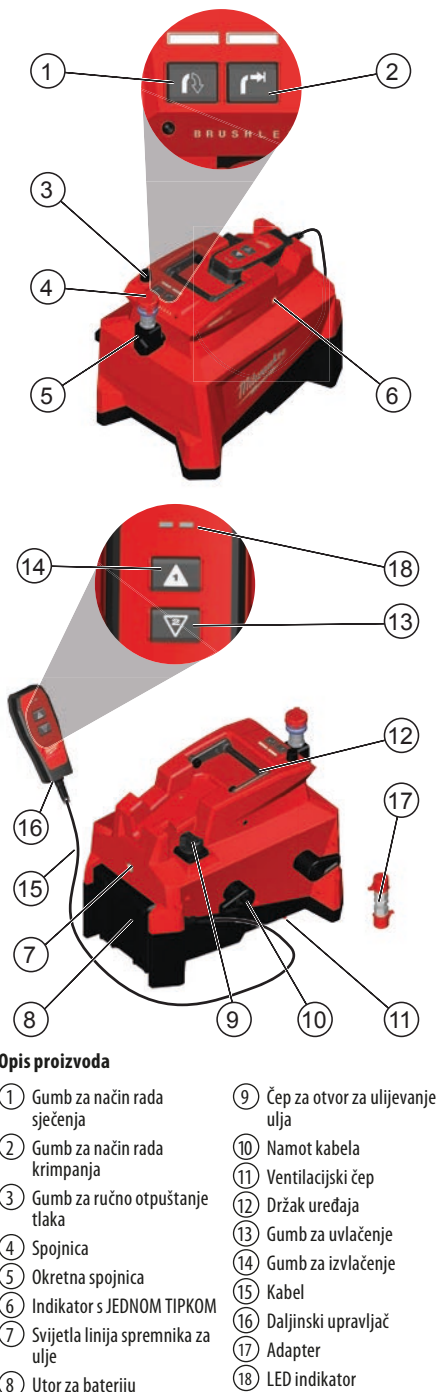
UPOZORENIE

Vrijednost emisije buke navedene u ovoj tiskanici s uputama je mjerena odgovarajuće jednom u EN 62841 normiranom probnom postupku i može se uporabiti za usporedbu alata jednog s drugim. Ona je prikladna i za privremenu procjenu opterećenja.

Navedena vrijednost emisije buke prikazuje glavne primjene alata. Ali ako se alat uporabi u druge primjene ili s odstupajućim priborom ili ako se nedovoljno održava, vrijednost emisije buke može odstupati. To može za vrijeme cijelog perioda rada jasno povećati opterećenje.

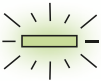
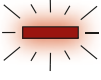
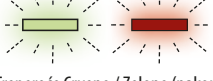
Za točnu procjenu opterećenja bukom bi se trebala uzeti u obzir i ona vrenama, u kojima je alat isključen ili u stvari radi, ali se faktički ne koristi. To može za vrijeme cijelog perioda rada jasno smanjiti opterećenje.

Utvrđite dodatne sigurnosne mjere za zaštitu poslužioaca od djelovanja buke, kao na primjer: Održavanje alata i pribora i organizacija radnih tokova.



Opis proizvoda

- | | |
|-------------------------------------|-----------------------------------|
| ① Gumb za način rada sječenja | ⑨ Čep za otvor za ulijevanje ulja |
| ② Gumb za način rada krimpiranja | ⑩ Namot kabla |
| ③ Gumb za ručno otpuštanje tlaka | ⑪ Ventilacijski čep |
| ④ Spojnica | ⑫ Držak uređaja |
| ⑤ Okretna spojnica | ⑬ Gumb za uvlačenje |
| ⑥ Indikator s JEDNOM TIPKOM | ⑭ Gumb za izvlačenje |
| ⑦ Svijetla linija spremnika za ulje | ⑮ Kabel |
| ⑧ Utor za bateriju | ⑯ Daljinski upravljač |
| | ⑰ Adapter |
| | ⑱ LED indikator |

LED indikator	Definicija
 Trajno Zelono	Alat je završio radnju i dosegnuo puni tlak krimpavanja.
 Trajno Crveno	Alat je završio radnju, ali NIJE dosegnuo puni tlak krimpavanja.
 Treperenje Crveno / Zelono (nakon Trajno Zelono ili Trajno Crveno)	Alat je dosegnuo svoj servisni interval (20000 krimpova). Crveno/zeleno treperenje počinje nakon što se za radnju prikaže trajni crveni ili zeleni indikator. Tvrtka MILWAUKEE preporučuje da se alat provjeri i da se obavi preventivno održavanje.

NAPOMENA: Ako indikator svijetli crveno, provjerite razinu napunjenosti ulja i osigurajte da ne postoje nikakve propusnosti u priključenim komponentama. Provjerite jesu li svi spojevi sigurni te jesu li priključene komponente prikladne za dotičnu vrstu posla. Ponovno pustite uređaj u pogon. Ako se problem ne ukloni, vratite uređaj u ovlašteni servis za popravak MILWAUKEE proizvoda.

⚠ UPOZORENIE Pročitajte sve sigurnosne upute, napomene, prikaze i podatke koje dobijete uz uređaj. Ako se ne bi pridržavali sljedećih uputa, moglo bi doći do električnog udara, požara i/ili teških ozljeda.

Sačuvajte sve napomene o sigurnosti i upute za buduću primjenu.

⚠ SPECIJALNE SIGURNOSNE UPUTE

Hidrauličke pumpe koje proizvodi društvo Techtronic Industries GmbH razvijene su za upotrebu s glavama za krimpavanje, sječenje i štancanje. U skladu s ovim specifičnim načinom upotrebe, one nisu opremljene sustavom za zaštitu od povrata ulja.

Stoga nenamjenska upotreba (na primjer, s hidrauličkim priključcima, podiznim sustavima ili sličnim elementima) može biti opasna te može prouzročiti ozbiljne ozljede za rukovatelja.

Društvo Techtronic Industries GmbH ne preuzima nikakvu odgovornost koja proizlazi iz upotrebe njegovih hidrauličkih pumpi u svrhe koje nisu krimpavanje, sječenje i štancanje.

Nemojte dozvoliti uspostavu tlaka ako pumpa nije povezana s fleksibilnim crijevom i glavom jer se time može oštetiti brza spojnica pumpe, čime dolazi do curenja ulja.

Visokotlačna fleksibilna crijeva podliježu prirodnom procesu trošenja, što može rezultirati smanjenjem učinkovitosti i potencijalno utjecati na sigurnost rukovatelja. Zato je njihov vijek trajanja ograničen. Kako bi osiguralo sigurnu upotrebu svojih uređaja, društvo Techtronic Industries GmbH preporučuje redovitu zamjenu hidrauličkih crijeva u skladu s uputama proizvođača, čak i ako na njima nema vidljivih tragova oštećenja.

Držite pumpu i fleksibilno crijevo dalje od otvorenih izvora plamena i izvora vrućine s temperaturama većim od 70 °C.

Prije upotrebe pumpe uvijek provjerite cjelovitost fleksibilnog crijeva i brzih spojnica te osigurajte da nema vidljivih tragova struganja, rezova, izobličenja ni nabrenja.

Tvornički ugrađeni zaštitni elementi moraju biti postavljeni na svakom kraju fleksibilnog crijeva. Nemojte dodirivati fleksibilno crijevo kada je ono pod tlakom.

Tijekom upotrebe pumpe fleksibilno crijevo ne smije biti savinuto te mora biti položeno ravno. Prije odspajanja fleksibilnog crijeva provjerite je li klip glave u potpunosti uvučen te osigurajte dovoljnu količinu ulja za naknadne radove.

Pumpa nije prikladna za neprekidan rad i trebala bi se pustiti da se ohladi nakon neprekinutih, sukcesivnih radova krimpavanja; na primjer, ako se razina napunjenosti baterije u potpunosti potrošila tijekom jedne sesije rada, pričekajte nekoliko minuta prije zamjene baterije.

Zaštite pumpu, bateriju i punjač od kiše i vlage. Voda će oštetiti pumpu. Elektrohidrauličkim alatima ne smije se rukovati na kiši. Rukovatelj ovim uređajem mora prije prvog rukovanja te nakon toga, najmanje jednom godišnje, biti poučen o naročitim opasnostima tijekom rukovanja uređajem te o potrebnim sigurnosnim mjerama.

Tvrtka mora:

- rukovatelju osigurati pristup uputama za rukovanje i
- osigurati da ih rukovatelj pročitava i razumije.

Upotrebljavati zaštitnu opremu. Kod radova sa strojem uvijek nositi zaštitne naočale. Preporučuje se zaštitna odjeća, kao zaštitna maska protiv prašine, zaštitne rukavice, čvrste i protiv klizanja sigurne cipele, šljem i zaštitu sluha.

- **Provjerite ima li na pumpi, crijevu, spojnicama i elementima opreme tragova trošenja ili oštećenja. Zamijenite istrošene, oštećene ili nedostajuće komponente originalnim zamjenskim dijelovima.**

Istrošene ili oštećene komponente mogu biti neispravne, što može dovesti do ozljeda. Nepoštivanje ovog upozorenja može prouzročiti ozbiljne ozljede ili smrt.

- **Prije upotrebe osigurajte da pumpa bude u željenom načinu rada.**
- **Nemojte rukama provjeravati postoje li propusnosti.** Visokotlačno ulje može jednostavno probiti kožu i prouzročiti ozbiljne ozljede, gangrenu ili smrt. Ako ste zadobili ozljede, odmah potražite liječničku pomoć radi uklanjanja ulja.
- Pobrinite se da pumpa bude nagnuta ispod najvećeg dopuštenog kuta nagiba.
- Provjerite razinu ulja i po potrebi je prilagodite. Niska razina ulja može prouzročiti ozljede ili materijalne štete. Za najbolje performanse uvijek upotrebljavajte hidrauličko ulje MILWAUKEE Force Logic™ (4932 4720 04) za dolijevanje ulja u spremnik.
- **Uspostavite bestačno stanje hidrauličkog sustava prije provedbe servisa, priključivanja ili odspajanja crijeva ili drugih hidrauličkih priključnih elemenata: uvijek unaprijed pritisnite gumb za ručno otpuštanje.**
- **Nosite zaštitu za oči tijekom rukovanja ili servisiranja ovog alata.** Ako ne nosite zaštitu za oči, to može prouzročiti ozbiljne ozljede očiju u obliku izbačenih dijelova ili hidrauličkog ulja.
- **Upotrebljavajte samo crijeva i priključne elemente koji su prikladni za samostalan rad i ocijenjeni ocjenom od 10 000 psi (700 bara) ili većom.**
- **Za najbolje performanse upotrebljavajte crijeva koja su prethodno napunjena uljem.** Ako crijeva nisu prethodno napunjena, ispraznite sustav prije rada.



- **Nikada nemojte rukovati pumpom bez crijeva ili priključnog elementa.**
- **Za najbolje performanse uvijek upotrebljavajte hidrauličko ulje MILWAUKEE Force Logic™ (4932 4720 04) za dolijevanje ulja u spremnik.**
- **Za optimalnu funkcionalnost upotrebljavajte akumulator M18™ REDLITHIUM™ 8,0 Ah ili snažniju bateriju.**
- **Poštujte upute za upotrebu proizvođača dodatne opreme.** Drugi oblici upotrebe mogu prouzročiti oštećenje alata, dodatne opreme i obratka.
- **Po potrebi ispraznite sustav.**

Nikada ne zadržavajte prste ili druge dijelove tijela u radnom području cilindra ili stezaljki.

Prije početka postavljanja, čišćenja ili održavanja uređaja izvadite bateriju.

Uređaje, zamjensku bateriju i punjače koristite samo ako su u besprijekornom tehničkom stanju.

Oštećenja odmah dati na popravak autoriziranoj stručnoj radionici. Kako bi se izbjegle ozljede i oštećenja, osigurajte da se uređaj ne pokrene automatski.

Prije rada uklonite sve korištene alate i ključeve za postavljanje. Ne smiju se obrađivati dijelovi koji su pod strujnim naponom. Uređaj NIJE izoliran.

Ruke i odjeću nepripijenu uz tijelo držati dalje od alatki za rezanje i drugih pokretnih dijelova.

Kod smetnji tijekom presovanja odmah pustite prekidač EIN i pritisnite gumb hidraulike za otpuštanje. Ventil se otvara a klip se vraća na polaznu poziciju.

UPOZORENIE! Kako bi se smanjio rizik od požara, tjelesnih ozljeda i oštećenja proizvoda uslijed kratkog spoja, nikada ne uranjajte svoj uređaj, bateriju ili punjač u tekućinu te pazite da tekućina ne prodire u njih. Korozivne i provodne tekućine, poput morske vode, određenih industrijskih kemikalija, izbjeljivača i proizvoda koji sadrže izbjeljivače itd., mogu prouzročiti kratki spoj.

Obvezno se pridržavati održavanja i intervala održavanja.

Baterije za zamjenu i uređaje za punjenje ne otvarati i čuvati ih samo u suhim prostorijama. Čuvati protiv vlage.

Baterije sistema M18 puniti samo sa uređajem za punjenje sistema M18. Ne puniti baterije iz drugih sistema.

Kako biste izbjegli ozljede, nikada ne uranjajte alatku, zamjensku bateriju ili punjač u tekućinu odnosno na dozvolite da tekućina dospje u njih.

UPOZORENIE



Uređaj sadrži gumbaste litijeve baterije. Nova ili korištena baterija mogu prouzročiti teške unutarnje opekotine i smrt u samo dva sata ako se progutaju ili uđu u tijelo. Uvijek pazite na to da je baterijski pretinac prekriven. Ako nije dobro zatvoren, zaustavite uređaj i uklonite bateriju te ju držite izvan dohvata djece. Ako mislite da je netko progutao bateriju ili da je ona na drugi način ušla u tijelo, zatražite liječnički savjet.

⚠ SIGURNOSNE UPUTE ZA ALATKE ZA PRESOVANJE

Alate za krimpavanje i uređaje za krimpavanje smije koristiti samo osoblje obučeno za elektrotehničke uređaje.

Nemojte nikad krimpati spojne materijale pod naponom.

Prije svake uporabe provjerite ima li na alatki za presovanje, čeljusti za presovanje i umecima za presovanje pukotina i drugih znakova ishabanosti.

Alatku za presovanje i umetke za presovanje koristite u tehnički besprijekornom stanju.

Alatka za presovanje smije se koristiti samo s ugrađenim umecima za presovanje.

Nemojte dodirivati pritisne stezaljke ni svornjak pritisnog zatika tijekom provedbe pritiskanja.

Kod smetnji tijekom presovanja odmah pustite prekidač EIN i pritisnite gumb hidraulike za otpuštanje. Ventil se otvara a klip se vraća na polaznu poziciju.



SIGURNOSNE UPUTE ZA REZAČE KABELA

Rezanje odn. razdvajanje kabela i užadi pomoću ovoga rezača kabela smije obavljati samo osoba koja se razumije u elektrotehniku.

Kako biste smanjili rizik od eksplozije, strujnog udara ili oštećenje imovine i opreme, nikada ne sijecite kabele pod električnim naponom. Uređaj NIJE izoliran.

Ruke i odjeću nepripijenu uz tijelo držati dalje od alatki za rezanje i drugih pokretnih dijelova. Postoji opasnost od teških ozljeda uključujući otkidanje ekstremiteta.

Prije postupka sječenja mora se sukladno lokalnim propisima postaviti ograda za onemogućavanje pristupa.

Sijecite samo kabele koji nisu pod naponom!

Kablovi i užad ne smiju se izlagati mehaničkim silama.

Kako biste smanjili rizik od ozljeda, nosite zaštitne rukavice ili naočale s bočnom zaštitom.

U slučaju ignoriranja ovog upozorenja može doći do ozbiljne ozljede, smrti, požara i druge materijalne štete usljed strujnog udara, eksplozije i/ili električnog luka.

Sjekač kabela nikada ne držite za čeljusti za sječenje.

Provjerite prije svake upotrebe imaju li čeljusti za sječenje napuklina ili znakova pohanosti.

Sjekač kabela smije se koristiti samo s umetnutnim alatom za sječenje.



SIGURNOSNE UPUTE ZA ŠTANCE

Prije svake uporabe provjerite ima li na alatkama za rezanje pukotina i drugih znakova ishabanosti. Alatke za rezanje i uređaje za rezanje koristite u tehnički besprijekornom stanju.

Uređaj se smije koristiti samo s ugrađenom alatkom za rezanje. Ne koristite ih u ili u blizini strujnih ormarića pod naponom. Radite samo na strujnim ormarićima isključenim s napona.

Provjerite je li nominalni unutarnji dijаметar matrice odgovara nominalnom unutarnjem dijamentru pečata.

Koristite alatku samo s pečatima i matricama koji su registrirani za maks. nominalnu snagu. Drugi mogu prouzročiti povrede ili oštećenja.

Držite alatke za rezanje ostrima i čistima. Ispravno održavane alatke za razanje s ostrim ivicama jede se uklješćuju i lakše ih je kontrolirati.

PROPISNJA UPOTREBA

Dodatna oprema i glave alata:

Predviđena upotreba: samo za dodatnu opremu i glave alata prikladne za samostalan rad, nazivni tlak 700 bara; maks. zapremina ulja 1,35 l

Alatka za presovanje:

Alatka za presovanje isključivo se smije koristiti za presovanje materijala za povezivanje za koje su predviđeni odgovarajući umeci za presovanje.

Svi dijelovi pod naponom, npr., dijelovi koji provode elektricitet, moraju biti odspojeni u radnom okruženju tehničara prije nego što on počne s radom.



Rezač kabela:

ojačani i neojačani nezategnuti kabeli od izoliranog bakra ili aluminijski, rezni alat ovisi o vrsti kabla

- neojačanih nezategnutih kabela od izoliranog bakra ili aluminijski, reznih alata ovisno o vrsti kabla

Udarni alat:

Udarni se alat može upotrebljavati samo za utiskivanje u materijale s isporučanim zakovicama i matricama.



UPOZORENJE Pročitajte sve sigurnosne upute, napomene, prikaze i podatke koje dobijete uz uređaj. Ako se ne bi pridržavali slijedećih uputa, moglo bi doći do električnog udara, požara i/ili teških ozljeda.

Sačuvajte sve napomene o sigurnosti i upute za buduću primjenu.

OPĆENITE UPUTE

Priprema hidrauličkog sustava:

Alat se treba pripremiti svaki put kada se potroši cjelokupna razina ulja.

Za pripremu sustava:

1. Izvadite baterije.
2. Provjerite vizualnu razinu napunjenosti ulja i pobrinite se da alat ima dovoljnu količinu ulja.
3. Priključite spojnicu na glavu dodatne opreme koja će istisnuti zrak i prekomjerno ulje.

NAPOMENA: Spojnica mora biti postavljena uspravno, a alat se mora postaviti na razinu nižu od glave dodatne opreme.

4. Umetnite zamjensku bateriju.
5. Pritisnite gumb za način rada krimpjanja.
6. Pokrenite alat.

NAPOMENA: Može proteći do 30 sekundi prije početka izlaženja zraka i ulja.

7. Nakon što ulje počne izlaziti, pritisnite i držite gumb za ručno otpuštanje pritisnutim dvije sekunde te zatim otpustite oba gumba.
8. Ponovite korake od 5 do 7 tri do četiri puta.

NAPOMENA: Tijekom pripremanja sustava pobrinite se da razina ulja ne padne ispod vizualne razine napunjenosti ulja. Po potrebi napunite spremnik.

Pražnjenje dodatne opreme:

Iz dodatne se opreme treba isprazniti zrak svaki put kada se dodatna oprema servisira, ako se dulje vrijeme ne upotrebljava ili kada se priključi na crijevo koje nije prethodno napunjeno uljem.

Također pogledajte preporuke proizvođača dodatne opreme za dodatne upute za pražnjenje.

Za pražnjenje dodatne opreme:

1. Izvadite baterije.
2. Priključite crijevo dodatne opreme na spojnicu.

NAPOMENA: Spojnica mora biti usmjerena ustranu, a alat se mora postaviti na razinu višu od crijeva i glave dodatne opreme.

3. Umetnite zamjensku bateriju.
4. Pritisnite gumb za način rada krimpjanja.
5. Pokrećite alat do završetka ciklusa i dok LED indikator ne svijetli zeleno.

6. Pritisnite i držite gumb za ručno otpuštanje pritisnutim dvije sekunde te zatim otpustite oba gumba.

7. Ponovite korake od 4 do 6 tri do četiri puta.

NAPOMENA: Tijekom pražnjenja dodatne opreme pobrinite se da razina ulja ne padne ispod vizualne razine napunjenosti ulja. Po potrebi napunite spremnik.

RADNE UPUTE ZA NABIRANJE

Koristite samo normirane artikle za povezivanje prema nacionalnim važećim standardima te za to predviđene umetke za presovanje.

Upute za obradu i montažu za artikle za spajanje preuzmite iz odgovarajućih uputa proizvođača.

Provjerite je li nominalni unutarnji dijаметar artikla za povezivanje odgovara nominalnom unutarnjem dijemetru umetka za presovanje.

Prije postupka krimpjanja mora se provjeriti kapacitet baterije: minimalno 33 % (pogledajte opis na slici). Možda će se morati napuniti prije početka posla.

Aktiviranjem kontrolnog prekidača pokreće se proces prešanja koji karakterizira kretanje svornjaka pritisnog zatika.

Provjere i ocjena ispravnog presovanja je obveza korisnika.

Neispravni spojevi moraju se iznova presovati novim artiklom za spajanje.

Postupci u slučaju grešaka

- Sklopku za resetiranje držite pritisnutom dok se čeljusti ne otvore do kraja
- provjerite kapacitet baterije
- Provjerite kabel i spojni element u skladu s tehničkim podacima.
- Ako se sumnja da je kabel koji se preša pod naponom, alat za krimpjanje treba provjeriti ovlaštena specijalizirana radionica

RADNE UPUTE ZA REZANJE

Pripremanje radnog područja

Prije početka posla nužno je osigurati da vodovi ili užad ne budu pod naponom te da tako ostanu tijekom cijelog vremena trajanja radova.

Ukoliko se ne može bez sumnje utvrditi isključeni kabel ili isključeni izolirani vod, ne smije se obavljati posao.

Obvezno se moraju poštovati lokalni sigurnosni propisi i pravila.

Kablovi i užad ne smiju se izlagati mehaničkim silama te moraju po potrebi biti osigurani protiv nekontroliranog pomicanja nakon sječenja.

Pumpa ne smije biti izložena kiši niti se smije koristiti u mokroj ili vlažnoj sredini.

Priprema sjekača kabela i baterije

Prije svake upotrebe:

- Provjerite ima li sjekač kabela vanjskih oštećenja
- Provjerite prije svake upotrebe imaju li čeljusti za sječenje napuklina ili znakova pohanosti

Koristite alat samo u savršenom stanju!

Prije postupka sječenja mora se provjeriti kapacitet baterije: minimalno 33% (vidi opis na slici). Možda će se morati napuniti prije početka posla.

Priprema za proces sječenja

Poduprite ili fiksirajte kabel ili uže koje sijećete kako biste minimizirali rizik nekontroliranog pomicanja.

Naročito kod slobodnih vodova i užadi postoji mogućnost nekontroliranog pomicanja te posljednjih ozljeda i/ili oštećenja.



Rezna glava mora se postaviti pod kutom od 90° u odnosu na kabel ili uže tako da ona bez natezanja uđe u rezu čeljust te se izbjegnu nepovoljne sile smicanja.

⚠ UPOZORENIE: Kako biste smanjili rizik od eksplozije, strujnog udara ili oštećenja imovine i opreme, nikada ne sijekite kabele pod električnim naponom.

Uređaj NIJE izoliran. Kontakt sa strujnim vodom pod naponom može prouzročiti ozbiljne ozljede ili smrt. Isključite dovod struje prije sječenja. Nikada ne sijekite plinske ili vodovodne vodove. Držite ruke dalje od alata za sječenje i pokretnih dijelova. Postoji opasnost od teških ozljeda ili amputacije ekstremiteta.

Uvijek uklonite bateriju prije mijenjanja ili uklanjanja pribora. Koristiti isključivo pribor preporučen za ovu alatku. Korištenje drugog pribora može biti opasno.

Kako biste smanjili rizik od ozljeda, nosite zaštitne rukavice ili naočale s bočnom zaštitom.

⚠ UPOZORENIE: Da biste umanjili rizik ozljede samo rezite preporučene materijale za oštrice. (pogledajte „Tehničke podatke“) Ne pokušavajte sjeći druge materijale.

Sječenje

Uvjerite se prije sječenja da su oštrice ispravno postavljene.

1. Postavite kabel pod pravim kutom na oštrice rezača kabela. Ne pokušavajte izvoditi rezove pod kutom jer će to oštetiti kabel i oštrice.
2. Povucite i držite okidač tijekom rukovanja. LED svjetlo će se upaliti kad je okidač povučen.
3. Kad je rez obavljen ili uređaj isključen, pustite ponovno okidač i aktivirajte prekidač za resetiranje kako bi se otvorile rezne čeljusti.

NAPOMENA: Obradak se može blago pomaknuti tijekom sječenja.

Postupci u slučaju grešaka

- kabel može biti zasječen i pod naponom, odmah informirajte osobu zaduženu za sigurnost, prekinite rezanje, poduzmite odgovarajuće sigurnosne mjere
- Uvijek se pobrinite da je uređaj isključen i da će ostati isključen iz napajanja strujom prije prilaska i dodirivanja uređaja
- pritisnite i držite gumb za resetiranje dok se sjekača u potpunosti ne otvori
- provjerite kapacitet baterije
- provjerite materijal i njegovu gustoću na osnovi tehničkih podataka
- Ako se sumnja da je kabel pod naponom, sjekača kabela treba biti provjeren od strane ovlaštene specijalizirane radionice

Zakočene oštrice

Prljavština i nakupine mogu uzrokovati da se oštrice zakače jedna za drugu nakon sječenja

- Pritisnite i držite okidač za resetiranje da biste resetirali alatku.
- Izvadite baterije.
- Slijedite upute na slikovnom prikazu za otvaranje rezne čeljusti
- Očistite svu prljavštinu i nakupine s oštrica prije započinjanja novog sječenja.

Savjeti za sječenje

- Ne pokušavajte izvoditi rezove pod kutom jer će to oštetiti kabel i oštrice.

- Sijekite čistim materijal da biste produžili životni vijek oštrice. Obrišite prljavštinu i nakupine s materijala i oštrica prije započinjanja sječenja.

RADNE UPUTE ZA UDARNI POSTUPAK

Provjerite preklapa li se nazivni promjer matrice s nazivnom veličinom zakovice.

ODRŽAVANJE

Prije početka postavljanja, čišćenja ili održavanja uređaja izvadite baterije.

Nikada ne otvarajte uređaj, zamjenjive baterije ili punjač.

Provjerite ima li uređaj bilo kakvih problema, kao što su buka ili zaglavljivanje pomičnih dijelova koji bi mogli utjecati na njega.

Ventilacijski otvori uređaja moraju uvijek biti čisti.

Kako biste izbjegli ozljede ili oštećenja, nikada ne uranjajte uređaj, zamjensku bateriju ili punjač u tekućinu odnosno ne dozvolite da tekućina prođe u njih.

Dodatne servisne radove i popravke smiju provoditi samo ovlaštene specijalizirane radionice.

Uređaj sadrži hidrauličko ulje, koje predstavlja opasnost za podzemnu vodu. Nekontrolirano ispuštanje i nestručno zbrinjavanje se kažnjava.

Vrijeme sljedećeg servisa prikazuje se LED diodom na uređaju.

Vratite alat, baterijski sklop i punjač u ovlaštenu servis za popravak MILWAUKEE proizvoda. Nakon šest mjeseci do godine dana, ovisno o upotrebi, vratite alat, baterijski sklop i punjač u ovlaštenu servis za inspekcijски servis MILWAUKEE proizvoda. Primijeniti samo Milwaukee opremu i Milwaukee rezervne dijelove. Sastavne dijelove, čija zamjena nije opisana, dati zamijeniti kod jedne od Milwaukee servisnih službi (poštivati brošuru Garancija/Adrese servisa).

Ako uređaj ne počne raditi punom snagom s potpuno napunjenim baterijskim sklopom, očistite kontakte na baterijskom sklopu. Ako uređaj i dalje ne radi ispravno, vratite uređaj, punjač i baterijski sklop u ovlaštenu servis za popravak MILWAUKEE proizvoda.

Servisni interval

Pogledajte aplikaciju ONE-KEY za informacije u vezi s potrebnim servisnim radovima kao što je zamjena tekućina. Vratite uređaj u ovlaštenu servis za popravak MILWAUKEE proizvoda za sve radove popravaka i održavanja.

NAPOMENA: Možda će biti potrebno navesti tjedan i godinu proizvodnje alata. Ove se informacije mogu pronaći u serijskom broju koji se nalazi na pločici s nazivom tipa alata.

Po potrebi se može zatražiti crtež eksplozije aparata uz davanje podataka o tipu stroja i desetoznamenkastog broja na pločici snage kod Vaše servisne službe ili direktno kod Techtronic Industries GmbH, Max-Eyth-Straße 10, 71364 Winnenden, Germany.

U svrhu sigurnog slanja preporučujemo da zapakirate hidrauličku pumpu u zapečaćenu plastičnu vrećicu otpornu na ulje i da upotrijebite originalnu ambalažu.

ONE-KEY™

Kako biste saznali više o ONE-KEY funkcionalnosti ovog uređaja, pogledajte vodič za brzo pokretanje ili idite na mrežnu stranicu <http://www.milwaukeetool.com/one-key>

Aplikaciju ONE-KEY možete preuzeti na vaš pametni telefon preko App Store ili Google Play.

Rezultat ispitivanja ispunjava naše najmanje zahtjeve po EN 301489-1 / EN 301489-17. I dostavit ćemo smjernice za uporabu kupcu u uputstvu za uporabu.



BATERIJE

Baterije koje duže vremena nisu korištene, prije upotrebe napuniti. Temperatura od preko 50°C smanjuje učinak baterija. Duže zagrijavanje od strane sunca ili grijanja izbjeci.

Priključne kontakte na uređaju za punjenje i baterijama držati čistima.

Za optimalni vijek trajanja se akumulatori poslije upotrebe moraju sasvim napuniti.

Za što moguće duži vijek trajanja, akumulatori se nakon punjenja moraju odstraniti iz punjača.

Kod skladištenja akumulatora duže od 30 dana: Akumulator skladištiti na suhom kod ca. 27°C. Akumulator skladištiti kod ca. 30%-50% stanja punjenja. Akumulator ponovno napuniti svakih 6 mjeseci.

Istrošene baterije za zamjenu ne bacati u vatru ili u kućno smeće. Milwaukee nudi mogućnost uklanjanja starih baterija odgovarajuće okolini. Milwaukee nudi mogućnost uklanjanja starih baterija odgovarajuće okolini; upitajte molimo Vašeg stručnog trgovca.

Baterije za zamjenu ne čuvati skupa sa metalnim predmetima (opasnost od kratkog spoja).

Pod ekstremnim opterećenjem ili ekstremne temperature može iz oštećenih baterija iscuriti baterijska tekućina. Kod dodira sa baterijskom tekućinom odmah ispirati sa vodom i sapunom. Kod kontakta sa očima odmah najmanje 10 minuta temeljno ispirati i odmah potražiti liječnika.

U prostor za punjenje baterija u uređaju za punjenje ne smiju dospjeti metalni dijelovi (opasnost od kratkog spoja).

TRANSPORT LITIJSKIH IONSKIH BATERIJA

Litijske-ionske baterije spadaju pod zakonske odredbe u svezi transporta opasne robe.

Prijevoz ovih baterija mora uslijediti uz poštivanje lokalnih, nacionalnih i internacionalnih propisa i odredaba.

Korisnici mogu bez ustručavanja ove baterije transportirati po cestama.

Komercijalni transport litijsko-ionskih baterija od strane transportnih poduzeća spada pod odredbe o transportu opasne robe. Otpremničke pripreme i transport smiju izvoditi isključivo odgovarajuće školovane osobe. Kompletni proces se mora pratiti na stručan način.

Kod transporta baterija se moraju poštivati sljedeće točke:

Uvjerite se da su kontakti zaštićeni i izolirani kako bi se izbjegli kratki spojevi. Pazite na to, da blok baterija unutar pakiranja ne može proklizavati. Oštećene ili iscurjele baterije se ne smiju transportirati. U svezi ostalih uputa obratite se vašem prijevoznom poduzeću.

CE-IZJAVA KONFORMNOSTI

Izjavljujemo pod vlastitom odgovornošću da proizvod opisan u odjeljku „Tehnički podaci“ ispunjava sve potrebne odredbe smjernica

2011/65/EU (RoHS)

2000/14/EC

2006/42/EC

2014/53/EU

i da su korišteni sljedeći usklađeni standardi

EN 62841-1:2015

EN 62479:2010

EN 55014-1:2017

EN 55014-2:2015

EN 301 489-1 V2.1.1 (2017-02)

EN 301 489-17 V3.1.1 (2017-02)

EN 300 328 V2.1.1 (2016-11)

EN IEC 63000:2018

Izmjereni nivo učinka zvuka 87,2 dB(A)

Garantirani nivo učinka zvuka 89,0 dB(A)

Nesigurnost K= 1,5 dB(A)

Postupak provjere usklađenosti s normom 2000/14/EZ

u Dodatku V.

Imenovano mjesto:

DEKRA Certification B.V. (0344)

Meander 1051/P.O.Box 5185

6825 MS ARNHEIM/6802 ED ARNHEIM

Netherlands



Winnenden,

Alexander Krug / Managing Director

Ovlašten za formiranje tehničke dokumentacije.

Techtronic Industries GmbH

Max-Eyth-Straße 10, 71364 Winnenden, Germany



SIMBOLI



Molimo da pažljivo pročitate uputu o upotrebi prije puštanja u rad.



Nositi zaštitne naočale.



Uređaj sadrži gumbaste litijeve baterije.



PAŽNJA! UPOZORENIE! OPASNOST!



Prije svih radova na stroju izvaditi bateriju za zamjenu.



Opasnost od strujnog udara



UPOZORENIE!
Opasnost od letećih dijelova.



UPOZORENIE! Povreda ruku



Zajamčena razina glasnoće prikazana na ovoj oznaci iznosi 89 dB



Elektrouređaji, baterije/akumulatori se ne smiju zbrinjati skupa sa kućnim smećem. Električni uređaji i akumulatori se moraju skupljati odvojeno i predati na zbrinjavanje primjereno okolišu jednom od pogona za iskorišćavanje. Raspitajte se kod mjesnih vlasti ili kod stručnog trgovca u svezi gospodarstva za recikliranje i mjesta skupljanja.

V Napon



Istosmjerna struja



Europski znak suglasnosti



Ukrajinski znak suglasnosti



Euroazijski znak suglasnosti



TEHNISKIE DATI Hidrauliskais sūknis	M18 HUP700
Izlaides numurs	4745 35 01... ... 000001-999999
Bluetooth frekvenču josla (frekvenču joslas)	2402-2480 MHz
Augstfrekvences	1,8 dBm
Bluetooth versija	4.0 BT signal mode
Akumulātorā spriegums	18 V
Nominālais spiediena spēks	700 bar
Aizsargklase	IP54
Maksimālais uzgala lenķis	34°
Nominālais plūsmas ātrums	
Zems spiediens	2,0 l/min
Augsts spiediens	0,4 l/min
Kopējais eļļas tilpums	1,6 l
Patērijamais eļļas tilpums	1,3 l
Svars atbilstoši EPTA -Procedure 01/2014 (Li-Ion 8,0 Ah...12,0 Ah)	16,0..., 16,5 kg
Darbībai ieteicamā apkārtnes temperatūra	-18°C ... +50°C
Ieteicamie akumulatoru komplekti	M18B9 M18HB8 ..., M18HB12
Ieteicamās uzlādes ierīces	M12-18..., M1418 C6
Trokšņu informācija	
Vērtības, kas noteiktas saskaņā ar EN 62841. A novērtētās aparātūras skaņas līmenis ir:	
Trokšņa spiediena līmenis (Nedrošība K=3dB(A))	77,7 dB (A)
Trokšņa jaudas līmenis (Nedrošība K=3dB(A))	88,7 dB (A)

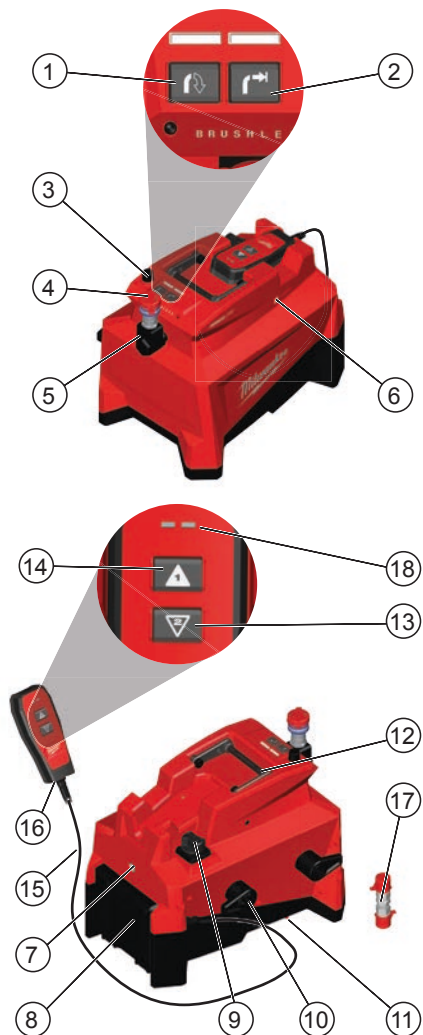
UZMANĪBU

Šajā piezīmju lapā norādītā trokšņu emisijas vērtība atbilst EN 62841 norādītajā pārbaudes procesā izmēritajai vērtībai un to var izmantot instrumentu savstarpējam salīdzinājumam. Tas ir piemērots arī sākotnējam slodzes novērtējumam.

Norādītā trokšņu emisijas vērtība atbilst instrumenta paredzētajam izmantošanas mērķim. Taču trokšņa emisijas vērtība var mainīties, ja instruments tiek izmantots citiem mērķiem, ar neatbilstošiem piederumiem, vai tad, ja nav veikta atbilstoša apkope. Šādi var ievērojami palielināties kopējā darba laika slodze.

Lai nodrošinātu precīzu trokšņa slodzes novērtējumu, jāņem vērā arī laiks, kurā instruments ir izslēgts, vai arī darbojas, bet netiek izmantots. Tas var ievērojami samazināt kopējā darba laika slodzi.

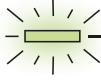
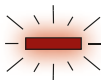
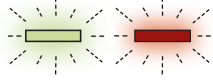
Veiciet papildu drošības pasākumus lietotāja aizsardzībai pret troksni, piemēram: nodrošinot instrumenta un piederumu apkopi, kā arī organizējot darba procesu.



Ierīces apraksts

- | | |
|---------------------------------------|--------------------------|
| ① Griešanas režīma poga | ⑪ Ventilācijas aizbāznis |
| ② Presēšanas režīma poga | ⑫ Rokturis |
| ③ Manuālais spiediena izlaišanas poga | ⑬ Ievilkšanas poga |
| ④ Savienotājs | ⑭ Virziņas poga |
| ⑤ Savienotāja pagrieziņš | ⑮ Vads |
| ⑥ ONE KEY indikators | ⑯ Tālvadība |
| ⑦ Eļļas tvirtnes robežlīnija | ⑰ Adapters |
| ⑧ Akumulatora nodalījums | ⑱ Diožu indikators |
| ⑨ Eļļas tvirtnes vāciņš | |
| ⑩ Vada tinējs | |



Diožu indikators	Apraksts
 Vienkrāsains Zaļš	lerīce ir pabeigusi procesu un sasniegusi pilnu presēšanas spēku.
 Vienkrāsains Sarkans	lerīce ir pabeigusi procesu, bet NAV sasniegusi pilnu presēšanas spēku.
 Mirgošana Sarkans / Zaļš (pēc Vienkrāsains Zaļš vai Vienkrāsains Sarkans)	lerīce sasniegusi apkopes intervālu (20000 Presēšanas procesi). Mirgošana sarkanā/zaļā krāsā sākas pēc tam, kad procesam ir parādīts vienkrāsains zaļš/sarkans indikators. MILWAUKEE iesaka pārbaudīt instrumentu un periodiski veikt apkopi.



Lat

PIEZĪME: Ja indikators mirdz sarkanā krāsā, pārbaudiet eļļas līmeni un pārļiecinieties, vai aprikojumā nav radušās noplūdes. Pārļiecinieties, ka visi savienojumi ir stingri un ka aprikojums atbilst veicamajam darbam. Darbiniet vēlreiz. Ja problēma joprojām pastāv, nododiet ierīci, atgrieziet instrumentu MILWAUKEE servisa darbnīcā.

⚠ UZMANĪBU Izlasiet visus drošības norādījumus, instrukcijas, attēlus un datus, ko saņemat kopā ar ierīci. Turpmāk sniegto norādījumu neievērošana var kļūt par čeloni elektriskajam triecienam, ugunsgrēkam un/vai smagam savainojumam.

Pēc izlasīšanas uzglabājiet šos noteikumus turpmākai izmantošanai.

⚠ SPECIĀLIE DROŠĪBAS NOTEIKUMI

Techtronic Industries GmbH ražotie hidrauliskie sūkņi ir paredzēti lietošanai ar presēšanas, griešanas un štancēšanas galvām. Atbilstoši šim specifiskajam lietojumam tie nav aprikti ar eļļas pretatplūdes drošības sistēmu.

Tādējādi lietošana citiem mērķiem, izņemot iepriekš norādītos (piemēram, ar hidrauliskajiem domkratiem, paceļšanas iekārtām vai līdzīgām iekārtām) var būt bīstama un radīt smagas traumas operatoram.

Techtronic Industries GmbH neuzņemas nekādu atbildību par kaitējumu, kas radies, izmantojot hidrauliskos sūkņus citiem nolūkiem, nevis presēšanai, griešanai un štancēšanai.

Nepalīciniet spiedienu, ja sūknis nav savienots ar elastīgo šļūteni un galvu, jo tādējādi var sabojāt sūkņa ātro savienotāju, izraisot eļļas noplūdes.

Augsta spiediena elastīgās šļūtenes ir pakļautas dabiskajam novecošanās procesam, kas var izraisīt veiktspējas samazināšanos un potenciāli apdraudēt operatora drošību. Tāpēc to darbības ierobežots. Lai garantētu iekārtu drošību, Techtronic Industries GmbH iesaka regulāri nomainīt hidrauliskās šļūtenes atbilstoši ražotāja norādījumiem, arī ja tām nav redzamu bojājumu. Sargājiet sūkni un elastīgo šļūteni no atklātām liesmām un karstuma, kas pārsniedz 70 °C.

Pirms sūkņa lietošanas vienmēr pārbaudiet elastīgās šļūtenes un ātro savienotāju veselumu, pārļiecinieties, ka tie nav nobrāzti, sagriezti, deformēti vai uzpūšies.

Katrā elastīgās šļūtenes galā ir jābūt rūpnīcā uzstādītajiem aizsargiem. Nepieskarities elastīgajai šļūtenei, kad tā ir zem spiediena. Sūkņa lietošanas laikā elastīgajai šļūtenei ir jābūt atļautai un novietotai taisni. Pirms elastīgās šļūtenes atvienošanas pārbaudiet, vai galvas virzulis ir pilnībā ievilkts, vai pakārtotajam darbībām ir pietiekams eļļas daudzums.

Sūknis nav piemērots nepārtrauktai lietošanai, un pēc nepārtrauktām sekmīgām presēšanas darbībām tam jāļauj atdzist, piemēram, kad pilnībā uzlādēts akumulators un izlādējies, uz dažām minūtēm atlieciet akumulatora nomaīņu.

Sargājiet sūkni, akumulatoru un lādētāju no mitruma. Ūdens izraisa sūkņa bojājumus. Elektrohidrauliskos instrumentus nedrīkst darbināt stiprā liūtū.

Šīsiekārtaslietošanai pirms darba uzsākšanas un turpmāk vismaz reizi gadā jāsaņem informācija par specifiskiem riskiem, kas saistīti ar šīsiekārtaslietošanu un svarīgiem drošības pasākumiem.

Darba izpildes uzņēmumiem:

- jānodrošina operatora piekļuve lietošanas instrukcijai un
- jāseko, lai operators būtu iepazinies ar tās saturu un to izpratis. Jāizmanto aizsargapriekojums. Strādājot ar mašīnu, vienmēr jānēsā aizsargbrilles. Ieteicams nēsāt aizsargapģērbu, kā piemēram, aizsargmasku, aizsargcimdus, kurpes no stingra un neslīdīga materiāla, ķiveri un ausu aizsargus.
- **Pārbaudiet, vai sūknis, šļūtenes, savienotāji un stiprinājumu nav nolietojušies vai bojāti. Nomainiet nolietotās, bojātās vai trūkstošās sastāvdaļas ar ražotāja rezerves daļām.** Noliecotām vai bojātām sastāvdaļām iespējama darbības atteice, kas var izraisīt traumas. Šā brīdinājuma neievērošana var izraisīt smagas vai nāvējošas traumas.
- **Pirms lietošanas pārļiecinieties, vai sūknis ir nepieciešamajā režīmā.**
- **Noplūžu pārbaudi neveiciet ar rokām.** Eļļa, kas atrodas zem augsta spiediena, viegli caurdur ādu, izraisot smagas vai nāvējošas traumas vai gangrēnu. Savainojumu gadījumā nekavējoties meklējiet medicīnisku palīdzību, lai atbrīvotos no eļļas.
- Pārļiecinieties, vai sūknis ir zem maksimālā savēršanas leņķa.
- Pārbaudiet un pēc vajadzības pielāgojiet eļļas līmeni. Zems eļļas līmenis var izraisīt traumas vai īpašuma bojājumus. Lai nodrošinātu labāko veiktspēju, tvertnes uzpildīšanai vienmēr lietojiet MILWAUKEE Force Logic™ hidraulikas eļļu (4932 4720 04).
- **Izlaidiet spiedienu no hidrauliskās sistēmas pirms apkopes veikšanas, šļūtenes vai citu hidraulisko savienojumu elementu pievienošanas vai atvienošanas: vienmēr vispirms nospiediet manuālo spiedienu izlaišanas pogu.**
- **Darbinot šo instrumentu vai veicot tā apkopi, valkājiet aizsargbrilles.** Nevalkājot aizsargbrilles, var gūt smagus acu savainojumus no lidojošiem netīrumiem vai hidrauliskās eļļas.
- **Izmantojiet tikai vienas darbības šļūtenes un aprikojumu, kura nominālais spiediens ir 10 000 psi (700 bar) vai augstāks.**
- **Lai nodrošinātu augstāko veiktspēju, izmantojiet šļūtenes, kas iepriekš uzpildītas ar eļļu.** Ja šļūtenes nav iepriekš uzpildītas, pirms darbināšanas atgaisojiet sistēmu.
- **Nekad nedarbiniet sūkni bez šļūtenes vai aprikojuma.**
- **Lai nodrošinātu labāko veiktspēju, tvertnes uzpildīšanai vienmēr lietojiet MILWAUKEE Force Logic™ hidraulikas eļļu (4932 4720 04).**

Latviski

- **Lai nodrošinātu optimālu darbību, izmantojiet M18™ REDLITHIUM™ 8,0 Ah vai lielākas ietilpības akumulatoru.**
- **Ievērojiet norādījumus, kas sniegti piederuma ražotāja nodrošinātajā operatora rokasgrāmatā.** Citi lietojuma veidi var izraisīt instrumenta, piederumu un sagataves bojājumus.
- **Ja nepieciešams, atgaisojiet sistēmu.**

Pirksti vai citas ķermeņa daļas nedrīkst atrasties cilindra vairoņpilū darba zonā.

Pirms instrumenta regulēšanas, tīrīšanas vai tehniskās apkopes atvienojiet akumulatora komplektu.

Lietojiet tikai tādus iekārtas, akumulatoru komplektus un lādētājus, kuru tehniskais stāvoklis ir nevainojams.

Bojājumu rašanās gadījumā nekavējoties nodot rīku labošanai specializētā servisā.

Lai novērstu miesas bojājumu vai mantiska zaudējuma riskus, nodrošinieties pret nejaūšu ierices palaidi.

Noņemiet visus regulēšanas darbarīkus un uzgriežņatslēgas pirms iekārtas lietošanas.

Nedrīkst apstrādāt detaļas, kurās ir elektriskais spriegums. Iekārta NAV elektriski izolēta.

Nepietuviniet rokas un brīvu apģērbu griezējinstrumentiem un citām kustīgām detaļām.

Ja presešanas laikā rodas traucējumi, uzreiz atļaidiet ieslēgšanas slēdzi un nospiediet hidrauliskās sistēmas atbloķēšanas pogu. Atveras ventilis atveras un virzulis atgriežas sākuma pozīcijā.

UZMANĪBU! Lai samazinātu ugunsgrēka risku, miesas bojājumu un iekārtas bojājumu iespēju sakarā ar issavienojumu, nedrīkst iegremdēt iekārtu, akumulatoru komplektu vai lādētāju šķidrumā vai pieļaut šķidruma iekļūšanu tajos. Korozīvi vai strāvu vadoši šķidrumi, piemēram, jūras ūdens, dažas rūpnieciskās ķīmikālijas, balinātāji vai balinātājus saturoši izstrādājumi u.c., var izraisīt issavienojumu.

Obligāti veikt iekārtas apkopi un stingri ievērot apkopes intervālus. Akumulātorus un lādētājus nedrīkst taisīt vaļā un tie jāuzglabā sausās telpās.

M18 sistēmas akumulatorus lādēt tikai ar M18 sistēmas lādētājiem. Nedrīkst lādēt citus akumulatorus no citām sistēmām.

Lai izvairītos no savainojumiem un bojājumiem, instrumentu, akumulatoru vai lādētāju nekad nemērciet ūdenī un neļaujiet tajos iekļūt mitrumam.

UZMANĪBU



Šai ierīcei ir pogas/monētas tipa litija baterija. Ja jauna vai lietota baterija tiek norīta vai nonāk ķermenī, tā ar izraisīt smagus iekšējus apdegumus un nāvi ātrāk nekā 2 stundu laikā. Vienmēr nostipriniet baterijas nodalījuma vāciņu. Ja tas droši neaizveras, apturiet ierīci, izņemiet bateriju un noglabājiet bērniem nepieejamā vietā. Ja domājat, ka baterijas ir norītas vai citādi nonākušas ķermenī, nekavējoties meklējiet medicīnisku palīdzību.

⚠ DROŠĪBAS NORĀDĪJUMI, LIETOJOT PRESĒŠANAS INSTRUMENTUS

Presēšanas instrumentus un presēšanas mehānismus drīkst lietot tikai elektrotehnikas speciālisti.

Nepresējiet savienojošos materiālus, kuros ir elektriskais spriegums.

Katreiz pirms lietošanas pārbaudiet, vai presēšanas instrumentam, žokļiem un ieliktniem nav plaisu un citu nodiluma pazīmju.

Lietojiet tikai tehniski nevainojamu presēšanas instrumentu un presēšanas ieliktnus.

Presēšanas instrumentu drīkst lietot tikai kopā ar ievietotiem presēšanas ieliktniem.

Presēšanas darbības laikā nepieskarieties preses spilēm un preses tapas bultskrūvei.

Ja presēšanas laikā rodas traucējumi, uzreiz atļaidiet ieslēgšanas slēdzi un nospiediet hidrauliskās sistēmas atbloķēšanas pogu. Atveras ventilis atveras un virzulis atgriežas sākuma pozīcijā.



DROŠĪBAS NORĀDĪJUMI, LIETOJOT KABEĻU GRIEZĒJU

Kabeļu un trošu griešanu vai nogriešanu drīkst veikt tikai par elektrotehniku apmācīta persona.

Lai mazinātu eksplozijas, elektriskās strāvas trieciena draudus un risku sabojāt īpašumu vai ierīci, nekad nedrīkst griezt zem sprieguma esošus kabeļus. Iekārta NAV elektriski izolēta.

Nepietuviniet rokas un brīvu apģērbu griezējinstrumentiem un citām kustīgām detaļām. Pastāv nopietnu savainojumu, tostarp ekstremitāšu zaudēšanas, risks.

Pirms griešanas uzskāšanas darbības vieta jānorobežo atbilstoši vietējiem noteikumiem.

Drīkst griezt tikai kabeļus, kas atvienoti no barošanas avota!

Kabeļus un troses nedrīkst ietekmēt mehāniski spēki.

Lai mazinātu savainošanās risku, valkājiet aizsargbrilles vai brilles ar sānu vairodzīņiem.

Šo noteikumu neievērošana var izraisīt nopietnus savainojumus, nāvi, ugunsgrēku vai īpašumu bojājumus, ko izsauc elektriskās strāvas trieciens, eksplozija un/vai elektriskais loks.

Nekad nesatveriet kabeļu griezēju aiz griešanas žokļiem.

Pirms lietošanas pārliecinieties, ka griešanas žokļos nav plaisu vai cita veida bojājumu.

Kabeļu griezēju pieļaujams izmantot tikai ar ievietotiem griešanas žokļiem.



DROŠĪBAS NORĀDĪJUMI, LIETOJOT ŠTANCES

Katreiz pirms lietošanas pārbaudiet, vai griezējinstrumentiem nav plaisu un citu nodiluma pazīmju. Lietojiet tikai tehniski nevainojamus griezējinstrumentus un griezējierīces.

Ierīci drīkst lietot tikai kopā ar ievietotu griezējinstrumentu.

Nelietojiet instrumentu sadales kārbās, kurās ir spriegums, vai to tuvumā. Strādājiet tikai pie sadales kārbām, kas ir atslēgtas no sprieguma.

Pārbaudiet, vai matricas nominālais platums atbilst pūnsona nominālajam platumam.

Lietojiet instrumentu tikai ar pūnsoniem un matricām, kuri ar atļauti maks. nominālajam spēkam. Citādi piederumi var izraisīt savainojumus vai bojājumus.

Nodrošiniet, lai griezējinstrumenti būtu asi un tīri. Pareizi kopti griezējinstrumenti mazāk iesprūst un ir vieglāk kontrolējami.

NOTEIKUMIEM ATBILSTOŠS IZMANTOJUMS

Piederumi un instrumentu galvas:

Paredzētais lietojums: tikai vienas darbības piederumiem un instrumentu galvām, nominālais spiediens 700 bar, eļļas pārvietošana 1,35 l

Presēšanas instruments:

Presēšanas instrumentu drīkst lietot tikai tādu savienošanas materiālu presēšanai, kuriem ir paredzēti attiecīgie presēšanas ieliktni.

Pirms darba sākuma montiera darba vidē ir jāatslēdz visas aktivās, proti, spriegumu vadošās detaļas.

Kabeļu griezējs:

nenospriegoti, armētiem un nearnētiem kabeļiem no izolēta vara vai alumīnija, griešanas instrumenti ir atkarīgi no kabeļa tipa

- nenospriegoti, nearnēti izolēti vara vai alumīnija kabeļi; griešanas instrumenti ir atkarīgi no kabeļa tipa

Izsišanas instruments:

Izsišanas instrumentu drīkst izmantot tikai caurumu izsišanai materiālos, kuriem ir štancētas atzīmes un matricas.



UZMANĪBU Izlasiet visus drošības norādījumus, instrukcijas, attēlus un datus, ko saņemat kopā ar ierīci. Turpmāk sniegto norādījumu neievērošana var kļūt par cēloni elektriskajam triecienam, ugunsgrēkam un/vai smagam savainojumam.

Pēc izlasīšanas uzglabājiet šos noteikumus turpmākai izmantošanai.

VISPĀRĪGAS INSTRUKCIJAS

Hidrauliskās sistēmas uzpilde:

Instrumentus jāuzpilda katru reizi, kad eļļa ir izlietota.

Sistēmas uzpildīšana:

1. Noņemiet akumulatora komplektu.
2. Pārbaudiet eļļas redzamības līniju un pārliecinieties, vai instrumentam ir pietiekami daudz eļļas.
3. Pievienojiet savienotāju piederuma galvai, kas atsūks gaisu un lieko eļļu.

PIEZĪME: Savienotājam jābūt novietotam taisnā virzienā uz augšu, un instrumentam jāatrodas zemāk par piederuma galvu.

4. Ievietojiet akumulatora komplektu.
5. Nospiediet presēšanas režīma pogu.
6. Iedarbiniet instrumentu.

PIEZĪME: Lai sāktu izplūst gaisns un eļļa, var būt nepieciešams līdz 30 sekundēm.

7. Kad eļļa sāk izplūst, nospiediet un divas sekundes turiet manuālās izlaišanas pogu, un tad atlaidiet abas pogas.
8. Atkārtojiet 5. līdz 7. darbību trīs līdz četras reizes.

PIEZĪME: Sistēmas uzpildīšanas laikā nodrošiniet, lai eļļas līmenis nepazeminātos zem redzamības līnijas. Ja nepieciešams, uzpildiet tvertni.

Piederuma atgaisošana:

Piederumi ir jāatgaiso katru reizi, kad tiek veikta piederuma apkope, ja piederums ilgāku laiku nav lietots vai ja tas ir pievienots pie šļūtenes, kas nav iepriekš uzpildīta ar eļļu.

Plašākus norādījumus par atgaisošanu skatiet arī piederuma ražotāja ieteikumos.

Piederuma atgaisošana:

1. Noņemiet akumulatora komplektu.
2. Pievienojiet piederuma šļūteni pie savienotāja.

PIEZĪME: Savienotājam jābūt vērītam sāniski, un instrumentam jāatrodas augstāk par piederuma šļūteni un galvu.

3. Ievietojiet akumulatora komplektu.
4. Nospiediet presēšanas režīma pogu.
5. Darbiniet instrumentu, līdz cikls ir pabeigts un LED indikators deg zaļā krāsā.
6. Nospiediet un divas sekundes turiet manuālās izlaišanas pogu, un tad atlaidiet abas pogas.
7. Atkārtojiet 4. līdz 6. darbību trīs līdz četras reizes.

PIEZĪME: Piederuma atgaisošanas laikā nodrošiniet, lai eļļas līmenis nepazeminātos zem redzamības līnijas. Ja nepieciešams, uzpildiet tvertni.

DARBA NORĀDĪJUMI APPRESĒŠANAI

Lietojiet tikai standartizētas savienotājdetaljas atbilstoši valsts standartiem, kā arī šim nolūkam paredzētos presēšanas ieliktņus.

Savienotājdetalju apstrādes un montāžas norādījumi ir sniegti ražotāja dokumentos.

Pārbaudiet, vai savienotājdetaljas nominālais platums atbilst presēšanas ieliktņa nominālajam platumam.

Pirms presēšanas ir jāpārbauda akumulatora uzlādes līmenis: tam jābūt vismaz 33% (skat. ilustrēto aprakstu). Var gadīties, ka pirms darba akumulatoru būs nepieciešams uzlādēt.

Iedarbinot vadības slēdzi, tiek uzsākts presēšanas process, ko raksturo presēšanas tapas bultskrūves kustība.

Lietotājam jāpārbauda un jānovērtē, vai sapresēšana ir veikta pareizi.

Nepareizi savienojumi jāsapresē vēlreiz ar jaunu savienotājdetalju.

Rīcība neparedzētās situācijās

- Atiestates slēdzi turiet nospiestu, līdz žokļi ir pilnībā atvērušies
- pārbaudiet akumulatora lādiņu
- Pārbaudiet kabeli un savienojuma elementu atbilstoši tehniskajiem datiem.
- Ja radušās aizdomas, ka ir presēts spriegumu vadošs kabelis, kabeļu griezējs jāpārbauda pilnvarotā servisā

DARBA NORĀDĪJUMI GRIEŠANAI

Darba vietas sagatavošana

Pirms darba sākuma un to laikā jānodrošina, lai vadi un troses nebūtu nospriegotas.

Ja nav iespējams droši pārliecināties par to, ka kabelis vai izolēta līnija ir atslēgta, nekādas darbus uzsākt nedrīkst.

Noteikti jāievēro spēkā esošie drošības noteikumi un normas.

Kabeļus un troses nedrīkst ietekmēt mehāniski spēki un, ja nepieciešams, pēc griezuma tie/tās jānostiprina pret nekontrolētām kustībām.

Nepakļaujiet instrumentus lietus iedarbībai. Nelietojiet instrumentus mitros vai slapjos apstākļos.

Kabeļu griezēja un akumulatora sagatavošana

Katru reizi pirms lietošanas:

- Apskatiet, vai kabeļu griezējam nav ārēju defektu
- Pārliecinieties, ka griešanas asmeņiem nav plaisu vai citu bojājumu

Lietojiet tikai perfektā kārtībā esošu instrumentu!

Pirms griešanas uzsākšanas pārbaudiet akumulatora uzlādes līmeni: tas nedrīkst būt mazāks par 33% (skat. ilustrēto aprakstu). Var gadīties, ka pirms darba akumulatoru būs nepieciešams uzlādēt.

Sagatavošanās griešanai

Atbalstiet un nofiksējiet griezamo kabeli vai trosi, lai līdz minimālam samazinātu nekontrolētas kustības risku.

Jo īpaši brīvēstāvoši vadi un troses var sākt nekontrolēti kustēties un izraisīt traumas un/vai bojājumus.

Griezējgalva jāpieliek pie kabeļa vai troses 90° leņķī, lai tas/tā bez nospriegojuma novietotos atvērtos griezējzokļos un lai izvairītos no nelabvēlīgiem cirpes spēkiem.



Lat

⚠ UZMANĪBU: Lai mazinātu eksplozijas, elektriskās strāvas trieciena draudus un risku sabojāt īpašumu vai ierīci, nekad nedrīkst griezt zem sprieguma esošus kabelus. Iekārtā NAV elektriski izolēta. Saskaņā ar zem sprieguma esošu vadu var izraisīt smagus savainojumus vai nāvi. Pirms griešanas izslēdziet spriegumu! Nekad nemēģiniet pār griezt gāzes vai ūdensvada caurules! Turiet rokas tālāk no visām griešanas šķautnēm un kustīgajiem elementiem. Tie var izraisīt grieztas brūces vai pat amputēt ekstremitātes.

Pirms instrumenta detaļu demontāžas un nomaņas vienmēr atvienojiet akumulatoru. Izmantojiet tikai šai ierīcei paredzētas rezerves daļas. Nepiemērotu detaļu izmantošana var būt ļoti bīstama.

Lai mazinātu savainošanās risku, valkājiet aizsargbrilles vai brilles ar sānu vairodziņiem.

⚠ UZMANĪBU: Lai izvairītos no savainojumiem, izmantojiet tikai attiecīgajam griežamajam materiālam piemērotus asmeņus. (skat. „Specifikāciju“) Nemēģiniet griezt nepiemērotus materiālus.

Griešana

Pirms griešanas pārlicinieties, ka asmeņi ir pienācīgi uzstādīti.

1. Virziet kabeli taisnā leņķī pie kabeļu griezēja asmeņiem. Nemēģiniet veikt griezumus leņķī, jo tā tiks sabojāts kabelis un asmeņi.
2. Nospiediet mēlīti un visu operācijas laiku turiet to nospiestu. Piespiežot mēlīti, iedegas gaismas diode.
3. Kad griezumus ir veikts vai instruments ir izslēgts, atļaidiet aktivizēšanas slēdzi un nospiediet atiestates slēdzi, lai atvērtos griezējzokļi.

PIEZĪME: Griešanas laikā kabelis var nedaudz izkustēties.

Rīcība neparedzētās situācijās

- Kabelis var tikt iegriezts un būt ar spriegumu, vienmēr informējiet par drošību atbildīgo personu, pārtrauciet griešanu, veiciet atbilstīgus drošības pasākumus
- Vienmēr pārlicinieties, ka kabelis atvienots no sprieguma un nodrošināts šādā stāvoklī, un tikai pēc tam tuvojieties tam un aizskariet to.
- nospiediet un turiet nospiestu atiestates pogu, līdz griezēja zokļi pilnībā atvēršies
- pārbaudiet akumulatora lādiņu
- pārbaudiet materiāla un materiāla biezuma atbilstību tehniskajai specifikācijai
- Ja radušās aizdomas, ka ir griezts zem sprieguma esošs kabelis, kabeļu griezējs jānodod pārbaudei pilnvarota servisa speciālistiem

Iestrēguši asmeņi

Netīrumi un skaidas var kļūt par iemeslu tam, ka pēc griešanas zokļi iestrēgst

- Nospiediet un turiet nospiestu atiestates mēlīti, lai panāktu ierīces atiestati.
- Noņemiet akumulatora komplektu.
- Ievērojiet ilustrēto aprakstu griezējzokļu atvēršanai
- Pirms uzsākat jaunu griešanas darbību, rūpīgi notīriet no asmeņiem netīrumus un skaidas.

Ieteikumi griešanai

- Nemēģiniet veikt griezumus leņķī, jo tā tiks sabojāts kabelis un asmeņi.
- Grieziet tirus kabeļus, lai paildzinātu asmeņu lietošanas laiku. Pirms uzsākat griešanu, noslaukiet netīrumus no kabeļa un asmeņiem.

DARBA INSTRUKCIJAS ŠTANCĒŠANAI

Pārbaudiet, vai matricas nominālais diametrs ir vienāds ar štances nominālo diametru.

APKOPĒ

Pirms instrumenta regulēšanas, tīrīšanas vai tehniskās apkopes atvienojiet akumulatora komplektu.

Nemēģiniet atvērt iekārtu, pārvietojamo akumulatoru vai lādētāju. Pārbaudiet, vai iekārtainav radušās problēmas, piemēram, troksnis vai kustošos daļu iestrēgšana.

Ventilācijas spraugām iekārtā vienmēr jābūt nenosprostotām.

Lai izvairītos no miesas bojājumiem un mantiskiem zaudējumiem, iekārtu, pārvietojamo akumulatoru vai lādētāju nedrīkst iemērt šķidrumā vai pieļaut, ka tajos iekļūst šķidrums.

Papildu apkopes un remonta darbus atļauts veikt tikai pilnvarotām specializētām darbnīcām.

Iekārtā atrodas hidrauliskā eļļa, kas rada draudus gruntsūdeņiem. Nekontrolēta eļļas noplūde vai nekompetenta tās iznīcināšana ir sodāma.

Nākamo apkopes termiņu norāda LED, kas atrodas uz iekārtas.

Nododiet instrumentu, akumulatora paketi un lādētāju remontā MILWAUKEE servisa darbnīcā. Atkarībā no lietojuma pēc sešus mēnešus līdz vienu gadu ilgas lietošanas nododiet instrumentu, akumulatora paketi un lādētāju pārbaudei MILWAUKEE servisa darbnīcā. Izmantojiet tikai firmu Milwaukee piederumus un firmas Milwaukee rezerves daļas. Lieciet nomainīt detaļas, kuru nomaīņa nav aprakstīta, kādā no firmu Milwaukee klientu apkalpošanas servisiem. (Skat. brošūru „Garantija/klientu apkalpošanas serviss“.)

Ja ierīci nav iespējams palaist vai tā nestrādā ar pilnu jaudu, lai gan akumulatora pakete ir pilnīgi uzlādēta, notīriet akumulatora paketes kontaktus. Ja ierīce joprojām nedarbojas pareizi, nododiet ierīci, lādētāju un akumulatora paketi remontā MILWAUKEE servisa darbnīcā.

Apkopes intervāls

Informāciju par nepieciešamajām apkopēm, piemēram, darba šķidrumu maiņu, skatiet lietotnē ONE-KEY App. Jebkuru remontu un apkopes veikšanai nododiet instrumentu MILWAUKEE servisa darbnīcā.

PIEZĪME: Iespējams, būs nepieciešama informācija par instrumenta ražošanas gadu un nedēļu. Šo informāciju var noteikt pēc sērijas numura, kas atrodas uz instrumenta datu plāksnītes.

Ja nepieciešams, klientu apkalpošanas servīšā vai tieši pie firmas Techtronic Industries GmbH, Max-Eyth-Straße 10, 71364 Winnenden, Germany, var pieprasīt instrumenta numurs, kas norādīts uz jaudas paneļa.

Lai pārvadāšana būtu droša, iesakām hidraulisko sūkni iepakot hermētiski noslēgtā, pret eļļu izturīgā plastmasas maisā un izmantot oriģinālo iepakojumu.



ONE-KEY™

Lai uzzinātu vairāk par šīs iekārtas ONE-KEY funkcijām, lūdzu, skatiet iekārtas piegādes komplektā iekļauto ātrās palāides rokasgrāmatu vai apmeklējiet tīmekļa vietni <http://www.milwaukee-tool.com/one-key>

ONE-KEY lietotni savā viedtālrunī varat lejupielādēt no App Store vai Google Play.

Pārbaudes rezultāts izpilda mūsu minimālās prasības atbilstoši standartam EN 301489-1 / EN 301489-17. Lietošanas instrukcijas klientam ir sniegtas lietotāja rokasgrāmatā.

AKUMULĀTORI

Akumulātori, kas ilgāku laiku nav izmantoti, pirms lietošanas jāuzlādē. Pie temperatūras, kas pārsniedz 50°C, akumulatoru darbība tiek negatīvi ietekmēta. Vajag izvairīties no ilgākas saules un karstuma iedarbības.

Lādētāja un akumulatoru pievienojuma kontakti jāuztur tīri.

Lai baterijas darba ilgums būtu optimāls, pēc iekārtas izmantošanas tā jāuzlādē.

Lai akumulatori kalpotu pēc iespējas ilgāku laiku, tos pēc uzlādes ieteicams atvienot no lādētāj ierīces.

Akumulatora uzglabāšana ilgāk kā 30 dienas: uzglabāt akumulatoru pie aptuveni 27°C un sausā vietā. Uzglabāt akumulatoru uzlādes stāvoklī aptuveni pie 30%-50%. Uzlādēt akumulatoru visus 6 mēnešus no jauna.

Izmantotos akumolārus nedrīkst mest ugunī vai parastajos atkritumos. Firma Milwaukee piedāvā iespēju vecos akumolātorus savākt apkārtnē vidi saudzējošā veidā; jautājiet specializētā veikalā.

Akumulātorus nav ieteicams glabāt kopā ar metāla priekšmetiem (iespējams isslēgums).

Pie ārkārtas slodzes un ārkārtas temperatūrām no bojātā akumolātorā var izteciēt akumolātorā šķidrums. Ja nonākat saskarsmē ar akumolātorā šķidrumu, saskarsmes vieta nekavējoties jānomazgā ar ūdeni un ziepēm. Ja šķidrums nonācis acīs, acis vismaz 10 min. skalot un nekavējoties konsultēties ar ārstu.

Jāuzmanās, lai akumolātoru lādētājā nenokļūtu nekādi metāla priekšmeti (iespējams isslēgums).

LITĪJA JONU AKUMULĀTORU TRANSPORTĒŠANA

Uz litija jonu akumolātoriem attiecas noteikumi par bīstamo kravu pārvadāšanu.

Šo akumolātoru transportēšana jāveic saskaņā ar vietējiem, valsts un starptautiskajiem normatīvajiem aktiem un noteikumiem.

Patērētāja darbības, pārvadājot šos akumolātorus pa autoceļiem, nav reglamentētas.

Uz litija jonu akumolātoru komerciālu transportēšanu, ko veic ekspedīcijas uzņēmums, attiecas bīstamo kravu pārvadāšanas noteikumi. Sagatavošanas darbus un transportēšanu drīkst veikt tikai atbilstoši apmācīts personāls. Viss process jāveda profesionāli.

Veicot akumolātoru transportēšanu, jāievēro:

Pārlicinieties, ka kontakti ir aizsargāti un izolēti, lai izvairītos no īssavienojumiem. Pārlicinieties, ka akumolātors iepakojumā nevar paslīdēt. Bojātus vai tekošus akumolātorus nedrīkst transportēt. Plašāku informāciju Jūs varat saņemt no ekspedīcijas uzņēmuma.

ATBILSTĪBA CE NORMĀM

Mēs ar pilnu atbildību paziņojam, ka izstrādājums, kas raksturots sadaļā „Tehniskie dati”, atbilst visām attiecīgajām prasībām direktīvās

2011/65/ES (RoHS)

2000/14/EK

2006/42/EK

2014/53/ES

un ir piemēroti šādi saskaņotie standarti

EN 62841-1:2015

EN 62479:2010

EN 55014-1:2017

EN 55014-2:2015

EN 301 489-1 V2.1.1 (2017-02)

EN 301 489-17 V3.1.1 (2017-02)

EN 300 328 V2.1.1 (2016-11)

EN IEC 63000:2018

Izmērītais trokšņa jaudas līmenis 87,2 dB(A)

Garantētais trokšņa jaudas līmenis 89,0 dB(A)

Nedrošība K= 1,5 dB(A)

Atbilstības novērtēšanas procedūra saskaņā ar Direktīvas 2000/14/EK V pielikumu

Pilnvarotā iestāde:

DEKRA Certification B.V. (0344)

Meander 1051/P.O.Box 5185

6825 MS ARNHEIM/6802 ED ARNHEIM

Netherlands



Winnenden,

Alexander Krug / Managing Director

Pilnvarotais tehniskās dokumentācijas sastādītājs.

Techtronic Industries GmbH

Max-Eyth-Strasse 10, 71364 Winnenden, Germany



Lat

SIMBOLI



Pirms sākt lietot instrumentu, lūdzu, izlasiet lietošanas pamācību.



Jālieto aizsargbrilles.



Šai ierīcei ir pogas/monētas tipa litija baterija.



UZMANĪBU! BĪSTAMI!



Pirms mašīnai veikt jebkāda veida apkopes darbus, ir jāizņem ārā akumulators.



Elektriskā trieciena risks



UZMANĪBU!
atpakaļ atmetajām sagataves daļām



UZMANĪBU! Roku savainojumi



Garantētais skaņas jaudas līmenis, kas parādīts šajā marķējumā, ir 89 dB



Elektriskus aparātus, baterijas/akumulatorus nedrīkst utilizēt kopā ar mājsaimniecības atkritumiem. Elektriski aparāti un akumulatori ir jāsavāc atsevišķi un jānodod atkritumu pārstrādes uzņēmumā videi saudzīgai utilizācijai. Jautājiet vietējā iestādē vai savam specializētajam tirgotājam, kur atrodas atkritumu pārstrādes uzņēmumi vai savākšanas punkti.

V Voltāža

— — — Līdzstrāva



Eiropas atbilstības zīme



Ukrainas atbilstības zīme



Eirāzijas atbilstības zīme



TECHNINIAI DUOMENYS Hidraulinis siurblys	M18 HUP700
Produkto numeris	4745 35 01... ... 000001-999999
„Bluetooth“ radijo dažnių juosta (radijo dažnių juostos)	2402-2480 MHz
Aukšto dažnio	1,8 dBm
„Bluetooth“ versija	4.0 BT signal mode
Keičiamo akumuliatoriaus įtampa	18 V
Vardinis galios slėgis	700 bar
Saugos klasė	IP54
Maksimalus antgalio kampas	34°
Vardinis debitas	
Žemas slėgis	2,0 l/min
Aukštas slėgis	0,4 l/min
Bendras alyvos tūris	1,6 l
Sunaudojamas alyvos tūris	1,3 l
Prietaiso svoris įvertintas pagal EPTA 01/2014 tyrimų metodiką (Li-Ion 8,0 Ah...12,0 Ah)	16,0..., 16,5 kg
Rekomenduojama aplinkos temperatūra eksploatuojant	-18°C ... +50°C
Rekomenduojami akumuliatoriai	M18B9 M18HB8..., M18HB12
Rekomenduojami įkrovikliai	M12-18..., M1418 C6
Informacija apie keliamą triukšmą	
Vertės matuotos pagal EN 62841. Įvertintas A įrenginio keliamo triukšmo lygis dažniausiai sudaro:	
Garso slėgio lygis (Paklaida K=3dB(A))	77,7 dB (A)
Garso galios lygis (Paklaida K=3dB(A))	88,7 dB (A)



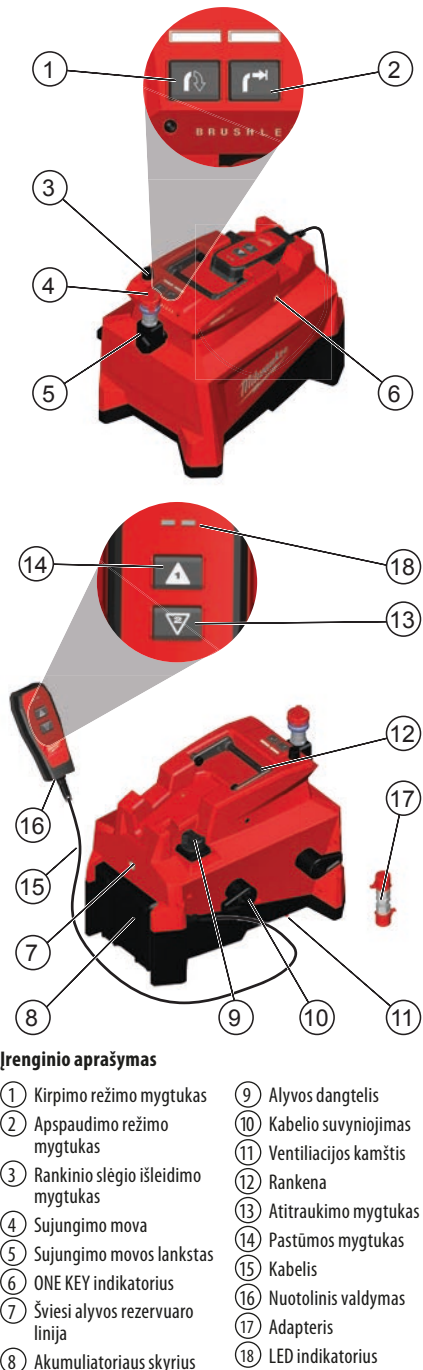
DĖMESIO

Šioje atmintinėje nurodyta skleidžiamo triukšmo vertė išmatuota laikantis EN 62841 standarte numatytos bandymo procedūros ir gali būti naudojama lyginant įrankius tarpusavyje. Ji tinka ir preliminariam apkrovos įvertinimui.

Nurodyta skleidžiamo triukšmo vertė būdinga pagrindiniams įrankio naudojimo atvejams. Tačiau jei įrankis naudojamas kitokiais būdais arba su kitokiais priedais arba jo techninė priežiūra yra nepakankama, skleidžiamo triukšmo vertė gali būti kitokia. Tai per visą darbinį laikotarpį gali smarkiai padidinti apkrovą.

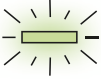
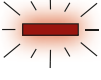

Norint tiksliai nustatyti triukšmo sukeliamą apkrovą reikėtų įvertinti ir laiką, kai įrankis yra išjungtas arba nors ir veikia, bet faktiškai nėra naudojamas. Per visą darbinį laikotarpį tai gali smarkiai sumažinti apkrovą.

Kad operatorių apsaugotumėte nuo triukšmo poveikio, nustatykite papildomas saugumo priemones, pvz., susijusias su įrankio ir priedų technine priežiūra ir darbo procesų organizavimu.



Įrenginio aprašymas

- | | |
|--------------------------------------|------------------------|
| ① Kirpimo režimo mygtukas | ⑨ Alyvos dangtelis |
| ② Apspaudimo režimo mygtukas | ⑩ Kabelio suvyniojimas |
| ③ Rankinio slėgio išleidimo mygtukas | ⑪ Ventilacijos kamštis |
| ④ Sujungimo mova | ⑫ Rankena |
| ⑤ Sujungimo movos lankstas | ⑬ Atitraukimo mygtukas |
| ⑥ ONE KEY indikatorius | ⑭ Pastūmos mygtukas |
| ⑦ Šviesi alyvos rezervuaro linija | ⑮ Kabelis |
| ⑧ Akumuliatoriaus skyrius | ⑯ Nuotolinis valdymas |
| | ⑰ Adapteris |
| | ⑱ LED indikatorius |

LED indikatorius	Apibrėžimas
 Nepertaukiamai dega Žalia	Jranksis užbaigė veiksmą ir pasiekė visą sugnybimo slėgį.
 Nepertaukiamai dega Raudona	Jranksis užbaigė veiksmą, tačiau nepasiekė viso sugnybimo slėgio.
 Mirksį Raudona / Žalia (po Nepertaukiamai dega Žalia arba Nepertaukiamai dega Raudona)	Pasiektas įrankio priežiūros intervalas (20000 sugnybia). Po to, kai buvo rodomas nepertaukiamai degantis raudonas arba žalias veiksmo indikatorius, raudonas / žalias indikatorius pradės mirksėti. MILWAUKEE rekomenduoja apžiūrėti įrankį ir atlikti profilaktinę techninę priežiūrą.

PASTABA: Jei indikatorius dega raudona spalva, patikrinkite alyvos lygį ir įsitikinkite, kad nėra pratekėjimų prieduose. Patikrinkite, ar visos jungtys yra tvirtos, o priedai tinka reikiamam darbui. Vėl įjunkite. Jei problema išlieka, grąžinkite įrankį MILWAUKEE techninės priežiūros tarnybai.

⚠ DĖMESIO Perskaitykite visas saugos nuorodas, instrukcijas, iliustracijas ir duomenis, kuriuos gaunate su prietaisu. Jei nepaisysite toliau pateiktų nuorodų, gali kilti elektros smūgio, gaisro ir/arba sunkių sužalojimų pavojus.

Išsaugokite šias saugos nuorodas ir reikalavimus, kad ir ateityje galėtumėte jais pasinaudoti.

⚠ YPATINGOS SAUGUMO NUORODOS

„Techtronic Industries GmbH“ gaminiai siurbliai yra suprojektuoti naudoti su apspaudimo, kirpimo ir išskirtimo galvutėmis. Atsižvelgiant į šiuos konkrečius naudojimo tipus, įrankiuose neįrengta alyvos apsauginė negrįžtamoji sistema.

Dėl šios priežasties naudojimas kitaip nei pagal nuorodą paskirtį (pavyzdžiui, su hidrauliniiais keltuvais, kėlimo sistemomis ir pan.) gali būti pavojingas ir lemti sunkius operatoriaus sužalojimus.

„Techtronic Industries GmbH“ neprisiima jokios atsakomybės už pasekmes, atsiradusias dėl hidraulinių siurblių naudojimo kitiems tikslams nei apspaudimo, kirpimo ar išskirtimo darbams.

Nedidinkite slėgio, jei siurblys neprijungtas prie lanksčios žarnos ir galvutės, nes taip galima apgadinti siurblio greitojo sujungimo movą, taip paankstinant alyvos prisisunkimą.

Aukšto slėgio lanksčios žarnos natūraliai sensta, dėl to gali pablogėti jų charakteristikos ir operatoriaus sauga. Todėl jų naudojimo trukmė yra ribota. Siekdamas užtikrinti saugą savo įtaisų naudojimui, bendrovė „Techtronic Industries GmbH“ rekomenduoja keisti hidraulines žarnas pagal gamintojo instrukcijas, net jei nematyti jokių akivaizdžių pažeidimų.

Siurblių ir lanksčią žarną laikykite atokiai nuo atviros liepsnos ir didesnio 70 °C karščio šaltinių.

Prieš naudodami siurblių visada patikrinkite, ar lanksti žarna ir greitojo sujungimo movos vientisumą, įsitikinkite, kad nėra nutrynimų, įpjovimų, deformacijų ir pabrinkimų.

Kiekviename lanksčios žarnos gale turi būti gamykliniai apsaugai. Nelieskite slėgio veikiamos lanksčios žarnos.

Naudojant siurblių, lanksti žarna turi būti nesuvyniota ir nutiesta tiesiai. Prieš atjungdami lanksčią žarną, patikrinkite, ar visiškai atitraukta galvutės tvoklė, kad užtikrintumėte pakankamą tolesnių veiksmų kokybę.

Siurblys yra netinkamas nepertaukiamam naudojimui, todėl po nepertaukiamai, vienas po kito einančių apspaudimo veiksmų turi būti paliekamas atvėsti; pavyzdžiui, jei visiškai įkrautas akumulatorius išseko, prieš pakeisdami akumuliatorių, palaukite kelias minutes.

Saugokite siurblių, akumuliatorių ir įkroviklių nuo lietaus ir drėgmės. Vanduo gali apgadinti siurblių. Elektriniai-hidrauliniai įrankiais negalima dirbti lyjant lietu.

Šio įrenginio naudotojas turi būti informuotas apie konkrečius pavojus, susijusius su šio įrenginio naudojimu, ir pagrindines saugos priemones prieš jam pirmą kartą imantis darbo, o vėliau – bent kartą per metus.

Veiklą vykdanči įmonė turi:

- Pasirūpinti, kad naudotojas turėtų naudojimo instrukciją,
 - užtikrinti, kad naudotojas ją perskaitytų ir suprastų.
- Dėvėkite apsaugines priemones. Dirbdami su mašina visada užsidėkite apsauginius akinius. Rekomenduotina dėvėti apsaugines priemones: apsaugos nuo dulkių respiratorius, apsaugines pirštines, kietus batus neslidžiais padais, šalną ir klausos apsaugos priemones.

- **Patikrinkite, ar nesusidėvėję ir neapgadinti siurblys, žarnos, movos ir jungiamieji elementai. Susidėvėjusius, apgadintus ar trūkstantus komponentus pakeiskite gamintojo atsarginėmis dalimis.** Susidėvėję ar apgadinti komponentai gali neveikti ir sukelti sužalojimų. Nepaisant šio įspėjimo, galimi rimti sužalojimai arba mirtis.
- **Prieš naudodami, patikrinkite, ar siurblys veikia reikiamu režimu.**
- **Netikrinkite pratekėjimų rankomis.** Aukšto slėgio veikiamą alyvą gali lengvai prasiskverbti pro odą, sunkiai sužaloti, sukelti gangreną ar mirtį. Susižaloję iškart kreipkitės į gydytojus, kad būtų pašalinta alyva.
- Įsitikinkite, kad siurblys neviršija maksimalaus palenkimo kampo.
- Patikrinkite alyvos lygį, jei reikia, pakoreguokite. Dėl žemo alyvos lygio galimi sužalojimai ar materialinė žala. Norėdami, kad įrankis veiktų geriausiai, visada pripilkite į rezervuarą „MILWAUKEE Force Logic™“ hidraulines alyvos (4932 4720 04).
- **Prieš atlikdami priežiūros, žarnos arba kitų hidraulines jungties elementų prijungimo ar atjungimo darbus, išleiskite slėgį iš hidraulines sistemos: visada iš anksto paspauskite rankinį slėgio išleidimo mygtuką.**
- **Dirbdami su įrankiu arba atlikdami jo priežiūros darbus, naudokite akių apsaugą.** Nenaudojant akių apsaugos, skriejančios šiukšlės ar hidraulinė alyva gali sunkiai sužaloti akis.
- **Naudokite tik vienkruptes žarnas ir priedus, kurių vardinis slėgis yra 10 000 psi (700 bar.) ar didesnis.**
- **Norėdami geriausio veikimo, naudokite žarnas, iš anksto užpildytas alyva.** Jei žarnos nėra iš anksto užpildytos, prieš dirbdami, išleiskite iš sistemos orą.
- **Niekada nenaudokite siurblio, jei prie jo nėra prijungta žarna ar priedas.**
- **Norėdami, kad įrankis veiktų geriausiai, visada pripilkite į rezervuarą „MILWAUKEE Force Logic™“ hidraulines alyvos (4932 4720 04).**
- **Optimaliam funkcionalumui užtikrinti naudokite M18™ REDLITHIUM™ 8,0 Ah arba galingesnį akumuliatorių.**



Lietuviškai

• **Vadovaukitės priedo gamintojo operatoriaus vadovu.**

Antraip galima apgadinti įrankį, priedus ir ruošinį.

• **Jei reikia, išleiskite iš sistemos orą.**

Niekada nelaikykite pirštų ar kitų kūno dalių žiaunų cilindro darbinėje srityje.

Prieš reguliuodami, valydami ir atlikdami techninę įrenginio priežiūrą išimkite akumuliatorių.

Įrenginius, akumuliatorių kompleksus ir įkroviklius naudokite tik tada, jei jų techninė būklė yra neprieaštinga.

Remontuoti pažeidimus nedelsdami paveskite įgaliotoms dirbtuvėms.

Norėdami išvengti susižeidimų ir gedimų, apsaugokite įrenginį nuo netyčinio įsijungimo.

Prieš naudojimą pašalinkite bet kokius nustatymo įrankius ir veržliarakčius.

Draudžiama apdirbti elektros įtampą turinčias dalis. Įrenginys NĖRA izoliuotas.

Rankas ir laisvus drabužius laikykite atokiau nuo kirpimo įrankių ir kitų judančių dalių.

Kilus sutrikimams suspaudimo proceso metu, nedelsdami atleiskite įjungimo jungiklį ir nuspauskite hidraulinės įrangos atrakinimo rankenėlę. Atsidaro vožtuvas ir stūmoklis grįžta į pradinę padėtį.

DĖMESIO! Siekdami sumažinti gaisro, sužalojimo ir gaminio apgaudinimo pavojų dėl trumpojo jungimo, niekada nemerkite įrenginio, akumuliatorių komplekto ar įkroviklio į skystį, neleiskite jų viduje tekėti skystčiui. Koroziją sukeliantys ar laidūs skystčiai, pavyzdžiui, jūros vanduo, tam tikri pramoniniai chemikalai, balikliai ar gaminiai, kurių sudėtyje yra baliklio, gali sukelti trumpąjį jungimą.

Būtina vykdyti techninę priežiūrą ir laikytis jos atlikimo intervalų.

Keičiamų akumuliatorių ir įkroviklių nelaikykite atvirai. Laikykite tik sausoje vietoje. Saugokite nuo drėgmės.

Keičiamus M18 sistemos akumuliatorius kraukite tik „M18“ sistemos įkrovikliais. Nekraukite kitų sistemų akumuliatorių.

Niekada nemerkite įrankio, išimamo akumuliatoriaus ar įkroviklio į skystį ir neleiskite skystčiui į juos patekti, kad išvengtumėte sužalojimų ir žalos.

DĖMESIO



Įrenginyje yra mygtuko / tabletės tipo ličio maitinimo elementas. Prarytas ar kaip nors kitaip patekęs į organizmą naujas arba naudotas maitinimo elementas per 2 valandas gali sukelti sunkių vidinių nudegimų ar mirtį. Visada pritvirtinkite maitinimo elemento skyriaus dangtį. Jei dangtis neužsidaro, išjunkite įrenginį, išimkite maitinimo elementą ir padėkite jį vaikams nepasiekiamoje vietoje. Jei manote, kad koks nors asmuo galėjo praryti maitinimo elementą arba jis kaip nors kitaip pateko į organizmą, nedelsdami kreipkitės į gydytoją.

▲ SUSPAUDIMO ĮRANKIŲ SAUGOS NUORODOS

Sugnybimo įrankius ir įrenginius turi naudoti tik kvalifikuotas personalas, atliekantis elektrotechninius darbus.

Niekada nesugnybkite jungiamųjų medžiagų, kuriomis teka elektros srovė.

Kaskart prieš naudodami patikrinkite suspaudimo įrankį, trinkeles ir įdėklus, ar neturi trūkų ir kitų susidėvėjimo požymių.

Galima naudoti tik neprieaštingos techninės būklės suspaudimo įrankį ir suspaudimo įdėklus.

Suspaudimo įrankį leidžiama naudoti tik su įstatytais suspaudimo įdėklais.

Spaudimo operacijos metu nelieskite suspaudimo žiaunų ir presavimo antgaliu.

Kilus sutrikimams suspaudimo proceso metu, nedelsdami atleiskite įjungimo jungiklį ir nuspauskite hidraulinės įrangos atrakinimo rankenėlę. Atsidaro vožtuvas ir stūmoklis grįžta į pradinę padėtį.

▲ KABELIŲ KARPYTUVO SAUGOS NUORODOS

Pjaustyti arba karpyti kabelius ir lynus šiuo kabelių karpytuvu leidžiama tik elektrotechnikos srityje instruktuoam asmeniui.

Norėdami sumažinti sprogingų, elektros šoko ir žalos nuosavybei ir įrangai pavojų, niekada nenukirpkite elektros kabelių, kuriais teka elektros srovė. Įrenginys NĖRA izoliuotas.

Rankas ir laisvus drabužius laikykite atokiau nuo kirpimo įrankių ir kitų judančių dalių. Kyla pavojus rimtai susižaloti, taip pat pavojus netekti galūnių.

Prieš pradėdami kirpimo procesą, būtina izoliuoti priegai laikantis vietos nuostatų.

Visada kirpkite tik nuo maitinimo šaltinio atjungtus kabelius!

Kabelių ir lynų negali veikti mechaninės jėgos.

Kad sumažintumėte pavojų susižaloti, dėvėkite apsauginius akinius arba akinius su šoniniais skydeliais.

Nesilaikant šio nurodymo, galimi rimti sužalojimai, mirtis, gaisras ir kita žala nuosavybei dėl elektros šoko, sprogingo ir (arba) elektros lankinės iškrovo.

Niekada nelaikykite laidų kirpimo žnyplių už kirpimo žiočių.

Prieš naudodami, visada patikrinkite kirpimo žnyplių žiotis, ar yra įtrūkimų ar kitų nusidėvėjimo požymių.

Laidų karpymo žnyples galima naudoti tik su įstatytu karpymo įrankiu.

▲ PRAMUŠTUVŲ SAUGOS NUORODOS

Kaskart prieš naudodami patikrinkite kirpimo įrankius, ar neturi trūkų ir kitų susidėvėjimo požymių. Naudokite tik neprieaštingos techninės būklės kirpimo įrankius ir kirpimo prietaisus.

Prietaisą leidžiama naudoti tik su įstatytu kirpimo įrankiu. Nenaudokite įtampą turinčiose skirstomosiose dėžėse ar arti jų. Dirbkite tik prie nuo įtamos atjungtų skirstomųjų dėžių.

Patikrinkite, ar matricos vardinis skersmuo sutampa su štampos vardinio skersmeniu.

Įrankį naudokite tik su tais štampais ir matricomis, kurie yra patvirtinti maks. vardinei jėgai. Kiti gali sukelti sužalojimus ar pažeidimus.

Prižiūrėkite, kad pjovimo įrankiai būtų aštrūs ir švarūs. Teisingai prižiūrimi pjovimo įrankiai su aštriomis pjovimo briaunomis stringa mažiau ir yra lengviau kontroliuojami.

NAUDOJIMAS PAGAL PASKIRTĮ

Priedai ir įrankių galvutės:

Naudojimas pagal paskirtį: naudoti tik su vienkrypčiais priedais ir įrankių galvutėmis, 700 bar. vardinis slėgis; 1,35 l maks. darbinis tūris

Suspaudimo įrankis:

Suspaudimo įrankį leidžiama naudoti tik jungiamųjų medžiagų, kurioms yra numatyti atitinkami suspaudimo įdėklai, suspaudimui.

Prieš pradėdami darbą technikas turi atjungti visas dalis, kuriomis teka elektros srovė.

Kabelių karpytuvas:

neįtemptus ar muotus ar narmuotus izoliuotus varinius ar aliuminius kabelius (pjovimo įrankis priklauso nuo kabelio tipo).

• nesutvirtintiems laidams iš izoliuoto vario ar aliuminio, kuriais neteka įtampa, kirpti. Konkretus kirpimo įrankis priklauso nuo kabelio tipo



Liet

Stūmimo įrankis:

Stūmimo įrankį galima naudoti tik skylėms medžiagose pramušti naudojant pateikiamus prakalus ir matricas.



DĖMESIO Perskaitykite visas saugos nuorodas, instrukcijas, iliustracijas ir duomenis, kuriuos gaunate su prietaisu. Jei nepaisysite toliau pateiktų nuorodų, gali kilti elektros smūgio, gaisro ir/arba sunkių sužalojimų pavojus. **Išsaugokite šias saugos nuorodas ir reikalavimus, kad ir ateityje galėtumėte jais pasinaudoti.**

BENDROSIOS INSTRUKCIJOS

Hidraulinės sistemos pripildymas:

Pasibaigus alyvai, į įrankį visada reikia vėl jos pripilti.

Norėdami pripildyti sistemą:

1. Išimkite akumuliatorių.
2. Patikrinkite alyvos langelio liniją įsitikinkite, kad įrankyje yra pakankamai alyvos.
3. Prijunkite sujungimo movą prie priedo galvutės, kuri išpumpuos orą ir alyvos perteklių.

PASTABA: Sujungimo mova turi būti nukreipta tiesiai į viršų, o įrankis turi būti žemiau už priedo galvutę.

4. Įdėkite akumuliatorių.
5. Nuspauskite apspaudimo režimo mygtuką.
6. Paleiskite įrankį.

PASTABA: Gali praeiti iki 30 sekundžių, kol bus matomas išeinantis oras ir alyva.

7. Kai bus matoma alyva, paspauskite ir dvi sekundes laikykite nuspaustą rankinio atleidimo mygtuką, tada atleiskite abu mygtukus.
8. Pakartokite 5–7 veiksmus tris–keturis kartus.

PASTABA: Pripildydami sistemą įsitikinkite, kad alyvos lygis nėra žemesnis už alyvos langelio liniją. Jei reikia, pripildykite rezervuarą.

Oro išleidimas iš priedo:

Kiekvieną kartą atliekant priedo priežiūros darbus, jei priedas buvo nenaudojamas ilgesnį laiko tarpą arba prijungus priedą prie žarnos, kuri nėra iš anksto pripildyta alyvos, iš priedo reikia išleisti orą. Išsamesnių oro išleidimo instrukcijų ieškokite gamintojo rekomendacijose.

Norėdami išleisti orą iš priedo:

1. Išimkite akumuliatorių.
2. Prijunkite priedo žarną prie sujungimo movos.

PASTABA: Sujungimo mova turi būti nukreipta į šoną, o įrankis turi būti aukščiau už priedo žarną ir galvutę.

3. Įdėkite akumuliatorių.
4. Nuspauskite apspaudimo režimo mygtuką.
5. Leiskite įrankį, kol ciklas bus užbaigtas, o LED indikatorius įsižiebęs žalia spalva.
6. Paspauskite ir dvi sekundes laikykite nuspaustą rankinio atleidimo mygtuką, tada atleiskite abu mygtukus.
7. Pakartokite 4–6 veiksmus tris–keturis kartus.

PASTABA: Išleisdami iš priedo orą, įsitikinkite, kad alyvos lygis nėra žemesnis už alyvos langelio liniją. Jei reikia, pripildykite rezervuarą.

DARBO NUORODOS APSPAUDIMUI

Naudokite tik standartizuotus jungiamuosius gaminius, atitinkančius šalyje galiojančius standartus, bei tam numatytus suspaudimo įdėklus.

Jungiamųjų gaminių apdirbimo ir montavimo instrukcijas rasite gamintojo dokumentuose.

Patikrinkite, ar jungiamojo gaminio vardinis skersmuo sutampa su suspaudimo įdėklo vardinu skersmeniu.

Prieš pradėdami sugnybimą reikia patikrinti akumuliatoriaus talpą: minimali talpa yra 33 % (žr. iliustruotą aprašymą). Prieš pradėdami darbą gali prireikti įkrauti.

Įjungus valdymo jungiklį pradėdamas spaudimo procesas kurio metu juda presavimo antgalis.

Patikrinti ir įvertinti teisingą suspaudimą privalo naudotojas.

Neteisingas jungtis reikia dar kartą suspausti nauju jungiamuoju gaminiu.

Veiksmai gedimų atveju

- Laikykite nuspaustą atleidimo jungiklį, kol žiotys visiškai atsivers
- patikrinkite akumuliatoriaus talpą
- Vadovaudamiesi techniniais duomenimis, apžiūrėkite kabelį ir prijungiamąsias dalis.
- Jei įtariama, kad buvo suspaustas kabelis, kuriuo teka elektros srovė, reikia patikrinti sugnybimo įrankį įgaliosose specialistų dirbtuvėse

DARBO NUORODOS KIRPIMUI

Darbo vietos paruošimas

Prieš pradėdami darbą, būtina sukurti linijų arba lynų būseną be įtampos, ir ją užtikrinti, kol truks darbai.

Jei neįmanoma visiškai užtikrinti, kad kabelis arba izoliuota linija būtų atjungta, negalima atlikti jokių darbų.

Būtina laikytis vietinių saugos reikalavimų ir taisyklių.

Kabelių ir lynų negali veikti mechaninės jėgos, ir juos, esant reikalui, po kirpimo būtina apsaugoti nuo nevaldomo judėjimo.

Saugokite įrankius nuo lietaus. Nedirbkite su įrankiais esant rūkiui ar drėgnose vietose.

Laidų kirpimo žnyplių ir akumuliatoriaus paruošimas

Prieš kiekvieną naudojimą:

- Patikrinkite laidų kirpimo žnyples, ar nėra išorinių defektų
- Patikrinkite kirpimo įrankį, ar nėra įtrūkimų ar kitų nusidėvėjimų požymių

Naudokite tik puikios būklės!

Prieš prasidedant kirpimo procesui būtina patikrinti akumuliatoriaus talpą: minimali – 33 % (žr. iliustruotą aprašymą). Prieš pradėdami darbą gali prireikti įkrauti.

Pasiruošimas kirpimo procesui

Paremkite ir užfiksuokite kerpamą kabelį arba lyną, kad sumažintumėte nevaldomo judėjimo riziką.

Ypač gali imti nevaldomai judėti oro linijos ir lynai ir sukelti sužalojimų ir (arba) pažeidimų.

Kirpimo galvutė turi būti pridėta 90° kampu kabelio arba lyno atžvilgiu, kad šis be įtempių atsiremtų į atidarytą kirpimo trinėlę, ir būtų išvengta nepalankių šlyties jėgų.



DĖMESIO: Norėdami sumažinti sprogmų, elektros šoko ir žalos nuosavybei ir įrangai pavojų, niekada nenukirpkite elektros kabelių, kuriais teka elektros srovė.



Jrenginys NĖRA izoliuotas. Prisilietus prie grandinės, kuria teka srovė, galimi rimti sužalojimai arba mirtis. Išjunkite maitinimą prieš kirpdami. Niekada nekirkpate dujų ar vandens linijų. Nelieskite jokių aštrių briaunų ar judančių dalių. Galimos plėštinės žaizdos arba amputacija.

Prieš keisdami ar nuimdami priedus, visada išimkite akumuliatorių komplektą. Naudokite tik priedus, specialiai rekomenduotus šiam įrankiui. Kiti gali būti pavojingi. Kad sumažintumėte pavojų susižaloti, dėvėkite apsauginius akinius arba akinius su šoniniais skydeliais.



DĖMESIO: Norėdami sumažinti susižalojimo pavojų, kirkpate medžiagas, rekomenduojamas kirpti šiomis geležtėmis. (žr. „Techninės savybės“) Nebandykite kirpti kitų medžiagų.

Kirpimas

Prieš kirpdami užtikrinkite, kad geležtės būtų tinkamai įtaisytos.

1. Kreipkite kabelį statmenai prie kabelių karpytuvo ašmenų. Nebandykite kirpti kampu, nes taip galite sugadinti kerpamą objektą ir geležtės.
2. Paspauskite gaiduką ir jį laikykite atlikdami operaciją. Kai gaidukas nuspaustas, šviečia LED indikatorius.
3. Jei kirpimas yra atliktas, arba įrankis išsijungia, vėl atleiskite aktyvinimo įtaisą ir aktyvinkite atstatos jungiklį, kad atsidarytų kirpimo trinkelės.

PASTABA: Kerpamas objektas gali šiek tiek judėti.

Veiksmai gedimų atveju

- kabelis gali būti įpjautas ir turėti įtampą, visada informuokite saugos įgaliotinį, nutraukite kirpimo procesą, imkitės tinkamų apsaugos priemonių
- Visada užtikrinkite, kad įrenginys būtų atjungtas nuo maitinimo šaltinio prieš priartėdami ir jį liesdami
- paspauskite ir palaikykite nustatymo iš naujo mygtuką, kol žnyplės visiškai atsidarys
- patikrinkite akumuliatoriaus talpą
- patikrinkite medžiagą ir medžiagos storį, palyginę su techniniais duomenimis
- Jei įtariama, kad buvo nukirptas kabelis, kuriuo teka elektros srovė, reikia patikrinti laidų kirpimo žnyplės įgaliotose specialistų dirbtuvėse

Užstrigusios geležtės

Dėl nešvarumų ir nuolaužų geležtės po kirpimo gali užstrigti

- Paspauskite ir palaikykite atlaisvinimo gaiduką, kad užtikrintumėte, jog įrankis nustatytas iš naujo.
- Išimkite akumuliatorių.
- vadovaukitės vaizdiniu aprašymu, kad atidarytumėte kirpimo trinkeles
- Nuvalykite nuo geležčių bet kokius nešvarumus ir nuolaužas prieš vėl pradėdami kirpti.

Kirpimo patarimai

- Nebandykite kirpti kampu, nes taip galite sugadinti kerpamą objektą ir geležtės.
- Kad geležtės ilgiau tarnautų, kirpkite švarią medžiagą. Nuvalykite nešvarumus ir nuolaužas nuo medžiagos ir geležčių prieš pradėdami kirpti.

PERFORAVIMO INSTRUKCIJOS

Patikrinkite, ar matricos vardinis skersmuo lygus prakalo vardiniams dydžiai.

TECHNINIS APTARNAVIMAS

Prieš reguliuodami, valydami ir atlikdami techninę įrenginio priežiūrą išimkite akumuliatorių.

Niekada neardykite įrenginio, išimamo akumuliatoriaus ar įkroviklio.

Patikrinkite įrenginį, ar nėra kokių požymių, pavyzdžiui, judančių dalių triukšmo arba strigimo, kas galėtų pakenkti įrenginiui.

Įrenginio ventilacijos angos visada turi būti neuždengtos.

Norėdami išvengti sužalojimų ir žalos, niekada neįmerkite įrenginio, išimamo akumuliatoriaus arba įkroviklio į skystį ir neleiskite skystiui prasiskverbti į juos.

Kitus priežiūros ir remonto darbus turi atlikti tik įgaliotų specializuotų dirbtuvių personalas.

Prietaise yra hidraulinės alyvos, kuri kelia pavojų gruntiniams vandeniems. Už jos išleidimą arba netinkamą utilizavimą gresia bausia.

Kitą priežiūros terminą nurodo LED, esantys ant įrenginio.

Grąžinkite įrankį, akumuliatorių ir įkroviklį MILWAUKEE techninės priežiūros tarnybai, kad būtų atlikti visi remonto darbai. Po šešių mėnesių arba vienerių metų, atsižvelgiant į naudojimą, grąžinkite įrankį, akumuliatorių ir įkroviklį MILWAUKEE techninės priežiūros tarnybai patikrai. Naudokite tik „Milwaukee“ priedus ir „Milwaukee“ atsargines dalis. Dalis, kurių keitimas neaprašytas, leidžiama keisti tik „Milwaukee“ klientų aptarnavimo skyriams (žr. garantiją/ klientų aptarnavimo skyrių adresus brošiūroje).

Jei naudojant visiškai įkrautą akumuliatorių bloką įrankis nepasileidžia arba neveikia visu galingumu, nuvalykite akumuliatorių bloko kontaktus. Jei įrankis vis tiek neveikia tinkamai, grąžinkite įrankį, įkroviklį ir akumuliatorių bloką MILWAUKEE techninės priežiūros tarnybai, kad suremontuotų.

Priežiūros intervalas

Norėdami informacijos apie reikiamus priežiūros, pavyzdžiui, skysčių keitimo, darbus, žr. programėlę ONE-KEY. Grąžinkite įrankį MILWAUKEE techninės priežiūros tarnybai, kad būtų atlikti visi remonto ir techninės priežiūros darbai.

PASTABA: Gali prireikti nurodyti įrankio pagaminimo savaitę ir metus. Šią informaciją rasite serijos numeryje, pateikiame įrankio identifikacinėje plokštelėje.

Jei reikia, nurodant įrenginio tipą bei specifikacijų lentelėje esantį numerį, iš klientų aptarnavimo skyriaus arba tiesiai iš Techtronic Industries GmbH, Max-Eyth-Strasse 10, 71364 Winnenden, Germany, galima užsisakyti prietaiso surinkimo brėžinius.

Norint užtikrinti saugų gabenimą, rekomenduojama supakuoti hidraulinį siurblių sandariame, alyvai atspariame plastikiniame maiše, naudoti originalią pakuotę.

ONE-KEY™

Norėdami daugiau sužinoti apie šio įrenginio funkciją ONE-KEY, žr. su šiuo gaminiu priededamą Trumpąjį žinyną arba eikite į svetainę <http://www.milwaukeetool.com/one-key>

Jūs galite iš „App Store“ arba „Google Play“ į savo išmanųjį telefoną atsisiųsti ONE-KEY programėlę.

Darymų rezultatai atitinka mūsų minimalius reikalavimus pagal EN 301489-1 / EN 301489-17. Naudojimo patarimų klientui bus pateikiama naudotojo vadove.

AKUMULIATORIAI

Ilgesnį laiką nenaudotus keičiamus akumulatorius prieš naudojimą įkraukite. Aukštesnė nei 50°C temperatūra mažina keičiamų akumuliatorių galią. Venkite ilgesnio saulės ar šilumos šaltinių poveikio.

Įkroviklio ir keičiamo akumulatoriaus jungiamieji kontaktai visada turi būti švarūs.

Kad prietaisas kuo ilgiau veiktų, pasinaudoję juo, iki galo įkraukite akumulatorius.

Siekiant užtikrinti kuo ilgesnį baterijos tarnavimo laiką, reikėtų ją po atlikto įkrovimo iškart išimti iš įkroviklio.

Bateriją laikant ilgiau nei 30 dienų, būtina atkreipti dėmesį į šias nuorodas: bateriją laikyti sausoje aplinkoje, esant apie 27 °C temperatūrai. Baterijos įkrovimo lygis turi būti nuo 30% iki 50%. Baterija pakartotinai turi būti įkraunama kas 6 mėnesius.

Sunaudotų keičiamų akumuliatorių nedeginkite ir nemeskite į buitines atliekas. „Milwaukee“ siūlo tausojantį aplinką sudėvėtų keičiamų akumuliatorių tvarkymą, apie tai prekybos atstovo.

Keičiamų akumuliatorių nelaikykite kartu su metaliniais daiktais (trumpojo jungimo pavojus).

Ekstremalių apkrovų arba ekstremalios temperatūros poveikyje iš keičiamų akumuliatorių gali ištekėti akumulatoriaus skystis. Išsitęsęs akumulatoriaus skystis, tuoj pat nuplaukite vandeniu su muilu. Patekęs į akis, tuoj pat ne trumpiau kaip 10 minučių gausiai skalaukite vandeniu ir tuoj pat kreipkitės į gydytoją.

Į įkroviklių keičiamiems akumulatoriams įstatymui skirtą vamzdį turi nepatekti jokios metalinės dalys (trumpojo jungimo pavojus).

LICIO JONŲ AKUMULIATORIŲ PERVEŽIMAS

Ličio jonų akumulatoriams taikomos įstatyminės nuostatos dėl pavojingų krovinių pervežimų.

Šiuos akumulatorius pervežti būtina laikantis vietinių, nacionalinių ir tarptautinių direktyvų ir nuostatų.

Naudotojai šiuos akumulatorius gali naudoti savo transporte be jokių kitų sąlygų.

Už komercinį ličio jonų akumuliatorių pervežimą atsako ekspedicijos įmonė pagal nuostatas dėl pavojingų krovinių pervežimo. Pasiruošimo išsiųsti ir pervežimo darbus gali atlikti tik atitinkamai išmokyti asmenys. Visas procesas privalo būti prižiūrimas.

Pervežant akumulatorius būtina laikytis šių punktų:

Siekiant išvengti trumpųjų jungimų, įsitikinkite, kad kontaktai yra apsaugoti ir izoliuoti. Atkreipkite dėmesį, kad akumulatorius pakuotės viduje neslidinėtų. Draudžiama pervežti pažeistus arba tekančius akumulatorius. Dėl detalesnių nurodymų kreipkitės į savo ekspedicijos įmonę.

CE ATITIKTIES PAREIŠKIMAS

Prisiimdami visą atsakomybę pareiškiame, kad gaminys, aprašytas „Techniniuose duomenyse“, atitinka taikomus reikalavimus, išdėstytus direktyvose

2011/65/ES (RoHS)

2000/14/EB

2006/42/EB

2014/53/ES

ir buvo taikyti šie darnieji standartai

EN 62841-1:2015

EN 62479:2010

EN 55014-1:2017

EN 55014-2:2015

EN 301 489-1 V2.1.1 (2017-02)

EN 301 489-17 V3.1.1 (2017-02)

EN 300 328 V2.1.1 (2016-11)

EN IEC 63000:2018

Išmatuotas garso galios lygis 87,2 dB(A)

Garantuojamas garso galios lygis 89,0 dB(A)

Paklaida K= 1,5 dB(A)

Atitikties įvertinimo procedūra pagal Reglamento 2000/14/EB V skyrių

Nurodyta vieta:

DEKRA Certification B.V. (0344)

Meander 1051/P.O. Box 5185

6825 MS ARNHEIM/6802 ED ARNHEIM

Netherlands



Winnenden,

Alexander Krug / Managing Director

Įgaliotas parengti techninius dokumentus.

Techtronic Industries GmbH

Max-Eyth-Strasse 10, 71364 Winnenden, Germany



SIMBOLIAI



Prieš pradėdami dirbti su prietaisu, atidžiai perskaitykite jo naudojimo instrukciją.



Dėvėkite apsauginius akinius.



Įrenginyje yra mygtuko / tabletės tipo ličio maitinimo elementas.



DĖMESIO! ĮSPĖJIMAS! PAVOJUS!



Prieš atlikdami bet kokius darbus įrenginyje, išimkite keičiamą akumuliatorių.



Elektros smūgio pavojus



DĖMESIO!
skrendančių dalių



DĖMESIO! Rankų sužalojimas



Šioje etiketėje nurodytas garso galios lygis yra 89 dB



Elektros prietaisų, baterijų/akumuliatorių šalinti kartu su buitinėmis atliekomis negalima. Elektros prietaisus ir akumuliatorius reikia surinkti atskirai ir atiduoti perdirbimo įmonei, kad būtų pašalinti aplinkai saugiu būdu. Vietos valdžios institucijose arba specializuotose prekybos vietose pasidomėkite apie perdirbimo ir surinkimo centrus.

V Įtampa

— — — Nuolatinė srovė



Europos atitikties ženklas



Ukrainos atitikties ženklas



Eurazijos atitikties ženklas



TEHNILISED ANDMED	M18 HUP700
Hüdropump	
Tootmisnumber	4745 35 01... ... 000001-999999
Bluetoothi sagedusriba (sagedusribad)	2402-2480 MHz
Kõrgepingeõudlus	1,8 dBm
Bluetoothiga versioon	4.0 BT signal mode
Vahetatava aku pingeline	18 V
Nimisurve	700 bar
Kaitseklass	IP54
Maksimaalne tipunurk	34°
Nimivoolukiirus	
Väike surve	2,0 l/min
Suur surve	0,4 l/min
Õli kogumaht	1,6 l
Tarbitav õli maht	1,3 l
Kaal vastavalt EPTA-protseduurile 01/2014 (Li-Ion 8,0 Ah ... 12,0 Ah)	16,0..., 16,5 kg
Soovituslik keskkonna temperatuur töötamiseks	-18°C ... +50°C
Soovituslikud akupakid	M18B9 M18HB8 ..., M18HB12
Soovituslik laadija	M12-18..., M1418 C6
Müra andmed	
Mööteväärtused on kindlaks tehtud vastavalt normile EN 62841. Seadme tüüpiline hinnanguline (müra tase):	
Helirõhutase (Määramatus K=3dB(A))	77,7 dB (A)
Helivõimsuse tase (Määramatus K=3dB(A))	88,7 dB (A)

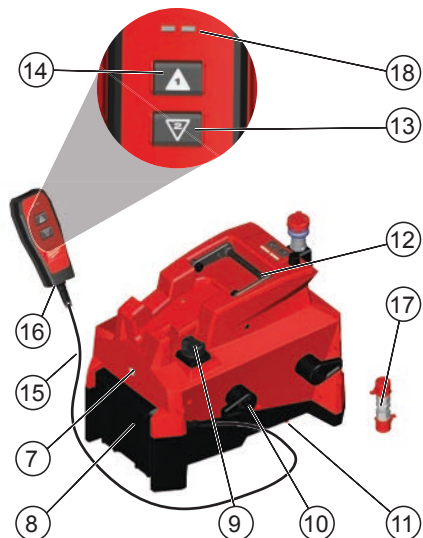
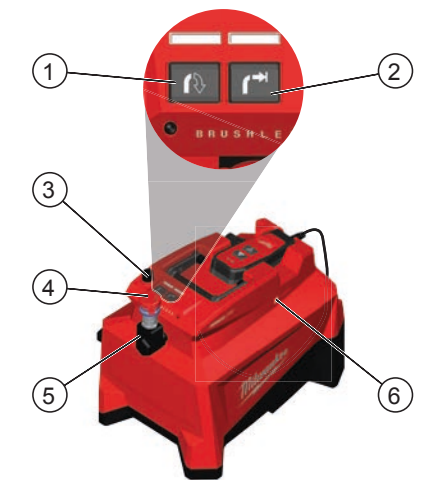
TÄHELEPANU

Selles infolehes esitatud müraemissiooni väärtus on mõeldud vastavalt katsemeetodi standardile EN62841 ja seda saab kasutada tööriistade omavaheliseks võrdlemiseks. See sobib ka eelnevaks koormuse hindamiseks.

Esitatud müraemissiooni väärtus tähistab tööriista kasutamist peamistel rakendusajaladel. Kui aga tööriista kasutatakse muudel eesmärkidel või koos teiste tarvikutega või kui see on halvasti hooldatud, võib müra väärtus erineda. See võib märkimisväärselt suurendada koormust kogu tööperioodi jooksul.

Mürakoormuse täpseks hindamiseks tuleks arvesse võtta ka aega, mil tööriist on välja lülitatud või küll sisse lülitatud, kuid mitte tegelikus kasutuses. See võib märkimisväärselt vähendada koormust kogu tööperioodi jooksul.

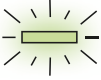
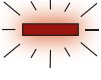
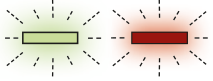
Võtke kasutusele täiendavad ohtutusabinõud operaatori kaitsmiseks müra mõjude eest, nagu näiteks: tööriista ja lisaseadmete hooldus ning tööprotsesside korraldamine.



Seadme kirjeldus

- | | |
|----------------------------------|----------------------|
| ① Lõikerežiimi nupp | ⑪ Õhutuskork |
| ② Pressirežiimi nupp | ⑫ Käepide |
| ③ Surve käsitsi vabastamise nupp | ⑬ Sissetõmbamisnupp |
| ④ Ühendus | ⑭ Edasilükknimisnupp |
| ⑤ Ühenduse pöörel | ⑮ Juhe |
| ⑥ ÜHE VÕTME näidik | ⑯ Kaugjuhtimispuul |
| ⑦ Õlipaagi hele joon | ⑰ Adapter |
| ⑧ Akulahter | ⑱ LED-näidik |
| ⑨ Õlikork | |
| ⑩ Juhtmekerija | |



LED-näidik	Määratlus
 Pidev Roheline	Tööriist lõpetas toimingu ja saavutas täieliku lainestussurve.
 Pidev Punane	Tööriist lõpetas toimingu, kuid ei saavutanud täielikku lainestussurvet.
 Vilkuv Punane / Roheline (pärast Pidev Roheline või Pidev Punane)	Tööriist on saavutanud hooldusintervalli (20000 lained). Punane/roheline tuli hakkab vilkuma pärast seda, kui kuvatakse toimingust märku andev pidev punane või roheline tuli. MILWAUKEE soovib tööriista kontrollida ja teha ennetava hoolduse.



MÄRKUS: Kui näidik on punane, kontrollige õlitaset ja veenduge, et lisaseadmetel ei ole lekkeid. Veenduge, et kõik ühendused on tugevalt kinni ja lisaseadmed sobivad töö jaoks. Käivitage uuesti. Kui probleem ei kao, viige tööriist MILWAUKEE teenindusse.

⚠ TÄHELEPANU Lugege kõik seadmega kaasas olevad ohutusjuhised, juhendid, joonised ja andmed läbi. Järgnevalt toodud juhiste eiramise tagajärjeks võib olla elektrilöök, tulekahju ja/või raskek vigastused.

Hoidke kõik ohutusnõuded ja juhised edasiseks kasutamiseks hoolikalt alles.

⚠ SPETSIAALSED TURVAJUHISED

Techtronic Industries GmbH hüdropumba on mõeldud kasutamiseks pressi-, löike- ja stantsipeaga. Selle erikasutuse kohaselt pole neil õli tagasivoolu kaitsesüsteemi.

Seetõttu võib kasutamine muul kui ettenähtud otstarbel (nt hüdrotrungraudadega, -töstesüsteemidega vms) olla ohtlik ning põhjustada kasutajal raskeid vigastusi.

Techtronic Industries GmbH ei vastuta kahju eest, mis tuleneb hüdropumpade kasutamisest muul otstarbel kui pressimine, lõikamine ja stantsimine.

Ärge moodustage survet, kui pump ei ole vooliku ja peaga ühendatud, sest see võib kahjustada pumba kiirühendust, mis omakorda võib kaasa tuua õli immitsemise.

Survevoolikutel tekib loomulik vananemine, mis võib kaasa tuua omaduste halvenemise, mis omakorda võib vähendada kasutaja ohutust. Seetõttu on voolikute eluiga piiratud. Selleks et tagada seadmete ohutu kasutamine, soovib Techtronic Industries GmbH hüdraulikavoolikuid regulaarselt, vastavalt tootja juhistele vahetada, isegi kui nähtavaid kahjustusi ei ole.

Hoidke pumba ja voolikut lahtisest leegist ja üle 70 °C soojusallikatest eemal.

Enne pumba kasutamist kontrollige alati, kas voolik ja kiirühendus on terved ja et neil poleks hõõrdumisi, sisselõikeid, deformatsiooni ega pundunud kohti.

Tehases paigaldatud kaitsepiirded peavad olema vooliku mõlemas otsas. Ärge puudutage survet all olevat voolikut.

Pumba kasutamise ajal tuleb voolik lahti kerida ja sirgelt paigutada. Enne vooliku lahutamist kontrollige, kas peakolb on täielikult sisse tõmmatud. Samuti peab järgmisteks kasutuskordadeks olema piisavalt õli.

Pump ei sobi pidevaks kasutamiseks ning sellel tuleb lasta pärast pikaajalist pressimist maha jahtuda. Kui aku on ühe kasutuskorraga tühjaks saanud, oodake aku vahetamisega mõni minut.

Kaitske pumba, akut ja laadijat vihma ja niiskuse eest. Vesi kahjustab pumba elektrohüdraulikakomponente ning pumpa ei tohi kasutada vihma käes.

Selle seadme operaator peab enne seadme esmakordset kasutamist ja seejärel vähemalt kord aastas läbima instruktuaži, mille käigus teda teavitatakse seadme kasutamisega kaasnevatest ohtudest ja olulistest ohutusabinõudest.

Käitusettevõtte peab:

- tagama kasutusjuhendi kättesaadavuse kasutajale ning
- kindlustama, et kasutaja loeb selle läbi ja saab sellest aru.

Kasutada kaitsevarustust. Masinaga töötamisel kanda alati kaitseprille. Kaitseriituseks soovatakse kasutada tolmumaski kaitsekindaid, kinniseid ja libisemisvastase tallaga jalanõusid, kiivrit ja kuulmisteede kaitset.

• Kontrollige, ega pumbal, voolikutel, ühendustel ja tarvikutel pole kulumist või kahjustusi. Asendage kulunud, kahjustunud ja puuduvad komponendid tootja varuosadega. Kulunud või kahjustunud komponendid võivad katki minna ja vigastusi põhjustada. Selle hoiatuse eiramine võib kaasa tuua raskek vigastused või surma.

• Kontrollige enne kasutamist, kas pump on soovitavas töörežiimis.

• Ärge kontrollige lekkeid käega. Surve all olev õli võib naha alla tungida ning raskeid vigastusi, gangreeni või koguni surma põhjustada. Vigastuse korral pöörduge õli eemaldamiseks kohe arsti poole.

• Pump peab olema allpool maksimaalset kaldenurka.

• Kontrollige õlitaset ja reguleerige seda vajadusel. Madal õlitase võib põhjustada vigastusi või materiaalseid kahju. Parimate tulemuste saamiseks kasutage alati hüdraulikaõli MILWAUKEE Force Logic™ (4932 4720 04).

• Enne hooldust ning vooliku ja muude hüdraulika ühenduselementide ühendamist ja lahutamist vabastage hüdraulikasüsteem alati rõhu alt: vajutage alati surve käsitsi vabastamise nuppu.

• Kandke selle tööriista kasutamisel või hooldamisel alati silmade kaitsevahendit. Silmade kaitsevahendi mittekasutamine võib lalipaikskuva prügi ja hüdraulikaõli tõttu kaasa tuua raskeid silmavigastusi.

• Kasutage ainult ühetoomelisi voolikuid ja parivõid nimivõimsusega vähemalt 10 000 psi (700 bar).

• Parimate tulemuste saavutamiseks kasutage õliga eeltäidetud voolikuid. Kui voolikud ei ole eeltäidetud, õhustage süsteem enne kasutamist.

• Ärge kasutage pumba ilma vooliku või lisatarvikuta.

• Parimate tulemuste saamiseks kasutage alati hüdraulikaõli MILWAUKEE Force Logic™ (4932 4720 04).

• Optimaalse töö tagamiseks kasutage M18™ REDLITHIUM™ 8.0 Ah või võimsamat akut.

• Järgige lisatarvikute tootjate kasutusjuhendeid. Muul viisil kasutamine võib tööriista, tarvikuid ja töödeldavat detaili kahjustada.

• Vajadusel õhustage süsteem.

Ärge hoidke sõrmi ega muid kehaosi silindri ega lõugade tööpiirkonnas.

Eemaldage akupakk enne seadme reguleerimist, puhastamist ja hooldust.

Kasutage üksnes töökorras olevaid seadmeid, akusid ja laadijaid ainult siis, kui need on laitmatus tehnilises seisukorras.

Laske kahjustused kohe volitatud oskustöökojas remontida.

Vigastuste ja kahjustuste vältimiseks jälgige, et seade ei käivitaks juhuslikult.

Enne tööoperatsioonide tegemist eemaldage seadistusvahendid.

Ei tohi töödelda elektriringe all olevaid osi. Seade EI OLE isoleeritud.

Hoidke käed ja lahtine riietus löikeinstrumentidest ja teistest liikuvatest osadest eemal.

Vabastage pressimisoperatsiooni ajal esinevate tõrgete korral SEES-lüliti koheselt lahti ja vajutage hüdraulika vabastusnuppu. Ventil avaneb ja kolb liigub lähteasendisse tagasi.

TÄHELEPANU! Lühise tõttu tekkiava tuleohtu, kehavigastuste ja tootekahjustuste vältimiseks ärge asetage seadet, akusid või laadijat mitte kunagi vedeliku sisse ega laske vedelikel nende sisse sattuda. Korrosiivsed ja elektrit juhtivad vedelikud, näiteks merevesi, teatud tööstuskemikaalid, pleegitid ja pleegiteid sisaldavad tooted jne võivad põhjustada lühise.

Pidage hooldusest ja hooldusintervallidest kohustuslikult kinni.

Ärge avage vahetatavaid akusid ega laadijaid ning ladustage neid ainult kuivades ruumides. Kaitske niiskuse eest.

Laadige süsteemi M18 vahetatavaid akusid ainult süsteemi M18 laadijatega. Ärge laadige nendega teiste süsteemide akusid.

Laadimis- ja kahjustuste vältimiseks ärge asetage tööriista, eemaldatavat akut ega laadijat vette ega laske vedelikel neisse tungida.

TÄHELEPANU



See seade sisaldab nõopatareid (liitumpatarei). Uus või kasutatud patarei võib põhjustada rasked sisemisi põletusi ja surma vaid 2 tunniga pärast allaneelamist või organismi sattumist. Kinnitage alati akupesaga kate. Kui see ei sulgu turvaliselt, seisake seade, eemaldage patarei ja hoidke seda lastele kättesaamatu. Kui kahtlustate, et keegi on patarei alla neelanud või see on muul viisil organismi sisenenud, pöörduge kohe arsti poole.

PRESSIMISINSTRUMENTIDE OHUTUSJUHISED

Lainestustööriista ja -seadmeid tohivad kasutada ainult elektrotehnika alase väljaõppega töötajad.

Ärge kunagi lainestage pingestatut ühendusmaterjalid.

Kontrollige enne iga kasutamist pressimisinstrumendil, -pakkidel ja otsikutel pragusid ja muid kulumisnähtusid.

Pressimisinstrumendi ja pressimisotsikuid tuleb kasutada ainult tehniliselt laitmatus seisukorras.

Pressimisinstrumendi tohib kasutada ainult paigaldatud pressimisotsikutega.

Pressimise ajal ei ole lubatud katsuda pressilõugu ja pressi tihtvõpelt.

Vabastage pressimisoperatsiooni ajal esinevate tõrgete korral SEES-lüliti koheselt lahti ja vajutage hüdraulika vabastusnuppu. Ventil avaneb ja kolb liigub lähteasendisse tagasi.

KAABILÕIKURI OHUTUSJUHISED

Selle kaabilõikuriga tohivad kaableid ja trosse lõigata vaid elektrotehnika alaste teadmistega spetsialistid.

Plahvatuse, elektrilöögi ja materiaalse kahju ohu vähendamiseks ärge kunagi lõigake pinge all olevaid elektrijuhtmeid. Seade EI OLE isoleeritud.

Hoidke käed ja lahtine riietus löikeinstrumentidest ja teistest liikuvatest osadest eemal. Raskete vigastuste oht, sh jäsemete amputeerimise oht.

Enne lõikamise alustamist tuleb juurdepääs kooskõlas kohalike eeskirjadega piirata.

Lõigake kaableid vaid siis, kui need on toitevõrgust lahutatud!

Kaabel ja tross ei tohi jääda mehaaniliste jõudude mõju alla.

Vigastusohu vältimiseks kandke kaitseprille või küljekaitsetega prille.

Selle juhise eiramine võib põhjustada elektrilöögi, plahvatuse ja/või elektrikaare tõttu raskeid vigastusi, surma, tulekahju ja muud materiaalseid kahju.

Ärge hoidke kaabilõikurit kunagi löikehaaratstites.

Enne kasutamist kontrollige alati, ega löikehaaratstel pole mörasid või muid kulumismärke.

Kaabilõikurit võib kasutada ainult siis, kui lõiketööriist on ühendatud.

OHUTUSJUHISED STANTSIMISEKS

Kontrollige enne iga kasutamist löikeinstrumentidel pragusid ja muid kulumisnähtusid. Kasutage löikeinstrumente ja lõikeseadmeid ainult tehniliselt laitmatus seisukorras.

Seadet tohib kasutada ainult paigaldatud löikeinstrumendiga. Ärge kasutage seadet pinge all olevates lülituskilpides või nende lähedal. Töötage ainult väljalülitatud pingeaga lülituskilpidel.

Kontrollige, kaas stantsi nimilaius vastab templi nimilausele.

Kasutage tööriista ainult koos vastava lubatud maks. nominaal jõuga templite ja matritsidega. Teised võivad tekitada vigastusi või kahjustusi.

Hoidke löikeinstrumendid teravad ja puhtad. Õigesti hooldatud teravate lõikeservadega löikeinstrumentid kiiluvad vähem kinni ning neid on lihtsam kontrollida.

KASUTAMINE VASTAVALT OTSTARBELE

Lisatarvikud ja tööriistapead:

Ettenähtud otstarve: kasutage ainult ühetoimeliste lisatarvikute ja tööriistapeade jaoks, nimisurve 700 bar; maks õliväljasurve 1,35 l

Pressimisinstrument:

Pressimisinstrumenti tohib kasutada eranditult ainult vastavatele pressimisotsikutele ettenähtud liitmikukomponentide pressimiseks.

Kõik tehniku tööpiirkonnas olevad pingestatut osad, st elektrit juhtivad osad tuleb enne töö alustamist lahutada.

Kaabilõikur:

pingevabad isoleeritud vasest või alumiiniumist tugevdatud ja tugevdamata kaablid, lõikeriistad sõltuvad kaabli tüübist

• pingevabu tugevdamata kaableid, mis on valmistatud isoleeritud vasest või alumiiniumist, lõiketööriistad sõltuvad kaablitüübist

Väljalöömistööriist:

Väljalöömistööriista võib kasutada materjalide lõõmimiseks ainult kaasasolevate stantside ja matritsidega.



TÄHELEPANU Lugege kõik seadmega kaasas olevad ohutusjuhised, juhendid, joonised ja andmed läbi.

Järgnevalt toodud juhiste eiramise tagajärjeks võib olla elektrilöök, tulekahju ja/või rasked vigastused.

Hoidke kõik ohutusnõuded ja juhised edasiseks kasutamiseks hoolikalt alles.



Est

ÜLDISED JUHISED

Hüdraulikasüsteemi täitmine:

Tööriist tuleb täita kohe, kui õli on sellest otsa saanud.

Süsteemi täitmine:

1. Eemaldage akupakk.
2. Kontrollige õlitaset ja veenduge, et tööriistas on piisavalt õli.
3. Paigaldage ühendus tarvikupeale, mis eemaldab õhu ja liigse õli.

MÄRKUS: Ühendus tuleb paigaldada sirgelt ülespoole ning tööriist tuleb paigaldada tarvikupeast allapoole.

4. Paigaldage akupakk.
5. Vajutage pressirežiimi nuppu.
6. Käivitage tööriist.

MÄRKUS: Õhu ja õli väljumise alguseni võib kuluda kuni 30 sekundit.

7. Kui õli on hakanud välja tulema, vajutage ja hoidke käsitsi vabastamise nuppu kaks sekundit all ning laske seejärel mõlemad nupud lahti.
8. Korrake samme 5–7 kolm kuni neli korda.

MÄRKUS: Süsteemi täitmisel tuleb jälgida, et õlitase ei langeks alla minimaalset piiri. Vajadusel lisage õli.

Lisatarviku õhutustamine:

Lisatarvikuid tuleb õhutustada alati, kui neid hooldatakse, samuti pärast pikemaajalist hoiustamist või kui need on olnud ühendatud voolikuga, mis ei ole eeltäidetud õliga.

Täpsemaid õhutustamisjuhiseid saate lisatarviku tootja juhistest.

Lisatarviku õhutustamine:

1. Eemaldage akupakk.
2. Ühendage lisatarviku voolik ühendusega.

MÄRKUS: Ühendus peab näitama külje poole ja tööriist peab olema kõrgemal kui lisatarviku voolik ja pea.

3. Paigaldage akupakk.
4. Vajutage pressirežiimi nuppu.
5. Laske tööriistal lõpetada tsükkel, kuni LED-näidikud süttib roheline tuli.
6. Vajutage ja hoidke käsitsi vabastamise nuppu kaks sekundit all ning laske seejärel mõlemad nupud lahti.
7. Korrake samme 4–6 kolm kuni neli korda.

MÄRKUS: Lisatarviku õhutustamisel tuleb jälgida, et õlitase ei langeks alla minimaalset piiri. Vajadusel lisage õli.

TÖÖJUHISED PRESSIMISEKS

Kasutage ainult vastavalt siseriiklikele standardite järgi standardiseeritud liitmikukomponente ning nende jaoks ettenähtud pressimisotsikuid.

Lugege liitmikukomponentide töötlus- ja montaažjuhendeid nende tootja dokumentatsioonist.

Kontrollige, kaas liitmikukomponendi nimilaius vastab pressimisotsiku nimilaiusele.

Enne lainestamise alustamist tuleb kontrollida aku laetust: see peab olema vähemalt 33% (vt joonistega kirjeldust). Vajadusel tuleb akut enne töö alustamist laadida.

Juhtlüüti aktiveerimine käivitab pressimise, mida iseloomustab pressi tihvtpldi liikumine.

Vastutus korrekse pressiliite kontrollimise ja hindamise eest lasub kasutajal.

Ebakorrektset ühendused tuleb uue liitmikukomponendiga uuesti pressida.

Tegutsemine rikete korral

- Hoidke lähtestuslülitit all, kuni lõuad on täielikult avanenud
- kontrollige aku laetust
- Kontrollige kaabli ja ühendusvahendi vastavust tehnilistele andmetele.
- Kui kahtlustate, et olete pressinud pingestatud kaablit, laske lainestustööriista kontrollida volitatud eritöökojas

TÖÖJUHISED LÕIKAMISEKS

Tööpiirkonna ettevalmistamine

Enne tööga alustamist peab kaablid ja trossid voolupinge alt vabastama ja tagama selle oleku kogu tööde kestvuse ajaks.

Kui ei suudeta täiesti kindlalt tagada, et kaabel või isoleeritud juhe on lahutatud, ei tohi tööd teha.

Kindlasti peab järgima kohalikke ohutusnõudeid ja regulatsioone.

Kaabel ja tross ei tohi jääda mehaaniliste jõudude mõju alla ja vajadusel peab nad kindlustama löike ajal kontrollimatut liikuma hakkamise vastu.

Ärge jätke tööriistu vihma kätte. Ärge kasutage tööriistu niisketes või märgades paikades.

Kaabliõikuri ja aku ettevalmistamine

Enne iga kasutamist:

- kontrollige, ega kaabliõikuril ei ole väliseid kahjustusi;
- kontrollige, ega lõiketööriistal pole mõrasid või muid kulumismärke.

Kasutage üksnes laitmatus seisukorras seadet!

Enne lõikamise alustamist tuleb kontrollida aku laetust: see peab olema vähemalt 33% (vt joonistega kirjeldust). Vajadusel tuleb akut enne töö alustamist laadida.

Lõikamise ettevalmistamine

Toestage ja kinnitage lõigatav kaabel või tross nii, et selle kontrollimatu liikuma hakkamise risk oleks viidud miinimumini.

Eriti suur oht kontrollimatult liikuma hakata on õhuliinidel ja trossidel ning see võib põhjustada vigastusi ja/või kahjustusi.

Lõikepea tuleb kaablile või trossile asetada 90° all ning kaabel või tross ei tohi avatud lõikepakkide vahel pingele all olla. See hoiab ära soovimatu nihkejõu mõju.



TÄHELEPANU: Plahvatus, elektrilöögi ja materiaalse kahju ohu vähendamiseks ärge kunagi lõigake pingele all olevaid elektrijuhtmeid.

Seade EI OLE isoleeritud. Kokkupuude pingestatud ahelaga võib kaasa tuua raske vigastuse või surma. Enne lõike tegemist lülitage toide välja. Ärge kunagi lõigake gaasi- või veetorusid. Hoidke käed kõigist lõikeservadest ja liikuvatest osadest eemal. Vastasel juhul võite saada lõikevigastusi või võib tekkida amputatsioon.

Eemaldage akupakk alati enne tarvikute vahetamist või eemaldamist. Kasutage üksnes selle tööriista jaoks soovitatud tarvikuid. Muud tarvikud võivad olla ohtlikud.

Vigastusohu vältimiseks kandke kaitseprille või küljekaitsemetega prille.





TÄHELEPANU: Vigastusohu vähendamiseks lõigake üksnes materjale, mida on lubatud lõiketeradega lõigata. (vt „Tehniline kirjeldus“) Ärge püüdke lõigata muid materjale.

Lõikamine

Enne lõikamist veenduge, et lõiketerad on korralikult paigaldatud.

1. Asetage kaabel kaablilõikuri teradele täisnurga all. Ärge üritage lõigata nurga all, sest see kahjustab töödeldavat detaili ja lõiketeri.
2. Tõmmake ja hoidke päästikut kogu kasutamise ajal. Päästiku tõmbamisel süttib LED-lamp.
3. Kui lõige on tehtud, või kui tööriist välja lülitub, laske päästik uuesti lahti ja vajutage lõikepakki avamiseks lähtestamislülitit.

MÄRKUS: Töödeldav detail võib lõikamise ajal veidi liikuda.

Tegutsemine rikete korral

- Kaabel võib olla lõigatud ja voolu juhtida. Teavitage sellest alati ohutuse eest vastutavat isikut, katkestage lõikamine, võtke tarvitusele sobivad ohutusmeetmed.
- Jälgige enne seadme juurde minemist ja selle puudutamist alati, et seade oleks toiteallikast lahutatud ja jääks toiteallikast lahutatuks
- vajutage ja hoidke lähtestusnuppu all, kuni lõikur tuleb täielikult lahti
- kontrollige aku laetust
- kontrollige, kas materjal ja selle paksus vastab tehnilistele andmetele
- Kui kahtlustate, et olete lõiganud pingestatud kaablit, laske kaablilõikurit kontrollida volitatud eritöökojas

Kinni kiilunud lõiketerad

Mustus ja jäätmed võivad põhjustada lõiketerade kinnikiilumist pärast lõiget

- Vajutage ja hoidke vabastusnuppu, et tööriist vabaneks.
- Eemaldage akupakk.
- Lõikepakki avamise kohta vt piltidel olevat kirjeldust.
- Puhastage lõiketeradelt enne järgmise lõike alustamist mustus ja jäätmed.

Lõikeotsad

- Ärge üritage lõigata nurga all, sest see kahjustab töödeldavat detaili ja lõiketeri.
- Lõiketera eluea pikendamiseks lõigake puhast materjali. Enne lõikamist pühkige mustus ja jäätmed materjalilt ja lõiketeradelt ära.

TÖÖJUHISED STANTSIMISEKS

Kontrollige, kas matriitsi nimiläbimõõt on sama mis stantsi nimisuurus.

HOOLDUS

Eemaldage akupakk enne seadme reguleerimist, puhastamist ja hooldust.

Ärge kunagi avage seadet, eemaldatavat akut ega laadijat.

Kontrollige, ega seadmel ei ole probleeme, näiteks müra või kinni kiilunud liikuvaid osi, mis võivad seadet ohustada.

Seadme ventilatsioonivad peavad olema alati vabad.

Vigastuste ja kahjustuste vältimiseks ärge asetage seadet, eemaldatavat akut ega laadijat vette ega laske vedelikel neisse tungida.

Lisaks tuleb lasta hooldus- ja remonditöid alati teha volitatud spetsialistil.

Seade sisaldab hüdraulikaõli, mis kujutab endast ohtu põhjaveele. Kontrollimatu väljalaskmine või asjatundmatu utiliseerimine on karistatav.

Järgmist hooldustähtaega tähistab seadmel olev LED-lamp.

Remontimiseks tuleb tööriist, akupakk ja laadija saata MILWAUKEE teenindusse. Pärast kuue kuu kuni ühe aasta möödumist tuleb tööriist, akupakk ja laadija saata kontrollimiseks MILWAUKEE teenindusse. Kasutage ainult Milwaukee tarvikuid ja Milwaukee tagavaraoosi. Detailid, mille väljavahetamist pole kirjeldatud, laske välja vahetada Milwaukee klienditeeninduspunkti (vaadake brošüüri garantii / klienditeeninduste aadressid).

Kui aku on täis, kuid tööriist ei käivitu või ei tööta täisvõimsusel, puhastage akupaki kontaktid. Kui tööriist ei tööta ikkagi korralikult, viige tööriist, laadija ja akupakk parandamiseks MILWAUKEE teenindusse.

Hooldusintervall

Teavet vajaliku hoolduse, näiteks vedelike vahetamise kohta saate ONE-KEY äpist. Kõigiks remondi- ja hooldustöödeks tuleb tööriist viia MILWAUKEE teenindusse.

MÄRKUS: Vaja võib minna tööriista tootmisnädalat ja -aastat. Selle info leiate tööriista tüübisildil olevalt seerianumbrit.

Vajaduse korral võite tellida seadme läbilõikejoonise, näidates ära masina tüübi ja andmesildil oleva numbril. Selleks pöörduge klienditeeninduspunkti või otse: Techtronic Industries GmbH, Max-Eyth-Straße 10, 71364 Winnenden, Germany.

Ohutu transpordi huvides soovime pakendada hüdropumba hermeetilisse õlikindlasse kilekotti ja kasutada originaalpakendit.

ONE-KEY™

Lisateabe saamiseks selle seadme ONE-KEY funktsiooni kohta lugege tootega kaasas olevat lühijuhendit või külastage veebilehte <http://www.milwaukeeool.com/one-key>

ONE-KEY rakenduse saate App Store või Google Play kaudu oma nutitelefonile alla laadida.

Katsetulemus täidab meie miinimumnõudeid EN 301489-1 / EN 301489-17 järgi. Klient saab kasutusjuhuseid lugeda kasutusjuhendist.

AKUD

Pikemat aega mittekasutatud akusid laadige veel enne kasutamist. Temperatuur üle 50 °C vähendab vahetatava aku töövõimet. Vältige pikemat soojenemist päikese või kütteseadme mõjul.

Hoidke laadija ja vahetatava aku ühenduskontaktid puhtad.

Optimaalse patarei eluea tagamiseks, pärast kasutamist lae patareiplokk täielikult.

Akud tuleks võimalikult pika kasutusea saavutamiseks pärast täislaadimist laadijast välja võtta.

Aku ladustamisel üle 30 päeva: Ladustage akut kuivas kohas u 27°C juures. Ladustage akut u 30-50% laetusesisundis. Laadige aku iga 6 kuu tagant täis.

Ärge visake tarvitatud vahetatavaid akusid tulle ega olmeprügisse. Milwaukee pakub vanade akude keskkonnahoidlikku käitlust; palun küsige oma erialaselt tarnijat.

Ärge säilitage vahetatavaid akusid koos metallesemetega (lühiseoht).



Äärmuslikul koormusel või äärmuslikul temperatuuril võib kahjustatud vahetatavast akust akuvedelik välja voolata. Akuvedelikuga kokkupuutumise korral peske kohe vee ja seebiga. Silma sattumise korral loputage kiiresti põhjalikult vähemalt 10 minutit ning pöörduge viivitamatult arsti poole.

Laadijal olevasse vahetatava aku ühenduskambrisse ei tohi sattuda metallosi (lühiseoht).

LIITIUMIOONAKUDE TRANSPORTIMINE

Liitiumioonakud on allutatud ohtlike ainete transportimisega seonduvatele õigusaktidele.

Nende akude transportimine peab toimuma kohalikest, siseriiklikest ja rahvusvahelistest eeskirjadest ning määrustest kinni pidades.

Tarbijad tohivad neid akusid edasiste piiranguteta tänaval transportida.

Liitiumioonakude kommertstransport ekspedeerimisettevõtete kaudu on allutatud ohtlike ainete transportimisega seonduvatele õigusaktidele. Tarne-ettevalmistusi ja transporti tohivad teostada eranditult vastavalt koolitatud isikud. Kogu protsessi tuleb asjatundlikult jälgida.

Akude transportimisel tuleb järgida järgmisi punkte:

Tehke kindlaks, et kontaktid on lühiste vältimiseks kaitsitud ja isoleeritud. Pöörake tähelepanu sellele, et akupakk ei saaks pakendis nihkuda. Kahjustatud või välja voolanud akusid ei tohi kasutada. Pöörduge edasiste juhiste saamiseks ekspedeerimisettevõtte poole.



EÜ VASTAVUSAVALDUS

Kinnitame oma ainuvastutust, et „Tehniliste andmete“ all kirjeldatud toode vastab direktiivide kõigile asjakohastele sätetele

2011/65/EU (RoHS)

2000/14/EÜ

2006/42/EÜ

2014/53/EU

ning täidetud on järgmiste ühtlustatud standardite nõuded.

EN 62841-1:2015

EN 62479:2010

EN 55014-1:2017

EN 55014-2:2015

EN 301 489-1 V2.1.1 (2017-02)

EN 301 489-17 V3.1.1 (2017-02)

EN 300 328 V2.1.1 (2016-11)

EN IEC 63000:2018

Möödetud müravõimsuse tase 87,2 dB(A)

Garanteeritud müravõimsuse tase 89,0 dB(A)

Määramatus K= 1,5 dB(A)

Vastavushindamine kooskõlas direktiivi 2000/14/EÜ V lisaga

Nimetatud asutus:

DEKRA Certification B.V. (0344)

Meander 1051/P.O.Box 5185

6825 MS ARNHEIM/6802 ED ARNHEIM

Netherlands

 Winnenden,



Alexander Krug / Managing Director

On volitatud koostama tehnilist dokumentatsiooni.

Techtronic Industries GmbH

Max-Eyth-Straße 10, 71364 Winnenden, Germany

SÜMBOLID



Palun lugege enne käikulaskmist kasutamisujuhend hoolikalt läbi.



Kandke kaitseprille.



See seade sisaldab nõõppatarei (liitiumpatarei).



ETTEVAATUST! TÄHELEPANU! OHUD!



Enne kõiki töid masina kallal võtke vahetatav aku välja.



Elektrilöögi oht



TÄHELEPANU!
tööeldava eseme küljest tükide eemalepaiskumine



TÄHELEPANU! Käevigastus



Sellel märgistusel näidatud garanteeritud helivõimsustase on 89 dB



Elektriseadmeid, patareisid/akusid ei tohi utiliseerida koos majapidamisprügiga. Elektriseadmed ja akud tuleb eraldi kokku koguda ning kõrvaldada keskkonnasõbralikul moel töötlemiskeskusesse. Küsige infot jäätmekäitlusjaamade ja kogumispunktide kohta oma kohalike ametnike või edasimüüja käest.

V Voltaaž



Alalisvool



Euroopa vastavusmärk



Ukraina vastavusmärk

001



Euraasia vastavusmärk



ТЕХНИЧЕСКИЕ ДАННЫЕ Гидравлический насос	M18 HUP700
Серийный номер изделия	4745 35 01... ... 000001-999999
Диапазон частот Bluetooth (диапазоны частот)	2402-2480 MHz
Мощность высокой частоты	1,8 dBm
Версия Bluetooth	4.0 BT signal mode
Вольтаж аккумулятора	18 V
Номинальное принудительное давление	700 bar
Класс защиты	IP54
Максимальный угол наклона наконечника	34°
Номинальная скорость потока	
Низкое давление	2,0 l/min
Высокое давление	0,4 l/min
Общий объем масла	1,6 l
Объем расходуемого масла	1,3 l
Вес согласно процедуре EPTA 01/2014 (Li-Ion 8,0 Ah ... 12,0 Ah)	16,0..., 16,5 kg
Температура окружающей среды, рекомендованная для эксплуатации	-18°C ... +50°C
Рекомендованные аккумуляторные блоки	M18B9 M18HB8 ..., M18HB12
Рекомендованные зарядные устройства	M12-18..., M1418 C6
Информация по шумам	
Значения замерялись в соответствии со стандартом EN 62841. Уровень шума прибора, определенный по показателю A, обычно составляет:	
Уровень звукового давления (Небезопасность K=3dB(A))	77,7 dB (A)
Уровень звуковой мощности (Небезопасность K=3dB(A))	88,7 dB (A)



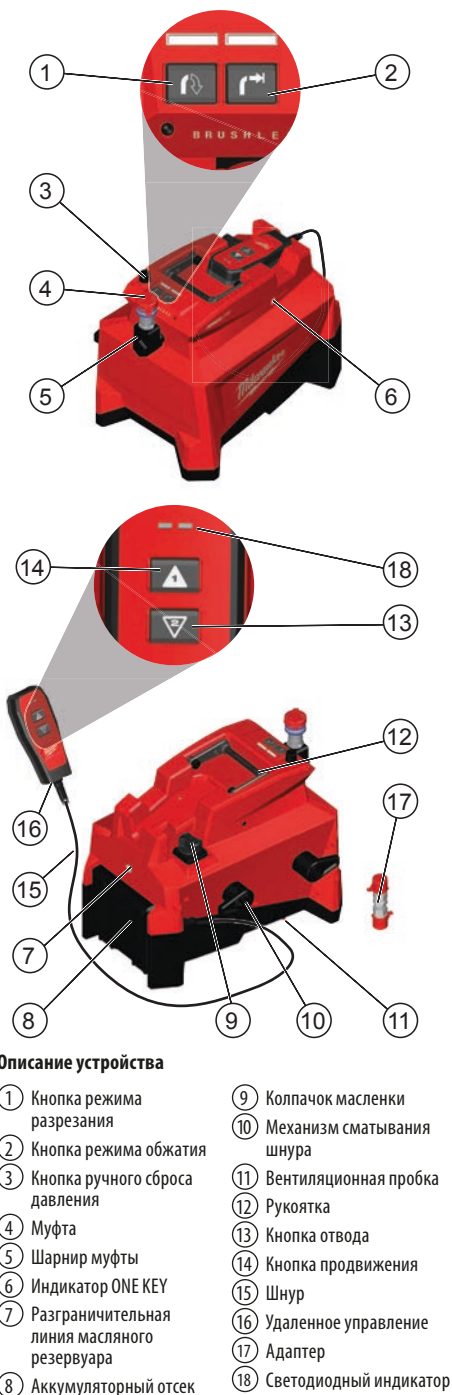
ВНИМАНИЕ

Указанное в данном техпаспорте значение уровня шума измерено в соответствии с методикой испытаний согласно стандарту EN 62841 и может быть использовано для сравнения инструментов друг с другом. Оно также подходит для предварительной оценки нагрузки.

Указанное значение уровня шума отражает основные области применения инструмента. Однако если инструмент будет применяться для других целей или с другими принадлежностями, либо за ним не будет осуществляться достаточный уход, значение уровня шума может отличаться. Это может значительно повысить нагрузку на весь период работы.

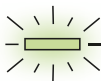
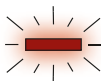
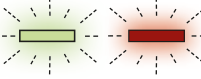
Для более точной оценки шумовой нагрузки необходимо также учитывать время, в которое инструмент отключен либо работает, но фактически не используется. Это может значительно снизить нагрузку на весь период работы.

Примите дополнительные меры безопасности для защиты пользователя инструмента от воздействия шума, например: техобслуживание инструмента и принадлежностей, а также организация рабочих процессов.



Описание устройства

- | | |
|--|------------------------------|
| 1 Кнопка режима разрезания | 9 Колпачок масленки |
| 2 Кнопка режима обжатия | 10 Механизм сматывания шнура |
| 3 Кнопка ручного сброса давления | 11 Вентиляционная пробка |
| 4 Муфта | 12 Рукоятка |
| 5 Шарнир муфты | 13 Кнопка отвода |
| 6 Индикатор ONE KEY | 14 Кнопка продвижения |
| 7 Разграничительная линия масляного резервуара | 15 Шнур |
| 8 Аккумуляторный отсек | 16 Удаленное управление |
| | 17 Адаптер |
| | 18 Светодиодный индикатор |

Светодиодный индикатор	Определение
 Горит Зеленый	Инструмент завершил операцию и достиг полного давления обжатия.
 Горит Красный	Инструмент завершил операцию, но НЕ достиг полного давления обжатия.
 Мигает Красный / Зеленый (после Горит Зеленый или Горит Красный)	Инструмент нуждается в обслуживании (20000 обжатие). После того как для определенной операции будет отображен непрерывно горящий красный или зеленый индикатор, индикатор начнет мигать красным/зеленым цветом. MILWAUKEE рекомендует осмотреть инструмент и принять меры по профилактическому обслуживанию.

ПРИМЕЧАНИЕ: Если индикатор горит красным светом, проверьте уровни масла и убедитесь в отсутствии утечек в присоединенных устройствах. Убедитесь в том, что все соединения надежно установлены, а присоединенные устройства подходят для выполняемой работы. Осуществите повторный запуск. Если проблема не устранена, верните инструмент в сервисный центр MILWAUKEE.

⚠ ВНИМАНИЕ Ознакомьтесь с правилами техники безопасности, техническими регламентами, изображениями и данными, прилагаемыми к устройству. При несоблюдении нижеприведенных указаний возможно поражения электротоком, возникновение пожара и/или получение серьезных травм.

Сохраняйте эти инструкции и указания для будущего использования.

⚠ РЕКОМЕНДАЦИИ ПО ТЕХНИКЕ БЕЗОПАСНОСТИ

Гидравлические насосы производства компании Techtronic Industries GmbH разработаны для использования с обжимными, режущими и штамповочными головками. В соответствии с этой конкретной областью применения они не оборудованы системой безопасности, предотвращающей возврат масла.

Поэтому их использование в областях применения, отличающихся от предусмотренных (например, с гидравлическими домкратами, подъемными системами или аналогичными устройствами), может представлять опасность и привести к серьезному травмированию оператора.

Компания Techtronic Industries GmbH не несет ответственности за использование ее гидравлических насосов в других областях применения, кроме обжатия, разрезания и штамповки. Не нагнетайте давление, если насос не подключен к шлангу и головке, поскольку это может вызвать повреждение быстроразъемной муфты насоса и утечку масла.

Шланги высокого давления подвержены естественному процессу старения, что может привести к снижению характеристик и повлиять на безопасность оператора. Поэтому их срок эксплуатации ограничен. Для безопасного использования своих устройств компания Techtronic Industries GmbH рекомендует регулярно заменять гидравлические шланги согласно инструкциям производителя, даже если они не имеют видимых повреждений.

Не подвергайте насос и шланг воздействию открытого огня и источников тепла выше 70 °C.

Перед использованием насоса всегда проверяйте целостность шланга и быстроразъемных муфт, следя за отсутствием признаков абразивного износа, порезов, деформаций или вздутий.

Установленные на заводе защитные приспособления должны быть на каждом конце шланга. Не прикасайтесь к шлангу, который находится под давлением.

При использовании насоса шланг должен быть размотан и проложен по прямой. Перед отсоединением шланга убедитесь в том, что плунжер головки полностью втянут; обеспечьте достаточное количество масла для выполнения последующих операций.

Насос не предназначен для непрерывного использования, и после нескольких непрерывных последовательных операций обжатия необходимо дать ему остыть; например, израсходовав полный заряд аккумулятора за один сеанс, отложите замену аккумулятора на несколько минут.

Защитите насос, аккумулятор и зарядное устройство от дождя и влаги. Вода вызовет повреждение насоса. Не эксплуатируйте электрогидравлические инструменты под дождем.

Перед началом работ на устройстве и далее не реже одного раза в год оператор устройства должен быть проинструктирован относительно опасностей, характерных для использования данного устройства, и об основных мерах безопасности.

Эксплуатирующая компания обязана:

- предоставить руководство по эксплуатации в распоряжение оператора;
- и убедиться в том, что оператор прочел и принял к сведению информацию, предоставленную в руководстве.

Пользоваться средствами защиты. Работать с инструментом всегда в защитных очках. Рекомендуется спецоборудование: пылезащитная маска, защитные перчатки, прочная и нескользящая обувь, каска и наушники.

- **Проверяйте насос, шланги, муфты и фитинги на наличие признаков износа или повреждений. Заменяйте изношенные, поврежденные или отсутствующие компоненты запасными частями производителя.** Изношенные или поврежденные компоненты могут выйти из строя и привести к травмам. Несоблюдение этого предупреждения может привести к серьезным травмам или смерти.
- **Перед использованием убедитесь в том, что насос находится в необходимом режиме работы.**
- **Не выполняйте проверку на наличие утечек руками.** Масло под высоким давлением легко прокалывает кожу, что приведет к серьезным травмам, гангрене или смерти. В случае получения травмы немедленно обратитесь за медицинской помощью для удаления масла.
- Убедитесь в том, что угол наклона насоса не превышает максимального значения.



- Проверьте и при необходимости регулируйте уровень масла. Низкий уровень масла может привести к травме или порче имущества. Для обеспечения максимальной производительности при повторном наполнении резервуара всегда используйте гидравлическое масло MILWAUKEE Force Logic™ (4932 4720 04).
- **Перед обслуживанием, подсоединением или отсоединением шлангов или других гидравлических соединительных элементов сбрасывайте давление в гидравлической системе: всегда заблаговременно нажимайте кнопку ручного сброса давления.**
- **Во время эксплуатации или обслуживания этого инструмента носите защитные очки.** Отказ от ношения очков может привести к серьезным повреждениям глаз вылетающими частицами или брызгами гидравлического масла.
- **Используйте только шланги и подсоединенное оборудование одностороннего действия с номинальным давлением 700 бар (10000 фунтов на кв. дюйм) или выше.**
- **Для лучшей производительности используйте шланги, предварительно заполненные маслом.** Если шланги не были предварительно заполнены, перед эксплуатацией удалите воздух из системы.
- **Ни в коем случае не эксплуатируйте насос без шланга или подсоединенного устройства.**
- **Для обеспечения максимальной производительности при повторном наполнении резервуара всегда используйте гидравлическое масло MILWAUKEE Force Logic™ (4932 4720 04).**
- **Для оптимальной функциональности используйте аккумулятор M18™ REDLITHIUM™ емкостью 8,0 А·ч или выше.**
- **Соблюдайте инструкции производителя вспомогательных приспособлений.** Использование в других целях может привести к повреждению инструмента, вспомогательных приспособлений и заготовки.
- **При необходимости удалите воздух из системы.** Избегайте попадания пальцев и других частей тела в рабочую зону цилиндра или тисков.

Перед началом любых работ по настройке, очистке или техническому обслуживанию устройства извлеките аккумулятор.

Используйте устройства, аккумуляторные батареи и зарядные устройства, находящиеся исключительно в идеальном техническом состоянии.

Повреждения должны незамедлительно устраняться в сертифицированном сервисном центре.

Во избежание ранений и порчи имущества исключите возможность случайного включения устройства.

Перед тем как приступить к работе, уберите все настроечные инструменты и ключи.

Не обрабатывайте детали, находящиеся под электрическим напряжением. Устройство НЕ изолировано.

Держите руки и свободные элементы одежды вдали от режущих инструментов и других движущихся частей.

При возникновении неисправности во время прессования немедленно отпустите выключатель и нажмите кнопку разблокировки гидравлики. Клапан откроется, а поршень вернется в исходное положение.

ВНИМАНИЕ! Чтобы предотвратить риск пожара, получения травмы или повреждения изделия по причине короткого замыкания, не погружайте устройство, аккумуляторную батарею или зарядное устройство в жидкость и не допускайте попадания в них жидкости. Жидкости, вызывающие коррозию, или токопроводящие жидкости, такие как морская вода, некоторые промышленные химикаты, отбеливатели или содержащие их продукты и т.п. могут вызвать короткое замыкание.

Строго соблюдать указания по техобслуживанию и его интервалам.

Никогда не вскрывайте аккумуляторы или зарядные устройства и храните их только в сухих помещениях. Следите, чтобы они всегда были сухими.

Для зарядки аккумуляторов модели M18 используйте только зарядным устройством M18. Не заряжайте аккумуляторы других систем.

Во избежание ранения и порчи имущества ни в коем случае не опускайте инструмент, съемный аккумулятор и зарядное устройство в жидкость и не допускайте проникновения жидкости внутрь этих устройств.

ВНИМАНИЕ



Устройство использует кнопочный/плоский круглый литиевый аккумулятор. Новый или использованный аккумулятор может вызвать сильные внутренние ожоги и привести к смерти в течение 2 часов в случае проглатывания или попадания в организм. Всегда закрепляйте крышку аккумуляторного отсека. Если она не закрывается надежно, остановите устройство, извлеките аккумулятор и храните его в недоступном для детей месте. Если вы считаете, что человек проглотил аккумулятор или что аккумулятор иным образом попал в организм, обратитесь за экстренной медицинской помощью.



ТЕХНИКА БЕЗОПАСНОСТИ ПРИ РАБОТЕ С ПРЕСС-ФОРМАМИ

Обжимные инструменты и устройства должны использоваться только персоналом, обученным работе с электротехническими приборами.

Ни в коем случае не выполняйте обжатие материалов под напряжением.

Каждый раз перед использованием пресс-формы, тисков и обжимных штампов проверяйте их на отсутствие трещин и иных признаков износа.

Пользуйтесь пресс-формой и обжимными штампами только если они находятся в безупречном техническом состоянии.

Работать с пресс-формой можно только в том случае, если в нее вставлен обжимной штамп.

Во время операции прессования не прикасайтесь к прижимным губкам и прижимному болту.

При возникновении неисправности во время прессования немедленно отпустите выключатель и нажмите кнопку разблокировки гидравлики. Клапан откроется, а поршень вернется в исходное положение.

Техника безопасности при работе с кабельным ножом

Разрезание или разделение кабелей и тросов с помощью этого кабельного ножа может производиться только лицами, знакомыми с правилами обращения с электроинструментами.

Для снижения риска взрыва, поражения электрическим током и порчи имущества и оборудования ни в коем случае не разрезайте подключенные к сети электрические кабели. Устройство НЕ изолировано.

Держите руки и свободные элементы одежды вдали от режущих инструментов и других движущихся частей. Существует опасность тяжелого ранения, включая отрывание конечностей.

Перед началом процесса разрезания необходимо заблокировать доступ к месту проведения работ согласно местным нормам.

Допускается только разрезание кабелей, которые были отключены от источника питания!

Кабели и тросы не должны подвергаться воздействию механических сил.

Для снижения риска ранения носите защитные очки или очки с боковыми щитками.

Несоблюдение этого указания может привести к тяжелому ранению, смерти, пожару или другому повреждению имущества в результате удара электрическим током, взрыва и/или возникновения электрической дуги.

Ни в коем случае не держите кабелерез за резак.

Перед использованием всегда проверяйте резак на наличие трещин или других признаков износа.

Кабелерез может использоваться только со вставленным режущим инструментом.

Техника безопасности при работе с прессами

Каждый раз перед использованием режущего инструмента проверяйте его на отсутствие трещин и иных признаков износа. Пользуйтесь режущим инструментом и режущим оборудованием только если они находятся в безупречном техническом состоянии.

Работать с устройством можно только в том случае, если в него вставлен режущий инструмент. Не используйте на распределительных коробках, находящихся под напряжением, или вблизи них. Работайте только с распределительными коробками, не находящимися под напряжением.

Убедитесь, что номинальная ширина матрицы совпадает с номинальной шириной штампа.

Используйте инструмент только со штампами и матрицами, допустимыми для макс. номинального усилия. Использование других штампов и матриц может привести к травмам или повреждениям оборудования.

Следите за тем, чтобы режущие инструменты были острыми и чистыми. Режущий инструмент с острыми лезвиями, получающий надлежащий уход, режет заклинивает и он легче поддается контролю.

ИСПОЛЬЗОВАНИЕ

Вспомогательные приспособления и инструментальные головки.

Использование по назначению: только для вспомогательных принадлежностей и инструментальных головок одностороннего действия; номинальное давление 700 бар; макс. вытесняемый объем масла 1,35 л

Пресс-форма:

Пресс-форма может использоваться исключительно для прессования таких соединительных материалов, для которых предусмотрены соответствующие обжимные штампы.

Перед началом работ необходимо отсоединить все детали под напряжением, т. е. детали, проводящие электрический ток, находящиеся в области работы технического специалиста.

Кабельный нож:

натяжных армированных и не армированных изолированных медных или алюминиевых кабелей; тип режущих инструментов зависит от типа кабеля

- не натяжных неармированных кабелей с медной или алюминиевой изоляцией; режущие инструменты выбираются в зависимости от типа кабеля

Дыропробиватель.

Дыропробиватель можно использовать только для выполнения отверстий в материалах с помощью предоставленных штампов и матриц.

ВНИМАНИЕ Ознакомьтесь с правилами техники безопасности, техническими регламентами, изображениями и данными, прилагаемыми к устройству. При несоблюдении нижеприведенных указаний возможно поражение электротоком, возникновение пожара и/или получение серьезных травм.

Сохраняйте эти инструкции и указания для будущего использования.

ОБЩИЕ ИНСТРУКЦИИ

Заправка гидравлической системы

Заправляйте инструмент каждый раз, когда в нем заканчивается масло.

Для заправки системы выполните указанные далее действия.

1. Извлеките аккумулятор.
2. Проверьте индикатор масла и убедитесь в том, что в инструменте достаточно масла.
3. Подсоедините муфту к головке вспомогательной принадлежности, которая будет откачивать воздух и излишки масла.

ПРИМЕЧАНИЕ: Муфта должна быть направлена строго вверх, а инструмент должен быть расположен ниже, чем головка вспомогательной принадлежности.

4. Вставьте аккумуляторную батарею.

5. Нажмите кнопку режима обжатия.

6. Запустите инструмент.

ПРИМЕЧАНИЕ: Может потребоваться до 30 секунд, прежде чем воздух и масло начнут выходить.

7. Как только масло начнет вытекать, нажмите и удерживайте кнопку ручной разблокировки в течение двух секунд, а затем отпустите обе кнопки.

8. Повторите действия 5–7 три–четыре раза.

ПРИМЕЧАНИЕ: При заправке системы следите за тем, чтобы уровень масла не опускался ниже индикаторной линии. При необходимости доливайте масло в резервуар.



Выпускание воздуха из вспомогательной принадлежности.

Удаляйте воздух из вспомогательных принадлежностей при каждом обслуживании, а также если они не используются в течение длительного времени или если они подсоединяются к шлангу, который не был предварительно заполнен маслом.

Дальнейшие инструкции по удалению воздуха см. также в рекомендациях производителя вспомогательных принадлежностей.

Для удаления воздуха из вспомогательной принадлежности выполните указанные далее действия.

1. Извлеките аккумулятор.
 2. Подсоедините шланг вспомогательной принадлежности к муфте.
- ПРИМЕЧАНИЕ:** Муфта должна быть направлена в сторону, а инструмент должен быть расположен выше шланга и головки вспомогательной принадлежности.
3. Вставьте аккумуляторную батарею.
 4. Нажмите кнопку режима обжатия.
 5. Запустите инструмент и дождитесь, когда цикл закончится, а индикатор загорится зеленым.
 6. Нажмите и удерживайте кнопку ручной разблокировки в течение двух секунд, а затем отпустите обе кнопки.
 7. Повторите действия 4–6 три–четыре раза.

ПРИМЕЧАНИЕ: При удалении воздуха из вспомогательной принадлежности следите за тем, чтобы уровень масла не опустился ниже индикаторной линии. При необходимости доливайте масло в резервуар.

УКАЗАНИЯ ПО РАБОТЕ ДЛЯ ОБЖИМА

Используйте только стандартизированные соединительные элементы, соответствующие национальным нормам, и специально предусмотренные обжимные штампы.

Инструкции по обработке и монтажу соединительных элементов см. в документации производителя.

Убедитесь, что номинальная ширина соединительного элемента совпадает с номинальной шириной обжимного штампа.

Перед началом обжатия необходимо проверить заряд аккумулятора: он должен составлять не менее 33 % (см. иллюстрированное описание). Перед началом работы может потребоваться зарядка аккумулятора.

Включение переключателя управления запускает процесс прессования, который характеризуется перемещением прижимного болта.

Ответственность за проверку и оценку правильности процесса прессования несет пользователь.

Ненадлежащим образом выполненные соединения должны пройти повторную процедуру прессования с помощью нового соединительного продукта.

Действия в случае сбоев

- Удерживайте переключатель возврата в исходное состояние, пока тиски не откроются полностью
- Проверьте заряд аккумулятора
- Проверьте кабель и соединительный элемент согласно техническим данным.

- Если есть подозрение касательно обжатия токоведущего кабеля, необходимо проверить обжимный инструмент в уполномоченной специализированной мастерской

УКАЗАНИЯ ПО РАБОТЕ ДЛЯ РАЗРЕЗАНИЯ

Обустройство рабочей зоны

Перед началом работ необходимо убедиться, что провода или тросы обесточены, и поддерживать их в обесточенном состоянии при выполнении работ.

Если отсутствует возможность удостовериться в отключении кабеля или изолированной линии от питания, проведение работ запрещено.

Обязательно соблюдайте местные правила безопасности и нормы.

Кабели и тросы не должны подвергаться воздействию механических сил и при необходимости должны быть зафиксированы во избежание неконтролируемого перемещения после разрезания.

Не подвергайте инструменты воздействию дождя. Не используйте инструменты во влажной или сырой среде.

Подготовка кабелереза и аккумулятора

Перед каждым использованием выполняйте указанные ниже действия:

- Проверьте кабелерез на наличие внешних повреждений
- Проверьте режущий инструмент на наличие трещин или других признаков износа

Используйте только инструменты, находящиеся в безупречном состоянии!

Перед началом процесса разрезания необходимо проверить заряд аккумулятора: он должен составлять не менее 33 % (см. иллюстрированное описание). Перед началом работы может потребоваться зарядка аккумулятора.

Подготовка к процессу разрезания

Расположите кабели или тросы на опоре или зафиксируйте их, чтобы снизить риск неконтролируемого перемещения.

В частности, свободно висящие провода и тросы подвержены неконтролируемому перемещению, что может стать причиной ранений и/или порчи имущества.

Режущая головка должна располагаться под углом 90° к кабелю или тросу, чтобы они пролегли в открытом зеве режущего инструмента без натяжения, что позволит избежать нежелательных усилий разрезания.



ВНИМАНИЕ: Для снижения риска взрыва, поражения электрическим током и порчи имущества и оборудования ни в коем случае не разрезайте подключенные к сети электрические кабели.

Устройство НЕ изолировано. Контакт с цепью под напряжением может привести к тяжелому ранению или смерти. Перед выполнением разреза отключите питание. Ни в коем случае не разрезайте газо- или водопроводы. Держите руки на безопасном расстоянии от режущих кромок и движущихся деталей. Возможны глубокие порезы или отравление конечностей.

Перед заменой или удалением вспомогательных принадлежностей всегда извлекайте аккумулятор. Используйте рекомендованные для этого инструменты. Другие принадлежности могут представлять опасность. Для снижения риска ранения носите защитные очки или очки с боковыми щитками.





ВНИМАНИЕ: Во избежание ранения разрежьте только рекомендуемые для лезвий материалы. (см. раздел «Спецификации») Не пытайтесь разрезать другие материалы.

Разрезание

Перед разрезанием убедитесь в том, что лезвия установлены правильно.

1. Направляйте кабель к режущей поверхности кабельного ножа под прямым углом. Не пытайтесь выполнять угловые разрезы, поскольку это приведет к повреждению заготовки и лезвий.
2. Нажмите и удерживайте курок во время работы. При нажатии пускового курка загорается светодиодный индикатор.
3. После разрезания или выключения инструмента отпустите пусковую кнопку и нажмите возвратный выключатель, чтобы открыть зев режущего инструмента.

ПРИМЕЧАНИЕ: Во время разрезания заготовка может слегка смещаться.

Действия в случае сбоев

- Если существует вероятность того, что разрезанный кабель находится под напряжением, обязательно уведомите об этом ответственного за безопасность, остановите процесс разрезания и принимайте соответствующие меры безопасности
- Всегда убеждайтесь в том, что устройство является и остается обесточенным, прежде чем приближаться и прикасаться к нему
- Нажмите и удерживайте кнопку сброса, пока режущее устройство не откроется полностью
- Проверьте заряд аккумулятора
- Проверьте материал и его толщину согласно техническим данным
- Если есть подозрение касательно разрезания токоведущего кабеля, необходимо проверить кабелемз в уполномоченной специализированной мастерской

Заклинивание лезвий

Грязь и посторонние частицы могут приводить к заклиниванию лезвий после разрезания

- Нажмите и удерживайте курок разблокировки, чтобы вернуть инструмент в исходное состояние.
- Извлеките аккумулятор.
- Для того чтобы открыть зев режущего инструмента, следуйте иллюстрированному описанию
- Перед началом нового процесса разрезания удалите грязь и посторонние частицы с лезвий.

Советы по разрезанию

- Не пытайтесь выполнять угловые разрезы, поскольку это приведет к повреждению заготовки и лезвий.
- Для увеличения срока службы лезвий разрежьте чистый материал. Перед началом разрезания вытирайте грязь и посторонние частицы с материала и лезвий.

РАБОЧИЕ ИНСТРУКЦИИ ПО ШТАМПОВКЕ

Убедитесь в том, что номинальный диаметр матрицы равен номинальному размеру штампа.

ОБСЛУЖИВАНИЕ

Перед началом любых работ по настройке, очистке или техническому обслуживанию устройства извлеките аккумулятор.

Ни в коем случае не вскрывайте устройство, съемную аккумуляторную батарею или зарядное устройство.

Проверьте устройство на наличие неполадок, таких как шум при работе или заклинивание движущихся частей, которые могут оказывать влияние на работу устройства.

Следите за тем, чтобы вентиляционные отверстия устройства были всегда чистыми.

Во избежание травм и повреждений не погружайте устройство, аккумуляторную батарею или зарядное устройство в жидкость и не допускайте попадания в них жидкости.

Дальнейшие сервисные и ремонтные работы должны выполняться только в авторизованных специализированных ремонтных мастерских.

В устройстве содержится гидравлическое масло, представляющее опасность для грунтовых вод. Неконтролируемый слив или ненадлежащая утилизация наказывается штрафом.

При наступлении очередного срока проведения технического обслуживания на устройстве загорится светодиод.

Верните инструмент, аккумулятор и зарядное устройство в сервисный центр MILWAUKEE для ремонта. Каждые шесть–двенадцать месяцев (в зависимости от характера использования) возвращайте инструмент, аккумулятор и зарядное устройство в сервисный центр MILWAUKEE для осмотра. Пользуйтесь аксессуарами и запасными частями Milwaukee. В случае возникновения необходимости в замене, которая не была описана, обращайтесь в один из сервисных центров по обслуживанию электроинструментов Milwaukee (см. список сервисных организаций).

Если инструмент не запускается или работает не в полную мощность при полностью заряженной аккумуляторной батарее, необходимо произвести очистку контактов аккумуляторной батареи. Если инструмент все равно не работает должным образом, верните инструмент, зарядное устройство и аккумуляторную батарею в сервисный центр MILWAUKEE для проведения ремонта.

Интервал обслуживания

Информацию о необходимом обслуживании, например о замене жидкости, см. в приложении ONE-KEY. Для проведения любых работ по ремонту и техническому обслуживанию возвращайте инструмент в сервисный центр MILWAUKEE.

ПРИМЕЧАНИЕ: Может потребоваться указать неделю и год производства инструмента. Эти данные указаны на серийном номере на паспортной табличке инструмента.

При необходимости может быть заказан чертеж инструмента с трехмерным изображением деталей. Пожалуйста, укажите номер и тип инструмента и закажите чертеж у Ваших местных агентов или непосредственно у Techtronic Industries GmbH, Max-Eyth-Strasse 10, 71364 Winnenden, Germany.

Для безопасной транспортировки мы рекомендуем упаковывать гидравлический насос в герметичный, маслостойкий пластиковый пакет и использовать оригинальную упаковку.



ONE-KEY™

Чтобы узнать больше о технических возможностях ONE-KEY данного устройства, обратитесь к краткому руководству пользователя, поставляемому с изделием, или пройдите по ссылке <http://www.milwaukeeetool.com/one-key>

Вы можете загрузить приложение ONE-KEY на свой смартфон через App Store или Google Play.

Результат испытания соответствует нашим минимальным требованиям согласно EN 301489-1 / EN 301489-17. Мы предоставим заказчику инструкции по эксплуатации в руководстве пользователя.

АККУМУЛЯТОР

Перед использованием аккумулятора, которым не пользовались некоторое время, его необходимо зарядить. Температура выше 50°C снижает работоспособность аккумуляторов. Избегайте продолжительного нагрева или прямого солнечного света (риск перегрева).

Контакты зарядного устройства и аккумуляторов должны содержаться в чистоте.

Для обеспечения оптимального срока службы аккумуляторов необходимо полностью заряжать после использования прибора.

Для достижения максимально возможного срока службы аккумуляторы после зарядки следует вынимать из зарядного устройства.

При хранении аккумулятора более 30 дней: Храните аккумулятор при 27°C в сухом месте. Храните аккумулятор с зарядом примерно 30% - 50%. Каждые 6 месяцев аккумулятор следует заряжать.

Не выбрасывайте использованные аккумуляторы вместе с домашним мусором и не сжигайте их. Дистрибьюторы компании Milwaukee предлагают восстановление старых аккумуляторов, чтобы защитить окружающую среду.

Не храните аккумуляторы вместе с металлическими предметами во избежание короткого замыкания.

Аккумуляторная батарея может быть повреждена и дать течь под воздействием чрезмерных температур или повышенной нагрузки. В случае контакта с аккумуляторной кислотой немедленно промойте место контакта мылом и водой. В случае попадания кислоты в глаза промойте глаза в течении 10 минут и немедленно обратитесь за медицинской помощью.

Не допускается попадания каких-либо металлических предметов в аккумуляторный сток зарядного устройства во избежание короткого замыкания.

ТРАНСПОРТИРОВКА ЛИТИЙ-ИОННЫХ АККУМУЛЯТОРОВ

Литий-ионные аккумуляторы в соответствии с предписаниями закона транспортируются как опасные грузы.

Транспортировка этих аккумуляторов должна осуществляться с соблюдением местных, национальных и международных предписаний и положений.

Эти аккумуляторы могут перевозиться по улице потребителем без дальнейших обязательств.

При коммерческой транспортировке литий-ионных аккумуляторов экспедиторскими компаниями действуют положения, касающиеся транспортировки опасных грузов. Подготовка к отправке и транспортировка должны производиться исключительно специально обученными лицами. Весь процесс должен находиться под контролем специалиста.

При транспортировке аккумуляторов необходимо соблюдать следующие пункты:

Убедитесь, что контакты защищены и изолированы во избежание короткого замыкания. Следите за тем, чтобы аккумуляторный блок не соскользнул внутри упаковки. Транспортировка поврежденных или протекающих аккумуляторов запрещена. За дополнительными указаниями обратитесь к своему экспедитору.



РУС

ДЕКЛАРАЦИЯ О СООТВЕТСТВИИ СТАНДАРТАМ ЕС

Мы несем исключительную ответственность за то, что изделие, описанное в разделе «Техническая информация» соответствует всем применимым положениям директив

2011/65/EU (RoHS)

2000/14/EC

2006/42/EC

2014/53/EU

а также следующим согласованным стандартам

EN 62841-1:2015

EN 62479:2010

EN 55014-1:2017

EN 55014-2:2015

EN 301 489-1 V2.1.1 (2017-02)

EN 301 489-17 V3.1.1 (2017-02)

EN 300 328 V2.1.1 (2016-11)

EN IEC 63000:2018

Измеренный уровень звуковой мощности 87,2 dB(A)

Гарантированный уровень звуковой мощности 89,0 dB(A)

Небезопасность K= 1,5 dB(A)

Процедура оценки соответствия согласно директиве 2000/14/EC, приложение V

Уполномоченный орган:

DEKRA Certification B.V. (0344)

Meander 1051/P.O.Box 5185

6825 MS ARNHEIM/6802 ED ARNHEIM

Netherlands



Winnenden,

Alexander Krug / Managing Director

Уполномочен на составление технической документации.

Techtronic Industries GmbH

Max-Eyth-Straße 10, 71364 Winnenden, Germany

СИМВОЛЫ



Пожалуйста, внимательно прочтите инструкцию по использованию перед началом любых операций с инструментом.



Носить защитные очки.



Устройство использует кнопочный/плоский круглый литиевый аккумулятор.



ВНИМАНИЕ! ПРЕДУПРЕЖДЕНИЕ! ОПАСНОСТЬ!



Выньте аккумулятор из машины перед проведением с ней каких-либо манипуляций.



Опасность поражения электрическим током



ВНИМАНИЕ!

Опасность получения травм из-за разлетающихся обломков



ВНИМАНИЕ! Травма руки



Гарантированный уровень звуковой мощности, указанный на этикетке, составляет 89 dB



Электроприборы, батареи/аккумуляторы запрещено утилизировать вместе с бытовым мусором.

Электрические приборы и аккумуляторы следует собирать отдельно и сдавать в специализированную компанию для утилизации в соответствии с нормами охраны окружающей среды. Получите в местных органах власти или у вашего специализированного дилера сведения о центрах вторичной переработки и пунктах сбора.

V

Напряжение



Постоянный ток



Европейский знак соответствия



Украинский знак соответствия



Евразийский знак соответствия



Транспортировка:

Категорически не допускается падение и любые механические воздействия на упаковку при транспортировке.

При разгрузке/погрузке не допускается использование любого вида техники, работающей по принципу зажима упаковки.

Хранение:

Необходимо хранить в сухом месте.

Необходимо хранить вдали от источников повышенных температур и воздействия солнечных лучей.

При хранении необходимо избегать резкого перепада температур.

Хранение без упаковки не допускается.

Срок службы изделия:

Срок службы изделия составляет 5 лет.

Не рекомендуется к эксплуатации по истечении 5 лет хранения с даты изготовления без предварительной проверки.

**Дата изготовления (код даты)**

отштампован на поверхности корпуса изделия.

Пример:

A2015, где 2015 - год изготовления

A – месяц изготовления

Определить месяц изготовления можно согласно приведенной ниже таблице.

A - Январь	G - Июль
B - Февраль	H - Август
C - Март	J - Сентябрь
D - Апрель	K - Октябрь
E - Май	L - Ноябрь
F - Июнь	M - Декабрь

Тектроник Индастриз ГмбХ
Германия, 71364, Винненден,
ул. Макс-Ай-Штрассе, 10
Сделано в КНР

ТЕХНИЧЕСКИ ДАННИ Хидравлична помпа	M18 HUP700
Производствен номер	4745 35 01... ... 000001-999999
Честотен обхват (честотни обхвати) на Bluetooth	2402-2480 MHz
високочестотна мощност	1,8 dBm
Версия на Bluetooth	4.0 BT signal mode
Напрежение на акумулатора	18 V
Номинално налягане	700 bar
Клас на защита	IP54
Максимален ъгъл на накрайника	34°
Номинален дебит	
Ниско налягане	2,0 l/min
Високо налягане	0,4 l/min
Общ обем на маслото	1,6 l
Използваем обем на маслото	1,3 l
Тегло съгласно процедурата EPTA 01/2014 (Li-Ion 8,0 Ah...12,0 Ah)	16,0..., 16,5 kg
Препоръчителна температура на околната среда при експлоатация	-18°C ... +50°C
Препоръчителни акумулаторни батерии	M18B9 M18HB8..., M18HB12
Препоръчителни зарядни устройства	M12-18..., M1418 C6
Информация за шума	
Измерените стойности са получени съобразно EN 62841.	
Оценено с А ниво на шума на уреда е съответно:	
Равнище на звуковото налягане (Несигурност K=3dB(A))	77,7 dB (A)
Равнище на мощността на звука (Несигурност K=3dB(A))	88,7 dB (A)

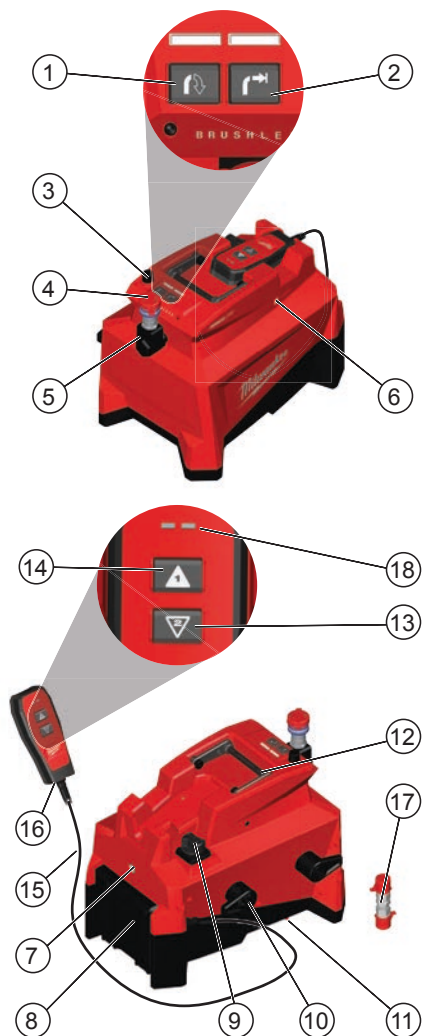
ВНИМАНИЕ

Посочената в тази информационна брошура стойност на шумовите емисии е измерена чрез метод на изпитване, стандартизиран в EN 62841, и може да се използва за сравнение на инструменти помежду им. Тя е подходяща и за предварителна оценка на натоварването.

Посочената стойност на шумовите емисии представлява основните приложения на инструмента. Ако обаче инструментът се използва за други приложения или с други принадлежности, или е недостатъчно поддържан технически, стойността на шумовите емисии може да се отклонява. Това може чувствително да увеличи натоварването по време на целия работен цикъл.

За точна оценка на шумовото натоварване трябва да се вземат предвид и времената, когато инструментът е изключен или работи, но всъщност не се използва. Това може чувствително да намали натоварването по време на целия работен цикъл.

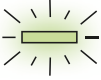
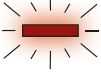

Определете допълнителни мерки за защита на оператора от шумовото въздействие, като например: техническа поддръжка на инструмента и на принадлежностите и организация на работните процеси.



Описание на устройството

- | | |
|--|---------------------------------|
| 1 Бутон за режим на рязане | 10 Държач за навиване на кабела |
| 2 Бутон за режим на кримпване | 11 Запушалка на отдушника |
| 3 Бутон за ръчно изпускане на налягането | 12 Ръкохватка |
| 4 Съединител | 13 Бутон за навиване |
| 5 Шарнир на съединителя | 14 Бутон за развиване |
| 6 Индикатор ONE KEY | 15 Кабел |
| 7 Светла линия за нивото на маслото в резервоара | 16 Дистанционно управление |
| 8 Отделение за батерията | 17 Адаптер |
| 9 Капачка на масления резервоар | 18 Светодиоден индикатор |



Светодиоден индикатор	Определение
 Свети постоянно Зелено	Инструментът е извършил операцията и е постигнато пълно притискане за кримпване.
 Свети постоянно Червено	Инструментът е извършил операцията, НО не е постигнато пълно притискане кримпване.
 Премигва Червено / Зелено (след Свети постоянно Зелено или Свети постоянно Червено)	Инструментът е достигнал броя операции, след който се изисква обслужване (20000 кримпвания). Индикаторът ще започне да премигва в червено/зелено, след като светне постоянният индикатор за операцията (червено/зелено). Ние от MILWAUKEE препоръчваме инструментът да бъде инспектиран и да му бъде извършена профилактика.



ЗАБЕЛЕЖКА: Ако индикаторът свети в червено, проверете нивото на маслото и се уверете, че по приспособленията няма течове. Проверете дали всички връзки са здрави и дали сте поставили подходящите за целта приспособления. Включете отново. Ако проблемът не е отстранен, занесете инструмента в сервизен център на MILWAUKEE.

⚠ ВНИМАНИЕ Прочетете всички указания за безопасност, инструкции, изображенията и техническите данни, които получавате а среда. Ако не спазвате следните указания, това може да доведе до токов удар, пожар и/или тежки наранявания.

Запазете всички указания и инструкции за безопасност за бъдещето.

⚠ СПЕЦИАЛНИ УКАЗАНИЯ ЗА БЕЗОПАСНОСТ

Хидравличните помпи, произведени от Techtronic Industries GmbH, са предназначени за ползване с глави за кримпване, рязане и щамповане. Според това конкретно приложение те не са оборудвани със система за безопасност с маслен невъзвратен клапан.

Поради тази причина използването им за различни от предвидените цели (например с хидравлични крикове, повдигащи системи и др. подобни) може да бъде опасно и може да доведе до сериозни наранявания на оператора. Techtronic Industries GmbH не носи никаква отговорност, ако хидравличните помпи, които произвежда, се използват за цели, различни от кримпване, рязане и щамповане.

Не повишавайте налягането, ако помпата не е свързана към гъвкавия маркуч и главата, тъй като това може да повреди бързия съединител и да причини теч на масло.

Гъвкавите маркучи за високо налягане са подложени на естествен процес на стареене, а това може да доведе до понижаване на производителността, което от своя страна може да представлява потенциална заплаха за безопасността на

оператора. Поради това животът на тези маркучи е ограничен. За да гарантира безопасната употреба на своите инструменти, Techtronic Industries GmbH препоръчва хидравличните маркучи да бъдат подменени редовно съгласно указанията на производителя, дори по тях да няма видими щети.

Дръжте помпата и гъвкавия маркуч далече от открит огън и източници на топлина над 70°C.

Преди да използвате помпата, винаги проверявайте здравината на гъвкавия маркуч и на бързите съединители, като се уверявате, че по тях няма ожулвания, прорези, деформации и подувания.

Фабрично монтираните предпазители трябва да са поставени на мястото си в двата края на гъвкавия маркуч. Не докосвайте гъвкавия маркуч, когато е под налягане.

Когато използвате помпата, гъвкавият маркуч трябва да бъде развит и опънат. Преди да разкачите гъвкавия маркуч, се уверете, че плунжерът на главата се е прибрал изцяло, както и че има достатъчно количество масло за последващи дейности.

Помпата не е подходяща за продължително използване и след като са били извършени непрекъснати, последователни дейности по кримпване, трябва да се оставя да се охлади; например, ако сте източили напълно заредена батерия без да спирате, изчакайте няколко минути преди да подмените батерията.

Пазете помпата, батерията и зарядното от дъжд и влага.

Водата ще повреди помпата. Електрическите хидравлични инструменти не бива да се използват в проливен дъжд.

Операторът на този уред трябва да бъде инструктиран относно специфичните опасности, свързани с използването на уреда и относно съществените мерки за безопасност, преди да започне работа с нея за първи път и поне веднъж в годината след това. Фирмата изпълнител следва да:

- осигури на оператора достъп до ръководството за експлоатация и

- да се увери, че операторът го е прочел и разбрал.

Да се използват предпазни средства. При работа с машината винаги носете предпазни очила. Препоръчват се защитно облекло и прахозащитна маска, защитни ръкавици, здрави и нехлъзгащи се обувки, каска и предпазни средства за слуха.

- **Проверявайте помпата, маркучите, съединителите и гарнитурите за износване и повреди. Подменяйте износените, повредените и липсващите компоненти с посочените от производителя резервни части.**

Износените и повредените компоненти могат да паднат и така да причинят нараняване. Неспазването на това предупреждение може да доведе до сериозни наранявания или смърт.

- **Уверете се, че помпата е в желанния режим на работа, преди да я използвате.**

- **Не проверявайте за течове с ръка.** Маслото под високото налягане може лесно да пробие кожата и да причини сериозни наранявания, гангрена или смърт. В случай на нараняване незабавно потърсете медицинска помощ за отстраняване на маслото.

- Проверявайте дали наклонът на помпата е под максималния допустим.

- Проверявайте нивото на маслото и доливайте, ако е необходимо. Недостатъчното количество на маслото може да доведе до наранявания или материални щети. За висококачествена работа, при зареждане на резервоара винаги използвайте хидравлично масло MILWAUKEE Force Logic™ (4932 4720 04).

• **Преди обслужване изпуснете налягането на хидравличната система, като свържете или разкачите маркуча или другите хидравлични свързващи компоненти: винаги натискайте бутона за ръчно изпускане предварително.**

• **Носете защитни очила, когато работите с инструмента или го обслужвате.** При липса на защитни очила летящите отломки или пръски хидравлично масло могат да причинят сериозни наранявания на очите.

• **Използвайте единствено маркучи и други приспособления, които имат единично действие и номинални показатели от 10 000 psi (700 bar) или повече.**

• **За най-добри резултати, използвайте маркучи, които са предварително напълнени с масло.** Ако маркучите не са предварително напълнени, обезвъздушете системата преди работа.

• **Никога не включвайте помпата, без да е поставен маркуч или друго приспособление.**

• **За висококачествена работа, при зареждане на резервоара винаги използвайте хидравлично масло MILWAUKEE Force Logic™ (4932 4720 04).**

• **За оптимална функционалност използвайте батерия M18™ REDLITHIUM™ 8,0 Ah или с по-висока мощност.**

• **Следвайте указанията в ръководството за ползване на съответните приспособления.** Ползване по различен начин може да причини повреда на инструмента, на принадлежностите или на работния детайл.

• **Обезвъздушете системата, ако е необходимо.**

Никога не дръжте пръстите си или други части на тялото в работната зона на цилиндъра и на челюстите.

Преди да настроите, почиствате и извършвате дейности по поддръжката на уреда, извадете батерията.

Използвайте уреда, батерията и зарядното устройство само ако са в перфектно техническо състояние.

Отстранете повредите незабавно в оторизиран специализиран сервис.

За да избегнете наранявания и щети, не допускайте случайното стартиране на уреда.

Отстранете всички инструменти и ключове за настройка, преди да извършите операцията.

Да не се работи по части под електрическо напрежение. Уредът НЕ е изолиран.

Дръжте ръцете си и широки дрехи далеч от режещи инструменти и други движещи се части.

При неизправности по време на пресоване незабавно отпуснете превключвателя ВКЛ. и натиснете бутона за освобождаване на хидравликата. Клапанът се отваря и буталото се връща в изходна позиция.

ВНИМАНИЕ! За да избегнете опасност от пожар, наранявания и повреждане на уреда, предизвикани от късо съединение, не потапяйте уреда, батерията или зарядното устройство в течности и не допускайте попадането на течности в тях. Корозиращи или електропроводими течности като солена вода, някои промишлени химикали, изелбващи вещества или продукти, съдържащи изелбващи вещества, могат да предизвикат късо съединение.

Спазвайте стриктно времето за и интервалите на поддръжка.

Не отваряйте акумулатори и зарядни устройства и ги съхранявайте само в сухи помещения. Пазете ги от влага.

Акумулатори от системата M18 да се зареждат само със зарядни устройства от системата M18 laden. Да не се зареждат акумулатори от други системи.

За да избегнете нараняване и повреда, никога не потапяйте инструмента, сменяемата батерия или зарядното в течност и не позволявайте проникването на течност в тях.

ВНИМАНИЕ



Това устройство се захранва с клетъчна литиева батерия от тип копче. Както новите, така и използваните батерии могат да причинят добри вътрешни изгаряния и доведат до смърт за не повече от 2 часа след поглъщане или попадане в тялото. Винаги проверявайте дали капачето на батерията е добре затворено. Ако не се затваря добре, спрете устройството, извадете батерията и я дръжте далеч от деца. Ако мислите, че някой може да е погълнал батерията или че тя е попаднала в тялото по друг начин, потърсете незабавна медицинска помощ.



УКАЗАНИЯ ЗА БЕЗОПАСНОСТ ПРИ РАБОТА С ПРЕСОВИ ИНСТРУМЕНТИ

Инструментите и уредите за кримпване да се използват единствено от обучени и компетентни електротехници.

Никога не кримпвайте проводници под напрежение.

Преди всяка употреба проверявайте пресовия инструмент, пресовите челюсти и накрайници за пукнатини и други признаци на износване.

Използвайте пресовия инструмент и пресовите накрайници само в технически изправно състояние.

Пресовият инструмент може да се използва само с монтирани пресови накрайници.

Не докосвайте притискащите челюсти и притискащия щифт по време на работа.

При неизправности по време на пресоване незабавно отпуснете превключвателя ВКЛ. и натиснете бутона за освобождаване на хидравликата. Клапанът се отваря и буталото се връща в изходна позиция.



УКАЗАНИЯ ЗА БЕЗОПАСНОСТ ПРИ РАБОТА С КЛЕЩИ РЕЗАЧКИ ЗА КАБЕЛИ

Рязането съответно разделянето на кабели и въжета с помощта на тези клещи резачки може да се извършва само от инструктиран електротехнически персонал.

За да намалите риска от експлозия, токов удар и увреждане на собственост, никога не прерязвайте електрически кабели под напрежение. Уредът НЕ е изолиран.

Дръжте ръцете си и широки дрехи далеч от режещи инструменти и други движещи се части. Съществува риск от сериозно нараняване, включително отрязване на крайниците.

Преди да започнете да режете, достъпът до зоната трябва да бъде блокиран в съответствие с местните разпоредби.

Никога не режете кабели, които не са изключени от захранването!

Кабелите и въжетата не бива да се излагат на механични сили.

За да намалите риска от нараняване, носете защитни очила или очила със странични предпазители.



Неспазването на тази инструкция може да причини сериозни наранявания, смърт, пожар и други имуществени вреди в резултат на токов удар, експлозия и/или електрически дъги. Никога не хващайте резачката за кабели за режещите челюсти. Преди употреба, винаги проверявайте режещите челюсти за пукнатини и други признаци на износване. Резачката за кабели може да се използва само когато е поставен резец.

▲ УКАЗАНИЯ ЗА БЕЗОПАСНОСТ ПРИ РАБОТА С ЩАНЦИ

Преди всяка употреба проверявайте режещите инструменти за пукнатини и други признаци на износване. Използвайте инструментите и уредите за рязане само в технически изправно състояние.

Уредът може да се използва само с монтиран режещ инструмент. Не използвайте инструментите в или близо до разпределителни кутии под напрежение. Работете само по разпределителни кутии, изключени от захранването.

Проверявайте дали номиналният вътрешен диаметър на матрицата съпада с този на поансона.

Използвайте инструмента само с поансони и матрици, разрешени за макс. номинална сила. Други принадлежности могат да предизвикат нараняване или повреди.

Поддържайте режещите инструменти остри и чисти. Правилно поддържаните инструменти с остри режещи ръбове се заклихват по-рядко и се контролират по-лесно.

ИЗПОЛЗВАНЕ ПО ПРЕДНАЗНАЧЕНИЕ

Приспособления и инструментални глави:

Предназначение: само за еднодействащи приспособления и инструментални глави; номинално напрежение: 700 bar; макс. работен обем на маслото: 1,35 L.

Пресов инструмент:

Пресовият инструмент може да се използва само за кримпване на свързващи материали, за които са предвидени съответните пресови накрайници.

Всички компоненти под напрежение (по които протича ток) в работното поле на техника, трябва да бъдат изключени, преди да започнете работа.

Клещи резачки за кабели:

необтегнати армирани и неармирани изолирани кабели от мед или алуминий, резците зависят от типа кабел

• необтегнати неармирани изолирани кабели от мед или алуминий, резците зависят от типа кабел;

Избиващ инструмент:

Избиващият инструмент трябва да се използва единствено за пробиване на материали с предоставените щампи и матрици.

▲ ВНИМАНИЕ Прочетете всички указания за безопасност, инструкции, изображения и техническите данни, които получавате с уреда. Ако не спазвате следните указания, това може да доведе до токов удар, пожар и/или тежки наранявания.

Запазете всички указания и инструкции за безопасност за бъдещето.

ОБЩИ УКАЗАНИЯ

Заливане на хидравличната система:

Инструментът трябва да бъде заливан с масло всеки път, когато изсъхне поради изчерпване на маслото.

За да залеее системата:

1. Извадете батерията.
2. Проверете линията за нивото на маслото, за да проверите дали в инструмента има достатъчно масло.
3. Свържете съединителя към главата на съответното приспособление, през която да излязат въздухът и излишното масло.

ЗАБЕЛЕЖКА: Съединителят трябва да бъде изправен, а инструментът трябва да се намира по-ниско от главата на приспособлението.

4. Поставете батерията.
5. Натиснете бутона за режим на кримпване.
6. Стартирайте инструмента.

ЗАБЕЛЕЖКА: Може да отнеме до 30 секунди, преди да започнат да излизат въздух и масло.

7. Когато започне да излиза масло, натиснете бутона за ръчно изпускане и го задръжте за две секунди, а след това отпуснете и двата бутона.

6. Повторете стъпки 5-7 три или четири пъти.

ЗАБЕЛЕЖКА: Когато заливате системата, гледайте нивото на маслото да не пада под линията за зрительно определяне на нивото. Напълнете резервоара, ако е необходимо.

Обезвъздушаване на приспособлението:

Всеки път, когато приспособлението е било обслужено, не е било използвано продължително време или бъде свързано към маркуч, който не е предварително напълнен с масло, трябва да изпуснете въздуха от него.

Вижте препоръките на производителя на приспособлението за по-нататъшни указания за обезвъздушаване.

За да обезвъздушите приспособление:

1. Извадете батерията.
2. Свържете маркуча на приспособлението към съединителя.

ЗАБЕЛЕЖКА: Съединителят трябва да бъде насочен встрани, а инструментът трябва да се намира по-високо от маркуча и главата на приспособлението.

3. Поставете батерията.
4. Натиснете бутона за режим на кримпване.
5. Стартирайте помпата и изчакайте завършването на цикъла — и светодиодният индикатор ще светне в зелено.
6. Натиснете бутона за ръчно изпускане и го задръжте две секунди, а след това пуснете и двата бутона.
7. Повторете стъпки 4-6 три или четири пъти.

ЗАБЕЛЕЖКА: Когато обезвъздушавате приспособлението, проверявайте нивото на маслото да не пада под линията за зрительно определяне на нивото. Напълнете резервоара, ако е необходимо.

УКАЗАНИЯ ЗА РАБОТА ЗА КРИМПВАНЕ

Да се използват само нормирани свързващи елементи в съответствие с приложимите национални стандарти, както и подходящи за тях пресови накрайници.

Указанията за обработка и монтаж на свързващите елементи са посочени в техническата документация на производителя.

Проверете дали номиналният вътрешен диаметър на свързващия елемент съпада с този на пресовия накрайник.

Преди да започнете да кримпвате, проверете заряда на батерията — той трябва да бъде най-малко 33% (вж. илюстрираното описание). Може да е необходимо да заредите батерията, преди да започнете работа.

Натискането на превключвателя дава начало на процеса по кримпване, по време на който се извършва движение на болта на притискащия шифт.

Проверката и оценката на правилното кримпване е отговорност на потребителя.

Неправилно изпълнените връзки следва да се кримпват повторно с нов свързващ елемент.

Действия при неизправности

- Дръжте ключа за връщане в изходно състояние натиснат, докато челюстите не се отворят напълно
- Проверете заряда на батерията.
- Проверете дали кабелът и конекторът отговарят на техническите данни.
- Ако се съмнявате, че сте пресовали кабел, по който тече ток, инструментът за кримпване трябва да бъде инспектиран в упълномощен специализиран сервис

УКАЗАНИЯ ЗА РАБОТА ЗА РЯЗАНЕ

Подготовка на работното поле

Преди започване на работа се спира подаването на напрежение към проводниците или въжетата и за времето на работните действие се осигурява безопасността.

Не извършвайте никаква работа, ако не сте напълно сигурни, че кабелът или изолираният проводник е изключен.

Задължително да се спазват местните правила за безопасност и разпоредби.

Кабелите и въжетата не бива да се излагат на механични сили и евентуално след срязването трябва да се обезопасят срещу неконтролирани движения.

Не излагайте уреда на дъжд и не употребявайте в мокра или влажна среда.

Подготовка на резачката за кабели и на батерията

Преди всяка употреба:

- Огледайте резачката на кабели за външни дефекти;
- Проверете резачката за пукнатини и други признаци на износване;

Използвайте само ако е в отлично състояние!

Преди да започнете да режете, трябва да проверите капацитета на батерията: минимум 33% (вж. илюстрираното описание). Може да е необходимо да заредите батерията, преди да започнете работа.

Подготовка за рязане

Придържайте и фиксирайте кабела за рязане, за да се сведе до минимум рискът от неконтролирано движение.

Най-вече кабели в свободното пространство и въжета могат да се движат неконтролируемо и да причинят наранявания и / или повреди.

Режещата глава трябва е разположена под ъгъл от 90° спрямо кабела или въжето, така че той/то да попадне без обтягане в отворените челюсти и да се избегнат неблагоприятни усилия при рязане.



ВНИМАНИЕ: За да намалите риска от експлозия, токов удар и увреждане на собственост, никога не прерязвайте електрически кабели под напрежение.

Уредът НЕ е изолиран. Контактът с ел. верига под напрежение може да причини сериозни наранявания или смърт. Изключете захранването, преди да извършите срязването. Никога не режете газопроводи и водопроводи. Дръжте ръцете си далеч от режещите ръбове и движещите се части. В противен случай може да се стигне до разкъсване и ампутация.

Винаги изваждайте батерията, преди да подмените или отстранявате аксесоари. Използвайте само аксесоари, които се препоръчват специално за този инструмент. Различни аксесоари могат да бъдат опасни.

За да намалите риска от нараняване, носете защитни очила или очила със странични предпазители.



ВНИМАНИЕ: За да намалите риска от нараняване, режете единствено материали, подходящи за остриетата. (вж. „Спецификации“). Не опитвайте да режете други материали.

Рязане

Преди рязане се уверете, че остриетата са поставени правилно.

1. Прокарайте кабела перпендикулярно на остриетата на клещите резачки. Не опитвайте да режете под ъгъл, тъй като това ще повреди кабела и остриетата.
2. Натиснете спусък и го задръжте, докато трае операцията. Когато спусъкът бъде дръпнат, ще светне светодиоден индикатор.
3. След като срезът е изпълнен или инструментът изключи, отпуснете бутона за освобождаване и натиснете възвратния прехвърляч, за да се отвори челюстите.

ЗАБЕЛЕЖКА: Възможно е по време на разрязването кабелът да се мърда леко.

Действия при неизправности

- Кабелът може да е подрязан и токопроводящ, винаги информирайте служителя по безопасността, прекратете процеса на рязане, вземете подходящи мерки за безопасност
- Винаги проверявайте дали устройството е изключено от захранването, както и че то няма да бъде включено, преди да се приближите и да го докоснете.
- Натиснете и задръжте бутона за връщане в изходно положение, докато резачката не се отвори напълно.
- Проверете заряда на батерията.
- Проверете дали материалът и неговата дебелина отговарят на техническите спецификации.
- Ако се съмнявате, че сте срязали кабел, по който тече ток, резачката за кабели трябва да бъде инспектирана в упълномощен специализиран сервис.

Засичане на остриетата

Останалите след срязване мръсотия и отломки могат да предизвикат засичане на остриетата.

- Натиснете и задръжте освобождаващия спусък, за да върнете инструмента в изходно състояние.



- Извадете батерията.
- Следвайте описанието на изображението за отваряне на челостите
- Почистете мръсотията и отломките от остриетата, преди да започнете друго рязане.

Съвети за рязане

- Не опитвайте да режете под ъгъл, тъй като това ще повреди кабела и остриетата.
- Рижете почистени кабели, за да удължите живота на острието. Избършете мръсотията и отломките от кабелите и остриетата, преди да започнете рязането.

УКАЗАНИЯ ЗА РАБОТА ПРИ ПРОБИВАНЕ

Проверете дали номиналният диаметър на матрицата е равен на номиналния размер на щампата.

ПОДДРЪЖКА

Преди да настроите, почистете и извършвате дейности по поддръжката на уреда, извадете батерията.

Никога не отваряйте уреда, сменяемата батерия или зарядното устройство.

Проверявайте уреда за проблеми, като например шум или засичане на движещите се части, които могат да повлияят на работата на уреда.

Вентилационните отвори на уреда да се поддържат винаги чисти.

За да избегнете нараняване и повреда, никога не потапяйте уреда, сменяемата батерия или зарядното в течност и не позволявайте проникването на течност в тях.

По-нататъшни дейности по обслужването и ремонтването на уреда могат да се извършват единствено в упълномощени специализирани работилници.

Уредът съдържа хидравлично масло, което представлява опасност за подпочвените води. Неконтролираното му изпускане или неправомерно изхвърляне като отпадък се наказва от закона.

Срокът за следващото сервизно обслужване се указва на светодиодния дисплей на уреда.

Занесете инструмента заедно със зарядното и батерията в сервизен център на MILWAUKEE за ремонт. В зависимост от честотата на използване, след шест месеца до една година, занесете инструмента заедно със зарядното и батерията в сервизен център на MILWAUKEE за оглед. Да се използват само аксесоари на Milwaukee и резервни части на Milwaukee. Елементи, чията подмяна не е описана, да се дадат за подмяна в сервиз на Milwaukee (вижте брошурата „Гаранция и адреси на сервиси“).

Ако инструментът не стартира или не работи на пълна мощност при напълно заредена батерия, почистете контактните повърхности на батерията. Ако инструментът продължава да не работи правилно, върнете го заедно със зарядното и батерията в сервизен център на MILWAUKEE за ремонт.

Интервал на обслужване

Вижте приложението ONE-KEY за информация относно необходимото обслужване, като например подмяна на течността. Носете инструмента в сервизен център на MILWAUKEE за всякакви видове ремонтни дейности и дейности по обслужването му.

ЗАБЕЛЕЖКА: Може да е необходимо да съобщите седмицата и годината на производство на инструмента. Тази информация можете да намерите в серийния номер, който е изписан на типовата табелка на инструмента.

При необходимост можете да поискате за уреда от Вашия сервиз или директно от Techtronic Industries GmbH, Max-Eyth-Strasse 10, 71364 Winnenden, Germany, чертеж за в случай на експлозия, като посочите типа на машината и номер върху заводската табелка.

За безопасно транспортиране препоръчваме хидравличната помпа да бъде поставена в запечатана, маслоустойчива торба, като се използва оригиналната опаковка.

ONE-KEY™

За да научите повече за функционалността ONE KEY на този уред, прочетете приложеното кратко ръководство или ни посетете в интернет на <http://www.milwaukeekeetool.com/one-key>

Можете да изтеглите ONE KEY приложението на Вашия смартфон от App Store или Google Play.

Резултатът от изпитванията отговаря на нашите минимални изисквания съгласно EN 301489-1 / EN 301489-17. На клиента ще бъдат предоставени указания за експлоатация в ръководството за употреба.

АКУМУЛАТОРИ

Акумулатори, които не са ползвани по-дълго време, преди употреба да се дозаредят. Температура над 50°C намалява мощността на акумулатора. Да се избягва по-продължително нагряване на слънце или от отопление.

Поддържайте чисти присъединителните контакти на зарядното устройство и на акумулатора.

За оптимална продължителност на живот след употреба батериите трябва да се заредят напълно.

За възможно по-дълга продължителност на живот батериите трябва да се изваждат от уреда след зареждане.

При съхранение на батериите за повече от 30 дни: съхранявайте батерията при прилб. 27°C и на сухо място. Съхранявайте батерията при 30 до 50 % от заряда. Зареждайте батерията на всеки 6 месеца.

Не изхвърляйте изхабените акумулатори в огъня или в битовите отпадъци. Milwaukee предлага екологосъобразно събиране на старите акумулатори; моля попитайте Вашия специализиран търговец.

Не съхранявайте акумулаторите заедно с метални предмети (опасност от късо съединение).

При екстремно натоварване или екстремна температура от повредени акумулатори може да изтече батерийна течност. При допир с такава течност веднага измийте с вода и сапун. При контакт с очите веднага изплаквайте старателно най-малко 10 минути и незабавно потърсете лекар.

В гнездото за акумулатори на зарядните устройства не бива да попадат метални части (опасност от късо съединение).



БЪЛ

ПРЕВОЗ НА ЛИТИЕВО-ЙОННИ БАТЕРИИ

Литиево-йонните батерии са предмет на законовите разпоредби за превоз на опасни товари.

Превозът на тези батерии трябва да се извършва в съответствие с местните, националните и международните разпоредби и регламенти.

Потребителите могат да превозват тези батерии по пътя без допълнителни изисквания.

Превозът на литиево-йонни батерии от транспортни компании е предмет на законовите разпоредбите за превоз на опасни товари. Подготовката на превоза и самият превоз трябва да се извършват само от обучени лица. Целият процес трябва да е под професионален надзор.

Спазвайте следните изисквания при превоз на батерии:

Уверете се, че контактите са защитени и изолирани, за да се избегне късо съединение. Уверете се, че няма опасност от разместване на батерията в опаковката. Не превозвайте повредени батерии или такива с течове. Обърнете се към Вашата транспортна компания за допълнителни инструкции.

CE - ДЕКЛАРАЦИЯ ЗА СЪОТВЕТСТВИЕ

Ние декларираме, изцяло на наша отговорност, че продуктът, описан в „Технически данни“, съответства на всички необходими изисквания на директивите

2011/65/EC (RoHS)

2000/14/EO

2006/42/EO

2014/53/EC

и че са използвани следните хармонизирани стандарти

EN 62841-1:2015

EN 62479:2010

EN 55014-1:2017

EN 55014-2:2015

EN 301 489-1 V2.1.1 (2017-02)

EN 301 489-17 V3.1.1 (2017-02)

EN 300 328 V2.1.1 (2016-11)

EN IEC 63000:2018

Измерено ниво на звукова мощност 87,2 dB(A)

Гарантирано ниво на звукова мощност 89,0 dB(A)

Несигурност $K=1,5$ dB(A)

Оценка на съответствието съгласно Директива 2000/14/EO, изменена с Директива 2005/88/EO до Приложение V

Упоменато място:

DEKRA Certification B.V. (0344)

Meander 1051/P.O.Box 5185

6825 MS ARNHEIM/6802 ED ARNHEIM

Netherlands

CE Winnenden,



Alexander Krug / Managing Director

Упълномощен за съставяне на техническата документация

Techtronic Industries GmbH

Max-Eyth-Straße 10, 71364 Winnenden, Germany



СИМВОЛИ



Преди пускане на уреда в действие моля прочетете внимателно инструкцията за използване.



Носете предпазни очила.



Това устройство се захранва с клетъчна литиева батерия от тип копче.



ВНИМАНИЕ! ПРЕДУПРЕЖДЕНИЕ! ОПАСНОСТ



Преди започване на каквито е да е работи по машината извадете акумулатора.



Опасност от токов удар



ВНИМАНИЕ!
Предупреждение за отхвърлени предмети



ВНИМАНИЕ! Нараняване на ръцете



Гарантираното ниво на силата на звука, посочено на етикета, е 89 dB



Електрическите уреди, батерии/акумулаторни батерии не трябва да се изхвърлят заедно с битовите отпадъци. Електрическите уреди и акумулаторни батерии трябва да се събират разделно и да се предават на службите за рециклиране на отпадъците според изискванията за опазване на околната среда. Информирайте се при местните служби или при местните специализирани търговци относно местата за събиране и центровете за рециклиране на отпадъци.

V Напрежение

 Постоянен ток



Европейски знак за съответствие



Украински знак за съответствие



Евро-азиатски знак за съответствие



БЪЛ

DATE TEHNICE Pompă hidraulică	M18 HUP700
Număr producție	4745 35 01... ... 000001-999999
Bandă de frecvență Bluetooth (benzi de frecvență)	2402-2480 MHz
Putere la înaltă frecvență	1,8 dBm
Versiune Bluetooth	4.0 BT signal mode
Tensiune acumulator	18 V
Presiune nominală forță	700 bar
Clasă de protecție	IP54
Unghi maxim vârf	34°
Debit nominal	
Joasă presiune	2,0 l/min
Înaltă presiune	0,4 l/min
Volum total ulei	1,6 l
Volum consumabil ulei	1,3 l
Greutatea conform „EPTA procedure 01/2014” (Li-Ion 8,0 Ah...12,0 Ah)	16,0..., 16,5 kg
Temperatură ambientală recomandată pentru funcționare	-18°C ... +50°C
Seturi de baterii recomandate	M18B9 M18HB8..., M18HB12
Încărcător de baterii recomandat	M12-18..., M1418 C6
Informație privind zgomotul	
Valori măsurate determinate conform EN 62841. Nivelul de zgomot evaluat cu A al aparatului este tipic de:	
Nivelul presiunii sonore (Nesiguranță K=3dB(A))	77,7 dB (A)
Nivelul sunetului (Nesiguranță K=3dB(A))	88,7 dB (A)

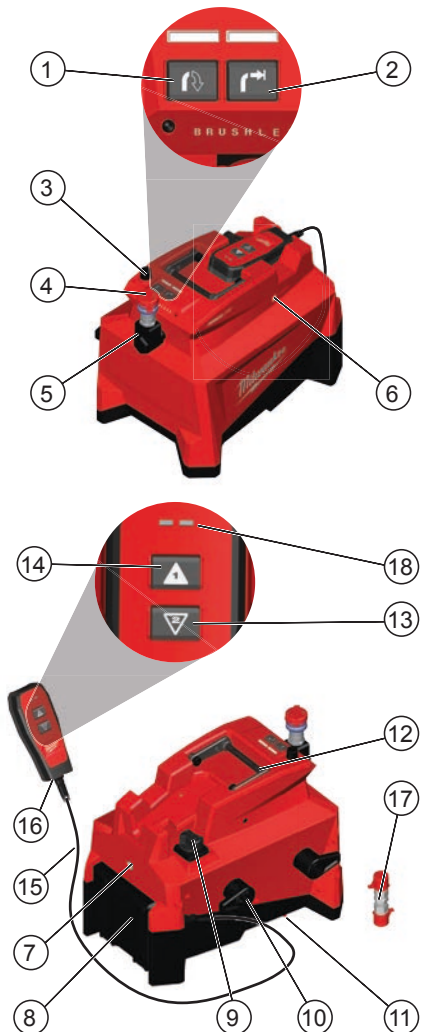
AVERTISMENT

Valoarea emisiei sonore indicată în această fișă tehnică a fost măsurată conform unei proceduri de testare normale în EN 62841 și poate fi utilizată pentru compararea sculelor. Aceasta este adecvată și pentru o evaluare preliminară a solicitării.

Valoarea indicată a emisiilor sonore este dată pentru aplicațiile principale ale sculei. Aceasta poate să difere în cazul în care scula este utilizată pentru alte aplicații, cu accesorii diferite sau dacă este întreținută insuficient. Aceste situații pot determina creșterea semnificativă a solicitării pe parcursul timpului de lucru.

Pentru o evaluare exactă a solicitării din cauza zgomotului trebuie luate în considerare inclusiv intervalele de timp în care scula este oprită, sau dacă este în funcțiune, însă nu este utilizată în mod efectiv. Aceste situații pot să reducă în mod considerabil solicitarea pe parcursul timpului de lucru.

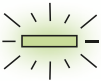
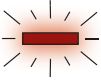
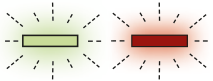
Stabiliți măsuri de siguranță suplimentare pentru protejarea operatorului față de zgomotul produs, de ex.: întreținerea sculei și a accesoriilor și organizarea proceselor de lucru.



Descrierea dispozitivului

- | | |
|---------------------------------------|--|
| ① Buton regim de tăiere | ⑩ Rulare automată cablu |
| ② Buton regim de sertizare | ⑪ Bușon ventilație |
| ③ Buton de eliberare manuală presiune | ⑫ Mâner |
| ④ Cuplor | ⑬ Buton de retragere |
| ⑤ Pivot cuplor | ⑭ Buton de avansare |
| ⑥ Indicator ONE KEY | ⑮ Cablu |
| ⑦ Linie luminoasă rezervor ulei | ⑯ Dispozitiv de comandă de la distanță |
| ⑧ Compartiment baterie | ⑰ Adaptor |
| ⑨ Capac ulei | ⑱ Indicator LED |



Indicator LED	Definiție
 Solid Verde	Scula a finalizat operațiunea și a ajuns la presiunea completă pentru sertizare.
 Solid Roșu	Scula a finalizat operațiunea dar NU a ajuns la presiunea completă pentru sertizare.
 Pălpăire Roșu / Verde (după Solid Verde sau Solid Roșu)	Scula a ajuns la intervalul de service (20000 sertizează). Pălpăirea roșie/verde va începe după ce indicatorul roșu sau verde al operațiunii este afișat. MILWAUKEE recomandă ca scula să fie verificată și să se efectueze operațiunile de întreținere.



NOTĂ: Dacă indicatorul este roșu, verificați nivelurile de ulei și asigurați-vă că nu există scurgeri în atașamente. Confirmați că toate conexiunile sunt sigure și că atașamentele sunt potrivite pentru lucrare. Repuneți în funcțiune. Dacă problema persistă, returnați dispozitivul la un atelier de service MILWAUKEE.

⚠️ AVERTISMENT Citiți toate instrucțiunile de securitate, recomandările, reprezentările grafice și datele pe care le primiți livrate împreună cu aparatul. În cazul în care nu veți respecta următoarele instrucțiuni, se poate ajunge la electrocutare, incendii și/sau răni grave.

Păstrați toate indicațiile de avertizare și instrucțiunile în vederea utilizărilor viitoare.

⚠️ INSTRUCȚIUNI DE SECURITATE

Pompele hidraulice fabricate de Techtronic Industries GmbH sunt dezvoltate pentru utilizarea cu capuri de sertizare, tăiere și ștanțare. În conformitate cu această utilizare specifică, acestea nu sunt echipate cu un sistem de siguranță împotriva returnării de ulei. Din acest motiv, utilizarea în aplicații diferite de cele prevăzute (de exemplu cu cricuri hidraulice, sisteme de ridicare sau altele similare) poate fi periculoasă și poate duce la răni grave ale operatorului.

Techtronic Industries GmbH nu acceptă nicio răspundere care rezultă din utilizarea pompelor sale hidraulice pentru alte aplicații în afară de cele de sertizare, tăiere și ștanțare.

Nu creșteți presiune dacă pompa nu este conectată la furtunul flexibil și la cap, deoarece acest lucru poate deteriora cuplajul rapid al pompei, precipitând infiltrarea uleiului.

Furtunurile flexibile de înaltă presiune sunt supuse unui proces natural de îmbătrânire care poate duce la o reducere a performanței care poate afecta siguranța operatorului. Drept urmare, durata lor de viață este limitată. Pentru a asigura utilizarea în siguranță a unităților lor, Techtronic Industries GmbH recomandă ca furtunurile hidraulice să fie înlocuite în mod periodic conform instrucțiunilor producătorului, chiar dacă nu există daune vizibile.

Țineți pompa și furtunul flexibil la distanță de flăcările deschise și de sursele de căldură de peste 70 °C.

Înainte de a folosi pompa, verificați întotdeauna integritatea furtunului flexibil și cuplajele rapide, asigurându-vă că nu există abraziuni, tăieturi, deformări sau umflături.

Apărătoarele montate din fabrică trebuie să fie amplasate la fiecare capăt al furtunului flexibil. Nu atingeți furtunul flexibil în timp ce se află sub presiune.

Când folosiți pompa, furtunul flexibil trebuie să fie fără bucle și așezat drept. Înainte de a deconecta furtunul flexibil, verificați dacă sania capului este complet retrasă; asigurați o cantitate suficientă de ulei pentru operațiunile ulterioare.

Pompa nu este adecvată pentru utilizarea continuă și trebuie lăsată să se răcească în urma operațiunilor de sertizare succesive neîntrerupte; de exemplu, după ce s-a epuizat o baterie complet încărcată într-o singură sesiune, întârziati înlocuirea bateriei pentru câteva minute.

Protejați pompa, bateria și încărcătorul de ploaie și umezeală. Apa va deteriora pompa. Dispozitivele electro-hidraulice nu trebuie operate în ploaie torențială.

Operatorul acestui dispozitiv trebuie să fie instruit cu privire la pericolele specifice asociate utilizării acestui dispozitiv și cu privire la măsurile de siguranță esențiale, înainte de a lucra cu acesta pentru prima oară și apoi cel puțin anual.

Firma de exploatare trebuie:

- să pună la dispoziția operatorului manualul de exploatare și
- și să se asigure că operatorul a citit și a înțeles conținutul acestuia.

Folosiți echipament de protecție. Purtați întotdeauna ochelari de protecție când lucrați cu mașina. Se recomandă utilizarea hainelor de protecție ca de ex. Măști contra prafului, mănuși de protecție, încălțăminte stabilă nealunecoasă, cască și apărătoare de urechi.

- **Verificați pompa, furtunurile, cuplajele și armăturile cu privire la prezența uzurii și deteriorărilor. Înlocuiți componentele uzate, deteriorate sau care lipsesc cu piese de schimb ale producătorului.** Componentele uzate sau deteriorate pot să nu mai funcționeze, conducând la vătămare. Nerespectarea acestui avertisment poate conduce la vătămare gravă sau deces.

- **Înainte de utilizare, asigurați-vă că pompa se află în regimul de funcționare dorit.**

- **Nu folosiți mâinile pentru a verifica existența unor eventuale scurgeri.** Uleiul de înaltă presiune strâpunge rapid pielea, provocând răni grave, gangrenă sau deces. În caz de vătămare, solicitați imediat ajutor medical pentru a elimina uleiul.

- Asigurați-vă că pompa este sub unghiul maxim de înclinare.

- Verificați nivelul uleiului și ajustați-l dacă este necesar. Nivelul scăzut de ulei poate duce la vătămări sau pagube materiale. Pentru performanțe optime, folosiți întotdeauna uleiul hidraulic MILWAUKEE Force Logic™ (4932 4720 04) pentru a reumple rezervorul.

- **Depresurizați sistemul hidraulic înainte de a servisa, conecta sau deconecta furtunul sau alte elemente de conexiune hidraulică: apăsați întotdeauna înainte butonul de eliberare manuală.**

- **Purtați protecție pentru ochi când utilizați sau servișiți acest dispozitiv.** Nefolosirea protecției pentru ochi poate conduce la vătămări grave ale ochilor din cauza reziduurilor sau uleiului hidraulic aruncate în exterior.

- **Folosiți numai furtunuri și atașamente unietajate și adecvate pentru o presiune nominală de 10.000 psi (700 bar) sau mai mare.**

- **Pentru performanțe optime, folosiți furtunuri pre-umplute cu ulei.** Dacă furtunurile nu sunt pre-umplute, purjați sistemul înainte de operare.

- Nu folosiți niciodată pompa fără furtun sau atașament.
- Pentru performanțe optime, folosiți întotdeauna uleiul hidraulic MILWAUKEE Force Logic™ (4932 4720 04) pentru reumple rezervorul.
- Pentru o funcționalitate optimă, utilizați bateria M18™ REDLITHIUM™ de 8,0 Ah sau mai mare.
- Respectați manualul operatorului producătorului de accesorii. Orice alte utilizări pot provoca deteriorarea dispozitivului, accesoriilor și piesei de prelucrat.
- Purjați sistemul dacă este necesar.

Nu țineți niciodată degetele sau ale părți ale corpului în zona de acțiune a cilindrului sau a fălcilor.

Îndepărtați blocul de baterii înainte de a începe orice lucrare de ajustare, curățare și întreținere asupra dispozitivului.

Utilizați numai dispozitive, blocuri de baterii și încărcătoare care sunt în stare tehnică perfectă.

Deteriorările trebuie reparate imediat de către un atelier autorizat. Pentru a evita răniurile și pagubele, preveniți pornirea accidentală a dispozitivului.

Îndepărtați toate sculele de reglare și cheile fixe înainte de operare.

Nu este permisă prelucrarea de componente aflate sub tensiune electrică. Dispozitivul NU este izolat.

Țineți mâinile și îmbrăcămintea largă departe de piesele de tăiat sau de alte componente mobile.

În cazul defecțiunilor apărute în timpul procesului de presare eliberați imediat butonul ON (PORNIT) și apăsați butonul de deblocare a hidraulicii. Ventilul se deschide iar pistonul revine în poziția inițială.

AVERTISMENT! Pentru a reduce riscul de incendiu, rănirea personalului și deteriorarea produsului din cauza unui scurtcircuit, nu imersați niciodată dispozitivul, blocul de baterii sau încărcătorul în fluide și nici nu permiteți pătrunderea fluidelor în acestea. Fluidele corozive sau conductive, cum ar fi apa de mare, anumite substanțe chimice industriale și înălbitorul sau produsele cu conținut de înălbitor etc. pot provoca scurtcircuitul.

Operațiile și intervalele de întreținere trebuie respectate în mod obligatoriu.

Nu deschideți niciodată acumulatorii și încărcătoarele și pastrați-le numai în încăperi uscate. Pastrați-le întotdeauna uscate.

Folosiți numai încărcătoare System M18 pentru încărcarea acumulatorilor System M18. Nu folosiți acumulatori din alte sisteme.

Pentru a evita răniurile și deteriorările, nu scufundați niciodată în lichide unealta, bateria detașabilă sau încărcătorul și nu permiteți niciodată pătrunderea lichidelor în acestea.

AVERTISMENT



Această sculă conține o baterie rotundă specializată tip litiu. O baterie nouă sau folosită poate cauza arsuri interne severe și poate provoca chiar decesul chiar și în 2 ore dacă este înghițită sau dacă intră în corp. Asigurați mereu capacul de pe compartimentul cu baterii. Dacă nu se închide în mod sigur, opriți dispozitivul, îndepărtați bateria și nu o lăsați la îndemâna copiilor. Dacă suspectați că cineva a înghițit o baterie sau că aceasta a intrat în corp prin alte modalități, apălați de urgență la un medic.



INSTRUCȚIUNI DE SECURITATE PENTRU SCULELE DE PRESARE

Sculele și dispozitivele de sertizat trebuie folosite doar de către personalul instruit în aplicații electro-tehnice.

Nu sertizați pe loc niciodată materiale de legătură.

Înainte de fiecare utilizare verificați sculele, fălcile și inserțiile de presare să nu prezinte fisuri sau alte urme de uzură.

Utilizați sculele și inserțiile de presare doar în stare tehnică impecabilă.

Scula de presare poate fi utilizată doar cu inserțiile de presat montate.

Nu atingeți fălcile presei și șurubul știftului de presare în timpul operației de presare.

În cazul defecțiunilor apărute în timpul procesului de presare eliberați imediat butonul ON (PORNIT) și apăsați butonul de deblocare a hidraulicii. Ventilul se deschide iar pistonul revine în poziția inițială.



INSTRUCȚIUNI DE SECURITATE PENTRU TĂIETOARE DE CABLU

Tăierea, resp. debitarea cablurilor și cordoanelor cu ajutorul acestui tăietor de cabluri are voie să fie făcută numai de o persoană instruită în domeniul electrotehnic.

Pentru a reduce riscul de explozii, electrocutare, daune materiale și deteriorarea echipamentului, nu tăiați niciodată cabluri electrice aflate sub tensiune. Dispozitivul NU este izolat.

Țineți mâinile și îmbrăcămintea largă departe de piesele de tăiat sau de alte componente mobile. Există riscul unor răni severe, incluzând amputarea membrilor.

Înainte de începerea procesului de tăiere, accesul trebuie restricționat în conformitate cu reglementările locale.

Tăiați întotdeauna cablurile numai după ce au fost deconectate de la alimentarea electrică!

Cablurile și cordoanele nu au voie să fie expuse la forțe mecanice.

Pentru a reduce riscul răniurilor, purtați măști de siguranță pentru ochi sau ochelari cu protecții laterale.

Incapacitatea de conformare cu această instrucțiune poate avea ca urmări răni grave, deces, incendiu și alte daune materiale, ca rezultat al electrocutării, exploziei și/sau arcurilor electrice.

Nu țineți niciodată dispozitivul de tăiere a cablurilor de fălcile de tăiere.

Înainte de utilizare, verificați întotdeauna ca fălcile de tăiere să nu prezinte crăpături sau alte semne de uzură.

Dispozitivul de tăiere al cablurilor are voie să fie utilizat numai cu o unealtă de tăiere inserată.



Ro

INSTRUCȚIUNI DE SECURITATE PENTRU MAȘINILE DE ȘTANȚAT

Înainte de fiecare utilizare verificați piesele de tăiat să nu prezinte fisuri sau alte urme de uzură. Utilizați piesele și aparatele de tăiat doar în stare tehnică impecabilă.

Aparatul poate fi utilizat doar cu piesele de tăiat montate. A nu se utiliza în sau în apropierea cutiilor de distribuție aflate sub tensiune. Efectuați lucrări doar la cutii de distribuție decuplate de la sursa de tensiune electrică.

Verificați dacă dimensiunea nominală a matriței este conformă cu cea a dispozitivului de ștanțat.

Utilizați unealta doar cu dispozitive de ștanțat și matrițe adecvate pentru puterea nominală max. Altele ar putea provoca vătămări sau deteriorări.

Păstrați uneltele de tăiere mereu curate și ascuțite. Uneltele de tăiere cu lame ascuțite îngrijite corect nu se blochează atât de des și sunt mai ușor de controlat.

CONDIȚII DE UTILIZARE SPECIFICE

Accesorii și capuri pentru dispozitiv:

Utilizarea prevăzută: numai pentru accesorii și capuri de dispozitive unietațate, presiune nominală 700 bar; împingere max. a uleiului 1,35 l

Scula de presare:

Scula de presare poate fi utilizată în exclusivitate pentru presarea materialelor de conectare, pentru care sunt prevăzute inserțiile de presare aferente.

Toate componentele aflate sub tensiune, de ex. părți de conductivitate electrică, trebuie să fie deconectate în mediul de lucru al tehnicianului înainte ca acesta să înceapă munca.

Tăietor cablu:

cabluri ranforsate și neranforsate scoase de sub tensiune, confecționate din cupru sau aluminiu izolat, instrumentele de tăiere depind de tipul de cablu

• cabluri neranforsate scoase de sub tensiune, confecționate din cupru sau aluminiu izolat, instrumentele de tăiere depinzând de tipul de cablu

Dispozitiv de aruncare cu pârghie:

Dispozitivul de aruncare cu pârghie se va utiliza numai pentru ștanțarea materialelor cu ștanțele și matrițele furnizate.

AVERTISMENT Citiți toate instrucțiunile de securitate, recomandările, reprezentările grafice și datele pe care le primiți livrate împreună cu aparatul. În cazul în care nu veți respecta următoarele instrucțiuni, se poate ajunge la electrocutare, incendii și/sau răni grave.

Păstrați toate indicațiile de avertizare și instrucțiunile în vederea utilizărilor viitoare.

INSTRUCȚIUNI GENERALE

Amorsarea sistemului hidraulic:

Dispozitivul se va amorsa de fiecare dată după ce a funcționat fără ulei.

Pentru amorsarea sistemului:

1. Scoateți blocul bateriei.
2. Verificați linia de inspectare a uleiului și asigurați-vă că dispozitivul are suficient ulei.

3. Conectați cuplajul la un cap accesoriu care va purja aerul și excesul de ulei.

NOTĂ: Cuplajul trebuie îndreptat în sus și dispozitivul trebuie poziționat mai jos decât capul accesoriu.

4. Introduceți blocul bateriei.
5. Apăsăți butonul pentru regimul de sertizare.
6. Puneți în funcțiune dispozitivul.

NOTĂ: Este posibil să dureze până la 30 de secunde până când începe purjarea aerului și uleiului.

7. Imediat ce a început purjarea, apăsați și mențineți apăsat timp de două secunde butonul de eliberare manuală, apoi eliberați ambele butoane.

8. Repetați pașii 5-7 de trei-patru ori.

NOTĂ: Când amorsați sistemul, asigurați-vă că nivelul uleiului nu scade sub linia de vizionare a uleiului. Dacă este necesar, reumpleți rezervorul.

Purjarea accesoriului:

Aerul din accesorii trebuie purjat de fiecare dată când un accesoriu a fost servizat, neutilizat pentru o perioadă lungă de timp sau se conectează la un furtun care nu este preumplut cu ulei.

Vă rugăm să consultați și recomandările producătorului accesoriului pentru instrucțiuni suplimentare de purjare.

Purjarea unui accesoriu:

1. Scoateți blocul bateriei.
2. Conectați furtunul accesoriu la cuplaj.

NOTĂ: Cuplajul trebuie orientat spre lateral, iar dispozitivul trebuie să fie poziționat mai sus decât furtunul accesoriu și capul.

3. Introduceți blocul bateriei.
4. Apăsăți butonul pentru regimul de sertizare.
5. Puneți în funcțiune dispozitivul până când ciclul se finalizează, iar indicatorul LED se aprinde în culoarea verde.
6. Apăsăți și mențineți apăsat timp de două secunde butonul de eliberare manuală, apoi eliberați ambele butoane.

7. Repetați pașii 4-6 de trei-patru ori.

NOTĂ: Când purjați accesoriul, asigurați-vă că nivelul uleiului nu scade sub linia de vizionare a uleiului. Dacă este necesar, reumpleți rezervorul.

INDICAȚII DE LUCRU PENTRU SERTIZARE

Utilizați doar conectori normați conform standardelor naționale, precum și inserțiile de presare adecvate în acest sens.

Vă rugăm să respectați instrucțiunile de prelucrare și de montare pentru conectori din documentația pusă la dispoziție de producător.

Verificați dacă dimensiunea nominală a conectorului este conformă cu cea a inserției de presare.

Înainte de începerea procesului de sertizare, trebuie verificată capacitatea bateriei: minimum 33% (a se vedea descrierea ilustrată). Este posibil să fie necesară reincărcarea înainte de începerea lucrărilor.

Acționarea întrerupătorului de control pornește procesul de presare, care se caracterizează prin mișcarea șurubului știftului de presare.

Verificarea și evaluarea unui proces corect de presare se află la îndemâna utilizatorului.

Legăturile realizate greșit trebuie presate din nou cu un conector nou.

Acțiune în caz de defecțiuni

- Apăsăți butonul de reset până când fălcile cleștelui s-au desfăcut complet
- verificați capacitatea bateriei
- Verificați cablul și elementul de conectare conform datelor tehnice.
- Dacă se suspectează că a fost presat vreun cablu aflat sub tensiune, scula de sertizat trebuie verificată la un atelier specializat autorizat

INDICAȚII DE LUCRU PENTRU TĂIERE

Pregătirea zonei de lucru

Înainte de începerea lucrului trebuie să se scoată de sub tensiune liniile și cordoanele, iar această stare trebuie asigurată pe întreaga durată a lucrărilor.

Dacă nu se poate asigura fără nicio urmă de îndoială întreruperea alimentării electrice a cablurilor sau liniei izolate, nu se va efectua nicio lucrare.

Se vor respecta neapărat prevederile și reglementările locale privind siguranța.

Cablurile și cordoanele nu au voie să fie expuse la forțe mecanice și, dacă este cazul, trebuie asigurate contra mișcărilor necontrolate după tăiere.

Nu expuneți utilajul ploii și nu-l utilizați în mediu umed sau ud.

Pregătirea dispozitivului de tăiere al cablurilor și bateriei

Înainte de fiecare utilizare:

- Verificați ca dispozitivul de tăiere a cablurilor să nu prezinte defecte externe
- Verificați ca dispozitivul de tăiere să nu prezinte crăpături sau alte semne de uzură

A se utiliza numai în condiție perfectă!

Înainte de începerea procesului de tăiere trebuie verificată capacitatea bateriei: minimum 33% (a se vedea descrierea ilustrată). Este posibil să fie necesară reîncărcarea înainte de începerea lucrărilor.

Pregătirea procesului de tăiere

Sprîjiți și fixați cablul sau cordonul care urmează să fie tăiate, astfel încât să reduceți la minimum riscul unei mișcări necontrolate. Mișcarea necontrolată poate să apară în mod special în cazul liniilor și cordoanelor libere, putând fi provocate leziuni și/sau daune. Capul de tăiere trebuie amplasat în unghi de 90° față de cablu sau cordon, astfel încât cablu sau cordon să stea fără tensionare între fălcile de tăiere deschise și să se evite forțele de forfecare nefavorabile.

⚠️ AVERTISMENT: Pentru a reduce riscul de explozii, electrocutare, daune materiale și deteriorarea echipamentului, nu tăiați niciodată cabluri electrice aflate sub tensiune.

Dispozitivul NU este izolat. Contactul cu un circuit aflat sub tensiune poate avea drept rezultat răniri grave sau deces. Înainte de a executa o tăiere, opriți alimentarea electrică. Nu tăiați niciodată conducte de gaz sau apă. Feriți-vă mâinile de toate muchiile tăioase și piesele mobile. Pot fi cauzate sfâșieri sau amputări.

Scoateți întotdeauna bateria înainte de înlocuirea sau demontarea accesoriilor. Utilizați numai accesoriile recomandate în mod specific pentru acest dispozitiv. Altele pot fi riscante.

Pentru a reduce riscul rănilor, purtați măști de siguranță pentru ochi sau ochelari cu protecții laterale.

⚠️ AVERTISMENT: Pentru a reduce riscul de răniri, tăiați numai materialele recomandate pentru lame. (a se vedea „Specificații”) Nu încercați să tăiați alte materiale.

Tăiere

Înainte de tăiere, asigurați-vă că lamele sunt montate corespunzător.

1. Introduceți cablul în unghi drept în fălcile de tăiere ale tăietorului de cabluri. Nu încercați să faceți tăieri oblice, deoarece acest lucru va deteriora piesa și lamele.
2. Trageți și mențineți tras declanșatorul în timpul utilizării. Atunci când declanșatorul este tras se aprinde un LED.
3. După ce tăierea a fost realizată sau uneala a oprită, eliberați din nou declanșatorul și acționați comutatorul de revenire la poziția de bază, pentru a deschide fălcile de tăiere.

NOTĂ: Este posibil ca piesa să se miște ușor în timpul tăierii.

Acțiune în caz de defecțiuni

- cablu poate fi tăiat și se poate afla sub tensiune, informați întotdeauna persoanele însărcinate cu siguranța, sistați procesul de tăiere, implementați măsuri de siguranță adecvate
- Asigurați-vă întotdeauna că dispozitivul este și rămâne deconectat de la sursa de alimentare electrică înainte de a vă apropia de el sau de a-l atinge
- apăsați și mențineți apăsat butonul de resetare până când dispozitivul de tăiere se deschide complet
- verificați capacitatea bateriei
- verificați materialul și grosimea materialului ținând cont de datele tehnice
- Dacă se suspectează că a fost tăiat vreun cablu aflat sub tensiune, dispozitivul de tăiere al cablurilor trebuie verificat de un atelier specializat autorizat

Lame îndeștate

Murdăria și reziduurile pot cauza îndeștarea între ele a lamelor după o tăiere

- Apăsăți și mențineți apăsat declanșatorul de deblocare, pentru a vă asigura că dispozitivul de tăiere s-a resetat.
- Scoateți blocul bateriei.
- Urmați descrierea ilustrată pentru deschiderea fălcilor de tăiere
- Înainte de a începe o altă tăiere, curățați de pe lame toată murdăria și toate reziduurile.

Sfaturi pentru tăiere

- Nu încercați să faceți tăieri oblice, deoarece acest lucru va deteriora piesa și lamele.
- Tăiați materiale curate, pentru a extinde durata de viață a lamelor. Înainte de începerea tăierii, curățați murdăria și reziduurile de pe material și de pe lame.

INSTRUCȚIUNI DE LUCRU PENTRU ȘTANȚARE

Verificați dacă diametrul nominal al matricei este egal cu dimensiunea nominală a ștanței.



INTREȚINERE

Îndepărtați blocul de baterii înainte de a începe orice lucrare de ajustare, curățare și întreținere asupra dispozitivului.

Nu desfaceți niciodată dispozitivul, bateria detașabilă sau încărcătorul.

Verificați ca dispozitivul să nu prezinte nicio problemă, cum ar fi zgornitul sau înclăștarea componentelor mobile, care ar putea afecta dispozitivul.

Fantele de ventilație ale dispozitivului trebuie menținute curate în permanență.

Pentru a evita rănirea și deteriorarea, nu imersați niciodată dispozitivul, bateria detașabilă sau încărcătorul în fluide și nici nu permiteți pătrunderea fluidelor în acestea.

Lucrările de service și de reparație suplimentare au voie să fie efectuate numai de ateliere de specialitate autorizate.

Aparatul conține ulei hidraulic care reprezintă un pericol pentru apa freatică. Golirea necontrolată sau eliminarea necorespunzătoare a acestuia este posibilă de pedeapsă.

Următorul termen de service este indicat prin LED-ul de pe dispozitiv.

Returnați dispozitivul, blocul de baterii și încărcătorul la un atelier de service MILWAUKEE pentru reparații. După o perioadă cuprinsă între șase luni și un an, în funcție de utilizare, retruiați dispozitivul, blocul de baterii și încărcătorul la un atelier de service MILWAUKEE pentru inspecție. Utilizați numai accesorii și piese de schimb Milwaukee. Dacă unele din componente care nu au fost descrise trebuie înlocuite, vă rugăm contactați unul din agenții de service Milwaukee (vezi lista noastră pentru service / garanți

Dacă dispozitivul nu pornește sau nu funcționează la capacitate integrală cu un bloc de acumulatori complet încărcat, curățați contactele blocului de acumulatori. Dacă dispozitivul tot nu funcționează corespunzător, returnați dispozitivul, încărcătorul și blocul de acumulatori la un atelier de service MILWAUKEE, pentru reparații.

Interval de service

Consultați aplicația ONE-KEY pentru informații despre servisirile necesare, cum ar fi înlocuirea fluidului. Returnați dispozitivul la un atelier de service MILWAUKEE pentru toate lucrările de reparație și de întreținere.

NOTĂ: Pot fi necesare săptămâna și anul fabricației dispozitivului. Aceste informații pot fi găsite pe numărul de serie situat pe plăcuța tipului dispozitivului.

Dacă este necesară, se poate comanda o imagine descompusă a sculei. Vă rugăm menționați numărul art. Precum și tipul mașinii tipărit pe etichetă și comandați desenul la agenții de service locali sau direct la Techtronic Industries GmbH, Max-Eyth-Straße 10, 71364 Winnenden, Germany.

Pentru transportul în condiții în siguranță, vă recomandăm să ambalați pompa hidraulică într-o pungă de plastic sigilată, rezistentă la ulei și să folosiți ambalajul original.

ONE-KEY™

Pentru a afla mai multe despre funcționalitatea ONE-KEY a acestui dispozitiv, vă rugăm să consultați ghidul rapid anexat acestui produs sau să accesați <http://www.milwaukeetool.com/one-key> Puteți descărca aplicația ONE-KEY de pe App Store sau Google Play pe Smartphone-ul dvs.

Rezultatul verificării satisface cerințele noastre minime în conformitate cu EN 301489-1 / EN 301489-17. Vom transmite clientului ghidul operațional integrat în Manualul de utilizare.

ACUMULATORI

Acumulatorii care nu au fost utilizați o perioadă de timp trebuie reîncărcați înainte de utilizare. Temperatura mai mare de 50°C (122°F) reduce performanța acumulatorului. Evitați expunerea prelungită la căldură sau radiație solară (risc de supraîncălzire)

Contactele încărcătoarelor și acumulatorilor trebuie păstrate curate.

În scopul optimizării duratei de funcționare, bateriile trebuie reîncărcate complet după utilizare.

Pentru o durată de viață cât mai lungă, acumulatorii ar trebui scoși din încărcător după încărcare.

La depozitarea acumulatorilor mai mult de 30 zile: Acumulatorii se depozitează la cca. 27°C și la loc uscat. Acumulatorii se depozitează la nivelul de încărcare de cca. 30%-50%. Acumulatorii se încarcă din nou la fiecare 6 luni.

Nu aruncați acumulatorii uzați la containerul de reziduri menajere și nu îi ardeți. Milwaukee Distributors se oferă să recupereze acumulatorii vechi pentru protecția mediului înconjurător.

Nu depozitați acumulatorul împreună cu obiecte metalice (risc de scurtcircuit)

Acidul se poate scurge din acumulatorii deteriorați la încălziri sau temperaturi extreme. În caz de contact cu acidul din acumulator, spălați imediat cu apă și săpun. În caz de contact cu ochii, clătiți cu atenție timp de cel puțin 10 minute și apelați imediat la îngrijire medicală.

Nu se permite introducerea nici unei piese metalice în locașul pentru acumulator al încărcătorului. (risc de scurtcircuit)

TRANSPORTUL ACUMULATORILOR CU IONI DE LITIU

Acumulatorii cu ioni de litiu cad sub incidența prescripțiilor legale pentru transportul de mărfuri periculoase.

Transportul acestor acumulatori trebuie să se efectueze cu respectarea prescripțiilor și reglementărilor pe plan local, național și internațional.

Consumatorilor le este permis transportul rutier nerestricționat al acestui tip de acumulatori.

Transportul comercial al acumulatorilor cu ioni de litiu prin intermediul firmelor de expediție și transport este supus reglementărilor transportului de mărfuri periculoase. Pregătirile pentru expediție și transport au voie să fie efectuate numai de către personal instruit corespunzător. Întregul proces trebuie asistat în mod competent.

Următoarele puncte trebuie avute în vedere la transportul acumulatorilor:

Pentru a se evita scurtcircuitele, asigurați-vă de faptul că sunt protejate și izolate contactele. Aveți grijă ca pachetul de acumulatori să nu poată aluneca în altă poziție în interiorul ambalajului său. Este interzis transportarea unor acumulatori deteriorați sau care pierd lichid. Pentru indicații suplimentare adresați-vă firmei de expediție și transport cu care colaborați.

DECLARAȚIE DE CONFORMITATE

Declarăm pe propria răspundere că produsul descris în capitolul „Date tehnice” îndeplinește toate cerințele relevante ale directivelor

2011/65/UE (RoHS)

2000/14/CE

2006/42/CE

2014/53/UE

și au fost utilizate următoarele standarde armonizate

EN 62841-1:2015

EN 62479:2010

EN 55014-1:2017

EN 55014-2:2015

EN 301 489-1 V2.1.1 (2017-02)

EN 301 489-17 V3.1.1 (2017-02)

EN 300 328 V2.1.1 (2016-11)

EN IEC 63000:2018

Nivel de sunet măsurat 87,2 dB(A)

Nivel de sunet garantat 89,0 dB(A)

Nesiguranță K= 1,5 dB(A)

Procedură de evaluare a conformității conform 2000/14/CE, anexa V

Organismul notificat:

DEKRA Certification B.V. (0344)

Meander 1051/P.O.Box 5185

6825 MS ARNHEIM/6802 ED ARNHEIM

Netherlands



Winnenden,

Alexander Krug / Managing Director

Împuternicit să elaboreze documentația tehnică.

Techtronic Industries GmbH

Max-Eyth-Straße 10, 71364 Winnenden, Germany

SIMBOLURI



Va rugăm citiți cu atenție instrucțiunile înainte de pornirea mașinii



Purtați ochelari de protecție:



Această sculă conține o baterie rotundă specializată tip litiu.



PERICOL! AVERTIZARE! ATENȚIE!



Îndepărtați acumulatorul înainte de începerea lucrului pe mașina



Pericol de șoc electric



AVERTISMENT!

Avertisment împotriva obiectelor aruncate



AVERTISMENT! Vătămarea mâinilor



Nivelul garantat al puterii acustice afișat pe această etichetă este 89 dB



Aparatele electrice, bateriile/acumulatorii nu se elimină împreună cu deșeurile menajere. Aparatele electrice și acumulatorii se colectează separat și se predau la un centru de reciclare, în vederea eliminării ecologice. Informații-vă de la autoritățile locale sau de la comerțanții acreditați în legătură cu centrele de reciclare și de colectare.

V

Tensiune



Curent continuu



Marcă de conformitate europeană



Marcă de conformitate ucraineană



Marcă de conformitate eurasiatică



ТЕХНИЧКИ ПОДАТОЦИ Хидраулична пумпа	M18 HUP700
Производен број	4745 35 01... ... 000001-999999
Фреквентна лента (фреквентни ленти) за блутут	2402-2480 MHz
високофреквентна моќност	1,8 dBm
Верзија блутут	4.0 BT signal mode
Волтажа на батеријата	18 V
Номинален притисок на сила	700 bar
Класа на заштита	IP54
Максимален агол на накривување	34°
Номинална брзина на проток	
Низок притисок	2,0 l/min
Висок притисок	0,4 l/min
Вкупна количина на масло	1,6 l
Потрошувачка количина на масло	1,3 l
Тежина според ЕПТА-процедурата 01/2014 (Li-Ion 8,0 Ah...12,0 Ah)	16,0..., 16,5 kg
Препорачана температура на околината за работа	-18°C ... +50°C
Препорачани комплекти акумулаторски батерији	M18B9 M18HB8 ..., M18HB12
Препорачани полначи	M12-18..., M1418 C6
Информации за бучавата	
Измерените вредности се одредени согласно стандардот EN 62841. А-оценетото ниво на бучава на апаратот типично изнесува:	
Ниво на звучен притисок. (Несигурност K=3dB(A))	77,7 dB (A)
Ниво на јачина на звук. (Несигурност K=3dB(A))	88,7 dB (A)

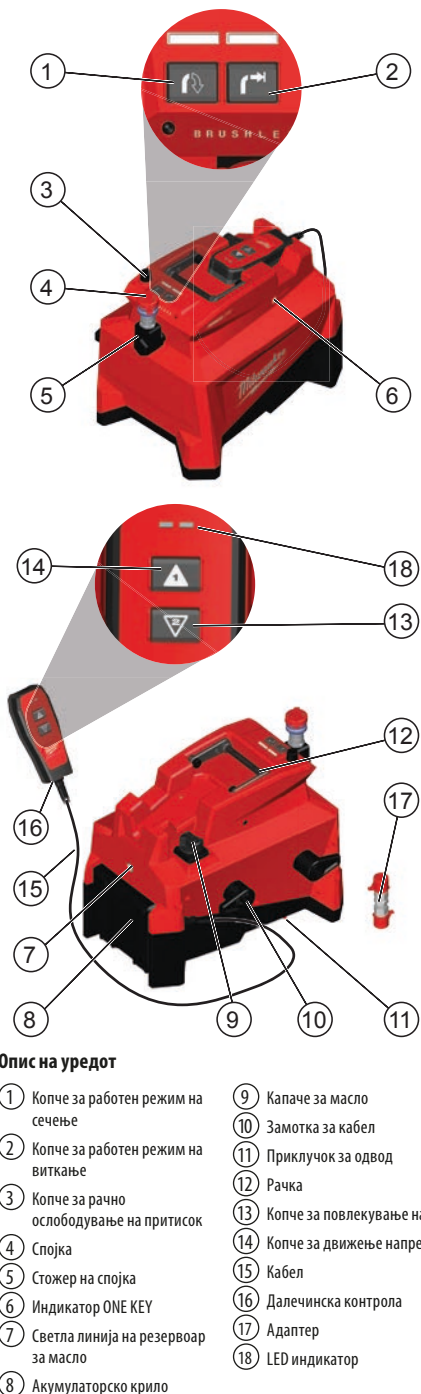


ПРЕДУПРЕДУВАЊЕ

Вредноста на емисија на бучава дадена во овој проспект е измерена според методот на тестирање стандардизиран во EN 62841 и може да се користи за споредување алатки една со друга. Исто така вредноста е соодветна за прелиминарна проценка на оптоварувањето со бучава.

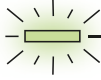
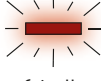
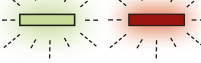
Наведената вредност за емисија на бучава се однесува на главните употреби на алатката. Меѓутоа, ако алатката се користи за други намени или со поинакви додатоци или слабо се одржува, вредноста на емисијата на бучава може да отстапува. Ова може значително да го зголеми оптоварувањето со бучава во текот на целиот работен период.

За точна проценка на оптоварувањето со бучава треба да се земат предвид и периодите кога алатката е исклучена, или работи, но всушност не се употребува. Ова може значително да го намали оптоварувањето во текот на целиот работен период. Дефинирајте дополнителни безбедносни мерки за заштита на операторот од ефектите од бучавата, како што се: одржување на алатката и додатоците и организирање на работните процеси.



Опис на уредот

- | | |
|---|-------------------------------|
| 1 Копче за работен режим на сечење | 9 Капаче за масло |
| 2 Копче за работен режим на виткање | 10 Замотка за кабел |
| 3 Копче за рачно ослободување на притисок | 11 Приклучок за одвод |
| 4 Спојка | 12 Рачка |
| 5 Стожер на спојка | 13 Копче за повлекување назад |
| 6 Индикатор ONE KEY | 14 Копче за движење напред |
| 7 Светла линија на резервоар за масло | 15 Кабел |
| 8 Акумулаторско крило | 16 Далечинска контрола |
| | 17 Адаптер |
| | 18 LED индикатор |

LED индикатор	Опис
 Еднобојно Зелено	Уредот го заврши процесот и достигна полна сила на пресување.
 Еднобојно Црвено	Уредот го заврши процесот, ама НЕ ДОСТИГНА полна сила на пресување.
 Трепкаво Црвено / Зелено (после Еднобојно Зелено или Еднобојно Црвено)	Уредот го достигна интервалот за сервисирање. (20000 Процеси на пресување). Почнува да трепка црвено / зелено, откако привремено се покажала црвена или зелена индикација за процесот. MILWAUKEE препорачува алатот да го проверувате и да вршите периодично сервисирање.

ЗАБЕЛЕШКА: Ако индикаторот покажува црвено, проверете ги нивоата на масло и уверете се дека нема истекувања кај додатците. Потврдете дека сите приклучоци се добро прицврстени и дека додатците се соодветни за работата. Продолжете со работа. Ако проблемот продолжува, вратете го алатот на овластен сервис на MILWAUKEE.

⚠ ПРЕДУПРЕДУВАЊЕ Прочитајте ги сите безбедносни напомени, упатства, цртежи и податоци, коишто ги добивате заедно со уредот. Доколку не ги почитувате следните упатства, може да дојде до електричен удар, до пожар и/или до тешки повреди.

Сочувајте ги сите безбедносни упатства и инструкции за во иднина.

⚠ УПАТСТВО ЗА УПОТРЕБА

Хидрауличните пумпи произведени од Techtronic Industries GmbH се развиени за користење со глави за виткање, сечење и штанцување. Според оваа специфична употреба, тие не се опремени со безбедносен неповратен систем за маслото.

Поради оваа причина, употребата во поинакви примени од оние за кои е наменето (на пример со хидраулични приклучоци, системи за подигање или слично) може да биде опасно и може да доведе до сериозни повреди на операторот.

Techtronic Industries GmbH не признава никаква одговорност која произлегува од употребата на нејзините хидраулични пумпи за поинакви примени од виткање, сечење и штанцување.

Не создавајте притисок ако пумпата не е поврзана со флексибилното црево и главата бидејќи тие може да ја оштетат брзата спојка на пумпата, предизвикувајќи протекување на масло.

Флексибилните црева за висок притисок се предмет на природен процес на стареење што може да доведе до намалување на перформансите потенцијално влијаејќи врз безбедноста на операторот. Како резултат на тоа, нивниот работен век е ограничен.

Со цел да осигура безбедно користење на нејзините единици, Techtronic Industries GmbH препорачува хидрауличните црева редовно да се заменуваат во согласност со упатствата на производителот, дури и ако нема видливи оштетувања.

Чувајте ја пумпата и флексибилното црево подалеку од голи пламени и извори на топлина над 70°C.

Пред да ја користите пумпата секогаш проверете ја целината на флексибилното црево и брзите спојки погрижувајќи се да нема абрази, засеци, деформации или отоци.

Фабрички поставените заштитници мора да бидат на место на секој крај од флексибилното црево. Не го допирајте флексибилното црево кога е под притисок.

Кога ја користите пумпата, флексибилното црево мора да биде одмотано и положено право. Пред да го раздвоите флексибилното црево, проверете дали клунот на главата е целосно повлечен, обезбедувајќи доволна количина масло за идните операции.

Пумпата не е соодветна за континуирана работа и треба да се остави да се излади по непрекинати, последователни операции на виткање; на пример, по потрошувањето на целосно полна батерија во една сесија, одложете ја замената на батеријата за неколку минути.

Заштитете ја пумпата, батеријата и полначот од дожд и влага. Водата ќе ја оштети пумпата. Електро-хидрауличните алати не треба да се користат кога врне дожд.

Пред да работи првпат со него и најмалку еднаш годишно, операторот на овој уред мора да биде обучен за специфичните опасности коишто се поврзани со користењето на овој алат и за неопходните безбедносни мерки.

Компанијата што е ангажирана мора:

- Прирачникот за работа да му го стави на располагање на операторот и

- да се увери дека операторот го прочитал и го разбрал.

Употребувајте заштитна опрема. При работа со машината постојано носете заштитни очила. Се препорачува заштитна облека како: маска за заштита од прашина, заштитни ракавици, цврсти чевли што не се лизгаат, кагига и заштита за уши.

- Проверете ја пумпата, цревата, спојките и приклучоците за изабеност или оштетување. Заменете ги изабените, оштетените или компонентите што недостакуваат со резервни делови на производителот.

Изабените или оштетените компоненти може да откажат и да доведат до повреда. Доколку не го почитувате ова предупредување може да дојде до тешка повреда или смрт.

- Уверете се дека пумпата е во посакуваниот начин на работа пред употреба.

- Не ги користете рацете за да проверите за истекување.

Маслото под висок притисок лесно ја пробива кожата, предизвикувајќи сериозна повреда, гангрена или смрт. Ако сте повредени, веднаш побарајте медицинска помош за да го отстраните маслото.

- Осигурајте се пумпата да е под максималниот агол на накривување.

- Проверете го нивото на маслото и приспособете го ако е потребно. Ниското ниво на масло може да доведе до повреда или оштување на имот. За најдобри перформанси, секогаш користете MILWAUKEE Force Logic™ хидраулично масло (4932 4720 04) за дополнување на резервоарот.



- **Испуштете го притисокот на хидрауличниот систем пред сервисирање, поврзување или раздвојување на цревата или други хидраулични елементи за поврзување:** Секогаш однапред притиснете го рачното копче за ослободување.
- **Носете заштита за очи кога го користите или сервисирате алатот.** Доколку не носите заштита за очите може да дојде до сериозна повреда на очите од летечки остатоци или хидраулично масло.
- **Користете само црева и додатоци со единично дејствување и нормирани на 10000 psi (700 bar) или повисоко.**
- **За најдобри перформанси, користете црева што се претходно наполнети со масло.** Ако цревата не се претходно наполнети, испуштете го воздухот од системот пред работа.
- **Никогаш не ја користете пумпата без црево или додаток.**
- **За најдобри перформанси, секогаш користете MILWAUKEE Forge Logic™ хидраулично масло (4932 4720 04) за дополнување на резервоарот.**
- **За најдобра функционалност, користете батерија M18™ REDLITHIUM™ од 8,0 Ah или повеќе.**
- **Почитувајте го упатството за дополнителна опрема на производителот.** Други употреби може да предизвикаат оштетување на алатот, дополнителната опрема и работното парче.
- **Испуштете го воздухот од системот ако е потребно.**

Никогаш не држете ги прстите или други делови од телото во работното подрачје на цилиндарот или на челуста.

Пред да почнете со било какво подесување, чистење и сервисирање на уредот, извадете ја батеријата.

Користете само уред, батерии и полначи кои се во технички беспрекорна состојба.

Во случај на оштетувања истите веднаш да бидат дадени на авторизирана стручна работилница на поправка.

За да избегнете повреди и оштетувања, спречете го случајното стартување на уредот.

Пред да почнете со ракувањето, отстранете ги сите алатки за подесување и клучеви.

Не смеат да се обработуваат никакви делови кои се под електричен напон. Уредот НЕ е изолиран.

Рацете и лабавата облека држете ги понастрана од алатот за сечење и другите подвижни делови.

Во случај на дефекти за време пресувањето веднаш исклучете ја склопката за вклучување и притиснете го копчето за откочување на хидрауликата. Вентилот се отвора и клипот се враќа во појдовната позиција.

ПРЕДУПРЕДУВАЊЕ! За да го намалите ризикот од пожар, повреда и оштетување на производот поради краток спој, уредот, батеријата или полначот немојте никогаш да ги потопувате во течност и не дозволувајте во нив да продре течност. Корозивни или електропроводливи течности, како што се морска вода, одредени индустриски хемикалии и избелувачки средства или производи што содржат избелувачки средства и сл., можат да предизвикаат краток спој.

Обавезно е потребно придржување кон одржувањето и интервали-те на одржување.

Не ги отворајте насилно батериите и полначите, и чувајте ги само на суво место. Чувајте ги постојано суви.

Користете исклучиво Систем M18 за полнење на батерии од M18 систем. Не користете батерии од друг систем.

За да избегнете повреда и оштетување, алатот, преносливата батерија или полначот никогаш не потопувајте ги во течност или, пак, не дозволувајте во нив да навлезе вода.

ПРЕДУПРЕДУВАЊЕ



Овој уред содржи една копчеста литиумска батерија. Доколку се голтне, или доколку влезе во телото, нова или стара батерија може да предизвика тежки внатрешни изгореници и да доведе до смрт за помалку од два часа. Секогаш обезбедувајте го поклопецот на батеријата. Доколку не се затвора добро, запрете го уредот, извадете ја батеријата и држете ја понастрана од деца. Ако мислите дека батеријата била голтната или дека влегла во телото, веднаш побарајте лекарска помош.

БЕЗБЕДНОСНИ НАПОМЕНИ ЗА АЛАТОТ ЗА ПРЕСУВАЊЕ

Алатот за пресување и додатоците за пресување смеат да ги користат само стручњаци со електротехничка обука.

Пресувањето да се врши само на спојни елементи кои не се под електричен напон.

Пред секоја употреба, проверете го алатот за пресување, пневматската челуст и вметоците да не имаат пукнатини и други форми на изабеност.

Алатот за пресување и вметоците за пресување треба да се користат само во технички беспрекорна состојба.

Алатот за пресување смее да се користи само со наместени вметоци за пресување.

Не ги допирајте челустите за пресување и трнот за пресување при операцијата на пресување.

Во случај на дефекти за време пресувањето веднаш исклучете ја склопката за вклучување и притиснете го копчето за откочување на хидрауликата. Вентилот се отвора и клипот се враќа во појдовната позиција.

БЕЗБЕДНОСНИ УПАТСТВА ЗА СЕКАЧОТ ЗА КАБЕЛ

Сечење, односно одвојување на кабли и сајли со помош на овој секач на кабли смее да врши само лице со електротехничка квалификација.

За да се намали ризикот од експлозии, струен удар и оштетување на имотот и опремата, немојте никогаш да сечете електрични кабли под напон. Уредот НЕ е изолиран.

Рацете и лабавата облека држете ги понастрана од алатот за сечење и другите подвижни делови. Постои ризик од сериозна повреда, вклучувајќи оштетување на екстремитетите.

Пред да почне процесот на сечење, пристапот мора да биде забранет во склад со локалните прописи.

Сечете само кабли кои се исклучени од електричен напон! Кабелот и сајлите не смеат да бидат изложени на никакви механички сили.

За да го намалите ризикот од повреда, носете сигурносни очила или очила со странични штитници.

Непочитувањето на овие упатства може да доведе до сериозна повреда, смрт, пожар и други материјални штети како последица на струен удар, експлозија и/или електричен лак.

Никогаш немојте секачот за кабел да го држите за челуста за сечење.



Mak

Пред употреба, секогаш проверувајте ја челуста за сечење да не има пукнатини и други знаци на изабеност.

Секачот за кабел може да се користи само со вметнат алат за сечење.

▲ БЕЗБЕДНОСНИ УПАТСТВА ЗА ПРЕСУВАЊЕ

Пред секоја употреба, проверете го алатот за сечење да не има пукнатини и други знаци на абеење. Алатот за сечење и апаратите за сечење користете ги само во технички беспрекорна состојба.

Уредот смее да се користи само со наместен алат за режење. Не користете го во или во близина на разводни табли кои се под напон. Работете само на разводни табли кои не се под напон. Проверете дали номиналната ширина на матрицата одговара на номиналната ширина на отпечатокот.

Алатот користете го само со капапи и матрици кои се дозволени за макс. номинална сила. Другите може да предизвикаат повреди или оштетувања.

Алатот за сечење држете го остар и чист. Правилно негуваниот алат за сечење со остри рабови на сечилото помалку се заглавува и полесно се контролира.

СПЕЦИФИЦИРАНИ УСЛОВИ НА УПОТРЕБА

Дополнителна опрема и глави на алатки:

Наменета употреба: само за единично дејствувачка дополнителна опрема и глави на алатки, номинален притисок од 700 бари; макс. зафатнина на масло 1,35 л

Алат за пресување:

Алатот за пресување смее да се користи исклучиво за пресување на спојни материјали кои се предвидени за соодветните вметоци за пресување.

Пред почетокот со работа, да се исклучат сите активни делови (т.е. делови под напон) во опкружување на монтерот.

Секач за кабел:

незатегнати армирани и неармирани кабли од изолиран бакар или алуминиум; алатите за сечење зависат од видот на кабелот
• ненапрегнати, неармирани кабли од изолиран бакар или алуминиум; алат за сечење завсно од типот на кабелот

Алат за избивање:

Алатот за избивање може да се користи единствено за штанцување на материјали со доставените печати и матрици.

▲ ПРЕДУПРЕДУВАЊЕ Прочитајте ги сите безбедносни напомени, упатства, цртежи и податоци, коишто ги добивате заедно со уредот. Доколку не ги почитувате следните упатства, може да дојде до електричен удар, до пожар и/или до тешки повреди.

Сочувајте ги сите безбедносни упатства и инструкции за во иднина.

ОПШТИ УПАТСТВА

Ставање во погон на хидрауличниот систем:

Алатот треба да се стави во погон секогаш кога ќе остане без масло.

За ставање во погон на системот:

1. Извадете ја батеријата.
2. Проверете ја линијата на визирот за масло за да се уверите дека алатот има доволно масло.

3. Поврзете ја спојката со помошна глава што ќе го исцрпи воздухот и вишокот масло.

ЗАБЕЛЕШКА: Спојката мора да биде исправена нагоре, а алатот мора да се позиционира пониско од помошната глава.

4. Ставете го акумулаторот.
5. Притиснете го копчето за работен режим на виткање.
6. Стартувајте го алатот.

ЗАБЕЛЕШКА: Потребни се околу 30 секунди за да почне да излегува воздух и масло.

7. Откако ќе почне да излегува маслото, притиснете го и задржете го копчето за рачно ослободување, а потоа отпуштете ги двете копчиња.

8. Повторете ги чекорите 5-7 три до четири пати.

ЗАБЕЛЕШКА: При ставањето во погон на системот, уверете се нивото на маслото да не се спушти под линијата на визирот за маслото. Дополнете го резервоарот ако е потребно.

Испуштање на воздух од дополнителната опрема:

На дополнителната опрема треба се испушти воздухот секогаш кога се сервисира, кога не се користи подолго време или кога е поврзана со црево коешто не е претходно наполнето со масло.

Консултирајте се исто така со препораките на производителот на дополнителната опрема за понатамошни инструкции за испуштање на воздух.

За да го испуштите воздухот од дополнителната опрема:

1. Извадете ја батеријата.
2. Поврзете го помошното црево со спојката.

ЗАБЕЛЕШКА: Спојката мора да биде насочена кон страната, а алатот мора да биде позициониран повисоко од помошното црево и глава.

3. Ставете го акумулаторот.
4. Притиснете го копчето за работен режим на виткање.
5. Стартувајте го алатот додека не заврши циклусот, а LED индикаторот не светне зелено.
6. Притиснете го и држете го рачното копче за ослободување две секунди, а потоа отпуштете ги двете копчиња.
7. Повторете ги чекорите 4-6 три до четири пати.

ЗАБЕЛЕШКА: При испуштањето на воздух од дополнителната опрема, уверете се нивото на маслото да не се спушти под линијата на визирот за маслото. Дополнете го резервоарот ако е потребно.

РАБОТНИ УПАТСТВА ЗА ПРЕСУВАЊЕ

Користете само стандардни спојни елементи според национално важечките стандарди, како и за тоа предвидени вметоци за пресување.

Погледнете ги упатствата за обработка и монтажа за спојните елементи од документацијата на производителот.

Проверете дали номиналната ширина на спојниот елемент одговара на вметокот за пресување.

Пред почеток на пресувањето, мора да се провери капацитетот на батеријата: минимум 33% (види го описот на сликата). Може да е неопходно полнење пред да започне работата.

Со ставањето во движење на контролниот прекинувач стартува процесот на пресување кој се карактеризира со движење на трот за пресување.

Проверката и проценката на едно точно пресување е во надлежност на корисникот.



Неточните спојки мора да се пресуваат одново со нов споен елемент.

Постапка во случај на грешки

- Држете ја притиснатата склопката за ресетирање сè додека челуста не се отвори целосно.
- проверете го капацитетот на батеријата
- Проверете го кабелот и предметот за поврзување според техничките податоци.
- Доколку се сомневате дека пресувате некој кабел под напон, алатот за пресување мора да се испита во некој овластена сервис.

РАБОТНИ УПАТСТВА ЗА СЕЧЕЊЕ

распоред на работната зона

Пред почетокот на работата, мора да се создаде ненапонска состојба на водовите или сајлите и истата да биде обезбедена додека трае изведувањето на работите.

Доколку не може да се обезбеди кабелот или изолираниот вод да се исклучи, не смее да се извршува никаква работа.

Задолжително мора да се почитуваат локалните безбедносни прописи и регулативи.

Каблите и сајлите не смеат да бидат изложени на никакви механички сили, и евентуално да бидат осигурани против неконтролирани движења по отсечувањето.

Алатот не изложувајте го на дожд. Алатот не користете го на влажни или мокри места.

Подготовка на секачот за кабли и на батеријата

Пред секоја употреба:

- Проверете го секачот за кабли да не има надворешни дефекти
- Проверете го уредот за сечење да не има пукнатини и други знаци на изабеност

Користете го само во беспрекорна состојба!

Пред да почне процесот на сечење, мора да се провери капацитетот на батеријата: минимум 33% (види илустриран опис). Може да е неопходно полнење пред да започне работата.

Подготовка за процесот на сечење

Потпрете го и прицврстете го кабелот или сајлата што треба да се сечат за да го минимизирате ризикот од неконтролирано движење.

Во неконтролирано движење особено може да се најдат слободните водови и сајлите и да предизвикаат повреди и/или оштетувања.

Главата за сечење мора да се постави под агол од 90° во однос на кабелот или сајлата, така што тој(таа) да може без напор да влезе во отворената челуца за сечење и да се избегнат невољни сили на сечење.

⚠ ПРЕДУПРЕДУВАЊЕ: За да се намали ризикот од експлозии, струен удар и оштетување на имотот и опремата, немојте никогаш да сечете електрични кабли под напон.

Уредот НЕ е изолиран. Контактот со струјни кола под напон може да доведе до тешки повреди или смрт. Исклучете ја струјата пред да сечете. Немојте никогаш да сечете гасоводни или водоводни цевки. Рацете држете ги настрана од сите остри рабови и подвижни делови. Може да дојде до кинење и ампутација.

Секогаш вадете го пакувањето со батери пред да менувате или отстранувате некаков прибор.

Користете само прибор кој е конкретно препорачан за оваа алатка. Друг прибор може да биде ризичан.

За да го намалите ризикот од повреда, носете сигурносни очила или очила со странични штитници.

⚠ ПРЕДУПРЕДУВАЊЕ: За да го намалите ризикот од повреда, со ножевите сечете само препорачани материјали. (види „Спецификации“) Немојте да се обидува да сечете други материјали.

Сечење

Пред сечењето, осигурете се дали ножевите се правилно монтирани.

1. Кабелот ставете го под прав агол врз секачите од секачот на кабли. Немојте да се обидува да правите сечење под агол, бидејќи тоа ќе го оштети обработуваното парче и ножевите.
2. Повлечете го и држете го активаторот за време на операцијата.
Ќе се вклучи LED светилка што м го повлечете активаторот.
3. Штом ќе биде извршено сечењето или што алатот ќе биде исклучен, повторно отпуштете го копчето за активирање и активирајте го копчето за ресетирање, за да се отвори челуста за сечење.

ЗАБЕЛЕШКА: Парчето кое се обработува движете го пополека за време на сечењето.

Постапка во случај на грешки

- кабелот може да биде засечен и под напон, секогаш известувајте го лицето кое е одговорно за безбедноста, прекинете ја постапката на сечење, преземете соодветни сигурносни мерки
- Секогаш осигурувајте се дали уредот е исклучен и дали ќе остане исклучен од напон пред да му пријдете и го допрете уредот
- Притиснете и држете го копчето за ресетирање додека секачот не се отвори целосно
- проверете го капацитетот на батеријата
- проверете го материјалот и неговата дебелина дали соодветствуваат на техничките податоци
- Доколку се сомневате дека бил пресечен кабел под напон, секачот за кабли треба да се провери во специјализирана работилница

Заглавени ножеви

Нечистотијата и отпадоците може да предизвикат ножевите да се заглават после сечењето

- Притиснете го и држете го деблокаторот на активаторот за да се осигурате дека алатката се ресетирала.
- Извадете ја батеријата.
- Следете го описот на сликата за отворање на челуста
- Исклучете ја секоја нечистотија и отпадоци од ножевите пред да започнете ново сечење.

Совети за сечењето

- Немојте да се обидува да правите сечење под агол, бидејќи тоа ќе го оштети обработуваното парче и ножевите.
- Сечете чист материјал, за да се продолжи векот на употреба на ножот. Избришете ја нечистотијата и отпадоците од материјалот и од ножевите пред да почнете со сечењето.

РАБОТНИ УПАТСТВА ЗА ШТАНЦУВАЊЕ

Проверете дали номиналниот дијаметар на матрицата е еднаков со номиналната големина на печатот.



ОДРЖУВАЊЕ

Пред да почнете со било какво подесување, чистење и сервисирање на уредот, издадете ја батеријата.

Никогаш немојте да ги отворате уредот, батеријата или полначот.

Проверете го уредот дали има било какви проблеми, на пр. дали бучи или да не има заглавени подвижни делови кои би можеле да влијаат врз алатката.

Вентилацицките отвори на алатот мора постојано да бидат слободни.

За да избегнете повреда и оштетување, уредот, батеријата или полначот немојте никогаш да ги потопувате во течност, ниту, пак, дозволувајте во нив да продре течност.

Освен тоа, сервисирањето и поправките смеат да ги извршуваат само овластени специјализирани работилници.

Апаратот содржи хидрау-лично масло кое што претста-вува опасност за подземните води. Неконтро-лирано испуштање или нестручно фрлање е казниво.

Наредното сервисирање е наведено со LED на самиот уред.

Вратете го алатот, батериското пакување и полначот до овластен сервис на MILWAUKEE за поправка. По шест месеци до една година, во зависност од користењето, вратете ги алатот, батериското пакување и полначот до овластен сервис на MILWAUKEE за инспекција. Користете само Milwaukee додатоци и резервни делови. Доколку некои од компонентите кои не се опишани треба да бидат заменети, Ве молиме контактирајте ги сервисните агенти на Milwaukee (консултирајте ја листата на адреси).

Доколку алатката не стартува или не работи со полна сила при полна батерија, исчистете ги контактите на батеријата. Ако алатот сè уште не работи правилно, алатката, полначот и батеријата вратете ги на поправка во некој сервис на MILWAUKEE.

Интервал за сервисирање

Погледнете ја апликацијата ONE-KEY за информации во врска со потребното сервисирање, како на пример замена на течност. Вратете го алатот на овластен сервис на MILWAUKEE за сите поправки и одржување.

ЗАБЕЛЕШКА: Можеби е потребна неделата и годината на производство на алатот. Оваа информација може да се најде на сервисниот број лоциран на плочката со ознака на типот на алатот.

Доколку е потребно можно е да биде набавен детален приказ на алатот. Ве молиме наведете го бројот на артиклот како и типот на машина кој е отпечатен на етикетата и порачајте ја скицата кај локалниот застапник или директно кај: Techtronic Industries GmbH, Max-Eyth-Straße 10, 71364 Winnenden, Germany.

За безбедна испорака, ви препорачуваме пакување на хидрауличната пумпа во затворена пластична кеса отпорна на масло и користејќи го оригиналното пакување.

ONE-KEY™

За да дознаете повеќе за ONE-KEY функциите на овој уред, прочитајте го приложеното упатство за Брз старт или посетете не на веб-страницата: <http://www.milwaukeeool.com/one-key>

Апликацијата ONE-KEY можете да ја симнете на Вашиот смартфон преку App Store или Google Play.

Резултатот од инспекцијата ги исполнува нашите минимални барања според EN 301489-1 / EN 301489-17. Во прирачникот за корисници на муштериите ќе им дадеме упатство за ракување.

БАТЕРИИ

Батериите кои не биле користени подолго време треба да се наполнат пред употреба. Температура повисока од 50°C (122°F) го намалуваат траењето на батериите. Избегнувајте подолго изложување на батериите на високи температури или сонце (ризик од прегревање).

Клемите на полначот и батериите мора да бидат чисти.

За оптимален работен век батериите мора да се наполнат целосно по употреба.

За можно подолг век на траење, апаратите после нивното полнење треба да бидат извадени од апаратот за полнење на батериите.

Во случај на складирање на батеријата подолго од 30 дена: Акумулаторот да се чува на температура од приближно 27°C и на суво место. Акумулаторот да се складира на приближно 30%-50% од состојбата на наполнетост. Акумулаторот повторно да се наполни на секои 6 месеци.

Не ги оставајте искористените батерии во домашниот отпад и не горете ги. Дистрибутерите на Milwaukee ги собираат старите батерии, со што ја штитат нашата околина.

Не ги чувајте батериите заедно со метални предмети (ризик од краток спој).

Киселината од оштетените батериите може да истече при екстреман напон или температура. Доколку дојдете во контакт со исатата, измијте се веднаш со сапун и вода. Во случај на контакт со очите плакнете ги убаво најмалку 10 минути и задолжително одете на лекар.

Метални парчиња не смеат да навлезат во делот за полнење на батерија (ризик од краток спој).

ТРАНСПОРТ НА ЛИТИУМ-ЈОНСКИ БАТЕРИИ

Литиум-јонските батерии подлежат на законските одредби за транспорт на опасни материи.

Транспортот на овие батерии мора да се врши согласно локалните, националните и меѓународните прописи и одредби.

Потрошувачите на овие батерии може да вршат непречен патен транспорт на истите.

Комерцијалниот транспорт на литиум-јонски батерии од страна на шпедитерски претпријатија подлежат на одредбите за транспорт на опасни материи. Подготовките за шпедиција и транспорт треба да ги вршат исклучиво соодветно обучени лица. Целокупниот процес треба да биде стручно надгледуван.

При транспортот на батерии треба да се внимава на следното:

Осигурајте се дека контактите се заштитени и изолирани, а сето тоа со цел да се избегнат кратки споеви. Внимавајте да не дојде до замествување на батериите во нивната амбалажа. Забранет е транспорт на оштетени или протечени литиум-јонски батерии. За понатамошни инструкции обратете се до Вашето шпедитерско претпријатие.



ЕУ-ДЕКЛАРАЦИЈА ЗА СООБРАЗНОСТ

Под целосна лична одговорност изјавуваме дека производот опишан во „Технички податоци“ е во сообразност со сите релевантни прописи од директивите

2011/65/EU (RoHS)

2000/14/EC

2006/42/EC

2014/53/EU

и дека се применети следните хармонизирани стандарди

EN 62841-1:2015

EN 62479:2010

EN 55014-1:2017

EN 55014-2:2015

EN 301 489-1 V2.1.1 (2017-02)

EN 301 489-17 V3.1.1 (2017-02)

EN 300 328 V2.1.1 (2016-11)

EN IEC 63000:2018

Измерено ниво на јачина на звук 87,2 dB(A)

Гарантирано ниво на јачина на звук 89,0 dB(A)

Несигурност $K = 1,5$ dB(A)

Процедура за проценка на сообразност според 2000/14/EC прилог V

Именувано место:

DEKRA Certification B.V. (0344)

Meander 1051/P.O.Box 5185

6825 MS ARNHEIM/6802 ED ARNHEIM

Netherlands



Winnenden,

Alexander Krug / Managing Director

Ополномоштен за составување на техничката документација.

Techtronic Industries GmbH

Max-Eyth-Straße 10, 71364 Winnenden, Germany

СИМБОЛИ



Ве молиме пред да ја стартувате машината обрнете внимание на упатствата за употреба.



Да се носат заштитни очила.



Овој уред содржи една копчеста литиумска батерија.



ВНИМАНИЕ! ПРЕДУПРЕДУВАЊЕ! ОПАСНОСТ!



Извадете го батерискиот склоп пред отпочнување на каков и да е зафат врз машината.



Опасност од струен удар



ПРЕДУПРЕДУВАЊЕ!

летање на делови од работните предмети



ПРЕДУПРЕДУВАЊЕ! Повреда на рацете



Гарантираното ниво на моќност на звук прикажано на налепницата е 89 dB



Електричните апарати и батериите што се полнат не смеат да се фрлат заедно со домашниот отпад.

Електричните апарати и батериите треба да се собираат одделно и да се однесат во соодветниот погон заради нивно фрлање во склад со начелата за заштита на околината. Информирајте се кај Вашите местни служби или кај специјализираниот трговски претставник, каде има такви погони за рециклажа и собирни станици.



Напон



Истосмерна струја



Европска ознака за сообразност



Украинска ознака за сообразност

001



Евроазиска ознака за сообразност

ТЕХНІЧНІ ХАРАКТЕРИСТИКИ Гідравлічний насос	M18 HUP700
Номер виробу	4745 35 01... ... 000001-999999
Діапазон частот Bluetooth (діапазони частот)	2402-2480 MHz
потужність високої частоти	1,8 dBm
Версія Bluetooth	4.0 BT signal mode
Напруга знімної акумуляторної батареї	18 V
Номінальна сила тиску	700 bar
Клас захисту	IP54
Максимальний кут нахилу наконечника	34°
Номінальна швидкість потоку	
Низький тиск	2,0 l/min
Високий тиск	0,4 l/min
Загальний обсяг масла	1,6 l
Обсяг масла, що витрачається	1,3 l
Вага згідно з процедурою EPTA 01/2014 (Li-Ion 8,0 Ah...12,0 Ah)	16,0..., 16,5 kg
Температура навколишнього середовища, рекомендована для експлуатації	-18°C ... +50°C
Рекомендовані акумулятори	M18B9 M18HB8 ..., M18HB12
Рекомендовані зарядні пристрої	M12-18..., M1418 C6
Інформація про шум	
Вимірні значення визначені згідно з EN 62841. Рівень шуму „А“ приладу становить в типовому випадку:	
Рівень звукового тиску (похибка K = 3 дБ(A))	77,7 dB (A)
Рівень звукової потужності (похибка K = 3 дБ(A))	88,7 dB (A)

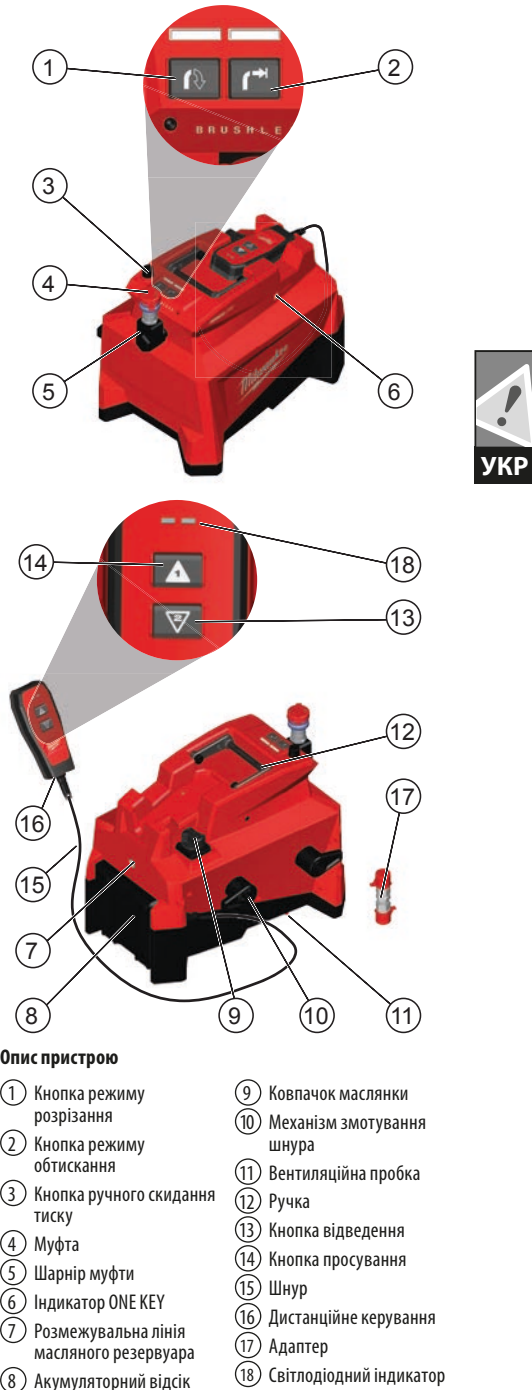
ПОПЕРЕДЖЕННЯ

Рівень шуму, вказаний в цьому технічному бюлетені, вимірювався згідно з методом перевірки, нормованим стандартом EN 62841, і може використовуватися для порівняння інструментів. Він призначений також для попередньої оцінки навантаження.

Вказаний рівень шуму відповідає основним сферам використання інструменту. Однак якщо інструмент використовується для інших застосувань або з різними приладами або незадовільно обслуговується, рівень шуму може відрізнятись. Це може значно підвищити навантаження за весь період роботи.

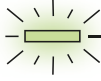
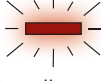

Для точної оцінки навантаження від шуму необхідно також враховувати час, коли інструмент вимкнений або увімкнений, але фактично не використовується. Це може значно знизити навантаження за весь період роботи.

Визначте додаткові заходи безпеки для захисту оператора від дії шуму, наприклад: технічне обслуговування інструменту і приладдя та організація робочих процесів.



Опис пристрою

- | | |
|--|------------------------------|
| 1 Кнопка режиму розрізання | 9 Ковпачок маслянки |
| 2 Кнопка режиму обтискання | 10 Механізм змотування шнура |
| 3 Кнопка ручного скидання тиску | 11 Вентиляційна пробка |
| 4 Муфта | 12 Ручка |
| 5 Шарнір муфти | 13 Кнопка відведення |
| 6 Індикатор ONE KEY | 14 Кнопка просування |
| 7 Розмежувальна лінія масляного резервуара | 15 Шнур |
| 8 Акумуляторний відсік | 16 Дистанційне керування |
| | 17 Адаптер |
| | 18 Світлодіодний індикатор |

Світлодіодний індикатор	Визначення
 Горить Зелений	Інструмент завершив операцію та досяг повного тиску обжимання.
 Горить Червоний	Інструмент завершив операцію, але НЕ досяг повного тиску обжимання.
 Блимає Червоний / Зелений (після Горить Зелений або Горить Червоний)	Інструмент потребує обслуговування (20000 обжимання). Після того як для певної операції буде відображено червоний чи зелений індикатор, що горить безперервно, індикатор почне блимати червоним/зеленим кольором. MILWAUKEE рекомендує оглянути інструмент і вжити заходи з профілактичного обслуговування.

ПРИМІТКА: Якщо індикатор горить червоним світлом, перевірте рівні масла та переконайтеся у відсутності витоків у приєднаних пристроях. Переконайтеся в тому, що всі з'єднання надійно встановлено, а приєднані пристрої відповідають виконуваній роботі. Запустіть знову. Якщо проблему не вирішено, поверніть інструмент у сервісний центр MILWAUKEE.

⚠ ПОПЕРЕДЖЕННЯ Ознайомтеся з усіма вказівками щодо техніки безпеки, інструкціями, ілюстраціями та відеоматеріалами, що було надано разом із приладом. Недотримання наведених далі інструкцій може спричинити ураження електричним струмом, пожежу та/або тяжкі травми. **Зберігайте всі вказівки з техніки безпеки та інструкції на майбутнє.**

⚠ ВКАЗІВКИ З ТЕХНІКИ БЕЗПЕКИ ДЛЯ

Гідравлічні насоси виробництва компанії Techtronic Industries GmbH розроблені для використання з обтискними, різальними та штампувальними головками. Відповідно до цієї конкретної області застосування вони не обладнані системою безпеки, що запобігав поверненню масла.

Тому їх використання в областях застосування, що відрізняються від передбачених (наприклад, з гідравлічними домкратами, підійомними системами або аналогічними пристроями), є небезпечним та може призвести до серйозного травмування оператора.

Techtronic Industries GmbH не несе відповідальності у зв'язку з використанням її гідравлічних насосів в інших областях застосування, крім обтискання, різання та штампування.

Не нагнітайте тиск, якщо насос не під'єднано до шланга та головки, оскільки це може привести до пошкодження швидкокороз'ємної муфти насоса та спричинити витікання масла.

Шланги високого тиску схильні до природного процесу старіння, що може призвести до зниження характеристик і вплинути на безпеку оператора. Тому їхній термін експлуатації обмежено. Для безпечного використання своїх пристроїв компанія Techtronic Industries GmbH рекомендує регулярно замінювати гідравлічні шланги відповідно до інструкцій виробника, навіть якщо вони не мають видимих пошкоджень. Бережіть насос і шланг від впливу відкритого вогню та джерел тепла вище 70 °C.

Перед використанням насоса завжди перевіряйте цілісність шланга та швидкокороз'ємних муфт, звертаючи увагу на відсутність ознак абразивного зношення, порізів, деформацій або здуття.

Встановлені на заводі захисні пристрої повинні бути на кожному кінці шланга. Не торкайтеся шланга, який знаходиться під тиском.

Під час використання насоса шланг повинен бути розмотаний та прокладений по прямій лінії. Перш ніж від'єднувати шланг, переконайтеся в тому, що плунжер головки повністю втягнутий; забезпечте достатню кількість масла для виконання подальших операцій.

Насос не призначений для безперервного використання, і після декількох безперервних послідовних операцій обтискання необхідно дати йому охолонути; наприклад, витративши повний заряд акумулятора за один сеанс, відкладіть заміну акумулятора на кілька хвилин.

Захищайте насос, акумулятор і зарядний пристрій від дощу і вологи. Вода спричиняє пошкодження насоса. Не використовуйте електрогідравлічні інструменти під дощем.

Оператор цього пристрою повинен проходити інструктаж стосовно особливих ризиків, пов'язаних із використанням цього пристрою, та стосовно необхідних заходів безпеки. Інструктаж проводиться перед першим використанням пристрою та в подальшому щонайменше раз на рік.

Компанія, що експлуатує пристрій, зобов'язана:

- надати оператору посібник із експлуатації;
- та переконатися в тому, що оператор прочитав і прийняв до уваги інформацію, викладену в посібнику.

Використовуйте індивідуальні засоби захисту. Під час роботи з машиною завжди носіть захисні окуляри. Радимо використовувати захисний одяг, як наприклад маску для захисту від пилу, захисні рукавиці, міцне та нековзне взуття, каску та засоби захисту органів слуху.

- **Перевіряйте насос, шланги, муфти та фітинги на наявність ознак зношення або пошкодження. Замінійте зношені, пошкоджені або відсутні компоненти запасними частинами виробника.** Зношені або пошкоджені компоненти можуть вийти з ладу та спричинити поранення. Недотримання цього попередження може призвести до серйозних травм або смерті.
- **Перед використанням переконайтеся в тому, що насос знаходиться в необхідному режимі роботи.**
- **Не виконуйте перевірку на наявність витоків руками.** Масло під високим тиском легко проколює шкіру, що призведе до серйозних поранень, гангрені або смерті. У разі поранення негайно зверніться по медичну допомогу для видалення масла.
- Переконайтеся в тому, що кут нахилу насоса не перевищує максимальне значення.



- Перевіряйте рівень масла та за необхідності регулюйте його. Низький рівень масла може спричинити поранення або пошкодження майна. Для забезпечення максимальної продуктивності під час повторного наповнення резервуара завжди використовуйте гідравлічне масло MILWAUKEE Force Logic™ (4932 4720 04).
- **Перед обслуговуванням, під'єднанням або від'єднанням шланга або інших гідравлічних сполучних елементів скидайте тиск у гідравлічній системі: завжди завчасно натискайте кнопку ручного скидання тиску.**
- **Під час експлуатації або обслуговування цього інструменту носіть захисні окуляри.** Відмова від носіння окулярів може призвести до серйозних поранень очей забрудненнями, що вилітають, або бризками гідравлічного масла.
- **Використовуйте лише шланги та під'єднане обладнання односторонньої дії з номінальним тиском 700 бар (10 000 фунтів на кв. дюйм) або вище.**
- **Для максимальної продуктивності використовуйте шланги, попередньо заповнені маслом.** Якщо шланги не було попередньо заповнено, перед експлуатацією видавіть повітря із системи.
- **У жодному разі не використовуйте насос без шлангу або без під'єданого пристрою.**
- **Для забезпечення максимальної продуктивності під час повторного наповнення резервуара завжди використовуйте гідравлічне масло MILWAUKEE Force Logic™ (4932 4720 04).**
- **Для оптимальної функціональності використовуйте акумулятор M18™ REDLITHIUM™ ємністю 8,0 А-год або більше.**
- **Дотримуйтесь інструкції виробника допоміжного приладдя.** Інше використання може призвести до пошкодження інструменту, допоміжного приладдя та заготовки.
- **За необхідності видавіть повітря із системи.**

У жодному разі не тримайте пальці або інші частини тіла в робочій зоні циліндра та лещат.

Перед початком будь-яких робіт із налаштування, очищення чи технічного обслуговування пристрою вийміть акумулятор.

Використовуйте пристрій, акумулятор і зарядний пристрій лише в тому випадку, якщо вони мають бездоганний технічний стан.

Пошкодження негайно усунути в авторизованій спеціальній майстерні.

Щоб уникнути поранень і пошкодження майна, усуньте можливість випадкового вмикання пристрою.

Перед роботою виймайте будь-які регульовальні інструменти та ключі.

Заборонено обробляти деталі, що знаходяться під електричним струмом. Пристрій НЕ має ізоляції.

Тримайте руки та вільний одяг на безпечній відстані від різальних інструментів і інших рухомих частин.

У разі несправностей під час затискання негайно відпустіть мимикач EIN (УВІМК.) і натисніть кнопку розблокування гідравлічного механізму. Клапан відкривається, поршень просувається назад в вихідне положення.

ПОПЕРЕДЖЕННЯ! Для запобігання небезпечі пожежі, травмування людей і пошкодження виробів в результаті короткого замикання не занурюйте пристрій, акумулятор або зарядний пристрій у рідину та не допускайте потрапляння

рідини всередину пристроїв або акумуляторів. Корозійні і струмопровідні рідини, такі як солоний розчин, певні промислові хімікати, вибілювальні засоби або продукти, що їх містять, можуть призвести до короткого замикання.


Обов'язково виконувати технічне обслуговування відповідно до вказаних інтервалів.

Не відкривати знімні акумуляторні батареї і зарядні пристрої та зберігати їх лише в сухих приміщеннях. Берегти від вологи.

Знімні акумуляторні батареї системи M18 заряджатимуть лише зарядними пристроями системи M18. Не заряджати акумуляторні батареї інших систем.

Щоб уникнути травм та пошкодження майна, в жодному разі не опускайте інструмент, знімний акумулятор і зарядний пристрій у рідину та не допускайте проникнення рідини всередину цих пристроїв.

ПОПЕРЕДЖЕННЯ

 Пристрій використовує кнопковий/плаский литієвий акумулятор. Новий або використаний акумулятор може спричинити сильні внутрішні опіки та призвести до смерті протягом 2 годин у разі проковтування чи потрапляння в організм. Завжди закріплюйте кришку акумуляторного відсіку. Якщо вона не закривається надійно, зупиніть пристрій, вийміть акумулятор і зберігайте його в недоступному для дітей місці. Якщо ви вважаєте, що людина проковтнула акумулятор чи що акумулятор іншим шляхом потрапив в організм, зверніться за терміновою медичною допомогою.

ПРАВИЛА ТЕХНІКИ БЕЗПЕКИ ПРИ РОБОТІ З ЗАТИСКИМ ІНСТРУМЕНТОМ

Обжимні інструменти та пристрої повинні використовуватися тільки персоналом, навченим роботі з електротехнічними приладами.

У жодному разі не виконуйте обжимання матеріалів під напругою.

Перед кожним використанням перевіряйте затискний інструмент, притискувальні колодки і обжимні вставки на наявність тріщин або інших проявів зношення.

Використовуйте затискний інструмент і обжимні вставки лише в технічно бездоганному стані.

Затискний інструмент можна використовувати лише зі встановленими обжимними вставками.

Під час пресування не торкайтеся притискових лещат і притискового болта.

У разі несправностей під час затискання негайно відпустіть мимикач EIN (УВІМК.) і натисніть кнопку розблокування гідравлічного механізму. Клапан відкривається, поршень просувається назад в вихідне положення.

ПРАВИЛА ТЕХНІКИ БЕЗПЕКИ ПРИ РОБОТІ З ІНСТРУМЕНТОМ ДЛЯ РОЗРІЗАННЯ КАБЕЛЮ

Розрізання чи розділення кабелів і троясів за допомогою цього кабельного ножа може виконуватися лише особами, ознайомленими з правилами поведінки з електроінструментами.

Для зникнення ризику вибуху, ураження електричним струмом чи пошкодження майна й обладнання в жодному разі не розрізайте під'єднані до мережі електричні кабелі. Пристрій НЕ має ізоляції.

Тримайте руки та вільний одяг на безпечній відстані від різальних інструментів і інших рухомих частин. Існує небезпека тяжких травм, в тому числі відокремлення кінцівок.



Перед початком процесу розрізання необхідно заблокувати доступ до місця проведення робіт згідно з місцевими нормами. Допускається розрізання лише тих кабелів, які були від'єднані від джерела живлення!

Кабелі та троси не повинні піддаватися дії механічних сил.

Для зниження ризику травмування носіть захисні окуляри чи окуляри з боковими щитками.

Невиконання цієї інструкції може призвести до тяжких травм, смерті, пожежі чи іншого пошкодження майна внаслідок ураження електричним струмом, вибуху та/або виникнення електричної дуги.

У жодному разі не тримайте кабелеріз за різак.

Перед використанням завжди перевіряйте різак на наявність тріщин чи інших ознак зношення.

Кабелеріз можна використовувати лише зі встановленим різальним інструментом.



ПРАВИЛА ТЕХНІКИ БЕЗПЕКИ ПРИ РОБОТІ З ВИРУБНИМ СТАНКОМ

Перед кожним використанням перевіряйте різальні інструменти на наявність тріщин або інших проявів зношення. Використовуйте різальні інструменти та прилади лише в технічно бездоганному стані.

Прилад можна використовувати лише зі встановленим різальним інструментом. Не використовуйте прилад у розподільних коробках під напругою або в безпосередній близькості від них. Виконуйте роботи в розподільних коробках лише з вимкненою напругою.

Перевіряйте відповідність номінальної ширини матриці номінальній ширині штампа.

Використовуйте прилад лише зі штампами та матрицями, які допущено до використання зі вказаним максимальним номінальним зусиллям. В іншому разі можливі травмування осіб або пошкодження майна.

Різальні інструменти повинні бути гострими та чистими. У разі належного догляду різальні інструменти з гострими ріжучими кромками менше заїдають і легші в керуванні.

ВИКОРИСТАННЯ ЗА ПРИЗНАЧЕННЯМ

Допоміжне приладдя й інструментальні головки.

Використання за призначенням: лише для допоміжного приладдя та інструментальних головок односторонньої дії, номінальний тиск 700 бар; макс. обсяг масла, що витісняється, становить 1,35 л

Затискний інструмент:

Затискний інструмент можна використовувати для затискання з'єднувальних матеріалів, для яких передбачено відповідні обжимні вставки.

Перед початком робіт необхідно від'єднати всі деталі під напругою, тобто деталі, що проводять електричний струм, які знаходяться в області роботи технічного спеціаліста.

Інструмент для розрізання кабелю:

армованих і не армованих кабелів без натягу, виготовлених із міді або алюмінію, різальні інструменти залежать від типу кабелю

- не армованих ізольованих кабелів без натягу, виготовлених із міді або алюмінію, різальні інструменти залежать від типу кабелю

Отворопробивач.

Отворопробивач можна використовувати лише для виконання отворів у матеріалах за допомогою наданих штампів і матриць.



ПОПЕРЕДЖЕННЯ Ознайомтеся з усіма вказівками щодо техніки безпеки, інструкціями, ілюстраціями та відомостями, що було надано разом із приладом. Недотримання наведених далі інструкцій може спричинити ураження електричним струмом, пожежу та/або тяжкі травми. Зберігайте всі вказівки з техніки безпеки та інструкції на майбутнє.

ЗАГАЛЬНІ ІНСТРУКЦІЇ

Заправка гідравлічної системи.

Заправляйте інструмент кожного разу, коли в ньому закінчується масло.

Для заправки системи виконайте вказані далі дії.

1. Вийміть акумулятор.
2. Перевірте індикатор масла та переконайтеся в тому, що в інструменті достатньо масла.
3. Під'єднайте муфту до головки допоміжного приладдя, яка буде відкачувати повітря та надлишки масла.

ПРИМІТКА: Муфта повинна бути спрямована строго вгору, а інструмент повинен бути розташований нижче, ніж головка допоміжного приладдя.

4. Вставте акумуляторну батарею.
5. Натисніть кнопку режиму обтискання.
6. Запустіть інструмент.

ПРИМІТКА: Може знадобитися до 30 секунд, перш ніж повітря та масло почнуть виходити.

7. Як тільки масло почне витікати, натисніть і утримуйте кнопку ручного розблокування протягом двох секунд, а потім відпустіть обидві кнопки.
8. Повторіть дії 5–7 три–чотири рази.

ПРИМІТКА: Під час заправки системи стежте за тим, щоби рівень масла не падав нижче індикаторної лінії. За необхідності доливайте масло в резервуар.

Видалення повітря з допоміжного приладдя.

Видаляйте повітря з допоміжного приладдя під час кожного обслуговування, а також якщо воно не використовується протягом тривалого часу або якщо воно під'єднується до шлангу, який не було попередньо заповнено маслом.

Подальші інструкції з видалення повітря див. також у рекомендаціях виробника допоміжного приладдя.

Для видалення повітря з допоміжного приладдя виконайте вказані далі дії.

1. Вийміть акумулятор.
2. Підключіть шланг допоміжного приладдя до муфти.

ПРИМІТКА: Муфта повинна бути спрямована в бік, а інструмент повинен бути розташований вище шлангу та головки допоміжного приладдя.

3. Вставте акумуляторну батарею.
4. Натисніть кнопку режиму обтискання.
5. Запустіть інструмент і дочекайтеся, доки закінчиться цикл, а індикатор загориться зеленим світлом.
6. Натисніть і утримуйте кнопку ручного розблокування протягом двох секунд, а потім відпустіть обидві кнопки.

7. Повторіть дії 4–6 три–чотири рази.

ПРИМІТКА: Під час видалення повітря з допоміжного приладдя стежте за тим, щоби рівень масла не падав нижче індикаторної лінії. За необхідності доливайте масло в резервуар.

ВКАЗІВКИ ЩОДО ЕКСПЛУАТАЦІЇ ДЛЯ ОБЖИМАННЯ

Використовуйте лише стандартні з'єднувачі, що відповідають чинним національним нормам, а також призначені для них обжимні вставки.

Для отримання інструкцій щодо обробки та монтажу з'єднувачів див. документацію виробника.

Перевіряйте відповідність номінальної ширини з'єднувача номінальній ширині обжимної вставки.

Перед початком процесу обжимання необхідно перевірити заряд акумулятора: він повинен становити щонайменше 33 % (див. ілюстрований опис). Перед початком роботи може бути необхідно зарядити акумулятор.

Натискання перемикача управління запускає процес пресування, що характеризується переміщенням притискового болта.

Відповідальність за перевірку й оцінку належного затискання несе користувач.

Неправильно виконані з'єднання необхідно виправити, виконавши затискання повторно з використанням нового з'єднувача.

Дії в разі збоїв

- Утримуйте перемикач повернення в вихідне положення, доки лещата не відкриються повністю
- Перевірте заряд акумулятора
- Перевірте кабель і з'єднувальний елемент відповідно до технічних даних.
- Якщо є підозра стосовно того, що було обжато кабель під напругою, обжимний інструмент необхідно передати для огляду в уповноважену спеціалізовану майстерню

ВКАЗІВКИ ЩОДО ЕКСПЛУАТАЦІЇ ДЛЯ РОЗРІЗАННЯ

Облаштування робочої зони

Перед початком робіт необхідно перевірити знеструмленість дротів або тросів і підтримувати їх у знеструмленому стані під час виконання робіт.

Якщо неможливо переконалися у від'єднанні кабелю чи ізольованої лінії від живлення, виконання робіт заборонено.

Обов'язково дотримуйтеся місцевих правил безпеки та норм.

Кабелі та троси не повинні піддаватися дії механічних сил і за необхідності повинні бути зафіксовані, щоб уникнути неконтрольованого переміщення після розрізання.

Бережіть інструменти від дощу. Не використовуйте інструменти у вологому чи вогкому середовищі.

Підготовка кабелеріза й акумулятора

Перед кожним використанням виконуйте вказані нижче дії:

- Перевірте кабелеріз на наявність зовнішніх пошкоджень
- Перевірте різальний інструмент на наявність тріщин або інших ознак зношення

Використовуйте інструменти лише в бездоганному технічному стані!


Перед початком процесу розрізання необхідно перевірити заряд акумулятора: він повинен становити щонайменше 33 % (див. ілюстрований опис). Перед початком роботи може бути необхідно зарядити акумулятор.

Підготовка до розрізання

Розташуйте кабелі чи троси на опори та зафіксуйте їх, щоб знизити ризик неконтрольованого переміщення.

Зокрема, дрти та троси, що вільно висять, можуть неконтрольовано переміщуватися, що може спричинити поранення та/або пошкодження майна.


Різальна голівка повинна розташовуватися під кутом 90° до кабелю чи троса, щоб вони проходили в отворі різального інструменту без натягу, що дозволить уникнути небажаних зусиль при розрізанні.

 **ПОПЕРЕДЖЕННЯ:** Для зниження ризику вибуху, ураження електричним струмом чи пошкодження майна й обладнання в жодному разі не розрізайте під'єднані до мережі електричні кабелі.

Пристрій НЕ має ізоляції. Контакт із контуром під напругою може призвести до важких травм чи смерті. Перед розрізанням вимкніть живлення. У жодному разі не розрізайте газо- чи водопроводи. Тримайте руки на безпечній відстані від різальних кромок і рухомих деталей. Можливі глибокі порізи чи відривання кінцівок.

Перед заміною чи видаленням допоміжного приладдя завжди виймайте акумулятор. Використовуйте допоміжне приладдя, спеціально рекомендоване для цього інструмента. Інше приладдя може бути небезпечним.

Для зниження ризику травмування носіть захисні окуляри чи окуляри з боковими щитками.

 **ПОПЕРЕДЖЕННЯ:** Щоб уникнути травмування, розрізайте лише ті матеріали, які відповідають лезам пристрою. (див. розділ «Специфікації») Не намагайтеся розрізати інші матеріали.

Розрізання

Перед розрізанням переконайтеся в тому, що леза встановлено правильно.

1. Спрямуйте кабель до різальної поверхні кабельного ножа під прямим кутом. Не намагайтеся виконувати кутові розрізи, оскільки це призведе до пошкодження заготовки та лез.
2. Натисніть і утримуйте пусковий курок від час роботи. Під час натискання курка горить світлодіодний індикатор.
3. Після розрізання чи після вимкнення інструмента відпустіть пускову кнопку та натисніть зворотній вимикач, щоб відкрити різальний інструмент.

ПРИМІТКА: Під час розрізання заготовка може трохи зсуватися.

Дії в разі збоїв

- Якщо є імовірність того, що після розрізання кабель знаходиться під напругою, завжди повідомляйте про це відповідального за безпеку, зупиняйте процес розрізання та вживайте відповідні заходи безпеки
- Завжди переконайтеся в тому, що пристрій є та залишається знеструмленим, перш ніж наближатися та торкатися його
- Натисніть і утримуйте кнопку скидання, доки різальний пристрій не відкриється повністю
- Перевірте заряд акумулятора
- Перевірте матеріал та його товщину згідно з технічними специфікаціями



- Якщо є підозра стосовно того, що було розрізано кабель під напруженням, кабелеріз необхідно передати для огляду в уповноважену спеціалізовану майстерню

Заклинювання лез

Бруд і сторонні частки можуть призводити до заклинювання лез після розрізання

- Натисніть і утримуйте курок розблокування, щоб повернути інструмент у початковий стан.
- Вийміть акумулятор.
- Щоб відкрити різальний інструмент, дотримуйтеся ілюстрованого опису
- Перед початком нового процесу розрізання видаліть бруд і сторонні частки з лез.

Поради щодо розрізання

- Не намагайтеся виконувати кутові розрізи, оскільки це призведе до пошкодження заготовки та лез.
- Для подовження строку служби лез розрізайте чистий матеріал. Перед початком розрізання витирайте з матеріалу та лез бруд і сторонні частки.



РОБОЧІ ІНСТРУКЦІЇ ЗІ ШТАМПУВАННЯ

Переконайтеся в тому, що номінальний діаметр матриці дорівнює номінальному розміру штампа.

ОБСЛУГОВУВАННЯ

Перед початком будь-яких робіт із налаштування, очищення чи технічного обслуговування пристрою вийміть акумулятор.

У жодному разі не відкривайте пристрій, знімний акумулятор чи зарядний пристрій.

Перевіряйте пристрій на наявність будь-яких проблем, таких як шуми чи заклинювання рухомих деталей, що може впливати на роботу пристрою.

Завжди підтримуйте чистоту вентиляційних отворів пристрою.

Щоб уникнути травм та пошкодження майна, в жодному разі не опускайте пристрій, знімний акумулятор і зарядний пристрій у рідину та не допускайте проникнення рідини всередину цих пристроїв.

Подальші роботи з обслуговування та ремонту можуть виконуватися лише уповноваженими спеціалізованими майстернями.

Прилад містить гідравлічну оливу, яка небезпечна для ґрунтових вод. Неконтрольоване зливання або неналежна утилізація караються.

Дата наступного обслуговування вказується на пристрої за допомогою світлодіода.

Поверніть інструмент, акумулятор і зарядний пристрій до сервісного центру MILWAUKEE для ремонту. Кожні шість–дванадцять місяців (залежно від використання) повертайте інструмент, акумулятор і зарядний пристрій до сервісного центру MILWAUKEE для огляду. Використовувати тільки комплектуючі та запчастини Milwaukee. Деталі, заміна яких не описується, замінювати тільки в відділі обслуговування клієнтів Milwaukee (зверніть увагу на брошуру „Гарантія / адреси сервісних центрів“).

Якщо інструмент не запускається або не працює на повній потужності з повністю зарядженим акумулятором, очистьте контакти акумулятора. Якщо інструмент все одно не працює належним чином, поверніть інструмент, зарядний пристрій і акумулятор до сервісного центру MILWAUKEE для ремонту.

Інтервал обслуговування

Інформація про необхідне обслуговування, наприклад про заміну рідини, див. в додатку ONE-KEY. Для проведення всіх робіт із ремонту та технічного обслуговування поверніть інструмент у сервісний центр MILWAUKEE.

ПРИМІТКА: Може знадобитися вказати тиждень і рік виробництва інструменту. Ці дані вказано на серійному номері на паспортній табличці інструмента.

У разі необхідності можна запросити креслення з зображенням вузлів машини в перспективному вигляді, для чого потрібно звернутися в ваш відділ обслуговування клієнтів або безпосередньо в Techtronic Industries GmbH, Max-Eyth-Strasse 10, 71364 Winnenden, Німеччина, та вказати тип машини та шестизначний номер на фірмовій табличці з даними машини.

Для безпечного транспортування ми рекомендуємо упакувати гідравлічний насос у герметичний, маслястийкий пластиковий пакет і використовувати оригінальну упаковку.

ONE-KEY™

Додаткову інформацію щодо функції ONE-KEY цього пристрою див. в наданому до цього продукту короткому посібнику щодо початку роботи або на нашому інтернет-сайті <http://www.milwaukeeetool.com/one-key>

Можна завантажити застосунок ONE-KEY через App Store або Google Play на ваш смартфон.

Результат випробування відповідає нашим мінімальним вимогам згідно з EN 301489-1 / EN 301489-17. Ми надамо замовнику інструкції з експлуатації в посібнику користувача.

АКУМУЛЯТОРНІ БАТАРЕЇ

Знімну акумуляторну батарею, що не використовувалася тривалий час, перед використанням необхідно підзарядити. Температура понад 50 °C зменшує потужність знімної акумуляторної батареї. Уникати тривалого нагрівання сонячними променями або системою обігріву.

З'єднуйте контакти зарядного пристрою та знімної акумуляторної батареї повинні бути чистими.

Для забезпечення оптимального строку експлуатації акумуляторні батареї після використання необхідно повністю зарядити.

Для забезпечення максимально можливого терміну експлуатації акумуляторні батареї після зарядки необхідно виймати з зарядного пристрою.

При зберіганні акумуляторної батареї понад 30 днів: Зберігати акумуляторну батарею при температурі приблизно 27 °C в сухому місці. Зберігати акумуляторну батарею в стані зарядки приблизно 30-50 %. Кожні 6 місяців заново заряджати акумуляторну батарею.

Відпрацьовані знімно акумуляторні батареї не можна кидати у вогонь або викидати з побутовими відходами. Milwaukee пропонує утилізацію старих знімно акумуляторних батарей, безпечно для довкілля; зверніться до свого дилера.

Не зберігати знімно акумуляторні батареї разом з металевими предметами (небезпека короткого замикання).

При екстремальному навантаженні або при екстремальній температурі з пошкодженої знімно акумуляторної батареї може витікати електроліт. При потраплянні електроліту на шкіру його негайно необхідно змити водою з милом.

При потрапленні в очі їх необхідно негайно ретельно промити, законайменше 10 хвилин, та негайно звернутися до лікаря. В гніздо зарядного пристрою, яке призначене для встановлення знімної акумуляторної батареї, не повинні потрапляти металеві деталі (небезпека короткого замикання).

ТРАНСПОРТУВАННЯ ЛІТІЙ-ІОННИХ АКУМУЛЯТОРНИХ БАТАРЕЙ

Літій-іонні акумуляторні батареї підпадають під законоположення про перевезення небезпечних вантажів.

Транспортування таких акумуляторних батарей повинно відбуватися із дотриманням місцевих, національних та міжнародних приписів та положень.

споживачі можуть без проблем транспортувати ці акумуляторні батареї по вулиці.

Комерційне транспортування літій-іонних акумуляторних батарей експедиторськими компаніями підпадає під положення про транспортування небезпечних вантажів. Підготовку до відправлення та транспортування можуть здійснювати виключно особи, які пройшли відповідне навчання. Весь процес повинні контролювати кваліфіковані фахівці.

При транспортуванні акумуляторних батарей необхідно дотримуватись зазначених далі пунктів:

Переконайтеся в тому, що контакти захищені та ізольовані, щоб запобігти короткому замиканню. Слідкуйте за тим, щоб акумуляторна батарея не переміщувалася всередині упаковки. Пошкоджені акумуляторні батареї, або акумуляторні батареї, що потекли, не можна транспортувати. Для отримання подальших вказівок звертайтеся до своєї експедиторської компанії.

СЕРТИФІКАТ ВІДПОВІДНОСТІ ВИМОГАМ ЄС

Ми заявляємо на власну відповідальність, що виріб, описаний в „Технічних даних“, відповідає всім застосовним положенням директиви

2011/65/EU (RoHS)
2000/14/EC
2006/42/EC
2014/53/EU

та наступним гармонізованим нормативним документам:

EN 62841-1:2015
EN 62479:2010
EN 55014-1:2017
EN 55014-2:2015
EN 301 489-1 V2.1.1 (2017-02)
EN 301 489-17 V3.1.1 (2017-02)
EN 300 328 V2.1.1 (2016-11)
EN IEC 63000:2018

Вимірюваний рівень звукової потужності 87,2 dB(A)
Гарантований рівень звукової потужності 89,0 dB(A)
похибка $K = 1,5$ dB(A)

Процедура оцінки відповідності згідно з директивою 2000/14/ЄС, додаток V

DEKRA Certification B.V. (0344)
Meander 1051/P.O.Box 5185
6825 MS ARNHEIM/6802 ED ARNHEIM
Netherlands

 Winnenden,



Alexander Krug / Managing Director
Уповноважений із складання технічної документації.

Techtronic Industries GmbH
Max-Eyth-Strasse 10, 71364 Winnenden, Germany



СИМВОЛИ



Уважно прочитайте інструкцію з експлуатації перед введенням приладу в дію.



Носити захисні окуляри.



Пристрій використовує кнопковий/плаский круглий літєвий акумулятор.



УВАГА! ПОПЕРЕДЖЕННЯ! НЕБЕЗПЕЧНО!



Перед будь-якими роботами на приладі виїняти змінну акумуляторну батарею.



Небезпека ураження електрострумом



ПОПЕРЕДЖЕННЯ!

Небезпека травмування при відлітанні частин матеріалу



ПОПЕРЕДЖЕННЯ! Травмування рук

Гарантований рівень звукової потужності, вказаний на етикетці, становить 89 dB



Електроприлади, батареї/акумулятори заборонено утилізувати разом з побутовим сміттям. Електричні прилади і акумулятори слід збирати окремо і здавати в спеціалізовану компанію для утилізації відповідно до норм охорони довкілля. Зверніться до місцевих органів або до вашого дилера, щоб отримати адреси пунктів вторинної переробки та пунктів прийому.

V

Напруга



Постійний струм



Європейський знак відповідності



Український знак відповідності



Євроазіатський знак відповідності



يرجى قراءة التعليمات بعناية قبل بدء تشغيل الجهاز.



ارتد نظارات.



يحتوي هذا الجهاز على بطارية من خلايا الليثيوم على شكل عملة معدنية/أزرار.



تنبيه! تحذير! خطر!



انزع البطارية قبل التعامل مع الجهاز.



خطر التعرض لصعقة كهربائية



تحذير!

خطر الإصابة من الشظايا المتطايرة



تحذير! إصابة اليد



مستوى قوة الصوت المتوفر المتوضَّح على هذه العلامة هو 89dB



يحظر التخلص من الأجهزة الكهربائية والبطاريات/البطاريات القابلة للشحن في القمامة المنزلية. يجب جمع الأجهزة الكهربائية والبطاريات القابلة للشحن منفصلة وتسليمها للتخلص منها بشكل لا يضر بالبيئة لدى شركة إعادة استغلال. الرجاء الاستفسار لدى الهيئات المحلية أو لدى التجار المتخصصين عن مواقع إعادة الاستغلال ومواقع الجمع.



الجهد الكهربى



التيار المستمر



علامة التوافق الأوروبية



علامة التوافق الأوكرانية



علامة التوافق الأوروبية الآسيوية



نعلن تحت مسؤوليتنا وحدنا أن المنتج المعين تحت اسم البيانات الفنية "يستوفي جميع الأحكام ذات الصلة ضمن التوجيهات

2011/65/EU (ROHS)
2000/14/EG
2006/42/EG
2014/53/EU

ة.إل.اتال.ا ق.س.تل.ا ر.ي.ا.ع.م.ل.ا و

EN 62841-1:2015

EN 62479:2010

EN 55014-1:2017

EN 55014-2:2015

EN 301 489-1 V2.1.1 (2017-02)

EN 301 489-17 V3.1.1 (2017-02)

EN 300 328 V2.1.1 (2016-11)

EN IEC 63000:2018

م.س.ا.ي.ق.ل.ا م.ت. ي.ذ.ل.ا ت.و.ص.ل.ا ة.د.ش. ي.و.ت.س.م 87,2 dB(A)

ن.ا.م.ض.ل.ا ة.ر.ت.ف.ل.ل.ا.خ. ت.و.ص.ل.ا ة.د.ش. ي.و.ت.س.م 89,0 dB(A)

س.ا.ي.ق.ل.ا ي.ف. با.ي.ت.ر.ال.ا = 1,5 dB(A)

إجراء تقييم المطابقة وفقاً للمواصفة EN 2000/14/EC إلى

الملحق الخامس :

DEKRA Certification B.V. (0344)

Meander 1051/P.O.Box 5185

6825 MS ARNHEIM/6802 ED ARNHEIM

Netherlands



,Winnenden

Alexander Krug

Alexander Krug / Managing Director

معمتدة للمطابقة مع الملف الفني

Techtronic Industries GmbH

Max-Eyth-Straße 10, 71364 Winnenden,

Germany

البطاريات

يجب إعادة شحن البطارية غير المستخدمة لفترة قبل الاستخدام. تقلل درجات الحرارة التي تتجاوز 50° سيلزيوس (122° فهرنهايت) من أداء البطارية. تجنب التعرض الزائد للحرارة أو أشعة الشمس (خطر التسخين)..

يجب الحفاظ على محتويات الشاحن و البطاريات نظيفة. للحصول على فترة استخدام مثالية، يجب شحن البطاريات تماماً، بعد الاستخدام.

للحصول على أطول عمر ممكن للبطارية، انزع البطارية من الشاحن بمجرد شحنها تماماً.

لتخزين البطارية أكثر من 30 يوم: خزن البطارية بحيث تكون درجة الحرارة أقل من 27° سيلزيوس وبعيدا عن أي رطوبة خزن البطارية مشحونة بنسبة تتراوح بين 30-50% اشحن البطارية كالمعتاد، وذلك كل ستة أشهر من التخزين.

لا تتخلص من البطاريات المستعملة مع النفايات المنزلية أو بحرثها. يقدم موزعو ميلوكي خدمة استعادة البطاريات القديمة لحماية البيئة.

لا تقم بتخزين البطارية مع الأشياء المعدنية (خطر قصر الدائرة)..

قد يسرب حامض البطارية من البطاريات التالفة في ظروف الحمل الزائد بدرجة كبيرة أو في درجات الحرارة الشديدة. في حالة ملامسة حامض البطارية اغسل يديك فوراً بالماء والصابون. في حالة ملامسة السائل للعينين اشطفهما جيدا لمدة 10 دقائق على الأقل واطلب العناية الطبية فوراً. يجب تجنب دخول أي أجزاء معدنية في قسم البطارية الخاصة بالشاحن (خطر الماس الكهربائي)..

نقل بطاريات الليثيوم

تخضع بطاريات الليثيوم أيون لشروط قوانين نقل السلع الخطرة.

ويجب نقل هذه البطاريات وفقاً للأحكام والقوانين المحلية والوطنية والدولية.

يمكن للمستخدم نقل البطاريات برأ دون الخضوع لشروط أخرى.

يخضع النقل التجاري لبطاريات الليثيوم أيون عن طريق الغير إلى قوانين نقل السلع الخطرة. يتعين أن يقوم أفراد مديرون جيدا بالإعداد لعملية النقل والقيام بها بصحبة خبراء مثلهم.

متى تُنقل البطاريات:

عند التأكد من حماية أطراف توصيل البطارية وعزلها تجنباً لحدوث قصر بالدائرة. عند التأكد من حماية حزمة البطارية من الحركة داخل صندوق التعبئة. يُرجى عدم نقل البطاريات التي بها تشققات أو تسربات. يُرجى البحث مع شركة الشحن عن نصيحة أخرى

تعليمات العمل الخاصة بالثقَب

تحقق مما إذا كان القطر الاسمي للفورمة مساوياً للحجم الاسمي للاسطمبة.

الصيانة

قم بإزالة حزمة البطارية قبل بدء أية أعمال للتعديل والتنظيف والصيانة على الجهاز.

لا تفتح أبداً الجهاز أو البطارية القابلة للإزالة أو الشاحن.

تحقق من الجهاز للتأكد من عدم وجود أية مشكلات مثل ضوضاء أو انحشار الأجزاء المتحركة التي يمكن أن تؤثر على الجهاز.

يجب أن تكون فتحات تهوية الجهاز فارغة طوال الوقت.

لتجنب الإصابة والتلف، لا تعمر الجهاز أو البطارية القابلة للإزالة أو الشاحن في سائل أو تسمح للسائل باختراقها.

أعمال الصيانة والإصلاح الأخرى يجب ألا تتم إلا بمعرفة ورش فنية متخصصة.

تحتوي الآلة على سائل هيدروليكي. تُشكل السوائل الهيدروليكية خطورة على المياه الجوفية. ويعاقب القانون على التصريف غير المراقب أو التخلص غير الملائم من النفايات.

يبرز معياد الصيانة التالي من خلال إشارة لمبة LED على الجهاز.

أعد الأداة وحزمة البطاريات والشاحن إلى أحد مراكز خدمة ميلواكي من أجل الإصلاح. بعد ستة أشهر إلى عام واحد -حسب الاستخدام- أعد الأداة وحزمة البطاريات والشاحن إلى أحد مراكز خدمة ميلواكي من أجل الفحص. استخدم فقط ملحقات ميلواكي وكذلك قطع غيار ميلواكي. إذا كانت المكونات التي يجب تغييرها غير مذكورة، يرجى الاتصال بأحد عملاء صيانة ميلواكي (انظر قائمة عناوين الصيانة/الصيانة الخاصة بنا).

في حالة عدم بدء أو تشغيل الأداة بطاقة كاملة من خلال حزمة بطاريات كاملة الشحن، قم بتنظيف مواضع التلامس في حزمة البطاريات. في حالة استمرار عدم عمل الأداة بصورة صحيحة، أرجع الأداة والشاحن وحزمة البطاريات إلى مرفق خدمات MILWAUKEE لإجراء الإصلاحات.

مواعيد الصيانة

ارجع إلى تطبيق وان-كي (ONE-KEY) للحصول على المعلومات المتعلقة بالصيانة الضرورية، مثل تغيير الزيت. أعد الأداة إلى أحد مراكز خدمة ميلواكي لإجراء جميع أعمال الإصلاح والصيانة.

ملاحظة: قد يلزم ذكر أسبوع وسنة صنع الأداة. ويمكن العثور على هذه المعلومات على الرقم التسلسلي الموجود في لوحة بيانات الأداة.

عند الحاجة يمكن طلب رمز انفجار الجهاز بعد ذكر طراز الآلة والرقم السداسي المذكور على بطاقة طاقة الآلة لدى جهة خدمة العملاء أو مباشرة لدى شركة

Techtronic Industries GmbH

Max-Eyth-Strasse 10, 71364 Winnenden

ألمانيا

للسلح الأمان، نوصي بتعبئة المضخة الهيدروليكية في حقيبة بلاستيكية مغلقة ومقاومة للزيت، واستخدام العبوة الأصلية.

TM ONE-KEY

لمعرفة المزيد حول عمل خاصية „المفتاح الواحد“ المزود بها هذا الجهاز، اقرأ الدليل المختصر المرفق أو تفضل بزيارة موقع الإنترنت <http://www.milwaukee.com/one-key>

يمكنك تحميل تطبيق „المفتاح الواحد“ عن طريق

App Store أو Google Play على هاتفك الذكي.

نتائج الفحص تلي أقل مطلباً تبعاً للمعايير

⚠ تحذير: للحد من خطر الانفجارات والصدمات

الكهربائية وتلف الممتلكات والمعدات، لا تقطع أبداً الكابلات الكهربائية المشحونة بالتيار الكهربائي.

الجهاز ليس معزولاً. قد يؤدي التلامس مع دائرة مشحونة بتيار كهربائي إلى إصابات شديدة أو الوفاة. أوقف التشغيل قبل إجراء القطع. لا تقطع أبداً خطوط الغاز أو خطوط المياه. أبعد يديك عن جميع حواف القطع والأجزاء المتحركة. فقد يحدث لها تمزق أو بتر.

قم دائماً بإزالة حزمة البطارية قبل تغيير الملحقات أو إزالتها. لا تستخدم سوى الملحقات الموصى بها خصيصاً لهذه الأداة. فقد ينطوي استخدام غيرها على خطورة. للحد من خطر الإصابة، ارتد نظارة واقية أو نظارة مزودة بحاجز حماية جانبي.

⚠ تحذير: للحد من خطر الإصابة، أقطع فقط المواد

الموصى بها للشفرات. (انظر „المواصفات“) لا تحاول قطع مواد أخرى.

القطع

قبل القطع، تأكد من تركيب الشفرات بشكل صحيح.

1. مد الكابل بزوايا قائمة إلى شفرات قاطعة الكابلات. لا تحاول إجراء عمليات قطع زاوية لأن ذلك سيؤدي إلى تلف قطعة العمل والشفرات.

2. امسك المقبض (المقبض) بإحكام. حرك الأداة مع مؤشر LED عندما يتم سحب الزناد.

3. عندما يتم القطع أو تتوقف الأداة عن العمل، أعد إطلاق زر التشغيل واضغط على زر الإرجاع، حتى يتم فتح فكوك القطع.

ملاحظة: قد تتحرك قطعة العمل قليلاً أثناء القطع.

الإجراء الواجب اتباعه في حالة حدوث أخطاء

• يمكن أن يكون الكابل مقطوعاً وموصللاً للحد، دائماً أبلغ متعهد الأمان بإيقاف عملية القطع واتخاذ إجراءات أمان مناسبة

• تأكد دائماً أن الجهاز مفصلاً ومن أنه سيظل مفصلاً عن مصدر الإمداد بالطاقة قبل الإقتراب من الجهاز ولمسه

• اضغط مع الاستمرار على زر إعادة الضبط حتى يُفتح القاطع بالكامل

• تحقق من سعة البطارية

• تحقق من المادة ومن سمك المادة بناءً على البيانات التقنية

• في حالة الاشتباه في قطع كابل مشحون بالتيار الكهربائي، يجب فحص قاطع الكابلات في ورشة عمل متخصصة ومعتمدة

الشفرات المحشورة

يمكن أن تتسبب الأوساخ والبقايا في انحشار الشفرات معاً بعد القطع

• اضغط مع الاستمرار على زناد التحرير للتأكد من إعادة ضبط الأداة.

• قم بإزالة حزمة البطارية.

• اتبع الشرح المصنّف لفتح فكوك القطع

• نظف أية أوساخ وبقايا من الشفرات قبل بدء عملية قطع أخرى.

نصائح القطع

• لا تحاول إجراء عمليات قطع زاوية لأن ذلك سيؤدي إلى تلف قطعة العمل والشفرات.

• أقطع مواد نظيفة لتمديد عمر الشفرة. امسح الأوساخ والبقايا الناتجة عن المواد والشفرات قبل بدء عملية القطع.



• الكابلات غير المدعمة الخالية من الجهد من نحاس أو ألومنيوم معزول، ومعدات القطع تعتمد على نوع الكابل
أداة كнокوت أوت (Knockout):
لا يجوز استخدام أداة كнокوت أوت إلا لثقوب المواد باستخدام الإسطمبات والفورمات المرفقة.



تحذير اقرأ جميع تعليمات السلامة والإرشادات والشروح والبيانات المرفقة مع الجهاز. قد يؤدي عدم مراعاة التعليمات المدرجة أدناه إلى التعرض للإصابة بصدمة كهربية أو الحريق و/أو إصابة خطيرة.
احفظ جميع التنبيهات والتعليمات للرجوع إليها مستقبلاً.

تعليمات عامة

تجهيز النظام الهيدروليكي:

ينبغي تجهيز الأداة في أي وقت تكون فيه جافة من الزيت.

لتجهيز النظام:

1. قم بإزالة حزمة البطارية.
2. افحص خطر رؤية الزيت، وتأكد أن الأداة بها ما يكفي من الزيت.
3. وقم بتوصيل القارنية برأس إحدى الملحقات التي ستعمل على طرد الهواء والزيت الزائد.
4. **ملاحظة:** يجب توجيه القارنية بشكل مستقيم، ووضع الأداة أدنى من رأس الملحقة.
5. أدخل حزمة البطارية.
6. اضغط على زر وضع التعضين.
7. شغل الأداة.

- ملاحظة:** قد يستغرق الأمر ما يصل إلى 30 ثانية حتى يبدأ الهواء والزيت في الخروج.
7. وبمجرد أن تبدأ الزيوت بالخروج، اضغط مع الاستمرار على زر التحرير اليدوي لمدة ثانيتين، ثم حرر كلا الزرين.
 8. كرر الخطوات من 5 إلى 7 ثلاث إلى أربع مرات.
- ملاحظة:** وفي أثناء تجهيز النظام، تأكد من عدم انخفاض مستوى الزيت أدنى من خطر رؤية الزيت. وأعد ملء الخزان إذا لزم الأمر.

استنزاف هواء الملحقة:

ينبغي استنزاف الهواء من الملحقات في أي وقت تتم فيه صيانة أي ملحقة أو في حالة عدم استخدامها لفترة طويلة أو في حالة توصيلها بخرطوم غير مملوء مسبقًا بالزيت.

يرجى أيضًا الرجوع إلى توصيات الشركة الصانعة للملحقات لمعرفة المزيد من التعليمات الخاصة باستنزاف الهواء.

لاستنزاف هواء ملحقة:

1. قم بإزالة حزمة البطارية.
 2. قم بتوصيل خرطوم الملحقة بالمقارنة.
- ملاحظة:** يجب توجيه القارنية نحو الجانب، ويجب وضع الأداة أعلى من خرطوم الملحقة ورأسها.
3. أدخل حزمة البطارية.
 4. اضغط على زر وضع التعضين.
 5. شغل الأداة حتى تكتمل الدورة، ويضيء مؤشر LED باللون الأخضر.
 6. اضغط مع الاستمرار على زر التحرير اليدوي لمدة ثانيتين، ثم اترك كلا الزرين.
 7. كرر الخطوات من 4 إلى 6 ثلاث إلى أربع مرات.
- ملاحظة:** وفي أثناء استنزاف هواء الملحقة، تأكد من عدم انخفاض مستوى الزيت أدنى من خطر رؤية الزيت. وأعد ملء الخزان إذا لزم الأمر.

نصائح العمل للتعضين

لا تستخدم سوى موصلات معيارية مستوفية للمعايير القياسية المحلية وأن يتم استخدامها مع أطراف الكيس المخصصة لها.
تؤخذ تعليمات التشغيل والتركيب المتعلقة بالموصلات من مستندات الجهة الصانعة لها.
تأكد من توافق العرض الاسمي للموصل مع العرض الاسمي لطرف الكيس.

قبل بدء عملية التثني، يجب التحقق من سعة البطارية: بحد أدنى 33% (انظر الوصف الموضح). قد تتطلب الشحن قبل بدء العمل.

لمس مفاتيح التحكم يُطلق عملية التعضين، والتي تتسم بحركة سمار التعضين.

التأكد من وتقييم مدى صحة عملية الكيس يقع على عاتق المستخدم.

يجب إعادة كيس التوصيلات غير الصحيحة بموصل جديد مرة أخرى.

الإجراء الواجب اتباعه في حالة حدوث أخطاء

- استمر في الضغط على مفتاح إعادة الضبط حتى فتح الفكوك تمامًا
- تحقق من سعة البطارية
- افحص الكابل ومادة الربط وفقًا للبيانات التقنية.
- في حالة الاشتباه في الضغط على كابل مشحون بالتيار الكهربائي، يتعين فحص أداة التثنية في ورشة عمل متخصصة ومعتمدة

نصائح العمل للقطع

إعداد منطقة العمل

قبل بدء العمل يجب إنتاج حالة خالية من الجهد في التوصيلات و الحبال وتأمين هذه الحالة طيلة مدة الأعمال. إذا لم يكن من الممكن نهائيًا ضمان فصل الكابلات أو الخط المعزول، فلا يجوز تنفيذ أية أعمال.
لا بد من مراعاة تعليمات الأمان والتشريعات المحلية المعمول بها.
يجب ألا تتعرض الكابلات والحبال لأية قوى ميكانيكية ويجب أن تأمينها حين الضرورة ضد أية حركات غير مراقبة بعد القطع.
لا تُعرض الأدوات للمطر. لا تستخدم الأدوات في مواقع رطبة أو مبللة.

تجهيز قاطع الكابلات والبطارية

قبل كل استخدام:

- افحص قاطع الكابلات للتأكد من عدم وجود عيوب خارجية
 - تحقق من أداة القطع للتأكد من عدم وجود شقوق وأية علامات أخرى للتآكل
- لا تستخدم الجهاز إلا وهو في حالة ممتازة!
قبل بدء عملية القطع، يجب التحقق من سعة البطارية: بحد أدنى 33% (انظر الوصف الموضح). قد تتطلب الشحن قبل بدء العمل.

التجهيز لعملية القطع

ادعم وثبت الكابل أو الحبل المراد قطعه، من أجل تقليل خطر حدوث حركة غير محكومة.
يمكن أن تتحرك الوصلات الحرة والحبال بشكل خاص بصورة غير مراقبة وتحدث إصابات و/أو أضرار.
يجب أن يُوضع رأس القطع بزوايا 90 درجة على الكابل أو الحبل، بحيث يستقر هذا أو ذلك دون جهد في داخل فكوك القطع المفتوحة ويتم تجنب أية قوى قطع غير مناسبة.

في حالة ظهور أعطال أثناء عملية الكيس اترك زر التشغيل فوراً واضغط على زر تحرير الهيدروليك. حيث سيفتح الصمام ويعود المكبس إلى وضعه الأولي.

⚠️ تعليمات السلامة المتعلقة بقطاع الكابلات

يجب ألا يتم قطع أو فصل الكابلات والحبال باستخدام قطاع الكابلات هذه إلا من خلال شخص مدرب على التكنولوجيا الكهربائية.

للحد من خطر الانفجارات والصدمات الكهربائية وتلف الممتلكات والمعدات، لا تقطع أبداً الكابلات الكهربائية المشحونة بالتيار الكهربائي. الجهاز ليس معزولاً.

احرص على إبعاد يديك وملايسك الفضفاضة عن أدوات القطع وما عداها من الأجزاء المتحركة. هناك خطر الإصابة الخطيرة، بما في ذلك قطع الأطراف.

قبل بدء عملية القطع، يجب حظر دخول منطقة العمل وفقاً للوائح المحلية.

لا تقطع سوى الكابلات التي تم فصلها عن مصدر الإمداد بالطاقة!

يجب ألا تتعرض الكابلات والحبال لأي قوى ميكانيكية.

للحد من خطر الإصابة، ارتد نظارة واقية أو نظارة مزودة بحاجز حماية جانبي.

يمكن أن يؤدي عدم الامتثال لهذه التعليمات إلى إصابات خطيرة ووقاية وحرانق وتلف للممتلكات كنتيجة للصدمة الكهربائية أو الانفجار أو الأقواس الكهربائية أو جميع ما سبق.

لا تمسك أبداً قاطع الكابلات من فكي القطع. قبل الاستخدام، تحقق دائماً من فكي القطع للتأكد من عدم وجود تشققات وأية علامات أخرى للتآكل.

لا يجوز استخدام قاطع الكابلات إلا مع إدخال أداة قطع.

⚠️ تعليمات السلامة المتعلقة بالخرامات

قبل أي استخدام احرص على فحص أدوات القطع من حيث وجود تشققات بها أو أية مظاهر تآكل أخرى. لا تستخدم أدوات القطع وأجهزة القطع إلا عندما تكون بحالة فنية سليمة.

غير مسموح باستخدام الجهاز إلا في وجود أداة قطع مركبة. لا تستخدمها داخل أو بالقرب من لوحات توصيل يسري بها التيار الكهربائي. لا تعمل إلا على لوحات توصيل لا يسري بها الجهد الكهربائي.

تأكد من توافق العرض الاسمي للملزمة مع العرض الاسمي للسنديك.

لا تستخدم الأداة إلا مع سنابك وملازم مسموح بها للقوة الاسمية القصوى. فاستخدام تجهيزات مخالفة قد يؤدي لوقوع إصابات أو تلفيات.

حافظ على أدوات القطع حادة ونظيفة. لأن أدوات القطع المصانة بشكل سليم والتي تتميز بحواف قطع حادة نادراً ما تتعرض للانحسار واسهل في السيطرة.

⚠️ شروط الاستخدام المحددة

الملحقات ورووس الأداة:

الاستخدام المقرر: فقط للملحقات ورووس الأداة أحادية الفعل، الضغط الاسمي 700 باره؛ إزاحة الزيت القصوى 1,35 لتر

المكبس:

غير مسموح باستخدام المكبس إلا لكبس موصلات بأطراف كبس ملائمة.

يتعين أن تكون جميع الأجزاء المشحونة بالتيار الكهربائي، تعني الأجزاء التي تعمل على توصيل الكهرباء، مفصولة في بيئة عمل الفني قبل بدء العمل.

قطاع الكابلات:

الكابلات المدعمة وغير المدعمة الخالية من الجهد من نحاس أو ألومنيوم معزول، ومعدات القطع تعتمد على نوع الكابل

• أتبع دليل المشغل الخاص بالشركة الصانعة للملحقات. فقد تتسبب الاستخدامات الأخرى في تلف الأداة والملحقات وقطعة العمل.

• قم باستنزاف الهواء من النظام إذا لزم الأمر. لا تضع أصابعك أو أية أجزاء أخرى من جسمك في منطقة عمل الأسطوانة أو الزراديات.

قم بإزالة حزمة البطارية قبل بدء أية أعمال للتعديل والتنظيف والصيانة على الجهاز.

لا تستخدم أجهزة وعبوات بطاريات وشواحن إلا إذا كانت في حالة ممتازة من الناحية التقنيّة.

يجب إصلاح الأجزاء التالفة فوراً من خلال ورشة عمل معتمدة. لتجنب الإصابة والضرر، تجنب التشغيل العرضي للجهاز.

قم بإزالة أية أدوات ضبط أو مفاتيح ربط قبل إجراء العملية. غير مسموح بالعمل على أجزاء يسري بها الجهد الكهربائي. الجهاز ليس معزولاً.

احرص على إبعاد يديك وملايسك الفضفاضة عن أدوات القطع وما عداها من الأجزاء المتحركة.

في حالة ظهور أعطال أثناء عملية الكيس اترك زر التشغيل فوراً واضغط على زر تحرير الهيدروليك. حيث سيفتح الصمام ويعود المكبس إلى وضعه الأولي.

تحذير! لتقليل خطر الحريق أو الإصابة الشخصية أو الإضرار بالمنتج بسبب ماس كهربائي، لا تعمّر جهازك أو علبه البطارية أو الشاحن في سائل واحرص على ألا يصل سائل إلى داخلها. السوائل المؤدية للتآكل أو الموصلة للتيار الكهربائي، مثل الماء المالح ومركبات كيميائية معينة ومواد التبييض أو المنظجات التي تتسبب على مواد تبييض، يمكن أن تؤدي إلى حدوث ماس كهربائي.


يُعد الامتثال لعمل خدمة محدد وفترات الخدمة أمراً لازماً.

لا تقم أبداً بفتح قفل البطارية والشواحن ولا تخزنهم إلا في غرف جافة. وحافظ عليها جاف طوال الوقت.

استخدم فقط شواحن System M18 لشحن بطاريات System M18. لا تستخدم بطاريات من أنظمة أخرى.

لتجنب الإصابة والتلف، لا تعمّر الأداة أو البطارية القابلة للإزالة أو الشاحن في سائل أو تسمح للسائل باختراقها.

تحذير

 يحتوي هذا الجهاز على بطارية من خلايا الليثيوم على شكل عملة معدنية/أزرار. قد تتسبب البطارية الجديدة أو المستخدمة في حرائق داخلية عديدة وتؤدي إلى الوفاة في أقل من ساعتين في حالة بلعها أو دخولها الجسم. احرص على تثبيت الغطاء بمقصورة البطارية دوماً. وفي حالة عدم إغلاقه بحاكم، أوقف الجهاز، وأزل البطارية واحتفظ بها بعيداً عن متناول الأطفال. إذا كنت تعتقد أن شخصاً ما قد بلع البطارية أو أنها دخلت إلى الجسم، فاطلب العناية الطبية الفورية.

⚠️ تعليمات السلامة المتعلقة بالمكبس

يجب ألا يتم استخدام أدوات وأجهزة التثنية إلا من خلال شخص مدرب في التثبيقات الكهربائية الفنية.

تجنب ثني مواد التوصيل المشحونة بالتيار الكهربائي.

قبل أي استخدام احرص على فحص المكبس وفكوك الكبس وأطراف الكبس من حيث وجود تشققات بها أو أية مظاهر تآكل أخرى.

لا تستخدم المكبس وأطراف الكبس إلا عندما تكون بحالة فنية سليمة.

غير مسموح باستخدام المكبس إلا في وجود أطراف كبس مركبة.

لا تلمس فكوك التعضين ومسمار التعضين أثناء عملية التعضين.

يجب أن تكون الواقيات التي جهزها المصنع في مكانها عند نهاية كل خرطوم مرن. لا تلمس الخرطوم المرن عندما يكون واقعا تحت ضغط.

عند استخدام المضخة، يجب فك الخرطوم المرن وتمديده بشكل مستقيم. وقبل فصل الخرطوم المرن، تحقق أن مكبس الرأس قد تراجع تماماً، وتأكد من وجود كمية كافية من الزيت للعمليات اللاحقة.

المضخة غير مناسبة للاستخدام المتواصل، وينبغي تركها لتبرد عقب عمليات التشغيل المتتالية دون انقطاع. على سبيل المثال، عند استنفاد طاقة بطارية مشحونة بالكامل في جلسة واحدة، قم بتأخير استبدال البطارية ليضع دقائق.

قم بحماية المضخة والبطارية والشاحن من المطر والرطوبة. حيث يؤدي الماء إلى إتلاف المضخة. لذلك، ينبغي ألا تستخدم الأدوات الكهروهيدروليكية تحت الأمطار الغزيرة.

يجب أن يتم تعريف مشغل الجهاز بمخاطر المحددة المرتبطة باستخدام هذا الجهاز وبتدابير السلامة الأساسية قبل العمل به لأول مرة وعلى الأقل مرة واحدة في السنة بعد ذلك. يجب على شركة التشغيل:

- توفير دليل التشغيل للمشغل
- والتأكد من أن المشغل قرأ وفهمه.
- استخدم معدة الوقاية. ارتد دائماً نظارة الوقاية عند العمل بالآلة.
- منمصح باستخدام الملابس الواقية مثل الكمامات الواقية من الغبار، والقفازات، والأحذية القوية غير المنزلقة، والخوذات، وواقبات الأذن.

- **افحص المضخة والخرطوم والقارنات والتجهيزات للتحقق من عدم تعرضها للبلبي أو التلف. استعص عن المكونات البالية أو التالفة أو المفقودة وقطع غبار من الشركة الصانعة.** فقد تعطلت المكونات البالية أو التالفة، مما يؤدي إلى وقوع إصابات. عدم مراعاة هذا التحذير قد يؤدي إلى وقوع إصابات خطيرة أو الوفاة.
- **تأكد أن المضخة في الوضع المطلوب للتشغيل قبل الاستخدام.**

- **لا تستخدم يدك للتحقق من وجود تسريبات.** حيث يقوم الزيت عالي الضغط بتقب الجلد بسهولة، مما يتسبب في إصابات خطيرة أو غرغرينا أو الوفاة. إذا أصبت، اطلب المساعدة الطبية فوراً لإزالة الزيت.

- **تأكد أن المضخة في وضع أدنى من زاوية الميل القصوى.**
- **تحقق من مستوى الزيت، واضبطه إذا لزم الأمر.** قد يؤدي انخفاض مستوى الزيت إلى وقوع إصابة أو إلحاق تلف بالممتلكات. للحصول على أفضل أداء، استخدم دائماً الزيت الهيدروليكي

MILWAUKEE Force Logic™ (4932 4720 04)
إعادة ملء الخزان.

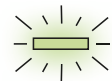
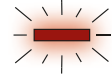
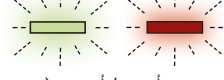
- **قم بتنظيف ضغط النظام الهيدروليكي قبل صيانة أو توصيل أو فصل الخرطوم أو عناصر التوصيل الهيدروليكي الأخرى؛ اضغط دائماً على زر التحرير اليدوي مسبقاً.**
- **ارتد واقي العينين عند تشغيل هذه الأداة أو صيانتها.** عدم ارتداء واقي العينين يمكن أن يؤدي إلى إصابة خطيرة في العينين؛ بسبب الرشايش المتطاير أو الزيت الهيدروليكي.
- **لا تستخدم سوى الخرطوم والملحقات احادية الفعل، والضغط المقرر 10,000 رطل لكل بوصة مربعة (700 بار) أو أعلى.**

- **للحصول على أفضل أداء، استخدم خرطوم مملوء مسبقاً بالزيت.** إذا لم تكن الخرطوم مملوء مسبقاً، قم باستنزاف الهواء من النظام قبل التشغيل.

- **لا تقم أبداً بتشغيل المضخة دون خرطوم أو ملحق.**

- **للحصول على أفضل أداء، استخدم دائماً الزيت الهيدروليكي لإعادة ملء الخزان.**

- **للحصول على أداء وظيفي مثالي، استخدم بطارية M18™ REDLITHIUM™ بقدرة 8.0 أمبير ساعة أو أعلى.**

فسي رتلا	LED رشوم
أكملت الأداة العملية ووصلت إلى الضغط التثنية الكامل.	 ثابت أخضر
أكملت الأداة العملية ولكن لم تصل إلى الضغط التثنية الكامل.	 ثابت أحمر
وصلت الأداة إلى فاصل الخدمة الخاص بها (20000 الثنات). يبدأ الوميض الأحمر/الأخضر بعد عرض المؤشر الأحمر أو الأخضر الثابت للعملية.	 وميض أحمر / أخضر بعد (ثابت أخضر أو ثابت أحمر)
توصي MILWAUKEE بفحص الأداة وإكمال الصيانة الوقائية.	

ملاحظة: إذا كان المؤشر يظهر باللون الأحمر، فتتحقق من مستويات الزيت، وتأكد من عدم وجود تسريبات في الملحقات. وتأكد أن جميع التوصيلات آمنة وأن الملحقات مناسبة للمهمة. ثم قم بإعادة التشغيل. إذا استمرت المشكلة، فأعد الأداة إلى أحد مراكز خدمة ميلواكي (MILWAUKEE).

تحذير اقرأ جميع تعليمات السلامة والإرشادات والشروح والبيانات المرفقة مع الجهاز. قد يؤدي عدم مراعاة التعليمات المدرجة أدناه إلى التعرض للإصابة بصدمة كهربية أو الحريق وأو إصابات خطيرة.

احفظ جميع التنبيهات والتعليمات للرجوع إليها مستقبلاً.

تعليمات السلامة

تم تطوير المضخات الهيدروليكية المصنعة من قبيل تكترونك إندستريز ش.ذ.م.م (Techtron Industries GmbH) للاستخدام مع رؤس التضمين والقطع والكبس. وبناءً على هذا الاستخدام المحدد، فهي غير مجهزة بنظام أمان لعدم رجوع الزيت.

لهذا السبب، قد يكون استعمالها في استخدامات مختلفة عن تلك الاستعمالات المقررة (على سبيل المثال مع الرافعات الهيدروليكية أو أنظمة الرفع أو ما شابه) خطيراً، وقد يؤدي إلى إصابات خطيرة للمشغل.

ولا تتحمل شركة تكترونك إندستريز ش.ذ.م.م أي مسؤولية عن استعمال مضخاتها الهيدروليكية في استخدامات مختلفة عن التضمين والقطع والكبس.

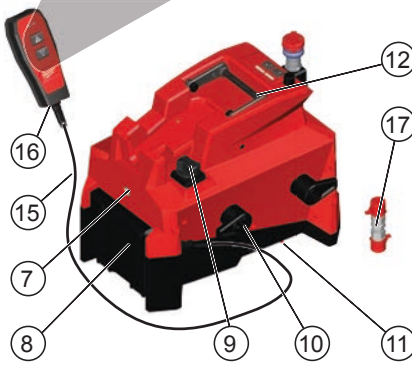
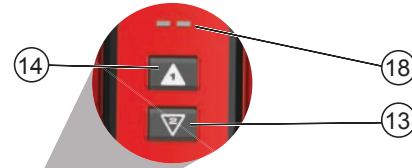
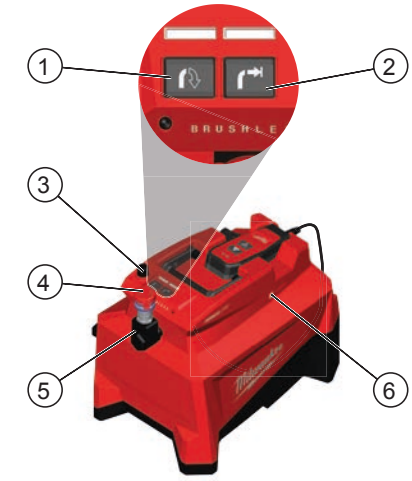
لا تُزد الضغط إذا كانت المضخة غير متصلة بالخرطوم المرن والرأس؛ لأن ذلك قد يتسبب في إتلاف قارنات التوصيل السريع الخاصة بالمضخة، مما يؤدي إلى تسرب الزيت.

وتخضع الخرطوم المرنة عالية الضغط لعملية تقادم طبيعية، مما قد يؤدي إلى انخفاض في كفاءة الأداء يمكن أن يؤثر على سلامة المشغل. ولذلك، فإن عمرها الافتراضي محدود. من أجل ضمان الاستخدام الآمن لوحداتها، توصي تكترونك إندستريز ش.ذ.م.م بضرورة استبدال الخرطوم الهيدروليكية بانتظام وفقاً لتعليمات الشركة الصانعة، حتى في حالة عدم وجود أضرار ظاهرة.

أبق المضخة والخرطوم المرن بعيداً عن النيران المكشوفة ومصادر الحرارة التي تزيد على 70°م.

قبل استخدام المضخة، تحقق دائماً من سلامة الخرطوم المرن وقارنات التوصيل السريع، مع التأكد من عدم وجود أي سحجات أو قطوع أو تشوهات أو نتوءات.





- وصف الجهاز**
- 1 زر وضع القطع
 - 2 زر وضع التغطيين
 - 3 زر تحرير الضغط اليدوي
 - 4 قارنة
 - 5 وصلة دوارة للفرانزة
 - 6 مؤشر مفتاح واحد
 - 7 خطر رؤية لخزان الزيت
 - 8 فتحة البطارية
 - 9 غطاء الزيت
 - 10 ملف السلك
 - 11 سداة التنفيس
 - 12 مقبض
 - 13 زر التراجع
 - 14 زر التقدم
 - 15 السلك
 - 16 وحدة التحكم عن بُعد
 - 17 مهائى
 - 18 مؤشر LED

M18 HUP700	البيانات الفنية مضخة هيدروليكية
4745 35 01... ... 000001-9999999	إنتاج عدد
2402-2480 MHz	نطاق تردد البلوتوث (نطاقات التردد)
1,8 dBm	أقصى قدرة للتردد العالي
4.0 BT signal mode	إصدار - البلوتوث
18 V	فولطية البطارية
700 bar	ضغط القوة الاسمي
IP54	فئة الحماية
34°	زاوية الميل القصوى
	معدل التدفق الاسمي
2,0 l/min	الضغط المنخفض
0,4 l/min	الضغط العالي
1,6 l	حجم الزيت الإجمالي
1,3 l	حجم الزيت المستهلك
16,0..., 16,5 kg	الوزن وفقاً لنهج EPTA رقم 01/2014 (Li-Ion 8,0 Ah...12,0 Ah)
-18°C ... +50°C	درجة حرارة البيئة المحيطة المنصوح بها من أجل التشغيل
M18B9 M18HB8 ... M18HB12	البطاريات المنصوح بها
M12-18..., M1418 C6	جهاز الشحن المنصوح به
معلومات الضوضاء	
القيم التي تم قياسها محددة وفقاً للمعايير الأوروبية EN 62841 مستويات ضوضاء الجهاز، تخرج أ بشكل نموذجي كالتالي:	
77,7 dB (A)	مستوى ضغط الصوت (الارتباب في القياس = 3 ديسيبل (A))
88,7 dB (A)	مستوى شدة الصوت (الارتباب في القياس = 3 ديسيبل (A))

تحذير

إن قيمة الضجيج المنبعث المذكورة في هذا المنشور تطابق المعايير التي تم قياسها في عملية اختبار أجريت تبعاً للمعايير الأوربية EN62841 ويمكن استخدامها لمقارنة أدوات العمل مع بعضها البعض. وهي مناسبة أيضاً للتقدير المؤقت ومدى التحمل.

القيمة المذكورة للضجيج المنبعث تعبر عن الضجيج الناتج من الاستخدامات الرئيسية للأداة. ولكن على أي حال إذا استخدمت الأداة في استخدامات أخرى أو مع مستلزمات مخالفة أو إذا لم يتم صيانتها بشكل كافي فقد تختلف قيمة الضجيج المنبعث. هذا يمكن أن يؤدي إلى ارتفاع مدى التحمل بشكل واضح في سائر وقت العمل.

للتقدير الدقيق لمعدل تحمل الضجيج ينبغي أيضاً مراعاة الأوقات التي يتم فيها إيقاف عمل الأداة أو التي تعمل فيها الأداة ولكن لا يتم استخدامها بالفعل. هذا يمكن أن يؤدي إلى انخفاض مدى التحمل بشكل واضح في سائر وقت العمل. حدد إجراءات وقاية إضافية لحماية المستخدم من تأثير الضوضاء مثل: صيانة الأداة والمستلزمات وتنظيم مسارات العمل.

Copyright 2019

Techtronic Industries GmbH
Max-Eyth-Straße 10
71364 Winnenden
Germany

+49 (0) 7195-12-0



EAC

()

4931 4258 79