

Milwaukee®

Nothing but **HEAVY DUTY**®



M18 ONEBLHPT

Original instructions
Originalbetriebsanleitung
Notice originale
Istruzioni originali
Manual original
Manual original
Oorspronkelijke
gebruiksaanwijzing
Original brugsanvisning
Original bruksanvisning
Bruksanvisning i original

Alkuperäiset ohjeet
Πρωτότυπο οδηγιών χρήσης
Orijinal işletme talimatı
Původním návodem k používání
Pôvodný návod na použitie
Instrukcją oryginalną
Eredeti használati utasítás
Izvirna navodila
Originalne pogonske upute
Instrukcijām oriēnālvairodā
Originali instrukcija

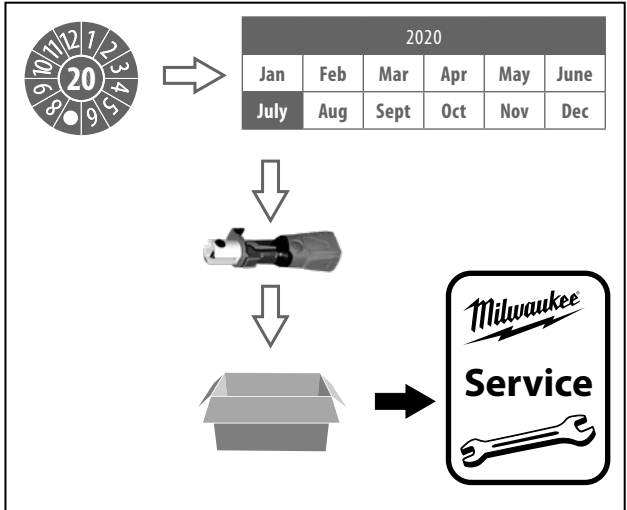
Algupärane kasutusjuhend
Оригинальное руководство
по эксплуатации
Оригинално ръководство за
експлоатация
Instrucțiuni de folosire originale
Оригинален прирачник за
работа
Оригінал інструкції з
експлуатації
التعليمات الأصلية

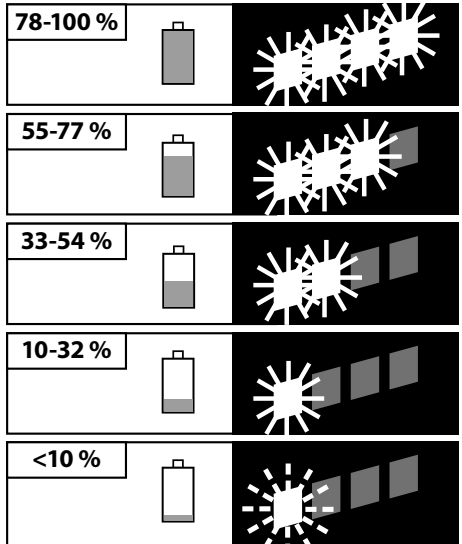
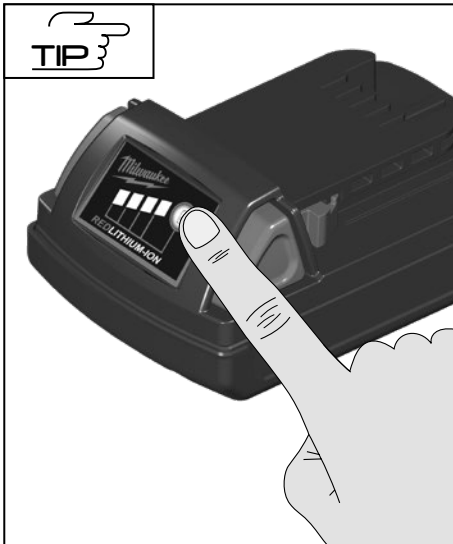
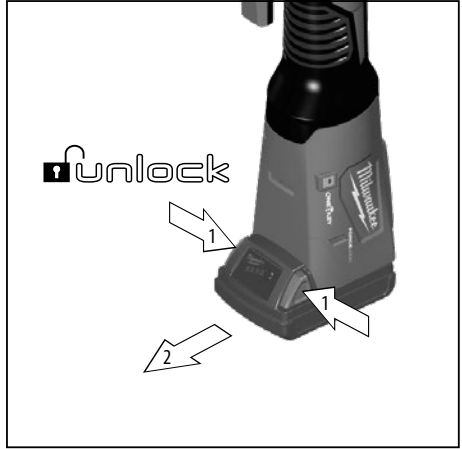
Technical Data, Safety Instructions, Specified Conditions of Use, Declaration of Conformity, Batteries, Maintenance, Symbols	Please read and save these instructions!	English	15
Technische Daten, Sicherheitshinweise, Bestimmungsgemäße Verwendung, CE-Konformitätserklärung, Akku, Wartung, Symbole	Bitte lesen und aufbewahren!	Deutsch	18
Caractéristiques techniques, Instructions de sécurité, Utilisation conforme aux prescriptions, Déclaration CE de Conformité, Accus, Entretien, Symboles	A lire et à conserver soigneusement	Français	21
Dati tecnici, Norme di sicurezza, Utilizzo conforme, Dichiarazione di Conformità CE, Batterie, Manutenzione, Simboli	Si prega di leggere e conservare le istruzioni!	Italiano	24
Datos técnicos, Instrucciones de seguridad, Aplicación de acuerdo a la finalidad, Declaración de Conformidad CE, Batería, Mantenimiento, Símbolos	Lea y conserve estas instrucciones por favor!	Español	27
Características técnicas, Instruções de segurança, Utilização autorizada, Declaração de Conformidade CE, Acumulador, Manutenção, Símbolo	Por favor leia e conserve em seu poder!	Português	30
Technische gegevens, Veiligheidsadviezen, Voorgescreven gebruik van het systeem, EC-Konformiteitsverklaring, Akku, Onderhoud, Symbolen	Lees en let goed op deze adviezen!	Nederlands	33
Tekniske data, Sikkerhedshenvisninger, Tiltænk formål, CE-Konformitetserklæring, Batteri, Vedligeholdelse, Symboler	Vær venlig at læse og opbevare!	Dansk	36
Tekniske data, Spesielle sikkerhetshenvisninger, Formålsmessig bruk, CE-Samsvarserklæring, Batterier, Vedlikehold, Symboler	Vennligst les og oppbevar!	Norsk	39
Tekniska data, Säkerhetsutrustning, Använd maskinen Enligt anvisningarna, CEFörsäkran, Batterier, Skötsel, Symboler	Läs igenom och spara!	Svenska	42
Tekniset arvot, Turvallisuusohjeet, Tarkoituksenmukainen käyttö, Todistus CE-standardin mukaisuudesta, Akku, Huolto, Symbolit	Lue ja säilytä!	Suomi	45
Τεχνικά στοιχεία, Ειδικές υποδείξεις ασφαλείας, Χρήση σύμφωνα με το σκοπό προοριζομένου, Δήλωση πιστότητας ΕΚ, Μπαταρίες, Συντήρηση, Σύμβολα.	Παρακαλούμε να τις διαβάσετε και να τις φυλάξετε!	Ελληνικά	48
Teknik veriler, Güvenliğiniz için talimatlar, Kullanım, CE uygunluk beyanice, Akü, Bakım, Semboller	Lütfen okuyun ve saklayın	Türkçe	51
Technická data, Speciální bezpečnostní upozornění, Oblast využití, Ce-prohlášení o shodě, Akumulátory, Údržba, Symboly	Po přečtení uschovejte	Česky	54
Technické údaje, Speciálne bezpečnostné pokyny, Použitie podľa a predpisov, CE-Vyhľadanie konformity, Akumulátory, Údržba, Symboly	Prosim prečítať a uschovať!	Slovensky	57
Dane techniczne, Specjalne zalecenia dotyczące bezpieczeństwa, Użytkowanie zgodne z przeznaczeniem, Świadcтво zgodności ce, Baterie Akumulatorowe, Utrzymanie, Symbole	Należy uważnie przeczytać i zachować do wglądu!	Polski	60
Műszaki adatok, Különleges biztonsági tudnivalók, Rendeltetésszerű használat, CE-azonossági nyilatkozat, Akuk, Karbantartás, Szimbólumok	Olvassa el és őrizze meg	Magyar	63
Tehnični podatki, Specialni varnostni napotki, Uporaba v skladu z namembnostjo, Ce-izjava o konformnosti, Akumulatorji, Vzdrževanje, Simboli	Prosim preberite in shranite!	Slovenščina	66
Tehnički podaci, Specijalne sigurnosne upute, Propisna upotreba, CE-Izjava konformnosti, Baterije, Održavanje, Simboli	Molimo pročitati i sačuvati	Hrvatski	69
Tehniskie dati, Speciālie drošības noteikumi, Noteikumiem atbilstošs izmantojums, Atbilstība CE normām, Akumulātori, Apkope, Simboli	Lūdzu, izlasīt un uzglabāt!	Latviski	72
Techniniai duomenys, Ypatingos saugumo nuorodos, Naudojimas pagal paskirti, CE Atitikties pareiškimas, Akumuliatoriai, Techninis aptarnavimas, Simboliai	Prašome perskaityti ir neišmesti!	Lietuviškai	75
Tehnilised andmed, Spetsiaalsed turvajuhised, Kasutamise vastavalt otstarbele, EÜ Vastavusavaldus, Akud, Hooldus, Sümbolid	Palun lugege läbi ja hoidke alal!	Eesti	78
Технические данные, Указания по безопасности, Использование, Декларация о соответствии стандартам ЕС, Аккумулятор, Обслуживание, Символы	Пожалуйста прочтите и сохраните эту инструкцию.	Русский	81
Технически данни, Специални указания за безопасност, Използване по предназначение, CE - Декларация за съответствие, Аккумулятори, Поддръжка, Символи	Моля прочетете и запазете!	Български	84
Date tehnice, Instrucțiuni de securitate, Condiții de utilizare specificate, Declarație de conformitate, Acumulatori, Întreținere, Simboluri	Va rugăm citiți și păstrați aceste instrucțiuni	Română	87
Технички податоци, Упатства за употреба, Специфицирани услови на употреба, EU- декларација за Сообразност, Батерии, Одржување, Символи	Ве молиме прочитајте го и чувајте го ова упатство!	Македонски	90
Технічні характеристики, Вказівки з Техніки Безпеки, Використання за призначенням, Сертифікат Відповідності Вимогам ЄС, Акумуляторні батареї, Обслуговування, Символи	Прочитайте та збережіть цю інструкцію.	Українська	93
البيانات الفنية، تعليمات السلامة، شروط الاستخدام المحددة، البطاريات، إعلان المطابقة - الاتحاد الأوروبي، الصيانة، الرموز	يرجى قراءة وحفظ هذه التعليمات!	العربية	98

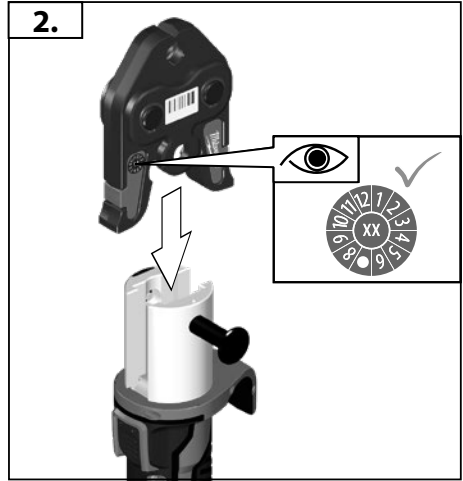
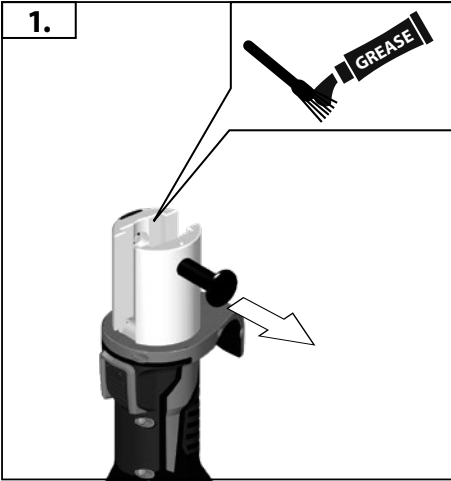
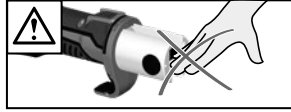
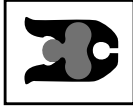
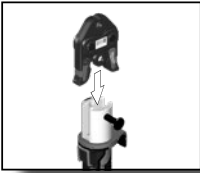


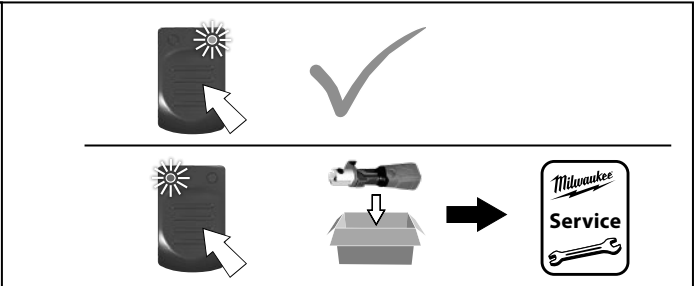
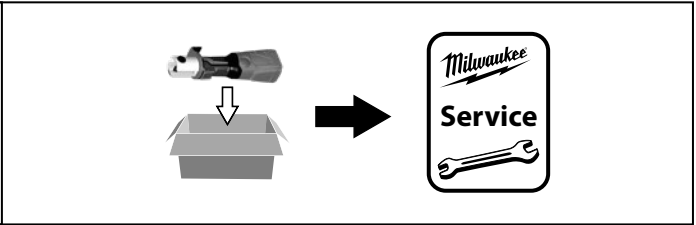
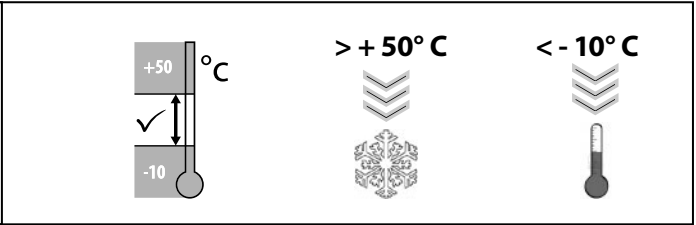
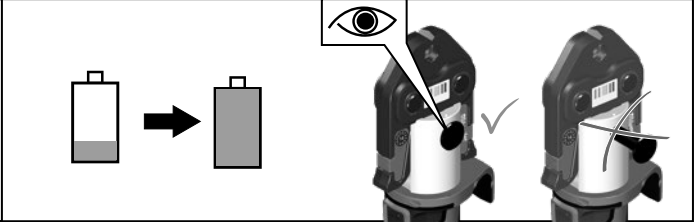


M18



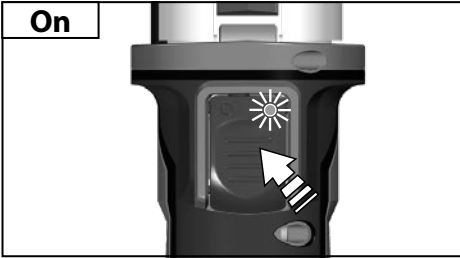








START
STOP

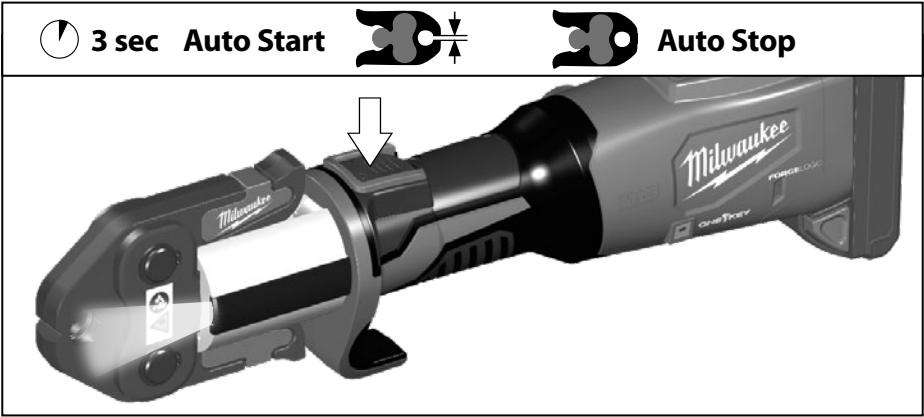


On



LED

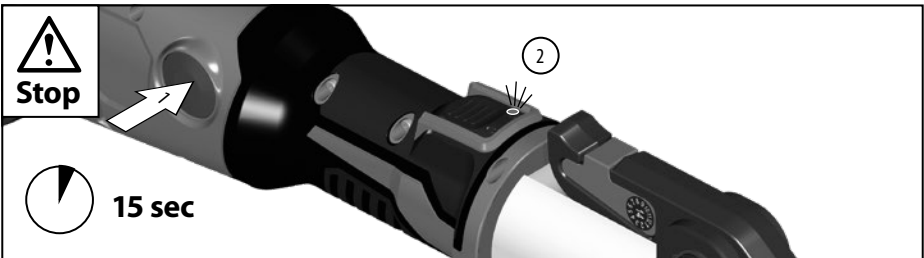
START
STOP



3 sec Auto Start



Auto Stop



Stop

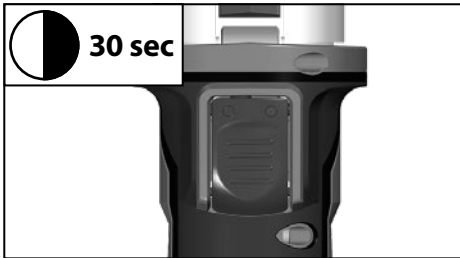
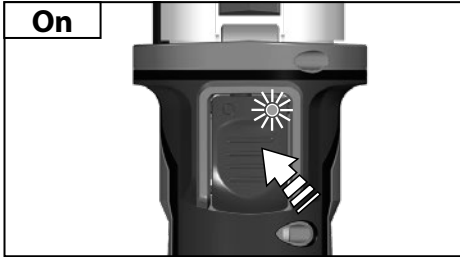


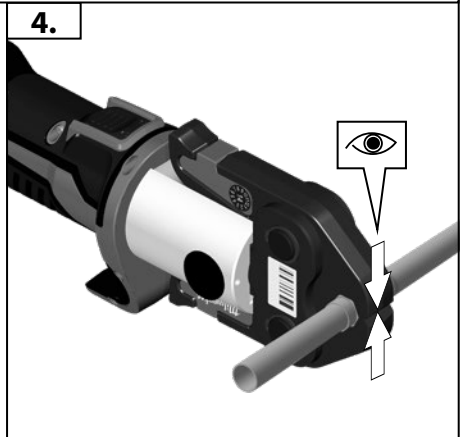
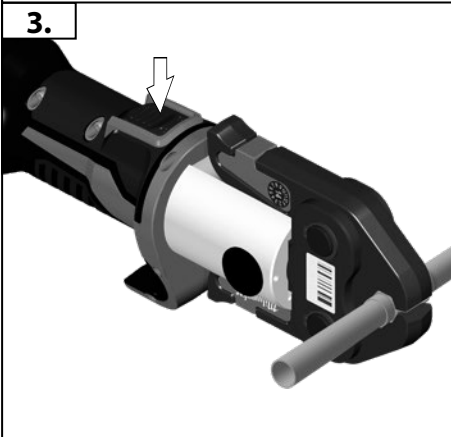
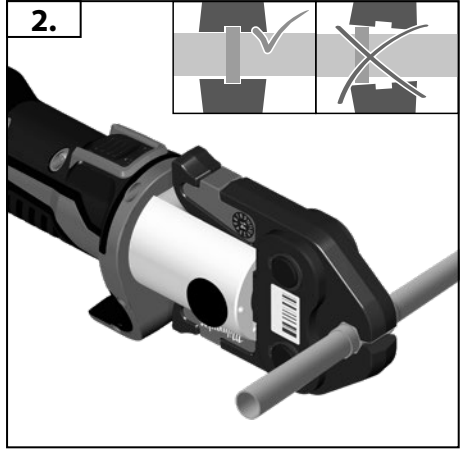
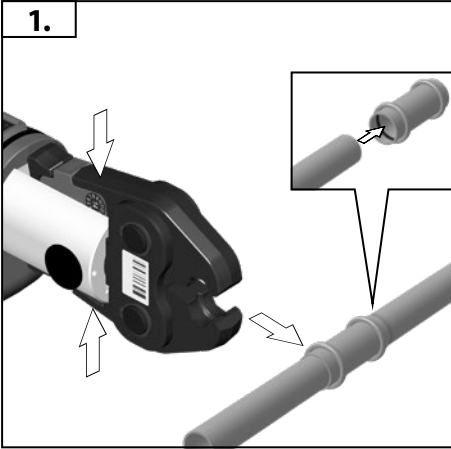
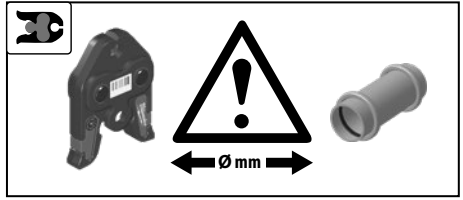
15 sec

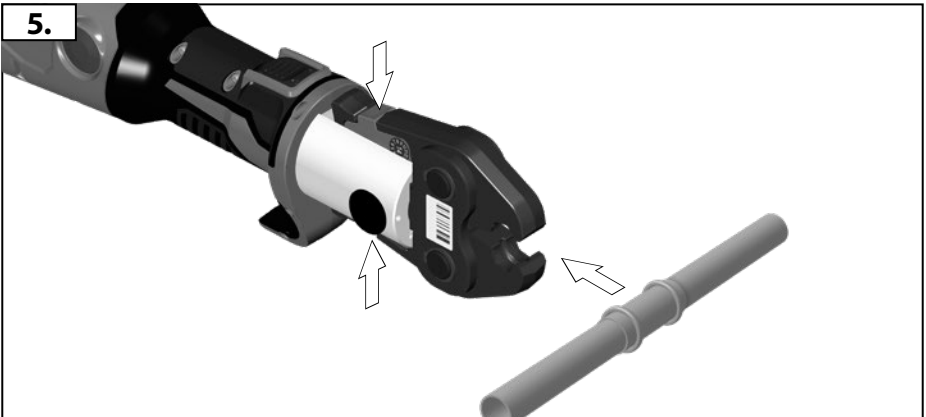
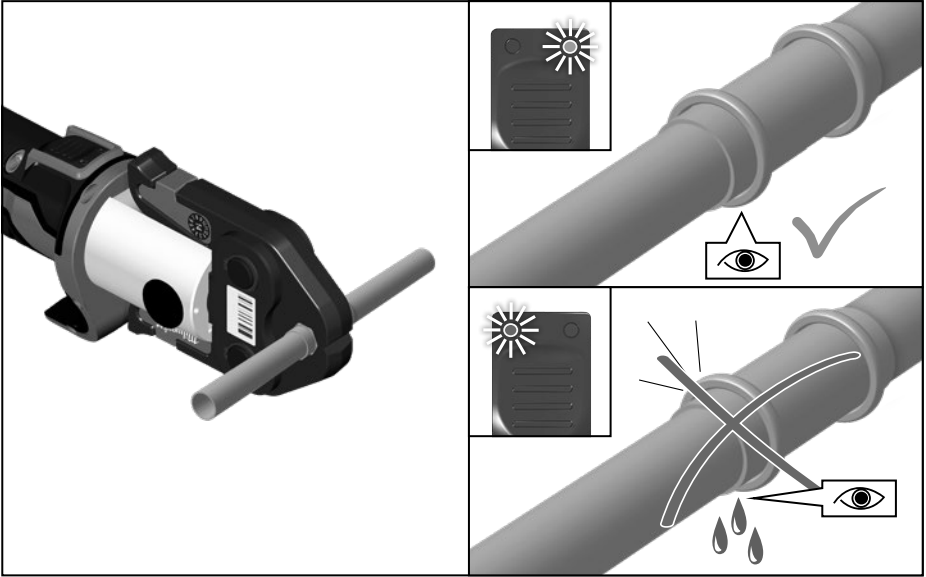
2

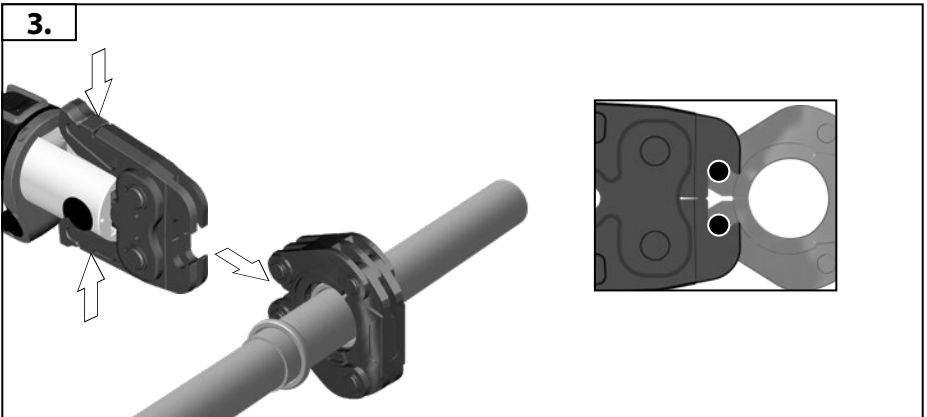
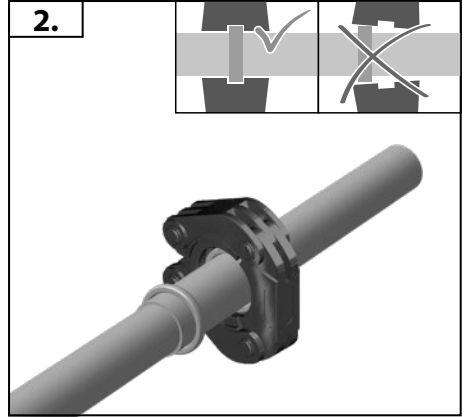
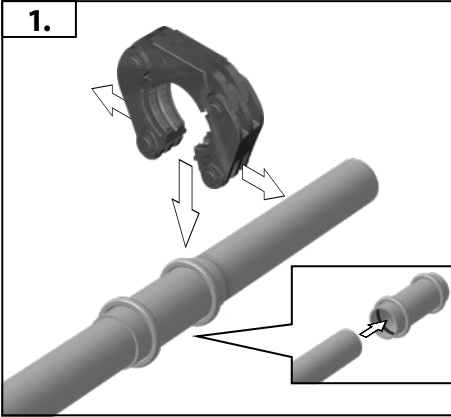
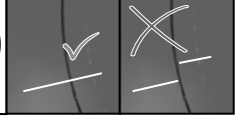
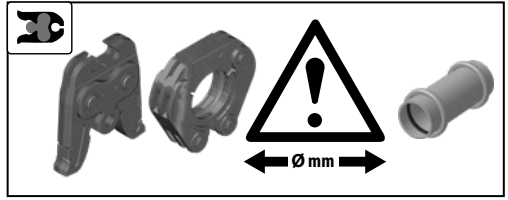
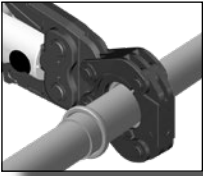


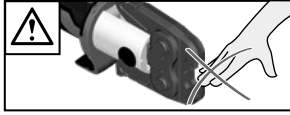
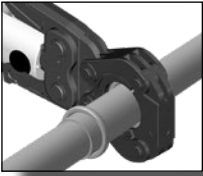
START
STOP
≡











VI

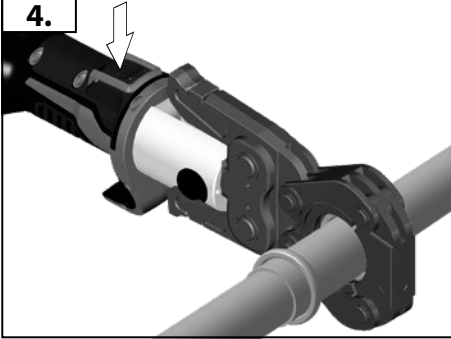


3 sec Auto Start

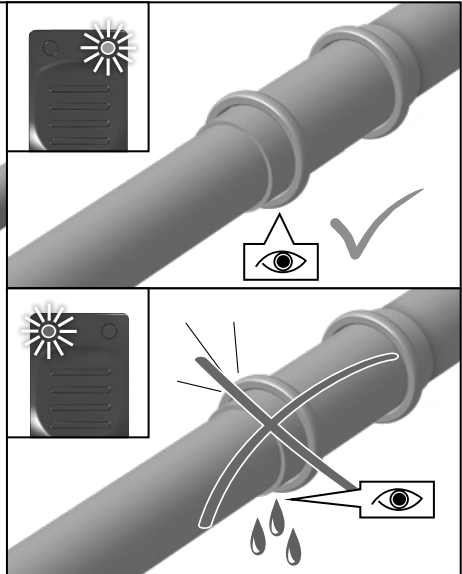
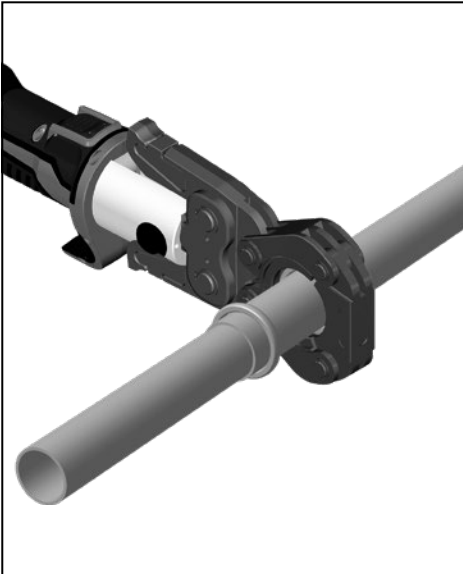
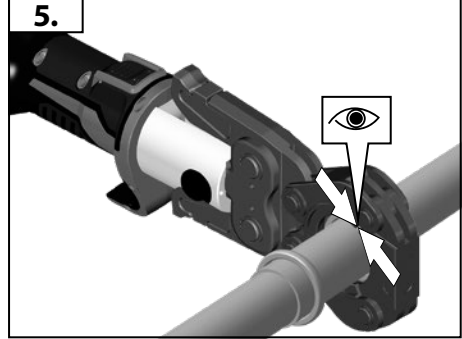


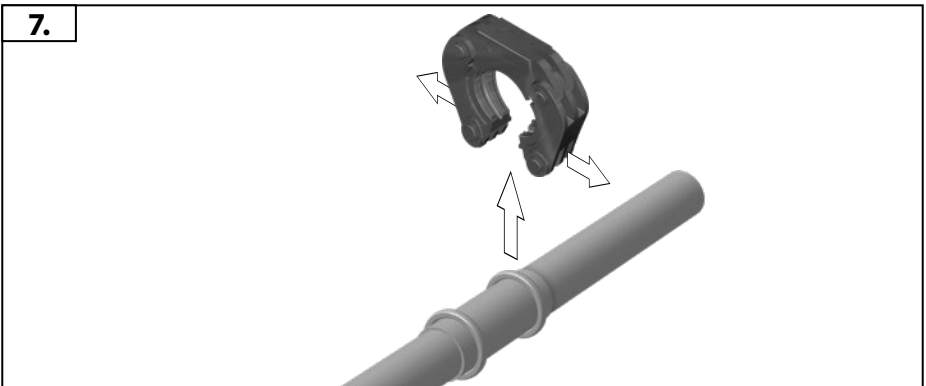
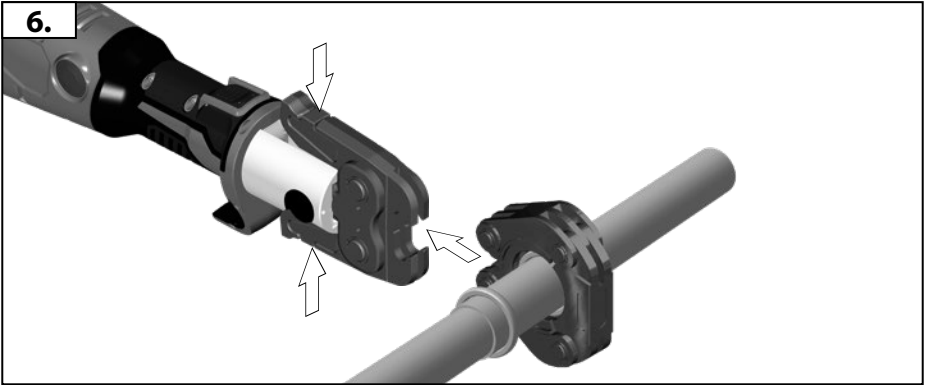
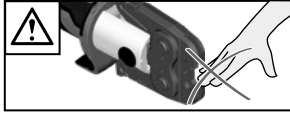
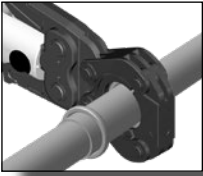
Auto Stop

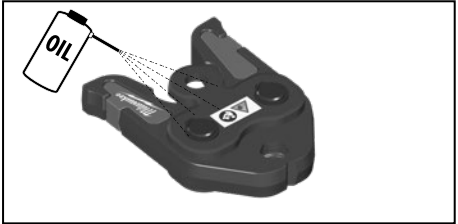
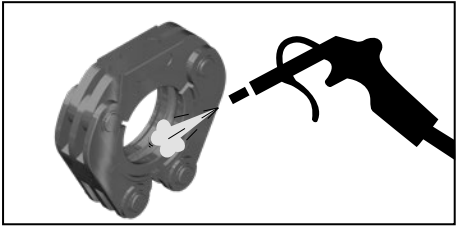
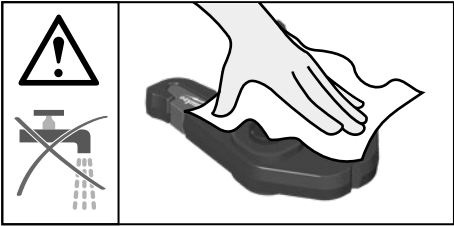
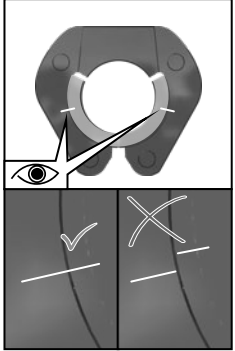
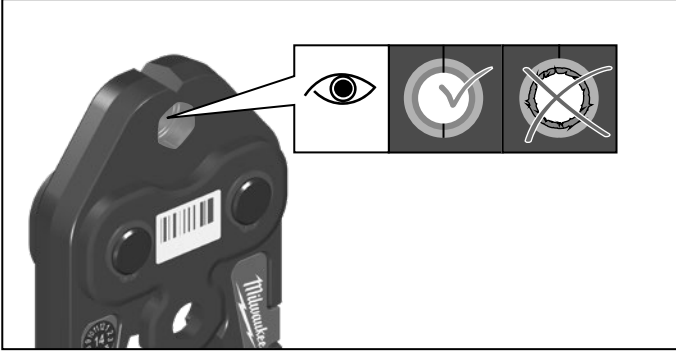
4.

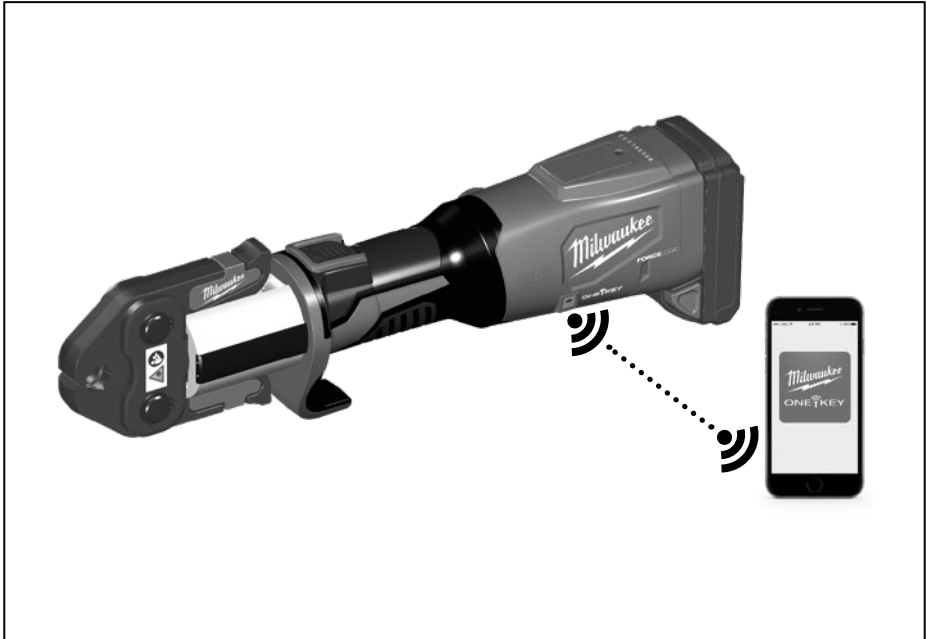


5.



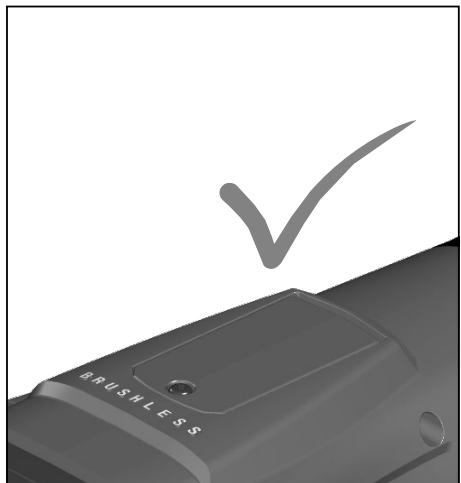
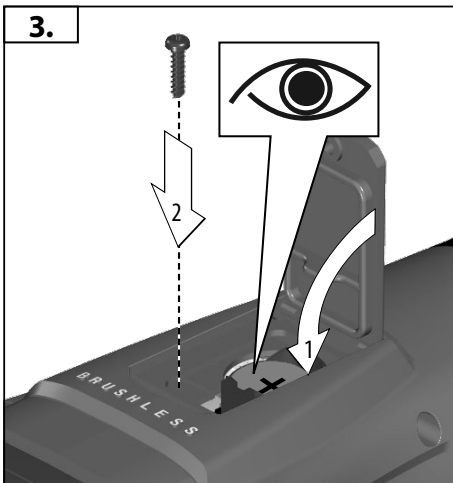
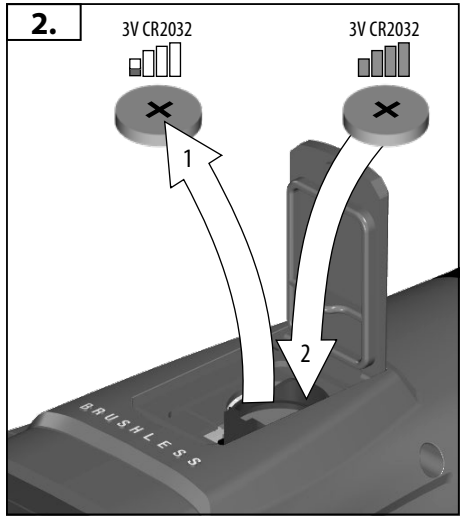
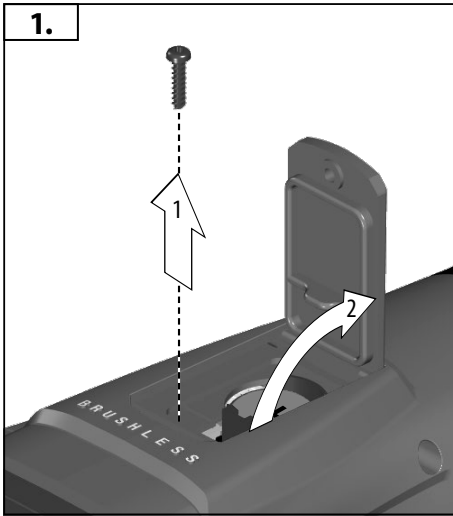








ONE KEY
VIII



TECHNICAL DATA Press device	M18 ONEBLHPT
Production code	4777 60 02 000001-999999
Frequency band(s) of Bluetooth	2402 - 2480 MHz
Radio-frequency power	1,8 dBm
Bluetooth version	4.2 BT signal mode
Battery voltage	18 V
Power consumption	450 W
Nominal force	32 kN
Compression range: Ø Plastics & Composite pipes Ø Metal until	63 mm (110 mm) 54 mm (108 mm) dep. on system
Weight according EPTA-Procedure 01/2014 (Li-Ion 2,0 Ah ... 12,0 Ah)	2,9 ... 3,9 kg
Weight (M18 ONEBLHPT / Li-Ion 2.0 Ah / J18-Th14)	4,7 kg
Noise information Measured values determined according to EN 60745. Typically, the A-weighted noise levels of the tool are:	
Sound pressure level (Uncertainty K=3dB(A))	75 dB (A)
Sound power level (Uncertainty K=3dB(A))	86 dB (A)
Wear ear protectors!	
Vibration information Vibration total values (triaxial vector sum) determined according to EN 60745	
Vibration emission value a_{rh}	<2,5 m/s ²
Uncertainty K=	1,5 m/s ²

WARNING!

The vibration and noise emission level given in this information sheet has been measured in accordance with a standardized test given in EN 60745 and may be used to compare one tool with another. It may be used for a preliminary assessment of exposure.

The declared vibration and noise emission level represents the main applications of the tool. However if the tool is used for different applications, with different accessories or poorly maintained, the vibration and noise emission may differ. This may significantly increase the exposure level over the total working period.

An estimation of the level of exposure to vibration and noise should also take into account the times when the tool is switched off or when it is running but not actually doing the job. This may significantly reduce the exposure level over the total working period.

Identify additional safety measures to protect the operator from the effects of vibration and/or noise such as: maintain the tool and the accessories, keep the hands warm, organization of work patterns.



WARNING Read all safety warnings and all instructions. Failure to follow the warnings and instructions may result in electric shock, fire and/or serious injury.

Save all warnings and instructions for future reference.



PRESS DEVICE SAFETY WARNINGS

Use protective equipment. Always wear goggles when using the machine. The use of protective clothing is recommended, such as dust mask, protective gloves, sturdy non-slip footwear, helmet and ear defenders.

Never hold your fingers or other body parts in the working area of the cylinder or the press jaws.

Do not hold the jaw levers with your hands during the pressing operation.

Press tools and press devices must only be used by trained personnel.

Check the press tools and press devices for cracks and other signs of wear before each use.

Only use press tools and press devices that are in perfect technical condition.

Have damage repaired immediately by an authorised workshop.

The machine may only be used with a press jaw inserted into it.

In the event of problems during the pressing process, press the Emergency Stop button immediately and release the ON switch. The valve will open and the piston will return to its initial position.

Compliance with the specified service work and service intervals is mandatory.

Remove the battery pack before starting any work on the appliance.

WORKING INSTRUCTIONS

Use only system-compatible press fittings and press jaws designed for them.

Consult the documents provided by the system supplier for handling and assembly instructions for fittings and pipes.

Check whether the nominal width of the press fitting corresponds to the nominal width of the press jaws.

Make sure that the press jaw is fully closed when pressing is complete.

Imperfect pipe joints must be compressed again using a new fitting.

After finishing the work, check the installation with appropriate testing equipment and assure that it is leakproof!

The press device is not suitable for continuous operation. Following 30 minutes of continuous operation, a short break of at least 15 minutes must be taken to allow the device to cool down.

SPECIFIED CONDITIONS OF USE

The devices and the press jaws are designed exclusively for the press-fitting of pipes and fittings for which the relevant press jaws are intended.

These press devices are intended exclusively for use with press jaws approved by Milwaukee in agreement with the system supplier.

ONE-KEY™

To learn more about the ONE-KEY functionality of this device, please refer to the Quick Start guide included with this product or go to <http://www.milwaukee.com/one-key>

To download the ONE-KEY app, visit the App Store or Google Play from your smart device.

We considered the result to be within our minimum acceptable performance level according to EN 301 489-1/ EN 301 489-17.



BATTERIES

Battery packs which have not been used for some time should be recharged before use.

Temperatures in excess of 50°C (122°F) reduce the performance of the battery pack. Avoid extended exposure to heat or sunshine (risk of overheating).

The contacts of chargers and battery packs must be kept clean.

For an optimum life-time, the battery packs have to be fully charged, after use.

To obtain the longest possible battery life remove the battery pack from the charger once it is fully charged.

For battery pack storage longer than 30 days:

Store the battery pack where the temperature is below 27°C and away from moisture. Store the battery packs in a 30% - 50% charged condition. Every six months of storage, charge the pack as normal.

Do not dispose of used battery packs in the household refuse or by burning them. Milwaukee Distributors offer to retrieve old batteries to protect our environment.

Do not store the battery pack together with metal objects (short circuit risk).

Use only System M18 chargers for charging System M18 battery packs. Do not use battery packs from other systems.

Never break open battery packs and chargers and store only in dry rooms. Keep dry at all times.

Battery acid may leak from damaged batteries under extreme load or extreme temperatures. In case of contact with battery acid wash it off immediately with soap and water. In case of eye contact rinse thoroughly for at least 10 minutes and immediately seek medical attention.

No metal parts must be allowed to enter the battery section of the charger (short circuit risk).

TRANSPORTING LITHIUM BATTERIES

Lithium-ion batteries are subject to the Dangerous Goods Legislation requirements.

Transportation of those batteries has to be done in accordance with local, national and international provisions and regulations.

The user can transport the batteries by road without further requirements.

Commercial transport of Lithium-Ion batteries by third parties is subject to Dangerous Goods regulations. Transport preparation and transport are exclusively to be carried out by appropriately trained persons and the process has to be accompanied by corresponding experts.

When transporting batteries:

Ensure that battery contact terminals are protected and insulated to prevent short circuit. Ensure that battery pack is secured against movement within packaging. Do not transport batteries that are cracked or leak. Check with forwarding company for further advice.

MAINTENANCE

Check that the press jaw and drive rolls move freely.

Clean and grease the press drives, locking bolts and cutting jaws when you have finished work.

Service and repair work may only be carried out by authorised specialist workshops.

The device contains hydraulic fluid. Hydraulic fluids pose a hazard to groundwater. Uncontrolled draining or improper disposal is punishable by law.

The next service deadline is indicated on the press device. This service must be performed at least every 2 years or at the latest when the LED display indicates that a service is due.

Replace worn press tools.

The ventilation slots of the machine must be kept clear at all times.

Use only Milwaukee accessories and Milwaukee spare parts. Should components need to be replaced which have not been described, please contact one of our Milwaukee service agents (see our list of guarantee/service addresses).

If needed, an exploded view of the tool can be ordered. Please state the Article No. as well as the machine type printed on the label and order the drawing at your local service agents or directly at: Techtronic Industries GmbH, Max-Eyth-Straße 10, 71364 Winnenden, Germany.

EC-DECLARATION OF CONFORMITY

We declare under our sole responsibility that the product described under "Technical Data" fulfills all the relevant provisions of the directives

2011/65/EU (RoHS)

2006/42/EC

2014/53/EU

and the following harmonized standards have been used

EN 62368-1:2014+AC:2015+A11:2017

EN 60745-1:2009+A11:2011

EN ISO 12100:2010

EN 55014-1:2017+A11:2020

EN 55014-2:2015

EN 301 489-1 V2.2.3

EN 301 489-17 V3.2.4

EN 300 328 V2.2.2

EN 62479:2010

EN IEC 63000:2018



Winnenden, 2021-07-16

Alexander Krug / Managing Director

Authorized to compile the technical file

Techtronic Industries GmbH

Max-Eyth-Straße 10, 71364 Winnenden, Germany

GB-DECLARATION OF CONFORMITY

We declare as the manufacturer under our sole responsibility that the product described under „Technical Data“ fulfills all the relevant provisions of the following Regulations
S.I. 2012/3032 (as amended), S.I. 2008/1597 (as amended),
S.I. 2017/1206 (as amended) and that the following designated standards have been used:

BS EN 62368-1:2014+A11:2017
BS EN 60745-1:2009+A11:2010
BS EN ISO 12100:2010
BS EN 55014-1:2017+A11:2020
BS EN 55014-2:2015
EN 301 489-1 V2.2.3
EN 301 489-17 V3.2.4
EN 300 328 V2.2.2
BS EN 62479:2010
BS EN IEC 63000:2018

Winnenden, 2021-07-16



Alexander Krug / Managing Director
Authorized to compile the technical file
Techtronic Industries GmbH
Max-Eyth-Straße 10, 71364 Winnenden, Germany

SYMBOLS



Please read the instructions carefully before starting the machine.



CAUTION! WARNING! DANGER!



Remove the battery pack before starting any work on the appliance.



WARNING!
Risk of injury from ejected fragments



Warning! Danger of crushing!



Accessory - Not included in standard equipment, available as an accessory.



Always wear goggles when using the machine.



Service label



This device contains a button-type/coin cell lithium battery.



Do not dispose of electric tools together with household waste material. Electric tools and electronic equipment that have reached the end of their life must be collected separately and returned to an environmentally compatible recycling facility. Check with your local authority or retailer for recycling advice and collection point.



European Conformity Mark



British Conformity Mark



Ukraine Conformity Mark



EurAsian Conformity Mark





TECHNISCHE DATEN Pressgerät	M18 ONEBLHT
Produktionsnummer	4777 60 02 000001-999999
Bluetooth-Frequenzband (Frequenzbänder)	2402 - 2480 MHz
Hochfrequenzleistung	1,8 dBm
Bluetooth-Version	4.2 BT signal mode
Spannung Wechselakku	18 V
Leistungsaufnahme	450 W
Nennkraft	32 kN
Pressbereich: Ø Kunststoff & Mehrschicht- Verbundrohre Ø Metall bis	63 mm (110 mm) 54 mm (108 mm) systemabhängig
Gewicht nach EPTA-Prozedur 01/2014 (Li-Ion 2,0 Ah ... 12,0 Ah)	2,9 ... 3,9 kg
Gewicht (M18 ONEBLHT / Li-Ion 2.0 Ah / J18-Th14)	4,7 kg
Geräuschinformation Messwerte ermittelt entsprechend EN 60745. Der A-bewertete Geräuschpegel des Gerätes beträgt typischerweise:	
Schalldruckpegel (Unsicherheit K=3dB(A))	75 dB (A)
Schalleistungspegel (Unsicherheit K=3dB(A))	86 dB (A)
Gehörschutz tragen!	
Vibrationsinformationen Schwingungsgesamtwerte (Vektorsumme dreier Richtungen) ermittelt entsprechend EN 60745.	
Schwingungsemissionswert a_h	<2,5 m/s ²
Unsicherheit K=	1,5 m/s ²

WARNUNG!

Die angegebenen Schwingungsgesamtwerte und Geräuschemissionswerte wurden nach einem genormten Messverfahren gemäß EN 60745 gemessen und können für den Vergleich von Elektrowerkzeugen miteinander verwendet werden. Sie können für eine vorläufige Einschätzung der Belastung verwendet werden.

Der angegebene Schwingungs- und Geräuschemissionspegel repräsentiert die hauptsächlichsten Anwendungen des Elektrowerkzeugs. Wenn allerdings das Elektrowerkzeug für andere Anwendungen, mit abweichenden Einsatzwerkzeugen oder ungenügender Wartung eingesetzt wird, können sich die Schwingungs- und Geräuschemissionen unterscheiden. Dies kann deren Wirkung über den gesamten Arbeitszeitraum deutlich erhöhen.

Bei der Abschätzung der Belastung durch Schwingungen und Lärm sollten auch die Zeiten berücksichtigt werden, in denen das Elektrowerkzeug ausgeschaltet ist oder zwar läuft, aber keine tatsächliche Arbeit verrichtet wird. Dies kann deren Wirkung über den gesamten Arbeitszeitraum deutlich reduzieren.

Legen Sie zusätzliche Sicherheitsmaßnahmen zum Schutz des Bedieners vor den Auswirkungen von Schwingungen- und / oder Lärm fest, wie z. B.: Wartung des Werkzeugs und des Zubehörs, Warmhalten der Hände, Organisation der Arbeitsabläufe.



WARNUNG Lesen Sie alle Sicherheitshinweise und Anweisungen. Versäumnisse bei der Einhaltung der Sicherheitshinweise und Anweisungen können elektrischen Schlag, Brand und/oder schwere Verletzungen verursachen.
Bewahren Sie alle Sicherheitshinweise und Anweisungen für die Zukunft auf.



SICHERHEITSHINWEISE FÜR PRESSGERÄTE

Schutzausrüstung verwenden. Beim Arbeiten mit der Maschine stets Schutzbrille tragen. Schutzkleidung wie Staubschutzmaske, Schutzhandschuhe, festes und rutschsicheres Schuhwerk, Helm und Gehörschutz werden empfohlen.

Halten Sie niemals Finger oder andere Körperteile in den Arbeitsbereich des Zylinders und der Pressbacken.

Halten Sie die Backenhebel während des Pressvorgangs nicht mit den Händen fest.

Presswerkzeug und Presseinsätze dürfen nur von einer Fachkraft verwendet werden.

Vor jedem Gebrauch die Presswerkzeuge und Pressgeräte auf Risse und sonstige Verschleißerscheinungen prüfen.

Presswerkzeuge und Pressgeräte nur in technisch einwandfreiem Zustand verwenden.

Beschädigungen sofort von einer autorisierten Fachwerkstatt reparieren lassen.

Das Gerät darf nur mit eingesetzter Pressbacke verwendet werden.

Drücken Sie bei Störungen während des Pressvorgangs sofort den Gefahrenschalter und lassen Sie den EIN-Schalter los. Das Ventil öffnet und der Kolben fährt in die Ausgangsposition zurück.

Wartung und Wartungsintervalle zwingend einhalten.

Vor allen Arbeiten am Gerät den Wechselakku herausnehmen.

ARBEITSHINWEISE

Nur systemkonforme Pressfittings sowie dafür ausgelegte Pressbacken verwenden.

Entnehmen Sie die Verarbeitungs- und Montageanweisungen für Fitting oder Rohre den Unterlagen des Systemanbieters.

Prüfen Sie, ob die Nennweite des Pressfittings mit der Nennweite der Pressbacke übereinstimmt.

Nach vollendeter Verpressung darauf achten, dass die Pressbacke vollständig geschlossen ist.

Nicht korrekte Rohrverbindungen müssen Sie mit einem neuen Fitting nochmals verpressen.

Prüfen Sie nach Beendigung der Installationsarbeiten das Rohrsystem mit entsprechend geeigneten Prüfmitteln auf Dichtheit.

Das Pressgerät ist nicht für den Dauerbetrieb geeignet. Nach 30 Minuten ununterbrochenem Betrieb muss eine kurze Pause von mindestens 15 Minuten eingelegt werden, damit das Gerät abkühlen kann.

BESTIMMUNGSGEMÄSSE VERWENDUNG

Die Pressgeräte und die Pressbacken dürfen ausschließlich zum Verpressen von Rohren und Fittings, für die die entsprechenden Pressbacken vorgesehen sind, verwendet werden.

Die Pressgeräte sind ausschließlich für den Einsatz von Pressbacken vorgesehen, die von Milwaukee in Übereinstimmung mit dem Systemanbieter als geeignet erklärt werden.

ONE-KEY™

Um mehr über die ONE-KEY Funktionalität dieses Gerätes zu erfahren, lesen Sie die beiliegende Schnellstartanleitung oder besuchen Sie uns im Internet unter <http://www.milwaukeeetool.com/one-key>

Sie können die ONE-KEY App über den App Store oder Google Play auf Ihr Smartphone herunterladen.

Das Prüfergebnis erfüllt unsere Mindestanforderungen nach EN 301 489-1 / EN 301 489-17.

AKKUS

Längere Zeit nicht benutzte Wechselakkus vor Gebrauch nachladen. Eine Temperatur über 50°C vermindert die Leistung des Wechselakkus. Längere Erwärmung durch Sonne oder Heizung vermeiden.

Die Anschlusskontakte an Ladegerät und Wechselakku sauber halten.

Für eine optimale Lebensdauer müssen nach dem Gebrauch die Akkus voll geladen werden.

Für eine möglichst lange Lebensdauer sollten die Akkus nach dem Aufladen aus dem Ladegerät entfernt werden.

Bei Lagerung des Akkus länger als 30 Tage: Akku bei ca. 27°C und trocken lagern. Akku bei ca. 30%-50% des Ladezustandes lagern. Akku alle 6 Monate erneut aufladen.

Verbrauchte Wechselakkus nicht ins Feuer oder in den Hausmüll werfen. Milwaukee bietet eine umweltgerechte Alt-Wechselakku-Entsorgung an; bitte fragen Sie Ihren Fachhändler.

Wechselakkus nicht zusammen mit Metallgegenständen aufbewahren (Kurzschlussgefahr).

Wechselakkus des Systems M18 nur mit Ladegeräten des Systems M18 laden. Keine Akkus aus anderen Systemen laden.

Wechselakkus und Ladegeräte nicht öffnen und nur in trockenen Räumen lagern. Vor Nässe schützen.

Unter extremer Belastung oder extremer Temperatur kann aus beschädigten Wechselakkus Batterieflüssigkeit auslaufen. Bei Berührung mit Batterieflüssigkeit sofort mit Wasser und Seife abwaschen. Bei Augenkontakt sofort mindestens 10 Minuten gründlich spülen und unverzüglich einen Arzt aufsuchen.

In den Wechselakku-Einschubschacht der Ladegeräte dürfen keine Metallteile gelangen (Kurzschlussgefahr).

TRANSPORT VON LITHIUM-IONEN-AKKUS

Lithium-Ionen-Akkus fallen unter die gesetzlichen Bestimmungen zum Gefahrguttransport.

Der Transport dieser Akkus muss unter Einhaltung der lokalen, nationalen und internationalen Vorschriften und Bestimmungen erfolgen.

Verbraucher dürfen diese Akkus ohne Weiteres auf der Straße transportieren.

Der kommerzielle Transport von Lithium-Ionen-Akkus durch Speditionsunternehmen unterliegt den Bestimmungen des Gefahrguttransports. Die Versandvorbereitungen und der Transport dürfen ausschließlich von entsprechend geschulten Personen durchgeführt werden. Der gesamte Prozess muss fachmännisch begleitet werden.

Folgende Punkte sind beim Transport von Akkus zu beachten: Stellen Sie sicher, dass die Kontakte geschützt und isoliert sind, um Kurzschlüsse zu vermeiden.

Achten Sie darauf, dass der Akkupack innerhalb der Verpackung nicht verrutschen kann. Beschädigte oder auslaufende Akkus dürfen nicht transportiert werden. Wenden Sie sich für weitere Hinweise an Ihr Speditionsunternehmen.

WARTUNG

Leichtgängigkeit der Pressbacken und der Pressrollen überprüfen.

Nach Beendigung der Arbeiten Pressrollen, Riegel und Schneidbacken reinigen und fetten.

Wartungs- und Reparaturarbeiten dürfen nur durch autorisierte Fachwerkstätten ausgeführt werden.

Das Gerät enthält Hydrauliköl, welches eine Gefahr für das Grundwasser darstellt. Unkontrolliertes Ablassen oder unsachgemäße Entsorgung steht unter Strafe.

Auf dem Pressgerät wird die nächste Wartung angegeben. Diese Wartung muss mindestens alle 2 Jahre durchgeführt werden oder spätestens, wenn dies die LED-Anzeige signalisiert.

Abgenutzte Presswerkzeuge tauschen.

Stets die Lüftungsschlitze der Maschine sauber halten.

Nur Milwaukee Zubehör und Milwaukee Ersatzteile verwenden. Bauteile, deren Austausch nicht beschrieben wurde, bei einer Milwaukee Kundendienststelle auswechseln lassen (Broschüre Garantie/Kundendienstadressen beachten).

Bei Bedarf kann eine Explosionszeichnung des Gerätes unter Angabe der Maschinen Type und der sechsstelligen Nummer auf dem Leistungsschild bei Ihrer Kundendienststelle oder direkt bei Techtronic Industries GmbH, Max-Eyth-Straße 10, 71364 Winnenden, Germany angefordert werden.

CE-KONFORMITÄTSERKLÄRUNG

Wir erklären in alleiniger Verantwortung, dass das unter „Technische Daten“ beschriebene Produkt mit allen relevanten Vorschriften der Richtlinien

2011/65/EU (RoHS)

2006/42/EG

2014/53/EU

und den folgenden harmonisierten normativen Dokumenten übereinstimmt

EN 62368-1:2014+AC:2015+A11:2017

EN 60745-1:2009+A11:2011

EN ISO 12100:2010

EN 55014-1:2017+A11:2020

EN 55014-2:2015

EN 301 489-1 V2.2.3

EN 301 489-17 V3.2.4

EN 300 328 V2.2.2

EN 62479:2010

EN IEC 63000:2018



Winnenden, 2021-07-16

Alexander Krug / Managing Director

Bevollmächtigt die technischen Unterlagen zusammenzustellen.

Techtronic Industries GmbH

Max-Eyth-Straße 10, 71364 Winnenden, Germany



SYMBOLS



Bitte lesen Sie die Gebrauchsanweisung vor Inbetriebnahme sorgfältig durch.



ACHTUNG! WARNUNG! GEFAHR!



Vor allen Arbeiten am Gerät den Wechselakku herausnehmen.



WARNUNG!
Verletzungsgefahr durch wegfliegende Bruchstücke



Warnung! Quetschgefahr



Zubehör - Im Lieferumfang nicht enthalten, empfohlene Ergänzung aus dem Zubehörprogramm.



Beim Arbeiten mit der Maschine stets Schutzbrille tragen.



Wartungsaufkleber



Dieses Gerät enthält eine Lithium Knopf-/ Münzellenbatterie.



Elektrogeräte dürfen nicht zusammen mit dem Hausmüll entsorgt werden. Elektrische und elektronische Geräte sind getrennt zu sammeln und zur umweltgerechten Entsorgung bei einem Verwertungsbetrieb abzugeben. Erkundigen Sie sich bei den örtlichen Behörden oder bei Ihrem Fachhändler nach Recyclinghöfen und Sammelstellen.



Europäisches Konformitätszeichen



Britisches Konformitätszeichen



Ukrainisches Konformitätszeichen



Euroasiatisches Konformitätszeichen

CARACTÉRISTIQUES TECHNIQUES	
Appareil de pressage	
Numéro de série	4777 60 02 000001-999999
Bande (bandes) de fréquence Bluetooth	2402 - 2480 MHz
Puissance à haute fréquence	1,8 dBm
Version Bluetooth	4.2 BT signal mode
Tension accu interchangeable	18 V
Puissance absorbée	450 W
Force nominale	32 kN
Zone de pressage: Ø Matières plastiques & Tuyaux composites Ø Métal jusqu'au	63 mm (110 mm) 54 mm (108 mm) selon l'appareil
Poids suivant EPTA-Procédure 01/2014 (Li-Ion 2,0 Ah ... 12,0 Ah)	2,9 ... 3,9 kg
Poids (M18 ONEBLHPT / Li-Ion 2.0 Ah / J18-Th14)	4,7 kg
Informations sur le bruit	
Valeurs de mesure obtenues conformément à la EN 60745. Les mesures réelles (des niveaux acoustiques de l'appareil) sont :	
Niveau de pression acoustique (Incertitude K=3dB(A))	75 dB (A)
Niveau d'intensité acoustique (Incertitude K=3dB(A))	86 dB (A)
Toujours porter une protection acoustique!	
Informations sur les vibrations	
Valeurs totales des vibrations (somme vectorielle de trois sens) établies conformément à EN 60745.	
Valeur d'émission vibratoire a_h	<2,5 m/s ²
Incertitude K=	1,5 m/s ²

AVERTISSEMENT!

Le niveau de vibration et d'émissions sonores indiqué dans cette fiche de données a été mesuré en respect d'une méthode standard de test selon la norme EN 60745 et peut être utilisé pour comparer les outils entre eux. Il peut être utilisé pour évaluation préliminaire de l'exposition.

Le niveau de vibration et d'émissions sonores déclaré correspond à l'application principale de l'outil. Cependant, si l'outil est utilisé pour des applications différentes, avec différents accessoires ou est mal entretenu, les vibrations et les émissions sonores peuvent différer. Cela peut augmenter considérablement le niveau d'exposition au cours de la période de travail totale.

Une estimation du niveau d'exposition aux vibrations et au bruit devrait également tenir compte des temps d'arrêt de l'outil ou des périodes où il est en marche mais n'effectue pas réellement le travail. Cela peut réduire considérablement le niveau d'exposition au cours de la période de travail totale.

Identifier des mesures de sécurité supplémentaires pour protéger l'opérateur des effets des vibrations et/ou du bruit tels que : l'entretien de l'outil et des accessoires, le maintien au chaud des mains, l'organisation des processus de travail.

AVERTISSEMENT Lisez toutes les consignes de sécurité et les instructions. Le non-respect des avertissements et instructions indiqués ci après peut entraîner un choc électrique, un incendie et/ou de graves blessures sur les personnes. **Bien garder tous les avertissements et instructions.**

AVERTISSEMENTS DE SÉCURITÉ DE L'APPAREIL DE PRESSE

Utiliser l'équipement de protection. Toujours porter des lunettes protectrices en travaillant avec la machine. Il est recommandé de porter des articles de protection, tels que masque antipoussière, gants de protection, chaussures tenant bien aux pieds et antidérapantes, casque et protection acoustique.

N'introduire jamais les doigts ou d'autres parties du corps dans la zone de travail du cylindre et des mâchoires de pressage.

Pendant le procédé de pressage, ne pas tenir le levier des mâchoires manuellement.

Les outillages et les appareils de pressage doivent être utilisés exclusivement par du personnel spécialisé.

Avant chaque utilisation, contrôler s'il y a des fissurations ou d'autre manifestations d'usure sur les outillages et les appareils de pressage.

Utiliser les outillages et les appareils de pressage exclusivement en parfait état technique.

Faire immédiatement réparer d'éventuels dommages chez une usine autorisée.

L'appareil ne doit être utilisé qu'avec la mâchoire de pressage insérée.

En cas d'anomalies pendant le procédé de pressage, actionner immédiatement l'interrupteur d'urgence et désactiver l'interrupteur ON. La vanne s'ouvrira et le piston rétablira sa position de partance.

Il est impératif de respecter les instructions et les intervalles d'entretien.

Avant tous travaux sur l'appareil retirer l'accu interchangeable.

CONSIGNES DE TRAVAIL

Ne soumettre à pressage que des raccords conformes au système et à l'aide des mâchoires de pressage spécifiques.

Pour les instructions de travail et de montage pour raccords ou tuyaux voir le dossier du fournisseur du système.

S'assurer que le diamètre nominal du raccord à soumettre à pressage coïncide avec le diamètre nominal de la mâchoire de pressage.

Une fois que le pressage a été achevé, s'assurer que la mâchoire de pressage soit complètement fermée.

Des jonctions de tuyaux non effectuées correctement seront soumises de nouveau à pressage avec un nouveau raccord.

Une fois que les travaux d'installation ont été achevés, contrôler l'étanchéité du système de tuyaux avec des dispositifs de contrôle appropriés.

L'appareil de pressage n'est pas apte à un fonctionnement continu. Après 30 minutes de fonctionnement ininterrompu, il faut effectuer une brève pause d'au moins 15 minutes pour refroidir l'appareil.

UTILISATION CONFORME AUX PRESCRIPTIONS

Les appareils et les mâchoires de pressage doivent être utilisés exclusivement en vue du pressage de tuyaux et raccords pour lesquels les mâchoires de pressage intéressées ont été prévues.



Les appareils de pressage sont prévus exclusivement en vue de l'utilisation de mâchoires de pressage déclarées convenables par Milwaukee en accord avec le fournisseur du système.

ONE-KEY™

Pour en savoir plus sur la fonctionnalité ONE-KEY de cet appareil, lisez les instructions rapides ci-jointes ou rendez-nous visite sur Internet sur <http://www.milwaukeetool.com/one-key>

Vous pouvez télécharger l'appli ONE-KEY sur votre smartphone via l'App Store ou Google Play.

Le résultat d'essai répond à nos exigences min. suivant EN 301 489-1 / EN 301 489-17.

ACCUS

Recharger les accus avant utilisation après une longue période de non utilisation.

Une température supérieure à 50°C amoindrit la capacité des accus. Éviter les expositions prolongées au soleil ou au chauffage.

Tenir propres les contacts des accus et des chargeurs.

Pour une durée de vie optimale, les accus doivent être chargés à fond après l'utilisation.

Pour une plus longue durée de vie, enlever les batteries du chargeur de batterie quand celles-ci seront chargées.

En cas d'entreposage de la batterie pour plus de 30 jours: Entrepo- ser la batterie à 27°C environ dans un endroit sec. Entrepo- ser la batterie avec une charge d'environ 30% - 50%. Recharger la batterie tous les 6 mois.

Ne pas jeter les accus interchangeables usés au feu ou avec les déchets ménagers. Milwaukee offre un système d'évacuation écologique des accus usés.

Ne pas conserver les accus interchangeables avec des objets métalliques (risque de court-circuit)

Ne charger les accus interchangeables du système M18 qu'avec le chargeur d'accus du système M18. Ne pas charger des accus d'autres systèmes.

Ne pas ouvrir les accus interchangeables et les chargeurs et ne les stocker que dans des locaux secs. Les protéger contre l'humidité.

En cas de conditions ou températures extrêmes, du liquide caustique peut s'échapper d'un accu interchangeable endommagé.

En cas de contact avec le liquide caustique de la batterie, laver immédiatement avec de l'eau et du savon. En cas de contact avec les yeux, rincer soigneusement avec de l'eau et consulter immédiate- ment un médecin.

Aucune pièce métallique ne doit pénétrer dans le logement d'accu du chargeur (risque de court-circuit)

TRANSPORT DE BATTERIES LITHIUM-ION

Les batteries lithium-ion sont soumises aux dispositions législati- ves concernant le transport de produits dangereux.

Le transport de ces batteries devra s'effectuer dans le respect des dispositions et des normes locales, nationales et internationales.

Les utilisateurs peuvent transporter ces batteries sans restrictions.

Le transport commercial de batteries lithium-ion est réglé par les dispositions concernant le transport de produits dangereux. La préparation au transport et le transport devront être effectués uniquement par du personnel formé de façon adéquate. Tout le procédé devra être géré d'une manière professionnelle.

Durant le transport de batteries il faut respecter les consignes suivantes :

S'assurer que les contacts soient protégés et isolés en vue d'éviter des courts-circuits. S'assurer que le groupe de batteries ne puisse pas se déplacer à l'intérieur de son emballage. Des batteries endommagées ou des batteries perdant du liquide ne devront pas être transportées. Pour tout renseignement complémentaire veuillez vous adresser à votre transporteur professionnel.

ENTRETIEN

Contrôler la fluidité des mâchoires et des rouleaux de pressage.

Une fois les travaux terminés, nettoyer et graisser les rouleaux de pressage, les verrous et les mâchoires de coupe.

Les interventions d'entretien et de réparation devront être effec- tués exclusivement par des usines spécialisées et autorisées.

L'appareil contient de l'huile hydraulique qui représente un danger pour les couches acquifères. La vidange incontrôlée ou la décharge non correcte sont punissables.

Sur l'appareil de pressage la date du prochain entretien est indi- quée. L'entretien devra être effectué au mois tous les 2 ans ou au plus tard au moment de sa signalisation sur l'afficheur à LED.

Remplacer les outillages de pressage usés.

Tenir toujours propres les orifices de ventilation de la machine.

Utiliser uniquement les accessoires Milwaukee et les pièces détachées Milwaukee. Faire remplacer les composants dont le remplacement n'a pas été décrit, par un des centres de service après-vente Milwaukee (observer la brochure avec les adresses de garantie et de service après-vente).

Si besoin est, une vue éclatée de l'appareil peut être fournie. S'adresser, en indiquant bien le numéro porté sur la plaque signalétique, à votre station de service après-vente (voir liste jointe) ou directement à Techtronic Industries GmbH, Max-Eyth-Straße 10, 71364 Winnenden, Germany.



DÉCLARATION CE DE CONFORMITÉ

Nous déclarons, sous notre responsabilité exclusive, que le produit décrit ici dans les « Caractéristiques techniques » satisfait à toutes les dispositions pertinentes des directives

2011/65/UE (RoHS)

2006/42/CE

2014/53/UE

et que les normes harmonisées suivantes ont été appliquées

EN 62368-1:2014+AC:2015+A11:2017

EN 60745-1:2009+A11:2011

EN ISO 12100:2010

EN 55014-1:2017+A11:2020

EN 55014-2:2015

EN 301 489-1 V2.2.3

EN 301 489-17 V3.2.4

EN 300 328 V2.2.2

EN 62479:2010

EN IEC 63000:2018



Winnenden, 2021-07-16

Alexander Krug / Managing Director

Autorisé à compiler la documentation technique.

Techtronic Industries GmbH

Max-Eyth-Straße 10, 71364 Winnenden, Germany

SYMBOLES



Veillez lire avec soin le mode d'emploi avant la mise en service



ATTENTION! AVERTISSEMENT! DANGER!



Avant tous travaux sur l'appareil retirer l'accu interchangeable.



AVERTISSEMENT!

Risque de blessures dû à la projection de fragments



Attention ! Danger d'écrasement



Accessoires - Ces pièces ne font pas partie de la livraison. Il s'agit là de compléments recommandés pour votre machine et énumérés dans le catalogue des accessoires.



Toujours porter des lunettes protectrices en travaillant avec la machine.



Étiquette d'entretien



Cet appareil contient une pile bouton lithium / batterie au lithium.



Les dispositifs électriques ne sont pas à éliminer dans les déchets ménagers. Les dispositifs électriques et électroniques sont à collecter séparément et à remettre à un centre de recyclage en vue de leur élimination dans le respect de l'environnement. S'adresser aux autorités locales ou au détaillant spécialisé en vue de connaître l'emplacement des centres de recyclage et des points de collecte.



Marque de conformité européenne



Marque de conformité britannique



Marque de conformité ukrainienne



Marque de conformité d'Eurasie





DATI TECNICI Pressatrice	M18 ONEBLHPT
Numero di serie	4777 60 02 000001-999999
Banda (bande) di frequenza Bluetooth	2402 - 2480 MHz
Potenza ad alta frequenza	1,8 dBm
Versione Bluetooth	4.2 BT signal mode
Tensione batteria	18 V
Potenza assorbita	450 W
Forza nominale	32 kN
Gamma di pressatura: Ø Materie plastiche & tubi compositi Ø Metallo fino al	63 mm (110 mm) 54 mm (108 mm) a seconda del sistema
Peso secondo la procedura EPTA 01/2014 (Li-Ion 2,0 Ah ... 12,0 Ah)	2,9 ... 3,9 kg
Peso (M18 ONEBLHPT / Li-Ion 2,0 Ah / J18-Th14)	4,7 kg
Informazioni sulla rumorosità Valori misurati conformemente alla norma EN 60745. La misurazione A del livello di pressione acustica dell'utensile è di solito di:	
Livello di rumorosità (Incertezza della misura K=3dB(A))	75 dB (A)
Potenza della rumorosità (Incertezza della misura K=3dB(A))	86 dB (A)
Utilizzare le protezioni per l'udito!	
Informazioni sulle vibrazioni Valori totali delle oscillazioni (somma di vettori in tre direzioni) misurati conformemente alla norma EN 60745	
Valore di emissione dell'oscillazione a_{hv}	<2,5 m/s ²
Incertezza della misura K=	1,5 m/s ²

AVVERTENZA!

Il/i valore/i di emissione acustica riportato/i in questa scheda informativa sono stati misurati conformemente a un metodo di prova standard sulla base della norma EN 60745 e possono essere utilizzati per confrontare gli utensili tra loro. Può/possono essere utilizzato/i anche per una valutazione preliminare dell'esposizione.

Il livello di vibrazione ed emissione acustica dichiarato rappresenta le applicazioni principali dell'utensile. Tuttavia, se l'utensile è utilizzato per applicazioni diverse, con accessori differenti o una manutenzione non adeguata, la vibrazione e l'emissione acustica potrebbero variare. Ciò può aumentare significativamente il livello di esposizione durante l'intera durata del lavoro.

Una stima del livello di esposizione alle vibrazioni e al rumore dovrebbe tenere conto anche dei periodi in cui l'utensile è spento o è in funzione ma non sta lavorando. Ciò può ridurre significativamente il livello di esposizione durante l'intera durata del lavoro.

Identificare le misure di sicurezza supplementari per proteggere l'operatore dagli effetti delle vibrazioni e/o del rumore, ad esempio eseguendo la manutenzione dell'utensile e degli accessori, mantenendo le mani calde e organizzando gli schemi di lavoro.

AVVERTENZA E' necessario leggere tutte le indicazioni di sicurezza e le istruzioni. In caso di mancato rispetto delle avvertenze di pericolo e delle istruzioni operative si potrà creare il pericolo di scosse elettriche, incendi e/o incidenti gravi. **Conservare tutte le avvertenze di pericolo e le istruzioni operative per ogni esigenza futura.**

AVVERTENZE DI SICUREZZA PRESSATRICE

Usare dispositivi di protezione. Durante l'uso dell'apparecchio utilizzare sempre gli occhiali di protezione. Si consiglia di indossare indumenti di protezione come maschera antipolvere, guanti di protezione, scarpe antiscivolo robuste, casco e cuffie di protezione acustica.

Non introdurre mai dita o altre parti del corpo nell'area di lavoro del cilindro e delle ganasce di pressatura.

Durante il processo di pressatura non tenere la leva delle ganasce con le mani.

Gli utensili ed apparecchi di pressatura devono essere usati esclusivamente da personale specializzato.

Prima di ogni utilizzo, controllare se sugli utensili ed apparecchi di pressatura sono presenti fessurazioni o altri fenomeni di usura.

Utilizzare gli utensili ed apparecchi di pressatura esclusivamente in perfetto stato tecnico.

Fare immediatamente riparare eventuali danni da un'officina autorizzata.

L'apparecchio deve essere utilizzato soltanto con la ganasca di pressatura inserita.

In caso di anomalie durante il processo di pressatura, azionare immediatamente l'interruttore di emergenza e rilasciare l'interruttore ON. La valvola si aprirà e lo stantuffo tornerà nella sua posizione di partenza.

E' imperativo rispettare le istruzioni e gli intervalli di manutenzione.

Prima di iniziare togliere la batteria dalla apparecchio.

ISTRUZIONI DI LAVORO

Sottoporre a pressatura soltanto raccordi conformi al sistema e usando le ganasce di pressatura specifiche.

Per le istruzioni di lavorazione e di montaggio per raccordi o tubi si rinvia alla documentazione del fornitore del sistema.

Accertarsi che il diametro nominale del raccordo da sottoporre a pressatura coincida con il diametro nominale della ganasca di pressatura.

A pressatura terminata, accertarsi che la ganasca di pressatura sia completamente chiusa.

Giunzioni di tubazioni non riuscite correttamente dovranno essere nuovamente sottoposte a pressatura con un nuovo raccordo.

Dopo aver completato i lavori di installazione, controllare la tenuta del sistema di tubazioni con idonei mezzi di controllo.

L'apparecchio di pressatura non è idoneo ad un funzionamento continuo. Dopo 30 minuti di funzionamento ininterrotto dovrà essere inserita una breve pausa di almeno 15 minuti per far raffreddare l'apparecchio.

UTILIZZO CONFORME

Gli apparecchi e le ganasce di pressatura devono essere utilizzati esclusivamente per la pressatura di tubi e raccordi per i quali sono previste le ganasce di pressatura in questione.

Gli apparecchi di pressatura sono previsti esclusivamente per l'uso di ganasce di pressatura dichiarate idonee da Milwaukee in accordo con il fornitore del sistema.

ONE-KEY™

Per saperne di più sulla funzionalità ONE-KEY che permette di comandare questo dispositivo con un solo comando, consultare la guida rapida inclusa in questo prodotto o andare su <http://www.milwaukeeetool.com/one-key>

È possibile scaricare sullo smartphone l'app ONE-KEY dall'App Store o da Google Play.

Il risultato di collaudo corrisponde ai nostri requisiti minimi secondo EN 301 489-1 / EN 301 489-17.

BATTERIE

Batterie non utilizzate per molto tempo devono essere ricaricate prima dell'uso.

A temperature superiori ai 50°C, la potenza della batteria si riduce.

Evitare di esporre l'accumulatore a surriscaldamento prolungato, dovuto ad esempio ai raggi del sole o ad un impianto di riscaldamento.

Per una ottimale vita utile è necessario ricaricare completamente le batterie dopo l'uso.

Per una più lunga durata, rimuovere le batterie dal caricabatterie quando saranno cariche.

In caso di immagazzinaggio della batteria per più di 30 giorni: Immagazzinare la batteria a circa 27°C in ambiente asciutto. Immagazzinare la batteria con carica di circa il 30% - 50%. Ricaricare la batteria ogni 6 mesi.

Non gettare le batterie esaurite sul fuoco o nella spazzatura di casa. La Milwaukee offre infatti un servizio di recupero batterie usate.

Nel vano d'innesto per la batteria del caricatore non devono entrare parti metalliche. (pericolo di cortocircuito).

Le batterie del System M18 sono ricaricabili esclusivamente con i caricatori del System M18. Le batterie di altri sistemi non possono essere ricaricate.

Non aprire né la batteria né il caricatore e conservarli solo in luogo asciutto. Proteggerli dalla umidità.

Nel caso di batterie danneggiate da un carico eccessivo o da temperature alte, l'acido di queste potrebbe fuoriuscire. In caso di contatto con l'acido delle batterie lavarsi immediatamente con acqua e sapone. In caso di contatto con gli occhi risciacquare immediatamente con acqua per almeno 10 minuti e contattare subito un medico.

Non conservare le batterie con oggetti metallici (pericolo di cortocircuito).

TRASPORTO DI BATTERIE AGLI IONI DI LITIO

Le batterie agli ioni di litio sono soggette alle disposizioni di legge sul trasporto di merce pericolosa.

Il trasporto di queste batterie deve avvenire rispettando le disposizioni e norme locali, nazionali ed internazionali.

Gli utilizzatori possono trasportare queste batterie su strada senza alcuna restrizione.

Il trasporto commerciale di batterie agli ioni di litio è regolato dalle disposizioni sul trasporto di merce pericolosa. Le preparazioni al trasporto ed il trasporto stesso devono essere svolti esclusivamente da persone idoneamente istruite. Tutto il processo deve essere gestito in maniera professionale.

Durante il trasporto di batterie occorre tenere conto di quanto segue:

Assicurarsi che i contatti siano protetti ed isolati per evitare corto circuiti. Accertarsi che il gruppo di batterie non possa spostarsi all'interno dell'imballaggio. Batterie danneggiate o batterie che perdono liquido non devono essere trasportate. Per ulteriori informazioni si prega di contattare il proprio trasportatore.

MANUTENZIONE

Controllare la scorrevolezza delle ganasce e dei rulli di pressatura.

Al termine dei lavori, pulire e ingrassare i rulli pressori, gli elementi di bloccaggio e le ganasce da taglio.

Gli interventi di manutenzione e di riparazione dovranno essere eseguiti esclusivamente da officine specializzate autorizzate.

L'apparecchio contiene olio idraulico che costituisce un pericolo per le falde acquifere. Lo scarico incontrollato o lo smaltimento non corretto sono punibili.

Sull'apparecchio di pressatura è indicata la successiva data di manutenzione. La manutenzione deve essere eseguita almeno ogni 2 anni o al più tardi quando viene segnalata dal display a LED.

Sostituire utensili di pressatura usurati.

Tener sempre ben pulite le fessure di ventilazione dell'apparecchio.

Usare solo accessori Milwaukee e pezzi di ricambio Milwaukee. Gruppi costruttivi la cui sostituzione non è stata descritta, devono essere fatti cambiare da un punto di servizio di assistenza tecnica al cliente Milwaukee (vedi depliant garanzia/indirizzi assistenza tecnica ai clienti).

In caso di mancanza del disegno esploso, può essere richiesto al seguente indirizzo: Techtronic Industries GmbH, Max-Eyth-Straße 10, 71364 Winnenden, Germany.



DICHIARAZIONE DI CONFORMITÀ CE

Assumendone la piena responsabilità, dichiariamo che il prodotto descritto nei "Dati tecnici" è conforme alle pertinenti disposizioni delle direttive

2011/65/UE (RoHS)

2006/42/CE

2014/53/UE

e che sono state applicate le seguenti norme armonizzate

EN 62368-1:2014+AC:2015+A11:2017

EN 60745-1:2009+A11:2011

EN ISO 12100:2010

EN 55014-1:2017+A11:2020

EN 55014-2:2015

EN 301 489-1 V2.2.3

EN 301 489-17 V3.2.4

EN 300 328 V2.2.2

EN 62479:2010

EN IEC 63000:2018



Winnenden, 2021-07-16

Alexander Krug / Managing Director

Autorizzato alla preparazione della documentazione tecnica

Techtronic Industries GmbH

Max-Eyth-Straße 10, 71364 Winnenden, Germany

SIMBOLI



Leggere attentamente le istruzioni per l'uso prima di mettere in funzione l'elettrodomestico.



ATTENZIONE! AVVERTENZA! PERICOLO!



Prima di iniziare togliere la batteria dalla apparecchiatura.



AVVERTENZA!

Pericolo di lesioni a causa dell'espulsione di frammenti



Attenzione! Pericolo di schiacciamento



Accessorio - Non incluso nella dotazione standard, disponibile a parte come accessorio.



Durante l'uso dell'apparecchio utilizzare sempre gli occhiali di protezione.



Etichetta di manutenzione



Questo dispositivo contiene una batteria a bottone al litio.



I dispositivi elettrici non devono essere smaltiti con i rifiuti domestici. I dispositivi elettrici ed elettronici devono essere raccolti separatamente e devono essere conferiti ad un centro di riciclaggio per lo smaltimento rispettoso dell'ambiente. Chiedere alle autorità locali o al rivenditore specializzato dove si trovano i centri di riciclaggio e i punti di raccolta.



Marchio di conformità europeo



Marchio di conformità britannico



Marchio di conformità ucraino



Marchio di conformità euroasiatico

DATOS TÉCNICOS Equipo de compresión		M18 ONEBLHPT
Número de producción	4777 60 02 000001-999999	
Banda(s) de frecuencia Bluetooth	2402 - 2480 MHz	
Potencia de alta frecuencia	1,8 dBm	
Versión Bluetooth	4.2 BT signal mode	
Voltaje de batería	18 V	
Consumo de potencia	450 W	
Fuerza nominal	32 kN	
Margen de compresión: Ø Materiales sintéticos & tubos compuestos Ø Metal hasta el	63 mm (110 mm) 54 mm (108 mm) dependiendo del sistema	
Peso de acuerdo con el procedimiento EPTA 01/2014 (Li-Ion 2,0 Ah ... 12,0 Ah)	2,9 ... 3,9 kg	
Peso (M18 ONEBLHPT / Li-Ion 2.0 Ah / J18-Th14)	4,7 kg	
Información sobre ruidos		
Determinación de los valores de medición según norma EN 60745. El nivel de ruido típico del aparato determinado con un filtro A corresponde a:		
Presión acústica (Tolerancia K=3dB(A))	75 dB (A)	
Resonancia acústica (Tolerancia K=3dB(A))	86 dB (A)	
Usar protectores auditivos!		
Informaciones sobre vibraciones		
Nivel total de vibraciones (suma vectorial de tres direcciones) determinado según EN 60745.		
Valor de vibraciones generadas a_h	<2,5 m/s ²	
Tolerancia K=	1,5 m/s ²	

ADVERTENCIA!

El nivel de emisión de ruido y vibración indicado en esta hoja informativa se ha medido de acuerdo con una prueba estandarizada que figura en EN 60745 y se puede usar para comparar una herramienta con otra. Puede ser empleado para una evaluación preliminar de la exposición.

El nivel declarado emisión de vibración y ruido representa las principales aplicaciones de la herramienta. Sin embargo, si la herramienta se utiliza para diferentes aplicaciones, con diferentes accesorios o con un mantenimiento deficiente, la emisión de ruido y vibración puede diferir. Esto puede aumentar significativamente el nivel de exposición durante el periodo total de trabajo.

También se debe tener en cuenta una estimación del nivel de exposición a la vibración y el ruido cuando la herramienta está apagada o cuando está funcionando, pero no está haciendo su trabajo. Esto puede reducir significativamente el nivel de exposición durante el periodo total de trabajo.

Identifique medidas de seguridad adicionales para proteger al operador de los efectos de la vibración o el ruido, como realizar mantenimiento de la herramienta y los accesorios, mantener las manos calientes y organizar las pautas de trabajo.

⚠ ADVERTENCIA Rogamos leer las indicaciones de seguridad y las instrucciones. En caso de no atenerse a las advertencias de peligro e instrucciones siguientes, ello puede ocasionar una descarga eléctrica, un incendio y/o lesión grave.
Guardar todas las advertencias de peligro e instrucciones para futuras consultas.

⚠ DISPOSITIVO DE PRENSA: ADVERTENCIAS DE SEGURIDAD

Utilice el equipamiento de protección. Para trabajar con la máquina, utilizar siempre gafas de protección. Se recomienda utilizar ropa de protección como máscara protectora contra el polvo, guantes protectores, calzado resistente y antideslizante, casco y protección para los oídos.

No ponga nunca los dedos u otras partes del cuerpo en la zona de trabajo del cilindro y de las mordazas de prensado.

Durante la operación de prensado no sujete con las manos las palancas de la mordaza.

Las herramientas y los aparatos de prensado deben ser utilizados únicamente por una persona cualificada.

Debe comprobarse la existencia de grietas y signos de desgaste en las herramientas y aparatos de prensado antes de su uso.

Utilizar las herramientas y los aparatos de prensado únicamente, si éstos se encuentran en un estado técnico impecable.

Los deterioros deben ser reparados inmediatamente por un taller especializado autorizado.

El aparato debe ser utilizado únicamente con las mordazas de prensado montadas.

En caso de que durante la operación de prensado se produzca algún fallo, pulse inmediatamente el interruptor de peligro y suelte el interruptor de ENCENDIDO. La válvula se abre y el émbolo se vuelve a desplazar a la posición inicial.

El mantenimiento y los intervalos de mantenimiento se deben observar obligatoriamente.

Retire la batería antes de comenzar cualquier trabajo el aparato.

INDICACIONES PARA EL TRABAJO

Utilice exclusivamente piezas de empalme y mordazas de prensado apropiadas para el sistema de prensado con el que va a trabajar.

Las instrucciones de procesamiento y montaje para piezas de empalme o tubos se encuentran en la documentación del fabricante del sistema.

Compruebe que el ancho nominal de la pieza de empalme coincida con el ancho nominal de la mordaza de prensado.

Tras finalizar completamente el proceso de prensado, asegurarse de que la mordaza de prensado está totalmente cerrada.

Las uniones de tubos mal realizadas se deben prensar nuevamente con una nueva pieza de empalme.

Al finalizar los trabajos de instalación debe comprobar la estanqueidad del sistema de tubos con medios de verificación apropiados.

El aparato de prensado no es adecuado para un funcionamiento continuo. Tras 30 minutos de funcionamiento ininterrumpido debe realizarse una pausa breve de al menos 15 minutos para que el aparato se pueda enfriar.



E

APLICACIÓN DE ACUERDO A LA FINALIDAD

Los aparatos y las mordazas de prensado deben ser utilizados únicamente para el prensado de tubos y piezas de empalme que sean compatibles con las correspondientes mordazas de prensado.

Los aparatos de prensado han sido concebidos exclusivamente para ser utilizados con mordazas de prensado que hayan sido declaradas como apropiadas por Milwaukee de acuerdo con el fabricante del sistema.

ONE-KEY™

Para obtener más información sobre la funcionalidad ONE-KEY de este dispositivo, por favor, consulte la Guía Rápida incluida junto con este producto o diríjase a

<http://www.milwaukeeetool.com/one-key>

Puede descargar en su teléfono móvil la aplicación ONE-KEY en la App Store o en Google Play.

El resultado de la prueba cumple con los requisitos mínimos conforme a EN 301 489-1 / EN 301 489-17.

BATERÍA

Las baterías no utilizadas durante cierto tiempo deben ser recargadas antes de usar.

Las temperaturas superiores a 50°C reducen el rendimiento de la batería. Evite una exposición excesiva a fuentes de calor o al sol (riesgo de sobrecalentamiento).

Los puntos de contacto de los cargadores y las baterías se deben mantener limpios.

Para un tiempo óptimo de vida, deberán cargarse las baterías completamente después de su uso.

Para garantizar la máxima capacidad y vida útil, las baterías recargables se deberían retirar del cargador una vez finalizada la carga.

En caso de almacenar la batería recargable más de 30 días:

Almacenar la batería recargable en un lugar seco a una temperatura de aproximadamente 27°C. Almacenar la batería recargable con un estado de carga del 30% y 50% aproximadamente. Recargar la batería cada 6 meses.

No tire las baterías usadas a la basura ni al fuego. Los Distribuidores Milwaukee ofrecen un servicio de recogida de baterías antiguas para proteger el medio ambiente.

No almacene la batería con objetos metálicos (riesgo de cortocircuito).

Recargar solamente los acumuladores del Sistema M18 en cargadores M18. No intentar recargar acumuladores de otros sistemas.

No abra nunca las baterías ni los cargadores y guárdelos sólo en lugares secos. Protéjalos de la humedad en todo momento.

En caso de sobrecarga o alta temperatura, pueden llegar a producirse escapes de ácido provenientes de la batería. En caso de contacto con éste, limpie inmediatamente la zona con agua y jabón.

Si el contacto es en los ojos, límpiese concienzudamente con agua durante 10 minutos y acuda inmediatamente a un médico

No introduzca en la cavidad del cargador objetos metálicos (riesgo de cortocircuito).

TRANSPORTE DE BATERÍAS DE IONES DE LITIO

Las baterías de iones de litio caen bajo las disposiciones legales relativas al transporte de mercancías peligrosas.

El transporte de estas baterías recargables debe llevarse a cabo, observando las normas y disposiciones locales, nacionales e internacionales.

Los consumidores pueden transportar estas baterías recargables sin el menor reparo en la calle.

El transporte comercial de baterías recargables de iones de litio por empresas de transportes está sometido a las disposiciones del transporte de mercancías peligrosas. Las preparaciones para el envío y el transporte deben ser llevados a cabo exclusivamente por personas instruidas adecuadamente. El proceso completo debe ser supervisado por personal competente.

Los siguientes puntos se deben observar para el transporte de las baterías recargables:

Se debe asegurar que los contactos estén protegidos y aislados para evitar que se produzcan cortocircuitos. Preste atención a que el conjunto de baterías recargables no se pueda desplazar dentro del envase. Las baterías recargables deterioradas o derramadas no se deben transportar. Rogamos que para cualquier información adicional se dirija a su empresa de transportes.

MANTENIMIENTO

Controle que las mordazas y los rodillos de prensado se muevan libremente.

Tras finalizar las tareas, limpie y engrase los rodillos de presión, los pasadores y las mordazas de corte.

Los trabajos de mantenimiento y reparación deben ser realizados únicamente por talleres especializados autorizados.

El aparato contiene aceite hidráulico que supone un peligro para las aguas subterráneas. La evacuación incontrolada o eliminación inadecuada se penalizan legalmente.

En el aparato de prensado se indica el próximo mantenimiento. Este mantenimiento se debe realizar al menos cada 2 años o como muy tarde si esto se señala mediante la indicación LED.

Sustituir las herramientas de prensado desgastadas.

Las ranuras de ventilación de la máquina deben estar despejadas en todo momento.

Utilice solamente accesorios y repuestos Milwaukee. En caso de necesitar reemplazar componentes no descritos, contacte con cualquiera de nuestras estaciones de servicio Milwaukee (consultar lista de servicio técnicos)

En caso necesario, puede solicitar un despiece de la herramienta. Por favor indique el número de impreso que hay en la etiqueta y pida el despiece a la siguiente dirección: Techtronic Industries GmbH, Max-Eyth-Straße 10, 71364 Winnenden, Germany.



DECLARACION DE CONFORMIDAD CE

Declaramos bajo nuestra única responsabilidad que el producto descrito bajo „Datos técnicos“ cumple todas las disposiciones pertinentes de las directivas 2011/65/UE (RoHS) 2006/42/CE 2014/53/UE y que se han implementado y estándares EN 62368-1:2014+AC:2015+A11:2017 EN 60745-1:2009+A11:2011 EN ISO 12100:2010 EN 55014-1:2017+A11:2020 EN 55014-2:2015 EN 301 489-1 V2.2.3 EN 301 489-17 V3.2.4 EN 300 328 V2.2.2 EN 62479:2010 EN IEC 63000:2018



Winnenden, 2021-07-16

Alexander Krug / Managing Director
Autorizado para la redacción de los documentos técnicos.
Techtronic Industries GmbH
Max-Eyth-Straße 10, 71364 Winnenden, Germany

SÍMBOLOS



Lea las instrucciones detenidamente antes de conectar la herramienta



¡ATENCIÓN! ¡ADVERTENCIA! ¡PELIGRO!



Retire la batería antes de comenzar cualquier trabajo el aparato.



ADVERTENCIA!

Peligro de lesiones por esquirlas que pudieran salir despedidas.



¡Advertencia! Peligro de aplastamiento



Accesorio - No incluido en el equipo estándar, disponible en la gama de accesorios.



Para trabajar con la máquina, utilizar siempre gafas de protección.



Etiqueta de mantenimiento



Este dispositivo contiene una batería de litio de botón.



Los aparatos eléctricos no se deben eliminar junto con la basura doméstica. Los aparatos eléctricos y electrónicos se deben recoger por separado y se deben entregar a una empresa de reciclaje para una eliminación respetuosa con el medio ambiente. Infórmese en las autoridades locales o en su tienda especializada sobre los centros de reciclaje y puntos de recogida.



Marcado de conformidad europeo



Marcado de conformidad británico



Marcado de conformidad ucraniano



Marcado de conformidad euroasiático



E



CARACTERÍSTICAS TÉCNICAS Aparelho de pressão	M18 ONEBLHPT
Número de produção	4777 60 02 000001-999999
Banda de frequência Bluetooth (bandas de frequência)	2402 - 2480 MHz
Potência de alta frequência	1,8 dBm
Versão Bluetooth	4.2 BT signal mode
Tensão do acumulador	18 V
Consumo de potência	450 W
Força nominal	32 kN
Área de pressão: Ø Plásticos e tubos compostos Ø Metal até	63 mm (110 mm) 54 mm (108 mm) em função do sistema
Peso nos termos do procedimento-EPTA 01/2014 (Li-Ion 2,0 Ah ... 12,0 Ah)	2,9 ... 3,9 kg
Peso (M18 ONEBLHPT / Li-Ion 2.0 Ah / J18-Th14)	4,7 kg
Informações sobre ruído Valores de medida de acordo com EN 60745. O nível de ruído avaliado A do aparelho é tipicamente:	
Nível da pressão de ruído (Incertez K=3dB(A))	75 dB (A)
Nível da potência de ruído (Incertez K=3dB(A))	86 dB (A)
Use protectores auriculares!	
Informações sobre vibração Valores totais de vibração (soma dos vectores das três direcções) determinadas conforme EN 60745.	
Valor de emissão de vibração a_h	<2,5 m/s ²
Incerteza K=	1,5 m/s ²

ATENÇÃO!

O nível de emissão de ruído e vibração fornecido nesta ficha de informações foi medido de acordo com um teste padronizado que se encontra na norma EN 60745, podendo ser utilizado para fazer comparações entre ferramentas. Pode ser utilizado para fazer uma avaliação preliminar da exposição.

O nível de emissão de ruído e vibração declarado representa as principais aplicações da ferramenta. No entanto, se a ferramenta for utilizada para aplicações diferentes ou com acessórios distintos, ou se a sua manutenção for deficiente, a emissão de ruídos e vibrações poderá diferir. Isso poderá aumentar significativamente o nível de exposição ao longo do período de trabalho total.

A estimativa do nível de exposição à vibração e ruído também deve ter em conta os tempos em que a ferramenta, quer desligada quer em funcionamento, não está realmente a trabalhar. Isso poderá reduzir significativamente o nível de exposição ao longo do período de trabalho total.

Identifique medidas de segurança adicionais para proteger o operador contra os efeitos da vibração e/ou ruído, tais como: fazer a manutenção da ferramenta e dos acessórios, manter as mãos quentes, organizar padrões de trabalho.

ATENÇÃO Leia todas as instruções de segurança e todas as instruções. O desrespeito das advertências e instruções apresentadas abaixo pode causar choque eléctrico, incêndio e/ou graves lesões. **Guarde bem todas as advertências e instruções para futura referência.**

AVISOS DE SEGURANÇA DO DISPOSITIVO DE PRESSÃO

Utilizar equipamento de protecção. Usar sempre óculos de protecção ao trabalhar com a máquina. Vestuário de protecção, bem como máscara de pó, sapatos fechados e antiderrapante, capacete e protecção auditiva são recomendados.

Nunca coloque os dedos ou outras partes do corpo na área de trabalho do cilindro e dos mordentes de prensar.

Não segure as alavancas dos mordentes com as mãos durante o processo de prensagem.

Ferramentas e aparelhos de prensar só devem ser usados por uma pessoa especializada.

Antes de qualquer uso verifique se há fissuras ou outros desgastes das ferramentas e dos aparelhos de prensar.

As ferramentas e dos aparelhos de prensar só devem ser usados em estado técnico perfeito

Deixe uma oficina especializada reparar os danos imediatamente.

O aparelho só deve ser usado com o mordente de prensar inserido.

Em caso de falhas durante o processo de prensagem, pressione imediatamente o interruptor de perigo e solte o interruptor de LIGAR. A válvula abre e o êmbolo volta à posição inicial.

Sempre observe a manutenção e os intervalos de manutenção.

Antes de efectuar qualquer intervenção o aparelho retirar o bloco acumulador.

DICAS DE TRABALHO

Somente use os insertos apropriados para o sistema e os mordentes correspondentes.

As instruções de processamento e montagem para insertos ou tubos constam nos documentos do provedor do sistema.

Verifique, se a largura nominal do inserto corresponde com a largura nominal do mordente de prensar.

Terminada a prensagem, observe que os mordentes de prensar estejam completamente fechados.

União de tubos incorrectas devem ser prensadas novamente com um inserto novo.

Após a conclusão dos trabalhos de instalação, verifique a estanqueidade do sistema de tubos com os agentes de teste correspondentes.

O aparelho de prensar não é apropriado para o uso permanente. Após uma operação contínua de 30 minutos, deverá ser feita uma pausa de pelo menos 15 minutos para deixar o aparelho arrefecer.

UTILIZAÇÃO AUTORIZADA

Os aparelhos e os mordentes de prensar devem ser usados exclusivamente para prensar tubos e insertos que correspondam com os mordentes de prensar.

Os aparelhos de prensar destinam-se exclusivamente ao uso de mordentes de prensar declarados apropriados pela Milwaukee, de acordo com o provedor do sistema.

ONE-KEY™

Para saber mais sobre a funcionalidade ONE-KEY deste dispositivo, consulte o guia de iniciação rápida fornecido com este produto ou vá a <http://www.milwaukeeetool.com/one-key>

Pode-se descarregar a app ONE-KEY para o smartphone através da App Store ou do Google Play.

O resultado do teste satisfaz as nossas exigências mínimas nos termos das normas EN 301 489-1 / EN 301 489-17.

ACUMULADOR

Acumuladores não utilizados durante algum tempo devem ser recarregados antes da sua utilização.

Temperaturas acima de 50°C reduzem a capacidade do bloco acumulador. Evitar exposição prolongada ao sol ou a caloríferos.

Manter limpos os contactos eléctricos no carregador e no bloco acumulador.

Para uma vida útil óptima das baterias, terá que carregá-las plenamente após a sua utilização.

Para assegurar uma vida útil longa, o pacote de bateria deve ser removido da carregadora depois do carregamento.

Se o pacote de bateria for armazenado por mais de 30 dias:

Armazene o pacote de bateria com aprox. 27°C em um lugar seco.

Armazene o pacote de bateria com aprox. 30%-50% da carga completa. Carregue o pacote de bateria novamente de 6 em 6 meses.

Não queimar acumuladores gastos nem deitá-los no lixo doméstico.

A Milwaukee possui uma eliminação de acumuladores gastos que respeita o meio ambiente.

Não guardar acumuladores junto com objectos metálicos (perigo de curto-circuito).

Use apenas carregadores do Sistema M18 para recarregar os acumuladores do Sistema M18. Não utilize acumuladores de outros sistemas.

Carregadores só devem ser utilizados em recintos secos.

Em caso de cargas ou temperaturas extremas, um acumulador de substituição danificado poderá verter líquido de bateria. Se entrar em contacto com este líquido, deverá lavar-se imediatamente com água e sabão. Em caso de contacto com os olhos, enxagúe-os bem e de imediato durante pelo menos 10 minutos e consulte um médico o mais depressa possível.

Não abrir acumuladores e carregadores. Armazená-los em recintos secos. Protegê-los contra humidade.

TRANSPORTE DE BATERIAS DE IÃO-LÍTIO

Baterias de ião-lítio estão sujeitas às disposições da legislação relativa às substâncias perigosas.

O transporte destas baterias deve ser efetuado de acordo com as disposições e os regulamentos locais, nacionais e internacionais.

O utilizador pode efetuar o transporte rodoviário destas baterias sem restrições.

O transporte comercial de baterias de ião-lítio por terceiros está sujeito aos regulamentos relativos às substâncias perigosas. A preparação do transporte e o transporte devem ser executados exclusivamente por pessoas instruídas e o processo deve ser acompanhado pelos especialistas correspondentes.

Observe o seguinte no transporte de baterias:

Assegure-se de que os contactos terminais estejam protegidos e isolados para evitar um curto-circuito. Assegure-se de que o bloco da bateria esteja protegido contra movimentos na embalagem. Não transporte baterias danificadas ou que tenham fuga. Para instruções mais detalhadas consulte a companhia de transportes

MANUTENÇÃO

Verifique a marcha suave dos mordentes e dos roletes de prensar.

Limpar e lubrificar os rolos de compressão, a lingueta de bloqueio e as maxilas de corte após a conclusão dos trabalhos.

Trabalhos de manutenção e reparação só devem ser executados por oficinas autorizadas.

O aparelho contém óleo hidráulico que representa um perigo para o lençol freático. Uma evacuação descontrolada ou eliminação incorrecta é punível.

No aparelho de prensar é indicada a próxima manutenção. Esta manutenção deve ser executada de 2 em 2 anos ou, o mais tardar, quando o indicador LED o indicar.

Substitua as ferramentas de prensar desgastadas.

Manter desobstruídos os rasgos de ventilação na carcaça da máquina.

Utilizar apenas acessórios Milwaukee e peças sobresselentes Milwaukee. Os componentes cuja substituição não esteja descrita devem ser substituídos num serviço de assistência técnica Milwaukee (consultar a brochura relativa à garantia/moradas dos serviços de assistência técnica).

A pedido e mediante indicação da referência que consta da chapa de características da máquina, pode requerer-se um desenho explosivo da ferramenta eléctrica a: Techtronic Industries GmbH, Max-Eyth-Straße 10, 71364 Winnenden, Germany.



DECLARAÇÃO DE CONFORMIDADE CE

Declaramos, sob a nossa inteira responsabilidade, que o produto descrito em «Dados Técnicos» cumpre todas as disposições relevantes das diretivas

2011/65/UE (RoHS)

2006/42/CE

2014/53/UE

tendo sido seguidas as seguintes normas harmonizadas

EN 62368-1:2014+AC:2015+A11:2017

EN 60745-1:2009+A11:2011

EN ISO 12100:2010

EN 55014-1:2017+A11:2020

EN 55014-2:2015

EN 301 489-1 V2.2.3

EN 301 489-17 V3.2.4

EN 300 328 V2.2.2

EN 62479:2010

EN IEC 63000:2018



Winnenden, 2021-07-16

Alexander Krug / Managing Director

Autorizado a reunir a documentação técnica.

Techtronic Industries GmbH

Max-Eyth-Straße 10, 71364 Winnenden, Germany

SYMBOLE



Leia atentamente o manual de instruções antes de colocar a máquina em funcionamento.



ATENÇÃO! PERIGO!



Antes de efectuar qualquer intervenção o aparelho retirar o bloco acumulador.



ATENÇÃO!

Existe perigo de ferimentos devido a estilhaços de corte



Aviso! Perigo de esmagamento



Acessório - Não incluído no equipamento normal, disponível como acessório.



Usar sempre óculos de protecção ao trabalhar com a máquina.



Autocolante de aviso



Este dispositivo contém uma pilha de célula de lítio tipo botão/moeda.



Aparelhos eléctricos não devem ser jogados no lixo doméstico. Aparelhos eléctricos e electrónicos devem ser colectados separadamente e entregues a uma empresa de reciclagem para a eliminação correcta. Solicite informações sobre empresas de reciclagem e postos de colecta de lixo das autoridades locais ou do seu vendedor autorizado.



Marca de Conformidade Europeia



Marca de Conformidade Britânica



Marca de Conformidade Ucraniana



Marca de Conformidade Eurasiática

TECHNISCHE GEGEVENS Persmachine	M18 ONEBLHPT
Productienummer	4777 60 02 000001-999999
Bluetooth-frequentieband (frequentiebanden)	2402 - 2480 MHz
Hoogfrequent vermogen	1,8 dBm
Bluetooth-versie	4.2 BT signal mode
Spanning wisselakku	18 V
Opgenomen vermogen	450 W
Nominale kracht	32 kN
Persbereik: Ø Kunststof & composietbuizen Ø Metaal tot	63 mm (110 mm) 54 mm (108 mm) afhankelijk van het systeem
Gewicht volgens de EPTA-procedure 01/2014 (Li-Ion 2,0 Ah ... 12,0 Ah)	2,9 ... 3,9 kg
Gewicht (M18 ONEBLHPT / Li-Ion 2.0 Ah / J18-Th14)	4,7 kg
Geluidsinformatie Meetwaarden vastgesteld volgens EN 60745. Het kenmerkende A-gewogen geluidsniveau van de machine bedraagt:	
Geluidsdruk niveau (Onzekerheid K=3dB(A))	75 dB (A)
Geluidsvermogen niveau (Onzekerheid K=3dB(A))	86 dB (A)
Drag oorbeschermers!	
Trillingsinformatie Totale trillingswaarden (vector som van drie richtingebepaald volgens EN 60745.	
Trillingsemisiewaarde a_h	<2,5 m/s ²
Onzekerheid K=	1,5 m/s ²

WAARSCHUWING!

De in dit informatieblad vermelde trillings- en geluidsniveaus zijn gemeten in overeenstemming met een standaard testmethode conform EN 60745 en kunnen worden gebruikt om gereedschap met elkaar te vergelijken. Deze kunnen ook worden gebruikt voor het vooraf evalueren van de blootstelling.

De vermelde trillings- en geluidsniveaus gelden voor de meest gebruikelijke toepassingen van het gereedschap. Wanneer het gereedschap echter voor andere doeleinden of met andere hulpstukken gebruikt wordt of niet naar behoren onderhouden wordt, kan de mate van blootstelling over de hele werkperiode aanzienlijk hoger uitvallen.

Voor een nauwkeurige inschatting van de blootstelling aan trillingen en geluid moet ook de tijd in aanmerking worden genomen die het apparaat uitgeschakeld is of weliswaar loopt, maar niet werkelijk in gebruik is. Dit kan de waarde van de mate aan blootstelling over de hele werkperiode aanzienlijk verminderen.

Bepaal extra veiligheidsmaatregelen ter bescherming van de gebruiker tegen de gevolgen van trillingen en/of geluid, bijvoorbeeld: onderhoud van het gereedschap en hulpstukken, warmhouden van de handen, organisatie van de werkprocessen.



WAARSCHUWING Lees alle veiligheidsinstructies en aanwijzingen door. Als de waarschuwingen en voorschriften niet worden opgevolgd, kan dit een elektrische schok, brand of ernstig letsel tot gevolg hebben.

Bewaar alle waarschuwingen en voorschriften voor toekomstig gebruik.



VEILIGHEIDSWAARSCHUWINGEN PERSAPPARAAT

Drag veiligheidsuitrusting. Bij het werken met de machine altijd een veiligheidsbril dragen. Veiligheidskleding zoals stofmasker, veiligheidshandschoenen, stevig en slipvast schoeisel, helm en gehoorbescherming worden aanbevolen.

Houd vingers en andere lichaamsdelen altijd verwijderd van het werkbereik van de cilinder en de persbek.

Houd de persbekhendel tijdens het persen niet met de hand vast.

Persgereedschap en -apparaten mogen uitsluitend worden gebruikt door vakpersoneel.

Controleer persgereedschappen en -apparaten vóór elk gebruik zorgvuldig op scheuren en andere slijtageverschijnselen.

Gebruik alléén in optimale staat verkerende persgereedschappen en -apparaten.

Laat beschadigingen onmiddellijk verhelpen in een geautoriseerde werkplaats.

Het apparaat mag alleen worden gebruikt met geplatste persbek.

Druk bij storingen tijdens het persen onmiddellijk op de noodschakelaar en laat de IN-schakelaar los. De klep opent en de zuiger stuurt terug naar zijn uitgangspositie.

Houd u strikt aan de onderhouds- en instandhoudingsinstructies.

Voor alle werkzaamheden aan de apparat de akku verwijderen.

ARBEIDSinSTRUCTIES

Gebruik alleen systeemconforme persfittings en daarvoor geconfigureerde persbekken.

Voor de verwerkings- en montage-instructies voor fittingen en buizen verwijzen wij naar de documentatie van de systeemaanbieder.

Controleer of de nominale wijdtte van de persfitting overeenstemt met de nominale wijdtte van de persbek.

Na het versperen dient u erop te letten dat de persbek volledig gesloten is.

Niet correct uitgevoerde buisverbindingen moeten met een nieuwe fitting nogmaals verperst worden.

Controleer het buissysteem na beëindiging van de installatiewerkzaamheden met daarvoor geschikte controlemiddelen op dichtheid.

Het persapparaat is niet geschikt voor continue gebruik. Na 30 minuten ononderbroken gebruik moet een pauze van minstens 15 minuten worden ingelast, zodat het apparaat kan afkoelen.

VOORGESCHREVEN GEBRUIK VAN HET SYSTEEM

De persapparaten en de persbekken mogen alléén worden gebruikt voor het versperen van buizen en fittingen, waarvoor de betreffende persbekken bedoeld zijn.

De persapparaten zijn uitsluitend geschikt voor het gebruik van persbekken die door Milwaukee in overeenstemming met de systeemaanbieder als geschikt worden verklaard.



ONE-KEY™

Meer informatie over de ONE-KEY™-functionaliteit van dit gereedschap vindt u in de Quick Start-handleiding die bij dit product is meegeleverd of op <http://www.milwaukeeetool.com/one-key>

Van de App Store of Google Play kunt u de ONE-KEY app downloaden naar uw smartphone.

Het testresultaat voldoet aan onze minimumvereisten conform EN 301 489-1 / EN 301 489-17.

AKKU

Langere tijd niet toegepaste wisselakku's vóór gebruik altijd naladen.

Een temperatuur boven de 50°C vermindert de capaciteit van de accu. Langdurige verwarming door zon of hitte vermijden.

De aansluitcontacten aan het laadapparaat en de accu schoonhouden.

Voor een optimale levensduur moeten de accu's na het gebruik volledig opgeladen worden.

Voor een zo lang mogelijke levensduur van de accu's dienen deze na het opladen uit het laadtoestel te worden verwijderd.

Bij een langere opslag van de accu dan 30 dagen: accu bij ca. 27 °C droog bewaren. accu bij ca. 30 % - 50 % van de laadtoestand bewaren. accu om de 6 maanden opnieuw opladen.

Verbruikte accu's niet in het vuur of bij het huisvuil werpen. Milwaukee biedt namelijk een milieuvriendelijke recyclingmethode voor uw oude accu's.

Wisselakku's niet bij metalen voorwerpen bewaren (kortsluitingsgevaar!).

Wisselakku's van het Akku-Systeem M18 alléén met laadapparaten van het Akku-Systeem M18 laden. Geen accu's van andere systemen laden.

Wisselakku's en laadapparaten niet openen en alleen in droge ruimtes opslaan. Tegen vocht beschermen.

Onder extreme belasting of extreme temperaturen kan uit de accu accu-vloeistof lopen. Na contact met accu-vloeistof direct afwassen met water en zeep. Bij oogcontact direct minstens 10 minuten grondig spoelen en onmiddellijk een arts raadplegen.

In de wisselakku-opnameschacht van het laadapparaat mogen géén metaaldeeltjes komen (kortsluitingsgevaar!).

TRANSPORT VAN LITHIUM-IONEN-ACCU'S

Lithium-ionen-accu's vallen onder de wettelijke bepalingen inzake het transport van gevaarlijke goederen.

Voor het transport van deze accu's moeten de lokale, nationale en internationale voorschriften en bepalingen in acht worden genomen.

Verbruikers mogen deze accu's zonder meer over de weg transporteren.

Het commerciële transport van lithium-ionen-accu's door expeditiebedrijven is onderhevig aan de bepalingen inzake het transport van gevaarlijke goederen. De verzendingsvoorbereidingen en het transport mogen uitsluitend worden uitgevoerd door dienovereenkomstig opgeleide personen. Het complete proces moet vakkundig worden begeleid.

Onderstaande punten moeten bij het transport van accu's in acht worden genomen:

Waarborg ter vermijding van kortsluitingen dat de contacten beschermd en geïsoleerd zijn. Let op dat het accupack in de

verpakking niet kan verschuiven. Beschadigde of lekkende accu's mogen niet worden getransporteerd. Neem voor meer informatie contact op met uw expeditiebedrijf.

ONDERHOUD

Controleer de soepele werking van de persbekken en persrollen.

Reinig en vet de aandrukrollen, schuif en snijbekken na voltooiing van de werkzaamheden.

Onderhouds- en reparatiewerkzaamheden mogen uitsluitend worden uitgevoerd in een geautoriseerde werkplaats.

Het apparaat bevat hydrauliekolie die een bedreiging vormt voor het grondwater. Ongecontroleerd afblazen of incorrecte afvalverwijdering kan worden bestraft.

Op het persapparaat staat de volgende onderhoudstermijn aangegeven. Dit onderhoud moet minstens om de twee jaar worden uitgevoerd of uiterlijk als dit door de led-indicator wordt gesignaleerd.

Vervang versleten persgereedschap.

Altijd de luchtspleten van de machine schoonhouden.

Gebruik uitsluitend Milwaukee toebehoren en onderdelen. Indien componenten die moeten worden vervangen niet zijn beschreven, neem dan contact op met een officieel Milwaukee servicecentra (zie onze lijst met servicecentra).

Onder vermelding van het nummer op het machineplaatje is desgewenst een doorsnedetekening van de machine verkrijgbaar bij: Techtronic Industries GmbH, Max-Eyth-Straße 10, 71364 Winnenden, Germany.

EC - VERKLARING VAN OVEREENSTEMMING

We verklaren geheel onder eigen verantwoordelijkheid dat het product in de "Technische data" voldoet aan alle relevante bepalingen van de richtlijnen

2011/65/EU (RoHS)

2006/42/EG

2014/53/EU

en de volgende geharmoniseerde normen zijn gebruikt

EN 62368-1:2014+AC:2015+A11:2017

EN 60745-1:2009+A11:2011

EN ISO 12100:2010

EN 55014-1:2017+A11:2020

EN 55014-2:2015

EN 301 489-1 V2.2.3

EN 301 489-17 V3.2.4

EN 300 328 V2.2.2

EN 62479:2010

EN IEC 63000:2018



Winnenden, 2021-07-16

Alexander Krug / Managing Director

Gemachtigd voor samenstelling van de technische documenten

Techtronic Industries GmbH

Max-Eyth-Straße 10, 71364 Winnenden, Germany

SYMBOLLEN



Graag instructies zorgvuldig doorlezen vóórdat u de machine in gebruik neemt.



OPGELET! WAARSCHUWING! GEVAAR!



Voor alle werkzaamheden aan de apparat de akku verwijderen.



WAARSCHUWING!
Verwondingsgevaar door wegvliegende brokstukken



Waarschuwing! Gevaar voor bekneld raken



Toebehoren - Wordt niet meegeleverd. Is apart leverbaar. Zie hiervoor het toebehorenprogramma.



Bij het werken met de machine altijd een veiligheidsbril dragen.



Onderhoudssticker



Dit apparaat heeft een type knoopcel-lithiumbatterij.



Elektrische apparaten mogen niet via het huisafval worden afgevoerd. Elektrische en elektronische apparaten moeten gescheiden worden verzameld en voor een milieuvriendelijke afvoer worden afgegeven bij een recyclingbedrijf. Informeer bij uw gemeente of bij uw vakhandelaar naar recyclingbedrijven en inzamelpunten.



Europees symbool van overeenstemming



Brits symbool van overeenstemming



Oekraïens symbool van overeenstemming



Euro-Aziatisch symbool van overeenstemming



TEKNISKE DATA Klemapparat	M18 ONEBLHPT
Produktionsnummer	4777 60 02 000001-999999
Bluetooth-frekvensbånd	2402 - 2480 MHz
Højfrekvenseffekt	1,8 dBm
Bluetooth-version	4.2 BT signal mode
Udsiftningsbatteriets spænding	18 V
Strømforbrug	450 W
Nominal kraft	32 kN
Klemmeområde: Ø Plastic & Kompositrør Ø Metal indtil	63 mm (110 mm) 54 mm (108 mm) systemafhængig
Vægt svarer til EPTA-procedure 01/2014 (Li-Ion 2,0 Ah ... 12,0 Ah)	2,9 ... 3,9 kg
Vægt (M18 ONEBLHPT / Li-Ion 2.0 Ah / J18-Th14)	4,7 kg
Støjinformation Måleværdier beregnes iht. EN 60745. Værktøjets A-vurderede støjniveau er typisk:	
Lydtrykniveau (Usikkerhed K=3dB(A))	75 dB (A)
Lydeffekt niveau (Usikkerhed K=3dB(A))	86 dB (A)
Brug høreværn!	
Vibrationsinformation Samlede vibrationsværdier (værdisum for tre retninger) beregnet iht. EN 60745.	
Vibrationseksposering $a_{h,v}$	<2,5 m/s ²
Usikkerhed K=	1,5 m/s ²

ADVARSEL!

Det vibrations- og støjemissionsniveau, der nævnes i dette oplysningskema, er blevet målt i overensstemmelse med en standardiseret test fra EN 60745, og det kan bruges til at sammenligne ét værktøj med et andet. Det kan bruges til en foreløbig bedømmelse af eksposeringen.

Det erklærede vibrations- og støjemissionsniveau repræsenterer værktøjets primære anvendelsesformål. Det er dog sådan, at hvis værktøjet bruges til andre formål, med forskelligt tilbehør eller dårlig vedligehold, så kan vibrations- og støjemissionen variere. Det kan evt. øge eksponeringsniveauet markant i løbet af det samlede arbejdstidsrum.

En vurdering af eksponeringsniveauet ift. vibration og støj bør også tage hensyn til de tidspunkter, hvor værktøjet er slukket eller hvor det kører, men rent faktisk ikke udfører jobbet. Det kan evt. mindske eksponeringsniveauet markant i løbet af det samlede arbejdstidsrum.

Identificér yderligere sikkerhedsforanstaltninger med henblik på at beskytte brugeren mod effekten af vibration og/eller støj, som fx: vedligehold værktøjet og tilbehøret, hold hænderne varme, organisering af arbejdsmonstre.

ADVARSEL Læs alle sikkerhedsanvisninger og øvrige vejledninger. I tilfælde af manglende overholdelse af advarsels-henvisningerne og instrukserne er der risiko for elektrisk stød, brand og/eller alvorlige kvæstelser.
Opbevar alle advarsels-henvisninger og instrukser til senere brug.

ADVARSEL PRESSEANORDNINGSSIKKERHEDSADVARSLER

Brug beskyttelsesudstyr. Når der arbejdes med maskinen, skal man have beskyttelsesbriller på. Vi anbefaler desuden brug af personlig beskyttelsesudrustning, såsom støvmaske, sikkerhedshandsker, fast og skridsikkert skotøj, hjelm og høreværn.

Stik aldrig fingre eller andre kroppsdele ind i cylinderens og pressebakkernes arbejdsområde.

Hold ikke bakkehåndtaget fast med hænderne under presningen.

Presseværktøj og pressemaskiner må kun anvendes af uddannet personale.

Undersøg før hver brug presseværktøj og pressemaskiner for revner og andre tegn på slitage.

Anvend kun presseværktøj og pressemaskiner i en teknisk upåklagelig tilstand.

Lad straks beskadigelse reparere på et autoriseret værksted.

Maskinen må kun bruges med isat pressebakke.

Tryk ved forstyrrelser under presningen straks på nødstop-knappen og slip TÆND-kontakten. Ventilen vil åbne og stemplet vende tilbage i sin udgangsposition.

Service og serviceintervaller skal ubetinget overholdes.

Ved arbejde inden i maskinen, bør batteriet tages ud.

ARBEJDSANVISNINGER

Brug kun systemkompatible pressefittings samt pressebakker, der er dimensioneret til disse.

Forarbejdnings- og monteringsinstruktionerne for fittings eller rør fremgår af dokumenterne fra systemleverandøren.

Kontrollér, at pressefittingsens nominelle bredde svarer til pressebakkens nominelle bredde.

Vær opmærksom på, at pressebakken er lukket helt, når presningen er afsluttet.

Ikke korrekte rørsamlinger skal presses igen med en ny fitting.

Tjek efter afslutningen på installationen rørsystemet for tæthed med et egnet prøvedudstyr.

Pressemaskinen er ikke egnet til kontinuerlig drift. Efter 30 minutters uafbrudt drift skal der holdes en kort pause på mindst 15 minutter, sådan at maskinen kan køle af.

TILTÆNKT FORMÅL

Pressemaskinerne og pressebakkerne må kun bruges til presning af rør og fittings, som de pågældende pressebakker er bestemt til.

Pressemaskinerne er kun bestemt til brug med pressebakker, der er godkendt som egnede af Milwaukee i overensstemmelse med systemleverandøren.

ONE-KEY™

For at læse mere om dette apparats ONE-KEY funktionalitet, så se venligst quick start guiden, der følger med dette produkt, eller besøg <http://www.milwaukeeetool.com/one-key>

Du kan downloade ONE-KEY-app'en til din smartphone fra App Store eller Google Play.

Kontrolresultatet opfylder vores minimumskrav iht. EN 301 489-1 / EN 301 489-17.

BATTERI

Udskiftningsbatterier, der ikke har været brugt i længere tid, efterlades inden brug.

Ved temperaturer over 50°C formindskes batteriets effekt. Undgå direkte sollys og stærk varme.

Tilslutningskontakterne på oplader og udskiftningsbatterier skal holdes rene.

For at opnå en optimal levetid skal de genopladelige batterier oplades fuldt efter brug.

For at sikre en så lang levetid som muligt skal batterierne tages ud af ladeaggregatet efter opladning.

Skal batterierne opbevares længere end 30 dage:

Temperatur ca. 27°C i tørre omgivelser. Opbevares ved ca. 30%-50% af ladetilstanden. Batteri skal genoplades hver 6. måned.

Opbrugte udskiftningsbatterier må ikke brændes eller kasseres sammen med alm. husholdningsaffald. Milwaukee har en miljørigtig bortskaffelse af gamle udskiftningsbatterier, henvend Dem til Deres forhandler.

Opbevar ikke udskiftningsbatterier sammen med metalgenstande af fare for kortslutning.

Brug kun M18 ladeapparater for opladning af System M18 batterier.

Udskiftningsbatterier og opladere må ikke åbnes og skal opbevares i tørre rum. Beskyt dem mod fugtighed.

I tilfælde af en ekstrem belastning eller ekstrem temperatur kan der flyde batterivæske ud af et beskadiget batteri. Hvis De kommer i berøring med batterivæsken, skal den vaskes godt og grundigt af med vand og sæbe. I tilfælde af øjenkontakt, skal man mindst skylle øjnene godt og grundigt igennem i 10 minutter og omgående opsøge en læge.

Metaldele o.lign må ikke komme i berøring med rummet beregnet for udskiftningsbatteriet (kortslutningsfare).

TRANSPORT AF LITHIUM-BATTERIER

Lithium-batterier er omfattet af lovgivningen om transport af farligt gods.

Transporten af disse batterier skal ske under overholdelse af lokale, nationale og internationale regler og bestemmelser.

Forbrugere må transportere disse batterier på veje uden yderligere krav.

Den kommercielle transport af lithium-batterier ved speditjonsfirmaer er omfattet af reglerne for transport af farligt gods. Forberedelsen af forsendelse og transport må kun udføres af tilsvarende trænedne personer. Den samlede proces skal følges af fagfolk.

Følgende punkter skal overholdes ved transport af batterier: Sørg for at kontakterne er beskyttet og isoleret for at forhindre kortslutninger. Sørg for at batteripakken ikke kan bevæge sig inden for emballagen. Beskadigede eller lækende batterier må ikke transporteres. Kontakt dit speditjonsfirma for at få yderligere oplysninger.

VEDLIGEHOLDELSE

Tjek, at pressebakker og presseruller er letglidende.

Rengør og indfedt presseruller, låse og gevindskærebakker efter endt arbejde.

Service og reparationer må kun udføres af autoriserede serviceværksteder.

Maskinen indeholder hydraulikolie, som er til fare for grundvandet. Ukontrolleret udtømming eller ukorrekt bortskaffelse er strafbart ved lov.

På pressemaskinen angives den næste service. Denne service skal udføres mindst hvert 2. år eller senest, når dette signaliseres på LED-displayet.

Udskift slidt presseværktøj.

Hold altid maskinens ventilationsåbninger rene.

Brug kun Milwaukee-tilbehør og Milwaukee-reservedele.

Komponenter, hvor udskiftningsproceduren ikke er beskrevet, skal skiftes ud hos et Milwaukee-servicested (se brochure garanti/kundeserviceadresser).

Ved opgivelse af type nr. der er angivet på maskinens effektskilt, kan de requirere en reservedelstegning, ved henvendelse til: Techtronic Industries GmbH, Max-Eyth-Straße 10, 71364 Winnenden, Germany.

CE-KONFORMITETSERKLÆRING

Vi erklærer som eneansvarlige, at produktet, som beskrives under „Tekniske data“, opfylder alle de relevante bestemmelser i direktiverne

2011/65/EU (RoHS)

2006/42/EF

2014/53/EU

og følgende harmoniserede standarder er blevet anvendt

EN 62368-1:2014+AC:2015+A11:2017

EN 60745-1:2009+A11:2011

EN ISO 12100:2010

EN 55014-1:2017+A11:2020

EN 55014-2:2015

EN 301 489-1 V2.2.3

EN 301 489-17 V3.2.4

EN 300 328 V2.2.2

EN 62479:2010

EN IEC 63000:2018



Winnenden, 2021-07-16

Alexander Krug / Managing Director

Autoriseret til at udarbejde de tekniske dokumenter.

Techtronic Industries GmbH

Max-Eyth-Straße 10, 71364 Winnenden, Germany



SYMBOLER



Læs brugsanvisningen nøje før ibrugtagning.



VIGTIGT! ADVARSEL! FARE!



Ved arbejde inden i maskinen, bør batteriet tages ud.



ADVARSEL!

Fare for kvæstelser på grund af omkringflyvende fragmenter.



Advarsel! Fare for knusning



Tilbehør - Ikke inkluderet i leveringsomfanget, køb købes som tilbehør.



Når der arbejdes med maskinen, skal man have beskyttelsesbriller på.



Servicemærkat



Dette apparat indeholder et knapcelle litium batteri.



Elektrisk udstyr må ikke bortskaffes sammen med det almindelige husholdningsaffald. Elektrisk og elektronisk udstyr skal indsamles særskilt og afleveres hos en genbrugsvirksomhed til en miljømæssig forsvarlig bortskaffelse. Spørg de lokale myndigheder eller din forhandler om genbrugsstationer og indsamlingssteder til sådant affald.



Europæisk konformitetsmærke



Britisk konformitetsmærke



Ukrainsk konformitetsmærke



Eurasisk konformitetsmærke



TEKNISKE DATA Presstang	M18 ONEBLHPT
Produksjonsnummer	4777 60 02 000001-999999
Bluetooth-Frekvensbånd (Frekvensbånd)	2402 - 2480 MHz
Høyfrekvens ytelse	1,8 dBm
Bluetooth-versjon	4.2 BT signal mode
Spennning vekselbatteri	18 V
Ytelseopptak	450 W
Nominell kraft	32 kN
Pressområde: Ø Plast & kompositttrør Ø Metall til	63 mm (110 mm) 54 mm (108 mm) systemavhengig
Vekt i henhold til EPTA-Prosedyren 01/2014 (Li-Ion 2,0 Ah ... 12,0 Ah)	2,9 ... 3,9 kg
Vekt (M18 ONEBLHPT / Li-Ion 2.0 Ah / J18-Th14)	4,7 kg
Støyinformasjon Måleverdier fastslått i samsvar med EN 60745. Det typiske A-bedømte støynivået for maskinen er:	
Lydtrykknivå (Usikkerhet K=3dB(A))	75 dB (A)
Lydeffektnivå (Usikkerhet K=3dB(A))	86 dB (A)
Bruk hørselsvern!	
Vibrasjonsinformasjoner Totale svingningsverdier (vektorsum fra tre retninger) beregnet jf. EN 60745.	
Svingningsemisjonsverdi a_h	<2,5 m/s ²
Usikkerhet K=	1,5 m/s ²

ADVARSEL!

De angitte vibrasjonseksposering- og støynivåverdiene har blitt målt i samsvar med standardiserte målemetoder jmfør EN 60745 og kan brukes til å sammenligne et verktøy med et annet. De kan brukes til en foreløpig eksponeringsvurdering.

De angitte vibrasjonseksposering- og støyemisjonsverdiene gjelder for vanlig bruk av verktøyet. Dersom verktøyet blir brukt til noe annet, sammen med annet utstyr eller er dårlig vedlikeholdt kan de angitte vibrasjonseksposering- og støyeverdiene variere. Dette kan øke eksponerings- og emisjonsverdiene betraktelig for hele perioden du bruker verktøyet.

Når en vurderer vibrasjonseksposeringsnivået og støyeverdi må en inkludere den perioden som verktøyet er slått av eller når verktøyet går, men ikke direkte brukes til noe. Dette kan redusere eksponeringsnivået betraktelig over hele perioden som verktøyet er i bruk. Det er viktig å etablere ytterligere sikkerhetstiltak for å beskytte brukeren mot påvirkning av vibrasjon og/eller støy, slik som: vedlikehold av verktøyet og tilleggsutstyr, hold hendene varme, organiserte arbeidsrutiner.



ADVARSEL Les alle sikkerhetsinstruksjoner og bruksanvisninger. Feil ved overholdelsen av advarslene og nedenstående anvisninger kan medføre elektriske støt, brann og/eller alvorlige skader.

Ta godt vare på alle advarslene og informasjonene.



TRYKK PÅ ENHETENS SIKKERHETSADVARSLER

Bruk vernebekledning. Bruk alltid vernebrille når du arbeider med maskinen. Vernebekledning så vel som støvmaske, vernehansker, fast og sklisikkert skotøy, hjelm og hørselsvern er anbefalt.

Stikk aldri fingre eller andre kroppsdeler i arbeidsområdet til sylindere og pressbakkene.

Ikke hold fast bakkearmen med hendene mens pressingen pågår.

Pressverktøy og pressapparat skal bare brukes av en fagmann.

Før hver bruk skal pressverktøyene og pressapparatene kontrolleres om de har riss eller andre slitasjeskader.

Pressverktøyene og pressapparatene skal bare brukes når de er teknisk feilfri tilstand.

Skader skal med en gang repareres av et autorisert fagverksted.

Apparatet skal bare brukes med i satt pressbakke.

Trykk ved forstyrrelser som oppstår mens pressingen foregår med en gang farebryteren og slipp løs på-bryteren. Ventilen åpner seg og kolben går tilbake til utgangsposisjonen.

Vedlikehold og vedlikeholdstintervaller må alltid inneholdes.

Ta ut vekselbatteriet før du arbeider på maskinen

ARBEIDSTRUKSJONER

Bruk bare systemkonforme pressfittings og de dertil passende pressbakkene.

Bearbeiding- og montasjeinstruksjoner for fittings eller rør er beskrevet i papirene til systemprodusenten.

Kontroller om nominell vidde til pressfittingen overensstemmer med pressbakkens nominell vidde.

Etter fullført sammenpressing må det passes på at pressbakken er fullstendig lukket.

Rørforbindelser som ikke er korrekte, må presses på nytt med en ny fitting.

Eller at installasjonsarbeidene er avsluttet skal rørsystemet kontrolleres på tetthet med et passende egnet kontrollmiddel.

Pressapparatet er ikke egnet for permanent drift. Etter 30 minutter permanent drift må det legges inn en pause på minst 15 minutter slik at apparatet kjøles ned.

FORMÅLSMESSIG BRUK

Pressapparatene og pressbakkene skal bare utelukkende brukes til sammenpressing av rør og fittings som de respektive pressbakkene er planlagt til.

Pressapparatene er utelukkende planlagt for bruk av de pressbakkene som Milwaukee i overensstemmelse med systemprodusenten har erklært er egnet for dette.

ONE-KEY™

Mer informasjon om ONE-KEY funksjonaliteten for denne enheten finner du i Quick Start guiden som er vedlagt dette produktet eller gå til <http://www.milwaukee.com/one-key>

Du kan også laste ned vår ONE-Key app til din smarttelefon fra App Store eller Google Play.

Testen oppfyller våre minimumskrav i henhold til EN 301 489-1 / EN 301 489-17.



BATTERIER

Vekselbatterier som ikke er brukt over lengre tid skal etterlades før bruk.

En temperatur over 50°C reduserer vekselbatteriets kapasitet. Unngå oppvarming i sol eller ved varmeovner (fyring) i lengre tid. Hold tilkoplingskontaktene på lader og vekselbatteri rene.

For optimal holdbarhet må batteriene lades opp helt etter bruk.

For å sikre en lengst mulig brukstid av batteriene skal disse etter oppladning taes ut av laderen.

Ved lagring av batteriene lengre enn 30 dager: Lagre batteriet tørt ved ca. 27°C. Lagre batteriet ved en oppladningsstilstand på ca. 30%-50%. Lade opp batteriet igjen etter 6 måneder.

Ikke kast brukte vekselbatterier i varmen eller husholdning-savfallet. Milwaukee tilbyr en miljøriktig deponering av gamle vekselbatterier; vennligst spør din fagforhandler.

Ikke oppbevar vekselbatterier sammen med metallgjenstander (kortslutningsfare).

Vekselbatterier av systemet M18 skal kun lades med lader av systemet M18. Ikke lad opp batterier fra andre systemer.

Ikke åpne vekselbatterier og ladere, de skal oppbevares i tørre rom. Beskyttes mot fuktighet.

Under ekstreme belastninger og ekstreme temperaturer kan det lekke ut batterivæske fra utskiftbare batterier. Ved berøring med batterivæske, vask umiddelbart med såpe og vann. Ved kontakt med øynene må øynene skylles grundig i rennende vann i minst 10 minutter. Oppsøk lege umiddelbart.

Metaldeler må ikke komme inn i innskyvningssjakten for vekselbatterier på ladere (kortslutningsfare).

TRANSPORT AV LITIUM-ION-BATTERI

Litium-ion-batterier faller under de lovfestede forskriftene om transport av farlig gods.

Transporten av disse batteriene må rette seg etter lokale, nasjonale og internasjonale forskrifter og bestemmelser.

Forbruker har lov å transportere disse batteriene på gaten uten reglementering.

Den kommersielle transport av Litium-ion-batterier av spedisjonsfirma faller under bestemmelsene om transport av farlig gods. Forberedningene av forsendelsen og transport skal utelukkende gjennomføres av personer som har blitt skolert til dette. Hele prosessen skal følges opp av fagfolk.

Følgende punkter skal tas hensyn til ved transport: Kontroller at kontaktene er beskyttet og isolert for å unngå kortslutninger. Pass på at batteripakken i forpakningen ikke kan skli fram og tilbake. Skadede eller batterier som lekker er det ikke lov å transportere. Ta kontakt med spedisjonsfirma for ytterlige henvisninger.

VEDLIKEHOLD

Kontroller lettglidigheten til pressbakkene og press-slingene.

Etter at arbeidene er avsluttet, skal pressruller, bolter og kuttebakkere rengjøres og smøres.

Vedlikeholds- og reparasjoner skal bare utføres av autoriserte fagverksteder.

Apparatet inneholder hydraulikkolje som er en fare for grunnvannet. Ukontrollerte utslipp eller usaksmessige deponering av oljen er straffbart.

På pressapparatet står tiden for neste vedlikehold. Vedlikehold må gjennomføres minst annethvert år eller senest når det varsles i LED - displayet.

Utslitt pressverktøy skal skiftes.

Hold alltid luftenåpningene på maskinen rene.

Bruk kun Milwaukee tilbehør og Milwaukee reservedeler. Komponenter der utskiftning ikke er beskrevet skal skiftes ut hos Milwaukee kundeservice (se brosjyre garanti/kundeserviceadresser).

Ved behov kan du be om en eksplosjonstegning av apparatet hos din kundeservice eller direkte hos Techtronic Industries GmbH, Max-Eyth-Straße 10, 71364 Winnenden, Germany. Oppgi maskintype og det nummeret på typeskiltet.

CE-SAMSVARERKLÆRING

Vi erklærer i alene ansvar at produktet beskrevet i „Teknisk data“ overensstemmer med alle relevante forskrifter til Eu direktiv 2011/65/EU (RoHS)

2006/42/EC

2014/53/EU

og de følgende harmoniserte normative dokumentene. fyrstikker

EN 62368-1:2014+AC:2015+A11:2017

EN 60745-1:2009+A11:2011

EN ISO 12100:2010

EN 55014-1:2017+A11:2020

EN 55014-2:2015

EN 301 489-1 V2.2.3

EN 301 489-17 V3.2.4

EN 300 328 V2.2.2

EN 62479:2010

EN IEC 63000:2018



Winnenden, 2021-07-16

Alexander Krug / Managing Director
Autorisert til å utarbeide den tekniske dokumentasjonen
Techtronic Industries GmbH
Max-Eyth-Straße 10, 71364 Winnenden, Germany



Nor

SYMBOLER



Les nøye gjennom bruksanvisningen før maskinen tas i bruk.



OBS! ADVARSEL! FARE!



Ta ut vekselbatteriet før du arbeider på maskinen



ADVARSEL!

Fare for personskader på grunn av biter som slynges ut



OBS! Fare for klemming.



Tilbehør - inngår ikke i leveransen, anbefalt komplettering fra tilbehørsprogrammet.



Bruk alltid vernebrille når du arbeider med maskinen.



Vedlikeholdsmerke



Apparatet bruker knapp/myntcelle lithiumbatteri.



Elektriske apparat skal ikke kastes sammen med vanlig husholdningsavfall. Elektriske og elektroniske apparat skal samles separat og leveres til miljøvennlig deponering til en avfall bedrift. Informer deg hos myndighetene på stedet eller hos din fagforhandler hvor det finnes recycling bedrifter oppsamlingssteder.



Europeisk samsvarsmerke



Britisk samsvarsmerke



Ukrainsk samsvarsmerke



Euroasiatisk samsvarsmerke





TEKNISKA DATA Pressverktyg	M18 ONEBLHPT
Produktionsnummer	4777 60 02 000001-999999
Bluetooth-frekvensband	2402 - 2480 MHz
Högfrekvenseffekt	1,8 dBm
Bluetooth-Version	4.2 BT signal mode
Batterispänning	18 V
Ineffekt	450 W
Nominell kraft	32 kN
Pressområde: Ø Plast & Kompositrör Ø Metall fram till	63 mm (110 mm) 54 mm (108 mm) beroende på system
Vikt enligt EPTA 01/2014 (Li-Ion 2,0 Ah ... 12,0 Ah)	2,9 ... 3,9 kg
Vikt (M18 ONEBLHPT / Li-Ion 2.0 Ah / J18-Th14)	4,7 kg
Bullerinformation Mätvärdena har tagits fram baserade på EN 60745. A-värdet av maskinens ljudnivå utgör:	
Ljudtrycksnivå (Onoggrannhet K=3dB(A))	75 dB (A)
Ljudeffektsnivå (Onoggrannhet K=3dB(A))	86 dB (A)
Använd hörselskydd!	
Vibrationsinformation Totala vibrationsvärden (vektorsumma ur tre riktningar) framtaget enligt EN 60745.	
Vibrationsemissionsvärde a_h	<2,5 m/s ²
Onoggrannhet K=	1,5 m/s ²

VARNING!

De deklarerade vibrations- och bullernivåerna på detta informationsblad har uppmätts i enlighet med en standardiserad testmetod enligt EN 60745 och kan användas för att jämföra ett verktyg med ett annat. Det kan användas för en preliminär bedömning av exponeringen.

Den angivna vibrations- och bullernivån representerar verktygets huvudsakliga tillämpningar. Om verktyget emellertid används för olika tillämpningar, med olika eller dåligt underhållna tillbehör, kan vibrations- och bullerutsläppet variera. Detta kan öka exponeringsnivån avsevärt över den totala arbetsperioden.

En uppskattning av exponeringsnivån för vibrationer och buller bör även ta hänsyn till de tider då verktyget är avstängt eller när det körs utan att faktiskt arbeta. Detta kan avsevärt minska exponeringsnivån över den totala arbetsperioden.

Identifiera ytterligare säkerhetsåtgärder för att skydda operatören mot effekterna av vibrationer och/eller buller såsom: underhåll av verktyget och tillbehören, hålla händerna varma, organisation av arbetsmönster.



VARNING Läs alla säkerhetsanvisningar och andra tillhörande anvisningar. Fel som uppstår till följd av att anvisningarna nedan inte följts kan orsaka elstöt, brand och/eller allvarliga kroppsskador.

Förvara alla varningar och anvisningar för framtida bruk.



SÄKERHETSVARNINGAR FÖR PRESSENHET

Använd skyddsutrustning. Använd alltid skyddsglasögon. Som skyddsutrustning rekommenderar vi t ex en dammskyddsmask, skyddshandskar, stabila och halksäkra skor, hjälm och hörselskydd.

Gå aldrig med fingrarna eller andra kroppsdelar i närheten av cylindern eller pressbackarna.

Håll inte fast backspaken med händerna under pressningen.

Endast en fackman får använda pressverktyg och pressapparater.

Kontrollera pressverktygen och pressapparaterna varje gång innan de används att de inte har sprickor eller är slitna på annat sätt.

Det är endast tillåtet att använda pressverktyg och pressapparater i tekniskt felfritt tillstånd.

Kontakta omedelbart en auktoriserad fackverkstad för reparation om produkten skulle vara skadad.

Produkten får endast användas med isatt pressback.

Tryck omedelbart på säkerhetsknappen vid en störning under pressningen och släpp samtidigt PÅ-knappen. Ventilen öppnas och kolven går tillbaka till utgångsläget.

Genomför absolut allt föreskrivet underhåll och beakta underhållsintervallerna.

Drag ur batteripaket innan arbete utföres på maskinen.

ARBETSANVISNINGAR

Använd endast presskopplingar som stämmer överens med systemet och pressbackar som är anpassade till dessa kopplingar.

För bearbetnings- och monteringsanvisningar som gäller kopplingar och rör, se systemleverantörens dokumentation.

Kontrollera att presskopplingens nominella vidd stämmer överens med pressbackens nominella vidd.

Kontrollera att pressbacken är helt stängd efter det att pressningen är avslutad.

Rörförbindningar som inte är helt korrekta måste pressas en gång till med en ny koppling.

Kontrollera efter installationen att rörsystemet är tätt med hjälp av lämpliga kontrollmedel.

Pressapparaten är inte konstruerad för permanent användning.

Efter 30 minuters användning utan avbrott krävs en kort paus på minst 15 minuter så att produkten kan svalna.

ANVÄND MASKINEN ENLIGT ANVISNINGARNA

Pressapparaterna och pressbackarna får endast användas för pressning av sådana rör och kopplingar som respektive pressbackar är avsedda för.

Pressapparaterna får endast användas med de pressbackar som Milwaukee har godkänt i samråd med systemleverantören.

ONE-KEY™

För att ta reda på mer om ONE-KEY funktionaliteten på denna utrustning, läs medföljande snabbstartsguide eller besök <http://www.milwaukeeool.com/one-key>

Du kan ladda ner ONE-KEY-appen till din smarttelefon via App Store eller Google Play.

Provresultatet uppfyller våra minimikrav enligt EN 301 489-1 / EN 301 489-17.

BATTERIER

Batteri som ej använts på länge måste laddas före nytt bruk. En temperatur över 50°C reducerar batteriets effekt. Undvik långre uppvärmning tex i solen eller nära ett element.

Se till att anslutningskontaktarna i laddaren och på batteriet är rena.

För att batterierna ska få lång livslängd ska de laddas fulla efter användning.

För att få en så lång livslängs som möjligt bör laddningsbara batterier avlägsnas från laddaren när de är laddade.

Om laddningsbara batterier lagras längre än 30 dagar: Lagra batteriet torrt och vid ca 27°C. Lagra batteriet vid ca 30%-50% av laddningskapaciteten. Ladda batterierna på nytt var 6:e månad.

Kasta inte förbrukade batterier. Lämn dem till Milwaukee Tools för återvinning.

Förvara ej batteriet ihop med metallföremål, kortslutning kan uppstå.

System M18 batterier laddas endast i System M18 laddare. Ladda inte batterier från andra system.

Batterier lagras torrt och skyddas för fukt.

Under extrem belastning eller extrem temperatur kan batterivätska tränga ut ur skadade utbytesbatterier. Vid beröring med batterivätska tvätta genast av med vatten och tvål. Vid ögonkontakt spola genast i minst 10 minuter och kontakta genast läkare.

Se upp så att inga metallföremål hamnar i laddarens batterischakt, kortslutning kan uppstå.

TRANSPORTERA LITIUMJON-BATTERIER

För litiumjon-batterier gäller de lagliga föreskrifterna för transport av farligt gods på väg.

Därför får dessa batterier endast transporteras enligt gällande lokala, nationella och internationella föreskrifter och bestämmelser.

Konsumenter får transportera dessa batterier på allmän väg utan att behöva beakta särskilda föreskrifter.

För kommersiell transport av litiumjon-batterier genom en speditiönsfirma gäller emellertid bestämmelserna för transport av farligt gods på väg. Endast personal som känner till alla tillämpliga föreskrifter och bestämmelser får förbereda och genomföra transporten. Hela processen ska följas upp på fackmässigt sätt.

Följande ska beaktas i samband med transporten av batterier: Säkerställ att alla kontakter är skyddade och isolerade för att undvika kortslutning. Se till att batteripacken inte kan glida fram och tillbaka i förpackningen. Transportera aldrig batterier som läcker, har runnit ut eller är skadade. För mer information vänligen kontakta din speditiönsfirma.

SKÖTSEL

Kontrollera att pressbackarna och pressrullarna är lättmanövrerade.

Rengör och smörj pressrullar, reglar och kapkäftar när arbetet är klart.

Underhållsarbeten och reparationer får endast utföras på auktoriserade fackverkstäder.

I apparaten finns hydraulolja som är farlig för grundvattnet. Det är straffbart att tappa av hydraulolja okontrollerat eller att ta hand om den som avfall på annat än föreskrivet sätt.

På pressapparaten står respektive datum för nästa underhåll som krävs. Detta underhåll ska utföras minst alla 2 år eller senast när LED-indikeringen signalerar detta.

Byt alltid ut slitna pressverktyg.

Se till att motorhöljets luftslitsar är rena.

Använd endast Milwaukee-tillbehör och Milwaukee-reservdelar. Komponenter, för vilka inget byte beskrivs, skall bytas ut hos Milwaukee-kundtjänst (se broschyren garanti-/kundtjänstadresser).

Vid behov av sprängskiss, kan en sådan, genom att uppgä maskinens art. nr. (som finns på typskylten) erhållas från: Techtronic Industries GmbH, Max-Eyth-Straße 10, 71364 Winnenden, Germany.

CE-FÖRSÄKRAN

Vi tar på vårt ansvar att produkten som har beskrivits under Tekniska data uppfyller alla relevanta villkor i direktiven 2011/65/EU (RoHS)

2006/42/EG

2014/53/EU

samt att följande harmoniserade standarder har använts

EN 62368-1:2014+AC:2015+A11:2017

EN 60745-1:2009+A11:2011

EN ISO 12100:2010

EN 55014-1:2017+A11:2020

EN 55014-2:2015

EN 301 489-1 V2.2.3

EN 301 489-17 V3.2.4

EN 300 328 V2.2.2

EN 62479:2010

EN IEC 63000:2018



Winnenden, 2021-07-16

Alexander Krug / Managing Director

Befullmäktigad att sammanställa teknisk dokumentation.

Techtronic Industries GmbH

Max-Eyth-Straße 10, 71364 Winnenden, Germany



SYMBOLER



Läs instruktionen noga innan du startar maskinen.



OBSERVERA! VARNING! FARA!



Drag ur batteripaket innan arbete utföres på maskinen.



WARNING!
Skaderisk på grund av ivägflygande brottstycken



Varning! Risk att klämma sig



Tillbehör - Ingår ej i leveransomfånget, erhålles som tillbehör.



Använd alltid skyddsglasögon.



Varningsdekal



Denna anordning innehåller ett litium knappcells batteri.



Elektriska maskiner och elverktyg som kasseras får inte slängas tillsammans med de vanliga hushållssoporna. Elektriska maskiner och verktyg samt elektronisk utrustning som kasseras ska samlas separat och lämnas till en avfallsstation för miljövänlig avfallshantering. Kontakta den lokala myndigheten respektive kommunen eller fråga återförsäljare var det finns speciella avfallsstationer för elskrot.



Europeiskt konformitetsmärke



Britiskt konformitetsmärke



Ukrainskt konformitetsmärke



Euroasiatiskt konformitetsmärke



TEKNISET ARVOT Puristuslaite	M18 ONEBLHPT
Tuotantnumero	4777 60 02 000001-999999
Bluetooth-taajuus (taajuudet)	2402 - 2480 MHz
Suurin suurtaajuusteho	1,8 dBm
Bluetooth-versio	4.2 BT signal mode
Jännite vaihtoakku	18 V
Tehonotto	450 W
Nimellisvoima	32 kN
Puristusalue: Ø Muovit & komposiittiputket Ø Metalli asti	63 mm (110 mm) 54 mm (108 mm) järjestelmän mukaan
Paino EPTA-menetelyn 01/2014 mukaan (Li-Ion 2,0 Ah ... 12,0 Ah)	2,9 ... 3,9 kg
Paino (M18 ONEBLHPT / Li-Ion 2,0 Ah / J18-Th14)	4,7 kg
Melunpäästötiedot Mitta-arvot määritetty EN 60745 mukaan. Koneen tyypillinen A-luokitettu melutaso:	
Melutaso (Epävarmuus K=3dB(A))	75 dB (A)
Äänenvoimakkuus (Epävarmuus K=3dB(A))	86 dB (A)
Käytä kuulosuojaimia!	
Tärinätiedot Värähtelyn yhteisarvot (kolmen suunnan vektorisummitattuna EN 60745 mukaan.	
Värähtelyemissioarvo a_h	<2,5 m/s ²
Epävarmuus K=	1,5 m/s ²

VAROITUS!

Tässä tiedotteessa ilmoitettu (ilmoitetut) tärinä- ja melunpäästöarvo(t) on mitattu standardisoidulla testimenetelmällä SFS-EN 60745 mukaisesti ja sitä voidaan käyttää työkalun vertailumiseen toisen työkalun kanssa. Sitä voidaan käyttää alustavaan altistuksen arviointiin.

Ilmoitettu tärinä- ja melunpäästöarvo koskee työkalun pääkäyttö-tarkoituksia. Jos kuitenkin työkalua käytetään eri käyttötarkoituksiin eri varusteiden kanssa tai huonosti huollettuna, voi tärinä- ja melunpäästö erota ilmoitetusta. Tämä voi merkittävästi nostaa altistumistasoa koko työskentelyjakson ajaksi.

Arvioidussa tärinä- ja meluallistustasossa tulisi ottaa huomioon myös työkalun sammutuskerrat tai sen tyhjäkäynti. Tämä voi merkittävästi laskea altistumistasoa koko työskentelyjakson ajaksi.

Tunnista esimerkiksi seuraavat lisävarusteet, joilla voidaan suojata käyttäjää tärinän ja/tai melun vaikutuksilta: työkalun ja varusteiden ylläpito, käsien lämpimänä pito, työnkulun organisointi.



VAROITUS Lue kaikki, myös annetut turvallisuusmääräykset ja käyttöohjeet. Turvallisuusohjeiden noudattamisen laiminlyönti saattaa johtaa sähköiskuun, tulipaloon ja/tai vakavaan loukkaantumiseen.

Säilytä kaikki turvallisuus- ja muut ohjeet tulevaisuuttavarten.



PAINOKONEEN TURVALLISUUSVAROITUKSET

Käytä suojavarusteita. Käytä laitteella työskennellessäsi aina suojalaseja. Suosittelemme suojavarusteiden käyttöä, näihin kuuluvat pölysuojanaamari, työkäsineet, tukevat, luistamattomat jalkineet, kypärä ja kuulosuojukset.

Älä koskaan pane sormiasi tai muita ruumiinosia sylinterin ja puristusleukojeen työalueelle.

Älä pidä leukavivusta käsin kiinni puristustapahtuman aikana.

Vain ammattitaitoiset henkilöt saavat käyttää puristustyökaluja ja puristuslaitteita.

Ennen jokaista käyttöä tarkasta, onko puristustyökaluissa ja puristuslaitteissa halkeamia tai muita kulumisilmiöitä.

Käytä vain teknisesti moitteettomassa kunnossa olevia puristustyökaluja ja puristuslaitteita.

Anna valtuutetun alan ammattikorjaamon korjata vauriot heti.

Laitetta saa käyttää ainoastaan puristusleukojeen kera.

Jos puristustapahtuman aikana tulee häiriö, paina heti hätäpysäytyskytkintä ja päästä PÄÄLLE-katkaisin irti. Venttiili avaa ja mäntä ajaa takaisin lähtöasemaansa.

Noudata annettuja huolto-ohjeita ja huoltotoiden aikavälejä.

Ota akku pois ennen kaikkia koneeseen tehtäviä toimenpiteitä.

TYÖSKENTELYOHJEITA

Käytä vain järjestelmään sopivia puristussovikeita sekä siihen kuuluvia puristusleukoja.

Sovikkeiden tai putkien työstö- ja asennusohjeet löytyvät järjestelmän valmistajan dokumentaatiosta.

Tarkasta, että puristussovikkeen nimelliskoko on sama kuin puristusleuan nimelliskoko.

Kun puristus on suoritettu loppuun, tarkasta, että puristusleuka on täysin suljettu.

Jos putkiliitos ei ole oikein, niin se täytyy puristaa uudelleen uutta soviketta käyttäen.

Tarkasta putkijärjestelmän tiiviys asennustöiden jälkeen sopivilla koestusvälineillä.

Puristuslaite ei sovellu käytettäväksi jatkuvasti. 30 minuutin keskeyttämättömän käytön jälkeen tulee pitää vähintään 15 minuutin mittainen tauko, jotta laite voi jäähtyä.

TARKOITUKSEN MUKAINEN KÄYTTÖ

Puristuslaitteita ja puristusleukoja saa käyttää ainoastaan sellaisten putkien ja sovikkeiden puristamiseen, jotka vastaavat käytettyjä puristusleukoja.

Puristuslaite on tarkoitettu käytettäväksi ainoastaan sellaisten puristusleukojeen kera, jotka Milwaukee on yhdessä järjestelmän tarjoajan kera julistanut soveliaiksi.

ONE-KEY™

Lue mukana toimitettu pikäkäyttöohje tai käy verkossa sivulla <http://www.milwaukeeetool.com/one-key-tutustuaksesi-taman-laitteen-ONE-KEY-toiminnallisuuteen>.

Voit ladata ONE-KEY-sovelluksen App Storen tai Google Playn kautta älypuhelimellesi.

Koestustulos täyttää standardien EN 301 489-1 / EN 301 489-17 mukaiset vähimmäisvaatimukset.



AKKU

Pitkään käyttämättä olleet vaihtoakut on ladattava ennen käyttöä.

Yli 50°C lämpötilassa akun suorituskyky heikkenee. Vältä hien akkujen säilyttämistä auringossa tai kuumissa tiloissa.

Pidä aina latauslaitteen ja akun kosketinpinnat puhtaina.

Optimaalisen käyttöiän saavuttamiseksi akut on ladattava täyteen käytön jälkeen.

Mahdollisimman pitkän elinajan takaamiseksi akut tulee poistaa laturista lataamisen jälkeen.

Akkuja yli 30 päivää säilytettyinä:

Säilytä akku yli 27 °C:ssa ja kuivassa. Säilytä akku sen latauksen ollessa 30 % - 50 %. Lataa akku 6 kuukauden välein uudelleen.

Käytettyjä vaihtoakkuja ei saa polttaa eikä poistaa normaalin jätehuollon kautta. Milwaukeella on tarjolla vanhoja vaihtoakkuja väten ympäristöystävällinen jätehuoltopalvelu.

Vaihtoakkuja ei saa säilyttää yhdessä metalliesineiden kanssa (oikosulkuvaara).

Käytä ainoastaan System M18 latauslaitetta System M18 akkujen lataukseen. Älä käytä muiden järjestelmien akkuja.

Vaihtoakkuja ja latauslaitteita ei saa avata. Säilytys vain kuivissa tiloissa. Suojattava kosteudelta.

Vaurioituneesta akusta saattaa erityisen kovassa käytössä tai poikkeavassa lämpötilassa vuotaa akkuhappoa. Ihonkohta, joka on joutunut kosketukseen akkuhapon kanssa on viipymättä pestävä vedellä ja saippualla. Silmä, johon on joutunut akkuhappoa, on huuhdeltava vedellä vähintään 10 minuutin ajan, jonka jälkeen on viipymättä hakeuduttava lääkärin apuun.

On varottava, ettei latauslaitteiden vaihtoakkulatauskoloon joudu metalliesineitä (oikosulkuvaara).

LITIUMI-IONIakkujen kuljettaminen

Litiumi-ioniakut kuuluvat vaarallisten aineiden kuljetuksesta annettujen lakien piiriin.

Näiden akkujen kuljettaminen täytyy suorittaa noudattaen paikallisia, kansallisia ja kansainvälisiä määräyksiä ja säädöksiä.

Kuluttajat saavat ilman muuta kuljettaa näitä akkuja teitä pitkin.

Kaupallisessa kuljetuksessa huolintaliikkeiden täytyy kuljettaa litiumi-ioniakkuja vaarallisten aineiden kuljetuksesta annettujen määräysten mukaisesti. Ainoastaan tähän vastaavasti koulutetut henkilöt saavat suorittaa kuljetuksen valmistelutoimet ja itse kuljetuksen. Koko prosessia tulee valvoa asiantuntevasti.

Seuraavat kohdat tulee huomioida akkuja kuljetettaessa:

Varmista, että akkujen kontaktit on suojattu ja eristetty, jotta vältetään lyhytsulut. Huolehdi siitä, ettei akkusarja voi luiskahtaa paikaltaan pakkauksen sisällä. Vahingoittuneita tai vuotavia akkuja ei saa kuljettaa. Pyydä tarkemmat tiedot huolintaliikkeeltäsi.

HUOLTO

Tarkasta, että puristusleuat ja puristusrullat liikkuvat kevyesti.

Puhdista ja voitele puristusrullat, lukko ja leikkuuleuat töiden jälkeen.

Vain valtuutetut alan ammattikorjaamot saavat suorittaa huolto- ja kunnossapitotyöt

Laitte sisältää hydraulioiljyä, joka on vaarallista pohjavedelle.

Valvomaton työalaskeminen tai asiantuntematon hävittäminen on rangaistava teko.

Puristuslaitteessa on ilmoitettu seuraava huoltoajankohta. Tämä huolto tulee suorittaa vähintään aina 2 vuoden kuluttua tai viimeistään silloin, kun valodiodinäyttö ilmoittaa huollon olevan tarpeen.

Vaihda kuluneet puristustyökäluut uusiin.

Pidä moottorin ilmanottoaukot puhtaina.

Käytä ainoastaan Milwaukee lisätarvikkeita ja Milwaukee varaosia.

Mikäli jokin komponentti, jota ei ole kuvailtu, tarvitsee vaihtoa ota yhteys johonkin Milwaukee palvelupisteistä (kts. listamme takuuhuoltiliikkeiden/ palvelupisteiden osoitteista)

Tarpeen vaatiessa voit pyytää lähettämään laitteen kokoonpanopiirustuksen ilmoittamalla arvokilven numeron seuraavasta osoitteesta: Techtronic Industries GmbH, Max-Eyth-Straße 10, 71364 Winnenden, Germany.

TODISTUS CE-STANDARDIN MUKAISUUDESTA

Vakuutamme täten olevamme yksin vastuussa siitä, että kohdassa "Tekniset tiedot" kuvattu tuote vastaa kaikkia direktiivien merkittävistä säädöksistä

2011/65/EU (RoHS)

2006/42/EY

2014/53/EU

ja seuraavia yhdenmukaistettuja standardeja on käytetty

EN 62368-1:2014+AC:2015+A11:2017

EN 60745-1:2009+A11:2011

EN ISO 12100:2010

EN 55014-1:2017+A11:2020

EN 55014-2:2015

EN 301 489-1 V2.2.3

EN 301 489-17 V3.2.4

EN 300 328 V2.2.2

EN 62479:2010

EN IEC 63000:2018



Winnenden, 2021-07-16

Alexander Krug / Managing Director

Valtuutettu kokoamaan tekniset dokumentit.

Techtronic Industries GmbH

Max-Eyth-Straße 10, 71364 Winnenden, Germany



Suomi

SYMBOLIT



Lue käyttöohjeet huolellisesti, ennen koneen käynnistämistä.



HUOMIO! VAROITUS! VAARA!



Ota akku pois ennen kaikkia koneeseen tehtäviä toimenpiteitä.



VAROITUS!
Murtuneet osat voivat aiheuttaa vammoja



Varoitus! Rusementisvaara



Lisälaitte - Ei sisälly vakiovarustukseen, saatavana lisätarvikkeena.



Käytä laitteella työskennellessäsi aina suojalaseja.



Huoltotarra



Tämä laite sisältää litium-nappiariston.



Sähkölaitteita ei saa hävittää yhdessä kotitalousjätteiden kanssa. Sähkö- ja elektroniset laitteet tulee kerätä erikseen ja toimittaa kierrätysliikkeeseen ympäristöystävällistä hävittämistä varten. Pyydä paikallisilta viranomaisilta tai alan kauppiaaltasi tarkemmat tiedot kierrätyspisteistä ja keräyspaikoista.



Euroopan säännönmukaisuusmerkki



Britannian säännönmukaisuusmerkki



Ukrainan säännönmukaisuusmerkki



Euraasian säännönmukaisuusmerkki



ΤΕΧΝΙΚΑ ΣΤΟΙΧΕΙΑ Εργαλείο συμπίεσης	M18 ONEBLHPT
Αριθμός παραγωγής	4777 60 02 000001-999999
Ζώνη/ες συχνοτήτων Bluetooth	2402 - 2480 MHz
Μέγιστη ισχύς υψηλής	1,8 dBm
Έκδοση Bluetooth	4.2 BT signal mode
Τάση ανταλλακτικής μπαταρίας	18 V
Ισχύς εισόδου	450 W
Ονομαστική δύναμη	32 kN
Περιοχή συμπίεσης: Ø & σύνθετες σωληνώσεις Ø Μέταλλο μέχρι την	63 mm (110 mm) 54 mm (108 mm) ανάλογα με το σύστημα
Βάρος σύμφωνα με τη διαδικασία EPTA 01/2014 (Li-Ion 2,0 Ah ... 12,0 Ah)	2,9 ... 3,9 kg
Βάρος (M18 ONEBLHPT / Li-Ion 2.0 Ah / J18-Th14)	4,7 kg
Πληροφορίες θορύβου Τίμες μέτρησης εξακριβωμένες κατά EN 60745. Η σύφωνα με την καμπύλη A εκτιμηθείσα στάθμη θορύβου του μηχανήματος αναφέρεται σε:	
Στάθμη ηχητικής πίεσης (Ανασφάλεια K=3dB(A))	75 dB (A)
Στάθμη ηχητικής ισχύος (Ανασφάλεια K=3dB(A))	86 dB (A)
Φοράτε προστασία ακοής (ωτασπίδες)!	
Πληροφορίες δόνησεων Υλικές τίμες κραδασμών (άθροισμα διανυσμάτων τριών διευθύνσεων) εξακριβώθηκαν σύμφωνα με τα πρότυπα EN 60745.	
Τίμη εκπομπής δόνησεων a_n	<2,5 m/s ²
Ανασφάλεια K=	1,5 m/s ²

ΠΡΟΕΙΔΟΠΟΙΗΣΗ!

Το αναφερόμενο στο παρόν φυλλάδιο επίπεδο τιμών δόνησης και εκπομπής θορύβου έχει μετρηθεί σύμφωνα με μια τυπική μέθοδο δοκιμών κατά το πρότυπο EN 60745 και μπορεί να χρησιμοποιηθεί για τη σύγκριση εργαλείων μεταξύ τους. Μπορεί να χρησιμοποιηθεί για μια προκαταρκτική αξιολόγηση της έκθεσης.

Οι αναφερόμενες τίμες επιπέδων δόνησης και εκπομπής θορύβου αντιστοιχούν στις βασικές εφαρμογές του εργαλείου. Στην περίπτωση χρήσης του εργαλείου σε διαφορετικές εφαρμογές, με διαφορετικά εξαρτήματα ή ανεπαρκή συντήρηση, τα επίπεδα δόνησης και εκπομπών θορύβου ενδέχεται να διαφέρουν. Αυτό μπορεί να έχει ως συνέπεια μία σημαντική αύξηση των επιπέδων έκθεσης καθόλη τη διάρκεια εκτέλεσης των εργασιών.

Για μία εκτίμηση των επιπέδων έκθεσης σε δόνηση και θόρυβο πρέπει να συνομολογίζονται οι χρόνοι απενεργοποίησης του εργαλείου ή αυτοί κατά τους οποίους παραμένει ενεργό χωρίς να εκτελείται κάποια εργασία. Αυτό μπορεί να μειώσει σημαντικά τα επίπεδα έκθεσης καθόλη τη διάρκεια εκτέλεσης των εργασιών.

Ορίστε πρόσθετα μέτρα προστασίας του χειριστή από την έκθεση στη δόνηση ή/και στον θόρυβο όπως: συντήρηση του εργαλείου και των παρελκόμενων εξαρτημάτων, διατήρηση θερμότητας των χεριών, οργάνωση μοτίβων εργασίας.

⚠ ΠΡΟΕΙΔΟΠΟΙΗΣΗ Διαβάστε όλες τις Υποδείξεις ασφαλείας και τις Οδηγίες. Αμέλειες κατά την τήρηση των προειδοποιητικών υποδείξεων μπορεί να προκαλέσουν ηλεκτροπληξία, κίνδυνο πυρκαγιάς ή/και σοβαρούς τραυματισμούς. **Φυλάξτε όλες τις προειδοποιητικές υποδείξεις και οδηγίες για κάθε μελλοντική χρήση.**

⚠ ΠΙΣΤΙΚΗ ΣΥΣΚΕΥΗ ΠΡΟΕΙΔΟΠΟΙΗΣΕΙΣ ΑΣΦΑΛΕΙΑΣ

Χρησιμοποιείτε προστατευτικό εξοπλισμό. Στις εργασίες με τη μηχανή φοράτε πάντοτε προστατευτικά γυαλιά. Συνιστούμε επίσης προστατευτική ενδυμασία όπως επίσης μάσκα προστασίας αναπνοής, προστατευτικά γάντια, σταθερά και ασφαλή στην ολίσθηση υποδήματα, κράνος και ωτασπίδες.

Μη βάζετε ποτέ δάχτυλα ή άλλα μέρη του σώματός σας στην περιοχή λειτουργίας του κλινδρού και των σιαγόνων πίεσης. Μη κρατάτε το μοχλό της σιαγόνας με τα χέρια σας κατά την διάρκεια της διαδικασίας συμπίεσης.

Εργαλεία και συσκευές συμπίεσης επιτρέπεται να χρησιμοποιούνται μόνο από εξειδικευμένο προσωπικό.

Πριν από κάθε χρήση των εργαλείων και των συσκευών συμπίεσης ελέγξτε αν αυτά παρουσιάζουν ρωγμές ή άλλου είδους φθορές.

Χρησιμοποιείτε τα εργαλεία και τις συσκευές συμπίεσης μόνο αν αυτά βρίσκονται σε καλή κατάσταση.

Σε περίπτωση βλάβης επισκευάστε τα άμεσα σε ένα εξουσιοδοτημένο συνεργείο.

Η συσκευή επιτρέπεται να χρησιμοποιηθεί μόνο αν είναι μονταρισμένη η σιαγόνα συμπίεσης.

Σε περίπτωση βλάβης κατά την διάρκεια της διαδικασίας συμπίεσης πιάστε αμέσως το κουμπί κινδύνου και αφίστε το κουμπί ON. Η βαλβίδα ανοίγει και ο κλινδρός γυρνάει στην αρχική του θέση.

Τηρείστε οπωσδήποτε τις προθεσμίες και τα διαστήματα συντήρησης.

Πριν από κάθε εργασία στη μηχανή αφαιρείτε την ανταλλακτική μπαταρία.

ΥΠΟΔΕΙΞΕΙΣ ΕΡΓΑΣΙΑΣ

Χρησιμοποιείτε μόνο συνδέσμους που πληρούν τις προδιαγραφές του συστήματος καθώς και τις κατάλληλες για αυτούς τους συνδέσμους σιαγόνες συμπίεσης.

Τις οδηγίες επεξεργασίας και μονταρίσματος για τους συνδέσμους και τις σωλήνες μπορείτε να τις βρείτε στα εγχειρίδια του εκάστοτε κατασκευαστή συστήματος.

Ελέγξτε αν η ονομαστική διάμετρος του συνδέσμου αντιστοιχεί στην ονομαστική διάμετρο της σιαγόνας συμπίεσης.

Μετά από το τελείωμα μιας διαδικασίας συμπίεσης σιγουρευτείτε ότι η σιαγόνα συμπίεσης έχει κλείσει ολοσχερώς.

Συνδέσεις σωλήνων που δεν είναι σωστά πρέπει να ξαναγίνουν με καινούριους συνδέσμους.

Ελέγξτε με τα κατάλληλα μέσα μετά από το τέλος των εργασιών αν οι σωληνώσεις είναι στεγανές.

Η συσκευή συμπίεσης δεν είναι κατάλληλη για συνεχή λειτουργία. Μετά από 30 λεπτά συνεχούς λειτουργίας πρέπει να κάνει διάλειμμα 15 τουλάχιστον λεπτών ώστε να κρυώσει.

ΧΡΗΣΗ ΣΥΜΦΩΝΑ ΜΕ ΤΟ ΣΚΟΠΟ ΠΡΟΟΡΙΣΜΟΥ

Οι συσκευές και οι σιαγόνες συμπίεσης επιτρέπεται να χρησιμοποιηθούν μόνο σε συνδυασμό με κατάλληλους σωλήνες και συνδέσμους για τους οποίους οι σιαγόνες συμπίεσης πληρούν τις προδιαγραφές.

Οι συσκευές συμπίεσης προορίζονται αποκλειστικά για χρήση των σιαγόνων συμπίεσης που έχουν πιστοποιηθεί ως κατάλληλες από την Milwaukee σε συμφωνία με τον πάροχο συστήματος.

ONE-KEY™

Προκειμένου να μάθετε περισσότερα για τη λειτουργικότητα ONE-KEY της εν λόγω συσκευής, διαβάστε τον επιπυανυπόμένο οδηγό γρήγορης εκκίνησης ή επισκεφτείτε τη σελίδα μας στο Διαδίκτυο <http://www.milwaukeeetool.com/one-key>

Μπορείτε να κατεβάσετε την εφαρμογή ONE-KEY στο Smartphone σας από το App Store ή το Google Play.

Το αποτέλεσμα δοκιμής εκπληρώνει τις ελάχιστες απαιτήσεις μας κατά EN 301 489-1 / EN 301 489-17.

ΜΠΑΤΑΡΙΣ

Επαναφορτίζετε τις ανταλλακτικές μπαταρίες που δεν έχουν χρησιμοποιηθεί για μεγαλύτερο χρονικό διάστημα πριν τη χρήση. Μια θερμοκρασία πάνω από 50°C μειώνει την ισχύ της ανταλλακτικής μπαταρίας. Αποφύγετε τη θέρμανση για μεγαλύτερο χρονικό διάστημα από τον ήλιο ή τις συσκευές θέρμανσης.

Διατηρείτε τις επαφές σύνδεσης στο φορτιστή και στην ανταλλακτική μπαταρία καθαρές.

Για μια άριστη διάρκεια ζωής πρέπει μετά τη χρήση οι μπαταρίες να φορτιστούν πλήρως.

Για μια κατά το δυνατόν μεγάλη διάρκεια ζωής οι μπαταρίες μετά τη φόρτιση οφείλουν να αφαιρεθούν από το φορτιστή.

Για την αποθήκευση της μπαταρίας για διάστημα μεγαλύτερο των 30 ημερών:

Αποθηκεύετε τη μπαταρία περ. στους 27°C σε στεγνό χώρο. Αποθηκεύετε τη μπαταρία περ. στο 30%-50% της κατάστασης φόρτισης. Κάθε 6 μήνες φορτίζετε εκ νέου τη μπαταρία.

Μην πετάτε τις μεταχειρισμένες ανταλλακτικές μπαταρίες στη φωτιά ή στα οικιακά απορρίμματα. Η Milwaukee προσφέρει μια απόσυρση των παλιών ανταλλακτικών μπαταριών σύμφωνα με τους κανόνες προστασίας του περιβάλλοντος, ρωτήστε παρακαλώ σχετικά στο ειδικό κατάστημα πώλησης.

Μην αποθηκεύετε τις ανταλλακτικές μπαταρίες μαζί με μεταλλικά αντικείμενα (κίνδυνος βραχυκυκλώματος).

Φορτίζετε τις ανταλλακτικές μπαταρίες του συστήματος M18 μόνο με φορτιστές του συστήματος M18. Μην φορτίζετε μπαταρίες από άλλα συστήματα.

Μην ανοίγετε τις ανταλλακτικές μπαταρίες και τους φορτιστές και χρησιμοποιείτε για αποθήκευση μόνο στεγνούς χώρους. Προστατεύετε τις ανταλλακτικές μπαταρίες και τους φορτιστές από την υγρασία.

Όταν υπάρχει υπερβολική καταπόνηση ή υψηλή θερμοκρασία μπορεί να τρέξει υγρό μπαταρίας από τις χαλασμένες επαναφορτιζόμενες μπαταρίες. Αν έρθετε σε επαφή με υγρό μπαταρίας να πλυθείτε αμέσως με νερό και σαπούνι. Σε περίπτωση επαφής με τα μάτια να πλυθείτε σχολαστικά για τουλάχιστον 10 λεπτά και να αναζητήσετε αμέσως ένα γιατρό.

Στη θήκη υποδοχής των ανταλλακτικών μπαταριών του φορτιστή δεν επιτρέπεται να φθάνουν μεταλλικά αντικείμενα (κίνδυνος βραχυκυκλώματος).

ΜΕΤΑΦΟΡΑ ΤΩΝ ΜΠΑΤΑΡΙΩΝ ΙΟΝΤΩΝ ΛΙΘΙΟΥ

Οι μπαταρίες ιόντων λιθίου υπόκεινται στις απαιτήσεις των νομικών διατάξεων για την μεταφορά επικινδύνων εμπορευμάτων.

Η μεταφορά τέτοιων μπαταριών πρέπει να πραγματοποιείται τηρώντας τους τοπικούς, εθνικούς και διεθνείς κανονισμούς και τις αντίστοιχες διατάξεις.

Επιτρέπεται η μεταφορά τέτοιων μπαταριών στο δρόμο χωρίς περαιτέρω απαιτήσεις.

Η εμπορική μεταφορά μπαταριών ιόντων λιθίου από εταιρείες μεταφορών υπόκειται στις απαιτήσεις των νομικών διατάξεων για την μεταφορά επικινδύνων εμπορευμάτων. Οι προετοιμασίες αποστολής και η μεταφορά πραγματοποιούνται αποκλειστικά από ειδικά εκπαιδευμένα πρόσωπα. Η συνολική διαδικασία συνοδεύεται από εξειδικευμένο προσωπικό.

Κατά τη μεταφορά μπαταριών ιόντων λιθίου πρέπει να προσέχετε τα εξής:

Φροντίστε να σημεία επαφών να είναι προστατευμένα και μονωμένα ώστε να αποφευχθούν βραχυκυκλώματα. Προσέξτε το πακέτο μπαταριών να είναι σταθερό μέσα στη συσκευασία και να μη γλιστρά. Η μεταφορά μπαταριών που παρουσιάζουν φθορές ή διαρροές δεν επιτρέπεται. Για περισσότερες πληροφορίες απευθυνθείτε στην εταιρεία μεταφορών.

ΣΥΝΤΗΡΗΣΗ

Ελέγξτε την ευκολία χρήσης των σιαγόνων συμπίεσης και των κυλινδρών συμπίεσης.

Κατόπιν ολοκλήρωσης των εργασιών, λιπαίνετε τους κυλινδρούς συμπίεσης, το μάνδαλο και τις σιαγόνες κοπής.

Οι εργασίες συντήρησης και επισκευής επιτρέπεται να διεξάγονται μόνο από εξειδικευμένα συνεργεία.

Η συσκευή ιονίων λιθίου υδραυλικό λάδι που χρησιμοποιείται το οποίο αποτελεί κίνδυνο για τα υπόγεια ύδατα. Η ανεξέλεγκτη απόρριψη και η λανθασμένη διάθεση τιμωρούνται.

Η συσκευή συμπίεσης αναδεικνύει την επόμενη συντήρηση. Αυτή πρέπει να διεκπεραιώνεται κάθε 2 χρόνια ή το αργότερο όταν αναδεικνύεται στην οθόνη LED.

Αλλάξτε φθαρμένα εργαλεία συμπίεσης.

Διατηρείτε πάντοτε τις σχισμές εξερισμού της μηχανής καθαρές.

Χρησιμοποιείτε μόνο αξεσουάρ Milwaukee και ανταλλακτικά Milwaukee. Εξαρτήματα, που η αλλαγή τους δεν περιγράφεται, αντικαθιστώνται σε μια τεχνική υποστήριξη της Milwaukee (βλέπε φυλλάδιο εγγύηση/ διευθύνσεις τεχνικής υποστήριξης).

Όταν χρειάζεται, μπορείτε να ζητήσετε ένα σχέδιο συναρμολόγησης της συσκευής, δίνοντας τον τύπο της μηχανής και αριθμό στην πινακίδα ισχύος, από το κέντρο σέρβις ή απευθείας από τη φίρμα Technonic Industries GmbH, Max-Eyth-Strabe 10, 71364 Winnenden, Germany.



ΔΗΛΩΣΗ ΠΙΣΤΟΤΗΤΑΣ ΕΚ

Δηλώνουμε με αποκλειστική μας ευθύνη, ότι το προϊόν που περιγράφεται στα «Τεχνικά Χαρακτηριστικά» συμμορφώνεται με όλες τις σχετικές διατάξεις των οδηγιών 2011/65/ΕΕ (RoHS) 2006/42/ΕΚ 2014/53/ΕΕ

και έχουν εφαρμοστεί τα ακόλουθα εναρμονισμένα πρότυπα EN 62368-1:2014+AC:2015+A11:2017 EN 60745-1:2009+A11:2011 EN ISO 12100:2010 EN 55014-1:2017+A11:2020 EN 55014-2:2015 EN 301 489-1 V2.2.3 EN 301 489-17 V3.2.4 EN 300 328 V2.2.2 EN 62479:2010 EN IEC 63000:2018



Winnenden, 2021-07-16

Alexander Krug / Managing Director
Εξουσιοδοτημένος να συντάξει τον τεχνικό φάκελο.
Techtronic Industries GmbH
Max-Eyth-Straße 10, 71364 Winnenden, Germany

ΣΥΜΒΟΛΑ



Παρακαλώ διαβάστε σχολαστικά τις οδηγίες χρήσης πριν από την έναρξη λειτουργίας.



ΠΡΟΣΟΧΗ! ΠΡΟΕΙΔΟΠΟΙΗΣΗ! ΚΙΝΔΥΝΟΣ!



Πριν από κάθε εργασία στη μηχανή αφαιρείτε την ανταλλακτική μπαταρία.



ΠΡΟΕΙΔΟΠΟΙΗΣΗ!

Διαβάστε όλες τις υποδείξεις ασφαλείας και τις οδηγίες.



Προειδοποίηση! Κίνδυνος μαγκώματος.



Εξαρτήματα - Δεν περιλαμβάνονται στα υλικά παράδοσης, συνιστούμενη προσθήκη από το πρόγραμμα εξαρτημάτων.



Στις εργασίες με τη μηχανή φοράτε πάντοτε προστατευτικά γυαλιά.



Αυτοκόλλητα συντήρησης



Αυτή η συσκευή περιέχει μία μπαταρία λιθίου τύπου κουμπιού/κέρματος.



Ηλεκτρικά μηχανήματα δεν επιτρέπεται να απορρίπτονται μαζί με τα οικιακά απορρίμματα. Ηλεκτρικά και ηλεκτρονικά μηχανήματα συλλέγονται ξεχωριστά και παραδίδονται προς ανακύκλωση με τρόπο φιλικό προς το περιβάλλον σε επιχείρηση επεξεργασίας απορριμμάτων. Ενημερωθείτε από τις τοπικές υπηρεσίες ή από ειδικευμένους εμπόρους σχετικά με κέντρα ανακύκλωσης και συλλογής απορριμμάτων.



Ευρωπαϊκό σήμα πιστότητας



Βρετανικό σήμα πιστότητας



Ουκρανικό σήμα πιστότητας



Ευρασιατικό σήμα πιστότητας

TEKNİK VERİLER Presli pense	M18 ONEBLHPT
Üretim numarası	4777 60 02 000001-999999
Bluetooth frekans bandı (frekans bantları)	2402 - 2480 MHz
Yüksek frekans gücü	1,8 dBm
Bluetooth sürümü	4.2 BT signal mode
Kartuş akü gerilimi	18 V
Güç girişi	450 W
Pres Kuvveti	32 kN
Basın Alanı: Ø Plastik & Kompozit borular Ø Metal kadar	63 mm (110 mm) 54 mm (108 mm) sistem bağımlı
Ağırlığı ise EPTA-üretici 01/2014'e göre (Li-Ion 2,0 Ah ... 12,0 Ah)	2,9 ... 3,9 kg
Ağırlığı (M18 ONEBLHPT / Li-Ion 2.0 Ah / J18-Th14)	4,7 kg
Gürültü bilgileri Ölçüm değerleri EN 60745 e göre belirlenmektedir. Aletin, frekansa bağımlı uluslararası ses basıncı seviyesi değerlendirme eğrisi A'ya göre tipik gürültü seviyesi:	
Ses basıncı seviyesi (Tolerans K=3dB(A))	75 dB (A)
Akustik kapasite seviyesi (Tolerans K=3dB(A))	86 dB (A)
Koruyucu kulaklık kullanın!	
Vibrasyon bilgileri Toplam titreşim değeri (üç yönün vektör toplamı) EN 60745'e göre belirlenmektedir:	
titreşim emisyon değeri a _h	<2,5 m/s ²
Tolerans K=	1,5 m/s ²

UYARI!

Bu bilgi formunda belirtilen titreşim ve gürültü düzeyi EN 60745 uyarınca standart bir test yöntemine göre ölçülmüş olup, bir aleti diğeriyle karşılaştırmak için kullanılabilir. Bir maruz kalma ön değerlendirmesi için de kullanılabilir.

Beyan edilmiş titreşim ve gürültü emisyon değeri aletin ana uygulamalarını temsil eder. Ancak, alet farklı uygulamalar için veya farklı aksesuarla kullanılır ya da aletin bakımı yetersiz yapılırsa, titreşim ve gürültü emisyonu farklılık gösterebilir. Bu, toplam çalışma süresi boyunca maruz kalma seviyesini önemli ölçüde artırabilir.

Titreşim ve gürültüye maruz kalma seviyesi tahmininde, aletin kapalı olduğu veya çalıştığı, ancak aslında işini yapmadığı süreler de göz önünde bulundurulmalıdır. Bu, toplam çalışma süresi boyunca maruz kalma seviyesini önemli ölçüde azaltabilir.

Operatörü titreşim ve/veya gürültünün etkilerinden korumak için, aletin ve aksesuarların bakımını yapmak, elleri sıcak tutmak ve çalışma biçimlerini düzenlemek gibi ilave güvenlik önlemleri belirleyin.



UYARI Güvenlikle ilgili bütün açıklamaları. Açıklanan uyarılara ve talimat hükümlerine uyulmadığı takdirde elektrik çarpmalarına, yangınlara ve/veya ağır yaralanmalara neden olunabilir.

Bütün uyarıları ve talimat hükümlerini ilerde kullanmak üzere saklayın.



PRES CİHAZI GÜVENLİK UYARILARI

Koruma teçhizatı kullanın. Aletle çalışırken daima koruyucu gözlük kullanın. Koruyucu elbise ve tozlardan korunma maskesi, emniyet eldivenleri ve sağlam ve kaymaya mukavim ayakkabı giyin. Başlık ve kulaklık tavsiye edilir.

Asla parmaklarınızı veya başka vücut kısımlarınızı silindirin ve sıkma çenelerinin çalışma alanı içine tutmayınız.

Sıkma işlemi sırasında çene kollarını ellerinizle tutmayınız.

Sıkma aletleri ve sıkma cihazları sadece konusunda uzman olan kişiler tarafından kullanılabilir.

Her kullanımdan önce sıkma aletlerini ve sıkma cihazlarını çatlaklıklar ve başka aşınma belirtileri yönünden kontrol ediniz.

Sıkma aletleri ve sıkma cihazlarını sadece teknik olarak kusursuz durumdaysa kullanınız.

Hasarları derhal yetkili bir tamirhanede tamir ettiriniz.

Cihaz sadece sıkma çeneleri takılı durumdayken çalıştırılabilir.

Sıkma işlemi sırasında arızalar oluştuğunda derhal tehlike şalterine basınız ve AÇ şalterini bırakınız. Valf açılır ve piston başlangıç konumuna geri hareket eder.

Bakım ve bakım aralıklarına mutlaka uyunuz.

Aletin kendinde bir çalışma yapmadan önce kartuş aküyü çıkarın.

ÇALIŞMA AÇIKLAMALARI

Sadece sisteme uygun sıkma fittingleri ve bunlar için tasarlanmış sıkma çeneleri kullanınız.

Fitting ve borular için işleme ve montaj talimatları için sistemi sunanın belgelerine bakınız.

Sıkma fittingin nominal genişliğinin sıkma çenesinin nominal genişliğine uygun olmasını kontrol ediniz.

Sıkma işlemi tamamlandıktan sonra sıkma çenelerinin tamamıyla kapalı olmasını kontrol ediniz.

Düzgün olmayan boru bağlantılarını tekrar yeni bir fitting ile sıkılamak zorundasınız.

Montaj işlerinin tamamlanmasından sonra boru sistemini uygun kontrol araçlarıyla sızdırmazlık yönünden kontrol ediniz.

Sıkma cihazı sürekli işletim için uygun değildir. 30 dakika aralıklı olarak çalıştırılmasından sonra, cihazın soğuyabilmesi için en az 15 dakikalık kısa bir ara verilmesi gerekmektedir.

KULLANIM

Sıkma cihazları ve sıkma çeneleri sadece, ilgili sıkma çenelerinin öngörüldüğü boru ve fittinglerin sıkılması için kullanılabilir.

Sıkma cihazları sadece Milwaukee tarafından sistemi sunan ile mutabakat sağlanarak uygun bulunan sıkma çenelerinin kullanımı için öngörülmüşlerdir.



Tür

ONE-KEY™

Bu cihazın ONE-KEY işlevi hakkında daha fazla bilgi edinmek için ekteki Hızlı Başlangıç Kilavuzunu okuyun ya da <http://www.milwaukeeetool.com/one-key> adresini ziyaret edin. ONE-KEY uygulamasını App Store ya da Google Play aracılığıyla akıllı telefonunuza indirebilirsiniz.

Kontrol sonucu EN 301 489-1 / EN 301 489-17 standardına göre asgari taleplerimizi yerine getirmektedir.

AKÜ

Uzun süre kullanım dışı kalmış kartuş akülerini kullanmadan önce şarj edin.

50°C üzerindeki sıcaklıklar kartuş akünün performansını düşürür. Akünün güneş ışığı veya mekân sıcaklığı altında uzun süre ısınmamasına dikkat edin.

Şarj cihazı ve kartuş aküdeki bağlantı noktalarını temiz tutun.

Akünün ömrünün mükemmel bir şekilde uzun olması için kullandıktan sonra tamamen doldurulması gerekir.

Ömrünün mümkün olduğu kadar uzun olması için akülerin yüklemeye yapıldıktan sonra dolurma cihazından uzaklaştırılması gerekir.

Akünün 30 günden daha fazla depolanması halinde: Aküyü takriben 27°C'de kuru olarak depolayın. Aküyü yüklemeye durumunun takriben % 30 - %50 olarak depolayın. Aküyü her 6 ay yeniden doldurun.

Kullanılmış kartuş aküleri ateşe veya ev çöplerine atmayın. Milwaukee, kartuş akülerin çevreye zarar vermeyecek biçimde tasfiye edilmesine olanak sağlayan hizmet sunar; lütfen bu konuda yetkili satıcınızdan bilgi alın.

Kartuş aküleri metal parça veya eşyalarla birlikte saklamayın (kısa devre tehlikesi).

M18 sistemli kartuş aküleri sadece M18 sistemli şarj cihazları ile şarj edin. Başka sistemli aküleri şarj etmeyin.

Kartuş aküleri ve şarj cihazını açmayın ve sadece kuru yerlerde saklayın. Neme ve ıslanmaya karşı koruyun.

Aşırı zorlanma veya aşırı ısınma sonucu hasar gören kartuş akülerden batarya sıvısı dışarı akabilir. Batarya sıvısı ile temasa gelen yeri hemen bol su ve sabunla yıkayın. Batarya sıvısı gözünüze kaçacak olursa en azından 10 dakika yıkayın ve zaman geçirmeden bir hekime başvurun.

Şarj cihazının kartuş akü yuvasına hiçbir şekilde metal parçalar kaçmamalıdır (kısa devre tehlikesi).

LİTYUM İYON PİLLERİN TAŞINMASI

Lityum iyon piller tehlikeli madde taşımacılığı hakkındaki yasal hükümler tabidir.

Bu piller, bölgesel, ulusal ve uluslararası yönetmeliklere ve hükümlere uyularak taşınmak zorundadır.

Tüketiciler bu pilleri herhangi bir özel şart aranmaksızın karayoluyla taşıyabilirler.

Lityum iyon pillerin nakliye şirketleri tarafından ticari taşımacılığı için tehlikeli madde taşımacılığının hükümleri geçerlidir. Sevki hazırlığı ve taşıma sadece ilgili eğitimi görmüş personel tarafından gerçekleştirilebilir. Bütün süreç uzmanca bir refakatçilik altında gerçekleştirilmek zorundadır.

Pillerin taşınması sırasında aşağıdaki hususlara dikkat edilmesi gerekmektedir:

Kısa devre oluşmasını önlemek için kontakların korunmuş ve izole edilmiş olması sağlanmıştır. Pil paketinin ambalajı içinde kaymamasına dikkat ediniz. Hasarlı veya akmış pillerin taşınması yasaktır. Ayrıca bilgiler için nakliye şirketinize başvurunuz.

BAKIM

Sıkma çenelerinin ve sıkma makaralarının kolay hareket ediyor olmasını kontrol ediniz.

Çalışma sonrasında pres makaralarını, kilit dilini ve pafta lokmalarını temizleyin ve yağlayın.

Bakım ve tamir işleri sadece yetkili tamirhaneler tarafından yapılabilir.

Cihaz, yeraltı suları için bir tehlike oluşturan hidrolik yağ içermektedir. Kontrolsüz olarak boşaltılması veya usulüne uygun olmayacak şekilde imha edilmesi cezalandırılır.

Sıkma cihazında bir sonraki bakım belirtilmektedir. Bu bakımın en az 2 yılda bir veya en geç LED göstere ile gösterildiğinde yapılması gerekmektedir.

Aşınmış sıkma aletlerini değiştiriniz.

Aletin havalandırma aralıklarını daima temiz tutun.

Sadece Milwaukee aksesuarı ve yedek parçası kullanın. Nasıl değiştirileceği açıklanmamış olan yapı parçalarını bir Milwaukee müşteri servisinde değiştirin (Garanti ve servis adresi broşürüne dikkat edin).

Gerektiği takdirde aletin günlük görünüş şeması, alet tipinin ve tip etiketi üzerindeki sayının bildirilmesi koşuluyla müşteri servisinde veya doğrudan Techtronic Industries GmbH, Max-Eyth-Straße 10, 71364 Winnenden, Germany adresinden istenebilir.

CE UYGUNLUK BEYANI

"Teknik veriler" başlığı altında tanımlanan ürünün, sayılı direktiflerdeki tüm hükümleri

2011/65/EU (RoHS)

2006/42/EC

2014/53/EU

uyumlaştırılmış standartları

EN 62368-1:2014+AC:2015+A11:2017

EN 60745-1:2009+A11:2011

EN ISO 12100:2010

EN 55014-1:2017+A11:2020

EN 55014-2:2015

EN 301 489-1 V2.2.3

EN 301 489-17 V3.2.4

EN 300 328 V2.2.2

EN 62479:2010

EN IEC 63000:2018

CE

Winnenden, 2021-07-16

Alexander Krug

Alexander Krug / Managing Director

Teknik evrakları hazırlamakla görevlendirilmiştir.

Techtronic Industries GmbH

Max-Eyth-Straße 10, 71364 Winnenden, Germany

Türkçe

SEMBOLLER



Lütfen aleti çalıştırmadan önce kullanma kılavuzunu dikkatli biçimde okuyun.



DIKKAT! UYARI! TEHLİKE!



Aletin kendinde bir çalışma yapmadan önce kartuş aküyü çıkarın.



UYARI!
İş parçalarının savrulması



İkaz! Sıkışma tehlikesi



Aksesuar - Teslimat kapsamında değildir, önerilen tamam-
lamalar aksesuar programında.



Aletle çalışırken daima koruyucu gözlük kullanın.



Bakım etiketi



Bu cihaz, düğme tipi/yassı lityum pil içerir.



Elektrikli cihazların evsel atıklarla birlikte bertaraf edilmesi yasaktır. Elektrikli ve elektronik cihazlar ayrılarak biriktirilmeli ve çevreye zarar vermeden bertaraf edilmeleri için bir atık değerlendirme tesisine götürülmelidirler. Yerel makamlara veya satıcınıza geri dönüşüm tesisleri ve atık toplama merkezlerinin yerlerini danışınız.



Avrupa uyumluluk işareti



Britanya uyumluluk işareti



Ukrayna uyumluluk işareti



Avrasya uyumluluk işareti



Tür



Čes

TECHNICKÁ DATA Lisovací přístroj	M18 ONEBLHPT
Výrobní číslo	4777 60 02 000001-999999
Frekvenční pásmo (frekvenční pásma) Bluetooth	2402 - 2480 MHz
Vysokofrekvenční	1,8 dBm
Verze Bluetooth	4.2 BT signal mode
Napětí výměnného akumulátoru	18 V
Příkon	450 W
Jmenovitá síla	32 kN
Lisovací rozsah: Ø Umělá hmota & kompozitní trubky Ø kov do	63 mm (110 mm) 54 mm (108 mm) v závislosti na systému
Hmotnost podle prováděcího předpisu EPTA 01/2014 (Li-Ion 2,0 Ah ... 12,0 Ah)	2,9 ... 3,9 kg
Hmotnost (M18 ONEBLHPT / Li-Ion 2.0 Ah / J18-Th14)	4,7 kg
Informace o hluku Naměřené hodnoty odpovídají EN 60745. V třídě A posuzovaná hladina hluku přístroje činí typicky:	
Hladina akustického tlaku (Kolisavost K=3dB(A))	75 dB (A)
Hladina akustického výkonu (Kolisavost K=3dB(A))	86 dB (A)
Používejte chrániče sluchu !	
Informace o vibracích Celkové hodnoty vibrací (vektorový součet tří směrů) zjištěné v smyslu EN 60745.	
Hodnota vibračních emisí a_h	<2,5 m/s ²
Kolisavost K=	1,5 m/s ²

VAROVÁNÍ!

Hladina vibrací a emisí hluku uvedená v tomto informačním listu byla měřena v souladu se standardizovanou zkouškou uvedenou v normě EN 60745 a může být použita ke srovnání jednoho nástroje s jiným. Může být použita k předběžnému posouzení expozice.

Deklarovaná úroveň vibrací a emisí hluku představuje hlavní použití nástroje. Pokud se však nástroj používá pro různé aplikace, s různým příslušenstvím nebo s nedostatečnou údržbou, mohou se vibrace a emise hluku lišit. To může výrazně zvýšit úroveň expozice v průběhu celé pracovní doby.

Odhad úrovně expozice vibracím a hluku by měl také vzít v úvahu dobu, kdy je nástroj vypnutý nebo když běží, ale ve skutečnosti neprovádí úlohu. To může výrazně snížit úroveň expozice v průběhu celé pracovní doby.

Identifikujte dodatečná bezpečnostní opatření k ochraně pracovníka obsluhy před účinky vibrací a/nebo hluku, například: údržba nástroje a příslušenství, udržování rukou v teple, organizace pracovních schémat.

VAROVÁNÍ Seznamte se se všemi bezpečnostními pokyny a sice i s pokyny. Zanedbání při dodržování varovných upozornění a pokynů mohou mít za následek úder elektrickým proudem, požár a ebo těžká poranění.
Všechna varovná upozornění a pokyny do budoucna uschovejte.

BEZPEČNOSTNÍ UPOZORNĚNÍ PRO TISKOVÉ ZAŘÍZENÍ

Použijte ochranné vybavení. Při práci se strojem neustále nosit ochranné brýle. Doporučujeme rovněž použití součástí ochranného oděvu a ochranné obuvi, jako protiprašné masky, ochranných rukavic, pevné a neklouzající obuvi, ochranné přilby a ochrany sluchu. Nikdy nevkládejte prsty nebo jiné části těla do pracovní zóny válce a lisovacích čelistí.

Během procesu lisování nedržte páku čelistí rukama.

Lisovací nástroje a lisovací přístroje směji používat jen kvalifikovaní odborníci.

Před každým použitím lisovací nástroje a lisovací přístroje zkontrolujte, jestli na nich nejsou trhliny nebo jiné známky opotřebení.

Lisovací nástroje a lisovací přístroje používejte pouze tehdy, jestliže jsou v technicky bezchybném stavu.

Poškození nechte okamžitě opravit v autorizované speciální dílně.

Přístroj se smí používat jen s nasazenou lisovací čelistí.

Při poruchách během procesu lisování okamžitě stiskněte výstražné tlačítko a uvolněte tlačítko spínače pro zapínání. Ventil se otevře a píst přejde zpět do výchozí polohy.

Je nutné provádět údržbu a dodržovat intervaly údržby.

Před zahájením veškerých prací na vrtacím šroubováku vyjmout výměnný akumulátor.

PRACOVNÍ POKYNY

Používejte jen lisovací tvarovky (fitinky) shodné se systémem a také lisovací čelisti určené k tomuto účelu.

Pokyny ke zpracování a montáži pro tvarovky nebo trubičky získáte v podkladech od dodavatele systému.

Zkontrolujte, jestli se jmenovitá světlost lisovací tvarovky shoduje se jmenovitou světlostí lisovací čelisti.

Po ukončeném slisování je třeba dávat pozor na to, aby byla lisovací čelist kompletně uzavřena.

Nesprávné trubkové spoje musíte ještě jednou slisovat pomocí nové tvarovky.

Po ukončení instalačních prací pomocí vhodných měřicích prostředků zkontrolujte nepropustnost systému trubiček.

Lisovací přístroj není vhodný pro nepřetržitý provoz. Po 30 minutách nepřerušného provozu se musí provést krátká přestávka po dobu minimálně 15 minut, aby se přístroj mohl ochladit.

OBLAST VYUŽITÍ

Lisovací přístroje a lisovací čelisti se směji používat výhradně na slisování trubek a tvarovek, pro které jsou určeny odpovídající lisovací čelisti.

Lisovací přístroje jsou určeny výhradně k použití takových lisovacích čelistí, které jsou firmou Milwaukee po dohodě s prodejcem systému označeny za vhodné.

Česky

ONE-KEY™

Pokud se chcete dozvědět více o funkcionalitě ONE-KEY tohoto zařízení, podívejte se prosím do Průvodce rychlým startem, který je součástí tohoto výrobku nebo jděte na <http://www.milwaukeeetool.com/one-key>

Aplikaci ONE-KEY si můžete stáhnout na Váš smartphone z App Store nebo Google Play.

Výsledek zkoušky splňuje naše minimální požadavky v souladu s normami EN 301 489-1 / EN 301 489-17.

AKUMULÁTORY

Děle nepoužívané akumulátory je nutné před použitím znovu nabít.

Teplota přes 50°C snižuje výkon akumulátoru. Chraňte před dlouhým přehříváním na slunci či u topení.

Kontakty nabíječky a akumulátoru udržujte v čistotě.

Pro optimální životnost je nutné akumulátory po použití plně dobít.

K zabezpečení dlouhé životnosti by se akumulátory měly po nabíti vyjmout z nabíječky.

Při skladování akumulátoru po dobu delší než 30 dní:

Skladujte akumulátor v suchu při cca 27°C. Skladujte akumulátor při cca 30%-50% nabíjecí kapacity. Opakujte nabíjení akumulátoru každých 6 měsíců.

Použité nevyhazujte do domovního odpadu nebo do ohně. Milwaukee nabízí ekologickou likvidaci starých článků, ptejte se u vašeho obchodníka s nářadím.

Náhradní akumulátor neskladujte s kovovými předměty, nebezpečí zkratu.

Akumulátor systému M18 nabíjejte pouze nabíječkou systému M18. Nenabíjejte akumulátory jiných systémů.

Náhradní akumulátory ani nabíječku neotvírejte, skladujte je v suchu, chraňte před vlhkem.

Při extrémní zátěži či vysoké teplotě může z akumulátoru vytékat kapalina. Při zasažení touto kapalinou okamžitě zasažená místa omyjte vodou a mýdlem. Při zasažení očí okamžitě důkladně po dobu alespoň 10min. omývat a neodkladně vyhledat lékaře.

V nabíjecím postu nabíječky neskladujte kovové předměty, nebezpečí zkratu.

PŘEPRAVA LITHIUM-IONTOVÝCH BATERIÍ

Lithium-iontové baterie spadají podle zákonných ustanovení pod přepravu nebezpečného nákladu.

Přeprava těchto baterií se musí realizovat s dodržováním lokálních, vnitrostátních a mezinárodních předpisů a ustanovení.

Spotřebitelé mohou tyto baterie bez problémů přepravovat po komunikacích.

Komerční přeprava lithium-iontových baterií prostřednictvím přepravních firem podléhá ustanovením o přepravě nebezpečného nákladu. Přípravu k vyexpedování a samotnou přepravu směji vykonávat jen příslušně vyškolené osoby. Na celý proces se musí odborně dohlížet.

Při přepravě baterií je třeba dodržovat následující: Zajistěte, aby kontakty byly chráněné a izolované, aby se zamezilo zkratům. Dávejte pozor na to, aby se svazek baterií v rámci balení nemohl sesmeknout. Poškozené a vyteklé baterie se nesmějí přepravovat. Ohledně dalších informací se obraťte na vaši přepravní firmu.

ÚDRŽBA

Zkontrolujte lehkost chodu lisovacích čelistí a lisovacích válců.

Po ukončení prací lisovací kladky, západku a řezací čelisti vyčistěte a namažte tukem.

Údržbářské a opravárenské práce směji vykonávat jen autorizované specializované dílny.

Přístroj obsahuje hydraulický olej, který představuje nebezpečí pro podzemní vodu. Jeho nekontrolované vypouštění nebo neodborná likvidace jsou trestné.

Na lisovacím přístroji je uvedena následující údržba. Tato údržba musí být provedena minimálně každé 2 roky nebo nejpozději tehdy, když to signalizuje LED indikátor.

Opotřebené lisovací nástroje vyměňte.

Větrací štěrbinu nářadí udržujeme stále čisté.

Používat výhradně příslušenství Milwaukee a náhradní díly Milwaukee. Díly jejichž výměny nebyla popsána, nechte vyměnit u autorizovaném servisu (viz. "Záruky / Seznam servisních míst")

Při potřebě podrobného rozkresu konstrukce, oslovte informaci o typu a čísle přímo servis a nebo výrobce, Techtronic Industries GmbH, Max-Eyth-Straße 10, 71364 Winnenden, Germany.

CE-PROHLÁŠENÍ O SHODĚ

Prohlašujeme na naši výhradní odpovědnost, že produkt popsán v části „Technické údaje“ splňuje všechna příslušná ustanovení směrnice

2011/65/EU (RoHS)

2006/42/ES

2014/53/EU

a byly použity následující harmonizované normy

EN 62368-1:2014+AC:2015+A11:2017

EN 60745-1:2009+A11:2011

EN ISO 12100:2010

EN 55014-1:2017+A11:2020

EN 55014-2:2015

EN 301 489-1 V2.2.3

EN 301 489-17 V3.2.4

EN 300 328 V2.2.2

EN 62479:2010

EN IEC 63000:2018



Winnenden, 2021-07-16

Alexander Krug / Managing Director

Zplnomocněn k sestavování technických podkladů.

Techtronic Industries GmbH

Max-Eyth-Straße 10, 71364 Winnenden, Germany



SYMBOLY



Před spuštěním stroje si pečlivě přečtěte návod k používání.



POZOR! VAROVÁNÍ! NEBEZPEČÍ!



Před zahájením veškerých prací na vrtacím šroubováku vyjmout výměnný akumulátor.



VAROVÁNÍ!
Nebezpečí poranění odletujícími úlomky.



Pozor! Nebezpečí skřípnutí



Príslušenství není součástí dodávky, viz program příslušenství.



Při práci se strojem neustále nosit ochranné brýle.



Nálepka týkající se údržby



Toto zařízení obsahuje knoflíkovou/mincovou lithiovou baterii.



Elektrické přístroje se nesmí likvidovat společně s odpadem z domácností. Elektrické a elektronické přístroje je třeba sbírat odděleně a odevzdat je v recyklačním podniku na ekologickou likvidaci. Na místních úřadech nebo u vašeho specializovaného prodejce se informujte na recyklační podniky a sběrné dvory.



Značka shody v Evropě



Značka shody v Británii



Značka shody na Ukrajině



Značka shody pro oblast Eurasie

TECHNICKÉ ÚDAJE Klešče	M18 ONEBLHPT
Výrobné číslo	4777 60 02 000001-999999
Frekvenčné pásmo (frekvenčné pásma) Bluetooth	2402 - 2480 MHz
Vysokofrekvenčný	1,8 dBm
Verzia Bluetooth	4.2 BT signal mode
Napätie vymenného akumulátora	18 V
Príkion	450 W
Moč stiskania	32 kN
Tlačové centrum: Ø & kompozitné rúrky Ø kov do	63 mm (110 mm) 54 mm (108 mm) závislosti na nastavení systému
Hmotnosť podľa vykonávacieho predpisu EPTA 01/2014 (Li-Ion 2,0 Ah ... 12,0 Ah)	2,9 ... 3,9 kg
Hmotnosť (M18 ONEBLHPT / Li-Ion 2.0 Ah / J18-Th14)	4,7 kg
Informácia o hluku Namerané hodnoty určené v súlade s EN 60745. V triede A posudzovaná hladina hluku prístroja činí typicky:	
Hladina akustického tlaku (Kolisavosť K=3dB(A))	75 dB (A)
Hladina akustického výkonu (Kolisavosť K=3dB(A))	86 dB (A)
Používajte ochranu sluchu!	
Informácie o vibráciách Celkové hodnoty vibrácií (vektorový súčet troch smerov) zistené zmysle EN 60745.	
Hodnota vibračných emisií a _h	<2,5 m/s ²
Kolisavosť K=	1,5 m/s ²

POZOR!

Úroveň vibrácií a emisií hluku uvedená v tomto informačnom liste bola meraná v súlade so štandardizovanou skúškou uvedenou v EN 60745 a môže sa použiť na porovnanie jedného nástroja s druhým. Môže sa použiť v predbežnom posúdení expozície.

Deklarovaná úroveň vibrácií a emisií hluku predstavuje hlavné aplikácie nástroja. Ak sa však nástroj používa pre rôzne aplikácie, s rôznym prislúšenstvom alebo s nedostatočnou údržbou, môžu sa vibrácie a emisie hluku líšiť. To môže výrazne zvýšiť úroveň expozície počas celej pracovnej doby.

Odhad úrovne expozície vibráciám a hluku by mal tiež brať do úvahy časy, keď je nástroj vypnutý alebo keď beží, ale v skutočnosti nevykonáva prácu. To môže výrazne znížiť úroveň expozície počas celej pracovnej doby.

Identifikujte dodatočné bezpečnostné opatrenia na ochranu pracovníka obsluhy pred účinkami vibrácií a/alebo hluku, ako je: údržba nástroja a príslušenstva, udržanie teplých rúk, organizácia pracovných schém.

⚠ POZOR Zoznámte sa so všetkými bezpečnostnými pokynmi. Zanedbanie dodržiavania Výstražných upozornení a pokynov uvedených v nasledujúcom texte môže mať za následok zásah elektrickým prúdom, spôsobiť požiar a/alebo ťažké poranenie.

Tieto Výstražné upozornenia a bezpečnostné pokyny starostlivo uschovajte na budúce použitie.

⚠ BEZPEČNOSTNÉ UPOZORNENIA PRE TLAČOVÉ ZARIADENIE

Použite ochranné vybavenie. Pri práci so strojom vždy noste ochranné okuliare. Doporučujeme taktiež použitie súčastí ochranného odevu a ochrannej obuvi, ako sú protiprašná maska, ochranné rukavice, pevná a neklzajúca obuv, ochranná prilba a ochrana sluchu.

Nikdy nevkladajte prsty alebo iné časti tela do pracovnej zóny valca a lisovacích čelustí.

Počas procesu lisovania nedržte páku čelustí rukami.

Lisovacie nástroje a lisovacie prístroje smú používať len kvalifikovaní odborníci.

Pred každým použitím lisovacie nástroje a lisovacie prístroje skontrolujte, či na nich nie sú trhliny alebo iné prejavy opotrebenia.

Lisovacie nástroje a lisovacie prístroje používajte len vtedy, ak sú v technicky bezchybnom stave.

Poškodenia nechajte okamžite opraviť v autorizovanej špecializovanej dielni.

Prístroj sa smie používať len s nasadenou lisovacou čelustou.

Pri poruchách počas procesu lisovania stlačte okamžite výstražné tlačidlo a pustite tlačidlo zapínača. Ventil sa otvorí a piest prejde späť do východiskovej polohy.

Nutne dodržiavajte údržbu a intervaly údržby.

Pred každou prácou na stroji výmenný akumulátor vyťahnuť.

NAPOTKI ZA DELO

Používajte len lisovacie tvarovky (fitings) konformné so systémom ako aj na to určené lisovacie čeluste.

Pokyny ku spracovaniu a montáži pre tvarovky alebo rúrky získate v podkladoch od dodávateľa systému.

Skontrolujte, či sa menovitá svetlosť lisovacej tvarovky zhoduje s menovitou svetlosťou lisovacej čeluste.

Po ukončení zlisovania treba dávať pozor na to, aby bola lisovacia čelusť kompletne uzavretá.

Nesprávne rúrkové spoje musíte ešte raz zlisovať pomocou novej tvarovky.

Po ukončení inštaláčnych prác pomocou vhodných meracích prostriedkov skontrolujte nepriepustnosť systému rúrok.

Lisovací prístroj nie je vhodný na nepretržitú prevádzku. Po 30 minútach nepretrzenej prevádzky sa musí zrealizovať krátka prestávka v trvaní minimálne 15 minút, aby sa prístroj mohol schladieť.



Slov

POUŽITIE PODĽA PREDPISOV

Lisovacie prístroje a lisovacie čeluste sa smú používať výhradne na zlisovanie rúr a tvaroviek, pre ktoré sú určené adekvátne lisovacie čeluste.

Lisovacie prístroje sú určené výhradne na použitie takých lisovacích čelustí, ktoré sú firmou Milwaukee po dohode s predajcom systému označené za vhodné.

ONE-KEY™

Ak sa chcete dozvedieť viac o funkcionalite ONE-KEY tohto prístroja, pozrite si prosím Sprievodcu rýchlym štartom, ktorý je súčasťou tohto výrobku alebo choďte na

<http://www.milwaukeeool.com/one-key>

Aplikáciu ONE KEY si môžete na svoj smartphone stiahnuť z app storeu alebo z Google Play.

Výsledok skúšky spĺňa naše minimálne požiadavky v súlade s normami EN 301 489-1 / EN 301 489-17.

AKUMULÁTORY

Dlhší čas nepoužívané výmenné akumulátory pred použitím dobiť.

Teplota vyššia ako 50°C znižuje výkon výmenného akumulátora. Zabráňte dlhšiemu ohriatiu slnkom alebo kúrením.

Pripájacie kontakty na nabíjacom zariadení a výmennom akumulátore udržiavať čisté.

Pre optimálnu životnosť je nutné akumulátory po použití plne dobiť.

K zabezpečeniu dlhej životnosti by sa akumulátory mali po nabití vybrať z nabíjačky.

Pri skladovaní akumulátora po dobu dlhšiu než 30 dní: Skladujte akumulátor v suchu pri cca 27°C. Skladujte akumulátor pri cca 30%-50% nabíjacej kapacity. Opakujte nabíjanie akumulátora každých 6 mesiacov.

Opatrebované výmenné akumulátory nezahadzujte do ohňa alebo medzi domový odpad. Milwaukee ponúka likvidáciu starých výmenných akumulátorov, ktorá je v súlade s ochranou životného prostredia; informujte sa u Vášho predajcu.

Výmenné akumulátory neskladovať spolu s kovovými predmetmi (nebezpečenstvo skratu).

Výmenné akumulátory systému M18 nabíjať len nabíjacími zariadeniami systému M18. Akumulátory iných systémov týmto zariadením nenabíjať.

Výmenné akumulátory a nabíjacie zariadenia neotvárať a skladovať len v suchých priestoroch. Chrániť pred vlhkosťou.

Pri extrémnych záťažach alebo extrémnych teplotách môže dôjsť k vytekaniu batérovej tekutiny z poškodeného výmenného akumulátora. Ak dôjde ku kontaktu pokožky s roztokom, postihnuté miesto umyť vodou a mydlom. Ak sa roztok dostane do očí, okamžite ich dôkladne vypláchnuť po dobu min. 10 min a bezodkladne vyhľadať lekára.

Do zasúvacieho otvoru pre výmenné akumulátory na nabíjacom zariadení, sa nesmú dostať žiadne kovové predmety (nebezpečenstvo skratu).

PREPRAVA LÍTIOVO-IÓNOVÝCH BATÉRIÍ

Lítiovo-iónové batérie podľa zákonných ustanovení spadajú pod prepravu nebezpečného nákladu.

Preprava týchto batérií sa musí realizovať s dodržiavaním lokálnych, vnútroštátnych a medzinárodných predpisov a ustanovení.

Spotrebiteľia môžu tieto batérie bez problémov prepravovať po cestách.

Komerčná preprava lítiovo-iónových batérií prostredníctvom špedičných firiem podlieha ustanoveniam o preprave nebezpečného nákladu. Prípravu k vy Expedovaniu a samotnú prepravu smú vykonávať iba adekvátne vyškolené osoby. Na celý proces sa musí odborne dohliadať.

Pri preprave batérií treba dodržiavať nasledovné: Zabezpečiť, aby boli kontakty chránené a izolované, aby sa zamedzilo skratom. Dávajte pozor na to, aby sa zväzok batérií v rámci balenia nemohol zošmyknúť. Poškodené a vytečené batérie sa nesmú prepravovať. Kvôli ďalším informáciám sa obráťte na vašu špedičnú firmu.

ÚDRŽBA

Skontrolujte ľahkosť chodu lisovacích čelustí a lisovacích valcov.

Po ukončení prác lisovacie valčeky, západky a strižné čeluste vyčistite a namažte tukom.

Údržbárske a opravárenské práce smú vykonávať len autorizované špecializované dielne.

Prístroj obsahuje hydraulický olej, ktorý predstavuje nebezpečenstvo pre podzemnú vodu. Jeho nekontrolované vypúšťanie alebo neodborná likvidácia sú trestné.

Na lisovacom prístroji je uvedená nasledujúca údržba. Táto údržba musí byť zrealizovaná minimálne každé 2 roky alebo najneskôr vtedy, keď to signalizuje LED indikátor.

Opatrebené lisovacie nástroje vymeňte.

Vetracie otvory udržiavať stále v čistote.

Používať len Milwaukee príslušenstvo a Milwaukee náhradné diely. Súčiastky bez návodu na výmenu treba dať vymeniť v jednom z Milwaukee zákazníckych centier (viď brožúru Záruka/Adresa zákazníckych centier).

Pri udaní typu stroja a čísla nachádzajúceho sa na štítku dá sa v prípade potreby vyžiadať explozivná schéma prístroja od vášho zákazníckého centra alebo priamo v Techtronic Industries GmbH, Max-Eyth-Straße 10, 71364 Winnenden, Germany.



Slov

CE - VYHLÁSENIE KONFORMITY

Na našu výhradnú zodpovednosť vyhlasujeme, že produkt popísaný v časti „Technické údaje“ spĺňa všetky príslušné ustanovenia smerníc

2011/65/EÚ (RoHS)

2006/42/ES

2014/53/EÚ

a boli použité nasledovné harmonizované normy

EN 62368-1:2014+AC:2015+A11:2017

EN 60745-1:2009+A11:2011

EN ISO 12100:2010

EN 55014-1:2017+A11:2020

EN 55014-2:2015

EN 301 489-1 V2.2.3

EN 301 489-17 V3.2.4

EN 300 328 V2.2.2

EN 62479:2010

EN IEC 63000:2018



Winnenden, 2021-07-16

Alexander Krug / Managing Director

Spĺnomocnený zostaviť technické podklady.

Techtronic Industries GmbH

Max-Eyth-Straße 10, 71364 Winnenden, Germany

SYMBOLY



Pred prvým použitím prístroja si pozorne prečítajte návod na obsluhu.



POZOR! NEBEZPEČENSTVO!



Pred každou prácou na stroji výmenný akumulátor vytiahnuť.



POZOR!

Výstraha pred odmrštenými predmetmi



Výstraha! Nebezpečenstvo pomliaždenia



Príslušenstvo - nie je súčasťou štandardnej výbavy, odporúčané doplnenie z programu príslušenstva.



Pri práci so strojom vždy nosite ochranné okuliare.



Nálepka týkajúca sa údržby



Toto zariadenie obsahuje gombíkovú/mincovú lítiovú batériu.



Elektrické prístroje sa nesmú likvidovať spolu s odpadom z domácnosti. Elektrické a elektronické prístroje treba zbierať oddelene a odovzdať ich v recyklačnom podniku na ekologickú likvidáciu. Na miestnych úradoch alebo u vášho špecializovaného predajcu sa spýtajte na recyklačné podniky a zberné dvory.



Značka zhody v Európe



Značka zhody v Británii



Značka zhody na Ukrajině



Značka zhody pre oblasť Eurázie



DANE TECHNICZNE Zaciskarka	M18 ONEBLHPT
Numer produkcyjny	4777 60 02 000001-999999
Pasma (pasma) częstotliwości Bluetooth	2402 - 2480 MHz
Moc wysokiej częstotliwości	1,8 dBm
Wersja Bluetooth	4.2 BT signal mode
Napięcie baterii akumulatorowej	18 V
Pobór mocy	450 W
Siła znamionowa	32 kN
Zakres zaciskania: Ø Tworzywa sztuczne & Rury kompozytowe Ø Metal do	63 mm (110 mm) 54 mm (108 mm) w zależności od systemu
Ciężar wg procedury EPTA 01/2014 (Li-Ion 2,0 Ah ... 12,0 Ah)	2,9 ... 3,9 kg
Ciężar (M18 ONEBLHPT / Li-Ion 2,0 Ah / J18-Th14)	4,7 kg
Informacja dotycząca szumów Zmierzone wartości wyznaczone zgodnie z normą EN 60745. Poziom szumów urządzenia oszacowany jako A wynosi typowo: Poziom ciśnienia akustycznego (Niepewność K=3dB(A))	75 dB (A)
Poziom mocy akustycznej (Niepewność K=3dB(A))	86 dB (A)
Należy używać ochraniaczy uszu!	
Informacje dotyczące wibracji Wartości łączne drgań (suma wektorowa trzech kierunków) wyznaczone zgodnie z normą EN 60745	
Wartość emisji drgań a_h	<2,5 m/s ²
Niepewność K=	1,5 m/s ²

OSTRZEŻENIE!

Poziom drgań i emisji hałasu podany w niniejszej instrukcji zmierzono zgodnie ze standardową metodą badania wg EN 60745 i można ją wykorzystywać do porównania narzędzia z innym narzędziem. Można go wykorzystać przy wstępnej ocenie narażenia.

Deklarowany poziom emisji drgań i hałasu reprezentuje główne zastosowania narzędzia. Jeśli jednak narzędzie jest używane do różnych zastosowań, z różnymi akcesoriami lub w przypadku nieprawidłowej konserwacji, emisja drgań i hałasu może się różnić. Może to znacznie zwiększyć poziom narażenia w całym okresie eksploatacji narzędzia.

Oszacowanie poziomu narażenia na wibracje i hałas powinno również uwzględniać czasy, kiedy narzędzie jest wyłączone lub kiedy jest włączone, ale nie pracuje. Może to znacznie obniżyć poziom ekspozycji w całym okresie eksploatacji narzędzia.

Należy zidentyfikować dodatkowe środki bezpieczeństwa w celu ochrony operatora przed skutkami wibracji i/lub hałasu, takie jak: utrzymywanie narzędzia i akcesoriów w nienagannym stanie, utrzymywanie ciepła rąk, organizacja pracy.

OSTRZEŻENIE Prosimy o przeczytanie wskaźników bezpieczeństwa i zaleceń, również tych. Błędy w przestrzeganiu poniższych wskaźników mogą spowodować porażenie prądem, pożar i/lub ciężkie obrażenia ciała. **Należy starannie przechowywać wszystkie przepisy i wskaźniki bezpieczeństwa dla dalszego zastosowania.**

OSTRZEŻENIA DOTYCZĄCE BEZPIECZEŃSTWA PRACY PRZY PRASIE

Stosować wyposażenie ochronne. Podczas pracy należy zawsze nosić okulary ochronne. Zalecana jest odzież ochronna, jak maska pyłochronna, rękawice ochronne, mocne i chroniące przed poślizgiem obuwie, kask i ochronnik słuchu.

Nigdy nie należy trzymać palców lub innych części ciała w obszarze roboczym cylindra oraz szczęk prasujących.

Podczas procesu prasowania nie należy przytrzymywać dźwigni prasującej rękami.

Narzędzia prasujące i urządzenia prasujące mogą być używane wyłącznie przez fachowca.

Przed każdym użyciem narzędzi prasujących i urządzeń prasujących należy je skontrolować pod względem pęknięć i innych objawów zużycia.

Narzędzia prasujące i urządzenia prasujące należy użytkować wyłącznie w stanie nienagannym pod względem technicznym.

Naprawę uszkodzeń należy natychmiast zlecić autoryzowanemu warsztatowi specjalistycznemu.

Urządzenie wolno użytkować wyłącznie z założoną szczęką prasującą.

W przypadku wystąpienia zakłóceń podczas procesu prasowania należy natychmiast nacisnąć wyłącznik bezpieczeństwa i zwolnić przełącznik EIN [WŁĄCZONE]. Zawór otwiera się i tłok przemieszcza się z powrotem do pozycji wyjściowej.

Bezwzględnie należy przestrzegać konserwacji i przedziałów czasu pomiędzy konserwacjami.

Przed przystąpieniem do jakichkolwiek prac na elektronarzędziu należy wyjąć wkładkę akumulatorową.

WSKAZÓWKI DOTYCZĄCE UŻYTKOWANIA

Należy stosować wyłącznie zgodnie z systemem prasowane kształtki rurowe i zaprojektowane dla nich szczęki prasujące.

Instrukcje dotyczące obróbki i montażu dla kształtek rurowych oraz rur należy wziąć z dokumentacji oferenta systemu.

Należy skontrolować, czy średnica znamionowa kształtki rurowej jest zgodna ze średnicą znamionową szczęki prasującej.

Po zakończonym prasowaniu należy zwracać uwagę na to, żeby szczeka prasująca była całkowicie zamknięta.

Nieprawidłowe złącza rurowe muszą zostać ponownie sprasowane z nową kształtką rurową.

Po zakończeniu robót instalacyjnych należy za pomocą odpowiednio przystosowanych środków kontrolnych skontrolować system rurowy pod względem szczelności.

Urządzenie prasujące nie nadaje się do pracy ciągłej. Po 30 minutach nieprzerwanej eksploatacji musi zostać wprowadzona krótka przerwa wynosząca co najmniej 15 minut, aby urządzenie mogło się ochłodzić.



WARUNKI UŻYTKOWANIA

Urządzenia prasujące oraz szczęki prasujące wolno stosować wyłącznie do prasowania rur i kształtek rurowych, dla których przewidziane są odpowiednie szczęki prasujące.

Urządzenia prasujące przewidziane są wyłącznie do zastosowania szczęk prasujących, które zadeklarowane są przez firmę Milwaukee w porozumieniu z oferentem systemu jako odpowiednie.

ONE-KEY™

Aby dowiedzieć się więcej na temat funkcji ONE-KEY urządzenia, zapoznaj się z instrukcją obsługi dołączoną do produktu lub odwiedź stronę <http://www.milwaukeeool.com/one-key>

Możesz pobrać aplikację ONE-KEY z sklepu App Store lub Google Play na swojego smartfona.

Wynik badania spełnia nasze minimalne wymagania zgodnie z normą EN 301 489-1 / EN 301 489-17.

BATERIE AKUMULATOROWE

Akumulatory, które nie były przez dłuższy czas użytkowane, należy przed użyciem naładować.

W temperaturze powyżej 50°C następuje spadek osiągniętych wkładki akumulatorowej. Unikaj długotrwałego wystawienia na oddziaływanie ciepła lub promieni słonecznych (niebezpieczeństwo przegrzania).

Styki ładowarek i wkładek akumulatorowych należy utrzymywać w czystości

Dla zapewnienia optymalnej żywotności akumulatory po użyciu należy naładować do pełnej pojemności.

Dla zapewnienia możliwie długiej żywotności akumulatory należy wyjąć z ładowarki po ich naładowaniu.

W przypadku składowania akumulatorów dłużej aniżeli 30 dni: Przechowywać je w suchym miejscu w temperaturze ok. 27°C. Przechowywać je w stanie naładowanym do ok. 30% - 50%. Ładować je ponownie co 6 miesięcy.

Zużytych akumulatorów nie wolno wrzucać do ognia ani traktować jako odpadów domowych. Milwaukee oferuje ekologiczną utylizację zużytych akumulatorów.

Nie przechowywać akumulatorów wraz z przedmiotami metalowymi (niebezpieczeństwo zwarcia).

Akumulatory Systemu M18 należy ładować wyłącznie przy pomocy ładowarek Systemu M18. Nie ładować przy pomocy tych ładowarek akumulatorów innych systemów.

Nie otwierać wkładek akumulatorowych i ładowarek.

Przechowywać w suchych pomieszczeniach. Chronić przed wilgocią.

W skrajnych warunkach temperaturowych lub przy bardzo dużym obciążeniu może dochodzić do wycieku kwasu akumulatorowego z uszkodzonych baterii akumulatorowych. W przypadku kontaktu z kwasem akumulatorowym należy natychmiast przemyć miejsce kontaktu wodą z mydłem. W przypadku kontaktu z oczami należy dokładnie przepłukiwać oczy przynajmniej przez 10 minut i zwrócić się natychmiast o pomoc medyczną.

Do ładowarki nie wolno wkładać żadnych przedmiotów metalowych (niebezpieczeństwo zwarcia).

TRANSPORT AKUMULATORÓW LITOWO-JONOWYCH

Akumulatory litowo-jonowe podlegają ustawowemu przepisom dotyczącym transportu towarów niebezpiecznych.

Transport tych akumulatorów winien odbywać się przy przestrzeganiu lokalnych, krajowych i międzynarodowych rozporządzeń i przepisów.

Odbiorcom nie wolno transportować tych akumulatorów po drogach ot tak po prostu.

Komersyjny transport akumulatorów litowo-jonowych przez przedsiębiorstwa spedycyjne podlega przepisom dotyczącym transportu towarów niebezpiecznych. Przygotowania do wysyłki oraz transport mogą być wykonywane wyłącznie przez odpowiednio przeszkolone osoby. Cały proces winien odbywać się pod fachowym nadzorem.

W czasie transportu akumulatorów należy przestrzegać następujących punktów:

Celem uniknięcia zwarcia należy upewnić się, że zestyki są zabezpieczone i zaizolowane. Zwracać uwagę na to, aby zespół akumulatorów nie mógł się przemieszczać we wnętrzu opakowania. Nie wolno transportować akumulatorów uszkodzonych lub z wyciekającym z elektrolitem. Odnośnie dalszych wskazówek należy zwrócić się do swojego przedsiębiorstwa spedycyjnego.

UTRZYMANIE I KONSERWACJA

Należy skontrolować lekkość biegu szczęk prasujących i rolę prasujących.

Po zakończeniu prac wyczyścić i nasmarować rolki naciskowe, blokadę i szczęki tnące.

Roboty konserwacyjne i roboty naprawcze mogą być wykonywane wyłącznie przez autoryzowane warsztaty specjalistyczne.

Urządzenie zawiera olej hydrauliczny, który stanowi zagrożenie dla wody gruntowej. Niekontrolowane spuszczenie oleju lub niewłaściwe usuwanie oleju do odpadów jest karalne.

Na urządzeniu prasującym podawany jest termin następnej konserwacji. Konserwacja ta musi być przeprowadzana co najmniej co 2 lata lub najpóźniej wtedy, gdy zaszygnalizuje to wskaźnik LED.

Zużyte narzędzia prasujące należy wymienić.

Otwory wentylacyjne elektronarzędzia muszą być zawsze drożne.

Używać tylko i wyłącznie wyposażenia dodatkowego Milwaukee i części zamiennych Milwaukee. Gdyby trzeba było wymienić części, które nie zostały opisane, należy skontaktować się z przedstawicielem serwisu Milwaukee (patrz wykaz adresów punktów usługowych/gwarancyjnych).

Na życzenie można otrzymać rysunek widoku zespołu rozebranego. Przy zamawianiu należy podać numer oraz typ elektronarzędzia umieszczony na tabliczce znamionowej. Zamówienia można dokonać albo u lokalnych przedstawicieli serwisu, albo bezpośrednio w Techtronic Industries GmbH, Max-Eyth-Strasse 10, 71364 Winnenden, Germany.



DEKLARACJA ZGODNOŚCI CE

Oświadczamy na naszą wyłączną odpowiedzialność, że produkt opisany pod „Dane techniczne” spełnia wszystkie istotne przepisy dyrektyw

2011/65/UE (RoHS)

2006/42/WE

2014/53/UE

i zastosowano następujące zharmonizowane normy

EN 62368-1:2014+AC:2015+A11:2017

EN 60745-1:2009+A11:2011

EN ISO 12100:2010

EN 55014-1:2017+A11:2020

EN 55014-2:2015

EN 301 489-1 V2.2.3

EN 301 489-17 V3.2.4

EN 300 328 V2.2.2

EN 62479:2010

EN IEC 63000:2018



Winnenden, 2021-07-16

Alexander Krug / Managing Director

Upelnomocniony do zestawienia danych technicznych

Techtronic Industries GmbH

Max-Eyth-Straße 10, 71364 Winnenden, Germany

SYMBOLE



Przed uruchomieniem elektronarzędzia zapoznać się uważnie z treścią instrukcji.



UWAGA! OSTRZEŻENIE NIEBEZPIECZEŃSTWO!



Przed przystąpieniem do jakichkolwiek prac na elektronarzędziu należy wyjąć wkładkę akumulatorową.



OSTRZEŻENIE!

Niebezpieczeństwo zranienia odpryskującymi odłamkami



Ostrzeżenie! Niebezpieczeństwo zmiążdżenia!



Wyposażenie dodatkowe dostępne osobno.



Podczas pracy należy zawsze nosić okulary ochronne.



Naklejka konserwacyjna



Urządzenie posiada guzikową baterię litową.



Urządzenia elektryczne nie mogą być usuwane razem z odpadami pochodzącymi z gospodarstw domowych. Urządzenia elektryczne i elektroniczne należy gromadzić oddzielnie i w celu usuwania ich do odpadów zgodnie z wymaganiami środowiska naturalnego oddawać do przedsiębiorstwa utylizacyjnego. Proszę zasięgnąć informacji o centrach recyklingowych i punktach zbiorczych u władz lokalnych lub u wyspecjalizowanego dostawcy.



Europejski Certyfikat Zgodności



Brytyjski Certyfikat Zgodności



Ukraiński Certyfikat Zgodności



Euroazjatycki Certyfikat Zgodności

MŰSZAKI ADATOK Préseszköz	M18 ONEBLHPT
Gyártási szám	4777 60 02 000001-999999
Bluetooth-frekvenciasáv (frekvenciasávok)	2402 - 2480 MHz
Nagyfrekvenciájú	1,8 dBm
Bluetooth-verzió	4.2 BT signal mode
Akkumulátor feszültség	18 V
Felvett teljesítmény	450 W
Névleges energia	32 kN
Munkaterület: Ø & kompozit csövek Ø Fém napjág	63 mm (110 mm) 54 mm (108 mm) Rendszer függő
Súly a 01/2014 EPTA-eljárás szerint (Li-lon 2,0 Ah ... 12,0 Ah)	2,9 ... 3,9 kg
Súly (M18 ONEBLHPT / Li-lon 2.0 Ah / J18-Th14)	4,7 kg
Zajinformáció A köztölt értékek megfelelnek az EN 60745 szabványnak. A készülék munkahelyi zajszintje tipikusan:	
Hangnyomás szint (K bizonytalanság=3dB(A))	75 dB (A)
Hangteljesítmény szint (K bizonytalanság=3dB(A))	86 dB (A)
Hallásvédő eszköz használata ajánlott!	
Vibráció-információk Összesített rezgésértékek (három irány vektoriális összegaz EN 60745-nek megfelelően meghatározva.	
rezgésemisszió érték a_h	<2,5 m/s ²
K bizonytalanság	1,5 m/s ²

FIGYELMEZTETÉS!

Az adatlapon feltüntetett rezgés- és zajkibocsátási szint mérése az EN 60745 szabványos vizsgálati módszere alapján került sor, és a kapott értékek az egyes szerszámok összehasonlítására használhatók. Az értékek az expozíció előzetes értékelésében használhatók.

A feltüntetett rezgés- és zajkibocsátási szint a szerszám főbb alkalmazásait tükrözi. Mindazonáltal, ha a szerszámot különböző alkalmazásokra, eltérő tartozékokkal használják, illetve a szerszám nincs megfelelően karbantartva, a rezgés- és zajkibocsátási szint eltérő lehet. Ez jelentősen növelheti az expozíciós szintet a teljes munkafolyamat során.

A rezgésnek és zajnak való expozíció becsült szintjét is figyelembe kell venni a szerszám kikapcsolásakor, illetve olyankor, ha a szerszám üzemel, de valójában nem történik vele munkavégzés. Ez jelentősen csökkentheti az expozíciós szintet a teljes munkafolyamat során.

Határozzon meg további biztonsági intézkedéseket, hogy védje a kezelőt a rezgés- és/vagy zajhatásoktól. Ilyen intézkedések pl.: a szerszámok és tartozékok karbantartása, a kéz melegen tartása, munkarend-szervezés.

FIGYELMEZTETÉS Olvasson el minden biztonsági útmutatást és utasítást. A következőkben leírt előírások betartásának elmulasztása áramütésekhez, tűzhöz és/vagy súlyos testi sérülésekhez vezethet.
Kérjük a későbbi használatra gondosan őrizze meg ezeket az előírásokat.

NYOMJA LE AZ ESZKÖZ BIZTONSÁGI FIGYELMEZTETÉSEIT

Használjon védőfelszerelést! Munkavégzés közben ajánlatos védőszemüveget viselni. Javasoljuk a védőruházat, úgymint porvédő maszk, védőcipő, erős és csúszásbiztos lábbeli, sisak és hallásvédő használatát.

Soha ne tartsa az ujját vagy más testrészét a henger és a présfőák működési tartományába.

A préselés alatt e tartsa meg kézzel a pófa-kart.

A prészszerzőmokat és készülékeket csak szakember használhatja.

A prészszerzőmokat és készülékeket minden használat előtt ellenőrizni kell repedések, és egyéb kopásra utaló jelek tekintetében.

A prészszerzőmokat és készülékeket csak műszakilag kifogástalan állapotban használja.

A sérüléseket azonnal javíttassa meg arra jogosult szakműhelyben.

A készüléket csak behelyezett présfőával együtt szabad használni.

Préselés közben fellépő zavarok esetén azonnal nyomja meg a vészkapcsolót, és engedje el a BE kapcsolót. A szelep kinyílik, és a dugattyú visszatér a kiindulási pozícióba.

A karbantartási műveletek és a karbantartási intervallumok betartása kötelező.

Karbantartás, javítás, tisztítás, stb. előtt az akkumulátort ki kell venni a készülékből.

A HASZNÁLATRA VONATKOZÓ ÚTMUTATÁSOK

Csak rendszerkonform présfittingeket, valamint azokhoz méretezett présfőákat használjon.

A fittingekre vagy csövekre vonatkozó megmunkálási és szerelési utasításokat lásd a rendszer gyártójának dokumentációjában.

Ellenőrizze, hogy a présfitting névleges átmérője megegyezik-e a présfőa névleges átmérőjével.

A préselés befejezését követően ügyeljen arra, hogy a présfőa teljesen zárva legyen.

A nem megfelelő csökötéseket új fittinggel újra kell préselni.

A telepítési munkák befejezését követően megfelelően alkalmas vizsgáló eszközökkel ellenőrizze a csőrendszer tömítettségét.

A préskészülék nem alkalmas tartós üzemelésre. 30 perc szünet nélküli üzemelést követően legalább 15 perces rövid szünetet kell tartani, hogy a készülék le tudjon hűlni.

RENDELTELTÉSSZERŰ HASZNÁLAT

A préskészülékek és présfőák kizárólag azon csövek és fittingek préseléséhez használhatók fel, amelyekhez a megfelelő présfőák valók.

A préskészülékeket kizárólag olyan présfőák használatára tervezték, amelyeket a Milwaukee a rendszer gyártójával egyezően megfelelően nyilvánított.



ONE-KEY™

Az eszköz ONE-KEY funkcióinak részletes ismertetését megtalálja a termékhez mellékelt Gyors Kezddés útmutatóban vagy ezen a honlapon: <http://www.milwaukeeeetool.com/one-key>

A ONE-KEY alkalmazás az App Store-ból vagy a Google Play-ből tölthető le.

A vizsgálati eredmény teljesíti az EN 301 489-1 / EN 301 489-17 szerinti minimális követelményeinket.

AKKUK

A hosszabb ideig üzemben kívüli lévő akkumulátort használat előtt ismételtelen fel kell tölteni.

50°C feletti hőmérsékletnél csökkenhet az akkumulátor teljesítménye. Kerülni kell a túlzottan meleg helyen vagy napon történő hosszabb idejű tárolást.

A töltő és az akkumulátor csatlakozóit mindig tisztán kell tartani.

Az optimális élettartam érdekében használat után az akkukat teljesen fel kell tölteni.

A lehetőleg hosszú élettartamhoz az akkukat feltöltés után ki kell venni a töltőkészületről.

Az akku 30 napot meghaladó tárolása esetén:

Az akkut kb. 27 °C-on, száraz helyen kell tárolni. Az akkut kb. 30-50%-os töltöttségi állapotban kell tárolni. Az akkut 6 havonta újra fel kell tölteni.

A használt akkumulátort ne dobja tűzbe vagy a háztartási szemétkébe. Tájékozódjon a szakszerű megsemmisítés helyi lehetőségeiről.

Az akkumulátort ne tárolja együtt fém tárgyakkal. (Rövidzárlat veszélye).

Az M18 elvezetésű rendszerhez tartozó akkumulátorokat kizárólag a rendszerhez tartozó töltővel töltsd fel. Ne használjon más rendszerbe tartozó töltőt.

Az akkumulátort, töltőt nem szabad megbontani és kizárólag száraz helyen szabad tárolni. Nedvességtől óvni kell.

Akkumulátor sav folyhat a sérült akkumulátorból extrém terhelés alatt, vagy extrém hő miatt. Ha az akkumulátor sav a bőrre kerül azonnal mossa meg szappanos vízzel. Szembe kerülés esetén folyóvíz alatt tartsa a szemét minimum 10 percig és azonnal forduljon orvoshoz.

Ügyeljen arra, hogy a töltő aknájába ne kerüljön semmilyen fém tárgy, mert ez rövidzárlatot okozhat.

LÍTIUM-ION AKKUK SZÁLLÍTÁSA

A lítium-ion akkuk a veszélyes áruk szállítására vonatkozó törvényi rendelkezések hatálya alá tartoznak.

Az ilyen akkuk szállításának a helyi, országos és nemzetközi előírások és rendelkezések betartása mellett kell történnie.

A fogsasztók minden további nélkül szállíthatják az ilyen akkukat közúton.

A lítium-ion akkuk szállítmányozási vállalatok általi kereskedelmi célú szállítására a veszélyes áruk szállítására vonatkozó rendelkezések érvényesek. A kiszállítás előkészítését és a szállítást kizárólag megfelelő képzettségű személyek végezhetik. A teljes folyamatnak szakmai felügyelet alatt kell történnie.

A következő pontokat kell figyelembe venni akkuk szállításakor: Biztosítsa, hogy a rövidzárlatok elkerülése érdekében az érintkezők védve és szigetelve legyenek. Ügyeljen arra, hogy az akkusomag ne tudjon elcsúszni a csomagoláson belül.

Tilos sérült vagy kifolyt akkukat szállítani. További útmutatásokról forduljon szállítmányozási vállalatához.

KARBANTARTÁS

Ellenőrizze, hogy a présfák és a présgörgők könnyen mozgathatók-e.

A munkálatok elvégzése után tisztítsa meg és kenje be a préskerceket, reteszeket és a vágópófákat.

Karbantartási és javítási munkálatokat csak arra jogosult szakműhely végezhet.

A készülék hidraulikaolajat tartalmaz, amely veszélyt jelent a talajvízre. Az olaj ellenőrizetlen leeresztése vagy szakszerűtlen ártalmatlanítása büntetendő.

A préskészüleken megtalálható a következő karbantartás időpontja. Ezt a karbantartást legalább két évente el kell végezni, de legkésőbb akkor, ha jelzi a LED-kijelző.

Az elhasználadott prészerszámokat ki kell cserélni.

A készülék szellőzőnyílásait mindig tisztán kell tartani.

Csak Milwaukee tartozékokat és Milwaukee pótalkatrészeket szabad használni. Az olyan elemeket, melyek cseréje nincs ismertetve, cseréltesse ki Milwaukee szervizzel (lásd Garancia/Ügyfélszolgálat címei kiadványt).

Szükség esetén a készülékek robbantott ábráját - a készülék típusa és azonosító száma alapján a területileg illetékes Milwaukee márkaszerviztől vagy közvetlenül a gyártótól (Techtronic Industries GmbH, Max-Eyth-Straße 10, 71364 Winnenden, Germany) lehet kérni.

CE-AZONOSSÁGI NYILATKOZAT

Kizárólagos felelősségünk alapján kijelentjük, hogy a „Műszaki adatok” fejezetben leírt termék megfelel a irányelvek összes vonatkozó rendelkezésének

2011/65/EU (RoHS)
2006/42/EK
2014/53/EU
harmonizált szabvány és a
EN 62368-1:2014+AC:2015+A11:2017
EN 60745-1:2009+A11:2011
EN ISO 12100:2010
EN 55014-1:2017+A11:2020
EN 55014-2:2015
EN 301 489-1 V2.2.3
EN 301 489-17 V3.2.4
EN 300 328 V2.2.2
EN 62479:2010
EN IEC 63000:2018



Winnenden, 2021-07-16

Alexander Krug / Managing Director

Műszaki dokumentáció összeállításra felhatalmazva

Techtronic Industries GmbH

Max-Eyth-Straße 10, 71364 Winnenden, Germany

SZIMBÓLUMOK



Kérjük alaposan olvassa el a tájékoztatót mielőtt a gépet használja.



FIGYELEM! FIGYELMEZTETÉS! VESZÉLY!



Karbantartás, javítás, tisztítás, stb. előtt az akkumulátort ki kell venni a készülékből.



FIGYELMEZTETÉS!
Elhajított tárgyak!



Figyelmeztetés! Becsípődés veszélye



Azokat a tartozékokat, amelyek gyárilag nincsenek a készülékhez mellékelve, külön lehet megrendelni.



Munkavégzés közben ajánlatos védőszemüveget viselni.



Karbantartási matrica



Az eszköz lítium gombaelemeket tartalmaz.



Az elektromos eszközöket nem szabad a háztartási hulladékkal együtt ártalmatlanítani. Az elektromos és elektronikus eszközöket szelektíven kell gyűjteni, és azokat környezetbarát ártalmatlanítás céljából hulladékhasznosító üzemben kell leadni. A helyi hatóságoknál vagy szakkereskedőjénél tájékozódjon a hulladékudvarokról és gyűjtőhelyekről.



Európai megfelelőségi jelölés



Egyesült királyságbeli megfelelőségi jelölés



Ukrán megfelelőségi jelölés



Eurázsiai megfelelőségi jelölés



TEHNIČNI PODATKI Lisovacie klešte	M18 ONEBLHPT
Proizvodna številka	4777 60 02 000001-999999
Bluetooth-Frekvenčni pas (Frekvenčni pasovi)	2402 - 2480 MHz
Visokofrekvenčna	1,8 dBm
Bluetooth-verzija	4.2 BT signal mode
Napetost izmenljivega akumulatorja	18 V
Napajanje	450 W
Lisovacia sila	32 KN
Novinarsko središče: Ø & kompozitne cevi Ø Kovina do	63 mm (110 mm) 54 mm (108 mm) sistem odvisna
Teža po EPTA-proceduri 01/2014 (Li-Ion 2,0 Ah ... 12,0 Ah)	2,9 ... 3,9 kg
Teža (M18 ONEBLHPT / Li-Ion 2.0 Ah / J18-Th14)	4,7 kg
Informacije o hrupnosti Vrednosti merjenja ugotovljene ustrezno z EN 60745. Raven hrupnosti naprave ovrednotena z A, znaša tipično:	
Nivo zvočnega tlaka (Nevarnost K=3dB(A))	75 dB (A)
Višina zvočnega tlaka (Nevarnost K=3dB(A))	86 dB (A)
Nosite zaščito za sluh!	
Informacije o vibracijah Skupna vibracijska vrednost (Vektorska vsota treh smerdoločena ustrezno EN 60745.	
Vibracijska vrednost emisij a _n	<2,5 m/s ²
Nevarnost K=	1,5 m/s ²

OPAZORILO!

Raven vibracij in hrupa, navedena v tem informativnem listu, je bila izmerjena v skladu s standardiziranim preskusom iz EN 60745 in jo je mogoče uporabljati za primerjavo orodij med seboj. Mogoče jo je tudi uporabiti za predhodno oceno izpostavljenosti.

Navedena raven vibracij in hrupa predstavlja glavno uporabo orodja. Če pa se orodje uporablja za različne namene, z različnimi dodatki ali slabo vzdrževano, se lahko vibracije in hrup razlikujejo. To lahko znatno poveča raven izpostavljenosti v celotnem delovnem obdobju.

Pri oceni ravni izpostavljenosti vibracijam in hrupu je treba upoštevati tudi čas, ko je orodje izklopljeno ali ko teče, vendar dejansko ne opravlja dela. To lahko bistveno zmanjša raven izpostavljenosti v celotnem delovnem obdobju.

Ugotovite dodatne varnostne ukrepe za zaščito upravljalca pred učinki vibracij in/ali hrupa, kot so: vzdrževanje orodja in dodatkov, tople roke, organizacija delovnih vzorcev.

⚠️ OPOZORILO Preberite vsa varnostna opozorila in navodila. Napake zaradi neupoštevanja spadaj navedenih opozoril in napotil lahko povzročijo električni udar, požar in/ali težke telesne poškodbe.

Vsa opozorila in napotila shranite, ker jih boste v prihodnje še potrebovali.

⚠️ VARNOSTNA OPOZORIILA ZA STISKALNO NAPRAVO

Uporabite zaščitno opremo. Pri delu s strojem vedno nosite zaščitna očala. Priporočajo se zaščitka oblačila, kot npr. maska za zaščito proti prahu, zaščitne rokavice, trdno in neдрсеče obuvalo, čelada in zaščita za sluh.

Prstov ali drugih delov telesa nikdar ne držite v delovnem območju cilindra in stiskalnih čeljusti.

Ročic čeljusti med postopkom stiskanja ne držite z rokami.

Stiskalna orodja in stiskalne naprave se lahko uporabljajo zgolj s strani strokovno usposobljenega osebja.

Pred sleherno uporabo stiskalna orodja in naprave preveriti glede na razpoke in ostalo vidno obrabo.

Stiskalna orodja in naprave uporabljajte zgolj v tehnično brezhibnem stanju.

Poškodbe dajte takoj popraviti v avtoriziranemu strokovnemu obratu.

Naprava je dovoljeno zgolj uporabljati z vstavljeno stiskalno čeljustjo.

V primeru motenj med postopkom stiskanja takoj pritisnite stikalo za nevarnost in izpusite stikalo za VKLOP. Ventil se odpre in bat se vrne nazaj v izhodiščni položaj.

Dosledno se držite vzdrževanja in vzdrževalnih intervalov.

Pred vsemi deli na stroji odstranite izmenljivi akumulator.

PRACOVNE POKYNY

Uporabljajte zgolj s sistemom skladne stiskalne fittinge kot tudi zanje zasnovane stiskalne čeljusti.

Navodila za predelavo in montažo fittingov ali cevi povzamite iz dokumentacije systemskega ponudnika.

Preverite ali nazivna velikost stiskalnega fittinga sovпада z nazivno velikostjo stiskalne čeljusti.

Po zaključnem stiskanju bodite pozorni na to, da bo stiskalna čeljust popolnoma zaprta.

Nepravilne cevne zveze je potrebno znova stisniti z novim fittingom.

Po zaključku instalacijskih del preverite cevni sistem glede na tesnost z ustrezno primernimi preizkusnimi sredstvi.

Stiskana naprava ni primerna za trajno obratovanje. Po 30-ih minutah nepretrganega obratovanja je potrebno izvesti kratek, vsaj 15 minutni odmor, da se naprava lahko ohladi.

UPORABA V SKLADU Z NAMEMBNOSTJO

Stiskalne naprave in čeljusti se lahko izključno uporabljajo za stiskanje cevi in fittingov, ki so predvideni za ustrezne stiskalne čeljusti.

Stiskalne naprave so izključno predvidene za uporabo s stiskalnimi čeljustmi, ki so bile v skladu s sistemskim ponudnikom s strani Milwaukee opredeljene kot primerne.

ONE-KEY™

Če želite izvedeti več o delovanju z ENIM KLJUČEM te naprave, si oglejte navodila za hiter zagon, ki vsebujejo ta izdelek ali obiščite spletno stran <http://www.milwaukeeool.com/one-key>

Aplikacijo ONE-KEY si lahko snamete na pametni telefon v trgovini App Store ali Google Play.

Preizkusni izid izpolnjuje naše minimalne zahteve po EN 301 489-1 / EN 301 489-17.



Slo

AKUMULATORJI

Izmenljive akumulatorje, ki jih daljši čas niste uporabljali, pred uporabo naknadno napolnite.

Temperatura nad 50°C zmanjšuje zmogljivost izmenljivega akumulatorja. Izogibajte se daljšemu segrevanju zaradi sončnih žarkov ali gretja.

Pazite, da ostanete priključni kontakti na polnilnem aparatu in izmenljivem akumulatorju čisti.

za optimalno življenjsko dobo je potrebno akumulatorje po uporabi do konca napolniti.

Za čim daljšo življenjsko dobo naj se akumulatorji po napolnitvi vzamejo ven iz naprave za polnjenje.

Pri skladiščenju akumulatorjev dalj kot 30 dni: Akumulator skladiščiti pri 27°C in na suhem. Akumulator skladiščiti pri 30%-50% stanja polnjenja. Akumulator spet napolniti vsakih 6 mesecev.

Izbrbljenih izmenljivih akumulatorjev ne mečite v ogenj ali v gospodinjске odpadke. Milwaukee nudi okolju prijazno odlaganje starih izmenljivih akumulatorjev; prosimo povprašajte vašega strokovnega trgovca.

Izmenljivih akumulatorjev ne hranite skupaj s kovinskimi predmeti (nevarnost kratkega stika).

Izmenljive akumulatorje sistema M18 polnite samo s polnilnimi aparati sistema M18. Ne polnite nobenih akumulatorjev iz drugih sistemov.

Izmenljivih akumulatorjev in polnilnih aparatov ne odpirajte in jih hranite samo v suhih prostorih. Zaščitite jih pred mokroto.

Pod ekstremno obremenitvijo ali ob ekstremni temperaturi iz poškodovanega izmenljivega akumulatorja lahko izteka akumulatorska tekočina. Po stiku z akumulatorsko tekočino prizadeto mesto takoj izperite z vodo in milom. Po stiku z očmi takoj najmanj 10 minut dolgo temeljito izpirajte in nemudoma obiščite zdravnika.

V odprtino za nameščanje izmenljivih akumulatorjev na polnilnih aparatih ne smejo zaiti nikakršni kovinski deli (nevarnost kratkega stika).

TRANSPORT LITIJ-IONSkih AKUMULATORJEV

Litij-ionski akumulatorji so podvrženi zakonskim določbam transporta nevarnih snovi.

Transport teh akumulatorjev se mora izvajati upoštevajoč lokalne, nacionalne in mednarodne predpise in določbe.

Potrošniki lahko te akumulatorje še nadalje transportirajo po cesti.

Komercialni transport litij-ionskih akumulatorjev s strani špediterskih podjetij je potrjen določbam transporta nevarnih snovi. Priprava odpreme in transporta se lahko vrši izključno s strani ustrezno izšolanih oseb. Celoten proces je potrebno strokovno spremljati.

Pri transportu akumulatorjev je potrebno upoštevati sledeče točke: V izogib kratkim stikom zagotovite, da bodo kontakti zaščiteni in izolirani. Bodite pozorni na to, da paket akumulatorja v notranjosti embalaže ne bo mogel zdrsni. Poškodovanih ali iztekajočih akumulatorjev ni dovoljeno transportirati. Za nadaljnja navodila se obrnite na vaše špeditersko podjetje.

VZDRŽEVANJE

Preveriti lahek premik stiskalnih čeljusti in stiskalnih valjčkov.

Po končanih delih očistite in namastite potisne valje, zapaha in rezalne čeljusti.

Vzdrževalna dela in popravila se lahko izvajajo zgolj s strani avtoriziranega strokovnega obrata.

Naprava vsebuje hidravlično olje, ki predstavlja nevarnost za podtalnico. Nenadzorovan izpust ali nestrokovno odstranjevanje je kaznivo.

Na stiskalni napravi je navedeno naslednje vzdrževanje. To vzdrževanje je potrebno izvajati vsaj vsaki 2 leti ali najkasneje, ko to signalizira LED prikazovalnik.

Obrabljena stiskalna orodja zamenjajte.

Pazite na to, da so prežračevalne reže stroja vedno čiste.

Uporabljajte samo Milwaukee pribor in Milwaukee nadomestne dele. Poskrbite, da sestavne dele, katerih zamenjava ni opisana, zamenjajo v Milwaukee servisni službi (upoštevajte brošuro Garancija aslovi servisnih služb).

Po potrebi se lahko pri vaši servisni službi ali direktno pri Techtronic Industries GmbH naroči eksplozijska risba naprave ob navedbi tipa stroja in številke s tipske ploščice Techtronic Industries GmbH, Max-Eyth-Straße 10, 71364 Winnenden, Germany.

CE-IZJAVA O KONFORMNOSTI

S polno odgovornostjo izjavljamo, da izdelek, opisan pod „Tehnični podatki“ izpolnjuje vse ustrezne določbe direktiv

2011/65/EU (RoHS)

2006/42/ES

2014/53/EU

ter da so bili uporabljeni naslednji harmonizirani standardi

EN 62368-1:2014+AC:2015+A11:2017

EN 60745-1:2009+A11:2011

EN ISO 12100:2010

EN 55014-1:2017+A11:2020

EN 55014-2:2015

EN 301 489-1 V2.2.3

EN 301 489-17 V3.2.4

EN 300 328 V2.2.2

EN 62479:2010

EN IEC 63000:2018



Winnenden, 2021-07-16

Alexander Krug / Managing Director

Pooblaščen za izdelavo spisov tehnične dokumentacije.

Techtronic Industries GmbH

Max-Eyth-Straße 10, 71364 Winnenden, Germany



Slo

SIMBOLI



Prosimo, da pred uporabo pozorno preberete to navodilo za uporabo.



POZOR! OPOZORILO! NEVARNO!



Pred vsemi deli na stroji odstranite izmenljivi akumulator.



OPOZORILO!
Zavarujte se pred odbitimi in letečimi predmeti



Opozorilo! Nevarnost zmečkanin



Oprema – ni vsebovana v obsegu dobave, priporočeno dopolnilo iz programa opreme.



Pri delu s strojem vedno nosite zaščitna očala.



Nalepka vzdrževanja



Ta naprava ima gumbasto/litijevo baterijo.



Električnih naprav ni dovoljeno odstranjevati skupaj z gospodinjstvi odpadki. Električne in elektronske naprave je potrebno zbirati ločeno in za okolju prijazno odstranitev, oddati podjetju za reciklažo. Pri krajevnem uradu ali vašem strokovnem prodajalcu se pozanimajte glede reciklažnih dvorišč in zbirnih mest.



Evropska oznaka za združljivost



Britanska oznaka za združljivost



Ukrajinska oznaka za združljivost



Evrazijska oznaka za združljivost



TEHNIČKI PODACI Kliješta za stiskanje	M18 ONEBLHPT
Broj proizvodnje	4777 60 02 000001-999999
Bluetooth-pojas frekvencija (pojasevi frekvencija)	2402 - 2480 MHz
Visokofrekvencijska	1,8 dBm
Bluetooth-Verzija	4.2 BT signal mode
Napon baterije za zamjenu	18 V
Primanje snage	450 W
silu stiskanja	32 kN
Press područje: Ø & kompozitne cijevi Ø Metal do	63 mm (110 mm) 54 mm (108 mm) sustav-ovisni
Težina po EPTA-proceduri 01/2014 (Li-Ion 2,0 Ah ... 12,0 Ah)	2,9 ... 3,9 kg
Težina (M18 ONEBLHPT / Li-Ion 2.0 Ah / J18-Th14)	4,7 kg
Informacije o buci Mjerne vrijednosti utvrđene odgovarajuće EN 60745. A-ocijenjeni nivo buke aparata iznosi tipično:	
Nivo pritiska zvuka (Nesigurnost K=3dB(A))	75 dB (A)
Nivo učinka zvuka (Nesigurnost K=3dB(A))	86 dB (A)
Nositi zaštitu sluha!	
Informacije o vibracijama Ukupne vrijednosti vibracije (Vektor suma tri smjersu odmjerene odgovarajuće EN 60745	
Vrijednost emisije vibracije a_h	<2,5 m/s ²
Nesigurnost K=	1,5 m/s ²

UPOZORENIE!

Razine emisije vibracija i buke navedena u ovom informacijskom listu izmjerene su u skladu sa standardiziranim ispitom koji propisuje EN 60745 i mogu se upotrebljavati za međusobnu usporedbu alata. Također se mogu upotrebljavati za prethodnu procjenu izloženosti.

Navedene razine emisija vibracija i buke predstavljaju glavnu svrhu primjene alata. Međutim, ako se alat upotrebljava u druge svrhe, s drugim priborom ili se ne održava dovoljno, emisije vibracija i buke mogu biti drukčije. To može značajno povećati razinu izloženosti tijekom cjelokupna razdoblja rada.

Procjena razine izloženosti vibracijama i buci također bi u obzir trebala uzeti razdoblja tijekom kojih je alat isključen ili kada je uključen, no njime se ne obavlja nikakav rad. Time se značajno može smanjiti razina izloženosti tijekom cjelokupna razdoblja rada.

Utvrdite dodatne sigurnosne mjere kako biste zaštitili rukovatelja od ovih učinaka vibracija i/ili buke, primjerice: održavanje alata i pribora, osiguravanje da ruke budu tople, organizacija obrazaca rada.

⚠ UPOZORENIE Pročitajte sigurnosne upute i uputnice. Ako se ne bi poštivala napomene o sigurnosti i upute to bi moglo uzrokovati strujni udar, požar i/ili teške ozljede.

Sačuvajte sve napomene o sigurnosti i upute za buduću primjenu.

⚠ SIGURNOSNA UPOZORENJA UREĐAJA ZA PREŠANJE

Upotrebljavati zaštitnu opremu. Kod radova na stroju uvijek nositi zaštitne naočale. Preporučuje se zaštitna odjeća, kao zaštitna maska protiv prašine, zaštitne rukavice, čvrste i protiv klizanja sigurne cipele, šljem i zaštitu sluha.

Prste ili druge dijelove tijela nemojte nikada držati na radnom području cilindra i čeljusti prešanja.

Polugu čeljusti za vrijeme postupka prešanja nemojte držati rukama.

Alati prešanja i uređaji prešanja se smiju koristiti samo od strane jednog stručnjaka.

Prije svake upotrebe alate prešanja i uređaje prešanja provjeriti u svezi pukotina i ostalih pojava habanja.

Alate prešanja i uređaje prešanja koristiti samo u tehnički besprijekornom stanju.

Oštećenja odmah dati na popravak autoriziranoj stručnoj radionici.

Aparat se smije koristiti samo sa postavljenom čeljusti za prešanje.

Kod smetnji za vrijeme postupka prešanja odmah pritisnuti sklopku za slučaj opasnosti i opustite sklopku EIN. Ventil se otvara a klip se vraća na polaznu poziciju.

Obavezno se pridržavati održavanja i intervala održavanja.

Prije svih radova na stroju izvaditi bateriju za zamjenu.

RADNE UPUTE

Koristiti samo fittinge prešanja odgovarajuće sustavu i za to predviđene čeljusti prešanja.

Upute o obradi i montaži za pribor ili cijevi uzmite iz dokumentacije ponuđača sustava.

Provjerite, da li nazivni promjer fittinga prešanja odgovara nazivnom promjeru čeljusti prešanja.

Poslije završenog prešanja obratiti pažnju na to, da čeljust prešanja bude potpuno zatvorena.

Neprotivni cjevni spojevi moraju biti prešani još jednom jednim novim fittingom.

Nakon završetka instalacijskih radova, cjevni sustav provjeriti sa odgovarajućim prikladnim sredstvima za provjeru u svezi nepropusnosti.

Preša nije prikladna za trajni pogon. Nakon 30-minutnog neprekidnog pogona mora uslijediti jedna kratka stanica od najmanje 15 minuta da bi se aparat mogao ohladiti.

PROPIISNA UPOTREBA

Uređaje preše i čeljusti prešanja se smiju koristiti isključivo za prešanje cijevi i fitna, za koje su predviđene odgovarajuće čeljusti prešanja.

Uređaji preše su predviđeni isključivo za primjenu čeljusti preše, koje su od strane Milwaukee u skladnosti sa ponuđačem sustava označene kao prikladne.

ONE-KEY™

Kako biste saznali više o ONE-KEY funkcionalnosti ovog uređaja, pogledajte vodič za brzo pokretanje ili idite na mrežnu stranicu <http://www.milwaukee.com/one-key>

Aplikaciju ONE-KEY možete preuzeti na vaš pametni telefon preko App Store ili Google Play.

Rezultat ispitivanja ispunjava naše najmanje zahtjeve po EN 301 489-1 / EN 301 489-17.



BATERIJE

Baterije koje duže vremena nisu korištene, prije upotrebe napuniti. Temperatura od preko 50°C smanjuje učinak baterija. Duže zagrijavanje od strane sunca ili grijanja izbjeci.

Priključne kontakte na uređaju za punjenje i baterijama držati čistima.

Za optimalni vijek trajanja se akumulatori poslije upotrebe moraju sasvim napuniti.

Za što moguće duži vijek trajanja, akumulatori se nakon punjenja moraju odstraniti iz punjača.

Kod skladištenja akumulatora duže od 30 dana:

Akumulator skladištiti na suhom kod ca. 27°C. Akumulator skladištiti kod ca. 30%-50% stanja punjenja. Akumulator ponovno napuniti svakih 6 mjeseci.

Istrošene baterije za zamjenu ne bacati u vatru ili u kućno smeće. Milwaukee nudi mogućnost uklanjanja starih baterija odgovarajuće okolini. Milwaukee nudi mogućnost uklanjanja starih baterija odgovarajuće okolini; upitajte molimo Vašeg stručnog trgovca.

Baterije za zamjenu ne čuvati skupa sa metalnim predmetima (opasnost od kratkog spoja).

Baterije sistema M18 puniti samo sa uređajem za punjenje sistema M18. Ne puniti baterije iz drugih sistema.

Baterije za zamjenu i uređaje za punjenje ne otvarati i čuvati ih samo u suhim prostorijama. Čuvati protiv vlage.

Pod ekstremnim opterećenjem ili ekstremne temperature može iz oštećenih baterija iscuriti baterijska tekućina. Kod dodira sa baterijskom tekućinom odmah ispirati sa vodom i sapunom. Kod kontakta sa očima odmah najmanje 10 minuta temeljno ispirati i odmah potražiti liječnika.

U prostor za punjenje baterija u uređaju za punjenje ne smiju dospjeti metalni dijelovi (opasnost od kratkog spoja).

TRANSPORT LITIJSKIH IONSKIH BATERIJA

Litijske-ionske baterije spadaju pod zakonske odredbe u svezi transporta opasne robe.

Prijevoz ovih baterija mora uslijediti uz poštivanje lokalnih, nacionalnih i internacionalnih propisa i odredaba.

Korisnici mogu bez ustručavanja ove baterije transportirati po cestama.

Komercijalni transport litijsko-ionskih baterija od strane transportnih poduzeća spada pod odredbe o transportu opasne robe. Otpremničke priprave i transport smiju izvoditi isključivo odgovarajuće školovane osobe. Kompletni proces se mora pratiti na stručan način.

Kod transporta baterija se moraju poštivati sljedeće točke: Uvjerite se da su kontakti zaštićeni i izolirani kako bi se izbjegli kratki spojevi. Pazite na to, da blok baterija unutar pakiranja ne može proklizavati. Oštećene ili iscurjele baterije se ne smiju transportirati. U svezi ostalih uputa obratite se vašem prijevoznom poduzeću.

ODRŽAVANJE

Provjeriti lakoću rada čeljusti preše i kotura preše.

Nakon okončanja radova očistite i podmažite valjke za presovanje, zapor i čeljusti za narezivanje.

Radove održavanja i popravke smiju izvoditi samo autorizirane stručne radionice.

Uređaj sadrži hidrauličko ulje, koje predstavlja opasnost za podzemnu vodu. Nekontrolirano ispuštanje i nestručno zbrinjavanje se kažnjava.

Na uređaju preše je navedeno sljedeće održavanje. Ovo održavanje se mora izvoditi najmanje svake 2 godine ili najkasnije kada to signalizira LED-prikaz.

Istrošene alate preše promijeniti.

Proreze za prozračivanje stroja uvijek držati čistima.

Primijeniti samo Milwaukee opremu i Milwaukee rezervne dijelove. Sastavne dijelove, čija zamjena nije opisana, dati zamijeniti kod jedne od Milwaukee servisnih službi (poštivati brošuru Garancija/ Adrese servisa).

Po potrebi se može zatražiti crtež eksplozije aparata uz davanje podataka o tipu stroja i desetoznamenastog broja na pločici snage kod Vaše servisne službe ili direktno kod Techtronic Industries GmbH, Max-Eyth-Straße 10, 71364 Winnenden, Germany.

CE-IZJAVA KONFORMNOSTI

Izjavljujemo pod vlastitom odgovornošću da proizvod opisan u odjeljku „Tehnički podaci“ ispunjava sve potrebne odredbe smjernica

2011/65/EU (RoHS)

2006/42/EC

2014/53/EU

i da su korišteni sljedeći usklađeni standardi

EN 62368-1:2014+AC:2015+A11:2017

EN 60745-1:2009+A11:2011

EN ISO 12100:2010

EN 55014-1:2017+A11:2020

EN 55014-2:2015

EN 301 489-1 V2.2.3

EN 301 489-17 V3.2.4

EN 300 328 V2.2.2

EN 62479:2010

EN IEC 63000:2018



Winnenden, 2021-07-16

Alexander Krug / Managing Director

Ovlašten za formiranje tehničke dokumentacije.

Techtronic Industries GmbH

Max-Eyth-Straße 10, 71364 Winnenden, Germany



SIMBOLI



Molimo da pažljivo pročitate uputu o upotrebi prije puštanja u rad.



PAŽNJA! UPOZORENIE! OPASNOST!



Prije svih radova na stroju izvaditi bateriju za zamjenu.



UPOZORENIE!
Opasnost od letećih dijelova.



Pozor! Opanost od nagnječenja



Oprema - u opsegu isporuke nije sadržana, preporučena dopuna iz promgrama opreme.



Kod radova na stroju uvijek nositi zaštitne naočale.



Naljepnica za održavanje



Uređaj sadrži gumbaste litijeve baterije.



Električni uređaji se ne smiju zbrinjavati skupa sa kućnim smećem. Električni uređaji se moraju skupljati odvojeno i predati na zbrinjavanje primjereno okolišu jednom od pogona za iskorišćavanje. Raspitajte se kod mjesnih vlasti ili kod stručnog trgovca u svezi gospodarstva za recikliranje i mjesta skupljanja.



Europski znak suglasnosti



Britanski znak suglasnosti



Ukrajinski znak suglasnosti



Euroazijski znak suglasnosti



TEHNISKIE DATI Presēšanas knaibles	M18 ONEBLHPT
Izlaides numurs	4777 60 02 000001-999999
Bluetooth frekvenču josla (frekvenču joslas)	2402 - 2480 MHz
Augstfrekvences	1,8 dBm
Bluetooth versija	4.2 BT signal mode
Akumulātorā spriegums	18 V
Jauda	450 W
presēšanas spēks	32 kN
Preses telpa: Ø & kompozitmateriālu caurules Ø Metāls līdz	63 mm (110 mm) 54 mm (108 mm) sistēma-atkarīgs
Svars atbilstoši EPTA -Procedure 01/2014 (Li-Ion 2,0 Ah ... 12,0 Ah)	2,9 ... 3,9 kg
Svars (M18 ONEBLHPT / Li-Ion 2.0 Ah / J18-Th14)	4,7 kg
Trokšņu informācija Vērtības, kas noteiktas saskaņā ar EN 60745. A novērtētās aparātūras skaņas līmenis ir:	
Trokšņa spiediena līmenis (Nedrošība K=3dB(A))	75 dB (A)
Trokšņa jaudas līmenis (Nedrošība K=3dB(A))	86 dB (A)
Nēsāt trokšņa slāpētāju!	
Vibrāciju informācija Svārstību kopejā vērtība (Trīs virzienu vektoru summtiek noteikta atbilstoši EN 60745.	
svārstību emisijas vērtība a_h	<2,5 m/s ²
Nedrošība K=	1,5 m/s ²

UZMANĪBU!

Vibrācijas un trokšņa emisijas līmenis šajā informācijas lapā ir izmērīts saskaņā ar EN 60745 standarta testa metodi un var tikt izmantots, lai salīdzinātu vienu ierīci ar otru. Tās var tikt izmantotas ietekmes sākotnējai izvērtēšanai.

Norādītais vibrācijas un trokšņa emisijas līmenis attēlo ierīces galvenos izmantošanas veidus. Tomēr, ja ierīce tiek izmantota citiem mērķiem, ar citu papildaprīkojumu vai nepareizi apkalpota, vibrācijas un trokšņa emisija var atšķirties. Tas var ievērojami paaugstināt ietekmes līmeni visā darba laikā.

Novērtējot vibrācijas un trokšņa ietekmes līmeni, vajadzētu ņemt vērā arī laiku, kad ierīce ir izslēgta vai ieslēgta, taču netiek lietota. Tas var ievērojami samazināt ietekmes līmeni visā darba laikā.

Lai aizsargātu operatoru no vibrācijas un/vai trokšņa, veiciet papildu drošības pasākumus, piemēram, veiciet apkopi ierīcei un papildaprīkojumam, uzturiet rokas siltas, organizējiet darba grafiku.

⚠ UZMANĪBU Izlasiet visu drošības instrukciju un lietošanas pamācību klāt. Šeit sniegto drošības noteikumu un norādījumu neievērošana var izraisīt aizdegšanos un būt par cēloni elektriskajam triecienam vai nopietnam savainojumam.

Pēc izlasīšanas uzglabājiet šos noteikumus turpmākai izmantošanai.

⚠ PRESES IERĪCES DROŠĪBAS BRĪDINĀJUMI

Jāizmanto aizsargaprīkojums. Strādājot ar mašīnu, vienmēr jānēsā aizsargbrilles. Ieteicams nēsāt aizsargapģērbu, kā piemēram, aizsargmasku, aizsargcimdus, kurpes no stingra un neslidīga materiāla, ķiveri un ausu aizsargus.

Nekad neturiet pirkstus vai citu ķermeņa daļu cilindra un spīļu darba zonā.

Presēšanas laikā neturiet ciet ar rokām spīļu sviras.

Presēšanas instrumentus un presēšanas iekārtas drīkst izmantot tikai profesionāļi!

Pirms katras lietošanas reizes pārbaudīt, vai presēšanas instrumentam un presēšanas iekārtai nav radušās plaisas vai citi nolietojuma rezultātā radušies bojājumi.

Izmantot tikai tādus presēšanas instrumentus un presēšanas iekārtas, kas ir tehniski nevainojamā stāvoklī.

Bojājumu rašanās gadījumā nekavējoties nodot rīku labošanai specializētā servisā.

Iekārtu drīkst izmantot tikai tad, kad tajā ir uzstādītas presēšanas spīles.

Ja presēšanas laikā rodas kādi traucējumi, nekavējoties nospiediet avārijas slēdzi un atļaidiet IESLĒGŠANAS slēdzi. Atveras ventilis atveras un virzulis atgriežas sākuma pozīcijā.

Obligāti veikt iekārtas apkopi un stingri ievērot apkopes intervālus.

Pirms mašīnai veikt jebkāda veida apkopes darbus, ir jāizņem ārā akumulators.

DARBA NORĀDĪJUMI

Izmantot tikai attiecīgajai sistēmai piemērotus presējamos uzgaļus un tiem piemērotās presēšanas spīles.

Informāciju par attiecīgo uzgaļu vai cauruļu apstrādi skatīt sistēmas ražotāja nodrošinātajā dokumentācijā.

Pārbaudiet, vai presējamā uzgaļa nominālais izmērs atbilst presēšanas spīļu nominālajam izmēram.

Pēc veiksmīgas presēšanas veikšanas pārļiecināties, lai presēšanas spīles būtu pilnībā aizvērušās.

Ja caurules savienot nav izdevies, tad tas ir jāveic atkārtoti un ar jaunu uzgaļu.

Pēc sistēmas uzstādīšanas darbu pabeigšanas ar atbilstošā pārbaudes materiāla palīdzību pārļiecinieties, vai sistēma ir hermētiska.

Presēšanas iekārta nav paredzēta ilglaicīgai darbībai. Pēc 30 minūšu nepārtrauktas darbības iekārtā ir jāizslēdz vismaz uz 15 minūtēm, lai tā varētu atdzist.

NOTEIKUMIEM ATBILSTOŠS IZMANTOJUMS

Presēšanas iekārtu drīkst izmantot tikai tādu cauruļu un uzgaļu presēšanai, kuru apstrādei ir paredzētas attiecīgās presēšanas spīles.

Presēšanas iekārta ir paredzēta izmantošanai kopā tikai ar attiecīgajai iekārtai paredzētajām presēšanas spīlēm, kuras ir apstiprinājis Milwaukee kopā ar uzstādāmās sistēmas ražotāju.



Lat

ONE-KEY™

Lai uzzinātu vairāk par šīs iekārtas ONE-KEY funkcijām, lūdzu, skatiet iekārtas piegādes komplektā iekļauto atīras palaišanas rokasgrāmatu vai apmeklējiet tīmekļa vietni <http://www.milwaukeeetool.com/one-key>

ONE-KEY lietotni savā viedtālrunī varat lejupielādēt no App Store vai Google Play.

Pārbaudes rezultāts izpilda mūsu minimālās prasības atbilstoši standartam EN 301 489-1 / EN 301 489-17.

AKUMULĀTORI

Akumulātori, kas ilgāku laiku nav izmantoti, pirms lietošanas jāuzlādē.

Pie temperatūras, kas pārsniedz 50°C, akumulatoru darbība tiek negatīvi ietekmēta. Vajag izvairīties no ilgākas saules un karstuma iedarbības.

Lādētāja un akumulatoru pievienojuma kontakti jāuztur tīri.

Lai baterijas darba ilgums būtu optimāls, pēc iekārtas izmantošanas tā jāuzlādē.

Lai akumulatori kalpotu pēc iespējas ilgāku laiku, tos pēc uzlādes ieteicams atvienot no lādētāja ierīces.

Akumulatora uzglabāšana ilgāk kā 30 dienas: uzglabāt akumulatoru pie aptuveni 27°C un sausā vietā. Uzglabāt akumulatoru uzlādes stāvoklī aptuveni pie 30%-50%. Uzlādēt akumulatoru visus 6 mēnešus no jauna.

Izmantotos akumulārus nedrīkst mest uguni vai parastajos atkritumos. Firma Milwaukee piedāvā iespēju vecos akumulātorus savākt apkārtnējo vidi saudzējošā veidā; jautājiet specializētā veikalā.

Akumulātorus nav ieteicams glabāt kopā ar metāla priekšmetiem (iespējams īsslēgums).

M18 sistēmas akumulātorus lādēt tikai ar M18 sistēmas lādētājiem. Nedrīkst lādēt citus akumulātorus no citām sistēmām.

Akumulātorus no lādētājus nedrīkst taisīt vaļā un tie jāuzglabā sausās telpās.

Pie ārkārtas slodzes un ārkārtas temperatūrām no bojātā akumulatora var izteciēt akumulatora šķidrums. Ja nonākat saskarsmē ar akumulatora šķidrumu, saskarsmes vieta nekavējoties jānomazgā ar ūdeni un ziepēm. Ja šķidrums nonācis acīs, acis vismaz 10 min. skalot un nekavējoties konsultēties ar ārstu.

Jāuzmanās, lai akumulatoru lādētājā nenokļūtu nekādi metāla priekšmeti (iespējams īsslēgums).

LITĪJA JONU AKUMULATORU TRANSPORTĒŠANA

Uz litija jonu akumulatoriem attiecas noteikumi par bīstamo kravu pārvašanu.

Šo akumulatoru transportēšana jāveic saskaņā ar vietējiem, valsts un starptautiskajiem normatīvajiem aktiem un noteikumiem.

Patērētāja darbības, pārvaļājot šos akumulatorus pa autoceļiem, nav reglamentētas.

Uz litija jonu akumulatoru komerciālu transportēšanu, ko veic ekspedīcijas uzņēmums, attiecas bīstamo kravu pārvaļāšanas noteikumi. Sagatavošanas darbus un transportēšanu drīkst veikt tikai atbilstoši apmācīts personāls. Viss process jāvada profesionāli.

Veicot akumulatoru transportēšanu, jāievēro: Pārliecinieties, ka kontakti ir aizsargāti un izolēti, lai izvairītos no īssavienojumiem. Pārliecinieties, ka akumulators iepakojumā nevar paslidēt. Bojātus vai tekošus akumulatorus nedrīkst transportēt. Plašāku informāciju Jūs varat saņemt no ekspedīcijas uzņēmuma.

APKOPE

Pārbaudīt, vai presēšanas spiles un presēšanas cilindri kustās viegli un bez traucējumiem.

Pēc darbu beigām notīriet un ieeļļojiet piespiedējruļļiūs, aizbīdņus un griezējzokļus.

Apkopes darbus un remontdarbus drīkst veikt tikai autorizēti specializētie servisi.

Iekārtā atrodas hidrauliskā eļļa, kas rada draudus gruntsūdeņiem. Nekontrolēta eļļas noplūde vai nekompetenta tās iznīcināšana ir sodāma.

Uz iekārtas ir norādīts nākamās apkopes datums. Apkope ir jāveic ne retāk kā reizi divos gados vai vēlākais brīdī, kad par to ziņo LED signāllampīņa.

Nolietotie presēšanas instrumenti ir jānomaina.

Vajag vienmēr uzmanīti, lai būtu tīras dzesēšanas atveres.

Izmantojiet tikai firmu Milwaukee piederumus un firmas Milwaukee rezerves daļas. Lieciet nomainīt detaļas, kuru nomainā nav aprakstīta, kādā no firmu Milwaukee klientu apkalpošanas servisiem. (Skat. brošūru „Garantija/klientu apkalpošanas serviss”).

Ja nepieciešams, klientu apkalpošanas serviss vai tieši pie firmas Techtronic Industries GmbH, Max-Eyth-Straße 10, 71364 Winnenden, Germany, var pieprasīt instrumenta numurs, kas norādīts uz jaudas paneļa.

ATBILSTĪBA CE NORMĀM

Mēs ar pilnu atbildību paziņojam, ka izstrādājums, kas raksturots sadaļā „Tehniskie dati”, atbilst visām attīcīgajām prasībām direktīvās

2011/65/ES (RoHS)

2006/42/EK

2014/53/ES

un ir piemēroti šādi saskaņotie standarti

EN 62368-1:2014+AC:2015+A11:2017

EN 60745-1:2009+A11:2011

EN ISO 12100:2010

EN 55014-1:2017+A11:2020

EN 55014-2:2015

EN 301 489-1 V2.2.3

EN 301 489-17 V3.2.4

EN 300 328 V2.2.2

EN 62479:2010

EN IEC 63000:2018



Winnenden, 2021-07-16

Alexander Krug / Managing Director

Pilnvarotais tehniskās dokumentācijas sastādīšana.

Techtronic Industries GmbH

Max-Eyth-Straße 10, 71364 Winnenden, Germany



Lat

SIMBOLI



Pirms sākt lietot instrumentu, lūdzu, izlasiet lietošanas pamācību.



UZMANĪBU! BĪSTAMI!



Pirms mašīnai veikt jebkāda veida apkopes darbus, ir jāizņem ārā akumulators.



UZMANĪBU!
atpakaļ atmetajām sagataves daļām



Uzmanību! Pastāv drauds saspiest ķermeņa daļas.



Piederumi - standartaprīkojumā neietvertās, bet ieteicamās papildus komplektācijas detaļas no piederumu programmas.



Strādājot ar mašīnu, vienmēr jānēsā aizsargbrilles.



Apkopes uzlīme.



Šai ierīcei ir pogas/monētas tipa litija baterija.



Elektroiekārtas nedrīkst izmest kopā ar sadzīves atkritumiem. Elektriskās un elektroniskās iekārtas ir jāsavāc atsevišķi un jānodod pārstrādes uzņēmumam, kas no tām atbrīvosies dabai draudzīgā veidā. Meklējiet otrreizējās pārstrādes poligonus un savākšanas punktus vietējās pārvaldes iestādēs vai pie preces pārdevēja.



Eiropas atbilstības zīme



Lielbritānijas atbilstības zīme



Ukrainas atbilstības zīme



Eirāzijas atbilstības zīme



TECHNINIAI DUOMENYS Presavimo replės	M18 ONEBLHPT
Produkto numeris	4777 60 02 000001-999999
„Bluetooth“ radijo dažnių juosta (radijo dažnių juostos)	2402 - 2480 MHz
Aukšto dažnio	1,8 dBm
„Bluetooth“ versija	4.2 BT signal mode
Keičiamo akumulatoriaus įtampa	18 V
Tiekiamas galingumas	450 W
presavimo jėga	32 kN
Spaudai: Ø & sudurtiniai vamzdžiai Ø Metalas iki	63 mm (110 mm) 54 mm (108 mm) priklauso nuo sistemos
Prietaiso svoris įvertintas pagal EPTA 01/2014 tyrimų metodiką (Li-Ion 2,0 Ah ... 12,0 Ah)	2,9 ... 3,9 kg
Svoris (M18 ONEBLHPT / Li-Ion 2.0 Ah / J18-Th14)	4,7 kg
Informacija apie keliamą triukšmą	
Vertės matuotos pagal EN 60745. Įvertintas A įrenginio keliamo triukšmo lygis dažniausiai sudaro:	
Garso slėgio lygis (Paklaida K=3dB(A))	75 dB (A)
Garso galios lygis (Paklaida K=3dB(A))	86 dB (A)
Nešioti klausos apsaugines priemones!	
Informacija apie vibraciją	
Bendroji svyravimų reikšmė (trijų krypčių vektorių suma), nustatyta remiantis EN 60745.	
Vibravimų emisijos reikšmė a_h	<2,5 m/s ²
Paklaida K=	1,5 m/s ²

DĖMESIO!

Šiame vadove nurodytos bendrosios vibracijos ir triukšmo emisijos vertės nustatytos pagal standartinius bandymo metodus pagal EN 60745, todėl gali būti taikomos lyginant vieną įrankį su kitu. Gali būti naudojama preliminariam poveikio įvertinimui.

Nurodytos bendrosios vibracijos ir triukšmo emisijos vertės atitinka įrankio taikymą. Jei įrankis naudojamas kitokiais tikslais, kartu su kitokiais priedais ar netinkamai prižiūrimas, bendrosios vibracijos ir triukšmo emisijos vertės gali skirtis. Tai gali žymiai padidinti poveikio lygį viso darbo metu.

Apskaičiuojant bendrosios vibracijos ir triukšmo emisijos vertes reikėtų atsižvelgti į laikotarpį, kai prietaisas yra išjungtas arba įjungtas, bet nėra naudojamas. Tai gali žymiai sumažinti poveikio lygį viso darbo metu.

Tam, kad naudotojas būtų apsaugotas nuo vibracijos ir (arba) triukšmo poveikio, reikia nustatyti papildomus saugos reikalavimus, pavyzdžiui: tinkamai prižiūrėti prietaisą ir jo priedus, laikyti rankas šiltai, organizuoti darbo modelius.

⚠ DĖMESIO Perskaitykite visas saugumo pastabas ir nurodymus. Jei nepaisysite žemiau pateiktų saugos nuorodų ir reikalavimų, gali trenkti elektros smūgis, kilti gaisras ir/arba galite sunkiai susižaloti arba sužaloti kitus asmenis.
Įsaugokite šias saugos nuorodas ir reikalavimus, kad ir ateityje galėtumėte jais pasinaudoti.

⚠ PRESAVIMO PRIETAISO SAUGOS ĮSPĖJIMAI

Dėvėkite apsaugines priemones. Dirbdami su įrenginiu visada nešiokite apsauginius akinus. Rekomenduotina dėvėti apsaugines priemones: apsaugos nuo dulkių respiratorius, apsaugines pirštines, kietus batus neslidžiais padais, šalną ir klausos apsaugos priemones.

Pirštų arba kitų kūno dalių nelaikykite cilindro arba preso spaustuvo darbo zonoje.

Presavimo metu spaustuvo svirties nelaikykite rankomis.

Presavimo įrankius ir prietaisus naudoti gali tik kvalifikuoti specialistai.

Prieš kiekvieną naudojimą patikrinkite, ar presavimo įrankiai ir prietaisai nėra įtrūkę arba kitaip susidėję.

Naudokite tik technškai nepriekaištingos būklės presavimo įrankius ir prietaisus.

Remontuoti pažeidimus nedelsdami paveskite įgaliotoms dirbtuvėms.

Prietaisą naudoti galima tik su įstatytu presavimo spaustuvu.

Esant gedimui, presavimo proceso metu nedelsdami nuspauskite pavojaus mygtuką ir atleiskite įjungimo jungiklį. Atsidaro vožtuvas ir stūmoklis grįžta į pradinę padėtį.

Būtina vykdyti techninę priežiūrą ir laikytis jos atlikimo intervalų.

Prieš atlikdami bet kokius darbus įrenginyje, išimkite keičiamą akumuliatorių.

DARBO NUORODOS

Naudokite tik su sistema suderintus presavimo atvamzdžius ir pagal juos sukonstruotus presavimo spaustus.

Atvamzdžių arba vamzdžių apdirbimo ir montavimo instrukcijas rasite sistemos tiekėjo dokumentuose.

Patikrinkite, ar presavimo atvamzdžio nominaliosios vertės atitinka presavimo spaustuvo nominaliąsias vertes.

Pabaigę presavimą atkreipkite dėmesį, kad presavimo spaustuvas būtų visiškai uždarytas.

Neteisingas vamzdžių jungtis dar kartą supresuokite naudodami naują atvamzdį.

Pabaigę įrengimo darbus vamzdžių sistemos sandarumą patikrinkite naudodami atitinkamas patikros priemones.

Presavimo prietaiso negalima naudoti be pertraukų. Po 30 minučių naudojimo privaloma padaryti mažiausiai 15 minučių pertrauką, kad prietaisas atvėstų.

NAUDOJIMAS PAGAL PASKIRTĮ

Presavimo prietaisus ir spaustus galima naudoti tik vamzdžių ir atvamzdžių presavimui, kuriems yra numatyti atitinkami presavimo spaustuvi.

Presavimo prietaisai yra skirti naudoti tik kartu su presavimo spaustuvais, kurių atitiktį su sistemos tiekėju deklaruoja „Milwaukee“.



ONE-KEY™

Norėdami daugiau sužinoti apie šio įrenginio funkciją ONE-KEY, žr. su šiuo gaminiu priededamą Trumpąjį žinyną arba eikite į svetainę <http://www.milwaukeeetool.com/one-key>

Jūs galite iš „App Store“ arba „Google Play“ į savo išmanųjį telefoną atsisiųsti ONE-KEY programėlę.

Bandyimų rezultatai atitinka mūsų minimalius reikalavimus pagal EN 301 489-1 / EN 301 489-17.

AKUMULATORIAI

Ilgesnį laiką nenaudotus keičiamus akumulatorius prieš naudojimą įkraukite.

Aukštesnė nei 50°C temperatūra mažina keičiamų akumuliatorių galia. Venkite ilgesnio saulės ar šilumos šaltinių poveikio.

Įkroviklio ir keičiamo akumuliatoriaus jungiamieji kontaktai visada turi būti švarūs.

Kad prietaisas nuo ilgaiu veiktų, pasinaudoję juo, iki galo įkraukite akumulatorius.

Siekiant užtikrinti kuo ilgesnį baterijos tarnavimo laiką, reikėtų ją po atlikto įkrovimo iškart išimti iš įkroviklio.

Bateriją laikant ilgaiu nei 30 dienu, būtina atkreipti dėmesį į šias nuorodas:

bateriją laikyti sausoje aplinkoje, esant apie 27 °C temperatūrai. Baterijos įkrovimo lygis turi būti nuo 30% iki 50%. Baterija pakartotinai turi būti įkraunama kas 6 mėnesius.

Sunaudotų keičiamų akumuliatorių nedeginkite ir nemeskite į buitines atliekas. „Milwaukee“ siūlo tausojantį aplinką sudėvėtų keičiamų akumuliatorių tvarkymą, apie tai prekybos atstovo.

Keičiamų akumuliatorių nelaikykite kartu su metaliniais daiktais (trumpojo jungimo pavojus).

Keičiamus M18 sistemos akumulatorius kraukite tik „M18“ sistemos įkrovikliais. Nekraukite kitų sistemų akumuliatorių.

Keičiamų akumuliatorių ir įkroviklių nelaikykite atvirai. Laikykite tik sausoje vietoje. Saugokite nuo drėgmės.

Ekstremalių apkrovų arba ekstremalios temperatūros poveikyje iš keičiamų akumuliatorių gali ištekti akumuliatoriaus skystis. Išsitiesus akumuliatoriaus skysčiu, tuoj pat nuplaukite vandeniu su muilu. Patekus į akis, tuoj pat ne trumpiau kaip 10 minučių gausiai skalaukite vandeniu ir tuoj pat kreipkitės į gydytoją.

Į įkroviklių keičiamiems akumuliatoriams įstatymui skirtą vamzdį turi nepatekti jokios metalinės dalys (trumpojo jungimo pavojus).

LIČIO JONŲ AKUMULATORIŲ PERVEŽIMAS

Ličio jonų akumuliatoriams taikomos įstatyminės nuostatos dėl pavojingų krovinių pervežimų.

Šiuos akumuliatorių pervežti būtina laikantis vietinių, nacionalinių ir tarptautinių direktyvų ir nuostatų.

Naudotojai šiuos akumulatorius gali naudoti savo transporte be jokių kitų sąlygų.

Už komercinį ličio jonų akumuliatorių pervežimą atsako ekspedicijos įmonė pagal nuostatas dėl pavojingų krovinių pervežimo. Pasiruošimo išsiųsti ir pervežimo darbus gali atlikti tik atitinkamai išmokyti asmenys. Visas procesas privalo būti prižiūrimas.

Pervežant akumuliatorių būtina laikytis šių punktų:

Siekiant išvengti trumpųjų jungimų, įsitikinkite, kad kontaktai yra apsaugoti ir izoliuoti. Atkreipkite dėmesį, kad akumuliatorius pakuošes viduje neslidinėtų. Draudžiama pervežti pažeistus arba tekančius akumulatorius. Dėl detalesnių nurodymų kreipkitės į savo ekspedicijos įmonę.

TECHNINIS APTARNAVIMAS

Patikrinkite, ar lengvai juda presavimo spaustuvai ir ritinėliai.

Baigę darbus, išvalykite ir sutepkite suspaudimo ritinėlius, skląščius ir kirpimo trinkeles.

Techninės priežiūros ir remonto darbus gali atlikti tik įgaliotos specialios dirbtuvės.

Prietaise yra hidraulinės alyvos, kuri kelia pavojų gruntiniams vandenims. Už jos išleidimą arba netinkamą utilizavimą gresia bauda.

Ant presavimo prietaiso yra nurodomas kitos techninės priežiūros terminas. Techninę priežiūrą būtina atlikti kas 2 metus arba ne vėliau, negu eigo tai informuoja LED rodmuo.

Pakeiskite susidėvėjusius presavimo įrankius.

Įrenginio vėdinimo angos visada turi būti švarios.

Naudokite tik „Milwaukee“ priedus ir „Milwaukee“ atsargines dalis. Dalis, kurių keitimas neaprašytas, leidžiama keisti tik „Milwaukee“ klientų aptarnavimo skyriams (žr. garantiją/klientų aptarnavimo skyrių adresus brošiūroje).

Jei reikia, nurodant įrenginio tipą bei specifikacijų lentelėje esantį numerį, iš klientų aptarnavimo skyriaus arba tiesiai iš Techtronic Industries GmbH, Max-Eyth-Straße 10, 71364 Winnenden, Germany, galima užsisakyti prietaiso surinkimo brėžinius.

CE ATITIKTIKIS PAREIŠKIMAS

Priisiidami visą atsakomybę pareiškiame, kad gaminy, aprašytas „Techniniuose duomenyse“, atitinka taikomus reikalavimus, išdėstytus direktyvose

2011/65/ES (RoHS)

2006/42/EB

2014/53/ES

ir buvo taikyti šie darnieji standartai

EN 62368-1:2014+AC:2015+A11:2017

EN 60745-1:2009+A11:2011

EN ISO 12100:2010

EN 55014-1:2017+A11:2020

EN 55014-2:2015

EN 301 489-1 V2.2.3

EN 301 489-17 V3.2.4

EN 300 328 V2.2.2

EN 62479:2010

EN IEC 63000:2018



Winnenden, 2021-07-16

Alexander Krug / Managing Director

Įgaliotas parengti techninius dokumentus.

Techtronic Industries GmbH

Max-Eyth-Straße 10, 71364 Winnenden, Germany

Lietuviškai

SIMBOLIAI



Prieš pradėdami dirbti su prietaisu, atidžiai perskaitykite jo naudojimo instrukciją.



DĖMESIO! ĮSPĖJIMAS! PAVOJUS!



Prieš atlikdami bet kokius darbus įrenginyje, išimkite keičiamą akumuliatorių.



DĖMESIO!
skrendančių dalių



Įspėjimas! Suspaudimo pavojus



Priedas – neįeina į tiekimo komplektaciją, rekomenduojamas papildymas iš priedų asortimento.



Dirbdami su įrenginiu visada nešiokite apsauginius akinius.



Techninės priežiūros lipdukas



Įrenginyje yra mygtuko / tabletės tipo ličio maitinimo elementas.



Elektros prietaisų negalima išmesti kartu su buitinėmis atliekomis. Būtina rūšiuoti elektros ir elektroninius prietaisus ir atiduoti į atliekų perdirbimo centrą, kad jie būtų utilizuoti netešiant aplinkos. Informacijos apie perdirbimo centrus ir atliekų surinkimo įstaigas teiraukitės vietos įstaigoje arba prekybininko.



Europos atitikties ženklas



Britanijos atitikties ženklas



Ukrainos atitikties ženklas



Eurazijos atitikties ženklas



TEHNILISED ANDMED Presspühid	M18 ONEBLHT
Tootmisnumber	4777 60 02 000001-999999
Bluetoothi sagedusriba (sagedusribad)	2402 - 2480 MHz
Kõrgepingejuudlus	1,8 dBm
Bluetoothiga versioon	4.2 BT signal mode
Vahetatava aku pingeline	18 V
Võimsustarve	450 W
surujõud	32 kN
Tugistruktuurid: Ø & komposiitorud Ø Metall kuni	63 mm (110 mm) 54 mm (108 mm) sõltub süsteemist
Kaal vastavalt EPTA-protseduurile 01/2014 (Li-Ion 2,0 Ah ... 12,0 Ah)	2,9 ... 3,9 kg
Kaal (M18 ONEBLHT / Li-Ion 2.0 Ah / J18-Th14)	4,7 kg
Müra andmed	
Mõõteväärtused on kindlaks tehtud vastavalt normile EN 60745. Seadme tüüpiline hinnanguline (müra tase):	
Helirõhutase (Määramatus K=3dB(A))	75 dB (A)
Helivõimsuse tase (Määramatus K=3dB(A))	86 dB (A)
Kandke kaitseks kõrvaklappe!	
Vibratsiooni andmed	
Vibratsiooni koguväärtus (kolme suuna vektorsummamõõdetud EN 60745 järgi).	
Vibratsiooni emissiooni väärtus a_h	<2,5 m/s ²
Määramatus K=	1,5 m/s ²

TÄHELEPANU!

Sellel teabelehel toodud vibratsiooni- ja müraemissioon on mõõdetud standardis EN 60745 kirjeldatud standarditud testiga ning seda võib kasutada tööriistade omavaheliseks võrdlemiseks. Testi võib kasutada kokkupuute esialgseks hindamiseks.

Deklareeritud vibratsiooni- ja müra tase puudutab tööriista põhikasutust. Kui tööriista kasutatakse muuks otstarbeks, teistsuguste tarkikutega või tööriista hooldatakse halvasti, võivad vibratsioon ja müraemissioon erineda. See võib kokkupuudetaset kogu tööajal oluliselt suurendada.

Vibratsiooni ja müraga kokkupuute hinnangulise taseme juures tuleb arvesse võtta ka aega, kui tööriist on välja lülitatud või töötab, kuid sellega ei tehta tööd. See võib kokkupuudetaset kogu tööaja kohta oluliselt vähendada.

Tehke kindlaks täiendavad ohutusmeetmed operatori kaitsmiseks vibratsiooni ja/või müra eest, näiteks: hooldage tööriista ja tarvikuid, hoidke käed soojas, vaadake üle töökorraldus.

⚠ TÄHELEPANU Lugege kõik ohutusnõuanded ja juhendid läbi. Ohutusnõuete ja juhiste eiramise tagajärjeks võib olla elektrišokk, tulekahju ja/või raske vigastused.
Hoidke kõik ohutusnõuanded ja juhendid edasiseks kasutamiseks hoolikalt alles.

⚠ PRESSEADME OHUTUSOHJATUSED

Kasutada kaitsevarustust. Masinaga töötades kandke alati kaitseprille. Kaitseriietusena soovitatakse kasutada tolmu maski kaitsekindaid, kinniseid ja libisemisvastase tallaga jalanõusid, kiivrit ja kuulmisteede kaitset.

Ärge pange kunagi sõrmi või muid kehaosid silindri ja pressimisposkede tööpiirkonda.

Ärge hoidke poskede hooba pressimisprotseduuri ajal kätega kinni.

Pressimistöörüütu ja pressimisseadmeid tohib kasutada üksnes spetsialistid.

Kontrollige pressimistöörüütu ja pressimisseadmeid iga kord enne kasutamist pragude ning muude kulumisnähtuste suhtes üle.

Kasutage ainult tehniliselt laitmatus seisundis pressimistöörüütu ja pressimisseadmeid.

Laske kahjustused kohe volitatud oskustöökõjas remontida.

Seadet tohib kasutada ainult sissepandud pressimisposkoga.

Vajutage pressimisprotseduuri ajal esinevate rike korral kohe ohulülilit ja laske SISSE-lülilit lahti. Ventiil avaneb ja kolb liigub lähteasendisse tagasi.

Pidage hooldusest ja hooldusintervallidest kohustuslikult kinni.

Enne kõiki töid masina kallal võtke vahetatav aku välja.

TÖÖJUHISED

Kasutage ainult süsteemile sobivaid pressiliitmikke ja nende jaoks ettenähtud pressimisposki.

Leidke liitmiku või torude töötlus- ja montaažijuhised süsteemi pakkuja kasutusjuhendist.

Kontrollige, kas pressiliitmiku nimimõõt vastab pressimisposke nimimõõdule.

Pidage pressimise lõpetamisel silmas, kas pressimisposk on täielikult suletud.

Ettevaatust toruühendused tuleb uue liitmikuga veel kord kokku pressida.

Kontrollige pärast torusüsteemi installatsioonitööde lõpetamist vastavalt sobivate kontrollimisvahenditega tihedust.

Pressimisseade ei sobi püsikäituseks. Pärast 30-minutilise katkematu käitamist tuleb teha vähemalt lühike 15-minutilise vaheaeg, et seade saaks maha jahtuda.

KASUTAMINE VASTAVALT OTSTARBELE

Pressimisseadmeid ja pressimisposki tohib kasutada eranditult torude ning liitmike pressimiseks, mille jaoks on ette nähtud vastavad pressimisposked.

Pressimisseadmeid on ette nähtud kasutamiseks eranditult pressimisposkedega, mis on Milwaukee poolt pärast süsteemi pakkujaga kooskõlastamist sobivatena deklareeritud.

ONE-KEY™

Lisateabe saamiseks selle seadme ONE-KEY funktsiooni kohta lugege tootega kaasas olevat lühijuhendit või külastage veebilehte <http://www.milwaukeeetool.com/one-key>

ONE-KEY rakenduse saate App Store või Google Play kaudu oma nutitelefonile alla laadida.

Katsetulemus täidab meie miinimumnõudeid EN 301 489-1 / EN 301 489-17 järgi.



Est

AKUD

Pikemat aega mittekasutatud akusid laadige veel enne kasutamist. Temperatuur üle 50 °C vähendab vahetatava aku töövoimet. Vältige pikemat soojenemist päikese või kütteseadme mõjul.

Hoidke laadija ja vahetatava aku ühenduskontaktid puhtad. Optimaalse patarei eluea tagamiseks, pärast kasutamist lae patareiplokk täielikult.

Akud tuleks võimalikult pika kasutusea saavutamiseks pärast täislaadimist laadijast välja võtta.

Aku ladustamisel üle 30 päeva:
Ladustage akut kuivas kohas u 27°C juures. Ladustage akut u 30-50% laetusseisundis. Laadige aku iga 6 kuu tagant täis.

Ärge visake tarvitatud vahetatavaid akusid tulle ega olmeprügisse. Milwaukee pakub vanade akude keskkonnahoidlikku käitlust; palun küsige oma erialaselt tarnijalt.

Ärge säilitage vahetatavaid akusid koos metallsemetega (lühiseht).

Laadige süsteemi M18 vahetatavaid akusid ainult süsteemi M18 laadijatega. Ärge laadige nendega teiste süsteemide akusid.

Ärge avage vahetatavaid akusid ega laadijaid ning ladustage neid ainult kuivades ruumides. Kaitske niiskuse eest.

Äärmuslikul koormusel või äärmuslikul temperatuuril võib kahjustatud vahetatavast akust akuedelik välja voolata. Akuedelikuga kokkupuutumise korral peske kohe vee ja seebiga. Silma sattumise korral loputage kiiresti põhjalikult vähemalt 10 minutit ning pöörduge viivitamatult arsti poole.

Laadijal olevasse vahetatava aku ühenduskambrisse ei tohi sattuda metalliosi (lühiseht).

LIITIUMIOONAKUDE TRANSPORTIMINE

Liitiumioonakud on allutatud ohtlike ainete transportimisega seonduvatele õigusaktidele.

Nende akude transportimine peab toimuma kohalikest, siseriiklikest ja rahvusvahelistest eeskirjadest ning määrustest kinni pidades.

Tarbijad tohivad neid akusid edasiste piiranguteta tänaval transportida.

Liitiumioonakude kommertstransport ekspedeerimisettevõtete kaudu on allutatud ohtlike ainete transportimisega seonduvatele õigusaktidele. Tarne-ettevalmistusi ja transporti tohivad teostada eranditult vastavalt koolitatud isikud. Kogu protsessi tuleb asjatundlikult jälgida.

Akude transportimisel tuleb järgida järgmisi punkte:

Tehke kindlaks, et kontaktid on lühiste vältimiseks kaitsitud ja isoleeritud. Pöörake tähelepanu sellele, et akupakk ei saaks pakendis niikhuda. Kahjustatud või välja voolanud akusid ei tohi kasutada. Pöörduge edasiste juhiste saamiseks ekspedeerimisettevõtte poole.

HOOLDUS

Kontrollige pressimisposkete ja pressimisrullide kergest liikuvust. Pärast tööde lõppu puhastage ja määrige pressimisrullid, riivid ja löikepikad.

Hooldus- ja remonditööd tohivad teostada üksnes volitatud oskustöökojad.

Seade sisaldab hüdraulikaõli, mis kujutab endast ohtu põhjaveele. Kontrollimatu väljalaskmine või asetundmatu utiliseerimine on karistatav.

Pressimisseadmel on esitatud järgmine hooldus. Mainitud hooldus tuleb läbi viia vähemalt iga 2 aasta tagant või hiljemalt siis, kui LED-näidik sellest märku annab.

Vahetage kulunud pressimistöõriistad välja.

Hoidke masina õhutuspilud alati puhtad.

Kasutage ainult Milwaukee tarvikuid ja Milwaukee tagavaarosi. Detailid, mille väljavahetamist pole kirjeldatud, laske välja vahetada Milwaukee klienditeeninduspunktis (vaadake brošüüri garantii / klienditeeninduste aadressid).

Vajaduse korral võite tellida seadme läbilõikejoonise, näidates ära masina tüübi ja andmesildil oleva numbr. Selleks pöörduge klienditeeninduspunkti või otse: Techtronic Industries GmbH, Max-Eyth-Straße 10, 71364 Winnenden, Germany.

EÜ VASTAVUSAVALDUS

Kinnitame oma ainuvastutusel, et „Tehniliste andmete“ all kirjeldatud toode vastab direktiivide kõigile asjakohastele sätetele 2011/65/EU (RoHS)

2006/42/EU

2014/53/EU

ning täidetud on järgmiste ühtlustatud standardite nõuded

EN 62368-1:2014+AC:2015+A11:2017

EN 60745-1:2009+A11:2011

EN ISO 12100:2010

EN 55014-1:2017+A11:2020

EN 55014-2:2015

EN 301 489-1 V2.2.3

EN 301 489-17 V3.2.4

EN 300 328 V2.2.2

EN 62479:2010

EN IEC 63000:2018



Winnenden, 2021-07-16

Alexander Krug / Managing Director

On volitatud koostama tehnilist dokumentatsiooni.

Techtronic Industries GmbH

Max-Eyth-Straße 10, 71364 Winnenden, Germany



SÜMBOLID



Palun lugege enne käikulaskmist kasutamisujuhend hoolikalt läbi.



ETTEVAATUST! TÄHELEPANU! OHUD!



Enne kõiki töid masina kallal võtke vahetatav aku välja.



TÄHELEPANU!
tööeldava eseme küljest tükide eemalepaikumine



Hoiatus! Muljumisoht



Tarvikud - ei kuulu tarne komplekti, soovitatav täiendus on saadaval tarvikute programmis.



Masinaga töötades kandke alati kaitseprille.



Hoolduskleeps



See seade sisaldab nööppatareid (liitiumpatarei).



Elektriseadmeid ei tohi utiliseerida koos majapidamisprügiga. Elektrilised ja elektroonilised seadmed tuleb eraldi kokku koguda ning keskkonnasõbralikuks utiliseerimiseks vastavas käitlusettevõttes ära anda. Küsige kohalikest pädevatest ametitest või edasimüüjalt käitlusjaamade ja kogumispunktide kohta järele.



Euroopa vastavusmärk



Ühendkuningriigi vastavusmärk



Ukraina vastavusmärk



Euraasia vastavusmärk



ТЕХНИЧЕСКИЕ ДАННЫЕ прессовки	M18 ONEBLHPT
Серийный номер изделия	4777 60 02 000001-999999
Диапазон частот Bluetooth (диапазоны частот)	2402 – 2480 MHz
Мощность высокой частоты	1,8 dBm
Версия Bluetooth	4.2 BT signal mode
Вольтаж аккумулятора	18 V
Потребляемая мощность	450 W
Номинальное усилие	32 kN
Область применения пресса: Ø Пластик & композитные трубы Ø Металл до	63 mm (110 mm) 54 mm (108 mm) завис. от сист.
Вес согласно процедуре EPTA 01/2014 (Li-Ion 2,0 Ah ... 12,0 Ah)	2,9 ... 3,9 kg
Вес (M18 ONEBLHPT / Li-Ion 2,0 Ah / J18-Th14)	4,7 kg
Информация по шумам	
Значения замерялись в соответствии со стандартом EN 60745. Уровень шума прибора, определенный по показателю A, обычно составляет:	
Уровень звукового давления (Небезопасность K=3dB(A))	75 dB (A)
Уровень звуковой мощности (Небезопасность K=3dB(A))	86 dB (A)
Пользуйтесь приспособлениями для защиты слуха.	
Информация по вибрации	
Общие значения вибрации (векторная сумма трех направлений) определены в соответствии с EN 60745.	
Значение вибрационной эмиссии a_{hh}	< 2,5 m/s ²
Небезопасность K=	1,5 m/s ²

ВНИМАНИЕ!

Заявленные значения вибрации и шумового излучения, указанные в настоящем информационном листе, были измерены согласно стандартизированному методу испытаний согласно EN 60745 и могут использоваться для сравнения одного инструмента с другим. Они могут применяться для предварительной оценки воздействия на организм человека.

Указанные значения вибрации и шумового излучения действительно для основных областей применения инструмента. Однако если инструмент используется в других областях применения или с другими принадлежностями либо проходит ненадлежащее обслуживание, значения вибрации и шумового излучения могут отличаться. Это может существенно увеличить уровень воздействия на организм на протяжении общего периода работы.

При оценке уровня воздействия вибрации и шумового излучения на организм также необходимо учитывать периоды, когда инструмент выключен, или когда он работает, но фактически не используется для выполнения работы. Это может существенно сократить уровень воздействия на организм на протяжении общего периода работы.

Определите дополнительные меры для защиты оператора от воздействия вибрации и/или шума, такие как обслуживание инструмента и его принадлежностей, сохранение рук в тепле, организация графиков работы.



ВНИМАНИЕ Ознакомьтесь со всеми указаниями по безопасности и инструкциями. Упущения, допущенные при не соблюдении указаний и инструкций по технике безопасности, могут стать причиной электрического поражения, пожара и тяжелых травм.

Сохраняйте эти инструкции и указания для будущего использования.



МЕРЫ ПРЕДОСТОРОЖНОСТИ ПРИ РАБОТЕ С ПРИЖИМНЫМ УСТРОЙСТВОМ

Пользоваться средствами защиты. При работе с инструментом всегда надевайте защитные очки. Рекомендуется спецодежда: пылезащитная маска, защитные перчатки, прочная и нескользящая обувь, каска и наушники.

Не допускайте попадания пальцев или других частей тела в рабочую зону цилиндра и пресс-колодок!

Во время процесса прессования не держите руками рычаги колодок.

К использованию пресс-форм и прессовочных устройств допускаются только специалисты.

Перед каждым применением проверять пресс-формы и прессовочные устройства на наличие трещин и прочих признаков износа.

Использовать только пресс-формы и прессовочные устройства, находящиеся в безупречном техническом состоянии.

Повреждения должны незамедлительно устраняться в сертифицированном сервисном центре.

Допускается использовать устройство только с применением пресс-колодки.

При возникновении неисправностей во время процесса прессования незамедлительно нажать аварийный выключатель и отпустить кнопку включения. Клапан откроется, а поршень вернется в исходное положение.

Строго соблюдать указания по техобслуживанию и его интервалам.

Выньте аккумулятор из машины перед проведением с ней каких-либо манипуляций.

УКАЗАНИЯ ПО РАБОТЕ

Использовать только соответствующие системе пресс-фитинги и подходящие для них пресс-колодки.

Соблюдайте указания по обработке и монтажу фитингов и труб, приведенные в документации поставщика системы.

Проверьте, чтобы номинальный внутренний диаметр пресс-фитинга соответствовал номинальному внутреннему диаметру пресс-колодки.

По завершении запрессовки проконтролируйте, чтобы пресс-колодка была полностью закрыта.

Неправильно выполненные соединения труб необходимо повторно запрессовать с использованием нового фитинга.

Проверьте на герметичность систему труб после окончания монтажных работ при помощи соответствующих надлежащих средств контроля.



Прессовочное устройство не рассчитано на непрерывную эксплуатацию. Через 30 минут непрерывной эксплуатации необходимо сделать короткий перерыв не менее чем на 15 минут, чтобы устройство остыло.

ИСПОЛЬЗОВАНИЕ

Прессовочные устройства и пресс-колочки допускаются использовать исключительно для запрессовки труб и фитингов, для которых предусмотрены соответствующие пресс-колочки.

Прессовочные устройства предназначены исключительно для использования пресс-колодок, которые признаны пригодными компанией Milwaukee по согласованию с поставщиком системы.

ONE-KEY™

Чтобы узнать больше о технических возможностях ONE-KEY данного устройства, обратитесь к краткому руководству пользователя, поставляемому с изделием, или перейдите по ссылке <http://www.milwaukeeetool.com/one-key>

Вы можете загрузить приложение ONE-KEY на свой смартфон через App Store или Google Play.

Результат испытания соответствует нашим минимальным требованиям согласно EN 301 489-1 / EN 301 489-17.

АККУМУЛЯТОР

Перед использованием аккумулятора, которым не пользовались некоторое время, его необходимо зарядить.

Температура выше 50°C снижает работоспособность аккумуляторов. Избегайте продолжительного нагрева или прямого солнечного света (риск перегрева).

Контакты зарядного устройства и аккумуляторов должны содержаться в чистоте.

Для обеспечения оптимального срока службы аккумулятор необходимо полностью заряжать после использования прибора.

Для достижения максимального срока службы аккумуляторы после зарядки следует вынимать из зарядного устройства.

При хранении аккумулятора более 30 дней: Храните аккумулятор при 27°C в сухом месте. Храните аккумулятор с зарядом примерно 30% - 50%. Каждые 6 месяцев аккумулятор следует заряжать.

Не выбрасывайте использованные аккумуляторы вместе с домашним мусором и не сжигайте их. Дистрибьюторы компании Milwaukee предлагают восстановление старых аккумуляторов, чтобы защитить окружающую среду.

Не храните аккумуляторы вместе с металлическими предметами во избежание короткого замыкания.

Для зарядки аккумуляторов модели M18 используйте только зарядным устройством M18. Не заряжайте аккумуляторы других систем.

Никогда не вскрывайте аккумуляторы или зарядные устройства и храните их только в сухих помещениях. Следите, чтобы они всегда были сухими.

Аккумуляторная батарея может быть повреждена и дать течь под воздействием чрезмерных температур или повышенной нагрузки. В случае контакта с аккумуляторной кислотой немедленно промойте место контакта мылом и водой. В случае попадания кислоты в глаза промойте глаза в

течение 10 минут и немедленно обратитесь за медицинской помощью.

Не допускайте попадания каких-либо металлических предметов в аккумуляторный отсек зарядного устройства во избежание короткого замыкания.

ТРАНСПОРТИРОВКА ЛИТИЙ-ИОННЫХ АККУМУЛЯТОРОВ

Литий-ионные аккумуляторы в соответствии с предписаниями закона транспортируются как опасные грузы.

Транспортировка этих аккумуляторов должна осуществляться с соблюдением местных, национальных и международных предписаний и положений.

Эти аккумуляторы могут перевозиться по улице потребителем без дальнейших обязательств.

При коммерческой транспортировке литий-ионных аккумуляторов экспедиторскими компаниями действуют положения, касающиеся транспортировки опасных грузов. Подготовка к отправке и транспортировка должны производиться исключительно специально обученными лицами. Весь процесс должен находиться под контролем специалиста.

При транспортировке аккумуляторов необходимо соблюдать следующие пункты:

Убедитесь, что контакты защищены и изолированы во избежание короткого замыкания. Следите за тем, чтобы аккумуляторный блок не соскочил изнутри упаковки.

Транспортировка поврежденных или протекающих аккумуляторов запрещена. За дополнительными указаниями обратитесь к своему экспедитору.

ОБСЛУЖИВАНИЕ

Проверить пресс-колочки и нажимные ролики на легкость хода.

По окончании работы произведите очистку и смазку нажимных роликов, фиксатора и режущих тисков.

Работы по техобслуживанию и ремонту могут производиться только в сертифицированных сервисных центрах.

В устройстве содержится гидравлическое масло, представляющее опасность для грунтовых вод. Неконтролируемый слив или ненадлежащая утилизация наказывается штрафом.

На прессовочном устройстве указывается срок следующего техобслуживания. Техобслуживание должно производиться не реже чем раз в два года или не позднее, чем об этом просигнализирует светодиодный индикатор.

Заменять изношенные прессовочные устройства.

Всегда держите охлаждающие отверстия чистыми.

Пользуйтесь аксессуарами и запасными частями Milwaukee. В случае возникновения необходимости в замене, которая не была описана, обращайтесь в один из сервисных центров по обслуживанию электроинструментов Milwaukee (см. список сервисных организаций).

При необходимости может быть заказан чертеж инструмента с трехмерным изображением деталей. Пожалуйста, укажите номер и тип инструмента и закажите чертеж у Ваших местных агентов или непосредственно у Techtronic Industries GmbH, Max-Eyth-Straße 10, 71364 Winnenden, Germany.

ДЕКЛАРАЦИЯ О СООТВЕТСТВИИ СТАНДАРТАМ ЕС

Мы несем исключительную ответственность за то, что изделие, описанное в разделе «Техническая информация» соответствует всем применимым положениям директив 2011/65/EU (RoHS) 2006/42/EC 2014/53/EU а также следующим согласованным стандартам EN 62368-1:2014+AC:2015+A11:2017 EN 60745-1:2009+A11:2011 EN ISO 12100:2010 EN 55014-1:2017+A11:2020 EN 55014-2:2015 EN 301 489-1 V2.2.3 EN 301 489-17 V3.2.4 EN 300 328 V2.2.2 EN 62479:2010 EN IEC 63000:2018



Winnenden, 2021-07-16

Alexander Krug / Managing Director
Уполномочен на составление технической документации.
Techtronic Industries GmbH
Max-Eyth-Straße 10, 71364 Winnenden, Germany

СИМВОЛЫ



Пожалуйста, внимательно прочтите инструкцию по использованию перед началом любых операций с инструментом.



ВНИМАНИЕ! ПРЕДУПРЕЖДЕНИЕ! ОПАСНОСТЬ!



Выньте аккумулятор из машины перед проведением с ней каких-либо манипуляций.



ВНИМАНИЕ!

Опасность получения травм из-за разлетающихся обломков



Предупреждение! Опасность защемления



Принадлежности - В стандартную комплектацию не входит, поставляется в качестве дополнительной принадлежности.



При работе с инструментом всегда надевайте защитные очки.



Наклейка с данными о ТО



Устройство использует кнопочный/плоский круглый литиевый аккумулятор.



Электрические устройства нельзя утилизировать вместе с бытовым мусором. Электрические и электронные устройства следует собирать отдельно и сдавать в специализированную утилизирующую компанию для утилизации в соответствии с нормами охраны окружающей среды. Сведения о центрах вторичной переработки и пунктах сбора можно получить в местных органах власти или у вашего специализированного дилера.



Европейский знак соответствия



Британский знак соответствия



Украинский знак соответствия



Евразийский знак соответствия





ТЕХНИЧЕСКИ ДАННИ Пресоващи клещи	M18 ONEBLHPT
Производствен номер	4777 60 02 000001-999999
Честотен обхват (честотни обхвати) на Bluetooth	2402 - 2480 MHz
високочестотна мощност	1,8 dBm
Версия на Bluetooth	4.2 BT signal mode
Напрежение на акумулатора	18 V
Консумирана мощност	450 W
сила на пресоване	32 kN
Прес пространство: Ø & композиционни тръби Ø Метал до	63 mm (110 mm) 54 mm (108 mm) система-зависим
Тегло съгласно процедурата EPTA 01/2014 (Li-Ion 2,0 Ah ... 12,0 Ah)	2,9 ... 3,9 kg
Тегло (M18 ONEBLHPT / Li-Ion 2.0 Ah / J18-Th14)	4,7 kg
Информация за шума Измерените стойности са получени съобразно EN 60745. Оцененото с А ниво на шума на уреда е съответно: Равнище на звуковото налягане (Несигурност K=3dB(A)) Равнище на мощността на звука (Несигурност K=3dB(A))	75 dB (A) 86 dB (A)
Да се носи предпазно средство за слуха!	
Информация за вибрациите Общите стойности на вибрациите (векторна сума на три посоки) са определени в съответствие с EN 60745. Стойност на емисии на вибрациите a_h Несигурност K=	<2,5 m/s ² 1,5 m/s ²

ВНИМАНИЕ!

Посочените в настоящия информационен лист нива на вибрации и шумови емисии са измерени в съответствие със стандартизирано изпитване, предоставено в EN 60745, и могат да се използват за сравняване на един инструмент с друг. Те може също така да се използват и за предварителна оценка на излагането на вредни въздействия.

Декларираните нива на вибрации и шумови емисии се отнасят за основните приложения на инструмента. Ако обаче инструментът се използва за други приложения, с други приспособления или не се поддържа добре, нивата на вибрации и шумови емисии могат да са различни. Това може значително да повиши нивото на излагане на вредни въздействия за общата продължителност на работата.

При оценка на нивото на излагане на въздействието на вибрации и шум следва също така да се вземе предвид времето, през което инструментът е изключен или през което е включен, но не се използва. Това може значително да понижи нивото на излагане на вредни въздействия за общата продължителност на работата.

Определете допълнителни мерки за безопасност за защита на оператора от въздействието на вибрациите и/или шума, като например поддръжка на инструмента и приспособленията, поддържането на топлината на ръцете и организацията на работата.

⚠ ВНИМАНИЕ Прочетете указанията за безопасност и съветите. Пропуски при спазването на указанията и на инструкциите за безопасност могат да доведат до токов удар, пожар и/или тежки наранявания.

Запазете всички указания и инструкции за безопасност за бъдещето.

⚠ ПРЕСА – ПРЕДУПРЕЖДЕНИЯ ЗА БЕЗОПАСНОСТ

Да се използват предпазни средства. При работа с машината винаги носете предпазни очила. Препоръчват се защитно облекло и прахозащитна маска, защитни ръкавици, здрави и нехлъзгащи се обувки, каска и предпазни средства за слуха.

Никога не дръжете пръстите си или други части на тялото в работната зона на цилиндъра и на прес челюстите.

Никога не дръжете с ръце лоста на челюстите по време на процеса на пресоване.

Инструментите и уредите за пресоване трябва да се използват само от обучени служители.

Преди всяка употреба проверявайте инструментите и уредите за пресоване за пукнатини и други белези на износване.

Инструментите и уредите за пресоване следва да се използват само в безупречно техническо състояние.

Отстранете повредите незабавно в оторизиран специализиран сервиз.

Уредът може да се използва само с поставена прес челюст.

При смущения по време на процеса на пресоване, веднага включете превключателя при опасност и пуснете превключателя ВКЛ. Клапанът се отваря и буталото се връща в изходна позиция.

Спазвайте стриктно времето за и интервалите на поддръжка.

Преди започване на каквито е да е работи по машината извадете акумулатора.

УКАЗАНИЯ ЗА РАБОТА

Използвайте само предназначени за системата прес фитинги, както и подходящите за тях прес челюсти.

От документацията на производителя на системата вземете указанията за обработка и монтаж за фитинги и тръби.

Проверете, дали номиналният вътрешен диаметър на прес фитинга съвпада с номиналния вътрешен диаметър на прес челюстта.

След извършено пресоване обърнете внимание, дали прес челюстта е напълно затворена.

Неправилно свързаните тръбни съединения следва да бъдат пресовани още веднъж с нов фитинг.

След приключване на инсталационните работи тръбната система следва да се провери за уплътненост със съответните средства за проверка.

Пресоващият уред не е подходящ за продължителна употреба. След 30 минути непрекъсната употреба трябва да бъде направена кратка пауза от минимум 15 минути, за да може уредът да се охлади.

ИЗПОЛЗВАНЕ ПО ПРЕДНАЗНАЧЕНИЕ

Уредите и челюстите за пресоване следва да бъдат използвани изключително за пресоване на тръби и фитинги, за които са предвидени съответните прес челюсти.

Уредите за пресоване са предвидени изключително за употреба на прес челюсти, които са обявени от Milwaukee за подходящи в съответствие с производителя на системата.

ONE-KEY™

За да научите повече за функционалността ONE KEY на този уред, прочетете приложеното кратко ръководство или ни посетете в интернет на <http://www.milwaukeeetool.com/one-key>. Можете да изтеглите ONE KEY приложението на Вашия смартфон от App Store или Google Play.

Резултатът от изпитанията отговаря на нашите минимални изисквания съгласно EN 301 489-1 / EN 301 489-17.

АКУМУЛАТОРИ

Акумулатори, които не са ползвани по-дълго време, преди употреба да се дозаредят.

Температура над 50°C намалява мощността на акумулатора. Да се избягва по-продължително нагряване на слънце или от отопление.

Поддържайте чисти присъединителните контакти на зарядното устройство и на акумулатора.

За оптимална продължителност на живот след употреба батериите трябва да се заредят напълно.

За възможно по-дълга продължителност на живот батериите трябва да се изваждат от уреда след зареждане.

При съхранение на батериите за повече от 30 дни:

съхранявайте батерията при прил. 27°C и на сухо място.

Съхранявайте батерията при 30 до 50 % от заряда. Зареждайте батерията на всеки 6 месеца.

Не извърряйте изхабените акумулатори в огъня или в при битовите отпадъци. Milwaukee предлага екологосъобразно събиране на старите акумулатори; моля попитайте Вашия специализиран търговец.

Не съхранявайте акумулаторите заедно с метални предмети (опасност от късо съединение).

Акумулатори от системата M18 да се зареждат само със зарядни устройства от системата M18 laden. Да не се зареждат акумулатори от други системи.

Не отваряйте акумулатори и зарядни устройства и ги съхранявайте само в сухи помещения. Пазете ги от влага.

При екстремно натоварване или екстремна температура от повредени акумулатори може да изтече батерийна течност.

При допир с такава течност веднага измийте с вода и сапун.

При контакт с очите веднага изплаквайте старателно най-малко 10 минути и незабавно потърсете лекар.

В гнездото за акумулатори на зарядните устройства не бива да попадат метални части (опасност от късо съединение).

ПРЕВОЗ НА ЛИТИЕВО-ЙОННИ БАТЕРИИ

Литиево-йонните батерии са предмет на законови разпоредби за превоз на опасни товари.

Превозът на тези батерии трябва да се извършва в съответствие с местните, националните и международните разпоредби и регламенти.

Потребителите могат да превозват тези батерии по пътя без допълнителни изисквания.

Превозът на литиево-йонни батерии от транспортни компании е предмет на законовите разпоредби за превоз на опасни товари. Подготовката на превоза и самият превоз трябва да се извършват само от обучени лица. Целият процес трябва да е под професионален надзор.

Спазвайте следните изисквания при превоз на батерии: Уверете се, че контактите са защитени и изолирани, за да се избегне късо съединение. Уверете се, че няма опасност от разместване на батерията в опаковката. Не превозвайте повредени батерии или такива с течове. Обърнете се към Вашата транспортна компания за допълнителни инструкции.

ПОДДРЪЖКА

Проверете лекото движение на прес челюстите и на прес ролките.

След приключване на работа почиствайте и смазвайте притискащите ролки, заключващия механизъм и режещите челюсти.

Свързаните с ремонт и поддръжка работи следва да се извършват само от оторизирани специализирани сервиси.

Уредът съдържа хидравлично масло, което представлява опасност за подпочвените води. Неконтролираното му изпускане или неправомерно изхвърляне като отпадък се наказва от закона.

Върху уреда за пресоване е посочена датата за следващата поддръжка. Тази поддръжка трябва да бъде извършвана минимум на всеки две години или най-късно, когато за това сигнализира LED-индикаторът.

Заменете износените инструменти за пресоване.

Вентилационните шлицы на машината да се поддържат винаги чисти.

Да се използват само аксесоари на Milwaukee и резервни части на Milwaukee. Елементи, чията подмяна не е описана, да се дадат за подмяна в сервиз на Milwaukee (вижте брошурата „Гаранция и адреси на сервиси“).

При необходимост можете да поискате за уреда от Вашия сервиз или директно от Techtronic Industries GmbH, Max-Eyth-Straße 10, 71364 Winnenden, Germany, чертеж за в случай на експлозия, като посочите типа на машината и номер върху заводската табелка.



БЪЛ

СЕ - ДЕКЛАРАЦИЯ ЗА СЪОТВЕТВИЕ

Ние декларираме, изцяло на наша отговорност, че продуктът, описан в „Технически данни“, съответства на всички необходими изисквания на директивите 2011/65/EC (RoHS) 2006/42/EO 2014/53/EC

и че са използвани следните хармонизирани стандарти
EN 62368-1:2014+AC:2015+A11:2017
EN 60745-1:2009+A11:2011
EN ISO 12100:2010
EN 55014-1:2017+A11:2020
EN 55014-2:2015
EN 301 489-1 V2.2.3
EN 301 489-17 V3.2.4
EN 300 328 V2.2.2
EN 62479:2010
EN IEC 63000:2018



Winnenden, 2021-07-16

Alexander Krug / Managing Director
Упълномощен за съставяне на техническата документация
Techtronic Industries GmbH
Max-Eyth-Straße 10, 71364 Winnenden, Germany

СИМВОЛИ



Преди пускане на уреда в действие моля прочетете внимателно инструкцията за използване.



ВНИМАНИЕ! ПРЕДУПРЕЖДЕНИЕ! ОПАСНОСТ



Преди започване на каквито е да е работи по машината извадете акумулатора.



ВНИМАНИЕ!
Предупреждение за отхвърлени предмети



Предупреждение! Опасност от смачкване



Акcesoари - Не се съдържат в обема на доставката, препоръчвано допълнение от програмата за акcesoари.



При работа с машината винаги носете предпазни очила.



Лепенка за поддръжка



Това устройство се захранва с клетъчна литиева батерия от тип копче.



Електрическите уреди не трябва да се изхвърлят заедно с битовите отпадъци. Електрическото и електронното оборудване трябва да се събират отделно и да се предават на службите за рециклиране на отпадъците според изискванията за опазване на околната среда. Информирайте се при местните служби или при местните специализирани търговци относно местата за събиране и центровете за рециклиране на отпадъци.



Европейски знак за съответствие



Британски знак за съответствие



Украински знак за съответствие



Евро-азиатски знак за съответствие

DATE TEHNICE Clește	M18 ONEBLHPT
Număr producție	4777 60 02 000001-999999
Bandă de frecvență Bluetooth (benzi de frecvență)	2402 - 2480 MHz
Putere la înaltă frecvență	1,8 dBm
Versiune Bluetooth	4.2 BT signal mode
Tensiune acumulator	18 V
Consumul de putere	450 W
forța de presare	32 kN
zona de presă: Ø plastic și țevi compozite Ø Metal până la data de	63 mm (110 mm) 54 mm (108 mm) dependent de sistem
Greutatea conform „EPTA procedure 01/2014” (Li-Ion 2,0 Ah ... 12,0 Ah)	2,9 ... 3,9 kg
Greutate (M18 ONEBLHPT / Li-Ion 2.0 Ah / J18-Th14)	4,7 kg
Informație privind zgomotul	
Valori măsurate determinate conform EN 60745. Nivelul de zgomot evaluat cu A al aparatului este tipic de:	
Nivelul presiunii sonore (Nesiguranță K=3dB(A))	75 dB (A)
Nivelul sunetului (Nesiguranță K=3dB(A))	86 dB (A)
Purtați căști de protecție	
Informații privind vibrațiile	
Valorile totale de oscilație (suma vectorială pe trei direcții determinate conform normei EN 60745.	
Valoarea emisiei de oscilații a_h	<2,5 m/s ²
Nesiguranță K=	1,5 m/s ²

AVERTISMENT!

Nivelul vibrației și emisiei de zgomot indicat în această fișă informativă a fost măsurat în conformitate cu o metodă standard de testare specificată în EN 60745 și se poate utiliza pentru a compara dispozitivele între ele. Acesta se poate utiliza și într-o evaluare preliminară a expunerii.

Nivelul declarat al vibrației și emisiei sonore reprezintă principalele aplicații ale dispozitivului. Cu toate acestea, dacă dispozitivul este utilizat pentru aplicații diferite, cu accesorii diferite sau întreținute necorespunzător, emisia de vibrații și zgomote poate diferi. Acest lucru poate crește semnificativ nivelul expunerii pe întreaga perioadă de lucru.

O estimare a nivelului de expunere la vibrații și zgomot ar trebui să țină cont și de momentele în care dispozitivul este oprit sau când funcționează, dar nu realizează de fapt nicio lucrare. Acest lucru poate reduce semnificativ nivelul expunerii pe întreaga perioadă de lucru.

Identificați măsuri de siguranță suplimentare pentru a proteja operatorul de efectele vibrațiilor și/sau zgomotului, cum ar fi: întreținerea dispozitivului și a accesoriilor, menținerea caldă a mâinilor, organizarea modelelor de lucru.

 **AVERTISMENT Citiți toate avizele de siguranță și indicațiile.** Nerespectarea indicațiilor de avertizare și a instrucțiunilor poate provoca electrocutare, incendii și/sau răni grave.

Păstrați toate indicațiile de avertizare și instrucțiunile în vederea utilizărilor viitoare.

AVERTISMENTE DE SECURITATE DISPOZITIV PRESĂ

Folosii echipament de protecție. Purtați întotdeauna ochelari de protecție când utilizați mașina. Se recomandă utilizarea hainelor de protecție ca de ex. Măști contra prafului, mănuși de protecție, încălțăminte stabilă nealunecoasă, cască și apărătoare de urechi.

Nu introduceți niciodată degetele sau alte părți ale corpului în zona de lucru a cilindrului și a bacurilor de presare.

Nu țineți cu mâinile părțile bacurilor în timpul procesului de presare.

Utilizarea sculelor de presare și a aparatelor de presare este permisă numai persoanelor calificate.

Înainte de fiecare utilizare verificați sculele de presare și aparatele de presare în privința existenței unor fisuri și a altor semne de uzură.

Sculele de presare și aparatele de presare se vor utiliza numai dacă se află în stare tehnică ireproșabilă.

Deteriorările trebuie reparate imediat de către un atelier autorizat.

Utilizarea aparatului este permisă numai cu bacurile de presare montate.

În cazul unor deranjamente în timpul procesului de presare, apăsați imediat întrerupătorul de urgență și eliberați întrerupătorul de PORNIRE. Ventilul se deschide iar pistonul revine în poziția inițială.

Operațiile și intervalele de întreținere trebuie respectate în mod obligatoriu.

Îndepărtați acumulatorul înainte de începerea lucrului pe mașina

INDICAȚII DE LUCRU

Utilizați numai fitinguri adecvate sistemului precum și bacuri de presare concepute pentru acestea.

Instrucțiunile pentru prelucrarea și montarea fitingurilor și țevilor se găsesc în documentația ofertantului sistemului.

Verificați corespondența dintre cota nominală a fitingului care urmează a fi presat și cota nominală a bacurilor de presare.

După încheierea fazei de presare, verificați dacă bacurile de presare sunt complet închise.

Îmbinările incorecte ale conductelor trebuie din nou presate cu un fiting nou.

După încheierea lucrărilor de instalare, controlați etanșeitatea sistemului de conducte cu ajutorul unor mijloace de verificare adecvate.

Aparatul de presare nu este adecvat pentru utilizarea în regim permanent. După o funcționare neîntreruptă de 30 de minute, trebuie făcută o scurtă pauză de minim 15 minute pentru a permite aparatului să se răcească.



CONDIȚII DE UTILIZARE SPECIFICATE

Utilizarea aparatelor de presare și a bacurilor de presare este permisă numai pentru presarea de conducte și fittinguri pentru care sunt prevăzute bacurile de presare în cauză.

Aparatele de presare sunt destinate pentru a fi utilizate exclusiv cu bacurile care au fost declarate de firma Milwaukee de comun acord cu ofertantul sistemului ca fiind adecvate.

ONE-KEY™

Pentru a afla mai multe despre funcționalitatea ONE-KEY a acestui dispozitiv, vă rugăm să consultați ghidul rapid anexat acestui produs sau să accesați <http://www.milwaukee.com/one-key> Puteți descărca aplicația ONE-KEY de pe App Store sau Google Play pe Smartphone-ul dvs.

Rezultatul verificării satisface cerințele noastre minime în conformitate cu EN 301 489-1 / EN 301 489-17.

ACUMULATORI

Acumulatorii care nu au fost utilizați o perioadă de timp trebuie reîncărcați înainte de utilizare

Temperatura mai mare de 50°C (122°F) reduce performanța acumulatorului. Evitați expunerea prelungită la căldură sau radiație solară (risc de supraîncălzire)

Contactele încărcătoarelor și acumulatorilor trebuie păstrate curate.

În scopul optimizării duratei de funcționare, bateriile trebuie reîncărcate complet după utilizare.

Pentru o durată de viață cât mai lungă, acumulatorii ar trebui scoși din încărcător după încărcare.

La depozitarea acumulatorilor mai mult de 30 zile:

Acumulatorii se depozitează la cca. 27°C și la loc uscat. Acumulatorii se depozitează la nivelul de încărcare de cca. 30%-50%. Acumulatorii se încarcă din nou la fiecare 6 luni.

Nu aruncați acumulatorii uzați la containerul de reziduri menajere și nu îi ardeți. Milwaukee Distributors se oferă să recupereze acumulatorii vechi pentru protecția mediului înconjurător.

Nu depozitați acumulatorul împreună cu obiecte metalice (risc de scurtcircuit)

Folosiți numai încărcătoare System M18 pentru încărcarea acumulatorilor System M18. Nu folosiți acumulatori din alte sisteme.

Nu deschideți niciodată acumulatorii și încărcătoarele și pastrați-le numai în încăperi uscate. Pastrați-le întotdeauna uscate.

Acidul se poate scurge din acumulatorii deteriorați la încărcături sau temperaturi extreme. În caz de contact cu acidul din acumulator, spălați imediat cu apă și săpun. În caz de contact cu ochii, clătiți cu atenție timp de cel puțin 10 minute și apelați imediat la îngrijire medicală.

Nu se permite introducerea nici unei piese metalice în locașul pentru acumulator al încărcătorului. (risc de scurtcircuit)

TRANSPORTUL ACUMULATORILOR CU IONI DE LITIU

Acumulatorii cu ioni de litiu cad sub incidența prescripțiilor legale pentru transportul de mărfuri periculoase.

Transportul acestor acumulatori trebuie să se efectueze cu respectarea prescripțiilor și reglementărilor pe plan local, național și internațional.

Consumatorilor le este permis transportul rutier nerestricționat al acestui tip de acumulatori.

Transportul comercial al acumulatorilor cu ioni de litiu prin intermediul firmelor de expediție și transport este supus reglementărilor transportului de mărfuri periculoase. Pregătirile pentru expediție și transportul au voie să fie efectuate numai de către personal instruit corespunzător. Întregul proces trebuie asistat în mod competent.

Următoarele puncte trebuie avute în vedere la transportul acumulatorilor:

Pentru a se evita scurtcircuite, asigurați-vă de faptul că sunt protejate și izolate contactele. Aveți grijă ca pachetul de acumulatori să nu poată aluneca în altă poziție în interiorul ambalajului său. Este interzis transportarea unor acumulatori deteriorați sau care pierd lichid. Pentru indicații suplimentare adresați-vă firmei de expediție și transport cu care colaborați.

ÎNȚEȚINERE

Verificați mersul ușor al bacurilor de presare și al roletelor de presare.

După terminarea lucrărilor curățați și lubrifiați roletele presei, rigla și fălcile de tăiere.

Efectuarea lucrărilor de întreținere și de reparație este permisă numai atelierelor de specialitate autorizate.

Aparatul conține ulei hidraulic care reprezintă un pericol pentru apă freatică. Golirea necontrolată sau eliminarea necorespunzătoare a acestuia este pasibilă de pedeapsă.

Pe aparatul de presare este indicat termenul pentru următoarea întreținere. Întreținerea trebuie efectuată cel puțin la fiecare 2 ani sau cel mai târziu la semnălizarea afișajului cu LED-uri.

Înlocuiți sculele de presare uzate.

Fantele de aerisire ale mașinii trebuie să fie menținute libere tot timpul

Utilizați numai accesorii și piese de schimb Milwaukee. Dacă unele din componente care nu au fost descrise trebuie înlocuite, vă rugăm contactați unul din agenții de service Milwaukee (vezi lista noastră pentru service / garanți)

Dacă este necesară, se poate comanda o imagine descompusă a sculei. Vă rugăm menționați numărul art. Precum și tipul mașinii tipărit pe etichetă și comandați desenul la agenții de service locali sau direct la Techtronic Industries GmbH, Max-Eyth-Straße 10, 71364 Winnenden, Germany.



Ro

DECLARAȚIE DE CONFORMITATE

Declarăm pe propria răspundere că produsul descris în capitolul „Date tehnice” îndeplinește toate cerințele relevante ale directivelor

2011/65/UE (RoHS)

2006/42/CE

2014/53/UE

și au fost utilizate următoarele standarde armonizate

EN 62368-1:2014+AC:2015+A11:2017

EN 60745-1:2009+A11:2011

EN ISO 12100:2010

EN 55014-1:2017+A11:2020

EN 55014-2:2015

EN 301 489-1 V2.2.3

EN 301 489-17 V3.2.4

EN 300 328 V2.2.2

EN 62479:2010

EN IEC 63000:2018



Winnenden, 2021-07-16

Alexander Krug / Managing Director

Împuternicit să elaboreze documentația tehnică.

Techtronic Industries GmbH

Max-Eyth-Straße 10, 71364 Winnenden, Germany

SIMBOLURI



Va rugăm citiți cu atenție instrucțiunile înainte de pornirea mașinii



PERICOL! AVERTIZARE! ATENȚIE!



Îndepărtați acumulatorul înainte de începerea lucrului pe mașina



AVERTISMENT!

Avvertiment împotriva obiectelor aruncate



Avvertizare! Pericol de strivire



Accesoriu - Nu este inclus în echipamentul standard, disponibil ca accesoriu



Purtați întotdeauna ochelari de protecție când utilizați mașina.



Autocolant cu termenul pentru efectuarea întreținerii



Această sculă conține o baterie rotundă specializată tip litiu.



Aruncarea aparatelor electrice la gunoii menajere este interzisă. Echipamentele electrice și electronice trebuie colectate separat și predate la un centru de reciclare și eliminare a deșeurilor, pentru a fi eliminate ecologic. Interesați-vă la autoritățile locale sau la comerciantul dvs. de specialitate unde se află centre de reciclare și puncte de colectare.



Marcă de conformitate europeană



Marcă de conformitate britanică



Marcă de conformitate ucraineană



Marcă de conformitate eurasiatică



ТЕХНИЧКИ ПОДАТОЦИ Прес клешти	M18 ONEBLHPT
Произведен број	4777 60 02 000001-999999
Фреквентна лента (фреквентни ленти) за блутут	2402 - 2480 MHz
високофреквентна моќност	1,8 dBm
Верзија блутут	4.2 BT signal mode
Волтажа на батеријата	18 V
Прием на сила	450 W
притисок сила	32 kN
Мерно подрачје: Ø пластика & Композитни цевки Ø Метал до	63 mm (110 mm) 54 mm (108 mm) Во зависност од системот
Тежина според ЕПТА-процедурата 01/2014 (Li-Ion 2,0 Ah ... 12,0 Ah)	2,9 ... 3,9 kg
Тежина (M18 ONEBLHPT / Li-Ion 2.0 Ah / J18-Th14)	4,7 kg
Информации за бучавата Измерените вредности се одредени согласно стандардот EN 60745. А-оценетото ниво на бучава на апаратот типично изнесува:	
Ниво на звучен притисок. (Несигурност K=3dB(A))	75 dB (A)
Ниво на јачина на звук. (Несигурност K=3dB(A))	86 dB (A)
Носте штитник за уши.	
Информации за вибрации Вкупни вибрациски вредности (векторски збир на трите насоки) пресметани согласно EN 60745.	
Вибрациска емисиона вредност a_h	<2,5 m/s ²
Несигурност K	1,5 m/s ²

ПРЕДУПРЕДУВАЊЕ!

Нивото на вибрации и емисија на бучава дадени во овој информативен лист се измерени во согласност со стандардизиран метод на тестирање даден во EN 60745 и може да се користат за споредување на еден електричен алат со друг. Тие исто така може да се користат при привична проценка на изложеност.

Наведеното ниво на вибрации и емисија на бучава ја претставува главната примена на алатот. Сепак ако алатот се користи за поинакви примени, со поинаков прибор или лешо се одржува, вибрациите и емисијата на бучава може да се разликуваат. Тоа може значително да го зголеми нивото на изложеност преку целиот работен период.

Проценка на нивото на изложеност на вибрации и бучава треба исто така да се земе предвид кога е исклучен алатот или кога е вклучен, но не врши никаква работа. Тоа може значително да го намали нивото на изложеност преку целиот работен период.

Утврдете дополнителни безбедносни мерки за да се заштити операторот од ефектите на вибрациите и/или бучавата како на пр.: одржувајте го алатот и приборот, рацете нека ви бидат топли, организација на работните шеми.

⚠ ПРЕДУПРЕДУВАЊЕ Прочитајте ги сите безбедносни упатства и инструкции. Заборавање на почитувањето на безбедносните упатства и инструкции можат да предизвикаат електричен удар, пожар и/или тешки повреди.

Сочувајте ги сите безбедносни упатства и инструкции за во иднина.

⚠ БЕЗБЕДНОСНИ ПРЕДУПРЕДУВАЊА ЗА УРЕДОТ ЗА ПРИТИСОК

Употребувајте заштитна опрема. Секогаш при користење на машината носете ракавици. Се препорачува заштитна облека како: маска за заштита од прашина, заштитни ракавици, цврсти чевли што не се лизгаат, кацига и заштита за уши.

Никогаш не ги држете прстите или други делови од телото во работното подрачје на цилиндарот и на стегачите.

Не ги држете полугите со рацете за време на постапката на стегањето.

Орудјата за стегање и апаратите за стегање смеат да бидат употребувани само од страна на стручно лице..

Пред секоја употреба проверете ги орудјата за стегање и апаратите за стегање во однос на пукнатини и други абења.

Орудјата за стегање и апаратите за стегање употребувајте ги исклучиво во технички беспрекорна состојба.

Во случај на оштетувања истите веднаш да бидат дадени на авторизирана стручна работилница на поправка.

Апаратот смеа да биде употребуван исклучиво со ставен стегач.

Во случај на пречки за време на постапката на притискање веднаш притиснете го прекинувачот за опасност и отпуштете го прекинувачот за ВКЛУЧУВАЊЕ. Вентилот се отвора и клипот се враќа во појдовната позиција.

Обавезно е потребно придржување кон одржувањето и интервали-те на одржување.

Издадете го батерискиот склоп пред отпочнување на каков и да е зафат врз машината.

РАБОТНИ УПАТСТВА

Смеат да се употребуваат исклучиво фитинзи за стегање како и за таа цел наменети стегачи.

Упатствата за обработка и монтажа на фитинзите или цевките можете да ги најдете во документа-цијата на понудувачот на системите.

Проверете дали внатрешниот пресек на фитинг за стегање е во склад со внатрешниот пресек на стегачот.

После завршено стегање обратете внимание на тоа, стегачот да е потполно затворен.

Некоректни спојки кај цевките со нов фитинг ќе морате повторно да ги стегнете.

После завршување на инсталационите работи проверете го цевниот систем со соодветни средства за проверка во однос на дихтувањето.

Апаратот за стегање не е наменет за непрекината работа. Откако апаратот ќе биде вклучен непрекинато 30 минути, мора да се направи кратка пауза од барем 15 минути, за да може да истине.

СПЕЦИФИЦИРАНИ УСЛОВИ НА УПОТРЕБА

Апаратите за стегање и стегачите смеат да се употребуваат исклучиво за стегнување на цевки и фитинзи за кои што се предвидени соодветните стегачи.

Апаратите за стегање се наменети исклучиво за употреба на стегачи кои што од страна на Milwaukee се одредени со соодветни во склад со системскиот понудувач.

ONE-KEY™

За да дознаете повеќе за ONE-KEY функциите на овој уред, прочитајте го приложеното упатство за Брз старт или посетете не на веб-страницата: <http://www.milwaukeeetool.com/one-key>

Апликацијата ONE-KEY можете да ја симнете на Вашиот смартфон преку App Store или Google Play.

Резултатот од инспекцијата ги исполнува нашите минимални барања според EN 301 489-1 / EN 301 489-17.

БАТЕРИИ

Батериите кои не биле користени подолго време треба да се наполнат пред употреба.

Температура повисока од 50°C (122°F) го намалуваат траењето на батериите. Избегнувајте подолго изложување на батериите на високи температури или сонце (ризик од прегревање).

Клемите на полначот и батериите мора да бидат чисти.

За оптимален работен век батериите мора да се наполнат целосно по употреба.

За можно подолг век на траење, апаратите после нивно полноње треба да бидат извадени од апаратот за полноње на батериите.

Во случај на складирање на батеријата подолго од 30 дена: Акумулаторот да се чува на температура од приближно 27°C и на суво место. Акумулаторот да се складира на приближно 30%-50% од состојбата на наполнетост. Акумулаторот повторно да се наполни на секои 6 месеци.

Не ги оставајте искористените батерии во домашниот отпад и не горете ги. Дистрибутерите на Милвоки ги собираат старите батерии, со што ја штитат нашата околина.

Не ги чувајте батериите заедно со метални предмети (ризик од краток спој).

Користете исклучиво Систем M18 за полноње на батерии од M18 систем. Не користете батерии од друг систем.

Не ги отворајте насилно батериите и полначите, и чувајте ги само на суво место. Чувајте ги постојано суви.

Киселината од оштетените батериите може да истече при екстреман напон или температури. Доколку дојдете во контакт со исатата, измијте се веднаш со сапун и вода. Во случај на контакт со очите плакнете ги убаво најмалку 10 минути и задолжително одете на лекар.

Метални парчиња не смеат да навлезат во делот за полноње на батерија (ризик од краток спој).

ТРАНСПОРТ НА ЛИТИУМ-ЈОНСКИ БАТЕРИИ

Литиум-јонските батерии подлежат на законските одредби за транспорт на опасни материи.

Транспортот на овие батерии мора да се врши согласно локалните, националните и меѓународните прописи и одредби.

Потрошувачите на овие батерии може да вршат непречен патен транспорт на истите.

Комерцијалниот транспорт на литиум-јонски батерии од страна на шпедитерски претпријатија подлежни на одредбите за транспорт на опасни материи. Подготовките за шпедиција и транспорт треба да ги вршат исклучиво соодветно обучени лица. Целокупниот процес треба да биде стручно надгледуван.

При транспортот на батерии треба да се внимава на следното: Осигурајте се дека контактите се заштитени и изолирани, а се тоа со цел да се избегнат кратки споеви. Внимавајте да не дојде до изместување на батериите во нивната амбалажа. Забранет е транспорт на оштетени или протечени литиум-јонски батерии. За понатамошни инструкции обратете се до Вашето шпедитерско претпријатие.

ОДРЖУВАЊЕ

Да се проверат стегачите и ролните за стегање во однос на нивниот лесен од.

По завршување на работата, исчистете го и подмачкајте го пневматскиот валјак, резето и челуста за сечење.

Работите на одржување и поправка смеат да бидат изведувани исклучиво од страна на авторизирани стручни работилници.

Апаратот содржи хидрау-лично масло кое што претста-вува опасност за подземените води. Неконтро-лирано испуштање или нестручно флање е казниво.

На апаратот за стегање е наведен следниот термин за одржување. Ова одржување мора да биде спроведено барем на секои 2 години или најдоцна кога тоа ќе го сигнализира LED-индикаторот.

Изабени орудиија за стегање да се заменат.

Вентилационските отвори на машината мора да бидат комплетно отворени постојано.

Користете само Milwaukee додатоци и резервни делови. Доколку некои од компонентите кои не се опишани треба да бидат заменети, Ве молиме контактирајте ги сервисните агенти на Milwaukee (консултирајте ја листата на адреси).

Доколку е потребно можно е да биде набавен детален приказ на алатот. Ве молиме наведете го бројот на артиклот како и типот на машина кој е отпечатен на етикетата и порачајте ја скицата кај локалниот застапник или директно кај: Techtronic Industries GmbH, Max-Eyth-Straße 10, 71364 Winnenden, Germany.



Mak

ЕУ-ДЕКЛАРАЦИЈА ЗА СООБРАЗНОСТ

Под целосна лична одговорност изјавуваме дека производот опишан во „Технички податоци“ е во сообразност со сите релевантни прописи од директивите 2011/65/EU (RoHS) 2006/42/EC 2014/53/EU

и дека се применети следните хармонизирани стандарди
EN 62368-1:2014+AC:2015+A11:2017
EN 60745-1:2009+A11:2011
EN ISO 12100:2010
EN 55014-1:2017+A11:2020
EN 55014-2:2015
EN 301 489-1 V2.2.3
EN 301 489-17 V3.2.4
EN 300 328 V2.2.2
EN 62479:2010
EN IEC 63000:2018



Winnenden, 2021-07-16

Alexander Krug / Managing Director
Ополномоштен за составување на техничката документација.
Techtronic Industries GmbH
Max-Eyth-Straße 10, 71364 Winnenden, Germany

СИМБОЛИ



Ве молиме пред да ја стартувате машината обрнете внимание на упатствата за употреба.



ВНИМАНИЕ! ПРЕДУПРЕДУВАЊЕ! ОПАСНОСТ!



Извадете го батерискиот склоп пред отпочнување на каков и да е зафат врз машината.



ПРЕДУПРЕДУВАЊЕ!
летање на делови од работните предмети



Предупредување! Опасност од згмечување



Дополнителна опрема - Не е вклучена во стандардната, а достапна е како додаток.



Секогаш при користење на машината носете ракавици.



Налепница за одржување.



Овој уред содржи една копчеста литиумска батерија.



Електричните апарати не смеат да се фрлат заедно со домашниот отпад. Електричните и електронските апарати треба да се собираат одделно и да се однесат во соодветниот погон заради нивно фрлање во склад со начелата за заштита на околината. Информирајте се кај Вашите местни служби или кај специјализираниот трговски претставник, каде има такви погони за рециклажа и собирни станици.



Европска ознака за сообразност



Британска ознака за сообразност



Украинска ознака за сообразност



Евроазиска ознака за сообразност

ТЕХНІЧНІ ХАРАКТЕРИСТИКИ Пресувальний пристрій	M18 ONEBLHPT
Номер виробу	4777 60 02 000001-999999
Діапазон частот Bluetooth (діапазони частот)	2402 – 2480 MHz
потужність високої частоти	1,8 dBm
Версія Bluetooth	4.2 BT signal mode
Напруга змінної акумуляторної батареї	18 V
Споживана потужність	450 W
Номінальна сила	32 kN
Ділянка пресування: Ø Полімерний матеріал & Багатшарові композитні труби Ø Метал до	63 mm (110 mm) 54 mm (108 mm) залежно від системи
Вага згідно з процедурою EPTA 01/2014 (Li-Ion 2,0 Ah ... 12,0 Ah)	2,9 ... 3,9 kg
Вага (M18 ONEBLHPT / Li-Ion 2.0 Ah / J18-Th14)	4,7 kg
Інформація про шум	
Вимірні значення визначені згідно з EN 60745. Рівень шуму „А“ приладу становить в типовому випадку:	
Рівень звукового тиску (похибка K = 3 дБ(A))	75 dB (A)
Рівень звукової потужності (похибка K = 3 дБ(A))	86 dB (A)
Використовувати засоби захисту органів слуху!	
Інформація щодо вібрації	
Сумарні значення вібрації (векторна сума трьох напрямків), встановлені згідно з EN 60745.	
Значення вібрації a_h	<2,5 m/s ²
похибка K =	1,5 m/s ²

ПОПЕРЕДЖЕННЯ!

Заявлені значення шумового випромінювання, вказані в цьому інформаційному аркуші, було виміряно відповідно до стандартизованого випробування згідно з EN 60745 та можуть використовуватися для порівняння одного інструмента з іншим. Вони також можуть використовуватися для попередньої оцінки рівня впливу на організм.

Вказані значення вібрації та шумового випромінювання дійсні для основних областей застосування інструмента. Якщо інструмент використовується в інших областях застосування чи з іншим приладдям або не проходить належне обслуговування, значення вібрації та шумового випромінювання можуть відрізнятись. Це може суттєво збільшити рівень впливу на організм протягом загального періоду роботи.

Під час оцінки рівня впливу вібрації та шумового випромінювання на організм також необхідно враховувати періоди, коли інструмент вимкнено, чи коли він працює, але фактично не використовується для виконання роботи. Це може суттєво знизити рівень впливу на організм протягом загального періоду роботи.

Визначте додаткові заходи для захисту оператора від впливу вібрації та/або шуму, наприклад, обслуговування інструмента та його приладдя, зберігання рук у теплі, організація графіків роботи.

⚠ ПОПЕРЕДЖЕННЯ Прочитайте всі вказівки з техніки безпеки та інструкції. Упущення при дотриманні вказівок з техніки безпеки та інструкції можуть призвести до ураження електричним струмом, пожежі та/або тяжких травм.
Зберігайте всі вказівки з техніки безпеки та інструкції на майбутнє.

⚠ ВКАЗІВКИ З ТЕХНІКИ БЕЗПЕКИ ДЛЯ ПРЕСУВАЛЬНИХ ПРИСТРОЇВ

Використовуйте індивідуальні засоби захисту. Під час роботи з машиною завжди носіть захисні окуляри. Радимо використовувати захисний одяг, як наприклад маску для захисту від пилу, захисні рукавиці, міцне та нековзне взуття, каску та засоби захисту органів слуху.

Ніколи не тримайте пальці або інші частини тіла в робочій зоні циліндра та лещат.

Під час пресування не утримуйте важіль лещат руками.

Пресувальні пристрої та інструменти можуть використовувати тільки кваліфіковані робітники.

Перед кожним використанням перевіряти пресувальні пристрої та інструменти на наявність тріщин та інших ознак зношення.

Пресувальні пристрої та інструменти використовувати тільки в бездоганному технічному стані.

Пошкодження негайно усунути в авторизованій спеціальній майстерні.

Прилад можна використовувати тільки разом з лещатами.

При порушенні процесу обпресування негайно натисніть аварійний вимикач та відпустіть кнопку EIN (Увімкн.). Клапан відкривається, поршень просувається назад в вихідне положення.

Обов'язково виконувати технічне обслуговування відповідно до вказаних інтервалів.

Перед будь-якими роботами на приладі вийняти змінну акумуляторну батарею.

ВКАЗІВКИ ЩОДО ЕКСПЛУАТАЦІЇ

Використовувати тільки пресувальні фітинги, які відповідають системі, а також розраховані на них лещата.

Вказівки з обробки та монтажу для фітингів та труб наведені в документації виробника системи.

Перевірте, чи відповідає номінальна ширина пресувального фітинга номінальній ширині лещат.

Після закінчення пресування звернути увагу на те, щоб лещата були повністю закритими.

Неправильне з'єднання труб необхідно знов обпресувати з новим фітингом.

Після закінчення монтажних робіт перевірте герметичність трубої системи за допомогою відповідних засобів контролю.

Пресувальний пристрій не призначений для тривалого режиму роботи. Через 30 хвилин безперервної роботи необхідно зробити коротку перерву не менше 15 хвилин, щоб прилад міг охолонути.



ВИКОРИСТАННЯ ЗА ПРИЗНАЧЕННЯМ

Пресувальні пристрої та лещата можна використовувати виключно для обтиснення труб та фітінгів, для яких передбачені відповідні лещата.

Пресувальні пристрої призначені виключно для використання разом з лещатами, які визнані Milwaukee додатними після погодження з виробником систем.

ONE-KEY™

Додаткову інформацію щодо функції ONE-KEY цього пристрою див. в наданому до цього продукту короткому посібнику щодо початку роботи або на нашому інтернет-сайті <http://www.milwaukeeool.com/one-key>

Можна завантажити застосунок ONE-KEY через App Store або Google Play на ваш смартфон.

Результат випробування відповідає нашим мінімальним вимогам згідно з EN 301 489-1 / EN 301 489-17.

АКУМУЛЯТОРНІ БАТАРЕЇ

Зніму акумуляторну батарею, що не використовувалася тривалий час, перед використанням необхідно підзарядити.

Температура понад 50 °C зменшує потужність знімної акумуляторної батареї. Уникати тривалого нагрівання сонячними променями або системою обігріву.

З'єднувальні контакти зарядного пристрою та знімної акумуляторної батареї повинні бути чистими.

Для забезпечення оптимального строку експлуатації акумуляторні батареї після використання необхідно повністю зарядити.

Для забезпечення максимального можливого терміну експлуатації акумуляторні батареї після зарядки необхідно виймати з зарядного пристрою.

При зберіганні акумуляторної батареї понад 30 днів: Зберігати акумуляторну батарею при температурі приблизно 27 °C в сухому місці. Зберігати акумуляторну батарею в стані зарядки приблизно 30-50 %. Кожні 6 місяців знову заряджати акумуляторну батарею.

Відпрацьовані знімні акумуляторні батареї не можна кидати у вогонь або викидати з побутовими відходами. Milwaukee пропонує утилізацію старих знімних акумуляторних батарей, безпечно для довкілля; зверніться до свого дилера.

Не зберігати знімні акумуляторні батареї разом з металевими предметами (небезпека короткого замикання).

Знімні акумуляторні батареї системи M18 заряджати лише зарядними пристроями системи M18. Не заряджати акумуляторні батареї інших систем.

Не відкривати знімні акумуляторні батареї і зарядні пристрої та зберігати їх лише в сухих приміщеннях. Берегти від вологи.

При екстремальному навантаженні або при екстремальній температурі з пошкодженою знімною акумуляторної батареї може витікати електроліт. При потрапленні електроліту на шкіру його негайно необхідно змити водою з милом. При потрапленні в очі їх необхідно негайно ретельно промити, щонайменше 10 хвилин, та негайно звернутися до лікаря.

В гніздо зарядного пристрою, яке призначене для встановлення знімної акумуляторної батареї, не повинні потрапляти металеві деталі (небезпека короткого замикання).

ТРАНСПОРТУВАННЯ ЛІТІЙ-ІОННИХ АКУМУЛЯТОРНИХ БАТАРЕЙ

Літій-іонні акумуляторні батареї підпадають під заборону перевезення небезпечних вантажів.

Транспортування таких акумуляторних батарей повинно відбуватися із дотриманням місцевих, національних та міжнародних приписів та положень.

споживачі можуть без проблем транспортувати ці акумуляторні батареї по вулиці.

Комерційне транспортування літій-іонних акумуляторних батарей експедиторськими компаніями підпадає під положення про транспортування небезпечних вантажів. Підготовку до відправлення та транспортування можуть здійснювати виключно особи, які пройшли відповідне навчання. Весь процес повинні контролювати кваліфіковані фахівці.

При транспортуванні акумуляторних батарей необхідно дотримуватись зазначених далі пунктів:

Переконайтеся в тому, що контакти захищені та ізольовані, щоб запобігти короткому замиканню. Слідкуйте за тим, щоб акумуляторна батарея не переміщувалася всередині упаковки. Пошкоджені акумуляторні батареї, або акумуляторні батареї, що потекли, не можна транспортувати. Для отримання подальших вказівок звертайтеся до своєї експедиторської компанії.

ОБСЛУГОВУВАННЯ

Перевірити легкість ходу лещат та пресувальних роликів.

Після завершення робіт очищайте та змачуйте притискувальні ролики, фіксатор і різак.

Роботи з технічного обслуговування та ремонту можуть виконувати тільки авторизовані спеціалізовані центри.

Прилад містить гідравлічну оливу, яка небезпечна для ґрунтових вод. Неконтрольоване зливання або неналежна утилізація караються.

На пресувальному пристрої вказаний термін наступного технічного обслуговування. Це технічне обслуговування має проводитися щонайменше кожні два роки або не пізніше, ніж покаже індикатор-світлодіод.

Замінити зношені пресувальні інструменти.

Завжди підтримувати чистоту вентиляційних отворів.

Використовувати тільки комплектуючі та запчастини Milwaukee. Деталі, заміна яких не описується, замінювати тільки в відділі обслуговування клієнтів Milwaukee (зверніть увагу на брошуру „Гарантія / адреси сервісних центрів“).

У разі необхідності можна запросити креслення з зображенням вузлів машини в перспективному вигляді, для цього потрібно звернутися в ваш відділ обслуговування клієнтів або безпосередньо в Techtronic Industries GmbH, Max-Eyth-Strasse 10, 71364 Winnenden, Німеччина, та вказати тип машини та шестизначний номер на фірмовій табличці з даними машини.



СЕРТИФІКАТ ВІДПОВІДНОСТІ ВИМОГАМ ЄС

Ми заявляємо на власну відповідальність, що виріб, описаний в „Технічних даних“, відповідає всім застосовним положенням директиви 2011/65/EU (RoHS) 2006/42/EC 2014/53/EU

та наступним гармонізованим нормативним документам:
EN 62368-1:2014+AC:2015+A11:2017
EN 60745-1:2009+A11:2011
EN ISO 12100:2010
EN 55014-1:2017+A11:2020
EN 55014-2:2015
EN 301 489-1 V2.2.3
EN 301 489-17 V3.2.4
EN 300 328 V2.2.2
EN 62479:2010
EN IEC 63000:2018



Winnenden, 2021-07-16

Alexander Krug / Managing Director
Уповноважений із складання технічної документації.
Techtronic Industries GmbH
Max-Eyth-Straße 10, 71364 Winnenden, Germany

СИМВОЛИ



Уважно прочитайте інструкцію з експлуатації перед введенням приладу в дію.



УВАГА! ПОПЕРЕДЖЕННЯ! НЕБЕЗПЕЧНО!



Перед будь-якими роботами на приладі виїняти змінну акумуляторну батарею.



ПОПЕРЕДЖЕННЯ!
Небезпека травмування при відлітанні частин матеріалу



Попередження! Небезпека затиснення



Комплектуючі - не входять в обсяг постачання, рекомендовані доповнення з програми комплектуючих.



Під час роботи з машиною завжди носити захисні окуляри.



Наклейка з інформацією про технічне обслуговування



Пристрій використовує кнопковий/плаский круглий літєвий акумулятор.



Електричні прилади не можна утилізувати з побутовими відходами. Електричні та електронні прилади необхідно збирати окремо та здавати в спеціалізовані підприємства для утилізації, що не шкодить навколишньому середовищу. Зверніться до місцевих органів або до вашого дилера, щоб отримати адреси пунктів вторинної переробки та пунктів прийому.



Європейський знак відповідності



Британський знак відповідності



Український знак відповідності



Євразійський знак відповідності



يرجى قراءة التعليمات بعناية قبل بدء تشغيل الجهاز.



تنبيه! تحذيراً خطراً!



انزع البطارية قبل التعامل مع الجهاز.



تحذيراً! خطر الإصابة من الشظايا المتطايرة



تحذيراً! خطر التحطم!



الملحق - ليس مدرجاً كمعدة قياسية، متوفر كملحق.



ارتد دائماً نظارات الوقاية عند استخدام الجهاز.



بطاقة الخدمة



يحتوي هذا الجهاز على بطارية من خلايا الليثيوم على شكل عملة معدنية/أزرار.



يحظر التخلص من الأجهزة الكهربائية في القمامة المنزلية. يجب جمع الأجهزة الكهربائية والإلكترونية منفصلة وتسليمها للتخلص منها بشكل لا يضر بالبيئة لدى شركة إعادة استغلال. الرجاء الاستفسار لدى الهيئات المحلية أو لدى النجار المتخصصين عن مواقع إعادة الاستغلال ومواقع الجمع.



علامة التوافق الأوربية



علامة التوافق البريطانية



علامة التوافق الأوكرانية



علامة التوافق الأوربية الآسيوية



تأكد من تحريك فك الكبس وأسطوانات الإدارة بحرية. بعد انتهاء العمل احرص على تنظيف وتشحيم أسطوانات الكبس والمزلاج وفكوك القطع. قد يقوم بالخدمة وأعمال التصليح ورش عمل مخصصة ومعتمدة فقط.

تحتوي الآلة على سائل هيدروليكي. تُشكل السوائل الهيدروليكية خطورة على المياه الجوفية. ويعاقب القانون على التصريف غير المراقب أو التخلص غير الملائم من النفايات.

يُشار إلى موعد انتهاء الخدمة التالي على آلة الكبس. يجب القيام بتشغيل هذه الخدمة على الأقل كل عامين أو عندما تشير شاشة العرض LED إلى أن الخدمة ضرورية.

استبدل أدوات الكبس البالية.

يجب أن تكون فتحات تهوية الجهاز نظيفة طوال الوقت.

استخدم فقط ملحقات ميلوكي وكذلك قطع غيار ميلوكي. إذا كانت المكونات التي يجب تغييرها غير مذكورة، يرجى الاتصال بأحد عملاء صيانة ميلوكي (انظر قائمة عناوين الضمان للصيانة الخاصة بنا).

عند الحاجة يمكن طلب رمز انفجار الجهاز بعد ذكر طراز الآلة والرقم السداسي المذكور على بطاقة طاقة الآلة لدى جهة خدمة العملاء أو مباشرة لدى شركة

Techtronic Industries GmbH
Max-Eyth-Straße 10
Winnenden 71364
ألمانيا

إعلان المطابقة - الاتحاد الأوروبي

نحن نلتزم بمسؤوليتنا وحدنا أن المنتج المعين تحت اسم „البيانات الفنية“ يستوفي جميع الأحكام ذات الصلة ضمن التوجيهات

2011/65/EU (RoHS)

2006/42/EG

2014/53/EU

والمعايير المتسقة التالية

EN 62368-1:2014+AC:2015+A11:2017

EN 60745-1:2009+A11:2011

EN ISO 12100:2010

EN 55014-1:2017+A11:2020

EN 55014-2:2015

EN 301 489-1 V2.2.3

EN 301 489-17 V3.2.4

EN 300 328 V2.2.2

EN 62479:2010

EN IEC 63000:2018

Winnenden, 2021-07-16



Alexander Krug

Alexander Krug / Managing Director

معمتدة للمطابقة مع الملف الفني

Techtronic Industries GmbH

Max-Eyth-Straße 10, 71364 Winnenden,
Germany

لمعرفة المزيد حول عمل المفتاح „المفتاح الواحد“ المزود بها هذا الجهاز، اقرأ الدليل المختصر المرفق أو تفضل بزيارة موقع الإنترنت

<http://www.milwaukeeool.com/one-key>

يمكنك تحميل تطبيق „المفتاح الواحد“ عن طريق App Store أو Google Play على هاتفك الذكي.

نتائج الفحص تلبى أقل متطلباتنا تبعاً للمعايير EN 301 489-1 / EN 301 489-17.

البطاريات

يجب إعادة شحن البطارية غير المستخدمة لفترة قبل الاستخدام.

تقلل درجات الحرارة التي تتجاوز 50° سيلزيوس (122° فهرنهايت) من أداء البطارية. تجنّب التعرض الزائد للحرارة أو أشعة الشمس (خطر التسخين)..

يجب الحفاظ على محتويات الشواحن و البطاريات نظيفة. للحصول على فترة استخدام مثالية، يجب شحن البطاريات تماماً، بعد الاستخدام.

للحصول على أطول عمر ممكن للبطارية، انزع البطارية من الشاحن بمجرد شحنها تماماً.

لتخزين البطارية أكثر من 30 يوم:

خزن البطارية بحيث تكون درجة الحرارة أقل من 27° سيلزيوس وبعيدا عن أي رطوبة خزن البطارية مشحونة بنسبة تتراوح بين 50% - 30 اشحن البطارية كالمعتاد، وذلك كل ستة أشهر من التخزين.

لا تتخلص من البطاريات المستعملة مع النفايات المنزلية أو بحرقها. يقدم مزود ميلوكي خدمة استعادة البطاريات القديمة لحماية البيئة.

لا تقم بتخزين البطارية مع الأشياء المعدنية (خطر قصر الدائرة).

استخدم فقط شواحن System M18 لشحن بطاريات System M18. لا تستخدم بطاريات من أنظمة أخرى.

لا تقم أبداً بفتح قفل البطارية والشواحن ولا تخزنهم إلا في غرف جافة. وحافظ عليها جاف طوال الوقت.

قد يتسرب حامض البطارية من البطاريات التالفة في ظروف الحمل الزائد بدرجة كبيرة أو في درجات الحرارة الشديدة. في حالة ملامسة حامض البطارية غسل يدك فوراً بالماء والصابون. في حالة ملامسة السائل للعينين اشطفهما جيدا لمدة 10 دقائق على الأقل واطلب العناية الطبية فوراً.

يجب تجنب دخول أي أجزاء معدنية في قسم البطارية الخاصة بالشاحن (خطر الماس الكهربائي)..

نقل بطاريات الليثيوم

تخضع بطاريات الليثيوم أيون لشروط قوانين نقل السلع الخطرة.

ويجب نقل هذه البطاريات وفقاً للأحكام والقوانين المحلية والوطنية والدولية.

يمكن للمستخدم نقل البطاريات برأ دون الخضوع لشروط أخرى.

يخضع النقل التجاري لبطاريات الليثيوم أيون عن طريق الغير إلى قوانين نقل السلع الخطرة. يتعين أن يقوم أفراد مدربون جيداً بالإعداد لعملية النقل والقيام بها بصحبة خبراء مثلهم.

متى تُنقل البطاريات:

عدد التأكد من حماية أطراف توصيل البطارية وعزلها تجديداً لحدوث قصر بالدائرة. عند التأكد من حماية حزمة البطارية من الحركة داخل صندوق التعبئة. يُرجى عدم نقل البطاريات التي بها تشققات أو تسربات. يُرجى البحث مع شركة الشحن عن نصيحة أخرى



⚠ تحذير اقرأ جميع تحذيرات السلامة وجميع التعليمات، بما فيها. قد يؤدي الفشل في مراعاة التحذيرات والتعليمات إلى التعرض للإصابة بصدمة كهربائية أو الحرق و/أو إصابة خطيرة.
احتفظ بجميع التنبيهات والتعليمات للرجوع إليها مستقبلاً.

M18 ONEBLHPT	البيانات الفنية آلة الكيس
4777 60 02 000001-999999	إنتاج عدد
2402 - 2480 MHz	نطاق تردد البلوتوث (نطاقات التردد)
1,8 dBm	أقصى قدرة للتردد العالي
4.2 BT signal mode	إصدار - البلوتوث
18 V	فولطية البطارية
450 W	استهلاك الطاقة
32 kN	القوة الاسمية
63 mm (110 mm) 54 mm (108 mm) ماظنل ل أقفو	مجموعة الضغط: Ø البلاستيكات & أنابيب مركبة Ø المعادن إلى غاية
	الوزن وفقاً لنهج EPTA رقم 01/2014 2,9 ... 3,9 kg (Li-Ion 2,0 Ah ... 12,0 Ah)
4,7 kg	الوزن M18 ONEBLHPT / Li-Ion) (2.0 Ah / J18-Th14)
معلومات الضوضاء	
القيم التي تم قياسها محددة وفقاً للمعايير الأوروبية EN 60745 مستويات ضوضاء الجهاز، ترجيحاً أبشكلاً نموذجي كالتالي:	
75 dB (A)	مستوى ضغط الصوت (الارتياح في القياس) = 3 ديسيبل (أ)
86 dB (A)	مستوى شدة الصوت (الارتياح في القياس) = 3 ديسيبل (أ)
ارتد واقيات الأذن!	
معلومات الاهتزاز	
قيم الذبذبات الإجمالي (مجموع الكميات الموجبة في المحاور الثلاثة) محددة وفقاً للمعايير الأوروبية EN 60745.	
<2,5 m/s ²	قيمة انبعاث الذبذبات a _n
1,5 m/s ²	الارتياح في القياس

⚠ اضبط إنذار السلامة الخاص بالجهاز
استخدم معدة الوقائية. ارتد دائماً نظارات الوقائية عند استخدام الجهاز. ينصح باستخدام الملابس الوقائية مثل الكمامات الواقية من الغبار، والقفازات، والأحذية القوية غير المنزلقة، والخوذات، وواقيات الأذن.
لا تُقدم أصابعك أو غيرها من أجزاء جسدك في منطقة عمل الأسطوانة أو فكوك الكيس.
يحظر الإمساك برافعات الفك بيدك خلال تشغيل عملية الكيس.

ويستخدم موظفون مدربون فقط أدوات وآلات الكيس.
افحص أدوات والآلات الكيس بحثاً عن شقوق أو علامات أخرى للبللى قبل كل استخدام.
لا تستخدم إلا آلات وأدوات كيس بحالة فنية جيدة.
يجب إصلاح الأجزاء التالفة فوراً من خلال ورشة عمل معتمدة.
يمكن استخدام الآلة فقط مع فك كيس مدمج فيها.
في حالة حدوث مشكلات خلال عملية الكيس، اضبط على زر الإيقاف في الطوارئ على الفور وحرر مفتاح التشغيل، حيث سيفتح الصمام ويعود المكيس إلى وضعه الأولي.
يُعد الامتثال لعمل خدمة محدد وفترات الخدمة أمراً لازماً.
انزع البطارية قبل التعامل مع الجهاز.

نصائح العمل
استخدم فقط تركيبات الكيس المتوافقة مع النظام وفكوك الكيس المصممة لها.
راجع الوثائق المقدمة من قبل جهة توريد النظام بشأن تعليمات المناولة والتجميع لمعرفة ما يخص التركيبات والأنابيب.

تأكد مما إذا كان العرض الاسمي الخاص لأجزاء الكيس متوافقاً مع العرض الاسمي لفكوك الكيس.
تأكد من إغلاق فك الكيس كلياً عند الانتهاء من الكيس.
يتعين ضغط وصلات الأنابيب غير الملائمة مرة أخرى باستخدام قطع جديدة.

بعد الانتهاء من العمل، افحص التركيب باستخدام معدات الاختبار الملائمة وتأكد من أنه مانع للتسرب!
وضع التشغيل المستمر لا يناسب آلة الكيس. التشغيل المستمر لمدة 30 دقيقة يجب أن يتبعه مدة استراحة قصيرة تبلغ 15 دقيقة على الأقل ليبرد الجهاز.

شروط الاستخدام المحددة
حيث يُصمم كلٌ من الآلات وفكوك الكيس فقط لتستخدم في عمليات تركيب الأنابيب بالضغط وفي عمليات التركيب اللازم فيها استخدام فكوك الكيس.

تستخدم آلات الكيس فقط مع فكوك الكيس المعتمدة من ميلواكي بالاتفاق مع جهة توريد النظام.

تحذير!

تم قياس مستوى الاهتزاز وانبعاث الضوضاء الوارد في ورقة المعلومات هذه، وفقاً لاختبار قياسي محدد في المواصفة EN 60745، ويمكن استخدامه لمقارنة آلة مع أخرى. كما يمكن استخدام ذلك أيضاً في إجراء تقييم أولي للتعرض.

يمثل مستوى الاهتزاز وانبعاث الضوضاء المعلن عنه الاستخدامات الأساسية للآلة. ومع ذلك، إذا استعملت الآلة في استخدامات مختلفة، أو وملحقات مختلفة، أو تم صيانتها على نحو سيئ، فقد يختلف مستوى الاهتزاز وانبعاث الضوضاء. وهذا قد يزيد -إلى حد كبير- من مستوى التعرض خلال مدة العمل الإجمالية.

عند تقييم مستوى التعرض للاهتزاز والضوضاء، ينبغي أيضاً أن يوضع في الاعتبار فترات إطفاء الآلة أو تشغيلها دون أن تقوم بأي وظيفة فعلياً. فهذا قد يقلل -إلى حد كبير- من مستوى التعرض خلال مدة العمل الإجمالية.

تعرف على تدابير السلامة الإضافية؛ لحماية المشغل من تأثيرات الاهتزاز أو الضوضاء أو كليهما، مثل: صيانة الآلة وملحقاتها، والحفاظ على دفة اليدين، وتنظيم نماذج العمل.

Copyright 2021
Techtronic Industries GmbH
Max-Eyth-Straße 10
71364 Winnenden
Germany
+49 (0) 7195-12-0
www.milwaukeeetool.eu

Techtronic Industries (UK) Ltd
Fieldhouse Lane
Marlow Bucks SL7 1HZ
UK

(07.21)

4931 4258 88