

Milwaukee®

Nothing but **HEAVY DUTY**®



M18 BLT

Original instructions

Originalbetriebsanleitung

Notice originale

Istruzioni originali

Manual original

Oorspronkelijke gebruiksaanwijzing

Original brugsanvisning

Original bruksanvisning

Bruksanvisning i original

Alkuperäiset ohjeet

Πρωτότυπο οδηγιών χρήσης

Orijinal işletme talimatı

Původním návodem k

roužívání

Pôvodný návod na použitie

Instrukcją oryginalną

Eredeti használati utasítás

Izvirna navodila

Originalne pogonske upute

Instrukcijām oriģinālvalodā

Originalni instrukcija

Algupärane kasutusjuhend

Оригинальное руководство по эксплуатации

Оригинално ръководство за експлоатация

Instrucțiuni de folosire originale

Оригинален прирачник за работа

Оригінал інструкції з експлуатації

التعليمات الأصلية

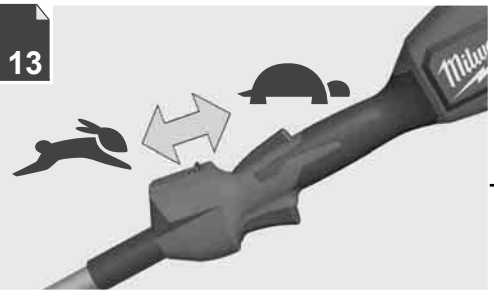
ENGLISH		Picture section with operating description and functional description	4
DEUTSCH		Bildteil mit Anwendungs- und Funktionsbeschreibungen	4
FRANÇAIS		Partie imagée avec description des applications et des fonctions	4
ITALIANO		Sezione illustrata con descrizione dell'applicazione e delle funzioni	4
ESPAÑOL		Sección de ilustraciones con descripción de aplicación y descripción funcional	4
PORTUGUES		Parte com imagens explicativas contendo descrição operacional e funcional	4
NEDERLANDS		Beelddedeelte met toepassings- en functiebeschrijvingen	4
DANSK		Billedel med anvendelses- og funktionsbeskrivelser	4
NORSK		Billedel med bruks- og funksjonsbeskrivelse	4
SVENSKA		Bilddel med användnings- och funktionsbeskrivning	4
SUOMI		Kuvasivut käyttö- ja toimintakuvaukset	4
ΕΛΛΗΝΙΚΑ		Τμήμα εικόνων με περιγραφές χρήσης και λειτουργίας	4
TÜRKÇE		Resim bölümü Uygulama ve fonksiyon açıklamaları ile birlikte	4
ČESKY		Obrazová část s popisem aplikací a funkcí	4
SLOVENSKY		Obrazová část s popisom aplikácií a funkcií	4
POLSKI		Część rysunkowa z opisami zastosowania i działania	4
MAGYAR		Képes részalkalmazási- és működési leírásokkal	4
SLOVENSKO		Del slikez opisom uporabe in funkcij	4
HRVATSKI		Dio sa slikamasa opisima primjene i funkcija	4
LATVISKI		Attēla daļa ar lietošanas un funkciju aprakstiem	4
LIETUVIŠKAI		Paveikslėlio dalissu vartojimo instrukcija ir funkcijų aprašymais	4
EESTI		Pildiosa kasutusjuhendi ja funktsioonide kirjeldusega	4
РУССКИЙ		Раздел иллюстраций с описанием эксплуатации и функций	4
БЪЛГАРСКИ		Част със снимки с описание за приложение и функции	4
ROMÂNIA		Secvența de imagine cu descrierea utilizării și a funcționării	4
МАКЕДОНСКИ		Дел со сликисо описи за употреба и функционирање	4
УКРАЇНСЬКА		Частина з зображеннями з описом робіт та функцій	4
عربي		قسم الصور يوجد به الوصف التشغيلي والوظيفي	4

Text section with Technical Data, important Safety and Working Hints and description of Symbols	22
Textteil mit Technischen Daten, wichtigen Sicherheits- und Arbeitshinweisen und Erklärung der Symbole.	26
Partie textuelle avec les données techniques, les consignes importantes de sécurité et de travail ainsi que l'explication des pictogrammes.	30
Sezione testo con dati tecnici, importanti informazioni sulla sicurezza e sull'utilizzo, spiegazione dei simboli.	34
Sección de texto con datos técnicos, indicaciones importantes de seguridad y trabajo y explicación de los símbolos.	38
Parte com texto explicativo contendo Especificações técnicas, Avisos de segurança e de operação e a Descrição dos símbolos.	42
Tekstgedeelte met technische gegevens, belangrijke veiligheids- en arbeidsinstructies en verklaring van de symbolen.	46
Tekstdel med tekniske data, vigtige sikkerheds- og arbejdsanvisninger og symbolforklaring.	50
Tekstdel med tekniske data, viktige sikkerhets- og arbeidsinstruksjoner og forklaring av symbolene.	54
Textdel med tekniska informationer, viktiga säkerhets- och användningsinstruktioner samt symbolförklaringar.	58
Tekstisivut: tekniset tiedot, tärkeät turvallisuus- ja työskentelyohjeet sekä merkkien selitykset.	62
Τμήμα κειμένου με τεχνικά χαρακτηριστικά, σημαντικές υποδείξεις ασφαλείας και εργασίας και εξήγηση των συμβόλων.	66
Teknik bilgileri, önemli güvenlik ve çalışma açıklamalarını ve de sembollerin açıklamalarını içeren metin bölümü.	70
Textová část s technickými daty, důležitými bezpečnostními a pracovními pokyny a s vysvětlivkami symbolů	74
Textová část s technickými datami, důležitými bezpečnostními a pracovními pokyny a s vysvětlivkami symbolov	78
Część opisowa z danymi technicznymi, ważnymi wskazówkami dotyczącymi bezpieczeństwa i pracy oraz objaśnieniami symboli.	82
Szöveges rész műszaki adatokkal, fontos biztonsági- és munkavégzési útmutatásokkal, valamint a szimbólumok magyarázata.	86
Del besedila s tehničnimi podatki, pomembnimi varnostnimi opozorili in delovnimi navodili in pojasnili simbolov.	90
Dio štiva sa tehničkim podacima, važnim sigurnosnim i radnim uputama i objašnjenjem simbola.	94
Teksta daļa ar tehnikajiem parametriem, svarīgiem drošības un darbības norādījumiem, simbolu atšifrējumiem.	98
Teksto dalis su techniniais duomenimis, svarbiomis saugumo ir darbo instrukcijomis bei simbolių paaiškinimais.	102
Tekstiosa tehniliste näitajate, oluliste ohutus- ja tööjuhenditega ning sümbolite kirjeldustega.	106
Текстовый раздел, включающий технические данные, важные рекомендации по безопасности и эксплуатации, а также описание используемых символов.	110
Част с текст с технически данни, важни указания за безопасност и работа и разяснение на символите.	114
Porțiune de text cu date tehnice, indicații importante privind siguranța și modul de lucru și descrierea simbolurilor.	118
Текстуален дел со Технички карактеристики, важни безбедносни и работни упатства и објаснување на симболите.	122
Текстова частина з техничними даними, важливими вказівками з техніки безпеки та експлуатації і поясненням символів.	126
القسم النصي المزود بالبيانات الفنية والنصائح الهامة للسلامة والعمل ووصف الرموز	135

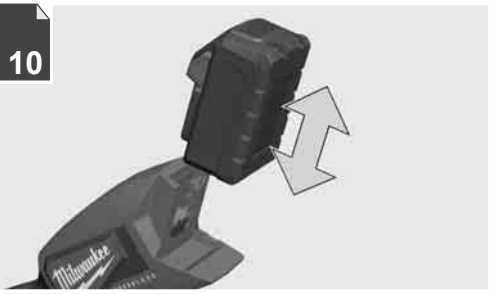
13



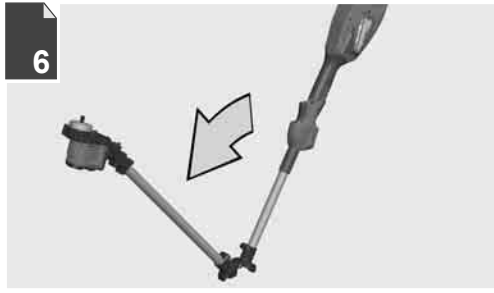
13



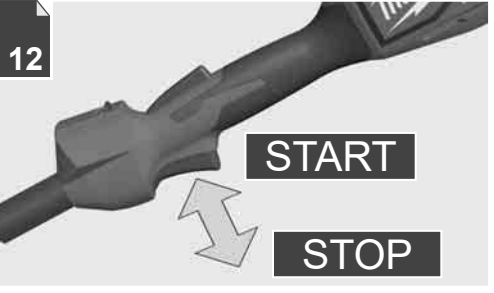
10



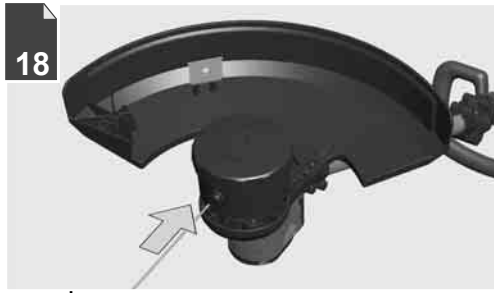
6



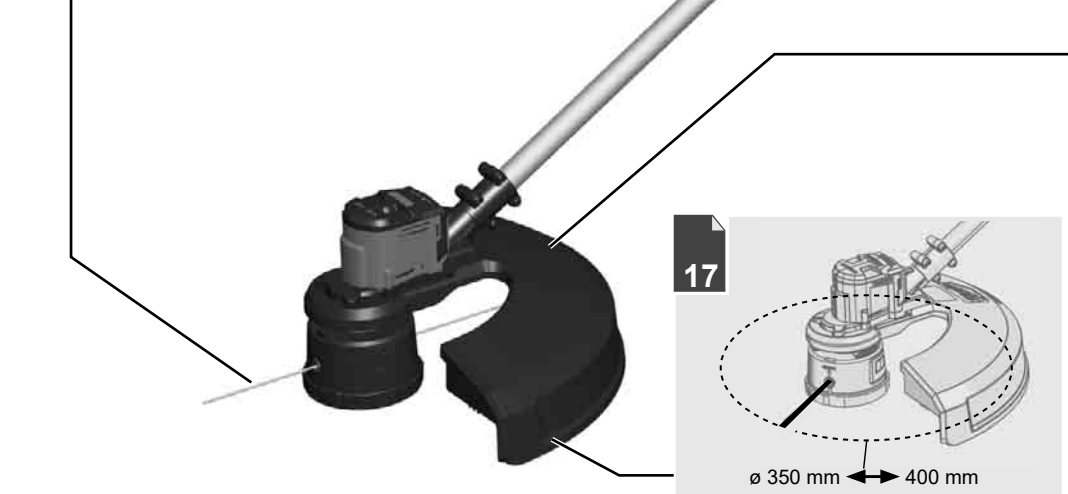
12



18



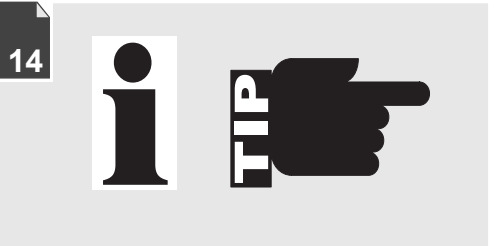
16



7



14



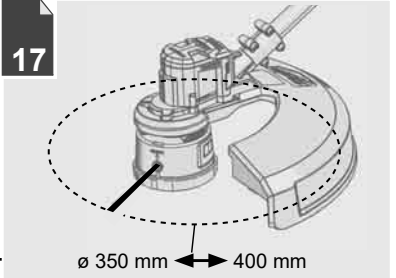
8



20

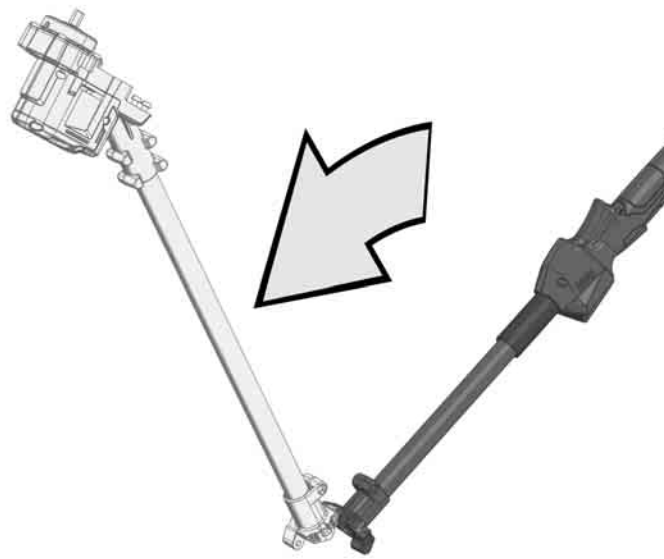


17

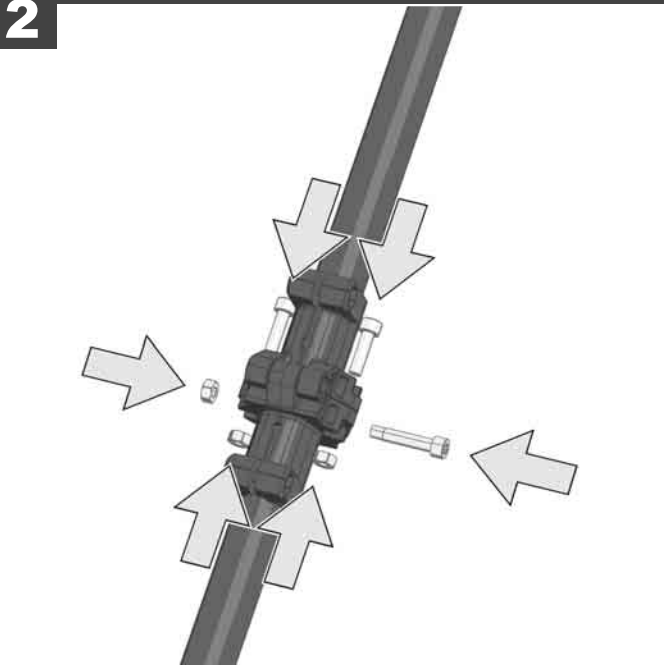




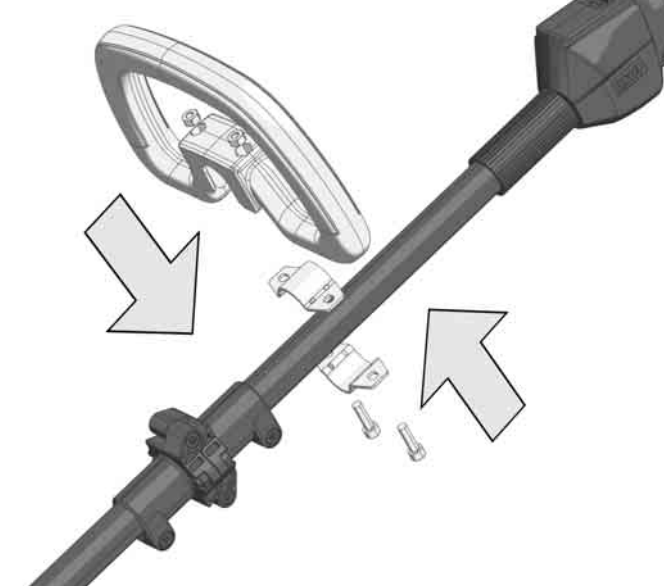
1



2



1

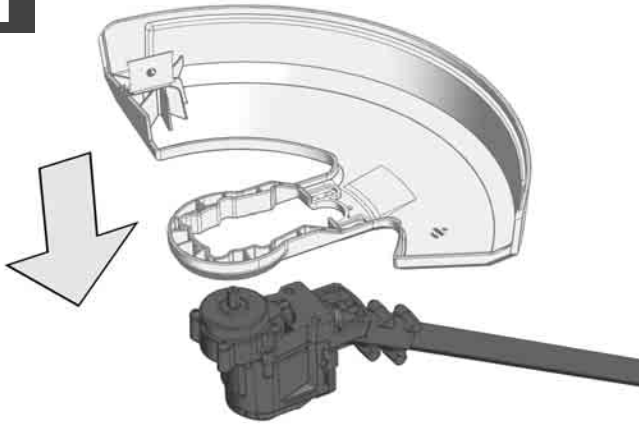


2

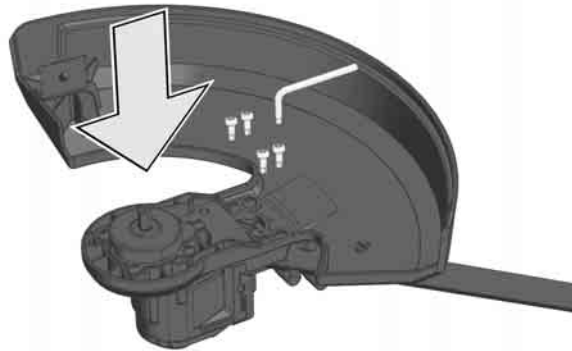




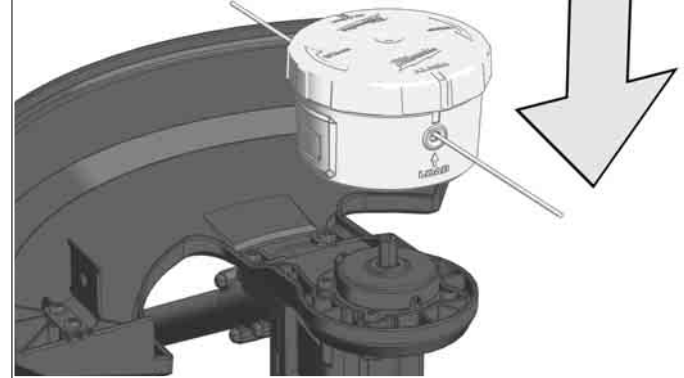
1



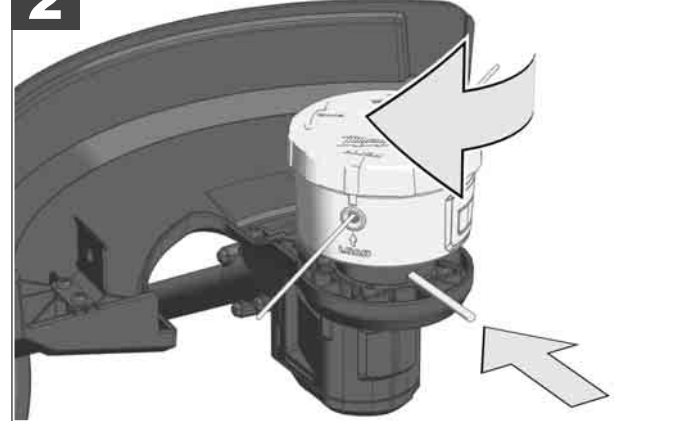
2



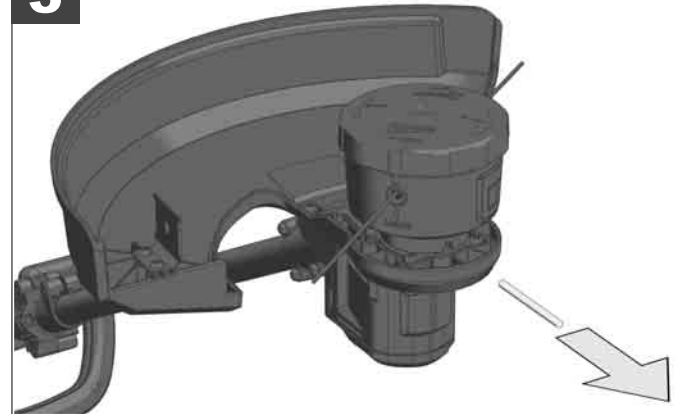
1



2



3





Remove the battery pack before starting any work on the machine.

Vor allen Arbeiten an der Maschine den Wechselakku herausnehmen

Avant tous travaux sur la machine retirer l'accu interchangeable.

Prima di iniziare togliere la batteria dalla macchina.

Retire la batería antes de comenzar cualquier trabajo en la máquina.

Antes de efectuar cualquier intervención na máquina retirar o bloco acumulador.

Voor alle werkzaamheden aan de machine de akku verwijderen.

Ved arbejde inden i maskinen, bør batteriet tages ud.

Ta ut vekselbatteriet før du arbeider på maskinen

Drag ur batteripaket innan arbetet utföres på maskinen.

Tarkista pistotulppa ja verkkojohto mahdollisilta vaurioilta. Viat saa korjata vain alan erikoismies.

Πριν από κάθε εργασία στη μηχανή αφαιρείτε την ανταλλακτική μπαταρία.

Aletin kendeinde bir çalışma yapmadan önce kartuş aküyü çıkarın.

Před zahájením veškerých prací na vrtacím šroubováku vyjmout výměnný akumulátor.

Pred každou prácou na stroji výmenný akumulátor vytiahnuť.

Przed przystąpieniem do jakichkolwiek prac na elektronarzędziu należy wyjąć wkładkę akumulatorową.

Karbantartás, javítás, tisztítás, stb. előtt az akkumulátort ki kell venni a készülékből.

Pred deli na stroju izvlecite izmenljivi akumulator.

Prije svih radova na stroju izvaditi bateriju za zamjenu.

Pirms mašīnai veikt jebkāda veida apkopes darbus, ir jāizņem ārā akumulators.

Prieš atlikdami bet kokius darbus įrenginyje, išimkite keičiamą akumuliatorių.

Enne kõiki töid masina kallal võtke vahetatav aku välja.

Виньте аккумулятор из машины перед проведением с ней каких-либо манипуляций.

Преди започване на каквито е да е работи по машината извадете акумулатора.

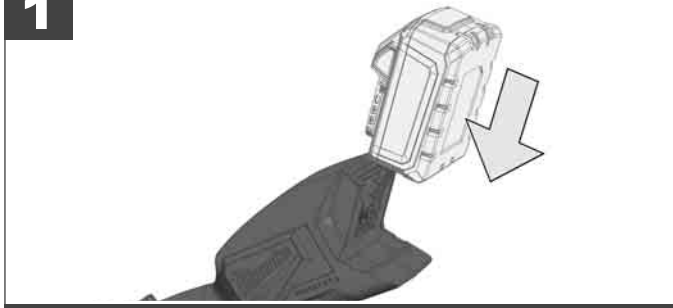
Scoateți acumulatorul înainte de a începe orice intervenție pe mașină.

Отстранете ја батеријата пред да започнете да ја користите машината.

Перед будь-якими роботами на машині виїняти змінну акумуляторну батарею.

قم بإزالة حزمة البطارية قبل البدء في أي أعمال على الجهاز.

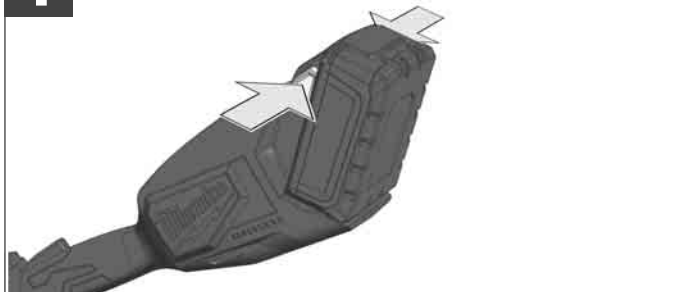
1



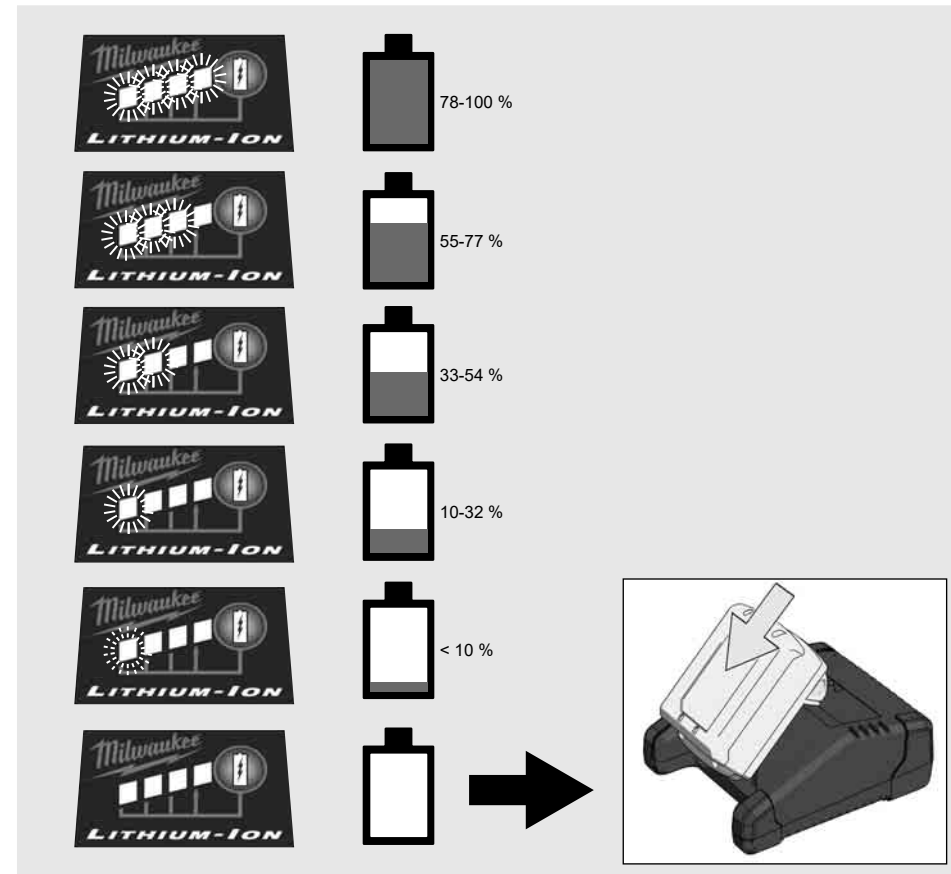
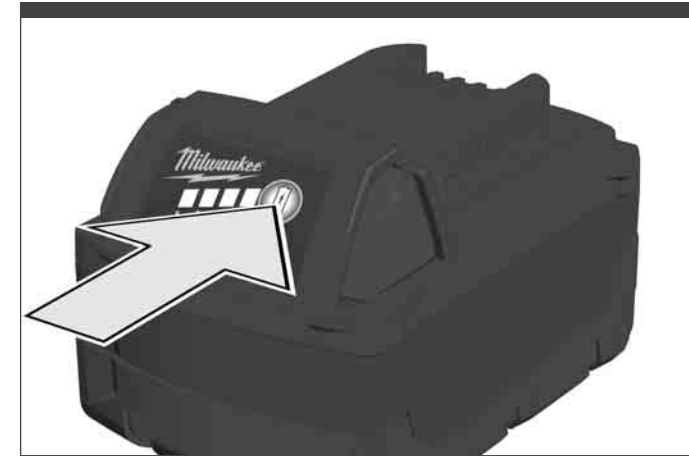
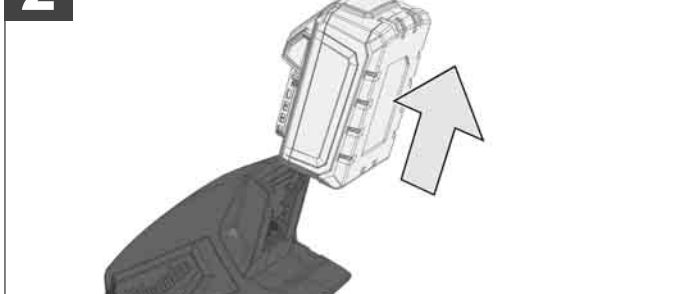
2

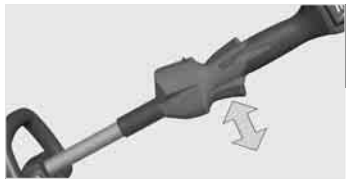


1

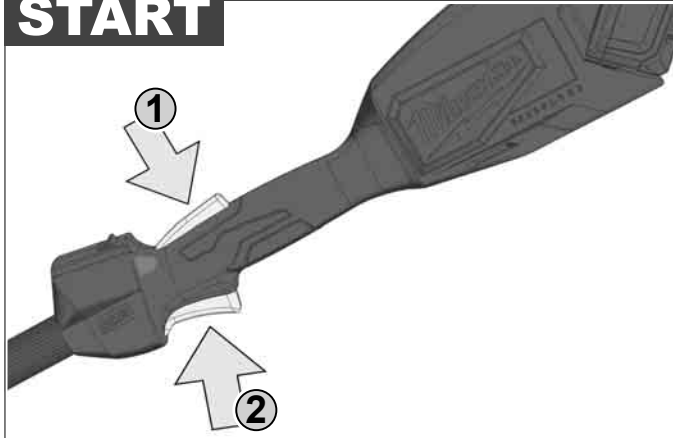


2

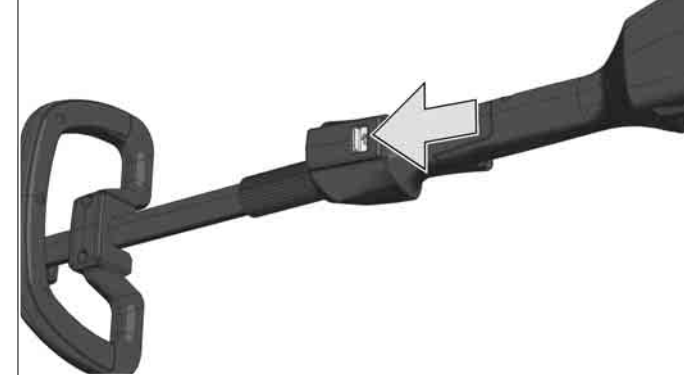
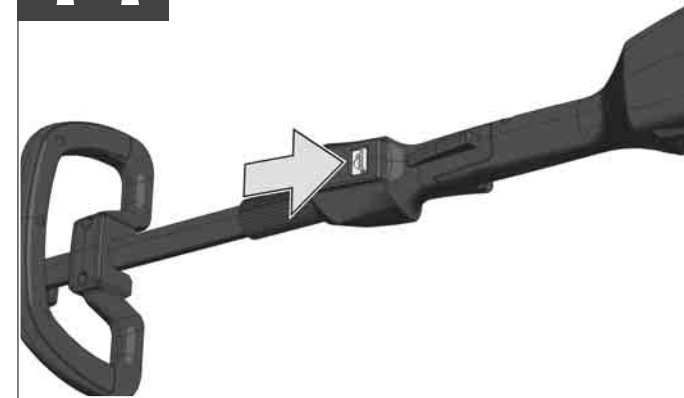
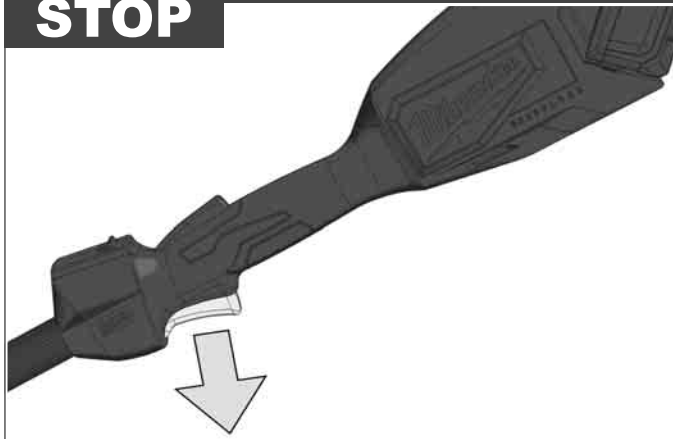




START



STOP

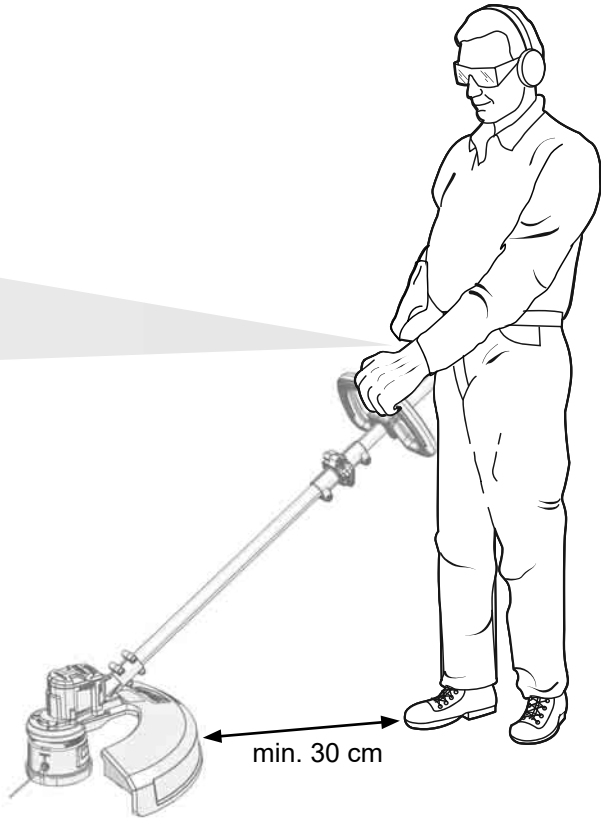




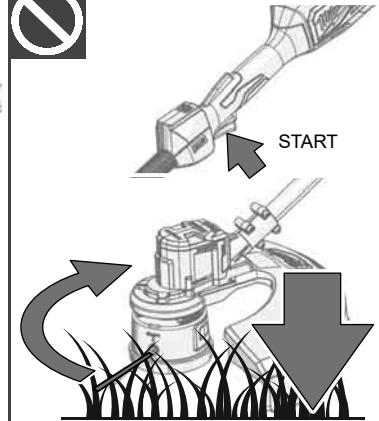
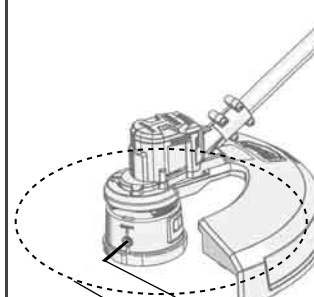
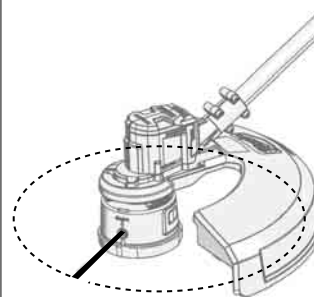
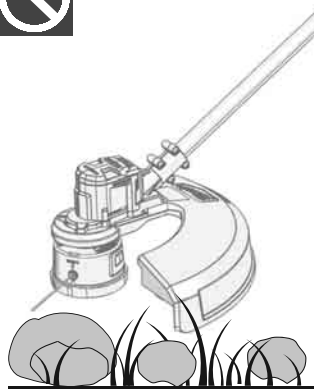
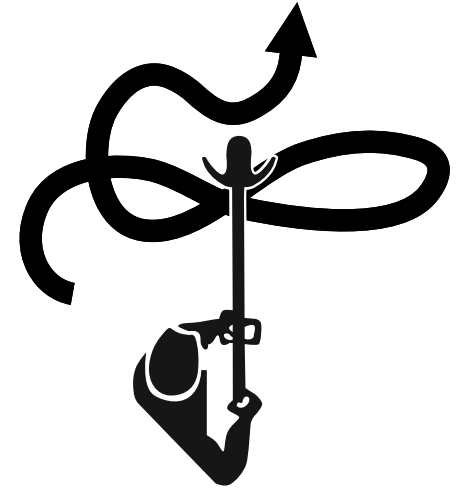
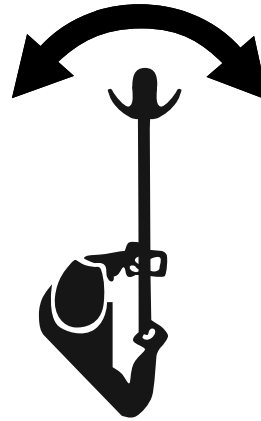
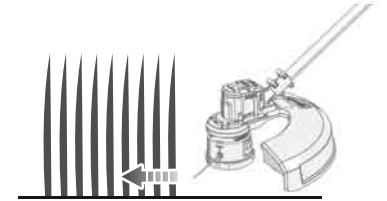
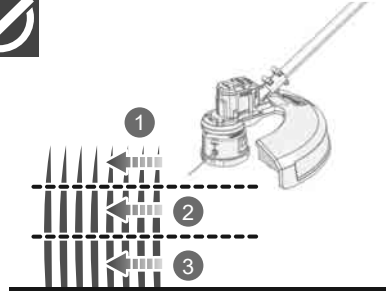
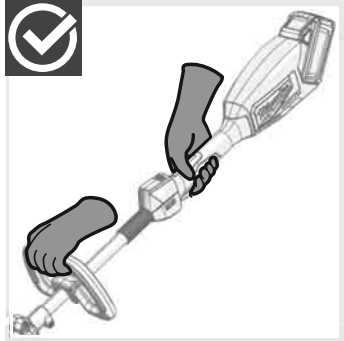
TIP

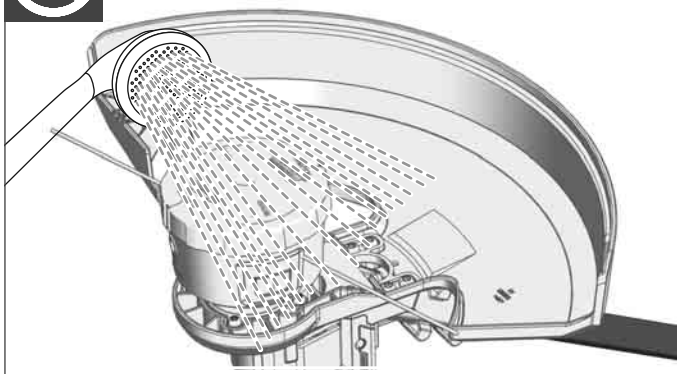
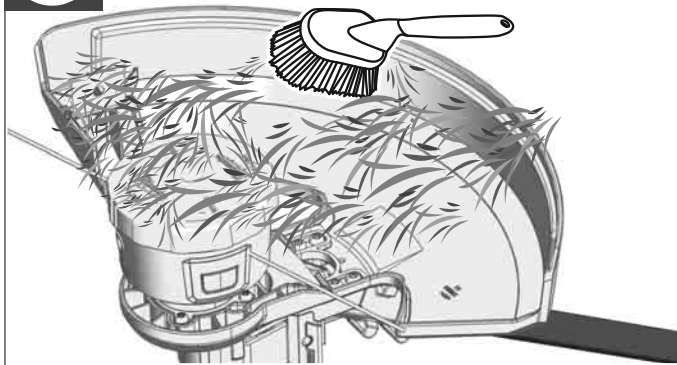


1

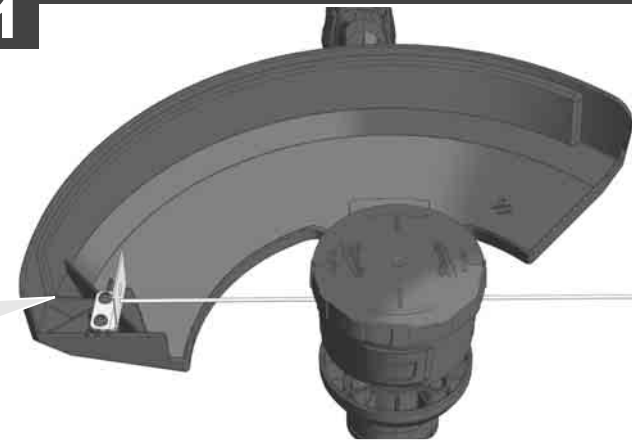


min. 30 cm

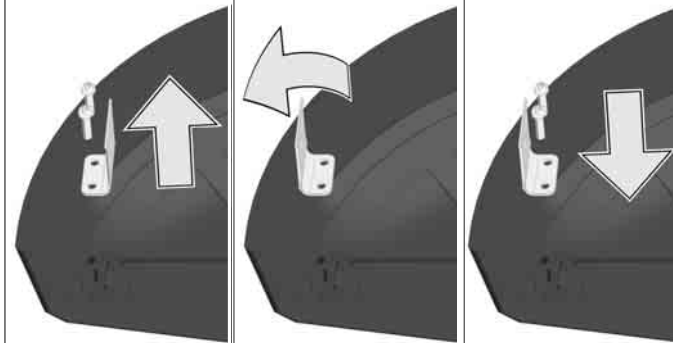




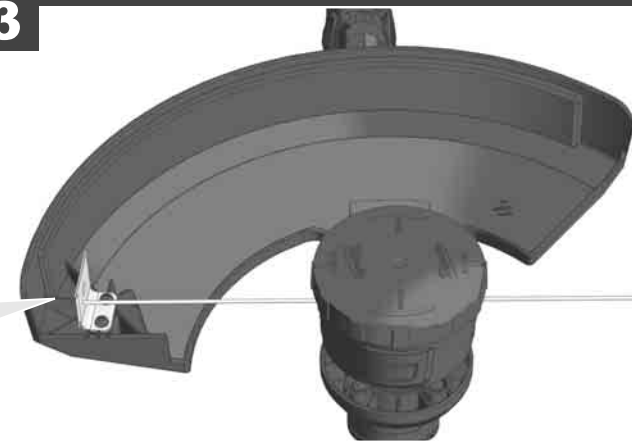
1



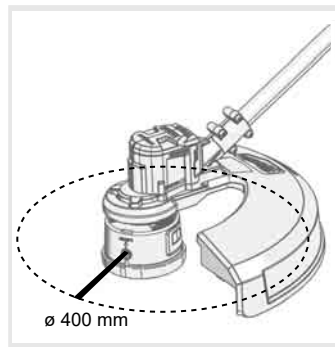
2



3



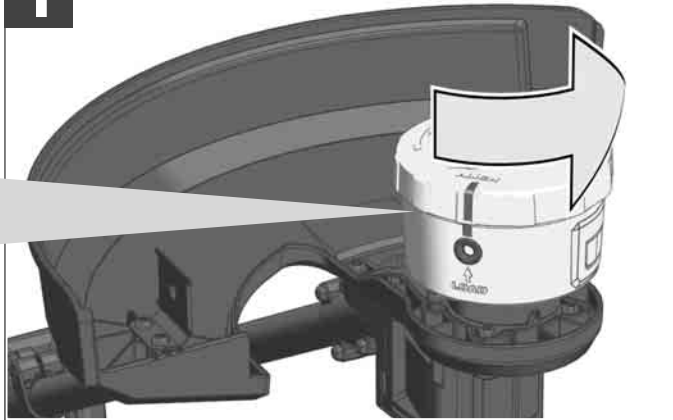
ø 350 mm



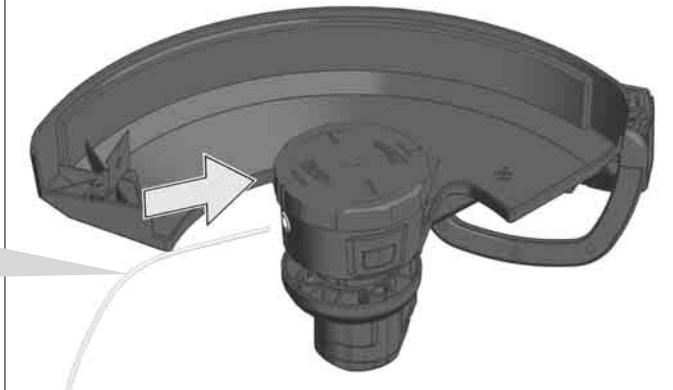
ø 400 mm



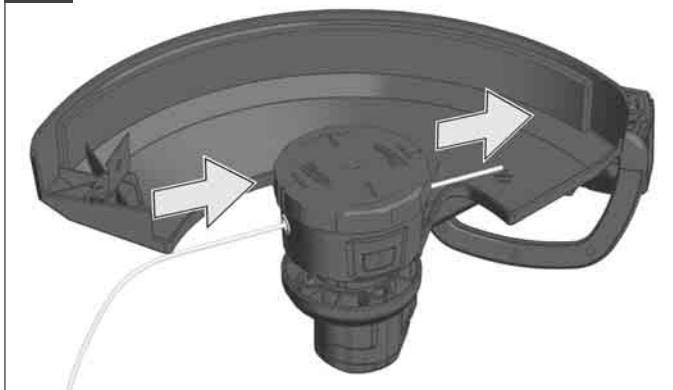
1



2

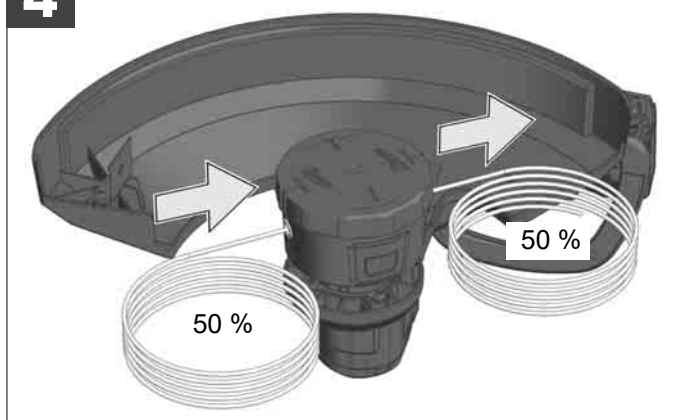


3

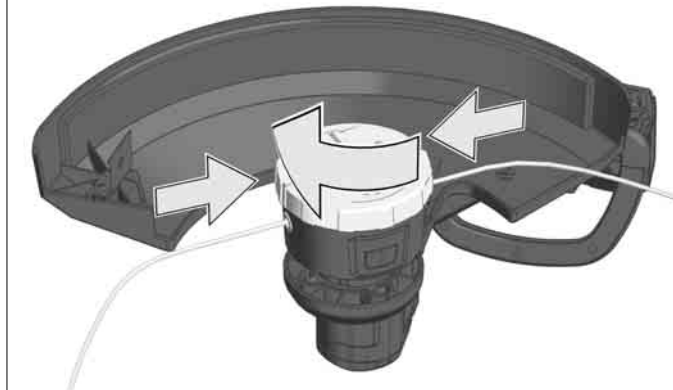


7,6 m -> \varnothing 2 mm
6 m -> \varnothing 2,4 mm

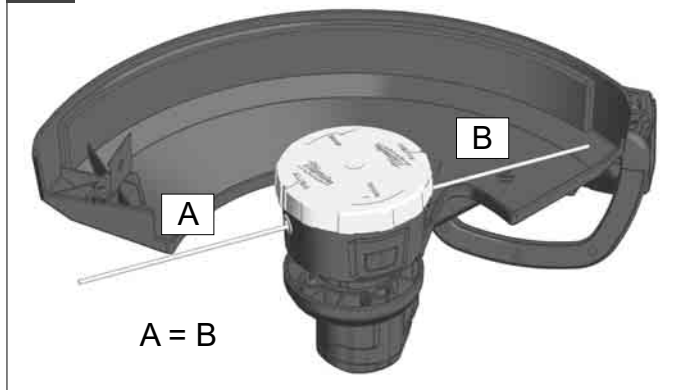
4



5



6





Accessories / Spare parts
Zubehör / Ersatzteile
Accessoires / Pièces détachées
Accessori / ricambi
Acessórios / Peças de repuesto
Acessórios / Peças de reposição
Toebehoren / onderdelen
Tilbehør / reservedele
Tilbehør / Reservedeler
Tillbehör/reservdelar
Varusteet / Varaosat
Προσαρτώμενα εξαρτήματα / Ανταλλακτικά
Aksesuarlar / Yedek parçalar
Příslušenství/Náhradní díly
Příslušenstvo/Náhradné diely
Akcesoria / części zamienne
Tartozékok / alkatrészek
Pribor / Nadomestni deli
Pribor / Rezervni dijelovi
Piederumi / Rezerves detaļas
Priedai / atsarginės dalys
Tarvikud/varuosad
Принадлежности / запасные части
Принадлежности / резервни части
Accesorii / piese de schimb
Прибор / резервни делови
Приналежності / запасні частини
المستلزمات / قطع الغيار

491 627 14



491 627 12
2,0 mm



491 627 13
2,4 mm



TECHNICAL DATA **CORDLESS LINE TRIMMER** **M18 BLTT**

Production code.....	4779 19 02... ...000001-999999
No-load speed, low speed.....	0-4600 min ⁻¹
No-load speed, high speed.....	0-6200 min ⁻¹
Cutting line ø max.....	2,4 mm
Cutting capacity max.....	400 mm
Battery voltage.....	18 V
Weight according EPTA-Procedure 01/2014 (Li-Ion 5.5 Ah...12.0 Ah) ..	5,39...5,85 kg
Recommended ambient operating temperature.....	-18...+50 °C
Recommended battery types.....	M18 HB5.5; M18 HB8.0; M18 HB12.0
Recommended charger.....	M12-18... M1418C

Noise/vibration information

Measured values determined according to EN 62841.

Typically, the A-weighted noise levels of the tool are:

Sound pressure level (Uncertainty K=3dB(A)).....	75 dB (A)
Sound power level (Uncertainty K=3dB(A)).....	95 dB (A)

Wear ear protectors!

Total vibration values (vector sum in the three axes) determined according to EN 62841.

Vibration front handle.....	< 2.5 m/s ²
Vibration rear handle.....	< 2.5 m/s ²
Uncertainty K=.....	1.5 m/s ²

WARNING

The vibration and noise emission level given in this information sheet has been measured in accordance with a standardized test given in EN 62841 and may be used to compare one tool with another. It may be used for a preliminary assessment of exposure.

The declared vibration and noise emission level represents the main applications of the tool. However if the tool is used for different applications, with different accessories or poorly maintained, the vibration and noise emission may differ. This may significantly increase the exposure level over the total working period.

An estimation of the level of exposure to vibration and noise should also take into account the times when the tool is switched off or when it is running but not actually doing the job. This may significantly reduce the exposure level over the total working period.

Identify additional safety measures to protect the operator from the effects of vibration and/or noise such as: maintain the tool and the accessories, keep the hands warm, organization of work patterns.

⚠ WARNING Read all safety warnings, instructions, illustrations and specifications provided with this power tool. Failure to follow all instructions listed below may result in electric shock, fire and/or serious injury.

⚠ LINE TRIMMER SAFETY WARNINGS

- a) **Do not use the machine in bad weather conditions, especially when there is a risk of lightning.** This decreases the risk of being struck by lightning.
- b) **Thoroughly inspect the area for wildlife where the machine is to be used.** Wildlife may be injured by the machine during operation.
- c) **Thoroughly inspect the area where the machine is to be used and remove all stones, sticks, wires, bones, and other foreign objects.** Thrown objects can cause personal injury.
- d) **Before using the machine, always visually inspect to see that the cutter and the cutter assembly are not damaged.** Damaged parts increase the risk of injury.
- e) **Keep guards in place. Guards must be in working order and be properly mounted.** A guard that is loose, damaged, or is not functioning correctly may result in personal injury.
- f) **Keep all cooling air inlets clear of debris.** Blocked air inlets and debris may result in overheating or risk of fire.
- g) **Wear eye protection and ear protection.** Adequate protective equipment will reduce personal injury.
- h) **While operating the machine, always wear non-slip and protective footwear. Do not operate the machine when barefoot or wearing open sandals.** This reduces

the chance of injury to the feet from contact with the moving cutter.

- i) **Always wear clothing such as trousers that covers the operator's legs while operating the machine.** Contact with the moving cutter or line may cause injury.
- j) **Keep bystanders away while operating the machine.** Thrown debris can result in serious personal injury.
- k) **Do not operate the machine above waist height.** This helps prevent unintended cutter contact and enables better control of the machine in unexpected situations.
- l) **Exercise caution when operating the machine in wet grass. Walk, never run.** This reduces the risk of slipping and falling which may result in personal injury.
- m) **Do not operate the machine on excessively steep slopes.** This reduces the risk of loss of control, slipping and falling which may result in personal injury.
- n) **When working on slopes, always be sure of your footing, always work across the face of slopes, never up or down and exercise extreme caution when changing direction.** This reduces the risk of loss of control, slipping and falling which may result in personal injury.
- o) **Keep all power cords and cables away from cutting area.** Power cords or cables may be hidden in hedges or bushes and can be accidentally cut or damaged by the line or cutter.
- p) **Keep all parts of the body away from the moving trimmer cutter or line. Do not clear material from the machine until it has been disconnected from the power source.** The moving trimmer cutter or line may result in serious personal injury.

q) **Carry the machine with the machine switched off and away from your body.** Proper handling of the machine will reduce the likelihood of accidental contact with a moving trimmer cutter or line.

r) **Only use replacement cutting heads and trimmer cutters or lines specified by the manufacturer. Do not replace the trimmer cutters or lines with metal wires or blades.** Incorrect replacement parts may cause loss of control, breakage and injury.

ADDITIONAL SAFETY INSTRUCTIONS

Do not operate the tool without the coupler in place. The coupler must be secured properly when trimming. Operating the trimmer without the coupler will cause serious injury.

Remove the battery pack before starting any work on the machine.

Do not dispose of used battery packs in the household refuse or by burning them. Milwaukee Distributors offer to retrieve old batteries to protect our environment.

Do not store the battery pack together with metal objects (short circuit risk).

Use only System M18 chargers for charging System M18 battery packs. Do not use battery packs from other systems.

Never break open battery packs and chargers and store only in dry rooms. Keep dry at all times.

Battery acid may leak from damaged batteries under extreme load or extreme temperatures. In case of contact with battery acid wash it off immediately with soap and water. In case of eye contact rinse thoroughly for at least 10 minutes and immediately seek medical attention.

Warning! To reduce the risk of fire, personal injury, and product damage due to a short circuit, never immerse your tool, battery pack or charger in fluid or allow a fluid to flow inside them. Corrosive or conductive fluids, such as seawater, certain industrial chemicals, and bleach or bleach containing products, etc., can cause a short circuit.

SPECIFIED CONDITIONS OF USE

The product is only intended for use outdoors by a standing operator.

The product is designed for cutting grass, light weeds, and other similar vegetation at or about ground level.

The cutting plane should be approximately parallel to the ground surface when trimming.

The product should not be used to cut or trim hedges, bushes, or other vegetation where the cutting plane is not at or about ground surface level.

Do not use this product in any other way as stated for normal use.

EC-DECLARATION OF CONFORMITY

We declare as the manufacturer under our sole responsibility that the product described under "Technical Data" fulfills all the relevant regulations and the directives 2011/65/EU (RoHS), 2014/30/EU, 2006/42/EC, 2000/14/EC, 2005/88/EC and the following harmonized standards have been used:

- EN 62841-1:2015
- EN 60335-1:2012+A11:2014+A13:2017
- EN 50636-2-91:2014
- EN 55014-1:2017+ A11:2020
- EN 55014-2:2015
- EN IEC 63000:2018

Measured sound power level: 94 dB(A)
Guaranteed sound power level: 96 dB(A).

Conformity assessment procedure according 2000/14/EC, 2005/88/EC to Annex VI.

Notified Body:
DEKRA Certification B.V. (0344)
Meander 1051/P.O.Box 5185
6825 MS ARNHEIM/6802 ED ARNHEIM
Netherlands

Winnenden, 2021-06-14



Alexander Krug
Managing Director



Authorized to compile the technical file.

Techtronic Industries GmbH
Max-Eyth-Straße 10
71364 Winnenden
Germany

GB-DECLARATION OF CONFORMITY

We declare as the manufacturer under our sole responsibility that the product described under "Technical Data" fulfills all the relevant provisions of the following Regulations S.I. 2008/1597 (as amended), S.I. 2016/1091 (as amended), S.I. 2012/3032 (as amended), S.I.2001/1701 (as amended) and that the following designated standards have been used:

- BS EN 62841-1:2015
- BS EN 60335-1:2012+A11:2014+A13:2017
- BS EN 50636-2-91:2014
- BS EN 55014-1:2017+ A11:2020
- BS EN 55014-2:2015
- BS EN IEC 63000:2018

Measured sound power level: 94 dB(A)
Guaranteed sound power level: 96 dB(A).

Conformity assessment procedure according to S.I.2001/1701 Schedule 9
Intertek Testing & Certification Ltd.
Academy Place, 1-9 Brook Street
Brentwood, Essex, CM14 5NQ
Country : United Kingdom
Notified Body number: 0359

Winnenden, 2021-06-14



Alexander Krug
Managing Director

Authorized to compile the technical file.

Techtronic Industries GmbH
Max-Eyth-Straße 10
71364 Winnenden
Germany

BATTERIES

Battery packs which have not been used for some time should be recharged before use.

Temperatures in excess of 50°C (122°F) reduce the performance of the battery pack. Avoid extended exposure to heat or sunshine (risk of overheating).

The contacts of chargers and battery packs must be kept clean.

For an optimum life-time, the battery packs have to be fully charged, after used.

To obtain the longest possible battery life remove the battery pack from the charger once it is fully charged.

For battery pack storage longer than 30 days: Store the battery pack where the temperature is below 27°C and away from moisture

Store the battery packs in a 30% - 50% charged condition Every six months of storage, charge the pack as normal.

BATTERY PACK PROTECTION LI-ION BATTERY

The battery pack has overload protection that protects it from being overloaded and helps to ensure long life. Under extreme stress the battery electronics switch off the machine automatically. To restart, switch the machine off and then on again. If the machine does not start up again, the battery pack may have discharged completely. In this case it must be recharged in the battery charger.

TRANSPORTING LITHIUM BATTERIES

Lithium-ion batteries are subject to the Dangerous Goods Legislation requirements.

Transportation of those batteries has to be done in accordance with local, national and international provisions and regulations.

- The user can transport the batteries by road without further requirements.
- Commercial transport of Lithium-Ion batteries by third parties is subject to Dangerous Goods regulations. Transport preparation and transport are exclusively to be carried out by appropriately trained persons and the process has to be accompanied by corresponding experts.

When transporting batteries:

- Ensure that battery contact terminals are protected and insulated to prevent short circuit.
- Ensure that battery pack is secured against movement within packaging.
- Do not transport batteries that are cracked or leak.

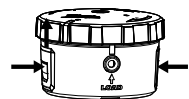
Check with forwarding company for further advice.

REPLACING CUTTING LINE

Use only MILWAUKEE trimmer line (see technical data). Replace the cutting line with either 6 m of 2,4 mm line or 7,6 m of 2 mm line. Note, when used near abrasive surfaces or in dense growth, the cutting line will wear faster.

For replacing cutting line see picture section.

Under normal operation, the remaining string should be thrown from the spinning head during use. If any string remains in the head, or to remove a length of string to replace with a different type, turn the trimmer head over and press the release tabs and pull the cover away from the head.



Discard any short line remnants. Snap the cover back onto the trimmer head.

MAINTENANCE

The ventilation slots of the machine must be kept clear at all times.

Servicing requires extreme care and knowledge and should be performed only by a qualified service technician. For service, we suggest you return the product to your nearest authorised service center for repair. When servicing, use only identical replacement parts.

Switch off and remove battery pack before conducting any maintenance or cleaning work.

You may make adjustments and repairs described here. For other repairs, contact the authorised service agent.

For replacement line, use only nylon filament line of the diameter described in the specification table of this manual.

After extending new cutter line, always return the product to its normal operating position before starting.

After each use, clean the product with a soft dry cloth. Any part that is damaged should be properly repaired or replaced by an authorised service centre.

Check all nuts, bolts, and screws at frequent intervals for proper tightness to ensure the product is in safe working condition.

Use only Milwaukee accessories and Milwaukee spare parts. Should components need to be replaced which have not been described, please contact one of our Milwaukee service agents (see our list of guarantee/service addresses).

If needed, an exploded view of the tool can be ordered. Please state the machine type printed as well as the six-digit No. on the label and order the drawing at your local service agents or directly at: Techtronic Industries GmbH, Max-Eyth-Straße 10, 71364 Winnenden, Germany.

SYMBOLS

	CAUTION! WARNING! DANGER!
	Please read the instructions carefully before starting the machine.
	Remove the battery pack before starting any work on the machine.
	Wear gloves!
	Wear ear protectors!
	Always wear goggles when using the machine.
	Always wear protective clothing and footwear

	Keep bystanders a safe distance away from the machine.
	Do not use in the rain or leave outdoors while it is raining.
	Beware of thrown or flying objects. Keep all bystanders a safe distance away from the product.
	Do not use metal blade(s) on the product.
	Rotation direction
	Parts or accessories sold separately.
	Do not dispose electric tools, batteries/ rechargeable batteries together with household waste material. Electric tools and batteries that have reached the end of their life must be collected separately and returned to an environmentally compatible recycling facility. Check with your local authority or retailer for recycling advice and collection point.
	European Conformity Mark
	Britisches Konformitätszeichen
	Ukraine Conformity Mark
	EurAsian Conformity Mark

TECHNISCHE DATEN **AKKU-RASENTRIMMER** **M18 BLLT**

Produktionsnummer	4779 19 02...
	...00001-999999
Leerlaufdrehzahl, niedrige Drehzahl.....	0-4600 min ⁻¹
Leerlaufdrehzahl, hohe Drehzahl.....	0-6200 min ⁻¹
Max. ø Schneidfaden.....	2,4 mm
Schnittstärke max.....	400 mm
Spannung Wechselakku.....	18 V
Gewicht nach EPTA-Prozedur 01/2014 (Li-Ion 5,5 Ah...12,0 Ah)	5,39...5,85 kg
Empfohlene Umgebungstemperatur beim Arbeiten.....	-18...+50 °C
Empfohlene Akkutypen.....	M18 HB5.5; M18 HB8.0; M18 HB12.0
Empfohlene Ladegeräte	M12-18...; M1418C

Geräusch/Vibrationsinformation

Messwerte ermittelt entsprechend EN 62841.
 Der A-bewertete Geräuschpegel des Gerätes beträgt typischerweise:
 Schalldruckpegel (Unsicherheit K=3dB(A))..... 75 dB (A)
 Schalleistungspegel (Unsicherheit K=3dB(A))..... 95 dB (A)

Gehörschutz tragen!

Schwingungsgesamtwerte (Vektorsumme dreier Richtungen) ermittelt entsprechend EN 62841.
 Vibration am vorderen Griff..... < 2.5 m/s²
 Vibration am hinteren Griff..... < 2.5 m/s²
 Unsicherheit K= 1.5 m/s²

WARNUNG!

Die angegebenen Schwingungsgesamtwerte und Geräuschemissionswerte wurden nach einem genormten Messverfahren gemäß EN 62841 gemessen und können für den Vergleich von Elektrowerkzeugen miteinander verwendet werden. Es kann für eine vorläufige Einschätzung der Belastung verwendet werden.

Der angegebene Schwingungs- und Geräuschemissionspegel repräsentiert die hauptsächlichlichen Anwendungen des Elektrowerkzeugs. Wenn allerdings das Elektrowerkzeug für andere Anwendungen, mit abweichenden Einsatzwerkzeugen oder ungenügender Wartung eingesetzt wird, können sich die Schwingungs- und Geräuschemissionen unterscheiden. Dies kann deren Wirkung über den gesamten Arbeitszeitraum deutlich erhöhen.

Bei der Abschätzung der Belastung durch Schwingungen und Lärm sollten auch die Zeiten berücksichtigt werden, in denen das Elektrowerkzeug ausgeschaltet ist oder zwar läuft, aber keine tatsächliche Arbeit verrichtet wird. Dies kann deren Wirkung über den gesamten Arbeitszeitraum deutlich reduzieren.

Legen Sie zusätzliche Sicherheitsmaßnahmen zum Schutz des Bedieners vor den Auswirkungen von Schwingungen- und / oder Lärm fest, wie z. B.: Wartung des Werkzeugs und des Zubehörs, Warmhalten der Hände, Organisation der Arbeitsabläufe.

⚠️ WARNUNG! Lesen Sie alle Sicherheitshinweise, Anweisungen, Darstellungen und Spezifikationen für dieses Elektrowerkzeug. Versäumnisse bei der Einhaltung der nachstehenden Anweisungen können elektrischen Schlag, Brand und/oder schwere Verletzungen verursachen. **Bewahren Sie alle Sicherheitshinweise und Anweisungen für die Zukunft auf.**

⚠️ SICHERHEITSHINWEISE RASENTRIMMER

- a) **Das Gerät nicht bei schlechtem Wetter verwenden, vor allem nicht, wenn Blitzschlaggefahr droht.** So vermindern Sie die Gefahr, von einem Blitz getroffen zu werden.
- b) **Den Einsatzbereich vor Gebrauch gründlich auf wild lebende Tiere kontrollieren.** Wildtiere können durch das Gerät verletzt werden.
- c) **Den Einsatzbereich sorgfältig prüfen und Steine, Stöcke, Drähte, Knochen oder sonstige Fremdkörper entfernen.** Weggeschleuderte Fremdkörper können zu Verletzungen führen.
- d) **Die Schneidvorrichtung und das Schneidwerk vor Gebrauch auf beschädigte Teile kontrollieren.** Beschädigte Teile erhöhen das Verletzungsrisiko.
- e) **Die Schutzvorrichtungen nicht entfernen. Die Schutzvorrichtungen müssen funktionsfähig und vorschriftsmäßig montiert sein.** Eine gelockerte, beschädigte oder nicht ordnungsgemäß funktionierende Schutzvorrichtung kann zu Verletzungen führen.

- f) **Alle Kühllufteinlässe sauber halten.** Blockierte oder verschmutzte Lufteinlassöffnungen führen zu einer Überhitzung des Geräts und können einen Brand auslösen.
- g) **Während der Verwendung des Geräts Augen- und Ohrenschutz tragen.** Das Tragen angemessener Schutzausrüstung verringert das Verletzungsrisiko.
- h) **Beim Arbeiten mit dem Gerät immer rutschfeste Sicherheitsschuhe tragen. Das Gerät nicht barfuß oder mit offenen Schuhen betreiben.** So vermeiden Sie Fußverletzungen durch den Kontakt mit der rotierenden Schneidvorrichtung.
- i) **Bei der Arbeit mit dem Gerät immer lange Hosen tragen.** Der Kontakt mit der rotierenden Schneidvorrichtung oder dem Schneidfaden kann zu Verletzungen führen.
- j) **Umstehende Personen während des Gebrauchs fernhalten.** Weggeschleuderte Teile können schwere Verletzungen verursachen.
- k) **Das Gerät nicht über Hüfthöhe führen.** So lässt sich der unbeabsichtigte Kontakt mit der Schneidvorrichtung vermeiden und das Gerät in unerwarteten Situationen besser kontrollieren.
- l) **Beim Schneiden von nassem Gras sehr vorsichtig vorgehen. Immer nur gehen, niemals rennen.** So lassen sich das Rutsch- und Sturzrisiko verringern und Verletzungen vermeiden.
- m) **Das Gerät nicht an extrem steilen Hängen verwenden.** So lassen sich Kontrollverlust, Rutsch- und Sturzrisiko verringern und Verletzungen vermeiden.

n) **Bei Arbeiten am Hang auf einen sicheren Stand achten und immer quer zum Hang arbeiten. Niemals längs zur Hangneigung arbeiten und äußerste Vorsicht beim Richtungswechsel walten lassen.** So lassen sich Kontrollverlust, Rutsch- und Sturzrisiko verringern und Verletzungen vermeiden.

o) **Halten Sie Netz- und Verlängerungskabel vom Schnittbereich fern.** Unter Hecken und Büschen verborgene Netz- oder Verlängerungskabel könnten unbeabsichtigt von der Schneidvorrichtung oder dem Schneidfaden zerschnitten oder beschädigt werden.

p) **Halten Sie alle Körperteile fern von Schneidvorrichtung oder Schneidfäden. Das Gerät erst reinigen, nachdem der Netzstecker gezogen wurde.** Die rotierende Schneidvorrichtung oder der Schneidfaden können schwere Verletzungen verursachen.

q) **Das Gerät nur ausgeschaltet transportieren und dabei vom Körper fernhalten.** Der vorschriftsmäßige Umgang mit dem Gerät verringert das Risiko eines unbeabsichtigten Kontakts mit der rotierenden Schneidvorrichtung oder dem Schneidfaden.

r) **Nur vom Hersteller empfohlene Ersatzschneidköpfe und Ersatzschneidfäden verwenden. Die Schneidvorrichtungen oder Schneidfäden nicht durch Metallfäden oder Metallmesser ersetzen.** Unzulässige Ersatzteile können zu Kontrollverlust, Beschädigungen und Verletzungen führen.

WEITERE SICHERHEITSHINWEISE

Das Gerät nicht ohne Verbindungsstück verwenden. Beim Schneiden muss das Verbindungsstück ordnungsgemäß gesichert sein. Die Verwendung des Rasentrimmers ohne Verbindungsstück kann schwere Verletzungen verursachen.

Vor allen Arbeiten an der Maschine den Wechselakku herausnehmen

Verbrauchte Wechselakkus nicht ins Feuer oder in den Hausmüll werfen. Milwaukee bietet eine umweltgerechte Alt-Wechselakku-Entsorgung an; bitte fragen Sie Ihren Fachhändler.

Wechselakku nicht zusammen mit Metallgegenständen aufbewahren (Kurzschlussgefahr).

Wechselakku des Systems M18 nur mit Ladegeräten des Systems M18 laden. Keine Akkus aus anderen Systemen laden.

Wechselakku und Ladegeräte nicht öffnen und nur in trockenen Räumen lagern. Vor Nässe schützen.

Unter extremer Belastung oder extremer Temperatur kann aus beschädigten Wechselakku Batterieflüssigkeit auslaufen. Bei Berührung mit Batterieflüssigkeit sofort mit Wasser und Seife abwaschen. Bei Augenkontakt sofort mindestens 10 Minuten gründlich spülen und unverzüglich einen Arzt aufsuchen.

Warnung! Um die durch einen Kurzschluss verursachte Gefahr eines Brandes, von Verletzungen oder Produktbeschädigungen zu vermeiden, tauchen Sie das Werkzeug, den Wechselakku oder das Ladegerät nicht in Flüssigkeiten ein und sorgen Sie dafür, dass keine Flüssigkeiten in die Geräte und Akkus eindringen. Korrodierende oder leitfähige Flüssigkeiten, wie Salzwasser, bestimmte Chemikalien und Bleichmittel oder Produkte, die Bleichmittel enthalten, können einen Kurzschluss verursachen.

BESTIMMUNGSGEMÄSSE VERWENDUNG

Das Produkt ist nur für den Gebrauch im Freien und durch eine stehende Person ausgelegt.

Das Produkt eignet sich zum Schneiden von Gras, Unkraut oder ähnlicher Vegetation auf Bodenniveau.

Bewegen Sie das Gerät beim Schneiden möglichst parallel zur Bodenoberfläche.

Verwenden Sie das Produkt nicht zum Schneiden oder Trimmen von Hecken, Büschen oder sonstiger Vegetation, bei der sich die Schnittebene nicht parallel zum Boden befindet.

Dieses Gerät darf nur wie angegeben bestimmungsgemäß verwendet werden.

EG-KONFORMITÄTSERKLÄRUNG

Wir erklären als Hersteller in alleiniger Verantwortung, dass das unter "Technische Daten" beschriebene Produkt mit allen relevanten Vorschriften der Richtlinien 2011/65/EU (RoHS), 2014/30/EU, 2006/42/EG, 2000/14/EC, 2005/88/EC und den folgenden harmonisierten normativen Dokumenten übereinstimmt:

- EN 62841-1:2015
- EN 60335-1:2012+A11:2014+A13:2017
- EN 50636-2-91:2014
- EN 55014-1:2017+ A11:2020
- EN 55014-2:2015
- EN IEC 63000:2018

Gemessener Schalleistungspegel: 94 dB(A)
 Garantierter Schalleistungspegel: 96 dB(A)

Konformitätsbewertungsverfahren gemäß 2000/14/EG Anhang V.

Benannte Stelle:
 DEKRA Certification B.V. (0344)
 Meander 1051/P.O.Box 5185
 6825 MS ARNHEIM/6802 ED ARNHEIM
 Netherlands

Winnenden, 2021-06-14



Alexander Krug
 Managing Director



Bevollmächtigt die technischen Unterlagen zusammenzustellen.

Techronic Industries GmbH
 Max-Eyth-Straße 10
 71364 Winnenden
 Germany

AKKUS

Längere Zeit nicht benutzte Wechselakku vor Gebrauch nachladen.

Eine Temperatur über 50°C vermindert die Leistung des Wechselakkus. Längere Erwärmung durch Sonne oder Heizung vermeiden.

Die Anschlusskontakte an Ladegerät und Wechselakku sauber halten.

Für eine optimale Lebensdauer müssen nach dem Gebrauch die Akkus voll geladen werden.

Für eine möglichst lange Lebensdauer sollten die Akkus nach dem Aufladen aus dem Ladegerät entfernt werden.

Bei Lagerung des Akkus länger als 30 Tage:
 Akku bei ca. 27°C und trocken lagern.
 Akku bei ca. 30%-50% des Ladezustandes lagern.
 Akku alle 6 Monate erneut aufladen.

AKKUÜBERLASTSCHUTZ LI-IONEN-AKKU

Der Akkupack ist mit einem Überlastschutz ausgestattet, der den Akku vor Überlastung schützt und eine hohe Lebensdauer sicherstellt.

Bei extremer starker Beanspruchung schaltet die

Akkuelektronik die Maschine automatisch ab. Zum Weiterarbeiten Maschine Aus- und wieder Einschalten. Sollte die Maschine nicht wieder anlaufen, ist der Akkupack möglicherweise entladen und muss im Ladegerät wieder aufgeladen werden.

TRANSPORT VON LITHIUM-IONEN-AKKUS

Lithium-Ionen-Akkus fallen unter die gesetzlichen Bestimmungen zum Gefahrguttransport.

Der Transport dieser Akkus muss unter Einhaltung der lokalen, nationalen und internationalen Vorschriften und Bestimmungen erfolgen.

- Verbraucher dürfen diese Akkus ohne Weiteres auf der Straße transportieren.
- Der kommerzielle Transport von Lithium-Ionen-Akkus durch Speditionsunternehmen unterliegt den Bestimmungen des Gefahrguttransports. Die Versandvorbereitungen und der Transport dürfen ausschließlich von entsprechend geschulten Personen durchgeführt werden. Der gesamte Prozess muss fachmännisch begleitet werden.

Folgende Punkte sind beim Transport von Akkus zu beachten:

- Stellen Sie sicher, dass die Kontakte geschützt und isoliert sind, um Kurzschlüsse zu vermeiden.
- Achten Sie darauf, dass der Akkupack innerhalb der Verpackung nicht verrutschen kann.
- Beschädigte oder auslaufende Akkus dürfen nicht transportiert werden.

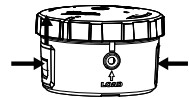
Wenden Sie sich für weitere Hinweise an Ihr Speditionsunternehmen.

SCHNEIDFADEN WECHSELN

Nur Schneidfäden von MILWAUKEE verwenden (siehe Abschnitt „Technische Daten“). Entweder Schneidfäden mit 6 m Länge und 2,4 mm Dicke oder Fäden mit 7,6 m Länge und einer Dicke von 2 mm verwenden. Hinweis: Beim Einsatz auf abrasiven oder dicht bewachsenen Oberflächen nutzt sich der Schneidfaden schneller ab.

Zum Wechseln des Schneidfadens siehe Bildteil.

Unter normalen Betriebsbedingungen wird der restliche Faden während des Betriebs vom Schneidkopf ausgeworfen. Zum Entfernen von Fadenresten oder zum Einsetzen eines neuen Schneidfadens den Rasentrimmer um 180° drehen, zur Entriegelung auf die Laschen drücken und die Abdeckung abnehmen.



Kurze Fadenreste entfernen. Dann die Abdeckung wieder auf den Schneidkopf setzen und an den Laschen einrasten lassen.

WARTUNG

Stets die Lüftungsschlitze der Maschine sauber halten.

Die Inspektion des Produkts erfordert extreme Sorgfalt und Sachkenntnis. Überlassen Sie diese Arbeit unbedingt einem qualifizierten Servicetechniker. Senden Sie das Produkt zur Inspektion oder Reparatur an eine autorisierte Servicestelle. Verwenden Sie zur Wartung nur identische Ersatzteile.

Vor der Durchführung von Wartungs- oder Reinigungsarbeiten, das Gerät ausschalten und den Akku entnehmen.

Führen Sie nur die hier beschriebenen Einstellungen und Reparaturen durch. Für alle anderen Reparaturarbeiten wenden Sie sich bitte an einen autorisierten Fachhändler.

Verwenden Sie als Ersatzfadenspule nur Nylonfäden auf Spulen mit dem in dieser Anleitung genannten Durchmesser.

Nach dem Einfädeln des neuen Schneidfadens, das Produkt vor dem Starten wieder in die normale Betriebsposition bringen.

Reinigen Sie das Produkt nach jedem Gebrauch mit einem trockenen, weichen Tuch. Beschädigte Teile sind durch eine autorisierte Servicestelle zu reparieren oder zu ersetzen.











Prüfen Sie in regelmäßigen Abständen, dass alle Muttern, Bolzen und Schrauben ordnungsgemäß angezogen sind, um den sicheren Betrieb des Produkts zu gewährleisten.

Nur Milwaukee Zubehör und Milwaukee Ersatzteile verwenden. Bauteile, deren Austausch nicht beschrieben wurde, bei einer Milwaukee Kundendienststelle auswechseln lassen (Broschüre Garantie/Kundendienstadressen beachten).

Bei Bedarf kann eine Explosionszeichnung des Gerätes unter Angabe der Maschinen Type und der sechsstelligen Nummer auf dem Leistungsschild bei Ihrer Kundendienststelle oder direkt bei Techtronic Industries GmbH, Max-Eyth-Straße 10, 71364 Winnenden, Germany angefordert werden.

SYMBOLE

	ACHTUNG! WARNUNG! GEFAHR!
	Bitte lesen Sie die Gebrauchsanweisung vor Inbetriebnahme sorgfältig durch.
	Vor allen Arbeiten an der Maschine den Wechselakku herausnehmen
	Schutzhandschuhe tragen!
	Gehörschutz tragen!
	Beim Arbeiten mit der Maschine stets Schutzbrille tragen.
	Tragen Sie immer Schutzkleidung und festes Schuhwerk.
	Halten Sie in der Nähe stehende Personen auf sicheren Abstand zum Gartengerät.
	

	Nicht im Regen verwenden oder im Außenbereich lassen wenn es regnet.
	Achten Sie auf Gegenstände, die durch das Gerät weggeschleudert werden können. Achten Sie auf einen genügend großen Sicherheitsabstand zu umstehenden Personen.
	Verwenden Sie in diesem Produkt keine Metallschneiden.
	Drehrichtung
	Teile oder Zubehör sind nicht im Lieferumfang enthalten.
	Elektrogeräte, Batterien/Akkus dürfen nicht zusammen mit dem Hausmüll entsorgt werden. Elektrische Geräte und Akkus sind getrennt zu sammeln und zur umweltgerechten Entsorgung bei einem Verwertungsbetrieb abzugeben. Erkundigen Sie sich bei den örtlichen Behörden oder bei Ihrem Fachhändler nach Recyclinghöfen und Sammelstellen.
	Europäisches Konformitätszeichen
	Britisches Konformitätszeichen
	Ukrainisches Konformitätszeichen
	Euroasiatisches Konformitätszeichen

DONNÉES TECHNIQUES	TONDEUSE SUR BATTERIE	M18 BLLT
Numéro de série	4779 19 02...	...00001-99999
Vitesse de rotation à vide, à basse vitesse	0-4600 min ⁻¹	
Vitesse de rotation à vide, à vitesse élevée	0-6200 min ⁻¹	
Ø max. fil de coupe	2,4 mm	
Épaisseur de coupe max.	400 mm	
Tension accu interchangeable	18 V	
Poids suivant EPTA-Procédure 01/2014 (Li-Ion 5,5 Ah...12,0 Ah)	5,39...5,85 kg	
Température conseillée lors du travail	-18...+50 °C	
Batteries conseillées	M18 HB5.5; M18 HB8.0; M18 HB12.0	
Chargeurs conseillés	M12-18...; M1418C	

Informations sur le bruit et les vibrations

Valeurs de mesure obtenues conformément à la EN 62841. Les mesures réelles (des niveaux acoustiques de l'appareil) sont :

Niveau de pression acoustique (Incertitude K=3dB(A)) 75 dB (A)
Niveau d'intensité acoustique (Incertitude K=3dB(A)) 95 dB (A)

Toujours porter une protection acoustique!

Valeurs totales des vibrations (somme vectorielle de trois sens) établies conformément à EN 62841.

Vibrations poignée antérieure < 2.5 m/s²
Vibrations poignée postérieure < 2.5 m/s²
Incertitude K= 1.5 m/s²

AVERTISSEMENT!

Le niveau de vibration et d'émissions sonores indiqué dans cette fiche de données a été mesuré en respect d'une méthode standard de test selon la norme EN 62841 et peut être utilisé pour comparer les outils entre eux. Il peut être utilisé pour évaluation préliminaire de l'exposition.

Le niveau de vibration et d'émissions sonores déclaré correspond à l'application principale de l'outil. Cependant, si l'outil est utilisé pour des applications différentes, avec différents accessoires ou est mal entretenu, les vibrations et les émissions sonores peuvent différer. Cela peut augmenter considérablement le niveau d'exposition au cours de la période de travail totale.

Une estimation du niveau d'exposition aux vibrations et au bruit devrait également tenir compte des temps d'arrêt de l'outil ou des périodes où il est en marche mais n'effectue pas réellement le travail. Cela peut réduire considérablement le niveau d'exposition au cours de la période de travail totale.

Identifier des mesures de sécurité supplémentaires pour protéger l'opérateur des effets des vibrations et/ou du bruit tels que : l'entretien de l'outil et des accessoires, le maintien au chaud des mains, l'organisation des processus de travail.

AVERTISSEMENT! Lire tous les avertissements de sécurité, les instructions opérationnelles, les illustrations et les spécifications fournies avec cet outil électrique. La non observance des instructions mentionnées ci-dessous peut causer des chocs électriques, des incendies ou de graves blessures.
Bien garder tous les avertissements et instructions.

CONSIGNES DE SÉCURITÉ COUPE-GAZON

- N'utilisez pas cet appareil en cas de mauvais temps, surtout en cas d'orage.** Ceci permet de réduire la probabilité d'être frappé par la foudre.
- Vérifier minutieusement qu'aucun animal sauvage ne se trouve dans la zone où sera utilisé l'appareil.** Cet appareil pourrait les blesser.
- Vérifier soigneusement la zone où sera utilisé l'appareil et retirez les pierres, les bâtons, les fils, les os et tout autre objet étranger.** La projection de corps étrangers peut provoquer des blessures.
- Avant d'utiliser l'appareil, vérifiez que le dispositif de coupe et le mécanisme de coupe ne comportent pas de pièces endommagées.** La présence de pièces endommagées augmente le risque de blessure.
- Ne retirez pas les dispositifs de sécurité. Ils doivent être fonctionnels et correctement montés.** Un dispositif de sécurité desserré, endommagé ou fonctionnant mal peut entraîner des blessures.
- Maintenez toutes les entrées d'air de refroidissement propres.** Des entrées d'air obstruées ou encrassées

entraînent une surchauffe de l'appareil, ce qui peut provoquer un incendie.

- Lors de l'utilisation de l'appareil, portez une protection oculaire et une protection auditive.** Le port d'un équipement de protection approprié réduit le risque de blessure.
- Pour travailler avec l'appareil, portez toujours des chaussures de sécurité antidérapantes. N'utilisez pas l'appareil pieds nus ou avec des chaussures ouvertes.** Cela évitera les blessures au pied causées par le contact avec le dispositif de coupe rotatif.
- Portez toujours des pantalons longs lorsque vous travaillez avec l'appareil.** Le contact avec le dispositif de coupe rotatif ou le fil de coupe peut causer des blessures.
- Tenez les personnes présentes à l'écart pendant l'utilisation.** Les pièces projetées peuvent entraîner des blessures graves.
- Ne dirigez pas l'appareil au-dessus de la taille.** Cela permettra d'éviter tout contact involontaire avec le dispositif de coupe et facilitera le contrôle de la machine dans des situations inattendues.
- Soyez très prudent lorsque vous coupez de l'herbe mouillée. Allez toujours au pas, ne courez jamais.** Cela permet de réduire les risques de glissade et de chute et de prévenir les blessures.
- N'utilisez pas l'appareil dans des pentes extrêmement raides.** Cela permet de réduire la perte de contrôle de l'appareil ainsi que les risques de glissade et de chute, et de prévenir les blessures.

n) Lorsque vous travaillez en pente, veillez à avoir un bon appui au sol et travaillez toujours à angle droit par rapport à la pente. Ne travaillez jamais dans le sens de la longueur de la pente et faites preuve d'une extrême prudence lorsque vous changez de direction. Cela permet de réduire la perte de contrôle de l'appareil ainsi que les risques de glissade et de chute, et de prévenir les blessures.

o) Maintenez les câbles d'alimentation et les rallonges éloignés de la zone de coupe. Les câbles d'alimentation ou les rallonges cachés sous les haies et les buissons peuvent être coupés ou endommagés par inadvertance par le dispositif de coupe ou le fil de coupe.

p) Maintenez toutes les parties du corps éloignées du dispositif de coupe ou du fil de coupe. Ne nettoyez pas l'appareil avant d'avoir retiré la fiche secteur. Le dispositif de coupe rotatif ou le fil de coupe peut provoquer des blessures graves.

q) Ne transportez la machine que lorsqu'elle est éteinte et éloignez-la du corps. Bien manipuler l'appareil permet de réduire le risque de contact accidentel avec le dispositif de coupe rotatif ou le fil de coupe.

r) N'utilisez que les têtes de coupe et les fils de coupe de rechange recommandés par le fabricant. Ne remplacez pas un dispositif de coupe rotatif ou un fil de coupe par un fil ou un couteau en métal. Les pièces de rechange non autorisées peuvent entraîner une perte de contrôle, des dommages et des blessures.

INSTRUCTIONS DE SÉCURITÉ ULTÉRIEURES

N'utilisez pas l'appareil sans connecteur. Lors de la coupe, le connecteur doit être correctement fixé. L'utilisation du coupe-gazon sans connecteur peut entraîner des blessures graves.

Avant tous travaux sur la machine retirer l'accu interchangeable.

Ne pas jeter les accus interchangeables usés au feu ou avec les déchets ménagers. Milwaukee offre un système d'évacuation écologique des accus usés.

Ne pas conserver les accus interchangeables avec des objets métalliques (risque de court-circuit)

Ne charger les accus interchangeables du système M18 qu'avec le chargeur d'accus du système M18. Ne pas charger des accus d'autres systèmes.

Ne pas ouvrir les accus interchangeables et les chargeurs et ne les stocker que dans des locaux secs. Les protéger contre l'humidité.

En cas de conditions ou températures extrêmes, du liquide caustique peut s'échapper d'un accu interchangeable endommagé. En cas de contact avec le liquide caustique de la batterie, laver immédiatement avec de l'eau et du savon. En cas de contact avec les yeux, rincer soigneusement avec de l'eau et consulter immédiatement un médecin.

Avertissement! Pour réduire le risque d'incendie, de blessures corporelles et de dommages causés par un court-circuit, ne jamais immerger l'outil, le bloc-piles ou le chargeur dans un liquide ou laisser couler un fluide à l'intérieur de celui-ci. Les fluides corrosifs ou conducteurs, tels que l'eau de mer, certains produits chim-iques industriels, les produits de blanchiment ou de blanchiment, etc., peuvent provoquer un court-circuit.

UTILISATION CONFORME AUX PRESCRIPTIONS

Le produit a été conçu uniquement pour une utilisation en plein air et par une personne debout.

Le produit est destiné à couper l'herbe, les mauvaises herbes et autres types de végétation suivant le niveau du terrain.

Lors de son utilisation, déplacer le dispositif d'une manière la plus possible parallèle à la surface du terrain.

Ne pas utiliser le produit pour couper ou découper des haies, buissons ou tout autre type de végétation, où le niveau de coupe ne soit pas parallèle au terrain.

Comme déjà indiqué, cette machine n'est conçue que pour être utilisée conformément aux prescriptions.

DÉCLARATION CE DE CONFORMITÉ

Nous déclarons, en tant que fabricant et sous notre seule responsabilité, Nous déclarons, en tant que fabricant et sous notre seule responsabilité, que le produit décrit dans « Données techniques » est conforme à toutes les dispositions pertinentes des directives 2011/65/UE (RoHS), 2014/30/UE, 2006/42/CE, 2000/14/EC, 2005/88/EC et des documents normatifs harmonisés suivants :

EN 62841-1:2015
EN 60335-1:2012+A11:2014+A13:2017
EN 50636-2-91:2014
EN 55014-1:2017+ A11:2020
EN 55014-2:2015
EN IEC 63000:2018

Niveau de puissance acoustique mesuré: 94 dB(A)
Niveau de puissance acoustique garanti: 96 dB(A)

Procédure d'évaluation de la conformité suivant 2000/14/CE annexe V.

Service administratif cité:
DEKRA Certification B.V. (0344)
Meander 1051/P.O.Box 5185
6825 MS ARNHEIM/6802 ED ARNHEIM
Netherlands

Winnenden, 2021-06-14



Alexander Krug
Managing Director



Autorisé à compiler la documentation technique.

Techtronic Industries GmbH
Max-Eyth-Straße 10
71364 Winnenden
Germany

ACCUS

Recharger les accus avant utilisation après une longue période de non utilisation.

Une température supérieure à 50°C amoindrit la capacité des accus. Éviter les expositions prolongées au soleil ou au chauffage.

Tenir propres les contacts des accus et des chargeurs.

Pour une durée de vie optimale, les accus doivent être chargés à fond après l'utilisation.

Pour une plus longue durée de vie, enlever les batteries du chargeur de batterie quand celles-ci seront chargées.

En cas d'entreposage de la batterie pour plus de 30 jours: Entreposer la batterie à 27°C environ dans un endroit sec. Entreposer la batterie avec une charge d'environ 30% - 50%.

Recharger la batterie tous les 6 mois.

PROTECTION DE L'ACCU CONTRE LES SURCHARGES BATTERIE LITHIUM-ION

Le bloc d'accus est équipé d'un dispositif de protection contre la surcharge qui protège l'accu contre une surcharge et qui assure une longue durée de vie.

En cas de sollicitation extrêmement élevée, l'unité électronique de l'accu éteint la machine automatiquement. Pour continuer le travail, il convient d'éteindre la machine et de l'enclencher à nouveau. Si la machine ne redémarre pas, il se peut que le bloc d'accus soit déchargé et qu'il doive être rechargé dans le chargeur.

TRANSPORT DE BATTERIES LITHIUM-ION

Les batteries lithium-ion sont soumises aux dispositions législatives concernant le transport de produits dangereux.

Le transport de ces batteries devra s'effectuer dans le respect des dispositions et des normes locales, nationales et internationales.

- Les utilisateurs peuvent transporter ces batteries sans restrictions.
- Le transport commercial de batteries lithium-ion est réglé par les dispositions concernant le transport de produits dangereux. La préparation au transport et le transport devront être effectués uniquement par du personnel formé de façon adéquate. Tout le procédé devra être géré d'une manière professionnelle.

Durant le transport de batteries il faut respecter les consignes suivantes :

- S'assurer que les contacts soient protégés et isolés en vue d'éviter des courts-circuits.
- S'assurer que le groupe de batteries ne puisse pas se déplacer à l'intérieur de son emballage.
- Des batteries endommagées ou des batteries perdant du liquide ne devront pas être transportées.

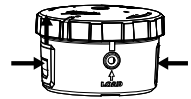
Pour tout renseignement complémentaire veuillez vous adresser à votre transporteur professionnel.

REMPLACEMENT DU FIL DE DE COUPE

Utilisez uniquement des fils de coupe MILWAUKEE (voir la section « Caractéristiques techniques »). Utilisez soit des fils de coupe de 6 m de long et de 2,4 mm d'épaisseur, soit des fils de 7,6 m de long et de 2 mm d'épaisseur. Remarque : Lorsqu'il est utilisé sur des surfaces abrasives ou des lieux où la végétation est dense, le fil de coupe s'use plus rapidement.

Pour changer le fil de coupe, consultez la section photos.

Dans des conditions de fonctionnement normales, le fil restant est éjecté de la tête de coupe pendant le fonctionnement. Pour enlever le fil restant ou insérer un nouveau fil de coupe, tournez la tondeuse à gazon de 180°, appuyez sur les languettes pour la libérer puis retirez le couvercle.



Retirez les restes de fils courts. Remettez ensuite le couvercle sur la tête de coupe et enclenchez le tout sur les languettes.

ENTRETIEN

Tenir toujours propres les orifices de ventilation de la machine.

L'inspection du produit exige beaucoup de précision et de savoir-faire technique et elle doit être effectuée uniquement par un technicien d'assistance qualifié. Envoyer le produit à un centre d'assistance autorisé pour toute opération d'inspection et de réparation. Pour l'entretien utiliser uniquement des pièces détachées identiques.

Avant d'effectuer toute opération d'entretien ou de nettoyage, désactiver le dispositif et enlever la batterie.

Effectuer uniquement les configurations et les réparations décrites ici. Pour toutes les autres interventions de réparation, veuillez vous adresser à un revendeur spécialisé autorisé.

Comme bobine de fil de recharge, utiliser uniquement des fils en nylon sur bobines ayant un diamètre indiqué dans les présentes instructions.

Après avoir inséré le nouveau fil de coupe, avant de mettre en marche le produit, rétablir sa normale position de fonctionnement.

Après chaque utilisation, nettoyer le produit avec un chiffon sec et doux. Les pièces endommagées doivent être réparées ou remplacées chez un centre d'assistance autorisé.

Contrôler à des intervalles réguliers que tous les écrous, boulons et vis soient correctement serrés pour assurer le fonctionnement en toute sécurité du produit.

Utiliser uniquement les accessoires Milwaukee et les pièces détachées Milwaukee. Faire remplacer les composants dont le remplacement n'a pas été décrit, par un des centres de service après-vente Milwaukee (observer la brochure avec les adresses de garantie et de service après-vente).

En cas de besoin il est possible de demander un dessin éclaté du dispositif en indiquant le modèle de la machine et le numéro de six chiffres imprimé sur la plaquette de puissance et en s'adressant au centre d'assistance technique ou directement à Techtronic Industries GmbH, Max-Eyth-Straße 10, 71364 Winnenden, Germany.

SYMBOLES

	ATTENTION! AVERTISSEMENT! DANGER!
	Veuillez lire avec soin le mode d'emploi avant la mise en service
	Avant tous travaux sur la machine retirer l'accu interchangeable.
	Porter des gants de protection!
	Toujours porter une protection acoustique!
	Toujours porter des lunettes protectrices en travaillant avec la machine.
	Toujours porter des vêtements de protection et des chaussures robustes.
	Gardez une distance de sécurité entre l'outil de jardin et les personnes se trouvant à proximité.

	Ne pas utiliser sous la pluie et ne pas laisser à l'extérieur pendant la pluie.
	Prêter attention aux objets qui pourraient être éjectés par le dispositif. Assurez-vous d'avoir une distance de sécurité suffisante des personnes à proximité de vous.
	Ne pas utiliser des lames métalliques à l'intérieur de ce produit.
	Direction de rotation
	Pièces ou accessoires non compris dans la limite de fourniture.
	Les dispositifs électriques, les batteries et les batteries rechargeables ne sont pas à éliminer dans les déchets ménagers. Les dispositifs électriques et les batteries sont à collecter séparément et à remettre à un centre de recyclage en vue de leur élimination dans le respect de l'environnement. S'adresser aux autorités locales ou au détaillant spécialisé en vue de connaître l'emplacement des centres de recyclage et des points de collecte.
	Marque de conformité européenne
	Marque de conformité britannique
	Marque de conformité ukrainienne
	Marque de conformité d'Eurasie

DATI TECNICI	TOSAERBA A BATTERIA	M18 BLLT
Numero di serie	4779 19 02...	...00001-999999
Giri a vuoto, bassa velocità	0-4600 min ⁻¹	
Giri a vuoto, alta velocità	0-6200 min ⁻¹	
Ø max filo da taglio	2,4 mm	
Spessore taglio max	400 mm	
Tensione batteria	18 V	
Peso secondo la procedura EPTA 01/2014 (Li-Ion 5,5 Ah...12,0 Ah)	5,39...5,85 kg	
Temperatura consigliata durante il lavoro	-18...+50 °C	
Batterie consigliate	M18 HB5.5; M18 HB8.0; M18 HB12.0	
Caricatori consigliati	M12-18...; M1418C	

Informazioni sulla rumorosità/sulle vibrazioni

Valori misurati conformemente alla norma EN 62841.

La misurazione A del livello di pressione acustica dell'utensile è di solito di:

Livello di rumorosità (Incertezza della misura K=3dB(A))	75 dB (A)
Potenza della rumorosità (Incertezza della misura K=3dB(A))	95 dB (A)

Utilizzare le protezioni per l'udito!

Valori totali delle oscillazioni (somma di vettori in tre direzioni) misurati conformemente alla norma EN 62841.

Vibrazioni all'impugnatura anteriore	< 2.5 m/s ²
Vibrazioni all'impugnatura posteriore	< 2.5 m/s ²
Incertezza della misura K=	1.5 m/s ²

AVVERTENZA!

Il/i valore/i di emissione acustica riportato/i in questa scheda informativa sono stati misurati conformemente a un metodo di prova standard sulla base della norma EN 62841 e possono essere utilizzati per confrontare gli utensili tra loro. Può/possono essere utilizzato/i anche per una valutazione preliminare dell'esposizione.

Il livello di vibrazione ed emissione acustica dichiarato rappresenta le applicazioni principali dell'utensile. Tuttavia, se l'utensile è utilizzato per applicazioni diverse, con accessori differenti o una manutenzione non adeguata, la vibrazione e l'emissione acustica potrebbero variare. Ciò può aumentare significativamente il livello di esposizione durante l'intera durata del lavoro.

Una stima del livello di esposizione alle vibrazioni e al rumore dovrebbe tenere conto anche dei periodi in cui l'utensile è spento o è in funzione ma non sta lavorando. Ciò può ridurre significativamente il livello di esposizione durante l'intera durata del lavoro.

Identificare le misure di sicurezza supplementari per proteggere l'operatore dagli effetti delle vibrazioni e/o del rumore, ad esempio eseguendo la manutenzione dell'utensile e degli accessori, mantenendo le mani calde e organizzando gli schemi di lavoro.

AVVERTENZA! Leggere tutte le avvertenze di sicurezza, istruzioni operative, illustrazioni e specifiche fornite con questo elettrodotto. Il mancato rispetto delle istruzioni di seguito riportate può causare scosse elettriche, incendi e/o lesioni gravi. **Conservare tutte le avvertenze di pericolo e le istruzioni operative per ogni esigenza futura.**

ISTRUZIONI DI SICUREZZA DECESPUGLIATORE

- Non usare il dispositivo con condizioni atmosferiche avverse, soprattutto non in presenza di rischio di fulmini.** In questo modo si riduce il rischio di folgorazione.
- Controllare accuratamente l'area di applicazione per la presenza di animali selvatici prima dell'uso.** Gli animali selvatici possono essere feriti dal dispositivo.
- Controllare attentamente l'area di applicazione e rimuovere pietre, bastoni, fili, ossa o altri corpi estranei.** Eventuali corpi estranei eiettati possono causare lesioni.
- Prima dell'uso, controllare che il meccanismo di taglio e le parti collegate non siano danneggiate.** Eventuali parti danneggiate aumentano il rischio di lesioni.
- Non rimuovere i dispositivi di sicurezza. I dispositivi di sicurezza devono essere funzionanti e devono essere correttamente installati.** Un dispositivo di sicurezza allentato, danneggiato o non correttamente funzionante può causare lesioni.

- Mantenere pulite tutte le prese per l'aria di raffreddamento.** Prese d'aria bloccate o sporche causano il surriscaldamento del dispositivo e possono provocare un incendio.
- Indossare una protezione per gli occhi e le orecchie quando si utilizza il dispositivo.** L'uso di adeguati dispositivi di protezione riduce il rischio di lesioni.
- Indossare sempre scarpe di sicurezza antiscivolo quando si lavora con il dispositivo. Non azionare il dispositivo a piedi nudi o con scarpe aperte.** In questo modo si evitano lesioni ai piedi causate dal contatto con il meccanismo di taglio rotante.
- Indossare sempre pantaloni lunghi quando si lavora con il dispositivo.** Il contatto con il meccanismo di taglio rotante o con il filo da taglio può causare lesioni.
- Durante l'uso, tenere lontane le persone che si trovano nelle vicinanze.** Parti eiettate possono causare lesioni gravi.
- Non guidare il dispositivo tenendolo al di sopra dell'altezza di vita.** In questo modo si impedisce il contatto accidentale con il meccanismo di taglio e si ottiene un migliore controllo del dispositivo in situazioni impreviste.
- Operare con molta attenzione quando si taglia l'erba bagnata. Procedere sempre soltanto camminando, mai correndo.** In questo modo si riduce il rischio di scivolare e cadere e si prevengono le lesioni.
- Non utilizzare il dispositivo su pendii estremamente ripidi.** In questo modo si riduce la perdita di controllo, il rischio di scivolare e cadere e si prevengono le lesioni.

n) Quando si lavora su un pendio, accertarsi di un posizionamento stabile e lavorare sempre ad angolo retto rispetto al pendio. Non lavorare mai in senso longitudinale rispetto alla pendenza ed esercitare la massima cautela quando si cambia direzione. In questo modo si riduce la perdita di controllo, il rischio di scivolare e cadere e si prevengono le lesioni.

o) Tenere le prolunghie e i cavi di rete lontani dall'area di taglio. Le prolunghie e i cavi di rete nascosti sotto siepi e cespugli potrebbero essere accidentalmente tagliati o danneggiati dal meccanismo o dal filo da taglio.

p) Tenere tutte le parti del corpo lontane dal meccanismo o dal filo da taglio. Non pulire il dispositivo fino a quando la spina di alimentazione non è stata staccata. Il meccanismo di taglio rotante o il filo da taglio possono causare gravi lesioni.

q) Trasportare il dispositivo solo quando è spento e tenerlo lontano dal corpo. Una corretta manipolazione del dispositivo riduce il rischio di contatto accidentale con il meccanismo di taglio rotante o con il filo da taglio.

r) Utilizzare solo teste di taglio di ricambio e filo da taglio di ricambio consigliati dal produttore. Non sostituire i meccanismi di taglio o il filo da taglio con filo di metallo o con lame di metallo. Eventuali parti di ricambio non autorizzate possono causare la perdita di controllo, danni e lesioni.

ULTERIORI INDICAZIONI DI SICUREZZA

Non usare il dispositivo senza l'elemento di collegamento. Durante il taglio, l'elemento di collegamento deve essere fissato correttamente. L'uso del decespugliatore senza elemento di collegamento può causare gravi lesioni.

Prima di iniziare togliere la batteria dalla macchina.

Non gettare le batterie esaurite sul fuoco o nella spazzatura di casa. La Milwaukee offre infatti un servizio di recupero batterie usate.

Nel vano d'innesto per la batteria del caricatore non devono entrare parti metalliche (pericolo di cortocircuito).

Le batterie del System M18 sono ricaricabili esclusivamente con i caricatori del System M18. Le batterie di altri sistemi non possono essere ricaricate.

Non aprire né la batteria né il caricatore e conservarli solo in luogo asciutto. Proteggerli dalla umidità.

Nel caso di batterie danneggiate da un carico eccessivo o da temperature alte, l'acido di queste potrebbe fuoriuscire. In caso di contatto con l'acido delle batterie lavarsi immediatamente con acqua e sapone. In caso di contatto con gli occhi risciacquare immediatamente con acqua per almeno 10 minuti e contattare subito un medico.

Attenzione! Per ridurre il rischio d'incendio, di lesioni o di danni al prodotto causati da corto circuito, non immergere mai l'utensile, la batteria ricaricabile o il carica batterie in un liquido e non lasciare mai penetrare alcun liquido all'interno dei dispositivi e delle batterie. I fluidi corrosivi o conduttori come acqua salata, alcuni agenti chimici, agenti candeggianti o prodotti contenenti agenti candeggianti potrebbero provocare un corto circuito.

UTILIZZO CONFORME

Il prodotto è concepito soltanto per l'uso all'esterno e da persona in piedi.

Il prodotto è destinato al taglio di erba, erbaccia ed altro tipo di vegetazione simile all'altezza del terreno.

Durante l'uso, muovere il dispositivo il più possibile parallelo alla superficie del terreno.

Non usare il prodotto per tagliare o rifilare siepi, cespugli o altro tipo di vegetazione, dove il livello di taglio non sia parallelo al terreno.

Utilizzare il prodotto solo per l'uso per cui è previsto.

DICHIARAZIONE CE DI CONFORMITÀ

In qualità di produttore dichiariamo sotto la nostra esclusiva responsabilità che il prodotto descritto nei "Dati tecnici" è conforme a tutte le disposizioni pertinenti delle direttive 2011/65/UE (RoHS), 2014/30/UE, 2006/42/CE, 2000/14/EC, 2005/88/EC e dei seguenti documenti normativi armonizzati:

EN 62841-1:2015
EN 60335-1:2012+A11:2014+A13:2017
EN 50636-2-91:2014
EN 50614-1:2017+ A11:2020
EN 55014-2:2015
EN IEC 63000:2018

Livello di potenza sonora misurato: 94 dB(A)
Livello di potenza sonora garantito: 96 dB(A)

Procedura di valutazione della conformità secondo 2000/14/CE allegato V.

Ufficio designato:
DEKRA Certification B.V. (0344)
Meander 1051/P.O.Box 5185
6825 MS ARNHEIM/6802 ED ARNHEIM
Netherlands

Winnenden, 2021-06-14



Alexander Krug
Managing Director



Autorizzato alla preparazione della documentazione tecnica

Technronic Industries GmbH
Max-Eyth-Straße 10
71364 Winnenden
Germany

BATTERIE

Batterie non utilizzate per molto tempo devono essere ricaricate prima dell'uso.

A temperature superiori ai 50°C, la potenza della batteria si riduce.

Evitare di esporre l'accumulatore a surriscaldamento prolungato, dovuto ad esempio ai raggi del sole o ad un impianto di riscaldamento.

Per una ottimale vita utile è necessario ricaricare completamente le batterie dopo l'uso.

Per una più lunga durata, rimuovere le batterie dal caricabatterie quando saranno cariche.

In caso di immagazzinaggio della batteria per più di 30 giorni:

Immagazzinare la batteria a circa 27°C in ambiente asciutto. Immagazzinare la batteria con carica di circa il 30% - 50%. Ricaricare la batteria ogni 6 mesi.

DISPOSITIVO ANTISOVRACCARICO ACCUMULATORE BATTERIA AGLI IONI DI LITIO

Il gruppo accumulatore è equipaggiato con un dispositivo antisovraccarico, che protegge l'accumulatore da qualsiasi sovraccarico e assicura un'elevata durata di vita. In caso di sollecitazione estremamente elevata, l'elettronica dell'accumulatore spegne la macchina automaticamente. Per poter continuare a lavorare bisogna spegnere e riaccendere la macchina. Se la macchina non dovesse riavviarsi, il gruppo accumulatore potrebbe essere scarico e va ricaricato nel carica-batteria.

TRASPORTO DI BATTERIE AGLI IONI DI LITIO

Le batterie agli ioni di litio sono soggette alle disposizioni di legge sul trasporto di merce pericolosa.

Il trasporto di queste batterie deve avvenire rispettando le disposizioni e norme locali, nazionali ed internazionali.

- Gli utilizzatori possono trasportare queste batterie su strada senza alcuna restrizione.
- Il trasporto commerciale di batterie agli ioni di litio è regolato dalle disposizioni sul trasporto di merce pericolosa. Le preparazioni al trasporto ed il trasporto stesso devono essere svolti esclusivamente da persone idoneamente istruite. Tutto il processo deve essere gestito in maniera professionale.

Durante il trasporto di batterie occorre tenere conto di quanto segue:

- Assicurarsi che i contatti siano protetti ed isolati per evitare corto circuiti.
- Accertarsi che il gruppo di batterie non possa spostarsi all'interno dell'imballaggio.
- Batterie danneggiate o batterie che perdono liquido non devono essere trasportate.

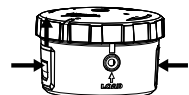
Per ulteriori informazioni si prega di contattare il proprio trasportatore.

SOSTITUIRE IL FILO DA TAGLIO

Utilizzare esclusivamente i fili di taglio MILWAUKEE (vedi il paragrafo "Dati tecnici"). Utilizzare fili di taglio di 6 m di lunghezza e 2,4 mm di spessore oppure fili di 7,6 m di lunghezza e 2 mm di spessore. Avvertenza: In caso di utilizzo su superfici abrasive o con densa vegetazione, il filo da taglio si consuma più velocemente.

Per sostituire il filo da taglio, consultare la parte con immagini.

In condizioni operative normali, il filo rimanente viene espulso dalla testa di taglio durante il funzionamento. Per rimuovere eventuali residui del filo o per inserire un nuovo tipo di filo da taglio, ruotare il decespugliatore di 180°, premere le linguette per sbloccare e rimuovere il coperchio.



Rimuovere i corti residui di filo eventualmente rimasti. Quindi riposizionare il coperchio sulla testa di taglio e farlo scattare in posizione sulle linguette.

MANUTENZIONE

Tener sempre ben pulite le fessure di ventilazione dell'apparecchio.

L'ispezione del prodotto richiede molta accuratezza e know-how tecnico e deve essere eseguita esclusivamente da un tecnico di assistenza qualificato. Inviare il prodotto ad un centro di assistenza autorizzato per qualsiasi lavoro di ispezione o riparazione. Per la manutenzione usare esclusivamente parti di ricambio identiche.

Prima di eseguire lavori di manutenzione o pulizia, spegnere il dispositivo e togliere la batteria.

Eseguire soltanto le impostazioni e riparazioni qui descritte. Per tutti gli altri interventi di riparazione si prega di contattare un rivenditore specializzato autorizzato.

Come bobina di filo di ricambio, usare soltanto fili di nylon su bobine con il diametro indicato nelle presenti istruzioni.

Dopo aver inserito il nuovo filo da taglio, prima di avviare il prodotto riportarlo nella sua normale posizione di lavoro.

Dopo ogni uso pulire il prodotto con un panno asciutto, morbido. Parti danneggiate devono essere riparate o sostituite in un centro di assistenza autorizzato.

Controllare ad intervalli regolari che tutti i dadi, bulloni e viti siano correttamente serrati per garantire il funzionamento in sicurezza del prodotto.

Usare solo accessori Milwaukee e pezzi di ricambio Milwaukee. Gruppi costruttivi la cui sostituzione non è stata descritta, devono essere fatti cambiare da un punto di servizio di assistenza tecnica al cliente Milwaukee (vedi depliant garanzia/indirizzi assistenza tecnica ai clienti).

In caso di necessità è possibile richiedere un disegno esploso del dispositivo indicando il modello della macchina ed il numero a sei cifre sulla targa di potenza rivolgendosi al centro di assistenza tecnica o direttamente a Techtronic Industries GmbH, Max-Eyth-Straße 10, 71364 Winnenden, Germany.

SIMBOLI

	ATTENZIONE! AVVERTENZA! PERICOLO!
	Leggere attentamente le istruzioni per l'uso prima di mettere in funzione l'elettroutensile.
	Prima di iniziare togliere la batteria dalla macchina.
	Indossare guanti protettivi!
	Utilizzare le protezioni per l'udito!
	Durante l'uso dell'apparecchio utilizzare sempre gli occhiali di protezione.
	Indossare sempre indumenti di protezione e scarpe robuste.
	Fare in modo che persone che si trovano nelle vicinanze rimangano a distanza di sicurezza dall'apparecchio per il giardinaggio.
	Non usare sotto la pioggia e non lasciare all'esterno mentre piove.

	Porre attenzione agli oggetti che potrebbero essere scagliati dal dispositivo. Accertarsi di mantenere una sufficiente distanza di sicurezza dalle persone nelle vicinanze.
	Non usare lame metalliche all'interno di questo prodotto.
	Direzione di rotazione
	Parti o accessori non compresi nel limite di fornitura.
	I dispositivi elettrici, le batterie e le batterie ricaricabili non devono essere smaltiti con i rifiuti domestici. I dispositivi elettrici e le batterie devono essere raccolti separatamente e devono essere conferiti ad un centro di riciclaggio per lo smaltimento rispettoso dell'ambiente. Chiedere alle autorità locali o al rivenditore specializzato dove si trovano i centri di riciclaggio e i punti di raccolta.
	Marchio di conformità europeo
	Marchio di conformità britannico
	Marchio di conformità ucraino
	Marchio di conformità euroasiatico

Número de producción	4779 19 02... ...000001-999999
Velocidad de giro sin carga, velocidad de giro baja	0-4600 min ⁻¹
Velocidad de giro sin carga, velocidad de giro alta	0-6200 min ⁻¹
Ø máx. de la nueva línea ampliada	2,4 mm
Capacidad de corte máx.	400 mm
Voltaje de batería.....	18 V
Peso de acuerdo con el procedimiento EPTA 01/2014 (Li-Ion 5,5 Ah...12,0 Ah)	5,39...5,85 kg
Temperatura ambiente recomendada durante el trabajo.....	-18...+50 °C
Tipos de acumulador recomendados	M18 HB5.5; M18 HB8.0; M18 HB12.0
Cargadores recomendados	M12-18...; M1418C

Información sobre ruidos / vibraciones

Determinación de los valores de medición según norma EN 62841. El nivel de ruido típico del aparato determinado con un filtro A corresponde a:

Presión acústica (Tolerancia K=3dB(A))	75 dB (A)
Resonancia acústica (Tolerancia K=3dB(A)).....	95 dB (A)

Usar protectores auditivos!

Nivel total de vibraciones (suma vectorial de tres direcciones) determinado según EN 62841.

Vibración en el mango anterior	< 2.5 m/s ²
Vibración en el mango posterior	< 2.5 m/s ²
Tolerancia K=.....	1.5 m/s ²

ADVERTENCIA!

El nivel de emisión de ruido y vibración indicado en esta hoja informativa se ha medido de acuerdo con una prueba estandarizada que figura en EN 62841 y se puede usar para comparar una herramienta con otra. Puede ser empleado para una evaluación preliminar de la exposición.

El nivel declarado emisión de vibración y ruido representa las principales aplicaciones de la herramienta. Sin embargo, si la herramienta se utiliza para diferentes aplicaciones, con diferentes accesorios o con un mantenimiento deficiente, la emisión de ruido y vibración puede diferir. Esto puede aumentar significativamente el nivel de exposición durante el periodo total de trabajo.

También se debe tener en cuenta una estimación del nivel de exposición a la vibración y el ruido cuando la herramienta está apagada o cuando está funcionando, pero no está haciendo su trabajo. Esto puede reducir significativamente el nivel de exposición durante el periodo total de trabajo.

Identifique medidas de seguridad adicionales para proteger al operador de los efectos de la vibración o el ruido, como realizar mantenimiento de la herramienta y los accesorios, mantener las manos calientes y organizar las pautas de trabajo.

⚠ ADVERTENCIA: Lea todas las advertencias de peligro, instrucciones, ilustraciones y especificaciones suministradas con esta herramienta eléctrica. En caso de no atenderse a las instrucciones siguientes, ello puede ocasionar una descarga eléctrica, un incendio y/o lesión grave. **Guardar todas las advertencias de peligro e instrucciones para futuras consultas.**

⚠ INSTRUCCIONES DE SEGURIDAD PARA DESBROZADORA DE CÉSPED

- a) **No utilizar el aparato con mal tiempo, especialmente si hay riesgo de impactos de rayos.** De esta forma evitará el riesgo de ser alcanzado por un rayo.
- b) **Antes del uso, controlar a fondo si hay animales silvestres en la zona de aplicación.** Los animales silvestres pueden sufrir lesiones provocadas por el aparato.
- c) **Examinar con cuidado la zona de aplicación y retirar piedras, palos, alambres, huesos y otros cuerpos extraños.** Los cuerpos extraños proyectados pueden causar lesiones.
- d) **Antes del uso, controlar si hay piezas del dispositivo de corte o del mecanismo de corte que están dañadas.** Las piezas dañadas aumentan el riesgo de lesiones.
- e) **No retirar los dispositivos de corte. Los dispositivos de corte han de estar operativos y montados correctamente.** Un dispositivo de corte suelto, dañado o que no funciona correctamente puede provocar lesiones.

- f) **Mantener limpias todas las entradas de aire de refrigeración.** Si los orificios de entrada de aire están bloqueados o sucios se produce un sobrecalentamiento del aparato, pudiéndose provocar un incendio.
- g) **Llevar puesta una protección de ojos y oídos mientras se usa el aparato.** Llevar puesto un equipo de protección adecuado reduce el riesgo de lesiones.
- h) **Utilizar siempre calzado de seguridad antideslizante a la hora de trabajar con el aparato. No operar el aparato estando descalzo o con calzado abierto.** De esta forma evitará lesiones en los pies por contacto con el dispositivo de corte giratorio.
- i) **Llevar siempre pantalones largos a la hora de trabajar con el aparato.** El contacto con el dispositivo de corte giratorio o el hilo de corte puede provocar lesiones.
- j) **Mantener alejadas a las personas próximas durante el uso del aparato.** Las piezas proyectadas pueden provocar lesiones graves.
- k) **No elevar el aparato por encima de la altura de la cadera.** De esta forma se evita el contacto involuntario con el dispositivo de corte y se puede controlar mejor el aparato en situaciones imprevistas.
- l) **Tener mucho cuidado cuando se corta hieda húmeda. Límitese siempre a caminar, no corra nunca.** Así se reduce el riesgo de resbalar o caerse y se evitan lesiones.
- m) **No utilizar el aparato en pendientes extremadamente pronunciadas.** Así se reduce el riesgo de perder el

control del aparato, resbalar o caerse y se evitan lesiones.

- n) **Asegurarse de que la posición es segura si se trabaja en una pendiente y trabajar siempre en sentido transversal respecto de la pendiente. No trabajar nunca en sentido longitudinal respecto de la inclinación de la pendiente y hacer que prevalezca siempre el máximo cuidado a la hora de cambiar de dirección.** Así se reduce el riesgo de perder el control del aparato, resbalar o caerse y se evitan lesiones.
- o) **Mantener los cables alargadores o de red alejados de la zona de corte.** El dispositivo de corte o el hilo de corte podrían trocear o dañar de forma involuntaria los cables alargadores o de red que se encuentran escondidos en setos y arbustos.
- p) **Mantener todas las partes del cuerpo alejadas del dispositivo de corte o del hilo de corte. Limpiar el aparato solo después de haber extraído el enchufe de red.** El dispositivo de corte giratorio o el hijo de corte pueden provocar lesiones graves.
- q) **Transportar el aparato estando este siempre desconectado y, al hacerlo, mantenerlo alejado del cuerpo.** La manipulación correcta del aparato reduce el riesgo de un contacto involuntario con el dispositivo de corte giratorio o el hilo de corte.
- r) **Utilizar solo cabezas de corte de repuesto e hilos de corte de repuesto que estén recomendados por el fabricante. No sustituir los dispositivos de corte o los hilos de corte por hilos metálicos o cuchillas metálicas.** Las piezas de repuesto no autorizadas pueden provocar pérdidas de control, daños y lesiones.

INSTRUCCIONES DE SEGURIDAD ADICIONALES

No utilizar el aparato sin acoplador. Al realizar cortes, el acoplador debe estar asegurado correctamente. La utilización de la desbrozadora de césped sin acoplador puede provocar lesiones graves.

Retire la batería antes de comenzar cualquier trabajo en la máquina.

No tire las baterías usadas a la basura ni al fuego. Los Distribuidores Milwaukee ofrecen un servicio de recogida de baterías antiguas para proteger el medio ambiente.

No almacene la batería con objetos metálicos (riesgo de cortocircuito).

Recargar solamente los acumuladores del Sistema M18 en cargadores M18. No intentar recargar acumuladores de otros sistemas.

No abra nunca las baterías ni los cargadores y guárdelos sólo en lugares secos. Protéjalos de la humedad en todo momento.

En caso de sobrecarga o alta temperatura, pueden llegar a producirse escapes de ácido provenientes de la batería. En caso de contacto con éste, limpie inmediatamente la zona con agua y jabón. Si el contacto es en los ojos, límpiense concienzudamente con agua durante 10 minutos y acuda inmediatamente a un médico

Advertencia! Para reducir el riesgo de incendio, lesión personales y daños al producto debido a un cortocircuito, no sumerja nunca la herramienta, el paquete de baterías o el cargador en líquido ni permita que fluya un fluido dentro de ellos. Los fluidos corrosivos o conductivos, como el agua de mar, ciertos productos quími-cos industriales y blanqueadores o lejías que contienen, etc., Pueden causar un cortocircuito.

APLICACIÓN DE ACUERDO A LA FINALIDAD

El producto ha sido diseñado solo para su uso en exteriores y por una persona que esté de pie.

El producto es adecuado para cortar hierba, maleza o plantas similares que crezcan a ras de suelo.

Al cortar, mueva el aparato lo más paralelamente posible a la superficie del suelo.

No utilice el producto para cortar o desbrozar setos, matorrales u otro tipo de plantas, en las cuales el nivel de corte no esté en paralelo respecto al suelo.

No utilice este producto para ninguna otra aplicación que no sea su uso normal.

DECLARACIÓN CE DE CONFORMIDAD

Declaramos como fabricante y bajo nuestra responsabilidad que el producto descrito bajo "Datos técnicos" está en conformidad con todas las normas relevantes de las directivas 2011/65/UE (RoHS), 2014/30/UE, 2006/42/CE, 2000/14/EC, 2005/88/EC y con las siguientes normas o documentos normalizados:

- EN 62841-1:2015
- EN 60335-1:2012+A11:2014+A13:2017
- EN 50636-2-91:2014
- EN 55014-1:2017+ A11:2020
- EN 55014-2:2015
- EN IEC 63000:2018

Nivel de potencia sonora medido: 94 dB(A)
Nivel de potencia sonora garantizado: 96 dB(A)

Procedimientos de evaluación de la conformidad realizados de acuerdo con la directiva 2000/14/CE, Anexo V.

Organismo notificado:
DEKRA Certification B.V. (0344)
Meander 1051/P.O.Box 5185
6825 MS ARNHEIM/6802 ED ARNHEIM
Netherlands

Winnenden, 2021-06-14



Alexander Krug
Managing Director



Autorizado para la redacción de los documentos técnicos.

Techtronic Industries GmbH
Max-Eyth-Straße 10
71364 Winnenden
Germany

BATERÍA

Las baterías no utilizadas durante cierto tiempo deben ser recargadas antes de usar.

Las temperaturas superiores a 50°C reducen el rendimiento de la batería. Evite una exposición excesiva a fuentes de calor o al sol (riesgo de sobrecalentamiento).

Los puntos de contacto de los cargadores y las baterías se deben mantener limpios.

Para un tiempo óptimo de vida, deberán cargarse las baterías completamente después de su uso.

Para garantizar la máxima capacidad y vida útil, las baterías recargables se deberían retirar del cargador una vez finalizada la carga.

En caso de almacenar la batería recargable más de 30 días:

Almacenar la batería recargable en un lugar seco a una temperatura de aproximadamente 27°C.

Almacenar la batería recargable con un estado de carga del

30% y 50% aproximadamente.
Recargar la batería cada 6 meses.

PROTECCIÓN CONTRA SOBRECARGA DE LA BATERÍA BATERÍA DE IONES DE LITIO

El paquete del acumulador está dotado de un dispositivo de protección contra la sobrecarga que asegura una prolongada vida útil.

En caso de esfuerzo extremadamente intenso, la electrónica del acumulador desconecta automáticamente la máquina. Para continuar trabajando, desconectar y conectar de nuevo la máquina. Si la máquina no se pone nuevamente en marcha, es posible que se haya descargado el acumulador por lo que deberá recargarse en el cargador.

TRANSPORTE DE BATERÍAS DE IONES DE LITIO

Las baterías de iones de litio caen bajo las disposiciones legales relativas al transporte de mercancías peligrosas.

El transporte de estas baterías recargables debe llevarse a cabo, observando las normas y disposiciones locales, nacionales e internacionales.

- Los consumidores pueden transportar estas baterías recargables sin el menor reparo en la calle.
- El transporte comercial de baterías recargables de iones de litio por empresas de transportes está sometido a las disposiciones del transporte de mercancías peligrosas. Las preparaciones para el envío y el transporte deben ser llevados a cabo exclusivamente por personas instruidas adecuadamente. El proceso completo debe ser supervisado por personal competente.

Los siguientes puntos se deben observar para el transporte de las baterías recargables:

- Se debe asegurar que los contactos estén protegidos y aislados para evitar que se produzcan cortocircuitos.
- Preste atención a que el conjunto de baterías recargables no se pueda desplazar dentro del envase.
- Las baterías recargables deterioradas o derramadas no se deben transportar.

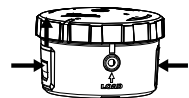
Rogamos que para cualquier información adicional se dirija a su empresa de transportes.

SUSTITUCIÓN DEL HILO DE CORTE

Utilizar solo hilos de corte de MILWAUKEE (véase el apartado «Datos técnicos»). Utilizar hilos de corte de 6 m de longitud y 2,4 mm de espesor, o bien hilos de 7,6 m de longitud y 2 mm de espesor. Nota: Al utilizar el hilo de corte en superficies abrasivas o con una vegetación espesa, este se desgasta más rápidamente.

Para sustituir el hilo de corte, véase la parte con imágenes.

En condiciones normales de operación, el resto que queda del hilo lo expulsa la cabeza de corte durante el funcionamiento. Para retirar restos de hilos o para utilizar un nuevo hilo de corte, girar la desbrozadora de césped en 180°; para desbloquearla, ejercer presión sobre las lengüetas y quitar la tapa.



Retirar los restos cortos de hilos. A continuación, volver a colocar la tapa sobre la cabeza de corte y dejar que quede enclavada en las lengüetas.

MANTENIMIENTO

Las ranuras de ventilación de la máquina deben estar despejadas en todo momento.

Para inspeccionar el producto se requiere sumo cuidado, así como conocimientos especializados. Es imprescindible que deje este trabajo en manos de un técnico de servicio cualificado. Envíe el producto para su inspección o reparación a un centro de servicio autorizado. Para el mantenimiento, utilice solo piezas de repuesto idénticas.

Antes de llevar a cabo trabajos de mantenimiento o limpieza, apagar el aparato y retirar la batería.

Realice solo los ajustes y las reparaciones aquí descritas. Por favor, para el resto de trabajos de reparación, diríjase a un distribuidor autorizado.

Utilice como bobina de línea de repuesto solo hilos de nylon en bobinas que tengan el diámetro indicado en este manual de instrucciones.

Después de enhebrar la nueva línea ampliada y antes del arranque, poner el producto de nuevo en la posición de operación normal.

Después de cada uso, limpie el producto con un paño seco y suave. Las piezas dañadas deben ser reparadas o sustituidas por un centro de servicio autorizado.

Compruebe a intervalos regulares que todas las tuercas, pernos y tornillos están apretados correctamente a fin de garantizar el funcionamiento seguro del producto.

Utilice solamente accesorios y repuestos Milwaukee. En caso de necesitar reemplazar componentes no descritos, contacte con cualquiera de nuestras estaciones de servicio Milwaukee (consultar lista de servicio técnicos)

Puede solicitar, en caso necesario, una vista despiezada del aparato bajo indicación del tipo de máquina y el número de seis dígitos en la placa indicadora de potencia en su Servicio de Postventa o directamente en Techtronic Industries GmbH, Max-Eyth-Straße 10, 71364 Winnenden, Germany.

SÍMBOLOS

	¡ATENCIÓN! ¡ADVERTENCIA! ¡PELIGRO!
	Lea las instrucciones detenidamente antes de conectar la herramienta
	Retire la batería antes de comenzar cualquier trabajo en la máquina.
	Usar guantes protectores
	Usar protectores auditivos!
	Para trabajar con la máquina, utilizar siempre gafas de protección.
	Lleve siempre ropa de protección y calzado resistente.

	Cuide que las personas circundantes mantengan una distancia segura respecto al aparato para jardín.
	No usar bajo la lluvia o dejar en el exterior si está lloviendo.
	Preste atención a los objetos que puedan ser proyectados por el aparato. Asegúrese de que existe una distancia de seguridad lo suficientemente grande con las personas circundantes.
	No utilice en este producto cuchillas metálicas.
	Sentido de giro
	Las piezas de repuesto y los accesorios no están incluidos en la entrega.
	Los electrodomésticos y las baterías/acumuladores no se deben eliminar junto con la basura doméstica. Los aparatos eléctricos y los acumuladores se deben recoger por separado y se deben entregar a una empresa de reciclaje para una eliminación respetuosa con el medio ambiente. Infórmese en las autoridades locales o en su tienda especializada sobre los centros de reciclaje y puntos de recogida.
	Marcado de conformidad europeo
	Marcado de conformidad británico
	Marcado de conformidad ucraniano
	Marcado de conformidad euroasiático

Número de produção.....	4779 19 02... ...000001-999999
Velocidade de marcha lenta sem carga, pequena velocidade	0-4600 min ⁻¹
Velocidade de marcha lenta sem carga, grande velocidade ..	0-6200 min ⁻¹
Ø máx. do fio de corte.....	2,4 mm
máximo de corte	400 mm
Tensão do acumulador	18 V
Peso nos termos do procedimento-EPTA 01/2014 (Li-Ion 5,5 Ah...12,0 Ah)	5,39...5,85 kg
Temperatura ambiente recomendada ao trabalhar	-18...+50 °C
Tipos de baterias recomendadas	M18 HB5.5; M18 HB8.0; M18 HB12.0
Carregadores recomendados.....	M12-18...; M1418C

Informações sobre ruído/vibração

Valores de medida de acordo com EN 62841.

O nível de ruído avaliado A do aparelho é tipicamente:

Nível da pressão de ruído (Incertez K=3dB(A))..... 75 dB (A)

Nível da potência de ruído (Incertez K=3dB(A))..... 95 dB (A)

Use protectores auriculares!

Valores totais de vibração (soma dos vectores das três direcções) determinadas conforme EN 62841.

Vibração no manípulo dianteiro..... < 2,5 m/s²

Vibração no manípulo traseiro..... < 2,5 m/s²

Incerteza K=..... 1,5 m/s²

ATENÇÃO!

O nível de emissão de ruído e vibração fornecido nesta ficha de informações foi medido de acordo com um teste padronizado que se encontra na norma EN 62841, podendo ser utilizado para fazer comparações entre ferramentas. Pode ser utilizado para fazer uma avaliação preliminar da exposição.

O nível de emissão de ruído e vibração declarado representa as principais aplicações da ferramenta. No entanto, se a ferramenta for utilizada para aplicações diferentes ou com acessórios distintos, ou se a sua manutenção for deficiente, a emissão de ruídos e vibrações poderá diferir. Isso poderá aumentar significativamente o nível de exposição ao longo do período de trabalho total.

A estimativa do nível de exposição à vibração e ruído também deve ter em conta os tempos em que a ferramenta, quer desligada quer em funcionamento, não está realmente a trabalhar. Isso poderá reduzir significativamente o nível de exposição ao longo do período de trabalho total.

Identifique medidas de segurança adicionais para proteger o operador contra os efeitos da vibração e/ou ruído, tais como: fazer a manutenção da ferramenta e dos acessórios, manter as mãos quentes, organizar padrões de trabalho.

⚠️ ADVERTÊNCIA Devem ser lidas todas as advertências de segurança, instruções, ilustrações e especificações fornecidas com esta ferramenta elétrica.

O desrespeito das advertências e instruções apresentadas abaixo pode causar choque elétrico, incêndio e/ou graves lesões.

Guarde bem todas as advertências e instruções para futura referência.**⚠️ INSTRUÇÕES DE SEGURANÇA APARADOR DE RELVA**

- Não use o dispositivo em caso de mau tempo, particularmente quando houver o risco de relâmpago.** Assim, você reduz o perigo de ser atingido por um relâmpago.
- Antes da utilização, verifique cuidadosamente se há animais selvagens na área de aplicação.** Animais selvagens podem ser feridos pelo dispositivo.
- Verifique cuidadosamente a área de aplicação e remova pedras, varas, arames, ossos e outros corpos estranhos.** Corpos estranhos arremessados podem causar feridas.
- Verifique se há peças danificadas no dispositivo de corte e no mecanismo de corte.** Peças danificadas aumentam o risco de ferir-se.
- Não remova os dispositivos de proteção. Os dispositivos de proteção devem funcionar e estar montados corretamente.** Um dispositivo de proteção solto, danificado ou que não funciona corretamente pode causar feridas.

- Mantenha limpas todas as entradas de ar de refrigeração.** Aberturas de entrada de ar bloqueadas ou sujas levam a um sobreaquecimento do dispositivo e podem provocar um incêndio.
- Use uma proteção dos olhos e auditiva durante a utilização do dispositivo.** A utilização dum equipamento de proteção adequado reduz o risco de ferir-se.
- Use sempre calçados de segurança antiderrapantes ao trabalhar com o dispositivo. Não use o dispositivo descalço ou com sandálias.** Assim, você evita feridas dos pés causadas pelo contato com o dispositivo de corte rotativo.
- Use sempre calças compridas ao trabalhar com o dispositivo.** O contato com o dispositivo de corte rotativo ou com o fio de corte pode causar feridas.
- Mantenha outras pessoas afastadas durante a utilização.** Peças arremessadas podem causar feridas graves.
- Não use o dispositivo sobre o nível da cintura.** Assim é possível evitar o contato despropositado com o dispositivo de corte e controlar melhor o dispositivo em situações imprevistas.
- Trabalhe com muito cuidado ao cortar relva molhada. Sempre ande devagar e não corra nunca.** Assim é possível evitar o risco de derrapar e cair e feridas.
- Não use o dispositivo em encostas extremamente íngremes.** Assim podem ser evitados a perda de controle, o risco de derrapar e cair e feridas.

n) Assegure-se de ter uma posição segura ao trabalhar em encostas e sempre trabalhe em sentido transversal à encosta. Nunca trabalhe em sentido longitudinal à inclinação da encosta e tenha o máximo cuidado ao mudar a direção. Assim podem ser evitados a perda de controle, o risco de derrapar e cair e feridas.

o) Mantenha os cabo de rede e de extensão afastados da área de corte. Cabos de rede e extensão escondidos em baixo de sebes e arbustos podem ser cortados ou danificados despropositadamente pelo dispositivo de corte ou pelo fio de corte.

p) Mantenha todas as partes do corpo afastadas do dispositivo de corte ou do fio de corte. Só limpe o dispositivo depois de desconectar a ficha de rede. O dispositivo de corte rotativo ou o fio de corte podem causar feridas graves.

q) Só transporte o dispositivo desligado e mantenha-o afastado do corpo. O manejo correto do dispositivo reduz o risco de contato despropositado com o dispositivo de corte rotativo ou o fio de corte.

r) Só use as cabeças de corte de reposição e os fios de corte de reposição recomendados pelo fabricante. Não substitua os dispositivos de corte ou os fios de corte por fios metálicos ou facas metálicas. Peças de reposição inadmissíveis podem levar à perda de controle, danificações ou feridas.

INSTRUÇÕES DE SEGURANÇA SUPLEMENTARES

Não use o dispositivo sem conector. Ao cortar, o conector deve estar fixado corretamente. A utilização do aparador de relva sem conector pode causar feridas graves.

Antes de efectuar qualquer intervenção na máquina retirar o bloco acumulador.

Não queimar acumuladores gastos nem deitá-los no lixo doméstico. A Milwaukee possui uma eliminação de acumuladores gastos que respeita o meio ambiente.

Não guardar acumuladores junto com objectos metálicos (perigo de curto-circuito).

Use apenas carregadores do Sistema M18 para recarregar os acumuladores do Sistema M18. Não utilize acumuladores de outros sistemas.

Carregadores só devem ser utilizados em recintos secos.

Em caso de cargas ou temperaturas extremas, um acumulador de substituição danificado poderá verter líquido de bateria. Se entrar em contacto com este líquido, deverá lavar-se imediatamente com água e sabão. Em caso de contacto com os olhos, enxágüe-os bem e de imediato durante pelo menos 10 minutos e consulte um médico o mais depressa possível.

Advertência! Para evitar o risco de incêndio, de feridas ou de danificação do produto causado por um curto-circuito, não imerja a bateria intercambiável ou o carregador em líquidos e assegure-se de que líquidos não penetrem nos aparelhos ou nas baterias. Líquidos corrosivos ou condutivos como água salgada, determinadas substâncias químicas ou produtos que contenham branqueadores podem causar um curto-circuito.

UTILIZAÇÃO AUTORIZADA

O produto só destina-se ao uso ao ar livre e só deve ser usado por uma pessoa que esteje em pé.

O produto destina-se a cortar relva, ervas daninhas ou vegetação similar a nível do solo.

Ao cortar, movimente o aparelho o mais paralelo possível à superfície do solo.

Nunca use o produto para cortar ou aparar sebes, arbustos ou vegetação similar, nos quais o plano de corte não seja paralelo ao solo.

Não use este produto de outra maneira sem ser a normal para o qual foi concebido.

DECLARAÇÃO CE DE CONFORMIDADE

Como fabricante, declaramos sob responsabilidade exclusiva, que o produto descrito sob "Dados Técnicos" corresponde com todas as disposições relevantes das diretivas 2011/65/UE (RoHS), 2014/30/UE, 2006/42/CE, 2000/14/EC, 2005/88/EC e dos seguintes documentos normativos harmonizados:

EN 62841-1:2015
EN 60335-1:2012+A11:2014+A13:2017
EN 50636-2-91:2014
EN 55014-1:2017+ A11:2020
EN 55014-2:2015
EN IEC 63000:2018

Nível de potência acústica medido: 94 dB(A)
Nível de potência acústica garantido: 96 dB(A)

Processo de avaliação da conformidade nos termos da 2000/14/CE apêndice V.

Organismo notificado:
DEKRA Certification B.V. (0344)
Meander 1051/P.O.Box 5185
6825 MS ARNHEIM/6802 ED ARNHEIM
Netherlands

Winnenden, 2021-06-14



Alexander Krug
Managing Director



Autorizado a reunir a documentação técnica.

Techtronic Industries GmbH
Max-Eyth-Straße 10
71364 Winnenden
Germany

ACUMULADOR

Acumuladores não utilizados durante algum tempo devem ser recarregados antes da sua utilização.

Temperaturas acima de 50°C reduzem a capacidade do bloco acumulador. Evitar exposição prolongada ao sol ou a caloríferos.

Manter limpos os contactos eléctricos no carregador e no bloco acumulador.

Para uma vida útil óptima das baterias, terá que carregá-las plenamente após a sua utilização.

Para assegurar uma vida útil longa, o pacote de bateria deve ser removido da carregadora depois do carregamento.

Se o pacote de bateria for armazenado por mais de 30 dias: Armazene o pacote de bateria com aprox. 27°C em um lugar seco.
Armazene o pacote de bateria com aprox. 30%-50% da carga completa.
Carregue o pacote de bateria novamente de 6 em 6 meses.

PROTECÇÃO DE SOBRECARGA DE BATERIA BATERIA LÍTIO-ION

As baterias estão equipadas com uma protecção contra sobrecarga, que as protege de uma sobrecarga e lhes conferem uma longa durabilidade. No caso de um esforço extremamente elevado a electrónica das baterias desliga

automaticamente o aparelho. Para continuar a trabalhar desligar e voltar a ligar o aparelho. Se o aparelho não se voltar a ligar, é porque o conjunto das baterias está possivelmente descarregado e tem de voltar a ser carregado na carregadora.

TRANSPORTE DE BATERIAS DE IÃO-LÍLIO

Baterias de ião-lítio estão sujeitas às disposições da legislação relativa às substâncias perigosas.

O transporte destas baterias deve ser efetuado de acordo com as disposições e os regulamentos locais, nacionais e internacionais.

- O utilizador pode efetuar o transporte rodoviário destas baterias sem restrições.
- O transporte comercial de baterias de ião-lítio por terceiros está sujeito aos regulamentos relativos às substâncias perigosas. A preparação do transporte e o transporte devem ser executados exclusivamente por pessoas instruídas e o processo deve ser acompanhado pelos especialistas correspondentes.

Observe o seguinte no transporte de baterias:

- Assegure-se de que os contatos terminais estejam protegidos e isolados para evitar um curto-circuito.
- Assegure-se de que o bloco da bateria esteja protegido contra movimentos na embalagem.
- Não transporte baterias danificadas ou que tenham fuga.

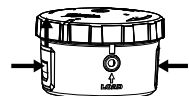
Para instruções mais detalhadas consulte a companhia de transportes

TROCA DO FIO DE CORTE

Só use fios de corte da MILWAUKEE (veja a seção "Dados técnicos"). Use fios de corte de 6 m de comprimento e 2,4 mm de espessura ou fios de 7,6 m de comprimento e uma espessura mínima de 2 mm. Nota: Em caso de uso em superfícies abrasivas ou com vegetação densa o fio de corte desgasta mais rapidamente.

Para a troca do fio de corte veja as figuras.

Em condições operacionais normais o resto do fio de corte é ejetado pela cabeça de corte durante a operação. Para remover resíduos do fio ou inserir um fio de corte novo, gire o aparador de relva 180°, prima nas abas para desbloquear e tire a cobertura.



Remova os resíduos curtos do fio. Em seguida, coloque a cobertura na cabeça de corte e deixe engatá-la nas abas.

MANUTENÇÃO

Manter desobstruídos os rasgos de ventilação na carcaça da máquina.

A inspeção do produto exige um cuidado especial e conhecimentos especializados. Sempre deixe um técnico de assistência qualificado executar este trabalho. Envie o produto para a inspeção ou a reparação a um posto de assistência autorizado. Só use peças de reposição idênticas para a manutenção.

Antes de executar trabalhos de manutenção ou limpeza, desligue o aparelho e retire o acumulador.

Só execute os ajustes e as reparações descritos aqui. Para todos os outros trabalhos de reparação, por favor, contate uma loja autorizada.

Só use fios de nylon em bobinas com o diâmetro indicado nas presentes instruções como bobina de fio de reposição.

Depois de enfiar o fio de corte novo, coloque o produto na posição de serviço normal antes de colocá-lo em operação.

Limpe o produto com um pano seco e macio após cada utilização. Só deixe um posto de assistência autorizado reparar ou substituir as peças danificadas.

Verifique periodicamente que todas as porcas, pinos e parafusos estejam apertados corretamente para assegurar uma operação segura do produto.

Utilizar apenas acessórios Milwaukee e peças sobresselentes Milwaukee. Os componentes cuja substituição não esteja descrita devem ser substituídos num serviço de assistência técnica Milwaukee (consultar a brochura relativa à garantia/moradas dos serviços de assistência técnica).

Se for necessário, um desenho de explosão do aparelho pode ser solicitado do seu posto de assistência ao cliente ou directamente da Techtronic Industries GmbH, Max-Eyth-Straße 10, 71364 Winnenden, Alemanha, indicando o tipo da máquina e o número de seis posições na chapa indicadora da potência.

SYMBOLE

	ATENÇÃO! PERIGO!
	Leia atentamente o manual de instruções antes de colocar a máquina em funcionamento.
	Antes de efectuar qualquer intervenção na máquina retirar o bloco acumulador.
	Use luvas de protecção!
	Use protectores auriculares!
	Usar sempre óculos de protecção ao trabalhar com a máquina.
	Sempre use roupas de proteção e sapatos resistentes.
	As pessoas ao redor devem ser mantidas suficientemente afastadas do aparelho de jardinagem.
	Não use na chuva e não deixe ao exterior, quando chover.

	Observe que é possível que objetos sejam projetados pelo aparelho. Mantenha uma distância de segurança suficientemente grande a terceiros.
	Não use lâminas metálicas neste produto.
	Sentido de rotação
	Peças ou acessórios não fazem parte do volume de fornecimento.
	Aparelhos eléctricos, baterias/acumuladores não devem ser jogados no lixo doméstico. Os aparelhos eléctricos e as baterias devem ser colectados separadamente e entregues a uma empresa de reciclagem para a eliminação correcta. Solicite informações sobre empresas de reciclagem e postos de colecta de lixo das autoridades locais ou do seu vendedor autorizado.
	Marca de Conformidade Europeia
	Marca de Conformidade Britânica
	Marca de Conformidade Ucraniana
	Marca de Conformidade Eurasiática

TECHNISCHE GEGEVENS ACCU-GRASTRIMMER M18 BLTT

Productienummer	4779 19 02...
	...00001-999999
Nullasttoerental, laag toerental.....	0-4600 min ⁻¹
Nullasttoerental, hoog toerental.....	0-6200 min ⁻¹
Max. ø snijdraad.....	2,4 mm
Knipdiepte, max.....	400 mm
Spanning wisselakku.....	18 V
Gewicht volgens de EPTA-procedure 01/2014 (Li-Ion 5,5 Ah...12,0 Ah)	5,39...5,85 kg
Aanbevolen omgevingstemperatuur tijdens het werken.....	-18...+50 °C
Aanbevolen accutypes	M18 HB5.5; M18 HB8.0; M18 HB12.0
Aanbevolen laadtoestellen	M12-18... M1418C

Geluids-/trillingsinformatie

Meetwaarden vastgesteld volgens EN 62841.

Het kenmerkende A-gewogen geluidsniveau van de machine bedraagt:

Geluidsdrukniveau (Onzekerheid K=3dB(A)).....	75 dB (A)
Geluidsvermogeniveau (Onzekerheid K=3dB(A)).....	95 dB (A)

Draag oorbeschermers!

Totale trillingswaarden (vectorsom van drie richtingen) bepaald volgens EN 62841.

trilling aan de voorste handgreep	< 2,5 m/s ²
trilling aan de achterste handgreep	< 2,5 m/s ²
Onzekerheid K=.....	1,5 m/s ²

WAARSCHUWING!

De in dit informatieblad vermelde trillings- en geluidsniveaus zijn gemeten in overeenstemming met een standaard testmethode conform EN 62841 en kunnen worden gebruikt om gereedschap met elkaar te vergelijken. Deze kunnen ook worden gebruikt voor het vooraf evalueren van de blootstelling.

De vermelde trillings- en geluidsniveaus gelden voor de meest gebruikelijke toepassingen van het gereedschap. Wanneer het gereedschap echter voor andere doeleinden of met andere hulpstukken gebruikt wordt of niet naar behoren onderhouden wordt, kan de mate van blootstelling over de hele werkperiode aanzienlijk hoger uitvallen.

Voor een nauwkeurige inschatting van de blootstelling aan trillingen en geluid moet ook de tijd in aanmerking worden genomen die het apparaat uitgeschakeld is of weliswaar loopt, maar niet werkelijk in gebruik is. Dit kan de waarde van de mate aan blootstelling over de hele werkperiode aanzienlijk verminderen.

Bepaal extra veiligheidsmaatregelen ter bescherming van de gebruiker tegen de gevolgen van trillingen en/of geluid, bijvoorbeeld: onderhoud van het gereedschap en hulpstukken, warmhouden van de handen, organisatie van de werkprocessen.

WAARSCHUWING! Lees alle veiligheidswaarschuwingen, voorschriften, afbeeldingen en specificaties voor dit elektrische gereedschap. Als de onderstaande waarschuwingen niet worden opgevolgd, kan dit een elektrische schok, brand of ernstig letsel tot gevolg hebben.
Bewaar alle waarschuwingen en voorschriften voor toekomstig gebruik.

VEILIGHEIDSINSTRUCTIES GRASTRIMMER

- Gebruik het apparaat niet bij slecht weer, vooral niet als gevaar voor bliksem bestaat.** Zo vermindert u het gevaar door blikseminslag.
- Controleer het werkbereik vóór gebruik zorgvuldig op wild levende dieren.** Wild levende dieren kunnen door het apparaat gewond raken.
- Controleer het werkbereik zorgvuldig en verwijder stenen, stokken, draad, botten en andere vreemde voorwerpen.** Wegslingerende vreemde voorwerpen kunnen letsel veroorzaken.
- Controleer de messen en het snijgarnituur vóór het gebruik op beschadigde onderdelen.** Beschadigde onderdelen verhogen het gevaar voor letsel.
- De veiligheidsinrichtingen mogen niet worden verwijderd. De veiligheidsinrichtingen moeten functioneren en correct gemonteerd zijn.** Een losgeraakte, beschadigde of niet correct functionerende veiligheidsinrichting kan letsel veroorzaken.
- Houd alle koelluchtopeningen schoon.** Geblokkeerde of verontreinigde luchttoevoeropeningen leiden tot

oververhitting van het apparaat en kunnen een brand veroorzaken.

- Draag oog- en gehoorbescherming tijdens het gebruik van het apparaat.** Door geschikte veiligheidsuitrusting te dragen vermindert u het risico op letsel.
- Draag bij het werken met het apparaat altijd slipvaste veiligheidsschoenen. Gebruik het apparaat niet blootsvoets of met open schoeisel.** Zo voorkomt u letsel aan uw voeten door contact met het draaiende snijgarnituur.
- Draag bij het werken met het apparaat altijd een lange broek.** Het contact met het draaiende snijgarnituur of de snijdraad kan letsel veroorzaken.
- Houd tijdens het gebruik personen van u verwijderd.** Wegslingerende onderdelen kunnen ernstig letsel veroorzaken.
- Gebruik het apparaat niet boven heuphoogte.** Zo kan abusievelijk contact met het snijgarnituur vermeden en het apparaat in onverwachte situaties beter gecontroleerd worden.
- Ga uiterst voorzichtig te werk al u nat gras snijdt. U mag niet de kantensijder alleen lopen, nooit rennen.** Zo kunt u het risico op struikelen of vallen verminderen en letsel vermijden.
- Gebruik het apparaat niet op extreem steile hellingen.** Zo kunt u controleverlies en het risico op struikelen of vallen verminderen en letsel vermijden.
- Let bij werkzaamheden op een helling altijd op een veilige stand en werk altijd dwars ten opzichte van**

de helling. Werk nooit in de richting van de helling en wees uiterst voorzichtig als u van richting verandert. Zo kunt u controleverlies en het risico op struikelen of vallen verminderen en letsel vermijden.

- Houd stroom- en verlengkabel van het snijbereik verwijderd.** Onder heggen en struiken verborgen stroom- en verlengkabels kunnen per ongeluk met het snijgarnituur of de snijdraad doorgesneden of beschadigd worden.
- Houd alle lichaamsdelen van het snijgarnituur of de snijdraad verwijderd. Reinig het apparaat pas als de stroomvoorziening onderbroken is.** Het draaiende snijgarnituur of de snijdraad kunnen ernstig letsel veroorzaken.
- Transporteer het apparaat alleen als dit uitgeschakeld is en houd het daarbij van uw lichaam verwijderd.** Door het apparaat correct te gebruiken vermindert u het risico op abusievelijk contact met het draaiende snijgarnituur of de snijdraad.
- Gebruik alleen door de fabrikant aanbevolen snijgarnituren en snijdraden. Vervang het snijgarnituur of de snijdraden niet door metalen draden of messen.** Ongeoorloofde onderdelen kunnen leiden tot controleverlies, letsel of beschadigingen.

AANVULLENDE VEILIGHEIDSINSTRUCTIES

Gebruik het apparaat niet zonder verbindingstuk. Bij het snijden moet het verbindingstuk correct geborgd zijn. Het gebruik van de grastrimmer zonder verbindingstuk kan leiden tot ernstig letsel.

Voor alle werkzaamheden aan de machine de accu verwijderen.

Verbruikte accu's niet in het vuur of bij het huisvuil werpen. Milwaukee biedt namelijk een milieuvriendelijke recyclingmethode voor uw oude accu's.

Wisselakku's niet bij metalen voorwerpen bewaren (kortsluitingsgevaar!).

Wisselakku's van het Akku-Systeem M18 alléén met laadapparaten van het Akku-Systeem M18 laden. Geen accu's van andere systemen laden.

Wisselakku's en laadapparaten niet openen en alleen in droge ruimtes opslaan. Tegen vocht beschermen.

Onder extreme belasting of extreme temperaturen kan uit de accu accu-vloeistof lopen. Na contact met accu-vloeistof direct afwassen met water en zeep. Bij oogcontact direct minstens 10 minuten grondig spoelen en onmiddellijk een arts raadplegen.

Waarschuwing! Voorkom brand, persoonlijk letsel of materiële schade door kortsluiting en dompel het gereedschap, de wisselaccu en het laadtoestel niet onder in vloeistoffen en waarborg dat geen vloeistoffen in de apparaten en accu's kunnen dringen. Corrosieve of geleidende vloeistoffen zoals zout water, bepaalde chemicaliën, bleekmiddelen of producten die bleekmiddelen bevatten, kunnen een kortsluiting veroorzaken.

VOORGESCHREVEN GEBRUIK VAN HET SYSTEEM

Het product is alleen geschikt voor gebruik door een staande persoon en in de openlucht.

Het product is geschikt voor het snijden van gras, onkruid of dergelijke vegetatie op grondniveau.

Beweeg het apparaat voor het snijden zo parallel mogelijk ten opzichte van de grond.

Gebruik het apparaat niet voor het snijden van snoeien van heggen, struiken of andere vegetatie waarbij het snijniveau zich niet parallel aan de grond bevindt.

Dit apparaat uitsluitend gebruiken voor normaal gebruik, zoals aangegeven.

EG-VERKLARING VAN OVEREENSTEMMING

Wij als fabrikant verklaren in uitsluitende verantwoording dat het onder "Technische gegevens" beschreven product overeenstemt met alle relevante voorschriften van de richtlijnen 2011/65/EU (RoHS), 2014/30/EU, 2006/42/EG, 2000/14/EC, 2005/88/EC en de volgende geharmoniseerde normatieve documenten:

EN 62841-1:2015
EN 60335-1:2012+A11:2014+A13:2017
EN 50636-2-91:2014
EN 55014-1:2017+ A11:2020
EN 55014-2:2015
EN IEC 63000:2018

Gemeten geluidsdrukniveau: 94 dB(A)
Gegarandeerd geluidsdrukniveau: 96 dB(A)

Conformiteitsbeoordelingsprocedure conform 2000/14/EG supplement V.

Benoemd door:
DEKRA Certification B.V. (0344)
Meander 1051/P.O.Box 5185
6825 MS ARNHEIM/6802 ED ARNHEIM
Netherlands

Winnenden, 2021-06-14



Alexander Krug
Managing Director



Gemachtigd voor samenstelling van de technische documenten

Techtronic Industries GmbH
Max-Eyth-Straße 10
71364 Winnenden
Germany

AKKU

Langere tijd niet toegepaste wisselakku's vóór gebruik altijd naladen.

Een temperatuur boven de 50°C vermindert de capaciteit van de accu. Langdurige verwarming door zon of hitte vermijden.

De aansluitcontacten aan het laadapparaat en de accu schoonhouden.

Voor een optimale levensduur moeten de accu's na het gebruik volledig opgeladen worden.

Voor een zo lang mogelijke levensduur van de accu's dienen deze na het opladen uit het laadtoestel te worden verwijderd.

Bij een langere opslag van de accu dan 30 dagen: accu bij ca. 27 °C droog bewaren. accu bij ca. 30 % - 50 % van de laadtoestand bewaren. accu om de 6 maanden opnieuw opladen.

OVERBELASTINGSBEVEILIGING VAN DE ACCU LI-ION-ACCU

Het accupak is uitgerust met een overbelastingsbeveiliging die de accu tegen overbelasting beschermt en een lange levensduur garandeert.

Bij extreem sterke belasting schakelt de accuelektronica de machine automatisch uit. Schakel de machine uit en weer in om door te kunnen werken. Wanneer de machine niet meer start, is het accupak mogelijkwerwijs ontladen en moet het in het laadtoestel worden opgeladen.

TRANSPORT VAN LITHIUM-IONEN-ACCU'S

Lithium-ionen-accu's vallen onder de wettelijke bepalingen inzake het transport van gevaarlijke goederen.

Voor het transport van deze accu's moeten de lokale, nationale en internationale voorschriften en bepalingen in acht worden genomen.

- Verbruikers mogen deze accu's zonder meer over de weg transporteren.
- Het commerciële transport van lithium-ionen-accu's door expeditiebedrijven is onderhevig aan de bepalingen inzake het transport van gevaarlijke goederen. De verzendingsvoorbereidingen en het transport mogen uitsluitend worden uitgevoerd door dienovereenkomstig opgeleide personen. Het complete proces moet vakkundig worden begeleid.

Onderstaande punten moeten bij het transport van accu's in acht worden genomen:

- Waarborg ter vermindering van kortsluitingen dat de contacten beschermd en geïsoleerd zijn.
- Let op dat het accupack in de verpakking niet kan verschuiven.
- Beschadigde of lekkende accu's mogen niet worden getransporteerd.

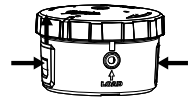
Neem voor meer informatie contact op met uw expeditiebedrijf.

SNIJDRADEN VERVANGEN

Gebruik alleen snijdraden van MILWAUKEE (zie punt 'Technische gegevens'). Gebruik ofwel snijdraden met 6 m lengte en 2,4 mm dikte of draden met 7,6 m lengte en 2 mm dikte. Opmerking: bij het gebruik op abrasieve of dicht begroeide oppervlakken slijt de snijdraad sneller.

Zie de pagina met afbeeldingen voor het vervangen van de snijdraad.

Onder normale gebruiksvoorwaarden wordt de resterende draad tijdens het bedrijf door het snigarnituur uitgeworpen. Draai de grastrimmer 180°, druk op de lippen en verwijder de afdekking om draadresten te verwijderen of een nieuwe snijdraad te plaatsen.



Korte draadresten verwijderen. Plaats de afdekking weer terug op het snigarnituur en laat ze aan de lippen vastklikken.

ONDERHOUD

Altijd de luchtspleten van de machine schoonhouden.

Voor de inspectie van het apparaat is absolute zorgvuldigheid en deskundigheid vereist. Laat deze werkzaamheden over aan een gekwalificeerde servicetechnicus. Stuur het product voor inspectie of reparatie naar een geautoriseerd servicepunt. Gebruik alleen identieke onderdelen voor het onderhoud.

Schakel het apparaat uit en verwijder de accu voordat u onderhouds- of reinigingswerkzaamheden uitvoert.

Voer alleen de hier beschreven instellingen en reparaties uit. Neem voor alle andere reparatiewerkzaamheden a.u.b. contact op met een geautoriseerde vakhandelaar.

Gebruik als reservespoel alleen nylondraden op spoelen met de in deze handleiding aangegeven diameter.

Houd het apparaat na het plaatsen van de nieuwe snijdraad weer in de normale gebruikspositie voordat u het start.

Reinig het product na ieder gebruik met een droge, zachte doek. Beschadigde onderdelen moeten door een geautoriseerd servicepunt gerepareerd of vervangen worden.

Controleer regelmatig of alle moeren, bouten en schroeven correct zijn aangedraaid om het veilige gebruik van het product te waarborgen.

Gebruik uitsluitend Milwaukee toebehoren en onderdelen. Indien componenten die moeten worden vervangen niet zijn beschreven, neem dan contact op met een officieel Milwaukee servicecentrum (zie onze lijst met servicecentra).

Zo nodig kan een explosietekening van het apparaat worden aangevraagd bij uw klantenservice of direct bij Techtronics Industries GmbH, Max-Eyth-Straße 10, 71364 Winnenden, Duitsland onder vermelding van het machinetype en het zescijferige nummer op het typeplaatje.

SYMBOLEN

	OPGELET! WAARSCHUWING! GEVAAR!
	Graag instructies zorgvuldig doorlezen vóórdat u de machine in gebruik neemt.
	Voor alle werkzaamheden aan de machine de accu verwijderen.
	Draag veiligheidshandschoenen!
	Draag oorbeschermers!
	Bij het werken met de machine altijd een veiligheidsbril dragen.
	Draag altijd veiligheidskleding en vast schoeisel.
	Houd in de buurt staande personen op een veilige afstand tot het tuingereedschap.
	Niet in de regen gebruiken of buiten laten als het regent.

	Let op voorwerpen die door het apparaat kunnen worden weggeslingerd. Let op een voldoende grote veiligheidsafstand tot omstanders.
	Gebruik geen metaaldraden / - messen in dit product.
	Draairichting
	Onderdelen en toebehoren zijn niet bij de levering inbegrepen.
	Elektrische apparaten, batterijen en accu's mogen niet via het huisafval worden afgevoerd. Elektrische apparaten en accu's moeten gescheiden worden verzameld en voor een milieuvriendelijke afvoer worden afgegeven bij een recyclingbedrijf. Informeer bij uw gemeente of bij uw vakhandelaar naar recyclingbedrijven en inzamelpunten.
	Europees symbool van overeenstemming
	Brits symbool van overeenstemming
	Oekraïens symbool van overeenstemming
	Euro-Aziatisch symbool van overeenstemming

TEKNISKE DATA	BATTERIDRETVET PLÆNETRIMMER	M18 BLLT
Produktionsnummer	4779 19 02...	...000001-999999
Tomgangshastighed, lav hastighed	0-4600 min ⁻¹	
Tomgangshastighed, høj hastighed	0-6200 min ⁻¹	
Maks. ø skæretråd	2,4 mm	
Skæretykkelse max.	400 mm	
Udskiftningsbatteriets spænding	18 V	
Vægt svarer til EPTA-procedure 01/2014 (Li-Ion 5,5 Ah...12,0 Ah) ..	5,39...5,85 kg	
Anbefalet temperatur under arbejdet	-18...+50 °C	
Anbefalede batterityper	M18 HB5.5; M18 HB8.0; M18 HB12.0	
Anbefalede opladere	M12-18...; M1418C	

Støj/Vibrationsinformation

Måleværdier beregnes iht. EN 62841.

Værktøjets A-vurderede støjniveau er typisk:

Lydtrykniveau (Usikkerhed K=3dB(A))	75 dB (A)
Lydeffekt niveau (Usikkerhed K=3dB(A))	95 dB (A)

Brug høreværn!

Samlede vibrationsværdier (værdisum for tre retninger) beregnet iht. EN 62841.

Vibration ved forreste håndtag	< 2.5 m/s ²
Vibration ved bageste håndtag	< 2.5 m/s ²
Usikkerhed K=	1.5 m/s ²

ADVARSEL!

Det vibrations- og støjemissionsniveau, der nævnes i dette oplysningsskema, er blevet målt i overensstemmelse med en standardiseret test fra EN 62841, og det kan bruges til at sammenligne ét værktøj med et andet. Det kan bruges til en foreløbig bedømmelse af eksponeringen.

Det erklærede vibrations- og støjemissionsniveau repræsenterer værktøjets primære anvendelsesformål. Det er dog sådan, at hvis værktøjet bruges til andre formål, med forskelligt tilbehør eller dårlig vedligehold, så kan vibrations- og støjemissionen variere. Det kan evt. øge eksponeringsniveauet markant i løbet af det samlede arbejdstidsrum.

En vurdering af eksponeringsniveauet ift. vibration og støj bør også tage hensyn til de tidspunkter, hvor værktøjet er slukket eller hvor det kører, men rent faktisk ikke udfører jobbet. Det kan evt. mindske eksponeringsniveauet markant i løbet af det samlede arbejdstidsrum.

Identificér yderligere sikkerhedsforanstaltninger med henblik på at beskytte brugeren mod effekten af vibration og/eller støj, som fx: vedligehold værktøjet og tilbehøret, hold hænderne varme, organisering af arbejdsmønstre.

ADVARSEL Læs alle advarselsinformationer, anvisninger, figurer og specifikationer, som følger med dette el-værktøj. En manglende overholdelse af alle nedenstående anvisninger kan medføre elektrisk stød, brand og/eller alvorlige kvæstelser. **Opbevar alle advarselshenvisninger og instrukser til senere brug.**

SIKKERHEDSOPLYSNINGER GRÆSTRIMMER

- Brug ikke trimmeren i dårligt vejr, særligt ikke, hvis der er risiko for lynnedslag.** På den måde reducerer du risikoen for at blive ramt af lyn.
- Undersøg grundigt det område for dyreliv, hvor trimmeren skal bruges.** Dyrelivet kan blive kvæstet af trimmeren under drift.
- Undersøg grundigt det område, hvor trimmeren skal bruges, og fjern alle sten, pinde, ledninger, knogler eller andre genstande.** Genstande, der slynges ud fra trimmeren kan forårsage personskade.
- Kontroller trimmerhoved og trimmertråden for beskadigede dele inden brug.** Beskadigede dele øger risikoen for kvæstelser.
- Beskyttelsesanordninger må ikke fjernes. Beskyttelsesanordningerne skal fungere korrekt og være monteret rigtigt.** Hvis beskyttelsesanordningen er løs, beskadiget eller ikke fungerer korrekt, kan det forårsage personskade.
- Alle køleluftindtag skal være fri for snavs.** Blokerede eller snavsede luftåbninger kan resultere i overophedning og forårsage brand.

- Anvend øjenbeskyttelse og høreværn, når du bruger trimmeren.** Brug af passende beskyttelsesudstyr reducerer risikoen for personskade.
- Bær altid skridsikkert fodtøj, når du bruger trimmeren. Brug ikke trimmeren barfodet eller med åbne sko.** Dette reducerer risikoen for skader på fødderne ved kontakt med det roterende trimmerhoved.
- Brug altid lange bukser, når du anvender trimmeren.** Kontakt med det roterende trimmerhoved eller trimmertråden kan forårsage personskade.
- Sørg for at holde afstand til andre personer, når du bruger trimmeren.** Udslyngede dele kan forårsage alvorlig personskade.
- Brug ikke trimmeren over taljehøjde.** På denne måde undgås utilsigtet kontakt med trimmerhovedet og giver bedre kontrol over trimmeren i uventede situationer.
- Vær meget forsigtig, når du trimmer vådt græs. Anvend altid græstrimmeren i gåtømpo, aldrig i løb.** Dette reducerer risikoen for at glide og falde og således undgå personskade.
- Brug ikke trimmeren på meget stejle skrånninger.** Dette reducerer risikoen for tab af kontrol, for at glide og falde og således undgå personskade.
- Når du arbejder på en skrånning, skal du sikre dig, at du har sikkert fodfæste og altid arbejde på tværs af skrånningen. Du må aldrig arbejde med fronten ned eller op ad skrånningen og vær ekstra forsigtig, når du skifter retning.** Dette reducerer risikoen for tab af kontrol, for at glide og falde og således undgå personskade.

- Hold samtlige strøm- og forlængerledninger væk fra det område, der trimmes i.** Strøm- eller forlængerledninger, der ligger skjult under hække og buske kan ved et uheld blive klippet over eller beskadiget af trimmerhovedet eller trimmertråden.
- Hold alle dele af kroppen væk fra trimmerhovedet eller trimmertråden. Træk altid strømstikket ud, inden du renser trimmeren.** Det roterende trimmerhovedet eller trimmertråden kan forårsage alvor personskade.
- Sluk altid trimmeren, inden du transporterer den og hold den væk fra kroppen.** Korrekt håndtering af trimmeren reducerer risikoen for utilsigtet kontakt med det roterende trimmerhoved eller trimmertråden.
- Brug kun reservedele anbefalet af producenten, når trimmerhovedet og trimmertråden skal udskiftes. Trimmerhovedet eller trimmertråden må ikke erstattes af metaltråde eller metalknive.** Uautoriserede reservedele kan medføre tab af kontrol, materiel skade og personskade.

ØVRIGE SIKKERHEDSANVISNINGER

Trimmeren må ikke bruges uden koblingsstykke. Koblingsstykket skal være sikret korrekt under trimning. Brug af græstrimmeren uden koblingsstykke kan resultere i alvorlig personskade.

Ved arbejde inden i maskinen, bør batteriet tages ud.

Opbrugte udskiftningsbatterier må ikke brændes eller kasseres sammen med alm. husholdningsaffald. Milwaukee har en miljørigtig bortskaffelse af gamle udskiftningsbatterier, henvend Dem til Deres forhandler.

Opbevar ikke udskiftningsbatterier sammen med metalgenstande af fare for kortslutning.

Brug kun M18 ladeapparater for opladning af System M18 batterier.

Udskiftningsbatterier og opladere må ikke åbnes og skal opbevares i tørre rum. Beskyt dem mod fugtighed.

I tilfælde af en ekstrem belastning eller ekstrem temperatur kan der flyde batterivæske ud af et beskadiget batteri. Hvis De kommer i berøring med batterivæsken, skal den vaskes godt og grundigt af med vand og sæbe. I tilfælde af øjenkontakt, skal man mindst skylle øjnene godt og grundigt igennem i 10 minutter og omgående opsøge en læge.

Advarsel! For at undgå risiko for brand, kvæstelser eller beskadigelse af produktet forårsaget af kortslutning må værktøjet, batteripakken eller opladeren ikke nedsænkes i vand. Sørg ligeledes for, at der ikke trænger væske ind i enhederne og batterierne. Korroderende eller ledende væsker, f.eks. saltvand, bestemte kemikalier, blegestoffer eller produkter, som indeholder blegestoffer, kan forårsage kortslutning.

TILTÆNKT FORMÅL

Produktet er kun konstrueret til at blive brugt i det fri og af en stående person.

Produktet egner sig til at skære græs, ukrudt eller lignende vegetation på jordniveau.

Bevæg maskinen så parallelt til jordoverfladen som muligt under skæreprcessen.

Undlad at bruge produktet til at skære eller trimme hække, buske eller anden vegetation, hvor skæreniveauet ikke er parallelt til jorden.

Produktet må ikke anvendes på anden måde og til andre formål end foreskrevet.

EF-OVERENSSTEMMELSESERKLÆRING

Vi erklærer som producent og eneansvarlig, at produktet, der er beskrevet under "Tekniske data", er i overensstemmelse med alle relevante bestemmelser i henhold til direktiverne 2011/65/EU (RoHS), 2014/30/EU, 2006/42/EF, 2000/14/EC, 2005/88/EC og nedenstående harmoniserede normative dokumenter:

EN 62841-1:2015
EN 60335-1:2012+A11:2014+A13:2017
EN 50636-2-91:2014
EN 50514-1:2017+ A11:2020
EN 55014-2:2015
EN IEC 63000:2018

Målt lydeffektiveau: 94 dB(A)
Garanteret lydeffektiveau: 96 dB(A)

Evalueringen af overensstemmelse iht. 2000/14/EF tillæg V.

Sted:
DEKRA Certification B.V. (0344)
Meander 1051/P.O.Box 5185
6825 MS ARNHEIM/6802 ED ARNHEIM
Netherlands

Winnenden, 2021-06-14



Alexander Krug
Managing Director



Autoriseret til at udarbejde de tekniske dokumenter.

Techronic Industries GmbH
Max-Eyth-Straße 10
71364 Winnenden
Germany

BATTERI

Udskiftningsbatterier, der ikke har været brugt i længere tid, efterlades inden brug.

Ved temperaturer over 50°C formindskes batteriets effekt. Undgå direkte sollys og stærk varme.

Tilslutningskontakterne på oplader og udkiftningsbatterier skal holdes rene.

For at opnå en optimal levetid skal de genopladelige batterier oplades fuldt efter brug.

For at sikre en så lang levetid som muligt skal batterierne tages ud af ladeaggregatet efter opladning.

Skal batterierne opbevares længere end 30 dage: Temperatur ca. 27°C i tørre omgivelser. Opbevares ved ca. 30%-50% af ladetilstanden. Batteri skal genoplades hver 6. måned.

OVERBELASTNINGSSIKRING FOR BATTERI LI-ION-BATTERI

Akkupack'en er udstyret med en overbelastningssikring, som beskytter akkumulatorbatteriet mod overbelastning og sikrer en høj levetid.

Ved ekstrem kraftig belastning kobler batteriets elektronik automatisk maskinen fra. Sluk og tænd maskinen igen for at genoptage driften. Går maskinen ikke i gang igen, er akkupack'en muligvis afladt og skal genoplades i ladeaggregatet.

TRANSPORT AF LITHIUM-BATTERIER

Lithium-batterier er omfattet af lovgivningen om transport af farligt gods.

Transporten af disse batterier skal ske under overholdelse af lokale, nationale og internationale regler og bestemmelser.

- Forbrugere må transportere disse batterier på veje uden yderligere krav.
- Den kommercielle transport af lithium-batterier ved speditiionsfirmaer er omfattet af reglerne for transport af farligt gods. Forberedelsen af forsendelse og transport må kun udføres af tilsvarende trænedede personer. Den samlede proces skal følges af fagfolk.

Følgende punkter skal overholdes ved transport af batterier:

- Sørg for at kontakterne er beskyttet og isoleret for at forhindre kortslutninger.
- Sørg for at batteripakken ikke kan bevæge sig inden for emballagen.
- Beskadede eller lækende batterier må ikke transporteres.

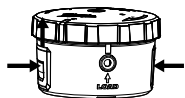
Kontakt dit speditiionsfirma for at få yderligere oplysninger.

UDSKIFTNING AF TRIMMERTRÅD

Brug altid kun trimmertråd fra MILWAUKEE (se "Tekniske specifikationer"). Brug enten trimmertråd i 6 meters længde og 2,4 mm tykkelse eller tråd i 7,6 meters længde og 2 mm tykkelse. Bemærk: Når trimmeren bruges på abrasive eller tæt bevoksede overflader, bliver trimmertråden hurtigere slidt.

Se billederne for udskiftning af trimmertråd.

Under normale driftsforhold skubbes den sidste rest tråd ud af trimmerhovedet under brug. For at fjerne trådrester eller indsætte en ny trimmertråd skal du dreje græstrimmeren 180 ° og trykke låsetapperne ind for at låse op og fjerne afskærmningen.



Tag trådresterne ud. Sæt derefter afskærmningen tilbage på trimmerhovedet, og klik den på plads ved hjælp af låsetapperne.

VEDLIGEHOLDELSE

Hold altid maskinens ventilationsåbninger rene.

Inspektionen af produktet kræver ekstrem omhu og sagkundskab. Overlad under alle omstændigheder dette arbejde til en kvalificeret servicetekniker. Send produktet til et autoriseret servicested for inspektion eller reparation. Brug kun identiske reservedele til vedligeholdelsen.

Inden gennemførelsen af vedligeholdelses- eller rengøringsarbejde skal maskinen slukkes og batteriet tages ud.

Udfør kun de her beskrevne indstillinger og reparationer. For alt andet reparationsarbejde bedes du kontakte en autoriseret forhandler.

Brug kun nylontråde på spoler med den i nærværende vejledning angivne diameter som reservetrådspole.

Når den nye skæretråd er trådet, skal produktet bringes tilbage i normal driftsposition inden start.

Rengør produktet med en tør, blød klud efter hver brug. Få beskadigede dele repareret eller udskiftet af et autoriseret servicested.

Kontrollér med regelmæssige mellemrum, at alle møtrikker, bolte og skruer er strammet korrekt, for at garantere produktets sikre drift.

Brug kun Milwaukee-tilbehør og Milwaukee-reservedele. Komponenter, hvor udskiftningsproceduren ikke er beskrevet, skal skiftes ud hos et Milwaukee-servicested (se brochure garanti/kundeserviceadresser).

Hvis det er nødvendigt, kan der bestilles en sprængskitse af værktøjet. Angiv herved venligst maskintypen samt det sekscifrede nummer på mærkepladen og bestil tegningen hos din lokale kundeserviceafdeling eller direkte hos Techtronic Industries GmbH, Max-Eyth-Straße 10, 71364 Winnenden, Tyskland.

SYMBOLER

	VIGTIGT! ADVARSEL! FARE!
	Læs brugsanvisningen nøje før ibrugtagning.
	Ved arbejde inden i maskinen, bør batteriet tages ud.
	Brug beskyttelseshandsker!
	Brug høreværn!
	Når der arbejdes med maskinen, skal man have beskyttelsesbriller på.
	Brug altid sikkerhedstøj og fast fodtøj.
	Hold tilskuere i sikker afstand fra haveværktøjet.
	Må ikke bruges i regnvej eller efterlades uden dørs, når det regner.
	Vær opmærksom på genstande, som kan slynges væk via maskinen. Sørg for en tilstrækkeligt stor sikkerhedsafstand til omkringstående personer.
	Undlad at bruge metalskær i dette produkt.
	Drejeretning

	Dele eller tilbehør er ikke inkluderet i leveringsomfanget.
	Elektrisk udstyr eller (genopladelige) batterier må ikke bortskaffes sammen med det almindelige husholdningsaffald. Elektrisk udstyr og genopladelige batterier skal indsamles særskilt og afleveres hos en genbrugsvirksomhed til en miljømæssig forsvarlig bortskaffelse. Spørg de lokale myndigheder eller din forhandler om genbrugsstationer og indsamlingssteder til sådant affald.
	Europæisk konformitetsmærke
	Britisk konformitetsmærke
	Ukrainsk konformitetsmærke
	Eurasisk konformitetsmærke

TEKNISKE DATA	OPPLADBAR GRESSTRIMMER	M18 BLLT
Produksjonsnummer.....	4779 19 02...	...00001-999999
Turtall ved tomgang, lavt turtall	0-4600 min ⁻¹	
Turtall ved tomgang, høyt turtall	0-6200 min ⁻¹	
Maks ø Tråd.....	2,4 mm	
Kuttetykkelse, maks.....	400 mm	
Spennning vekselbatteri	18 V	
Vekt i henhold til EPTA-Prosedyrer 01/2014 (Li-Ion 5,5 Ah...12,0 Ah)	5,39...5,85 kg	
Anbefalt omgivelsestemperatur under arbeid.....	-18...+50 °C	
Anbefalte batterityper	M18 HB5.5; M18 HB8.0; M18 HB12.0	
Anbefalte ladere	M12-18...; M1418C	

Støy/Vibrasjonsinformasjon

Måleverdier fastslått i samsvar med EN 62841.

Det typiske A-bedømte støynivået for maskinen er:

Lydtryknivå (Usikkerhet K=3dB(A)).....	75 dB (A)
Lydeffektivnivå (Usikkerhet K=3dB(A)).....	95 dB (A)

Bruk hørselsvern!

Totale svingningsverdier (vektorsum fra tre retninger) beregnet jf. EN 62841.

Vibrasjon på håndtaket foran.....	< 2.5 m/s ²
Vibrasjon på håndtaket bak.....	< 2.5 m/s ²
Usikkerhet K=.....	1.5 m/s ²

ADVARSEL!

De angitte vibrasjonseksponeering- og støynivåverdiene har blitt målt i samsvar med standardiserte målemetoder jamfør EN 62841 og kan brukes til å sammenligne et verktøy med et annet. De kan brukes til en foreløpig eksponeringsvurdering.

De angitte vibrasjonseksponeering- og støyemisjonsverdiene gjelder for vanlig bruk av verktøyet. Dersom verktøyet blir brukt til noe annet, sammen med annet utstyr eller er dårlig vedlikeholdt kan de angitte vibrasjonseksponeering- og støyeverdiene variere. Dette kan øke eksponerings- og emisjonsverdiene betraktelig for hele perioden du bruker verktøyet.

Når en vurderer vibrasjonseksponeeringsnivået og støyeverdi må en inkludere den perioden som verktøyet er slått av eller når verktøyet går, men ikke direkte brukes til noe. Dette kan redusere eksponeringsnivået betraktelig over hele perioden som verktøyet er i bruk.

Det er viktig å etablere ytterligere sikkerhetstiltak for å beskytte brukeren mot påvirkning av vibrasjon og/eller støy, slik som: vedlikehold av verktøyet og tilleggsutstyr, hold hendene varme, organiserte arbeidsrutiner.

ADVARSEL! Les gjennom alle sikkerhets advarsler, anvisninger, illustrasjoner og spesifikasjoner for dette elektroverktøyet. Feil ved overholdelsen av advarslene og nedenstående anvisninger kan medføre elektriske støt, brann og/eller alvorlige skader.
Ta godt vare på alle advarslene og informasjonene.

SIKKERHETSINSTRUKSER FOR KANTKLIPPER

- Ikke bruk kantklipperen i dårlig vær, spesielt ikke dersom det består fare for lynnedslag.** På denne måten reduserer du faren for å bli truffet av lyn.
- Før bruken må området der apparatet skal brukes kontrolleres grundig for levende dyr.** Ville dyr kan bli skadet av apparatet.
- Kontroller området der apparatet skal brukes grundig og fjern stener, stokker, wirer, bein og andre fremmedlegemer.** Fremmedlegemer som slynges bort kan føre til personskader.
- Kontroller klippeinnretningen og skjæreverket for skadde deler før bruken.** Skadde deler øker faren for personskade.
- Verneinnretningene må ikke fjernes. Verneinnretningene må være funksjonsdyktige og montert på forskriftsmessig måte.** En verneinnretning som har løsnet, som er skadet eller som ikke fungerer som den skal, kan føre til personskade.
- Alle kjøleluftinntak må holdes rene.** Blokkerte eller skitne luftinntaksåpninger fører til en overoppvarming av apparatet og kan utløse en brann.
- Under bruken av apparatet må det brukes øye- og hørselsvern.** Bruk av passende verneutstyr reduserer faren for å bli skadet.

- Ha alltid på deg sklisliske sikkerhetssko når du arbeider med apparatet. Driv aldri apparatet barbert eller med åpne sko.** Slik unngår du skader på føttene gjennom kontakt med den roterende klippeinnretningen.
- Ha alltid på deg lange bukser når du arbeider med apparatet.** Kontakt med den roterende klippeinnretningen eller skjæretråden kan føre til personskade.
- Hold uvedkommende borte fra området under bruken.** Deler som slynges bort ned kan føre til alvorlig personskade.
- Ikke før apparatet over hofte høyde.** På denne måten kan man unngå utilsiktet kontakt med klippeinnretningen, og dessuten har man apparatet bedre under kontroll i uventede situasjoner.
- Vær svært forsiktig når du klipper vått gress. Du skal alltid gå, aldri løpe.** På denne måten unngår man faren for å gli og falle samt personskader.
- Ikke bruk apparatet i svært bratte skråninger.** På denne måten unngår man faren for å miste kontrollen, for å gli og falle samt for personskader.
- Når det arbeides i skråninger må du sørge for at du står trygt, og arbeid alltid på tvers av skråningen. Arbeid aldri på langs av en skråning, og vær ytterst forsiktig når du skifter retning.** På denne måten unngår man faren for å miste kontrollen, for å gli og falle samt for personskader.
- Hold alle nett- og skjøteledninger på tilbørlig avstand fra området du skal skjære i.** Nett- og skjøteledninger som er skult under hekker og busker kan uforvarende bli skadet eller skåret i stykker av klippeinnretningen eller skjæretråden.

p) Hold alle kroppsdeler borte fra klippeinnretningen eller skjæretråden. Ikke rengjør apparatet før du har trukket ut støpselet fra stikkkontakten. Den roterende klippeinnretningen eller skjæretråden kan forårsake alvorlige personskader.

q) Apparatet må bare transporteres i utkoblet tilstand, og hold den borte fra kroppen. En forskriftsmessig omgang med apparatet reduserer risikoen for en utilsiktet kontakt med den roterende klippeinnretningen eller skjæretråden.

r) Bruk bare reserveskjærehoder og reserveskjæretråder som er anbefalt av produsenten. Klippeinnretningene eller skjæretråden må ikke erstattes av metalltråder eller metallkniver. Ikke-tillatte reservedeler kan føre til tap av kontroll, materielle skader og personskader.

YTTERLIGERE SIKKERHETSINSTRUKSER

Apparatet må ikke brukes uten koblingen. Under klippingen må koblingen være sikret på fagmessig måte. Bruk av kantklipperen kan føre til alvorlige personskader.

Ta ut vekselbatteriet før du arbeider på maskinen

Ikke kast brukte vekselbatterier i varmen eller husholdningsavfallet. Milwauke tilbyr en miljøriktig deponering av gamle vekselbatterier; vennligst spør din fagforhandler.

Ikke oppbevar vekselbatterier sammen med metallgenstander (kortslutningsfare).

Vekselbatterier av systemet M18 skal kun lades med lader av systemet M18. Ikke lad opp batterier fra andre systemer.

Ikke åpne vekselbatterier og ladere, de skal oppbevares i tørre rom. Beskyttes mot fuktighet.

Under ekstreme belastninger og ekstreme temperaturer kan det lekke ut batterivæske fra utskiftbare batterier. Ved berøring med batterivæske, vask umiddelbart med såpe og vann. Ved kontakt med øynene må øynene skylles grundig i rennende vann i minst 10 minutter. Oppsøk lege umiddelbart.

Advarsel! For å unngå fare for en brann forårsaket av en kortslutning, av personskader eller skader av produktet, må det forhindres at batteripakken eller laderen dyppes i væsker og også sørges for at ingen væsker kan komme inn i apparatene eller batteriene. Korroderende og ledende væsker som saltvann, visse kjemikalier og blekemidler eller produkt som inneholder blekemidler kan forårsake en kortslutning.

FORMÅLSMESSIG BRUK

Dette produktet er bare konstruert for bruk utendørs og for stående personer.

Produktet egner seg for kutting av gress, ugress eller lignende vegetasjon på bakkenivå.

Beveg ved kutting apparatet parallelt til jordoverflaten.

Ikke bruk apparatet for kutting eller trimming av hekker, busker eller annen vegetasjoner der kutteplanet ikke befinner seg på bakkenivå..

Dette apparatet må kun brukes til de oppgitte formål.

EU-SAMSVARERKLÆRING

Vi erklærer under eget ansvar at produktet som beskrives under «Tekniske data» samsvarer med alle relevante forskrifter i direktivene 2011/65/EU (RoHS), 2014/30/EF, 2006/42/EF, 2000/14/EC, 2005/88/EC og de følgende harmoniserte normative dokumentene:

EN 62841-1:2015
EN 60335-1:2012+A11:2014+A13:2017
EN 50636-2-91:2014
EN 55014-1:2017+ A11:2020
EN 55014-2:2015
EN IEC 63000:2018

Målt lydeffektivnivå: 94 dB(A)
Garantert lydeffektivnivå: 96 dB(A)

Konformitetsprosedyrer i henhold til direktiv 2000/14/EG vedlegg V.

Nevnt kontor:
DEKRA Certification B.V. (0344)
Meander 1051/P.O.Box 5185
6825 MS ARNHEIM/6802 ED ARNHEIM
Netherlands

Winnenden, 2021-06-14



Alexander Krug
Managing Director



Autorisert til å utarbeide den tekniske dokumentasjonen

Techtronic Industries GmbH
Max-Eyth-Straße 10
71364 Winnenden
Germany

BATTERIER

Vekselbatterier som ikke er brukt over lengre tid skal etterlades før bruk.

En temperatur over 50°C reduserer vekselbatteriets kapasitet. Unngå oppvarming i sol eller ved varmeovner (fyring) i lengre tid.

Hold tilkoplingskontaktene på lader og vekselbatteri rene.

For optimal holdbarhet må batteriene lades opp helt etter bruk.

For å sikre en lengst mulig brukstid av batteriene skal disse etter oppladning taes ut av laderen.

Ved lagring av batteriene lengre enn 30 dager:

Lagre batteriet tørt ved ca. 27°C.
Lagre batteriet ved en oppladningsstilstand på ca. 30%-50%.
Lade opp batteriet igjen etter 6 måneder.

OVERBELASTNINGSVERN FOR OPPLADBARE BATTERIER LI-IONEN-BATTERI

Batteripakken er utstyrt med overbelastningsvern som beskytter det oppladbare batteriet mot overbelastning og sikrer en lang levetid.

Ved ekstrem høy belastning kobler maskinens batterielektronikk seg automatisk ut. For å fortsette å arbeide må maskinen slås av og så på igjen. Starter maskinen ikke igjen er batteripakken muligens utladet og må lades opp igjen i laderen.

TRANSPORT AV LITUM-ION-BATTERI

Litium-ion-batterier faller under de lovfestede forskriftene om transport av farlig gods.

Transporten av disse batteriene må rette seg etter lokale, nasjonale og internasjonale forskrifter og bestemmelser.

- Forbruker har lov å transportere disse batteriene på gaten uten reglementering.
- Den kommersielle transport av Litium-ion-batterier av spedisjonsfirma faller under bestemmelsene om transport av farlig gods. Forberedningene av forsendelsen og transport skal utelukkende gjennomføres av personer som har blitt skolert til dette. Hele prosessen skal følges opp av fagfolk.

Følgende punkter skal tas hensyn til ved transport:

- Kontroller at kontaktene er beskyttet og isolert for å unngå kortslutninger.
- Pass på at batteripakken i forpakningen ikke kan skli fram og tilbake.
- Skadede eller batterier som lekker er det ikke lov å transportere.

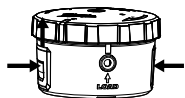
Ta kontakt med spedisjonsfirma for ytterlige henvisninger.

SKIFTE AV SKJÆRETRÅD

Bruk bare skjæretråd fra MILWAUKEE (se avsnitt «Tekniske data»). Bruk enten skjæretråd med 6 m lengde og 2,4 mm tykkelse eller tråd med 7,6 m lengde og en tykkelse på 2 mm. Merk: Ved bruk på skurende eller tett bevokste flater slites tråden raskere ut.

Se bildedelen når det gjelder skifte av skjæretråden.

Under normale driftsbetingelser blir resten av tråden kastet ut av skjærehodet under arbeidet. For å fjerne rester av tråden eller for å sette inn en ny skjæretråd, må kantklipperen dreies 180°, og for å låse den opp, må laskene trykkes ned og dekslet fjernes.



Fjern korte rester av tråden. Sett deretter dekselet på skjærehodet igjen og se til at laskene smekker i lås.

VEDLIKEHOLD

Hold alltid lufteåpningene på maskinen rene.

Produktets inspeksjon krever ekstrem omhu og sakkynndighet. Overlat dette arbeidet bare til en kvalifisert servicetekniker. Send produktet for inspeksjon eller reparasjon til et autorisert servisesenter. Bruk for vedlikehold bare identiske reservedeler.

Før utføring av vedlikeholdsarbeid eller rengjøring skal apparatet slås av og batteriet fjernes.

Utfør bare de justeringer og reparasjoner som er beskrevet her. For alle andre reparasjoner, ta kontakt med en autorisert forhandler.

Bruk som reservespuler bare nylontråder på en spole med en diameter som er beskrevet i denne anvisningen.

Etter at den nye tråden er tredd inn igjen, skal produktet bringes i normal bruksstilling før det startes igjen.

Rengjør produktet er hver bruk med en tørr myk klut. Skadede deler skal repareres eller skiftes ut av et autorisert servisesenter.

Kontroller med jevne mellomrom at alle muttere, bolter og skruer er skikkelig strammet til, for å garantere en sikker bruk av produktet.

Bruk kun Milwaukee tilbehør og Milwaukee reservedeler. Komponenter der utskiftning ikke er beskrevet skal skiftes ut hos Milwaukee kundeservice (se brosjyre garanti/kundeserviceadresser).

Ved behov kan det fås en eksplosjonstegning av apparatet hos kundeservice eller direkte hos Techtronic Industries GmbH, Max-Eyth-Straße 10, 71364 Winnenden, Germany

ved angivelse av maskinens type og det sekstallige nummeret på maskinens skilt.

SYMBOLER



OBS! ADVARSEL! FARE!



Les nøye gjennom bruksanvisningen før maskinen tas i bruk.



Ta ut vekselbatteriet før du arbeider på maskinen



Bruk vernehansker !



Bruk hørselsvern!



Bruk alltid vernebrille når du arbeider med maskinen.



Bruk alltid verneklær og solid fottøy.



Hold personer i nærheten på sikker avstand fra hageredskapet.



Ikke bruk når det regner eller la det ligge ute, når det regner.



Vær oppmerksom på gjenstander som kan slynges ut av apparatet. Pass på at sikkerhetsavstanden til personer som oppholder seg i nærheten er stor nok.



I dette produktet skal det ikke brukes metall blad.



Rotasjons retning



Deler eller tilbehør er ikke inkludert.



Elektriske apparater, batterier/oppladbare batterier skal ikke kastes sammen med vanlig husholdningsavfall. Elektriske og elektroniske apparater og oppladbare batterier skal samles separat og leveres til miljøvennlig deponering hos en avfallsbedrift. Informer deg hos myndighetene på stedet eller hos din fagforhandler hvor det finnes recycling bedrifter og oppsamlingssteder.



Europeisk samsvarsmerke



Britisk samsvarsmerke



Ukrainsk samsvarsmerke



Euroasiatisk samsvarsmerke

TEKNISKA DATA	BATTERIDRIVEN GRÄSTRIMMER	M18 BLLT
Produktionsnummer	4779 19 02... ...00001-999999	
Tomgångsvarvtal, lågt varvtal	0-4600 min ⁻¹	
Tomgångsvarvtal, högt varvtal	0-6200 min ⁻¹	
Max. ø trimmertråd	2,4 mm	
Skärkapacitet max	400 mm	
Batterispänning	18 V	
Vikt enligt EPTA 01/2014 (Li-Ion 5,5 Ah...12,0 Ah)	5,39...5,85 kg	
Rekommenderad omgivningstemperatur vid arbete	-18...+50 °C	
Rekommenderade batterityper	M18 HB5.5; M18 HB8.0; M18 HB12.0	
Rekommenderade laddare	M12-18...; M1418C	

Buller-/vibrationsinformation

Mätvärdena har tagits fram baserade på EN 62841.

A-värdet av maskinens ljudnivå utgörs:

Ljudtrycksnivå (Onoggrannhet K=3dB(A))	75 dB (A)
Ljudeffektsnivå (Onoggrannhet K=3dB(A))	95 dB (A)

Använd hörselskydd!

Totala vibrationsvärden (vektorsumma ur tre riktningar) framtaget enligt EN 62841.

Vibration vid främre handtag	< 2,5 m/s ²
Vibration vid bakre handtag	< 2,5 m/s ²
Onoggrannhet K=	1,5 m/s ²

WARNING!

De deklarerade vibrations- och bullernivåerna på detta informationsblad har uppmätts i enlighet med en standardiserad testmetod enligt EN 62841 och kan användas för att jämföra ett verktyg med ett annat. Det kan användas för en preliminär bedömning av exponeringen.

Den angivna vibrations- och bullernivån representerar verktygets huvudsakliga tillämpningar. Om verktyget emellertid används för olika tillämpningar, med olika eller dåligt underhållna tillbehör, kan vibrations- och bullerutsläppet variera. Detta kan öka exponeringsnivån avsevärt över den totala arbetsperioden.

En uppskattning av exponeringsnivån för vibrationer och buller bör även ta hänsyn till de tider då verktyget är avstängt eller när det körs utan att faktiskt arbeta. Detta kan avsevärt minska exponeringsnivån över den totala arbetsperioden.

Identifiera ytterligare säkerhetsåtgärder för att skydda operatören mot effekterna av vibrationer och/eller buller såsom: underhåll av verktyget och tillbehören, hålla händerna varma, organisation av arbetsmönster.

⚠ WARNING! Läs noga igenom alla säkerhetsanvisningar, illustrationer och specifikationer som medföljer detta elverktyg. Fel som uppstår till följd av att anvisningarna nedan inte följts kan orsaka elstöt, brand och/eller allvarliga kroppsskador.

Förvara alla varningar och anvisningar för framtida bruk.

⚠ SÄKERHETSANVISNINGAR GRÄSTRIMMER

- Använd inte maskinen vid dåligt väder – framförallt inte när det finns risk för blixtnedslag.** Genom detta minskar du risken att träffas av en blixn.
- Kontrollera arbetsytan noggrant avseende vilt levande djur.** Djur kan skadas av maskinen.
- Kontrollera arbetsytan noggrant och ta bort stenar, stavar, trädor, ben eller andra främmande föremål.** Stenar el. dyl. som slungas ut kan leda till kroppsskador.
- Kontrollera att skäransordningen och skärverket är intakta innan du använder maskinen.** Skadade komponenter ökar risken för kroppsskador.
- Ta inte bort skydden. Skydden ska vara funktionsdugliga och korrekt monterade.** Ett skydd som är löst, skadat eller inte fungerar korrekt kan ge upphov till kroppsskador.
- Håll alla kylflötsintag rena.** Blockerade eller smutsiga luftintag leder till att maskinen överhettas och kan förorsaka en brand.
- Bär ögon- och hörselskydd när du använder maskinen.** Användning av lämplig skyddsutrustning minskar risken för kroppsskador.

h) Bär alltid halksäkra skyddsskor när du arbetar med maskinen. Maskinen får inte användas utan skor eller i öppna skor. På så vis undviker du skador på fötterna genom kontakt med den roterande skäransordningen.

i) Bär alltid långbyxor när du arbetar med maskinen. Kontakt med den roterande skäransordningen eller skärträden kan ge upphov till kroppsskador.

j) Håll andra personer på avstånd under arbetet med maskinen. Partiklar som slungas ut kan vålla allvarliga kroppsskador.

k) För inte maskinen över höfthöjd. Genom detta kan oavsiktlig kontakt med skäransordningen undvikas och maskinen kontrolleras bättre i oväntade situationer.

l) Var försiktig när du trimmar vått gräs. Gå alltid, spring aldrig. Genom detta kan risken att halka eller snubbla minskas och kroppsskador undvikas.

m) Använd inte maskinen på mycket kraftiga slutningar. Genom detta kan risken att förlora kontrollen samt risken halka eller snubbla minskas och kroppsskador undvikas.

n) Se till att du står stadigt när du arbetar i en slutning, arbeta alltid i konturlinier. Arbeta aldrig i riktning längs med slutningen och var mycket försiktig när du byter arbetsriktning. Genom detta kan risken att förlora kontrollen samt risken halka eller snubbla minskas och kroppsskador undvikas.

o) Håll borta nätanslutningskabel och förlängningskabel från skärområdet. Nätanslutnings- eller förlängningskablar som är dolda under häckar eller buskar kan oavsiktligt skäras sönder eller skadas av skäransordningen eller skärträden.

p) Håll alla kroppsdelar borta från skäransordningen eller skärträden. Dra alltid ut nätstickproppen innan

du rengör maskinen. Den roterande skäransordningen och skärträden kan vålla allvarliga kroppsskador.

q) Maskinen får endast transporteras när den är avstängd och ska då hållas borta från kroppen. Genom korrekt hantering av maskinen kan risken för oavsiktlig kontakt med den roterande skäransordningen eller skärträden minskas.

r) Använd endast av tillverkaren godkända reservskärhuvud eller reservskärträdar. Byt inte ut skäransordningar eller skärträdar mot metallträdar eller metallknivar. Icke godkända reservdelar kan ge upphov till kontrollförlust, skador på maskinen och kroppsskador.

ÖVRIGA SÄKERHETSINSTRUKTIONER

Maskinen får inte användas utan förbindelseelement. Vid arbetet med grästrimmern ska förbindelseelementen vara korrekt låst. Att använda grästrimmern utan förbindelseelement kan ge upphov till allvarliga kroppsskador.

Drag ur batteripaket innan arbete utföres på maskinen.

Kasta inte förbrukade batterier. Lämna dem till Milwaukee Tools för återvinning.

Förvara ej batteriet ihop med metallföremål, kortslutning kan uppstå.

System M18 batterier laddas endast i System M18 laddare. Ladda inte batterier från andra system.

Batterier lagras torrt och skyddas för fukt.

Under extrem belastning eller extrem temperatur kan **batterivätska tränga ut ur skadade utbytesbatterier. Vid beröring med batterivätska tvätta genast av med vatten och tvål. Vid ögonkontakt spola genast i minst 10 minuter och kontakta genast läkare.**

Varning! För att undvika den fara för brand, personsador eller produktskador som orsakas av en kortslutning, doppa inte ner verktyget, utbytesbatteriet eller laddaren i vätskor och se till att ingen vätska kan tränga in i apparaterna eller batterierna. Korroderande eller ledande vätskor, som saltvatten, vissa kemikalier, blekningsmedel eller produkter som innehåller blekmedel, kan orsaka en kortslutning.

ANVÄND MASKINEN ENLIGT ANVISNINGARNA

Produkten är endast konstruerad för att användas utomhus av en person som står up.

Produkten är lämplig för att klippa gräs, ogräs eller liknande vegetation på marknivå.

Rör när du klipper maskinen så parallellt mot marken som möjligt.

Använd inte produkten för att klippa eller trimma häckar, buskar eller annan vegetation där snittytan inte befinner sig parallellt mot marken.

Maskinen får endast användas för angiven tillämpning.

EG-FÖRSÄKRAN ÖVERENSSTÄMMELSE

Vi som tillverkare intygar och ansvarar för att den produkt som beskrivs under "Tekniska data" överensstämmer med alla relevanta bestämmelser i direktiv 2011/65/EU (RoHS), 2014/30/EU, 2006/42/EG, 2000/14/EC, 2005/88/EC och följande harmoniserade normerande dokument:

EN 62841-1:2015
EN 60335-1:2012+A11:2014+A13:2017
EN 50636-2-91:2014
EN 55014-1:2017+A11:2020
EN 55014-2:2015
EN IEC 63000:2018

Uppmätt ljudtrycksnivå: 94 dB(A)
Garanterad ljudtrycksnivå: 96 dB(A)

Förfarande avseende överensstämmelse enligt 2000/14/EG Bilaga V.

Anmält organ:
DEKRA Certification B.V. (0344)
Meander 1051/P.O.Box 5185
6825 MS ARNHEIM/6802 ED ARNHEIM
Netherlands

Winnenden, 2021-06-14



Alexander Krug
Managing Director



Befullmäktigad att sammanställa teknisk dokumentation.

Techtronic Industries GmbH
Max-Eyth-Straße 10
71364 Winnenden
Germany

BATTERIER

Batteri som ej använts på länge måste laddas före nytt bruk.

En temperatur över 50°C reducerar batteriets effekt. Undvik längre uppvärmning tex i solen eller nära ett element.

Se till att anslutningskontaktarna i laddaren och på batteriet är rena.

För att batterierna ska få lång livslängd ska de laddas fulla efter användning.

För att få en så lång livslängd som möjligt bör laddningsbara batterier avlägsnas från laddaren när de är laddade.

Om laddningsbara batterier lagras längre än 30 dagar: Lagra batteriet torrt och vid ca 27°C. Lagra batteriet vid ca 30%-50% av laddningskapaciteten. Ladda batterierna på nytt var 6:e månad.

BATTERI-ÖVERBELASTNINGSSKYDD LI-ION UPPLADNINGSBART BATTERI

Batteripaketet är utrustat med ett överlastskydd som skyddar batteriet mot överbelastning och därmed säkerställer en lång livslängd. Vid extremt stark belastning stänger batterielektroniken av maskinen automatiskt. Stäng först av och slå sedan på maskinen igen för att fortsätta att arbeta. Skulle maskinen inte starta igen, är batteripaketet kanske urladdat och måste på laddas upp igen i laddaren.

TRANSPORTERA LITIUMJON-BATTERIER

För litiumjon-batterier gäller de lagliga föreskrifterna för transport av farligt gods på väg.

Därför får dessa batterier endast transporteras enligt gällande lokala, nationella och internationella föreskrifter och bestämmelser.

- Konsumenter får transportera dessa batterier på allmän väg utan att behöva beakta särskilda föreskrifter.
- För kommersiell transport av litiumjon-batterier genom en speditörsfirma gäller emellertid bestämmelserna för transport av farligt gods på väg. Endast personal som känner till alla tillämpliga föreskrifter och bestämmelser får förbereda och genomföra transporten. Hela processen ska följas upp på fackmässigt sätt.

Följande ska beaktas i samband med transporten av batterier:

- Säkerställ att alla kontakter är skyddade och isolerade för att undvika kortslutning.

- Se till att batteripacken inte kan glida fram och tillbaka i förpackningen.
- Transportera aldrig batterier som läcker, har runnit ut eller är skadade.

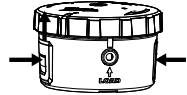
För mer information vänligen kontakta din speditorsfirma.

BYTA SKÄRTRÅD

Använd endast skärtrådar från Milwaukee (se avsnitt "Tekniska data"). Skärtråden ska antingen ha 6 m längd och 2,4 mm diameter eller 7,6 m längd och 2 mm diameter. OBS: På abrasiva ytor eller på ytor med tät vegetation nöts skärtråden snabbare.

Byte av skärtråden, se bilddel.

Under normala förhållanden kastas trådresten ut av skärhuvudet under arbetet. För att ta bort trådresten eller för att sätta in en ny skärtråd ska grästrimmern vändas 180°, låsflikarna tryckas in och skyddskåpan tas bort.



Ta bort korta trådresten. Sätt sedan tillbaka skyddskåpan på skärhuvudet så att låsflikarna hakar i.

SKÖTSEL

Se till att motorhöljets luftslitsar är rena.

Inspektionen av produkten kräver extrem noggrannhet och sakkunskap. Överlämna ovillkorligen detta arbete till en kvalificerad servicetekniker. För inspektion eller reparation ska produkten skickas till ett auktoriserat serviceställe. Använd endast identiska reservdelar vid underhåll.

Innan underhålls- och rengöringsarbeten utförs ska maskinen stängas av och batteriet ska tas bort.

Utför de inställningar och reparationer som beskrivs här. För alla andra reparationsarbeten ska du vända dig till en auktoriserad fackhandel.

Använd endast nylåntrådar på spolar med den diameter som anges i den här bruksanvisningen som utbytesspole.

Efter att den nya trimmertråden har trätts in, placera produkten i den normala användningspositionen innan den startas igen.

Rengör produkten efter varje användning med en torr, mjuk trasa. Skadade delar ska repareras eller bytas ut av ett auktoriserat serviceställe.

Kontrollera med jämna mellanrum att alla muttrar, bultar och skruvar är ordentligt åtdragna för att säkerställa att produkten kan användas på ett säkert sätt.

Använd endast Milwaukee-tillbehör och Milwaukee-reservdelar. Komponenter, för vilka inget byte beskrivs, skall bytas ut hos Milwaukee-kundtjänst (se broschyren garanti-/kundtjänstadresser).

Vid behov kan du rekvidrera apparatens sprängskiss antingen hos kundservicen eller direkt hos Techtronic Industries GmbH, Max-Eyth-Straße 10, 71364 Winnenden, Germany. Du ska då ange maskintypen och numret på sex siffror som står på effektskylten.

SYMBOLER



OBSERVERA! VARNING! FARA!

	Läs instruktionen noga innan du startar maskinen.
	Drag ur batteripaket innan arbete utföres på maskinen.
	Bär skyddshandskar!
	Använd hörselskydd!
	Använd alltid skyddsglasögon.
	Bär alltid skyddskläder och stabila skor.
	Håll personer på betryggande avstånd från trädgårdsredskapet.
	Ska inte användas när det regnar och inte lämnas kvar utomhus om det regnar.
	Se upp för föremål som kastas i väg av maskinen. Se till att alltid ha ett tillräckligt stort avstånd till personer i närheten.
	Använd inga metalleggar i den här produkten.
	Rotation framåt
	Delar och tillbehör ingår inte i leveransen.
	Elektriska maskiner, batterier/uppladdningsbara batterier och får inte slängas tillsammans med de vanliga hushållssoporna. Elektriska maskiner och uppladdningsbara batterier ska samlas separat och lämnas till en avfallsstation för miljövänlig avfallshantering. Kontakta den lokala myndigheten respektive kommunen eller fråga återförsäljare var det finns speciella avfallsstationer för elskrot.
	Europeiskt konformitetsmärke

	Britiskt konformitetsmärke
	Ukrainskt konformitetsmärke
	Euroasiatiskt konformitetsmärke

TEKNISET ARVOTAKKUKÄYTTÖINEN RUOHOTRIMMARI**M18 BLLT**

Tuotantonumero	4779 19 02...
	...000001-999999
Joutokäyntikierrosluku, alhainen kierrosluku	0-4600 min ⁻¹
Joutokäyntikierrosluku, korkea kierrosluku	0-6200 min ⁻¹
Leikkuusiiman ø enint	2,4 mm
Leikkauskyky maks.	400 mm
Jännite vaihtoakku	18 V
Paino EPTA-menettelyn 01/2014mukaan (Li-Ion 5,5 Ah...12,0 Ah)	5,39...5,85 kg
Suosittelun ympäristön lämpötila työn aikana	-18...+50 °C
Suosittelut akkutyypit	M18 HB5.5; M18 HB8.0; M18 HB12.0
Suosittelut latauslaitteet	M12-18...; M1418C

Melunpäästö-/täriäntiedot

Mitta-arvot määritetty EN 62841 mukaan.

Koneen tyyppillinen A-luokitettu melutaso:

Melutaso (Epävarmuus K=3dB(A))	75 dB (A)
Äänenvoimakkuus (Epävarmuus K=3dB(A))	95 dB (A)

Käytä kuulosuojaimia!

Värähtelyn yhteisarvot (kolmen suunnan vektorisumma) mitattuna EN 62841 mukaan.

Värinä etukahvassa	< 2,5 m/s ²
Värinä takakahvassa	< 2,5 m/s ²
Epävarmuus K=	1,5 m/s ²

VAROITUS!

Tässä tiedotteessa ilmoitettu (ilmoitetut) täriä- ja melupäästöarvo(t) on mitattu standardisoidulla testimenetelmällä SFS-EN 62841 mukaisesti ja sitä voidaan käyttää työkalun vertailemiseen toisen työkalun kanssa. Sitä voidaan käyttää alustavaan altistuksen arviointiin.

Ilmoittetu täriä- ja melupäästöarvo koskee työkalun pääkäyttötarkoituksia. Jos kuitenkin työkalua käytetään eri käyttötarkoituksiin eri varusteiden kanssa tai huonosti huollettuna, voi täriä- ja melupäästö erota ilmoitetusta. Tämä voi merkittävästi nostaa altistumistasoa koko työskentelyjakson ajaksi.

Arvioidussa täriä- ja meluallistustasossa tulisi ottaa huomioon myös työkalun sammutuskerrat tai sen tyhjäkäynti. Tämä voi merkittävästi laskea altistumistasoa koko työskentelyjakson ajaksi.

Tunnista esimerkiksi seuraavat lisävaroitimet, joilla voidaan suojata käyttäjää täriän ja/tai melun vaikutuksilta: työkalun ja varusteiden ylläpito, käsien lämpimänä pito, työnkulun organisointi.

VAROITUS Lue kaikki turvallisuusmääräykset, ohjeet, kuvitukset ja erittelyt, jotka toimitetaan tämän sähkötyökalun mukana. Jäljempänä annettujen ohjeiden noudattamisen laiminlyönti saattaa johtaa sähköiskuun, tulipaloon ja/tai vakavaan loukkaantumiseen. Säilytä kaikki turvallisuus- ja muut ohjeet tulevaisuutta varten.

RUOHOTRIMMARIN TURVALLISUUSOHJEET

- Älä käytä laitetta huonolla säällä, varsinkaan ukonilman ja salamavaaran uhatessa.** Näin vältät vaaran joutua salamaniskun kohteeksi.
- Tarkasta ennen käyttöä, ettei käyttöalueella ole luonnossa eläviä eläimiä.** Laitte voi haavoittaa niitä.
- Tarkasta työalue huolellisesti ja poista kivet, kepit, langat, luut tai muut vieraat esineet.** Pois sinkoutuneet vieraat esineet voivat aiheuttaa vammoja.
- Tarkasta ennen käyttöä, onko leikkurissa ja leikkuulaitteissa vahingoittuneita osia.** Vahingoittuneet osat lisäävät tapaturman vaaraa.
- Älä poista suojalaitteita.** Suojalaitteiden täytyy olla toimintakelpoisia ja määräysten mukaisesti asennettuja. Löystynyt, vahingoittunut tai määräysten vastaisesti asennettu suojalaite voi aiheuttaa loukkaantumisen.
- Pidä kaikki jäähdytysilma-aukot puhtaina.** Tukkeutuneet tai likaantuneet ilma-aukot aiheuttavat laitteen liiallisen kuumenemisen ja voivat sytyttää sen palamaan.
- Käytä silmä- ja kuulosuojuksia laitetta käyttäessäsi.** Sovellaiden suojavarusteiden käyttö vähentää tapaturman vaaraa.

- Käytä aina liukastumisen estäviä turvajalkineita laitteella työskennellessäsi. Älä käytä laitetta paljain jaloin tai avoimissa jalkineissa.** Näin vältät jalkavammat, jotka aiheutuvat koskettamisesta pyörivään leikkuuosaan.
- Käytä aina pitkälahkeisia housuja laitteella työskennellessäsi.** Koskettaminen pyörivään leikkuriin tai leikkuusiimaan voi aiheuttaa vammoja.
- Pidä muut ihmiset etäällä työskennellessäsi.** Poissinkoavat osat saattavat aiheuttaa vakavia vammoja.
- Älä kuljeta laitetta korkeammalla kuin lantiontasolla.** Näin vältät tahattoman koskettamisen leikkukoneistoon ja voit hallita laitteen paremmin odottamattomissa tilanteissa.
- Ole erittäin varovainen leikatessasi märkää ruohoa. Kävele aina, älä koskaan juokse.** Näin luiskahdus- ja kaatumisvaara on vähäisempi ja vältät tapaturmat.
- Älä käytä laitetta erittäin jyrkillä rinteillä.** Näin hallinnan menetyksen, luiskahduksen ja kaatumisen vaara on vähäisempi ja vältät tapaturmat.
- Rinteissä työskennellessäsi huolehdi tukevasta asennosta ja työskentele aina rinteeseen poikkisuuntaan. Älä koskaan työskentele rinteeseen kaltevuussuuntaan ja ole äärimmäisen varovainen suuntaa vaihtaessasi.** Näin hallinnan menetyksen, luiskahduksen ja kaatumisen vaara on vähäisempi ja vältät tapaturmat.
- Pidä verkko- ja jatkojohdot poissa leikkuualueelta.** Leikkuri tai leikkuusiima voi epähuomiossa osua pensasaitojen ja pensaiden alla piilossa oleviin verkko- ja jatkojohtoihin ja katkaista ne tai vahingoittaa niitä.
- Pidä kaikki ruumiinosasi etäällä leikkurista tai leikkuusiimasta. Puhdista laite vasta kun olet vetänyt**

verkkopistokkeen irti. Pyörivä leikkuri tai leikkuusiima voi aiheuttaa vakavia vammoja.

- Kuljeta laitetta vain sammutettuna ja pitele sitä poissa vartalostasi.** Laitteen määräysten mukainen käsittely vähentää tahattoman kosketuksen vaaraa pyörivään leikkuriin tai leikkuusiimaan.
- Käytä vain valmistajan suosittelemia vaihtoleikkuupäitä ja vaihtoleikkuusiimoja. Älä korvaa leikkuulaitetta tai leikkuusiimaa metalliangalla tai metalliterällä.** Luvattomat varaosat voivat aiheuttaa hallinnan menetyksen, vahinkoja ja tapaturmia.

MITA TURVALLISUUSOHJEITA

Älä käytä laitetta ilman liitoskappaletta. Leikkuaan aikana liitoskappaleen täytyy olla määräysten mukaisesti varmistettu. Ruohotrimmarin käyttö ilman liitoskappaletta voi aiheuttaa vakavia vammoja.

Ota akku pois ennen kaikkia koneeseen tehtäviä toimenpiteitä.

Käytettyjä vaihtoakkuja ei saa polttaa eikä poistaa normaalin jätehuollon kautta. Milwaukeella on tarjolla vanhoja vaihtoakkuja varten ympäristöystävällinen jätehuoltopalvelu.

Vaihtoakkuja ei saa säilyttää yhdessä metalliesineiden kanssa (oikosulkuvaara).

Käytä ainoastaan System M18 latauslaitetta System M18 akkujen lataukseen. Älä käytä muiden järjestelmien akkuja.

Vaihtoakkuja ja latauslaitteita ei saa avata. Säilytys vain kuivissa tiloissa. Suojattava kosteudelta.

Vaurioituneesta akusta saattaa erityisen kovassa käytössä tai poikkeavassa lämpötilassa vuotaa akkuhappoa. Ihonkohta, joka on joutunut kosketukseen akkuhapon kanssa on viipymättä pestävä vedellä ja saippualla. Silmää, johon on joutunut akkuhappoa, on huuhdeltava vedellä vähintään 10 minuutin ajan, jonka jälkeen on viipymättä hakeuduttava lääkärin apuun.

Varoitus! Jotta vältetään lyhytsulun aiheuttama tulipalon, loukkaantumisen tai tuotteen vahingoittumisen vaara, älä koskaan upota työkalua, vaihtoakkuja tai latauslaitetta nesteeseen ja huolehdi siitä, ettei mitään nesteitä pääse tunkeutumaan laitteiden tai akkujen sisään. Syövyttävät tai sähköä johtavat nesteet, kuten suolavesi, tietyt kemikaalit ja lalkaisuaineet tai valkaisuaineita sisältävät tuotteet voivat aiheuttaa lyhytsulun.

TARKOITUKSEN MUKAINEN KÄYTTÖ

Tuote on laadittu käytettäväksi vain ulkotiloissa ja käyttäjän seistessä.

Tuote sopii ruohon, rikkaruohojen ja senkaltaisen muun kasvuston leikkaamiseen maanpinnan tasolla.

Liikuta laitetta leikkuaan aikana mahdollisimman tarkoin maanpinnan suuntaisesti.

Älä leikkaa tuotteella pensasaitoja, pensaita tai muita kasvustoa, jotka leikkaustaso ei ole samansuuntainen maanpinnan kanssa.

Älä käytä tuotetta ohjeiden vastaisesti.

EY-VAATIMUSTEN MUKAISUUSVAKUUTUS

Vakuutamme valmistajan ominaisuudessa yksinvastuullisesti, että kohdassa "Tekniset tiedot" kuvattu tuote vastaa kaikkia sitä koskevia direktiivien 2011/65/EU (RoHS), 2014/30/EU, 2006/42/EY, 2000/14/EC, 2005/88/EC määräyksiä sekä seuraavia harmonisoituja standardisoivia asiakirjoja:

EN 62841-1:2015
EN 60335-1:2012+A11:2014+A13:2017
EN 50636-2-91:2014

EN 55014-1:2017+A11:2020
EN 55014-2:2015
EN IEC 63000:2018

Mitattu äänenvoiman taso: 94 dB(A)
Taattu äänenvoiman taso: 96 dB(A)

Standardinmukaisuuden arviointimenettely direktiivin 2000/14/EY liitteen V mukaan.

Vastaava organisaatio:
DEKRA Certification B.V. (0344)
Meander 1051/P.O.Box 5185
6825 MS ARNHEIM/6802 ED ARNHEIM
Netherlands

Winnenden, 2021-06-14



Alexander Krug
Managing Director



Valtuutettu kokoamaan tekniset dokumentit.

Techronic Industries GmbH
Max-Eyth-Straße 10
71364 Winnenden
Germany

AKKU

Pitkään käyttämättä olleet vaihtoakut on ladattava ennen käyttöä.

Yli 50°C lämpötilassa akun suorituskyky heikkenee. Välttämättä akkujen säilyttämistä auringossa tai kuumissa tiloissa.

Pidä aina latauslaitteen ja akun kosketinpinnat puhtaina.

Optimaalisen käyttöajan saavuttamiseksi akut on ladattava täyteen käytön jälkeen.

Mahdollisimman pitkän elinajan takaamiseksi akut tulee poistaa laturista lataamisen jälkeen.

Akkua yli 30 päivää säilytettävässä: Säilytä akku yli 27 °C:ssa ja kuivassa. Säilytä akku sen latauksen ollessa 30 % - 50 %. Lataa akku 6 kuukauden välein uudelleen.

AKUN YLIKUORMITUSSUOJAUS LI-IONI AKKUA

Akkusarja on varustettu ylikuormitussuojalla, joka suojaaa akkua ylikuormituksesta ja varmistaa sen pitkän elinkaaren. Äärimmäisrasituksessa akkuelektronikka sammuttaa koneen automaattisesti. Työn jatkamiseksi kone kytketään pois ja sitten jälleen päälle. Jos kone ei käynnisty uudelleen, niin akkusarja saattaa olla tyhjentyntä ja se täytyy ladata uudelleen latauslaitteella.

LITIUM-IONIAKKUJEN KULJETTAMINEN

Litiumi-ioniakut kuuluvat vaarallisten aineiden kuljetuksesta annettujen lakien piiriin.

Näiden akkujen kuljettaminen täytyy suorittaa noudattaen paikallisia, kansallisia ja kansainvälisiä määräyksiä ja säädöksiä.

- Kuluttajat saavat ilman muuta kuljettaa näitä akkuja teitä pitkin.
- Kaupallisessa kuljetuksessa huolintaliikkeiden täytyy kuljettaa litiumi-ioniakkuja vaarallisten aineiden kuljetuksesta annettujen määräysten mukaisesti. Ainoastaan tähän vastaavasti koulutetut henkilöt saavat suorittaa kuljetuksen valmistelutoimet ja itse kuljetuksen. Koko prosessia tulee valvoa asiantuntevasti.

Seuraavat kohdat tulee huomioida akkuja kuljetettaessa:

- Varmista, että akkujen kontaktit on suojattu ja eristetty, jotta vältetään lyhytsulut.
- Huolehdi siitä, ettei akkusarja voi luiskahtaa paikaltaan pakkauksen sisällä.
- Vahingoittuneita tai vuotavia akkuja ei saa kuljettaa.

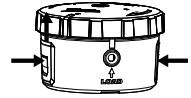
Pyydä tarkemmat tiedot huolintaliikkeeltäsi.

LEIKKUUSIIMAN VAIHTO

Käytä vain MILWAUKEE-leikkuusiimoja (katso kohta "Tekniset tiedot"). Käytä joko leikkuusiimoja, joiden pituus on 6 m ja paksuus 2,4 mm tai pituus 7,6 m ja paksuus 2 mm. Viite: Käytettäessä hankaavien pintojen lähellä tai tiheässä kasvustossa leikkuusiima kuluu nopeammin.

Leikkuusiiman vaihto katso kuvaosa.

Normaaleissa käyttöolosuhteissa siiman loppupää heitetään leikkuupäästä pois käytön aikana. Siimanloppujen poisottamista tai uuden leikkuusiiman paikalleen panoa varten käännä ruohotrimmari ylösalaisin, paina kiinnikkeitä niiden vapauttamiseksi ja ota suojus pois.



Ota lyhyet siimanpätkät pois. Pane sitten suojus jälleen leikkuripään päälle ja anna sen lukittua kiinnikkeisiin.

HUOLTO

Pidä moottorin ilmanottoaukot puhtaina.

Koneen määräaikaishuolto vaatii erittäin huolellista ja asiantuntevaa työskentelyä. Anna tämä työ ehdottomasti pätevän huoltoteknikon tehtäväksi. Lähetä tuote määräaikaishuoltoon tai korjattavaksi valtuutettuun huoltokorjaamoon. Käytä huoltaessasi vain identtisiä varaosia.

Ennen huolto- tai puhdistustöiden aloittamista sammuta laite ja ota akku pois.

Suorita ainoastaan tässä kuvatut säätötoimet ja korjaukset. Kaikkia muita korjaustöitä varten ota yhteyttä valtuutettuun jälleenmyyjään.

Käytä siimapuolan varaosana vain nailonsiimaa, joka on kelattu tässä ohjeessa nimetyn halkaisijan mukaiselle puolalle.

Kun uusi leikkuusiima on pujotettu paikalleen, käännä laite jälleen tavalliseen käyttöasentoon ennen sen käynnistämistä.

Puhdista tuote joka käytön jälkeen kuivalla, pehmeällä rievulla. Vain valtuutettu huoltokorjaamo saa vaihtaa tai korjata vahingoittuneet osat.

Tarkasta säännöllisin väliajoin, että kaikki mutterit, pultit ja ruuvit on kiristetty tiukkaan, jotta tuotteen turvallinen käyttö on taattu.

Käytä ainoastaan Milwaukee lisätarvikkeita ja Milwaukee varaosia. Mikäli jokin komponentti, jota ei ole kuvailtu, tarvitsee vaihtoa ota yhteys johonkin Milwaukee palvelupisteistä (kts. listamme takuuhuoltoilikkeiden/ palvelupisteiden osoitteista)

Tarvittaessa voit pyytää laitteen räjähdyspiirustuksen ilmoittaan koneetypin ja tyyppikilvessä olevan kuusinumeroisen luvun huoltopalvelustasi tai suoraan osoitteella Techtronic Industries GmbH, Max-Eyth-Strasse 10, 71364 Winnenden, Saksa.

SYMBOLIT

	HUOMIO! VAROITUS! VAARA!
	Lue käyttöohjeet huolellisesti, ennen koneen käynnistämistä.
	Ota akku pois ennen kaikkia koneeseen tehtäviä toimenpiteitä.
	Käytä suojakäsineitä!
	Käytä kuulosuojaimia!
	Käytä laitteella työskennellessäsi aina suojalaseja.
	Käytä aina suojavaatetusta ja tukevia jalkineita.
	Pidä lähistöllä olevat henkilöt turvallisella etäisyydellä puutarhalaitteesta.
	Älä käytä laitetta sateella tai jätä sitä ulos sateeseen.
	Varo esineitä, jotka laite saattaa singota pois. Säilytä aina riittävän suuri turvallisuusvälimatka lähistöllä oleviin henkilöihin.

	Älä käytä tässä tuotteessa mitään metallileikkuutyökaluja.
	Pyörintäsuunta
	Osat tai varusteet eivät sisälly toimitukseen.
	Sähkölaitteita, paristoja/akkuja ei saa hävittää yhdessä kotitalousjätteiden kanssa. Sähkölaitteet ja akut tulee kerätä erikseen ja toimittaa kierrätysliikkeeseen ympäristöystävällistä hävittämistä varten. Pyydä paikallisilta viranomaisilta tai alan kauppiailtasi tarkemmat tiedot kierrätyspisteistä ja keräyspaikoista.
	Euroopan säännönmukaisuusmerkki
	Britannian säännönmukaisuusmerkki
	Ukrainan säännönmukaisuusmerkki
	Euraasian säännönmukaisuusmerkki

Αριθμός παραγωγής.....	4779 19 02... ...00001-999999
Αριθμός στροφών ρελαντί, χαμηλός αριθμός στροφών.....	0-4600 min ⁻¹
Αριθμός στροφών ρελαντί, υψηλός αριθμός στροφών.....	0-6200 min ⁻¹
Μέγ. θ κοπτικού νήματος.....	2,44 mm
Μέγ. διάμετρος πάχους τομής.....	400 mm
Τύση ανταλλακτικής μπαταρίας.....	18 V
Βάρος σύμφωνα με τη διαδικασία ΕΡΤΑ 01/2014 (Li-Ion 5,5 Ah...12,0 Ah).....	5,39...5,85 kg
Συνιστώμενη θερμοκρασία περιβάλλοντος κατά την εργασία.....	-18...+50 °C
Συνιστώμενοι τύποι συσσωρευτών.....	M18 HB5.5; M18 HB8.0; M18 HB12.0
Συνιστώμενη συσκευή φόρτισης.....	M12-18...; M1418C

Πληροφορίες θορύβου/δονήσεων
 Τιμές μέτρησης εξακριβωμένες κατά EN 62841.
 Η σύμφωνη με την καμπύλη A εκτιμηθείσα στάθμη θορύβου του μηχανήματος αναφέρεται σε:
 - Στάθμη ηχητικής πίεσης (Ανασφάλεια K=3dB(A))..... 75 dB (A)
 - Στάθμη ηχητικής ισχύος (Ανασφάλεια K=3dB(A))..... 95 dB (A)
Φοράτε προστασία ακοής (ωτασπίδες)!

Υλικές τιμές κραδασμών (άθροισμα διανυσμάτων τριών διευθύνσεων) εξακριβώθηκαν σύμφωνα με τα πρότυπα EN 62841.
 Δόνηση στην μπροστινή λαβή..... < 2,5 m/s²
 Δόνηση στην πίσω λαβή..... < 2,5 m/s²
 Ανασφάλεια K=..... 1,5 m/s²

ΠΡΟΕΙΔΟΠΟΙΗΣΗ!

Το αναφερόμενο στο παρόν φυλλάδιο επίπεδο τιμών δόνησης και εκπομπής θορύβου έχει μετρηθεί σύμφωνα με μια τυπική μέθοδο δοκιμών κατά το πρότυπο EN 62841 και μπορεί να χρησιμοποιηθεί για τη σύγκριση εργαλείων μεταξύ τους. Μπορεί να χρησιμοποιηθεί για μια προκαταρκτική αξιολόγηση της έκθεσης.

Οι αναφερόμενες τιμές επιπέδων δόνησης και εκπομπής θορύβου αντιστοιχούν στις βασικές εφαρμογές του εργαλείου. Στην περίπτωση χρήσης του εργαλείου σε διαφορετικές εφαρμογές, με διαφορετικά εξαρτήματα ή ανεπαρκή συντήρηση, τα επίπεδα δόνησης και εκπομπών θορύβου ενδέχεται να διαφέρουν. Αυτό μπορεί να έχει ως συνέπεια μία σημαντική αύξηση των επιπέδων έκθεσης καθόλη τη διάρκεια εκτέλεσης των εργασιών.

Για μία εκτίμηση των επιπέδων έκθεσης σε δόνηση και θόρυβο πρέπει να συνυπολογίζονται οι χρόνοι απενεργοποίησης του εργαλείου ή αυτοί κατά τους οποίους παραμένει ενεργό χωρίς να εκτελείται κάποια εργασία. Αυτό μπορεί να μειώσει σημαντικά τα επίπεδα έκθεσης καθόλη τη διάρκεια εκτέλεσης των εργασιών.

Ορίστε πρόσθετα μέτρα προστασίας του χειριστή από την έκθεση στη δόνηση ή/και στον θόρυβο όπως: συντήρηση του εργαλείου και των παρελκόμενων εξαρτημάτων, διατήρηση θερμότητας των χεριών, οργάνωση μοτίβων εργασίας.

⚠ ΠΡΟΕΙΔΟΠΟΙΗΣΗ! Διαβάστε όλες τις προειδοποιητικές υποδείξεις, οδηγίες, περιγραφές και προδιαγραφές γι' αυτό το ηλεκτρικό εργαλείο. Αμέλειες κατά την τήρηση των προειδοποιητικών υποδείξεων μπορεί να προκαλέσουν ηλεκτροπληξία, κίνδυνο πυρκαγιάς ή/και σοβαρούς τραυματισμούς.
Φυλάξτε όλες τις προειδοποιητικές υποδείξεις και οδηγίες για κάθε μελλοντική χρήση.

⚠ ΥΠΟΔΕΙΞΕΙΣ ΑΣΦΑΛΕΙΑΣ ΜΗΧΑΝΗΣ ΞΑΚΡΙΣΜΑΤΟΣ ΧΛΟΟΤΑΠΗΤΑ

- a) **Μη χρησιμοποιείτε τη μηχανή κατά τη διάρκεια κακοκαιρίας, ιδίως όταν υπάρχει κίνδυνος κεραυνοπληξίας.** Έτσι ελαττώνετε τον κίνδυνο κεραυνοπληξίας.
- b) **Πριν από τη χρήση να ελέγχετε την περιοχή εφαρμογής προσεκτικά, αν υπάρχουν εκεί άγρια ζώα.** Η μηχανή μπορεί να τραυματίσει τα άγρια ζώα.
- c) **Να ελέγχετε την περιοχή εφαρμογής και να απομακρύνετε πέτρες, ράβδους, σύρματα, κόκαλα ή άλλα ξένα σώματα.** Εκσφενδονιζόμενα, ξένα σώματα μπορεί να επιφέρουν τραυματισμούς.
- d) **Πριν από τη χρήση να ελέγχετε τη διάταξη και το μηχανισμό κοπής για φθαρμένα εξαρτήματα.** Φθαρμένα εξαρτήματα αυξάνουν τον κίνδυνο τραυματισμού.
- e) **Μην αφαιρείτε τους προστατευτικούς μηχανισμούς.** Οι προστατευτικοί μηχανισμοί πρέπει να λειτουργούν σωστά και να είναι τοποθετημένοι σύμφωνα με τις προδιαγραφές. Ένας προστατευτικός μηχανισμός που δεν λειτουργεί σωστά, είναι

χαλαρωμένος ή χαλασμένος, μπορεί να επιφέρει τραυματισμούς.

f) **Να διατηρείτε όλες τις εισόδους αέρα ψύξης καθαρές.** Φραγμένες ή ακάθαρτες εισόδοι αέρα ψύξης οδηγούν σε υπερθέρμανση της μηχανής και μπορεί να προκαλέσουν πυρκαγιά.

g) **Να χρησιμοποιείτε προστατευτικά μέσα ακοής και ματιών κατά τη διάρκεια της χρήσης της μηχανής.** Η χρήση κατάλληλου εξοπλισμού προστασίας μειώνει τον κίνδυνο τραυματισμού.

h) **Κατά την εργασία με τη μηχανή να φοράτε πάντα αντιολισθητικά υποδήματα ασφαλείας. Μη χρησιμοποιείτε τη μηχανή ζυπόλυτοι ή με ανοιχτά παπούτσια (πέδιλα).** Έτσι αποφεύγετε τραυματισμούς των ποδιών κατά την επαφή με την περιστρεφόμενη διάταξη κοπής.

i) **Κατά την εργασία με τη μηχανή να φοράτε πάντα μακρύ παντελόνι.** Η επαφή με την περιστρεφόμενη διάταξη κοπής ή τη μεσινέζα (νήμα κοπής) μπορεί να επιφέρει τραυματισμούς.

j) **Κατά τη διάρκεια της χρήσης μην αφήνετε να πλησιάζουν άλλα άτομα.** Εκσφενδονιζόμενα μέρη μπορεί να προκαλέσουν σοβαρούς τραυματισμούς.

k) **Μη διευθύνετε τη μηχανή, κρατώντας την πάνω από το ύψος της μέσης.** Έτσι αποτρέπεται η ακούσια επαφή με τη διάταξη κοπής και ελέγχεται η μηχανή καλύτερα σε αναπάντεχες περιστάσεις.

l) **Κατά την κοπή υγρής χλόης να εργάζεστε προσεκτικά. Να βαδίζετε μόνο, μην τρέχετε ποτέ.** Έτσι μειώνεται ο κίνδυνος ολισθήσης και πτώσης και αποτρέπονται τραυματισμοί.

m) **Μη χρησιμοποιείτε τη μηχανή σε πολύ απότομες πλαγιές.** Έτσι μειώνονται η απώλεια ελέγχου, ο κίνδυνος ολίσθησης και αποτρέπονται τραυματισμοί.

n) **Κατά τις εργασίες σε πλαγιές να φροντίζετε να έχετε μια σίγουρη θέση και να εργάζεστε πάντα κατά τις ισοϋμείς καμπύλες. Μην εργάζεστε κατά μήκος της πλαγιές ποτέ και να δίνετε μεγάλη προσοχή κατά τις αλλαγές διεύθυνσης.** Έτσι μειώνονται η απώλεια ελέγχου, ο κίνδυνος ολίσθησης και πτώσης και αποτρέπονται τραυματισμοί.

o) **Μην αφήνετε να πλησιάζει η μπαλαντζέα ή το καλώδιο ηλεκτροδότησης την περιοχή κοπής.** Αθέατες μπαλαντζέες ή αθέατα καλώδια ηλεκτροδότησης κάτω από φυτικούς φράχτες και θάμνους μπορεί να κβόβονται ή να υφίστανται ζημιά από τη διάταξη κοπής και τη μεσινέζα.

p) **Μην αφήνετε κανένα μέρος του σώματός σας να πλησιάζει τη διάταξη κοπής και τη μεσινέζα. Να καθαρίζετε τη μηχανή, αφού αποσυνδεθεί προηγούμενος ο ρευματολήπτης.** Η περιστρεφόμενη διάταξη κοπής ή η μεσινέζα μπορεί να προκαλέσουν σοβαρούς τραυματισμούς.

q) **Να μεταφέρετε τη μηχανή μόνο αποσυνδεδεμένη και να την κρατάτε μακριά από το σώμα σας.** Ο χειρισμός της μηχανής σύμφωνα με τις προδιαγραφές μειώνει τον κίνδυνο ακούσιας επαφής με την περιστρεφόμενη διάταξη κοπής ή τη μεσινέζα.

r) **Να χρησιμοποιείτε μόνο τις ανταλλακτικές κεφαλές κοπής και μεσινέζες που συνιστώνται από τον κατασκευαστή. Μην αντικαθιστάτε τις διατάξεις κοπής ή τις μεσινέζες με μεταλλικά νήματα ή μαχαιρία.** Ακατάλληλα ανταλλακτικά μπορεί να επιφέρουν απώλεια ελέγχου, ζημιές και τραυματισμούς.

ΠΡΟΣΘΕΤΕΣ ΥΠΟΔΕΙΞΕΙΣ ΑΣΦΑΛΕΙΑΣ

Μη χρησιμοποιείτε ποτέ τη μηχανή χωρίς διάταξη ζεύξης. Κατά την κοπή πρέπει να είναι η διάταξη ζεύξης κανονικά ασφαλισμένη. Η χρήση μηχανών ξακρίσματος χλοοτάπητα δίχως διάταξη ζεύξης μπορεί να προκαλέσει σοβαρούς τραυματισμούς.

Πριν από κάθε εργασία στη μηχανή αφαιρείτε την ανταλλακτική μπαταρία.

Μην πετάτε τις μεταχειρισμένες ανταλλακτικές μπαταρίες στη φωτιά ή στα οικιακά απορρίμματα. Η Milwaukee προσφέρει μια απόσυρση των παλιών ανταλλακτικών μπαταριών σύμφωνα με τους κανόνες προστασίας του περιβάλλοντος, ρωτήστε παρακαλώ σχετικά στο ειδικό κατάστημα πώλησης.

Μην αποθηκεύετε τις ανταλλακτικές μπαταρίες μαζί με μεταλλικά αντικείμενα (κίνδυνος βραχυκυκλώματος).

Φορτίζετε τις ανταλλακτικές μπαταρίες του συστήματος M18 μόνο με φορτιστές του συστήματος M18. Μη φορτίζετε μπαταρίες από άλλα συστήματα.

Μην ανοίγετε τις ανταλλακτικές μπαταρίες και τους φορτιστές και χρησιμοποιείτε για αποθήκευση μόνο στεγνούς χώρους. Προστατεύετε τις ανταλλακτικές μπαταρίες και τους φορτιστές από την υγρασία.

Όταν υπάρχει υπερβολική καταπόνηση ή υψηλή θερμοκρασία μπορεί να τρέξει υγρό μπαταρίας από τις χαλασμένες επαναφορτιζόμενες μπαταρίες. Αν έρθετε σε επαφή με υγρό μπαταρίας να πλυθείτε αμέσως με νερό και σαπούνι. Σε περίπτωση επαφής με τα μάτια να πλυθείτε σχολαστικά για τουλάχιστον 10 λεπτά και να αναζητήσετε αμέσως ένα γιατρό.

Προειδοποίηση! Για να αποτρέπεται τον κίνδυνο πυρκαγιάς λόγω βραχυκυκλώματος, τραυματισμούς ή ζημιές του προϊόντος, να μη βυθίζετε το εργαλείο, τον ανταλλακτικό συσσωρευτή ή τη συσκευή φόρτισης σε υγρά και να φροντίζετε, ώστε να μη διεισδύουν υγρά στις συσκευές και τους συσσωρευτές. Διαβρωτικές ή αγώγιμες υγρές ουσίες,

όπως αλατόνερο, ορισμένες χημικές ουσίες και λευκαντικά ή προϊόντα που περιέχουν λευκαντικά, μπορεί να προκαλέσουν βραχυκύκλωμα.

ΧΡΗΣΗ ΣΥΜΦΩΝΑ ΜΕ ΤΟ ΣΚΟΠΟ ΠΡΟΟΡΙΣΜΟΥ

Το προϊόν έχει σχεδιαστεί για τη χρήση στο ύπαιθρο από ένα άτομο σε όρθια στάση.

Το προϊόν ενδείκνυται για την κοπή χλόης, ζιζανίων ή παρόμοιους βλάστησης στο επίπεδο του εδάφους.

Να κινείτε το μηχανήμα κατά την κοπή κατά το δυνατόν παράλληλα στην επιφάνεια του εδάφους.

Μη χρησιμοποιείτε το προϊόν για την κοπή ή το κλάδεμα φυτικών φρακτών, θάμνων ή άλλης βλάστησης, της οποίας το επίπεδο κοπής δεν βρίσκεται παράλληλα στο έδαφος.

Αυτή η συσκευή επιτρέπεται να χρησιμοποιηθεί μόνο σύμφωνα με τον αναφερόμενο σκοπό προορισμού.

ΔΗΛΩΣΗ ΣΥΜΜΟΡΦΩΣΗΣ ΕΚ

Ως κατασκευαστής δηλώνουμε υπεύθυνα ότι το προϊόν που περιγράφεται στο κεφάλαιο «Τεχνικά Χαρακτηριστικά» είναι συμβατό με όλες τις σχετικές διατάξεις των Κοινοτικών Οδηγιών 2011/65/EU (RoHS), 2014/30/EE, 2006/42/EC, 2000/14/EC, 2005/88/EC και τα ακόλουθα εναρμονισμένα κανονιστικά έγγραφα:

- EN 62841-1:2015
- EN 60335-1:2012+A11:2014+A13:2017
- EN 50636-2-91:2014
- EN 55014-1:2017+ A11:2020
- EN 55014-2:2015
- EN IEC 63000:2018

Μετρημένη στάθμη ηχητικής ισχύος: 94 dB(A)
 Εγγυημένη στάθμη ηχητικής ισχύος: 96 dB(A)

Διασφάλιση αξιολόγησης της πιστότητας σύμφωνα με 2000/14/EG παράρτημα V.

Ονομαζόμενη υπηρεσία:
 DEKRA Certification B.V. (0344)
 Meander 1051/P.O.Box 5185
 6825 MS ARNHEIM/6802 ED ARNHEIM
 Netherlands

Winnenden, 2021-06-14



Alexander Krug
 Managing Director

Εξουσιοδοτημένος να συντάξει τον τεχνικό φάκελο.
 Techtronic Industries GmbH
 Max-Eyth-Straße 10
 71364 Winnenden
 Germany

ΜΠΑΤΑΡΙΕΣ

Επαναφορτίζετε τις ανταλλακτικές μπαταρίες που δεν έχουν χρησιμοποιηθεί για μεγαλύτερο χρονικό διάστημα πριν τη χρήση.

Μια θερμοκρασία πάνω από 50°C μπορεί να μειώσει την ισχύ της ανταλλακτικής μπαταρίας. Αποφεύγετε τη θέρμανση για μεγαλύτερο χρονικό διάστημα από τον ήλιο ή τις συσκευές θέρμανσης.

Διατηρείτε τις επαφές σύνδεσης στο φορτιστή και στην ανταλλακτική μπαταρία καθαρές.

Για μια άριστη διάρκεια ζωής πρέπει μετά τη χρήση οι μπαταρίες να φορτιστούν πλήρως.

Για μια κατά το δυνατόν μεγάλη διάρκεια ζωής οι μπαταρίες μετά τη φόρτιση οφείλουν να αφαιρεθούν από το φορτιστή.

Για την αποθήκευση της μπαταρίας για διάστημα μεγαλύτερο των 30 ημερών:
Αποθηκεύετε τη μπαταρία περ. στους 27°C σε στεγνό χώρο. Αποθηκεύετε τη μπαταρία περ. στο 30%-50% της κατάστασης φόρτισης.
Κάθε 6 μήνες φορτίζετε εκ νέου τη μπαταρία.

ΠΡΟΣΤΑΣΙΑ ΥΠΕΡΦΟΡΤΩΣΗΣ ΤΗΣ ΜΠΑΤΑΡΙΑΣ ΣΥΣΣΩΡΕΥΤΗ LI-ION

Το πακέτο μπαταρίας είναι εξοπλισμένο με μια προστασία υπερφόρτωσης, η οποία προστατεύει τη μπαταρία από υπερφόρτωση και εξασφαλίζει μια μεγάλη διάρκεια ζωής. Σε ιδιαίτερα υψηλή καταπόνηση ο ηλεκτρονικός εξοπλισμός της μπαταρίας απενεργοποιεί αυτόματα τη μηχανή. Για να συνεχίσετε την εργασία απενεργοποιείτε και ενεργοποιείτε πάλι τη μηχανή. Εάν δεν ξεκινήσει πάλι η μηχανή, πιθανά το πακέτο μπαταρίας να είναι άδαιο και θα πρέπει να φορτιστεί εκ νέου στη συσκευή φόρτισης.

ΜΕΤΑΦΟΡΑ ΤΩΝ ΜΠΑΤΑΡΙΩΝ ΙΟΝΤΩΝ ΛΙΘΙΟΥ

Οι μπαταρίες ιόντων λιθίου υπόκεινται στις απαιτήσεις των νομικών διατάξεων για την μεταφορά επικινδύνων εμπορευμάτων.

Η μεταφορά τέτοιων μπαταριών πρέπει να πραγματοποιείται τηρώντας τους τοπικούς, εθνικούς και διεθνείς κανονισμούς και τις αντίστοιχες διατάξεις.

- Επιτρέπεται η μεταφορά τέτοιων μπαταριών στο δρόμο χωρίς περαιτέρω απαιτήσεις.
- Η εμπορική μεταφορά μπαταριών ιόντων λιθίου από εταιρείες μεταφορών υπόκειται στις απαιτήσεις των νομικών διατάξεων για την μεταφορά επικινδύνων εμπορευμάτων. Οι προετοιμασίες αποστολής και η μεταφορά πραγματοποιούνται αποκλειστικά από ειδικά εκπαιδευμένα πρόσωπα. Η συνολική διαδικασία συνοδεύεται από εξειδικευμένο προσωπικό.

Κατά τη μεταφορά μπαταριών ιόντων λιθίου πρέπει να προσέχετε τα εξής:

- Φροντίστε τα σημεία επαφών να είναι προστατευμένα και μονωμένα ώστε να αποφευχθούν βραχυκυκλώματα.
- Προσέξτε το πακέτο μπαταριών να είναι σταθερό μέσα στη συσκευασία και να μη γλιστρά.
- Η μεταφορά μπαταριών που παρουσιάζουν φθορές ή διαρροές δεν επιτρέπεται.

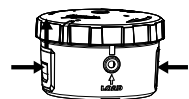
Για περισσότερες πληροφορίες απευθυνθείτε στην εταιρεία μεταφορών.

ΑΛΛΑΓΗ ΜΕΣΙΝΕΖΑΣ (ΝΗΜΑΤΟΣ ΚΟΠΗΣ)

Να χρησιμοποιείτε μόνο μεσινέζες τής MILWAUKEE (βλέπε παράγραφο «Τεχνικά στοιχεία»). Να χρησιμοποιείτε είτε μεσινέζες με 6 μ μήκος και 2,4 χιλ. πάχος είτε μεσινέζες με 7,6 μ μήκος και 2 χιλ. πάχος. Υπόδειξη: Κατά τη χρήση σε τραχείες ή πυκνής βλάστησης επιφάνειες φθείρεται η μεσινέζα πιο γρήγορα.

Για την αλλαγή τής μεσινέζας βλέπε απεικονίσεις.

Υπό κανονικές, λειτουργικές συνθήκες αποβάλλεται το υπόλοιπο νήμα κατά τη διάρκεια της λειτουργίας τής κοπτικής κεφαλής. Για την απομάκρυνση υπολοίπων νήματος ή την τοποθέτηση νέας μεσινέζας περιστρέψτε τη μηχανή ξακρίσματος χλοοτάπητα κατά 180°, απασφαλίζετε πιέζοντας στην αρμοκαλύπτρα και αφαιρείτε το κάλυμμα.



Αφαίρεση υπολοίπων κοντών νημάτων. Έπειτα τοποθετείτε πάλι το κάλυμμα στην κοπτική κεφαλή και το αφήνετε να γαντζώσει στην αρμοκαλύπτρα.

ΣΥΝΤΗΡΗΣΗ

Διατηρείτε πάντοτε τις σχισμές εξαιρισμού της μηχανής καθαρές.

Η γενική εξέταση του προϊόντος απαιτεί ακραία προσοχή και γνώση των πραγμάτων. Αναθέστε αυτή την εργασία οπωσδήποτε σε έναν ειδικευμένο τεχνικό εξυπηρέτησης. Αποστείλετε το προϊόν για γενική εξέταση ή επισκευή σε μια εξουσιοδοτημένη υπηρεσία τεχνικής εξυπηρέτησης. Χρησιμοποιείτε για τη συντήρηση μόνο ταυτόσημα ανταλλακτικά.

Πριν την εκτέλεση εργασιών συντήρησης ή καθαρισμού να απενεργοποιείτε το μηχάνημα και να αφαιρείτε την μπαταρία.

Διενεργήστε μόνο τις ρυθμίσεις και επισκευές που αναφέρονται εδώ. Για άλλες εργασίες επισκευής να απευθυνέστε σε έναν εξουσιοδοτημένο και εξειδικευμένο έμπορο, παρακαλώ.

Χρησιμοποιείτε ως ανταλλακτική μοτομπίνα νήματος μόνο νήματα νάilon σε μοτομπίνες με τη διάμετρο που αναφέρεται σε αυτές τις οδηγίες.

Μετά την τοποθέτηση του νέου κοπτικού νήματος και πριν την εκκίνηση φέρνετε το προϊόν στην κανονική θέση λειτουργίας.

Μετά από κάθε χρήση να καθαρίζετε το προϊόν με ένα στεγνό, μαλακό πανί. Φθαρμένα εξαρτήματα πρέπει να επισκευάζονται ή να ανταλλάσσονται από μια εξουσιοδοτημένη υπηρεσία τεχνικής εξυπηρέτησης.

Ελέγχετε σε τακτικά διαστήματα, αν είναι όλα τα περικόχλια, μπουλόνια και κοχλίες κανονικά σφιγμένα, για να εξασφαλίζετε την ασφαλή λειτουργία του προϊόντος.

Χρησιμοποιείτε μόνο αξεσουάρ Milwaukee και ανταλλακτικά Milwaukee. Εξαρτήματα, που η αλλαγή τους δεν περιγράφεται, αντικαθίστανται σε μια τεχνική υποστήριξη της Milwaukee (βλέπε φυλλάδιο εγγύηση/ διευθύνσεις τεχνικής υποστήριξης).

Σε περίπτωση που το χρειαστείτε μπορείτε να παραγγείλετε λεπτομερές σχέδιο της συσκευής αναφέροντας τον τύπο και τον εξαψήφιο αριθμό που βρίσκεται στην πινακίδα τεχνικών χαρακτηριστικών από την εξυπηρέτηση πελατών ή απευθείας από την Techtronic Industries GmbH, διεύθυνση Max-Eyth-Straße 10, 71364 Winnenden, Germany.

ΣΥΜΒΟΛΑ



ΠΡΟΣΟΧΗ! ΠΡΟΕΙΔΟΠΟΙΗΣΗ! ΚΙΝΔΥΝΟΣ!



Παρακαλώ διαβάστε σχολαστικά τις οδηγίες χρήσης πριν από την έναρξη λειτουργίας.



Πριν από κάθε εργασία στη μηχανή αφαιρείτε την ανταλλακτική μπαταρία.



Να φοράτε προστατευτικά γάντια!



Φοράτε προστασία ακοής (ωασιπίδες)!



Στις εργασίες με τη μηχανή φοράτε πάντοτε προστατευτικά γυαλιά.



Φοράτε πάντα προστατευτικό ρουχισμό και ανθεκτικά υποδήματα.



Να κρατάτε τυχόν παρευρισκόμενα άτομα σε ασφαλή απόσταση από το μηχάνημα κήπου.



Μη χρησιμοποιείτε τη συσκευή και μη την αφήνετε εκτεθειμένη στη βροχή.



Προσέχετε αντικείμενα που μπορεί να εκσφενδονίζονται από το μηχάνημα. Προσέχετε να κρατούν τα άτομα τριγύρω επαρκή απόσταση ασφαλείας.



Σε αυτό το προϊόν μη χρησιμοποιείτε μεταλλικούς κόφτες.



Φορά περιστροφής



Εξαρτήματα και αξεσουάρ δεν περιέχονται στον παραδοτέο εξοπλισμό.



Ηλεκτρικά μηχανήματα, μπαταρίες/συσσωρευτές δεν επιτρέπεται να απορρίπτονται μαζί με τα οικιακά απορρίμματα.

Ηλεκτρικά μηχανήματα και συσσωρευτές συλλέγονται ξεχωριστά και παραδίδονται προς ανακύκλωση με τρόπο φιλικό προς το περιβάλλον σε επιχείρηση επεξεργασίας απορριμμάτων. Ενημερωθείτε από τις τοπικές υπηρεσίες ή από ειδικευμένους εμπόρους σχετικά με κέντρα ανακύκλωσης και συλλογής απορριμμάτων.



Ευρωπαϊκό σήμα πιστότητας



Βρετανικό σήμα πιστότητας



Ουκρανικό σήμα πιστότητας



Ευρασιατικό σήμα πιστότητας

TEKNİK VERİLER AKÜLÜ KENAR KESME MAKİNESİ M18 BLLT

Üretim numarası	4779 19 02... ...000001-999999
Rölanlı, düşük devir	0-4600 min ⁻¹
Rölanlı, yüksek devir	0-6200 min ⁻¹
Maks. misina ø	2,4 mm
Maksimum kesme kalınlığı çapı	400 mm
Kartuş akü gerilimi	18 V
Ağırlığı ise EPTA-üretici 01/2014'e göre (Li-Ion 5,5 Ah...12,0 Ah)	5,39...5,85 kg
Çalışma sırasında tavsiye edilen ortam sıcaklığı	-18...+50 °C
Tavsiye edilen akü tipleri	M18 HB5.5; M18 HB8.0; M18 HB12.0
Tavsiye edilen şarj aletleri	M12-18...; M1418C

Gürültü/Vibrasyon bilgileri

Ölçüm değerleri EN 62841 e göre belirlenmektedir.

Aletin, frekansa bağımlı uluslararası ses basıncı seviyesi değerlendirme eğrisi A'ya göre tipik gürültü seviyesi:

- Ses basıncı seviyesi (Tolerans K=3dB(A))	75 dB (A)
- Akustik kapasite seviyesi (Tolerans K=3dB(A))	95 dB (A)

Koruyucu kulaklık kullanın!

Toplam titreşim değeri (üç yönün vektör toplamı) EN 62841'e göre belirlenmektedir:

Ön tutamaktaki titreşim	< 2.5 m/s ²
Arka tutamaktaki titreşim	< 2.5 m/s ²
Tolerans K=	1.5 m/s ²

UYARI!

Bu bilgi formunda belirtilen titreşim ve gürültü düzeyi EN 62841 uyarınca standart bir test yöntemine göre ölçülmüş olup, bir aleti diğeriyle karşılaştırmak için kullanılabilir. Bir maruz kalma ön değerlendirmesi için de kullanılabilir.

Beyan edilmiş titreşim ve gürültü emisyon değeri aletin ana uygulamalarını temsil eder. Ancak, alet farklı uygulamalar için veya farklı aksesuarla kullanılır ya da aletin bakımı yetersiz yapılırsa, titreşim ve gürültü emisyonu farklılık gösterebilir. Bu, toplam çalışma süresi boyunca maruz kalma seviyesini önemli ölçüde artırabilir.

Titreşim ve gürültüye maruz kalma seviyesi tahmininde, aletin kapalı olduğu veya çalıştığı, ancak aslında işini yapmadığı süreler de göz önünde bulundurulmalıdır. Bu, toplam çalışma süresi boyunca maruz kalma seviyesini önemli ölçüde azaltabilir.

Operatörü titreşim ve/veya gürültünün etkilerinden korumak için, aletin ve aksesuarların bakımını yapmak, elleri sıcak tutmak ve çalışma biçimlerini düzenlemek gibi ilave güvenlik önlemleri belirleyin.

⚠ UYARI! Bu elektrikli el aletleriyle ilgili bütün uyarıları, talimat hükümlerini, gösterimleri ve spesifikasyonları okuyun. Aşağıda açıklanan talimat hükümlerine uyulmadığı takdirde elektrik çarpmalarına, yangınlara ve/veya ağır yaralanmalara neden olunabilir.
Bütün uyarıları ve talimat hükümlerini ileride kullanmak üzere saklayın.

⚠ KENAR KESME MAKİNESİ GÜVENLİK UYARILARI

- Cihazı kötü hava şartlarında, özellikle yıldırım düşmesi tehlikesinde kullanmayın.** Böylece yıldırım çarpması tehlikesini azaltmaktasınız.
- Kullanmaya başlamadan önce, kullanılacak alanda canlı yaban hayvanlar olup olmadığını iyice kontrol edin.** Cihazdan dolayı yaban hayvanlar yaralanabilir.
- Kullanılacak alandaki taş, dal, tel, kemik veya başka yabancı cisimleri uzaklaştırın.** Etrafa fırlayan yabancı cisimler yaralanmalara neden olabilir.
- Kesme düzeneğini ve keşiç takımları kullanmadan önce, bunları hasarlı parçalar yönünden kontrol edin.** Hasarlı parçalar yaralanma riskini artırır.
- Koruyucu düzenepleri sökmeyin. Koruyucu düzeneçler çalışır ve usulüne uygun monte edilmiş durumda olmalıdır.** Gevşek, hasarlı veya usulüne uygun çalışmayan bir koruyucu düzeneç yaralanmalara neden olabilir.
- Bütün soğuk hava giriş deliklerini temiz tutun.** Bloke veya kirlenmiş hava giriş delikleri cihazın aşırı ısınmasına neden olup bir yangına yol açabilir.
- Cihazı kullanırken koruyucu gözlük ve kulaklık kullanın.** Uygun koruyucu donanım kullanılması yaralanma riskini azaltır.

- Cihazla çalışırken daima kaymayan iş ayakkabısı giyin. Cihazı yalın ayak veya açık ayakkabılarla çalıştırmayın.** Böylece rotatif kesme düzeneğine temastan kaynaklanan ayak yaralanmalarını önlemektesiniz.
- Cihazla çalışırken daima uzun pantolon giyin.** Rotatif kesme düzeneği veya misina ile temas yaralanmalara neden olabilir.
- Kullanım sırasında etraftaki insanları uzak tutun.** Etrafa fırlayan parçalar ağır yaralanmalara neden olabilir.
- Cihazı kalçadan daha yüksek seviyede tutmayın.** Böylece kesme düzeneğine yanlışlıkla temas önlenmekte ve cihazı beklenmedik bir durumda daha iyi kontrol edebilirsiniz.
- Yaş çimen keserken son derece dikkatli olun. Sadece normal yürüyün, asla koşmayın.** Böylece kayma ve düşme riski azaltılabilir ve yaralanmalar önenebilir.
- Cihazı aşırı eğimli alanlarda kullanmayın.** Böylece kontrol kaybı, kayma ve düşme riski azaltılabilir ve yaralanmalar önenebilir.
- Eğimli yerlerdeki çalışmalarda sağlam bir şekilde durmaya dikkat edin ve her zaman eğime göre enine çalışın. Asla eğimin uzunlamasına doğru çalışmayın ve yön değiştirirken son derece dikkatli olun.** Böylece kontrol kaybı, kayma ve düşme riski azaltılabilir ve yaralanmalar önenebilir.
- Elektrik ve uzatma kablolarını kesme alanından uzak tutun.** Çalı ve fundalıklar içinde bulunan ve görülmeyen elektrik ve uzatma kabloları istenmeyerek kesme düzeneği veya misina ile kesilip hasar görebilir.
- Vücutunuzun bütün kısımlarını kesme düzeneğinden veya misinadan uzak tutun. Cihazı sadece elektrik kablosunu çektikten sonra temizleyin.** Rotatif kesme düzeneği veya misina ağır yaralanmalara neden olabilir.

q) Cihazı sadece kapalı durumda taşıyın ve taşırken vücutunuzdan uzak tutun. Cihazın usulüne uygun kullanımını yanlışlıkla rotatif kesme düzeneği veya misina ile temas riskini azaltır.

r) Sadece üreticinin tavsiye ettiği yedek kesme başlıkları veya yedek misinalar kullanın. Kesme düzeneçleri veya misinaların yerine metal misinalar veya metal bıçaklar kullanmayın. Kullanılmaları uygun olmayan yedek parçalar kontrol kaybına, hasarlara veya yaralanmalara neden olabilir.

DiğER GÜVENLİK AÇIKLAMALARI

Cihazı bağlantı parçası olmadan kullanmayın. Kesme sırasında bağlantı parçası usulüne uygun emniyete alınmış olmalıdır. Kenar kesme makinesini bağlantı parçası olmadan kullanıldığında ağır yaralanmalara neden olabilir.

Aletin kende bir çalışma yapmadan önce kartuş aküyü çıkarın.

Kullanılmış kartuş aküleri ateşe veya ev çöplerine atmayın. Milwaukee, kartuş akülerin çevreye zarar vermeyecek biçimde tasfiye edilmesine olanak sağlayan hizmet sunar; lütfen bu konuda yetkili satıcınızdan bilgi alın.

Kartuş aküleri metal parça veya eşyalarla birlikte saklamayın (kısa devre tehlikesi).

C18 sistemli kartuş aküleri sadece M18 sistemli şarj cihazları ile şarj edin. Başka sistemli aküleri şarj etmeyin.

Kartuş aküleri ve şarj cihazını açmayın ve sadece kuru yerlerde saklayın. Neme ve ıslanmaya karşı koruyun.

Aşırı zorlanma veya aşırı ısınma sonucu hasar gören kartuş akülerden batarya sıvısı dışarı akabilir. Batarya sıvısı ile temas gelen yerleri hemen bol su ve sabunla yıkayın. Batarya sıvısı gözünüze kaçacak olursa en azından 10 dakika yıkayın ve zaman geçirmeden bir hekime başvurun.

Uyanı! Bir kısa devreden kaynaklanan yangın, yaralanma veya ürün hasarları tehlikesini önlemek için aleti, güç paketini veya şarj cihazını asla sıvıların içine daldırmayınız ve cihazların ve pillerin içine sıvı girmesini önleyiniz. Tuzlu su, belirli kimyasallar, ağartıcı madde veya ağartıcı madde içeren ürünler gibi korozif veya iletken sıvılar kısa devreye neden olabilir.

KULLANIM

Ürün sadece açık mekanlarda ve ayakta duran bir kişi tarafından kullanılmalı için tasarlanmıştır.

Ürün, yer seviyesindeki çimen, yabancı otlar veya benzer bitki örtülerinin kesilmesi için uygundur.

Cihazı kesme sırasında yer yüzeyine mümkün olduğu kadar paralel tutunuz.

Ürünü, kesme düzlemi yere paralel olmayan çalılar, fundalıklar veya başka bitki örtülerinin kesilmesi veya kenarlarının alınması için kullanmayınız.

Bu alet sadece belirttiği gibi ve usulüne uygun olarak kullanılabilir.

AT UYGUNLUK BEYANI

Üretici sıfatıyla tek sorumlu olarak "Teknik Veriler" bölümünde tarif edilen ürünün 2011/65/EU (RoHS), 2014/30/EC, 2006/42/EC, 2000/14/EC, 2005/88/EC sayılı direktifin ve aşağıdaki harmonize temel belgelerin bütün önemli hükümlerine uygun olduğunu beyan etmekteyiz:

EN 62841-1:2015
EN 60335-1:2012+A11:2014+A13:2017
EN 50636-2-91:2014
EN 55014-1:2017+ A11:2020
EN 55014-2:2015
EN IEC 63000:2018

Ölçülen gürültü emisyonu seviyesi: 94 dB(A)
Garanti edilen gürültü emisyonu seviyesi: 96 dB(A)

2000/14/AT Ek V direktifine göre uygunluk değerlendirme prosedürü.

Yetkili merci:
DEKRA Certification B.V. (0344)
Meander 1051/P.O.Box 5185
6825 MS ARNHEIM/6802 ED ARNHEIM
Netherlands

Alexander Krug
Managing Director



Teknik evrakları hazırlamakla görevlendirilmiştir.

Techtronic Industries GmbH
Max-Eyth-Straße 10
71364 Winnenden
Germany

AKÜ

Uzun süre kullanım dışı kalmış kartuş aküleri kullanmadan önce şarj edin.

50°C üzerindeki sıcaklıklar kartuş akünün performansını düşürür. Akünün güneş ışığı veya mekân sıcaklığı altında uzun süre ısınmamasına dikkat edin.

Şarj cihazı ve kartuş aküdeki bağlantı kontaklarını temiz tutun.

Akünün ömrünün mükemmel bir şekilde uzun olması için kullandıktan sonra tamamen doldurulması gerekir.

Ömrünün mümkün olduğu kadar uzun olması için akülerin yüklemeye yapıldıktan sonra doldurma cihazından uzaklaştırılması gerekir.

Akünün 30 günden daha fazla depolanması halinde: Aküyü takriben 27°C'de kuru olarak depolayın. Aküyü yüklemeye durumunun takriben % 30 - %50 olarak depolayın. Aküyü her 6 ay yeniden doldurun.

AKÜNÜN AŞIRI YÜKLENMEYE KARŞI KORUNMASI

Akü donanımı, aküyü fazla yüklenmeye karşı koruyan ve uzun ömürlü olmasını garanti eden fazla yüklenmeye karşı bir koruma tertibatı ile teçhiz edilmiştir. Aşırı fazla bir şekilde kullanılması durumunda akünün elektronik tertibatı makineyi otomatik olarak kapatır. Makinenin tekrar çalıştırılması amacı ile tekrar kapatın ve yeniden çalıştırın. Makine tekrar çalışmazsa, akü donanımı muhtemelen boşalmıştır ve o zaman yeniden şarj edilerek tekrar doldurulması gerekir.

LİTYUM İYON PİLLERİN TAŞINMASI

Lityum iyon piller tehlikeli madde taşımacılığı hakkındaki yasal hükümler tabidir.

Bu piller, bölgesel, ulusal ve uluslararası yönetmeliklere ve hükümlere uyularak taşınmak zorundadır.

- Tüketiciler bu pilleri herhangi bir özel şart aranmaksızın karayoluyla taşıyabilirler.
- Lityum iyon pillerin nakliye şirketleri tarafından ticari taşımacılığı için tehlikeli madde taşımacılığının hükümleri geçerlidir. Sevk hazırlığı ve taşıma sadece ilgili eğitimi görmüş personel tarafından gerçekleştirilebilir. Bütün süreç uzmanca bir refakatçilik altında gerçekleştirilmek zorundadır.

Pillerin taşınması sırasında aşağıdaki hususlara dikkat edilmesi gerekmektedir:

- Kısa devre oluşmasını önlemek için kontakların korunmuş ve izole edilmiş olmasını sağlayınız.
- PİL paketinin ambalajı içinde kaymamasına dikkat ediniz.
- Hasarlı veya akmış pillerin taşınması yasaktır.

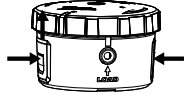
Ayrıca bilgiler için nakliye şirketinize başvurunuz.

MISINANIN DEĞİŞTİRİLMESİ

Sadece MILWAUKEE marka misinalar kullanın (bakınız "Teknik Veriler" bölümü). Ya 6 m uzunluğunda ve 2,4 mm kalınlığında misinalar veya 7,6 m uzunluğunda ve 2 mm kalınlığında misinalar kullanın. Açıklama: Aşındırıcı veya çok sık bitki olan yüzeylerde kullanılması halinde misina daha çabuk aşınır.

Misinanın değiştirilmesi için resimli bölüme bakın.

Normal işletim şartlarında kalan misina çalışma sırasında kesme başlığından dışarı atılır. Misina artıklarını gidermek veya yeni bir misina takmak için kenar kesme makinesini 180° çevirin, kilidi açmak için uçların üzerine basın ve kapağı çıkartın.



Kısa misina artıklarını çıkartın. Ardından kapağı tekrar kesme başı üzerine yerleştirin ve uçlarla kilitleyin.

BAKIM

Aletin havalandırma aralıklarını daima temiz tutun.

Ürünün denetlenmesi özel bir ihtimam ve uzmanlık bilgisi gerektirmektedir. Bu işi mutlaka vasıflı bir servis teknisyenine yaptırınız. Ürünü denetlenmesi veya tamir edilmesi için yetkili bir servis merkezine gönderiniz. Bakım için sadece aynı yedek parçaları kullanınız.

Bakım ve temizlik işlerinden önce cihazı kapatın ve aküsünü çıkartınız.

Sadece burada tarif edilen ayarları ve tamirleri yapınız. Bütün diğer tamir işleri için lütfen yetkili uzman satıcınıza başvurunuz.

Yedek misina bobini olarak sadece bu kılavuzda belirtilen çaptaki naylon misinalı bobinler kullanınız.

Yeni kesme misinasının takılmasından sonra ürünü, tekrar çalıştırmadan önce normal çalışma konumuna getiriniz.

Ürünü her kullanımdan sonra kuru ve yumuşak bir bezle temizleyiniz. Hasarlı parçaları yetkili bir servis merkezi tarafından tamir edilmeli veya değiştirilmelidir.

Ürünün güvenli çalışmasını sağlamak için düzenli aralıklarda bütün somunların, pimlerin ve civataların usulüne uygun sıkılanmış olmasını kontrol ediniz.

Sadece Milwaukee aksesuarı ve yedek parçası kullanın. Nasıl değiştirileceği açıklanmamış olan yapı parçalarını bir Milwaukee müşteri servisinde değiştirin (Garanti ve servis adresi broşürüne dikkat edin).

Gerektiğinde cihazın ayrıntılı çizimini, güç levhası üzerindeki makine modelini ve altı haneli rakamı belirterek müşteri servisizden veya doğrudan Techtronic Industries GmbH, Max-Eyth-Straße 10, 71364 Winnenden, Germany adresinden isteyebilirsiniz.

SEMBOLLER



DİKKAT! UYARI! TEHLİKE!

	Lütfen aleti çalıştırmadan önce kullanma kılavuzunu dikkatli biçimde okuyun.
	Aletin kendinde bir çalışma yapmadan önce kartuş aküyü çıkarın.
	Koruyucu eldivenlerinizi takınız!
	Koruyucu kulaklık kullanın!
	Aletle çalışırken daima koruyucu gözlük kullanın.
	Her zaman koruyucu giysi ve sağlam ayakkabılar giyiniz.
	Çalışırken çevrenizdeki kişileri bahçe aletinden güvenli bir uzaklıkta tutun.
	Yağmurlu havada kullanmayınız veya yağmur yağdığı anda dışarda bırakmayınız.
	Cihaz tarafından çevreye savrulabilen eşyalara dikkat ediniz. Etraftaki insanlara yeterli bir güvenlik mesafesi bırakılmasına dikkat ediniz.
	Bu ürünle birlikte metal bıçaklar kullanmayınız.
	Dönme yönü
	Parçalar veya aksesuarlar teslimat kapsamına dahil değildir.
	Elektrikli cihazların, pillerin/akülerin evsel atıklarla birlikte bertaraf edilmesi yasaktır. Elektrikli cihazlar ve aküler ayrılarak biriktirilmeli ve çevreye zarar vermeden bertaraf edilmeleri için bir atık değerlendirme tesisine götürülmelidir. Yerel makamlara veya satıcınıza geri dönüşüm tesisleri ve atık toplama merkezlerinin yerlerini danışınız.

	Avrupa uyumluluk işareti
	Britanya uyumluluk işareti
	Ukrayna uyumluluk işareti
	Avrasya uyumluluk işareti

Výrobní číslo.....	4779 19 02... ...00001-999999
Otáčky naprázdno, nízké otáčky	0-4600 min ⁻¹
Otáčky naprázdno, vysoké otáčky.....	0-6200 min ⁻¹
Max. ø žací struny	2,4 mm
Max.průměr řezání	400 mm
Napětí výměnného akumulátoru.....	18 V
Hmotnost podle prováděcího předpisu EPTA 01/2014 (Li-Ion 5,5 Ah..12,0 Ah)	5,39...5,85 kg
Doporučená okolní teplota při práci.....	-18...+50 °C
Doporučené typy akumulátorů.....	M18 HB5.5; M18 HB8.0; M18 HB12.0
Doporučené nabíječky.....	M12-18...; M1418C

Informace o hluku / vibracích

Naměřené hodnoty odpovídají EN 62841.

V třídě A posuzovaná hladina hluku přístroje činí typicky:

Hladina akustického tlaku (Kolísavost K=3dB(A)).....	75 dB (A)
Hladina akustického výkonu (Kolísavost K=3dB(A)).....	95 dB (A)

Používejte chrániče sluchu!

Celkové hodnoty vibrací (vektorový součet tří směrů) zjištěné ve smyslu EN 62841.

Vibrace na přední rukojeti.....	< 2,5 m/s ²
Vibrace na zadní rukojeti	< 2,5 m/s ²
Kolísavost K=.....	1,5 m/s ²

VAROVÁNÍ!

Hladina vibrací a emisí hluku uvedená v tomto informačním listu byla měřena v souladu se standardizovanou zkouškou uvedenou v normě EN 62841 a může být použita ke srovnání jednoho nástroje s jiným. Může být použita k předběžnému posouzení expozice.

Deklarovaná úroveň vibrací a emisí hluku představuje hlavní použití nástroje. Pokud se však nástroj používá pro různé aplikace, s různými příslušenstvími nebo s nedostatečnou údržbou, mohou se vibrace a emise hluku lišit. To může výrazně zvýšit úroveň expozice v průběhu celé pracovní doby.

Odhad úrovně expozice vibracím a hluku by měl také vzít v úvahu dobu, kdy je nástroj vypnutý nebo když běží, ale ve skutečnosti neprovádí úlohu. To může výrazně snížit úroveň expozice v průběhu celé pracovní doby.

Identifikujte dodatečná bezpečnostní opatření k ochraně pracovníka obsluhy před účinky vibrací a/nebo hluku, například: údržba nástroje a příslušenství, udržování rukou v teple, organizace pracovních schémat.

VAROVÁNÍ! Přečtěte si všechna výstražná upozornění, pokyny, zobrazení a specifikace pro toto elektrické nářadí. Zanedbání při dodržování výstražných upozornění a pokynů uvedených v následujícím textu může mít za následek zásah elektrickým proudem, způsobit požár a/nebo těžké poranění.
Všechna varovná upozornění a pokyny do budoucna uschovejte.

BEZPEČNOSTNÍ POKYNY STRUNOVÁ SEKAČKA

- a) V případě špatného počasí zařízení nepoužívejte, zejména tehdy, když hrozí nebezpečí zásahu bleskem. Zabráňte tak riziku zasáhnutí bleskem.
- b) Prostor použití sekačky před jejím použitím důkladně zkontrolujte, jestli se v něm nezdržují nějaká divoce žijící zvířata. Zařízení by mohlo tato divoce žijící zvířata zranit.
- c) Prostor použití důkladně zkontrolujte a odstraňte z něj kameny, klacky, dráty, kosti nebo jiné cizí předměty. Vymrštěná cizí tělesa by mohla způsobit zranění.
- d) Řezný mechanismus a vyžinací nástroj před použitím zkontrolujte, jestli na něm některé části nejsou poškozené. Poškozené díly zvyšují riziko zranění.
- e) Ochranná zařízení neodstraňujte. Tato ochranná zařízení musí být funkční a namontovaná v souladu s předpisy. Uvolněné, poškozené nebo nesprávně fungující ochranné zařízení může způsobit zranění.
- f) Všechny vstupy pro chladič vzduch udržujte čisté. Zablokované nebo znečištěné otvory na nasávání vzduchu vedou k přehřátí zařízení a mohou způsobit požár.

- g) Během používání vyřezání noste ochranu očí a ochranu sluchu. Používání přiměřených osobních ochranných pracovních prostředků snižuje riziko zranění.
- h) Při pracích se zařízením noste vždy bezpečnostní obuv s protismykovou podrážkou. Zařízení nepoužívejte, když jste bosí nebo máte na nohou otevřenou obuv. Zabráňte tím riziku zranění nohou v důsledku kontaktu s rotujícím řezným mechanismem.
- i) Při práci se zařízením noste vždy dlouhé kalhoty. Kontakt s rotujícím řezným mechanismem nebo vyžinací strunou může způsobit zranění.
- j) Během používání se vyhněte okolo stojícím osobám. Vymrštěné části by jim mohly způsobit těžká zranění.
- k) Zařízení nevedte výš, než je výška beder. Tak se dá zamezit neúmyslnému kontaktu s řezným mechanismem a zařízením bude možné lépe kontrolovat v neočekávaných situacích.
- l) Při vyžínání mokré trávy postupujte velmi opatrně. Se zařízením vždy pouze krácejte, nikdy neběžte. Snížíte tak riziko uklouznutí a pádu a zabráníte zraněním.
- m) Zařízení nepoužívejte na extrémně strmých svazích. Snížíte tím riziko ztráty kontroly nad zařízením, riziko uklouznutí a pádu a zabráníte zraněním.
- n) Při pracích na svahu dbejte na bezpečný postoj a vždy pracujte příčně ke svahu. Nikdy nepracujte podélně ke sklonu svahu a při změně směru buďte vždy mimořádně opatrní. Snížíte tím riziko ztráty kontroly nad zařízením, riziko uklouznutí a pádu a zabráníte zraněním.
- o) Síťový kabel a prodlužovací kabel držte mimo prostor vyžínání. Síťový kabel nebo prodlužovací kabel

skrýtý pod živými plody a keřky můžete neúmyslně přefíznot nebo poškodit řezným mechanismem nebo vyžinací strunou.

- p) Všechny části těla chraňte před řezným mechanismem nebo vyžinací strunou. Zařízení můžete čistit až tehdy, když jste zástrčku vytáhli ze zásuvky. Rotující řezný mechanismus nebo vyžinací struna mohou způsobit těžká zranění.
- q) Zařízení přepravujte jen ve vypnutém stavu a držte jej přitom mimo tělo. Manipulace se zařízením podle předpisů snižuje riziko neúmyslného kontaktu s rotujícím řezným mechanismem nebo vyžinací strunou.
- r) Používejte pouze náhradní strunové hlavy a náhradní vyžinací struny doporučené výrobcem. Rezné mechanismy nebo vyžinací struny nenahrazujte kovovými vlákny nebo kovovými noži. Neschválené náhradní díly mohou vést ke ztrátě kontroly nad zařízením, k poškozením a zraněním.

DALŠÍ BEZPEČNOSTNÍ POKYNY

Zařízení nepoužívejte bez spojovacího kusu. Při vyžínání musí být spojovací kus náležitě zajištěn. Používání strunové sekačky bez spojovacího kusu může způsobit těžká zranění.

Před zahájením veškerých prací na vrtacím šroubováků vyjmout výměnný akumulátor.

Použité nevyhazujte do domovního odpadu nebo do ohně. Milwaukee nabízí ekologickou likvidaci starých článků, ptejte se u vašeho obchodníka s nářadím.

Náhradní akumulátor neskladujte s kovovými předměty, nebezpečí zkratů.

Akumulátor systému M18 nabíjejte pouze nabíječkou systému M18. Nenabíjejte akumulátory jiných systémů.

Náhradní akumulátory ani nabíječku neotvírejte, skladujte je v suchu, chraňte před vlhkem.

Při extrémní zátěži či vysoké teplotě může z akumulátoru vytékat kapalina. Při zasažení touto kapalinou okamžitě zasažená místa omyjte vodou a mýdlem. Při zasažení očí okamžitě důkladně po dobu alespoň 10min.omývat a neodkladně vyhledat lékaře.

Varování! Abyste zabránili nebezpečí požáru způsobeného zkratem, poraněním nebo poškozením výrobku, neponořujte nářadí, výměnnou baterii nebo nabíječku do kapaliny a zajistěte, aby do zařízení a akumulátorů nevnikly žádné tekutiny. Korodující nebo vodivé kapaliny, jako je slaná voda, určité chemikálie a bělicí prostředky nebo výrobky, které obsahují bělidlo, mohou způsobit zkrat.

OBLAST VYUŽITÍ

Výrobek je dimenzovaný pouze na používání na volném prostranství a prostřednictvím stojící osoby.

Výrobek se hodí na vyžínání trávy, plevelu nebo podobné vegetace na úrovni země.

Při vyžínání pohybujte přístrojem pokud možno rovnoběžně s povrchem země.

Přístroj nepoužívejte na sekání nebo vyžínání křoví, keřků nebo jiné vegetace, u které úroveň sekání není rovnoběžně k zemi.

Toto zařízení lze používat jen pro uvedený účel.

ES PROHLÁŠENÍ O SHODĚ

My jako výrobce výhradně na vlastní zodpovědnost prohlašujeme, že se výrobek popsaný v "Technických údajích" shoduje se všemi relevantními předpisy směrnice 2011/65/EU (RoHS), 2014/30/EU, 2006/42/ES, 2000/14/EC, 2005/88/EC a následujícími harmonizovanými normativními dokumenty:

- EN 62841-1:2015
- EN 60335-1:2012+A11:2014+A13:2017
- EN 50636-2-91:2014
- EN 55014-1:2017+ A11:2020
- EN 55014-2:2015
- EN IEC 63000:2018

Naměřená hladina akustického výkonu: 94 dB(A)
Zaručená hladina akustického výkonu: 96 dB(A)

Postup hodnocení shody podle 2000/14/ES, příloha V.

Notifikovaná osoba:
DEKRA Certification B.V. (0344)
Meander 1051/P.O.Box 5185
6825 MS ARNHEIM/6802 ED ARNHEIM
Netherlands

Winnenden, 2021-06-14



Alexander Krug
Managing Director



Zplnomocněn k sestavování technických podkladů.

Techtronic Industries GmbH
Max-Eyth-Straße 10
71364 Winnenden
Germany

AKUMULÁTORY

Děle nepoužívané akumulátory je nutné před použitím znovu nabít.

Teplota přes 50°C snižuje výkon akumulátoru. Chraňte před dlouhým přehříváním na slunci či u topení.

Kontakty nabíječky a akumulátoru udržujte v čistotě.

Pro optimální životnost je nutné akumulátory po použití plně dobít.

K zabezpečení dlouhé životnosti by se akumulátory měly po nabití vyjmout z nabíječky.

Při skladování akumulátoru po dobu delší než 30 dní: Skladujte akumulátor v suchu při cca 27°C. Skladujte akumulátor při cca 30%-50% nabíjecí kapacity. Opakujte nabíjení akumulátorů každých 6 měsíců.

OCHRANA PROTI PŘETÍŽENÍ AKUMULÁTORU LITHIUM-IONOVÉHO AKUMULÁTORU

Akumulátorová sada je vybavena ochranou proti přetížení, která jí chrání a zaručuje její dlouhou životnost. Při extrémním zatížení elektronika akumulátoru elektrický nástroj vypne. K pokračování v práci nástroj vypnete a opět zapnete. V případě, že se motor nástroje ani potom nerozběhne, je akumulátorová sada pravděpodobně vybitá a musí se v nabíječce opět nabít.

PŘEPRAVA LITHIUM-IONTOVÝCH BATERIÍ

Lithium-iontové baterie spadají podle zákonných ustanovení pod přepravu nebezpečného nákladu.

Přeprava těchto baterií se musí realizovat s dodržováním lokálních, vnitrostátních a mezinárodních předpisů a ustanovení.

- Spotřebitelé mohou tyto baterie bez problémů přepravovat po komunikacích.
- Komerční přeprava lithium-iontových baterií prostřednictvím přepravních firem podléhá ustanovením o přepravě nebezpečného nákladu. Přípravu k vyexpedování a samotnou přepravu smějí vykonávat jen příslušně vyškolené osoby. Na celý proces se musí odborně dohlížet.

Při přepravě baterií je třeba dodržovat následující:

- Zajistěte, aby kontakty byly chráněné a izolované, aby se zamezilo zkratům.
- Dávejte pozor na to, aby se svazek baterií v rámci balení nemohl sesmeknout.
- Poškozené a vyteklé baterie se nesmějí přepravovat.

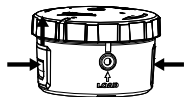
Ohledně dalších informací se obraťte na vaši přepravní firmu.

VÝMĚNA VYŽÍNAČÍ STRUNY

Používejte pouze vyžínací strunu od spol. MILWAUKEE (viz odstavec „Technické údaje“). Použijte buď vyžínací strunu s délkou 6 m a tloušťkou 2,4 mm nebo strunu s délkou 7,6 m a tloušťkou 2 mm. Upozornění: Při použití na abrazivních nebo hustě zarostlých plochách se vyžínací struna rychleji opotřebuje.

Kvůli výměně vyžínací struny si prohlédněte část s obrázky.

Za normálních provozních podmínek se zbývající struna během provozu ze strunové hlavy vyhodí. Pro odstranění zbytků vyžínací struny nebo pro nasazení nové vyžínací struny otočte strunovou sekačku o 180°, kvůli odblokování přitlačte na spony a odejměte kryt.



Odstraňte krátké zbytky vyžínací struny. Potom nasadte kryt zpět na strunovou hlavu a spony nechte zapadnout.

ÚDRŽBA

Větrací štěrbiny náradí udržujeme stále čisté.

Kontrola výrobku si vyžaduje extrémní péči a znalost situace. Tuto práci vždy přenechte kvalifikovanému servisnímu technikovi. Výrobek pošlete na kontrolu nebo opravu autorizovanému servisnímu středisku. K údržbě používejte pouze identické náhradní díly.

Před prováděním údržby nebo čištění vypněte přístroj a vyjměte akumulátor.

Vykonávejte pouze zde předepsaná nastavení a opravy. Ohledně všech oprav se obraťte na autorizovaného odborného prodejce.

Jako náhradní cívku se strunou používejte pouze nylonové struny na cívkách s průměrem uvedeným v tomto návodu.

Po navlečení nové žací struny dejte výrobek před spuštěním opět do obvyklé provozní polohy.

Po každém použití vyčistěte výrobek suchým, měkkým hadříkem. Poškozené díly je nutné opravit nebo vyměnit prostřednictvím autorizovaného servisního střediska.

V pravidelných intervalech kontrolujte, jestli jsou všechny matice, čepy a šrouby řádně utáhnuté, aby bylo možné zaručit bezpečný provoz výrobku.

Používat výhradně příslušenství Milwaukee a náhradní díly Milwaukee. Díly jejichž výměny nebyla popsána, nechte vyměnit v autorizovaném servisu (viz. "Záruky / Seznam servisních míst").

V případě potřeby si můžete v servisním centru pro zákazníky nebo přímo od firmy Techtronic Industries GmbH,

Max-Eyth-Straße 10, 71364 Winnenden, Německo vyžádat schematický náčrt jednotlivých dílů přístroje, když uvedete typ přístroje a šestimístné číslo na výkonovém štítku.

SYMBOLY



POZOR! VAROVÁNÍ! NEBEZPEČÍ!



Před spuštěním stroje si pečlivě přečtěte návod k používání.



Před zahájením veškerých prací na vrtacím šroubováku vyjmout výměnný akumulátor.



Používejte ochranné rukavice!



Používejte chrániče sluchu!



Při práci se strojem neustále nosit ochranné brýle.



Noste vždy ochranný oděv a pevnou obuv.



Poblíž stojící osoby zadržte v bezpečné vzdálenosti vůči zahradnímu nářadí.



Nepoužívejte v dešti, a když prší, přístroj nenechávejte venku.



Dávejte pozor na předměty, které se mohou vymrštit přístrojem. Dávejte pozor na dostatečně velký bezpečnostní odstup od okolo stojících osob.



V tomto výrobku nepoužívejte kovové ostří.



Směr otáčení



Díly nebo příslušenství nejsou součástí dodávky.



Elektrická zařízení, baterie/akumulátory se nesmí likvidovat společně s odpadem z domácnosti. Elektrická zařízení, baterie/akumulátory je třeba sbírat odděleně a odevzdat je v recyklačním podniku na ekologickou likvidaci. Na místních úřadech nebo u vašeho specializovaného prodejce se informujte na recyklační podniky a sběrné dvory.



Značka shody v Evropě



Značka shody v Británii



Značka shody na Ukrajině



Značka shody pro oblast Eurasie

Výrobné číslo.....	4779 19 02... ...00001-999999
Otáčky naprázdno, nízke otáčky	0-4600 min ⁻¹
Otáčky naprázdno, vysoké otáčky.....	0-6200 min ⁻¹
Max. ø žacej struny.....	2,4 mm
Max. priemer rezu.....	400 mm
Napätie výmenného akumulátora.....	18 V
Hmotnosť podľa vykonávacieho predpisu EPTA 01/2014 (Li-Ion 5,5 Ah...12,0 Ah)	5,39...5,85 kg
Odporúčaná okolitá teplota pri práci.....	-18...+50 °C
Odporúčané typy akupaku.....	M18 HB5.5; M18 HB8.0; M18 HB12.0
Odporúčané nabíjačky.....	M12-18...; M1418C

Informácia o hluku / vibráciách

Namerané hodnoty určené v súlade s EN 62841. V triede A posudzovaná hladina hluku prístroja činí typicky:
 Hladina akustického tlaku (Kolísavosť K=3dB(A))..... 75 dB (A)
 Hladina akustického výkonu (Kolísavosť K=3dB(A))..... 95 dB (A)

Používajte ochranu sluchu!

Celkové hodnoty vibrácií (vektorový súčet troch smerov) zistené v zmysle EN 62841.

Vibrácia na prednej rukoväti	< 2.5 m/s ²
Vibrácia na zadnej rukoväti	< 2.5 m/s ²
Kolísavosť K=	1.5 m/s ²

POZOR!

Úroveň vibrácií a emisii hluku uvedená v tomto informačnom liste bola meraná v súlade so štandardizovanou skúškou uvedenou v EN 62841 a môže sa použiť na porovnanie jedného nástroja s druhým. Môže sa použiť v predbežnom posúdení expozície.

Deklarovaná úroveň vibrácií a emisii hluku predstavuje hlavné aplikácie nástroja. Ak sa však nástroj používa pre rôzne aplikácie, s rôznym príslušenstvom alebo s nedostatočnou údržbou, môžu sa vibrácie a emisie hluku líšiť. To môže výrazne zvýšiť úroveň expozície počas celej pracovnej doby.

Odhad úrovne expozície vibráciám a hluku by mal tiež brať do úvahy čas, keď je nástroj vypnutý alebo keď beží, ale v skutočnosti nevykonáva prácu. To môže výrazne znížiť úroveň expozície počas celej pracovnej doby.

Identifikujte dodatočné bezpečnostné opatrenia na ochranu pracovníka obsluhy pred účinkami vibrácií a/alebo hluku, ako je: údržba nástroja a príslušenstva, udržanie teplých rúk, organizácia pracovných schém.

VAROVANIE! Prečítajte si všetky výstražné upozornenia, pokyny, znázornenia a špecifikácie pre toto elektrické náradie. Zanedbanie pri dodržiavaní výstražných upozornení a pokynov uvedených v nasledujúcom texte môže mať za následok zásah elektrickým prúdom, spôsobiť požiar a/alebo ťažké poranenie. **Tieto Výstražné upozornenia a bezpečnostné pokyny starostlivo uschovajte na budúce použitie.**

BEZPEČNOSTNÉ POKYNY STRUNOVÁ KOSAČKA

- a) **V prípade zlého počasia zariadenie nepoužívajte, najmä vtedy, keď hrozí nebezpečenstvo zásahu bleskom.** Zabráňte tak riziku zasiahnutia bleskom.
- b) **Oblasť použitia kosačky pred jej použitím dôkladne skontrolujte, či sa v nej nezdržiavajú nejaké divo žijúce zvieratá.** Zariadenie by mohlo tieto divo žijúce zvieratá zraniť.
- c) **Oblasť použitia dôkladne skontrolujte a odstráňte z nej kamene, palice, drôty, kosti alebo iné cudzie predmety.** Vymrštené cudzie telesá by mohli spôsobiť zranenia.
- d) **Rezný mechanizmus a vyžinací nástroj pred použitím skontrolujte, či na ňom niektoré časti nie sú poškodené.** Poškodené diely zvyšujú riziko zranenia.
- e) **Ochranné zariadenie neodstraňujte. Tieto ochranné zariadenia musia byť funkčné a namontované v súlade s predpismi.** Uvoľnené, poškodené alebo nesprávne fungujúce ochranné zariadenie môže spôsobiť zranenia.
- f) **Všetky vstupy pre chladiaci vzduch udržiavajte čisté.** Zablokované alebo znečistené otvory na nasávanie vzduchu vedú k prehriatiu zariadenia a môžu spôsobiť požiar.

- g) **Počas používania zariadenia noste ochranu očí a ochranu sluchu.** Nosenie primeraných osobných ochranných pracovných prostriedkov znižuje riziko zranení.
- h) **Pri prácach so zariadením noste vždy bezpečnostnú obuv s protišmykovou podrážkou. Zariadenie nepoužívajte, keď ste bosí alebo máte na nohách otvorenú obuv.** Zamedzte tým riziko zranenia nôh v dôsledku kontaktu s rotujúcim rezným mechanizmom.
- i) **Pri práci so zariadením noste vždy dlhé nohavice.** Kontakt s rotujúcim rezným mechanizmom alebo vyžinacou strunou môže spôsobiť zranenia.
- j) **Počas používania sa vyhnite okolo stojacim osobám.** Vymrštené časti by im mohli spôsobiť ťažké zranenia.
- k) **Zariadenie nevedzte vyššie ako je výška bedier.** Tak sa dá zamedziť neúmyselnému kontaktu s rezným mechanizmom a zariadenie sa bude dať lepšie kontrolovať v neočakávaných situáciách.
- l) **Pri vyžínaní mokrej trávy postupujte veľmi opatrne. So zariadením vždy iba kráčajte, nikdy nebežte.** Znížite tak riziko pošmyknutia a pádu a zabránite zraneniam.
- m) **Zariadenie nepoužívajte na extrémne strmých svahoch.** Znížte tým riziko straty kontroly nad zariadením, riziko pošmyknutia a pádu a zabránite zraneniam.
- n) **Pri prácach na svahu dbajte na bezpečný postoj a vždy pracujte priečne ku svahu. Nikdy nepracujte pozdĺžne k sklonu svahu a pri zmene smeru buďte vždy mimoriadne opatrní.** Znížte tým riziko straty kontroly nad zariadením, riziko pošmyknutia a pádu a zabránite zraneniam.

- o) **Sieťový kábel a predlžovací kábel držte mimo oblasti vyžínania.** Sieťový kábel alebo predlžovací kábel schovaný pod živými plotmi a kríkmi môže byť neúmyselne prerezaný alebo poškodený rezným mechanizmom alebo vyžinacou strunou.
- p) **Všetky časti tela chráňte pred rezným mechanizmom alebo vyžinacou strunou. Zariadenie môžete čistiť až vtedy, keď ste zastrčku vytiahli zo zásuvky.** Rotujúci rezný mechanizmus alebo vyžinacia struna môžu spôsobiť ťažké zranenia.
- q) **Zariadenie pripravujte len vo vypnutom stave a držte ho pritom mimo tela.** Manipulácia so zariadením podľa predpisov znižuje riziko neúmyselného kontaktu s rotujúcim rezným mechanizmom alebo vyžinacou strunou.
- r) **Používajte iba výrobcom odporúčané náhradné strunové hlavy a náhradné vyžinacie struny. Rezné mechanizmy alebo vyžinacie struny nenahradzujte kovovými vláknami alebo kovovými nožmi.** Neschválené náhradné diely môžu viesť k strate kontroly nad zariadením, k poškodeniam a zraneniam.

ĎALŠIE BEZPEČNOSTNÉ POKYNY

Zariadenie nepoužívajte bez spojovacieho kusa. Pri vyžínaní musí byť spojovací kus náležite zaistený. Používanie strunovej kosačky bez spojovacieho kusa môže spôsobiť ťažké zranenia.

Pred každou prácou na stroji výmenný akumulátor vytriahnuť.

Opotrebované výmenné akumulátory nezahadzujte do ohňa alebo medzi domový odpad. Milwaukee ponúka likvidáciu starých výmenných akumulátorov, ktorá je v súlade s ochranou životného prostredia; informujte sa u Vášho predajcu.

Výmenné akumulátory neskladovať spolu s kovovými predmetmi (nebezpečenstvo skratu).

Výmenné akumulátory systému M18 nabíjať len nabíjacími zariadeniami systému M18. Akumulátory iných systémov týmto zariadením nenabíjajte.

Výmenné akumulátory a nabíjacie zariadenia neotvárajte a skladovať len v suchých priestoroch. Chrániť pred vlhkosťou.

Pri extrémnych záťažach alebo extrémnych teplotách môže dôjsť k vytekaniu batérovej tekutiny z poškodeného výmenného akumulátora. Ak dôjde ku kontaktu pokožky s roztokom, postihnuté miesto umyť vodou a mydlom. Ak sa roztok dostane do očí, okamžite ich dôkladne vypláchnuť po dobu min. 10 min a bezodkladne vyhľadať lekára.

Varovanie! Aby ste zabránili nebezpečenstvu požiaru spôsobeného skratom, poraneniam alebo poškodeniam výrobku, neponárajte náradie, výmennú batériu alebo nabíjačku do kvapalín a postarajte sa o to, aby do zariadení a akumulátorov nevnikli žiadne tekutiny. Korodujúce alebo vodivé kvapaliny, ako je slaná voda, určité chemikálie a bieliace prostriedky alebo výrobky, ktoré obsahujú bieliadlo, môžu spôsobiť skrat.

POUŽITIE PODĽA PREDPISOV

Výrobok je dimenzovaný iba na používanie na voľnom priestranstve a prostredníctvom stojacej osoby.

Výrobok sa hodí na vyžínanie trávy, buriny alebo podobnej vegetácie na úrovni zeme.

Pri vyžínaní pohybujte s prístrojom podľa možnosti paralelne k povrchu zeme.

Prístroj nepoužívajte na kosenie alebo vyžínanie krovia, kríkov alebo inej vegetácie, pri ktorej sa úroveň kosenia nenachádza paralelne k zemi.

Tento prístroj sa smie používať len v súlade s uvedenými predpismi.

ES VYHLÁSENIE O ZHODE

My ako výrobca výhradne na vlastnú zodpovednosť vyhlasujeme, že výrobok popísaný v "Technických údajoch" sa zhoduje so všetkými relevantnými predpismi smernice 2011/65/EÚ (RoHS), 2014/30/EÚ, 2006/42/ES, 2000/14/EC, 2005/88/EC a nasledujúcimi harmonizujúcimi normatívnymi dokumentmi:

- EN 62841-1:2015
- EN 60335-1:2012+A11:2014+A13:2017
- EN 50636-2-91:2014
- EN 55014-1:2017+ A11:2020
- EN 55014-2:2015
- EN IEC 63000:2018

Nameraná hladina akustického výkonu: 94 dB(A)
 Garantovaná hladina akustického výkonu: 96 dB(A)

Postup hodnotenia zhody podľa 2000/14/ES, príloha V.

Označený orgán:
 DEKRA Certification B.V. (0344)
 Meander 1051/P.O.Box 5185
 6825 MS ARNHEIM/6802 ED ARNHEIM
 Netherlands

Winnenden, 2021-06-14



Alexander Krug
 Managing Director



Splnomocnený zostaviť technické podklady.

Technic Industries GmbH
 Max-Eyth-Straße 10
 71364 Winnenden
 Germany

AKUMULÁTOR

Dlhší čas nepoužívané výmenné akumulátory pred použitím dobiť.

Teplota vyššia ako 50°C znižuje výkon výmenného akumulátora. Zabráňte dlhšiemu ohriatiu slnkom alebo kúrením.

Pripájacie kontakty na nabíjacom zariadení a výmennom akumulátore udržiavať čisté.

Pre optimálnu životnosť je nutné akumulátory po použití plne dobiť.

K zabezpečeniu dlhej životnosti by sa akumulátory mali po nabití vybrať z nabíjačky.

Pri skladovaní akumulátora po dobu dlhšiu než 30 dní: Skladujte akumulátor v suchu pri cca 27°C. Skladujte akumulátor pri cca 30%-50% nabíjacej kapacite. Opakujte nabíjanie akumulátora každých 6 mesiacov.

OCHRANA PROTI PREŤAŽENIU AKUMULÁTORA LÍTIUM-IÓNOVÉHO AKUMULÁTORA

Akumulátorová sada je vybavená ochranou proti preťaženiu, ktorá ju chráni a zaručuje jej dlhú životnosť. Pri extrémnom zaťažení elektronika akumulátora elektrický nástroj vypne. K pokračovaniu v práci nástroj vypnite a opäť zapnite. V prípade, že sa motor nástroja ani potom nerozbehne, je akumulátorová sada pravdepodobne vybitá a musí sa v nabíjačke opäť nabiť.

PREPRAVA LÍTIOVO-IÓNOVÝCH BATÉRIÍ

Lítiovo-iónové batérie podľa zákonných ustanovení spadajú pod prepravu nebezpečného nákladu.

Preprava týchto batérií sa musí realizovať s dodržiavaním lokálnych, vnútroštátnych a medzinárodných predpisov a ustanovení.

- Spotrebitelia môžu tieto batérie bez problémov prepravovať po cestách.
- Komerčná preprava lítiovo-iónových batérií prostredníctvom špedičných firiem podlieha ustanoveniam o preprave nebezpečného nákladu. Prípravu k vyexpedovaniu a samotnú prepravu smú vykonávať iba adekvátne vyškolené osoby. Na celý proces sa musí odborné dohliadať.

Pri preprave batérií treba dodržiavať nasledovné:

- Zabezpečte, aby boli kontakty chránené a izolované, aby sa zamedzilo skratom.
- Dávajte pozor na to, aby sa zvážok batérií v rámci balenia nemožol zošmyknúť.
- Poškodené a vytečené batérie sa nesmú prepravovať.

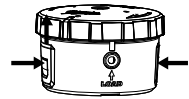
Kvôli ďalším informáciám sa obráťte na vašu špedičnú firmu.

VÝMENA VYŽÍNACEJ STRUNY

Používajte iba vyžínaciu strunu od spol. MILWAUKEE (pozri odsek „Technické údaje“). Použite buď vyžínaciu strunu s dĺžkou 6 m a hrúbkou 2,4 mm alebo strunu s dĺžkou 7,6 m a hrúbkou 2 mm. Upozornenie: Pri použití na abrazívnych alebo husto zarastených plochách sa vyžínacia struna rýchlejšie opotrebuje.

Kvôli výmene vyžínacej struny si pozrite časť s obrázkami.

Za normálnych prevádzkových podmienok sa zvyšná struna počas prevádzky zo strunovej hlavy vyhodí. Na odstránenie zvyškov vyžínacej struny alebo na nasadenie novej vyžínacej struny otočte strunovú kosačku o 180°, kvôli odblokovaniu prítlačte na spony a zložte kryt.



Odstráňte krátke zvyšky vyžínacej struny. Potom nasadte kryt späť na strunovú hlavu a spony nechajte zapadnúť.

ÚDRŽBA

Vetracie otvory udržiavať stále v čistote.

Inšpekcia výrobku si vyžaduje extrémnu starostlivosť a znalosť situácie. Túto prácu prenechajte bezpodmienečne kvalifikovanému servisnému technikovi. Výrobok pošlite na kontrolu alebo opravu autorizovanému servisnému stredisku. Na údržbu používajte iba identické náhradné diely.

Pred realizáciou údržbárskych alebo čistiacich prác vypnite prístroj a vyberte akumulátor.

Vykonávajte iba tu predpísané nastavenia a opravy. Ohľadom všetkých opravárskych prác sa obráťte na autorizovaného odborného predajcu.

Ako náhradnú cievku so strunou používajte iba nylonové struny na cievkach, s priemerom uvedeným v tomto návode.

Po navlečení novej žacej struny dostaňte výrobok pred spustením znova do normálnej prevádzkovej pozície.

Po každom použití vyčistite výrobok suchou, mäkkou handrou. Poškodené diely treba opraviť alebo vymeniť prostredníctvom autorizovaného servisného strediska.

V pravidelných intervaloch kontrolujte, že sú všetky matice, čapy a skrutky riadne utiahnuté, aby bolo možné zaručiť bezpečnú prevádzku výrobku.

Používať len Milwaukee príslušenstvo a Milwaukee náhradné diely. Súčiastky bez návodu na výmenu treba dat vymeniť v jednom z Milwaukee zákaznických centier (viď brožúru Záruka/Adresy zákaznických centier).

V prípade potreby si môžete v servisnom centre pre zákazníkov alebo priamo od firmy Techtronic Industries GmbH, Max-Eyth-Straße 10, 71364 Winnenden, Nemecko, vyžiadať schematický náčrt jednotlivých dielov prístroja pri uvedení typu prístroja a šesťmiestneho čísla na výkonovom štítku.

SYMBOLY

	POZOR! NEBEZPEČENSTVO!
	Pred prvým použitím prístroja si pozorne prečítajte návod na obsluhu.
	Pred každou prácou na stroji výmenný akumulátor vytriahnuť.
	Používajte ochranné rukavice!
	Používajte ochranu sluchu!
	Pri práci so strojom vždy noste ochranné okuliare.
	Noste vždy ochranný odev a pevnú obuv.
	Postarajte sa o to, aby osoby, ktoré sa nachádzajú v blízkosti, mali bezpečný odstup od pracovného priestoru záhradníckeho náradia.
	Nepoužívajte v daždi, a keď prší, prístroj nenechávajte vonku.
	Dávajte pozor na predmety, ktoré sa môžu vymrštiť prístrojom. Dávajte pozor na dostatočne veľký bezpečnostný odstup od okolo stojacich osôb.

	V tomto výrobku nepoužívajte kovové ostrie.
	Smer otáčania
	Diely alebo príslušenstvo nie sú súčasťou dodávky.
	Elektrické zariadenia, batérie/akumulátory sa nesmú likvidovať spolu s odpadom z domácností. Elektrické zariadenia, batérie/akumulátory treba zbierať oddelene a odovzdať ich v recyklačnom podniku na ekologickú likvidáciu. Na miestnych úradoch alebo u vášho špecializovaného predajcu sa spýtajte na recyklačné podniky a zberné dvory.
	Značka zhody v Európe
	Značka zhody v Británii
	Značka zhody na Ukrajine
	Značka zhody pre oblasť Eurázie

Numer produkcyjny.....	4779 19 02... ...00001-99999
Liczba obrotów na biegu jałowym, niskie obroty	0-4600 min ⁻¹
Liczba obrotów na biegu jałowym, wysokie obroty.....	0-6200 min ⁻¹
Maks. ø żyłki tnącej.....	2,4 mm
Zdolność cięcia średnica maksymalna	400 mm
Napięcie baterii akumulatorowej.....	18 V
Ciężar wg procedury EPTA 01/2014 (Li-Ion 5,5 Ah...12,0 Ah)	5,39...5,85 kg
Zalecana temperatura otoczenia w trakcie pracy	-18...+50 °C
Zalecane rodzaje akumulatora	M18 HB5.5; M18 HB8.0; M18 HB12.0
Zalecane ładowarki.....	M12-18...; M1418C

Informacja dotycząca szumów/wibracji

Zmierzone wartości wyznaczone zgodnie z normą EN 62841. Poziom szumów urządzenia oszacowany jako A wynosi typowo:

Poziom ciśnienia akustycznego (Niepewność K=3dB(A))...	75 dB (A)
Poziom mocy akustycznej (Niepewność K=3dB(A)).....	95 dB (A)

Należy używać ochroniaczy uszu!

Wartości łączne drgań (suma wektorowa trzech kierunków) wyznaczone zgodnie z normą EN 62841.

Wibracja przy przednim uchwycie	< 2,5 m/s ²
Wibracja przy tylnym uchwycie.....	< 2,5 m/s ²
Niepewność K=.....	1,5 m/s ²

OSTRZEŻENIE!

Poziom drgań i emisji hałasu podany w niniejszej instrukcji zmierzono zgodnie ze standardową metodą badania wg EN 62841 i można ją wykorzystać do porównania narzędzia z innym narzędziem. Można go wykorzystać przy wstępnej ocenie narażenia.

Deklarowany poziom emisji drgań i hałasu reprezentuje główne zastosowania narzędzia. Jeśli jednak narzędzie jest używane do różnych zastosowań, z różnymi akcesoriami lub w przypadku nieprawidłowej konserwacji, emisja drgań i hałasu może się różnić. Może to znacznie zwiększyć poziom narażenia w całym okresie eksploatacji narzędzia.

Oszacowanie poziomu narażenia na wibracje i hałas powinno również uwzględniać czasy, kiedy narzędzie jest wyłączone lub kiedy jest włączone, ale nie pracuje. Może to znacznie obniżyć poziom ekspozycji w całym okresie eksploatacji narzędzia.

Należy zidentyfikować dodatkowe środki bezpieczeństwa w celu ochrony operatora przed skutkami wibracji i/lub hałasu, takie jak: utrzymywanie narzędzia i akcesoriów w nienagannym stanie, utrzymywanie ciepła rąk, organizacja pracy.

▲ OSTRZEŻENIE! Należy przeczytać wszystkie wskazówki bezpieczeństwa, instrukcje, opisy i specyfikacje dotyczące tego elektronarzędzia. Zaniedbania w przestrzeganiu poniższych wskazań mogą spowodować porażenie prądem, pożar i/lub ciężkie obrażenia ciała.
Należy starannie przechowywać wszystkie przepisy i wskazówki bezpieczeństwa dla dalszego zastosowania.

▲ WSKAZÓWKI BEZPIECZEŃSTWA DLA PODKASZARKI

- Nie należy używać urządzenia przy złej pogodzie, zwłaszcza gdy istnieje ryzyko wyładowań atmosferycznych. Pozwoli to zapobiec niebezpieczeństwu uderzenia pioruna.
- Przed użyciem należy dokładnie sprawdzić, czy w miejscu koszenia nie występują dziko żyjące zwierzęta. Praca urządzenia może doprowadzić do obrażeń dzikich zwierząt.
- Dokładnie sprawdzić obszar koszenia i usunąć kamienie, kije, przewody, kości lub inne ciała obce. Ciała obce wyrzucane z podkaszarki mogą spowodować obrażenia.
- Przed użyciem należy sprawdzić urządzenie tnące i mechanizm tnący pod kątem uszkodzonych części. Uszkodzone części zwiększają ryzyko obrażeń.
- Nie należy zdejmować urządzeń ochronnych. Urządzenia ochronne muszą być sprawne i zamontowane w prawidłowy sposób. Poluzowane, uszkodzone lub nieprawidłowo działające urządzenie ochronne może spowodować obrażenia.

- Należy utrzymywać w czystości wszystkie wloty powietrza chłodzącego. Zabłokowane lub zanieczyszczone wloty powietrza prowadzą do przegrzania urządzenia i mogą spowodować pożar.
- Podczas korzystania z urządzenia należy stosować ochronę oczu i uszu. Założenie odpowiedniego wyposażenia ochronnego zmniejsza ryzyko obrażeń.
- W trakcie pracy z urządzeniem należy zawsze nosić antypoślizgowe obuwie ochronne. Nie należy obsługiwać urządzenia boso ani w otwartych butach. Pozwoli to zapobiec urazom stóp spowodowanym kontaktem z obracającym się urządzeniem tnącym.
- W trakcie pracy z urządzeniem należy zawsze nosić długie spodnie. Kontakt z obracającym się urządzeniem tnącym lub żyłką może doprowadzić do obrażeń.
- W trakcie korzystania z urządzenia należy zatroszczyć się o to, aby w pobliżu nie znajdowały się osoby postronne. Elementy wyrzucane z podkaszarki mogą prowadzić do poważnych obrażeń ciała.
- Nie należy prowadzić urządzenia powyżej pasa. Pozwoli to zapobiec przed niezamierzonym kontaktem z urządzeniem tnącym i umożliwi lepszą kontrolę nad urządzeniem w nieoczekiwanych sytuacjach.
- W trakcie koszenia mokrej trawy należy zachować szczególną ostrożność. Należy zawsze chodzić, nigdy nie biegać. Pozwoli to zminimalizować ryzyko poślizgnięcia się i upadku oraz zapobiec urazom.
- Nie należy korzystać z urządzenia przy bardzo stromych zboczach. Pozwoli to zminimalizować ryzyko utraty kontroli, poślizgnięcia się, oraz zapobiec urazom.

- W trakcie pracy przy zboczu należy zadbać o odpowiednią stabilność urządzenia; podkaszarkę należy pod kątem prostym do zbocza. Nigdy nie należy podkaszarkę wzdłuż zbocza; należy zachować szczególną ostrożność przy zmianie kierunku podkaszania. Pozwoli to zminimalizować ryzyko utraty kontroli, poślizgnięcia się, oraz zapobiec urazom.
- Kable sieciowe i przedłużacze należy trzymać z dala od obszaru cięcia. Przewody zasilające lub przedłużacze ukryte pod żywoplotami i krzewami mogą zostać przypadkowo przecięte lub uszkodzone przez urządzenie tnące lub żyłkę.
- Zachować bezpieczną odległość wszystkich części ciała od urządzenia tnącego lub żyłki tnącej. Czyszczenie urządzenia należy rozpocząć dopiero po wyjęciu wtyczki zasilania. Obracające się urządzenie tnące lub żyłka mogą doprowadzić do poważnych obrażeń.
- Urządzenie należy przenosić tylko wtedy, gdy jest wyłączone, trzymając je z dala od ciała. Prawidłowa obsługa zmniejsza ryzyko przypadkowego kontaktu z obracającą się urządzeniem tnącym lub żyłką.
- Jako zamienniki należy stosować wyłącznie głowice tnące i żyłki tnące zalecane przez producenta. Nie należy wymieniać urządzeń tnących ani żyłek tnących na żyłki metalowe lub noże metalowe. Nieautoryzowane części zamienne zwiększają ryzyko utraty kontroli, a także grożą wystąpieniem uszkodzeń mienia i obrażeń ciała.

POZOSTAŁE WSKAZÓWKI BEZPIECZEŃSTWA

Nie należy używać urządzenia bez złączki. Podczas cięcia złączka musi być odpowiednio zabezpieczona. Używanie podkaszarki do trawy bez złączki może doprowadzić do poważnych obrażeń.

Przed przystąpieniem do jakichkolwiek prac na elektronarzędziu należy wyjąć wkładkę akumulatorową.

Zużytych akumulatorów nie wolno wrzucać do ognia ani traktować jako odpadów domowych. Milwaukee oferuje ekologiczną utylizację zużytych akumulatorów.

Nie przechowywać akumulatorów wraz z przedmiotami metalowymi (niebezpieczeństwo zwarcia).

Akumulatory Systemu M18 należy ładować wyłącznie przy pomocy ładowarek Systemu M18. Nie ładować przy pomocy tych ładowarek akumulatorów innych systemów.

Nie otwierać wkładek akumulatorowych i ładowarek. Przechowywać w suchych pomieszczeniach. Chronić przed wilgocią.

W skrajnych warunkach temperaturowych lub przy bardzo dużym obciążeniu może dochodzić do wycieku kwasu akumulatorowego z uszkodzonych baterii akumulatorowych. W przypadku kontaktu z kwasem akumulatorowym należy natychmiast przemyć miejsce kontaktu wodą z mydłem. W przypadku kontaktu z oczami należy dokładnie przepłukiwać oczy przynajmniej przez 10 minut i zwrócić się natychmiast o pomoc medyczną.

Ostrzeżenie! Aby uniknąć niebezpieczeństwa pożaru, obrażeń lub uszkodzeń produktu na skutek zwarcia, nie wolno zanurzać narzędzia, akumulatora wymiennego ani ładowarki w cieczach i należy zatroszczyć się o to, aby do urządzeń i akumulatorów nie dostały się żadne cieczki. Zwarcie spowodować mogą korodujące lub przewodzące cieczki, takie jak woda morska, określone chemikalia i wybielacze lub produkty zawierające wybielacze.

WARUNKI UŻYTKOWANIA

Produkt skonstruowany jest do użytku wyłącznie na wolnym powietrzu i przez osobę znajdującą się w pozycji stojącej.

Produkt nadaje się do cięcia trawy, chwastów lub podobnej roślinności na poziomie gruntu.

W trakcie cięcia urządzenie należy poruszać możliwie równoległe do powierzchni gruntu.

Nie należy stosować produktu do cięcia lub trymowania żywoplotów, krzaków i innej roślinności, przy której płaszczyna cięcia nie przylega równoległe do gruntu.

Produkt można użytkować wyłącznie zgodnie z jego normalnym przeznaczeniem.

DEKLARACJA ZGODNOŚCI WE

Jako producent oświadczamy na naszą wyłączną odpowiedzialność, że produkt opisany w punkcie „Dane techniczne” jest zgodny ze wszystkimi istotnymi przepisami Dyrektywy 2011/65/EU (RoHS), 2001/43/UE, 2006/42/WE, 2000/14/EC, 2005/88/EC oraz z następującymi zharmonizowanymi dokumentami normatywnymi:

EN 62841-1:2015
EN 60335-1:2012+A11:2014+A13:2017
EN 50636-2-91:2014
EN 55014-1:2017+A11:2020
EN 55014-2:2015
EN IEC 63000:2018

Zmierzony poziom mocy akustycznej: 94 dB(A)
Gwarantowany poziom mocy akustycznej: 96 dB(A)

Procedura oceny zgodności według 2000/14/WE Załącznik V.

Organ powiadamiany:
DEKRA Certification B.V. (0344)
Meander 1051/P.O.Box 5185
6825 MS ARNHEIM/6802 ED ARNHEIM
Netherlands

Winnenden, 2021-06-14



Alexander Krug
Managing Director



Upełnomocniony do zestawienia danych technicznych
Techtron Industries GmbH
Max-Eyth-Straße 10
71364 Winnenden
Germany

BATERIE AKUMULATOROWE

Akumulatory, które nie były przez dłuższy czas używane, należy przed użyciem naładować.

W temperaturze powyżej 50°C następuje spadek osiągniętych wkladki akumulatorowej. Unikaj długotrwałego wystawienia na oddziaływanie ciepła lub promieni słonecznych (niebezpieczeństwo przegrzania).

Styki ładowarek i wkładek akumulatorowych należy utrzymywać w czystości

Dla zapewnienia optymalnej żywotności akumulatory po użyciu należy naładować do pełnej pojemności.

Dla zapewnienia możliwie długiej żywotności akumulatory należy wyjąć z ładowarki po ich naładowaniu.

W przypadku składowania akumulatorów dłużej aniżeli 30 dni: Przechowywać je w suchym miejscu w temperaturze ok. 27°C. Przechowywać je w stanie naładowanym do ok. 30% - 50%. Ładować je ponownie co 6 miesięcy.

ZABEZPIECZENIE PRZECIĄŻENIOWE AKUMULATORA AKUMULATORA LITOWO-JONOWEGO

Pakiet akumulatorowy jest wyposażony w zabezpieczenie przed przeciążeniem, które chroni akumulator przed przeciążeniem i zapewnia jego dużą żywotność. Przy ekstremalnie silnym narażeniu elektronika akumulatora automatycznie wyłącza maszynę. Aby kontynuować pracę należy wyłączyć i ponownie włączyć maszynę. Jeżeli nie nastąpiłby ponowny rozruch maszyny, to możliwe, że pakiet akumulatorowy jest wyładowany i musi zostać ponownie naładowany w ładowarce.

TRANSPORT AKUMULATORÓW LITOWO-JONOWYCH

Akumulatory litowo-jonowe podlegają ustawowym przepisom dotyczącym transportu towarów niebezpiecznych.

Transport tych akumulatorów winien odbywać się przy przestrzeganiu lokalnych, krajowych i międzynarodowych rozporządzeń i przepisów.

- Odbiorcom nie wolno transportować tych akumulatorów po drogach ot tak po prostu.
- Komercyjny transport akumulatorów litowo-jonowych przez przedsiębiorstwa spedycyjne podlega przepisom dotyczącym transportu towarów niebezpiecznych. Przygotowania do wysyłki oraz transport mogą być wykonywane wyłącznie przez odpowiednio przeszkolone osoby. Cały proces winien odbywać się pod fachowym nadzorem.

W czasie transportu akumulatorów należy przestrzegać następujących punktów:

- Celem uniknięcia zwarcia należy upewnić się, że zestyki są zabezpieczone i zaizolowane.
- Zwracać uwagę na to, aby zespół akumulatorów nie mógł się przemieszczać we wnętrzu opakowania.
- Nie wolno transportować akumulatorów uszkodzonych lub z wyciekającym z elektrolitem.

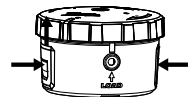
Odnosnie dalszych wskazówek należy zwrócić się do swojego przedsiębiorstwa spedycyjnego.

WYMIANA ŻYŁKI TNAJĄCEJ

Należy stosować wyłącznie żyłki tnące firmy MILWAUKEE (zob. sekcja „Specyfikacja techniczna”). Stosować żyłki tnące o długości 6 m i grubości 2,4 mm lub żyłki o długości 7,6 m i grubości 2 mm. Wskazówka: Żyłka tnąca zużywa się szybciej w trakcie stosowania na powierzchniach ściernych lub gęsto zarośniętych.

Instrukcje dotyczące wymiany żyłki tnącej przedstawiono na ilustracjach.

W normalnych warunkach pracy resztką żyłki jest wyrzucana z głowicy tnącej podczas pracy. Aby usunąć pozostałości żyłki lub wstawić nową żyłkę tnącą, należy obrócić podkaszarkę o 180° i nacisnąć nakładki w celu zwolnienia i zdjęcia pokrywy.



Usunąć krótkie resztki żyłki. Następnie z powrotem umieścić pokrywę na głowicy tnącej i zatrasnąć ją przy nakładkach.

UTRZYMANIE I KONSERWACJA

Otwory wentylacyjne elektronarzędzia muszą być zawsze drożne.

Przegląd produktu wymaga ekstremalnej staranności i specjalistycznej wiedzy. Czynność tę należy bezwzględnie powierzyć wykwalifikowanemu technikowi serwisu. W celu przeprowadzenia przeglądu lub naprawy produkt należy odesłać do autoryzowanego punktu serwisowego. W ramach przeglądu technicznego należy użyć identycznych części zamiennych.

Przed realizacją prac związanych z konserwacją lub czyszczeniem należy wyłączyć urządzenie i wyjąć akumulator.

Należy wykonać wyłącznie regulacje i naprawy, które opisane są w tym miejscu. W celu przeprowadzenia wszelkich innych prac naprawczych należy zwrócić się do autoryzowanego sprzedawcy.

Jako zamiennie szpule żyłki należy stosować wyłącznie żyłki nylonowe na szpulach o średnicy określonej w niniejszej instrukcji.

Po nawinięciu nowej żyłki tnącej, przed uruchomieniem produktu należy ponownie umieścić go w normalnej pozycji roboczej.

Produkt należy czyścić po każdym użyciu suchą, miękką ścierką. Naprawę lub wymianę uszkodzonych części należy zlecić w autoryzowanym punkcie serwisowym.

Aby zagwarantować bezpieczną obsługę produktu, należy regularnie sprawdzać, czy wszystkie nakrętki, bolce i śruby przykręcone są prawidłowo.

Używać tylko i wyłącznie wyposażenia dodatkowego Milwaukee i części zamiennych Milwaukee. Gdyby trzeba było wymienić części, które nie zostały opisane, należy skontaktować się z przedstawicielem serwisu Milwaukee (patrz wykaz adresów punktów usługowych/gwarancyjnych).

W razie potrzeby można zamówić rysunek urządzenia w rozłożeniu na części podając typ maszyny oraz sześciopozycyjny numer na tabliczce znamionowej w Punkcie Obsługi Klienta lub bezpośrednio w firmie Techtronic Industries GmbH, Max-Eyth-Straße 10, 71364 Winnenden, Germany.

SYMBOLE

	UWAGA! OSTRZEŻENIE NIEBEZPIECZENSTWO!
	Przed uruchomieniem elektronarzędzia zapoznać się uważnie z treścią instrukcji.
	Przed przystąpieniem do jakichkolwiek prac na elektronarzędziu należy wyjąć wkładkę akumulatorową.
	Nosić rękawice ochronne!
	Należy używać ochroniaczy uszu!
	Podczas pracy należy zawsze nosić okulary ochronne.

	Należy zawsze nosić odzież ochronną oraz stabilne obuwie.
	Osoby, przebywające się w pobliżu, powinny zachować bezpieczną odległość od narzędzia ogrodowego.
	Nie użytkować w czasie deszczu lub na zewnątrz, gdy pada deszcz.
	Należy uważać na przedmioty, które mogą zostać odrzucone przez urządzenie. Należy zapewnić dostatecznie duży odstęp bezpieczeństwa od osób znajdujących się w pobliżu.
	Nie wolno stosować tego produktu do cięcia metalu.
	Kierunek obrotów
	Zakres dostawy nie obejmuje części ani akcesoriów.
	Urządzenia elektryczne, baterie/akumulatory nie mogą być usuwane razem z odpadami pochodzącymi z gospodarstw domowych. Urządzenia elektryczne i akumulatory należy gromadzić oddzielnie i w celu usuwania ich do odpadów zgodnie z wymaganiami środowiska naturalnego oddawać do przedsiębiorstwa utylizacyjnego. Proszę zasięgnąć informacji o centrach recyklingowych i punktach zbiorczych u władz lokalnych lub u wyspecjalizowanego dostawcy.
	Europejski Certyfikat Zgodności
	Brytyjski Certyfikat Zgodności
	Ukraiński Certyfikat Zgodności
	Euroazjatycki Certyfikat Zgodności

MŰSZAKI ADATOK AKKUMULÁTOROS SZEGÉLYNYÍRÓ**M18 BLLT**

Gyártási szám.....	4779 19 02... ...000001-999999
Üresjárat fordulatszám, alacsony fordulatszám.....	0-4600 min ⁻¹
Üresjárat fordulatszám, magas fordulatszám.....	0-6200 min ⁻¹
Max. vágóhuzal átmérő.....	2,4 mm
Vágási teljesítmény max. átm.....	400 mm
Akkumulátor feszültség.....	18 V
Súly a 01/2014EPTA-eljárás szerint (Li-Ion 5,5 Ah...12,0 Ah).....	5,39...5,85 kg
Ajánlott környezeti hőmérséklet munkavégzésnél.....	-18...+50 °C
Ajánlott akkutípusok.....	M18 HB5.5; M18 HB8.0; M18 HB12.0
Ajánlott töltőkészülékek.....	M12-18...; M1418C

Zaj-/Vibráció-információ

A közölt értékek megfelelnek az EN 62841 szabványnak.

A készülék munkahelyi zajszintje tipikusan:

Hangnyomás szint (K bizonytalanság=3dB(A))..... 75 dB (A)

Hangteljesítmény szint (K bizonytalanság=3dB(A))..... 95 dB (A)

Hallásvédő eszköz használata ajánlott!

Összesített rezgésértékek (három irány vektoriális összege) az EN 62841.-nek megfelelően meghatározva.

Vibráció az elülső fogantyún..... < 2,5 m/s²

Vibráció a hátsó fogantyún..... < 2,5 m/s²

K bizonytalanság..... 1,5 m/s²

FIGYELMEZTETÉS!

Az adatlapon feltüntetett rezgés- és zajkibocsátási szint mérésére az EN 62841 szabványos vizsgálati módszere alapján került sor, és a kapott értékek az egyes szerszámok összehasonlítására használhatók. Az értékek az expozíció előzetes értékelésében használhatók.

A feltüntetett rezgés- és zajkibocsátási szint a szerszám főbb alkalmazásait tükrözi. Mindazonáltal, ha a szerszámot különböző alkalmazásokra, eltérő tartozékokkal használják, illetve a szerszám nincs megfelelően karbantartva, a rezgés- és zajkibocsátási szint eltérő lehet. Ez jelentősen növelheti az expozíciós szintet a teljes munkafolyamat során.

A rezgésnek és zajnak való expozíció becsült szintjét is figyelembe kell venni a szerszám kikapcsolásakor, illetve olyankor, ha a szerszám üzemel, de valójában nem történik vele munkavégzés. Ez jelentősen csökkentheti az expozíciós szintet a teljes munkafolyamat során.

Határozzon meg további biztonsági intézkedéseket, hogy védje a kezelőt a rezgés- és/vagy zajhatásoktól. Ilyen intézkedések pl.: a szerszámok és tartozékok karbantartása, a kéz melegen tartása, munkarend-szervezés.

▲ FIGYELMEZTETÉS! Olvassa el az elektromos

kéziszerszámra vonatkozó összes biztonsági útmutatást, utasítást, ábrát és specifikációt. A következőkben leírt utasítások betartásának elmulasztása áramütésekhez, tűzhöz és/vagy súlyos testi sérülésekhez vezethet.

Kérjük a későbbi használatra gondosan őrizze meg ezeket az előírásokat.

▲ FŰKÁSZÁRA VONATKOZÓ BIZTONSÁGI ÚTMUTATÁSOK

- Ne használja a készüléket rossz idő esetén, kiváltképp akkor, ha villámcsapás fenyeget.** Így csökkentheti annak a veszélyét, hogy villámcsapást szenvedjen.
- Használat előtt alaposan ellenőrizze az alkalmazási területet élő állatok szempontjából.** A készülék vadon élő állatoknak sérüléseket okozhat.
- Gondosan ellenőrizze az alkalmazási területet és távolítsa el a köveket, botokat, drótokat, csontokat vagy más idegen testeket.** A szétrepített idegen testek sérüléseket okozhatnak.
- Használat előtt ellenőrizze a vágószerkezetet és a vágóművet, hogy nem sérült-e valamely alkatrész.** A sérült alkatrészek megnövelik a sérülési kockázatot.
- Ne távolítsa el a védőberendezéseket. A védőberendezéseknek működőképesnek és az előírásoknak megfelelően kell felszerelve lenniük.** A meglazult, sérült vagy nem szabályszerűen működő védőberendezések sérüléseket okozhatnak.
- Valamennyi hűtőlevegő-beömlőt tisztán kell tartani.** Az elzáródott vagy elszennyeződött légbemlő nyílások

a készülék túlmelegedéséhez vezetnek és tüzet okozhatnak.

- A készülék használata közben szem- és fülvédőt kell használni.** A megfelelő védőfelszerelés használata csökkenti a sérülések kockázatát.
- A készülék használatakor mindig használjon csúszásmentes biztonsági lábbelit. Ne használja a készüléket mezítal vagy nem zárt cipőben.** Így elkerülhetők a forgó vágószerkezettel való érintkezés miatti lábsérülések.
- A készülék használatakor mindig hosszú nadrágot kell viselni.** A forgó vágószerkezettel vagy a vágószállal való érintkezés sérülésekhez vezethet.
- A készülék használata közben a környéken tartózkodó személyeket távol kell tartani.** A szétrepülő tárgyak súlyos sérüléseket okozhatnak.
- Ne működtesse a készüléket csipőmagasság felett.** Így elkerülhető a vágószerkezettel való akaratlan érintkezés, és váratlan helyzetekben jobban kontrollálható a készülék.
- Nedves fű vágásakor mindig nagyon óvatosan járjon el. Mindig csak lépésben haladjon, soha ne szaladjon.** Így csökkenthető az elcsúszás és az elesés veszélye, és elkerülhetők a sérülések.
- Ne használja a készüléket rendkívül meredek rézsűkön.** Így csökkenthető a készülék feletti kontroll elvesztésének, valamint az elcsúszás és az elesés veszélye, és elkerülhetők a sérülések.
- Rézsűkön való munkavégzés esetén ügyeljen a stabil pozícióra, és a rézsűhöz képest mindig keresztirányban használja a készüléket. A készüléket soha ne használja a rézsű lejtése felé, és**

irányváltáskor járjon el rendkívül elővigyázatosan. Így csökkenthető a készülék feletti kontroll elvesztésének, valamint az elcsúszás és az elesés veszélye, és elkerülhetők a sérülések.

- Tartson távol minden hálózati és hosszabbító kábelt a vágási területtől.** A sövények és bokrok alatt lévő rejtett hálózati vagy hosszabbító kábeleket a vágószerkezet vagy a vágószál véletlenül szétvághatja vagy károsíthatja.
- Minden testrészt tartson távol a vágószerkezettől vagy a vágószáltól. A készüléket csak a hálózati csatlakozódugasz kihúzása után tisztítsa.** A forgó vágószerkezet vagy a vágószál súlyos sérüléseket okozhat.
- A készüléket csak kikapcsolva szállítsa, és közben tartsa el a testétől.** A készülék előírásoknak megfelelő kezelése csökkenti a forgó vágószerkezettel vagy a vágószállal való akaratlan érintkezés kockázatát.
- Csak a gyártó által javasolt pótvágófejeket és pótvágószálakat használjon. A vágószerkezetet vagy vágószálakat ne cserélje fémszárra vagy fémkésre.** A nem megengedett pótkatrészek a készülék feletti kontroll elvesztését, károsodásokat és sérüléseket okozhat.

TOVÁBBI BIZTONSÁGI ÚTMUTATÁSOK

Ne használja a készüléket összekötő idom nélkül. Vágáskor az összekötő idomnak szabályszerűen biztosítva kell lennie. Ha a készüléket összekötő idom nélkül használják, az súlyos sérülésekhez vezethet.

Karbantartás, javítás, tisztítás, stb. előtt az akkumulátort ki kell venni a készülékből.

A használt akkumulátort ne dobja tűzbe vagy a háztartási szemétkébe. Tájékozódjon a szakszerű megsemmisítés helyi lehetőségeiről.

Az akkumulátort ne tárolja együtt fém tárgyakkal. (Rövidzárlat veszélye).

Az M18 elnevezésű rendszerhez tartozó akkumulátorokat kizárólag a rendszerhez tartozó töltővel töltsen fel. Ne használjon más rendszerbe tartozó töltőt.

Az akkumulátort, töltőt nem szabad megbontani és kizárólag száraz helyen szabad tárolni. Nedvességtől óvni kell.

Akkumulátor sav folyhat a sérült akkumulátorból extrém terhelés alatt, vagy extrém hő miatt. Ha az akkumulátor sav a bőrre kerül azonnal mossa meg szappanos vízzel. Szembe kerülés esetén folyóvíz alatt tartsa a szemét minimum 10 percig és azonnal forduljon orvoshoz.

Figyelmeztetés! A rövidzárlat általi tűz, sérülések vagy termékkárosodások veszélye elkerülésére ne merítse a szerszámot, a cserélhető akkut vagy a töltőkészüléket folyadékokba, és gondoskodjon arról, hogy ne hatoljanak folyadékok a készülékekbe és az akkukba. A korrozív hatású vagy vezetőképes folyadékok, mint pl. a sós víz, bizonyos vegyi anyagok, fehérítők vagy fehérítő tartalmú termékek, rövidzárlatot okozhatnak.

RENDELTESSZERŰ HASZNÁLAT

A termék csak szabadban, álló helyzetben történő használatra való.

A termék fű, gyom vagy hasonló talajszintű vegetáció vágására alkalmas.

A készüléket vágás közben lehetőleg a talajfelülettel párhuzamosan mozgassa.

Ne használja a terméket sövény, bokrok vagy más egyéb vegetáció vágására vagy nyírására, amelynél a vágás síkja nem párhuzamos a talajjal.

A készüléket kizárólag az alábbiakban leírtaknak megfelelően szabad használni.

EK-MEGFELELŐSÉGI NYILATKOZAT

Gyártóként egyedüli felelősséggel kijelentjük, hogy a „Műszaki Adatok” alatt leírt termék a 2011/65/EK (RoHS), 2014/30/EU, 2006/42/EK, 2000/14/EC, 2005/88/EC irányelvek minden releváns előírásának, ill. az alábbi harmonizált normatív dokumentumoknak megfelel:

EN 62841-1:2015
EN 60335-1:2012+A11:2014+A13:2017
EN 50636-2-91:2014
EN 55014-1:2017+A11:2020
EN 55014-2:2015
EN IEC 63000:2018

Mért hangteljesítményszint: 94 dB(A)
Szavatolt hangteljesítményszint: 96 dB(A)

A megfelelőség értékelésére irányuló eljárások a 2000/14/EK V. melléklet szerint.

Megjelölt intézet:
DEKRA Certification B.V. (0344)
Meander 1051/P.O.Box 5185
6825 MS ARNHEIM/6802 ED ARNHEIM
Netherlands

Winnenden, 2021-06-14



Alexander Krug
Managing Director



Műszaki dokumentáció összeállításra felhatalmazva

Techtronic Industries GmbH
Max-Eyth-Straße 10
71364 Winnenden
Germany

AKKUK

A hosszabb ideig üzemlen kívül lévő akkumulátort használat előtt ismétetlen fel kell tölteni.

50°C feletti hőmérsékletnél csökkenhet az akkumulátor teljesítménye. Kerülni kell a túlzottan meleg helyen vagy napon történő hosszabb idejű tárolást.

A töltő és az akkumulátor csatlakozóit mindig tisztán kell tartani.

Az optimális élettartam érdekében használat után az akkukat teljesen fel kell tölteni.

A lehetőleg hosszú élettartamhoz az akkukat feltöltés után ki kell venni a töltőkészülékből.

Az akku 30 napot meghaladó tárolása esetén: Az akkut kb. 27 °C-on, száraz helyen kell tárolni. Az akkut kb. 30-50%-os töltöttségi állapotban kell tárolni. Az akkut 6 havonta újra fel kell tölteni.

AZ AKKUMULÁTOR TŰLTERHELÉS ELLENI VÉDELME LI-ION AKKU

Az akkucsomag olyan túlterhelés elleni védelemmel rendelkezik, mely védi az akkut a túlterhelés ellen, és hosszú élettartamot biztosít. Rendkívül erős igénybevétel esetén az akkuelektronika automatikusan lekapcsolja a gépet. A további munkavégzéshez a gépet ki-, majd ismét be kell kapcsolni. Ha a gép nem indul el ismét, akkor lehetséges, hogy az akkucsomag lemerült és azt újból fel kell tölteni a töltőben.

LÍTIUM-ION AKKUK SZÁLLÍTÁSA

A lítium-ion akkuk a veszélyes áruk szállítására vonatkozó törvényi rendelkezések hatálya alá tartoznak.

Az ilyen akkuk szállításának a helyi, országos és nemzetközi előírások és rendelkezések betartása mellett kell történnie.

- A fogyasztók minden további nélkül szállíthatják az ilyen akkukat közúton.
- A lítium-ion akkuk szállítványozási vállalatok általi kereskedelmi célú szállítására a veszélyes áruk szállítására vonatkozó rendelkezések érvényesek. A kiszállítás előkészítését és a szállítást kizárólag megfelelő képzettségű személyek végezhetik. A teljes folyamatnak szakmai felügyelet alatt kell történnie.

A következő pontokat kell figyelembe venni akkuk szállításakor:

- Biztosítsa, hogy a rövidzárlatok elkerülése érdekében az érintkezők védve és szigetelve legyenek.
- Ügyeljen arra, hogy az akkucsomag ne tudjon elcsúszni a csomagoláson belül.
- Tilos sérült vagy kifolyt akkukat szállítani.

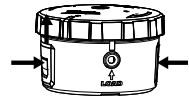
További útmutatásokért forduljon szállítványozási vállalatához.

A VÁGÓSZÁL CSERÉJE

Csak MILWAUKEE vágószálakat használjon (lásd a „Műszaki adatok” c. részt). Vagy 6 m hosszúságú és 2,4 mm vastagságú, vagy pedig 7,6 m hosszúságú és 2 mm vastagságú vágószálakat használjon. Megjegyzés: Koptató hatású vagy sűrűn benőtt felületen a vágószál hamarabb elkopik.

A vágószál cseréjéhez lásd az ábrákat tartalmazó részt.

Normál üzemi körülmények között a maradék szál a vágófej működése közben kibóbódik. A számaradványok eltávolításához vagy új vágószál behelyezéséhez forgassa el a fűkaszát 180°-kal, kioldáshoz nyomja be a fűleket és vegye le a burkolatot.



Távolítsa el a rövid számaradványokat. Ezután helyezze vissza a burkolatot a vágófejre és rögzítse a fűlekekkel.

KARBANTARTÁS

A készülék szellőzőnyílásait mindig tisztán kell tartani.

A termék ellenőrzése rendkívüli gondosságot és szakértelmet igényel. Ezt a feladatot bízva feltétlenül szakképzett szerviztechnikusra. A terméket ellenőrzésre vagy javításra egy arra feljogosított szervizpontra küldje el. Karbantartáshoz csak azonos alkatrészeket használjon.

Karbantartás vagy tisztítás előtt kapcsolja ki a készüléket és távolítsa el az akkumulátort.

Csak az itt leírt beállításokat és javításokat végezze el. Minden más javítás esetén, kérjük, forduljon arra jogosult szakkereskedőhöz.

Vágóhuzal tekercs cseréjekor csak nejlon damilt használjon a jelen útmutatóban írt átmérőjű tekercsen.

Az új vágóhuzal befűzése után a terméket indítás előtt állítsa ismét normál üzemi helyzetbe.

Minden használat után tisztítsa meg a terméket száraz, puha kendővel. A sérült elemeket arra feljogosított szervizpontra kell megjavíttatni vagy kicseréltetni.

A termék biztonságos üzemeltetésének szavatolása érdekében ellenőrizze rendszeres időközönként, hogy minden anya, csapszeg és csavar megfelelően meg van-e húzva.

Csak Milwaukee tartozékokat és Milwaukee pótalkatrészeket szabad használni. Az olyan elemeket, melyek cseréje nincs ismertetve, cseréltesse ki Milwaukee szervizzel (lásd Garancia/Ügyfélszolgálat címei kiadványt).

Igény esetén a készülékről robbantott rajz kérhető a géptípus és a teljesítménycímeként található hatjegyű szám megadásával az Ön vevőszolgálatánál, vagy közvetlenül a Techtronic Industries GmbH-től a Max-Eyth-Straße 10, 71364 Winnenden, Németország címen.

SZIMBÓLUMOK



FIGYELEM! FIGYELMEZTETÉS! VESZÉLY!



Kérjük alaposan olvassa el a tájékoztatót mielőtt a gépet használja.



Karbantartás, javítás, tisztítás, stb. előtt az akkumulátort ki kell venni a készülékből.



Hordjon védőkesztyűt!



Hallásvédő eszköz használata ajánlott!



Munkavégzés közben ajánlatos védőszemüveget viselni.



Mindig viseljen védőruházatot és ellenálló lábbelít.



Gondoskodjon arról, hogy a közelben álló személyek a kerti kiegészítői biztonságos távolságban maradjanak.



Ne használja esőben, vagy ne hagyja kültéren, ha esik az eső.



Ügyeljen az olyan tárgyakra, amelyeket a készülék szétrepíthet. Ügyeljen a kellően nagy biztonsági távolságra a környező személyekre nézve.



Ebben a termékben ne használjon fém kést.



Forgásirány



Alkatrészek vagy tartozékok nem képezik a szállítvány részét.



Az elektromos eszközöket, elemeket/akkukat nem szabad a háztartási hulladékkal együtt ártalmatlanítani. Az elektromos eszközöket és akkukat szelektíven kell gyűjteni, és azokat környezetbarát ártalmatlanítás céljából hulladékhasznosító üzemben kell leadni. A helyi hatóságoknál vagy szakkereskedőjénél tájékozódjon a hulladékudvarokról és gyűjtőhelyekről.



Európai megfelelőségi jelölés



Egyesült királyságbeli megfelelőségi jelölés



Ukrán megfelelőségi jelölés



Eurázsiai megfelelőségi jelölés

TEHNIČNI PODATKI	AKUMULATORSKI TRIMER ZA TRAVO	M18 BLLT
Proizvodna številka.....	4779 19 02...	000001-999999
Število vrtljajev v prostem teku, nizko število vrtljajev	0-4600 min ⁻¹	
Število vrtljajev v prostem teku, visoko število vrtljajev	0-6200 min ⁻¹	
Maks. ø rezalne nitke	2,4 mm	
Debelina reza maks.	400 mm	
Napetost izmenljivega akumulatorja	18 V	
Teža po EPTA-proceduri 01/2014 (Li-Ion 5,5 Ah...12,0 Ah)....	5,39...5,85 kg	
Priporočena temperatura okolice pri delu	-18...+50 °C	
Priporočene vrste akumulatorskih baterij	M18 HB5.5; M18 HB8.0; M18 HB12.0	
Priporočeni polnilniki.....	M12-18...; M1418C	

Informacije o hrupnosti/vibracijah

Vrednosti merjenja ugotovljene ustrezno z EN 62841.

Raven hrupnosti naprave ovrednotena z A, znaša tipično:

Nivo zvočnega tlaka (Nevarnost K=3dB(A)).....	75 dB (A)
Višina zvočnega tlaka (Nevarnost K=3dB(A)).....	95 dB (A)

Nosite zaščito za sluš!

Skupna vibracijska vrednost (Vektorska vsota treh smeri) določena ustrezno EN 62841.

Vibracije na sprednjem ročaju	< 2.5 m/s ²
Vibracije na zadnjem ročaju	< 2.5 m/s ²
Nevarnost K=.....	1.5 m/s ²

OPOZORILO!

Raven vibracij in hrupa, navedena v tem informativnem listu, je bila izmerjena v skladu s standardiziranim preskusom iz EN 62841 in jo je mogoče uporabljati za primerjavo orodij med seboj. Mogoče jo je tudi uporabiti za predhodno oceno izpostavljenosti.

Navedena raven vibracij in hrupa predstavlja glavno uporabo orodja. Če pa se orodje uporablja za različne namene, z različnimi dodatki ali slabo vzdrževano, se lahko vibracije in hrup razlikujejo. To lahko znatno poveča raven izpostavljenosti v celotnem delovnem obdobju.

Pri oceni ravnih izpostavljenosti vibracijam in hrupu je treba upoštevati tudi čas, ko je orodje izklopljeno ali ko teče, vendar dejansko ne opravlja dela. To lahko bistveno zmanjša raven izpostavljenosti v celotnem delovnem obdobju.

Ugotovite dodatne varnostne ukrepe za zaščito upravljalca pred učinki vibracij in/ali hrupa, kot so: vzdrževanje orodja in dodatkov, tople roke, organizacija delovnih vzorcev.

⚠ OPOZORILO! Preberite vsa varnostna opozorila in navodila, prikaze in specifikacije tega električnega orodja. Zakasnelo upoštevanje sledečih navodil lahko povzroči električni udar, požar in/ali težke poškodbe. **Vsa opozorila in navodila shranite, ker jih boste v prihodnje še potrebovali.**

⚠ VARNOSTNI NAPOTKI OBREZOVALNIK TRAVE

a) Obrezovalnika trave ne uporabljajte v slabem vremenu, predvsem ne, če grozi nevarnost udarjanja strel. Tako preprečite nevarnost, da vas zadane strela.

b) Pred uporabo območje uporabe temeljito pregledite na prosto živeče živali. Naprava lahko poškoduje divje živali.

c) Temeljito pregledite območje uporabe in odstranite kamne, palice, žice, kosti ali druge tujke. Leteči tujki lahko povzročijo poškodbe.

d) Pred uporabo preverite, ali sta rezalno orodje in rezalna enota poškodovani. Poškodovani deli povečajo tveganje za poškodbe.

e) Ne odstranjujte zaščitnih naprav. Zaščitne naprave morajo biti funkcionalne in pravilno nameščene. Sproščena, poškodovana ali nepravilno delujoča zaščitna naprava lahko povzroči poškodbe.

f) Vse dovode za hladilni zrak držite čiste. Blokirane ali umazane odprtine za zrak lahko povzročijo pregrete naprave in posledično požar.

g) Med uporabo naprave nosite zaščito za oči in ušesa. Nošenje ustrezne zaščitne opreme zmanjšuje tveganje za poškodbe.

h) Pri delu z napravo vedno nosite neдрsečo zaščitno obutev. Naprave ne uporabljajte bos ali z odprtimi

čevlji. To boste preprečili poškodbe stopal zaradi stika z vrtljivim rezalno napravo.

i) Pri delu z napravo vedno nosite dolge hlače. Stik z vrtljivim rezalnikom ali rezalno nitjo lahko povzroči poškodbe.

j) Med uporabo se druge osebe naj držijo stran od naprave. Leteči deli lahko povzročijo hude telesne poškodbe.

k) Naprave ne upravljajte nad višino pasu. Na ta način se lahko izognete nenamernemu stiku z rezalno napravo in napravo lahko bolje nadzorujete, v nepričakovanih situacijah.

l) Pri košenju mokre trave bodite zelo previdni. Vedno hodite, ne tecite. To zmanjšuje nevarnost zdrsa in padca ter preprečuje poškodbe.

m) Naprave ne uporabljajte na izredno strmih pobočjih. To zmanjšuje nevarnost izgube nadzora, zdrsa in padca ter preprečuje poškodbe.

n) Pri delih na pobočju poskrbite za varno stoji in vedno delajte čez pobočje. Nikoli ne delajte ob pobočju in bodite previdni pri spreminjanju smeri. To zmanjšuje nevarnost izgube nadzora, zdrsa in padca ter preprečuje poškodbe.

o) Napajalnih in podaljševalnih kablov držite stran od območja rezanja. Napajalne kable ali podaljške, ki so skriti pod živo mejo, lahko rezalnik ali rezalna nit nenamerno razreže ali poškoduje.

p) Vse dele telesa držite stran od rezalnika ali rezalne niti. Napravo očistite šele, ko izvlčete napajalni vtič. Vrtljivi rezalnik ali rezalna nit lahko povzročita resne poškodbe.

q) Napravo prevažajte le, ko je izklopljena, in jo držite stran od telesa. Pravilna uporaba naprave zmanjšuje

nevarnost nenamernega stika z vrtljivim rezalnikom ali rezalno nitjo.

r) Uporabljajte samo nadomestne rezalne glave in rezalne niti, ki jih priporoča proizvajalec. Rezalnikov ali rezalnih nit ni zamenjajte s kovinskimi nitmi ali kovinskimi noži. Nedopustni rezervni deli lahko povzročijo izgubo nadzora, škodo in poškodbe.

OSTALI VARNOSTNI NAPOTKI

Naprave ne uporabljajte brez povezovalnega elementa. Pri rezanju mora biti povezovalni element pravilno pritrjen. Uporaba obrezovalnika trave brez povezovalnega elementa lahko povzroči resne poškodbe.

Pred vsemi deli na stroji odstranite izmenljivi akumulator.

Izrabljenih izmenljivih akumulatorjev ne mečite v ogenj ali v gospodinjstvo odpadke. Milwaukee nudi okolju prijazen odlaganje starih izmenljivih akumulatorjev, prosimo povprašajte vašega strokovnega trgovca.

Izmenljivih akumulatorjev ne hranite skupaj s kovinskimi predmeti (nevarnost kratkega stika).

Izmenljive akumulatorje sistema M18 polnite samo s polnilnimi aparati sistema M18. Ne polnite nobenih akumulatorjev iz drugih sistemov.

Izmenljivih akumulatorjev in polnilnih aparatov ne odpirajte in jih hranite samo v suhih prostorih. Zaščitite jih pred mokroto.

Pod ekstremno obremenitvijo ali ob ekstremni temperaturi iz poškodovanega izmenljivega akumulatorja lahko izteka akumulatorska tekočina. Po stiku z akumulatorsko tekočino prizadeto mesto takoj izperite z vodo in milom. Po stiku z očmi takoj najmanj 10 minut dolgo temeljito izpirajte in nemudoma obiščite zdravnika.

Opozorilo! V izogib, s kratkim stikom povzročene nevarnosti požara, poškodb ali okvar na proizvodu, orodja, izmenljivega akumulatorja ali polnilne naprave ne potaplajte v tekočine in poskrbite, da ne bo prihajalo do vdora tekočin v naprave in akumulatorje. Korozivne ali prevodne tekočine, kot so slana voda, določene kemikalije in belila ali proizvodi, ki le ta vsebujejo, lahko povzročijo kratek stik.

UPORABA V SKLADU Z NAMEMBOSTJO

Proizvod je predviden za uporabo na prostem in s strani stoječe osebe.

Proizvod je primeren za košnjo trave, plevela ali podobne vegetacije na ravni tal.

Napravo pri rezanju po možnosti premikajte vzporedno s površino tal.

Proizvoda ne uporabljajte za rezanje ali tramanje žive meje, grmovja ali siceršnje vegetacije, pri kateri raven rezanja ni vzporedna s tlemi.

Ta naprava se sme uporabiti samo v skladu z namembnostjo uporabiti samo za navede namene.

ES-IZJAVA O SKLADNOSTI

Kot proizvajalec izjavljamo na svojo izključno odgovornost, da je izdelek, opisan pod »Tehnični podatki«, v skladu z vsemi ustreznimi predpisi direktiv 2011/65/EU (RoHS), 2014/30/EU, 2006/42/EG, 2000/14/EC, 2005/88/EC in naslednjimi usklajenimi normativnimi dokumenti:

EN 62841-1:2015
EN 60335-1:2012+A11:2014+A13:2017
EN 50636-2-91:2014
EN 55014-1:2017+A11:2020
EN 55014-2:2015
EN IEC 63000:2018

Izmerjena višina zvočnega tlaka: 94 dB(A)
Garantirana višina zvočnega tlaka: 96 dB(A)

Postopek ocene skladnosti ustrezno 2000/14/ES dodatek V.

Navedeno mesto:
DEKRA Certification B.V. (0344)
Meander 1051/P.O.Box 5185
6825 MS ARNHEIM/6802 ED ARNHEIM
Netherlands

Winnenden, 2021-06-14



Alexander Krug
Managing Director



Pooblaščen za izdelavo spisov tehnične dokumentacije.

Tech-Etron Industries GmbH
Max-Eyth-Straße 10
71364 Winnenden
Germany

AKUMULATORJI

Izmenljive akumulatorje, ki jih daljši čas niste uporabljali, pred uporabo naknadno napolnite.

Temperatura nad 50°C zmanjšuje zmogljivost izmenljivega akumulatorja. Izogibajte se daljšemu segrevanju zaradi sončnih žarkov ali gretja.

Pazite, da ostanejo priključni kontakti na polnilnem aparatu in izmenljivem akumulatorju čisti.

za optimalno življenjsko dobo je potrebno akumulatorje po uporabi do konca napolniti.

Za čim daljšo življenjsko dobo naj se akumulatorji po napolnitvi vzamejo ven iz naprave za polnjenje.

Pri skladiščenju akumulatorjev dalj kot 30 dni: Akumulator skladiščiti pri 27°C in na suhem. Akumulator skladiščiti pri 30%-50% stanja polnjenja. Akumulator spet napolniti vsakih 6 mesecev.

ZAŠČITA PREOBREMENITVE AKUMULATORJA LI-IONSKEGA AKUMULATORJA

Komplet akumulatorja je opremljen s preobremenitveno zaščito, ki ščiti akumulator pred preobremenitvijo in zagotavlja dolgo življenjsko dobo. Pri ekstremno visokih obremenitvah elektronika akumulatorja stroj avtomatsko izklopi. Za nadaljnje delo stroj izklopimo in ponovno vklopimo. V kolikor stroj ponovno ne steče, je komplet akumulatorja morebiti izprazenjen in ga je v polnilcu potrebno ponovno napolniti.

TRANSPORT LITIJ-IONSKIH AKUMULATORJEV

Litij-ionski akumulatorji so podvrženi zakonskim določbam transporta nevarnih snovi.

Transport teh akumulatorjev se mora izvajati upoštevajoč lokalne, nacionalne in mednarodne predpise in določbe.

- Potrošniki lahko te akumulatorje še nadalje transportirajo po cesti.
- Komercialni transport litij-ionskih akumulatorjev s strani špediterskih podjetij je podvržen določbam transporta nevarnih snovi. Priprava odpreme in transporta se lahko vrši izključno s strani ustrezno izšolanih oseb. Celoten proces je potrebno strokovno spremljati.

Pri transportu akumulatorjev je potrebno upoštevati sledeče točke:

- V izogib kratkim stikom zagotovite, da bodo kontakti zaščiteni in izolirani.
- Bodite pozorni na to, da paket akumulatorja v notranjosti embalaže ne bo mogel zdrsniti.
- Poškodovanih ali iztekajočih akumulatorjev ni dovoljeno transportirati.

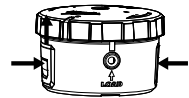
Za nadaljnja navodila se obrnite na vaše špeditersko podjetje.

MENJAVA REZALNE NITI

Uporabljajte samo rezalne niti podjetja MILWAUKEE (glejte poglavje "Tehnični podatki"). Uporabite bodisi rezalno nit dolžine 6 m in debeline 2,4 mm ali nit dolžine 7,6 m in debeline 2 mm. Opomba: Pri uporabi na abrazivnih ali gostih rastlinskih površinah se rezalna nit obrabi hitreje.

Za zamenjavo rezalni niti glejte sliko.

V normalnih delovnih pogojih bo preostala nit, med delovanjem, izvržena iz rezalne glave. Če želite odstraniti ostanke niti ali vstaviti novo rezalno nit, obrnite obrezovalnik trave za 180° in pritisnite jezičke, da odklenete in odstranite pokrov.



Odstranite kratke kose niti. Nato pokrov postavite nazaj na rezalno glavo in ga pritrdite na jezičke.

VZDRŽEVANJE

Pazite na to, da so prezračevalne reže stroja vedno čiste.

Pregled naprave zahteva ekstremno skrbnost in strokovnost. Ta opravila obvezno prepustite kvalificiranemu servisnemu tehniku. Proizvod pošljite za inšpekcijski pregled ali popravilo avtoriziranemu servisnemu mestu. Za vzdrževanje uporabljajte zgolj identične nadomestne dele.

Pred izvedbo vzdrževalnih opravil ali čiščenja, napravo izklopite in odstranite akumulator.

Izvajajte zgolj tukaj opisane nastavitve in popravila. Za ostala popravila se prosim obrnite na avtoriziranega trgovca.

Kot nadomestno navitje uporabljajte zgolj najlonske nitke na navitjih, z v teh navodilih navedenim premerom.

Po napeljavi nove rezalne nitke, proizvod pred zagonom ponovno spravimo v normalen obratovalec položaj.

Proizvod po vsaki uporabi očistite s suho, mehko krpo. Poškodovane dele je potrebno popraviti ali nadomestiti pri avtoriziranem servisnem mestu.

Za zagotovitev varnega obratovanja naprave, v rednih presledkih preverjajte, ali so vse matice, sorniki in vijaki pravilno pritrjeni.

Uporabljajte samo Milwaukee pribor in Milwaukee nadomestne dele. Poskrbite, da sestavne dele, katerih zamenjava ni opisana, zamenjajo v Milwaukee servisni službi (upoštevajte brošuro Garancija aslovi servisnih služb).

Po potrebi je mogoče pri vašem servisnem mestu ali neposredno pri Techtronic Industries GmbH, Max-Eyth-Straße 10, 71364 Winnenden, Germany, naročiti eksplozijsko risbo naprave ob navedbi tipa stroja in na tablici navedene šestmestne številke.

SIMBOLI

	POZOR! OPOZORILO! NEVARNO!
	Prosimo, da pred uporabo pozorno preberete to navodilo za uporabo.
	Pred vsemi deli na stroji odstranite izmenljivi akumulator.
	Nositi zaščitne rokavice
	Nosite zaščito za sluh!
	Pri delu s strojem vedno nosite zaščitna očala.
	Nosite zmeraj zaščitna oblačila in močno obutev.
	Poskrbite za to, da se bodo vse osebe, ki stojijo v bližini, nahajale v varni razdalji do naprave.
	Ne uporabljajte v dežju ali puščajte na prostem, kadar dežuje.
	Bodite pozorni na predmete, ki bi s strani naprave lahko bili izvrženi. Bodite pozorni na zadostno varnostno razdaljo do naokoli stoječih oseb.
	V tem proizvodu ne uporabljajte nobenih kovinskih rezil.

	Smer vrtenja
	Deli ali pribor niso vsebovani v obsegu dobave.
	Električnih naprav, baterij/akumulatorjev ni dovoljeno odstranjevati skupaj z gospodinjskimi odpadki. Električne naprave in akumulatorje je potrebno zbirati ločeno in za okolju prijazno odstranitev, oddati podjetju za reciklažo. Pri krajevnem uradu ali vašem strokovnem prodajalcu se pozanimajte glede reciklažnih dvorišč in zbirnih mest.
	Evropska oznaka za združljivost
	Britanska oznaka za združljivost
	Ukrajinska oznaka za združljivost
	Evrazijska oznaka za združljivost

TEHNIČKI PODATCI	AKUMULATORSKI TRIMER ZA TRAVU	M18 BLLT
Broj proizvodnje.....	4779 19 02... ...00001-99999	
Broj okretaja praznog hoda, nizak broj okretaja	0-4600 min ⁻¹	
Broj okretaja praznog hoda, visoki broj okretaja.....	0-6200 min ⁻¹	
Max. ø nit rezanja.....	2,4 mm	
Debljina odreza max.....	400 mm	
Napon baterije za zamjenu.....	18 V	
Težina po EPTA-proceduri 01/2014 (Li-Ion 5,5 Ah...12,0 Ah)	5,39...5,85 kg	
Preporučena temperatura okoline kod rada	-18...+50 °C	
Preporučeni tipovi akumulatora.....	M18 HB5.5; M18 HB8.0; M18 HB12.0	
Preporučeni punjači.....	M12-18...; M1418C	

Informacije o buci/vibracijama

Mjerne vrijednosti utvrđene odgovarajuće EN 62841.

A-ocijenjeni nivo buke aparata iznosi tipično:

Nivo pritiska zvuka (Nesigurnost K=3dB(A))..... 75 dB (A)

Nivo učinka zvuka (Nesigurnost K=3dB(A))..... 95 dB (A)

Nositi zaštitu sluha!

Ukupne vrijednosti vibracije (Vektor suma tri smjera) su

odmjerene odgovarajuće EN 62841.

Vibracija na prednjem dršku..... < 2.5 m/s²

Vibracija na stražnjem dršku..... < 2.5 m/s²

Nesigurnost K=..... 1.5 m/s²

UPOZORENIE!

Razine emisije vibracija i buke navedena u ovom informacijskom listu izmjerene su u skladu sa standardiziranim ispitom koji propisuje EN 62841 i mogu se upotrebljavati za međusobnu usporedbu alata. Također se mogu upotrebljavati za prethodnu procjenu izloženosti.

Navedene razine emisija vibracija i buke predstavljaju glavnu svrhu primjene alata. Međutim, ako se alat upotrebljava u druge svrhe, s drugim priborom ili se ne održava dovoljno, emisije vibracija i buke mogu biti drukčije. To može značajno povećati razinu izloženosti tijekom cjelokupna razdoblja rada.

Procjena razine izloženosti vibracijama i buci također bi u obzir trebala uzeti razdoblja tijekom kojih je alat isključen ili kada je uključen, no njime se ne obavlja nikakav rad. Time se značajno može smanjiti razina izloženosti tijekom cjelokupna razdoblja rada.

Utvrđite dodatne sigurnosne mjere kako biste zaštitili rukovatelja od ovih učinaka vibracija i/ili buke, primjerice: održavanje alata i pribora, osiguravanje da ruke budu tople, organizacija obrazaca rada.

⚠ UPOZORENIE! Treba pročitati sve napomene o sigurnosti, upute, prikaze i specifikacije za ovaj električni alat. Propusti kod pridržavanja sljedećih uputa može uzrokovati strujni udar, požar i/ili teške ozljede. **Sačuvajte sve napomene o sigurnosti i upute za buduću primjenu.**

⚠ SIGURNOSNE UPUTE TRIMERA ZA TRAVU

- Uređaj ne koristiti po lošem vremenu, prije svega kada prijeti opasnost od udara groma.** Time izbjegavate opasnost biti pogođeni gromom.
- Područje primjene prije uporabe temeljito kontrolirati zbog divlje živećih životinja.** Divlje životinje bi od uređaja mogle biti ozljeđene.
- Područje primjene brižljivo provjeriti i odstraniti kamenje, stupce, žice, kosti ili ostala strana tijela.** Odbačena strana tijela mogu prouzročiti ozljede.
- Rezni uređaj i rezni mehanizam prije korištenja kontrolirati u svezi oštećenja.** Oštećeni dijelovi povećavaju rizik ozljeđivanja.
- Zaštitna uređenja ne odstraniti. Zaštitna uređenja moraju biti funkcionalno sposobna i pravilno montirana.** Neko olabavljeno ili nepravilno funkcionirajuće zaštitno uređenje može dovesti do ozljeđivanja.
- Ulaze za rashladni zrak držati čistima.** Blokirani ili onečišćeni otvori za ulazak zraka mogu dovesti do pregrijavanja uređaja i time prouzročiti požar.
- Za vrijeme korištenja uređaja nositi zaštitu za oči i uši.** Nošenje zaštitne opreme smanjuje rizik ozljeđivanja.

- Kod radova s uređajem uvijek nositi neklizajuće cipele. Uređaj ne poganjati bosonogo ili s otvorenim cipelama.** Time izbjegavate ozljeđivanje nogu kontaktom s rotirajućim reznim uređenjem.
- Kod rada s uređajem uvijek nositi duge hlače.** Kontakt s rotirajućim rezačkim uređenjem ili s reznom niti može voditi do ozljeđivanja.
- Unaokolo stojeće osobe za vrijeme korištenja odstraniti.** Odbačeni dijelovi mogu prouzročiti teške ozljede.
- Uređaj ne voditi iznad visine kukova.** Time se izbjegava nenamjerni kontakt sa reznim uređenjem a uređaj se u neočekivanim situacijama može bolje kontrolirati.
- Kod rezanja mokre trave postupati vrlo oprezno. Samo hodati, nikada ne trčati.** Time se može rizik klizanja ili pada smanjiti i izbjeći ozljeđivanja.
- Uređaj ne koristiti na ekstremno kosim padinama.** Time se može smanjiti gubitak kontrole, rizik klizanja i pada i izbjeći ozljeđivanja.
- Kod rada na padini obratiti pažnju na sigurno stajanje i raditi uvijek poprečno na padinu.** Nikada ne raditi uzdužno na padinu i uvijek biti vrlo oprezan kod promjene smjera.
- Mrežu i produžni kabel uvijek držati udaljeno od područja rezanja.** Ispod živica i grmlja bi skriveni mrežni i produžni kablovi mogli nenamjerno od strane reznog uređenja ili rezne niti biti odrezani ili oštećeni.
- Dijelove tijela držite udaljeno od reznog uređenja ili rezne niti. Uređaj čistiti tek onda kada je mrežna utičnica izvučena.** Rotirajuće režno uređenje ili rezna sajla mogu prouzročiti teške ozljede.

q) Uređaj transportirati samo u isključenom stanju i kod toga držati udaljenim od tijela. Pravilno rukovanje uređajem smanjuje rizik od nenamjernog kontakta s rotirajućim reznim uređenjem ili reznom sajлом.

r) Koristiti samo od proizvođača preporučene rezervne rezne glave i rezervne rezne niti. Režno uređenje i rezne niti ne zamijeniti metalnim nitima ili metalnim noževima. Nedozvoljeni rezervni dijelovi mogu dovesti do gubitka kontrole, oštećenja i ozljeđa.

OSTALE SIGURNOSNE UPUTE

Uređaj ne koristiti bez spojnog dijela. Kod rezanja spojni dio mora biti pravilno osiguran. Primjena trimera za travu bez spojnog dijela može prouzročiti teške ozljede.

Prije svih radova na stroju izvaditi bateriju za zamjenu.

Istrošene baterije za zamjenu ne bacati u vatru ili u kućno smeće. Milwaukee nudi mogućnost uklanjanja starih baterija odgovarajuće okolini. Milwaukee nudi mogućnost uklanjanja starih baterija odgovarajuće okolini; upitajte molimo Vašeg stručnog trgovca.

Baterije za zamjenu ne čuvati skupa sa metalnim predmetima (opasnost od kratkog spoja).

Baterije sistema M18 puniti samo sa uređajem za punjenje sistema M18. Ne puniti baterije iz drugih sistema.

Baterije za zamjenu i uređaje za punjenje ne otvarati i čuvati ih samo u suhim prostorijama. Čuvati protiv vlage.

Pod ekstremnim opterećenjem ili ekstremne temperature može iz oštećenih baterija iscuriti baterijska tekućina. Kod dodira sa baterijskom tekućinom odmah isprati sa vodom i sapunom. Kod kontakta sa očima odmah najmanje 10 minuta temeljno ispirati i odmah potražiti liječnika.

Upozorenje! Zbog izbjegavanja opasnosti od požara jednim kratkim spojem, opasnosti od ozljeđa ili oštećenja proizvoda, alat, izmjenjivi akumulator ili napravu za punjenje ne uronjavati u tekućine i pobrinite se za to, da u uređaje ili akumulator ne prodiru nikakve tekućine. Korozirajuće ili vodljive tekućine kao slana voda, određene kemikalije i sredstva za bijeljenje ili proizvodi koji sadrže sredstva bijeljenja, mogu prouzročiti kratak spoj.

PROPIISNA UPOTREBA

Proizvod je izrađen samo za uporabu na vanjskom prostoru i od strane jedne stojeće osobe.

Proizvod je prikladan za rezanje trave, korova i slične vegetacije na razini poda.

Aparat kod rezanja po mogućnosti pokretati paralelno sa površinom poda.

Proizvod ne koristiti za rezanje ili poravnanje živica, grmlja ili druge vegetacije, kod kojih se razina reza ne nalazi paralelno sa podom.

Ovaj aparat se smije upotrijebiti samo u određene svrhe kao što je navedeno.

IZJAVA O SUKLADNOSTI

Izjavljujemo kao proizvođač na osobnu odgovornost, da je proizvod, opisan pod "Tehnički podaci" sukladan sa svim relevantnim propisima smjernica 2011/65/EU (RoHS), 2014/30/EU, 2006/42/EG, 2000/14/EC, 2005/88/EC i sa sljedećim harmoniziranim normativnim dokumentima:

EN 62841-1:2015
EN 60335-1:2012+A11:2014+A13:2017
EN 50636-2-91:2014
EN 55014-1:2017+ A11:2020
EN 55014-2:2015
EN IEC 63000:2018

Izmjereni nivo učinka zvuka: 94 dB(A)
Garantirani nivo učinka zvuka: 96 dB(A)

Postupak ocjene suglasnosti po 2000/14/EG dodatak V.

Nazvano mjesto:
DEKRA Certification B.V. (0344)
Meander 1051/P.O.Box 5185
6825 MS ARNHEIM/6802 ED ARNHEIM
Netherlands

Winnenden, 2021-06-14



Alexander Krug
Managing Director



Ovlašten za formiranje tehničke dokumentacije.

Techtronic Industries GmbH
Max-Eyth-Straße 10
71364 Winnenden
Germany

BATERIJE

Baterije koje duže vremena nisu korištene, prije upotrebe napuniti.

Temperatura od preko 50°C smanjuje učinak baterija. Duže zagrijavanje od strane sunca ili grijanja izbjeći.

Priključne kontakte na uređaju za punjenje i baterijama držati čistima.

Za optimalni vijek trajanja se akumulatori poslije upotrebe moraju sasvim napuniti.

Za što moguće duži vijek trajanja, akumulatori se nakon punjenja moraju odstraniti iz punjača.

Kod skladištenja akumulatora duže od 30 dana:

Akumulator skladištiti na suhom kod ca. 27°C.
Akumulator skladištiti kod ca. 30%-50% stanja punjenja.
Akumulator ponovno napuniti svakih 6 mjeseci.

ZAŠTITA OD PREOPTEREĆENJA AKUMULATORA LI-ION-AKUMULATOROMKU

Akkupack je opremljen jednom zaštitom protiv preopterećenja, koja akumulator štiti protiv preopterećenja i osigurava dugi vijek. Kod ekstremno jakih opterećenja, elektronika akumulatora automatski isključuje stroj. Za nastavak rada stroja isključiti i ponovno uključiti. Ako se stroj ponovno ne pokrene, Akkupack je eventualno ispražnjen i mora se na punjaču ponovno napuniti.

TRANSPORT LITIJSKIH IONSKIH BATERIJA

Litijske-ionske baterije spadaju pod zakonske odredbe u svezi transporta opasne robe.

Prijevoz ovih baterija mora uslijediti uz poštivanje lokalnih, nacionalnih i internacionalnih propisa i odredaba.

- Korisnici mogu bez ustručavanja ove baterije transportirati po cestama.
- Komercijalni transport litijsko-ionskih baterija od strane transportnih poduzeća spada pod odredbe o transportu opasne robe. Otpremničke pripreme i transport smiju izvoditi isključivo odgovarajuće školovane osobe. Kompletni proces se mora pratiti na stručan način.

Kod transporta baterija se moraju poštivati slijedeće točke:

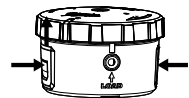
- Uvjerite se da su kontakti zaštićeni i izolirani kako bi se izbjegli kratki spojevi.
 - Pazite na to, da blok baterija unutar pakiranja ne može proklizavati.
 - Oštećene ili iscurjele baterije se ne smiju transportirati.
- U svezi ostalih uputa obratite se vašem prijevoznom poduzeću.

MIJENJANJE REZNE NITI

Primijeniti samo rezne niti od tvrtke MILWAUKEE (vidi odsječak „Tehnički podaci“). Upotrijebiti ili reznu nit duljine 6 m i debljine 2,4 mm ili nit duljine 7,6 m i debljine od 2 mm. Uputa: Kod primjene na abrazivnim ili gusto obraslim površinama se rezna nit brže istroši.

Za zamjenu rezne niti vidi dio sa ilustracijom.

Pod normalnim radnim uvjetima se ostatak niti za vrijeme pogona od strane rezne glave izbacuje. Za otklanjanje ostataka niti ili za umetanje jedne nove rezne niti trimer za travu okrenuti za 180°, za deblokiranje pritisnuti na spojnicu i skinuti pokrov.



Kratke ostatke sajle otkloniti. Zatim pokrov ponovno postaviti na reznu glavu i uskočiti na spojnicu.

ODRŽAVANJE

Proreze za prozračivanje stroja uvijek držati čistima.

Inspekcija proizvođača zahtjeva ekstremnu brižljivost i stručno znanje. Ovaj rad prepustite bezuvjetno jednom kvalificiranom servisnom tehničaru. Proizvod pošaljite na inspekciju ili popravak nekoj autoriziranoj servisnoj službi. Za održavanje uporabite samo identične rezervne dijelove.

Prije izvođenja radova održavanja ili čišćenja uređaj isključiti i akumulator izvaditi.

Izvedite samo ovdje opisana namještanja i popravke. U svezi svih ostalih radova popravaka obratite se molimo nekom autoriziranom stručnom trgovcu.

Primijeniti kao rezervni svitak niti samo najlonske niti na svitku sa promjerom navedenim u ovoj uputi.

Nakon udijevanja noge rezačke niti, proizvod prije starta ponovno dovesti na normalnu pogonsku poziciju.

Čistite proizvod poslije dvake uporabe jednom suhom i mekom krpom. Oštećeni dijelovi se moraju popraviti ili promijeniti od strane jedne autorizirane servisne službe.

Provjerite u redovitim vremenskim razmacima da li su matice, svornjaci i vijci pravilno stegnuti, kako bi bio zajamčen siguran rad proizvoda.

Primijeniti samo Milwaukee opremu i Milwaukee rezervne dijelove. Sastavne dijelove, čija zamjena nije opisana, dati

zamijeniti kod jedne od Milwaukee servisnih službi (poštivati brošuru Garancija/Adrese servisa).

Po potrebi se crtež pojedinih dijelova aparata uz navođenje podatka o tipu stroja i šestznamenastog broja na pločici snage može zatražiti kod vašeg servisa ili direktno kod Techtronic Industries GmbH, Max-Eyth-Straße 10, 71364 Winnenden, Njemačka.

SYMBOLE

	PAŽNJA! UPOZORENIE! OPASNOST!
	Molimo da pažljivo pročitate uputu o upotrebi prije puštanja u rad.
	Prije svih radova na stroju izvaditi bateriju za zamjenu.
	Nositi zaštitne rukavice!
	Nositi zaštitu sluha!
	Kod radova na stroju uvijek nositi zaštitne naočale.
	Nosite uvijek zaštitnu odježu i zatvorene cipele.
	Ako radite blizu drugih osoba, neka se iste nalaze na
	Ne koristiti na kiši i ne ostavljati na vanjskom području kada pada kiša.
	Obratite pažnju na predmete koji mogu od strane uređaja biti odbačeni. Pazite na dovoljno veliki sigurnosni razmak prema osobama u okolini.
	U ovom proizvodu ne koristiti metalne rezače. Verwenden Sie in diesem Produkt keine Metallschneiden.
	Smjer okretanja



Dijelovi ili pribor nisu sadržani u opsegu isporuke.



Elektrouređaji, baterije/akumulatori se ne smiju zbrinjavati skupa sa kućnim smećem. Električni uređaji/akumulatori se moraju skupljati odvojeno i predati na zbrinjavanje primjereno okolišu jednom od pogona za iskorišćavanje. Raspitajte se kod mjesnih vlasti ili kod stručnog trgovca u svezi gospodarstva za recikliranje i mjesta skupljanja.



Europski znak suglasnosti



Britanski znak suglasnosti



Ukrajinski znak suglasnosti



Euroazijski znak suglasnosti

TEHNISKIE DATI ZĀLĀJU PLĀVĒJS AR AKUMULATORU**M18 BLLT**

Izlaides numurs	4779 19 02...000001-999999
Apgriezienu skaits tukšgaitā, zems apgriezienu skaits.....	0-4600 min ⁻¹	
Apgriezienu skaits tukšgaitā, augsts apgriezienu skaits.....	0-6200 min ⁻¹	
Maks. ø griezējavedienam.....	2,4 mm	
Maks. griezuma diametrs.....	400 mm	
Akumulatora spriegums.....	18 V	
Svars atbilstoši EPTA-Procedure 01/2014 (Li-Ion 5,5 Ah...12,0 Ah)	5,39...5,85 kg	
Leteicamā vides temperatūra darba laikā.....	-18...+50 °C	
Leteicamie akumulatoru tipi.....	M18 HB5.5; M18 HB8.0; M18 HB12.0	
leteicamās uzlādes ierīces.....	M12-18...., M1418C	

Trokšņu un vibrāciju informācija

Vērtības, kas noteiktas saskaņā ar EN 62841.

A novērtētās aparatūras skaņas līmenis ir:

Trokšņa spiediena līmenis (Nedrošība K=3dB(A))	75 dB (A)
Trokšņa jaudas līmenis (Nedrošība K=3dB(A))	95 dB (A)

Nēsāt trokšņa slāpētāju!

Svārstību kopējā vērtība (Trīs virzienu vektoru summa) tiek noteikta atbilstoši EN 62841.

Vibrācija pie priekšējā roktura

Vibrācija pie aizmugurējā roktura

Nedrošība K=.....

UZMANĪBU!

Vibrācijas un trokšņa emisijas līmenis šajā informācijas lapā ir izmērīts saskaņā ar EN 62841 standarta testa metodi un var tikt izmantots, lai salīdzinātu vienu ierīci ar otru. Tās var tikt izmantotas ietekmes sākotnējai izvērtēšanai.

Norādītais vibrācijas un trokšņa emisijas līmenis attēlo ierīces galvenos izmantošanas veidus. Tomēr, ja ierīce tiek izmantota citiem mērķiem, ar citu papildaprīkojumu vai nepareizi apkalpota, vibrācijas un trokšņa emisija var atšķirties. Tas var ievērojami paaugstināt ietekmes līmeni visā darba laikā.

Novērtējot vibrācijas un trokšņa ietekmes līmeni, vajadzētu ņemt vērā arī laiku, kad ierīce ir izslēgta vai ieslēgta, taču netiek lietota. Tas var ievērojami samazināt ietekmes līmeni visā darba laikā.

Lai aizsargātu operatoru no vibrācijas un/vai trokšņa, veiciet papildu drošības pasākumus, piemēram, veiciet apkopi ierīcei un papildaprīkojumam, uzturiet rokas siltas, organizējiet darba grafiku.

▲ BRĪDINĀJUMS Izlasiet visus šim elektroinstrumentam pievienotos drošības brīdinājumus, instrukcijas, ilustrācijas un specifikācijas. Nespēja ievērot visas zemāk uzskaitītās instrukcijas var novest pie elektrošoka, ugunsgrēka un/vai smagiem savainojumiem.

Pēc izlasīšanas uzglabājiet šos noteikumus turpmākai izmantošanai.

▲ DROŠĪBAS NORĀDES ZĀLES TRIMMERIS

- Neizmantojiet ierīci sliktos laika apstākļos, it īpaši, ja pastāv zibens spēriena draudi. Tādējādi jūs samazināt risku saņemt zibens spērienu.
- Pirms lietošanas rūpīgi pārbaudiet savvaļas dzīvnieku klātesamību lietošanas zonā. Ierīce var savainot savvaļas dzīvniekus.
- Lietošanas zonu pārbaudiet rūpīgi un aizvāciet akmeņus, kātus, stieples, kaulus un citus svešķermeņus. Nometīti svešķermeņi var izraisīt smagus savainojumus.
- Pirms lietošanas pārbaudiet, vai griešanas ierīce un griezējdaļa nav bojāti. Bojātas daļas palielina traumu risku.
- Neņemiet aizsargkonstrukciju. Aizsargkonstrukcijai jābūt funkcionāli un pareizi uzstādītai. Valģa, bojāta vai nepareizi funkcionējoša aizsargkonstrukcija var izraisīt traumas.
- Visām dzesēšanas gaisa ieplūdes atverēm jābūt tīrām. Bloķētas vai netīras gaisa ieplūdes atveres var izraisīt ierīces pārkaršanu un ugunsgrēku.
- Lietojot ierīci, valkājiet acu un ausu aizsargus. Piemērota aizsargaprīkojuma lietošana samazina traumu risku.

- Strādājot ar ierīci, vienmēr valkājiet neslīdošus drošības apavus. Nedarbiniet ierīci stāvēt ar basām kājām vai atvērto apavos. Tādā veidā izvairīties no pēdu traumām, saskaroties ar rotējošu griešanas ierīci.
- Strādājot ar ierīci, vienmēr valkājiet garās bikses. Saskaņā ar rotējošu griešanas ierīci vai griešanas trosi var izraisīt traumas.
- Darba laikā ievērojiet distanci no citām personām. Atdalījušās daļas var izraisīt smagus savainojumus.
- Neceliet ierīci ieslēgtā veidā virs gurnu augstuma. Tādā veidā var izvairīties no nejaūšas saskares ar griešanas ierīci un ierīci labāk kontrolēt neparedzētās situācijās.
- Ievērojiet īpašu piesardzību griešanas laikā. Vienmēr ejiet soļiem, nekad neskrīniet. Tādējādi var izvairīties no paslīdēšanas un krišanas riska un novērst traumas.
- Nelietojiet ierīci ļoti stāvās nogāzēs. Tādējādi var izvairīties no kontroles zaudēšanas, paslīdēšanas un krišanas riska un novērst traumas.
- Strādājot uz nogāzes, pārliecinieties, ka jums ir drošs pamats un vienmēr strādājiet pret slīpumu. Nekad nestrādājiet lejup pa nogāzi un esiet ļoti uzmanīgi pie virziena maiņas. Tādējādi var izvairīties no kontroles zaudēšanas, paslīdēšanas un krišanas riska un novērst traumas.
- Turiet tīkļa kabelus un pagarinātājus prom no griešanas zonas. Griešanas iekārta vai griešanas trose var nejaūši sagriezt vai sabojāt tīkļa kabelus vai pagarinātājus, kas paslēpti zem dzīvzogiem un krūmiem.
- Visas ķermeņa daļas turiet prom no griešanas iekārtas vai griešanas troses. Ierīci noīriet tikai pēc strāvas kontaktakšas izvilšanas. Rotējoša

griešanas iekārta vai griešanas trose var izraisīt nopietnus ievainojumus.

- Ierīci drīkst pārvadāt tikai izslēgta veidā, un turot to prom no ķermeņa. Pareiza ierīces lietošana samazina nejaūšas saskares risku ar rotējošu griešanas iekārta vai griešanas trosi.
- Izmantojiet vienīgi ražotāja ieteiktas rezerves griešanas galvas un rezerves griešanas troses. Neaizstājiet griešanas iekārtas vai griešanas troses ar metāla trosēm vai metāla nažiem. Nepiemērotas rezerves daļas var izraisīt kontroles zaudēšanu, bojājumus un traumas.

CITI DROŠĪBAS NOSACĪJUMI

Nelietojiet ierīci bez savienotāja. Griešanas laikā savienotājam jābūt pienācīgi nostiprinātam. Zāles trimmera lietošana bez savienotāja var izraisīt nopietnus ievainojumus.

Pirms mašīnai veikt jebkāda veida apkopes darbus, ir jāizņem arī akumulātors.

Izmantotos akumulārus nedrīkst mest ugunī vai parastajos atkritumos. Firma Milwaukee piedāvā iespēju vecos akumulātorus savākt apkārtējo vidi saudzējošā veidā; jautājiet specializētā veikalā.

Akumulātorus nav ieteicams glabāt kopā ar metāla priekšmetiem (iespējams īsslēgums).

M18 sistēmas akumulātorus lādēt tikai ar M18 sistēmas lādētājiem. Nedrīkst lādēt citus akumulātorus no citām sistēmām.

Akumulātorus un lādētājus nedrīkst taisīt vaļā un tie jāuzglabā sausās telpās.

Pie ārkārtas slodzes un ārkārtas temperatūrām no bojātā akumulātorā var izteciēt akumulātorā šķidrums. Ja nonākat saskarsmē ar akumulātorā šķidrums, saskarsmes vieta nekavējoties jānomazgā ar ūdeni un ziepēm. Ja šķidrums nonācis acīs, acis vismaz 10 min. skalot un nekavējoties konsultēties ar ārstu.

Brīdinājums! Lai novērstu īssavienojuma izraisītu aizdegšanās, savainojumu vai produkta bojājuma risku, neiegremdējiet instrumentu, maināmo akumulātoru vai uzlādes ierīci šķidrums un rūpējieties par to, lai ierīcēs un akumulātoros neiekļūtu šķidrums. Koroziju izraisoši vai vadītspējīgi šķidrums, piemēram, sālsūdens, noteiktas ķīmikālijas, balinātāji vai produkti, kas satur balinātājus, var izraisīt īssavienojumu.

NOTEIKUMIEM ATBILSTOŠS IZMANTOJUMS

Izstrādājums ir projektēts tikai izmantošanai ārpus telpām, un tas jāizmanto stāvošai personai.

Izstrādājums piemērots zāles, nezāļu un līdzīgas veģetācijas zemes līmenī pļaušanai.

Virziet ierīci pļaušanas laikā pēc iespējas paralēli zemes virsmai.

Neizmantojiet izstrādājumu dzīvzogu, krūmu vai pārējās veģetācijas, pie kuras griešanas plakne neatrodas paralēli zemei, griešanai vai apciršanai.

Šo instrumentu drīkst izmantot tikai saskaņā ar minētajiem lietošanas noteikumiem.

EK ATBILSTĪBAS DEKLARĀCIJA

Mēs kā ražotājs vienīgā atbildīgā persona apliecinām, ka mūsu "Tehniskajos datos" raksturotais produkts atbilst visām attiecīgajām Direktīvu 2011/65/ES (RoHS), 2014/30/ES, 2006/42/EK, 2000/14/EC, 2005/88/EC normām un šādiem saskaņotiem normatīvajiem dokumentiem:

EN 62841-1:2015
 EN 60335-1:2012+A11:2014+A13:2017
 EN 50636-2-91:2014
 EN 55014-1:2017+ A11:2020
 EN 55014-2:2015
 EN IEC 63000:2018

Izmērītais trokšņa jaudas līmenis: 94 dB(A)
Garantētais trokšņa jaudas līmenis: 96 dB(A)

Atbilstības novērtēšanas procedūra atbilstoši 2000/14/EK V pielikumam.

Minētā vieta:
 DEKRA Certification B.V. (0344)
 Meander 1051/P.O.Box 5185
 6825 MS ARNHEIM/6802 ED ARNHEIM
 Netherlands

Winnenden, 2021-06-14



Alexander Krug
Managing Director



Pilnvarotais tehniskās dokumentācijas sastādīšanai.

Techtronic Industries GmbH
 Max-Eyth-Straße 10
 71364 Winnenden
 Germany

AKUMULĀTORI

Akumulātori, kas ilgāku laiku nav izmantoti, pirms lietošanas jāuzlāde.

Pie temperatūras, kas pārsniedz 50°C, akumulātoru darbība tiek negatīvi ietekmēta. Vajag izvairīties no ilgākas saules un karstuma iedarbības.

Lādētāja un akumulātoru pievienojuma kontakti jāuztur tīri.

Lai baterijas darba ilgums būtu optimāls, pēc iekārtas izmantošanas tā jāuzlāde.

Lai akumulātori kalpotu pēc iespējas ilgāku laiku, tos pēc uzlādes ieteicams atvienot no lādētāj ierīces.

Akumulatora uzglabāšana ilgāk kā 30 dienas: uzglabāt akumulātoru pie aptuveni 27° C un sausā vietā. Uzglabāt akumulātoru uzlādes stāvoklī aptuveni pie 30%-50%. Uzlādēt akumulātoru visus 6 mēnešus no jauna.

AKUMULATORA AIZSARDŽĪBA PRET PĀRSLOGOJUMU LĪTIJA JONU AKUMULATORA

Akumulātoru bloks ir aprīkots ar pretpārslogojuma aizsardzību, kas akumulātoru pasargā no pārslogojuma un nodrošina ilgu tā kalpošanas laiku. Ārkārtīgi augsta noslogojuma gadījumā akumulātorā elektronika ierīci automātiski izslēdz. Lai darbu turpinātu, ierīci izslēdziet un atkal ieslēdziet. Ja ierīce neieslēdzas, iespējams, ka akumulātoru bloks ir izlādējies un ir jāuzlāde no jauna.

98 LATVISKI

LATVISKI 99

LITĪJA JONU AKUMULATORU TRANSPORTĒŠANA

Uz litija jonu akumulatoriem attiecas noteikumi par bīstamo kravu pārvadāšanu.

Šo akumulatoru transportēšana jāveic saskaņā ar vietējiem, valsts un starptautiskajiem normatīvajiem aktiem un noteikumiem.

- Patērētāja darbības, pārvadājot šos akumulatorus pa autoceļiem, nav reglamentētas.
- Uz litija jonu akumulatoru komerciālu transportēšanu, ko veic ekspedīcijas uzņēmums, attiecas bīstamo kravu pārvadāšanas noteikumi. Sagatavošanas darbus un transportēšanu drīkst veikt tikai atbilstoši apmācīts personāls. Viss process jāvada profesionāli.

Veicot akumulatoru transportēšanu, jāievēro:

- Pārliedzieties, ka kontakti ir aizsargāti un izolēti, lai izvairītos no īssavienojumiem.
- Pārliedzieties, ka akumulators iepakojumā nevar paslīdēt.
- Bojātus vai tekošus akumulatorus nedrīkst transportēt.

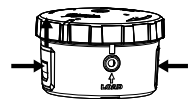
Plašāku informāciju Jūs varat saņemt no ekspedīcijas uzņēmuma.

GRIEŠANAS TROSES MAIŅA

Izmantojiet tikai MILWAUKEE griešanas trosi (skatiet nodaļu "Tehniskie dati"). Izmantojiet griešanas trosi, kas ir 6 m gara un 2,4 mm bieza, vai trosi, kas ir 7,6 m gara un 2 mm bieza. Norāde: Darbā uz abraziivām vai blīvi apaugušām virsmām griešanas trose nolietojas ātrāk.

Griešanas troses maiņu skatīt attēlā.

Normālos ekspluatācijas apstākļos atlikusī trose darbības laikā tiks izmesta no griešanas galvas. Lai noņemtu troses paliekas vai ievietotu jaunu griešanas trosi, pagrieziet zāles plāvēju par 180°, nospiediet savienotājus, lai atbloķētu un noņemtu vaku.



Attīrīt no šajiem troses gabaliem. Tad atkal uzlieciet pārsegu uz griešanas galvas un nofiksējiet to uz savienotājiem.

APKOPE

Vajag vienmēr uzmanīt, lai būtu tīras dzesēšanas atveres.

Izstrādājuma pārbaude prasa ārkārtēju rūpību un lietpratību. Noteikti uzticiet šo darbu kvalificētam servisa tehnikam. Sūtiet izstrādājumi pārbaudei vai remontam pilnvarotai servisa iestādei. Apkopei izmantojiet tikai identiskas rezerves detaļas.

Pirms apkopes vai tīrīšanas darbu veikšanas izslēdziet ierīci un izņemiet akumulatoru.

Veiciet tikai šeit aprakstītos iestatījumus un remontus. Saistībā ar visiem citiem remontdarbiem griezieties lūdzu pilnvarotam specializētiem tirgotājiem.

Izmantojiet kā rezerves pavadieņu spoli tikai neilona pavadieņus uz spolēm ar šajā instrukcijā nosaukto diametru.

Pēc jaunā griezējipavediena ievēršanas izstrādājumu pirms iedarbināšanas atkal nolieciet normālā ekspluatācijas pozīcijā.

Tīriet izstrādājumu pēc lietošanas ar sausu, mīkstu drāniņu. Bojātās daļas jāremontē vai jāaizvieto pilnvarotai servisa iestādei.

Ar regulāriem intervāliem pārbaudiet, vai uzgriežņi, bultskrūves un skrūves ir pienācīgi pievilktas, lai nodrošinātu drošu izstrādājuma ekspluatāciju.

Izmantojiet tikai firmu Milwaukee piederumus un firmas Milwaukee rezerves daļas. Lieciet nomainīt detaļas, kuru nomaiņa nav aprakstīta, kādā no firmu Milwaukee klientu apkalpošanas servisiem. (Skat. brošūru "Garantija/klientu apkalpošanas serviss".)

Pēc pieprasījuma, Jūsu Klientu apkalpošanas centrā vai pie Technotronic Industries GmbH, Max-Eyth-Straße 10, 71364 Winnenden, Vācijā, ir iespējams saņemt iekārtas montāžas rasējumu, iepriekš norādot iekārtas modeli un sērijas numuru, kas atrodas uz datu plāksnītes un sastāv no sešiem simboliem.

SIMBOLI

	UZMANĪBU! BĪSTAMI!
	Pirms sākt lietot instrumentu, lūdzu, izlasiet lietošanas pamācību.
	Pirms mašīnai veikt jebkāda veida apkopes darbus, ir jāizņem arī akumulātors.
	Jāvalkā aizsargcimdi!
	Nēsāt trokšņa slāpētāju!
	Strādājot ar mašīnu, vienmēr jānēsā aizsargbrilles.
	Vienmēr jāvalkā aizsargapģērbs stingrus apavus.
	Sekoņiet, lai tuvumā esošās personas atrastos drošā attālumā no darba instrumenta darbības vietas.
	Neizmantojiet lietu, kā arī neatstāt ārtelpās, ja līst lietus.
	Uzmaniet priekšmetus, kurus ierīce var aizsviest projām. Ievērojiet pietiekami lielu drošības distanci līdz apkārt stāvošām personām.
	Neizmantojiet izstrādājuma metāla asmeņus.

	Rotācijas virziena
	Detaļas vai piederumi neietilpst piegādes komplektācijā.
	Elektriskus aparātus, baterijas/akumulatorus nedrīkst izmantot kopā ar māsaimniecības atkritumiem. Elektriski aparāti un akumulatori ir jāsavāc atsevišķi un jānodod atkritumu pārstrādes uzņēmumā videi saudzīgai utilizācijai. Jautājiet vietēja iestāde vai savam specializētajam tirgotājam, kur atrodas atkritumu pārstrādes uzņēmumi vai savākšanas punkti.
	Eiropas atbilstības zīme
	Lielbritānijas atbilstības zīme
	Ukrainas atbilstības zīme
	Eirāzijas atbilstības zīme

Produkto numeris	4779 19 02...
.....	...000001-999999
Tuščiosios eigos sūkių skaičius, mažas sūkių skaičius	0-4600 min ⁻¹
Tuščiosios eigos sūkių skaičius, didelis sūkių skaičius	0-6200 min ⁻¹
Maks. pjovimo linijos ø	2,4 mm
Maks. kirpimo storis	400 mm
Keičiamo akumulatoriaus įtampa.....	18 V
Prietaiso svoris įvertintas pagal EPTA 2014/01 tyrimų metodiką (Li-Ion 5,5 Ah...12,0 Ah).....	5,39...5,85 kg
Rekomenduojama aplinkos temperatūra dirbant.....	-18...+50 °C
Rekomenduojami akumuliatorių tipai.....	M18 HB5.5; M18 HB8.0; M18 HB12.0
Rekomenduojami įkrovikliai.....	M12-18...; M1418C

Informacija apie triukšmą/vibraciją

Vertės matuotos pagal EN 62841.

Įvertintas A įrenginio keliamo triukšmo lygis dažniausiai sudaromas:

Garso slėgio lygis (Paklaida K=3dB(A))	75 dB (A)
Garso galios lygis (Paklaida K=3dB(A))	95 dB (A)

Nešioti klausos apsauginės priemonės!

Bendroji svyravimų reikšmė (trijų krypčių vektorių suma), nustatyta remiantis EN 62841.

Priekinė vibruojanti rankena	< 2,5 m/s ²
Galinė vibruojanti rankena	< 2,5 m/s ²
Paklaida K=	1,5 m/s ²

DĖMESIO!

Šiame vadove nurodytos bendrosios vibracijos ir triukšmo emisijos vertės nustatytos pagal standartinius bandymo metodus pagal EN 62841, todėl gali būti taikomos lyginant vieną įrankį su kitu. Gali būti naudojama preliminariam poveikio įvertinimui.

Nurodytos bendrosios vibracijos ir triukšmo emisijos vertės atitinka įrankio taikymą. Jei įrankis naudojamas kitokiais tikslais, kartu su kitokiais priedais ar netinkamai prižiūrimas, bendrosios vibracijos ir triukšmo emisijos vertės gali skirtis. Tai gali žymiai padidinti poveikio lygį viso darbo metu.

Apskaičiuojant bendrosios vibracijos ir triukšmo emisijos vertes reikėtų atsižvelgti į laikotarpį, kai prietaisas yra išjungtas arba įjungtas, bet nėra naudojamas. Tai gali žymiai sumažinti poveikio lygį viso darbo metu.

Tam, kad naudotojas būtų apsaugotas nuo vibracijos ir (arba) triukšmo poveikio, reikia nustatyti papildomus saugos reikalavimus, pavyzdžiui: tinkamai prižiūrėti prietaisą ir jo priedus, laikyti rankas šiltai, organizuoti darbo modelius.

⚠ WARNING Perskaitykite visus saugumo įspėjimus, instrukcijas, peržiūrėkite iliustracijas ir specifikacijas, pateiktas kartu su šiuo įrankiu. Jei nepaisysite visų toliau pateiktų instrukcijų, gali trenkti elektros smūgis, kilti gaisras ir/arba galite sunkiai susižaloti arba sužaloti kitus asmenis. **Išsaugokite šias saugos nuorodas ir reikalavimus, kad ir ateityje galėtumėte jais pasinaudoti.**

⚠ DARBO SU ŽOLIAPJOVE SAUGOS REIKALAVIMAI

- a) **Nenaudokite įrangos esant prastoms oro sąlygoms, ypač tada, kai gali žaibuoti.** Taip sumažinsite riziką būti nutrenktiems žaibo.
- b) **Prieš naudodami kruopščiai patikrinkite, ar numatytoje naudojimo vietoje nėra laukinių gyvūnų.** Naudodami įrangą galite sužaloti laukinius gyvūnus.
- c) **Kruopščiai patikrinkite naudojimo zoną ir pašalinkite akmenis, šapus, vielas, kaulus arba kitus svetimkūnius.** Nuo išsviestų svetimkūnių galima sunkiai susižaloti.
- d) **Prieš pradėdami naudoti patikrinkite, ar pjovimo mechanizme ir pjovimo įtaise nėra pažeistų dalių.** Dėl pažeistų dalių sužalojimų rizika padidėja.
- e) **Nenuimkite apsauginių įtaisų. Apsauginiai įtaisai turi būti veikiantys ir sumontuoti pagal reikalavimus.** Dėl atsilaisvinusio, pažeisto ir netinkamai veikiančio apsauginio įtaiso galima susižaloti.
- f) **Visos šalčio oro įleidimo angos turi būti švarios.** Dėl užblokuotų arba nešvarių oro įleidimo angų įranga perkaista ir gali kilti gaisras.
- g) **Dirbdami su įranga naudokite akių ir ausų apsaugos priemones.** Tinkamų apsaugos priemonių naudojimas sumažina sužalojimų riziką.

- h) **Dirbdami su įranga visada mūvėkite neslidžiais apsauginiais batais. Nenaudokite įrangos basomis arba avėdami atvirą avalynę.** Taip išvengsite kojų traumų dėl besisukančio pjovimo mechanizmo.
- i) **Dirbdami su įranga visada mūvėkite ilgomis kelnėmis.** Prisišilę prie besisukančio pjovimo mechanizmo arba pjovimo valo galite susižaloti.
- j) **Naudojimo metu aplinkiniai asmenys turėtų būti atokiau.** Dėl išsviestų dalių galimi rimti sužalojimai.
- k) **Nekelkite įrangos virš klubų.** Tai padės išvengti netyčinio sąlyčio su pjovimo mechanizmu ir ekstremaliomis situacijomis geriau valdyti įrangą.
- l) **Pjaudami šlapią žolę būkite ypač atsargūs. Visada tik vaikščiokite, niekada nebėkite.** Taip rizika paslysti, nugriūti ir susižaloti bus mažesnė.
- m) **Įrangos nenaudokite itin stačiuose šlaituose.** Taip neprarosite kontrolės ir sumažinsite riziką paslysti, nukristi ir susižaloti.
- n) **Dirbdami šlaite stovėkite tvirtai ir visada dirbkite skersai šlaito. Niekada nedirbkite stovėdami išilgai šlaito nuolydžio ir būkite itin atidūs keisdami kryptį.** Taip neprarosite kontrolės ir sumažinsite riziką paslysti, nukristi ir susižaloti.
- o) **Iš pjovimo zonos patraukite visus elektros laidus ir ilgutuvus.** Pjovimo mechanizmu arba pjovimo valu galite netyčia supjaustyti arba pažeisti po gyvatvorėmis ir krūmais esančius elektros laidus arba ilgutuvus.
- p) **Kūno dalys turi būti atokiau nuo pjovimo mechanizmo arba pjovimo valo. Įrangą valykite tik ištraukę kištuką.** Besisukantis pjovimo mechanizmas arba pjovimo valas gali sukelti sunkius sužalojimus.
- q) **Galima transportuoti tik išjungtą įrangą ir ji gabenimo metu turi būti laikoma atokiau nuo kūno.**

Laikantis darbo su įranga nurodymų sumažėja rizika netyčia prisiliesti prie besisukančio pjovimo mechanizmo arba pjovimo valo.

- r) **Naudokite tik gamintojo rekomenduojamus atsarginius pjovimo valus ir atsargines pjovimo galvutes. Pjovimo mechanizmų ir pjovimo valo nekeiskite metaliniu lynu arba metaliniais peiliais.** Naudojant traužiamas atsargines dalis galima prarasti kontrolę, sugadinti turtą ir susižaloti.

KITI SAUGUMO NURODYMAI

Nenaudokite įrangos be jungiamosios detalės. Pjaunant jungiamoji detalė turi būti tinkamai apsaugota. Nešiojamąją žoliapjovę naudojant be jungiamosios detalės galima sunkiai susižaloti.

Prieš atlikdami bet kokius darbus įrenginyje, išimkite keičiamą akumuliatorių.

Sunaudotų keičiamų akumuliatorių nedeginkite ir nemeskite į buitines atliekas. „Milwaukee“ siūlo tausojantį aplinką sudėvėtų keičiamų akumuliatorių tvarkymą, apie tai prekybos atstovo.

Keičiamų akumuliatorių nelaikykite kartu su metaliniais daiktais (trumpojo jungimo pavojus).

Keičiamus M18 sistemos akumuliatorių kraukite tik „C18“ sistemos įkrovikliais. Nekraukite kitų sistemų akumuliatorių.

Keičiamų akumuliatorių ir įkroviklių nelaikykite atvirai. Laikykite tik sausoje vietoje. Saugokite nuo drėgmės.

Ekstremalių apkrovų arba ekstremalios temperatūros poveikyje iš keičiamų akumuliatorių gali ištėkėti akumulatoriaus skysčiai. Išsitėpus akumulatoriaus skysčiu, tuoj pat nuplaukite vandeniu su muilu. Patekus į akis, tuoj pat ne trumpiau kaip 10 minučių gausiai skalaukite vandeniu ir tuoj pat kreipkitės į gydytoją.

Įspėjimas! Siekiami išvengti trumpojo jungimo sukeliama gaisro pavojaus, sužalojimų arba produkto pažeidimų, neikiškite įrankio, keičiamo akumulatoriaus arba įkroviklio į skysčius ir pasirūpinkite, kad į prietaisus arba akumuliatorius nepatektų jokių skysčių. Koroziją sukeliantys arba laidūs skysčiai, pvz., sūrus vanduo, tam tikri chemikalai ir balikliai arba produktai, kurių sudėtyje yra baliklių, gali sukelti trumpąjį jungimą.

NAUDOJIMAS PAGAL PASKIRTĮ

Gaminys skirtas naudoti lauke, gaminio naudotojas turi stovėti.

Gaminys skirtas žemės lygyje pjauti veją, žoles ir kitą panašią augmeniją.

Darbo metu pjovimo paviršius turi būti maždaug lygiagretus žemės paviršiui.

Gaminys neskirtas pjauti gyvatvorėms, krūmams ar kitai augmenijai, kurią pjaunant pjovimo paviršius būtų aukščiau žemės paviršiaus.

Šį prietaisą leidžiama naudoti tik pagal nurodytą paskirtį.

EB ATITIKTIES DEKLARACIJA

Kaip gamintojas atsakingai pareiškia, kad gaminys, aprašytas skyriuje „Techniniai duomenys“, atitinka visus 2011/65/ES (RoHS), 2014/30/ES, 2006/42/EB, 2000/14/EC, 2005/88/EC direktyvas ir šių darnųjų norminių dokumentų taikomus reikalavimus:

- EN 62841-1:2015
- EN 60335-1:2012+A11:2014+A13:2017
- EN 50636-2-91:2014
- EN 55014-1:2017+ A11:2020
- EN 55014-2:2015
- EN IEC 63000:2018

Išmatuotas garso galios lygis: 94 dB(A)
Garantuojamas garso galios lygis: 96 dB(A)

Atitikties įvertinimo procedūra pagal Direktyvos 2000/14/EB V priedą.

Įgaliota instancija:
DEKRA Certification B.V. (0344)
Meander 1051/P.O.Box 5185
6825 MS ARNHEIM/6802 ED ARNHEIM
Netherlands

Winnenden, 2021-06-14



Alexander Krug
Managing Director



Įgaliotas parengti techninius dokumentus.

Techtronic Industries GmbH
Max-Eyth-Straße 10
71364 Winnenden
Germany

AKUMULIATORIAI

Ilgesnį laiką nenaudotus keičiamus akumuliatorius prieš naudojimą įkraukite.

Aukštesnė nei 50°C temperatūra mažina keičiamų akumuliatorių galią. Venkite ilgesnio saulės ar šilumos šaltinių poveikio.

Įkroviklio ir keičiamo akumulatoriaus jungiamieji kontaktai visada turi būti švarūs.

Kad prietaisas kuo ilgiau veiktų, pasinaudoję juo, iki galo įkraukite akumuliatorius.

Siekiant užtikrinti kuo ilgesnį baterijos tarnavimo laiką, reikėtų ją po atlikto įkrovimo iškart išimti iš įkroviklio.

Bateriją laikant ilgiau nei 30 dienų, būtina atkreipti dėmesį į šias nuorodas: bateriją laikyti sausoje aplinkoje, esant apie 27 °C temperatūrai. Baterijos įkrovimo lygis turi būti nuo 30% iki 50%. Baterija pakartotinai turi būti įkraunama kas 6 mėnesius.

APSAUGA NUO AKUMULIATORIAUS PERKROVOS LIČIO JONŲ AKUMULIATORIAUS

Akumuliatorių blokas turi apsaugą nuo perkrovos, kuri leidžia išvengti perkrovų ir užtikrina jo eksploatacijos ilgaamžiškumą. Esant didelėms apkrovoms, akumulatoriaus elektroninė sistema prietaisą išjungia automatiškai. Kad prietaisas dirbtų toliau, reikia jį išjungti ir vėl įjungti. Jeigu prietaisas neįsijungia, esant galimybei, akumulatoriaus komplektą reikia iškrauti ir įkroviklyje iš naujo įkrauti.

LIČIO JONŲ AKUMULIATORIŲ PERVEŽIMAS

Ličio jonų akumuliatoriams taikomos įstatyminės nuostatos dėl pavojingų krovinių pervežimų.

Šiuos akumuliatorius pervežti būtina laikantis vietinių, nacionalinių ir tarptautinių direktyvų ir nuostatų.

- Naudotojai šiuos akumuliatorius gali naudoti savo transporte be jokių kitų sąlygų.
- Už komercinį ličio jonų akumuliatorių pervežimą atsako ekspedicijos įmonė pagal nuostatas dėl pavojingų krovinių pervežimo. Pasiruošimo išsiųsti ir pervežimo darbus gali atlikti tik atitinkamai išmokyti asmenys. Visas procesas privalo būti prižiūrimas.

Pervežant akumuliatorius būtina laikytis šių punktų:

- Siekiant išvengti trumpųjų jungimų, įsitikinkite, kad kontaktai yra apsaugoti ir izoliuoti.
- Atkreipkite dėmesį, kad akumuliatorius pakuotės viduje neslidinėtų.
- Draudžiama pervežti pažeistus arba tekančius akumuliatorius.

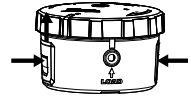
Dėl detalesnių nurodymų kreipkitės į savo ekspedicijos įmonę.

PJOVIMO VALO KEITIMAS

Naudokite tik MILWAUKEE pjovimo valą (žr. skirsnį „Techniniai duomenys“). Naudokite arba 6 m ilgio ir 2,4 mm storio pjovimo valą, arba 7,6 m ilgio ir 2 mm storio valą. Pastaba: naudojant ant abrazyvinių arba tankiai apaugusių paviršių pjovimo valas greičiau nusidėvi.

Kaip pakeisti pjovimo valą, parodyta paveikslėliuose.

Įprastomis eksploataavimo sąlygomis likęs valas naudojimo metu nuo pjovimo galvutės numetamas. Norėdami pašalinti valo likučius arba įdėti naują pjovimo valą, žoliajovę pasukite 180°, paspauskite liežuvėlius, kad atblokuotumėte, ir nuimkite dangtį.



Išimkite trumpus valo likučius. Tada ant pjovimo galvutės vėl uždėkite dangtį ir įsitikinkite, kad liežuvėliai jį užfiksavo.

TECHNINIS APTARNAVIMAS

Įrenginio vėdinimo angos visada turi būti švarios.

Norint atlikti priežiūrą reikalingos specifinės žinios ir patirtis. Todėl prietaiso remontą gali atlikti tik kvalifikuotas priežiūros specialistas. Dėl to gaminių siūlome gražinti į artimiausią įgaliotą techninės priežiūros centrą. Naudokite tik originalias ir identiškas atsargines dalis.

Prieš atlikdami prietaiso techninės priežiūros ar valymo darbus, būtinai išimkite bateriją.

Galite atlikti tik čia nurodytus reguliavimo ir remonto darbus. Dėl sudėtingesnio remonto kreipkitės į techninės priežiūros centrą.

Keisdami stygą naudokite tik nailoninę stygą. Reikiamas skersmuo nurodytas šios naudojimo instrukcijos techninių duomenų lentelėje.

Įdėję naują stygą, prieš įjungdami prietaisą būtinai grįžkite į įprastą darbinę padėtį.

Po kiekvieno naudojimo išvalykite prietaisą minkštu sausu audiniu. Bet kokias pažeistas dalis būtina tinkamai sutvarkyti arba atiduoti remontuoti įgaliotam techninės priežiūros centrui.

Reguliariai tikrinkite visų veržlių, sraigtų ir varžtų priveržimą, kad užtikrintumėte saugias darbo sąlygas.

Naudokite tik „Milwaukee“ priedus ir „Milwaukee“ atsargines dalis. Dalis, kurių keitimas neaprašytas, leidžiama keisti tik „Milwaukee“ klientų aptarnavimo skyriams (žr. garantiją/ klientų aptarnavimo skyrių adresus brošiūroje).

Esant poreikiui, nurodžius mašinos modelį ir šešiaženklį numerį, esantį ant specifikacijų lentelės, klientų aptarnavimo centre arba tiesiogiai „Techtronic Industries GmbH“, Max-Eyth-Str. 10, 71364 Winnenden, Vokietija, galite užsakyti išplėstinį prietaiso brėžinį.

SIMBOLIAI

	DĖMESIO! ĮSPĖJIMAS! PAVOJUS!
	Prieš pradėdami dirbti su prietaisu, atidžiai perskaitykite jo naudojimo instrukciją.
	Prieš atlikdami bet kokius darbus įrenginyje, išimkite keičiamą akumuliatorių.
	Lietojiet aizsardzības cimdus!
	Nešioti klausos apsaugines priemonės!
	Dirbdami su įrenginiu visada nešiokite apsauginius akinius.
	Visada vilkėkite apsauginius drabužius ir avėkite batus.
	Pasirūpinkite, kad netoli esantys žmonės būtų saugiu atstumu nuo sodo priežiūros įrankio.
	Nenaudokite lietuje arba nepalikite lauke, kai lyja.
	Saugokitės prietaiso stygos išmetamų ar skriejančių objektų. Pasirūpinkite, kad pašaliniai asmenys būtų saugiu atstumu nuo veikiančio prietaiso.
	Šiam prietaisui nenaudokite metalinių peilių.

	Sukimosi kryptis
	Dalys ir priedai parduodami atskirai.
	Elektros prietaisų, baterijų/akumuliatorių šalinti kartu su būtinėmis atliekomis negalima. Elektros prietaisus ir akumuliatorius reikia surinkti atskirai ir atiduoti perdirbimo įmonei, kad būtų pašalinti aplinkai saugiu būdu. Vietos valdžios institucijose arba specializuotose prekybos vietose pasidomėkite apie perdirbimo ir surinkimo centrus.
	Europos atitikties ženklas
	Britanijos atitikties ženklas
	Ukrainos atitikties ženklas
	Eurazijos atitikties ženklas

TEHNILISED ANDMED AKUGA MURUTRIMMER M18 BLLT

Toolmisnumber	4779 19 02...
.....	...00001-999999
Tühikäigukiirus, väike kiirus	0-4600 min ⁻¹
Tühikäigukiirus, suur kiirus	0-6200 min ⁻¹
Lõikenööri max ø	2,4 mm
Lõiketugevus maks	400 mm
Vahetatava aku pinge	18 V
Kaal vastavalt EPTA-protseduurile 01/2014 (Li-Ion 5,5 Ah...12,0 Ah)	5,39...5,85 kg
Soovituslik ümbritsev temperatuur töötamise ajal	-18...+50 °C
Soovituslikud akutüübid	M18 HB5.5; M18 HB8.0; M18 HB12.0
Soovituslik laadija	M12-18...; M1418C

Müra/vibratsiooni andmed

Mööteväärtsused on kindlaks tehtud vastavalt normile EN 62841.

Seadme tüüpiline hinnanguline (müratase:

Helirõhutase (Määramatus K=3dB(A))	75 dB (A)
Helivõimsuse tase (Määramatus K=3dB(A))	95 dB (A)

Kandke kaitseks kõrvaklappe!

Vibratsiooni koguväärtus (kolme suuna vektorsumma) mõõdetud EN 62841 järgi.

Vibratsioon eesmisel käepidemel	< 2.5 m/s ²
Vibratsioon tagumisel käepidemel	< 2.5 m/s ²
Määramatus K=	1.5 m/s ²

TÄHELEPANU!

Sellel teabelehel toodud vibratsiooni- ja müraemissioon on mõõdetud standardis EN 62841 kirjeldatud standarditud testiga ning seda võib kasutada tööriistade omavaheliseks võrdlemiseks. Testi võib kasutada kokkupuute esialgseks hindamiseks.

Deklareeritud vibratsiooni- ja müratase puudutab tööriista põhikasutust. Kui tööriista kasutatakse muuks otstarbeks, teistsuguste tarvikutega või tööriista hooldatakse halvasti, võivad vibratsioon ja müraemissioon erineda. See võib kokkupuutetasel kogu tööajal oluliselt suurendada.

Vibratsiooni ja müraga kokkupuute hinnangulise taseme juures tuleb arvesse võtta ka aega, kui tööriist on välja lülitatud või töötab, kuid sellega ei tehta tööd. See võib kokkupuutetasel kogu tööaja kohta oluliselt vähendada.

Tehke kindlaks täiendavad ohutusmeetmed operatoori kaitsemiseks vibratsiooni ja/või müra eest, näiteks: hooldage tööriista ja tarvikuid, hoidke käed soojas, vaadake üle töökorraldus.

⚠ TÄHELEPANU! Kõik selle elektrilise tööriistaga kaasasolevad ohutusnõuded, juhised, joonised ja spetsifikatsioonid tuleb läbi lugeda. Kõigi allpool loetletud juhiste eiramise tagajärjeks võib olla elektrilöökoht, tulekahju ja/või rasked vigastused. **Hoidke kõik ohutusnõuded ja juhised edasiseks kasutamiseks hoolikalt alles.**

⚠ MURUTRIMMERI OHUTUSJUHISED

- Ärge kasutage seadet halbades ilmatingimustes, eriti äikeseohtu korral.** Nii vähendate välgutabamuse ohtu.
- Kontrollige kasutuspiirkonda põhjalikult metsloomade suhtes.** Seade võib metsloomi vigastada.
- Kontrollige kasutuspiirkonda hoolikalt ning eemaldage kõik kivid, oksad, traadijupid, luutükid ja muud võõrkehad.** Eemalepaiskuvad võõrkehad võib vigastusi põhjustada.
- Kontrollige lõikeseadist ja pooli enne kasutamist kahjustuste suhtes.** Kahjustatud osad põhjustavad suuremat vigastuste ohtu.
- Ärge eemaldage kaitseesaseid. Kaitseesased peavad olema töökorras ja need tuleb paigaldada nõuetekohaselt.** Logisev, kahjustatud või nõuetele mittevastavalt toimiv kaitseesase võib põhjustada vigastusi.
- Hoidke kõik jahutusõhu sisselaskevad puhtad.** Blokeeritud või määrnõud õhuvaheld põhjustavad seadme ülekuumenemist ja võivad tekitada tulekahju.
- Kandke seadme kasutamise ajal silma- ja kõrvakaitsemeid.** Asjakohase kaitsevarustuse kandmine vähendab vigastuste ohtu.

- Seadmega töötades kandke alati libisemiskindlaid kaitsejalatseid. Ärge kasutage seadet paljajalu või lahtiste jalatsitega.** Nii väldite pöörleva lõikeseadisega kokkupuutest tulenevaid jalavigastusi.
- Seadmega töötades kandke alati pikki pükse.** Kokkupuute pöörleva lõikeseadisega või lõiketamiliiga võib põhjustada vigastusi.
- Hoidke kõrvalised isikud kasutamise ajal eemal.** Eemalepaiskuvad osad võivad põhjustada raskeid kehavigastusi.
- Ärge tõstke seadet puusakõrgusest kõrgemale.** Nii on võimalik vältida juhuslikku kokkupuudet lõikeseadisega ning seadet ootamatutes olukordades paremini kontrollida.
- Märja muru niitmisel olge väga ettevaatlik. Liikuda tohib ainult kõndides, mitte kunagi joostes.** Nii vähendate libisemis- ja kukkumisohtu ning väldite vigastusi.
- Ärge kasutage seadet äärmiselt järskuldel kallakutel.** Nii vähendate kontrolli kaotamise, libisemis- ja kukkumisohtu ning väldite vigastusi.
- Kallakul töötades veenduge, et teie asend on kindel, ja töötage alati kallakuga risti. Ärge kunagi töötage piki kallakut ning eriti ettevaatlik olge suunda vahetades.** Nii vähendate kontrolli kaotamise, libisemis- ja kukkumisohtu ning väldite vigastusi.
- Kõrvaldage tööpiirkonnast toite- ja pikendusjuhtmed.** Hekkide või pöösaste all võib leiduda varjatud juhtmeid või kaableid, mille lõikeseadis või lõiketamili võib kogemata läbi lõigata või ära rikkuda.
- Hoidke kõik kehaosad lõikeseadisest või lõiketamiliist eemal. Puhastage seadet alles pärast**

selle pistikust eemaldamist. Pöörlev lõikeseadis või lõiketamili võivad põhjustada raskeid vigastusi.

- Transportige seadet vaid väljalülitatuna ja hoidke seadet seejuures kehast eemal.** Nõuetekohane ümberkäimine seadmega vähendab juhusliku kokkupuute riski pöörleva lõikeseadisega või lõiketamiliiga.
- Kasutage üksnes tootja soovitatud varu-lõikepäid ja varu-lõiketamile. Ärge asendage lõikeseadiseid ega lõiketamile metalltamileid ega metall-lõikuritega.** Lubamatud varuosad võivad põhjustada kontrolli kaotamist, kahjustusi ja vigastusi.

EDASISED OHUTUSJUHISED

Ärge kasutage seadet ilma ühendusosata. Niitmise ajal peab ühendusosa olema nõuetekohaselt kinnitatud. Murutrimmeri kasutamine ilma ühendusosata võib põhjustada raskeid vigastusi.

Enne kõiki töid masina kallal võtke vahetatav aku välja.

Ärge visake tarvitatud vahetatavaid akusid tulle ega olmeprügisse. Milwaukee pakub vanade akude keskkonnahoidlikku käitlust; palun küsige oma erialaselt tarnijalt.

Ärge säilitage vahetatavaid akusid koos metalliesemetega (lühiseoht).

Laadige süsteemi M18 vahetatavaid akusid ainult süsteemi M18 laadijatega. Ärge laadige nendega teiste süsteemide akusid.

Ärge avage vahetatavaid akusid ega laadijaid ning ladustage neid ainult kuivades ruumides. Kaitske niiskuse eest.

Äärmuslikul koormusel või äärmuslikul temperatuuril võib kahjustatud vahetatavast akust akuedelik välja voolata. Akuedelikuga kokkupuutumise korral peske kohe vee ja seebiga. Silma sattumise korral loputage kiiresti põhjalikult vähemalt 10 minutit ning pöörduge viivitamatult arsti poole.

Hoiatus! Lühisest põhjustatud tuleohtu, vigastuste või toote kahjustuste vältimiseks ärge kastke tööriista, vahetusakut ega laadimiseadet vedelikku ning jälgige, et vedelikke ei tungiks seadmesse ega akusse. Korrodeeruvad või elektrit juhtivad vedelikud, nagu soolvesi, teatud kemikaalid ja pleegitusained või pleegitusaineid sisaldavad tooted, võivad põhjustada lühist.

KASUTAMINE VASTAVALT OTSTARBELE

Toode on mõeldud kasutamiseks ainult vabas õhus ning püsti seisvale inimesele.

Toode on ette nähtud muru, umbrohu jms taimeistiku lõikamiseks maapinna tasandil.

Liigutage masinat lõikamise ajal maapinnaga võimalikult paralleelselt.

Ärge kasutage toodet hekkide, pöösaste jms taimeistiku lõikamiseks ega trimmerdamiseks, mille puhul lõiketaseand ole maapinnaga paralleelne.

Antud seadet tohib kasutada ainult vastavalt äranäidatud otstarbele.

EÜ VASTAVUSDEKLARATSIOON

Kinnitame tootjana ainuisikuliselt vastutades, et jaotises „Tehnilised andmed“ kirjeldatud toode on kooskõlas ELi direktiivide 2011/65/EU (RoHS), 2014/30/EL, 2006/42/EG, 2000/14/EC, 2005/88/EC kõikide asjaomaste eeskirjade ja allpool nimetatud normdokumentidega:

EN 62841-1:2015
EN 60335-1:2012+A11:2014+A13:2017
EN 50636-2-91:2014
EN 55014-1:2017+ A11:2020
EN 55014-2:2015
EN IEC 63000:2018

Mõõdetud müravõimsuse tase: 94 dB(A)
Garanteeritud müravõimsuse tase: 96 dB(A)

Vastavushindamise toiming vastavalt 2000/14/EÜ lisale V.

Teavitatud asutus:

DEKRA Certification B.V. (0344)
Meander 1051/P.O.Box 5185
6825 MS ARNHEIM/6802 ED ARNHEIM
Netherlands

Winnenden, 2021-06-14



Alexander Krug
Managing Director



On volitatud koostama tehnilist dokumentatsiooni.

Teichtronics Industries GmbH
Max-Eyth-Straße 10
71364 Winnenden
Germany

AKUD

Pikemat aega mittekasutatud akusid laadige veel enne kasutamist.

Temperatuur üle 50 °C vähendab vahetatava aku töövõimet. Vältige pikemat soojenemist päikese või kütteseadme mõjul.

Hoidke laadija ja vahetatava aku ühenduskontaktid puhtad.

Optimaalse patarei eluea tagamiseks, pärast kasutamist lae patareiplokk täielikult.

Akud tuleks võimalikult pika kasutusea saavutamiseks pärast täislaadimist laadijast välja võtta.

Aku ladustamisel üle 30 päeva:
Ladustage akut kuivas kohas u 27°C juures.
Ladustage akut u 30-50% laetusseisundis.
Laadige aku iga 6 kuu tagant täis.

AKU KOORMUSKAITSE LITIUM-IOON AKU

Akuplokk on varustatud koormuskaitsega, mis kaitseb akut üleliigse koormuse eest ning kindlustab selle pika eluea. Äärmiselt suurest koormusest annab märku vilkuv töötili. Kui koormust ei vähendata, siis lülitab masin ennast automaatselt välja. Edasi töötamiseks tuleb masin välja ja uuesti sisse lülitada. Kui masin ei lähe uuesti tööle on akuplokk nähtavasti tühi ja tuleks laadimiseadmega uuesti täis laadida.

LIITIUMIOONAKUDE TRANSPORTIMINE

Liitiumioonakud on allutatud ohtlike ainete transportimisega seonduvatele õigusaktidele.

Nende akude transportimine peab toimuma kohalikest, siseriiklikest ja rahvusvahelistest eeskirjadest ning määrustest kinni pidades.

- Tarbijad tohivad neid akusid edasiste piiranguteta tänaval transportida.
- Liitiumioonakude komertstransport ekspedeerimisettevõtete kaudu on allutatud ohtlike ainete transportimisega seonduvatele õigusaktidele. Tarne-ettevalmistusi ja transporti tohivad teostada eranditult vastavalt koolitatud isikud. Kogu protsessi tuleb asjatundlikult jälgida.

Akude transportimisel tuleb järgida järgmisi punkte:

- Tehke kindlaks, et kontaktid on lühiste vältimiseks kaitstud ja isoleeritud.
- Pöörake tähelepanu sellele, et akupakk ei saaks pakendis nihkuda.
- Kahjustatud või välja voolanud akusid ei tohi kasutada.

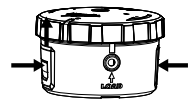
Pöörduge edasiste juhiste saamiseks ekspedeerimisettevõtte poole.

LÕIKETAMIILI VAHETAMINE

Kasutage üksnes MILWAUKEE lõiketamiili (vt jaotist „Tehnilised andmed“). Kasutage 6 m pikkust ja 2,4 mm paksust lõiketamiili või 7,6 m pikkust ja 2 mm paksust tamiili. Märkus. Abrasiivsel või tiheda taimestikuga pinnal kasutamine kulutab lõiketamiili kiiremini läbi.

Lõiketamiili vahetamiseks vaadake pildiosa.

Tavapärastel kasutustingimustel tuleb ülejäänud tamiil kasutamise ajal lõikepeast välja. Tamiilijääkide eemaldamiseks või uue lõiketamiili paigaldamiseks keerake murutrimmerit 180°, vajutage kinnitusest vabastamiseks klappe ning võtke kate ära.



Eemaldage lühikesed tamiilijäägid. Seejärel paigutage kate uuesti lõikepea kohale ning veenduge, et klapid lukustuvad.

HOOLDUS

Hoidke masina õhutuspilud alati puhtad.

Toote kontrollimine eeldab erilist hoolsust ja asjatundlikkust. Laske seda tööd tingimata teha kvalifitseeritud hooldustehnikul. Saatke toode kontrollimiseks või parandamiseks volitatud töökotta. Kasutage hooldamisel ainult identseid varuosi.

Lülitage masin enne hooldus- või puhastustööde tegemist välja ning eemaldage aku.

Tehke ainult siinkirjeldatud seadistusi ja parandusi. Kõikide muude parandustööde tegemiseks pöörduge volitatud edasimüüja poole.

Kasutage varunööripoolidena ainult nailonnööripoole, mis on selles juhendis nimetatud läbimõõduga.

Pange masin pärast uue lõikenööri sissekerimist ja enne käivitamist uuesti tavalisse tööasendisse.

Puhastage toodet pärast igat kasutuskorda kuiva pehme lapiga. Kahjustatud osad tuleb lasta volitatud teeninduses parandada või asendada.

Kontrollige regulaarselt, et kõik mutrid, poldid ja kruvid on korralikult kinni, et tagada toote ohutu kasutamine.

Kasutage ainult Milwaukee tarvikuid ja Milwaukee tagavaraosi. Detailid, mille väljavahetamist pole kirjeldatud, laske välja vahetada Milwaukee klienditeeninduspunktis (vaadake brošüüri garantii / klienditeeninduste aadressid).

Vajadusel saab nõuda seadme plahvatusjoonise võimsussildil oleva masinatüübi ja kuuekohalise numbril alusel klienditeeninduspunkti või vahetult firmalt Techtronic Industries GmbH, Max-Eyth-Straße 10, 71364 Winnenden, Germany.

SÜMBOLID

	ETTEVAATUST! TÄHELEPANU! OHUD!
	Palun lugege enne käikulaskmist kasutamisyhend hoolikalt läbi.
	Enne kõiki töid masina kallal võtke vahetatav aku välja.
	Kanda kaitsekindaid!
	Kandke kaitseks kõrvaklappe!
	Masinaga töötades kandke alati kaitseprille.
	Kandke alati kaitseriietust ja tugevaid jalatseid.
	Läheduses viibivad inimesed peavad paiknema seadmest ohutus kauguses.
	Ärge kasutage vihmase ega jätke õue, kui sajab.
	Pöörake tähelepanu esemetele, mida masin võib eemale visata. Jälgige, et hoiduksite ümbritsevatest inimestest piisavalt turvalisse kaugusesse.
	Ärge kasutage selle tootega metallist lõikenööri.
	Pöörlemissuund

	Osad ja tarvikud ei kuulu tarne hulka.
	Elektriseadmeid, patareid/akusid ei tohi utiliseerida koos majapidamisprügiga.
	Elektriseadmed ja akud tuleb eraldi kokku koguda ning kõrvaldada keskkonnasõbralikul moel töötlemiskeskusesse. Küsige infot jäätmekäitlusjaamade ja kogumispunktide kohta oma kohalike ametnike või edasimüüja käest.
	Euroopa vastavusmärk
	Ühendkuningriigi vastavusmärk
	Ukraina vastavusmärk
	Euraasia vastavusmärk

Серийный номер изделия	4779 19 02... ...00001-99999
Частота вращения на холостом ходу, низкая частота вращения	0-4600 min ⁻¹
Частота вращения на холостом ходу, высокая частота вращения	0-6200 min ⁻¹
Макс. диаметр режущей струны	2,4 mm
Макс. диаметр резки	400 mm
Вольтаж аккумулятора	18 V
Вес согласно процедуре EPTA 01/2014 (Li-Ion 5,5 Ah...12,0 Ah)	5,39...5,85 kg
Рекомендованная температура окружающей среды во время работы	-18...+50 °C
Рекомендованные типы аккумуляторных блоков	M18 HB5.5; M18 HB8.0; M18 HB12.0
Рекомендованные зарядные устройства	M12-18...; M1418C

Информация по шумам/вибрации

Значения замерялись в соответствии со стандартом EN 62841. Уровень шума прибора, определенный по показателю A, обычно составляет:

Уровень звукового давления (Небезопасность K=3dB(A))	75 dB (A)
Уровень звуковой мощности (Небезопасность K=3dB(A))	95 dB (A)

Пользуйтесь приспособлениями для защиты слуха.

Общие значения вибрации (векторная сумма трех направлений) определены в соответствии с EN 62841.

Вибрация на передней рукоятке	< 2.5 m/s ²
Вибрация на задней рукоятке	< 2.5 m/s ²
Небезопасность K=.....	1.5 m/s ²

ВНИМАНИЕ!

Заявленные значения вибрации и шумового излучения, указанные в настоящем информационном листе, были измерены согласно стандартизированному методу испытания согласно EN 62841 и могут использоваться для сравнения одного инструмента с другим. Они могут применяться для предварительной оценки воздействия на организм человека.

Указанные значения вибрации и шумового излучения действительны для основных областей применения инструмента. Однако если инструмент используется в других областях применения или с другими принадлежностями либо проходит ненадлежащее обслуживание, значения вибрации и шумового излучения могут отличаться. Это может существенно увеличить уровень воздействия на организм на протяжении общего периода работы.

При оценке уровня воздействия вибрации и шумового излучения на организм также необходимо учитывать периоды, когда инструмент выключен, или когда он работает, но фактически не используется для выполнения работы. Это может существенно сократить уровень воздействия на организм на протяжении общего периода работы.

Определите дополнительные меры для защиты оператора от воздействия вибрации и/или шума, такие как обслуживание инструмента и его принадлежностей, сохранение рук в тепле, организация графиков работы.

ВНИМАНИЕ! Ознакомьтесь со всеми предупреждениями относительно безопасного использования, инструкциями, иллюстративным материалом и техническими характеристиками, поставляемыми с этим электроинструментом. Несоблюдение всех нижеследующих инструкций может привести к поражению электрическим током, пожару и/или тяжелым травмам. Сохраняйте эти инструкции и указания для будущего использования.

ПРАВИЛА ТЕХНИКИ БЕЗОПАСНОСТИ ПРИ ИСПОЛЬЗОВАНИИ ТРИММЕРА ДЛЯ ГАЗОНА

- a) Не использовать устройство при плохой погоде, прежде всего при вероятности молнии. Так будет устранена опасность поражения молнией.
- b) Перед использованием тщательно осмотреть область применения на предмет присутствия на участке диких животных. Устройство может травмировать диких животных.
- c) Тщательно проверять участок, на котором будет использоваться устройство, и убирать с него камни, палки, провода, кости и прочий мусор. Отбрасываемые из-под триммера предметы могут стать причиной травм.
- d) Перед использованием проверять режущее устройство и режущий механизм на предмет повреждения деталей устройства. Поврежденные детали повышают риск получения травм.

- e) Не демонтировать защитные устройства. Защитные устройства должны быть в рабочем состоянии и установлены в соответствии с предписаниями. Плохо зафиксированное, поврежденное или неправильно работающее защитное устройство может привести к травмам.
- f) Следить за чистотой всех входных отверстий для охлаждающего воздуха. Заблокированные или грязные входные отверстия для воздуха могут стать причиной перегрева устройства и возгорания.
- g) При использовании устройства надевать средства защиты глаз и органов слуха. Ношение соответствующих средств защиты снижает риск получения травм.
- h) При работе с устройством всегда надевать защитную обувь с нескользящей подошвой. Не работать с устройством босиком или в открытой обуви. Это предотвратит контакт ноги с вращающимся режущим устройством.
- i) При работе с устройством всегда надевать длинные брюки. Контакт с вращающимся режущим устройством или леской может привести к травме.
- j) Не допускать на скашиваемый участок других людей во время использования. Отбрасываемые предметы могут стать причиной тяжелых травм.
- k) При работе не поднимать устройство выше уровня талии. Это позволяет избежать непреднамеренного контакта с режущим устройством и помогает лучше контролировать устройство в непредвиденных ситуациях.

i) Проявлять особую осторожность при стрижке мокрой травы. При работе с устройством передвигаться только шагом, не бегать. Это снижает риск поскользывания и падения, а также предотвращает получение травм.

m) Не использовать устройство на очень крутых склонах. Это снижает риск потери контроля над устройством, поскользывания и падения, а также предотвращает получение травм.

n) При работе на склоне убедиться, что можно устойчиво стоять. Всегда работать поперек склона. Работать вдоль склона запрещено. При изменении направления проявлять предельную осторожность. Это снижает риск потери контроля над устройством, поскользывания и падения, а также предотвращает получение травм.

o) Держать все сетевые и удлинительные кабели вдали от зоны скашивания. Скрытые под живой изгородью и кустами сетевые и удлинительные кабели могут быть случайно разрезаны или повреждены режущим устройством или леской.

p) Не подносить режущее устройство или леску к частям тела. Очищать устройство только после отсоединения вилки от сети. Вращающееся режущее устройство или леска могут стать причиной серьезных травм.

q) Транспортировать устройство только в выключенном состоянии и не подносить его близко к телу. Правильное использование устройства снижает риск случайного контакта с вращающимся режущим устройством или леской.

r) Использовать только сменные режущие головки и сменную леску, рекомендованные производителем. Не заменять режущее устройство или леску металлической леской или металлическими ножами. Использование недопустимых запасных частей может привести к потере контроля над устройством, повреждениям и травмам.

ПРОЧИЕ УКАЗАНИЯ ПО ТЕХНИКЕ БЕЗОПАСНОСТИ

Не использовать устройство без соединительной детали. При кошении соединительная деталь должна быть правильно закреплена. Использование триммера для газона без соединительной детали может привести к серьезным травмам.

Выньте аккумулятор из машины перед проведением с ней каких-либо манипуляций.

Не выбрасывайте использованные аккумуляторы вместе с домашним мусором и не сжигайте их. Дистрибьюторы компании Milwaukee предлагают восстановление старых аккумуляторов, чтобы защитить окружающую среду.

Не храните аккумуляторы вместе с металлическими предметами во избежание короткого замыкания.

Для зарядки аккумуляторов модели M18 используйте только зарядным устройством M18. Не заряжайте аккумуляторы других систем.

Никогда не вскрывайте аккумуляторы или зарядные устройства и храните их только в сухих помещениях. Следите, чтобы они всегда были сухими.

Акумуляторная батарея может быть повреждена и дать течь под воздействием чрезмерных температур или повышенной нагрузки. В случае контакта с аккумуляторной кислотой немедленно промойте место контакта мылом и водой. В случае попадания кислоты в глаза промойте глаза в течении 10 минут и немедленно обратитесь за медицинской помощью.

Предупреждение! Для предотвращения опасности пожара в результате короткого замыкания, травм и повреждения изделия не опускаяйте инструмент,

сменный аккумулятор или зарядное устройство в жидкости и не допускайте попадания жидкостей внутрь устройств или аккумуляторов. Коррозионные и проводящие жидкости, такие как соленый раствор, определенные химикаты, отбеливающие средства или содержащие их продукты, могут привести к короткому замыканию.

ИСПОЛЬЗОВАНИЕ

Продукт предназначен только для использования вне помещений и рассчитан на использование человеком стоя.

Продукт подходит для резки травы, сорняков или аналогичных растений на уровне земли.

По возможности перемещайте устройство во время резки параллельно поверхности земли.

Не используйте продукт для резки или обрезки живых изгородей, кустарников или других растений, для которых плоскость реза не будет параллельна поверхности земли.

Не пользуйтесь данным инструментом способом, отличным от указанного для нормального применения.

ДЕКЛАРАЦИЯ СООТВЕТСТВИЯ ЕС

Под собственную ответственность мы как производитель заявляем о том, что описанное в разделе «Технические характеристики» изделие отвечает всем соответствующим требованиям директив 2011/65/EC (директива, ограничивающая содержание вредных веществ), 2014/30/EC, 2006/42/EC, 2000/14/EC, 2005/88/EC и следующих гармонизированных нормативных документов:

- EN 62841-1:2015
- EN 60335-1:2012+A11:2014+A13:2017
- EN 50636-2-91:2014
- EN 55014-1:2017+ A11:2020
- EN 55014-2:2015
- EN IEC 63000:2018

Измеренный уровень звуковой мощности: 94 dB(A)
Гарантированный уровень звуковой мощности: 96 dB(A)

Порядок оценки соответствия согласно 2000/14/EC Приложение V.

Сертификационный орган:
DEKRA Certification B.V. (0344)
Meander 1051/P.O.Box 5185
6825 MS ARNHEIM/6802 ED ARNHEIM
Netherlands

Winnenden, 2021-06-14


Alexander Krug
Managing Director



Уполномочен на составление технической документации.

Techtronic Industries GmbH
Max-Eyth-Straße 10
71364 Winnenden
Germany

АККУМУЛЯТОР

Перед использованием аккумулятора, которым не пользовались некоторое время, его необходимо зарядить.

Температура выше 50°C снижает работоспособность аккумуляторов. Избегайте продолжительного нагрева или прямого солнечного света (риск перегрева).

Контакты зарядного устройства и аккумуляторов должны содержаться в чистоте.

Для обеспечения оптимального срока службы аккумулятор необходимо полностью заряжать после использования прибора.

Для достижения максимально возможного срока службы аккумуляторы после зарядки следует вынимать из зарядного устройства.

При хранении аккумулятора более 30 дней: Храните аккумулятор при 27°C в сухом месте. Храните аккумулятор с зарядом примерно 30% - 50%. Каждые 6 месяцев аккумулятор следует заряжать.

ЗАЩИТА АККУМУЛЯТОРА ОТ ПЕРЕГРУЗКИ ЛИТИЙ-ИОННЫЙ АККУМУЛЯТОР

Аккумуляторный блок оснащен предохранителем от перегрузки, который защищает аккумулятор от перегрузки и обеспечивает долгий срок службы. При чрезмерно сильных нагрузках электроника аккумулятора автоматически отключит машину. Для продолжения работы машину выключить и снова включить. Если машина не включается, то, возможно, разрядился аккумуляторный блок и следует зарядить его в зарядном устройстве.

ТРАНСПОРТИРОВКА ЛИТИЙ-ИОННЫХ АККУМУЛЯТОРОВ

Литий-ионные аккумуляторы в соответствии с предписаниями закона транспортируются как опасные грузы.

Транспортировка этих аккумуляторов должна осуществляться с соблюдением местных, национальных и международных предписаний и положений.

- Эти аккумуляторы могут перевозиться по улице потребителем без дальнейших обязательств.
- При коммерческой транспортировке литий-ионных аккумуляторов экспедиторскими компаниями действуют положения, касающиеся транспортировки опасных грузов. Подготовка к отправке и транспортировка должны производиться исключительно специально обученными лицами. Весь процесс должен находиться под контролем специалиста.

При транспортировке аккумуляторов необходимо соблюдать следующие пункты:

- Убедитесь, что контакты защищены и изолированы во избежание короткого замыкания.
- Следите за тем, чтобы аккумуляторный блок не соскользнул внутри упаковки.
- Транспортировка поврежденных или протекающих аккумуляторов запрещена.

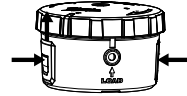
За дополнительными указаниями обратитесь к своему экспедитору.

ЗАМЕНА ЛЕСКИ

Использовать только леску MILWAUKEE (см. раздел «Технические характеристики»). Использовать леску длиной 6 м и толщиной 2,4 мм или леску длиной 7,6 м и толщиной 2 мм. Примечание: При использовании устройства на абразивных поверхностях или поверхностях с густой растительностью леска изнашивается быстрее.

Для замены лески см. часть инструкции с рисунками.

При нормальных условиях эксплуатации оставшаяся леска выбрасывается из режущей головки во время работы. Чтобы удалить остатки лески или вставить новую, развернуть триммер на 180°, нажать на выступы, чтобы разблокировать и снять кожух.



Удалить короткие остатки лески. Затем надеть кожух на режущую головку и защелкнуть его на выступах.

ОБСЛУЖИВАНИЕ

Всегда держите охлаждающие отверстия чистыми.

Осмотр продукта требует крайней осторожности и мастерства. Эту работу должен непременно выполнять квалифицированный специалист по обслуживанию. Отправьте продукт для проведения осмотра или ремонта в авторизованный сервисный центр. При проведении техобслуживания используйте только оригинальные запчасти.

Перед проведением технического обслуживания или очистки выключите устройство и извлеките аккумулятор.

Выполняйте только описанные здесь настройки и ремонт. Для всех других ремонтных работ обратитесь к уполномоченному дилеру.

Используйте в качестве запасной катушки со струнами только нейлоновые струны на катушке с диаметром, указанным в этой инструкции.

После надевания новой режущей струны до начала эксплуатации продукт снова установить в обычное рабочее положение.

После каждого использования очистите продукт с помощью мягкой сухой ткани. Поврежденные детали должны быть отремонтированы или заменены в авторизованном сервисном центре.

Регулярно проверяйте, чтобы все гайки, болты и винты были надежно затянуты для обеспечения безопасной эксплуатации изделия.

Пользуйтесь аксессуарами и запасными частями Milwaukee. В случае возникновения необходимости в замене, которая не была описана, обращайтесь в один из сервисных центров по обслуживанию электроинструментов Milwaukee (см. список сервисных организаций).

При необходимости, у сервисной службы или непосредственно у фирмы Techtronic Industries GmbH, Max-Eyth-Straße 10, 71364, Винненден, Германия, можно запросить сборочный чертеж устройства, сообщив его тип и шестизначный номер, указанный на фирменной табличке.

СИМВОЛЫ



ВНИМАНИЕ! ПРЕДУПРЕЖДЕНИЕ! ОПАСНОСТЬ!



Пожалуйста, внимательно прочтите инструкцию по использованию перед началом любых операций с инструментом.



Выньте аккумулятор из машины перед проведением с ней каких-либо манипуляций.



Надевать защитные перчатки!



Пользуйтесь приспособлениями для защиты слуха.



При работе с инструментом всегда надевайте защитные очки.



Всегда носите защитную одежду и прочную обувь.



Держите стоящих рядом людей на безопасном расстоянии от садового инструмента.



Не пользоваться и не оставлять на улице во время дождя.



Не пользоваться и не оставлять на улице во время дождя.



Следите за предметами, которые могут быть отброшены устройством. Соблюдайте достаточно большую безопасную дистанцию до окружающих людей.



Следите за предметами, которые могут быть отброшены устройством. Соблюдайте достаточно большую безопасную дистанцию до окружающих людей.



Регулярно проверяйте, чтобы все гайки, болты и винты были надежно затянуты для обеспечения безопасной эксплуатации изделия.



В этом изделии нельзя использовать металлические резак.



Направление вращения



Детали и принадлежности не включены в комплект поставки.



Электроприборы, батареи/аккумуляторы запрещено утилизировать вместе с бытовым мусором. Электрические приборы и аккумуляторы следует собирать отдельно и сдавать в специализированную компанию для утилизации в соответствии с нормами охраны окружающей среды. Получите в местных органах власти или у вашего специализированного дилера сведения о центрах вторичной переработки и пунктах сбора.



Европейский знак соответствия



Британский знак соответствия



Украинский знак соответствия



Евразийский знак соответствия

Производствен номер.....	4779 19 02... ...00001-999999
Обороти на празен ход, ниски обороти.....	0-4600 min ⁻¹
Обороти на празен ход, високи обороти.....	0-6200 min ⁻¹
Макс. ържеща нишка.....	2,4 mm
Диаметър на рязане, ър max.....	400 mm
Напрежение на акумулатора.....	18 V
Тегло съгласно процедурата ЕРТА 01/2014 (Li-Ion 5,5 Ah...12,0 Ah).....	5,39...5,85 kg
Препоръчителна околна температура при работа.....	-18...+50 °C
Препоръчителни видове акумулаторни батерии.....	M18 HB5.5; M18 HB8.0; M18 HB12.0
Препоръчителни зарядни устройства.....	M12-18...; M1418C

Информация за шума/вибрациите

Измерените стойности са получени съобразно EN 62841.

Оцененото с А ниво на шума на уреда е съответно:

Равнище на звуковото налягане (Несигурност K=3dB(A)).....	75 dB (A)
Равнище на мощността на звука (Несигурност K=3dB(A)).....	95 dB (A)

Да се носи предпазно средство за слуха!

Общите стойности на вибрациите (векторна сума на три посоки) са определени в съответствие с EN 62841.

Вибрация на предната ръкохватка.....	< 2.5 m/s ²
Вибрация на задната ръкохватка.....	< 2.5 m/s ²
Несигурност K=.....	1.5 m/s ²

ВНИМАНИЕ!

Посочените в настоящия информационен лист нива на вибрации и шумови емисии са измерени в съответствие със стандартизирано изпитване, предоставено в EN 62841, и могат да се използват за сравняване на един инструмент с друг. Те може също така да се използват и за предварителна оценка на излагането на вредни въздействия.

Декларираните нива на вибрации и шумови емисии се отнасят за основните приложения на инструмента. Ако обаче инструментът се използва за други приложения, с други приспособления или не се поддържа добре, нивата на вибрации и шумови емисии могат да са различни. Това може значително да повиши нивото на излагане на вредни въздействия за общата продължителност на работата.

При оценка на нивото на излагане на въздействието на вибрации и шум следва също така да се вземе предвид времето, през което инструментът е изключен или включен, но не се използва. Това може значително да понижи нивото на излагане на вредни въздействия за общата продължителност на работата.

Определете допълнителни мерки за безопасност за защита на оператора от въздействието на вибрациите и/или шума, като например поддръжка на инструмента и приспособленията, поддържането на топлината на ръцете и организацията на работата.

ВНИМАНИЕ! Прочетете всички указания за безопасност, инструкции, илюстрации и спецификации за този електроинструмент.

Пропуските при спазване на приведените по-долу указания могат да доведат до токов удар, пожар и/или тежки травми.

Запазете всички указания и инструкции за безопасност за бъдещето.

УКАЗАНИЯ ЗА БЕЗОПАСНОСТ ЗА КОСАЧКА ТРИМЕР

- a) **Не използвайте уреда при лошо време, особено когато има опасност от мъглини.** Така ще избегнете опасността да бъдете поразени от мъгляна.
- b) **Преди употреба щателно проверете за диви животни в района на работа.** Дивите животни могат да бъдат наранени от уреда.
- c) **Грижливо проверете района на работа и отстранете камъни, пръчки, тел, кости или други чужди тела.** Излитащите чужди или падащи материали могат да доведат до наранявания.
- d) **Преди употреба проверете за повредени части на режещото устройство и на ножа.** Повредените части повишават риска от нараняване.
- e) **Не отстранявайте предпазните устройства.** Предпазните устройства трябва да са изправни и да са монтирани според предписанията. Разхлабените, повредени или неправилно функциониращи предпазни устройства могат да причинят наранявания.

- f) **Поддържайте чисти всички входове за охлаждащ въздух.** Блокираните или замърсени входове за охлаждащ въздух водят до прегреване на уреда и могат да предизвикат пожар.
- g) **По време на употреба на уреда носете защита за очите и за слуха.** Носенето на подходяща предпазна екипировка намалява риска от нараняване.
- h) **При работа с уреда винаги носете неплъзгащи се защитни обувки. Не работете с уреда боси или с отворени обувки.** Така ще избегнете наранявания на краката, причинени от контакт с въртящото се режещо устройство.
- i) **При работа с уреда винаги носете дълъг панталон.** Контактът с въртящото се режещо устройство или с режещата корда може да доведе до наранявания.
- j) **По време на употреба дръжте околните хора на разстояние.** Излитащите части могат да предизвикат тежки наранявания.
- k) **Не работете с уреда на височина над талията.** По този начин може да се избегне неволен контакт с режещото устройство и уредът може да се контролира по-добре в неочаквани ситуации.
- l) **При косене на мокра трева подхождайте внимателно. Винаги ходете, никога не бягайте.** По този начин може да се ограничи опасността от подхлъзване и падане и да се избегнат наранявания.
- m) **Не използвайте уреда по много стръмни наклони.** По този начин могат да се избегнат загубата на

контрол, опасността от подхлъзване и падане и нараняванията.

- n) **При работа по наклон следете за стабилно положение и винаги работете напречно спрямо наклона. Никога не работете по протежение на наклона и бъдете изключително внимателни при смяна на посоката.** По този начин могат да се избегнат загубата на контрол, опасността от подхлъзване и падане и нараняванията.
- o) **Дръжте захранващите и удължителните кабели в страни от зоната на рязане.** Захранващите и удължителните кабели, скрити под жив плет и храсти, могат неволно да бъдат срязани или повредени от режещото устройство или режещата корда.
- p) **Дръжте всички части на тялото далеч от режещото устройство или режещата корда. Почиствайте уреда едва след като е изключен от електрически контакт.** Въртящото се режещо устройство или режещата корда могат да причинят тежки наранявания.
- q) **Транспортирайте уреда само изключен и при това го дръжте в страни от тялото.** Внимателното боравене с уреда намалява риска от неволен контакт с въртящото се режещо устройство или с режещата корда.
- r) **Използвайте само резервни режещи глави и резервни режещи корди, препоръчани от производителя. Не заменяйте режещите устройства или режещите корди с метални корди или метални ножове.** Неразрешените резервни части могат да доведат до загуба на контрол, повреди и наранявания.

ДРУГИ УКАЗАНИЯ ЗА БЕЗОПАСНОСТ

Не използвайте уреда без присъединителен елемент. При косене присъединителният елемент трябва да бъде правилно обезопасен. Използването на косачката тример без присъединителен елемент може да предизвика тежки наранявания.

Преди започване на каквито е да е работи по машината извадете акумулатора.

Не изхвърляйте изхабените акумулатори в огъня или в при битовите отпадъци. Milwaukee предлага екологосъобразно събиране на старите акумулатори; моля попитайте Вашия специализиран търговец.

Не съхранявайте акумулаторите заедно с метални предмети (опасност от късо съединение).

Акумулатори от системата M18 да се зареждат само със зарядни устройства от системата M18 laden. Да не се зареждат акумулатори от други системи.

Не отваряйте акумулатори и зарядни устройства и ги съхранявайте само в сухи помещения. Пазете ги от влага.

При екстремно натоварване или екстремна температура от повредени акумулатори може да изтече батерийна течност. При допир с такава течност веднага измийте с вода и сапун. При контакт с очите веднага изплаквайте старателно най-малко 10 минути и незабавно потърсете лекар.

Предупреждение! За да избегнете опасността от пожар, предизвикана от късо съединение, както и нараняванията и повредите на продукта, не потапяйте инструмента, сменяемата акумулаторна батерия или зарядното устройство в течности и се погрижете в уредите и акумулаторните батерии да не попадат течности. Течностите, предизвикващи корозия или провеждащи електричество, като солена вода, определени химикали, изоблаващи вещества или продукти, съдържащи изоблаващи вещества, могат да предизвикат късо съединение.

ИЗПОЛЗВАНЕ ПО ПРЕДНАЗНАЧЕНИЕ

Продуктът е предвиден само за употреба на открито и в изправено положение на използвания го.

Продуктът е подходящ за косене на трева, плевели или подобна растителност на нивото на почвата.

При косене движете уреда по възможност успоредно на почвената повърхност.

Не използвайте продукта за косене и подрязване на жив плет, храсти и друга растителност, при която повърхността на подрязване не е успоредна на почвената повърхност.

Този уред може да се използва по предназначение само както е посочено.

ДЕКЛАРАЦИЯ ЗА СЪОТВЕТСТВИЕ НА ЕО

В качеството си на производител декларираме на собствена отговорност, че продуктът, описан в „Технически данни“, отговаря на всички съответстващи разпоредби на Директиви 2011/65/EC (RoHS), 2014/30/EC, 2006/42/EO, 2000/14/EC, 2005/88/EC и на следните хармонизирани нормативни документи:

- EN 62841-1:2015
- EN 60335-1:2012+A11:2014+A13:2017
- EN 50636-2-91:2014
- EN 55014-1:2017+ A11:2020
- EN 55014-2:2015
- EN IEC 63000:2018

Измерено ниво на звукова мощност: 94 dB(A)
Гарантирано ниво на звукова мощност: 96 dB(A)

Процедура за оценка на съответствието съгласно 2000/14/EO Приложение V.

Посочена служба:
DEKRA Certification B.V. (0344)
Meander 1051/P.O.Box 5185
6825 MS ARNHEIM/6802 ED ARNHEIM
Netherlands

Winnenden, 2021-06-14



Alexander Krug
Managing Director



Упълномощен за съставяне на техническата документация

Techtronic Industries GmbH
Max-Eyth-Straße 10
71364 Winnenden
Germany

АКУМУЛАТОРИ

Акумулатори, които не са ползвани по-дълго време, преди употреба да се дозаредят.

Температура над 50°C намалява мощността на акумулатора. Да се избягва по-продължително нагриване на слънце или от отопление.

Поддържайте чисти присъединителните контакти на зарядното устройство и на акумулатора.

За оптимална продължителност на живот след употреба батериите трябва да се заредят напълно.

За възможно по-дълга продължителност на живот батериите трябва да се изваждат от уреда след зареждане.

При съхранение на батериите за повече от 30 дни: съхранявайте батерията при прибл. 27°C и на сухо място. Съхранявайте батерията при 30 до 50 % от заряда. Зареждайте батерията на всеки 6 месеца.

ЗАЩИТА ОТ ПРЕТОВАРВАНЕ НА ЛИТИЕВО-ЙОННА БАТЕРИЯ

Акумулаторният пакет е оборудван със защита против претоварване, която защитава акумулатора от претоварване и гарантира дълъг експлоатационен живот.

При извънредно силно натоварване електрониката на акумулатора автоматично изключва машината. За продължаване на работата изключете и отново включете машината. Ако машината не може да се пусне наново, може би акумулаторният пакет е разреден и трябва отново да се зареди в зарядното устройство.

ПРЕВОЗ НА ЛИТИЕВО-ЙОННИ БАТЕРИИ

Литиево-йонните батерии са предмет на законите за разпоредби за превоз на опасни товари.

Превозът на тези батерии трябва да се извършва в съответствие с местните, националните и международните разпоредби и регламенти.

- Потребителите могат да превозват тези батерии по пътя без допълнителни изисквания.
- Превозът на литиево-йонни батерии от транспортни компании е предмет на законите за разпоредбите за превоз на опасни товари. Подготовката на превоза и самият превоз трябва да се извършват само от обучени лица. Целият процес трябва да е под професионален надзор.

Спазвайте следните изисквания при превоз на батерии:

- Уверете се, че контактите са защитени и изолирани, за да се избегне късо съединение.
- Уверете се, че няма опасност от разместване на батерията в опаковката.
- Не превозвайте повредени батерии или такива с течове.

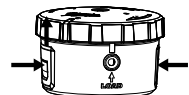
Обърнете се към Вашата транспортна компания за допълнителни инструкции.

СМЯНА НА РЕЖЕЩАТА КОРДА

Използвайте само режеща корда от MILWAUKEE (вижте раздел „Технически характеристики“). Използвайте или режеща корда с дебелина 6 m и дебелина 2,4 mm, или корда с дължина 7,6 m и дебелина 2 mm. Забележка: При използването по абразивни или гъсто обрасли площи режещата корда се износва по-бързо.

За смяна на режещата корда вижте частта с изображения.

При нормални експлоатационни условия оставащата корда се изхвърля от режещата глава по време на работа. За отстраняване на остатъците от корда или за поставяне на нова режеща корда завъртете косачката тример на 180°, натиснете езичетата за освобождаване и свалете капака.



Отстранете късите остатъци от корда. След това отново поставете върху режещата глава и фиксирайте към езичетата.

ПОДДРЪЖКА

Вентилационните шлицы на машината да се поддържат винаги чисти.

Инспекцията на продукта изисква изключителна предпазливост и компетентност. Задължително поверявайте тази дейност на квалифициран сервизен техник. Изпрачайте продукта за инспекция и ремонт до оторизиран сервиз. При поддръжка ползвайте само идентични резервни части.

Преди извършване на дейности по поддръжката или почистването изключвайте уреда и сваляйте акумулаторната батерия.

Извършвайте само настройките и ремонтите, описани тук. За всички останали ремонтни работи се обръщайте към оторизиран специализиран търговец.

За резервна макара използвайте само найлонова нишка на макари с диаметър, посочен в това ръководство.

След поставяне на новата режеща нишка отново приведете продукта в нормално работно положение, преди да го стартирате.

След всяка употреба почиствайте продукта със суха, мека кърпа. Повредените части трябва да се ремонтират или сменят от оторизиран сервиз.

Проверявайте на редовни интервали дали всички гайки, болтове и винтове са стегнати правилно, за да гарантирате безопасна експлоатация на продукта.

Да се използват само аксесоари на Milwaukee и резервни части на Milwaukee. Елементи, чията подмяна не е описана, да се дадат за подмяна в сервиз на Milwaukee (вижте брошурата "Гаранция и адреси на сервизи").

При необходимост можете да поискате схема на елементите на уреда при посочване на обозначение на машината и шестцифрения номер на табелката за технически данни от Вашия сервиз или директно на Techtronic Industries GmbH, Max-Eyth-Straße 10, 71364 Winnenden, Германия.

СИМВОЛИ

	ВНИМАНИЕ! ПРЕДУПРЕЖДЕНИЕ! ОПАСНОСТ
	Преди пускане на уреда в действие моля прочетете внимателно инструкцията за използване.
	Преди започване на каквито и да е работи по машината извадете акумулатора.
	Да се носят предпазни ръкавици!
	Да се носи предпазно средство за слуха!
	При работа с машината винаги носете предпазни очила.
	Винаги носете предпазно облекло и стабилни обувки.

	Дръжте намиращи се наблизо лица на безопасно разстояние от градинския електроинструмент.
	Не я използвайте по време на дъжд и не я оставяйте отвън, ако вали.
	Внимавайте за предмети, които могат да бъдат отхвъркнати при контакт с уреда. Спазвайте достатъчно голямо безопасно разстояние спрямо околните.
	Не използвайте метални остриета в продукта.
	Посока на въртене
	В комплекта не са включени части или принадлежности.
	Електрическите уреди, батерии/акумулаторни батерии не трябва да се изхвърлят заедно с битовите отпадъци. Електрическите уреди и акумулаторни батерии трябва да се събират отделно и да се предават на службите за рециклиране на отпадъците според изискванията за опазване на околната среда. Информирайте се при местните служби или при местните специализирани търговци относно местата за събиране и центровете за рециклиране на отпадъци.
	Европейски знак за съответствие
	Британски знак за съответствие
	Украински знак за съответствие
	Евро-азиатски знак за съответствие

DATE TEHNICE TRIMMER DE GAZON CU ACUMULATOR**M18 BLLT**

Număr producție.....	4779 19 02... ...00001-999999
Turație de mers în gol, turație mică.....	0-4600 min ⁻¹
Turație de mers în gol, turație mare.....	0-6200 min ⁻¹
Diametru maxim fir de tăiere.....	2,4 mm
Capacitate de tăiere max.....	400 mm
Tensiune acumulator.....	18 V
Greutatea conform „EPTA-procedure 01/2014” (Li-Ion 5,5 Ah...12,0 Ah).....	5,39...5,85 kg
Temperatura ambiantă recomandată la efectuarea lucrărilor.....	-18...+50 °C
Acumulatori recomandați.....	M18 HB5.5; M18 HB8.0; M18 HB12.0
Încărcător de baterii recomandat.....	M12-18...; M1418C

Informație privind zgomotul/vibrațiile

Valori măsurate determinate conform EN 62841.

Nivelul de zgomot evaluat cu A al aparatului este tipic de:

Nivelul presiunii sonore (Nesiguranță K=3dB(A)).....	75 dB (A)
Nivelul sunetului (Nesiguranță K=3dB(A)).....	95 dB (A)

Purtați căști de protecție

Valorile totale de oscilație (suma vectorială pe trei direcții) determinate conform normei EN 62841.

Vibrații la mânerul anterior.....	< 2.5 m/s ²
Vibrații la mânerul posterior.....	< 2.5 m/s ²
Nesiguranță K=.....	1.5 m/s ²

AVERTISMENT!

Nivelul vibrației și emisiei de zgomot indicat în această fișă informativă a fost măsurat în conformitate cu o metodă standard de testare specificată în EN 62841 și se poate utiliza pentru a compara dispozitivele între ele. Acesta se poate utiliza și într-o evaluare preliminară a expunerii.

Nivelul declarat al vibrației și emisiei sonore reprezintă principalele aplicații ale dispozitivului. Cu toate acestea, dacă dispozitivul este utilizat pentru aplicații diferite, cu accesorii diferite sau întreținute necorespunzător, emisia de vibrații și zgomote poate diferi. Acest lucru poate crește semnificativ nivelul expunerii pe întreaga perioadă de lucru.

O estimare a nivelului de expunere la vibrații și zgomot ar trebui să țină cont și de momentele în care dispozitivul este oprit sau când funcționează, dar nu realizează de fapt nicio lucrare. Acest lucru poate reduce semnificativ nivelul expunerii pe întreaga perioadă de lucru.

Identificați măsuri de siguranță suplimentare pentru a proteja operatorul de efectele vibrațiilor și/sau zgomotului, cum ar fi: întreținerea dispozitivului și a accesoriilor, menținerea caldă a mâinilor, organizarea modelelor de lucru.

AVERTISMENT A se citi toate avertismentele, instrucțiunile, ilustrațiile și specificațiile privind siguranța furnizate cu această unealtă electrică.

Nerespectarea tuturor instrucțiunilor listate mai jos poate cauza șocuri electrice, incendii și/sau vătămări corporale grave.

Păstrați toate indicațiile de avertizare și instrucțiunile în vederea utilizărilor viitoare.**INSTRUCȚIUNI DE SIGURANȚĂ - TRIMMER PENTRU GAZON****a) Nu utilizați aparatul pe vreme proastă, în special dacă există pericol de trăsnet.** În acest fel evitați pericolul de a fi loviți de trăsnet.**b) Înainte de utilizare, verificați temeinic să nu existe animale vii în zona în care urmează să folosiți aparatul.** Animalele sălbatice pot fi rănite de aparat.**c) Verificați cu grijă zona în care urmează să folosiți aparatul și îndepărtați pietrele, bete, sârmele, oasele sau alte corpuri străine.** Corpurile străine aruncate de aparat pot provoca accidentări.**d) Înainte de utilizare, verificați dispozitivul de tăiat și mecanismul de tăiat să nu prezinte componente defecte.** Componentele defecte cresc riscul de accidentare.**e) Dispozitivele de protecție trebuie să fie funcționale și montate în mod corect.** Un dispozitiv de protecție slăbit, deteriorat sau care nu funcționează corect poate duce la accidentări.**f) Mențineți curate toate orificiile de admisie a aerului de răcire.** Orificiile de admisie a aerului de răcire care

sunt blocate sau murdare duc la supraîncălzirea aparatului și pot declanșa un incendiu.

g) În timpul utilizării aparatului purtați ochelari de protecție și căști de protecție auditivă. Purtarea unui echipament de protecție adecvat reduce riscul de accidentare.**h) Purtați întotdeauna încălțăminte antiderapantă atunci când lucrați cu aparatul. Nu utilizați aparatul desculț sau cu încălțăminte deschisă.** În acest fel evitați accidentările la picioare, cauzate de contactul cu dispozitivul de tăiat rotativ.**i) Purtați întotdeauna pantaloni lungi atunci când lucrați cu aparatul.** Contactul cu dispozitivul de tăiat rotativ sau cu firul de tăiat poate duce la accidentări.**j) Țineți la distanță persoanele din jur în timpul utilizării.** Pieseile aruncate de aparat pot cauza accidentări grave.**k) Nu țineți aparatul deasupra înălțimii șoldului.** În acest fel se poate evita contactul accidental cu dispozitivul de tăiat, iar aparatul poate fi controlat mai bine în situații neașteptate.**l) Când tăiați iarbă umedă, procedați cu foarte mare atenție. Mergeți întotdeauna la pas, nu alergați.** În acest fel se reduce riscul de alunecare și cădere și se evită accidentările.**m) Nu utilizați aparatul pe pante foarte înclinate.** În acest fel se pot reduce pierderea controlului, riscul de alunecare și cădere și se evită accidentările.**n) Când lucrați în pantă, asigurați-vă că aveți destulă stabilitate și lucrați întotdeauna transversal pe pantă. Nu lucrați niciodată longitudinal pe înclinația pantei****și procedați cu maximă precauție la schimbarea direcției.** În acest fel se pot reduce pierderea controlului, riscul de alunecare și cădere și se evită accidentările.**o) Țineți cablul de alimentare și cablul prelungitor la distanță de zona de tăiere.** Cablurile de alimentare și cablurile prelungitoare ascunse sub garduri vii și tufișuri pot fi tăiate sau deteriorate accidental de dispozitivul de tăiat sau de firul de tăiat.**p) Țineți toate membrele corpului la distanță de dispozitivul de tăiat sau de firul de tăiat.** Curățați aparatul numai după ce ați scos cablul de alimentare din priză. Dispozitivul de tăiat rotativ sau firul de tăiat pot cauza accidentări grave.**q) Transportați aparatul numai în stare oprită, ținându-l departe de corp.** Manevrarea corectă a aparatului reduce riscul unui contact accidental cu dispozitivul de tăiat rotativ sau cu firul de tăiat.**r) Utilizați numai capete de tăiat și fire de tăiat de schimb recomandate de producător. Nu înlocuiți dispozitivele de tăiat sau firele de tăiat cu fire sau cuțite din metal.** Pieseile de schimb nepermise pot duce la pierderea controlului, la deteriorări și accidentări.**ALTE INSTRUCȚIUNI DE SIGURANȚĂ**

Nu utilizați aparatul fără piesa de racord. La tăiere, piesa de racord trebuie să fie securizată în mod corect. Utilizarea trimmer-ului pentru gazon fără piesă de racord poate cauza accidentări grave.

Îndepărtați acumulatorul înainte de începerea lucrului pe mașina

Nu aruncați acumulatorii uzați la containerul de reziduri menajere și nu îi ardeți. Milwaukee Distributors se oferă să recupereze acumulatorii vechi pentru protecția mediului înconjurător.

Nu depozitați acumulatorul împreună cu obiecte metalice (risic de scurtcircuit)

Folosiți numai încărcătoarele System M18 pentru încărcarea acumulatorilor System M18. Nu folosiți acumulatori din alte sisteme.

Nu deschideți niciodată acumulatorii și încărcătoarele și pastrați-le numai în încăperi uscate. Pastrați-le întotdeauna uscate.

Acidul se poate scurge din acumulatorii deteriorați la încălziri sau temperaturi extreme. În caz de contact cu acidul din acumulator, spălați imediat cu apă și săpun. În caz de contact cu ochii, clătiți cu atenție timp de cel puțin 10 minute și apelați imediat la îngrijire medicală.

Avertisment! Pentru a reduce pericolul unui incendiu și evitarea rănilor sau deteriorarea produsului în urmă unui scurtcircuit nu imersați scula, acumulatorul de schimb sau încărcătorul în lichide și asigurați-vă să nu pătrundă lichide în aparate și acumulatori. Lichidele corosive sau cu conductibilitate, precum apa sărată, anumite substanțe chimice și înălbitori sau produse ce conțin înălbitori, pot provoca un scurtcircuit.**CONDIȚII DE UTILIZARE SPECIFICATE**

Produsul este conceput exclusiv pentru utilizarea în aer liber și de către o persoană aflată în poziție verticală.

Produsul este adecvat pentru tăierea ierburilor, a buruienilor sau a vegetației similare, până la nivelul solului.

În timpul tăierii deplasați aparatul cât mai paralel cu suprafața solului.

Nu utilizați produsul pentru tăierea sau cosirea gardurilor vii, a tufelor sau vegetației similare, la care nivelul de tăiere nu este paralel cu solul.

Nu utilizați acest produs în alt mod decât cel stabilit pentru utilizare normală

DECLARAȚIE DE CONFORMITATE CE

În calitate de producător declarăm pe propria răspundere că produsul descris la "Date tehnice" este în concordanță cu toate prevederile legale relevante ale Directivelor 2011/65/UE (RoHS), 2014/30/UE, 2006/42/CE, 2000/14/EC, 2005/88/EC precum și ale următoarelor norme armonizate:

EN 62841-1:2015
EN 60335-1:2012+A11:2014+A13:2017
EN 50636-2-91:2014
EN 55014-1:2017+A11:2020
EN 55014-2:2015
EN IEC 63000:2018Nivel de sunet măsurat: 94 dB(A)
Nivel de sunet garantat: 96 dB(A)

Procedură de evaluare a conformității conform 2000/14/CE Anexa V.

Organism înștiințat:
DEKRA Certification B.V. (0344)
Meander 1051/P.O.Box 5185
6825 MS ARNHEIM/6802 ED ARNHEIM
Netherlands

Winnenden, 2021-06-14

Alexander Krug
Managing Director

Împuternicit să elaboreze documentația tehnică.

Techronic Industries GmbH
Max-Eyth-Straße 10
71364 Winnenden
Germany**ACUMULATORI**

Acumulatorii care nu au fost utilizați o perioadă de timp trebuie reîncărcați înainte de utilizare

Temperatura mai mare de 50°C (122°F) reduce performanța acumulatorului. Evitați expunerea prelungită la căldură sau radiație solară (risic de supraîncălzire)

Contactele încărcătoarelor și acumulatorilor trebuie păstrate curate.

În scopul optimizării duratei de funcționare, bateriile trebuie reîncărcate complet după utilizare.

Pentru o durată de viață cât mai lungă, acumulatorii ar trebui scoși din încărcător după încărcare.

La depozitarea acumulatorilor mai mult de 30 zile: Acumulatorii se depozitează la cca. 27°C și la loc uscat. Acumulatorii se depozitează la nivelul de încărcare de cca. 30%-50%. Acumulatorii se încarcă din nou la fiecare 6 luni.

PROTECȚIE SUPRAÎNCĂRCARE ACUMULATOR LITIU-ION

Bateria de acumuloare este dotată cu o protecție anti-suprasarcină, care protejează acumulatorul împotriva supraîncărcării și îi asigură o durată îndelungată de viață. În cazul unei solicitări extrem de ridicate, sistemul electronic al acumulatorului decuplează mașina în mod automat. Pentru continuarea lucrului, mașina trebuie decuplată și apoi cuplată din nou. Dacă mașina nu pornește, este posibil ca bateria de acumuloare să fie descărcată, trebuind reîncărcată în aparatul de încărcare.

TRANSPORTUL ACUMULATORILOR CU IONI DE LITIU

Acumulatorii cu ioni de litiu cad sub incidența prescripțiilor legale pentru transportul de mărfuri periculoase.

Transportul acestor acumulatori trebuie să se efectueze cu respectarea prescripțiilor și reglementărilor pe plan local, național și internațional.

- Consumatorilor le este permis transportul rutier nerestricționat al acestui tip de acumulatori.
- Transportul comercial al acumulatorilor cu ioni de litiu prin intermediul firmelor de expediție și transport este supus reglementărilor transportului de mărfuri periculoase. Pregătirile pentru expediție și transportul au voie să fie efectuate numai de către personal instruit corespunzător. Întregul proces trebuie asistat în mod competent.

Următoarele puncte trebuie avute în vedere la transportul acumulatorilor:

- Pentru a se evita scurtcircuitate, asigurați-vă de faptul că sunt protejate și izolate contactele.
- Aveți grijă ca pachetul de acumulatori să nu poată aluneca în altă poziție în interiorul ambalajului său.
- Este interzis transportarea unor acumulatori deteriorați sau care pierd lichid.

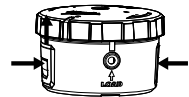
Pentru indicații suplimentare adresați-vă firmei de expediție și transport cu care colaborați.

ÎNLOCUIREA FIRULUI DE TĂIAT

Utilizați numai fire de tăiat de la MILWAUKEE (vezi secțiunea „Date tehnice”). Utilizați fie fire de tăiat cu lungime de 6 m și grosime de 2,4 mm, fie fire cu lungime de 7,6 m și grosime de 2 mm. Notă: La utilizarea pe suprafețe abrazive sau cu vegetație densă, firul de tăiat se uzează mai repede.

Pentru înlocuirea firului de tăiat consultați secțiunea cu imagini.

În condiții normale de utilizare, restul firului este evacuat de capul de tăiere în timpul funcționării. Pentru îndepărtarea resturilor de fir sau pentru introducerea unui nou fir de tăiere, rotiți trimmer-ul pentru gazon la 180°, apăsați pe limbile de deschidere pentru deblocare și scoateți capacul.



Îndepărtați resturile scurte de fir. Apoi puneți la loc capacul peste capul de tăiat și blocați-l cu ajutorul limbilor de deschidere.

INTREȚINERE

Fantele de aerisire ale mașinii trebuie să fie menținute libere tot timpul.

Inspectarea produsului necesită o atenție și o competență speciale. Din acest motiv nu însărcinați cu această lucrare decât un tehnician de service calificat. Pentru inspectare și reparații, trimiteți produsul unui punct de service autorizat. Pentru întreținere nu utilizați decât piese de schimb identice.

Înainte de efectuarea lucrărilor de întreținere sau reparații, opriți aparatul și scoateți acumulatorul.

Realizați numai reglajele și reparațiile descrise aici. Pentru toate celelalte lucrări de reparații adresați-vă unui distribuitor autorizat.

Ca bobină pentru firul de schimb utilizați exclusiv fire de nylon pe bobine cu diametrul indicat în aceste instrucțiuni.

După introducerea noului fir de tăiere, înainte de pornire produsul trebuie readus în poziția de funcționare normală.

Curățați produsul după fiecare utilizare, folosind o lavetă uscată și moale. Piesele defecte trebuie reparate, respectiv înlocuite de un punct de service autorizat.

Verificați periodic ca toate piulițele, buloanele și șuruburile să fie strânse corect, pentru a garanta funcționarea sigură a produsului.

Utilizați numai accesorii și piese de schimb Milwaukee. Dacă unele din componente care nu au fost descrise trebuie înlocuite, vă rugăm contactați unul din agenții de service Milwaukee (vezi lista noastră pentru service / garanți).

Dacă este necesar, puteți solicita de la centrul dvs. de service pentru clienți sau direct la Techtronic Industries GmbH, Max-Eyth-Straße 10, 71364 Winnenden, Germania un desen descompus al aparatului prin indicarea tipului de aparat și a numărului cu șase cifre de pe tăblița indicatoare.

SIMBOLURI

	PERICOL! AVERTIZARE! ATENȚIE!
	Vă rugăm citiți cu atenție instrucțiunile înainte de pornirea mașinii
	Îndepărtați acumulatorul înainte de începerea lucrului pe mașina
	Purtați mănuși de protecție!
	Purtați căști de protecție
	Purtați întotdeauna ochelari de protecție când utilizați mașina.
	Purtați întotdeauna îmbrăcăminte de protecție și încălțăminte stabilă.
	Țineți persoanele aflate în preajmă la o distanță sigură față de scula electrică de grădină.
	A nu se utiliza în ploaie și nici nu se lasă afară dacă plouă.
	Aveți grijă la obiectele care, în timpul tăierii, pot fi proiectate în jur de aparat. Respectați o distanță de siguranță suficient de mare față de persoanele din jur.

	Nu utilizați lame din metal pentru acest produs.
	Direcție de rotație
	Piesele sau accesoriile nu sunt conținute în setul de livrare.
	Aparatele electrice, bateriile/acumulatorii nu se elimină împreună cu deșeurile menajere. Aparatele electrice și acumulatorii se colectează separat și se predau la un centru de reciclare, în vederea eliminării ecologice. Informați-vă de la autoritățile locale sau de la comercianții acreditați în legătură cu centrele de reciclare și de colectare.
	Marcă de conformitate europeană
	Marcă de conformitate britanică
	Marcă de conformitate ucraineană
	Marcă de conformitate eurasiatică

ТЕХНИЧКИ ПОДАТОЦИ ТРИМЕР ЗА ТРЕВА НА БАТЕРИИ M18 BLLT

Производен број.....	4779 19 02... ...000001-999999
Број на вртежи без оптеретување, најмал број на вртежи.....	0-4600 min ⁻¹
Број на вртежи без оптеретување, најголем број на вртежи.....	0-6200 min ⁻¹
Макс. Ø конец за сечење.....	2,4 mm
Максимален дијаметар на сечење.....	400 mm
Волтажа на батеријата.....	18 V
Тежина според ЕПТА-процедурата 01/2014 (Li-Ion 5,5 Ah...12,0 Ah).....	5,39...5,85 kg
Препорачана температура на околината при работа.....	-18...+50 °C
Препорачани типови на акумулаторски батерии.....	M18 HB5.5; M18 HB8.0; M18 HB12.0
Препорачани полначи.....	M12-18... M1418C

Информација за бучавата/вибрациите

Измерените вредности се одредени согласно стандардот EN 62841.

А-оценетото ниво на бучава на апаратот типично изнесува:

Ниво на звучен притисок. (Несигурност K=3dB(A)).....	75 dB (A)
Ниво на јачина на звук. (Несигурност K=3dB(A)).....	95 dB (A)

Носте штитник за уши.

Вкупни вибрациски вредности (векторски збир на трите насоки) пресметани согласно EN 62841.

Вибрација на предна рачка.....	< 2.5 m/s ²
Вибрација на задна рачка.....	< 2.5 m/s ²
Несигурност K.....	1.5 m/s ²

ПРЕДУПРЕДУВАЊЕ!

Нивото на вибрации и емисија на бучава дадени во овој информативен лист се измерени во согласност со стандардизиран метод на тестирање даден во EN 62841 и може да се користат за споредување на еден електричен алат со друг. Тие исто така може да се користат при првична проценка на изложеност.

Наведеното ниво на вибрации и емисија на бучава ја претставува главната примена на алатот. Сепак ако алатот се користи за поинакви примени, со поинаков прибор или лошо се одржува, вибрациите и емисијата на бучава може да се разликуваат. Тоа може значително да го зголеми нивото на изложеност преку целиот работен период.

Проценка на нивото на изложеност на вибрации и бучава исто така да се земе предвид кога е исклучен алатот или кога е вклучен, но не врши никаква работа. Тоа може значително да го намали нивото на изложеност преку целиот работен период.

Утврдете дополнителни безбедносни мерки за да се заштити операторот од ефектите на вибрациите и/или бучавата како на пр.: одржувајте го алатот и приборот, рацете нека ви бидат топли, организација на работните шеми.

▲ ПРЕДУПРЕДУВАЊЕ! Прочитајте ги сите безбедносни упатства, инструкции, илустрации и спецификации за овој електричен алат. Недоследно почитување на подолу наведените упатства може да предизвика електричен удар, пожар и/или сериозни повреди.
Сочувајте ги сите безбедносни упатства и инструкции за во иднина.

▲ БЕЗБЕДНОСНИ УПАТСТВА ТРИМЕР ЗА ТРЕВА

- Не користете го уредот во лоши временски услови, особено кога постои опасност од гром.** На тој начин го намалувате ризикот од удар на гром.
- Детално проверете дали има диви животни во областа на примена пред употреба.** Уредот може да ги повреди дивите животни.
- Внимателно проверете ја областа на примена и отстранете камења, гранки, жили, коски или други страни предмети.** Фрлените страни тела може да доведат до повреда.
- Проверете ги уредот за сечење и единицата за сечење да немаат оштетени делови.** Оштетените делови го зголемуваат ризикот од повреда.
- Не отстранувајте ги заштитните уреди.** Заштитните уреди мора да бидат функционални и правилно монтирани. Олабавен, оштетен или неправилно функционирачки заштитен уред може да доведе до повреда.
- Одржувајте ги сите отвори за воздух чисти.** Блокирани или валкани отвори за воздухот ќе доведат до блокирање на уредот и може да предизвикаат пожар.

- Носете заштита за очите и ушите додека го користите уредот.** Носењето соодветна заштитна опрема го намалува ризикот од повреда.
- Секогаш при користење на апаратот носете заштитни нелизгачки чевли. Не ракувајте со уредот боси или со отворени чевли.** Вака ќе спречите повреди на стапалата од контакт со ротирачката единица за сечење.
- Секогаш носете долги панталони кога работите со уредот.** Контактот со ротирачката единица за сечење или конецот за сечење може да предизвика повреда.
- За време на употребата, оддалечете ги настрана другите лица.** Исфрлените делови можат да предизвикаат сериозни повреди.
- Не водете го уредот над висината на половината.** На овој начин, може да се избегне ненамерен контакт со единицата за сечење и подобро да се контролира уредот во неочекувани ситуации.
- Бидете многу внимателни кога сечете влажна трева. Секогаш одете, никогаш не трчајте.** Вака се намалува ризикот од лизгање и паѓање и се спречуваат повреди.
- Не користете го уредот на екстремна стрмина.** Вака се намалува ризикот од губење контрола, лизгање и паѓање и се спречуваат повреди.
- Кога работите на стрмина, осигурете се дека стоите сигурно и секогаш работете напречно на стрмината. Никогаш немојте да работите по должината на стрмината и бидете крајно внимателни при промена на правецот.** Вака се намалува ризикот од губење контрола, лизгање и паѓање и се спречуваат повреди.

- Чувајте ги сите кабли за напојување и продолжителни кабли подалеку од резните површини.** Каблите за напојување или продолжителните кабли скриени под живата ограда и грмушките може ненамерно да бидат исечени или оштетени од единицата за сечење или конецот за сечење.
- Чувајте ги сите делови од телото подалеку од единицата за сечење или конецот за сечење. Исчистете го уредот само откако ќе го извадите приклучокот за напојување.** Ротирачката единица за сечење или конецот за сечење може да предизвикаат сериозни повреди.
- Транспортирајте го уредот само кога е исклучен и држете го подалеку од телото.** Правилната употреба на уредот го намалува ризикот од случаен контакт со ротирачката единица за сечење или конецот за сечење.
- Користете резервни глави за сечење и резервни конци за сечење препорачани само од производителот. Не заменувајте ги единиците за сечење или конците за сечење со метални конци или метални ножеви.** Недозволени резервни делови може да доведат до губење на контролата, оштетување и повреди.

ОСТАНАТИ БЕЗБЕДНОСНИ НАПОМЕНИ

Не користете го уредот без делот за поврзување. Делот за поврзување мора да биде правилно обезбеден при сечење. Употребата на тримерот за трева без делот за поврзување може да предизвика сериозни повреди.

Извадете го батерискиот склоп пред отпочнување на каков и да е зафат врз машината.

Не ги оставајте искористените батерии во домашниот отпад и не горете ги. Дистрибутерите на Милвоки ги собираат старите батерии, со што ја штитат нашата околина.

Не ги чувајте батериите заедно со метални предмети (ризик од краток спој).

Користете исклучиво Систем M18 за полнење на батерии од M18 систем. Не користете батерии од друг систем.

Не ги отворајте насилно батериите и полначите, и чувајте ги само на суво место. Чувајте ги постојано суви.

Киселината од оштетените батериите може да истече при екстреман напон или температури. Доколку дојдете во контакт со исатата, измијте се веднаш со сапун и вода. Во случај на контакт со очите плакнете ги убаво најмалку 10 минути и задолжително одете на лекар.

Предупредување! За да избегнете опасноста од пожар, од наранувања или од оштетување на производот, коишто ги создава краток спој, не ја потопувајте во течност алатката, заменливата батерија или полначот и пазете во уредите и во батериите да не проникнуваат течности. Корозивни или електропроводливи течности, како солена вода, одредени хемикалии, избелувачки препарати или производи кои содржат избелувачки супстанции, можат да предизвикаат краток спој.

СПЕЦИФИЦИРАНИ УСЛОВИ НА УПОТРЕБА

Производот е наменет само за употреба на отворено и од стана на лице во стоечка положба.

Производот е наменет за косење трева, трскот и слична вегетација на ниво на тлото.

При косењето држете го алатот по можност паралелно со површината на почвата.

Немојте го употребувате производот за поткастрување и косење на жива ограда, грмушки или

остраната вегетација, кај кои рамнината на сечење не е паралелна со тлото.

Не го користете овој производ во било кој друг начин освен пропишаниот за нормална употреба.

ЕК-ДЕКЛАРАЦИЈА ЗА СООБРАЗНОСТ

Како производител, изјавуваме под целосна одговорност дека „Техничките податоци“ подолу го опишуваат производот со сите релевантни одредби од регулативите 2011/65/EY (RoHS), 2014/30/E3, 2006/42/E3, 2000/14/EC, 2005/88/EC и се усогласени со следниве хармонизирани регулаторни документи:

EN 62841-1:2015
EN 60335-1:2012+A11:2014+A13:2017
EN 50636-2-91:2014
EN 55014-1:2017+A11:2020
EN 55014-2:2015
EN IEC 63000:2018

Измерено ниво на јачина на звук: 94 dB(A)
Гарантирано ниво на јачина на звук: 96 dB(A)

Процедурата за оценување на сообразноста согласно 2000/14/EC ќе ја најдете во прилог V.

Notified Body:
DEKRA Certification B.V. (0344)
Meander 1051/P.O.Box 5185
6825 MS ARNHEIM/6802 ED ARNHEIM
Netherlands

Winnenden, 2021-06-14



Alexander Krug
Managing Director



Ополномоштен за составување на техничката документација.

Techtronic Industries GmbH
Max-Eyth-Straße 10
71364 Winnenden
Germany

БАТЕРИИ

Батриите кои не биле користени подолго време треба да се наполнат пред употреба.

Температура повисока од 50°C (122°F) го намалуваат траењето на батериите. Избегнувајте подолго изложување на батериите на високи температури или сонце (ризик од прегревање).

Клемите на полначот и батериите мора да бидат чисти.

За оптимален работен век батериите мора да се наполнат целосно по употреба.

За можно подолг век на траење, апаратите после нивното полнење треба да бидат извадени од апаратот за полнење на батериите.

Во случај на складирање на батеријата подолго од 30 дена: Акумулаторот да се чува на температура од приближно 27°C и на суво место.

Акумулаторот да се складира на приближно 30%-50% од состојбата на наполнетост.

Акумулаторот повторно да се наполни на секои 6 месеци.

ЗАШТИТА ОД ПРЕОПТЕРЕТУВАЊЕ НА ЛИТИУМ-ЈОНСКА БАТЕРИЈА

Батериското пакување е опремено со заштита од преоптоварување што ја штити батеријата од преоптоварување и обезбедува долг работен век. При екстремно висок степен на употреба, електрониката

на батеријата автоматски ја исклучува машината. За да продолжите со работа исклучете ја машината и вклучете ја повторно. Доколку машината не се вклучи повторно, можно е батериското пакување да е испразнето. Тогаш тоа ќе мора да биде наполнето во апаратот за полнење.

ТРАНСПОРТ НА ЛИТИУМ-ЈОНСКИ БАТЕРИИ

Литиум-јонските батерии подлежат на законските одредби за транспорт на опасни материи.

Транспортот на овие батерии мора да се врши согласно локалните, националните и меѓународните прописи и одредби.

- Потрошувачите на овие батерии може да вршат непречен патен транспорт на истите.
- Комерцијалниот транспорт на литиум-јонски батерии од страна на шпедитерски претпријатија подлежат на одредбите за транспорт на опасни материи. Подготовките за шпедиција и транспорт треба да ги вршат исклучиво соодветно обучени лица. Целокупниот процес треба да биде стручно надгледуван.

При транспортот на батерии треба да се внимава на следното:

- Осигурајте се дека контактите се заштитени и изолирани, а сето тоа со цел да се избегнат кратки споеви.
- Внимавајте да не дојде до изместување на батериите во нивната амбалажа.
- Забранет е транспорт на оштетени или протечени литиум-јонски батерии.

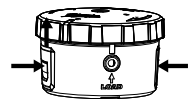
За понатамошни инструкции обратете се до Вашето шпедитерско претпријатие.

МЕНУВАЊЕ НА КОНЕЦОТ ЗА СЕЧЕЊЕ

Користете само конци за сечење MILWAUKEE (видете во делот „Технички податоци“). Користете или конец за сечење долг 6 m и дебелина 2,4 mm или конец со должина 7,6 m и дебелина 2 mm. Упатство: Кога се користи на абразивни или густо обраснати површини, конецот за сечење се троши побрзо.

За замена на конецот за сечење, видете го делот со илустрации.

При нормални услови на работа, преостанатиот конец ќе биде исфрлен од главата за сечење за време на работата. За да го отстраните остатокот од конецот или да поставите нов конец за сечење, свртете го тримерот за трева за 180°, притиснете ги јазичињата за да го отклучите и извадете го капакот.



Отстранете го краткиот конец. Потоа, вратете го капакот на главата за сечење и прицврстете го со јазичињата.

ОДРЖУВАЊЕ

Вентилациските отвори на машината мора да бидат комплетно отворени постојано.

Инспекцијата на производот изискува екстремна грижливост и стручно знаење. Оваа работа по секоја цена препуштете му ја на квалификуван сервисер техничар. Производот, со цел негова инспекција или поправка, испратете го до овластениот сервисер. За негово сервисирање користете идентични резервни делови.

Пред да се изврши сервисирање или чистење на уредот, потребно е истиот да се исклучи и да се извади батеријата.

Извршете ги само оние подесувања и поправки што се опишани тука. За ситр други видови поправки обратете се до овластен специјализиран дилер.

Како резервен калап со конец користете само најлонски конец на калап со дијаметар наведен во упатството.

По вметнувањето на новиот конец за сечење, пред да се стартува производот потребно е да се доведе во нормалната позиција за работа.

Чистете го производот пред секоја употреба со сува, мека крпа. Оштетените делови да се поправат или да се заменат од страна на овластениот сервис.

Проверете на пропишани растојанија, дали сите навртки, завртки и шrafoви се навлечени уредно, со цел да се овозможи безбедна користење на производот.

Користете само Milwaukee додатоци и резервни делови. Доколку некои од компонентите кои не се опишани треба да бидат заменети, Ве молиме контактирајте ги сервисните агенти на Milwaukee (консултирајте ја листата на адреси).

При потреба може да се побара експлозионен цртеж на апаратот со наведување на машинскиот тип и шестоцифрениот број на табличката со учинокот или во Вашата корисничка служба или директно кај Techtronic Industries GmbH, Max-Eyth-Straße 10, 71364 Winnenden, Германија.

СИМБОЛИ



ВНИМАНИЕ! ПРЕДУПРЕДУВАЊЕ! ОПАСНОСТ!



Ве молиме пред да ја стартувате машината обрнете внимание на упатствата за употреба.



Извадете го батерискиот склоп пред отпочнување на каков и да е зафат врз машината.



Носете ракавици!



Носте штитник за уши.



Секогаш при користење на машината носете ракавици.



Секогаш носете заштитна облека и цврсти чевли.



Држете ги лицата кои што стојат во близина на едно безбедно растојание од градинарскиот апарат.



Не го употребувајте кога врне ниту пак оставајте го во тој случај надвор.



Внимавајте на предмети, кои што може да бидат оттурнати од уредот. Внимавајте на тоа да се одржува доволно големо безбедно растојание од лицата што стојат во близина.



За овој производ не користете метални секачи.



Правец на движење



Резервни делови и прибор не влегуваат во рамките на испораката на производот.



Електричните апарати и батериите што се полнат не смеат да се фрлат заедно со домашниот отпад. Електричните апарати и батериите треба да се собираат одделно и да се однесат во соодветниот погон заради нивно фрлање во склад со начелата за заштита на околината. Информирајте се кај Вашите местни служби или кај специјализираниот трговски претставник, каде има такви погони за рециклажа и собирни станици.



Европска ознака за сообразност



Британска ознака за сообразност



Украинска ознака за сообразност



Евроазиска ознака за сообразност

ТЕХНІЧНІ ДАНІ	АКУМУЛЯТОРНА ГАЗОНОКОСАРКА	M18 BLLT
Номер виробу.....	4779 19 02... ...00001-999999	
Швидкість обертання на холостому ході, низькі оберти	0-4600 min ⁻¹	
Швидкість обертання на холостому ході, високі оберти	0-6200 min ⁻¹	
Макс. діаметр різальної струни.....	2,4 mm	
Товщина різання, макс.	400 mm	
Напруга змінної акумуляторної батареї	18 V	
Вага згідно з процедурою ЕРТА 01/2014 (Li-Ion 5,5 Ah...12,0 Ah)	5,39...5,85 kg	
Рекомендована температура довкілля під час роботи	-18...+50 °C	
Рекомендовані типи акумуляторів	M18 HB5.5; M18 HB8.0; M18 HB12.0	
Рекомендовані зарядні пристрої.....	M12-18... M1418C	

Шум / інформація про вібрацію

Виміряні значення визначені згідно з EN 62841.

Рівень шуму "А" приладу становить в типовому випадку:

Рівень звукового тиску (похибка К = 3 дБ(А))..... 75 дБ (А)

Рівень звукової потужності (похибка К = 3 дБ(А))..... 95 дБ (А)

Використовувати засоби захисту органів слуху!

Сумарні значення вібрації (векторна сума трьох напрямків), встановлені згідно з EN 62841.

Вібрація на передньому руків'ї..... < 2,5 m/s²

Вібрація на задньому руків'ї..... < 2,5 m/s²

похибка К = 1,5 m/s²

ПОПЕРЕДЖЕННЯ!

Заявлені значення шумового випромінювання, вказані в цьому інформаційному аркуші, було виміряно відповідно до стандартизованого випробування згідно з EN 62841 та можуть використовуватися для порівняння одного інструмента з іншим. Вони також можуть використовуватися для попередньої оцінки рівня впливу на організм.

Вказані значення вібрації та шумового випромінювання дійсні для основних областей застосування інструмента. Якщо інструмент використовується в інших областях застосування чи з іншим приладом або не проходить належне обслуговування, значення вібрації та шумового випромінювання можуть відрізнятись. Це може суттєво збільшити рівень впливу на організм протягом загального періоду роботи.

Під час оцінки рівня впливу вібрації та шумового випромінювання на організм також необхідно враховувати періоди, коли інструмент вимкнено, чи коли він працює, але фактично не використовується для виконання роботи. Це може суттєво знизити рівень впливу на організм протягом загального періоду роботи.

Визначте додаткові заходи для захисту оператора від впливу вібрації та/або шуму, наприклад, обслуговування інструмента та його приладдя, зберігання рук у теплі, організація графіків роботи.

▲ УВАГА! Ознайомитись з усіма попередженнями з безпечного використання, інструкціями, ілюстративним матеріалом та технічними характеристиками, які надаються з цим електричним інструментом. Недотримання всіх наведених нижче інструкцій може призвести до ураження електричним струмом, пожежі та/або важких травм. Зберігайте всі вказівки з техніки безпеки та інструкції на майбутнє.

▲ ІНСТРУКЦІЇ З БЕЗПЕКИ ДЛЯ ГАЗОНОКОСАРКИ

a) Не користуйтеся газонокосаркою в погану погоду, особливо під час грози з блискавками. Так ви зменшите ризик потрапити під блискавку.

b) Перед використанням ретельно перевірте, щоб на місці використання не було живих тварин. Цим пристроєм можна травмувати диких тварин.

c) Ретельно огляньте місце використання та видаліть камені, палички, дроти, кістки або інші сторонні предмети. Відкинуті сторонні предмети можуть призвести до травм.

d) Перед використанням перевірте різальний пристрій і різальний механізм на наявність пошкоджених деталей. Пошкоджені деталі збільшують ризик травмування.

e) Забороняється знімати захисні пристрої. Захисні пристрої повинні бути працездатними й змонтованими за інструкцією. Ненадійно закріплені, пошкоджені або неналежно функціонуючі захисні пристрої може призвести до травм.

f) Тримайте в чистоті всі впускні отвори для охолоджувального повітря. Заблоковані або забруднені отвори для впуску повітря можуть спричинити перегрівання пристрою й пожежу.

g) Під час використання пристрою завжди носіть захист очей і органів слуху. Використання відповідного захисного спорядження зменшує ризик отримання травм.

h) Під час роботи з пристроєм завжди носіть нековзке захисне взуття. Не використовуйте пристрій босоніж або у відкритому взутті. Це дозволить уникнути травм ніг через контакт з різальним пристроєм, що обертається.

i) Під час роботи з пристроєм завжди носіть довгі штани. Контакт з різальним пристроєм, що обертається, або з різальною ліскою може призвести до травм.

j) Під час використання пристрою інші люди повинні триматися на безпечній відстані. Деталі, що відлітають, можуть заподіяти важкі травми.

k) Забороняється вести пристрій вище рівня стегон. Так можна уникнути випадкового контакту з різальним пристроєм і краще контролювати пристрій в неочікуваних ситуаціях.

l) Під час піднізання мокрої трави слід діяти дуже обережно. Завжди йдіть, ніколи не біжіть. Це дозволить уникнути ризику посковзнутися і впасти й уникнути травм.

m) Забороняється використовувати пристрій на дуже крутих схилах. Це дозволить зменшити ризик втратити контроль, посковзнутися, впасти й отримати травми.

n) Під час роботи на схилі надійно стійте на ногах і завжди працюйте поперек схилу. За жодних обставин не працюйте вздовж схилу і будьте максимально обережні, змінюючи напрямок руху. Це дозволить зменшити ризик втратити контроль, посковзнутися, впасти й отримати травми.

o) Тримайте мережеві й видовжувальні кабелі на відстані від зони різання. Мережеві й видовжувальні кабелі, замасковані поміж кущів, можуть несподівано попасти під різальний пристрій або різальну ліску, які можуть пошкодити або перерізати кабелі.

p) Тримайте всі частини тіла подалі від різального пристрою або різальної ліски. Розпочинайте очищення пристрою лише після того, як від'єднаєте мережеву вилку від розетки. Різальний пристрій або різальна ліска можуть важко транспортувати.

q) Транспортуйте пристрій лише у вимкненому стані, тримайте його на безпечній відстані від тіла. Поводження з пристроєм згідно з інструкціями зменшує ризик ненавмисного контакту з різальним пристроєм або різальною ліскою, що обертаються.

r) Використовуйте тільки рекомендовані виробником різальні головки й запасні ліски. Забороняється замінювати різальні пристрої або різальні ліски металевими нитками або металевими ножами. Використання заборонених запасних частин може призвести до втрати контролю, пошкодженя і травм.

ІНШІ ВКАЗІВКИ З ТЕХНІКИ БЕЗПЕКИ

Забороняється використовувати пристрій без з'єднувального елемента. Під час різання з'єднувальний елемент повинен бути належно закріплений. Використання газонокосарки без з'єднувального елемента може призвести до важких травм.

Перед будь-якими роботами на машині виїняти змінну акумуляторну батарею

Відпрацьовані знімні акумуляторні батареї не можна кидати у вогонь або викидати з побутовими відходами. Milwaukee пропонує утилізацію старих знімних акумуляторних батарей, безпечно для довкілля; зверніться до свого дилера.

Не зберігати знімні акумуляторні батареї разом з металевими предметами (небезпека короткого замикання).

Знімні акумуляторні батареї системи M18 заряджати лише зарядними пристроями системи M18. Не заряджати акумуляторні батареї інших систем.

Не відкривати знімні акумуляторні батареї і зарядні пристрої та зберігати їх лише в сухих приміщеннях. Берегти від вологи.

При екстремальному навантаженні або при екстремальній температурі з пошкодженої змінної акумуляторної батареї може витікати електроліт. При потрапленні електроліту на шкіру його негайно необхідно змити водою з милом. При потрапленні в очі їх необхідно негайно ретельно промити, щонайменше 10 хвилин, та негайно звернутися до лікаря.

Попередження! Для запобігання небезпеці пожежі в результаті короткого замикання, травмам і пошкодженню виробів не занурюйте інструмент, змінний акумулятор або зарядний пристрій у рідину і не допускайте потраплення рідини всередину пристроїв або акумуляторів. Корозійні і струмопровідні рідини, такі як солоний розчин, певні хімікати, вибілювальні засоби або продукти, що їх містять, можуть призвести до короткого замикання.

ВИКОРИСТАННЯ ЗА ПРИЗНАЧЕННЯМ

Продукт призначений тільки для використання за межами приміщень і розрахований на використання людиною стоячи.

Продукт підходить для різання трави, бур'янів або аналогічних рослин на рівні землі.

Під час різання рухайте пристрій якомога паралельно поверхні землі.

Не використовуйте продукт для різання або обрізки живих парканів, кущів або інших рослин, для яких площина різання не буде паралельна поверхні землі.

Цей прилад можна використовувати тільки за призначенням так, як вказано в цьому документі.

ДЕКЛАРАЦІЯ ЄС ПРО ВІДПОВІДНІСТЬ

Як виробник, ми заявляємо на власну відповідальність, що виріб, описаний у "Технічних даних", відповідає всім застосованим положенням директив 2011/65/EU (RoHS), 2014/30/EU, 2006/42/EG, 2000/14/EC, 2005/88/EC та наступним гармонізованим нормативним документам:

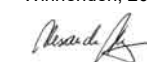
EN 62841-1:2015
EN 60335-1:2012+A11:2014+A13:2017
EN 50636-2-91:2014
EN 55014-1:2017+A11:2020
EN 55014-2:2015
EN IEC 63000:2018

Вимірюваний рівень звукової потужності: 94 дБ(А)
Гарантований рівень звукової потужності: 96 дБ(А)

Порядок оцінки відповідності згідно з 2000/14/EC Додаток V.

Уповноважений орган:
DEKRA Certification B.V. (0344)
Meander 1051/P.O.Box 5185
6825 MS ARNHEIM/6802 ED ARNHEIM
Netherlands

Winnenden, 2021-06-14



Alexander Krug
Managing Director



Уповноважений ІЗ складання технічної документації.

Techronic Industries GmbH
Max-Eyth-Straße 10
71364 Winnenden
Germany

АКУМУЛЯТОРНІ БАТАРЕЇ

Знімні акумуляторну батарею, що не використовувалася тривалий час, перед використанням необхідно підзарядити.

Температура понад 50 °C зменшує потужність змінної акумуляторної батареї. Уникайте тривалого нагрівання сонячними променями або системною обігріву.

З'єднувальні контакти зарядного пристрою та змінної акумуляторної батареї повинні бути чистими.

Для забезпечення оптимального строку експлуатації акумуляторні батареї після використання необхідно повністю зарядити.

Для забезпечення максимально можливого терміну експлуатації акумуляторні батареї після зарядки необхідно виймати з зарядного пристрою.

При зберіганні акумуляторної батареї понад 30 днів: Зберігати акумуляторну батарею при температурі приблизно 27 °C в сухому місці. Зберігати акумуляторну батарею в стані зарядки

приблизно 30-50 %.

Кожні 6 місяців заново заряджати акумуляторну батарею.

ЗАХИСТ ЛІТІЙ-ІОННОГО АКУМУЛЯТОРНОЇ БАТАРЕЇ ВІД ПЕРЕВАНТАЖЕННЯ

Акумуляторний блок оснащений захистом від перевантаження, який захищає акумуляторну батарею від перевантаження і забезпечує тривалий термін експлуатації.

При надзвичайно великих навантаженнях електроніка акумуляторної батареї автоматично вимикає машину. Для продовження роботи вимкнути і знов увімкнути машину. Якщо машина не вмикається, можливо, розряджений акумуляторний блок, його необхідно знову зарядити в зарядному пристрої.

ТРАНСПОРТУВАННЯ ЛІТІЙ-ІОННИХ АКУМУЛЯТОРНИХ БАТАРЕЙ

Літій-іонні акумуляторні батареї підпадають під законоположення про перевезення небезпечних вантажів.

Транспортування таких акумуляторних батарей повинно відбуватися із дотриманням місцевих, національних та міжнародних приписів та положень.

- споживачі можуть без проблем транспортувати ці акумуляторні батареї по вулиці.
- Комерційне транспортування літій-іонних акумуляторних батарей експедиторськими компаніями підпадає під положення про транспортування небезпечних вантажів. Підготовку до відправлення та транспортування можуть здійснювати виключно особи, які пройшли відповідне навчання. Весь процес повинні контролювати кваліфіковані фахівці.

При транспортуванні акумуляторних батарей необхідно дотримуватись зазначених далі пунктів:

- Переконайтеся в тому, що контакти захищені та ізольовані, щоб запобігти короткому замиканню.
- Слідкуйте за тим, щоб акумуляторна батарея не переміщувалася всередині упаковки.
- Пошкоджені акумуляторні батареї, або акумуляторні батареї, що потекли, не можна транспортувати.

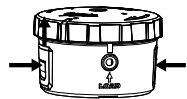
Для отримання подальших вказівок звертайтеся до своєї експедиторської компанії.

ЗАМІНА РІЗАЛЬНОЇ ЛІСКИ

Використовуйте лише різальну ліску виробництва фірми MILWAUKEE (див. розділ «Технічні характеристики»). Використовуйте різальні ліски лише довжиною 6 м і товщиною 2,4 мм, або довжиною 7,6 м і товщиною 2 мм. Вказівка. Під час використання на абразивних або сильно зарослих поверхнях різальна ліска швидше зношується.

Заміна різальної ліски показана на малюнку.

За нормальних умов експлуатації залишки ліски під час експлуатації викидаються з різальної головки. Щоб видалити залишки ліски або вставити нову різальну ліску, розверніть газонокосарку на 180°, для розблокування натисніть спеціальні пластинки і зніміть кришку.



Видаліть короткі залишки ліски. Потім знову встановіть кришку на різальну головку і прослідкуйте, щоб вона зафіксувалася спеціальними пластинками.

ОБСЛУГОВУВАННЯ

Завжди підтримувати чистоту вентиляційних отворів.

Огляд продукту вимагає особливої обережності й майстерності. Цю роботу повинен неодмінно виконувати кваліфікований фахівець з обслуговування. Надішліть продукт для проведення огляду та ремонту до авторизованого сервісного центру. При проведенні техобслуговування використовуйте тільки оригінальні запчастини.

Перед проведенням технічного обслуговування і очищення вимкніть пристрій і витягніть акумулятор.

Виконуйте тільки описані тут налаштування і ремонт. Для всіх інших ремонтних робіт зверніться до уповноваженого дилера.

Використовуйте як запасну котушку зі струнами тільки нейлонові струни на котушці діаметром, зазначеним у цій інструкції.

Після надягання нової різальної струни до початку експлуатації продукт знову встановити в звичайне робоче положення.

Після кожного використання очистіть продукт за допомогою м'якої сухої тканини. Пошкоджені деталі повинні бути відремонтовані або замінені в авторизованому сервісному центрі.

Регулярно перевіряйте, щоб усі гайки, болти і гвинти були надійно затягнуті для забезпечення безпечної експлуатації виробу.

Використовувати тільки комплектуючі та запчастини Milwaukee. Деталі, заміна яких не описується, замінювати тільки в відділі обслуговування клієнтів Milwaukee (зверніть увагу на брошуру "Гарантія / адреси сервісних центрів").

У разі необхідності можна запросити креслення з зображенням вузлів машини в перспективному вигляді, для цього потрібно звернутися в ваш відділ обслуговування клієнтів або безпосередньо в Techtronic Industries GmbH, Max-Eyth-Straße 10, 71364 Winnenden, Німеччина, та вказати тип машини та шестизначний номер на фірмовій табличці з даними машини.

СИМВОЛИ



УВАГА! ПОПЕРЕДЖЕННЯ! НЕБЕЗПЕЧНО!



Уважно прочитайте інструкцію з експлуатації перед введенням пристрою в дію.



Перед будь-якими роботами на машині вийняти змінну акумуляторну батарею



Носити захисні рукавиці!



Використовувати засоби захисту органів слуху!



Під час роботи з машиною завжди носити захисні окуляри.



Завжди носіть захисний одяг і міцне взуття.



Люди, що знаходяться поблизу, повинні триматися на безпечній відстані від садового приладу.



Не використовувати під час дощу і не залишати назовні, коли йде дощ.



Слідкуйте за предметами, які можуть бути відкинуті приладом. Дотримуйтесь досить великої безпечної дистанції для людей з оточення.



У цьому виробі не використовуйте металеві різакі.



Напрямок обертання



Деталі та приладдя не входять до комплексу поставки.



Електроприлади, батареї/акумулятори заборонено утилізувати разом з побутовим сміттям.

Електричні прилади і акумулятори слід збирати окремо і здавати в спеціалізовану компанію для утилізації відповідно до норм охорони довкілля. Зверніться до місцевих органів або до вашого дилера, щоб отримати адреси пунктів вторинної переробки та пунктів прийому.



Європейський знак відповідності





Британський знак відповідності









Український знак відповідності



Євразійський знак відповідності

	لا تستخدم في هذا المنتج خيط قص معدني.
	اتجاه الدوران
	العبوة الموردة لا تتضمن أجزاء أو مستلزمات إضافية.
	يحظر التخلص من الأجهزة الكهربائية والبطاريات/البطاريات القابلة للشحن في القمامة المنزلية. يجب جمع الأجهزة الكهربائية والبطاريات القابلة للشحن منفصلة وتسليمها للتخلص منها بشكل لا يضر بالبيئة لدى شركة إعادة استغلال. الرجاء الاستفسار لدى الهيئات المحلية أو لدى التجار المتخصصين عن مواقع إعادة الاستغلال ومواقع الجمع.
	علامة التوافق الأوروبية
	علامة التوافق البريطانية
	علامة التوافق الأوكرانية
	علامة التوافق الأوروبية الآسيوية

بعد إدخال خيط القص في الموضع المخصص له، ضع المنتج مرة أخرى قبل بدأ التشغيل في موضع التشغيل المعتاد.
نظف المنتج بعد كل استخدام بقطعة جافة رقيقة. الأجزاء التي بها أضرار يجب إصلاحها أو استبدالها من جهة خدمة معتمدة.
تأكد على فترات منتظمة، أن الصواميل والمسامير القلاووظ والبراغي ثابتة بشكل صحيح لضمان سلامة تشغيل المنتج.
استخدم فقط ملحقات ميلوكي وكذلك قطع غيار ميلوكي. إذا كانت المكونات التي يجب تغييرها غير مذكورة، يرجى الاتصال بأحد عملاء صيانة ميلوكي (انظر قائمة عناوين الضمان/الصيانة الخاصة بنا).
عند الحاجة يمكن طلب رمز انفجار الجهاز بعد ذكر طراز الآلة والرقم السداسي المذكور على بطاقة طاقة الآلة لدى جهة خدمة العملاء أو مياثرة لدى شركة
Techronic Industries GmbH
Max-Eyth-Straße 10
Winnenden 71364
ألمانيا

	تنبيه! تحذير! خطر!
	يرجى قراءة التعليمات بعناية قبل بدء تشغيل الجهاز.
	قم بإزالة حزمة البطارية قبل البدء في أي أعمال على الجهاز.
	ارتد القفازات!
	ارتد واقبات الأذن!
	ارتد دائماً نظارات الوقاية عند استخدام الجهاز.
	ارتدي دائماً ملابس واقية وحذاء صلب.
	قم بإبعاد المارة إلى مسافة آمنة عن الماكينة.
	تجنب الاستخدام تحت الأمطار أو تركه بالخارج إذا كان الجو ممطراً.
	أحذر الأشياء التي يمكن تطايرها من خلال الجهاز. أحرص على مسافة آمنة كافية للأشخاص المحيطين بك.

البيانات الفنية	أداة قص حشائش تعمل بالبطارية	M18 BLTT
إنتاج عدد.....	4779 19 02.....	...000001-999999
عدد دورات سرعة الحمل الخالي، عدد دورات منخفض.....	0-4600 min ⁻¹	
عدد دورات سرعة الحمل الخالي، عدد دورات مرتفع.....	0-6200 min ⁻¹	
أقصى قطر ٥ لخيوط القص.....	2.4 mm	
الحد الأقصى لثقل القطع بقطر.....	400 mm	
فولطية البطارية.....	18 V	
الوزن وفقاً لنهج EPTA رقم 01/2014 (Li-Ion 5.5 Ah... 12.0 Ah).....	5,39...5,85 kg	
درجة حرارة الجو المحيط المنصوح بها عند العمل.....	-18...+50 °C	
طراز البطارية المنصوح به.....	M18 HB5.5; M18 HB8.0; M18 HB12.0	
جهاز الشحن المنصوح به.....	M12-18..., M1418C	

معلومات الضوضاء/الذبذبات

القيم التي تم قياسها محددة وفقاً للمعايير الأوروبية EN 62841 مستويات ضوضاء الجهاز، ترجيحاً أ بشكل نموذجي كالتالي:

مستوى ضغط الصوت (الارتباب في القياس = 3 ديسيبل ((A))	75 dB (A)
مستوى شدة الصوت (الارتباب في القياس = 3 ديسيبل ((A))	95 dB (A)

ارتد و أقيمت الأذن!

قيّم الذبذبات الإجمالي (مجموع الكميات الموجهة في المحاور الثلاثة) محددة وفقاً للمعايير الأوروبية EN 62841.

ذبذبات في المقيض الأمامي.....	< 2.5 m/s ²
ذبذبات في المقيض الخلفي.....	< 2.5 m/s ²
الارتباب في القياس.....	1.5 m/s ²

تحذير!

تم قياس مستوى الاهتزاز وانبعثات الضوضاء الوارد في ورقة المعلومات هذه، وفقاً لاختبار قياسي محدد في المواصفة EN 62841، ويمكن استخدامه لمقارنة آلة مع أخرى.. كما يمكن استخدام ذلك أيضاً في إجراء تقييم أولي للتعرض.

يمثل مستوى الاهتزاز وانبعثات الضوضاء المعدل عنه الاستخدامات الأساسية للألة. ومع ذلك، إذا استعملت الآلة في استخدامات مختلفة، أو بملحقات مختلفة، أو تم صيانتها على نحو سيئ، فقد يختلف مستوى الاهتزاز وانبعثات الضوضاء. وهذا قد يزيد -إلى حد كبير- من مستوى التعرض خلال مدة العمل الإجمالية.

عند تقييم مستوى التعرض للاهتزاز والضوضاء، ينبغي أيضاً أن يوضع في الاعتبار فترات إطفاء الآلة أو تشغيلها دون أن تقوم بأي وظيفة فعلياً. فهذا قد يقلل -إلى حد كبير- من مستوى التعرض خلال مدة العمل الإجمالية.

تعرف على تدابير السلامة الإضافية؛ لحماية المشغل من تأثيرات الاهتزاز أو الضوضاء أو كليهما، مثل: صيانة الآلة وملحقاتها، والحفاظ على دهاء البدن، وتنظيم نماذج العمل.



تحذير! اقرأ جميع تحذيرات الأمان والتعليمات والصور والمواصفات الواردة مع هذه المعدة الكهربائية. المخالفة في اتباع التعليمات المذكورة أسفله قد يكون نتيجتها صدمة كهربائية، حرق و / أو إصابة بالغة. احتفظ بجميع التنبيهات والتعليمات للرجوع إليها مستقبلاً.

إرشادات الأمان لمنحلق قص الحشائش

- لا تستخدم الجهاز في الطقس السيئ، وعلى الأخص إذا كان هناك تهديد بخطر حدوث برق. على هذا النحو تتجنب خطر الإصابة بصعقة برقية.
- أفضل مكان الاستخدام قبل الاستخدام عما إذا كان به حيوانات برية حية. الجهاز يمكن أن يجرح الحيوانات البرية.
- أفضل مكان الاستخدام بعناية وتخلص من الأحجار والعصيان والأسلاك والعظام أو أي أجسام غريبة أخرى. الاجسام الغريبة المقذوفة بعيداً يمكن أن تؤدي إلى الإصابة بجروح.
- أفضل أداة القص ووحدة القص قبل الاستخدام إذا كان بالأجزاء ضرر. الأجزاء التي بها ضرر تزيد من خطر الإصابة بجروح.
- لا تترع أدوات الحماية. أدوات الحماية يجب أن تكون قادرة على الأداء وتم تركيبها وفقاً للتعليمات. أداة الحماية الغير منيطة جيداً والتي بها ضرر أو التي لا تعمل بشكل صحيح يمكن أن تؤدي للإصابة بجروح.
- أحرص على أن تكون جميع منافذ هواء التبريد نظيفة. منافذ إدخال الهواء الملوثة أو المعطلة تؤدي إلى السخونة المفرطة في الجهاز ويمكن أن تتسبب في حريق.
- أثناء استخدام الجهاز ارتدي واقي للعين والأذن. إن ارتداء أدوات حماية مناسبة يحد من خطر الإصابة بجروح.
- عند العمل بالجهاز ارتدي دائماً حذاء أمان يمنع التزحلق. لا تستخدم الجهاز بأقدام حافية أو بحداء مفتوح. على هذا النحو تتجنب إصابة الأقدام بجروح من خلال ملامسة أداة القص التي تدور.
- عند العمل بالجهاز ارتدي دائماً بنظون طويل. ملامسة أداة القص التي تدور أو خيط القص يمكن أن يؤدي إلى الإصابة بجروح.
- يلزم إبعاد الأشخاص المتواجدين حولك أثناء استخدام. الأجزاء المتطايرة قد تتسبب في إصابات حادة.

تحذيرات سلامة إضافية

لا تستخدم الجهاز بدون قطعة التوصيل. عند القص يجب تجنب تأمين قطعة التوصيل بشكل صحيح. استخدام منجلة قص الحشائش بدون قطعة توصيل يمكن أن يؤدي إلى إصابات شديدة.

قم بإزالة حزمة البطارية قبل البدء في أي أعمال على الجهاز.

لا تتخلص من البطاريات المستعملة مع النفايات المنزلية أو بحرقها. يقدم موزع ميلوكي خدمة استعادة البطاريات القديمة لحماية البيئة.

لا تقم بتخزين البطارية مع الأشياء المعدنية (خطر قصر الدائرة)..

استخدم فقط شواحن System M18 لشحن بطاريات System M18. لا تستخدم بطاريات من أنظمة أخرى.

لا تقم أبداً بفتح قفل البطارية والشواحن ولا تخزينهم إلا في غرف جافة. وحافظ عليها جاف طوال الوقت.

قد يتسرب حامض البطارية من البطاريات التالفة في ظروف الحمل الزائد بدرجة كبيرة أو في درجات الحرارة الشديدة، في حالة ملامسة حامض البطارية اغسل يدك فوراً بالماء والصابون. في حالة ملامسة السائل للعينين اشطفهما جيداً لمدة 10 دقائق على الأقل واطلب العناية الطبية فوراً.

تحذير! لتجنب أخطار الحريق أو الإصابة أو الإضرار بالمنتج التي تنجم عن الماس الكهربائي، لا تعمر الأداة أو البطارية القابلة للاستبدال أو جهاز الشحن في السوائل وأحرص على أن لا تصل السوائل إلى داخل الجهاز والبطارية. السوائل المؤدية للتآكل أو الموصلة للتيار الكهربائي، مثل الماء المالح ومركبات كيميائية معينة ومواد التبييض أو المنتجات التي تشتمل على مواد تبيض، يمكن أن تؤدي إلى حدوث ماس كهربائي.

شروط الاستخدام المحددة

المنتج مخصص للاستخدام في الخلاء ومن خلال شخص وفاقاً.

المنتج مناسب لقص الحشائش أو الأعشاب أو النباتات المشابهة على مستوى الأرض.

قم بتحرك الجهاز عند القص بشكل متوازي لسطح الأرض بقدر الإمكان.

لا تستخدم المنتج لقص أو تقليم السياج النباتي أو الشجيرات أو أي نباتات أخرى لا يكون فيها مستوى القص غير متوازي مع الأرض.

لا تستخدم هذا المنتج بأي طريقة أخرى غير مصرح بها للاستخدام العادي.

إقرار المطابقة وفقاً للوائح الاتحاد الأوروبي

بموجب هذا نقر نحن كشركة منتجة على مسؤوليتنا المنفردة، أن المنتج الموصوف الغير متعمدة لأداة القص والتحكم في الجهاز بشكل أفضل في المواقف الغير متوقعة.

تحت "البيانات الفنية" يتطابق جميع التعليمات الهامة للمعايير
, 2011/65EU, 2014/30/EG, 2006/42/EG / 2000/14
ومع مستندات التوافق المعياري التالية:

EN 62841-1:2015
EN 60335-1:2012+A11:2014+A13:2017
EN 50636-2-91:2014
EN 55014-1:2017+A11:2020
EN 55014-2:2015
EN IEC 63000:2018

مستوى شدة الصوت الذي تم قياسه: 94 dBa

مستوى شدة الصوت خلال فترة الضمان: 96 dBa

عملية تقييم التوافق تمت تبعاً للمعايير EG/2000/14 مرفق ٧.

"الجهات المعتمدة دولياً:

(DEKRA Certification B.V. (0344
Meander 1051/P.O.Box 5185
MS ARNHEIM/6802 ED ARNHEIM 6825
*Netherlands

Winnenden, 2021-06-14


Alexander Krug
Managing Director

معتمدة للمطابقة مع الملف الفني
Techntron Industries GmbH
Max-Eyth-Strasse 10
Winnenden 71364
Germany

البطاريات

يجب إعادة شحن البطارية غير المستخدمة لفترة قبل الاستخدام.

تقلل درجات الحرارة التي تتجاوز 50°سليزيوس (122°فهرنهايت) من أداء البطارية. تجنب التعرض الزائد للحرارة أو أشعة الشمس (خطر التسخين)..

يجب الحفاظ على محتويات الشواحن و البطاريات نظيفة.

للحصول على فترة استخدام مثالية، يجب شحن البطاريات تماماً، بعد الاستخدام.

للحصول على أطول عمر ممكن للبطارية، أزرع البطارية من الشاحن بمجرد شحنها تماماً.

لتخزين البطارية أكثر من 30 يوم:

خزن البطارية بحيث تكون درجة الحرارة أقل من 27° سليزيوس وبعيدا عن أي رطوبة

خزن البطارية مشحونة بنسبة تتراوح بين 30-50 % اشحن البطارية كالمعتاد، وذلك كل سنة أشهر من التخزين.

حماية البطارية LI-ION

البطارية مزودة بحماية ضد الحمل الزائد لحمايتها من زيادة شحنها كهربيا وتساعد على ضمان طول عمرها.

تقوم الكترونات البطارية بإيقاف الجهاز تلقائيا في ظروف الضغط الشديد. لإعادة التشغيل ثانية، قم بإيقاف الجهاز ثم تشغيله مجدداً. إذا لم يبدأ تشغيل الجهاز ثانية، فقد يكون فرغ شحن البطارية تماماً. في هذه الحالة يجب إعادة شحنها بشاحن البطارية.

نقل بطاريات الليثيوم

تخضع بطاريات الليثيوم أيون لشروط قوانين نقل السلع الخطرة.

ويجب نقل هذه البطاريات وفقاً للأحكام والقوانين المحلية والوطنية والدولية.

- يمكن للمستهلك نقل البطاريات برأ دون الخضوع لشروط أخرى.
- يخضع النقل التجاري لبطاريات الليثيوم أيون عن طريق الغير إلى قوانين نقل السلع الخطرة. يتعين أن يقوم أفراد مدربون جيداً بالإعداد لعملية النقل والقيام بها بصحة خبراء مثلهم.

مضى نُقل البطاريات:

- عند التأكد من حماية أطراف توصيل البطارية وعزلها جنباً لحدوث قصر بالدائرة.
- عند التأكد من حماية حزمة البطارية من الحركة داخل صندوق التعبئة.
- يُرجى عدم نقل البطاريات التي بها تشققات أو تسربات.

يُرجى البحث مع شركة الشحن عن نصيحة أخرى

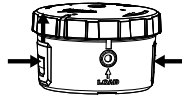
استبدال خيط القص

استخدم فقط خيوط قص من MILWAUKEE (انظر فصل "البيانات الفنية")

استخدم خيط قص إما بطول 6 م وسمك 2.4 مم أو خيط بطول 7,6 م وسمك 2 مم. إرشاد: عند الاستخدام على الأسطح الخشنة أو التي لا تنمو عليها الحشائش بشكل كثيف يتم استهلاك خيوط القص بشكل أسرع.

لاستبدال خيط القص أنظر الجزء الخاص بالصور.

في شروط الاستخدام العادية يتم قذف باقي الخيط من رأس القص أثناء التشغيل. لنزع بقايا الخيط أو وضع خيط قص جديد قم بتدوير منجل قص الحشائش بنسبة 180 درجة، للفتح اضغط على اللسان وأنزع الخيط.



تخلص من بقايا الخيط القصيرة. ثم ضع الغطاء مرة أخرى على رأس القص وأجعلها تأخذ مكانها بإحكام عند اللسان.

الصيانة

يجب أن تكون فتحات تهوية الجهاز نظيفة طوال الوقت.

إن صيانة الجهاز تستلزم عناية فائقة ومعرفة متخصصة. اترك إجراء هذا العمل بالضرورة إلى الفني في خدمة موهل. إرسال المنتج للصيانة أو الإصلاح إلى جهة خدمة معتمدة. للصيانة استخدم فقط قطع غيار مطابقة.

قبل إجراء أعمال الصيانة أو التنظيف، قم بإيقاف الجهاز ونزع البطاية.

قم بإجراء الضبط والإصلاحات الموصوفة هنا فقط. لإجراء جميع أعمال الإصلاح الأخرى يرجى التوجه إلى تاجر متخصص ومعتمد.

استخدم بكرات خيط بديلة من النيلون ملفوفة على بكرات بالنظر المذكور هنا في دليل الاستخدام فقط.

Copyright 2021

Techtronic Industries GmbH
Max-Eyth-Str. 10
71364 Winnenden
Germany

+49 (0) 7195-12-0

www.milwaukeeetool.eu

Techtronic Industries (UK) Ltd
Fieldhouse Lane
Marlow Bucks SL7 1HZ
UK



(06.21)

4931 4704 70