

# RYOBI®

## R18ST50

ORIGINAL INSTRUCTIONS  
TRADUCTION DES INSTRUCTIONS ORIGINALES  
ÜBERSETZUNG DER ORIGINALANLEITUNG  
TRADUCCIÓN DE LAS INSTRUCCIONES ORIGINALES  
TRADUZIONE DELLE ISTRUZIONI ORIGINALI  
VERTALING VAN DE ORIGINELE INSTRUCTIES  
TRADUÇÃO DAS INSTRUÇÕES ORIGINAIS  
OVERSÆTTELSE AF DE ORIGINALE INSTRUKTIONER  
ÖVERSÄTTNING AV DE URSRUNGLIGA INSTRUKTIONERNA  
ALKUPERÄISTEN OHJEIDEN SUOMENOS  
OVERSETTELSE AV DE ORIGINALE INSTRUKSJONENE  
ПЕРЕВОД ОРИГИНАЛЬНЫХ ИНСТРУКЦИЙ  
TŁUMACZENIE INSTRUKCJI ORYGINALNEJ  
PŘEKLAD ORIGINÁLNÍCH POKYNŮ  
AZ EREDETI ÚTMUTATÓ FORDÍTÁSA  
TRADUCEREA INSTRUCȚIUNILOR ORIGINALE  
TULKOTS NO ORIGINĀLĀS INSTRUKCIJAS  
ORIGINALIŲ INSTRUKCIJŲ VERTIMAS  
ORIGINAALJUHENDI TÕLGE  
PRIJEVOD ORIGINALNIH UPUTA  
PREVOD ORIGINALNIH NAVODIL  
PREKLAD ORIGINÁLNYCH POKYNOV  
ПРЕВОД ОТ ОРИГИНАЛНИТЕ ИНСТРУКЦИИ  
PEREKŁAD ORYGINALNYCH INSTRUKCJI  
ORIJ NAL TALIMATLARIN TERCÜMESI  
ΜΕΤΑΦΡΑΣΗ ΤΩΝ ΠΡΩΤΟΤΥΠΩΝ ΟΔΗΓΙΩΝ



EN  
FR  
DE  
ES  
IT  
NL  
PT  
DA  
SV  
FI  
NO  
RU  
PL  
CS  
HU  
RO  
LV  
LT  
ET  
HR  
SL  
SK  
BG  
UK  
TR  
EL





- Important!** It is essential that you read the instructions in this manual before assembling, maintaining and operating the product.
- Attention!** Il est essentiel que vous lisiez les instructions contenues dans ce manuel avant d'assembler, d'entretenir et d'utiliser le produit.
- Achtung!** Es ist wichtig, dass Sie vor Zusammenbau, Wartung und Benutzung des Produktes die Anweisungen in dieser Anleitung lesen.
- ¡Atención!** Resulta fundamental que lea este manual de instrucciones antes de realizar el montaje, el mantenimiento y de utilizar este producto
- Attenzione!** È importante leggere le istruzioni contenute nel presente manuale prima di montare il prodotto, svolgere le operazioni di manutenzione sullo stesso e metterlo in funzione.
- Let op!** Het is van essentieel belang dat u de instructies in deze gebruiksaanwijzing leest voor u het product monteert, onderhoudt en gebruikt.
- Atenção!** É fundamental que leia as instruções deste manual antes da montagem, manutenção e operação do aparelho.
- OBS!** Det er vigtigt, at man læser instrukserne i denne brugsanvisning, inden man samler, vedligeholder og betjener produktet.
- Observera!** Det är viktigt att du läser instruktionerna i manualen före montering, användning och underhåll av produkten.
- Huomio!** On tärkeää, että luet tämän käsikirjan ohjeet ennen tuotteen kokoamista, huoltoa ja käyttöä.
- Advarsel!** Det er vigtigt at du leser instruksjonene i denne manualen før sammensetning, vedlikehold og bruk av produktet
- Внимание!** Необходимо прочитать инструкции в данном руководстве перед сборкой, обслуживанием и эксплуатацией этого изделия.
- Uwaga!** Konieczne należy przeczytać instrukcje zawarte w tym podręczniku przed montażem, obsługą oraz konserwacją produktu.
- Důležité upozornění!** Neinstalujte, neprovádějte údržbu ani nepoužívejte tento výrobek dřív, než si přečtete pokyny uvedené v tomto návodu.
- Figyelem!** Fontos, hogy a termék összeszerelése, karbantartása és használatá elött elolvassa a kézikönyvben található utasításokat.
- Atenție!** Este esențial să citiți instrucțiunile din acest manual înainte de asamblare, efectuarea întreinerii și operarea produsului.
- Uzmanību!** Ir svarīgi izlasīt šīs rokasgrāmatas instrukcijas pirms uzstādīšanas, apkopes un preces darbināšanas.
- Děmesio!** Prieš surenkant, prižiūrint ir naudojant gaminį, būtina perskaityti šiam vadove pateiktus nurodymus.
- Tähtis!** Enne masina kokkupanekut, hooldamist ja kasutama hakkamist tuleb käesolevas juhendis esitatud juhised kindlasti läbi lugeda.
- Upozorenie!** Vrlo je važno da ste prije sklapanja, održavanja i rada s ovim proizvodom pročitali upute u ovom priručniku.
- Pomembno!** Pomembno je da pred montažo vzdrževanjem in uporabo tega izdelka preberete navodila v tem priručniku.
- Upozornenie!** Je dôležité, aby ste si pred montážou, údržbou a obsluhou produktu prečítali pokyny v tomto návode.
- Важно!** Исключительно важно е да прочетете инструкциите в настоящото ръководство, преди да преминете към сглобяване, поддръжка или работа с продукта.
- Важливо!** Дуже важливо, щоб ви прочитали інструкції в цьому керівництві перед складанням, обслуговуванням та експлуатацією цієї машини.
- Dikkat!** Ürünün montajını, bakımını yapmadan ve ürünü çalıştırmadan önce bu kılavuzda yer alan talimatları okumanız önemlidir.
- Προσοχή!** Είναι πολύ σημαντικό να διαβάσετε τις οδηγίες στο παρόν εγχειρίδιο πριν συναρμολογήσετε, συντηρήσετε ή λειτουργήσετε το προϊόν.

Subject to technical modification | Sous réserve de modifications techniques | Technische Änderungen vorbehalten | Bajo reserva de modificaciones técnicas | Con riserva di eventuali modifiche tecniche | Technische wijzigingen voorbehouden | Com reserva de modificações técnicas | Med forbehold for tekniske ændringer | Med förbehåll för tekniska ändringar | Tekniset muutokset varataan | Med forbehold om tekniske endringer | могут быть внесены технические изменения | Z zastrzeżeniem modyfikacji technicznych | Změny technických údajů vyhrazeny | A műszaki módosítás jogát fenntartjuk | Sub rezerva modifiцаiilor tehnice | Paturam tiesības mainīt tehnisko raksturlielumus | Pasiilikant teise daryti techninius pakeitimus | Tehnilised muudatused võimalikud | Podloženo tehničkim promjenama | Tehnične spremembe dopuščene | Právo na technické zmeny je vyhradené | Подлежи на технически модификации | Є об'єктом для технічних змін | Teknik değişiklik hakkı saklıdır | Υπό την επιφύλαξη τεχνικών τροποποιήσεων



Safety, performance, and dependability have been given top priority in the design of your stapler.

### INTENDED USE

The stapler is intended to be used only by adults who have read and understood the instructions and warnings in this manual, and can be considered responsible for their actions.

The stapler is intended to drive staples in soft materials such as wood. The product can be used for:

- driving staples into wood
- with the included accessory, driving staples to secure fencing wire and wire screen
- driving staples for upholstery (fabrics)
- driving staples into plastics
- driving staples into paper and cardboard
- driving staples to secure carpet underlays

The stapler is not suitable for fixing electric cables.

Do not use the product in any way other than those stated for intended use.

**NOTE:** Some timbers (such as very dry hardwood) may require shorter staples to fully drive in.

### ⚠ WARNING

**Read all safety warnings, instructions, illustrations and specifications provided with this power tool.** Failure to follow all instructions listed below may result in electric shock, fire and/or serious injury.

**Save all warnings and instructions for future reference.**

### STAPLER SAFETY WARNINGS

- **Always assume that the product contains fasteners.** Careless handling of the stapler can result in unexpected firing of fasteners and personal injury.
- **Do not point the product towards yourself or anyone nearby.** Unexpected triggering will discharge the fastener causing an injury.
- **Do not actuate the product unless the product is placed firmly against the workpiece.** If the tool is not in contact with the workpiece, the fastener may be deflected away from your target.
- **Disconnect the product from the power source when the fastener jams in the product.** While removing a jammed fastener, the stapler may be accidentally activated if it is plugged in.
- **Use caution while removing a jammed fastener.** The mechanism may be under compression and the fastener may be forcefully discharged while attempting to free a jammed condition.
- **Do not use the stapler for fastening electrical cables.** It is not designed for electric cable installation and may damage the insulation of electric cables thereby causing electric shock or fire hazards.

### ADDITIONAL SAFETY WARNINGS

- Always be aware that misuse and improper handling of the product can cause injury to yourself and others.
- The product is designed for single-hand use. Do not hold the product by the front of the magazine. Do not put hands, head, or other parts of your body near the bottom of the magazine where the fastener exits the product, as serious personal injury could be caused.
- Always ensure that the workpiece contact is fully positioned above the workpiece. Positioning the workpiece contact only partially above the workpiece could cause the fastener to miss the workpiece completely and result in serious personal injury.
- Do not drive fasteners near edge of material. The workpiece may split causing the fastener to ricochet, injuring you or a coworker. Be aware that the fastener may follow the grain of the wood, causing it to protrude unexpectedly from the side of the work material or deflect, possibly causing injury.
- Keep hands and body parts clear of immediate work area. Hold workpiece with clamps when necessary to keep hands and body out of potential harm. Be sure the workpiece is properly secured before pressing the fastener against the material. The workpiece contact may cause the work material to shift unexpectedly.
- Keep face and body parts away from back of the tool cap when working in restricted areas. Sudden recoil can result in impact to the body, especially when stapling into hard or dense material.
- During normal use the product will recoil immediately after driving a fastener. This is a normal function of the product. Do not attempt to prevent the recoil by holding the product against the work. Restriction to the recoil can result in a second fastener being driven from the product. Grip the handle firmly, let the product do the work and do not place second hand on top of the product or near exhaust at any time. Failure to heed this warning can result in serious personal injury.
- Do not drive fasteners on top of other fasteners or with the product at an overly steep angle as this may cause deflection of fasteners which could cause injury.
- Always check the work area for hidden wiring, gas lines, water lines, etc., before using the product on such work area.
- The driving depth of the fastener may be adjusted beyond air pressure. It is advisable to test the depth on a scrap workpiece to determine the required depth for the application.
- Only fasteners matching the description in the product specifications table can be used with the product. Using incorrect fasteners may lead to jamming or other malfunctions.

### DEPTH ADJUSTMENT SAFETY WARNINGS

- Always remove the battery before adjusting the depth of drive.
- Do not pull back on the depth adjustment knob. The knob is designed to be rotated.
- Do not press the trigger while adjusting the depth of drive knob.

EN
FR
DE
ES
IT
NL
PT
DA
SV
FI
NO
RU
PL
CS
HU
RO
LV
LT
ET
HR
SL
SK
BG
UK
TR
EL

- Do not point the product towards yourself or anyone nearby when adjusting the depth of drive.

### ADDITIONAL BATTERY SAFETY WARNINGS

#### WARNING

To reduce the risk of fire, personal injury, and product damage due to a short circuit, never immerse your tool, battery pack or charger in fluid or allow a fluid to flow inside them. Corrosive or conductive fluids, such as seawater, certain industrial chemicals, and bleach or bleach-containing products, etc., can cause a short circuit.

### TRANSPORTING LITHIUM BATTERIES

Transport the battery in accordance with local and national provisions and regulations.

Follow all special requirements on packaging and labelling when transporting batteries by a third party. Ensure that no batteries can come in contact with other batteries or conductive materials while in transport by protecting exposed connectors with insulating, non-conductive caps or tape. Do not transport batteries that are cracked or leaking. Check with the forwarding company for further advice.

### RESIDUAL RISKS

even when the product is used as prescribed, it is still impossible to completely eliminate certain residual risk factors. The following hazards may arise and the operator should pay special attention to avoid the following:

- Damage to hearing  
**Note:** Always wear effective hearing protection and limit exposure to noise.
- Injury to the eyes caused by incorrectly driven fasteners or flying dust and debris.  
**Note:** Always wear suitable eye protection.
- Injury caused by vibration  
**Note:** Hold the product by designated handles and limit exposure to vibration. See Risk Reduction.
- Lacerations caused by contact with sharp points.  
**Note:** Take extra care when handling or loading fasteners.
- The product is heavy.  
**Note:** The product is heavy. Beware of muscle strain when operating the product for extended periods, especially if using overhead.

### RISK REDUCTION

It has been reported that vibrations from handheld tools may contribute to a condition called Raynaud's Syndrome in certain individuals. Symptoms may include tingling, numbness and blanching of the fingers, usually apparent upon exposure to cold. Hereditary factors, exposure to cold and dampness, diet, smoking, and work practices are all thought to contribute to the development of these symptoms. There are measures that can be taken by the operator to possibly reduce the effects of vibration:

- Keep your body warm in cold weather. When operating the product, wear gloves to keep the hands and wrists warm. It is reported that cold weather is a major factor contributing to Raynaud's Syndrome.
- After each period of operation, exercise to increase blood circulation.
- Take frequent work breaks. Limit the amount of exposure per day.

If you experience any of the symptoms of this condition, immediately discontinue use and see your doctor about these symptoms.

#### WARNING

Injuries may be caused, or aggravated, by prolonged use of a tool. When using any tool for prolonged periods, ensure you take regular breaks.

### KNOW YOUR PRODUCT

See page 83.

1. Activation foot
2. Wire and screen accessory
3. Drive force indicator
4. Depth adjustment knob
5. Magazine
6. Switch trigger
7. Handle, insulated gripping surface
8. Belt clip
9. Magazine latch
10. Battery port
11. 14.3 mm staples
12. 6.4 mm staples

### MAINTENANCE

#### WARNING

The product should never be connected to a power supply when you are assembling parts, making adjustments, cleaning, performing maintenance, or when the product is not in use. Disconnecting the product will prevent accidental starting that could cause serious injury.

- When servicing, use only original manufacturer's replacement parts, accessories and attachments. Use of any other parts may create a hazard or cause product damage.
- Do not at any time let brake fluids, gasoline, petroleum-based products, penetrating oils, etc., come in contact with plastic parts. Chemicals can damage, weaken or destroy plastic which may result in serious personal injury.
- Avoid using solvents when cleaning plastic parts. Most plastics are susceptible to various types of commercial solvents and may be damaged by their use. Use clean cloths to remove dirt, carbon dust, etc.
- For greater safety and reliability, all repairs should be performed by an authorised service centre.

## LUBRICATION

All of the bearings in the product are lubricated with a sufficient amount of high grade lubricant for the life span of the product under normal operating conditions. Therefore, no further lubrication is required.

Do not use lubricants on staplers, magazine or driving mechanism. Keep clean.

## ENVIRONMENTAL PROTECTION



Recycle raw materials instead of disposing of as waste. The machine, accessories and packaging should be sorted for environment-friendly recycling.

## SYMBOLS ON THE PRODUCT



Safety alert



CE conformity



Volts



Direct current



EurAsian Conformity Mark



Please read the instructions carefully before starting the machine.



Ukrainian mark of conformity

001



Keep hands away



Wear eye protection



Waste electrical products should not be disposed of with household waste. Please recycle where facilities exist. Check with your local authority or retailer for recycling advice.

## SYMBOLS IN THIS MANUAL



Note



Parts or accessories sold separately

The following signal words and meanings are intended to explain the levels of risk associated with this product:

### DANGER

Indicates an imminently hazardous situation, which, if not avoided, will result in death or serious injury.

### WARNING

Indicates a potentially hazardous situation, which, if not avoided, could result in death or serious injury.

### CAUTION

Indicates a potentially hazardous situation, which, if not avoided, may result in minor or moderate injury.

### CAUTION

(Without Safety Alert Symbol) Indicates a situation that may result in property damage.



Votre agrafeuse a été conçue en donnant priorité à la sécurité, à la performance et à la fiabilité.

### UTILISATION PREVUE

L'agrafeuse est uniquement conçue pour une utilisation par des adultes ayant lu et compris les instructions et avertissements inclus dans le présent manuel et qui peuvent être considérés comme responsables de leurs actes.

L'agrafeuse est destinée à enfoncer des agrafes dans des matériaux tendres tels que le bois. Le produit peut être utilisé pour:

- insérer des agrafes dans le bois
- à l'aide des accessoires fournis, insérer des agrafes pour fixer du grillage et des écrans grillagés
- insérer des agrafes dans des tissus d'ameublement
- insérer des agrafes dans le plastique
- insérer des agrafes dans le papier et le carton
- insérer des agrafes pour fixer les thibaudes de moquette

L'agrafeuse ne convient pas pour fixer les câbles électriques.

Ne vous servez pas de ce produit pour d'autres utilisations que celles décrites au chapitre des utilisations prévues.

**REMARQUE:** Certains bois (tels que le bois dur très sec) peuvent demander des agrafes plus courtes pour permettre un enfoncement complet.

- **Soyez prudent lors du retrait d'une agrafe coincée.** Le mécanisme est susceptible d'être sous pression et l'agrafe peut se voir éjectée avec force lors d'une tentative de déblocage.
- **N'utilisez pas l'agrafeuse pour fixer les câbles électriques.** L'outil n'est pas prévu pour la fixation des câbles électriques car leur isolation est susceptible d'être endommagée, entraînant un risque de décharge électrique ou d'incendie.

### INSTRUCTIONS DE SECURITE ADDITIONNELLES

- Soyez toujours conscient qu'une mauvaise utilisation ainsi qu'une mauvaise manipulation de cet outil peuvent causer des blessures à vous et aux autres.
- Cet outil est conçu pour être utilisé d'une seule main. Ne maintenez pas l'outil par la partie avant du magasin. Ne mettez pas les mains, la tête ou une autre partie du corps à proximité du bas du compartiment où l'agrafe sort, car cela peut provoquer de graves blessures.
- Assurez-vous toujours du bon contact avec la pièce àagrafer. Un contact partiel avec les pièces àagrafer peut entraîner le fait que l'agrafeuse passe totalement à côté de la pièce à fixer et provoque de graves blessures.
- N'introduisez pas d'agrafes sur le bord des matériaux. La pièce àagrafer peut se fendre et faire ricocher l'agrafe, ce qui peut vous blesser ou blesser un collègue. Sachez que la fixation peut suivre les aspérités du bois, ce qui peut provoquer une protubérance inattendue sur le côté de la pièce àagrafer, voire une déviation, et ainsi des blessures potentielles.
- Gardez vos mains et votre corps éloignés du voisinage immédiat de la zone de travail. Maintenez la pièce avec des serre-joints lorsque cela est nécessaire afin de protéger vos mains et votre corps de tout danger potentiel. Assurez-vous du bon maintien de la pièce à fixer avant d'y apposer l'agrafeuse. Le contact avec la pièce à fixer peut entraîner son décalage de façon inattendue.
- Gardez votre visage et votre corps éloignés de l'arrière de l'outil lorsque vous travaillez dans des endroits exigus. Un recul soudain peut provoquer un choc corporel, surtout quand on agrafe des matériaux denses ou durs.
- En cours d'utilisation normale, l'outil subit un recul immédiatement après l'enfoncement d'une agrafe. Ceci est un fonctionnement normal de l'outil. Ne tentez pas d'éviter le recul en maintenant l'agrafeuse contre la pièce àagrafer. En empêchant le recul, vous pourriez provoquer l'insertion d'une deuxième agrafe par le produit. Saisissez fermement la poignée, laissez l'outil faire le travail et ne placez à aucun moment votre deuxième main sur le dessus de l'outil ou à proximité de la zone de sortie. Le non-respect de cet avertissement pourrait entraîner de graves blessures.
- N'agrafez pas par dessus d'autres agrafes ou en donnant trop d'angle à l'outil, ce qui risquerait de provoquer la déviation des agrafes et de possibles blessures.
- Vérifiez toujours l'éventuelle présence de câbles cachés, tuyaux de gaz ou d'eau, etc. avant d'utiliser le

### ⚠ AVERTISSEMENT

**Lisez attentivement l'ensemble des avertissements, instructions et spécifications fournis avec cet outil, et reportez-vous aux illustrations.** Le non-respect des instructions présentées ci-après peut entraîner des accidents tels que des incendies, des décharges électriques et/ou des blessures corporelles graves.

**Conservez tous les avertissements et toutes les instructions pour pouvoir vous y reporter ultérieurement.**

### AVERTISSEMENTS DE SECURITE CONCERNANT L'AGRAFEUSE

- **Considérez toujours que l'outil contient des agrafes.** Une manipulation sans précaution de l'agrafeuse peut entraîner l'émission inattendue d'agrafes et provoquer des blessures.
- **Ne pointez pas l'outil vers vous-même ou quiconque à proximité.** Une pression involontaire sur la gâchette déclenchera l'éjection d'une agrafe, cause de blessures.
- **Ne déclenchez pas l'outil s'il n'est pas pressé fermement contre la pièce à fixer.** Si l'outil n'est pas en contact avec la pièce à fixer, l'agrafe risque d'être déviée de sa cible.
- **Débranchez l'outil de sa source de courant en cas de blocage d'agrafes dans l'outil.** Lors du retrait d'une fixation coincée, l'agrafeuse peut être activée par accident si elle est branchée.





produit.

- La profondeur d'insertion réglée de l'agrafeuse peut être supérieure à la profondeur requise. Il est recommandé de procéder à un test de la profondeur nécessaire sur une chute de matériau.
- N'utilisez avec cet outil que des agrafes correspondant au tableau des caractéristiques du produit. L'utilisation d'agrafes inadaptées peut entraîner un blocage ou d'autres dysfonctionnements.

#### AVERTISSEMENTS DE SECURITE RELATIFS AU REGLAGE DE PROFONDEUR

- Retirez toujours la batterie avant de régler la profondeur d'insertion.
- Ne tirez pas sur le bouton de réglage de la profondeur. Le bouton est conçu pour être tourné.
- N'appuyez pas sur le déclencheur pendant le réglage de la profondeur d'insertion avec le bouton.
- Ne pointez pas l'outil vers vous-même ou quiconque à proximité lors du réglage de profondeur.

#### MISES EN GARDE DE SECURITE SUPPLEMENTAIRES CONCERNANT LA BATTERIE

##### ⚠ AVERTISSEMENT

Pour réduire le risque d'incendie, de blessures corporelles et de dommages causés par un court-circuit, n'immergez jamais l'outil, le bloc de batterie ou le chargeur dans un liquide et ne laissez pas couler un fluide à l'intérieur de celui-ci. Les fluides corrosifs ou conducteurs, tels que l'eau de mer, certains produits chimiques industriels, les produits de blanchiment ou contenant des agents de blanchiment, etc. peuvent provoquer un court-circuit.

#### TRANSPORT DES BATTERIES AU LITHIUM

Transportez les batteries en conformité avec les dispositions et règlements locaux et nationaux.

Respectez toutes les exigences légales particulières concernant l'emballage et l'étiquetage des batteries lorsque vous confiez leur transport à un tiers. Assurez-vous qu'aucune batterie ne puisse entrer en contact avec une autre batterie ou avec des matériaux conducteurs lors de son transport en isolant les bornes électriques avec du ruban adhésif ou des capuchons isolants. Ne transportez pas une batterie qui serait fendue ou qui fuirait. Demandez conseil au transporteur pour de plus amples informations.

#### RISQUES RESIDUELS

Même lorsque le produit est utilisé selon les prescriptions, il reste impossible d'éliminer totalement certains facteurs de risque résiduels. Les dangers suivants risquent de se présenter en cours d'utilisation et l'utilisateur doit prêter particulièrement garde aux points suivants:

- Atteinte à l'audition  
**Remarque:** Portez toujours une protection auditive efficace et limitez l'exposition au bruit.
- Des blessures oculaires provoquées par des agrafes

mal insérées ou des poussières et des débris lancés.

**Remarque:** Portez toujours une protection oculaire adaptée.

- Blessures dues aux vibrations  
**Remarque:** Maintenez l'outil par les poignées destinées à cet effet et limitez l'exposition aux vibrations. Voir "Réduction Des Risques".
- Lacérations provoquées par l'entrée en contact avec des éléments pointus.  
**Remarque:** Une prudence particulière doit être exercée lors de la manipulation ou du chargement des agrafes.
- Le produit est lourd.

**Remarque:** Le produit est lourd. Méfiez-vous de la fatigue musculaire lorsque vous utilisez le produit pendant de longues périodes de temps, surtout si vous l'utilisez en hauteur.

#### REDUCTION DES RISQUES

Il a été reporté que les vibrations engendrées par les outils tenus à main peuvent contribuer à l'apparition d'un état appelé le syndrome de Raynaud chez certaines personnes. Les symptômes peuvent comprendre des fourmillements, un engourdissement et un blanchiment des doigts, généralement par temps froid. Des facteurs héréditaires, l'exposition au froid et à l'humidité, le régime alimentaire, le tabagisme et les habitudes de travail peuvent contribuer au développement de ces symptômes. Certaines mesures peuvent être prises par l'utilisateur pour aider à réduire les effets des vibrations:

- Gardez votre corps au chaud par temps froid. Lorsque vous utilisez l'appareil, portez des gants afin de garder vos mains et vos poignets au chaud. Le temps froid est considéré comme un facteur contribuant très largement à l'apparition du syndrome de Raynaud.
- Après chaque session de travail, pratiquez des exercices qui favorisent la circulation sanguine.
- Faites des pauses fréquentes. Limitez la quantité d'exposition journalière.

Si vous ressentez l'un des symptômes associés à ce syndrome, arrêtez immédiatement le travail et consultez votre médecin pour lui en faire part.

##### ⚠ AVERTISSEMENT

L'utilisation prolongée d'un outil est susceptible de provoquer ou d'aggraver des blessures. Assurez-vous de faire des pauses de façon régulière lorsque vous utilisez tout outil de façon prolongée.

#### APPRENEZ A CONNAITRE VOTRE PRODUIT

Voir page 83.

1. Patte d'activation
2. Fil et écran auxiliaire
3. Indicateur de force d'insertion
4. Bouton de réglage de la profondeur
5. Magasin
6. Gâchette-interrupteur
7. Poignée, surface de préhension isolée
8. Accroche de ceinture
9. Loquet de compartiment



- 10. Réceptacle de la batterie
- 11. Agrafes 14,3 mm
- 12. Agrafes 6,4 mm

## ENTRETIEN

### AVERTISSEMENT

Le produit ne doit jamais être branché à une source de courant lorsque vous y montez des pièces, lorsque vous effectuez des réglages, lorsque vous le nettoyez, lorsque vous l'entretenez, ou lorsque vous ne l'utilisez pas. Le fait de débrancher le produit évitera toute mise en marche accidentelle susceptible de provoquer de graves blessures.

- N'effectuez l'entretien qu'à l'aide de pièces détachées et d'accessoires d'origine constructeur. L'utilisation de toute autre pièce est susceptible de présenter un danger ou d'endommager votre outil.
- Ne laissez jamais du liquide de frein, de l'essence, des produits pétroliers, des huiles pénétrantes, etc. entrer en contact avec les éléments en plastique. Les produits chimiques peuvent endommager, affaiblir ou détruire les plastiques, ce qui pourrait entraîner de graves blessures.
- Évitez d'utiliser des solvants pour nettoyer les parties en plastique. La plupart des plastiques sont susceptibles d'être endommagés par les solvants disponibles dans le commerce. Utilisez un chiffon propre pour essuyer les impuretés, la poussière, etc.
- Pour plus de sécurité et de fiabilité, toutes les réparations doivent être effectuées par un centre de service agréé.

## LUBRIFICATION

Tous les roulements de ce produit sont lubrifiés avec une quantité suffisante d'huile de haute qualité pour toute sa durée de vie dans des conditions d'utilisation normales. Par conséquent, aucune lubrification supplémentaire n'est nécessaire.

N'utilisez pas de lubrifiant sur les agrafes, le magasin, ou le mécanisme d'entraînement. Gardez l'outil propre.

## PROTECTION DE L'ENVIRONNEMENT



Recyclez les matières premières au lieu de les jeter avec les ordures ménagères. Pour protéger l'environnement, l'outil, les accessoires et les emballages doivent être triés.

## SYMBOLES APPLIQUES SUR LE PRODUIT



Alerte de sécurité



Conformité CE

V

Volts



Courant continu

Marque de conformité d'Eurasie



Veillez lire attentivement le mode d'emploi avant de démarrer la machine.



Marque de conformité ukrainienne



Les produits électriques hors d'usage ne doivent pas être jetés avec les ordures ménagères. Recyclez-les par l'intermédiaire des structures disponibles. Contactez les autorités locales ou votre distributeur pour vous renseigner sur les conditions de recyclage.

## SYMBOLES PRESENTS DANS LE MANUEL



Remarque



Pièces détachées et accessoires vendus séparément

Les symboles suivants, et les noms qui leur sont associés, permettent d'expliquer les différents niveaux de risques liés à l'utilisation de cet outil.

### DANGER

Imminence d'un danger qui, si l'on n'y prend garde, peut entraîner des blessures graves voire mortelles.

### AVERTISSEMENT

Situation potentiellement dangereuse qui, si l'on n'y prend garde, peut entraîner des blessures graves voire mortelles.

### ATTENTION

Situation potentiellement dangereuse qui, si l'on n'y prend garde, peut entraîner des blessures moyennes ou légères.

### ATTENTION

(Sans symbole de sécurité) Indique une situation pouvant provoquer des dommages matériels.





Sicherheit, Leistung und Zuverlässigkeit hatten oberste Priorität bei der Entwicklung Ihres Hefters.

### BESTIMMUNGSGEMÄSSE VERWENDUNG

Der Tacker ist ausschließlich zur Nutzung durch Erwachsene konzipiert, die die Anleitung und die Sicherheitshinweise in diesem Handbuch gelesen und verstanden haben und als für ihre Handlungen verantwortlich betrachtet werden können.

Das Tackers ist zum Einschließen von Klammern in weichem Material wie Holz vorgesehen. Das Produkt kann für Folgendes verwendet werden:

- Klammern in Holz tackern
- Mit dem mitgelieferten Zubehör Zaundraht und Drahtsiebe mit Klammern befestigen
- Klammern für Polsterung tackern (Stoff)
- Klammern in Kunststoff tackern
- Klammern in Papier und Karton tackern
- Teppichunterlagen mit Klammern befestigen

Der Tacker ist nicht zum Befestigen von Stromkabeln geeignet.

Benutzen Sie das Produkt nicht für andere Aufgaben, als die genannten bestimmungsgemäßen Verwendungen.

**HINWEIS:** Einige Hölzer (einschließlich Hartholz) erfordern vielleicht kürzere Klammern, um sie vollständig zu einzuschlagen.

### ⚠️ WARNUNG

**Lesen Sie aufmerksam alle mit diesem Werkzeug gelieferten Warnungen, Anweisungen und Spezifikationen, beziehen Sie sich auf die Illustrationen.** Die Nichtbeachtung der weiter unten aufgeführten Anweisungen kann Unfälle wie Brände, Elektroschocks und/oder schwere Körperverletzungen zur Folge haben.

**Bewahren Sie diese Sicherheitshinweise und Anweisungen für einen späteren Gebrauch gut auf.**

### SICHERHEITSHINWEISE FÜR DEN TACKER

- **Gehen Sie immer davon aus, dass das Elektrowerkzeug Klammern enthält.** Die unsachgemäße Handhabung des Tackers kann das unerwartete Ausschließen von Klammern und Verletzungen zur Folge haben.
- **Zielen Sie mit dem Elektrowerkzeug nicht auf sich selbst oder andere Personen in der Nähe.** Durch unerwartetes Auslösen wird eine Klammer ausgestoßen, was zu Verletzungen führen kann.
- **Betätigen Sie das Elektrowerkzeug nicht, bevor es fest auf das Werkstück gesetzt ist.** Wenn das Elektrowerkzeug keinen Kontakt mit dem Werkstück hat, kann die Klammer von der Befestigungsstelle abprallen.
- **Trennen Sie das Elektrowerkzeug vom Netz oder vom Akku, wenn die Klammer im Elektrowerkzeug klemmt.** Wenn eine geklemmte Klammer entfernt wird, während der Tacker eingesteckt ist, kann er

versehentlich aktiviert werden.

- **Seien Sie vorsichtig beim Entfernen einer festsitzenden Klammer.** Das System kann gespannt sein und die Klammer kräftig ausgestoßen werden, während Sie versuchen die Klemmung zu beseitigen.
- **Verwenden Sie den Tacker nicht, um Elektrokabel zu befestigen.** Es ist nicht für die Installation von Elektroleitungen geeignet, kann die Isolierung von Kabeln beschädigen und so elektrischen Schlag und Feuergefahren verursachen.

### ZUSÄTZLICHE SICHERHEITSWARNUNGEN

- Seien Sie sich immer bewusst, dass Missbrauch und falsche Handhabung dieses Werkzeugs zu Verletzungen von Ihnen und anderen Personen führen kann.
- Das Werkzeug ist zur Benutzung mit einer Hand entworfen worden. Halten Sie das Werkzeug nicht an der Vorderseite des Magazins. Halten Sie die Hände, den Kopf und andere Körperteile von der Unterseite des Magazins fern, an der die Klammern ausschließen, um schwere Verletzungen zu vermeiden.
- Stellen Sie immer sicher, dass die Mündung vollständig über dem Werkstück ist. Wenn die Werkstückauflage nur teilweise über dem Werkstück positioniert wird, kann der Tacker das Werkstück vollständig verfehlen und schwere Verletzungen verursachen.
- Bringen Sie die Klammern nicht an der Kante des Materials an. Das Werkstück kann sich spalten und verursachen, dass der Tacker abprallt und Sie oder einen Arbeitskollegen verletzt. Da der Tacker möglicherweise der Holzfasern folgt, kann er plötzlich über die Kante des Arbeitsmaterials hervorspringen oder ausschlagen und Verletzungen verursachen.
- Halten Sie Hände und Körperteile von dem unmittelbaren Arbeitsbereich fern. Halten Sie das Werkstück, wenn nötig mit Klammern fest, um Hände und Körper aus dem Gefahrenbereich zu halten. Stellen Sie sicher, dass das Werkstück gesichert ist, bevor Sie die Klammern gegen das Material drücken. Kontakt mit dem Werkstück kann zu unerwarteter Bewegung des Arbeitsmaterials führen.
- Halten Sie Gesicht und Körperteile von der Rückseite des Werkzeugs fern, wenn Sie in enger Umgebung arbeiten. Ein plötzlicher Rückstoß kann sich auf den Körper auswirken, insbesondere beim Tackern in hartes oder kompaktes Material.
- Bei normaler Benutzung schlägt das Werkzeug sofort nach dem Einschließen einer Klammer zurück. Das ist eine normale Funktion des Werkzeugs. Versuchen Sie nicht, den Rückstoß zu verhindern, indem Sie das Produkt gegen das Werkstück halten. Das Verhindern des Rückstoßes kann verursachen, dass eine zweite Klammer aus dem Produkt ausgeschossen wird. Halten Sie den Griff fest, lassen Sie das Werkzeug die Arbeit machen und platzieren Sie Ihre zweite Hand niemals auf das Werkzeug oder in die Nähe der Mündung. Die Nichtbeachtung dieser Warnung kann zu schweren Verletzungen führen.
- Schießen Sie keine Klammern über anderen, bereits gesetzten Klammer, oder in einem übermäßig steilen

EN
FR
DE
ES
IT
NL
PT
DA
SV
FI
NO
RU
PL
CS
HU
RO
LV
LT
ET
HR
SL
SK
BG
UK
TR
EL



Winkel, weil dadurch Klammern abgelenkt werden und Verletzungen verursachen können.

- Überprüfen Sie immer den Arbeitsbereich auf versteckte Verkabelung, Gasleitungen, Wasserleitungen usw., bevor Sie das Produkt in dem Arbeitsbereich benutzen.
- Die eingestellte Eindringtiefe der Klammer kann größer als die erforderliche Tiefe sein. Es ist ratsam die Tiefe auf einem Abfallstück zu testen, um die erforderliche Tiefe für die Anwendung zu ermitteln.
- Nur Klammern die der Beschreibung in der Produktspezifikation entsprechen können mit diesem Werkzeug benutzt werden. Benutzung der falschen Klammern kann zu Verklemmen oder anderen Fehlfunktionen führen.

#### SICHERHEITSWARNUNGEN TIEFENANSCHLAGEINSTELLUNG

- Entnehmen Sie die Batterie, bevor Sie die Eindringtiefe anpassen.
- Ziehen Sie den Tiefeneinstellungsknopf nicht. Der Knopf muss gedreht werden.
- Drücken Sie den Auslöser nicht, während Sie die Tiefe mit dem Knopf anpassen.
- Richten sie das Werkzeug nicht auf sich selbst oder andere, wenn Sie den Tiefenanschlag einstellen.

#### WEITERE SICHERHEITSHINWEISE ZUM AKKU

##### WARNUNG

Um die durch einen Kurzschluss verursachte Gefahr eines Brandes, von Verletzungen oder Produktbeschädigungen zu vermeiden, tauchen Sie das Werkzeug, den Wechselakku oder das Ladegerät nicht in Flüssigkeiten ein und sorgen Sie dafür, dass keine Flüssigkeiten in die Geräte und Akkus eindringen. Korrodierende oder leitfähige Flüssigkeiten, wie Salzwasser, bestimmte Chemikalien und Bleichmittel oder Produkte, die Bleichmittel enthalten, können einen Kurzschluss verursachen.

#### TRANSPORT VON LITHIUM AKKUS

Transportieren Sie den Akku gemäß Ihren örtlichen und nationalen Bestimmungen und Regeln.

Befolgen Sie alle besonderen Anforderungen für Verpackung und Beschriftung, wenn Sie Akkus von Dritten transportieren lassen. Stellen Sie sicher, dass beim Transport kein Akku in Kontakt mit anderen Akkus oder leitenden Materialien kommt, indem Sie die freien Anschlüsse mit Isolierband, nichtleitenden Kappen oder Klebeband schützen. Transportieren Sie keine Akkus die gebrochen oder undicht sind. Befragen Sie Ihre Transportfirma nach weiteren Informationen.

#### RESTRISIKEN

Sogar wenn das Produkt wie vorgeschrieben benutzt wird, ist es unmöglich ein gewisses Restrisiko vollständig auszuschließen. Die folgenden Gefahren können bei der Benutzung entstehen, und der Benutzer sollte besonders

auf folgende Punkte achten:

- Schädigung des Gehörs  
**Hinweis:** Tragen Sie immer einen effektiven Gehörschutz und schränken die Lärmbelastung ein.
- Unvorschriftsmäßig ausgeschossene Klammern oder Staub und Ablagerungen können Augenverletzungen verursachen.  
**Hinweis:** Tragen Sie immer einen geeigneten Augenschutz.
- Durch Vibrationen verursachte Verletzungen.  
**Hinweis:** Halten Sie das Produkt an den vorgesehenen Griffen und schränken die Vibrationsbelastung ein. Siehe "Risikoverringern".
- Schnittwunden durch Kontakt mit scharfen Spitzen.  
**Hinweis:** Gehen Sie bei der Handhabung oder beim Nachfüllen von Klammern besonders vorsichtig vor.
- Das Produkt ist schwer.  
**Hinweis:** Das Produkt ist schwer. Achten Sie auf Muskelermüdung, wenn Sie das Produkt längere Zeit benutzen, besonders, wenn Sie über Kopf arbeiten.

#### RISIKOVERRINGERUNG

Vibrationen von in der Hand gehaltenen Werkzeugen können bei einigen Personen zu einem Zustand, der Raynaud-Syndrom genannt wird, führen. Symptome sind u.a. Kribbeln, Taubheitsgefühl und episodische Weißfärbung der Finger und treten normalerweise bei Kälte auf. Man geht davon aus, dass ererbte Faktoren, Kälte und Feuchtigkeit, Essgewohnheiten, Rauchen und Arbeitsweise zur Entwicklung dieser Symptome beitragen. Der Anwender kann Maßnahmen ergreifen, um die Auswirkungen der Vibrationen möglicherweise zu verringern:

- Halten Sie den Körper bei Kälte warm. Tragen Sie beim Betrieb des Geräts Handschuhe, um Hände und Handgelenke warm zu halten. Berichten zu Folge ist kaltes Wetter ein wesentlicher Faktor, der zum Raynaud Syndrom beiträgt.
- Betätigen Sie sich nach jedem Einsatz körperlich, um den Blutkreislauf zu steigern.
- Machen Sie regelmäßig Pausen. Beschränken Sie die Beanspruchung pro Tag.

Sollten bei Ihnen eines der zuvor beschriebenen Symptome / Zustände auftreten, stellen Sie unverzüglich den Betrieb ein und suchen Sie bezüglich der Symptome einen Arzt auf.

##### WARNUNG

Verletzungen können durch lange Benutzung eines Werkzeugs entstehen oder verschlimmert werden. Machen Sie regelmäßig Pause, wenn Sie ein Werkzeug für lange Zeit benutzen.

#### MACHEN SIE SICH MIT IHREM PRODUKT VERTRAUT

Siehe Seite 83.

1. Aktivierungsfuß
2. Draht- und Drahtsiebzubehör
3. Antriebskraftanzeige

4. Spantiefenskala
5. Magazin
6. Ein-/Ausschalter
7. Handgriff, isolierte Grifffläche
8. Gürtelclip
9. Magazinverschluss
10. Batterieanschluss
11. 14,3 mm Klammern
12. 6,4 mm Klammern

## WARTUNG UND PFLEGE

### WARNUNG

Das Produkt darf niemals an das Stromnetz angeschlossen sein, wenn Sie Teile zusammenbauen, Einstellungen vornehmen, reinigen, Wartungsarbeiten durchführen, oder wenn das Produkt nicht benutzt wird. Trennen des Produktes vom Stromnetz verhindert ein unbeabsichtigtes Einschalten, das schwere Verletzungen verursachen könnte.

- Verwenden Sie zur Wartung ausschließlich original Ersatzteile, Zubehör und Aufsätze des Herstellers. Der Einsatz von anderen Teilen kann eine Gefahr verursachen oder das Produkt beschädigen.
- Lassen Sie niemals Bremsflüssigkeiten, Benzine, Produkte auf Erdölbasis, Rostlöser usw. mit den Plastikteilen in Kontakt geraten. Chemikalien können Plastik beschädigen, aufweichen oder zerstören, was zu schweren Verletzungen führen kann.
- Vermeiden Sie beim Reinigen der Plastikteile den Einsatz von Lösungsmitteln. Die meisten Kunststoffe können durch im Handel erhältliche Lösungsmittel beschädigt werden. Verwenden Sie einen sauberen Lappen für die Reinigung von Verschmutzungen, Karbonstaub usw.
- Alle Reparaturen sollten zur besseren Sicherheit und Zuverlässigkeit von einem autorisierten Kundendienst durchgeführt werden.

## ÖLEN

Alle Lagerelemente in dem Produkt sind mit genug qualitativ hochwertigem Schmiermittel für die gesamte Lebensdauer des Produktes unter normalen Betriebsbedingungen geölt. Es ist daher keine zusätzliche Schmierung erforderlich.

Benutzen Sie keine Schmierstoffe an Klammern, dem Magazin oder dem Heftmechanismus. Sauber halten.

## UMWELTSCHUTZ



Recyceln Sie die Rohstoffe, anstatt sie im Haushaltsabfall zu entsorgen. Zum Schutz der Umwelt müssen das Gerät, die Zubehörteile und die Verpackungen getrennt entsorgt werden.

## SYMBOLE AUF DEM PRODUKT



Sicherheitswarnung



CE Konformität

V

Volt



Gleichstrom



EurAsian Konformitätszeichen



Bitte lesen Sie die Anweisungen sorgfältig, bevor Sie das Gerät einschalten.



Ukrainisches Prüfzeichen



Halten Sie die Hände fern



Augenschutz tragen



Elektrische Geräte sollten nicht mit dem übrigen Müll entsorgt werden. Bitte entsorgen Sie diese an den entsprechenden Entsorgungsstellen. Wenden Sie sich an die örtliche Behörde oder Ihren Händler, um Auskunft über die Entsorgung zu erhalten.

## SYMBOLE IN DER BEDIENUNGSANLEITUNG



Hinweis



Teile oder Zubehör getrennt erhältlich

Mit den folgenden Symbolen wird die Bedeutung der verschiedenen Risikostufen, die mit dem Produkt einhergehen, dargestellt.

### GEFAHR

Bezeichnet eine unmittelbare Gefahrensituation, die, falls nicht vermieden, zum Tod oder schweren Verletzungen führen kann.

### WARNUNG

Bezeichnet eine mögliche Gefahrensituation, die, falls nicht vermieden, zum Tod oder schweren Verletzungen führen kann.

### ACHTUNG

Bezeichnet eine mögliche Gefahrensituation, die, falls nicht vermieden, zu kleineren und mittleren Verletzungen führen kann.

### ACHTUNG

(Ohne Warnsymbol) Weist auf eine Situation hin, die zu Sachschaden führen kann.

Seguridad, desempeño y fiabilidad han sido las prioridades en el diseño de su grapadora.

### USO PREVISTO

La grapadora está concebida para que la usen únicamente adultos que hayan leído y comprendido las instrucciones y advertencias de este manual, y que puedan considerarse responsables de sus acciones.

La grapadora está diseñada para clavar grapas en materiales blandos como la madera. El producto se puede usar para:

- grapar en madera
- con el accesorio incluido, grapar para asegurar alambrado y malla de alambre
- grapar en tapicería (telas)
- grapar en plásticos
- grapar en papel o cartón
- grapar para asegurar la base de la moqueta

La grapadora no sirve para fijar cables eléctricos.

Utilice el producto exclusivamente para el uso para el que fue diseñado.

**NOTA:** Algunos maderos (como los de madera dura y seca) podrían requerir grapas más cortas para poder atravesarlos completamente.

### ⚠ ADVERTENCIA

**Lea atentamente todas las advertencias, instrucciones y especificaciones suministradas con la herramienta, y consulte las ilustraciones.** El incumplimiento de las instrucciones que se indican a continuación puede ocasionar diversos accidentes como incendios, descargas eléctricas y/o graves heridas corporales.

**Guarde todas estas advertencias e instrucciones para futuras referencias.**

### ADVERTENCIAS DE SEGURIDAD DE LA GRAPADORA

- **Parta siempre del supuesto de que la herramienta contiene clavos.** El manejo negligente de la grapadora puede provocar fuego inesperado en los cables eléctricos y daños personales.
- **No apunte la herramienta hacia sí mismo ni hacia otras personas que estén en las inmediaciones.** Un disparo inesperado lanzará un clavo causando una lesión.
- **No dispare la herramienta sin haberla colocado con firmeza contra la pieza de trabajo.** Si la herramienta no está en contacto con la pieza de trabajo, el clavo puede desviarse de su objetivo.
- **Desconecte la herramienta de la fuente de alimentación siempre que los clavos se atasquen en la misma.** Al quitar un elemento de fijación atascado, la grapadora se podría activar accidentalmente si está enchufada.
- **Tenga cuidado cuando retire un clavo atascado.** El mecanismo puede quedar con una compresión baja y la clavadora puede descargarse forzosamente mientras intenta desbloquear un atasco.
- **No use la grapadora para fijar cables eléctricos.** La herramienta no ha sido diseñada para la instalación de cables eléctricos y puede dañar el aislamiento de los mismos, provocando descargas eléctricas o riesgo de incendios.

### AVISOS DE SEGURIDAD ADICIONALES

- Tenga siempre presente que el mal uso y el manejo inadecuado de esta herramienta puede ocasionar daños a sí mismo y a otros.
- La herramienta está diseñada para usarse solo con una mano. No agarre la herramienta por la parte frontal del cartucho. No coloque las manos, la cabeza ni otras partes del cuerpo cerca de la parte inferior del cargador donde el elemento de fijación sale del producto, ya que podría provocar graves daños personales.
- Asegúrese siempre de que el contacto de la pieza de trabajo está completamente colocado por encima de la misma. Colocar la pieza de trabajo en contacto solo parcial sobre la pieza de trabajo podría causar que el elemento de fijación se suelte completamente y provocar graves daños personales.
- No clavar los cables cerca del borde del material. La pieza de trabajo podría dividirse provocando que el elemento de fijación rebote, causándole daños a usted o a un compañero. Tenga en cuenta que el elemento de fijación puede seguir la veta de la madera, provocando que sobresalga inesperadamente por el lateral del material de trabajo o que se desvíe, provocando posibles daños.
- Mantenga las manos y las partes del cuerpo apartadas del área de trabajo inmediata. Fije a pieza de trabajo con pinzas cuando sea necesario para mantener el cuerpo y las manos a salvo de posibles lesiones. Asegúrese de que ha sujetado correctamente la pieza con la que está trabajando antes de presionar los elementos de sujeción contra el material. El contacto de la pieza de trabajo puede hacer que el material salte inesperadamente.
- Mantenga la cara y el cuerpo apartados de la parte trasera de la tapa de la herramienta cuando trabaje en zonas restringidas. El retroceso repentino podría provocar un impacto en el cuerpo, especialmente cuando se grapa en un material duro o denso.
- Durante el uso normal la herramienta retrocederá inmediatamente después de clavar un clavo. Esta es una función normal de la herramienta. No intente evitar el retroceso sujetando el producto contra la pieza. Intentar reprimir el retroceso podría provocar que un segundo elemento de fijación del producto se clave. Sujete firmemente el mango, deje la herramienta trabajar y no coloque la otra mano encima de la herramienta ni junto al escape bajo ninguna circunstancia. No prestar atención a esta advertencia podría causar daños personales.
- No coloque clavos encima de otros clavos ni con la herramienta en un ángulo demasiado inclinado porque esto puede hacer que los clavos se desvíen causando lesiones.



EN
FR
DE
<b>ES</b>
IT
NL
PT
DA
SV
FI
NO
RU
PL
CS
HU
RO
LV
LT
ET
HR
SL
SK
BG
UK
TR
EL

- Antes de usar el aparato en un área de trabajo verifique siempre si hay cables, conductos de gas, conductos de agua, etc. escondidos.
- La profundidad de sujeción ajustada del elemento de fijación puede ser mayor que la profundidad que requiera. Se recomienda probar la profundidad en una pieza que no sirva para determinar la profundidad necesaria de aplicación.
- Con esta herramienta solo pueden usarse clavos que correspondan a la descripción del cuadro de especificaciones del producto. El uso de clavos incorrectos puede provocar un atasco y otras averías.

### AVISOS DE SEGURIDAD RELATIVOS AL AJUSTE DE LA PROFUNDIDAD

- Quite siempre la batería antes de ajustar la profundidad.
- No tire del pomo de ajuste de profundidad. El pomo está diseñado para girar.
- No apriete el gatillo hasta que se ajuste la profundidad del pomo.
- No apunte la herramienta hacia sí mismo ni hacia otra persona cuando esté ajustando la profundidad de perforación.

### ADVERTENCIAS DE SEGURIDAD DE LA BATERÍA ADICIONAL

#### ⚠ ADVERTENCIA

Para reducir el riesgo de incendio, lesión personales y daños al producto debido a un cortocircuito, no sumerja nunca la herramienta, el paquete de baterías o el cargador en líquido ni permita que fluya un fluido dentro de ellos. Los fluidos corrosivos o conductivos, como el agua de mar, ciertos productos químicos industriales y blanqueadores o lejías que contienen, etc., Pueden causar un cortocircuito.

### TRANSPORTE DE BATERÍAS DE LITIO

Transporte la batería de conformidad con las disposiciones y las normativas locales y nacionales.

Cuando las baterías sean transportadas por un tercero, cumpla los requisitos especiales relativos al embalaje y etiquetado. Asegúrese de que ninguna batería entra en contacto con otra batería o con materiales conductores durante el transporte, proteja los conectores expuestos con tapones o tapas aislantes no conductoras. No transporte baterías con fisuras o fugas. Para más asesoramiento, póngase en contacto con la empresa de distribución.

### RIESGOS RESIDUALES

Incluso cuando se utiliza el producto según las instrucciones, sigue siendo imposible eliminar por completo ciertos factores de riesgo residuales. Pueden surgir los siguientes riesgos durante el uso y el operador debe prestar especial atención para evitar lo siguiente:

- Lesiones auditivas  
**Nota:** Use siempre protección auditiva eficaz y limite el tiempo de exposición al ruido.

- Daños en los ojos provocados por sujeciones incorrectas o polvo o residuos que salen disparados.  
**Nota:** Use siempre protección ocular adecuada.

- Lesiones por vibración  
**Nota:** Sujete la herramienta mediante los correspondientes mangos y limite su exposición a la vibración. Consulte el apartado "Reducción De Riesgos".

- Laceraciones causadas por el contacto con puntas afiladas.

**Nota:** Tenga especial cuidado al manejar o cargar elementos de fijación.

- El producto es pesado.

**Nota:** El producto es pesado. Tenga cuidado con la tensión muscular durante el uso del producto durante periodos prolongados, especialmente si se utiliza por encima de la cabeza.

### REDUCCIÓN DEL RIESGO

Se ha informado de que las vibraciones de las herramientas manuales pueden contribuir a una enfermedad llamada síndrome de Raynaud en ciertos individuos. Los síntomas pueden incluir hormigueo, entorpecimiento y decoloración de los dedos, generalmente aparentes cuando tiene lugar una exposición al frío. Se considera que los factores hereditarios, exposición al frío y a la humedad, dieta, tabaquismo y prácticas de trabajo contribuyen al desarrollo de estos síntomas. Existen medidas que pueden ser tomadas por el operador para reducir los efectos de vibración:

- Mantenga su cuerpo caliente durante el tiempo frío. Al manipular la unidad, utilice guantes para mantener las manos y las muñecas calientes. Hay informes que indican que el tiempo frío es un gran factor que contribuye al síndrome de Raynaud.
- Después de cada período de funcionamiento, realice ejercicios para aumentar la circulación sanguínea.
- Haga pausas de trabajo frecuentes. Limite la cantidad de exposición por día.

Si siente alguno de los síntomas de esta enfermedad, interrumpa inmediatamente el uso y consulte a su médico estos síntomas.

#### ⚠ ADVERTENCIA

El uso prolongado de la herramienta puede provocar o agravar lesiones. Al utilizar cualquier herramienta durante períodos prolongados asegúrese de tomar descansos regulares.

### CONOZCA EL PRODUCTO

Consulte la página 83.

1. Pie de activación
2. Accesorio de hilo y pantalla
3. Indicador de fuerza de sujeción
4. Perilla de ajuste de profundidad
5. Cargador
6. Gatillo del interruptor
7. Asa, superficie de agarre aislada
8. Pinza para cinturón



9. Cierre del cargador
10. Puerto de la batería
11. Grabas de 14,3 mm
12. Grabas de 6,4 mm

## MANTENIMIENTO

### ⚠ ADVERTENCIA

El aparato nunca debe estar conectado a una fuente eléctrica mientras se estén montando las piezas, realizando ajustes, limpiando, llevando a cabo el mantenimiento o cuando no esté en uso. Apagar el aparato evitará que se ponga en marcha accidentalmente y cause lesiones graves.

- En el mantenimiento, utilice sólo piezas de repuesto y accesorios originales del fabricante. El uso de otras piezas puede ocasionar riesgos o daños en el producto.
- No permita en ningún momento que las piezas de plástico entren en contacto con líquido de frenos, gasolina, productos derivados del petróleo, aceites penetrantes, etc. Los productos químicos pueden dañar, destruir o debilitar el plástico, lo que puede ocasionar graves daños personales.
- Evite el uso de disolventes para limpiar las piezas de plástico. La mayor parte de los plásticos pueden resultar dañados con los disolventes que se venden en el mercado. Utilice un paño limpio para quitar las impurezas, el polvo, etc.
- Para una mayor seguridad y fiabilidad, todas las reparaciones deben ser realizadas por un centro de servicio autorizado.

## LUBRICACIÓN

Todos los cojinetes de este producto están lubricados con una cantidad suficiente de lubricante de alta calidad para la vida del producto en condiciones normales de funcionamiento. Por lo tanto, no es menester prevenir ninguna lubricación adicional.

No aplique lubricante a las grapas, el chasis o el mecanismo de accionamiento. Manténgala limpia.

## PROTECCIÓN DEL MEDIO AMBIENTE



Recicle las materias primas en lugar de tirarlas a la basura doméstica. Para proteger el medio ambiente, debe separar la herramienta, los accesorios y los embalajes.

## SÍMBOLOS EN EL PRODUCTO



Alerta de seguridad



Conformidad CE

V

Voltios



Corriente directa



Certificado EAC de conformidad



Por favor lea las instrucciones detenidamente antes de arrancar la máquina.



Marca de conformidad ucraniana



No tocar



Utilice gafas de seguridad



Los productos eléctricos de desperdicio no deben desecharse con desperdicios caseros. Por favor recíclelos donde existan dichas instalaciones. Compruebe con su autoridad local o minorista para reciclar.

## SÍMBOLOS EN ESTE MANUAL



Nota



Las piezas o accesorios se venden por separado

Los siguientes símbolos y palabras detallan los niveles de cuidado necesarios para usar este producto.

### ⚠ PELIGRO

Indica una situación inminente de peligro que, si no se evita, provocará la muerte o lesiones graves.

### ⚠ ADVERTENCIA

Indica una situación potencialmente peligrosa que, si no se evita, podría causar la muerte o lesiones graves.

### ⚠ PRECAUCIÓN

Indica una situación potencialmente peligrosa que, si no se evita, puede provocar lesiones leves o moderadas.

### PRECAUCIÓN

(Sin símbolo de seguridad) Indica una situación que podría ocasionar daños materiales.



E' stata data massima priorità a sicurezza, prestazioni e affidabilità nel design di questa graffatrice.

## UTILIZZO

La pinzatrice è pensata per essere utilizzata esclusivamente dagli adulti che abbiano letto e compreso le istruzioni e le avvertenze in questo manuale, e possono essere considerati responsabili delle loro azioni.

La graffatrice è progettata per inserire graffette in materiali morbidi come il legno. Il prodotto può essere utilizzato per:

- guidare le graffette nel legno
- con l'accessorio incluso, guidare le graffette per proteggere il filo delimitatore e lo schermo
- guidare le graffette per fodere (tessuti)
- guidare le graffette nella plastica
- guidare le graffette nella carta e nel cartone
- guidare le graffette per proteggere gli strati iniziali della moquette

La pinzatrice non è adatta per fissare cavi elettrici.

Non utilizzare il prodotto in modi diversi da quelli indicati.

**NOTE:** Alcuni tipi di legname (come legno duro molto asciutto) potranno richiedere graffette più corte che entrino correttamente nello stesso.

## ⚠ AVVERTENZE

**Leggere attentamente tutte le avvertenze, le istruzioni e le specifiche fornite con l'apparecchio e fare riferimento alle illustrazioni.** La mancata osservanza delle istruzioni riportate di seguito potrebbe provocare incidenti quali incendi, scosse elettriche e/o gravi lesioni fisiche.

**Conservare tutte le istruzioni e le avvertenze per eventuali riferimenti futuri.**

## AVVERTENZE DI SICUREZZA DELLA PINZATRICE

- **Ricordare sempre che il dispositivo contiene chiodi.** Maneggiare in modo inadeguato la pinzatrice può comportare l'accensione imprevista dei dispositivi di fissaggio e lesioni personali.
  - **Non puntare verso sé stessi o verso eventuali terzi.** Premere inaspettatamente il grilletto farà scaricare dei chiodi causando lesioni.
  - **Non attivare l'utensile a meno che non sia posizionato saldamente contro il pezzo sul quale si sta lavorando.** Se l'utensile non entra in contatto con il pezzo sul quale si sta lavorando, i chiodi potranno spostarsi dall'obiettivo.
  - **Scollegare l'utensile dall'alimentazione quando i chiodi si bloccano all'interno dello stesso.** Durante la rimozione di un fissaggio inceppato, la pinzatrice potrebbe accidentalmente attivarsi se inserita in corrente.
  - **Fare attenzione quando si rimuovere un chiodo incastrato.** Il meccanismo potrà essere sotto pressione e i chiodi potranno essere scaricati con forza mentre si tenta di liberare parti bloccate.
  - **Non utilizzare la pinzatrice per fissare i cavi elettrici.** Non progettato per installare cavi elettrici dal momento che potrà danneggiare l'isolamento dei cavi elettrici causando scosse elettriche o rischi di incendio
- ### ULTERIORI AVVERTENZE DI SICUREZZA
- Ricordare sempre che un utilizzo errato dell'utensile potrà causare lesioni a se stessi e agli altri.
  - Utensile progettato per utilizzo con una sola mano. Non reggere l'utensile dalla parte anteriore del caricatore. Non mettere mani, testa o altre parti del corpo vicino alla parte inferiore del caricatore in cui il fissaggio fa uscire il prodotto, dal momento che si potrebbero verificare lesioni personali.
  - Assicurarsi sempre che il punto di contatto tra l'utensile e il pezzo sul quale si sta lavorando si trovi al di sopra del pezzo stesso. Posizionando il pezzo a contatto parziale sopra il pezzo di lavoro al pezzo potrebbe mancare il fissaggio completo e causare lesioni personali gravi.
  - Non azionare i fissaggi vicino al bordo del materiale. Il pezzo di lavoro potrebbe causare il rimbalzo del fissaggio, ferendo l'utente o l'assistente. Assicurarsi che il fissaggio segua la grana del legno, facendo in modo che si creino protusioni inaspettate dalla parte laterale del materiale di lavoro o deviazioni, causando possibilmente lesioni.
  - Tenere mani e parti del corpo lontane dall'area di lavoro. Tenere fermo il pezzo sul quale si sta lavorando con morsetti se necessario per tenere le mani e il corpo lontani da eventuali rischi. Accertarsi che il pezzo sul quale si sta lavorando sia assicurato correttamente prima di inserire il chiodo nel materiale. Il contatto con il pezzo sul quale si sta lavorando potrà far spostare il materiale in maniera inaspettata.
  - Tenere viso e parti del corpo lontani dal coperchio dell'utensile quando si lavora in zone limitate. Un improvviso rinculo può comportare impatti sul corpo, specialmente con la punzonatura di materiali duri e solidi.
  - Durante il normale utilizzo l'utensile potrà scattare indietro dopo aver sparato un chiodo. Questa è una normale funzione dell'utensile. Non provare a evitare il rinculo mantenendo il prodotto e impedendogli di lavorare. Limitare il rinculo può comportare il distacco di un fissaggio dal prodotto. Reggere il manico in modo saldo, lasciare che l'utensile svolga il suo lavoro e non posizionare l'altra mano sulla parte superiore dell'utensile o accanto allo scarico. La mancata osservanza di questo avvertimento potrà causare gravi lesioni alla persona.
  - Non inserire chiodi sopra altri chiodi né inserirli reggendo l'utensile ad angolo dal momento che tale operazione farà piegare i chiodi causando lesioni all'operatore.
  - Controllare sempre l'area di lavoro individuando cavi nascosti, tubi del gas o dell'acqua ecc, prima di utilizzare il prodotto in queste aree.
  - La profondità di manovra regolata del fissaggio può essere superiore alla profondità richiesta. Si consiglia di testare la profondità su un pezzo di scarto per determinare la profondità richiesta per l'applicazione.

EN
FR
DE
ES
<b>IT</b>
NL
PT
DA
SV
FI
NO
RU
PL
CS
HU
RO
LV
LT
ET
HR
SK
SK
BG
UK
TR
EL





- Utilizzare con questo utensile solo chiodi che corrispondano alla descrizione nelle specifiche del prodotto. Utilizzare chiodi non regolari potrà causare blocchi o malfunzionamenti.

### AVVERTENZE DI SICUREZZA REGOLAZIONE DI PROFONDITÀ

- Rimuovere sempre la batteria prima di regolare la profondità di azionamento.
- Non indietreggiare la manopola di regolazione della profondità. La manopola è progettata per ruotare.
- Non premere il sistema di azionamento durante la regolazione della profondità della manopola di azionamento.
- Non puntare l'utensile verso sé stessi o verso eventuali osservatori quando si regola la profondità della trazione.

### AVVERTENZE AGGIUNTIVE PER LA SICUREZZA DELLA BATTERIA

#### ⚠ AVVERTENZE

Per ridurre il rischio d'incendio, di lesioni o di danni al prodotto causati da corto circuito, non immergere mai l'utensile, la batteria ricaricabile o il carica batterie in un liquido e non lasciare mai penetrare alcun liquido all'interno dei dispositivi e delle batterie. I fluidi corrosivi o conduttori come acqua salata, alcuni agenti chimici, agenti candeggianti o prodotti contenenti agenti candeggianti potrebbero provocare un corto circuito.

### TRASPORTARE BATTERIE AL LITO

Trasportare la batteria secondo quanto indicato dalle norme e regolamentazioni locali e nazionali.

Seguire tutte le istruzioni speciali riportate sulla scatola e sull'etichetta quando si fanno trasportare batterie da eventuali terzi. Assicurarsi che le batterie non entrino in contatto con altre batterie o materiali conduttivi durante il trasporto proteggendo i connettori esposti con tappi isolanti, non conduttivi o nastro adesivo. Non trasportare batterie rotte o che perdono liquidi. Rivolgersi alla ditta distributrice per ulteriori consigli.

### RISCHI RESIDUI

Anche quando il prodotto viene utilizzato come indicato, sarà ancora impossibile eliminare completamente alcuni fattori di rischio residuo. Si potranno verificare i seguenti rischi e l'operatore dovrà prestare particolare attenzione per evitare quanto segue:

- **Danni all'udito**  
**Note:** Indossare sempre efficaci cuffie di protezione e limitare l'esposizione al rumore.
- **Le lesioni agli occhi sono causate da fissaggi guidati in modo non corretto o polvere e detriti volanti.**  
**Note:** Indossare sempre una adeguata protezione per occhi.
- **Lesioni causate da vibrazioni**  
**Note:** Reggere l'utensile dai manici indicati e limitare l'esposizione alle vibrazioni. Vedere "Riduzione Rischio".

- **Eventuali lacerazioni causate dal contatto con punte affilate.**

**Note:** Prestare particolare attenzione durante la manipolazione o il carico dei fissaggi.

- **Il prodotto è pesante.**

**Note:** Il prodotto è pesante. Fare attenzione ad eventuali strappi muscolari quando si mette in funzione il prodotto per periodi di tempo lunghi, soprattutto quando lo si utilizza per lavori sospesi al di sopra della testa.

### RIDUZIONE DEL RISCHIO

È stato fatto presente che le vibrazioni da utensili a mano potrebbero contribuire a una condizione chiamata Sindrome di Raynaud in alcuni individui. I sintomi, comprendenti formicolio, intorpidimento e perdita di colore alle dita, si verificano di solito quando ci si espone al freddo. Fattori ereditari, esposizione a freddo e umidità, una dieta scorretta, fumo e condizioni di lavoro non sicure potranno contribuire allo sviluppo di questi sintomi. È possibile prendere delle precauzioni per ridurre le vibrazioni:

- Tenere il corpo al caldo a basse temperature. Quando si utilizza l'utensile, indossare guanti e tenere le mani e i polsi caldi. Le basse temperature contribuiscono a causare la Sindrome di Raynaud.
- Dopo aver utilizzato l'utensile per un certo periodo, fare degli esercizi per stimolare la circolazione del sangue.
- Fare spesso delle pause. Limitare la quantità di esposizione giornaliera.

Nel caso in cui si provino i sintomi di questa condizione, interrompere immediatamente l'utilizzo dell'utensile e consultare un dottore.

#### ⚠ AVVERTENZE

L'utilizzo prolungato dell'utensile potrà causare o aggravare lesioni già esistenti. Quando si utilizza questo utensile per periodi di tempo prolungati, assicurarsi di fare sempre delle pause regolari.

### FAMILIARIZZARE CON IL PRODOTTO

Vedere a pagina 83.

1. Pedale di attivazione
2. Cavo e accessorio schermo
3. Indicatore forza di azionamento
4. Manopola di regolazione della profondità
5. Caricatore
6. Grilletto interruttore
7. Impugnatura con superficie isolata antiscivolo
8. Gancio per cinta
9. Chiavistello del caricatore
10. Porta batterie
11. Graffette da 14,3 mm
12. Graffette da 6,4 mm





## MANUTENZIONE

### ⚠ AVVERTENZE

Questo prodotto non dovrà mai essere collegato all'alimentazione mentre si montano le sue parti, svolgono regolazioni, operazioni di pulizia e manutenzione o quando il prodotto non viene utilizzato. Scollegare il prodotto per prevenire l'avvio accidentale che potrà causare gravi lesioni.

- Durante le operazioni di manutenzione, utilizzare solo le parti di ricambio, gli accessori e le parti di collegamento della ditta produttrice originale. Utilizzare parti di ricambio diverse potrebbe causare rischi o danneggiare il prodotto.
- Non lasciare che liquidi per freni, benzina, prodotti a base di petrolio, oli penetranti, ecc. entrino in contatto con le parti in plastica. Le sostanze chimiche potranno danneggiare, indebolire o distruggere la plastica, il che potrà risultare in gravi lesioni personali.
- Evitare di utilizzare solventi quando si puliscono le parti in plastica. La maggior parte dei materiali plastici rischia di essere danneggiata dall'uso dei solventi disponibili in commercio. Utilizzare un panno pulito per rimuovere lo sporco, la polvere, ecc.
- Per maggiore sicurezza e affidabilità, tutte le riparazioni dovranno essere svolte da un centro servizi autorizzato.

### LUBRIFICAZIONE

Tutti i cuscinetti in questo prodotto sono stati lubrificati con una quantità di lubrificante ad alto indice di viscosità per tutta la durata del prodotto nelle normali condizioni di funzionamento. Di conseguenza, non è necessario effettuare alcuna lubrificazione supplementare.

Non utilizzare lubrificanti sulla graffiatrice, sul suo caricatore o sul meccanismo di trazione. Tenere pulito.

### TUTELA DELL'AMBIENTE



Riciclare le materie prime anziché gettarle tra i rifiuti domestici. Per tutelare l'ambiente, l'apparecchio, gli accessori e gli imballaggi devono essere smaltiti separatamente.

### SIMBOLI SUL PRODOTTO



Indicazioni sicurezza



Conformità CE



Volt



Corrente diretta



Marchio di conformità EurAsian



Leggere attentamente le istruzioni prima di avviare l'utensile.



Marchio di conformità ucraino



Tenere le mani lontano



Indossare occhiali di protezione



I prodotti elettrici non devono essere smaltiti con i rifiuti domestici. Vi sono strutture per smaltire tali prodotti. Informarsi presso il proprio Comune o rivenditore di sicurezza per smaltire adeguatamente tali rifiuti.

### SIMBOLI NEL MANUALE



Note



Parti o accessori venduti separatamente

I seguenti simboli indicano i livelli di rischio associati a questo prodotto.

### ⚠ PERICOLO

Indica una situazione immediatamente pericolosa che, se non evitata, potrà causare gravi lesioni o morte.

### ⚠ AVVERTENZE

Indica una situazione potenzialmente pericolosa che, se non evitata potrà causare gravi lesioni o morte.

### ⚠ ATTENZIONE

Indica una situazione potenzialmente pericolosa che, se non evitata, potrà causare lesioni minori o moderate.

### ATTENZIONE

(Senza simbolo di allarme in materia di sicurezza) Indica una situazione che può provocare danni materiali.

Veiligheid, prestaties en betrouwbaarheid kregen topprioriteit in het ontwerp van uw nietjesmachine.

## BEOOGD GEBRUIK

De nietmachine is alleen bedoeld voor gebruik door volwassenen die de instructies en waarschuwingen in deze handleiding hebben gelezen en begrepen en die als verantwoordelijk voor hun daden kunnen worden beschouwd.

De nietjesmachine is bedoeld om nietjes in zacht materiaal, zoals hout, aan te brengen. Het product kan worden gebruikt voor:

- nietjes in hout drukken
- met de bijgeleverde accessoire, nietjes om hekdraad en draadgaas vastzetten
- nieten voor stoffering (stoffen)
- nietjes in plastic drukken
- nietjes in papier en karton drukken
- nietjes om bedekking onder de vloerbedekking vast te zetten

De nietmachine is niet geschikt voor het bevestigen van elektrische kabels.

Gebruik het product niet voor andere doeleinden dan waarvoor het is bestemd.

**OPMERKING:** Sommige soorten hout (zoals erg droog hardhout) kunnen kortere nietjes vereisen om volledig in te nieten.

## ⚠ WAARSCHUWING

**Lees aandachtig alle waarschuwingen, aanwijzingen en specificaties die bij deze machine worden meegeleverd en bestudeer de afbeeldingen.** Als u onderstaande voorschriften niet opvolgt, kan dit leiden tot ongelukken zoals brand, elektrische schokken en/of ernstig lichamelijk letsel.

**Bewaar alle waarschuwingen en instructies voor toekomstig gebruik.**

## VEILIGHEIDSWAARSCHUWINGEN VOOR DE NIETMACHINE

- **Ga er altijd vanuit dat het apparaat nagels bevat.** Onzorgvuldig gebruik van de nietmachine kan leiden tot onverwacht vuren van bevestigingsmiddelen en persoonlijk letsel.
- **Het apparaat niet naar jezelf of andere personen in de buurt wijzen.** Door een onverwacht aanraken van de trigger zal er een nagel worden afgevuurd en dit kan letsel veroorzaken.
- **Het apparaat niet inschakelen, tenzij het stevig tegen het werkstuk is geplaatst.** Als het apparaat niet in contact staat met het werkstuk, kan de nagel een andere weg volgen dan uw doel is.
- **Ontkoppel het apparaat van de netvoeding als de nagel in het apparaat vast komt te zitten.** Bij het verwijderen van een vastzittende sluiting kan het zijn dat de nietmachine per ongeluk wordt geactiveerd als deze is aangesloten.
- **Wees voorzichtig bij het verhelpen van een vastgelopen nagel.** Het mechanisme kan onder druk staan en de nagel kan met kracht worden afgevuurd bij het proberen te verhelpen van een vastgelopen nagel.
- **Gebruik de nietmachine niet voor het bevestigen van elektrische kabels.** Het is niet bedoeld voor de installatie van elektrische bekabeling en kan de isolatie van de elektrische kabels beschadigen en daarmee elektrische schokken of brandgevaar veroorzaken.

## AANVULLENDE VEILIGHEIDSWAARSCHUWINGEN

- Denk er altijd aan dat misbruik en het onjuist behandelen van dit werktuig letsel bij uzelf en anderen kan veroorzaken.
- Het apparaat is bedoeld voor gebruik met één hand. Het apparaat niet vasthouden aan de voorzijde van het patroon. Plaats uw handen, hoofd of andere lichaamsdelen niet in de buurt van de onderkant van het magazijn waar de sluiting het product verlaat, omdat dit ernstig persoonlijk letsel kan veroorzaken.
- Controleer altijd of het contactpunt van het werkstuk volledig boven het werkstuk is geplaatst. Als het werkstukcontact slechts gedeeltelijk boven het werkstuk wordt geplaatst, kan de sluiting het werkstuk volledig missen en ernstig persoonlijk letsel tot gevolg hebben.
- Plaats geen bevestigingsmiddelen in de buurt van de rand van het materiaal. Het werkstuk kan splijten, waardoor de sluiting ernaast gaat, waardoor u of een collega gewond raakt. Houd er rekening mee dat het bevestigingsmiddel de nerf van het hout kan volgen, waardoor het onverwacht aan de zijkant van het werkmateriaal uitsteekt of afbuigt en mogelijk letsel kan veroorzaken.
- Handsen en lichaamsdelen uit de buurt houden van de directe werkomgeving. Houd het werkstuk zo nodig vast met klemmen om geen letsel te krijgen aan handen en lichaam. Controleer of het werkstuk goed is vastgezet voordat de bevestiger op het materiaal wordt gedrukt. Het contactpunt van het werkstuk kan veroorzaken dat het werkmateriaal onverwacht verschuift.
- Zorg dat het gezicht en het lichaam uit de buurt blijven van de achterzijde van het apparaatkapje tijdens het werken in kleine ruimten. Plotselinge terugslag kan leiden tot een impact op het lichaam, vooral bij het nieten in hard of dicht materiaal.
- Bij normaal gebruik zal het apparaat direct terugtrekken na het afvuren van een nagel. Dit is een normale werking van het apparaat. Probeer de terugslag niet te voorkomen door het product tegen het werkstuk te houden. Bepijking van de terugslag kan tot gevolg hebben dat er een tweede bevestigingsmiddel uit het product wordt afgevuurd. Pak het handvat goed vast, laat het apparaat het werk doen en plaats nooit een tweede hand op het apparaat of in de buurt van de uitlaat. Het niet naleven van deze waarschuwing kan resulteren in ernstig persoonlijk letsel.
- Geen bevestigingsmateriaal boven op andere bevestigingsmaterialen plaatsen of in een overdreven scherpe hoek plaatsen, omdat hierdoor de nagels kunnen afwijken en letsel kunnen veroorzaken.



- Controleer altijd de werkomgeving op verborgen bedrading, gasleidingen, waterleidingen, enz. voordat het product in het gebied wordt gebruikt.
- De inslagdiepte van het bevestigingsmiddel kan eventueel groter zijn dan de benodigde diepte. Het is aan te raden om de diepte te testen op een ongebruikt stuk om te vereiste diepte te bepalen voor de toepassing.
- Alleen nagels die voldoen aan de beschrijving in de productspecificatietabel kunnen worden gebruikt in dit apparaat. Het gebruik van verkeerde nagels kan leiden tot vastlopen of andere storingen.

## VEILIGHEIDSWAARSCHUWINGEN DIEPTE-AFSTELLING

- Verwijder altijd de accu voordat u de diepte van de aandrijving aanpast.
- Trek de knop voor diepteregeling niet terug. De knop is ontworpen om te worden gedraaid.
- Druk niet op de knop terwijl u de diepte van de knop aanpast.
- Het apparaat niet naar jezelf of andere personen wijzen bij het aanpassen van de afvuurdiepte.

### EXTRA WAARSCHUWINGEN BATTERIJVEILIGHEID

#### ⚠ WAARSCHUWING

V voorkom brand, persoonlijk letsel of materiële schade door kortsluiting en dompel het gereedschap, de wisselaccu en het laadtoestel niet onder in vloeistoffen en waarborg dat geen vloeistoffen in de apparaten en accu's kunnen dringen. Corrosieve of geleidende vloeistoffen zoals zout water, bepaalde chemicaliën, bleekmiddelen of producten die bleekmiddelen bevatten, kunnen een kortsluiting veroorzaken.

## VERVOEREN VAN LITHIUM BATTERIJEN

Vervoer de accu in overeenstemming met de plaatselijke en nationale voorzieningen en regelgevingen.

Volg alle speciale vereisten op de verpakking en etiketten bij het vervoeren van batterijen door een derde partij. Zorg dat de batterijen tijdens het vervoer niet in contact komen met andere batterijen of geleidende materialen door de blootliggende aansluitpunten te beschermen met een isolerende, niet-geleidende dop of tape. Geen gekraakte of lekkende accu's vervoeren. Controleer bij het doorsturende bedrijf voor verder advies.

### RESTRISCO'S

Zelfs wanneer het product zoals voorgeschreven wordt gebruikt, blijft het onmogelijk om alle restrisco's te voorkomen. De volgende gevaren kunnen optreden bij gebruik en de gebruiker dient speciaal op te letten om het volgende te voorkomen:

- Gehoorschade.  
**Opmerking:** Draag altijd een goede gehoorbescherming en beperk de blootstelling aan geluid.

- Letsel aan de ogen veroorzaakt door verkeerd aangedreven bevestigingsmiddelen of rondvliegend stof en puin.

**Opmerking:** Draag altijd geschikte oogbescherming

- Letsel veroorzaakt door trillingen

**Opmerking:** Houd het werktuig aan de handvatten vast en beperk de blootstelling aan trillingen. Zie "Risico's Bepersen".

- Snijwonden veroorzaakt door contact met scherpe punten.

**Opmerking:** Wees extra voorzichtig bij het hanteren of laden van bevestigingsmiddelen.

- Het product is zwaar.

**Opmerking:** Het product is zwaar. Houd rekening met spierpijn wanneer u het product gedurende een langere periode achtereenvolgens gebruikt, vooral bij boven het hoofd werken.

### RISICOBEPERKING

Vibraties van handgereedschap kan in bepaalde individuele gevallen leiden tot het syndroom van Raynaud. Symptomen kunnen ondermeer tintelingen, gevoelloosheid en bleek worden van de vingers omvatten, wat normaal gezien duidelijk wordt bij blootstelling aan koude. Erfelijke factoren, blootstelling aan koude en vocht, dieet, roken en werkrouetine kunnen allemaal bijdragen tot de ontwikkeling van deze symptomen. Er kunnen door de bediener maatregelen worden genomen om de gevolgen van de trillingen te beperken:

- Houd bij koud weer uw lichaam warm. Draag handschoenen wanneer u de machine gebruikt om handen en polsen warm te houden. Men neemt aan dat koud weer een belangrijke factor is die bijdraagt tot het Syndroom van Raynaud.
- Doe oefeningen om de bloeddoorstroming te bevorderen na elke periode van gebruik.
- Neem regelmatig een pauze. Beperk het aantal uren dat u per dag wordt blootgesteld.

Wanneer u enige van de symptomen van deze aandoening ervaart, stop dan onmiddellijk met het gebruik van het toestel en raadpleeg uw dokter

#### ⚠ WAARSCHUWING

Letsels kunnen optreden of verergeren door langdurig gebruik van een gereedschap. Als u een werktuig gedurende langere periodes gebruikt, neem dan regelmatig pauze.

### KEN UW PRODUCT

Zie pagina 83.

1. Activeringsvoet
2. Draad- en schermaccessoire
3. Indicator van de aandrijving
4. Knop voor diepte-afstelling
5. Magazijn
6. Aan-/uitschakelaar
7. Hendel, geïsoleerd grijpoppervlak
8. Riemclip
9. Magazijnlus



- 10. Accupoort
- 11. 14,3 mm nietjes
- 12. 6,4 mm nietjes

## ONDERHOUD

### ⚠ WAARSCHUWING

Het product mag nooit worden aangesloten op de netvoeding bij het aansluiten van onderdelen, maken van afstellingen, schoonmaken, uitvoeren van onderhoud of als het product niet wordt gebruikt. Ontkoppelen van het product voorkomt accidenteel opstarten, wat ernstig letsel kan veroorzaken.

- Gebruik bij het onderhoud uitsluitend de originele reserveonderdelen, accessoires en bijzetstukken van de fabrikant. Gebruik van niet originele onderdelen kan gevaar opleveren of schade aan de machine veroorzaken.
- Remvloeistof, benzine, producten op basis van petroleum, kruipolie, enz mogen nooit in contact komen met kunststof onderdelen. Chemicaliën kunnen kunststof beschadigen, verzwakken of verwoesten, wat kan leiden tot ernstig letsel.
- Voorkom het gebruik van oplosmiddelen wanneer u kunststof onderdelen reinigt. De meeste kunststoffen kunnen worden beschadigd door de in de handel zijnde oplosmiddelen. Gebruik een schone doek om vuil of stof te verwijderen.
- Alle reparaties moeten worden uitgevoerd door een Erkend Servicecentrum teneinde de veilige en betrouwbare werking van de machine te garanderen.

## SMERING

Alle lagers in het product zijn gesmeerd met voldoende kwalitatief smeermiddel voor de gehele levensduur van het product bij normale gebruiksomstandigheden. Extra smering is daarom niet noodzakelijk.

Gebruik geen smeermiddelen op nietjes, het magazijn of het drijfmechanisme. Schoon houden.

## MILIEUBESCHERMING



Zorg dat grondstoffen worden gerecycled in plaats van weggegooid als afval. Om het milieu te beschermen moeten de machine, de accessoires en de verpakking gesorteerd bij een erkend recyclingcentrum worden aangeleverd.

## SYMBOLEN OP HET PRODUCT



Veiligheidswaarschuwing



EG conformiteit



Volt



Gelijkstroom



EurAsian-symbool van overeenstemming



Lees de instructies zorgvuldig voordat u de machine in gebruik neemt.



Oekraïens conformiteitsymbool



Houd uw handen uit de buurt



Draag gezichtsbescherming



Elektrisch afval mag niet samen met ander huishoudafval worden weggegooid. Gelieve te recycleren indien de mogelijkheid bestaat. Neem contact op met uw gemeente of handelaar om advies te krijgen over recyclage.

## SYMBOLEN IN DE GEBRUIKSAANWIJZING



Opmerking



Onderdelen of accessoires afzonderlijk gekocht

De volgende kernwoorden en verklaringen zijn bedoeld om de gevaarniveaus die op dit toestel betrekking hebben, te verklaren.

### ⚠ GEVAAR

Wijst op een gevaarlijke situatie die, indien ze niet wordt vermeden, kan leiden tot ernstige verwondingen of de dood.

### ⚠ WAARSCHUWING

Wijst op een mogelijk gevaarlijke situatie die, indien ze niet wordt vermeden, kan leiden tot ernstige verwondingen of de dood.

### ⚠ LET OP

Wijst op een mogelijk gevaarlijke situatie die, indien ze niet wordt vermeden, kan leiden tot lichte of middelmatige verwondingen.

### LET OP

(Zonder veiligheidssymbool) Geeft een situatie aan die materiële schade zou kunnen veroorzaken.



Segurança, desempenho e fiabilidade foram as prioridades na conceção do seu agrafador.

### UTILIZAÇÃO PREVISTA

O agrafador destina-se a ser utilizado apenas por adultos que tenham lido e compreendido as instruções e os avisos neste Manual e que possam ser considerados responsáveis pelas suas ações.

O agrafador destina-se a pregar grampos em materiais macios, como a madeira. O produto pode ser utilizado para:

- colocar agrafos em madeira
- com o acessório incluído, colocar agrafos em redes de arame
- colocar agrafos em estofos (tecido)
- colocar agrafos em plástico
- agrafar papel e cartão
- agrafar revestimentos de fixação de alcatifas

O agrafador não é adequado para a fixação de cabos elétricos.

Utilize o produto exclusivamente para o uso para o qual foi concebido.

**NOTA:** Alguns madeiros (como os de madeira dura e seca) poderiam requerer grampos mais cortas para poder atravessá-los completamente.

### ⚠ AVISO

**Leia com atenção todas as advertências, instruções e especificações fornecidas com a ferramenta, e consulte as ilustrações.** O incumprimento das instruções seguintes pode ocasionar acidentes como incêndios, choques eléctricos e/ou ferimentos graves.

**Guarde todos os avisos e instruções para futuras consultas.**

### AVISOS DE SEGURANÇA DO AGRAFADOR

- **Parta sempre do pressuposto de que a ferramenta contém pregos.** O manuseamento imprudente do agrafador pode resultar no disparo inesperado de agrafos provocando ferimentos pessoais.
- **Não aponte a ferramenta para si próprio nem para terceiros nas imediações.** Um disparo inesperado irá expulsar um prego, causando ferimentos.
- **Não dispare a ferramenta se esta não estiver firmemente encostada à peça de trabalho.** Se a ferramenta não estiver em contacto com a peça a trabalhar, o prego pode ser desviado do alvo.
- **Desligue a ferramenta da fonte de alimentação sempre que um prego encravar na mesma.** Ao retirar um agrafado preso, o agrafador pode ser ativado acidentalmente se estiver ligado.
- **Tenha cuidado ao remover um prego encravado.** O mecanismo pode ficar sob compressão e o prego pode ser disparado forçosamente ao tentar desbloquear uma situação de encravamento.
- **Não utilize o agrafador para fixar cabos eléctricos.**

A ferramenta não foi concebida para se usada na instalação de cabos eléctricos e pode danificar o isolamento dos mesmos, causando choques eléctricos ou incêndio.

### AVISOS DE SEGURANÇA ADICIONAIS

- Tenha sempre presente que uma má utilização e um manuseamento inadequado desta ferramenta pode provocar lesões em si próprio e em outros.
- A ferramenta foi concebida para ser usada apenas com uma mão. Não pegue na ferramenta pela parte da frente do cartuxo. Não coloque as mãos, a cabeça ou outras partes do corpo perto do fundo do compartimento por onde os agrafos são disparados do produto, pois pode sofrer ferimentos pessoais graves.
- Assegure-se sempre que o contacto da peça a trabalhar está posicionado na parte de cima da mesma. Colocar o contacto apenas parcialmente sobre a peça de trabalho pode fazer com que o agrafado falhe por completo a peça de trabalho e podem resultar ferimentos graves.
- Não coloque agrafos perto do rebordo do material. A peça de trabalho pode abrir, provocando o ricochete do agrafado, ferindo o operando ou os seus colegas. Note que o agrafado poderá seguir o grão da madeira, fazendo com que fique inesperadamente saliente do lado da madeira ou defletir, provocando possíveis ferimentos.
- Mantenha as mãos e o corpo afastados na área de trabalho imediata. Fixe a peça a trabalhar com grampos sempre que necessário para manter as mãos e o resto do corpo afastados de lesões potenciais. Verifique se a peça a trabalhar está devidamente segura antes de pressionar o prego contra o material. O contacto da peça a trabalhar pode levar a que a mesma mude de posição inesperadamente.
- Mantenha a cara e o corpo afastados da tampa da ferramenta ao trabalhar em áreas confinadas. O retorno repentino pode resultar em impactos súbitos com o corpo, especialmente ao agrafar materiais duros ou densos.
- Durante a normal utilização da ferramenta esta irá recuar imediatamente após o disparo de um prego. Esta é uma função normal da ferramenta. Não tente impedir o retorno segurando o produto contra a peça de trabalho. A contenção do retorno pode fazer com que seja disparado um segundo agrafado do produto. Segure firmemente na pega, deixe a ferramenta trabalhar e não coloque a outra mão em cima da ferramenta nem junto ao escape, em qualquer circunstância. A inobservância deste aviso pode resultar em graves ferimentos pessoais.
- Não coloque pregos por cima de outros pregos nem com a ferramenta num ângulo demasiado inclinado porque isto pode levar os pregos a desviarem-se, causando lesões.
- Antes de usar o produto verifique sempre a área de trabalho relativamente à presença de fios, condutas de gás ou de água, etc. escondidos.
- A profundidade do agrafado pode ser regulada além da pressão do ar necessária. Recomenda-se que teste a profundidade numa peça a descartar de modo a determinar a profundidade requerida para a aplicação.

EN
FR
DE
ES
IT
NL
<b>PT</b>
DA
SV
FI
NO
RU
PL
CS
HU
RO
LV
LT
ET
HR
SL
SK
BG
UK
TR
EL



- Só os preços que correspondam à descrição nas especificações do produto podem ser usados com esta ferramenta. O uso de pregos incorretos pode dar origem a encravamento ou outras avarias.

### AVISOS DE SEGURANÇA QUANTO AO AJUSTE DE PROFUNDIDADE

- Retire sempre a bateria antes de regular a profundidade do agrafão.
- Não puxe o botão de ajuste da profundidade para trás. O botão foi concebido para ser rodado.
- Não prima o gatilho ao regular o botão de profundidade do agrafão.
- Não aponte a ferramenta para si próprio nem para outra pessoa ao ajustar a profundidade de perfuração.

### AVISOS DE SEGURANÇA ADICIONAIS DAS BATERIAS

#### ⚠ AVISO

Para evitar o risco de incêndio, de feridas ou de danificação do produto causado por um curto-circuito, não imerja a bateria intercambiável ou o carregador em líquidos e assegure-se de que líquidos não penetrem nos aparelhos ou nas baterias. Líquidos corrosivos ou condutivos como água salgada, determinadas substâncias químicas ou produtos que contêm branqueadores podem causar um curto-circuito.

### TRANSPORTE DE BATERIAS DE LÍTIO

Transporte a bateria em conformidade com as disposições e os regulamentos locais e nacionais.

Respeite os requisitos especiais que existam na embalagem e a etiquetagem durante o transporte de baterias por terceiros. Assegure-se que não há risco de uma bateria entrar em contacto com outra bateria nem com materiais condutores durante o transporte, protegendo os conectores expostos com tampas ou fita isoladoras e não condutoras. Não transporte baterias com fissuras ou fugas. Contacte a empresa transitária para mais aconselhamento.

### RISCOS RESIDUAIS

Mesmo quando se utiliza o produto segundo as instruções, continua a ser impossível eliminar por completo certos fatores de risco residuais. Podem surgir os seguintes riscos durante o uso e o operador deve prestar especial atenção para evitar o seguinte:

- Lesões auditivas  
**Nota:** Use sempre proteção auditiva eficaz e limite o tempo de exposição ao ruído.
- Ferimentos nos olhos provocados por agrafos disparados incorretamente ou pó e resíduos projetados.  
**Nota:** Use sempre proteção ocular adequada.
- Lesões por vibração  
**Nota:** Segure a ferramenta através das mangas correspondentes e limite a sua exposição à vibração. Consulte o ponto "Redução De Riscos".
- Lacerações causadas pelo contacto com pontas afiadas.

**Nota:** Exerça cuidado extra ao manusear ou colocar agrafos no interior do agrafador.

- O produto é pesado.

**Nota:** O produto é pesado. Tenha cuidado com a tensão muscular durante o uso do produto durante períodos prolongados, especialmente se se utilizar em cima da cabeça.

### REDUÇÃO DO RISCO

Informe-se que as vibrações das ferramentas manuais podem contribuir para uma doença chamada síndrome de Raynaud em certos indivíduos. Os sintomas podem incluir formigueiro, entorpecimento e empalidecimento dos dedos, habitualmente visível aquando da exposição ao frio. Estima-se que os fatores hereditários, exposição ao frio e humidade, dieta, tabagismo e práticas de trabalho contribuem todos para o desenvolvimento destes sintomas. Existem medidas que podem ser tomadas pelo operador para possivelmente reduzir os efeitos da vibração:

- Mantenha o seu corpo quente durante o tempo frio. Ao operar a unidade, use luvas para manter as mãos e os pulsos quentes. Encontra-se reportado que o tempo frio é um grande fator que contribui para o Síndrome de Raynaud.
- Após cada período de operação, exercite para aumentar a circulação sanguínea.
- Faça pausas frequentes no trabalho. Limite o tempo de exposição por dia.

Caso sinta algum dos sintomas desta doença, interrompa de imediato a sua utilização e consulte o seu médico sobre estes sintomas.

#### ⚠ AVISO

As lesões podem ser causadas ou agravadas pelo uso prolongado de uma ferramenta. Ao usar qualquer ferramenta durante períodos prolongados, assegure-se que faz intervalos regulares.

### CONHEÇA O SEU PRODUTO

Consulte a página 83.

1. Pé de ativação
2. Acessório para rede de arame
3. Indicador de força aplicada
4. Maçaneta de ajuste de profundidade
5. Carregador
6. Interruptor selector
7. Pega, superfícies de prensão isoladas
8. Pinça para cinto
9. Trinco do compartimento
10. Orifício da bateria
11. Agrafos de 14,3 mm
12. Agrafos de 6,4 mm

## MANUTENÇÃO

### ⚠️ AVISO

O produto não deve nunca ser ligado à corrente eléctrica durante a montagem de peças, a realização de ajustes, limpeza, operações de manutenção ou quando não está em uso. Ao deligar o produto estará a evitar um arranque accidental que pode causar lesões graves.

- Na manutenção utilize apenas peças sobresselentes, acessórios e auxiliares originais do fabricante. O uso de quaisquer outras peças pode criar perigo ou causar danos ao aparelho.
- Nunca, em qualquer momento, deixe que fluidos de travagem, gasolina, produtos petrolíferos, óleos de perfuração, etc., entrem em contacto com as peças de plástico. Estes produtos químicos contêm substâncias que podem danificar, deteriorar ou destruir o plástico, o que poderia provocar ferimentos graves.
- Evite usar solventes ao limpar as peças de plástico. A maioria dos plásticos pode ser danificada pelos solventes vendidos no comércio. Utilize um pano limpo para remover as sujidades, o pó, etc.
- Para uma maior segurança e fiabilidade, todas as reparações devem ser realizadas por um centro de assistência autorizado.

## LUBRIFICAÇÃO

Todos os rolamentos deste produto estão lubrificados com um montante suficiente de lubrificante de elevado nível, de acordo com a duração de vida do produto em condições normais de funcionamento. Por conseguinte, não requer nenhuma lubrificação suplementar.

Não aplique lubrificante nos grampões, no chassis ou no mecanismo de acionamento. Mantenha-a limpa.

## PROTECÇÃO DO AMBIENTE



Recicle os materiais em vez de pô-los directamente no lixo doméstico. Para proteger o ambiente, a ferramenta, os acessórios e as embalagens devem ser seleccionados.

## SÍMBOLOS NO PRODUTO



Alerta de segurança



Conformidade CE

V

Volts



Corrente directa



Marca de conformidade EurAsian



Agradecemos que leia atentamente as instruções antes de iniciar a máquina.



Marca de conformidade ucraniana



Mantenha as mãos afastadas



Use protecção para os olhos



Os aparelhos eléctricos antigos não devem ser eliminados juntamente com o lixo doméstico. Recicle onde existem instalações para o efeito. Verifique com as suas Autoridades Locais ou revendedor para obter informações sobre reciclagem.

## SÍMBOLOS NESTE MANUAL



Nota



As peças ou acessórios vendem-se separadamente

As seguintes palavras de sinal e significados destinam-se a explicar os níveis de risco associados a este produto.

### ⚠️ PERIGO

Indica uma situação de perigo iminente, a qual, se não for evitada, pode resultar em morte ou ferimentos graves.

### ⚠️ AVISO

Indica uma situação potencialmente perigosa que, se não for evitada, pode resultar em morte ou ferimentos graves.

### ⚠️ CAUTELA

Indica uma situação potencialmente perigosa que, se não for evitada, pode resultar em ferimentos leves ou moderados.

### CAUTELA

(Sem símbolo de segurança) Indica uma situação que pode provocar danos materiais.



Sikkerhed, ydelse og driftssikkerhed har fået topprioritet i designet af din hæftemaskine.

### TILTÆNK ANVENDELSESFORMÅL

Hæftemaskinen er kun beregnet til at blive anvendt af voksne personer, der har læst og forstået instruktionerne og advarslerne i denne brugsvejledning, og som kan betragtes som værende ansvarlige for deres handlinger.

Klammepistolen er beregnet til indskydning af klammer i bløde materialer som fx træ. Produktet kan bruges til:

- Slå hæfteklammer i træ
- med det medfølgende udstyr, slå hæfteklammer i for at fastgøre grænsewire og wireस्कærm
- slå hæfteklammer i til polstring (stoffer)
- slå hæfteklammer i plast
- slå hæfteklammer i papir og pap
- slå klammer i for at fastgøre tæppeunderlag

Hæftemaskinen er ikke egnet til fastgørelse af elektriske kabler.

Produktet må kun bruges til de formål, der er angivet under formålsbestemt/korrekt brug.

**BEMÆRK:** Visse typer tømmer (som fx meget tørt hårdt træ) kan kræve kortere klammer, hvis de skal kunne slås helt ind.

### ⚠ ADVARSEL

Læs alle omhyggeligt alle advarsler, anvisninger og specifikationer, som følger med maskinen, og studer illustrationerne. Hvis nedenstående forskrifter ikke overholdes, kan der ske uheld og ulykker som brand, elektrisk stød og/eller alvorlige personskader.

Gem alle advarsler og brugsanvisninger til senere brug.

### SIKKERHEDSADVARSLER FOR HÆFTEMASKINE

- **Gå altid ud fra, at der er søm/klammer i værktøjet.** Uforsigtig håndtering af hæftemaskinen kan resultere i uventet fyring af fastgørelseselementer og personskade.
- **Undgå at rette værktøjet mod dig selv eller andre personer i nærheden.** Utilsigtet aktivering af udløseren vil udløse sømmet/klammen med personskader til følge.
- **Undgå at aktivere værktøjet, før det er anbragt stabilt mod emnet.** Hvis værktøjet ikke er i kontakt med emnet, risikerer man, at sømmet/klammen afbøjes i forhold til målet.
- **Afbrud værktøjet fra strømforsyningen, hvis søm/klammer sætter sig fast i værktøjet.** Når du fjerner et fastgjort fastgørelseselement, kan hæftemaskinen muligvis aktiveres, hvis den er tilsluttet.
- **Udvis forsigtighed, når der fjernes et fastsiddende søm/klamme.** Mekanismen kan være under tryk, og sømmet/klammen kan blive udløst, mens man forsøger at løsne et søm/klamme, der har sat sig fast.
- **Brug ikke hæftemaskinen til fastgørelse af**

**elektriske kabler.** Ikke beregnet til elkabelinstallationer og kan ødelægge isoleringen af elkabler og dermed forårsage elektrisk stød eller brandfare.

### EKSTRA SIKKERHEDSADVARSLER

- Vær altid opmærksom på, at misbrug eller ukorrekt håndtering af dette værktøj kan forårsage skader på dig selv og andre.
- Værktøjet er beregnet til en-hånds-betjening. Undgå at holde værktøjet i forsiden af magasinet. Anbring ikke hænder, hoved eller andre dele af din krop tæt ved bunden af magasinet, hvor klammer forlader produktet, da der kan forårsages alvorlig personskade.
- Kontrollér altid, at emnekontakten anbringes præcist over emnet. Placering af emnet med kun delvis kontakt kan medføre, at hæfteklammer går fuldstændigt forbi emnet og medfører alvorlig personskade.
- Fastgør ikke hæfteklammer nær kanten på materialet. Afbejdsemnet kan flække og forårsage, at hæfteklammen bliver kastet tilbage, så du eller en arbejdskollega kommer til skade. Vær opmærksom på, at hæfteklammen kan følge træets korn, hvilket får den til at stikke uventet ud af arbejdsmaterialets side eller afbøjes, hvilket muligvis forårsager skade.
- Hold hænder og lemme dele på afstand af arbejdsområdet. Fastspænd om nødvendigt emnet med klammer for at udelukke potentielle risici for hænder og krop. Kontrollér, at emnet er ordentligt fastgjort, inden sømmet/klammen presses mod materialet. Emnekontakten kan bevirke, at emnet pludseligt forskubber sig.
- Hold ansigt og lemme dele på afstand af værktøjets bagdæksel, når der arbejdes i begrænsede områder. Pludselig rekyl kan medføre påvirkning af kroppen, især når man hæfter i hårdt eller tæt materiale.
- Under normal brug vil værktøjet 'slå tilbage' umiddelbart efter affyringen af et søm/klamme. Dette er en normal værktøjsfunktion. Forsøg ikke at forhindre rekyl ved at holde produktet i mod arbejdsområdet. Begrænsning af rekyl kan resultere i, at en anden hæfteklamme bliver drevet fra produktet. Hold godt fast i håndtaget, lad værktøjet gøre arbejdet, og undgå at placere den anden hånd oven på værktøjet eller nær affyringsåbningen. Manglende iagttagelse af denne advarsel kan medføre alvorlig personskade.
- Undgå at indskyde søm oven på andre søm eller med værktøjet i en meget skrå vinkel, da dette kan medføre afbøjning af sømmene, hvilket igen kan forårsage personskader.
- Kontrollér altid arbejdsområdet for skjulte ledninger, gasrør, vandrør osv., inden produktet anvendes i sådanne områder.
- Den justerede fastgørelsesdybden på hæfteklammen kan være større end den dybde, du har brug for. Det anbefales, at man først tester indskydningsdybden i et affaldsemne for at bestemme den ønskede indskydningsdybde under arbejdet.
- I dette værktøj må der kun benyttes søm/klammer, som opfylder beskrivelsen i produktspecifikationstabellen. Brug af forkerte søm/klammer kan medføre blokering eller driftsforstyrrelser.







## SIKKERHEDSADVARSLER VEDR. DYBDEJUSTERING

- Fjern altid batteriet inden justering af fastgørelsesdybde.
- Træk ikke dybdejusteringsgrebet tilbage. Grebet er designet til at blive drejet rundt.
- Tryk ikke på aftrækkeren under justering af dybden med betjeningsgrebet.
- Undgå at rette værktøjet mod dig selv eller andre i nærheden, når du justerer indskydningsdybden.

## YDERLIGERE SIKKERHEDSADVARSLER OM BATTERI

### ⚠ ADVARSEL

For at undgå risiko for brand, kvæstelser eller beskadigelse af produktet forårsaget af kortslutning må værktøjet, batteripakken eller opladeren ikke nedsænkes i vand. Sørg ligeledes for, at der ikke trænger væske ind i enhederne og batterierne. Korroderende eller ledende væsker, f.eks. saltvand, bestemte kemikalier, blegestoffer eller produkter, som indeholder blegestoffer, kan forårsage kortslutning.

## TRANSPORT AF LITHIUM-BATTERIER

Batteriet skal transporteres i henhold til lokale og nationale forskrifter og love.

Når batterier skal transporteres af tredjepart, skal alle specielle krav til emballering og mærkning efterleves. Man skal sikre sig, at ingen batterier kan komme i kontakt med andre batterier eller ledende materialer under transporten ved at beskytte blottede konnektorer med isolerende, ikke-ledende hætter eller tape. Undlad at transportere batterier med revner eller utætheder. Rådfør dig desuden hos speditøren.

## UUNDGÅELIGE RISICI

Selv om produktet anvendes som foreskrevet, er det stadig umuligt at eliminere visse uundgåelige risikofaktorer fuldstændigt. Følgende risici kan opstå under brug, og operatøren bør være særligt opmærksom for at undgå følgende:

- Høreskader.  
**Bemærk:** Benyt altid effektivt høreværn, og begræns eksponeringen for støj.
- Skader på øjnene forårsaget af forkert affyrede hæfteklammer eller flyvende støv og snavs.  
**Bemærk:** Brug altid passende øjenværn.
- Personskader forårsaget af vibration  
**Bemærk:** Hold værktøjet i de hertil indrettede håndtag, og begræns eksponeringen for vibrationer. Se "Risikoreduktion".
- Rifter forårsaget af kontakt med skarpe spidser.  
**Bemærk:** Vær ekstra omhyggelig ved håndtering eller ilægning af hæfteklammer.
- Produktet er tungt.  
**Bemærk:** Produktet er tungt. Pas på med at overbelaste musklerne når produktet benyttes i længere perioder, især hvis det bruges over hovedhøjde.

## RISIKOREDUKTION

Der er rapporteret om, at vibrationer fra håndholdte værktøjer kan være medvirkende til en lidelse kaldet Raynauds syndrom hos visse personer. Symptomerne herpå kan være prikken, følelsesløshed og blegning af fingrene, der normalt viser sig ved kuldepåvirkning. Faktorer som arvelighed, udsættelse for kulde og fugt, kost, rygning og arbejdsvaner menes alle at medvirke til udviklingen af disse symptomer. Der findes forholdsregler, som operatøren kan træffe for at begrænse påvirkningen fra vibrationer:

- Hold kroppen varm i koldt vejr. Brug handsker, så hænder og vriste holdes varme under arbejdet. Der er rapporteret om, at koldt vejr er en væsentlig faktor til Raynauds syndrom.
- Motionér efter hver arbejdsperiode for at øge blodcirkulationen.
- Hold hyppige arbejdspauser. Begræns eksponeringen for vibrationer pr. dag.

Hvis du mærker nogen af symptomerne på denne tilstand, skal du straks ophøre med arbejdet og søge læge.

### ⚠ ADVARSEL

Længere tids brug af et værktøj kan forårsage - eller forværre - personskader. Når man bruger et værktøj i længere perioder ad gangen, skal man huske at holde hyppige pauser.

## KEND PRODUKTET

Se *side 83*.

1. Aktiveringsfod
2. Wire- og skærmtilbehør
3. Hæftekraftindikator
4. Dybdejusteringsknap
5. Magasin
6. Kontaktudløser
7. Håndtag, isoleret gribeblæde
8. Bælteklamme
9. Magasinlås
10. Batteriåbning
11. 14,3 mm hæfteklammer
12. 6,4 mm hæfteklammer

## VEDLIGEHOLDELSE

### ⚠ ADVARSEL

Produktet må aldrig sluttes til en strømforsyning, mens man er i færd med at samle dele, foretage justeringer, rengøre, udføre vedligeholdelsesarbejde, eller når produktet ikke anvendes. Ved at afbryde forbindelsen til strømforsyningen forhindrer man utilsigtet start af produktet, hvilket kan medføre alvorlige personskader.

- Ved service Brug kun originale reservedele, ekstraudstyr og tilbehør fra producenten. Brug af alternative dele kan forårsage farlige situationer eller ødelægge produktet.



- Sørg for, at bremsevæske, benzin, petroleumsbaserede produkter, penetreringsolie, mv., aldrig kommer i kontakt med plastdele. Disse kemiske produkter indeholder stoffer, som kan beskadige, mørne eller ødelægge plastmaterialet, så man risikerer at komme alvorligt til skade.
- Undgå brug af opløsningsmidler til rengøring af plastdele. De fleste plasttyper bliver ødelagt, hvis de renses med almindelige gængse opløsningsmidler. Fjern snavs, støv m.v. med en ren klud.
- For bedre sikkerhed og pålidelighed skal alt reparationsarbejde udføres på et autoriseret servicecenter.

### SMØRING

Alle lejerne i produktet er smurt for produktets levetid under normale driftsbetingelser med en tilstrækkelig mængde højkvalitetssmøremiddel. Det er derfor ikke nødvendigt med yderligere smøring.

Undgå at bruge smøremidler på klammer, magasin eller drivmekanisme. Skal holdes ren.

### MILJØBESKYTTELSE



Råmaterialerne skal genbruges og ikke bortskaffes som almindeligt affald. Af hensyn til miljøet skal redskab, tilbehør og emballage sorteres.

### SYMBOLER PÅ PRODUKTET



Sikkerhedsadvarsel



CE-overensstemmelse

V

Volt



Direkte strøm



EurAsian overensstemmelsesmærke



Læs venligst vejledningen grundigt igennem før maskinen tages i brug.



Ukrainsk overensstemmelsesmærke

001



Hold hænderne på afstand



Benyt øjenværn



Elektriske affaldsprodukter bør ikke afskaffes sammen med husholdningsaffald. Genbrug venligst hvor faciliteterne tillader dette. Tjek med din lokale kommune eller forhandler for genbrugsråd.

### SYMBOLER I BRUGSANVISNINGEN



Bemærk



Dele eller tilbehør, der sælges separat

De følgende ikoner og betydninger er beregnet til at forklare risikoen involveret i at anvende denne enhed.

#### ⚠ FARE

Indikerer en umiddelbart farlig situation, som - hvis den ikke afværges - vil medføre dødsfald eller alvorlig personskade.

#### ⚠ ADVARSEL

Indikerer en potentielt farlig situation, som - hvis den ikke afværges - kan medføre dødsfald eller alvorlig personskade.

#### ⚠ VÆR OPMÆRKSOM

Indikerer en potentielt farlig situation, som - hvis den ikke afværges - kan medføre mindre eller middelsvår personskade.

#### VÆR OPMÆRKSOM

(Uden sikkerhedssymbol) indikerer en situation som kan føre til skade af personlig ejendom.



Säkerhet, prestanda och pålitlighet har varit högsta prioritet vid design av din spikpistol.

## ANVÄNDNINGSMÅL

Häftpistolen är endast avsedd för vuxna användare som har läst och förstått instruktionerna och varningarna i denna manual, och som kan anses vara ansvariga för sina handlingar.

Klammerpistolen är avsedd att skjuta in klamrar i mjuka material som trä. Produkten kan användas för att:

- föra in häftklamrar i trä
- med det medföljande tillbehöret, föra in häftklamrar för att fästa stängseltråd och trådkärm
- föra in häftklamrar för möbelpapetsering (tyg)
- föra in häftklamrar i plast
- föra in häftklamrar i papper och kartongpapper
- föra in häftklamrar för att fästa mattunderlag

Häftpistolen är inte lämplig för att laga elkablar.

Använd inte produkten på något annat sätt än vad som är avsett.

**NOTERA:** Vissa träslag (som mycket torrt hårt trä) kan behöva kortare spikar för att slås in helt.

## ⚠ VARNING

**Läs uppmärksamt alla varningar, instruktioner och specifikationer som bifogas med detta verktyg och studera bilderna.** Underlåtenhet att respektera dessa föreskrifter kan leda till olyckor som brand, elektriska stötar och/eller allvarliga kroppsskador.

Behåll dessa varningar och anvisningar för framtida referens.

## SÄKERHETSVARNINGAR FÖR HÄFTPISTOL

- **Förutsätt att produkten alltid innehåller fastsättare.** Vårdslös hantering av häftpistolen kan resultera i oväntad avfyrning av fästdon och personskada.
- **Rikta inte verktyget mot dig själv eller någon i närheten.** Oväntad avskjutning kan skjuta ut spik och orsaka skador.
- **Aktivera inte verktyget om det inte ligger an mot arbetsstycket.** Om verktyget inte ligger an mot arbetsstycket kan fastsättare deflekteras från målet.
- **Koppla från verktyget från strömkällan om fastsättare sätter sig i verktyget.** Medan du tar bort ett fästdon som har fastnat, kan häftpistolen oavsiktligt aktiveras om den är inkopplad.
- **Var försiktig med att ta bort fastsättare som satt sig.** Mekanismen kan vara trycksatt och fastsättaren tvingas att skjuta för att lösa upp sättning.
- **Använd inte häftpistolen för att fästa elkablar.** Det är inte avsett för installation av elkablar och kan skada isolering på elkablar och därmed orsaka elektrisk stöt eller brandrisk.

## YTTERLIGARE SÄKERHETSFÖRESKRIFTER

- Tänk på att felanvändning eller felaktig hantering av det här verktyget kan orsaka skador på dig själv och andra.
  - Verktyget är avsett för enhandsbruk. Håll inte i verktyget framför magasinet. Placera inte händer, huvud eller övriga kroppsdelar nära botten delen av magasinet där fästdonet kommer ut ur produkten, eftersom detta kan orsaka allvarlig personskada.
  - Se till att kontaktplassen är ovanpå arbetsstycket. Att endast placera häftpistolen delvis över arbetsstycket kan göra att fästdonet missar arbetsstycket helt och resultera i allvarlig personskada.
  - För inte fästdon nära materialets kant. Arbetsstycket kan delas vilket kan göra att fästdonet återkastas och skadar en medarbetare. Uppmärksamma att fästdonet kan följa med träfibrerna, vilket gör att det oväntat skjuts ut från arbetsmaterialets sida eller deflekterar, vilket potentiellt kan orsaka skada.
  - Se till att händer och kroppsdelar inte är i det direkta arbetsområdet. Håll arbetsstycket med klämmor vid behov för att se till att händer och kropp inte är i riskzonen. Kontrollera så arbetsstycket sitter ordentligt innan fastsättaren läggs an mot materialet. Kontakt med arbetsstycket kan orsaka att arbetsmaterialet flyttas snabbt och oväntat.
  - Se till att ansikte och kroppsdelar inte är i närheten av verktyget vid arbete i slutna utrymmen. Plötslig återstudsning kan resultera i sammanstötning med kroppen, särskilt vid häftning i hårt eller kompakt material.
  - Vid normal användning rekylar verktyget direkt efter ha skjutit in spik. Det är helt normalt för verktyget. Försök inte att förhindra återstuds genom att hålla produkten mot arbetsstycket. Begränsning av återstuds kan resultera i att ett andra fästdon drivs från produkten. Håll ett fast grepp i handtaget, låt verktyget jobba och placera aldrig andra handen ovanpå verktyget eller nära utblåsningen. Om inte denna varning hörsammars kan det leda till allvarlig personskada.
  - Använd inte fastsättare på andra fästen eller med verktyget alltför snett riktat eftersom fastsättare kan deflekteras och orsaka skador.
  - Kontrollera alltid arbetsplatsen vad gäller kablage, vattenledningar och liknande innan produkten används på platsen.
  - Fästdonets justerade drivdjup kan vara större än djupet som krävs. Vi rekommenderar att djupet testas på överblivet material för att se vilket djup som krävs.
  - Enbart fastsättare som stämmer med specifikation i produktspecifikationen få användas med verktyget. Användning av fel fastsättare kan leda till att verktyget sätter sig eller inte fungerar på annat sätt.
- ## SÄKERHETSFÖRESKRIFTER DJUPINSTÄLLNING
- Avlägsna alltid batteriet före justering av drivdjupet.
  - Dra inte tillbaka justeringsvredets djup. Vredet är utformat för att roteras.
  - Tryck inte på utlösaren medan du justerar drivvredets djup.

EN
FR
DE
ES
IT
NL
PT
DA
<b>SV</b>
FI
NO
RU
PL
CS
HU
RO
LV
LT
ET
HR
SL
SK
BG
UK
TR
EL



- Rikta inte verktyget mot någon i närheten när du ställer in djupet.

## YTTERLIGARE SÄKERHETSVARNINGAR FÖR BATTERIER

### ⚠ VARNING

För att undvika den fara för brand, personskador eller produktskador som orsakas av en kortslutning, doppa inte ner verktyget, utbytesbatteriet eller laddaren i vätskor och se till att ingen vätska kan tränga in i apparaterna eller batterierna. Korroderande eller ledande vätskor, som saltvatten, vissa kemikalier, blekningsmedel eller produkter som innehåller blekmedel, kan orsaka en kortslutning.

## TRANSPORTERA LITIUMBATTERIER.

Transportera batteriet enligt lokala och nationella lagar och regleringar.

Följ alla specifika krav på förpackning och etiketter när batteri transporteras av tredje part. Se till att batteriet inte kommer i kontakt med andra batterier eller ledande material genom att skydda exponerade kontakter med isolerande, icke ledande skydd eller tejp. Transportera inte batterier som är spruckna eller läcker. Kontrollera med vidarebefordrande företag för mer information.

## RESIDUALRISK

Även om produkten används enligt instruktionerna går det inte att eliminera alla eventuella riskfaktorer. Följande risker kan uppstå vid användning och operatören ska vara extra uppmärksam för att undvika följande:

- Hörselskador  
**Notera:** Använd alltid hörselskydd och begränsa exponering för buller.
- Ögonskada orsakad av felaktigt drivna fästdon eller flygande damm och skräp.  
**Notera:** Använd alltid lämpliga skyddsglasögon.
- Skador orsakad av vibrationer  
**Notera:** Håll produkten i de avsedda handtagen och begränsa exponering för vibrationer. Se "Riskreducering".
- Skärsår orsakade av kontakt med vassa punkter.  
**Notera:** Var extra försiktig vid hantering eller laddning av fästdon.
- Produkten är tung.  
**Notera:** Produkten är tung. Se upp för muskelansträngning vid användning av produkten under längre tid, speciellt om arbetsläget är ovanför huvudhöjd.

## RISKMINSKNING

Det finns rapporter om att vibrationer från handhållna produkter kan bidra till ett tillstånd som kallas Raynauds syndrom för vissa personer. Symptomen brukar vara att det sticker i fingrarna och att de domnar bort; fingrarna kan också bli vita, särskilt vid kyla. Ärftliga faktorer, kyla och fukt, diet, rökning och arbetsrutiner tros alla bidra till att

orsaka dessa symptom. Det finns förebyggande åtgärder som du kan vidta för att försöka minska vibrationernas påverkan:

- Håll dig varm när du arbetar i kallt väder. Använd handskar för att hålla kvar värmen i händer och handleder. Kyla har rapporterats som en viktig del i utvecklandet av Raynauds syndrom.
- Träna och rör på dig efter varje användningstillfälle för att öka blodcirkulationen.
- Ta ofta pauser från arbetet. Begränsa tiden du utsätter dig varje dag.

Upphör omedelbart om du upplever några av dessa symptom och uppsök din läkare.

### ⚠ VARNING

Risk för person- eller slitageskador vid användning av verktyget under lång tid. Om verktyget används under längre perioder krävs regelbundna pauser.

## LÄR KÄNNA DIN PRODUKT

Se *sidan 83*.

1. Aktiveringsfot
2. Tråd- och skärmtillbehör
3. Indikator för drivstyrka
4. Knapp för djupinställning
5. Magasin
6. Avtryckare
7. Handtag, isolerad greppyta
8. Bältesklämma
9. Magasinlås
10. Batteriport
11. Häftklamrar på 14,3 mm
12. Häftklamrar på 6,4 mm

## UNDERHÅLL

### ⚠ VARNING

Produkten får aldrig anslutas till strömkälla under montering, justeringar, rengöring, underhåll eller när produkten inte används. Frånkoppling av produkten förhindrar uppstart av misstag vilket kan orsaka allvarliga skador.

- Under servicearbete ska enbart tillverkarens originaldelar och -tillbehör användas. Användning av andra delar kan orsaka fara eller produktskada.
- Låt aldrig bromsvätska, bensin, petroleumbaserade produkter, penetrerande oljor och liknande komma i kontakt med plastdelar. Dessa kemiska produkter innehåller ämnen som kan skada, försvaga eller förstöra plasten, vilket kunde förorsaka allvarliga kroppsskador.
- Undvik att använda lösningsmedel vid rengöring av plastdelar. Fleråttel plaster kan skadas vid användning av vissa lösningsmedel som säljs i affärerna. Använd en ren tygrasa för att torka bort smuts, damm, osv.
- För säkerhet och pålitlighet ska alla reparationer utföras av auktoriserat reparationscenter.

## SMÖRJNING

Alla lager i produkten har smorts med tillräcklig mängd högklassig smörjmedel för produktens livslängd under normala driftförhållanden. Därför behövs ingen ytterligare smörjning.

Använd inga smörjmedel på spikar, magasin eller på drivmekanismen. Håll verktyget rent.

## MILJÖSKYDD



Råmaterialen ska återvinnas i stället för att kastas i hushållsavfallet. För att skona miljön ska verktyget, tillbehören och emballagen sorteras.

## SYMBOLER PÅ PRODUKTEN



Säkerhetsvarning



CE-överensstämmelse

V

Volt



Likström



EurAsian överensstämmelsesymbol



Läs instruktionerna ordentligt innan start av maskinen.



Ukrainskt märke för överensstämmelse

001



Håll händer borta



Använd skyddsglasögon



Gamla elektroniska produkter ska inte kastas med hushållssoporna. Återvinn där sådana faciliteter finns. Kontrollera med din lokala myndighet eller säljaren för att få återvinningstips.

## SYMBOLER I MANUALEN



Notera



Delar och utrustning säljs separat

Följande signalord och betydelser är tänkta att förklara de olika risknivåerna som är associerade med denna produkt.

### FARA

Visar på en direkt riskfylld situation som, om den inte undviks, kan orsaka dödsfall eller allvarlig personskada.

### VARNING

Visar på en potentiellt riskfylld situation som, om den inte undviks, kan orsaka dödsfall eller allvarig personskada.

### FÖRSIKTIGHET

Visar på en potentiellt riskfylld situation som, om den inte undviks, kan orsaka mindre eller måttlig personskada.

### FÖRSIKTIGHET

(Utan säkerhetssymbolen) Indikerar en situation som kan leda till egendomsskada.

Nitojan suunnittelussa on pidetty etusijalla turvallisuutta, suorituskykyä ja luotettavuutta.

## KÄYTTÖTARKOITUS

Sinkiläpistooli on tarkoitettu ainoastaan aikuisten käytettäväksi, käyttäjien tulee lukea ja ymmärtää tämän käyttöoppaan ohjeet ja varoitukset, ja heitä on voitava pitää vastuullisina tekemisistään.

Nitoja on tarkoitettu niittien kiinnittämiseen pehmeään materiaaliin, kuten puuhun. Tuotetta voidaan käyttää seuraaviin tarkoituksiin:

- sinkilöiden kiinnitys puuhun
- mukana toimitetun lisävarusteen avulla sinkilöiden käyttö aita-verkon ja metalliverkon kiinnitykseen
- sinkilöiden käyttö verhoiluun (kankaat)
- sinkilöiden kiinnitys muoviiin
- sinkilöiden kiinnitys paperiin ja pahviin
- sinkilöiden kiinnitys maton alushuopiin

Sinkiläpistooli ei sovellu sähköjohtojen kiinnittämiseen.

Älä käytä tätä tuotetta millään muulla tavalla kuin mihin se on tarkoitettu.

**HUOM:** Jotkut puuainekset (kuten hyvin kuiva kovapuu) saattavat vaatia lyhyempiä niittejä, jotta ne uppoavat täysin.

## VAROITUS

**Lue tarkkaavaisesti kaikki tämän työkalun kanssa toimitetut varoitukset, ohjeet ja spesifikaatiot, ja katso lisäksi kuvat.** Seuraavassa esitettyjen ohjeiden laiminlyönnistä saattaa olla seurauksena onnettomuuksia kuten tulipalot, sähköiskut ja/tai vakavia kehon vammoja.

Säästä kaikki varoitukset ja ohjeet tulevaa käyttöä varten.

## SINKILÄPISTOOLIN TURVALLISUUSVAROITUKSET

- **Oleta aina, että laitteessa on kiinnikkeitä.** Sinkiläpistoolin varomaton käsittely voi johtaa kiinnittinten yllättävään ampumiseen ja henkilövahinkoon.
- **Älä osoita laitetta itseäsi tai ketään lähellä olevaa kohden.** Odottamaton laukaisu ampuu kiinnikkeen ja aiheuttaa loukkaantumisen.
- **Älä käynnistä laitetta, ellei sitä pidellä tukevasti kiinni työkalupaleessa.** Jos laite ei ole kosketuksissa työkalupaleeseen, kiinnike saattaa kääntyä pois kohteesta.
- **Irrota laite pistoriasta, jos kiinnike jumittuu laitteeseen.** Jumittunutta kiinnittä irrotettaessa sinkiläpistooli voi vahingossa aktivoitua, jos se on kytkettyä virtaan.
- **Ole varovainen irrottaessasi jumittunutta kiinnikettä.** Mekanisimi saattaa olla paineistettu, ja kiinnike voi sinkoutua ulos kun sitä yritetään irrottaa sen jumittutua.
- **Älä käytä sinkiläpistoolia sähköjohtojen kiinnittämiseen.** Sitä ei ole suunniteltu sähköjohtojen

asennukseen, ja se voi vioittaa sähköjohtojen eristystä ja aiheuttaa siten sähköiskun ja tulipalon vaaran.

## MUITA TURVALLISUUSVAROITUKSIA

- Pidä aina mielessä, että tämän laitteen väärinkäyttö ja virheellinen käsittely voi aiheuttaa loukkaantumisen itsellesi tai muille.
- Laite on suunniteltu käytettäväksi yhdellä kädellä. Älä pitele laitetta lippan edestä. Älä laita käsiä, päätä tai muita kehon osia kasetin alaosaan lähelle kohtaan, josta kiinnitin tulee ulos tuotteesta, sillä muuten seurauksena voi olla vakavia henkilövahinkoja.
- Varmista aina, että työkalupaleen kontakti sijaitsee täysin työkalupaleen yläpuolella. Jos työkalupaleen kosketusosa asetetaan vain osittain työkalupaleen ylle, kiinnitin saattaa olla osumatta työkalupaleeseen ja johtaa vakavaan henkilövahinkoon.
- Älä laita kiinnittimiä materiaalin reunan lähelle. Työkalupale voi haljeta ja johtaa kiinnittimen sinkoamiseen, jolloin sinä tai kollegasi voivat loukkaantua Ole tarkkana, sillä kiinnitin voi myötällä puun syytä, jolloin se voi tulla ulos odottamattomasti työmateriaalin sivusta tai vääntyä ja johtaa tapaturmiin.
- Pidä kädet ja ruumiinosat poissa välittömältä työalueelta. Kiinnitä työkalupale tarvittaessa puristimilla, jotta kädet ja keho pysyvät turvassa. Varmista, että työkalupale on kiinnitetty kunnolla, ennen kuin painat kiinnikkeen materiaalia vasten. Työkalupaleen kontakti voi saada työmateriaalin liikahtamaan odottamatta.
- Pidä kasvat ja keho kaukana laitteen kannen takaosasta työskennellessäsi ahtaassa tilassa. Äkillinen takaisku voi johtaa kehon iskuun etenkin silloin, kun sinkilöinti tehdään kovaan tai tiiviiseen materiaaliin.
- Normaaliikäytössä laite palautuu välittömistä kiinnikkeen iskemisen jälkeen. Tämä on laitteen normaali toiminta. Älä yritä estää takaiskua pitelemällä tuotetta työtä vasten. Takaiskun rajoitus voi johtaa toisen kiinnittimen ulostuloon tuotteesta. Ota tukevasti kiinni kahvasta, alla laitteen tehdä työt äläkä koskaan aseta toista kättä laitteen päälle tai poistoaukon lähelle. Tämän varoituksen laiminlyönnistä voi seurata vakava loukkaantuminen.
- Älä iske kiinnikkeitä muiden kiinnikkeiden päälle tai siten, että laite olisi liian jyrkässä kulmassa, sillä kiinnikkeet voivat tällöin vaihtaa suuntaa ja aiheuttaa loukkaantumisen.
- Tarkista aina työalue piilossa olevien johtojen, kaasuputkien, vesiputkien jne. varalta ennen kuin käytät tuotetta alueella.
- Kiinnittimen säädetty iskusyvyyksy voi olla suurempi kuin tarvitsemasi syvyys. Suositellaan, että syvyys testataan hukkapalaan, jotta voidaan määrittää oikea syvyys.
- Tämän laitteen kanssa saa käyttää ainoastaan kiinnikkeitä, jotka vastaavat tuotteen taulukon kuvausta. Väärien kiinnikkeiden käyttö johtaa jumittumiseen tai muuhun vikatoimintaan.

## SYVYDENSÄÄDÖN TURVALLISUUSVAROITUKSET

- Poista aina akku ennen iskusyvyyden säätöä.
- Älä vedä taaksepäin syvyyden säätönuppia. Nuppia käännetään.

- Älä paina liipaisinta, kun säädät käyttönupin syvyyttä.
- Älä osoita laitetta itseäsi tai ketään lähellä olevaa kohden säätäessäsi iskun syvyyttä.

## LISÄÄ AKUN TURVALLISUUSVAROITUKSIA

### VAROITUS

Jotta vältetään lyhytsulun aiheuttama tulipalon, loukkaantumisen tai tuotteen vahingoittumisen vaara, älä koskaan upota työkalua, vaihtoakkuja tai latauslaitetta nesteeseen ja huolehdi siitä, ettei mitään nesteitä pääse tunkeutumaan laitteiden tai akkujen sisään. Syövyttävät tai sähköä johtavat nesteet, kuten suolavesi, tietyt kemikaalit ja lalkaisuaaineet tai valkaisuaineita sisältävät tuotteet voivat aiheuttaa lyhytsulun.

## LITUMAKKUJEN KULJETTAMINEN

Kuljeta akkua paikallisten ja kansallisten ehtojen ja säädösten mukaisesti.

Noudata kaikkia pakkaamista ja nimeämistä koskevia erikoissäädöksiä, kun kolmas osapuoli kuljettaa akkuja. Varmista, että mikään akku ei kosketa muita akkuja tai johtavaa materiaalia kuljetuksen aikana suojaamalla paljaat navat eristävillä, johtamattomilla korkeilla tai teipillä. Älä kuljeta akkuja, jotka ovat halkeilleet tai vuotavat. Kysy välitykseltä lisäneuvoja.

## KÄYTÖN RISKIT

Vaikka tuotetta käytettäisiin ohjeiden mukaisesti, ei ole mahdollista täysin eliminoida tiettyjä käyttöön liittyviä riskitekijöitä. Käytössä voi aiheutua seuraavia vaaroja, ja käyttäjän tulee kiinnittää erityistä huomiota niiden välttämiseen:

- Kuulovamma  
**Huom:** Käytä aina tehokkaita kuulosuojaimia ja rajoita melulle altistumista.
- Väärin työnnettyjen kiinnitinten tai sinkoutuvan pölyn ja jäämien aikaansaamat silmävauriot.  
**Huom:** Käytä aina sopivia suojalaseja.
- Tärinän aiheuttama vamma  
**Huom:** Pitele laitetta kahvoista ja rajoita tärinälle altistumista. Katso kohta Riskien Vähentäminen.
- Viiltohaavat kosketuksesta terävien kärkien kanssa.  
**Huom:** Ole erityisen varovainen kiinnittimien käsittelyssä ja lastauksessa.
- Tuote on painava.  
**Huom:** Tuote on painava. Varo lihasrasitusta käyttäessäsi tuotetta pitkiä aikoja, erityisesti pään yläpuolella.

## RISKIEN VÄHENTÄMINEN

Raporttien mukaan käsityökalujen tärinä voi joidenkin kohdalla myötävaikuttaa Raynaudin oireen ilmenemiseen. Oireita ovat pistely, turvuus ja sormien kalpeneminen, yleensä kylmässä ilmassa. Perinnölliset tekijät, kylmyys ja kosteus, ruokavalio, tupakointi sekä työtavat voivat kaikki myötävaikuttaa näiden oireiden ilmenemiseen. Käyttäjää voi ehkäistä tärinän aiheuttamia vaikutuksia seuraavasti:

- Pidä itsesi lämpimänä kylmällä säällä. Käytä laitteen käytön aikana käsineitä, jotta kätesi ja ranteesi pysyvät lämpöisinä. Raporttien mukaan kylmä ilma on tärkeä tekijä Raynaud's Syndromen (Raunaudin oireiden) ilmenemisessä.
- Harjoita kunkin käyttöjakson jälkeen liikuntaa, jotta verenkierto lisääntyy.
- Pidä työn aikana säännöllisesti taukoja. Rajoita päivittäisen tärinän määrä.

Jos mitään yllä mainittuja oireita ilmenee, lopeta heti laitteen käyttö ja kerro oireista lääkärille.

### VAROITUS

Laitteen pitkittynyt käyttö voi aiheuttaa tai vaikeuttaa vammoja. Kun käytät mitä tahansa laitetta pitkiä aikoja, muista pitää säännöllisiä taukoja.

## TUNNE TUOTTEESI

*Katso sivu 83.*

1. Käyttöpää
2. Metallisuoja
3. Iskuvoiman ilmaisin
4. Syvyyden säädin
5. Lipas
6. Liipaisin
7. Kahva, eristetty tartuntapinta
8. Vyöklipsi
9. Kasettisalpa
10. Akkutila
11. 14,3 mm:n sinkilät
12. 6,4 mm:n sinkilät

## HUOLTO

### VAROITUS

Tuotetta ei tule koskaan kytkeä pistorasiaan osia koottaessa, säätöjä tehtäessä, puhdistettaessa, huollon aikana tai kun tuotetta ei aiota käyttää. Tuotteen irrottaminen pistorasiasta estää sitä käynnistymättä vahingossa, jolloin vältetään mahdollisilta vakavilta vammoilta.

- Käytä huollossa ainoastaan alkuperäisiä valmistajan tuottamia varoasia, lisälaitteita ja lisävarusteita. Muunlaisten osien käyttö voi aiheuttaa vaaran tai vioittaa laitetta.
- Älä koskaan päästä jarrunesteitä, bensiiniä, öljytuotteita, läpääntäviä öljyjä tms. kosketuksiin muoviosien kanssa. Nämä kemialliset tuotteet sisältävät aineita, jotka voivat vaurioittaa, heikentää tai tuhota muovin minkä seurauksena voi aiheutua vakavia ruumiinvammoja.
- Älä puhdistu muoviosia liuottimilla. Suurin osa muoveista ei siedä markkinoilla olevia määrättyjä liuotteita, jotka vahingoittavat niitä. Käytä puhdasta riepua lian, pölyn jne. puhdistukseen.
- Jotta laite toimisi turvallisesti ja luotettavasti, kaikki korjaukset tulee antaa valtuutetun huoltopisteen hoidettavaksi.

## VOITELU

Tuotteen laitteen laakerit on voideltu laitteen eliniäksi normaaliolosuhteissa riittävällä määrällä korkealaatuista voiteluainetta. Tästä syystä työkalu ei kaipaa lisävoitelua.

Älä voitele nittejä, lipasta tai käyttömekanismeja. Pidä puhtaana.

## YMPÄRISTÖNSUOJELU



Älä hävitä raaka-aineita jätteinä vaan vie ne kierrätykseen. Ympäristönsuojelun kannalta työkalu, lisäva r usteet ja pakkausmateriaali on lajiteltava.

## TUOTTEESSA OLEVAT SYMBOLIT



Turvallisuusvaroitusta



Todistus CE-sääntöjen noudattamisesta

V

Voltti



Tasavirta



EurAsian-vaatimustenmukaisuusmerkki



Lue ohjeet huolellisesti ennen laitteen käynnistämistä.



Ukrainalainen säästöstenmukaisuusmerkintä



Pidä kädet kaukana



Käytä suojalaseja



Käytöstä poistettavia sähkölaitteita ei pidä hävittää talousjätteiden mukana. Ne on mahdollisuuksien mukaan pantava kiertoon. Kierrätysohjeita antavat kunnan viranomaiset ja vähittäiskauppiat.

## KÄSIKIRJAN SYMBOLIT



Huom



Osat ja lisävarusteet on hankittava erikseen

Seuraavat signaalisanat ja merkitykset on tarkoitettu selittämään tähän tuotteeseen liittyviä riskin tasoja.





Sikkerhet, ytelse og driftssikkerhet er gitt topp prioritet i konstruksjonen av din stiftepistol.

### TILTENKT BRUK

Stiftemaskinen skal bare brukes av voksne som har lest og forstått instruksjonene og advarslene i denne håndboken, og som kan anses som ansvarlig for sine handlinger.

Denne stiftemaskinen er tiltenkt å skyte stifter inn i mykt materiale som tre. Produktet kan brukes til:

- driving av stifter inn i tre
- med inkludert tilbehør, driving av stifter for å sikre gjerdstreng og hønsenetting
- driving av stifter for polstring (stoffer)
- driving av stifter inn i plast
- driving av stifter inn i papir og papp
- driving av stifter for å sikre teppeunderlag

Stifteren er ikke egnet til å feste elektriske kabler.

Ikke bruk produktet på noe annen måte enn det som er beskrevet som tiltenkt bruk.

**NB:** Noe treverk (som meget tørt løvtre og lignende harde tref typer) vil kunne kreve kortere stifter for at de skal kunne trenge helt inn.

### ⚠ ADVARSEL

**Læs nøye gjennom alle advarslene, instruksene og spesifikasjonene som følger med verktøyet, og se på tegningene.** Hvis forskriftene nedenfor ikke overholdes, kan det forårsake ulykker som brann, elektrisk støt og/eller alvorlige personskader.

Ta vare på alle advarsler og anvisninger for senere bruk.

### SIKKERHETSADVARSLER FOR STIFTEMASKINEN

- **Sjekk alltid om vertøyet er fylt med stifter.** Skjødelsløs håndtering av stiftemaskinen kan føre til uventet avfyring av festeenheter og personskader.
- **Ikke pek med verktøyet mot deg selv eller noen andre i nærheten.** Uventet aktivering vil utlade stifteren og kan føre til personskader.
- **Ikke utløst verktøyet hvis ikke verktøyet er godt presset mot emne.** Dersom verktøyet ikke er i kontakt med emne, kan stiftens skli unna tilsiktet sted.
- **Koble verktøyet fra strømtilførselen når stifteren er klemt fast i verktøyet.** Ved fjerning av en fastsatt festeinnretning, kan stiftemaskinen plutselig aktiveres hvis den er innpluggert.
- **Vær forsiktig når du løsner en fastklemt stift.** Mekanismen kan være under trykk og stifteren kan utlades med stor kraft mens man prøver å deblukkere det som er klemt.
- **Ikke bruk stiftemaskinen til å feste elektriske kabler.** Verktøyet er ikke ment til festing av strøminstallasjoner og kan skade isolasjonen på strømkablene og dermed føre til elektrisk støt eller brannfare.

### SPESIELLE SIKKERHETSADVARSLER

- Vær klar over at misbruk og feilbruk av dette utstyret kan føre til skade på deg selv og andre.
- Verktøyet er tiltenkt for bruk med en hånd. Ikke hold verktøyet i frontdelen av magasinet. Ikke legg hender, hode eller andre deler av kroppen i nærheten av bunnen på magasinet der festeinnretningen kommer ut av produktet, da dette kan forårsake alvorlig personskade.
- Forsikre deg alltid om at delen som skal inn i emne er i full kontakt med emne du skal jobbe på. Posisjonering av arbeidsstykkekontakt kun delvis over arbeidsstykket kan få festeinnretningen til å misse arbeidsstykket helt og føre til alvorlig personskade.
- Ikke driv festeinnretningene i nærheten av kanten på materialet. Arbeidsstykket kan deles og få festeinnretningen til å slynges ut og skade deg eller en medarbeider. Vær oppmerksom på at festeenheten kan følge korningen i treverket, slik at den stikker ut uventet fra siden av arbeidsmaterialet eller bøyes, og dermed kan forårsake personskade.
- Hold hender og kroppsdeler unna stedet du jobber på. Hold emne på plass med klemmer hvis nødvendig for å holde hender og kroppen unna potensiell fare. Forsikre deg om at emne er godt sikret før du trykker stifteren mot materialet. Kontakt med materialet kan føre til at materialet flytter seg uventet.
- Hold ansikt og kroppsdeler unna bakdelen av verktøyheften når du jobber i små rom. Plutselig rekyll kan føre til støt mot kroppen, spesielt ved stifting inn i harde eller kompakte materialer.
- Ved vanlig bruk av verktøyet, vil dette trekke seg tilbake så snart stiftens er festet. Dette er en vanlig reaksjon til verktøyet. Ikke gjør forsøk på å forhindre rekyll ved å holde produktet mot arbeidet. Begrensning av rekyllen kan føre til at en andre festeenhet drives ut fra produktet. Hold godt fast i håndtaket, la verktøyet utføre jobben og sett aldri den andre hånden på toppen av verktøyet eller nær utgangen. Hvis denne advarselen ikke følges, kan det føre til alvorlig personskade.
- Ikke kjør stifter inn i toppen av andre klemmer eller at stifteren er i en slik skrå vinkel at dette kan føre til at stifter skli unna og skader personer.
- Sjekk alltid der du skal jobbe om det finnes skjulte ledninger, gassrør, vannrør osv. før du bruker verktøyet på dette stedet.
- Drivdybden til festeenheten kan justeres utenfor det lufttrykket som er nødvendig. Det anbefales å teste dybden på en restbit av materialet for å bestemme nødvendig dybde.
- Kun stifter som er i samsvar med beskrivelsen på produktspesifikasjonene skal brukes med dette verktøyet. Bruk av feil stifter kan føre til at stifter blir fastklemt eller andre feilfunksjoner.

### DYBDEJUSTERING SIKKERHETSADVARSLER

- Fjern alltid batteriet før du justerer dybden på drivenheten.
- Ikke trekk tilbake dybdejusteringsknotten. Knotten er designet til å roteres.

EN
FR
DE
ES
IT
NL
PT
DA
SV
FI
<b>NO</b>
RU
PL
CS
HU
RO
LV
LT
ET
HR
SL
SK
BG
UK
TR
EL



- Ikke trykk ned utløseren mens du justerer dybden på drivknoten.
- Ikke pek med verktøyet mot deg selv eller noen andre i nærheten når du justerer dybden.

### EKSTRA ADVARSLER FOR BATTERISIKKERHET

#### ⚠ ADVARSEL

For å unngå fare for en brann forårsaket av en kortslutning, av personskader eller skader av produktet, må det forhindres at batteripakken eller laderen dyppes i væsker og også sørges for at ingen væsker kan komme inn i apparatene eller batteriene. Korroderende og ledende væsker som saltvann, visse kjemikalier og blekemidler eller produkt som inneholder blekemidler kan forårsake en kortslutning.

### TRANSPORTERE LITIUUM-BATTERIER

Transporter batteriet i samsvar med lokale og nasjonale forskrifter og bestemmelser.

Følg alle spesielle krav når det gjelder pakking og merking når tredje part skal transportere batteriene. Pass på at batteriene ikke kan komme i kontakt med andre batterier eller ledende materialer når de transporteres ved at du beskytter åpne koblinger med isolerende, ikkeledende hetter eller tape. Ikke transportert batterier som har sprekker eller lekket. Sjekk med transportfirmaet for ytterligere råd.

### GJENVÆRENDE RISIKO

Også når produktet brukes som beskrevet, er det ikke mulig å utelukke risiko for brukere eller personer i nærheten. Følgende farer kan oppstå ved bruk og operatøren bør være spesielt oppmerksom på å unngå/sikre følgende:

- Hørselskader  
**Nb:** Bruk alltid effektivt hørselvern og begrenns eksponeringen for støv.
- Øyeskader som er forårsaket ved feildrevne festeinnretninger eller flyvende støv og avfall.  
**Nb:** Bruk alltid passende øyevern.
- Personskader pga. vibrasjon  
**Nb:** Hold verktøyet i håndtakene og begrenns eksponeringen for vibrasjon. Se "Farereduksjon".
- Kutt forårsaket ved kontakt med skarpe spisser.  
**Nb:** Vær ekstra forsiktig ved håndtering eller lasting av festeinnretninger.
- Dette produktet er tungt.  
**Nb:** Dette produktet er tungt. Vær oppmerksom på muskelbelastningen når du bruker produkter i lengre tidsperioder, spesielt når du jobber høyt.

### FAREREDUKSJON

Det har blitt rapportert at vibrasjonene fra håndholdt verktøy kan bidra til en tilstand som heter Raynauds syndrom hos enkelte. Symptomene kan omfatte følelsesløshet og gjøre fingrene bleke, vanligvis synlig ved eksponering til lave temperaturer. Arvelige faktorer, eksponering mot lave temperaturer og fuktighet, diett, røyking og arbeidspraksis blir alle ansett for å kunne bidra til å utvikle disse

symptomene. Brukeren kan iverksette tiltak for mulig å redusere virkningene av vibrasjonene:

- Hold kroppen din varm i kaldt vær. Bruk hansker og hold hender og vrister varme ved bruk av gressklipperen. Det er rapportert at kaldt vær er en viktig faktor som bidrar til Raynauds Syndrome.
- Etter hver arbeidsperiode bør det utføres øvelser for å øke blodsirkulasjonen.
- Ta ofte pauser fra arbeidet som utføres. Begrens mengden av eksponering pr. dag.

Hvis du opplever noen av symptomene på denne tilstanden må du øyeblikkelig avbryte arbeidet og oppsøke en lege med disse symptomene.

#### ⚠ ADVARSEL

Skader kan oppstå eller forsterkes ved forlenget bruk av et verktøy. Når du bruker et verktøy over en lenger tidsperiode, husk å ta regelmessige pauser.

### KJENN DITT PRODUKT

Se side 83.

1. Aktiveringsfot
2. Streng- og skjermtilbehør
3. Drivkraftindikator
4. Dybdejusteringsknapp
5. Magasin
6. Strømbryter
7. Håndtak, isolert gripeoverflate
8. Beltefeste
9. Magasinlås
10. Batteridør
11. 14,3 mm stifter
12. 6,4 mm stifter

### VEDLIKEHOLD

#### ⚠ ADVARSEL

Produktet skal aldri kobles til en strømforsyning mens du monterer på deler, gjør justeringer, rengjør, utfører vedlikehold eller når produktet ikke er i bruk. Ved å koble fra produktet hindrer man utilsiktet start som kan forårsake alvorlig personskade.

- For service av maskinen, bruk kun produsentens originale reservedeler, tilleggsutstyr og påsatser. Bruk av andre deler kan skape fare eller føre til skade på produktet.
- Du må aldri la bremsevæske, drivstoff, petroleumbaserte produkter, rustoppløsende olje osv. komme i kontakt med plastikkdeler. Slike kjemiske produkter inneholder stoffer som kan skade, svekke eller ødelegge plasten, noe som kan medføre alvorlige kroppsskader.
- Unngå bruk av løsemidler når du rengjør plastdelene. De fleste plastmaterialene kan skades ved bruk av løsningsmidlene som fås i handelen. Bruk en ren klut til å tørke bort smuss, støv osv.

- For edre sikkerhet og pålitelighet skal alle reparasjoner utføres av et autorisert verksted.

## SMØRING

Alle lager i dette produktet skal smøres med en tilstrekkelig mengde med et høyverdig smøremiddel for å sikre lang levetid under normale driftsforhold. Det er derfor unødvendig med tilleggsmøring.

Ikke bruk smøremidler på stifter, magasin eller drivermekanisme. Hold rent.

## MILJØVERN



Resirkuler råmaterialer istedenfor å kaste dem i søppelen. Verktøyet, tilbehørene og emballasjen bør sorteres for miljøvennlig resirkulering.

## SYMBOLER PÅ PRODUKTET



Sikkerhetsadvarsel



CE samsvarserklæring

V

Volt



Likestrøm



EurAsian Konformitetstegn



Vennligst les instruksjonene nøye før du starter maskinen.



Ukrainsk merke for konformitet



Hold hendene på avstand



Bruk øyebeskyttelse



Avfall fra elektriske produkter skal ikke kastes sammen med husholdningsavfall. Vennligst resirkulervedeksisterende avfallsbehandlingssted. Undersøk hos dine lokale myndigheter eller forhandler for råd om resirkulering.

## SYMBOLER I MANUALEN



Nb



Deler eller tilbehør solgt separat

Følgende symboler og betydninger forklarer risikonivået som er assosiert med dette produktet.

### FARE

Indikerer en umiddelbart farlig situasjon, som, dersom den ikke unngås, kan føre til alvorlig personskade eller død.

### ADVARSEL

Indikerer en potensiell farlig situasjon, som, dersom den ikke unngås, kan føre til alvorlig personskade eller død.

### ADVARSEL

Indikerer en potensiell farlig situasjon, som, dersom den ikke unngås, kan føre til mindre eller moderate skader.

### ADVARSEL

(Uten sikkerhetssymbol) Indikerer en situasjon som kan resultere i skader på eiendom.

При разработке вашего скобосшивателя особое внимание уделялось безопасности, производительности и надежности.

## НАЗНАЧЕНИЕ

К использованию степлера допускаются только совершеннолетние, способные нести ответственность за свои действия, после изучения инструкций и предостережений в настоящем руководстве.

Степлер предназначен для вбивания скоб в мягкие материалы, такие как древесина. Изделие может применяться для:

- установки скоб в дерево
- установки скоб для закрепления проволочного ограждения и проволочной сетки (с помощью принадлежности в комплекте)
- установки скоб в обивочный материал (ткань)
- установки скоб в пластик
- установки скоб в бумагу и картон
- установки скоб для закрепления ковровой подложки

Степлер не предназначен для закрепления электрических кабелей.

Используйте устройство строго по назначению, указанному в настоящем руководстве.

**ПРИМЕЧАНИЕ:** Для некоторых видов дерева (как например, сухой твердой древесины) для полного вбивания могут потребоваться короткие скобы.

## ⚠ ОСТОРОЖНО

Прочтите все указания, инструкции, иллюстрации и спецификации, поставляемый с этим электроинструментом. Несоблюдение всех инструкций, указанных ниже, может привести к поражению электрическим током, пожару и / или серьезным травмам.

Сохраните все предупреждения и инструкции для дальнейшего использования.

## ТРЕБОВАНИЯ ТЕХНИКИ БЕЗОПАСНОСТИ ПРИ РАБОТЕ СО СТЕПЛЕРОМ

- **Всегда имейте в виду, что в инструменте находятся скобы.** Неаккуратное обращение со степлером может привести к внезапному срабатыванию и получению травмы.
- **Не направляйте инструмент на себя или на кого-либо поблизости.** Случайный пуск может привести к выскакиванию скобы и соответственно к травмам.
- **Не запускайте инструмент, пока он не приложен плотно к обрабатываемому объекту.** Если инструмент не находится в контакте с обрабатываемым объектом, скоба может отклониться от цели.
- **Отсоединяйте инструмент от источника питания, когда скоба застревает в инструменте.** В процессе извлечения застрявшей скобы может произойти срабатывание подключенного к питанию степлера.

- **При извлечении застрявшей скобы соблюдайте осторожность.** Механизм может находиться под давлением и скоба может выскочить при попытке устранения неполадки, связанной с ее застреванием.
- **Использование степлера для закрепления электрических кабелей не допускается.** Не предназначен для установок с электрическим кабелем и может привести к повреждению изоляции электрических кабелей, и в результате к поражению электрическим током или опасности возникновения пожара.

## ДОПОЛНИТЕЛЬНЫЕ ПРЕДУПРЕЖДЕНИЯ ПО ТЕХНИКЕ БЕЗОПАСНОСТИ

- Всегда помните о том, что неправильное использование или ненадлежащее обслуживание данного агрегата может привести к травмированию не только самого оператора, но и окружающих лиц.
- Инструмент рассчитан для использования в одной руке. Не держитесь за инструмент передней частью магазина. Запрещается помещать руки, голову и другие части тела под магазин, откуда выстреливаются скобы, так как это может стать причиной серьезной травмы.
- Всегда проверяйте, чтобы контакт обрабатываемого объекта был полностью локализован над обрабатываемым объектом. Размещение контактного элемента рабочей детали лишь частично над рабочей деталью может привести к непопаданию скобы и, как следствие, серьезной травме.
- Запрещается устанавливать скобы близко к краю детали. Рабочая деталь может расколоться, а скоба отскочить и нанести травму вам или вашему коллеге. Обратите внимание на то, что на установку скобы может повлиять текстура дерева, и она может сместиться внутри материала или отскочить, причинив травму.
- Держите руки и другие части своего тела подальше от непосредственной рабочей зоны. Удерживайте обрабатываемый объект зажимами, берегите руки и тело от возможных повреждений. Перед нажатием скобы в направлении материала убедитесь в том, что обрабатываемый объект прочно закреплен. Контакт с обрабатываемым объектом может привести к неожиданному смещению рабочего материала.
- Держите лицо и другие части своего тела вдали от задней части колпака инструмента при работе в закрытых помещениях. Резкий отскок может причинить вред оператору, особенно при работе с твердым или плотным материалом.
- Во время нормальной работы после вбивания скобы инструмент моментально отскакивает. Это нормальная функция инструмента. Не пытайтесь подавить отдачу путем прижатия изделия к обрабатываемой детали. Ограничение отдачи может привести к выстреливанию второй скобы. Держите крепко за рукоятку, дайте инструменту делать свою работу, никогда не кладите вторую руку

на верхнюю часть инструмента или рядом с рабочей частью. Несоблюдение данных предупреждений может привести к тяжелым травмам.

- Не вбивайте скобы поверх других скоб или инструментом под очень большим углом, поскольку это может привести к отклонению/прогибу скоб и травмам.
- Перед использованием прибора всегда проверяйте рабочий участок на предмет наличия скрытой электропроводки, газовых линий, водопроводов и т.д.
- Глубину входа скобы можно настроить относительно воздушного давления. Чтобы определить требуемую глубину перед применением, рекомендуется проверить ее на куске обрабатываемого объекта.
- С данным инструментом могут использоваться исключительно только те скобы, которые соответствуют указанным в таблице технических характеристик прибора. Использование неподходящих скоб может привести к их застреванию и иным неполадкам.

#### ПРЕДУПРЕЖДЕНИЯ ПО БЕЗОПАСНОЙ РЕГУЛИРОВКЕ ГЛУБИНЫ

- Перед регулировкой глубины входа всегда извлекайте аккумулятор.
- Не тяните ручку регулировки глубины. Ручка рассчитана на вращение.
- В процессе регулировки глубины не нажимайте на кнопку спуска.
- Не направляйте инструмент на себя или на кого-либо поблизости при регулировке глубины вбивания.

#### ТРЕБОВАНИЯ БЕЗОПАСНОСТИ ПРИ ИСПОЛЬЗОВАНИИ ДОПОЛНИТЕЛЬНОЙ АККУМУЛЯТОРНОЙ БАТАРЕИ

##### ОСТОРОЖНО

Для предотвращения опасности пожара в результате короткого замыкания, травм и повреждения изделия не опускайте инструмент, сменный аккумулятор или зарядное устройство в жидкости и не допускайте попадания жидкостей внутрь устройств или аккумуляторов. Коррозийные и проводящие жидкости, такие как соленый раствор, определенные химикаты, отбеливающие средства или содержащие их продукты, могут привести к короткому замыканию.

#### ТРАНСПОРТИРОВКА ЛИТиеВЫХ БАТАРЕЙ

Транспортируйте аккумуляторную батарею в соответствии с местными и государственными правилами и положениями.

При транспортировке батарей третьей стороной соблюдайте все специальные требования по упаковке и маркировке. Проверьте, чтобы аккумуляторные батареи не вступали в контакт с другими батареями или проводимыми материалами при транспортировке, для этого защитите оголенные разъемы изоляцией, изолирующими колпачками или лентами. Не

переносите батареи с повреждениями или утечками. За дальнейшими консультациями обратитесь в транспортно-экспедиционную компанию.

#### ОСТАТОЧНЫЕ РИСКИ

Даже когда изделие используют согласно инструкциям, невозможно полностью устранить факторы риска. Следующие опасности могут возникнуть во время его использования, и во избежание их рабочий должен обратить особое внимание на следующее:

- Повреждение слуха  
**Примечание:** Всегда носите средства защиты органов слуха и ограничивайте неблагоприятное воздействие шума.
- Неправильная установка скоб, а также частицы пыли и сора могут привести к травме глаз.  
**Примечание:** Работайте в надлежащих защитных очках.
- Травмы, вызываемые вибрацией  
**Примечание:** Держите инструмент только за предназначенные для этого ручки и соблюдайте рабочий режим. См "Снижение Риска".
- Раны, вызываемые контактом с острыми предметами.  
**Примечание:** Соблюдайте особую осторожность при загрузке скоб.
- Изделие имеет большой вес.  
**Примечание:** Изделие имеет большой вес. Остерегайтесь растяжения мышц, вызываемого длительной эксплуатацией изделия, особенно если приходится держать его над головой.

#### СНИЖЕНИЕ РИСКА

Сообщалось, что вибрация ручных электроинструментов у отдельных лиц может способствовать состоянию, которое называется синдром Рейно. К симптомам могут относиться покалывание, онемение и побеление пальцев (как при переохлаждении). Считают, что наследственные факторы, охлаждение и влажность, диета, курение и практический опыт способствуют развитию этих симптомов. Ниже приводятся меры, которые может принять оператор для снижения воздействия вибрации:

- Одевайтесь теплее в холодную погоду. При работе с устройством пользуйтесь перчатками, чтобы руки и запястья были в тепле. Считается, что холодная погода является основным фактором, способствующим возникновению болезни Рейно (Raynaud's Syndrome).
- После каждого этапа работы выполните упражнения для усиления кровообращения.
- Чаще делайте перерывы в работе. Сократите длительность ежедневного пребывания на открытом воздухе.

При появлении каких-либо из указанных симптомов сразу же прекратите работу и обратитесь по их поводу к врачу.

### **⚠ ОСТОРОЖНО**

Продолжительное использование инструмента без перерыва может привести к травмам. При использовании инструмента в течение длительного времени делайте регулярные перерывы.

### **ИЗУЧИТЕ ИЗДЕЛИЕ**

Стр 83.

1. Педаль активации
2. Принадлежность для работы с проволокой
3. Индикатор усилия
4. Регулятор глубины
5. Магазин
6. Курковый выключатель
7. Ручка, изолированная поверхность захвата
8. Скоба для ремня
9. Защелка магазина
10. Гнездо подключения батареи
11. Скобы 14,3 мм
12. Скобы 6,4 мм

### **ТЕХНИЧЕСКОЕ ОБСЛУЖИВАНИЕ**

#### **⚠ ОСТОРОЖНО**

Прибор ни в коем случае не должен подсоединяться к источнику питания, когда вы разбираете его компоненты, выполняете регулировку, очистку, проводите техническое обслуживание, или когда прибор не используется. Отсоединение прибора позволит защитить инструмент от случайного запуска, чреватого серьезными физическими травмами.

- При выполнении технического обслуживания используйте только оригинальные запчасти, аксессуары и насадки от производителя. Использование других запчастей может представлять опасность или повредить изделия.
- Никогда не допускайте контакта тормозной жидкости, бензина, продуктов на нефтяной основе, пропиточного масла и т. д. с пластмассовыми частями. Эти химикаты содержат вещества, которые могут испортить, ослабить или разрушить пластмассу. Это ведет к тяжелым травмам.
- Избегайте использования растворителей во время чистки пластмассовых частей. Многие пластмассы чувствительны к воздействию различных бытовых растворителей и в результате их использования могут разрушиться. Для снятия грязи, пыли и пр. пользуйтесь чистой тряпкой.
- Для большей безопасности и надежности все ремонтные работы должны проводиться авторизованным сервисным центром.

### **СМАЗКА**

Все подшипники в изделии смазаны достаточным количеством высокосортной смазки для

продолжительной эксплуатации изделия в нормальных рабочих условиях. Поэтому дополнительная смазка не требуется.

Не используйте смазочные материалы для скобосшивателей, магазинов или для приводных устройств. Держите инструмент в чистоте.

### **ЗАЩИТА ОКРУЖАЮЩЕЙ СРЕДЫ**



Утилизируйте как сырье, а не выбрасывайте как мусор. Машина, аксессуары и упаковка должны быть отсортированы.

### **УСЛОВНЫЕ ОБОЗНАЧЕНИЯ НА ПРОДУКТЕ**



Сигнал опасности



Соответствие требованиям CE

V

Вольт



Постоянный ток



Знак Евразийского Соответствия



Перед использованием прибора внимательно ознакомьтесь с данной инструкцией.



Украинский знак стандартизации

001



Не касаться



Применяйте средства защиты органов зрения



Отработанная электротехническая продукция должна уничтожаться вместе с бытовыми отходами. Утилизируйте, если имеется специальное техническое оборудование. По вопросам утилизации проконсультируйтесь с местным органом власти или предприятием розничной торговли.

### **ОБОЗНАЧЕНИЯ В РУКОВОДСТВЕ**



Примечание



Детали или принадлежности, приобретаемые отдельно

Следующие сигнальные слова и значения предназначены, чтобы объяснить уровни риска, связанного с этим изделием.

**⚠ ОПАСНО**

Указывает на потенциально опасную ситуацию, которая, если ее не избежать, приведет к летальному исходу или серьезной травме.

**⚠ ОСТОРОЖНО**

Указывает на потенциально опасную ситуацию, которая, если ее не избежать, может привести к летальному исходу или серьезной травме.

**⚠ ВНИМАНИЕ**

Указывает на потенциально опасную ситуацию, которая, если ее не избежать, может привести к травме легкой или средней тяжести.

**ВНИМАНИЕ**

(Без Символа Тревоги Безопасности) Указывает ситуацию, которая может кончиться повреждением собственности.

**ТРАНСПОРТИРОВКА:**

Категорически не допускается падение и любые механические воздействия на упаковку при транспортировке.

При разгрузке/погрузке не допускается использование любого вида техники, работающей по принципу зажима упаковки.

**ХРАНЕНИЕ:**

Необходимо хранить в сухом месте.

Необходимо хранить вдали от источников повышенных температур и воздействия солнечных лучей.

При хранении необходимо избегать резкого перепада температур.

Хранение без упаковки не допускается.

**СРОК СЛУЖБЫ ИЗДЕЛИЯ:**

Срок службы изделия составляет 5 лет.

Не рекомендуется к эксплуатации по истечении 5 лет хранения с даты изготовления без предварительной проверки.

**Дата изготовления** (код даты) отштампован на поверхности корпуса изделия.

Пример:

W17 Y2015, где Y2015 - год изготовления

W17 – неделя изготовления

Определить месяц изготовления можно согласно приведенной ниже таблице, на примере 2015 года.

**Обратите внимание!** Количество недель в месяце различается от года в год.

Месяц	Январь	Февраль	Март	Апрель	Май	Июнь	Июль	Август	Сентябрь	Октябрь	Ноябрь	Декабрь	Год
Неделя	01	05	09	14	18	22	27	31	36	40	44	49	2015
	02	06	10	15	19	23	28	32	37	41	45	50	
	03	07	11	16	20	24	29	33	38	42	46	51	
	04	08	12	17	21	25	30	34	39	43	47	52	
	05	09	13	18	22	26	31	35	40	44	48	53	
		14			27								



W przypadku tego zszywacza zwrócono szczególną uwagę na zapewnienie bezpieczeństwa, wysokiej wydajności oraz niezawodności.

## PRZEZNACZENIE

Zszywacz powinny obsługiwać odpowiedzialne za swoje czyny osoby dorosłe, które przeczytały i zrozumiały instrukcje oraz ostrzeżenia zawarte w niniejszym podręczniku.

Zszywacz jest przeznaczony do wbijania zszywek w miękkie materiały, takiej jak drewno. Produktu można używać do wykonywania następujących czynności:

- wprowadzanie zszywek w drewno,
- wprowadzania zszywek w celu mocowania siatki ogrodzeniowej,
- wprowadzania zszywek tapicerskich (mocowanie tekstyliów),
- wprowadzania zszywek w tworzywa sztuczne,
- wprowadzania zszywek w papier i tekturę,
- wprowadzania zszywek w celu mocowania podkładów pod dywan.

Zszywacz nie nadaje się do mocowania kabli elektrycznych. Nie należy używać tego produktu niezgodnie z przeznaczeniem.

**UWAGA:** Niektóre gatunki drewna (np. bardzo suche twarde drewno) mogą wymagać krótszych zszywek w celu pełnego wkręcenia.

## ⚠ OSTRZEŻENIE

Prosimy o uważne zapoznanie się z ostrzeżeniami, instrukcjami i specyfikacjami dostarczonymi z tym narzędziem oraz z zawartymi w nich ilustracjami. Nie przestrzeganie przedstawionych niżej zaleceń mogłoby pociągnąć za sobą wypadki takie jak pożary, porażenia prądem elektrycznym i/lub poważne obrażenia ciała.

Zachowaj wszystkie ostrzeżenia i instrukcje do wykorzystania w przyszłości.

## ZSZYWACZ – OSTRZEŻENIA DOTYCZĄCE BEZPIECZEŃSTWA

- **Zawsze należy zakładać, że narzędzie zawiera elementy mocujące.** Nieostrożna obsługa zszywacza może spowodować nieoczekiwany wyrzut zszywek i obrażenia ciała.
- **Nie kieruj narzędzia w swoją stronę lub w stronę innych osób.** Przypadkowe uruchomienie spowoduje wyrzelenie elementu mocującego i obrażenia ciała.
- **Nie uruchamiaj narzędzie, jeśli nie jest ono dobrze dociśnięte do obrabianego materiału.** Jeśli narzędzie nie styka się z obrabianym materiałem, element mocujący może odskoczyć od docelowego miejsca.
- **Odłącz narzędzie od źródła zasilania, gdy element mocujący zablokuje się w narzędziu.** Podczas usuwania zakleszczonej zszywki zszywacz może zostać przypadkowo uruchomiony, jeżeli jest podłączony do sieci.

- **Należy zachować ostrożność podczas usuwania zablokowanego elementu.** Mechanizm może pod ciśnieniem i może dojść do wyrzelenia elementu mocującego podczas próby usunięcia zablokowanego elementu.
- **Nie używać zszywacza do mocowania kabli elektrycznych.** Narzędzie nie jest przeznaczone do instalacji kabli elektrycznych i może spowodować uszkodzenia izolacji kabli elektrycznych, powodując porażenie prądem lub pożar.

## DODATKOWE OSTRZEŻENIA BEZPIECZEŃSTWA

- Należy pamiętać, że niewłaściwe używanie i nieprawidłowa obsługa tego narzędzia mogą spowodować obrażenia ciała użytkownika oraz innych osób.
- Narzędzie jest przeznaczone do obsługi jedną ręką. Nie trzymaj narzędzia z przodu magazynka. Nie należy umieszczać dłoni, głowy lub innych części ciała w pobliżu dolnej części magazynku, gdzie zszywki są wyrzucane z produktu, ponieważ może to spowodować poważne obrażenia ciała.
- Zawsze należy sprawdzać, czy miejsce styku z obrabianym materiałem znajduje się nad obrabianym materiałem. Umieszczenie przedmiotu obrabianego tylko częściowo nad przedmiotem obrabianym może spowodować wyrzut zszywki całkowicie poza taki przedmiot, a tym samym poważne obrażenia ciała.
- Nie wprowadzać zszywek w pobliżu krawędzi materiałów. Może wówczas dojść do pęknięcia przedmiotu obrabianego skutkującego odbiciem zszywacza i obrażeniami u operatora lub współpracownika. Należy pamiętać, że zszywka może ustawić się w drewnie zgodnie z jego rysunkiem, co może skutkować jej nieoczekiwanym wystawianiem z boku przedmiotu obrabianego lub wygięciem, prowadząc do obrażeń cielesnych.
- Nie zbliżaj rąk ani części ciała do miejsca pracy. Przymocuj obrabiany materiał zaciskami, jeśli jest to konieczne, aby zabezpieczyć ręce i inne części ciała przed urazami. Przed dociśnięciem elementu mocującego do materiału należy upewnić się, że materiał jest odpowiednio zamocowany. Kontakt z obrabianym materiałem może spowodować gwałtowne przemieszczenie materiału.
- Nie zbliżaj twarzy ani części ciała do nasady narzędzia podczas pracy w ograniczonej przestrzeni. Nagły odrzut może spowodować uderzenie w ciało, zwłaszcza podczas zszywania twardych lub gęstych materiałów.
- Podczas normalnej obsługi narzędzie odskoczy od razu po wprowadzeniu elementu mocującego. Jest to normalna funkcja narzędzia. Nie należy próbować zapobiegać odrzutowi poprzez przytrzymanie produktu przy przedmiocie obrabianym. Ograniczenie odrzutu może spowodować wyrzucenie z produktu drugiej zszywki. Chwyć dobrze uchwyt, odczekaj aż narzędzie wykona cykl roboczy i nie umieszczaj drugiej ręki na górze narzędzia ani w pobliżu wylotu. Zignorowanie tego ostrzeżenia może spowodować poważne obrażenia ciała.







- Nie wbijaj elementów mocujących w inne elementy mocujące ani nie ustawiaj narzędzia pod ostrym kątem, ponieważ może to spowodować odskoczenie elementów mocujących i w rezultacie obrażenia ciała.
- Zawsze przed użyciem produktu należy sprawdzać, czy w miejscu pracy nie ma ukrytych przewodów elektrycznych, gazowych, wodnych itp.
- Ustawiona głębokość wprowadzania zszywki może okazać się większa od wymaganej. Zalecamy przeprowadzenie próby głębokości na dodatkowym materiale w celu ustalenia docelowej głębokości wbijania.
- Jedynie elementy mocujące zgodne z opisem przedstawionym w tabeli ze specyfikacją produktu mogą być używane z tym narzędziem. Stosowanie nieprawidłowych elementów mocujących może spowodować zablokowanie narzędzia lub inne usterki.

### OSTRZEŻENIA BEZPIECZEŃSTWA DOTYCZĄCE REGULACJI GŁĘBOKOŚCI

- Przed przystąpieniem do regulacji głębokości napędu należy zawsze wyciągnąć baterię.
- Nie ciągnąć za pokrętko regulacji głębokości. Pokrętko można obracać.
- Nie naciskać spustu w trakcie obracania pokrętkiem regulacji głębokości wprowadzania.
- Nie kieruj narzędzia w swoją stronę lub w stronę innych osób podczas regulacji głębokości wprowadzania.

### AKUMULATOR — DODATKOWE OSTRZEŻENIA DOTYCZĄCE BEZPIECZEŃSTWA

#### OSTRZEŻENIE

Aby uniknąć niebezpieczeństwa pożaru, obrażeń lub uszkodzeń produktu na skutek zwarcia, nie wolno zanurzać narzędzia, akumulatora wymiennego ani ładowarki w cieczach i należy zatroszczyć się o to, aby do urządzeń i akumulatorów nie dostały się żadne ciecze. Zwarcie spowodować mogą korodujące lub przewodzące ciecze, takie jak woda morska, określone chemikalia i wybielacze lub produkty zawierające wybielacze.

### TRANSPORTOWANIE AKUMULATORÓW LITOWYCH

Akumulatory należy transportować zgodnie z lokalnymi i krajowymi przepisami i regulacjami.

Należy postępować zgodnie z wszystkimi specjalnymi wymaganiami dotyczącymi pakowania i etykietowania akumulatorów podczas transportu przez stronę trzecią. Upewnij się, że żadne akumulatory nie zetkną się z innymi akumulatorami lub materiałami przewodzącymi podczas transportu. W tym celu należy zabezpieczyć odkryte złącza nieprzewodzącymi nakładkami izolacyjnymi lub taśmą izolacyjną. Nie należy transportować pękniętych ani nieszczelnych akumulatorów. Szczegółowe porady można uzyskać w firmie spedycyjnej.

### RYZIKO ZWIĄZANE Z UŻYTKOWANIEM

Nawet jeśli produkt jest używany zgodnie z zaleceniami, nadal nie jest możliwe wyeliminowanie określonych czynników ryzyka. Następujące zagrożenia mogą wystąpić podczas używania urządzenia i operator powinien zwracać szczególną uwagę na poniższe punkty:

- Uszkodzenie słuchu  
**Uwaga:** Zawsze należy stosować skuteczne środki ochrony uszu oraz ograniczyć narażenie na hałas.
- Obrażenia oczu spowodowane nieprawidłowo napędzonymi zszywkami lub wyrzucanym pyłem i resztkami.  
**Uwaga:** Zawsze należy nosić odpowiednie okulary ochronne.
- Urazy ciała spowodowane przez wibracje  
**Uwaga:** Należy trzymać urządzenie za odpowiednie uchwyty oraz ograniczyć narażenie na wibracje. Patrz "Ograniczenie Ryzyka".
- Skaleczenia spowodowane kontaktem z ostrymi krawędziami.  
**Uwaga:** W trakcie przenoszenia i ładowania zszywek należy zachować szczególną ostrożność.
- Produkt jest ciężki.  
**Uwaga:** Produkt jest ciężki. Należy pamiętać, że długotrwała obsługa produktu, szczególnie w położeniu nad głową, może powodować nadżerzenie mięśni.

### OGRANICZENIE RYZYKA

Znane są przypadki wywołania u niektórych osób objawu Raynauda spowodowanego wibracjami ręcznych narzędzi. Typowe objawy to mrowienie, drętwienie i blednięcie palców, widoczne zwykle po wystawieniu na działanie zimna. Uważa się, że czynniki dziedziczne, wystawienie na działanie zimna i wilgoci, dieta, palenie papierosów i przyjęte zwyczaje przyczyniają się do rozwoju tych objawów. Istnieją środki zaradcze, które może podjąć operator narzędzia, aby zmniejszyć efekt wibracji:

- Zadbaj w niskich temperaturach o ciepłotę własnego ciała, zakładając odpowiednie ubranie. Podczas obsługi urządzenia należy nosić rękawice, aby dłonie i nadgarstki były ciepłe. Wiadomo, że niskie temperatury są główną przyczyną powstawania objawu Raynauda.
- Podczas przerw w pracy należy wykonywać ćwiczenia poprawiające krążenie krwi..
- Podczas pracy robić częste przerwy. Ograniczyć ekspozycję w ciągu dnia.

W razie doświadczenia dowolnego z wymienionych objawów, należy niezwłocznie zaprzestać użytkowania tego urządzenia i skontaktować się z lekarzem.

#### OSTRZEŻENIE

Długotrwałe użytkowanie narzędzia może spowodować obrażenia ciała lub nasilić dolegliwości zdrowotne. W przypadku używania narzędzia przed dłuższy czas należy pamiętać o regularnych przerwach.



## INFORMACJE O PRODUKCIE

Patrz strona 83.

1. Stopka wyzwalająca
2. Przyrząd do montażu drutu i siatki
3. Wskaźnik siły napędowej
4. Pokrętko regulacji głębokości
5. Magazynek
6. Przycisk uruchamiający
7. Uchwyt, izolowana powierzchnia chwytna
8. Zaczep do paska
9. Zatrząsk magazynku
10. Gniazdo akumulatora
11. Zszywki 14,3 mm
12. Zszywki 6,4 mm

## KONSERWACJA

### ⚠ OSTRZEŻENIE

Produkt nigdy nie może być podłączony do źródła zasilania podczas montażu części, regulacji, czyszczenia, konserwacji lub gdy nie jest używany. Odłączenie produktu zapobiegnie przypadkowemu uruchomieniu, które mogłoby spowodować poważne obrażenia ciała.

- W przypadku serwisowania należy stosować wyłącznie oryginalne części zamienne. akcesoria oraz osprzęt producenta. Użycie jakiegokolwiek innej części mogłoby spowodować zagrożenie lub też uszkodzić wasze narzędzie.
- Nie wolno dopuścić do kontaktu plastikowych części z płynem hamulcowym, benzyną, produktami ropopochodnymi, olejami penetrującymi itp. Te produkty chemiczne zawierają substancje, które mogłyby uszkodzić, osłabić lub zniszczyć plastik, co mogłoby spowodować poważne zranienie.
- Nie stosować rozpuszczalników do czyszczenia elementów plastikowych. Większość tworzyw sztucznych, mogłoby zostać uszkodzone przez użycie rozpuszczalników dostępnych w sprzedaży. Używajcie czystej szmatki do mycia zabrudzeń, pyłu, itd.
- Aby zapewnić wyższy poziom bezpieczeństwa i niezawodności, wszystkie naprawy powinny być przeprowadzane przez autoryzowany punkt serwisowy.

## SMAROWANIE

Wszystkie łożyska produktu są smarowane przy użyciu odpowiedniej ilości wysokiej jakości smaru na cały okres eksploatacji produktu przy uwzględnieniu normalnych warunków roboczych. W wyniku czego, nie zachodzi potrzeba dodatkowego smarowania.

Nie używać smarów do smarowania zszywaczy, magazynka ani mechanizmu wkręcenia. Utrzymuj narzędzie w czystości.

## OCHRONA ŚRODOWISKA



Surowce należy oddawać do powtórnego przetworzenia zamiast wyrzucać je na śmieci. Z myślą o ochronie środowiska, narzędzie, akcesoria i opakowania powinny być sortowane.

## SYMBOLE PRODUKTU



Uwaga dotycząca bezpieczeństwa



Zgodność CE

V

Wolt



Prąd stały



Znak zgodności EurAsian



Przed uruchomieniem urządzenia prosimy uważnie przeczytać instrukcję



Ukraiński znak zgodności



Trzymać dłonie z dala



Stosować środki ochrony wzroku



Zużyte produkty elektryczne nie powinny być utylizowane z odpadami domowymi. Prosimy poddawać recyklingowi w odpowiednich miejscach. Informacje o właściwych metodach recyklingu można uzyskać u władz lokalnych lub sprzedawcy.

## SYMBOLE W INSTRUKCJI



Uwaga



Części lub akcesoria sprzedawane oddzielnie

Poniższe symbole i nazwy które im nadano, pozwalają wyjaśnić różne poziomy ryzyka związanego z używaniem tego narzędzia.

### **NIEBEZPIECZEŃSTWO**

Oznacza bezpośrednio niebezpieczną sytuację, która, jeśli nie zostanie uniknięta, spowoduje śmierć lub poważne urazy ciała.

### **OSTRZEŻENIE**

Oznacza potencjalnie niebezpieczną sytuację, która, jeśli nie zostanie uniknięta, może spowodować śmierć lub poważne urazy ciała.

### **UWAGA**

Oznacza potencjalnie niebezpieczną sytuację, która, jeśli nie zostanie uniknięta, może spowodować niewielkie lub umiarkowane urazy ciała.

### **UWAGA**

(Bez symbolu bezpieczeństwa) Wskazuje na sytuację mogącą spowodować straty materialne.

EN  
FR  
DE  
ES  
IT  
NL  
PT  
DA  
SV  
FI  
NO  
RU  
**PL**  
CS  
HU  
RO  
LV  
LT  
ET  
HR  
SL  
SK  
BG  
UK  
TR  
EL



Bezpečnost, výkon a spolehlivost byli hlavní prioritou při návrhu této sponkovačky.

### ZAMÝŠLENÉ POUŽITÍ

Tato sponkovačka je určena k používání dospělými osobami, které četly návod k použití, chápou rizika a nebezpečí s ní spojená a mohou být považovány za osoby zodpovědné za své jednání.

Sponkovačka je navržena pro nastřelování spon do měkkého materiálu, například dřeva. Tento výrobek lze používat:

- k sponkování do dřeva
- s dodaným doplňkem k sponkování drátěného oplacení a pletiv
- k sponkování čalounění (textilií)
- k sponkování do plastů
- k sponkování do papíru a kartonu
- k sponkování podkladů kobereců

Tato sponkovačka není vhodná k uchytávání elektrických kabelů.

Nepoužívejte výrobek jinak než je uvedeno v určeném použití.

**POZNÁMKA:** Některé dřeva (například velmi suché a tvrdé) může vyžadovat kratší spony, aby do něho úplně vnikly.

### VAROVÁNÍ

**Přečtěte si pozorně upozornění, pokyny a technické specifikace dodané s nářadím a prohlédněte si ilustrace.** Nedodržení uvedených pokynů může způsobit požár, úraz elektrickým proudem a/nebo jiné vážné zranění.

**Uschovejte si všechny pokyny a varování pro budoucí nahlédnutí.**

### BEZPEČNOSTNÍ UPOZORNĚNÍ K SPONKOVAČCE

- **Vždy předpokládejte, že nástroj obsahuje spony.** Nepozorné nakládání se sponkovačkou může způsobit neočekávané vystřelení spony a úrazu.
- **Nemiřte nástrojem na sebe ani nikoho v blízkosti.** Neočekávané spuštění vystřelí sponu – příčina poranění.
- **Nepoužívejte nástroj, dokud není pevně umístěn vůči obrobku.** Není-li nástroj v kontaktu s obrobkem mohou se spony od něj odrazit.
- **Odpojte nástroj od zdroje napájení při zaseknutí spony v nástroji.** Při vyjímání zaseknuté spony při sponkovačce připojené k napájení může dojít k jejímu náhodnému spuštění.
- **Buďte opatrní při odstraňování zaseknuté spony.** Mechanismus může být pod tlakem a spona může být silou vytlačena při pokusu uvolnit blokaci.
- **Tuto sponkovačku nepoužívejte k přichytávání elektrických kabelů.** Není určeno pro instalaci elektrických kabelů a mohou poškodit izolaci elektrických kabelů s následkem úrazu elektřinou či požáru.

### DOPLŇUJÍCÍ BEZPEČNOSTNÍ VAROVÁNÍ

- Vždy se vyvarujte nesprávné obsluhy tohoto nástroje, může dojít k poranění vás i ostatních.
- Tento výrobek je navržen používání jednou rukou. Nedržte nástroj za čelní stranu zásobníku. Nepřiblížujte ruce, hlavu, ani jiné části těla k spodní části zásobníku, kde spony vycházejí ze sponkovačky. Mohlo by to způsobit vážný úraz.
- Vždy se ujistěte, že kontakt obrobku je zcela umístěn nad obrobkem. Umístění kontaktu se zpracovávaným předmětem pouze částečně nad zpracovávaný předmět by mohlo způsobit, že spona zcela mine zpracovávaný předmět a dojde k úrazu.
- Spony nenastřelujte blízko okraje materiálu. Zpracovávaný předmět se může rozlomit, přičemž se spona odrazí a může zranit obsluhu nebo jinou osobu. Pozor, že se spona může pohybovat podél vláken dřeva a nečekaně prorazit bok zpracovávaného materiálu nebo jej odklonit a případně způsobit úraz.
- Udržujte ruce a tělo mimo bezprostřední pracovní oblast. Přidržte obrobek svorkami, abyste ochránili ruce a tělo před nebezpečím. Ujistěte se, že je obrobek řádně zajištěn přitisknutím spony vůči materiálu. Kontakt s obrobkem může způsobit neočekávané zvednutí pracovního materiálu.
- Udržujte ruce a tělo mimo zadní část víka nástroje při pracích v omezených prostorech. Náhlý zpětný ráz může způsobit náraz do těla, obzvláště při sponkování do tvrdého nebo hutného materiálu.
- Při běžném provozu se nástroj odrazí ihned po nastřelení spony. Jde o obvyklou funkci nástroje. Nezkoušejte bránit zpětnému rázu držením sponkovačky proti zpracovávanému předmětu. Bránění zpětnému rázu může způsobit vystřelení další spony ze sponkovačky. Pevně uchopte rukojeť, nechejte nástroj provést práci a nikdy nepokládejte ruku na horní stranu nástroje nebo do blízkosti výstupu. Nedodržení tohoto varování může způsobit vážné osobní poranění.
- Nenastřelujte sponami na horní stranu dalších spon ani s nástrojem s velmi strmým úhlem, může to způsobit vychýlení spon s následkem zranění.
- Vždy kontrolujte pracovní oblast na skryté dráty, vedení plynu, vodovod atd., než zde výrobek použijete.
- Hloubku nastřelení spony lze nastavit tlakem vzduchu. Doporučuje se otestovat hloubku na nepoužívaném materiálu pro zjištění hloubky nastřelování.
- V nástroji lze používat pouze spony shodné s těmi v tabulce specifikace produktu. Použití nesprávných spon povede k zaseknutí či jiným selháním.

### BEZPEČNOSTNÍ VAROVÁNÍ PRO SEŘÍZENÍ HLOUBKY

- Před seřizováním hloubky nastřelení vždy vyjměte baterii.
- Za regulátor hloubky netahejte. Tento regulátor je určen k otáčení.
- Během seřizování hloubky nastřelení jejím regulátorem nestiskněte spoušť.
- Nemiřte nástrojem na sebe ani nikoho v blízkosti při seřizování hloubky nastřelování.



## DOPLŇUJÍCÍ BEZPEČNOSTNÍ UPOZORNĚNÍ K BATERII

### ⚠ VAROVÁNÍ

Abyste zabránili nebezpečí požáru způsobeného zkratem, poraněním nebo poškozením výrobku, neponořujte nářadí, výměnnou baterii nebo nabíječku do kapalin a zajistěte, aby do zařízení a akumulátorů nevnikly žádné tekutiny. Korodující nebo vodivé kapaliny, jako je slaná voda, určité chemikálie a bělicí prostředky nebo výrobky, které obsahují bělidlo, mohou způsobit zkrat.

## TRANSPORT LITHIOVÝCH BATERÍ

Přenos baterie dle místních a národních opatření a předpisů.

Dodržujte všechny zvláštní požadavky na balení a značení při transportu baterií třetí stranou. Zajistěte, aby žádné baterie nepřišly do kontaktu s jinými bateriemi nebo vodivými materiály při transportu pomocí ochrany nekrýtkých kontaktů prostřednictvím izolace, nevodivých krytek či lepicích pásek. Nepřepravujte prasklé nebo baterie s unikajícím elektrolytem. Ptejte se u zásilkové společnosti na další radu.

## ZBYTKOVÁ RIZIKA

Dokonce, i když se výrobek provozuje jak je předepsáno, je stále nemožné zcela eliminovat veškeré zbytkové rizikové faktory. Následující nebezpečí mohou nastat při používání; vyhýbejte se:

- Poškození sluchu.  
**Poznámka:** Vždy noste vhodnou ochranu sluchu a omezte vystavení hluku.
- Úraz oka způsobený nesprávně nastřelenou sponou nebo odmrštěným prachem či nečistotami.  
**Poznámka:** Vždy noste ochranu očí.
- Poranění způsobené vibracemi  
**Poznámka:** Držte nástroj za rukojeť určené a omezte expozici vibracím. Viz "Snižování Rizik".
- Tržné rány způsobené kontaktem s ostrými hroty.  
**Poznámka:** Při manipulaci se sponami a jejich vkládání do zásobníku dbejte zvýšené opatrnosti.
- Tento výrobek je těžký.  
**Poznámka:** Tento výrobek je těžký. Dejte si pozor na svalové napětí při provozu výrobku delší dobu, a to zejména, pokud jej používáte nad hlavou.

## SNÍŽENÍ RIZIKA

Bylo zjištěno, že vibrace z nástrojů mohou u některých osob přispívat ke stavu tzv Raynaud's Syndrome (Raynaudovu syndromu). Mezi jeho příznaky patří brnění, necitlivost a zblednutí prstů, patrné obvykle po pobytu v chladu. Vědci se domnívají, že k rozvinutí těchto příznaků přispívají dědičné faktory, pobyt v chladu a vlhku, strava, kouření a pracovní návyky. Uživatel může omezit případné působení vibrací použitím vhodných opatření:

- Za chladného počasí se teple oblečte. Při práci s nástrojem si navlékněte rukavice, abyste udrželi ruce

a zápěstí v teple. Bylo zjištěno, že chladné počasí je hlavním faktorem přispívajícím k Raynaud's Syndrome (Raynaudovu syndromu).

- Během práce si v pravidelných intervalech zacvičte, abyste zvýšili krevní oběh.
- Zařazujte časté pracovní přestávky. Omezte dobu práce za den.

Jakmile pocítíte některý z výše uvedených příznaků tohoto syndromu, okamžitě přerušete práci a vyhledejte lékaře.

### ⚠ VAROVÁNÍ

Poranění mohou být způsobena, či zhoršena, prodlouženým používáním nástroje. Když používáte jakýkoliv nástroj delší dobu, dělejte pravidelně přestávky.

## SEZNAMTE SE S VÝROBKEM

Viz strana 83.

1. Aktivační patka
2. Doplněk pro dráty a pletivo
3. Ukazatel síly nastřelení
4. Knoflík nastavení hloubky
5. Zásobník
6. Spínač spouště
7. Rukojeť s izolací a protiskluzovým povrchem
8. Pásková spona
9. Západka zásobníku
10. Otvor pro baterie
11. 14,3mm spony
12. 6,4 mm spony

## ÚDRŽBA

### ⚠ VAROVÁNÍ

Výrobek nikdy nepřipojujte ke zdroji napájení, když se montují díly, provádí seřizování, čištění, údržba nebo když se nepoužívá. Odpojením produktu předejdete náhodnému spuštění a tím vážnému osobnímu poranění.

- Při provádění servisu používejte pouze originální příslušenství, doplňky a náhradní díly výrobce. Použití jakýchkoliv jiných dílů může vytvořit nebezpečí nebo způsobit poškození výrobku.
- Nikdy nenechte přijít brzdové kapaliny, petrolej, výrobky založené na petroleji, pronikavé oleje, atd. do kontaktu s plastovými součástmi. Tyto výrobky obsahují chemikálie, které mohou poškodit, oslabit nebo zničit plastové části, případně snížit jejich životnost a být příčinou úrazu.
- Vyhnete se používání rozpouštědel, když čistíte plastové díly. Většina ředidel běžně dostupných v obchodní síti se nehodí k čištění plastových částí, neboť narušuje povrch plastů. K odstranění nečistot, prachu apod. použijte čistý hadr.
- Pro lepší bezpečnost a bezporuchočnost by mělo opravy provádět pověřené autorizované servisní středisko.

## MAZÁNÍ

Veškerá ložiska nářadí byla výrobcem namazána dostatečným množstvím vysoce účinného maziva, které stačí na celou dobu životnosti produktu při normálních podmínkách používání. Žádné další mazání nářadí není nutné.

Na sponkovačku, zásobník nebo na mechanismus pohonu nepoužívejte mazivo. Udržujte čisté.

## OCHRANA ŽIVOTNÍHO PROSTŘEDÍ



V rámci možností neodhazujte vysloužilé nářadí do domovního odpadu a upřednostněte jeho recyklaci. V souladu s předpisy na ochranu životního prostředí odkládejte vysloužilé nářadí, příslušenství i obalový materiál do tříděného odpadu.

## SYMBOLY NA VÝROBKU



Bezpečnostní výstraha



Shoda CE

V

Napětí



Stejnoseměrný proud



Euroasijská značka shody



Před spuštěním přístroje si řádně přečtěte pokyny.



Ukrajinská značka shody



Nepřibližovat ruce



Noste ochranu očí



Odpad elektrických výrobků se nesmí likvidovat v domovním odpadu. Recyklujte prosím na sběrných místech. Ptejte se u místních úřadů nebo prodejece na postup při recyklaci.

## SYMBOLY POUŽITÉ V NÁVODU



Poznámka



Díly nebo příslušenství jsou v prodeji samostatně

Následující signální slova a významy jsou vhodné pro vysvětlení úrovně nebezpečí spojených s tímto výrobkem.

### NEBEZPEČÍ

Upozorňuje na bezprostředně nebezpečnou situaci, která vede k usmrcení nebo těžkému zranění.

### VAROVÁNÍ

Upozorňuje na možnou nebezpečnou situaci, která by mohla vést ke smrtelnému úrazu nebo k závažnému zranění.

### POZOR

Upozorňuje na možnou nebezpečnou situaci, která může vést k menšímu nebo lehkému zranění.

### POZOR

(Bez bezpečnostního výstražného symbolu) Určuje situaci, která může mít za následek vážné poškození.



A tűzőgép tervezésekor a biztonság, a teljesítmény és a megbízhatóság voltak a legfontosabb szempontok.

### RENDELTETÉSSZERŰ HASZNÁLAT

A tűzőgépet kizárólag olyan felnőttek használhatják, akik elolvasták és megértették a jelen kézikönyv utasításait és figyelmeztetéseit, és tetteikért felelősséget tudnak vállalni.

A tűzőgép tűzőkapcsok behajtására alkalmas puha anyagokba, pl. fába. A termék az alábbiakhoz használható:

- kapcsok tűzése fába
- a mellékelt tartozékkal kapcsok tűzése kerítésdrót és drótháló rögzítéséhez
- kapcsok tűzése kárpitozáshoz (szövet)
- kapcsok tűzése műanyagokba
- kapcsok tűzése papírba és kartonba
- kapcsok tűzése padlószőnyeg rögzítéséhez

A tűzőgép nem alkalmas elektromos vezetékek rögzítésére. Ne használja a terméket a rendeltetésétől eltérő célra.

**MEGJEGYZÉS:** Néhány fűrészáruhoz (mint a nagyon száraz keményfa) rövidebb tűzőkapocs lehet szükséges, hogy azokat teljesen be lehessen hajtani.

### ⚠ FIGYELEM

**Figyelmesen olvassa el az ehhez a szerszámhoz mellékelt összes figyelmeztetést, utasítást és műszaki adatokat, valamint tanulmányozza az ábrákat is.** Az alább részletezett előírások be nem tartása olyan baleseteket okozhat, mint pl. tűz, áramütés és/vagy súlyos testi sérülések.

**A jövőbeli felhasználásra őrizze meg az összes figyelmeztetést és útmutatót.**

### BIZTONSÁGI FIGYELMEZTETÉSEK A TŰZŐGÉPHEZ

- **Mindig ügyeljen arra, hogy a szerszámgépben legyenek kötőelemek.** Nem körültekintő használat esetén a tűzőgép váratlanul kapcsot lőhet ki, és személyi sérülést okozhat.
- **Ne irányítsa a szerszámot önmagára vagy bárki másra a közelben.** A váratlan kioldás kiveti a kötőelemet, ami sérülést okoz.
- **Ne aktiválja a szerszámgépet, hacsak a szerszámgép nincs erősen hozzányomva a munkadarabhoz.** Ha a gép nem érintkezik a munkadarabbal, a kötőelem eltérhet a céltől.
- **Húzza ki a szerszámgépet a konnektorból, ha a kötőelem beragadt a szerszámgépbe.** Ha a beszorult kapcsok eltávolítása közben a tűzőgép be van dugva, véletlenül aktiválódhat.
- **Óvatosan járjon el a beragadt kötőelemek eltávolításakor.** A mechanizmus nyomás alatt lehet és a kötőelem kivetődhet egy beragadás megszüntetése során.
- **Ne használja a tűzőgépet elektromos vezetékek rögzítésére.** Nem alkalmas elektromos vezetékek felszereléséhez, és károsíthatja az elektromos

vezetékek szigetelését, ezáltal áramütést vagy tűzveszélyt okozva.

### TOVÁBBI BIZTONSÁGI FIGYELMEZTETÉSEK

- Mindig legyen tudatában annak, hogy a szerszám helytelen használata és kezelése során sérüléseket okozhat önmagának és másoknak.
- A szerszám egykezes használatra lett kialakítva. Ne tartsa a szerszámgépet a tár elejénél. Ne tegye a kezét, fejét vagy egyéb testrészét a tár aljához, ahol a kapocs kirepül a termékből, mivel az súlyos személyi sérülést okozhat.
- Mindig ellenőrizze, hogy a munkadarab érintkezéssel teljesen a munkadarab fölött van. Amennyiben a tűzőgépet csak részlegesen helyezi a munkadarab fölé, a kapocs teljesen elkerülheti a munkadarabot, és súlyos személyi sérülést okozhat.
- Ne tűzzön kapcsokat az anyag szélének közelébe. A munkadarab meghasadása miatt a kapocs lepattanhat, és a kezelő vagy egy közelben lévő munkatárs sérülését okozhatja. Vegye figyelembe, hogy esetenként a kapocs a fa szálirányát követi, emiatt váratlanul eltérülhet, vagy kiállhat a munkadarabból, és esetleg sérülést okozhat.
- A kezeit és a testrészeit tartsa távol a közvetlen munkaterülettől. Rögzítse a munkadarabot kapcsokkal, ha a kezeit és testét távol szeretné tartani a potenciális veszélyzónától. Ügyeljen rá, hogy a munkadarab erősen rögzítve legyen, mielőtt a kötőelemet hozzányomná az anyaghoz. A munkadarab érintkezéssel a munkadarab váratlan elmozdulását okozhatja.
- Az arcát és a testrészeit tartsa távol a gép fedelének hátuljától, ha kis helyeken dolgozik. A hirtelen visszaütések miatt a szerszám a testének ütközhet, különösen ha kemény vagy nagy sűrűségű anyagot használja a tűzőgépet.
- Normál használat során a szerszám a kötőelem behajtása után azonnal visszarúg. Ez a szerszám normál funkciója. Ne próbálja a visszaütést a termék munkadarabhoz nyomásával megakadályozni. A visszaütés megakadályozása esetén egy második kapocs lökődhet ki a termékből. Erősen fogja meg a fogantyút, és hagyja, hogy a gép végezze el a munkát, soha ne helyezze a másik kezét a szerszámgép tetejére vagy a kilépőnyílás közelébe. Ezen figyelmeztetés figyelmen kívül hagyása súlyos személyi sérülést eredményezhet.
- Ne hajtson be kötőelemeket más kötőelemek felett, illetve amikor a szerszám túlságosan meredek szögben van, mert ez a kötőelem elhajlását okozhatja, ami sérülést eredményezhet.
- A termék használat előtt mindig ellenőrizze a munkaterületet rejtett vezetékek, gázcsövek, vízvezetékek stb. tekintetében.
- A kapocs beállított tűzési mélysége nagyobb lehet a kívánt mélységnél. Javasolt tesztelni a mélységet egy felesleges munkadarabon, hogy meghatározza az alkalmazáshoz szükséges mélységet.
- Csak a termék műszaki táblázatán leírtakkal megegyező kötőelemek használhatók a szerszámmal. A nem megfelelő kötőelemek használata beragadáshoz vagy más meghibásodáshoz vezethet.

EN
FR
DE
ES
IT
NL
PT
DA
SV
FI
NO
RO
RU
PL
CS
<b>HU</b>
RO
LV
LT
ET
HR
SL
SK
BG
UK
TR
EL





## MÉLYSÉGBEÁLLÍTÁS BIZTONSÁGI FIGYELMEZTETÉSEK

- Mindig távolítsa el az akkumulátort a tűzés mélységének állítása előtt.
- Ne húzza vissza a mélységállító gombot. A gomb tekerésre szolgál.
- Ne nyomja meg az indítógombot a mélységállító gomb használata közben.
- Ne irányítsa a gépet önmagára vagy bárki másra a közelben a behajtási mélység beállításakor.

## AZ AKKUMULÁTOR KIEGÉSZÍTŐ BIZTONSÁGI FIGYELMEZTETÉSEI

### ⚠ FIGYELEM

A rövidzárlat általi tűz, sérülések vagy termékkárosodások veszélye elkerülésére ne merítse a szerszámot, a cserélhető akkut vagy a töltőkészüléket folyadékokba, és gondoskodjon arról, hogy ne hatoljanak folyadékok a készülékekbe és az akkuba. A korrozív hatású vagy vezetőképes folyadékok, mint pl. a sós víz, bizonyos vegyi anyagok, fehérítők vagy fehérítő tartalmú termékek, rövidzárlatot okozhatnak.

## LÍTIUM AKKUMULÁTOROK SZÁLLÍTÁSA

Az akkumulátorokat a helyi és nemzeti előírásokkal és szabályokkal összhangban szállítsa.

Az elemek külső fél általi szállításakor kövesse a csomagolásra és a címkézésre vonatkozó speciális előírásokat. Ügyeljen arra, hogy az akkumulátorok ne érhessenek más akkumulátorokhoz vagy vezető anyagokhoz szállítás közben; ehhez a szabadon maradt csatlakozókat védje szigetelő fedéllel vagy szalaggal. Ne szállítson repedt vagy szivárgó akkumulátorokat. További információért vegye fel a kapcsolatot a továbbítást végző céggel.

## VISSZAMARADÓ KOCKÁZATOK

Még a termék rendeltetésszerű használata esetén sem lehet teljesen kiküszöbölni minden kockázati tényezőt. A gép használata során a következő veszélyek merülhetnek fel, és a kezelőnek különösen oda kell figyelnie az alábbiak elkerülésére:

- Halláskárosodás  
**Megjegyzés:** Mindig viseljen hatékony fülvédőt, és kerülje a zajnak való kitettséget.
- A helytelenül betűzött kapcsok szemsérülést okozhatnak, illetve szálló port és szennyeződést hozhatnak létre.  
**Megjegyzés:** Mindig viseljen megfelelő védőszemüveget.
- Vibráció okozta sérülések  
**Megjegyzés:** A gépet az arra szolgáló fogantyúknál tartsa, és korlátozza a vibrációnak való kitettséget. Lásd "Kockázatcsökkentés".
- Az éles pontokkal való érintkezés okozta horzsolások.  
**Megjegyzés:** A tűzőgépek kezelése és töltése esetén különösen körültekintően járjon el.
- A termék nehéz.

Megjegyzés: A termék nehéz. Vigyázzon a termék hosszabb idejű használata, különösen a fej feletti használata okozta izomhúzódástól.

## KOCKÁZATCSÖKKENTÉS

Ismert, hogy a kézi szerszámgépek használata során fellépő vibráció bizonyos személyeknél hozzájárulhat az úgynevezett Raynaud-szindróma (Raynaud's Syndrome) nevű állapot kialakulásához. A tünetei lehetnek: az ujjak zsibbadása, elfehéredése, szúrások érzése, amelyek hidegnek kitéve gyakran felerősödnek. Az öröklődő tényezők, a hidegnek kitettség és verejtékezés, a diéta, a dohányzás és munka közben alkalmazott fogások valószínűleg mind hozzájárulhatnak ezen tünetek megjelenéséhez. A vibráció hatásainak csökkentése érdekében a kezelőnek be kell tartani az alábbi óvintézkedéseket:

- Hideg időben tartsa melegen a testét. A gép használatakor viseljen kesztyűt a kéz és a csukló melegen tartásához. Arról számoltak be, hogy a hideg időjárásnak fontos szerepe van a Raynaud-szindróma kialakulásában.
- Bizonyos időtartamú használat után mindig végezzen gyakorlatokat a vérkeringés javításához.
- Gyakran tartson munkaszünetet. Korlátozza a napi munkaidőt.

Ha ezen állapot bármelyik tünetét tapasztalja, azonnal hagyja abba a munkát, és tájékoztassa az orvosát a tünetekről.

### ⚠ FIGYELEM

A gép hosszabb idejű folyamatos használata sérüléseket okozhat vagy súlyosbíthatja a tüneteket. Ha a gépet hosszú időn át kell használnia, tartson gyakran szünetet.

## ISMERJE MEG A TERMÉKET

83. oldal.

1. Biztosítóelem
2. Tartozék drótkozhoz és hálókhoz
3. Tűzési erő visszajelzője
4. Mélységállító gomb
5. Tár
6. Be - ki kapcsológomb
7. Kar, szigetelt fogófelület
8. Övcsat
9. Táron lévő retesz
10. Akkumulátornyílás
11. 14,3 mm-es kapcsok
12. 6,4 mm-es kapcsok





## KARBANTARTÁS

### ⚠ FIGYELEM

Alkatrészek szerelések, beállítások végzésekor, tisztítások, karbantartás végzésekor, illetve használaton kívül mindig húzza ki a gépet az elektromos hálózatról. A termék hálózatról történő leválasztása megakadályozza a véletlen bekapcsolódást, ami súlyos sérülést okozhat.

- Szervizeléskor csak a gyártó eredeti cserealkatrészeit, kiegészítőit és rátéiteit használja. Bármilyen más alkatrész használata veszélyes és a termék károsodását okozhatja.
- A műanyag részek semmilyen körülmények között nem érintkezhetnek fékolajjal, benzinnel, petróleum alapú termékekkel, beszívódó olajokkal stb. Ezek a vegyszerek olyan vegyületeket tartalmaznak, melyek megromlíthatják, meglágyíthatják vagy lebontják a műanyagból készült részeket, ami súlyos testi sérüléseket is okozhat.
- A műanyag részek tisztításakor tartózkodjon a tisztítószerek használatától. A kereskedelmi forgalomban kapható oldószerek rongáló hatással vannak a műanyagból készült elemek többségére. A por és egyéb szennyeződések stb. tisztítására használjon egy tiszta ruhadarabot.
- A nagyobb biztonság és megbízhatóság érdekében minden javítást hivatalos szervizközpontban kell elvégeztetni.

### KENÉS

A termékben lévő összes csapágy a termék teljes élettartamára elegendő kenőanyaggal van feltöltve, normál körülmények közötti használat esetén. Ebből kifolyólag nincs szükség arra, hogy a gép belső részeit kenje.

Ne használjon kenőanyagot a tűzőgépeken, a táron és a behajtó mechanizmuson. Tartsa tisztán.

### KÖRNYEZETVÉDELEM



Segítse elő az alapanyagok újrahasznosítását azzal, hogy nem helyezi el őket a háztartási szemétként. Környezetvédelmi megfontolásból az elhasznált gépet és tartozékokat, valamint a csomagolóanyagokat szelektív módon kell gyűjteni.

### SZIMBÓLUMOK A TERMÉKEN



Biztonsági figyelmeztetés



CE megfelelés



Volt



Egyenáram



Eurázsiai megfelelési jelzés



A gép bekapcsolása előtt figyelmesen olvassa el az útmutatót.



Ukrainai megfelelési nyilatkozat



Tartsa távol a kezét az alkatrésztől



Viseljen szemvédőt



A kiselejtezett elektromos termékeket nem szabad a háztartási hulladékkal együtt kidobni. Ezeket újra kell hasznosítani, ha van rá lehetőség. Az újrahasznosítással kapcsolatban érdeklődjön a helyi önkormányzatnál vagy a termék forgalmazójánál.

### A KÉZIKÖNYVBEN HASZNÁLT SZIMBÓLUMOK



Megjegyzés



Külön értékesített alkatrészek és kiegészítők

A következő jelölőszavak és jelentések arra szolgálnak, hogy megmagyarázzák a termékkel kapcsolatos veszélyességi szinteket.

### ⚠ VESZÉLY

Egy bekövetkező veszélyes helyzetet jelez, ami, ha nem előzik meg, halált vagy komoly sérülést eredményez.

### ⚠ FIGYELEM

Egy potenciálisan bekövetkező veszélyes helyzetet jelez, ami, ha nem előzik meg, halált vagy súlyos sérülést eredményezhet.

### ⚠ VIGYÁZAT

Egy potenciálisan veszélyes helyzetet jelez, ami, ha nem előzik meg, kisebb vagy mérsékelt súlyos sérülést eredményezhet.

### VIGYÁZAT

(Biztonsági figyelmeztető szimbólum nélkül) Egy olyan helyzetet jelez, ami anyagi kárt eredményezhet.



Au fost acordate priorități maxime asupra siguranței, performanței și fiabilității în proiectarea capsatorului dvs.

## DOMENIU DE APLICAȚII

Capsatorul fost gândit pentru utilizarea de către persoanele adulte care au citit și au înțeles instrucțiunile și avertismentele din acest manual și care pot fi considerate responsabile pentru propriile acțiuni.

Capsatorul este proiectat să capseze capse în materiale moi precum lemnul. Produsul poate fi utilizat pentru:

- capsarea pe lemn
- cu accesoriul inclus, capsare pentru fixarea sârmei pentru gard sau a gardului de sârmă
- capsarea pentru tapițerie (materiale textile)
- capsarea pe mase plastice
- capsarea pe hârtie și carton
- capsarea materialelor de căptușire a covoarelor

Capsatorul nu este potrivit pentru fixarea cablurilor electrice.

Nu folosiți produsul în niciun alt fel decât cel menționat pentru folosirea lui destinată.

**NOTĂ:** Anumiți bușteni (ca de exemplu lemnul de esență tare foarte uscat) ar putea necesita capse mai scurte pentru a putea fi capsate complet.

### ⚠ AVERTISMENT

**Citiți, cu atenție, toate avertismentele, instrucțiunile și specificațiile furnizate împreună cu aparatul, și consultați ilustrațiile.** Nerespectarea instrucțiunilor prezentate în continuare poate provoca accidente cum ar fi incendii, electrocutare și/sau vătămări corporale grave.

Salvați toate avertizările și instrucțiunile pentru o consultare ulterioară.

## AVERTISMENTE PRIVIND SIGURANȚA ÎN UTILIZARE A CAPSATORULUI

- **Întotdeauna presupuneți că scula conține capse.** Manipularea cu neglijență a capsatorului poate avea ca rezultat capsarea neașteptată și rănirea persoanelor.
- **Nu îndreptați scula către dvs sau altă persoană din apropiere.** Apăsarea neașteptată pe trăgaci va descărca cuiul/capsa cauzând o rănire.
- **Nu acționați scula decât dacă este așezată ferm pe piesa de lucru.** Dacă scula nu este în contact cu piesa de lucru, capsă ar putea fi deviată de ținta ei.
- **Deconectați scula de la priză atunci când capsele se blochează în sculă.** În timpul îndepărtării unei capse blocate, capsatorul poate fi activat accidental dacă este conectat la electricitate.
- **Folosiți atenție atunci când îndepărtați o capsă blocată.** Mecanismul poate fi sub compresie iar capsele ar putea fi forțate să se descarce în timp ce încercați să eliberați o situație de blocare.
- **A nu se utiliza capsatorul pentru prinderea cablurilor electrice.** Nu este proiectat pentru instalarea

cablurilor electrice și poate deteriora izolarea cablurilor electrice și ca urmare să provoace electrocutare sau pericol de incendiu.

## AVERTIZĂRI SUPLIMENTARE DE SIGURANȚĂ

- **Întotdeauna trebuie să fiți conștienți de faptul că utilizarea incorectă și manipularea necorespunzătoare a acestui instrument poate cauza vătămarea dvs. și a altor persoane.**
- Scula este proiectată să fie folosită cu o singură mână. Nu țineți scula de partea din față a încălătorului de capse. Nu țineți mâinile, capul, sau alte părți ale corpului în apropierea părții inferioare a depozitului de capse, acolo pe unde ies capsele din echipament, întrucât se pot cauza răniri grave.
- Asigurați-vă întotdeauna că contactul piesei de lucru este complet poziționat deasupra piesei de lucru. Poziționarea piesei de lucru numai în contact parțial cu echipamentul poate cauza capsarea inexactă a piesei de lucru și rezultarea unor răniri grave a persoanelor.
- Nu puneți capsele lângă marginea materialului. Piesa de lucru se poate crăpa făcând capsă să ricoșeze, rânindu-vă astfel pe dvs. sau un coechipier al dvs. Fiți atenți că o capsă poate dizloca o bucată mică de lemn ceea ce poate duce la ieșirea prea mult a capsei în partea cealaltă a materialului, sau poate să ricoșeze cauzând răniri.
- Țineți mâinile și părțile corpului libere față de imediata vecinătate a zonei de lucru. Țineți piesa de lucru cu cleme atunci când e necesar pentru a vă ține mâinile și corpul ferite de o potențială vătămare. Fiți sigur că piesa de lucru este fixată corespunzător înaintea apăsării capsei pe material. Contactul cu piesa de lucru poate cauza materialul de lucru să se deplaseze neașteptat.
- Țineți fața și părțile corpului ferite de capătul sculei atunci când lucrați în zone strâmte. Un recul brusc poate avea ca rezultat lovirea corpului omenesc, mai ales atunci când se fac capsări în material dur sau cu densitate mare.
- În timpul unei folosiri normale scula va avea un recul imediat ce ați capsat. Aceasta este funcționarea normală a sculei. Nu încercați să evitați un recul ținând produsul apăsat pe piesa de lucru. Încercarea de evitare a reculului poate avea ca urmare o altă capsare. Țineți ferm mânerul, lăsați scula să-și facă treaba și nu vă puneți niciodată cealaltă mână pe partea de sus a sculei sau lângă evacuare în niciun moment. Neacordarea atenției acestei avertizări poate rezulta în vătămare personală gravă.
- Nu capsăți capsele una peste alta sau ținând scula la un unghi ascuțit întrucât ar putea cauza devierea capselor ceea ce poate provoca vătămare.
- Verificați întotdeauna zona de lucru de fire ascunse, țevi de gaz sau de apă etc, înaintea folosirii produsului într-o asemenea zonă de lucru.
- Adâncimea de capsare poate fi ajustată la o valoare mai mare decât cea dorită de dvs. Este recomandabil să testați profunzimea pe o piesă de lucru deșeu pentru a determina profunzimea cerută pentru operațiune.
- Doar capse ce se potrivesc cu descrierea din tabelul de specificare a produsului pot fi folosite cu această sculă.



Folosirea de capse necorespunzătoare ar putea duce la blocare sau altă funcționare defectuoasă.

## AVERTIZĂRI DE SIGURANȚĂ A REGLĂRII PROFUNZII- MII

- A se scoate întotdeauna acumulatorii înainte de a se ajusta adâncimea capsării.
- Nu trageți de șurubul de ajustare a adâncimii. Șurubul este conceput pentru a fi rotit.
- Nu apăsați trăgaciul în timp ce ajustați adâncimea cu ajutorul șurubului.
- Nu îndreptați scula către dvs sau altă persoană din apropiere atunci când reglați profunzimea acționării.

## AVERTISMENTE SUPPLEMENTARE PRIVIND SIGURANȚA LA UTILIZAREA BATERIILOR

### ⚠ AVERTISMENT

Pentru a reduce pericolul unui incendiu și evitarea rănilor sau deteriorarea produsului în urma unui scurtcircuit nu imersați scula, acumulatorul de schimb sau încărcătorul în lichide și asigurați-vă să nu pătrundă lichide în aparate și acumulatori. Lichidele corosive sau cu conductibilitate, precum apa sărată, anumite substanțe chimice și înalbitori sau produse ce conțin înalbitori, pot provoca un scurtcircuit.

## TRANSPORTAREA ACUMULATORILOR PE LITIU

Transportați bateria în conformitate cu prevederile și reglementările locale și naționale.

Urmați toate cerințele speciale de pe ambalaj și etichete atunci când transportați acumulatorii la o parte terță. Asigurați-vă că în timpul transportului nicio baterie nu vine în contact cu alte baterii sau materiale conducătoare de electricitate prin protejarea bornelor expuse cu bandă sau capace izolatoarea non conducătoare de electricitate. Nu transportați acumulatori ce sunt crăpați sau au scurgeri. Verificați cu compania de transport pentru sfaturi ulterioare.

## RISCURI REZIDUALE

Chiar dacă produsul este folosit așa cum este descris, este totuși imposibil să se elimine complet anumiți factori de risc reziduali. Următoarele pericole ar putea apărea în timpul folosirii iar operatorul trebuie să acorde o atenție specială pentru a evita următoarele:

- Deteriorare a auzului.  
**Notă:** Purtați întotdeauna protecție eficientă a auzului și limitați expunerea la zgomot.
- Rănirea ochilor poate fi cauzată de capsarea incorectă sau de resturi și praf de la capsare.  
**Notă:** Purtați întotdeauna protecție corespunzătoare pentru ochi.
- Vătămare cauzată de vibrații.  
**Notă:** Țineți aparatul de mânerul proiectat și limitați expunerea la vibrații. Vezi "Reducerea Riscului"
- Răniri cauzate de contactul cu vârfuri ascuțite.  
**Notă:** Acordați atenție suplimentară când manipulați sau încărcați capsele.
- Produsul este greu.

Notă: Produsul este greu. Fiți atent la întinderea mușchilor când operați produsul pentru perioade prelungite, în special când folosiți aparatul deasupra capului.

## REDUCEREA RISCULUI

S-a reținut că vibrațiile de la sculele de mână pot contribui la starea numită Sindromul lui Raynaud, la anumite persoane. Simptomele pot include furnicăături, amorțeală și albirea degetelor, care apare, de obicei, după expunerea la frig. Factorii ereditari, expunerea la frig și umiditate, dieta, fumatul și practicile de muncă contribuie la dezvoltarea acestor simptome. Există măsurător care pot fi efectuate de către operator pentru a reduce efectele de vibrațiilor:

- Păstrați-vă temperatura corporală ridicată pe vreme rece. Când operați unitatea purtați mănuși pentru a vă menține mâinile și încheieturile la căldură. S-a constatat că vremea rece este un factor major care contribuie la sindromul Raynaud.
- După fiecare perioadă de operare, trebuie făcute exerciții pentru a crește circulația sângelui.
- Trebuie făcute pauze la intervale de timp regulate. Limitați expunerea zilnică.

Dacă sunt experimentate oricare dintre simptomele acestei afecțiuni, trebuie întreruptă utilizarea și consultat un medic.

### ⚠ AVERTISMENT

Poti fi cauzate, sau agravate vătămări prin folosirea prelungită a sculei. Atunci când folosiți o sculă pentru perioade prelungite, asigurați-vă că luați pauze regulate.

## CUNOAȘTEȚI-VĂ PRODUSUL

Salt la pagina nr. 83.

1. Picior de activare
2. Fir și accesoriu ecran
3. Indicator forță capsare
4. Buton rotativ pentru ajustarea adâncimii
5. Magazie
6. Declanșator comutator
7. Mâner, suprafață de contact izolată
8. Clemă curea
9. Blocare încărcător capse
10. Port acumulator
11. Capse de 14,3 mm
12. Capse de 6,4 mm

## ÎNTREȚINEREA

### ⚠ AVERTISMENT

Produsul nu trebuie conectat niciodată la priză atunci când asamblați părțile, faceți reglaje, curățați sau faceți întreținerea, sau atunci când produsul nu este folosit. Deconectarea produsului va preveni pornirea accidentală ce poate cauza vătămare gravă.

- La efectuarea service-ului, folosiți doar piese de schimb, accesorii și atașamente originale ale producătorului.

Utilizarea altor piese poate crea situații periculoase sau poate conduce la deteriorarea produsului.

- Nu lăsați niciun moment ca lichidele de frână, produsele pe bază de petrol, uleiurile penetrante etc să intre în contact cu părțile din plastic. Aceste produse chimice conțin substanțe care pot distruge, fragiliza sau deteriora plasticul.
- Evitați utilizarea solvenților atunci când curățați piesele din plastic. Majoritatea materialelor plastice pot să fie deteriorate prin utilizarea unor solvenți vânduți în comerț. Utilizați o cârpă curată pentru a curăța murdăriile, praful etc.
- Pentru o mai mare siguranță și încredere, toate reparațiile trebuie să se facă la un centru de servicii autorizat.

## LUBRIFICAREA

Toți rulmenții din interiorul produsului sunt lubrifiați cu o cantitate suficientă de lubrifiant de calitate înaltă pentru durata produsului în condiții normale de folosire. În consecință, nici o ungere suplimentară nu este necesară.

Nu folosiți lubrifianți pe capsator, magazia de capse sau mecanismul de acționare. Păstrați curat.

## PROTECȚIA MEDIULUI ÎNCONJURĂTOR



Reciclați materiile prime în loc să le aruncați la gunoi, împreună cu deșeurile menajere. Pentru a proteja mediul înconjurător, mașina, accesoriile acesteia și ambalajele trebuie triate.

## SIMBOLURILE DE PE PRODUS



Alertă de siguranță



Conformitate CE

V

Volți



Curent continuu



Marcaj de conformitate EurAsian



Vă rugăm citiți instrucțiunile cu atenție înainte de pornirea aparatului.



Semn de conformitate ucrainean

001



Țineți mâinile departe



Purtați echipamente de protecție a vederii



Deșeurile produselor electrice nu trebuie să fie aruncate împreună cu deșeurile casnice. Vă rugăm să reciclați acolo unde există facilități. Verificați la autoritatea dvs. locală sau la vânzător pentru sfaturi privind reciclarea.

## SIMBOLURILE DIN MANUAL



Notă



Piese sau accesorii vândute separat

Rmătoarele cuvinte simbol și înțelesul lor au intenția de a explica nivelele de risc asociate cu acest produs.

### ⚠ PERICOL

Indică o situație imediată de pericol, care dacă nu este evitată va rezulta în deces sau rănire gravă.

### ⚠ AVERTISMENT

Indică o situație potențială de pericol, care dacă nu este evitată poate rezulta în deces sau rănire gravă.

### ⚠ PRECAUȚIE

Indică o situație potențial periculoasă, care dacă nu este evitată, poate rezulta în vătămare minoră sau moderată.

### PRECAUȚIE

(Fără simbol de alertă de siguranță) Indică o situație ce poate rezulta în distrugerea proprietății.



Drošība, sniegums un uzticamība ir augstākā prioritāte jūsu skavu pistole.

## PAREDZĒTĀ LIETOŠANA

Skavotājs ir paredzēts lietošanai tikai pieaugušajiem, kas ir izlasījuši un izpratūši norādes un brīdinājumus šajā rokasgrāmatā, un var tikt uzskatīti par atbildīgiem par savām darbībām.

Skavotājs ir paredzēts skavošanai mīkstos materiālos, piemēram, kokā. Produktu var izmantot:

- skavu iesišānai kokā
- ar komplektācijā iekļauto papildaprīkojumu, skavu dziļšanai, lai nostiprinātu žoga sietu vai smalku stieplu sietu
- skavu iesišānai tapsēšanai (audumiem)
- skavu iesišānai plastikātos
- skavu iesišānai papīrā un kartonā
- skavu iesišānai, lai nostiprinātu paklāju apakšklājus

Skavotājs nav piemērots elektrības vadu nostiprināšanai. Neizmantojiet ierīci citiem mērķiem, bet tikai tam paredzētajiem.

**PIEZĪME:** Dažām koksnēm (piem., ļoti sausi dēļi) var būt nepieciešams sausināt skavas, lai tās pilnībā ieskrūvētu.

## ⚠ BRĪDINĀJUMS

**Izlasiet visus drošības brīdinājumus, instrukcijas, specifikācijas un apskatiet attēlus šī elektroinstrumenta dokumentācijā.** Visu uzskaitīto instrukciju neievērošana ir bīstama; tā var izraisīt elektrisko triecienu, aizdegšanos un/vai nopietnas traumas.

Visus brīdinājumus un norādījumus saglabājiet turpmākām uzziņām.

## SKAVOTĀJA DROŠĪBAS BRĪDINĀJUMI

- **Vienmēr atcerieties, ka instruments satur stiprinātājus.** Pavirša apiešanās ar skavotāju var izraisīt neparedzētu skavu izšaušanu, radot ievainojumus.
- **Nevērsiet instrumentu pret sevi vai kādu tuvumā esošo.** Neparedzēta palaide var izraisīt stiprinātāja darbību un līdz ar to traumu.
- **Neaktivizējiet instrumentu, ja tas nav stingri novietots pret detaļu.** Ja instruments nesaskaras ar detaļu, stiprinātājs var novirzīties no mērķa.
- **Ja stiprinātājs iesprūst instrumentā, atvienojiet instrumentu no strāvas avota.** Ja skavotājs ir pievienots barošanai, izņemot iesprūdušu skavu, skavotāju var nejauši iedarbināt.
- **Izņemot iesprūdušu stiprinātāju, rīkojieties piesardzīgi.** Mēģinot likvidēt nosprostojumu, mehānisms var būt zem spiediena un stiprinātājs var tikt izlādēts piespiedu kārtā.
- **Neizmantojiet skavotāju elektrības vadu nostiprināšanai.** Tas nav paredzēts elektrokabeļa uzstādīšanai un var sabojāt elektrokabeļu izolāciju, tādējādi izraisot elektrošoka vai aizdegšanās risku.

## PAPILDU DROŠĪBAS BRĪDINĀJUMI

- Vienmēr uzmanieties, jo nepareiza šī instrumenta lietošana un neatbilstoša apiešanās var izraisīt ievainojumus jums un citiem.
- Instruments ir paredzēts izmantošanai ar vienu roku. Neturiet instrumentu aiz nodalījuma priekšpuses. Nenovietojiet rokas, galvu vai citas ķermeņa daļas pie kasetnes apakšas, kur notiek skavu izšaušana, jo tas var izraisīt smagus ievainojumus.
- Vienmēr nodrošiniet, lai detaļas saskare būtu pilnībā virs detaļas. Novietojot saskares sviru tikai daļēji saskarē ar apstrādājamo materiālu, var radīt skavas pilnīgu palidošanu garām apstrādājamam gabalam, radot smagus ievainojumus.
- Nesitiet skavas blakus materiāla malai. Materiāls var sašķelties, radot skavas atlēkšanu un ievainojumus jums vai blakus strādājošam Ņemiet vērā, ka skava var virzīties pa koka šķiedru, radot neparedzētu skavas izvirižošanu caur materiāla sāniem vai skavas atlēkšanu, radot iespējamus ievainojumus.
- Turiet rokas un ķermeņa daļas atstatu no tiešās darba zonas. Ja nepieciešams, turiet detaļu aiz skavām, lai rokas un ķermeni pasargātu no iespējamām traumām. Pirms stiprinātāju piespiest pie materiāla, pārlicinieties, vai detaļa ir pareizi nostiprināta. Detaļas saskare var izraisīt negaidītu darba materiāla pārvietošanos.
- Turiet seju un ķermeņa daļas pa gabalu no rīka vāciņa aiz mugures darbojoties ierobežotās zonās. Pēkšņs atsitieni var radīt sītienu ķermenim, it īpaši veicot skavu sišanu cietā vai blīvā materiālā.
- Normālas lietošanas laikā instrumentam pēc stiprinātāja darbības ir tūlītējs atsitieni. Tā ir normāla instrumenta darbība. Nemēģiniet novērst atsitieni, stingrāk piespiežot instrumentu pret apstrādājamo materiālu. Atsitiena ierobežošana var izraisīt otras skavas iesišānas darbību. Stingri satveriet rokturi, ļaujiet instrumentam veikt darbu un nekad nelieciet otru roku uz instrumenta augšas vai izplūdes tuvumā. Šī brīdinājuma neievērošana var izraisīt nopietnas traumas.
- Nevirziet stiprinātājus virs citiem stiprinātājiem vai instrumentu pārāk stāvā leņķī, jo tas var izraisīt stiprinātāju novirzi, kas savukārt var izraisīt traumu.
- Vienmēr pirms izstrādājuma izmantošanas darba zonā pārbaudiet, vai tajā nav, piemēram, slēptu vadu, gāzes līniju vai ūdens līniju.
- Skavu sišanas dziļums var būt dziļāks, nekā vēlamais. Ieteicams pārbaudīt dziļumu uz nederīgas detaļas, lai noteiktu nepieciešamo izmantojamo dziļumu.
- Ar šo instrumentu var izmantot tikai produkta specifikāciju tabulā ietvertajam aprakstam atbilstošus stiprinātājus. Nepareizu stiprinātāju izmantošana var izraisīt iesprūšanu vai citas disfunkcijas.

## DZĪLUMA REGULĀCIJAS DROŠĪBAS BRĪDINĀJUMI

- Vienmēr noņemiet akumulatoru, pirms veikt sišanas dziļuma regulēšanu.
- Nevelciet instrumenta regulēšanas pogu atpakaļ. Poga ir paredzēta griešanai.
- Nespiediet mēlīti, kamēr tiek griezta sišanas dziļuma

EN
FR
DE
ES
IT
NL
PT
DA
SV
FI
NO
RU
PL
CS
HU
RO
<b>LV</b>
LT
ET
HR
SL
SK
BG
UK
TR
EL



poga.

- Regulējot piedziņas dziļumu, nevērsiet instrumentu pret sevi vai kādu tuvumā esošo.

## PAPILDU AKUMULATORU BLOKA DROŠĪBAS BRĪDINĀJUMI

### ⚠ BRĪDINĀJUMS

Lai novērstu īssavienojuma izraisītu aizdegšanās, savainojumu vai produkta bojājuma risku, neiegremdējiet instrumentu, maināmo akumulatoru vai uzlādes ierīci šķidrums un rūpējieties par to, lai ierīcēs un akumulatoros neieķūtu šķidrums. Koroziju izraisoši vai vadītspējīgi šķidrums, piemēram, sālsūdens, noteiktas ķīmikālijas, balinātāji vai produkti, kas satur balinātājus, var izraisīt īssavienojumu.

## LITIJA AKUMULATORU PĀRVADĀŠANA

Pārvadājiet akumulatoru saskaņā ar vietējiem un valsts nosacījumiem ar noteikumiem.

Ja akumulatoru pārvadāšanu veic trešā puse, ievērojiet visas īpašās prasības par iepakojšanu un marķēšanu. Transportējot nodrošiniet, lai akumulatori nesaskaras ar citiem akumulatoriem vai vadošiem materiāliem, atsegtos savienotājus aizsargājot ar izolējošiem, nevadošiem vāciņiem vai lenti. Nepārvietojiet akumulatorus, kas ir ieleplaisājuši vai ar noplūdi. Konsultējieties ar pārsūtīšanas uzņēmumu.

## PALIEKOŠIE RISKI

Pat tad, ja ierīce tiek lietota, kā aprakstīts, joprojām nav iespējams pilnībā novērst atsevišķus riska faktorus. Lietošanas laikā var rasties šādas briesmas un strādniekam īpaša uzmanība jāpievērš šim:

- Dzirdes bojājumi  
**Piezīme:** Vienmēr lietojiet efektīvus dzirdes aizsarglīdzekļus un ierobežojiet trokšņa iedarbību.
- Acu ievainojumi, ko radījuši nepareizi iedzītas skavas vai lidojoši putekļi vai gruži.  
**Piezīme:** Vienmēr nēsājiet acu aizsardzību.
- Vibrācijas radīti bojājumi  
**Piezīme:** Turiet instrumentu aiz speciālajiem rokturiem un ierobežojiet vibrācijas iedarbību. Skatīt "Risku Samazināšana".
- Plīšumi, kurus izraisījuši saskarsme ar asiem punktiem.  
**Piezīme:** Ievietojot skavas vai rīkojoties ar tām ievērojiet īpašu piesardzību.
- Instruments ir smaga.  
**Piezīme:** Instruments ir smaga. Atcerieties par muskuļu slodzi, darbinot precīzīgi ilgstoši, īpaši izmantojot virs galvas.

## RISKA SAMAZINĀŠANA

Ir ziņots, ka rokās turamu vibrācija dažām personām var veicināt „Reino sindromu”. Simptomi var ietvert pirkstu tīkšķēšanu, nejutīgumu un nobālēšanu, parasti aukstā laikā. Tiek uzskatīts, ka tradicionālie faktori, aukstums un mitrums, uzturs, smēķēšana un darba prakse sekmē šo

simptomu attīstību. Operators var veikt pasākumus, lai iespējami samazinātu vibrācijas efektu:

- Aukstā laikā ķermenim jābūt siltam. Darbinot ierīci, nēsājiet cimdus, lai rokas un plaukstas locītavas būtu siltas. Ir pētījumi, ka auksts laiks ir galvenais faktors, kas veicina Reino sindromu.
- Ik pēc laika apturiet darbu un veiciet vingrinājumus, kas uzlabo asins cirkulāciju.
- Strādājot jābūt biežiem pārtraukumiem. Ierobežojiet iedarbības ilgumu dienā.

Ja jūs izjūtat kādu no šiem simptomiem, nekavējoties apturiet ierīces lietošanu un sazinieties ar ārstu par šiem simptomiem.

### ⚠ BRĪDINĀJUMS

Ilgstoša instrumenta lietošana var izraisīt traumas vai pasliktināt veselības stāvokli. Ilgstoši lietojot jebkuru instrumentu, pārliecinieties, ka tiek veikti regulāri pārtraukumi.

## IERĪCES IEPAZĪŠANA

Skatīt 83. lpp.

1. Aktivēšanas pēda
2. Stieplu un sieta papildpiederums
3. Sišanas spēka indikators
4. Dziļuma regulēšanas poga
5. Aptvere
6. Slēdža mēlīte
7. Rokturis, izolēta satveršanas virsma
8. Jostas klipsis
9. Aptveres aizslēgs
10. Akumulatora savienojuma ligzda
11. 14,3 mm skavas
12. 6,4 mm skavas

## APKOPE

### ⚠ BRĪDINĀJUMS

Produktu nekad nedrīkst pievienot barošanas padevei, veicot daļu montāžu, regulēšanu, tīrīšanu vai apkopi, kā arī laikā, kad tas netiek izmantots. Atvienojot produktu, tiek novērsta nejauša ieslēgšanās, kas var izraisīt nopietnu traumu.

- Saņemot, izmantojiet tikai oriģinālas ražotāja rezerves daļas, piederumus un pielikumus. Jebkādi citu detaļu izmantošana var izraisīt bīstamību vai produkta bojājumus.
- Nekādā gadījumā plastmasas daļām neļaujiet nonākt saskarē ar bremžu šķidrums, benzīnu, naftas izstrādājumiem, eļļām ar paaugstinātu mitrināšanas spēju utt. Ķīmikālijas var sabojāt, novājināt vai iznīcināt plastmasu, kas var izraisīt nopietnas personīgās traumas.
- Tīrot plastmasas daļas, izvairieties no šķīdinātāju lietošanas. Vairums plastmasu ir jutīgas pret dažāda veida pārdošanā esošajiem šķīdinātājiem un to

izmantošanas rezultātā var tikt bojātas. Izmantojiet tīru drānu, lai notīrītu netīrumus, oglekļa putekļus utt.

- Lielākas drošības un uzticamības labad visi remontu jāveic pilnvarotā apkopes centrā.

## EĻĻOŠANA

Visi izstrādājuma gultņi tiek eļļoti ar pietiekamu augstas kvalitātes smērvielas daudzumu, lai nodrošinātu produkta kalpošanas laiku normālos lietošanas apstākļos. Tāpēc papildu eļļošana nav nepieciešama.

Neizmantojiet smērvielas uz skavu pistolēm, aptveres vai skrūvēšanas mehānisma. Uzturiet tīru.

## VIDES AIZSARDZĪBA



Tā vietā, lai izejmateriālus izmestu atkritumos, nododiet tos atsevišķai pārstrādei. Mašīna, aksesuāri un iepakojums ir jāsašķiro un jānodod videi draudzīgā atkārtotas pārstrādes vietā.

## UZ PRECES ESOŠIE SIMBOLI



Drošības brīdinājums



CE atbilstība

V

Volti



Līdzstrāva



EurAsian atbilstības marķējums



Pirms iedarbināt mašīnu, lūdzu rūpīgi izlasiet instrukcijas.



Ukrainas apstiprinājuma zīme



Turiet rokas atstatu



Valkājiet acu aizsarglīdzekļus



Izlietotie elektroprodukti nedrīkst tikt izmesti kopā ar mājāsaimniecības atkritumiem. Lūdzu, nododiet tos attiecīgajās atkārtošanas vietās. Sazinieties ar savu vietējo varas pārstāvi vai izplatītāju, lai noskaidrotu, kur iespējama atkārtota pārstrāde.

## SIMBOLI ROKASGRĀMATĀ



Piezīme



Atsevišķi nopērkamās daļas vai piederumi

Lai izskaidrotu risku, kas saistīti ar izstrādājumu, līmeni, paredzēti šādi norādījuma vārdi un jēdzieni.

### **BĪSTAMI**

Norāda uz nenovēršami bīstamu situāciju, kas, ja netiks novērsta, izraisīs nāvi vai nopietnus miesas bojājumus.

### **BRĪDINĀJUMS**

Norāda uz potenciāli bīstamu situāciju, kas, ja netiks novērsta, var izraisīt nāvi vai nopietnus miesas bojājumus.

### **UZMANĪBU**

Norāda uz potenciāli bīstamu situāciju, kas, ja netiek novērsta, var izraisīt vieglus vai vidējus miesas bojājumus.

### **UZMANĪBU**

(Bez drošības trauksmes simbola), kas norāda, uz situāciju, kas var novest pie īpašuma bojājuma.



Projektuojant vielasiuolę, didžiausias prioritetas suteiktas saugai, eksploatacinėms savybėms ir patikimumui.

### NAUDOJIMO PASKIRTIS

Kabių kalimo įrankis skirtas naudoti tik suaugusiems, kurie yra perskaitę bei supratę šiame vadove pateikiamas instrukcijas ir įspėjimus, ir gali būti laikomi atsakingais už savo veiksmus.

Vielasiulė skirta kalti kabės į minkštas medžiagas, tokias kaip mediena. Prietaisą galima naudoti:

- kabėms kalti į medieną
- naudojant pateiktą antgalį, tvoros tinklui ir vieliniam tinklui kabėmis tvirtinti
- apmušalams (audiniams) kabėmis tvirtinti
- kabėms kalti į plastiką
- popieriui ir kartonui kabėmis tvirtinti
- apatiniams kilimų patiesalams kabėmis tvirtinti

Kabių kalimo įrankio negalima naudoti elektriniams kabeliams tvirtinti.

Gaminį galima naudoti tik pagal paskirtį.

**PASTABA:** Kai kurių rūšių medieną (pavyzdžiui, labai sausą kietmedį) gali reikėti tvirtinti trumpesnėmis sankabomis.

### ⚠ ĮSPĖJIMAS

**Perskaitykite visus saugos įspėjimus, visas instrukcijas, poveikslėlius ir techninius reikalavimus, pateikiamus su šiuo elektriniu įrankiu. Apačioje išdėstytų instrukcijų nesilaikymas gali sukelti elektros smūgį, gaisrą ir (ar) sunkius sužeidimus.**

**Kad tinkamai naudotumėte įrankį, žr. visus perspėjimus ir nurodymus.**

### KABIŲ KALIMO ĮRANKIO NAUDOJIMO SAUGOS TAISYKLĖS

- **Jokiu būdu nepamirškite, kad įrankyje įrengti tvirtinamieji elementai.** Neatsargiai dirbant su kabių kalimo įrankiu, kabės galima netyčia iššauti ir susižaloti.
- **Nenukreipkite įrankio į save ar kitą netoliese esantį asmenį.** Netikėtai paspaudus spragtuką, įrankis iššaus tvirtinamąjį elementą ir jūs susižeisite.
- **Nepaleiskite įrankio, kol jis nėra tvirtai uždėtas ant ruošinio.** Jeigu įrankis nesiliečia su ruošiniu, tvirtinamasis elementas gali deformuotis.
- **Tvirtinamajam elementui įstrigus įrankyje, atjunkite perforatorių iš maitinimo šaltinio.** Jei paliksite kabių kalimo įrankį įjungtą, išimant įstrigusią kabę, kabių kalimo įrankis gali netikėtai iššauti.
- **Būkite atsargūs išimdami įstrigusį tvirtinamąjį elementą.** Mechanizmas gali būti veikiamas spaudimu ir traukiant įstrigusį tvirtinamąjį elementą, jis gali būti iššautas visa jėga.
- **Nenaudokite šio kabių kalimo įrankio elektros kabeliams tvirtinti.** Jis nėra skirtas elektros laidų montavimui ir gali pakenkti elektros laidų izoliaciją taip sukeldamas elektros smūgio ar gaisro pavojų.

### PAPILDOMI SAUGOS PERSPĖJIMAI

- Visada prisiminkite, kad naudojimas ne pagal paskirtį ar netinkamas šio prietaiso naudojimas gali sužeisti jus bei kitus asmenis.
- Įrankis skirtas naudoti viena ranka. Nelaikykite įrankio už kasetės priekinės dalies. Rankas, galvą ir kitas kūno dalis privaloma laikyti atokiai nuo dėtuovės apačios, pro kur iššaukamos kabės, nes galima sunkiai susižaloti.
- Būtinai patikrinkite, ar perforatorius tiksliai nustatytas virš perforuojamo ruošinio. Nustačius antgalį taip, kad jis būtų virš ruošinio tik iš dalies, kabė gali visiškai nepataikyti į ruošinį ir sunkiai jus sužaloti.
- Nekalkite kabių prie pat ruošinio krašto. Ruošinys gali nuslysti, kabė gali atšokti ir sužeisti jus arba jūsų kolegą. Atkreipkite dėmesį, kad kabė gali prisitaikyti prie medienos pluošto krypties ir netikėtai išlįsti iš ruošinio arba nuo jo nukrypti ir jus sužaloti.
- Darbo vietoje saugokite rankas ir kitas kūno dalis. Kai reikia saugotis, nes yra pavojus susižeisti, laikykite ruošinį spaustuvais. Prieš prispausdami tvirtinamąjį elementą prie ruošinio, patikrinkite, ar ruošinys tinkamai uždėtas. Perforatoriui prisilietus, ruošinys gali netikėtai pakrypti.
- Dirbdami draudžiamose (apribotose) zonose, saugokite veidą ir kūno dalis - būkite atokiai nuo įrankio gaubtuvo galinės dalies. Staigiai atšokus kabė gali sužaloti, ypač kalant kabės į kietą ar didelio tankio ruošinį.
- Įprastai naudojant, įrankis atšoksta uždėjus tvirtinamąjį elementą. Tai įprastas įrankio darbas. Nebandykite išvengti atatrakos, laikydami prietaisą prispaudę prie ruošinio. Sutrukdžius prietaisui atšokti, iš jo gali būti iššauta antra kabė. Tvirtai suimkite rankeną: leiskite įrankiui perforuoti ir jokiu būdu neuždėkite kitos rankos ant jo ar netoli vinių išstūmimo angos. Nesilaikant šio perspėjimo, galima sunkiai susižeisti.
- Nedėkite tvirtinamųjų elementų vienas ant kito ar ant įrankio per stačią kampą, nes dėl to gali deformuotis tvirtinamieji elementai ir galite susižeisti.
- Prieš pradėdami naudoti įrankį, būtinai patikrinkite, ar darbo vietoje nėra nepastebimų laidų, dujotiekio ar vandentiekio linijų ir pan.
- Nustatytas kabės kalimo gylis gali būti didesnis nei gylis, kurio jums reikia. Prieš perforuojant ruošinį, patartina išbandyti gylį ant identiško nereikalingo (sugadinto) ruošinio.
- Šį įrankį galima naudoti tik su tvirtinamaisiais elementais, nurodytais gaminio specifikacijose. Naudojant netinkamus tvirtinamuosius elementus, jie gali strigti arba įvykti kiti įrankio veikimo sutrikimai.

### GYLIO NUSTATYMO SAUGOS PERSPĖJIMAI

- Visada išimkite bateriją prieš reguliuodami kalimo gylį.
- Netraukite gylio reguliavimo rankenėlės. Rankenėlę reikia sukti.
- Nespauskite gaiduko, kai sukate kalimo gylio reguliavimo rankenėlę.
- Nustatydami perforavimo gylį, nenukreipkite įrankio į save ar kitą netoliese esantį asmenį.





**PAPILDOMI AKUMULIATORIAUS SAUGOS ĮSPĖJIMAI**

**▲ ĮSPĖJIMAS**

Siekdami išvengti trumpojo jungimo sukeliama gaisro pavojaus, sužalojimų arba produkto pažeidimų, neikiškite įrankio, keičiamo akumulatoriaus arba įkroviklio į skysčius ir pasirūpinkite, kad į prietaisus arba akumulatorius nepatektų jokių skysčių. Koroziją sukiantys arba laidūs skysčiai, pvz., sūrus vanduo, tam tikri chemikalai ir balikliai arba produktai, kurių sudėtyje yra baliklių, gali sukelti trumpąjį jungimą.

**LIČIO BATERIJŲ GABENIMAS**

Gabenkite bateriją pagal įmonės ir valstybinius reikalavimus ir taisykles.

Gabendama baterijas, trečioji šalis privalo vadovautis ant pakuotės ar etikečių nurodytais specialiaisiais reikalavimais. Pasirūpinkite, kad gabenant baterijos nesusilietų su kitomis baterijomis ar laidžiomis medžiagomis: ant jungiamųjų elementų uždėkite izoliuojančius, nelaidžius apsauginius dangtelius arba šiuos elementus apvyniokite juosta. Negabenkite įtrūkusių ar pratekančių baterijų. Išsamesnio patarimo kreipkitės į gabentojo įmonę.

**ŠALUTINIS PAVOJUS**

Net naudojant gaminį griežtai pagal paskirtį neįmanoma visiškai atmesti kai kurių liktinių rizikos veiksnių. Naudojant gali kilti toliau nurodyti pavojai ir naudotojas turi būti ypatingai atsargus, kad išvengtų šių pavojų:

- Žala klausai  
**Pastaba:** Būtina dėvėti veiksmingas klausos apsaugos priemonės ir roboti buvimą triukšme.
- Akių sužalojimai netinkamai kalant kabes ar liekiant dulksms ir nešvarumams.  
**Pastaba:** Būtina dėvėti tinkamą akių apsaugą.
- Vibracijos sukeliama pažeidimai  
**Pastaba:** Įrankį laikyti už specialiai tam skirtų rankenėlių ir roboti buvimą vibracijos poveikio srityje. Žr. "Rizikos Veiksnių Mažinimas".
- Įdrėskimai prisilietus prie aštrių galų.  
**Pastaba:** Būkite itin atsargūs tvarkydami ir sudėdami kabes.
- Įtaisas sunkus.  
**Pastaba:** Įtaisas sunkus. Ilgą laiką naudojant įtaisą, ypač kalant vinis aukštai, reikia saugotis, kad nepersitemtų raumenys.

**RIZIKOS MAŽINIMAS**

Pranešama, kad rankinių įrankių keliamos vibracijos kai kuriems asmenims gali paskatinti Reino sindromo vystymąsi. Šios ligos požymiai yra pirštų dilgčiojimas, nutirpimas ir pabalimas, paprastai pasireiškiantis nuo šalčio. Šie simptomai vystosi dėl paveldimų veiksnių, nesisaugant nuo šalčio ir drėgmės, dėl mitybos, rūkymo ir darbo praktikos. Operatorius gali imtis šių priemonių, kurios gali sumažinti vibracijos poveikį:

- Apsirenkite kuo šilčiau šaltu oru. Dirbant šiuo prietaisu

mūvėkite pirštines, kad plaštakos ir riešai būtų laikomi šilčiau. Turime pranešimų, kad Raynaud sindromas labiausiai vystosi nuo šalto oro sąlygų.

- po darbo kiekvieną kartą pasportuokite, kad pagerėtų kraujo apytaka;
- dažnai darykite darbo pertraukas. Aprobokite darbo laikotarpį per dieną.

Jei jums pasireiškia kokie nors šios būklės simptomai, nedelsdami nutraukite darbą ir kreipkitės į gydytoją.

**▲ ĮSPĖJIMAS**

Ilgai naudojant įrankį, galima susižaloti arba pakenkti sveikatai. Ilgiau naudojant įrankius, reikia reguliariai daryti pertraukas.

**GERAI IŠMANYKITE APIE GAMINĮ**

*Žiūrėti 83 psl.*

1. Suaktyvinimo kojėlė
2. Antgalis viela ir tinklui tvirtinti
3. Kalimo jėgos indikatorius
4. Gylio reguliavimo rankenėlė
5. Apkaba
6. Perjungiklis
7. Rankena, izoliuotu paviršiumi
8. Diržo spaustukas
9. Dėtuvės velkė
10. Baterijos gnybtas
11. 14,3 mm kabės
12. 6,4 mm kabės

**PRIEŽIŪRA**

**▲ ĮSPĖJIMAS**

Perforatoriaus jokių būdu negalima jungti į maitinimo šaltinį montuojant dalis, reguliuojant, valant, atliekant priežiūros darbus ar jo nenaudojant. Atjungus perforatorių, jis nepasileis atsitiktinai: atsitiktinai pasileidęs, šis įrankis gali sunkiai sužaloti.

- Atlikdami techninę priežiūrą, naudokite tik originalias gamintojo atsargines dalis, priedus ir įtaisus. Kitų detalių naudojimas gali sukelti pavojų ar sugadinti įrankį.
- Stabdžių skysčiai, gazolinas ir benzino produktai, skvarbiuos alyvos ir pan. jokių būdu negali patekti ant plastiko dalių. Juose yra chemikalų, kurie gali sugadinti, pažeisti arba susilpninti plastiką.
- Valydami plastikines detales, nenaudokite tirpiklių. Daugelis plastikų jautrūs įvairių tipų komerciniams tirpikliams ir juos naudojant galima pažeisti plastikines detales. Valydami purvą, anglies dulkes ir kt. naudokite švarią šluostę.
- Kad būtų saugiau ir patikimiau, visus remonto darbus turi atlikti įgaliotasis techninio aptarnavimo centras.

**SUTEPIMAS**

Kad įprastomis darbo sąlygomis perforatorius ilgai nesusižalotų, visi jo guoliai sutepti reikiamu kiekiu aukštos

klasės tepalo. Todėl daugiau jo tepti nebereikia.

Vielasiūlių, dėtuvių ir kalimo įtaisų netepkite. Laikyti švarų.

### APLINKOS APSAUGA



Žaliavines medžiagas perdirbkite pakartotinai, o ne išmeskite kaip atliekas. Mechanizmas, priedai ir pakuotės turi būti laikomi pakartotinai perdirbti aplinkai nekenksmingu būdu.

### SIMBOLIAI ANT ĮRENGINIO



Saugos perspėjimas



CE atitikties

V

Voltais



Nuolatinė srovė



„EurAsian“ atitikties ženklas



Atidžiai perskaitykite instrukcijas prieš pradėdami naudoti mechanizmą.



Ukrainos atitikties ženklas

001



Laikykite rankas atokiai



Dėvėkite akių apsaugos priemones



Elektrinių produktų atliekos neturi būti metamos kartu su namų ūkio atliekomis. Prašome perdirbkite jas ten, kur yra tokios perdirbimo bazės. Dėl perdirbimo patarimo kreipkitės į savo vietinę savivaldybę ar pardavėją.

### SIMBOLIAI VADOVE



Pastaba



Detalės arba priedai yra parduodami atskirai

Šie signaliniai žodžiai yra skirti nurodyti su prietaiso naudojimu susijusio pavojaus lygį.

### ⚠ PAVOJUS

Rodo grėšiančią pavojingą situaciją, kurios neišvengus galima patirti mirtiną arba sunkų sužalojimą.

### ⚠ ĮSPĖJIMAS

Rodo potencialiai pavojingą situaciją, kurios neišvengus galima patirti mirtiną arba sunkų sužalojimą.

### ⚠ ATSARGIAI

Rodo potencialiai pavojingą situaciją, kurios neišvengus galima patirti nesunkų arba vidutinio sunkumo sužalojimą.

### ATSARGIAI

(Be įspėjamojo šaukuko) Reiškia situaciją, kurioje galima sugadinti turą.

Klambripüstoli konstrueerimisel on peaeesmärgiks olnud toote ohutus, tootlikkus ja töökindlus.

### OTSTARBEKOHANE KASUTAMINE

Klammerdajat tohivad kasutada täiskasvanud, kes on lugenud kasutusjuhendit ja saavad aru selles olevatest juhistest ja hoiatustest, ning kes vastutavad oma tegevuse eest.

Klambrilööja on ette nähtud klambrite löömiseks pehmesse materjali, näiteks puitu. Toodet tohib kasutada:

- klambrite paigaldamiseks puitu;
- klambrite paigaldamiseks aiatraadi ja traadivõre kinnitamiseks kaasas oleva lisatarvikuga;
- klambrite paigaldamiseks polstrisse (kangad);
- klambrite paigaldamiseks plastikusse;
- klambrite paigaldamiseks paberisse ja pappi;
- klambrite paigaldamiseks vaiba aluskihtide kinnitamisel.

Klammerdaja ei sobi elektrijuhtmete kinnitamiseks.

Ärge kasutage seadet ühelgi muul viisil kui mainitud sihtotstarbeks.

**MÄRKUS:** Mõnel puidul (näiteks väga kuiv kõva puit) on vaja kasutada lühemaid klambreid, et need täielikult sisse lüüa.

### ⚠ HOIATUS

Lugege läbi kõik mehaanilise tööriista kohta esitatud ohuhoiatused ning tutvuge tööriista jooniste ja tehniliste andmetega. Allpool esitatud hoiatuste ja juhiste eiramise puhul on oht saada elektrilööki või raskeid kehavigastusi ning/või tekitada tulekahju.

Hoidke kõik hoiatused ja juhised edaspidiseks juhindumiseks alles.

### KLAMMERDAJA OHUTUSJUHISED

- **Olge alati valmis selleks, et tööriistas on naelad.** Klammerdaja hooletu käsitsemine võib lõppeda kinnitite ootamatu vabastamise ja kehavigastustega.
- **Ärge suunake tööriista enda või kõrvalseisja suunas.** Ootamatu lülitumine vabastab naeluti ja võib põhjustada kehavigastuse.
- **Ärge lülitage naelutit sisse, enne kui see on tihedalt vastu toorikut.** Kui tööriist ei ole toorikuga kontaktis, võib naeluti kalduda sihtkohast kõrvale.
- **Kui nael jääb kinni, ühendage naeluti toitepinge lahti.** Kui klammerdaja on pistikusse ühendatud, võib see ummistunud kinnitit eemaldades kogemata aktiveeruda.
- **Kinnijäänud naela vabastamisel olge ettevaatlik.** Mehhanism võib olla surve all ja naeluti võib järsult rõhu alt vabaneda, kui püüda kinnijäänud naela vabastada.
- **Ärge kasutage klammerdajat elektrijuhtmete kinnitamiseks.** Ei ole ette nähtud elektrikaabli paigaldamiseks ja võib elektrikaabli isolatsiooni vigastada ja sellega põhjustada elektrilööki või tekitada tulekahju.

### TÄIENDAVAD OHUTUSJUHISED

- Alati tuleb arvestada sellega, et seadme mittesihtotstarbeline ja nõuetevastane kasutamine võib teile ja teistele kehavigastusi põhjustada.
- Naeluti on ette nähtud kasutamiseks ühe käega. Ärge hoidke naelutit käes magasin esiosast. Ärge pange käsi, pead või teisi kehaosi ajakirja allosa lähedusse, kus kinniti tootest väljub, sest see võib tekitada tõsiseid kehavigastusi.
- Alati veenduge, et toorik on täielikult teise tooriku vastas. Kui asetate tooriku kontakti ainult osaliselt üle tooriku, võib kinniti toorikut täielikult mööda minna ja tekitada tõsiseid kehavigastusi.
- Ärge paigaldage kinnitite materjali serva lähedal. Toorik võib pooleks minna ja kinniti selle tagajärjel eemale pörgata, vigastades teid või kolleegi Pange tähele, et kinniti võib järgida puidusüüd ja selle tagajärjel ootamatult materjali küljelt läbi tungida või kõrvale kalduda, põhjustades vigastusi.
- Hoidke käed ja kehaosad töökohast eemal. Vajaduse korral kinnitage toorik pitskruvidega, et hoida käsi ja kehaosi vigastumise eest. Enne kinniti surumist vastu materjali veenduge, et toorik on ohutult kinni. Toorikuga kokkupuude võib põhjustada materjali ootamatult liikumahakkamist.
- Töötamisel kitsastes kohtades hoidke nägu ja kehaosad naeluti osadest eemal. Ootamatu tagasipõrkamise tagajärjeks võib olla kokkupõrge kehaga, eriti kui paigaldate klambreid kõvasse või tihedasse materjali.
- Tavaliselt käivitub tööriist kohe pärast naela sisselaskmist. See ilming on naelutiga töötamisel tavaline. Ärge proovige tagasipõrkumist takistada, hoides toodet töö vastas. Tagasipõrkumise piiramise tulemuseks võib olla teise kinniti väljumine tootest. Hoidke käepidemest kindlalt kinni, laske naelutil teha töötoiming ja ärge pange teist kätt kunagi tööriista alla või väljumisava lähedusse. Selle nõude eiramine võib põhjustada tõsise kehavigastuse.
- Ärge püüdke lüüa naela teise naela pihta või hoidke naelutit tooriku suhtes väikese nurga all, sest see võib põhjustada naela kõrvalekaldumist ja tingida kehavigastuse.
- Kontrollige tööpiirkond enne töö alustamist üle varjatud juhtmete, gaasi- ja veetorustike ning muude trasside suhtes.
- Kinniti paigaldamissügavust saab kohandada üle vajaliku õhurõhu. Soovitatav on enne kasutama hakkamist katsetada naelutit jäätmetükkidel.
- Naelutil tohib kasutada vaid tehnilistes andmetes mainitud naelu. Valede naelte kasutamine võib põhjustada kinnijäämist või muid tõrkeid.

### OHUTUSNÕUDED SÜGAVUSE REGULEERIMISEL

- Enne paigaldamissügavuse kohandamist eemaldage alati aku.
- Ärge tõmmake sügavuse reguleerimishooba tagasi. Hoob on mõeldud pööramiseks.
- Ärge vajutage paigaldamishoova reguleerimise ajal päästikut.

EN
FR
DE
ES
IT
NL
PT
DA
SV
FI
NO
RU
PL
CS
HU
RO
LV
LT
<b>ET</b>
HR
SK
SL
BG
UK
TR
EL

- Tõukuri löögisügavuse reguleerimise ajal ärge suunake tööriista enda või kõrvalseisja suunas.

## AKU LISAOHUTUSJUHISED

### ⚠ HOIATUS

Lühisest põhjustatud tuleohtu, vigastuste või toote kahjustuste vältimiseks ärge kastke tööriista, vahetusakut ega laadimiseseadet vedelikku ning jälgige, et vedelikke ei tungiks seadmetesse ega akusse. Korrodeeruvad või elektrit juhtivad vedelikud, nagu soolvesi, teatud kemikaalid ja pleegitusained või pleegitusaineid sisaldavad tooted, võivad põhjustada lühist.

## LIITUMAKUDE TEISALDAMINE

Akude transportimisel juhenduge kasutuskohas kehtivatest ja riiklikest määrustest ja eeskirjadest.

Akude transportimisel allettevõtjate poolt järgige kõiki spetsiaalseid pakkimise ja tähistamise nõudeid. Veenduge, et akud ei satu kokkupuutesse teiste akude ega voolu juhtivate materjalidega, transportimise ajal kaitske klemme voolu mittejuhtivate isoleerkatete või teibiga. Ärge transportige pragunenud või lekkivaid akusid. Küsige lisateavet transportettevõtelt.

## JÄÄKRISKID

Isegi siis, kui seadet kasutatakse kirjeldatud viisil, ei ole võimalik kõrvaldada kõiki jääkriskide mõjureid. Töötamise ajal võivad tekkida järgmised ohud, millele operaator peab pöörama erilist tähelepanu.

- Kuulmise kahjustumine  
**Märkus:** Use siempre protección auditiva eficaz y limite el tiempo de exposición al ruido.
- Silmavigastused, mis on põhjustatud valesti paigaldatud kinnititest või lendavast tolmust ja prahist.  
**Märkus:** Kandke alati sobivaid kaitseprille.
- Vibratsioonist põhjustatud kehavigastus  
**Märkus:** Sujete la herramienta mediante los correspondientes mangos y limite su exposición a la vibración. Consulte el apartado "Reducción De Riesgos".
- Teravate otstega kokku puutumisel võite saada nahavigastusi.  
**Märkus:** Olge kinniteid käsitsedes või laadides väga ettevaatlik.
- Seade on väga raske.  
**Märkus:** Seade on väga raske. Kui kasutate seadet pikka aega, eriti pea kohal, olge ettevaatlik, et enda lihaseid mitte üle koormata.

## RISKI ALANDAMINE

Teadaolevalt võib käsitööriistade kasutamine põhjustada mõnedel inimestel seisundit, mida nimetakse Raynaud' sündroomiks. Sümptomidena võib ilmneda sõrmede tuimus ja valkjaks muutumine, mis tavaliselt ilmneb külmas töötamisel. Nende sümptomite puhul tuleb hoiduda külmast ja niiskusest, dieedist ning suitsetamisest ja kasutada

õigeid töövõtteid. Vibratsiooni mõju vähendamiseks tuleb rakendada järgmisi abinõusid.

- Külma ilmaga hoidke oma keha soe. Kandke kindaid, et hoida oma käed ja randmed soojad. Uuringud näitavad, et Raynaud's Syndrome ilmneb põhiliselt külma ilmaga.
- Pärast külmas töötamist tehke harjutusi, et verevarustust kiirendada.
- Tehke regulaarselt töovaheaegasid. Piirake tööperioodi pikkust.

Kui ilmnevad haigustunnused, lõpetage kohe töö ja pöörduge arsti poole.

### ⚠ HOIATUS

Seadme pikaajalisel kasutamisel võite saada kehavigastusi või vigastused võivad süveneda. Seadme kasutamisel pika aja jooksul tuleb teha korralisi vaheaegasid.

## ÕPPIGE OMA TOODET TUNDMA

Vt lk 83.

1. Aktiveerimisjalg
2. Traadi ja võre lisatarvik
3. Paigaldusjõu indikaator
4. Hõõveldussügavuse reguleerimise nupp
5. Magasin
6. Lülitusnupp
7. Isoleeritud haardepinnaga käepide
8. Võõklamber
9. Ajakirjariiv
10. Aku ühenduspesa
11. 14,3 mm klambrid
12. 6,4 mm klambrid

## HOOLDUS

### ⚠ HOIATUS

Seade ei tohi mingil juhul olla toitepinge all sel ajal kui kinnitate selle osi, teete reguleerimistoiminguid, puhastate või hooldate seadet ning siis kui seda ei kasutata. Seadme elektrivõrgust lahtiühendamine väldib selle tahtmatu käivitumise, mis võib põhjustada raske kehavigastuse.

- Kasutage teenindamisel ainult tootja originaalvaruosi, tarvikuid ja tööorganeid. Muude osade kasutamine võib tekitada ohuolukorra ja põhjustada seadme vigastumise.
- Ärge laske plastosadel mitte mingil juhul sattuda kokkupuutesse auto pidurivedeliku, bensiini, bensiinipõhiste toodete, immutusõlidega või muude samalaadsete vedelikega. Kemikaalid võivad kahjustada, nõrgendada või hävitada plastiku, mis võib omakorda põhjustada vigastusi kasutajale.
- Vältige plastosade puhastamisel lahustite kasutamist. Enamik plaste on tundlikud kaubandusvõrgust saadaolevate lahustite suhtes ja võivad nende mõjul oma omadusi kaotada. Tolmust, õlist, määrdest ja

muust mustusest puhastamiseks kasutage puhast riidelappi.

- Kõik remonttööd tuleb lasta teha volitatud hoolduskeskuses, et tagada masina ohutus ja töövõime.

## MÄÄRIMINE

Kõik selle tööriista laagrid on tehases täidetud piisava hulga kvaliteetse määrdega, mis tagab tavatingimustes nende töövõime kogu kasutusea jooksul. Seetõttu ei ole täiendav määrimine vajalik.

Ärge õlitage klambreid, naelamagasi ega löögimehhanismi. Hoidke naeluti puhas.

## KESKKONNAKAITSE



Taaskasutage materjale nende jäätmekäitluse andmise asemel. Masin, selle lisaseadmed ja pakend tuleb jäätmekäitluseks keskkonnasõbralikult sorteerida.

## MASINAL OLEVAD SÜMBOLID



Ohuhoiatus



CE-vastavus

V

Volt



Alalisvool



Euraasia vastavusmärk



Enne seadme kasutamist lugege palun kasutusjuhend hoolega läbi.



Ukraina vastavusmärgis

001



Hoidke käed eemal



Kandke silmade kaitsevahendeid



Mittekasutatavaid elektritooteid ei tohi visata olmejäätmete hulka. Vaid tuleb viia vastavasse kogumispunkti. Vajadusel küsige sellekohast nõu oma edasimüüjalt või vastavalt kohaliku omavalitsuse institutsioonilt.

## KASUTUSJUHENDIS KASUTATUD SÜMBOLID



Märkus



Eraldi ostetavad osad või tarvikud

Järgnevad märguandesõnad ja tähendused on mõeldud selle toote kasutamise seotud riskitasemetega kirjeldamiseks.

### ⚠ OHT.

Osutab ähvardavale ohuolukorrale, mille mittevältimine lõpeb surma või tõsise vigastusega.

### ⚠ HOIATUS

Osutab võimalikule ohuolukorrale, mille mittevältimine võib lõppeda surma või tõsise kehavigastusega.

### ⚠ ETTEVAATUST

Osutab võimalikule ohuolukorrale, mille mittevältimine võib lõppeda väiksemate või mõõdukate kehavigastustega.

### ETTEVAATUST

(Ilma ohutussümbolita) Viitab olukorrale, mis võib põhjustada kahjustusi varale.



U razvoju oveog pneumatskog čekića dati su maksimalni prioriteta sigurnosti, performansama i pouzdanosti.

### NAMJENA

Klamericu smiju koristiti samo odrasle osobe koje su pročitale i razumjele upute i upozorenja u ovom priručniku i koje se mogu smatrati odgovornima za svoje postupke.

Pneumatski čekić namijenjen je za uvođenje spajalica u meke materijale poput drveta. Proizvod se može koristiti za:

- zabijanje klamfi u drvo
- pomoću priloženog pribora, zabijanje klamfi zbog pričvršćivanja žičane ograde i žičane mreže
- zabijanje klamfi za presvlake za namještaj (tkanine)
- zabijanje klamfi u plastiku
- zabijanje klamfi u papir i karton
- zabijanje klamfi zbog pričvršćivanje podloga za tepih

Klamerica nije prikladna za pričvršćivanje električnih kabela.

Nemojte koristiti proizvod na bilo koji drugi način od onog za koji je namijenjen.

**NAPOMENA:** Neka drva (kao što su vrlo suha) može zahtijevati kraće klamerice kako bi potpuno ušle u njega.

### ⚠ UPOZORENJE

**Pažljivo pročitajte sva upozorenja, upute i specifikacije priložene uz alat i pogledajte crteže.** Nepoštivanje svih uputa može dovesti do električnog udara, požara i / ili teške ozljede.

**Spremite sva upozorenja i upute za buduće korištenje.**

### SIGURNOSNA UPOZORENJA KLAMERICE

- **Uvijek pretpostavite da alat sadrži učvrzne elemente.** Nemarno rukovanje klamericom može dovesti do neočekivanog ispaljivanja zatezača i tjelesne ozljede.
- **Nemojte usmjeravati alat prema sebi ili bilo kome drugome pored vas.** Neočekivano okidanje će isprazniti učvrzne elemente uzrokujući ozljede.
- **Nemojte aktivirati alat osim ako alat nije čvrsto postavljen na izradak.** Ako alat nije u kontaktu s izratkom, učvrсни element se može odbiti dalje od cilja.
- **Odspojite alat iz izvora za napajanje kada učvrсни element zaglavi alat.** Prilikom uklanjanja zaglavljenog zatezača, klamerica se može nenamjerno aktivirati ako je uključena u struju.
- **Budite oprezni kada pomičete zaglavljeni učvrсни element.** Mehanizam može biti pod tlakom i alat se može prisilno isprazniti tijekom pokušaja odglavlivanja.
- **Klamericu nemojte koristiti za zatezanje električnih kabela.** Nije namijenjen za instalaciju električnih kabela i može oštetiti izolaciju te tako uzrokovati strujni udar ili opasnost od požara.

### DODATNA SIGURNOSNA UPOZORENJA

- Uvijek imajte na umu da pogrešno i nepravilno rukovanje s ovim alatom može dovesti do vaših i ozljeda drugih.
- Alat je namijenjen za korištenje s jednom rukom. Nemojte držati alat za prednji dio spremnika. Ne stavljajte ruke, glavu ili druge dijelove svojeg tijela blizu donjeg dijela spremnika na kojem zatezač izlazi iz proizvoda, budući da bi moglo doći do teške tjelesne ozljede.
- Uvijek osigurajte da je kontakt izratka potpuno pozicioniran iznad izratka. Postavljanje kontakt obratka u takav položaj da samo djelomično dodiruje gornji dio obratka može dovesti do toga da zatezač potpuno promaši obradak i izazvati tešku tjelesnu ozljedu.
- Zatezače ne zabijajte pri rubu materijala. Obradak se može racionirati i uzrokovati odbijanje zatezača, ozlijedivši pritom vas ili suradnika. Imajte na umu da zatezač može slijediti žile na drvu, što može prouzročiti njegovo neočekivano stršanje iz boka materijala u obradi ili do odbijanja, što može prouzročiti ozljedu.
- Držite lice i dijelove tijela dalje od područja rada. Držite izradak sa spojnicama kad je to potrebno kako biste ruke i tijelo držali podalje od mogućih ozljeda. Provjerite je li izradak pravilno pričvršćen prije pritiska alata na materijal. Kontakt izratka može uzrokovati da se radni materijal neočekivano pomakne.
- Držite lice i dijelove tijela dalje od stražnjeg dijela vrha poklopca alata prilikom rada u ograničenim područjima. Iznenadno odbijanje može dovesti do udara u tijelo, posebno kada se klamerice zabijaju u tvrd ili gust materijal.
- Tijekom normalnog korištenja, alat se odmah povraća nakon uvođenja učvrsnog elementa. Ovo je normalno funkcioniranje alata. Ne pokušavajte spriječiti odbijanje držanjem proizvoda naslonjenog na obradak. Ograničavanje odbijanja može rezultirati izlaženjem drugog zatezača iz proizvoda. Držite ručku čvrsto, pustite alat da radi i ne postavljajte drugu ruku na vrh alata ili pored izlaza. Nepoštivanje ovog upozorenja može dovesti do ozbiljnih osobnih ozljeda.
- Nemojte uvoditi učvrzne elemente na vrh drugih učvrsnih elemenata ili s alatom pod bilo kojim kutom budući da to može uzrokovati odbijanje učvrsnih elemenata što može uzrokovati ozljede.
- Uvijek provjerite područje rada za skrivene žice, vodove plina, vodovod idr., prije korištenja proizvoda na takvom radnom području.
- Ulazna dubina zatezača može se namjestiti tako da bude veća od tlaka zraka koji vam je potreban. Preporučujemo da provjerite dubinu na izratku kako biste odredili potrebnu dubinu za primjenu.
- Samo učvrсни elementi koji odgovaraju opisu u tablici specifikaciji proizvoda mogu se koristiti s ovim alatom. Korištenje nepravilnih učvrsnih elemenata može dovesti do zaglavljenja ili drugih kvarova.

### SIGURNOSNA UPOZORENJA ZA PODEŠAVANJE DUBINE

- Uvijek uklonite bateriju prije podešavanja dubine zabijanja.



- Ne povlačite prema natrag gumb za namještanje dubine. Gumb je dizajniran za okretanje.
- Nemojte pritiskati okidač dok namještate gumb za određivanje dubine prodiranja.
- Nemojte usmjeravati alat prema sebi ili bilo kome drugome pored vas prilikom podešavanja dubine uvođenja.

## DODATNA SIGURNOSNA UPOZORENJA ZA BATERIJU

### ⚠ UPOZORENJE

Zbog izbjegavanja opasnosti od požara jednim kratkim spojem, opasnosti od ozljeda ili oštećenja proizvoda, alat, izmjenjivi akumulator ili napravu za punjenje ne uronjavati u tekućine i pobrinite se za to, da u uređaje ili akumulator ne prodiru nikakve tekućine. Korozirajuće ili vodljive tekućine kao slana voda, određene kemikalije i sredstva za bijeljenje ili proozvodi koji sadrže sredstva bijeljenja, mogu prouzročiti kratak spoj.

## TRANSPORTIRANJE LITIJUMSKIH BATERIJA

Transportirajte bateriju u skladu s lokalnim i nacionalnim pravilima i zakonima.

Sljedite sve specijalne zahtjeve na pakiranju i naljepnicama prilikom transporta baterije od treće strane. Osigurajte da baterija ne može doći u kontakt s drugim baterijama ili provodnim materijalima tijekom transporta tako da zaštitite izložene priključke s izolacijom, kapticama koje ne provode energiju ili trakom. Nemojte transportirati baterije koje su polomljene ili cure. Provjerite kod kompanije koja transportira za daljnju pomoć.

## PREOSTALE OPASNOSTI

Čak i kad je proizvod korišten kao što je prethodno opisano, još uvijek nije moguće potpuno isključiti ostale čimbenike opasnosti. Može doći do sljedećih opasnosti prilikom korištenja i operater mora obratiti posebnu pozornost kako bi izbjegao sljedeće:

- Opasnost po sluh.  
**Napomena:** Uvijek nosite učinkovitu zaštitu za sluh i ograničite izloženost buci.
- Ozljeda očiju izazvana nepravilno usmjeravanjem zatezačima ili letećom prašinom i krhotinama.  
**Napomena:** Uvijek nosite prikladna zaštitna sredstva za oči.
- Ozljede uzrokovane vibracijom  
**Napomena:** Držite alat za označene ručke i ograničite izlaganje vibraciji. Pogledajte „Smanjenje Opasnosti“.
- Rane uzrokovane dodiranjem s oštrim točkama.  
**Napomena:** Budite osobito oprezni prilikom rukovanja zatezačima ili njihovog punjenja.
- Proizvod je težak.  
**Napomena:** Proizvod je težak. Imajte na umu da naprežete mišice tijekom uporabe proizvoda za dulje vrijeme, pogotovo ako koristite iznad glave.

## SMANJENJE OPASNOSTI

Prijavljeno je da vibracije alata kod određenih pojedinaca mogu doprinijeti stanju pod nazivom Raynaud's Syndrome. Simptomi mogu uključivati trnce, ukočenost i bjelinu prstiju, obično uočljivo po izlaganju hladnoći. Smatra se da nasljedne osobine, izlaganje hladnoći i vlazi, dijeta, pušenje i radni postupci pridonose razvoju ovih simptoma. Postoje mjere koje operator može poduzeti kako bi smanjio moguće učinke vibracije:

- Održavajte svoje tijelo toplim u hladnim vremenskim uvjetima. Kad radite s uređajem nosite rukavice kako biste ruke i zglobove održavali toplima. Prijavljeno je da je hladnoća glavni čimbenik koji doprinosi Raynaud's Syndrome.
- Nakon svakog perioda rada vježbajte kako biste povećali cirkulaciju krvi.
- Uzimajte česte stanke u radu. Ograničite količinu izlaganja po danu.

Ako osjetite neke od simptoma ovog stanja, odmah prekinite korištenje i obratite se svome liječniku vezano uz ove simptome.

### ⚠ UPOZORENJE

Ozljede mogu biti uzrokovane ili izazvane produljenim vremenskim razdobljem korištenja alata. Kada koristite bilo koji alat dulje vremena, osigurajte da uzimate povremene stanke.

## UPOZNAJTE SVOJ PROIZVOD

*Pogledajte stranicu 83.*

1. Aktivacijska papučica
2. Pribor za žicu i mrežu
3. Pokazivač pogonske sile
4. Gumb za podešavanje dubine
5. Spremnik
6. Sklopka za okretanje
7. Drška, izolirana površina za hvatanje
8. Kopča za remen
9. Zapor spremnika
10. Ulaz za bateriju
11. Klamfe veličine 14,3 mm
12. Klamfe veličine 6,4 mm

## ODRŽAVANJE

### ⚠ UPOZORENJE

Proizvod nikad ne smije biti priključen na izvor napajanja kada sastavljate dijelove, vršite podešenja, čistite, izvodite održavanje ili kada se proizvod ne koristi. Iskapčanje proizvoda sprječava slučajno pokretanje koje može dovesti do ozbiljnih osobnih ozljeda.

- Prilikom servisiranja, koristite samo originalne zamjenske dijelove, dodatni pribor i priključke od proizvođača. Korištenje nekih drugih dijelova može dovesti do opasnosti ili uzrokovati oštećenje alat.
- Nikada ne dopustite kontakt plastičnih dijelova s

tekućinom za kočnice, benzinom, proizvodima na bazi petroleja, sredstvima za odmašćivanje, idr. Kemikalije mogu oštetiti, oslabiti ili uništiti plastiku što može dovesti do ozbiljnih osobnih ozljeda.

- Prilikom čišćenja plastičnih dijelova izbjegavajte koristiti kemijska sredstva. Većina plastika je podložna različitim vrstama komercijalnih kemijskih sredstava za čišćenje i mogu se oštetiti prilikom njihovog korištenja. Za uklanjanje nečistoća, prašine, ulja masti i drugog upotrebljavajte čistu krpu.
- Radi veće sigurnosti i pouzdanosti, sve popravke treba izvoditi ovlašteni servisni centar.

## PODMAZIVANJE

Svi ležajevi u ovom proizvodu podmazani su s dovoljnom količinom visokokvalitetnog sredstva za podmazivanje za životni vijek proizvoda u normalnim radnim uvjetima. Stoga nije potrebno daljnje podmazivanje.

Nemojte koristiti sredstva za podmazivanje na klamarcima, zakovicama ili pogonskom mehanizmu. Održavajte čistim.

## ZAŠTITA OKOLIŠA



Sirovine reciklirajte, umjesto da ih odlažete kao otpad. Kako biste zaštitili okoliš, alat, dodatke i ambalažu treba odvojeno baciti u otpad.

## SIMBOLI NA PROIZVODU



Sigurnosno upozorenje



CE usklađenost

V

Volti



Istosmjerna struja



EurAsian znak konformnosti



Molimo da pažljivo pročitate upute prije pokretanja stroja.



Ukrajinska oznaka za sukladnost

001



Ruke držite podalje



Nosite zaštitu za vid



Otpadni električni proizvodi ne treba da se odlažu s otpadom iz domaćinstva. Molimo da reciklirate gdje je to moguće. Potražite savjet od lokalnih vlasti ili prodavca kako reciklirati.

## SIMBOLI U PRIRUČNIKU



Napomena



Dijelovi ili pribor prodan odvojeno

Slijedeće riječi upozorenja i značenja imaju namjeru da objasne nivo rizika u vezi s ovim proizvodom.

### OPASNOST

Naznačuje prijetuću opasnu situaciju, koja ako se ne izbjegne dovodi do smrti ili ozbiljnih ozljeda.

### UPOZORENJE

Naznačuje potencijalno opasnu situaciju, koja ako se ne izbjegne dovodi do smrti ili ozbiljnih ozljeda.

### OPREZ

Naznačuje potencijalno opasnu situaciju, koja ako se ne izbjegne dovodi do lakših ili srednjih ozljeda.

### OPREZ

(Bez simbola upozorenja sigurnosti) Označava situaciju koja može izazvati oštećenje imovine





Varnost, učinkovitost in zanesljivost so bile pri načrtovanju vašega spenjača ključnega pomena.

### NAMEN UPORABE

Spenjač lahko uporabljajo samo odrasli, ki so prebrali in razumejo navodila ter opozorila v tem priročniku ter lahko odgovarjajo za svoja dejanja.

Sponkač je namenjen za zabijanje sponk v mehke materiale, kot je les. Izdelek se lahko uporablja za:

- vstavljanje sponk v les
- s priloženim dodatkom, vstavljanje sponk za pritrnitev žičnate ograje in žičnatih pregrad
- vstavljanje sponk za oblažinjene (blago)
- vstavljanje sponk v plastiko
- vstavljanje sponk v papir in lepenko
- vstavljanje sponk za pritrnitev podloge preprog

Spenjač ni primeren za pritrjevanje električnih kablov.

Izdelka ne uporabljajte na noben način, ki ni predpisan za to napravo.

**OPOMBA:** Nekatere vrste lesa (kot je na primer zelo suh trdi les) morda potrebujejo krajše sponke za popolno spenjanje.

### ⚠ OPOZORILO

**Preberite vsa varnostna opozorila, navodila, ilustracije in specifikacije, ki so priložene temu električnemu orodju.** Če ne upoštevate opozoril in navodil, lahko pride do električnega udara, ognja in/ali hudih poškodb.

**Vsa opozorila in vsa navodila shranite za bodočo referenco.**

### VARNOSTNA OPOZORIILA ZA SPENJAČ

- **Vedno predpostavite, da orodje vsebuje pritrdila.** Nepredvidno ravnanje s spenjačem lahko povzroči nepričakovano letenje sponk in telesno poškodbo.
- **Ne usmerjajte orodja vase ali v katero koli drugo osebo.** Nepričakovano sproženje pritrdila lahko povzroči poškodbo.
- **Ne aktivirajte orodja, dokler ga čvrsto ne prislonite ob obdelovanec.** Če orodje ni v stiku z obdelovancem, se lahko pritrdilo odbije proč od njega.
- **Če se pritrdilo zatakne v orodju, odklopite orodje iz vira napajanja.** Če je spenjač med odstranjevanjem zagozdene sponke vklopljen v električno vtičnico, se lahko po nesreči aktivira.
- **Pri odstranjevanju zagozdenega pritrdila bodite izjemno previdni.** Mehанизem je morda pod tlakom, zaradi česar se lahko medtem, ko poskušate sprostiti zagozdenje, pritrdilo nenadno sproži.
- **Spenjača ne uporabljajte za pritrjevanje električnih kablov.** Ni namenjeno za pritrjevanje električnih kablov, saj lahko poškoduje njihovo izolacijo in povzroči električni udar ali požar.

### DODATNA VARNOSTNA OPOZORIILA

- Zavedajte se, da lahko z nepravilno ali napačno uporabo orodja ogrozite sebe in ljudi v okolici.
- Orodje je namenjeno uporabi z eno roko. Ne držite orodja za sprednji del magazina. Rok, glave ali drugih delov telesa ne približujte spodnjemu delu nabojnika, skozi katerega prihajajo sponke iz izdelka, ker lahko to povzroči hudo telesno poškodbo.
- Vedno zagotovite, da je stik z obdelovancem v celoti nad obdelovancem. Če stično površino za obdelovanca postavite tako, da je privzdignjen nad obdelovancem, lahko sponka povsem zgreši obdelovanca, kar povzroči hude telesne poškodbe.
- Sponk ne vstavljajte blizu roba materiala. Obdelovanec lahko počni, kar povzroči odboj sponke, ki lahko poškoduje vas ali sodavca. Zavedajte se, da sponka lahko sledi strukturi lesa, zaradi česar nepričakovano pogleda skozi stranski del delovnega materiala ali pa se upogne, kar lahko povzroči poškodbo.
- Rok in drugih delov telesa ne približujte neposrednemu delovnemu območju. Po potrebi obdelovanec vpnite v primež, da si ne poškodujete rok oz. drugih delov telesa. Pred uporabo pritrdila se vedno prepričajte, da je obdelovanec dobro fiksiran. Stik z obdelovancem lahko povzroči nepričakovan premik materiala.
- Pri delu v utesnjenih območjih ne približujte obraza in drugih delov telesa zadnjemu delu orodja. Nenaden odskok lahko povzroči udarec ob telo, predvsem pri spenjanju trdega ali gostega materiala.
- Ob normalni uporabi bo orodje odsunilo takoj po zabijanju pritrdila. To je običajno delovanje orodja. Ne poskušajte preprečiti odskoka s pritiskanjem izdelka ob del, ki ga spenjate. Omejitev odskoka lahko povzroči odpadanje druge sponke iz izdelka. Dobro držite ročaj, pustite, da orodje opravi delo, proste roke pa nikoli ne polagajte na vrh orodja ali v bližino izpuha. Če tega opozorila ne upoštevate, lahko pride do hudih osebnih poškodb.
- Ne zabijajte pritrdil na druga pritrdila in ne držite orodja pod prevelikim kotom, sicer se lahko pritrdilo odbije in povzroči poškodbe.
- Pred uporabo izdelka vedno pregledjte delovno območje za skrito električno, plinsko, vodovodno ali podobno napeljavo.
- Nastavljena globina vstavljanja sponke je lahko večja od potrebne globine. Priporočamo, da na odpadnem obdelovancu preverite, ali ste nastavili ustrezno globino za namen uporabe.
- V to orodje lahko vstavite samo pritrdila, ki ustrezajo opisu v tabeli s specifikacijami izdelka. Uporaba neustreznih potrdil lahko povzroči zagozdenje ali druge okvare.

### VARNOSTNA OPOZORIILA GLEDE PRILAGAJANJA GLOBINE

- Pred nastavljanjem globine delovanja vedno odstranite akumulator.
- Gumba za nastavljanje globine ne vlecite. Gumb je zasnovan tako, da ga je treba vrteti.
- Med nastavljanjem gumba za nastavljanje globine ne

EN
FR
DE
ES
IT
NL
PT
DA
SV
FI
NO
RU
PL
CS
HU
RO
LV
LT
ET
HR
<b>SL</b>
SK
BG
UK
TR
EL



pritisčajte sprožilca.

- Med prilagajanjem globine ne usmerjajte orodja vase ali v katero koli drugo osebo.

## DODATNA VARNOSTNA OPOZORILA ZA BATERIJO

### ⚠ OPOZORILO

V izogib, s kratkim stikom povzročene nevarnosti požara, poškodb ali okvar na proizvodu, orodja, izmenljivega akumulatorja ali polnilne naprave ne potaplajte v tekočine in poskrbite, da ne bo prihajalo do vdora tekočin v naprave in akumulatorje. Korozivne ali prevodne tekočine, kot so slana voda, določene kemikalije in belila ali proizvodi, ki le ta vsebujejo, lahko povzročijo kratek stik.

## PREVAŽANJE LITIJEVIH AKUMULATORJEV

Akumulator prevažajte v skladu z lokalnimi in državnimi uredbami in predpisi.

Upošteвайте vse posebne zahteve glede pakiranja in označevanja, kadar prevoz opravlja tretja oseba. Zagotovite, da akumulatorji med prevozom ne morejo priti v stik z drugimi akumulatorji ali prevodnimi materiali, tako da zaščitite izpostavljene konektorje z neprevodnimi izolacijskim pokrovčki ali trakom. Ne prevažajte poškodovanih akumulatorjev oz. akumulatorjev, ki puščajo. Za nadaljnje informacije se obrnite na posredništvo.

## PREOSTALA TVEGANJA

Nekateri preostalih dejavnikov tveganja ni mogoče povsem odpraviti, tudi če ta izdelek uporabljate v skladu z navodili. Med uporabo se lahko pojavijo nekatere nevarnosti, upravljavec pa naj bo pozoren na naslednje:

- Poškodba sluha  
**Opomba:** Vedno nosite delujočo zaščito za sluh in omejite izpostavljenost hrupu.
- Poškodbe oči zaradi nepravilno vstavljenih sponk ali letečega prahu ter odkruškov.  
**Opomba:** Vedno nosite ustrezno zaščito za oči.
- Poškodbe zaradi vibracij  
**Opomba:** Orodje držite za temu namenjene ročaje ter omejite izpostavljenost vibracijam. Glejte »Zmanjševanje Tveganj«.
- Raztrganine lahko nastanejo zaradi stika z ostrimi predmeti.  
**Opomba:** Pri vstavljanju sponk in ravnanju z njimi bodite zelo previdni.
- Izdelek je težek.  
**Opomba:** Izdelek je težek. Pazite, da ne boste pretirano obremenjevali mišic s prekomernim upravljanjem, zlasti če orodje držite nad glavo.

## ZMANJŠANJE TVEGANJA

Poročali so že, da lahko vibracije ročnih orodij pri nekaterih posameznikih pripomorejo k razvoju Raynaudovega sindroma. Simptomi so lahko mravljinca, otrplost in pobledele prsti, kar je običajno vidno, kadar je oseba izpostavljena

mrazu. Dedni dejavniki, izpostavljenost mrazu in vlagi, dieta, kajenje in delovne navade naj bi pripomogle k razvoju teh simptomov. Za zmanjšanje učinkov vibracij lahko upravljavec upošteva naslednja navodila:

- Poskrbite, da bo vaše telo na mrazu toplo. Med upravljanjem nosite rokavice in tako ohranajte toploto vaših dlani in zapestij. Kot poročajo, je mraz glavni dejavnik, ki prispeva k Raynaudovemu sindromu.
- Po vsakem obdobju upravljanja naprave telovadite in tako pospešite krvni obtok.
- Pogosto si vzemite odmor. Omejite dnevno količino izpostavljenosti.

Če zaznavate kakršnekoli simptome takšnega stanja, takoj prenehajte z uporabo naprave in se posvetujte z zdravnikom.

### ⚠ OPOZORILO

Zaradi daljše uporabe orodja lahko pride do poškodb oz. se morebitne poškodbe poslabšajo. Kadar orodje uporabljate dalj časa, si večkrat vzemite odmor.

## SPOZNAJTE SVOJ IZDELEK

Glej stran 83.

1. Sprožilna noga
2. Dodatek za žico in pregrade
3. Indikator pogonske sile
4. Gumb za prilagajanje globine
5. Magazin
6. Sprožilo stikala
7. Ročaj, izolirano držalo
8. Sponka za pas
9. Loputa nabojnika
10. Priklop za baterijo
11. Sponke 14,3 mm
12. Sponke 6,4 mm

## VZDRŽEVANJE

### ⚠ OPOZORILO

Ko sestavljate dele, prilagajate, čistite ali vzdržujete orodje, ali ko izdelka ne uporabljate, ga nikoli ne imejte priključenega na vir napajanja. Če izdelek odklopite, preprečite nenamerni zagon, ki bi lahko povzročil hude poškodbe.

- Za servisiranje uporabljajte le proizvajalčeve originalne nadomestne dele, dodatke in nastavke. Uporaba drugih delov lahko pomeni tveganje ali povzroči škodo na izdelku.
- Zavorna tekočina, gorivo, izdelki na osnovi nafte, prodirajoče olje ipd. nikoli ne smejo priti v stik s plastičnimi deli. Kemikalije lahko poškodujejo, oslabijo ali uničijo plastiko, kar lahko ima za posledico tudi resne telesne poškodbe.
- Pri čiščenju plastičnih delov se izogibajte toplomu. Večina vrst plastik se lahko pri uporabi različnih komercialnih topil poškoduje. Za odstranjevanje

umazanije, saj in podobnega uporabljajte čisto krpo.

- Zaradi večje varnosti in zanesljivosti naj vsa popravila izvaja pooblaščen servisni center.

## MAZANJE

Vsi ležaji na napravi so namazani z dovolj kakovostnega maziva, tako da mazanje naprave ob normalni uporabi do konca življenjske dobe naprave ni več potrebno. Zato dodatno mazanje ni potrebno.

Ne mažite spenjača, magazina ali potisnega mehanizma. Redno čistite.

## ZAŠČITA OKOLJA



Namesto, da napravo zavrzete, reciklirajte surovine. Napravo, pribor in embalažo je treba sortirati za okolju prijazno recikliranje.

## SIMBOLI NA IZDELKU



Varnostno opozorilo



Skladnost CE

V

Volti



Enosmerni tok



EurAsian oznaka o skladnosti



Prosimo, da si pred zagonom naprave pazorno preberete navodila



Ukrajinska oznaka za skladnost

001



Ne približujte rok



Nosite zaščito za oči



Odpadne električne izdelke ne odlagajte skupaj z ostalimi gospodinjstskimi odpadki. Reciklažo opravljajte na predpisanih mestih. Za nasvet se obrnite na lokalne oblasti.

## SIMBOLI V PRIROČNIKU



Opomba



Deli ali dodatki so na prodaj ločeno

Sljedeće signalne besede in pomeni naj bi pojasnili ravni tveganja, ki so povezane s tem izdelkom.

### ⚠ NEVARNOST

Označuje neizogibno nevarno stanje, ki lahko povzroči smrt ali hude poškodbe, če ga ne preprečite.

### ⚠ OPOZORILO

Označuje morebitno nevarno stanje, ki bi lahko povzročilo smrt ali hude poškodbe, če ga ne preprečite.

### ⚠ POZOR

Označuje morebitno nevarno stanje, ki lahko povzroči manjše ali zmerno poškodbe, če se ga ne preprečite.

### POZOR

(Brez simbola Varnostni alarm) Označuje stanje, ki lahko privede do poškodovanja lastnine.



Na dosiahnutie jednoduchej obsluhy a prevádzky boli pri navrhovaní tejto zošívачky najvyššou prioritou bezpečnosť, výkon a spoľahlivosť.

## ÚČEL POUŽITIA

Táto sponkovačka je určená len na používanie osobami, ktoré si prečítali a rozumejú pokynom a výstrahám v tejto príručke, a sú za svoje činnosti zodpovedné.

Zošívачka je určená na vbíjanie svoriek do mäkkých materiálov, napríklad dreva. Tento výrobok sa môže používať na:

- nastreľovanie spŕn do dreva
  - pomocou dodaného príslušenstva na nastreľovanie spŕn s cieľom prichytiť pletivo a mriežku z pletiva
  - nastreľovanie spŕn na zaistenie čalúnenia (látky)
  - nastreľovanie spŕn do plastov
  - nastreľovanie spŕn do papiera a kartónu
  - nastreľovanie spŕn na zaistenie podkladov pre koberce
- Sponkovačka nie je vhodná na upevňovanie elektrických káblov.

Tento produkt nepoužívajte žiadnym iným spôsobom, ako je uvedené v účele použitia.

**POZNÁMKA:** Niektoré stavebné drevo (napríklad veľmi tvrdé listnaté drevo) môže na plné nariadenie vyžadovať kratšie svorky.

## ⚠ VARIOVANIE

**Prečítajte si všetky výstrahy, pokyny, vyobrazenia a špecifikácie dodané k tomuto elektrickému nástroju.** Pri nedodržaní týchto výstrah a pokynov môže dôjsť k úrazu elektrickým prúdom, požiaru a/alebo závažnému poraneniu

**Odložte všetky výstrahy a pokyny pre budúce použitie.**

## BEZPEČNOSTNÉ VÝSTRAHY PRE SPONKOVAČKU

- **Vždy predpokladajte, že nástroj obsahuje sponky.** Neopatrná manipulácia so sponkovačkou môže mať za následok neočakávané vystrelenie upínacích prvkov a osobné poranenie.
- **Namierte nástrojom smerom k sebe ani žiadnej osobe v blízkosti.** Pri neočakávanom spustení sa uvoľní sponka, čo môže spôsobiť poranenie.
- **Nespúšťajte nástroj, kým tento nie je pevne priložený k obrobku.** Ak nástroj nie je v kontakte s obrobkom, sponka sa môže odchyliť od vášho cieľa.
- **Keď sa upínadlo zasekne v nástroji, odpojte nástroj od elektrickej siete.** Ak ponecháte sponkovačku zapojenú do elektrickej siete, pri vyberaní zaseknutého upínacieho prvku môže dôjsť k jej náhodnému aktivovaniu.
- **Pri odstraňovaní zaseknutej sponky dávajte pozor.** Mechanizmus môže byť pod tlakom a sponka sa môže násilne uvoľniť pri pokuse o uvoľnenie pri zaseknutí.
- **Sponkovačku nepoužívajte na upevňovanie elektrických káblov.** Nie je určený na inštalácie

elektrických káblov a môže spôsobiť poškodenie izolácie elektrických káblov a následne zásah elektrickým prúdom alebo riziko vzniku požiaru.

## AKUMULÁTOR – BEZPEČNOSTNÉ VÝSTRAHY

- **Vždy majte na pamäti, že nesprávne používanie a nevhodná manipulácia tohto nástroja môže viesť k poraneniu vás alebo iných osôb.**
- **Tento nástroj je určený použitie jednou rukou.** Nedržte nástroj za prednú časť zásobníka. Nekladte ruky, hlavu ani inú časť tela blízko spodnej časti zásobníka, odkiaľ z výrobku vychádzajú upínacie prvky, pretože môže dôjsť k vážnemu osobnému poraneniu.
- **Vždy skontrolujte, či je kontakt s obrobkom plne umiestnený nad obrobkom.** Len čiastočný kontakt s obrobkom môže spôsobiť, že upínací prvok úplne minie obrobok s následkom vážneho osobného poranenia.
- **Upínacie prvky nenastreľujte pri okraji materiálu.** Obrobok sa môže zlomiť, spôsobiť odrazenie upínacieho prvku a môžete sa poraniť vy alebo spolupracovník. Dávajte pozor, pretože upínací prvok môže naraziť na vlákna dreva, neočakávane vyletieť na druhej strane obrobku alebo sa zmeniť smer a spôsobiť poranenie.
- **Ruky a časti tela nedávajte do blízkosti bezprostredného pracovného priestoru.** Keď je potrebné zabezpečiť, aby nedošlo k potenciálnemu zraneniu rúk a tela, pridržte obrobok pomocou svoriek. Pred pritačením upínadla na materiál skontrolujte, či je správne zaistený. Kontakt obrobku môže spôsobiť neočakávaný posun pracovného materiálu.
- **Tvár a časti tela nedávajte do blízkosti zadnej časti veľa nástroja pri práci v obmedzených priestoroch.** Náhle trhnutie môže spôsobiť nariadenie do tela, hlavne pri sponkovaní do tvrdých či hutných materiálov.
- **Pri štandardnom použití nástroj ihneď po vbíí sponky vykoná samonabíjanie.** Ide o štandardnú funkciu nástroja. Trhnutiu sa nepokúšajte zabrániť držiak výrobok pri obrobku. Zabránenie trhnutiu môže mať za následok vystrelenie druhého upínacieho prvku z výrobku. Pevne uchopte rukoväť, nechajte nástroj pracovať a nikdy nedávajte druhú ruku navrch nástroja alebo do blízkosti výfuku. Pri nerespektovaní tejto výstrahy môže dôjsť k vážnemu poraneniu osôb.
- **Nevbíjajte sponky na iné sponky alebo s nástrojom v príliš strmom uhle, inak môže dôjsť k ohnuiu sponiek a následnému poraneniu.**
- **Pred prácou v pracovnom priestore vždy skontrolujte, či sa v tomto pracovnom priestore nenachádza skryté vedenie, plynové potrubie, vodovodné potrubie a pod.**
- **Nastavená hĺbka nastreľovania upínacieho prvku môže byť väčšia než požadovaná.** Odporúča sa otestovať hĺbku na odpadovom kuse a určiť požadovanú hĺbku pre danú aplikáciu.
- **S týmto nástrojom je možné používať len sponky zodpovedajúce popisu v tabuľke špecifikácií produktu.** Pri použití nesprávnych sponiek môže dôjsť k zaseknutiu či iným poruchám.





## BEZPEČNOSTNÉ VÝSTRAHE PRE NASTAVOVANIE HLĚBKY

- Pred úpravou hlčky nastreľovania vždy vyberte batériu.
- Neťahajte dozadu gombík na nastavenie hlčky. Gombík bol navrhnutý na otáčanie.
- Pri nastavovaní hlčky gombíka na nastreľovanie nestláčajte vypínač.
- Pri nastavovaní hlčky vbíjania neatáčajte nástroj smerom k sebe ani žiadnej osobe v blízkosti.

## DOPLNKOVÉ BEZPEČNOSTNÉ VÝSTRAHY PRE BATÉRIU

### VAROVANIE

Aby ste zabránili nebezpečenstvu požiaru spôsobeného skratom, poraneniam alebo poškodeniam výrobku, neponárajte náradie, výmennú batériu alebo nabíjačku do kvapalín a postarajte sa o to, aby do zariadení a akumulátorov nevnikli žiadne tekutiny. Korodujúce alebo vodivé kvapaliny, ako je slaná voda, určité chemikálie a bieliace prostriedky alebo výrobky, ktoré obsahujú bielidlo, môžu spôsobiť skrat.

## PREPRAVA LÍTIOVÝCH AKUMULÁTOROV

Akumulátor prepravujte v súlade s miestnymi smernicami a nariadeniami.

Keď akumulátory prepravuje tretia strana, dodržiavajte všetky požiadavky na balení a označení. Zabezpečte, aby počas prepravy akumulátory neprišli do kontaktu s inými akumulátormi ani vodivými materiálmi – chráňte obnažené konektory pomocou izolácie, nevodivými viečkami alebo páskou. Neprepravujte akumulátory, ktoré sú prasknuté alebo vytekajú. Ďalšie pokyny zistíte u nasledujúcej spoločnosti.

## ZVYŠKOVÁ RIZIKOVOSŤ

Aj keď sa nástroj používa podľa predpisu, nie je možné eliminovať určité zvyškové rizikové faktory. Pri použití vznikajú nasledujúce riziká a obsluhujúca osoba musí venovať zvláštnu pozornosť, aby nedošlo k nasledovnému:

- Poškodenie sluchu  
**Poznámka:** Vždy používajte ochranu sluchu a obmedzujte vystavovanie hluku.
- Poranenie očí nesprávne nastreľovanými upínacími prvkami alebo letiacim prachom či úlomkami.  
**Poznámka:** Vždy používajte vhodné chrániče zraku.
- Zranenie spôsobené vibráciami  
**Poznámka:** Nástroj držte za určené rukoväte a obmedzte vystavovanie vibráciám. Pozrite časť "Znižovanie Rizika".
- Rozodratia spôsobené kontaktom s ostrými bodmi.  
**Poznámka:** Pri manipulácii alebo vkladaní upínacích prvkov dávajte veľký pozor.
- Produkt je ťažký.  
**Poznámka:** Produkt je ťažký. Pozor na presilenie svalov pri používaní produktu dlhšiu dobu, najmä pri práci nad hlavou.

## OBMEDZENIE RIZIKA

Boli hlásené prípady, kedy vibrácie z ručných nástrojov u niektorých osôb prispeli k stavu nazývanému Raynaudov syndróm. K symptómom patria: trpnutie, znecitlivenie a blednutie prstov, zvyčajne zjavné po vystavení zime. Je známe, že k vývoju týchto symptómov prispievajú: dedičné faktory, vystavovanie zime a vlhkosti, diéta, fajčenie a pracovné návyky. Opatrenia, ktoré môže vykonať obsluhujúca osoba na možné zníženie účinkov vibrácií:

- V studenom počasí udržiavajte svoje telo v teple. Pri práci so zariadením noste rukavice, aby ste mali ruky a zápästia v teple. Boli hlásené prípady, kedy hlavným faktorom prispievajúcim k Raynaudovmu syndrómu bolo studené počasie.
- Po každom určitom časovom úseku prevádzky cvičte, aby ste zlepšili krvný obeh.
- Počas práce si doprajte časté prestávky. Obmedzte počet vystavení za deň.

Ak zistíte ktorýkoľvek zo symptómov tohto stavu, okamžite prerušte používanie zariadenia, navštívte svojho lekára a povedzte mu o symptómoch.

### VAROVANIE

Dlhodobé používanie nástroja môže spôsobiť alebo zhoršiť poranenia. Pri používaní nástroja príliš dlhé obdobia si vždy doprajte pravidelné prestávky.

## OBOZNÁMTE SA S VAŠIM PRODUKTOM

Vid' strana 83.

1. Päťka na aktiváciu
2. Príslušenstvo pre pletivo a mriežky
3. Indikátor nastreľovacej sily
4. Gombík pre nastavenie hlčky
5. Zásobník
6. Spínač
7. Rúčka, izolovaný povrch na držanie
8. Remeňová spona
9. Západka zásobníka
10. Otvor na akumulátor
11. 14,3 mm spony
12. 6,4 mm spony

## ÚDRŽBA

### VAROVANIE

Tento produkt sa nikdy nesmie pripájať do elektrickej siete, keď montujete diely, vykonávate úpravy, čistíte alebo vykonávate údržbu, alebo keď produkt nepoužívate. Odpojením produktu zabránite náhodnému spusteniu, ktoré by mohlo spôsobiť závažné poranenie.

- Pri servise používajte len originálne náhradné diely, príslušenstvo a nástavce výrobcu. Použitie iných dielov môže predstavovať riziko alebo spôsobiť poškodenie produktu.
- Dbajte na to, aby do kontaktu s plastovými dielmi nikdy neprišli do kontaktu brzdové kvapaliny, benzín, ropné



produkty, prenikavé oleje a pod. Chemikálie môžu poškodiť, oslabiť, alebo zničiť plastové časti a tak spôsobiť vážne zranenie.

- Vyhýbajte sa použitiu rozpúšťadiel pri čistení plastových častí. Veľšina plastických materialov je občutlivo na rozlične vrstvy komerčialno dostupných topil in jich z njihovo uporabo lahko poškodujemo. Na odstránenie špiny, uhľikového prachu a pod. použite čisté tkaniny.
- Pre vyššiu bezpečnosť a spoľahlivosť sa musia všetky opravy vykonávať v autorizovanom servisnom centre.

### MAZANIE

Všetky ložiská v produkte sú namazané dostatočným množstvom mazivom vysokej akosti na celú životnosť produktu pri bežných prevádzkových podmienkach. Preto nie je potrebné žiadne ďalšie mazanie.

Na svorky, zásobník či pohonný mechanizmus nepoužívajte mazivá. Udržiavajte v čistote.

### OCHRANA ŽIVOTNÉHO PROSTREDIA



Surové materiály recyklujte, nelikvidujte ich ako odpad. Stroj, príslušenstvo a obaly by sa mali triedene recyklovať spôsobom šetrným k životnému prostrediu.

### SYMBOLY NA PRODUKTE



Buďte ostražití



Zhoda CE

V

Napätie



Jednosmerný prúd



Euroázijská značka zhody



Pred zapnutím zariadenia si prosím prečítajte inštrukcie



Ukrajinské označenie zhody

001



Ruky držte v bezpečnej vzdialenosti



Noste ochranu zraku



Opotrebované elektrické zariadenia by ste nemali odhadzovať do domového odpadu. Prosíme o recykláciu ak je možné. Kontaktujte miestne úrady, alebo predajcu pre viac informácií ohľadom ekologického spracovania.

### SYMBOLY V NÁVODE



Poznámka



Diely alebo príslušenstvo predávané samostatne

Nasledujúce značky a významy vysvetľujú úroveň rizika spojeným s výrobkom.

#### NEBEZPEČENSTVO

Označuje bezprostredne nebezpečnú situáciu, ktorá, ak jej nepredídete, spôsobí usmrtenie alebo vážne poranenie.

#### VAROVANIE

Označuje potenciálne nebezpečnú situáciu, ktorá, ak jej nepredídete, môže spôsobiť usmrtenie alebo vážne poranenie.

#### UPOZORNENIE

Označuje potenciálne nebezpečnú situáciu, ktorá, ak jej nepredídete, môže spôsobiť menšie alebo stredne závažné poranenie.

#### UPOZORNENIE

(Bez výstražnej značky s výkričníkom) Označuje situáciu, ktorá môže zapríčiniť škody na majetku.



Безопасността, работните характеристики и надеждността са аспектите, на които е отделен най-голям приоритет при проектирането на вашия телбод.

### ПРЕДНАЗНАЧЕНИЕ

Телбодът е предназначен за използване само от възрастни, които трябва да са прочели и разбрали инструкциите и предупрежденията в това ръководство и може да се считат отговорни за действията си.

Предназначението на телбода е да поставя скоби в меки материали, като дърво. Продуктът може да се използва за:

- забиване на скоби в дърво
- с помощта на включената приставка, забиване на скоби за фиксиране на телени ограждения и телени сита
- забиване на скоби за тапицерия (тъкани)
- забиване на скоби в пластмаса
- забиване на скоби в хартия и картон
- забиване на скоби за фиксиране на подложки за килими

Телбодът не е подходящ за фиксиране на електрически кабели.

Не използвайте продукта по начини, различни от посочените.

**ЗАБЕЛЕЖКА:** При някои дървени материали (като тези от много твърдо дърво) може да се наложи да използвате по-къси скоби, за да може да влязат напълно.

### ⚠ ПРЕДУПРЕЖДЕНИЕ

**Прочетете всички предупреждения за безопасност инструкции, илюстрации и спецификации, предоставени с този електрически инструмент. Неспазването на инструкциите, изброени по-долу, може да доведе до електрически удар, пожар и/или тежки физически травми.**

Съхранявайте всички предупреждения и инструкции за бъдещи справки.

### ПРЕДУПРЕЖДЕНИЯ ЗА БЕЗОПАСНОСТ ОТНОСНО ТЕЛБОДА

- **Винаги считайте, че в инструмента има скоби.** Невнимателната работа с телбода може да доведе до неочаквано изстрелване на скоби и нараняване.
- **Не насочвайте инструмента срещу себе си или други хора наоколо.** Неочаквано задействане ще освободи скоба, което ще причини нараняване.
- **Не задействайте инструмента, освен ако не е поставен стабилно върху работния елемент.** Ако инструментът не е в контакт с работния елемент, скобата може да отскочи от целта си.
- **Разкачете инструмента от електрозахранването, когато скобата се заклези в него.** Докато отстранявате заклезна скоба, телбодът може да се задейства инцидентно, ако е включен.

- **Внимавайте, когато отстранявате заклезна скоба.** Механизмът може да е под налягане и скобата може да се освободи насила, докато опитвате да отстраните задръстването.
- **Не използвайте телбода за фиксиране на електрически кабели.** Той не е предназначен за електрическа мрежа и може да повреди изолацията на електрическите кабели, като по този начин доведе до електрически удар или риск от пожар.

### ДОПЪЛНИТЕЛНИ ПРЕДУПРЕЖДЕНИЯ ЗА БЕЗОПАСНОСТ

- Винаги имайте предвид, че употреба, която е неправилна или не по предназначение, може да доведе до нараняване на вас или околните.
- Инструментът е предназначен за използване с една ръка. Не дръжте инструмента за предната част на пълнителя. Не доближавайте ръце, глава или други части на тялото си близо до долната част на пълнителя, когато в продукта има скоба, тъй като може да настъпи сериозно нараняване.
- Винаги съблюдавайте пълно позициониране на контакта върху работния елемент. Позиционирането на контакта само частично върху работния елемент, може да доведе до пълно пропускане е на работния елемент от скобата и до сериозно нараняване.
- Не поставяйте скоби близо до ръба на материала. Работният елемент може да се разцепи, което ще накара скобата да рикошира и да нарани вас или колега. Имайте предвид, че скобата може да последва структурата на дървото, което да я накара да излезе неочаквано от страни на материала или да бъде отразена, което може да доведе до нараняване.
- Дръжте далеч ръцете и други части на тялото си от непосредствена близост до работната зона. Дръжте работния елемент със скоби, когато е нужно да предпазите ръцете или тялото си от потенциално нараняване. Уверете се, че работният елемент е добре подсилен, преди да натиснете скобата срещу материала. Контактът с работния елемент може да накара работния материал да се премести неочаквано.
- Дръжте далеч лицето и частите на тялото си от задната страна на капачката на инструмента, когато работите в ограничени зони. Внезапен откат може да доведе до удар по тялото, особено когато запивате в твърд или плътен материал.
- При нормална работа инструментът ще даде откат веднага след забиването на пирон. Това е нормално действие на инструмента. Не опитвайте да предотвратите отката, като дръжите продукта срещу работния елемент. Ограничаването на отката може да доведе до забиването на втора скоба от продукта. Хванете здраво дръжката, оставете продукта да изпълни работата си и никога не слагайте другата си ръка върху него или изходното отворстие на продукта. Несъобразяването с това предупреждение може да доведе до сериозни физически наранявания.
- Не забивайте скоби върху други скоби или когато



продуктът е под много голям ъгъл, защото това може да доведе до отразяване на скобите, което от своя страна може да доведе до нараняване.

- Винаги проверявайте работната среда за скрито окабеляване, тръби за газ или вода и т.н., преди да използвате продукта в такава работна зона.
- Дълбочината на забиване на пирона може да се промени отвъд желаната от вас дълбочина. Съветваме ви да проверите дълбочината на излишно парче материал, за да определите нужната дълбочина за това, върху което работите.
- С продукта можете да използвате само пирони, които отговарят на описанието в таблицата със спецификации на продукта. Използването на неправилни скоби може да доведе до задръстване или други неизправности.

#### ПРЕДУПРЕЖДЕНИЯ ЗА БЕЗОПАСНОСТ ПРИ РЕГУЛИРАНЕ НА ДЪЛБОЧИНАТА

- Винаги отстранявайте батерията, преди да регулирате дълбочината на забиване.
- Не дърпайте копчето за регулиране на дълбочината. Копчето е проектирано да се върти.
- Не натискайте спуська, докато регулирате копчето за дълбочина на забиването.
- Не насочвайте инструмента към себе си или някого наоколо, когато регулирате дълбочината на забиване.

#### ДОПЪЛНИТЕЛНИ ПРЕДУПРЕЖДЕНИЯ ЗА БЕЗОПАСНОСТ ЗА БАТЕРИЯТА

##### ▲ ПРЕДУПРЕЖДЕНИЕ

За да избегнете опасността от пожар, предизвикана от късо съединение, както и нараняванията и повредите на продукта, не потапяйте инструмента, сменяемата акумулаторна батерия или зарядното устройство в течности и се погрижете в уредите и акумулаторните батерии да не попадат течности. Течностите, предизвикващи корозия или провеждащи електричество, като солена вода, определени химикали, изобелващи вещества или продукти, съдържащи изобелващи вещества, могат да предизвикат късо съединение.

#### ТРАНСПОРТИРАНЕ НА ЛИТИЕВИ БАТЕРИИ

Транспортирайте батериите в съответствие с местните и национални постановления и разпоредби.

Спазвайте всички специални изисквания за пакетиране и етикетирание, когато транспортирате батерии чрез трето лице. Уверете се, че батериите не влизат в контакт с други батерии или проводими материали по време на транспортиране, като предпазите откритите конектори с изолация, непроводими капачета или лента. Не транспортирайте батерии, които са спукани или текат. Свържете се със следната компания за допълнителен съвет.

#### НЕПРЕДВИДЕНИ РИСКОВЕ

Дори когато продуктът се използва по предназначение, е невъзможно напълно да се ограничи влиянието на определени рискови фактори. Могат да възникнат следните опасности и операторът трябва да обърне особено внимание, за да ги избегне:

- Увреждане на слуха.  
**Забележка:** Винаги носете ефективни антифони и ограничавайте излагането на шум.
- Може да възникне нараняване на очите поради неправилно забити крепежни елементи или прехвърчащ прах или отломки.  
**Забележка:** Винаги носете защитни очила.
- Нараняване, причинено от вибрация.  
**Забележка:** Дръжте izdeliето за определените дръжки и ограничете излагането на вибрации. Вижте „Намаляване на риска“.
- Може да възникне разкъсване от контакт с остри точки.  
**Забележка:** Бъдете изключително внимателни при боравене с или зареждане на крепежни елементи.
- Продуктът тежи.  
**Забележка:** Продуктът тежи. Внимавайте за напрежение в мускулите при продължителна работа с продукта, особено ако се използва над главата.

#### НАМАЛЯВАНЕ НА РИСКА

Известно е, че вибрациите, произведени от ръчни инструменти може да предизвикат у някои индивиди заболяване, наречено Синдром на Рейнолд (Raynaud's Syndrome). Симптомите може да включват изтръпване, схващане и избледняване на пръстите, обикновено се забелязват при излагане на студ. Смята се, че наследствените фактори, излагането на студ и влага, диетите, пушенето и някои работни навици допринасят за развитието на тези симптоми. Могат да се вземат някои мерки, които могат да се предприемат от оператора, за да се намалат ефектите от вибрациите:

- Поддържайте телесната температура в студено време. Когато работите с продукта, носете ръкавици, за да поддържате ръцете и китките си топли. Според изследвания главният фактор, допринасящ за развитието на Raynaud's Syndrome, е студеното време.
- Правете упражнения за активизиране на кръвообращението след всеки работен цикъл.
- Редовно излизайте в почивка. Ограничете излагането на вибрации на ден.

При поява на някой от симптомите на това заболяване, незабавно прекратете употребата на инструмента и посетете лекар.

##### ▲ ПРЕДУПРЕЖДЕНИЕ

Продължителното използване на инструмента може да доведе до наранявания или влошаване. При използване на инструмента за продължителни периоди от време правете чести почивки.



## ОПОЗНАЙТЕ ВАШИЯ ПРОДУКТ

Вж. страница 83.

1. Педал за активиране
2. Приставка за тел и сита
3. Индикатор за силата на пробиване
4. Копче за регулиране на дълбочината
5. Пълнител
6. Спусък
7. Ръкохватка, изолирана повърхност за захващане
8. Скоба за колана
9. Фиксатор на пълнителя
10. Гнездо за батерията
11. Скоби 14,3 mm
12. Скоби 6,4 mm

## ПОДДРЪЖКА

### ⚠ ПРЕДУПРЕЖДЕНИЕ

Продуктът не трябва никога да се включва в захранване, когато сглобявате части, правите настройки, почиствате, извършвате поддръжка или когато не го използвате. Изключването на продукта от захранването ще предотврати случайно стартиране, което би могло да причини сериозни наранявания.

- При обслужване използвайте само оригинални резервни части, аксесоари и средства за прикрепване на производителя. Използването на други части може да ви постави в опасност или да повреди продукта.
- В никакъв случай не позволявайте пластмасовите части да влизат в контакт със спирачни течности, нефтени продукти, проникващи масла и т.н. Химикалите могат да повредят, отслабят или унищожат пластмасата, което може да доведе до сериозни физически наранявания.
- Избягвайте използването на разтворители при почистването на пластмасовите части. Повечето пластмаси са чувствителни към различни видове разтворители и може да се повредят при използването на такива. Използвайте меки кърпи за отстраняване на замърсявания, въглероден прах и др.
- За по-голяма безопасност и надеждност всички ремонти трябва да се извършват от оторизиран сервиз.

### СМАЗВАНЕ

Всички лагери в този продукт за смазани с достатъчно количество висококачествено масло, което трябва да стигне за целия експлоатационен живот на инструмента при нормални работни условия. Затова не е необходимо допълнително смазване.

Не използвайте смазочни материали върху скобите, пълнителя или забиващия механизъм. Пазете чисто.

## ОПАЗВАНЕ НА ОКОЛНАТА СРЕДА



Рециклиране на суровини, вместо за обезвреждане като отпадък. Машината, допълнителните приспособления и опаковките трябва да бъдат подложени на подходяща преработка за оползотворяване на съдържащите се в тях вторични суровини.

## СИМВОЛИ НА ПРОДУКТА



Предупреждение относно безопасността



СЕ съответствие



Напрежение



Постоянен ток



EurAsian знак за съответствие



Прочетете инструкциите внимателно, преди да стартирате машината.



Украински знак за съответствие

001



Дръжте ръцете си далеч



Носете защитни средства за очи



Електрическите уреди не трябва да се изхвърлят заедно с битовите отпадъци. Рециклирайте, където има възможност. Обърнете се за съвет по рециклирането към местните власти или разпространителите.

## СИМВОЛИ В НАСТОЯЩОТО РЪКОВОДСТВО



Забележка



Частите или принадлежностите се продават отделно

Следните сигнални думи и техните съответни значения обясняват нивата на опасност, свързани с употребата на този продукт:

 **ОПАСНОСТ**

Указва неминуемо опасна ситуация, която ако не бъде избегната, ще доведе до сериозни наранявания или смърт.

 **ПРЕДУПРЕЖДЕНИЕ**

Указва потенциално опасна ситуация, която ако не бъде избегната, може да доведе до сериозни наранявания или смърт.

 **ВНИМАНИЕ**

Указва потенциално опасна ситуация, която ако не бъде избегната, може да доведе до дребни или средни наранявания.

**ВНИМАНИЕ**

(Без предупредителен символ за безопасност) Указва ситуация, която може да доведе до имуществени щети.



Безпеці, продуктивності і надійності наданий вищий пріоритет в дизайні вашого степлера.

### ПРИЗНАЧЕННЯ

Степлер призначено для використання тільки дорослими, які уважно прочитали та зрозуміли інструкції та попередження у цьому керівництві, та можуть вважатися відповідальними за власні дії.

Степлер призначений для забивання скоби в м'які матеріали, такі як дерево. Продукт може бути використаний для:

- введення скоб у деревину
- із аксесуаром, що входить до комплекту постачання, для введення скоб для закріплення стальної огорожі та сталеної сітки
- введення скоб в обивочний матеріал (тканина)
- введення скоб у пластмасу
- введення скоб у папір і картон
- введення скоб для прикріплення підкладки килимів

Степлер не підходить для фіксації електричних кабелів. Для довбання та свердлення кам'яної кладки, може бути використаний режим молотка.

**ПРИМІТКА:** Деякі деревні породи (наприклад, дуже суха деревина твердих порід) можуть потребувати більш короткі скоби, щоб повністю увійти туди.

### ⚠ ПОПЕРЕДЖЕННЯ

**Прочитайте всі правила безпеки, інструкції, ілюстрації і специфікації, що поставляються з електроінструментом.** Недотримання всіх зазначених інструкцій може призвести до ураження електричним струмом, пожежі та/або серйозних травм.

**Збережіть всі інструкції і вказівки для майбутнього використання.**

### ПОПЕРЕДЖЕННЯ З БЕЗПЕКИ СТЕПЛЕРА

- **Завжди упевнитись, що інструмент містить кріплення.** Необережне поводження зі степлером може привести до несподіваної стрільби кріпильними виробами і травми.
- **Не спрямовуйте інструмент на себе чи на когонебудь поблизу.** Несподіване спрацювання засуву буде призводити до травми.
- **Не приводити в дію інструмент, якщо інструмент не розміщений впритул до заготівлі.** Якщо інструмент не знаходиться в контакт з заготівлею, кріпильний елемент може бути відхилений від цілі.
- **Вимкніть інструмент від джерела живлення, коли вставляєте скобки в інструмент.** При видаленні застряглою скоки, степлер може бути випадково активується, якщо він підключений.
- **Будьте обережні при видаленні застряглою скобки.** Механізм може бути під тиском і засув може бути примусово висвободитися при спробі звільнити застряглий стан.

- **Не використовуйте цей степлер для кріплення електричних кабелів.** Він не призначений для монтажу електричного кабелю і може призвести до пошкодження ізоляції електричних кабелів, тим самим ураження електричним струмом або пожежі.

### ДОДАТКОВІ ЗАХОДИ БЕЗПЕКИ.

- Завжди знайте, що неправильне використання і неправильне поводження з продуктом може призвести до травмування себе та інших.
- Продукт призначений для використання однією рукою. Не тримайте продукт за передню частину. Не ставте руки, голову або інші частини вашого тіла в нижню частину магазину, де засув виходить з продукту, тому що можуть бути викликані серйозні травми.
- Завжди переконайтеся, що контакт заготовки повністю розташований над заготівлею. Розміщення контакт заготовки тільки частково над заготівлею може призвести до повного пропуску скобою деталі і привести до серйозних травм.
- Не вводіть кріплення поруч з краєм матеріалу. Заготівля може розбитися викликаючи рикошет скобки, поранивши вас чи колегу. Пам'ятайте, що скобка може слідувати волокнам деревини, в результаті чого вона може виступити несподівано з боку оброблюваного матеріалу або відхилитися, це може призвести до травми.
- Тримайте руки і частини тіла подалі від безпосередньої робочої зони. Тримайте заготовку з зажимами, коли необхідно тримати руки і тіло подалі від потенційного ушкодження. Будьте впевнені, що заготовка надійно закріплена, перш ніж притиснути скобку до матеріалу. Контакт заготовки може призвести до несподіваного перекручування матеріалу.
- Тримайте обличчя і частини тіла подалі від кришки задньої частини інструменту при роботі в обмежених областях. Раптова віддача може призвести до впливу на організм, особливо коли зшиваєте твердий або щільний матеріал.
- Під час нормального використання продукту віддача буде відразу після введення скобки. Це нормальна функція продукту. Не намагайтеся запобігти віддачі, притискаючи продукт до роботи. Обмеження віддачі може призвести до вистрілювання другої скобки з продукту. Візьміться за ручку твердо, нехай продукт зробить роботу і ніколи не ставте другу руку на верхній частині продукту або поблизу вихлопних газів. Недотримання цього попередження може призвести до серйозних травм.
- Не вводіть скобки на поверх інших кріплень або, коли продукт під надмірно крутим кутом, це може привести до відхилення кріплення, це може призвести до травми.
- Завжди перевіряйте робочу зону на наявність прихованої проводки, газових ліній, водоводів і т.д., коли працюєте у такій зоні.
- Довжина цвяхів може виявитися більшою, ніж вам потрібно. Бажано перевірити глибину на брукті заготівлі для визначення необхідної глибини.



- Тільки скоби відповідаючі опису в таблиці специфікації можуть бути використані разом з продуктом. Використання некоректних скоб може привести до заклинювання або інших несправностей.

### ПОПЕРЕДЖЕННЯ БЕЗПЕКИ РЕГУЛЮВАННЯ ГЛИБИНИ

- Завжди виймайте акумулятор перед регулюванням глибини введення.
- Не тягніть назад ручку регулювання глибини. Ручка призначена для повертання.
- Не натискайте на курок, регулюючи глибину ручки введення.
- Не спрямовуйте продукт на себе чи кого-небудь поблизу, коли регулюєте глибину.

### ТЕХНІКА БЕЗПЕКИ ПРИ ЕКСПЛУАТАЦІЇ АКУМУЛЯТОРНОЇ БАТАРЕЇ

#### ⚠ ПОПЕРЕДЖЕННЯ

Для запобігання небезпеці пожежі в результаті короткого замикання, травмам і пошкодженню виробів не занурюйте інструмент, змінний акумулятор або зарядний пристрій у рідину і не допускайте потрапляння рідини всередину пристроїв або акумуляторів. Корозійні і струмопровідні рідини, такі як солоний розчин, певні хімікати, вибілювальні засоби або продукти, що їх містять, можуть призвести до короткого замикання.

### ТРАНСПОРТУВАННЯ ЛІТІСВИХ БАТАРЕЙ

Транспортуйте батарею відповідно до місцевих та національних положень та правил.

Дотримуйтесь усіх спеціальних вимог щодо пакування та маркування при транспортуванні батареї третьою стороною. Переконайтеся, що батареї не можуть вступати в контакт з іншими батареями або провідними матеріалами при транспортуванні, захищаючи відкриті роз'єми ізоляційними непровідними кришками або стрічкою. Не перевозити батареї, які мають тріщини або протечки. Консультуйтеся з експедиторською компанією для подальших консультацій.

### ЗАЛИШКОВІ РИЗИКИ

Навіть коли продукт використовується як написано, залишається неможливим повністю усунути деякі залишкові чинники ризику. Наступні небезпеки можуть виникнути і оператор повинен звернути особливу увагу, щоб уникнути наступного:

- Пошкодження слуху  
**Примітка:** Завжди носіть ефективний захист слуху і обмежить вплив шуму.
- Травми очей можуть бути спричинені неправильно закріпленими кріпильними елементами або пилом і сміттям, що здійснюється у повітря.  
**Примітка:** Завжди вдягайте захисні окуляри.
- Травми, викликані вібрацією  
**Примітка:** Тримайте інструмент за позначені ручки

і обмежить вплив вібрації. Дивіться «ЗНИЖЕННЯ РИЗИКУ».

- Рвані рани, спричинені контактом з гострими краями.

**Примітка:** Будьте особливо обережні при поводженні з кріпильними елементами та їх фіксуванні.

- Інструмент важкий.

**Примітка:** Інструмент важкий. Не перенапружуйте м'язи, якщо працюєте з інструментом протягом тривалого часу, особливо коли виконуєте роботи на стелі.

### ЗНИЖЕННЯ РИЗИКУ

Повідомлялося, що вібрації від ручних інструментів у певних осіб можуть сприяти стану, який називається синдромом Рейно. Симптоми можуть включати поколювання, оніміння і збліднення пальців, як правило, очевидні при впливі холоду. Спадкові фактори, вплив холоду і вогкості, дієта, куріння і робоча практика, всі ці чинники роблять свій внесок у розвиток цих симптомів. Ці заходи можуть бути прийняті оператором, щоб можливо зменшити вплив вібрації:

- Тримайте тіло в теплі в холодну погоду. При експлуатації приладу, одягайте рукавички, щоб тримати руки і зап'ястя у теплі. Повідомлялося, що холодна погода є основним чинником, що сприяє синдрому Рейно.
- Після кожного періоду роботи, здійснюйте вправи для підвищення кровообігу.
- Робіть часті перерви в роботі. Зробіть обмеження кількості впливу на день.

Якщо ви відчуваєте будь-які з симптомів цього стану, негайно припиніть використання і зверніться до лікаря з цими симптомами.

#### ⚠ ПОПЕРЕДЖЕННЯ

Тривале використання інструменту може викликати або посилити травми. При використанні інструменту протягом тривалого періоду, робіть регулярні перерви.

### ЗНАЙТЕ СВІЙ ПРОДУКТ

Див. стор. 83.

1. Педаль активації
2. Аксесуар для огорожі та сітки
3. Індикатор потужності введення
4. Ручка регулювання глибини
5. Касета
6. Гачок перемикача
7. Ручка, ізольована поверхня для утримання
8. Зажим для ременя
9. Журнальний фіксатор
10. Гніздо для акумулятора
11. Скоби 14,3 мм
12. Скоби 6,4 мм

## ОБСЛУГОВУВАННЯ

### ⚠ ПОПЕРЕДЖЕННЯ

Продукт не повинен бути підключений до джерела живлення, коли ви збираєте деталі, регулюєте, чистите, проводите технічне обслуговування або коли продукт не використовується. Відключення продукту допоможе уникнути випадкового запуску, який може призвести до серйозних травм.

- При обслуговуванні використовуйте тільки оригінальні запасні частини аксесуари та обладнання від виробника. Використання будь-яких інших деталей може створити небезпеку або спричинити пошкодження продукту.
- Ніколи не дозволяйте гальмієвій рідині, бензину, продуктам на основі нафти, і проникаючим маслам вступати в контакт з пластиковими деталями. Хімічні речовини можуть пошкодити, послабити або знищити пластик, який може привести до серйозної травми.
- Не використовуйте розчинники для очищення пластмасових деталей. Більшість пластмас вразливі до різних видів комерційних розчинників і може бути пошкоджена їх використанням. Використовуйте чисті ганчірки для видалення бруду і вугільного пилу.
- Для більшої безпеки і надійності, всі ремонтні роботи повинні виконуватися в авторизованому сервісному центрі.

### ЗМАЩУВАННЯ

Всі підшипники в продукті змащені достатньою кількістю високоякісного мастила для всього терміну служби продукту при нормальних умовах експлуатації. Таким чином, додаткове змащення не потрібно.

Не використовуйте мастила на степлері, магазині або на приводному механізмі. Утримувати чистим.

### ЗАХИСТ НАВКОЛИШНЬОГО СЕРЕДОВИЩА



Переробляйте сировину замість утилізації в якості відходів. Машини, обладнання та упаковка повинні бути відсортовані для дружньої для навколишнього середовища утилізації.

### СИМВОЛИ НА ПРОДУКТІ



Попередження безпеки



CE відповідність



Вольти



Постійний струм



Євразійський знак відповідності



Будь ласка, уважно прочитайте інструкцію перед запуском продукту.



Український знак відповідності



Тримайте руки подалі



Носіть захист для очей



Відходи електротехнічної продукції не слід викидати разом із побутовими відходами. Будь ласка, переробляйте там, де наявне устаткування. Перевірте з вашим місцевим органом влади або продавцем для консультації з приводу переробки.

### СИМВОЛИ В ЦІЇ ІНСТРУКЦІЇ З ЕКСПЛУАТАЦІЇ



Примітка



Запасні деталі або приналежності продаються окремо

Нижчезказані попереджальні слова та символи пояснюють рівень ризику при роботі з цим приладом.

### ⚠ НЕБЕЗПЕКА

Вказує на неминуче небезпечну ситуацію, яка, якщо її не уникнути, може призвести до смерті або серйозних травм.

### ⚠ ПОПЕРЕДЖЕННЯ

Вказує на потенційно небезпечну ситуацію, яка, якщо її не уникнути, може призвести до смерті або серйозних травм.

### ⚠ УВАГА

Вказує на потенційно небезпечну ситуацію, яка, якщо її не уникнути, може призвести до середньої або легкої травми.

### УВАГА

(Без Символу попередження про небезпеку) Вказує на ситуацію, яка може привести до матеріальних збитків.

Zımbanız tasarlanırken temel öncelik güvenlik, performans ve güvenilirlik özelliklerine verilmiştir.

### KULLANIM AMACI

Zimba aleti bu kılavuzdaki talimat ve uyarıları okuyup anlamış olan, davranışlarının sorumluluğunu alabilen yetişkinler tarafından kullanılması için tasarlanmıştır.

Zimba, ahşap gibi yumuşak materyalleri zımbalamak için tasarlanmıştır. Ürün aşağıdaki işlemler için kullanılabilir:

- ahşaba zimba çakmak
- teslimat kapsamındaki aksesuarlarla, çit teli ve tel kafes tespit edecek zımbaları çakmak
- döşemelik kumaş için zimba çakmak
- plastiklere zimba çakmak
- kağıt ve kartona zimba çakmak
- halı altı kaplamaları tespit için zimba çakmak

Zimba aleti elektrik kabloların tespiti için uygun değildir.

Bu ürünü belirtilen kullanım amacı dışında herhangi bir amaçla kullanmayın.

**NOT:** Bazı keresteler (kuru sert ağaç gibi) tamamen içine yerleştirebilmek için daha kısa zımbalar gerektirebilir.

### ⚠ UYARI

**Bu aletle birlikte verilen tüm uyarı, talimat ve özellikleri dikkatlice okuyunuz ve resimli açıklamalara bakınız.** Aşağıda belirtilen talimatlara uyulmaması, yangın, elektrik çarpması ve/veya ciddi bedensel yaralanmalar gibi kazalar sebep olabilir.

**Tüm uyarıları ve talimatları daha sonra başvurmak üzere saklayın.**

### ZIMBA ALETİ GÜVENLİK UYARILARI

- **Daima alette sabitleyici bulunduğunu varsayın.** Zimba aletinin dikkatsizce kullanılması beklenmedik zımbalamaya ve kişisel yaralanmaya yol açabilir.
- **Aleti kendinize veya yakındaki başka bir kimseye doğru tutmayın.** Tetiğe beklenmedik anda basılması sabitleyiciyi yaralanmaya neden olacak şekilde fırlattırabilir.
- **Alet üzerinde çalışılacak parça üzerine sıkı bir şekilde yerleştirilmeden aleti çalıştırmayın.** Alet üzerinde çalışılacak parçayla temas etmiyorsa sabitleyici hedefinden kaymış olabilir.
- **Sabitleyiciyi alete tuttururken aleti güç kaynağından ayırın.** Sıkışmış bir zımbayı çıkarırken elektrige bağlıysa, zimba aleti kazayla tetiklenebilir.
- **Sıkışan sabitleyiciyi çıkartırken dikkatli olun.** Mekanizma basınçla sıkışmış olabilir ve sıkışıklığı açmaya çalışırken sabitleyici kuvvetli bir şekilde fırlayabilir.
- **Zimba aletini elektrik kablolarının tespiti için kullanmayın.** Elektrik kablo kurulumu için tasarlanmamıştır ve elektrik kablolarının yalıtımına zarar verip elektrik çarpması veya yangın tehlikesine neden olabilir.

### İLAVE GÜVENLİK UYARILARI

- Her zaman bu aletin amaç dışı ve hatalı kullanımının kendinizin veya başkalarının yaralanmasına neden olabileceğinin bilincinde olun.
- Alet tek elle kullanılmak üzere tasarlanmıştır. Aleti kartuşun ön tarafından tutmayın. Ciddi kişisel yaralanmalara yol açabileceğinden ellerinizi, başınızı ya da vücudunuzun başka bölümlerini zımbanın üründen çıktığı alet tabanına yaklaştırmayın.
- Daima üzerinde çalışılan parçanın teması üzerinde çalışılan parçanın üzerine yerleştirildiğinden emin olun. İşlenecek parçayla temas bölümünü işlenecek parçanın kısmen üzerine yerleştirmek zımbanın işlenecek parçayı iskalamasına ve ciddi yaralanmaya yol açabilir.
- Zımbaları malzeme kenarlarına yakın çakmayın. İşlenecek parça yarılarak zımbanın sekmesine, sizin ya da bir iş arkadaşınızın yaralanmasına yol açabilir Zımbanın ahşabın damarını izleyebileceğini, beklenmedik bir anda işlenecek parçanın kenarından yükselerek ya da saparak yaralanmaya yol açabileceğini unutmayın.
- Ellerinizi ve uzuvlarınızı çalışma alanının yakınında tutmayın. Ellerinizi ve vücudunuzu zarar verebilecek yerlerden uzak tutmanız gerektiğinde üzerinde çalışılan parçayı kelepçelerle tutun. Sabitleyiciyi materyal üzerine bastırmadan önce üzerinde çalışılan parçanın uygun şekilde sabitlendiğinden emin olun. Üzerinde çalışılacak parçanın temas noktası işlenecek materyalin beklenmedik şekilde kaymasına neden olabilir.
- Erişimi sınırlı alanlarda çalışırken yüzünüzü ve uzuvlarınızı alet başlığının arka tarafından uzak tutun. Ani tepme, özellikle sert ya da yoğun malzeme zımbalarken vücuda darbeye neden olabilir.
- Normal kullanım sırasında alet bir sabitleyici takıldıktan hemen sonra geri tepecektir. Bu aletin normal çalışma şeklidir. Ürünü işlenen parçaya bastırarak tepmeyi önlemeye çalışmayın. Tepmenin kısıtlanması aletin ikinci zımbayı çakmasına neden olabilir. Sapi sıkıca tutun, aleti çalıştırın ve diğer elinizi hiçbir zaman aletin üzerine veya egzozun yanına koymayın. Bu uyarının dikkate alınmaması ciddi kişisel yaralanmalarla sonuçlanabilir.
- Sabitleyicilerin yönünden saparak yaralanmaya neden olabileceğinden sabitleyicileri diğer sabitleyicilerin veya aletin üzerine aşırı dik bir açıda takmayın.
- Ürünü bu gibi çalışma alanlarında kullanmadan önce çalışma alanını gizli kablolar, gaz tesisatına, su tesisatına vb. karşı kontrol edin.
- Zımbanın çakılma derinliği sizin için gerekli hava basıncından daha yükseğe ayarlanabilir. İstenen uygulama derinliğini belirlemek için hurda parça üzerinde derinlik testi yapılması önerilir.
- Bu aletle birlikte yalnızca ürün özellikli tablosundaki açıklamaları karşılayan sabitleyicileri kullanılabilir. Yanlış sabitleyicilerin kullanılması sıkışmaya ve başka arızalara neden olabilir.

### DERİNLİK AYARI GÜVENLİK UYARILARI

- Çakma derinliğini ayarlamadan önce pil paketini mutlaka çıkarın.

- Derinlik ayar düğmesini çekmeyin. Düğme döndürülmek üzere tasarlanmıştır.
- Çakma düğmesinin derinliğini ayarlarken tetiğe basmayın.
- Tahrik derinliğini ayarlarken aleti kendinize veya yakındaki başka bir kimseye doğru tutmayın.

## PİL İÇİN EK GÜVENLİK UYARILARI

### ⚠ UYARI

Bir kısa devreden kaynaklanan yangın, yaralanma veya ürün hasarları tehlikesini önlemek için aleti, güç paketini veya şarj cihazını asla sıvıların içine daldırmayınız ve cihazların ve pillerin içine sıvı girmesini önleyiniz. Tuzlu su, belirli kimyasallar, ağartıcı madde veya ağartıcı madde içeren ürünler gibi korozif veya iletken sıvılar kısa devreye neden olabilir.

## LİTYUM PİLLERİN NAKLİYESİ

Pili yerel ve ulusal hükümlere ve yönetmeliklere göre nakledin.

Piller üçüncü bir şahıs tarafından nakledilirken ambalaj ve etiket üzerindeki tüm özel gereksinimlere uyun. Açıktaki konektörleri iletken olmayan yalıtım başlıkları veya bandı ile koruyarak pillerin nakliye sırasında diğer pillerle veya iletken materyallerle temas etmediğinden emin olun. Çatlak veya sızıntı yapan pilleri nakletmeyin. Daha fazla bilgi için nakliye şirketine danışın.

## ARDIL RİSKLER

Ürün belirtildiği şekilde kullanıldığı zaman bile belirli artık risk faktörlerinin tamamen ortadan kaldırılması mümkün değildir. Kullanım sırasında aşağıdaki tehlikeler ortaya çıkabilir ve operatör bunlardan kaçınmak için özellikle dikkat etmelidir:

- İşitme kaybı  
**Not:** Daima etkili bir koruyucu kulaklık kullanın ve gürültü maruziyetini azaltın.
- Yanlış çakılmış zimbaların ya da uçan toz ve kalıntıların gözlerde neden olduğu yaralar.  
**Not:** Her zaman uygun göz koruması takın.
- Titreşim kaynaklı yaralanma  
**Not:** Aleti belirtilen kollarla tutun ve titreşim maruziyetini azaltın. Bkz. "Risk Azaltma".
- Keskin kısımlar ile temas nedeniyle derin kesikler meydana gelebilir.  
**Not:** Zimbalarla işlem yapar ya da doldururken son derecede dikkatli olun.
- Ürün ağırdır.  
**Not:** Ürün ağırdır. Ürünü uzun süre kullanırken, özellikle baş üstünde kullanıyorsanız kas geriginiğine dikkat edin.

## RİSK AZALTMA

El aletlerinden kaynaklanan titreşimlerin belirli kişilerde Raynaud Sendromu olarak adlandırılan bir durumu etkileyebileceği rapor edilmiştir. Karıncalanma, hissizlik ve parmakların sararması gibi genelde soğuğa maruz

kaldıktan sonra görülen semptomlar oluşabilir. Kalıtsal faktörler, soğuğa ve ıslaklığa maruz kalmak, diyet, sigara içmek ve fiziksel yorgunluk gibi etkenlerin hepsinin bu semptomların ortaya çıkmasına zemin hazırlayabileceği bildirilmiştir. Titreşimin etkilerini azaltmak için operatör tarafından alınabilecek önlemler bulunmaktadır:

- Soğuk havalarda vücudunuzu sıcak tutun. Ürünü çalıştırırken elleri ve bilekleri sıcak tutmak için eldiven takın. Soğuk havanın Raynaud Sendromunun ana tetikleyicilerinden olduğu bildirilmiştir.
- Her operasyon sürecinden sonra kan dolaşımını arttırmak için egzersiz yapın.
- Sık sık işe ara verin. Günlük maruziyet miktarını sınırlandırın.

Bu rahatsızlığın semptomlarından herhangi birini görürseniz, aleti kullanmayı derhal bırakın ve bir doktora görünün.

### ⚠ UYARI

Bir aletin uzun süre kullanılması nedeniyle yaralanmalar olabilir veya mevcut yaraların durumu kötüleşebilir. Herhangi bir aleti uzun bir süre boyunca kullanırken düzenli olarak ara vermeyi ihmal etmeyin.

## ÜRÜNÜNÜZÜ TANIYIN

Sayfa 83'ya bakın.

1. Etkinleştirme ayağı
2. Tel ve kafes aksesuarı
3. Çakma gücü göstergesi
4. Derinlik ayar düğmesi
5. Kartuş
6. Tetik anahtarı
7. Tutamak, yalıtılmış kavrama yüzeyi
8. Kemer kancası
9. Kartuş mandalı
10. PİL bağlantı noktası
11. 14,3 mm zimbalar
12. 6,4 mm zimbalar

## BAKİM

### ⚠ UYARI

Parçaları monte ederken, ayar, temizlik, bakım çalışması yaparken veya ürün kullanılmadığı zaman ürünü asla güç kaynağına bağlamayın. Ürünün bağlantısının kesilmesi ciddi yaralanmalara neden olabilecek kazara çalışmayı önleyecektir.

- Bakım yaparken yalnızca orijinal yedek parçaları, aksesuarları ve parçaları kullanın. Diğer parçaları kullanmak tehlike yaratabilir ya da hasara neden olabilir.
- Asla fren hidroliğinin, benzinin, petrol esaslı ürünlerin, yüzeye işleyen yağların vb. plastik parçalarla temas etmesine izin vermeyin. Bu kimyasal ürünler plastik parçaları zara verebilir; kırabilir ya da bozabilir.
- Plastik parçaları temizlerken solventleri kullanmaktan

kaçının. Plastiklerin çoğu ticari kullanımlı uçucu maddeler karşı hassastır. Lekeleri, tozu, vb. temizlemek için temiz bir bez kullanınız.

- Güvenliği ve güvenilirliği arttırmak için tüm onarım çalışmaları yetkili bir servis merkezi tarafından gerçekleştirilmelidir.

### YAĞLAMA

Üründeki tüm yataklar normal çalışma koşullarında ürünün hizmet ömrü boyunca yeterli miktarda yüksek kalite yağ ile yağlanır. Buna göre, fazladan yağlama yapılmasına gerek yoktur.

Zımbalar, hazne veya tahrik mekanizması üzerinde yağlayıcılar kullanmayın. Temiz tutun.

### ÇEVRENİN KORUNMASI



Ham maddeleri çöp olarak atmak yerine geri dönüştürün. Çevreyi korumak için, alet, aksesuarlar ve ambalajlar tasnif edilmelidir.

### ÜRÜN ÜZERİNDEKİ SEMBOLLER



Güvenlik ikazı



CE uygunluğu

V

Volt



Doğru akım



EurAsian Uyumluluk işareti



Makineyi çalıştırmadan talimatları dikkatlice okuyun.



Ukrayna uygunluk işareti

001



Ellerinizi uzak tutun



Koruyucu gözlük kullanın



Atık elektrikli ürünler evsel atıklarla birlikte atılmamalıdır. Tesis bulunuyorsa lütfen geri dönüşüme verin. Geri dönüşümle ilgili tavsiye için Yerel Makamlarla veya bayi ile irtibat kurun.

### KİTAPÇIKTAKİ SEMBOLLER



Not



Parçalar ya da aksesuarlar ayrı olarak satılır.

Aşağıdaki işaret sözcükleri ve anlamları, bu ürünle ilişkili risk seviyelerini açıklamaya yöneliktir:

#### ⚠ TEHLİKE

Önlenmemesi durumunda ölüm veya ciddi yaralanma ile sonuçlanacak, tehdit edici tehlikeli bir durumu gösterir.

#### ⚠ UYARI

Önlenmemesi durumunda ölüm veya ciddi yaralanma ile sonuçlanabilecek potansiyel olarak tehlikeli bir durumu gösterir.

#### ⚠ DİKKAT

Önlenmemesi durumunda önemsiz veya orta derece yaralanma ile sonuçlanabilecek potansiyel olarak tehlikeli bir durumu belirtir.

#### DİKKAT

(Güvenlik uyarı simgesiz) maddi hasarla sonuçlanabilecek bir durum belirtir.





Στον σχεδιασμό του συρραπτικού έχει δοθεί μέγιστη προτεραιότητα στην ασφάλεια, την απόδοση και την αξιοπιστία.

### ΠΡΟΟΡΙΖΟΜΕΝΗ ΧΡΗΣΗ

Το συρραπτικό προορίζεται για χρήση μόνο από ενήλικες που έχουν διαβάσει και κατανοήσει τις οδηγίες και προειδοποιήσεις αυτού του εγχειριδίου και μπορούν να θεωρηθούν υπεύθυνοι για τις πράξεις τους.

Το συρραπτικό μηχανήμα προορίζεται για την οδήγηση συρραπτήρων σε μαλακά υλικά όπως σε ξύλο. Το προϊόν μπορεί να χρησιμοποιηθεί για:

- κάρφωμα συνδετήρων σε ξύλο
- με το συνοδευτικό εξάρτημα, κάρφωμα συνδετήρων για ασφάλιση συρμάτων περιφράξης και συμρατοπλέγματος
- κάρφωμα συνδετήρων για ταπετσαρία επίπλων (υφάσματα)
- κάρφωμα συνδετήρων σε πλαστικά
- κάρφωμα συνδετήρων σε χαρτί και χαρτόνι
- κάρφωμα συνδετήρων για ασφάλιση υποστρώματος μοκέτας

Το συρραπτικό δεν είναι κατάλληλο για στερέωση ηλεκτρικών καλωδίων.

Μην χρησιμοποιείτε το προϊόν με τρόπο διαφορετικό από αυτόν που αναφέρεται για τη χρήση του.

**ΣΗΜΕΙΩΣΗ** Ορισμέ'να είδη ξυλείας (όπως πολύ στεγνά σκληρά ξύλα) μπορεί να χρειάζονται πιο κοντά συρραπτικά για να καρφωθούν τέρμα

### ▲ ΠΡΟΕΙΔΟΠΟΙΗΣΗ

**Διαβάστε προσεκτικά όλες τις προειδοποιήσεις, οδηγίες και προδιαγραφές που παρέχονται με το εργαλείο και ανατρέξτε στις εικόνες.** Η μη τήρηση των ακόλουθων οδηγιών μπορεί να επιφέρει ατυχήματα όπως πυρκαγιάς, ηλεκτροπληξίες ή και σοβαρό σωματικό τραυματισμό.

**Φυλάσσετε όλες τις προειδοποιήσεις και οδηγίες για μελλοντική χρήση.**

### ΠΡΟΕΙΔΟΠΟΙΗΣΕΙΣ ΑΣΦΑΛΕΙΑΣ ΣΥΡΡΑΠΤΙΚΟΥ

- **Να υποθέτετε πάντα ότι το εργαλείο περιέχει συνδετήρες.** Ο απρόσεκτος χειρισμός του συρραπτικού μπορεί να οδηγήσει σε απροσδόκητη πυροδότηση συνδετήρων και τραυματισμό.
- **Μην κατευθύνετε το εργαλείο προς εσάς ή οποιουσδήποτε άλλους κοντά.** Μη αναμενόμενη εξαπόλυση θα πυροδοτήσει το συνδετήρα με συνέπεια τραυματισμό.
- **Μην ενεργοποιήσετε το εργαλείο εκτός εάν αυτό έχει τοποθετηθεί σφικτά αντίθετα από το τεμάχιο επεξεργασίας.** Εάν το εργαλείο δεν έρχεται σε επαφή με το τεμάχιο επεξεργασίας, ο συνδετήρας μπορεί να εκτραπεί μακριά από το στόχο σας.
- **Αποσυνδέστε το εργαλείο από την πηγή ισχύος όταν ο συνδετήρας μπλοκάρει στο εργαλείο.** Κατά την αφαίρεση μπλοκαρισμένου συνδετήρα, το συρραπτικό μπορεί να ενεργοποιηθεί κατά λάθος αν είναι συνδεδεμένο στην παροχή ρεύματος.
- **Να είστε προσεκτικοί κατά την αφαίρεση ενός**

**μπλοκαρισμένου συνδετήρα.** Ο μηχανισμός μπορεί να βρίσκεται υπό συμπίεση και ο συνδετήρας μπορεί να εκτοξευθεί με δύναμη ενώ προσπαθείτε να αποδεσμεύσετε μια κατάσταση εμπλοκής.

- **Μην χρησιμοποιείτε το συρραπτικό για τη στερέωση ηλεκτρικών καλωδίων.** Δεν έχει σχεδιαστεί για εγκατάσταση ηλεκτρικών καλωδίων και μπορεί να προκληθεί ζημιά στη μόνωση των ηλεκτρικών καλωδίων με συνέπεια ηλεκτροπληξία ή κίνδυνο πυρκαγιάς.

### ΕΠΙΠΡΟΣΘΕΤΕΣ ΠΡΟΕΙΔΟΠΟΙΗΣΕΙΣ ΑΣΦΑΛΕΙΑΣ

- Να θυμάστε ότι η κακή χρήση και ο ανάρμοστος χειρισμός του εργαλείου μπορούν να προκαλέσουν τραυματισμούς σε εσάς και σε άλλους.
- Το εργαλείο έχει σχεδιαστεί για χρήση με το ένα χέρι μόνο. Μην κρατάτε το εργαλείο από το έμπροσθεν τμήμα της υποδοχής. Μην βάζετε τα χέρια, το κεφάλι ή άλλα μέρη του σώματός σας κοντά στο κάτω μέρος του γεμιστήρα όπου ο συνδετήρας εξέρχεται ο συνδετήρας από το προϊόν, καθώς μπορεί να προκληθεί σοβαρός τραυματισμός.
- Εξασφαλίζετε πάντα ότι η επαφή τεμαχίου επεξεργασίας έχει τοποθετηθεί πλήρως πάνω από το τεμάχιο επεξεργασίας. Η τοποθέτηση της επαφής του τεμαχίου εργασίας μόνο μερικώς πάνω από το τεμάχιο εργασίας θα μπορούσε να προκαλέσει την αποτυχία του συνδετήρα να βρει το εξάρτημα εργασίας και να οδηγήσει σε σοβαρό ατομικό τραυματισμό.
- Μην τοποθετείτε συνδετήρες κοντά στις άκρες του υλικού. Το τεμάχιο εργασίας μπορεί να σχιστεί προκαλώντας τον εξοστρακισμό του συνδετήρα, τραυματίζοντας εσάς ή έναν συνάδελφο. Λάβετε υπόψη σας ότι ο συνδετήρας μπορεί να ακολουθεί τα νερά του ξύλου, προκαλώντας την προεκβολή ή εκτροπή του από το πλάι του υλικού εργασίας, οδηγώντας ενδεχομένως σε τραυματισμό.
- Διατηρείτε τα χέρια και τα τμήματα του σώματος μακριά από τον άμεσο χώρο εργασίας. Κρατήστε το τεμάχιο επεξεργασίας με μέγγηση όπου απαιτείται ώστε να μην θέτετε σε ενδεχόμενο κίνδυνο τα χέρια και το σώμα. Βεβαιωθείτε ότι το τεμάχιο επεξεργασίας έχει ασφαλιστεί σωστά προτού πιάσετε το συνδετήρα προς το υλικό. Η επαφή τεμαχίου επεξεργασίας μπορεί να προκαλέσει ξαφνική μετατόπιση του υλικού εργασίας.
- Διατηρείτε το πρόσωπο και το σώμα μακριά από το πίσω μέρος του πώματος εργαλείου κατά την εργασία σε στενούς χώρους. Η ξαφνική ανάκρουση μπορεί να προκαλέσει πρόσκρουση στο σώμα, ειδικά όταν συρράπτουμε σε σκληρό ή πυκνό υλικό.
- Κατά τη φυσιολογική χρήση το εργαλείο θα κλωτσήσει αμέσως αφού οδηγηθεί ο συνδετήρας. Αυτή είναι μια φυσιολογική λειτουργία του εργαλείου. Μην επιχειρήσετε να αποτρέψετε την ανάκρουση κρατώντας το προϊόν κόντρα στο τεμάχιο εργασίας. Η αντίθεση στην ανάκρουση μπορεί να οδηγήσει στην εξώθηση δεύτερου συνδετήρα από το προϊόν. Πιάστε τη λαβή σφικτά, αφήστε το εργαλείο να δουλέψει και ποτέ μην βάζετε το δεύτερο χέρι στο επάνω μέρος του εργαλείου ή κοντά στην παγωγή καυσαερίων. Αμέλεια τήρησης αυτής της προειδοποίησης μπορεί να προκαλέσει σοβαρό ατομικό τραυματισμό.
- Μην οδηγείτε τους συνδετήρες πάνω από άλλους συνδετήρες ή με το εργαλείο σε μια υπερβολικά απότομη γωνία καθώς έτσι μπορεί να προκληθεί

EN
FR
DE
ES
IT
NL
PT
DA
SV
FI
NO
RU
PL
CS
HU
RO
LV
LT
ET
HR
SL
SK
BG
UK
TR
EL





εκτροπή των συνδετήρων με αποτέλεσμα τραυματισμό.

- Να ελέγχετε πάντα τον τομέα εργασίας για κρυμμένες καλωδιώσεις, γραμμές αερίου, αγωγούς νερού κλπ. προτού χρησιμοποιήσετε το προϊόν σε τέτοιο τομέα εργασίας.
- Το προσαρμοσμένο βάθος ώθησης του συνδετήρα μπορεί να είναι μεγαλύτερο από το βάθος που απαιτείτε. Συστήνεται να ελέγχετε το βάθος σε ένα δοκιμαστικό τεμάχιο επεξεργασίας για να καθορίζετε το απαιτούμενο βάθος για την εφαρμογή.
- Μόνο συνδετήρες που ταιριάζουν στην περιγραφή του πίνακα προδιαγραφών προϊόντος μπορούν να χρησιμοποιούνται με αυτό το εργαλείο. Η χρήση εσφαλμένων συνδετήρων μπορεί να οδηγήσει σε εμπλοκή ή σε άλλες δυσλειτουργίες.

#### ΠΡΟΕΙΔΟΠΟΙΗΣΕΙΣ ΑΣΦΑΛΕΙΑΣ ΡΥΘΜΙΣΗΣ ΒΑΘΟΥΣ

- Αφαιρείτε πάντα την μπαταρία πριν ρυθμίσετε το βάθος της ώθησης.
- Μην τραβάτε προς τα πίσω το κουμπί ρύθμισης βάθους. Το κουμπί είναι σχεδιασμένο για περιστροφή.
- Μην πιέζετε την σκανδάλη ενώ ρυθμίζετε το βάθος του κουμπιού ώθησης.
- Μην κατευθύνετε το εργαλείο προς εσάς ή άλλους κοντά σας ενώ ρυθμίζετε το βάθος του οδηγού.

#### ΕΠΙΠΡΟΣΘΕΤΕΣ ΠΡΟΕΙΔΟΠΟΙΗΣΕΙΣ ΑΣΦΑΛΕΙΑΣ ΜΠΑΤΑΡΙΑΣ

##### ▲ ΠΡΟΕΙΔΟΠΟΙΗΣΗ

Για να αποτρέπεται τον κίνδυνο πυρκαγιάς λόγω βραχυκυκλώματος, τραυματισμούς ή ζημιές του προϊόντος, να μη βυθίζετε το εργαλείο, τον ανταλλακτικό συσσωρευτή ή τη συσκευή φόρτισης σε υγρά και να φροντίζετε, ώστε να μη διεισδύουν υγρά στις συσκευές και τους συσσωρευτές Διαβρωτικές ή αγώγιμες υγρές ουσίες, όπως αλατόνερο, ορισμένες χημικές ουσίες και λευκαντικά ή προϊόντα που περιέχουν λευκαντικά, μπορεί να προκαλέσουν βραχυκύκλωμα.

#### ΜΕΤΑΦΟΡΑ ΜΠΑΤΑΡΙΩΝ ΛΙΘΙΟΥ

Μεταφέρετε τη μπαταρία σε συμφωνία με τις τοπικές εθνικές διατάξεις και τους κανονισμούς.

Τηρείτε όλες τις ειδικές απαιτήσεις στη συσκευασία και στην ετικέτα κατά τη μεταφορά των μπαταριών από τρίτους. Εξασφαλίστε ότι δεν θα έρχονται σε επαφή οι μπαταρίες με άλλες μπαταρίες ή με αγώγιμα υλικά κατά τη διάρκεια της μεταφοράς, προστατεύοντας τους εκτεθειμένους συνδέσμους με μόνωση, μη αγώγιμα πώματα ή ταινία. Μη μεταφέρετε μπαταρίες που έχουν χτυπήματα ή διαρροή. Ενημερωθείτε από τη πρακτορεία μεταφορών για περαιτέρω ειδοποιήσεις.

#### ▲▲ΛΟΙ ΚΙΝΔΥΝΟΙ

Ακόμη και όταν το προϊόν χρησιμοποιείται σύμφωνα με τις οδηγίες, δεν είναι δυνατή η απόλυτη απαλειφή συγκεκριμένων παραγόντων κινδύνου. Κατά τη χρήση μπορεί να προκύψουν οι ακόλουθοι κίνδυνοι και ο χειριστής πρέπει να δίδει ιδιαίτερη προσοχή προς αποφυγή των εξής:

- Βλάβες στην ακοή.  
**Σημείωση:** Φοράτε πάντα αποτελεσματικά

προστατευτικά ακοής και περιορίζετε την έκθεση στον θόρυβο.

- Προκαλείται τραυματισμός στα μάτια από εσφαλμένη ώθηση συνδετήρων ή από ιπτάμενη σκόνη και θραύσματα.  
**Σημείωση:** Φοράτε πάντα κατάλληλα προστατευτικά ματιών.
- Τραυματισμοί από τον κραδασμό  
**Σημείωση:** Κρατάτε το εργαλείο από τις ειδικές λαβές και περιορίζετε την έκθεση στους κραδασμούς. Βλ. "Μείωση Κινδύνου".
- Αμυχές από επαφή με αιχμηρά σημεία.  
**Σημείωση:** Προσέχετε ιδιαίτερα όταν χειρίζεστε ή φορτώνετε συνδετήρες.
- Το προϊόν είναι βαρύ.  
**Σημείωση:** Το προϊόν είναι βαρύ. Προσέχετε τη μυϊκή κόπωση κατά τη χρήση του εργαλείου για παρατεταμένη περίοδο, ιδιαίτερα αν το χρησιμοποιείτε πάνω από το κεφάλι σας.

#### ΜΕΙΩΣΗ ΚΙΝΔΥΝΟΥ

Έχει αναφερθεί ότι οι κραδασμοί των χειροκίνητων εργαλείων μπορεί να συμβάλλει σε μια πάθηση γνωστή ως Σύνδρομο Raynaud σε ορισμένα άτομα. Τα συμπτώματα περιλαμβάνουν κνησμό, μούδιασμα και οι λευκότητα των δακτύλων, που εμφανίζονται συνήθως μετά την έκθεση σε κρύο. Κληρονομικοί παράγοντες, έκθεση σε κρύο και υγρασία, η διατροφή, το κάπνισμα και οι εργασιακές πρακτικές θεωρείται ότι συμβάλλουν στην ανάπτυξη αυτών των συμπτωμάτων. Υπάρχουν μέτρα που μπορούν να ληφθούν από τον χειριστή για να μειωθούν πιθανώς οι επιδράσεις των κραδασμών:

- Διατηρείτε το σώμα σας ζεστό όταν ο καιρός είναι ψυχρός. Κατά τη λειτουργία του προϊόντος φοράτε γάντια ώστε να διατηρείτε τα χέρια και τους καρπούς ζεστά. Ο ψυχρός καιρός είναι κύριος παράγοντας που συμβάλλει στην εκδήλωση του συνδρόμου Raynaud.
- Μετά από κάθε περίοδο λειτουργίας, κάνετε ασκήσεις για να αυξάνετε την κυκλοφορία αίματος.
- Κάνετε τακτικά διαλείμματα κατά την εργασία. Περιορίζετε το σύνολο έκθεσης ανά ημέρα.

Αν παρουσιάσετε οποιοδήποτε σύμπτωμα αυτής της πάθησης, διακόψτε αμέσως τη χρήση και συμβουλευτείτε τον γιατρό σας για τα συμπτώματα.

##### ▲ ΠΡΟΕΙΔΟΠΟΙΗΣΗ

Υπάρχει κίνδυνος πρόκλησης ή επιδείνωσης τραυματισμού, από την παρατεταμένη χρήση εργαλείου. Όταν χρησιμοποιείτε το εργαλείο για μεγάλες περιόδους, κάνετε τακτικά διαλείμματα.

#### ΓΝΩΡΙΣΤΕ ΤΟ ΠΡΟΪΟΝ ΣΑΣ

Βλέπε σελίδα 83.

1. Πέλμα ενεργοποίησης
2. Εξάρτημα συρμάτων και πλέγματος
3. Δείκτης δύναμης ώθησης
4. Διακόπτης ρύθμισης βάθους
5. Γεμιστήρας
6. Διακόπτης
7. Λαβή, μονωμένη επιφάνεια λαβής
8. Κλιπ ζώνης



9. Μάνταλο γεμιστήρα
10. Θύρα μπαταρίας
11. Συνδετήρες 14,3 χιλ.
12. Συνδετήρες 6,4 χιλ.

## ΣΥΝΤΗΡΗΣΗ

### ⚠ ΠΡΟΕΙΔΟΠΟΙΗΣΗ

Το προϊόν δεν πρέπει ποτέ να συνδέεται σε παροχή ισχύος όταν συναρμολογείτε εξαρτήματα, όταν διεξάγετε ρυθμίσεις, καθαρισμό, συντήρηση ή όταν το προϊόν δε χρησιμοποιείται. Μια αποσύνδεση του προϊόντος θα εμποδίσει τυχαία εκκίνηση, η οποία θα μπορούσε να προκαλέσει σοβαρό τραυματισμό.

- Χρησιμοποιείτε μόνο αυθεντικά ανταλλακτικά, εξαρτήματα και προσαρτήματα στις εργασίες επισκευής. Η χρήση οποιουδήποτε άλλου ανταλλακτικού μπορεί να παρουσιάσει κίνδυνο ή να προκαλέσει ζημιά στο εργαλείο σας.
- Σε καμία περίπτωση μην επιτρέπετε τα υγρά φρένων, η βενζίνη, προϊόντα με βάση το πετρέλαιο, έλαια που διεισδύουν κλπ. να έρχονται σε επαφή με πλαστικά τμήματα. Αυτά τα χημικά προϊόντα περιέχουν ουσίες οι οποίες μπορούν να προξενήσουν ζημιά, να μειώσουν ή να καταστρέψουν το πλαστικό.
- Αποφύγετε τη χρήση διαλυτών κατά τον καθαρισμό πλαστικών εξαρτημάτων. Τα περισσότερα πλαστικά μπορούν να υποστούν ζημιά από τη χρήση ορισμένων διαλυτών που διατίθενται στο εμπόριο. Χρησιμοποιήστε ένα καθαρό πανάκι για να καθαρίσετε τις ακαθαρσίες, τη σκόνη, κλπ.
- Για μεγαλύτερη ασφάλεια και αξιοπιστία, όλες οι επισκευές πρέπει να διεξάγονται από ένα εξουσιοδοτημένο κέντρο σέρβις.

### ΛΙΠΑΝΣΗ

Όλα τα έδρανα στο προϊόν έχουν λιπανθεί με επαρκή ποσότητα λιπαντικού υψηλής ποιότητας για όλη τη διάρκεια ζωής του προϊόντος, υπό φυσιολογικές συνθήκες λειτουργίας. Συνεπώς, δε χρειάζεται καμία επιπλέον λιπανση.

Μην χρησιμοποιείτε λιπαντικά στα συρραπτικά, στον γεμιστήρα, ή τον μηχανισμό οδήγησης. Διατηρείτε την καθαριότητα.

## ΠΡΟΣΤΑΣΙΑ ΤΟΥ ΠΕΡΙΒΑΛΛΟΝΤΟΣ



Ανακυκλώνετε τις πρώτες ύλες αντί να τις πετάτε ως απορρίμματα. Για την προστασία του περιβάλλοντος, πρέπει να γίνεται η διαλογή του εργαλείου, των εξαρτημάτων και των συσκευασιών του.

## ΣΥΜΒΟΛΑ ΣΤΟ ΠΡΟΪΟΝ



Προειδοποίηση ασφαλείας



Συμμόρφωση CE

V

ΒΛΤ



Συνεχές ρεύμα

EurAsian σήμα πιστότητας



Παρακαλούμε διαβάστε τις οδηγίες προσεκτικά πριν ξεκινήσετε το μηχάνημα.



Ουκρανικό σήμα συμμόρφωσης

001



Κρατήστε μακριά τα χέρια



Φοράτε προστατευτικά ματιών

Τα ηλεκτρικά προϊόντα προς απόρριψη δεν θα πρέπει να απορρίπτονται μαζί με τα οικιακά απόβλητα. Παρακαλούμε ανακυκλώστε όπου υπάρχουν οι αντίστοιχες εγκαταστάσεις. Μιλήστε με τις τοπικές αρχές ή τον πωλητή για να σας ενημερώσουν σχετικά με τα προγράμματα ανακύκλωσης.



## ΣΥΜΒΟΛΑ ΣΤΟ ΕΓΧΕΙΡΙΔΙΟ



Σημείωση



Ανταλλακτικά και εξαρτήματα πωλούνται χωριστά

Οι ακόλουθες προειδοποιητικές λέξεις και έννοιες προορίζονται να εξηγήσουν τα επίπεδα κινδύνου που συνδέονται με αυτό το προϊόν:

### ⚠ ΚΙΝΔΥΝΟΣ

Υποδεικνύει μια επικείμενη επικίνδυνη κατάσταση, η οποία, αν δεν αποφευχθεί, θα οδηγήσει σε θάνατο ή σοβαρό τραυματισμό.

### ⚠ ΠΡΟΕΙΔΟΠΟΙΗΣΗ

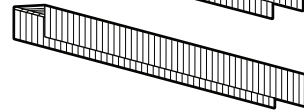
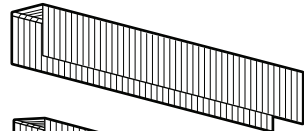
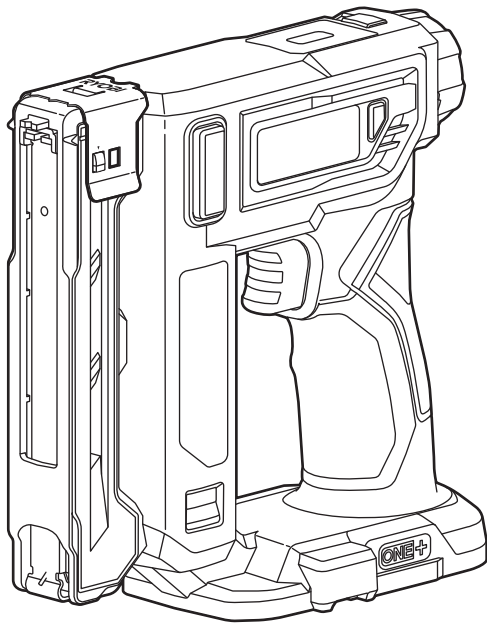
Υποδεικνύει μια δυνητικά επικίνδυνη κατάσταση, η οποία, αν δεν αποφευχθεί, θα οδηγήσει σε θάνατο ή σοβαρό τραυματισμό.

### ⚠ ΠΡΟΣΟΧΗ

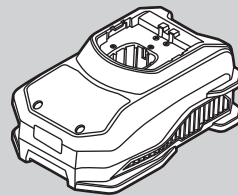
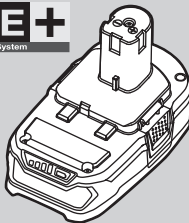
Υποδεικνύει μια δυνητικά επικίνδυνη κατάσταση, η οποία, αν δεν αποφευχθεί, ενδέχεται να οδηγήσει σε ελαφρύ ή μέτριο τραυματισμό.

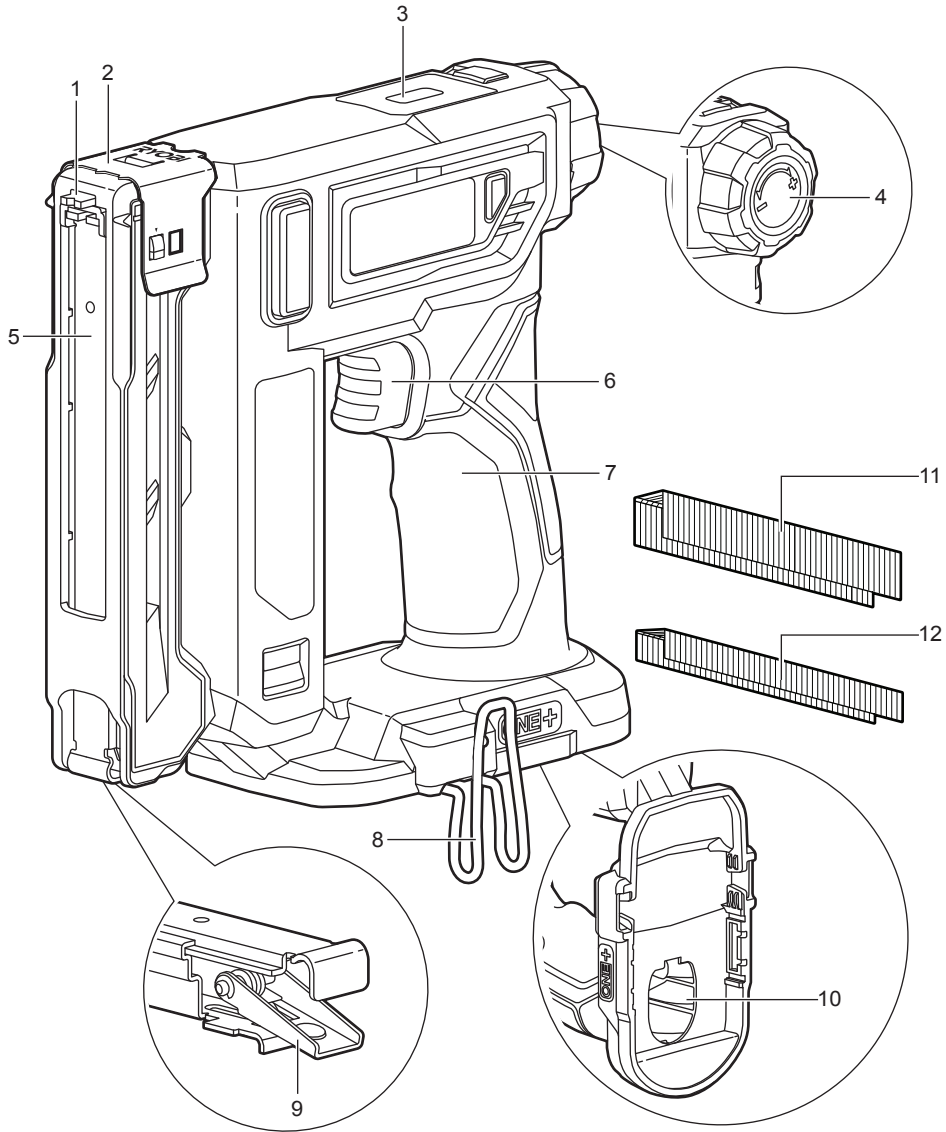
### ΠΡΟΣΟΧΗ

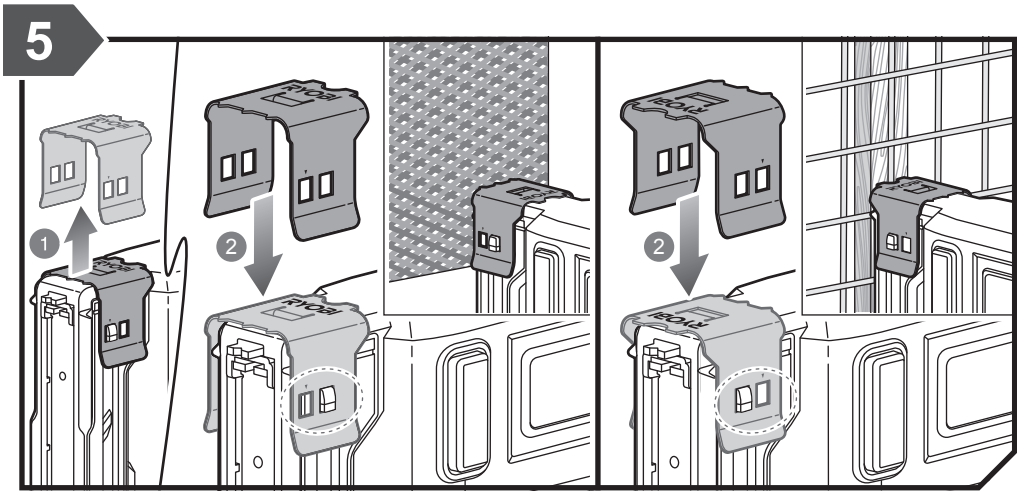
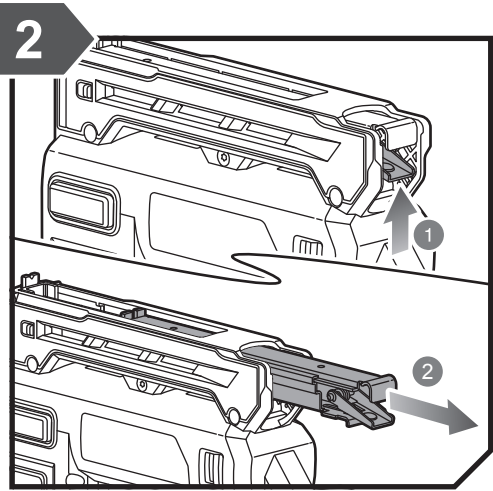
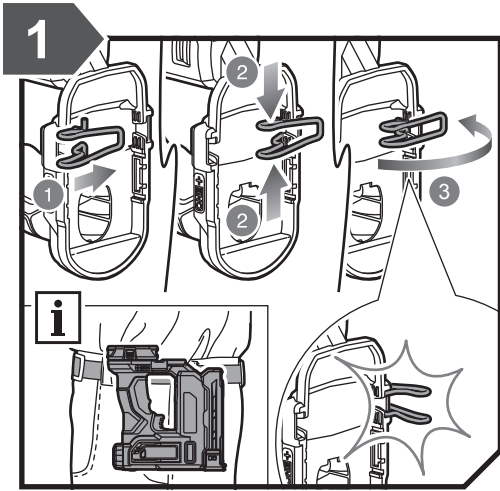
(Χωρίς προειδοποιητικό σύμβολο) Επισημαίνει μια κατάσταση που ενδέχεται να προκαλέσει υλικές ζημιές.

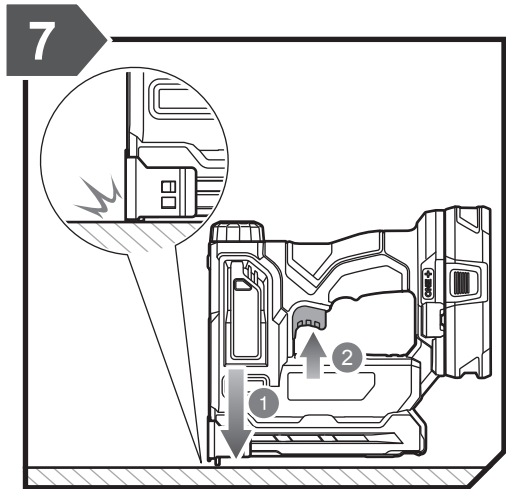
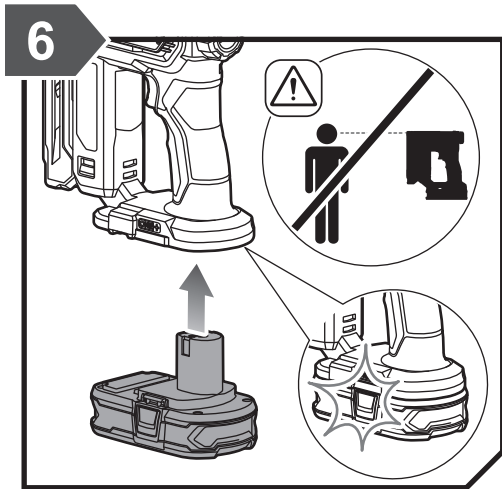
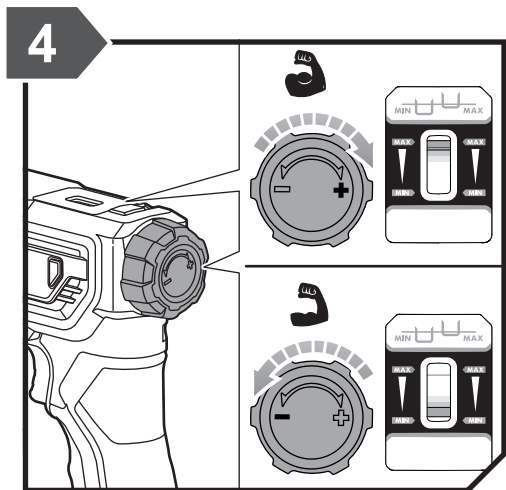
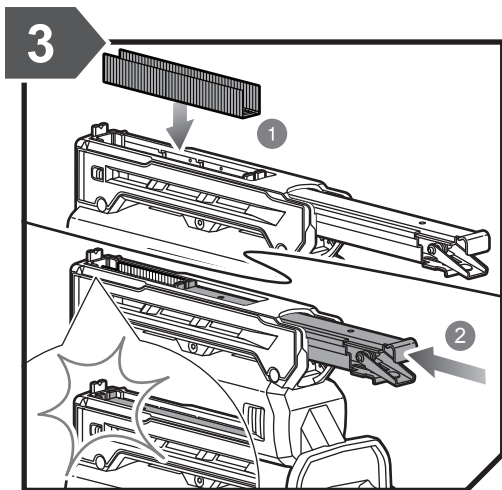


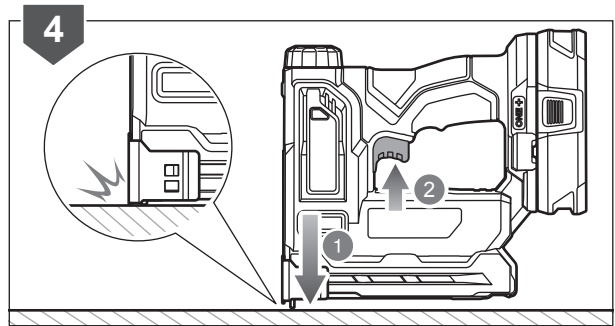
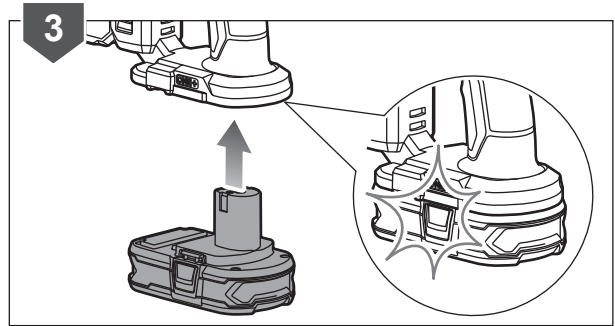
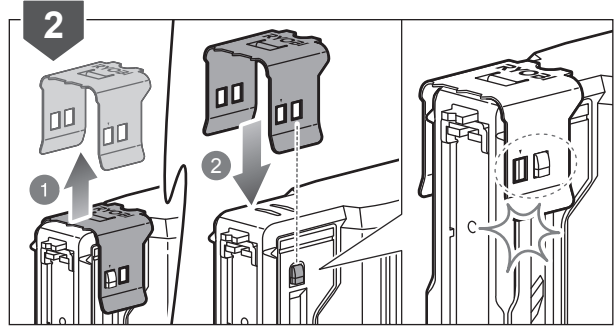
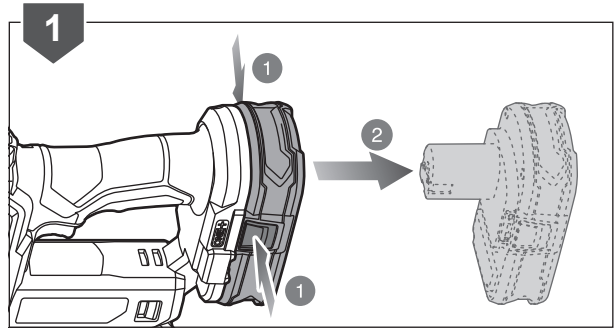
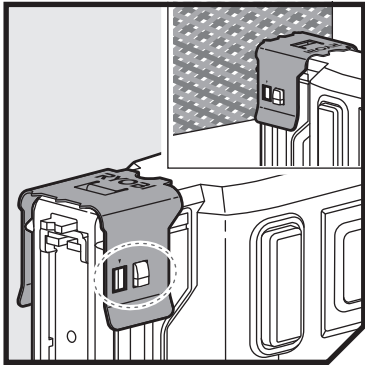
**RYOBI** **ONE+**  
14V System



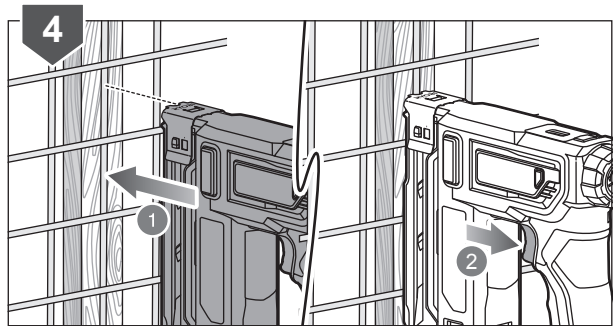
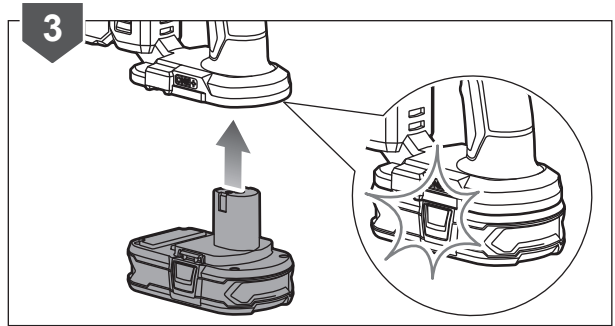
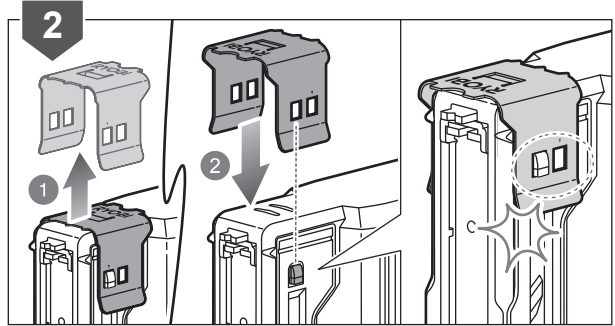
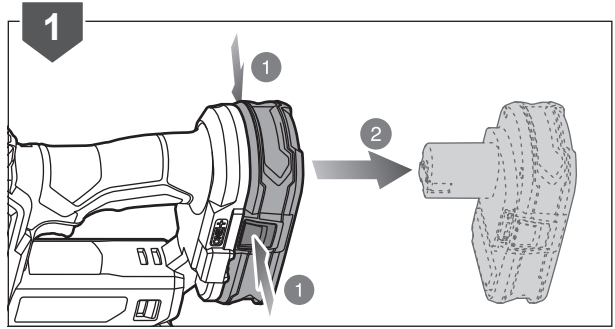
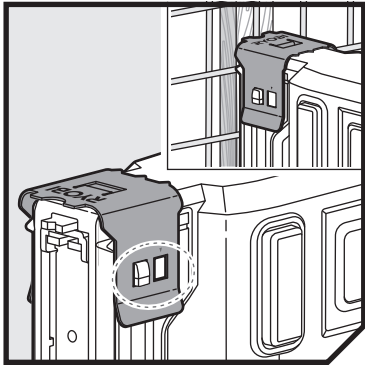


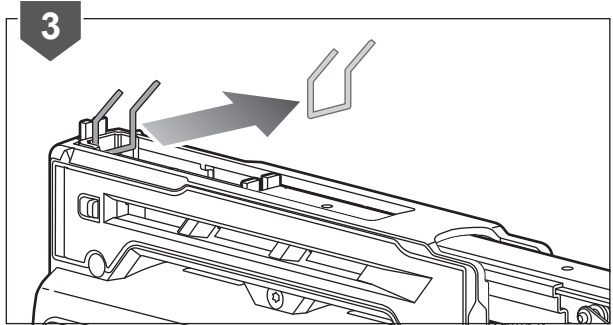
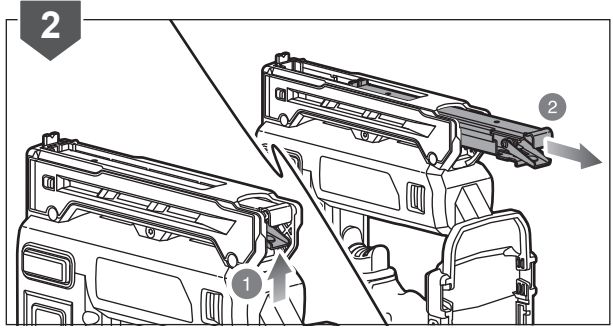
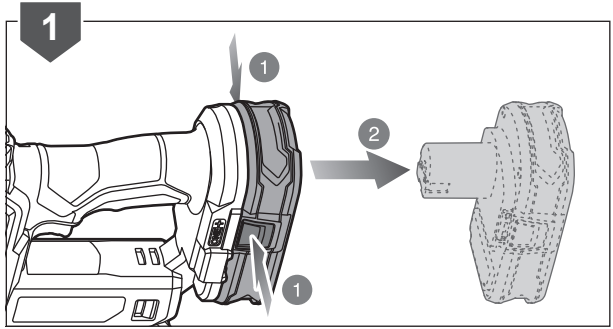
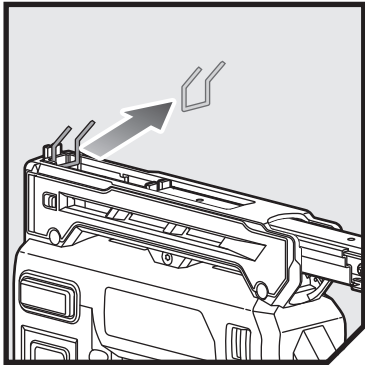


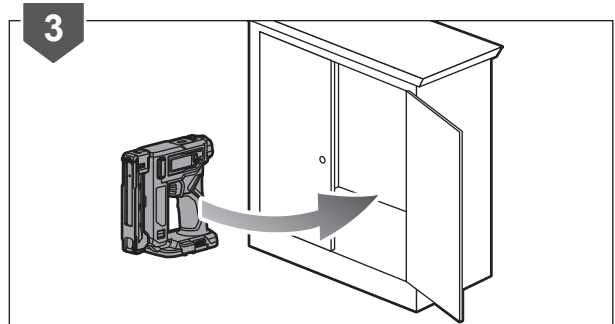
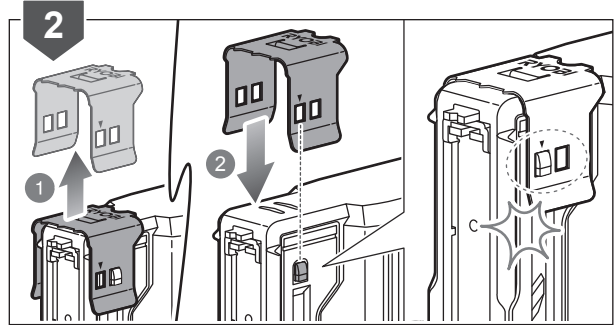
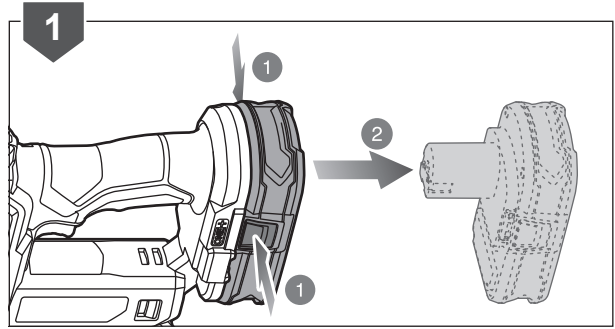
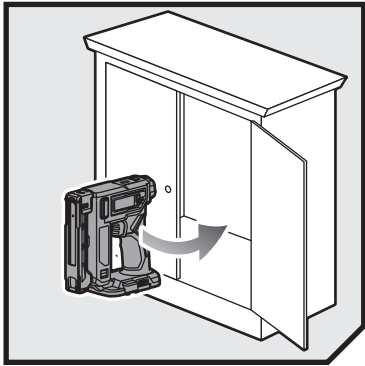














English	Français	Deutsch	Español	Italiano	Nederlands	Português
Product specifications	Caractéristiques de l'appareil	Produkt-Spezifikationen	Especificaciones del producto	Specifiche prodotto	Productspecificaties	Especificações do produto
Stapler	Agrafeuse	Stapler	Grapadora	Pinzatrice	Nietmachine	Agrafador
Model	Modèle	Modell	Modelo	Modello	Model	Modelo
Voltage	Tension	Spannung	Tensión	Voltaggio	Spanning	Voltagem
Magazine capacity (number of staples)	Capacité du magasin (nombre d'agrafes)	Magazinhalt (Anzahl der Nägel)	Capacidad del cargador (número de grapas)	Capacità caricatore (numero di graffette)	Magazinecapaciteit (aantal nietjes)	Capacidade do carregador (número de grampos)
Type of staples	Type d'agrafes	Klammertypen	Tipo de grapas	Tipo di graffette	Type nietjes	Tipo de agrafos
Staple size (length)	Taille d'agrafe (longueur)	Nagelgröße (Länge)	Tamaño de la grapa (longitud)	Dimensioni graffetta (lunghezza)	Nietjesafmetingen (lengte)	Tamanho do agrafó (comprimento)
Weight - excluding battery pack	Poids - sans batterie	Gewicht - ohne Akkupack	Peso - Excluyendo conjunto de batería	Peso - Senza gruppo batteria	Gewicht - exclusief accupack	Peso - excluindo conjunto de bateria
Weight According to EPTA-Procedure 01/2014	Poids Selon la procédure EPTA 01/2014	Gewicht Gemäß EPTA-Verfahren 01/2014	Peso Según el procedimiento EPTA 01/2014	Peso Secondo quanto indicato dalla EPTA-Procedure 01/2014	Gewicht Overeenkomstig de EPTA-procedure 01/2014	Peso De acordo com o Procedimento EPTA 01/2014
Measured sound values determined according to EN 60745:	Valeurs du son mesuré déterminées selon EN 60745:	Gemäß EN 60745: gemessene Schallwerte	Valores medidos del sonido en función de la norma EN 60745:	Valori del suono misurati determinati secondo lo standard EN 60745:	Gemeten geluidswaarden bepaald in overeenstemming met EN 60745:	Valores medidos do som em função da norma EN 60745:
A-weighted sound pressure level	Niveau de pression sonore pondéré A	A-bewerteter Schalldruckpegel	Nivel de presión acústica ponderada en A	Livello di pressione sonora pesato A	A-gewogen geluidsdrukniveau	Nível de pressão sonora ponderada A
Uncertainty K	Incertitude K	Unsicherheit K	Incertidumbre K	Incertezza K	Onzekerheid K	Incerteza K
A-weighted sound power level	Niveau de puissance sonore pondéré A	A-bewerteter Schalleistungspegel	Nivel de potencia acústica ponderada en A	Livello di potenza sonora pesato A	A-gewogen geluidsniveau	Nível de potência sonora ponderada A
Uncertainty K	Incertitude K	Unsicherheit K	Incertidumbre K	Incertezza K	Onzekerheid K	Incerteza K
Wear ear protectors.	Portez une protection acoustique.	Tragen Sie Gehörschutz.	Utilice protección auditiva!	Indossare protezioni acustiche adeguate.	Draag oorbeschermers.	Sempre use a protecção dos ouvidos.
The vibration total values (triaxial vector sum) determined according to EN 60745:	La valeur totale des vibrations (somme vectorielle triaxiale) a été déterminée selon EN 60745:	Schwingungsgesamtwerte (Vektorsumme dreier Richtungen) ermittelt entsprechend EN 60745:	Los valores de vibración total (suma de vectores triax.), determinado según la norma EN 60745:	I valori totali delle vibrazioni (somma di vettori in tre direzioni) sono misurati conformemente alla norma EN 60745:	De totale trillingswaarden (triaxiale vectorsom) vastgesteld in overeenstemming met EN 60745:	Os valores totais de vibração (soma do vector triax) são determinados em conformidade com a EN60745:
Vibration emission value	Valeur d'émission de vibrations	Vibrationsemissionswert	Valor de emisión de vibraciones	Valore delle emissioni vibrazioni	Trillingsemisiewaarde	Valor de emissão de vibrações
Uncertainty K	Incertitude K	Unsicherheit K	Incertidumbre K	Incertezza K	Onzekerheid K	Incerteza K
Replacement parts	Pièces de rechange	Ersatzteile	Piezas de repuesto	Ricambi	Vervangende onderdelen	Peças sobresselentes
Wire and screen attachment	Fil et écran joint	Draht- und Drahtsiebzubehör	Accesorio de cable y pantalla	Cavo e accessorio schermo	Draad- en schermaccessoire	Accessório para rede de arame





Dansk	Svenska	Suomi	Norsk	Русский	Polski	
Produktspecifikationer	Produktspecifikationer	Tuotteen tekniset tiedot	Produktspefikasjoner	Характеристики изделия	Parametry techniczne	
Hæftemaskine	Häftpistol	Sinkiläpistooli	Stiftemaskin	Степлер	Zszywacz	
Model	Modell	Malli	Modell	Модель	Model	R18ST50
Spænding	Spänning	Jännite	Spenning	Напряжение	Napięcie	18 V
Magasinkapacitet (antal klammer)	Magasinet's kapacitet (antal klamrar)	Kapasiteetti (niittien määrä)	Magasinkapasitet (antall stifter)	Вместимость магазина (количество скоб)	Pojemność magazynku (liczba zszywek)	85
Hæfteklammetyper	Typ av hæftklamrar	Sinkilätyyppi	Type stifter	Виды степлеров	Typ zszywek	10 mm(3/8")
Klammestørrelse (længde)	Klammerstorlek (längd)	Niitin koko (pituus)	Stiftstørrelse (lengde)	Размер скоб (длина)	Rozmiar zszywki	6 mm - 14 mm (1/4" - 9/16")
Vægt - Batteri medfølger ikke	Vikt - Batteri medfølger ej	Paino - ilman akkua	Vekt - uten batteripakke	Вес - без аккумуляторной батареи	Waga - bez akumulatora	1,36 kg
Vægt I henhold til EPTA-procedure 01/2014	Vikt Enligt EPTA 01/2014	Paino EPTA-menetelmän 01/2014 mukaan	Vekt I henhold til EPTA-prosedyre 01/2014	Вес Соответствует требованиям EPTA-Procedure 01/2014	Waga Zgodnie z procedurą EPTA 01/2014	1,79 kg(1.3 Ah) – 2,55 kg(9.0Ah)
Målte lydverdier bestemt iht. EN 60745:	Uppmätta ljudvärden enligt EN 60745:	Mitatut arvot määritetty EN 60745: standardin mukaan:	Målte lydverdier bestemt iht. EN 60745:	Измеренные значения параметров звука определены в соответствии с EN 60745:	Zmierzone wartości akustyczne zgodnie z normą EN 60745:	
A-vægtet lydtrykniveau	A-vägd lydtryknivå	A-painotettu äänenpainetaso	A-vektet lydtryknivå	Уровень А-взвешенного звукового давления	A-ważony poziom ciśnienia hałasu	$L_p = 87.0 \text{ dB(A)}$
Usikkerhed K	Osäkerhet K	Epätarkkuus K	Usikkerhet K	Разброс K	Niepewność pomiaru K	3 dB(A)
A-vægtet lydeffektniveau	A-vägd lydeffektnivå	A-painotettu äänenheho	A-vektet lydeffektnivå	Уровень А-взвешенной звуковой мощности	A-ważony poziom natężenia hałasu	$L_w = 98.0 \text{ dB(A)}$
Usikkerhed K	Osäkerhet K	Epätarkkuus K	Usikkerhet K	Разброс K	Niepewność pomiaru K	3 dB(A)
Bær høreværn.	Bär hörselskydd.	Käytä korvasuojia.	Bruk hørselsvern.	Используйте наушники!	Stosować środki ochrony słuchu!	
Totale vibrationsværdier (triax vector sum) afgøres ifølge EN 60745:	Det totala vibrationsvärdet (treaxelvektorsumma) är framtaget enligt EN 60745:	Tärinän kokonaisarvot (kolmiakselinen vektorisumma) määritettyä standardin EN 60745 mukaisesti:	De totale vibrasjonsverdiene (triax vektor-sum) er fastsatt i henhold til EN 60745:	суммарное значение вибрации (векторная сумма по трем координатам) определено в соответствии со стандартом EN 60745:	Wartości sumaryczne drgań (suma wektorowa przyspieszeń mierzona czujnikiem typu triax) określone zgodnie z normą EN 60745:	
Vibrationsemissionsværdi	Vibrationsvärde	Tärinäarvo	Verdier for vibrasjonsutslipp	Значение вибрации	Poziom drgań	$a_n = 2.8 \text{ m/s}^2$
Usikkerhed K	Osäkerhet K	Epätarkkuus K	Usikkerhet K	Разброс K	Niepewność pomiaru K	1,5 m/s <sup>2</sup>
Reserve dele	Reservdelar	Varaosat	Reservdeler	Запасные части	Części zamienne	
Wire- og skærmtilbehør	Kabel- och skärmtillbehör	Metallisuojalisäosa	Streng- og skjermutstyr	Насадка для работы с проволокой	Przystawka do montażu drutu i siatki	5131042232





Čeština	Magyar	Română	Latviski	Lietuviškai	Eesti
Technické údaje produktu	Termék műszaki adatai	Specificațiile produsului	Produkta specifikācijas	Gaminio techninės savybės	Toote tehnilised andmed
Sponkovačka	Tűzőgép	Capsator	Skavotājs	Kabių kalimo įrankis	Klammerdaja
Model	Típus	Model	Modelis	Modelis	Mudeli tähis
Elektrické napětí	Feszültség	Tensiune	Spriegums	Įtampa	Pinge
Kapacita zásobníku (počet sponek)	Tár kapacitása (tűzőkapocs száma)	Capacitate magazie (număr de capse)	Aptveres ietilpība (skavu skaits)	Dėtuvės talpa (kabių skaičius)	Magasini mahtuvus (klambrite arv)
Druh spon	Kapocstípusok	Tipuri de capse	Skavu veids	Kabių tipai	Klambrite tüüp
Rozměry spony (délka)	Tűzőkapocs mérete (hossz)	Dimensiune capsă (lungime)	Skavas izmērs (garums)	Kabės dydis (ilgis)	Klambri mõõt (pikkus)
Hmotnost - bez baterie	Tömeg - akkumulátor nélkül	Greutate - exclusiv acumulatorul	Svars - izņemot akumulatora iepakojumu	Svoris - neįskaitant baterijos paketo	Mass - välja arvatud akupakett
Hmotnost Dle protokolu EPTA 01/2014	Tömeg A 01/2014 EPTA-eljárás szerint	Greutate în conformitate cu Procedura EPTA din 01/2014	Svars Saskaņā ar EPTA procedūru 01/2014	Svoris Pagal Europos elektrinių įrankių asociacijos (EPTA) nustatytą tvarką 01/2014	Mass Vastavalt EPTA-protseduurile 01/2014
Naměřené hodnoty hluku zjištěné dle EN 60745:	A hang értékek meghatározása az EN 60745: szerint történt:	Valori de sunet măsurate determinate în conformitate cu EN 60745:	Izmēritās skaņas vērtības ir noteiktas saskaņā ar EN 60745:	Išmatuotos garso vertės nustatytos pagal EN 60745:	Mõõteväärtused on kindlaks määratud vastavalt standardile EN 60745:
Hladina akustického tlaku vážená funkci A	A-súlyozott hangnyomásszint	Nivel de presiune acustică ponderată A	A-līmeņa skaņas spiediena līmenis	A svertinis garso slėgio lygis	A-kaalutud helirõhu tase
Nejistota K	Bizonytalanság K	Incertitudine K	Kļūdas vērtība K	Nepastovumas K	Mõõtemääramatus K
Hladina akustického výkonu vážená funkci A	A-súlyozott hangteljesítményszint	Nivel de putere acustică ponderată A	A-līmeņa skaņas jaudas līmenis	A svertinis garso galios lygis	A-kaalutud helivõimsuse tase
Nejistota K	Bizonytalanság K	Incertitudine K	Kļūdas vērtība K	Nepastovumas K	Mõõtemääramatus K
Používejte chrániče sluchu.	Viseľjen hallásvédő.	Purtați aparatoure de urechi.	Lietojiet dzirdes aizsargus.	Naudokite ausų apsaugos priemonės.	Kasutage kuulmiskaitsevahendeid.
Celkové hodnoty vibrací (třísavý vektorový součet) určené v souladu s EN 60745:	Vibráció teljes értékei (háromtengelyű vektorösszeg), az EN 60745 szerint meghatározva:	Valorile totale ale vibrațiilor (suma vectorială a trei direcții) au fost determinate conform EN 60745:	Vibrāciju kopējās vērtības (trīsasu vektoru summa) tiek noteiktas atbilstoši EN 60745:	Bendros vibracijos vertės (trikampio vektorijų suma) nustatomos pagal EN 60745:	Vibratsiooni koguväärtused (kolme suuna vektorsumma) on vastavalt standardile EN 60745 määratud järgmiselt:
Úroveň emisii vibrací	Vibráció-kibocsátás értéke	Valoarea emisiiilor de vibrații	Vibrāciju emisijas vērtība	Vibracijos emisijos vertė	Vibratsiooniemissiooni väärtus
Nejistota K	Bizonytalanság K	Incertitudine K	Kļūdas vērtība K	Nepastovumas K	Mõõtemääramatus K
Náhradní díly	Cserealkatrészek	Piese de schimb	Mainas detaļas	Atsarginės dalys	Varuosad
Nástavec pro dráty a pletivo	Drót és háló tartozék	Accesoriu ecran și fir	Stieplu un sieta uzlika	Antgalis vielai ir tinklui tvirtinti	Kaabli ja võre lisatarvik





Hrvatski	Slovensko	Slovenčina	България	українська МОВА	Türkçe	Ελληνικά	
Specifikacije proizvoda	Specifikacije izdelka	Špecifikácie produktu	Технически характеристики	Технічні характеристики продукту	Ürün Özellikleri	Προδιαγραφές Προϊόντος	
Klamerica	Spnjač	Spnokovačka	Телбод	Степлер	Zimba aleti	Συρραπτικό	
Model	Model	Model	Модел	Марка	Model	Μοντέλο	R18ST50
Napon	Napetost	Napätie	Напряжение	Напряжение	Gerilim	Τάση	18 V $\overline{\text{---}}$
Kapacitet magazina (broj spajalica)	Kapaciteta zalognovnika (število sponk)	Kapacita zásobníka (počet svoriek)	Капацитет на пълнителя (брой скоби)	Ємність магазину (число скоб)	Kartuş kapasitesi (zimba sayısı)	Χωρητικότητα γεμιστήρα (αριθμός συρραπτικών)	85
Vrste klamfi	Vrsta sponk	Typy spŕn	Тип скоби	Тип скоб	Zimba türleri	Τύπος συνδετήρων	10 mm (3/8")
Veličina spjalice (duljina)	Velikost sponke (dolžina)	Veľkosť svorky (dĺžka)	Размер на скобата (дължина)	Розмір скоби (довжина)	Zimba boyu (uzunluk)	Μέγεθος συρραπτικού (μήκος)	6 mm - 14 mm (1/4" - 9/16")
Težina - baterija nije uključena	Teža - razen baterij	Hmotnosť - okrem jednotky akumulátora	Тегло - без батерията	Вага - без акумулатора	Ağırlık - Harici batarya takımı	Βάρος - χωρίς μπαταρία	1.36 kg
Težina Prema EPTA-postupkom 01/2014	Teža Skladno s postopkom EPTA 01/2014	Hmotnosť Podľa EPTA-Procedure 01/2014	Тегло (съответствие с EPTA 01/2014)	Вага (відповідно до процедури EPTA 01/2014)	Ağırlık EPTA-Prosedürü 01/2014'e göre	Βάρος Σύμφωνα με την Διαδικασία EPTA 01/2014	1.79 kg(1.3 Ah) – 2.55 kg(9.0Ah)
Mjerenja vrijednost zvuka određena je prema EN 60745:	Izmerjene zvočne vrednosti določene v skladu s standardom EN 60745:	Namerané hodnoty určené podľa EN 60745:	Измерените стойности на звука са определени в съответствие с EN 60745:	Измеренные значения параметров звука определены в соответствии с EN 60745:	EN 60745: e göre hesaplanmış ses değerleri:	Μετρημένες τιμές ήχου σύμφωνα με το EN 60745:	
Ponderirana razina tlaka zvuka	A-izmerjena raven zvočnega tlaka	Vážená A hladina akustického tlaku	Ниво на шумово налягане с равнище А	А-зважений рівень звукового тиску	A ağırlıklı ses basıncı seviyesi	Α-σταθμισμένο επίπεδο πίεσης ήχου	$L_p = 87.0$ dB(A)
Neodređenost K	Nedoloč. K	Odhýlka K	Променливост (K)	Невизначеност K	Belirsizlik K	Αβεβαιότητα K	3 dB(A)
Ponderirana razina zvučne snage	A-izmerjena raven zvočne moči	Vážená A hladina akustického výkonu	Ниво на силата на шума с равнище А	А-зважений рівень звукової потужності	A ağırlıklı ses gücü seviyesi	Α-σταθμισμένο επίπεδο έντασης ήχου	$L_w = 98.0$ dB(A)
Neodređenost K	Nedoloč. K	Odhýlka K	Променливост (K)	Невизначеност K	Belirsizlik K	Αβεβαιότητα K	3 dB(A)
Nosite štítneke za uši.	Nosite štítneke za ušesa.	Používajte chrániče sluchu.	Носете антифони	Діаметр ріжучої лінії.	Kulak koruyucu kullanın.	Φοράτε ωσασπίδες.	
Ponderirana energetska vrijednost Ukupne vrijednosti vibracija (troosni vektorski zbir) određuju se u skladu s EN 60745:	Skupna vrednost vibracij (vektorska vsota treh smeri) določena v skladu z EN 60745:	Celkové hodnoty vibrácií (súhrn triaxiálneho vektora) určuje norma EN 60745:	Общата стойност на вибрациите (триосна векторна сума) е определена в съответствие с EN 60745:	Суммарное значение вибрации (сумма векторов по трем координатным осям) определено в соответствии со стандартом EN 60745:	EN 60745 normuna uygun olarak belirlenmiş titreşim toplama değerleri (triaks vektör toplama):	Συνολικές αξίες κραδασμών (τριαξονικό διανυσματικό άθροισμα) σύμφωνα με EN 60745:	
Vrijednost emisija vibracije	Vrednost emisij vibracij	Hodnota emisij vibrácií	Стойност на вибрационните емисии	Значення вібраційної емісії	Titreşim emisyon değeri	Τιμή εκπομπών κραδασμών	$a_n = 2.8$ m/s <sup>2</sup>
Neodređenost K	Nedoloč. K	Odhýlka K	Променливост (K)	Невизначеност K	Belirsizlik K	Αβεβαιότητα K	1.5 m/s <sup>2</sup>
Zamjenski dijelovi	Vymeniteľné diely	Nadomestni deli	Смяна на части	Запасні частини	Yedek parçalar	Ανταλλακτικά	
Priključak za žicu i mrežu	Nastavek za žico in pregrade	Nástavec pre pletivo a mriežky	Приставка за теп и сита	Насадка для огорожі та сітки	Tel ve kafes eklentisi	Προσάρτημα συρμάτων και πλέγματος	5131042232





English	Français	Deutsch	Español	Italiano	Nederlands	Português
Battery and charger	Batterie et chargeur	Akku und Ladegerät	Batería y cargador	Batteria e caricatore	Accu en lader	Bateria e carregador
Compatible battery pack (not included)	Pack batterie compatible (non compris)	Kompatible Akkus (nicht im Lieferumfang enthalten)	Packs de Bateria compatibles (no incluido)	Gruppo batterie compatibile (non incluso)	Compatibel accupack (niet inbegrepen)	Baterias compatíveis (não incluída)
Lithium-Ion	Lithium-Ion	Lithium-Ionen	Ión-litio	Ioni di litio	Lithium-Ion	Ião-Lítio
Compatible charger (not included)	Chargeur compatible (non compris)	Kompatibles Ladegerät (nicht im Lieferumfang enthalten)	Cargador compatible (no incluido)	Caricatore compatibile (non incluso)	Compatibele oplader (niet inbegrepen)	Carregador compatível (não incluída)



Čeština	Magyar	Română	Latviski	Lietuviškai	Eesti
Baterie a nabíječka	Akkumulátor és töltő	Baterie și încărcător	Akumulators un lādētājs	Baterija ir įkroviklis	Aku ja laadija
Kompatibilní akumulátor (nepřibalen)	Kompatibilis akkumulátor (nem tartozék)	Acumulatori compatibili (neinclus)	Saderīgu akumulatoru komplekts (nav kompl.)	Suderinamas baterijos paketas (nepriedama)	Ühilduvad akupaketid (ei ole komplektis)
Lithium iontový akumulátor	Lítiumion	Litiu-Ion	Litija-jonu	Litis-jonas	Liitiumioon
Kompatibilní nabíječka (nepřibalen)	Kompatibilis töltő (nem tartozék)	Încărcător compatibil (neinclus)	Saderīgs lādētājs (nav kompl.)	Tinkamas įkroviklis (nepriedama)	Kasutatav laadija (ei ole komplektis)







Dansk	Svenska	Suomi	Norsk	Русский	Polski	
Batteri og oplader	Batteri och laddare	Akku ja laturi	Batteri og lader	Батарея и зарядное устройство	Akumulator i ładowarka	
Kompatibelt batteri (medfølger ikke)	Kompatibelt batteripack (inte inkluderat)	Yhteensopiva akku (ei mukana)	Kompatible batteripakker (ikke inkludert)	Совместимая аккумуляторная батарея (не входит в комплект поставки)	Pasujące akumulatory (nie dołączona)	
Lithium-ion	Litiumjon	Litiumioni	Litium-ion	Литий-ионная аккумуляторная батарея	Li-Ion	RB18L13 RB18L15 RB18L20 RB18L25 RB18L30 RB18L40 RB18L50 RB18L90
Kompatibel oplader (medfølger ikke)	Passande laddare (inte inkluderat)	Yhteensopiva laturi (ei mukana)	Kompatibel lader (ikke inkludert)	Совместимое зарядное устройство (не входит в комплект поставки)	Odpowiednia ładowarka (nie dołączona)	BCL14181H BCL14183H RC18150 RC18627 RC18120 RC1818C RC18115



Hrvatski	Slovensko	Slovenčina	България	українська мова	Türkçe	Ελληνικά	
Baterija i punjač	Baterija in polnilnik	Akumulátor a nabíjačka	Батерия и зарядно устройство	Акумулятор і зарядний пристрій	Batarya ve şarj aleti	Μπαταρία και φορτιστής	
Kompatibilno pakiranje baterija (nije uključeno)	Združljive baterije (ni priložen)	Kompatibilná jednofáza akumulátorov (nie je súčasťou balenia)	Съвместима акумулаторна батерия (не е включена в комплекта)	Сумісний акумулятор (не входить в комплект)	Uyumlu pil takımı (dahil değildir)	Συμβατή μπαταρία (δεν περιλαμβάνεται)	
Litij-ion	Litij-ionska	Lítium-iónová	Литиево-йонна	Літій-іонний	Lityum-lyon	Λιθίου-Ιόντων	RB18L13 RB18L15 RB18L20 RB18L25 RB18L30 RB18L40 RB18L50 RB18L90
Kompatibilni punjač (nije uključeno)	Združljiv polnilec (ni priložen)	Kompatibilná nabíjačka (nie je súčasťou balenia)	Съвместимо зарядно устройство (не е включено в комплекта)	Сумісний зарядний пристрій (не входить в комплект)	Uyumlu şarj cihazı (dahil değildir)	Συμβατος φορτιστης (δεν περιλαμβάνεται)	BCL14181H BCL14183H RC18150 RC18627 RC18120 RC1818C RC18115





## EN WARNING

The vibration emission level given in this information sheet has been measured in accordance with a standardised test given in EN 62841 and may be used to compare one tool with another. It may be used for a preliminary assessment of exposure. The declared vibration emission level represents the main applications of the tool. However if the tool is used for different applications, with different accessories or poorly maintained, the vibration emission may differ. This may significantly increase the exposure level over the total working period.

An estimation of the level of exposure to vibration should also take into account the times when the tool is switched off or when it is running but not actually doing the job. This may significantly reduce the exposure level over the total working period. Identify additional safety measures to protect the operator from the effects of vibration such as: maintain the tool and the accessories, keep the hands warm, organisation of work patterns.

## FR AVERTISSEMENT

Le niveau d'émission des vibrations indiqué dans cette feuille d'information a été mesuré en concordance avec un test normalisé fourni par EN62841 et peut être utilisé pour comparer un outil à un autre. Il peut être utilisé pour une évaluation préliminaire de l'exposition. Le niveau déclaré d'émission des vibrations s'applique à l'utilisation principale de l'outil. Toutefois, si l'outil est utilisé pour des applications différentes, avec des accessoires différents, ou mal entretenu, l'émission de vibrations peut être différente. Le niveau d'exposition peut en être augmenté de façon significative tout au long de la période de travail.

Une estimation du niveau d'exposition aux vibrations doit aussi prendre en compte les périodes où l'outil est arrêté ainsi que les périodes où il fonctionne sans vraiment travailler. Le niveau d'exposition pendant la durée totale du travail peut en être réduit de façon significative. Prenez en considération les mesures additionnelles de sécurité à prendre pour protéger l'opérateur des effets des vibrations telles que: maintien de l'outil et de ses accessoires, maintien des mains au chaud, organisation du travail.

## DE WARNUNG

Der in diesem Informationsblatt genannte Schwingungspegel wurde entsprechend dem standardisierten Test von EN62841 gemessen und kann benutzt werden um das Werkzeug mit anderen zu vergleichen. Er kann benutzt werden, um eine vorausgehende Einschätzung der Exposition durchzuführen. Der genannte Schwingungspegel repräsentiert den Haupteinsatzbereich des Werkzeugs. Jedoch kann das Werkzeug für verschiedene Einsatzbereiche benutzt werden. Mit unterschiedlichen Zusatzgeräten oder bei schlechter Wartung kann der Schwingungspegel unterschiedlich sein. Dadurch kann die Expositionshöhe über die gesamte Arbeitszeit signifikant erhöht werden.

Eine Einschätzung der Exposition zu Schwingungen sollte auch die Zeiten wenn das Werkzeug ausgeschaltet ist, oder wenn es angeschaltet aber nicht in Betrieb ist, in Betracht ziehen. Dadurch kann die Expositionshöhe über die gesamte Arbeitszeit signifikant reduziert werden. Identifizieren Sie zusätzliche Sicherheitsmaßnahmen um die Bedienungsperson vor den Effekten der Schwingungen zu schützen, wie zum Beispiel: Das Werkzeug und Zusatzgeräte warten, Hände warmhalten und Organisation der Arbeitszeiten.

## ES ADVERTENCIA

El nivel de emisión de las vibraciones que figura en esta hoja de información se ha medido según una prueba estandarizada que figura en EN62841 y puede ser utilizado para comparar una herramienta con otra. Puede ser utilizado para una evaluación preliminar de la exposición. El nivel de emisión de las vibraciones declarado representa las principales aplicaciones de la herramienta. No obstante, si la herramienta se utiliza para diferentes aplicaciones, con diferentes accesorios o no recibe el mantenimiento adecuado, la emisión de las vibraciones puede ser diferente. Esto puede aumentar significativamente el nivel de exposición durante el período de trabajo total.

Una estimación del nivel de exposición a la vibración también debe tener en cuenta el tiempo en el que la herramienta está desconectada o cuando está conectada pero no está realizando ningún trabajo. Esto puede reducir significativamente el nivel de exposición durante el período de trabajo total. Identificar las medidas de seguridad adicionales para proteger al operador de los efectos de las vibraciones, tales como: mantenimiento de la herramienta y de los accesorios, y la organización de los patrones de trabajo.

## IT AVVERTENZE

Il livello di vibrazioni indicato in questo foglio informativo è stato misurato seguendo un test svolto secondo i requisiti indicati dallo standard EN62841 e potrà essere utilizzato per paragonare un utensile con un altro. Potrà essere utilizzato per una valutazione preliminare dell'esposizione a vibrazioni. Il livello dichiarato di emissioni di vibrazioni viene indicato tenendo conto delle applicazioni principali dell'utensile. Comunque se l'utensile viene utilizzato per applicazioni diverse con accessori diversi o non viene correttamente conservato, il livello delle vibrazioni potrà variare. Ciò potrà significativamente aumentare il livello di esposizione alle vibrazioni durante il periodo di lavoro totale.

Una valutazione del livello di esposizione alle vibrazioni dovrà inoltre prendere in considerazione i tempi in cui l'utensile viene spento o è acceso ma non viene utilizzato. Ciò potrà significativamente ridurre il livello di esposizione in un periodo totale di funzionamento. Ulteriori misure di sicurezza per proteggere l'operatore dagli effetti delle vibrazioni come: conservare correttamente l'utensile e i suoi accessori, tenere le mani calde e organizzare i tempi di lavoro.

## NL WAARSCHUWING

Het trillingsemissieniveau dat op dit informatieblad wordt gegeven, is gemeten in overeenstemming met een gestandaardiseerde test, vastgelegd in EN62841 en mag worden gebruikt om machines met elkaar te vergelijken. Het verklaarde trillingsemissieniveau geeft de hoofdtoepassing van het gereedschap weer. Als de machine echter voor andere toepassingen of met andere accessoires wordt gebruikt of slecht wordt onderhouden, kan de trillingsemissie verschillen. Dit kan de blootstelling gedurende de gehele werkduur aanzienlijk verhogen.

Bij een schatting van het niveau van blootstelling aan trillingen moet ook rekening worden gehouden met het aantal keren dat de machine wordt uitgeschakeld of draait, maar niet wordt gebruikt. Dit kan het niveau van blootstelling gedurende de gehele werkduur aanzienlijk verlagen. Stel bijkomende veiligheidsmaatregelen op om de gebruiker tegen de gevolgen van trillingen te beschermen: zoals onderhoud het gereedschap en de accessoires, houd de handen warm, de organisatie van werktijden.

## PT AVISO

O nível de emissão de vibrações fornecido nesta folha de informações foi medido em conformidade com o teste uniformizado descrito em EN62841 e pode ser usado para comparar a ferramenta com outra. Este pode ser usado para uma avaliação preliminar da exposição. O nível de emissão de vibração declarado refere-se à aplicação principal da ferramenta. Contudo, se a ferramenta for usada para aplicações diferentes, com acessórios diferentes ou não for devidamente mantida, a emissão de vibrações pode diferir. Isto pode fazer aumentar significativamente o nível de exposição ao longo do período de trabalho total.

Uma estimativa do nível de exposição às vibrações deve ter, também, em consideração o tempo durante o qual a ferramenta está desligada ou em que está ligada mas não está a realizar qualquer trabalho. Isto pode reduzir significativamente o nível de exposição durante o período total de trabalho. Identifique medidas adicionais de segurança que protejam o operário dos efeitos da vibração como a manutenção da ferramenta e dos acessórios, a manutenção das mãos quentes e a organização de padrões de trabalho.

## DA ADVARSEL

Det angivne niveau for vibrationsemission på denne oplysningsside er blevet målt iht. en standardtest ifølge EN62841 og kan bruges til at sammenligne værktøjer indbyrdes. Det kan bruges til en foreløbig eksponeringsvurdering. Det opgivne niveau for vibrationsemission gælder, når værktøjet bruges til sit hovedformål. Men hvis værktøjet bruges til andre formål, kan der forskelligt eller med dårligt vedligeholdelse ekstraudstyr, kan vibrationsemissionen variere. Dette kan medføre en betragtelig stigning i eksponeringsniveauet set over hele arbejdsperioden.

Et skøn over niveauet for vibrationseksponering bør også tage højde for de perioder, hvor værktøjet er slukket, eller hvor det er tændt uden faktisk at være i brug. Dette kan medføre en betragtelig reduktion i eksponeringsniveauet set over hele arbejdsperioden. Træf ekstra sikkerhedsforanstaltninger til beskyttelse af operatøren mod virkningerne fra vibrationen som fx: vedligeholdelse værktøj og ekstraudstyr, holde hænderne varme, organisere arbejdsmonstre.





## SV VARNING

Vibrationsnivåerna som uppges i det här dokumentet har uppmäts i enlighet med ett standardiserat test som beskrivs i EN62841 och som kan användas för att jämföra verktyg. Det kan användas som en preliminär bedömning av den vibration som användaren utsätts för. De deklarerade vibrationsvärdena motsvarar de som uppstår när verktyget används i sitt huvudsyfte. Om verktyget används i andra syften, med andra tillbehör eller om verktyget är dåligt underhållet kan vibrationsnivåerna vara annorlunda. Det kan kraftigt öka vibrationsnivåerna över den totala arbetsperioden.

En uppskattning av vibrationsnivåerna som användaren utsätts för ska också ta hänsyn till de stunder då verktyget är avstängt och när det går på tomgång. Detta kan kraftigt minska vibrationsnivåerna över den totala arbetsperioden. Andra säkerhetsåtgärder som kan skydda användaren från effekterna av vibrationer är: underhållning av verktyget och tillbehören, hålla händerna varma och organisera arbets sättet.

## FI VAROITUS

Tämän tiedotteen tärinäso on mitattu EN62841-standardien mukaisilla testeillä, ja niitä voidaan käyttää verrattaessa laitetta toiseen. Sitä voidaan käyttää arvioitaessa tärinävaikutusta. Ilmoitettu tärinäso vastaa laitteen pääasiallista käyttötarkoitusta. Jos laitetta kuitenkin käytetään muuhun tarkoitukseen, muilla lisälaitteilla tai huonosti huolletuna, tärinäso saattaa poiketa ilmoitetusta arvosta. Tämä voi kasvatata kokonaisaltistumista huomattavasti koko työjakson kuluessa.

Tärinän altistumistasoa arvioitaessa tulee huomioida ajat, jolloin laite on sammutettu tai kun se on käynnissä, mutta sitä ei käytetä varsinaiseen työskentelyyn. Tämä voi vähentää kokonaisaltistumista huomattavasti koko työjakson kuluessa. Käytä muitakin suojakeinoja turvataksesi käyttäjän tärinävaikutukselta, kuten: huolla laite ja lisälaitteet, pidä kätesi lämpiminä, organisoi työnkulku.

## NO ADVARSEL

Vibrasjonsnivået som oppgis på dette informasjonsarket er målt i henhold til en standardisert test gitt i EN62841 og kan brukes til å sammenligne ett verktøy med et annet. Det kan brukes til en foreløpig vurdering av eksponering. Det erklærte vibrasjonsnivået representerer hovedanvendelsen for verktøyet. Dersom verktøyet brukes for andre anvendelser, med forskjellige tilbehør eller med dårlig vedlikehold, vil vibrasjonsnivået kunne være annerledes. Det kan gi en betydelig økning av eksponeringsnivået over den totale arbeidsperioden.

En beregning av nivået for eksponering til vibrasjoner må også ta hensyn til den tiden verktøyet er slått av eller er i gang men ikke i faktisk bruk for å utføre den tiltenkte oppgaven. Dette kan gi en betydelig økning av eksponeringsnivået over den totale arbeidsperioden. Identifiser ytterligere sikkerhetstiltak for å beskytte den som bruker verktøyet fra virkningen av vibrasjoner, tiltak som: Vedlikehold verktøyet og tilbehør, hold hendene varme, organiser arbeidsmetodene.

## RU ОСТОРОЖНО!

Уровень вибрации, приведенный в данном справочном листе, измерен согласно стандартизованным испытаниям, определенным в EN62841 и может использоваться для сравнения различных инструментов. Значение уровня может использоваться для предварительной оценки влияния вибрации. Заявленный уровень вибрации действителен для основного применения инструмента. Однако, если инструмент используется для других целей, с другими приспособлениями, или плохо обслуживается, уровень вибрации может отличаться от указанного. Это может значительно увеличить величину воздействия за общее время работы.

При оценке уровня воздействия вибрации следует также принять во внимание время простоя и холостой ход (когда инструмент выключен и когда включен, но работа не производится). Эти факторы могут значительно уменьшить величину воздействия вибрации за общее время работы. Определите дополнительные меры безопасности, защищающие работника от влияния вибрации: техническое обслуживание инструмента и принадлежностей, недопущение охлаждения рук, соответствующие приемы и распорядок работы.

## PL OSTRZEŻENIE

Deklarowany poziom drgań został zmierzony za pomocą standardowej metody pomiaru określonej normą EN62841 i jego wyniki mogą służyć do porównywania tego urządzenia z innymi. Deklarowana wartość drgań może służyć do wstępnej oceny narażenia operatora na drgania. Deklarowany poziom drgań dotyczy podstawowych zastosowań urządzenia. Jednak w przypadku użycia urządzenia do innych zastosowań, z innymi przystawkami lub w przypadku niewłaściwego stanu technicznego urządzenia poziom drgań może odbiegać od deklarowanego. Może być to przyczyną zwiększenia stopnia narażenia operatora na drgania w całym okresie wykonywania pracy.

Podczas oceny narażenia na drgania należy również uwzględnić czas wyłączenia urządzenia oraz czas, w którym urządzenie jest włączone, jednak praca nie jest wykonywana. Czasy te mogą znacznie zmniejszyć stopień narażenia operatora na drgania w całym okresie wykonywania pracy. Należy określić dodatkowe środki ochrony operatora przed skutkami drgań, przykładowo: dbać o stan techniczny urządzenia i przystawek, dbać o zachowanie ciepłoty dłoni, odpowiednio zorganizować harmonogram wykonywania prac.

## CS VAROVÁNÍ

Hodnota vibračních emisí uvedená v tomto informačním listu byla naměřena standardizovaným testem podle EN62841 a ji použít k porovnání s hodnotami jiných nástrojů. Může se používat k předběžnému odhadu vystavení vibračím. Uznaná hodnota vibračních emisí prezentuje hlavní použití nástroje. Nicméně pokud se nástroj používá pro jiné použití, s různými doplňky nebo se nedostatečně neudržuje, mohou se vibrační emise lišit. Toto může výrazně zvýšit úroveň vystavení nad celkové pracovní období.

Odhad úrovně vystavení vibračím by měl vzít taktéž v potaz časy, kdy je chvění vypnuté, nebo když přístroj běží, ale nevykonává práci. Toto může výrazně snížit úroveň vystavení nad celkové pracovní období. Určete doplňující bezpečnostní opatření pro ochranu obsluhy před různými vibracemi, například: Udržujte nástroj a doplňky, udržujte ruce v teple, organizujte pracovní schéma.

## HU FIGYELMEZTÉTES

A vibráció-kibocsátás adattalapon megadott értéke az EN62841 által meghatározott szabványosított mérési eljárás szerint lett megmértve, amely lehetővé teszi a különböző szerszámok összehasonlítását. Használható a kitettség előzetes felmérésére is. A nyilatkozatban szereplő kibocsátási érték a szerszám főbb alkalmazási területeire vonatkozik. Ugyanakkor, ha a szerszámot más alkalmazásokra, más kiegészítőkkel használják vagy rosszul tartják karban, a vibráció-kibocsátás értéke ettől eltérő is lehet. Ez jelentősen növelheti a kitettség szintjét a gép teljes használati időtartama során.

A vibrációnak való kitettség szintjének becslésekor figyelembe kell venni azokat az időintervallumokat is, amikor a szerszám ki van kapcsolva, vagy működik, de nem végeznek munkát vele. Ez jelentősen csökkentheti a kitettség szintjét a gép teljes használati időtartama során. Tegyén további óvintézkedéseket a kezelő vibrációval szembeni megvédése érdekében: tartsa karban a szerszámot és a tartozékokat, tartsa melegen a kezét, tervezzék meg a munkafolyamatot.

## RO AVERTISMENT

Nivelul emisiilor de vibrații prezentat în cadrul acestei fișe cu informații a fost măsurat în conformitate cu un test standardizat furnizat în EN62841 și poate fi folosit la a compara o unealtă cu o alta. Poate fi folosit la o evaluare preliminară a expunerii. Nivelul declarat al emisiilor de vibrații reprezintă aplicațiile principale ale uneltei. Cu toate acestea, în cazul în care unealta este utilizată pentru aplicații diferite, cu accesorii diferite sau întreținute necorespunzător, emisiile de vibrații pot diferi. Acestea pot crește semnificativ nivelul de expunere pe întreaga perioadă de lucru.

O estimare a nivelului de expunere la vibrații trebuie, de asemenea, să țină cont de tălile în care unealta este oprită sau de tălile în care aceasta funcționează fără a efectua propriu-zis sarcina de lucru. Acestea pot reduce semnificativ nivelul de expunere pe întreaga perioadă de lucru. Identificați măsuri de siguranță suplimentare pentru a proteja operatorul de efectele vibrațiilor, precum: întreținerea uneltei și a accesoriilor, păstrarea mâinilor calde, organizarea de modele de lucru.





## LV BRĪDINĀJUMS

Šajā datu lapā dotā vibrāciju emisijas vērtība ir mērīta saskaņā ar standartizēto testu, kas dots EN62841 un kuru var izmantot, lai salīdzinātu vienu instrumentu ar citu. To var izmantot aptuvenam ekspozīcijas novērtējumam. Deklarētais vibrāciju emisijas līmenis atbilst galvenajiem instrumenta pielietojumiem. Tomēr, ja instrumentu lieto citiem pielietojumiem, ar citiem piederumiem vai tas tiek slīkti apkopts, vibrāciju emisijas vērtība var atšķirties. Tas var ievērojami palielināt ekspozīcijas līmeni visā darba periodā.

Vibrāciju ekspozīcijas līmeņa novērtējumam jāņem vērā laiks, kad instruments ir izslēgts vai ir ieslēgts, bet neveic nekādu darbu. Tas var ievērojami samazināt ekspozīcijas līmeni visā darba periodā. Identificējiet papildu drošības pasākumus, lai aizsargātu operatoru no vibrāciju iedarbības, piemēram, veiciet instrumenta un piederumu apkopi, turiet rokas siltas un pielāgojiet darba grafiku.

## LT ĮSPĖJIMAS

Šiame lapе nurodytas vibracijos emisijos lygis buvo išmatuotas pagal standartinį testą, aprašytą EN62841, ir gali būti naudojamas vieno įrankio su kitu palyginimui. Jis gali būti naudojamas preliminariam pavojaus įvertinimui. Deklaruotas vibracijos emisijos lygis priskiriamas pagrindinėms įrankio taikymo sritims. Tačiau, jei įrankis naudojamas kitiems tikslams, su kitokiais priedais ar įrankis prastai prižiūrimas, vibracijos emisija gali skirtis. Per visą darbo laikotarpį tai gali žymiai padidinti vibracijos keliamą pavojų.

Nustatant vibracijos keliamą pavojų taip pat būtina atsižvelgti į tai, kiek kartų įrankis yra išjungtas ar kai jis veikia, bet juo iš tikrųjų nedirbama. Per visą darbo laikotarpį tai gali žymiai sumažinti vibracijos keliamą pavojų. Naudokite papildomas apsaugos priemones dirbančiam asmeniui apsaugoti nuo vibracijos poveikio, pvz.: prižiūrėti įrankį ir jo priedus, rankas laikyti šiltai, organizuoti darbo sesijas.

## ET HOIATUS

Sellel infolehel esitatud vibratsioonitaseme väärtus on mõõdetud standardis EN62841 kirjeldatud katsemeetodiga ja seda võib kasutada tööriistade omavaheliseks võrdlemiseks. Seda võib kasutada vibratsioonimõju eelhindamiseks. Deklareeritud vibratsioonitaseme väärtus kehtib tööriista tavakasutamisel. Kui aga kasutate tööriista muudeks kasutusotstarveteks, eriolestarbeliste tarvikutega või kui tööriist on puudulikult hooldatud, siis võib vibratsiooniväärtus erineda. Sellistel juhtudel võib tööperioodi summaarne vibratsioonitaseme suureneda märgatavalt.

Vibratsiooniväärtuse taset tuleb arvestada ka sel ajal, kui tööriist on välja lülitatud või kui tööriist tööle, kuid ei tee tööoperatsiooni. Sellistel juhtudel võib tööperioodi ajal summaarne vibratsioonitaseme väheneda märgatavalt. Maarake kindlaks täiendavad ohutusmeetmed, et kaitsa operaatorit vibratsioonimõjude eest – tööriistade ja tarvikute hooldamine, käte soojas hoidmine ja tövähetuuste organiseerimine.

## HR UPOZORENJE

Razina vrijednosti vibracija data u ovoj tablici s informacijama mjerena je skladno normiranom testu pruženom u EN62841 i može se koristiti za usporedbu jednog alata s drugim. Može se koristiti u početnom usklađivanju izloženosti. Objavljena razina vrijednosti vibracija predstavlja glavnu primjenu alata. Međutim, ako se alat koristi za druge primjene, s različitim dodatnim priborom ili je slabo održavan, vrijednost vibracija može se razlikovati. Ovo može značajno povećati razinu izloženosti tijekom ukupnog radnog razdoblja.

U procjeni razine izloženosti na vibraciju također treba uzeti u obzir vrijeme kada je alat isključen ili kada je pokrenut no ne i stvarno vrijeme rada. Ovo može značajno smanjiti razinu izloženosti tijekom ukupnog radnog razdoblja. Odredite dodatne sigurnosne mjere za zaštitu operatera od učinaka vibracije poput: održavanje alata i pribora, održavanje toplih ruku, organizacija obrazaca za rad.

## SL OPOZORILO

Nivo emisij vibracij, naveden v tem informacijskem listu, je bil izmerjen v skladu s standardiziranim testom, ki je podan v EN62841, podatke pa se lahko uporablja za primerjavo enega orodja z drugim. Uporablja se ga lahko za predhodno oceno izpostavljenosti. Navedeni nivo emisij vibracij predstavlja glavne uporabe orodja. Vendar, če se orodje uporablja v druge namene in z različnimi nastavki oz. če je orodje slabo vzdrževano, se lahko emisije vibracij razlikujejo. To lahko občutno poveča nivo izpostavljenosti v skupnem delovnem času.

Ocena nivoja izpostavljenosti vibracijam bi morala prav tako upoštevati, koliko krat je orodje bilo izključeno ali je v delovanju in pravzaprav ne opravlja svojega dela. To lahko občutno zmanjša nivo izpostavljenosti v skupnem delovnem času. Upoštevajte dodatne varnostne ukrepe, da bi upravljavca zaščitili pred vplivom vibracij, kot je: vzdržujte orodje in nastavke, pazite, da so roke tople, organizirajte delovne vzorce.

## SK VAROVANIE

Úroveň emisie vibrácií, uvedená v tomto informačnom hárku bola nameraná v súlade so štandardizovaným testom, daný normou EN62841 a môže sa použiť na porovnanie jedného nástroja s druhým. Môže sa použiť na predbežné určenie miery vystavenia sa vibráciám. Uvedená úroveň emisie vibrácií predstavuje hlavné aplikácie nástroja. Avšak keď sa nástroj používa na iné aplikácie, s rôznym príslušenstvom alebo má zlé údržbu, úroveň vibrácií sa môže líšiť. Týmto sa môže výrazne zvýšiť úroveň vystavenia sa vibráciám počas celkového času práce.

Odhad úrovne vystavenia sa vibráciám by sa mal brať tiež do úvahy, vzdý, keď sa nástroj vypne, alebo potom, keď beží ale v skutočnosti sa nevykonáva práca. Týmto sa môže výrazne znížiť úroveň vystavenia sa vibráciám počas celkového času práce. Nasledovné dopĺňujúce bezpečnostné opatrenia pomáhajú chrániť operátora od účinkov vibrácií: údržba nástroja a príslušenstva, udržiavanie teplých držadiel, organizácia práce.

## BG ВНИМАНИЕ

Посоченото в тези инструкции ниво на вибрациите е измерено в съответствие със стандартизиран в EN 62841 измервателен метод и може да се използва за сравнение на електрически инструменти помежду им. Подходящ е и за временна оценка на вибрационното натоварване. Посоченото ниво на вибрациите представя основните приложения на електрическия инструмент. Ако обаче електрическият инструмент се използва с друго предназначение, с различни сменяеми инструменти или при недостатъчна техническа поддръжка, нивото на вибрациите може да е различно. Това чувствително може да увеличи вибрационното натоварване по време на целия работен цикъл.

За точната оценка на вибрационното натоварване трябва да се вземат предвид и периодите от време, в които уредът е изключен или работи, но в действителност не се използва. Това чувствително може да намали вибрационното натоварване по време на целия работен цикъл. Определете допълнителни мерки по техника на безопасност в защита на обслужващия работник от въздействието на вибрациите като например: техническа поддръжка на електрическия инструмент и сменяемите инструменти, поддръжане на ръцете топли, организация на работния цикъл.

## UK ПОПЕРЕДЖЕННЯ

Рівень вібрації, зазначений у цьому інформаційному листку, був розрахований відповідно зі стандартизованим випробуванням, наведеним в EN 62841 і може використовуватися для порівняння одного інструмента з іншим. Він може бути використаний для попередньої оцінки впливу. Зазначений рівень вібрації представляє основні застосування інструменту. Тим не менш, якщо інструмент використовується для різних додатків, з різними аксесуарями і недоглянутий, рівень вібрації може відрізнятись. Це може значно підвищити рівень впливу протягом усього робочого періоду.

При оцінюванні рівня впливу вібрації необхідно також враховувати час, коли інструмент вимкнений або коли він працює, але насправді не виконує ніякої роботи. Це може значно зменшити рівень впливу протягом усього робочого періоду. Для захисту оператора від впливу вібрації, визначте додаткові заходи безпеки, такі як: ретельний догляд за інструментом і приладдям, тримання рук в теплі, і організація схеми роботи.





## TR UYARI

Bu bilgi sayfasında verilen titreşim emisyon seviyesi, EN62841 standardında belirtilen standartlaştırılmış bir teste uygun olarak ölçülmüş ve bir aleti diğeriyle karşılaştırmak için kullanılabilir. Ön maruz kalma tespiti için kullanılabilir. Beyan edilen titreşim emisyon seviyesi aletin asıl uygulamalarını temsil etmektedir. Ancak alet, farklı aksesuarlarla veya yetersiz bakımlı olarak farklı uygulamalar için kullanılırsa titreşim emisyonu değişebilir. Bu durum toplam çalışma süresi boyunca maruz kalma seviyesini önemli ölçüde artırır.

Titreşime maruz kalma seviyesinin değerlendirilmesi aynı zamanda alet kapalı ve ardından çalışır ancak gerçek anlamda iş yapmadığı zamanlar da göz önünde bulundurulmalıdır. Bu durum toplam çalışma süresi boyunca maruz kalma seviyesini önemli ölçüde azaltır. Operatörü titreşimin etkilerinden korumak için ilave güvenlik önlemleri belirleyin, örneğin: aletin ve aksesuarlarının bakımını yapmak, operatörün ellerini sıcak tutmak, çalışma modellerini organize etmek.

## EL ΠΡΟΕΙΔΟΠΟΙΗΣΗ

Τα επίπεδα εκπομπών κραδασμών που παρέχονται στο παρόν ενημερωτικό φυλλάδιο, έχουν μετρηθεί βάσει τυποποιημένης δοκιμής που προβλέπεται στο EN62841 και μπορούν να συγκριθούν για τη σύγκριση του εργαλείου με άλλα. Μπορούν επίσης να χρησιμοποιηθούν για προκαταρκτική αξιολόγηση της έκθεσης. Τα δηλωμένα επίπεδα εκπομπών κραδασμών αφορούν τις βασικές εφαρμογές του εργαλείου. Ωστόσο, αν το εργαλείο χρησιμοποιείται για διαφορετικές εφαρμογές, με διαφορετικά εξαρτήματα ή με κακή συντήρηση, η εκπομπή κραδασμών μπορεί να διαφέρει. Αυτό μπορεί να αυξήσει σημαντικά το επίπεδο έκθεσης στη συνολική περίοδο εργασίας.

Η εκτίμηση των επιπέδων έκθεσης σε κραδασμούς θα πρέπει επίσης να λαμβάνει υπόψη τις χρονικές περιόδους κατά τις οποίες το εργαλείο είναι απενεργοποιημένο ή λειτουργεί χωρίς να χρησιμοποιείται σε συγκεκριμένη εργασία. Αυτό μπορεί να μειώσει σημαντικά το επίπεδο έκθεσης στη συνολική περίοδο εργασίας. Εφαρμόστε επιπρόσθετα μέτρα ασφαλείας για την προστασία του χειριστή από τις επιπτώσεις των κραδασμών, όπως τα εξής: συντηρείτε το εργαλείο και τα εξαρτήματα, διατηρείτε τα χέρια ζεστά, οργανώστε μοτίβα εργασίας.



## EN RYOBI® WARRANTY APPLICATION CONDITIONS

In addition to any statutory rights resulting from the purchase, this product is covered by a warranty as stated below.

1. The warranty period is 24 months for consumers and commences on the date the product was purchased. This date has to be documented by an invoice or other proof of purchase. The product is designed and dedicated to consumer and private use only. So there is no warranty provided in case of professional or commercial use. This warranty applies only on new products.
2. There is a possibility to extend for a part of the range of power tools (AC/DC) the warranty period over the period described above using the registration on the [www.ryobitools.eu](http://www.ryobitools.eu) website. The eligibility of products for extended warranty is clearly displayed in stores and / or on packaging and is contained within the product documentation. The end user is required to register his/her newly-acquired products online within 30 days from the date of purchase. The end user may register for the extended warranty in his/her country of residence if listed on the online registration form where this option is valid. Furthermore, end users must give their consent to the storage of their personal data that is required to be entered online. They must also accept the terms and conditions. The registration confirmation receipt, which is sent out by e-mail, and the original invoice showing the date of purchase will serve as proof of the extended warranty.
3. The warranty covers all defects of the product during the warranty period due to faults in workmanship or material at the purchase date. The warranty is limited to repair and/or replacement and does not include any other obligations including but not limited to incidental or consequential damages. The warranty is not valid if the product has been misused, used contrary to the instruction manual, or has been incorrectly connected to a power supply. This warranty does not apply to:
  - any damage to the product that is the result of improper or lack of maintenance
  - any product that has been altered or modified
  - any product where original identification (trade mark, serial number) markings have been defaced, altered or removed
  - any damage caused by non-observance of the instruction manual
  - any product not displaying the CE approval mark on the rating plate
  - any product that has been attempted to be repaired by a non-authorised warranty service centre or without prior authorisation by Techtronic Industries
  - any product connected to improper power supply (amps, voltage, frequency)
  - any damage caused by external influences (water, chemical, physical, shocks) or foreign substances
  - normal wear and tear spare parts
  - inappropriate use, overloading of the tool
  - use of non-approved accessories or parts
  - Power tool accessories provided with the tool or purchased separately, including but not limited to screw driver bits, drill bits, abrasive discs, sand paper and blades, lateral guide, etc.
  - Components (parts and accessories) subject to natural wear and tear, including but not limited to service & maintenance kits, carbon brushes, bearings, chuck, SDS drill bit attachment or reception, power cord, auxiliary handle, transport carry case, sanding plate, dust bag, dust exhaust tube, felt washers, impact wrench pins & springs, etc.
4. For servicing, the product must be sent or presented to a RYOBI authorised service station listed for each country in the following list of service station addresses. In some countries your local RYOBI dealer undertakes to send the product to the RYOBI service organisation. When sending a product to a RYOBI service station, the product should be safely packed without any dangerous contents such as petrol, marked with sender's address and accompanied by a short description of the fault.
5. A repair / replacement under this warranty is free of charge. It does not constitute an extension or a new start of the warranty period. Exchanged parts or products become our property. In some countries delivery charges or postage will have to be paid by the sender. Your statutory rights arising from the purchase of the product remain unaffected
6. This warranty is valid in the European Community, Switzerland, Iceland, Norway, Liechtenstein, Turkey and Russia. Outside these areas, please contact your authorised RYOBI dealer to determine if another warranty applies.

### AUTHORISED SERVICE CENTRE

To find an authorised service centre near you, visit <http://uk.ryobitools.eu/header/service-and-support/service-agents>

## FR RYOBI® CONDITIONS D'APPLICATION DE LA GARANTIE

En plus des droits statutaires liés à l'achat, ce produit est couvert par une garantie telle que décrite ci-dessous.

1. La durée de la garantie accordée au consommateur est de 24 mois à partir de la date d'achat. Cette date doit être authentifiée par une facture ou toute autre preuve d'achat. Le produit a été conçu en vue d'une utilisation strictement privée. Aucune garantie ne s'applique donc en cas d'utilisation professionnelle ou commerciale.
2. Il existe pour une partie de la gamme d'outils électroportatifs (AC/DC), une possibilité d'étendre la période de garantie au-delà de la période précédemment décrite en utilisant le formulaire d'enregistrement présent sur le site Internet [www.ryobitools.eu](http://www.ryobitools.eu). L'éligibilité d'un outil est clairement affichée dans les points de vente et/ou sur l'emballage et la documentation. L'utilisateur final doit enregistrer son/ses outil(s) nouvellement acheté(s) en ligne dans les 30 jours qui suivent la date d'achat. L'utilisateur a la possibilité de s'enregistrer pour l'extension de garantie dans son pays de résidence si celui-ci est listé dans le formulaire d'enregistrement en ligne où cette option est valide. L'utilisateur final doit donner son consentement pour l'enregistrement des données requises pour accéder au site et doit accepter les termes et conditions. La confirmation d'enregistrement, envoyée par courrier électronique, ainsi que la facture originale mentionnant la date d'achat serviront de preuve de l'extension de garantie.
3. La garantie couvre pendant la période de garantie les défauts des produits liés à la fabrication et aux matériaux à la date d'achat. La garantie est limitée à la réparation et/ou au remplacement et n'inclut aucune autre obligation, tel que, mais sans s'y limiter, les dommages accessoires ou indirects. La garantie est non valable en cas de mauvaise utilisation du produit, d'utilisation contraire aux instructions du mode d'emploi, ou en cas de branchement incorrect. Cette garantie ne s'applique pas pour :
  - tout dommage au produit résultant d'un mauvais entretien
  - tout produit ayant été altéré ou modifié
  - tout produit dont les marquages originaux d'identification (marque, numéro de série) ont été dégradés, altérés ou retirés
  - tout dommage causé par le non-respect des instructions du mode d'emploi
  - tout produit non CE
  - tout produit ayant subi une tentative de réparation par du personnel non qualifié ou sans autorisation préalable de Techtronic Industries
  - tout produit raccordé à une alimentation secteur non conforme (ampérage, voltage, fréquence)
  - tout dommage causé par des influences extérieures (chimiques, physiques, chocs) ou par des substances étrangères
  - l'usure normale des pièces consommables
  - une utilisation inappropriée, une surcharge de l'outil
  - l'utilisation de pièces ou accessoires non agréés
  - accessoires de l'outil électrique fournis avec l'outil ou achetés séparément. Cela comprend notamment les embouts de vissage, les forets de perceuse, les disques abrasifs, le papier de verre et les lames, le guide latéral
  - Les composants (pièces et accessoires) sujets à l'usure naturelle, ceci incluant notamment les mandrins, les charbons, adaptateurs SDS, les cordons d'alimentation, les poignées auxiliaires, les mallettes de transport, les plateaux de ponçage, les sacs collecteurs de poussière, les tubes d'extraction de poussière, les carrés de clé à choc, etc.
4. Si le produit doit être réparé, envoyez-le à un service après-vente agréé RYOBI dont vous trouverez ci-dessous la liste pour chaque pays. Dans certains pays, votre revendeur RYOBI se chargera d'envoyer le produit à un centre de réparation RYOBI. Lorsque vous envoyez un produit à un service après-vente RYOBI, celui-ci doit être correctement emballé, sans contenir aucun produit dangereux tel que de l'essence, et vous devez indiquer votre adresse ainsi qu'une courte description du problème.
5. Une réparation / un remplacement sous garantie est gratuit(e). Ceci ne constituera pas une extension de garantie ni un nouveau départ de la période de garantie. Les pièces ou les outils remplacés deviennent notre propriété. Dans certains pays, les frais de port devront être assumés par l'expéditeur. Vos droits statutaires restent inchangés.
6. Cette garantie est valable au sein de l'Europe, de la Suisse, de l'Islande, de la Norvège, du Liechtenstein, de la Turquie, de la Russie. En dehors de ces zones, veuillez contacter votre distributeur agréé RYOBI pour déterminer si une autre garantie s'applique.

### SERVICE APRÈS-VENTE AGRÉÉ

Pour trouver le service après-vente agréé le plus proche, rendez-vous sur <http://fr.ryobitools.eu/header/service-and-support/service-agents>.

## DE RYOBI® GARANTIEBEDINGUNGEN

Zusätzlich zu den gesetzlichen Rechten aus dem Kauf gilt für dieses Produkt die nachstehend aufgeführte Garantie.

- Der Garantiezeitraum beträgt für Verbraucher 24 Monate und beginnt mit dem Datum des Kaufs. Dieses Datum muss durch eine Rechnung oder einen anderen Kaufbeleg dokumentiert werden. Dieses Produkt wurde ausschließlich zur privaten Nutzung durch Verbraucher entwickelt. Für den Fall einer professionellen bzw. kommerziellen Nutzung besteht daher keine Garantie.
- Es besteht die Möglichkeit, für einen Teil des Sortiments der Elektrogeräte (AC/DC) den Garantiezeitraum über den oben genannten Zeitraum hinaus zu verlängern, indem der Verbraucher die Registrierung auf der Website [www.ryobitools.eu](http://www.ryobitools.eu) durchführt. Die Berechtigung der Werkzeuge für die Garantieverlängerung ist deutlich im Geschäft und/oder auf der Verpackung beschrieben und in der Produktdokumentation erwähnt. Der Verbraucher muss das neu erworbene Gerät online innerhalb von 30 Tagen ab dem Kaufdatum registrieren. Der Verbraucher kann das Gerät zwecks Garantieverlängerung in seinem Wohnsitzland/Heimatland registrieren, wenn dieses Land auf dem Online-Registrierungsformular aufgeführt ist und die Option gültig ist. Darüber hinaus muss der Verbraucher seine Zustimmung zur Speicherung der Daten geben, die online eingegeben werden müssen, und er muss die allgemeinen Geschäftsbedingungen akzeptieren. Die Bestätigung der Registrierung, die per E-Mail versandt wird, und die Originalrechnung mit dem Kaufdatum gelten als Beleg für die Garantieverlängerung.
- Die Garantie deckt alle Defekte des Geräts während des Garantiezeitraums ab, die auf zum Zeitpunkt des Kaufs bestehende Verarbeitungs- oder Materialfehler zurückzuführen sind. Die Garantie beschränkt sich auf Reparatur und/oder Ersatz und beinhaltet keine anderen Verpflichtungen, insbesondere keinen Schadenersatz für Folge- oder Nebenschäden. Die Garantie gilt nicht, wenn das Gerät fehlerhaft eingesetzt wurde, gegenseitlich zur Bedienungsanleitung eingesetzt wurde oder falsch angeschlossen wurde. Die Garantie gilt nicht für Folgendes:
  - Schäden am Gerät, die auf unkorrekte Wartung zurückzuführen sind
  - Geräte, an denen Veränderungen vorgenommen wurden
  - Produkte, bei denen die ursprüngliche Identifizierung (Handelsmarke, Seriennummer) unleserlich gemacht, verändert oder entfernt wurde
  - Schäden durch Nichtbeachtung der Bedienungsanleitung
  - nicht-CE-zertifizierte Geräte
  - Geräte, an denen durch nicht-qualifizierte Personen oder ohne vorherige Genehmigung von Techtronic Industries Reparaturversuche vorgenommen wurden
  - Geräte, die an unkorrekte Energiequellen (Ampere, Volt, Frequenz) angeschlossen wurden
  - Schäden durch äußere Einflüsse (chemisch, physisch, Stöße) oder Fremdstoffe
  - normaler Verschleiß von Ersatzteilen
  - unangemessene Nutzung, Überlastung des Geräts
  - Nutzung nicht genehmigter Zubehörteile oder Ersatzteile
  - mit dem Gerät gelieferte oder separat erworbene Zubehörteile. Dieser Ausschuss beinhaltet, ist aber nicht beschränkt auf Schraubendreher-Bits, Bohreinsätze, Schleifscheiben, Sandpapier und Klingen, Seitenführungen
  - Komponenten (Ersatzteile und Zubehörteile), die natürlichen und normalen Verschleißerscheinungen unterworfen sind, einschließlich aber nicht beschränkt auf: Service- und Wartungssätze, Kohlebürsten, Lager, Spannfutter, SDS-Bohreraufnahme /Bit-Adapter, Netzkabel, Zusatzhandgriff, Transportkoffer, Schleifteller, Staubbeutel, Staubabsaugrohr, Filzunterlegscheiben, Bolzen und Federn von Schlagschraubern usw.
- Zum Service muss das Gerät zu einer von RYOBI autorisierten Servicestation gebracht oder dorthin gesendet werden. Die Servicestationen für die einzelnen Länder sind in der folgenden Liste aufgeführt. In einigen Ländern sendet Ihr RYOBI-Händler vor Ort das Gerät an das RYOBI-Serviceunternehmen. Beim Einsenden an die RYOBI-Servicestation sollte das Gerät sicher verpackt sein, ohne gefährliche Inhalte wie Benzin, und es sollte mit der Adresse des Absenders und einer kurzen Beschreibung des Fehlers versehen sein.
- Eine Reparatur bzw. ein Ersatz gemäß dieser Garantie ist kostenlos. Hieraus ergibt sich weder eine Garantieverlängerung noch der Beginn eines neuen Garantiezeitraums. Die ausgetauschten Ersatzteile oder Werkzeuge gehen in unser Eigentum über. In einigen Ländern müssen die Zustellgebühren oder die Versandkosten vom Absender gezahlt werden. Ihre gesetzlichen Rechte aus dem Kauf des Geräts bleiben hiervon unberührt.
- Diese Garantie gilt in der Europäischen Union, der Schweiz, Island, Norwegen, Liechtenstein, der Türkei und Russland. Bitte wenden Sie sich außerhalb dieser Gebiete an Ihren autorisierten RYOBI-Händler, um festzustellen, ob eine andere Garantie gilt.

### AUTORISIERTER KUNDENDIENST

Besuchen Sie <http://de.ryobitools.eu/header/service-and-support/service-agents>, um einen autorisierten Kundendienst in Ihrer Nähe zu finden.

## ES CONDICIONES DE APLICACIÓN DE LA GARANTÍA DE RYOBI®

Además de cualquier derecho legal derivado de la compra, este producto está cubierto por una garantía que se indica a continuación.

- El periodo de garantía es de 24 meses para consumidores y comienza en la fecha en que se compra el producto. Dicha fecha debe documentarse con una factura u otro comprobante de compra. El producto está diseñado y concebido únicamente para el uso privado del consumidor. Por lo tanto, no se ofrece garantía en caso de uso profesional o comercial.
- Existe la posibilidad de ampliar el periodo de garantía respecto a una parte de la gama de herramientas eléctricas (CA/CC) durante el periodo descrito más arriba y mediante el registro en el sitio web [www.ryobitools.eu](http://www.ryobitools.eu). La elegibilidad de las herramientas para que se amplíe el periodo de garantía se muestra claramente en las tiendas o en el embalaje y está incluida en la documentación del producto. El usuario final tiene que registrar en línea sus herramientas recientemente adquiridas en un plazo de 30 días a partir de la fecha de compra. El usuario final podrá registrarse para obtener la garantía ampliada en su país de residencia si este aparece en la lista del formulario de registro en línea cuando esta opción sea válida. Además, los usuarios finales deberán dar su consentimiento al almacenamiento de los datos necesarios para el acceso en línea y tienen que aceptar los términos y condiciones. El recibo de confirmación de registro, que se envía por correo electrónico, y la factura original que muestra la fecha de compra servirán como comprobante para la garantía ampliada.
- La garantía cubre todos los defectos del producto durante el periodo de garantía debido a fallos de mano de obra o material en la fecha de compra. La garantía se limita a la reparación o sustitución y no incluye ninguna otra obligación como, por ejemplo, daños accidentales o consecuentes. La garantía no es válida si se ha usado mal el producto, se ha usado contraviniendo el manual de instrucciones o se ha conectado de forma incorrecta. Esta garantía no es aplicable a:
  - ningún daño en el producto que sea consecuencia de un mantenimiento inadecuado
  - ningún producto que haya sido alterado o modificado
  - ningún producto en el que los marcados de identificación originales (marca comercial, número de serie) se hayan borrado, modificado o eliminado
  - ningún daño provocado por no seguir el manual de instrucciones
  - ningún producto que no sea CE
  - ningún producto que haya sufrido un intento de reparación por parte de un profesional no cualificado o sin la autorización previa de Techtronic Industries.
  - ningún producto conectado a un suministro eléctrico inadecuado (amperios, voltaje, frecuencia)
  - ningún daño causado por influencias externas (químicas, físicas, impactos) o sustancias extrañas
  - desgaste normal de piezas de repuesto
  - uso inadecuado, sobrecarga de la herramienta
  - uso de accesorios o piezas no aprobados
  - Accesorios de herramientas eléctricas proporcionados con la herramienta o comprados por separado. Tales exclusiones incluyen, entre otros, brocas de destornilladores, brocas de taladro, discos abrasivos, papel de lija y cuchillas, y guías laterales
  - Componentes (piezas y accesorios) sujetos a un desgaste natural, que incluyen, entre otros, equipos de servicio y mantenimiento, escobillas de carbono, cojinetes, pinzas, accesorio o recepción de broca de taladro SDS, cable eléctrico, manillar auxiliar, bolsa de transporte, hoja lijadora, bolsa de polvo, tubo de escape de polvo, disco de fieltro, pasadores y resortes de llave de impacto, etc.
- Para su mantenimiento, el producto debe enviarse o presentarse a una estación de servicio de RYOBI autorizada que figure en la siguiente lista de direcciones de estaciones de servicio por países. En algunos países, su distribuidor RYOBI local se responsabiliza de enviar el producto a la compañía de servicio de RYOBI. Cuando se envíe un producto a una estación de servicio de RYOBI, este debe estar empaquetado de forma segura sin contenidos peligrosos como gasolina, marcado con la dirección del remitente y acompañado de una breve descripción del fallo.
- Una reparación / sustitución con esta garantía es gratuita. No constituye una ampliación ni un nuevo comienzo del periodo de garantía. Las piezas o herramientas intercambiadas pasan a ser de nuestra propiedad. En algunos países, los gastos de envío o correo tendrá que pagarlos el remitente. Sus derechos legales derivados de esta compra de la herramienta no se verán afectados.
- Esta garantía es válida en la Unión Europea, Suiza, Islandia, Noruega, Liechtenstein, Turquía y Rusia. Fuera de estas zonas, póngase en contacto con su distribuidor de RYOBI autorizado para determinar si es aplicable otra garantía.

### SERVICIO TÉCNICO AUTORIZADO

Para encontrar el servicio técnico autorizado más cercano, visite <http://es.ryobitools.eu/header/service-and-support/service-agents>

## IT CONDIZIONI DI VALIDITÀ DELLA GARANZIA RYOBI®

In aggiunta ai diritti di legge risultanti dall'acquisto, il prodotto è coperto dalla garanzia sotto descritta.

- Il periodo di garanzia è di 24 mesi per i consumatori, a decorrere dalla data di acquisto del prodotto. La data deve essere documentata da una fattura o altra prova d'acquisto. Il prodotto è progettato e destinato solo all'utilizzo privato dei consumatori. Pertanto non viene fornita alcuna garanzia in caso di uso professionale o commerciale.
- Per una serie di utensili elettrici (CA/CC) è possibile prolungare il periodo di garanzia oltre quello descritto, registrandosi sul sito web [www.ryobitools.eu](http://www.ryobitools.eu). Gli utensili per i quali è possibile prolungare il periodo di garanzia sono chiaramente indicati nei negozi e/o sulle confezioni e nella documentazione dei prodotti. L'utente deve registrare online l'utensile acquistato entro 30 giorni dalla data di acquisto. L'utente può registrarsi per la garanzia prolungata nel proprio paese di residenza, se questo è elencato nel modulo di registrazione online dove questa opzione sia valida. Inoltre gli utenti devono fornire il proprio consenso alla conservazione dei dati da immettere online e devono accettare le condizioni generali. La conferma di registrazione, inviata tramite e-mail, e la fattura originale indicante la data di acquisto, costituiscono la prova della garanzia prolungata.
- La garanzia copre tutti i difetti del prodotto durante il periodo di garanzia, risultati da manodopera o materiali alla data di acquisto. La garanzia è limitata alla riparazione e/o sostituzione e non include alcun altro obbligo quali, a mero titolo esemplificativo, i danni incidentali o consequenziali. La garanzia non è valida se il prodotto è stato usato scorrettamente, in modo contrario al manuale di istruzioni o se è stato collegato in modo errato. La garanzia non è valida per:
  - qualsiasi danno al prodotto dovuto a manutenzione errata;
  - qualsiasi prodotto che sia stato alterato o modificato;
  - qualsiasi prodotto le cui marcate di identificazione originali (marchi di fabbrica, numero di serie) siano state cancellate, alterate o rimosse;
  - qualsiasi danno causato dalla non osservanza delle istruzioni del manuale;
  - qualsiasi prodotto privo di omologazione CE;
  - qualsiasi prodotto che sia stato sottoposto a un tentativo di riparazione da parte di un professionista non qualificato oppure senza la previa autorizzazione di Techtronic Industries;
  - qualsiasi prodotto collegato a un'alimentazione errata (per ampere, tensione, frequenza);
  - qualsiasi danno causato da influenze esterne (chimiche, fisiche, urti) o sostanze estranee;
  - la normale usura delle parti di ricambio;
  - uso inappropriato, sovraccarico dell'utensile;
  - uso di accessori o parti non omologate;
  - accessori per utensili elettrici forniti con l'utensile o acquistati separatamente. Questa esclusione comprende, a mero titolo esemplificativo, punte per cacciaviti, punte per trapani, dischi abrasivi, carta vetrata, lame e guide laterali;
  - componenti (parti e accessori) soggetti alla normale usura compresi, a mero titolo esemplificativo, kit di servizio e manutenzione, spazzole al carbonio, cuscinetti, mandrini, attacchi per punte a vite autopoterforante, cavi di alimentazione, maniglie ausiliarie, custodie di trasporto, piastre di levigatura, sacchetti per la polvere, tubi di scarico della polvere, rondelle di feltro, perni e molle per avvitatori ecc.
- Per la manutenzione il prodotto dev'essere spedito o portato presso uno dei centri assistenza autorizzati RYOBI elencati per ogni paese nel seguente elenco di indirizzi dei centri. In alcuni paesi il rivenditore locale RYOBI si incarica di inviare il prodotto all'organizzazione di assistenza RYOBI. Quando si invia un prodotto a un centro assistenza RYOBI, imballarlo in modo sicuro senza contenuti pericolosi come la benzina, apporre l'indirizzo del mittente e accompagnarlo da una breve descrizione del guasto.
- La riparazione/sostituzione ai sensi della presente garanzia è gratuita. Non costituisce un prolungamento o un nuovo inizio del periodo di garanzia. Le parti o gli utensili scambiati diventano di nostra proprietà. In alcuni paesi i costi di consegna o di spedizione postale devono essere pagati dal mittente. I diritti di legge derivanti dall'acquisto dell'utensile rimangono inalterati.
- La presente garanzia è valida in Unione Europea, Svizzera, Islanda, Norvegia, Liechtenstein, Turchia e Russia. Al di fuori di tali aree contattare il rivenditore autorizzato RYOBI per sapere se è valida un'altra garanzia.

### CENTRO SERVIZI AUTORIZZATO

Per individuare il più vicino centro servizi autorizzato, visitare il sito <http://it.ryobitools.eu/header/service-and-support/service-agents>.

## NL RYOBI® GARANTIEVOORWAARDEN

Naast de wettelijke rechten die voortvloeien uit de aankoop, wordt dit product gedekt door een garantie, zoals hieronder staat vermeld.

- De garantietermijn voor consumenten bedraagt 24 maanden en gaat in op de datum waarop het product is gekocht. Deze datum moet worden gedocumenteerd met een factuur of een ander aankoopbewijs. Het product is uitsluitend ontworpen en bedoeld voor persoonlijk gebruik door consumenten. Er wordt dus geen garantie gegeven voor professioneel of commercieel gebruik.
- Voor een deel van ons aanbod van elektrische gereedschappen (AC/DC) is het mogelijk om de garantietermijn te verlengen over de boven beschreven termijn, met behulp van de website [www.ryobitools.eu](http://www.ryobitools.eu). De gereedschappen die in aanmerking komen voor de verlenging van de garantietermijn wordt duidelijk weergegeven in winkels en/of verpakkingen en staat beschreven in de productdocumentatie. De eindgebruiker moet zijn/haar nieuw gekochte gereedschappen binnen 30 dagen na aankoop online registreren. De eindgebruiker kan zich registreren voor de verlengde garantietermijn als zijn woonland staat vermeld op het online registratieformulier waar deze optie geldt is. Bovendien moeten eindgebruikers toestemming geven voor de opslag van de gegevens die online ingevuld moeten worden en moeten ze de algemene voorwaarden accepteren. Het ontvangstbewijs van de registratie, dat per e-mail wordt verzonden en de oorspronkelijke factuur met de aankoopdatum vormt het bewijs van de verlengde garantietermijn.
- De garantie dekt tijdens de garantietermijn alle gebreken van het product vanwege defecten in vakmanschap of materiaal op de aankoopdatum. De garantie is beperkt tot reparatie en/of vervanging en bevat geen andere verplichtingen, waaronder maar niet beperkt tot incidentele of gevolgschade. De garantie is niet geldig als het product is misbruikt, in strijd met de gebruiksaanwijzing wordt gebruikt of onjuist is aangesloten. Deze garantie geldt niet voor:
  - alle schade aan het product die het gevolg is van onjuist onderhoud
  - elk product dat is veranderd of aangepast
  - elk product waar de oorspronkelijke identificatie (handelsmerk, serienummer) is beschadigd, gewijzigd of verwijderd
  - alle schade die is veroorzaakt door het niet opvolgen van de gebruiksaanwijzing
  - elk niet-CE-product
  - elk product waar een poging tot reparatie is gedaan door een niet-erkende professional of zonder voorafgaande toestemming door Techtronic Industries.
  - elk product dat is verbonden met een verkeerde voeding (amperage, spanning, frequentie)
  - alle schade die is veroorzaakt door externe invloeden (chemisch, fysisch, schokken) of vreemde stoffen
  - normale slijtage van reserveonderdelen
  - ongepast gebruik, overbelasting van het gereedschap
  - gebruik van niet-goedgekeurde accessoires of onderdelen
  - gereedschapsaccessoires die bij het gereedschap worden geleverd of afzonderlijk zijn aangeschaft. Zulke uitzonderingen bevatten, maar niet beperkt tot schroevendraaierbits, boorbits, slijpschijven, schuurpapier en zagen, laterale geleiding
  - Componenten (onderdelen en accessoires) die onderhevig zijn aan natuurlijke slijtage, waaronder maar niet beperkt tot service-onderhoudsets, koelstofborstels, lagere, boorkoppen, SDS boorbitbevestigingen of ontvangers, stroomsoeren, hulpprepen, transporttassen, schuurplateaus, stofzakken, stofafvoerbuizen, vilttringen, pennen en veren van slagmoersleutels, etc.
- Voor onderhoud moet het product worden verzonden of gebracht naar een erkend servicecenter van RYOBI die voor elk land staan vermeld in de volgende lijst met adressen voor servicecentra. In sommige landen zal uw lokale RYOBI-dealer het product verzenden naar de RYOBI-serviceorganisatie. Wanneer u het product naar een servicecenter van RYOBI verzendt, moet het product veilig worden verpakt zonder enige gevaarlijke inhoud, zoals benzine, met het adres van de afzender en vergezeld van een korte beschrijving van het defect.
- Een reparatie/vervanging die onder deze garantie valt is gratis. Het vormt geen verlenging of een nieuwe start van de garantietermijn. Verwisselde onderdelen of gereedschappen worden ons eigendom. In sommige landen moeten de verzendkosten door de afzender worden betaald. Uw wettelijke rechten die voortvloeien uit de aankoop van het gereedschap blijven onaangetaast.
- Deze garantie is geldig in de Europese Gemeenschap, Zwitserland, Usland, Noorwegen, Liechtenstein, Turkije en Rusland. Buiten deze gebieden moet u contact opnemen met uw erkende RYOBI-dealer om vast te stellen of er een andere garantie van toepassing is.

### GEAUTORISEERD ONDERHOUDSCENTRUM

Om een geautoriseerd onderhoudscentrum in uw buurt te vinden, surf u naar <http://nl.ryobitools.eu/header/service-and-support/service-agents>.



## PT CONDIÇÕES DE APLICAÇÃO DA GARANTIA RYOBI®

Para além de quaisquer direitos previstos por lei resultantes da compra, este produto está coberto por uma garantia conforme descrição abaixo.

- O período da garantia é de 24 meses para consumidores particulares e inicia-se na data de compra do produto. Esta data tem de ser documentada por uma factura ou por outra prova de compra. O produto foi concebido para e destina-se apenas a consumidores particulares e uso privado. Assim, não é dada garantia em caso de utilização por profissionais ou uso comercial.
- Para uma parte da gama de ferramentas eléctricas (AC/DC) existe a possibilidade de prolongamento do período da garantia para além do período descrito acima, mediante registo no Web site [www.ryobitools.eu](http://www.ryobitools.eu). A elegibilidade das ferramentas para prolongamento do período da garantia é claramente visível nas lojas e/ou nas embalagens e está contida na documentação do produto. O utilizador final tem de fazer o registo online das suas ferramentas recém-adquiridas no prazo de 30 dias após a data de compra. O utilizador final pode fazer o registo para prolongamento da garantia no seu país de residência, desde que esteja listado no formulário de registo online e para os casos em que esta opção seja válida. Para além disso, os utilizadores finais têm de autorizar o armazenamento dos dados cujo preenchimento lhes for solicitado online e têm de aceitar os termos e as condições. O recibo de confirmação do registo é enviado por e-mail e, em conjunto com a factura original ostentando a data de compra, servirá de prova do prolongamento da garantia.
- A garantia cobre todos os defeitos do produto durante o período da garantia devidos a defeitos de fabrico ou de material à data da compra. A garantia está limitada à reparação e/ou substituição e não inclui quaisquer outras obrigações, incluindo mas não se limitando a, perdas complementares ou indirectas. A garantia não é válida se o produto tiver sido utilizado incorrectamente, utilizado de forma contrária ao Manual de Instruções ou se as respectivas ligações tiverem sido feitas incorrectamente. Esta garantia não se aplica ao seguinte:
  - quaisquer danos ao produto que sejam resultado de manutenção incorrecta
  - qualquer produto que tenha sido alterado ou modificado
  - qualquer produto cujas marcações de identificação de origem (marca comercial, número de série) tiverem sido apagadas, alteradas ou retiradas
  - quaisquer danos causados pelo incumprimento do Manual de Instruções
  - qualquer produto que não seja da Comunidade Europeia
  - qualquer produto ao qual tenha sido feita, ou tentada fazer, uma reparação por outra pessoa que não um profissional habilitado ou sem autorização prévia da Techtronic Industries.
  - qualquer produto ligado a uma fonte de alimentação eléctrica incorrecta (Amperes, Voltagem e Frequência)
  - qualquer dano causado por influências externas (químicas, físicas, impactos) ou substâncias estranhas
  - desgaste e degradação normal de sobresselentes
  - utilização incorrecta, sobrecarga da ferramenta
  - utilização de acessórios ou peças não aprovados
  - acessórios para ferramentas eléctricas fornecidos com a ferramenta ou comprados em separado. Estas exclusões incluem mas não se limitam a, pontas de aparafusadora, brocas, discos abrasivos, papel de lixa e lâminas, guia lateral
  - Componentes (peças e acessórios) sujeitos a desgaste e degradação natural, incluindo mas não se limitando a, Kits de Assistência e Manutenção, escovas de carvão, roletamentos, bucha, acessórios ou recepções de brocas SDS, cabos eléctricos, pegas auxiliares, estojos de transporte, placas de lixagem, sacos de poeiras, tubos de saída de poeiras, anilhas de feltro, pinos e molas da aparafusadora de impacto, etc.
- Para assistência, o produto tem de ser enviado para, ou apresentado em, um posto de assistência autorizado RYOBI, conforme listado para cada país na lista de moradas de postos de assistência seguinte. Nalguns países, o seu concessionário RYOBI local encarrega-se de enviar o produto para a organização de assistência RYOBI. Quando enviar um produto para um posto de assistência RYOBI, o produto deve ser embalado de forma segura, sem conter nenhuns conteúdos perigosos (por exemplo, gasolina), marcado com o endereço do remetente e acompanhado por uma breve descrição da avaria.
- Uma reparação/substituição ao abrigo desta garantia é gratuita. Não constitui um prolongamento a, nem um novo início de, o período da garantia. As peças ou ferramentas substituídas tornam-se propriedade nossa. Nalguns países, o remetente terá de pagar os custos de entrega ou a remessa postal. Os seus direitos previstos por lei resultantes da compra da ferramenta mantêm-se inalterados
- Esta garantia é válida na Comunidade Europeia, Suíça, Islândia, Noruega, Liechtenstein, Turquia e Rússia. Fora destas áreas, entre em contacto com o seu concessionário autorizado RYOBI para determinar se existe outra garantia aplicável.

## CENTRO DE ASSISTÊNCIA AUTORIZADO

Para encontrar um centro de assistência autorizado próximo de si, visite <http://pt.ryobitools.eu/header/service-and-support/service-agents>.

## DA RYOBI® BETINGELSER FOR GARANTI

Udover lovbestemte rettigheder, som resulterer af købet, er dette produkt dækket af en garanti, som anført herunder.

- Garantiperioden er 24 måneder for forbrugere og begynder på den dato, som produktet blev købt. Denne dato skal dokumenteres af en faktura eller andet bevis for køb. Produktet er udelukkende designet og dedikeret til forbrugere og privat brug. Så der ydes ingen garanti i tilfælde af professionel eller kommerciel brug.
- Der er en mulighed for at forlænge garantiperioden for en del af udvalget af elværktøj (AC/DC), hen over den ovenfor beskrivne periode vha. registrering på hjemmesiden [www.ryobitools.eu](http://www.ryobitools.eu). Bortsettelse af værktøjet til forlængelse af garantiperioden er tydeligt vist i butikker og/eller på emballage/og indeholdt i produktokumentationen. Slutbrugeren skal registrere hans/hendes nyligt indkøbte værktøj online indenfor 30 dage efter købsdatoen. Slutbrugeren kan registrere sig for den forlængede garanti i sit land, hvis han/hun er opført på den online registreringsformular, hvor denne mulighed er gyldig. Derudover skal slutbrugere give deres samtykke til at opbevare data, som er påkrævet at indtaste online, og de er nødt til at acceptere vilkår og betingelser. Registreringsbekræftelseskvitteringen, som sendes ud på e-mail, og den originale faktura, som viser købsdatoen, vil fungere som bevis for den forlængede garanti.
- Garantien dækker alle defekter, som et produkt måtte have i løbet af garantiperioden, og som skyldes produktionsfejl eller materialefejl på købsdatoen. Garantien er begrænset til reparation og/eller udfiskning og inkluderer ikke andre forpligtelser, inklusiv men ikke begrænset til tilfældige skader eller følgeskader. Garantien er ugyldig, hvis produktet er blevet misbrugt, brugt uden at overholde vejledningen, eller det er blevet forkert tilsluttet. Denne garanti gælder ikke:
  - Beskadigelse af produktet, som er et resultat af uegnet vedligeholdelse
  - Et produkt der er blevet ændret eller modificeret
  - Et produkt hvor de originale identifikationsmærkninger (varemærke, serienummer) er blevet ødelagt, ændret eller fjernet.
  - Enhver beskadigelse forårsaget af manglende overholdelse af vejledningen
  - Ethvert ikke CE-produkt
  - Ethvert produkt som er blevet forsøgt repareret af en ukvalificeret professionel eller uden tidligere autorisation af Techtronic Industries.
  - Ethvert produkt som er tilsluttet uegnet strømforsyning (ampere, spænding, frekvens)
  - Enhver skade forårsaget af ekstern påvirkning (kemisk, fysisk, chok) eller fremmedelementer
  - Normal slid på reservedele
  - Uegnet brug, overbelastning af værktøjet
  - Brug af ikke-godkendt tilbehør eller dele
  - Elværktøjstilbehør som leveres med værktøjet eller købes separat. Sådanne undtagelser inkluderer men er ikke begrænset til skruetrækkerbits, bor, bits, slibeskiver, sandpapir og klinger, sidestyr
  - Komponenter (dele og tilbehør) som er udsat for naturligt slid og ælde, inklusiv men ikke begrænset til Service- og vedligeholdelsessæt, kulbrøster, lejer, bøsninger, påsætning eller modtagelse af SDS-bor, El ledning, hjælpehåndtag, transporttaske, sandplade, støvpose, støvudstødningslange, filtskiver, nåle og fjedre slagngøle etc.
- For eftersyn skal produktet sendes til eller præsenteres for en RYOBI-autoriseret service værksted, som er oplistet for hvert land i den følgende liste over service værksted adresser. I nogle lande påtager din lokale RYOBI-forhandler sig ansvaret for at sende produktet til RYOBI-serviceorganisationen. Når et produkt sendes til en RYOBI-service værksted, skal det pakkes sikkert ind uden noget farligt indhold som benzin, mærkes med afsenderens adresse og med en kort beskrivelse af fejlen.
- En reparation/erstatning under denne garanti er gratis. Den udgør ikke en forlængelse eller en ny start på garantiperioden. Udvekslede dele eller værktøjer bliver vores ejendom. I nogle lande skal leveringsafgifter eller porto betales af afsenderen. Dine lovbestemte rettigheder i forbindelse med købet forbliver uanfægtede
- Denne garanti gælder i EU, Schweiz, Island, Norge, Liechtenstein, Tyrkiet og Rusland. Udenfor disse områder bedes du kontakte din autoriserede RYOBI-forhandler for at afgøre, om en anden garanti gælder.

## AUTORISERED E SERVICE/VERKSTEDER

Find nærmeste autoriserede serviceværksted på <http://dk.ryobitools.eu/header/service-and-support/service-agents>.

## SV RYOBI® ANVÄNDNINGSVILLKOR FÖR GARANTI

Förutom eventuella lagstadgade rättigheter som uppstår genom köpet, täcks den här produkten av en garanti som anges nedan.

- Garantiperioden är 24 månader för konsumenter och börjar gälla från det datum då produkten köptes. Detta datum måste dokumenteras på en faktura eller annat köpbevis. Produkten är utformad och avsedd för konsumenter och privat bruk. Därmed tillhandahålls ingen garanti vid yrkesmässigt eller kommersiellt bruk.
- Det finns möjlighet att förlänga garantiperioden för en del av utbudet för elverktyg (AC/DC) under den period som anges ovan genom att använda registreringen på webbplatsen [www.ryobitools.eu](http://www.ryobitools.eu). De verktyg som är berättigade till en förlängning av garantiperioden visas tydligt i butiker och/eller på förpackningen/och anges i produktdokumentationen. Slut användaren behöver registrera hans/hennes nyförvävade verktyg online inom 30 dagar från köpdatumet. Slut användaren kan registrera sig för den förlängda garantin i det land där han/hon bor om landet finns angivet i registreringsformuläret online och där detta alternativ är giltigt. Dessutom måste slut användaren ge sitt medgivande till lagring av data vilket krävs vid registrering online samt acceptera villkoren. Bekräftelsekvittot för registreringen som skickas ut via e-post och originalfakturan som visas köpdatumet kommer att gälla som bevis för den förlängda garantin.
- Garantin täcker alla produktdefekter under garantiperioden som beror på brister i utförande eller material vid köpdatumet. Garantin är begränsad gällande reparation och/eller utbyte och inkluderar inte några skyldigheter inklusive men inte begränsat till oförutsedda skador eller följskador. Garantin är inte giltig om produkten har missbrukats, använts i strid med bruksanvisningen eller inte anslutits på rätt sätt. Denna garanti täcker inte:
  - eventuella skador på produkten som uppstått till följd av felaktigt underhåll
  - produkter som har ändrats eller modifierats
  - produkter där ursprungliga identifieringsmärkningar (varumärke, serienummer) har målats över, ändrats eller tagits bort
  - eventuella skador som uppstått till följd av att bruksanvisningen inte efterföljts
  - alla icke CE-produkter
  - eventuella produkter som har försökts repareras av en icke-kvalificerad yrkesman eller utan föregående medgivande från Technronic Industries.
  - eventuella produkter som anslutits till felaktig strömförsörjning (ampere, volt, frekvens)
  - eventuella skador som uppstått till följd av yttre påverkan (kemisk, fysisk, stöt) eller främmande ämnen
  - normalt slitage av reservdelar
  - olämplig användning, överbelastning av verktyget
  - användningen av icke-godkända tillbehör eller delar
  - tillbehör till elverktyg som medföljde verktyget eller köpts separat. Sådana undantag inkluderar men är inte begränsat till skruvmejselbits, borrbits, slipskivor, sandpapper, blad och sidoskena
  - Komponenter (delar och tillbehör) är föremål för naturligt slitage, inklusive men inte begränsat till service- och underhållsatsar, kolborstar, kullager, chuck, tillbehör eller tillhörande SDS-borrbitt, strömladd, hjälphandtag, transportväska, slipplatta, dammpåse, dammtullblåsrör, filterbrickor, stift och fjädrar till mutterdragare osv.
- Vid service måste produkten skickas eller uppvisas för en RYOBI- auktoriserad servicestation som står angiven för varje land i följande adresslista över servicestationer. I vissa länder tar din lokala RYOBI- återförsäljare på sig ansvaret att skicka produkten till RYOBI- serviceorganisationen. När en produkt skickas till en RYOBI- servicestation, ska produkten paketeras säkert utan något farligt innehåll såsom bensin, markeras med avsändarens adress samt en kort beskrivning av felet.
- En reparation/ett utbyte under denna garanti är kostnadsfri. Det utgör inte en förlängning eller förnyelse av garantiperioden. Utbyta delar eller verktyg blir vår egendom. I vissa länder måste leveranskostnader eller porto betalas av avsändaren. Dina lagstadgade rättigheter som härrör från köpet av verktyget förblir opåverkade
- Denna garanti är giltig i Europeiska gemenskapen: Schweiz, Island, Norge, Liechtenstein, Turkiet och Ryssland. Utanför dessa länder, kontakta din auktoriserade RYOBI-återförsäljare för att avgöra om en annan garanti gäller.

### AUKTORISERAT SERVICECENTER

Du hittar närmaste auktoriserade servicecenter genom att gå till <http://se.ryobitools.eu/header/service-and-support/service-agents>.

## FI RYOBI®-TAKUUN SOVELTAMISEHDOT

Tällä tuotteella on oston luomien lakisäasteiden oikeuksien ohella alla mainitun mukainen takuu.

- Takuun kesto on kuluttajille 24 kuukautta ja takuuaika alkaa tuotteen ostohetkestä. Tämän päivämäärän tulee lukea laskussa tai muussa ostotositteessa. Tuote on suunniteltu ja tarkoitettu vain kuluttajien ja yksityiseen käyttöön. Takuu ei sisäytä ammatti- eikä kaupallista käyttöä.
- Joidenkin sähkötyökalujen (AC/DC) takuun kesto on mahdollista laajentaa yllä mainittua kestoä pidemmäksi verkkosivuston [www.ryobitools.eu](http://www.ryobitools.eu) rekisteröinnin kautta. Työkalujen kelppoisuus takuujakson laajennukseen näkyy selkeästi myymälöissä ja/tai pakkauksissa ja/ tai tämä tieto sisältyy tuotedokumentaation. Loppukäyttäjän täytyy rekisteröidä vasta hankitut työkalut internetissä 30 päivän kuluessa ostopäivämäärästä. Loppukäyttäjät voi rekisteröidä laajennettun takuun kotimaassaan, jos se on luetteluna online-rekisteröintilomakkeessa, jossa mainitaan, missä tämä vaihtoehto on voimassa. Loppukäyttäjien täytyy lisäksi hyväksyä tietojen tallennus, jotka heidän täytyy antaa online-tilassa sekä ehdot. Rekisteröinnin vahvistuskuitti, joka lähetetään sähköpostitse, ja alkuperäinen ostopäivämäärän ilmaiseva lasku toimivat laajennettun takuun tositteina.
- Takuu kattaa kaikki tuotteeseen takuuaikana tulevat viat, joiden aiheuttajina ovat tuotteessa ostopäivänä olleet valmistus- tai materiaali viat. Takuu on rajoitettu korjaukseen ja/tai vaihtoon eikä se sisällä mitään muuta velvoitetta mukaan lukien satunnais- ja seurannaisvahinkoja, mutta rajoittumatta niihin. Takuu ei päde, jos tuotetta on käylytty väärin, käyttöohjeen vastaisesti tai jos se on liitetty virheellisesti. Tämä takuu ei kata:
  - virheellisestä huollosta johtuvia vaurioita
  - muunnettua tai muutettua tuotetta
  - tuotetta, jonka alkuperäiset tunnistemerkinnät (tavaramerkki, sarjanumero) on turmeltu, muutettu tai poistettu
  - tämän käyttöoppaan laiminlyönnistä johtuvia vaurioita
  - ei-CE-tuotetta
  - tuotetta, jota on yrittänyt korjata epäpätevä ammattilainen tai joka on korjattu ilman Technronic Industriesin emakkoluopaa.
  - tuotetta, joka on liitetty virheelliseen toholähteeseen (ampeirit, jännite, taajuus)
  - ulkoisten vaikutusten (kemiallinen, fyysinen, iskut) tai vieraiden aineiden aiheuttamaa vauriota
  - normaaleja kuluvia varaosia
  - virheellistä käyttöä, työkalun ylikuormitusta
  - ei-hyväksytyjen tarvikkeiden tai osien käyttöä
  - sähkötyökalun tarvikkeita, jotka on toimitettu työkalun mukana tai ostettu erikseen. Poissuljettuja osia ovat ruuvausterät, poranterät, hiomalaikat, hiekkapaperi ja terät, sivuohjain, näihin kuitenkaan rajoittumatta
  - Luonnollisesti kuluvia komponentteja (osia tai tarvikkeita), joihin sisältyvät huolto- ja kunnossapitoset, hiiliharjat, laakerit, terästäukat, SDS-porien kiinnitin tai istukka, virtajohto, apukahva, kuljetuskotelo, hiomalaikka, pölypussi, pölynpoistoputki, huopatiivisteet, iskunvääntimen pultit ja jouset yms. näihin kuitenkaan rajoittumatta.
- Tuote on lähetettävä huollettavaksi valtuutettuun RYOBI-huoltoon tai näytettävä siellä. Niiden osoitteet kussakin maassa löytyvät seuraavasta luettelosta. Joissakin maissa paikallinen RYOBI-jälleenmyyjä huolehtii tuotteen lähetyksestä RYOBI-huolto-organisaatioon. Kun tuote lähetetään RYOBI-huoltoon, se täytyy pakata hyvin ilman vaarallisia aineita, kuten polttoainetta, ja pakkaukseen täytyy merkitä lähettäjän nimi sekä vain lyhyt kuvaus.
- Takuun kattama korjaus/vaihto on maksuton. Se ei tarkoita takuuaajan laajennusta tai alkamista alusta. Vaihdetut osat tai työkalut siirtyvät valmistajan omistukseen. Joissakin maissa lähettäjän täytyy maksaa lähetyskustannukset tai postikulut. Työkalun oston luomat lakisäasteet oikeudet pysyvät koskemattomina
- Tämä takuu on voimassa Euroopan yhteisössä, Sveitsissä, Islannissa, Norjassa, Liechtensteinissa, Turkissa ja Venäjällä. Ota näiden alueiden ulkopuolella yhteyttä omaan valtuutettuun RYOBI-jälleenmyyjään ja selvitä, onko jotain muuta takuuta.

### VALTUUTETTU HUOLTO

Voit etsiä lähimmän valtuutetun huollon sivulta <http://fi.ryobitools.eu/header/service-and-support/service-agents>.

## NO RYOBI® GARANTIBETINGELSER

I tillegg til eventuelle lovbestemte rettigheter som følger av kjøpet, er dette produktet dekket av en garanti som angitt nedenfor.

- Garantiperioden er 24 måneder for konsumenter og gjelder fra den datoen som produktet ble kjøpt. Denne datoen skal dokumenteres med en faktura eller annet kjøpsbevis. Produktet er designet og beregnet kun til konsument- og privat bruk. Så det gis ingen garanti ved profesjonell eller kommersiell bruk.
- For en del av utvalget av elektriske verktøy (AC/DC) er det mulighet til å utvide garantiperioden i den perioden som er beskrevet ovenfor ved bruk av registreringer på nettsidene [www.ryobitools.eu](http://www.ryobitools.eu). Kvalifisering av verktøyene for en utvidelse av garantiperioden er tydelig vist i butikker og/eller på pakningen / og finnes innen produktdokumentasjonen. Sluttbrukeren må registrere sine nylig anskaffede verktøy online innen 30 dager etter kjøpsdato. Sluttbrukeren kan registrere seg for den utvidede garantien i sitt land hvis det er opplistet på online registreringsskjemaet der dette alternativet er gyldig. Videre må sluttbrukere gi sitt samtykke til oppbevaring av dataene som kreves for å gå online, og de må godta vilkår og betingelser. Registreringsbekreftelsen, som sendes ut på e-post, og den originale fakturaen som viser kjøpsdato, vil tjene som bevis for den utvidede garantien.
- Garantien dekker alle defekter i produktet under garantiperioden på grunn av defekter i utførelse eller materiale på kjøpsdato. Garantien er begrenset til å reparere og/eller erstatte og inkluderer ikke noen andre forpliktelser, inkludert, men ikke begrenset til, tilfældige eller følgesmessige skader. Garantien er ikke gyldig hvis produktet har blitt misbrukt, brukt på annen måte enn det som beskrives i bruksanvisningen eller er koblet til på feil måte. Denne garantien gjelder ikke for:
  - enhver skade på produktet som er resultat av utlilskrekkelig vedlikehold
  - ethvert produkt som har blitt endret eller modifisert
  - ethvert produkt der de originale identifiseringsmerkene (varemerke, serienummer) har blitt uleselig, er endret eller fjernet
  - enhver skade som forårsakes av ikke-overholdelse av instruksjonsboken
  - ethvert ikke-CE-produkt
  - ethvert produkt som har blitt forsøkt reparert eller av en ikke-kvalifisert fagperson eller uten tidligere autorisasjon fra Techtronic Industries.
  - ethvert produkt tilkoblet feil strømforsyning (ampere, spenning, frekvens)
  - enhver skade som er forårsaket av eksterne påvirkninger (kjemiske, fysiske, støt) og fremmede stoffer
  - normal slitasje og sliiteresvedeler
  - feil bruk, overbelastning av verktøyet
  - bruk av ikke-godkjent tilbehør eller deler
  - Elektrisk verktøytilbehør levert med verktøyet eller kjøpt separat. Slike ekskluderinger, inkludert, men ikke begrenset til skrutrekkerbits, drillbits, slipeplater, sandpapir og blader, lateral føring
  - Komponenter (deler og tilbehør) som er utsatt for naturlig slitasje, inkludert, men ikke begrenset til service- og vedlikeholdssett, karbonborster, lagre, chuck, SDS-borrbifeste eller -mottak, strømledning, hjelpehåndtak, transportbæreske, sandingsplate, støvpose, støvutslippsrør, filtpakninger, støtnøkkelpinner og fjær, osv.
- For service må produktet sendes eller fremlegges for en RYOBI-autorisert servicestasjon opplistet for hvert land i den følgende listen over servicestasjonsadresser. I noen land sender den lokale RYOBI-forhandleren produktet til RYOBI serviceorganisasjonen. Ved å sende et produkt til en RYOBI servicestasjon skal produktet være sikkert pakket uten noe farlig innhold, slik som bensin, merket med senderens adresse og fulgt av en kort beskrivelse av feilen.
- En reparasjon/erstatning under denne garantien er gratis. Den utgjør ingen forlengelse eller ny start av garantiperioden. Utvekslede deler eller verktøy blir vår eiendom. I noen land vil leveringskostnader eller frankering måtte betales av senderen. Dine lovbestemte rettigheter som oppstår fra kjøp av verktøyet forblir uberørt.
- Denne garantien er gyldig i EU, Sveits, Island, Norge, Liechtenstein, Tyrkia og Russland. Utenfor disse områdene ta kontakt med din autoriserte RYOBI-forhandler om en annen garanti gjelder.

## AUTORISERT SERVICESENTER

For å finne et autorisert servicesenter i nærheten, gå til <http://no.ryobitools.eu/header/service-and-support/service-agents>.

## RU УСЛОВИЯ ПРИМЕНЕНИЯ ГАРАНТИИ НА ПРОДУКЦИЮ RYOBI®

Помимо законных прав, возникающих при покупке, данное изделие покрывается гарантией в соответствии с приведенными ниже пунктами.

- Гарантийный период для покупателя составляет 24 месяца с даты покупки изделия. Дата покупки должна быть подтверждена полностью заполненным гарантийным талоном и чеком о покупке. Данное изделие предназначено только для частного использования покупателем. Поэтому гарантия не распространяется на использование в профессиональных или коммерческих целях.
- Предусмотрена возможность продления для части изделий линейки электроинструментов (AC/DC) гарантийного периода с помощью регистрации на сайте [www.ryobitools.eu](http://www.ryobitools.eu). Право инструмента на продление гарантийного периода четко указано в магазинах и / или на упаковке / и содержится в сопутствующей инструменту документации. Конечный пользователь должен зарегистрировать свой приобретенный инструмент в течение 30 дней с даты покупки. Конечный пользователь может зарегистрировать свой инструмент на продление гарантии в стране своего проживания, если она указана в форме онлайн-регистрации. Кроме того, конечный пользователь должен дать свое согласие на хранение данных, которые необходимо ввести в онлайн-форму и принять правила и условия. Подтверждение регистрации, которое вы получите по электронной почте, заполненный гарантийный талон и оригинальный чек, в котором указана дата покупки, будут служить доказательством продленной гарантии.
- Гарантия покрывает в течение гарантийного периода все дефекты качества или материала изделия на дату покупки. Гарантия ограничена ремонтом и / или заменой и не включает никакие другие обязательства, включая, но не ограничиваясь случайными или косвенными убытками. Гарантия становится недействительной, если изделие использовалось не по назначению, вопреки инструкциям, данным в Руководстве пользователя или было неправильно подключено. Настоящая гарантия не распространяется на:
  - любые повреждения изделия в результате неправильного технического обслуживания или недостаточного ухода за инструментом
  - любые изделия, подвергшиеся изменениям и модификации
  - любые изделия, оригинальные идентификационные отметки которого (торговая марка, серийный номер) были повреждены, изменены или удалены
  - любые повреждения, вызванные несоблюдением инструкций Руководства пользователя
  - любые изделия, не сертифицированные маркировкой "CE" для продажи в Европейском союзе
  - любые изделия, подвергшиеся попыткам ремонта неквалифицированным работником или без предварительного утверждения компанией Techtronic Industries.
  - любые изделия, подключенные к неправильному источнику питания (сила тока, напряжение, частота)
  - любые повреждения, вызванные внешними воздействиями (химические, физические, удары) или посторонними веществами
  - естественный износ запасных деталей
  - несоответствующее использование, перегрузка инструмента
  - использование неутвержденных аксессуаров и неофициальных запасных частей
  - аксессуары электроинструментов, поставляемые с инструментом или приобретаемые отдельно. К этому списку относятся, но не исчерпывают его: сверла шуруповертов, дрелей, абразивные диски, наждачная бумага, лезвия и боковые направляющие компоненты (детали и аксессуары), подверженные естественному износу и разрыву, включая, но не ограничиваясь наборы для технического обслуживания, угольные щетки, подшипники, патроны, переходники SDS, кабели питания, дополнительные ручки, футляры для транспортировки, шифовальные подошвы, пылесборники, трубки для отвода пыли, войлочные шайбы, штыри и пружины ударных ключей и др.
- Для проведения технического обслуживания изделие следует направлять в авторизованные сервисные центры RYOBI, указанные для каждой страны в приведенном ниже списке адресов станций сервисного обслуживания. В некоторых странах местные дилеры RYOBI отправляют изделия в сервисные организации RYOBI. При отправке изделия в сервисный центр RYOBI, изделие должно быть безопасно упаковано и не содержать никаких опасных веществ, таких как бензин, должен быть подписан адрес отправителя и сопровождаться кратким описанием неисправности.
- Ремонт / замена проводится в рамках настоящей гарантии бесплатно. Он не продлевает гарантию и не начинает новый гарантийный период. Заменяемые детали и инструменты становятся нашей собственностью. В некоторых странах отправитель должен оплачивать стоимость отправки. Ваши законные права, возникшие при покупке инструмента, остаются неизменными.
- Данная гарантия действительна в Европейском Союзе, Швейцарии, Исландии, Норвегии, Лихтенштейне, Турции и России. Вне указанных территорий обращайтесь к своему авторизованному дилеру RYOBI, чтобы узнать, применяются ли условия каких-либо других гарантий.

## УПОЛНОМОЧЕННЫЙ СЕРВИСНЫЙ ЦЕНТР

Чтобы найти ближайший уполномоченный сервисный центр, обратитесь к веб-сайту <http://ru.ryobitools.eu/header/service-and-support/service-agents>.

## PL WARUNKI GWARANCJI RYOBI®

Oprócz praw ustawowych wynikających z zakupu produkt jest objęty gwarancją, której warunki podano poniżej.

1. Okres gwarancyjny wynosi 24 miesiące dla konsumentów i rozpoczyna się w dniu zakupu produktu. Datę zakupu należy udokumentować fakturą lub innym dowodem zakupu. Produkt został zaprojektowany i jest przeznaczony do użytku konsumenckiego i prywatnego. W związku z tym gwarancja nie obejmuje zastosowań profesjonalnych i komercyjnych.
2. Istnieje możliwość wydłużenia okresu gwarancyjnego dla części asortymentu narzędzi ręcznych z napędem mechanicznym (AC/DC) poprzez zarejestrowanie produktu na stronie internetowej [www.ryobitools.eu](http://www.ryobitools.eu). Kwalifikowalność narzędzi do wydłużenia okresu gwarancyjnego jest wyraźnie określona w sklepach i/lub na opakowaniu oraz w dokumentacji produktu. Użytkownik końcowy musi zarejestrować nowo kupione narzędzia online w ciągu 30 dni od daty zakupu. Użytkownik końcowy może zarejestrować się w celu przedłużenia gwarancji w swoim kraju zamieszkania, jeżeli jest on wymieniony w formularzu rejestracji online, gdzie opcja ta obowiązuje. Ponadto użytkownicy końcowi muszą wyrazić zgodę na przechowywanie danych, wprowadzanych na stronie internetowej i zaakceptować regulamin. Dowodem wydłużenia gwarancji jest wysłane pocztą elektroniczną potwierdzenie rejestracji i oryginał faktury potwierdzającej datę zakupu.
3. Gwarancja obejmuje wszystkie wady produktu ujawnione w okresie gwarancyjnym wynikające usterek wykonania lub materiału obecnego w dniu zakupu. Gwarancja jest ograniczona do naprawy i/lub wymiany i nie obejmuje żadnych innych zobowiązań, w tym między innymi odpowiedzialności za szkody przypadkowe lub wtórne. Gwarancja nie obowiązuje, jeżeli produkt był nieprawidłowo używany, używany niezgodnie z instrukcją lub nie był prawidłowo podłączony. Gwarancja nie obejmuje:
  - uszkodzenia produktu wynikającego z nieprawidłowej konserwacji,
  - produktu, który został zmieniony lub zmodyfikowany,
  - produktu, którego oryginalne oznaczenie (znak towarowy, numer seryjny) zostało zniszczone, zmienione lub usunięte,
  - jakiegokolwiek uszkodzeń wynikających z nieprzebrzeżenia instrukcji,
  - jakiegokolwiek produktu bez certyfikatu CE,
  - jakiegokolwiek produktu, który próbowano naprawiać z pomocą niewykwalifikowanej osoby lub bez uzyskania wcześniejszej zgody firmy Techtronic Industries.
  - jakiegokolwiek produktu podłączonego nie prawidłowego źródła zasilania (nieprawidłowe napięcie prądu, napięcie, częstotliwość),
  - jakiegokolwiek uszkodzeń spowodowanych wpływem czynników zewnętrznych (chemicznych, fizycznych, drgań) lub substancji obcych,
  - normalnego zużycia części zamiennych,
  - nieprawidłowego użycia, przeciążenia narzędzia,
  - stosowania niezatwierdzonych akcesoriów lub części,
  - akcesoriów narzędzi ręcznych z napędem mechanicznym dostarczonych z narzędziem lub kupionych oddzielnie. Takie wykluczenia obejmują, między innymi, wymienne ostrza wkrętaka, wiertła, tarcze cierne, papier ścierny i ostrza, prowadnicę boczną.
  - elementów (części i akcesoriów) podlegających naturalnemu zużyciu obejmujących, między innymi, zestawy do konserwacji i serwisu, szczotki węglowe, łożyska, uchwyty, przystawkę wiertła SDS, gniazdo, przewód zasilania, uchwyty pomocnicze, skrzynię transportową, płytę szlifierską, worek pyłowy, rurę odprowadzania pyłu, podkładki filcowe, kolki i sprężyny klucza udarowego itp.
4. W celu serwisowania produkt należy wysłać lub okazać w autoryzowanym punkcie serwisowym RYOBI znajdującym się na przedstawionym poniżej wykazie punktów serwisowych w poszczególnych krajach. W niektórych krajach lokalny dystrybutor produktów RYOBI podejmuje się wysyłki produktu do centrum serwisowego RYOBI. W przypadku wysyłki do punktu serwisowego RYOBI produkt — pozbawiony jakiegokolwiek niebezpiecznych substancji, na przykład benzyny — należy bezpiecznie zapakować i dołączyć adres nadawcy oraz krótki opis usterek.
5. Naprawa/wymiana w ramach niniejszej gwarancji jest bezpłatna. Nie stanowi jednak o przedłużeniu lub rozpoczęciu od nowa biegu okresu gwarancyjnego. Wymienione części lub narzędzia stają się naszą własnością. W przypadku niektórych krajów nadawca będzie musiał uregulować koszty dostawy lub opłaty pocztowe. Prawa ustawowe wynikające z zakupu narzędzia pozostają niezmienione.
6. Niniejsza gwarancja obowiązuje w Unii Europejskiej, Szwajcarii, Islandii, Norwegii, Liechtensteinie, Turcji i Rosji. Poza tymi obszarami należy skontaktować się z autoryzowanym dostawcą produktów RYOBI i ustalić, czy obowiązuje inna gwarancja.

### AUTORYZOWANY PUNKT SERWISOWY

Najbliższy autoryzowany punkt serwisowy można wyszukać w witrynie internetowej <http://pl.ryobitools.eu/header/service-and-support/service-agents>.

## CS ZÁRUČNÍ PODMÍNKY RYOBI®

Kromě zákonných práv vyplývajících z koupě výrobku se na tento výrobek vztahuje také níže uvedená záruka.

1. Záruční doba pro spotřebitele je 24 měsíců a začíná datem nákupu výrobku. Datum musí být zaznamenáno na fakturě nebo jiném dokladu o koupi. Tento výrobek je navržen a určen pouze pro soukromé účely spotřebitelů. Záruka se tedy nevztahuje na profesionální nebo komerční využití výrobku.
2. U některých elektrických nástrojů (AC/DC) je možné záruční dobu prodloužit. K tomu je nutná registrace na stránkách [www.ryobitools.eu](http://www.ryobitools.eu). Možnost prodloužení záruční doby výrobků je jasně uvedena v prodejních, popř. na obalech nebo v dokumentech o výrobku. Koncový uživatel musí svůj nový nástroj zaregistrovat online do 30 dnů od data nákupu. Koncový uživatel se může k prodloužení záruční doby zaregistrovat v zemi trvalého pobytu, pokud je tato uvedena na internetovém registračním formuláři u výrobku, kde je tato možnost dostupná. Koncový uživatel musí dále souhlasit s uložením osobních údajů, která musí zadat na internetu, a přijmout obchodní podmínky. E-mail s původní registrací a původní faktura s datem koupě poslouží jako důkaz o prodloužení záruce.
3. Záruka se vztahuje na veškeré vady na výrobku v rámci záruční doby způsobené výrobními vadami nebo vadami materiálu v době koupě. Záruka je omezena na opravu, popřípadě výměnu a nezahrnuje žádná další povinnosti, včetně mimo jiné vedlejších či následných odškodnění. Záruka neplatí při použití výrobku k nevhodným účelům, v rozporu s uživatelskou příručkou nebo při nesprávném zapojení. Záruka se nevztahuje na:
  - veškeré škody na výrobku způsobené nesprávnou údržbou
  - veškeré produkty, které byly pozměněny nebo upraveny
  - veškeré produkty, kde byly původní identifikační prvky (obchodní značka, sériové číslo) poničeny, pozměněny nebo odstraněny
  - veškeré škody způsobené nedodržením pokynů uživatelské příručky
  - veškeré produkty bez CE certifikace
  - veškeré produkty, které se pokusil opravit nekvalifikovaný odborník nebo opravy bez předchozího svolení společnosti Techtronic Industries.
  - veškeré produkty zapojené do nesprávného elektrického zdroje (proud, napětí, frekvence)
  - veškeré škody způsobené externími vlivy (chemickými, fyzickými, nárazy) nebo cizími látkami
  - běžné opotřebování dílů
  - nevhodné použití, přetěžování nástroje
  - použití neschválených příslušenství nebo dílů
  - příslušenství k elektrickému nástroji poskytnuté s nástrojem nebo zakoupené samostatně. Tyto výjimky se vztahují mimo jiné na šroubovací bity, vrtačky, brusné disky, brusný papír a čepele, postranní vodič lišty
  - komponenty (díly a příslušenství) podléhající přirozenému opotřebování, včetně mimo jiné servisních sad, karbonových kartáčů, ložisek, sklíčidla, SDS nástavce na vrtačí bity, napájecího kabelu, pomocné rukojeti, přepravního pouzdra, brusné desky, prachového vaku, výfukové prachové trubice, plstěných podložek, západek a pružin rážového utahákového trudu.
4. K provedení servisu musí být výrobek zaslán nebo předán do autorizovaného servisního centra společnosti RYOBI, jejichž adresy jsou uvedeny podle země v seznamu servisních center. V některých zemích z vás výrobek pošle servisní organizaci RYOBI sám prodejce výrobků této značky. Při zasílání výrobku do servisního centra RYOBI je potřeba výrobek bezpečně zabalit bez nebezpečného obsahu jako benzín, opatřit adresou odesílatele a přiložit krátký popis závady.
5. Oprava, popř. výměna v rámci této záruky je zdarma. Neznamená to prodloužení nebo začátek nové záruční lhůty. Vyměněné díly nebo nástroje přejdou do našeho vlastnictví. V některých zemích platí poštovné odesílatele. Vaše zákonná práva vyplývající z koupě tohoto nástroje zůstávají nedotčena.
6. Tato záruka platí v Evropském Společenství, Švýcarsku, Norsku, Lichtenštejnsku, Turecku, Rusku a na Islandu. Mimo tato území kontaktujte autorizovaného prodejce značky RYOBI, který zjistí, zda se na výrobek vztahuje jiná záruka.

### POVĚŘENÉ SERVISNÍ STŘEDISKO

Pro nalezení nejbližšího pověřeného servisního střediska navštivte <http://cz.ryobitools.eu/header/service-and-support/service-agents>.

## **HU** A RYOBI® GARANCIA ALKALMAZÁSÁNAK FELTÉTELEI

A vásárlásból adódó törvényben rögzített jogok mellett a termékre az alábbi garancia vonatkozik.

1. A fogyasztói garancia tartama 24 hónap, mely a termék vásárlásának napjával kezdődik. Ezt a dátumot számlával vagy a vásárlást igazoló egyéb dokumentummal kell bizonyítani. A termék rendeltetése csak fogyasztói és magáncéllú használattal. Ezért professzionális vagy kereskedelmi használat esetén a garancia nem érvényes.
2. A szerszámgépek (egyenáramú/váltóáramú) egy részénél a garancia időtartama a [www.ryobitools.eu](http://www.ryobitools.eu) weblapon regisztrálva meghosszabbítható. Az áruházakban, a csomagolásban, illetve a termék dokumentációjában egyértelműen jelezzük, hogy az adott termék garanciája meghosszabbítható-e. A végfelhasználónak a vásárlás dátumától számított 30 napon belül regisztrálnia kell az újonnan vásárolt szerszámot. A végfelhasználó akkor regisztrálhatja a kiterjesztett garanciára, ha az ország, ahol lakik, fel van sorolva az online regisztrációs űrlapon azon országok között, ahol választható ez az opció. Ezenkívül a végfelhasználónak bele kell egyeznie az online regisztrálás során szükséges adatok tárolásába, és el kell fogadnia a felhasználási feltételeket. A kiterjesztett garanciát a regisztráció beérkezésétől e-mailben küldött visszaigazolás és a vásárlás dátumát tartalmazó eredeti számla igazolja.
3. A garancia a termék vásárlásakor fennálló, a gyártás során keletkezett hibákra és anyaghibákra érvényes a garanciális időtartamon belül. A garancia csak a javításra/cserére korlátozódik, és nem terjed ki semmilyen egyéb kötelezettségre, nem kizárólagosan ideértve a véletlen vagy szándékos rongálást. A garancia nem érvényes, ha a terméket nem megfelelően, a használati utasításban foglaltakkal ellentétben, illetve nem megfelelően csatlakoztatva használták. A garancia nem vonatkozik:
  - a terméket a nem megfelelő karbantartás következtében ért károsodásra
  - megváltoztatott vagy átalakított termékre
  - olyan termékre, melyen az eredeti azonosítókat (védjegy, sorozatszám) megrongálták, megváltoztatták vagy eltávolították
  - a használati utasítás be nem tartásából eredő kárra
  - CE jelöléssel nem rendelkező termékekre
  - olyan termékre, melyet nem képzett, illetve a Techtronic Industries által nem fejlesztett szerelvény javított
  - nem megfelelő (áramerősségű, feszültségű, frekvenciájú) áramforrásra csatlakoztatott termékre
  - külső (vegyi, fizikai, ütés) hatásokból vagy idegen anyagokból eredő károkkra
  - a cserélhető alkatrészek természetes kopására és elhasználódására
  - a szerszám helytelen használatára, túlterhelésére
  - nem jóváhagyott tartozékok és alkatrészek használatára
  - A szerszámmal adott vagy külön megvásárolt tartozékokra. Ilyenek például (de nem kizárólag) a csavarhűzőfejek, fúrószárak, csiszolókorongok, csiszolópapír, kések, oldallirányú terelők.
  - A természetes kopásnak, elhasználódásnak kitett alkatrészek és kiegészítők, például (de nem kizárólag) szerviz- és karbantartókészletek, szénkéfek, csapagyak, tokmány, SDS fúrószár csatlakozója, tápkábel, segédfogantyú, szállítók, csiszolólap, porzsák, porelvezető cső, filcaltátek, ütműves csavarbehajtó gép csapszege és rugója stb.
4. A terméket javításra el kell vinni egy meghatalmazott RYOBI szervizbe; ezeket az egyes országokhoz a következők listában találja. Egyes országokban a helyi RYOBI kereskedő vállalja a termék elszállítását a RYOBI szervizbe. A terméket veszélyes tartalom, például benzín nélkül csomagolja, a feladó címét feltüntetve, a hiba rövid leírásával együtt küldje el a RYOBI szervizbe.
5. A jelen garancia hatálya alatt végzett javítás, illetve csere ingyenes. Nem jelenti a garanciális időtartam újraindulását. A kicserélt alkatrészek és szerszámok a mi tulajdonunkba kerülnek. Egyes országokban a szállítás vagy postázás költségét a feladó viseli. A vevőnek a szerszám megvásárlásából adódó törvényes jogai nem változnak.
6. Jelen garancia az Európai Közösségekben, Svájcban, Izlandon, Norvégiában, Liechtensteinben, Törökországban és Oroszországban érvényes. E területeken kívül kérdezze meg a RYOBI forgalmazót, hogy milyen garancia van érvényben.

### **HIVATALOS SZERVIZKÖZPONT**

A legközelebbi hivatalos szervizközpont megtalálásához látogasson el a <http://hu.ryobitools.eu/header/service-and-support/service-agents>.

## **RO** CONDIȚII DE APLICARE A GARANȚIEI PENTRU PRODUSELE RYOBI®

În plus față de condițiile statutare rezultate din achiziționarea acestui produs, acesta este acoperit de garanția stipulată mai jos.

1. Perioada de garanție este de 24 de luni pentru consumatori și începe de la data achiziționării produsului. Data de începere a garanției trebuie demonstrată cu o factură sau altă dovadă a cumpărării produsului. Produsul este destinat și conceput doar pentru utilizare în scopuri personale. Din acest motiv, nu se oferă garanție pentru utilizarea sa în scop profesional sau comercial.
2. Există posibilitatea de a extinde a perioadei de garanție pentru gama de unelte electrice (de CA/CC) peste perioada stipulată mai sus prin înscrierea produsului pe [website-ul www.ryobitools.eu](http://www.ryobitools.eu). Eligibilitatea pentru perioada de extindere a garanției este afișată în mod clar în magazinele de vânzare și/sau pe ambalaj sau este inclusă în documentația livrată împreună cu produsul. Utilizatorul final este obligat să-și înregistreze produsul online în termen de maxim 30 de zile de la data achiziției acestuia. Utilizatorul final poate înregistra produsul pentru garanția extinsă oferită în țara sa de rezidență dacă aceasta este listată în formularul de înregistrare online și dacă această opțiune este validă. În plus, utilizatorul final trebuie să-și dea acordul pentru stocarea datelor personale solicitate la înregistrarea online și trebuie să accepte termenii și condițiile. Mesajul de confirmare a înregistrării, trimis prin e-mail și factura originală cu data achiziției vor dovedi perioada de garanție extinsă.
3. Garanția acoperă toate defecțiunile produsului survenite în perioada de garanție datorate defectelor de execuție sau materialelor folosite, începând cu data achiziției acestuia. Garanția este limitată la reparare și/sau înlocuire și nu include alte obligații, inclusiv, dar fără a se limita la daune accidentale sau rezultate pe cale de consecință. Garanția își pierde valabilitatea dacă produsul este utilizat necorespunzător, utilizat neconform cu instrucțiunile de utilizare din manualul cu instrucțiuni sau conectat incorect. Garanția nu se aplică în cazul:
  - oricărei defecțiuni survenite în urma întreținerii necorespunzătoare a produsului
  - oricărui produs alterat sau modificat
  - oricărui produs la care inscripțiile cu datele de identificare (marca comercială, numărul de serie) au fost șterse, modificate sau îndepărtate
  - oricărei defecțiuni datorate neconformării cu instrucțiunile din manualul de utilizare
  - oricărui produs necertificat CE
  - oricărui produs asupra căruia au fost efectuate tentative de reparare de către personal necertificat sau fără autorizație prealabilă din partea Techtronic Industries.
  - oricărui produs conectat la o sursă de alimentare necorespunzătoare (curent, tensiune, frecvență)
  - oricărui defecțiuni datorate unor influențe externe (chimice, fizice, socuri) sau substanțe străine
  - uzurii și fisurării normale a pieselor de rezervă
  - utilizării neadecvate, suprasolicitării uneltei
  - utilizării de piese și accesorii neaprobate
  - accesorilor pentru unelți furnizate odată cu acestea sau achiziționate separat. Acestea sunt excluse și aplică, dar fără a se limita la următoarele: burghie, biți de șurubelniță, discuri abrazive, hărte abrazive și lame de tăiere, ghidaje laterale
  - Componentele (piese și accesorii) supuse uzurii normale, care includ, fără a se limita la, kituri de întreținere și service, perii de carbon, rulmenți, mandrină, adaptor pentru burghie SDS, cordon de alimentare, manere auxiliare, cutie de transport, placă pentru șlefuit, sac pentru praf, tub pentru evacuarea prafului, discuri de păsă, adaptoare și resorturi pentru cheile de strângere prin vibrație, etc.
4. Pentru efectuarea reparațiilor, produsul trebuie trimis sau adus la un centru de reparații autorizat RYOBI din lista următoare de centre de reparații prezentate pentru fiecare țară. În anumite țări, reprezentantul local RYOBI va trimite produsul spre reparare la sediul central de reparații RYOBI. Atunci când trimiteți produsul spre reparare la un centru de reparații RYOBI, acesta trebuie ambalat în siguranță, fără conținut periculos (cum ar fi benzina), marcat cu adresa expeditorului și însoțit de o scurtă descriere a defectului.
5. Repararea/inlocuirea în perioada de garanție este gratuită. Aceasta nu este însoțită de o prelungire sau o reinițiere a perioadei de garanție. Piesele sau uneltele schimbate devin proprietatea dvs. În anumite țări, taxele de expediție sau poștale vor fi suportate de expeditor. Drepturile dvs. statutare rezultate din achiziția produsului rămân neschimbate
6. Această garanție este valabilă în Comunitatea Europeană, Elveția, Islanda, Norvegia, Liechtenstein, Turcia și Rusia. În afara acestor zone, vă rugăm să contactați reprezentantul dvs. local RYOBI pentru a determina dacă se aplică alt tip de garanție.

### **CENTRU DE SERVICE AUTORIZAT**

Pentru a găsi un centru de service autorizat lângă dvs., vizitați <http://uk.ryobitools.eu/header/service-and-support/service-agents>.

## LV RYOBI® GARANTIJAS PIEMĒROŠANAS NOSACĪJUMI

Papildus jebkādam likumiskajām tiesībām, kuras rodas, veicot pirkumu, izstrādājums tiek nodrošināts ar tālāk tekstā noteikto garantiju.

1. Garantijas periods patērētājiem ir 24 mēneši, tā atskaitē tiek sākta no datuma, kurā veikta izstrādājuma iegāde. Šim datumam jābūt dokumentētam rēķinā vai citā pirkumu apliecināšā dokumentā. Izstrādājums ir radīts un paredzēts tikai patērētāja privātai lietošanai. Saistībā ar iepriekšminēto, garantija netiek nodrošināta profesionālas vai komerciālas lietošanas gadījumā.
2. Pastāv iespēja pagarināt daļas no elektroinstrumentu klāsta (Mainstrāvas/akumulatoru) garantiju ilgāk par iepriekš minēto periodu, izmantojot reģistrāciju interneta vietnē [www.ryobitools.eu](http://www.ryobitools.eu). Instrumenti, kas pakļauti garantijas perioda pagarināšanai, tiek skaidri apzīmēti veikalos un/vai uz iepakojuma un izstrādājumu komplektējošajā dokumentācijā. Gala lietotājam nepieciešams reģistrēt tālruni jauno instrumentu 30 dienu laikā no pirkuma datuma. Gala lietotājs var reģistrēties pagarinātajai garantijai savā mītnes valstī, ja tā minēta tiesaisties reģistrācijas veidlapā, kurā šī iespēja ir aktīva. Bez tam, gala lietotājam ir jāsniedz piekrišana tiesaisties ievadīšanai nepieciešamo datu glabāšanai un jāpiekrīt noteikumiem un nosacījumiem. Reģistrācijas apstiprinājums, kas tiek nosūtīts, izmantojot e-pastu, un rēķina oriģināls, kurā norādīts iegādes datums, kalpo kā pagarinātās garantijas apstiprinājums.
3. Garantija attiecas uz visiem izstrādājuma defektiem garantijas periodā, kas saistīti ar ražošanas vai materiālu defektiem no pirkuma datuma. Šī garantija tiek ierobežota ar remontu un/vai nomainīšanu, ja nepieciešams, citās saistītajās, tajā skaitā, bet ne tikai, cēloņsakarīgos, vai saistītos bojājumus. Garantija nav spēkā, ja izstrādājums ir nepareizi lietots, izmantots pretēji norādēm lietošanas rokasgrāmatā vai bijis nepareizi pieslēgts. Šī garantija netiek attiecināta uz:
  - jebkādiem izstrādājuma bojājumiem, kas radušies nepareizas uzturēšanas rezultātā
  - jebkuru izstrādājumu, kas ticis pārveidots vai mainīts
  - jebkuru izstrādājumu, kura oriģinālās identifikācijas (preču zīme, sērijas numurs) marķējums ir ticis nodzēsts, mainīts vai noņemts
  - jebkādiem bojājumiem, kuri radušies neievērojot norādes lietošanas rokasgrāmatā
  - jebkādam izstrādājumam bez CE sertifikācijas
  - jebkuru izstrādājumam, kura remontu mēģinājis veikt nekvalificēts personāls vai bez Technronic Industries iepriekšējas autorizācijas.
  - jebkuru izstrādājumam, kurš bijis pieslēgts neatbilstošu parametru (strāvas, sprieguma, frekvences) sprieguma avotam
  - jebkuriem bojājumiem, kuri radušies ārējas iedarbības (ķīmiskas, fiziskas, triecieni) vai vielu ietekmē
  - detaļu normāla lietošanas nodiluma rezultātā
  - nepareizas lietošanas vai instrumentu pārslodzes rezultātā
  - neapstiprinātu detaļu vai aprīkojuma lietošanas rezultātā
  - elektroinstrumentu aksesuāriem, kas atrodas instrumenta komplektācijā vai ir iegādāti atsevišķi. Šis izņēmums attiecināms uz, bet neaprobežojoties ar, skrūvgrīvēju uzgaļiem, urbjiem, abrazīvajiem diskkiem, smilšpapīru un asmeņiem, sānu vadotnēm
  - komponentiem (daļām un aksesuāriem), kas pakļauti normālam nodilumam, ieskaitot, bet neaprobežojoties ar Servisa un apkopju komplekti, oglekļa sukuks, gultņi, patrona, SDS urbiņu uztverējiem vai uzliks, elektrības vads, papildus rukturis, transportēšanas un pārnēsāšanas kaste, stipmašīnas plāksne, putekļu maisis, putekļu izvadīšanas caurule, paplākšņi, triecienatslēgu tapas un atsperes, u.t.t.
4. Servisa nodrošināšanai, izstrādājums ir jānodod pilnvarotā RYOBI servisa centrā, kas norādīts katrai valstij tālāk minētajā servisa centru adresē sarakstā. Dažās valstīs jūs vietējais RYOBI izplatītājs uzņemas izstrādājuma nosūtīšanu uz RYOBI servisa organizāciju. Nosūtīt izstrādājumu uz RYOBI servisa centru, izstrādājuma jābūt droši iepakotam, tas nedrīkst saturēt bīstamas vielas kā degvielu, sūtfūmajam jābūt marķētam ar sūtfūtajā adresi un īsu kļūmes aprakstu.
5. Remonts/nomainīšana šīs garantijas ietvaros ir bezmaksas. Tas nerada garantijas perioda pagarināšanu vai jaunu garantiju. Nomainītās daļas vai instrumentu kļūst par mūsu īpašumu. Dažās valstīs piegādes vai pasta izmaksas būs jāapmaksā sūtfūtajam. Jūsu likumiskās tiesības, kas nodibinās, iegādājoties instrumentu, paliek nemainīgas
6. Šī garantija ir spēkā Eiropas Kopienā, Šveicē, Islandē, Norvēģijā, Līhtenšteinā, Turcijā un Krievijā. Ārpus šīm teritorijām, lūdzu, sazinieties ar jūsu pilnvaroto RYOBI izplatītāju, lai noteiktu, vai ir piemērojama cita garantija.

### AUTORIZĒTS APKALPOŠANAS CENTRS

Lai atrastu tuvāko autorizēto apkalpošanas centru, apmeklējiet <http://uk.ryobitools.eu/header/service-and-support/service-agents>.

## LT „RYOBI®“ GARANTIJOS TAIKYMO SĄLYGOS

Papildant bet kokias įstatymuose numatytas perkant atsirandančias teises, šiam įrenginiui taikoma toliau nurodyta garantija.

1. Vartotojams suteikiama 24 mėnesių trukmės garantija nuo įrenginio įsigijimo datos. Ši data turi būti nurodyta sąskaitoje faktūroje ar kitame pirkimą įrodančiame dokumente. Šis įrenginys skirtas tik vartotojų rinkai ir asmeniniam naudojimui. Todėl garantija netaikoma, jei įrenginys naudojamas profesiniems ar komerciniems reikmėms.
2. Įsigijus tam tikrus elektrinius įrenginius (AC/DC), suteikiama galimybė pratęsti garantiją, kad ji galiojūt ilgiau, nei nurodyta pirmiau, naudojantis registracija interneto svetainėje [www.ryobitools.eu](http://www.ryobitools.eu). Ar galima pratęsti įrenginio garantinį laikotarpį, aiškiai nurodoma parduotuvėse ir (arba) ant įrenginio pakuočės, ir (arba) įrenginio dokumentuose. Galutinis naudotojas turi užregistruoti savo naujai įsigytą įrenginį per 30 dienų nuo įsigijimo datos. Galutinis naudotojas gali registruotis išplėstinei garantijai savo gyvenamojoje šalyje, jei ji nurodyta internetinėje registracijos formoje, kurioje siūloma tokia galimybė. Be to, galutinai naudotojai turi sutikti su duomenų, kuriuos reikia įvesti internetu, saugojimu ir sveatinės naudojimo sąlygomis. Kaip išplėstinės garantijos įrodymas naudojamas registracijos patvirtinimo kvitas, atsiunčiamas e. paštu, ir originali sąskaita faktūra, kurioje nurodyta įsigijimo data.
3. Ši garantija apima visus garantiniu laikotarpiu aptiktus įrenginio trūkumus, atsiradusius dėl gamybos arba medžiaginių defektų nuo įsigijimo datos. Ši garantija nįbjoama remontu ir (arba) pakeitimu, jei neapima jokių kitų įsipareigojimų, įskaitant (bet tuo neapsiribojant) šaltinius arba antrinius naudotojus. Garantija anuliuojama, jei įrenginys buvo naudojamas netinkamai, naudojamas ne pagal naudojimo instrukciją arba netinkamai prijungtas. Ši garantija netaikoma:
  - jokiai įrenginiui padarytai žalai, kurią lemė netinkama techninė priežiūra;
  - jokiam įrenginiui, kuris buvo keičiamas ar modifikuojamas;
  - jokiam įrenginiui, kurio originalūs identifikavimo ženklai (prekės ženklas, serijos numeris) buvo sugadinti, pakeisti arba pašalinti;
  - jokiai žalai, kurią lemė naudojimo instrukcijos nesilaikymas;
  - jokiems CE ženklų nepažymėtiems įrenginiams;
  - jokiam įrenginiui, kurį bandė remontuoti nekvalifikuoti asmenys arba kuris buvo remontojamas be „Technronic Industries“ leidimo;
  - jokiam įrenginiui, kuris buvo prijungtas prie netinkamo maitinimo tinklo (netinkamos srovės, įtampos, dažnio);
  - jokiai žalai, kurią lemė išorinis poveikis (cheminis, fizinis, smūgiai) arba pašalinės medžiagos;
  - dėvimosioms dalims;
  - netinkamam naudojimui, įrenginio perkrovai;
  - nepatvirtintų priedų arba dalių naudojimui;
  - su įrenginiu pateiktiems arba atskirai įsigytiems elektrinio įrenginio priedams. Šios išimty apima (tuo neapsiribojant) atsektuvų antgalius, gražtų antgalius, šlifavimo diskus, švitrinį popierių ir geležtes, šoninį kreiptuvą;
  - komponentams (dalims ir priedams), kurie natūraliai dėvisi, įskaitant (bet tuo neapsiribojant) įprastines ir technines priežiūros rinkinius, anglinius šepetėlius, guolius, laikiklį, SDS gražtų antgalii priedą arba lizdą, maitinimo kabelį, pagalbini rankena, nešiojimo dėklą, šlifavimo diską, maišelį dulkmėms, dulkių ištraukimo vamzdelį, foto poveržles, smūginio veržliarakčio kaiščius ir spyruokles ir pan.
4. Prireikus atlikti priežiūros darbus, įrenginį reikia siųsti arba atvežti RYOBI įgaliotajam priežiūros centrui, nurodytam kiekvienos šalies priežiūros centrų adresų sąrašė. Kai kuriose šalyse vietinis RYOBI atstovas siunčia įrenginį RYOBI priežiūros organizacijai. Siunčiant įrenginį RYOBI priežiūros centrui, reikia saugiai jį supakuoti pašalinami visas pavojingas medžiagas, pvz., benzina, nurodyti ant pakuotės siuntytojo adresą ir pridėti trumpą gedimo aprašymą.
5. Pagal šią garantiją remontas / keitimas atliekami nemokamai. Tokie veiksmai netaikomi garantijos pratęsimui arba naujo garantinio laikotarpio pradžia. Dalys arba įrenginiai, kuriuos pakeitėme, tampa mūsų nuosavybe. Kai kuriose šalyse pristatymo ir pašto išlaidas turi padengti siuntėjas. Įstatymuose numatytos teisės, atsirandančios perkant įrenginį, lieka nepakeistos
6. Ši garantija galioja Europos bendrijoje, Šveicarijoje, Islandijoje, Norvegijoje, Lichtenšteine, Turkijoje ir Rusijoje. Jei gyvenate ne šiose šalyse, kreipkitės į įgaliotąjį RYOBI atstovą ir sužinokite, ar jums taikoma kita garantija.

### ĮGALIOTOS TECHNINĖS PRIEŽIŪROS CENTRAS

Jei norite surasti įgaliotą techninės priežiūros centrą netoli Jūsų, silankykite interneto svetainėje <http://uk.ryobitools.eu/header/service-and-support/service-agents>.

## ET RYOBI® GARANTIIINGIMUSED

Lisaks toote ostust tulenevatele seadusjärgsetele õigustele, kehtib tootele ka alitoodud garantiiga.

1. Tarbijatele on garantiiaeg 24 kuud ja algab sellel kuupäeval, mil toode osteti. Selle kuupäeva tõestuseks on vaja arvet või mõnda teist tõendit ostu sooritamise kohta. Toode on mõeldud eratarbijatele ainult isiklikuks kasutamiseks. Seega ei kehti garantii ostu kasutamisel kutsetegevuses või kaubanduslikel eesmärkidel.
2. Teatud osale elektrilistele (vahelduvvoolu/alalisvoolu) tööriistadele on võimalik pikendada tõestuseks toode garantiiaega, kasutades toote registreerimist veebilehel [www.ryobitools.eu](http://www.ryobitools.eu). Teave tööriista võimaliku pikendatud garantiiaja kohta on selgelt esile toodud poodides ja/või pakendil / ning see sisaldub toote dokumentatsioonis. Lõpptarbijaja peab registreerima oma uued tööriistad interneti teel 30 päeva jooksul pärast ostmise. Lõppkasutaja võib registreerida pikendatud garantiiaja saamise oma elukohariigis, kui veebis olevas registreerimisvormis on see valik lubatud. Lisaks peavad kasutajad andma oma nõusoleku veebis nõutud sisestatavate andmete säilitamiseks ning nad peavad nõustuma tingimustega. E-posti teel saadetak registreerimise kinnitus ja arve originaal, kus on näha ostu sooritamise kuupäev, on pikendatud garantiiaja tõestuseks.
3. Garantii katab kõik defektid toote garantiiaja jooksul, kui ostu kuupäeval ilmnevad talitlus- või materjalivead. Garantii piirneb toote remondi ja/või väljavahetamisega ning ei sisalda muid kohustusi, muu hulgas ettenägematuid või kaudseid kahjusid. Garantii ei kehti, kui toodet ei ole kasutatud sihtotstarbelselt või kooskõlas kasutusjuhendiga või see on valesti ühendatud. Garantii ei kehti järgmistel põhjustel:
  - toode on kahjustatud vale hoolduse tõttu
  - toodet on muudetud
  - toote algsuunatud identifitseerimisnumbrid (kaubamärk, seerianumber) on rikutud, muudetud või eemaldatud
  - kahju on tekkinud kasutusjuhendi mittejärgimisest
  - tootel puudub CE-märgis
  - toodet on püüdnud remontida vastavat kvalifikatsiooni mitte omav isik või ilma firma Techtronic Industries eelneva loata.
  - toode on ühendatud valesse toiteallikasse (voolutugevus, pinge, sagedus)
  - välismõjude (keemilised, füüsilised, elektrilöögid) või võrkehade tekitatud kahju
  - tavapärase kulumine ja katkised varuosad
  - ebaõige kasutamine, tööriista ülekoormamine
  - heakskiitmata tarvikute või osade kasutamine
  - koos tööriistaga saadud või eraldi ostetud elektriliste tööriistade tarvikud. Need erandid puudutavad muu hulgas kruvikeeraja otsakuid, puuriterasid, lihvkettaid, lihvpaberit ja -tald, küljühikuid
  - Komponentid (osad ja tarvikud), mida iseloomustab kulumine ja vananemine, muu hulgas remondi- ja hoolduskomplektid, süsinikharjad, laagrid, padrunid, SDS-puuriterade tarvikud, toitejuhid, lisakäepide, transpordikott, lihvplaat, tolmuok, tolmu väljalasketoru, viildist seibid, löökmutrivõtme viildid ja vedrud jne.
4. Hoolduseks peab toote saatma või viima RYOBI volitatud teenindusse, mille aadressi leiata järgnevat teeninduspunkti nimekirjast vastava riigi alt. Mõnedes riikides võtab kohalik RYOBI edasimüüja enda kanda kohustuse saata toode RYOBI teenindusorganisatsiooni. Toote saatmisel RYOBI teenindusse peab toode olema ohutult pakitud ja ei tohi sisaldada ohtlike aineid (nt bensini), kirjas peab olema saatja aadress ja lisatud vea lühikirjeldus.
5. Garantii alusel tehtavad remonditööd / asendamine on tasuta. See ei pikenda garantii kehtivusaega ega tähista uue garantiiaja algust. Väljavahetatud osad või tööriistad kuuluvad meile. Mõnedes riikides maksab kätetoimetamis- ja postikulud saatja. Teile jäävad kehtima tööriista ostust tulenevad seadusjärgsed õigused
6. See garantii kehtib Euroopa Ühenduse territooriumil, Šveitsis, Islandil, Norras, Liechtensteinis, Türgis ja Venemaal. Väljaspool neid piirkondi võtke ühendust volitatud RYOBI edasimüüjaga, et teha kindlaks kas kehtib mõni teine garantii.

## VOLITATUD HOOLDUSKESKUS

Oma volitatud hoolduskeskuse leiate veebisaidilt <http://uk.ryobitools.eu/header/service-and-support/service-agents>.

## HR UVJETI PRIMJENE JAMSTVA TVRTKE RYOBI®

Osim svim zakonskim pravima koja proizlaze iz kupnje, ovaj je proizvod pokriven jamstvom kako je navedeno u nastavku.

1. Jamstveno razdoblje za potrošače traje 24 mjeseca i počinje s datumom na koji je proizvod kupljen. Taj datum mora se dokumentirati računom ili drugim dokazom o kupnji. Proizvod je konstruiran i namijenjen samo za privatnu upotrebu korisnika. Stoga se jamstvo ne daje u slučaju profesionalne ili komercijalne uporabe.
2. Postoji mogućnost da se za dio asortimana električnih alata pokretanih izmjeničnom strujom (AC/DC) proizvodi gore navedeno jamstveno razdoblje putem registriranja na mrežnom mjestu [www.ryobitools.eu](http://www.ryobitools.eu). Uvjeti koje je potrebno zadovoljiti kako bi se produžilo jamstveno razdoblje jasno su istaknuti u prodavaonicama i / ili na pakiranju / i nalaze se unutar dokumentacije proizvoda. Krajnji korisnik mora registrirati svoje novo kupljene alate na mreži u roku od 30 dana od datuma kupnje. Krajnji korisnik može se registrirati za produženo jamstvo u svojoj zemlji boravišta ako se nalazi na popisu u mrežnom obrascu za registraciju gdje je ta opcija važeća. Nadalje, krajnji korisnici moraju dati svoj pristanak na pohranu podataka koji su potrebni za mrežni ulazak i moraju prihvatiti odredbe i uvjete. Potvrda o prijemu registracije, koja se šalje putem e-pošte, kao i originalni račun s vidljivim datumom kupnje poslužiti će kao dokaz produženog jamstva.
3. Jamstvo pokriva sve nedostatke proizvoda tijekom jamstvenog razdoblja koji su nastali zbog neispravnosti prilikom izrade ili materijala s datumom kupnje. Jamstvo je ograničeno na popravak i/ili zamjenu i ne obuhvaća nikakve druge obveze, uključujući, ali ne ograničavajući se na slučajne ili posjednične štete. Jamstvo ne vrijedi ako je proizvod bio zlorabljeno, korišten u suprotnosti s priručnikom s uputama ili ako je pogrešno spojen. Ovo jamstvo ne primjenjuje se na:
  - svaku štetu koja je na proizvodu nastala kao rezultat nepravilnog održavanja
  - svaki proizvod koji je promijenjen ili izmijenjen
  - svaki proizvod na kojem su izvorne identifikacijske oznake (žig, serijski broj) bile oštećene, izmijenjene ili uklonjene
  - svaku štetu prouzročenu neprimjerenom upotrebom priručnika s uputama
  - svaki proizvod koji nema oznaku CE
  - svaki proizvod koji je pokušao popraviti neovlašćeni profesionalac ili onaj koji je popravljao bez prethodnog odobrenja tvrtke Techtronic Industries.
  - svaki proizvod koji je spojen na neprikladan izvor električnog napajanja (neodgovarajuća amperaza, napon, frekvencija)
  - svaku štetu prouzročenu unutarnjim utjecajima (kemijskim, fizikalnim, udarima) ili stranim tvarima
  - normalno habanje i trošenje rezervnih dijelova
  - neodgovarajuću uporabu, preopterećenje alata
  - upotrebu neodobrenog pribora ili dijelova
  - dodatnu opremu električnog alata isporučenu s alatom ili kupljenu odvojeno. Takvi izuzetci uključuju ali nisu ograničeni na vrhove odvijачa, svrdla bušilice, abrazivne diske, brusni papir i noževe, bočnu vodilicu
  - Komponente (dijelovi i pribor) podložne prirodnom trošenju i habanju, što uključuje, ali nije ograničeno na komplecte za servisiranje i održavanje, ugljične četkice, ležajeve, steznu glavu, nastavak ili priključak za svrdla za SDS bušilicu, priključni kabel, pomoćnu ručku, transportne torbe, brusnu ploču, vreću za prašinu, ispušnu cijev za prašinu, podloške od filca, udami ključ, zatici i opruge, itd.
4. Za potrebe servisiranja, proizvod se mora poslati ili odnijeti u ovlaštenu servisnu postaju tvrtke RYOBI navedenu na sljedećem popisu s adresama servisnih postaja u svakoj zemlji. U nekim zemljama, vaš lokalni RYOBI zastupnik obvezuje se da će poslati proizvod u servisnu organizaciju tvrtke RYOBI. Kada se proizvod šalje u neku servisnu postaju tvrtke RYOBI, proizvod se mora sigurno pakirati bez jednog od opasnih sadržaja kao što je benzin, na njemu mora pisati adresa pošiljatelja i mora biti popraćen kratkim opisom kvara.
5. Popravak / zamjena pod ovim jamstvom su besplatni. Oni ne predstavljaju produženje ili novi početak jamstvenog razdoblja. Zamijenjeni dijelovi ili alati postaju vaše vlasništvo. U nekim državama troškove isporuke ili poštarinu mora platiti pošiljatelj. Vaša zakonska prava koja proizlaze iz kupnje alata ostaju nepromijenjena
6. Ovo jamstvo vrijedi u Europskoj uniji, Švicarskoj, Islandu, Norveškoj, Lihtenštajnu, Turskoj i Rusiji. Izvan tih područja vas molimo da se obratite svojem ovlaštenom zastupniku tvrtke RYOBI kako biste utvrdili primjenjuje li se drugo jamstvo.

## OVLAŠTENI SERVISNI CENTAR

Za pronalazjenje ovlaštenog servisnog centra pored vas posjetite <http://uk.ryobitools.eu/header/service-and-support/service-agents>.

## SL POGOJI ZA VELJAVNOST GARANCIJE RYOBI®

Poleg morebitnih zakonsko določenih pravic, ki izvirajo iz nakupa, za ta izdelek velja spodaj navedena garancija.

- Garancijsko obdobje je za potrošnike 24 mesecev in začne teči z dnem nakupa izdelka. Ta datum mora biti dokumentiran z računom ali drugim dokazilom o nakupu. Izdelek je zasnovan in namenjen izključno za potrošniško zasebno uporabo. V primeru strokovne oziroma komercialne uporabe izdelka garancija ne velja.
- Obstaja možnost podaljšanja garancije na del naše ponudbe električnih orodij (AC/DC) prek obdobja garancije, opisaneega zgoraj, s pomočjo registracije na spletnem mestu [www.ryobitools.eu](http://www.ryobitools.eu) website. Ustreznost orodij za podaljšanje garancijskega obdobja je jasno prikazana v trgovinah in/ali na embalaži oziroma je navedena v dokumentaciji izdelka. Končni uporabnik mora registrirati svoje novo orodje na spletu v 30 dneh po datumu nakupa. Končni uporabnik lahko registrira podaljšano garancijo v svoji državi bivanja, če je na obrazcu spletne registracije navedeno, da ta možnost velja za njegovo državo. Poleg tega morajo končni uporabniki podati svoje soglasje za shranjevanje podatkov, ki so potrebni za spletni dostop in morajo sprejeti pogoje in določila uporabe spletnega mesta. Potrdilo o registraciji, ki ga pošljemo prek e-pošte, in originalni račun, ki prikazuje datum nakupa, služita kot dokazilo o podaljšani garanciji.
- Garancija krije vse okvare izdelka, do katerih pride v garancijskem obdobju zaradi napak v izdelavi ali materialu, ki so bile prisotne ob datumu nakupa. Garancija je omejena na popravilo in/ali zamenjavo in ne vključuje nobenih drugih obveznosti, med drugim vključno z naključno ali posledično škodo. Garancija ne velja, če je bil izdelek napačno uporabljen, uporabljen v nasprotju z navodili iz priročnika za uporabo ali če ni bil pravilno povezan. Ta garancija ne velja za:
  - škodo na izdelku, ki je posledica neustreznega vzdrževanja
  - spremenjen ali prilagojen izdelek
  - izdelek, katerega originalna identifikacijska oznaka (blagovna znamka, serijska številka) je bil poškodovan, spremenjena ali odstranjena
  - škodo, ki je posledica neupoštevanja navodil iz priročnika za uporabo izdelka, ki nima oznake CE
  - izdelek, ki ga je poskušal opraviti nequalificiran strokovnjak ali ki je bil popraviljen brez predhodne odobritve s strani družbe Techtronic Industries.
  - izdelek, ki je bil povezan na neustrezno napajanje (amperska moč, napetost, frekvenca)
  - škodo, ki jo povzročijo zunanji vplivi (kemični, fizični, mehanski) ali tuje snovi
  - rezervne dele, ki so podvrženi običajni uporabi
  - neprimerno uporabo, preobremenitev orodja
  - uporabo neodobrenih dodatkov ali delov
  - Dodatno električno orodje, priloženo orodju ali kupljeno ločeno. Take izjeme so med drugim nastavki za izvijače, svedri, abrazivni diski, brusni papir in rezila, stranska vodila.
  - Komponente (sestavni in rezervni deli), ki so podvrženi običajni obrabi, med drugim vključno s kompleti za servisiranje in vzdrževanje, oglikovimi krtačkami, ležaji, vpenjali, svedrni priključki SDS ali sprejemnimi odprtini zanje, napajalnimi kablji, pomožnimi ročajji, prenosnimi kovčki, brusnimi ploščami, vreckami za prah, cevmi za izpuh prahu, tesnilni iz filca, iglami in vzmetni udamega ključa itd.
- Za servisiranje morate izdelek poslati ali prinesiti v pooblaščen servisni center družbe RYOBI, ki je naveden za vsako državo na naslednjem seznamu naslovov servisnih centrov. V nekaterih državah se vaš lokalni posrednik družbe RYOBI obveže, da bo poslal izdelek na servis družbe RYOBI. Ko pošiljate izdelek v servisni center družbe RYOBI, mora biti izdelek varno zapakiran in ne sme vsebovati nobenih nevarnih snovi, kot je npr. bencin, opremljen pa mora biti z naslovom pošiljatelja in vsebovati kratek opis napake.
- Popravilo/zamenjava v skladu s to garancijo sta brezplačni storitvi. To pa ne predstavlja podaljšanja ali ponovnega začetka garancijskega obdobja. Zamenjani deli ali orodja postanejo naša last. V nekaterih državah stroške dostave ali poštno plača pošiljatelj. Vaše zakonsko določene pravice, ki izvirajo iz nakupa orodja, ostajajo nespremenjene.
- Ta garancija velja v Evropski skupnosti, Švici, Islandiji, na Norveškem, v Lichtenštajnu, v Turčiji in Rusiji. Izven teh območij se obrnite na svojega pooblaščenega posrednika izdelkov RYOBI, dealer ki vam bo povedal, ali velja kakšna druga garancija.

### POOBLAŠČEN SERVISNI CENTER

Pooblaščen servisni center blizu vas poiščite na <http://uk.ryobitools.eu/header/service-and-support/service-agents>.

## SK ZÁRUČNÉ PODMIENKY RYOBI®

Na tento výrobok sa okrem všetkých zákonných práv, vyplývajúcich z nákupu, vzťahuje záruka v nasledovnom znení.

- Záručná doba pre spotrebiteľa je 24 mesiacov a začína plynúť odo dňa, kedy bol výrobok zakúpený. Tento dátum musí byť doložený faktúrou alebo iným dokladom o zakúpení. Výrobok je navrhnutý a určený pre spotrebiteľov a ten na súkromné používanie. Preto sa záruka sa neposkytuje v prípade použitia na profesionálne a komerčné účely.
- V prípade elektrického náradia (na striedavý/jednosmerný prúd AC/DC), existuje možnosť predĺženia záručnej doby oproti týmto bodom, uvedenej vyššie, s využitím on-line registrácie na webovej stránke [www.ryobitools.eu](http://www.ryobitools.eu). Označenie na náradí o nároku na predĺženie záručnej doby je zreteľne uvedené v obchodoch a/alebo na obale a je uvedené v dokumentácii k výrobku. Koncový používateľ musí zaregistrovať svoje novozískané náradie on-line do 30 dní odo dňa nákupu. Koncový používateľ sa môže zaregistrovať na predĺženie záruky v krajine svojho bydliska, ak je v on-line registračnom formulári uvedená táto možnosť. Ďalej musia koncoví používatelia ešte dať svoj súhlas k uchovávaniu údajov, ktoré je potrebné zadať on-line a musia súhlasiť s podmienkami. Potvrdenie o prijatí registrácie, ktorý je zasielané e-mailom a originál faktúra, v ktorej je uvedený dátum nákupu, slúžia ako dôkaz o predĺženej záruke.
- Záruka sa vzťahuje na všetky poruchy výrobku v záručnej dobe, spôsobené chybami materiálu alebo spracovania k dátumu nákupu. Táto záruka je obmedzená na opravu a/alebo výmenu a nezahŕňa ďalšie povinnosti, vrátane, okrem iných, náhodné alebo následné škody. Táto záruka je neplatná, ak bol výrobok nesprávne používaný, bol používaný v rozpore s návodom na použitie alebo bol nesprávne zapojený. Táto záruka sa nevzťahuje na:
  - akékoľvek poškodenie výrobku, ktoré bolo spôsobené nesprávnou obsluhou
  - akýkoľvek výrobok, ktorý bol zmenený alebo upravený
  - akýkoľvek výrobok, na ktorom bolo poškodené, upravené alebo odstránené identifikačné označenie (ochranná známka, výrobné číslo)
  - akékoľvek škody, spôsobené nedodržaním návodu na obsluhu
  - akýkoľvek výrobok, ktorý neobsahuje označenie CE
  - akýkoľvek výrobok, ktorý sa pokúšal opraviť nequalifikovaný odborník alebo bol opravovaný bez predchádzajúceho súhlasu zo strany spoločnosti Techtronic Industries.
  - akýkoľvek výrobok, pripojený k nesprávnemu napájaciemu zdroju (ampéry, napätie, frekvencia)
  - akékoľvek poškodenia, spôsobené vonkajšími vplyvmi (chemickými, fyzikálnymi, nárazmi) alebo cudzorodými látkami
  - bežné opotrebovanie náhradných dielov
  - nevhodné používanie, preťažovanie nástroja
  - používanie neschváleného príslušenstva a dielov
  - príslušenstvo k elektrickému náradia, dodávané spolu s náradím alebo zakúpené oddelene. Takéto vylúčenia sa vzťahujú, okrem iného, na nástady skrutkovačov, vrtáky, brusne kotúče, brusný papier a čepele, bočné vodiace lišty
  - Súčiastky (diely a príslušenstvo), ktoré podliehajú prirodzenému opotrebovaniu, okrem iného súpravy na servis a údržbu, uhličky, ložiská, skľučovadlá, SDS vrtáky a príslušenstvo, príloh alebo prijímanie, napájací kábel, pomocná rukoväť, prepravná skriňa, brusná doska, pracovné vrecko, výfuková trubica, pistené podložky, kotlíky a pružiny na rázový uťahovač atď.
- Na opravu musí byť výrobok odoslaný alebo doručený do autorizovaného servisného strediska RYOBI, uvedeného pre každú krajinu v nasledovnom zozname adries servisných stredísk. V niektorých krajinách miestny zástupca RYOBI preberá na seba záväzok zaslať tovar do servisnej organizácie RYOBI. Pri odoslaní výrobku do servisného strediska RYOBI je potrebné výrobok bezpečne zabaliť bez akéhokoľvek nebezpečného obsahu, ako je bencín, s vyznačením adresy odosielateľa, s krátkym popisom poruchy.
- Oprava/výmena je vrámci tejto záruky bezplatná. Neznamená to predĺženie záruky alebo spustenie novej záručnej doby. Vymenené diely alebo nástroje sa stávajú našim vlastníctvom. V niektorých krajinách náklady na odoslanie alebo vrátenie musí zaplatiť odosielateľ. Vaše zákonné práva, vyplývajúce z nákupu náradia, zostávajú nedotknuté.
- Táto záruka platí v Európskej únii, Švajčiarsku, Islande, Nórsku, Lichtenštajnsku, Turesku a Rusku. Ak sa nachádzate mimo týchto oblastí, obráťte sa na autorizovaného predajcu RYOBI na určenie, či sa dá uplatniť iná záruka.

### AUTORIZOVANÉ SERVISNÉ CENTRUM

Ak chcete nájsť najbližšie autorizované servisné centrum, navštívte stránku <http://uk.ryobitools.eu/header/service-and-support/service-agents>.



## **BG** УСЛОВИЯ ЗА ВАЛИДНОСТ НА ГАРАНЦИЯТА НА RYOBI®

В допълнение към законоустановените права, произтичащи от покупката, този продукт е обхванат от гаранцията, както е изложено по-долу.

- Гаранционният срок е 24 месеца за клиенти и започва да тече от деня на закупуване на продукта. Тази дата трябва да се докаже с фактура или друго доказателство за покупка. Продуктът е изработен и предназначен само за потребителска и лична употреба. Следователно не се дава гаранция в случай на използване от професионалисти или с търговска цел.
- Съществува възможност за удължаване на гаранционния срок за част от диалогана на гаранцията на електрически инструменти (AC/DC) след изтичането на описания тук чрез регистрация на уеб сайта [www.ryobitools.eu](http://www.ryobitools.eu). В магазините и/или на опаковката или вътре в документацията на продукта е показано ясно дали инструментът отговаря на условията за такова удължаване на гаранционния срок. Крайният потребител трябва да регистрира своите новопридобити инструменти онлайн в рамките на 30 дни от датата на покупка. Крайният потребител може да се регистрира за удължена гаранция в държавата си на пребиваване, ако е посочена във формуляра за онлайн регистрация като място, където тази опция е валидна. Освен това крайните потребители трябва да дадат съгласието си за съхранение на данните, които са задължителни за ползване онлайн, и трябва да приемат общите условия. Полученото потвърждение за регистрация, изпратено по електронна поща, и оригиналната фактура, показваща датата на покупка, ще служат като доказателство за удължената гаранция.
- Гаранцията покрива всички дефекти на продукта по време на гаранционния срок, които се дължат на проблеми в изработката или материалите към момента на покупката. Гаранцията е ограничена до ремонт и/или замяна и не включва други задължения, включително, но не само, случайни или косвени щети. Гаранцията е невалидна, ако продуктът е използван неправилно или в противоречие с ръководството с инструкции, както и ако е свързан неправилно. Тази гаранция не важи за:
  - щети по продукта в резултат на неправилна профилактика
  - продукти, които са били изменени или модифицирани
  - продукт, при който оригиналните маркировки за идентификация (търговска марка, серийен номер) са изтрети, променени или премахнати
  - повреда, причинена от неспазване на ръководството с инструкции
  - продукт без CE маркировка
  - продукт, за който е направен опит за ремонт от неквалифициран специалист или без предварително разрешение от Techtronic Industries.
  - продукт, свързан към неподходящо електрохранване (ампераж, волтаж, честота)
  - щети, причинени от външни влияния (химични, физични, удари) или чужди вещества
  - нормално износване на резервни част
  - неподходяща употреба, претоварване на инструмента
  - използване на неободбени аксесоари или части
  - Аксесоарите за електрически инструмент са предоставени с инструмента или се кулват отделно. Тези изключения включват, но не само, накрайници за отвертка, свердела, абразивни дискове, шкурка и остриета, страничен водач
  - Компоненти (части и аксесоари), подложени на естествено износване, включително, но не само, комплекти за обслужване и поддръжка, карбонови четки, лагери, патронник, приставка със средло SDS или приемно устройство, захванващ кабел, спомогателна ръкохватка, кутия за транспортиране, шлифовъчна пластина, торба за прах, тръба за отвеждане на прах, филцови шабви, цифрове и пружини за винтоверти и др.
- За обслужване продуктът трябва да се изпрати или занесе на авторизиран сервиз на RYOBI, посочен за всяка държава в следния списък с адреси на сервиси. В някои държави местният търговец на RYOBI поема отговорността да изпрати продукта до сервизен център на RYOBI. При изпращане на продукт до сервиз на RYOBI той трябва да е опакован безопасно без опасо съдържание, напр. бензин, да е маркиран с адреса на подателя и придружен от кратко описание на повредата.
- Ремонът/замяната по силата на тази гаранция са безплатни. Те не водят до удължаване или подновяване на гаранционния срок. Сменените части или инструменти стават наша собственост. В някои държави таксите за доставка или изпращане трябва да се платят от подателя. Законоустановените ни права, произтичащи от закупуването на инструмента, остават незасегнати.
- Тази гаранция е валидна в Европейската общност, Швейцария, Исландия, Норвегия, Лихтенщайн, Турция и Русия. Извън тези области се свържете с упълномощения търговец на RYOBI, за да се установи дали е приложима друга гаранция.

### УПЪЛНОМОЩЕН СЕРВИЗЕН ЦЕНТЪР

За да намерите упълномощен сервизен център близо до вас, посетете <http://uk.ryobitools.eu/header/service-and-support/service-agents>.

## **UK** ГАРАНТИЙНИ УМОВИ ДЛЯ RYOBI®

Окрім загалом установених законом прав, що стосуються покупки, цей пристрій покривається гарантією, що зазначено нижче.

- Гарантійний період для споживачів складає 24 місяці і починається з моменту придбання цього пристрою. Ця дата повинна бути задокументована у гарантійному талоні або чеку. Цей пристрій був розроблений і призначений тільки для споживчого та приватного використання. У разі професійного або комерційного використання цього пристрою, він втрачає гарантію.
- Існує можливість подовжити гарантійний період для частини лінійки електричних інструментів (перемінного/постійного струму), понад період описаний вище за допомогою реєстрації на сайті [www.ryobitools.eu](http://www.ryobitools.eu). Пристрої, які мають право на подовження гарантійного періоду, мають чіткі позначки щодо цього в магазинах і / або на упакуванні / та документації до пристрою. Кінцевий користувач повинен зареєструвати його/її новопридбаний пристрій онлайн протягом 30 днів з дати покупки. Кінцевий користувач може зареєструватися для подовження гарантійного періоду в своїй країні постійного перебування, якщо вона є доступною у відповідній опції онлайн форми реєстрації. Крім того, кінцеві користувачі повинні дати свою згоду на зберігання даних, які необхідні для введення онлайн, а також вони повинні прийняти правила та умови. Отримання підтвердження реєстрації, яке відправляється на адресу електронної пошти, та оригінал гарантійного талона і зазначеною датою покупки буде служити доказом подовженої гарантії.
- Гарантія поширюється на всі дефекти пристрою протягом гарантійного терміну щодо недотримання стандартів виробництва або матеріалів на дату придбання. Гарантія обмежується ремонтом та/або заміною, та не включає в себе будь-яких інших зобов'язань, в тому числі, але необмежена у разі випадкових та подальших пошкоджень. Гарантія не діє, якщо пристрій використовувався ненадлежащим чином, всупереч інструкції з експлуатації або був неправильно підключений до мережі. Дана гарантія не поширюється на:
  - пристрої, що були пошкоджені у результаті неправильного технічного обслуговування;
  - пристрої, що були видозміннені або модифіковані;
  - пристрої, оригінальні ідентифікаційні (товарний знак, серійний номер) маркування яких було пошкоджене, змінене або видалено;
  - будь-які пошкодження, заподіяні недотриманням інструкції з експлуатації;
  - пристрої, що не мають маркування CE;
  - пристрої, що були відремонтовані некваліфікованим фахівцем або за відсутності попереднього дозволу від Techtronic Industries;
  - пристрої, підключені до невідповідного джерела живлення (сила току, напруги, частота);
  - будь-які пошкодження спричинені зовнішнім впливом (хімічним, фізичним, стрибком напруги) або сторонніми речовинами;
  - нормальну амортизацію запасних частин;
  - невідповідне використання, перевантаження пристрою;
  - використання не підтверджених запасних частин або аксесуарів;
  - приладдя до електронного інструменту, що постачається разом з пристроєм або купуються окремо. Такі винятки враховують але не є обмеженнями для наконечників викруток, свердел, абразивних дисків, наждачного паперу та лез, бічних напрямних – компоненти(частини та приладдя) з урахуванням нормального зношування, враховуючи, але без обмеження на комплекти профілактики та технічного обслуговування, вугільні штикти, підшипники, патрони, кріплення або прийом SDS свердел, кабелі живлення, додаткові рукоятки, чохла для транспортування, шліфувальні пластини, мішки для збору пилу, трубки виплопу, фетрові кльця, штирі і пружини гайковерту і т.д.
- Для обслуговування, пристрій має бути відправлений або поданий до одного з авторизованих сервісних центрів RYOBI, які перелічені для кожної країни у наступному переліку адрес сервісних центрів. У деяких країнах місцевий дилер RYOBI зобов'язується відправити пристрій до сервісного центру RYOBI. При відправленні пристрою до сервісного центру RYOBI, пристрій має бути надійно упакуваний без будь-якого небезпечного вмісту, наприклад бензину, з позначеною адресою відправника та супроводжуватися коротким описом несправності.
- Ремонт / заміна відповідно до цієї гарантії здійснюється безкоштовно. Це не є основою для подовження або початку нового гарантійного періоду. Замінені частини або прилади переходять до власності компанії. У деяких країнах вартість доставки або поштові витрати повинні бути сплачені відправником. Загально встановлені права покупця на пристрій залишаються незмінними.
- Ця гарантія діє в Європейському Союзі, Швейцарії, Ісландії, Норвегії, Лихтенштейні, Туреччині та Росії. За межами цих зон, будь ласка, зверніться до офіційного дилера RYOBI, щоб визначити, чи застосовується інша гарантія.

### АВТОРИЗОВАНІ СЕРВІСНІ ЦЕНТРИ

Для отримання оновленого переліка авторизованих сервісних центрів, відвідайте <http://uk.ryobitools.eu/header/service-and-support/service-agents>.

## TR RYOBI® GARANTİ UYGULAMA KOŞULLARI

Alımdan kaynaklanan yasal haklara ek olarak, ürün aşağıda belirtilen garanti kapsamındadır.

1. Tüketiciler için 24 ay olan garanti süresi, ürünün satın alındığı tarihte başlar. Bu tarihin bir fatura ya da alım kanıtıyla belgelenmesi gerekir. Ürün sadece tüketim ve özel kullanım için geliştirilmiş ve adanmıştır. Bu nedenle, profesyonel ya da ticari kullanım halinde garanti kapsamı sağlanmaz.
2. Elektrikli el aletlerinin bir bölümü (AC/DC) için [www.ryobitools.eu](http://www.ryobitools.eu) sayfasındaki kayıt işlemini kullanarak garantinin belirtilen süresini ötesine çıkarma imkanı mevcuttur. Aletlerin garanti süresinin uzatılmasına uygun olup olmadığı mağazalarda ve / veya ambalajda açıkça belirtilmiş olup, ürün dokümantasyonunda gösterilir. Son kullanıcının yeni aldığı aletleri satın alma tarihini izleyen 30 gün içinde kaydetmesi gerekir. Son kullanıcı ikamet ettiği ülkede, bu seçeneğin geçerli olduğu çevrimiçi kayıt formunda belirtilmişse, uzatılmış garanti süresi için kayıt yapılabilir. Dahası, son kullanıcıların çevrimiçi giriş için gerekli verilerin kaydedilmesine izin vermek ve hüküm ve koşulları kabul etmelidir. E-posta ile gönderilen kayıt teyit makbuzu ve alım tarihini gösteren orijinal fatura uzatılmış garantinin kanıtı olarak değerlendirilir.
3. Garanti, ürünün alım tarihindeki işçilik ve malzeme kusurları nedeniyle garanti süresi içinde oluşacak bütün arızaları kapsar. Bu garanti onarım ve değiştirilmeyle sınırlı olup, tasadufi ya da dolaylı hasarlar da dahil, ancak bunlarla kısıtlı olmayan başka hiçbir tahahhüdü kapsamaz. Garanti, ürünün kötü, kullanici kılavuzuna aykırı kullanımıyla ya da yanlış bağlanmış olması halinde geçerli değildir. Bu garanti aşağıdakileri kapsamaz:
  - üründe, yanlış bakımдан kaynaklanan herhangi bir hasar
  - değiştirilmiş ya da modifiye edilmiş herhangi bir ürün
  - orijinal tanıtmış işaretleri (ticari marka, seri numarası) silinmiş, değiştirilmiş ya da kaldırılmış herhangi bir ürün
  - kullanma kılavuzuna uymamaktan kaynaklanmış herhangi bir hasar
  - herhangi bir AT dışı ürün
  - kalifiye olmamış personel tarafından ya da önceden Techtronic Industries onayı alınmadan onarılmış herhangi bir ürün.
  - uygunsuz güç kaynağına (amper, voltaj, frekans) bağlanmış herhangi bir ürün
  - harici etkenlerden (kimyasal, fiziksel, darbe) veya yabancı cisimlerden kaynaklanan her türlü hasar
  - normal aşınır ve yıpranır aksam
  - uygunsuz kullanım, aletin aşırı yüklenmesi
  - onaysız aksesuar veya parça kullanımı
  - Aletle birlikte sağlanmış ya da ayrıca alınmış elektrikli alet aksesuarları. Tornavida uçları, matkap uçları, aşındırıcı diskler, zımpara kağıdı ve bıçakları, yanal kılavuz gibi aksamı içeren, ancak bunlarla sınırlı olmayan eklentiler
  - Servis ve Bakım kitiyle, kömür fırçalar, yataklar, kovanlar, SDS matkap ucu bağlantısı ya da yuvaları, güç kablosu, yedek tutamak, nakliye ve taşıma kutusu, kuşlama plakası, toz torbası, toz egzoz borusu, keçe rondelalar, Darbeli Tornavida Pim ve yayları vb. gibi parçaları kapsayan, ancak bunlarla sınırlı olmayan, aşınma ve yıpranmaya tabi bileşenler (aksam ve aksesuarlar).
4. Ürünün servis için her ülkede aşağıdaki servis istasyonları adres listesinde yer alan yetkili bir RYOBI servis istasyonuna gönderilmesi ya götürülmesi gereklidir. Bazı ülkelerde, yerel RYOBI distribütörünüz ürünü RYOBI servis tesisine göndermeyi üstlenir. Bir ürün bir RYOBI servis istasyonuna gönderilirken, ürünün güvenli bir biçimde ambalajlanması, benzin gibi tehlikeli maddeler içermemesi, gönderinen adresini taşımaya ve anızın kısa bir açıklamasını içermesi gerekir.
5. Bu garanti kapsamında yapılacak onarım / değişiklik ücretsizdir. Garanti süresinin uzatılması ya da yeniden başlatılması anlamına gelmez. Değiştirilmiş parçalar veya aletler bize ait olur. Bazı ülkelerde teslimat ücretleri veya posta giderlerini gönderici tarafından ödenmesi gerekir. Alımdan kaynaklanan yasal haklarınıza etkilenmez
6. Bu Garanti Avrupa Topluçluğu, İsviçre, İzlanda, Norveç, Liechtenstein, Türkiye ve Rusya'da geçerlidir. Bu alanların dışında, başka bir garantinin geçerli olup olmadığını belirlemek için lütfen yetkili RYOBI distribütörünüzle irtibata geçin.

### YETKİLİ SERVİS MERKEZİ

En yakın yetkili servis merkezini öğrenmek için <http://uk.ryobitools.eu/header/service-and-support/service-agents> sitesine girin.

## EL ΟΡΟΙ ΕΦΑΡΜΟΓΗΣ ΤΩΝ ΠΡΟΫΠΟΘΕΣΩΝ ΕΓΓΥΗΣΗΣ ΤΗΣ RYOBI®

Εκτός από τα νόμιμα δικαιώματα, τα οποία προκύπτουν από την αγορά, το προϊόν καλύπτεται από εγγύηση, λεπτομέρειες της οποίας ακολουθούν στη συνέχεια.

1. Η διάρκεια της εγγύησης για τους καταναλωτές είναι 24 μήνες και αρχίζει από την ημερομηνία αγοράς. Η ημερομηνία θα πρέπει να αναγράφεται στην απόδειξη ή σε άλλο αποδεικτικό αγοράς. Το προϊόν έχει σχεδιαστεί και προορίζεται αποκλειστικά για οικιακή χρήση από καταναλωτές. Συνεπώς, δεν παρέχεται εγγύηση σε περίπτωση επαγγελματικής ή εμπορικής χρήσης.
2. Υπάρχει η δυνατότητα επέκτασης της εγγύησης για ορισμένα ηλεκτρικά εργαλεία (AC/DC), πέραν του παραπάνω αναφερόμενου χρονικού διαστήματος, μέσω εγγραφής στο δικτυακό τόπο [www.ryobitools.eu](http://www.ryobitools.eu). Η επλεξιμότητα των εργαλείων με δυνατότητα επέκτασης της περιόδου εγγύησης αναγράφεται ρητά στα καταστήματα και/ή επάνω στη συσκευασία, ενώ περιέχεται στην τεκμηρίωση του προϊόντος. Το τελικός χρήστης θα πρέπει να καταχωρήσει τα προσωπικά αποκτηθέντα εργαλεία online, εντός 30 ημερών από την ημερομηνία αγοράς. Ο τελικός χρήστης μπορεί να εγγραφεί για την επέκταση εγγύησης επί χώρα κατοικίας, εφόσον αυτή περιλαμβάνεται στο online έντυπο εγγραφής, εάν υπάρχει η δυνατότητα επέκτασης. Επιπλέον, οι τελικοί χρήστες θα πρέπει να παρέχουν τη συγκατάθεσή τους για την αποθήκευση των στοιχείων τους, τα οποία οφείλουν να καταχωρούν online, όπως και να αποδεχθούν τους όρους και τις προϋποθέσεις. Η απόδειξη επιβεβαίωσης της εγγραφής, η οποία αποστέλλεται μέσω email, και η πρωτότυπη απόδειξη αγοράς, η οποία αναγράφει την ημερομηνία αγοράς, αποτελούν αποδεικτικά της παρατεταμένης εγγύησης.
3. Η εγγύηση καλύπτει όλα τα ελαττώματα του προϊόντος, κατά τη διάρκεια της περιόδου εγγύησης, λόγω κατασκευαστικών ελαττωμάτων ή αστοχίας υλικού κατά την ημερομηνία αγοράς. Η εγγύηση περιορίζεται στην επισκευή και/ή την αντικατάσταση και δεν περιλαμβάνει καμία άλλη υποχρέωση, συμπεριλαμβανομένων, ενδεικτικά, συμπληρωματικών ή παρεπόμενων ζημιών. Η εγγύηση δεν ισχύει εφόσον, έχει σημειωθεί κακομεταχείριση του προϊόντος, δεν έχουν τηρηθεί οι οδηγίες του εγχειριδίου οδηγιών ή το προϊόν έχει συνδεθεί λανθασμένα. Η εγγύηση δεν ισχύει για:
  - οποιαδήποτε ζημία στο προϊόν, η οποία είναι αποτέλεσμα κακής συντήρησης
  - οποιοδήποτε προϊόν, το οποίο έχει αλλοιωθεί ή τροποποιηθεί
  - οποιοδήποτε προϊόν, στο οποίο έχει αλλοιωθεί, τροποποιηθεί ή αφαιρεθεί το γνήσιο αναγνωριστικό (σήμα κατατεθέν, σειριακός αριθμός)
  - οποιαδήποτε ζημία προκλήθει λόγω μη τήρησης του εγχειριδίου οδηγιών
  - οποιοδήποτε προϊόν χωρίς σήμανση CE
  - οποιοδήποτε προϊόν, στο οποίο έχει γίνει προσπάθεια επισκευής από μη καταρτισμένο επαγγελματία ή χωρίς την προηγούμενη έγκριση της Techtronic Industries.
  - οποιοδήποτε προϊόν, το οποίο έχει συνδεθεί σε ακατάλληλη παροχή ρεύματος (αμπερ, ισχύ, συχνότητα)
  - οποιαδήποτε ζημία έχει προκληθεί από εξωτερικές επιδράσεις (χημικές, φυσικές, κλιματιομετρικές) ή ξένες ουσίες
  - φυσιολογική φθορά και ρήξη ανταλλακτικών
  - ακατάλληλη χρήση, υπερφόρτωση του εργαλείου
  - χρήση μη ενδεδειγμένων εξαρτημάτων ή ανταλλακτικών
  - Εξαρτήματα ηλεκτρικών εργαλείων που παρασχεθήκαν με το εργαλείο ή αγοράστηκαν ξεχωριστά. Τέτοιες εξαρτήματα περιλαμβάνουν, ενδεικτικά, μύτες κατασθίδιου, τρυπάνια, δίσκους λείανσης, γυαλόχαρτο και λειπίδες, πλευρικό οδηγό
  - Εξαρτήματα (ανταλλακτικά και αξεσουάρ) που υποκείμενα σε φυσική φθορά και θραύση, συμπεριλαμβανομένων, ενδεικτικά, σετ επισκευής & συντήρησης, ψηκτρών άνθρακα, εφεδράνων, τοακ, εξαρτημάτων ή υποδοχών τρυπάνιων SDS, καλωδίων ισχύος, βοηθητικής λαβής, βαλίτσας μεταφοράς, βάσης τριβείου, σακούλας συλλογής σκόνης, σωλήνα εξαναγκαστικής σκόνης, ροδελών τόδους, μυτών και ελατηρίων κροστικού κλειδιού κοχλίων, κτλ.
4. Το προϊόν θα πρέπει να αποσταλεί ή να παραδοθεί για επισκευή ή συντήρηση σε εξουσιοδοτημένο σημείο σέρβις της RYOBI που περιλαμβάνεται στον ακόλουθο κατάλογο διευθύνσεων για κάθε χώρα. Σε ορισμένες χώρες, το τοπικό σημείο πώλησης της RYOBI αναλαμβάνει την αποστολή του προϊόντος στο κεντρικό σέρβις της RYOBI. Κατά την αποστολή ενός προϊόντος σε σημείο σέρβις της RYOBI, αυτό θα πρέπει να είναι ασφαλώς συσκευασμένο, χωρίς επικίνδυνα περιεχόμενο, όπως πετρέλαιο, να φέρει τη διευθύνση του αποστολέα και να συνοδεύεται από σύντομη περιγραφή της βλάβης.
5. Η επιδιόρθωση / αντικατάσταση υπό την παρούσα εγγύηση παρέχεται δωρεάν. Δε συνιστά παράταση της περιόδου εγγύησης ή εκκίνηση νέας περιόδου εγγύησης. Τα μέρη που αντικαθίστανται περιέχονται στην κυριότητα μας. Σε ορισμένες χώρες, τα ενδεχόμενα έξοδα παράδοσης ή μεταφοράς βεβαιώνουν τον αποστολέα. Τα νόμιμα δικαιώματά σας, τα οποία απορρέουν από την αγορά του εργαλείου, δεν θίγονται.
6. Η παρούσα εγγύηση ισχύει στην Ευρωπαϊκή Κοινότητα, την Ελβετία, την Ισπανία, τη Νορβηγία, το Λιχτενστάιν, την Τουρκία και την Ρωσία. Εκτός των παραπάνω περιοχών, σας παρακαλούμε να επικοινωνήσετε με εξουσιοδοτημένο κατάστημα πώλησης της RYOBI, προκειμένου να διαπιστωθεί εάν ισχύει κάποια άλλη εγγύηση.

### ΕΞΟΥΣΙΟΔΟΤΗΜΕΝΟ ΚΕΝΤΡΟ ΣΕΡΒΙΣ

Για να εντοπίσετε ένα εξουσιοδοτημένο κέντρο σέρβις στην περιοχή σας, επισκεφτείτε τη σελίδα <http://uk.ryobitools.eu/header/service-and-support/service-agents>.

**EN** declaration of conformity

Techtronic Industries GmbH  
Max-Eyth-Straße 10, 71364 Winnenden, Germany

Herewith we declare that the product

Stapler  
Brand: RYOBI  
Model number: R18ST50  
Serial number range: 46294201000001 - 46294201999999

is in conformity with the following European Directives and harmonised standards  
2006/42/EC, 2014/30/EU, 2011/65/EU  
EN 55014-1:2017, EN 55014-2:2015, EN 60745-1:2009+A11:2010,  
EN 60745-2-16:2010

RoHS documentation is compiled according to EN 50581:2012

Todd Chipner  
Sr. Director, Regulatory & Safety  
Winnenden, Apr. 26, 2019

Authorised to compile the technical file:

Alexander Krug, Managing Director  
Techtronic Industries GmbH  
Max-Eyth-Straße 10, 71364 Winnenden, Germany

**ES** DECLARACIÓN DE CONFORMIDAD

Techtronic Industries GmbH  
Max-Eyth-Straße 10, 71364 Winnenden, Germany

Por la presente declaramos que los productos

Grapadora  
Marca: RYOBI  
Número de modelo: R18ST50  
Intervalo del número de serie: 46294201000001 - 46294201999999

se encuentra en conformidad con las siguientes Directivas Europeas y normas armonizadas

2006/42/EC, 2014/30/EU, 2011/65/EU  
EN 55014-1:2017, EN 55014-2:2015, EN 60745-1:2009+A11:2010,  
EN 60745-2-16:2010

Documentación sobre restricción de sustancias peligrosas (RoHS) recopilada según la norma EN 50581:2012

Todd Chipner  
Director principal, Director General de Normativa y Seguridad  
Winnenden, Apr. 26, 2019

Autorizado para elaborar la ficha técnica:

Alexander Krug, Administrador Ejecutivo  
Techtronic Industries GmbH  
Max-Eyth-Straße 10, 71364 Winnenden, Germany

**FR** DÉCLARATION DE CONFORMITÉ

Techtronic Industries GmbH  
Max-Eyth-Straße 10, 71364 Winnenden, Germany

Déclarons par la présente que le produit

Agrafeuse  
Marque: RYOBI  
Numéro de modèle: R18ST50  
Étendue des numéros de série: 46294201000001 - 46294201999999

est conforme aux Directives Européennes et Normes Harmonisées suivantes  
2006/42/EC, 2014/30/EU, 2011/65/EU  
EN 55014-1:2017, EN 55014-2:2015, EN 60745-1:2009+A11:2010,  
EN 60745-2-16:2010

La documentation RoHS a été dressée d'après EN 50581:2012

Todd Chipner  
Directeur principal, Réglementation & Sécurité  
Winnenden, Apr. 26, 2019

Autorisé à rédiger le dossier technique:

Alexander Krug, Directeur Général  
Techtronic Industries GmbH  
Max-Eyth-Straße 10, 71364 Winnenden, Germany

**IT** DICHIARAZIONE DI CONFORMITÀ

Techtronic Industries GmbH  
Max-Eyth-Straße 10, 71364 Winnenden, Germany

Si dichiara con la presente che il prodotto

Pinzatrice  
Marca: RYOBI  
Numero modello: R18ST50  
Gamma numero seriale: 46294201000001 - 46294201999999

è conforme alle seguenti Direttive Europee e ai seguenti standard armonizzati

2006/42/EC, 2014/30/EU, 2011/65/EU  
EN 55014-1:2017, EN 55014-2:2015, EN 60745-1:2009+A11:2010,  
EN 60745-2-16:2010

La documentazione RoHS è stata compilata come indicato dalle norme EN 50581:2012

Todd Chipner  
Sig. Direttore, Dipartimento Regolazioni & Sicurezza  
Winnenden, Apr. 26, 2019

Autorizzato per compilare il file tecnico:

Alexander Krug, Direttore Amministrativo  
Techtronic Industries GmbH  
Max-Eyth-Straße 10, 71364 Winnenden, Germany

**DE** KONFORMITÄTSERKLÄRUNG

Techtronic Industries GmbH  
Max-Eyth-Straße 10, 71364 Winnenden, Germany

Hiermit erklären wir, dass die Produkte

Stapler  
Marke: RYOBI  
Modellnummer: R18ST50  
Seriennummernbereich: 46294201000001 - 46294201999999

den folgenden europäischen Richtlinien und harmonisierten Normen entspricht  
2006/42/EC, 2014/30/EU, 2011/65/EU  
EN 55014-1:2017, EN 55014-2:2015, EN 60745-1:2009+A11:2010,  
EN 60745-2-16:2010

RoHS Dokumentation ist gemäß EN 50581:2012 zusammengestellt

Todd Chipner  
Sr. Director, Vorschriften und Sicherheit  
Winnenden, Apr. 26, 2019

Autorisiert die technische Datei zu erstellen:

Alexander Krug, Geschäftsführer  
Techtronic Industries GmbH  
Max-Eyth-Straße 10, 71364 Winnenden, Germany

**NL** CONFORMITEITSVERKLARING

Techtronic Industries GmbH  
Max-Eyth-Straße 10, 71364 Winnenden, Germany

Hierbij verklaren wij dat het product

Nietmachine  
Merk: RYOBI  
Modelnummer: R18ST50  
Seriennummervereik: 46294201000001 - 46294201999999

is in overeenstemming met de volgende Europese Richtlijnen en geharmoniseerde normen

2006/42/EC, 2014/30/EU, 2011/65/EU  
EN 55014-1:2017, EN 55014-2:2015, EN 60745-1:2009+A11:2010,  
EN 60745-2-16:2010

RoHS-documentatie is samengesteld in overeenstemming met EN 50581:2012

Todd Chipner  
Dhr. Directeur, Regelgeving en veiligheid  
Winnenden, Apr. 26, 2019

Afgevaardigde voor het samenstellen van de technische fiche:

Alexander Krug, Directeur  
Techtronic Industries GmbH  
Max-Eyth-Straße 10, 71364 Winnenden, Germany

**(PT) DECLARAÇÃO DE CONFORMIDADE**

Techtronic Industries GmbH  
Max-Eyth-Straße 10, 71364 Winnenden, Germany

*Pelo presente declaramos que os produtos*

Agrafador  
Marca: RYOBI  
Número do modelo: R18ST50  
Intervalo do número de série: 46294201000001 - 46294201999999

*se encontra em conformidade com as seguintes Directivas Europeias e normas harmonizadas*

2006/42/EC, 2014/30/EU, 2011/65/EU  
EN 55014-1:2017, EN 55014-2:2015, EN 60745-1:2009+A11:2010,  
EN 60745-2-16:2010

Documentação sobre restrição de substâncias perigosas (RoHS) compilada segundo a norma EN 50581:2012

Todd Chipner  
Sr. Diretor, Regulamentação & Segurança  
Winnenden, Apr. 26, 2019

Autorizado para compilar o ficheiro técnico:

Alexander Krug, Administrador Ejecutivo  
Techtronic Industries GmbH  
Max-Eyth-Straße 10, 71364 Winnenden, Germany

**(DA) OVERENSSTEMMELSEERKLÆRING**

Techtronic Industries GmbH  
Max-Eyth-Straße 10, 71364 Winnenden, Germany

*Vi erklærer hermed, at produktet*

Hæftemaskine  
Brand: RYOBI  
Modelnummer: R18ST50  
Serienummerområde: 46294201000001 - 46294201999999

*er i overensstemmelse med følgende EU-direktiver og harmoniserede standarder*

2006/42/EC, 2014/30/EU, 2011/65/EU  
EN 55014-1:2017, EN 55014-2:2015, EN 60745-1:2009+A11:2010,  
EN 60745-2-16:2010

RoHS-dokumentationen er udarbejdet i henhold til EN 50581:2012

Todd Chipner  
Hr. Direktør, regler og sikkerhed  
Winnenden, Apr. 26, 2019

Bemyndiget til at udarbejde det tekniske kartotek:

Alexander Krug, Administrerende Direktør  
Techtronic Industries GmbH  
Max-Eyth-Straße 10, 71364 Winnenden, Germany

**(SV) KONFORMITETSDEKLARATION**

Techtronic Industries GmbH  
Max-Eyth-Straße 10, 71364 Winnenden, Germany

*Härmed deklarerar vi att produkterna*

Häftpistol  
Märke: RYOBI  
Modellnummer: R18ST50  
Serienummerintervall: 46294201000001 - 46294201999999

*är i enlighet med följande EU-direktiv och harmoniserade standarder*

2006/42/EC, 2014/30/EU, 2011/65/EU  
EN 55014-1:2017, EN 55014-2:2015, EN 60745-1:2009+A11:2010,  
EN 60745-2-16:2010

RoHS-dokumentation sammanställd enligt EN 50581:2012

Todd Chipner  
Överordnad direktör, regelverk och säkerhet  
Winnenden, Apr. 26, 2019

Godkänd att sammanställa den tekniska filen:

Alexander Krug, VD  
Techtronic Industries GmbH  
Max-Eyth-Straße 10, 71364 Winnenden, Germany

**(FI) SÄÄNNÖSTEN NOUDATTAMINEN**

Techtronic Industries GmbH  
Max-Eyth-Straße 10, 71364 Winnenden, Germany

*Ilmoitamme täten, että tuotteet*

Sinkiläpistooli  
Tuotemerkki: RYOBI  
Mallinnumero: R18ST50  
Sarjanumeroalue: 46294201000001 - 46294201999999

*noudattaa seuraavia EU-direktiivejä ja harmonoituja standardeja*

2006/42/EC, 2014/30/EU, 2011/65/EU  
EN 55014-1:2017, EN 55014-2:2015, EN 60745-1:2009+A11:2010,  
EN 60745-2-16:2010

RoHS-dokumentointi on koottu standardin EN 50581:2012 mukaisesti

Todd Chipner  
Sr. Director, säädöstenmukaisuus ja turvallisuus  
Winnenden, Apr. 26, 2019

Valtuutettu kokoamaan tekninen tiedosto:

Alexander Krug, Toimitusjohtaja  
Techtronic Industries GmbH  
Max-Eyth-Straße 10, 71364 Winnenden, Germany

**(NO) Samsvarserklæring**

Techtronic Industries GmbH  
Max-Eyth-Straße 10, 71364 Winnenden, Germany

*Herved erklærer vi at produktet*

Stiftemaskin  
Merke: RYOBI  
Modellnummer: R18ST50  
Serienummerserie: 46294201000001 - 46294201999999

*er i samsvar med følgende europeiske direktiver og harmoniserte standarder*

2006/42/EC, 2014/30/EU, 2011/65/EU  
EN 55014-1:2017, EN 55014-2:2015, EN 60745-1:2009+A11:2010,  
EN 60745-2-16:2010

RoHS dokumentasjonen er skrevet i samsvar med EN 50581:2012

Todd Chipner  
Sr. direktør, forskrifter og sikkerhet  
Winnenden, Apr. 26, 2019

Autorisert til å sette sammen den tekniske filen:

Alexander Krug, Administrerende Direktør  
Techtronic Industries GmbH  
Max-Eyth-Straße 10, 71364 Winnenden, Germany

**(RU) ЗАЯВЛЕНИЕ О СООТВЕТСТВИИ ТРЕБОВАНИЯМ**

Techtronic Industries GmbH  
Max-Eyth-Straße 10, 71364 Winnenden, Germany

*Настоящим мы заявляем, что данный продукт*

Степлер  
Марка: RYOBI  
Номер модели: R18ST50  
Диапазон заводских номеров: 46294201000001 - 46294201999999

*соответствует требованиям следующих Директив ЕС и согласованных стандартов*

2006/42/EC, 2014/30/EU, 2011/65/EU  
EN 55014-1:2017, EN 55014-2:2015, EN 60745-1:2009+A11:2010,  
EN 60745-2-16:2010

Документация RoHS соответствует стандарту EN 50581:2012

Todd Chipner  
Г-н Директор, технике безопасности и стандартам  
Winnenden, Apr. 26, 2019

Лицо, ответственное за подготовку технической документации:

Alexander Krug, Директор  
Techtronic Industries GmbH  
Max-Eyth-Straße 10, 71364 Winnenden, Germany



**PL) DEKLARACJA ZGODNOŚCI**

Techtronic Industries GmbH  
Max-Eyth-Straße 10, 71364 Winnenden, Germany

*Niniejszym deklarujemy, że produkty*

Zszywacz  
Marka: RYOBI  
Numer modelu: R18ST50  
Zakres numerów seryjnych: 46294201000001 - 46294201999999

*jest zgodny z następującymi dyrektywami europejskimi i zharmonizowanymi normami*  
2006/42/EC, 2014/30/EU, 2011/65/EU  
EN 55014-1:2017, EN 55014-2:2015, EN 60745-1:2009+A11:2010,  
EN 60745-2-16:2010

Dokumentacja RoHS została opracowana zgodnie z normą EN 50581:2012

Todd Chipner  
Starszy dyrektor ds. zgodności prawnej i bezpieczeństwa  
Winnenden, Apr. 26, 2019

**CE**

Osoba upoważniona do sporządzenia dokumentu technicznego:  
Alexander Krug, Dyrektor Zarządzający  
Techtronic Industries GmbH  
Max-Eyth-Straße 10, 71364 Winnenden, Germany

**RO) DECLARAȚIE DE CONFORMITATE**

Techtronic Industries GmbH  
Max-Eyth-Straße 10, 71364 Winnenden, Germany

*Prin prezenta, declarăm că produsele*

Capsator  
Markă: RYOBI  
Număr serie: R18ST50  
Gamă număr serie: 46294201000001 - 46294201999999

*este în conformitate cu următoarele Directive Europene și standarde armonizate*  
2006/42/EC, 2014/30/EU, 2011/65/EU  
EN 55014-1:2017, EN 55014-2:2015, EN 60745-1:2009+A11:2010,  
EN 60745-2-16:2010

Documentația RoHS este întocmită în conformitate cu EN 50581:2012

Todd Chipner  
Director Senior, reglementare & siguranță  
Winnenden, Apr. 26, 2019

**CE**

Autorizat să completeze fișa tehnică:  
Alexander Krug, Director General  
Techtronic Industries GmbH  
Max-Eyth-Straße 10, 71364 Winnenden, Germany

**CS) PROHLÁŠENÍ O SHODĚ**

Techtronic Industries GmbH  
Max-Eyth-Straße 10, 71364 Winnenden, Germany

*Tímto prohlašujeme, že výrobky*

Sponkovačka  
Značka: RYOBI  
Číslo modelu: R18ST50  
Rozsah sériových čísel: 46294201000001 - 46294201999999

*že tento výrobek je v souladu s evropskými a harmonizovanými standardy*  
2006/42/EC, 2014/30/EU, 2011/65/EU  
EN 55014-1:2017, EN 55014-2:2015, EN 60745-1:2009+A11:2010,  
EN 60745-2-16:2010.

RoHS dokumentace sestavena dle EN 50581:2012

Todd Chipner  
Vyšší ředitel, normy a bezpečnost  
Winnenden, Apr. 26, 2019

**CE**

Pověření ke kompilaci technického souboru:  
Alexander Krug, Generální ředitel  
Techtronic Industries GmbH  
Max-Eyth-Straße 10, 71364 Winnenden, Germany

**LV) Atbilstības deklarācija**

Techtronic Industries GmbH  
Max-Eyth-Straße 10, 71364 Winnenden, Germany

*Ar šo paziņojam, ka produkti*

Skavotājs  
Modeļa numurs: R18ST50  
Zīmols: RYOBI  
Sērijas numura intervāls: 46294201000001 - 46294201999999

*atbilst šādām Eiropas direktīvām un saskaņotajiem standartiem*  
2006/42/EC, 2014/30/EU, 2011/65/EU  
EN 55014-1:2017, EN 55014-2:2015, EN 60745-1:2009+A11:2010,  
EN 60745-2-16:2010

RoHS dokumentācija ir izstrādāta saskaņā ar EN 50581:2012

Todd Chipner  
Vecākais Direktors, darba drošības noteikumi  
Winnenden, Apr. 26, 2019

**CE**

Pilnvarots sastādīt tehnisko failu:  
Alexander Krug, Izpilddirektors  
Techtronic Industries GmbH  
Max-Eyth-Straße 10, 71364 Winnenden, Germany

**HU) IZJAVA O USKLADENOSTI**

Techtronic Industries GmbH  
Max-Eyth-Straße 10, 71364 Winnenden, Germany

*Ezúton kijelentjük, hogy a termékek*

Tűzőgép  
Márka: RYOBI  
Típuszám: R18ST50  
Sorozatszám tartomány: 46294201000001 - 46294201999999

*megfelel az alábbi Európai Irányelvek és harmonizált szabványok vonatkozó rendelkezésének*

2006/42/EC, 2014/30/EU, 2011/65/EU  
EN 55014-1:2017, EN 55014-2:2015, EN 60745-1:2009+A11:2010,  
EN 60745-2-16:2010

A RoHS dokumentáció összeállítására az EN 50581:2012 szerint történt

Todd Chipner  
Senior igazgató, Megfelelőségi és biztonsági területék  
Winnenden, Apr. 26, 2019

**CE**

A műszaki dokumentáció összeállítására felhatalmazott:  
Alexander Krug, Ügyvezető igazgató  
Techtronic Industries GmbH  
Max-Eyth-Straße 10, 71364 Winnenden, Germany

**LT) ATITIKTIES DEKLARACIJA**

Techtronic Industries GmbH  
Max-Eyth-Straße 10, 71364 Winnenden, Germany

*Mes pareiškiame, kad šie produktai*

Kabių kalimo įrankis  
Prekės ženklas: RYOBI  
Modelio numeris: R18ST50  
Serijinio numerio diapazonas: 46294201000001 - 46294201999999

*pagamintas laikantis toliau nurodytųjų Europos Direktyvų ir darniųjų standartų*  
2006/42/EC, 2014/30/EU, 2011/65/EU  
EN 55014-1:2017, EN 55014-2:2015, EN 60745-1:2009+A11:2010,  
EN 60745-2-16:2010

Tam tikrų pavojingų medžiagų naudojimo elektros ir elektroninėje įrangoje apri bojimo dokumentai sudaryti pagal standartą EN 50581:2012

Todd Chipner  
Vyr. direktorius, Kontrolės ir saugos  
Winnenden, Apr. 26, 2019

**CE**

Igaliotas sudaryti techninį failą:  
Alexander Krug, Generalinis Direktorius  
Techtronic Industries GmbH  
Max-Eyth-Straße 10, 71364 Winnenden, Germany



**(ET)** VASTAVUSDEKLARATSIOON

Techtronic Industries GmbH  
Max-Eyth-Straße 10, 71364 Winnenden, Germany

**Kinnitame, et see toode**

Klammerdaja  
Mark: RYOBI  
Mudeli number: R18ST50  
Seerianumbri vahemik: 46294201000001 - 46294201999999

vastab järgmistele Euroopa direktiividele ja harmoniseeritud standarditele  
2006/42/EC, 2014/30/EU, 2011/65/EU  
EN 55014-1:2017, EN 55014-2:2015, EN 60745-1:2009+A11:2010,  
EN 60745-2-16:2010

RoHS dokumendid on koostatud vastavuses standardi EN 50581:2012 nõuetele.



Todd Chipner  
Vanemdirektor, standardiseerimise ja ohutuse alal  
Winnenden, Apr. 26, 2019

Tehnilise faili koostamiseks volitatud isik:  
Alexander Krug, Tegevdirektor  
Techtronic Industries GmbH  
Max-Eyth-Straße 10, 71364 Winnenden, Germany

**(SK)** PREHLÁSENIE O ZHODE

Techtronic Industries GmbH  
Max-Eyth-Straße 10, 71364 Winnenden, Germany

**Týmto vyhlasujeme, že výrobok**

Sponkovačka  
Značka: RYOBI  
Číslo modelu: R18ST50  
Rozsah sériových čísel: 46294201000001 - 46294201999999

je v súlade s nasledujúcimi Európskymi smernicami a harmonizovanými normami  
2006/42/EC, 2014/30/EU, 2011/65/EU  
EN 55014-1:2017, EN 55014-2:2015, EN 60745-1:2009+A11:2010,  
EN 60745-2-16:2010

Dokumentácia RoHS je zostavená podľa EN 50581:2012



Todd Chipner  
vyšší riaditeľ, Regulácia a bezpečnosť  
Winnenden, Apr. 26, 2019

Oprávnená osoba na zostavenie technického súboru:  
Alexander Krug, Generálny Riaditeľ  
Techtronic Industries GmbH  
Max-Eyth-Straße 10, 71364 Winnenden, Germany

**(HR)** IZJAVA O USKLADENOSTI

Techtronic Industries GmbH  
Max-Eyth-Straße 10, 71364 Winnenden, Germany

**Ovime izjavljujemo da su proizvodi**

Klamerica  
Marka: RYOBI  
Broj modela: R18ST50  
Raspon serijskog broja: 46294201000001 - 46294201999999

usklađen sa sledećim Evropskim Direktivama i usklađenim normama  
2006/42/EC, 2014/30/EU, 2011/65/EU  
EN 55014-1:2017, EN 55014-2:2015, EN 60745-1:2009+A11:2010,  
EN 60745-2-16:2010

RoHS dokumentacija sukladna je EN 50581:2012



Todd Chipner  
Viši direktor, pravila i sigurnost  
Winnenden, Apr. 26, 2019

Ovlašten da sastavi tehničku datoteku:  
Alexander Krug, Direktor Upravljanja  
Techtronic Industries GmbH  
Max-Eyth-Straße 10, 71364 Winnenden, Germany

**(BG)** ДЕКЛАРАЦИЯ НА ЗА СЪОТВЕТСТВИЕ

Techtronic Industries GmbH  
Max-Eyth-Straße 10, 71364 Winnenden, Germany

**С настоящето декларираме, че продуктите**

Телбод  
Марка: RYOBI  
Номер на модела: R18ST50  
Обхват на серийни номера: 46294201000001 - 46294201999999

отговаря на следните директиви на ЕС и хармонизирани стандарти  
2006/42/EC, 2014/30/EU, 2011/65/EU  
EN 55014-1:2017, EN 55014-2:2015, EN 60745-1:2009+A11:2010,  
EN 60745-2-16:2010

Документацията за RoHS е съставена в съответствие с EN 50581:2012.



Todd Chipner  
Главен директор, отдел Нормативни изисквания и безопасност  
Winnenden, Apr. 26, 2019

Упълномощено лице за съставяне на техническия файл:  
Alexander Krug, Изпълнителен Директор  
Techtronic Industries GmbH  
Max-Eyth-Straße 10, 71364 Winnenden, Germany

**(SL)** IZJAVA O SKLADNOSTI

Techtronic Industries GmbH  
Max-Eyth-Straße 10, 71364 Winnenden, Germany

**Izjavljamo, da je izdelek**

Spenjač  
Znamka: RYOBI  
Številka modela: R18ST50  
Razpon serijskih številok: 46294201000001 - 46294201999999

v skladu s sledečimi evropskimi direktivami in harmoniziranimi standardi  
2006/42/EC, 2014/30/EU, 2011/65/EU  
EN 55014-1:2017, EN 55014-2:2015, EN 60745-1:2009+A11:2010,  
EN 60745-2-16:2010

Dokumentacija RoHS je sestavljena skladno s standardom EN 50581:2012



Todd Chipner  
Višji direktor, zakonodajne in varnostne zadeve  
Winnenden, Apr. 26, 2019

Pooblaščen oseba za sestavo tehnične dokumentacije:  
Alexander Krug, Izvršni Direktor  
Techtronic Industries GmbH  
Max-Eyth-Straße 10, 71364 Winnenden, Germany

**(UK)** Декларация про відповідність

Techtronic Industries GmbH  
Max-Eyth-Straße 10, 71364 Winnenden, Germany

**При цьому ми заявляємо, що продукт**

Стеллер  
Марка: RYOBI  
Номер моделі: R18ST50  
Діапазон серійного номеру: 46294201000001 - 46294201999999

у відповідності з наступними європейськими директивами та гармонізованими стандартами  
2006/42/EC, 2014/30/EU, 2011/65/EU  
EN 55014-1:2017, EN 55014-2:2015, EN 60745-1:2009+A11:2010,  
EN 60745-2-16:2010

Документація RoHS складена відповідно до EN 50581:2012



Todd Chipner  
Ген. директор, регулювання і безпека  
Winnenden, Apr. 26, 2019

Дозвіл на складання технічного файла:  
Alexander Krug, Керуючий директором  
Techtronic Industries GmbH  
Max-Eyth-Straße 10, 71364 Winnenden, Germany



**TR Uygunluk beyanı**

Techtronic Industries GmbH  
Max-Eyth-Straße 10, 71364 Winnenden, Germany

**Böylelikle beyan ederiz ki; ürün**

Zimba aleti  
Marka: RYOBI  
Model numarası: R18ST50  
Seri numarası aralığı: 46294201000001 - 46294201999999

aşağıdaki Avrupa Direktifleri ve uyumlaştırılmış standartlara uygundur  
2006/42/EC, 2014/30/EU, 2011/65/EU  
EN 55014-1:2017, EN 55014-2:2015, EN 60745-1:2009+A11:2010,  
EN 60745-2-16:2010

RoHS belgeleri EN 50581:2012 uyarınca derlenmiştir

Todd Chipner  
Kıdemli Direktör, Düzenleme ve Güvenlik  
Winnenden, Apr. 26, 2019

Teknik dosya hazırlamaya yetkilidir:  
Alexander Krug, Genel Müdür  
Techtronic Industries GmbH  
Max-Eyth-Straße 10, 71364 Winnenden, Germany

**EL Δήλωση συμμόρφωσης**

Techtronic Industries GmbH  
Max-Eyth-Straße 10, 71364 Winnenden, Germany

**Δια του παρόντος δηλώνουμε ότι το προϊόν**

Συρραπτικό  
Μάρκα: RYOBI  
Αριθμός μοντέλου: R18ST50  
Εύρος σειριακών αριθμών: 46294201000001 - 46294201999999

είναι σύμφωνο με τις παρακάτω Ευρωπαϊκές Οδηγίες και εναρμονισμένα πρότυπα  
2006/42/EC, 2014/30/EU, 2011/65/EU  
EN 55014-1:2017, EN 55014-2:2015, EN 60745-1:2009+A11:2010,  
EN 60745-2-16:2010

Τα έγγραφα RoHS συντάσσονται σύμφωνα με το EN 50581:2012

Todd Chipner  
Ανώτερος Διευθυντής, Τμήμα Ρυθμίσεων & Ασφάλειας  
Winnenden, Apr. 26, 2019

Εξουσιοδοτημένο άτομο για σύνταξη τεχνικού αρχείου:  
Alexander Krug, Διευθύνων Σύμβουλος  
Techtronic Industries GmbH  
Max-Eyth-Straße 10, 71364 Winnenden, Germany



- EN** RYOBI is a trademark of Ryobi Limited, and is used under license.
- FR** RYOBI est une marque déposée de Ryobi Limited, et est utilisée sous licence.
- DE** RYOBI ist ein Markenzeichen von Ryobi Limited und wird in Lizenz verwendet.
- ES** RYOBI es una marca registrada de Ryobi Limited, y se utiliza bajo licencia.
- IT** L'utilizzo del marchio registrato RYOBI è legato alla licenza concessa da Ryobi Limited.
- NL** RYOBI is een handelsmerk van Ryobi Limited en wordt onder licentie gebruikt.
- PT** RYOBI é uma marca comercial de Ryobi Limited, e é utilizada sob licença.
- DA** RYOBI er et varemærke tilhørende Ryobi Limited og bruges under licens.
- SV** RYOBI är en del av varumärke Ryobi Limited och dess användning är licensierad.
- FI** RYOBI on Ryobi Limitedin omistama tavaramerkki, ja sitä käytetään lisenssin puitteissa.
- NO** RYOBI er et varemerke for Ryobi Limited, og brukes under lisens.
- RU** RYOBI является товарным знаком компании Ryobi Limited, используемым по лицензии.
- PL** RYOBI to znak towarowy firmy Ryobi Limited i jest używany zgodnie z udzieloną licencją.
- CS** RYOBI je ochranná známka společnosti Ryobi Limited a její používání podléhá licenci.
- HU** A RYOBI a Ryobi Limited védjegye, használatra licenc keretében történik.
- RO** RYOBI este o marcă comercială a firmei Ryobi Limited și este utilizată sub licență.
- LV** RYOBI ir Ryobi Limited preču zīme un tiek izmantota saskaņā ar licenci.
- LT** „RYOBI“ yra „Ryobi Limited“ prekės ženklas, naudojamas pagal licenciją.
- ET** RYOBI on ettevõtte Ryobi Limited kaubamärk, mida kasutatakse litsentsi alusel.
- HR** RYOBI je žig tvrtke Ryobi Limited i koristi se po licenci.
- SL** RYOBI je blagovna znamka družbe Ryobi Limited in se uporablja na podlagi dovoljenja.
- SK** RYOBI je ochranná známka spoločnosti Ryobi Limited a používa sa na základe licencie.
- BG** RYOBI е търговска марка на Ryobi Limited и се използва под лиценз.
- UK** RYOBI є товарним знаком Ryobi Limited, і використовується за ліцензією.
- TR** RYOBI, Ryobi Limited şirketine ait olup, lisans altında kullanılan bir ticari markadır.
- EL** Το RYOBI αποτελεί εμπορικό σήμα της Ryobi Limited και χρησιμοποιείται μετά από χορήγηση άδειας.





**Techtronic Industries GmbH**  
Max-Eyth-Straße 10,  
71364 Winnenden, Germany

961075512-01