

RYOBI®

RST36X5140
RST36B51

ORIGINAL INSTRUCTIONS
TRADUCTION DES INSTRUCTIONS ORIGINALES
ÜBERSETZUNG DER ORIGINALANLEITUNG
TRADUCCIÓN DE LAS INSTRUCCIONES ORIGINALES
TRADUZIONE DELLE ISTRUZIONI ORIGINALI
VERTALING VAN DE ORIGINELE INSTRUCTIES
TRADUÇÃO DAS INSTRUÇÕES ORIGINAIS
OVERSÆTTELSE AF DE ORIGINALE INSTRUKTIONER
ÖVERSÄTTNING AV DE URSPRUNGLIGA INSTRUKTIONERNA
ALKUPERÄISTEN OHJEIDEN SUOMENNOS
OVERSETTELSE AV DE ORIGINALE INSTRUKSJONENE
ПЕРЕВОД ОРИГИНАЛЬНЫХ ИНСТРУКЦИЙ
TŁUMACZENIE INSTRUKCJI ORYGINALNEJ
PŘEKLAD ORIGINÁLNÍCH POKYNŮ
AZ EREDETI ÚTMUTATÓ FORDÍTÁSA
TRADUCEREA INSTRUCȚIUNILOR ORIGINALE
TULKOTS NO ORIĢINĀLĀS INSTRUKCIJAS
ORIGINALIŲ INSTRUKCIJŲ VERTIMAS
ORIGINAALJUHENDI TÕLGE
PRIJEVOD ORIGINALNIH UPUTA
PREVOD ORIGINALNIH NAVODIL
PREKLAD ORIGINÁLNYCH POKYNOV
ПРЕВОД ОТ ОРИГИНАЛНИТЕ ИНСТРУКЦИИ
ПЕРЕКЛАД ОРИГИНАЛЬНИХ ИНСТРУКЦІЙ
ORIJINAL TALIMATLARIN ÇEVIRILERI



EN
FR
DE
ES
IT
NL
PT
DA
SV
FI
NO
RU
PL
CS
HU
RO
LV
LT
ET
HR
SL
SK
BG
UK
TR





- Important!** It is essential that you read the instructions in this manual before assembling, maintaining and operating the product.
- Attention!** Il est essentiel que vous lisiez les instructions contenues dans ce manuel avant d'assembler, d'entretenir et d'utiliser le produit.
- Achtung!** Es ist wichtig, dass Sie vor Zusammenbau, Wartung und Benutzung des Produktes die Anweisungen in dieser Anleitung lesen.
- ¡Atención!** Resulta fundamental que lea este manual de instrucciones antes de realizar el montaje, el mantenimiento y de utilizar este producto
- Attenzione!** È importante leggere le istruzioni contenute nel presente manuale prima di montare il prodotto, svolgere le operazioni di manutenzione sullo stesso e metterlo in funzione.
- Let op!** Het is van essentieel belang dat u de instructies in deze gebruiksaanwijzing leest voor u het product monteert, onderhoudt en gebruikt.
- Atenção!** É fundamental que leia as instruções deste manual antes da montagem, manutenção e operação do aparelho.
- OBS!** Det er vigtigt, at man læser instrukserne i denne brugsanvisning, inden man samler, vedligeholder og betjener produktet.
- Observera!** Det är viktigt att du läser instruktionerna i manualen före montering, användning och underhåll av produkten.
- Huomio!** On tärkeää, että luet tämän käsikirjan ohjeet ennen tuotteen kokoamista, huoltoa ja käyttöä.
- Advarsel!** Det er viktig at du leser instruksjonene i denne manualen før sammensetning, vedlikehold og bruk av produktet
- Внимание!** Необходимо прочитать инструкции в данном руководстве перед сборкой, обслуживанием и эксплуатацией этого изделия.
- Uwaga!** Koniecznie należy przeczytać instrukcje zawarte w tym podręczniku przed montażem, obsługą oraz konserwacją produktu.
- Důležité upozornění!** Neinstalujte, neprovádějte údržbu ani nepoužívejte tento výrobek dříve, než si přečtete pokyny uvedené v tomto návodu.
- Figyelem!** Fontos, hogy a termék összeszerelése, karbantartása és használatá elött elolvassa a kézikönyvben található utasításokat.
- Atenție!** Este esențial să citiți instrucțiunile din acest manual înainte de asamblare, efectuarea întreinerii și operarea produsului.
- Uzmanību!** Ir svarīgi izlasīt šīs rokasgrāmatas instrukcijas pirms uzstādīšanas, apkopes un precas darbināšanas.
- Dėmesio!** Prieš surenkant, prižiūrint ir naudojam gaminį, būtina perskaityti šiamė vadove pateiktus nurodymus.
- Tähtis!** Enne masina kokkupanekut, hooldamist ja kasutama hakkamist tuleb käesolevas juhendis esitatud juhised kindlasti läbi lugeda.
- Upozorenje!** Vrlo je važno da ste prije sklapanja, održavanja i rada s ovim proizvodom pročitali upute u ovom priručniku.
- Pomembno!** Pomembno je da pred montažo vzdrževanjem in uporabo tega izdelka preberete navodila v tem priročniku.
- Upozornenie!** Je dôležité, aby ste si pred montážou, údržbou a obsluhou produktu prečítali pokyny v tomto návode.
- Важно!** Исключительно важно е да прочетете инструкциите в настоящото ръководство, преди да преминете към сглобяване, поддръжка или работа с продукта.
- Важливо!** Дуже важливо, щоб ви прочитали інструкції в цьому керівництві перед складанням, обслуговуванням та експлуатацією цієї машини.
- Önemli!** Ürünü monte etmeden, kullanmadan ve bakımını yapmadan önce bu kılavuzdaki talimatları okumanız önemlidir.

Subject to technical modification | Sous réserve de modifications techniques | Technische Änderungen vorbehalten | Bajo reserva de modificaciones técnicas | Con riserva di eventuali modifiche tecniche | Technische wijzigingen voorbehouden | Com reserva de modificações técnicas | Med forbehold for tekniske ændringer | Med förbehåll för tekniska ändringar | Tekniset muutokset varataan | Med forbehold om tekniske endringer | могут быть внесены технические изменения | Z zastrzeżeniem modyfikacji technicznych | Změny technických údajů vyhrazeny | A műszaki módosítás jogát fenntartjuk | Sub rezerva modificațiilor tehnice | Paturam tiesības mainīt tehniskos raksturlielumus | Pasiliekiant teisę daryti techninius pakeitimus | Tehnilised muudatused võimalikud | Podloženo tehničkim promjenama | Tehnične spremembe dopuščene | Právo na technické zmeny je vyhradené | Подлежи на технически модификации | Є об'єктом для технічних змін | Teknik değişikliğe tabidir.



Safety, performance, and dependability have been given top priority in the design of your cordless snow thrower.

INTENDED USE

The cordless snow thrower is only intended for use outdoors in a well-illuminated area by a standing operator walking behind the product. The snow thrower is intended to be used only by adults who have read and understood the instructions and warnings in this manual and can be considered responsible for their actions. For safety reasons, the product must be adequately controlled by using a two-handed operation at all times.

The product is designed for clearing snow in areas, such as driveways, sidewalks, walkways, pathways, roadways, and around houses. The product can move snow with depth of up to 25 cm.

The product should never be operated with the wheels off the ground. It should not be ridden on.

The product should only be used as described in this manual.

Do not use the product for any other purpose.

GENERAL SAFETY RULES

⚠ WARNING

The product is capable of amputating hands and feet, and throwing objects. Failure to observe all safety instructions could result in serious injury.

⚠ WARNING

When using the product, the safety rules must be followed. For your own safety and that of bystanders, please read these instructions before operating the product. Please keep the instructions safe for later use.

⚠ WARNING

The product should only be operated with the battery pack. When using battery-operated products, basic safety precautions should always be followed to reduce the risk of fire, leaking batteries and personal injury.

TRAINING

- Read, understand, and follow all instructions on the product and in this manual before operating the product. Be thoroughly familiar with the controls and the proper use of the product. Know how to stop the product and disengage the controls quickly.
- Never allow children or people with reduced physical, sensory or mental capabilities, or people unfamiliar with these instructions, to operate, clean, or maintain the product. Local regulations may restrict the age of the operator. Children should be adequately supervised to ensure they do not play with the product.
- Keep bystanders, children and pets 15 m away from the area of operation. Stop the product if anyone enters the area.
- Exercise caution to avoid slipping or falling, especially when operating the product in reverse.
- Keep in mind that the operator or user is responsible for accidents or hazards occurring to other people or their property.
- Do not use the product while tired, ill, or under the influence of drugs, alcohol, or medication.

PREPARATION

- Thoroughly inspect the area where the product is to be used and remove all doormats, sleds, boards, wires, and other foreign objects.
- While operating the product, always wear adequate winter garments and non-skid safety footwear. Avoid wearing clothing that is loose fitting or that has hanging cords or ties; they can be caught in moving parts.
- Always wear safety glasses or eye shields during operation or while performing an adjustment or repair to protect eyes from foreign objects that may be thrown from the product.
- Adjust the collector housing height to clear gravel or crushed rock surface.
- Never attempt to make any adjustments while the product is running.

- Secure long hair so it is above shoulder level to prevent entanglement in moving parts.
- Ensure before each use that all controls and safety devices function correctly. Do not use the product if the “off” switch does not stop the product.
- Before each use, always visually inspect to see, that the housing is undamaged and that guards and handles are in place and properly secured.

BATTERY TOOLS USE AND CARE

- Recharge only with the charger specified by the manufacturer. A charger that is suitable for one type of battery pack may create a risk of fire when used with another battery pack.
- Use power tools only with specifically designated battery packs. Use of any other battery packs may create a risk of injury and fire.
- When battery pack is not in use, keep it away from other metal objects, like paper clips, coins, keys, nails, screws or other small metal objects, that can make a connection from one terminal to another. Shorting the battery terminals together may cause burns or a fire.
- Under abusive conditions, liquid may be ejected from the battery; avoid contact. If contact accidentally occurs, flush with water. If liquid contacts eyes, additionally seek medical help. Liquid ejected from the battery may cause irritation or burns.
- Do not use a battery pack or tool that is damaged or modified. Damaged or modified batteries may exhibit unpredictable behaviour resulting in fire, explosion or risk of injury.
- Do not expose a battery pack or tool to fire or excessive temperature. Exposure to fire or temperature above 130°C may cause explosion.
- Follow all charging instructions and do not charge the battery pack or tool outside the temperature range specified in the instructions. Charging improperly or at temperatures outside the specified range may damage the battery and increase the risk of fire.

SNOW THROWER SAFETY RULES

- Do not put hands or feet near or under rotating parts. Keep clear of the discharge opening at all times. Do not put any objects into openings.
- Exercise extreme caution when operating on or crossing gravel drives or walks. Stay alert for hidden hazards or operating near public roads.
- To reduce the risk of injury associated with contacting rotating parts, always stop the product and remove the battery pack. Make sure all moving parts have come to a complete stop:
 - after striking a foreign object to inspect the product for damage
 - if the product starts to vibrate abnormally and check immediately for the cause. Vibration is generally a warning of trouble.
 - before cleaning or clearing a blockage
 - before leaving the product unattended
 - before checking, conducting maintenance, or working on the product
- Do not clear snow across the face of slopes. Exercise extreme caution when changing direction on slopes. Do not attempt to clear steep slopes.
- Never operate the product without proper guards, plates, or other safety protective devices in place.
- Never direct the discharge toward people or areas where property damage can occur. Keep children and others away.
- Do not overload the product capacity by attempting to clear snow at too fast a rate.
- Never operate the product at high transport speeds on slippery surfaces. Look behind and use care when operating in reverse.
- Disengage power to the collector/impeller when the product is transported or not in use.
- Use only original manufacturer’s replacement parts, accessories, and attachments.
- Never operate the product without good visibility or light. Always be sure of your footing, and keep a firm hold on the handles. Walk; never run.

- Never place the product on any surface, except a hard clean surface when motor is running. Gravel, sand, and other debris can be picked up by the air inlet and thrown at the operator or bystanders, causing possible serious injuries.
- Never operate the product near glass enclosures, automobiles, windows, or doorways without proper adjustment of the snow discharge angle. Keep children and pets away.
- Do not use the product when there is a risk of lightning.
- Do not operate the product in explosive atmospheres, such as in the presence of flammable liquids, gases, or dust.
- Do not overreach. Overreaching can result in loss of balance.
- Stay alert, watch what you are doing and use common sense when operating the product. A moment of inattention while operating snow thrower may result in serious personal injury.

lock clip is not securely clipped. There are two safety interlocks to help to prevent accidental start when the product is not correctly assembled.

- Take note of the direction of the wind before operating the product. Discharge snow in the same direction as the wind to prevent snow from being thrown back into your face.

TRANSPORTATION AND STORAGE

- Stop the product and remove the battery pack. Allow the product to cool down before storing or transporting.
- Clean all foreign material from the product. Store it in a cool dry and well-ventilated place that is inaccessible to children. Keep away from corrosive agents such as garden chemicals and de-icing salts. Do not store outdoors.
- For transportation, secure the product against movement or falling to prevent injury to persons or damage to the product.

⚠ WARNING

If the product is dropped, suffers heavy impact or begins to vibrate abnormally, immediately stop the product and inspect for damage or identify the cause of the vibration. Any damage should be properly repaired or replaced by an authorised service centre.

ADDITIONAL BATTERY SAFETY WARNINGS

⚠ WARNING

To reduce the risk of fire, personal injury, and product damage due to a short circuit, never immerse your tool, battery pack or charger in fluid or allow a fluid to flow inside them. Corrosive or conductive fluids, such as seawater, certain industrial chemicals, and bleach or bleach-containing products, etc., can cause a short circuit.

TRANSPORTING LITHIUM BATTERIES

Transport the battery in accordance with local and national provisions and regulations.

Follow all special requirements on packaging and labelling when transporting batteries by a third party. Ensure that no batteries can come in contact with other batteries or conductive materials while in transport by protecting exposed connectors with insulating, non-conductive caps or tape. Do not transport batteries that are cracked or leaking. Check with the forwarding company for further advice.

MAINTENANCE

⚠ WARNING

Use only original manufacturer's replacement parts, accessories and attachments. Failure to do so can cause possible injury, can contribute to poor performance, and may void your warranty.

OPERATION TIPS

- The product will not operate if the upper handle is not properly fitted and the handle

⚠ WARNING

Servicing requires extreme care and knowledge and should be performed only by a qualified service technician. For servicing and repairs, have the product serviced by an authorised service centre only. When servicing, use only original replacement parts.

- You may make adjustments and repairs described in this manual. For other repairs, have the product serviced by an authorised service centre only.
- After each use, clean the product with a soft dry cloth.
- Check all nuts, bolts and screws at frequent intervals for proper tightness to ensure the product is in safe working condition. Any part that is damaged should be properly repaired or replaced by an authorised service centre.
- Bring the product to an authorised service centre to replace damaged or unreadable labels.
- Run the product a few times after throwing snow to prevent freeze-up of the impeller.
- When cleaning, repairing, or inspecting the product, make sure all moving parts have come to a complete stop. Remove the battery pack to prevent someone from accidentally starting the product.

CLEARING A BLOCKAGE

⚠ WARNING

Never put your hands or feet into the front of the product or the discharge chute to avoid serious injuries.

- Release the trigger, and remove the battery pack.
- Make sure all moving parts have come to a complete stop.
- Use a wooden pole to remove the blockage.
- Turn the impeller assembly using the wooden pole.

- Beware, the impeller may move by itself during blockage removal due to stored energy in the mechanism.
- Once the impeller can be turned by the wooden pole, move to the rear of the product.
 - It is normal for the impeller mechanism to have stepped-movement.
- Make sure that it is safe to continue snow clearing.
- Install the battery pack. Turn on the product.

RESIDUAL RISKS

Even when the product is used as prescribed, it is still impossible to completely eliminate certain residual risk factors. The following hazards may arise during use, and the operator should pay special attention to avoid the following:

- Exposure to noise can cause hearing injury
 - Wear hearing protection and limit exposure.
- Injury caused by thrown objects
 - Objects thrown by the rotating impeller at the front product or from the snow chute can cause injury. Wear adequate eye protection at all times.

KNOW YOUR PRODUCT

See page 158.

1. Upper handle
2. On/off trigger
3. Trigger lock off button
4. Motor control cable
5. Chute rotation lever
6. Handle lock clip
7. Chute rotation shaft
8. Chute deflector handle
9. Chute deflector
10. LED lights
11. Impeller
12. Intermediate handle
13. Handle adjustment knob
14. Lower handle
15. Carrying/Lifting handle
16. Storage battery compartment

- 17. In use battery compartment
- 18. Battery pack
- 19. Battery charger

SYMBOLS ON THE PRODUCT



Read and understand all instructions before operating the product, follow all warnings and safety instructions.



Beware of thrown or flying objects. Keep all bystanders, especially children and pets, at least 15 m away from the operating area



Wear eye protection.



DANGER! Avoid injury from rotating impeller. Keep hands, feet and clothing away.



DANGER! Remove the battery and read the instructions in the manual before clearing a blockage. Keep hands and feet well away from the front of the machine and the discharge chute.



Waste electrical products should not be disposed of with household waste. Please recycle where facilities exist. Check with your local authority or retailer for recycling advice.



Conforms to all regulatory standards in the country in the EU where the product is purchased.



EurAsian Conformity Mark



Ukrainian mark of conformity



The guaranteed sound power level is 86 dB.



Push and hold



Squeeze and hold to operate



Storage battery compartment



In use battery compartment

The following signal words and meanings are intended to explain the levels of risk associated with the product:

The following signal words and meanings are intended to explain the levels of risk associated with the product.

⚠ DANGER

Indicates an imminently hazardous situation, which, if not avoided, will result in death or serious injury.

⚠ WARNING

Indicates a potentially hazardous situation, which, if not avoided, could result in death or serious injury.

⚠ CAUTION

Indicates a potentially hazardous situation, which, if not avoided, may result in minor or moderate injury.

CAUTION

Without safety alert symbol
Indicates a situation that may result in property damage.

SYMBOLS IN THIS MANUAL



Parts or accessories sold separately

- EN
- FR
- DE
- ES
- IT
- NL
- PT
- DA
- SV
- FI
- NO
- RU
- CS
- PL
- HU
- RO
- LV
- LT
- ET
- HR
- SL
- SK
- BG
- UK
- TR



Note



Warning



Lock



Unlock

Votre souffleuse à neige sans-fil a été conçue en donnant priorité à la sécurité, à la performance et à la fiabilité.

UTILISATION PRÉVUE

La souffleuse à neige sans-fil est prévue pour n'être utilisée qu'à l'extérieur sous un bon éclairage par un utilisateur se tenant debout et marchant derrière le produit. Le produit est conçu pour être utilisé uniquement par des adultes qui ont lu et compris les instructions et avertissements du présent manuel et pouvant être considérés comme responsables de leurs actions. Pour des raisons de sécurité, le produit doit être en permanence contrôlé des deux mains.

Ce produit est destiné à déblayer la neige de surfaces telles que les allées, les trottoirs, les chemins, les sentiers, les routes, et autour des maisons. Ce produit peut déblayer la neige d'une épaisseur pouvant atteindre 25 cm.

Le produit doit toujours être utilisé les roues à plat sur le sol. Il ne doit pas être utilisé pour se faire tracter.

Le produit doit toujours être utilisé comme indiqué dans le présent manuel.

Il est interdit d'utiliser ce produit à d'autres fins.

RÈGLES GÉNÉRALES DE SÉCURITÉ

⚠ AVERTISSEMENT

Risque de sectionnement des mains et des pieds, et de projection d'objets. Le non-respect de toutes les consignes de sécurité peut entraîner des blessures graves.

⚠ AVERTISSEMENT

Respectez les règles de sécurité lorsque vous utilisez le produit. Pour votre sécurité et celle de tout tiers, veuillez lire ces instructions avant d'utiliser le produit. Veuillez conserver ces instructions pour vous y reporter ultérieurement.

⚠ AVERTISSEMENT

Ce produit ne peut être utilisé qu'avec le pack batterie. Lors de l'utilisation de machines alimentées par batterie, il convient de respecter certaines précautions de sécurité de base afin de réduire les risques d'incendie, de fuite de batterie et de blessures.

FORMATION

- Assurez-vous de lire, comprendre et suivre toutes les instructions figurant sur le produit et dans le manuel avant d'utiliser l'appareil. Familiarisez-vous avec les commandes du produit ainsi qu'avec son utilisation correcte. Apprenez à arrêter le produit et désactiver les commandes rapidement.
- Ne laissez jamais les enfants ou les personnes aux capacités physiques, sensorielles ou mentales réduites, ni les personnes non familiarisées avec ces instructions utiliser, nettoyer ou entretenir le produit. Les lois locales peuvent imposer un âge minimum à l'utilisateur. Les enfants doivent être bien surveillés afin de s'assurer qu'ils ne jouent pas avec le produit.
- Tenez éloignés les passants, les enfants et les animaux à au moins 15 m de la zone de travail. Arrêtez le produit lorsque quiconque pénètre dans la zone de travail.
- Faites attention à ne pas glisser ou tomber, en particulier lorsque vous utilisez l'appareil en marche arrière.
- Gardez à l'esprit que l'utilisateur est responsable des dommages matériels et des accidents survenant à des tierces personnes.
- Ne pas utiliser l'outil si vous êtes fatigué(e) ou si vous avez consommé des drogues, de l'alcool ou des médicaments.

PRÉPARATION

- Vérifiez avec soin la zone où vous allez utiliser la machine, et retirez-en tous les paillassons, planches, câbles, et autres objets.

- Lors de l'utilisation de la machine, portez toujours des habits d'hiver adaptés et des chaussures antidérapantes. Évitez tout habillement ample ou comportant des cordons ou cravates qui pendent et seraient susceptibles d'être happés par les pièces en mouvement.
- Portez toujours des lunettes de sécurité ou des protecteurs oculaires lors de l'utilisation, du réglage ou de la réparation afin de vous protéger les yeux de tout objet pouvant être projetés par le produit.
- Réglez la hauteur du châssis de la pelle afin de ne pas entrer en contact avec le gravier ou de racler les surfaces en pierre.
- Ne tentez jamais d'effectuer un réglage lorsque l'appareil est en fonctionnement.
- Si vous avez les cheveux longs, relevez-les au niveau des épaules afin d'éviter qu'ils ne se prennent dans les parties en mouvement.
- Avant chaque utilisation, assurez-vous que toutes les commandes et tous les organes de sécurité fonctionnent correctement. N'utilisez pas le produit si son interrupteur « arrêt » ne coupe pas le moteur.
- Avant chaque utilisation, procédez toujours à une vérification visuelle afin de vous assurer que la caisse n'ont pas été endommagée et que les protections et poignées sont en place et bien fixées.

UTILISATION ET EMPLOI SOIGNEUX DES OUTILS ÉLECTRIQUES SANS FIL

- Ne chargez les blocs de batteries que dans des chargeurs recommandés par le fabricant. Un chargeur approprié à un type spécifique de batterie peut engendrer un risque d'incendie lorsqu'il est utilisé avec une autre batterie.
- Dans les outils électriques, n'utilisez que les blocs de batteries spécialement prévus pour ceux-ci. L'utilisation de tout autre bloc de batterie peut entraîner des blessures et des risques d'incendie.
- Lorsqu'un bloc de batterie n'est pas utilisé,

maintenez-le à l'écart de tout autre objet métallique, par exemple trombones, pièces de monnaie, clés, clous, vis ou autres objets de petite taille qui peuvent donner lieu à une connexion d'une borne à une autre. Un court-circuit entre les contacts de batterie peut provoquer des brûlures ou un incendie.

- En cas d'utilisation abusive, du liquide peut sortir du bloc de batterie. Évitez tout contact avec ce liquide. En cas de contact accidentel, rincez soigneusement avec de l'eau. En cas de contact avec les yeux, consultez également un médecin. Le liquide qui sort du bloc de batterie peut entraîner des irritations de la peau ou causer des brûlures.
- N'utilisez pas un outil ou un bloc de batterie endommagé ou modifié. Des batteries endommagées ou modifiées peuvent présenter un comportement imprévisible pouvant causer un incendie, une explosion ou un risque de blessure.
- N'exposez pas un outil ou un bloc de batterie au feu ou à des températures excessives. L'exposition au feu ou à des températures supérieures à 130 °C peut provoquer une explosion.
- Suivez toutes les instructions de chargement et ne chargez pas l'outil ou le bloc de batterie en dehors de la plage de températures spécifiée dans les instructions. Un chargement incorrect ou à des températures en dehors de la plage spécifiée peut endommager la batterie et augmenter le risque d'incendie.

CONSIGNES DE SÉCURITÉ RELATIVES À LA SOUFFLEUSE À NEIGE

- Ne mettez pas vos pieds ou vos mains à proximité ou sous les pièces en rotation. Restez en permanence à l'écart de la trappe d'éjection. N'introduisez aucun objet dans les ouvertures de l'appareil.
- Soyez extrêmement prudent lors de l'utilisation de l'appareil sur des allées ou des trottoirs en gravier ou en traversant



ces derniers. Tenez compte de dangers cachés et soyez prudent lorsque que vous travaillez près de voies publiques.

- Pour réduire les risques de blessures infligées par des pièces en rotation, arrêtez l'appareil avant de retirer le bloc de batterie. Assurez-vous que tous les éléments en mouvement se sont bien arrêtés:
 - après avoir heurté un objet étranger afin de vérifier les dommages éventuels subis par le produit
 - Si le produit commence à vibrer de manière anormale, recherchez-en immédiatement la cause. Les vibrations sont souvent le signe d'un problème.
 - avant de nettoyer ou d'éliminer la cause d'un blocage
 - avant de laisser le produit sans surveillance
 - avant de travailler sur le produit, de le vérifier ou de l'entretenir
- Ne dégagez pas la neige à travers les pentes. Redoublez de vigilance lorsque vous changez de direction dans une pente. Ne tentez pas de déneiger les fortes pentes.
- N'utilisez jamais un produit dont les protections, platines, ou autres dispositifs de sécurité ne sont pas en place.
- N'orientez jamais le dégagement de neige vers des personnes ou des zones où des biens pourraient être endommagés. Tenir les enfants et toutes autres personnes à l'écart de l'appareil.
- Ne surchargez pas la machine au-delà de ses capacités en tentant de dégager la neige trop vite.
- N'utilisez jamais le produit lors d'un déplacement à vitesse élevée sur des surfaces glissantes. Regardez derrière vous et soyez prudent lorsque vous utilisez l'appareil en marche arrière.
- Désactivez l'alimentation de la pelle/turbine lors du transport ou du stockage de l'appareil.
- N'utilisez que des pièces détachées et

accessoires d'origine constructeur.

- N'utilisez jamais le produit sans disposer d'une bonne visibilité ou d'un bon éclairage. Assurez-vous d'être toujours stable sur vos jambes et de tenir fermement les poignées. Marchez, ne courez jamais.
- Ne posez jamais le produit avec le moteur en marche sur une surface quelconque à moins qu'elle ne soit propre et dure. Le gravier, le sable, et autres débris peuvent être aspirés par l'entrée d'air et projetés vers l'utilisateur ou les passants, risquant de provoquer de graves blessures.
- N'utilisez jamais le produit à proximité d'enclos en verre, de voitures, de fenêtres, ou d'embrasures de portes sans avoir réglé l'angle d'évacuation de la neige en conséquence. Tenez éloignez toutes tierces personnes de la zone de travail, en particulier les enfants et les animaux.
- N'utilisez pas le produit en cas de risque de foudre.
- N'utilisez pas la machine en atmosphère explosive, comme en présence de liquides inflammables, de gaz ou de poussières.
- Tenez-vous correctement. Une mauvaise posture risque de vous faire perdre l'équilibre.
- Restez vigilant, regardez ce que vous faites et faites preuve de bon sens lorsque vous utilisez l'appareil. Un moment d'inattention lors de l'utilisation du produit peut provoquer de graves blessures.

▲ AVERTISSEMENT

Si le produit est tombé, a subi un choc important ou se met à vibrer de façon anormale, arrêtez-le immédiatement et recherchez les dommages éventuels ou identifiez la cause des vibrations. Toute pièce endommagée doit être correctement remplacée ou réparée par un service après-vente agréé.



MISES EN GARDE DE SÉCURITÉ SUPPLÉMENTAIRES CONCERNANT LA BATTERIE

⚠ AVERTISSEMENT

Pour réduire le risque d'incendie, de blessures ou d'endommagement du produit causé par un court-circuit, n'immergez jamais l'outil, le bloc de batterie ou le chargeur dans du liquide, et ne laissez jamais de liquide pénétrer dans aucun d'entre eux. Les fluides corrosifs ou conducteurs, tels que l'eau de mer, certains produits chimiques industriels, les produits de blanchiment ou contenant des agents de blanchiment, etc. peuvent provoquer un court-circuit.

CONSEILS D'UTILISATION

- Le produit ne fonctionnera pas si la poignée supérieure n'est pas bien en place et si le clip de verrouillage de la poignée n'est pas bien enclenché. Deux contacteurs de sécurité sont présents pour aider à éviter toute mise en marche accidentelle lorsque la machine n'est pas correctement assemblée.
- Prenez note de la direction du vent avant d'utiliser le produit. Dégagez la neige dans la même direction que le vent afin qu'elle ne revienne pas vers votre visage.

TRANSPORT ET STOCKAGE

- Arrêtez le produit et retirez la batterie. Laissez le produit refroidir suffisamment avant de le stocker ou de le transporter.
- Débarrassez l'appareil de tous les corps étrangers. Rangez-le dans un endroit frais, sec et correctement ventilé, hors de portée des enfants. Ne le rangez pas à proximité d'agents corrosifs tels que produits chimiques de jardinage ou sels de déneigement. Ne le rangez pas à l'extérieur.
- Pour le transport, attachez le produit pour l'empêcher de bouger ou de tomber, afin d'éviter toute blessure et tout dommage matériel.

TRANSPORT DES BATTERIES AU LITHIUM

Transportez les batteries en conformité avec les dispositions et règlements locaux et nationaux.

Respectez toutes les exigences légales particulières concernant l'emballage et l'étiquetage des batteries lorsque vous confiez leur transport à un tiers. Assurez-vous qu'aucune batterie ne puisse entrer en contact avec une autre batterie ou avec des matériaux conducteurs lors de son transport en isolant les bornes électriques avec du ruban adhésif ou des capuchons isolants. Ne transportez pas une batterie qui serait fendue ou qui fuirait. Demandez conseil au transporteur pour de plus amples informations.

ENTRETIEN

⚠ AVERTISSEMENT

N'utilisez que des pièces détachées et accessoires d'origine constructeur. Le non-respect de cette consigne peut entraîner de mauvaises performances, des blessures, et annuler votre garantie.

⚠ AVERTISSEMENT

Les opérations d'entretien demandent un soin et des connaissances approfondies et ne doivent être effectuées que par un technicien de service qualifié. Pour l'entretien ou les réparations, adressez-vous uniquement à un centre d'entretien agréé. En l'occurrence, seules des pièces détachées d'origine doivent être utilisées.

- Vous pouvez effectuer les réglages et réparations décrits dans ce manuel. Pour les autres réparations, adressez-vous uniquement à un centre d'entretien agréé.
- Après chaque utilisation, utilisez un chiffon propre et sec pour nettoyer le produit.
- Vérifiez régulièrement le bon serrage des écrous, vis et boulons pour que le produit soit toujours en bon état de fonctionnement. Toute pièce endommagée doit être correctement remplacée ou réparée par un service après-vente agréé.

- Apportez le produit à un service après-vente agréé pour remplacer les étiquettes abîmées ou illisibles.
- Faites fonctionner l'appareil plusieurs fois après avoir enlevé la neige pour éviter le blocage de la turbine par le gel.
- Lors du nettoyage, de la réparation ou de l'inspection du produit, assurez-vous que toutes les pièces mobiles sont à l'arrêt complet. Retirez la batterie afin d'éviter que quelqu'un ne démarre accidentellement le produit.

ÉLIMINATION D'UN BLOCAGE

⚠ AVERTISSEMENT

Ne mettez jamais vos mains ou vos pieds à l'avant du produit ou en face du conduit d'évacuation afin d'éviter toute blessure grave.

- Relâchez la gâchette, et retirez le pack batterie.
- Assurez-vous que tous les éléments en mouvement se sont bien arrêtés.
- Utilisez une tige en bois pour éliminer l'obstacle.
- Faites tourner la turbine à l'aide de la tige en bois.
- Prenez garde, la turbine est susceptible de tourner par elle-même lorsque vous dégagez l'obstacle du fait de l'inertie de son mécanisme.
- Une fois qu'il est possible de faire tourner la turbine avec la tige en bois, mettez-vous à l'arrière du produit.
 - Il est normal que la turbine tourne par paliers.
- Assurez-vous de pouvoir continuer le déneigement en toute sécurité.
- Posez le pack batterie. Mettez le produit en marche.

RISQUES RÉSIDUELS

Même lorsque le produit est utilisé selon les prescriptions, il reste impossible d'éliminer totalement certains facteurs de risque résiduels. Les dangers suivants risquent de se présenter en cours d'utilisation et l'utilisateur doit faire particulièrement attention afin d'éviter ce qui suit :

- L'exposition au bruit peut provoquer des pertes d'audition.
 - Portez une protection auditive et limitez le temps d'exposition.
- Blessure causée par des objets projetés.
 - Les objets projetés par l'hélice rotative situé à l'avant du produit ou par la goulotte de neige peuvent provoquer des blessures. Portez en permanence une protection oculaire adaptée.

APPRENEZ À CONNAÎTRE VOTRE PRODUIT

Voir page 158.

1. Poignée supérieure
2. Gâchette Marche/Arrêt
3. Bouton de verrouillage de la gâchette
4. Câble de commande du moteur
5. Levier de rotation du conduit d'évacuation
6. Clip de verrouillage de la poignée
7. Arbre de rotation du conduit d'évacuation
8. Poignée du déflecteur du conduit d'évacuation
9. Déflecteur du conduit d'évacuation
10. Éclairage à LED
11. Turbine
12. Poignée intermédiaire
13. Bouton de réglage de la poignée
14. Poignée inférieure
15. Poignée de transport/soulèvement
16. Compartiment de la batterie supplémentaire
17. Compartiment de la batterie utilisée
18. Bloc de batterie
19. Chargeur de batterie

SYMBOLES APPLIQUES SUR LE PRODUIT



Lisez et comprenez toutes les instructions avant d'utiliser le produit, respectez tous les avertissements et toutes les consignes de sécurité.



Prenez garde à la projection d'objets au sol et dans les airs. Tenez éloigné toutes tierces personnes, en particulier les enfants et les animaux, à au moins 15 m de distance de la zone de travail.



Portez une protection oculaire.



DANGER! Évitez de vous blesser avec la turbine en rotation. Éloignez vos mains, vos pieds et vos habits.



DANGER! Retirez la batterie et lisez les instructions de ce manuel avant d'éliminer un blocage. Gardez vos mains et vos pieds bien éloignés de l'avant de la machine et du conduit d'évacuation.



Les produits électriques hors d'usage ne doivent pas être jetés avec les ordures ménagères. Recyclez-les par l'intermédiaire des structures disponibles. Contactez les autorités locales ou votre distributeur pour vous renseigner sur les conditions de recyclage.



Cet outil est conforme à l'ensemble des normes réglementaires du pays de l'UE où il a été acheté.



Marque de qualité EurAsian



Marque de conformité ukrainienne



Le niveau de puissance acoustique garanti indiqué sur cette étiquette est de 86 dB.



Poussez et maintenez



Pressez et maintenez pour opérer



Compartiment de la batterie supplémentaire



Compartiment de la batterie utilisée

Les symboles suivants et les mentions qui leur sont associées, permettent d'expliquer les différents niveaux de risques liés à l'utilisation de cet outil.

⚠ DANGER

Imminence d'un danger qui, si l'on n'y prend garde, peut entraîner la mort ou des blessures graves.

⚠ AVERTISSEMENT

Situation potentiellement dangereuse qui, si l'on n'y prend garde, peut entraîner la mort ou des blessures graves.

⚠ ATTENTION

Situation potentiellement dangereuse qui, si l'on n'y prend garde, peut entraîner des blessures moyennes ou légères.

ATTENTION

Sans symbole d'alerte de sécurité
Indique une situation pouvant entraîner des dommages matériels.

SYMBOLES DE CE MANUEL



Pièces détachées et accessoires vendus séparément



Remarque



AVERTISSEMENT



Verrouillage



Déverrouillage

EN

FR

DE

ES

IT

NL

PT

DA

SV

FI

NO

RU

PL

CS

HU

RO

LV

LT

ET

HR

SL

SK

BG

UK

TR

Sicherheit, Leistung und Zuverlässigkeit hatten oberste Priorität bei dem Design Ihrer Akku-Schneefräse.

BESTIMMUNGSGEMÄSSE VERWENDUNG

Die Akku-Schneefräse ist nur zu Benutzung im Freien in einem gut beleuchteten Bereich durch einen stehenden, hinter dem Produkt gehenden Benutzer geeignet. Die Schneefräse ist nur für den Gebrauch von Erwachsenen vorgesehen, die Bedienungsanleitung gelesen und verstanden haben und als verantwortlich für ihre Handlungen erachtet werden können. Aus Sicherheitsgründen muss das Produkt während der Benutzung immer ausreichend mit beiden Händen kontrolliert werden.

Das Produkt ist zum Räumen von Schnee in Bereichen wie Einfahrten, Bürgersteigen, Wegen, Straßen und um Häuser konstruiert. Das Produkt kann Schnee bis zu einer Tiefe von 25 cm räumen.

Das Produkt sollte niemals mit vom Boden abgehobenen Rädern benutzt werden. Es sollte nicht darauf geritten werden.

Das Gerät sollte ausschließlich gemäß der Beschreibung in dieser Anleitung verwendet werden.

Es darf zu keinen anderen Zwecken verwendet werden.

ALLGEMEINE SICHERHEITSREGELN

⚠️ WARNUNG

Diese Schneefräse ist in der Lage, Hände und Füße zu amputieren, sowie Objekte herumschleudern. Bei

Nichtbeachtung der folgenden Sicherheitsanweisungen können ernsthafte Verletzungen die Folge sein.

⚠️ WARNUNG

Die Sicherheitsregeln müssen befolgt werden, wenn dieses Produkt benutzt wird. Lesen Sie für Ihre eigene Sicherheit und die von Außenstehenden diese Anweisungen, bevor Sie das Produkt benutzen. Bitte bewahren Sie die Anweisungen zum späteren Nachschlagen auf.

⚠️ WARNUNG

Das Produkt sollte nur mit dem Akku verwendet werden. Bei der Verwendung von akkubetriebenen Geräten müssen jederzeit grundsätzliche Vorsichtsmaßnahmen befolgt werden, um das Risiko eines Feuers, auslaufenden Akkus und von Verletzungen zu reduzieren.

UNTERWEISUNG

- Lesen, verstehen und befolgen Sie alle Anweisungen an der Maschine selbst und in der Anleitung bevor Sie diese Maschine in Betrieb nehmen. Seien Sie vertraut mit den Stellteilen und der ordnungsgemäßen Verwendung der Maschine. Seien Sie sich bewusst, wie Sie die Maschine schnell anhalten und die Stellteile auskuppeln können.
- Lassen Sie niemals Kinder oder Personen mit verminderten physischen, geistigen oder sensorischen Fähigkeiten oder Personen, die mit diesen Anweisungen nicht vertraut sind das Produkt bedienen, reinigen oder warten. Die lokale Gesetzgebung regelt das Mindestalter des Benutzers. Kinder müssen ausreichend beaufsichtigt werden, so dass gewährleistet ist, dass sie nicht mit dem Produkt spielen.
- Halten Sie Zuschauer, Kinder und Haustiere 15 m von dem Arbeitsbereich fern. Stoppen Sie das Produkt, wenn jemand diesen Bereich betritt.
- Gehen Sie umsichtig vor, um ein Ausrutschen oder Stürzen zu verhindern, vor allem wenn die Schneefräse rückwärts bewegt wird.
- Vergessen Sie nie, dass der Benutzer verantwortlich ist für Unfälle und Gefahren, die an Eigentum Fremder oder an anderen Personen entstehen könnte.
- Bedienen Sie das Gerät nicht, wenn Sie müde oder krank sind oder unter dem Einfluss von Alkohol, Drogen oder Medikamenten stehen.



VORBEREITUNG

- Untersuchen Sie den Bereich, in dem die Maschine verwendet werden soll gründlich, und entfernen Sie alle Fußmatten, Bretter, Drähte und andere Gegenstände.
- Tragen Sie beim Betrieb der Maschine immer ausreichende Winterkleidung und rutschfestes Schuhwerk. Vermeiden Sie, weite Kleidung, oder Kleidung mit Schnüren oder Bändern zu tragen, sie könnte sich in beweglichen Teilen verfangen.
- Tragen Sie während des Betriebs oder beim Durchführen von Anpassungen oder Reparaturen immer eine Sicherheitsbrille oder einen Augenschutz, um die Augen vor Fremdkörpern zu schützen, die vom Gerät geschleudert werden können.
- Stellen Sie die Gehäusehöhe des Sammlers so ein, dass dieser Kies oder Schotter passieren kann.
- Versuchen Sie niemals, Justierungen an der Maschine vorzunehmen, während der Motor läuft.
- Binden Sie lange Haare zurück, so dass diese sich über Schulterhöhe befinden, um zu verhindern, dass sie sich in beweglichen Teilen verfangen.
- Stellen Sie vor jeder Benutzung sicher, dass alle Bedienelemente und Sicherheitsvorrichtung ordnungsgemäß funktionieren. Benutzen Sie das Produkt nicht, wenn der "Aus" -Schalter den Motor nicht stoppt.
- Betreiben Sie die Schneefräse niemals ohne die ordnungsgemäßen trennenden Schutzeinrichtungen und anderen Schutzeinrichtungen an Ort und Stelle und in arbeitssicherem Zustand.

VERWENDUNG UND BEHANDLUNG DES AKKUWERKZEUGES

- Laden Sie die Akkus nur in Ladegeräten auf, die vom Hersteller empfohlen werden. Für ein Ladegerät, das für eine bestimmte Art von Akkus geeignet ist, besteht Brandgefahr, wenn es mit anderen Akkus verwendet wird.

- Verwenden Sie nur die dafür vorgesehenen Akkus in den Elektrowerkzeugen. Der Gebrauch von anderen Akkus kann zu Verletzungen und Brandgefahr führen.
- Halten Sie den nicht benutzten Akku fern von Büroklammern, Münzen, Schlüsseln, Nägeln, Schrauben oder anderen kleinen Metallgegenständen, die eine Überbrückung der Kontakte verursachen könnten. Ein Kurzschluss zwischen den Akkukontakten kann Verbrennungen oder Feuer zur Folge haben.
- Bei falscher Anwendung kann Flüssigkeit aus dem Akku austreten. Vermeiden Sie den Kontakt damit. Bei zufälligem Kontakt mit Wasser abspülen. Wenn die Flüssigkeit in die Augen kommt, nehmen Sie zusätzlich ärztliche Hilfe in Anspruch. Austretende Akkuflüssigkeit kann zu Hautreizungen oder Verbrennungen führen.
- Verwenden Sie keinen beschädigten oder modifizierten Akkupack oder Werkzeuge. Beschädigte oder modifizierte Akkus können zu unvorhersehbaren Reaktionen führen, was zu Feuer, Explosion oder Verletzungsgefahr führt.
- Setzen Sie einen Akkupack oder Werkzeuge nicht Feuer oder zu hohen Temperaturen aus. Feuereinwirkung oder Temperaturen über 130° C können zu einer Explosion führen.
- Befolgen Sie alle Ladeanweisungen und laden Sie den Akkupack nicht außerhalb des in der Anleitung angegebenen Temperaturbereichs auf. Bei unsachgemäßer Aufladung oder Aufladung bei Temperaturen außerhalb des angegebenen Bereichs kann der Akku beschädigt und das Brandrisiko erhöht werden.

SICHERHEITSHINWEISE FÜR DIE SCHNEEFÄHRE

- Bewegen Sie Ihre Hände oder Füße nicht in die Nähe von rotierenden Teilen oder unter diese. Halten Sie sich stets von allen Auswurföffnungen fern.



- Gehen Sie bei Betrieb in der Nähe von Schotter- oder Kieswegen oder auf diesen mit extremer Vorsicht vor. Seien Sie wachsam in Bezug auf versteckte Gefährdungen, wenn Sie in die Maschine in der Nähe von öffentlichen Straßen betreiben.
- Um das Verletzungsrisiko bei Kontakt mit rotierenden Teilen zu verringern, halten Sie das Produkt immer an und nehmen Sie den Akkupack heraus. Stellen Sie sicher, dass alle bewegenden Teile vollständig angehalten sind:
 - das Produkt auf Schäden überprüfen, nachdem ein Fremdkörper getroffen wurde
 - Falls die Maschine abnormal zu vibrieren beginnt, stoppen Sie den Motor und prüfen Sie umgehend nach dem Grund für die Vibration. Vibrationen sind allgemein ein Warnzeichen, das auf Störungen hinweist.
 - vor dem Reinigen oder Entfernen einer Verstopfung
 - bevor Sie das Produkt unbeaufsichtigt zurücklassen
 - bevor Sie das Produkt prüfen, warten oder daran arbeiten
- Räumen Sie nicht quer entlang von Hängen. Seien Sie extrem vorsichtig, wenn Sie auf Hängen die Räumrichtung wechseln. Versuchen Sie nicht, steile Hänge zu räumen.
- Betreiben Sie die Schneefräse niemals ohne die ordnungsgemäßen trennenden Schutzeinrichtungen und anderen Schutzeinrichtungen an Ort und Stelle und in arbeitssicherem Zustand.
- Lenken Sie den Auswurf niemals in Richtung von Menschen oder in Bereiche, wo Sachschäden die Folge sein könnten. Halten Sie Kinder und andere Personen fern.
- Überlasten Sie die Kapazität der Maschine nicht, indem Sie versuchen, den Schnee zu schnell zu räumen.
- Betreiben Sie die Maschine niemals bei hohen Transportgeschwindigkeiten auf rutschigen Oberflächen. Schauen Sie hinter sich und gehen Sie mit Vorsicht vor, wenn Sie rückwärts arbeiten.
- Trennen Sie die Leistung vom Sammler/Laufrad, wenn die Schneefräse transportiert oder nicht verwendet wird.
- Verwenden Sie ausschließlich original Ersatzteile, Zubehör und Aufsätze des Herstellers.
- Betreiben Sie die Schneefräse niemals ohne gute Sicht und Beleuchtung. Wahren Sie stets Standsicherheit und halten Sie sich gut an den Handgriffen fest. Gehen Sie stets; laufen Sie niemals.
- Stellen Sie das Produkt nur auf einen sauberen und harten Untergrund, wenn der Motor läuft. Kies, Sand und anderes Geröll können mit dem Lufterlass aufgenommen werden und in Richtung Benutzer oder Passanten geschleudert werden, und so schwere Verletzungen verursachen.
- Betreiben Sie das Produkt niemals in der Nähe von Glasgehäusen, Kraftfahrzeugen, Fenstern oder Türen ohne die richtige Einstellung des Auswurfkanals. Halten Sie unbeteiligte Personen aus dem Arbeitsbereich fern, insbesondere Kinder, aber auch Tiere.
- Benutzen Sie das Produkt nicht, wenn die Gefahr von Blitzschlag besteht.
- Betreiben Sie die Maschine nicht in einer explosiven Atmosphäre, wie in der Umgebung von brennbaren Flüssigkeiten, Gasen oder Staub.
- Vermeiden Sie eine abnormale Körperhaltung. Eine abnormale Körperhaltung kann zu Gleichgewichtsverlust führen.
- Bleiben Sie wachsam, achten Sie auf das was Sie tun und verwenden Sie bei der Benutzung des Gerätes Ihren gesunden Menschenverstand. Ein Moment der Unachtsamkeit beim Gebrauch des Elektrowerkzeuges kann zu ernsthaften Verletzungen führen.



EN
FR
DE
ES
IT
NL
PT
DA
SV
FI
NO
RU
PL
CS
HU
RO
LV
LT
ET
HR
SL
SK
BG
UK
TR

⚠️ WARNUNG

Wenn das Produkt fallen gelassen wurde oder einen schweren Schlag erhielt oder ungewöhnlich vibriert, stoppen Sie das Produkt sofort und überprüfen es auf Schäden oder identifizieren Sie die Ursache der Vibration. Jeder Schaden sollte durch den autorisierten Kundendienst ordnungsgemäß repariert oder ausgetauscht werden.

WEITERE SICHERHEITSHINWEISE ZUM AKKU

⚠️ WARNUNG

Um die durch einen Kurzschluss verursachte Gefahr eines Brandes, von Verletzungen oder Produktbeschädigungen zu vermeiden, tauchen Sie das Werkzeug, den Wechselakku oder das Ladegerät nicht in Flüssigkeiten ein und sorgen Sie dafür, dass keine Flüssigkeiten in die Geräte und Akkus eindringen. Korrodierende oder leitfähige Flüssigkeiten, wie Salzwasser, bestimmte Chemikalien und Bleichmittel oder Produkte, die Bleichmittel enthalten, können einen Kurzschluss verursachen.

TIPPS ZUR BEDIENUNG

- Das Produkt funktioniert nicht, wenn der obere Griff nicht richtig montiert ist und der Verriegelungsclip des Griffs nicht richtig eingerastet ist. Zwei Sicherheitsverriegelungen helfen unbeabsichtigtes Starten zu verhindern, wenn die Maschine nicht richtig montiert ist.
- Achten Sie vor dem Bedienen des Geräts auf die Windrichtung. Richten Sie den Schneewurf in Windrichtung aus, um zu verhindern, dass der Schnee zurück in Ihr Gesicht geblasen wird.

TRANSPORT UND LAGERUNG

- Halten Sie das Gerät an und entfernen Sie den Akku. Lassen Sie das Produkt ausreichend abkühlen, bevor Sie es lagern oder transportieren.

- Entfernen Sie alle Fremdkörper vom Produkt. Lagern Sie das Gerät an einem kühlen, trockenen und gut belüfteten Ort, der Kindern keinen Zugang bietet. Von korrodierend wirkenden Stoffen, wie Gartenchemikalien und Enteisierungssalzen, fernhalten. Nicht im Freien lagern.
- Sichern Sie die Maschine beim Transport gegen Bewegung oder Herunterfallen, um Verletzungen und Beschädigung der Maschine zu verhindern.

TRANSPORT VON LITHIUM-IONEN-AKKUS

Transportieren Sie Akkus gemäß Ihren örtlichen und nationalen Bestimmungen und Regeln.

Befolgen Sie alle besonderen Anforderungen für Verpackung und Beschriftung, wenn Sie Akkus von Dritten transportieren lassen. Stellen Sie sicher, dass beim Transport kein Akku in Kontakt mit anderen Akkus oder leitenden Materialien kommt, indem Sie die freien Anschlüsse mit Isolierband, nichtleitenden Kappen oder Klebeband schützen. Beschädigte oder auslaufende Akkus dürfen nicht transportiert werden. Weitere Informationen erhalten Sie bei Ihrem Transportunternehmen.

WARTUNG UND PFLEGE

⚠️ WARNUNG

Verwenden Sie ausschließlich original Ersatzteile, Zubehör und Aufsätze des Herstellers. Nichtbefolgung kann mögliche Verletzungen oder schlechte Leistung verursachen und Ihre Garantie ungültig machen.

⚠️ WARNUNG

Service und Wartung des Gerätes erfordert besonderen Sorgfalt und Kenntnisstand und sollte nur durch qualifiziertes Personal durchgeführt werden. Wenden Sie sich zwecks Wartung und Reparatur nur an ein autorisiertes Servicecenter. Beim Service sollten Sie nur originale Ersatzteile benutzen.



- Sie dürfen die in dieser Bedienungsanleitung beschriebenen Einstellungen und Reparaturen durchführen. Wenden Sie sich zwecks anderer Reparaturen nur an ein autorisiertes Servicecenter.
- Reinigen Sie das Produkt nach jeder Benutzung mit einem weichen, trockenen Lappen.
- Überprüfen Sie Bolzen, Muttern und Schrauben in regelmäßigen Abständen, ob sie alle fest angezogen sind, um somit sicherzustellen, dass das Produkt in einem sicheren Zustand ist. Jedes beschädigte Teil muss durch den autorisierten Kundendienst ordnungsgemäß repariert oder ausgetauscht werden.
- Bringen Sie das Produkt einem autorisierten Kundendienst zurück, um beschädigte oder unleserliche Aufkleber zu ersetzen.
- Lassen Sie die Maschine einige Minuten nach dem Schneefräsen laufen, um ein Einfrieren des Sammlers/Laufrads zu verhindern.
- Stellen Sie beim Reinigen, Reparieren und Inspizieren des Geräts sicher, dass alle beweglichen Teile vollständig stillstehen. Entfernen Sie den Akku, um sicherzustellen, dass das Gerät nicht versehentlich gestartet wird.

ENTFERNUNG EINER VERSTOPFUNG

⚠ WARNUNG

Platzieren Sie Ihre Hände oder Füße niemals vor das Produkt oder den Auswurfschacht, um schwere Verletzungen zu vermeiden.

- Lassen Sie den Startschalter los und entnehmen Sie den Akku.
- Stellen Sie sicher, dass alle bewegenden Teile vollständig angehalten sind.
- Benutzen Sie einen Holzstock, um die Blockade zu entfernen.
- Drehen Sie das Flügelrad mit einem Holzstock.
- Beachten Sie, dass das Flügelrad sich

aufgrund der gespeicherten Energie in dem Mechanismus von selber drehen kann, während Sie die Blockierung entfernen.

- Nachdem der Flügelrad mit einem Holzstock gedreht werden kann, gehen Sie zur Rückseite des Produktes.
 - Es ist normal, dass sich der Flügelrad-Mechanismus schrittweise bewegt.
- Vergewissern Sie sich, dass es sicher ist weiter Schnee zu räumen.
- Setzen Sie den Akku ein. Schalten Sie das Produkt an.

RESTRISIKEN

Sogar wenn das Produkt wie vorgeschrieben benutzt wird, ist es unmöglich ein gewisses Restrisiko vollständig zu beseitigen. Die folgenden Gefahren können bei der Benutzung entstehen, und der Benutzer sollte besonders auf folgende Punkte achten:

- Lärm kann zu Gehörschäden führen.
 - Tragen Sie einen Gehörschutz und schränken Sie die Belastung ein.
- Durch geschleuderte Objekte verursachte Verletzungen
 - Verletzungen durch das Flügelrad an der Vorderseite der Maschine oder den Schneeauswurf nach oben oder vorne. Tragen Sie immer angemessenen Augenschutz.

MACHEN SIE SICH MIT IHREM PRODUKT VERTRAUT

Siehe Seite 158.

1. Oberer Griffbügel
2. An-/Ausschalter
3. Startknopf
4. Motor-Steuerkabel
5. Hebel für die Drehung des Auswurfschachts
6. Verriegelungsclip für Griff
7. Stange zur Drehung des Auswurfschachts
8. Griff für Abweiser des Auswurfschachts
9. Auswurfabweiser
10. LED Licht
11. Flügelrad
12. Griffstange

13. Griff-Einstellknopf
14. Anbindung Griffstange
15. Trage-/Hebegriff
16. Fach zur Akkuaufbewahrung
17. Akkufach (im Betrieb)
18. Akku
19. Akkuladegerät

SYMBOLE AUF DEM PRODUKT



Lesen und verstehen Sie alle Anweisungen, bevor Sie das Produkt benutzen, befolgen Sie alle Warnungen und Sicherheitsanweisungen.



Achten Sie auf geschleuderte oder fliegende Objekte. Halten Sie unbeteiligte Personen (insbesondere Kinder und Tiere) mindestens 15m vom Arbeitsbereich fern.



Tragen Sie einen Augenschutz.



GEFAHR! Vermeiden Sie Verletzungen durch das Flügelrad. Halten Sie Hände, Füße und Kleidung fern.



GEFAHR! Entfernen Sie den Akku und lesen die Anweisungen in dieser Bedienungsanleitung, bevor Sie eine Verstopfung entfernen. Halten Sie Hände und Füße fern von der Vorderseite der Maschine und dem Auswurfschacht.



Elektrische Geräte sollten nicht mit dem übrigen Müll entsorgt werden. Bitte entsorgen Sie diese an den entsprechenden Entsorgungsstellen. Wenden Sie sich an die örtliche Behörde oder Ihren Händler, um Auskunft über die Entsorgung zu erhalten.



Dieses Gerät entspricht allen gesetzlichen Normen des Landes der Europäischen Union, in dem es gekauft wurde.



EurAsian Konformitätszeichen



Ukrainisches Prüfzeichen



Der garantierte Schallleistungspegel beträgt 86 dB(A).



Drücken und halten



Drücken und halten zur Benutzung



Fach zur Akkuaufbewahrung



Akkufach

Mit den folgenden Symbolen wird die Bedeutung der verschiedenen Risikostufen, die mit dem Produkt einhergehen, dargestellt.

⚠ GEFAHR

Weist auf eine unmittelbare gefährliche Situation hin, die, falls nicht vermieden, zu Tod oder ernsthafter Verletzung führen kann.

⚠ WARNUNG

Weist auf eine mögliche gefährliche Situation hin, die, falls nicht vermieden, zu Tod oder ernsthafter Verletzung führen kann.

⚠ VORSICHT

Weist auf eine mögliche gefährliche Situation hin, die, falls nicht vermieden, zu einer leichten oder mittleren Verletzung führen kann.

VORSICHT

Ohne Sicherheitswarnsymbol
Bezeichnet eine Situation die zu Sachbeschädigungen führen kann.

SYMBOLE IN DIESER BEDIENUNGSANLEITUNG



Teile oder Zubehör getrennt
erhältlich



HINWEIS



WARNUNG



Schließen



Öffnen

Seguridad, rendimiento y fiabilidad han sido la máxima prioridad a la hora de diseñar su quitanieves inalámbrico.

USO PREVISTO

El quitanieves inalámbrico solo es apto para uso exterior en una zona bien iluminada y con el operador manejando el aparato de pie y desde atrás. El producto está diseñado para el uso exclusivo de adultos que han leído y comprendido las instrucciones y advertencias en este manual y pueden considerarse responsables de sus actos. Por razones de seguridad, la herramienta debe controlarse de forma adecuada utilizando las dos manos en todo momento.

El aparato ha sido diseñado para despejar la nieve en zonas como la entrada de la casa, la acera, los senderos, la calzada y las zonas de alrededor de la casa. El aparato puede mover nieve con una profundidad de hasta 25 cm.

El aparato nunca se debe operar sin que las ruedas estén apoyadas en el suelo. No se debe montar.

El producto solo se debe utilizar de acuerdo con lo descrito en el presente manual.

No la use para ninguna otra finalidad.

NORMAS GENERALES DE SEGURIDAD

⚠ ADVERTENCIA

El producto puede amputar manos y pies, además de arrojar objetos. Si no se siguen todas las instrucciones de seguridad, se podría producir una lesión grave.

⚠ ADVERTENCIA

Al utilizar el producto, deben seguirse las normas de seguridad. Por su propia seguridad y la de los que le rodean, lea estas instrucciones antes de utilizar el producto. Guarde las instrucciones para usarlas en el futuro.

⚠ ADVERTENCIA

El aparato solo deberá funcionar con la batería. Al usar la máquina con la batería, debe seguir siempre las precauciones básicas de seguridad para reducir el riesgo de incendio, fugas de la batería y lesiones personales.

APRENDIZAJE

- Lea, comprenda y siga todas las instrucciones que aparecen en el producto y en este manual antes de utilizar el producto. Familiarícese con los controles y con el uso correcto del producto. Sepa cómo detener el producto y desactivar los controles rápidamente.
- Nunca permita que los niños o las personas con discapacidad física, sensorial o mental, o que no estén familiarizadas con estas instrucciones, operen, limpien ni realicen el mantenimiento del aparato. Las regulaciones locales pueden restringir la edad del operario. Los niños deben estar adecuadamente supervisados para asegurarse de que no juegan con el producto.
- Mantenga a los transeúntes, a los niños y a los animales a 15 m de distancia de la zona de operación. Apague el aparato si alguien entra en el área.
- Extreme las precauciones para evitar resbalones o caídas, especialmente cuando se utilice el producto en marcha atrás.
- Tenga presente que el operario o usuario es responsable de los accidentes o riesgos que le puedan ocurrir a otras personas o a su propiedad.
- No utilice el producto si está cansado, enfermo o bajo la influencia de drogas, alcohol o medicamentos.

PREPARACIÓN

- Inspeccione concienzudamente el área donde vaya a usar la máquina y retire alfombrillas, trineos, tablas, cables y objetos extraños.
- Mientras opera la máquina, lleve siempre vestimenta adecuada para el invierno y calzado antideslizante de seguridad. Evite llevar ropa suelta, con cordones o corbata, ya que podría engancharse en las partes móviles.
- Utilice siempre gafas de seguridad o protecciones oculares durante el uso

del producto, o cuando realice un ajuste o reparación, para proteger los ojos de los objetos extraños que puedan salir despedidos del producto.

- Ajuste la altura de la carcasa del colector para que no entre en contacto con las superficies de gravilla o roca aplastada.
- No realice nunca ajustes mientras el producto está en funcionamiento.
- Recoja el cabello largo para que quede por encima del nivel de los hombros y evitar así que se enmarañe en cualquier pieza móvil.
- Antes de cada uso, asegúrese de que todos los controles y dispositivos de seguridad funcionan correctamente. No utilice el aparato si el interruptor "off" no para el motor.
- Antes de cada uso, observe siempre la carcasa para verificar que no está dañada y que las protecciones y mangos están en su sitio y correctamente sujetos.

USO Y CUIDADO DE LA HERRAMIENTA

- Recargue la unidad solamente con el cargador especificado por el fabricante. Podría haber un riesgo de incendio cuando se utilice un cargador con una batería para la que no está diseñado.
- Utilice sólo herramientas eléctricas específicamente diseñadas para ellos. Utilizar cualquier otro tipo de baterías puede causar lesiones o un riesgo de incendio.
- Cuando la batería no está en uso, manténgala alejada de otros objetos metálicos como clips, monedas, llaves, clavos, tornillos u otros objetos metálicos pequeños que puedan crear una conexión desde una terminal a otra. Causar un cortocircuito en los terminales de la batería puede causar quemaduras o un incendio.
- En condiciones abusivas, podría salir expulsado líquido de la batería, por lo que debería evitar el contacto con éste. Si se produce un contacto accidental, enjuáguese las manos con agua. Si el

líquido entra en contacto con los ojos, acuda inmediatamente al médico. Si el líquido es expulsado de la batería y entra en contacto con él, podría causar irritación o quemaduras.

- No utilice un paquete de baterías o una herramienta que esté dañado o modificado. Las baterías dañadas o modificadas pueden presentar un comportamiento impredecible y provocar fuego, explosión o riesgo de lesión.
- No exponga la batería o la herramienta al fuego o a temperaturas excesivas. La exposición al fuego o a una temperatura superior a 130 °C puede provocar una explosión.
- Siga todas las instrucciones de carga y no cargue el paquete de baterías o la herramienta fuera del rango de temperatura especificado en las instrucciones. La carga inadecuada o a temperaturas fuera del rango especificado puede dañar la batería e incrementar el riesgo de fuego.

NORMAS DE SEGURIDAD PARA EL QUITANIEVES

- No coloque las manos o los pies cerca o debajo de las piezas giratorias. Manténgase alejado de la apertura de descarga en todo momento. No coloque ningún objeto en las aberturas.
- Extreme las precauciones cuando utilice el producto sobre caminos o senderos de grava. Permanezca alerta ante cualquier peligro oculto o cuando trabaje cerca de carreteras públicas.
- Para reducir el riesgo de lesión asociado con el contacto con las piezas giratorias, detenga siempre el producto y quite el paquete de baterías. Asegúrese de que todas las partes móviles se han detenido por completo:
 - después de golpear un objeto extraño para inspeccionar el aparato y ver si está dañado
 - Si el producto empieza a vibrar de manera extraña, compruebe

inmediatamente cuál puede ser la causa. La vibración generalmente es una advertencia de problemas.

- antes de limpiar o despejar una obstrucción
 - antes de dejar el producto sin vigilancia
 - antes de inspeccionar, mantener o trabajar con el producto
- No limpie la nieve de cara a una pendiente. Tenga mucho cuidado cuando cambie de dirección en las cuestas. No intente limpiar una pendiente pronunciada.
 - Nunca utilice el aparato sin haber colocado la protección, las placas u otro tipo de dispositivo de seguridad pertinente.
 - No dirija nunca la salida de descarga hacia otras personas o zonas donde puedan producirse daños materiales. Mantenga alejados a los niños y a cualquier otra persona.
 - No sobrecargue la capacidad de la máquina intentando quitar la nieve con demasiada rapidez.
 - Nunca utilice el producto a velocidades de transporte elevadas en superficies resbaladizas. Mire hacia atrás y extienda las precauciones cuando trabaje en marcha atrás.
 - Desconecte la alimentación que llega al colector/impulsor cuando vaya a transportar el producto o cuando no lo vaya a utilizar.
 - Utilice sólo piezas y accesorios de recambio originales del fabricante.
 - No utilice nunca el producto sin una visibilidad o iluminación adecuadas. Asegúrese de mantener siempre una posición adecuada y sujete con fuerza las empuñaduras. Camine, nunca corra.
 - Nunca coloque el aparato en ninguna superficie, que no sea una superficie dura y limpia, cuando el motor esté en funcionamiento. La gravilla, la arena y otros restos pueden ser arrastrados por el chorro de aire y disparados hacia el operador o los transeúntes, provocando

lesiones graves.

- Nunca opere el aparato cerca de recintos cerrados de cristal, automóviles, ventanas o portales sin haber ajustado correctamente el ángulo de descarga de nieve. Mantenga a los espectadores fuera del área de trabajo, especialmente niños y mascotas.
- No utilice el aparato cuando haya riesgo de relámpago.
- No utilice la máquina en entornos inflamables, como puede ser en presencia de líquidos inflamables, gases o polvo.
- No se extienda demasiado. Si lo hace, podrá perder el equilibrio.
- Manténgase alerta, observe lo que está haciendo y use el sentido común cuando utilice el aparato. En un momento de descuido, mientras utiliza el producto podrían ocurrir lesiones personales graves.

⚠ ADVERTENCIA

Si el aparato se cae, sufre un impacto fuerte o empieza a vibrar de manera anormal, párelo inmediatamente y compruebe si está dañado o identifique el motivo de la vibración. La reparación de daños y la sustitución de piezas deben ser realizadas por un centro de servicio autorizado.

ADVERTENCIAS DE SEGURIDAD DE LA BATERÍA ADICIONAL

⚠ ADVERTENCIA

Para reducir el riesgo de incendio, lesión personales y daños al producto debido a un cortocircuito, no sumerja nunca la herramienta, el pa-quete de baterías o el cargador en líquido ni permita que fluya un fluido dentro de ellos. Los fluidos corrosivos o conductivos, como el agua de mar, ciertos productos quími-cos industriales y blanqueadores o lejías que contienen, etc., Pueden causar un cortocircuito.

CONSEJOS DE FUNCIONAMIENTO

- El aparato no funcionará si el mango superior no está bien colocado y el clip que

bloquea el mango no está bien cerrado. Hay dos bloqueos de seguridad que ayudan a prevenir el arranque accidental cuando la máquina no está correctamente montada.

- Tenga en cuenta la dirección del viento antes de utilizar el producto. Descargue la nieve en la misma dirección que el viento para evitar que el viento empuje de nuevo la nieve hacia su cara.

TRANSPORTE Y ALMACENAMIENTO

- Detenga el funcionamiento del producto y retire la batería. Deje que el producto se enfríe antes de guardarlo o transportarlo en un vehículo.
- Limpie todo el material extraño que pueda permanecer en el producto. Guarde en una zona seca y bien ventilada, a la que no puedan acceder los niños. Evite el contacto con agentes corrosivos tales como productos químicos de jardinería o sales descongelantes. No almacenar al aire libre.
- Para transportar el producto, sujételo de modo que no se mueva ni se caiga para evitar lesiones personales o daños al producto.

TRANSPORTE DE BATERÍAS DE LITIO

Transporte de baterías de acuerdo con las disposiciones y reglamentos nacionales y locales.

Cumpla todos los requisitos especiales relativos al embalaje y etiquetado cuando el transporte de baterías se lleve a cabo por un tercero. Asegúrese de que, durante el transporte, las baterías no entran en contacto con otras baterías o materiales conductores protegiendo los conectores expuestos con tapones o tapas aislantes de material no conductor. No transporte baterías que tengan grietas o fugas. Consulte a la empresa de transporte para obtener más asesoramiento.

MANTENIMIENTO

⚠ ADVERTENCIA

Utilice sólo piezas y accesorios de recambio originales del fabricante. Si no lo hace podría ocurrir un mal funcionamiento, podrían producirse daños o podría quedar anulada la garantía.

⚠ ADVERTENCIA

Las reparaciones requieren tener mucho cuidado y conocimiento y sólo debe realizarse por un técnico de servicio calificado. Para cualquier operación de servicio o reparación del producto, solicite su realización únicamente a un centro de servicio autorizado. Utilice solo recambios originales del fabricante para las operaciones de mantenimiento.

- Usted puede realizar los ajustes y reparaciones descritos en este manual del usuario. Para cualquier otra reparación del producto, solicite su realización únicamente a un centro de servicio autorizado.
- Limpiar el producto con un paño suave seco después de cada uso.
- Verifique a intervalos frecuentes si todas las tuercas, pernos y tornillos están apretados apropiadamente para asegurarse de que el producto esté en buenas condiciones de trabajo. Cualquier pieza dañada debe ser sustituida o reparada adecuadamente por un centro de servicio autorizado.
- Lleve el aparato a un centro de servicios autorizado para sustituir las etiquetas dañadas o ilegibles.
- Ponga en funcionamiento el producto varias veces después de quitar nieve para evitar que se congele el impulsor.
- A la hora de realizar la limpieza, reparación o inspección del producto, asegúrese de que todas las piezas móviles se hayan detenido por completo. Retire la batería para evitar que otra persona pueda poner en marcha el producto de manera accidental.

DESPEJAR UN BLOQUEO

⚠ ADVERTENCIA

Nunca ponga las manos o los pies delante del aparato o del conducto de descarga, así evitará lesiones graves.

- Suelte el gatillo y retire la batería.
- Asegúrese de que todas las partes móviles se han detenido por completo.
- Utilice un palo de madera para quitar el bloqueo.
- Gire el conjunto de impulsor con un palo de madera.
- Tenga cuidado, el impulsor puede moverse solo mientras quita el bloqueo debido a la energía acumulada en el mecanismo.
- Cuando haya girado el impulsor con el palo de madera, muévase a la parte trasera del aparato.
 - Es normal que el mecanismo impulsor haga movimientos escalonados.
- Asegúrese de que es seguro seguir retirando nieve.
- Coloque la batería. Encienda el aparato.

RIESGOS RESIDUALES:

Incluso cuando se utiliza el producto según las instrucciones, sigue siendo imposible eliminar por completo ciertos factores de riesgo residuales. Pueden surgir los siguientes riesgos durante el uso y el operador debe prestar especial atención para evitar lo siguiente:

- La exposición al ruido puede causar pérdidas de audición.
 - Use protección para los oídos y limite el tiempo de exposición
- Lesiones producidas por objetos lanzados
 - Si algún objeto sale despedido por el impulso giratorio en la parte delantera del producto o desde el conducto de nieve, puede provocar daños. Lleve puesta la protección ocular adecuada en todo momento.

CONOZCA SU PRODUCTO

Véase la página 158.

1. Asa superior
2. Gatillo de encendido/apagado (On/Off)
3. Botón de bloqueo del gatillo
4. Cable de control del motor
5. Palanca de rotación del conducto de descarga
6. Clip de bloqueo del mango
7. Eje de rotación del conducto de descarga
8. Palanca de desviación del conducto de descarga
9. Desviador del conducto de descarga
10. LEDs
11. Impulsor
12. Mango intermedio
13. Perilla de ajuste del mango
14. Baje el mango
15. Agarradera
16. Compartimento de la batería de almacenamiento
17. Compartimento de la batería en uso
18. Batería
19. Cargador de pilas

SÍMBOLOS EN EL PRODUCTO



Lea y comprenda todas las instrucciones antes de manipular el producto, respete las advertencias y las instrucciones de seguridad.



Tenga cuidado con los objetos volátiles o lanzados. Mantenga a todos los espectadores, especialmente a los niños y las mascotas, por lo menos a 15 metros de la zona de trabajo.



Utilice protección ocular



PELIGRO! Evite lesionarse con la turbina giratoria. Mantenga las manos, los pies y la ropa alejados.



PELIGRO! Retire la batería y lea las instrucciones del manual antes de despejar un bloqueo. Mantenga las manos y los pies bien alejados de la parte frontal de la máquina y del conducto de descarga.



Los productos eléctricos de desperdicio no deben desecharse con desperdicios caseros. Por favor recíclelos donde existan dichas instalaciones. Compruebe con su autoridad local o minorista para reciclar.



Esta herramienta responde a todas las normas reglamentarias del país de la UE donde se ha comprado.



Certificado EAC de conformidad



Marca de conformidad ucraniana



El mejor nivel de potencia sonora es de 86 dB



Pulse y mantenga pulsado



Apriete y sujete para operar



Compartimento de la batería de almacenamiento



Compartimento de la batería en uso

Lo siguientes símbolos y sus significados pretenden explicar los niveles de riesgo asociados a este producto.

⚠ PELIGRO

Indica una situación potencialmente peligrosa que, de no evitarse, puede ocasionar la muerte o heridas de gravedad.

⚠ ADVERTENCIA

Indica una situación peligrosa que, de no evitarse, puede ocasionar la muerte o heridas de gravedad.

⚠ ADVERTENCIA

Indica una situación potencialmente peligrosa que, de no evitarse, puede ocasionar heridas leves.

ADVERTENCIA

Sin símbolo de alerta de seguridad
Indica una situación que puede causar daños en las cosas.

SÍMBOLOS EN ESTE MANUAL



Las piezas o accesorios se venden por separado



Nota



Advertencia



Cierre



Desbloquear

E' stata data massima priorità a sicurezza, prestazioni e affidabilità nel design di questo spazzaneve senza cavo.

UTILIZZO RACCOMANDATO

Lo spazzaneve senza cavo è indicato solo per l'utilizzo in esterno in aree ben illuminate da un operatore in piedi che cammina dietro al prodotto. Il prodotto deve essere utilizzato solo da persone adulte che abbiano letto e compreso le istruzioni e le avvertenze del presente manuale e che possano essere considerate responsabili delle loro azioni. Per ragioni di sicurezza, l'utensile deve essere adeguatamente controllato utilizzando sempre due mani.

Il prodotto è progettato per rimuovere neve da zone come vialetti, marciapiedi, passaggi pedonali, sentieri, stradine e aree circostanti abitazioni. Il prodotto può spostare neve con una profondità di 25 cm.

Il prodotto non deve essere messo in funzione con le ruote fuori del terreno. Non salire sul prodotto.

Il prodotto deve essere utilizzato solo come spiegato nel presente manuale.

Non utilizzare per altri scopi.

NORME DI SICUREZZA GENERALI

⚠ AVVERTENZA

Il prodotto è in grado di amputare mani e piedi, oltre che di scagliare oggetti a distanza. La mancata osservanza di tutte le istruzioni di sicurezza può causare lesioni gravi.

⚠ AVVERTENZA

Quando si utilizza questo prodotto, seguire eventuali norme di sicurezza. Per la propria sicurezza e per la sicurezza degli osservatori, leggere queste istruzioni prima di mettere in funzione il prodotto. Conservare le istruzioni per eventuali riferimenti futuri.

⚠ AVVERTENZA

Il prodotto deve essere messo in funzione solo con un gruppo batterie. Quando si utilizzano utensili a batterie seguire sempre precauzioni di sicurezza per ridurre il rischio di incendio, perdita di liquidi da batterie e gravi lesioni alla persona.

UTILIZZO

- Prima di utilizzare il prodotto leggere, comprendere e seguire tutte le istruzioni presenti sul prodotto stesso e nel manuale. Prendere completa dimestichezza con i comandi e con l'uso corretto del prodotto. Essere a conoscenza di come arrestare il prodotto e disimpegnare i comandi rapidamente.
- Non permettere mai a bambini o persone con ridotte capacità fisiche, sensoriali o mentali o a persone che non conoscono queste istruzioni di mettere in funzione, o svolgere le operazioni di pulizia e manutenzione sul prodotto. Leggi locali possono limitare l'età dell'operatore. Supervisionare adeguatamente i bambini per assicurarsi che non giochino con il prodotto.
- Tenere osservatori, bambini e animali ad almeno 15 metri di distanza dall'area delle operazioni. Arrestare il prodotto nel caso in cui eventuali osservatori entrino nell'area di lavoro.
- Prestare attenzione per evitare di scivolare o cadere, soprattutto quando si utilizza il prodotto a marcia indietro.
- Ricordare che l'operatore sarà responsabile di eventuali lesioni o danni a persone o cose.
- Non usare il prodotto in caso di stanchezza, malessere o sotto gli effetti di droghe, alcool o farmaci.

PREPARAZIONE

- Ispezionare attentamente la zona nella quale il dispositivo deve essere utilizzato e rimuovere eventuali zerbini, slitte, assi, cavi ed altri corpi estranei.

- Mentre si mette in funzione il dispositivo indossare sempre abbigliamento invernale adeguato e calzature di sicurezza antiscivolo. Evitare di indossare abbigliamento con parti svolazzanti o con cordicelle o cordini pendenti; tali elementi potranno infatti rimanere impigliati nelle parti in movimento.
- Indossare sempre occhiali di sicurezza o schermi per gli occhi durante l'utilizzo o durante una regolazione o riparazione, per proteggere gli occhi da corpi estranei che potrebbero essere lanciati dal prodotto.
- Regolare l'altezza dell'alloggiamento del collettore per distanziarlo dalla superficie, se di ghiaia o di roccia frantumata.
- Non effettuare mai operazioni di regolazione mentre il prodotto è in funzione.
- Assicurare i capelli lunghi al di sopra delle spalle per evitare che rimangano impigliati nelle parti in movimento.
- Assicurarsi prima di ciascun utilizzo che tutti i comandi e i dispositivi di sicurezza funzionino correttamente. Non utilizzare l'utensile se l'interruttore "off" (spento) non arresta il motore.
- Prima di ciascun utilizzo, controllare sempre il prodotto per verificare se la sede non sia danneggiata e gli schermi e i manici siano al loro posto e siano correttamente assicurati.

UTILIZZO E MANUTENZIONE DI UN UTENSILE A BATTERIE

- Ricaricare solo con il caricatore indicato dalla ditta produttrice. Un caricatore adatto per un tipo di batterie potrà creare un rischio di incendio se utilizzato con un altro gruppo batterie.
- Utilizzare elettrooutensili solo con i gruppi batteria indicati. L'utilizzo di gruppi batteria diversi da quelli indicati potrà causare rischi di lesioni e incendi.
- Quando il gruppo batterie non viene utilizzato, tenerlo lontano da oggetti in metallo come fermagli, monete, chiavi, chiodi, viti o altri piccoli oggetti che potranno fare da tramite da un terminale

all'altro. Cortocircuitare i terminali della batteria assieme potrà causare scottature o incendi.

- Se sottoposto a stress, la batteria potrà perdere dei liquidi; evitare il contatto. Se si entra accidentalmente in contatto con tali liquidi, lavarsi immediatamente con acqua. Se il liquido entra negli occhi, rivolgersi a un medico. Il liquido espulso dalla batteria potrà causare irritazioni o scottature.
- Non utilizzare batterie o strumenti danneggiati o alterati. Le batterie danneggiate o alterate potrebbero avere un comportamento imprevedibile e causare incendi, esplosioni o rischio di lesioni.
- Non esporre la batteria o l'utensile a fiamme libere o a temperature eccessive. L'esposizione a fiamme libere o a temperature superiori a 130°C può causare esplosioni.
- Seguire tutte le istruzioni per la ricarica e non ricaricare le batterie o gli utensili all'infuori dell'intervallo di temperature specificato nelle istruzioni. Eseguire la ricarica in modo improprio o all'infuori dell'intervallo specificato potrebbe danneggiare la batteria e aumentare il rischio d'incendio.

REGOLE DI SICUREZZA PER LO SPAZZA-NEVE

- Tenere mani e piedi lontani dalle parti rotanti. Tenersi sempre lontani dalle aperture di scarico. Non inserire oggetti nelle aperture.
- Prestare estrema cautela durante l'utilizzo o durante l'attraversamento di sentieri o vialetti di ghiaia. Restare vigili per la presenza di pericoli nascosti o durante l'utilizzo in prossimità delle vie pubbliche.
- Per ridurre il rischio di lesioni associate al contatto con le parti rotanti, arrestare sempre il prodotto e rimuovere le batterie. Assicurarsi che tutte le parti in movimento si siano arrestate:
 - Dopo aver colpito un corpo estraneo controllare il prodotto per individuare eventuali danni
 - Se il prodotto inizia a vibrare in modo

insolito, cercare immediatamente la causa. Le vibrazioni sono in genere una spia del malfunzionamento della macchina.

- prima di svolgere operazioni di pulizia o rimuovere un blocco
- prima di lasciare il prodotto incustodito
- prima di svolgere operazioni di controllo, manutenzione o lavoro sul prodotto
- Non spalare la neve sui pendii delle colline. Fare estrema attenzione quando si cambia direzione sui pendii. Non tentare di rimuovere la neve da pendii ripidi.
- Non mettere in funzione il prodotto senza aver montato adeguati schermi e piastre o altri dispositivi di protezione di sicurezza.
- Non dirigere mai lo scarico verso le persone o verso aree in cui si potrebbero causare danni materiali. Tenere distanti bambini e altre persone.
- Non sovraccaricare la capacità della macchina tentando di rimuovere la neve troppo velocemente.
- Non utilizzare mai il prodotto ad alta velocità su superfici scivolose. Durante l'utilizzo a marcia indietro guardare dietro di sé e prestare attenzione.
- Quando il prodotto viene trasportato o non è utilizzato, scollegare l'alimentazione da collettore e girante.
- Utilizzare solo parti di ricambio, accessori e dispositivi originali della ditta produttrice.
- Non utilizzare mai il prodotto in caso di scarsa visibilità o illuminazione. Verificare sempre l'appoggio dei piedi e impugnare saldamente le maniglie. Camminare, non correre mai.
- Posizionare sempre il prodotto su superfici dure e pulite e mai su altro tipo di superfici, quando il motore è avviato. Ghiaia, sabbia e altri detriti potranno essere aspirati dalla griglia dell'aria e scagliati verso l'operatore o l'osservatore, causando gravi lesioni possibili.
- Non mettere in funzione il prodotto accanto a divisori in vetro, automobili,

finestre o porte senza aver prima regolato correttamente l'angolo di spatatura neve. Tenere eventuali osservatori, soprattutto animali e bambini, lontani dall'area di taglio.

- Non utilizzare il prodotto in caso di rischi di fulmini.
- Non mettere in funzione l'utensile in atmosfere esplosive, come in presenza di liquidi infiammabili, gas o polvere.
- Non protendersi. Protendersi potrà causare una perdita di equilibrio.
- Fare sempre attenzione, osservare le operazioni di lavoro e utilizzare senso comune quando si mette in funzionamento l'unità. Un momento di disattenzione mentre si mette in funzione il prodotto potrà causare gravi lesioni personali.

⚠ AVVERTENZA

Se il prodotto cade, subisce impatti pesanti o inizia a vibrare in maniera anomala, arrestarlo e controllare eventuali danni per identificare la causa delle vibrazioni. Riparare eventuali danni o far sostituire i pezzi da un centro servizi autorizzato.

AVVERTENZE AGGIUNTIVE PER LA SICUREZZA DELLA BATTERIA

⚠ AVVERTENZA

Per ridurre il rischio d'incendio, di lesioni o di danni al prodotto causati da corto circuito, non immergere mai l'utensile, la batteria ricaricabile o il carica batterie in un liquido e non lasciare mai penetrare alcun liquido all'interno dei dispositivi e delle batterie. I fluidi corrosivi o conduttori come acqua salata, alcuni agenti chimici, agenti candeggianti o prodotti contenenti agenti candeggianti potrebbero provocare un corto circuito.

CONSIGLI PER UN ADEGUATO FUNZIONAMENTO

- Il prodotto non funzionerà se il manico superiore non sarà correttamente fissato e il dispositivo di blocco del manico non sarà stato correttamente inserito. Il prodotto

è dotato di due dispositivi di blocco di sicurezza per aiutare a prevenire un avvio accidentale nel caso in cui il prodotto non sia stato correttamente montato.

- Prima di utilizzare il prodotto prendere nota della direzione del vento. Scaricare la neve nella stessa direzione del vento per evitare che la stessa torni indietro e venga scagliata contro l'operatore.

TRASPORTO E RIPONIMENTO

- Arrestare il prodotto e rimuovere la batteria. Prima di riporre il prodotto o di trasportarlo in un veicolo, lasciarlo raffreddare.
- Rimuovere eventuali materiali di scarto dal prodotto. Riporre in un luogo asciutto e ben ventilato non accessibile ai bambini. tenerlo a distanza da agenti corrosivi, come le sostanze chimiche per il giardinaggio e il fondente chimico. Non riporre all'esterno.
- Per il trasporto, assicurare il prodotto contro ogni movimento o contro eventuali cadute per evitare lesioni a persone o danni al prodotto.

TRASPORTO BATTERIE AL LITIO

Trasportare le batterie rispettando quanto indicato dalle norme e regolamentazioni locali. Far rispettare quanto indicato sulle etichette e sull'involucro quando la batteria viene trasportata da terzi. Assicurarsi che le batterie non entrino in contatto con altre batterie o con materiali conduttivi mentre si trasportano proteggendo connettori esposti con tappi o nastro isolante e non conduttivo. Non trasportare batterie rotte o che perdono liquidi. Consultare la ditta produttrice per eventuali ulteriori consigli.

MANUTENZIONE

⚠ AVVERTENZA

Utilizzare solo parti di ricambio, accessori e dispositivi originali della ditta produttrice. In caso contrario si potranno causare lesioni, prestazioni basse e la garanzia verrà invalidata.

⚠ AVVERTENZA

Le operazioni di manutenzione devono essere svolte con grande attenzione e accortezza solo da un tecnico qualificato. Far riparare e mantenere il prodotto esclusivamente da un centro assistenza autorizzato. Quando si svolgono le operazioni di manutenzione, utilizzare solo parti di ricambio originali della ditta produttrice.

- L'operatore potrà fare le regolazioni e riparazioni descritte nel presente manuale. Per altre riparazioni, portare il prodotto esclusivamente presso un centro assistenza autorizzato.
- Dopo ogni uso, pulire il prodotto con una panno morbido e asciutto.
- Controllare frequentemente dadi, bulloni e viti, verificando che siano stati assicurati correttamente per fare in modo che il prodotto garantisca condizioni di lavoro ottimali. Riparare eventuali parti danneggiate o farle sostituire da un centro servizi autorizzato.
- Portare il prodotto presso un centro servizi autorizzato per sostituire le parti danneggiate o le etichette illeggibili.
- Dopo aver terminato di spazzare la neve, avviare il prodotto alcune volte al fine di prevenire il congelamento della girante.
- Durante la pulizia, la riparazione o l'ispezione del prodotto, accertarsi che tutte le parti in movimento si siano fermate completamente. Rimuovere la batteria per impedire l'accensione accidentale del prodotto da parte di qualcuno.

RIMOZIONE DI UN BLOCCO

⚠ AVVERTENZA

Non mettere mai mani o piedi davanti al prodotto o allo scivolo di scarico per evitare gravi lesioni.

- Rilasciare il grilletto e rimuovere il gruppo batterie.

- Assicurarsi che tutte le parti in movimento si siano arrestate.
- Utilizzare un palo in legno per rimuovere il blocco.
- Girare il gruppo ventole utilizzando l'asta in legno.
- Fare attenzione dal momento che il gruppo ventole potrà spostarsi da solo durante la rimozione del blocco a causa della energia immagazzinata nel meccanismo.
- Quando l'asta in legno sarà in grado di girare il gruppo ventole, l'operatore dovrà spostarsi verso la parte posteriore del prodotto.
 - E' normale per il meccanismo della ventola avere un movimento a scatti.
- Accertarsi che sia sicuro continuare a spazzare la neve.
- Montare il gruppo batterie. Attivare il prodotto.

RISCHI RESIDUI:

Anche quando il prodotto viene utilizzato come indicato, è impossibile eliminare completamente alcuni fattori di rischio residuo. Si potranno correre i seguenti rischi durante l'utilizzo e l'operatore dovrà fare particolare attenzione per evitare quanto segue:

- L'esposizione al rumore può causare lesioni all'udito.
 - Indossare cuffie di protezione e limitare l'esposizione.
- Incidenti causati da oggetti scagliati intorno
 - Gli oggetti scagliati dalla girante posta sulla parte anteriore del prodotto oppure dallo scivolo della neve possono causare delle lesioni. Indossare sempre protezione occhi adeguata.


FAMILIARIZZARE CON IL PRODOTTO

Vedere pagina 158.


1. Manico superiore
2. Grilletto On/Off (Acceso/Spento)
3. Tasto di blocco grilletto
4. Cavo di controllo motore

5. Leva rotazione scivolo
6. Dispositivo di blocco manico
7. Asta di rotazione scivolo
8. Manico deflettore scivolo
9. Deflettore scivolo
10. Luci al LED
11. Gruppo ventole
12. Manico centrale
13. Manopola di regolazione manico
14. Abbassare il manico
15. Manico per Trasporto/Sollevamento utensile
16. Vano riponimento batteria
17. Vano batteria utilizzato
18. Batteria
19. Caricatore batteria


SIMBOLI SUL PRODOTTO




Leggere e comprendere tutte le istruzioni prima di mettere in funzione il prodotto, seguire tutte le istruzioni e le avvertenze di sicurezza.




Fare attenzione ad oggetti scagliati o lanciati dall'utensile. Tenere lontani tutti gli osservatori, soprattutto bambini e animali, ad almeno 15 m dalla zona di funzionamento.



Indossare dispositivi di protezione occhi



PERICOLO! Evitare lesioni da ventole rotanti. Tenere mani, piedi e abiti con parti svolazzanti lontani.



PERICOLO! Rimuovere la batteria e leggere le istruzioni nel manuale prima di rimuovere un blocco. Tenere mani e piedi lontani dalla parte anteriore della macchina e dallo scivolo di scarico.



I prodotti elettrici non devono essere smaltiti con i rifiuti domestici. Vi sono strutture per smaltire tali prodotti. Informarsi presso il proprio Comune o rivenditore di sicurezza per smaltire adeguatamente tali rifiuti.



Questo apparecchio è conforme a tutte le norme vigenti nel paese dell'UE in cui è stato acquistato.



Marchio di conformità EurAsian



Marchio di conformità ucraino



Il livello di potenza sonora garantito è 86 dB



Spingere e trattenere



Premere e tenere premuto per mettere in funzione



Vano riponimento batteria



Vano batteria utilizzato

potrà causare lesioni minori o moderate alla persona.

ATTENZIONE

Senza simbolo di allerta di sicurezza Indica una situazione che potrà risultare in gravi danni a cose.

SIMBOLI NEL PRESENTE MANUALE



Parti o accessori venduti separatamente



Note



Avvertenze



Blocco



Sblocco

Le parole e i messaggi di avvertimento spiegano i livelli di rischio associato con il prodotto.

⚠ PERICOLO

Indica una situazione pericolosa che, se non evitata attentamente, potrà causare gravi lesioni alla persona o morte.

⚠ AVVERTENZA

Indica una situazione potenzialmente pericolosa che, se non evitata attentamente, potrà causare gravi lesioni alla persona o morte

⚠ ATTENZIONE

Indica una situazione potenzialmente pericolosa che, se non evitata attentamente,

Veiligheid, prestaties en betrouwbaarheid kregen toprioriteit in het ontwerp van uw snoerloze sneeuwrees.

VOORGESCHREVEN GEBRUIK

De snoerloze sneeuwrees is uitsluitend geschikt voor buitenshuis gebruik in een goed verlichte omgeving door een rechtop staande bediener die achter het product wandelt. Het product is uitsluitend ontworpen voor gebruik door volwassenen die de instructies en waarschuwingen in deze handleiding hebben gelezen en verantwoordelijk kunnen worden gehouden voor hun acties. Omwille van veiligheidsredenen moet het product correct worden bediend door steeds twee handen te gebruiken.

Het product is ontworpen voor het ruimen van sneeuw op plaatsen, zoals vb. een oprit, voetpad, pad, wegdek en rond het huis. Het product kan sneeuw ruimen tot een diepte van 25 cm.

Het product mag nooit worden gebruikt met de wielen van de grond. U mag niet op het product rijden.

Het product mag alleen gebruikt worden zoals beschreven in deze handleiding.

Gebruik niet voor andere doeleinden.

ALGEMENE VEILIGHEIDSVOORSCHRIFTEN

⚠ WAARSCHUWING

Het product kan handen en voeten amputeren en voorwerpen omgooien. Als u de veiligheidsvoorschriften niet opvolgt, kan dit ernstige verwondingen tot gevolg hebben.

⚠ WAARSCHUWING

Wanneer u het product gebruikt, moeten de veiligheidsregels worden opgevolgd. Voor uw eigen veiligheid en deze van omstanders, dient u deze instructies te lezen voor u het product gebruikt. Bewaar de instructies voor later gebruik.

⚠ WAARSCHUWING

Het product mag uitsluitend met behulp van een batterijpack worden gebruikt. Wanneer u een accuaangedreven machine gebruikt, moeten altijd standaard veiligheidsmaatregelen worden genomen om het risico op brand, lekkende accu's en letsels te vermijden.

OPLEIDING

- Zorg ervoor dat u alle instructies op het product en in deze handleiding leest, begrijpt en uitvoert voordat u het product gebruikt. Zorg ervoor dat u bekend bent met de bediening en de juiste gebruikswijze van het product. Leer hoe u het apparaat kunt stopzetten en de bediening snel kunt uitschakelen.
- Laat kinderen of mensen met verminderde fysieke, zintuigelijke of mentale vermogens of mensen die niet met deze instructies vertrouwd zijn, het product niet bedienen, reinigen of onderhouden. De plaatselijke wetgeving kan beperkingen opleggen i.v.m. de leeftijd van de bediener. Kinderen moeten onder toezicht staan om ervoor te zorgen dat ze niet met het product spelen.
- Houd omstanders, kinderen en huisdieren op tenminste 15 m afstand van het werkgebied. Leg het product stil als iemand het werkgebied betreedt.
- Wees voorzichtig om uitglijden en vallen te vermijden, vooral wanneer u het product in de achteruitstand gebruikt.
- Hou er rekening mee dat de bediener of gebruiker verantwoordelijk is voor ongevallen of gevaren t.o.v. anderen of hun eigendom.
- Gebruik het product niet als u moe, ziek of onder de invloed van drugs, alcohol of medicijnen bent.

VOORBEREIDING

- Inspecteer grondig de omgeving waar de machine moet worden gebruikt en verwijder alle deurmatten, sledes, borden, kabels en andere vreemde voorwerpen.

- Draag altijd geschikte winterkledij en antislipschoenen terwijl u de machine bedient. Vermijd het dragen van losse kledij of kledij met loshangende snoeren; ze kunnen verstrikt raken in de bewegende delen.
- Draag altijd een veiligheidsbril of andere oogbescherming tijdens het gebruik of bij het uitvoeren van aanpassingen of reparaties, om de ogen te beschermen tegen rondvliegende voorwerpen.
- Pas de hoogte van de collectorcontainer aan om een oppervlak van grind of steenfragmenten sneeuwvrij te maken.
- Maak geen aanpassingen terwijl het product in bedrijf is.
- Maak lang haar vast boven schouderhoogte om te voorkomen dat het verstrikt raakt in de bewegende delen.
- Controleer voor elk gebruik of alle bedieningsknoppen en veiligheidsinrichtingen goed functioneren. Gebruik het werktuig niet als de "uit"-knop het product niet stillet.
- Voor elk gebruik inspecteert u altijd visueel of de behuizing onbeschadigd is en dat alle beschermers en handvatten goed zijn gemonteerd en stevig vastgemaakt.

GEbruik EN ONDERHOUD VAN HET ACCUANGEDREVEN WERKTUIG

- Herlaad enkel met de oplader die door de fabrikant is gespecificeerd. Een oplader die voor een type accupack is geschikt kan een brandgevaar betekenen wanneer het met een ander accupack wordt gebruikt.
- Gebruik elektrisch gereedschap uitsluitend met de specifiek toegewezen accupacks. Het gebruik van andere accupacks kan leiden tot risico's op letsels en brand.
- Wanneer het accupack niet wordt gebruikt, moet u het weg houden van andere metalen objecten, zoals papierclips, munten, sleutels, spijkers, schroeven of andere kleine metalen voorwerpen die een verbinding kan maken van een terminal naar een andere. De batterijterminals

kortsluiten kan leiden tot brandwonden of brand.

- In oneigenlijke omstandigheden, kan een vloeistof uit de accu lekken; vermijd contact hiermee. Als per ongeluk contact voorkomt, spoelt u met water. Als de vloeistof in contact komt met de ogen, dient u bijkomend medische hulp te raadplegen. Vloeistof die uit de accu lekt, kan irritatie of brandwonden veroorzaken.
- Gebruik geen beschadigde of gewijzigde accu of gereedschap. Beschadigde of gewijzigde accu's kunnen onvoorspelbaar gedrag vertonen en leiden tot brand, explosies, of het risico op letsel.
- Stel accu's of gereedschap niet bloot aan vuur of hoge temperaturen. Blootstelling aan vuur of temperaturen hoger dan 130 °C kan explosies veroorzaken.
- Volg alle instructies en laad de accu of het gereedschap niet op buiten het temperatuurbereik dat in de handleiding wordt aangegeven. Onjuist opladen of opladen bij temperaturen buiten het aangegeven bereik kan schade aan de accu veroorzaken en risico op brand verhogen.

VEILIGHEIDSVoORSCHRIFTEN SNEEUWRUIMER

- Steek uw handen of voeten niet in de buurt van of onder ronddraaiende onderdelen. Hou de uitlaatopening altijd vrij. Plaats geen voorwerpen in de openingen.
- Wees extra voorzichtig wanneer u op grindpaden werkt of deze oversteekt. Blijf alert of verborgen gevaren en let goed op als u vlakbij een openbare weg werkt.
- Stop het product en verwijder de accu altijd om het risico op letsel wegens contact met draaiende onderdelen te verminderen. Zorg ervoor dat alle bewegende delen volledig tot stilstand zijn gekomen:
 - nadat een vreemd voorwerp werd geraakt om het product op schade te controleren.
 - Als het product abnormaal begint te trillen, controleer dan onmiddellijk de

oorzaak hiervan. Trillingen zijn over het algemeen een waarschuwing voor problemen.

- voor u een blokkering reinigt of weghaalt
 - voordat u het product onbewaakt achterlaat
 - voor het controleren, onderhouden of werken aan het product.
- Ruim geen sneeuw dwars in de richting van een helling. Wees uiterst voorzichtig wanneer u op een helling van richting verandert. Probeer geen steile hellingen te ruimen.
 - Bedien het product nooit zonder dat de beschermers, platen of andere veiligheidsinrichtingen zijn geïnstalleerd.
 - Richt de afvoer nooit op mensen of op voorwerpen die beschadigd kunnen raken. Houd kinderen en andere personen uit de buurt.
 - Overbelast de machinecapaciteit niet door sneeuw in een te snel tempo te ruimen.
 - Gebruik het product bij hoge transportsnelheden niet op gladde oppervlakken. Kijk achter u en wees voorzichtig wanneer u het apparaat in de achteruitstand gebruikt.
 - Schakel de stroom naar de collector/waaier uit wanneer het apparaat vervoerd wordt of niet gebruikt wordt.
 - Gebruik uitsluitend originele vervangonderdelen, accessoires en voorzetstukken van de fabrikant.
 - Gebruik het product nooit bij slecht zicht of weinig licht. Zorg ervoor dat u altijd stevig staat en houd de handvaten stevig vast. Stap altijd, loop nooit.
 - Plaats het product uitsluitend op een hard, schoon oppervlak wanneer de motor draait. Grind, zand en ander afval kunnen door de luchtinlaat worden opgezogen en in de richting van de bediener of omstanders worden weggegooid, waardoor ernstige verwondingen kunnen ontstaan.
 - Bedien het product nooit in de omgeving van glazen constructies, auto's, ramen of deuren zonder de sneeuwuitlaathoek correct af te stellen. Houd alle omstanders weg van de werkplaats, in het bijzonder

kinderen en huisdieren.

- Gebruik het product niet als er gevaar is voor bliksem.
- Gebruik de machine niet in explosieve atmosferen, zoals in de aanwezigheid van ontvlambare vloeistoffen, gassen of stof.
- Overrek u niet. Rek u niet uit, waardoor u uw evenwicht kunt verliezen.
- Blijf alert en kijk naar wat u doet en gebruik uw gezond verstand wanneer u de machine gebruikt. Een ogenblik van onoplettendheid tijdens het gebruik van het product kan leiden tot ernstige persoonlijke letsels.

⚠ WAARSCHUWING

Als u het product laat vallen, het een ernstige impact ondergaat of abnormaal begint te trillen, legt u het product onmiddellijk stil en controleert u het op schade of zoekt u naar de oorzaak van de trillingen. Enige schade moet direct worden gerepareerd of vervangen door een bevoegd onderhoudscentrum.

EXTRA WAARSCHUWINGEN BATTERIJVEILIGHEID

⚠ WAARSCHUWING

Voorkom brand, persoonlijk letsel of materiële schade door kortsluiting en dompel het gereedschap, de wisselaccu en het laadtoestel niet onder in vloeistoffen en waarborg dat geen vloeistoffen in de apparaten en accu's kunnen dringen. Corrosieve of geleidende vloeistoffen zoals zout water, bepaalde chemicaliën, bleekmiddelen of producten die bleekmiddelen bevatten, kunnen een kortsluiting veroorzaken.

GEBRUIKSTIPS

- Het product werkt niet als het bovenste handvat niet correct is gemonteerd en de vergrendelclip van het handvat niet correct is vastgeklikt. Er zijn twee veiligheidsvergrendelingen om een accidentele start te helpen vermijden wanneer de machine niet correct is gemonteerd.

- Let op de windrichting voordat u het product gebruikt. Richt de sneeuwuitlaat in dezelfde richting als de wind om te voorkomen dat de sneeuw terug in uw gezicht wordt geblazen.

TRANSPORT EN OPSLAG

- Stop het product en verwijder de accu. Laat het product afkoelen voordat u het opbergt of vervoert in een voertuig.
- Verwijder alle vreemde voorwerpen van het product. Bewaar op een koele, droge en goed geventileerde plaats die niet toegankelijk is voor kinderen. Houd corrosieve producten, zoals tuinchemicaliën en strooizout uit de buurt van het apparaat. Bewaar niet buitenshuis.
- Voor transport beveiligd u het product tegen bewegen of vallen om lichamelijke letsels of schade aan het product te voorkomen.

LITHIUMBATTERIJEN TRANSPORTEREN

De accu's dienen in overeenstemming met de plaatselijk en nationale regelgeving te worden getransporteerd.

Respecteer alle speciale voorwaarden op de verpakking en etikettering wanneer u de accu's door derden laat transporteren. Zorg ervoor dat de accu's tijdens het transport niet in contact komen met andere batterijen of geleidende materialen door blootliggende connectoren met isolerende, niet-geleidende doppen of plakband te beschermen. Transporteer geen accues die lekken of gebarsten zijn. Overleg met het transportbedrijf voor verder advies.

ONDERHOUD

⚠ WAARSCHUWING

Gebruik uitsluitend originele vervangonderdelen, accessoires en voorzetstukken van de fabrikant. Als u dit niet doet, kan dit mogelijks letsels of slechte prestaties veroorzaken waardoor uw garantie kan vervallen.

⚠ WAARSCHUWING

Het onderhoud vereist extreme voorzichtigheid en deskundigheid en mag enkel door een gekwalificeerde onderhoudstechnicus worden uitgevoerd. Het product mag uitsluitend door een erkend servicecentrum worden onderhouden en gerepareerd. Gebruik uitsluitend originele vervangonderdelen wanneer u onderhoudswerken aan de machine uitvoert.

- U kunt de afstellingen en reparaties die in deze gebruiksaanwijzing worden vermeld, uitvoeren. Voor andere reparaties mag het product uitsluitend door een erkend servicecentrum worden gerepareerd.
- Na elk gebruik, reinigt u het product met een zachte, droge doek.
- Controleer regelmatig of alle moeren, bouten en vijzen goed zijn vastgemaakt om zeker te zijn dat het product veilig kan worden gebruikt. Een beschadigd onderdeel moet door een geautoriseerd onderhoudscentrum goed worden gerepareerd of vervangen.
- Breng het product naar een geautoriseerd onderhoudscentrum om beschadigde of onleesbare etiketten te vervangen.
- Laat het product een paar keer werken na het ruimen van sneeuw om te voorkomen dat de waaier bevroert.
- Zorg ervoor dat alle bewegende onderdelen volledig tot stilstand zijn gekomen voordat u het product reinigt, repareert of inspecteert. Verwijder de accu om te voorkomen dat iemand het apparaat per ongeluk in werking stelt.

VERSTOPPING VRIJMAKEN

⚠ WAARSCHUWING

Plaats uw handen of voeten nooit voor het product of de uitlaat om ernstige verwondingen te voorkomen.

- Laat de hendel los en verwijder het batterijpack.

- Zorg ervoor dat alle bewegende delen volledig tot stilstand zijn gekomen.
- Gebruik een houten stok om obstructies te verwijderen.
- Draai de schoepen met behulp van een houten stok.
- Wees voorzichtig! De schoepen kunnen automatisch bewegen terwijl u een obstructie verwijdert omwille van de energie die in het mechanisme is opgeslagen.
- Als de schoepen met behulp van een houten stok kunnen worden gedraaid, gaat u opnieuw achter het product staan.
 - Het is normaal dat het schoepenmechanisme een stapsgewijze beweging vertoont.
- Zog ervoor dat het veilig is om sneeuw te ruimen.
- Installeer het batterijpack. Schakel het product in.

4. Motorbesturingskabel
5. Uitlaatrotatiehendel
6. Handvatvergrendelclip
7. Uitlaatrotatieschacht
8. Uitlaatdeflectorhandvat
9. Uitlaatdeflector
10. LED-lampen
11. Schoepen
12. Middelste handvat
13. Handvatafstelknop
14. Onderste handgreep
15. Draag-/Ophefhandvat
16. Opslagcompartiment batterij
17. Compartiment gebruikte batterij
18. Accu
19. Acculader

RESTRISICO'S

Zelfs wanneer het product zoals voorgeschreven wordt gebruikt, is het nog steeds onmogelijk om bepaalde restrisico's volledig te elimineren. De volgende gevaren kunnen ontstaan tijdens het gebruik en de bediener moet bijzondere aandacht hebben om de volgende situaties te voorkomen:

- Blootstelling aan geluid kan gehoorletfels veroorzaken.
 - Draag gehoorbescherming en beperk de blootstelling.
- Letsel veroorzaakt door losse voorwerpen
 - Objecten die door de draaiende rotor aan de voorzijde van het product of uit de sneeuwkokker worden weggeworpen, kunnen letsel veroorzaken. Draag steeds aangepaste gezichtsbescherming.

KEN UW PRODUCT

Zie pagina 158.

1. Bovenste handvat
2. Aan-/uithendel
3. Snelheidsvergrendelknop

SYMBOLEN OP HET PRODUCT



Lees en begrijp alle instructies voor u het product bedient, volg alle waarschuwingen en veiligheidsinstructies.



Houd rekening met weggeslingerde of rondvliegende voorwerpen. Houd alle omstanders, in het bijzonder kinderen en huisdieren, op tenminste 15m afstand van het werkgebied.



Draag gezichtsbescherming



GEVAAR! Vermijd letsels door een ronddraaiende schoep. Houd handen, voeten en kledij op afstand.



GEVAAR! Verwijder de batterij en lees de instructies in de gebruiksaanwijzing voor u een obstructie verwijdert. Houd handen en voeten weg van de voorzijde van de machine en de uitlaatklep.



Elektrisch afval mag niet samen met ander huishoudafval worden weggegooid. Gelieve te recycleren indien de mogelijkheid bestaat. Neem contact op met uw lokaal bestuur of handelaar om advies te krijgen over recyclage.



Dit apparaat voldoet aan alle geldende normen van Lid-Staat van de Europese Unie waar het werd gekocht.



EurAsian-symbool van overeenstemming



Oekraïens conformiteitssymbool



Het gegarandeerde geluidsniveau bedraagt 86 dB.



Druk en houd ingedrukt.



Druk in en houd ingedrukt om te bedienen.



Opslagcompartiment batterij



Compartiment gebruikte batterij

veroorzaken.

LET OP

Zonder veiligheidswaarschuwingssymbool
Wijst op een situatie die kan leiden tot materiële schade.

SYMBOLEN IN DEZE GEBRUIKSAANWIJZING



Onderdelen of accessoires afzonderlijk verkocht



Opmerking



Waarschuwing



Vergrendeling



Ontgrendelen

De volgende signaalwoorden en betekenissen zijn bedoeld om de gevaarniveaus die met het product zijn verbonden, te verklaren:

⚠ GEVAAR

Wijst op een gevaarlijke situatie die, als ze niet wordt voorkomen, dodelijk kan zijn of ernstige verwondingen kan veroorzaken.

⚠ WAARSCHUWING

Wijst op een mogelijks gevaarlijke situatie die, als ze niet wordt voorkomen, dodelijk kan zijn of ernstige verwondingen kan veroorzaken.

⚠ LET OP

Wijst op een mogelijks gevaarlijke situatie die, als ze niet wordt voorkomen, kleine of middelmatige verwondingen kan

Segurança, rendimento e fiabilidade foram a máxima prioridade na hora de desenhar o limpa-neves sem fios.

USO PREVISTO

O limpa-neves sem fios apenas está apto para uso exterior numa zona bem iluminada e com o operador a manipular o aparelho de pé e atrás do mesmo. O produto foi concebido para ser utilizado apenas por adultos que tenham lido e compreendido as instruções e os avisos neste Manual e que possam ser considerados responsáveis pelos seus actos. Por razões de segurança, o aparelho tem que ser adequadamente controlado através da operação com as duas mãos em todos os momentos.

O aparelho foi desenhado para despejar a neve em zonas como a entrada da casa, o passeio, os sendeiros, a calçada e as zonas à volta da casa. O aparelho pode mover neve com uma profundidade até 25 cm.

O aparelho nunca deve ser operado sem as rodas estarem apoiadas no chão. Não deve ser montado.

O produto só deve ser utilizado como se descreve neste manual.

Não a use para nenhuma outra finalidade.

NORMAS GERAIS DE SEGURANÇA

⚠ ADVERTÊNCIA

O produto tem capacidade para amputar mãos e pés, e para projectar objectos! Não observar todas as instruções de segurança pode resultar em ferimentos graves.

⚠ ADVERTÊNCIA

Ao utilizar o produto, devem seguir-se as normas de segurança. Para a sua própria segurança e a dos que o rodeiam, leia estas instruções antes de utilizar o produto. Guarde as instruções para usá-las no futuro.

⚠ ADVERTÊNCIA

O aparelho apenas deverá funcionar com a bateria. Ao usar a máquina com a bateria a funcionar, deve seguir sempre as precauções básicas de segurança para reduzir o risco de incêndio, fugas da bateria e danos corporais.

FORMAÇÃO

- Leia, compreenda e siga todas as instruções no produto e neste manual antes de utilizar o produto. Familiarize-se totalmente com os controlos e a correta utilização do produto. Saiba como parar o produto e desengatar os controlos rapidamente.
 - Nunca permita que crianças ou pessoas com capacidades físicas, sensoriais ou mentais reduzidas, ou pessoas não familiarizadas com estas instruções, operem, limpem ou realizem qualquer manutenção no aparelho. A legislação local pode restringir a idade do operador. As crianças devem ser mantidas sob vigilância adequada para se garantir que não brincam com o produto.
 - Mantenha os transeuntes, as crianças e os animais a 15 m de distância da zona de operação. Desligue o aparelho se alguém entrar na área.
 - Exerça cautela para evitar escorregar ou cair, especialmente ao utilizar o produto em marcha-atrás.
 - Mantenha em mente que o operador ou o utilizador é responsável pelos acidentes ou perigos que ocorrem a outras pessoas ou à sua propriedade.
 - Não utilize o produto se sentir fadiga, doente ou se estiver sob a influência de estupefacientes, álcool ou medicamentos.
- ### PREPARAÇÃO
- Inspeccione cuidadosamente a área onde vai usar a máquina e retire tapetes, trenós, tábuas, cabos e objetos estranhos.
 - Enquanto trabalha com a máquina, tenha sempre roupa adequada para o inverno

e calçado anti-deslizante de segurança. Evite usar roupa larga com cordões ou gravata, porque poderá encravar nas partes móveis.

- Use sempre óculos de segurança e proteção para os olhos durante a utilização ou ao executar um ajuste ou reparação para proteger os olhos de objetos estranhos que possam ser projetados pelo produto.
- Regule a altura da caixa do coletor para limpar gravilha ou superfície de rocha esmagada.
- Nunca tente efetuar quaisquer ajustes com o produto em funcionamento.
- Prenda o cabelo comprido para que fique acima do nível dos ombros para evitar que fique emaranhado em peças móveis.
- Certifique-se antes de cada uso que todos os controlos e dispositivos de segurança funcionam corretamente. Não utilize o aparelho se o interruptor “off” não parar o motor.
- Antes de cada uso, observe sempre a armação para verificar que não está danificada e que as proteções e cabos estão no seu sítio e corretamente fixos.

UTILIZAÇÃO E MANUTENÇÃO DA BATERIA

- Recarregue apenas com o carregador especificado pelo fabricante. Um carregador que seja adequado para um tipo de bateria pode causar risco de incêndio, quando utilizado com outra bateria.
- Use ferramentas eléctricas somente com baterias especificamente concebidas. O uso de qualquer outro tipo de bateria pode causar risco de lesões e incêndio.
- Quando a bateria não estiver a ser utilizada, mantenha-a afastada de outros objectos metálicos como clipes de papel, moedas, chaves, pregos, parafusos, ou outros pequenos objectos metálicos que podem fazer a ligação de um terminal para outro. Ligar os terminais da bateria em conjunto pode causar queimaduras ou um incêndio.
- Sob circunstâncias abusivas, o líquido pode

ser ejectado da bateria, evite o contacto. Se o contacto ocorrer acidentalmente, limpe com água abundante. Se o líquido entrar em contacto com os olhos, procure adicionalmente assistência médica. O líquido ejectado da bateria pode causar irritação ou queimaduras.

- Não use um conjunto de baterias ou uma ferramenta que tenha sido sofrido danos ou modificações. Baterias danificadas ou modificadas podem ter um comportamento imprevisível, resultando em incêndio, explosão ou risco de ferimentos.
- Não exponha um conjunto de baterias nem uma ferramenta ao fogo ou a temperaturas excessivas. A exposição ao fogo ou a temperaturas acima de 130 °C pode causar uma explosão.
- Siga todas as instruções de carregamento e não dê carga ao conjunto de baterias ou à ferramenta fora da amplitude de temperaturas especificada nas instruções. O carregamento feito de forma incorrecta ou sob temperaturas fora da amplitude especificada pode danificar a bateria e aumentar o risco de incêndio.

REGRAS DE SEGURANÇA DO LANÇADOR DE NEVE

- Não coloque as mãos ou os pés próximo das peças rotativas. Mantenha sempre a abertura de descarga desobstruída. Não coloque nenhum objeto nas aberturas.
- Exerça extrema cautela ao utilizar ou atravessar caminhos ou passagens de gravilha. Mantenha-se alerta quanto aos perigos escondidos ou ao utilizar perto de vias públicas.
- Para reduzir o risco de ferimentos associados ao contacto com peças rotativas, pare sempre o produto e desmonte o conjunto de baterias. Certifique-se de que todas as peças em movimento pararam completamente:
 - depois de bater num objeto estranho para inspecionar o aparelho e ver se está danificado



- Se o produto começar a vibrar de forma anormal, verifique imediatamente a causa. A vibração é geralmente um aviso de problema.
- antes de limpar ou despejar uma obstrução
- antes de deixar o produto desacompanhado
- antes de verificar, fazer a manutenção ou funcionar com o produto
- Não limpe a neve de frente para um declive. Tenha extrema cautela ao mudar de direção nas inclinações. Não tente limpar um declive pronunciado.
- Nunca utilize o aparelho sem ter colocado a proteção, as placas ou outro tipo de dispositivo de segurança pertinente.
- Nunca dirija a descarga para pessoas ou áreas onde possam ocorrer danos materiais. Mantenha as crianças e outros transeuntes afastados.
- Não sobrecarregue a capacidade da máquina tentando tirar a neve com muita rapidez.
- Nunca utilize o produto a altas velocidades de transporte em superfícies escorregadias. Olhe para trás e exerça cuidados ao utilizar em marcha-atrás.
- Desligue a alimentação elétrica do coletor/hélice quando o produto for transportado ou quando não se encontrar em utilização.
- Utilize apenas peças de substituição, acessórios e encaixes do fabricante original.
- Nunca utilize o produto sem boas condições de visibilidade ou iluminação. Certifique-se sempre da sua postura e mantenha uma preensão firme das pegas. Ande e nunca corra.
- Nunca coloque o aparelho numa superfície que não seja uma superfície dura e limpa, quando o motor estiver em funcionamento. A gravilha, a areia e outros restos podem ser arrastados pelo jorro de ar e disparados para o operador ou para os transeuntes, provocando lesões graves.
- Nunca opere o aparelho perto de recintos de vidro fechados, automóveis, janelas ou portais sem ter ajustado corretamente o ângulo de descarga de neve. Mantenha as pessoas fora da área de trabalho, especialmente as crianças e animais de estimação.
- Não utilize o aparelho quando houver risco de relâmpago.
- Não opere a máquina em atmosferas explosivas, tais como na presença de líquidos inflamáveis, gases ou poeira.
- Não se aproxime em demasia. Tentar esticar-se demais pode provocar a perda de equilíbrio.
- Ao operar esta unidade, permaneça alerta, tenha em atenção ao que está a fazer e use o bom senso. Um momento de desatenção enquanto opera o produto pode resultar em ferimentos graves.

⚠ ADVERTÊNCIA

Se o aparelho cair, sofrer um impacto forte ou começar a vibrar de maneira anormal, pare-o imediatamente e verifique se está danificado ou identifique o motivo da vibração. Qualquer dano deve ser devidamente reparado ou substituído por um centro de assistência autorizado.

AVISOS DE SEGURANÇA ADICIONAIS DAS BATERIAS

⚠ ADVERTÊNCIA

Para evitar o risco de incêndio, de feridas ou de danificação do produto causado por um curto-circuito, não imerja a bateria intercambiável ou o carregador em líquidos e assegure-se de que líquidos não penetrem nos aparelhos ou nas baterias. Líquidos corrosivos ou condutivos como água salgada, determinadas substâncias químicas ou produtos que contenham branqueadores podem causar um curto-circuito.



CONSELHOS DE FUNCIONAMENTO

- O aparelho não funcionará se a pega superior não estiver bem colocada e o clipe que bloqueia a pega não estiver bem fechado. Há dois bloqueios de segurança que ajudam a prevenir o arranque acidental quando a máquina não está corretamente montada.
- Note a direção do vento antes de utilizar o produto. Descarregue a neve na mesma direção que o vento para evitar que o vento empurre novamente a neve para a sua cara.

TRANSPORTE E ARMAZENAMENTO

- Pare o produto e retire a bateria. Permita que o produto arrefeça antes de guardar ou transportar num veículo.
- Limpe todos os materiais estranhos do produto. Guarde-o num local fresco e seco e bem ventilado a que as crianças não consigam aceder. Mantenha-o afastado de substâncias corrosivas, tais como produtos químicos utilizados em jardinagem e sais de descongelação. Não armazenar ao ar livre.
- Para transportar, prenda o aparelho de modo a evitar que este se mova ou caia, para evitar lesões ou danos no produto.

TRANSPORTE DE BATERIAS DE LÍLIO

Transporte as baterias em conformidade com as disposições e regulamentos locais e nacionais.

Siga todos os requisitos especiais na embalagem e rótulos ao transportar baterias por um terceiro. Certifique-se de que nenhuma bateria pode entrar em contato com outras baterias ou materiais condutores durante o transporte protegendo os conectores expostos com tampas ou fita isoladora e não condutora. Não transporte baterias que estejam rachadas ou com fugas. Confirme com a empresa de envio para mais conselhos.

MANUTENÇÃO

⚠ ADVERTÊNCIA

Utilize apenas peças de substituição, acessórios e encaixes do fabricante original. A inobservância desta indicação pode causar um fraco desempenho, possíveis lesões e poderá anular a sua garantia.

⚠ ADVERTÊNCIA

Os serviços de manutenção requerem extremo cuidado e conhecimentos e devem apenas ser realizado por um técnico de assistência qualificado. Para assistência e reparações, entregue o seu produto exclusivamente a um centro de assistência autorizado. Durante as operações de manutenção, utilize peças de substituição originais do fabricante.

- Pode realizar os ajustes e reparações descritos neste manual do utilizador. Para outras reparações, entregue o seu produto exclusivamente a um centro de assistência autorizado.
- Limpar o produto com um pano suave seco depois de cada uso.
- Verifique todas as porcas, pregos e parafusos com intervalos frequentes para confirmar a tensão apropriada e se certificar que o produto está em condições seguras de funcionamento. Qualquer peça danificada deve ser substituída ou reparada adequadamente por um centro de serviço autorizado.
- Leve o produto a um centro de serviço autorizado para substituir as etiquetas danificadas ou ilegíveis.
- Opere o produto várias vezes antes de lançar neve para evitar o congelamento da hélice.
- Ao limpar, reparar ou inspecionar o produto, certifique-se de que todas as peças móveis estão completamente imóveis. Retire a bateria para evitar o arranque inadvertido do produto.

ELIMINAR UMA OBSTRUÇÃO

⚠ ADVERTÊNCIA

Nunca coloque as mãos ou os pés à frente do aparelho ou da conduta de descarga, assim evitará lesões graves.

- Solte o gatilho e retire a bateria.
- Certifique-se de que todas as peças em movimento pararam completamente.
- Utilize um pau de madeira para tirar o bloqueio.
- Rode o conjunto de impulsor com um pau de madeira.
- Tenha cuidado, o impulsor pode mover-se enquanto tira o bloqueio devido à energia acumulada no mecanismo.
- Quando tiver rodado o impulsor com o pau de madeira, mova-se para a parte traseira do aparelho.
 - É normal que o mecanismo impulsor faça movimentos escalonados.
- Assegure-se de que é seguro continuar a remover neve.
- Coloque a bateria. Ligue o aparelho.

RISCOS RESIDUAIS:

Mesmo quando se utiliza o produto segundo as instruções, continua a ser impossível eliminar por completo certos fatores de risco residuais. Podem surgir os seguintes riscos durante o uso e o operador deve prestar especial atenção para evitar o seguinte:

- A exposição ao ruído pode provocar perda de audição.
 - Use proteção para os ouvidos e limite o tempo de exposição
- Ferimentos causados por objectos projectados
 - Os objectos projectados pelo impulsor rotativo na frente do produto ou através da calha de neve podem causar ferimentos. Coloque sempre a proteção ocular adequada.

CONHEÇA O SER APARELHO

Ver a página 158.

1. Pega superior
2. Botão On/Off
3. Botão de bloqueio
4. Cabo de controlo do motor
5. Alavanca de rotação da conduta de descarga
6. Clipe de bloqueio da pega
7. Eixo de rotação da conduta de descarga
8. Alavanca de desvio da conduta de descarga
9. Desviador da conduta de descarga
10. Leds
11. Impulsor
12. Pega intermédio
13. Botão de ajuste da pega
14. Pega inferior
15. Pega
16. Compartimento da bateria de armazenamento
17. Compartimento da bateria em uso
18. Bateria
19. Carregador da bateria

SÍMBOLOS NO PRODUTO



Leia e compreenda todas as instruções antes de manipular o produto, respeite os alertas e as instruções de segurança.



Tenha cuidado com os objectos voláteis ou lançados. Mantenha todos os espectadores, especialmente crianças e animais de estimação, a pelo menos 15 m da área de funcionamento.



Usar protecção para os olhos



PERIGO! Evite lesionar-se com a turbina rotativa. Mantenha as mãos, os pés e a roupa afastados.



PERIGO! Retire a bateria e leia as instruções do manual antes de efetuar um desbloqueio. Mantenha as mãos e os pés bem afastados da parte frontal da máquina e da conduta de descarga.



Os aparelhos eléctricos antigos não devem ser eliminados juntamente com o lixo doméstico. Recicle onde existem instalações para o efeito. Verifique com as suas Autoridades Locais ou revendedor para obter informações sobre reciclagem.



Esta ferramenta obedece a todas as normas regulamentares do país da UE onde foi comprada.



Marca de conformidade EurAsian



Marca de conformidade ucraniana



O melhor nível de potência sonora é de 86 dB



Prima e mantenha premido



Aperte e segure para trabalhar



Compartimento da bateria de armazenamento



Compartimento da bateria em uso

As seguintes palavras de sinal e significados destinam-se a explicar os níveis de risco associados a este produto:

PERIGO

Indica uma situação perigosa iminente, que, se não evitada, poderá resultar em morte ou ferimentos graves.

ADVERTÊNCIA

Indica uma situação potencialmente perigosa, que, se não evitada, poderá conduzir à morte ou graves lesões.

ADVERTÊNCIA

Indica uma situação potencialmente perigosa, que, se não evitada, poderá resultar em pequenas ou moderadas lesões.

ADVERTÊNCIA

Sem símbolo de alerta de segurança
Indica uma situação que pode resultar em danos de propriedade.

SÍMBOLOS NESTE MANUAL



As peças ou acessórios vendem-se separadamente



Nota



Aviso



Bloqueio



Abrir

Sikkerhed, ydelse og driftssikkerhed har fået toprioritet i designet af din ledningsfri sneslynge.

TILTÆNKET ANVENDELSESFORMÅL

Det ledningsfri sneslynge er kun beregnet til udendørs brug på et godt oplyst område, betjent af en stående operatør, som går bag produktet. Produktet er kun beregnet til at blive brugt af voksne, som har læst og forstået instruktionerne og advarslerne i denne vejledning, og som kan betragtes som værende ansvarlige for deres handlinger. Af sikkerhedshensyn skal produktet altid kontrolleres omhyggeligt ved at fastholde det med begge hænder.

Produktet er designet til at rydde sne på områder som indkørsler, fortove, gangbroer, stier, veje og omkring huse. Produktet kan fjerne sne med en dybde på op til 25 cm.

Produktet må aldrig benyttes, hvis hjulene ikke hviler på jorden. Man må ikke køre/ride på produktet.

Produktet bør kun bruges som beskrevet i denne manual.

Må ikke bruges til andre formål.

GENERELLE SIKKERHEDSREGLER

⚠ ADVARSEL

Produktet er i stand til at amputere hænder og fødder og udkaste genstande. Manglende overholdelse af alle sikkerhedsanvisninger kan resultere i alvorlig personskade.

⚠ ADVARSEL

Når produktet anvendes, skal sikkerhedsreglerne efterleves. Af hensyn til egen og andres sikkerhed skal man læse denne brugsanvisning, inden produktet anvendes. Disse sikkerhedsregler skal opbevares med henblik på senere brug.

⚠ ADVARSEL

Produktet bør kun anvendes med batteriet som drivkraft. Når man bruger den batteridrevne maskine, skal man altid følge de grundlæggende sikkerhedsforanstaltninger for at reducere faren for brand, lækkende batterier og personskader.

UDDANNELSE

- Læs, forstå og følg alle anvisninger på produktet og i denne manual inden betjening af produktet. Sæt dig grundigt ind i brug af greb og korrekt brug af produktet. Du skal vide, hvordan man hurtigt stopper produktet og frigiver betjeningshåndtaget.
- Lad aldrig børn eller personer med begrænsede fysiske, sensoriske eller mentale evner, eller personer, som ikke er bekendt med denne brugsanvisning, benytte, rengøre eller vedligeholde produktet. Lokale love kan have indflydelse på den tilladte brugerage. Børn bør holdes under tilstrækkeligt opsyn, så man er sikker på, at de ikke leger med produktet.
- Tilskuere, børn og kæledyr skal have en sikkerhedsafstand på mindst 15 m til arbejdsområdet. Stop produktet, hvis uvedkommende kommer ind i området.
- Udvis forsigtighed for at undgå at glide eller falde, især når produktet bruges baglæns.
- Husk det er brugeren selv der er ansvarlig for ulykker eller farer andre folk bliver udsat for.
- Anvend ikke produktet, hvis du er træt, syg eller du har taget stoffer, drukket alkohol eller taget medicin.

FORBEREDELSE

- Inspicér omhyggeligt det område, hvor maskinen skal anvendes, og fjern alle dørmåtter, slæder, brædder, ledninger og andre fremmedlegemer.
- Når man benytter maskinen, skal man altid bære passende vintertøj og skridsikkert fødtøj. Undgå at bære løstsiddende tøj samt nedhængende snore eller bånd; disse kan hænge fast i bevægelige dele.
- Brug altid øjenværn eller øjenafskærmning under betjening eller under udførelse af justeringer eller reparationer for at beskytte øjnene mod fremmedlegemer, der kan udcastes fra produktet.
- Juster højden på opsamlarhuset for at undgå grus eller knust stenoverflade.

- Forsøg aldrig at foretag justeringer, mens produktet kører.
- Langt hår skal bindes op over skulderniveau, så det ikke risikerer at vikles ind i bevægelige dele.
- Inden hver brug skal man kontrollere, at alle betjeningsselementer og alt sikkerhedsudstyr fungerer upåklageligt. Undlad at bruge produktet, hvis motoren ikke kan standses med "SLUK"-kontakten.
- Inden hver brug skal man altid visuelt inspicere, at huset er ubeskadiget, og at afskærmninger og håndtag er korrekt placeret og sikret.

BRUG OG PLEJE AF BATTERIVÆRKTØJ

- Opladning må kun finde sted med den af producenten foreskrevne oplader. En oplader, der er beregnet til én type batteri, kan udgøre en brandrisiko, hvis den bruges til en anden batteritype.
- Brug kun elværktøjer sammen med specifikt godkendte batterier. Brug af andre batterityper kan medføre fare for personskade og brand.
- Når batteriet ikke bruges, må det ikke opbevares sammen med metalgenstande som fx papirclips, mønter, nøgler, søm, skruer eller andre metalgenstande, som kan skabe forbindelse mellem batteriets poler. Hvis batteriets poler kortsluttes, kan det forårsage forbrændinger eller ildebrand.
- Hvis batteriet misbruges, kan der sprøjte væske ud af det; undgå kontakt med batterivæsken. Ved kontakt med batterivæsken skylles med vand. Hvis der kommer væske i øjnene, søges desuden læge. Udsprøjtet batterivæske kan forårsage irritation eller forbrændinger.
- Brug ikke et batteri eller værktøj, der er beskadiget eller modificeret. Beskadigede eller modificerede batterier kan være ustabile, hvilket kan medføre brand, eksplosion eller personskade.
- Udsæt ikke batteri eller værktøj for åben ild eller høje temperaturer. Udsættelse for ild eller temperaturer over 130 °C kan medføre eksplosion.
- Følg vejledningen for opladning, og oplad ikke batteriet eller værktøjet uden for det temperaturområde, der er angivet i vejledningen. Forkert opladning eller opladning ved temperaturer uden for det angivne område kan beskadige batteriet og øge risikoen for brand.

SIKKERHEDSREGLER FOR SNEKASTER

- Anbring aldrig hænder eller fødder i nærheden af eller under roterende dele. Hold også altid væk fra udtømningsområdet. Undlad at komme genstande i åbninger.
- Udvis ekstrem forsigtighed ved betjening på eller ved krydsning af grusbelagte indkørsler eller gangstier. Vær opmærksom på skjulte farer eller betjening i nærheden af offentlig vej.
- Stop altid produktet, og fjern batteriet for at reducere risikoen for personskader ved kontakt med bevægelige dele. Kontrollér, at alle bevægelige dele er standset fuldstændigt:
 - Hvis man rammer et fremmedlegeme, skal man huske at inspicere produktet for skader.
 - Hvis produktet begynder at vibrere unormalt meget, skal du straks kontrollere årsagen. Voldsom vibration er som regel en advarsel.
 - ingen rengøring eller afhjælpning af en blokering.
 - før du går fra produktet
 - inden kontrol, vedligeholdelse eller arbejde på produktet
- Undgå at rydde sne på tværs af skrånninger. Udvis stor forsigtighed når græsslåmaskinen vendes på bakker. Forsøg ikke at rydde sne på stejle skrånninger.
- Brug aldrig produktet uden påmonterede behørigt afskærmninger, plader eller andre beskyttelsesanordninger.
- Ret aldrig udkastet mod folk eller steder,

hvor der kan opstå tingskader. Hold børn og andre på afstand.

- Undlad at overbelaste maskinens kapacitet ved at forsøge at rydde sne i et for hurtigt et tempo.
- Betjen aldrig produktet ved høj transporthastighed på glatte overflader. Se bagud, og udvis forsigtighed ved betjening i bakgear.
- Sluk for strøm til opsamler/skovlhjul, når produktet transporteres eller ikke er i brug.
- Brug kun originale reservedele, ekstraudstyr og tilbehør fra producenten.
- Betjen aldrig produktet uden god sigtbarhed og lys. Sørg altid for et godt fodfæste, og hold godt fast i håndtagene. Gå, løb aldrig.
- Anbring aldrig produktet på våde overflader, bortset fra hårde rene overflader, mens motoren kører. Grus, sand og andet snavs kan blive opfanget af luftindtaget og slynget mod operatøren eller omkringstående og evt. forårsage alvorlige personskader.
- Brug aldrig produktet i nærheden af glasmontrer, biler, vinduer eller døråbninger, med mindre udslyngningsvinklen er indstillet ordentligt. Tilskuere skal opholde sig på sikker afstand af arbejdsområdet, især børn og dyr.
- Produktet må ikke benyttes, hvis der er fare for tordenvejr.
- Brug ikke maskinen i eksplosive omgivelser som fx i nærheden af brandbar væske, gas eller støv.
- Overstræk ikke. Overstrækning kan føre til tab af balancen.
- Når man bruger produktet, skal man være agtpågivende, iagttage hvad man gør og bruge sund fornuft. Et øjeblikks uopmærksomhed under anvendelse af produktet kan medføre alvorlige personskader.

⚠ ADVARSEL

Hvis produktet tabes, udsættes for stød eller begynder at vibrere unormalt, skal man omgående stoppe det og inspicere det for skader eller lokalisere årsagen til vibrationen. Enhver beskadiget del skal repareres ordentligt eller udskiftes på et autoriseret servicecenter.

YDERLIGERE SIKKERHEDSADVARSLER OM BATTERI

⚠ ADVARSEL

For at undgå risiko for brand, kvæstelser eller beskadigelse af produktet forårsaget af kortslutning må værktøjet, batteripakken eller opladeren ikke nedsænkes i vand. Sørg ligeledes for, at der ikke trænger væske ind i enhederne og batterierne. Korroderende eller ledende væsker, f.eks. saltvand, bestemte kemikalier, blegestoffer eller produkter, som indeholder blegestoffer, kan forårsage kortslutning.

BRUGSTIPS

- Produktet vil ikke starte, hvis det øverste håndtag ikke er korrekt monteret, og håndtagsslåseklipsen er ikke forsvarligt fastgjort. Der findes to sikkerhedsspærringer, der skal bidrage til at forhindre utilsigtet start, når maskinen ikke er korrekt monteret.
- Læg mærke til vindretningen inden betjening af produktet. Sørg for at udslynge sneen i samme retning som vinden for at forhindre sneen i at blive kastet tilbage i dit ansigt.

TRANSPORT OG OPBEVARING

- Stop produktet, fjern batteripakken. Lad produktet køle af inden opbevaring eller transport i et køretøj.
- Afrens alle fremmedlegemer fra produktet. Opbevar den på et køligt, tørt og godt ventileret sted utilgængeligt for børn. Opbevar motorsaven på afstand af ætsende midler som f.eks. havekemikalier

og optønings salt. Må ikke opbevares uendørs.

- Til transport skal man sikre produktet, så den ikke kan bevæge sig eller vælte; dette for at forebygge personskader eller skader på produktet.

TRANSPORT AF LITHIUM-BATTERIER

Batterier skal transporteres i henhold til lokale og nationale forskrifter og love.

Når batterier skal transporteres af tredjepart, skal alle specielle krav til emballering og mærkning efterleves. Man skal sikre sig, at ingen batterier kan komme i kontakt med andre batterier eller ledende materialer under transporten ved at beskytte blottede konnektorer med isolerende, ikke-ledende hætter eller tape. Undlad at transportere batterier med revner eller utætheder. Rådfør dig desuden hos speditøren.

VEDLIGEHOVELSE

⚠ ADVARSEL

Brug kun originale reservedele, ekstraudstyr og tilbehør fra producenten. I modsat fald er der fare for personskader, dårlig maskinydelse og annullering af garantien.

⚠ ADVARSEL

Vedligeholdelse kræver stor omhyggelighed og viden og kun bør udføres af en kvalificeret tekniker. Lad kun en autoriseret servicecenter servicere og reparere produktet. Brug kun originale reservedele fra maskinproducenten i forbindelse med servicearbejde.

- Du kan lave justeringer og reparationer beskrevet i denne brugervejledning. Lad kun et autoriseret servicecenter servicere og reparere produktet.
- Produktet skal rengøres med en blød klud efter hver brug.
- Tjek ofte alle møtrikker, bolte og skruer om de sidder godt fast, og sørg for at produktet fungerer ordentligt. Enhver del, som bliver beskadiget, skal repareres ordentligt eller

udskiftes på et autoriseret servicecenter.

- Indlevér produktet på et autoriseret servicecenter for at få udskiftet beskadigede eller ulæselige mærkater.
- Kør produktet nogle få gange efter snekastning for at undgå tilfrysning af skovlbladet.
- Ved rengøring, reparation eller undersøgelse af produktet skal du sørge for, at alle bevægelige dele er stoppet helt. Fjern batteripakken for at forhindre andre i utilsigtet at starte produktet.

AFHJÆLPNING AF BLOKERING

⚠ ADVARSEL

Ræk aldrig hænder eller fødder ind i forenden af produktet eller sneudkastningsskaktens for at undgå alvorlige personskader.

- Udløs udløseren, og fjern batteripakken.
- Kontrollér, at alle bevægelige dele er standset fuldstændigt.
- Brug en træpind til at fjerne blokeringen.
- Drej skovlhjuls-modulet ved hjælp af træpinden.
- Vær opmærksom på, at skovlhjulet kan bevæge sig af selv selv, mens man fjerner en blokering, pga. oplagret energi i mekanismen.
- Så snart skovlhjulet kan drejes med træpinden, går man om bag produktet.
 - Det er normalt, at skovlhjulsmechanismen har trinvis bevægelse.
- Kontrollér, at det er sikkert at fortsætte snerydningen.
- Montér batteripakken. Tænd produktet.

UUNDGÅELIGE RISICI

Selv om produktet anvendes som foreskrevet, er det stadig umuligt at eliminere visse uundgåelige risikofaktorer fuldstændigt. Følgende risici kan opstå under brug, og operatøren bør være særligt opmærksom for at undgå følgende:

- Eksponering for støj kan medføre høreskader.
 - Benyt høreværn, og begræns eksponering
- Personskader forårsaget af udslyngede genstande
 - Genstande, der kastes af det roterende kompressorhjul på det forreste produkt eller fra sneglidebanen, kan forårsage kvæstelse. Der skal altid benyttes passende øjenværn.

KEND PRODUKTET

Se side 158.

1. Øverste håndtag
2. Tænd/Sluk-udløser
3. Udløser-låseknop
4. Motorstyrelabel
5. Håndtag til rotation af skakten
6. Håndtagsslåseclip
7. Skaktrotationsaksler
8. Skaktdeflektor-håndtag
9. Skaktdeflektor
10. LED-lamper
11. Skovlhjul
12. Mellemhåndtag
13. Håndtagsjusteringsknop
14. Sænk håndtag
15. Bære-/løftehåndtag
16. Rum til opbevaring af batteriet
17. Rum til batteri i brug
18. Batteri
19. Batterioplader

SYMBOLER PÅ PRODUKTET



Alle vejledninger skal læses og forstås, inden produktet benyttes; følg alle advarsler og sikkerhedsinstrukser.



Pas på udslyngede eller flyvende objekter. Sørg for, at tilskuere (især børn og dyr) er mindst 15 m fra arbejdsområdet.



Benyt øjenværn



FARE! Undgå personskader pga. det roterende skovlhjul. Hold hænder fødder og tøj på afstand.



FARE! Fjern batteriet, og læs anvisningen i brugsanvisningen, inden blokeringen afhjælpes. Hold hænder og fødder på god afstand af maskinens forside og udkastningskakten.



Elektriske affaldsprodukter bør ikke afskaffes sammen med husholdningsaffald. Genbrug venligst hvor faciliteterne tillader dette. Tjek med din lokale kommune eller forhandler for genbrugsråd.



Dette redskab overholder alle lovkrav og standarder i det EU-land, hvor det er købt.



EurAsian overensstemmelsesmærke



Ukrainsk overensstemmelsesmærke



Det garanterede lydeffektniveau er 86 dB.



Tryk og hold inde



Klem og holde inde for betjening



Rum til opbevaring af batteriet



Rum til batteri i brug

Formålet med nedenstående signalord og betydninger er at tydeliggøre risikoniveauet i forbindelse med produktet:

⚠ FARE

Indikerer en meget farlig situation, som hvis ikke undgås, kan føre til alvorlige skader og i værste fald døden.

⚠ ADVARSEL

Indikerer en potentielt farlig situation, som hvis ikke undgås, kan føre til alvorlige skader og i værste fald døden.

⚠ PAS PÅ

Indikerer en potentielt farlig situation, som hvis ikke undgås, kan føre til mindre eller moderate skader.

PAS PÅ

Uden sikkerhedsadvarselssymbol

Indikerer en situation, som kan medføre materiel skade.

SYMBOLER I DENNE BRUGSANVISNING



Dele eller tilbehør, der sælges separat



Bemærk



Advarsel



Lås



Oplås

Säkerhet, prestanda och pålitlighet har varit högsta prioritet vid design av din sladdlösa snöslunga.

ANVÄNDINGSOMRÅDE

Den sladdlösa snöslungan är enbart avsedd för utomhusbruk på väl belysta platser av användare som går bakom produkten. Produkten är endast avsedd för användning av vuxna som har läst och förstått anvisningarna och varningarna i denna manual och kan anses vara ansvariga för sina handlingar. Av säkerhetsskäl ska produkten hela tiden kontrolleras med båda händerna.

Produkten är designad för att rensa snö från områden som uppfarter, trottoarer, gångar, vägar och runt byggnader. Produkten kan rensa snö upp till ett snödjup på 25 cm.

Produkten får inte användas när inte hjulen är på marken. Rid inte på produkten.

Produkten bör endast användas på det sätt som beskrivs i denna manual.

Får ej användas för annat ändamål.

GENERELLA SÄKERHETSFORESKRIFTER

⚠ VARNING

Produkten kan kapa av händer och fötter och slunga ut föremål. Underlåtenhet att följa alla säkerhetsanvisningar kan resultera i allvarlig skada.

⚠ VARNING

När man använder apparaten måste säkerhetsföreskrifterna följas För din egen, och andra närvarandes säkerhet, läs alltid dessa instruktioner innan du använder produkten Förvara instruktionerna på ett säkert ställe för användning vid senare tillfälle.

⚠ VARNING

Produkten får enbart användas med batteriet. Vid användning av batteridrivna verktyg ska grundläggande säkerhetsanvisningar alltid följas för att minska risken för brand, läckande batterier och personskador.

UTBILDNING

- Läs, förstå och se till att du följer alla anvisningar i denna manual innan du använder produkten. Var väl förtrogen med kontrollerna och korrekt användning av produkten. Lär dig hur du stoppar produkten och snabbt frigör kontrollerna.
- Se till att barn eller personer med nedsatt fysisk eller psykisk förmåga, eller personer som inte är bekanta med dessa instruktioner, aldrig använder, rengör eller utför underhåll på produkten. Lokala regler kan åldersbegränsa användningen av gräsklipparen. Barn ska alltid övervakas så att de inte leker med produkten.
- Håll åskådare, barn och husdjur på minst 15 meters avstånd. Stoppa produkten om någon kommer i närheten.
- Öva försiktighet för att undvika att halka eller falla, särskilt vid användning av produkten i bakåtläge.
- Kom ihåg att användaren är ansvarig för olyckor och faror som uppstår för andra människor och deras egendom.
- Använd inte produkten när du är trött, sjuk eller är påverkad av droger, alkohol eller medicin.

FÖRBEREDELSE

- Granska området där maskinen ska användas noga och ta bort dörmattor, träskivor, kablar och andra främmande föremål.
- Vid användning av maskinen ska alltid ordentliga vinterkläder och halkfria skodon användas. Bär inte kläder som sitter löst eller som har hängande delar eller snören, de kan fastna i rörliga delar.
- Använd alltid skyddsglasögon eller ögonskydd under drift eller medan du utför en justering eller reparation för att skydda ögon från främmande föremål som kan kastas från produkten.
- Justera höjden för uppsamlingshuset för att rensa bort grus eller krossad stenytta.
- Försök aldrig utföra några justeringar

medan produkten är i drift.

- Sätt upp hår som är längre än till axlarna så att det inte trasslas in i rörliga delar.
- Kontrollera före användning så att reglage och säkerhetsanordningar fungerar som de ska. Använd inte produkten om "Off"-läget inte stoppar motorn.
- Inspektera före varje användning så att höljet är oskadat och att skydd och handtag sitter ordentligt på plats.

ANVÄNDNING OCH UNDERHÅLL AV BATTERIET

- Använd endast den batteriladdare som tillverkaren rekommenderar. En batteriladdare som passar en typ av batteripack kan vara en brandfara om den används med en annan typ av batteripack.
- Använd eldrivna verktyg med batteripaket som är speciellt utformade för användning tillsammans med produkterna. Om du använder andra batteripaket ökar du risken för skador och brand.
- När batteripaketet inte används ska det hållas bort från metallföremål som gem, mynt, nycklar, spikar, skruvar och andra små metallföremål som kan kortsluta batteriets kontakter. Vid kortslutning av batteriets kontakter finns det risk för brännskador eller brand.
- Vätska kan läcka ut från batteripaketet vid felaktig användning; undvik kontakt med vätskan. Spola med vatten om du kommer i kontakt med den. Uppsök omedelbart läkarhjälp om du får vätska i ögonen. Den kan orsaka irritation och brännskador.
- Använd inte en batterienhet eller ett verktyg som är skadat eller har modifierats. Skadade eller modifierade batterier kan bete sig oförutsägbart, vilket kan leda till brand, explosion eller risk för olycksfall.
- Utsätt inte ett batteripaket eller ett verktyg för eld eller mycket hög temperatur. Exponering för eld eller temperaturer över 130 °C kan orsaka explosion.
- Följ alla anvisningar för laddning och ladda

inte batterienheten eller verktyget vid en temperatur utanför det intervall som anges i anvisningarna. Att ladda på felaktigt sätt eller vid temperaturer utanför det angivna intervallet kan skada batteriet och ökar brandrisken.

SÄKERHETSREGLER FÖR SNÖSLUNGA

- Placera inte händerna eller fötterna nära eller under roterande delar. Håll alltid undan från utkastöppningen. För inte in föremål i öppningarna.
- Utöva extrem försiktighet vid drift på eller vid korsning av grusuppfarter eller grusgångar. Var uppmärksam på dolda faror eller vid drift nära allmänna vägar.
- För att reducera risken för olycksfall i samband med roterande delar, stoppa alltid produkten och avlägsna batterienheten. Se till att samtliga rörliga delar har stannat helt:
 - efter att ha träffat något föremål för att kontrollera om produkten skadats
 - Om produkten börjar vibrera onormalt, sök omedelbart efter orsaken. Kontrollera skicket på bladet.
 - före rengöring eller rensning av ett stopp
 - innan produkten lämnas utan uppsikt
 - före kontroll av, rengöring av eller arbete med produkten
- Rensa inte snö på tvären i slutningar. Var extremt försiktig när du byter riktning i en slutning. Rensa aldrig i branta slutningar.
- Använd aldrig produkten utan att korrekta skydd, plattor eller andra säkerhetsenheter är på plats.
- Rikta aldrig urladdningen mot människor eller områden där egendomsskada kan inträffa. Håll barn och andra människor borta.
- Överbelasta inte maskinen genom att rensa snö i för hög takt.
- Kör aldrig produkten med hög förflyttningshastighet på hala ytor. Titta bakom dig och använd försiktighet vid drift i bakåtläge.

- Koppla från strömmen till uppsamlaren/impellern när produkten transporteras eller inte används.
- Använd enbart ersättningsdelar och tillbehör från tillverkaren.
- Använd aldrig produkten vid dålig sikt eller belysning. Se alltid till att ha rätt fotgrepp och håll ordentligt i handtagen. Gå. Spring aldrig.
- Placera aldrig produkten på något underlag, förutom hårt, rent underlag, om motorn är igång. Grus, sand och annat skräp kan plockas upp av luftintaget och kastas iväg mot användaren eller kringstående och därmed eventuellt orsaka allvarliga personskador.
- Använd aldrig produkten i närheten av glasbyggnader, bilar, fönster eller dörrar utan att anpassa snöutkastets riktning. Håll alla åskådare borta från arbetsområdet, speciellt barn och djur.
- Använd inte produkten om det finns risk för blixtnedslag.
- Använd inte maskinen i explosiva atmosfärer, till exempel i närheten av brännbara vätskor, brännbara gaser eller damm.
- Sträck dig inte. Att sträcka sig kan resultera i balansförlust.
- Var på din vakt, håll reda på vad du gör och använd sunt förnuft vid drift av enheten. Ett ögonblick av bristande uppmärksamhet vid användning av produkten kan innebära risk för allvarlig personskada.

⚠ VARNING

Om produkten tappas, utsätts för hårda slag eller börjar vibrera onormalt mycket ska produkten omedelbart stoppas och kontrolleras för eventuella skador eller orsak till vibrationerna. Eventuella skador ska repareras ordentligt eller bytas ut av ett auktoriserat servicecenter.

YTTERLIGARE SÄKERHETSVARNINGAR FÖR BATTERIER

⚠ VARNING

För att undvika den fara för brand, personskador eller produktskador som orsakas av en kortslutning, doppa inte ner verktyget, utbytesbatteriet eller laddaren i vätskor och se till att ingen vätska kan tränga in i apparaterna eller batterierna. Korroderande eller ledande vätskor, som saltvatten, vissa kemikalier, blekningsmedel eller produkter som innehåller blekmedel, kan orsaka en kortslutning.

TIPS FÖR ANVÄNDNING

- Produkten fungerar inte om det övre handtaget inte sitter korrekt och handtagsslåsklämman inte är ordentligt säkrad. Det finns även två säkerhetslås för att hjälpa till att förhindra start av misstag om maskinen inte är korrekt monterad.
- Lägg märke till vindens riktning före du använder produkten. Kasta ut snö i vindens riktning så att inte snö blåser tillbaka i användarens ansikte.

TRANSPORT OCH FÖRVARING

- Stanna produkten och ta bort batteripaketet. Låt produkten svalna före du förvarar eller transporterar den i ett fordon.
- Ta bort allt främmande material från produkten. Förvara den svalt och välventilerat på en plats där barn inte kan komma åt den. Förvara på avstånd från frätande medel, t.ex. trädgårdskemikalier och vägsalt. Förvara den inte utomhus.
- Vid transport ska produkten säkras mot rörelser eller fallande för att förhindra personskador eller att produkten skadas.

TRANSPORTERA LITIUMBATTERIER

Transportera batterier enligt lokala och nationella riktlinjer och regleringar.

Följ alla särskilda krav på förpackning och etikettering vid transport av batterier som utförs av tredje part. Se till att inga batterier kan komma i kontakt med andra batterier

eller ledande material under transporten genom att skydda exponerade kontaktytor med isolerande, icke ledande överdrag eller tejp. Transportera aldrig batterier som har spruckit eller som läcker. Kontrollera med det transporterande företaget för vidare rådgivning.

UNDERHÅLL

⚠ VARNING

Använd enbart ersättningsdelar och tillbehör från tillverkaren. Om inte kan det eventuellt orsaka skador, sämre resultat och kan upphäva garantin.

⚠ VARNING

Att serva produkten kräver extrem försiktighet och kunskap och bör endast utföras av en kvalificerad servicetekniker. Vid service och reparation, låt produkten repareras på ett auktoriserat servicecenter. Under servicearbete ska enbart tillverkarens originaltillbehör användas.

- Du kan göra de justeringar och reparationer som beskrivs i den här manualen. För övrig och reparation, låt endast produkten repareras på ett auktoriserat servicecenter.
- Efter rengöring ska maskinen alltid rengöras med en mjuk torr trasa.
- För att vara säker på att produkten är säker att använda, kontrollera alla muttrar, bultar och skruvar regelbundet för att säkerställa att de är åtdragna ordentligt. Skadade delar skall repareras ordentligt eller bytas ut av en auktoriserad servicefirma.
- Lämna produkten till auktoriserat servicecenter för utbyte av skadade eller oläsbara etiketter.
- Kör produkten ett par gånger efter snökastning för att förhindra frysning av impellern.
- Vid rengöring, reparation eller inspektion, säkerställ att alla rörliga delar har stannat helt. Ta bort batteripaketet för att förhindra att någon oavsiktligen startar produkten.

RENSA BLOCKERADE RÖR

⚠ VARNING

Ha aldrig händer och fötter framför maskinen eller utkastet för att förhindra allvarliga personskador.

- Släpp gasreglaget och ta ur batteripaketet.
- Se till att samtliga rörliga delar har stannat helt.
- Använd en trästav för att rensa blockeringar.
- Vrid de roterande bladen med trästaven.
- Var försiktig eftersom bladen kan rotera av sig själv när blockeringar rensas på grund av lagrad energi i mekanismen.
- När bladen kan roteras med trästaven ska du gå bakom produkten.
 - Det är normalt att bladen roterar hackigt.
- Kontrollera att det är säkert att fortsätta rensa snö.
- Sätt i batteriet. Slå på produkten.

KVARSTÄENDE RISKER

Även om produkten används enligt instruktionerna går det inte att eliminera alla eventuella riskfaktorer. Följande risker kan uppstå vid användning och operatören ska vara extra uppmärksam för att undvika följande:

- Exponering för buller kan orsaka hörselskador.
 - Använd hörselskydd och begränsa exponeringen
- Olycksfall orsakade av utkastade föremål
 - Föremål som kastas ut av den roterande impellern på produktens framsida eller från snöutkastet kan orsaka olycksfall. Använd alltid lämpligt ögonskydd.

LÄR KÄNNA PRODUKTEN

Se sida 158.

1. Övre handtag
2. Strömbrytare
3. Spärrlåsknapp
4. Motorkontrollkabel

5. Spak för utkastvridning
6. Handtagsslåklämma
7. Skaff för utkastvridning
8. Handtag för avvsningsutkast
9. Utkastavvisning
10. LED-lampor
11. Roterande blad
12. Mellanhandtag
13. Vred för handtagsjustering
14. Sänk handtaget
15. Bär-/lyfthandtag
16. Fack för batteriförvaring
17. Fack för batteri som används
18. Batteri
19. Batteriladdare

SYMBOLER PÅ PRODUKTEN



Läs igenom och var införstådd med alla instruktioner före användning av produkten, var uppmärksam på alla varningar och säkerhetsinstruktioner.



Se upp med kringkastade eller flygande föremål. Håll alla åskådare, barn och husdjur på minst 15 meters avstånd från arbetsområdet.



Bär ögonskydd



FARA! Undvik skador från roterande blad. Håll händer, fötter och kläder på avstånd.



FARA! Ta bort batteriet och läs instruktionerna i bruksanvisningen innan du rensar en blockering. Håll händer och fötter på säkert avstånd från maskinens framsida och utkastet.



Gamla elektroniska produkter ska inte kastas med hushållssoporna. Återvinn där sådana faciliteter finns. Kontrollera med din lokala myndighet eller säljaren för att få återvinningstips.



Detta verktyg uppfyller alla standarder i de EU-länder där det kan köpas.



EurAsian överensstämmelsesymbol



Ukrainskt märke för överensstämmelse



Garanterad ljudnivå är 86 dB



Tryck och håll



Kläm och håll vid användning



Fack för batteriförvaring



Fack för batteri som används

Följande signalord och betydelser är avsedda att beskriva risknivåer associerade med produkten:

⚠ FARA

Indikerar en överhängande farlig situation som kan, om den inte undviks, resultera i dödsfall eller allvarlig skada.

⚠ VARNING

Indikerar en potentiellt farlig situation som kan, om den inte undviks, resultera i dödsfall eller allvarlig skada.

⚠ PÅMINNELSE

Indikerar en potentiellt farlig situation som kan, om den inte undviks, resultera i mindre eller medelstora skador.

PÅMINNELSE

Utän säkerhetssymbol

Visar på en situation som kan orsaka skada på egendom.

SYMBOLER I MANUALEN



Delar och utrustning säljs separat



Notera



Varning



Lås



Lås upp

Langattoman lumilingon suunnittelussa on pidetty etusijalla turvallisuutta, suorituskykyä ja luotettavuutta.

KÄYTTÖTARKOITUS

Langaton lumilinko on tarkoitettu yksinomaan ulkokäyttöön hyvin valaistuilla alueilla käyttäjän kävellessä tuotteen takana. Kone on suunniteltu ainoastaan aikuisten käytettäväksi. Käyttäjien tulee lukea ja ymmärtää tämän käyttöoppaan ohjeet ja varoitukset ja heitä on voitava pitää vastuullisina tekemisistään. Turvallisuussyistä tuotteen on oltava asianmukaisesti hallinnassa ja käyttäjän on pideltävä sitä aina kaksin käsin.

Tuote on suunniteltu lumen poistamiseen esim. ajoteiltä, jalkakäytäviltä, kävelypoluilta, ajoradoilta ja talojen ympäriltä. Tuote voi poistaa jopa 25 cm:n syvyistä lunta.

Tuotetta ei saa koskaan käyttää sen pyörien ollessa irti maasta. Sillä ei saa ratsastaa.

Laitetta saa käyttää yksinomaan tässä käyttöoppaassa kuvatulla tavalla.

Älä käytä muihin tarkoituksiin.

YLEISET TURVALLISUUSSÄÄNNÖT

▲ VAROITUS

Laite on riittävän voimakas leikkaamaan raajat ja sinkoamaan esineitä. Turvallisuusohjeiden laiminlyönti voi johtaa vakaviin henkilövammoihin.

▲ VAROITUS

Noudata turvallisuussääntöjä tuotetta käyttäessäsi. Oman ja sivullisten turvallisuuden vuoksi, lue nämä ohjeet ennen tuotteen käynnistämistä. Säilytä ohjeet tulevaa käyttöä varten.

▲ VAROITUS

Tuotetta on käytettävä vain akun kanssa. Akkukäyttöistä laitetta käytettäessä on aina ryhdyttävä perusvarotoimiin tulipalon, akkuvuodon ja loukkaantumisen välttämiseksi.

KOULUTUS

- Kaikki laitteessa ja tässä käyttöoppaassa olevat ohjeet on luettava ja ymmärrettävä ennen laitteen käyttöä ja niitä on noudatettava. Tutustu huolellisesti ohjaimiin ja laitteen oikeanlaiseen käyttöön. Tiedä, kuinka laite pysäytetään ja ohjaimet sammutetaan nopeasti.
- Älä koskaan salli lasten tai ihmisten, joiden fyysiset tai henkiset kyvyt tai aistit ovat heikentyneet, tai näitä ohjeita tuntemattomien käyttää, puhdistaa tai huoltaa tuotetta. Paikalliset säädökset saattavat asettaa rajoituksia käyttäjän iälle. Lapsia on pidettävä asianmukaisesti silmällä, jotta he eivät pääse leikkimään tuotteella.
- Pidä sivulliset, lapset ja lemmikit 15 metrin etäisyydellä työalueesta. Sammuta tuote, jos alueelle tulee joku.
- Erityistä huolellisuutta tulee noudattaa liukastumisen tai putoamisen välttämiseksi, varsinkin laitetta taaksepäin käytettäessä.
- Muista, että ruohonleikkurin käyttö on vastuunalainen vahingoista ja vaaroista, jotka hän aiheuttaa muille ihmisille ja heidän omaisuuksilleen.
- Älä käytä sahaa, jos olet väsynyt, sairas tai huumeiden, alkoholin tai lääkkeiden vaikutuksen alainen.

VALMISTELUT

- Tarkista huolella alue, jolla laitetta käytetään, ja poista kaikki ovimatot, kelkat, laudat, johdot ja muut vierasesineet.
- Kun käytät konetta, käytä aina asianmukaisia talvivaatteita ja liukusuojattuja jalkineita. Älä käytä löysiä vaatteita tai vaatteita, joista riippuu nuoria tai siteitä; ne voivat tarttua liikkuviin osiin.
- Kun käytät, säädät tai korjaat laitetta, pidä aina suojalaseja tai silmäsuojuksia, jotka suojaavat silmiä laitteesta mahdollisesti sinkoavilta vierasesineiltä.
- Säädä keräimen kotelon korkeus sellaiseksi, että se ei kerää pinnasta soraa tai sepeliä.



- Älä koskaan yritä tehdä mitään säätöjä laitteen ollessa käynnissä.
- Sido pitkät hiukset hartioiden yläpuolelle, jotta ne eivät pääse tarttumaan liikkuviin osiin.
- Varmista aina ennen käyttöä, että kaikki hallinta- ja turvallisuuslaitteet toimivat asianmukaisesti. Älä käytä tuotetta, jos Off-kytkin ei sammuta moottoria.
- Tarkista aina ennen jokaista käyttökertaa silmämääräisesti, että kotelo on kunnossa ja että suojat ja kahvat ovat tiukasti paikoillaan.

AKKUKÄYTTÖISEN TYÖKALUN KÄYTTÖ JA HOITO

- Käytä lataukseen ainoastaan valmistajan suosittelemaa laturia. Yhden tyyppiselle akulle sopivan laturin käyttö toisenlaisen akun kanssa voi olla vaarallista.
- Käytä sähkötyökäluä ainoastaan sitä varten suunniteltujen akkujen kanssa. Muiden akkujen käyttö voi johtaa loukkaantumiseen ja tulipaloon.
- Kun akkua ei käytetä, pidä se erillään metalliesineistä, kuten paperiliittimistä, kolikoista, avaimista, nauloista, ruuveista ja muista pienistä metalliesineistä, jotka voivat yhdistää akun navat. Akun napojen oikosulkeminen voi aiheuttaa palovammoja ja tulipalon.
- Jos akkua käsitellään väärin, siitä voi vuotaa nestettä; älä kosketa sitä. Jos kosketat sitä vahingossa, huuhtelee se vedellä. Jos nestettä pääsee silmiin, hakeudu lisäksi lääkärin hoitoon. Akusta vuotanut neste voi ärsyttää ihoa ja aiheuttaa palovammoja.
- Vaurioitunutta tai muunneltua akkua tai työkalua ei saa käyttää. Vaurioituneet tai muunnellut akut voivat käyttäytyä odottamattomasti, ja ne voivat johtaa tulipaloon, räjähdykseen, vaaraan tai tapaturmaan.
- Älä altista akkua tai työkalua tulelle tai liian korkealle lämpötilalle. Tulelle tai yli 130 °C:n lämpötilalle altistuminen voi johtaa räjähdykseen.

- Noudata kaikkia latausohjeita äläkä lataa akkua tai työkalua muissa kuin ohjeissa määritellyissä lämpötilaolosuhteissa. Virheellinen lataus tai määritellyistä poikkeavat lämpötilat saattavat johtaa akun vaurioitumiseen ja lisätä tulipalon vaaraa.

LUMILINKOA KOSKEVAT TURVALLISUUS-OHJEET

- Älä laita käsiä tai jalkoja lähelle pyöriä osia tai niiden alle. Pidä ruohonkeruuaukko aina vapaana. Älä laita aukkoihin mitään vieraita esineitä.
- Ole erityisen varovainen työskennellessäsi piha- tai kävelytiellä tai niitä ylittäessäsi. Noudata valppautta yhtäkkisten vaaratilanteiden varalta tai kun käytät laitetta yleisten teiden lähellä.
- Liikkuvien osien kanssa kosketuksiin joutumista seuraavan tapaturmavaaran välttämiseksi tuote on aina pysäytettävä ja akku on poistettava. Varmista, että kaikki liikkuvat osat ovat pysähtyneet täysin:
 - törmättyäsi vieraskappaleeseen tarkistamaan tuote vaurioiden varalta
 - jos tuote alkaa väristä epänormaalisti, tarkasta syy välittömästi. Tärinä on yleensä varoitus ongelmasta.
 - ennen tukoksen poistamista.
 - ennen laitteen luota poistamista
 - ennen tuotteen tarkastusta, ylläpitoa ja huoltoa
- Älä poista lunta rinteiltä poikittaissuunnassa. Ole erityisen varovainen vaihtaessasi suuntaa rinteessä. Älä yritä poistaa lunta jyrkistä rinteistä.
- Älä käytä tuotetta ilman asianmukaisia suojuksia, levyjä ja muita suojalaitteita.
- Älä koskaan suuntaa heittotorvea ihmistä kohti tai suuntaan, jossa voi olla vahingoittuvia kohteita. Pidä lapset ja muut ihmiset loitolla laitteesta.
- Älä ylikuormita koneen kapasiteettia yrittämällä poistaa lunta liian nopeasti.
- Laitetta ei saa käyttää suurilla nopeuksilla liukkailla pinnoilla. Kun käytät laitetta



taaksepäin, katso taaksesi ja noudata varovaisuutta.

- Kytke irti keräimen/roottorin tehonlähde, kun laitetta siirretään tai se ei ole käytössä.
- Käytä ainoastaan alkuperäisiä valmistajan tuottamia varaosia, lisälaitteita ja lisävarusteita.
- Käytä laitetta vain paikoissa, joissa on hyvä näkyvyys ja valo riittävästi. Varo jalkojasi ja pidä kahvoista lujalla otteella. Kävele, älä koskaan juokse.
- Älä koskaan jätä tuotetta millekään pinnalle, paitsi kovalle ja puhtaalle pinnalle, moottorin ollessa käynnissä. Ilmanotto voi imeä soraa, hiekkaa ja muita roskia ja singota ne käyttäjää tai sivullisia kohden, aiheuttaen mahdollisesti vakavia vammoja.
- Älä koskaan käytä tuotetta lähellä lasirakennelmia, autoja, ikkunoita tai ovia säätämättä ensin lumen poistokulman asianmukaiseksi. Pidä kaikki sivulliset kaukana toiminta-alueelta –erityisesti lapset ja lemmikit.
- Älä käytä tuotetta paikassa, jossa on salamaniskun vaara.
- Älä käytä laitetta räjähdysalttiissa paikoissa, kuten helposti syttyvien nesteiden tai kaasujen tai pölyn läheisyydessä.
- Älä kurkota liian pitkälle. Liian pitkälle kurkotta minen saattaa johtaa tasapainon menettämiseen.
- Ole valpas, katso mitä teet ja käytä tervettä järkeä, kun käytät tuotetta. Tarkkaamattomuus tuotetta käytettäessä saattaa johtaa vakavaan loukkaantumiseen.

⚠ VAROITUS

Jos tuote putoaa, saa kovan iskun tai alkaa tärinä normaalia enemmän, sammuta se heti ja tarkista se vaurioiden varalta tai paikanna tärinän syy. Valtuutetun huoltopisteen on korjattava tai vaihdettava vioittuneet osat asianmukaisesti.

LISÄÄ AKUN TURVALLISUUSVAROITUKSIA

⚠ VAROITUS

Jotta vältetään lyhytsulun aiheuttama tulipalon, loukkaantumisen tai tuotteen vahingoittumisen vaara, älä koskaan upota työkalua, vaihtoakkuja tai latauslaitetta nesteeseen ja huolehdi siitä, ettei mitään nesteitä pääse tunkeutumaan laitteiden tai akkujen sisään. Syövyttävät tai sähköä johtavat nesteet, kuten suolavesi, tietyt kemikaalit ja lalkaisuaaineet tai valkaisuaaineita sisältävät tuotteet voivat aiheuttaa lyhytsulun.

KÄYTTÖVINKKEJÄ

- Tuote ei toimi, jos yläkahva ei ole asianmukaisesti paikallaan ja kahvan lukitus ei ole tiukasti kiinni. Laitteessa on kaksi interlock-turvajärjestelmää, jotka estävät tahattoman käynnistyksen, jos laitetta ei ole koottu asianmukaisesti.
- Ennen kuin käytät laitetta, selvitä tuulen suunta. Suuntaa lumi tuulen suuntaan, jotta lumi ei lennä takaisin kasvoillesi.

KULJETUS JA VARASTOITAESSA

- Sammuta laite ja irrota akkupakkaus. Anna laitteen jäähtyä kunnolla, ennen kuin siirät sen säilytykseen tai kuljetat sitä ajoneuvossa.
- Puhdista laitteesta kaikki vieraat materiaalit. Varastoi laite viileään, kuivaan ja hyvin tuuletettuun paikkaan, jossa lapset eivät pääse siihen käsiksi. Pidä poissa syövyttäviltä aineilta kuten puutarhakemikaaleilta ja jäänsulatussuolalta. Älä säilytä ulkona.
- Kiinnitä tuote kuljettaessa siten, että se ei pääse liikkumaan tai kaatumaan, jotta välttyä loukkaantumisilta ja vaurioilta.

LITIUMAKKIJEN KULJETTAMINEN

Kuljeta akkuja paikallisten ja kansallisten ehtojen ja säädösten mukaisesti.

Noudata kaikkia pakkaamista ja nimeämistä koskevia erikoissäädöksiä, kun kolmas

osapuoli kuljettaa akkuja. Varmista, että mikään akku ei kosketa muita akkuja tai johtavaa materiaalia kuljetuksen aikana suojaamalla paljaat navat eristävillä, johtamattomilla korkeilla tai teipillä. Älä kuljeta akkuja, jotka ovat halkeilleet tai vuotavat. Kysy välitysyrytykseltä lisäneuvoja.

HUOLTO

VAROITUS

Käytä ainoastaan alkuperäisiä valmistajan tuottamia varaosia, lisälaitteita ja lisävarusteita. Tämän noudattamatta jättäminen voi johtaa loukkaantumiseen ja huonoon tulokseen ja voi mitätöidä takuun.

VAROITUS

Huolto kaipaa suurta huolellisuutta ja hyvää työkalun tuntemusta: Se on annettava pätevän teknikon tehtäväksi. Huollata ja korjata saha ainoastaan valtuutetussa huoltoliikkeessä. Käytä huollossa ainoastaan alkuperäisiä valmistajan tuottamia varaosia.

- Voit tehdä tässä käyttöoppaassa kuvattuja säätöjä ja korjauksia. Huollata ja korjata laite ainoastaan valtuutetussa huoltoliikkeessä.
- Puhdista tuote aina käytön jälkeen pehmeällä ja kuivalla liinalla.
- Varmista aina, että ruuvit ja mutterit ovat tiukasti kiinni, jotta tuote olisi aina turvallinen ja käyttövalmis. Valtuutetun huoltopisteen on korjattava tai vaihdettava vioittuneet osat asianmukaisesti.
- Vie tuote valtuutettuun huoltoon vaurioituneiden ja lukukelvottomien kyttien vaihtamiseksi.
- Anna laitteen käydä jonkin aikaa linkoamisen jälkeen, jotta roottorin jäätyminen estyy.
- Ennen laitteen puhdistamista, korjaamista tai tarkistamista, varmista aina, että kaikki liikkuvat osat ovat kokonaan pysähtyneet. Irrota akkupakkaus, jotta kukaan ei käynnistä laitetta epähuomiossa.

TUKOKSEN POISTAMINEN

VAROITUS

Älä koskaan laita käsiä tai jalkoja tuotteen tai poistokuilun eteen, jotta välttyt vakavilta vammoilta.

- Vapauta liipaisin ja irrota akku.
- Varmista, että kaikki liikkuvat osat ovat pysähtyneet täysin.
- Poista tukos puukepillä.
- Pyöritä siipipyöräkoonpanoa puukepillä.
- Varo—siipipyörä saattaa liikkua itseksen tukosta irrotettaessa mekanismiin varastoituneen energian takia.
- Kun siipipyörää voidaan kääntää puukepillä, palaa tuotteen taakse.
 - On normaalia, että siipipyörän liike on porrasmaista.
- Varmista, että on turvallista jatkaa lumen poistoa.
- Asenna akku. Käynnistä tuote.

KÄYTTÖÖN LIITTYVÄT RISKIT

Vaikka tuotetta käytettäisiin ohjeiden mukaisesti, ei ole mahdollista täysin eliminoida tiettyjä käyttöön liittyviä riskitekijöitä. Käytössä voi aiheutua seuraavia vaaroja, ja käyttäjän tulee kiinnittää erityistä huomiota niiden välttämiseen:

- Liian kova melu voi aiheuttaa kuulovamman.
 - Käytä suojalaseja ja rajoita altistumista.
- Heitettyjen esineiden aiheuttama vahinko
 - Laitteen edessä olevasta siipipyörästä tai lumiputkesta lentävät esineet voivat aiheuttaa loukkaantumisen. Käytä aina riittävän hyviä suojalaseja.

TUNNE TUOTTEESI

Katso sivu 158.

1. Yläkahva
2. On/Off-liipaisin
3. Liipaisimen lukituspainike
4. Moottorin ohjauskaapeli
5. Kuilun kääntövipu

6. Kahvan lukitus
7. Kuilun kääntöakseli
8. Kuilun suuntauskahva
9. Kuilun suuntain
10. LED-valot
11. Siipipyörä
12. Välikahva
13. Kahvan säätönappi
14. Alakädensija
15. Kanto-/nostokahva
16. Vara-akkutila
17. Käyttöakkutila
18. Akku
19. Akkulaturi

TUOTTEESSA OLEVAT SYMBOLIT



Lue ja ymmärrä kaikki ohjeet ennen tuotteen käyttöä ja noudata kaikkia varoituksia ja turvallisuusohjeita.



Varo sinkoutuneita ja muita lentäviä esineitä. Pidä kaikki sivulliset vähintään 15 metrin päässä toiminta-alueelta – erityisesti lapset ja lemmikit.



Käytä silmäsuojaimia



VAARA! Varo, ettet loukkaannu pyörivän vetopyörän takia. Pidä kädet, jalat ja vaatteet kaukana siitä.



VAARA! Irrota akku ja lue käyttöoppaan ohjeet ennen tukoksen poistamista. Pidä kädet ja jalat kaukana laitteen ja poistokuilun etuosasta.



Käytöstä poistettavia sähkölaitteita ei pidä hävittää talousjätteiden mukana. Ne on mahdollisuuksien mukaan pantava kiertoon. Kierrätysohjeita antavat kunnan viranomaiset ja vähittäiskauppiaat.



Tämä työkalu on sen EU-maan kaikkien sääntömääräisten standardien mukainen, josta se on ostettu.



EurAsian-vaatimustenmukaisuusmerkki



Ukrainalainen säädöstenmukaisuusmerkintä



Taattu äänenteho on 86 dB.



Paina ja pidä



Purista ja pidä käyttäaksesi laitetta



Vara-akkutila



Käyttöakkutila

Seuraavien merkkien tarkoitus on selittää, miten vakava riski tuotteeseen liittyy.

⚠ **VAARA**

Ilmaisee välitöntä vaaratilannetta, joka ellei sitä vältetä, johtaa kuolemaan tai vakavaan loukkaantumiseen.

⚠ **VAROITUS**

Ilmaisee potentiaalisen vaaratilanteen, joka ellei sitä vältetä, johtaa kuolemaan tai vakavaan loukkaantumiseen.

⚠ **HUOMAUTUS**

Ilmaisee potentiaalisen vaaratilanteen, joka ellei sitä vältetä, saattaa johtaa pienempään tai keskivaikeaan loukkaantumiseen.

HUOMAUTUS

Ilman turvallisuusvaroitussymbolia
Ilmoittaa tilanteesta, jossa omaisuutta
saattaa vaurioitua.

TÄMÄN KÄSIKIRJAN SYMBOLIT



Osat ja lisävarusteet on
hankittava erikseen



Huom



Varoitus



Lukko



Avaa

Sikkerhet, ytelse og pålitelighet er gitt høyeste prioritet ved konstruksjonen av din batteridrevne snøfreser.

TILTENKT BRUK

Den batteridrevne snøfreseren er kun ment brukt utendørs på et godt opplyst område av en operatør som går bak produktet. Produktet skal kun brukes av voksne som har lest og forstått instruksjonene og advarslene og som kan regnes for å være ansvarlige for sine egne handlinger. Av sikkerhetsmessige årsaker må produktet holdes under kontroll ved alltid å holde det med to hender.

Dette produktet er konstruert for å fjerne snø i områder som oppkjørsler, fortau, gangveier, stier, veier og rundt hus. Produktet kan fjerne snø med en dybde på opptil 25 cm.

Produktet må aldri brukes med hjulene hevet fra bakken. Det må aldri rides på.

Produktet skal kun brukes slik som beskrevet i denne håndboken.

Ikke bruk til noe annet formål.

GENERELLE SIKKERHETSREGLER

⚠ ADVARSEL

Produktet er i stand til å amputere hender og føtter, samt å kaste gjenstander. Hvis ikke alle sikkerhetsanvisningene følges, kan det medføre alvorlig personskade.

⚠ ADVARSEL

Når produktet brukes må sikkerhetsreglene følges. Les disse instruksjonene før du tar i bruk produktet for din egen sikkerhet og sikkerheten til personer som befinner seg i nærheten. Vennligst ta vare på instruksjonene for fremtidig bruk.

⚠ ADVARSEL

Produktet må bare brukes sammen med batteripakken. Når du bruker en batteridrevet maskin må visse grunnleggende sikkerhetsforholdsregler følges for å redusere risikoen for brann, lekkende batterier og personlig skade, inklusive følgende.

OPPLÆRING

- Les, forstå og følg alle instruksjoner på produktet og i denne håndboken før du betjener produktet. Gjør deg godt kjent med kontrollinnretningene og riktig bruk av produktet. Sett deg inn i hvordan du stopper produktet og frakobler kontrollinnretningene hurtig.
- Du må aldri la barn eller personer med nedsatte fysiske, sensoriske eller mentale evner, eller personer som ikke kjenner tid denne bruksanvisningen, å bruke, rengjøre eller vedlikeholdet dette produktet. Lokale forskrifter kan begrense en alder av operatøren. Barn må ha riktig tilsyn for å sikre at de ikke leker med produktet.
- Hold tilskuere, barn og kjæledyr 15 m unna arbeidsområde. Stopp produktet når noen kommer inn på området hvor produktet brukes.
- Utøv forsiktighet for å unngå å gli eller falle, spesielt ved bruk av produktet i revers.
- Husk at operatøren eller brukeren er ansvarlig for uhell og farer som andre personer og deres eiendom får påført.
- Ikke bruk sagen når du er trøtt, syk eller påvirket av stoffer, alkohol eller medisiner.

KLARGJØRING

- Foreta en grundig inspeksjon av området der maskinen skal brukes, og fjern alt som kan fanges opp og kastes ut av maskinen, som dørmatter, plankebiter, ledninger og andre fremmedlegemer.
- Anvend alltid passende vinterklær og sklisikkert sikkerhetsfottøy når maskinen brukes. Unngå bruk av løstsittende klær eller klær som har hengende stropper eller snører - disse kan hekte seg fast i bevegelige deler.
- Bruk alltid vernebriller eller øyeskjerm ved betjening eller under utføring av en justering eller reparasjon for å beskytte øynene mot fremmedlegemer som kan kastes ut fra produktet.
- Juster samlerhusets høyde for å unngå

grus eller overflate med knuste steiner.

- Gjør aldri forsøk på å foreta justeringer mens produktet er i gang.
- Sørg for at langt hår ikke når lenger ned en til skuldrene for å hindre at det kan fanges opp av roterende deler.
- Kontroller før hver bruk at alle styreenheter og sikkerhetsanordninger fungerer som de skal. Ikke bruk dette produktet hvis "av" knappen ikke stanser motoren.
- Før hver bruk, se alltid over produktet, sjekk om kabinettet er uskadet og alle vern og håndtak er på plass og riktig sikret.

BATTERIPRODUKTER - BRUK OG STELL

- Lad bare med ladere som er spesifisert av produsenten. En lader som passer til en type batteripakke kan skape risiko for brann dersom den brukes til en annen type batteripakke.
- Bruk batteriprodukter kun med spesielt tiltenkte batteripakker. Bruk av andre batteripakker kan føre til risiko for skade og brann.
- Når batteripakken ikke er i bruk, hold den vekke fra metallgjenstander som binders, mynter, nøkler, spiker, skruer og annet som kan forbinde de to terminalene med hverandre. Kortslutning av batteriterminalene kan føre til brenning eller brann.
- Dersom batteriet misbrukes kan det slippe ut væske, unngå hudkontakt med væsken. Hvis du får kontakt med væsken fra batteriet, skyll med rikelige mengder vann. Hvis væsken får kontakt med øynene må det søkes medisinsk hjelp. Væske som kommer ut av batteriet kan føre til irritasjon eller brannskår.
- Ikke bruk et batteri eller verktøy som er skadet eller endret. Batterier som er skadd eller endret, kan oppføre seg uforutsigbart, noe som kan føre til brann, eksplosjon og personskade.
- Ikke utsett batteriet eller verktøyet for ild eller høy temperatur. Eksponering for

brann eller temperatur over 130 °C kan føre til eksplosjon.

- Alle ladeinstruksjoner må følges. Ikke lad batteriet eller verktøyet hvis omgivelsestemperaturen er utenfor området som er angitt i bruksanvisningen. Feil lading eller lading ved temperaturer utenfor det angitte området kan ødelegge batteriet og øke risikoen for brann.

SIKKERHETSREGLER FOR SNØFRESER

- Ikke plasser hender eller føtter under roterende deler. Hold deg alltid unna utladingsåpningen. Ikke putt gjenstander i noen åpning på maskinen.
- Utøv ekstrem forsiktighet ved drift på eller kryssing av grusbelagte innkjørsler eller gangveier. Vær oppmerksom på skjulte farer eller ved drift i nærheten av offentlig vei.
- Stopp alltid produktet og ta ut batteriet for å redusere risikoen for personskade som skyldes kontakt med roterende deler. Påse at alle bevegelige deler har stoppet helt:
 - etter at man har kommet borti et fremmedlegeme, sjekk produktet for skader
 - Hvis produktet begynner å vibrere unormalt, sjekk umiddelbart etter årsaken. Vibrasjon er vanligvis et varseltegn for at noe er galt.
 - før du renser eller åpner tette enheter
 - før produktet etterlates uten oppsyn
 - før kontroll, vedlikehold og arbeider på produktet
- Ikke fjern snø på tvers av skråninger. Vær meget forsiktig når du skifter retning i en skråning. Ikke gjør forsøk på å rydde snø i bratte skråninger.
- Bruk aldri produktet uten at medfølgende sikkerhetsutstyr er montert og i god stand.
- Rett aldri utkastet mot personer eller områder der det kan oppstå materielle skader. Hold barn og andre personer på avstand.
- Ikke overbelast maskinens kapasitet ved å

forsøke å rydde snø med for stor hastighet.

- Bruk aldri produktet ved høye transporthastigheter på glatte overflater. Se bak deg og vær forsiktig ved drift i revers.
- Frakoble strøm til samler/løpehjul når produktet transporteres eller ikke er i bruk.
- Bruk kun produsentens originale reservedeler, tilleggsutstyr og påsatser.
- Bruk aldri produktet uten god sikt eller belysning. Ha alltid godt fotfeste, og ha et fast grep i håndtakene. Gå, du må aldri løpe mens du arbeider med maskinen.
- Plasser aldri produktet på annet enn hardt og rent underlag når motoren går. Grus, sand og annet løst materiale kan fanges opp av luftinntaket og kastes mot operatøren eller personer i nærheten med påfølgende mulighet for personskader.
- Bruk aldri produktet i nærheten av avlukker av glass eller glassvinduer, biler eller inngangspartier uten passende justering av utkastvinkelen for snøen. Hold alle tilskuere vekk fra arbeidsområdet, spesielt barn og dyr.
- Bruk ikke produktet når det er fare for lynnedslag.
- Ikke bruk elektrisk verktøy i eksplosive atmosfærer, der det finnes brennbare væsker, gasser eller støv.
- Ikke len deg for langt. Hvis du lener deg for langt, kan du miste balansen.
- Vær våken, følg med på hva du gjør og bruk fornuft når du anvender enheten. Et øyeblikk med uoppmerksomhet under bruk av produktet kan føre til alvorlige personskader.

⚠ ADVARSEL

Dersom produktet faller i bakken, får et sterkt slag eller starter å vibrere unormalt, stans produktet omgående og sjekk for skader eller finn ut hva som er årsaken for vibrasjonene. Enhver skade må repareres helt eller delen skiftes av et autorisert serviceverksted.

EKSTRA ADVARSLER FOR BATTERISIKKERHET

⚠ ADVARSEL

For å unngå fare for en brann forårsaket av en kortslutning, av personskader eller skader av produktet, må det forhindres at batteripakken eller laderen dyppes i væsker og også sørges for at ingen væsker kan komme inn i apparatene eller batteriene. Korroderende og ledende væsker som saltvann, visse kjemikalier og blekemidler eller produkt som inneholder blekemidler kan forårsake en kortslutning.

BRUKERTIPS

- Produktet vil ikke kunne brukes dersom det øvre håndtaket ikke er korrekt montert og låseklipset til håndtaklåsen ikke er forsvarlig festet. Det er to sikkerhetslåser som vil bidra til å hindre utilsiktet start før maskinen er korrekt montert.
- Vær oppmerksom på vindretningen før drift av produktet. Sørg for at snøen kastes ut i samme retning som vinden kommer fra for å hindre at snøen kastes tilbake mot ansiktet til operatøren.

TRANSPORT OG LAGRING

- Stopp produktet og ta ut batteripakken. La produktet kjøle seg ned før oppbevaring eller transport i et kjøretøy.
- Fjern alle fremmedelementer fra produktet. Lagres på et kjølig, tørt og godt ventilert sted som er utilgjengelig for barn. Hold den borte fra korrosive materialer, så som ugressmidler og veisalt. Ikke oppbevar utendørs.
- Ved transport må produktet sikres mot å komme i bevegelse eller falle for å unngå skade på personer eller produktet.

TRANSPORTERE LITUM-BATTERIER

Transporter batterier i henhold til lokale og nasjonale lover og forskrifter.

Følg alle spesialkrav med hensyn til emballering og merking når batterier transporteres av en tredjepart. Påse at ingen



batterier kan komme i kontakt med andre batterier eller ledende materialer under transporten ved å beskytte åpne kontakter med isolasjon, ikkeledende lokk eller tape. Ikke transporter batterier som er sprukne eller som lekker. Kontakt speditøren for å få ytterligere råd.

VEDLIKEHOLD

⚠ ADVARSEL

Bruk kun produsentens originale reservedeler, tilleggsutstyr og påsatser. Dersom dette ikke følges, kan det forårsake personskader, dårlig funksjon og kan annullere garantien din.

⚠ ADVARSEL

Service krever meget stor forsiktighet og kunnskap og bør utføres kun av kvalifisert teknisk personale. Service og reparasjoner på saken skal bare utført av et autorisert servicesenter. For service av maskinen, bruk kun produsentens originale reservedeler.

- Du kan foreta justeringer og reparasjoner som er beskrevet i denne brukermanualen. For andre reparasjoner få utført service på produktet av et autorisert servicesenter.
- Etter hver bruk, rens produktet med en myk tørr klut.
- Kontroller all mutter, bolter og skruer med jevne mellomrom at de er skrudd fast for å sikre at produktet er i driftssikker stand. Enhver del som er skadet må repareres eller skiftes ut ved et autorisert serviceverksted.
- Bring produktet til et autorisert servicesenter for utskifting av skadede eller uleselige etiketter.
- Kjør produktet noen ganger etter snøfresing for å forhindre at løpehjulet fryser fast.
- Ved rengjøring, reparasjon eller inspeksjon av produktet se til at alle bevegelige deler har stoppet fullstendig. Fjern batteripakken for å forhindre at noen utilsiktet starter produktet.

FJERNING AV EN BLOKKERING

⚠ ADVARSEL

Plasser aldri hender eller føtter foran maskinen eller snøutkastet for å unngå alvorlige personskader.

- Trykk inn sperrehakene for å fjerne batteripakken
- Påse at alle bevegelige deler har stoppet helt.
- Bruk en trestokk for å fjerne blokkeringer.
- Drei skovlehjulenheten ved hjelp av trestokken.
- Vær klar over at skovlehjulet kan komme i bevegelse under fjerning av blokkeringer som følge av opplagret energi i mekanismen.
- Så snart skovlehjulet kan beveges ved hjelp av trestokken må operatøren flytte seg til baksiden av maskinen.
 - Det er normalt for skovlehjulemekanismen å ha trinnvise bevegelser.
- Påse at det er trygt å fortsette fjerning av snø.
- Installering av batteripakken Slå på produktet.

GJENVÆRENDE RISIKO

Selv om utstyret brukes som beskrevet er det ikke mulig å unngå enhver gjenværende risiko. Følgende faresituasjoner kan oppstå ved bruk, og operatøren må legge spesielt vekt på å unngå følgende:

- Eksposering for støy kan føre til hørselskader.
 - Bruk hørselvern og begrensk eksposeringen.
- Skade som forårsakes av gjenstander som slynges
 - Gjenstander som kastes av den roterende rotoren på forsiden eller fra snøsjakten kan forårsake skade. Bruk alltid tilstrekkelig øyevern.



KJENN PRODUKTET DITT

Se side 158.

1. Øvre håndtak
2. Av/På-bryter
3. Knapp for lås-av
4. Motor kontrollkabel
5. Rotasjonsspak for snøutkast
6. Låseklips for håndtak
7. Rotasjonsaksel for snøutkast
8. Håndtak for snøutkast
9. Snøutkast
10. LED-lys
11. Skovlehjul
12. Overgangshåndtak
13. Justeringsknott for håndtak
14. Nedre håndtak
15. Bære/løftehåndtak
16. Batterilagerrom
17. Batterirom i bruk
18. Batteri
19. Batterilader

SYMBOLER PÅ PRODUKTET



Les og forstå alle instruksur før du tar i bruk produktet, følg alle advarsler og sikkerhetsanvisninger.



Vær oppmerksom på utkastede eller flygende gjenstander. Hold tilskuere, spesielt barn og dyr, på god avstand, det vil si minst 15 meter fra arbeidsområdet



Bruk øyebeskyttelse



FARE! Unngå skade fra roterende skovlehjul. Hold hender, føtter og klær på avstand



FARE! Fjern batteriet og les instruksjonene før en blokkering løses opp. Hold hender og føtter på god avstand fra fronten av maskinen og utkaståpningen.



Avfall fra elektriske produkter skal ikke kastes sammen med husholdningsavfall. Vennligst resirkulervedeksisterende avfallsbehandlingssted. Undersøk hos dine lokale myndigheter eller forhandler for råd om resirkulering.



Dette verktøyet overholder samtlige standarder i det EU-landet det er kjøpt i.



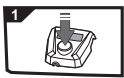
EurAsian Konformitetstegnet



Ukrainsk merke for konformitet



Garantert lydnivå er 86 dB



Trykk og hold



Klem inn og hold for å kjøre maskinen



Batterilagerrom



Batterirom i bruk

Følgende signalord og meninger har til hensikt å forklare graden av risiko forbundet med bruken av dette produktet.

⚠ FARE

Indikerer en øyeblikkelig farlig situasjon, som, hvis ikke unngås, kan resultere i død eller alvorlig personskaade.

ADVARSEL

Indikerer en potensiell farlig situasjon, som, hvis ikke unngås, kan resultere i død eller alvorlig personskade.

FORSIKTIGHETSREGEL

Indikerer en potensiell farlig situasjon, som, hvis ikke unngås, kan resultere i mindre eller moderat personskade.

FORSIKTIGHETSREGEL

Uten sikkerhetsvarselsymbol

Indikerer en situasjon som kan føre til skade på eiendom.

SYMBOLER I DENNE MANUALEN



Deler eller tilbehør solgt separat



Nb



Advarsel



Lås



Låse opp

В дизайне вашего беспроводного снегоочистителя в первую очередь учтены безопасность, эффективность и функциональная надежность.

НАЗНАЧЕНИЕ

Беспроводной снегоочиститель предназначен только наружного использования в хорошо освещенной зоне работником, стоящим позади прибора. Изделие предназначено для использования только взрослыми, способными нести ответственность за свои действия, после прочтения и изучения инструкций и предостережений в настоящем руководстве. Из соображений безопасности всегда необходимо эксплуатировать инструмент, управляя им двумя руками.

Прибор разработан для очистки от снега таких территорий как проезжие дороги, пешеходные дорожки, тротуары, тропинки, мостовые, и вокруг жилых домов. Прибор может удалять снег глубиной до 25 см.

Во время эксплуатации изделия запрещается поднимать его над землей. Запрещается ездить на нем.

Использование изделия допускается только в целях, предусмотренных настоящим руководством.

Не используйте устройство для каких-либо иных целей.

ОБЩИЕ ПРАВИЛА ТЕХНИКИ БЕЗОПАСНОСТИ

⚠ ОСТОРОЖНО

Изделие может отрезать руки и ноги, а также отбрасывать предметы. Несоблюдение правил техники безопасности может привести к серьезной травме.

⚠ ОСТОРОЖНО

При использовании устройства необходимо соблюдать правила техники безопасности. В целях собственной безопасности и безопасности наблюдающих лиц перед использованием устройства прочитайте приведенные в данном руководстве инструкции. Сохраните данные инструкции для последующего использования.

⚠ ОСТОРОЖНО

Прибор должен работать от портативного источника питания. Во избежание опасности возгорания, течи аккумуляторной батареи и получения травм при использовании электроинструментов с питанием от аккумуляторных батарей следует соблюдать основные правила техники безопасности.

ОБУЧЕНИЕ

- Перед началом работы с изделием внимательно ознакомьтесь со всеми инструкциями, указанными на изделии и в настоящем руководстве. Детально изучите элементы управления и порядок эксплуатации изделия. Узнайте, как можно быстро остановить изделие и отключить элементы управления.
- Никогда не позволяйте детям или людям с ограниченными физическими, сенсорными или умственными способностями, а также людям, незнакомым с этими инструкциями, работать с этим устройством, выполнять его очистку и техническое обслуживание. Местные инструкции могут ограничить возраст оператора. Не допускайте того, чтобы дети играли с этим устройством.
- Не допускайте прохожих, детей и домашних животных ближе чем на 15 м от рабочей зоны. Остановите устройство, если кто-то войдет в рабочую зону.
- Соблюдайте осторожность, чтобы не подскользнуться и не упасть, особенно двигаясь спиной вперед.
- Иметь в виду, что оператор или пользователь ответственны за несчастные случаи или опасности, встречающиеся другим людям или их собственности.
- Воздержитесь от использования изделия, если вы ощущаете усталость или болезненное состояние, а также под воздействием наркотиков, алкоголя или медицинских препаратов.

ПОДГОТОВКА

- Внимательно осмотрите территорию, на которой прибор будет использоваться, и удалите все половики, санки, настилы, провода и иные посторонние предметы.
- При работе с прибором всегда надевайте соответствующую зимнюю одежду и нескользящую надежную обувь. Не носите слишком свободную одежду или такую одежду, в которой есть свисающие шнурки или завязки, они могут застрять в движущихся частях.
- Во время работы, регулировки и ремонта всегда пользуйтесь защитными очками или экранами в целях защиты глаз от предметов, которые может отбрасывать изделие.
- Отрегулируйте высоту корпуса снегоборника во избежание попадания в него гравия и щебня.
- Не пытайтесь выполнять регулировку работающего изделия.
- Соберите длинные волосы выше плеч, чтобы предотвратить их попадание в движущиеся части.
- Убедитесь перед каждым использованием, что все элементы управления и предохранительные устройства функционируют правильно. Не используйте устройство, если невозможно остановить двигатель выключателем.
- Перед каждым использованием обязательно выполняйте визуальную проверку, чтобы убедиться в том, что корпус не поврежден, и что защитные приспособления и ручки находятся на месте и надежно закреплены.

ЭКСПЛУАТАЦИЯ УСТРОЙСТВА С АККУМУЛЯТОРНЫМ ПИТАНИЕМ И УХОД ЗА НИМ

- Зарядку выполняйте только с использованием зарядного устройства, указанного изготовителем. Зарядное устройство, подходящее к одному типу аккумуляторных батарей, может

создать опасность возгорания при использовании с аккумуляторными батареями другого типа.

- Используйте электрические устройства только со специально предназначенными для них аккумуляторными батареями. Использование аккумуляторных батарей другого типа может привести к телесным повреждениям или возгоранию.
- Если аккумуляторная батарея не используется, храните ее отдельно от других металлических предметов, например канцелярских скрепок, монет, ключей, гвоздей, винтов и других мелких металлических предметов, которые могут привести к замыканию контактов батареи. Замыкание контактов батареи может вызвать ожоги или привести к возгоранию.
- При ненормальных условиях из батареи может вытечь жидкость, избегайте контакта с ней. Если этого избежать не удалось, смойте жидкость водой. Если жидкость попала в глаза, после их промывания обратитесь за медицинской помощью. Жидкость, вытекающая из батареи, может вызвать раздражение или ожог.
- Не используйте поврежденный или модифицированный аккумуляторный блок и инструмент. Поврежденные или модифицированные аккумуляторы могут вести себя непредсказуемо, что может привести к пожару, взрыву или послужить причиной травмы.
- Запрещается подвергать аккумуляторный блок или инструмент воздействию огня и высокой температуры. Воздействие огня или температуры выше 130°C может привести к взрыву.
- Заряжайте аккумуляторные блоки и инструмент в соответствии с инструкцией, не подвергая их при этом воздействию температур вне диапазона, указанного в инструкции. Несоблюдение инструкций и зарядка при воздействии

температур вне диапазона, указанного в инструкции, может привести к повреждению аккумулятора и повысить риск возгорания.

ПРАВИЛА ТЕХНИКИ БЕЗОПАСНОСТИ ПРИ РАБОТЕ СО СНЕГОУБОРЩИКОМ

- Не держите руки или ноги вблизи вращающихся деталей или под ними. Держите свободным разгрузку, открывающейся всегда. Не кладите посторонние предметы в отверстия.
- Соблюдайте крайнюю осторожность в процессе работы на гравийных поверхностях, а также при их пересечении. Сохраняйте бдительность на случай скрытых препятствий, а также при работе рядом с автомобильными дорогами.
- Всегда выключайте инструмент и извлекайте аккумуляторный блок, чтобы исключить риск травмы при контакте с движущимися деталями. Убедитесь в полной остановке всех движущихся деталей:
 - после удара о посторонний предмет проверьте устройство на предмет повреждения
 - Если инструмент начинает необычно вибрировать, постарайтесь установить причину незамедлительно. Проверить состояние лезвия, поскольку неравно изношенное или поврежденное лезвие, может причинять неправильную вибрацию.
 - перед очисткой или устранением забивания
 - перед тем, как оставить инструмент без присмотра
 - перед проверкой, техобслуживанием и эксплуатацией устройства
- Не очищайте снег у поверхности откоса. Осуществлять чрезвычайное предостережение при изменении направления на склонах. Не пытайтесь очищать снег на крутых склонах.
- Не работайте с прибором без

надлежащих ограждений, плит или иных надежных предохранительных приспособлений на месте.

- Запрещается направлять изделие на людей или имущество. Убедитесь в том, что поблизости нет детей и посторонних.
- Не перегружайте прибор, стараясь очищать от снега при слишком высокой скорости.
- Использование изделия на скользких поверхностях с высокой скоростью не допускается. Двигаясь спиной вперед, оглядывайтесь и соблюдайте осторожность.
- Во время транспортировки или простоя изделия отключайте питание снегоборщника/винта.
- Используйте только оригинальные запчасти, аксессуары и насадки от производителя.
- Запрещается использовать изделие в условиях ограниченной видимости или освещенности. Следите за балансом и крепко держитесь за рукоятки. Передвигайтесь шагом, не бегайте.
- Никогда не кладите прибор на какую-либо поверхность, кроме твердой чистой поверхности, при работающем моторе. Гравий, песок и другие наносы могут собираться в отверстиях для впуска воздуха и отбрасываться на работника или прохожих, что может привести к тяжелым травмам.
- Не работайте с прибором рядом со стеклянными ограждениями, автомобилями, окнами или входными дверями без надлежащей регулировки угла сброса снега. Не подпускайте посторонних, особенно детей и домашних животных, в зону проведения работ.
- Не используйте прибор, если есть опасность поражения молнией.
- Не используйте изделия с аккумуляторным питанием во взрывоопасной среде, например, при

наличии легковоспламеняющихся жидкостей, газов или пыли.

- Не перенапрягать. Перенапряжение может кончатся потерей баланса.
- Следует соблюдать осторожность, следить за своими действиями и руководствоваться здравым смыслом при работе с устройством. Малейшая невнимательность при работе с устройством может привести к серьезным травмам.

▲ ОСТОРОЖНО

Если устройство уронили, оно издает громкий стук или начинает чрезмерно вибрировать, немедленно остановите его и проверьте на наличие повреждений или выясните причину вибрации. Любые поврежденные детали должны быть надлежащим образом отремонтированы или заменены в авторизованном сервисном центре.

ТРЕБОВАНИЯ БЕЗОПАСНОСТИ ПРИ ИСПОЛЬЗОВАНИИ ДОПОЛНИТЕЛЬНОЙ АККУМУЛЯТОРНОЙ БАТАРЕИ

▲ ОСТОРОЖНО

Для предотвращения опасности пожара в результате короткого замыкания, травм и повреждения изделия не опускайте инструмент, сменный аккумулятор или зарядное устройство в жидкости и не допускайте попадания жидкостей внутрь устройств или аккумуляторов. Коррозионные и проводящие жидкости, такие как соленый раствор, определенные химикаты, отбеливающие средства или содержащие их продукты, могут привести к короткому замыканию.

СОВЕТЫ ПО ЭКСПЛУАТАЦИИ

- Прибор не будет работать, если верхняя ручка прикреплена неправильно и зажим, блокирующий ручку, зажат ненадежно. В приборе есть две защитные блокировки для предотвращения случайного запуска, если прибор собран неправильно.

- Перед началом работы с изделием определите направление ветра. Сбрасывайте снег в том же направлении, что и направление ветра, чтобы снег не попадал вам в лицо.

ТРАНСПОРТИРОВКА И ХРАНЕНИЕ

- Остановите изделие и извлеките аккумуляторный блок. Перед размещением изделия на хранение или перевозкой в транспортном средстве дождитесь его остывания.
- Очистите устройство от всех посторонних материалов. Храните его в прохладном, сухом, хорошо проветриваемом и недоступном для детей месте. Не держите бензопилу рядом с коррозионными веществами, такими как садовые химикаты или размораживающая соль. Не храните на открытом воздухе.
- Для транспортировки закрепите изделие так, чтобы оно не могло перемещаться или упасть во избежание травмирования персонала или повреждения изделия.

ПЕРЕВОЗКА ЛИТIEВЫХ БАТАРЕЙ

Транспортировку батареи осуществляйте в соответствии местными и национальными нормами и положениями.

Следуйте всем особым требованиям к упаковке и маркировке при транспортировке батареи в сторонние организации. Проверьте, чтобы батарея не соприкасалась с другими батареями или токопроводящими материалами во время транспортировки, защитив открытые контакты с помощью изоляции, непроводящих колпачков или пленки. Не транспортируйте поврежденные или протекающие батареи. За консультацией обращайтесь в транспортно-экспедиционную компанию.

ОБСЛУЖИВАНИЕ

▲ ОСТОРОЖНО

Используйте только оригинальные запчасти, аксессуары и насадки от производителя. Невыполнение этого требования может привести к травме, к снижению производительности и к аннулированию гарантии.

▲ ОСТОРОЖНО

Обслуживание требует чрезвычайной заботы и знания и должно быть выполнено только квалифицированным техником обслуживания. Техническое обслуживание и ремонт должны осуществляться только в авторизованном сервисном центре. При выполнении технического обслуживания используйте только оригинальные запчасти от производителя.

- Вы можете также выполнить другие виды регулировки и ремонтные работы, описанные в данном руководстве. Ремонтные работы должны осуществляться только в авторизованном сервисном центре.
- После каждого использования протирайте изделие мягкой сухой тканью.
- Проверить все болты, задвижки, и винты, через короткие интервалы, на надлежащую плотность, чтобы убедиться, что изделие находится в безопасном, рабочем состоянии. В случае повреждения какой-либо детали необходимо обратиться в авторизованный сервисный центр для выполнения надлежащего ремонта или замены.
- Обратитесь в авторизованный сервисный центр для замены поврежденных или нечитаемых этикеток изделия.
- После отбрасывания снега запустите изделие несколько раз во избежание замерзания винта.

- Перед выполнением очистки, ремонта или осмотра изделия дождитесь полной остановки движущихся деталей. Извлеките аккумуляторный блок во избежание случайного запуска изделия кем-либо.

ОЧИСТКА ЗАСОРЕНИЯ

▲ ОСТОРОЖНО

Никогда не помещайте руки или ноги перед прибором или не сбрасывайте с лотка, чтобы избежать тяжелых травм.

- Опустите курок и снимите аккумуляторные батареи.
- Убедитесь в полной остановке всех движущихся деталей.
- Используйте деревянный штырь, чтобы снять блокировку.
- Поверните лопастное устройство с помощью деревянного штыря.
- Будьте осторожны, лопастное устройство может перемещаться само по себе во время снятия блокировки в виду накопившейся энергии в механизме.
- Как только лопастное устройство будет повернуто с помощью деревянного штыря, передвиньте его в заднюю часть прибора.
 - Нормально, если лопастной механизм перемещается пошагово.
- Чтобы продолжить уборку снега, убедитесь, что он в безопасном положении.
- Установите аккумуляторные батареи. Включите прибор.

БУДЬТЕ ВСЕГДА ОСТОРОЖНЫ

Даже когда изделие используют согласно инструкциям, невозможно полностью устранить факторы риска. Следующие опасные факторы могут возникнуть в ходе использования, и оператор должен обращать особое внимание, чтобы

избежать следующих опасностей:

- Воздействие шума может привести к повреждению слуха.
 - Носите устройства защиты слуха и ограничивайте продолжительность шумового воздействия
- Травма, вызванная отбрасываемыми предметами
 - Предметы, вылетающие из вращающихся лопастей с фронтальной стороны изделия или из желоба для снега, могут причинить травму. Обязательно носите специальные устройства для защиты глаз.

ИЗУЧИТЕ УСТРОЙСТВО

См. стр. 158.

1. Верхняя ручка
2. Кнопка запуска
3. Блокировка кнопки запуска
4. Управляющий кабель двигателя
5. Рычаг поворота лотка
6. Зажим блокировки ручки
7. Поворотный вал лотка
8. Ручка отражателя лотка
9. Отражатель лотка
10. Светодиодные лампочки
11. Лопастной механизм
12. Промежуточная ручка
13. Маховик регулировки ручки
14. Нижняя ручка
15. Ручка для ношения/поднятия
16. Отсек для хранения батарей
17. Отсек для используемых батарей
18. Аккумулятор
19. Зарядное устройство

УСЛОВНЫЕ ОБОЗНАЧЕНИЯ НА ПРОДУКТЕ



Внимательно прочитайте все инструкции перед началом работы с продуктом, соблюдайте все предупреждения и инструкции по безопасности.



Помните об опасности, которую представляют собой отбрасываемые устройством или вылетающие из-под него предметы. Не допускайте приближения посторонних лиц, особенно детей и домашних животных к рабочей зоне ближе чем на 15 м

Используйте средства защиты органов зрения

ОПАСНО! Во избежание травм не касайтесь вращающейся крыльчатки. Держите руки, ноги и одежду подальше.

ОПАСНО! Извлеките батарею и прочитайте инструкции в руководстве перед устранением засорения. Не допускайте попадания рук и ног перед устройством и желобом выброса.

Отработанная электротехническая продукция должна уничтожаться вместе с бытовыми отходами. Утилизируйте, если имеется специальное техническое оборудование. По вопросам утилизации проконсультируйтесь с местным органом власти или предприятием розничной торговли.

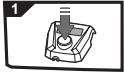
Настоящий инструмент отвечает всем официальным стандартам страны ЕС, в которой он был приобретен.

Знак Евразийского Соответствия

Украинский знак стандартизации



Гарантированный уровень звуковой мощности 86 дБ



Нажмите и удерживайте



Сожмите и удерживайте, чтобы работать



Отсек для хранения батарей



Отсек для используемых батарей

УСЛОВНЫЕ ОБОЗНАЧЕНИЯ В ДАННОМ РУКОВОДСТВЕ



Детали или принадлежности, приобретаемые отдельно



Примечание



Осторожно



Сцепить



Расцепить

EN
FR
DE
ES
IT
NL
PT
DA
SV
FI
NO
RU
PL
CS
HU
RO
LV
LT
ET
HR
SL
SK
BG
UK
TR

Следующие сигнальные слова и значения предназначены для того, чтобы объяснить уровень риска, связанного с этим изделием:

ОПАСНО

Указывает неизбежно опасную ситуацию, которая, если не избежать, кончится смертельным или серьезным ущербом.

ОСТОРОЖНО

Указывает потенциально опасную ситуацию, которая, если не избежать, может кончиться смертельным или серьезным ущербом.

ПРЕДОСТЕРЕЖЕНИЕ

Указывает потенциально опасную ситуацию, которая, если не избежать, может кончиться малым или уменьшенным ущербом.

ПРЕДОСТЕРЕЖЕНИЕ

Употребляется без предупреждающего знака

Указывает на ситуацию, которая может привести к повреждению имущества.

W przypadku tej bezprzewodowej odśnieżarki zwrócono szczególną uwagę na zapewnienie bezpieczeństwa, wysokiej wydajności oraz niezawodności.

PRZEZNACZENIE URZĄDZENIA

Bezprzewodowa odśnieżarka jest przeznaczony do użytku wyłącznie na zewnątrz pomieszczeń w dobrze oświetlonym miejscu przy obsłudze na stojąco, przez operatora idącego za produktem. Produkt powinny obsługiwać osoby dorosłe, które przeczytały i zrozumiały instrukcje i ostrzeżenia zawarte w niniejszym podręczniku oraz które są odpowiedzialne za swoje czyny. Ze względów bezpieczeństwa produkt musi być odpowiednio kontrolowany – należy przez cały czas trzymać go obiema rękoma.

Produkt jest przeznaczony do usuwania śniegu w miejscach takich jak podjazdy, chodniki, ścieżki, drogi oraz na obszarze wokół domu. Produkt może przenosić śnieg o głębokości do 25 cm.

Produkt nigdy nie może być używany, gdy koła nie mają kontaktu z ziemią. Nie wolno na nim jeździć.

Produkt powinien być stosowany jedynie zgodnie z niniejszą instrukcją.

Nie używać do żadnych innych celów.

OGÓLNE ZASADY BEZPIECZEŃSTWA

⚠ OSTRZEŻENIE

Produkt może doprowadzić do amputacji dłoni i stóp, a ponadto może miotać przedmiotami. Niestosowanie się do instrukcji bezpieczeństwa może skutkować poważnym urazem.

⚠ OSTRZEŻENIE

Podczas używania tego urządzenia należy przestrzegać odpowiednich zasad bezpieczeństwa. Aby zapewnić bezpieczeństwo sobie i osobom postronnym, przed przystąpieniem do użytkowania urządzenia należy zapoznać się z niniejszą instrukcją. Niniejszą instrukcję należy przechowywać w bezpiecznym miejscu do późniejszego użytku.

⚠ OSTRZEŻENIE

Urządzenie do pracy wymaga akumulatora. W przypadku korzystania z urządzeń akumulatorowych należy zawsze przestrzegać podstawowych zasad bezpieczeństwa w celu ograniczenia ryzyka pożaru, wycieku elektrolitu z akumulatorów oraz obrażeń ciała.

SZKOLENIE

- Przed przystąpieniem do eksploatacji produktu należy przeczytać ze zrozumieniem wszystkie instrukcje, a następnie się do nich zastosować. Należy dokładnie zapoznać się ze sterowaniem i prawidłowym sposobem eksploatacji produktu. Zapoznać się ze sposobami zatrzymywania produktu i szybkiego wyłączenia układu sterowania.
- Nie wolno pozwalać obsługiwać, czyścić ani konserwować tego urządzenia dzieciom lub osobom o ograniczonych zdolnościach fizycznych, sensorycznych lub umysłowych ani osobom, które nie przeczytały tych instrukcji. Lokalne przepisy mogą ograniczać dopuszczalny wiek operatora. Należy dopilnować, aby dzieci nie bawiły się produktem.
- Osoby postronne, dzieci i zwierzęta muszą znajdować się w odległości przynajmniej 15 metrów od miejsca pracy. Jeśli na obszarze znajduje się inna osoba, należy zatrzymać produkt.
- Należy zachować ostrożność, aby unikać poślizgnięcia się lub upadku, zwłaszcza podczas przemieszczania się z eksploatowanym urządzeniem do tyłu.
- Należy pamiętać, że operator lub użytkownik jest odpowiedzialny za spowodowanie wypadku lub zagrożenia bezpieczeństwa osób i mienia.
- Nie używać produktu w stanie zmęczenia, choroby lub pod wpływem narkotyków, alkoholu bądź leków.



PRZYGOTOWANIE

- Dokładnie sprawdzić obszar, na którym będzie używane urządzenie i usunąć wszystkie wycieraczki, sanki, deski, przewody, kości, zabawki i inne obce przedmioty.
- Podczas obsługi maszyny zawsze należy nosić odpowiednią odzież zimową oraz przeciwpoślizgowe obuwie ochronne. Należy unikać noszenia luźnej odzieży lub ubrań ze zwisającymi sznurkami lub ozdobami, ponieważ mogą zostać one pochwycone przez ruchome części.
- Podczas eksploatacji, regulacji lub napraw należy zawsze nosić okulary ochronne lub osłonę na oczy, aby chronić oczy przed przedmiotami wyrzucanymi z produktu.
- Dopasować wysokość obudowy zbiornika, aby pracować na żwirze lub łupanych kamieniach.
- Pod żadnym pozorem nie regulować produktu w trakcie pracy.
- Długie włosy należy zabezpieczyć w taki sposób, aby znajdowały się na wysokości powyżej ramion i nie dostały się pomiędzy ruchome części maszyny.
- Przed każdym użyciem produktu należy upewnić się, że wszystkie elementy obsługowe i funkcje bezpieczeństwa działają prawidłowo. Nie należy używać narzędzia, jeśli wyłącznik („off”) nie umożliwi wyłączenia produktu.
- Przed każdym użyciem zawsze należy wizualnie sprawdzić, czy obudowa nie jest uszkodzona oraz, czy osłony i uchwyty są zamontowane i odpowiednio zabezpieczone.

UŻYTKOWANIE I OBSŁUGA AKUMULATORA

- Ładować wyłącznie za pomocą ładowarki dostarczonej przez producenta. Ładowarka przeznaczona do jednego modelu akumulatora może być przyczyną pożaru w przypadku zastosowania do ładowania akumulatora innego typu.

- Używać narzędzi ręcznych z napędem elektrycznym wyłącznie z akumulatorami przeznaczonymi do tych urządzeń. Używanie innych akumulatorów wiąże się ze zwiększonym ryzykiem pożaru lub obrażeń ciała.
- Gdy akumulator nie jest używany, przechowywać go z dala od innych metalowych przedmiotów, np. spinaczy, monet, kluczy, gwoździ, śrub lub innych małych metalowych przedmiotów, które mogłyby utworzyć połączenie między stykami, prowadząc do zwarcia. Zwarcie styków akumulatora może spowodować oparzenia lub pożar.
- W przypadku niewłaściwej obsługi może dojść do wycieku płynu z akumulatora, należy unikać kontaktu z tym płynem. Miejsce ewentualnego kontaktu przepłukać wodą. W przypadku, gdy płyn dostanie się do oczu, po przemyciu zwrócić się o pomoc do lekarza. Płyn wyciekający z akumulatora może powodować podrażnienia i oparzenia.
- Nie stosować uszkodzonych ani zmodyfikowanych akumulatorów i narzędzi. Uszkodzone lub zmodyfikowane akumulatory mogą zachowywać się w sposób nieprzewidywalny, co może prowadzić do pożaru, wybuchu lub ryzyka obrażeń.
- Nie narażać akumulatora lub narzędzia na działanie ognia lub zbyt wysokich temperatur. Narażenie na działanie ognia lub temperatury powyżej 130°C może spowodować wybuch.
- Przestrzegać wszystkich instrukcji ładowania i nie ładować akumulatora ani narzędzia poza podanym w instrukcji zakresem temperatur. Ładowanie w niewłaściwy sposób lub w temperaturze poza określonym zakresem może doprowadzić do uszkodzenia akumulatora i wzrostu zagrożenia pożarowego.





ZASADY BEZPIECZNEJ EKSPLOATACJI ODŚNIEŻARKI

- Nie umieszczać rąk lub nóg w pobliżu lub pod częściami obrotowymi. Należy cały czas trzymać się z dala od otworów wyrzutowych. Nie należy wkładać żadnych obiektów do otworów.
- Podczas eksploatacji na zwirowych podjazdach lub ścieżkach lub przechodzenia przez takie miejsca należy zachować szczególną ostrożność. Należy uważać na ukryte zagrożenia oraz zachować ostrożność podczas pracy w pobliżu dróg publicznych.
- Aby ograniczyć ryzyko obrażeń związanych z kontaktem z obracającymi się częściami, zawsze zatrzymywać produkt i wyjmować akumulator. Upewnić się, że wszystkie elementy ruchome zostały całkowicie zatrzymane:
 - po uderzeniu obcego przedmiotu w celu sprawdzenia, czy produkt nie został uszkodzony
 - Jeśli produkt zaczyna nienaturalnie wibrować, należy natychmiast rozpocząć poszukiwanie przyczyny. Wibracje to generalnie objaw usterki.
 - przed czyszczeniem lub usuwaniem zablokowanego materiału
 - przed pozostawieniem produktu bez nadzoru
 - przed sprawdzeniem, konserwacją lub obsługą produktu
- Nie odśnieżać w poprzek zasp. Zachować szczególną ostrożność podczas zmiany kierunku jazdy na pochyłym terenie. Nie należy próbować odśnieżać stromych zasp.
- Nigdy nie należy obsługiwać produktu bez założonych odpowiednich osłon, płyt lub innych elementów zabezpieczających.
- Pod żadnym pozorem nie kierować wylotu w stronę ludzi lub obszarów, w których może to doprowadzić do uszkodzenia majątku. Polecieć dzieciom i innym osobom, aby się nie zbliżyły.
- Nie przeciążać maszyny, próbując zbyt szybko zbierać śnieg.
- Nigdy używać produktu na śliskich powierzchniach przy wysokich prędkościach transportu. Spoglądać za siebie i zachować ostrożność podczas przemieszczania się z eksploatowanym urządzeniem do tyłu.
- Gdy produkt jest transportowany lub gdy nie jest eksploatowany, dopływ napięcia do zbiornika/wirnika powinien być wyłączony.
- Należy stosować wyłącznie oryginalne części zamienne, akcesoria oraz przystawki producenta.
- Nie należy używać produktu w warunkach słabej widoczności lub przy słabym oświetleniu. Należy uważać, aby nie stracić równowagi, mocno trzymając uchwyty. Podczas pracy należy chodzić, nie wolno biegać.
- Nigdy nie należy umieszczać produktu na powierzchni innej niż twarde, czyste podłoże, gdy silnik pracuje. Żwir, piasek oraz inny drobny materiał może dostać się do wlotu powietrza i może być odrzucony w stronę operatora lub przechodniów, powodując poważne urazy ciała.
- Nigdy nie należy używać produktu w pobliżu szklanych powierzchni, pojazdów, okien lub drzwi bez odpowiedniego ustawienia kąta wyrzutu śniegu. Osoby postronne, a szczególnie dzieci i zwierzęta, należy trzymać z dala od miejsca pracy.
- Nie wolno używać produktu, gdy występuje ryzyko burzy lub wyładowań atmosferycznych.
- Nie używać urządzenia w atmosferze wybuchowej, np. w obecności łatwopalnych cieczy, gazów i pyłów.
- Nie wychylać się nadmiernie. Sięganie zbyt daleko grozi utratą równowagi.
- Posługując się urządzeniem, należy zachować czujność i kierować się zdrowym rozsądkiem. Chwila nieuwagi podczas obsługi urządzenia może spowodować poważne urazy ciała.



⚠ OSTRZEŻENIE

W przypadku upuszczenia produktu, narażenia go na silne uderzenie lub w przypadku zaobserwowania nadmiernych drgań, należy natychmiast wyłączyć urządzenie i sprawdzić, czy nie wykazuje ono uszkodzeń oraz ustalić przyczynę drgań. Wszelkie uszkodzone części muszą być odpowiednio naprawione lub wymienione w autoryzowanym punkcie serwisowym.

AKUMULATOR — DODATKOWE OSTRZEŻENIA DOTYCZĄCE BEZPIECZEŃSTWA

⚠ OSTRZEŻENIE

Aby uniknąć niebezpieczeństwa pożaru, obrażeń lub uszkodzeń produktu na skutek zwarcia, nie wolno zanurzać narzędzia, akumulatora wymiennego ani ładowarki w cieczach i należy zatroszczyć się o to, aby do urządzeń i akumulatorów nie dostały się żadne ciecze. Zwarcie spowodować mogą korodujące lub przewodzące ciecze, takie jak woda morska, określone chemikalia i wybielacze lub produkty zawierające wybielacze.

WSKAZÓWKI ROBOCZE

- Produkt nie będzie działał, jeśli górny uchwyt będzie nieprawidłowo zamontowany i zaczep blokady uchwytu nie będzie dobrze zamocowany. Występują dwie blokady zabezpieczające, które chronią przed przypadkowym uruchomieniem w przypadku nieprawidłowego złożenia maszyny.
- Przed rozpoczęciem eksploatacji należy ustalić kierunek wiatru. Należy kierować śnieg zgodnie z kierunkiem wiatru, aby nie dopuścić do zawiewania śniegu.

TRANSPORT I PRZECHOWYWANIE

- Zatrzymać produkt oraz wyjąć akumulator. Przed rozpoczęciem składowania lub przewozu pojazdem poczekać, aż produkt ostygnie.
- Usunąć z produktu wszelkie ciała obce i

zanieczyszczenia. Należy przechowywać urządzenie w chłodnym, suchym i dobrze wentylowanym miejscu, które jest niedostępne dla dzieci. Należy trzymać produkt z dala od czynników powodujących korozję, takich jak ogrodnicze środki chemiczne czy sól do odmrażania. Nie przechowywać na zewnątrz.

- W przypadku transportu produktu należy zabezpieczyć go przed przemieszczaniem się lub upadkiem, aby nie dopuścić do obrażeń ciała lub uszkodzenia urządzenia.

TRANSPORTOWANIE AKUMULATORÓW LITOWYCH

Akumulatory należy transportować zgodnie z lokalnymi i krajowymi przepisami i regulacjami.

Należy postępować zgodnie z wszystkimi specjalnymi wymaganiami dotyczącymi pakowania i etykietowania akumulatorów podczas transportu przez stronę trzecią. Upewnij się, że żadne akumulatory nie zetkną się z innymi akumulatorami lub materiałami przewodzącymi podczas transportu; w tym celu należy zabezpieczyć odkryte złącza nieprzewodzącymi nakładkami izolacyjnymi lub taśmą izolacyjną. Nie należy transportować pękniętych ani nieszczelnych akumulatorów. Szczegółowe porady można uzyskać w firmie spedycyjnej.

KONSERWACJA

⚠ OSTRZEŻENIE

Należy stosować wyłącznie oryginalne części zamienne, akcesoria oraz przystawki producenta. W przeciwnym razie może dojść do obrażeń ciała, niskiej wydajności oraz do unieważnienia gwarancji.

⚠ OSTRZEŻENIE

Serwisowanie wymaga wyjątkowej staranności i wiedzy. Może być wykonywane wyłącznie przez wykwalifikowany personel serwisowy. Serwisowanie i naprawy produktu należy powierzać wyłącznie autoryzowanemu serwisowi. Do serwisowania należy stosować wyłącznie oryginalne części zamienne producenta.

- Możesz wykonywać czynności regulacyjne i naprawcze opisane w tej instrukcji obsługi. W przypadku innych napraw produkt należy oddawać wyłącznie do autoryzowanych serwisów.
- Po każdym użyciu należy oczyścić produkt za pomocą miękkiej, suchej ściereczki.
- Systematycznie sprawdzać, czy wszystkie nakrętki, wkręty i śruby są dobrze dokręcone, aby upewnić się, że produkt jest w bezpiecznym stanie. Każdą uszkodzoną część należy odpowiednio naprawić lub wymienić w autoryzowanym punkcie serwisowym.
- Jeśli etykiety są uszkodzone lub nieczytelne, należy zwrócić produkt do punktu serwisowego w celu wymiany etykiet.
- Po odśnieżaniu należy uruchomić produkt kilkukrotnie, aby zapobiec zamarznięciu wirnika.
- Przed rozpoczęciem czyszczenia, naprawy lub inspekcji należy upewnić się, że wszystkie ruchome części się zatrzymały. Usunąć akumulator, aby uniemożliwić przypadkowe uruchomienie produktu przez inną osobę.

USUWANIE ZABLOKOWANYCH ELEMENTÓW

▲ OSTRZEŻENIE

Nigdy nie należy umieszczać rąk lub nóg przed produktem lub wylotem, ponieważ może to spowodować poważne urazy ciała.

- Zwolnić spust i wyjąć akumulator.
- Upewnić się, że wszystkie elementy ruchome zostały całkowicie zatrzymane.
- Usunąć zablokowany materiał za pomocą drewnianego kija.
- Obrócić zespół wirnika za pomocą drewnianego kija.
- Uwaga: wirnik może poruszyć się samoistnie podczas usuwania zablokowanego materiału na skutek

uwolnienia energii resztkowej.

- Gdy można obrócić wirnik za pomocą drewnianego kija, należy stanąć za produktem.
 - Krokowa praca mechanizmu jest normalnym zjawiskiem.
- Należy upewnić się, że dalsze odśnieżanie jest bezpieczne.
- Zainstalować akumulator. Włączyć produkt.

RYZIKO ZWIĄZANE Z UŻYTKOWANIEM:

Nawet jeśli produkt jest używany zgodnie z zaleceniami, nadal nie jest możliwe wyeliminowanie określonych czynników ryzyka. Następujące zagrożenia mogą wystąpić podczas używania urządzenia i operator powinien zwracać szczególną uwagę na poniższe punkty:

- Narażenie na hałas może spowodować utratę słuchu.
 - Należy nosić środki ochrony uszu oraz ograniczyć poziom narażenia
- Urazy powodowane przez miotane przedmioty
 - Przedmioty wyrzucane przez obracający się wirnik z przodu produktu lub z kanału wylotowego śniegu mogą powodować obrażenia. Stosować przez cały czas odpowiednie środki ochrony oczu.

POZNAJ SWÓJ PRODUKT

Patrz str. 158.

1. Uchwyt górny
2. Przełącznik wł./wył.
3. Przycisk odblokowania spustu
4. Kabel sterujący silnika
5. Dźwignia obrotu wylotu
6. Zaczep blokady uchwytu
7. Wałek obrotowy wylotu
8. Uchwyt deflektora wylotu
9. Deflektor wylotu
10. Oświetlenie LED
11. Wirnik
12. Uchwyt pośredni
13. Pokrętko regulacji uchwytu

14. Opuścić uchwyt
15. Uchwyt do podnoszenia/przenoszenia
16. Komora przechowywania akumulatora
17. Komora robocza akumulatora
18. Akumulator
19. Ładowarka akumulatora

SYMBOLE UMIESZCZONE NA PRODUKCIE



Należy przeczytać i zrozumieć wszystkie instrukcje przed rozpoczęciem obsługi produktu oraz przestrzegać wszystkich ostrzeżeń i instrukcji dotyczących bezpieczeństwa.



Uwaga na odrzucane przedmioty. Wszystkie osoby postronne, a szczególnie dzieci i zwierzęta, muszą znajdować się w odległości przynajmniej 15 metrów od miejsca pracy.



Zakładać środki ochrony wzroku



ZAGROŻENIE! Unikać urazów ciała na skutek kontaktu z obrotowym wirnikiem. Nie zbliżać rąk, nóg ani odzieży.



ZAGROŻENIE! Wyjąć akumulator i przeczytać instrukcje zawarte w podręczniku przed usunięciem obcych elementów. Nie zbliżać rąk ani nóg do przedniej części maszyny oraz do otworu wylotowego.



Zużyte produkty elektryczne nie powinny być utylizowane z odpadami domowymi. Prosimy poddawać recyklingowi w odpowiednich miejscach. Informacje o właściwych metodach recyklingu można uzyskać u władz lokalnych lub sprzedawcy.



Produkt spełnia wszystkie wymagania norm w kraju należącym do Unii Europejskiej, gdzie produkt został zakupiony.



Oznaczenie zgodności EurAsian



Ukraiński znak zgodności



Gwarantowany poziom mocy akustycznej wynosi 86 dB



Nacisnąć i przytrzymać



Ścisnąć i przytrzymać, aby rozpocząć pracę



Komora przechowywania akumulatora



Komora robocza akumulatora

Następujące zwroty ostrzegawcze i ich znaczenia objaśniają poziom ryzyka związanego z produktem.

⚠ NIEBEZPIECZEŃSTWO

Wskazuje na realne zagrożenie, które może spowodować śmierć lub poważne zranienie, jeżeli się nie uniknie tego niebezpieczeństwa.

⚠ OSTRZEŻENIE

Wskazuje na potencjalne zagrożenie, które może spowodować śmierć lub poważne zranienie, jeżeli się nie uniknie tego niebezpieczeństwa.

⚠ UWAGA

Wskazuje na potencjalne zagrożenie, które może spowodować mniejsze lub bardziej poważne zranienie, jeżeli się nie uniknie tego niebezpieczeństwa.

UWAGA

Bez symbolu ostrzeżenia
Sytuacja, która może grozić uszkodzeniem mienia.

SYMBOLE STOSOWANE W NINIEJSZEJ INSTRUKCJI



Części lub akcesoria
sprzedawane osobno



Objaśnienie



Ostrzeżenie!



Zamknięte



Otwarte



V návrhu akumulátorové sněhové frézy byla kladena nejvyšší priorita bezpečnosti, výkonu a spolehlivosti.

ZAMÝŠLENÉ POUŽITÍ

Akumulátorová sněhová fréza je určena k venkovnímu použití při dobrém osvětlení, kdy uživatel kráčí za zařízením. Výrobek smí používat pouze dospělé osoby, které si přečetly a seznámily se s pokyny a varováními v tomto návodu a které lze považovat za zodpovědné za své jednání. Z bezpečnostních důvodů se musí výrobek vždy řádně obsluhovat oběma rukama.

Zařízení je určeno pro odklízení sněhu v místech, jako jsou příjezdové cesty, chodníky, ochozy, cesty, silnice a prostranství kolem domů. Zařízení se může pohybovat ve sněhu hlubokém až 25 cm.

Výrobek se nesmí provozovat s koly nad zemí. Nemělo by se na něm jezdit.

Tento výrobek se smí používat pouze způsobem popsaným v této příručce.

Přístroj nepoužívejte ji k jiným účelům.

OBECNÁ BEZPEČNOSTNÍ PRAVIDLA

▲ VAROVÁNÍ

Tato sekačka na trávu může amputovat končetiny a odmršťovat předměty. Pokud nejsou dodrženy všechny bezpečnostní pokyny, může dojít k vážnému úrazu.

▲ VAROVÁNÍ

Při používání výrobku musí být dodrženy bezpečnostní předpisy. Pro vaši vlastní bezpečnost i bezpečnost kolemjdoucích si přečtěte tento návod k obsluze. Tyto pokyny uschovejte pro příští použití.

▲ VAROVÁNÍ

Zařízení musí být provozováno pouze s akumulátorovou sadou. Pokud používáte elektricky poháněné přístroje, měly byste dodržovat základní bezpečnostní předpisy za účelem snížení nebezpečí požáru, elektrického úrazu nebo osobní újmy.

ZÁŠKOLENÍ

- Před používáním tohoto výrobku si přečtěte všechny pokyny o něm a v této příručce, porozumějte jim a dodržujte je. Obeznamte se důkladně s ovládacími prvky a správným používáním výrobku. Naučte se, jak výrobek rychle zastavit a vypnout ovládání.
- Produkt není určen pro používání osobami, včetně dětí se sníženými tělesnými, smyslovými nebo duševními schopnostmi nebo s nedostatkem zkušeností a znalostí, pokud neprošli školením ohledně používání, čištění či údržby. Místní předpisy mohou omezovat dobu obsluhy. Dohlédněte, aby si děti se spotřebičem nehrály.
- Všechny přihlížející, zvláště děti a zvířata udržujte 15 m mimo pracovní oblasti. Zastavte výrobek, pokud někdo vstoupí do pracovního prostoru výrobku.
- Postupujte opatrně a předcházejte uklouznutí nebo pádu, obzvláště při chůzi pozpátku.
- Uživatel nebo obsluha tohoto zahradnického nástroje je zodpovědná za nehody nebo nebezpečí způsobená na jiné osobě nebo jejích majetku.
- Pilu nepoužívejte při únavě nebo v nemoci ani pod vlivem drog, alkoholu nebo léků.

PŘÍPRAVA

- Důkladně zkontrolujte celou plochu, kde má být zařízení používáno a odstraňte všechny rohožky, saně, desky, kabely a cizí předměty.
- Při práci se strojem noste vždy odpovídající zimní oděv a neklouzavou bezpečnostní obuv. Zamezte nošení volných oděvů, nebo které mají vlající šňůrky nebo pásky; mohou se zachytit do pohyblivých částí.
- Při seřizování nebo provádění opravy vždy používejte ochranné brýle nebo obličejový štít k ochraně zraku před cizími tělesy, které by výrobek mohl odmrstit.
- Upravte výšky krytu šneku tak, aby pod



ním procházel šterk nebo kamenná drť na ošetřovaném povrchu.

- Nikdy neprovádějte žádná seřizování během chodu výrobku.
- Dlouhé vlasy si svažte nad rameny, aby se nemohly zaplést do pohyblivých částí.
- Před každým použitím se ujistěte, že všechny ovladače a jištění řádně fungují. Nástroj nepoužívejte, pokud přepínač „nevypíná“ (off) nástroj.
- Zkontrolujte před každým použitím, zda jsou všechny chrániče, kryty proti trávě a rukojetě řádně a bezpečně namontovány a v dobrém stavu.

POUŽITÍ A PÉČE O NÁSTROJ NA BATERIE

- Dobíjejte pouze nabíječkou určenou výrobcem. Nabíječka, která je vhodná pro jeden typ akumulátoru může způsobit nebezpečí požáru, pokud se používá s jiným bateriovým modulem.
- Elektrický nástroj používejte pouze s přesně určeným bateriovým modulem. Použití jakéhokoliv jiného akumulátoru může způsobit nebezpečí poranění a požáru.
- Pokud akumulátor nepoužíváte, uchovávejte jej mimo kovové předměty jako svorky pro papír, mince, klíče, hřebíky, šrouby nebo jiné malé kovové předměty, které mohou vytvořit propojení jednoho vývodu s druhým. Zkratování vývodů baterie může způsobit požár nebo popáleniny.
- Za nevhodných podmínek může z baterie vytékat kapalina; zabraňte kontaktu. Pokud dojde k náhodnému kontaktu, omyjte vodou. Pokud kapalina přijde do kontaktu s očima, vyhledejte lékařskou pomoc. Kapalina vytečená z baterie způsobí podráždění nebo popáleniny.
- Nepoužívejte baterie ani nástroj, který je poškozený nebo upravený. Poškozené nebo upravené baterie se mohou chovat nepředvídatelně a důsledkem může být požár, výbuch nebo riziko zranění.

- Nevystavujte baterii ani zařízení ohni nebo příliš vysoké teplotě. Vystavení ohni nebo teplotám nad 130 °C může způsobit výbuch.
- Postupujte podle všech pokynů k nabíjení a nenabíjejte baterie nebo nástroj mimo teplotní rozsah uvedený v pokynech. Nesprávné nabíjení nebo při teplotách mimo uvedený rozsah může poškodit baterii a zvýšit riziko požáru.

BEZPEČNOSTNÍ PRAVIDLA PRO SNĚHOVOU FRÉZU

- Nemějte své ruce nebo nohy v blízkosti nebo pod rotujícími díly. Vždy udržujte výstupní otvory čisté. Do otvorů nestrkejte žádné předměty.
- Při používání na šterkové příjezdové cestě nebo chodníku nebo jeho přejíždění postupujte nesmírně opatrně. Dávejte trvale pozor na skrytá nebezpečí a při používání v blízkosti veřejných dopravních komunikací.
- Pro snížení rizika zranění spojeného s kontaktem s rotujícími díly vždy produkt zastavte a vyjměte baterie. Ujistěte se, že se zastavily všechny pohyblivé díly:
 - po nárazu cizího předmětu; prohlédněte výrobek na poškození
 - Pokud začne výrobek nezvykle vibrovat, okamžitě zjistěte příčinu. Vibrace jsou obecně známkou potíží.
 - před čištěním nebo odstraněním ucpávky,
 - před opuštěním výrobku
 - před kontrolou, čištěním nebo prací na nástroji,
- Sníh neodklízejte napříč svahem. Je třeba opatrnosti, když měníte směr na svahu. Nepokoušejte se čistit strmé svahy.
- Zařízení nepoužívejte bez ochranných krytů, plechů nebo nainstalovaných jiných bezpečnostních zařízení.
- Výhoz nikdy nesměřujte na osoby ani tam, kde by mohlo dojít ke škodám. Nepřibližujte se k dětem a jiným osobám.



- Nepřetěžujte kapacitu stroje odklizením sněhu příliš vysokou rychlostí.
- Produkt nikdy nepoužívejte při vysokých přepravních rychlostech na kluzkém povrchu. Při chůzi pozpátku se ohlížejte a postupujte opatrně.
- Při přemísťování výrobku a jeho nepoužívání vypněte pohon šneku.
- Používejte pouze originální příslušenství, doplňky a náhradní díly výrobce.
- Výrobek nikdy nepoužívejte bez dobré viditelnosti a osvětlení. Vždy si zajistěte oporu nohou a držte pevně rukojeti. Chodte, nikdy neběhejte.
- Nikdy nepokládejte zařízení, u kterého běží motor, na jakýkoliv povrch, kromě tvrdého čistého povrchu. Přívodem vzduchu lze nabrat štěrk, písek a jiné nečistoty, které mohou být odmrštěny na obsluhu nebo okolostojící osoby, a ty mohou být vážně zraněny.
- Nikdy nepoužívejte zařízení v blízkosti skleněných výplní, automobilů, oken nebo dveří bez správného nastavení úhlu vyhazování sněhu. Všechny přihlížející, zvláště děti a zvířata udržujte mimo pracovní oblasti.
- Zařízení nepoužívejte, hrozí-li nebezpečíblesku.
- Nepracujte s tímto strojem ve výbušných prostředích, například v přítomnosti hořlavých kapalin, plynů nebo prachu.
- Nepřeceňujte se. Přeceňování může způsobit ztrátu rovnováhy.
- Buďte ve střehu, hlídejte, co děláte a používejte zdravý rozum při provozu tohoto výrobku. Chvilky nepozornosti při práci s tímto výrobkem může způsobit vážná osobní poranění.

⚠ VAROVÁNÍ

Pokud začne po pádu, silných nárazech nástroj nenormálně vibrovat, zastavte nástroj a ihned zjistěte příčinu vibrací a rozsah škod. Pokud je nějaká část poškozena, musí se nechat řádně opravit nebo vyměnit pověřeným servisním střediskem.

DOPLŇUJÍCÍ BEZPEČNOSTNÍ UPOZORNĚNÍ K BATERII

⚠ VAROVÁNÍ

Abyste zabránili nebezpečí požáru způsobeného zkratem, poraněním nebo poškozením výrobku, neponořujte nářadí, výměnnou baterii nebo nabíječku do kapalin a zajistěte, aby do zařízení a akumulátorů nevnikly žádné tekutiny. Korodující nebo vodivé kapaliny, jako je slaná voda, určité chemikálie a bělicí prostředky nebo výrobky, které obsahují bělidlo, mohou způsobit zkrat.

TIPY TÝKAJÍCÍ SE PROVOZU

- Zařízení nebude fungovat, pokud horní rukojeť není správně nasazená a zámek rukojeti není bezpečně sepnutý. K dispozici jsou dvě bezpečnostní západky, které vám pomohou zabránit v náhodném spuštění, pokud stroj není správně sestaven.
- Před používáním výrobku zjistěte směr větru. Vyhazujte sníh ve stejném směru jako vítr, aby se vám sníh po vymrštění nevrátil zpět do obličeje.

TRANSPORT A SKLADOVÁNÍ

- Vypněte výrobek a vyjměte baterii. Před uložením nebo převážením ve vozidle nechte nástroj vychladnout.
- Odstraňte z výrobku všechny cizí materiál. Ukládejte v chladných, suchých a dobře větraných prostorech, které nejsou přístupné dětem. Nářadí neuskładňujte v blízkosti žíravých látek, jako například v blízkosti zahrádkářských nebo zahradnických chemických přípravků nebo soli na zimní sypání komunikací. Neskladujte mimo budovu.
- Při transportu výrobku zajistěte proti pohybum nebo pádu, abyste zabránili poranění osob nebo poškození výrobku.

TRANSPORT LITHIOVÝCH BATERIÍ

Přenos baterií dle místních a národních opatření a předpisů.

Dodržujte všechny zvláštní požadavky





na balení a značení při transportu baterií třetí stranou. Zajistěte, aby žádné baterie nepřišly do kontaktu s jinými bateriemi nebo vodivými materiály při transportu pomocí ochrany nekrytých kontaktů prostřednictvím izolace, nevodivých krytek či lepicích pásek. Nepřepravujte prasklé nebo baterie s unikajícím elektrolytem. Ptejte se u zásilkové společnosti na další radu.

ÚDRŽBA

▲ VAROVÁNÍ

Používejte pouze originální příslušenství, doplňky a náhradní díly výrobce. Zanedbání může zapříčinit možné poranění, slabý výkon a může dojít ke ztrátě záruky.

▲ VAROVÁNÍ

Údržba vyžaduje extrémní péči a znalosti a měla by být prováděna pouze kvalifikovaným servisním technikem. Servis a opravy pily svěřujte pouze pověřenému servisnímu středisku. Při údržbě používejte pouze původní náhradní díly výrobce.

- Můžete provádět v návodu k obsluze uvedené opravy a seřízení. Jiné opravy výrobku svěřujte pouze pověřenému servisnímu středisku.
- Po každém použití setřete nástroj měkkým a suchým hadříkem.
- Zkontrolujte všechny šrouby, matice v častých intervalech na řádné utažení, aby se zajistilo, že výrobek bude pracovat v bezpečných pracovních podmínkách. Jakýkoliv poškozený díl je nutné správně opravit nebo nechat vyměnit v autorizovaném servisním středisku.
- Chcete-li vyměnit poškozené nebo nečitelné štítky, předejte zařízení do autorizovaného servisního střediska.
- Po frézování sněhu výrobek několikrát spusťte, aby se zabránilo zamrznutí šneku.
- Při čištění, opravách a kontrolách výrobku zajistěte, aby se nejprve všechny pohyblivé díly zcela zastavily. Vyjměte baterii, aby někdo nedopatřením výrobek nespustil.

ODSTRANĚNÍ ZABLOKOVÁNÍ

▲ VAROVÁNÍ

Nikdy nedávejte ruce ani nohy do přední části zařízení nebo výsycky, aby nedošlo k vážným zraněním.

- Uvolněte spoušť a vyjměte akumulátorovou sadu.
- Ujistěte se, že se zastavily všechny pohyblivé díly:
- K odstranění ucpání použijte dřevěnou tyč.
- Sestavu oběžného kola otočte pomocí dřevěné tyče.
- Dávejte pozor, neboť oběžné kolo se může samovolně pohybovat v důsledku naakumulované energie v mechanismu po odstranění zablokování.
- Jakmile lze oběžným kolem otočit pomocí dřevěné tyče, posuňte se k zadní části zařízení.
 - Je zcela normální, že mechanismus oběžného kola má krokový pohyb.
- Ujistěte se, že je bezpečné pokračovat v odklizení sněhu.
- Nainstalujte akumulátorovou sadu. Zařízení zapněte.

ZBYTKOVÁ RIZIKA

Dokonce, i když se výrobek provozuje jak je předepsáno, je stále nemožné zcela eliminovat veškeré zbytkové rizikové faktory. Následující nebezpečí mohou nastat při používání; vyhýbejte se:

- Vystavování hluku může způsobit poškození sluchu.
 - Noste ochranu sluchu a omezte vystavení.
- Úraz způsobený odmrštěnými předměty
 - Předměty odmrštěné otáčejícím se oběžným kolem v přední části produktu nebo od skluzu mohou způsobit zranění. Vždy noste adekvátní ochranu zraku.



POZNEJTE SVŮJ NÁSTROJ

Viz strana 158.

1. Horní rukojeť
2. Spoušť (ZAP/VYP)
3. Tlačítko blokování spouště
4. Řídící kabel motoru
5. Páčka pro otočení odhozu
6. Zámek rukojeti
7. Rukojeť pro otočení odhozu
8. Rukojeť deflektoru odhozu
9. Deflektor odhozu
10. Indikátory LED
11. Oběžné kolo
12. Střední rukojeť
13. Seřizovací tlačítko rukojeti
14. Spodní rukojeť
15. Přenosná/Zvedací rukojeť
16. Prostor pro uložení baterie
17. Prostor pro používanou baterii
18. Baterie
19. Nabíječka akumulátorů

SYMBOLY NA VÝROBKU



Řádně si návod přečtěte, porozumějte veškerým pokynům a dodržujte všechny bezpečnostní pokyny a bezpečnostní varování.



Dávejte pozor na odmrštěné nebo odletující předměty. Všechny přihlízející, zvláště děti a zvířata udržujte ve vzdálenosti alespoň 15 m od pracovní oblasti.



Noste ochranu očí



NEBEZPEČÍ! Vyhněte se zranění otáčejícím oběžným kolem. Udržujte ruce, nohy a oděv v bezpečné vzdálenosti.



NEBEZPEČÍ! Vyjměte baterii a před odstraňováním zablokování si přečtěte pokyny v návodu. Udržujte ruce a nohy v dostatečné vzdálenosti od přední části stroje a výsypného žlabu.



Odpad elektrických výrobků se nesmí likvidovat v domovním odpadu. Recyklujte prosím na sběrných místech. Ptejte se u místních úřadů nebo prodejce na postup při recyklaci.



Toto nářadí je v souladu se všemi normami a předpisy platnými v zemi EU, ve které bylo zakoupeno.



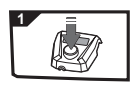
Euroasijská značka shody



Ukrajinská značka shody



Zaručená hladina akustického výkonu je 86 dB.



Zatlačte a podržte



Uvedení do provozu stisknutím a podržením



Prostor pro uložení baterie



Prostor pro používanou baterii

Následující signální slova a významy jsou vhodné pro vysvětlení úrovně nebezpečí spojených s tímto výrobkem.

⚠ NEBEZPEČÍ

Označuje bezprostředně rizikovou situaci, které je třeba předejít, jinak bude jejím následkem smrt nebo vážné zranění.

⚠ VAROVÁNÍ

Označuje možnou rizikovou situaci, které je třeba předejít, jinak jejím následkem

může být smrt nebo vážné zranění.

VAROVÁNÍ

Označuje možnou rizikovou situaci, které je třeba předejít, jinak jejím následkem může být smrt nebo vážné zranění.

VAROVÁNÍ

Bez symbolu bezpečnostní výstrahy

Určuje situaci, která může mít za následek vážné poškození.

SYMBOLY V NÁVODU



Díly nebo příslušenství jsou v prodeji samostatně



Poznámka



Varování



Zamknuto



Odemknuto



Az akkumulátoros hómáró kifejlesztésekor a biztonságot, a teljesítményt és a megbízhatóságot tartottuk szem előtt.

RENDELTETÉSSZERŰ HASZNÁLAT

Az akkumulátoros hómáró csak szabad térben, jól megvilágított területen való használatra alkalmas, úgy, hogy egy kezelő a termék mögött lépked. A termék kizárólag a tetteikért felelősséget vállalni képes felnőttek általi használatra készült, akik elolvasták és megértették a jelen kézikönyv utasításait és figyelmeztetéseit. Biztonsági okokból a terméket mindig kétkezes műveletekkel kell irányítani.

A termék hó eltakarítására használható bizonyos területeken, mint járdák, felhajtók, ösvények, utak, közutak, valamint a ház körül. A termék legfeljebb 25 cm-es havat képes mozgatni.

A termék nem működtethető, ha a kerekek nincsenek a talajon. Tilos ráülni.

A terméket csak a kézikönyvben leírtak szerint szabad használni.

Semmilyen más célra ne használja.

ÁLTALÁNOS BIZTONSÁGI ELŐÍRÁSOK

▲ FIGYELMEZTETÉS

A készülék képes kezek és lábak amputálására, tárgyak elhajítására. A biztonsági utasítások be nem tartása súlyos sérülést okozhat.

▲ FIGYELMEZTETÉS

A termék használatakor a biztonsági szabályokat be kell tartani. A saját és mások biztonsága érdekében kérjük, olvassa el ezt az útmutatót a termék használata előtt. Tartsa meg a kézikönyvet, hátha a későbbiekben szüksége lehet rá.

▲ FIGYELMEZTETÉS

A terméket csak akkumulátorról kell működtetni. Akkumulátoros gépek használatakor a tűz, az akkumulátor szivárgása és a személyi sérülés veszélyének csökkentése érdekében mindig be kell tartani az alapvető biztonsági óvintézkedéseket.

GYAKORLÁS

- A termék használata előtt olvasson el, értsen meg és kövesse a termék minden utasítását a jelen kézikönyvben. Ismerje meg alaposan a vezérlőket és a termék megfelelő használatát- Tanulja meg, hogyan kell a terméket leállítani és a vezérlést gyorsan leállítani.
- Ne hagyja, hogy gyerekek vagy csökkent fizikai, érzékelési vagy értelmi képességgel rendelkező személyek, vagy az utasításokat nem ismerő személyek működtessék, tisztítsák vagy karbantartsák a terméket. A helyi előírások korlátozhatják a kezelő életkorát. A gyerekekre oda kell figyelni, nehogy játsszanak a termékkel.
- A nézelődőket, gyerekeket és a háziállatokat tartsa 15 m távolságban a munkaterülettől. Állítsa le a terméket, ha bárki belép a területre.
- Legyen óvatos, hogy a csúszás vagy leesés elkerülhető legyen, különösen akkor, ha a terméket hátrameneti irányban használja.
- Jegyezze meg, hogy a kezelő vagy a felhasználó felelős a más embereknek vagy tulajdonuknak okozott veszélyekért vagy balesetekért.
- Ne használja a terméket, ha fáradt, beteg vagy drog, alkohol illetve gyógyszer hatása alatt van.

ELŐKÉSZÜLET

- Alaposan vizsgálja át a területet, ahol a gépet használni szeretné, és távolítson el minden lábtörlőt, szánkót, táblát, vezetéket és más idegen tárgyat.
- A gép működtetése közben mindig viseljen megfelelő téli ruházatot és csúszásmentes biztonsági lábbelit. Kerülje a bő ruha viseletét, vagy amelyből zsinórok vagy madzagok lógnak ki; beakadhatnak a mozgó részekbe.
- Mindig viseljen védőszemüveget vagy szemellenzőt működés közben vagy miközben beállítást vagy javítást végez, hogy megvédje a szemét a termék által esetlegesen kivetett idegen tárgyakat.





- A kavics vagy a zúzott kőzet felületének tisztításához állítsa be a gyűjtőburkolat magasságát.
- A termék üzemelése közben soha ne próbáljon beállításokat végezni.
- Ha hosszú a haja, azt a vállvonal felett rögzítse, nehogy beakadjon valamilyen mozgó alkatrészbe.
- Minden használat előtt ellenőrizze, hogy az összes kezelőszerv és biztonsági eszköz megfelelően működik. Ne használja a gépet, ha a főkapcsoló nem állítja le a motort.
- Minden használat előtt vizsgálja meg vizuálisan a terméket, hogy a burkolat sérülésmentes és a védőburkolatok és a fogantyúk a helyükön vannak és megfelelően rögzítettek.

AKKUMULÁTOROS SZERSZÁMGÉP HASZNÁLATA ÉS KARBANTARTÁSA

- Csak a gyártó által megadott töltővel töltsze az akkumulátorokat. Egy adott akkumulátortípushoz való töltő egy másik típusú akkumulátorral való használata tűzveszélyes lehet.
- A szerszámokat csak a hozzájuk való akkumulátorokkal üzemeltesse. Más akkumulátorok használata tűzveszélyes lehet, és sérüléseket okozhat.
- Az akkumulátort használaton kívül tartsa távol más fém tárgytól, úgymint gemkapcsoktól, érméktől, kulcsoktól, szögektől, csavaroktól vagy más kisméretű fém tárgytól, amelyek rövidre zárhatják a két érintkezőt. Az akkumulátor érintkezőinek rövidre zárása tüzet vagy égéseket okozhat.
- Nem megfelelő körülmények esetén folyadék távozhat az akkumulátorból, kerülje az azzal való érintkezést. Ha mégis érintkezik vele, öblítse le vízzel. Ha a folyadék szembe kerül, forduljon orvoshoz. Az akkumulátorból kifolyt folyadék irritációt vagy égéseket okozhat.
- Ne használjon sérült vagy átalakított akkucsomagot vagy eszközt. A sérült vagy

átalakított akkumulátor előre nem látható módon üzemelhet, ami tüzet, robbanást, más kockázatot vagy sérülést okozhat.

- Ne tegye ki az akkucsomagot vagy az eszközt túl magas hőmérsékleti hatásnak és ne tegye tűzbe ezeket. A tűznek vagy a 130°C feletti hőmérsékletnek való kitettség robbanást okozhat.
- Tartsa be az összes feltöltési utasítást és ne töltsze az akkucsomagot vagy az eszközt az utasításban megadott hőmérséklet-tartományon kívül. A helytelen töltés vagy a megadott tartományon kívüli hőmérsékleten való feltöltés az akkumulátort károsíthatja, és a tűzveszély kockázatát növelheti.

HÓKOTRÓ BIZTONSÁGI SZABÁLYAI

- Ne helyezze kezét vagy lábát a forgó részek alá vagy közelébe. A kiürítő nyílás legyen mindig akadálymentes. Ne tegyen semmilyen tárgyat a nyílásokba.
- Nagyon körültekintően járjon el, amikor kavicsos vagy gyalogos úton üzemelteti. Legyen figyelmes a rejtett veszélyek miatt, vagy amikor közutak közelében üzemelteti.
- A forgóalkatrészekkel való érintkezés miatti sérülés kockázatának csökkentése érdekében mindig állítsa le a terméket és távolítsa el az akkucsomagot. Ellenőrizze, hogy minden mozgó rész teljesen megállt:
 - egy idegen tárgy eltalálása után sérülés tekintetében vizsgálja át a terméket
 - Ha a termék erőteljesen rázkódni kezd, haladéktalanul ellenőrizze az okát: A rezgés általában hibára utaló jel.
 - tisztítás vagy eltömődés megszüntetése előtt
 - mielőtt magára hagyná a terméket
 - ellenőrzés, karbantartás vagy a gépen végzett bármilyen művelet megkezdése előtt
- Ne takarítsa a havat a lejtőkön keresztben. A leejtőn való irányváltás közben legyen különösen óvatos. Ne próbálja eltakarítani a havat meredek lejtőkön.





- Soha ne működtesse a terméket megfelelő védőburkolatok, védőlemezek nélkül, illetve a biztonsági berendezések a helyükre felhelyezése nélkül.
- Soha ne irányítsa a kidobót embereknek vagy területek felé, ahol anyagi kár keletkezhet. Tartsa távol a gyerekeket és más személyeket.
- Ne terhelje túl a gépet azzal, hogy túl gyorsan próbálja meg eltakarítani a havat.
- Soha ne üzemeltesse a terméket magas szállítási sebességen csúszós felületen. Amikor fordított irányban használja, tekintsen hátra és használja gondosan.
- Szakítsa meg az energiaellátást és tegye a kidobóra/járókerékre, amikor a terméket szállítja vagy nem használja.
- Csak a gyártó eredeti cserealkatrészeit, tartozékait és szerelékeit használja.
- Soha ne üzemeltesse a terméket jó látási viszonyok vagy fény nélkül. Mindig stabilan álljon és szilárdan tartsa a fogantyúkat. Gyalogoljon, ne fusson.
- Ne helyezze a terméket semmilyen felületre, kivéve a kemény, tiszta felületet, amikor a motor működik. A légbemenet felszedhet kavicsot, homokot és egyéb törmelékot, és ez eldobódhat a kezelő vagy a nézelődők felé, ami súlyos sérüléseket okozhat.
- Ne működtesse a terméket üveg burkolatok, gépjárművek, ablakok vagy ajtók közelében a hó kidobási szögének megfelelő beállítása nélkül. A nézelődők, különösen a gyerekek és a háziállatok, legyenek távol a használati területtől.
- Ne használja a terméket, ha villámlás veszélye áll fenn.
- A gépet ne működtesse robbanásveszélyes környezetben, például robbanásveszélyes folyadékok, gázok vagy porok jelenlétében.
- Ne hajoljon ki túlságosan. A túlzott kihajlás egyensúlyvesztést eredményezhet.
- Az egység működtetésekor legyen mindig éber, figyeljen arra, amit csinál és használja a józan eszét. A termékek használata

közben már egyetlen figyelmetlen pillanat is súlyos személyi sérüléshez vezethet.

▲ FIGYELMEZTETÉS

Ha a gép leesett, erős ütést kapott vagy rendellenesen kezd vibrálni, azonnal állítsa le a gépet, és vizsgálja át sérülések tekintetében vagy azonosítsa a vibráció okát. Minden sérülést hivatalos szervizközpontban kell megjavíttatni vagy kicseréltetni.

AZ AKKUMULÁTOR KIEGÉSZÍTŐ BIZTONSÁGI FIGYELMEZTETÉSEI

▲ FIGYELMEZTETÉS

A rövidzárlat általi tűz, sérülések vagy termékkárosodások veszélye elkerülésére ne merítse a szerszámot, a cserélhető akkut vagy a töltőkészüléket folyadékokba, és gondoskodjon arról, hogy ne hatoljanak folyadékok a készülékekbe és az akkukba. A korrozív hatású vagy vezetőképes folyadékok, mint pl. a sós víz, bizonyos vegyi anyagok, fehérítők vagy fehérítő tartalmú termékek, rövidzárlatot okozhatnak.

TIPPEK A HASZNÁLATHOZ

- A termék nem fog működni, ha a felső fogantyú nem megfelelően van felszerelve és a fogantyút reteszelő kapocs nincs biztonságosan rögzítve. Két biztonsági retesz található, amelyek segítenek megakadályozni a gép véletlenszerű elindítását, ha a gép rosszul lett összeszerelve.
- A termék működtetése előtt mindig figyelje meg a szélirányt. A havat a szél irányába őrítse, hogy elkerülje a hó visszafújását az arcába.

SZÁLLÍTÁS ÉS TÁROLÁS

- Állítsa le a terméket és távolítsa el az akkumulátort. Várja meg, amíg lehűl a termék, mielőtt a tárolóban elhelyezné, vagy egy járműben szállítaná.
- Minden idegen anyagtól tisztítsa meg a terméket. Hűvös, száraz és jól szellőztetett,



gyerekektől elzárt helyiségben tárolja. Ne tárolja olyan oxidálószeres közelében, mint pl. kerti munkáknál használatos vegyszerek vagy jégmentesítő sók. Ne tárolja a szabadban.

- Szállításkor rögzítse a terméket elmozdulás és leesés ellen, hogy elkerülje a sérüléseket és a termék sérülését.

LÍTIUM AKKUMULÁTOROK SZÁLLÍTÁSA

Az akkumulátorokat a helyi és nemzeti előírásokkal és szabályokkal összhangban szállítsa.

Az akkumulátorok külső fél általi szállításakor kövesse a csomagolásra és a címkézésre vonatkozó speciális előírásokat. Ügyeljen arra, hogy az akkumulátorok ne érhessenek más akkumulátorokhoz vagy vezető anyagokhoz szállítás közben; ehhez a szabadon maradt csatlakozókat védje szigetelő fedéllel vagy szalaggal. Ne szállítson repedt vagy szivárgó akkumulátorokat. További információért vegye fel a kapcsolatot a továbbítást végző céggel.

KARBANTARTÁS

▲ FIGYELMEZTETÉS

Csak a gyártó eredeti cserealkatrészeit, tartozékait és szerelékeit használja. Ennek figyelmen kívül hagyása gyenge motorteljesítményt, esetleges sérülést és a jótállás elvesztését okozhatja.

▲ FIGYELMEZTETÉS

Szervizelés különös figyelmet és hozzáértést igényel, és csak szakképzett szerelő végezheti el. Szerviz és javítás tekintetében a terméket csak engedéllyel rendelkező szervizben javíttassa. Szervizeléskor csak eredeti, gyártó által előállított cserealkatrészeket használjon.

- A használati útmutatóban leírt beállításokat és javításokat Ön is elvégezheti. Egyéb javítás tekintetében a terméket csak engedéllyel rendelkező szervizben javíttassa.
- Minden egyes használat után egy puha,

száraz ruhával tisztítsa meg a terméket.

- Gyakori időközönként ellenőrizze a csavaranyák, csavarok és fejescsavarok megfelelő meghúzását, hogy a termék biztonságos üzemi állapotban legyen. A sérült alkatrészeket egy hivatalos szervizközpontban kell megjavíttatni vagy kicseréltetni.
- A sérült vagy olvashatatlan címkék cseréjéhez vigye vissza a terméket egy hivatalos szervizközpontba.
- A járókerék lefagyásának megakadályozása érdekében járassa párszor a terméket, hogy a járókerék fagyását megakadályozza.
- A termék tisztítása, javítása vagy ellenőrzése során győződjön meg róla, hogy minden alkatrész teljesen leállt. Távolítsa el az akkumulátort, nehogy véletlenül elindítsa a terméket.

ELTÖMÖDÉS MEGSZÜNTETÉSE

▲ FIGYELMEZTETÉS

A súlyos sérülések elkerülése érdekében ne tegye a kezét vagy a lábát a termék vagy a kidobócsúszda elé.

- Engedje fel a kioldót, és vegye ki az akkumulátort.
- Ellenőrizze, hogy minden mozgó rész teljesen megállt.
- Egy fa rúddal szüntesse meg az eltömődést.
- A fa rúddal forgassa el a propeller szerelvényt.
- Legyen óvatos, mert a propeller az eltömődés megszüntetése közben a mechanizmusban eltárolt energia miatt magától is elfordulhat.
- Amint a propellert el lehet forgatni a fa rúddal, mozgassa azt a termék hátulja felé.
 - Nem jelent meghibásodást, ha a propeller mechanizmus akadozva mozog.
- Ellenőrizze, hogy a működés biztonságos a további hőeltakarításhoz.

- Helyezze be az akkumulátort. Kapcsolja be a terméket.

FENNMARADÓ KOCKÁZAT

Még a termék rendeltetésszerű használata esetén sem lehet teljesen kiküszöbölni minden kockázati tényezőt. A gép használata során a következő veszélyek merülhetnek fel, és a kezelőnek különösen oda kell figyelnie az alábbiak elkerülésére:

- A zajnak való kitettség halláskárosodást okozhat.
 - Viseljen hallásvédőt és korlátozza a zajnak való kitettséget
- A kirepülő tárgyak sérüléseket okozhatnak
 - A termék elején a forgó járókerék vagy a hőcsúszda által meglökött tárgyak sérülést okozhatnak. Mindig viseljen megfelelő szemvédőt.

ISMERJE MEG A TERMÉKET

Lásd 158. oldal.

1. Felső fogantyú
2. Be-/kikapcsoló kioldó
3. Kioldó kireteszelő gomb
4. Motor vezérlőkábele
5. Csúszda forgatókar
6. Fogantyú reteszelőkapocs
7. Csúszda forgótengely
8. Csúszda terelőfogantyú
9. Csúszda terelő
10. LED lámpák
11. Propeller
12. Köztes fogantyú
13. Fogantyúbeállító gomb
14. Alsó fogantyú
15. Hordozó-/emelőfogantyú
16. Tároló akkumulátortartó
17. Használat közbeni akkumulátortartó
18. Akkumulátor
19. Akkumulátortöltő

SZIMBÓLUMOK A TERMÉKEN



A termék használata előtt olvassa el és értse meg a kezelési útmutatóban leírtakat, és tartsa be az összes figyelmeztető és biztonsági utasítást.

Figyeljen a kivetett vagy repülő tárgyakra. Az összes nézelődő, különösen a gyerekek és a háziállatok, legyenek legalább 15 m-es távolságra a használati területtől.

Viseljen védőszemüveget

VESZÉLY! Kerülje a forgó propeller okozta sérüléseket. Tartsa távol attól a kezét, a lábát és a ruházatát.

VESZÉLY! Az eltömődés megszüntetése előtt vegye ki az akkumulátort és olvassa el az utasításokat a kézikönyvben. A kezét és a lábát tartsa megfelelően távol a gép elejétől és a kidobócsúszdától.

A kiselejtezett elektromos termékeket nem szabad a háztartási hulladékkal együtt kidobni. Ezeket újra kell hasznosítani, ha van rá lehetőség. Az újrahasznosítással kapcsolatban érdeklődjön a helyi önkormányzatnál vagy a termék forgalmazójánál.

Ez a szerszám minden, a vásárlás európai uniós országában hatályos szabványnak megfelel.

Eurázsiai megfelelőségi jelzés



Ukrainai megfelelőségi nyilatkozat



A garantált hangteljesítményszint 86 dB.



Hosszan nyomja meg



Húzza be és tartsa a működtetéshez



Tároló akkumulátortartó



Használat közbeni akkumulátortartó



Megjegyzés



Figyelem



Retesz



Szétnyitás

A következő jelölőszavak és jelölések arra szolgálnak, hogy megmagyarázzák a termékkel kapcsolatos veszélyességi szinteket:

VESZÉLY

Egy bekövetkező veszélyes helyzetet jelez, ami, ha nem előzik meg, halált vagy komoly sérülést eredményez.

FIGYELMEZTETÉS

Egy potenciálisan bekövetkező veszélyes helyzetet jelez, amit, ha nem előznek meg, halált vagy komoly sérülést eredményezhet.

FIGYELEM FELHÍVÁS

Egy potenciálisan veszélyes helyzetet jelez, ami, ha nem előzik meg, kisebb vagy mérsékelt sérülést eredményezhet.

FIGYELEM FELHÍVÁS

Biztonsági figyelmeztető szimbólum nélkül
Egy olyan helyzetet jelez, ami anyagi kárt eredményezhet.

A KÉZIKÖNYVBEN HASZNÁLT SZIMBÓLUMOK



Külön értékesített alkatrészek és kiegészítők

Au fost acordate priorități maxime asupra siguranței, performanței și fiabilității în proiectarea frezei dvs. de zăpadă fără cablu electric.

UTILIZARE PREVĂZUTĂ

Freza de zăpadă fără cablu electric este destinată doar pentru folosirea în exterior în zone bine luminate de către un operator stând în picioare și pășind în spatele produsului. Produsul este conceput pentru a fi utilizat de adulți care au citit și au înțeles instrucțiunile și avertismentele din acest manual și pot fi considerați responsabili pentru acțiunile proprii. Pentru motive de siguranță, acest produs trebuie să fie controlat adecvat prin folosirea tot timpul a operațiunilor cu ambele mâini.

Produsul este proiectat pentru curățarea zăpezii în zone precum alei, trotuare, cărări, pasaje, drumuri și în jurul caselor. Produsul poate să elibereze zăpadă la o adâncime de maxim 25 cm.

Produsul nu trebuie niciodată operat cu roțile desprinse de sol. Nu puteți să vă suiți pe el.

Produsul trebuie utilizat numai conform descrierii din prezentul manual.

Nu folosiți în alte scopuri.

INSTRUCȚIUNI GENERALE DE

⚠ AVERTISMENT

Acest produs este capabil să amputeze mâini și picioare și să azvârle obiecte. Nerespectarea tuturor instrucțiunilor de siguranță poate avea ca rezultat vătămări grave.

⚠ AVERTISMENT

Atunci când utilizează produsul, normele de siguranță trebuie să fie respectate. Pentru siguranța dumneavoastră și a trecătorilor, vă rugăm să citiți aceste instrucțiuni înainte de utilizarea produsului. Vă rugăm să păstrați instrucțiunile într-un loc sigur pentru utilizare ulterioară.

⚠ AVERTISMENT

Produsul trebuie operat doar cu acumulatorul montat. Atunci când se utilizează mașina cu acumulator, măsurile de precauție de bază ar trebui să fie întotdeauna respectate pentru a reduce riscul de incendiu, de scurgere a bateriilor și de vătămare corporală.

INSTRUIRE

- Citiți, înțelegeți și urmați toate instrucțiunile de pe produs și din prezentul manual înainte de a utiliza produsul. Familiarizați-vă corespunzător cu comenzile și utilizarea corectă a produsului. Trebuie să știți cum se oprește rapid echipamentul și cum se deconectează din butoane din butoane.
 - Nu permiteți niciodată copiilor sau persoanelor cu capacități fizice, senzoriale sau mintale reduse, sau cele nefamiliare cu aceste instrucțiuni, să opereze, curețe sau să efectueze întreținerea produsului. Reglementările locale pot restricționa vârsta operatorului. Copiii trebuie să fie supravegheați adecvat pentru a vă asigura că nu se joacă cu produsul.
 - Țineți trecătorii, copiii și animalele de companie la 15 metri depărtare de zona de operare. Opriți produsul dacă cineva intră în zonă.
 - Fiți atenți pentru a evita alunecarea sau căderea, în special atunci când utilizați produsul cu spatele.
 - Rețineți că operatorul sau utilizatorul este responsabil pentru accidentele sau pericolele ce pot avea loc asupra altor persoane sau proprietăți lor.
 - Nu utilizați produsul dacă sunteți obosit, bolnav sau sub influența drogurilor, alcoolului sau medicamentelor.
- ### PREGĂTIRE
- Inspectați complet zona unde mașina este folosită și îndepărtați toate preșurile, săniile, plăcile, firele și toate obiectele străine.
 - În timpul operării mașinii purtați întotdeauna îmbrăcăminte de iarnă adecvată și

încălțăminte de protecție nealunecoasă. Evitați purtarea de haine largi sau care au cordoane sau șireturi etc; ele pot fi prinse în părțile în mișcare ale aparatului.

- Purtați întotdeauna ochelari de protecție sau protecții pentru ochi în timpul operării sau în timpul efectuării reglajelor sau reparațiilor, pentru a vă proteja ochii de obiectele străine care pot fi proiectate de produs.
- Reglați înălțimea carcasei colectorului pentru a curăța suprafețele cu pietriș sau pietre zdrobite.
- Nu încercați niciodată să efectuați ajustări în timp ce aparatul funcționează.
- Prindeți părul lung deasupra umerilor pentru a preveni prinderea lui de părțile în mișcare.
- Asigurați-vă că înainte de fiecare folosire toate funcțiile de control și dispozitivele de siguranță funcționează corect. Nu folosiți produsul dacă întrerupătorul "oprit" nu oprește produsul.
- Înainte de fiecare folosire, inspectați întotdeauna vizual pentru a vedea dacă carcasa nu este deteriorată și că apărătorile și mânerurile sunt la locul lor și prinse corespunzător.

FOLOSIREA ȘI ÎNTREȚINEREA MAȘINII CU ACUMULATOR

- Reîncărcați numai cu încărcătorul specificat de producător. Un încărcător destinat unui anumit tip de acumulator este folosit la încărcarea altor acumulatori există pericolul de incendii.
- Folosiți uneltele electrice numai cu acumulatorii indicați. Utilizarea oricărui alți acumulatori poate crea un risc de vătămare și de incendiu.
- Atunci când acumulatorul nu este în uz, păstrați-l departe de alte obiecte metalice, cum ar fi agrafe de birou, monede, chei, cuie, șuruburi sau alte obiecte metalice mici, care pot face o conexiune de la o bornă la alta. Scurtcircuitarea bornelor bateriei poate provoca arsuri sau incendiu.

- Ca urmare a folosirii necorespunzătoare, din acumulator se poate scurge lichid; evitați contactul cu acesta. În cazul unui contact accidental, spălați cu apă. În cazul contactului cu ochii, consultați suplimentar un medicul. Lichidul care iese din acumulator poate provoca iritații sau arsuri.
- Nu utilizați acumulatorii sau uneltele deteriorate sau modificate. Acumulatorii deteriorați sau modificați au un comportament imprevizibil și prezintă pericol de incendiu, explozie sau accidentare.
- Nu expuneți acumulatorul sau unealta la foc sau temperaturi excesive. Expunerea la foc sau temperaturi de peste 130°C prezintă pericol de explozie.
- Respectați toate instrucțiunile de încărcare și nu încărcați acumulatorul sau unealta la temperaturi din afara intervalului specificat în instrucțiuni. Încărcarea necorespunzătoare sau la o temperatură din afara intervalului specificat poate deteriora acumulatorul și crește riscul de incendiu.

NORME DE SIGURANȚĂ PRIVIND FREZA PENTRU ZĂPADĂ

- Nu puneți mâinile sau picioarele în apropierea sau sub piesele în rotație. Mențineți libere deschizăturile de golore tot timpul. Nu puneți niciun obiect în deschizături.
- Acordați o atenție deosebită atunci când folosiți freza pe alei sau poteci cu pietriș sau la traversarea acestora. Vă recomandăm atenție la eventuale pericole ascunse sau atunci când utilizați freza în apropierea drumurilor publice.
- Pentru a reduce riscul de accidentare în urma contactului cu piesele în mișcare, opriți întotdeauna produsul atunci când nu îl utilizați și deconectați acumulatorul. Asigurați-vă că toate piesele mobile s-au oprit complet:
 - după lovirea unui obiect străin să inspectați produsul să nu fie deteriorat.
 - Dacă produsul începe să vibreze

anormal, verificați imediat cauza. Vibrația în general avertizează asupra unei probleme.

- înainte de curățării sau deblocării înfundării
 - înainte de a lăsa produsul nesupravegheat
 - înainte de verificării, efectuării întreținerii sau utilizării produsului
- Nu curățați zăpada de-a lungul pantelor. Acordați atenție maximă atunci când schimbați direcția pe pantă. Nu încercați să curățați pante abrupte.
 - Nu operați niciodată produsul fără apărătorile, plăcile corespunzătoare sau alte dispozitive protective de siguranță montate la locul lor.
 - Nu îndreptați niciodată tubul de evacuare către persoane sau zone unde se pot produce pagube materiale. Țineți copiii sau alte persoane departe de freză.
 - Nu suprasolicitați capacitatea mașinii prin încercarea de curățare a zăpezii la un ritm prea rapid.
 - Nu utilizați niciodată produsul la viteze mari de transport pe suprafețe alunecoase. Priviți în spate și aveți grijă atunci când operați freza cu spatele.
 - Decuplați alimentarea colectorului/rotorului atunci când transportați sau nu utilizați produsul.
 - Folosiți doar piese de schimb, accesorii și atasamente originale ale producătorului
 - Nu utilizați niciodată produsul fără o vizibilitate bună sau lumină. Aveți grijă întotdeauna unde puneți piciorul și țineți ferm manetele. Mergeți. Nu alergați niciodată.
 - Nu așezați niciodată produsul pe nicio suprafață, cu excepția unei suprafețe dure, atunci când motorul funcționează. Pietrișul, nisipul și alte resturi pot fi prinse de admisia de aer și aruncate înspre operator sau trecători, provocând posibile vătămări grave.
 - Nu operați niciodată produsul lângă

împrejurimi din sticlă, automobile, ferestre sau intrări fără reglarea corespunzătoare a unghiului de direcționare a zăpezii. Țineți toate persoanele departe de zona de operare, în special copiii și animalele de companie.

- Nu folosiți produsul când există risc de fulgere.
- Nu operați mașina în atmosfere explozive, precum în prezența lichidelor, gazelor sau a prafului inflamabil.
- Nu vă aplecați excesiv. Aplecarea excesivă poate cauza pierderea echilibrului.
- Fiți vigilenți, fiți atenți la ceea ce faceți, acționați cu simț practic când operați unitatea. Un moment de neatenție în timpul operării produsului poate rezulta în vătămare personală gravă.

▲ AVERTISMENT

Dacă produsul este scăpat, suferă un impact dur sau începe să vibreze anormal, opriți imediat produsul și inspectați dacă este deteriorat sau identificați cauza vibrației. Orice deteriorare trebuie reparată corespunzător sau înlocuită la un centru service autorizat.

AVERTISMENTE SUPLIMENTARE PRIVIND SIGURANȚA LA UTILIZAREA BATERIILOR

▲ AVERTISMENT

Pentru a reduce pericolul unui incendiu și evitarea rănilor sau deteriorarea produsului în urma unui scurtcircuit nu imersați scula, acumulatorul de schimb sau încărcătorul în lichide și asigurați-vă să nu pătrundă lichide în aparate și acumulatori. Lichidele corosive sau cu conductibilitate, precum apa sărată, anumite substanțe chimice și înălbitori sau produse ce conțin înălbitori, pot provoca un scurtcircuit.

SFATURI PRIVIND OPERAREA

- Produsul nu va funcționa dacă mânerul superior nu este corespunzător potrivit și clema de blocare a mânerului nu este fix potrivit. Există două interblocări

de siguranță pentru a preveni pornirea accidentală atunci când mașina nu este corect asamblată.

- Luați aminte de direcția vântului înainte de a folosi produsul. Direcționați zăpada în aceeași direcție cu cea a vântului pentru a preveni ca zăpada să fie aruncată pe fața dvs.

TRANSPORTAREA ȘI DEPOZITAREA

- Oprii produsul și scoateți acumulatorul. Lăsați produsul să se răcească înainte de depozitare sau de transportare cu un vehicul.
- Curățați toate materialele străine din produs. Depozitați-l într-un loc răcoros, uscat și bine aerisit ce este inaccesibil copiilor. Nu-l depozitați în apropiere de agenți corozivi cum ar fi produși chimici de grădinarit sau săruri antigel. Nu depozitați în aer liber.
- Pentru transportare, fixați produsul împotriva mișcării sau căderii pentru a preveni vătămarea persoanelor sau deteriorarea produsului.

TRANSPORTAREA BATERIILOR DE LITIU.

Transportați bateriile în conformitate cu prevederile și reglementările locale și naționale.

Urmați toate cerințele speciale privind împachetarea și etichetarea atunci când transportați baterii către un terț. Asigurați-vă că nicio baterie nu poate să intre în contact cu alte baterii sau materiale conductive în timpul transportului prin protejarea conectorilor expuși cu bandă, capace izolatoare neconductive. Nu transportați bateriile ce sunt crăpate sau care au scurgeri. Verificați cu firma transportatoare pentru recomandări ulterioare.

ÎNȚREȚINERE

⚠ AVERTISMENT

Folosiți doar piese de schimb, accesorii și atasamente originale ale producătorului. Neurmarea acestora poate cauza posibilă vătămare, slaba funcționare și ar putea anula garanția.

⚠ AVERTISMENT

Service-ul necesită atenție și cunoștințe deosebite și trebuie îndeplinit doar de către un tehnician service calificat. Pentru service și reparații, produsul trebuie prezentat numai unui centru de service autorizat. La efectuarea servicelui, folosiți doar piese de schimb originale ale producătorului.

- Puteți face reglaje și reparații descrise în acest manual de instrucțiuni. Pentru alte reparații, produsul trebuie prezentat numai unui centru de service autorizat.
- După fiecare folosire curățați produsul cu o cârpă moale și uscată.
- Verificați toate piulițele, suruburile la intervale frecvente de timp ca să fie corespunzător strânse pentru a vă asigura că produsul este în stare de lucru în siguranță. Orice piesă deteriorată trebuie să fie reparată în mod corespunzător sau înlocuită de un service autorizat.
- Duceți produsul la un centru service autorizat pentru a înlocui etichetele deteriorate sau ilizibile.
- Rulați produsul de câteva ori după ce l-ați folosit la aruncarea zăpezii, pentru a preveni înghețarea rotorului.
- Când curățați, reparați sau inspectați produsul, asigurați-vă că toate piesele mobile sunt complet oprite. Scoateți acumulatorul, pentru a împiedica pornirea accidentală a produsului.

ELIBERAREA UNEI BLOCĂRI

⚠ AVERTISMENT

Nu puneți niciodată mâinile sau picioarele în fața produsului sau a jgheabului de evacuare pentru a evita vătămarea gravă.

- Eliberați trăgaciul și scoateți acumulatorul.
- Asigurați-vă că toate piesele mobile s-au oprit complet.
- Folosiți un băț de lemn pentru a elimina orice blocaj.
- Rotiți ansamblul rotorului folosind bățul de

lemn.

- Fiți atent, rotorul ar putea să se miște în timpul eliminării blocajului datorită energiei stocate în mecanism.
- Odată ce rotorul poate fi rotit cu bățul de lemn, mutați-vă la partea din spate a produsului.
 - Este normal ca mecanismul rotorului să aibă o mișcare în trepte.
- Asigurați-vă că este sigur să continuați curățarea zăpezii.
- Instalați acumulatorul. Porniți produsul.

RISCURI REZIDUALE

Chiar dacă produsul este folosit așa cum a fost prescris, este totuși imposibil să se elimine complet anumii factori de risc reziduali. Următoarele pericole pot apărea în timpul folosirii și operatorul trebuie să acorde o atenție specială pentru a evita următoarele:

- Expunerea la zgomot poate cauza vătămarea auzului.
 - Purtați protecție pentru auz și limitați expunerea.
- Leziuni cauzate de obiecte proiectate
 - Obiectele aruncate de rotor la dispozitivul din față sau din jgheabul de zăpadă pot cauza vătămări. Purtați protecție pentru ochi adecvată tot timpul.

CUNOAȘTEȚI-VĂ PRODUSUL

Vezi pagina 158.

1. Mâner superior
2. Trăgaci pornire/oprire
3. Buton blocare/deblocare trăgaci
4. Cablu de control motor
5. Levier de rotire a jgheabului
6. Clemă de blocare a mânerului
7. Bară de rotire a jgheabului
8. Mâner deflector jgheab
9. Deflector jgheab
10. Becuri LED
11. Rotor
12. Mâner intermediar
13. Buton rotativ de reglare a mânerului
14. Mânerul inferior

15. Mâner de cărare/ridicare
16. Compartiment de păstrare a acumulatorului
17. Compartiment acumulator în uz
18. Acumulator
19. Încărcător de acumulator

SIMBOLURILE DE PE PRODUS.



Citiți și înțelegeți toate instrucțiunile înaintea operării produsului, urmați toate avertizările și instrucțiunile de siguranță.



Feriți-vă de obiecte proiectate sau în zbor. Țineți toți trecătorii, în special copiii și animalele de companie la cel puțin 15 metri de zona de operare.



Purtați întotdeauna ochelari de protecție



PERICOL! Evitați rănirea cauzată de rotirea rotorului. Țineți ferite mâinile, picioarele și hainele.



PERICOL! Scoateți acumulatorul și citiți instrucțiunile din manual înainte de a elibera orice blocaj. Țineți mâinile și picioarele ferite de partea din față a mașinii și de jgheabul de evacuare.



Deșeurile produselor electrice nu trebuie să fie înălțurate împreună cu deșeurile casnice. Vă rugăm să reciclați acolo unde există facilități. Verificați la autoritatea dvs locală sau la vânzător pentru sfaturi privind reciclarea.



Acest aparat este conform cu ansamblul normelor reglementare din țara din UE în care a fost cumpărat.



Marcaj de conformitate
EurAsian



Semn de conformitate
ucrainean



Nivelul garantat de putere al
sunetului este de 86 dB



Apăsați și țineți apăsat



Trageți de trăgaci și țineți
apăsat pentru a opera



Compartiment de păstrare a
acumulatorului



Compartiment acumulator în uz



Notă



Avertisment



Piedică



Deblocare

Următoarele cuvinte de semnalizare sunt destinate a explica nivelele de risc asociate cu acest produs.

PERICOL

Indică o situație periculoasă iminentă, care dacă nu este evitată va cauza decesul sau vătămarea gravă.

AVERTISMENT

Indică o situație periculoasă iminentă, care dacă nu este evitată poate rezulta în deces sau vătămare gravă.

ATENȚIE

Indică o situație potențial periculoasă, care dacă nu este evitată poate cauza vătămarea moderată sau ușoară.

ATENȚIE

Fără a simbolul de alertă privind siguranța
Indică o situație care poate duce la pagube materiale.

SIMBOLURI DIN ACEST MANUAL



Piese sau accesorii vândute
separat

Drošība, sniegums un uzticamība ir augstākā prioritāte bezvadu sniega pūtēja izstrādē.

PAREDZĒTAIS LIETOJUMS

Bezvadu sniega pūtēju drīkst lietot vienīgi ārpus telpām, labi izgaismotā vietā, operatoram stāvot aiz ierīces. Izstrādājums ir radīts tikai izmantošanai pieaugušajiem, kas ir izlasījuši un izpratuši instrukcijas un brīdinājumus šajā rokasgrāmatā un var tikt uzskatīti par atbildīgiem par savu rīcību. Drošības apsvērumu dēļ ierīcei vienmēr jābūt pienācīgi kontrolētai, izmantojot abas rokas.

Ierīce ir izstrādāta sniega tīrīšanai dažādās vietās, piemēram, piebraucamajos ceļos, ietvēs, gājēju ceļos, takās, brauktuvēs un ap mājām. Ar ierīci var nopūst sniegu līdz 25 cm dziļumam.

Preci nekad nedrīkst darbināt ar paceltiem riteņiem. Uz tās nedrīkst braukt.

Produktu drīkst lietot tikai kā aprakstīts šajā rokasgrāmatā.

Nelietojiet citiem mērķiem.

VISPĀRĒJIE DROŠĪBAS NOTEIKUMI

▲ BRĪDINĀJUMS

Produkts spēj amputēt rokas un kājas kā arī mest pa gaisu priekšmetus. Visu drošības instrukciju neievērošana var izraisīt smagus ievainojumus.

▲ BRĪDINĀJUMS

Izmantojot ierīci, izpildiet drošības noteikumus. Pirms darba uzsākšanas Jūsu un blakusstāvētāju drošības dēļ, lūdzu, izlasiet šos norādījumus. Lūdzu, glabājiet noteikumus drošā vietā vēlākai izmantošanai.

▲ BRĪDINĀJUMS

Ierīci var lietot tikai ar bateriju paketi. Lietojot ar baterijām darbināmu ierīci, vienmēr jāievēro pamata drošības noteikumi, lai samazinātu ugunsgrēka, bateriju iztecēšanu un ievainojumu risku.

APMĀCĪBA

- Izlasiet, izprotiet un ievērojiet visas norādes uz produkta un šajā rokasgrāmatā pirms produkta lietošanas. Rūpīgi iepazīstieties ar vadības ierīcēm un pareizu produkta izmantošanu. Ziniet, kā ātri apturēt izstrādājumu un ātri atvienot vadības ierīces.
- Nekad nepieļaujiet, lai šī izstrādājuma ekspluatāciju, tīrīšanu vai apkopi veiktu bērni, personas ar samazinātām fiziskajām, maņu vai garīgajām spējām vai arī personas, kuras nav iepazinušās ar šiem norādījumiem. Vietos īstatymai gali apriboti ģrengimo operatoriaus amĶiu. Nepieciešams pienācīgi uzmanīt bērnus, lai nodrošinātu, ka tie nespēlējas ar ierīci.
- Pārliecinieties, ka tuvumā stāvošie -bērni un dzīvnieki ir 15 m attālumā no jūsu darbošanās vietas. Ja kāds ienāk zonā, apturiet precī.
- Ievērojiet piesardzību, lai izvairītos no paslīdēšanas vai nokrišanas, it sevišķi lietojot produktu atpakaļgaitā.
- Turēkite omenyje, kad operatorius arba vartotojas yra atsakingas už nelaimingus atsitikimus arba kitiems asmenims ar jų turtui sukeltą pavojų.
- Neizmantojiet produktu, ja esat noguris, slims vai narkotiku, alkohola vai medikamentu ietekmē.

SAGATAVOŠANA

- Rūpīgi pārbaudiet vietu, kur lietosiet ierīci, un aizvāciet visus kājslaukus, ragavas, dēļus, vadus un citus svešķermeņus.
- Ierīces lietošanas laikā vienmēr valkājiet piemērotu ziemas apģērbu un neslīdošus aizsargapavus. Lietojiet pieguļošu apģērbu vai apģērbu no kura nekas nekarājas; citādi, tie var tikt ierauti zargriezī.
- Vienmēr valkājiet aizsargbrilles vai acu aizsargus lietošanas laikā vai, veicot regulēšanu vai remontu, lai aizsargātu acis no svešķermeņiem, kas var tikt mesti no produkta.



- Noregulējiet savācēja korpusa augstumu, lai izvairītos no smilšainas vai akmeņainas virsmas.
- Nekad nemēģiniet veikt nekādus regulējumus, kamēr produkts darbojas.
- Nostipriniet garus matus tā, lai tie ir virs plecu līmeņa, lai novērstu sapīšanos kustīgajās daļās.
- Pirms katras lietošanas reizes pārliecinieties, ka visas kontroles un drošības sistēmas ir darba kārtībā. Neizmantojiet ierīci, ja izslēgšanas slēdzis neapstādina motoru.
- Pirms katras lietošanas, vienmēr vizuāli to pārbaudiet, vai nav bojāts korpus un, vai aizsargi un rokturi ir savās vietās un ir atbilstoši nodrošināti.

AR AKUMULATORU DARBINĀMU IERĪČU LIETOŠANA UN KOPŠANA

- Uzlādējiet tikai ar ražotāja noteikto lādētāju. Lādētājs, kas paredzēts lietošanai ar viena veida akumulatoru, var būt ugunsnedrošs, ja to izmanto ar citu akumulatoru.
- Lietojiet elektriskos instrumentus tikai ar konkrētajai ierīcei paredzēto akumulatoru. Jebkura cita akumulatora lietošana var radīt ievainojumu un ugunsgrēka risku.
- Kad nelietojat akumulatoru, neturiet to citu metāla priekšmetu tuvumā, piemēram: papīra saspraudes, monētas, atslēgas, naglas, skrūves vai citi sīki metāla priekšmeti, kas var veidot savienojumu starp spailēm. Akumulatora spaiļu īsslēgums var radīt aizdegšanos vai ugunsgrēku.
- Nepareizas rīcības gadījumā no akumulatora var izkļūt šķidrums; izvairieties no saskares ar to. Nejaušas saskares gadījumā skalojiet skarto vietu ar ūdeni. Ja šķidrums nokļūst acīs, nepieciešama arī medicīniskā palīdzība. No akumulatora izkļuvušais šķidrums var izraisīt kairinājumu vai apdegumus.
- Neizmantojiet akumulatoru bloku, kas ir bojāts vai pārveidots. Bojāts vai pārveidots akumulatoru bloks var izraisīt neparedzamu

darbību, kas var izraisīt uzliesmošanu, sprādzienu vai ievainojumu risku.

- Nepakļaujiet akumulatoru bloku vai instrumentu liesmu vai paaugstinātas temperatūras iedarbībai. Pakļaujot liesmām vai temperatūrai virs 130°C var izraisīt sprādzienu.
- Ievērojiet visas lādēšanas instrukcijas un nelādējiet akumulatoru bloku vai instrumentu, ja temperatūra ir ārpus diapazona, kas norādīts instrukcijās. Nepareiza lādēšana vai lādēšana temperatūrā, kas ir ārpus norādītā diapazona, var izraisīt akumulatora bojājumus un palielināt uzliesmošanas risku.

SNIEGA PŪTĒJA DROŠĪBAS NOTEIKUMI

- Nenovietojiet rokas vai kājas zem rotējošām detaļām vai to tuvumā. Visada laikykitēs saugaus atstumo nuo išmetimo angos. Nelieciēt nekādus priekšmetus atverēs.
- Ievērojiet ģpašu piesardzību, lietojot to uz vai šķērsojot akmeņainas brauktuves vai gājēju celiņus. Uzmanieties no slēptām briesmām, ievērojiet piesardzību, lietojot koplietošanas ceļu tuvumā.
- Lai samazinātu tādu ievainojumu risku, kas saistīti ar saskarsmi ar rotējošām daļām, vienmēr apturiet izstrādājumu un noņemiet akumulatoru bloku. Pārliecinieties, ka visas kustīgās daļas ir pilnīgi apstājušās:
 - Sazāģējot nezināmu priekšmetu, pārbaudiet, vai ierīce nav bojāta.
 - ja izstrādājums sāk neparasti vibrēt, nekavējoties pārbaudiet cēloni. Paprastai vibrācija yra iespējimas.
 - pirms tīrīšanas vai šķēršļu izcīršanas
 - pirms atstāt izstrādājumu bez uzraudzības
 - pirms ierīces pārbaudīšanas, apkopes vai darbināšanas
- Netīriet sniegu pret nogāzi. Būkite itin atsargūs ant šlaitų keisdami kryptį. Nemēģiniet notīrīt stāvas nogāzes.





- Nekādā gadījumā nedarbiniet ierīci bez atbilstošiem aizsargiem, plāksnēm un citām drošības palīgierīcēm.
- Nekad nevērsiet izmešanas atveri pret cilvēkiem vai vietām, kur var notikt īpašuma bojāšana. Turiet bērņus un pārējos atstatu.
- Nepārslogojiet ierīci, mēģinot nofīrīt sniegu pārāk ātri.
- Nekad nelietojiet izstrādājumu ar augstu pārvietošanās ātrumu uz slidenām virsmām. Skatieties aiz muguras un ievērojiet piesardzību, lietojot atpakaļgaitā.
- Atvienojiet piedziņu savācējam/gliemežim, kad produkts tiek pārvadāts vai netiek lietots.
- Lietojiet tikai oriģinālās ražotāja rezerves daļas, piederumus un uzgaļus.
- Nekad nelietojiet produktu, ja nav laba redzamība vai apgaismojums. Vienmēr esiet droši par virsmu, uz kuras stāvat, saglabājiet stingru rokturu satvērienu. Eijiet, nekādā gadījumā neskrīeniet.
- Motoram darbojoties, ierīci drīkst novietot vienīgi uz cietas, tīras virsmas. Granti, smiltis un citus gružus var iesūkt gaisa ieejā un tie var tikt mesti operatora vai apkārtējo virzienā, izraisot iespējamus nopietnus miesas bojājumus.
- Nekādā gadījumā nedarbiniet ierīci stiklotu telpu, automobiļu, logu un ieeju tuvumā ar nepiemērotu sniega pūšanas leņķi. Darba zonas tuvumā nedrīkst atrasties nepiederošas personas, it īpaši bērni un dzīvnieki.
- Nelietojiet ierīci, kad pastāv zibens spēriena risks.
- Nedarbiniet ierīci sprādzienbīstamā vidē, piemēram, degošu šķidrums, gāzu vai putekļu klātbūtnē.
- Nepersitempkite. Persitempe galīte prarasti pusiausvyrā.
- Strādājot ar ierīci, uzmanieties, sekojiet savam darbam un vadieties pēc veselā saprāta. Neuzmanīga rīcība, darbojoties ar ierīci var radīt smagu personisku traumu.

⚠ BRĪDINĀJUMS

Ja ierīce tiek nomesta, tā ir saskārusies ar smagu triecienu vai tā sāk nevaldāmi vibrēt, nekavējoties izslēdziet ierīci un centieties atrast bojājumu vai arī cēloni šādai vibrācijai. Jebkāda tehniska apkope ir jāveic tikai autorizētos tehniskās apkopes centros.

PAPILDU AKUMULATORU BLOKA DROŠĪBAS BRĪDINĀJUMI

⚠ BRĪDINĀJUMS

Lai novērstu īssavienojuma izraisītu aizdegšanās, savainojumu vai produkta bojājuma risku, neiegremdējiet instrumentu, maināmo akumulatoru vai uzlādes ierīci šķidrums un rūpējieties par to, lai ierīcēs un akumulatoros neiekļūtu šķidrums. Koroziju izraisoši vai vadītspējīgi šķidrums, piemēram, sālsūdens, noteiktas ķīmikālijas, balinātāji vai produkti, kas satur balinātājus, var izraisīt īssavienojumu.

LIETOŠANAS IETEIKUMI

- Ierīce nedarbosies, ja augšējais rokturis nebūs pareizi uzstādīts un roktura bloķējošā skava nebūs droši nostiprināta. Ierīcei ir divi drošības bloķētāji, kas palīdz novērst nejaušu iedarbināšanu, kad ierīce nav pareizi samontēta.
- Ņemiet vērā vēja virzienu, pirms sākt lietot produktu. Pūtiet sniegu vēja virzienā, lai sniegs netiktu mests sejā.

TRANSPORTĒŠANA UN UZGLABĀŠANA

- Apturiet produktu un noņemiet akumulatoru bloku. Ļaujiet produktam atdzist, pirms novietot glabāšanai vai transportēt automašīnā.
- Notīriet visus svešķermeņus no izstrādājuma. Uzglabājiet to vēsā, sausā un labi vēdinātā vietā, kurai nevar piekļūt bērni. Neglabājiet to vietā, kur tuvumā atrodas korozīvas vielas, piemēram dārza darbos izmantojamas ķīmikālijas vai atsaldēšanai domāta sāls. Neuzglabājiet ārpus telpām.



- Transportējot nostipriniet ierīci, lai tā nekustētos un neapgāztos, jo tas var izraisīt miesas bojājumus un ierīces bojājumus.

LITIJA BATERIJU TRANSPORTĒŠANA

Transportējiet baterijas saskaņā ar vietējiem un valsts noteikumiem un regulām.

Ievērojiet visas īpašās prasības saistībā ar iepakojšanu un marķēšanu, transportējot trešās puses baterijas. Nodrošiniet, ka baterijas transportā nevar nonākt saskarē ar citām baterijām vai vadītspējīgiem materiāliem, aizsargājot atklātos savienotājus ar nevadošiem izolācijas vāciņiem vai lentēm. Netransportējiet iekļūkušas baterijas vai baterijas, kurām ir noplūde. Lūdziet padomu kravu pārvadāšanas uzņēmumam.

APKOPE

▲ BRĪDINĀJUMS

Lietojiet tikai oriģinālās ražotāja rezerves daļas, piederumus un uzgaļus. Pretējā gadījumā var tikt radīti ievainojumi un parādīts slikts sniegums, kā arī var tikt anulēta garantija.

▲ BRĪDINĀJUMS

Aptarnavimā atlikti būtina itin atdīžai, tādēļ rekomendojame, kad tehniņē apžīurā vykdytų kvalifikuotas specialistas. Veiciet produkta apkalpošanu un remontu tikai pilnvarotā servisa centrā. Veicot apkopi, lietojiet tikai oriģinālās ražotāja rezerves daļas.

- Daudzus šajā lietotāja rokasgrāmatā aprakstītos regulēšanas un remontdarbus varat veikt pats. Citiem produkta remontiem nogādājiet produktu apkopei tikai pilnvarotā servisa centrā.
- Pēc katras lietošanas reizes notīriet precī ar mīkstu, sausu drāniņu.
- Regulāri pārbaudiet visus uzgriežņus, stiprinājumus un skrūves, lai pārliicinātos, ka tās ir cieši pievilktas un izstrādājums ir drošā darba stāvoklī. Jebkura bojāta detaļa jānodod remontam vai nomainītai pilnvarotā apkopes centrā.

- Nesiet precī uz pilnvarotu pakalpojumu centru, lai nomainītu bojātos vai nesalasāmās uzlīmes.
- Darbiniet produktu pāris reizes pēc sniega tīrīšanas, lai novērstu uzsalšanu uz gliemeža.
- Tīrot, remontējot vai pārbaudot produktu, pārliicinieties, ka visas kustīgās daļas ir pilnīgi apstājušās. Noņemiet akumulatoru bloku, lai novērstu nejaušu produkta iedarbināšanu.

AIZSPROSTOJUMU ATTĪRĪŠANA

▲ BRĪDINĀJUMS

Nekādā gadījumā nelieciēt rokas un kājas ierīces vai pūšanas izvada priekšpusē, lai pasargātu sevi no nopietniem miesas bojājumiem.

- Atlaidiet slēdzi un izņemiet bateriju paketi.
- Pārliicinieties, ka visas kustīgās daļas ir pilnīgi apstājušās.
- Izmantojiet koka kārti, lai atbrīvotu aizsprostojumu.
- Pagrieziet ratu, izmantojot koka kārti.
- Ņemiet vērā, ka rats pats var griezties aizsprostojuma atbrīvošanas laikā, jo mehānismā var būt uzkrājusies enerģija.
- Tiklīdz ratu var pagriezt ar koka kārti, dodieties ierīces aizmugurē.
 - Tas ir normāli, ka rata mehānisms kustas pakāpeniski.
- Pārliicinieties, ka varat droši turpināt tīrīt sniegu.
- Ievietojiet bateriju paketi. Ieslēdziet ierīci.

OBJEKTĪVIE RISKI

Pat ka prece ir lietotā kā noteikts, nav iespējams pilnībā novērst noteiktus riska faktorus. Turpmāk norādītie riski var rasties lietošanas laikā un operatoram īpaša uzmanība jāpievērš, lai izvairītos no turpmāk minētā:

- Saskarsme ar troksni var radīt dzirdes traucējumus.

- Valkājiet ausu aizsargu un ierobežojiet saskarsmi.
- Izmestu priekšmetu radīti ievainojumi
 - Priekšmeti, kurus met rotējošais gliemezis izstrādājuma priekšpusē vai no sniega izmešanas caurules, var izraisīt ievainojumus. Vienmēr izmantojiet atbilstošu acu aizsargu.

PAZĪSTIET SAVU IERĪCI

Skatīt 158. lappusi

1. Augšējais rokturis
2. Iesl./izsl. sprūds
3. Slēdža atbloķēšanas poga
4. Motora vadības kabelis
5. Izvada rotācijas svira
6. Roktura bloķējošā skava
7. Izvada rotācijas ass
8. Izvada deflektora rokturis
9. Izvada deflektors
10. LED apgaismojums
11. Rats
12. Starprokturis
13. Roktura regulēšanas poga
14. Apakšējais rokturis
15. Pārnēsāšanas/pacelšanas rokturis
16. Uzglabājamās baterijas nodalījums
17. Izmantojamās baterijas nodalījums
18. Akumulators
19. Akumulatora lādētājs

UZ PRECES ESOŠIE SIMBOLI



Pirms preces darbināšanas izlasiet un izprotiet visus norādījumus, ievērojiet visus brīdinājumus un drošības norādījumus.



Sargieties no izmestiem vai lidojošiem priekšmetiem. Rūpējieties, lai visi tuvumā stāvošie, īpaši bērni un dzīvnieki atrastos vismaz 15 m attālumā no darba zonas



Valkājiet acu aizsargaprīkojumu



BĪSTAMI! Uzmanieties no rotējošā rata, lai negūtu ievainojumus. Sargiet rokas, kājas un apģērbu.



BĪSTAMI! Pirms aizsprostojuma tīrīšanas izņemiet bateriju un izlasiet norādījumus rokasgrāmatā. Rokām un kājām jābūt pietiekošā attālumā no ierīces priekšpusē un pūšanas izvada.



Izlietotie elektroprodukti nedrīkst tikt izmesti kopā ar mājsaimniecības atkritumiem. Lūdzu, nododiet tos attiecīgajās atkār ār totas izmantošanas vietās. Sazinieties ar savu vietējo varas pārstāvi vai izplatītāju, lai noskaidrotu, kur iespējama atkārtota pārstrāde.



Darbarīks atbilst visām normām ES valstī, kurā tas ir iegādāts.



EurAsian atbilstības marķējums



Ukrainas apstiprinājuma zīme



Garantētais skaņas jaudas līmenis ir 86 dB.



Nospiediet un turiet



Saspiediet un turiet, lai darbinātu



Uzglabājamās baterijas nodalījums



Izmantojamās baterijas nodalījums

Šādi signālvārdi un nozīmes ir paredzētas, lai izskaidrotu ar precīzi saistītā riska līmeņus.

⚠ BĪSTAMI

Norāda draudošo bīstamo situāciju, kas, ja no tās neizvairās, var novest pie nāves vai nopietnas traumas.

⚠ BRĪDINĀJUMS

Norāda potenciālo bīstamo situāciju, kas, ja no tās neizvairās, var novest pie nāves vai nopietnas traumas.

⚠ UZMANĪBU

Norāda potenciālo bīstamo situāciju, kas, ja no tās neizvairās, var novest pie nelielas vai vidējas traumas.

UZMANĪBU

Bez drošības brīdinājuma apzīmējuma

Norāda uz situāciju, kas var radīt īpašuma bojājumus.

SIMBOLI ŠAJĀ ROKASGRĀMATĀ



Atsevišķi nopērkamās daļas vai piederumi



Piezīme



Brīdinājums



Bloķētājs



Atbloķēt

Projektuojant belaidį sniego valytuvą-pūstuvą, didžiausias prioritetas suteiktas saugai, eksploatacinėms savybėms ir patikimumui.

NAUDOJIMO PASKIRTIS

Belaidis sniego valytuvą-pūstuvą skirtas naudoti lauke, gerai apšviestoje vietoje, operatoriui einant paskui gaminį. Šis gaminys skirtas naudoti suaugusiems asmenims, perskaičiusiems ir supratusiems šiame vadove pateiktas instrukcijas ir įspėjimus bei atsakingiems už savo veiksmus. Saugos sumetimais, gaminys turi būti tinkamai valdomas visada dirbant abiem rankomis.

Gaminys skirtas valyti sniegą tokiose vietose, kaip įvažiavimai, šaligatviai, pėsčiųjų takai, takeliai, keliai ir takai aplink namus. Gaminys gali pastumti iki 25 cm gylio sniego pusnis.

Gaminio jokia būdu negalima naudoti, jeigu ratukai nesiekia žemės. Juo negalima važinėti.

Šį gaminį galima naudoti tik taip, kaip nurodyta šioje instrukcijoje.

Nenaudokite kitais tikslais.

BENDROS SAUGOS TAISYKLĖS

▲ ĮSPĖJIMAS

Įrenginys gali amputuoti rankas ir pėdas, taip pat svaityti daiktus. Nesilaikant visų saugos taisyklių galima sunkiai susižaloti.

▲ ĮSPĖJIMAS

Būtina laikytis saugos reikalavimų naudojantis šiuo produktu. Dėl savo pačių ir šalia esančių asmenų saugumo, perskaitykite šias instrukcijas prieš pradėdami dirbti prietaisu. Išsaugokite šią instrukciją ateičiai.

▲ ĮSPĖJIMAS

Šį gaminį reikia naudoti tik su akumuliatoriumi. Naudojant įrankius su akumuliatoriumi, būtina atsižvelgti į elementarias saugumo priemones, kad sumažintumėte gaisro, skysčio iš akumuliatorių ištekėjimo ir sužeidimo pavojų.

APMOKYMAS

- Prieš pradėdami naudotis šiuo gaminiu, būtina perskaitykite ir išnagrinėkite visus naudojimo instrukcijoje pateiktus nurodymus bei vadovaukitės jais. Atidžiai susipažinkite su valdikliais ir išnagrinėkite, kaip tinkamai naudotis gaminiu. Išmokite, kaip sustabdyti įrenginį ir greitai atjungti valdiklius.
- Jokia būdu neleiskite naudoti, valyti ar prižiūrėti prietaisą vaikams, žmonėms su robotais fiziniiais, jutikliniais ar protiniais gebėjimais, arba nesusipažinusiems su šiomis instrukcijomis asmenimis. Vietos įstatymai gali apriboti įrengimo operatoriaus amžių. Vaikus reikia tinkamai prižiūrėti, kad jie nežaistų su krūmapjove.
- Pašaliniai asmenys, vaikai ir gyvūnai turi būti 15 m atstumu nuo genėjimo vietos. Į apdirbamą plotą įėjus pašaliniam asmeniui, gaminį reikia sustabdyti.
- Būkite atsargūs, kad nepaslystumėte ar nenukristumėte, ypač tada, kai gaminį naudojate atbuline eiga.
- Turėkite omenyje, kad operatorius arba vartotojas yra atsakingas už nelaimingus atsitikimus arba kitiems asmenims ar jų turtui sukeltą pavojų.
- Nesinaudokite įrankiu būdami pavargę, apsvaigę nuo narkotinių medžiagų, alkoholio arba vaistų.

PARUOŠIMAS

- Kruopščiai apžiūrėkite vietą, kurioje bus valomas sniegas ir patraukite iš jos kilimėlius, rogutes, snieglientes, laidus ir kitus pašalinius objektus.
- Naudodami gaminį, dėvėkite tinkamą žieminę aprangą ir mūvėkite neslidžią avalynę. Stengtis nedėvėti dukšlių drabužių, arba rūbų su kabančiais raišteliais ar kaklaraiščiu: juos gali įtraukti judamosios dalys.
- Dirbdami arba atlikdami reguliavimo ar remonto darbus visada dėvėkite apsauginius akinius ir antveidžius, kad akys būtų apsaugotos pašalinių objektų,

kuriuos gali svaityti įrenginys.

- Sureguliuokite rinktuvo korpuso aukštį, kad jis neliestų žvyruoto ar akmenuoto paviršiaus.
- Niekada nebandykite atlikti jokių reguliavimo darbų, kai įrenginys veikia.
- Ilgus plaukus reikia susegti virš pečių lygio, kad neįsipainiotų į judančias dalis.
- Prieš kiekvieną naudojimą patikrinkite, ar tinkamai veikia visi valdikliai ir saugos įtaisai. Nenaudokite krūmapjovės, jeigu išjungimo jungikliu nepavyksta sustabdyti variklio.
- Prieš kiekvieną krūmapjovės naudojimą, būtinai apžiūrėkite, ar jos korpusas nepakenktas ir ar apsauginiai įtaisai bei rankenos tinkamai ir saugiai sumontuoti.

ĮRANKIO SU AKUMULIATORIUMI NAUDOJIMAS IR PRIEŽIŪRA

- Pakartotinai kraukite prietaisą tik naudodami gamintojo nurodytą kroviklį. Vieno tipo akumuliatoriui tinkantis įkroviklis gali kelti gaisro pavojų kitokiam akumuliatoriui.
- Elektrinius įrankius naudokite tik su jiems skirtais baterijų paketais. Naudojant kitokius akumuliatorius, galima susižeisti ar sukelti gaisrą.
- Kai akumuliatorius nenaudojamas, jį laikykite toliau nuo kitų metalinių daiktų, pavyzdžiui, sąvaržėlių, monetų, raktų, vinių, varžtų ar kitų mažų metalinių daiktų, kurie vieną gnybtą gali sujungti su kitu. Sutrumpinus vieną akumuliatoriaus gnybtą su kitu, galima nusideginti arba sukelti gaisrą.
- Netinkamomis sąlygomis iš akumuliatoriaus gali ištekėti skystis - nelieskite jo. Jei atsitiktinai prisilietėte - nuplaukite vandeniu. Jei skysčio pateko į akis, papildomai kreipkitės į gydytoją. Iš akumuliatoriaus ištekėjęs skystis gali nudeginti ar sukelti sudirginimus.
- Nenaudokite akumuliatorių bloko ar įrankio, kuris yra sugadintas arba pakeistas.

Sugadinti arba pakeisti akumuliatoriai gali veikti neprognozuojamai ir dėl to gali kilti gaisras, sprongimas arba pavojus susižaloti.

- Saugokite akumuliatorių nuo ugnies ir pernelyg aukštos temperatūros. Patekus į ugnį arba veikiant aukštesnei nei 130 °C temperatūrai gali kilti sprongimas.
- Laikykitės visų įkrovimo instrukcijų ir neįkraukite akumuliatorių bloko ar įrankio jei temperatūra yra už instrukcijose nurodyto diapazono ribų. Netinkamai įkraunant arba jei temperatūra yra už nurodyto diapazono ribų gali būti sugadinti akumuliatoriai ir padidėti gaisro pavojus.

SNIEGO VALYTUVO NAUDOJIMO SAUGOS TAISYKLĖS

- Rankų ar kojų nelaikykite šalia besisukančių detalių ar po jomis. Visada laikykitės saugaus atstumo nuo išmetimo angos. Nedėkite jokių daiktų į angas.
- Būkite itin atsargūs naudodamiesi įrenginiu ant žvyruotų kelių ar takų, arba juos kirsdami. Būkite budrūs, kad išvengtumėte nematomų pavojų arba naudodamiesi įrenginiu viešuosiuose keliuose.
- Siekiant su mažinti susižalojimo pavojų, galintį kilti dėl sąlyčio su besisukančiomis dalimis, visada sustabdykite gaminį ir išimkite akumuliatorių bloką. Patikrinkite, ar visos judančio dalys visiškai nustojo sukintis:
 - atsitrenkus į pašalinį daiktą, apžiūrėti, ar krūmapjovė nepakenkta
 - Jei įrenginys pradeda nejprastai vibruoti, nedelsdami patikrinkite vibracijos priežastį. Paprastai vibracija yra įspėjimas.
 - prieš valant ar išimant susidariusį kamštį
 - Prieš palikdami įrenginį be priežiūros
 - prieš tikrinant, prižiūrint ar naudojant krūmapjovę
- Nevalykite sniego priekinėje nuokalnių bei šlaitų pusėje. Būkite itin atsargūs ant šlaitų keisdami kryptį. Nebandykite valyti stačių šlaitų.
- Jokiu būdu neekspluatuokite gaminio be

reikiamų apsauginių įtaisų, plokštelių ar kitų saugos įrenginių.

- Niekada nenukreipkite išmetamojo latako į žmones ar tas vietas, kur gali būti padaryta žala turtui. Neleiskite artyn vaikų ir pašalinių asmenų.
- Norėdami kuo greičiau nuvalyti sniegą, nebandykite eksploatuoti įrenginio perkrauti paleisdami jį veikti per dideliu našumu.
- Niekada nesinaudokite gaminiu, judėdami dideliu greičiu ant slidžių paviršių. Pažiūrėkite atgal, ir būkite atsargūs naudodamiesi įrenginiu atbuline eiga.
- Atjunkite rinktuvą / rotorių nuo energijos šaltinio, kai įrenginį transportuojate arba juo nesinaudojate.
- Keitimui naudokite tik originalias gamintojo atsargines dalis.
- Niekada nesinaudokite įrenginiu esant prastam matomumui arba apšvietimui. Visada užtikrinkite tvirtą stovėseną ir tvirtai laikykite už rankenų. Visada eikite, niekada nebėkite.
- Jeigu veikia variklis, gaminį reikia dėti tik ant kietų, švarių paviršių. Oro įleidimo anga gali įtraukti žvyrą, smėlį ir kitas nuolaužas, ir jas išsviesti į operatorių ar pašalinius asmenis; o tai gali sukelti sunkius sužeidimus.
- Jokiu būdu neekspluatuokite gaminio arti stiklo aptvėrimų, automobilių, langų ar tarpdurių, jeigu nėra tinkamai sureguliuotas sniego išpylimo kampas. Visi pašaliniai asmenys, o ypač vaikai ir gyvūnai, turi būti toliau nuo darbo zonos.
- Gaminio negalima naudoti, jeigu yra perkūnijos ar žaibavimo grėsmė.
- Nenaudokite prietaiso, jei šalia yra degios ir sprogti galinčios medžiagos (skysčiai, dujos ar dulkės).
- Nepersitempkite. Persitempę galite prarasti pusiausvyrą.
- Dirbdami su prietaisu būkite budrūs, stebėkite, ką darote bei vadovaukitės sveika nuovoka. Naudojant krūmaplovę, dėl menkausio neatidumo, galima sunkiai susižeisti.

⚠ IŠPĖJIMAS

Numetus krūmaplovę, jai stipriai susitrenkus ar pradėjus neįprastai vibruoti, ją reikia nedelsiant sustabdyti ir patikrinti, ar nepakenkta arba nustatyti vibravimo priežastį. Pakenktos dalys turi būti tinkamai sutaisytos arba pakeistos įgaliojame techninio aptarnavimo centre.

PAPILDOMI AKUMULIATORIAUS SAUGOS IŠPĖJIMAI

⚠ IŠPĖJIMAS

Siekdami išvengti trumpojo jungimo sukeltą gaisro pavojų, sužalojimų arba produkto pažeidimų, neikiškite įrankio, keičiamo akumulatoriaus arba įkroviklio į skysčius ir pasirūpinkite, kad į prietaisus arba akumulatorius nepatektų jokių skysčių. Koroziją sukeliantys arba laidūs skysčiai, pvz., sūrus vanduo, tam tikri chemikalai ir balikliai arba produktai, kurių sudėtyje yra baliklių, gali sukelti trumpąjį jungimą.

NAUDOJIMO PATARIMAI

- Gaminys neveiks, jeigu viršutinė rankena bus netinkamai įtaisyta ir negerai prispausta spaustuku. Kad netinkamai surinkus, įrenginys nepasileistų netyčia, yra du saugos blokavimo įtaisai.
- Prieš pradėdami naudotis įrenginiu, atkreipkite dėmesį į vėjo kryptį. Kad sniego nepustytų veidą, jį reikia iškratyti ta pačia kryptimi, kuria pučia vėjas.

GABENIMAS IR LAIKYMAS

- Sustabdykite įrenginį ir išimkite akumulatorių. Prieš padėdami įrenginį į saugojimo vietą arba veždami jį transporto priemonėje, palaukite, kol jis atvės.
- Nuo įrankio nuvalykite visas pašalines medžiagas. Laikykite vėsioje, sausoje, gerai vėdinamoje ir vaikams nepasiekiamoje vietoje. Nelaikykite jo arti nuo tokių koroziją sukeliančių reagentų kaip cheminės sodininkystės medžiagos arba druskos, naudojamos prieš apledėjimą. Nelaikykite lauke.

- Paruošiant gabenimui, gaminį reikia pritvirtinti, kad nejudėtų ir nenukrsity, nes priešingu atveju jis gali sužaloti žmones arba sugesti pats.

LIČIO BATERIJŲ TRANSPORTAVIMAS

Akumuliatorių gabenkite pagal vietinius ir šalies reikalavimus bei nuostatas.

Akumulatorius gabenant trečiajai šaliai būtina laikytis visų specialių reikalavimų, nurodytų pakuotėse ir etiketėse. Užtikrinkite, kad gabenimo metu nei vienas akumulatorius nesiliestų su kitais akumulatoriais arba laidžiosiomis medžiagomis – apsauginius jungiamuosius elementus uždenkite izoliacinėmis nelaidžiomis movomis arba juosta. Įskilusių ir tekančių akumuliatorių negabenkite. Dėl tolesnių patarimų kreipkitės į transporto įmonę.

PRIEŽIŪRA

▲ ĮSPĖJIMAS

Keitimui naudokite tik originalias gamintojo atsargines dalis. Neoriginalios dalys gali būti sužeidimų ir įrenginio blogo veikimo priežastis, ir dėl to gali būti anuluotas garantinis pažymėjimas.

▲ ĮSPĖJIMAS

Aptarnavimą atlikti būtina itin atidžiai, todėl rekomenduojame, kad techninę apžiūrą vykdytų kvalifikuotas specialistas. Įrankį techninės priežiūros ir remonto darbams pristatykite tik į įgaliojantį techninės priežiūros centrą. Atlikdami prietaiso techninę priežiūrą, keitimui naudokite tik originalias, prietaiso gamintojo atsargines dalis.

- Prietaisą galite reguliuoti ir remontuoti, kaip aprašyta šiame naudotojo vadove. Įrenginį techninei priežiūrai ir remontui pristatykite tik į įgaliojantį techninės priežiūros centrą.
- Po kiekvieno naudojimo, išvalykite įrenginį sausu švelnaus audinio gabalėliu.
- Dažnai tikrinkite visas varžles, varžtus ir sraigtus, ar jie tvirtai laikosi ir ar gaminys yra saugios darbo būklės stovyje. Bet kurią apgadintą detalę leidžiama remontuoti

arba keisti tik autorizuotame aptarnavimo centre.

- Prireikus pakeisti sugadintas ar neįskaitomas etiketes, gaminį reikia nugabenti į įgaliojantį techninio aptarnavimo centrą.
- Pabaigę valyti sniegą, paleiskite įrenginį kelis kartus, kad neužšaltų rotorius.
- Prieš valydami, remontuodami ar tikrindami įrenginį, būtinai palaukite, kol visos judančios dalys visiškai sustos. Išimkite akumuliatorių, kad kas nors netyčia neužvestų įrenginio.

UŽSIKIMŠUSIO GAMINIO VALYMAS

▲ ĮSPĖJIMAS

Jokiu būdu negalima dėti rankų ar kojų priešais gaminį ar sniego iškratymo lovelį, nes priešingu atveju galima sunkiai susižeisti.

- Atleiskite spragtuką ir išimkit baterijų paketą.
- Patikrinkite, ar visos judančio dalys visiškai nustojo sukstis.
- Pašalinkite kamštį medine lazdele.
- Medine lazdele pasukite sparnuotės sistemą.
- Būkite atsargūs: išimant kamštį, sparnuotė gali savaime pajudėti dėl mechanizme išsaugotos energijos.
- Pasukus sparnuotę medine lazdele, reikia pereiti į gaminio galinę dalį.
 - Normalu, kad sparnuotės mechanizmas juda pakopomis.
- Patikrinkite, ar toliau valyti sniegą saugu.
- Įdėkite baterijų paketą. Įjunkite gaminį.

ŠALUTINIAI PAVOJAI

Net naudojant gaminį pagal nurodymus, neįmanoma visiškai atmesti visų pavojaus veiksnių. Naudojant gaminį gali kilti toliau išvardinti pavojai ir naudotojas turi kreipti ypatingą dėmesį, kad jų išvengtų:

- Ilgai būnant triukšme, galima pakenkti klausą.
 - Dėvėkite akių apsaugą ir ribokite poveikio trukmę.
- Sužalojimai nuo išmetamų objektų
 - Objektai, kuriuos gaminio priekyje arba iš sniego išmetimo latakų sviedžia besisukantis rotorius, gali sužaloti. Visada dėvėkite tinkamą akių apsaugą.

PAŽINKITE SAVO GRANDININĮ PJŪKLĄ

Žr. 158 psl.

1. Viršutinė rankenėlė
2. Įjungimo/išjungimo spragtukas
3. Spragtuko užrakinimo mygtukas
4. Variklio valdymo droselis
5. Lovelio sukimo svirtis
6. Rankenos blokavimo spautukas
7. Lovelio sukimo velenas
8. Lovelio kreiptuvo rankena
9. Lovelio kreiptuvais
10. Šviesos diodų (LED) lemputės
11. Sparnuotė
12. Tarpinė rankena
13. Rankenos reguliavimo galvutė
14. Nuleiskite rankeną
15. Gabenimo / kėlimo rankena
16. Atsarginių baterijos skyrius
17. Naudojamų baterijos skyrius
18. Baterija
19. Akumulatoriaus įkroviklis

SIMBOLIAI ANT ĮRENGINIO



Prieš naudodami įrenginį, atidžiai perskaitykite instrukcijas, laikykitės įspėjimų ir saugos nurodymų.



Saugokitės išmetamų arba skrendančių objektų. Visi pašaliniai asmenys, ypač vaikai ir naminiai gyvūnai, turi būti ne arčiau kaip 15 m nuo darbo vietos.



Dėvėkite apsauginius akinius



PAVOJUS! Venkite sužeidimų, sukeliamų besisukančios sparnuotės. Rankas, kojas ir aprangą laikykite atokiai nuo įrenginio.



PAVOJUS! Prieš šalindami susidariusį kamštį, išimkite bateriją ir perskaitykite vadove pateiktas instrukcijas. Rankas, kojas ir aprangą laikykite atokiai nuo įrenginio priekinės dalies ir išbėrimo lovelio.



Elektrinių produktų atliekos neturi būti metamos kartu su namų ūkio atliekomis. Prašome perdirbkite jas ten, kur yra tokios perdirbimo bazės. Dėl perdirbimo patarimo kreipkitės į savo vietinę savivaldybę ar pardavėją.



Šis prietaisas atitinka visas reglamentuotas normas ES šalies, kur jis buvo nupirktas.



„EurAsian“ atitikties ženklas



Ukrainos atitikties ženklas



Garantuojama garso galia yra 86 dB



Paspauskite ir palaikykite



Suspauskite ir palaikykite, kad pradėtų veikti



Atsarginių baterijos skyrius



Naudojamų baterijos skyrius

Toliau pateikti signaliniai žodžiai skirti paaiškinti rizikos, susijusios su gaminiu, lygius:

⚠ PAVOJUS

Reiškia ypač pavojingą padėtį, kurios neišvengus bus patirti sunkūs ar net mirtini sužeidimai.

⚠ ĮSPĖJIMAS

Reiškia potencialiai pavojingą situaciją, kurios neišvengus galimi sunkūs ar net mirtini sužeidimai.

⚠ ATSARGIAI

Reiškia potencialiai pavojingą situaciją, kurios neišvengus galimi lengvi ar vidutinio sunkumo sužeidimai.

ATSARGIAI

Be įspėjamųjų simbolių
Reiškia nuosavybės žalos tikimybę.

SIMBOLIAI VADOVE



Detalės arba priedai yra parduodami atskirai



Pastaba



Įspėjimas!



Blokuotąs



Atrakinti



Akutoitega lumepuhuri konstrueerimisel on peaesmärgiks olnud toote ohutus, tootlikkus ja töökindlus.

OTSTARBEKOHANE KASUTAMINE

Akutoitega lumepuhur on ette nähtud kasutamiseks vaid õues hästi valgustatud kohas, nii et kasutaja lükkab seda enda ees. Toodet tohivad kasutada ainult need isikud, kes on läbi lugenud selles kasutusjuhendis olevad juhised ja hoiatused ning saavad neist aru ning keda saab pidada oma tegude eest vastutavaks. Ohutuse tagamiseks peab saagi kasutamise ajal kogu aeg hoidma kahe käega. Seade on ette nähtud sissesõiduteede, kõnniteede, jalgteede, radade ja sõiduteede ning maja ümbruste lumest puhastamiseks. Seadmega saab eemaldada lund, mille sügavus on kuni 25 cm.

Kultivaatorit ei tohi kunagi nii kasutada, et rattad on maapinna kohal. Ärge astuge kultivaatori peale.

Toodet tohib kasutada üksnes kasutusjuhendis kirjeldatud viisil.

Ärge kasutage ühekski muuks otstarbeks.

ÜLDISED OHUTUSESKIRJAD

⚠ HOIATUS

Toode võib käed või jalad maha lõigata ning esemeid lendu paisata. Ohutusjuhiste eiramine võib põhjustada tõsiseid vigastusi.

⚠ HOIATUS

Seadme kasutamisel tuleb järgida ohutusreegleid. Teie ja kõrvalseisjatele ohutuse tagamiseks lugege käesolevad juhised enne seadme kasutamist läbi. Hoidke juhend edaspidiseks kasutamiseks alles.

⚠ HOIATUS

Seadme tööks on vaja vaid akupaketti. Akutööriistade kasutamisel tuleb järgida üldisi ohutusnõudeid, et vähendada tulekahjust ja lekkivatest akudest tingitud ohtu ning vältida kehavigastusi.

VÄLJAÕPE

- Enne toote kasutamist lugege läbi ja tehke endale selgeks kõik tootel ja kasutamisyhendis olevad juhised ning järgige neid. Tutvuge põhjalikult toote juhtelementide ja toote õige kasutamisega. Tehke endale selgeks toote peatamine ja juhtelementide kiire vabastamine.
- Ärge lubage lapsi ega piiratud füüsiliste, sensoorsete ja vaimsete võimetega inimesi ning nende juhistega mittetutvunud inimesi seadet kasutada, puhastada ja hooldada. Kohalikud regulatsioonid võivad seada kasutaja vanusele piiranguid. Laste järele tuleb piisavalt valvata, et nad seadmega ei mängiks.
- Hoidke kõik kõrvalseisjad, lapsed ja lemmikloomad tööalalt vähemalt 15 meetri kaugusele. Kui keegi tööpiirkonda siseneb, siis seisake kultivaator.
- Olge ettevaatlik ja vältige libisemist ning kukkumist, eriti tootega tagurpidi töötades.
- Pidage meeles, et operaator või kasutaja on vastutav õnnetuste või ohuolukordade eest, mis võivad puudutada teisi inimesi või nende vara.
- Ärge kasutage toodet, kui olete väsinud, haige või narkootikumide, alkoholi või ravimite mõju all.

ETTEVALMISTUSTOIMINGUD

- Enne lumepuhuri kasutamist kontrollige tööpiirkond hoolikalt üle ja eemaldage uksematid, kelgud, lumelauad, juhtmed ja muud esemed.
- Kandke seadmega töötamisel alati talvist tööriietust ja mittelibisevaid jalanõusid. Vältige selliste riiete kandmist, mis on lõdvad või millel on paelad või sidemed; need võivad haakuda liikuvate osade külge.
- Töötamise, reguleerimise või remondi ajal kandke alati kaitseprille või silmakaitseid, et kaitsta oma silmi tootest eemale paiskuda võivate võõrkehade eest.
- Reguleerige kollektori korpuse kõrgus vastavalt kruusa- või killustikukattele.





- Ärge tehke mingeid reguleerimistöid, kui masin töötab.
- Kinnitage pikad juuksed õlgadest kõrgemale, et vältida nende takerdumist liikuvate osade vahele.
- Enne seadme kasutamise alustamist veenduge, et kõik juht- ja ohutusseadised töötavad nõuetekohaselt. Kui seade nupule OFF vajutamisel välja ei lülitu, ärge hakake tööriista kasutama.
- Enne iga kasutuskorda kontrollige välise vaatluse teel, et korpus ei ole vigastatud ja kaitsed ning käepidemed on oma kohtadel ning nõuetekohaselt kinnitatud.

AKUTÖÖRIISTA KASUTAMINE JA KOR-RASHOID

- Laadige akut ainult tootja poolt ettenähtud laadijaga. Akulaadaja, mis sobib ühele akupaketile võib põhjustada tulekahju, kui seda kasutada teise akupaketiga.
- Kasutage akutööriista ainult selleks ettenähtud akudega. Muude akupaketide kasutamine võib põhjustada kehavigastusi või tulekahju.
- Sel ajal kui akupakett ei ole kasutusel, hoidke seda eemal metallesemetest nagu kirjaklambrid, mündid, võtmed, naelad, kruvid ja muudest väikestest metallobjektidest, mis võivad akuklemmid lühistada. Aku klemmide lühistamine võib põhjustada põletust või tulekahju.
- Aku vale kasutamise korral võib akuvedelik välja voolata - vältige sellega kokkupuudet. Akuvedeliku nahale sattumisel peske see veega maha. Akuvedeliku silma sattumisel pöörduge arsti poole. Väljapritsv akuveidelik võib tekitada nahaärritust või -põletust.
- Ärge kasutage vigast või ümbertehtud akut ega tööriista. Vigased või ümbertehtud akud võivad toimida ettearvamatult, mille tagajärjeks on tulekahju, plahvatus või vigastuste oht.
- Ärge jätke akut või tööriista tule lähedale ega liiga kõrge temperatuuri kätte. Tuli või temperatuur üle 130 °C võib põhjustada plahvatust.

- Järgige kõiki laadimisjuhiseid ning ärge laadige akut ega tööriista väljaspool juhistes määratletud temperatuurivahemikku. Vale laadimine või laadimine väljaspool määratletud temperatuurivahemikku võib akut rikkuda ja suurendada tulekahju ohtu.

LUMEPUHURI OHUTUSEESKIRJAD

- Ärge pange oma käsi või jalgu pöörlevate osade alla või lähedusse. Hoidke alati puisteavast eemale. Ärge pange avadesse mingeid esemeid.
- Olge äärmiselt ettevaatlik, kui töotate kruusateel või seda ületate. Olge tähelepanelik varjatud ohtude suhtes ja töötades üldkasutatavate teede läheduses.
- Et vähendada pöörlevate osadega kokkupuutumisest tingitud vigastuste ohtu, peatage alati toode ja eemaldage aku. Veenduge, et kõik masina liikuvad osad on täielikult seiskunud:
 - pärast kokkupuutumist võõrkehaga, et seade vigastuste suhtes üle kontrollida
 - Kui toode hakkab ebatavaliselt vibreerima, tehke viivitamatult kindlaks selle põhjus. Vibratsioon hoiatab tavaliselt mõne vea eest.
 - enne puhastamist ja ummistuse kõrvaldamist
 - enne toote juurest lahkumist
 - enne seadme kontrollimist, hooldamist ja sellega töötamist.
- Ärge puhastage lund piki nõlva. Olge ülimalt ettevaatlik, kui muudate kallakul olles suunda. Ärge püüdke puhastada järskusid nõlvasid.
- Ärge kasutage seadet ilma ettenähtud kaitsete, suunaplaatide või turvaseadisteta.
- Ärge kunagi suunake väljalaskeava inimeste või vara suunas. Hoidke lapsed ja muud inimesed eemal.
- Ärge koormake masinat üle võimete, et puhastada lund suurel kiirusel.
- Libedal pinnasel ärge kunagi käitage toodet kiirel sõidukäigul. Tagurpidi töötades vaadake taha ja olge ettevaatlik.



- Kui te toodet transpordite või seda ei kasuta, lahutage kollektori/tiiviku jõuallikas lahti.
- Kasutage ainult tootja originaalvaruosi, tarvikuid ja tööorganeid.
- Ärge kunagi töötage tootega halva nähtavusega või valgustusega kohas. Tagage alati kindel toetuspind oma jalgadele ja hoidke kindlalt kinni käepidemetest. Töötamisel kõndige, ärge kunagi jookske.
- Ärge jätke kunagi töötava mootoriga masinat mingile muule pinnale kui lumest puhastatud maapind. Kruus, liiv ja muu praht võib õhuvooluga üles tõusta ja välja paiskuda kõrvalseisjate suunas ja põhjustada raskeid kehavigastusi.
- Ärge puhastage lund klaasist katete, autode, akende ja läbikäikudes ilma, et lume väljajehterenn pole vastavalt seadistatud. Hoidke kõrvalseisjad, eriti lapsed ja lemmikloomad käärیده tööalalt eemal.
- Ärge kasutage seadet kui on äikese oht.
- Ärge kasutage muruniidukit plahvatusohtlikes keskkondades, näiteks kergestisüttivate vedelike ja gaaside läheduses ega tolmuks kohas.
- Ärge kummardage. Kummardamine võib põhjustada tasakaalu kadumist.
- Seadmega töötamisel jälgige tööpiirkonda ja kasutage sealjuures tervet mõistust. Hetkeline tähelepanu hajumine seadme kasutamise ajal võib põhjustada raske kehavigastuse.

⚠ HOIATUS

Kui seade on maha kukkunud, saanud tugeva löögi või hakkab ebanormaalselt vibreerima, seisake seade viivitamatult ja kontrollige see üle vigastuste suhtes. Kõik vigastused tuleb lasta volitatud hooldustöökojas parandada või asendada.

AKU LISAOHUTUSJUHISED

⚠ HOIATUS

Lühisest põhjustatud tuleohtu, vigastuste või toote kahjustuste vältimiseks ärge kastke tööriista, vahetusakut ega laadimiseadet vedelikku ning jälgige, et vedelikke ei tungiks seadmetesse ega akusse. Korrodeeruvad või elektrit juhtivad vedelikud, nagu soolvesi, teatud kemikaalid ja pleegitusained või pleegitusaineid sisaldavad tooted, võivad põhjustada lühist.

KASUTUSJUHISED

- Masin ei tööta kui ülemine käepide pole nõuetekohaselt kinnitatud ja käepideme lukusti pole turvaliselt kinnitunud. Masinal on kaks blokeeringut, mis väldivad juhuslikku käivitumist kui masin pole õigesti kokku pandud.
- Enne kui asute tootega tööle, määrake tuule suund. Suunake lumi tuule suunas, et vältida selle tagasipuhumist vastu teie nngu.

TRANSPORTIMINE JA HOIUSTAMINE

- Peatage toode ja eemaldage aku. Enne hoiustamist või sõidukis transportimist laske tootel maha jahtuda.
- Puhastage seade kõikidest võõrkehadedest. Hoidke kuivas ja hästi ventileeritud kohas, mis on lastele juurdepääsmatu. Hoidke kettsaagi eemal söövitavatest ainetest nagu aiakemikaalid ja jäätõrjevahendid. Ärge hoiustage õues.
- Vedamise ajal tõkestage kultivaator liikuma hakkamise ja alla kukkumise vastu, et vältida kehavigastusi ja masinaosade kahjustamist.

LIITUMAKUDE TEISALDAMINE

Akude transportimisel juhenduge kasutuskohas kehtivatest riiklikest määrustest ja eeskirjadest.

Akude transportimisel allettevõtjate poolt järgige kõiki pakkimise ja tähistamise erinõudeid. Veenduge, et akud ei satu kokkupuutese teiste akude ega voolu

juhtivate materjalidega, kui avatud klemmid on transportimise ajal kaitstud voolu mittejuhtivate isoleerkorkide või teibiga. Ärge transportige pragunenud või lekkivaid akusid. Küsige lisateavet transportettevõttelt.

HOOLDUS

⚠ HOIATUS

Kasutage ainult tootja originaalvaruosi, tarvikuid ja tööorganeid. Selle nõude eiramine võib põhjustada, kehavigastuse, tootluse languse ja teile antud garantii tühistamise.

⚠ HOIATUS

Hooldamine nõuab ülimalt korrashoidu ja teadmisi ning tuleks teostada ainult kvalifitseeritud hooldustehnikute poolt. Teenindust ja remonti tohivad teha ainult volitatud teeninduskeskused. Muruniiduki hooldamisel kasutage ainult tootja originaalvaruosi.

- Lubatud on teha ainult selles kasutusjuhendis kirjeldatud reguleerimis- ja parandustoiminguid. Muid remonditöid tohivad teha ainult volitatud teeninduskeskused.
- Pühkige trimmer pärast iga kasutuskorda pehme kuiva lapiga puhtaks.
- Kontrollige kõiki mutreid, polte ja kruvisid sagedaste intervallidega õige pinguleku suhtes, et veenduda toote ohutus töökorras olemises. Vigastatud osad tuleb lasta pädeval hooldajal parandada või asendada.
- Pöörduge vigastatud ja loetamatute kleebiste asendamiseks volitatud hoolduskeskuse poole.
- Pärast lumekoristustöid laske masinal mõned minutit tühjal töötada, et vältida tiiviku kinnikülmumist.
- Veenduge, et kõik liikuvad osad on täielikult peatunud, enne kui te toodet puhastate, parandate või kontrollite. Eemaldage aku, et keegi ei saaks toodet kogemata käivitada.

UMMISTUSE KÕRVALDAMINE

⚠ HOIATUS

Ärge pange mingil juhul oma käsi või jalgu masina ette või väljalaskerenni ette, et vältida raskeid kehavigastusi.

- Vabastage päästik ja eemaldage akupakett.
- Veenduge, et kõik masina liikuvad osad on täielikult seiskunud.
- Ummistuse kõrvaldamiseks kasutage puitkeppi.
- Keerake tiivikut puitkepi abil.
- Olge ettevaatlik, sest ummistuse korral võib tiivik salvestunud energia vabanemisel liikuma hakata.
- Niipea kui tiivikut saab puitkeppiga pöörata, minge tagasi masina taha.
 - Tiiviku astmeline liikumine on normaalne nähtus.
- Veenduge, et lumekoristuse jätkamine on ohutu.
- Paigaldage akupakett. Lülitage masina toide sisse.

JÄÄKRISKID

Isegi siis, kui kultivaatorit kasutatakse kirjeldatud viisil, ei ole võimalik kõrvaldada kõiki jääkriskide mõjureid. Töötamise ajal võivad tekkida järgmised ohud, millele operaator peab pöörama erilist tähelepanu.

- Tugev müra võib põhjustada kuulmiskahjustuse.
 - Kandke kuulmiskaitsevahendeid ja piirake müraga kokkupuudet
- Lenduvate esemete poolt põhjustatud vigastus
 - Toote esiosas oleva pöörleva tiiviku poolt või lumerennist lendu paiskunud esemed võivad põhjustada vigastusi. Kandke alati nõuetekohaseid silmakaitsevahendeid.

ÕPPIGE OMA TOODET TUNDMA

Vt leht 158.

1. Ülemine käepide
2. „Sisse/Välja“-päästik
3. Päästiku lukusti avamise nupp
4. Mootori juhtimiskaabel
5. Renni pööramise hoob
6. Käepideme lukusti fiksaator
7. Renni pööramise võll
8. Renni suunaja käepide
9. Renni suunaja
10. LED-märgutuled
11. Tiivik
12. Vahehoob
13. Juhtraua reguleernupp
14. Alumine käepide
15. Kande-/tõstekäepesa
16. Aku hoiustamispesa
17. Aku tööpesa
18. Aku paketi
19. Akulaadija

MASINAL OLEVAD SÜMBOLID



Enne seadmega töö alustamist lugege kõik juhised hoolikalt läbi ja pidage kinni hoiatustest ja ohutusega seotud juhistest.



Hoiduge ülespaisatud ja lendavate esemete eest. Hoidke kõik kõrvalseisjad, eriti lapsed ja lemmikloomad tööalalt vähemalt 15 meetri kaugusele.



Kandke silmakaitsevahendeid



OHT! Vältige enda vigastamist pöörleva tiivikuga. Hoidke käed, jalad ja riietus eemal.



OHT! Eemaldage aku ja enne ummistuse kõrvaldamist lugege vastavaid juhiseid kasutusjuhendist. Hoidke käed ja jalad masina esiosast ning väljalaskerennist eemal.



Mittekasutatavaid elektritooted ei tohi visata olmejäätmete hulka. Vaid tuleb viia vastavasse kogumispunkti. Vajadusel küsige sellekohast nõu oma edasimüüjalt või vastavalt kohaliku omavalitsuse institutsioonilt.



Vastab kõigile eeskirjadele EL-i liikmesriigis, kus toode on ostetud.



Euraasia vastavusmärk



Ukraina vastavusmärgis



Garanteeritud helivõimsuse tase on 86 dB



Vajutage ja hoidke all



Hoidke töötamise ajal all



Aku hoiustamispesa



Aku tööpesa

Järgnevad märksõnad ja selgitused on mõeldud selle toote kasutamisega seotud riskitasemete kirjeldamiseks.

OHT.

Viitab kohe tekkivale ohtlikule olukorrale, mis, kui ei väldita, lõpeb surma või tõsise vigastusega.

HOIATUS

Viitab võimalikule ohtlikule situatsioonile, mis, kui ei väldita, võib lõppeda surma või tõsise vigastusega.

ETTEVAATUST

Viitab võimalikule ohtlikule situatsioonile, mis, kui ei väldita, võib lõppeda väiksemate või keskmiste vigastusega.

ETTEVAATUST

Ilma hoiatussümbolita

Osutab olukorrale, mis võib põhjustada varakahju.

KASUTUSJUHENDI SÜMBOLID



Eraldi ostetavad osad või tarvikud



Märkus



Hoiatus



Lukk



Lahtikeeramine

U razvoju ovog bežičnog razgrtača snijega dati su maksimalni prioriteti sigurnosti, performansama i pouzdanosti.

NAMJENA

Bežični razgrtač snijega namijenje je za korištenje samo na otvorenom dobro osvijetljenom području od strane operatera koji hoda iza proizvoda. Proizvod je konstruiran kako bi ga koristile samo odrasle osobe koje su pročitale upute i upozorenja u ovom priručniku i mogu se smatrati odgovornima za njihove postupke. Zbog sigurnosnih razloga, proizvod mora biti adekvatno upravljan pomoću dvije ruke u svakom trenutku.

Proizvod je namijenje za čišćenje snijega u područjima poput prilaznih putova, pločnika, nogostupaa, cesta i područja oko kuća. Proizvod može micati snijeg dubine do 25 cm. proizvod nikada ne smije raditi s podignutim kotačim od tla. Ne smije se voziti na njemu.

Proizvod se treba koristiti samo kako je opisano u ovom priručniku.

Nemojte koristiti oštricu u nikakvu drugu svrhu.

OPĆA SIGURNOSNA PRAVILA

⚠ UPOZORENJE

Proizvod može amputirati ruke i stopala i izbacivati predmete. Nepridržavanje svih sigurnosnih uputa može dovesti do teške ozljede.

⚠ UPOZORENJE

Prilikom korištenja proizvoda moraju se slijediti sigurnosna pravila. Radi vaše i sigurnosti ostalih promatrača, molimo vas da prije rada s proizvodom pročitate ove upute. Molimo vas da čuvate ove upute radi kasnijeg korištenja.

⚠ UPOZORENJE

Uređaj treba raditi samo s baterijom. Prilikom korištenja AKU uređaja, uvijek se valja pridržavati osnovnih mjera opreza kako biste smanjili opasnost od požara, curenja baterija i osobnih ozljeda.

OBUKA

- Prije rada proizvodom morate pročitati razumjeti i slijediti sve upute koje se odnose na proizvod. Temeljito se upoznajte s kontrolama i pravilnim korištenjem proizvoda. Zapoznac się ze sposobami zatrzymywania produktu i szybkiego wyłączenia układu sterowania.
- Nikada ne dopustite djeci ili osobama sa smanjenim fizičkim, osjetilnim ili mentalnim mogućnostima ili osobama koje nisu upoznate s ovim uputama da rade, čiste ili oražavaju ovaj proizvod. Moguće je da lokalni propisi propisuju starosnu dob rukovatelja. Djecu je potrebno odgovarajuće nadzirati kako bi se osiguralo da se ne igraju s proizvodom.
- Držite promatrače, djecu i kućne ljubimce 15 m dalje od područja rada. Zaustavite proizvod ako bilo tko uđe u područje rada.
- Budite oprezni kako se ne biste poskliznuli ili pali, posebno prilikom inverznog rada proizvoda.
- Imajte na umu da je rukovatelj ili korisnik odgovoran za nezgode ili opasnosti koje nastanu drugim osobama ili njihovoj imovini.
- Ne koristite proizvod ako ste umorni ili pod utjecajem droga, alkohola ili lijekova.

PRIPREMA

- Temeljito provjerite područje gdje će se uređaj koristiti i uklonite sve sanjke, ploče, žicu i druge strane predmete.
- Tijekom rada s uređajem uvijek nosite odgovarajuću zimsku odjeću i obuću protiv klizanja. Izbjegavajte nositi odjeću koja je labava ili s nje visi konop ili kravata, oni se mogu zahvatiti u pokretne dijelove.
- Uvijek nosite sigurnosne naočale ili štitić za oči tijekom rada ili prilikom prilagodbe ili popravka kako biste zaštitili oči od stranih tijela koji bi mogli izletjeti iz proizvoda.
- Namjestite visinu kućišta kolektora kako biste očistili šljunak ili površinski zdrobljeni kamen.

- Ne pokušavajte vršiti nikakva podešavanja dok proizvod radi.
- Osigurajte dugu kosu na način da je iznad razine ramena kako biste spriječili zahvaćanje u pokretne dijelove.
- Osigurajte prije svakog korištenja da svi upravljački elementi i sigurnosni uređaji pravilno funkcioniraju. Ne koristite alat ako sklopka „isključeno“ ne zaustavlja proizvod.
- Prije svakog korištenja, uvijek vizualno provjerite da vidite je li kućište oštećeno, te da su štitnici i ručke pravilno postavljeni i pričvršćeni.

KORIŠTENJE I BRIGA O AKU ALATU

- Punite samo s punjačem navedenim od proizvođača. Punjač koji je prikladan za jednu vrstu baterija može dovesti do opasnosti od požara kada se koristi s drugom baterijom.
- Koristite AKU alate samo s posebno naznačenim baterijama. Korištenje bilo kojih drugih baterija dovodi do opasnosti od ozljeda i požara.
- Kada se baterija ne koristi držite je dalje od drugih metalnih predmeta kao što su spajalice za papir, kovanice, ključevi, čavli, vijci ili drugi mali metalni predmeti koji mogu spojiti jedan pol na drugi. Kratki spoj polova baterije može izazvati opekotine ili požar.
- Pod uvjetima loma može doći do izbacivanja tekućine iz baterije, izbjegavajte kontakt. Ako dođe do nehotičnog kontakta, isperite to mjesto s vodom. Ako tekućina dospije u oči, dodatno potražite liječničku pomoć. Tekućina koja istječe iz baterije može dovesti do iritacije ili opekotina.
- Nemojte koristiti bateriju ili alat koji su oštećeni ili modificirani. Oštećene ili modificirane baterije mogu imati nepredvidivo ponašanje, što može dovesti do požara, eksplozije ili rizika od tjelesnih ozljeda.
- Nemojte izlagati baterijski sklop ili alat vatri ili visokoj temperaturi. Izlaganje vatri ili temperaturi višoj od 130°C može dovesti do eksplozije.
- Slijedite sve upute za punjenje i nemojte puniti bateriju ili alat na temperaturama izvan temperaturnog raspona specificiranog u uputama. Nepravilno punjenje ili punjenje na temperaturama izvan specificiranog raspona može oštetiti bateriju i povećati rizik od požara.

SIGURNOSNA PRAVILA BACAČA SNJEGA

- Nemojte stavljati ruke ili stopala blizu ili ispod rotirajućih dijelova. Neka je otvor za pražnjenje uvijek slobodan. Ne gurajte nikakve predmete u otvore.
- Budite iznimno oprezni prilikom rada ili prelaska šljunčanih prijelaza ili staza. Budite na oprezu zbog skrivenih opasnosti ili rada blizu javnih cesta.
- Kako biste smanjili rizik od ozljeda zbog kontakta s okretnim dijelovima, prije uklanjanja baterije obavezno prvo zaustavite proizvod. Provjerite da su svi pokretni dijelovi zaustavljeni:
 - nakon odbacivanja nepoznatog predmeta; provjerite uređaj na oštećenja
 - ako proizvod počne vibrirati snažnije od uobičajenog, odmah provjerite uzrok. Vibracije su obično upozorenje na neki problem.
 - prije čišćenja i odblokiranja
 - prije ostavljanja proizvoda bez nadzora
 - prije provjere, održavanja ili rada na uređaju
- Nemojte čistiti snijeg preko kosina. Posebnu pozornost obratite kada mijenjate smjer na kosini. Nemojte pokušavati čistiti prevelike kosine.
- Nikada nemojte raditi s proizvodom bez pravilno postavljenih štitnika, ploča ili drugih sigurnosnih zaštitnih uređaja.
- Nikada ne usmjeravajte otvor za izbacivanje prema ljudima ili područjima gdje može doći do oštećenja. Djecu i prolaznike držite na udaljenosti.
- Nemojte preopteretiti kapacitet uređaja

pokušavajući brzo očistiti snijeg.

- Nikada nemojte rukovati proizvodom na klizavim površinama pri velikim transportnim brzinama. Gledajte iza sebe i budite oprezni prilikom rada unatrag.
- Isključite napajanje kolektora/rotora kada se proizvod prevozi ili nije u uporabi.
- Koristite samo originalne zamjenske dijelove, dodatni pribor i priključke od proizvođača.
- Nikada ne radite s proizvodom ako vidljivost ili rasvjeta nisu dobri. Uvijek budite sigurni u svoj položaj nogu i čvrsto držite ručke. Hodajte, nemojte trčati.
- Nikada ne postavljajte proizvod na nikakvu površinu, osim čvrste čiste površine, kada motor radi. Šljunak, pijesak i druge krhotine mogu se podići ulaskom zraka i odbaciti na operatera ili promatrače, uzrokujući moguće teške ozljede.
- Nikada nemojte raditi s uređajem pored stakla, automobila, prozora ili prolaza bez pravilno podešenog kuta izbacivanja snijega. Držite sve promatrače dalje od radnog područja, posebice djecu i kućne ljubimce.
- Nemojte raditi s proizvodom kada postoji opasnost od grmljavinskog nevremena.
- Nemojte rukovati uređajem u eksplozivnim atmosferama u kojima su prisutne zapaljive tekućine, plinovi ili prašina.
- Ne sežite preko određene granice. Sezanje preko određene granice može imati za posljedicu gubitak ravnoteže.
- Budite na oprezu, gledajte to što radite i pri radu s jedinicom koristite zdrav razum. Trenutak nepažnje pri radu s proizvodom može dovesti do teških osobnih ozljeda.

⚠ UPOZORENJE

Ako je proizvod ispao, pretrpio težak udar ili abnormalno vibrira, odmah zaustavite proizvod i provjerite na oštećenje ili identificirajte uzrok vibracija. Svaki oštećeni dio trebao bi pravilno popraviti ili zamijeniti ovlaštenu servisni centar.

DODATNA SIGURNOSNA UPOZORENJA ZA BATERIJU

⚠ UPOZORENJE

Zbog izbjegavanja opasnosti od požara jednim kratkim spojem, opasnosti od ozljeda ili oštećenja proizvoda, alat, izmjenjivi akumulator ili napravu za punjenje ne uronjavati u tekućine i pobrinite se za to, da u uređaje ili akumulator ne prodiru nikakve tekućine. Korozirajuće ili vodljive tekućine kao slana voda, određene kemikalije i sredstva za bijeljenje ili proozvodi koji sadrže sredstva bijeljenja, mogu prouzročiti kratak spoj.

SAVJETI ZA RAD

- Proizvod neće raditi ako gornja ručka nije pravilno postavljena, a klin ručke za zaključavanje nije sigurno postavljen. Postoje dvije sigurnosne blokade za pomoć u sprječavanju slučajnog pokretanja kada uređaj nije pravilno sklopljen.
- Imajte na umu smjer vjetra prije rada s proizvodom. Izbacujte snijeg u istom smjeru kao i vjetar kako biste spriječili da se snijeg vraća na površinu.

PRIJEVOZ I SKLADIŠTENJE

- Zaustavite proizvod i izvadite baterijski sklop. Dozvolite da se proizvod ohladi prije nego što ga uskladištite ili odnesete u vozilo.
- Očistite svaki strani materijal s uređaja. Skladištite ga na suhom i dobro ventiliranom mjestu koje nije pristupačno djeci. Nemojte ju ostavljati u blizini korozivnih agenasa kao ni vrtnih kemijskih proizvoda i soli za odmrzavanje. Ne ostavljajte na otvorenom.
- Za prijevoz, osigurajte uređaj protiv pomicanja ili pada kako biste spriječili povrede osoba ili oštećenja na uređaju.

TRANSPORTIRANJE LITIJUMSKIH BATERIJA

Transportirajte bateriju u skladu s lokalnim i nacionalnim pravima i zakonima.

Sljedite sve specijalne zahtjeve na pakiranju

EN
FR
DE
ES
IT
NL
PT
DA
SV
FI
NO
RU
PL
CS
HU
RO
LV
LT
ET
HR
SL
SK
BG
UK
TR



i naljepnicama prilikom transporta baterije od treće strane. Osigurajte da baterija ne može doći u kontakt s drugim baterijama ili provodnim materijalima tijekom transporta tako da zaštitite izložene priključke s izolacijom, kapticama koje ne provode energiju ili trakom. Nemojte transportirati baterije koje su polomljene ili cure. Provjerite kod kompanije koji transportirate za daljnju pomoć.

ODRŽAVANJE

⚠ UPOZORENJE

Koristite samo originalne zamjenske dijelove, dodatni pribor i priključke od proizvođača. Nepoštivanje ovih uputa može dovesti do mogućih ozljeda, loše učinkovitosti i može dovesti do poništenja jamstva.

⚠ UPOZORENJE

Servisiranje iziskuje krajnju pažnju i znanje i treba da ga vrši samo kvalificirani serviser. U slučaju potrebe servisiranja i popravka, neka se proizvod servisira samo u ovlaštenom servisnom centru. Prilikom servisiranja, koristite samo originalne zamjenske dijelove od proizvođača.

- Možete izvršiti podešavanja i popravke koji su opisani u ovom priručniku. Za ostale popravke, neka se proizvod servisira samo u ovlaštenom servisnom centru.
- Nakon svakog korištenja proizvod obrišite sa suhom mekom krpom.
- Često provjeravajte sve matice i zavrtnje da li su dobro pritegnuti kako biste bili sigurni da je proizvod u sigurnom radnom stanju. Svaki oštećeni dio trebao bi pravilno popraviti ili zamijeniti ovlašteni servisni centar.
- Za zamjenu oštećenih ili nečitljivih naljepnica vratite proizvod u ovlašteni servisni centar.
- Pokrenite proizvod nekoliko puta nakon izbacivanja snijega kako biste spriječili smrzavanje rotora.

- Prilikom čišćenja, popravljanja ili pregledavanja proizvoda, uvjerite se da su se svi pokretni dijelovi potpuno zaustavili. Uklonite baterijski sklop kako biste spriječili da netko slučajno pokrene proizvod.

ČIŠĆENJE BLOKADA

⚠ UPOZORENJE

Nikada ne stavljajte ruke ili noge u prednji dio proizvoda ili lijevak za pražnjenje, kako biste izbjegli ozbiljne ozljede.

- Otputite sklopku za pokretanje i uklonite bateriju.
- Provjerite da su svi pokretni dijelovi zaustavljeni.
- Koristite drvenu granu za uklanjanje blokade.
- Okrenite sklop propelera korištenjem drvene grane.
- Pazite, propeler se može pomicati samostalno tijekom uklanjanja blokade zbog spremljene energije u mehanizmu.
- Kada se propeler može okretati drvenom granom, gurnite ga u stražnji dio proizvoda.
 - Normalno je da mehanizam propelera ima stupnjevito pomicanje.
- Provjerite je li sigurno nastaviti s čišćenjem snijega.
- Ugradite novu bateriju. Uključite uređaj.

OSTALE OPASNOSTI:

Čak i kad je proizvod korišten kao što je prethodno opisano, još uvijek nije moguće potpuno isključiti ostale čimbenike opasnosti. Može doći do sljedećih opasnosti tijekom korištenja i operater mora obratiti posebnu pozornost kako bi izbjegao sljedeće:

- Izlaganje buci može izazvati povredu sluha.
 - Nosite zaštitu za sluh i ograničite izloženost
- Ozljede uzrokovane izbačenim i letećim predmetima
 - Objekti koje izbacuje rotor s prednje strane proizvoda ili iz žlijeba za snijeg mogu uzrokovati tjelesne ozljede. Cijelo



vrijeme nosite odgovarajuća sredstva za zaštitu očiju.

UPOZNAJTE SVOJ PROIZVOD

Pogledajte stranicu 158.

1. Gornja ručka
2. Sklopka za uklj./isklj.
3. Gumb za sigurnosno blokiranje
4. Kabel upravljanja motorom
5. Ručica rotacije lijevka
6. Klin ručke za zaključavanje
7. Osovina za rotaciju lijevka
8. Ručka deflektora lijevka
9. Deflektor lijevka
10. LED svjetla
11. Propeler
12. Srednja ručka
13. Gumb za podešavanje ručke
14. Spuštanje ručke
15. Ručka za nošenje/podizanje
16. Odjeljak za spremanje baterije
17. Odjeljak baterije koja se koristi
18. Baterija
19. Punjač za baterije

SIMBOLI NA PROIZVODU



Pročitajte i razumite sve upute prije rada s proizvodom, slijedite sva upozorenja i sigurnosne upute.



Čuvajte se odbačenih ili letećih predmeta. Držite sve promatrače naročito djecu i kućne ljubimce, na udaljenosti najmanje 15 m od radnog područja.



Nosite sredstva za zaštitu očiju



OPASNOST! Izbjegavajte ozljede od rotirajućeg propelera. Držite ruke, stopala i odjeću dalje.



OPASNOST! Uklonite bateriju i pročitajte upute u priručniku prije čišćenja blokade. Držite ruke i stopala dalje od prednjeg dijela uređaja i trake za pražnjenje.



Otpadni električni proizvodi ne treba da se odlažu s otpadom iz domaćinstva. Molimo da reciklirate gdje je to moguće. Potražite savjet od lokalnih vlasti ili prodavca kako reciklirati.



Ovaj alat usklađen je sa svim normama i propisima zemlje Europske unije u kojoj je kupljen.



EurAsian znak konformnosti



Ukrajinska oznaka za sukladnost



Jamčena razina zvučne snage 86 dB.



Gurnite i držite



Stisnite i držite za rad



Odjeljak za spremanje baterije



Odjeljak baterije koja se koristi

Sljedeće signalne riječi i značenja namijenjeni su objašnjenju razina opasnosti koje su vezane uz ovaj proizvod:

⚠ OPASNOST

Ukazuje na neposrednu opasnu situaciju, koja, ukoliko se ne izbjegne, može rezultirati smrću ili opasnim povredama

⚠ UPOZORENJE

Ukazuje na moguću opasnu situaciju, koja,

ukoliko se ne izbjegne, može rezultirati smrću ili opasnim povredama

⚠ UPOZORENJE

Ukazuje na moguću opasnu situaciju, koja, ukoliko se ne izbjegne, može rezultirati manjim ili blažim povredama

UPOZORENJE

Bez sigurnosnog simbola upozorenja
Naznačuje situaciju koja može rezultirati oštećenjem imovine.

SIMBOLI U OVOM PRIRUČNIKU



Dijelovi ili pribor prodan odvojeno



Napomena



Upozorenje



Brava



Otključavanje



Varnost, zmogljivost in zanesljivost so bile najpomembnejše lastnosti pri oblikovanju vaše brezžične snežne freze.

NAMEN UPORABE

Brezžična snežna freza je namenjena le zunanji uporabi, na dobro osvetljenem območju in z operaterjem, ki hodi za izdelkom. Orodje je zasnovano tako, da ga lahko uporabljajo samo odrasli, ki so prebrali in razumejo navodila in opozorila v tem priročniku, zaradi česar lahko tudi odgovarjajo za svoja dejanja. Iz varnostnih razlogov morate izdelek v vsakem trenutku imeti pod nadzorom z obema rokama.

Izdelek je oblikovan za čiščenje snega na območjih, kot so dovozi, pločniki, prehodi, poti, cestišča in v okolici hiš. Izdelek lahko odstrani sneg v višini do 25 cm.

Izdelka nikoli ne smete upravljati tako, da so kolesa dvignjena od tal. Vedno se mora voziti na kolesih.

Izdelek se sme uporabljati samo po navodilih, navedenih v tem priročniku.

Za druge namene ga ne uporabljajte.

SPLOŠNA VARNOSTNA PRAVILA

⚠ OPOZORILO

Izdelek lahko odseka roke in noge ter povzroči letenje predmetov. Neupoštevanje vseh varnostnih navodil lahko privede do hude telesne poškodbe.

⚠ OPOZORILO

Med uporabo stroja upoštevajte varnostna navodila. Za svojo varnost in varnost drugih oseb preberite ta navodila pred uporabo izdelka. Prosimo, shranite ta navodila za kasnejšo rabo.

⚠ OPOZORILO

Izdelek lahko uporabljate le z baterijskim paketom. Pri uporabi naprave z baterijo vedno upoštevajte osnovne varnostne ukrepe, da zmanjšate tveganje za požar, puščanje baterij in telesne poškodbe.

URJENJE

- Pred uporabo izdelka preberite, razumite in upoštevajte vsa navodila, navedena na izdelku in v tem priročniku. Temeljito se seznanite s kontrolami in pravilno uporabo izdelka. Naučite se, kako zaustaviti izdelek in hitro sprostiti krmilne elemente.
- Otrokom in osebam z zmanjšanimi fizičnimi, senzoričnimi ali duševnimi zmoglostmi ter osebam, ki niso seznanjene s temi navodili, nikoli ne dovolite uporabljati, čistiti ali vzdrževati izdelka. Lokalni predpisi se morda nanašajo tudi na minimalno starost upravitelja. Otroke nenehno primerno nadzorujte, da se ne bodo igrali z napravo.
- Prisotni, otroci in živali naj bodo vsaj 15 m oddaljeni od delovnega območja. Ugasnite izdelek, če kdo vstopi v območje.
- Bodite previdni, da vam ne spodrsne ali ne padete, predvsem ob uporabi izdelka v vzvratni smeri.
- Pomnite, da je upravitelj oz. uporabnik odgovoren za nesreče ali nevarnosti, ki se pripetijo ostalim ljudem ali njihovi lastnini.
- Ne uporabljajte izdelka, če ste utrujeni, bolni ali pod vplivom drog, alkohola ali zdravil.

PRIPRAVA

- Temeljito preglejte območje, kjer boste uporabljali napravo in odstranite vse predpražnike, sani, deske za deskanje na snegu, žice in druge tujke.
- Med upravljanjem naprave vedno nosite primerna zimska oblačila in nedrsečo varnostno obutev. Izogibajte se nošenju ohlapnih oblačil ali oblačil z odstopajočimi dodatki, saj se lahko ujamejo med premične dele.
- Med delovanjem izdelka ali prilagajanjem in popraviljem izdelka vedno nosite varnostna očala ali ščitnik za oči, da zaščitite oči pred tujki, ki bi lahko prileteli iz izdelka.
- Ohišje zbiralnika nastavite na višino, da preprečite stik s talno površino, na kateri je



gramoz ali grušč.

- Med delovanjem izdelka ne poskušajte izvajati nobenih prilagoditev.
- Dolge lase si spnite nad rameni in tako preprečite njihovo ujetje v premikajoče se dele.
- Pred vsako uporabo zagotovite, da vse kontrole in varnostne naprave delujejo pravilno. Izdelka ne uporabljajte, če stikalo za izklop ne zaustavi motorja.
- Pred vsako uporabo vedno vizualno preverite, da je ohišje nepoškodovano in da so varovala in ročaji na mestu in pravilno pritrjeni.

UPORABA IN VZDRŽEVANJE BATERIJSKEGA ORODJA

- Baterijo polnite le s polnilnikom, ki ga določa proizvajalec. Polnilnik, ki ustreza eni vrsti baterij, morda lahko povzroči požar, če z njim polnite drugo vrsto baterij.
- Baterijska orodja uporabljajte samo s predpisano vrsto baterij. Uporaba katerih koli drugih baterij ustvari tveganje poškodb in požara.
- Ko baterije ne uporabljajte, pazite, da bo odmaknjena od kovinskih predmetov, kot so papirne sponke, kovanci, ključi, žblji, vijaki ali drugih majhni kovinski predmeti, ki bi lahko povzročili povezavo med obema terminaloma. Kratak stik zaradi povezanih terminalov baterije lahko povzroči opekline ali požar.
- Ob zlorabi baterije lahko iz nje steče tekočina. Če se po nesreči dotaknete tekočine, mesto dotika sperite z vodo. Če pride tekočina v stik z očmi, poiščite zdravstveno pomoč. Tekočina, ki izteče iz baterije, lahko povzroči vnetje ali opekline.
- Poškodovanega ali spremenjenega akumulatorja oziroma orodja ne uporabljajte. Poškodovani ali spremenjeni akumulatorji lahko delujejo na nepredvidljiv način, kar lahko povzroči požar, eksplozijo ali nevarnost telesne poškodbe.
- Akumulatorskega vložka ali orodja

ne izpostavljajte ognju ali previsokim temperaturam. Ob izpostavljenosti ognju ali temperaturam, višjim od 130 °C, lahko pride do eksplozije.

- Dosledno upoštevajte navodila za polnjenje in akumulatorja oziroma orodja ne polnite izven temperaturnega razpona, predpisanega v navodilih. Ob nepravilnem polnjenju oziroma polnjenju pri temperaturah izven predpisanega razpona se lahko poškoduje akumulator in poveča nevarnost požara.

VARNOSTNA PRAVILA ZA SNEŽNO FREZO

- Roke in stopala držite stran od vrtečih se delov. Ne približujte se odprtini za praznjenje. V odprtine ne postavljajte nobenih predmetov.
- Med uporabo ali pomikanjem prek makadamskih cest ali pešpoti bodite izjemno previdni. Bodite pozorni na skrite nevarnosti ali med uporabo v bližini javnih cest.
- Za zmanjšanje nevarnosti poškodbe zaradi stika z vrtljivimi deli izdelek vedno ustavite in odstranite akumulator. Prepričajte se, da so se vsi premikajoči se deli popolnoma zaustavili:
 - ko zadenete tujek, preverite, ali je izdelek poškodovan
 - Če se izdelek začne neobičajno tresti, takoj ugotovite vzrok. Vibracije so ponavadi znanilec težav.
 - pred čiščenjem ali odstranjevanjem blokade
 - preden zapustite napravo
 - pred preverjanjem in vzdrževanjem izdelka ali delom na njem
- Snega ne čistite na pobočjih. Pri menjavanju smeri na pobočjih bodite še posebej previdni. Ne poskušajte očistiti strmih pobočij.
- Naprave nikoli ne upravljajte brez primernih ščitnikov, obleke in drugih varnostnih naprav na določenih mestih.

- Izmeta nikoli ne usmerjajte v osebe ali območja, kjer lahko pride do poškodb lastnine. Otroci in drugi naj se ne približujejo napravi.
- To lahko povzroči resne poškodbe. Naprave ne preobremenjujte s prehitrim čiščenjem snega.
- Kadar izdelek uporabljate na drsljivi podlagi, ta ne sme nikoli obratovati pri visoki hitrosti. Med uporabo v vzratni smeri glejte nazaj in napravo previdno uporabljajte.
- Med prevozom izdelka ali ko izdelka ne uporabljate, izklopite napajanje zbiralnika/pogonskega kolesa.
- Uporabljajte le originalne rezervne dele in dodatke, ki jih priporoča proizvajalec.
- Izdelka nikoli ne uporabljajte v slabi vidljivosti ali nezadostni svetlobi. Poskrbite, da vedno stabilno stojite in močno držite za ročaja. Vedno hodite, nikoli ne tecite.
- Ko je naprava v teku, je nikoli ne postavite na katero koli površino, razen na trdo in čisto površino. Zračni dovod lahko pobere gramoz, pesek ali druge delce in jih vrže v operaterja naprave ali mimoidoče.
- Nikoli ne uporabljajte naprave v bližini steklenih ograj, avtomobilov, oken ali vhodov brez primerne nastavitve kota izmeta. Vsi opazovalci morajo stati proč od delovnega območja, še posebej otroci in domače živali.
- Izdelka ne uporabljajte v primeru pojava nevihte.
- Naprave ne uporabljajte v eksplozivnih okoljih, npr. v bližini vnetljivih tekočin, plinov ali prahu.
- Nesiahajte prelišč daleko. Pretiravanje lahko povzroči izgubo ravnotežja.
- Med uporabo enote bodite pozorni, spremljajte potek dela in uporabljajte zdrav razum. Trenutek nepazljivosti med uporabo izdelka lahko privede do resnih telesnih poškodb.

⚠ OPOZORILO

Če izdelek pade, močno trči ali začne nenormalno vibrirati, ga nemudoma zaustavite in preverite, ali je poškodovan oziroma poiščite vzrok vibriranja. Vsakršno poškodbo mora ustrezno popraviti ali zamenjati pooblaščen servisni center.

DODATNA VARNOSTNA OPOZORIILA ZA BATERIJO

⚠ OPOZORILO

V izogib, s kratkim stikom povzročene nevarnosti požara, poškodb ali okvar na proizvodu, orodja, izmenljivega akumulatorja ali polnilne naprave ne potaplajte v tekočine in poskrbite, da ne bo prihajalo do vdora tekočin v naprave in akumulatorje. Korozivne ali prevodne tekočine, kot so slana voda, določene kemikalije in belila ali proizvodi, ki le ta vsebujejo, lahko povzročijo kratek stik.

NASVETI ZA UPRAVLJANJE

- Izdelek ne bo deloval, če zgornja ročica ni pravilno nameščena in če sponka za zaklepanje ročaja ni varno pripeta. Naprava ima dve varnostni zapori za preprečitev nenamernega zagona, kadar naprava ni pravilno sestavljena.
- Pred uporabo izdelka preverite smer vetra. Sneg odmetavajte v isto smer kot piha veter ter tako preprečite, da bi sneg letel nazaj v vaš obraz.

TRANSPORT IN SHRANJEVANJE

- Zaustavite izdelek in odstranite baterijski vložek. Pred shranjevanjem ali prevozom izdelka z vozilom počakajte, da se ohladi.
- Očistite vse tujke z izdelka. Shranite jo na suhem in dobro prezračenem mestu, ki ni na dosegu otrok. Hranite proč od jedkih sredstev, kot so kemikalije za vrtnarjenje in soli za odmrzovanje. Ne shranjujte na prostem.
- Za transport zavarujte izdelek pred premiki ali padci, da preprečite poškodbe oseb ali izdelka.

PRENAŠANJE LITIJEVIH BATERIJ

Baterije prevažajte v skladu z lokalnimi in državnimi uredbami in predpisi.

Upoštevajte vse posebne zahteve glede pakiranja in označevanja, kadar prevoz opravlja tretja oseba. Zagotovite, da baterije med prevozom ne morejo priti v stik z drugimi baterijami ali prevodnimi materiali tako, da zaščitite izpostavljene konektorje z izolacijo, neprevodnimi pokrovčki ali trakom. Ne prevažajte poškodovanih baterij oz. baterij, ki puščajo. Za nadaljnje informacije se obrnite na posredovalno podjetje.

VZDRŽEVANJE

⚠ OPOZORILO

Uporabljajte le originalne rezervne dele in dodatke, ki jih priporoča proizvajalec. V nasprotnem primeru naprava lahko slabo deluje, povzroči poškodbe, garancija pa ne velja več.

⚠ OPOZORILO

Servisiranje zahteva posebno pozornost in znanje in naj jo zato opravlja samo izurjeni servisni tehnik. Izdelek naj servisirajo izključno v pooblaščenem servisnem centru. Pri servisiranju uporabljajte samo originalne nadomestne dele.

- Opravljati smete le nastavitve in popravila, ki so opisana v teh navodilih za uporabo. Druga popravila izdelka naj izvedejo izključno na pooblaščenem servisu.
- Po vsaki uporabi izdelek očistite z mehko in suho krpo.
- Pogosto preverjajte, ali so vse matice in vijaki dobro priviti in tako zagotovite varno delovno stanje izdelka. Vsak poškodovani del mora ustrezno popraviti ali zamenjati pooblaščen servisni center.
- Poškodovane ali nečitljive nalepke naj zamenjajo v pooblaščenem servisnem centru.
- Po odmetavanju snega izdelek nekajkrat poženite, da preprečite zamrzitev pogonskega kolesa.
- Med čiščenjem, popravilanjem ali

pregledovanjem izdelka se prepričajte, da so se vsi premikajoči se deli povsem zaustavili. Odstranite baterijski vložek, da drugim osebam preprečite nenameren zagon izdelka.

ODPRAVLJANJE BLOKAD

⚠ OPOZORILO

V izogib resnim poškodbam nikoli ne polagajte rok ali nog pred napravo ali izmetni žleb.

- Sprostite ročico in odstranite baterijski paket.
- Prepričajte se, da so se vsi premikajoči se deli popolnoma zaustavili:
- V primeru zamašitve uporabite leseno palico za odstranitev blokade.
- Za zasuk rotorskega sklopa uporabite leseno palico.
- Bodite pozorni, zaradi shranjene energije v mehanizmu se lahko rotor med odstranjevanjem blokade samodejno zasuče.
- Ko lahko rotor zasučete z leseno palico, premaknite zadnji del naprave.
 - Za rotor je običajno intenzivirano gibanje.
- Prepričajte se, da je varno nadaljevati s čiščenjem snega.
- Namestite baterijski paket. Prižgite napravo.

REZIDUALNA TVEGANJA:

Tudi če izdelek uporabljate tako, kot je predpisano, še vedno ne moremo izključiti določenih preostalih dejavnikov tveganja. Med uporabo se lahko pojavijo naslednje nevarnosti, upravljavec pa naj bo pozoren na naslednje:

- Izpostavljenost hrupu lahko povzroči poškodbo sluha.
 - Nosite zaščito za sluh in omejite izpostavljenost
- Poškodba, ki jo povzročijo leteči predmeti
 - Delci, ki jih izvrže vrteči se rotor na prednji strani izdelka ali izmetna cev,

lahko povzročijo telesne poškodbe.
Vedno nosite ustrezno zaščito za vid.

SPOZNAJTE SVOJ IZDELEK

Glejte stran 158

1. Zgornji ročaj
2. Sprožilnik za vklop/izklop
3. Gumb za zaklep/odklop sprožila
4. Kabel za nadzor motorja
5. Izmetni žleb
6. Sponka za zaklepanje ročaja
7. Jašek za izmetni žleb
8. Ročaj za odklon izmetnega žleba
9. Odklon izmetnega žleba
10. LED luči
11. Rotor
12. Vmesna ročica
13. Gumb za nastavitev ročice
14. Spodnji ročaj
15. Ročaj za nošenje/dvigovanje
16. Predal za shranjevanje baterije
17. Predal za baterijo v uporabi
18. Akumulator
19. Polnilnik baterij

SIMBOLI NA IZDELKU



Pred uporabo izdelka morate prebrati in razumeti vsa navodila, upoštevati vsa opozorila in varnostne napotke.



Pazite na izvržene ali leteče predmete. Prisotni (še posebej otroci in živali) naj bodo med obratovanjem oddaljeni vsaj 15 m od delovnega območja.



Nosite zaščito za oči



NEVARNOST! Izogibajte se poškodbam z vrtljivim rotorjem. Z dlanmi, stopali in oblačili se ne približujte stroju.



NEVARNOST! Odstranite akumulator in pred odmašitvijo preberite navodila v priročniku. Z dlanmi in stopali se ne približujte sprednjemu delu stroja in odmetovalni drči.



Odpadne električne izdelke odlagajte skupaj z ostalimi gospodinjstvi odpadki. Reciklažo opravljajte na predpisanih mestih. Za reciklažni nasvet se obrnite na lokalne oblasti.



Ustreza vsem predpisanim standardom v državi članici EU, kjer je bil kupljen izdelek.



EurAsian oznaka o skladnosti



Ukrajinska oznaka za skladnost



Zajamčena raven hrupa je 86 dB.



Pritisnite in držite



Stisnite in držite za delovanje



Predal za shranjevanje baterije



Predal za baterijo v uporabi

Naslednje besedne oznake in njihovi pomeni služijo za razlago stopnje tveganja pri uporabi izdelka.

NEVARNOST

Označuje neizbežno tvegano stanje, ki če se ji ne izognete lahko povzroči smrt ali resno poškodbo.

OPOZORILO

Označuje morebitno tvegano stanje, ki če

se ji ne izognete lahko povzroči smrt ali resno poškodbo.

⚠ POZOR

Označuje morebitno tvegano stanje, ki če se mu ne izognete lahko povzroči manjšo ali srednje resno poškodbo.

POZOR

Brez simbola za varnostno opozorilo
Prikazuje situacijo, ki lahko povzroči materialno škodo.

SIMBOLI V TEM PRIROČNIKU



Deli ali dodatki so na prodaj ločeno



Opomba



Opozorilo



Uzamknutie



Odklep

Na dosiahnutie jednoduchej obsluhy a prevádzky boli pri navrhovaní tohto akumulátorového odhadzovača snehu najvyššou prioritou bezpečnosť, výkon a spoľahlivosť.

ÚČEL POUŽITIA

Akumulátorový odhadzovač snehu je určený len na použitie v exteriéri a na dobre osvetlených miestach stojacou obsluhujúcou osobou, ktorá kráča za produktom. Tento výrobok môžu používať len svojprávnymi dospelé osoby, ktoré si prečítali a porozumeli pokynom a varovaniam v tejto príručke. Z bezpečnostných dôvodov sa musí tento produkt primerane ovládať neustále oboma rukami.

Tento produkt je určený na odstraňovanie snehu na miestach ako príjazdové cesty, bočné cesty, chodníky, cestičky, vozovky a okolie domov. Tento produkt dokáže odstraňovať sneh do hĺbky až 25 cm.

Produkt sa nikdy nesmie obsluhovať, keď kolieska nie sú na zemi. Nesmie sa na ňom jazdiť.

Tento výrobok sa smie používať len v zmysle opisov uvedených v tomto návode.

Nepoužívajte na žiadne iné účely.

VŠEOBECNÉ BEZPEČNOSTNÉ PRAVIDLÁ

VAROVANIE

Tento výrobok dokáže amputovať ruky alebo nohy a odhadzovať predmety. Opomenutie dodržiavať všetky bezpečnostné pokyny by mohlo mať za následok vážne poranenie.

VAROVANIE

Pri používaní tohto produktu sa musia dodržiavať bezpečnostné zásady. Pre vašu vlastnú bezpečnosť a bezpečnosť okolostojacich osôb si pred použitím produktu prečítajte tento návod. Odložte si tento návod na neskoršie použitie.

VAROVANIE

Tento produkt je určený na použitie s jednotkou akumulátora. Pri používaní akumulátorového nástroja je potrebné dodržiavať základné bezpečnostné opatrenia, aby sa znížilo riziko vzniku požiaru, vytečenia akumulátorov a osobného poranenia.

ŠKOLENIE

- Pred používaním tohto výrobku si prečítajte, pochopte a dodržiavajte všetky pokyny na výrobku a v tomto návode. Dôkladne sa oboznámte s ovládačmi a správnym používaním tohto výrobku. Naučte sa, ako rýchlo zastaviť výrobok a vyradiť ovládače.
 - Nikdy nedovoľte deťom alebo osobám so zníženými fyzickými, duševnými alebo zmyslovými schopnosťami alebo osobám, ktoré nie sú oboznámené s týmto návodom, obsluhovať, čistiť alebo vykonávať údržbu tohto produktu. Miestne platné predpisy môžu obmedzovať dobu použitia kosačky. Deti musia byť pod primeraným dozorom, aby sa nemohli s produktom hrať.
 - Okolostojace osoby, deti a domáce zvieratá, musia stáť min. 15 m od pracovného priestoru. Ak nejaká osoba vstúpi do pracovného priestoru, zastavte produkt.
 - Dávajte pozor, aby ste sa nepošmykli alebo nespadli, hlavne pri používaní výrobku kráčajúc dozadu.
 - Užívateľ alebo obsluha stroja sú zodpovední za nehody alebo škody na majetku a za nebezpečenstvo vzniknuté pri prevádzke stroja.
 - Výrobok nepoužívajte, ak ste unavení, chorí alebo pod vplyvom drog, alkoholu či liekov.
- ## PRÍPRAVA
- Dôkladne skontrolujte priestor, kde sa má zariadenie používať a odstráňte všetky rohožky, sánky, dosky, drôty a iné cudzie predmety.



- Počas práce so strojom vždy používajte primerané zimné šatstvo a protišmykovú bezpečnostnú obuv. Nenoste odev, ktorý je voľný alebo má voľne visiace šnúrky či pútka – môžu sa zachytiť do pohybujúcich sa dielov.
- Počas používania alebo vykonávania nastavenia alebo opravy vždy používajte bezpečnostné ochranné okuliare alebo štítky na ochranu zraku, aby ste si chránili oči pred predmetmi, ktoré môže tento výrobok odhodiť.
- Výšku krytu zberača upravte na čistenie povrchu zo štrku alebo drveného kameniva.
- Kým je výrobok spustený, nikdy sa nepokúšajte o vykonávanie akýchkoľvek nastavení.
- Dlhé vlasy zaistite, aby boli nad úrovňou pliec a nedošlo tak k ich zamotaniu do pohyblivých dielov.
- Pred každým použitím skontrolujte, či všetky ovládacie prvky a bezpečnostné zariadenia fungujú správne. Produkt nepoužívajte, ak hlavný spínač nevypína motor.
- Pred každým použitím vždy vizuálne skontrolujte, či nie je poškodený plášť a či vodiace kryty a rukoväte sú na svojom mieste a správne zaistené.

POUŽÍVANIE AKUMULÁTORA A STAROSTLIVOSŤ OŇ

- Nabíjajte len s použitím nabíjačky špecifikovanej výrobcom. Nabíjačka, ktorá je vhodná pre jeden typ jednotky akumulátora, môže pri použití s inou jednotkou akumulátora spôsobiť riziko požiaru.
- Používajte len mechanické nástroje so špecificky určenými jednotkami akumulátorov. Pri použití iných jednotiek akumulátora vzniká riziko poranenia a požiaru.
- Keď sa jednotka akumulátora nepoužíva, nedávajte ju do blízkosti iných kovových objektov, ako sú papierové sponky, mince, kľúče, klince, skrutky či iné malé kovové

predmety, ktoré by mohli skratovať svorky. Pri skratovaní svoriek akumulátora môže dôjsť k popáleninám alebo požiaru.

- Za nevhodných podmienok, keď by z batérie vytekala kvapalina, predchádzajte kontaktu s ňou. Pri náhodnom kontakte opláchnite vodou. Ak tekutina zasiahne oči, dodatočne vyhľadajte lekársku pomoc. Tekutina vytečená z akumulátora môže spôsobiť podráždenie alebo popáleniny.
- Poškodenú alebo upravenú súpravu batérií alebo náradie nepoužívajte. Poškodené alebo upravené batérie môžu vykazovať nepredvídateľné správanie s následkom požiaru, výbuchu alebo poranenia.
- Súpravu batérií ani náradie nevystavujte účinkom ohňa ani nadmernej teploty. Vystavenie účinkom ohňa alebo teploty nad 130 °C môže spôsobiť výbuch.
- Dodržiavajte všetky pokyny na nabíjanie a súpravu batérií ani náradie nenabíjajte mimo rozsahu teplôt, ktorý je uvedený v pokynoch. Nesprávne nabíjanie alebo nabíjanie pri teplotách mimo uvedeného rozsahu môže poškodiť batériu a zvýšiť riziko vzniku požiaru.

BEZPEČNOSTNÉ PRAVIDLÁ PRE SNEŽNÚ FRÉZU

- Nedávajte ruky alebo nohy do blízkosti rotujúcich dielov ani pod ne. Výstupné otvory musia byť vždy čisté. Do otvorov nekladte žiadne predmety.
- Veľký pozor dávajte pri práci na alebo prechádzaní cez štrkové cesty alebo chodníky. Dávajte pozor na skryté nebezpečenstvá aj počas prevádzkovania pri verejných cestách.
- Aby ste znížili riziko poranenia spojeného s kontaktom s rotujúcimi dielmi, výrobok vždy zastavte a vyberte z neho súpravu batérií. Skontrolujte, či sa všetky pohyblivé diely úplne zastavili:
 - po zasiahnutí cudzím predmetom treba skontrolovať, či produkt nie je poškodený
 - ak výrobok začne neštandardne vibrovať



a okamžite skontrolujte príčinu. Vibrácie sú všeobecne znakom problémov.

- pred čistením alebo odstránením upchatia
 - pred ponechaním výrobku bez dozoru
 - pred kontrolou, údržbou alebo prácou na produkte
- Neodhadzujte sneh cez priečelie svahov. Ak meníte smer, buďte veľmi opatrní. Nepokúšajte sa odhadzovať na strmých svahoch.
 - Nikdy nepracujte s produktom bez nasadených príslušných ochranných krytov, dosiek či iných bezpečnostných ochranných zariadení.
 - Nikdy neodhadzujte smerom na ľudí ani na miesta, kde by mohlo dôjsť k poškodenou majetku. Zabráňte prístupu detí a ostatných osôb.
 - Nepreťažujte kapacitu zariadenia – neodhadzujte sneh príliš rýchlo naraz.
 - Výrobok na klzkých povrchoch nikdy neprevádzkujte pri vysokých dopravných rýchlostiach. Pozerajte sa dozadu a dávajte pozor pri používaní kráčajúc dozadu.
 - Ak budete výrobok prepravovať alebo ak ho nebudete používať, odpojte napájanie zberača/pohonu.
 - Používajte len originálne náhradné diely, príslušenstvo a nástavce výrobcu.
 - Výrobok nikdy neprevádzkujte pri zlej viditeľnosti a zlom osvetlení. Vždy zaujmite stabilný postoj a pevne držte rúčky. Choďte krokom, nikdy nebežte.
 - Keď je motor spustený, nikdy nedávajte produkt na žiadny povrch, okrem pevného čistého povrchu. Štrk, piesok a ostatná sutina sa môže nabrať do vstupu vzduchu a vymrštiť na obsluhujúcu osobu alebo okolostojacich a spôsobiť závažné poranenia.
 - Nikdy nepracujte s produktom v blízkosti sklenených ohrád, automobilov, okien alebo dverí bez náležitého nastavenia uhla výstupu snehu. Okolostojace osoby, najmä deti a domáce zvieratá, musia stáť mimo

pracovného priestoru.

- Nepoužívajte produkt, keď hrozí riziko blesku.
- Nepracujte so zariadením vo výbušných atmosférach, napríklad v blízkosti zápalných tekutín, plynov alebo prachu.
- Nepreceňujte sa. Preceňovanie sa môže spôsobiť stratu rovnováhy.
- Pri práci so zariadením buďte ostražití, sledujte, čo robíte a používajte zdravý rozum. Chvíľa nepozornosti počas obsluhy produktu môže spôsobiť závažné osobné poranenie.

VAROVANIE

Ak produkt spadne, utrpí silný náraz alebo začne neštandardne vibrovať, okamžite ho zastavte s skontrolujte, či nedošlo k poškodeniu alebo zistíte príčinu vibrácií. Akékoľvek poškodenie sa musí náležite opraviť alebo vymeniť v autorizovanom servisnom centre.

DOPLNKOVÉ BEZPEČNOSTNÉ VÝSTRAHY PRE BATÉRIU

VAROVANIE

Aby ste zabránili nebezpečenstvu požiaru spôsobeného skratom, poraneniám alebo poškodeniam výrobku, neponárajte náradie, výmennú batériu alebo nabíjačku do kvapalín a postarajte sa o to, aby do zariadení a akumulátorov nevnikli žiadne tekutiny. Korodujúce alebo vodivé kvapaliny, ako je slaná voda, určité chemikálie a bieliace prostriedky alebo výrobky, ktoré obsahujú bielicidlo, môžu spôsobiť skrat.

RADY K OBSLUHE

- Produkt nebude fungovať, ak horná rukoväť nie je správne nasadená a zaisťovacia svorka rukoväte nie je správne zapnutá. K dispozícii sú dve bezpečnostné poistky, ktoré bránia neúmyselnému spusteniu pri nesprávnom zmontovaní zariadenia.
- Pred prevádzkovaním výrobku si všimnite smer vetra. Sneh odhadzujte v smere vetra, aby vám sneh nepadal späť do tváre.

PREPRAVA A SKLADOVANIE

- Výrobok zastavte a vyberte z neho súpravu batérií. Pred uskladnením alebo prepravou vo vozidle nechajte výrobok vychladnúť.
- Odstráňte zo zariadenia všetky cudzie materiály. Odložte ho na suché a dobre vetrané miesto, na ktoré nemajú prístup deti. Náradie neuskladňujte v blízkosti žieravých látok, ako napríklad v blízkosti záhradníckych chemických prípravkov alebo solí na zimný posyp komunikácií. Neskladujte v exteriéri.
- Pri preprave zaistíte produkt pred pohybom alebo pádom, aby nedošlo k poraneniu osôb alebo poškodeniu produktu.

PREPRAVA LÍTOVÝCH AKUMULÁTOROV

Akumulátory prepravujte v súlade s miestnymi smernicami a nariadeniami.

Keď akumulátory prepravuje tretia strana, dodržiavajte všetky požiadavky na balení a označení. Zabezpečte, aby počas prepravy akumulátory neprišli do kontaktu s inými akumulátormi ani vodivými materiálmi – chráňte obnažené konektory pomocou izolácie, nevodivými viečkami alebo páskou. Neprepravujte akumulátory, ktoré sú prasknuté alebo vytekajú. Ďalšie pokyny zistíte u nasledujúcej spoločnosti.

ÚDRŽBA

⚠ VAROVANIE

Používajte len originálne náhradné diely, príslušenstvo a nástavce výrobcu. V opačnom prípade môže dôjsť k možnému poraneniu, nedostatočnému výkonu a strate platnosti záruky.

⚠ VAROVANIE

Údržba vyžaduje extrémnu starostlivosť a znalosti, a musí byť prevádzaná výhradne v autorizovanom servise. Servis a opravy výrobku zverte len autorizovanému servisnému stredisku. Pri servise používajte len originálne náhradné diely výrobcu.

- Môžete vykonávať úpravy a opravy

popísané v tejto príručke. Ostatné opravy zverte len autorizovanému servisnému stredisku.

- Po každom použití vyčistite produkt mäkkou suchou tkaninou.
- Skontrolujte všetky skrutky, matice v častých intervaloch či sú riadne utiahnuté, aby sa zaistila bezpečná prevádzka produktu. Akýkoľvek poškodený diel sa musí náležite opraviť alebo vymeniť v autorizovanom servisnom centre.
- Prineste produkt to autorizovaného servisného centra na výmenu poškodených alebo nečitateľných štítkov.
- Aby ste zabránili zamrznutiu pohonu, po odhadzovaní snehu niekoľkokrát výrobkom pohnite.
- Pred čistením, vykonávaním opráv alebo kontrolou výrobku počkajte až do úplného zastavenia všetkých pohyblivých častí. Aby ste komukoľvek zabránili náhodne naštartovať výrobok, vyberte z neho spravu batérií.

ODSTRÁNENIE UPCHATIA

⚠ VAROVANIE

Nikdy nedávajte ruky ani nohy pred produkt ani vyprázdňovací žľab, mohlo by dôjsť k závažným poraneniam.

- Uvoľnite spúšť a vyberte jednotku akumulátora.
- Skontrolujte, či sa všetky pohyblivé diely úplne zastavili.
- Odstráňte blokovanie pomocou drevenej tyčky.
- Otočte jednotku lopatkového kolesa pomocou drevenej tyčky.
- Pozor, lopatkové koleso sa pri odstraňovaní blokovanie môže samovoľne pohnúť v dôsledku nahromadenej energie v mechanizme.
- Keď už sa dá lopatkové koleso otočiť pomocou drevenej tyčky, presuňte sa k zadnej časti produktu.

- Je normálny jav, ak sa mechanizmus lopatkového kolesa pohybuje krokovo.
- Skontrolujte, či je bezpečné pokračovať v odhadzovaní snehu.
- Namontujte jednotku akumulátora. Zapnite produkt.

ZVÝŠKOVÉ RIZIKÁ:

Aj keď sa nástroj používa podľa predpisu, nie je možné eliminovať určité zvyškové rizikové faktory. Pri použití vznikajú nasledujúce riziká a obsluhujúca osoba musí venovať zvláštnu pozornosť, aby nedošlo k nasledovnému:

- Vystavovanie hluku môže spôsobiť poranenie sluchu.
 - Používajte ochranu sluchu a obmedzte expozíciu
- Poranenia spôsobené odhadzovanými predmetmi
 - Predmety odhodnené otáčajúcim sa obežným kolesom v prednej časti výrobku alebo zo žľabu na odhadzovanie snehu môžu spôsobiť poranenie. Neustále používajte primeranú ochranu zraku.

OBOZNÁMTE SA S VAŠIM PRODUKTOM

Pozrite stranu 158.

1. Horná rukoväť
2. Hlavný spínač
3. Odomykacie tlačidlo spúšte
4. Ovládací kábel motora
5. Páčka na otáčanie žľabu
6. Zaisťovacia svorka rukoväte
7. Hriadeľ na otáčanie žľabu
8. Rukoväť na vychyľovača žľabu
9. Vychyľovač žľabu
10. Svetelné indikátory LED
11. Lopatkové koleso
12. Prostredná rukoväť
13. Tlačidlo nastavenia rukoväte
14. Spodná rukoväť
15. Rukoväť na nosenie a zdvíhanie
16. Priečnik na odkladanie akumulátorov
17. Priečnik na používaný akumulátor
18. Batéria
19. Nabíjačka akumulátorov

SYMBOLY NA PRODUKTE



Pred použitím produktu si s porozumením prečítajte všetky pokyny a dodržiavajte výstražné a bezpečnostné upozornenia.



Pozor na vymrštené alebo odletujúce objekty. Všetky okolostojace osoby (najmä deti a domáce zvieratá) musia stáť minimálne 15 m od miesta práce



Používajte chrániče zraku



NEBEZPEČENSTVO! Pozor na poranenie z rotujúceho lopatkového kolesa. Nedávajte ruky, nohy a šatstvo do blízkosti zariadenia.



NEBEZPEČENSTVO! Predtým, ako odstránite blokovanie, vyberte akumulátor a prečítajte si pokyny v návode. Ruky a nohy držte v dostatočnej vzdialenosti od prednej časti zariadenia a vyprázdňovacieho žľabu.



Opotrebované elektrické zariadenia by ste nemali odhadzovať do domového odpadu. Prosíme o recykláciu ak je možné. Kontaktujte miestne úrady, alebo predajcu pre viac informácií ohlľadom ekologického spracovania.



Vyhovuje všetkým regulačným normám v krajine EÚ, v ktorej bol výrobok zakúpený.



Euroázijská značka zhody



Ukrajinské označenie zhody

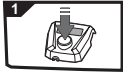
001



Garantovaná hladina
akustického výkonu je 86 dB



Odomknuté



Stlačte a podržte



Aktivujete stlačením a
podržaním



Priečinok na odkladanie
akumulátorov



Priečinok na používaný
akumulátor

Nasledujúce signálne slová a významy slúžia na vysvetlenie úrovni rizika súvisiacich s produktom.

NEBEZPEČENSTVO

Označuje bezprostredne nebezpečnú situáciu, ktorá môže vyústiť v smrť, alebo vážne zranenie.

VAROVANIE

Označuje potenciálne nebezpečnú situáciu, ktorá môže vyústiť v smrť, alebo vážne zranenie.

VÝSTRAHA

Označuje potenciálne nebezpečnú situáciu, ktorá môže vyústiť v ľahké, alebo stredne ťažké zranenie.

VÝSTRAHA

Bez symbolu bezpečnostného alarmu

Označuje situáciu, ktorá môže zapríčiniť poškodenie majetku.

SYMBOLY V TOMTO NÁVODE



Diely alebo príslušenstvo
predávané samostatne



Poznámka



Varovanie



Zamknuté

Безопасността, производителността и надеждността са аспектите, на които е отделен най-голям приоритет при проектирането на вашия безжичен снегорин.

ПРЕДНАЗНАЧЕНИЕ

Безжичният снегорин е предназначен за използване само на открити места с добро осветление и от оператор, който е заел изправена позиция на тялото, докато върви зад продукта. Продуктът е разработен, за да бъде използван от възрастни, които са прочели и разбрали инструкциите и предупрежденията в настоящото ръководство и могат да бъдат считани като отговорни за своите действия. От съображения за безопасност този продукт трябва по всяко време да бъде управляван и контролиран стабилно с две ръце.

Продуктът е проектиран с цел чистене на сняг на места като пътища, тротоари, алеи, пътеки, улични платна и пространства около къщи. Продуктът може да чисти сняг с дебелина до 25 см.

Никога не трябва да се работи с продукта, ако колелата му не са в контакт със земната повърхност. Не бива да се катерите върху продукта.

Машината трябва да се използва само според описаното в това ръководство.

Не го използвайте за никакви други цели.

ОСНОВНИ ПРАВИЛА ЗА БЕЗОПАСНОСТ

⚠ ПРЕДУПРЕЖДЕНИЕ

Продуктът може да отреже крак или ръка, както и да изхвърля предмети. Неспазването на всички инструкции за безопасност може да доведе до сериозно нараняване.

⚠ ПРЕДУПРЕЖДЕНИЕ

При използване на продукта трябва да се спазват правилата за безопасност. За осигуряване на вашата безопасност и тази на страничните наблюдатели прочетете тези инструкции, преди да работите с продукта. Съхранявайте ръководството за експлоатация на сигурно място, за да можете да го ползвате и по-късно.

⚠ ПРЕДУПРЕЖДЕНИЕ

Продуктът трябва да се използва само заедно с акумулаторната батерия. При използване на инструмент, захранван с батерия, винаги трябва да се спазват основни предпазни мерки, за да се намали рискът от пожар, течове от батерии и физическо нараняване.

ОБУЧЕНИЕ

- Трябва да прочетете, да разберете и да спазвате всички инструкции върху машината и в това ръководство, преди да работите с машината. Запознайте се внимателно с контролите и правилната употреба на машината. Научете как да спирате продукта и бързо да изключите контролите.
- Никога не позволявайте на деца, на хора с ограничени физически, сетивни или умствени способности и на хора, които не са запознати с тези инструкции, да работят и да извършват дейности по почистване и поддръжка на продукта. Местните наредби могат да налагат ограничения за възрастта на оператора. Децата трябва да бъдат внимателно надзиравани, за да се гарантира, че не си играят с продукта.
- Дръжте всички странични наблюдатели, деца и домашни животни на разстояние поне 15 метра от работната зона. Спрете продукта, ако някой навлезе в работната зона.
- Внимавайте, за да избягвате подхлъзване или падане особено при работа с машината назад.



- Трябва да знаете, че операторът или потребителят е отговорен за причиняването на злополуки или щети на други лица или имущество.
- Не използвайте продукта, ако сте уморени, болни или под влиянието на алкохол, наркотици или лекарства.

ПОДГОТОВКА

- Проверете внимателно зоната, където ще се използва машината, и отстранете всички изтривалки, шейни, дъски, кабели и други чужди предмети.
- Докато работите с машината, винаги носете подходящо зимно облекло и неплъзгащи се защитни обувки. Избягвайте да носите широки дрехи или такива с висящи краища или връзки; те могат да се заплетат в движещите се части.
- Винаги носете защитни очила или маска по време на работа или докато извършвате настройка или ремонт, за да предпазвате очите от чужди предмети, които може да бъдат отхвърлени от машината.
- Регулирайте височината на корпуса на колектора до нивото на чиста повърхност с чакъл или едър пясък.
- Никога не се опитвайте да регулирате настройки, докато машината работи.
- Дългата коса трябва да бъде прибрана на ниво над раменете, за да се избегне нейното заплитане в движещите се части.
- Преди всяка употреба проверявайте дали всички контроли и устройства за безопасност функционират правилно. Не използвайте продукта, ако превключвателят "OFF" ("Изключване") не спира мотора.
- Преди всяка употреба проверявайте визуално дали корпусът е здрав и дали предпазителите и ръкохватките са правилно обезопасени на местата им.

ИЗПОЛЗВАНЕ И ОБСЛУЖВАНЕ НА ИНСТРУМЕНТА С БАТЕРИЯ

- Презареждайте единствено със зарядното устройство, посочено от производителя. Зарядно устройство, подходящо за зареждане на един вид батерии, може да предизвика риск от пожар, ако бъде използвано за други батерии.
- Използвайте електрически инструменти с батерии единствено със специално предназначенията за тях батерии. Използването на всякакви други батерии може да създаде риск от нараняване и пожар.
- Когато батерията не се използва, съхранявайте я далеч от други метални обекти, като например кламери, монети, ключове, гвоздеи, гайки или други малки метални обекти, които могат да направят връзка между клемите. Късото съединение от клемите може да доведе до изгаряния или пожар.
- При неправилно използване батерията може да отдели течност; избягвайте контакт. Ако случайно настъпи контакт, промийте с вода. Ако течността влезе в контакт с очите, потърсете допълнително медицинска помощ. Отделената от батерията течност може да причини възпаление или изгаряния.
- Не използвайте акумулаторна батерия или инструмент, които са повредени или променени по някакъв начин. Повредените или променени батерии могат да работят по непредсказуем начин, което да доведе до пожар, взрив или опасност от наранявания.
- Не излагайте акумулаторна батерия или инструмент на огън или прекалено висока температура. Излагането на огън или на температура над 130 °C може да причини взрив.
- Следвайте всички инструкции за зареждане и не зареждайте акумулаторната батерия или инструмента извън температурния



диапазон, посочен в инструкциите. Неправилното зареждане или зареждането при температури извън посочения диапазон може да повреди батерията и да увеличи риска от пожар.

ПРАВИЛА ЗА БЕЗОПАСНОСТ ЗА СНЕГО-РИНА

- Не поставяйте ръцете или краката си близо до или под въртящите се части. Винаги стойте далеч от улея за изхвърляне. Но поставяйте каквито и да е предмети в отворите.
- Бъдете изключително внимателни, когато работите върху чакълести настилки или преминавате през такива. Бъдете нащрек за скрити опасности, както и при работа в близост до обществени пътища.
- За да се намали рискът от нараняване, свързан с контактуване с въртящи се части, винаги спирайте продукта и изваждайте акумулаторната батерия. Уверете се, че всички движещи се части са спрели напълно:
 - след сблъсък с друг предмет да инспектирате продукта за повреди
 - Ако машината започне да вибрира необичайно, незабавно проверете каква е причината. В повечето случаи вибрациите са сигнал за повреда.
 - преди почистване или отстраняване на запушвания
 - преди оставяне на изделието без надзор
 - преди проверка, поддръжка или работа по продукта
- Никога не чистете сняг напреки по склонове. Бъдете особено бдителни при смяна на посоката на наклона. Не опитвайте да чистите стръмни склонове.
- Никога не работете с продукта, ако подходящите предпазители, пластини или други защитни устройства не са поставени на местата им.
- Никога не насочвайте улея за изхвърляне към хора или към зони, където може да възникнат материални щети. Дръжте децата и другите хора на разстояние.
- Не претоварвайте капацитета на машината, опитвайки се с бързо темпо да чистите големи количества сняг.
- Никога не работете с продукта при висока скорост на движение върху хлъзгави повърхности. Поглеждайте назад и внимавайте при работа назад.
- Изключете захранването на колектора/ротора, когато машината се транспортира или не се използва.
- Използвайте само оригинални резервни части, аксесоари и приставки от производителя.
- Никога не работете с машината без добра видимост или осветление. Винаги проверявайте опората си и дръжте здраво ръкохватките. Вървете, никога не тичайте, когато косите.
- Докато е включен моторът, никога не поставяйте продукта върху повърхности, които не са здрави и чисти. Входящият въздушен отвор може да засмуче чакъл, пясък или други отломки, които в следствие могат да отхвърчат по посока на оператора или на странични наблюдатели и да им нанесат евентуални наранявания.
- Никога не работете с продукта в близост до стъклени предмети, автомобили, прозорци и входни врати, преди да сте задали правилен ъгъл на изхвърляне на снега. Не допускайте наблюдатели, деца и домашни любимци до работната зона.
- Не използвайте продукта, когато има риск от мълнии.
- Не работете с машината в среда с повишена опасност от възникване на експлозия, в близост до леснозапалими течности, газове или прахообразни материали.
- Не се протягайте, за да работите на трудно достижими места. Протягането може да доведе до загуба на равновесие.
- Бъдете бдителни, внимавайте какво правите и проявявайте благоразумие, когато боравите с уреда. Миг невнимание по време на работа с продукта може да предизвика сериозни физически наранявания.

⚠ ПРЕДУПРЕЖДЕНИЕ

Ако продуктът бъде изпуснат, претърпи силен удар или започне да вибрира неестествено, незабавно изключете продукта и проверете за повреди или се опитайте да идентифицирате причината за вибрирането. Поправките и замените на части при повреда трябва да се извършват от оторизиран сервизен център.

ДОПЪЛНИТЕЛНИ ПРЕДУПРЕЖДЕНИЯ ЗА БЕЗОПАСНОСТ ЗА БАТЕРИЯТА

⚠ ПРЕДУПРЕЖДЕНИЕ

За да избегнете опасността от пожар, предизвикана от късо съединение, както и нараняванията и повредите на продукта, не потапяйте инструмента, сменяемата акумулаторна батерия или зарядното устройство в течности и се погрижете в уредите и акумулаторните батерии да не попадат течности. Течностите, предизвикващи корозия или провеждащи електричество, като солена вода, определени химикали, избелващи вещества или продукти, съдържащи избелващи вещества, могат да предизвикат късо съединение.

СЪВЕТИ ЗА РАБОТА С ПРОДУКТА

- Продуктът няма да работи, ако горната ръкохватка не е поставена правилно и фиксиращата скоба на ръкохватката не е здраво захваната. Има два блокировача за безопасност, които предотвратяват непреднамереното стартиране на машината, когато тя не е сглобена правилно.
- Обърнете внимание на посоката на вятъра, преди да започнете работа с машината. Изхвърлянето на сняг трябва да става по посока на вятъра, за да не може снегът да се връща обратно в лицето ви.

ТРАНСПОРТИРАНЕ И СЪХРАНЕНИЕ

- Спрете машината и отстранете акумулаторната батерия. Оставете продукта да се охлади преди съхранение или транспорт с превозно средство.
- Почистете продукта от всички чужди частици. Съхранявайте я на хладно, сухо и добре проветрявано място, което е недостъпно за деца. Не го оставяйте в близост до корозивни материали като градински химикали или соли за размразяване. Не съхранявайте на открито.
- Когато транспортирате продукта, го обезопасете така, че да не може да се движи или да падне, защото това може да доведе до евентуални наранявания на хора или повреди по продукта.

ТРАНСПОРТИРАНЕ НА ЛИТиеВИ БАТЕРИИ

Транспортирайте батериите в съответствие с местните и национални постановления и разпоредби.

Спазвайте всички специални изисквания за пакетирание и етикетирание, когато транспортирате батерии чрез трето лице. Уверете се, че батериите не влизат в контакт с други батерии или проводими материали по време на транспортиране, като предпазите откритите конектори с изолация, непроводими капачета или лента. Не транспортирайте батерии, които са спукани или текат. Свържете се със следната компания за допълнителен съвет.

ПОДДРЪЖКА

⚠ ПРЕДУПРЕЖДЕНИЕ

Използвайте само оригинални резервни части, аксесоари и приставки от производителя. В противен случай може да се влоши работата на инструмента или да получите тежки контузии, а гаранцията ви ще стане невалидна.

⚠ ПРЕДУПРЕЖДЕНИЕ

Сервизното обслужване изисква изключително внимание и специфични познания и следва да бъде извършвано само от квалифициран техник. Обслужването и ремонтът трябва да се извършват само в упълномощен сервизен център. При извършване на сервизни дейности използвайте само оригинални резервни части от производителя.

- Можете да правите настройки и поправки, описани в това ръководство на потребителя. Останалите видове ремонтни дейности трябва да се извършват само в упълномощен сервизен център.
- Всеки път след употреба почиствайте продукта с мека и суха кърпа.
- Периодично проверявайте дали всички гайки, болтове и винтове са правилно затегнати, за да сте сигурни, че продуктът е в изправност. Всяка повредена част трябва да бъде поправена или заменена от упълномощен сервизен център.
- Занесете продукта в оторизиран сервизен център, ако е необходима замяна на повредени или нечетливи етикети.
- Стартирайте машината няколко пъти след ринене на сняг, за да предотвратите замръзване на ротора.
- При почистване, ремонт или проверка на машината проверявайте дали всички движещи се части са спрели напълно. Извадете акумулаторната батерия, за да не допуснете някой да стартира машината неволно.

ИЗЧИСТВАНЕ НА ЗАПУШВАНЕ

⚠ ПРЕДУПРЕЖДЕНИЕ

Никога не поставяйте ръцете или краката си пред продукта или пред улея за изхвърляне, за да избегнете сериозни наранявания.

- Освободете спусъка и свалете акумулаторната батерия.
- Уверете се, че всички движещи се части са спрели напълно:
- Използвайте дървена пръчка, за да изчистите запушването.
- Завъртете перките на ротора с дървената пръчка.
- Внимавайте, защото перките на ротора могат да се задвижат, докато отстранявате запушването, защото в роторния механизъм има остатъчна енергия.
- След като с помощта на дървената пръчка осигурите свободното движение на ротора, се преместете в задната част на продукта.
 - Нормално е роторният механизъм да извършва постъпателни движения.
- Уверете се, че е безопасно да продължите с почистването на сняг.
- Поставете акумулаторната батерия. Включете продукта.

НЕПРЕДВИДЕНИ РИСКОВЕ

- Дори когато продуктът се използва по предназначение, е невъзможно напълно да се ограничи влиянието на определени рискови фактори. Описаните по-долу опасности могат да възникнат по време на работа, като операторът трябва да внимава за избягването на следното:
- Излагането на шум може да доведе до увреждане на слуха.
 - Носете антифони и ограничете излагането
 - Щети, причинени от хвърлени предмети
 - Предмети, изхвърлени от въртящия се импелер в предната част на продукта или от улея за сняг, могат да причинят наранявания. По всяко време носете подходящи защитни средства за очите.

ОПОЗНАЙТЕ ВАШИЯ ПРОДУКТ

Вж. страница 158.

1. Горна ръкохватка
2. Спусък за включване/изключване
3. Бутон за фиксиране на спусъка
4. Кабел за управление на двигателя
5. Лост за завъртане на улея
6. Фиксираща скоба на ръкохватката
7. Вал за завъртане на улея
8. Ръкохватка за дефлектора на улея
9. Дефлектор на улея
10. LED светлини
11. Ротор
12. Средна ръкохватка
13. Врътка за регулиране на ръкохватката
14. Долна ръкохватка
15. Ръкохватка за носене/повдигане
16. Отделение за съхранение на батерията
17. Отделение за батерията в работен режим
18. Батерия
19. Зарядно устройство за батериите

СИМВОЛИ НА ПРОДУКТА



Прочетете и осмислете всички указания, преди да започнете работа с продукта; спазвайте всички предупреждения и инструкции за безопасност.



Внимавайте за изхвърлени или летящи обекти. Не допускайте странични наблюдатели, особено деца и домашни животни, на по-малко от 15 м от работната зона.



Носете защитни средства за очи



ОПАСНОСТ Пазете се от наранявания, причинени от въртящите се роторни перки. Дръжте настрана ръцете, краката и облеклото си.



ОПАСНОСТ Свалете батерията и прочетете инструкциите в ръководството, преди да почиствате запушване. Дръжте ръцете и краката си далече от предната част на машината и улея за изхвърляне.



Електрическите уреди не трябва да се изхвърлят заедно с битовите отпадъци. Рециклирайте, където има възможност. Обърнете се за съвет по рециклирането към местните власти или разпространителите.



Тази машина е в съответствие с нормативната уредба на държавата от ЕС, където е била закупена.



EurAsian знак за съответствие



Украински знак за съответствие



Гарантираното ниво на шум е 86 dB.



Натиснете и задръжте



Стиснете и задръжте, за да задействате



Отделение за съхранение на батерията



Отделение за батерията в работен режим

Следните сигнални думи и техните съответни значения обясняват нивата на опасност, свързани с употребата на този продукт:

⚠ ОПАСНОСТ

Указва неминуемо опасна ситуация, която ако не бъде избегната, ще доведе до сериозни наранявания или смърт.

⚠ ПРЕДУПРЕЖДЕНИЕ

Указва потенциално опасна ситуация, която ако не бъде избегната, може да доведе до сериозни наранявания или смърт.

⚠ ВНИМАНИЕ

Указва потенциално опасна ситуация, която ако не бъде избегната, може да доведе до дребни или средни наранявания.

ВНИМАНИЕ

Без предупредителен символ за безопасност

Указва ситуация, която може да доведе до имуществени щети.

СИМВОЛИ В НАСТОЯЩОТО РЪКОВОДСТВО



Частите или принадлежностите се продават отделно



Забележка



Предупреждение



Ключалка



Отключване

Безпеці, продуктивності і надійності наданий вищий пріоритет в дизайні вашого бездротового снігоочисника.

ПЕРЕДБАЧУВАНОМУ ВИКОРИСТАННІ

Цей бездротовий снігоочисник призначений для використання тільки дорослими, які читали і зрозуміли інструкції та попередження в цьому посібнику і можуть вважатися відповідальними за свої дії. Пристрій призначений для використання тільки дорослими, які прочитали і зрозуміли інструкції і попередження, що містяться в цій інструкції та можуть вважатися відповідальними за свої дії. З міркувань безпеки продукт повинен належним чином контролюватися за допомогою двох рук.

Продукт призначений для очищення від снігу в таких областях, як під'їзні шляхи, тротуари, пішохідні доріжки, стежки, проїзних частини і навколо будинку. Продукт може рухати сніг глибиною до 25 см.

Продукт не повинен експлуатуватися з колесами не на землі. Не слід їздити на приладі.

Продукт слід використовувати тільки як описано в цій інструкції з використання.

Не використовуйте для будь-яких інших цілей.

ЗАГАЛЬНІ ПРАВИЛА БЕЗПЕКИ

⚠ Попередження

Пристрій може відрізати руки чи ноги, а також кидати предмети. Недотримання всіх правил техніки безпеки може призвести до серйозних травм.

⚠ Попередження

При використанні продукту, потрібно дотримуватися правил безпеки. Для вашої власної безпеки та безпеки перехожих, будь ласка, прочитайте ці інструкції перед експлуатацією виробу. Будь ласка, збережіть інструкції з безпеки для подальшого використання.

⚠ Попередження

Продукт повинен експлуатуватися тільки з контейнером з акумулятором. При використанні продуктів з акумуляторним живленням, необхідно дотримуватися основних запобіжних заходів, щоб знизити ризик виникнення пожежі, течі акумуляторів і травм.

ПІДГОТОВКА

- Читайте і зрозумійте всі інструкції перед експлуатацією виробу, дотримуйтесь всіх вказівок і попереджень з техніки безпеки. Слід ознайомитися з елементами керування та належним використанням продукту. Слід знати, як зупинити пристрій та швидко вимкнути елементи керування.
- Ніколи не дозволяйте дітям або людям з обмеженими фізичними, сенсорними або розумовими здібностями, або незнайомим з цими інструкціями, працювати, чистити або обслуговувати машину. Місцеве законодавство може обмежувати вік оператора. Потрібно належним чином стежити за дітьми, щоб вони не грали з машиною.
- Тримайте перехожих, дітей і домашніх тварин на відстані 15м від місця експлуатації. Якщо будь-хто входить у зону роботи машини, зупиніть її.
- Будьте обережні, щоб уникнути ковзання або падіння, особливо при роботі з пристроєм у зворотному напрямку.
- Майте на увазі, що оператор або користувач несе відповідальність за нещасні випадки або пошкодження спричинені іншим особам або їх майну.
- Не працюйте з виробом, коли ви втомлені або знаходитесь під дією наркотиків, алкоголю або медикаментів.

ПІДГОТОВКА

- Ретельно огляньте місце, де буде використовуватися машина і видаліть всі підстилки, санки, дошки, проводи та інші сторонні предмети.



- Під час роботи машини завжди носіть адекватний зимовий одяг і нековзне захисне взуття. Уникайте носіння вільно одягу або який має висячі шнури або зв'язки; вони можуть потрапити в рухомі частини.
- Завжди носіть захисні окуляри або захисні щитки під час роботи або під час регулювання та ремонту для захисту очей від сторонніх предметів, які можуть бути відскочити від пристрою.
- Відрегулюйте висоту корпусу колектора, щоб очистити поверхню від гравію або подрібненої породи.
- Не робіть жодних налаштувань під час роботи пристрою.
- Зафіксуйте довге волосся вище рівня плеча, щоб запобігти заплутуванню в будь-яких рухомих частинах.
- Перед кожним використанням переконайтеся, що всі елементи керування і безпеки функціонують правильно. Не використовуйте машину, якщо вимикач "ВИМК" не зупиняє машину.
- Перед кожним використанням, завжди візуально перевіряйте, щоб побачити, що корпус не пошкоджений і що захист і ручки на місці і надійно закріплені.

ВИКОРИСТАННЯ І ДОГЛЯД ІНСТРУМЕНТУ НА БАТАРЕЙКАХ

- Перезаряджати тільки за допомогою зарядного пристрою, зазначеного виробником. Зарядний пристрій, що підходить для одного типу акумуляторів, може створити ризик загоряння при використанні з іншим акумуляторним блоком.
- Використовуйте електроінструменти тільки з призначеними для них акумуляторами. Використання будь-яких інших акумуляторів, може створити ризик отримання травми і пожежі.
- Коли акумуляторна батарея не використовується, тримайте її подалі від металевих предметів, таких як кліпси, монети, ключі, цвяхи, гвинти або інші

невеликі металеві предмети, які можуть замкнути клеми. Коротке замикання контактів акумулятора може призвести до опіків або пожежі.

- У важких умовах експлуатації, рідина може бути випущена з батареї; уникайте контакту. При випадковому контакті змийте водою. При потрапленні рідини в очі, зверніться за медичною допомогою. Рідина з акумулятора може викликати роздратування або опіки.
- Заборонено використовувати акумулятор або пристрій, що були пошкоджені або модифіковані. Використання пошкоджених або модифікованих акумуляторів може мати непередбачувані наслідки, серед яких: виникнення пожежі, вибуху та ризик травмування.
- Уникайте загоряння та високої температури акумулятору або пристрою. Загоряння або висока температура понад 130°C можуть стати причиною вибуху.
- Дотримуйтесь усіх інструкцій щодо заряджання пристрою та уникайте заряджання поза діапазоном температур, що позначені у інструкції. Неправильне заряджання або заряджання при температурі, поза межами позначеними в інструкції, може пошкодити акумулятор та підвищити ризик виникнення пожежі.

ПРАВИЛА БЕЗПЕКИ БЕЗДРОТОВОГО СНІГООЧИСТНИКА

- Не пікладайте руки або ноги під обертаючі деталі. Завжди тримайтеся подалі від випускного отвору. Не вставляйте ніякі предмети в отвори.
- Використовуйте надзвичайну обережність при експлуатації або під час перетину доріжок з гравію. Будьте обережні щодо прихованої небезпеки або коли працюєте біля громадських доріг.
- Завжди зупиняйте пристрій та виймайте акумулятор, щоб знизити ризик травмування рухомими частинами пристрою. Переконайтеся, що всі рухомі частини зупинилися:





- після удару об сторонній предмет, щоб оглянути продукт на наявність прихованих пошкоджень
- Якщо пристрій вібрає надто сильно, негайно перевірте його Вібрація, як правило, є попередженням щодо пошкодження.
- перед чищенням або перед усуненням забивання
- до того, як залишити продукт без нагляду
- перед перевіркою, проведенням технічного обслуговування, або роботою з продуктом
- Не прибирайте сніг поперек поверхні схилів. Будьте особливо обережними під час зміни напрямку на схилах. Не намагайтеся очистити круті схили.
- Ніколи не використовуйте продукт без встановленого належного захисту, пластин або інших захисних пристроїв.
- Ніколи не направляйте отвір для вивантаження до людей або місць, де може бути спричинено матеріальний збиток. Тримайте якомога далі від дітей та перехожих.
- Не перевантажуйте машину, намагаючись очистити сніг на занадто високій швидкості.
- Заборонено використання пристрою на високих швидкостях на слизьких поверхнях. Дивитися за спину і користуйтеся з обережністю, працюючи в зворотному порядку.
- Вимкніть живлення колектора / імпульсу, коли пристрій транспортується чи не використовується.
- Використовуйте тільки оригінальні запасні частини, аксесуари та обладнання від виробника.
- Ніколи не експлуатуйте пристрій без належної видимості чи світла. Завжди стійте з розподілом ваги на обох ногах та міцно тримайте за ручки. Ходіть, ніколи не бігайте.
- Ніколи не розташовуйте виріб на будь-якій поверхні, крім твердої чистої поверхні, коли двигун працює. Гравій, пісок та інші тверді частинки можуть бути підхоплені повітрязабірником і кинуті в оператора або у перебуваючих поруч, в результаті чого можливі серйозні травми.
- Ніколи не використовуйте продукт поблизу скляних корпусів, автомобілів, вікон, або дверних отворів без належного регулювання кута вивантаження снігу. Тримайте дітей і домашніх тварин подалі.
- Не використовуйте продукт, якщо є ризик блискавки.
- Не використовуйте продукт у вибухонебезпечних атмосферах, наприклад, у присутності легко займистих рідин, газів або пилу.
- Не тягніться. Намагання дотягнутися можуть призвести до втрати рівноваги.
- Будьте уважні, дивіться, що ви робите, і використовуйте здоровий глузд при експлуатації виробу. Найменша необережність при роботі снігоочисника може призвести до серйозних травм.

⚠ Попередження

Якщо продукт впав, постраждав від важкого впливу або починає вібрувати, негайно зупиніть обладнання та перевірте на наявність пошкоджень або визначте причину вібрації. Будь-яке пошкодження має бути правильно відремонтовано або замінено в авторизованому сервісному центрі.

ДОДАТКОВІ ПОПЕРЕДЖЕННЯ З ТЕХНІКИ БЕЗПЕКИ ЩОДО ВИКОРИСТАННЯ АКУМУЛЯТОРІВ

⚠ Попередження

Для запобігання небезпеці пожежі в результаті короткого замикання, травмам і пошкодженню виробів не занурюйте інструмент, змінний акумулятор або зарядний пристрій у рідину і не допускайте потрапляння рідини всередину пристроїв або акумуляторів. Корозійні і струмопровідні рідини, такі як солоний розчин, певні хімікати, вибілювальні засоби або продукти, що їх містять, можуть призвести до короткого замикання.





ПОРАДИ ЩОДО ЕКСПЛУАТАЦІЇ

- Продукт не працюватиме, якщо верхня ручка не правильно встановлена і затискач замка ручки надійно не затиснутий. Є два захисних блокування, щоб допомогти запобігти випадковому запуску, коли машина не зібрана правильно.
- Перед використанням пристрою уважно слідкуйте за напрямком вітру. Скидайте сніг в тому ж напрямку, що й вітер, щоб запобігти відкидання снігу назад у ваше обличчя.

ТРАНСПОРТУВАННЯ ТА ЗБЕРІГАННЯ

- Зупиніть двигун, вийміть акумулятор. Зупиніть двигун і дайте йому охолонути перед зберіганням або транспортуванням.
- Очистіть всі сторонні матеріали з продукту. Зберігайте його в сухому прохолодному і добре провітрюваному місці, недоступному для дітей. Зберігати подалі від агресивних агентів, таких як садові хімікати і солей проти обледеніння. Не зберігайте на відкритому повітрі.
- Для транспортування, забезпечіть машину від руху або падіння, щоб запобігти травми людей або пошкодження машини.

ПЕРЕВЕЗЕННЯ ЛІТІСВИХ БАТАРЕЙ

Здійснюйте транспортування акумуляторної батареї відповідно до місцевих та загальнодержавних норм і правил.

Дотримуйтеся всі спеціальні вимоги до упаковки і маркування при транспортуванні батареї третьою стороною. Переконайтеся, що під час транспортування акумулятор не вступає в контакт з іншими акумуляторними батареями або струмопровідними матеріалами та захистіть відкриті роз'єми ізоляційними непровідними кришками або стрічкою. Чи не переносьте акумулятори, тріснуті або бігу. Зв'язатися з нами для отримання подальших рекомендацій.

ТЕХНІЧНЕ ОБСЛУГОВУВАННЯ

⚠ Попередження

Використовуйте тільки оригінальні запасні частини, аксесуари та обладнання від виробника. Невиконання цієї вимоги може привести до можливої травми, поганої продуктивності та може привести до втрати гарантії.

⚠ Попередження

Обслуговування вимагає крайньої обережності і знання і повинно бути виконане тільки кваліфікованим фахівцем. Для обслуговування або ремонту, звертайтеся тільки до авторизованого сервісного центру. При технічному обслуговуванні використовуйте тільки ідентичні замінні частини.

- Ви можете зробити регулювання та ремонт, описані в цьому посібнику користувача. Для обслуговування або ремонту, звертайтеся тільки до авторизованого сервісного центру.
- Після кожного використання, очистіть виріб м'якою сухою тканиною.
- Перевірте всі гайки, болти і гвинти після короткого проміжка часу на правильну герметичність, щоб забезпечити продукт у безпечному робочому стані. Будь-яка пошкоджена деталь, має бути правильно відремонтована або замінена в авторизованому сервісному центрі.
- Принесіть продукт в авторизований сервісний центр для заміни пошкоджених або нечитаємих етикеток.
- Запустити продукт кілька разів після викидання снігу, щоб запобігти замерзанню крильчатки.
- Під час чищення, ремонту або огляду пристрою переконайтеся, що всі рухливі деталі повністю зупинилися. Вийміть акумулятор, щоб хтось випадково не запустив пристрій.

EN
FR
DE
ES
IT
NL
PT
DA
SV
FI
NO
RU
PL
CS
HU
RO
LV
LT
ET
HR
SL
SK
BG
UK
TR



УСУНЕННЯ БЛОКУВАННЯ

⚠ Попередження

Ніколи не кладіть руки або ноги попереду пристрою або розвантажувального жолоба, щоб уникнути серйозних травм.

- Відпустіть собачку і зніміть контейнер з акумулятором.
- Переконайтеся, що всі рухомі частини зупинилися.
- Використовуйте дерев'яну жердину для очищення закупорень.
- Поверніть ротор у зборі за допомогою дерев'яної жердини.
- Обережно, крильчатка може рухатися під час видалення засмічення через накопичену енергію в механізмі.
- Після того як ротор може бути повернутий дерев'яною жердиною, перемищуйте до задньої частини пристрою.
 - Для ротора є нормальним поступовий рух.
- Переконайтеся, що безпечно продовжити снігоприбирання.
- Встановіть акумулятор. Увімкніть виріб.

НЕПЕРЕДБАЧЕНІ РИЗИКИ

Навіть за належного використання інструмента неможливо повністю нейтралізувати певні фактори залишкового ризику. Наступні небезпеки можуть виникати при використанні продукту та оператору слід звернути особливу увагу, щоб уникнути наступного:

- Підвищений рівень шуму може спричинити пошкодження слуху.
 - Надягайте захист для органів слуху та лімітуйте вплив.
- Травмування відлітаючими частками
 - Об'єкти, викинуті при обертанні ротору, що знаходиться у передній частині пристрою, або зі снігового жолоба можуть спричинити травмування. Носіть захист для очей у весь час.

ЗНАЙ СВІЙ ПРОДУКТ

Дивіться сторінку 158.

1. Верхня ручка
2. Тригер Увімкнено/Вимкнено
3. Кнопка блокування тригера
4. Контрольний кабель двигуна
5. Важель повертання жолоба
6. Затискач блокування ручки
7. Вісь повертання жолоба
8. Ручка дефлектора жолоба
9. Дефлектор жолоба
10. СВД лампи
11. Крильчатка
12. Проміжна ручка
13. Кнопка регулювання ручки
14. Нижня ручка
15. Ручка для перенесення/підйому
16. Зберігання акумуляторного відділення
17. Акумуляторне відділення у використанні
18. Акумуляторна батарея
19. Зарядний пристрій

СИМВОЛИ НА ПРОДУКТІ



Читайте і зрозумійте всі інструкції перед експлуатацією виробу, дотримуйтеся всіх вказівок і попереджень з техніки безпеки.



Остерігайтеся кинутих або літаючих об'єктів. Тримайте всіх перехожих, особливо дітей і домашніх тварин, принаймні 15 м від робочої зони.



Одягайте захисні окуляри



НЕБЕЗПЕКА! Уникайте травм від крильчатки, що обертається. Тримайте руки, ноги і одяг подалі.



НЕБЕЗПЕКА! Вийміть акумулятор і прочитайте інструкції в керівництві перед очищенням засмічення. Тримайте руки і ноги подалі від передньої частини машини і розвантажувального жолоба.



Не викидати відпрацьовані електричні прилади разом із побутовими відходами. Утилізувати у спеціально призначених закладах. За консультацією по утилізації приладу зверніться до органу місцевої влади або дилера.



Відповідає всім нормативним стандартам в країнах ЄС, де вироб було придбано.



Євразійська знак відповідності.



Український знак відповідності



Гарантований рівень звукової потужності 86 дБ.



Натисніть і утримуйте



Щоб запустити, натисніть і утримуйте



Зберігання акумуляторного відділення



Акумуляторне відділення у використанні

Наступні сигнальні слова і змісти призначені для пояснення рівнів ризику, пов'язаних з продуктом.

⚠ НЕБЕЗПЕКА

Вказує на неминуче небезпечну ситуацію, яка, якщо її не уникнути, може призвести до смерті або серйозних травм.

⚠ Попередження

Вказує на потенційно небезпечну ситуацію, яка, якщо її не уникнути, може призвести до смерті або серйозних травм.

⚠ УВАГА

Вказує на потенційно небезпечну ситуацію, яка, якщо її не уникнути, може призвести до легкої або середньої травм.

УВАГА

Без попереджуючих символів вказує на ситуацію, яка може призвести до пошкодження майна.

СИМВОЛИ В ЦЬОМУ ПОСІБНИКУ



Запчастини та аксесуари, що продаються окремо



ПРИМІТКА



Попередження



Блокувати



Розблокувати

Kar püskürtme makinenizin tasarımında güvenlik, performans ve güvenilirliğe en yüksek öncelik verilmiştir.

KULLANIM AMACI

Kablosuz kar püskürtme makinesi sadece dış mekânlarda, iyi aydınlatılmış bir alanda, ürünün arkasında durup yürüyen bir operatör tarafından kullanılmak üzere tasarlanmıştır. Ürün, sadece bu el kitabındaki talimat ve uyarıları okuyup anlamış ve hareketlerinden sorumlu tutulabilecek olan yetişkinler tarafından kullanılabilir. Güvenlik nedenleriyle ürün iki elle kullanılarak uygun şekilde kontrol edilmelidir.

Ürün araba yolları, kaldırımlar, yürüme yolları, patikalar, yollar gibi alanlarda ve evrelerin çevresindeki karları temizlemek üzere tasarlanmıştır. Ürün 25 cm derinliğe kadar karı kaldırabilir.

Ürün asla tekerlekleri toprağa değmez halde çalıştırılmamalıdır. Üzerine binilmemelidir.

Ürün sadece bu el kitabında belirtildiği gibi kullanılmalıdır.

Başka herhangi bir amaçla kullanmayın.

GENEL GÜVENLİK KURALLARI

⚠ UYARI

Ürün el ve ayakları kesebilir, cisimler fırlatabilir. Güvenlik talimatlarının tamamının uygulanmaması ciddi yaralanmaya yol açabilir.

⚠ UYARI

Bu ürünü kullanırken güvenlik kurallarına uyulmalıdır. Kendi güvenliğiniz ve çevrenizdeki kişilerin güvenliği için ürünü kullanmadan önce bu talimatları tamamen okumalı ve anlamalısınız. Lütfen bu talimatları daha sonra kullanmak üzere güvenli bir yerde saklayın.

⚠ UYARI

Ürün yalnızca pil takımı ile çalıştırılmalıdır. Pille çalışan ürün kullanırken yangın, pil akması ve kişisel yaralanma risklerini azaltmak için her zaman temel emniyet önlemlerinin alınması gereklidir.

EĞİTİM

- Ürünü çalıştırmadan önce ürün üzerindeki ve bu kılavuzdaki bütün talimatları okuyup anlayın ve bunlara uyun. Ürünün kontrollerine ve uygun kullanımına tamamen aşına olun. Ürünü hızlı bir şekilde durdurup kontrolleri devre dışı bırakmayı öğrenin.
 - Çocuklar ya da kısıtlı fiziksel, duyuşsal ya da zihinsel becerilere sahip ya da bu talimatlara aşına olmayan kişilerin ürünü çalıştırma, temizleme ya da bakım yapmasına asla izin vermeyin. Yerel yönetmelikler kullanıcının yaşına kısıtlama getirebilir. Ürünle oynamadıklarından emin olmak için çocuklara uygun şekilde nezaret edilmelidir.
 - Çevrenizdeki kişileri, çocukları ve evcil hayvanları çalışma alanından 15 m uzaklaştırın. Eğer herhangi biri bu alana girse ürünü durdurun.
 - Ürünü kaygan yüzeylerde çalıştırırken, özellikle de geri vitesteyken dikkatli davranın.
 - Kazalardan ve diğer insanlara veya mallarına zarar verebilecek tehlikelerden kullanıcının sorumlu olduğunu unutmayın.
 - Ürünü yorgun veya hastayken ya da uyuşturucu, alkol veya ilaç etkisi altındayken asla kullanmayın.
- ## HAZIRLIK
- Ürünün kullanılacağı alanı özenli denetleyin ve tüm paspasları, kızakları, kartonları, telleri ve diğer yabancı cisimleri kaldırın.
 - Ürünü çalıştırırken her zaman uygun kiş kıyafetleri ve kaymaz emniyet ayakkabıları giyin. Üzerinize bol olan veya iplerin veya bağcıkların sarktığı kıyafetler giymekten kaçının; hareketli parçalara yakalanabilirler.
 - Gözleri üründen fırlayacak yabancı nesnelere karşı korumak için ürünü kullanırken veya ayarlama ya da tamir işlemi esnasında her zaman emniyet gözlüğü ya da göz maskesi kullanın.
 - Çakıl taşı ya da kayaların parçalanmış



yüzeyinden kaçınmak için toplayıcı muhafazası yükseklğini ayarlayın.

- Ürün çalışırken herhangi bir ayar yapmayı denemeyin.
- Saçlarınız uzunsa hareketli parçalara dolaşmasını önlemek için omuz seviyesinin üzerinde toplayın.
- Her kullanım öncesi tüm kontrollerin ve güvenlik cihazlarının doğru şekilde çalıştığından emin olun. Eğer “kapalı” anahtarı ürünü durdurmuyorsa ürünü kullanmayın.
- Her kullanımdan önce, gövdenin hasarsız olmadığı korkuluk ve tutamakların yerinde ve sağlam takılı olduğu yönünde gözle kontrol yapın.

PİLLİ ALET KULLANIMI VE BAKIMI

- Sadece üretici tarafından belirtilen şarj cihazı ile şarj edin. Tek bir pil takımı tipine uygun bir şarj cihazı başka bir pil takımı ile birlikte kullanıldığında yangın riski oluşturabilir.
- Elektrikli aletleri sadece özel olarak belirtilmiş pil takımları ile birlikte kullanın. Başka bir pil takımı kullanmak yaralanma ve yangın riski oluşturabilir.
- Pil takımı kullanılmadığı zaman ataş, bozuk para, anahtar, çivi, vida ve diğer metal nesnelere gibi bir terminalden diğerine bağlantı oluşturabilecek diğer metal nesnelere uzak tutun. Pil terminallerinin birlikte kısa devre yapması yangına veya yaralanmaya neden olabilir.
- Kötü koşullarda pilden sıvı boşalabilir; temas etmekten kaçınınız. Eğer kazara temas ederseniz temas eden yeri suyla yıkayın. Eğer sıvı gözlerinize temas ederse ek olarak tıbbi yardım alın. Pilden boşalan sıvı tahrişe veya yanıklara neden olabilir.
- Hasar görmüş ya da değiştirilmiş pil paketi ya da aleti kullanmayın. Hasar görmüş ya da değiştirilmiş piller yangın, patlama ya da yaralanma riskine yol açabilecek beklenmeyen davranış sergileyebilir.
- Pil paketi ya da aleti ateş ya da aşırı ısılarla

maruz bırakmayın. Ateş ya da 130°C üzerinde ısıya maruz kalmak patlamaya neden olabilir.

- Şarj işlemine ilişkin tüm talimatlara uyun ve pil paketi ya da aleti talimatlarda belirtilen sıcaklık aralığı dışında şarj etmeyin. Belirtilen sıcaklık aralığı dışında şarj edildiğinde pil zarar görebilir ve yangın riski artar.

KAR PÜSKÜRTME MAKİNESİ GÜVENLİK KURALLARI

- El ve ayakları döner parçaların altına koymayın. Boşaltma ağzını daima temiz tutun. Deliklere herhangi bir cisim koymayın.
- Çakış taşıyla kaplı araba yolları ya da kaldırımlardan geçerken son derecede dikkatli olun. Gizli tehlikelere karşı ya da umumi yollarda çalışırken tetikte olun.
- Döner parçalara temastan kaynaklanabilecek yaralanma riskini azaltmak için her zaman ürünü durdurun ve pil paketini çıkarın. Tüm hareketli parçaların tamamen durduğundan emin olun:
 - yabancı bir nesne çarptıktan sonra ürünü hasara karşı incelemek için
 - Ürün anormal şekilde titreşim yapmaya başlarsa derhal nedenini bulmaya çalışın. Titreşim genellikle bir sorunun uyarısıdır.
 - temizlik yapmadan veya bir tıkanıklığı açmadan önce
 - ürünün yanından ayrılmadan önce
 - ürünü kontrol etmeden, bakım veya başka bir çalışma yapmadan önce
- Yamaçlarda enlemesine kar temizlemeyin. Eğimler üzerinde yön değiştirirken çok dikkatli olun. Dik yamaçları temizlemeye kalkışmayın.
- Uygun korkuluklar, plakalar ve diğer koruyucu donanım yerinde olmadan ürünü asla çalıştırmayın.
- Atık kısmını asla insanlara ya da mülk hasarının oluşabileceği bölgelere çevirmeyin. Çocukları ve diğer kişileri uzak tutun.



- Karı gereğinden hızlı temizlemeye çalışarak ürünün kapasitesine aşırı yüklenmeyin.
- Kaygan yüzeylerde ürünü asla yüksek nakliye hızlarıyla çalıştırmayın. Tersten çalıştırırken arkanıza bakın ve dikkatli olun.
- Ürünü taşıırken ya da kullanmazken toplayıcı/pervaneye giden gücü kesin.
- Sadece orijinal üreticinin yedek parçalarını, aksesuarlarını ve ek parçalarını kullanın.
- Görüş açınız iyi değilken ya da karanlıkta ürünü asla kullanmayın. Her zaman ayaklarınızı sağlam bastığınızdan ve tutamakları sıkı tuttuğunuzdan emin olun. Yürüyün, hiçbir zaman koşmayın.
- Motor çalışır haldeyken ürünü asla sert ve temiz bir yüzey dışındaki yüzeylere koymayın. Çakıl taşları, kum veya benzeri döküntüler hava girişinden emilip operatörlerin ya da izleyicilerin üzerine fırlatılabilir, ciddi yaralanmaya neden olabilir.
- Kar tahliye açısını gerektiği gibi ayarlamadan ürünü asla cam cam bölmelerin, otomobillerin, pencerelerin veya kapıların yakınında çalıştırmayın. Çocukları ve evcil hayvanları uzak tutun.
- Gök gürültülü fırtına ya da şimşek çakması olasılığı olduğunda ürünü kullanmayın.
- Ürünü alev alabilen sıvı, gaz ya da tozun bulunduğu patlayıcı atmosferlerde kullanmayın.
- Yukarıya doğru erişmeye çalışmayın. Yukarıya erişmeye çalışmak dengenizi kaybetmenize neden olabilir.
- Tetikte olun, yaptığınız işi izleyin ve ürünü kullanırken sağduyunuzu kullanın. Ürünü kullanırken bir anlık dikkatsizlik ciddi kişisel yaralanmaya yol açabilir.

▲ UYARI

Eğer ürün düşerse, ağır darbe alırsa veya anormal şekilde titreşmeye başlarsa ürünü derhal durdurun ve hasara karşı inceleyin veya titreşimin nedenini belirleyin. Her tür hasar yetkili servis merkezi tarafından uygun şekilde onarılmalı veya değiştirilmelidir.

PİL İÇİN EK GÜVENLİK UYARILARI

▲ UYARI

Bir kısa devreden kaynaklanan yangın, yaralanma veya ürün hasarları tehlikesini önlemek için aleti, güç paketini veya şarj cihazını asla sıvıların içine daldırmayınız ve cihazların ve pillerin içine sıvı girmesini önleyiniz. Tuzlu su, belirli kimyasallar, ağartıcı madde veya ağartıcı madde içeren ürünler gibi korozif veya iletken sıvılar kısa devreye neden olabilir.

ÇALIŞMA TAVSİYELERİ

- Üst tutamak gerektiği gibi takılmadığı, tutamak kilit klipsi emniyetli bir şekilde kapatılmadığı durumlarda ürün çalışmaz. Ürün doğru toplanmadığı zaman kazayla çalışmaya başlamasını önleyecek iki emniyet interloku vardır.
- Ürünü çalıştırmadan önce rüzgar yönünü belirleyin. Karın yüzünüze boşaltılmasını engellemek için karı rüzgarla aynı yönde tahliye edin.

TAŞIMA VE DEPOLAMA

- Ürünü durdurun ve pil takımını çıkarın. Depolamadan ya da bir taşımadan önce ürünün soğuması için zaman tanıyın.
- Üründeki tüm yabancı maddeleri temizleyin. Çocukların erişemeyeceği serin, kuru ve iyi havalandırılan bir yerde depolayın. Bahçe kimyasalları ve buz çözücü tuzlar gibi korozif maddelerden uzak tutun. Açık alanda depolamayın.
- Taşınacağı zaman insanların yaralanmasını veya ürünün zarar görmesini önlemek amacıyla ürünü hareket etmemesi veya düşmemesi için sabitleyin.

LİTYUM BATARYALARIN TAŞINMASI

Bataryayı yerel ve ulusal hükümlere ve yönetmeliklere uygun şekilde taşıyın.

Bataryalar üçüncü bir şahıs tarafından taşındığında ambalaj ve etiket üzerindeki tüm özel koşullara uyun. Açıktaki konnektörleri yalıtkan, iletken olmayan başlıklar veya bant ile

koruyarak hiçbir bataryanın taşıma sırasında diğer bataryalarla veya iletken malzemelerle temas etmediğinden emin olun. Çatlak veya sızdıran bataryaları taşımayın. Ek tavsiye için nakliye şirketi ile birlikte kontrol edin.

BAKIM

⚠ UYARI

Sadece orijinal üreticinin yedek parçalarını, aksesuarlarını ve ek parçalarını kullanın. Aksine davranış olası yaralanmaya yol açabilir, yetersiz performansa neden olabilir ve garantinizin geçersiz olmasıyla sonuçlanabilir.

⚠ UYARI

Servis çalışması en yüksek düzeyde dikkat ve bilgi gerektirir ve sadece nitelikli bir servis teknisyeni tarafından yapılmalıdır. Ürünün servis ve onarımı için işlemleri sadece yetkili bir servis merkezinde yaptırın. Servis yapılırken sadece aynı yedek parçaları kullanın.

- Sadece bu kılavuzda açıklandığı şekilde ayar veya onarım yapabilirsiniz. Ürün üzerinde yapılacak diğer onarımları sadece yetkili bir servis merkezinde yaptırın.
- Her kullanım sonrası ürünü yumuşak ve kuru bir bezle temizleyin.
- Ürünün güvenli çalışma durumunda olduğundan emin olmak için tüm somunların, civataların ve vidaların doğru sıklıkta sık aralıklarla takıldığını kontrol edin. Hasarlı her tür parça yetkili servis merkezi tarafından uygun şekilde onarılmalı veya değiştirilmelidir.
- Zarar görmüş veya okunmaz durumdaki etiketleri değiştirmek için yetkili bir servis merkezine gönderin.
- Pervanenin donmasını engellemek için kar püskürttüktan sonra ürünü birkaç defa daha çalıştırın.
- Ürünü temizler, onarır ya da kontrol ederken hareketli tüm parçaların tamamen durduğundan emin olun. Ürünün yanlışlıkla çalıştırılmasına engel olmak için pil takımını çıkarın.

TIKANIKLIĞIN GİDERİLMESİ

⚠ UYARI

Ciddi yaralanmalardan kaçınmak için ellerinizi veya ayaklarınızı asla ürünün ön tarafına ya da tahliye kanalına uzatmayın.

- Tetiği boşaltıp, pil paketini çıkarın.
- Tüm hareketli parçaların tamamen durduğundan emin olun.
- Tıkanıklığı gidermek için bir ahşap çubuk kullanın.
- Ahşap çubuğu kullanarak pervane takımını çevirin.
- Dikkatli olun, mekanizmada biriken enerji nedeniyle tıkanıklık giderilmesi sırasında kendiliğinden hareket etmeyebilir.
- Pervane ahşap çubukla hareket ettirilebildikten sonra, ürünün arkasına geçin.
 - Pervane düzeneğinin kademeli hareket edebilir.
- Kar temizlemeye devam etmenin güvenli olacağından emin olun.
- Pil takımını yerleştirin. Ürünü açın.

ARTIK RİSKLER

Ürün belirtilen şekilde kullanıldığında bile belirli artık risk faktörlerini tamamen ortadan kaldırmak mümkün değildir. Kullanım sırasında aşağıdaki tehlikeler ortaya çıkabilir ve kullanıcının aşağıdaki durumları önlemek için özellikle dikkatli olması gerekir:

- Gürültüye maruz kalmak işitme sorunlarına neden olabilir.
 - İşitme koruması kullanın ve maruz kalma süresini kısıtlayın.
- Fırlayan nesnelere yol açtığı yaralanma
 - Ürünün ön tarafındaki döner pervane ya da kar olduğundan fırlatılan cisimler yaralanmaya neden olabilir. Her zaman uygun kulak tıkacı takın.

ÜRÜNÜNÜZÜ TANIYIN

Bkz. sayfa 158.

1. Üst tutamak
2. Açma/Kapama tetiği
3. Tetik kilidi açma düğmesi
4. Motor kontrol kablosu
5. Oluk dönüş kolu
6. Tutamak kilit klipsi
7. Oluk dönüş mili
8. Oluk deflektör kolu
9. Oluk deflektörü
10. LED lambalar
11. Pervane
12. Orta tutamak
13. Tutamak ayar düğmesi
14. Alt tutamak
15. Taşıma/kaldırma tutamağı
16. Yedek akü kompartımanı
17. Kullanılan akü kompartımanı
18. Pil
19. Pil şarj cihazı

ÜRÜN ÜZERİNDEKİ SEMBOLLER



Ürünü kullanmadan önce tüm talimatları okuyun ve anlayın, tüm uyarılara ve güvenlik talimatlarına uyun.



Fırlayan ve sıçrayan nesnelere dikkat edin. Üçüncü şahısları, özellikle çocukları ve evcil hayvanları çalışma alanından en az 15 m uzakta tutun.



Koruyucu gözlük takın.



TEHLİKE! Döner pervanenin neden olacağı yaralanmalardan kaçının. Ellerinizi, ayaklarınızı ve giysilerinizi uzak tutun.



TEHLİKE! Bir tıkanıklığı temizlemeden önce aküyü çıkarın ve kılavuzdaki talimatları okuyun. Ellerinizi ve ayaklarınızı makinenin ön tarafından ve boşaltma olduğundan uzak tutun.



Atık elektrikli ürünler evsel atıklarla birlikte atılmamalıdır. Lütfen tesislerin mevcut olduğu yerlerde geri dönüştürün. Geri dönüşüm tavsiyesi için bölgenizdeki yetkili mercie veya satıcıya başvurun.



Ürünün satın alındığı AB ülkesindeki tüm düzenleyici standartlara uygundur.



EurAsian Uygunluk İşareti



Ukrayna uygunluk işareti.



Güvenceli ses gücü seviyesi 86 dB'dir.



İt ve itili tut



Çalıştırmak için bas ve basılı tut



Yedek akü kompartımanı



Kullanılan akü kompartımanı

Aşağıdaki işaret sözcükler ve anlamları bu ürünle ilişkili risk seviyelerinin açıklanmasına yöneliktir.

⚠ TEHLİKE

Önlenmemesi durumunda ölüm veya ciddi yaralanma ile sonuçlanacak ciddi tehlike içeren bir durumu gösterir.

⚠ UYARI

Önlenmemesi durumunda ölüm veya ciddi yaralanma ile sonuçlanabilecek potansiyel olarak tehlikeli bir durumu gösterir.

⚠ İKAZ

Önlenmemesi durumunda önemsiz veya orta derece yaralanma ile sonuçlanabilecek potansiyel olarak tehlikeli bir durumu gösterir.

İKAZ

Güvenlik uyarısı sembolü olmadığında Maddi hasarla sonuçlanabilecek bir durumu gösterir.

BU KILAVUZDAKİ SEMBOLLER



Ayrı satılan parçalar veya aksesuarlar



Not



Uyari



Kilit



Kilidi açın

EN

FR

DE

ES

IT

NL

PT

DA

SV

FI

NO

RU

PL

CS

HU

RO

LV

LT

ET

HR

SL

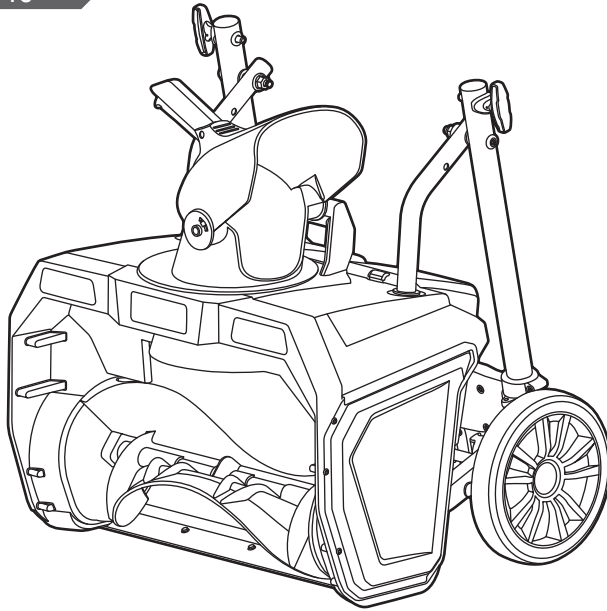
SK

BG

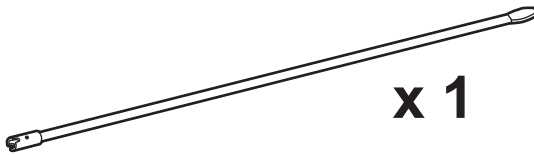
UK

TR

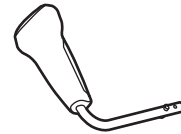
RST36X5140



x 1



x 1



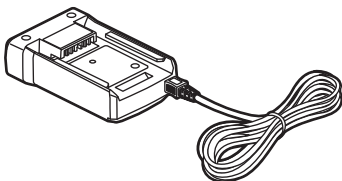
x 1



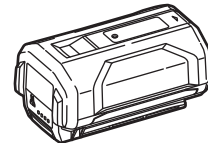
x 1



x 1

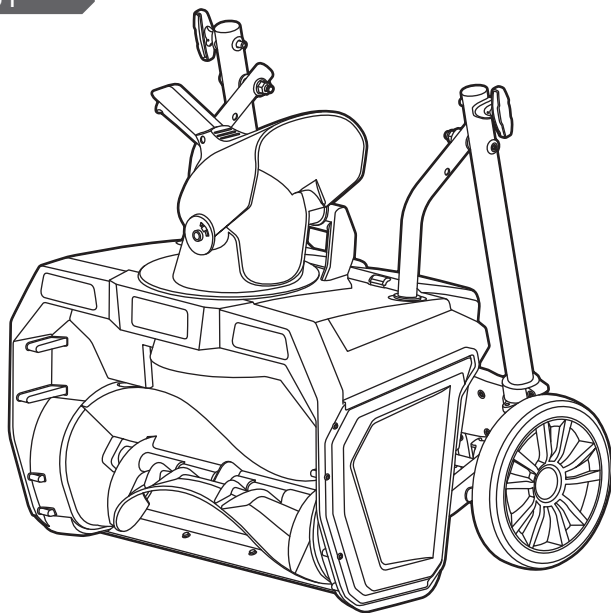


x 1

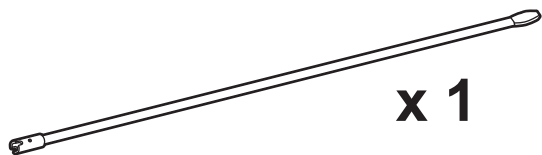


x 1

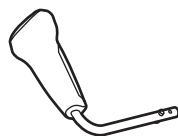
RST36B51



x 1



x 1



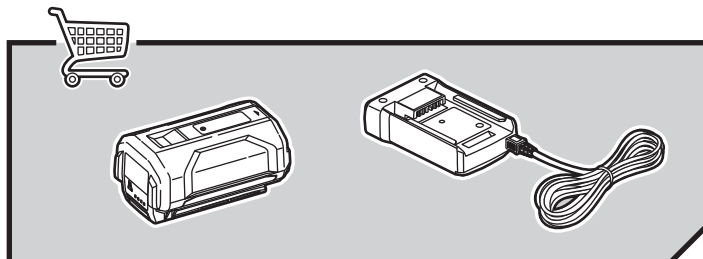
x 1

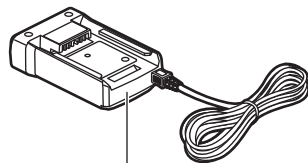
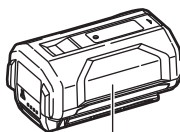
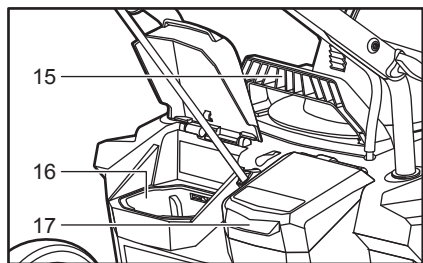
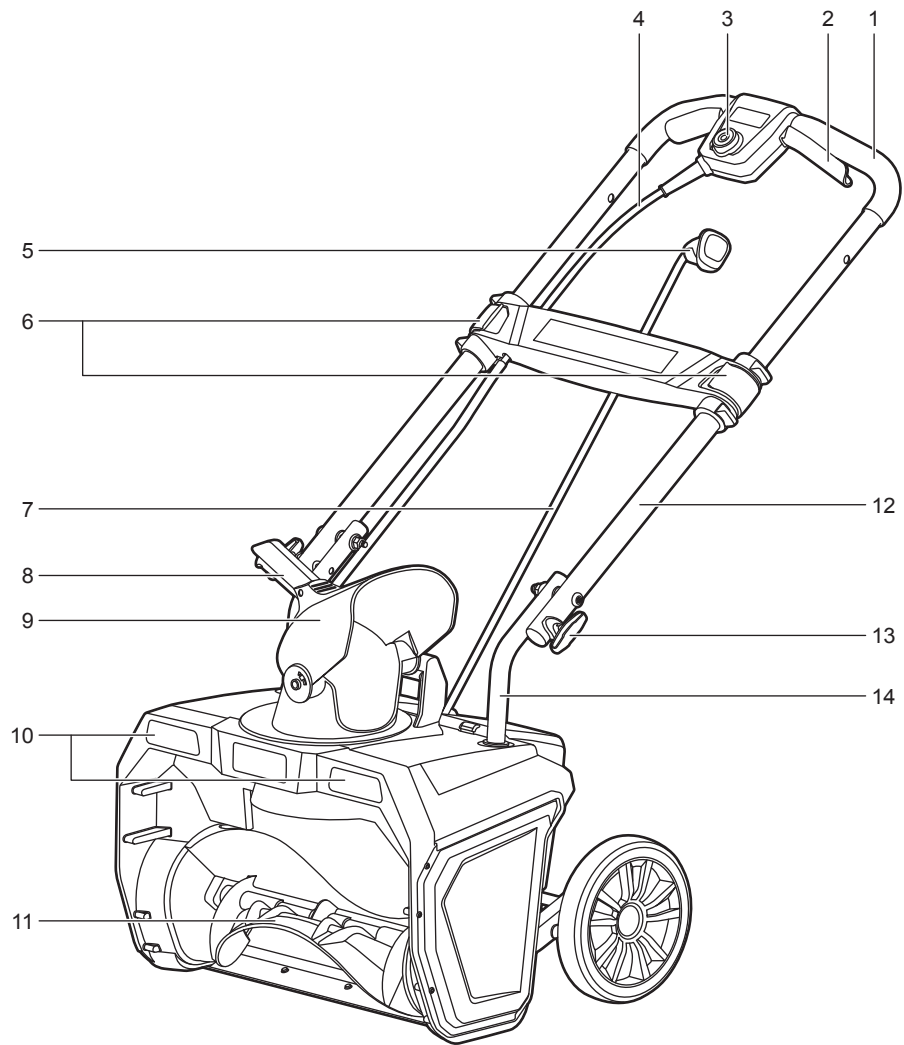


x 1



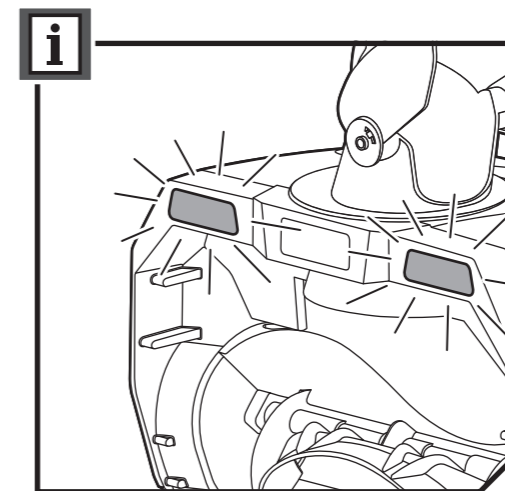
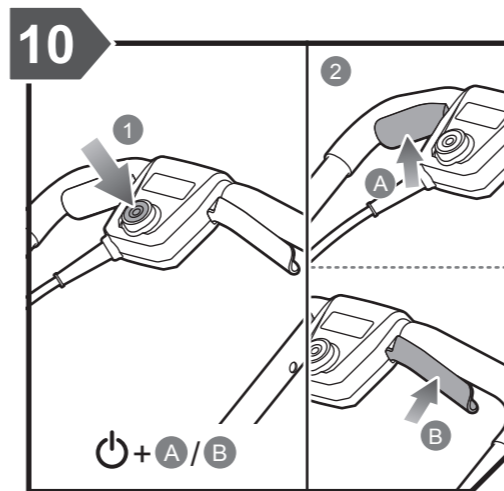
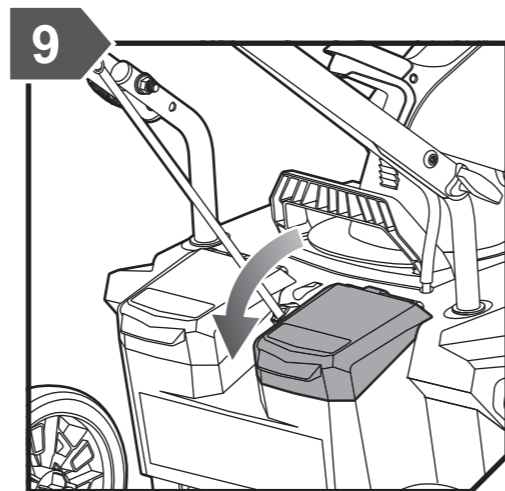
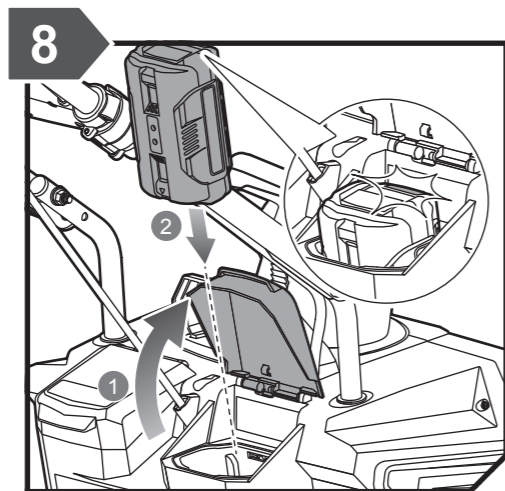
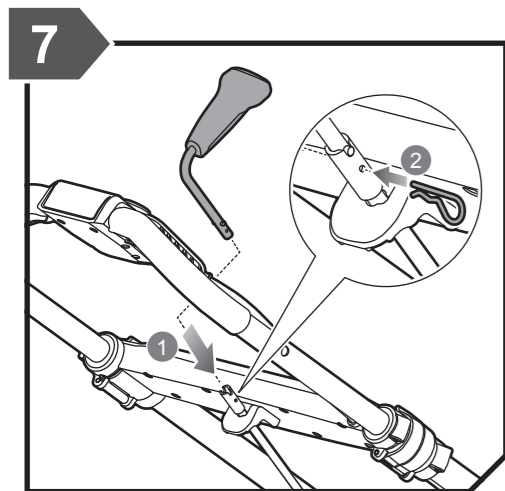
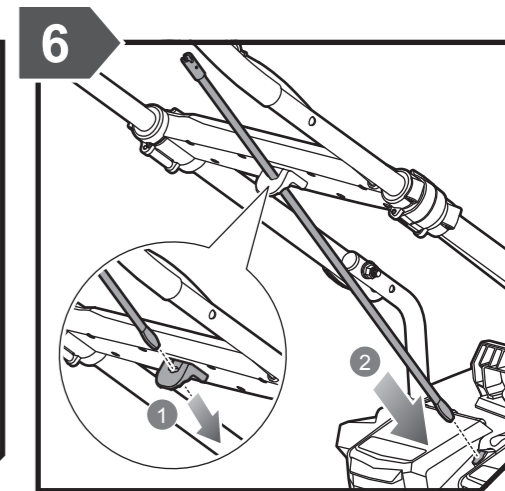
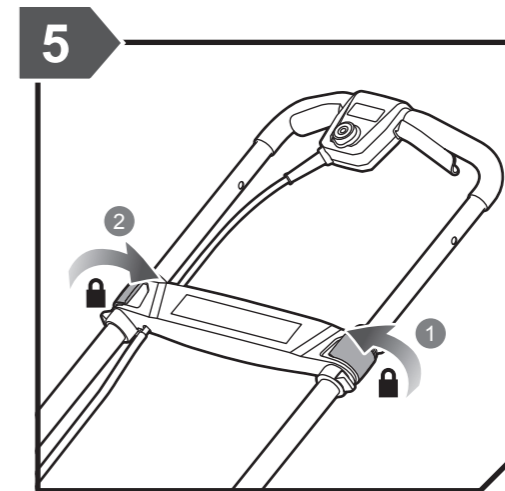
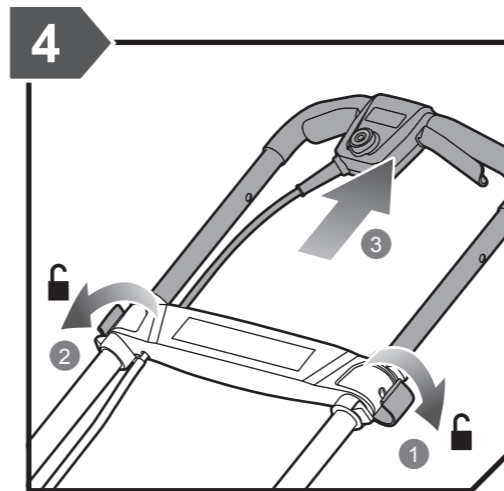
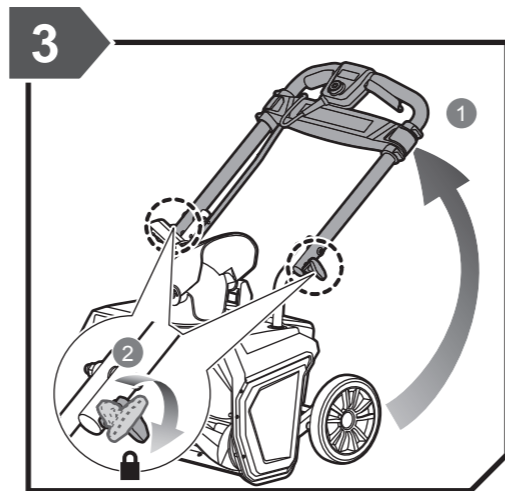
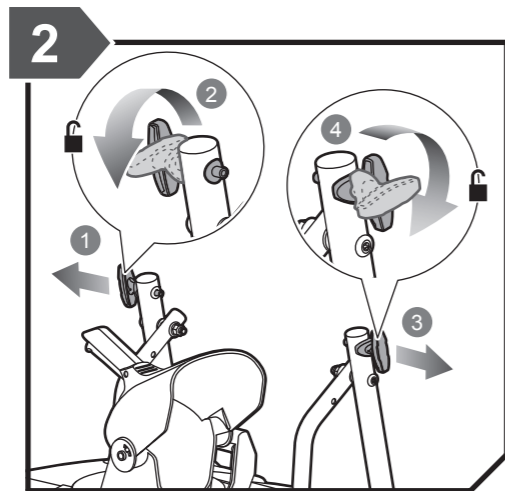
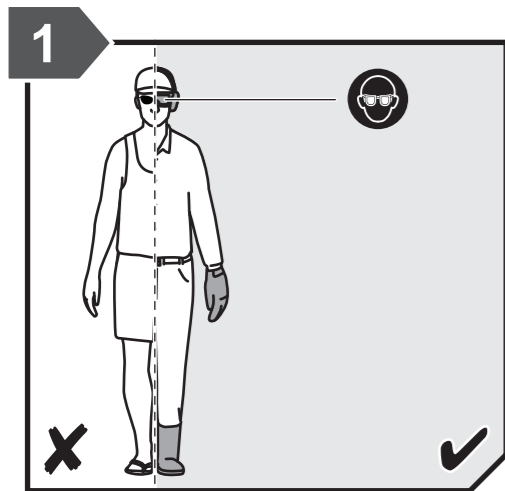
x 1

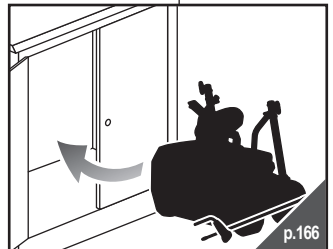
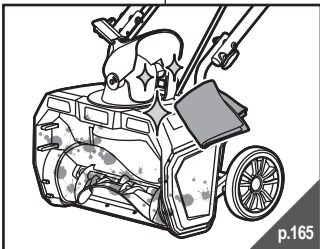
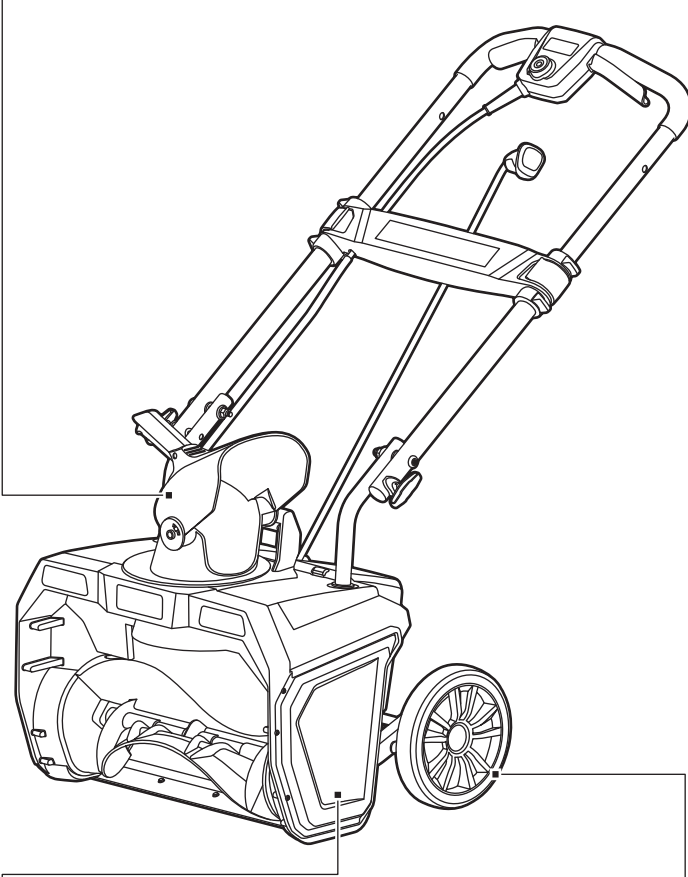
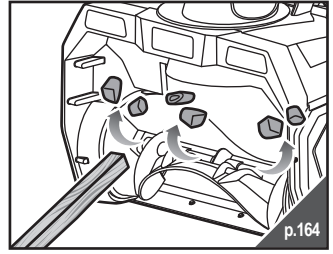
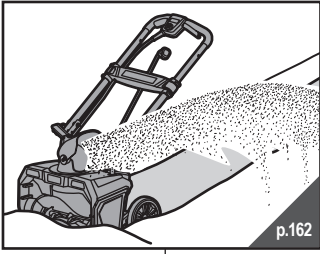


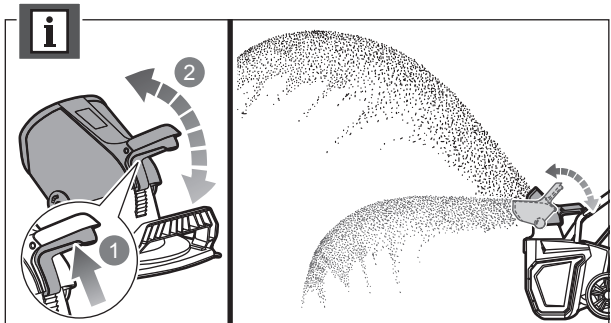
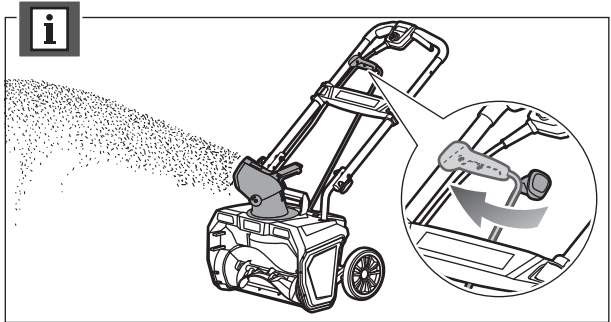
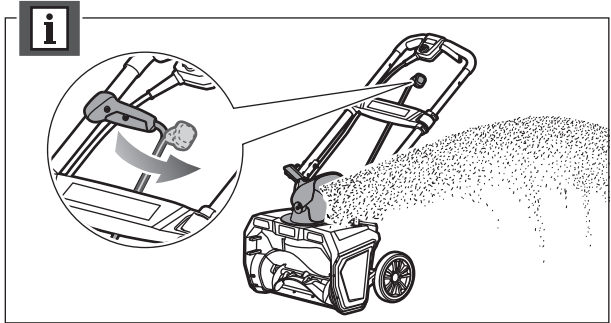
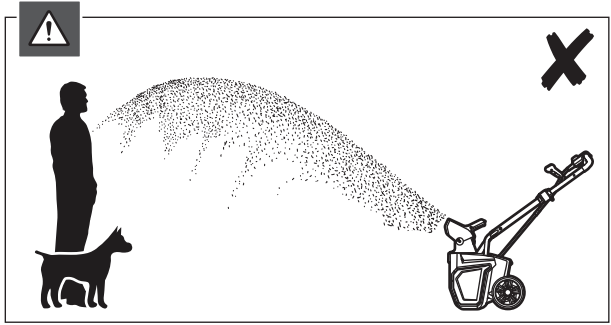
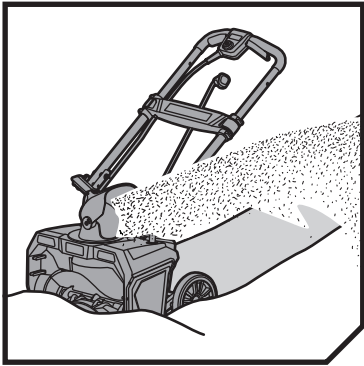


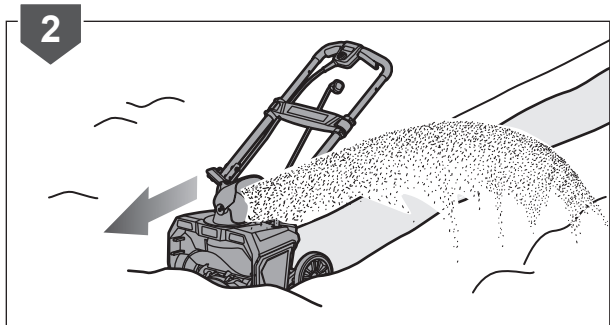
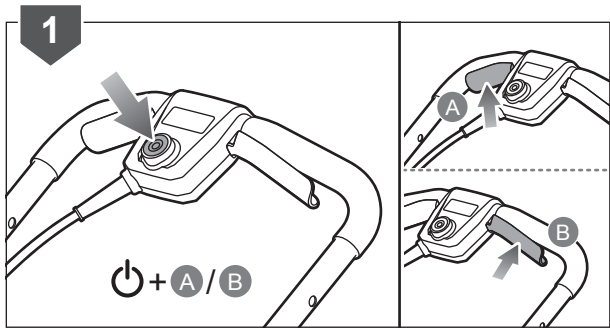
18

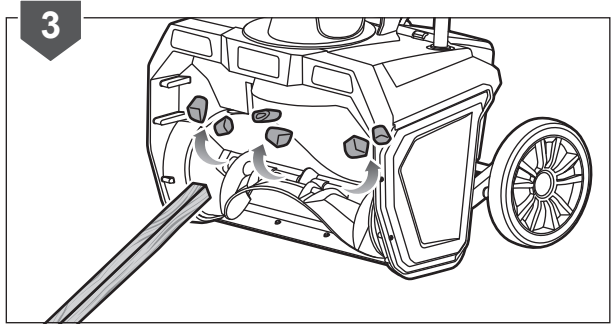
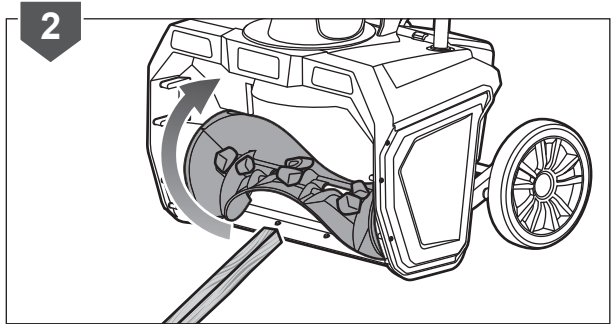
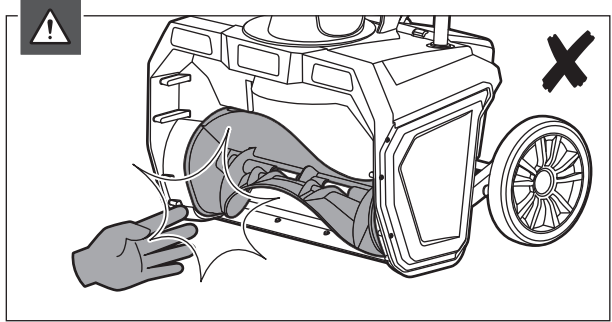
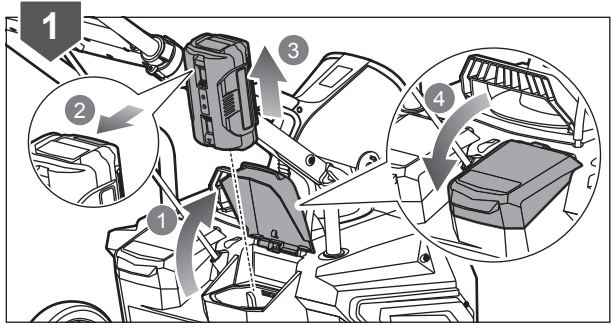
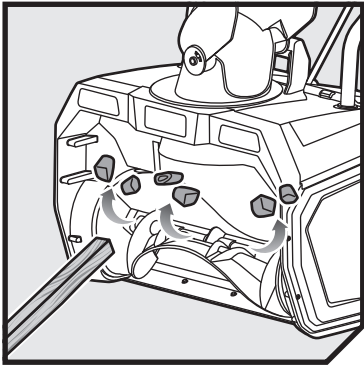
19

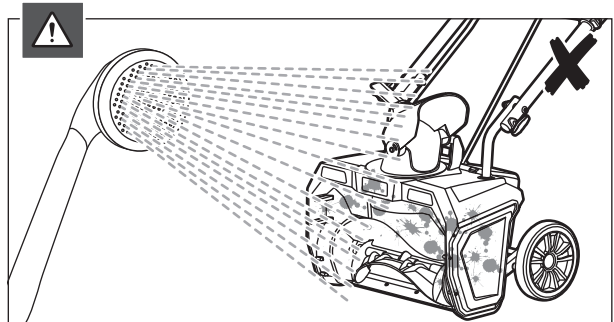
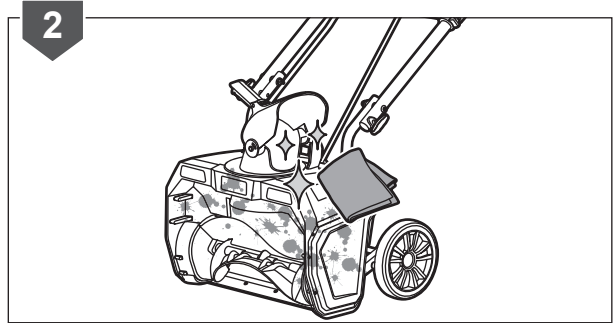
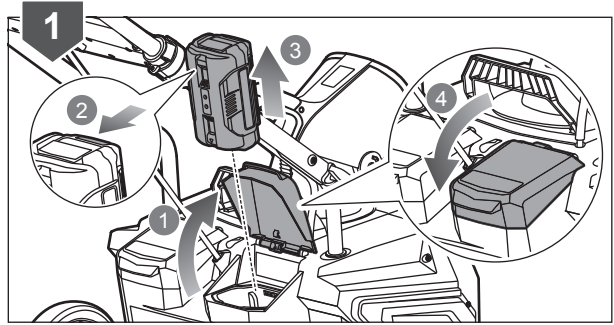
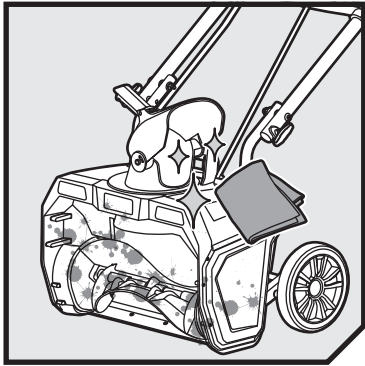


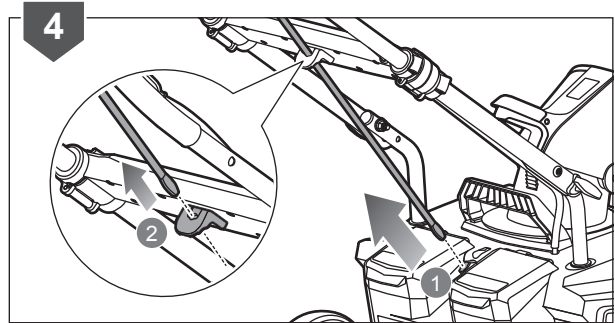
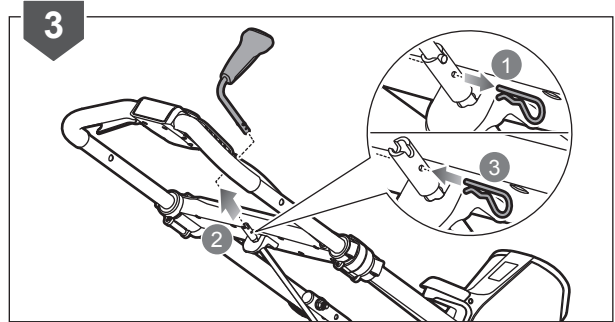
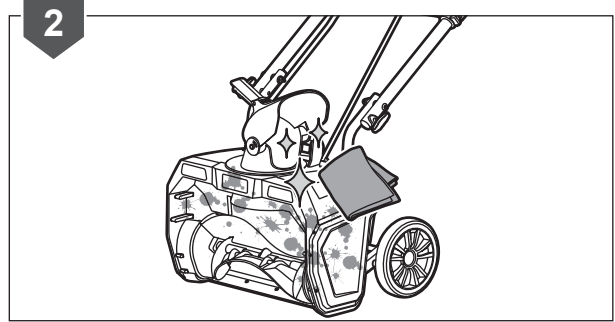
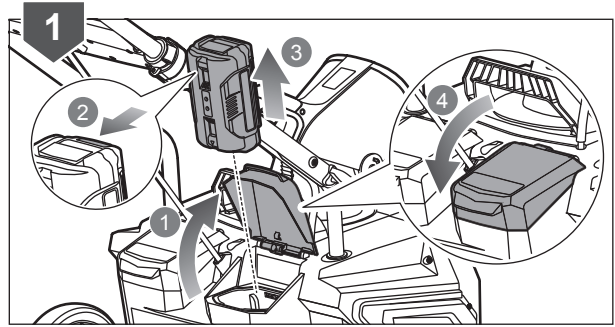
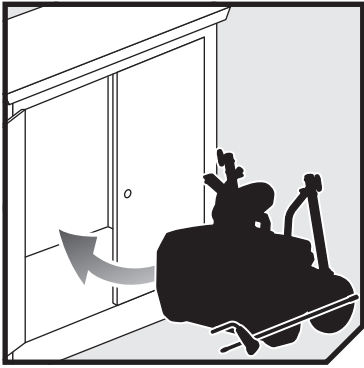


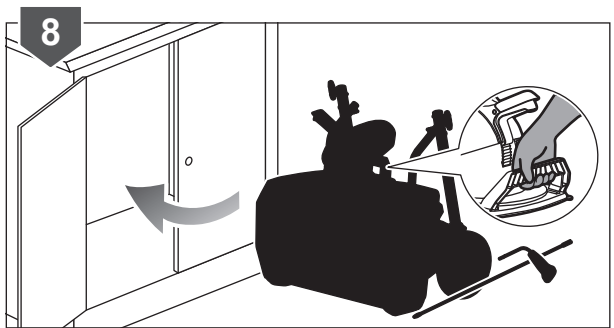
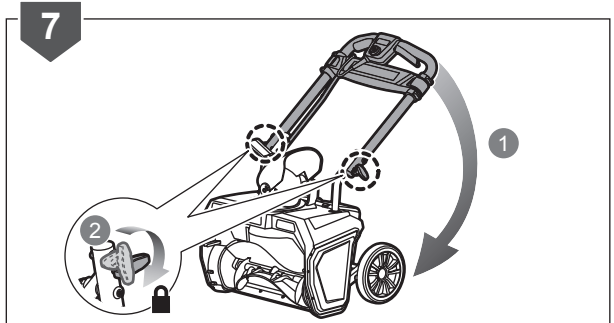
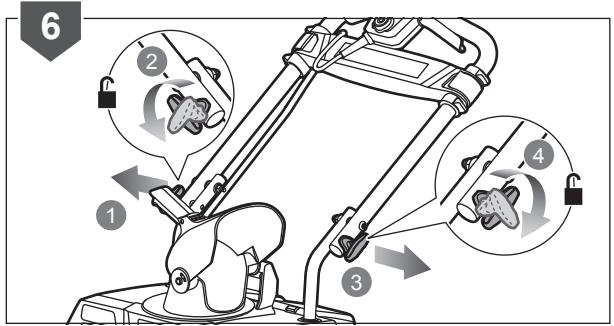
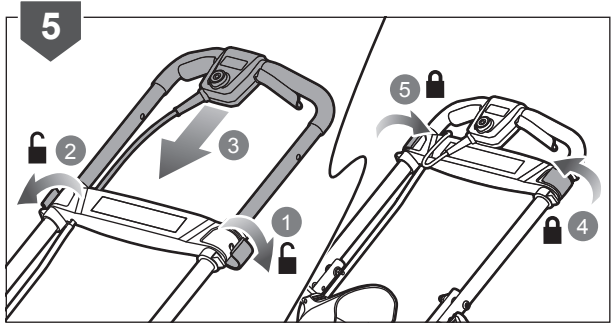














English	Français	Deutsch	Español	Italiano
Product specifications	Caractéristiques produit	Produkt-Spezifikationen	Características del producto	Caratteristiche del prodotto
Cordless Snow Thrower	Souffleuse à neige sans fil	Akku-Schneefräse	Quitanieves inalámbrico	Spazzaneve a batteria
Model	Modèle	Modell	Modelo	Modello
Rated voltage	Tension nominale	Nennspannung	Tensión nominal	Voltaggio nominale
Clearing width	Largeur de déblayage	Räumbreite	Ancho de la limpieza	Ampiezza di pulizia
Clearing depth	Profondeur de déblayage	Räumtiefe	Profundidad de la limpieza	Profondità di pulizia
Impeller size	Taille de la turbine	Impellergröße	Tamaño del impulsor	Dimensione ventola
Wheel size	Dimension de roue	Radgröße	Tamaño de las ruedas	Dimensione ruota
Throwing distance	Distance d'évacuation	auswurfweite	Distancia de lanzamiento	Distanza di lancio
No-load speed for impeller	Vitesse à vide de la turbine	Geschwindigkeit des Antriebs ohne Last	Velocidad sin carga del impulsor	Velocità della girante senza carico
Weight (without battery)	Poids (sans batterie)	Gewicht (ohne Akku)	Peso (sin la batería)	Peso (senza batterie)
Vibration level	Niveau de vibration	Vibrationsgrad	Nivel de vibración	Livello di vibrazioni
Right handle	Poignée droite	Rechter Handgriff	Empuñadura derecha	Impugnatura destra
Left handle	Poignée gauche	Linker Handgriff	Empuñadura izquierda	Manico sinistro
Uncertainty of measurement	Incertitude de la mesure	Unsicherheit der Messung	Incertidumbre de medición	Incertezza delle misurazioni
Declared vibration value	Valeur déclarée des vibrations	Angegebener Vibrationswert	Valor de vibración declarado	Valore dichiarato vibrazioni
Noise emission level	Niveau d'émission sonore	Geräuschemission	Nivel de emisión de ruido	Livello di emissione rumori
A-Weighted sound pressure level at operator's position	Niveau de pression sonore pondéré A au niveau de l'opérateur	A-bewerteter Schalldruckpegel an der Position des Anwenders	Nivel de presión sonora ponderado A en la posición del operario	Livello di pressione sonora ponderata A alla posizione dell'operatore
Uncertainty of measurement	Incertitude de la mesure	Unsicherheit der Messung	Incertidumbre de medición	Incertezza delle misurazioni
A-Weighted sound power level	Niveau de puissance sonore pondéré-A	A-bewerteter Schalleistungspegel	Nivel de potencia acústica ponderada en A	Livello di potenza sonora pesato A
Uncertainty of measurement	Incertitude de la mesure	Unsicherheit der Messung	Incertidumbre de medición	Incertezza delle misurazioni

English	Français	Deutsch	Español	Italiano
Battery and charger	Batterie et chargeur	Akku und Ladegerät	Batería y cargador	Batteria e caricatore
Model	Modèle	Modell	Modelo	Modello
Battery pack	Bloc de batterie	Akku	Batería	Batteria
Weight	Poids	Gewicht	Peso	Peso
Charger	Chargeur	Ladegerät	Cargador	Caricatore
Compatible battery packs	Packs batterie compatibles	Kompatible Akkus	Paquetes de batería compatibles	Gruppo batterie compatibili
Compatible charger	Chargeur compatible	Kompatibles Ladegerät	Cargador compatible	Caricatore compatibile





Nederlands	Português	Dansk	Svenska	
Productgegevens	Características do aparelho	Produktspecifikationer	Produktspecifikationer	
Snoerloze sneeuwruimer	Atirador de neve sem fios	Batteridrevet snekaster	Sladdlös snöslunga	
Model	Modelo	Model	Modell	RST36X5140/RST36B51
Toegekende spanning	Tensão nominal	Mærkespænding	Spänning	DC 36V
Ruimbreedte	Comprimento da limpeza	Rydningsbredde	Rensningsbredd	51 cm
Ruimdtepte	Profundidade da limpeza	Rydningsdybde	Rensningsdjup	250 mm
Schoepafmetingen	Tamanho do impulsor	Skovhjulstørrelse	Bladstorlek	400 mm
Wielafmetingen	Tamanho das rodas	Hjulstørrelse	Hjulstorlek	206 mm
Gooiafstand	Distância de lançamento	Udslyngningsafstand	Utkastlängd	≤ 7,62 m
Snelheid zonder lading voor waaier	Velocidade sem carga para a hélice	Ubelastet hastighed for skovhjul	Ingen lasthastighed for impeller	1800 min ⁻¹
Gewicht (zonder batterij)	Peso (sem a bateria)	Vægt (uden batteri)	Vikt (utan batteri)	16,9 kg
Trillingsniveau	Nível de vibração	Vibrationsniveau	Vibrationsnivå	
Rechter handvat	Pega direita	Højre håndtag	Höger handtag	1,1 m/s ²
Linkerhandvat	Pega esquerda	Venstre håndtag	Vänster handtag	1,0 m/s ²
Onzekerheid bij meting	Incerteza de medições	Målingsusikkerhed	Osäkerhet för mått	1,5 m/s ²
Aangegeven trillingswaarde	Valor de vibração declarado	Deklareret vibrationsværdi	Deklarerat vibrationsvärde	2,6 m/s ²
Niveau geluidsemisssie	Nível de emissão de ruído	Støjemissionsniveau	Bullernivå	
A-gewogen geluidsdrkniveau bij positie van gebruiker	Nível de pressão sonora ponderada A na posição do operador	A-vægtet lydtryksniveau ved operatørens position	A-viktad ljudtryksnivå vid operatørens plats	66,7 dB(A)
Onzekerheid bij meting	Incerteza de medições	Målingsusikkerhed	Osäkerhet för mått	2,5 dB
A-gewogen geluidsniveau	Nível de potência sonora ponderada A	A-vægtet lydeffektniveau	A-vägd ljudeffektsnivå	83,4 dB(A)
Onzekerheid bij meting	Incerteza de medições	Målingsusikkerhed	Osäkerhet för mått	1,1 dB

Nederlands	Português	Dansk	Svenska		
Accu en oplader	Bateria e carregador	Batteri og oplader	Batteri och batteriladdare		
Model	Modelo	Model	Modell	RST36X5140	RST36B51
Accu	Bateria	Batteri	Batteri	BPL3640D2	-
Peso	Peso	Vikt	Vægt	1,4 kg	-
Lader	Carregador	Oplader	Batteriladdare	RY36C17A	-
Compatibele accupacks	Baterias compatíveis	Kompatible batterier	Kompatibla batteripaket	BPL3615/BPL3626/BPL3640/ BPL3640D/BPL3650D/ BPL3626D2/BPL3640D2/ BPL3650D2	
Compatibele oplader	Carregador compatível	Kompatibel oplader	Kompatibel laddare	RY36C17A/BCL3620S/ BCL3620	





Suomi	Norsk	Русский	Polski	Čeština
Tuotteen tekniset tiedot	Produktspesifikasjoner	Характеристики изделия	Parametry techniczne	Technické údaje produktu
Akkukäyttöinen lumilinko	Trådløs snøfreser	Беспроводной снегоборщик	Odśnieżarka bezprzewodowa	Akumulátorová sněhová fréza
Malli	Modell	Модель	Model	Model
Nimellisjännite	Nominell spenning	Номинальное напряжение	Napięcie znamionowe	Jmenovité napětí
Poistoleveys	Ryddebredde:	Ширина очистки	Szerokość czyszczenia	Šířka záběru
Poistosyvyys	Ryddedybde:	Глубина очистки	Głębokość czyszczenia	Hloubka záběru
Siipipyörän koko	Skovhjuldimensjon	Размер лопастного механизма	Rozmiar wirnika	Velikost oběžného kola
Pyörän koko	Hjulstørrelse:	Размер колеса	Rozmiar kola	Velikost kola
Heittoetäisyys	Utkastavstand	Расстояние выброса	Odległość odrzutu	Vzdálenost odhozu
Rootorin joutokäyntinopeus	Tomgangshastighet for løpehjul	Скорость вращения винта без нагрузки	Prędkość wirnika bez obciążenia	Volnoběžné otáčky
Paino (ilman akkua)	Vekt (uten batteri)	Вес (без батарей)	Masa (bez akumulatora)	Hmotnost (bez baterie)
Tärinätao	Vibrasjonsnivå	Уровень вибрации	Poziom drgań	Úroveň vibrací
Oikea kahva	Høyre håndtak	Правая ручка	Prawy uchwyt	Pravá rukojeť
Vasen kahva	Venstre håndtak	Левая рукоятка	Lewy uchwyt	Levá rukojeť
Mittausten epätarkkuus	Usikkerhet ved måling	Погрешность измерения	Niepewność pomiaru	Nejistota měření
Ilmoitettu tärinäarvo	Erklært vibrasjonsverdi	Заявленное значение вибрации	Deklarowana wartość wibracji	Deklarovaná hodnota vibrací
Melutaso	Støyemisjonsnivå	Уровень шума	Poziom emisji hałasu	Hladina emise hluku
A-painotettu käyttäjään kohdistuva äänenpainetaso	Støynivåvekting ved operatørens posisjon	Амплитудно-взвешенный уровень звукового давления в рабочем месте оператора	Poziom ciśnienia akustycznego w pozycji operatora	Hladina akustického tlaku vážená funkcí A v poloze obsluhy
Mittausten epätarkkuus	Usikkerhet ved måling	Погрешность измерения	Niepewność pomiaru	Nejistota měření
A-painotettu äänenteho	A-vektet lydeffektivnivå	Уровень A-взвешенной звуковой мощности	A-ważony poziom natężenia hałasu	Hladina akustického výkonu vážená funkcí A
Mittausten epätarkkuus	Usikkerhet ved måling	Погрешность измерения	Niepewność pomiaru	Nejistota měření

Suomi	Norsk	Русский	Polski	Čeština
Akku ja laturi	Batteri og lader	Аккумуляторная батарея и зарядное устройство	Akumulator i ładowarka	Nabíječka a baterie
Malli	Modell	Модель	Model	Model
Akku	Batteri	Аккумулятор	Akumulator	Baterie
Vekt	Paino	Вес	Greutate	Waga
Laturi	Lader	Зарядное устройство	Ładowarka	Nabíječka
Yhteensopivat akut	Kompatible batteripakker	Совместимая аккумуляторная батарея	Pasujące akumulatory	Kompatibilní akumulátory
Yhteensopiva laturi	Kompatibel lader	Совместимое зарядное устройство	Odpowiednia ładowarka	Kompatibilní nabíječka





Magyar	Română	Latviski	Lietuviškai	
Termék műszaki adatai	Specificațiile produsului	Produkta specifikācijas	Gaminio techninės savybės	
Vezeték nélküli hókotró	Freză de zăpadă fără cablu	Akumulatoru sniega pūtējs	Akumulatorinis sniego valytuvus	
Típus	Model	Modelis	Modelis	RST36X5140/RST36B51
Névleges feszültség	Tensiunea nominală	Nominālais spriegums	Nomināli jāmpa	DC 36V
Eltakarítási szélesség	Lățime curățare	Tīrīšanas platums	Valymo plotis	51 cm
Eltakarítási mélység	Adâncime curățare	Tīrīšanas dziļums	Valymo gylis	250 mm
Propeller mérete	Mărire rotor	Rata izmērs	Sparnuotės dydis	400 mm
Kerékméret	Mărire roată	Riteņa izmērs	Ratta mōot	206 mm
Kidobási távolság	Distanță de aruncare	Pūšanas attālums	Sviedimo atstumas	≤ 7,62 m
Járókerék üresjárat sebessége	Viteza rotorului la mersul în gol	Gliemeža ātrums bez slodzes	Rotoriaus sukimosi greitis be apkrovos	1800 min ⁻¹
Tömeg (akkumulátor nélkül)	Greutate (fără acumulator)	Svars (bez baterijas)	Svoris (be akumulatorinės baterijos)	16,9 kg
Vibrációsztint	Nivelul vibrațiilor	Vibrācijas līmenis	Vibracijos lygis	
Jobb fogantyú	Măner dreapta	Labās puses rokturis	Dešinioji rankena	1,1 m/s ²
Bal fogantyú	Măner stânga	Kreisais rokturis	Kairės pusės rankena	1,0 m/s ²
Mérés bizonytalansága	Nesiguranța măsurătorii	Mērījuma nenoteiktība	Matavimo paklaida	1,5 m/s ²
Deklarált vibráció érték	Valoare declarată a vibrației	Deklarētā vibrācijas vērtība	Deklaruojama vibracijos vertė	2,6 m/s ²
Zajkibocsátási szint	Nivel emisie zgomot	Trokšņa emisijas līmenis	Triukšmo emisijų norma	
A-súlyozott hangnyomásszint a kezelő helyén	Nivel presiune sunet greutate A la poziția operatorului	Lietotāja pozīcijā ir ar A novērtēts skaņas spiediena līmenis	A svorisinis triukšmo slėgio lygis operatoriaus padėtyje	66,7 dB(A)
Mérés bizonytalansága	Nesiguranța măsurătorii	Mērījuma nenoteiktība	Matavimo paklaida	2,5 dB
A-súlyozott hangteljesítményszint	Nivel de putere acustică ponderată A	A-līmeņa skaņas jaudas līmenis	A-svertinis akustinis lygis	83,4 dB(A)
Mérés bizonytalansága	Nesiguranța măsurătorii	Mērījuma nenoteiktība	Matavimo paklaida	1,1 dB

Magyar	Română	Latviski	Lietuviškai	
Akkumulátor és töltő	Bateria și încărcătorul	Akumulators un lādētājs	Akumulatorius ir įkroviklis	
Típus	Model	Modelis	Modelis	RST36X5140 RST36B51
Akkumulátor	Acumulator	Akumulators	Baterija	BPL3640D2 -
Bec	Tömeg	Teža	Težina	1,4 kg -
Töltő	Încărcător	Lādētājs	Įkroviklis	RY36C17A -
Kompatibilis akkumulátorok	Acumulatori compatibili	Savietojami akumulatoru komplekti	Suderinami baterijos paketai	BPL3615/BPL3626/BPL3640/ BPL3640D/BPL3650D/ BPL3626D2/BPL3640D2/ BPL3650D2
Kompatibilis töltő	Încărcător compatibil	Saderīgs lādētājs	Tinkamas įkroviklis	RY36C17A/BCL3620S/ BCL3620



Eesti	Hrvatski	Slovensko	Slovenčina
Toote tehnilised andmed	Spetsifikacije proizvoda	Spetsifikacije izdelka	Špecifikácie produktu
Juhtmeta lumepuhur	Bežični bacač snijega	Brežična snežna freza	Akumulátorová snežná fréza
Mudel	Model	Model	Modelis
Nimipinge	Nazivni napon	Nazivna napetost	Menovité napätie
Puhastuslaius	Širina čišćenja	Širina čišćenja	Šírka odpratávania
Puhastussügavaus	Dubina čišćenja	Globina čišćenja	Hĺbka odpratávania
Tiiviku mõõt	Veličina propelera	Velikost rotorja	Rozmer lopatkového kolesa
Ratta mõõt	Veličina kotača	Velikost koles	Rozmer kolesa
Väljalaske kaugus	Udaljenost bacanja	Dolžina izmeta	Vzdialenosť odhadzovania
Tiiviku kiirus ilma koormuseta	Brzina bez opterećenja za rotor	Hitrost pogonskega kolesa brez obremenitve	Voľnobežné otáčky pohonu
Kaal (ilma akuta)	Težina (bez baterije)	Teža (brez baterije)	Hmotnosť (bez akumulátora)
Vibratsioonitase	Razina vibracije	Raven vibracij	Úroveň vibrácií
Parempoolne käepide	Desna ručka	Desni ročaj	Pravá rukoväť
Vasak käepide	Lijeva ručka	Levi ročaj	Ľavá rukoväť
Mõõtmismääramatus	Neodređenost mjerenja	Negotovost meritve	Nespoľahlivosť meraní
Deklareeritud vibratsiooni väärtus	Deklarirana vrijednost vibracija	Deklarirana vrednost vibracij	Deklarovaná hodnota vibrácií
Müraemissiooni tase	Razina emitirane buke	Raven emisij hrupa	Úroveň emisii hluku
A-kaalutud müraemissiooni rõhu tase operatori töökohal	A-ponderirana razina zvučnog tlaka u položaju operatera	A-izmerjena raven zvočnega tlaka pri položaju upravljalca	Vážená A hladina akustického tlaku na pozícii obsluhujúcej osoby
Mõõtmismääramatus	Neodređenost mjerenja	Negotovost meritve	Nespoľahlivosť meraní
A-kaalutud helivõimsuse tase	Ponderirana razina zvučne snage	A-izmerjena raven zvočne moči	Vážená A hladina akustického výkonu
Mõõtmismääramatus	Neodređenost mjerenja	Negotovost meritve	Nespoľahlivosť meraní

Eesti	Hrvatski	Slovensko	Slovenčina
Aku ja laadija	Baterija i punjač	Baterija in polnilnik	Akumulátor a nabijačka
Mudel	Model	Model	Modelis
Aku paketiiga	Baterija	Akumulator	Batéria
Mass	Masë	Svars	Hmotnosť
Laadija	Punjač	Polniliec	Nabijačka
Ühilduvad akupaketid	Kompatibilna pakiranja baterija	Združljive baterije	Kompatibilné jednotky akumulátorov
Ühilduv laadija	Kompatibilni punjači	Združljiv polniliec	Kompatibilná nabijačka



България	Українська	Turce	
Технически характеристики	Технічні характеристики пристрою	Ürün teknik özellikleri	
Безжичен снегорин	Бездротова снігоприбиральна машина	Kablosuz kar püskürtme makinesi	
Модел	Модель	Model	RST36X5140/RST36B51
Номинален волтаж	Номинална напруга	Nominal voltaj	DC 36V
Ширина на чистене	Ширина прибирання	Mesafe genişliği	51 cm
Дълбочина на чистене	Глибина прибирання	Mesafe derinliği	250 mm
Размер на ротора	Розмір крильчатки	Pervane ebadı	400 mm
Размер на колелата	Розмір колеса	Tekerlek büyüklüğü	206 mm
Разстояние на изхвърляне	Відстань відкидання	Fırlatma mesafesi	≤ 7,62 m
Скорост без натоварване на ротора	Швидкість без навантаження для робочого диска	Pervane için yüksüz hız	1800 min ⁻¹
Тегло (без батерията)	Вага (без акумулатора)	Ağırlık (batarya hariç)	16,9 kg
Ниво на вибрация	Рівень вібрації	Titreşim seviyesi	
Дясна ръкохватка	Права ручка	Sağ Kulp	1,1 m/s ²
Лява ръкохватка	Ліва ручка	Sol Kulp	1,0 m/s ²
Несигурност на измерването	Невизначеність вимірювання	Ölçüm bilinmiyor	1,5 m/s ²
Декларирана стойност на вибрациите	Заявлене значення вібрації	Beyan edilen titreşim değeri	2,6 m/s ²
Ниво на шумова емисия	Рівень шуму	Gürültü emisyon seviyesi	
Равнище А на нивото на шумовото налягане на мястото на оператора.	Рівень звукового тиску за шкалою А для оператора пристрою	Kullanıcı pozisyonundaki A ağırlıklı ses basıncı seviyesi	66,7 dB(A)
Несигурност на измерването	Невизначеність вимірювання	Ölçüm bilinmiyor	2,5 dB
Ниво на силата на шума с равнище А	А-зважений рівень звукової потужності	A ağırlıklı ses gücü seviyesi	83,4 dB(A)
Несигурност на измерването	Невизначеність вимірювання	Ölçüm bilinmiyor	1,1 dB



България	Українська	Turce		
Батерия и зарядно устройство	Акумулатор і зарядний пристрій	Pil ve şarj cihazı		
Модел	Модель	Model	RST36X5140	RST36B51
Батерия	Акумулаторна батерия	Pil	BPL3640D2	-
Тегло	Вага	Ağırlık	1,4 kg	-
Зарядно устройство	Зарядний пристрій	Şarj cihazı	RY36C17A	-
Съвместими батерии	Сумісні акумулаторні блоки	Uyumlu pil takımları	BPL3615/BPL3626/BPL3640/ BPL3640D/BPL3650D/ BPL3626D2/BPL3640D2/ BPL3650D2	
Съвместимо зарядно устройство	Сумісний зарядний пристрій	Uyumlu şarj cihazı	RY36C17A/BCL3620S/BCL3620	





EN Vibration level

The declared vibration value has been measured with a standard test method and may be used to compare one tool with another.

The declared vibration value may be used in a preliminary assessment of exposure. The vibration emission during actual use of power tool can differ from the declared total value depending on the ways in which the tool is used.

Identify safety measures to protect the operator that are based on an estimation of exposure in the actual conditions of use, taking account of all parts of the operating cycle such as the times when the tool is switched off and when it is running idle in addition to the trigger time.

IT Livello di vibrazioni

Il valore delle vibrazioni dichiarato deve essere misurato con un metodo di test standard e può essere utilizzato per paragonare un utensile a un altro.

Il valore dichiarato delle vibrazioni può essere utilizzato nella valutazione preliminare dell'esposizione.

L'emissione delle vibrazioni durante l'utilizzo dell'utensile può essere diversa dal valore totale dichiarato a seconda dei modi in cui l'utensile viene utilizzato.

Individuare misure di sicurezza per proteggersi basate su una stima dell'esposizione nelle attuali condizioni di utilizzo, prendendo in considerazione tutte le parti del ciclo operativo come i tempi in cui l'utensile viene spento o quando funziona al minimo oltre al tempo di attivazione.

FR Niveau de vibrations

La valeur déclarée totale des vibrations a été mesurée selon une méthode de test standardisée qui peut être utilisée pour comparer un outil avec un autre.

La valeur déclarée totale des vibrations peut également être utilisée pour évaluer par avance le niveau d'exposition.

La valeur des vibrations réellement produites durant l'utilisation de l'outil électrique peuvent différer de la valeur totale déclarée, en fonction de la manière dont l'outil est utilisé.

Identifiez les mesures de sécurité à prendre pour vous protéger, sur la base d'une estimation de l'exposition réelle, en tenant compte de tous les éléments du cycle d'utilisation tels que le temps d'arrêt de l'outil et le temps de son fonctionnement au ralenti, en plus du temps de fonctionnement normal.

NL Trillingsniveau

De aangegeven trillingswaarde werd gemeten met behulp van een standaard testmethode en kan worden gebruikt om gereedschap met elkaar te vergelijken.

De aangegeven trillingswaarde kan worden gebruikt in een voorlopige blootstellingsanalyse.

De trillingsemisie tijdens het gebruik van het werktuig kan verschillen van de aangegeven totale waarde, afhankelijk van de manier waarop het werktuig wordt gebruikt.

Neem veiligheidsmaatregelen om uzelf te beschermen op basis van een inschatting van de blootstelling in de huidige gebruiksomstandigheden, rekening houdend met alle onderdelen van de bedrijfscyclus, zoals de tijd dat het werktuig wordt uitgeschakeld en het stationair draait, bovenop de bedrijfstijd.

DE Vibrationsgrad

Der angegebene Vibrationswert wurde durch eine Standard-Testmethode ermittelt und kann dazu verwendet werden, ein Werkzeug mit einem anderen zu vergleichen. Der angegebene Vibrationswert kann für eine Vorabbeurteilung der Exponierung herangezogen werden.

Die Vibrationsemissionen bei der tatsächlichen Benutzung von Elektrowerkzeugen kann sich, abhängig von der Art der Benutzung des Werkzeugs, von dem genannten Wert unterscheiden.

Identifizieren Sie aufgrund einer Einschätzung der Exponierung unter tatsächlichen Einsatzbedingungen Maßnahmen zum eigenen Schutz, unter Berücksichtigung aller Bestandteile des Betriebszyklus, wie die Zeiten zu denen das Werkzeug ausgeschaltet ist, und zu denen es sich zusätzlich zu den Auslösezeitpunkten im Leerlauf befindet.

PT Nivel de vibração

O valor de vibração declarado foi medido com um método de teste padrão e pode ser usado para comparar uma ferramenta com outra.

O valor de vibração declarado pode ser utilizado numa avaliação preliminar da exposição.

A emissão das vibrações durante o uso real da ferramenta eléctrica pode diferir do valor total declarado segundo o uso que se der à ferramenta.

Identifique as medidas de segurança para se proteger com base numa estimativa de exposição nas actuais condições de uso, tendo em conta todas as peças do ciclo de funcionamento, como as vezes que a ferramenta é desligada e quando está a trabalhar em ralenti para além do tempo de gatilho.

ES Nivel de vibración

El valor declarado de vibraciones se ha medido con un método de prueba estándar y puede utilizarse para comparar una herramienta con otra.

El valor declarado de vibraciones puede utilizarse en una evaluación preliminar de exposición.

La emisión de las vibraciones durante el uso real de la herramienta eléctrica puede diferir del valor total declarado según el uso que se le dé a la herramienta. Identifique las medidas de seguridad para protegerse en base a una estimación de la exposición en las condiciones reales de uso, teniendo en cuenta todas las partes del ciclo de funcionamiento, como los tiempos en que la herramienta está apagada y cuando está en ralenti, además del tiempo de activación.

DA Vibrationsniveau

Den erklærede vibrationsværdi er målt i henhold til en standard-testmetode og kan bruges til at sammenligne forskellige værktøjer indbyrdes.

Den erklærede vibrationsværdi kan bruges som en foreløbig vurdering af eksponeringen.

Vibrationsemissionen ved praktisk brug af elværktøjet kan variere fra den erklærede totalværdi, alt efter hvordan værktøjet anvendes.

Træf passende sikkerhedsforanstaltninger for at beskytte dig selv ud fra den skønnede eksponering for risici under de aktuelle anvendelsesforhold, hvor du - ud over den effektive arbejdstid - også tager højde for de varierende perioder, som fx når værktøjet er slukket, og når det kører i tomgang.





SV Vibrationsnivå

Det angivna vibrationsvärdet har uppmätts med en standardmetod och kan användas för att jämföra med andra kraftverktyg.

Det angivna vibrationsvärdet kan användas i en preliminär analys av vibrationerna som användaren utsätts för.

De vibrationer som uppstår vid användningen av el-verktyget kan skilja sig från det uppgivna totalvärdet beroende på det sätt som verktyget används på.

Vidtag säkerhetsåtgärder för ditt personliga skydd utifrån den exponering som sker under användningen, ta hänsyn till all användning som då verktyget är avstängt och när det går på tomgång förutom den faktiska brukstiden.

FI Tärinätsaso

Ilmoitettu tärinäarvo on mitattu tavallisin testimenetelmin, ja sitä voidaan käyttää verrattaessa laitetta toiseen.

Ilmoitettua tärinäarvoa voidaan käyttää arvioitaessa tärinävaikutusta.

Sähkötyökalun todellisen käytön aikainen tärinä saattaa poiketa ilmoitetusta kokonaisarvosta, laitteen käyttötavasta riippuen.

Määritä käyttäjän suoja-keino, jotka perustuvat todellisten käyttöolosuhteiden tärinävaikutusarvioon, ottaen huomioon kaikki käyttöjakson osat, kuten ajan, jonka laite on sammuksissa ja käy tyhjäkäynnillä, varsinaisen sahausajan lisäksi.

NO Vibrasjonsnivå

Den oppgitte vibrasjonsverdien er målt med en standard testmetode og kan benyttes for å sammenligne ett verkøy med et annet.

Den oppgitte vibrasjonsverdien kan benyttes for en foreløpig angivelse av eksponering.

Vibrasjonene ved faktisk bruk av et elektrisk verkøy kan skille seg fra oppgitte totalverdier avhengig av måten verktøyet brukes på.

Identifiser sikkeringsiltak som beskytter deg selv, basert på et anslag for eksponering i den faktiske bruksituasjonen der man tar hensyn til alle brukssykluser, som tidspunktet da maskinen ble slått av og når den går på tomgang i tillegg til tiden når verktøyet arbeider.

RU Уровень вибрации

Заявленная величина вибрации измерялась в соответствии со стандартной методикой проведения испытаний и может использоваться для сравнения одного инструмента с другим.

Заявленная величина вибрации может использоваться при предварительной оценке характеристик.

Уровень вибрации при работе электроинструмента может отличаться от заявленной общей величины вибрации в зависимости от условий его использования.

Выберите средства защиты оператора с учетом реальных условий эксплуатации, принимая во внимание все факторы рабочего цикла, такие как время, в течение которого инструмент был выключен, и время его работы в холостом режиме.

PL Poziom drgań

Deklarowany poziom drgań został zmierzony za pomocą standardowej metody pomiaru i jego wyniki mogą służyć do porównywania tego urządzenia z innymi. Deklarowana wartość drgań może służyć do wstępnej oceny narażenia operatora na wibracje.

Emisja drgań podczas użytkowania elektronarzędzi może różnić się od zadeklarowanej wartości, w zależności od sposobu użytkowania urządzenia.

Określić zasady bezpieczeństwa, oparte na oszacowaniu narażenia operatora w rzeczywistych warunkach użytkowania, uwzględniając wszystkie elementy cyklu operacyjnego, takie jak czasy wyłączenia oraz czasy pracy bez obciążenia, oprócz czasu pracy przy wciśniętym przycisku uruchamiania.

CS Úroveň vibrací

Uznaná hodnota vibrací byla naměřena pomocí standardního testovacího postupu a lze ji použít k porovnání s jiným nástrojem.

Uznaná hodnota vibrací se může používat k předběžnému odhadu vystavování vibracím.

Aktuální hodnoty vibrací během používání nástroje se mohou lišit od výše uvedených a mohou se lišit dle použitého nástroje.

Určete bezpečnostní opatření pro vlastní ochranu, která jsou založena na odhadu vystavení v aktuálních podmínkách používání, popisu všech částí pracovního cyklu jako doby, kdy je nástroj vypnut a když běží naprázdno, kromě doby spuštění.

HU Vibrációs szint

A megadott vibrációs érték szabványos tesztmódszerrel lett meghatározva, és két szerszám összehasonlításakor is használható.

A megadott vibrációs érték a vibrációnak való kitettség előzetes becsléséhez is felhasználható.

A vibráció-kibocsátás a szerszámgép tényleges használat során eltérhet a nyilatkozatban szereplő teljes értéktől; ez függ a gép használatának módjától.

Határozza meg a saját védelmét szolgáló óvintézkedéseket az adott használati körülmények között érvényes kitettség felméréseivel, figyelembe véve a használat teljes időtartamát, vagyis beleértve azokat az időszakokat, amikor a gép ki van kapcsolva, vagy bekapcsolt állapotban üresjáratban működik.

RO Nivelul vibrațiilor

Valoarea declarată a vibrațiilor a fost măsurată cu o metodă de testare standard și poate fi utilizată pentru a compara o unealtă cu alta.

Valoarea declarată a vibrațiilor poate fi utilizată într-o evaluare preliminară a expunerii.

Emisia de vibrații în timpul folosirii efective a unelei electrice poate diferi de valoarea totală declarată în funcție de modulul în care este utilizată unealta.

Identificați măsurile de siguranță pentru a vă proteja, pe baza estimării expunerii la condițiile efective de utilizare, luând în considerare toate etapele ciclului de operare, precum momentele în care unealta este oprită și atunci când funcționează în gol, suplimentar momentului declanșării.





LV Vibrācijas līmenis

Nosauktais vibrācijas līmenis ir ticis izmērīts ar standarta pārbaudes metodi un var tikt izmantots, lai salīdzinātu vienu instrumentu ar citu.

Nosauktā vibrācijas vērtība var tikt izmantota sākotnējās iedarbības novērtējumam. Elektroinstrumenta vibrācija reālā darba laikā var atšķirties no norādītās kopējās vērtības atkarībā no veidiem, kā instruments tiek lietots.

Nosakiet drošības pasākumus, lai sevi aizsargātu, balstoties uz saskares ilguma novērtējumu atbilstoši lietošanas apstākļiem, ņemot vērā visas lietošanas cikla daļas, tostarp laikus, kad instruments tiek izslēgts un kad tas darbojas tukšgaitā papildus darbināšanas laikam.

LT Vibracijos lygis

Deklaruotas vibrācijas lygis yra išmatuotas standartinio testo metu ir gali būti naudojamas vieno įrankio su kitu palyginimui.

Deklaruotas vibracijos lygis gali būti naudojamas preliminariam pavojaus įvertinimui.

Elektrinio įrankio naudojimo metu vibracijos lygis gali skirtis nuo deklaruotos bendrosios vertės pagal įrankio naudojimo būdus.

Nustatykite saugumo priemones, kad apsisaugotumėte, kurios pagrįstos pavojaus įvertinimu pačiose naudojimo sąlygose, atkreipiant dėmesį į visas darbo ciklo dalis, pvz. laikotarpį, kai įrankis yra išjungtas ir kai veikia tuščiaja eiga bei perjungimo laiką.

ET Vibratsioonitase

Deklareeritud vibratsiooniväärtus on mõeldud standardse testimiseetodiga ja seda võib kasutada tööriistade omavaheliseks võrdlemiseks.

Deklareeritud vibratsiooniväärtust võib kasutada mürataseme eelhindamiseks.

Olenevalt seadme kasutusviisist võib mehaanilise tööriista töötamisel ilmneva vibratsioonimissioon, mille suurus erineb deklareeritud väärtustest.

Kasutaja kaitsmiseks seadmega töötamisel tuleb kindlaks teha turvameetmed, mis põhinevad tegelikes kasutustingimustes esinevale vibratsioonile, sealjuures tuleb arvesse võtta kõiki töötsükli osi, lisaks sisselülitatud olekule näiteks ka vibratsiooni väljalülitamise ajal ja tühikäigul.

HR Razina vibracije

Objavljena vrijednost vibracija je izmjerena standardnom metodom testiranja i može se koristiti za usporedbu jednog alata s drugim.

Objavljena vrijednost vibracija može se koristiti u početnom usklađivanju izloženosti.

Razina vibracija tijekom trenutačne uporabe AKU alata može se razlikovati od deklarirane ukupne vrijednosti ovisno o načinima na koje se alat koristi.

Identificirajte sigurnosne mjere za svoju zaštitu na temelju procjene izloženosti u trenutim uvjetima korištenja, uzevši u obzir sve dijelove radnog ciklusa kao što su vrijeme kada je alat isključen i kada je pokrenut u praznom hodu u dodatku vremenu pokretanja.

SL Raven vibracij

Navedena vrednost vibracij je bila izmerjena s standardno metodo testiranja in se lahko uporabi za primerjavo različnih orodij.

Navedena vrednost vibracij se lahko uporabi za predhodne ocene izpostavljenosti. Emisije med dejansko uporabo električnega orodja se od navedene vrednosti lahko razlikujejo, odvisno od načina, kako se orodje uporablja.

Ugotovite varnostne ukrepe za zaščito upravljalca, ki temeljijo na oceni izpostavljenosti v dejanskih pogojih uporabe, pri tem pa je treba upoštevati vse dele delovnega cikla – npr. ko je orodje izključeno in ko je v prostem teku in čas zagona.

SK Úroveň vibrácií

Deklarovaná hodnota vibrácií bola meraná podľa štandardnej testovacej metódy a možno ju používať na porovnanie jedného nástroja s iným.

Deklarovaná hodnota vibrácií sa dá použiť aj v predbežnom odhade expozície.

Úroveň emisií počas samotného používania elektrického nástroja sa môže líšiť od deklarovanej celkovej hodnoty v závislosti od toho, ktorý nástroj sa používa.

Identifikujte bezpečnostné opatrenia na vašu ochranu nezáklade posúdenia skutočných podmienok použitia, pričom vezmite do úvahy všetky časti prevádzkového cyklu, napríklad časov, kedy je nástroj vypnutý a kedy pracuje na voľnobehu okrem času spúšťania.

BG Ниво на вибрация

Посочената стойност за вибрациите е измерена с помощта на стандартен тест и може да се използва за сравнение с друг инструмент.

Посочената стойност за вибрациите може да бъде използвана в предварително оценяване за излагане на вибрации.

Вибрациите по време на действителната употреба на електромеханичния инструмент може да се различават от обявената обща стойност в зависимост от начините, по които се използва инструментът.

Определете мерки за безопасност за собствена защита според преценка за излагането на вибрации в реални условия, като се вземат предвид всички елементи на работния цикъл, като например времето, в което инструментът е изключен и когато работи на празен ход, както и времето за задействане.

UK Рівень вібрації

Оголошене значення вібрації було виміряно за допомогою стандартного методу випробування і може бути використане для порівняння одного інструмента з іншим.

Він може бути використаний для попередньої оцінки впливу.

Емісія вібрації під час фактичного використання електронструменту може відрізнятись від заявленого значення залежно загального використання інструменту.

Визначити заходи безпеки, щоб захистити себе на основі оцінки впливу в реальних умовах використання, з урахуванням всіх частин робочого циклу, коли інструмент вимкнений, і коли він працює в холостому режимі, доповнюючи робоче положення.



TR Titreşim seviyesi

Beyan edilen titreşim değeri standart bir test yöntemi ile ölçülmüştür ve bir aleti diğeriyle karşılaştırmak için kullanılabilir.

Beyan edilen titreşim değeri bir maruz kalma ön değerlendirmesinde kullanılabilir. Güç destekli aletin fiili kullanımı sırasında meydana gelen titreşim emisyonu aletin kullanıma şekline bağlı olarak beyan edilen toplam değerden farklı olabilir.

Kendinizi korumak için aletin açılıp kapatılma sayısı ve tetik süresinin yanı sıra rölantide çalıştığı zaman gibi çalışma döngüsünde yer alan tüm parçaları dikkate alarak gerçek kullanım koşullarında maruz kalma hesaplamasına dayalı güvenlik önlemlerini belirleyin.

EN RYOBI® WARRANTY APPLICATION CONDITIONS

In addition to any statutory rights resulting from the purchase, this product is covered by a warranty as stated below.

- The warranty period is 24 months for consumers and commences on the date when the product was purchased. This date has to be documented by an invoice or other proof of purchase. The product is designed and dedicated to consumer and private use only. So there is no warranty provided in case of professional or commercial use. This warranty applies only on new products.
- There is a possibility to extend for a part of the range of power tools (AC/DC) the warranty period over the period described above using the registration on the www.ryobitools.eu website. The eligibility of products for extended warranty is clearly displayed in stores and / or on packaging and is contained within the product documentation. The end user is required to register his/her newly-acquired products online within 30 days from the date of purchase. The end user may register for the extended warranty in his/her country of residence if listed on the online registration form where this option is valid. Furthermore, end users must give their consent to the storage of their personal data that is required to be entered online. They must also accept the terms and conditions. The registration confirmation receipt, which is sent out by e-mail, and the original invoice showing the date of purchase will serve as proof of the extended warranty.
- The warranty covers all defects of the product during the warranty period due to faults in workmanship or material at the purchase date. The warranty is limited to repair and/or replacement and does not include any other obligations including but not limited to incidental or consequential damages. The warranty is not valid if the product has been misused, used contrary to the instruction manual, or has been incorrectly connected to a power supply. This warranty does not apply to:
 - any damage to the product that is the result of improper or lack of maintenance
 - any product that has been altered or modified
 - any product where original identification (trade mark, serial number) markings have been defaced, altered or removed
 - any damage caused by non-observance of the instruction manual
 - any product not displaying the CE approval mark on the rating plate
 - any product that has been attempted to be repaired by a non-authorised warranty service centre or without prior authorisation by Techtronic Industries
 - any product connected to improper power supply (amps, voltage, frequency)
 - any product used with inappropriate fuel mixture (fuel, oil, ratio of oil/ fuel mixture)
 - any damage caused by external influences (water, chemical, physical, shocks) or foreign substances
 - normal wear and tear spare parts
 - inappropriate use, overloading of the tool
 - use of non-approved accessories or parts
 - Accessories provided with the tool or purchased separately including but not limited to blades, saw chains, cutting lines, etc.
 - Any periodic adjustments to or maintenance cleaning of carburettors
 - Components (parts and accessories) subject to natural wear and tear, including but not limited to bump knobs, drive belts, clutch, blades of hedge trimmers or lawn mowers, harness, cable throttle, carbon brushes, power cord, tines, felt washers, hitch pins, blower fans, blower and vacuum tubes, vacuum bag and straps, guide bars, saw chains, hoses, connector fittings, spray nozzles, wheels, spray wands, inner reels, outer spools, cutting lines, spark plugs, air filters, gas filters, mulching blades, etc.
- For servicing, the product must be sent or presented to a RYOBI authorised service station listed for each country in the following list of service station addresses. In some countries your local RYOBI dealer undertakes to send the product to the RYOBI service organisation. When sending a product to a RYOBI service station, the product should be safely packed without any dangerous contents such as petrol, marked with sender's address and accompanied by a short description of the fault.
- A repair / replacement under this warranty is free of charge. It does not constitute an extension or a new start of the warranty period. Exchanged parts or products become our property. In some countries delivery charges or postage will have to be paid by the sender. Your statutory rights arising from the purchase of the product remain unaffected.
- This warranty is valid in the European Community, Switzerland, Iceland, Norway, Liechtenstein, Turkey and Russia. Outside these areas, please contact your authorised RYOBI dealer to determine if another warranty applies.

AUTHORISED SERVICE CENTRE

To find an authorised service centre near you, visit <http://uk.ryobitools.eu/header/service-and-support/service-agents>.

FR RYOBI® CONDITIONS D'APPLICATION DE LA GARANTIE

En plus des droits statutaires liés à l'achat, ce produit est couvert par une garantie telle que décrite ci-dessous.

- La durée de la garantie accordée au consommateur est de 24 mois à partir de la date d'achat. Cette date doit être authentifiée par une facture ou tout autre preuve d'achat. Le produit a été conçu en vue d'une utilisation strictement privée. Aucune garantie ne s'applique donc en cas d'utilisation professionnelle ou commerciale.
- Il existe pour une partie de la gamme « jardin » (AC/DC), une possibilité d'étendre la période de garantie au-delà de la période précédemment décrite en utilisant le formulaire d'enregistrement présent sur le site Internet www.ryobitools.eu. L'éligibilité d'un outil est clairement affichée dans les points de vente et/ou sur l'emballage et la documentation. L'utilisateur final doit enregistrer son/ses outil(s) nouvellement acheté(s) en ligne dans les 30 jours qui suivent la date d'achat. L'utilisateur a la possibilité de s'enregistrer pour l'extension de garantie dans son pays de résidence si celui-ci est listé dans le formulaire d'enregistrement en ligne où cette option est validée. L'utilisateur final doit donner son consentement pour l'enregistrement des données requises pour accéder au site et doit accepter les termes et conditions. La confirmation d'enregistrement, envoyée par courrier électronique, ainsi que la facture originale mentionnant la date d'achat serviront de preuve de l'extension de garantie.
- La garantie couvre pendant la période de garantie les défauts des produits liés à la fabrication et aux matériaux à la date d'achat. La garantie est limitée à la réparation et/ou au remplacement et n'inclut aucune autre obligation, tel que, mais sans s'y limiter, les dommages accessoires ou indirects. La garantie est non valable en cas de mauvaise utilisation du produit, d'utilisation contraire aux instructions du mode d'emploi, ou en cas de branchement incorrect. Cette garantie ne s'applique pas pour :
 - tout dommage au produit résultant d'un mauvais entretien
 - tout produit ayant été altéré ou modifié
 - tout produit dont les marquages originaux d'identification (marque, numéro de série) ont été dégradés, altérés ou retirés
 - tout dommage causé par le non-respect des instructions du mode d'emploi
 - tout produit non CE
 - tout produit ayant subi une tentative de réparation par du personnel non qualifié ou sans autorisation préalable de Techtronic Industries
 - tout produit raccordé à une alimentation secteur non conforme (ampérage, voltage, fréquence)
 - tout produit utilisé avec un mélange inapproprié (essence, huile, pourcentage d'huile)
 - tout dommage causé par des influences extérieures (chimiques, physiques, chocs) ou par des substances étrangères
 - l'usure normale des pièces consommables
 - une utilisation inappropriée, une surcharge de l'outil
 - l'utilisation de pièces ou accessoires non agréés
 - Tout réglage périodique ou tout nettoyage de maintenance des carburateurs
 - les composants (pièces et accessoires) sujets à une usure naturelle, incluant de façon non exhaustive les têtes de fil à frapper, les courroies de transmission, les embrayages, les lames des taille-haies ou des tondeuses à gazon, les harnais, les câbles d'accélérateur, les charbons, les cordons d'alimentation, les fraises de cultivateurs, les rondelles feutre, les goupilles de fraise, les turbines et lame de broyage des souffleurs, les tubes de soufflage et d'aspiration des souffleurs, les sacs de souffleurs et leurs lanières, les guides-chaîne, les chaînes de tronçonneuses, les tuyaux et raccords, les buses et lances de nettoyeurs haute pression, les roues, les recharges de fil des têtes de coupe, les têtes de coupe, le fil de coupe, les bougies d'allumage, les filtres à air, les filtres à essence, etc.
- Si le produit doit être réparé, envoyez-le à un service après-vente agréé RYOBI dont vous trouverez ci-dessous la liste pour chaque pays. Dans certains pays, votre revendeur RYOBI se chargera d'envoyer le produit à un centre de réparation RYOBI. Lorsque vous envoyez un produit à un service après-vente RYOBI, celui-ci doit être correctement emballé, sans contenir aucun produit dangereux tel que de l'essence, et vous devez indiquer votre adresse ainsi qu'une courte description du problème.
- Une réparation / un remplacement sous garantie est gratuit(e). Ceci ne constituera pas une extension de garantie ni un nouveau départ de la période de garantie. Les pièces ou les outils remplacés deviennent notre propriété. Dans certains pays, les frais de port devront être assumés par l'expéditeur. Vos droits statutaires restent inchangés.
- Cette garantie est valable au sein de l'Europe, de la Suisse, de l'Islande, de la Norvège, du Liechtenstein, de la Turquie, de la Russie. En dehors de ces zones, veuillez contacter votre distributeur agréé RYOBI pour déterminer si une autre garantie s'applique.

SERVICE APRÈS-VENTE AGRÉÉ

Pour trouver le service après-vente agréé le plus proche, rendez-vous sur <http://fr.ryobitools.eu/header/service-and-support/service-agents>

DE RYOBI® GARANTIEBEDINGUNGEN

Zusätzlich zu den gesetzlichen Rechten aus dem Kauf gilt für dieses Produkt die nachstehend aufgeführte Garantie.

- Der Garantiezeitraum beträgt für Verbraucher 24 Monate und beginnt mit dem Datum des Kaufs. Dieses Datum muss durch eine Rechnung oder einen anderen Kaufbeleg dokumentiert werden. Dieses Produkt wurde ausschließlich zur privaten Nutzung durch Verbraucher entwickelt. Für den Fall einer professionellen bzw. kommerziellen Nutzung besteht daher keine Garantie.
- Es besteht die Möglichkeit, für einen Teil des Sortiments der Gartenwerkzeuge (AC/DC) den Garantiezeitraum über den oben genannten Zeitraum hinaus zu verlängern, indem der Verbraucher die Registrierung auf der Website www.ryobitools.eu durchführt. Die Berechtigung der Werkzeuge für die Garantieverlängerung ist deutlich im Geschäft und/oder auf der Verpackung beschrieben und in der Produktdokumentation erwähnt. Der Verbraucher muss das neu erworbene Gerät online innerhalb von 30 Tagen ab dem Kaufdatum registrieren. Der Verbraucher kann das Gerät zwecks Garantieverlängerung in seinem Wohnsitzland/Heimatland registrieren, wenn dieses Land auf dem Online-Registrierungsformular aufgeführt und die Option gültig ist. Darüber hinaus muss der Verbraucher seine Zustimmung zur Speicherung der Daten geben, die online eingegeben werden müssen, und er muss die allgemeinen Geschäftsbedingungen akzeptieren. Die Bestätigung der Registrierung, die per E-Mail versandt wird, und die Originalrechnung mit dem Kaufdatum gelten als Beleg für die Garantieverlängerung.
- Die Garantie deckt alle Defekte des Geräts während des Garantiezeitraums ab, die auf zum Zeitpunkt des Kaufs bestehende Verarbeitungs- oder Materialfehler zurückzuführen sind. Die Garantie beschränkt sich auf Reparatur und/oder Ersatz und beinhaltet keine anderen Verpflichtungen, insbesondere keinen Schadenersatz für Folge- oder Nebenschäden. Die Garantie gilt nicht, wenn das Gerät fehlerhaft eingesetzt wurde, gegenseitlich zur Bedienungsanleitung eingesetzt wurde oder falsch angeschlossen wurde. Die Garantie gilt nicht für Folgendes:
 - Schäden am Gerät, die auf unkorrekte Wartung zurückzuführen sind
 - Geräte, an denen Veränderungen vorgenommen wurden
 - Produkte, bei denen die ursprüngliche Identifizierung (Handelsmarke, Seriennummer) unleserlich gemacht, verändert oder entfernt wurde
 - Schäden durch Nichtbeachtung der Bedienungsanleitung
 - nicht-CE-zertifizierte Geräte
 - Geräte, an denen durch nicht-qualifizierte Personen oder ohne vorherige Genehmigung von Techtronic Industries Reparaturversuche vorgenommen wurden
 - Geräte, die an unkorrekte Energiequellen (Ampere, Volt, Frequenz) angeschlossen wurden
 - Geräte, die mit einer fehlerhaften Treibstoffmischung (Treibstoff, Öl, Ölanteil) betrieben wurden
 - Schäden durch äußere Einflüsse (chemisch, physisch, Stöße) oder Fremdstoffe
 - normaler Verschleiß von Ersatzteilen
 - unangemessene Nutzung, Überlastung des Geräts
 - Nutzung nicht genehmigter Zubehörteile oder Ersatzteile
 - Regelmäßige Einstellung oder Wartungsreinigung des Vergasers
 - Komponenten (Ersatzteile und Zubehörteile), die natürlicherem Verschleiß unterliegen, einschließlich, aber nicht begrenzt auf Service- und Wartungssets, Kohlebürsten, Lager, Spannvorrichtungen, SDS-Bohreraufnahme, Bit-Adapter, Netzkabel, Zusatzhandgriff, Transportkoffer, Schleifplatten, Staubbeutel, Staubabführungen, Filzunterlegscheiben, Bolzen und Federn von Schlagschraubern, einschließlich, aber nicht beschränkt auf Fadenköpfe, Antriebsriemen, Kupplungen, die Klängen von Heckenscharen oder Rasenmähern, Kabelstränge, Gaszüge, Zinken, Steckbolzen, Lüfter, Saug- und Gebläserohre oder Düsen, Fangsäcke und Gurte, Führungsschienen, Sägeketten, Schläuche, Verbinder, Sprühdüsen, Räder, Sprühstäbe, innere Rollen, äußere Spulen, Schneidfäden, Zündkerzen, Luftfilter, Benzin-/ Ölfilter, Hackseil-Messer usw.
- Zum Service muss das Gerät zu einer von RYOBI autorisierten Servicestation gebracht oder dorthin gesendet werden. Die Servicestationen für die einzelnen Länder sind in der folgenden Liste aufgeführt. In einigen Ländern sendet Ihr RYOBI-Händler vor Ort das Gerät an das RYOBI-Serviceunternehmen. Beim Einsenden an die RYOBI-Servicestation sollte das Gerät sicher verpackt sein, ohne gefährliche Inhalte wie Benzin, und es sollte mit der Adresse des Absenders und einer kurzen Beschreibung des Fehlers versehen sein.
- Eine Reparatur bzw. ein Ersatz gemäß dieser Garantie ist kostenlos. Hieraus ergibt sich weder eine Garantieverlängerung noch der Beginn eines neuen Garantiezeitraums. Die ausgetauschten Ersatzteile oder Werkzeuge gehen in unser Eigentum über. In einigen Ländern müssen die Zustellgebühren oder die Versandkosten vom Absender gezahlt werden. Ihre gesetzlichen Rechte aus dem Kauf des Geräts bleiben hiervon unberührt.
- Diese Garantie gilt in der Europäischen Union, der Schweiz, Island, Norwegen, Liechtenstein, der Türkei und Russland. Bitte wenden Sie sich außerhalb dieser Gebiete an Ihren autorisierten RYOBI-Händler, um festzustellen, ob eine andere Garantie gilt.

AUTORISIERTER KUNDENDIENST

Besuchen Sie <http://de.ryobitools.eu/header/service-and-support/service-agents>, um einen autorisierten Kundendienst in Ihrer Nähe zu finden.

ES CONDICIONES DE APLICACIÓN DE LA GARANTÍA DE RYOBI®

Además de cualquier derecho legal derivado de la compra, este producto está cubierto por una garantía que se indica a continuación.

- El periodo de garantía es de 24 meses para consumidores y comienza en la fecha en que se comprara el producto. Dicha fecha debe documentarse con una factura u otro comprobante de compra. El producto está diseñado y concebido únicamente para el uso privado del consumidor. Por lo tanto, no se ofrece garantía en caso de uso profesional o comercial.
- Existe la posibilidad de ampliar el periodo de garantía respectivo a una parte de la gama de herramientas de jardinería (CA/CC) durante el periodo descrito más arriba y mediante el registro en el sitio web www.ryobitools.eu. La elegibilidad de las herramientas para que se amplie el periodo de garantía se muestra claramente en las tiendas o en el embalaje y está incluida en la documentación del producto. El usuario final tiene que registrar en línea sus herramientas recientemente adquiridas en un plazo de 30 días a partir de la fecha de compra. El usuario final podrá registrarse para obtener la garantía ampliada en su país de residencia si este aparece en la lista del formulario de registro en línea cuando esta opción sea válida. Además, los usuarios finales deberán dar su consentimiento al almacenamiento de los datos necesarios para el acceso en línea y tienen que aceptar los términos y condiciones. El recibo de confirmación de registro, que se envía por correo electrónico, y la factura original que muestra la fecha de compra servirán como comprobante para la garantía ampliada.
- La garantía cubre todos los defectos del producto durante el periodo de garantía debido a fallos de mano de obra o material en la fecha de compra. La garantía se limita a la reparación o sustitución y no incluye ninguna otra obligación como, por ejemplo, daños accidentales o consecuentes. La garantía no es válida si se ha usado mal el producto, se ha usado contraviniendo el manual de instrucciones o se ha conectado de forma incorrecta. Esta garantía no es aplicable a:
 - ningún daño en el producto que sea consecuencia de un mantenimiento inadecuado
 - ningún producto que haya sido alterado o modificado
 - ningún producto en el que los marcados de identificación originales (marca comercial, número de serie) se hayan borrado, modificado o eliminado
 - ningún daño provocado por no seguir el manual de instrucciones
 - ningún producto que no sea CE
 - ningún producto que haya sufrido un intento de reparación por parte de un profesional no cualificado o sin la autorización previa de Techtronic Industries.
 - ningún producto conectado a un suministro eléctrico inadecuado (amperios, voltaje, frecuencia)
 - ningún producto usado con una mezcla de combustible inadecuada (combustible, aceite, porcentaje de aceite)
 - ningún daño causado por influencias externas (químicas, físicas, impactos) o sustancias extrañas
 - desgaste normal de piezas de repuesto
 - uso inadecuado, sobrecarga de la herramienta
 - uso de accesorios o piezas no aprobados
 - Cualquier ajuste periódico o limpieza de mantenimiento de los carburadores
 - Componentes (piezas y accesorios) sujetos al desgaste natural incluyendo, entre otros, pomos de golpes, correas de transmisión, embragues, cuchillas de cortasetos o cortacésped, arneses, cable del acelerador, escobillas de carbono, cables eléctricos, discos, placas de filtro, pasadores de enganche, ventiladores de soplador, tubos de aspiración y de soplado, bolsas y correas de aspiración, barras guías, cadenas de sierra, mangueras, herrajes de conectores, boquillas pulverizadoras, ruedas, lanzas pulverizadoras, bobinas interiores, carretes exteriores, líneas de corte, bujías, filtros de aire, filtros de gas, cuchillas de compostaje, etc.
- Para su mantenimiento, el producto debe enviarse o presentarse a una estación de servicio de RYOBI autorizada que figure en la siguiente lista de direcciones de estaciones de servicio por países. En algunos países, su distribuidor RYOBI local se responsabiliza de enviar el producto a la compañía de servicio de RYOBI. Cuando se envíe un producto a una estación de servicio de RYOBI, este debe estar empaquetado de forma segura sin contenidos peligrosos como gasolina, marcado con la dirección del remitente y acompañado de una breve descripción del fallo.
- Una reparación / sustitución con esta garantía es gratuita. No constituye una ampliación ni un nuevo comienzo del periodo de garantía. Las piezas o herramientas intercambiadas pasan a ser de nuestra propiedad. En algunos países, los gastos de envío o correo tendrá que pagarlos el remitente. Sus derechos legales derivados de esta compra de la herramienta no se verán afectados.
- Esta garantía es válida en la Unión Europea, Suiza, Islandia, Noruega, Liechtenstein, Turquía y Rusia. Fuera de estas zonas, póngase en contacto con su distribuidor de RYOBI autorizado para determinar si es aplicable otra garantía.

SERVICIO TÉCNICO AUTORIZADO

Para encontrar el servicio técnico autorizado más cercano, visite <http://es.ryobitools.eu/header/service-and-support/service-agents>.

IT CONDIZIONI DI VALIDITÀ DELLA GARANZIA RYOBI®

In aggiunta ai diritti di legge risultanti dall'acquisto, il prodotto è coperto dalla garanzia sotto descritta.

- Il periodo di garanzia è di 24 mesi per i consumatori, a decorrere dalla data di acquisto del prodotto. La data deve essere documentata da una fattura o altra prova d'acquisto. Il prodotto è progettato e destinato solo all'utilizzo privato dei consumatori. Pertanto non viene fornita alcuna garanzia in caso di uso professionale o commerciale.
- Per una serie di utensili da giardino (CA/CC) è possibile prolungare il periodo di garanzia oltre quello descritto, registrandosi sul sito web www.ryobitools.eu. Gli utensili per i quali è possibile prolungare il periodo di garanzia sono chiaramente indicati nei negozi e/o sulle confezioni e nella documentazione dei prodotti. L'utente deve registrare online l'utensile acquistato entro 30 giorni dalla data di acquisto. L'utente può registrarsi per la garanzia prolungata nel proprio paese di residenza, se questo è elencato nel modulo di registrazione online dove questa opzione sia valida. Inoltre gli utenti devono fornire il proprio consenso alla conservazione dei dati da immettere online e devono accettare le condizioni generali. La conferma di registrazione, inviata tramite e-mail, e la fattura originale indicante la data di acquisto, costituiranno la prova della garanzia prolungata.
- La garanzia copre tutti i difetti del prodotto durante il periodo di garanzia, risultati da manodopera o materiali alla data di acquisto. La garanzia è limitata alla riparazione e/o sostituzione e non include alcun altro obbligo quali, a mero titolo esemplificativo, i danni incidentali o consequenziali. La garanzia non è valida se il prodotto è stato usato scorrettamente, in modo contrario al manuale di istruzioni o se è stato collegato in modo errato. La garanzia non è valida per:
 - qualsiasi danno al prodotto dovuto a manutenzione errata;
 - qualsiasi prodotto che sia stato alterato o modificato;
 - qualsiasi prodotto le cui marcature di identificazione originali (marchi di fabbrica, numero di serie) siano state cancellate, alterate o rimosse;
 - qualsiasi danno causato dalla non osservanza delle istruzioni del manuale;
 - qualsiasi prodotto privo di omologazione CE;
 - qualsiasi prodotto che sia stato sottoposto a un tentativo di riparazione da parte di un professionista non qualificato oppure senza la previa autorizzazione di Technronic Industries;
 - qualsiasi prodotto collegato a un'alimentazione errata (per ampere, tensione, frequenza);
 - qualsiasi prodotto usato con una miscela di carburante errata (carburante, olio, percentuale di olio);
 - qualsiasi danno causato da influenze esterne (chimiche, fisiche, urti) o sostanze estranee;
 - la normale usura delle parti di ricambio;
 - uso inappropriato, sovraccarico dell'utensile;
 - uso di accessori o parti non omologate;
 - qualsiasi regolazione periodica o pulizia di manutenzione dei carburatori;
 - componenti (parti e accessori) soggetti alla normale usura compresi, a mero titolo esemplificativo, testine a filo, cinghie di trasmissione, frizioni, lame di tagliaspie o tagliaerba, imbragature, cavi di accelerazione, spazzole al carbonio, cavi di alimentazione, denti, rondelle di feltro, perni di aggancio, ventole dei soffiatori, tubi di soffiatori e aspiratori, sacchetti e cinghie per aspirapolvere, barre guida, catene per seghe, tubi, raccordi di connessione, ugelli di spruzzo, ruote, erogatori, bobine interne ed esterne, linee di taglio, candele, filtri dell'aria, filtri del gas, lame per mulching ecc.
- Per la manutenzione il prodotto dev'essere spedito o portato presso uno dei centri assistenza autorizzati RYOBI elencati per ogni paese nel seguente elenco di indirizzi dei centri. In alcuni paesi il rivenditore locale RYOBI si incarica di inviare il prodotto all'organizzazione di assistenza RYOBI. Quando si invia un prodotto a un centro assistenza RYOBI, imballarlo in modo sicuro senza contenuti pericolosi come la benzina, apporre l'indirizzo del mittente e accompagnarlo da una breve descrizione del guasto.
- La riparazione/sostituzione ai sensi della presente garanzia è gratuita. Non costituisce un prolungamento o un nuovo inizio del periodo di garanzia. Le parti o gli utensili scambiati diventano di nostra proprietà. In alcuni paesi i costi di consegna o di spedizione postale devono essere pagati dal mittente. I diritti di legge derivanti dall'acquisto dell'utensile rimangono inalterati.
- La presente garanzia è valida in Unione Europea, Svizzera, Islanda, Norvegia, Liechtenstein, Turchia e Russia. Al di fuori di tali aree contattare il rivenditore autorizzato RYOBI per sapere se è valida un'altra garanzia.

CENTRO SERVIZI AUTORIZZATO

Per individuare il più vicino centro servizi autorizzato, visitare il sito <http://it.ryobitools.eu/header/service-and-support/service-agents>.

NL RYOBI® GARANTIEVOORWAARDEN

Naast de wettelijke rechten die voortvloeien uit de aankoop, wordt dit product gedekt door een garantie, zoals hieronder staat vermeld.

- De garantietermijn voor consumenten bedraagt 24 maanden en gaat in op de datum waarop het product is gekocht. Deze datum moet worden gedocumenteerd met een factuur of een ander aankoopbewijs. Het product is uitsluitend ontworpen en bedoeld voor persoonlijk gebruik door consumenten. Er wordt dus geen garantie gegeven voor professioneel of commercieel gebruik.
- Voor een deel van ons aanbod van tuingeredschappen (AC/DC) is het mogelijk om de garantietermijn te verlengen over de boven beschreven termijn, met behulp van de website www.ryobitools.eu. De gereedschappen die in aanmerking komen voor de verlenging van de garantietermijn wordt duidelijk weergegeven in winkels en/of verpakkingen en staat beschreven in de productdocumentatie. De eindgebruiker moet zijn/haar nieuw gekochte gereedschappen binnen 30 dagen na aankoop online registreren. De eindgebruiker kan zich registreren voor de verlengde garantietermijn als zijn woonland staat vermeld op het online registratieformulier waar deze optie geldig is. Bovendien moeten eindgebruikers toestemming geven voor de opslag van de gegevens die online ingevuld moeten worden en moeten ze de algemene voorwaarden accepteren. Het ontvangstbewijs van de registratie, dat per e-mail wordt verzonden en de oorspronkelijke factuur met de aankoopdatum vormt het bewijs van de verlengde garantietermijn.
- De garantie dekt tijdens de garantietermijn alle gebreken van het product vanwege defecten in vakmanschap of materiaal op de aankoopdatum. De garantie is beperkt tot reparatie en/of vervanging en bevat geen andere verplichtingen, waaronder maar niet beperkt tot incidentele of gevolgschade. De garantie is niet geldig als het product is misbruikt, in strijd met de gebruiksaanwijzing wordt gebruikt of onjuist is aangesloten. Deze garantie geldt niet voor:
 - alle schade aan het product die het gevolg is van onjuist onderhoud
 - elk product dat is veranderd of aangepast
 - elk product waar de oorspronkelijke identificatie (handelsmerk, serienummer) is beschadigd, gewijzigd of verwijderd
 - alle schade die is veroorzaakt door het niet opvolgen van de gebruiksaanwijzing
 - elk niet-CE-product
 - elk product waar een poging tot reparatie is gedaan door een niet-erkende professional of zonder voorafgaande toestemming door Technronic Industries.
 - elk product dat is verbonden met een verkeerde voeding (amperage, spanning, frequentie)
 - elk product dat wordt gebruikt met een verkeerd brandstofmengsel (brandstof, olie, oliegehalte)
 - alle schade die is veroorzaakt door externe invloeden (chemisch, fysisch, schokken) of vreemde stoffen
 - normale slijtage van reserveonderdelen
 - ongepast gebruik, overbelasting van het gereedschap
 - gebruik van niet-goedgekeurde accessoires of onderdelen
 - Alle periodieke aanpassingen aan of het onderhoud en reiniging van carburateurs
 - Componenten (onderdelen en accessoires) die onderhevig zijn aan natuurlijke slijtage, waaronder maar niet beperkt tot stookknoppen, aandrijfmotoren, koppelingen, messen van hegtrimmers of grasmaaiers, harnas, gaskabel, koolstofborstels, stroom snoeren, tanden, viltringen, koppelingsspannen, blazers, blaas- en zuigbuizen, zuigzakken en-riemen, geleidingsstaven, zaagkettingen, slangen, koppelingen, mondstukken, wielen, spuitsokken, binnenhaspels, buitenhaspels, snijdraden, bougies, luchtfilters, gasfilters, maaimessen, etc.
- Voor onderhoud moet het product worden verzonden of gebracht naar een erkend servicestation van RYOBI die voor elk land staan vermeld in de volgende lijst met adressen voor servicestations. In sommige landen zal uw lokale RYOBI-dealer het product verzenden naar de RYOBI-serviceorganisatie. Wanneer u het product naar een servicestation van RYOBI verzendt, moet het product veilig worden verpakt zonder enige gevaarlijke inhoud, zoals benzine, met het adres van de afzender en vergezeld van een korte beschrijving van het defect.
- Een reparatie/vervangende die onder deze garantie valt is gratis. Het vormt geen verlenging of een nieuwe start van de garantietermijn. Verwisselde onderdelen of gereedschappen worden ons eigendom. In sommige landen moeten de verzendkosten door de afzender worden betaald. Uw wettelijke rechten die voortvloeien uit de aankoop van het gereedschap blijven onaangetast.
- Deze garantie is geldig in de Europese Gemeenschap, Zwitserland, IJsland, Noorwegen, Liechtenstein, Turkije en Rusland. Buiten deze gebieden moet u contact opnemen met uw erkende RYOBI-dealer om vast te stellen of er een andere garantie van toepassing is.

GEAUTORISEERD ONDERHOUDSCENTRUM

Om een geautoriseerd onderhoudscentrum in uw buurt te vinden, surf u naar <http://nl.ryobitools.eu/header/service-and-support/service-agents>.

PT CONDIÇÕES DE APLICAÇÃO DA GARANTIA RYOBI®

Para além de quaisquer direitos previstos por lei resultantes da compra, este produto está coberto por uma garantia conforme descrição abaixo.

1. O período da garantia é de 24 meses para consumidores particulares e inicia-se na data de compra do produto. Esta data tem de ser documentada por uma factura ou por outra prova de compra. O produto foi concebido para e destina-se apenas a consumidores particulares e uso privado. Assim, não é dada garantia em caso de utilização por profissionais ou uso comercial.
2. Para uma parte da gama de ferramentas de jardim (AC/DC) existe a possibilidade de prolongamento do período da garantia para além do período descrito acima, mediante registo no Web site www.ryobitools.eu. A elegibilidade das ferramentas para prolongamento do período da garantia é claramente visível nas lojas e/ou nas embalagens e está contida na documentação do produto. O utilizador final tem de fazer o registo online das suas ferramentas recém-adquiridas no prazo de 30 dias após a data de compra. O utilizador final pode fazer o registo para prolongamento da garantia no seu país de residência, desde que esteja listado no formulário de registo online e para os casos em que esta opção seja válida. Para além disso, os utilizadores finais têm de autorizar o armazenamento dos dados cujo preenchimento lhes for solicitado online e têm de aceitar os termos e as condições. O recibo de confirmação do registo é enviado por e-mail e, em conjunto com a factura original ostentando a data de compra, servirá de prova do prolongamento da garantia.
3. A garantia cobre todos os defeitos do produto durante o período da garantia devidos a defeitos de fabrico ou de material à data da compra. A garantia está limitada à reparação e/ou substituição e não inclui quaisquer outras obrigações, incluindo mas não se limitando a, perdas complementares ou indirectas. A garantia não é válida se o produto tiver sido utilizado incorrectamente, utilizado de forma contrária ao Manual de Instruções ou se as respectivas ligações tiverem sido feitas incorrectamente. Esta garantia não se aplica ao seguinte:
 - quaisquer danos ao produto que sejam resultado de manutenção incorrecta
 - qualquer produto que tenha sido alterado ou modificado
 - qualquer produto cujas marcações de identificação de origem (marca comercial, número de série) tiverem sido apagadas, alteradas ou retiradas
 - quaisquer danos causados pelo incumprimento do Manual de Instruções
 - qualquer produto que não seja da Comunidade Europeia
 - qualquer produto ao qual tenha sido feita, ou tentada fazer, uma reparação por outra pessoa que não um profissional habilitado ou sem autorização prévia da Technronic Industries.
 - qualquer produto ligado a uma fonte de alimentação eléctrica incorrecta (Amperes, Voltagem e Frequência)
 - qualquer produto utilizado com uma mistura de combustível incorrecta (combustível, óleo, percentagem de óleo)
 - qualquer dano causado por influências externas (químicas, físicas, impactos) ou substâncias estranhas
 - desgaste e degradação normal de sobresselentes
 - utilização incorrecta, sobrecarga da ferramenta
 - utilização de acessórios ou peças não aprovados
 - quaisquer ajustes periódicos a, ou limpeza de manutenção de, carburadores
 - Componentes (peças e acessórios) sujeitos a desgaste e degradação natural, incluindo mas não se limitando a, maganetas anti-choque, correias de transmissão, embraiagens, lâminas de recortadores de sebes ou corta-relvas, arneses, cabos de acelerador, escovas de carvão, cabos eléctricos, dentes, anilhas de feltro, pinos de engate, ventoinhas do soprador, tubos do soprador e do aspirador, cintas e sacos do aspirador, barras de guia, correntes de serra, mangueiras, peças de ligação, bocais de pulverização, rodas, varinhas de pulverização, bobinas interiores, bobinas exteriores, linhas de corte, velas de ignição, filtros do ar, filtros de gasolina, lâminas trituradoras, etc.
4. Para assistência, o produto tem de ser enviado para, ou apresentado em, um posto de assistência autorizado RYOBI, conforme listado para cada país na lista de moradas de postos de assistência seguinte. Nalguns países, o seu concessionário RYOBI local encarega-se de enviar o produto para a organização de assistência RYOBI. Quando enviar um produto para um posto de assistência RYOBI, o produto deve ser embalado de forma segura, sem conter nenhuns conteúdos perigosos (por exemplo, gasolina), marcado com o endereço do remetente e acompanhado por uma breve descrição da avaria.
5. Uma reparação/substituição ao abrigo desta garantia é gratuita. Não constitui um prolongamento a, nem um novo início de, o período da garantia. As peças ou ferramentas substituídas tornam-se propriedade nossa. Nalguns países, o remetente terá de pagar os custos de entrega ou a remessa postal. Os seus direitos previstos por lei resultantes da compra da ferramenta mantêm-se inalterados
6. Esta garantia é válida na Comunidade Europeia, Suíça, Islândia, Noruega, Liechtenstein, Turquia e Rússia. Fora destas áreas, entre em contacto com o seu concessionário autorizado RYOBI para determinar se existe outra garantia aplicável.

CENTRO DE ASSISTÊNCIA AUTORIZADO

Para encontrar um centro de assistência autorizado próximo de si, visite <http://pt.ryobitools.eu/header/service-and-support/service-agents>.

DA RYOBI® BETINGELSER FOR GARANTI

Udover lovbestemte rettigheder, som resulterer af købet, er dette produkt dækket af en garanti, som anføres herunder.

1. Garantiperioden er 24 måneder for forbrugere og begynder på den dato, som produktet blev købt. Denne dato skal dokumenteres af en faktura eller andet bevis for køb. Produktet er udelukkende designet og dedikeret til forbrugere og privat brug. Så der ydes ingen garanti til tilfældige af professionelle eller kommerciel brug.
2. Der er en mulighed for at forlænge garantiperioden for en del af udvalget af haveværktøj (AC/DC), hen over den ovenfor beskrevne periode vha. registrering på hjemmesiden www.ryobitools.eu. Berettigelsen af værktøjet til forlængelse af garantiperioden er tydeligt vist i butikker og/eller på emballage/og indeholdt i produktokumentationen. Slutbrugerens skal registrere hans/hendes nyligt indkøbte værktøj online indenfor 30 dage efter købsdatoen. Slutbrugerens kan registrere sig for den forlængede garanti i sit land, hvis han/hun er opført på den online registreringsformular, hvor denne mulighed er gyldig. Derudover skal slutbrugere give deres samtykke til at opbevare data, som er påkrævet til indtaste online, og de er nødt til at acceptere vilkår og betingelser. Registreringsbekræftelseskvitteringen, som sendes ud på e-mail, og den originale faktura, som viser købsdatoen, vil fungere som bevis for den forlængede garanti.
3. Garantien dækker alle defekter, som et produkt måtte have i løbet af garantiperioden, og som skyldes produktionsfejl eller materialefejl på købsdatoen. Garantien er begrænset til reparation og/eller udskiftning og inkluderer ikke andre forpligtelser, inklusiv men ikke begrænset til tilfældige skader eller følgeskader. Garantien er ugyldig, hvis produktet er blevet misbrugt, brugt uden at overholde vejledningen, eller det er blevet forkert tilslett. Denne garanti gælder ikke:
 - Beskadigelse af produktet, som er et resultat af uegnet vedligeholdelse
 - Et produkt der er blevet ændret eller modificeret
 - Et produkt hvor de originale identifikationsmærkninger (varemærke, serienummer) er blevet ødelagt, ændret eller fjernet.
 - Enhver beskadigelse forårsaget af manglende overholdelse af vejledningen
 - Ethvert ikke CE-produkt
 - Ethvert produkt som er blevet forårsaget repareret af en ukvalificeret professionel eller uden tidligere foranstaltning af Technronic Industries.
 - Ethvert produkt som er tilslettet uegnet strømforsyning (ampere, spænding, frekvens)
 - Ethvert produkt som bruges med uegnet brændstoftilblanding (brændstof, olie, procentdel olie)
 - Enhver skade forårsaget af ekstern påvirkning (kemisk, fysisk, chok) eller fremmedelementer
 - Normal slid på reservedele
 - Uegnet brug, overbelastning af værktøjet
 - Brug af ikke-godkendt tilbehør eller dele
 - Alle regelmæssige justeringer eller vedligeholdelsesrengøring af karburatorer
 - Komponenter (dele og tilbehør) som er udsat for naturlig slid og ælde, inklusiv men ikke begrænset til drejeknapper, drivrem, greb, klinger til hæktrimmere eller plæneklippere, sele, kabel gasspjæld, kulbørster, elledning, tænder, filtskiver, ophængstapper, blæserventilatorer, blæser- og sugeslanger, sugepose og stropper, styrestænger, savkæder, slanger, forbindelsespakninger, sprøjtedyser, hjul, sprøjtetave, indvendige ruller, udvendige ruller, udvendige spoler, skærelinjer, tændrør, luftfilter, gasfilter, tildækningsblade etc.
4. For eftersyn skal produktet sendes til eller præsenteres for en RYOBI- autoriseret service værksted, som er oplyst for hvert land i den følgende liste over service værksted adresser. I nogle lande påtager din lokale RYOBI-forhandler sig ansvaret for at sende produktet til RYOBI-serviceorganisationen. Når et produkt sendes til en RYOBI-service værksted, skal det pakkes sikkert ind uden noget farligt indhold som benzin, mærkes med afsenderens adresse og med en kort beskrivelse af fejlen.
5. En reparation/erstatning under denne garanti er gratis. Den udgør ikke en forlængelse eller en ny start på garantiperioden. Uvedligede dele eller værktøjer bliver vores ejendom. I nogle lande skal leveringsafgifter eller porto betales af afsenderen. Dine lovbestemte rettigheder i forbindelse med købet forbliver uanfægtede
6. Denne garanti gælder i EU, Schweiz, Island, Norge, Liechtenstein, Tyrkiet og Rusland. Udenfor disse områder bedes du kontakte din autoriserede RYOBI-forhandler for at afgøre, om en anden garanti gælder.

AUTORISEREDE SERVICEVÆRKSTEDER

Find nærmeste autoriserede serviceværksted på <http://dk.ryobitools.eu/header/service-and-support/service-agents>.

SV RYOBI® ANVÄNDNINGSVILLKOR FÖR GARANTI

Förutom eventuella lagstadgade rättigheter som uppstår genom köpet, täcks den här produkten av en garanti som anges nedan.

- Garantiperioden är 24 månader för konsumenter och börjar gälla från det datum då produkten köptes. Detta datum måste dokumenteras på en faktura eller annat köpbevis. Produkten är utformad och avsedd för konsumenter och privat bruk. Därmed tillhandahålls ingen garanti vid yrkesmässigt eller kommersiellt bruk.
- Det finns möjlighet att förlänga garantiperioden för en del av utbudet för trädgårdsverktyg (AC/DC) under den period som anges ovan genom att använda registreringen på webbplatsen www.ryobitools.eu. De verktyg som är berättigade till en förlängning av garantiperioden visas tydligt i butik och/eller på förpackningen/och anges i produktdokumentationen. Slutanvändaren behöver registrera hans/hennes nyförvävade verktyg online inom 30 dagar från köpdatumet. Slutanvändaren kan registrera sig för den förlängda garantin i det land där han/hon bor om landet finns angivet i registreringsformuläret online och där detta alternativ är giltigt. Dessutom måste slutanvändaren ge sitt medgivande till lagring av data vilket krävs vid registrering online samt acceptera villkoren. Bekräftelsekvittot för registreringen som skickas ut via e-post och originalfakturan som visar köpdatumet kommer att gälla som bevis för den förlängda garantin.
- Garanti täcker alla produktdefekter under garantiperioden som beror på brister i utförande eller material vid köpdatumet. Garantin är begränsad gällande reparation och/eller utbyte och inkluderar inte några skyldigheter inklusive men inte begränsat till oförutsedda skador eller följdskador. Garantin är inte giltig om produkten har missbrukats, använts i strid med bruksanvisningen eller inte anslutits på rätt sätt. Denna garanti täcker inte:
 - eventuella skador på produkten som uppstått till följd av felaktigt underhåll
 - produkter som har ändrats eller modifierats
 - produkter där ursprungliga identifieringsmärkningarna (varumärke, serienummer) har målats över, ändrats eller tagits bort
 - eventuella skador som uppstått till följd av att bruksanvisningen inte efterföljts
 - alla icke CE-produkter
 - eventuella produkter som har försökts repareras av en icke-kvalificerad yrkesman eller utan föregående medgivande från Techtronic Industries.
 - eventuella produkter som anslutits till felaktig strömförsörjning (ampere, volt, frekvens)
 - eventuella produkter som använts med olämplig bränsleblandning (bränsle, olja, oljeprocent)
 - eventuella skador som uppstått till följd av yttre påverkan (kemisk, fysisk, stöt) eller främmande ämnen
 - normalt slitage av reservdelar
 - olämplig användning, överbelastning av verktyget
 - användningen av icke-godkända tillbehör eller delar
 - Eventuella periodiska justeringar av eller vid underhållsrengöring av förgasare
 - Komponenter (delar och tillbehör) är föremål för naturligt slitage, inklusive men inte begränsat till tryckknappar, drivremmar, koppling, blad till kantrimrar eller gräsklippare, sele, gasreglagevajer, kolborstar, strömsladd, spetsar, filtbrickor, kopplingsprint, blåsfäkt, blås- och sugrör, sugpåse och remmar, styrskenor, sägkedjor, slangar, anslutningsdonördel, spraymunstycken, hjul, spraystavar, innerrullar, ytterspolar, skärtråd, tändstift, luftfilter, gasfilter, sönderdelningsblad osv.
- Vid service måste produkten skickas eller uppvisas för en RYOBI- auktoriserad servicestation som står angiven för varje land i följande adresslista över servicestationer. I vissa länder tar din lokala RYOBI- återförsäljare på sig ansvaret att skicka produkten till RYOBI- serviceorganisationen. När en produkt skickas till en RYOBI-servicestation, ska produkten paketeras säkert utan något farligt innehåll såsom bensin, markeras med avsändarens adress samt en kort beskrivning av felet.
- En reparation/ett utbyte under denna garanti är kostnadsfri. Det utgör inte en förlängning eller förnyelse av garantiperioden. Utbyta delar eller verktyg blir vår egendom. I vissa länder måste leveranskostnader eller porto betalas av avsändaren. Dina lagstadgade rättigheter som härrör från köpet av verktyget förblir opåverkade
- Denna garanti är giltig i Europeiska gemenskapen: Schweiz, Island, Norge, Liechtenstein, Turkiet och Ryssland. Utanför dessa länder, kontakta din auktoriserade RYOBI-återförsäljare för att avgöra om en annan garanti gäller.

AUKTORISERAT SERVICECENTER

Du hittar närmaste auktoriserade servicecenter genom att gå till <http://se.ryobitools.eu/header/service-and-support/service-agents>.

FI RYOBI®-TAKUUN SOVELTAMISEHDOT

Tällä tuotteella on oston luomien lakisäasteisten oikeuksien ohella alla mainitun mukainen takuu.

- Takuun kesto on kuluttajille 24 kuukautta ja takuuaika alkaa tuotteen ostohetkestä. Tämän päivämäärän tulee lukea laskussa tai muussa ostositotteesta. Tuote on suunniteltu ja tarkoitettu vain kuluttajien ja yksityiseen käyttöön. Takuu ei siis kata ammatti- eikä kaupallista käyttöä.
- Joidenkin puutarhatyökalujen (AC/DC) takuun kesto on mahdollista laajentaa yllä mainittua kestoä pidemmäksi verkkosivuston www.ryobitools.eu rekisteröinnin kautta. Työkalujen kelpoisuus takujakson laajennukseen näkyy selkeästi myymälöissä ja/tai pakkauskissa ja/tai tämä tieto sisältyy tuotedokumentaatioon. Loppukäyttäjän täytyy rekisteröidä vasta hankittu työkalu internetissä 30 päivän kuluessa ostopäivämäärästä. Loppukäyttäjän voi rekisteröidä laajennetun takuun kotimaassaan, jos se on luettuna online-rekisteröintilomakkeessa, jossa mainitaan, missä tämä vaihtoehto on voimassa. Loppukäyttäjien täytyy lisäksi hyväksyä tietojen tallennus, jotka heidän täytyy antaa online-tilassa sekä ehdot. Rekisteröinnin vahvistuskuitti, joka lähetetään sähköpostitse, ja alkuperäinen ostopäivämäärän ilmaiseva lasku toimivat laajennetun takuun tositteina.
- Takuu kattaa kaikki tuotteen takuuaikana tulevat viat, joiden aiheuttajina ovat tuotteen ostopäivän olleet valmistus- tai materiaali viat. Takuu on rajoitettu korjaukseen ja/tai vaihtoon eikä se sisällä mitään muita velvoitteita mukaan lukien satunnais- ja seurannaisvahinkoja, mutta rajoittumatta niihin. Takuu ei päde, jos tuotetta on käytetty väärin, käyttöohjeen vastaisesti tai jos se on liitetty virheellisesti. Tämä takuu ei kata:
 - virheellisesti huolosta johtuvia vaurioita
 - muunnettua tai muutettua tuotetta
 - tuotetta, jonka alkuperäiset tunnistemerkinnät (tavaramerkki, sarjanumero) on turmeltu, muutettu tai poistettu
 - tämän käyttöoppaan laiminlyönnistä johtuvia vaurioita
 - ei-CE-tuotetta
 - tuotetta, jota on yrittänyt korjata epäpätevä ammattilainen tai joka on rajoittu ilman Techtronic Industries ennakkolupaa.
 - tuotetta, joka on liitetty virheelliseen teholahteeseen (ampeirit, jännite, taajuus)
 - tuotetta, jossa on käytetty väärää polttoaineseosta (polttoaine, öljy, öljyprosentti)
 - ulkoisten vaikutusten (kemiallinen, fyysinen, iskut) tai vieraiden aineiden aiheuttamaa vauriota
 - normaaleja kuluvia varaosia
 - virheellistä käyttöä, työkalun ylikuormitusta
 - ei-hyväksytytjen tarvikkeiden tai osien käyttöä
 - Kaasutinten säännöllistä säätöä tai ylläpitävää puhdistusta
 - Luonnollisesti kuluvia komponentteja (osia tai tarvikkeita), joihin sisältyvät puskunupit, käyttöihinat, kytkin, pensasleikkuriin tai ruohonleikkuriin terät, valjaat, kaasuvaijeri, hiiharijat, virtajohto, piikit, huopatiivisteet, sokkatapit, puhallinten tuuletimet, puhallin- ja imuputket, imuriin säkit ja hinnat, terälevyt, sahankeijut, letkut, liitososat, suihkusuihuttimet, pyörät, ruiskutusputket, sisä- ja ulkokelat, leikkuusuiimat, hehkutulpat, ilmansuodattimet, kaasusuodattimet, silppuperät yms. näihin kuitenkin rajoittumatta.
- Tuote on lähetettävä huollettavaksi valituttuun RYOBI-huoltoon tai näytettävä silleä. Niiden osissaett kussakin maassa löytyvät seuraavasta luettelosta. Joissakin maissa paikallinen RYOBI-jälleenmyyjä huolehtii tuotteen lähetyksestä RYOBI-huolto-organisaatioon. Kun tuote lähetetään RYOBI-huoltoon, se täytyy pakata hyvin ilman vaarallisia aineita, kuten polttoainetta, ja pakkaukseen täytyy merkitä lähettäjän nimi sekä vian lyhyt kuvaus.
- Takuun kattama korjaus/vaihto on maksuton. Se ei tarkoita takuuaajan laajennusta tai alkamista alusta. Vaihdetut osat tai työkalut siirtyvät valmistajan omistukseen. Joissakin maissa lähettäjän täytyy maksaa lähetyskustannukset tai postikulut. Työkalun oston luomat lakisäasteiset oikeudet pysyvät koskemattomina
- Tämä takuu on voimassa Euroopan yhteisössä, Sveitsissä, Islannissa, Norjassa, Liechtensteinissa, Turkissa ja Venäjällä. Ota näiden alueiden ulkopuolella yhteyttä omaan valituttuun RYOBI-jälleenmyyjään ja selvitä, onko jotain muuta takuuta.

VALTUUTETTU HUOLTO

Voit etsiä lähimmän valtutetun huollon sivulta <http://fi.ryobitools.eu/header/service-and-support/service-agents>.

NO RYOBI® GARANTIBETINGELSER

I tillegg til eventuelle lovbestemte rettigheter som følger av kjøpet, er dette produktet dekket av en garanti som angitt nedenfor.

- Garantiperioden er 24 måneder for konsumenter og gjelder fra den datoen som produktet ble kjøpt. Denne datoen skal dokumenteres med en faktura eller annet kjøpsbevis. Produktet er designet og beregnet kun til konsument- og privat bruk. Så det gis ingen garanti ved profesjonell eller kommersiell bruk.
- For en del av utvalget av hageverktøy (AC/DC) er det mulighet til å utvide garantiperioden i den perioden som er beskrevet ovenfor ved bruk av registreringene på nettstedene www.ryobitools.eu. Kvalifiseringen av verktøyene for en utvidelse av garantiperioden er tydelig vist i butikker og 7eller på pakningen / og finnes innen produktdokumentasjonen. Sluttbrukeren må registrere sine nylig anskaffede verktøy online innen 30 dager etter kjøpsdato. Sluttbrukeren kan registrere seg for den utvidede garantien i sitt land hvis det er opplistet på online registreringsskjemaet der dette alternativet er gyldig. Videre må sluttbrukere gi sitt samtykke til oppbevaring av dataene som kreves for å gå online, og de må godta vilkår og betingelser. Registreringsbekreftelsen, som sendes ut på e-post, og den originale fakturaen som viser kjøpsdato, vil tjene som bevis for den utvidede garantien.
- Garantien dekker alle defekter i produktet under garantiperioden på grunn av defekter i utførelse eller materiale på kjøpsdato. Garantien er begrenset til å reparere og/eller erstatte og inkluderer ikke noen andre forpliktelser, inkludert, men ikke begrenset til, tilfældige eller følgesmessige skader. Garantien er ikke gyldig hvis produktet har blitt misbrukt, brukt på annen måte enn det som beskrives i bruksanvisningen eller er koblet til på feil måte. Denne garantien gjelder ikke for:
 - enhver skade på produktet som er resultat av utilstrekkelig vedlikehold
 - ethvert produkt som har blitt endret eller modifisert
 - ethvert produkt der de originale identifiseringsmerkene (varemerke, serienummer) har blitt uleselig, er endret eller fjernet
 - enhver skade som forårsakes av ikke-overholdelse av instruksjonshåndboken
 - ethvert ikke-CE-produkt
 - ethvert produkt som har blitt forsøkt reparert eller av en ikke-kvalifisert fagperson eller uten tidligere autorisasjon fra Techntron Industries.
 - ethvert produkt tilkoblet feil strømforsyning (ampere, spenning, frekvens)
 - ethvert produkt som brukes med feil drivstoffblanding (drivstoff, olje, prosentandel olje)
 - enhver skade som er forårsaket av eksterne påvirkninger (kjemiske, fysiske, støt) eller fremmede stoffer
 - normal slitasje og sliteserøvedeler
 - feil bruk, overbelastning av verktøyet
 - bruk av ikke-godkjent tilbehør eller deler
 - Eventuelle periodiske justeringer av eller vedlikeholdsrengjøring av forbrennere
 - Komponenter (deler og tilbehør) som er underlagt naturlig slitasje, inkludert, men ikke begrenset til bulkknott, drivreimer, clutch, blader på hektrimmere eller gressklippere, seler, kabelspjeld, karbonbørster, strømledning, kniver, feltpakninger, heispinner, blåsevisfer, blåse- og vakuumslangler, vakuumpose og reimer, førerstenger, sagkjeder, strømpere, koblingsmonteringer, spraydyser, hjul, spraystenger, indre spoler, ytre spoler, kuttelinjer, tennplugger, luftfilter, gassfilter, mulchingblader osv.
- For service må produktet sendes eller fremlegges for en RYOBI-autorisert servicestasjon opplistet for hvert land i den følgende listen over servicestasjonsadresser. I noen land sender den lokale RYOBI-forhandleren produktet til RYOBI serviceorganisasjonen. Ved å sende et produkt til en RYOBI servicestasjon skal produktet være sikkert pakket uten noe farlig innhold, slik som bensin, merket med senderens adresse og fulgt av en kort beskrivelse av feilen.
- En reparasjon/erstatning under denne garantien er gratis. Den utgjør ingen forlengelse eller en ny start av garantiperioden. Utvekslede deler eller verktøy blir vår eiendom. I noen land vil leveringskostnader eller franking måtte betales av senderen. Dine lovbestemte rettigheter som oppstår fra kjøp av verktøyet forblir uberørt.
- Denne garantien er gyldig i EU, Sveits, Island, Norge, Liechtenstein, Tyrkia og Russland. Utenfor disse områdene ta kontakt med din autoriserte RYOBI-forhandler om en annen garanti gjelder.

AUTORISERT SERVICESENTER

For å finne et autorisert servicecenter i nærheten, gå til <http://no.ryobitools.eu/header/service-and-support/service-agents>.

RU УСЛОВИЯ ПРИМЕНЕНИЯ ГАРАНТИИ НА ПРОДУКЦИЮ RYOBI®

Помимо законных прав, возникающих при покупке, данное изделие покрывается гарантией в соответствии с приведенными ниже пунктами.

- Гарантийный период для покупателя составляет 24 месяца с даты покупки изделия. Дата покупки должна быть подтверждена полностью заполненным гарантийным талоном и чеком о покупке. Данное изделие предназначено только для частного использования покупателем. Поэтому гарантия не распространяется на использование в профессиональных или коммерческих целях.
- Предусмотрена возможность продления для части изделий линейки садовых инструментов (AC/DC) гарантийного периода с помощью регистрации на сайте www.ryobitools.eu. Право инструмента на продление гарантийного периода четко указано в магазинах и / или на упаковке / и содержится в сопутствующей инструменту документации. Конечный пользователь должен зарегистрировать свой приобретенный инструмент в течение 30 дней с даты покупки. Конечный пользователь может зарегистрировать свой инструмент на продление гарантии в стране своего проживания, если она указана в форме онлайн-регистрации. Кроме того, конечный пользователь должен дать свое согласие на хранение данных, которое необходимо ввести в онлайн-форму и принять правила и условия. Подтверждение регистрации, которое вы получите по электронной почте, заполненный гарантийный талон и оригинальный чек, в котором указана дата покупки, будут служить доказательством продленной гарантии.
- Гарантия покрывает в течение гарантийного периода все дефекты качества или материала изделия на дату покупки. Гарантия ограничена ремонтом и / или заменой и не включает никакие другие обязательства, включая, но не ограничиваясь случайными или косвенными убытками. Гарантия становится недействительной, если изделие использовалось не по назначению, вопреки инструкциям, данным в Руководстве пользователя или было неправильно подключено. Настоящая гарантия не распространяется на:
 - любые повреждения изделия в результате неправильного технического обслуживания или недостаточного ухода за инструментом
 - любые изделия, подвергшиеся изменениям и модификации
 - любые изделия, оригинальные идентификационные отметки которого (торговая марка, серийный номер) были повреждены, изменены или удалены
 - любые повреждения, вызванные несоблюдением инструкций Руководства пользователя
 - любые изделия, не сертифицированные маркировкой "CE" для продажи в Европейском союзе
 - любые изделия, подвергшиеся попыткам ремонта невалифицированным работником или без предварительного утверждения компании Techntron Industries.
 - любые изделия, подключенные к неправильному источнику питания (сила тока, напряжение, частота)
 - любые изделия, в которых использовались несоответствующие топливные смеси (топливо, масло, процент масла)
 - любые повреждения, вызванные внешними воздействиями (химические, физические, удары) или посторонними веществами
 - естественный износ запасных деталей
 - несоответствующее использование, перегрузка инструмента
 - использование неутвержденных аксессуаров и неоригинальных запасных деталей
 - любые регулярные регулировки, техническое обслуживание или чистка карбюраторов
 - компоненты (детали и аксессуары), подверженные естественному износу, включая, но не ограничиваясь фиксаторы шпильки приводные ремни, ценные муфты, лезвия триммеров и газонокосилок, плечевые ремни, кабельный дроссельный регулятор, угольные щетки, кабели питания, зубья, войлочные шаблы, фиксирующие шпильки, вентиляторы воздуходувки, трубки воздуходувки и пылесоса, мешок для сбора мусора и ремни, пыльные шины, пыльные цепи, шланги, соединительные детали, распылительные насадки, колеса, распылительные переходники, внутренние катушки и шпильки, режущую леску, свечи зажигания, воздушные и топливные фильтры, мульчирующие лезвия и др.
- Для проведения технического обслуживания изделие следует направлять в авторизованные сервисные центры RYOBI, указанные для каждой страны в приведенном ниже списке адресов станций сервисного обслуживания. В некоторых странах местные дилеры RYOBI отправляют изделия в сервисные организации RYOBI. При отправке изделия в сервисный центр RYOBI, изделие должно быть безопасно упаковано и не содержать никаких опасных веществ, таких как бензин, должен быть подписан адрес отправителя и сопровождаться кратким описанием неисправности.
- Ремонт / замена проводится в рамках настоящей гарантии бесплатно. Он не продлевает гарантию и не начинает новый гарантийный период. Заменяемые детали и инструменты становятся нашей собственностью. В некоторых странах отправитель должен оплачивать стоимость отправки. Ваши законные права, возникающие при покупке инструмента, остаются неизменными
- Данная гарантия действительна в Европейском Сообществе, Швейцарии, Исландии, Норвегии, Лихтенштейне, Турции и России. Вне указанных территорий обращайтесь к своему авторизованному дилеру RYOBI, чтобы узнать, применяются ли условия каких-либо других гарантий.

УПОЛНОМОЧЕННЫЙ СЕРВИСНЫЙ ЦЕНТР

Чтобы найти ближайший уполномоченный сервисный центр, обратитесь к веб-сайту <http://ru.ryobitools.eu/header/service-and-support/service-agents>.

PL WARUNKI GWARANCJI RYOBI®

Oprócz praw ustawowych wynikających z zakupu produkt jest objęty gwarancją, której warunki podano poniżej.

- Okres gwarancyjny wynosi 24 miesiące dla konsumentów i rozpoczyna się w dniu zakupu produktu. Datę zakupu należy udokumentować fakturą lub innym dowodem zakupu. Produkt został zaprojektowany i jest przeznaczony do użytku konsumenckiego i prywatnego. W związku z tym gwarancja nie obejmuje zastosowań profesjonalnych i komercyjnych.
- Istnieje możliwość wydłużenia okresu gwarancyjnego dla części asortymentu narzędzi ogrodniczych (AC/DC) poprzez zarejestrowanie produktu na stronie internetowej www.ryobitools.eu. Kwalifikowalność narzędzi do wydłużenia okresu gwarancyjnego jest wyraźnie określona w sklepach i/lub na opakowaniu oraz w dokumentacji produktu. Użytkownik końcowy musi zarejestrować nowo kupione narzędzia online w ciągu 30 dni od daty zakupu. Użytkownik końcowy może zarejestrować się w celu przedłużenia gwarancji w swoim kraju zamieszkania, jeżeli jest on wymieniony w formularzu rejestracji online, gdzie opcja ta obowiązuje. Ponadto użytkownicy końcowi muszą wyrazić zgodę na przechowywanie danych, wprowadzanych na stronie internetowej i zaakceptować regulamin. Dowodem wydłużenia gwarancji jest wysłane pocztą elektroniczną potwierdzenie rejestracji i oryginalny faktur potwierdzający datę zakupu.
- Gwarancja obejmuje wszystkie wady produktu ujawnione w okresie gwarancyjnym wynikające usterek wykonania lub materiału obecných w dniu zakupu. Gwarancja jest ograniczona do naprawy i/lub wymiany i nie obejmuje żadnych innych zobowiązań, w tym między innymi odpowiedzialności za szkody przypadkowe lub wtórne. Gwarancja nie obowiązuje, jeżeli produkt był nieprawidłowo używany, używany niezgodnie z instrukcją lub nie był prawidłowo podłączony. Gwarancja nie obejmuje:
 - uszkodzenia produktu wynikającego z nieprawidłowej konserwacji,
 - produktu, który został zmieniony lub zmodyfikowany,
 - produktu, którego oryginalne oznaczenie (znak towarowy, numer seryjny) zostało zniszczone, zmienione lub usunięte,
 - jakichkolwiek uszkodzeń wynikających z nieprzestrzegania instrukcji,
 - jakiegokolwiek produktu bez certyfikatu CE,
 - jakiegokolwiek produktu, który próbowano naprawiać z pomocą niewykwalifikowanej osoby lub bez uzyskania wcześniejszej zgody firmy Techtronic Industries.
 - jakiegokolwiek produktu podłączonego nie nieprawidłowego źródła zasilania (nieprawidłowe napięcie prądu, napięcie, czystość),
 - jakiegokolwiek produktu, który był używany z nieprawidłową mieszanką paliwową (paliwo, olej, procentowy udział oleju),
 - jakichkolwiek uszkodzeń spowodowanych wpływem czynników zewnętrznych (chemicznych, fizycznych, drgan) lub substancji obcych,
 - normalnego zużycia części zamiennych,
 - nieprawidłowego użycia, przeciążenia narzędzia,
 - stosowania niezatwierdzonych akcesoriów lub części,
 - jakichkolwiek okresowych regulacji lub czyszczenia gaźników w ramach konserwacji
 - elementów (części i akcesoriów) podlegających naturalnemu zużyciu, obejmujących, między innymi, kopułki do zwalniania żyłki, pasy napędowe, sprężelgo, ostrza przycinarek do żywoptłotów lub kosiarzek do trawy, urpazá, przepustnicę linkową, szcztolki węglowe, przewód zasilania, zęby, podkładki filcowe, kolki podnośnika, wentylatory dmuchawy, rury nadmuchowe i ssawne, worek na śmieci i paski, prowadnice, łańcuchy piły, węże, mocowanie złącz, dysze natryskowe, koła, oprta natryskowe, szpule wewnętrzne, szpule zewnętrzne, filtry gaza, zesty do ściókowania itp.
- W celu serwisowania produkt należy wysłać lub okazać w autoryzowanym punkcie serwisowym RYOBI znajdującym się na przedstawionym poniżej wykazie punktów serwisowych w poszczególnych krajach. W niektórych krajach lokalny dystrybutor produktów RYOBI podejmuje się wysyłki produktu do centrum serwisowego RYOBI. W przypadku wysyłki do punktu serwisowego RYOBI produkt — pozbawiony jakichkolwiek niebezpiecznych substancji, na przykład benzyny — należy bezpiecznie zapakować i dołączyć adres nadawcy oraz krótki opis usterek.
- Naprawa/wymiana w ramach niniejszej gwarancji jest bezpłatna. Nie stanowi jednak o przedłużeniu lub rozpoczęciu od nowa biegu okresu gwarancyjnego. Wymienione części lub narzędzia stają się naszą własnością. W przypadku niektórych krajów nadawca będzie musiał uregulować koszty dostawy lub opłaty pocztowe. Prawa ustawowe wynikające z zakupu narzędzia pozostają niezmiennione.
- Niniejsza gwarancja obowiązuje w Unii Europejskiej, Szwajcarii, Islandii, Norwegii, Liechtensteinie, Turcji i Rosji. Poza tymi obszarami należy skontaktować się z autoryzowanym dostawcą produktów RYOBI i ustalić, czy obowiązuje inna gwarancja.

AUTORYZOWANY PUNKT SERWISOWY

Najbliższy autoryzowany punkt serwisowy można wyszukać w witrynie internetowej <http://pl.ryobitools.eu/header/service-and-support/service-agents>.

CS ZÁRUČNÍ PODMÍNKY RYOBI®

Kromě zákonných práv vyplývajících z koupě výrobku se na tento výrobek vztahuje také níže uvedené záruka.

- Záruční doba pro spotřebitele je 24 měsíců a začíná datem nákupu výrobku. Datum musí být zaznamenáno na faktuře nebo jiném dokladu o koupi. Tento výrobek je navržen a určen pouze pro soukromé účely spotřebitelů. Záruka se tedy nevztahuje na profesionální nebo komerční využití výrobku.
- U některých zahradních nástrojů (AC/DC) je možné záruční dobu prodloužit. K tomu je nutná registrace na stránkách www.ryobitools.eu. Možnost prodloužené záruční doby výrobků je jasně uvedena v prodejních, popř. na obalech nebo v dokumentech o výrobku. Koncový uživatel musí svůj nový nástroj zaregistrovat online do 30 dnů od data nákupu. Koncový uživatel se může k prodloužené záruční době zaregistrovat v zemi trvalého pobytu, pokud je tato uvedena na internetovém registračním formuláři u výrobku, kde je tato možnost dostupná. Koncoví uživatelé musí dále souhlasit s uložením osobních údajů, která musí zadat na internetu, a přijmout obchodní podmínky. E-mail s potvrzením registrace a původní faktura s datem koupě poslouží jako důkaz o prodloužené záruce.
- Záruka se vztahuje na veškeré vady na výrobku v rámci záruční doby způsobené výrobními vadami nebo vadami materiálu v době koupě. Záruka je omezena na opravu, popřípadě výměnu a nezahrnuje žádné další povinnosti, včetně mimo jiné vedlejších či následných odškodnění. Záruka neplatí při použití výrobku k nevhodným účelům, v rozporu s uživatelskou příručkou nebo při nesprávném zapojení. Záruka se nevztahuje na:
 - veškeré škody na výrobku způsobené nesprávnou údržbou
 - veškeré produkty, které byly pozměněny nebo upraveny
 - veškeré produkty, kde byly původní identifikační prvky (obchodní značka, sériové číslo) poničeny, pozměněny nebo odstraněny
 - veškeré škody způsobené nedodržováním pokynů uživatelské příručky
 - veškeré produkty bez CE certifikace
 - veškeré produkty, které se pokusil opravit nekvalifikovaný odborník nebo opravy bez předchozího svolení společnosti Techtronic Industries.
 - veškeré produkty zapojené do nesprávného elektrického zdroje (proud, napětí, frekvence)
 - veškeré produkty používané s nevhodnou palivovou směsí (paliwo, olej, procento oleje)
 - veškeré škody způsobené externími vlivy (chemickými, fyzickými, nárazy) nebo cizími látkami
 - běžné opotřebování dílů
 - nevhodné použití, přetěžování nástroje
 - použití neschválených příslušenství nebo dílů
 - veškerá pravidelná seřízení nebo čištění v rámci údržby karburátorů
 - komponenty (díly a příslušenství) podléhající opotřebení, včetně mimo jiné nárazových koleček, posuvných pásů, spojek, nožů plotových nůžek a sekaček na trávu, popruhu, plynového lanka, karbonových kartáčů, napájecího kabelu, zubů, plstěných podložek, závěsných kolků, větráků fukaru, trubic fukaru a vysavače, vaku a popruhů vysavače, vodících lišt, pilových řetězů, hadic, konektorů, trysek, kol, stříkacích tyčí, vnitřních cívek, vnějších kotoučů, řezných strun, zapalovacích svíček, vzduchových filtrů, plynových filtrů, mulčovačích nožů atd.
- K provedení servisu musí být výrobek zaslán nebo předán do autorizovaného servisního centra společnosti RYOBI, jejichž adresy jsou uvedeny podle zemi v seznamu servisních center. V některých zemích za vás výrobek pošle servisní organizaci RYOBI sám prodejce výrobků této značky. Při zaslání výrobku do servisního centra RYOBI je potřeba výrobek bezpečně zabalit bez nebezpečného obsahu jako benzín, opatřit adresou odesílatele a připojit krátký popis závady.
- Oprava, popř. výměna v rámci této záruky je zdarma. Neznamená to prodloužení nebo začátek nové záruční lhůty. Vyměněné díly nebo nástroje přejdou do našeho vlastnictví. V některých zemích platí poštovné odesílatele. Vaše zákonná práva vyplývající z koupě tohoto nástroje zůstávají nedotčená.
- Tato záruka platí v Evropském Společenství, Švýcarsku, Norsku, Lichtenštejnsku, Turecku, Rusku a na Islandu. Mimo tuto území kontaktujte autorizovaného prodejce značky RYOBI, který zjistí, zda se na výrobek vztahuje jiná záruka.

POVĚŘENÉ SERVISNÍ STŘEDISKO

Pro nalezení nejbližšího pověřeného servisního střediska navštivte <http://cz.ryobitools.eu/header/service-and-support/service-agents>.

HU A RYOBI® GARANCIA ALKALMAZÁSÁNAK FELTÉTELEI

A vásárlásból adódó törvényben rögzített jogok mellett a termékre az alábbi garancia vonatkozik.

1. A fogyasztói garancia tartama 24 hónap, mely a termék vásárlásának napjával kezdődik. Ezt a dátumot számlával vagy a vásárlást igazoló egyéb dokumentummal kell bizonyítani. A termék rendelkezése csak fogyasztói és magáncéllú használat. Ezért professzionális vagy kereskedelmi használat esetén a garancia nem érvényes.
2. A kerti szerszámok (egyenáramú/váltóáramú) egy részénél a garancia időtartama a www.ryobitools.eu weboldalon regisztrálva meghosszabbítható. Az áruházakban, a csomagoláson, illetve a termék dokumentációjában egyértelműen jelezzük, hogy az adott termék garanciája meghosszabbítható-e. A végfelhasználónak a vásárlás dátumától számított 30 napon belül regisztrálnia kell az újonnan vásárolt szerszámot. A végfelhasználó akkor regisztrálhat a kiterjesztett garanciára, ha az ország, ahol lakik, fel van sorolva az online regisztrációs űrlapon azon országok között, ahol választható ez az opció. Ezenkívül a végfelhasználónak bele kell egyeznie az online regisztrálás során szükséges adatok tárolásába, és el kell fogadnia a felhasználási feltételeket. A kiterjesztett garanciát a regisztráció beérkezésétől e-mailben küldött visszaigazolás és a vásárlás dátumát tartalmazó eredeti számla igazolja.
3. A garancia a termék vásárlásakor fennálló, a gyártás során keletkezett hibákra és anyaghibákra érvényes a garanciális időtartamon belül. A garancia csak a javításra/cseréire korlátozódik, és nem terjed ki semmilyen egyéb kötelezettségre, nem kizárólagosan ideértve a véletlen vagy szándékos rongálást. A garancia nem érvényes, ha a terméket nem megfelelően, a használati utasításban foglaltakkal ellentétben, illetve nem megfelelően csatlakoztatva használták. A garancia nem vonatkozik:
 - a terméket a nem megfelelő karbantartás következtében ért károsodásra – megváltoztatott vagy átalakított termékre
 - olyan termékre, melyen az eredeti azonosítókat (védjegy, sorozatszám) megromolták, megváltoztatták vagy eltávolították
 - a használati utasítás be nem tartásából eredő kárra
 - CE jelöléssel nem rendelkező termékekre
 - olyan termékre, melyet nem képzett, illetve a Techtronic Industries által nem feljogosított szerelő javított
 - nem megfelelő (áramerősségű, feszültségű, frekvenciájú) áramforrásra csatlakoztatott termékre
 - nem megfelelő üzemanyag-keverékkel (üzemanyag, olaj, olaj aránya) használt termékre
 - külső (fizikai, utás) hatásokból vagy idegen anyagokból eredő károkra
 - a cserélhető alkatrészek természetes kopására és elhasználódására
 - a szerzőszám helytelen használatára, tültérhelésére
 - nem jóváhagyott tartozékok és alkatrészek használatára
 - A karburátorok rendszeres beállítása, karbantartása, tisztítása
 - A természetes kopásnak és elhasználódásnak kitett alkatrészek és kiegészítők, például (de nem kizárólag) damildobok, ékszíjak, foglalatok, sövényvágók és fűnyírók kése, heveder, gázbowden, szénkefék, tápkábel, kultivátorfogak, ficalátétek, akasztószögek, fűvókészülékek ventilátora, fűvő- és szívócsövek, szívózsák és pántok, terelőrudak, fűrészláncok, tömlők, csatlakozószervevények, permetezőfejek, kerekék, permetezőszárak, belső dobok, külső csévék, vágódamlok, gyűjtőgyertyák, légszűrők, gázsűrők, mulcsozókések stb.
4. A terméket javításra el kell vinni egy meghatalmazott RYOBI szervizbe; ezeket a egyes országokhoz a következő listában találja. Egyes országokban a helyi RYOBI kereskedő vállalja a termék elszállítását a RYOBI szervizbe. A terméket veszélyes tartalom, például benzín nélkül csomagolva, a feladó címét feltüntetve, a hiba rövid leírásával együtt küldje el a RYOBI szervizbe.
5. A jelen garancia hatálya alatt végzett javítás, illetve csere ingyenes. Nem jelenti a garanciális időtartam újraindulását. A kicserélt alkatrészek és szerszámok a mi tulajdonunkba kerülnek. Egyes országokban a szállítás vagy postázás költségét a feladó viseli. A vevőnek a szerzőszám megvásárlásából adódó törvényes jogai nem változnak.
6. Jelen garancia az Európai Közösségben, Svájcban, Izlandon, Norvégiában, Liechtensteinben, Törökországban és Oroszországban érvényes. E területen kívül kérdezze meg a RYOBI forgalmazót, hogy milyen garancia van érvényben.

HIVATALOS SZERVIZKÖZPONT

A legközelebbi hivatalos szervizközpont megtalálásához látogasson el a <http://hu.ryobitools.eu/header/service-and-support/service-agents>.

RO CONDIȚII DE APLICARE A GARANȚIEI PENTRU PRODUSELE RYOBI®

În plus față de condițiile statutare rezultate din achiziționarea acestui produs, acesta este acoperit de garanția stipulată mai jos.

1. Perioada de garanție este de 24 de luni pentru consumatori și începe de la data achiziționării produsului. Data de începere a garanției trebuie demonstrată cu o factură sau altă dovadă a cumpărării produsului. Produsul este destinat și conceput doar pentru utilizare în scopuri personale. Din acest motiv, nu se oferă garanție pentru utilizarea sa în scop profesional sau comercial.
2. Există posibilitatea de extindere a perioadei de garanție pentru gama de unelte electrice pentru grădina (de CA/CC) peste perioada stipulată mai sus prin înscrierea produsului pe website-ul www.ryobitools.eu. Eligibilitatea pentru perioada de extindere a garanției este afișată în mod clar în magazinele de vânzare și/sau pe ambalaj sau este inclusă în documentația livrată împreună cu produsul. Utilizatorul final este obligat să-și înregistreze produsul online în termen de maxim 30 de zile de la achiziția acestuia. Utilizatorul final poate înregistra produsul pentru garanția extinsă oferită în țara sa de rezidență dacă aceasta este listată în formularul de înregistrare online și dacă această opțiune este validă. În plus, utilizatorii finali trebuie să-și dea acordul pentru stocarea datelor personale solicitate la înregistrarea online și trebuie să accepte termenii și condițiile. Mesajul de confirmare a înregistrării, trimis prin e-mail și factura originală cu data achiziției vor dovedi perioada de garanție extinsă.
3. Garanția acoperă toate defecțiunile produsului survenite în perioada de garanție datorate defectelor de execuție sau materialelor folosite, începând cu data achiziției acestuia. Garanția este limitată la reparare și/sau înlocuire și nu include alte obligații, inclusiv, dar fără a se limita la daune accidentale sau rezultate pe cale de consecință. Garanția își pierde valabilitatea dacă produsul este utilizat necorespunzător, utilizează necorespunzător instrucțiunile de utilizare din manualul cu instrucțiuni sau conectat incorect. Garanția nu se aplică în cazul:
 - oricărei defecțiuni survenite în urma întreruperii necorespunzătoare a produsului
 - oricărui produs alterat sau modificat
 - oricărui produs la care inscripțiile cu datele de identificare (marca comercială, numărul de serie) au fost șterse, modificate sau îndepărtate
 - oricărei defecțiuni datorate neconformării cu instrucțiunile din manualul de utilizare
 - oricărui produs necertificat CE
 - oricărui produs asupra căruia au fost efectuate tentative de reparare de către personal necalificat sau fără autorizație prealabilă din partea Techtronic Industries.
 - oricărui produs conectat la o sursă de alimentare necorespunzătoare (curent, tensiune, frecvență)
 - oricărui produs utilizat cu un amestec de carburant necorespunzător (combustibil, ulei, proporții de adaos ulei)
 - oricărui defecțiune datorate unor influențe externe (chimice, fizice, șocuri) sau substanțe străine
 - uzurii și fisurării normale a pieselor de rezervă
 - utilizării neadecvate, suprasolicitării uneltei
 - utilizării de piese și accesorii neaprobate
 - Operațiunile de curățare sau reglare periodică a carburatoarelor
- Componentele (piese și accesorii) supuse uzurii și defectării normale, care includ, fără a se limita la manșoane de protecție, curele de transmisie, ambreiaj, lamele de la tăietoarele de arbore sau gazon, harnașamente, cablu de accelerație, perii de cărbune, cordon de alimentare, dinți, discuri de păslă, știfturi de siguranță, ventilatoare de suflantă, tuburi de aspirare sau suflare, sac de colectare resturi și banda de susținere a acestuia, bare de ghidare, lanțuri de fierăstrău, furtunuri, accesorii de conectare, duze de pulverizare, volante, baghete de pulverizare, moșoare interne, carcase exterioare pentru moșoare, fire tăietoare, bujii, filtre de aer, filtre de gaz, lame de tocător, etc.
4. Pentru efectuarea reparațiilor, produsul trebuie trimis sau adus la un centru de reparații autorizat RYOBI din lista următoare de centre de reparații prezentate pentru fiecare țară. În anumite țări, reprezentatul local RYOBI va trimite produsul spre reparare la sediul central de reparații RYOBI. Atunci când trimiteți produsul spre reparare la un centru de reparații RYOBI, acesta trebuie ambalat în siguranță, fără conținut periculos (cum ar fi benzină), marcat cu adresa expeditorului și însoțit de o scurtă descriere a defectului.
5. Repararea/înlocuirea în perioada de garanție este gratuită. Aceasta nu este însoțită de o prelungire sau o reințiere a perioadei de garanție. Piesele sau uneltele schimbate devin proprietatea dvs. În anumite țări, taxele de expediție sau postate vor fi suportate de expeditor. Drepturile dvs. statutare rezultate din achiziția produsului rămân neschimbate.
6. Această garanție este valabilă în Comunitatea Europeană, Elveția, Islanda, Norvegia, Liechtenstein, Turcia și Rusia. În afara acestor zone, vă rugăm să contactați reprezentantul dvs. local RYOBI pentru a determina dacă se aplică alt tip de garanție.

CENTRU DE SERVICE AUTORIZAT

Pentru a găsi un centru de service autorizat lângă dvs., vizitați <http://uk.ryobitools.eu/header/service-and-support/service-agents>.

LV RYOBI® GARANTIJAS PIEMĒROŠANAS NOSACĪJUMI

Papildus jebkādam likumiskajām tiesībām, kuras rodas, veicot pirkumu, izstrādājums tiek nodrošināts ar tālāk tekstā noteikto garantiju.

1. Garantijas periods patērētājiem ir 24 mēneši, tas atskaitē tiek sāktas no datuma, kurā veikta izstrādājuma iegāde. Šim datumam jābūt dokumentētā mērināvi vai citā pirkumu apliecināšos dokumentā. Izstrādājums ir radīts un paredzēts tikai patērētāja privātai lietošanai. Saisītībā ar iepriekšminēto, garantija netiek nodrošināta profesionālās vai komerciālās lietošanas gadījumā.
2. Pastāv iespēja pagarināt daļas no dārza instrumentu klāsta (Maignstrāvas/akumulatoru) garantiju ilgāk par iepriekš minēto periodu, izmantojot reģistrāciju interneta vietnē www.ryobitools.eu. Instrumenti, kas pakļauti garantijas perioda pagarināšanai, tiek skaidri apzīmēti veikalos un/vai uz iepakojuma un izstrādājumu komplektējošajā dokumentācijā. Gala lietotājam nepieciešams reģistrēt tā iegādātā jauno instrumentu 30 dienu laikā no pirkuma datuma. Gala lietotājs var reģistrēties pagarinātajai garantijai savā mītnes valstī, ja tā minēta tiešsaistes reģistrācijas veidlapā, kurā šī iespēja ir aktīva. Bez tam, gala lietotājam ir jāsniedz pierādīšana tiešsaistes ievadīšanai nepieciešamo datu glabāšanai un jāpiekrīt noteikumiem un nosacījumiem. Reģistrācijas apstiprinājums, kas tiek nosūtīts, izmantojot e-pastu, un rēķina oriģināls, kurā norādīts iegādes datums, kalpo kā pagarinātās garantijas apstiprinājums.
3. Garantija attiecas uz visiem izstrādājumu defektiem garantijas periodā, kas saistīti ar ražošanas vai materiālu defektiem no pirkuma datuma. Šī garantija tiek ierobežota ar remontu un/vai nomaiņu un neietver jebkādas citas saistības, tajā skaitā, bet ne tikai, cēloņsakarīgos vai saistītos bojājumus. Garantija nav spēkā, ja izstrādājums ir nepareizi lietots, izmantots pretēji norādēm lietošanas rokasgrāmātā vai bijis nepareizi pieslēgts. Šī garantija netiek attiecināta uz:
 - jebkādiem izstrādājuma bojājumiem, kas radušies nepareizas uzstādīšanas rezultātā
 - jebkuru izstrādājumu, kas ticis pārveidots vai mainīts
 - jebkuru izstrādājumu, kura oriģinālās identifikācijas (preču zīme, sērijas numurs) marķējums ir ticis nodzēsts, mainīts vai noņemts
 - jebkādiem bojājumiem, kuri radušies neievērojot norādes lietošanas rokasgrāmātā
 - jebkādam izstrādājumam bez CE sertifikācijas
 - jebkura izstrādājuma, kura remontu mēģinājis veikt nekvalificēts personāls vai bez Technonic Industries iepriekšējās autorizācijas.
 - jebkura izstrādājumam, kurš bijis pieslēgts neatbilstošu parametru (strāvas, sprieguma, frekvences) sprieguma avotam
 - jebkura izstrādājumam, kurš bijis izmantots ar nepareizu degvielas maisījumu (degviela, eļļa, eļļas procentuālais saturs)
 - jebkuriem bojājumiem, kuri radušies ārējas iedarbības (ķīmiskas, fiziskas, triecieni) vai vielu ietekmē
 - detaļu normāla lietošanas nodiluma rezultātā
 - nepareizas lietošanas vai instrumentu pārslodzes rezultātā
 - neapstiprinātu detaļu vai aprīkojuma lietošanas rezultātā
 - jebkādu periodiskus karburatoru regulēšanas darbus vai apkopes tīrīšanu
 - Komponentus (daļas un aksesuārus), kas pakļauti dabīgām nodilumam, ieskaitot, bet neaprobežojoties ar atslēgta pogām, piedziņas sīksnādi, saugojumu, krūmu šķēru un pļaujamātnu asmeņiem, uzskabēm, droseļu trošlētēm, oglekļa sukām, elektrības vadiem, tapām, filca aplākšņiem, sakābes tapām, pūtēja ventilatoriem, pūtēja un sūkšanas caurulēm, savākšanas maisiem un sīksnādi, vadotņu plankām, zaģu ķēdēm, šļūtenēm, savienojumu uzgaļiem, izsmidzinātāja uzgaļiem, riteņiem, izsmidzinātāja caurulēm, iekšējām spoļēm, ārējām spoļēm, pļaušanas aukām, aizdedzes svečēm, gaisa filtriem, degvielas filtriem, mulčēšanas asmeņiem, utt.
4. Servisa nodrošināšanai, izstrādājums ir jānodod pilnvarotā RYOBI servisa centrā, kas norādīts katrai valstij tālāk minētajā servisa centru adresei sarakstā. Dažās valstīs jūsu vietējais RYOBI izplatītājs uzņemas izstrādājuma nosūtīšanu uz RYOBI servisa organizāciju. Nosūtīt izstrādājumu uz RYOBI servisa centru, izstrādājuma jābūt droši iepakotam, tas nedrīkst saturēt bīstamas vielas kā degvielu, sūtījumam jābūt marķētam ar sūtītāja adresi un īsu kļūmes aprakstu.
5. Remonts/nomaiņa šīs garantijas ietvaros ir bezmaksas. Tas nerada garantijas perioda pagarināšanu vai jaunu garantiju. Nomaiņinātās daļas vai instrumentu kļūst par mūsu īpašumu. Dažās valstīs piegādes vai pasta izmaksas būs jāpamaksā sūtītājam. Jūsu likumiskās tiesības, kas nodibinās, iegādājoties instrumentu, paliek nemainīgas
6. Šī garantija ir spēkā Eiropas Kopienā, Šveicē, Islandē, Norvēģijā, Līhtenšteinā, Turcijā un Krievijā. Ārpus šīm teritorijām, lūdz, sazinieties ar jūsu pilnvaroto RYOBI izplatītāju, lai noteiktu, vai ir piemērojama cita garantija.

AUTORIZĒTS APKALPOŠANAS CENTRS

Lai atrastu tuvāko autorizēto apkalpošanas centru, apmeklējiet <http://uk.ryobitools.eu/header/service-and-support/service-agents>.

LT „RYOBI®“ GARANTIJOS TAIKIMO SĄLYGOS

Papildant bet kokias įstatymuose numatytas perkant atsižandčias teises, šiam įrenginiui taikoma toliau nurodyta garantija.

1. Vartotojams suteikiama 24 mėnesių trukmės garantija nuo įrenginio įsigijimo datos. Ši data turi būti nurodyta sąskaitoje faktūroje ar kitame pirkimą įrodančiame dokumente. Šis įrenginys skirtas tik vartotojų rinkai ir asmeniniam naudojimui. Todėl garantija netaikoma, jei įrenginys naudojamas profesinėms ar komercinėms reikmėms.
2. Įsigijus tam tikrus šio įrenginius (AC/DC), suteikiama galimybė pratęsti garantiją, kad ji galioūt ilgiau, nei nurodyta pirmiau, naudojantis registracija interneto svetainėje www.ryobitools.eu. Ar galima pratęsti įrenginio garantiją laikotarpi, aiškiai nurodoma parduotuvsė ir (arba) ant įrenginio pakuočės, ir (arba) įrenginio dokumentuose. Galutinis naudotojas turi užregistruoti savo naujai įsigytą įrenginį per 30 dienų nuo įsigijimo datos. Galutinis naudotojas gali registruotis išplėstinei garantijai savo gyvenamojoje šalyje, jei ji nurodyta internetinėje registracijos formoje, kurioje siūloma tokia galimybė. Be to, galutiniai naudotojai turi sutikti su duomenų, kuriuos reikia įvesti internetu, saugojimu ir svetainės naudojimo sąlygomis. Kaip išplėstinės garantijos įrodymas naudojamas registracijos patvirtinimo kvitas, atsiunčiamas el. paštu, ir originali sąskaita faktūra, kurioje nurodyta įsigijimo data.
3. Ši garantija apima visus garantiniui laikotarpiu aptiktus įrenginio trūkumus, atsiradusius dėl gamybos arba medžiaginių defektų nuo įsigijimo datos. Ši garantija ribojama remontu ir (arba) pakeitimu, ji neapima jokių kitų įsipareigojimų, įskaitant (bet tuo neapsiribojant) šalutinius arba antrinius nuostolius. Garantija anuliuojama, jei įrenginys buvo naudojamas netinkamai, naudojamas ne pagal naudojimo instrukciją arba netinkamai prijungtas. Ši garantija netaikoma:
 - jokiai įrenginiui padarytai žalai, kurią lėmė netinkama techninė priežiūra;
 - jokiai įrenginiui, kuris buvo keičiamas ar modifikuojamas;
 - jokiai įrenginiui, kurio originalūs identifikavimo ženklai (prekės ženklas, serijos numeris) buvo sugadinti, pakeisti arba pašalinti;
 - jokiai žalai, kurią lėmė naudojimo instrukcijos nesilaikymas;
 - jokiais CE ženklu nepažymėtais įrenginiais;
 - jokiai įrenginiui, kuri bandė remontuoti nekvalifikuoti asmenys arba kuris buvo remtuojamas be „Technonic Industries“ leidimo;
 - jokiai įrenginiui, kuris buvo prijungtas prie netinkamo maitinimo tinklo (netinkamos srovės, įtampos, dažnio);
 - jokiai įrenginiui, kuris buvo naudojamas su netinkamu degalų mišiniu (degalai, alyva, maišymo santykis);
 - jokiai žalai, kurią lėmė išorinis poveikis (cheminis, fizinis, smūgiai) arba pašalinės medžiagos;
 - dėvimosiomis dalimis;
 - netinkamam naudojimui, įrenginio perkrovai;
 - nepatvirtintų priedų arba dalių naudojimui;
 - detaļu reguliariam karburatorių reguliavimui arba priežiūros ir valymo darbams
 - Komponentams (dalims ir priedams), kurie natūraliai dėvisi, įskaitant (bet tuo neapsiribojant) spyruoklinės galvutės, pavaru diržus, sankabą, gyvatvorių genėtuvą ar žoliapjėvi geležtes, diržus, trosinį droselį, anglinius šepetėlius, maitinimo kabelį, virbus, fetro poveržles, prikabinimo kaiščius, pūstuvu ventilatorius, pūstuvu ir siurblio vamzdžius, siurblio maišą ir diržus, kreipiamuosius strypus, pjūkle grandines, žarneles, jungiamąsias detales, purškimo antgalius, ratus, purškimo liestukus, vidines rites, išorines rites, pjovimo vielą, uždegimo žvakės, oro filtras, dujų filtras, mulčiavimo geležtes ir pan.
4. Prireikus atlikti priežiūros darbus, įrenginį reikia siųsti arba atvežti RYOBI įgaliojotam priežiūros centrui, nurodytam kiekvienos šalies priežiūros centrų adresų sąraše. Kai kuriose šalyse vietinis RYOBI atstovas siunčia įrenginį RYOBI priežiūros organizacijai. Siunčiant įrenginį RYOBI priežiūros centrui, reikia saugiai jį supakuoti pašalinant visas pavojingas medžiagas, pvz., benzina, nurodyti ant pakuočės siuntėjo adresą ir pridėti trumpą gedimo aprašymą.
5. Pagal šią garantiją remontas / keitimas atliekami nemokamai. Tokie veiksmai netaikomi garantijos pratėsimu arba naujo garantinio laikotarpio pradžia. Dalys arba įrenginiai, kuriuos pakeitėme, tampa mūsų nuosavybe. Kai kuriose šalyse pristatymo ir pašto išlaidas turi padengti siuntėjas. Įstatymuose numatytos jūsų teisės, atsižandčios perkant įrenginį, lieka nepakeistos
6. Ši garantija galioja Europos bendrijoje, Šveicarijoje, Islandijoje, Norvegijoje, Lichtenšteine, Turkiijoje ir Rusijoje. Jei gyvenate ne šiose šalyse, kreipkitės į įgaliojantį RYOBI atstovą ir sužinokite, ar jums taikoma kita garantija.

ĮGALIOJOTAS TECHININĖS PRIEŽIŪROS CENTRAS

Jei norite surasti įgaliojatą techninės priežiūros centrą netoli Jūsų, apsilankykite interneto svetainėje <http://uk.ryobitools.eu/header/service-and-support/service-agents>.

ET RYOBI® GARANTIINGIMUSED

Lisaks toote ostust tulenevatele seadusjärgsetele õigustele, kehtib tootele ka alltoodud garantiiga.

1. Tarbijatele on garantiiaeg 24 kuud ja algab sellel kuupäeval, mil toode osteti. Selle kuupäeva tõestuseks on vaja arvet või mõnda teist tõendit ostu sooritamise kohta. Toode on mõeldud etarbijatele ainult isiklikeks kasutamiseks. Seega ei kehti garantiid ostu kasutamisel kutsetegevuses või kaubanduslikel eesmärkidel.
2. Teatud osale (vahelduvvoolu/alalisvoolu) aiatööriistadele on võimalik pikendada eespool toodud garantiiaega, kasades toote registreerimist veebilehel www.ryobitools.eu. Teave tööriista võimaliku pikendatud garantiiaja kohta on selgelt esile toodud poodides ja/või pakendil / ning see sisaldub toote dokumentatsioonis. Lõpptarbijaja peab registreerima oma uued tööriistad interneti teel 30 päeva jooksul pärast ostupäeva. Lõppkasutaja võib registreerida pikendatud garantiiaja saamise oma elukohariigis, kui veebis olevas registreerimisvormis on see valik lubatud. Lisaks peavad kasutajad andma oma nõusoleku veebis nõutud sisestatavate andmete säilitamiseks ning nad peavad nõustuma tingimustega. E-posti teel saadetav registreerimise kinnitus ja arve originaal, kus on näha ostu sooritamise kuupäev, on pikendatud garantiiaja tõestuseks.
3. Garantiid katab kõik defektid toote garantiiaja jooksul, kui ostu kuupäeval ilmnevad talitus- või materjalivead. Garantiid piirub toote remondi ja/või väljavahetamisega ning ei sisalda muid kohustusi, muu hulgas ettenägematuid või kaudseid kahjusid. Garantiid ei kehti, kui toodet ei ole kasutatud sihtotstarbeliselt või kooskõlas kasutusjuhendiga või see on valesti ühendatud. Garantiid ei kehti järgmistel põhjustel:
 - toode on kahjustatud vale hoolduse tõttu
 - toode on muudetud
 - toote algupärased identifitseerimismärgised (kaubamärk, seerianumber) on rikutud, muudetud või eemaldatud
 - kahju on tekkinud kasutusjuhendi mittejärgimisest
 - tootel puudub CE-märgis
 - toode on püüdnud remondida vastavat kvalifikatsiooni mitte omav isik või ilma firma Techtronic Industries eelneva loata.
 - toode on ühendatud valesse teiteallikasse (voolutugevus, pinge, sagedus)
 - tootega kasutati sobimatut kütusesegu (kütus, õli, õli protsent)
 - välismõjude (keemilised, füüsilised, elektrilöögid) või võõrkehade tekitatud kahju
 - tavapärase kulumine ja katkised varuosad
 - ebaõige kasutamine, tööriista ülekoormamine
 - heakskiitmata tarvikute või osade kasutamine
 - Karburaatorite korralised reguleerimistööd või hooldus- ja puhastustööd
 - Komponendid (osad ja tarvikud), mida iseloomustab kulumine ja vananemine, muu hulgas puutenupud, kiilrihmad, sidur, heklõikurite või muruniidukite lõiketerad, rakmed, gaasitorid, süsinikharjad, toitejuhe, freesiterad, vildist seibid, tihvtid, õhuvventilaatorid, puhuri- ja imuritord, kogumiskott ja riimad, juhikud, saeketid, voolikud, liitmikud, pihusti otsakud, rattad, pritsi varred, sisemised poolid, välismised poolid, jõhvid, süteküünlad, õhufiltrid, gaasifiltrid, multšimisterad jne.
4. Hoolduseks peab toote saatma või viima RYOBI tootjate teenindusse, mille aadressi leiata järgnevast teeninduspunkti nimekirjast vastava riigi alt. Mõnedes riikides võtab kohalik RYOBI edasimüüja enda kanda kohustuse saata toode RYOBI teenindusorganisatsiooni. Toote saatmisel RYOBI teenindusse peab toode olema ohutult pakitud ja ei tohi sisaldada ohtlikke aineid (nt bensiini), kirjas peab olema saatja aadress ja lisatud vea lühikirjeldus.
5. Garantiid alusel tehtavad remonditööd / asendamine on tasuta. See ei pikenda garantiid kehtivusaega ega tähista uue garantiiaja algust. Väljavahetatud osad või tööriistad kuuluvad meile. Mõnedes riikides maksab kätetoimetamis- ja postikulud saatja. Teile jäävad kehtima tööriista ostust tulenevad seadusjärgsed õigused
6. See garantiid kehtib Euroopa Ühenduse territooriumil, Šveitsis, Islandil, Norras, Liechtensteinis, Türgis ja Venemaal. Väljaspool neid piirkondi võtke ühendust volitatud RYOBI edasimüüjaga, et teha kindlaks kas kehtib mõni teine garantiid.

VOLITATUD HOOLDUSKESKUS

Oma volitatud hoolduskeskuse leiata veebisaidil <http://uk.ryobitools.eu/header/service-and-support/service-agents>.

HR UVJETI PRIMJENE JAMSTVA TVRTKE RYOBI®

Osim svim zakonskim pravima koja proizlaze iz kupnje, ovaj je proizvod pokriven jamstvom kako je navedeno u nastavku.

1. Jamstveno razdoblje za potrošače traje 24 mjeseca i počinje s datumom na koji je proizvod kupljen. Taj datum mora se dokumentirati računom ili drugim dokazom o kupnji. Proizvod je konstruiran i namijenjen samo za privatnu upotrebu korisnika. Stoga se jamstvo ne daje u slučaju profesionalne ili komercijalne uporabe.
2. Postoji mogućnost da se za dio asortimana vrtnih alata pokretanih izmjeničnom strujom (AC/DC) proizvodi gore navedeno jamstveno razdoblje putem registriranja na mrežnom mjestu www.ryobitools.eu. Uvjeti koje je potrebno zadovoljiti kako bi se produžilo jamstveno razdoblje jasno su istaknuli u prodavaonicama i / ili na pakiranju i u nalaze se unutar dokumentacije proizvoda. Krajnji korisnik mora registrirati svoje novo kupljene alate na mreži u roku od 30 dana od datuma kupnje. Krajnji korisnik može se registrirati za produženo jamstvo u svojoj zemlji boravišta ako se nalazi na popisu u mrežnom obrascu za registraciju gdje je ta opcija važeća. Nadalje, krajnji korisnici moraju dati svoj pristanak na pohranu podataka koji su potrebni za mrežni ulazak i moraju prihvatiti odredbe i uvjete. Potvrda o prijemu registracije, koja se šalje putem e-pošte, kao i originalni račun s vidljivim datumom kupnje poslužat će kao dokaz produženog jamstva.
3. Jamstvo pokriva sve nedostatke proizvoda tijekom jamstvenog razdoblja koji su nastali zbog neispravnosti prilikom izrade ili materijala s datumom kupnje. Jamstvo je ograničeno na popravak i/ili zamjenu i ne obuhvaća nikakve druge obveze, uključujući, ali ne ograničavajući se na slučajne ili posljedne štete. Jamstvo ne vrijedi ako je proizvod bio zlorabljivan, korišten u suprotnosti s priručnikom s uputama ili ako je pogrešno spojen. Ovo jamstvo ne primjenjuje se na:
 - svako oštećenje proizvoda koje je rezultat nepravilnog održavanja
 - svaki proizvod koji je izmijenjen ili modificiran
 - svaki proizvod gdje su originalne identifikacijske oznake (zaštitni znak, serijski broj) izbrisane, zamijenjene ili uklonjene
 - svako oštećenje uzrokovano neprirodavanjem korisničkog priručnika
 - svaki proizvod koji nije CE
 - svaki proizvod koji je pokušao popraviti neovlašten profesionalac ili bez prethodnog odobrenja od strane Techtronic Industries
 - svaki proizvod priključen na nepravilno napajanje energijom (amperi, napon, frekvencija)
 - Svaki proizvod korišten s neodgovarajućom mješavinom (gorivo, ulje, postotak ulja)
 - svako oštećenje uzrokovano vanjskim utjecajima (kemijsko, fiziko, udar) ili stranim stvarima
 - normalno trošenje i habanje rezervnih dijelova
 - nepravilno korištenje, preopterećenje alata
 - korištenje neodobrenog dodatnog pribora ili dijelova
 - rasplinjača nakon 6 mjeseci, podcavijanje rasplinjača nakon 6 mjeseci
 - komponente (dijelovi i dodatni pribor) koji su predmet prirodnog trošenja i habanja, uključujući no ne ograničavajući se na gumbe za otpuštanje, pogonske remene, spojku, oštrice trimera za grmlje ili kosilicu, kope, sajlje gasa, ugljene četke, kabele za napajanje, nožve, podloške, ztkice za globnu vezu, ventilatore puhalice, cijevi za ispuhavanje i usisavanje, vakuumske vrećice i trake, vodilice, lance pile, crijeva, priključene elemente, mlaznice za raspršivanje, kodače, koplja za raspršivanje, unutarnje kolute, vanjske kaleme, flaksove, svjećice, filtre za zrak, filtre za plin, oštrice za usitnjavanje itd.
4. Za potrebe servisiranja, proizvod se mora poslati ili odnijeti u ovlaštenu servisnu postaju tvrtke RYOBI navedenu na sljedećem popisu s adresama servisnih postaja u svakoj zemlji. U nekim zemljama, vaš lokalni RYOBI zastupnik obvezuje se da će poslati proizvod u servisnu organizaciju tvrtke RYOBI. Kada se proizvod šalje u neku servisnu postaju tvrtke RYOBI, proizvod se mora sigurno pakirati bez jednog od opasnih sadržaja kao što je benzin, na njemu mora pisati adresa pošiljalca i mora biti popraćen kratkim opisom kvara.
5. Popravak / zamjena pod ovim jamstvom su besplatni. Oni ne predstavljaju produženje ili novi početak jamstvenog razdoblja. Zamijenjeni dijelovi ili alati postaju naše vlasništvo. U nekim državama troškove isporuke ili poštarinu mora platiti pošiljalac. Vaša zakonska prava koja proizlaze iz kupnje alata ostaju nepromijenjena
6. Ovo jamstvo vrijedi u Europskoj uniji, Švicarskoj, Islandu, Norveškoj, Lihtenštajnu, Turskoj i Rusiji. Izvan tih područja vas molimo da se obratite svojem ovlaštenom zastupniku tvrtke RYOBI kako biste utvrdili primjenjuje li se drugo jamstvo.

OVLÁŠTENI SERVISNI CENTAR

Za pronalazjenje ovlaštenog servisnog centra pored vas posjetite <http://uk.ryobitools.eu/header/service-and-support/service-agents>.

SL POGOJI ZA VELJAVNOST GARANCIJE RYOBI®

Poleg morebitnih zakonsko določenih pravic, ki izvirajo iz nakupa, za ta izdelek velja spodaj navedena garancija.

- Garancijsko obdobje je za potrošnike 24 mesecev in začne teči z dnem nakupa izdelka. Ta datum mora biti dokumentiran z računom ali drugim dokazilom o nakupu. Izdelek je zasnovan in namenjen izključno za potrošniško zasebno uporabo. V primeru strokovne oziroma komercialne uporabe izdelka garancija ne velja.
- Obstaja možnost podaljšanja garancije na del naše ponudbe vrtnih orodij (AC/DC) prek obdobja garancije, opisanega zgoraj, s pomočjo registracije na spletnem mestu www.ryobitools.eu. Ustreznost orodij za podaljšanje garancijskega obdobja je jasno prikazana v trgovinah in/ali na embalaži oziroma je navedena v dokumentaciji izdelka. Končni uporabnik mora registrirati svoje novo orodje na spletu v 30 dneh po datumu nakupa. Končni uporabnik lahko registrira podaljšano garancijo v svoji državi bivanja, če je na obrazcu spletne registracije navedeno, da ta možnost velja za njegovo državo. Poleg tega morajo končni uporabniki podati svoje soglasje za shranjevanje podatkov, ki so potrebni za spletno državo in morajo sprejeti pogoje in določila uporabe spletnega mesta. Potrdilo o registraciji, ki ga pošljemo prek e-pošte, in originalni račun, ki prikazuje datum nakupa, služita kot dokazilo o podaljšani garanciji.
- Garancija krije vse okvare izdelka, do katerih pride v garancijskem obdobju zaradi napak v izdelavi ali materialu, ki so bile prisotne ob datumu nakupa. Garancija je omejena na popravilo in/ali zamenjavo in ne vključuje nobenih drugih obveznosti, med drugim vključno z naključno ali posledično škodo. Garancija ne velja, če je bil izdelek napačno uporabljen, uporabljen v nasprotju z navodili iz priročnika za uporabo ali če ni bil pravilno povezan. Ta garancija ne velja za:
 - škodo na izdelku, ki je posledica neustreznega vzdrževanja
 - spremenjen ali prilagojen izdelek
 - izdelek, katerega originalna identifikacijska oznaka (blagovna znamka, serijska številka) je bil poškodovan, spremenjena ali odstranjena
 - škodo, ki je posledica neupoštevanja navodil iz priročnika za uporabo
 - izdelek, ki nima oznake CE
 - izdelek, ki ga je poskušal opraviti ne kvalificiran strokovnjak ali ki je bil popravljen brez predhodne odobritve s strani družbe Techtronic Industries.
 - izdelek, ki je bil povezan na neustrezno napajanje (amperska moč, napetost, frekvenca)
 - izdelek, ki je bil uporabljen z neustrezno mešanico goriva (gorivo, olje, odstotek olja)
 - škodo, ki jo povzročijo zunanji vplivi (kemični, fizični, mehanski) ali tuje snovi
 - rezervne dele, ki so podvrženi običajni uporabi
 - neprimerno uporabo, preobremenitev orodja
 - uporabo neodobrenih dodatkov ali delovVsako redno prilagajanje ali vzdrževalno čiščenje uplinjačev
- Komponente (sestavni in rezervni deli), ki so podvrženi običajni obrabi, med drugim vključno z gumbi odbijača, pogonskimi jermeni, sklopko, rezili obrezovalnikov za žive meje ali kosilnic za trato, nosilnimi pasovi, kabli, dušilnimi ventili, oglikovimi krtačami, napajalnimi kabli, zobci, tesnili iz filca, veznimi zatiči, ventilatorji pihalnika, cevni pihalnika in sesalnika, vrečko in pasovi sesalnika, vodilnimi palicami, verigami motorne žage, cevami, priključki, razpršilnimi šobami, kolesi, razpršilnimi palicami, notranjimi kolesci, zunanji motki, rezalnimi vrvicami, vžigalnimi svečkami, zračnimi filtri, plinskimi filtri, rezili za mulčenje itd.
- Za servisiranje morate izdelek poslati ali prnesti v pooblaščen servisni center družbe RYOBI, ki je naveden za vsako državo in naslednjem seznamu naslovov servisnih centrov. V nekaterih državah se vaš lokalni posrednik družbe RYOBI obveže, da bo poslal izdelek na servis družbe RYOBI. Ko pošiljate izdelek v servisni center družbe RYOBI, mora biti izdelek varno zapakiran in ne sme vsebovati nobenih nevarnih snovi, kot je npr. bencin, opremljen pa mora biti z naslovom pošiljatelja in vsebovati kratek opis napake.
- Popravilo/zamenjava v skladu s to garancijo sta brezplačni storitvi. To pa ne predstavlja podaljšanja ali ponovnega začetka garancijskega obdobja. Zamenjani deli ali orodja postanejo naša last. V nekaterih državah stroške dostave ali poštno plača pošiljatelj. Vaše zakonsko določene pravice, ki izvirajo iz nakupa orodja, ostajajo nespremenjene.
- Ta garancija velja v Evropski skupnosti, Švici, Islandiji, na Norveškem, v Lihtenštajnu, v Turčiji in Rusiji. Izven teh območij se obrnite na svojega pooblaščenega posrednika izdelkov RYOBI, dealer ki vam bo povedal, ali velja kakšna druga garancija.

POOBLAŠČEN SERVISNI CENTER

Pooblaščen servisni center blizu vas poiščite na <http://uk.ryobitools.eu/header/service-and-support/service-agents>.

SK ZÁRUČNÉ PODMIENKY RYOBI®

Na tento výrobok sa okrem všetkých zákonných práv, vyplývajúcich z nákupu, vzťahuje záruka v nasledovnom znení.

- Záručná doba pre spotrebiteľa je 24 mesiacov a začína plynúť odo dňa, kedy bol výrobok zakúpený. Tento dátum musí byť doložený faktúrou alebo iným dokladom o zakúpení. Výrobok je navrhnutý a určený pre spotrebiteľov a len na súkromné používanie. Preto sa záruka sa neposkytuje v prípade použitia na profesionálne a komerčné účely.
- V prípade záhradného náradia (na striedavý/jednosmerný prúd AC/DC), existuje možnosť predĺženia záručnej doby oproti záručnej dobe, uvedenej vyššie, s využitím on-line registrácie na webovej stránke www.ryobitools.eu. Označenie na náradí o nároku na predĺženie záručnej doby je zreteľne uvedené v obchodoch a/alebo na obale a je uvedené v dokumentácii k výrobku. Koncový používateľ musí zaregistrovať svoje novozískané náradie on-line do 30 dní odo dňa nákupu. Koncový používateľ sa môže zaregistrovať na predĺženie záruky v krajine svojho bydliska, ak je v on-line registračnom formulári uvedená táto možnosť. Ďalej musia koncoví používatelia ešte dať svoj súhlas k uchovávaní údajov, ktoré je potrebné zadať on-line a musia súhlasiť s podmienkami. Potvrdenie o prijatí registrácie, ktorá je zasielané e-mailom a originálna faktúra, v ktorej je uvedený dátum nákupu, slúžia ako dôkaz o predĺženej záruke.
- Záruka sa vzťahuje na všetky poruchy výrobku v záručnej dobe, spôsobené chybami materiálu alebo spracovania k dátumu nákupu. Táto záruka je omezená na opravu a/alebo výmenu a nezahŕňa žiadne ďalšie povinnosti, vrátane, okrem iných, náhodné alebo následné škody. Táto záruka je neplatná, ak bol výrobok nesprávne používaný, bol používaný v rozpore s návodom na použitie alebo bol nesprávne zapojený. Táto záruka sa nevzťahuje na:
 - akékoľvek poškodenie výrobku, ktoré bolo spôsobené nesprávnou obsluhou
 - akýkoľvek výrobok, ktorý bol zmenený alebo upravený
 - akýkoľvek výrobok, na ktorom bolo poškodené, upravené alebo odstránené identifikačné označenie (ochranná známka, výrobné číslo)
 - akékoľvek škody, spôsobené nedodržaním návodu na obsluhu
 - akýkoľvek výrobok, ktorý neobsahuje označenie CE
 - akýkoľvek výrobok, ktorý sa pokúšal opraviť nekvalifikovaný odborník alebo bol opravovaný bez predchádzajúceho súhlasu zo strany spoločnosti Techtronic Industries.
 - akýkoľvek výrobok, pripojený k nesprávnemu napájaciemu zdroju (ampéry, napätie, frekvencia)
 - akýkoľvek výrobok, používaný s nesprávnou palivovou zmesou (palivo, olej, percento oleja)
 - akékoľvek poškodenia, spôsobené vonkajšími vplyvmi (chemickými, fyzikálnymi, nárazmi) alebo cudzorodými látkami
 - bežné opotrebovanie náhradných dielov
 - nehodné použitie, preťažovanie nástroja
 - používanie neschváleného príslušenstva a dielov
 - Akékoľvek pravidelné úpravy alebo čistenie karburátorov, vykonávaných vrámci údržby
 - Súčiastky (diely a príslušenstvo), ktoré podliehajú prirodzenému opotrebeniu, okrem iných, otočné gombíky, hnače remene, spojka, nože na nožnice na živý plot alebo kosačky na trávu, popruhy, lanko škrtiacej klapky, uhľiky, napájací kábel, radičky, plstené podložky, závesné klice, lopatky fúkačov, trubice vysávača a fúkača, vak do vysávača a popruhy, vodiace lišty, reťazové píly, hadice, spojovacie armatúry, trysky, kolesá, striekacie rúrky, vnútorné cievky, vonkajšie cievky, žacie lanká, zapalovacie sviečky, vzduchové filtre, benzínové filtre, mulčovacie nože atď.
- Na opravu musí byť výrobok odoslaný alebo doručený do autorizovaného servisného strediska RYOBI, uvedeného pre každú krajinu v nasledovnom zozname adries servisných stredísk. V niektorých krajinách miestny zástupca RYOBI preberá na seba záväzok zaslať tovar do servisnej organizácii RYOBI. Pri odosielaní výrobku do servisného strediska RYOBI je potrebné výrobok bezpečne zabaliť bez akéhokoľvek nebezpečného obsahu, ako je benzín, s vyznačením adresy odosiadateľa, s krátkym popisom poruchy.
- Oprava/výmena je vrámci tejto záruky bezplatná. Neznamená to predĺženie záruky alebo spustenie novej záručnej doby. Vymenené diely alebo nástroje sa stávajú našim vlastníctvom. V niektorých krajinách náklady na odoslanie alebo poštné musí zaplatiť odosiadateľ. Vaše zákonné práva, vyplývajúce z nákupu náradia, zostávajú nedotknuté
- Táto záruka platí v Európskej únii, Švajčiarsku, Islande, Nórsku, Lihtenštajnsku, Turesku a Rusku. Ak sa nachádzate mimo týchto oblastí, obráťte sa na autorizovaného predajcu RYOBI na určenie, či sa dá uplatniť iná záruka.

AUTORIZOVANÉ SERVISNÉ CENTRUM

Ak chcete nájsť najbližšie autorizované servisné centrum, navštívte stránku <http://uk.ryobitools.eu/header/service-and-support/service-agents>.

BG УСЛОВИЯ ЗА ВАЛИДНОСТ НА ГАРАНЦИЯТА НА RYOBI®

В допълнение към законоустановените права, произтичащи от покупката, този продукт е обхванат от гаранция, както е изложено по-долу.

- Гаранционният срок е 24 месеца за клиенти и започва да тече от деня на закупуване на продукта. Тази дата трябва да се докаже с фактура или друго доказателство за покупка. Продуктът е изработен и предназначен само за потребителска и лична употреба. Следователно не се дава гаранция в случай на използване от професионалисти или с търговска цел.
- Съществува възможност за удължаване на гаранционния срок за част от диалогана на гаранцията на градински инструменти (AC/DC) след изтичането на описания тук чрез регистрация на уеб сайта www.ryobitools.eu. В магазините и/или на опаковката или вътре в документацията на продукта е показано ясно дали инструментът отговаря на условията за такова удължаване на гаранционния срок. Крайният потребител трябва да регистрира своите новопридобити инструменти онлайн в рамките на 30 дни от датата на покупка. Крайният потребител може да се регистрира за удължена гаранция в държавата си на пребиваване, ако е посочена във формуляра за онлайн регистрация като място, където тази опция е валидна. Освен това крайните потребители трябва да дадат съгласието си за съхранение на данните, които са задължителни за попълване онлайн, и трябва да приемат общите условия. Полученото потвърждение за регистрация, изпратено по електронна поща, и оригиналната фактура, показваща датата на покупка, ще служат като доказателство за удължената гаранция.
- Гаранцията покрива всички дефекти на продукта по време на гаранционния срок, които се дължат на проблеми в изработката или материалите към момента на покупката. Гаранцията е ограничена до ремонт и/или замяна и не включва други задължения, включително, но не само, случайни или косвени щети. Гаранцията е невалидна, ако продуктът е използван неправилно или в противоречие с ръководството с инструкции, както и ако е свързан неправилно. Тази гаранция не важи за:
 - щети по продукта в резултат на неправилна профилактика
 - продукти, които са били изменени или модифицирани
 - продукт, при който оригиналните маркировки за идентификация (търговска марка, сериен номер) са изтрити, променени или премахнати
 - повреда, причинена от неспазване на ръководството с инструкции
 - продукт без CE маркировка
 - продукт, за който е направен опит за ремонт от неквалифициран специалист или без предварително разрешение от Techtronic Industries.
 - продукт, свързан към неподходящо електрохранване (ампераж, волтаж, честота)
 - продукт, използван с неподходяща горивна смес (гориво, масло, процент масло)
 - щети, причинени от външни влияния (химични, физични, удари) или чужди вещества
 - нормално износване на резервни части
 - неподходяща употреба, претоване на инструментите
 - използване на неодобрен аксесоари или части
 - Всякакви периодични настройки или почистване с цел извършване на поддръжка на карбуратори
 - Компоненти (части и аксесоари), подложени на естествено износване, включително, но не само, копчета за тласкане, задвижващи ремъци, съединители, остриета на ножици за жив плет или косачки за трева, пресрама, кабелен дросел, карбонови четки, ذخаранващ кабел, остриета, филцови шабви, осигурителни шифтове, вентилатори на уреди за обдухване, тръби за обдухване и всмукване, торба за отпадъци и ремъци, водещи шини, вериги за триони, маркучи, фитинги на конектори, дюзи, копела, пръскалки, вътрешни и външни макири, режещо влакно, запалителни свещи, въздушни филтри, горивни филтри, остриета за мулчиране и др.
- За обслужване продуктът трябва да се изпрати или занесе на оторизиран сервиз на RYOBI, посочен за всяка държава в следния списък с адреси на сервиси. В някои държави местният търговец на RYOBI носи отговорността да изпрати продукта до сервизен център на RYOBI. При изпращане на продукт до сервиз на RYOBI той трябва да е опакован безопасно без опасност съдържание, напр. бензин, да е маркиран с адреса на подателя и придружен от кратко описание на повредата.
- Ремонтът/замяната по силата на тази гаранция са безплатни. Те не водят до удължаване или подновяване на гаранционния срок. Сменените части или инструменти стават наша собственост. В някои държави таксите за доставка или изпращане трябва да се платят от подателя. Законоустановените ви права, произтичащи от закупуването на инструмента, остават незасегнати
- Тази гаранция е валидна в Европейската общност, Швейцария, Исландия, Норвегия, Лихтенщайн, Турция и Русия. Извън тези области се свържете с упълномощения търговец на RYOBI, за да се установи дали е приложима друга гаранция.

УПЪЛНОМОЩЕН СЕРВИЗЕН ЦЕНТЪР

За да намерите упълномощен сервизен център близо до вас, посетете <http://uk.ryobitools.eu/header/service-and-support/service-agents>.

UK ГАРАНТИЙНИ УМОВИ ДЛЯ RYOBI®

Окрім загалом установлених законом прав, що стосуються покупки, цей пристрій покривається гарантією, що зазначено нижче.

- Гарантійний період для споживачів складає 24 місяці і починається з моменту придбання цього пристрою. Ця дата повинна бути задокументована у гарантійному талоні або чеку, що підтверджує покупку. Цей пристрій був розроблений і призначений тільки для споживчого та приватного використання. У разі професійного або комерційного використання цього пристрою, він втрачає гарантію.
- Існує можливість продовжити гарантійний період, понад період описаний вище, для частини лінійки садових інструментів (перемінного/ постійного струму) за допомогою реєстрації на сайті www.ryobitools.eu. Пристрої, які мають право на подовження гарантійного періоду, мають чіткі позначки щодо цього в магазинах і / або на упаковці / та документаші до пристрою. Кінцевий користувач повинен зареєструвати його/її новопридбаний пристрій онлайн протягом 30 днів з дати покупки. Кінцевий користувач може зареєструватися для подовження гарантійного періоду в своїй країні постійного перебування, якщо вона є доступною у відповідній опції онлайн форми реєстрації. Крім того, кінцеві користувачі повинні дати свою згоду на зберігання даних, які необхідні для введення онлайн, а також вони повинні прийняти правила та умови. Отримання підтвердження реєстрації, яке відправляється на адресу електронної пошти, та оригінал гарантійного талона із зазначеною датою покупки буде слугувати доказом подовженої гарантії.
- Гарантія поширюється на всі дефекти пристрою протягом гарантійного терміну щодо недотримання стандартів виробництва або матеріалів на дату придбання. Гарантія обмежується ремонтом та/або заміною, та не включає в себе будь-яких інших зобов'язань, в тому числі, але необмежена у разі випадкових та подальших пошкоджень. Гарантія не діє, якщо пристрій використовувався неналежним чином, всупереч інструкції з експлуатації або був неправильно підключений до мережі. Дана гарантія не поширюється на:
 - пристрої, що були пошкоджені у результаті неправильного технічного обслуговування;
 - пристрої, що були видозмінені або модифіковані;
 - пристрої, оригінальні ідентифікаційне (товарний знак, серійний номер) маркування яких було пошкоджене, змінене або видалено;
 - будь-які пошкодження, заподіяні недотриманням інструкції з експлуатації;
 - пристрої, що не мають маркування CE;
 - пристрої, що були відремонтовані некваліфікованим фахівцем або за відсутності попереднього дозволу від Techtronic Industries;
 - пристрої, підключені до невідповідного джерела живлення (сила току, напруження, частота);
 - пристрої, що використовувались із невідповідною паливною сумішшю (паливом, оливою, відсотковою часткою оливи);
 - будь-які пошкодження спричинені зовнішнім впливом (хімічними, фізичним, стрибком напруги) або сторонніми речовинами;
 - нормальну амортизацію запасних частин;
 - невідповідне використання, перевантаження пристрою;
 - використання невідтермованих запасних частин або аксесуарів;
 - Будь-які періодичні коригування або технічне очищення карбураторів
 - Компоненти (частини та аксесуари) з урахуванням нормального зношування, враховуючи але без обмеження на імпульсні кнопки, реміні приводу, зчеплення, леза куцоріза або газонокосарки, реміні, троси дросельного клапану, вугільні щітки, шнурки живлення, зубці, фетрові підкладки, зліпні штирці, вентилятори повітродувки, трубки пилососа та повітродувки, вакуумні мішки та наклади, напрямні, панцюги, гнучкі шланги, з'єднувальні фітинги, розпилювальні насадки, колеса, жорсткі сопла, внутрішні катушки, зовнішні золотники, ріжучу волосінку, свічки запалення, повітряні фільтри, протигазові фільтри, мультувальні леза, т.д.
- Для обслуговування, пристрій має бути відправлений або поданий до одного з авторизованих сервісних центрів RYOBI, які перелічені для кожної країни у наступному переліку адрес сервісних центрів. У деяких країнах місцевий дилер RYOBI зобов'язується відправити пристрій до сервісного центру RYOBI. При відправленні пристрою до сервісного центру RYOBI, пристрій має бути надійно упакуваний для будь-якого безбезпечного вмісту, наприклад бензину, з позначеною адресою відправника та супроводжується коротким описом несправності.
- Ремонт / заміна відповідно до цієї гарантії здійснюється безкоштовно. Це не є основою для подовження або початку нового гарантійного періоду. Замінені частини або прилади переходять до власності компанії. У деяких країнах вартість доставки або поштові витрати повинні бути сплачені відправником. Загально встановлені права покупця на пристрій залишаються незмінними
- Ця гарантія діє в Європейському Союзі, Швейцарії, Ісландії, Норвегії, Лихтенштейні, Туреччині та Росії. За межами цих зон, будь ласка, зверніться до офіційного дилера RYOBI, щоб визначити, чи застосовується інша гарантія.

АВТОРИЗОВАНІ СЕРВІСНІ ЦЕНТРИ

Для отримання оновленого переліку авторизованих сервісних центрів, відвідайте <http://uk.ryobitools.eu/header/service-and-support/service-agents>.

TR RYOBI® GARANTİ UYGULAMA KOŞULLARI

Alımdan kaynaklanan yasal haklara ek olarak, ürün aşağıda belirtilen garanti kapsamındadır.

1. Tüketiciler için 24 ay olan garanti süresi, ürünün satın alındığı tarihte başlar. Bu tarihin bir fatura ya da alım kantıtyla belgelenmesi gerekir. Ürün sadece tüketim ve özel kullanım için geliştirilmiş ve adanmıştır. Bu nedenle, profesyonel ya da ticari kullanım halinde garanti kapsamı sağlanmaz.
2. Bahçe aletlerinin bir bölümü (AC/DC) için www.ryobitools.eu sayfasındaki kayıt işlemini kullanarak garantinin belirtilen sürenin ötesine uzatma imkanı mevcuttur. Aletlerin garanti süresinin uzatılmasına uygun olup olmadığı mağazalarda ve / veya ambalajda açıkça belirtilmiş olup, ürün dokümantasyonunda gösterilir. Son kullanıcının yeni aldığı aletleri satın alma tarihini izleyen 30 gün içinde kaydettirmesi gerekir. Son kullanıcı ikamet ettiği ülkede, bu seçeneğin geçerli olduğu çevrimiçi kayıt formunda belirtilmişse, uzatılmış garanti süresi için kayıt yaptırabilir. Dahası, son kullanıcıların çevrimiçi giriş için gerekli verilerin kaydedilmesine izin vermemi ve hüküm ve koşulları kabul etmelidir. E-posta ile gönderilen kayıt teyit makbuzu ve alım tarihini gösteren orijinal fatura uzatılmış garantinin kanıtı olarak değerlendirilir.
3. Garanti, ürünün alım tarihindeki işçilik ve malzeme kusurları nedeniyle garanti süresi içinde oluşacak bütün arızalarını kapsar. Bu garanti onarım ve değiştirmeyle sınırlı olup, tesadüfi ya da dolaylı hasarlar da dahil, ancak bunlarla kısıtlı olmayan başka hiçbir taahhüdü kapsamaz. Garanti, ürünün kötü, kullanıcı kılavuzuna aykırı kullanılmış ya da yanlış bağlanmış olması halinde geçerli değildir. Bu garanti aşağıdakileri kapsamaz:
 - ürende, yanlış bakımdan kaynaklanan herhangi bir hasar
 - değiştirilmiş ya da modifiye edilmiş herhangi bir ürün
 - orijinal tanıtmı işaretleri (ticari marka, seri numarası) silinmiş, değiştirilmiş ya da kaldırılmış herhangi bir ürün
 - kullanma kılavuzuna uymamaktan kaynaklanmış herhangi bir hasar
 - herhangi bir AT dışı ürün
 - kalifiye olmamış personel tarafından ya da önceden Techtronic Industries onayı alınmadan onarılmış herhangi bir ürün.
 - uygunsuz güç kaynağına (amper, voltaj, frekans) bağlanmış herhangi bir ürün
 - uygunsuz bir yakıt karışımıyla (yakıt, yağ, yap yüzdesi) kullanılmış herhangi bir ürün
 - harici etkenlerden (kimyasal, fiziksel, darbe) veya yabancı cisimlerden kaynaklanan her türlü hasar
 - normal aşınır ve yıpranır aksam
 - uygunsuz kullanım, aletin aşırı yüklenmesi
 - onaysız aksesuar veya parça kullanımı
 - Karbüratörlere uygulanacak her türlü periyodik ayar, bakım veya temizlik
 - Darbe Düğmeleri, Tahrir Kayışları, Kavrama, Çit Budama ya da Çim Bıçme Makinelerinin Bıçakları, Kayış Koşumlar, Kablo Gaz, Kömür Fırçalar, Güç Kablo, Dişler, Keçe Rondelalar, Bağlantı Pimleri, Üfleyci Pervaneleri, Üfleyci ve Vakum Boruları, Vakum Torbası ve Kayışları, Kılavuz Çubuklar, Zincir Testerele, Hortumlar, Konektör bağlantıları, Püskürtme Memeleri, Çarklar, Püskürtme Çubukları, Dahili Makaralar, Harici Makaralar, Kesme Telleri, Bujiler, Hava Filtreleri, Gaz Filtreleri, Malçlama Bıçakları vb. gibi parçaları kapsayan, ancak bunlarla sınırlı olmayan, aşınma ve yıpranmaya tabi bileşenler (aksam ve aksesuarlar).
4. Ürünün servis için her ülkede aşağıdaki servis istasyonları adres listesinde yer alan yetkili bir RYOBI servis istasyonuna gönderilmesi ya götürülmesi gereklidir. Bazı ülkelerde, yerel RYOBI distribütörünüz ürünü RYOBI servis teşkilatına göndermeyi üstlenir. Bir ürün bir RYOBI servis istasyonuna gönderilirken, ürünün güvenli bir biçimde ambalajlanması, benzin gibi tehlikeli maddeler içermemesi, gönderenin adresini taşıması ve anızanın kısa bir açıklamasını içermesi gerekir.
5. Bu garanti kapsamında yapılacak onarım / değişiklik ücretsizdir. Garanti süresinin uzatılması ya da yeniden başlatılması anlamına gelmez. Değiştirilmiş parçalar veya aletler bize ait olur. Bazı ülkelerde teslimat ücretleri veya posta giderlerinin gönderici tarafından ödenmesi gerekir. Alımdan kaynaklanan yasal haklarınız etkilenmez
6. Bu Garanti Avrupa Topluluğu, İsviçre, İzlanda, Norveç, Liechtenstein, Türkiye ve Rusya'da geçerlidir. Bu alanların dışında, başka bir garantinin geçerli olup olmadığını belirlemek için lütfen yetkili RYOBI distribütörünüzle irtibata geçin.

YETKİLİ SERVİS MERKEZİ

En yakın yetkili servis merkezini öğrenmek için <http://uk.ryobitools.eu/header/service-and-support/service-agents> sitesine girin.

EN DECLARATION OF CONFORMITY

Techtronic Industries GmbH
Max-Eyth-Straße 10, 71364 Winnenden, Germany

Herewith we declare that the product

Cordless Snow Thrower
Brand: RYOBI
Model number: RST36X5140/RST36B51
Serial number range:
RST36X5140 44456403000001 - 44456403999999
RST36B51 44456403000001 - 44456403999999

is in conformity with the following European Directives and harmonised standards
2006/42/EC, 2014/30/EU, 2000/14/EC, 2005/88/EC, 2011/65/EU,
EN 60335-1:2012+A11:2014, ISO 8437:1989+A1:1997, EN 55014-1:2017,
EN 55014-2:015, EN 50581:2012

Measured sound power level: 83,4 dB(A)
Guaranteed sound power level: 86 dB(A)
Conformity assessment method to Annex V Directive 2000/14/EC amended by
2005/88/EC.



Todd Chipner
Sr. Director, Regulatory & Safety
Winnenden, June 01, 2019

Authorised to compile the technical file:
Alexander Krug, Managing Director
Techtronic Industries GmbH
Max-Eyth-Straße 10, 71364 Winnenden, Germany

DE KONFORMITÄTserklärung

Techtronic Industries GmbH
Max-Eyth-Straße 10, 71364 Winnenden, Germany

Hiermit erklären wir, dass die Produkte

Akku-Schneefräse
Marke: RYOBI
Modellnummer: RST36X5140/RST36B51
Seriennummernbereich:
RST36X5140 44456403000001 - 44456403999999
RST36B51 44456403000001 - 44456403999999

mit den folgenden europäischen Richtlinien und harmonisierten Normen entspricht
2006/42/EC, 2014/30/EU, 2000/14/EC, 2005/88/EC, 2011/65/EU,
EN 60335-1:2012+A11:2014, ISO 8437:1989+A1:1997, EN 55014-1:2017,
EN 55014-2:015, EN 50581:2012

Gemessener Schalleistungspegel: 83,4 dB(A)
Garantierter Schalleistungspegel: 86 dB(A)
Konformitätsbeurteilungsmethode zu Anhang V Richtlinie 2000/14/EC wie durch
2005/88/EC.



Todd Chipner
Sr. Director, Vorschriften und Sicherheit
Winnenden, June 01, 2019

Autorisiert die technische Datei zu erstellen:
Alexander Krug, Geschäftsführer
Techtronic Industries GmbH
Max-Eyth-Straße 10, 71364 Winnenden, Germany

FR DÉCLARATION DE CONFORMITÉ

Techtronic Industries GmbH
Max-Eyth-Straße 10, 71364 Winnenden, Germany

Déclarons par la présente que le produit

Souffleuse à neige sans fil
Marque: RYOBI
Numéro de modèle: RST36X5140/RST36B51
Étendue des numéros de série:
RST36X5140 44456403000001 - 44456403999999
RST36B51 44456403000001 - 44456403999999

est conforme aux Directives Européennes et Normes Harmonisées suivantes
2006/42/EC, 2014/30/EU, 2000/14/EC, 2005/88/EC, 2011/65/EU,
EN 60335-1:2012+A11:2014, ISO 8437:1989+A1:1997, EN 55014-1:2017,
EN 55014-2:015, EN 50581:2012

Niveau de puissance sonore mesuré: 83,4 dB(A)
Niveau de puissance sonore garanti: 86 dB(A)
Méthode d'évaluation de conformité de l'annexe V Directive 2000/14/EC modifiée
2005/88/EC.



Todd Chipner
Directeur principal, Réglementation & Sécurité
Winnenden, June 01, 2019

Autorisé à rédiger le dossier technique:
Alexander Krug, Directeur Général
Techtronic Industries GmbH
Max-Eyth-Straße 10, 71364 Winnenden, Germany

ES DECLARACIÓN DE CONFORMIDAD

Techtronic Industries GmbH
Max-Eyth-Straße 10, 71364 Winnenden, Germany

Por la presente declaramos que los productos

Quitanieves inalámbrico
Marca: RYOBI
Número de modelo: RST36X5140/RST36B51
Intervalo del número de serie:
RST36X5140 44456403000001 - 44456403999999
RST36B51 44456403000001 - 44456403999999

se encuentra en conformidad con las siguientes Directivas Europeas y normas armonizadas
2006/42/EC, 2014/30/EU, 2000/14/EC, 2005/88/EC, 2011/65/EU,
EN 60335-1:2012+A11:2014, ISO 8437:1989+A1:1997, EN 55014-1:2017,
EN 55014-2:015, EN 50581:2012

Nivel de potencia acústica medido: 83,4 dB(A)
Nivel de potencia acústica garantizado: 86 dB(A)
Método de evaluación de conformidad con el anexo V Directiva 2000/14/EC
modificada por la 2005/88/EC.



Todd Chipner
Director principal, Director General de Normativa y Seguridad
Winnenden, June 01, 2019

Autorizado para elaborar la ficha técnica:
Alexander Krug, Administrador Ejecutivo
Techtronic Industries GmbH
Max-Eyth-Straße 10, 71364 Winnenden, Germany



IT DICHIARAZIONE DI CONFORMITÀ

Techtronic Industries GmbH
Max-Eyth-Straße 10, 71364 Winnenden, Germany

Si dichiara con la presente che il prodotto

Spazzaneve a batteria

Marca: RYOBI
Numero modello: RST36X5140/RST36B51
Gamma numero seriale:
RST36X5140 44456403000001 - 44456403999999
RST36B51 44456403000001 - 44456403999999

è conforme alle seguenti Direttive Europee e ai seguenti standard armonizzati
2006/42/EC, 2014/30/EU, 2000/14/EC, 2005/88/EC, 2011/65/EU,
EN 60335-1:2012+A11:2014, ISO 8437:1989+A1:1997, EN 55014-1:2017,
EN 55014-2:015, EN 50581:2012

Livello di potenza acustica misurato: 83,4 dB(A)

Livello di potenza sonora garantita: 86 dB(A)

Metodo di valutazione sulla conformità all'allegato V Direttiva 2000/14/EC modificata con la 2005/88/EC.

Todd Chipner
Sig. Direttore, Dipartimento Regolazioni & Sicurezza
Winnenden, June 01, 2019

Autorizzato per compilare il file tecnico:
Alexander Krug, Direttore Amministrativo
Techtronic Industries GmbH
Max-Eyth-Straße 10, 71364 Winnenden, Germany

PT DECLARAÇÃO DE CONFORMIDADE

Techtronic Industries GmbH
Max-Eyth-Straße 10, 71364 Winnenden, Germany

Pelo presente declaramos que os produtos

Atirador de neve sem fios

Marca: RYOBI
Número do modelo: RST36X5140/RST36B51
Intervalo do número de série:
RST36X5140 44456403000001 - 44456403999999
RST36B51 44456403000001 - 44456403999999

se encontra em conformidade com as seguintes Directivas Europeias e normas harmonizadas

2006/42/EC, 2014/30/EU, 2000/14/EC, 2005/88/EC, 2011/65/EU,
EN 60335-1:2012+A11:2014, ISO 8437:1989+A1:1997, EN 55014-1:2017,
EN 55014-2:015, EN 50581:2012

Nível de potência sonora medido: 83,4 dB(A)

Nível de potência sonora garantido: 86 dB(A)

Método de avaliação de conformidade para o anexo V Directiva 2000/14/EC alterada por 2005/88/EC.

Todd Chipner
Sr. Diretor, Regulamentação & Segurança
Winnenden, June 01, 2019

Autorizado para compilar o ficheiro técnico:
Alexander Krug, Administrador Executivo
Techtronic Industries GmbH
Max-Eyth-Straße 10, 71364 Winnenden, Germany

NL CONFORMITEITSVERKLARING

Techtronic Industries GmbH
Max-Eyth-Straße 10, 71364 Winnenden, Germany

Hierbij verklaren wij dat het product

Snoerloze sneeuwruimer

Merk: RYOBI
Modelnummer: RST36X5140/RST36B51
Serienummerbereik:
RST36X5140 44456403000001 - 44456403999999
RST36B51 44456403000001 - 44456403999999

is in overeenstemming met de volgende Europese Richtlijnen en geharmoniseerde normen

2006/42/EC, 2014/30/EU, 2000/14/EC, 2005/88/EC, 2011/65/EU,
EN 60335-1:2012+A11:2014, ISO 8437:1989+A1:1997, EN 55014-1:2017,
EN 55014-2:015, EN 50581:2012

Gemeten geluidsniveau: 83,4 dB(A)

Gegarandeerd geluidsniveau: 86 dB(A)

Evaluatiemethode conformiteit volgens bijlage V Richtlijn 2000/14/EC gewijzigd door 2005/88/EC.

Todd Chipner
Dhr. Directeur, Regelgeving en veiligheid
Winnenden, June 01, 2019

Afgevaardigde voor het samenstellen van de technische fiche:
Alexander Krug, Directeur
Techtronic Industries GmbH
Max-Eyth-Straße 10, 71364 Winnenden, Germany

DA OVERENSSTEMMELSESERKLÆRING

Techtronic Industries GmbH
Max-Eyth-Straße 10, 71364 Winnenden, Germany

Vi erklærer herved, at produktet

Batteridrevet sneekaster

Brand: RYOBI
Modelnummer: RST36X5140/RST36B51
Serienummerområde:
RST36X5140 44456403000001 - 44456403999999
RST36B51 44456403000001 - 44456403999999

er i overensstemmelse med følgende EU-direktiver og harmoniserede standarder

2006/42/EC, 2014/30/EU, 2000/14/EC, 2005/88/EC, 2011/65/EU,
EN 60335-1:2012+A11:2014, ISO 8437:1989+A1:1997, EN 55014-1:2017,
EN 55014-2:015, EN 50581:2012

Målt støjniveau: 83,4 dB(A)

Garanteret støjniveau: 86 dB(A)

Overensstemmelsesvurderingsmetode til bilag V Direktiv 2000/14/EC ændret ved 2005/88/EC.

Todd Chipner
Hr. Direktør, regler og sikkerhed
Winnenden, June 01, 2019

Bemyndiget til at udarbejde det tekniske kartotek:
Alexander Krug, Administrerende Direktør
Techtronic Industries GmbH
Max-Eyth-Straße 10, 71364 Winnenden, Germany



SV KONFORMITETSDEKLARATION

Techtronic Industries GmbH
Max-Eyth-Straße 10, 71364 Winnenden, Germany

Härmed deklarerar vi att produkterna

Sladdlös snöslunga

Märke: RYOBI
Modellnummer: RST36X5140/RST36B51
Serienummerintervall:
RST36X5140 44456403000001 - 44456403999999
RST36B51 44456403000001 - 44456403999999

är i enlighet med följande EU-direktiv och harmoniserade standarder
2006/42/EC, 2014/30/EU, 2000/14/EC, 2005/88/EC, 2011/65/EU,
EN 60335-1:2012+A11:2014, ISO 8437:1989+A1:1997, EN 55014-1:2017,
EN 55014-2:015, EN 50581:2012

Uppmätt ljudeffektnivå: 83,4 dB(A)
Garanterad ljudeffektnivå: 86 dB(A)
Konformitetsbedömning gjord enligt metod i V Direktiv 2000/14/EC samt tilläggen
i 2005/88/EC.



Todd Chipner
Överordnad direktör, regelverk och säkerhet
Winnenden, June 01, 2019

Godkänd att sammanställa den tekniska filen:
Alexander Krug, VD
Techtronic Industries GmbH
Max-Eyth-Straße 10, 71364 Winnenden, Germany


NO SAMSVARERKLÆRING

Techtronic Industries GmbH
Max-Eyth-Straße 10, 71364 Winnenden, Germany

Herved erklærer vi at produktet

Trådløs snøfreser

Märke: RYOBI
Modellnummer: RST36X5140/RST36B51
Serienummerserie:
RST36X5140 44456403000001 - 44456403999999
RST36B51 44456403000001 - 44456403999999

er i samsvar med følgende europeiske direktiver og harmoniserte standarder
2006/42/EC, 2014/30/EU, 2000/14/EC, 2005/88/EC, 2011/65/EU,
EN 60335-1:2012+A11:2014, ISO 8437:1989+A1:1997, EN 55014-1:2017,
EN 55014-2:015, EN 50581:2012

Målt lydteffektnivå: 83,4 dB(A)
Garantert lydteffektnivå: 86 dB(A)
Metode for vurdering av konformitet til Tillegg V Direktiv 2000/14/EC endret ved
2005/88/EC.



Todd Chipner
Sr. direktør, CPT leverandørkvalitet, forskrifter og sikkerhet
Winnenden, June 01, 2019

Autorisert til å sette sammen den tekniske filen:
Alexander Krug, Administrerende Direktør
Techtronic Industries GmbH
Max-Eyth-Straße 10, 71364 Winnenden, Germany


FI SÄÄNNÖSTEN NOUDATTAMINEN

Techtronic Industries GmbH
Max-Eyth-Straße 10, 71364 Winnenden, Germany

Ilmoitamme täten, että tuotteet

Akkukäyttöinen lumilinko

Tuotemerkki: RYOBI
Mallinumero: RST36X5140/RST36B51
Sarjanumeroalue:
RST36X5140 44456403000001 - 44456403999999
RST36B51 44456403000001 - 44456403999999

noudattaa seuraavia EU-direktiivejä ja harmonoituja standardeja
2006/42/EC, 2014/30/EU, 2000/14/EC, 2005/88/EC, 2011/65/EU,
EN 60335-1:2012+A11:2014, ISO 8437:1989+A1:1997, EN 55014-1:2017,
EN 55014-2:015, EN 50581:2012

Mitattu äänenteho: 83,4 dB(A)
Taattu äänenteho: 86 dB(A)
Säännösten noudattaminen tarkastettu direktiivin 2000/14/EC liitteen V mukaisesti
muunnettu direktiivillä 2005/88/EC.



Todd Chipner
Sr. Director, säästösten mukaisuus ja turvallisuus
Winnenden, June 01, 2019

Valtuutettu kokoamaan tekninen tiedosto:
Alexander Krug, Toimitusjohtaja
Techtronic Industries GmbH
Max-Eyth-Straße 10, 71364 Winnenden, Germany


RU ЗАЯВЛЕНИЕ О СООТВЕТСТВИИ ТРЕБОВАНИЯМ

Techtronic Industries GmbH
Max-Eyth-Straße 10, 71364 Winnenden, Germany

Настоящим мы заявляем, что данный продукт

Беспроводной снегоборщник

Марка: RYOBI
Номер модели: RST36X5140/RST36B51
Диапазон заводских номеров:
RST36X5140 44456403000001 - 44456403999999
RST36B51 44456403000001 - 44456403999999

соответствует требованиям следующих Директив ЕС и согласованных
стандартов
2006/42/EC, 2014/30/EU, 2000/14/EC, 2005/88/EC, 2011/65/EU,
EN 60335-1:2012+A11:2014, ISO 8437:1989+A1:1997, EN 55014-1:2017,
EN 55014-2:015, EN 50581:2012

Измеренный уровень звуковой мощности: 83,4 dB(A)
Гарантируемый уровень звуковой мощности: 86 dB(A)
Способ оценки соответствия, приложение V к директиве 2000/14/EC с
изменениями 2005/88/EC.



Todd Chipner
Г-н Директор, технике безопасности и стандартам
Winnenden, June 01, 2019

Лицо, ответственное за подготовку технической документации:
Alexander Krug, Директор
Techtronic Industries GmbH
Max-Eyth-Straße 10, 71364 Winnenden, Germany





PL DEKLARACJA ZGODNOŚCI

Techtronic Industries GmbH
Max-Eyth-Straße 10, 71364 Winnenden, Germany

Niniejszym deklarujemy, że produkty

Odśnieżarka bezprzewodowa

Marka: RYOBI

Numer modelu: RST36X5140/RST36B51

Zakres numerów seryjnych:

RST36X5140 44456403000001 - 44456403999999

RST36B51 44456403000001 - 44456403999999

jest zgodny z następującymi dyrektywami europejskimi i zharmonizowanymi normami

2006/42/EC, 2014/30/EU, 2000/14/EC, 2005/88/EC, 2011/65/EU,
EN 60335-1:2012+A11:2014, ISO 8437:1989+A1:1997, EN 55014-1:2017,
EN 55014-2:015, EN 50581:2012

Zmierzony poziom natężenia hałasu: 83,4 dB(A)

Maksymalny poziom natężenia hałasu: 86 dB(A)

Metoda ocena zgodności zgodnie z aneksem V Dyrektywa 2000/14/EC zmieniona przez dyrektywę 2005/88/EC.

Todd Chipner

Starszy dyrektor ds. zgodności prawnej i bezpieczeństwa
Winnenden, June 01, 2019

Osoba upoważniona do sporządzenia dokumentu technicznego:

Alexander Krug, Dyrektor Zarządzający

Techtronic Industries GmbH

Max-Eyth-Straße 10, 71364 Winnenden, Germany

HU MEGFELELŐSÉGI NYILATKOZAT

Techtronic Industries GmbH
Max-Eyth-Straße 10, 71364 Winnenden, Germany

Ezúton kijelentjük, hogy a termékek

Vezeték nélküli hókotró

Marka: RYOBI

Típusszám: RST36X5140/RST36B51

Sorozatszám tartomány:

RST36X5140 44456403000001 - 44456403999999

RST36B51 44456403000001 - 44456403999999

megfelel az alábbi Európai irányelvek és harmonizált szabványok vonatkozó rendelkezéseinek

2006/42/EC, 2014/30/EU, 2000/14/EC, 2005/88/EC, 2011/65/EU,
EN 60335-1:2012+A11:2014, ISO 8437:1989+A1:1997, EN 55014-1:2017,
EN 55014-2:015, EN 50581:2012

Mért hangteljesítményszint: 83,4 dB(A)

Garantált hangteljesítményszint: 86 dB(A)

A megfelelőségi értékelési eljárás a 2000/14/EC irányelv V függeléke szerint történt által módosított 2005/88/EC irányelv.

Todd Chipner

Senior igazgató, Megfelelőségi és biztonsági területek
Winnenden, June 01, 2019

A műszaki dokumentáció összeállítására felhatalmazott:

Alexander Krug, Ügyvezető Igazgató

Techtronic Industries GmbH

Max-Eyth-Straße 10, 71364 Winnenden, Germany

CS PROHLÁŠENÍ O SHODĚ

Techtronic Industries GmbH
Max-Eyth-Straße 10, 71364 Winnenden, Germany

Tímto prohlašujeme, že výrobky

Akumulátorová sněhová fréza

Značka: RYOBI

Číslo modelu: RST36X5140/RST36B51

Rozsah sériových čísel:

RST36X5140 44456403000001 - 44456403999999

RST36B51 44456403000001 - 44456403999999

že tento výrobek je v souladu s evropskými a harmonizovanými standardy

2006/42/EC, 2014/30/EU, 2000/14/EC, 2005/88/EC, 2011/65/EU,
EN 60335-1:2012+A11:2014, ISO 8437:1989+A1:1997, EN 55014-1:2017,
EN 55014-2:015, EN 50581:2012

Změřená hladina akustického výkonu: 83,4 dB(A)

Zaručená hladina akustického výkonu: 86 dB(A)

Soulad s metodou určování pro přílohu V směrnice 2000/14/EC upravená 2005/88/EC.

Todd Chipner

Vyšší ředitel, normy a bezpečnost
Winnenden, June 01, 2019

Pověření ke kompilaci technického souboru:

Alexander Krug, Generální Ředitel

Techtronic Industries GmbH

Max-Eyth-Straße 10, 71364 Winnenden, Germany

RO DECLARAȚIE DE CONFORMITATE

Techtronic Industries GmbH
Max-Eyth-Straße 10, 71364 Winnenden, Germany

Prin prezenta, declarăm că produsele

Freză de zăpadă fără cablu

Marca: RYOBI

Număr serie: RST36X5140/RST36B51

Gamă număr serie:

RST36X5140 44456403000001 - 44456403999999

RST36B51 44456403000001 - 44456403999999

este în conformitate cu următoarele Directive Europene și standarde armonizate

2006/42/EC, 2014/30/EU, 2000/14/EC, 2005/88/EC, 2011/65/EU,
EN 60335-1:2012+A11:2014, ISO 8437:1989+A1:1997, EN 55014-1:2017,
EN 55014-2:015, EN 50581:2012

Nivelul măsurat al puterii acustice: 83,4 dB(A)

Nivel garantat al puterii acustice: 86 dB(A)

Metoda de evaluare a conformității cu Anexa V Directiva 2000/14/EC modificată prin 2005/88/EC.

Todd Chipner

Director Senior, reglementare & siguranță
Winnenden, June 01, 2019

Autorizat să completeze fișa tehnică:

Alexander Krug, Director General

Techtronic Industries GmbH

Max-Eyth-Straße 10, 71364 Winnenden, Germany



LV ATBILSTĪBAS DEKLARĀCIJA

Techtronic Industries GmbH
Max-Eyth-Straße 10, 71364 Winnenden, Germany

Ar šo paziņojam, ka produkti

Akumulatoru sniega pūtējs

Zīmols: RYOBI

Modeļa numurs: RST36X5140/RST36B51

Sērijas numura intervāls:

RST36X5140 44456403000001 - 44456403999999

RST36B51 44456403000001 - 44456403999999

atbilst šādām Eiropas direktīvām un saskaņotajiem standartiem

2006/42/EC, 2014/30/EU, 2000/14/EC, 2005/88/EC, 2011/65/EU,

EN 60335-1:2012+A11:2014, ISO 8437:1989+A1:1997, EN 55014-1:2017,

EN 55014-2:015, EN 50581:2012

Izmērītās skaņas jaudas līmenis: 83,4 dB(A)

Garantētā skaņas intensitātes līmenis: 86 dB(A)

Atbilstības novērtēšanas metode pielikumam V Direktīvai 2000/14/EC labota 2005/88/EC.

Todd Chipner

Vecākais Direktors, darba drošības noteikumi

Winnenden, June 01, 2019

Pilnvarots sastādīt tehnisko failu:

Alexander Krug, Izpilddirektors

Techtronic Industries GmbH

Max-Eyth-Straße 10, 71364 Winnenden, Germany

ET VASTAVUSDEKLARATSIOON

Techtronic Industries GmbH
Max-Eyth-Straße 10, 71364 Winnenden, Germany

Kinnitame, et see toode

Juhtmeta lumepuhur

Mark: RYOBI

Mudeli number: RST36X5140/RST36B51

Seerianumbri vahemik:

RST36X5140 44456403000001 - 44456403999999

RST36B51 44456403000001 - 44456403999999

vastab järgmistele Euroopa direktiividele ja harmoniseeritud standarditele

2006/42/EC, 2014/30/EU, 2000/14/EC, 2005/88/EC, 2011/65/EU,

EN 60335-1:2012+A11:2014, ISO 8437:1989+A1:1997, EN 55014-1:2017,

EN 55014-2:015, EN 50581:2012

Mõõdetud helivõimsuse tase: 83,4 dB(A)

Garanteeritud helivõimsuse tase: 86 dB(A)

Vastavushindamine vastavalt lisale V direktiivis 2000/14/EC muudetud direktiiviga 2005/88/EC.

Todd Chipner

Vanemdirektor, standardiseerimise ja ohutuse alal

Winnenden, June 01, 2019

Tehnilise faili koostamiseks volitatud isik:

Alexander Krug, Tegevdirektor

Techtronic Industries GmbH

Max-Eyth-Straße 10, 71364 Winnenden, Germany

LT ATITIKTIES DEKLARACIJA

Techtronic Industries GmbH
Max-Eyth-Straße 10, 71364 Winnenden, Germany

Mes pareiškiame, kad šie produktai

Akumulatorinis sniego valytuvais

Prekės ženklas: RYOBI

Modelio numeris: RST36X5140/RST36B51

Serijinio numerio diapazonas:

RST36X5140 44456403000001 - 44456403999999

RST36B51 44456403000001 - 44456403999999

pagamintas laikantis toliau nurodytųjų Europos Direktyvų ir darniųjų standartų

2006/42/EC, 2014/30/EU, 2000/14/EC, 2005/88/EC, 2011/65/EU,

EN 60335-1:2012+A11:2014, ISO 8437:1989+A1:1997, EN 55014-1:2017,

EN 55014-2:015, EN 50581:2012

Išmatuotas akustinis lygis: 83,4 dB(A)

Garantuotas akustinis lygis: 86 dB(A)

Atitikties įvertinimo metodas pagal direktyvos 2000/14/EC, V Priedą su pataisomis 2005/88/EC.

Todd Chipner

Vyr. direktorius, Kontrolės ir saugos

Winnenden, June 01, 2019

[galiotas sudaryti techninį failą:

Alexander Krug, Generalinis Direktorius

Techtronic Industries GmbH

Max-Eyth-Straße 10, 71364 Winnenden, Germany

HR IZJAVA O USKLAĐENOSTI

Techtronic Industries GmbH
Max-Eyth-Straße 10, 71364 Winnenden, Germany

OVime izjavljujemo da su proizvodi

Bežični bacač snijega

Marka: RYOBI

Broj modela: RST36X5140/RST36B51

Raspon serijskog broja:

RST36X5140 44456403000001 - 44456403999999

RST36B51 44456403000001 - 44456403999999

usklađen sa sljedećim Europskim Direktivama i usklađenim normama

2006/42/EC, 2014/30/EU, 2000/14/EC, 2005/88/EC, 2011/65/EU,

EN 60335-1:2012+A11:2014, ISO 8437:1989+A1:1997, EN 55014-1:2017,

EN 55014-2:015, EN 50581:2012

Izmjerena razina zvučne snage: 83,4 dB(A)

Jamčena razina zvučne snage: 86 dB(A)

Metoda procjene usklađenosti prema Dodatku V Direktive 2000/14/EC navedeno u 2005/88/EC.

Todd Chipner

Viši direktor, pravila i sigurnost

Winnenden, June 01, 2019

Ovlašten da sastavi tehničku datoteku:

Alexander Krug, Direktor Upravljanja

Techtronic Industries GmbH

Max-Eyth-Straße 10, 71364 Winnenden, Germany

SL IZJAVA O SKLADNOSTI

Techtronic Industries GmbH
Max-Eyth-Straße 10, 71364 Winnenden, Germany

Izjavljamo, da je izdelek

Brezžična snežna freza

Znamka: RYOBI
Številka modela: RST36X5140/RST36B51
Razpon serijskih številok:
RST36X5140 44456403000001 - 44456403999999
RST36B51 44456403000001 - 44456403999999

v skladu s sledečimi evropskimi direktivami in harmoniziranimi standardi
2006/42/EC, 2014/30/EU, 2000/14/EC, 2005/88/EC, 2011/65/EU,
EN 60335-1:2012+A11:2014, ISO 8437:1989+A1:1997, EN 55014-1:2017,
EN 55014-2:015, EN 50581:2012

Izmerjena raven zvočne moči: 83,4 dB(A)

Zajamčena raven zvočne moči: 86 dB(A)

Način ugotavljanja skladnosti z aneksom V direktive 2000/14/EC ki je bila spremenjena z 2005/88/EC.



Todd Chipner

Višji direktor, zakonodajne in varnostne zadeve
Winnenden, June 01, 2019

Pooblaščen oseba za sestavo tehnične dokumentacije:

Alexander Krug, Izvršni Direktor

Techtronic Industries GmbH

Max-Eyth-Straße 10, 71364 Winnenden, Germany

**BG** ДЕКЛАРАЦИЯ НА ЗА СЪОТВЕТСТВИЕ

Techtronic Industries GmbH
Max-Eyth-Straße 10, 71364 Winnenden, Germany

С настоящето декларираме, че продуктите

Безжичен снегорин

Марка: RYOBI
Номер на модела: RST36X5140/RST36B51
Обхват на серийни номера:
RST36X5140 44456403000001 - 44456403999999
RST36B51 44456403000001 - 44456403999999

отговаря на следните директиви на ЕС и хармонизирани стандарти
2006/42/EC, 2014/30/EU, 2000/14/EC, 2005/88/EC, 2011/65/EU,
EN 60335-1:2012+A11:2014, ISO 8437:1989+A1:1997, EN 55014-1:2017,
EN 55014-2:015, EN 50581:2012

Измерено ниво на шум: 83,4 dB(A)

Гарантирано ниво на шум: 86 dB(A)

Метод за оценяване на съответствието с приложение V Директива 2000/14/EC, изменена от 2005/88/EC.



Todd Chipner

Главен директор, отдел Нормативни изисквания и безопасност
Winnenden, June 01, 2019

Упълномощено лице за съставяне на техническия файл:

Alexander Krug, Изпълнителен Директор

Techtronic Industries GmbH

Max-Eyth-Straße 10, 71364 Winnenden, Germany

**SK** PREHLÁSENIE O ZHODE

Techtronic Industries GmbH
Max-Eyth-Straße 10, 71364 Winnenden, Germany

Týmto vyhlasujeme, že výrobok

Akumulátorová snežná fréza

Značka: RYOBI
Číslo modelu: RST36X5140/RST36B51
Rozsah sériových čísiel:
RST36X5140 44456403000001 - 44456403999999
RST36B51 44456403000001 - 44456403999999

je v súlade s nasledujúcimi Európskymi smernicami a harmonizovanými normami
2006/42/EC, 2014/30/EU, 2000/14/EC, 2005/88/EC, 2011/65/EU,
EN 60335-1:2012+A11:2014, ISO 8437:1989+A1:1997, EN 55014-1:2017,
EN 55014-2:015, EN 50581:2012

Nameraná úroveň hluku: 83,4 dB(A)

Garantovaná úroveň hluku: 86 dB(A)

Spôsob určenia zhody podľa Dodatku V Smernica 2000/14/EC doplnená o 2005/88/EC.



Todd Chipner

vyšší riaditeľ, Regulácia a bezpečnosť
Winnenden, June 01, 2019

Oprávnená osoba na zostavenie technického súboru:

Alexander Krug, Generálny Riaditeľ

Techtronic Industries GmbH

Max-Eyth-Straße 10, 71364 Winnenden, Germany

**UK** ДЕКЛАРАЦИЯ ПРО ВІДПОВІДНІСТЬ

Techtronic Industries GmbH
Max-Eyth-Straße 10, 71364 Winnenden, Germany

При цьому ми заявляємо, що продукт

Бездротова снігоприбиральна машина

Марка: RYOBI
Номер моделі: RST36X5140/RST36B51
Діапазон серійного номеру:
RST36X5140 44456403000001 - 44456403999999
RST36B51 44456403000001 - 44456403999999

у відповідності з наступними європейськими директивами та гармонізованими стандартами

2006/42/EC, 2014/30/EU, 2000/14/EC, 2005/88/EC, 2011/65/EU,
EN 60335-1:2012+A11:2014, ISO 8437:1989+A1:1997, EN 55014-1:2017,
EN 55014-2:015, EN 50581:2012

Вимірний рівень звукової потужності: 83,4 dB(A)

Гарантований рівень звукової потужності: 86 dB(A)

Метод оцінки відповідності Annex V Directive 2000/14/EC з поправками, внесеними 2005/88/EC.



Todd Chipner

Ген. директор, регулювання і безпека
Winnenden, June 01, 2019

Дозвіл на складання технічного файлу:

Alexander Krug, керуючий Директор

Techtronic Industries GmbH

Max-Eyth-Straße 10, 71364 Winnenden, Germany



TR UYGUNLUK BEYANI

Techtronic Industries GmbH
Max-Eyth-StraÙe 10, 71364 Winnenden, Germany

İÙ bu belge ile bu ürünün

Kablosuz kar püskürtme makinesi

Marka: RYOBI

Model numarası: RST36X5140/RST36B51

Seri numarası aralığı:

RST36X5140 44456403000001 - 44456403999999

RST36B51 44456403000001 - 44456403999999

*aÙağıdaki Avrupa Direktiflerine ve uyulaÙtırılmıÙ standartlara uygun olduđunu
beyan ediyorum*

2006/42/EC, 2014/30/EU, 2000/14/EC, 2005/88/EC, 2011/65/EU,
EN 60335-1:2012+A11:2014, ISO 8437:1989+A1:1997, EN 55014-1:2017,
EN 55014-2:015, EN 50581:2012

Ölçülen ses gücü seviyesi: 83,4 dB(A)

Güvenceli ses gücü seviyesi: 86 dB(A)

2005/88/AT ile deđiÙtirilen 2000/14/AT Direktifi Ek V uyarınca uygunluk
deđerlendirmesi yöntemi



CE

Todd Chipner
Kıdemli Direktör, Düzenleme ve Güvenlik
Winnenden, June 01, 2019

Teknik dosyayı derlemekle yetkili sorumlu:
Alexander Krug, İdari Müdür
Techtronic Industries GmbH
Max-Eyth-StraÙe 10, 71364 Winnenden, Germany









- EN** RYOBI is a trademark of Ryobi Limited, and is used under license.
- FR** RYOBI est une marque déposée de Ryobi Limited, et est utilisée sous licence.
- DE** RYOBI ist ein Markenzeichen von Ryobi Limited und wird in Lizenz verwendet.
- ES** RYOBI es una marca registrada de Ryobi Limited, y se utiliza bajo licencia.
- IT** L'utilizzo del marchio registrato RYOBI è legato alla licenza concessa da Ryobi Limited.
- NL** RYOBI is een handelsmerk van Ryobi Limited en wordt onder licentie gebruikt.
- PT** RYOBI é uma marca comercial de Ryobi Limited, e é utilizada sob licença.
- DA** RYOBI er et varemærke tilhørende Ryobi Limited og bruges under licens.
- SV** RYOBI är en del av varumärke Ryobi Limited och dess användning är licensierad.
- FI** RYOBI on Ryobi Limitedin omistama tavaramerkki, ja sitä käytetään lisenssin puitteissa.
- NO** RYOBI er et varemerke for Ryobi Limited, og brukes under lisens.
- RU** RYOBI является товарным знаком компании Ryobi Limited, используемым по лицензии.
- PL** RYOBI to znak towarowy firmy Ryobi Limited i jest używany zgodnie z udzieloną licencją.
- CS** RYOBI je ochranná známka společnosti Ryobi Limited a její používání podléhá licenci.
- HU** A RYOBI a Ryobi Limited védjegye, használatát licenc keretében történik.
- RO** RYOBI este o marcă comercială a firmei Ryobi Limited și este utilizată sub licență.
- LV** RYOBI ir Ryobi Limited preču zīme un tiek izmantota saskaņā ar licenci.
- LT** „RYOBI” yra „Ryobi Limited” prekės ženklas, naudojamas pagal licenciją.
- ET** RYOBI on ettevõtte Ryobi Limited kaubamärk, mida kasutatakse litsentsi alusel.
- HR** RYOBI je žig tvrtke Ryobi Limited i koristi se po licenci.
- SL** RYOBI je blagovna znamka družbe Ryobi Limited in se uporablja na podlagi dovoljenja.
- SK** RYOBI je ochranná známka spoločnosti Ryobi Limited a používa sa na základe licencie.
- BG** RYOBI е търговска марка на Ryobi Limited и се използва под лиценз.
- UK** RYOBI є товарним знаком Ryobi Limited, і використовується за ліцензією.
- TR** RYOBI, Ryobi Limited şirketine ait olup, lisans altında kullanılan bir ticari markadır.





Techtronic Industries GmbH
Max-Eyth-Straße 10,
71364 Winnenden, Germany

961478201-01