

- EN
- FR
- DE
- ES
- IT
- NL
- PT
- DA
- SV
- FI
- NO
- RU
- PL
- CS
- HU
- RO
- LV
- LT
- ET
- HR
- SL
- SK
- BG
- UK
- TR

**RY36STX53A**





- Important!** It is essential that you read the instructions in this manual before assembling, maintaining and operating the product.
- Attention!** Il est essentiel que vous lisiez les instructions contenues dans ce manuel avant d'assembler, d'entretenir et d'utiliser le produit.
- Achtung!** Es ist wichtig, dass Sie vor Zusammenbau, Wartung und Benutzung des Produktes die Anweisungen in dieser Anleitung lesen.
- ¡Atención!** Resulta fundamental que lea este manual de instrucciones antes de realizar el montaje, el mantenimiento y de utilizar este producto
- Attenzione!** È importante leggere le istruzioni contenute nel presente manuale prima di montare il prodotto, svolgere le operazioni di manutenzione sullo stesso e metterlo in funzione.
- Let op!** Het is van essentieel belang dat u de instructies in deze gebruiksaanwijzing leest voor u het product monteert, onderhoudt en gebruikt.
- Atenção!** É fundamental que leia as instruções deste manual antes da montagem, manutenção e operação do aparelho.
- OBS!** Det er vigtigt, at man læser instrukserne i denne brugsanvisning, inden man samler, vedligeholder og betjener produktet.
- Observera!** Det är viktigt att du läser instruktionerna i manualen före monteringen, användning och underhåll av produkten.
- Huomio!** On tärkeää, että luet tämän käsikirjan ohjeet ennen tuotteen kokoamista, huoltoa ja käyttöä.
- Advarsel!** Det er vigtigt at du leser instruksjonene i denne manualen før sammensetning, vedlikehold og bruk av produktet
- Внимание!** Необходимо прочитать инструкции в данном руководстве перед сборкой, обслуживанием и эксплуатацией этого изделия.
- Uwaga!** Koniecznie należy przeczytać instrukcje zawarte w tym podręczniku przed montażem, obsługą oraz konserwacją produktu.
- Důležité upozornění!** Neinstalujte, neprovádějte údržbu ani nepoužívejte tento výrobek dříve, než si přečtete pokyny uvedené v tomto návodu.
- Figyelem!** Fontos, hogy a termék összeszerelése, karbantartása és használatá elött elolvassa a kézikönyvben található utasításokat.
- Atenție!** Este esențial să citiți instrucțiunile din acest manual înainte de asamblare, efectuarea întreținerii și operarea produsului.
- Uzmanību!** Ir svarīgi izlasīt šīs rokasgrāmatas instrukcijas pirms uzstādīšanas, apkopes un precas darbināšanas.
- Démesio!** Prieš surenkant, prižiūrint ir naudojant gaminį, būtina perskaityti šiam vadove pateiktus nurodymus.
- Tähtis!** Enne masina kokkupanekut, hooldamist ja kasutama hakkamist tuleb käesolevas juhendis esitatud juhised kindlasti läbi lugeda.
- Upozoreње!** Vrlo je važno da ste prije sklapanja, održavanja i rada s ovim proizvodom pročitali upute u ovom priručniku.
- Pomembno!** Pomembno je da pred montažo vzdrževanjem in uporabo tega izdelka preberete navodila v tem priročniku.
- Upozornenie!** Je dôležité, aby ste si pred montážou, údržbou a obsluhou produktu prečítali pokyny v tomto návode.
- Важно!** Исключительно важно е да прочетете инструкциите в настоящото ръководство, преди да преминете към сглобяване, поддръжка или работа с продукта.
- Важливо!** Дуже важливо, щоб ви прочитали інструкції в цьому керівництві перед складанням, обслуговуванням та експлуатацією цієї машини.
- Önemli!** Ürünü monte etmeden, kullanmadan ve bakımını yapmadan önce bu kılavuzdaki talimatları okumanız önemlidir.

Subject to technical modification | Sous réserve de modifications techniques | Technische Änderungen vorbehalten | Bajo reserva de modificaciones técnicas | Con riserva di eventuali modifiche tecniche | Technische wijzigingen voorbehouden | Com reserva de modificações técnicas | Med forbehold for tekniske ændringer | Med förbehåll för tekniska ändringar | Tekniset muutokset varataan | Med forbehold om tekniske ændringer | могут быть внесены технические изменения | Z zastrzeżeniem modyfikacji technicznych | Změny technických údajů vyhrazeny | A műszaki módosítás jogát fenntartjuk | Sub rezerva modificațiilor tehnice | Paturam tiesības mainīt tehniskos raksturlielumus | Pasliiekant teisę daryti techninius pakeitimus | Tehnised muudatused võimalikud | Podloženo tehničkim promjenama | Tehnične spremembe dopuščene | Právo na technické zmeny je vyhradené | Подлежи на технически модификации | Є об'єктом для технічних змін | Teknik değişikliğe tabidir.



Safety, performance, and dependability have been given top priority in the design of your cordless snow thrower.

### INTENDED USE

The cordless snow thrower is intended only for outdoor use, in a well-illuminated area by a standing operator walking behind the product. The product is intended to be used only by adults who have read and understood the instructions and warnings in this manual and can be considered responsible for their actions. For safety reasons, the product must be adequately controlled by a two-handed operation at all times.

The product is designed for clearing snow in areas such as driveways, sidewalks, walkways, pathways, roadways, and around houses. The product can move snow with a depth of up to 33 cm.

The product should never be operated with the wheels off the ground. The product should not be ridden on. The product should be used only as described in this manual.

Do not use the product for any other purpose.

### GENERAL PRODUCT SAFETY WARNINGS

**⚠ WARNING! Read all safety warnings, instructions, illustrations and specifications provided with this power tool.** Failure to follow all instructions listed below may result in electric shock, fire, and/or serious injury.

**Save all warnings and instructions for future reference.**

The term "power tool" in the warnings refers to your mains-operated (corded) product or battery-operated (cordless) product.

### WORK AREA SAFETY

- **Keep work area clean and well lit.** Cluttered or dark areas invite accidents.
- **Do not operate power tools in explosive atmospheres, such as in the presence of flammable liquids, gases or dust.** Power tools create sparks which may ignite the dust or fumes.
- **Keep children and bystanders away while operating a power tool.** Distractions can cause you to lose control.

### ELECTRICAL SAFETY

- **Power tool plugs must match the outlet. Never modify the plug in any way. Do not use any adapter plugs with earthed (grounded) power tools.** Unmodified plugs and matching outlets will reduce risk of electric shock.
- **Avoid body contact with earthed or grounded surfaces, such as pipes, radiators, ranges and refrigerators.** There is an increased risk of electric shock if your body is earthed or grounded.
- **Do not expose power tools to rain or wet conditions.** Water entering a power tool will increase the risk of electric shock.
- **Do not abuse the cord. Never use the cord for carrying, pulling or unplugging the power tool. Keep cord away from heat, oil, sharp edges or moving parts.** Damaged or entangled cords increase the risk of electric shock.
- **When operating a power tool outdoors, use an extension cord suitable for outdoor use.** Use of a cord suitable for outdoor use reduces the risk of electric shock.

- **If operating a power tool in a damp location is unavoidable, use a residual current device (RCD) protected supply.** Use of an RCD reduces the risk of electric shock.

### PERSONAL SAFETY

- **Stay alert, watch what you are doing and use common sense when operating a power tool. Do not use a power tool while you are tired or under the influence of drugs, alcohol or medication.** A moment of inattention while operating power tools may result in serious personal injury.
- **Use personal protective equipment. Always wear eye protection.** Protective equipment such as a dust mask, non-skid safety shoes, hard hat or hearing protection used for appropriate conditions will reduce personal injuries.
- **Prevent unintentional starting. Ensure the switch is in the off-position before connecting to power source and/or battery pack, picking up or carrying the tool.** Carrying power tools with your finger on the switch or energising power tools that have the switch on invites accidents.
- **Remove any adjusting key or wrench before turning the power tool on.** A wrench or a key left attached to a rotating part of the power tool may result in personal injury.
- **Do not overreach. Keep proper footing and balance at all times.** This enables better control of the power tool in unexpected situations.
- **Dress properly. Do not wear loose clothing or jewellery. Keep your hair and clothing away from moving parts.** Loose clothes, jewellery or long hair can be caught in moving parts.
- **If devices are provided for the connection of dust extraction and collection facilities, ensure these are connected and properly used.** Use of dust collection can reduce dust-related hazards.
- **Do not let familiarity gained from frequent use of tools allow you to become complacent and ignore tool safety principles.** A careless action can cause severe injury within a fraction of a second.

### POWER TOOL USE AND CARE

- **Do not force the power tool. Use the correct power tool for your application.** The correct power tool will do the job better and safer at the rate for which it was designed.
- **Do not use the power tool if the switch does not turn it on and off.** Any power tool that cannot be controlled with switch is dangerous and must be repaired.
- **Disconnect the plug from the power source and/or remove the battery pack, if detachable, from the power tool before making any adjustments, changing accessories, or storing power tools.** Such preventive safety measures reduce the risk of starting the power tool accidentally.
- **Store idle power tools out of the reach of children and do not allow persons unfamiliar with the power tool or these instructions to operate the power tool.** Power tools are dangerous in the hands of untrained users.



- **Maintain power tools and accessories. Check for misalignment or binding of moving parts, breakage of parts and any other condition that may affect the power tool's operation. If damaged, have the power tool repaired before use.** Many accidents are caused by poorly maintained power tools.
- **Keep cutting tools sharp and clean.** Properly maintained cutting tools with sharp cutting edges are less likely to bind and are easier to control.
- **Use the power tool, accessories and tool bits etc. in accordance with these instructions, taking into account the working conditions and the work to be performed.** Use of the power tool for operations different from those intended could result in a hazardous situation.
- **Keep handles and grasping surfaces dry, clean and free from oil and grease.** Slippery handles and grasping surfaces do not allow for safe handling and control of the tool in unexpected situations.

#### BATTERY TOOL USE AND CARE

- **Recharge only with the charger specified by the manufacturer.** A charger that is suitable for one type of battery pack may create a risk of fire when used with another battery pack.
- **Use power tools only with specifically designated battery packs.** Use of any other battery packs may create a risk of injury and fire.
- **When battery pack is not in use, keep it away from other metal objects, like paper clips, coins, keys, nails, screws or other small metal objects, that can make a connection from one terminal to another.** Shorting the battery terminals together may cause burns or a fire.
- **Under abusive conditions, liquid may be ejected from the battery; avoid contact. If contact accidentally occurs, flush with water. If liquid contacts eyes, additionally seek medical help.** Liquid ejected from the battery may cause irritation or burns.
- **Do not use a battery pack or tool that is damaged or modified.** Damaged or modified batteries may exhibit unpredictable behaviour resulting in fire, explosion or risk of injury.
- **Do not expose a battery pack or tool to fire or excessive temperature.** Exposure to fire or temperature above 130°C may cause explosion.
- **Follow all charging instructions and do not charge the battery pack or tool outside the temperature range specified in the instructions.** Charging improperly or at temperatures outside the specified range may damage the battery and increase the risk of fire.

#### SERVICE

- **Have your power tool serviced by a qualified repair person using only identical replacement parts.** This will ensure that the safety of the power tool is maintained.
- **Never service damaged battery packs.** Service of battery packs should only be performed by the manufacturer or authorized service providers.

### CORDLESS SNOW THROWER SAFETY WARNINGS

#### TRAINING

- Read, understand, and follow all instructions on the product and in this manual before operating the product. Be thoroughly familiar with the controls and the proper

use of the product. Know how to turn off the product and quickly disengage the controls.

- Never allow children or people with reduced physical, sensory, or mental capabilities, or people who are unfamiliar with these instructions, to operate, clean, or maintain the product. Local regulations may restrict the age of the operator. Children should be adequately supervised to ensure that they do not play with the product.
- Keep bystanders, children, and pets 15 m away from the area of operation. Turn off the product if anyone enters the area.
- Exercise caution to avoid slipping or falling, especially when operating the product in reverse.
- Adjust the collector housing height to clear gravel or crushed rock surface.
- Never attempt to make any adjustments while the product is running.
- The product is capable of amputating hands and feet, and throwing objects. Failure to observe all safety instructions could result in serious injury.
- Keep in mind that the operator or user is responsible for accidents or hazards occurring to other people or their property.

#### PREPARATION

- Thoroughly inspect the area where the product is to be used, and remove all doormats, sleds, boards, wires, and other foreign objects.
- Disengage all clutches and shift into neutral before starting the motor.
- While operating the product, always wear adequate winter garments and non-skid safety footwear. Avoid wearing clothing that is loose-fitting or that has hanging cords or ties; they can be caught in moving parts.
- Secure long hair so that it is above shoulder level to prevent entanglement in moving parts.
- Always wear safety glasses or eye shields during operation or while performing an adjustment or repair to protect eyes from foreign objects that may be thrown from the product.
- Before each use, ensure that all controls and safety devices function correctly. Do not use the product if the off switch does not turn off the product.
- Before each use, always check that the housing is undamaged and that guards and handles are in place and properly secured.

#### OPERATION

- Do not use the product when there is a risk of lightning.
- Do not put hands or feet near or under rotating parts. Keep clear of the discharge opening at all times. Do not put any objects into openings.
- Exercise extreme caution when operating on or crossing gravel drives or walks. Stay alert for hidden hazards or when operating near public roads.
- To reduce the risk of injury associated with contacting moving parts, always turn off the product and remove the battery pack. Make sure that all moving parts have come to a complete stop:
  - after striking a foreign object to inspect the product for damage





- before cleaning or clearing a blockage
  - before leaving the product unattended
  - before checking, conducting maintenance, or working on the product
  - if the product starts to vibrate abnormally (check immediately). Vibration is generally a warning of trouble.
- Use the product across the face of slopes, never up and down. Exercise extreme caution when changing direction on slopes. Do not attempt to clear steep slopes.
  - Never operate the product without proper guards, plates, or other safety protective devices in place.
  - Never direct the discharge towards people or areas where property damage can occur. Keep children and pets away.
  - Do not overload the product capacity by attempting to clear snow at too fast a rate.
  - Never operate the product at high transport speeds on slippery surfaces. Look behind and use care when operating the product in reverse.
  - Disengage power to the collector or impeller when the product is transported or not in use.
  - Use only original manufacturer's replacement parts, accessories, and attachments.
  - Never operate the product without good visibility or light. Always be sure of your footing, and keep a firm hold on the handles. Walk; never run.
  - Never place the product on any surface, except on a hard and clean surface, when the motor is running. Gravel, sand, and other debris can be picked up by the air inlet and thrown at the operator or bystanders, causing possible serious injuries.
  - Never operate the product near glass enclosures, automobiles, windows, or doorways without proper adjustment of the snow discharge angle.
  - If the product is dropped, suffers heavy impact, or begins to vibrate abnormally, immediately turn off the product and inspect for damage or identify the cause of the vibration. Any damage should be properly repaired or replaced by an authorised service centre.
  - The product can be operated and stored at temperatures between  $-20^{\circ}\text{C}$  and  $20^{\circ}\text{C}$ , as long as the battery pack temperature is kept above  $0^{\circ}\text{C}$ . Do not store the battery pack below  $0^{\circ}\text{C}$ . Below freezing temperatures can reduce the performance and capacity of the battery pack. If the battery pack is stored just above  $0^{\circ}\text{C}$ , run the product for at least 2 minutes in order to warm up the battery pack before starting normal work. After the job is done or the battery pack is drained, remove the battery pack from the product and store it in a location where the ambient temperature is between  $0^{\circ}\text{C}$  to  $20^{\circ}\text{C}$ .
  - Store the product in a location where the ambient temperature is between  $0^{\circ}\text{C}$  and  $40^{\circ}\text{C}$ .
  - Some parts of the product can freeze under extreme weather conditions. Do not operate the product with frozen parts.
  - Before storing, allow the product to run for several minutes after operation to remove snow from the auger.

## ADDITIONAL BATTERY SAFETY WARNINGS

- To reduce the risk of fire, personal injury, and product damage due to a short circuit, never immerse the product, battery pack, or charger in fluid or allow fluid to flow inside them. Corrosive or conductive fluids, such as seawater, certain industrial chemicals, and bleach or bleach-containing products, etc., can cause a short circuit.
- Charge the battery pack in a location where the ambient temperature is between  $10^{\circ}\text{C}$  and  $38^{\circ}\text{C}$ .
- Store the battery pack in a location where the ambient temperature is between  $0^{\circ}\text{C}$  and  $20^{\circ}\text{C}$ .
- Do not store the battery pack below  $0^{\circ}\text{C}$ . Below freezing temperatures can reduce the performance and capacity of the battery pack.

## OPERATION TIPS

- The product does not operate if the upper handle is not properly fitted and if the handle lock clip is not securely clipped. There are 2 safety interlocks to help prevent accidental starting when the product is not correctly assembled.
- Take note of the direction of the wind before operating the product. Discharge snow in the same direction as the wind to prevent snow from being thrown back to the operator.

## CLEARING A BLOCKAGE

Never put hands or feet into the front of the product or the discharge chute to avoid serious injuries. Do not use hands to clean the discharge chute.

1. Turn off the product, and remove the battery pack. Make sure that all moving parts have come to a complete stop.
2. Remove the blockage using a wooden pole. Beware, the impeller may move by itself during blockage removal due to stored energy in the mechanism.
3. Turn the impeller assembly using the wooden pole.
4. Once the impeller can be turned by the wooden pole, move to the rear of the product. It is normal for the impeller mechanism to have stepped movement. Make sure that it is safe to continue snow clearing.

## TRANSPORTATION AND STORAGE

- Turn off the product, remove the battery pack, and allow the product to cool down before storing or transporting.
- Always refer to the operator's manual for important details if the product is to be stored for an extended period.
- Remove all foreign materials from the product. Store the product in a cool, dry, and well-ventilated area that is inaccessible to children. Keep the product away from corrosive agents, such as garden chemicals and de-icing salts. Do not store the product outdoors.
- For transportation, secure the product against movement or falling to prevent injury to persons or damage to the product.

## TRANSPORTING LITHIUM BATTERIES

Transport the battery in accordance with local and national provisions and regulations.

Follow all special requirements on packaging and labelling when transporting batteries by a third party. Ensure that no batteries can come in contact with other batteries or conductive materials while in transport by protecting exposed connectors with insulating, non-conductive caps or tape. Do not transport batteries that are cracked or leaking. Check with the forwarding company for further advice.

## MAINTENANCE

- Use only original manufacturer's replacement parts, accessories, and attachments. Failure to do so can cause possible injury, can contribute to poor performance, and may void your warranty.
- Servicing requires extreme care and knowledge and should be performed only by a qualified service technician. Have the product serviced by an authorised service centre only.
- Turn off the product, and remove the battery pack. Make sure that all moving parts have come to a complete stop before any cleaning or maintenance task.
- Check all nuts, bolts, and screws at frequent intervals for proper tightness to ensure that the product is in safe working condition. Any part that is damaged should be properly repaired or replaced by an authorised service centre.
- Bring the product to an authorised service centre to replace damaged or unreadable labels.
- Run the product a few times after throwing snow to prevent freeze-up of the impeller.
- You may make adjustments and repairs described in this manual. For other repairs, have the product serviced by an authorised service centre only.
- After each use, clean the plastic parts with a soft, dry cloth.

## KNOW YOUR PRODUCT

See page 115.

1. Upper handle
2. On/Off bail
3. Operator's manual
4. Start button
5. Auger speed lever
6. Chute rotation lever
7. Chute deflector
8. Deflector button
9. Headlight
10. Handle adjustment lever
11. Impeller
12. Battery cover
13. Battery pack
14. Charger
15. Screws
16. Screwdriver

## SYMBOLS



Read and understand all instructions before operating the product. Follow all warnings and safety instructions.



Beware of thrown or flying objects. Keep all bystanders, especially children and pets, at least 15 m away from the operating area.



Wear eye protection.



Do not expose the product to rain or damp conditions.



Avoid injury from the rotating impeller. Keep hands, feet, and clothing away.



Keep all bystanders, especially children and pets, at least 15 m away from the operating area.



Do not operate the product on slopes.



Keep hands and feet away from the front of the machine and the discharge chute of the product.



Remove the battery pack.



Do not use hands to clean the discharge chute.



Guaranteed sound power level



Do not dispose of waste batteries, waste electrical and electronic equipment as unsorted municipal waste. Waste batteries and waste electrical and electronic equipment must be collected separately. Waste batteries, waste accumulators, and light sources have to be removed from the equipment. Check with your local authority or retailer for recycling advice and collection point. According to local regulations, retailers may have an obligation to take back waste batteries and waste electrical and electronic equipment free of charge. Your contribution to the reuse and recycling of waste batteries and waste electrical and electronic equipment helps to reduce the demand of raw materials. Waste batteries, in particular containing lithium, and waste electrical and electronic equipment contain valuable and recyclable materials, which can adversely impact the environment and the human health if not disposed of in an environmentally compatible manner. Delete personal data from waste equipment, if any.

Lors de la conception de la souffleuse à neige sans fil, l'accent a été mis sur la sécurité, les performances et la fiabilité.

## UTILISATION PRÉVUE

La souffleuse à neige sans fil est conçue uniquement pour une utilisation en extérieur dans une zone bien illuminée par un opérateur se tenant derrière le produit. Le produit est conçu pour être utilisé uniquement par des adultes qui ont lu et compris les instructions et avertissement du présent manuel et qui peuvent être considérés comme responsables de leurs actions. Pour des raisons de sécurité, le produit doit être contrôlé de manière adéquate avec une utilisation à deux mains en tout temps.

Ce produit est destiné à déblayer la neige de surfaces telles que les allées, les trottoirs, les chemins, les sentiers, les routes, et autour des maisons. Ce produit peut déblayer la neige d'une épaisseur pouvant atteindre 33 cm.

Le produit ne doit jamais être utilisé si les roues ne sont pas en contact avec le sol. Ne pas monter sur le produit. Le produit doit toujours être utilisé comme indiqué dans le présent manuel.

Utilisez ce produit pour aucun autre travail.

## AVERTISSEMENTS DE SÉCURITÉ GÉNÉRAUX CONCERNANT LE PRODUIT

**⚠ AVERTISSEMENT!** Lisez l'ensemble des avertissements, instructions, illustrations et spécifications relatifs à la sécurité fournis avec ce produit. Le non-respect des instructions présentées ci-après peut entraîner des accidents tels que des incendies, des décharges électriques et/ou des blessures corporelles graves.

**Bien garder tous les avertissements et instructions.**

Dans les avertissements, l'expression « outil électrique » fait référence au produit alimenté sur le secteur (à fil) ou sur batterie (sans fil).

### SÉCURITÉ DANS LA ZONE DE TRAVAIL

- **Maintenez l'endroit de travail propre et bien éclairé.** Un lieu de travail en désordre ou mal éclairé augmente le risque d'accidents.
- **N'utilisez pas l'outil électroportatif dans un environnement présentant des risques d'explosion et où se trouvent des liquides, des gaz ou poussières inflammables.** Les outils électroportatifs génèrent des étincelles risquant d'enflammer les poussières ou les vapeurs.
- **Tenez les enfants et autres personnes éloignés durant l'utilisation de l'outil électroportatif.** En cas d'inattention vous risquez de perdre le contrôle sur l'appareil.

### SÉCURITÉ RELATIVE AU SYSTÈME ÉLECTRIQUE

- **La fiche de secteur de l'outil électroportatif doit être appropriée à la prise de courant. Ne modifiez en aucun cas la fiche. N'utilisez pas de fiches d'adaptateur avec des outils électriques avec mise à la terre.** Les fiches non modifiées et les prises de courant appropriées réduisent le risque de décharge électrique.

- **Évitez le contact physique avec des surfaces mises à la terre tels que tuyaux, radiateurs, fours et réfrigérateurs.** Il y a un risque élevé de choc électrique au cas où votre corps serait relié à la terre.
- **Ne pas exposer l'outil électroportatif à la pluie ou à l'humidité.** La pénétration d'eau dans un outil électroportatif augmente le risque d'un choc électrique.
- **Ne malmenez pas le câble d'alimentation. Ne jamais utiliser le cordon pour porter, tirer ou débrancher l'outil. Maintenir le câble éloigné des sources de chaleur, des parties grasses, des bords tranchants ou des parties de l'appareil en rotation.** Un câble endommagé ou torsadé augmente le risque d'un choc électrique.
- **Au cas où l'outil électroportatif serait utilisé à l'extérieur, utiliser une rallonge appropriée pour les applications extérieures.** L'utilisation d'une rallonge électrique appropriée pour les applications extérieures réduit le risque d'un choc électrique.
- **Si une utilisation de l'outil électroportatif dans un environnement humide ne peut pas être évitée, utiliser un disjoncteur différentiel.** Un disjoncteur différentiel réduit le risque d'un choquo électrique.

### SÉCURITÉ DES PERSONNES

- **Rester vigilant, surveiller ce que vous faites. Faire preuve de bon sens en utilisant l'outil électroportatif. Ne pas utiliser un outil électroportatif lorsqu'on est fatigué ou après avoir consommé de l'alcool, des drogues ou avoir pris des médicaments.** Un moment d'inattention lors de l'utilisation de l'outil électroportatif peut entraîner de graves blessures sur les personnes.
- **Porter des équipements de protection. Porter toujours des lunettes de protection.** Le fait de porter des équipements de protection personnels tels que masque anti-poussière, chaussures de sécurité antidérapantes, casque de protection ou protection acoustique suivant le travail à effectuer avec l'outil électroportatif, réduit le risque de blessures.
- **Éviter toute mise en service accidentelle. Assurez-vous que l'interrupteur est en position "arrêt" avant la connexion au secteur et/ou l'insertion de la batterie, ainsi qu'avant de saisir ou de transporter l'outil.** Le transport d'un outil électrique avec votre doigt sur l'interrupteur ou la mise sous tension d'un outil dont l'interrupteur est en position "marche" est propice aux accidents.
- **Enlever tout outil de réglage ou toute clé avant de mettre l'outil électroportatif en fonctionnement. Une clé ou un outil se trouvant sur une partie en rotation peut causer des blessures.** Le fait de porter l'outil électroportatif avec le doigt sur l'interrupteur ou de le brancher sur la source de courant lorsque l'outil électroportatif est en fonctionnement, peut entraîner des accidents.
- **Ne pas se précipiter. Gardez une position et un équilibre adaptés à tout moment.** Cela permet un meilleur contrôle de l'outil dans des situations inattendues.
- **Portez des vêtements appropriés. Ne pas porter de vêtements amples ni de bijoux. Tenir vos cheveux et**

vos vêtements à l'écart des pièces en mouvement.

Des vêtements amples, des bijoux ou des cheveux longs peuvent être happés par des pièces en mouvement.

- Si des dispositifs servant à aspirer ou à recueillir les poussières doivent être utilisés, vérifier que ceux-ci soient effectivement raccordés et qu'ils soient correctement utilisés. L'utilisation d'un dispositif d'aspiration des poussières peut réduire les dangers dus aux poussières.
- Ne pas relâcher sa vigilance en cas d'utilisation fréquente de certains outils et ne pas ignorer les principes de sécurité des outils. Une action imprudente peut entraîner de graves blessures en une fraction de seconde.

## UTILISATION ET EMPLOI SOIGNEUX D'OUTILS ÉLECTROPORTATIFS

- Ne pas surcharger l'appareil. Utiliser l'outil électroportatif approprié au travail à effectuer. Avec l'outil électroportatif approprié, vous travaillerez mieux et avec plus de sécurité à la vitesse pour laquelle il est prévu.
- Ne pas utiliser un outil électroportatif dont l'interrupteur est défectueux. Tout outil qui ne peut pas être commandé par l'interrupteur est dangereux et il faut le réparer.
- Débranchez la fiche secteur de la source de courant et/ou le pack batterie de l'outil électrique avant d'effectuer tout réglage, tout changement d'accessoire, et avant de le ranger. Cette mesure de précaution empêche une mise en fonctionnement de l'outil électroportatif par mégarde.
- Conserver les outils à l'arrêt hors de la portée des enfants et ne pas permettre à des personnes ne connaissant pas l'outil ou les présentes instructions de le faire fonctionner. Les outils sont dangereux entre les mains d'utilisateurs novices.
- Entretenir les accessoires et les outils électriques. Vérifier que les parties en mouvement fonctionnent correctement et qu'elles ne soient pas coincées, et contrôler si des parties sont cassées ou endommagées de telle sorte que le bon fonctionnement de l'outil électroportatif s'en trouve entravé. Faire réparer ces parties endommagées avant d'utiliser l'appareil. De nombreux accidents sont dus à des outils électroportatifs mal entretenus.
- Maintenir les outils de coupe aiguisés et propres. Des outils soigneusement entretenus avec des bords tranchants bien aiguisés se coincent moins souvent et peuvent être guidés plus facilement.
- Utiliser l'outil, les accessoires et les lames etc., conformément à ces instructions, en tenant compte des conditions de travail et du travail à réaliser. L'utilisation des outils électroportatifs à d'autres fins que celles prévues peut entraîner des situations dangereuses.
- Gardez les poignées et les surfaces de préhension sèches, propres et exemptes d'huile et de graisse. Des poignées et des surfaces de préhension glissantes ne permettent pas une manipulation et un contrôle de l'outil en toute sécurité en cas de situation imprévue.

## UTILISATION ET EMPLOI SOIGNEUX DES OUTILS ÉLECTRIQUES SANS FIL

- Ne chargez les blocs de batteries que dans des chargeurs recommandés par le fabricant. Un chargeur approprié à un type spécifique de batterie peut engendrer un risque d'incendie lorsqu'il est utilisé avec une autre batterie.
- Dans les outils électriques, n'utilisez que les blocs de batteries spécialement prévus pour ceux-ci. L'utilisation de tout autre bloc de batterie peut entraîner des blessures et des risques d'incendie.
- Lorsqu'un bloc de batterie n'est pas utilisé, le maintenir à l'écart de tout autre objet métallique, par exemple trombones, pièces de monnaie, clés, clous, vis ou autres objets de petite taille qui peuvent donner lieu à une connexion d'une borne à une autre. Un court-circuit entre les contacts de batterie peut provoquer des brûlures ou un incendie.
- En cas d'utilisation abusive, du liquide peut sortir du bloc de batterie. Évitez tout contact avec ce liquide. En cas de contact accidentel, rincez soigneusement avec de l'eau. Si du liquide entre en contact avec les yeux, consultez immédiatement un médecin. Le liquide qui sort du bloc de batterie peut entraîner des irritations de la peau ou causer des brûlures.
- Ne pas utiliser un outil ou un pack de batterie endommagé ou modifié. Des batteries endommagées ou modifiées peuvent présenter un comportement imprévisible pouvant causer un incendie, une explosion ou un risque de blessure.
- N'exposez pas un outil ou un bloc de batterie au feu ou à des températures excessives. L'exposition au feu ou à des températures supérieures à 130 °C peut provoquer une explosion.
- Suivre toutes les instructions de chargement et ne pas charger l'outil ou le pack de batterie en dehors de la plage de températures spécifiée dans les instructions. Un chargement incorrect ou à des températures en dehors de la plage spécifiée peut endommager la batterie et augmenter le risque d'incendie.

## TRAVAUX D'ENTRETIEN

- Ne faire réparer l'outil électroportatif que par un personnel qualifié et seulement avec des pièces de rechange d'origine. Ceci permet d'assurer la sécurité de l'appareil.
- Ne jamais procéder à l'entretien des packs de batterie endommagés. L'entretien des packs de batterie ne peut être effectué que par le fabricant ou des prestataires agréés.

## AVERTISSEMENTS DE SÉCURITÉ CONCERNANT LA SOUFFLEUSE À NEIGE SANS FIL

### ENTRAÎNEMENT

- Assurez-vous de lire, comprendre et suivre toutes les instructions figurant sur le produit et dans le manuel avant d'utiliser l'appareil. Familiarisez-vous avec les commandes et la bonne utilisation du produit. Apprenez à arrêter le produit et à désactiver les commandes rapidement.

- Ne laissez jamais les enfants ou les personnes aux capacités physiques, sensorielles ou mentales réduites, ni les personnes non familiarisées avec ces instructions utiliser, nettoyer ou entretenir le produit. Les lois locales peuvent imposer un âge minimum à l'opérateur. Les enfants doivent être bien surveillés afin de s'assurer qu'ils ne jouent pas avec le produit.
- Gardez les passants, les enfants et les animaux éloignés d'au moins 15 m de l'aire de travail. Mettez l'appareil hors tension si quelqu'un pénètre dans la zone.
- Faites attention à ne pas glisser ou tomber, en particulier lorsque vous utilisez l'appareil en marche arrière.
- Réglez la hauteur du châssis de la pelle afin de ne pas entrer en contact avec le gravier ou de racler les surfaces en pierre.
- Ne tentez jamais d'effectuer un réglage lorsque le produit est allumé.
- Le produit est capable de trancher les mains et les pieds, et de projeter des objets. Le non-respect de toutes les consignes de sécurité peut entraîner des blessures graves.
- Gardez à l'esprit que l'opérateur est responsable des accidents qui arrivent aux autres personnes présentes dans sa propriété.

## PRÉPARATION

- Vérifiez avec soin la zone où vous allez utiliser la machine, et retirez-en tous les paillassons, traîneaux, planches, câbles, et autres objets étrangers.
  - Débrayez tous les embrayages et passez au point mort avant de démarrer le moteur.
  - Lors de l'utilisation de la machine, portez toujours des habits d'hiver adaptés et des chaussures antidérapantes. Évitez tout habillement ample ou comportant des cordons ou cravates qui pendent et seraient susceptibles d'être happés par les pièces en mouvement.
  - Attachez les cheveux longs au-dessus du niveau des épaules afin d'éviter qu'ils ne se prennent dans les parties en mouvement.
  - Portez toujours des lunettes de sécurité ou des protecteurs oculaires lors de l'utilisation, du réglage ou de la réparation afin de vous protéger les yeux des objets étrangers qui pourraient être projetés par le produit.
  - Avant chaque utilisation assurez-vous que toutes les commandes et tous les organes de sécurité fonctionnent correctement. N'utilisez pas le produit si l'interrupteur « arrêt » (off) ne déclenche pas l'arrêt du produit.
  - Avant chaque utilisation, vérifiez toujours si le boîtier est endommagé et assurez-vous que les poignées et protections sont en place et correctement fixées.
- ces derniers. Faites attention aux dangers cachés ou lorsque que vous travaillez près de routes publiques.
- Pour réduire les risques de blessures infligées par des pièces mobiles, mettez toujours l'appareil hors tension avant de retirer le bloc-batterie. Assurez-vous que tous les éléments en mouvement se sont bien arrêtés:
    - après avoir heurté un objet étranger afin de vérifier les dommages éventuels subis par le produit
    - avant de nettoyer ou de dégager la cause d'un blocage
    - avant de laisser le produit sans surveillance
    - avant de travailler sur le produit, de le vérifier ou de l'entretenir
    - si le produit se met à vibrer de façon anormale, effectuez immédiatement ce qui suit Les vibrations sont souvent le signe d'un problème.
  - Utilisez le produit transversalement par rapport à la pente, jamais en la remontant ou en la descendant. Redoublez de vigilance lorsque vous changez de direction dans une pente. Ne tentez pas de déneiger les fortes pentes.
  - N'utilisez jamais un produit dont les protections, platines, ou autres dispositifs de sécurité ne sont pas en place.
  - N'orientez jamais le dégagement de neige vers des personnes ou des zones où des biens pourraient être endommagés. Éloignez tous les passants de la zone de travail, en particulier les enfants et les animaux.
  - Ne surchargez pas la machine au-delà de ses capacités en tentant de dégager la neige trop vite.
  - Ne jamais utiliser le produit lors d'un déplacement à vitesse élevée sur des surfaces glissantes. Regardez derrière vous et soyez prudent(e) lorsque vous utilisez le produit en marche arrière.
  - Désactivez l'alimentation de la pelle/turbine lors du transport ou du stockage de l'appareil.
  - N'utilisez que des pièces détachées et des accessoires d'origine constructeur.
  - N'utilisez jamais le produit sans disposer d'une bonne visibilité ou d'un bon éclairage. Assurez-vous d'être toujours stable sur vos jambes et de tenir fermement les poignées. Marchez, ne courez jamais.
  - Ne posez jamais le produit avec le moteur en marche sur une surface quelconque à moins qu'elle ne soit propre et dure. Le gravier, le sable, et autres débris peuvent être aspirés par l'entrée d'air et projetés vers l'opérateur ou les passants, risquant de provoquer de graves blessures.
  - N'utilisez jamais le produit à proximité d'enclos en verre, de voitures, de fenêtres, ou d'embrasures de portes sans avoir réglé l'angle d'évacuation de la neige en conséquence.
  - Si le produit tombe, subit un lourd impact ou commence à vibrer de manière anormale, l'arrêter immédiatement et l'examiner pour détecter la présence de dommages ou identifier la cause des vibrations. Toute pièce

## UTILISATION

- N'utilisez pas le produit en cas de risque d'éclair.
- Ne mettez pas vos pieds ou vos mains sous les pièces en rotation ou à leur proximité. Restez en permanence à l'écart de la trappe d'éjection. N'introduisez aucun objet dans les ouvertures de l'appareil.
- Soyez extrêmement prudent lors de l'utilisation de l'appareil sur des allées ou des trottoirs en gravier ou en traversant



endommagée doit être correctement remplacée ou réparée par un centre de service agréé.

- Le produit peut être utilisé et stocké à des températures comprises entre -20 °C et 20 °C, à condition que la température du bloc-batterie reste supérieure à 0 °C. Ne stockez pas le bloc-batterie à une température inférieure à 0 °C. Des températures inférieures à 0 °C peuvent réduire les performances et la capacité du bloc-batterie. Si le bloc-batterie est stocké à une température légèrement au-dessus de 0 °C, faites fonctionner le produit pendant au moins 2 minutes afin de réchauffer le bloc-batterie avant de commencer toute opération normale. Une fois la tâche terminée ou le bloc-batterie déchargé, retirez le bloc-batterie du produit et stockez-le dans un endroit où la température ambiante est comprise entre 0 °C et 20 °C.
- Stockez le produit à un endroit dont la température ambiante est comprise entre 0 et 40 °C.
- Certaines parties du produit peuvent geler en cas de conditions météorologiques extrêmes. N'utilisez pas le produit avec des pièces gelées.
- Avant de ranger le produit, laissez-le tourner pendant plusieurs minutes après utilisation pour retirer la neige de la tarière.

### MISES EN GARDE DE SÉCURITÉ SUPPLÉMENTAIRES CONCERNANT LA BATTERIE

- Pour réduire le risque d'incendie, de blessures corporelles et de dommages causés par un court-circuit, n'immergez jamais le produit, la batterie ou le chargeur dans un liquide et ne laissez jamais de liquide pénétrer dans aucun d'entre eux. Les fluides corrosifs ou conducteurs, tels que l'eau de mer, certains produits chimiques industriels, les produits de blanchiment ou contenant des agents de blanchiment etc. peuvent provoquer un court-circuit
- Rechargez le bloc de batterie à un endroit où la température ambiante est comprise entre 10 et 38 °C.
- Remisez le bloc de batterie à un endroit où la température ambiante est comprise entre 10 et 20 °C
- Ne stockez pas le bloc-batterie à une température inférieure à 0 °C. Des températures inférieures à 0 °C peuvent réduire les performances et la capacité du bloc-batterie.

### CONSEILS D'UTILISATION

- Le produit ne fonctionnera pas si la poignée supérieure n'est pas bien en place et si le clip de verrouillage de la poignée n'est pas bien enclenché. Il y a 2 systèmes de verrouillage de sécurité pour éviter les démarrages accidentels lorsque le produit n'est pas correctement assemblé.
- Prenez note de la direction du vent avant d'utiliser le produit. Soufflez la neige dans la même direction que le vent pour éviter que de la neige ne soit rejetée sur l'opérateur.

### DÉGAGEMENT D'UN BLOCAGE

Ne mettez jamais vos mains ou vos pieds à l'avant du produit ou en face du conduit d'évacuation afin d'éviter toute blessure grave. Ne nettoyez pas la goulotte d'approvisionnement avec les mains.

1. Éteindre l'appareil et retirer le bloc batterie. Assurez-vous que tous les éléments en mouvement se sont bien arrêtés.
2. Enlevez l'obstruction à l'aide d'une tige en bois. Prenez garde, la turbine est susceptible de tourner par elle-même lorsque vous dégagez le blocage du fait de l'inertie de son mécanisme.
3. Faites tourner la turbine à l'aide de la tige en bois.
4. Une fois qu'il est possible de faire tourner la turbine avec la tige en bois, mettez-vous à l'arrière du produit. Il est normal que la turbine tourne par paliers. Assurez-vous de pouvoir continuer le déneigement en toute sécurité.

### TRANSPORT ET STOCKAGE

- Mettez l'appareil hors tension, retirez le bloc-batterie et laissez-le refroidir avant de le ranger ou de le transporter.
- Référez-vous toujours au manuel d'utilisation pour obtenir des détails importants si le produit est stocké pendant une période prolongée.
- Débarrassez l'appareil de tous les corps étrangers. Rangez l'appareil dans un endroit bien ventilé, hors de portée des enfants. Tenez le produit à l'écart des agents corrosifs tels que les produits chimiques pour le jardin et les sels de dégivrage. Ne rangez pas le produit à l'extérieur.
- Pour le transport, attachez le produit pour l'empêcher de bouger ou de tomber, afin d'éviter toute blessure et tout dommage matériel.

### TRANSPORT DES BATTERIES AU LITHIUM

Transportez les batteries en conformité avec les dispositions et règlements locaux et nationaux.

Respectez toutes les exigences légales particulières concernant l'emballage et l'étiquetage des batteries lorsque vous confiez leur transport à un tiers. Assurez-vous qu'aucune batterie ne puisse entrer en contact avec une autre batterie ou avec des matériaux conducteurs lors de son transport en isolant les bornes électriques avec du ruban adhésif ou des capuchons isolants non conducteurs. Ne transportez pas une batterie qui serait fendue ou qui fuirait. Demandez conseil au transporteur pour de plus amples informations.

### ENTRETIEN

- N'utilisez que des pièces détachées et des accessoires d'origine constructeur. Le non respect de cette précaution peut entraîner de mauvaises performances, des blessures, et annuler votre garantie.
- Les réparations demandent un soin et des connaissances extrêmes et ne doivent être effectuées que par un technicien de service qualifié. Confiez l'entretien du produit à un centre de service agréé.
- Éteindre l'appareil et retirer le bloc batterie. Assurez-vous que toutes les pièces mobiles se sont arrêtées entièrement avant toute tâche de nettoyage ou de maintenance.

- Vérifiez régulièrement le bon serrage des écrous, vis et boulons pour vous assurer que le produit soit toujours en bon état de fonctionnement. Toute pièce endommagée doit être correctement remplacée ou réparée par un centre de service agréé.
- Apportez le produit à un centre de service agréé pour remplacer les étiquettes abîmées ou illisibles.
- Faites fonctionner l'appareil plusieurs fois après avoir enlevé la neige pour éviter le blocage de la turbine par le gel.
- Vous pouvez effectuer les réglages et réparations décrits dans ce manuel. Pour les autres réparations, adressez-vous uniquement à un centre d'entretien agréé.
- Après chaque utilisation, nettoyez les pièces en plastique avec un chiffon doux et sec.

## APPRENEZ À CONNAÎTRE VOTRE PRODUIT

Voir page 115.

1. Poignée supérieure
2. Bras de marche/arrêt
3. Manuel d'utilisation
4. Bouton de démarrage
5. Levier de vitesse à tarière
6. Levier de rotation du conduit d'évacuation
7. Déflecteur du conduit d'évacuation
8. Bouton du déflecteur
9. Phare
10. Levier de réglage de la poignée
11. Turbine
12. Couvercle de la batterie
13. Bloc de batterie
14. Chargeur
15. Vis
16. Tournevis

## SYMBOLES



Lisez et comprenez toutes les instructions avant d'utiliser le produit. Respectez l'ensemble des avertissements et consignes de sécurité.



Prenez garde à la projection d'objets au sol et dans les airs. Gardez tous les passants, en particulier les enfants et les animaux, éloignés d'au moins 15 m de la zone de travail.



Portez une protection oculaire.



Ne pas exposer à la pluie ou à des conditions humides.



Faites attention aux blessures causées par les pales rotatives. Maintenez la tête, les pieds et les vêtements éloignés du produit.



Gardez tous les passants, en particulier les enfants et les animaux, éloignés d'au moins 15 m de la zone de travail.



N'utilisez pas le produit sur des pentes.



Tenez vos mains et vos pieds à l'écart de l'avant de la machine et de la goulotte d'approvisionnement du produit.



Retirez le pack batterie.

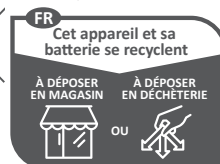


Ne nettoyez pas la goulotte d'approvisionnement avec les mains.



Niveau de puissance sonore garanti

Ne jetez pas les batteries et les équipements électriques et électroniques usagés parmi les déchets municipaux non triés. Les batteries et les équipements électriques et électroniques usagés doivent être collectés séparément. Les batteries, accumulateurs et sources lumineuses usagés doivent être retirés de l'équipement. S'adresser aux autorités locales ou au détaillant spécialisé en vue de connaître l'emplacement des centres de recyclage et des points de collecte. Selon les réglementations locales, les détaillants peuvent avoir l'obligation de récupérer gratuitement les batteries et les équipements électriques et électroniques usagés. Votre contribution à la réutilisation et au recyclage des batteries et équipements électriques et électroniques usagés permet de réduire la demande en matières premières. Les batteries, notamment celles qui contiennent du lithium, ainsi que les équipements électriques et électroniques usagés comportent des matériaux précieux et recyclables, qui peuvent avoir un impact négatif sur l'environnement et la santé humaine s'ils ne sont pas éliminés de manière respectueuse de l'environnement. Supprimer les données personnelles de l'équipement usagé, le cas échéant.



Points de collecte sur [www.quefairedemesdechets.fr](http://www.quefairedemesdechets.fr)

Sicherheit, Leistung und Zuverlässigkeit hatten oberste Priorität bei der Entwicklung der Akku-Schneefräse.

## BESTIMMUNGSGEMÄSSE VERWENDUNG

Die Akku-Schneefräse ist nur für den Einsatz im Freien geeignet; der Bediener muss das Gerät führen, während er geht. Das Gerät ist nur für den Gebrauch von Erwachsenen vorgesehen, die Bedienungsanleitung gelesen und verstanden haben und als verantwortlich für ihre Handlungen erachtet werden können. Aus Sicherheitsgründen muss das Produkt jederzeit ausreichend mit zwei Händen bedient werden können.

Das Produkt ist zum Räumen von Schnee in Bereichen wie Einfahrten, Bürgersteigen, Wegen, Straßen und um Häuser konstruiert. Das Produkt kann Schnee bis zu einer Tiefe von 33 cm räumen.

Das Produkt sollte niemals mit den Rädern abgehoben vom Boden betrieben werden. Das Gerät darf nicht zum Reiten genutzt werden. Das Gerät sollte ausschließlich gemäß der Beschreibung in dieser Anleitung verwendet werden.

Das Produkt darf zu keinen anderen Zwecken verwendet werden.

## ALLGEMEINE SICHERHEITSHINWEISE ZUM GERÄT

**⚠ WARNUNG! Lesen Sie aufmerksam alle mit diesem Werkzeug gelieferten Warnungen, Anweisungen und Spezifikationen, beziehen Sie sich auf die Illustrationen.** Die Nichtbeachtung der weiter unten aufgeführten Anweisungen kann Unfälle wie Brände, Elektroschocks und/oder schwere Körperverletzungen zur Folge haben.

**Bewahren Sie alle Sicherheitshinweise und Anweisungen für die Zukunft auf.**

Der Begriff „Elektrogerät“ in den Warnhinweisen bezieht sich auf Ihr über einen Stromanschluss (mit Stromkabel) oder mit einem Akku (kabellos) betriebenes Gerät.

## ARBEITSPLATZSICHERHEIT

- **Halten Sie Ihren Arbeitsbereich sauber und gut beleuchtet.** Unordnung oder unbeleuchtete Arbeitsbereiche können zu Unfällen führen.
- **Arbeiten Sie mit dem Elektrowerkzeug nicht in explosionsgefährdeter Umgebung, in der sich brennbare Flüssigkeiten, Gase oder Stäube befinden.** Elektrowerkzeuge erzeugen Funken, die den Staub oder die Dämpfe entzünden können.
- **Halten Sie Kinder und andere Personen während der Benutzung des Elektrowerkzeugs fern.** Bei Ablenkung können Sie die Kontrolle über das Gerät verlieren.

## ELEKTRISCHE SICHERHEIT

- **Der Anschlussstecker des Elektrowerkzeuges muss in die Steckdose passen. Der Stecker darf in keiner Weise verändert werden. Verwenden Sie keine Adapterstecker gemeinsam mit schutzgeerdeten Elektrowerkzeugen.** Unveränderte Stecker und passende Steckdosen verringern das Risiko eines elektrischen Schlages!
- **Vermeiden Sie Körperkontakt mit geerdeten Oberflächen wie von Rohren, Heizungen, Herden**

**und Kühlschränken.** Es besteht ein erhöhtes Risiko durch elektrischen Schlag, wenn Ihr Körper geerdet ist.

- **Halten Sie Elektrowerkzeuge von Regen oder Nässe fern.** Das Eindringen von Wasser in ein Elektrowerkzeug erhöht das Risiko eines elektrischen Schlages.
- **Das Stromkabel nicht überstrapazieren. Verwenden Sie das Kabel niemals, um das Werkzeug damit zur tragen, zu ziehen oder den Stecker aus der Steckdose zu ziehen. Halten Sie das Kabel fern von Hitze, Öl, scharfen Kanten oder sich bewegenden Geräteteilen.** Beschädigte oder verwickelte Kabel erhöhen das Risiko eines elektrischen Schlages.
- **Wenn Sie mit einem Elektrowerkzeug im Freien arbeiten, verwenden Sie nur Verlängerungskabel, die auch für den Außenbereich geeignet sind.** Die Anwendung eines für den Außenbereich geeigneten Verlängerungskabels verringert das Risiko eines elektrischen Schlages.
- **Wenn der Betrieb des Elektrowerkzeuges in feuchter Umgebung nicht vermeidbar ist, verwenden Sie einen Fehlerstromschutzschalter.** Der Einsatz eines Fehlerstromschutzschalters vermindert das Risiko eines elektrischen Schlages.

## SICHERHEIT VON PERSONEN

- **Seien Sie aufmerksam, achten Sie darauf, was Sie tun und gehen Sie mit Vernunft an die Arbeit mit einem Elektrowerkzeug. Benutzen Sie kein Elektrowerkzeug, wenn Sie müde sind oder unter dem Einfluss von Drogen, Alkohol oder Medikamenten stehen.** Ein Moment der Unachtsamkeit beim Gebrauch des Elektrowerkzeuges kann zu ernsthaften Verletzungen führen.
- **Benutzen Sie eine persönliche Schutzausrüstung. Immer eine Schutzbrille.** Das Tragen persönlicher Schutzausrüstung, wie Staubmaske, rutschfeste Sicherheitsschuhe, Schutzhelm oder Gehörschutz, je nach Art und Einsatz des Elektrowerkzeuges, verringert das Risiko von Verletzungen.
- **Vermeiden Sie eine unbeabsichtigte Inbetriebnahme. Vergewissern Sie sich, dass das Elektrowerkzeug ausgeschaltet ist, bevor Sie es an die Stromversorgung und/oder den Akku anschließen, es aufnehmen oder tragen.** Das Tragen von Elektrowerkzeugen mit dem Finger am Schalter bzw. von an das Stromversorgung angeschlossenen Elektrowerkzeugen bei eingeschaltetem Schalter kann zu Unfällen führen.
- **Entfernen Sie Einstellwerkzeuge oder Schraubenschlüssel, bevor Sie das Elektrowerkzeug einschalten.** Ein Werkzeug oder Schlüssel, der sich in einem drehenden Geräteteil befindet, kann zu Verletzungen führen.
- **Vermeiden Sie eine abnormale Körperhaltung. Sorgen Sie für einen sicheren Stand und halten Sie jederzeit das Gleichgewicht.** Dadurch können Sie das Elektrowerkzeug in unerwarteten Situationen besser kontrollieren.
- **Tragen Sie geeignete Kleidung. Tragen Sie keine locker sitzende Kleidung oder Schmuck. Halten Sie Ihr Haar und Ihre Kleidung von beweglichen Teilen**

fern. Lockere Kleidung, Schmuck oder lange Haare können von sich bewegenden Teilen erfasst werden.

- **Wenn Staubabsaug- und -auffangeinrichtungen montiert werden können, vergewissern Sie sich, dass diese angeschlossen sind und richtig verwendet werden.** Verwendung einer Staubabsaugung kann Gefährdungen durch Staub verringern.
- **Wiegen Sie sich nicht in falscher Sicherheit und setzen Sie sich nicht über die Sicherheitsregeln für Elektrowerkzeuge hinweg, auch wenn sie nach vielfachem Gebrauch mit dem Elektrowerkzeug vertraut sind.** Eine unvorsichtige Aktion kann in einem Sekundenbruchteil eine schwere Verletzung verursachen.

## VERWENDUNG UND BEHANDLUNG DES ELEKTROWERKZEUGES

- **Überlasten Sie das Gerät nicht. Verwenden Sie für Ihre Arbeit das dafür bestimmte Elektrowerkzeug.** Mit dem passenden Elektrowerkzeug arbeiten Sie besser und sicherer im angegebenen Leistungsbereich.
- **Benutzen Sie kein Elektrowerkzeug, dessen Schalter defekt ist.** Ein Elektrowerkzeug, das sich nicht mehr ein- oder ausschalten lässt, ist gefährlich und muss repariert werden.
- **Ziehen Sie den Stecker aus der Steckdose und/oder entfernen Sie den Akku, bevor Sie Geräteeinstellungen vornehmen, Zubehörteile wechseln oder das Gerät weglegen.** Diese Vorsichtsmaßnahme verhindert den unbeabsichtigten Start des Elektrowerkzeuges.
- **Bewahren Sie unbenutzte Elektrowerkzeuge außerhalb der Reichweite von Kindern auf. Lassen Sie Personen das Gerät nicht benutzen, die mit diesem nicht vertraut sind oder diese Anweisungen nicht gelesen haben.** Elektrowerkzeuge sind gefährlich, wenn sie von unerfahrenen Personen benutzt werden
- **Warten Sie Elektrowerkzeuge und das Zubehör. Kontrollieren Sie, ob bewegliche Teile einwandfrei funktionieren und nicht klemmen, ob Teile gebrochen oder so beschädigt sind, dass die Funktion des Elektrowerkzeuges beeinträchtigt ist. Lassen Sie beschädigte Teile vor dem Einsatz des Gerätes reparieren.** Viele Unfälle haben ihre Ursache in schlecht gewarteten Elektrowerkzeugen.
- **Halten Sie Schneidwerkzeuge scharf und sauber.** Sorgfältig gepflegte Schneidwerkzeuge mit scharfen Schneidkanten verkleben sich weniger und sind leichter zu führen.
- **Verwenden Sie Elektrowerkzeug, Zubehör, Einsatzwerkzeuge usw. entsprechend diesen Anweisungen. Berücksichtigen Sie dabei die Arbeitsbedingungen und die auszuführende Tätigkeit.** Der Gebrauch von Elektrowerkzeugen für andere als die vorgesehenen Anwendungen kann zu gefährlichen Situationen führen.
- **Halten Sie die Griffe und Griffflächen trocken, sauber und frei von Öl und Schmierstoffen.** Rutschige Griffe und Griffflächen verhindern die sichere Bedienung und Kontrolle des Werkzeugs in unerwarteten Situationen.

## VERWENDUNG UND BEHANDLUNG DES AKKUWERKZEUGES

- **Laden Sie die Akkus nur in Ladegeräten auf, die vom Hersteller empfohlen werden.** Für ein Ladegerät, das für eine bestimmte Art von Akkus geeignet ist, besteht Brandgefahr, wenn es mit anderen Akkus verwendet wird.
- **Verwenden Sie nur die dafür vorgesehenen Akkus in den Elektrowerkzeugen.** Der Gebrauch von anderen Akkus kann zu Verletzungen und Brandgefahr führen.
- **Halten Sie den nicht benutzten Akku fern von Büroklammern, Münzen, Schlüsseln, Nägeln, Schrauben oder anderen kleinen Metalgegenständen, die eine Überbrückung der Kontakte verursachen könnten.** Ein Kurzschluss zwischen den Akkukontakten kann Verbrennungen oder Feuer zur Folge haben.
- **Bei falscher Anwendung kann Flüssigkeit aus dem Akku austreten; vermeiden Sie den Kontakt damit. Bei zufälligem Kontakt mit Wasser abspülen. Suchen Sie außerdem medizinische Hilfe auf, falls die Flüssigkeit in die Augen gerät.** Austretende Akkufflüssigkeit kann zu Hautreizungen oder Verbrennungen führen.
- **Verwenden Sie keinen beschädigten oder modifizierten Akkupack oder Werkzeuge.** Beschädigte oder modifizierte Akkus können zu unvorhersehbaren Reaktionen führen, was zu Feuer, Explosion oder Verletzungsgefahr führt.
- **Setzen Sie Akkus oder Werkzeuge nicht Feuer oder zu hohen Temperaturen aus.** Feuereinwirkung oder Temperaturen über 130° C können zu einer Explosion führen.
- **Befolgen Sie alle Ladeanweisungen und laden Sie den Akkupack nicht außerhalb des in der Anleitung angegebenen Temperaturbereichs auf.** Bei unsachgemäßer Aufladung oder Aufladung bei Temperaturen außerhalb des angegebenen Bereichs kann der Akku beschädigt und das Brandrisiko erhöht werden.

## SERVICE

- **Lassen Sie Ihr Elektrowerkzeug nur von qualifiziertem Fachpersonal und nur mit Original-Ersatzteilen reparieren.** Damit wird sichergestellt, dass die Sicherheit des Elektrowerkzeugs erhalten bleibt.
- **Warten Sie niemals beschädigte Akkus.** Sämtliche Wartung von Akkus sollte nur durch den Hersteller oder bevollmächtigte Kundendienststellen erfolgen.

## SICHERHEITSHINWEISE FÜR DIE AKKU-SCHNEEFRÄSE

## UNTERWEISUNG

- Lesen, verstehen und befolgen Sie alle Anweisungen an der Maschine selbst und in der Anleitung bevor Sie diese Maschine in Betrieb nehmen. Machen Sie sich mit den Steuerungen und mit der korrekten Bedienung des Geräts gründlich vertraut. Sie sollten wissen, wie man das Gerät schnell anhält und die Steuerungen löst.



- Erlauben Sie niemals Kindern oder Personen mit verminderten physischen, geistigen oder sensorischen Fähigkeiten oder Personen, die mit diesen Anweisungen nicht vertraut sind, das Produkt zu bedienen, reinigen oder zu warten. Die lokale Gesetzgebung regelt das Mindestalter des Benutzers. Kinder müssen ausreichend beaufsichtigt werden, so dass gewährleistet ist, dass sie nicht mit dem Produkt spielen.
- Halten Sie Zuschauer, Kinder und Haustiere 15 m von dem Arbeitsbereich fern. Schalten Sie das Gerät aus, wenn eine andere Person den Bereich betritt.
- Gehen Sie umsichtig vor, um ein Ausrutschen oder Stürzen zu verhindern, vor allem wenn die Schneefräse rückwärts bewegt wird.
- Stellen Sie die Gehäusehöhe des Sammlers so ein, dass dieser Kies oder Schotter passieren kann.
- Versuchen Sie niemals, Justierungen an der Maschine vorzunehmen, während der Motor läuft.
- Das Gerät kann Hände und Füße abtrennen und Gegenstände schleudern. Bei Nichtbeachtung der folgenden Sicherheitsanweisungen können ernsthafte Verletzungen die Folge sein.
- Vergessen Sie nie, dass der Benutzer verantwortlich ist für Unfälle und Gefahren, die an Eigentum Fremder oder an anderen Personen entstehen könnte.
- Gehen Sie bei Betrieb in der Nähe von Schotter- oder Kieswegen oder auf diesen mit extremer Vorsicht vor. Seien Sie Wachsam in Bezug auf versteckte Gefährdungen, wenn Sie in die Maschine in der Nähe von öffentlichen Straßen betreten.
- Um das Verletzungsrisiko bei Kontakt mit beweglichen Teilen zu verringern, schalten Sie das Gerät immer aus und nehmen Sie den Akkusatz heraus. Stellen Sie sicher, dass alle bewegliche Teile vollständig angehalten sind:
  - Überprüfen Sie das Produkt auf Schäden, nachdem ein Fremdkörper getroffen wurde
  - bevor Sie das Produkt reinigen oder eine Blockierung entfernen
  - bevor Sie das Produkt unbeaufsichtigt zurücklassen
  - bevor Sie das Produkt prüfen, reinigen oder daran arbeiten
  - wenn das Produkt anfängt, ungewöhnlich zu vibrieren (sofort überprüfen um). Vibrationen sind allgemein ein Warnzeichen, das auf Störungen hinweist.
- Benutzen Sie das Produkt quer entlang von Hängen, niemals nach oben und unten. Seien Sie extrem vorsichtig, wenn Sie auf Hängen die Fahrtrichtung wechseln. Versuchen Sie nicht, steile Hänge zu räumen.
- Betreiben Sie das Produkt niemals ohne ordnungsgemäß angebrachte Schutzvorrichtungen, Abdeckungen oder andere Sicherheitssysteme.

## VORBEREITUNG

- Untersuchen Sie den Bereich, in dem die Maschine verwendet werden soll gründlich, und entfernen Sie alle Fußmatten, Bretter, Drähte und andere Gegenstände.
- Kuppeln Sie alle Kupplungen aus und schalten Sie in den Leerlauf, bevor Sie den Motor starten.
- Tragen Sie beim Betrieb der Maschine immer ausreichende Winterkleidung und rutschfestes Schuhwerk. Vermeiden Sie weite Kleidung, oder Kleidung mit Schnüren oder Bändern zu tragen; sie können sich in beweglichen Teilen verfangen.
- Binden Sie lange Haare zurück, so dass diese sich über Schulterhöhe befinden um zu verhindern, dass sie sich in beweglichen Teilen verfangen.
- Tragen Sie während des Betriebs oder beim Durchführen von Anpassungen oder Reparaturen immer eine Sicherheitsbrille oder einen Augenschutz, um die Augen vor Fremdkörpern zu schützen, die vom Gerät geschleudert werden können.
- Stellen Sie vor jeder Benutzung sicher, dass alle Bedienelemente und Sicherheitsvorrichtung ordnungsgemäß funktionieren. Bedienen Sie das Gerät nicht, wenn der Ausschalter das Gerät nicht ausschaltet.
- Prüfen Sie vor jedem Gebrauch, ob das Gehäuse unbeschädigt ist und ob Schutzvorrichtungen und Griffe vorhanden und ordnungsgemäß befestigt sind.
- Lenken Sie den Auswurf niemals in Richtung von Menschen oder in Bereiche, wo Sachschäden die Folge sein könnten Halten Sie unbeteiligte Personen aus dem Arbeitsbereich fern, insbesondere Kinder, aber auch Tiere.
- Überlasten Sie die Kapazität der Maschine nicht, indem Sie versuchen, den Schnee zu schnell zu räumen.
- Betreiben Sie die Maschine niemals bei hohen Transportgeschwindigkeiten auf rutschigen Oberflächen. Schauen Sie nach hinten und seien Sie vorsichtig, wenn Sie das Produkt im Rückwärtsgang betreiben.
- Trennen Sie die Leistung vom Sammler/Laufrad, wenn die Schneefräse transportiert oder nicht verwendet wird.
- Verwenden Sie ausschließlich original Ersatzteile, Zubehör und Aufsätze des Herstellers.
- Bedienen Sie das Gerät niemals ohne gute Sicht bzw. ohne gutes Licht. Wahren Sie stets Standsicherheit und halten Sie sich gut an den Handgriffen fest. Gehen Sie stets im Schritttempo; laufen Sie niemals.
- Stellen Sie das Produkt niemals auf einen Untergrund, außer einen sauberen und harten Untergrund, wenn der Motor läuft. Kies, Sand und anderes Geröll können mit dem Lufteinlass aufgenommen werden und in Richtung Benutzer oder Passanten geschleudert werden, und so schwere Verletzungen verursachen.

## VERWENDUNG

- Benutzen Sie das Produkt nicht, wenn die Gefahr von Blitzschlag besteht.
- Bewegen Sie Ihre Hände oder Füße nicht in die Nähe von rotierenden Teilen oder unter diese. Halten Sie den Bereich der Auswurföffnung stets frei. Halten Sie sich stets von allen Auswurföffnungen fern.
- Betreiben Sie das Produkt niemals in der Nähe von Glasgehäusen, Kraftfahrzeugen, Fenstern oder Türen ohne die richtige Einstellung des Auswurföffnung.
- Falls das Gerät herunterfällt, hart aufprallt oder abnormal zu vibrieren beginnt, schalten Sie das Gerät unverzüglich aus, untersuchen Sie es auf Schäden oder versuchen Sie, die Ursache für die Vibrationen herauszufinden. Jeder Schaden sollte durch den





autorisierten Kundendienst ordnungsgemäß repariert oder ausgetauscht werden.

- Das Produkt kann bei Temperaturen zwischen -20 °C und 20 °C betrieben und gelagert werden, solange die Akkutemperatur über 0 °C gehalten wird. Lagern Sie den Akku nicht unter 0 °C. Bei Temperaturen unter dem Gefrierpunkt können Leistung und Kapazität des Akkus beeinträchtigt werden. Wenn der Akku knapp über 0 °C gelagert wird, lassen Sie das Produkt vor dem Einsatz mindestens 2 Minuten lang laufen, um den Akku aufzuwärmen. Nehmen Sie den Akku nach Abschluss der Arbeiten oder nach dem Entleeren des Akkus aus dem Produkt, und lagern Sie ihn an einem Ort, an dem die Umgebungstemperatur zwischen 0 °C und 20 °C liegt.
- Bewahren Sie das Gerät bei einer Umgebungstemperatur von 0 bis 40 °C auf.
- Einige Komponenten des Produkts können unter extremen Wetterbedingungen einfrieren. Verwenden Sie das Produkt nicht mit eingefrorenen Komponenten.
- Lassen Sie das Produkt vor der Lagerung nach dem Einsatz einige Minuten laufen, um Schnee von der Schnecke zu entfernen.

#### WEITERE SICHERHEITSHINWEISE ZUM AKKU

- Um die Brandgefahr sowie die Gefahr von Personenschaden und der Beschädigung des Produkts aufgrund eines Kurzschlusses zu reduzieren, halten Sie das Gerät, den Akku und das Ladegerät von Flüssigkeiten fern. Korrodierende oder leitfähige Flüssigkeiten, wie Salzwasser, bestimmte Chemikalien und Bleichmittel oder Produkte, die Bleichmittel enthalten, können einen Kurzschluss verursachen.
- Laden Sie den Akku bei einer Umgebungstemperatur von 10 bis 38 °C.
- Bewahren Sie den Akku bei einer Umgebungstemperatur von 0 bis 20°C auf.
- Lagern Sie den Akku nicht unter 0 °C. Bei Temperaturen unter dem Gefrierpunkt können Leistung und Kapazität des Akkus beeinträchtigt werden.

#### TIPPS ZUR BEDIENUNG

- Das Produkt funktioniert nicht, wenn der obere Griff nicht richtig montiert ist und der Verriegelungsclip des Griffs nicht richtig eingerastet ist. Es gibt 2 Sicherheitsverriegelungen, die einen versehentlichen Start verhindern, wenn das Produkt nicht korrekt montiert ist.
- Achten Sie vor dem Bedienen des Geräts auf die Windrichtung. Entladen Sie den Schnee in die gleiche Richtung wie der Wind, um zu verhindern, dass der Schnee zum Bediener zurückgeschleudert wird.

#### ENTFERNUNG EINER VERSTOPFUNG

Platzieren Sie Ihre Hände oder Füße niemals vor das Produkt oder den Auswurfschacht, um schwere Verletzungen zu vermeiden. Reinigen Sie den Auswurfkanal nicht mit den Händen.

1. Schalten Sie das Gerät aus und entfernen Sie den Akku-Pack. Stellen Sie sicher, dass alle bewegliche Teile vollständig angehalten sind:

2. Entfernen Sie die Verstopfung mit einer Holzstange. Beachten Sie, dass das Flügelrad sich aufgrund der gespeicherten Energie in dem Mechanismus von selber drehen kann, während Sie die Blockierung entfernen.
3. Drehen Sie das Flügelrad mit einem Holzstock.
4. Nachdem der Flügelrad mit einem Holzstock gedreht werden kann, gehen Sie zur Rückseite des Produktes. Es ist normal, dass sich der Flügelrad-Mechanismus schrittweise bewegt. Vergewissern Sie sich, dass es sicher ist weiter Schnee zu räumen.

#### TRANSPORT UND LAGERUNG

- Schalten Sie das Gerät aus, entfernen Sie den Akkupack und lassen Sie das Gerät abkühlen, bevor Sie es aufbewahren oder transportieren.
- Lesen Sie immer die Bedienungsanleitung für wichtige Details, wenn das Produkt über einen längeren Zeitraum gelagert werden soll.
- Entfernen Sie alle Fremdkörper vom Produkt. Lagern Sie das Produkt an einem gut gelüfteten Ort, der für Kinder nicht zugänglich ist. Halten Sie das Produkt von ätzenden Mitteln wie Gartenchemikalien und Streusalz fern. Lagern Sie das Gerät nicht im Freien.
- Sichern Sie die Maschine beim Transport gegen Bewegung oder fallen, um Verletzungen und Beschädigung des Gerätes zu verhindern.

#### TRANSPORT VON LITHIUM-IONEN-AKKUS

Transportieren Sie Akkus gemäß Ihren örtlichen und nationalen Bestimmungen und Regeln.

Befolgen Sie alle besonderen Anforderungen für Verpackung und Beschriftung, wenn Sie Akkus von Dritten transportieren lassen. Stellen Sie sicher, dass beim Transport kein Akku in Kontakt mit anderen Akkus oder leitenden Materialien kommt, indem Sie die freien Anschlüsse mit Isolierband, nichtleitenden Kappen oder Klebeband schützen. Beschädigte oder auslaufende Akkus dürfen nicht transportiert werden. Weitere Informationen erhalten Sie bei Ihrem Transportunternehmen.

#### WARTUNG UND PFLEGE

- Verwenden Sie ausschließlich original Ersatzteile, Zubehör und Aufsätze des Herstellers. Nichtbefolgung kann mögliche Verletzungen oder schlechte Leistung verursachen und Ihre Garantie ungültig machen.
- Service und Wartung des Gerätes erfordert besonderen Sorgfalt und Kenntnisstand und sollte nur durch qualifiziertes Personal durchgeführt werden. Lassen Sie das Gerät nur von einem autorisierten Servicecenter warten.
- Schalten Sie das Gerät aus und entfernen Sie den Akku-Pack. Stellen Sie vor jeder Reinigung oder Wartung sicher, dass alle bewegliche Teile vollständig angehalten sind.
- Überprüfen Sie Bolzen, Muttern und Schrauben in regelmäßigen Abständen, ob sie alle fest angezogen sind, um somit sicherzustellen, das das Produkt in einem sicheren Zustand ist. Jedes beschädigte Teil muss durch den autorisierten Kundendienst ordnungsgemäß repariert oder ausgetauscht werden.

- Bringen Sie das Produkt zu einem autorisierten Kundendienst zurück, um beschädigte oder unleserliche Aufkleber zu ersetzen.
- Lassen Sie die Maschine einige Minuten nach dem Schneefräsen laufen, um ein Einfrieren des Sammlers/ Laufrads zu verhindern
- Sie dürfen die in dieser Bedienungsanleitung beschriebenen Einstellungen und Reparaturen durchführen. Wenden Sie sich zwecks anderer Reparaturen nur an ein autorisiertes Servicecenter.
- Reinigen Sie die Kunststoffteile nach jeder Nutzung mit einem trockenen weichen Tuch.

## MACHEN SIE SICH MIT IHREM PRODUKT VERTRAUT

Siehe Seite 115.

1. Oberer Griffbügel
2. Ein/Aus-Bügel
3. Bedienungsanleitung
4. Startknopf
5. Hebel für die Sammlergeschwindigkeit
6. Hebel für die Drehung des Auswurfschachts
7. Auswurfabweiser
8. Abweisertaste
9. Scheinwerfer
10. Hebel für die GriffEinstellung
11. Flügelrad
12. Batterieabdeckung
13. Akkupack
14. Ladegerät
15. Schrauben
16. Schraubenzieher

## SYMBOLE



Vor dem Bedienen des Produkts müssen Sie alle Anweisungen lesen und verstehen. Befolgen Sie alle Warn- und Sicherheitshinweise.



Achten Sie auf geschleuderte oder fliegende Objekte. Halten Sie unbeteiligte Personen (insbesondere Kinder und Tiere) mindestens 15m vom Arbeitsbereich fern.



Tragen Sie einen Augenschutz



Nicht Regen oder feuchten Bedingungen aussetzen.



Vermeiden Sie Verletzungen durch das rotierende Impellermesser. Halten Sie Hände, Füße und Kleidung fern.



Halten Sie unbeteiligte Personen (insbesondere Kinder und Tiere) mindestens 15 m vom Arbeitsbereich fern.



Betreiben Sie das Gerät nicht an Hängen.



Halten Sie Hände und Füße von der Vorderseite des Geräts und vom Auswurfkanal fern.



Entnehmen Sie den Akku.



Reinigen Sie den Auswurfkanal nicht mit den Händen.



Garantierter Schalleistungspegel

Entsorgen Sie Altbatterien, Elektro- und Elektronikaltgeräte nicht als unsortierten Siedlungsabfall. Altbatterien und Elektro- und Elektronikaltgeräte müssen getrennt gesammelt werden. Altbatterien, Altakkumulatoren und Lichtquellen müssen aus den Geräten entfernt werden. Erkundigen Sie sich bei den örtlichen Behörden oder bei Ihrem Fachhändler nach Recyclinghöfen und Sammelstellen. Je nach den örtlichen Vorschriften kann der Einzelhandel verpflichtet sein, Altbatterien und Elektro- und Elektronik-Altgeräte unentgeltlich zurückzunehmen. Ihr Beitrag zur Wiederverwendung und zum Recycling von Elektro- und Elektronikaltgeräten trägt dazu bei, den Bedarf an Rohstoffen zu verringern. Altbatterien, insbesondere lithiumhaltige Batterien, und Elektro- und Elektronik-Altgeräte enthalten wertvolle, wiederverwertbare Materialien, die sich negativ auf die Umwelt und die menschliche Gesundheit auswirken können, wenn sie nicht auf umweltverträgliche Weise entsorgt werden. Löschen Sie ggf. personenbezogene Daten aus Altgeräten.



La seguridad, el rendimiento y la fiabilidad han sido las máximas prioridades a la hora de diseñar el quitanieves inalámbrico.

## USO PREVISTO

El quitanieves inalámbrico se debe utilizar exclusivamente al aire libre, en una zona bien iluminada y el usuario debe permanecer de pie y caminar detrás del producto. El producto está diseñado para el uso exclusivo de adultos que han leído y comprendido las instrucciones y advertencias en este manual y pueden considerarse responsables de sus actos. Por motivos de seguridad, el producto se debe controlar de forma adecuada con las dos manos en todo momento.

El aparato ha sido diseñado para despejar la nieve en zonas como la entrada de la casa, la acera, los senderos, la calzada y las zonas de alrededor de la casa. El aparato puede mover nieve con una profundidad de hasta 33 cm.

El aparato nunca se debe operar sin que las ruedas estén apoyadas en el suelo. Está prohibido subirse encima del producto. El producto solo se debe utilizar de acuerdo con lo descrito en el presente manual.

No la use para ninguna otra finalidad.

## ADVERTENCIAS GENERALES DE SEGURIDAD DEL PRODUCTO

**⚠ ¡ADVERTENCIA!** Lea todas las instrucciones de advertencias de seguridad, ilustraciones y especificaciones proporcionadas con el producto. El incumplimiento de las instrucciones que se indican a continuación puede ocasionar diversos accidentes como incendios, descargas eléctricas y/o graves heridas corporales.

**Conserve estas advertencias e instrucciones para poder consultarlas posteriormente.**

El término «herramienta eléctrica» incluido en las advertencias hace referencia a su producto conectado a la red eléctrica (con cable) o a su producto alimentado con batería (inalámbrico).

### ZONA DE TRABAJO

- **Mantenga el área de trabajo limpia y bien iluminada.** Las zonas oscuras o poco despejadas pueden provocar accidentes.
- **No utilice herramientas eléctricas en entornos inflamables, como puede ser en presencia de líquidos inflamables, gases o polvo.** Las herramientas eléctricas crean chispas que pueden inflamar el polvo o el humo.
- **Mantenga a los niños y personas ajenas alejadas de la zona en la que está utilizando la herramienta eléctrica.** Las distracciones pueden hacer que pierda el control de la herramienta.

### SEGURIDAD ELÉCTRICA

- **Las conexiones de la herramienta eléctrica deben corresponder a los de la toma de corriente. No**

**modifique el enchufe de ninguna manera. No utilice ningún adaptador con herramientas eléctricas conectadas a tierra.** Utilizar enchufes sin modificar y tomas correspondientes reducirán el riesgo de descargas eléctricas.

- **Evite el contacto corporal con superficies conectadas a tierra, como tuberías, radiadores, estufas y refrigeradores.** Existe un mayor riesgo de descargas eléctricas si su cuerpo está conectado a tierra.
- **No exponga este producto a la lluvia o humedad.** Si entra agua en una herramienta eléctrica podría aumentar el riesgo de descargas eléctricas.
- **Utilice correctamente el cable. No utilice el cable para llevar, tirar o desconectar el cable de la herramienta. Mantenga el cable lejos del calor, aceite, bordes afilados o partes móviles.** Los cables dañados o enredados aumentan el riesgo de descargas eléctricas.
- **A la hora de utilizar herramientas eléctricas al aire libre, utilice un alargador adecuado para uso en exteriores.** El uso de un cable adecuado para uso en exteriores reduce el riesgo de descargas eléctricas.
- **Si es inevitable utilizar una herramienta eléctrica en un lugar húmedo, utilice un dispositivo de corriente residual (RCD) como protección.** El uso de un RCD reduce el riesgo de descargas eléctricas.

### SEGURIDAD PERSONAL

- **Manténgase alerta y atento a lo que está haciendo y utilice el sentido común al utilizar una herramienta eléctrica. No utilice una herramienta eléctrica cuando esté cansado o bajo la influencia de drogas, alcohol o medicamentos.** En un momento de descuido, mientras utiliza herramientas eléctricas podrían ocurrir lesiones personales graves.
- **Utilice un equipo de protección personal. Utilice siempre dispositivos de protección ocular.** El equipo de protección como las máscaras de polvo, calzado antideslizante de seguridad, cascos rígidos o unas condiciones adecuadas reducirán los daños corporales.
- **Evite la puesta en marcha accidental de la herramienta. Asegúrese de que el interruptor está en posición OFF antes de conectar la herramienta a una toma de corriente y/o batería, y levantar o transportar la herramienta.** El transporte de herramientas con el dedo sobre el interruptor o la conexión de herramientas eléctricas con el interruptor en ON puede causar accidentes.
- **Extraiga cualquier llave de ajuste antes de encender la herramienta eléctrica.** Una llave que se encuentra conectada a una pieza de rotación puede resultar en lesiones personales.
- **No se extienda demasiado. Afírmese bien en sus piernas y no extienda demasiado el brazo.** Esto permite un mejor control de la herramienta eléctrica en situaciones inesperadas.

- **Lleve ropa adecuada. No use ropa holgada o joyas. No acerque el pelo ni la ropa a las piezas móviles.** La ropa suelta, joyas o el cabello largo pueden quedar atrapados en las piezas móviles.
- **Si existen dispositivos para la conexión de accesorios de recogida y extracción de polvo, asegúrese de que están conectados y que se utilizan adecuadamente.** El uso de accesorios de recogida de polvo puede reducir riesgos relacionados con el polvo.
- **Aunque se familiarice con el uso de la herramienta, no se relaje e ignore los principios de seguridad.** Una acción imprudente puede provocar lesiones graves en una fracción de segundo.

## USO Y CUIDADO DE LA HERRAMIENTA ELÉCTRICA

- **No fuerce el producto. Utilice la herramienta correcta para su aplicación.** La herramienta correcta hará un trabajo más seguro y mejor para el que ha sido diseñada.
- **No utilice la herramienta eléctrica si el interruptor de encendido no responde.** Cualquier herramienta que no puede ser controlada con el interruptor de encendido es peligrosa y debe ser reparada.
- **Desconecte el enchufe de la fuente de alimentación y/o quite la batería, si es extraíble, de la herramienta eléctrica antes de realizar ningún ajuste, cambiar los accesorios o guardar las herramientas eléctricas.** Estas medidas preventivas de seguridad reducen el riesgo de arranque accidental de la herramienta.
- **Coloque las herramientas eléctricas a ralentí fuera del alcance de los niños y no permita que personas no familiarizadas con la herramienta o con estas instrucciones la utilicen.** Las herramientas eléctricas son peligrosas en manos de personas no capacitadas.
- **Conserve las herramientas eléctricas y los accesorios. Compruebe la alineación o unión de las piezas móviles, si existe rotura de piezas o cualquier otro problema que pueda afectar al funcionamiento de la herramienta. Si alguna pieza está dañada, la herramienta eléctrica debería repararse antes de volver a utilizarla.** Muchos accidentes son causados por un mantenimiento deficiente.
- **Mantenga las herramientas de corte bien afiladas y limpias.** Las herramientas de corte con bordes de corte afilados que tienen un mantenimiento adecuado reducen su deterioro y son más fáciles de controlar.
- **Utilice la herramienta, accesorios, partes eléctricas, etc., de acuerdo con estas instrucciones, teniendo en cuenta las condiciones de trabajo y el trabajo que se va a realizar.** Utilizar la herramienta eléctrica para realizar trabajos diferentes a los que esta herramienta está destinada podría dar como resultado una situación peligrosa.
- **Mantenga los mangos y las superficies de agarre secos, limpios y libres de aceite o grasa.** Los mangos y superficies de sujeción resbaladizas no le permiten una sujeción y un control seguro de la herramienta en situaciones inesperadas.

## USO Y CUIDADO DE LA HERRAMIENTA

- **Recargue la unidad solamente con el cargador especificado por el fabricante.** Podría haber un riesgo de incendio cuando se utilice un cargador con una batería para la que no está diseñado.
- **Utilice sólo herramientas eléctricas específicamente diseñadas para ellos.** Utilizar cualquier otro tipo de baterías puede causar lesiones o un riesgo de incendio.
- **Cuando la batería no está en uso, manténgala alejada de otros objetos metálicos como clips, monedas, llaves, clavos, tornillos u otros objetos metálicos pequeños que puedan crear una conexión desde una terminal a otra.** Causar un cortocircuito en los terminales de la batería puede causar quemaduras o un incendio.
- **En condiciones abusivas, podría salir expulsado líquido de la batería, por lo que debería evitar el contacto con éste. Si se produce un contacto accidental, enjuáguese las manos con agua. Si el líquido entra en contacto con los ojos, acuda inmediatamente al médico.** Si el líquido es expulsado de la batería y entra en contacto con él, podría causar irritación o quemaduras.
- **No utilice un paquete de baterías o una herramienta que esté dañado o modificado.** Las baterías dañadas o modificadas pueden presentar un comportamiento impredecible y provocar fuego, explosión o riesgo de lesión.
- **No exponga la batería o la herramienta al fuego o a temperaturas excesivas.** La exposición al fuego o a una temperatura superior a 130 °C puede provocar una explosión.
- **Siga todas las instrucciones de carga y no cargue el paquete de baterías o la herramienta fuera del rango de temperatura especificado en las instrucciones.** La carga inadecuada o a temperaturas fuera del rango especificado puede dañar la batería e incrementar el riesgo de fuego.

## MANTENIMIENTO

- **Su herramienta eléctrica debería ser reparada por personas cualificadas, que deberían utilizar únicamente piezas de repuesto idénticas.** Esto garantizará la seguridad a la hora de utilizar la herramienta eléctrica.
- **Nunca arregle baterías dañadas.** Solo el fabricante o proveedores homologados deberían reparar las baterías.

## ADVERTENCIAS DE SEGURIDAD DEL QUITANIEVES INALÁMBRICO

## APRENDIZAJE

- Lea, comprenda y siga todas las instrucciones que aparecen en el producto y en este manual antes de utilizar el producto. Familiarícese con los controles y con el uso correcto del producto. Sepa cómo detener el producto y desactivar los controles rápidamente.

- Nunca permita que los niños o las personas con discapacidad física, sensorial o mental, o que no estén familiarizadas con estas instrucciones, operen, limpien ni realicen el mantenimiento del aparato. Las regulaciones locales pueden restringir la edad del operario. Los niños deben estar adecuadamente supervisados para asegurarse de que no juegan con el producto.
- Mantenga a los transeúntes, a los niños y a los animales a 15 m de distancia de la zona de operación. Apague el producto si alguien entra en la zona de trabajo.
- Extreme las precauciones para evitar resbalones o caídas, especialmente cuando se utilice el producto en marcha atrás.
- Ajuste la altura de la carcasa del colector para que no entre en contacto con las superficies de gravilla o roca aplastada.
- No realice nunca ajustes mientras el producto está en funcionamiento.
- El producto puede amputar manos y pies, además de arrojar objetos. Si no se siguen todas las instrucciones de seguridad, se podría producir una lesión grave.
- Tenga presente que el operario o usuario es responsable de los accidentes o riesgos que le puedan ocurrir a otras personas o a su propiedad.

## PREPARACIÓN

- Inspeccione concienzudamente el área donde vaya a usar la máquina y retire alfombrillas, trineos, tablas, cables y objetos extraños.
- Desembrague por completo la unidad y póngala en punto muerto antes de proceder al arranque del motor.
- Mientras opera la máquina, lleve siempre vestimenta adecuada para el invierno y calzado antideslizante de seguridad. Evite llevar ropa suelta, con cordones o corbata, ya que podría engancharse en las partes móviles.
- Recoja el cabello largo para que quede por encima del nivel de los hombros y evitar así que se enmarañe en cualquier pieza móvil.
- Utilice siempre gafas de seguridad o protecciones oculares durante el uso del producto, o cuando realice un ajuste o reparación, para proteger los ojos de los objetos extraños que puedan salir despedidos del producto.
- Antes de cada uso, asegúrese de que todos los controles y dispositivos de seguridad funcionan correctamente. No utilice el producto si el interruptor de apagado no detiene el funcionamiento del producto.
- Antes de cada uso, compruebe siempre que la carcasa no esté dañada y que las protecciones y las asas estén en su posición y bien fijadas.

## UTILIZACIÓN

- No utilice el aparato cuando haya riesgo de relámpago.
- No coloque las manos o los pies cerca o debajo de las piezas giratorias. Manténgase alejado de la apertura de

descarga en todo momento. No coloque ningún objeto en las aberturas.

- Extreme las precauciones cuando utilice el producto sobre caminos o senderos de grava. Permanezca alerta ante cualquier peligro oculto o cuando trabaje cerca de carreteras públicas.
- Para reducir el riesgo de lesión asociado con el contacto con las piezas móviles, apague siempre el producto y extraiga la batería. Asegúrese de que todas las partes móviles se han detenido por completo:
  - después de golpear un objeto extraño para inspeccionar el aparato y ver si está dañado
  - antes de limpiar o despejar una obstrucción
  - antes de dejar el producto sin vigilancia
  - antes de inspeccionar, mantener o trabajar con el producto
  - si el producto empieza a vibrar de forma anormal (comprobar inmediatamente) La vibración generalmente es una advertencia de problemas.
- Utilice el aparato en la superficie de cuestras, nunca hacia arriba ni abajo. Tenga mucho cuidado cuando cambie de dirección en las cuestras. No intente limpiar una pendiente pronunciada.
- Nunca utilice el aparato sin haber colocado la protección, las placas u otro tipo de dispositivo de seguridad pertinente.
- No dirija nunca la salida de descarga hacia otras personas o zonas donde puedan producirse daños materiales. Mantenga a los espectadores fuera del área de trabajo, especialmente niños y mascotas.
- No sobrecargue la capacidad de la máquina intentando quitar la nieve con demasiada rapidez.
- Nunca utilice el producto a velocidades de transporte elevadas en superficies resbaladizas. Mire hacia atrás y extreme las precauciones cuando utilice el producto en marcha atrás.
- Desconecte la alimentación que llega al colector/impulsor cuando vaya a transportar el producto o cuando no lo vaya a utilizar.
- Utilice sólo piezas y accesorios de recambio originales del fabricante.
- No utilice nunca el producto sin una visibilidad o iluminación adecuadas. Asegúrese de mantener siempre una posición adecuada y sujete con fuerza las empuñaduras. Camine, nunca corra.
- Nunca coloque el aparato en ninguna superficie, que no sea una superficie dura y limpia, cuando el motor esté en funcionamiento. La gravilla, la arena y otros restos pueden ser arrastrados por el chorro de aire y disparados hacia el operador o los transeúntes, provocando lesiones graves.
- Nunca opere el aparato cerca de recintos cerrados de cristal, automóviles, ventanas o portales sin haber ajustado correctamente el ángulo de descarga de nieve.



- Si se le cae el producto, sufre un impacto fuerte o empieza a vibrar de manera extraña, apáguelo inmediatamente y analice los daños para identificar la causa de la vibración. La reparación de daños y la sustitución de piezas deben ser realizadas por un centro de servicio autorizado.
- El producto puede utilizarse y almacenarse a temperaturas comprendidas entre  $-20\text{ }^{\circ}\text{C}$  y  $20\text{ }^{\circ}\text{C}$ , siempre que la temperatura de la batería se mantenga por encima de  $0\text{ }^{\circ}\text{C}$ . No guarde la batería a menos de  $0\text{ }^{\circ}\text{C}$ . Las temperaturas bajo cero pueden reducir el rendimiento y la capacidad de la batería. Si la batería se guarda justo por encima de  $0\text{ }^{\circ}\text{C}$ , deje funcionar el producto durante al menos 2 minutos para que se caliente antes de empezar a trabajar con normalidad. Una vez finalizado el trabajo o cuando se haya agotado la batería, retírela del producto y guárdela en un lugar donde la temperatura ambiente oscile entre  $0\text{ }^{\circ}\text{C}$  y  $20\text{ }^{\circ}\text{C}$ .
- Guarde el producto en un lugar donde la temperatura ambiente esté comprendida entre  $0\text{ }^{\circ}\text{C}$  y  $40\text{ }^{\circ}\text{C}$ .
- Algunas piezas del producto pueden congelarse en condiciones meteorológicas extremas. No utilice el producto con piezas congeladas.
- Antes de guardarlo, deje que el producto funcione durante varios minutos después de su uso para eliminar la nieve de la barrena.

#### ADVERTENCIAS DE SEGURIDAD DE LA BATERÍA ADICIONAL

- Para reducir el riesgo de incendio, lesiones personales y daños al producto provocados por un cortocircuito, nunca sumerja el producto, la batería o el cargador en líquido, ni permita que un líquido fluya por su interior. Los fluidos corrosivos o conductivos, como el agua de mar, ciertos productos químicos industriales y blanqueadores o lejías que contienen, etc., Pueden causar un cortocircuito.
- Cargue la batería en un lugar donde la temperatura ambiente esté comprendida entre  $10\text{ }^{\circ}\text{C}$  y  $38\text{ }^{\circ}\text{C}$ .
- Guarde la batería en un lugar donde la temperatura ambiente esté comprendida entre  $0\text{ }^{\circ}\text{C}$  y  $20\text{ }^{\circ}\text{C}$ .
- No guarde la batería a menos de  $0\text{ }^{\circ}\text{C}$ . Las temperaturas bajo cero pueden reducir el rendimiento y la capacidad de la batería.

#### CONSEJOS DE FUNCIONAMIENTO

- El aparato no funcionará si el mango superior no está bien colocado y el clip que bloquea el mango no está bien cerrado. El producto cuenta con dos interbloques de seguridad que ayudan a prevenir un arranque accidental en caso de que el producto no se haya montado correctamente.
- Tenga en cuenta la dirección del viento antes de utilizar el producto. Retire la nieve en la misma dirección en la que sopla el viento para evitar que la nieve sea arrojada hacia el usuario.

#### ELIMINACIÓN DE UNA OBSTRUCCIÓN

Nunca ponga las manos o los pies delante del aparato o del conducto de descarga, así evitará lesiones graves. No utilice las manos para limpiar el canal de descarga.

1. Apague la unidad y retire la batería. Asegúrese de que todas las partes móviles se han detenido por completo.
2. Elimine la obstrucción utilizando un palo de madera. Tenga cuidado, el impulsor puede moverse solo mientras quita el bloqueo debido a la energía acumulada en el mecanismo.
3. Gire el conjunto de impulsor con un palo de madera.
4. Cuando haya girado el impulsor con el palo de madera, muévase a la parte trasera del aparato. Es normal que el mecanismo impulsor haga movimientos escalonados. Asegúrese de que es seguro seguir retirando nieve.

#### TRANSPORTE Y ALMACENAMIENTO

- Apague el producto, extraiga la batería y deje que el producto se enfríe antes de almacenarlo o transportarlo.
- Consulte siempre el manual del usuario para obtener información importante en caso de que el producto se vaya a almacenar durante un periodo de tiempo prolongado.
- Limpie todo el material extraño que pueda permanecer en el producto. Guárdela el producto en un lugar bien ventilado que sea inaccesible para los niños. Almacene el producto lejos de agentes corrosivos como sales de deshielo y productos químicos de jardín. No guarde el producto a la intemperie.
- Para transportar el producto, sujételo de modo que no se mueva ni se caiga para evitar lesiones personales o daños al producto.

#### TRANSPORTE DE BATERÍAS DE LITIO

Transporte de baterías de acuerdo con las disposiciones y reglamentos nacionales y locales.

Cumpla todos los requisitos especiales relativos al embalaje y etiquetado cuando el transporte de baterías se lleve a cabo por un tercero. Asegúrese de que, durante el transporte, las baterías no entran en contacto con otras baterías o materiales conductores protegiendo los conectores expuestos con tapones o tapas aislantes de material no conductor. No transporte baterías que tengan grietas o fugas. Consulte a la empresa de transporte para obtener más asesoramiento.

#### MANTENIMIENTO

- Utilice sólo piezas y accesorios de recambio originales del fabricante. Si no lo hace podría ocurrir un mal funcionamiento, podrían producirse daños o podría quedar anulada la garantía.
- Las reparaciones requieren tener mucho cuidado y conocimiento y sólo debe realizarse por un técnico de servicio calificado. Solicite la reparación del producto únicamente en un centro de servicio autorizado.
- Apague la unidad y retire la batería. Asegúrese de que todas las partes móviles se han detenido completamente antes de cualquier tarea de mantenimiento o limpieza.

- Verifique a intervalos frecuentes si todas las tuercas, pernos y tornillos están apretados apropiadamente para asegurarse de que el producto esté en buenas condiciones de trabajo. Cualquier pieza dañada debe ser sustituida o reparada adecuadamente por un centro de servicio autorizado.
- Lleve el aparato a un centro de servicios autorizado para sustituir las etiquetas dañadas o ilegibles.
- Ponga en funcionamiento el producto varias veces después de quitar nieve para evitar que se congele el impulsor.
- Usted puede realizar los ajustes y reparaciones descritos en este manual del usuario. Para cualquier otra reparación del producto, solicite su realización únicamente a un centro de servicio autorizado.
- Después de cada uso, limpie las piezas de plástico con un paño suave y seco.

### CONOZCA SU PRODUCTO

Véase la página 115.

1. Asa superior
2. Seguro de encendido/apagado
3. Manual de instrucciones
4. Botón de arranque
5. Palanca de velocidad del serpentín sinfin
6. Palanca de rotación del conducto de descarga
7. Desviador del conducto de descarga
8. Botón del desviador
9. Faro delantero
10. Palanca de ajuste del mango
11. Impulsor
12. Cubierta de la batería
13. Batería
14. Cargador
15. Tornillos
16. Destornillador

### SÍMBOLOS



Lea y entienda todas las instrucciones antes de utilizar el producto. Siga todas las advertencias e instrucciones de seguridad.



Tenga cuidado con los objetos volátiles o lanzados. Mantenga a todos los transeúntes, especialmente niños y mascotas, a una distancia mínima de 15 m de la zona de trabajo.



Utilice protección ocular



No la exponga a la lluvia o a lugares húmedos.



Evite lesiones provocadas por el impulsor giratorio. Mantenga alejadas las manos, los pies y la ropa.



Mantenga a todos los transeúntes, especialmente niños y mascotas, a una distancia mínima de 15 m de la zona de trabajo.



No utilice el producto en una pendiente.



Mantenga las manos y los pies alejados de la parte delantera de la máquina y del canal de descarga del producto.



Extraiga la batería.



No utilice las manos para limpiar el canal de descarga.



Nivel de potencia acústica garantizado

No deseche los residuos de baterías, aparatos eléctricos y electrónicos como residuos municipales no clasificados. Los residuos de baterías, aparatos eléctricos y electrónicos se deben recoger de forma independiente. Los residuos de baterías, acumuladores y fuentes de luz se deben retirar de los aparatos. Consulte con las autoridades locales o su distribuidor local para recibir asesoramiento sobre el reciclado y el punto de recogida. De acuerdo con lo establecido en las normativas locales, los establecimientos minoristas pueden tener la obligación de recuperar los residuos de baterías, aparatos eléctricos y electrónicos de forma gratuita. Su contribución a la hora de reutilizar y reciclar los residuos de baterías y los residuos de aparatos eléctricos y electrónicos ayuda a reducir la demanda de materias primas. Los residuos de baterías, en especial las que contienen litio, y los residuos de aparatos eléctricos y electrónicos contienen materiales valiosos que se pueden reciclar, y que podrían afectar de forma negativa al medio ambiente y a la salud humana si no se desechan de un modo medioambientalmente responsable. Si lo hubiera, elimine cualquier dato personal de los residuos de los aparatos.



Durante la progettazione di questo spazzaneve a batteria è stata data la massima priorità a sicurezza, prestazioni e affidabilità.

### UTILIZZO RACCOMANDATO

Lo spazzaneve a batteria è destinato al solo uso esterno, in un'area ben ventilata da parte di un operatore in piedi dietro al prodotto. Il prodotto deve essere utilizzato solo da persone adulte che abbiano letto e compreso le istruzioni e le avvertenze del presente manuale e che possano essere considerate responsabili delle loro azioni. Per ragioni di sicurezza, il prodotto deve essere adeguatamente controllato sempre con un funzionamento a due mani.

Il prodotto è progettato per rimuovere neve da zone come vialetti, marciapiedi, passaggi pedonali, sentieri, stradine e aree circostanti abitazioni. Il prodotto può spostare neve con una profondità di 33 cm.

Il prodotto non deve essere messo in funzione con le ruote fuori del terreno. Non bisogna salire sul prodotto. Il prodotto deve essere utilizzato solo come spiegato nel presente manuale.

Non utilizzare per altri scopi.

### AVVISI DI SICUREZZA GENERALI PER IL PRODOTTO

**⚠ AVVERTENZA!** Leggere tutte le istruzioni e avvertenze di sicurezza, le illustrazioni e le specifiche fornite con questo prodotto. La mancata osservanza delle istruzioni riportate di seguito potrebbe provocare incidenti quali incendi, scosse elettriche e/o gravi lesioni fisiche.

**Conservare le presenti avvertenze ed istruzioni per poterle consultare in seguito.**

Il termine "elettroutensile" nelle avvertenze si riferisce al prodotto alimentato con un cavo o al prodotto alimentato con una batteria (senza fili).

### AMBIENTE DI LAVORO

- **Mantenere l'area di lavoro pulita e ben illuminata.** Aree di lavoro disordinate o non illuminate adeguatamente potranno causare incidenti.
- **Non mettere in funzione gli elettroutensili in atmosfere esplosive, come in presenza di liquidi infiammabili, gas o polvere.** Gli elettroutensili creano scintille che possono causare incendi a contatto con polveri e fumi.
- **Tenere bambini ed eventuali osservatori lontani mentre si mette in funzione l'elettroutensile.** Eventuali distrazioni potranno causare una perdita di controllo.

### SICUREZZA ELETTRICA

- **La spina dell'elettroutensile deve corrispondere alla presa. Non modificare la spina in alcun modo. Non utilizzare spine adattatrici con elettroutensili con messa a terra (presa di terra).** Spine non modificate e prese corrispondenti ridurranno il rischio di scosse elettriche.

- **Evitare il contatto del corpo con superfici con messa a terra come tubi, radiatori, piani cottura e refrigeratori.** Rischio aumentato di scosse elettriche se il corpo viene collegato con messa a terra.
- **Non esporre il prodotto a pioggia o umidità.** Nel caso in cui dell'acqua entrerà nell'elettroutensile il rischio di scosse elettriche aumenterà.
- **Non sottoporre a sforzi il cavo dell'alimentazione. Non trasportare né tirare o scollegare l'elettroutensile dal cavo. Tenere il cavo lontano da calore, olio, angoli appuntiti o parti in movimento.** Cavi danneggiati o intrecciati potranno far aumentare il rischio di scosse elettriche.
- **Quando si mette in funzione un elettroutensile all'esterno, utilizzare una prolunga adatta all'esterno.** Utilizzare un cavo adatto agli esterni per ridurre il rischio di scosse elettriche.
- **Nel caso in cui non si possa fare a meno di mettere in funzione un elettroutensile in un luogo umido, utilizzare un dispositivo di corrente residua (RCD).** Utilizzare un RCD ridurrà il rischio di scosse elettriche.

### SICUREZZA PERSONALE

- **Mantenere sempre l'attenzione e utilizzare buon senso quando si utilizza un elettroutensile. Non utilizzare un elettroutensile se stanchi o sotto l'influenza di droghe, alcool o farmaci.** Un momento di disattenzione durante le operazioni potrà risultare in gravi lesioni personali.
- **Utilizzare equipaggiamento di protezione personale. Indossare sempre occhiali di protezione.** Utilizzare sempre equipaggiamento di protezione come maschere per la polvere, calzature antiscivolo, caschi o cuffie di protezione per ridurre rischi di lesioni alla persona.
- **Prevenire l'avvio accidentale. Assicurarsi che l'interruttore sia sulla posizione off (spento) prima di collegare l'utensile all'alimentazione e/o al gruppo batterie, o prima di afferrare e trasportare l'utensile.** Trasportare elettroutensili tenendo un dito sull'interruttore o con l'elettroutensile acceso potrà causare incidenti.
- **Rimuovere eventuali chiavi o dispositivi di regolazione prima di accendere l'elettroutensile.** Una chiave o un dispositivo di blocco collegato a una parte rotante dell'utensile potrà risultare in gravi lesioni personali.
- **Non protendersi. Rimanere bene in equilibrio sulle gambe e non distendere troppo lontano le braccia.** Ciò permetterà un miglior controllo dell'elettroutensile in situazioni inaspettate.
- **Indossare un abbigliamento adatto. Non utilizzare abiti con parti svolazzanti o gioielli. Tenere capelli e abiti a distanza dalle parti mobili.** Abiti con parti svolazzanti, gioielli o capelli lunghi potranno rimanere impigliati nelle parti in movimento.
- **Nel caso in cui vengano forniti dispositivi per l'estrazione e la raccolta della polvere,**

assicurarsi che gli stessi siano collegati e utilizzati correttamente. Utilizzare il sacchetto di raccolta della polvere può ridurre rischi collegati alla polvere.

- **Non consentire che la familiarità conseguita con l'uso frequente degli utensili faccia diventare disinvolti al punto di ignorare i principi di sicurezza.** Eventuali disattenzioni potranno causare gravi lesioni in una frazione di un secondo.

#### UTILIZZO E MANUTENZIONE ELETTROUTENSILI

- **Non forzare il prodotto. Utilizzare l'elettro utensile corretto per il proprio lavoro.** L'elettro utensile corretto svolgerà in maniera migliore e più sicura il lavoro per il quale è stato progettato.
- **Non utilizzare l'elettro utensile se l'interruttore non si accende e spegne.** Un elettro utensile che non può essere controllato dall'interruttore è pericoloso e deve essere riparato.
- **Prima di regolare, sostituire gli accessori o riporre gli utensili elettrici, scollegare la spina dalla presa elettrica e/o rimuovere il gruppo batteria, se rimovibile.** Queste misure di sicurezza preventive ridurranno il rischio di avvio dell'elettro utensile.
- **Riporre elettro utensili lontano dalla portata dei bambini e non permettere a persone che non conoscano il funzionamento dell'elettro utensile o queste istruzioni di metterlo in funzione.** Gli elettro utensili possono essere pericolosi se utilizzati da personale non preparato.
- **Manutenere gli utensili elettrici e i loro accessori.** Controllare l'eventuale allineamento scorretto o blocco delle parti in movimento, la rottura di parti e qualsiasi altra condizione che potrà influenzare il funzionamento dell'elettro utensile. In caso di danni far riparare l'elettro utensile prima di utilizzarlo. Elettro utensili sui quali non sono state svolte le dovute operazioni di manutenzione possono essere causa di incidenti.
- **Mantenere tutti gli utensili affilati e appuntiti.** Utensili per operazioni di taglio con parti taglienti sui quali sono state svolte le corrette operazioni di manutenzione non si bloccheranno e saranno più facili da controllare.
- **Utilizzare l'elettro utensile, i suoi accessori, le punte ecc. assieme a queste istruzioni tenendo conto delle condizioni di lavoro e del lavoro da svolgere.** Utilizzare l'elettro utensile per operazioni diverse da quelle indicate potrà causare situazioni pericolose.
- **tenere manici e superfici da ancoraggio asciutte, pulite, e libere da olio e grasso.** Impugnature o manici scivolosi non permetteranno di controllare e gestire in maniera sicura l'utensile in situazioni inaspettate.

#### UTILIZZO E MANUTENZIONE DI UN UTENSILE A BATTERIE

- **Ricaricare solo con il caricatore indicato dalla ditta produttrice.** Un caricatore adatto per un tipo di batterie

potrà creare un rischio di incendio se utilizzato con un altro gruppo batterie.

- **Utilizzare elettro utensili solo con i gruppi batteria indicati.** L'utilizzo di gruppi batteria diversi da quelli indicati potrà causare rischi di lesioni e incendi.
- **Quando il gruppo batterie non viene utilizzato, tenerlo lontano da oggetti in metallo come fermagli, monete, chiavi, chiodi, viti o altri piccoli oggetti che potranno fare da tramite da un terminale all'altro.** Cortocircuitare i terminali della batteria assieme potrà causare scottature o incendi.
- **Se sottoposto a stress, la batteria potrà perdere dei liquidi; evitare il contatto. Se si entra accidentalmente in contatto con tali liquidi, lavarsi immediatamente con acqua. Se il liquido entra negli occhi, rivolgersi a un medico.** Il liquido espulso dalla batteria potrà causare irritazioni o scottature.
- **Non utilizzare batterie o strumenti danneggiati o alterati.** Le batterie danneggiate o alterate potrebbero avere un comportamento imprevedibile e causare incendi, esplosioni o rischio di lesioni.
- **Non esporre la batteria o l'utensile a fiamme libere o a temperature eccessive.** L'esposizione a fiamme libere o a temperature superiori a 130°C può causare esplosioni.
- **Seguire tutte le istruzioni per la ricarica e non ricaricare le batterie o gli utensili all'infuori dell'intervallo di temperature specificato nelle istruzioni.** Eseguire la ricarica in modo improprio o all'infuori dell'intervallo specificato potrebbe danneggiare la batteria e aumentare il rischio d'incendio.

#### MANUTENZIONE

- **Far svolgere la manutenzione da personale qualificato utilizzando solo parti di ricambio identiche.** Ciò permette di mantenere la sicurezza dell'elettro utensile.
- **Non riparare mai le batterie danneggiate.** La riparazione delle batterie dev'essere eseguita solo dal fabbricante o da fornitori di assistenza autorizzati.

#### AVVERTENZE DI SICUREZZA DELLO SPAZZANEVE A BATTERIA

#### UTILIZZO

- Prima di utilizzare il prodotto leggere, comprendere e seguire tutte le istruzioni presenti sul prodotto stesso e nel manuale. Prendere completa dimestichezza con i comandi e con l'uso corretto del prodotto. Sapere come spegnere il prodotto e disimpegnare i comandi rapidamente.
- Non permettere mai a bambini o persone con ridotte capacità fisiche, sensoriali o mentali o a persone che non conoscono queste istruzioni di mettere in funzione, o svolgere le operazioni di pulizia e manutenzione sul prodotto. Leggi locali possono limitare l'età

dell'operatore. Supervisionare adeguatamente i bambini per assicurarsi che non giochino con il prodotto.

- Tenere osservatori, bambini e animali ad almeno 15 metri di distanza dall'area delle operazioni. Spegnerlo il prodotto se qualcuno entra nell'area.
- Prestare attenzione per evitare di scivolare o cadere, soprattutto quando si utilizza il prodotto a marcia indietro.
- Regolare l'altezza dell'alloggiamento del collettore per distanziarlo dalla superficie, se di ghiaia o di roccia frantumata.
- Non effettuare mai operazioni di regolazione mentre il prodotto è in funzione.
- Il prodotto è in grado di amputare mani e piedi, oltre che di scagliare oggetti a distanza. La mancata osservanza di tutte le istruzioni di sicurezza può causare lesioni gravi.
- Ricordare che l'operatore sarà responsabile di eventuali lesioni o danni a persone o cose.

### PREPARAZIONE

- Ispezionare attentamente la zona nella quale il dispositivo deve essere utilizzato e rimuovere eventuali zerbini, slitte, assi, cavi ed altri corpi estranei.
- Disinnestare tutte le frizioni e mettere in folle prima di avviare il motore.
- Mentre si mette in funzione il dispositivo indossare sempre abbigliamento invernale adeguato e calzature di sicurezza anti-scivolo. Evitare di indossare abbigliamento con parti svolazzanti o con cordicelle o cordini pendenti; tali elementi potranno infatti rimanere impigliati nelle parti in movimento.
- Assicurare i capelli lunghi all'altezza delle spalle per evitare che rimangano impigliati nelle parti in movimento.
- Indossare sempre occhiali di sicurezza o schermi per gli occhi durante l'utilizzo o durante una regolazione o riparazione, per proteggere gli occhi da corpi estranei che potrebbero essere lanciati dal prodotto.
- Assicurarsi prima di ciascun utilizzo che tutti i comandi e i dispositivi di sicurezza funzionino correttamente. Non utilizzare il prodotto se l'interruttore "off" (spegnimento) non lo spegne.
- Prima di ciascun utilizzo, controllare sempre che l'alloggiamento sia integro e che le protezioni e le maniglie siano in posizione e adeguatamente fissate.

### UTILIZZO

- Non utilizzare il prodotto in caso di rischi di fulmini.
- Tenere mani e piedi lontani dalle parti rotanti. Tenersi sempre lontani dalle aperture di scarico. Non inserire oggetti nelle aperture.
- Prestare estrema cautela durante l'utilizzo o durante l'attraversamento di sentieri o vialetti di ghiaia. Restare vigili per la presenza di pericoli nascosti o durante l'utilizzo in prossimità delle vie pubbliche.

- Per ridurre il rischio di lesioni associate al contatto con le parti mobili, spegnere sempre il prodotto e rimuovere il pacco batteria. Assicurarsi che tutte le parti in movimento si siano arrestate:
  - Dopo aver colpito un corpo estraneo controllare il prodotto per individuare eventuali danni
  - prima di svolgere operazioni di pulizia o rimuovere un blocco
  - prima di lasciare il prodotto incustodito
  - prima di svolgere operazioni di controllo, manutenzione o lavoro sul prodotto
  - se il prodotto inizia a vibrare in maniera anormale (controllare immediatamente) Le vibrazioni sono in genere una spia del malfunzionamento della macchina.
- Sui pendii procedere sempre in diagonale e mai in direzione verticale. Fare estrema attenzione quando si cambia direzione sui pendii. Non tentare di rimuovere la neve da pendii ripidi.
- Non mettere in funzione il prodotto senza aver montato adeguati schermi e piastre o altri dispositivi di protezione di sicurezza.
- Non dirigere mai lo scarico verso le persone o verso aree in cui si potrebbero causare danni materiali. Tenere eventuali osservatori, soprattutto animali e bambini, lontani dall'area di taglio.
- Non sovraccaricare la capacità della macchina tentando di rimuovere la neve troppo velocemente.
- Non utilizzare mai il prodotto ad alta velocità su superfici scivolose. Durante l'utilizzo a marcia indietro guardare dietro di sé e prestare attenzione.
- Quando il prodotto viene trasportato o non è utilizzato, scollegare l'alimentazione da collettore e girante.
- Utilizzare solo parti di ricambio, accessori e dispositivi originali della ditta produttrice.
- Non utilizzare mai il prodotto in caso di scarsa visibilità o illuminazione. Verificare sempre l'appoggio dei piedi e impugnare saldamente le maniglie. Camminare, non correre mai.
- Posizionare sempre il prodotto su superfici dure e pulite e mai su altro tipo di superfici, quando il motore è avviato. Ghiaia, sabbia e altri detriti potranno essere aspirati dalla griglia dell'aria e scagliati verso l'operatore o l'osservatore, causando gravi lesioni possibili.
- Non mettere in funzione il prodotto accanto a divisori in vetro, automobili, finestre o porte senza aver prima regolato correttamente l'angolo di spatatura neve.
- Se il prodotto viene fatto cadere, subisce un grave impatto oppure vibra in maniera anomala, spegnerlo immediatamente e ispezionarlo per verificare la presenza di danni o per identificare la causa delle vibrazioni. Riparare eventuali danni o far sostituire i pezzi da un centro servizi autorizzato.
- Il prodotto può essere utilizzato e conservato a temperature comprese tra -20 °C e 20 °C, a condizione



che la temperatura della batteria sia mantenuta al di sopra di 0 °C. Non conservare la batteria a temperature inferiori a 0 °C. Temperature inferiori al punto di congelamento possono ridurre le prestazioni e la capacità della batteria. Se la batteria viene conservata a temperature appena superiori a 0 °C, far funzionare il prodotto per almeno 2 minuti per riscaldarla prima di iniziare il normale lavoro. Al termine del lavoro o dopo che batteria si è scaricata, rimuovere la batteria dal prodotto e conservarla in un luogo con una temperatura ambiente compresa tra 0 °C e 20 °C.

- Conservare il prodotto in una posizione in cui la temperatura ambiente è compresa tra 0°C e 40°C.
- Alcune parti del prodotto possono congelarsi in condizioni climatiche estreme. Non utilizzare il prodotto con parti congelate.
- Prima di riparlo, lasciare funzionare il prodotto per alcuni minuti dopo l'uso per rimuovere la neve dalla coclea.

#### AVVERTENZE AGGIUNTIVE PER LA SICUREZZA DELLA BATTERIA

- Per ridurre il rischio di incendio, lesioni personali e danni al prodotto dovuti a corto circuito, non immergere mai il prodotto, il pacco batteria o il caricabatterie in liquidi, né favorire la penetrazione di liquidi al loro interno. I fluidi corrosivi o conduttori come acqua salata, alcuni agenti chimici, agenti candeggianti o prodotti contenenti agenti candeggianti potrebbero provocare un corto circuito.
- Caricare il pacco batteria in una posizione in cui la temperatura ambiente è compresa tra 10°C e 38°C.
- Caricare il pacco batteria in una posizione in cui la temperatura ambiente è compresa tra 0°C e 20°C.
- Non conservare la batteria a temperature inferiori a 0 °C. Temperature inferiori al punto di congelamento possono ridurre le prestazioni e la capacità della batteria.

#### CONSIGLI PER UN ADEGUATO FUNZIONAMENTO

- Il prodotto non funzionerà se il manico superiore non sarà correttamente fissato e il dispositivo di blocco del manico non sarà stato correttamente inserito. Sono presenti 2 interblocchi di sicurezza che aiutano a impedire l'avvio accidentale quando il prodotto non è assemblato correttamente.
- Prima di utilizzare il prodotto prendere nota della direzione del vento. Scaricare la neve nella stessa direzione del vento per evitare che la neve venga gettata nuovamente sull'operatore.

#### RIMOZIONE DI UN BLOCCO

Non mettere mai mani o piedi davanti al prodotto o allo scivolo di scarico per evitare gravi lesioni. Non utilizzare le mani per pulire il condotto di scarico.

1. Spegner e rimuovere la batteria. Assicurarsi che tutte le parti in movimento si siano arrestate.
2. Rimuovere blocchi con un palo di legno. Fare attenzione dal momento che il gruppo ventole potrà spostarsi da

solo durante la rimozione del blocco a causa della energia immagazzinata nel meccanismo.

3. Girare il gruppo ventole utilizzando l'asta in legno.
4. Quando l'asta in legno sarà in grado di girare il gruppo ventole, l'operatore dovrà spostarsi verso la parte posteriore del prodotto. E' normale per il meccanismo della ventola avere un movimento a scatti. Accertarsi che sia sicuro continuare a spazzare la neve.

#### TRASPORTO E RIPONIMENTO

- Spegner e rimuovere il pacco batteria e lasciare che si raffreddi prima di conservarlo o trasportarlo.
- Consultare sempre il manuale dell'operatore per dettagli importanti se il prodotto deve essere conservato per un periodo prolungato.
- Rimuovere eventuali materiali di scarto dal prodotto. Riporre il prodotto in un luogo ben ventilato non accessibile a bambini. Tenere il prodotto lontano da agenti corrosivi come agenti chimici da giardino e sali scongelanti. Non conservare il prodotto all'aperto.
- Per il trasporto, assicurare il prodotto contro ogni movimento o contro eventuali cadute per evitare lesioni a persone o danni al prodotto.

#### TRASPORTO BATTERIE AL LITIO

Trasportare le batterie rispettando quanto indicato dalle norme e regolamentazioni locali.

Far rispettare quanto indicato sulle etichette e sull'involucro quando la batteria viene trasportata da terzi. Assicurarsi che le batterie non entrino in contatto con altre batterie o con materiali conduttivi mentre si trasportano proteggendo connettori esposti con tappi o nastro isolante e non conduttivo. Non trasportare batterie rotte o che perdono liquidi. Consultare la ditta produttrice per eventuali ulteriori consigli.

#### MANUTENZIONE

- Utilizzare solo parti di ricambio, accessori e dispositivi originali della ditta produttrice. In caso contrario si potranno causare lesioni, prestazioni basse e la garanzia verrà invalidata.
- Le operazioni di manutenzione devono essere svolte con grande attenzione e accortezza solo da un tecnico qualificato. Far riparare il prodotto esclusivamente da un centro assistenza autorizzato.
- Spegner e rimuovere la batteria. Assicurarsi che tutte le parti mobili si siano arrestate completamente prima di qualsiasi attività di pulizia o manutenzione.
- Controllare frequentemente dadi, bulloni e viti, verificando che siano stati assicurati correttamente per fare in modo che il prodotto garantisca condizioni di lavoro ottimali. Riparare eventuali parti danneggiate o farle sostituire da un centro servizi autorizzato.
- Portare il prodotto presso un centro servizi autorizzato per sostituire le parti danneggiate o le etichette illeggibili.

- Dopo aver terminato di spazzare la neve, avviare il prodotto alcune volte al fine di prevenire il congelamento della girante.
- L'operatore potrà fare le regolazioni e riparazioni descritte nel presente manuale. Per altre riparazioni, portare il prodotto esclusivamente presso un centro assistenza autorizzato.
- Dopo ogni uso, pulire i pezzi di plastica con un panno morbido e asciutto.

## FAMILIARIZZARE CON IL PRODOTTO

Vedere pagina 115.

1. Manico superiore
2. Leva di accensione/spengimento
3. Manuale dell'operatore
4. Tasto di avvio
5. Leva velocità coclea
6. Leva rotazione scivolo
7. Deflettore scivolo
8. Pulsante deflettore
9. Faro
10. Leva di regolazione manico
11. Gruppo ventole
12. Coperchio della batteria
13. Batteria
14. Caricatore
15. Viti
16. Cacciavite

## SIMBOLI



Prima di utilizzare il prodotto leggere e comprendere tutte le istruzioni. Osservare tutte le avvertenze e le istruzioni di sicurezza.



Fare attenzione ad oggetti scagliati o lanciati dall'utensile. Tenere tutti i presenti, in particolare bambini e animali domestici, ad almeno 15 m dall'area operativa.



Indossare dispositivi di protezione occhi



Non esporre a pioggia o umidità.



Prestare attenzione al girante in rotazione per evitare lesioni. Tenere lontani mani, piedi e vestiti.



Tenere tutti i presenti, in particolare bambini e animali domestici, ad almeno 15 m dall'area operativa.



Non azionare il prodotto sulle discese.



Tenere le mani e i piedi lontani dalla parte anteriore della macchina e dal condotto di scarico del prodotto.



Rimuovere il gruppo batterie.



Non utilizzare le mani per pulire il condotto di scarico.



Livello di potenza acustica garantito

Non smaltire le batterie scariche e altre apparecchiature elettriche ed elettroniche come normali rifiuti. Le batterie scariche e i dispositivi elettrici ed elettronici dovranno essere raccolti separatamente. Le batterie usate, gli accumulatori e le fonti luminose non più utilizzabili dovranno essere rimossi dall'apparecchiatura. Consultare il proprio ente locale o rivenditore per consigli sul riciclo e sul punto di raccolta. In base alle normative locali i rivenditori potrebbero avere l'obbligo di riprendersi le batterie usate e le apparecchiature elettriche ed elettroniche gratuitamente. Il vostro contributo al riciclaggio delle batterie e delle apparecchiature elettriche ed elettroniche aiuta a ridurre la richiesta di materie prime. Le batterie usate, in particolare quelle che contengono litio e le apparecchiature elettriche ed elettroniche contengono materiali preziosi e riciclabili che potrebbero avere un impatto avverso sull'ambiente e la salute umana, se non smaltiti in un modo ecocompatibile. Eliminare i dati personali, se presenti, dalle apparecchiature da buttare.



Bij het ontwerp van uw snoerloze sneeuwruimer hebben veiligheid, prestaties en betrouwbaarheid de hoogste prioriteit verkregen.

### VOORGESCHREVEN GEBRUIK

De snoerloze sneeuwruimer is alleen bedoeld voor gebruik buitenshuis, in een goed verlichte omgeving door een staande bediener die achter het product loopt. Het product is uitsluitend ontworpen voor gebruik door volwassenen die de instructies en waarschuwingen in deze handleiding hebben gelezen en verantwoordelijk kunnen worden gehouden voor hun acties. Om veiligheidsredenen moet het product altijd voldoende stevig met twee handen worden bediend.

Het product is ontworpen voor het ruimen van sneeuw op plaatsen, zoals vb. een oprit, voetpad, pad, wegdek en rond het huis. Het product kan sneeuw ruimen tot een diepte van 33 cm.

Het product mag nooit worden gebruikt met de wielen los van de grond. Het product mag niet bereden worden. Het product mag alleen gebruikt worden zoals beschreven in deze handleiding.

Gebruik het product niet voor andere doeleinden.

### ALGEMENE PRODUCTVEILIGHEIDSWAARSCHUWINGEN

**⚠ WAARSCHUWING! Lees alle veiligheidsinstructies, illustraties en specificaties die met dit product worden meegeleverd.** Het niet in acht nemen van de hierna vermelde voorschriften kan ongelukken, zoals brand, elektrische schokken en/of ernstig lichamelijk letsel veroorzaken.

**Bewaar deze waarschuwingen en voorschriften zorgvuldig om ze ook later te kunnen inzien.**

De term "power tool" in de waarschuwingen heeft betrekking op uw elektrische gereedschap dat ofwel wordt aangedreven door een stroomvoorziening (via een kabel), of werkt op een accu (snoerloos).

### WERKOMGEVING

- **Houd de werkplek schoon en goed verlicht.** Vervuilde of donkere plekken nodigen uit tot ongevallen.
- **Gebruik elektrische werktuigen niet in explosieve omgevingen, zoals in de aanwezigheid van ontvlambare vloeistoffen, gassen of stof.** Elektrisch gereedschap kan vonken veroorzaken die het stof of de gassen kunnen ontsteken.
- **Houd kinderen en omstanders weg terwijl u elektrisch gereedschap gebruikt.** Wanneer u wordt afgeleid, kunt u de controle verliezen.

### ELEKTRISCHE VEILIGHEID

- **Stekkers van elektrisch gereedschap moeten overeenkomen met de contactdoos. Wijzig de stekker nooit. Gebruik geen adapters met geaarde elektrische werktuigen.** Niet-gewijzigde stekkers en overeenkomstige contactdozen zullen het risico op elektrische schok verminderen.

- **Vermijd lichaamscontact met een geaard oppervlak, zoals buizen, radiatoren, kookforuizen en koelkasten.** Er bestaat een verhoogd risico voor elektrische schokken als uw lichaam is geaard.
- **Stel het product niet bloot aan regen of natte omstandigheden.** Water dat een elektrisch werktuig binnendringt, verhoogt het risico op elektrische schokken.
- **Misbruik het snoer niet. Gebruik het snoer nooit om het elektrisch werktuig te dragen, eraan te trekken of het uit de contactdoos te trekken. Houd het snoer weg van hitte, olie, scherpe randen of bewegende onderdelen.** Beschadigde of verstrikte snoeren verhogen het risico op elektrische schokken.
- **Gebruik een verlengsnoer geschikt voor buitenshuis gebruik wanneer u een elektrisch werktuig buitenshuis gebruikt.** Het gebruik van een snoer dat geschikt is voor buitenshuis gebruik, vermindert het risico op elektrische schokken.
- **Als het gebruik van een elektrisch werktuig op een vochtige plaats onvermijdelijk is, gebruikt u een contactdoos die beschermd is door een aardlekschakelaar.** Het gebruik van een aardlekschakelaar vermindert het risico op elektrische schokken.

### PERSOONLIJKE VEILIGHEID

- **Blijf alert, kijk naar wat u doet en gebruik uw gezond verstand wanneer u elektrisch gereedschap gebruikt. Gebruik een elektrisch werktuig niet wanneer u moe of onder de invloed van drugs, alcohol of medicijnen bent.** Een ogenblik van onoplettendheid terwijl u elektrisch gereedschap gebruikt, kan leiden tot ernstige verwondingen.
- **Gebruik een persoonlijke beschermuitrusting. Draag altijd gehoorbescherming.** Beschermonderdelen, zoals een stofmasker, antislipschoeisel, helm of gehoorbescherming dat op een geschikte manier wordt gebruikt, zal het risico op verwondingen verlagen.
- **Ongewenst starten voorkomen. Zorg ervoor dat de schakelaar zich in de uit-stand bevindt voor u de machine met een stroombron en/of accupack verbindt, de machine opheft of draagt.** Wanneer u elektrisch gereedschap draagt met de vinger op de schakelaar of wanneer het gereedschap met de stroombron is verbonden, kan dit leiden tot ongevallen.
- **Verwijder alle afstelsleutels voor u het elektrisch werktuig inschakelt.** Een sleutel die op een draaiend onderdeel van het elektrisch gereedschap werd achtergelaten, kan leiden tot verwondingen.
- **Overrek u niet. Ga altijd stevig op uw benen staan en reik niet te ver weg met uw arm.** Dit maakt een betere controle van het werktuig in onverwachte omstandigheden mogelijk.
- **Draag geen wijde kleding, dassen of sieraden die klem kunnen raken en u naar de bewegende delen toe kunnen trekken. Draag geen losse kledij of juwelen. Houd uw haar en kleding uit de buurt van**

**bewegende delen.** Losse kledij, juwelen of lang haar kan in bewegende onderdelen verstrikt raken.

- **Als er apparaten worden geleverd voor de verbinding met een stofextractie en verzamelinrichtingen, zorgt u ervoor dat deze zijn verbonden en goed worden gebruikt.** Het gebruik van een stofverzamelaraar vermindert stof-gerelateerde gevaren.
- **Voorkom dat u door het frequent gebruik van gereedschappen laks wordt en de veiligheidsvoorschriften uit het oog verliest.** Een onzorgvuldige handeling kan binnen enkele seconden leiden tot ernstige verwondingen

## GEbruik VAN EN ZORG VOOR UW ELEKTRISCH GEREEDSCHAP

- **Forceer het product niet. Gebruik het correcte werktuig voor uw toepassing.** Het juiste werktuig zal de taak beter en veiliger uitvoeren aan het tempo waarvoor het werd ontworpen.
- **Gebruik het elektrisch werktuig niet als de schakelaar het niet kan in- of uitschakelen.** Een elektrisch werktuig dat niet met behulp van de schakelaar kan worden bediend, is gevaarlijk en moet worden gerepareerd.
- **Trek de stekker uit de contactdoos en/of ontkoppel het accupack van het werktuig voor u de machine afstelt, accessoires vervangt of het werktuig opbergt.** Zulke preventieve veiligheidsmaatregelen kunnen het risico op ongewenst starten van de machine verminderen.
- **Bewaar ongebruikt elektrisch gereedschap buiten het bereik van kinderen en niet-opgeleide personen die het gereedschap of deze gebruiksaanwijzingen niet kennen.** Elektrisch gereedschap is gevaarlijk in de handen van niet-opgeleide gebruikers.
- **Elektrisch gereedschap en accessoires moeten worden onderhouden. Controleer op verkeerde aflijning of verstrikt raken van bewegende delen, defecten van onderdelen en alle andere situaties die de werking van het werktuig kunnen beïnvloeden. Indien beschadigd, laat u het elektrisch gereedschap repareren voor gebruik.** Veel ongevallen worden veroorzaakt door slecht onderhouden elektrische werktuigen.
- **Houd de zaagwerktuigen scherp en schoon.** Correct onderhouden zaagwerktuigen met scherpe randen zijn minder geneigd om verstrikt te raken en kunnen makkelijker worden bestuurd.
- **Gebruik het werktuig, de accessoires en werktuigonderdelen, etc. in overeenstemming met deze instructies en houd rekening met de bedrijfsomstandigheden en het uit te voeren werk.** Het gebruik van een elektrisch werktuig voor zaken die niet in het voorgeschreven gebruik zijn beschreven, kan leiden tot gevaarlijke situaties.
- **Houd handvatten en grepen droog, schoon en vrij van olie en vet.** Gladde handvatten en grepen laten u niet toe om de machine veilig te bedienen en in onverwachte situaties te controleren?.

## GEbruik EN ONDERHOUD VAN HET ACCU AANGEDREVEN WERKTUIG

- **Herlaad enkel met de oplader die door de fabrikant is gespecificeerd.** Een oplader die voor een type accupack is geschikt kan een brandgevaar betekenen wanneer het met een ander accupack wordt gebruikt.
- **Gebruik elektrisch gereedschap uitsluitend met de specifiek toegewezen accupacks.** Het gebruik van andere accupacks kan leiden tot risico's op letsels en brand.
- **Wanneer het accupack niet wordt gebruikt, moet u het weg houden van andere metalen objecten, zoals papierclips, munten, sleutels, spijkers, schroeven of andere kleine metalen voorwerpen die een verbinding kan maken van een terminal naar een andere.** De batterijterminals kortsluiten kan leiden tot brandwonden of brand.
- **Bij verkeerd gebruik kan vloeistof uit de batterij lekken; vermijd contact. Als per ongeluk contact wordt gemaakt, spoel dan met water. Schakel bovendien medische hulp in als er vloeistof in de ogen komt.** Uit de accu afkomstige vloeistof kan irritatie of brandwonden veroorzaken.
- **Gebruik geen beschadigde of gewijzigde accu of gereedschap.** Beschadigde of gewijzigde accu's kunnen onvoorspelbaar gedrag vertonen en leiden tot brand, explosies, of het risico op letsel.
- **Stel accu's of gereedschap niet bloot aan vuur of hoge temperaturen.** Blootstelling aan vuur of temperaturen hoger dan 130 °C kan explosies veroorzaken.
- **Volg alle instructies en laad de accu of het gereedschap niet op buiten het temperatuurbereik dat in de handleiding wordt aangegeven.** Onjuist opladen of opladen bij temperaturen buiten het aangegeven bereik kan schade aan de accu veroorzaken en het risico op brand verhogen.

## ONDERHOUD

- **Laat uw elektrisch gereedschap onderhouden door een gekwalificeerd onderhoudspersoon en gebruik hierbij uitsluitend identieke vervangonderdelen.** Dit zal ervoor zorgen dat de veiligheid van het werktuig wordt behouden.
- **Beschadigde accu's mogen niet worden onderhouden.** Onderhoud van accu's mag uitsluitend worden uitgevoerd door de fabrikant of erkende dienstverleners.

## VEILIGHEIDSWAARSCHUWINGEN VOOR SNOERLOZE SNEEUWFRES

## OPLEIDING

- **Zorg ervoor dat u alle instructies op het product en in deze handleiding leest, begrijpt en uitvoert voordat u het product gebruikt.** Zorg ervoor dat u bekend bent met de bediening en de juiste gebruikswijze van het product.

Leer hoe u het apparaat kunt stopzetten en de bediening snel kunt uitschakelen.

- Laat kinderen of mensen met verminderde fysieke, zintuiglijke of mentale vermogens of mensen die niet met deze instructies vertrouwd zijn, het product niet bedienen, reinigen of onderhouden. Er kunnen plaatselijk leeftijdsbeperkingen gelden voor een gebruiker. Kinderen mogen het product uitsluitend gebruiken onder toezicht en mogen er niet mee spelen.
- Houd omstaanders, kinderen en huisdieren op tenminste 15 m afstand van het werkgebied. Schakel het product uit als er iemand de ruimte binnenkomt.
- Wees voorzichtig om uitglijden en vallen te vermijden, vooral wanneer u het product in de achteruitstand gebruikt.
- Pas de hoogte van de collectorcontainer aan om een oppervlak van grind of steenfragmenten sneeuwvrij te maken.
- Maak geen aanpassingen terwijl het product in bedrijf is.
- Het product kan handen en voeten amputeren en voorwerpen omgooien. Als u de veiligheidsvoorschriften niet opvolgt, kan dit ernstige verwondingen tot gevolg hebben.
- Bedenk dat de bediener of gebruiker verantwoordelijk is voor ongelukken of gevaren die andere mensen of hun eigendom overkomen.

## VOORBEREIDING

- Inspecteer grondig de omgeving waar de machine moet worden gebruikt en verwijder alle deurmaten, sledes, borden, kabels en andere vreemde voorwerpen.
- Schakel alle koppelingen uit en schakel in de neutrale stand alvorens de motor te starten.
- Draag altijd geschikte winterkledij en antislipschoenen terwijl u de machine bedient. Vermijd het dragen van losse kledij of kledij met loshangende snoeren; ze kunnen verstrikt raken in de bewegende delen.
- Maak lang haar vast zodat het zich boven schouderlengte bevindt om te voorkomen dat het in een bewegend deel verstrikt raakt.
- Draag altijd een veiligheidsbril of andere oogbescherming tijdens het gebruik of bij het uitvoeren van aanpassingen of reparaties, om de ogen te beschermen tegen rondvliegende voorwerpen.
- Controleer voor elk gebruik of alle bedieningsknoppen en veiligheidsinrichtingen goed functioneren. Gebruik het apparaat niet als de hoofdschakelaar het apparaat onverhoeds niet uitschakelt.
- Controleer voor elk gebruik of de behuizing onbeschadigd is en of de beschermers en de handgrepen op hun plaats zitten en goed zijn bevestigd.

## BEDIENING

- Gebruik het product niet als er kans is op blikseminslag.
- Steek geen handen of voeten in de buurt van of onder draaiende delen. Blijf steeds uit de buurt van de afvoeropening. Plaats geen voorwerpen in de openingen.

- Wees extra voorzichtig wanneer u op grindpaden werkt of deze oversteekt. Blijf alert of verborgen gevaren en let goed op als u vlakbij een openbare weg werkt.
- Schakel het product uit en verwijder het batterijpak om het risico op verwonding door contact met bewegende onderdelen te verlagen. Zorg ervoor dat alle bewegende delen volledig tot stilstand zijn gekomen:
  - nadat een vreemd voorwerp werd geraakt om het product op schade te controleren.
  - voor u een blokkering reinigt of weghaalt
  - voordat u het product onbewaakt achterlaat
  - voor het controleren, onderhouden of werken aan het product.
  - als het product abnormaal begint te trillen (onmiddellijk controleren) Trillingen zijn over het algemeen een waarschuwing voor problemen.
- Gebruik het product langs een helling, nooit op een neer. Wees uiterst behoedzaam bij het veranderen van richting op hellingen. Probeer geen steile hellingen te ruimen.
- Bedien het product nooit zonder dat de beschermers, platen of andere veiligheidsinrichtingen zijn geïnstalleerd.
- Richt de afvoer nooit op mensen of op voorwerpen die beschadigd kunnen raken. Houd alle omstanders weg van de werkplaats, in het bijzonder kinderen en huisdieren.
- Overbelast de machinecapaciteit niet door sneeuw in een te snel tempo te ruimen.
- Gebruik het product bij hoge transportsnelheden niet op gladde oppervlakken. Kijk achter u en wees behoedzaam wanneer u het apparaat in de achteruitstand gebruikt.
- Schakel de stroom naar de collector/waaier uit wanneer het apparaat vervoerd wordt of niet gebruikt wordt.
- Gebruik alleen originele vervangingsonderdelen, accessoires en hulpstukken van de fabrikant.
- Gebruik het product nooit bij slecht zicht of weinig licht. Zorg ervoor dat u altijd stevig staat en houd de handvaten stevig vast. Wandeltempo; nooit rennen.
- Plaats het product uitsluitend op een hard, schoon oppervlak wanneer de motor draait. Grind, zand en ander afval kunnen door de luchtinlaat worden opgezogen en in de richting van de bediener of omstanders worden weggegooid, waardoor ernstige verwondingen kunnen ontstaan.
- Bedien het product nooit in de omgeving van glazen constructies, auto's, ramen of deuren zonder de sneeuwuitlaathoek correct af te stellen.
- Als het apparaat valt, een zware klap krijgt of abnormaal begint te trillen, stop het dan onmiddellijk en controleer op schade of identificeer de oorzaak van de trillingen. Enige schade moet direct worden gerepareerd of vervangen door een bevoegd onderhoudscentrum.
- Het product kan worden gebruikt en opgeborgen bij temperaturen tussen -20 °C en 20 °C, zolang de temperatuur van het accupack boven 0 °C blijft. Bewaar het accupack niet onder 0 °C. Temperaturen onder het

vriespunt kunnen de prestaties en capaciteit van het accupack verminderen. Als het accupack net boven 0 °C wordt opgeborgen, laat het product dan minstens 2 minuten draaien om het accupack op te warmen voordat u met de normale werkzaamheden begint. Nadat de klus is geklaard of als het accupack het niet meer doet, haalt u het accupack uit het product en bewaart u het op een plaats waar de omgevingstemperatuur tussen 0 °C en 20 °C ligt.

- Bewaar het product op een locatie met een omgevingstemperatuur tussen 0 °C en 40 °C.
- Sommige onderdelen van het product kunnen bevriezen onder extreme weersomstandigheden. Gebruik het product niet met bevroren onderdelen.
- Laat het product na gebruik enkele minuten draaien om sneeuw uit de vizel te verwijderen voordat u het opbergt.

### EXTRA WAARSCHUWINGEN BATTERIJVEILIGHEID

- Dompel uw accu of oplader nooit onder in vloeistof en laat er nooit vloeistof instromen, zulks om het risico op brand, persoonlijk letsel en productschade door kortsluiting te verminderen. Bijtende of geleidende vloeistoffen, zoals zeewater, bepaalde industriële chemicaliën en bleekmiddelen of chloorhoudende producten, etc., kunnen kortsluiting veroorzaken.
- Laad de accu op op een locatie met een omgevingstemperatuur van 10 °C tot 38 °C.
- Bewaar de accu op een locatie met een omgevingstemperatuur van 0 °C tot 20 °C.
- Bewaar het accupack niet onder 0 °C. Temperaturen onder het vriespunt kunnen de prestaties en capaciteit van het accupack verminderen.

### GEBRUIKSTIPS

- Het product werkt niet als het bovenste handvat niet correct is gemonteerd en de vergrendelclip van het handvat niet correct is vastgeklikt. Er zijn 2 veiligheidsvergrendelingen om te helpen voorkomen dat het product per ongeluk wordt gestart, wanneer het niet correct is gemonteerd.
- Let op de windrichting voordat u het product gebruikt. Sneeuw moet in dezelfde richting als de wind worden afgevoerd om te voorkomen dat de sneeuw terug naar de bestuurder wordt geworpen.

### VERWIJDEREN VAN BLOKKADES

Plaats uw handen of voeten nooit voor het product of de uitlaat om ernstige verwondingen te voorkomen. Gebruik niet de handen om de uitwerpsleuf schoon te maken.

1. Schakel de stroomvoorziening uit en verwijder de accu. Zorg ervoor dat alle bewegende delen volledig tot stilstand zijn gekomen.
2. Verwijder de verstopping met behulp van een houten stok. Wees voorzichtig! De schoepen kunnen automatisch bewegen terwijl u een obstructie verwijdert omwille van de energie die in het mechanisme is opgeslagen.

3. Draai de schoepen met behulp van een houten stok.
4. Als de schoepen met behulp van een houten stok kunnen worden gedraaid, gaat u opnieuw achter het product staan. Het is normaal dat het schoepenmechanisme een stapsgewijze beweging vertoont. Zog ervoor dat het veilig is om sneeuw te ruimen.

### TRANSPORT EN OPSLAG

- Schakel het product uit, verwijder de accu en laat het product afkoelen voordat u het vervoert of opbergt.
- Raadpleeg altijd de gebruikershandleiding voor belangrijke details als het product voor een langere periode moet worden opgeslagen.
- Verwijder al het vreemde materiaal van het product. Bewaar het product op een goed geventileerde plaats die niet toegankelijk is voor kinderen. Houd het product uit de buurt van bijtende middelen, zoals tuinchemicaliën en dooizouten. Sla het product niet buitenshuis op.
- Voor transport beveiligt u het product tegen bewegen of vallen om lichamelijke letsels of schade aan het product te voorkomen.

### LITHIUMBATTERIJEN TRANSPORTEREN

Vervoer de accu in overeenstemming met de plaatselijke en nationale bepalingen en voorschriften.

Volg alle speciale voorschriften voor verpakking en etikettering wanneer u accu's door een derde laat vervoeren. Zorg ervoor dat accu's tijdens het vervoer niet in contact kunnen komen met andere accu's of geleidende materialen door blootliggende connectoren te beschermen met isolerende, niet-geleidende doppen of tape. Vervoer geen accu's die gebarsten zijn of lekken. Neem contact op met het expeditiebedrijf voor verder advies.

### ONDERHOUD

- Gebruik alleen originele vervangingsonderdelen, accessoires en hulpstukken van de fabrikant. Doet u dat niet, dan kan dat mogelijke verwondingen veroorzaken, bijdragen tot slechte prestaties en kan uw garantie vervallen.
- Het onderhoud vereist uiterste zorgvuldigheid en kennis en mag alleen door een gekwalificeerde onderhoudstechnicus worden uitgevoerd. Het product mag uitsluitend door een erkend servicecentrum worden gerepareerd.
- Schakel de stroomvoorziening uit en verwijder de accu. Zorg dat alle bewegende onderdelen volledig tot stilstand zijn gekomen voordat u schoonmaak- of onderhoudstaken uitvoert.
- Controleer regelmatig of alle moeren, bouten en schroeven goed vastzitten, om er zeker van te zijn dat het product in veilige staat is. Elk onderdeel dat beschadigd is, moet naar behoren gerepareerd of vervangen worden door een erkend servicecentrum.
- Breng het product naar een erkend servicecentrum om beschadigde of onleesbare etiketten te laten vervangen.



- Laat het product een paar keer werken na het ruimen van sneeuw om te voorkomen dat de waaier bevriest.
- U kunt de in deze handleiding beschreven afstellingen en reparaties uitvoeren. Voor andere reparaties mag het product uitsluitend door een erkend servicecentrum worden gerepareerd.
- Maak na elk gebruik de kunststofonderdelen schoon met een zachte, droge doek.

### KEN UW PRODUCT

Zie pagina 115.

1. Bovenste handvat
2. Aan-/uit-hendel
3. Gebruiksaanwijzing
4. Startknop
5. Snelheidshendel grondboor
6. Uitlaatrotatiehendel
7. Uitlaatdeflector
8. Deflectorknop
9. Koplamp
10. Hendel voor verstellen van handvat
11. Schoepen
12. Accuklep
13. Accu
14. Oplader
15. Schroeven
16. Schroevendraaier

### SYMBOLLEN



Zorg ervoor dat u alle instructies op het product en in deze handleiding leest, begrijpt en uitvoert voordat u het product gebruikt. Volg alle waarschuwingen en veiligheidsinstructies.



Pas op voor rondvliegende voorwerpen. Houd alle omstanders op tenminste 15 m afstand van de werkomgeving, vooral kinderen en huisdieren.



Draag oogbescherming.



Stel niet bloot aan regen of vocht.



Vermijd letsel door de roterende waaier. Houd handen, voeten en kleding uit de buurt.



Houd alle omstanders op tenminste 15 m afstand van de werkomgeving, vooral kinderen en huisdieren.



Gebruik het product niet op een helling.



Houd handen en voeten uit de buurt van de voorkant van de machine en de uitwerpsleuf van het product.



Accupack verwijderen.



Gebruik niet de handen om de uitwerpsleuf schoon te maken.



Gewaarborgd geluidsvermogensniveau

Gooi afgedankte elektrische en elektronische apparatuur niet weg als ongesorteerd gemeentelijk afval. Afgedankte elektrische en elektronische apparatuur moet afzonderlijk worden ingezameld. Afvalbatterijen, afvalaccu's en lichtbronnen moeten uit de apparatuur worden verwijderd. Neem contact op met uw gemeente of winkelier voor recyclingadvies en inzamelpunt. Volgens de plaatselijke voorschriften kunnen winkeliers verplicht zijn afgedankte elektrische en elektronische apparatuur kosteloos terug te nemen. Uw bijdrage aan hergebruik en recycling van afgedankte elektrische en elektronische apparatuur helpt de vraag naar grondstoffen te verminderen. Afgedankte batterijen, in het bijzonder deze die lithium bevatten, en afgedankte elektrische en elektronische apparatuur bevatten waardevolle en recycleerbare materialen, die een negatief effect kunnen hebben op het milieu en de volksgezondheid, indien ze niet op een milieuvriendelijke manier worden verwijderd. Verwijder eventuele persoonlijke gegevens van afgedankte apparatuur.

- EN
- FR
- DE
- IT
- NL**
- PT
- DA
- SV
- FI
- NO
- RU
- PL
- CS
- HU
- RO
- LV
- LT
- ET
- HR
- SL
- SK
- BG
- UK
- TR

No design do seu lançador de neve sem fios, demos prioridade à segurança, ao desempenho e à fiabilidade.

## USO PREVISTO

O lançador de neve sem fios destina-se a ser utilizado apenas ao ar livre, por um operador em pé, em áreas bem ventiladas. O produto foi concebido para ser utilizado apenas por adultos que tenham lido e compreendido as instruções e os avisos neste Manual e que possam ser considerados responsáveis pelos seus actos. Por motivos de segurança, o produto tem de ser adequadamente controlado com as duas mãos durante toda a utilização.

O aparelho foi desenhado para despejar a neve em zonas como a entrada da casa, o passeio, os sendeiros, a calçada e as zonas à volta da casa. O aparelho pode mover neve com uma profundidade até 33 cm.

O aparelho nunca deve ser operado sem as rodas estarem apoiadas no chão. Não deve subir para ou transportar-se no produto. O produto só deve ser utilizado como se descreve neste manual.

Não a use para nenhuma outra finalidade.

## AVISOS DE SEGURANÇA GERAIS DO PRODUTO

**⚠ ADVERTÊNCIA! Leia todas as instruções dos avisos de segurança, as ilustrações e as especificações técnicas fornecidas com este produto.** O não cumprimento das instruções seguintes pode ocasionar acidentes como, por exemplo incêndios, choques eléctricos e/ou ferimentos graves.

**ConsERVE estas advertências e instruções para que possa consultá-las mais tarde.**

O termo "ferramenta eléctrica" nos avisos refere-se ao seu produto alimentado diretamente pela rede eléctrica (com cabo eléctrico) ou alimentado por bateria (sem cabo eléctrico).

## AMBIENTE DE TRABALHO

- **Mantenha a área de trabalho limpa e bem iluminada.** As áreas desordenadas ou escuras são um convite para acidentes.
- **Não opere ferramentas eléctricas em atmosferas explosivas, tais como na presença de líquidos inflamáveis, gases ou poeira.** As ferramentas eléctricas criam faíscas que podem causar a inflamação de poeiras ou vapores.
- **Ao operar esta ferramenta eléctrica, mantenha as crianças e as pessoas presentes afastadas.** Distrações podem fazer com que perca o controlo.

## SEGURANÇA ELÉCTRICA

- **As fichas eléctricas da ferramenta têm de corresponder à tomada. Nunca altere a ficha seja de que maneira for. Não use quaisquer fichas adaptadoras com ferramentas de ligação com terra.** As fichas não modificadas e tomadas compatíveis reduzirão o risco de choque eléctrico.

- **Evite o contacto do corpo com superfícies com ligação terra ou enterradas, tais como tubos, radiadores, fogões e frigoríficos.** Há um aumento do risco de choque eléctrico se o seu corpo estiver ligado à terra.
- **Não exponha este produto à chuva ou humidade elevada.** A entrada de água na ferramenta eléctrica aumentará o risco de choque eléctrico.
- **Não abuse do cabo de alimentação. Nunca use o cabo para carregar, puxar ou retirar a ficha da ferramenta da tomada. Mantenha o cabo afastado do calor, óleo, pontas afiadas ou peças móveis.** Os cabos danificados ou emaranhados aumentam o risco de choque eléctrico.
- **Ao operar uma ferramenta eléctrica ao ar livre, use um cabo de extensão apropriado para o uso ao ar livre.** A utilização de um cabo apropriado para o uso ao ar livre reduz o risco de choque eléctrico.
- **Se operar uma ferramenta eléctrica num local húmido é inevitável, use uma fonte com protecção de dispositivo de corrente residual (RCD).** O uso de um RCD reduz o risco de choque eléctrico.

## SEGURANÇA PESSOAL

- **Ao operar esta ferramenta eléctrica, permaneça alerta, tenha em atenção ao que está a fazer e use o bom senso. Não utilize a ferramenta eléctrica quando se sentir cansado ou se se encontrar sob a influência de drogas, álcool ou medicamentos.** Um momento de desatenção enquanto opera estas ferramentas eléctricas pode resultar em ferimentos graves.
- **Utilizar equipamento de protecção. Use sempre protecção para os olhos.** O equipamento de protecção tal como a máscara contra pó, calçado anti-derrapante de segurança, capacete, ou protecção para os ouvidos, usado para condições apropriadas irá reduzir a probabilidade de ferimentos.
- **Evite o arranque involuntário. Assegure-se de que o interruptor se encontra na posição de desligado antes de o ligar à fonte de energia e/ou bateria, levantando ou transportando a ferramenta.** Transportar ferramentas eléctricas com o seu dedo no interruptor ou ligar à corrente ferramentas eléctricas que têm o interruptor ligado são um convite a acidentes.
- **Remova qualquer chave de ajuste antes de ligar a ferramenta eléctrica.** Uma chave-inglesa ou uma chave colocada numa peça móvel da ferramenta eléctrica pode causar lesões pessoais.
- **Não se aproxime em demasia. Fique sempre bem apoiado nas pernas e não estique demasiado o braço.** Isto possibilita um melhor controlo da ferramenta eléctrica em situações inesperadas.
- **Use roupas adequadas. Não use roupa larga ou acessórios de jóias. Mantenha o seu cabelo e a sua roupa afastados de peças em movimento.** A roupa larga, jóias ou cabelo comprido podem ficar presos nas peças móveis.

- Se são fornecidos os dispositivos para a ligação de espaços de extracção e recolha de pó, assegure-se de que estes se encontram conectados e usados correctamente. A utilização de um colector de pó pode reduzir os perigos relacionados com o pó.
- Estar familiarizado com as ferramentas por as utilizar com frequência não é razão para se tornar descuidado e para ignorar os princípios de segurança referentes a ferramentas. Uma ação imprudente pode provocar lesões graves numa fração de segundo.

## UTILIZAÇÃO E MANUTENÇÃO DA FERRAMENTA ELÉTRICA

- Não force o produto. Use a ferramenta eléctrica correcta para a sua aplicação. A ferramenta fará o seu trabalho melhor e de forma mais segura trabalhando ao ritmo para que foi concebida.
- Não use uma ferramenta caso o interruptor não ligue e desligue a ferramenta eléctrica correctamente. Qualquer ferramenta eléctrica que não possa ser controlada com o interruptor é perigosa e deve ser reparada.
- Antes de fazer quaisquer ajustes, substituir acessórios, ou guardar ferramentas eléctricas, desencaixe a ficha da tomada da rede eléctrica e/ou desmonte o conjunto de baterias (se for desmontável) da ferramenta eléctrica. Estas medidas de segurança preventivas reduzem o risco de arranque accidental da ferramenta eléctrica.
- Armazene as ferramentas eléctricas fora do alcance das crianças e não permita que pessoas não familiarizadas com a ferramenta eléctrica ou com estas instruções utilizem a ferramenta eléctrica. As ferramentas eléctricas são perigosas nas mãos de utilizadores inexperientes.
- Faça manutenção às ferramentas eléctricas e aos respectivos acessórios. Verifique se existe desalinhamento ou emperramento das peças móveis, ruptura das peças e qualquer outra condição que possa ter afectado o funcionamento da ferramenta eléctrica. Se danificado, mande a ferramenta eléctrica ser reparada antes de a utilizar. Muitos acidentes são causados por ferramentas eléctricas com fracas manutenções.
- Mantenha as ferramentas de corte afiadas e limpas. É menos provável que as ferramentas de corte com uma correcta manutenção e com pontas de corte afiadas fiquem presas e são mais fáceis de controlar.
- Utilize a ferramenta, acessórios, peças eléctricas, etc., de acordo com estas instruções, tendo em conta as condições de trabalho e o trabalho que se vai realizar. O uso da ferramenta eléctrica para as operações diferentes daquelas a que se destina podem causar uma situação perigosa.
- Mantenha os cabos e as superfícies de agarre secos, limpos e livres de óleo ou gordura. Os cabos e superfícies de fixação resvaladiças não permitem

uma fixação e um controlo seguro da ferramenta em situações inesperadas.

## UTILIZAÇÃO E MANUTENÇÃO DA BATERIA

- Recarregue apenas com o carregador especificado pelo fabricante. Um carregador que seja adequado para um tipo de bateria pode causar risco de incêndio, quando utilizado com outra bateria.
- Use ferramentas eléctricas somente com baterias especificamente concebidas. O uso de qualquer outro tipo de bateria pode causar risco de lesões e incêndio.
- Quando a bateria não estiver a ser utilizada, mantenha-a afastada de outros objectos metálicos como cliques de papel, moedas, chaves, pregos, parafusos, ou outros pequenos objectos metálicos que podem fazer a ligação de um terminal para outro. Ligar os terminais da bateria em conjunto pode causar queimaduras ou um incêndio.
- Sob circunstâncias abusivas, o líquido pode ser ejetado da bateria, evite o contacto. Se o contacto ocorrer acidentalmente, limpe com água abundante. Se o líquido entrar em contacto com os olhos, procure adicionalmente assistência médica. O líquido ejetado da bateria pode causar irritação ou queimaduras.
- Não use um conjunto de baterias ou uma ferramenta que tenha sido sofrido danos ou modificações. Baterias danificadas ou modificadas podem ter um comportamento imprevisível, resultando em incêndio, explosão ou risco de ferimentos.
- Não exponha um conjunto de baterias nem uma ferramenta ao fogo ou a temperaturas excessivas. A exposição ao fogo ou a temperaturas acima de 130 °C pode causar uma explosão.
- Siga todas as instruções de carregamento e não dê carga ao conjunto de baterias ou à ferramenta fora da amplitude de temperaturas especificada nas instruções. O carregamento feito de forma incorrecta ou sob temperaturas fora da amplitude especificada pode danificar a bateria e aumentar o risco de incêndio.

## MANUTENÇÃO

- A manutenção da sua ferramenta eléctrica deve ser efectuada por uma pessoa qualificada para reparações, utilizando apenas peças de substituição idênticas. Isto assegurará que a segurança da ferramenta eléctrica é mantida.
- Nunca tente reparar nem fazer manutenção a conjuntos de baterias danificados. A reparação e manutenção de conjuntos de baterias só deve ser feita pelo fabricante ou por um centro de assistência autorizado.

**AVISOS DE SEGURANÇA DO LANÇADOR DE NEVE SEM FIOS**

## FORMAÇÃO

- Leia, compreenda e siga todas as instruções no produto e neste manual antes de utilizar o produto. Familiarize-

se totalmente com os controlos e a correta utilização do produto. Saiba como desligar o produto e desengatar os controlos rapidamente.

- Nunca permita que crianças ou pessoas com capacidades físicas, sensoriais ou mentais reduzidas, ou pessoas não familiarizadas com estas instruções, operem, limpem ou realizem qualquer manutenção no aparelho. A legislação local pode restringir a idade do operador. As crianças devem ser mantidas sob vigilância adequada para se garantir que não brincam com o produto.
- Mantenha os transeuntes, as crianças e os animais a 15 m de distância da zona de operação. Desligue o produto se qualquer pessoa entrar na área de utilização.
- Exerça cautela para evitar escorregar ou cair, especialmente ao utilizar o produto em marcha-atrás.
- Regule a altura da caixa do coletor para limpar gravilha ou superfície de rocha esmagada.
- Nunca tente efetuar quaisquer ajustes com o produto em funcionamento.
- O produto tem capacidade para amputar mãos e pés, e para projectar objectos! Não observar todas as instruções de segurança pode resultar em ferimentos graves.
- Mantenha em mente que o operador ou o utilizador é responsável pelos acidentes ou perigos que ocorrem a outras pessoas ou à sua propriedade.

## PREPARAÇÃO

- Inspeccione cuidadosamente a área onde vai usar a máquina e retire tapetes, trenós, tábuas, cabos e objetos estranhos.
- Desengrene todas as embraiagens e coloque o produto em ponto morto antes de ligar o motor.
- Enquanto trabalha com a máquina, tenha sempre roupa adequada para o inverno e calçado anti-deslizante de segurança. Evite usar roupa larga com cordões ou gravata, porque poderá encravar nas partes móveis.
- Prenda o cabelo comprido para que fique acima do nível dos ombros para evitar que fique emaranhado em quaisquer peças móveis.
- Use sempre óculos de segurança e proteção para os olhos durante a utilização ou ao executar um ajuste ou reparação para proteger os olhos de objetos estranhos que possam ser projetados pelo produto.
- Certifique-se antes de cada uso que todos os controlos e dispositivos de segurança funcionam corretamente. Não utilize o produto se o interruptor para desligar (OFF) não desligar o produto.
- Antes de cada utilização, verifique sempre se a estrutura não apresentam danos e se os resguardos e pegas estão instalados e devidamente fixados.

## UTILIZAÇÃO

- Não utilize o aparelho quando houver risco de relâmpago.
- Não coloque as mãos ou os pés próximo das peças rotativas. Mantenha sempre a abertura de descarga desobstruída. Não coloque nenhum objeto nas aberturas.

- Exerça extrema cautela ao utilizar ou atravessar caminhos ou passagens de gravilha. Mantenha-se alerta quanto aos perigos escondidos ou ao utilizar perto de vias públicas.
- Para reduzir o risco de ferimentos associados ao contacto com peças móveis, desligue sempre o produto e desmonte o conjunto de baterias. Certifique-se de que todas as peças em movimento pararam completamente:
  - depois de bater num objeto estranho para inspecionar o aparelho e ver se está danificado
  - antes de limpar ou despejar uma obstrução
  - antes de deixar o produto desacompanhado
  - antes de verificar, fazer a manutenção ou funcionar com o produto
  - se o produto começar a vibrar de forma anormal (verifique imediatamente) A vibração é geralmente um aviso de problema.
- Utilize o aparelho na superfície de encostas, nunca para cima, nem para baixo. Tenha extrema cautela ao mudar de direcção nas inclinações. Não tente limpar um declive pronunciado.
- Nunca utilize o aparelho sem ter colocado a proteção, as placas ou outro tipo de dispositivo de segurança pertinente.
- Nunca dirija a descarga para pessoas ou áreas onde possam ocorrer danos materiais. Mantenha as pessoas fora da área de trabalho, especialmente as crianças e animais de estimação.
- Não sobrecarregue a capacidade da máquina tentando tirar a neve com muita rapidez.
- Nunca utilize o produto a altas velocidades de transporte em superfícies escorregadias. Olhe para trás e exerça cuidados ao utilizar o produto em marcha-atrás.
- Desligue a alimentação elétrica do coletor/hélice quando o produto for transportado ou quando não se encontrar em utilização.
- Utilize apenas peças de substituição, acessórios e encaixes do fabricante original.
- Nunca utilize o produto sem boas condições de visibilidade ou iluminação. Certifique-se sempre da sua postura e mantenha uma prensão firme das pegas. Ande e nunca corra.
- Nunca coloque o aparelho numa superfície que não seja uma superfície dura e limpa, quando o motor estiver em funcionamento. A gravilha, a areia e outros restos podem ser arrastados pelo jorro de ar e disparados para o operador ou para os transeuntes, provocando lesões graves.
- Nunca opere o aparelho perto de recintos de vidro fechados, automóveis, janelas ou portais sem ter ajustado corretamente o ângulo de descarga de neve.
- Se o produto for deixado cair, se sofrer uma pancada forte ou se começar a vibrar de forma anormal, desligue imediatamente o produto e proceda a uma inspeção para procurar danos e identificar a causa da vibração.

Qualquer dano deve ser devidamente reparado ou substituído por um centro de assistência autorizado.

- O produto pode ser utilizado e armazenado a temperaturas entre -20 °C e 20 °C, desde que a temperatura da bateria seja mantida acima de 0 °C. Não armazene a bateria a uma temperatura inferior a 0 °C. Temperaturas abaixo de zero podem reduzir o desempenho e a capacidade da bateria. Se a bateria for armazenada a uma temperatura ligeiramente superior a 0 °C, coloque o produto em funcionamento durante, pelo menos, 2 minutos para aquecer a bateria antes de iniciar o trabalho normal. Depois de concluir o trabalho ou de a bateria ter sido descarregada, retire a bateria do produto e armazene-a num local onde a temperatura ambiente se encontre entre 0 °C e 20 °C.
- Guarde o produto num local em que a temperatura ambiente se situe entre 0 °C e 40 °C.
- Algumas partes do produto podem congelar em condições meteorológicas extremas. Não utilize o produto se este tiver peças congeladas.
- Antes de armazenar, deixe o produto a funcionar durante vários minutos após o funcionamento para remover a neve do trado.

#### AVISOS DE SEGURANÇA ADICIONAIS DAS BATERIAS

- Para reduzir o risco de incêndio, ferimentos pessoais e danos ao produto causados por curto-circuito, nunca coloque o produto, o conjunto de baterias ou o carregador dentro de qualquer líquido, nem deixe que sejam penetrados por qualquer líquido! Líquidos corrosivos ou condutivos como água salgada, determinadas substâncias químicas ou produtos que contenham branqueadores podem causar um curto-circuito.
- Carregue a bateria num local em que a temperatura ambiente se situe entre 10 °C e 38 °C.
- Guarde a bateria num local em que a temperatura ambiente se situe entre 0 °C e 20°C.
- Não armazene a bateria a uma temperatura inferior a 0 °C. Temperaturas abaixo de zero podem reduzir o desempenho e a capacidade da bateria.

#### CONSELHOS DE FUNCIONAMENTO

- O aparelho não funcionará se a pega superior não estiver bem colocada e o clipe que bloqueia a pega não estiver bem fechado. Existem 2 interbloqueios de segurança para ajudar a evitar o arranque acidental se o produto não estiver corretamente montado.
- Note a direção do vento antes de utilizar o produto. Descarregue na mesma direção do vento para evitar que a neve seja projetada na direção do operador.

#### ELIMINAR UMA OBSTRUÇÃO

Nunca coloque as mãos ou os pés à frente do aparelho ou da conduta de descarga, assim evitará lesões graves. Não utilize as mãos para limpar a saída de descarga.

1. Desligue com o interruptor e desmonte o conjunto de baterias. Certifique-se de que todas as peças em movimento pararam completamente.
2. Retire os bloqueios utilizando uma vara de madeira. Tenha cuidado, o impulsor pode mover-se enquanto tira o bloqueio devido à energia acumulada no mecanismo.
3. Rode o conjunto de impulsor com um pau de madeira.
4. Quando tiver rodado o impulsor com o pau de madeira, mova-se para a parte traseira do aparelho. É normal que o mecanismo impulsor faça movimentos escalonados. Assegure-se de que é seguro continuar a remover neve.

#### TRANSPORTE E ARMAZENAMENTO

- Desligue o produto, retire sempre a bateria e permita que o produto arrefeça antes de transportá-lo ou arrumá-lo.
- Consulte sempre o manual do operador para obter detalhes importantes se o produto for armazenado durante um período de tempo prolongado.
- Limpe todos os materiais estranhos do produto. Guarde o produto num local bem ventilado a que as crianças não consigam aceder. Mantenha o produto afastado de agentes corrosivos tais como produtos químicos de jardim e sais de remoção de gelo. Não guarde o produto em espaços exteriores.
- Para transportar, prenda o aparelho de modo a evitar que este se mova ou caia, para evitar lesões ou danos no produto.

#### TRANSPORTE DE BATERIAS DE LÍTIU

Transporte as baterias em conformidade com as disposições e regulamentos locais e nacionais.

Siga todos os requisitos especiais na embalagem e rótulos ao transportar baterias por um terceiro. Certifique-se de que nenhuma bateria pode entrar em contato com outras baterias ou materiais condutores durante o transporte protegendo os conectores expostos com tampas ou fita isoladora e não condutora. Não transporte baterias que estejam rachadas ou com fugas. Confirme com a empresa de envio para mais conselhos.

#### MANUTENÇÃO

- Utilize apenas peças de substituição, acessórios e encaixes do fabricante original. A inobservância desta indicação pode causar um fraco desempenho, possíveis lesões e poderá anular a sua garantia.
- Os serviços de manutenção requerem extremo cuidado e conhecimentos e devem apenas ser realizado por um técnico de assistência qualificado. Repare o seu produto exclusivamente num centro de assistência autorizado.
- Desligue com o interruptor e desmonte o conjunto de baterias. Antes de fazer quaisquer trabalhos de limpeza ou de manutenção, certifique-se de que todas as peças móveis pararam completamente.
- Verifique todas as porcas, pregos e parafusos com intervalos frequentes para confirmar a tensão apropriada e se certificar que o produto está em condições seguras de funcionamento. Qualquer peça danificada deve ser

substituída ou reparada adequadamente por um centro de serviço autorizado.

- Leve o produto a um centro de serviço autorizado para substituir as etiquetas danificadas ou ilegíveis.
- Opere o produto várias vezes antes de lançar neve para evitar o congelamento da hélice.
- Pode realizar os ajustes e reparações descritos neste manual do utilizador. Para outras reparações, entregue o seu produto exclusivamente a um centro de assistência autorizado.
- Após cada utilização, limpe as peças de plástico com um pano macio e seco.

## CONHEÇA O SEU APARELHO

Ver a página 115.

1. Pega superior
2. Dispositivo para ligar/desligar
3. Manual do operador
4. Botão de início
5. Alavanca de velocidade do desentupidor
6. Alavanca de rotação da conduta de descarga
7. Desviador da conduta de descarga
8. Botão do desviador
9. Farol
10. Manípulo de regulação da pega
11. Impulsor
12. Tampa da bateria
13. Bateria
14. Carregador
15. Parafusos
16. Chave de fendas

## SÍMBOLOS



Antes de utilizar este produto, leia e compreenda todas as instruções neste Manual. Siga todos os avisos e todas as instruções de segurança.



Tenha cuidado com os objectos voláteis ou lançados. Mantenha todos os transeuntes, em especial as crianças e os animais de estimação, a uma distância mínima de 15 m da área de utilização.



Usar protecção para os olhos



Não o exponha à chuva ou a condições de humidade.



Evite ferimentos resultantes da hélice. Mantenha as mãos, pés e peças de vestuário afastados.



Mantenha todos os transeuntes, em especial as crianças e os animais de estimação, a uma distância mínima de 15 m da área de utilização.



Não opere o produto em inclinações.



Mantenha as mãos e os pés afastados da frente da máquina e da conduta de descarga do produto.



Retire a bateria.



Não utilize as mãos para limpar a saída de descarga.



Nível de potência sonora garantido

Não elimine baterias, pilhas, equipamentos elétricos e eletrônicos juntamente com resíduos municipais não separados. Os resíduos de baterias, pilhas e equipamentos elétricos e eletrônicos devem ser recolhidos separadamente. Os resíduos de acumulares de baterias, pilhas e fontes de luz têm de ser retirados do equipamento. Para mais informações sobre pontos de recolha para reciclagem, contacte as suas autoridades locais ou o seu revendedor. De acordo com os regulamentos locais, os retalhistas têm a obrigação de receber os resíduos de baterias, pilhas e equipamentos elétricos e eletrônicos livres de encargos. O seu contributo para reutilizar e reciclar os resíduos de equipamentos elétricos e eletrônicos ajuda a reduzir a procura de matérias-primas. As baterias e pilhas usadas, em particular, contêm lítio e os resíduos de equipamentos elétricos e eletrônicos contêm materiais recicláveis preciosos, que podem afetar negativamente o meio ambiente e a saúde humana se não forem eliminados de uma forma ambientalmente compatível. Elimine os dados pessoais dos equipamentos, se existirem.





Sikkerhed, ydeevne og pålidelighed er blevet givet topprioritet i designet af den batteridrevne snekaster.

### TILTÆNKT ANVENDELSESFORMÅL

Den batteridrevne snekaster er kun beregnet til udendørsbrug i et velbelyst område af en stående bruger, der går bag produktet. Produktet er kun beregnet til at blive brugt af voksne, som har læst og forstået instruktionerne og advarslerne i denne vejledning, og som kan betragtes som værende ansvarlige for deres handlinger. Af sikkerhedsmæssige årsager skal produktet til enhver tid passende styres med to hænder.

Produktet er designet til at rydde sne på områder som indkørsler, fortove, gangbroer, stier, veje og omkring huse. Produktet kan fjerne sne med en dybde på op til 33 cm.

Produktet må aldrig benyttes, hvis hjulene ikke hviler på jorden. Der bør ikke rides på produktet. Produktet bør kun bruges som beskrevet i denne manual.

Må ikke bruges til andre formål.

### GENERELLE SIKKERHEDSADVARSLER FOR PRODUKTET

**⚠ ADVARSEL! Læs alle omhyggeligt alle advarsler, anvisninger og specifikationer, som følger med maskinen, og studer illustrationerne.** Hvis nedenstående forskrifter ikke overholdes, kan der ske uheld og ulykker som brand, elektrisk stød og/eller alvorlige personskader.

**Gem vejledningen med advarsler og anvisninger til senere opslag.**

Betegnelsen "eldrevet værktøj" i advarslerne henviser til jeres ledningsforbundne produkt eller batteridrevne (ledningsfrie) produkt.

### ARBEJDSOMGIVELSER

- **Hold arbejdsområdet rent og godt oplyst.** Rodede eller mørke områder inviterer til ulykker.
- **Brug ikke elværktøjer i eksplosive omgivelser som fx i nærheden af brandbar væske, gas eller støv.** Elværktøjer udløser gnister, som kan antænde støvet eller dampene.
- **Der må ikke være børn og tilskuere i nærheden, når et elværktøj anvendes.** Distractioner kan medføre, at du mister kontrollen.

### ELEKTRISK SIKKERHED

- **Elværktøjets elstik skal passe til elnetkontakten.** Elstikket må aldrig modificeres på nogen som helst måde. Undlad brug af adapterstik til jordede (stelforbundne) elværktøjer. Umodificerede elstik og passende elnetkontakter reducerer faren for elektrisk stød.
- **Undgå kropskontakt med jordede eller stelforbundne overflader som fx rør, radiatorer, komfurer og køleskabe.** Der er forøget risiko for elektrisk stød, hvis din krop er forbundet med jord eller stel.
- **Dette produkt må ikke udsættes for regn eller fugt.** Hvis der trænger vand ind i et elværktøj, øges faren for elektrisk stød.
- **Undlad at misbruge ledningen.** Ledningen må aldrig bruges til at bære eller trække i elværktøjet eller til at trække stikket ud. Ledningen må ikke komme i nærheden af varme, olie, skarpe kanter eller bevægelige dele. Beskadigede eller sammenfiltrede ledninger øger faren for elektrisk stød.
- **Når et elværktøj anvendes i det fri, skal der bruges en forlængerledning, der er egnet til udendørs brug.** Brug af ledninger beregnet til udendørs brug reducerer faren for elektrisk stød.

- **Hvis man er nødt til at bruge et elværktøj i fugtige omgivelser, skal strømforsyningen have en fejlstømsafbryder (RCD-afbryder).** Brug af fejlstrømssikring reducerer faren for elektrisk stød.

### PERSONLIG SIKKERHED

- **Når man bruger et elværktøj, skal man være agtpågivende, iagttage hvad man gør og bruge sund fornuft. Undlad at bruge et elværktøj, hvis du er træt eller påvirket af narkotika, alkohol eller medicamenter.** Et øjebliklig uopmærksomhed under brug af motoriserede værktøjer kan medføre alvorlige personskader.
- **Brug personlige værnemidler. Brug altid øjenværn.** Værnemidler som fx støvmaske, skridfast sikkerhedsfodtøj, hjelm eller høreværn anvendt korrekt i forhold til de givne forhold reducerer faren for personskader.
- **Forebyg utilsigtet start. Kontrollér, at kontakten er i pos. OFF (=slukket), inden værktøjet sluttes til strømkilde og/eller batteri, samles op eller bæres.** At bære elværktøjer med fingern på kontakten eller at slutte strøm til elværktøjer med tændt kontakt er at invitere til ulykker.
- **Fjern evt. skruenøgler, inden der tændes for elværktøjet.** En efterladt skruenøgle fastgjort til en roterende del af elværktøjet kan medføre personskader.
- **Overstræk ikke. Sørg for altid at have godt fodfæste og god balance.** Dette giver bedre kontrol over elværktøjet i uventede situationer.
- **Vær ordentligt klædt på. Bær ikke løftsiddende tøj eller smykker. Hold hår og beklædning på afstand af bevægelige dele.** Løstsiddende tøj, smykker eller langt hår kan hænge fast i bevægelige dele.
- **Hvis der findes anordninger for tilslutning af støvudsugnings- og -opsamlingsudstyr, skal disse tilsluttes og anvendes korrekt.** Brug af støvopsamlings kan reducere støvrelaterede faremomenter.
- **Lad ikke fortroloigheden, der er opstået ud fra hyppig brug af et redskab, påvirke dig til at være tilbagelænet og ignorere sikkerhedsprincipper.** En uforsigtig handling kan forårsage alvorlige personskader på en brøkdæl af et sekund.

### BRUG OG PLEJE AF ELVÆRKTØJ

- **Undlad at tvinge produktet. Brug elværktøjet til det tiltænkte anvendelsesformål.** Det korrekte elværktøj klarer opgaven bedre og sikrer med den hastighed, det er designet til.
- **Elværktøjet må ikke tages i brug, hvis TÆND/SLUK-kontakten ikke virker.** Et elværktøj, der ikke kan kontrolleres med TÆND/SLUK-kontakten, er farligt og skal repareres.
- **Fjern stikket fra strømkilden, og/eller fjern batteripakken fra elværktøjet, hvis den er aftagelig, før du foretager justeringer, udskifter tilbehør eller lægger elværktøjet væk.** Disse forebyggende sikkerhedsforanstaltninger reducerer faren for utilsigtet start af elværktøjet.
- **Når elværktøjer ikke bruges, skal de opbevares utilgængeligt for børn; personer, som ikke er fortrolige med elværktøjet eller denne brugsanvisning, må ikke anvende elværktøjet.** Elværktøjer er farlige i hænderne på ukyndige brugere.
- **Vedligehold elværktøj og tilbehør. Kontrollér, om der er forkeert indjusterede eller forbundne bevægelige dele, afbrækkede dele samt andre tilstande, som kan påvirke elværktøjets funktionsmåde.** Hvis der konstateres skader, skal elværktøjet repareres inden brug. Mange ulykker skyldes dårligt vedligeholdte elværktøjer.





- **Skærende værktøjer skal holdes skarpe og rene.** Korrekt vedligeholdte skærende værktøjer med skarpe skæer er mindre tilbøjelige til at binde/blokere og er lettere at kontrollere.
- **Brug elværktøjet, tilbehøret og værktøjs-bits osv. som foreskrevet i denne brugsanvisning, og tag højde for arbejdsforholdene og den aktuelle arbejdsopgave.** Brug af elværktøjet i strid med de tiltænkte anvendelsesformål kan medføre farlige situationer.
- **Hold håndtagene og gribefladerne tørre, rene og fri for olie og fedt.** Glatte håndtag og gribeflader umuliggør sikker håndtering og kontrol af redskabet i uventede situationer.

## BRUG OG PLEJE AF BATTERIVÆRKTØJ

- **Opladning må kun finde sted med den af producenten foreskrevne oplader.** En oplader, der er beregnet til én type batteri, kan udgøre en brandrisiko, hvis den bruges til en anden batteritype.
- **Brug kun elværktøjer sammen med specifikt godkendte batterier.** Brug af andre batterityper kan medføre fare for personskade og brand.
- **Når batteriet ikke bruges, må det ikke opbevares sammen med metalgenstande som fx papirclips, mønter, nøgler, søm, skruer eller andre metalgenstande, som kan skabe forbindelse mellem batteriets poler.** Hvis batteriets poler kortsluttes, kan det forårsage forbrændinger eller ildebrand.
- **Hvis batteriet misbruges, kan der sprøjte væske ud af det; undgå kontakt med batterivæsken.** Ved kontakt med batterivæsken skylles der med vand. Hvis der kommer væske i øjnene, kontaktes læge straks. Udsprøjtet batterivæske kan forårsage irritation eller forbrændinger.
- **Brug ikke et batteri eller værktøj, der er beskadiget eller modificeret.** Beskadigede eller modificerede batterier kan være ustabile, hvilket kan medføre brand, eksplosion eller personskade.
- **Udsæt ikke batteri eller værktøj for åben ild eller høje temperaturer.** Udsættelse for ild eller temperaturer over 130 °C kan medføre eksplosion.
- **Følg vejledningen for opladning, og oplad ikke batteriet eller værktøjet uden for det temperaturområde, der er angivet i vejledningen.** Forkert opladning eller opladning ved temperaturer uden for det angivne område kan beskadige batteriet og øge risikoen for brand.

## VEDLIGEHOLDELSE

- **Sørg for, at elværktøjet serviceres af en kvalificeret reparatør, som kun benytter sig af originale reservedele.** Herved garanteres sikkerheden for elproduktet.
- **Efterse aldrig beskadigede batteripakker.** Eftersyn af batteripakker bør kun udføres af producenten eller autoriserede serviceleverandører.

## SIKKERHEDSADVARSLER FOR BATTERIDREJET SNEKASTER

### UDDANNELSE

- **Læs, forstå og følg alle anvisninger på produktet og i denne manual inden betjening af produktet.** Sæt dig grundigt ind i brug af greb og korrekt brug af produktet. Du skal vide, hvordan man slukker for produktet og hurtigt frigiver betjeningshåndtaget.
- **Lad aldrig børn eller personer med begrænsede fysiske, sensoriske eller mentale evner eller personer, som ikke**

er bekendt med denne brugsanvisning, benytte, rengøre eller vedligeholde produktet. Lokale love kan have indflydelse på den tilladte brugerage. Børn bør holdes under tilstrækkelig opsyn, så man er sikker på, at de ikke leger med produktet.

- **Tilskuere, børn og kæledyr skal have en sikkerhedsafstand på mindst 15 m til arbejdsområdet.** Sluk for produktet, hvis nogen kommer inden for området.
- **Udvis forsigtighed for at undgå at glide eller falde, især når produktet bruges baglæns.**
- **Juster højden på opsamlarhuset for at undgå grus eller knust stenoverflade.**
- **Forsøg aldrig at foretag justeringer, mens produktet kører.**
- **Produktet er i stand til at amputere hænder og fødder og kaste genstande ud.** Manglende overholdelse af alle sikkerhedsanvisninger kan resultere i alvorlig personskade.
- **Husk, at brugeren selv er ansvarlig for ulykker eller farer, som andre personer bliver udsat for.**

## FORBEREDELSE

- **Inspicér omhyggeligt det område, hvor maskinen skal anvendes, og fjern alle dørmåtter, slæder, brædder, ledninger og andre fremmedlegemer.**
- **Frakobl alle koblinger, og skift til neutral, før motoren startes.**
- **Når man benytter maskinen, skal man altid bære passende vintertøj og skridsikkert fødtøj.** Undgå at bære løstsiddende tøj samt nedhængende snore eller bånd; disse kan hænge fast i bevægelige dele.
- **Langt hår skal bindes op over skulderniveau, så det ikke risikerer at vikle sig ind i bevægelige dele.**
- **Brug altid øjenværm eller øjenafskærmning under betjening eller under udførelse af justeringer eller reparationer for at beskytte øjnene mod fremmedlegemer, der kan udkastes fra produktet.**
- **Inden hver brug skal man kontrollere, at alle betjeningsselementer og alt sikkerhedsudstyr fungerer upåklageligt.** Anvend ikke produktet, hvis knappen "off" ikke slukker motoren.
- **Før hver brug skal du altid kontrollere, at huset er ubeskadiget, og at afskærmninger og håndtag er på plads og korrekt sikret.**

## VEKSELSTRØM

- **Produktet må ikke benyttes, hvis der er fare for tordenvejr.**
- **Anbring aldrig hænder eller fødder i nærheden af eller under roterende dele.** Hold også altid væk fra udtømningsområdet. Undlad at komme genstande i åbninger.
- **Udvis ekstrem forsigtighed ved betjening på eller ved krydsning af grusbelagte indkørsler eller gangstier.** Vær opmærksom på skjulte farer eller betjening i nærheden af offentlig vej.
- **Sluk altid for produktet, og fjern batteripakken for at reducere risikoen for personskader ved kontakt med bevægelige dele.** Kontrollér, at alle bevægelige dele er standset fuldstændigt:
  - Hvis man rammer et fremmedlegeme, skal man huske at inspicere produktet for skader.
  - ingen rengøring eller afhjælpning af en blokering.
  - før du går fra produktet
  - inden kontrol, vedligeholdelse eller arbejde på produktet



- hvis produktet begynder at vibrere unormalt (kontrolleres omgående) Voldsom vibration er som regel en advarsel.
- Kør produktet på tværs af skråninger, aldrig op og ned. Udvis stor forsigtighed når græsslåmaskinen vendes på bakker. Forsøg ikke at rydde sne på stejle skråninger.
- Brug aldrig produktet uden påmonterede behørigt afskærmninger, plader eller andre beskyttelsesanordninger.
- Ret aldrig udkastet mod folk eller steder, hvor der kan opstå tingskader. Tilskuere skal opholde sig på sikker afstand af arbejdsområdet, især børn og dyr.
- Undlad at overbelaste maskinens kapacitet ved at forsøge at rydde sne i et for hurtigt et tempo.
- Betjen aldrig produktet ved høj transporthastighed på glatte overflader. Se bagud, og udvis forsigtighed ved betjening af produktet i bakgear.
- Sluk for strøm til opsamler/skovlhjul, når produktet transporteres eller ikke er i brug.
- Brug kun originale reservedele, ekstraudstyr og tilbehør fra producenten.
- Betjen aldrig produktet uden god sigtbarhed og lys. Sørg altid for et godt fodfæste, og hold godt fast i håndtagene. Gå, løb aldrig.
- Anbring aldrig produktet på våde overflader, bortset fra hårde rene overflader, mens motoren kører. Grus, sand og andet snavs kan blive opfanget af luftindtaget og slynget mod operatøren eller omkringstående og evt. forårsage alvorlige personskader.
- Brug aldrig produktet i nærheden af glasmontrer, biler, vinduer eller døråbninger, med mindre udslyngningsvinklen er indstillet ordentligt.
- Hvis produktet er blevet tabt, været udsat for kraftigt stød eller begynder at vibrere på en unaturlig måde, skal du straks slukke for produktet, og efterse for skader eller identificere årsagen til vibrationen. Enhver beskadiget del skal repareres ordentligt eller udskiftes på et autoriseret servicecenter.
- Produktet kan bruges og opbevares ved temperaturer mellem  $-20\text{ °C}$  og  $20\text{ °C}$ , så længe batterienhedens temperatur holdes over  $0\text{ °C}$ . Opbevar ikke batterienheden ved under  $0\text{ °C}$ . Temperaturer under frysepunktet kan reducere batterienhedens ydeevne og kapacitet. Hvis batterienheden opbevares ved temperaturer lige over  $0\text{ °C}$ , skal produktet køre i mindst 2 min. for at opvarme batterienheden, inden arbejdet med produktet påbegyndes. Efter arbejdet er afsluttet, eller hvis batterienheden er afladet, skal batterienheden tages ud af produktet og opbevares et sted med en omgivelsestemperatur på mellem  $0\text{ °C}$  og  $20\text{ °C}$ .
- Opbevar produktet et sted, hvor omgivelsestemperaturen er mellem  $0\text{ °C}$  og  $40\text{ °C}$ .
- Nogle af produktets dele kan fryse til under ekstreme vejrforhold. Produktet må ikke bruges med tilfrosne dele.
- Inden produktet opbevares, skal det køre i flere minutter, efter arbejdet er afsluttet, for at fjerne sne fra sneglen.

#### YDERLIGERE SIKKERHEDSADVARSLER OM BATTERI

- For at nedsætte risikoen for brand, personskade og produktbeskadigelse på grund af kortslutning må produktet, batteripakken eller opladeren aldrig nedsænkes i en væske, ligesom væsker ikke må flyde

ind i dem. Sørg ligeledes for, at der ikke trænger væske ind i enhederne og batterierne. Korroderende eller ledende væsker, f.eks. saltvand, bestemte kemikalier, blegestoffer eller produkter, som indeholder blegemidler, kan forårsage kortslutning.

- Oplad batteripakken et sted, hvor omgivelsestemperaturen er mellem  $10\text{ °C}$  og  $38\text{ °C}$ .
- Opbevar batteripakken et sted, hvor omgivelsestemperaturen er mellem  $0\text{ °C}$  og  $20\text{ °C}$ .
- Opbevar ikke batterienheden ved under  $0\text{ °C}$ . Temperaturer under frysepunktet kan reducere batterienhedens ydeevne og kapacitet.

#### BRUGSTIPS

- Produktet vil ikke starte, hvis det øverste håndtag ikke er korrekt monteret, og håndtagsslåseklipsen er ikke forsvarligt fastgjort. Der er 2 sikkerhedsindretninger, der hjælper med at forhindre utilsigtet start, når produktet ikke er korrekt samlet.
- Læg mærke til vindretningen inden betjening af produktet. Udkast sne i samme retning som vinden for at forhindre, at sne kastes tilbage mod operatøren.

#### AFHJÆLPNING AF BLOKERING

Ræk aldrig hænder eller fødder ind i forenden af produktet eller sneudkastningssskaktens for at undgå alvorlige personskader. Brug ikke hænderne til at rengøre udkaståbningen.

1. Sluk, og fjern batteripakken. Kontrollér, at alle bevægelige dele er standset fuldstændigt.
2. Fjern blokeringen ved hjælp af en træpæl. Vær opmærksom på, at skovlhjulet kan bevæge sig af selv selv, mens man fjerner en blokering, pga. oplagret energi i mekanismen.
3. Drej skovlhjuls-modulet ved hjælp af træpinden.
4. Så snart skovlhjulet kan drejes med træpinden, går man om bag produktet. Det er normalt, at skovlhjulsmechanismen har trinvis bevægelse. Kontrollér, at det er sikkert at fortsætte snerydningen.

#### TRANSPORT OG OPBEVARING

- Sluk for produktet, og fjern batteripakken, og lad det afkøle inden det opbevares eller transporteres.
- Læs altid brugervejledningen for at få vigtige oplysninger, hvis produktet skal opbevares i længere tid.
- Afrens alle fremmedlegemer fra produktet. Opbevar produktet på et godt ventileret sted, der er utilgængeligt for børn. Sørg for, at produktet ikke kommer i nærheden af korrosive stoffer såsom havekemikalier og strøsalt. Opbevar ikke produktet udendørs
- Til transport skal man sikre produktet, så den ikke kan bevæge sig eller vælte; dette for at forebygge personskader eller skader på produktet.

#### TRANSPORT AF LITHIUM-BATTERIER

Batterier skal transporteres i henhold til lokale og nationale forskrifter og love.

Når batterier skal transporteres af tredjepart, skal alle specielle krav til emballering og mærkning overholdes. Man skal sikre sig, at ingen batterier under transporten kan komme i kontakt med andre batterier eller ledende materialer ved at beskytte blottede konnektorer med isolerende, ikke-ledende hætter eller tape. Undlad at transportere batterier

med revner eller utætheder. Rådfør dig desuden med speditøren.

## VEDLIGEHOLDELSE

- Brug kun originale reservedele, ekstraudstyr og tilbehør fra producenten. I modsat fald er der fare for personskader, dårlig maskinydelse og annullering af garantien.
- Vedligeholdelse kræver stor omhyggelighed og viden og bør kun udføres af en kvalificeret tekniker. Lad kun et autoriseret serviceværksted servicere produktet.
- Sluk, og fjern batteripakken Sørg for, at alle bevægelige dele er fuldstændigt stoppet, før du rengør eller vedligeholder græsslåmaskinen.
- Tjek ofte alle møtrikker, bolte og skruer om de sidder godt fast, og sørg for at produktet fungerer ordentligt. Enhver del, som bliver beskadiget, skal repareres korrekt eller udskiftes hos et autoriseret servicecenter.
- Indlevér produktet hos et autoriseret servicecenter for at få udskiftet beskadigede eller ulæselige mærkater.
- Kør produktet nogle få gange efter snekastning for at undgå tilfrysning af skovbladet.
- Du kan lave justeringer og reparationer beskrevet i denne brugervejledning. Lad kun et autoriseret servicecenter servicere og reparere produktet.
- Rengør plastikdelene med en blød, tør klud efter hver brug.

## KEND PRODUKTET

Se side 115.

1. Øverste håndtag
2. Kør/stop-håndtaget
3. Brugsanvisning
4. Start-knap
5. Hastighedsvælger til sneflen
6. Håndtag til rotation af skakten
7. Skaktdeflektor
8. Deflektorknap
9. Forlygte
10. Håndtag til Justeringsstang
11. Skovhjul
12. Batteridæksel
13. Batteri
14. Oplader
15. Skruer
16. Skruetrækker

## SYMBOLER



Læs og forstå alle anvisninger inden betjening af produktet. Overhold alle advarsler og sikkerhedsanvisninger.



Pas på udslyngede eller flyvende objekter. Hold alle omkringstående, især børn og kæledyr, mindst 15 m væk fra operationsområdet.



Benyt øjenværn



Må ikke udsættes for regn eller bruges på fugtige steder.



Undgå skader fra roteren. Hold hænder, fødder og tøj på afstand.



Hold alle omkringstående, især børn og kæledyr, mindst 15 m væk fra operationsområdet.



Betjen ikke produktet på skrånninger.



Hold hænder og fødder på afstand af produktets forside og udkaståbning.



Fjern batteriet.



Brug ikke hænderne til at rengøre udkaståbningen.



Garanteret støjniveau



Bortskaf ikke brugte batterier, elektriske dele og elektronisk udstyr som usorteret kommunalt affald. Brugte batterier, kasserede elektriske dele og elektronisk udstyr skal indsamles separat. Brugte batterier, affaldsakkumulatore og lyskilder skal fjernes fra udstyret. Forhør dig hos de lokale myndigheder eller forhandler for genbrugsråd og indsamlings steder. Ifølge lokale bestemmelser er detailhandlere måske forpligtede til gratis at tage kasserede batterier, elektriske dele og elektronisk udstyr retur til bortskaffelse. Dit bidrag til genbrug og genanvendelse af brugte batterier, kasserede elektriske dele og elektronisk udstyr bidrager til at reducere efterspørgslen efter råmaterialer. Kasserede batterier, navnlig indeholdende lithium, og kasserede elektriske dele og elektronisk udstyr indeholder værdifulde og genanvendelige materialer, som kan have en negativ indvirkning på miljøet og menneskers sundhed, hvis det ikke bortskaffes på en miljøvenlig måde. Slet persondata fra eventuelt kasseret udstyr.

Säkerhet, prestanda och pålitlighet har fått högsta prioritet vid utformningen av din sladdlösa snöslunga.

## ANVÄNDINGSOMRÅDE

Den sladdlösa snöslungan är endast avsedd för användning utomhus i ett område med god belysning, av en stående användare som går bakom produkten. Produkten är endast avsedd för användning av vuxna som har läst och förstått anvisningarna och varningarna i denna manual och kan anses vara ansvariga för sina handlingar. Av säkerhetsskäl måste produkten alltid kontrolleras tillräckligt med båda händerna vid alla tillfällen.

Produkten är designad för att rensa snö från områden som uppfarter, trottoarer, gångar, vägar och runt byggnader. Produkten kan rensa snö upp till ett snödjup på 33 cm.

Produkten får inte användas när inte hjulen är på marken. Åk inte på produkten. Produkten bör endast användas på det sätt som beskrivs i denna manual.

Får ej användas för annat ändamål.

## ALLMÄNNA PRODUKTSÄKERHETSVARNINGAR

**⚠ VARNING!** Studera alla säkerhetsvarningar och -instruktioner, illustrationer och specifikationer som följer med denna produkt. Underlåtenhet att respektera dessa föreskrifter kan leda till olyckor som brand, elektriska stötar och/eller allvarliga kroppsskador.

**Spara dessa varningar och instruktioner för senare behov.**

Termen "elektriskt verktyg" i varningarna avser din nätdrivna produkt (med sladd) eller din batteridrivna produkt (utan sladd).

## ARBETSMILJÖ

- **Håll arbetsområdet rent och välupplyst.** Oordnade och mörka områden inbjuder till olyckor.
- **Använd inte kraftverktyg i explosiva atmosfärer, exempelvis i närheten av brännbara vätskor, gaser eller damm.** Kraftverktyg ger upphov till gnistor vilka kan antända damm eller ångor.
- **Håll barn och åskådare borta när du använder ett kraftverktyg.** Distractioner kan få dig att tappa kontrollen.

## ELEKTRISK SÄKERHET

- **Kraftverktygets kontakt måste matcha uttaget. Modifiera inte kontakten på något sätt. Använd inga adapterkontakter med jordade kraftverktyg.** Omodifierade kontakter och matchande uttag minskar risken för elektrisk stöt.
- **Undvik kroppskontakt med jordade ytor, som exempelvis rör, element, spis och kylskåp.** Det föreligger en förhöjd risk för elektrisk stöt om din kropp är jordad.
- **Exponera inte produkten för regn eller våta förhållanden.** Vatten som tränger in i ett kraftverktyg ökar risken för elektrisk stöt.
- **Misshandla inte sladden.** Använd aldrig sladden för att bära, dra eller koppla bort kraftverktyget. Håll sladden borta från värme, olja, vassa kanter och rörliga delar. Skadade eller intrasslade elsladdar ökar risken för elektrisk stöt.
- **Använd en förlängningsladd avsedd för utomhusbruk när du använder kraftverktyget**

**utomhus.** Användning av en sladd lämplig för utomhusbruk minskar risken för elektrisk stöt.

- **Använd en jordfelsbrytare om det är oundvikligt att använda ett kraftverktyg i en fuktig miljö.** Användningen av en jordfelsbrytare minskar risken för elektrisk stöt.

## PERSONLIG SÄKERHET

- **Var uppmärksam på vad du gör och använd sunt förnuft när du använder ett kraftverktyg. Använd inte ett kraftverktyg när du är trött eller påverkad av droger, alkohol eller mediciner.** Ett ögonblicks ouppmärksamhet när du använder kraftverktyg kan orsaka allvarlig personskada.
- **Använd skyddsutrustning. Bär alltid ögonskydd.** Skyddsutrustning, som exempelvis andningsskydd, halkskyddade säkerhetsskor, huvudskydd och hörselskydd minskar i tillämpliga fall risken för personskador.
- **Förhindra oavsiktlig start. Säkerställ att strömbrytaren är i av-läge innan du ansluter till uttaget och/eller batteripaketet, innan du lyfter upp verktyget och innan du bär det.** Att bära kraftverktyg med fingret på avtryckaren eller kraftverktyg som är igång bjuder in olyckor.
- **Ta bort eventuella justerings- eller skiftnycklar innan du startar kraftverktyget.** En skiftnyckel eller justeringsnyckel som lämnas kvar i en roterande del av kraftverktyget kan orsaka personskada.
- **Sträck dig inte. Ha alltid ett bra fötfäste och en god balans.** Det ger dig bättre kontroll över kraftverktyget i oväntade situationer.
- **Klä dig korrekt. Använd inte löst åtsittande kläder eller smycken. Håll ditt hår och dina kläder borta från rörliga delar.** Lösslittande kläder, smycken och långt hår kan fastna i rörliga delar.
- **Om några uppsamlingsenheter för damm och avfall medföljer ska dessa vara ansluta och användas på ett korrekt sätt.** Användningen av en dammuppsamlare kan minska dammrelaterade faror.
- **Låt inte den erfarenhet som följer med vana vid verktygsanvändning göra dig oförsiktig och ignorera säkerhetsprinciper för verktygsanvändningen.** En oförsiktig handling kan orsaka allvarlig personskada på bara bråkdelen av en sekund.

## ANVÄND OCH TA HAND OM KRAFTVERKTYGET

- **Tvinga inte produkten. Använd rätt kraftverktyg för ditt jobb.** Rätt kraftverktyg gör jobbet bättre och säkrare om det används i den takt som det är designat för.
- **Använd inte kraftverktyget om strömbrytaren inte fungerar för att stänga av och sätta på verktyget.** Alla kraftverktyg som inte kan kontrolleras med strömbrytaren är farliga och måste repareras.
- **Ta ut kontakten ur eluttaget och/eller ta bort batteripaketet, ifall avtagbart, från elverktyget innan du gör några justeringar, byter tillbehör eller förvarar elverktyg.** Sådana förebyggande åtgärder minskar risken för att kraftverktyget startar oavsiktligt.
- **Förvara avstängda kraftverktyg utom räckhåll för barn och låt inte personer som är obekanta med kraftverktyg, eller dessa instruktioner, använda**



**kraftverktyget.** Kraftverktyg är farliga i händerna på otränade användare.

- **Underhåll elverktyg och tillbehör.** Kontrollera så att inga rörliga delar är felinriktade eller sitter fast, att inga delar har gått sönder samt att ingenting annat föreligger som kan påverka kraftverktygets användning. Reparera kraftverktyget innan användning om det är skadat. Många olyckor uppstår på grund av dåligt underhållna kraftverktyg.
- **Håll skärverktyg vassa och rena.** Korrekt underhållna skärverktyg med vassa skärkanter fastnar inte lika lätt och är lättare att kontrollera.
- **Använd kraftverktyget, tillbehören och borrspetsar etc. i enlighet med dessa anvisningar och ta hänsyn till arbetsförhållanden och det jobb som ska utföras.** Användning av kraftverktyget till andra saker än det är avsett för kan resultera i en farlig situation.
- **Håll handtag och grepp torra, rena och fria från olja och smörj fett.** Hala handtag och grepp innebär osäker hantering och dålig kontroll över verktyget i oväntade situationer.

#### ANVÄNDNING OCH UNDERHÅLL AV BATTERIET

- **Använd endast den batteriladdare som tillverkaren rekommenderar.** En batteriladdare som passar en typ av batteripack kan vara en brandfara om den används med en annan typ av batteripack.
- **Använd eldrivna verktyg med batteripaket som är speciellt utformade för användning tillsammans med produkterna.** Om du använder andra batteripaket ökar du risken för skador och brand.
- **När batteripaketet inte används ska det hållas bort från metallföremål som gem, mynt, nycklar, spikar, skruvar och andra små metallföremål som kan kortsluta batteriets kontakter.** Vid kortslutning av batteriets kontakter finns det risk för brännskador eller brand.
- **Vätska kan läcka ut från batteripaketet vid felaktig användning; undvik kontakt med vätskan. Spola med vatten om du kommer i kontakt med den. Uppsök omedelbart läkarhjälp om du får vätska i ögonen.** Den kan orsaka irritation och brännskador.
- **Använd inte en batterienhet eller ett verktyg som är skadat eller har modifierats.** Skadade eller modifierade batterier kan bete sig oförutsägbart, vilket kan leda till brand, explosion eller risk för olycksfall.
- **Utsätt inte ett batteripaket eller ett verktyg för eld eller mycket hög temperatur.** Exponering för eld eller temperaturer över 130 °C kan orsaka explosion.
- **Följ alla anvisningar för laddning och ladda inte batterienheten eller verktyget vid en temperatur utanför det intervall som anges i anvisningarna.** Att ladda på felaktigt sätt eller vid temperaturer utanför det angivna intervallet kan skada batteriet och ökar brandrisken.

#### UNDERHÅLL

- **Låt en kvalificerad serviceperson serva ditt kraftverktyg med identiska utbytesdelar.** Detta säkerställer att kraftverktygets säkerhet bibehålls.
- **Reparera aldrig skadade batteripaket.** Reparation av batteripaket får endast utföras av tillverkaren eller en auktoriserad serviceverkstad.

## SÄKERHETSVARNINGAR FÖR SLADDLÖS SNÖSLUNGA

#### UTBILDNING

- Läs, förstå och se till att du följer alla anvisningar i denna manual innan du använder produkten. Var väl förtrogen med kontrollerna och korrekt användning av produkten. Lär dig hur du stänger av produkten och snabbt frigör kontrollerna.
- Se till att barn eller personer med nedsatt fysisk eller psykisk förmåga, eller personer som inte är bekanta med dessa instruktioner, aldrig använder, rengör eller utför underhåll på produkten. Lokala regler kan åldersbegränsa användningen av gräsklipparen. Barn ska alltid övervakas så att de inte leker med produkten.
- Håll åskådare, barn och husdjur på minst 15 meters avstånd. Stäng av produkten om någon träder in i området.
- Öva försiktighet för att undvika att halka eller falla, särskilt vid användning av produkten i bakåtläge.
- Justera höjden för uppsamlingshuset för att rensa bort grus eller krossad stenytta.
- Försök aldrig utföra några justeringar medan produkten är i drift.
- Produkten kan kapa av händer och fötter och slunga ut föremål. Underlåtenhet att följa alla säkerhetsanvisningar kan resultera i allvarigt skada.
- Kom ihåg att användaren är ansvarig för olyckor och faror som uppstår för andra människor och deras egendom.

#### FÖRBEREDELSE

- Granska området där maskinen ska användas noga och ta bort dörrmattor, träskivor, kablar och andra främmande föremål.
- Koppla ur all kopplingar och lägg växeln i neutralt läge innan du startar motorn.
- Vid användning av maskinen ska alltid ordentliga vinterkläder och halkfria skodon användas. Bär inte kläder som sitter löst eller som har hängande delar eller snören, de kan fastna i rörliga delar.
- Fäst långt hår över axelhöjd för att undvika att det fastnar i rörliga delar.
- Använd alltid skyddsglasögon eller ögonskydd under drift eller medan du utför en justering eller reparation för att skydda ögon från främmande föremål som kan kastas från produkten.
- Kontrollera före användning så att reglage och säkerhetsanordningar fungerar som de ska. Använd inte produkten om strömknappen "av" inte stänger av produkten.
- Före varje användning, kolla alltid att höljet inte är skadat och att skydd och handtag är rätt placerade och säkrade.

#### ANVÄNDNING

- Använd inte produkten om det finns risk för blixtnedslag.
- Placera inte händerna eller fötterna nära eller under roterande delar. Håll alltid undan från utkastöppningen. För inte in föremål i öppningarna.
- Utöva extrem försiktighet vid drift på eller vid korsning av grusupparter eller grusgångar. Var uppmärksam på dolda faror eller vid drift nära allmänna vägar.
- För att minska risken för olycksfall i samband med rörliga delar, stäng alltid av produkten och avlägsna batteripaketet. Se till att samtliga rörliga delar har stannat helt.



- efter att ha träffat något föremål för att kontrollera om produkten skadats
  - före rengöring eller rensning av ett stopp
  - innan produkten lämnas utan uppsikt
  - före kontroll av, rengöring av eller arbete med produkten
  - när maskinen börjar vibrera onormalt (kontrollera omedelbart) Kontrollera skicket på bladet.
- Använd produkten tvärs lutningar, aldrig upp och ner. Var extremt försiktig när du byter riktning i en sluttning. Rensa aldrig i branta sluttningar.
  - Använd aldrig produkten utan att korrekta skydd, plattor eller andra säkerhetsenheter är på plats.
  - Rikta aldrig urladdningen mot människor eller områden där egendomsskada kan inträffa. Håll alla åskådare borta från arbetsområdet, speciellt barn och djur.
  - Överbelasta inte maskinen genom att rensa snö i för hög takt.
  - Kör aldrig produkten med hög förflyttningshastighet på hala ytor. Titta bakom dig och var försiktig när du kör produkten i backläge.
  - Koppla från strömmen till uppsamlaren/impellern när produkten transporteras eller inte används.
  - Använd enbart reservdelar och tillbehör från tillverkaren
  - Använd aldrig produkten vid dålig sikt eller belysning. Se alltid till att ha rätt fotgrepp och håll ordentligt i handtagen. Gå. Spring aldrig.
  - Placera aldrig produkten på något underlag, förutom hårt, rent underlag, om motorn är igång. Grus, sand och annat skräp kan plockas upp av luftintaget och kastas iväg mot användaren eller kringstående och därmed eventuellt orsaka allvarliga personsador.
  - Använd aldrig produkten i närheten av glasbyggnader, bilar, fönster eller dörrar utan att anpassa snöutkastets riktning.
  - Om produkten tappas, får kraftiga stötar eller börjar vibrera på ett onormalt sätt, stäng omedelbart av produkten och kontrollera om den skadats eller identifiera orsaken till vibrationerna. Eventuella skador ska repareras ordentligt eller bytas ut av ett auktoriserat servicecenter.
  - Du kan använda och förvara produkten vid temperaturer mellan -20 och +20 °C så länge temperaturen på batteripaketet är över 0 °C. Förvara inte batteripaketet under 0 °C. Temperaturer under 0 °C kan försämra prestanda och kapaciteten för batteripaketet. Om du förvarar batteripaketet precis över 0 °C måste du köra produkten i minst två minuter för att värma upp batteripaketet innan du börjar använda den. När du är klar eller batteripaketet är urladdat tar du bort det från produkten och förvarar det på en plats där omgivningstemperaturen är mellan 0 och 20 °C.
  - Förvara produkten på en plats där omgivningstemperaturen är mellan 0-40 °C.
  - Vissa delar av produkten kan frysa vid extrema väderförhållanden. Använd inte produkten om några delar är frusna.
  - Innan du förvarar produkten låter du den gå i flera minuter för att avlägsna snö från matningsskruven.

#### YTTERLIGARE SÄKERHETSVARNINGAR FÖR BATTERIER

- För att minska risken för brand, personsador och produktsador på grund av kortslutning, sänk aldrig ner produkten, batteripaketet eller laddaren i vätska och låt inte vätska tränga in i dem. Korroderande eller ledande vätskor, som saltvatten, vissa kemikalier,

blekningsmedel eller produkter som innehåller blekmedel, kan orsaka en kortslutning.

- Ladda batteripaketet på en plats där omgivningstemperaturen är mellan 10-38 °C.
- Förvara batteripaketet på en plats där omgivningstemperaturen är mellan 0-20 °C.
- Förvara inte batteripaketet under 0 °C. Temperaturer under 0 °C kan försämra prestanda och kapaciteten för batteripaketet.

#### TIPS FÖR ANVÄNDNING

- Produkten fungerar inte om det övre handtaget inte sitter korrekt och handtagsläsklämman inte är ordentligt säkrad. Det finns två säkerhetslås som bidrar till att förhindra att produkten startas av misstag när den inte är korrekt monterad.
- Lägg märke till vindens riktning före du använder produkten. Slunga ut snön i vindriktningen för att förhindra att den blåser tillbaka på föraren.

#### RENSA BLOCKERINGAR

Ha aldrig händer och fötter framför maskinen eller utkastet för att förhindra allvarliga personsador. Använd inte händerna för att rengöra utkastet.

1. Stäng av och plocka ur batteripaketet. Se till att samtliga rörliga delar har stannat helt.
2. Avlägsna blockeringen med en träkäpp. Var försiktig eftersom bladen kan rotera av sig själv när blockeringar rensas på grund av lagrad energi i mekanismen.
3. Vrid de roterande bladen med trästaven.
4. När bladen kan roteras med trästaven ska du gå bakom produkten. Det är normalt att bladen roterar hackigt. Kontrollera att det är säkert att fortsätta rensa snö.

#### TRANSPORT OCH FÖRVARING

- Stäng av produkten, ta ur batteripaketet och låt produkten svalna innan den förvaras eller transporteras.
- Kolla alltid viktiga detaljer med operatörens manual om produkten ska förvaras utan att användas en längre tid.
- Ta bort allt främmande material från produkten. Förvara produkten på en välventilerad plats som är oåtkomlig för barn. Håll produkten borta från frätande ämnen, såsom trädgårdskemikalier och vägsalt. Förvara inte produkten utomhus.
- Vid transport ska produkten säkras mot rörelser eller fallande för att förhindra personsador eller att produkten skadas.

#### TRANSPORTERA LITIUMBATTERIER

Transportera batterier enligt lokala och nationella riktlinjer och föreskrifter.

Följ alla särskilda krav på förpackning och etikettering vid transport av batterier som utförs av tredje part. Se till att inga batterier kan komma i kontakt med andra batterier eller ledande material under transporten genom att skydda exponerade kontaktytor med isolerande, icke ledande överdrag eller tejp. Transportera aldrig batterier som har spruckit eller som läcker. Kontrollera med det transporterande företaget för vidare rådgivning.

#### UNDERHÅLL

- Använd enbart reservdelar och tillbehör från tillverkaren Om inte kan det eventuellt orsaka skador, sämre resultat och kan upphäva garantin.

- Att serva produkten kräver extrem försiktighet och kunskap och bör endast utföras av en kvalificerad servicetekniker. Produkten får endast repareras på ett auktoriserat servicecenter.
- Stäng av och plocka ur batteripaketet. Säkerställ att alla rörliga delar har stannat helt före eventuell rengöring eller eventuellt underhåll.
- För att vara säker på att produkten är säker att använda, kontrollera alla muttrar, bultar och skruvar regelbundet för att säkerställa att de är åtdragna ordentligt. Skadade delar skall repareras ordentligt eller bytas ut av en auktoriserad servicefirma.
- Lämna produkten till auktoriserat servicecenter för utbyte av skadade eller oläsbara etiketter.
- Kör produkten ett par gånger efter snökastning för att förhindra frysning av impellern.
- Du kan göra de justeringar och reparationer som beskrivs i den här manualen. För övrig och reparation, låt endast ett auktoriserat servicecenter utföra dessa arbeten.
- Rengör plastdelar med en mjuk, torr duk efter varje användning.

## LÄR KÄNNA PRODUKTEN

Se sida 115.

1. Övre handtag
2. På/av-spak
3. Användarhandbok
4. Startknapp
5. Spak för jordborrens hastighet
6. Spak för utkastvidring
7. Utkastavvisning
8. Deflektorknapp
9. Strålkastare
10. Justeringsspak för handtag
11. Roterande blad
12. Batterihölje
13. Batteri
14. Batteriladdare
15. Skruvar
16. Skruvmejsel

## SYMBOLER



Läs och se till att du förstår alla anvisningar innan du använder produkten. Följ alla varningar och säkerhetsanvisningar.



Se upp för kringkastade eller flygande föremål. Alla åskådare, särskilt barn och husdjur, ska befinna sig minst 15 m från arbetsområdet.



Bär ögonskydd



Utsätt inte för regn eller våta omgivelningar.



Se upp med det roterande impellerbladet så att du inte skadas. Håll undan händer, fötter och kläder.



Alla åskådare, särskilt barn och husdjur, ska befinna sig minst 15 m från arbetsområdet.



Använd inte produkten i sluttningar.



Håll händer och fötter borta från maskinens framsida och produktens utkast.



Ta bort batteripaketet.



Använd inte händerna för att rengöra utkastet.



Garanterad ljudeffektnivå



Kassera inte uttjänta batterier, elavfall och elektronisk utrustning som restavfall. Uttjänta batterier, elavfall och elektronisk utrustning måste samlas in separat. Uttjänta batterier, uttjänta ackumulatörer och ljuskällor måste avlägsnas från utrustningen. Hör med din lokala myndighet eller din återförsäljare om råd för återvinning och insamlingsstation. Beroende på lokala bestämmelser kan återförsäljare vara skyldiga att kostnadsfritt ta tillbaka uttjänta batterier samt elektriskt och elektroniskt avfall. Ditt bidrag till återanvändning och återvinning av uttjänta batterier samt elektriskt och elektroniskt avfall bidrar till att minska behovet av råmaterial. Uttjänta batterier, särskilt litiumbatterier, samt elavfall och elektronisk utrustning innehåller värdefulla och återvinningsbara material som kan påverka miljön och människors hälsa negativt, om de inte kasseras på ett miljömässigt sätt. Radera eventuella personuppgifter från avfallsutrustningen.

Turvallisuus, tehokkuus ja käyttövarmuus ovat langattoman lumiliinokomme tärkeimpiä ominaisuuksia.

## KÄYTTÖTARKOITUS

Langaton lumilinko on tarkoitettu käytettäväksi vain seisten ulkona hyvin valaistulla alueella siten, että käyttäjä kulkee tuotteen takana. Kone on suunniteltu ainoastaan aikuisten käytettäväksi. Käyttäjien tulee lukea ja ymmärtää tämän käyttöoppaan ohjeet ja varoitukset ja heitä on voitava pitää vastuullisina tekemisistään. Turvallisuussyistä tuotetta täytyy aina ohjata tukevasti kahdella kädellä.

Tuote on suunniteltu lumen poistamiseen esim. ajoteiltä, jalkakäytäviltä, kävelypoluilta, ajoradoilta ja talojen ympäriä. Tuote voi poistaa jopa 33 cm:n syvistä lunta.

Tuotetta ei saa koskaan käyttää sen pyörien ollessa irti maasta. Laitteen päällä ei saa oleskella. Laitetta saa käyttää yksinomaan tässä käyttöoppaassa kuvatulla tavalla.

Älä käytä muihin tarkoituksiin.

## TUOTTEEN YLEISET TURVALLISUUSVAROITUKSET

**VAROITUS!** Lue kaikki laitteen mukana toimitetut turvaohjeet, kuvat ja tekniset tiedot. Näiden ohjeiden laiminlyönti voi aiheuttaa onnettomuuksia kuten tulipalon, sähköiskun ja/tai vakavia ruumiinvammoja.

**Säilytä nämä varoitukset ja ohjeet myöhempää tarvetta varten.**

Varoituksissa termillä "konetyökalu" viitataan sähkö- (johdolliseen) tai akkukäyttöiseen (johdottomaan) tuotteeseen.

## TYÖYMPÄRISTÖ

- **Pidä työalue siistinä ja valoisana.** Epäjärjestyksessä olevat ja pimeät alueet myötävaikuttavat onnettomuuksiin.
- **Älä käytä sähkötyökalua räjähdysalttiissa paikoissa, kuten helposti syttyvien nesteiden tai kaasujen tai pölyn läheisyydessä.** Sähkötyökalut kipinöivät, mikä saattaa sytyttää pölyn tai höyryä.
- **Pidä lapset ja sivulliset loitolla, kun käytät sähkötyökaluja.** Häiriöt voivat saada koneen riistäytymään hallinnasta.

## SÄHKÖTURVALLISUUS

- **Pistokkeen on sovittava pistorasiaan.** Älä koskaan muunna pistoketta millään tavalla. Älä käytä maadoitettujen sähkötyökalujen kanssa minkäänlaisia sovittinpistoja. Alkuperäiset pistokkeet ja niitä vastaavat pistorasiat pienentävät sähköiskun vaaraa.
- **Älä kosketa maadoitettuihin pintoihin, kuten putkiin, lämpöpattereihin, heloihin tai jääkaappeihin.** Jos ruumiisi on maadoitettu, sähköiskun vaara on suurempi.
- **Älä altista tuotetta sateelle tai kosteudelle.** Sähkötyökaluun joutunut vesi kasvattaa sähköiskun vaaraa.
- **Pidä huolta sähköjohdosta.** Älä koskaan kannata tai vedä sähkötyökalua johdosta tai irrota pistoketta johdosta vetämällä. Pidä johto etäällä kuumista paikoista, öljystä, terävistä kulmista ja liikkuvista osista. Vioittunut tai takkuinen johto lisää sähköiskun vaaraa.

- **Kun käytät sähkötyökalua ulkotiloissa, käytä ulkokäyttöön sopivaa jatkojohtoa.** Ulkokäyttöön sopivan johdon käyttö pienentää sähköiskun vaaraa.
- **Jos sähkötyökalua on pakko käyttää kosteissa tiloissa, käytä jäännösvirtalaitteella (RCD) suojattua pistorasiaa.** RCD:n käyttö pienentää sähköiskun vaaraa.

## KÄYTTÄJÄN TURVALLISUUS

- **Ole valpas, katso mitä teet ja käytä maalaisjärkeä, kun käytät sähkötyökalua. Älä käytä sähkötyökalua väsyneenä tai huumeiden, alkoholin tai lääkkeiden vaikutuksen alaisena.** Tarkkaamattomuus sähkötyökalua käytettäessä saattaa johtaa vakavaan loukkaantumiseen.
- **Käytä henkilökohtaisia suojavarusteita. Käytä aina suojalaseja.** Suojalaitteet, kuten pölynaamari, luistamattomat suojakengät, kypärä ja kuulosuojaimet vähentävät loukkaantumisen vaaraa.
- **Älä anna koneen käynnistyä vahingossa. Varmista, että katkaisin on poissa päältä, ennen kuin kytket koneen virtalähteeseen ja/tai akkuun ja ennen kuin nostat tai kannat konetta.** Sähkötyökalun kantaminen sormi katkaisimella ja virran kytkeminen koneeseen, joka on päällä, saattaa johtaa onnettomuuksiin.
- **Irrota säätöavaimet ja jakoavaimet ennen sähkötyökalun käynnistystä.** Sähkötyökalun pyöriivään osaan jätetty jako- tai säätöavain saattaa johtaa loukkaantumiseen.
- **Älä kurkota liian pitkälle. Pysytele tukevasti jaloillasi äläkä kurkota käsivartta liian kauas.** Tällöin sähkötyökalua on helpompi hallita odottamattomissa tilanteissa.
- **Älä pukeudu väliin vaatteisiin, kravattiin tai koruihin, jotka voivat juuttua liikkuviin osiin. Älä käytä väliä vaatteita tai koruja. Estä hiusten tai vaatteiden takertuminen liikkuviin osiin.** Löysät vaatteet, korut ja pitkät hiukset saattavat tarttua liikkuviin osiin.
- **Jos laitetta varten on pölynpoisto- ja keräyslaite, kytke se asianmukaisesti ja käytä sitä oikein.** Pölyn kerääminen voi vähentää pölyyn liittyviä vaaroja.
- **Älä ole huolimaton ja laiminlyö turvaohjeita vain siksi, että olet kokenut muiden laitteiden käytössä.** Huolimaton toiminto voi aiheuttaa välittömän loukkaantumisen.

## SÄHKÖTYÖKALUN KÄYTTÖ JA HUOLTO

- **Älä pakota tuotetta. Käytä työhön sopivaa sähkötyökalua.** Asianmukainen sähkötyökalu hoitaa työt paremmin ja turvallisemmin sillä vauhdilla, jota varten se on suunniteltu.
- **Älä käytä sähkötyökalua, jos se ei käynnisty ja sammu katkaisimesta.** Jos sähkötyökalua ei voida hallita katkaisimella, se on vaarallinen ja vaatii korjaamista.
- **Irrota kosketin virtalähteestä ja/tai akkupaketti konetyökalusta aina ennen säätämistä, lisävarusteiden vaihtamista tai työkalun varastointia.** Tällaiset varoimet pienentävät sitä vaaraa, että kone käynnistyy vahingossa.
- **Varastoi sähkötyökalu pois lasten ulottuvilta äläkä anna kenenkään, joka ei tunne työkonetta tai näitä ohjeita, käyttää sitä.** Sähkötyökalut ovat vaarallisia kouluttamattomien käyttäjien käsissä.



- **Pidä konetyökälusi lisävarusteineen hyvässä kunnossa.** Tarkista, että liikkuvat osat on kohdistettu oikein ja että ne liikkuvat kunnolla, että osia ei ole rikkoutunut ja että mikään muu seikka ei häiritse sähkötyökälun toimintaa. Jos sähkötyökälu vioittuu, korjaa se ennen käyttöä. Onnettomuudet johtuvat usein sähkötyökälujen huonosta huollosta.
- **Pidä leikkuutyökälu terävinä ja puhtaina.** Asianmukaisesti huolletut leikkuutyökälu, joiden leikkuupinnat ovat teräviä, eivät jumiudu helposti ja niitä on helppo hallita.
- **Käytä työkonetta, lisävarusteita, teriä jne. näiden ohjeiden mukaisesti, ja huomioi työolosuhteet ja tehtävän työn laatu.** Työkoneen käyttö muuhun kuin sille tarkoitettuun työhön voi aiheuttaa vaarallisia tilanteita.
- **Pidä kädensijat ja tartuntapinnat kuivina ja puhtaina liasta, öljystä ja rasvasta.** Liukkaat kahvat ja tartuntapinnat tekevät käytöstä vaarallista, eikä laitetta voi hallita odottamattomissa tilanteissa.

### AKKUKÄYTTÖISEN TYÖKÄLUN KÄYTTÖ JA HOITO

- **Käytä lataukseen ainoastaan valmistajan suosittelemaa laturia.** Yhden tyyppiselle akulle sopivan laturin käyttö toisenlaisen akun kanssa voi olla vaarallista.
- **Käytä sähkötyökälu ainoastaan sitä varten suunniteltujen akkujen kanssa.** Muiden akkujen käyttö voi johtaa loukkaantumiseen ja tulipaloon.
- **Kun akkua ei käytetä, pidä se erillään metalliesineistä, kuten paperiliittimistä, kolikoista, avaimista, nauoista, ruuveista ja muista pienistä metalliesineistä, jotka voivat yhdistää akun navat.** Akun napojen oikosulkeminen voi aiheuttaa palovammoja ja tulipalon.
- **Jos akkua käsitellään väärin, siitä voi vuotaa nestettä; älä kosketa sitä. Jos kosketat sitä vahingossa, huuhtele se vedellä. Jos nestettä pääsee silmiin, hakeudu välittömästi lääkärin hoitoon.** Akusta vuotanut neste voi ärsyttää ihoa ja aiheuttaa palovammoja.
- **Vaurioitunutta tai muunneltua akkua tai työkalua ei saa käyttää.** Vaurioituneet tai muunnellut akut voivat käyttäytyä odottamattomasti, ja ne voivat johtaa tulipaloon, räjähdykseen, vaaraan tai tapaturmaan.
- **Älä altista akkua tai työkalua tullelle tai liian korkealle lämpötilalle.** Tullelle tai yli 130 °C:n lämpötilalle altistuminen voi johtaa räjähdykseen.
- **Noudata kaikkia latausohjeita äläkä lataa akkua tai työkalua muissa kuin ohjeissa määritellyissä lämpötilaolosuhteissa.** Virheellinen lataus tai määritellyistä poikkeavat lämpötilat saattavat johtaa akun vaurioitumiseen ja lisätä tulipalon vaaraa.

### HUOLTO

- **Huollata työkonetta pätevällä huoltomiehellä, joka käyttää ainoastaan asianmukaisia varaosia.** Tämä varmistaa, että sähkötyökälu on turvallinen.
- **Vaurioituneita akkuja ei koskaan saa huoltaa.** Akkuja saa huoltaa vain valmistaja tai valtuutettu huoltoliike.

### LANGATTOMAN LUMILINGON TURVALLISUUSÄÄNNÖT

#### KOULUTUS

- Kaikki laitteessa ja tässä käyttöoppaassa olevat ohjeet on luettava ja ymmärrettävä ennen laitteen käyttöä ja niitä on noudatettava. Tutustu huolellisesti ohjaimiin ja

laitteen oikeanlaiseen käyttöön. Lue, kuinka kuinka laite pysäytetään ja ohjaimet sammutetaan nopeasti.

- Älä koskaan salli lasten tai ihmisten, joiden fyysiset tai henkiset kyvyt tai aistit ovat heikentyneet, tai näitä ohjeita tuntemattomien käyttää, puhdistaa tai huoltaa tuotetta. Paikalliset säähdökset saattavat asettaa rajastuksia käyttäjän iälle. Lapsia on pidettävä asianmukaisesti silmällä, jotta he eivät pääse leikkimään tuotteella.
- Pidä sivulliset, lapset ja lemmikit 15 metrin etäisyydellä työalueesta. Sammuta laite, jos joku saapuu alueelle.
- Erityistä huolellisuutta tulee noudattaa liukastumisen tai putoamisen välttämiseksi, varsinkin laitetta taaksepäin käytettäessä.
- Säädä keräimen kotelon korkeus sellaiseksi, että se ei kerää pinnasta soraa tai sepeleä.
- Älä koskaan yritä tehdä mitään säätöjä laitteen ollessa käynnissä.
- Laite on riittävän voimakas leikkaamaan raajoihin ja sinkoamaan esineitä. Turvallisuusohjeiden laiminlyönti voi johtaa vakaviin henkilövammoihin.
- Muista, että ruohonleikkurin käyttäjä on vastuussa vahingoista ja vaaroista, jotka hän aiheuttaa muille ihmisille ja heidän omaisuuksilleen

#### VALMISTELUT

- Tarkista huolella alue, jolla laitetta käytetään, ja poista kaikki ovimatot, kelkat, laudat, johdot ja muut vierasesineet.
- Irrota kaikki kytkimet ja vaihda vapaa-asentoon ennen moottorin käynnistämistä.
- Kun käytät konetta, käytä aina asianmukaisia talvivaatteita ja liukusuojattuja jalkineita. Älä käytä löysiä vaatteita tai vaatteita, joista riippuu nuria tai siteitä; ne voivat tarttua liikkuviin osiin.
- Sido pitkät hiukset hartioiden yläpuolelle, jotta ne eivät pääse tarttumaan liikkuviin osiin.
- Kun käytät, säädät tai korjaat laitetta, pidä aina suojalaseja tai silmäsuojuksia, jotka suojaavat silmiä laitteesta mahdollisesti sinkoavilta vierasesineiltä.
- Varmista aina ennen käyttöä, että kaikki hallinta- ja turvallisuuslaitteet toimivat asianmukaisesti. Älä käytä laitetta, jos laite ei sammu POIS PÄÄLTÄ -kytkimestä (off).
- Tarkista aina ennen käyttöä, että kotelo on ehjä ja että suojukset ja kahvat ovat paikallaan ja kunnolla kiinni.

#### KÄYTTÖ

- Älä käytä tuotetta paikassa, jossa on salamaniskun vaara.
- Älä laita käsiä tai jalkoja lähelle pyöriviä osia tai niiden alle. Pidä ruohonkeruuaikko aina vapaana. Älä laita aukkoihin mitään vieraita esineitä.
- Ole erityisen varovainen työskennellessäsi piha- tai kävelytiellä tai niitä ylittäessäsi. Noudata valppautta yhtäkkisten vaaratilanteiden varalta tai kun käytät laitetta yleisten teiden lähellä.
- Liikkuvien osien kanssa kosketuksiin joutumiseen liittyvän tapaturmavaaran välttämiseksi laite on aina sammutettava ja akkupakkaus poistettava. Varmista, että kaikki liikkuvat osat ovat pysähtyneet täysin:
  - törmättyäsi vieraskappaleeseen tarkistamaan tuote vaurioiden varalta



- ennen tukoksen poistamista.
  - ennen laitteen luota poistumista
  - ennen tuotteen tarkastusta, ylläpitoa ja huoltoa
  - jos tuote alkaa täristä epänormaalisti (tarkista välittömästi) Tärinä on yleensä varoitus ongelmasta.
- Käytä tuotetta rinteessä poikittain, ei ylös ja alas. Ole erityisen varovainen vaihtaessasi suuntaa rinteessä. Älä yritä poistaa lunta jyrkistä rinteistä.
  - Älä käytä tuotetta ilman asianmukaisia suojuksia, levyjä ja muita suojalaitteita.
  - Älä koskaan suuntaa heittotorvea ihmistä kohti tai suuntaan, jossa voi olla vahingoittuvia kohteita. Pidä kaikki sivulliset kaukana toiminta-alueelta –erityisesti lapset ja lemmikit.
  - Älä ylikuormita koneen kapasiteettia yrittämällä poistaa lunta liian nopeasti.
  - Laitetta ei saa käyttää suurilla nopeuksilla luukkailla pinnoilla. Kun käytät laitetta taaksepäin, katso taaksesi ja noudata varovaisuutta.
  - Kytke irti keräimen/roottorin tehonlähde, kun laitetta siirretään tai se ei ole käytössä.
  - Käytä ainoastaan alkuperäisiä valmistajan tuottamia varaosia, lisälaitteita ja lisävarusteita.
  - Käytä laitetta vain paikoissa, joissa on hyvä näkyvyys ja valoa riittävästi. Varo jalkojasi ja pidä kahvoista lujalla otteella. Kävele, älä koskaan juokse.
  - Älä koskaan jätä tuotetta millekään pinnalle, paitsi kovalle ja puhtaalle pinnalle, moottorin ollessa käynnissä. Ilmanotto voi imeä soraa, hiekkaa ja muita roskia ja singota ne käyttäjää tai sivullisia kohden, aiheuttaen mahdollisesti vakavia vammoja.
  - Älä koskaan käytä tuotetta lähellä lasirakennelmia, autoja, ikkunoita tai ovia säättämättä ensin lumen poistokulman asianmukaiseksi.
  - Jos laite putoaa, iskeytyy voimakkaasti tai alkaa täristä epänormaalisti, sammuta laite välittömästi ja tarkista se vaurioiden varalta tai selvitä tärinän syy. Valtuutetun huoltopisteen on korjattava tai vaihdettava vioittuneet osat asianmukaisesti.
  - Laitetta voi käyttää ja säilyttää lämpötilassa  $-20 \dots 20 \text{ }^\circ\text{C}$ , kunhan akun lämpötila on yli  $0 \text{ }^\circ\text{C}$ . Älä säilytä akkua alle  $0 \text{ }^\circ\text{C}$ :n lämpötilassa. Pakkasen puolella olevat lämpötilat voivat heikentää akun suorituskykyä ja kapasiteettia. Jos akkua säilytetään hieman yli  $0 \text{ }^\circ\text{C}$ :n lämpötilassa, käytä tuotetta vähintään 2 minuuttia ennen varsinaisen käytön aloittamista, jotta akku lämpenee. Kun työ on tehty tai akku on tyhjentynyt, irrota akku tuotteesta ja säilytä sitä paikassa, jossa lämpötila on alueella  $0 \dots 20 \text{ }^\circ\text{C}$ .
  - Säilytä sumutinta paikassa, jossa ympäristön lämpötila on välillä  $0 \text{ }^\circ\text{C} - 40 \text{ }^\circ\text{C}$ .
  - Jotkin tuotteen osat voivat jäätää äärimmäisissä sääolosuhteissa. Älä käytä tuotetta, jos sen osat ovat jäätyneet.
  - Anna tuotteen käydä useita minutteja käytön jälkeen ennen varastointia, jotta lumi irtoaa kairasta.

### MUITA AKUN TURVALLISUUSVAROITUKSIA

- Jotta oikosulusta aiheutuva tulipalon, loukkaantumisen ja tuotevaurion riski olisi pienempi, älä koskaan upota

akkupakkausta tai laturia nesteeseen tai päästä nestettä niiden sisälle. Syövyttävät tai sähköä johtavat nesteet, kuten suolavesi, tietyt kemikaalit ja lalkaisuaineet tai valkaisuaineita sisältävät tuotteet voivat aiheuttaa lyhytsulun.

- Lataa akku paikassa, jossa ympäristön lämpötila on välillä  $10 \text{ }^\circ\text{C} - 38 \text{ }^\circ\text{C}$ .
- Säilytä akkupakkausta paikassa, jossa ympäristön lämpötila on välillä  $0 \text{ }^\circ\text{C} - 20 \text{ }^\circ\text{C}$ .
- Älä säilytä akkua alle  $0 \text{ }^\circ\text{C}$ :n lämpötilassa. Pakkasen puolella olevat lämpötilat voivat heikentää akun suorituskykyä ja kapasiteettia.

### KÄYTTÖVINKKEJÄ

- Tuote ei toimi, jos yläkahva ei ole asianmukaisesti paikallaan ja kahvan lukitus ei ole tiukasti kiinni. Laitteen 2 turvalukitusta estävät tahattoman käynnistymisen, jos laitetta ei ole koottu oikein.
- Ennen kuin käytät laitetta, selvitä tuulen suunta. Älä poista lunta vastatuuleen, jotta se ei lennä takaisin kohti käyttäjää.

### TUKOKSEN POISTAMINEN

Älä koskaan laita käsiä tai jalkoja tuotteen tai poistokuilun eteen, jotta vältyt vakavilta vammoilta. Älä käytä käsiä poistokuilun puhdistamiseen.

1. Katkaise virta ja irrota akku. Varmista, että kaikki liikkuvat osat ovat pysähtyneet täysin.
2. Poista tukos puuvarrella. Varo—siipipyörä saattaa liikkua itsekseen tukosta irrotettaessa mekanismin varastoituneen energian takia.
3. Pyöritä siipipyöräkokooppaono puukepillä.
4. Kun siipipyörää voidaan kääntää puukepillä, palaa tuotteen taakse. On normaalia, että siipipyörän liike on porrasmaista. Varmista, että on turvallista jatkaa lumen poistoa.

### KULJETUS JA VARASTOITAESSA

- Sammuta laite, poista akkupakkaus ja anna laitteen jäähtyä ennen sen varastointia tai kuljetusta.
- Jos laite on tarkoitus varastoida pidemmäksi aikaa, katso käyttäjän käsikirjasta varastointia koskevat tärkeät tiedot.
- Puhdista laitteesta kaikki vieraat materiaalit. Varastoi tuote hyvin tuuletettuun paikkaan, jossa lapset eivät pääse siihen käsiksi. Pidä tuote erillään syövyttävistä aineista, kuten puutarhakemikaaleista ja jäänestosuolasta. Älä säilytä laitetta ulkona.
- Kiinnitä tuote kuljetettaessa siten, että se ei pääse liikkumaan tai kaatumaan, jotta välttyä loukkaantumisilta ja vaurioilta.

### LITIUMAKKIJEN KULJETTAMINEN

Kuljeta akkuja paikallisten ja kansallisten ehtojen ja säädösten mukaisesti.

Noudata kaikkia pakkaamista ja nimeämistä koskevia erikoissäädöksiä, kun kolmas osapuoli kuljettaa akkuja. Varmista, että mikään akku ei kosketa muita akkuja tai johtavaa materiaalia kuljetuksen aikana suojaamalla paljaat navat eristävillä, johtamattomilla korkeilla tai teipillä. Älä kuljeta akkuja, jotka ovat halkeilleet tai vuotavat. Kysy välityritykseltä lisäneuvoja.

## HUOLTO

- Käytä ainoastaan alkuperäisiä valmistajan tuottamia varaosia, lisälaitteita ja lisävarusteita. Tämän noudattamatta jättäminen voi johtaa loukkaantumiseen ja huonoon tulokseen ja voi mitätöidä takuun.
- Huolto kaipaa suurta huolellisuutta ja hyvää työkalun tuntemusta: Se on annettava pätevän teknikon tehtäväksi. Teetä huollot ainoastaan valtuutetussa huoltoliikkeessä.
- Katkaise virta ja irrota akku. Varmista, että laitteen kaikki liikkuvat osat ovat pysähtyneet täysin, ennen kuin alat puhdistaa tai huoltaa sitä.
- Varmista aina, että ruuvit ja mutterit ovat tiukasti kiinni, jotta tuote olisi aina turvallinen ja käyttövalmis. Valtuutetun huoltopisteen on korjattava tai vaihdettava vioittuneet osat asianmukaisesti.
- Vie tuote valtuutettuun huoltoon vaurioituneiden ja lukukelvottomien kyttien vaihtamiseksi.
- Anna laitteen käydä jonkin aikaa linnoamisen jälkeen, jotta roottorin jäätyminen estyy.
- Voit tehdä tässä käyttöoppaassa kuvattuja säätöjä ja korjauksia. Huollata ja korjauta laite ainoastaan valtuutetussa huoltoliikkeessä.
- Puhdista muoviosat aina käytön jälkeen puhtaalla, kuivalla liinalla.

## TUNNE TUOTTEESI

Katso sivu 115.

1. Yläkahva
2. Virtavipu
3. Käyttöohjeet
4. Käynnistyspainike
5. Kierukan nopeusvipu
6. Kuilun kääntövipu
7. Kuilun suuntain
8. Ohjauspainike
9. Ajovalo
10. Kahvansäätövipu
11. Siipipyörä
12. Akun kansi
13. Akku
14. Laturi
15. Ruuvit
16. Ruuvinväännin

## SYMBOLIT



Kaikki ohjeet on luettava ja ymmärrettävä ennen tuotteen käyttöä. Noudata varoituksia ja turvallisuusohjeita.



Varo sinkoutuneita ja muita lentäviä esineitä. Pidä kaikki sivulliset, erityisesti lapset ja lemmikit, vähintään 15 m päässä työskentelyalueelta.



Käytä silmäsuojaimia



Älä altista konetta sateelle tai kosteudelle.



Varo pyörivää juoksupyörää, jotta vältyt loukkaantumisilta. Pidä kädet, jalat ja vaatetus loitolla.



Pidä kaikki sivulliset, erityisesti lapset ja lemmikit, vähintään 15 m päässä työskentelyalueelta.



Älä käytä tuotetta rinteessä.



Pidä kädet ja jalat loitolla koneen etuosasta ja tuotteen poistokuilusta.



Irrota akku laitteesta.



Älä käytä käsiä poistokuilun puhdistamiseen.



Taattu äänenteho



Älä hävitä käytettyjä akkuja sekä sähkö- ja elektroniikkalaiteromua lajittelemattomana yhdyskuntajätteenä. Käytetyt akut sekä sähkö- ja elektroniikkalaiteromu on kerättävä erikseen. Käytetyt paristot ja akut ja hukkavalonlähteet on poistettava laitteista. Selvitä paikkakuntasi viranomaisilta tai jälleenmyyjiltäsi kierrätystä koskevat ohjeet ja akkujen keräyspisteen sijainti. Paikallisten määräysten mukaan jälleenmyyjillä voi olla velvollisuus ottaa käytetyt akut sekä sähkö- ja elektroniikkalaiteromu takaisin veloitusetta. Panoksesi käytettyjen akkujen sekä sähkö- ja elektroniikkalaiteromun uudelleenkäyttöön ja kierrätykseen auttaa vähentämään raaka-aineiden kysyntää. Käytetyt, erityisesti litiumia sisältävät akut sekä sähkö- ja elektroniikkalaiteromu sisältävät arvokkaita ja kierrätettäviä materiaaleja, jotka voivat vaikuttaa haitallisesti ympäristöön ja ihmisten terveyteen, jos niitä ei hävitetä ympäristöstävällisellä tavalla. Poista mahdolliset henkilötiedot jätelaitteista.





Sikkerhet, ytelse og pålitelighet har fått topp prioritet ved konstruksjonen av denne kabelfrie snøfreseren.

## TILTENKT BRUK

Den kabelfrie snøfreseren er kun beregnet til utendørs bruk, i et godt opplyst område av en stående operatør som går bak produktet. Produktet skal kun brukes av voksne som har lest og forstått instruksjonene og advarslene og som kan regnes for å være ansvarlige for sine egne handlinger. Av sikkerhetsårsaker må produktet til enhver tid være tilstrekkelig kontrollert av en tohånds-operasjon.

Dette produktet er konstruert for å fjerne snø i områder som oppkjørsler, fortau, gangveier, stier, veier og rundt hus. Produktet kan fjerne snø med en dybde på opptil 33 cm.

Produktet må aldri brukes med hjulene hevet fra bakken. Det skal ikke kjøres på produktet. Produktet skal kun brukes slik som beskrevet i denne håndboken.

Den skal ikke brukes til noe annet formål.

## GENERELLE SIKKERHETSADVARSLER FOR PRODUKTET

**⚠ ADVARSEL!** Les alle sikkerhetsadvarsler og -instruksjoner, illustrasjoner og spesifikasjoner som følger med dette produktet. Unnlattelse av å følge dette kan forårsake ulykker som brann, elektrisk støt og/eller alvorlige personskade.

Ta vare på disse advarslene og instruksene for å se i dem senere.

Betegnelsen "elektroverktøy" i advarslene refererer til strømledningsdrevet produkt eller batteridrevet (trådløst) produkt.

## ARBEIDSOMGIVELSER

- **Hold arbeidsområdet rent, ryddig og godt opplyst.** Uryddige og dårlig opplyste områder fører lett til ulykker.
- **Ikke bruk elektrisk verktøy i eksplosive atmosfærer, som der det finnes brennbare væsker, gasser eller støv.** Elektrisk verktøy skaper gnister som kan antenne støv eller gasser.
- **Hold barn og andre på avstand når et elektrisk verktøy brukes.** Distraksjon kan føre til tap av kontroll.

## ELEKTRISK SIKKERHET

- **Støpslet på det elektriske verktøyet må stemme med stikkkontakten.** Foreta aldri noen form for endringer av støpslet. **Ikke bruk noen form for adapterstøpsel til jordet elektrisk verktøy.** Umodifiserte støpsler og passende stikkontakter vil redusere risikoen for elektrisk sjøkk.
- **Unngå kroppskontakt med jordede overflater, som vannrør, radiatorer, kokeapparater og kjøleaggregater.** Det er økt risiko for elektrisk støt dersom kroppen din har kontakt med jord.
- **Ikke utsett produktet for regn eller høy fuktighet.** Vann som trenger inn i et elektrisk verktøy vil øke faren for elektrisk støt.
- **Ikke misbruk den elektriske ledningen.** Bruk aldri ledningen til å bære det elektriske verktøyet eller trekke støpslet ut av stikkkontakten. Hold ledningen vekk fra varme, olje, skarpe kanter eller bevegelige deler. Skadet eller sammenfloknet ledning øker risikoen for elektrisk støt.
- **Når du bruker det elektriske verktøyet utendørs, bruk en skjøteledning som er tilpasset utendørs bruk.** Bruk av ledning som er tilpasset utendørs bruk reduserer risikoen for elektrisk støt.

- **Dersom bruk av elektrisk verktøy i fuktige omgivelser ikke er til å unngå, bruk en strømkrets med sikring som er tilpasset verktøyet.** Bruk av strømkrets med sikring reduserer risikoen for elektrisk støt.

## PERSONLIG SIKKERHET

- **Vær våken, se på hva du gjør og bruk fornuft når du arbeider med et elektrisk verktøy. Ikke bruk elektrisk verktøy når du er sliten eller under påvirkning av narkotiske stoffer, alkohol eller medisiner som kan påvirke din reaksjonsevne og/eller dømmekraft.** Et øyeblikks uoppmerksomhet når elektrisk verktøy brukes kan føre til alvorlige personskade.
- **Bruk personlig verneutstyr. Bruk alltid øyebeskyttelse.** Verneutstyr som støvmaske, sklisliske vernesko, hjelm eller hørselsvern brukt i passende sammenhenger vil redusere risikoen for personskade.
- **Unngå utilsiktet start. Sørg for at bryteren er i posisjon OFF før utstyret kobles til strømmettet og / eller batteripakken, plukkes opp eller bæres.** Å bære det elektriske verktøyet med fingeren på startknappen eller koble strøm til et elektrisk verktøy med bryteren i ON inviterer til ulykker.
- **Fjern justeringsnøkler og annet verktøy før du setter strøm på det elektriske verktøyet.** En fastnøkkel eller annet verktøy festet til en roterende del av et elektrisk verktøy når det startes kan føre til personskade.
- **Ikke len deg for langt. Sørg for godt fotfeste og god balanse til enhver tid.** Dette gir bedre kontroll over det elektriske verktøyet i en uventet situasjon.
- **Kle deg riktig. Ikke bruk løstsittende plagg og/eller løsthengende smykker. Hold hår og klær unna bevegelige deler.** Løse plagg, smykker og langt hår kan fanges opp av bevegelige deler.
- **Hvis det finnes tilkoblingsmuligheter for oppsagnings- og oppsamlingsutstyr for støv, sørg for at dette blir tilkoblet og brukt på riktig måte.** Bruk av støvoppsamler kan redusere støvrelatert faresituasjoner.
- **Ikke la hyppig bruk av verktøyet føre til at du blir lettfeilig og ignorerer sikkerhetsprinsipper.** En uforsiktig handling kan føre til alvorlige personskader på en brøkdel av et sekund.

## BRUK OG BEHANDLING AV ELEKTRISK VERKTØY

- **Ikke press maskinen. Bruk korrekt elektrisk verktøy for jobben som skal gjøres.** Riktig elektrisk verktøy vil gjøre jobben bedre og tryggere når det brukes slik det var tiltenkt.
- **Ikke bruk verktøyet hvis bryteren ikke slår verktøyet av og på.** Ethvert elektrisk verktøy som ikke kan kontrolleres med bryteren er farlig og må repareres før det kan brukes.
- **Før du gjør justeringer på elektroverktøy, bytter tilbehør eller setter verktøyet bort, må du trekke pluggen ut av strømkilden eller fjerne batteriet hvis dette lar seg gjøre.** Slike forebyggende sikkerhetstiltak reduserer risikoen for utilsiktet start av det elektriske verktøyet.
- **Oppbevar elektrisk verktøy som ikke brukes utenfor barns rekkevidde og la ikke personer som ikke er kjent med det elektriske verktøyet eller dets instruksjoner bruke det.** Elektrisk verktøy er farlig i hendene på uerfarne brukere.
- **Sørg for at elektroverktøy og tilbehør alltid er i god stand. Kontroller for feilinnretting og at bevegelige**



deler løper fritt, at det ikke finnes ødelagte deler og enhver annen tilstand som kan påvirke det elektriske verktøyet drift. Hvis skadet må det elektriske verktøyet repareres før bruk. Mange ulykker skyldes dårlig vedlikeholdt elektrisk verktøy.

- **Hold skjæreredskap skarpe og rene.** Korrekt vedlikeholdt skjæreverktøy med skarpe skjærekanten har mindre mulighet for å blokkere seg og er lettere å kontrollere.
- **Bruk det elektriske verktøyet, tilbehøret, verktøybits etc i henhold til disse instruksjonene, der du tar hensyn til arbeidsforholdene og det arbeidet som skal utføres.** Bruk av elektrisk verktøy på en måte det ikke var tiltenkt kan skape farlige situasjoner.
- **Hold håndtak og andre holdeoverflater tørre, rene og fri for olje og smør.** Unngå å håndtak og andre holdeoverflater er glatte for det reduserer sikker håndtering og styring av verktøyet i uforutsette situasjoner.

## BATTERIPRODUKTER - BRUK OG STELL

- **Lad bare med ladere som er spesifisert av produsenten.** En lader som passer til en type batteripakke kan skape risiko for brann dersom den brukes til en annen type batteripakke.
- **Bruk patteriprodukter kun med spesielt tiltenkte batteripakker.** Bruk av andre batteripakker kan føre til risiko for skade og brann.
- **Når batteripakken ikke er i bruk, hold den borte fra metallgjenstander som binders, mynter, nøkler, spiker, skruer og annet som kan forbinde de to terminalene med hverandre.** Kortslutning av batteriterminalene kan føre til brenning eller brann.
- **Ved feil bruk av batteriet kan det slippe ut væske.** Hvis du får kontakt med væsken fra batteriet, skyll med rikelige mengder vann. Hvis væsken får kontakt med øynene må det søkes medisinsk hjelp. Væske som kommer ut av batteriet kan føre til irritasjon eller brannskade.
- **Ikke bruk et batteri eller verktøy som er skadet eller endret.** Batterier som er skadd eller endret, kan oppføre seg uforutsigbart, noe som kan føre til brann, eksplosjon og personskade.
- **Ikke utsett batteriet eller verktøyet for ild eller høy temperatur.** Eksposering for brann eller temperatur over 130 °C kan føre til eksplosjon.
- **Alle ladeinstruksjoner må følges. Ikke lad batteriet eller verktøyet hvis omgivelsestemperaturen er utenfor området som er angitt i bruksanvisningen.** Feil lading eller lading ved temperaturer utenfor det angitte området kan ødelegge batteriet og øke risikoen for brann.

## VEDLIKEHOLD

- **Sørg for at reparasjoner og vedlikehold av ditt elektriske verktøy utføres av kvalifiserte teknikere som kun bruker originale erstatningsdeler.** Dette vil sørge for at sikkerheten med det elektriske verktøyet ivaretas.
- **Aldri utfør vedlikehold på skadde batteripakker.** Vedlikehold av batterier skal bare utføres av produsenten eller autoriserte serviceleverandører.

## SIKKERHETSADVARSLER FOR KABELFRI SNØFRESER

### OPPLÆRING

- Les, forstå og følg alle instruksjoner på produktet og i denne håndboken før du betjener produktet. Gjør deg

godt kjent med kontrollinnretningene og riktig bruk av produktet. Sett deg inn i hvordan du slår av produktet og hurtig deaktiverer kontrollinnretningene.

- Du må aldri la barn eller personer med nedsatte fysiske, sensoriske eller mentale evner, eller personer som ikke er fortrolige med denne bruksanvisningen bruke, rengjøre eller vedlikeholde dette produktet. Lokale forskrifter fastlegger brukerens minstealder. Barn må ha riktig tilsyn for å sikre at de ikke leker med produktet.
- Hold tilskuere, barn og kjæledyr 15 m unna arbeidsområde. Slå av produktet hvis noen kommer inn på området.
- Utøv forsiktighet for å unngå å gli eller falle, spesielt ved bruk av produktet i revers.
- Juster samlerhusets høyde for å unngå grus eller overflate med knuste steiner.
- Gjør aldri forsøk på å foreta justeringer mens produktet er i gang.
- Produktet er i stand til å amputere hender og føtter, samt å slynge gjenstander rundt i luften. Hvis ikke alle sikkerhetsanvisningene følges, kan det medføre alvorlig personskade.
- Husk at operatøren eller brukeren er ansvarlig for uhell og farer som andre personer og deres eiendom får påført.

## KLARGJØRING

- Foreta en grundig inspeksjon av området der maskinen skal brukes, og fjern alt som kan fanges opp og kastes ut av maskinen, som dørmatter, plankebiter, ledninger og andre fremmedlegemer.
- Frakoble alle clutcher og bytt til nøytral før start av motoren.
- Anvend alltid passende vinterklær og sklisikkert sikkerhetsfottøy når maskinen brukes. Unngå bruk av løstsittende klær eller klær som har hengende stropper eller snører - disse kan hekte seg fast i bevegelige deler.
- Sørg for at langt hår ikke når lenger ned enn skuldrene for å hindre at det kan fanges opp av roterende deler.
- Bruk alltid vernebriller eller øyeskjerm ved betjening eller under utføring av en justering eller reparasjon for å beskytte øynene mot fremmedlegemer som kan kastes ut fra produktet.
- Kontroller før hver bruk at alle styreenheter og sikkerhetsanordninger fungerer som de skal. Ikke bruk produktet hvis av-bryteren ikke slår av produktet.
- Før hver bruk kontroller alltid at huset er uskadet og at verneinnretninger og håndtak er på plass og er riktig festet.

## BETJENING

- Bruk ikke produktet når det er fare for lynnedslag.
- Ikke plasser hender eller føtter under roterende deler. Hold deg alltid unna utladingsåpningen. Ikke putt gjenstander i noen åpning på maskinen.
- Utøv ekstrem forsiktighet ved drift på eller kryssing av grusbelagte innkjørsler eller gangveier. Vær oppmerksom på skjulte farer eller ved drift i nærheten av offentlig vei.
- Slå alltid av produktet og ta ut batteriet for å redusere risikoen for personskade som skyldes kontakt med bevegelige deler. Påse at alle bevegelige deler har stoppet helt:
  - etter at man har kommet borti et fremmedlegeme, sjekk produktet for skader

- før du renser eller åpner tette enheter
  - før produktet etterlates uten oppsyn
  - før kontroll, vedlikehold og arbeider på produktet
  - hvis produktet starter å vibrere unormalt (sjekk omgående) Vibrasjon er vanligvis et varseltegn for at noe er galt.
- Arbeid langs en skråning, aldri opp og ned. Vær meget forsiktig når du skifter retning i en skråning. Ikke gjør forsøk på å rydde snø i bratte skråninger.
  - Bruk aldri produktet uten at medfølgende sikkerhetsutstyr er montert og i god stand.
  - Rett aldri utkastet mot personer eller områder der det kan oppstå materielle skader. Hold alle tilskuere vekke fra arbeidsområdet, spesielt barn og dyr.
  - Ikke overbelast maskinens kapasitet ved å forsøke å rydde snø med for stor hastighet.
  - Bruk aldri produktet ved høye transporthastigheter på glatte overflater. Se bak deg og vær forsiktig ved bruk av produktet i revers.
  - Frakoble strøm til samler/løpehjul når produktet transporteres eller ikke er i bruk.
  - Bruk kun produsentens originale reservedeler, tilleggsutstyr og påsatser.
  - Bruk aldri produktet uten god sikt eller belysning. Ha alltid godt fotfeste, og ha et fast grep i håndtakene. Gå, du må aldri løpe mens du arbeider med maskinen.
  - Plasser aldri produktet på annet enn hardt og rent underlag når motoren går. Grus, sand og annet løst materiale kan fanges opp av luftinntaket og kastes mot operatøren eller personer i nærheten med påfølgende mulighet for personskader.
  - Bruk aldri produktet i nærheten av avlukker av glass eller glassvinduer, biler eller inngangspartier uten passende justering av utkastvinkelen for snøen.
  - Slå av produktet umiddelbart og utfør en kontroll hvis det faller i bakken, utsettes for kraftige støt, eller begynner å vibrere på en unormal måte. Enhver skade må repareres helt eller delen skiftes av et autorisert serviceverksted.
  - Produktet kan betjenes og oppbevares innenfor temperaturområdet  $-20$ – $20$  °C, så lenge batteripakkens temperatur er over  $0$  °C. Batteripakken må ikke oppbevares kaldere enn ved  $0$  °C. Minustemperaturer kan påvirke ytelsen og kapasiteten til batteripakken. Hvis batteripakken oppbevares ved temperaturer rett over  $0$  °C, bør du kjøre produktet i to minutter for å varme det opp før du starter å jobbe normalt. Når jobben er ferdig eller batteripakken er tom, må du ta ut batteripakken og lagre denne ved omgivelsestemperaturer på  $0$ – $20$  °C.
  - Oppbevar produktet på et sted der omgivelsestemperaturen er mellom  $0$  °C og  $40$  °C.
  - Deler av produktet kan fryse under ekstreme værforhold. Du må ikke bruke produktet hvis det har frystet deler.
  - Før du oppbevarer produktet bør du la det gå i noen minutter etter drift for å fjerne snø fra skruen.

### EKSTRA SIKKERHETSINSTRUKSER FOR BATTERI

- For å redusere risikoen for brann, personskade og produktskade på grunn av en kortslutning skal produktet, batteripakken eller laderen aldri senkes ned i væske, og væske skal aldri flyte inn på innsiden av disse. Korroderende og ledende væsker som saltvann, visse kjemikalier og blekemidler eller produkt som inneholder blekemidler kan forårsake en kortslutning.

- Lad batteripakken på et sted der omgivelsestemperaturen er mellom  $10$  °C og  $38$  °C.
- Oppbevar batteripakken på et sted der omgivelsestemperaturen er mellom  $0$  °C og  $20$  °C.
- Batteripakken må ikke oppbevares kaldere enn ved  $0$  °C. Minustemperaturer kan påvirke ytelsen og kapasiteten til batteripakken.

### BRUKERTIPS

- Produktet vil ikke kunne brukes dersom det øvre håndtaket ikke er korrekt montert og låseklipset til håndtaket ikke er forsvarlig festet. Du finnes 2 sikkerhetslåser for å hjelpe til med å forhindre utilsiktet start når produktet ikke er riktig montert.
- Vær oppmerksom på vindretningen før drift av produktet. Tøm ut snøen i samme retning som vinden for å forhindre at snø kastes tilbake på operatøren.

### FJERNING AV EN BLOKKERING

Plasser aldri hender eller føtter foran maskinen eller snøutkastet for å unngå alvorlige personskader. Ikke bruk hender til å rengjøre utkastrennen.

1. Slå av og ta ut batteripakken. Påse at alle bevegelige deler har stoppet helt.
2. Fjern blokkeringen ved bruk av en trestang. Vær klar over at skovlejhulet kan komme i bevegelse under fjerning av blokkeringer som følge av opplagret energi i mekanismen.
3. Drei skovlejhulenheten ved hjelp av trestokken.
4. Så snart skovlejhulet kan bevegges ved hjelp av trestokken må operatøren flytte seg til baksiden av maskinen. Det er normalt for skovlejhulmekanismen å ha trinnvise bevegelser. Påse at det er trygt å fortsette fjerning av snø.

### TRANSPORT OG LAGRING

- Slå av produktet, ta ut batteripakken og la det kjøles av før lagring eller transport.
- Se alltid brukerhåndboken for viktige detaljer hvis produktet skal lagres over lengre tid.
- Fjern alle fremmedelementer fra produktet. Oppbevar maskinen i et godt ventilert rom der barn ikke har tilgang. Hold avstand til korroderende midler som havekjemikalier og avisings salt. Produktet skal ikke oppbevares utendørs.
- Ved transport må produktet sikres mot å komme i bevegelse eller falle for å unngå skade på personer eller produktet.

### TRANSPORTERE LITIUM-BATTERIER

Transporter batterier i henhold til lokale og nasjonale lover og forskrifter.

Følg alle spesialkrav med hensyn til emballering og merking når batterier transporteres av en tredjepart. Påse at ingen batterier kan komme i kontakt med andre batterier eller ledende materialer under transporten ved å beskytte åpne kontakter med isolasjon, ikkeledende lokk eller tape. Ikke transporter batterier som er sprukne eller som lekker. Kontakt spedtøren for å få ytterligere råd.

### VEDLIKEHOLD

- Bruk kun produsentens originale reservedeler, tilleggsutstyr og påsatser. Dersom dette ikke følges, kan det forårsake personskader, dårlig funksjon og kan annullere garantien din.

- Service krever meget stor forsiktighet og kunnskap og bør utføres kun av kvalifisert teknisk personale. Få utført service på produktet kun av et autorisert servicesenter.
- Slå av og ta ut batteripakken. Pass på at alle bevegelige deler har stoppet fullstendig før du rengjør eller vedlikeholder gressklipperen.
- Kontroller all mutter, bolter og skruer med jevne mellomrom at de er skrudd fast for å sikre at produktet er i driftssikker stand. Enhver del som er skadet må repareres eller skiftes ut på fagmessig måte ved et autorisert serviceverksted.
- Bring produktet til et autorisert servicesenter for utskifting av skadede eller uleselige etiketter.
- Kjør produktet noen ganger etter snøfresing for å forhindre at løpehjulet fryser fast.
- Du kan foreta justeringer og reparasjoner som er beskrevet i denne brukermanualen. For andre reparasjoner må du henvende deg til et autorisert servicesenter.
- Etter hver bruk skal plastdelene rengjøres med en myk, tørr klut.

## KJENN PRODUKTET DITT

Se side 115.

1. Øvre håndtak
2. På/av-spak
3. Brukermanual
4. Start-knapp
5. Skruerhastighetsspak
6. Rotasjonsspak for snøutkast
7. Snøutkast
8. Utkastknapp
9. Frontlykt
10. Justeringsspak for håndtak
11. Skovlehjul
12. Batterideksel
13. Batteri
14. Lader
15. Skruer
16. Skrutrekker

## SYMBOLER



Les og forstå alle instruksjoner før du betjener produktet. Følg alle advarsler og sikkerhetsanvisninger.



Pass opp for gjenstander som slynges ut eller flyr i luften. Hold alle tilskuere, spesielt barn og kjæledyr, på en avstand på minst 15 m fra driftsområdet.



Bruk øyeskyttelse



Ikke utsette for regn eller fuktige forhold.



Unngå skade fra det roterende løpehjulet. Hold hender, føtter og klær på avstand.



Hold alle tilskuere, spesielt barn og kjæledyr, på en avstand på minst 15 m fra driftsområdet.



Bruk ikke produktet på skråninger.



Hold hender og føtter på avstand fra forsiden av maskinen og utkastertrakten til produktet.



Fjern batteripakken.



Ikke bruk hender til å rengjøre utkastrennen.



Garantert lydeffektnivå



Ikke kast avfallsbatterier, elektrisk og elektronisk utstyrsavfall som usortert kommunalt avfall. Avfallsbatterier og elektrisk og elektronisk utstyrsavfall må samles inn separat. Avfallsbatterier, avfallsakkumulatører og lyskilder må fjernes fra utstyret. Spør lokale myndigheter eller utsalget for råd om resirkulering og steder for kildesortering. I henhold til lokale forskrifter kan forhandlere være forpliktet til å ta tilbake avfallsbatterier, elektrisk og elektronisk utstyrsavfall gratis. Ditt bidrag til gjenbruk av og gjenvinning av avfallsbatterier og elektrisk og elektronisk utstyrsavfall bidrar til å redusere etterspørselen etter råmaterialer. Avfallsbatterier, spesielt de som inneholder litium, og elektrisk og elektronisk utstyrsavfall inneholder verdifulle og resirkulerbare materialer som kan påvirke miljøet og menneskets helse negativt, hvis de ikke blir kastet på en miljøkompatibel måte. Slett personlig data fra utstyrsavfall, om noen.



В основе конструкции беспроводного снегоборщника лежат принципы безопасности, продуктивности и надежности.

### НАЗНАЧЕНИЕ

Беспроводной снегоборщик предназначен для использования только стоя, вне помещений в хорошо вентилируемом месте при условии, что оператор движется вслед за изделием. Изделие предназначено для использования только взрослыми, способными нести ответственность за свои действия, после прочтения и изучения инструкций и предостережений в настоящем руководстве. Из соображений безопасности во время работы изделия его всегда необходимо контролировать двумя руками.

Прибор разработан для очистки от снега таких территорий как проезжие дороги, пешеходные дорожки, тротуары, тропинки, мостовые, и вокруг жилых домов. Прибор может удалять снег глубиной до 33 см.

Во время эксплуатации изделия запрещается поднимать его над землей. Запрещается кататься на изделии. Использование изделия допускается только в целях, предусмотренных настоящим руководством.

Не используйте устройство для каких-либо иных целей.

### ОБЩИЕ ПРАВИЛА ТЕХНИКИ БЕЗОПАСНОСТИ ПРИ ИСПОЛЬЗОВАНИИ ИЗДЕЛИЯ

**⚠ ОСТОРОЖНО!** Ознакомьтесь со всеми инструкциями по технике безопасности, иллюстрациями и техническими характеристиками, входящими в комплект изделия. Несоблюдение всех инструкций, указанных ниже, может привести к поражению электрическим током, пожару и / или телесному повреждению.

Сохраните все предупреждения и инструкции по технике безопасности для последующего использования.

Термин "электроинструмент" в предупреждениях означает изделие, работающее от электрической сети (проводное) или аккумулятора (беспроводное).

### БЕЗОПАСНОСТЬ НА РАБОЧЕМ МЕСТЕ

- Рабочая зона должна быть свободна и хорошо освещена. Загромождение или плохое освещение рабочей зоны может привести к несчастным случаям.
- Не используйте электроинструмент во взрывоопасной среде, например в присутствии легковоспламеняющихся жидкостей, газов или пыли. В электроинструментах происходит искрообразование, что может привести к воспламенению пыли или газа.
- Не допускайте присутствия детей и посторонних лиц при работе с инструментом. Невнимательность может привести к утрате контроля.

### ЭЛЕКТРОБЕЗОПАСНОСТЬ

- Вилка кабеля питания инструмента должна соответствовать используемой розетке. Не подвергайте вилку кабеля каким-либо изменениям. Не используйте какие-либо переходники с электроинструментами с заземляющим проводом. Использование

оригинальных штепсельных вилок и соответствующих розеток предотвращает опасность поражения электрическим током.

- Не допускайте контакта частей тела с поверхностями заземленных предметов, таких как трубы, радиаторы отопления, кухонные плиты, холодильники. При соприкосновении частей тела человека с заземленными участками возрастает опасность поражения электрическим током.
- Не допускайте попадания влаги на изделие и не используйте его во влажной атмосфере. Попавшая внутрь инструмента вода повышает опасность поражения электрическим током.
- Обращайтесь с кабелем питания надлежащим образом. Не используйте кабель для переноски, перемещения или отключения инструмента от сети питания. Оберегайте кабель от источников тепла, масляных и острых предметов и движущихся деталей. Поврежденные или запутанные провода повышают опасность поражения электрическим током.
- При работе с электроинструментом вне помещений пользуйтесь удлинительным кабелем, предназначенным для наружного применения. Использование кабеля, предназначенного для наружного применения, снижает опасность поражения электрическим током.
- Если нет возможности избежать работы в условиях повышенной влажности, подключайте инструмент через устройство защитного отключения. При использовании устройства защитного отключения снижается опасность поражения электрическим током.

### ЛИЧНАЯ БЕЗОПАСНОСТЬ

- Соблюдайте осторожность, следите за своими действиями и пользуйтесь здравым смыслом при работе с электроинструментом. Не пользуйтесь инструментом в состоянии усталости или под воздействием наркотических средств, алкоголя или медицинских препаратов. Малейшая невнимательность при работе с инструментом может привести к тяжкому телесному повреждению.
- Используйте средства индивидуальной защиты. Всегда надевайте средства защиты зрения. Средства защиты, такие как пылезащитная маска, нескользящая защитная обувь, шлем-каска, средства защита органов слуха, используемые надлежащим образом, снижают опасность телесного повреждения.
- Не допускайте случайного запуска. Перед подключением к источнику питания или установкой аккумуляторной батареи, подъемом или перемещением инструмента убедитесь, что переключатель находится в положении «выключено». Во избежание несчастных случаев при перемещении инструмента не держите пальцы на переключателе инструмента и не подключайте его к источнику питания при включенном положении переключателя.
- Перед включением инструмента уберите все регулировочные и гаечные ключи. Гаечные или регулировочные ключи, оставленные на вращающихся частях инструмента, могут привести к телесному повреждению.







- **Не перенапрягать.** Старайтесь сохранять устойчивость и подыскивайте твердую опору. Это обеспечивает лучшую управляемость электроинструментом в непредвиденных ситуациях.
- **Одевайтесь соответствующим образом.** Не надевайте свободную одежду и украшения. Не допускайте попадания волос и одежды в подвижные детали. Свободная одежда, украшения и длинные волосы могут попасть в движущиеся части.
- **Если в инструменте предусмотрено использование устройства удаления и сбора пыли,** обеспечьте их надежное крепление и надлежащее использование. Использование пылесборника снижает опасность, связанную с пылеобразованием.
- **Не нарушайте правила техники безопасности,** даже несмотря на длительный опыт работы с инструментами. Неосторожное действие может стать причиной тяжелых травм в течение доли секунды.

#### ИСПОЛЬЗОВАНИЕ И ОБРАЩЕНИЕ С ИНСТРУМЕНТОМ

- **Не прикладывайте чрезмерных усилий при работе с данным инструментом.** В каждом случае используйте надлежащий электроинструмент. Правильно выбранный электроинструмент позволяет выполнить работу, для которой он предназначен, более качественно и более безопасно.
- **Не пользуйтесь инструментом, если выключатель не включается или не выключается.** Любой электроинструмент, не управляемый выключателем, представляет опасность и должен быть отремонтирован.
- **Перед регулировкой, заменой принадлежности и помещением электроинструмента на хранение отсоедините вилку от источника питания и/или извлеките аккумуляторный блок (если это возможно).** Такие меры предосторожности помогут предотвратить опасность случайного пуска инструмента.
- **Храните неиспользуемые электроинструменты в месте, недоступном для детей, а также не допускайте к использованию данного инструмента лиц, не знакомых с его работой или не ознакомленных с данными данными инструкциями.** Инструмент в руках неподготовленного лица представляет опасность.
- **Электроинструменты и принадлежности необходимо обслуживать.** Проверяйте инструмент на отсутствие перекосов или заклинивания движущихся частей, их неисправности или других причин, которые могут отразиться на работе инструмента. При повреждении инструмента перед его дальнейшим использованием его следует отремонтировать. Многие несчастные случаи вызваны ненадлежащим обращением с инструментом.
- **Содержите режущее устройство в чистоте и заточенном виде.** При надлежащем техническом обслуживании режущего инструмента снижается вероятность застревания режущих частей и облегчается управляемость.
- **Используйте инструмент, принадлежности, насадки и т.п. в соответствии с данными указаниями, и принимая во внимание условия работы и выполняемую работу.** Использование

данного электроинструмента не по назначению может создать опасную ситуацию.

- **Держите ручки и поверхности захватывания сухими, чистыми, не допускайте попадания на них смазочных веществ.** Скользкие ручки и поверхности захватывания не позволяют безопасно управлять и контролировать инструмент в непредвиденных ситуациях.

#### ЭКСПЛУАТАЦИЯ УСТРОЙСТВА С АККУМУЛЯТОРНЫМ ПИТАНИЕМ И УХОД ЗА НИМ

- **Зарядку выполняйте только с использованием зарядного устройства, указанного изготовителем.** Зарядное устройство, подходящее к одному типу аккумуляторных батарей, может создать опасность возгорания при использовании с аккумуляторными батареями другого типа.
- **Используйте электрические устройства только со специально предназначенными для них аккумуляторными батареями.** Использование аккумуляторных батарей другого типа может привести к телесным повреждениям или возгоранию.
- **Если аккумуляторная батарея не используется, храните ее отдельно от других металлических предметов, например канцелярских скрепок, монет, ключей, гвоздей, винтов и других мелких металлических предметов, которые могут привести к замыканию контактов батареи.** Замыкание контактов батареи может вызвать ожоги или привести к возгоранию.
- **При ненормальных условиях из батареи может вытечь жидкость, избегайте контакта с ней.** Если этого избежать не удалось, смойте жидкость водой. Если жидкость попала в глаза, после их промывания обратитесь за медицинской помощью. Жидкость, вытекшая из батареи, может вызвать раздражение или ожог.
- **Не используйте поврежденный или модифицированный аккумуляторный блок и инструмент.** Поврежденные или модифицированные аккумуляторы могут вести себя непредсказуемо, что может привести к пожару, взрыву или послужить причиной травмы.
- **Запрещается подвергать аккумуляторный блок или инструмент воздействию огня и высокой температуры.** Воздействие огня или температуры выше 130°C может привести к взрыву.
- **Заряжайте аккумуляторные блоки и инструмент в соответствии с инструкцией, не подвергая их при этом воздействию температур вне диапазона, указанного в инструкции, может привести к повреждению аккумулятора и повысить риск возгорания.**

#### ОБСЛУЖИВАНИЕ

- **Техническое обслуживание и ремонт инструмента должно выполняться только квалифицированным специалистом с использованием взаимозаменяемых запасных частей.** Это обеспечит нормальное техническое состояние устройства.
- **Обслуживание аккумуляторных блоков с признаками повреждения не допускается.** Обслуживание аккумуляторных блоков должно выполняться производителем или авторизованным сервисным центром.





## ПРАВИЛА ТЕХНИКИ БЕЗОПАСНОСТИ ПРИ РАБОТЕ С БЕСПРОВОДНЫМ СНЕГОУБОРЩИКОМ

### ОБУЧЕНИЕ

- Перед началом работы с изделием внимательно ознакомьтесь со всеми инструкциями, указанными на изделии и в настоящем руководстве. Детально изучите элементы управления и порядок эксплуатации изделия. Узнайте, как остановить изделие и быстро отключить элементы управления.
- Никогда не позволяйте детям или людям с ограниченными физическими, сенсорными или умственными способностями, а также людям, незнакомым с этими инструкциями, работать с этим устройством, выполнять его очистку и техническое обслуживание. Местные инструкции могут ограничить возраст оператора. Не допускайте того, чтобы дети играли с этим устройством.
- Не допускайте прохожих, детей и домашних животных ближе чем на 15 м от рабочей зоны. При входе другого лица в помещение выключите изделие.
- Соблюдайте осторожность, чтобы не подскользнуться и не упасть, особенно двигаясь спиной вперед.
- Отрегулируйте высоту корпуса снегоборника во избежание попадания в него гравия и щебня.
- Не пытайтесь выполнять регулировку работающего изделия.
- Изделие может отрезать руки и ноги, а также отбрасывать предметы. Несоблюдение правил техники безопасности может привести к серьезной травме.
- Иметь в виду, что оператор или пользователь ответственны за несчастные случаи или опасности, встречающиеся другим людям или их собственности.

### ПОДГОТОВКА

- Внимательно осмотрите территорию, на которой прибор будет использоваться, и удалите все половники, санки, настилы, провода и иные посторонние предметы.
- Перед запуском двигателя отключите все сцепные муфты и перейдите на нейтраль.
- При работе с прибором всегда надевайте соответствующую зимнюю одежду и нескользящую надежную обувь. Не носите слишком свободную одежду или такую одежду, в которой есть свисающие шнурки или завязки, они могут застрять в движущихся частях.
- Соберите длинные волосы выше плеч, чтобы предотвратить их попадание в движущиеся части.
- Во время работы, регулировки и ремонта всегда пользуйтесь защитными очками или экранами в целях защиты глаз от предметов, которые может отбрасывать изделие.
- Убедитесь перед каждым использованием, что все элементы управления и предохранительные устройства функционируют правильно. Запрещается пользоваться изделием, если выключатель не останавливает его.
- Перед каждым использованием осматривайте корпус на предмет повреждений, а также проверяйте правильность и надежность установки щитков и рукоятей.

### ЭКСПЛУАТАЦИЯ

- Не используйте прибор, если есть опасность поражения молнией.
- Не держите руки или ноги вблизи вращающихся деталей или под ними. Держите свободным разгрузку, открывающейся всегда. Не кладите посторонние предметы в отверстия.
- Соблюдайте крайнюю осторожность в процессе работы на гравийных поверхностях, а также при их пересечении. Сохраняйте бдительность на случай скрытых препятствий, а также при работе рядом с автомобильными дорогами.
- Чтобы снизить риск получения травмы при контакте с подвижными деталями, всегда выключайте изделие и извлекайте аккумуляторный блок. Убедитесь в полной остановке всех движущихся деталей:
  - после удара о посторонний предмет проверьте устройство на предмет повреждения
  - перед очисткой или устранением забивания
  - перед тем, как оставить инструмент без присмотра
  - перед проверкой, техобслуживанием и эксплуатацией устройства
  - если продукт начинает вибрировать (проверьте немедленно) Проверить состояние лезвия, поскольку неравно изношенное или поврежденное лезвие, может причинять неправильную вибрацию.
- Двигайтесь с изделием поперек поверхности склонов, но не вверх и не вниз. Осуществлять чрезвычайное предостережение при изменении направления на склонах. Не пытайтесь очищать снег на крутых склонах.
- Запрещается эксплуатация изделия без надлежащей защиты, пластин и других необходимых приспособлений.
- Запрещается направлять изделие на людей или имущество. Не подпускайте посторонних, особенно детей и домашних животных, в зону проведения работ.
- Не перегружайте прибор, стараясь очистить от снега при слишком высокой скорости.
- Использование изделия на скользких поверхностях с высокой скоростью не допускается. Двигаясь задним ходом, оглядывайтесь и соблюдайте осторожность.
- Во время транспортировки или простоя изделия отключайте питание снегоборника/винта.
- Используйте только оригинальные запчасти, аксессуары и насадки от производителя.
- Запрещается использовать изделие в условиях ограниченной видимости или освещенности. Следите за балансом и крепко держитесь за рукоятки. Передвигайтесь шагом, не бегайте.
- Никогда не кладите прибор на какую-либо поверхность, кроме твердой чистой поверхности, при работающем моторе. Гравий, песок и другие наносы могут собираться в отверстиях для впуска воздуха и отбрасываться на работника или прохожих, что может привести к тяжелым травмам.
- Не работайте с прибором рядом со стеклянными ограждениями, автомобилями, окнами или входными дверями без надлежащей регулировки угла сброса снега.
- В случае падения изделия, сильного удара или появления аномальных вибраций, немедленно



выключите и осмотрите изделие, чтобы определить причину вибрации. Любые поврежденные детали должны быть надлежащим образом отремонтированы или заменены в авторизованном сервисном центре.

- Изделие допускается использовать и хранить при температуре от -20 до 20 °С, при условии что температура аккумулятора не опускается ниже 0 °С. Запрещается хранить аккумуляторный блок при температуре ниже 0 °С. При температурах ниже нуля возникает риск снижения производительности и сокращения емкости аккумулятора. Если аккумуляторный блок хранился при температуре чуть выше 0 °С, перед началом нормальной работы запустите изделие вхолостую не менее чем на 2 минуты, чтобы прогреть аккумуляторный блок. После завершения работы или разрядки аккумулятора блока извлеките аккумуляторный блок из изделия и поместите его на хранение в место, где температура окружающей среды будет в диапазоне от 0 до 20 °С.
- Храните изделие при температуре воздуха от 0 °С и 40 °С.
- Некоторые части изделия могут замерзнуть в экстремальных погодных условиях. Запрещается использовать изделие, если какие-либо компоненты замерзли.
- Перед помещением на хранение дайте изделию поработать несколько минут вхолостую, чтобы удалить снег со шнека.

### ТРЕБОВАНИЯ БЕЗОПАСНОСТИ ПРИ ИСПОЛЬЗОВАНИИ ДОПОЛНИТЕЛЬНОЙ АККУМУЛЯТОРНОЙ БАТАРЕИ

- Чтобы уменьшить риск пожара, травмы и повреждения изделия вследствие короткого замыкания не погружайте изделие, аккумуляторный блок или зарядное устройство в жидкость и не допускайте попадания жидкости внутрь. Коррозионные и проводящие жидкости, такие как соленый раствор, определенные химикаты, отбеливающие средства или содержащие их продукты, могут привести к короткому замыканию.
- Заряжайте аккумуляторный блок при температуре воздуха от 10 °С до 38 °С.
- Храните аккумуляторный блок при температуре воздуха от 0 °С и 20 °С.
- Запрещается хранить аккумуляторный блок при температуре ниже 0 °С. При температурах ниже нуля возникает риск снижения производительности и сокращения емкости аккумулятора блока.

### СОВЕТЫ ПО ЭКСПЛУАТАЦИИ

- Прибор не будет работать, если верхняя ручка прикреплена неправильно и зажим, блокирующий ручку, зажат ненадежно. Для защиты от случайного запуска неправильно собранного изделия предусмотрены 2 предохранителя.
- Перед началом работы с изделием определите направление ветра. Отбрасывать снег следует по направлению ветра во избежание его попадания на оператора.

### ОЧИСТКА ЗАСОРЕНИЯ

Никогда не помещайте руки или ноги перед прибором или не сбрасывайте с лотка, чтобы избежать тяжелых

травм. Запрещается производить очистку лотка для выгрузки травы руками.

1. Отключите устройство и извлеките аккумуляторный блок. Убедитесь в полной остановке всех движущихся деталей.
2. Удалять засоры следует с помощью деревянной рейки. Будьте осторожны, лопастное устройство может перемещаться само по себе во время снятия блокировки в виду накопившейся энергии в механизме.
3. Поверните лопастное устройство с помощью деревянного штыря.
4. Как только лопастное устройство будет повернуто с помощью деревянного штыря, передвиньте его в заднюю часть прибора. Нормально, если лопастной механизм перемещается пошагово. Чтобы продолжить уборку снега, убедитесь, что он в безопасном положении.

### ТРАНСПОРТИРОВКА И ХРАНЕНИЕ

- Перед размещением на хранение или транспортировкой выключите изделие, извлеките аккумуляторный блок и дождитесь остывания изделия.
- После длительного хранения изделия всегда обращайтесь к руководству оператора для уточнения важных сведений.
- Очистите устройство от всех посторонних материалов. Храните устройство в хорошо проветриваемом месте, недоступном для детей. Оберегайте от веществ, вызывающих коррозию, например, садовых удобрений или соли для удаления льда. Запрещается хранить изделие на улице.
- Для транспортировки закрепите изделие так, чтобы оно не могло перемещаться или упасть во избежание травмирования персонала или повреждения изделия.

### ПЕРЕВОЗКА ЛИТIEВЫХ БАТАРЕЙ

Транспортировку батареи осуществляйте в соответствии местными и национальными нормами и положениями.

Следуйте всем особым требованиям к упаковке и маркировке при транспортировке батареи в сторонние организации. Проверьте, чтобы батарея не соприкасалась с другими батареями или токопроводящими материалами во время транспортировки, защитив открытые контакты с помощью изоляции, непроводящих колпачков или пленки. Не транспортируйте поврежденные или протекающие батареи. За консультацией обращайтесь в транспортно-экспедиционную компанию.

### ОБСЛУЖИВАНИЕ

- Используйте только оригинальные запчасти, аксессуары и насады от производителя. Невыполнение этого требования может привести к травме, к снижению производительности и к аннулированию гарантии.
- Обслуживание требует чрезвычайной заботы и знания и должно быть выполнено только квалифицированным техником обслуживания. Обратитесь в авторизованный сервисный центр.
- Отключите устройство и извлеките аккумуляторный блок. Перед очисткой или проведением технического



обслуживания инструмента проверьте, чтобы все движущиеся детали полностью остановились.

- Проверить все болты, задвижки, и винты, через короткие интервалы, на надлежащую плотность, чтобы убедиться, что изделие находится в безопасном, рабочем состоянии. В случае повреждения какой-либо детали необходимо обратиться в авторизованный сервисный центр для выполнения надлежащего ремонта или замены.
- Обратитесь в авторизованный сервисный центр для замены поврежденных или нечитаемых этикеток изделия.
- После отбрасывания снега запустите изделие несколько раз во избежание замерзания винта.
- Вы можете также выполнить другие виды регулировки и ремонтные работы, описанные в данном руководстве. Ремонтные работы должны осуществляться только в авторизованном сервисном центре.
- После каждого использования протирайте пластиковые детали сухой тканью.

### ИЗУЧИТЕ УСТРОЙСТВО

См. стр. 115.

1. Верхняя ручка
2. Дужка вкл./выкл.
3. Руководство пользователя
4. Кнопка пуска
5. Регулятор скорости вращения бура
6. Рычаг поворота лотка
7. Отражатель лотка
8. Кнопка лотка для выгрузки травы
9. Фара
10. Рычаг для регулировки положения рукоятки
11. Лопастной механизм
12. Крышка аккумуляторного отсека
13. Аккумулятор
14. Зарядное устройство
15. Винты
16. Отвертка

### УСЛОВНЫЕ ОБОЗНАЧЕНИЯ



Перед началом работы с изделием внимательно ознакомьтесь со всеми инструкциями. Соблюдайте технику безопасности.



Помните об опасности, которую представляют собой отбрасываемые устройством или вылетающие из-под него предметы. Не допускайте приближения посторонних лиц, особенно детей и домашних животных к рабочей зоне ближе чем на 15 м.



Используйте средства защиты органов зрения



Не подвергайте инструмент воздействию дождя и не используйте в условиях повышенной влажности.



Избегайте соприкосновения с вращающейся крыльчаткой. Держите руки, стопы и предметы одежды на безопасном расстоянии.



Не допускайте приближения посторонних лиц, особенно детей и домашних животных к рабочей зоне ближе чем на 15 м.



Запрещается использовать изделие на склоне.



Держите руки и ноги на расстоянии от передней части машины и лотка для выгрузки травы.



Снимите аккумуляторную батарею.



Запрещается производить очистку лотка для выгрузки травы руками.



Гарантируемый уровень звуковой мощности

Утилизация аккумуляторов, электрического и электронного оборудования в целях утилизации несоортированными бытовыми отходами не допускается. Сбор аккумуляторов, электрического и электронного оборудования должен осуществляться отдельно. Перед утилизацией необходимо извлечь из оборудования элементы питания, аккумуляторы и источники света. Обратитесь к местным органам власти или поставщику, чтобы получить консультацию по переработке или информацию о пунктах переработки. Ритейлеры могут быть обязаны бесплатно принимать аккумуляторы, электрическое и электронное оборудование на утилизацию в соответствии с местными регламентами. Ваш вклад в повторную переработку аккумуляторов, а также электрического и электронного оборудования позволит сократить потребность в сырье. Аккумуляторы, в частности, содержащие литий, а также электрическое и электронное оборудование содержит ценные и подлежащие повторной переработке материалы, которые в случае ненадлежащей утилизации способны вредить экологии и здоровью людей. Перед утилизацией удалите с оборудования все персональные данные.

- EN
- FR
- DE
- ES
- IT
- NL
- PT
- DA
- SV
- FI
- NO
- RU**
- PL
- CS
- HU
- RO
- LV
- LT
- ET
- HR
- SL
- SK
- BG
- UK
- TR

### Транспортировка:

Категорически не допускается падение и любые механические воздействия на упаковку при транспортировке.

При разгрузке/погрузке не допускается использование любого вида техники, работающей по принципу зажима упаковки.

### Хранение:

Необходимо хранить в сухом месте.

Необходимо хранить вдали от источников повышенных температур и воздействия солнечных лучей.

При хранении необходимо избегать резкого перепада температур.

Хранение без упаковки не допускается.

### Срок службы изделия:

Срок службы изделия составляет 5 лет.

Не рекомендуется к эксплуатации по истечении 5 лет хранения с даты изготовления без предварительной проверки.

**Дата изготовления** (код даты) отштампован на поверхности корпуса изделия.

Пример:

W17 Y2015, где Y2015 - год изготовления

W17 – неделя изготовления

Определить месяц изготовления можно согласно приведенной ниже таблице, на примере 2015 года.

**Обратите внимание!** Количество недель в месяце различается от года в год.

Месяц	Январь	Февраль	Март	Апрель	Май	Июнь	Июль	Август	Сентябрь	Октябрь	Ноябрь	Декабрь	Год
Неделя	01	05	09	14	18	22	27	31	36	40	44	49	2015
	02	06	10	15	19	23	28	32	37	41	45	50	
	03	07	11	16	20	24	29	33	38	42	46	51	
	04	08	12	17	21	25	30	34	39	43	47	52	
	05	09	13	18	22	26	31	35	40	44	48	53	
		14			27								



Bezpieczeństwo, efektywność i niezawodność były czynnikami o najwyższym priorytecie w trakcie projektowania Państwa odśnieżarki bezprzewodowej.

## PRZEZNACZENIE URZĄDZENIA

Odśnieżarka bezprzewodowa przeznaczona jest do stosowania wyłącznie przez osoby idące za produktem, poza pomieszczeniami i w miejscu dobrze wentylowanym. Produkt powinny obsługiwać osoby dorosłe, które przeczytały i zrozumiały instrukcje i ostrzeżenia zawarte w niniejszym podręczniku oraz które są odpowiedzialne za swoje czyny. Ze względów bezpieczeństwa produkt należy zawsze trzymać i obsługiwać oburącz.

Produkt jest przeznaczony do usuwania śniegu w miejscach takich jak podjazdy, chodniki, ścieżki, drogi oraz na obszarze wokół domu. Produkt może przenosić śnieg o głębokości do 33 cm.

Produkt nigdy nie może być używany, gdy koła nie mają kontaktu z ziemią. Na produkcie nie należy jeździć. Produkt powinien być stosowany jedynie zgodnie z niniejszą instrukcją.

Nie używać do żadnych innych celów.

## OGÓLNE OSTRZEŻENIA DOTYCZĄCE BEZPIECZEŃSTWA PRODUKTU

**⚠ OSTRZEŻENIE!** Należy zapoznać się ze wszystkimi dostarczonymi z tym produktem instrukcjami, ilustracjami i specyfikacjami. Nieprzestrzeganie przedstawionych niżej zaleceń mogłoby pociągnąć za sobą wypadki takie jak pożary, porażenia prądem elektrycznym i zranienie osób.

**Zachowajcie te ostrzeżenia i zalecenia, aby móc się do nich odnieść w późniejszym czasie.**

Określenie „elektronarzędzie” w ostrzeżeniach oznacza produkt zasilany z sieci (przewodowy) lub zasilany akumulatorem (bezprzewodowy).

## OTOCZENIE ROBOCZE

- **Miejsce pracy musi być utrzymywane w czystości i dobrze oświetlone.** Obszary zaśmiecone lub niewystarczająco oświetlone mogą być przyczyną wypadku.
- **Nie wolno uruchamiać urządzeń elektrycznych w miejscach, gdzie grozi to wybuchem, na przykład w pobliżu łatwopalnych cieczy, gazów lub pyłów.** Urządzenia elektryczne mogą wytwarzać iskry, które mogą być przyczyną zapłonu pyłów lub oparów.
- **Podczas używania narzędzi elektrycznych należy utrzymywać osoby postronne i dzieci z dala od miejsca pracy.** Odwrócenie uwagi operatora może spowodować utratę kontroli nad urządzeniem.

## ZASADY BEZPIECZEŃSTWA DOTYCZĄCE OBSŁUGI URZĄDZEŃ ELEKTRYCZNYCH

- **Wtyczki zasilania elektronarzędzi muszą pasować do gniazd sieciowych.** Nie wolno modyfikować wtyczek w żaden sposób. Nie wolno używać żadnych przejściówek do podłączania urządzeń posiadających przewód zasilania z uziemieniem. Stosowanie oryginalnych wtyczek i dopasowanych gniazd sieciowych zmniejsza ryzyko porażenia prądem.

- **Unikać kontaktu ciała z powierzchniami uziemionymi lub podłączonymi do bieguna zerowego, np. rury, instalacje grzewcze i chłodnicze.** Kontakt ciała z masą lub uziemieniem zwiększa ryzyko porażenia prądem.
- **Nie narażać tego produktu na działanie deszczu lub wody.** Przedostanie się wody do wnętrza elektronarzędzia zwiększa ryzyko porażenia prądem.
- **Nie uszkodzić przewodu zasilania.** Nie wolno używać przewodu zasilania do przenoszenia, ciągnięcia urządzenia lub jego odłączania z gniazda sieciowego. Przewody elektryczne trzymać z dala od źródeł ciepła, oleju, ostrych krawędzi lub ruchomych elementów. Uszkodzony lub zaplątany przewód elektryczny zwiększa ryzyko porażenia prądem.
- **W przypadku używania urządzenia na zewnątrz, ewentualne przedłużacze muszą być do tego przystosowane.** Zastosowanie przedłużacza przystosowanego do warunków zewnętrznych zmniejsza ryzyko porażenia prądem.
- **Jeśli nie można uniknąć użytkowania urządzenia elektrycznego w warunkach wilgotnych, należy je zasilac z obwodu zabezpieczonego wyłącznikiem różnicowo-prądowym (RCD).** Zastosowanie takiego wyłącznika pozwala zmniejszyć ryzyko porażenia prądem elektrycznym.

## BEZPIECZEŃSTWO OSOBISTE

- **Zachowywać skupienie, uważnie obserwować wykonywane czynności, stosować zasady zdrowego rozsądku podczas obsługi urządzenia.** Nie używać urządzeń elektrycznych w stanie zmęczenia lub będąc pod wpływem leków, alkoholu lub środków odurzających. Moment nieuwagi podczas obsługi elektronarzędzia może być przyczyną poważnego zranienia.
- **Stosować środki ochrony osobistej. Zawsze nosić okulary ochronne.** Stosowanie takich środków ochrony osobistej jak maska przeciwpyłowa, obuwie antypoślizgowe, twarde nakrycie głowy, nauszniki pozwoli zmniejszyć ryzyko zranienia.
- **Unikać możliwości przypadkowego uruchomienia urządzenia.** Przed podłączeniem do zasilania/założeniem akumulatora lub w celu jego podniesienia lub przeniesienia należy upewnić się, że wyłącznik zasilania znajduje się w położeniu wyłączonym. Przenoszenie elektronarzędzia z palcem na wyłączniku lub podłączenie zasilania do urządzenia, w którym wyłącznik znajduje się w położeniu włączonym grozi wypadkiem.
- **Usunąć wszelkie narzędzia i klucze przed włączeniem zasilania.** Uruchomienie elektronarzędzia z kluczem założonym na ruchomym elemencie grozi poważnym wypadkiem.
- **Nie sięgać zbyt daleko.** Należy cały czas pewnie opierać stopy i utrzymywać równowagę. Zapewni to lepsze panowanie nad urządzeniem w nieprzewidzianych sytuacjach.
- **Należy zakładać odpowiednią odzież ochronną.** Nie zakładać luźnego ubioru ani biżuterii. Włosy i luźne fragmenty odzieży należy trzymać z dala od ruchomych części. Mogą być one wciągnięte przez ruchome części urządzenia.



- Jeśli używane urządzenie posiada przyłącze do wyciągu i gromadzenia kurzu, należy go używać w odpowiedni sposób. Stosowanie metod usuwania pyłu zmniejsza zagrożenie związane z jego gromadzeniem.
- Nie należy dopuszczać do tego, aby wcześniejsza znajomość obsługi podobnych narzędzi doprowadziła do ignorowania zasad bezpiecznego posługiwania się narzędziami. Nieostrożna obsługa może spowodować poważne urazy ciała w ciągu ułamka sekundy.

## UŻYTKOWANIE I KONSERWACJA URZĄDZEŃ ELEKTRYCZNYCH

- Nie przeciążać urządzenia. Używać odpowiedniego narzędzia do odpowiedniego rodzaju prac. Najlepsze efekty pracy, przy zachowaniu pełnego bezpieczeństwa, zapewni używanie urządzeń w zakresie parametrów znamionowych i stosownie do ich przeznaczenia.
- Nie używać tego urządzenia, jeśli wyłącznik nie pracuje poprawnie. Używanie elektronarzędzia bez sprawnego wyłącznika jest zbyt niebezpieczne - należy oddać je do naprawy.
- Przed przystąpieniem do regulacji lub wymiany akcesoriów bądź przed rozpoczęciem przechowywania należy odłączyć wtyczkę od źródła zasilania i/lub (o ile jest to możliwe) odłączyć akumulator od narzędzia z napędem. Tego rodzaju środki zapobiegawcze pozwolą zmniejszyć ryzyko przypadkowego uruchomienia elektronarzędzia.
- Nieużywane urządzenia należy przechowywać poza zasięgiem dzieci. Nie wolno zezwalać osobom nie obeznanym z obsługą urządzeń elektrycznych na ich używanie. Urządzenia elektryczne mogą być niebezpieczne w rękach osób nieposiadających odpowiedniego przygotowania.
- Narzędzia z napędem i akcesoria należy utrzymywać w dobrym stanie technicznym. Należy sprawdzać wyrównanie elementów ruchomych, sprawdzać, czy nie ma jakichkolwiek uszkodzeń, uwzględniać wszelkie aspekty mające wpływ na bezpieczną pracę urządzenia. W przypadku stwierdzenia uszkodzeń, oddać urządzenie do naprawy. Wiele wypadków spowodowane jest używaniem urządzeń w niewłaściwym stanie technicznym.
- Elementy tnące muszą być ostre i czyste. Odpowiednio ostre krawędzie tnące ułatwią prowadzenie urządzenia i są bardziej odporne na uszkodzenie.
- Wszelkie urządzenia, przystawki, akcesoria itp. należy używać zgodnie z dołączonymi instrukcjami obsługi, z uwzględnieniem warunków i charakteru wykonywanej pracy. Używanie narzędzi w sposób niezgodny z ich przeznaczeniem grozi poważnym niebezpieczeństwem.
- Uchwyty i powierzchnie do trzymania muszą zawsze być suche, czyste i wolne od smaru oraz oleju. Śliskie uchwyty i powierzchnie do trzymania nie umożliwiają bezpiecznej obsługi i kontrolowania narzędzia w nieoczekiwanych sytuacjach.

## UŻYTKOWANIE I OBSŁUGA AKUMULATORA

- Ładować wyłącznie za pomocą ładowarki dostarczonej przez producenta. Ładowarka przeznaczona do jednego modelu akumulatora może

być przyczyną pożaru w przypadku zastosowania do ładowania akumulatora innego typu.

- Używać narzędzi ręcznych z napędem elektrycznym wyłącznie z akumulatorami przeznaczonymi do tych urządzeń. Używanie innych akumulatorów wiąże się ze zwiększonym ryzykiem pożaru lub obrażeń ciała.
- Gdy akumulator nie jest używany, przechowywać go z dala od innych metalowych przedmiotów, np. spinaczy, monet, kluczy, gwoździ, śrub lub innych małych metalowych przedmiotów, które mogłyby utworzyć połączenie między stykami, prowadząc do zwarcia. Zwarcie styków akumulatora może spowodować oparzenia lub pożar.
- W przypadku niewłaściwej obsługi może dojść do wycieku płynu z akumulatora, należy unikać kontaktu z tym płynem. Miejsce ewentualnego kontaktu przepłukać wodą. W przypadku, gdy płyn dostanie się do oczu, po przemyciu zwrócić się o pomoc do lekarza. Płyn wyciekający z akumulatora może powodować podrażnienia i oparzenia.
- Nie stosować uszkodzonych ani zmodyfikowanych akumulatorów i narzędzi. Uszkodzone lub zmodyfikowane akumulatory mogą zachowywać się w sposób nieprzewidywalny, co może prowadzić do pożaru, wybuchu lub ryzyka obrażeń.
- Nie narażać akumulatora lub narzędzia na działanie ognia lub zbyt wysokich temperatur. Narażenie na działanie ognia lub temperatury powyżej 130°C może spowodować wybuch.
- Przestrzegać wszystkich instrukcji ładowania i nie ładować akumulatora ani narzędzia poza podanym w instrukcji zakresem temperatur. Ładowanie w niewłaściwy sposób lub w temperaturze poza określonym zakresem może doprowadzić do uszkodzenia akumulatora i wzrostu zagrożenia pożarowego.

## KONSERWACJA

- Urządzenie elektryczne powinno być naprawiane przez wykwalifikowany personel, z zastosowaniem identycznych części zamiennych. Dzięki temu zapewnione będzie bezpieczeństwo użytkownika urządzenia.
- Nigdy nie serwisować uszkodzonych akumulatorów. Serwisowaniem akumulatorów powinien zajmować się wyłącznie producent lub autoryzowany serwis.

## ODŚNIEŻARKA BEZPRZEWODOWA — OSTRZEŻENIA DOTYCZĄCE BEZPIECZEŃSTWA

## SZKOLENIE

- Przed przystąpieniem do eksploatacji produktu należy przeczytać ze zrozumieniem wszystkie instrukcje, a następnie się do nich zastosować. Należy dokładnie zapoznać się ze sterowaniem i prawidłowym sposobem eksploatacji produktu. Zapoznać się ze sposobami wyłączania produktu i szybkiego wysprężania układu sterowania.
- Nie wolno pozwalać obsługiwać, czyścić ani konserwować tego urządzenia dzieciom lub osobom o ograniczonych zdolnościach fizycznych, sensorycznych lub umysłowych ani osobom, które nie przeczytały





tych instrukcji. Lokalne przepisy mogą ograniczać dopuszczalny wiek operatora. Należy dopilnować, aby dzieci nie bawiły się produktem.

- Osoby postronne, dzieci i zwierzęta muszą znajdować się w odległości przynajmniej 15 metrów od miejsca pracy. Jeśli w sąsiedztwie produktu znajdują się jakiegokolwiek osoby postronne, wyłączyć go.
- Należy zachować ostrożność, aby unikać poślizgnięcia się lub upadku, zwłaszcza podczas przemieszczania się z eksploatowanym urządzeniem do tyłu.
- Dopasować wysokość obudowy zbiornika, aby pracować na żwirze lub łupanych kamieniach.
- Pod żadnym pozorem nie regulować produktu w trakcie pracy.
- Produkt może doprowadzić do amputacji dłoni i stóp, a ponadto może miotać przedmiotami. Niestosowanie się do instrukcji bezpieczeństwa może skutkować poważnym urazem.
- Należy pamiętać, że operator lub użytkownik jest odpowiedzialny za spowodowanie wypadku lub zagrożenia bezpieczeństwa osób i mienia.

## PRZYGOTOWANIE

- Dokładnie sprawdzić obszar, na którym będzie używane urządzenie i usunąć wszystkie wycieraczki, sanki, deski, przewody, kości, zabawki i inne obce przedmioty.
- Przed uruchomieniem silnika należy rozłączyć wszystkie sprzęgła i ustawić bieg jałowy.
- Podczas obsługi maszyny zawsze należy nosić odpowiednią odzież zimową oraz przeciwpoślizgowe obuwie ochronne. Należy unikać noszenia luźnej odzieży lub ubrań ze zwisającymi sznurkami lub ozdobami, ponieważ mogą zostać one pochwycone przez ruchome części.
- Długie włosy należy zabezpieczyć w taki sposób, aby znajdowały się powyżej poziomu ramion, co pozwoli uniknąć ryzyka ich zaplątania w ruchome elementy urządzenia.
- Podczas eksploatacji, regulacji lub napraw należy zawsze nosić okulary ochronne lub osłonę na oczy, aby chronić oczy przed przedmiotami wyrzucanymi z produktu.
- Przed użyciem należy sprawdzić, czy wszystkie przyrządy sterowania oraz zabezpieczenia działają prawidłowo. Nie używać produktu, jeśli produktu nie można wyłączyć za pomocą wyłącznika.
- Przed każdym użyciem należy zawsze sprawdzić, czy obudowa jest nieuszkodzona oraz czy osłony i uchwyty znajdują się na swoim miejscu i są prawidłowo zabezpieczone.

## SPOSÓB UŻYCIA

- Nie wolno używać produktu, gdy występuje ryzyko burzy lub wyładowań atmosferycznych.
- Nie umieszczać rąk lub nóg w pobliżu lub pod częściami obrotowymi. Należy cały czas trzymać się z dala od otworów wyrzutowych. Nie należy wkładać żadnych obiektów do otworów.

- Podczas eksploatacji na żwirowych podjazdach lub ścieżkach lub przechodzenia przez takie miejsca należy zachować szczególną ostrożność. Należy uważać na ukryte zagrożenia oraz zachować ostrożność podczas pracy w pobliżu dróg publicznych.
- Aby ograniczyć ryzyko obrażeń związanych z kontaktem z częściami w ruchu, zawsze wyłączać produkt i wyjmować akumulator. Upewnić się, że wszystkie elementy ruchome zostały całkowicie zatrzymane:
  - po uderzeniu obcego przedmiotu w celu sprawdzenia, czy produkt nie został uszkodzony
  - przed czyszczeniem lub usuwaniem zablokowanego materiału
  - przed pozostawieniem produktu bez nadzoru
  - przed sprawdzeniem, konserwacją lub obsługą produktu
  - jeśli produkt znacznie wibrowa w nietypowy sposób (należy natychmiast przeprowadzić kontrolę). Wibracje to generalnie objaw usterki.
- Produkt należy prowadzić w poprzek zbocza, a nie pod górę lub z góry. Zachować szczególną ostrożność podczas zmiany kierunku jazdy na pochyłym terenie. Nie należy próbować odśnieżać stromych zasp.
- Nigdy nie należy obsługiwać produktu bez założonych odpowiednich osłon, płyt lub innych elementów zabezpieczających.
- Pod żadnym pozorem nie kierować wylotu w stronę ludzi lub obszarów, w których może to doprowadzić do uszkodzenia majątku. Osoby postronne, a szczególnie dzieci i zwierzęta, należy trzymać z dala od miejsca pracy.
- Nie przeciążać maszyny, próbując zbyt szybko zbierać śnieg.
- Nigdy używać produktu na śliskich powierzchniach przy wysokich prędkościach transportu. Spoglądać za siebie i zachować ostrożność podczas jazdy produktem do tyłu.
- Gdy produkt jest transportowany lub gdy nie jest eksploatowany, dopływ napięcia do zbiornika/wirnika powinien być wyłączony.
- Należy stosować wyłącznik oryginalne części zamienne, akcesoria oraz przystawki producenta.
- Nie należy używać produktu w warunkach słabej widoczności lub przy słabym oświetleniu. Należy uważać, aby nie stracić równowagi, mocno trzymając uchwyty. Podczas pracy należy chodzić, nie wolno biegać.
- Nigdy nie należy umieszczać produktu na powierzchni innej niż twarde, czyste podłoże, gdy silnik pracuje. Żwir, piasek oraz inny drobny materiał może dostać się do wlotu powietrza i może być odrzucony w stronę operatora lub przechodniów, powodując poważne urazy ciała.
- Nigdy nie należy używać produktu w pobliżu szklanych powierzchni, pojazdów, okien lub drzwi bez odpowiedniego ustawienia kąta wyrzutu śniegu.
- Jeśli produkt zostanie uszkodzony lub mocno uderzony bądź jeśli znacznie nietypowo wibrować, natychmiast go zatrzymać i sprawdzić pod kątem uszkodzeń



lub zidentyfikować przyczynę wibracji. Wszelkie uszkodzone części muszą być odpowiednio naprawione lub wymienione w autoryzowanym punkcie serwisowym.

- Urządzenia można używać i przechowywać je w temperaturach od -20°C do 20°C, o ile temperatura akumulatora jest utrzymywana powyżej 0°C. Nie przechowywać akumulatora w temperaturze poniżej 0°C. Takie temperatury mogą zmniejszać wydajność i pojemność akumulatora. Jeżeli akumulator jest przechowywany w temperaturze o kilka stopni powyżej zera 0°C, przed rozpoczęciem normalnej pracy należy uruchomić urządzenie na co najmniej 2 minuty w celu rozgrzania akumulatora. Po zakończeniu pracy lub wyczerpaniu akumulatora należy wyjąć go z urządzenia i przechowywać w miejscu, gdzie temperatura otoczenia mieści się w zakresie od 0 do 20°C.
- Produkt należy przechowywać w miejscu, w którym temperatura otoczenia wynosi od 0°C do 40°C.
- Niektóre części produktu mogą zamarznąć w przypadku ekstremalnych warunków pogodowych. Nie używać produktu z zamrożniętymi częściami.
- Przed odłożeniem produktu do przechowywania należy pozostawić produkt pracujący przez kilka minut po zakończeniu pracy, aby usunąć śnieg ze ślimaka.

#### AKUMULATOR — DODATKOWE OSTRZEŻENIA DOTYCZĄCE BEZPIECZEŃSTWA

- Aby ograniczyć ryzyko pożaru, obrażeń oraz uszkodzenia produktu z powodu zwarcia, nigdy nie zanurzać produktu, akumulatora ani ładowarki w płynie ani nie dopuszczać do przedostania się płynu do ich wnętrza. Zwarcie spowodować mogą korodujące lub przewodzące cieczce, takie jak woda morską, określone chemikalia i wybielacze lub produkty zawierające wybielacze.
- Akumulator należy ładować w miejscu, w którym temperatura otoczenia wynosi od 10°C do 38°C.
- Akumulator należy przechowywać w miejscu, w którym temperatura otoczenia wynosi od 0°C do 20°C.
- Nie przechowywać akumulatora w temperaturze poniżej 0°C. Takie temperatury mogą zmniejszać wydajność i pojemność akumulatora.

#### WSKAZÓWKI ROBOCZE

- Produkt nie będzie działał, jeśli górny uchwyt będzie nieprawidłowo zamontowany i zaczep blokady uchwytu nie będzie dobrze zamocowany. Istnieją dwie blokady bezpieczeństwa, które zapobiegają przypadkowemu uruchomieniu, gdy produkt nie jest prawidłowo zamontowany.
- Przed rozpoczęciem eksploatacji należy ustalić kierunek wiatru. Wyrzut śniegu należy skierować z wiatrem, aby zapobiec zawiewania śniegu z powrotem w kierunku operatora.

#### USUWANIE ZABLOKOWANYCH ELEMENTÓW

Nigdy nie należy umieszczać rąk lub nóg przed produktem lub wylotem, ponieważ może to spowodować poważne urazy ciała. Nie używać rąk do czyszczenia rynny zsypowej.

1. Wyłączyć zasilanie i wymontować akumulator. Upewnić się, że wszystkie elementy ruchome zostały całkowicie zatrzymane.
2. Usunąć blokadę drewnianym kijem. Uwaga: wirnik może poruszyć się samoistnie podczas usuwania zablokowanego materiału na skutek uwolnienia energii resztkowej.
3. Obrócić zespół wirnika za pomocą drewnianego kija.
4. Gdy można obrócić wirnik za pomocą drewnianego kija, należy stanąć za produktem. Krokowa praca mechanizmu jest normalnym zjawiskiem. Należy upewnić się, że dalsze odśnieżanie jest bezpieczne.

#### TRANSPORT I PRZECHOWYWANIE

- Przed odłożeniem bądź rozpoczęciem transportu lub składowania wymontować akumulator i poczekać, aż produkt ostygnie.
- Jeśli produkt ma być przechowywany przez dłuższy okres, zawsze należy zapoznać się z instrukcją obsługi, w której zamieszczono istotne informacje.
- Usunąć z produktu wszelkie zanieczyszczenia. Przechowywać w dobrze wentylowanym pomieszczeniu, niedostępnym dla dzieci. Nie przechowywać urządzenia wraz z materiałami korozyjnymi, takimi jak ogrodowe substancje chemiczne lub sól odmrażająca. Nie przechowywać produktu poza pomieszczeniami.
- W przypadku transportu produktu należy zabezpieczyć go przed przemieszczaniem się lub upadkiem, aby nie dopuścić do obrażeń ciała lub uszkodzenia urządzenia.

#### TRANSPORTOWANIE AKUMULATORÓW LITOWYCH

Akumulatory należy transportować zgodnie z lokalnymi i krajowymi przepisami i regulacjami.

Należy postępować zgodnie z wszystkimi specjalnymi wymaganiami dotyczącymi pakowania i etykietowania akumulatorów podczas transportu przez stronę trzecią. Upewnij się, że żadne akumulatory nie zetkną się z innymi akumulatorami lub materiałami przewodzącymi podczas transportu; w tym celu należy zabezpieczyć odkryte złącza nieprzewodzącymi nakładkami izolacyjnymi lub taśmą izolacyjną. Nie należy transportować pękniętych ani nieszczelnych akumulatorów. Szczegółowe porady można uzyskać w firmie spedycyjnej.

#### KONSERWACJA

- Należy stosować wyłącznie oryginalne części zamienne, akcesoria oraz przystawki producenta. W przeciwnym razie może dojść do obrażeń ciała, niskiej wydajności oraz do nieważnienia gwarancji.
- Serwisowanie wymaga wyjątkowej staranności i wiedzy. Może być wykonywane wyłącznie przez wykwalifikowany personel serwisowy. Serwisowanie należy powierzać wyłącznie autoryzowanemu serwisowi.
- Wyłączyć zasilanie i wymontować akumulator. Przed przystąpieniem do czyszczenia lub konserwacji zawsze upewnić się, że wszystkie części ruchome całkowicie się zatrzymały.

- Systematycznie sprawdzać, czy wszystkie nakrętki, wkręty i śruby są dobrze dokręcone, aby upewnić się, że produkt jest w bezpiecznym stanie. Każdą uszkodzoną część należy odpowiednio naprawić lub wymienić w autoryzowanym punkcie serwisowym.
- Jeśli etykiety są uszkodzone lub nieczytelne, należy zwrócić produkt do punktu serwisowego w celu wymiany etykiet.
- Po odśnieżaniu należy uruchomić produkt kilkakrotnie, aby zapobiec zamarznięciu wirnika.
- Możesz wykonywać czynności regulacyjne i naprawcze opisane w tej instrukcji obsługi. W przypadku innych napraw produkt należy oddawać wyłącznie do autoryzowanych serwisów.
- Po każdym użyciu oczyścić części z tworzywa sztucznego czystą, suchą szmatą.

## POZNAJ SWÓJ PRODUKT

Patrz str. 115.

1. Uchwyt górny
2. Pałak włącznika/wyłącznika
3. Instrukcja obsługi
4. Przycisk uruchamiania
5. Dźwignia prędkości ślimaka
6. Dźwignia obrotu wylotu
7. Deflektor wylotu
8. Przycisk deflektora
9. Reflektor
10. Dźwignia regulacji rękojeści
11. Wirnik
12. Pokrywa baterii
13. Akumulator
14. Ładowarka
15. Śruby
16. Śrubokret

## SYMBOLE



Przed przystąpieniem do obsługi produktu należy przeczytać ze zrozumieniem wszystkie instrukcje. Należy przestrzegać wszystkich ostrzeżeń i instrukcji dotyczących bezpieczeństwa.



Uwaga na odrzucane przedmioty. Dopilnować, aby wszyscy gapie — zwłaszcza dzieci, a także zwierzęta — znajdowali się co najmniej 15 m od obszaru pracy.



Zakładać środki ochrony wzroku



Nie wystawiać urządzenia na działanie deszczu ani nie używać w miejscach o dużej wilgotności.



Unikać obrażeń spowodowanych przez obracający się wirnik. Trzymać dłonie, stopy i ubrania z dala.



Dopilnować, aby wszyscy gapie — zwłaszcza dzieci, a także zwierzęta — znajdowali się co najmniej 15 m od obszaru pracy.



Nie używać produktu na zboczach.



Trzymać dłonie i stopy z dala od przedniej części urządzenia i rynny zsympowej produktu.



Wyjąć akumulator.



Nie używać rąk do czyszczenia rynny zsympowej.



Gwarantowany poziom mocy akustycznej

Zużytego sprzętu elektrycznego i elektronicznego, w tym zużytych baterii i akumulatorów, nie należy wyrzucać jako nieposortowanych odpadów komunalnych. Zużyty sprzęt elektryczny i elektroniczny, w tym zużyte baterie i akumulatory, musi być gromadzony osobno. Zużyte baterie, akumulatory i źródła światła muszą zostać usunięte ze sprzętu. Porady dotyczące recyklingu i informacje dotyczące punktów zbiórki odpadów można uzyskać od władz lokalnych bądź sklepu, w którym nabyto produkt. Zgodnie z lokalnymi przepisami sprzedawcy detaliczni mogą być zobowiązani do nieodpłatnego odbioru zużytego sprzętu elektrycznego i elektronicznego, w tym baterii i akumulatorów. Państwa wkład w ponowne wykorzystanie i recykling zużytego sprzętu elektrycznego i elektronicznego, w tym baterii i akumulatorów, pomaga zmniejszyć zapotrzebowanie na surowce. Zużyte baterie i akumulatory — w szczególności zawierające lit — a także pozostały sprzęt elektryczny i elektroniczny, zawierają nadające się do recyklingu i cenne materiały i surowce, które mogą mieć negatywny wpływ na środowisko naturalne i zdrowie ludzkie, jeśli nie są usuwane w sposób przyjazny dla środowiska naturalnego. Z utylizowanego sprzętu należy usunąć wszelkie ewentualne dane osobowe.

Při návrhu této akumulátorové sněhové frézy byl kladen obzvláštní důraz na bezpečnost, provozní vlastnosti a spolehlivost.

## ZAMÝŠLENÉ POUŽITÍ

Tato akumulátorová sněhová fréza je určena pouze k venkovnímu používání v době větraném prostoru. Výrobek smí používat pouze dospělé osoby, které si přečetly a seznámily se s pokyny a varováními v tomto návodu a které lze považovat za zodpovědné za své jednání. Z bezpečnostních důvodů musí být přístroj vždy řádně obsluhován oboustranným ovládním.

Zařízení je určeno pro odklízení sněhu v místech, jako jsou příjezdové cesty, chodníky, ochozy, cesty, silnice a prostranství kolem domů. Zařízení se může pohybovat ve sněhu hlubokém až 33 cm.

Výrobek se nesmí provozovat s koly nad zemí. Na stroji nejezdíte. Tento výrobek se smí používat pouze způsobem popsaným v této příručce.

Přístroj nepoužívejte ji k jiným účelům.

## OBCENÁ BEZPEČNOSTNÍ UPOZORNĚNÍ K PRODUKTU

**⚠ VAROVÁNÍ!** Přečtete si všechny bezpečnostní pokyny, ilustrace a specifikace dodané s tímto produktem. Nedodržení uvedených pokynů může způsobit požár, úraz elektrickým proudem a/nebo jiné vážné zranění.

**Uschovejte všechny pokyny a upozornění, abyste se k nim mohli v budoucnosti vrátit.**

Termín „elektrické nářadí“ ve výstrahách odkazuje na produkt napájený ze sítě (s kabelem) nebo na baterie (bezdrátový).

## PRACOVNÍ PROSTŘEDÍ

- **Udržujte pracovní prostor čistý a dobře osvětlený.** Zatarasené nebo tmavé oblasti vedou k nehodám.
- **Neppracujte s tímto elektricky poháněným nástrojem ve výbušných prostředích, například v přítomnosti hořlavých kapalin, plynů nebo prachu.** Elektricky poháněné nástroje vytváří jiskry, které mohou zapálit prach nebo výpary.
- **Udržujte děti a přihlížející během práce s elektricky poháněným nástrojem stranou.** Rozptylování může způsobit ztrátu kontroly.

## ELEKTRICKÁ BEZPEČNOST

- **Zástrčky elektricky poháněného nástroje musí být shodné s elektrickou zásuvkou.** Nepokoušejte se zástrčku jakýmkoliv způsobem upravovat. **Nepoužívejte žádný adaptér zástrček se zemněným (uzemněným) elektricky poháněným nástrojem.** Neupravené zástrčky a shodné zásuvky snižují nebezpečí elektrického úrazu.
- **Předcházejte tělesnému kontaktu s uzemněnými nebo zemněnými povrchy, například trubkami, radiátory, sporáky a lednicemi.** Je zde zvýšené nebezpečí zásahu elektrickým proudem, pokud je vaše tělo zemněno nebo uzemněno.
- **Nevystavujte tento přístroj dešti nebo vlhkým podmínkám.** Voda vnikající do elektricky poháněného nástroje zvyšuje nebezpečí elektrického úrazu.
- **Nepoškozujte napájecí kabel. Nikdy pro odpojování, táhnutí nebo přenášení elektricky poháněného nástroje nepoužívejte kabel. Udržujte kabel mimo horké plochy, olej, pohyblivé součásti nebo ostré**

**hrany.** Poškozené nebo zamotané kabely zvyšují nebezpečí elektrického úrazu.

- **Pokud používáte elektricky poháněný nástroj ve venkovním prostředí, použijte prodlužovací kabel vhodný pro venkovní prostředí.** Použití kabelu vhodného pro venkovní prostředí snižuje nebezpečí elektrického úrazu.
- **Pokud používáte elektricky poháněný nástroj ve vlhkém prostředí, je nezbytné používat proudový chránič (PCH).** Použitím PCH snížíte nebezpečí poranění elektrickým proudem.

## OSOBNÍ BEZPEČNOST

- **Buďte ve střehu, hlídejte, co děláte a používejte zdravý rozum při provozu tohoto elektricky poháněného nástroje. Elektrický nástroj nepoužívejte, pokud jste unaveni nebo pod vlivem drog, alkoholu nebo léků.** Chvilce nepozornosti při práci s tímto elektricky poháněným nástrojem může způsobit vážná poranění osob.
- **Používejte osobní ochrannou výbavu. Vždy noste ochranu očí.** Ochranné prostředky jako ochranná maska, protiskluzová bezpečnostní obuv, přilba a ochrana sluchu využívané podle podmínek sniží riziko úrazů.
- **Zabraňte náhodnému spuštění. Zabezpečte, aby byl spínač v poloze vypnutu (off) před připojením zdroje energie a/nebo bloku baterií, přípravou nebo nesením nástroje.** Nošení elektrického nástroje s vaším prstem na spínači nebo se zapojenou zástrčkou elektrického nástroje může při zapnutí vést k nehodě.
- **Odstraňte všechny seřizovací klíče nebo šroubováky, než zapnete poháněný nástroj.** Klíč nebo šroubovák ponechaný přiložený k pohyblivému dílu elektricky poháněného nástroje může způsobit poranění osob.
- **Nepřeceňujte se. Udržujte řádné postavení a rovnováhu po celou dobu práce.** Toto umožní lepší ovládní poháněného nástroje v neočekávaných situacích.
- **Správně se oblékejte. Nenoste volný oděv nebo šperky. Braňte styku vlasů a oděvu s pohyblivými částmi.** Volný oděv, šperky nebo dlouhé vlasy mohou být zachyceny do pohyblivých dílů.
- **Pokud jsou zařízení vybavena přípojkou pro odsávání prachu a sběrným zařízením, ujistěte se, že jsou správně připojeny k nástroji, a že se správně používají.** Použití odsavače prachu může snížit nebezpečí související s prachem.
- **Nenechte se ukolébat znalostmi získanými při častém používání nástrojů a neignorujte bezpečnostní pravidla.** Nedbalá činnost může způsobit poranění ze zlomku sekundy.

## POUŽITÍ A PÉČE O NÁSTROJ

- **Nepoužívejte nadměrnou sílu na nástroj. Nářadí vybírejte podle povahy práce, kterou chcete provádět.** Správný elektricky poháněný nástroj bude svou práci provádět lépe a bezpečněji při práci, pro kterou byl navržen.
- **Elektricky poháněný nástroj nepoužívejte, pokud spínač nezapíná a nevypíná.** Každý elektricky poháněný nástroj, který nemůže být ovládán spínačem, je nebezpečný a musí být opraven.
- **Před jakýmkoliv seřizováním, výměnou doplňků, vyjímáním baterie nebo ukládáním elektrického nářadí odpojte nejdříve zástrčku od zdroje napájení elektrického nářadí, popřípadě, podle provedení, vyjměte baterii.** Také bezpečnostní preventivní opatření snižují riziko náhodného spuštění elektrického nástroje.

**BEZPEČNOSTNÍ UPOZORNĚNÍ PRO  
AKUMULÁTOROVOU SNĚHOVOU FRÉZU**

- Ukládejte nečinný elektricky poháněný nástroj mimo dosah dětí a nenechávejte neznámé osoby pracovat s elektricky poháněným nástrojem nebo s těmito pokyny k obsluze elektrického nástroje. Elektricky poháněné nástroje jsou nebezpečné v rukou nekvalifikovaných uživatelů.
- **Provádějte údržbu elektrického nářadí i příslušenství.** Kontrolujte vychýlení nebo zasekávání pohyblivých dílů, rozbité části a každé jiné podmínky, které mohou ovlivnit funkci elektricky poháněných nástrojů. Zjistili se poškození, musí se elektricky poháněný nástroj před použitím opravit. Mnoho úrazů je způsobeno nedostatečně udržovanými elektricky poháněnými nástroji.
- **Udržujte řezné nástroje ostré a čisté.** Řádně udržované řezné nástroje s ostrými řeznými hranami mají nízkou pravděpodobnost zaseknutí a jsou snadněji ovladatelné.
- **Poháněné nástroje, příslušenství a vrtáky, atd. používejte v souladu s těmito pokyny s ohledem na pracovní podmínky a práci, která má být provedena.** Použití elektricky poháněného nástroje pro práce jiné, než zamýšlené by mohlo mít za následek nebezpečnou situaci.
- **Udržujte rukojeti a úchopové oblasti suché, čisté a bez mastnot a oleje.** Kluzké rukojeti a úchopové plochy neumožňují bezpečnou manipulaci a kontrolu nad nástrojem v neočekávaných situacích.

**POUŽITÍ A PÉČE O NÁSTROJ NA BATERIE**

- **Dobíjejte pouze nabíječkou určenou výrobcem.** Nabíječka, která je vhodná pro jeden typ akumulátoru může způsobit nebezpečí požáru, pokud se používá s jiným bateriovým modulem.
- **Elektrický nástroj používejte pouze s přesně určeným bateriovým modulem.** Použití jakéhokoliv jiného akumulátoru může způsobit nebezpečí poranění a požáru.
- **Pokud akumulátor nepoužíváte, uchovávejte jej mimo kovové předměty jako svorky pro papír, mince, klíče, hřebíky, šrouby nebo jiné malé kovové předměty, které mohou vytvořit propojení jednoho vývodu s druhým.** Zkratování vývodů baterie může způsobit požár nebo popálení.
- **Za nevhodných podmínek může z baterie vytékat kapalina; zabraňte kontaktu.** Pokud dojde k náhodnému kontaktu, omyjte vodou. Pokud kapalina přijde do kontaktu s očima, ihned vyhledejte lékařskou pomoc. Kapalina vytečená z baterie způsobit podráždění nebo popálení.
- **Nepoužívejte baterie ani nástroj, který je poškozený nebo upravený.** Poškozené nebo upravené baterie se mohou chovat nepředvídatelně a důsledkem může být požár, výbuch nebo riziko zranění.
- **Nevystavujte baterii ani zařízení ohni nebo příliš vysoké teplotě.** Vystavení ohni nebo teplotám nad 130 °C může způsobit výbuch.
- **Postupujte podle všech pokynů k nabíjení a nenabíjejte baterie nebo nástroj mimo teplotní rozsah uvedený v pokynech.** Nesprávné nabíjení nebo při teplotách mimo uvedený rozsah může poškodit baterii a zvýšit riziko požáru.

**ÚDRŽBA**

- **Váš elektricky poháněný nástroj smí opravovat pouze kvalifikovaný opravárenský pracovník a musí používat pouze shodné náhradní díly.** Toto zajišťuje udržování bezpečnosti elektricky poháněného nástroje.
- **Nikdy neopravujte poškozené baterie.** Baterie by měl opravovat pouze výrobce nebo autorizovaný servis.

**ZAŠKOLENÍ**

- Před používáním tohoto výrobku si přečtěte všechny pokyny o něm a v této příručce, porozumějte jim a dodržujte je. Obeznamte se důkladně s ovládacími prvky a správným používáním výrobku. Naučte se, jak výrobek rychle vypnout a odpojit ovládaní.
- Produkt není určen pro používání osobami, včetně dětí se sníženými tělesnými, smyslovými nebo duševními schopnostmi nebo s nedostatkem zkušeností a znalostí, pokud neprošli školením ohledně používání, čištění či údržby. Místní předpisy mohou omezovat dobu obsluhy. Dohlédněte, aby si děti se společnickem nehrály.
- Všechny přihlížející, zvláště děti a zvířata udržujte 15 m mimo pracovní oblasti. Pokud někdo vstoupí do pracovního prostoru, přístroj vypněte.
- Postupujte opatrně a předcházejte uklouznutí nebo pádu, obzvláště při chůzi pozpátku.
- Upravte výšky krytu šneku tak, aby pod ním procházel štěrky nebo kamenná drť na ošetřovaném povrchu.
- Nikdy neprovádějte žádná seřizování během chodu výrobku.
- Tento stroj může amputovat končetiny a odmršťovat předměty. Pokud nejsou dodrženy všechny bezpečnostní pokyny, může dojít k vážnému úrazu.
- Uživatel nebo obsluha tohoto zahradnického nástroje je zodpovědná za nehody nebo nebezpečí způsobená na jiné osobě nebo jejich majetku.

**PŘÍPRAVA**

- Důkladně zkontrolujte celou plochu, kde má být zařízení používáno a odstraňte všechny rohožky, saně, desky, kabely a cizí předměty.
- Před nastartováním motoru vypněte spojky a zařaďte neutrál.
- Při práci se strojem noste vždy odpovídající zimní oděv a nekouzavou bezpečnostní obuv. Zamezte nošení volných oděvů, nebo které mají vlající šňůrky nebo pásky; mohou se zachytit do pohyblivých částí.
- Dlouhé vlasy si svažte nad rameny, aby se nemohly zaplést do pohyblivých částí.
- Při seřizování nebo provádění opravy vždy používejte ochranné brýle nebo obličejový štít k ochraně zraku před cizími tělesy, které by výrobek mohl odmrstit.
- Před každým použitím se ujistěte, že všechny ovladače a jištění řádně fungují. Produkt nepoužívejte, pokud jej vypínač nevykype.
- Před použitím vždy zkontrolujte, že kryt přístroje je nepoškozen a všechny ochranné kryty a rukojeti jsou na svém místě a řádně upevněny.

**POUŽITÍ**

- Zařízení nepoužívejte, hrozí-li nebezpečí blesku.
- Nemějte své ruce nebo nohy v blízkosti nebo pod rotujícími díly. Vždy udržujte výstupní otvory čisté. Do otvorů nestrkejte žádné předměty.
- Při používání na šterkové příjezdové cestě nebo chodníku nebo jeho přejíždění postupujte nesměrně opatrně. Dávejte trvale pozor na skrytá nebezpečí a při používání v blízkosti veřejných dopravních komunikací.







- K snížení rizika úrazu v důsledku styku s pohyblivými díly výrobek vždy vypněte a vyjměte baterii. Ujistěte se, že se zastavily všechny pohyblivé díly:
  - po nárazu cizího předmětu; prohlédněte výrobek na poškození
  - před čištěním nebo odstraněním ucpávky,
  - před opuštěním výrobku
  - před kontrolou, čištěním nebo prací na nástroji,
  - pokud stroj začne abnormálně vibrovat (ihned zkontrolujte) Vibrace jsou obecně známkou potíží.
- Na strmých svazích používejte výrobek po vrstevnicích, nikdy ve směru nahoru a dolů. Je třeba opatrnosti, když měníte směr na svahu. Nepokoušejte se čistit strmé svahy.
- Zařízení nepoužívejte bez ochranných krytů, plechů nebo nainstalovaných jiných bezpečnostních zařízení.
- Výhoz nikdy nesměřujte na osoby ani tam, kde by mohlo dojít ke škodám. Všechny přihlízející, zvláště děti a zvířata udržujte mimo pracovní oblasti.
- Nepřetěžujte kapacitu stroje odklizením sněhu příliš vysokou rychlostí.
- Produkt nikdy nepoužívejte při vysokých přepravních rychlostech na kluzkém povrchu. Při chůzi pozpátku se ohlížejte a postupujte s přístrojem opatrně.
- Při přemístování výrobku a jeho nepoužívání vypněte pohon šneku.
- Používejte pouze originální příslušenství, doplňky a náhradní díly výrobce.
- Výrobek nikdy nepoužívejte bez dobré viditelnosti a osvětlení. Vždy si zajistěte oporu nohou a držte pevně rukojeť. Chodte, nikdy neběhejte.
- Nikdy nepokládejte zařízení, u kterého běží motor, na jakýkoliv povrch, kromě tvrdého čistého povrchu. Přívodem vzduchu lze nabrat štěrk, písek a jiné nečistoty, které mohou být odmrštěny na obsluhu nebo okolostojící osoby, a ty mohou být vážně zraněny.
- Nikdy nepoužívejte zařízení v blízkosti skleněných výplní, automobilů, oken nebo dveří bez správného nastavení úhlu vyhazování sněhu.
- Pokud výrobek spadne, utrpí těžký náraz nebo začne nezvykle vibrovat, ihned jej vypněte, zkontrolujte poškození nebo zjistěte příčinu vibrace. Pokud je nějaká část poškozena, musí se nechat řádně opravit nebo vyměnit pověřeným servisním střediskem.
- Výrobek lze používat a skladovat při teplotách mezi -20 °C a 20 °C, pokud je teplota akumulátoru udržována nad 0 °C. Akumulátor neskladujte při teplotách nižších než 0 °C. Při teplotách pod bodem mrazu může dojít ke snížení výkonu a kapacity akumulátoru. Pokud je akumulátor skladován při teplotě těsně nad 0 °C, nechte výrobek běžet alespoň 2 minuty, aby se akumulátor před zahájením obvyklé práce zahřál. Po dokončení práce nebo vybití akumulátoru vyjměte akumulátor z výrobku a uložte jej na místo, kde je okolní teplota v rozmezí 0 °C až 20 °C.
- Mlhovač skladujte na místě s teplotou prostředí mezi 0 °C a 40 °C.
- Některé části výrobku mohou za extrémních povětrnostních podmínek zamrznout. Nepoužívejte výrobek se zamrzlými díly.
- Před uskladněním nechte výrobek několik minut po použití běžet, aby se ze šneku odstranil sněh.

## DOPLŇUJÍCÍ BEZPEČNOSTNÍ UPOZORNĚNÍ K BATERII

- Ke snížení rizika požáru, úrazu a poškození výrobku v důsledku zkratu nikdy nenoteťte přístroj, baterii ani nabíječku do tekutiny a nedovoďte, aby do nich tekutina vnikla. Korodující nebo vodivé kapaliny, jako je slaná voda, určité chemikálie a bělicí prostředky nebo výrobky, které obsahují bělidlo, mohou způsobit zkrat.
- Baterii dobíjejte na místě s teplotou prostředí mezi 10 °C a 38 °C.
- Baterii skladujte na místě s teplotou prostředí mezi 0 °C a 20 °C.
- Akumulátor neskladujte při teplotách nižších než 0 °C. Při teplotách pod bodem mrazu může dojít ke snížení výkonu a kapacity akumulátoru.

## TIPY TÝKAJÍCÍ SE PROVOZU

- Zařízení nebude fungovat, pokud horní rukojeť není správně nasazená a zámek rukojeti není bezpečně sepnutý. K zabránění neúmyslnému nastartování při nesprávném sestavení produktu jsou zde 2 bezpečnostní zámky.
- Před používáním výrobku zjistěte směr větru. Odhazujte sněh po směru větru, aby se nespaly zpátky na obsluhovatele.

## ODSTRANĚNÍ ZABLOKOVÁNÍ

Nikdy nedávejte ruce ani nohy do přední části zařízení nebo výsypky, aby nedošlo k vážným zraněním. Nečistěte výsypný žlab rukama.

1. Vypněte přístroj a vyjměte akumulátor. Ujistěte se, že se zastavily všechny pohyblivé díly.
2. Odstraňte překážku pomocí dřevěného klacku. Dávejte pozor, neboť oběžné kolo se může samovolně pohybovat v důsledku naakumulované energie v mechanismu po odstranění zablokování.
3. Sestavu oběžného kola otočte pomocí dřevěné tyče.
4. Jakmile lze oběžným kolem otočit pomocí dřevěné tyče, posuňte se k zadní části zařízení. Je zcela normální, že mechanismus oběžného kola má krokový pohyb. Ujistěte se, že je bezpečně pokračovat v odklizení sněhu.

## TRANSPORT A SKLADOVÁNÍ

- Před přenášením nebo uložením vždy vyjměte baterii a nechte přístroj vychladnout.
- Jestliže byl přístroj delší dobu uložen, vždy nahlédněte do provozního návodu a přečtěte si důležité podrobnosti.
- Odstraňte z výrobku všechny cizí materiály. Ukládejte produkt v dobře větrných prostorách, které nejsou přístupné dětem. Udržujte produkt mimo korozivní materiály, například zahradkářské chemikálie a rozmrazovací soli. Výrobek neskladujte venku.
- Při transportu výrobku zajistěte proti pohybum nebo pádu, abyste zabránili poranění osob nebo poškození výrobku.

## TRANSPORT LITHIOVÝCH BATERIÍ

Přenos baterií dle místních a národních opatření a předpisů. Dodržujte všechny zvláštní požadavky na balení a značení při transportu baterií třetí stranou. Zajistěte, aby žádné baterie nepřišly do kontaktu s jinými bateriemi nebo vodivými materiály při transportu pomocí ochrany nekrytých kontaktů prostřednictvím izolace, nevodivých krytek či lepicích pásek. Nepřeppravujte prasklé nebo baterie s unikajícím elektrolytem. Ptejte se u zásilkové společnosti na další radu.





## ÚDRŽBA

- Používejte pouze originální příslušenství, doplňky a náhradní díly výrobce. Zanedbání může zapříčinit možné poranění, slabý výkon a může dojít ke ztrátě záruky.
- Údržba vyžaduje extrémní péči a znalosti a měla by být prováděna pouze kvalifikovaným servisním technikem. Výrobek nechte opravit pouze v pověřeném servisu.
- Vypněte přístroj a vyjměte akumulátor. Veškeré pohyblivé části se před jakoukoliv údržbou nebo údržbou musejí kompletně zastavit.
- Zkontrolujte všechny šrouby, matice v častých intervalech na řádné utažení, aby se zajistilo, že výrobek bude pracovat v bezpečných pracovních podmínkách. Jakýkoliv poškozený díl je nutné správně opravit nebo nechat vyměnit v autorizovaném servisním středisku.
- Chcete-li vyměnit poškozené nebo nečitelné štítky, předejte zařízení do autorizovaného servisního střediska.
- Po frézování sněhu výrobek několikrát pusťte, aby se zabránilo zamrznutí šneku.
- Můžete provádět v návodu k obsluze uvedené opravy a seřízení. Jiné opravy výrobku svěřujte pouze pověřenému servisnímu středisku.
- Po každém použití očistěte měkkým a suchým hadříkem plastové díly.

## POZNEJTE SVŮJ NÁSTROJ

Viz strana 115.

1. Horní rukojeť
2. Rám chodu
3. Návod k obsluze
4. Tlačítko spuštění
5. Páčka ovládání otáček šneku
6. Páčka pro otočení odhozu
7. Deflektor odhozu
8. Tlačítko krytu
9. Přední světlo
10. Páčka nastavení rukojeti
11. Oběžné kolo
12. Kryt baterie
13. Baterie
14. Nabíječka
15. Šrouby
16. Šroubovák

## SYMBOLY



Před používáním výrobku se obeznamte se všemi pokyny. Dbejte na všechna upozornění a dodržujte bezpečnostní pokyny.



Dávejte pozor na odmrštěné nebo odletující předměty. V okruhu nejméně 15 m od pracovního prostoru se nesmí vyskytovat žádní přihlížející, zejména děti a zvířata.



Noste ochranu očí



Nevystavujte dešti nebo nepoužívejte ve vlhkých podmínkách.



Předcházejte úrazu od rotující frézy. Udržujte ruce, nohy a oděv z dosahu stroje.



V okruhu nejméně 15 m od pracovního prostoru se nesmí vyskytovat žádní přihlížející, zejména děti a zvířata.



Nepracujte s přístrojem na svazích.



Udržujte své končetiny z dosahu přední části stroje a výhozu.



Vyjměte akumulátorový modul.



Nečistěte výsypný žlab rukama.



Zaručená hladina akustického výkonu

Nelikvidujte vybité baterie a elektrické a elektronické zařízení společně s netříděným komunálním odpadem. Vybité baterie a elektrický a elektronický odpad musí být shromažďovány odděleně. Vybité baterie, akumulátory a odpadní světelné zdroje musí být od zařízení odděleny. Informace o sběrných místech a recyklaci baterií vám poskytne místní úřad nebo prodejce. Podle místních nařízení mohou mít maloobchodníci povinnost brát bezplatně zpět vybité baterie, elektrický a elektronický odpad. Když budete přispívat k opětovnému použití a recyklaci vybitých baterií a elektrického a elektronického odpadu, pomůže to snížit potřebu surovin. Vybité baterie, zejména ty s obsahem lithia, elektrický a elektronický odpad obsahují cenné a recyklovatelné materiály, které mohou mít nepříznivý dopad na životní prostředí a lidské zdraví, nebudou-li zlikvidovány ekologickým způsobem. Odstraňte z odpadu osobní údaje, pokud nějaké obsahuje.



Az akkumulátoros hómáró kialakítása során elsődleges szempont volt a biztonság, a teljesítmény és a megbízhatóság.

## RENDELTETTÉSSZERŰ HASZNÁLAT

Az akkumulátoros hómáró csak kültéren, jól megvilágított területen használható, és az üzemeltetőnek a termék mögött kell haladnia. A termék kizárólag a tetteikért felelősséget vállalni képes felnőttek általi használatra készült, akik elolvasták és megértették a jelen kézikönyv utasításait és figyelmeztetéseit. A terméket biztonsági okokból mindig két kézzel kell megfelelően irányítani.

A termék hó eltakarítására használható bizonyos területeken, mint járdák, felhajtók, ösvények, utak, közutak, valamint a ház körül. A termék legfeljebb 33 cm-es havat képes mozgatni.

A termék nem működtethető, ha a kerekek nincsenek a talajon. A termékben tilos utazni. A terméket csak a kézikönyvben leírtak szerint szabad használni.

Semmilyen más célra ne használja.

## ÁLTALÁNOS BIZTONSÁGI FIGYELMEZTETÉSEK A TERMÉKHEZ

**⚠ FIGYELMEZTETÉS! Olvassa el, illetve tekintse meg a termékhez biztosított minden biztonsági figyelmeztetést, illusztrációt és műszaki leírást.** Az alább részletezett előírások be nem tartása olyan baleseteket okozhat, mint pl. tűz, áramütés és/vagy súlyos személyi sérülések.

**Őrizze meg ezeket a figyelmeztetéseket és utasításokat a későbbi tájékozódásra is.**

A figyelmeztetésekből a „nagy teljesítményű eszköz” a hálózatról működtetett (vezetékes) vagy az akkumulátorral üzemelő (vezeték nélküli) termékre utal.

## MUNKATERÜLET

- **A munkaterületet tartsa tisztán és jól megvilágítva.** A rendetlen vagy sötét munkaterületek balesetekhez vezethetnek.
- **Az elektromos szerszámgepeket ne működtesse robbanásveszélyes környezetben, mint például robbanásveszélyes folyadékok, gázok vagy porok jelenlétében.** Az elektromos gépekben szikrák keletkeznek, amik begyújthatják a port vagy a gőzöket.
- **Az elektromos szerszámgép használatakor a gyerekeket és a kívülállókat tartsa távol.** A figyelem elterelődése az irányítás elvesztését okozhatja.

## ELEKTROMOS BIZTONSÁG

- **A szerszámgép dugaszának illeszkednie kell az aljzathoz. Semmilyen módon ne módosítsa a dugaszt. A földelt elektromos gépekhez ne használjon adapter dugaszt.** A nem módosított és illeszkedő dugasz csökkenti az áramütés kockázatát.
- **Kerülje az érintkezést földelt felületekkel, mint például csövekkel, radiátorokkal és hűtőkkel.** Megnöveli az áramütés kockázatát, ha a teste földeltté válik.
- **Ne tegye ki a terméket esőnek vagy nedves környezet hatásának.** A szerszámgépekbe kerülő víz növeli az áramütés kockázatát.
- **Ne rongálja meg a kábelt. A szerszámgép kábelét soha ne használja a szerszám hordozására, húzására vagy kihúzására.** A kábelt hőtől, olajtól, éles tárgyaktól vagy mozgó alkatrészekről tartsa távol. A sérült vagy beakadt kábelek növelik az áramütés kockázatát.
- **Szerszámgépeknek a szabadban való működtetésekor kültéri használatra is megfelelő hosszabbító kábelt**

**használjon.** Kültéri használatra megfelelő hosszabbító kábel csökkenti az áramütés kockázatát.

- **Ha a szerszámgép használata nedves környezetben elkerülhetetlen, használjon áram-védőkacsolót (RCD).** Az RCD használata csökkenti az áramütés kockázatát.

## SZEMÉLYI BIZTONSÁG

- **Elektromos szerszámgép működtetésekor legyen mindig éber, figyeljen arra, amit csinál, és használja a józan eszét. Ne használja a szerszámgépet, ha fáradt vagy alkohol, gyógyszer illetve más tudatmódosító szerek hatása alatt áll.** A gép használata közben már egyetlen figyelmen kívül hagyás is súlyos személyi sérüléshez vezethet.
- **Használjon személyi védelmi eszközöket. Mindig viseljen védőszemüveget.** A védelmi felszerelések, mint például a pormaszok, a csúszásmentes biztonsági lábbelik, a védősisak vagy a fülvédő megfelelő használata csökkenti a személyi sérüléseket.
- **Kerülje el a véletlen bekapcsolást. A szerszám szállítása vagy felemelése, az áramellátás és/vagy akkumulátor csatlakoztatása előtt ellenőrizze, hogy a kapcsoló kikapcsolt állásban van.** Szerszámgépek szállítása a kapcsolón tartott ujjal vagy bekapcsolt szerszámgépek áram alá helyezése balesetekhez vezet.
- **A szerszámgépről bekapcsolás előtt távolítsa el minden beállító kulcsot és csavarkulcsot.** Egy a szerszámgép forgó alkatrészén maradt beállító kulcs vagy csavarkulcs személyi sérülést eredményezhet.
- **Ne hajoljon ki túlságosan. Mindig tartson megfelelő testtartást és egyensúlyt.** Ez a szerszámgép jobb irányítását teszi lehetővé váratlan szituációkban.
- **Viseljen megfelelő ruházatot. Ne vegyen fel laza ruhát vagy ékszereket. A haját és a ruházatát tartsa távol a mozgó alkatrészekről.** A laza ruházat, ékszerek vagy a hosszú haj beakadhatnak a mozgó alkatrészekbe.
- **Ha a gép el van látva porkivezető vagy -gyűjtő berendezésekhez való csatlakozási lehetőséggel, akkor ügyeljen rá, hogy ezeket csatlakoztassák és megfelelően használják.** A porfogó használata csökkentheti a porral kapcsolatos veszélyeket.
- **Ne töltsse el elégedettséggel az, hogy a gyakori eszközhasználatból kellő jártasságot szerzett, és ne hagyja figyelmen kívül az eszköz biztonsági alapelveit.** Egy figyelmen kívül hagyás a másodperc törtrésze alatt súlyos sérüléseket okozhat.

## A SZERSZÁMGÉP HASZNÁLATA ÉS KARBANTARTÁSA

- **Ne erőltesse a terméket. A feladathoz a megfelelő szerszámgépet használja.** A megfelelő szerszámgép jobb teljesítménnyel és sokkal biztonságosabban fog dolgozni olyan körülmények között, amilyenekre azt tervezték.
- **Ne használja a szerszámgépet, ha a kapcsoló nem kapcsol be és ki.** Bármilyen szerszámgép veszélyes, amit a kapcsolóval nem lehet irányítani, ezért azt meg kell javítani.
- **Mielőtt beállítást végezne, tartózkodjon cserélne vagy a nagy teljesítményű gépet eltávololná, húzza ki a csatlakozódugót a konnektorból és/vagy vegye ki az akkumulátort, ha eltávolítható.** Az ilyen megelőző biztonsági óvintézkedések csökkentik a szerszámgép véletlen bekapcsolódásának kockázatát.
- **A használaton kívüli gépet gyerekek számára nem elérhető helyen tárolja, és ne hagyja, hogy a szerszámgépet vagy a kézikönyvet nem ismerő személyek használják a szerszámgépet.** Gyakorlatlan felhasználók kezében a szerszámgépek veszélyesek.



## AKKUMULÁTOROS HÓMARÓ BIZTONSÁGI FIGYELMEZTETÉSEI

- Végezze el a nagy teljesítményű gépek és a tartozékok karbantartását. Ellenőrizze a mozgó alkatrészek akadását vagy helytelen beállítását, az alkatrészek törését és minden más körülményt, ami hatással lehet a szerszámgép működésére. Ha sérült, a szerszámgépet használni előtt meg kell javítani. Sok balesetet a rosszul karbantartott szerszámgépek okoznak.
- A vágószerszámok legyenek élesek és tiszták. A megfelelően karbantartott, éles vágóélű vágószerszámok kevésbé akadnak be és könnyebben irányíthatók.
- A szerszámgépet, a tartozékokat és a biteket stb. ezen utasításban leírtaknak megfelelően használja, figyelembe véve a munkakörülményeket és az elvégzendő feladatot. A szerszámgép rendeltetésétől eltérő műveletekre való használata veszélyes helyzeteket eredményezhet.
- A fogantyúkat és a fogófelületeket tartsa szárazon, tisztán, olajtól és kenőzsírtól mentesen. A csúszós fogantyúk és fogófelületek nem teszik lehetővé a gép kezelését és irányítását egy váratlan helyzetben.

### AKKUMULÁTOROS SZERSZÁMGÉP HASZNÁLATA ÉS KARBANTARTÁSA

- Csak a gyártó által megadott töltővel töltsse az akkumulátorokat. Egy adott akkumulátortípushoz való töltő egy másik típusú akkumulátorral való használata tűzveszélyes lehet.
- A szerszámokat csak a hozzájuk való akkumulátorokkal üzemeltesse. Más akkumulátorok használata tűzveszélyes lehet, és sérüléseket okozhat.
- Az akkumulátort használaton kívül tartsa távol más fém tárgyaktól, úgymint gemkapcsoktól, érméktől, kulcsoktól, szögektől, csavaroktól vagy más kisméretű fém tárgyaktól, amelyek rövidre zárhatják a két érintkezőt. Az akkumulátor érintkezőinek rövidre zárása tüzet vagy égéseket okozhat.
- Nem megfelelő körülmények esetén folyadék távozhathat az akkumulátorból, kerülje az azzal való érintkezést. Ha mégis érintkezik vele, öblítse le vízzel. Ha a folyadék szembe kerül, forduljon orvoshoz. Az akkumulátorból kifolyt folyadék irritációt vagy égéseket okozhat.
- Ne használjon sérült vagy átalakított akkucsomagot vagy eszközt. A sérült vagy átalakított akkumulátor előre nem látható módon üzemelhet, ami tüzet, robbanást, más kockázatot vagy sérülést okozhat.
- Ne tegye ki az akkucsomagot vagy az eszközt túl magas hőmérsékletű hatásnak és ne tegye tűzbe ezeket. A tűznek vagy a 130°C feletti hőmérsékletnek való kitettség robbanást okozhat.
- Tartsa be az összes feltöltési utasítást és ne töltsse az akkucsomagot vagy az eszközt az utasításban megadott hőmérséklet-tartományon kívül. A helytelen töltés vagy a megadott tartományon kívüli hőmérsékleten való feltöltés az akkumulátort károsíthatja, és a tűzveszély kockázatát növelheti.

### KARBANTARTÁS

- A szerszámgépet csak szakképzett szervizszakemberrel szervizeltesse, csak azonos cserealkatrészeket használva. Ez biztosítja, hogy a szerszámgép használata továbbra is biztonságos legyen.
- Soha ne javítson sérült akkucsomagokat. Az akkucsomagok javítását csak a gyártó vagy a hivatalos szervizek végezhetik.

### GYAKORLÁS

- A termék használata előtt olvasson el, értsen meg és kövesse a termék minden utasítását a jelen kézikönyvből. Ismerje meg alaposan a vezérlőket és a termék megfelelő használatát. Tanulja meg, hogyan kell a terméket kikapcsolni és a vezérlést gyorsan leállítani.
- Ne hagyja, hogy gyerekek vagy csökkent fizikai, érzékelési vagy értelmi képességgel rendelkező személyek, vagy az utasításokat nem ismerő személyek működtessék, tisztítsák vagy karbantartsák a terméket. A helyi előírások korlátozhatják a kezelő életkorát. A gyerekekre oda kell figyelni, nehogy játsszanak a termékkel.
- A nézelődőket, gyerekeket és a háziállatokat tartsa 15 m távolságban a munkaterülettől. Kapcsolja ki a terméket, ha bárki belép a területére.
- Legyen óvatos, hogy a csúszás vagy leesés elkerülhető legyen, különösen akkor, ha a terméket hátrameneti irányban használja.
- A kavics vagy a zúzott kőzet felületének tisztításához állítsa be a gyűjtőburkolat magasságát.
- A termék üzemelése közben soha ne próbáljon beállításokat végezni.
- A készülék képes kezek és lábak amputálására, tárgyak elhajítására. A biztonsági utasítások be nem tartása súlyos sérülést okozhat.
- Jegyezze meg, hogy a kezelő vagy a felhasználó felelős a más embereknek vagy tulajdonuknak okozott veszélyekért vagy balesetekért.

### ELŐKÉSZÜLET

- Alaposan vizsgálja át a területet, ahol a gépet használni szeretné, és távolítsa el minden lábtörőt, szánkót, táblát, vezetékét és más idegen tárgyat.
- A motor beindítása előtt oldja ki az összes reteszt, és tegye a sebességváltót üresbe.
- A gép működtetése közben mindig viseljen megfelelő téli ruházatot és csúszásmentes biztonsági lábbelit. Kerülje a bő ruha viseletét, vagy amelyből zsinórok vagy madzagok lógnak ki; beakadhatnak a mozgó részekbe.
- Ha hosszú a haja, azt a vállvonalon felett rögzítse, nehogy beakadjon valamilyen mozgó alkatrészekbe.
- Mindig viseljen védőszemüveget vagy szemellenzőt működés közben vagy miközben beállítást vagy javítást végez, hogy megvédje a szemét a termék által esetlegesen kivetett idegen tárgyakat.
- Minden használat előtt ellenőrizze, hogy az összes kezelőszerv és biztonsági eszköz megfelelően működik. Ne használja a terméket, ha a „ki” kapcsoló nem kapcsolja ki a terméket.
- Mindig ellenőrizze minden használat előtt, hogy a ház sértetlen-e, és hogy a védőelemek és a fogantyúk a helyükön vannak-e és megfelelően rögzítettek-e.

### HASZNÁLAT

- Ne használja a terméket, ha villámlás veszélye áll fenn.
- Ne helyezze kezét vagy lábát a forgó részek alá vagy közelébe. A kiűrt nyílás legyen mindig akadálymentes. Ne tegyen semmilyen tárgyat a nyílásokba.
- Nagyon körültekintően járjon el, amikor kavicsos vagy gyalogos úton üzemelteti. Legyen figyelmes a rejtett veszélyek miatt, vagy amikor közutak közelében üzemelteti.





- A mozgó alkatrészekkel való érintkezés miatti sérülés kockázatának csökkentéséhez mindig állítsa le a terméket és vegye ki az akkucsomagot. Ellenőrizze, hogy minden mozgó rész teljesen megállt:
  - egy idegen tárgy eltalálása után sérülés tekintetében vizsgálja át a terméket
  - tisztítás vagy eltömődés megszüntetése előtt
  - mielőtt magára hagyná a terméket
  - ellenőrzés, karbantartás vagy a gépen végzett bármilyen művelet megkezdése előtt
  - ha a gép szokatlanul kezd rezegni (ellenőrizze azonnal) A rezgés általában hibára utaló jel.
- A lejtőkön keresztbe használja a terméket, soha ne felfelé és lefelé haladva. A lejtőn való irányváltás közben legyen különösen óvatos. Ne próbálja eltakarítani a havat meredek lejtőkön.
- Soha ne működtesse a terméket megfelelő védőburkolatok, védőlemezek nélkül, illetve a biztonsági berendezések a helyükre felhelyezése nélkül.
- Soha ne irányítsa a kidobót embereknek vagy területek felé, ahol anyagi kár keletkezhet. A nézelődők, különösen a gyerekek és a háziállatok, legyenek távol a használati területtől.
- Ne terhelje túl a gépet azzal, hogy túl gyorsan próbálja meg eltakarítani a havat.
- Soha ne üzemeltesse a terméket magas szállítási sebességen csúszós felületen. Amikor fordított irányban használja a terméket, tekintsen hátra és használja gondosan.
- Szakítsa meg az energiaellátást és tegye a kidobóra/járókerékre, amikor a terméket szállítja vagy nem használja.
- Csak a gyártó eredeti cserealkatrészeit, tartozékait és szereléseit használja.
- Soha ne üzemeltesse a terméket jó látási viszonyok vagy fény nélkül. Mindig stabilan álljon és szilárdan tartsa a fogantyúkat. Gyalogoljon, ne fusson.
- Ne helyezze a terméket semmilyen felületre, kivéve a kemény, tiszta felületet, amikor a motor működik. A légbemenet felszedhet kavicsot, homokot és egyéb törmelékét, és ez eldobjáthat a kezelő vagy a nézelődők felé, ami súlyos sérüléseket okozhat.
- Ne működtesse a terméket üveg burkolatok, gépjárművek, ablakok vagy ajtók közelében a hó kidobási szögének megfelelő beállítása nélkül.
- Ha a termék leesik, erős ütés éri vagy rendellenesen rezegni kezd, azonnal kapcsolja ki és vizsgálja meg, hogy nem sérült-e meg, illetve azonosítsa a rezgés okát. Minden sérülést hivatalos szervizközpontban kell megjavíttatni vagy kicseréltetni.
- A termék -20 °C és 20 °C közötti hőmérsékleten működtethető és tárolható, azonban az akkumulátorcsomag hőmérsékletét 0 °C fölött kell tartani. Ne tárolja az akkumulátorcsomagot 0 °C alatti hőmérsékleten. A fagyponthoz alatti hőmérséklet csökkentheti az akkumulátorcsomag teljesítményét és kapacitását. Ha az akkumulátorcsomagot éppenhogy 0 °C fölött tárolja, a tényleges munka megkezdése előtt működtesse a terméket legalább 2 percig, hogy felmelegedjen az akkumulátorcsomag. A munka befejezésekor vagy az akkumulátorcsomag lemerülése után távolítsa el azt a termékből, és tárolja olyan helyen, ahol a környezeti hőmérséklet 0 °C és 20 °C közé esik.
- A készüléket 0 °C és 40 °C közötti hőmérsékleten tárolja.
- A termék bizonyos alkatrészei megfagyhatnak szélsőséges időjárási körülmények között. Ne működtesse a terméket fagyott alkatrészekkel.
- Mielőtt elrakná a terméket, a munka befejezése után havat bekapcsolva néhány percig, hogy eltávolítsa a havat a csigáról.

## AZ AKKUMULÁTOR KIEGÉSZÍTŐ BIZTONSÁGI FIGYELMEZTETÉSEI

- A rövidzárlat általi tűz, sérülések vagy termékkárosodások veszélye elkerülésére ne merítse a szerszámot, a cserélhető akkut vagy a töltőkészüléket folyadékokba, és gondoskodjon arról, hogy ne hatoljanak folyadékok a készülékekbe és az akkukba. A korrozív hatású vagy vezetőképes folyadékok, mint pl. a sós víz, bizonyos vegyi anyagok, fehérítők vagy fehérítő tartalmú termékek, rövidzárlatot okozhatnak.
- Olyan helyen töltsze az akkumulátort, ahol a környezeti hőmérséklet 10 °C és 38 °C között van.
- Az akkumulátort 0 °C és 20 °C közötti hőmérsékleten tárolja.
- Ne tárolja az akkumulátorcsomagot 0 °C alatti hőmérsékleten. A fagyponthoz alatti hőmérséklet csökkentheti az akkumulátorcsomag teljesítményét és kapacitását.

## TIPPEK A HASZNÁLATHOZ

- A termék nem fog működni, ha a felső fogantyú nem megfelelően van felszerelve és a fogantyút reteszelő kapocs nincs biztonságosan rögzítve. Ha a terméket nem megfelelően szerelik össze, a biztonsági retesz van a véletlen indulás megakadályozására.
- A termék működtetése előtt mindig figyelje meg a szélirányt. A havat a széllel azonos irányba őrítse, hogy megakadályozza, hogy a hó a kezelőhöz érkezen vissza.

## ELTÖMÖDÉS MEGSZÜNTETÉSE

A súlyos sérülések elkerülése érdekében ne tegye a kezét vagy a lábát a termék vagy a kidobócsúszda elé. Ne kézzel tisztítsa a kidobócsúszdát.

1. Kapcsolja ki és távolítsa el az akkumulátort. Ellenőrizze, hogy minden mozgó rész teljesen megállt.
2. Egy fa rúd segítségével szüntesse meg az eldugulást. Legyen óvatos, mert a propeller az eltömődés megszüntetése közben a mechanizmusban eltárolt energia miatt magától is elfordulhat.
3. A fa rúddal forgassa el a propeller szerelvényét.
4. Amint a propellert el lehet forgatni a fa rúddal, mozgassa azt a termék hátulja felé. Nem jelent megbíásodást, ha a propeller mechanizmus akadozva mozog. Ellenőrizze, hogy a működés biztonságos a további hóeltakarításhoz.

## SZÁLLÍTÁS ÉS TÁROLÁS

- Tárolás vagy szállítás előtt kapcsolja ki a terméket, vegye ki az akkucsomagot és hagyja kihűlni.
- Ha a terméket hosszabb ideig szeretné tárolni, mindig olvassa el a kezelési útmutatót a fontos részletekért.
- Minden idegen anyagtól tisztítsa meg a terméket. Száraz, jól szellőztetett, gyerekektől elzárt helyen tárolja a terméket. A terméket tartsa távol a korrodáló szerektől, például kerti vegyszerektől vagy a jégmentesítő sótól. Ne tárolja a terméket kültéren.
- Szállításkor rögzítse a terméket elmozdulás és leesés ellen, hogy elkerülje a sérüléseket és a termék sérülését.

## LÍTIUM AKKUMULÁTOROK SZÁLLÍTÁSA

Az akkumulátorokat a helyi és nemzeti előírásokkal és szabályokkal összhangban szállítsa.

Az akkumulátorok külső fél általi szállításakor kövesse a csomagolásra és a címkézésre vonatkozó speciális előírásokat. Ügyeljen arra, hogy az akkumulátorok ne érhessenek más akkumulátorokhoz vagy vezető anyagokhoz szállítás közben; ehhez a szabadon maradt csatlakozókat védje szigetelő fedéllel vagy szalaggal. Ne szállítson repedt



vagy szivárgó akkumulátorokat. További információért vegye fel a kapcsolatot a továbbítást végző céggel.

## KARBANTARTÁS

- Csak a gyártó eredeti cserealkatrészeit, tartozékait és szereléseit használja. Ennek figyelmen kívül hagyása gyenge motorfejlesztményt, esetleges sérülést és a jótállás elvesztését okozhatja.
- szervizelés különös figyelmet és hozzáértést igényel, és csak szakképzett szerelő végezheti el. A terméket csak engedéllyel rendelkező szervizben javíttassa.
- Kapcsolja ki és távolítsa el az akkumulátort. A tisztítási és karbantartási műveletek megkezdése előtt győződjön meg arról, hogy minden mozgó alkatrész teljesen megállt.
- Gyakori időközönként ellenőrizze a csavaranyák, csavarok és fejescsavarok megfelelő meghúzását, hogy a termék biztonságos üzemi állapotban legyen. A sérült alkatrészeket egy hivatalos szervizközpontban kell megjavítani vagy kicseréltetni.
- A sérült vagy olvashatatlanná vált címkék cseréjéhez vigye vissza a terméket egy hivatalos szervizközpontba.
- A járókerék lefagyásának megakadályozása érdekében járassa párszor a terméket, hogy a járókerék fagyását megakadályozza.
- A használati útmutatóban leírt beállításokat és javításokat Ön is elvégezheti. Egyéb javítás tekintetében a terméket csak engedéllyel rendelkező szervizben javíttassa.
- Használat után a műanyag részeket tisztítsa meg puha, száraz ronggyal.

## ISMERJE MEG A TERMÉKET

Lásd 115. oldal.

1. Felső fogantyú
2. Főkapcsoló kar
3. Kezelői kézikönyv
4. Indítógomb
5. Fűrő sebességkarja
6. Csúszda forgatókar
7. Csúszda terelő
8. Terelőgomb
9. Első lámpa
10. Fogantyúállító kar
11. Propeller
12. Akkumulátor fedél
13. Akkumulátor
14. Töltő
15. Csavarok
16. Csavarhúzó

## SZIMBÓLUMOK



A termék használata előtt olvasson el és értsen meg minden utasítást. Tartsa be az összes figyelmeztetést és biztonsági utasítást.



Figyeljen a kivetett vagy repülő tárgyakra. A működési területtől tartson legalább 15 m-es távolságban minden nézelődőt, különösen a gyerekeket és a háziállatokat.



Viseljen védőszemüveget



Ne tegye ki esőnek, és ne használja nedves környezetben.



Kerülje a forgó járókeréklapát által okozott sérüléseket. Tartsa távol a kezét, a lábát és a ruházatát.



A működési területtől tartson legalább 15 m-es távolságban minden nézelődőt, különösen a gyerekeket és a háziállatokat.



Ne működtesse a terméket lejtőn.



Kezét tartsa távol a gép elejétől és a termék üritőcsúszdájától.



Vegye ki az akkumulátort.



Ne kézzel tisztítsa a kidobócsúszdát.



Garantált hangteljesítményszint

Az akkumulátorok, valamint az elektromos és elektronikus berendezések hulladékait ne dobja a válogatatlan települési hulladékok közé. Az akkumulátorok, valamint az elektromos és elektronikus berendezések hulladékait elkülönítve gyűjtse. A hulladékká vált elemeket, akkumulátorokat és fényforrásokat vegye ki a berendezésből. A helyi hatóságoktól vagy a forgalmazótól kérhet információt az újrahasznosításról, illetve arról, hogy hol található gyűjtőpont. A helyi szabályozások szerint a kereskedők kötelesek lehetnek ingyen visszavenni az akkumulátorok, illetve az elektromos és elektronikus berendezések hulladékait. A hozzájárulása az akkumulátorok, illetve az elektromos és elektronikus berendezések hulladékainak újrafelhasználásához és újrafeldolgozásához segít csökkenteni a nyersanyagok iránti keresletet. Különösen a lítiumot tartalmazó akkumulátorok, illetve az elektromos és elektronikus berendezések hulladékai értékes és újrafeldolgozható anyagokat tartalmaznak, amelyek káros hatással lehetnek a környezetre és az emberi egészségre, ha nem környezetbarát módon kezelik őket. A hulladékká vált berendezésből szükség esetén törölje a személyes adatokat.





Siguranța, performanța și fiabilitatea au constituit principalele noastre preocupări la proiectarea frezei de zăpadă fără cablu.

## UTILIZARE PREVĂZUTĂ

Freză de zăpadă fără cablu este destinată numai pentru utilizarea în exterior, de către un operator care stă în picioare, în spații bine ventilate. Produsul este conceput pentru a fi utilizat de adulți care au citit și au înțeles instrucțiunile și avertismentele din acest manual și pot fi considerați responsabili pentru acțiunile proprii. Din motive de securitate, produsul trebuie controlat adecvat de operarea cu ambele mâini, tot timpul.

Produsul este proiectat pentru curățarea zăpezii în zone precum alei, trotuare, cărări, pasaje, drumuri și în jurul caselor. Produsul poate să elibereze zăpadă la o adâncime de maxim 33 cm.

Produsul nu trebuie niciodată operat cu roțile desprinse de sol. Pe produs nu trebuie să fie plasat nimic. Produsul trebuie utilizat numai conform descrierii din prezentul manual.

Nu folosiți în alte scopuri.

## ATENȚIONĂRI GENERALE CU PRIVIRE LA SIGURANȚA ÎN UTILIZARE A DRUJBEI CU LANȚ

**⚠ AVERTISMENT!** Citiți toate instrucțiunile privind avertizările de siguranță, ilustrațiile și specificațiile furnizate împreună cu acest produs. Nerespectarea instrucțiunilor prezentate în continuare poate provoca accidente cum ar fi incendii, electrocutare și/sau vătămări corporale grave.

**Păstrați aceste avertismente și instrucțiuni, pentru a le putea consulta ulterior.**

Termenul „unealtă electrică” din avertizări se referă la unealta dvs. electrică alimentată la curent (cu fir) sau la baterie (fără fir).

### MEDIUL DE LUCRU

- **Mențineți curată și bine iluminată zona de lucru.** Zonele dezordonate și întunecate prezintă pericol de accidente.
- **Nu operați cu unealta electrică în atmosfere explozive, precum în prezența lichidelor, gazelor sau a prafului inflamabil(e).** Unelele electrice creează scântei care pot aprinde praful sau vaporii.
- **Țineți copiii și persoanele din jur la distanță în timpul operării unei unelte electrice.** Distragerea atenției vă poate face să pierdeți controlul.

### SIGURANȚĂ ELECTRICĂ

- **Ștecărele uneltelor electrice trebuie să se potrivească cu priza. Nu modificați niciodată ștecărul în nici un fel. Nu folosiți niciodată adaptoare de ștecăr cu uneltele electrice cu împământare.**

Ștecărele nemodificate și prizele potrivite reduc riscul de electrocutare.

- **Evitați contactul corpului cu suprafețele conectate la împământare, precum țevi, radiatoare, reșouri, mașini de gătit și frigider.** Există un risc crescut de electrocutare când corpul dumneavoastră are contact cu împământarea.
- **Nu expuneți produsul la ploaie sau condiții de umiditate.** Apa care intră într-o unealtă electrică va crește riscul de electrocutare.
- **Nu forțați cablul. Nu trageți niciodată unealta electrică de cablul de alimentare pentru a o transporta, a o trage sau a scoate ștecărul din priză. Țineți cablul de alimentare departe de căldură, ulei, muchii ascuțite sau piese în mișcare.** Cablurile deteriorate sau încurcate cresc riscul de electrocutare.
- **Atunci când lucrați cu o unealtă electrică în aer liber, folosiți un prelungitor adecvat pentru utilizarea în aer liber.** Folosirea unui prelungitor adecvat pentru utilizarea în aer liber reduce riscul de electrocutare.
- **În cazul în care operarea unei unelte electrice într-o zonă umedă nu poate fi evitată, folosiți o alimentare protejată cu un dispozitiv de curent rezidual (RCD).** Utilizarea unui RCD reduce riscul de electrocutare.

### SIGURANȚĂ PERSONALĂ

- **Fiți vigilenți, fiți atenți la ceea ce faceți, acționați cu simț practic când operați o unealtă electrică. Nu folosiți unealta electrică în timp ce sunteți obosit sau sub influența drogurilor, a alcoolului sau a medicamentelor.** Un moment de neatenție în timpul operării uneltelor electrice poate cauza vătămare personală gravă.
- **Utilizați echipament personal de protecție. Purtați întotdeauna ochelari de protecție.** Echipamentele de protecție, precum masca de praf, încălțăminte de protecție antiderapantă, casca sau protecția auditivă, folosite în condiții adecvate, vor reduce riscul rănilor.
- **Împiedică pornirea accidentală. Asigurați-vă că comutatorul este în poziția oprit înainte deconectarea la sursa de alimentare și / sau la acumulator, ridicarea sau transportul uneltei.** Transportarea uneltelor electrice cu degetul pe comutator sau punerea sub tensiune a uneltelor electrice care au comutatorul în poziția pornit predisune la accidente.
- **Îndepărtați orice cheie de reglare înainte de a porni unealta.** O cheie sau rămasă atașată de o piesă rotativă a uneltei electrice poate cauza vătămări corporale.
- **Nu vă aplecați excesiv. În timpul operării dispozitivului, păstrați-vă în permanență echilibrul și stabilitatea.** Acest lucru permite un mai bun control al uneltei electrice în situații neașteptate.
- **Îmbrăcați-vă corespunzător. Nu purtați haine largi sau bijuterii. Păstrați-vă părul și îmbrăcămintea departe de piesele în mișcare.** Hainele largi, bijuteriile sau părul lung pot fi prinse de piesele aflate în mișcare.



- Dacă sunt prevăzute dispozitive pentru conectarea facilităților de extracție și de colectare a prafului, asigurați-vă că acestea sunt conectate și folosite corect. Utilizarea colectării prafului poate reduce riscurile legate de praf.
- Obişnuiţa dobândită prin utilizarea frecventă a instrumentelor nu trebuie să vă facă impasibili și să ignorați principiile de siguranță privind instrumentele. O acțiune neatență poate cauza vătămarea gravă într-o fracțiune de secundă.

#### FOLOSIREA ȘI ÎNTREȚINEREA UNELTEI ELECTRICE

- Nu forțați produsul. Folosiți unealta electrică corectă pentru aplicație. Unealta electrică corectă va funcționa mai bine și mai sigur la viteza pentru care a fost proiectată.
- Nu folosiți unealta electrică dacă comutatorul nu o poate porni și opri. Orice unealtă electrică, care nu poate fi controlată cu comutatorul este periculoasă și trebuie reparată.
- Înainte de a efectua reglaje, de a schimba accesoriile sau de a depozita o unealtă electrică, deconectați ștecherul de la rețea și/sau acumulatorul de la unealtă. Astfel de măsuri preventive de siguranță reduc riscul de pornire accidentală a unelei electrice.
- Nu lăsați uneltele electrice la îndemâna copiilor și nu permiteți persoanelor nefamiliarizate cu uneltele electrice sau cu aceste instrucțiuni să folosească uneltele. Uneltele electrice sunt periculoase în mâinile utilizatorilor neinstruiți.
- Efectuați regulat lucrări de întreținere a uneltelor electrice și accesoriilor acestora. Verificați alinierea sau lipirea pieselor în mișcare, spargerea pieselor, precum și orice altă stare care poate afecta funcționarea unelei electrice. Dacă este deteriorată, solicitați repararea unelei înainte de utilizare. Multe accidente sunt cauzate de uneltele electrice întreținute necorespunzător.
- Păstrați uneltele de tăiere ascuțite și curate. Uneltele de tăiere corect întreținute, cu muchii de tăiere ascuțite au o probabilitate mai redusă de lipire și sunt mai ușor de controlat.
- Folosiți uneltele electrice, accesoriile și burghiile etc. în conformitate cu aceste instrucțiuni, ținând cont de condițiile de lucru și de lucrarea care urmează să fie efectuată. Utilizarea unelei electrice pentru alte operații decât cele preconizate poate duce la situații periculoase.
- Țineți mânerul și suprafețele de apucare uscate, curate, fără ulei sau grăsime. Mânerul alunecoase și suprafețele neregulate nu permit o manipulare sigură și un control al aparatului în situații neașteptate.

#### FOLOSIREA ȘI ÎNTREȚINEREA MAȘINII CU ACUMULATOR

- Reîncărcați numai cu încărcătorul specificat de producător. Un încărcător destinat unui anumit tip de

acumulator este folosit la încărcarea altor acumulatori există pericolul de incendii.

- Folosiți uneltele electrice numai cu acumulatorii indicați. Utilizarea oricăror alți acumulatori poate crea un risc de vătămare și de incendiu.
- Atunci când acumulatorul nu este în uz, păstrați-l departe de alte obiecte metalice, cum ar fi agrafe de birou, monede, chei, cuie, șuruburi sau alte obiecte metalice mici, care pot face o conexiune de la o bornă la alta. Scurtcircuitarea bornelor bateriei poate provoca arsurii sau incendii.
- Ca urmare a folosirii necorespunzătoare, din acumulator se poate scurge lichid; evitați contactul cu acesta. În cazul unui contact accidental, spălați cu apă. În cazul contactului cu ochii, consultați suplimentar un medicul. Lichidul care iese din acumulator poate provoca iritații sau arsuri.
- Nu utilizați acumulatori sau uneltele deteriorate sau modificate. Acumulatorii deteriorați sau modificați au un comportament imprevizibil și prezintă pericol de incendiu, explozie sau accidentare.
- Nu expuneți acumulatorul sau uneltele la foc sau temperaturi excesive. Expunerea la foc sau temperaturi de peste 130°C prezintă pericol de explozie.
- Respectați toate instrucțiunile de încărcare și nu încărcați acumulatorul sau uneltele la temperaturi din afara intervalului specificat în instrucțiuni. Încărcarea necorespunzătoare sau la o temperatură din afara intervalului specificat poate deteriora acumulatorul și crește riscul de incendiu.

#### ÎNTREȚINERE

- Solicitați efectuarea lucrărilor de service la uneltele dvs. electrice numai de către o persoană calificată în reparații, folosind numai piese de schimb identice. Acest lucru va garanta că siguranța unelei electrice este menținută.
- Nu trebuie să efectuați niciodată reparații asupra acumulatorilor deteriorate. Reparațiile asupra acumulatorilor trebuie să fie efectuate numai de către producător sau de furnizorii de servicii autorizați.

#### ATENȚIONĂRI DE SIGURANȚĂ PRIVIND FREZA DE ZĂPADĂ FĂRĂ CABLU

#### INSTRUIRE

- Citiți, înțelegeți și urmați toate instrucțiunile de pe produs și din prezentul manual înainte de a utiliza produsul. Familiarizați-vă corespunzător cu comenzile și utilizarea corectă a produsului. Trebuie să știți cum se oprește rapid echipamentul și cum se deconectează din butoane.
- Nu permiteți niciodată copiilor sau persoanelor cu capacități fizice, senzoriale sau mintale reduse, sau cele nefamiliare cu aceste instrucțiuni, să opereze, curețe sau să efectueze întreținerea produsului. Reglementările



locale pot restricționa vârsta operatorului. Copiii trebuie să fie supravegheați adecvat pentru a vă asigura că nu se joacă cu produsul.

- Țineți trecătorii, copiii și animalele de companie la 15 metri depărtare de zona de operare. Oprii echipamentul dacă cineva intră în zona de lucru.
- Fiți atenți pentru a evita alunecarea sau căderea, în special atunci când utilizați produsul cu spatele.
- Reglați înălțimea carcasei colectorului pentru a curăța suprafețele cu pietriș sau pietre zdrobite.
- Nu încercați niciodată să efectuați ajustări în timp ce aparatul funcționează.
- Acest produs este capabil să amputeze mâini și picioare și să azvârle obiecte. Nerespectarea tuturor instrucțiunilor de siguranță poate avea ca rezultat vătămări grave.
- Rețineți că operatorul sau utilizatorul este responsabil pentru accidente sau pericolele ce pot avea loc asupra altor persoane sau proprietății lor.

### PREGĂTIRE

- Inspectați complet zona unde mașina este folosită și îndepărtați toate preșurile, săniile, plăcile, firele și toate obiectele străine.
- Degajați toate butoanele și treceți pe faza neutră înainte de a porni motor.
- În timpul operării mașinii purtați întotdeauna îmbrăcăminte de iarnă adecvată și încălțăminte de protecție nealunecoasă. Evitați purtarea de haine largi sau care au cordoane sau șireturi etc; ele pot fi prinse în părțile în mișcare ale aparatului.
- Strângeți părul lung mai sus de nivelul umerilor pentru a preveni prinderea în orice piese în mișcare.
- Purtați întotdeauna ochelari de protecție sau protecții pentru ochi în timpul operării sau în timpul efectuării reglajelor sau reparațiilor, pentru a vă proteja ochii de obiectele străine care pot fi proiectate de produs.
- Asigurați-vă că înainte de fiecare folosire toate funcțiile de control și dispozitivele de siguranță funcționează corect. Nu utilizați produsul dacă butonul „oprit” nu reușește să oprească produsul.
- Înainte de fiecare utilizare, verificați întotdeauna dacă există defecțiuni la carcasă și dacă mânerul și protecțiile sunt bine fixate la locul lor.

### UTILIZARE

- Nu folosiți produsul când există risc de fulgere.
- Nu puneți mâinile sau picioarele în apropierea sau sub piesele în rotație. Mențineți libere deschizăturile de golire tot timpul. Nu puneți niciun obiect în deschizături.
- Acordați o atenție deosebită atunci când folosiți freza pe alei sau poteci cu pietriș sau la traversarea acestora. Vă recomandăm atenție la eventuale pericole ascunse

sau atunci când utilizați freza în apropierea drumurilor publice.

- Pentru a se reduce riscul de accidentare în urma contactului cu piesele în mișcare, oprii întotdeauna echipamentul atunci când nu îl utilizați și deconectați acumulatorul. Asigurați-vă că toate piesele mobile s-au oprit complet:
  - după lovirea unui obiect străin să inspectați produsul să nu fie deteriorat.
  - înaintea curățării sau deblocării înfundării
  - înainte de a lăsa produsul nesupravegheat
  - înaintea verificării, efectuării întreținerii sau utilizării produsului
  - dacă produsul începe să vibreze anormal (verificați imediat) Vibrația în general avertizează asupra unei probleme.
- Folosiți produsul de-a latul pantelor, niciodată în jos și în susul ei. Acordați atenție maximă atunci când schimbați direcția pe pantă. Nu încercați să curățați pante abrupte.
- Nu operați niciodată produsul fără apărătorile, plăcile corespunzătoare sau alte dispozitive protective de siguranță montate la locul lor.
- Nu îndreptați niciodată tubul de evacuare către persoane sau zone unde se pot produce pagube materiale. Țineți toate persoanele departe de zona de operare, în special copiii și animalele de companie.
- Nu suprasolicitați capacitatea mașinii prin încercarea de curățare a zăpezii la un ritm prea rapid.
- Nu utilizați niciodată produsul la viteze mari de transport pe suprafețe alunecoase. Priviți în spate și aveți grijă atunci când operați freza cu spatele.
- Decuplați alimentarea colectorului/rotorului atunci când transportați produsul.
- Folosiți doar piese de schimb, accesorii și atasamente originale ale producătorului
- Nu utilizați niciodată produsul fără o vizibilitate bună sau lumină. Aveți grijă întotdeauna unde puneți piciorul și țineți ferm manetele. Mergeți. Nu alergați niciodată.
- Nu așezați niciodată produsul pe nicio suprafață, cu excepția unei suprafețe dure, atunci când motorul funcționează. Pietrișul, nisipul și alte resturi pot fi prinse de admisia de aer și aruncate înspre operator sau trecători, provocând posibile vătămări grave.
- Nu operați niciodată produsul lângă împrejmuiri din sticlă, automobile, ferestre sau intrări fără reglarea corespunzătoare a unghiului de direcționare a zăpezii.
- Dacă produsul este scăpat din mână, suferă un impact puternic sau începe să vibreze anormal, oprii-l imediat și inspectați-l, căutând eventualele deteriorări sau sursa vibrațiilor. Orice deteriorare trebuie reparată corespunzător sau înlocuită la un centru service autorizat.
- Acest produs poate fi folosit și depozitat la temperaturi cuprinse între -20 °C și 20 °C, atâta timp cât temperatura



acumulatorului este menținută la o temperatură de peste 0 °C. Nu depozitați acumulatorul la o temperatură sub 0 °C. Temperaturile sub zero grade pot reduce performanța și capacitatea acumulatorului. Dacă acumulatorul este depozitat la o temperatură de puțin peste 0 °C, porniți produsul timp de cel puțin 2 minute pentru a încălzi acumulatorul înainte de a începe funcționarea normală. După terminarea lucrului sau dacă acumulatorul este descărcat, scoateți acumulatorul din produs și depozitați-l într-un loc unde temperatura ambientală este cuprinsă între 0 °C și 20 °C.

- Depozitați produsul într-un loc unde temperatura ambientală este între 0°C și 40°C.
- Unele componente ale produsului pot îngheța în condiții meteo extreme. Nu folosiți produsul când componentele sunt înghețate.
- Înainte de depozitare, lăsați produsul să funcționeze câteva minute după utilizare pentru a îndepărta zăpada de pe burghiu.

#### AVERTISMENTE SUPLIMENTARE PRIVIND SIGURANȚA LA UTILIZAREA BATERIILOR

- Pentru a reduce riscurile de incendiu, accidentare și deteriorare a produsului în urma unui scurtcircuit, nu scufundați niciodată produsul, acumulatorul sau încărcătorul în lichide și nici nu permiteți pătrunderea lichidelor în interiorul acestora. Lichidele corosive sau cu conductibilitate, precum apa sărată, anumite substanțe chimice și înălbitori sau produse ce conțin înălbitori, pot provoca un scurtcircuit.
- Încărcați acumulatorul într-un loc unde temperatura ambientală este între 10°C și 38°C.
- Depozitați acumulatorul într-un loc unde temperatura ambientală este între 0°C și 20°C.
- Nu depozitați acumulatorul la o temperatură sub 0 °C. Temperaturile sub zero grade pot reduce performanța și capacitatea acumulatorului.

#### SFATURI PRIVIND OPERAREA

- Produsul nu va funcționa dacă mânerul superior nu este corespunzător potrivit și cleva de blocare a mânerului nu este fix potrivit. Există 2 mecanisme de interblocare de siguranță care împiedică pornirea accidentală când produsul nu este corect asamblat.
- Luați aminte de direcția vântului înainte de a folosi produsul. Descărcați zăpada în direcția vântului pentru ca zăpada să nu fie azvârlită înapoi către operator.

#### ELIBERAREA UNEI BLOCĂRI

Nu puneți niciodată mâinile sau picioarele în fața produsului sau a jgheabului de evacuare pentru a evita vătămarea gravă. Nu folosiți mâinile pentru a curăța recipientul de evacuare.

1. Opriti alimentarea și deconectați acumulatorul. Asigurați-vă că toate piesele mobile s-au oprit complet.

2. Îndepărtați materialul obstrucționant cu ajutorul stinghiei de lemn. Fiți atent, rotorul ar putea să se miște în timpul eliminării blocajului datorită energiei stocate în mecanism.
3. Rotiți ansamblul rotorului folosind bățul de lemn.
4. Odată ce rotorul poate fi rotit cu bățul de lemn, mutați-l la partea din spate a produsului. Este normal ca mecanismul rotorului să aibă o mișcare în trepte. Asigurați-vă că este sigur să continuați curățarea zăpezii.

#### TRANSPORTAREA ȘI DEPOZITAREA

- Opriti echipamentul, scoateți acumulatorul și lăsați să se răcească atât echipamentul cât și acumulatorul înainte de transport sau depozitare.
- Pentru detalii importante, apelați întotdeauna la manualul operatorului dacă produsul trebuie depozitat pentru o perioadă mai mare.
- Curățați toate materialele străine din produs. Százaz, jól szellőztetett, gyerekektől elzárt helyen tárolja a terméket. Păstrați produsul la distanță de agenți corozivi, precum substanțe chimice de grădină și săruri de dezghețare. Nu depozitați produsul în aer liber.
- Pentru transportare, fixați produsul împotriva mișcării sau căderii pentru a preveni vătămarea persoanelor sau deteriorarea produsului.

#### TRANSPORTAREA BATERIILOR DE LITIU.

Transportați bateriile în conformitate cu prevederile și reglementările locale și naționale.

Urmați toate cerințele speciale privind împachetarea și etichetarea atunci când transportați baterii către un terț. Asigurați-vă că nicio baterie nu poate să intre în contact cu alte baterii sau materiale conductive în timpul transportului prin protejarea conectorilor expuși cu bandă, capace izolatoare neconductive. Nu transportați bateriile ce sunt crăpate sau care au scurgeri. Verificați cu firma transportatoare pentru recomandări ulterioare.

#### ÎNȚEȚINERE

- Folosiți doar piese de schimb, accesorii și atasamente originale ale producătorului. Neurmarea acestora poate cauza posibilă vătămare, slaba funcționare și ar putea anula garanția.
- Service-ul necesită atenție și cunoștințe deosebite și trebuie îndeplinit doar de către un tehnician service calificat. Duceți produsul la reparații numai într-un centru service autorizat.
- Opriti alimentarea și deconectați acumulatorul. Asigurați-vă că toate părțile mobile se află în stare completă de repaus înainte de a efectua o operație de curățare sau mentenanță.
- Verificați toate piulițele, suruburile la intervale frecvente de timp ca să fie corespunzător strânse pentru a vă asigura că produsul este în stare de lucru în siguranță.

Orice piesă deteriorată trebuie să fie reparată în mod corespunzător sau înlocuită de un service autorizat.

- Duceți produsul la un centru service autorizat pentru a înlocui etichetele deteriorate sau ilizibile.
- Rulați produsul de câteva ori după ce l-ați folosit la aruncarea zăpezii, pentru a preveni înghețarea rotorului.
- Puteți face reglaje și reparații descrise în acest manual de instrucțiuni. Pentru alte reparații, produsul trebuie prezentat numai unui centru de service autorizat.
- După fiecare utilizare curățați piesele din plastic cu o cârpă moale și uscată.

## CUNOAȘTEȚI-VĂ PRODUSUL

Vezi pagina 115.

1. Mâner superior
2. Mâner on/off
3. Manualul operatorului
4. Butonul de pomire
5. Manetă de viteză melc
6. Levier de rotire a jgheabului
7. Deflector jgheab
8. Buton apărător
9. Far
10. Manetă de ajustare a mânerului
11. Rotor
12. Capacul acumulatorului
13. Acumulator
14. Încărcător
15. Șuruburi
16. Șurubelniță

## SIMBOLURI



Citiți și înțelegeți toate instrucțiunile înainte de a utiliza produsul. Respectați toate avertismentele și instrucțiunile de siguranță.



Feriți-vă de obiecte proiectate sau în zbor. Mențineți o distanță de cel puțin 15 m între zona de lucru și persoanele prezente, mai ales copii și animale.



Purtați întotdeauna ochelari de protecție



Nu expuneți produsul la ploaie sau umezeală.



Evitați răniurile cauzate de axul în mișcare. Țineți la distanță mâinile, picioarele și hainele.



Mențineți o distanță de cel puțin 15 m între zona de lucru și persoanele prezente, mai ales copii și animale.



Nu utilizați mașina în pantă.



Țineți mâinile și picioarele la distanță față de partea din față a mașinii și de jgheabul de evacuare al produsului.



Scoateți acumulatorul.



Nu folosiți mâinile pentru a curăța recipientul de evacuare.



Nivel garantat al puterii acustice

A nu se arunca deșeurile de echipamente electronice și electrice și bateriile epuizate la gunoiul menajer. Deșeurile formate din echipamente electrice și electronice și bateriile epuizate trebuie colectate separat. Sursele de iluminare, bateriile și acumulatorii epuizați trebuie scoase din aceste echipamente. Adresați-vă autorităților sau distribuitorilor locali pentru a afla informații despre punctele de colectare. Conform reglementărilor naționale, vânzătorii cu amănuntul au obligația de a colecta bateriile epuizate, deșeurile de echipamente electrice și electronic, gratuit. Contribuția dvs. la reciclarea și reutilizarea bateriilor, a echipamentelor electrice și electronice ajută la reducerea cererii de materii prime. Bateriile epuizate, în special cele cu litu, deșeurile formate din echipamente electrice și electronice conțin materiale reciclabile valoroase, care pot avea o influență negativă asupra mediului înconjurător și asupra sănătății umane, dacă nu sunt eliminate într-o manieră ecologică. Ștergeți datele personale din echipamentul deșeu, dacă este cazul.



Radot akumulatoru sniega pūtēju, drošībai, veiktspējai un uzticamībai ir pievērsta vislielākā vērība.

## PAREDZĒTAIS LIETOJUMS

Akumulatoru sniega pūtējs ir paredzēts tikai lietošanai ārpus telpām, labi apgaismotā vietā, lietotājam ejot aiz produkta. Izstrādājums ir radīts tikai izmantošanai pieaugušajiem, kas ir izlasījuši un izpratuši instrukcijas un brīdinājumus šajā rokasgrāmatā un var tikt uzskatīti par atbildīgiem par savu rīcību. Drošības apsvērumu dēļ produkts ir atbilstoši jākontrolē, visu laiku strādājot ar abām rokām.

Ierīce ir izstrādāta sniega tīrīšanai dažādās vietās, piemēram, piebraucamajos ceļos, ietvēs, gājēju ceļos, takās, brauktuvēs un ap mājām. Ar ierīci var nopūst sniegu līdz 33 cm dziļumam.

Preci nekad nedrīkst darbināt ar paceltiem riteņiem. Uz produkta nedrīkst braukt. Produktu drīkst lietot tikai kā aprakstīts šajā rokasgrāmatā.

Nelietojiet citiem mērķiem.

## VISPĀRĒJIE PRODUKTA DROŠĪBAS BRĪDINĀJUMI

**⚠ BRĪDINĀJUMS!** Izlasiet visus drošības brīdinājumus, norādes, ilustrācijas un specifikācijas, kas sniegtas kopā ar šo izstrādājumu. Visu uzskaitīto instrukciju neievērošana ir bīstama; tā var izraisīt elektrisko triecienu, aizdegšanos un/vai nopietnus miesas bojājumus.

Brīdinājumus un instrukcijas saglabājiet turpmāai uziņai. Apzīmējums "elektroinstrumentus" brīdinājumos attiecas uz jūsu elektroinstrumentu, kas tiek darbināts no elektrotīkla (ar vadu) vai ar akumulatora (bezvadu) palīdzību.

## DARBA VIETA

- Turiet darba vietu tīru un labi apgaismotu. Pārblīvētās un tumšas vietas izraisa negadījumus.
- Nedarbiniet elektroinstrumentus sprādzienbīstamā vidē, piemēram, degošu šķidrumu, gāzu vai putekļu klātbūtnē. Elektroinstrumenti rada dzirksteles, kas var aizdedzināt putekļus vai gāzes.
- Neļaujiet bērniem un blakusstāvētājiem tuvoties darbā esošiem elektroinstrumentiem. Izkļaidības dēļ jūs varat zaudēt kontroli.

## ELEKTRODROŠĪBA

- Elektroinstrumenta kontaktdakšai jāatbilst kontaktlīdzdaļi. Nekad nepārveidojiet kontaktdakšu. Sazemētiem elektroinstrumentiem nelietojiet pārejas līdždas. Nepārveidotas kontaktdakšas un atbilstošas kontaktlīdzdas samazinās elektriskā triecienu risku.
- Nepieļaujiet ķermeņa kontaktu ar sazemētām virsmām, piemēram, caurulēm, radiatoriem, pavarciem un saldētavām. Ja jūsu ķermenis ir sazemēts, pastāv palielināts elektriskā triecienu risks.
- Nepakļaujiet precī lietum vai slapjiem apstākļiem. Ūdens iekļūšana elektroinstrumentā palielina elektriskā triecienu risku.
- Neizmantojiet kabeli nepareizi. Nekad neizmantojiet vadu, lai nestu, vilktu elektroinstrumentu vai atvienotu kontaktdakšu. Turiet kabeli tālu no siltuma avota, eļļas, asiem priekšmetiem vai kustīgām detaļām. Bojāts vai savērts kabelis palielina elektriskā triecienu risku.
- Strādājot ar elektroinstrumentu ārpus telpām, lietojiet āra lietošanai piemērotu pagarinātāju. Elektriskā triecienu risku samazina lietošanai ārpus telpām piemērota kabeļa izmantošana.

- Ja elektroinstrumenti ir jālieto mitrās telpās, izmantojiet strāvas noplūdes automātslēdzi (RCD) barošanas vadā. Paliekošās strāvas ierīces izmantošana samazina elektriskā triecienu risku.

## PERSONISKĀ DROŠĪBA

- Uzmanieties darba laikā un izmantojiet veselo saprātu, darbojoties ar elektroinstrumentu. Neizmantojiet elektroierīci, ja esat noguris vai narkotisko vielu, alkohola vai medikamentu ietekmē. Neuzmanības brīdis, strādājot ar elektroinstrumentiem, var izraisīt smagus ievainojumus.
- Lietojiet personīgo aizsargaprīkojumu. Vienmēr lietojiet aizsargbrilles. Aizsargaprīkojums, piemēram, putekļu maska, neslīdoši aizsargapavi, aizsargķivere vai ausu aizsargi, kas lietojami atbilstošos apstākļos, samazina personas ievainojumu iespēju.
- Nepieļaujiet nejašu iedarbināšanu. Pirms pievienot enerģijas avotam un/vai akumulatoram, pacelt un pārvietot darbarīku, pārlicinieties, ka slēdzis ir izslēgtā stāvoklī. Elektroinstrumentu pārnēsāšana, turot pirkstu uz slēdža vai ieslēgtu elektroinstrumentu pārnēsāšana var izraisīt nelaimes gadījumu.
- Noņemiet visas regulēšanas uzgriežņu atslēgas pirms elektroierīces ieslēgšanas. Uzgriežņu atslēga vai atslēga, kas palikusi piestiprināta pie elektroinstrumenta rotējošās detaļās, var izraisīt personas ievainojumu.
- Nepersitēmpkite. Visu laiku stāviet stingri un stabili. Tas ļauj labāk vadīt elektroinstrumentu negadītās situācijās.
- Apģērbieties pareizi. Nevalkājiet vaļīgu apģērbu vai rotaslietas. Netuviniet matus un apģērbu kustīgajām daļām. Vaļīgs apģērbs, rotaslietas vai gari mati var tikt ierauti starp kustīgām detaļām.
- Ja ierīce ir aprīkota ar putekļu nosūcēja un savācēja pievienojumu, pārlicinieties, ka tas ir pievienots un tiek pareizi lietots. Putekļu savācēja lietošana var samazināt putekļu izraisītos riskus.
- Neļaujiet biežas instrumentu lietošanas radītam pieradumam ļaut palikt nevērgam un neievērot instrumentu drošības principus. Neuzmanīga rīcība var radīt smagas traumas tikai dažu sekunžu laikā.

## ELEKTROINSTRUMENTU LIETOŠANA UN APRŪPE

- Nepielietojiet spēku, izmantojot ražojumu. Izmantojiet saviem darbam atbilstošu elektroierīci. Pareizais elektroinstrumenti veiks darbu labāk un drošāk ar ātrumu, kādam ticis konstruēts.
- Nelietojiet elektroinstrumentu, ja ar slēdzi to nevar ieslēgt un izslēgt. Ja elektroinstrumentu nevar vadīt ar slēdzi, tas ir bīstams un jāremontē.
- Atvienojiet kontaktdakšu no sprieguma avota un/vai noņemiet akumulatoru bloku no elektroinstrumenta, pirms veikt jebkādu regulēšanu vai darba piederumu maiņu vai novietot elektroinstrumentu glabāšanai. Šādi profilakses pasākumi samazina elektroierīces nejausās iedarbināšanas iespēju.
- Glabājiet neizmantotus elektroinstrumentus bērniem nepieejamās vietās un neļaujiet neapmācītām personām darboties ar elektroinstrumentiem. Elektroinstrumenti ir bīstami neapmācītu personu rokās.
- Uzturiet elektroinstrumentus un to aksesuārus kārtībā. Pārbaudiet kustīgo detaļu savienojumu pareizību, detaļu berzi un citus apstākļus, kas var ietekmēt elektroinstrumenta darbu. Ja elektroinstrumenti ir bojāti, pirms lietošanas veiciet tā remontu. Daudzus negadījumus izraisa slikti apkopti elektroinstrumenti.





- **Turiet griezējriekus asus un tīrus.** Pareizi apkopti griezējinstrumenti ar asām griezējšķautnēm retāk pielīp un ir vieglāk vadāmi.
- **Izmantojiet elektroierīci, piederumus, darbinstrumentus u.c. saskaņā ar šiem norādījumiem, ņemiet vērā darba apstākļus un veicamo darbu.** Elektroinstrumenta izmantošana neparedzētu darbību veikšanai var radīt bīstamu situāciju.
- **Rokturiem un citām satverošām virsmām ir jābūt sausām, tīrām un bez eļļas un smērvielu plankumiem.** Negaidītās situācijās slideni rokturi un slidena satvēriena virsmas padara darbarīka lietošanu nedrošu un nekontrolējamu.

## AR AKUMULATORU DARBINĀMU IERĪČU LIETOŠANA UN KOPŠANA

- **Uzlādējiet tikai ar ražotāja noteikto lādētāju.** Lādētājs, kas paredzēts lietošanai ar viena veida akumulatoru, var būt ugunsnedrošs, ja to izmanto ar citu akumulatoru.
- **Lietojiet elektriskos instrumentus tikai ar konkrētajai ierīcei paredzēto akumulatoru.** Jebkura cita akumulatora lietošana var radīt ievainojumu un ugunsgrēka risku.
- **Kad nelietojat akumulatoru, neturiet to citu metāla priekšmetu tuvumā, piemēram: papīra saspraudes, monētas, atslēgas, naglas, skrūves vai citi sīki metāla priekšmeti, kas var veidot savienojumu starp spailēm.** Akumulatora spaiļu īsslēgums var radīt aizdegšanos vai ugunsgrēku.
- **Nepareizas rīcības gadījumā no akumulatora var izkļūt šķidrums; izvairieties no saskares ar to. Nejaušas saskares gadījumā skalojiet skarto vietu ar ūdeni. Ja šķidrums iekļūst acīs, nekavējoties meklējiet medicīnisko palīdzību.** No akumulatora izkļuvušais šķidrums var izraisīt kairinājumu vai apdegumus.
- **Neizmantojiet akumulatoru bloku, kas ir bojāts vai pārveidots.** Bojāts vai pārveidots akumulatoru bloks var izraisīt neparedzamu darbību, kas var izraisīt uzliesmošanu, sprādzienu vai ievainojumu risku.
- **Nepakļaujiet akumulatoru bloku vai instrumentu liesmu vai paaugstinātas temperatūras iedarbībai.** Pakļaujot liesmām vai temperatūrai virs 130°C var izraisīt sprādzienu.
- **Ievērojiet visas lādēšanas instrukcijas un nelādējiet akumulatoru bloku vai instrumentu, ja temperatūra ir ārpus diapazona, kas norādīts instrukcijās.** Nepareiza lādēšana vai lādēšana temperatūrā, kas ir ārpus norādītā diapazona, var izraisīt akumulatora bojājumus un palielināt uzliesmošanas risku.

## APKOPE

- **Vai jūsu elektroinstrumentu apkalpo kvalificēts personāls, izmantojot tikai identiskas rezerves daļas.** Tas nodrošinās elektroinstrumenta drošības saglabāšanu.
- **Nekad neveiciet bojātu akumulatoru bloku remontu.** Akumulatoru bloku remontu drīkst veikt tikai ražotājs vai pilnvarots servisa nodrošinātājs.

## AKUMULATORU SNIEGA PŪTĒJA DROŠĪBAS BRĪDINĀJUMI

### APMĀCĪBA

- Izlasiet, izprotiet un ievērojiet visas norādes uz produkta un šajā rokasgrāmatā pirms produkta lietošanas. Rūpīgi iepazīstieties ar vadības ierīcēm un pareizu produkta izmantošanu. Ziniet, kā izslēgt produktu un ātri atvienot vadības ierīces.

- Nekad nepieļaujiet, lai šī izstrādājuma ekspluatāciju, tīrīšanu vai apkopi veiktu bērni, personas ar samazinātām fiziskajām, maņu vai garīgajām spējām vai arī personas, kuras nav iepazinušas ar šiem norādījumiem. Vietējie noteikumi var ierobežot lietotāja vecumu. Nepieciešams pienācīgi uzmanīt bērnus, lai nodrošinātu, ka tie nespēlējas ar ierīci.
- Pārliecinieties, ka tuvumā stāvošie -bērni un dzīvnieki ir 15 m attālumā no jūsu darbošanās vietas. Izslēdziet produktu, ka kāds ienāk darba zonā.
- Ievērojiet piesardzību, lai izvairītos no paslīdēšanas vai nokrišanas, it sevišķi lietojot produktu atpakaļgaitā.
- Noregulējiet savācēja korpusa augstumu, lai izvairītos no smilšainas vai akmeņainas virsmas.
- Nekad nemēģiniet veikt nekādus regulējumus, kamēr produkts darbojas.
- Produkts spēj amputēt rokas un kājas kā arī mest pa gaisu priekšmetus. Visu drošības instrukciju neievērošana var izraisīt smagus ievainojumus.
- Turēkite omenyje, kad operatorius arba vartotojas yra atsakingas už nelaimingus atsitikimus arba kitiems asmenims ar jų turtui sukeltą pavojų.

## SAGATAVOŠANA

- Rūpīgi pārbaudiet vietu, kur lietosiet ierīci, un aizvāciet visus kājslauķus, ragavas, dēļus, vadus un citus svešķermeņus.
- Pirms motora iedarbināšanas atvienojiet visus sajūgus un pārlēdziet neutrālajā ātrumā.
- Ierīces lietošanas laikā vienmēr valkājiet piemērotu ziemas apģērbu un neslīdošus aizsargapavus. Lietojiet piegulošu apģērbu vai apģērbu no kura nekas nekarājas; citādi, tie var tikt ierauti zargriezī.
- Nostipriniet garus matus virs pleciem, lai nepieļautu to ieķeršanos kustīgās detaļās.
- Vienmēr valkājiet aizsargbrilles vai acu aizsargus lietošanas laikā vai, veicot regulēšanu vai remontu, lai aizsargātu acis no svešķermeņiem, kas var tikt mesti no produkta.
- Pirms katras lietošanas reizes pārliecinieties, ka visas kontroles un drošības sistēmas ir darba kārtībā. Neizmantojiet produktu, ja izslēgšanas slēdzis neizslēdz produktu.
- Pirms katras lietošanas vienmēr pārliecinieties, ka korpuss nav bojāts un aizsargi un rokturi ir vietā un atbilstoši nostiprināti.

## EKSPLUATĀCIJA

- Nelietojiet ierīci, kad pastāv zibens spēriena risks.
- Nenovietojiet rokas vai kājas zem rotējošām detaļām vai to tuvumā. Visada laikāitēs saugaus atstumo nuo išmetimo angos. Nelieciēt nekādus priekšmetus atverēs.
- Ievērojiet īpašu piesardzību, lietojot to uz vai šķērsojot akmeņainas brauktuves vai gājēju ceļņus. Uzmanieties no slēptām briesmām, ievērojiet piesardzību, lietojot koplietošanas ceļu tuvumā.
- Lai samazinātu tādu ievainojumu risku, kas saistīti ar saskarsmi ar kustīgām daļām, vienmēr izslēdziet produktu un noņemiet akumulatoru bloku. Pārliecinieties, ka visas kustīgās daļas ir pilnīgi apstājušās:
  - Sazāģējot nezināmu priekšmetu, pārbaudiet, vai ierīce nav bojāta.
  - pirms tīrīšanas vai šķēršļu izcīršanas
  - pirms atstāt izstrādājumu bez uzraudzības







- pirms ierīces pārbaudīšanas, apkopes vai darbināšanas
- ja iekārta sāk neparasti vibrēt (pārbaudiet nekavējoties) Paprastai vibrācija yra iespējamas.
- Lietojiet precīzi paralēli nogāzēm, nekad no augšas uz leju. Būkitie itin atsargūs ant šlaitu keisdami krypti. Nemēģiniet notīrīt stāvas nogāzes.
- Nekādā gadījumā nedarbiniet ierīci bez atbilstošiem aizsargiem, plāksnēm un citām drošības palīgierīcēm.
- Nekad nevērsiet izmešanas atveri pret cilvēkiem vai vietām, kur var notikt īpašuma bojāšana. Darba zonas tuvumā nedrīkst atrasties nepiederošas personas, it īpaši bērni un dzīvnieki.
- Nepārslogojiet ierīci, mēģinot notīrīt sniegu pārāk ātri.
- Nekad nelietojiet izstrādājumu ar augstu pārvietošanās ātrumu uz slidenām virsmām. Skatieties aiz muguras un ievērojiet piesardzību, lietojot produktu atpakaļgaitā.
- Atvienojiet piedziņu savācējam/gliemežim, kad produkts tiek pārvadāts vai netiek lietots.
- Lietojiet tikai oriģinālās ražotāja rezerves daļas, piederumus un uzgaļus.
- Nekad nelietojiet produktu, ja nav laba redzamība vai apgaismojums. Vienmēr esiet droši par virsmu, uz kuras stāvat, saglabājiet stingru rokturu satvērienu. Eļiet, nekādā gadījumā neskriniet.
- Motoram darbojoties, ierīci drīkst novietot vienīgi uz cietas, tīras virsmas. Granti, smiltis un citus grūžus var iesūkt gaisa ieejā un tie var tikt mesti operatora vai apkārtējo virzienā, izraisot iespējamus nopietnus miesas bojājumus.
- Nekādā gadījumā nedarbiniet ierīci stiklotu telpu, automobiļu, logu un ieeju tuvumā ar nepiemērotu sniega pūšanas lēnķi.
- Ja produkts ir nomests, saņēmis stingru triecienu vai sāk neparasti vibrēt, nekavējoties izslēdziet produktu un pārbaudiet, vai nav bojājumi, vai arī varat noteikt vibrācijas iemeslu. Jebkāda tehniska apkope ir jāveic tikai autorizētos tehniskās apkopes centros.
- Izstrādājumu var darbināt un glabāt temperatūras diapazonā no -20 °C līdz 20 °C, kamēr vien akumulatoru bloka temperatūra ir virs 0 °C. Neglabājiet akumulatoru bloku temperatūrā, kas ir zemāka par 0 °C. Darbināšana zemākā (aukstā) temperatūrā var samazināt akumulatoru bloka veiktspēju un jaudu. Ja akumulatoru bloks ir glabāts temperatūrā tieši virs 0 °C, pirms parasta darba sākšanas darbiniet izstrādājumu vismaz 2 minūtes, lai sasildītu akumulatoru bloku. Kad darbs ir paveikts vai akumulatoru bloks ir iztukšots, izņemiet akumulatoru bloku no izstrādājuma un uzglabājiet vietā ar apkārtējo temperatūru 0 °C–20 °C.
- Glabājiet produktu vietā, kurā apkārtējās vides temperatūra ir starp 0 °C un 40 °C.
- Īpaši ekstrēmās laikapstākļos dažas izstrādājuma daļas var sasalt. Nedarbiniet izstrādājumu, ja tā daļas ir sasalušas.
- Pirms darba pabeigšanas ļaujiet izstrādājumam darboties vairākas minūtes, lai atbrīvotu spirālveida urbi no sniega, un pēc tam novietojiet to glabāšanā.

#### PAPILDU AKUMULATORU BLOKA DROŠĪBAS BRĪDINĀJUMI

- Lai samazinātu aizdegšanās, ievainojumu un produkta bojājumu risku, kas radies īssavienojuma rezultātā,

nekad neiemērciet produktu, akumulatoru bloku vai lādētāju šķidrumā vai nepieļaujiet šķidruma ieplūšanu tajos. Koroziju izraisoši vai vadītspējīgi šķidrumi, piemēram, sālsūdens, noteiktas ķīmikālijas, balinātāji vai produkti, kas satur balinātājus, var izraisīt īssavienojumu.

- Veiciet akumulatora bloka nomaiņu vietā, kur temperatūra ir starp 10 °C un 38 °C.
- Glabājiet akumulatoru bloku vietā, kurā apkārtējās vides temperatūra ir starp 0 °C un 20 °C.
- Neglabājiet akumulatoru bloku temperatūrā, kas ir zemāka par 0 °C. Darbināšana zemākā (aukstā) temperatūrā var samazināt akumulatoru bloka veiktspēju un jaudu.

#### LIETOŠANAS IETEIKUMI

- Ierīce nedarbosies, ja augšējais rokturis nebūs pareizi uzstādīts un roktura bloķējošā skava nebūs droši nostiprināta. Produktam ir 2 drošības slēdži, kas novērš nejaūšu iedarbināšanai, kad produkts nav pareizi salikts.
- Nemiet vērā vēja virzienu, pirms sākt lietot produktu. Pūtiet sniegu vēja virzienā, lai novērstu sniega mešanu atpakaļ, virsū lietotājam.

#### NOSPROSTOJUMA NOVĒRŠANA

Nekādā gadījumā nelieciet rokas un kājas ierīces vai pūšanas izvada priekšpusē, lai pasargātu sevi no nopietniem miesas bojājumiem. Neīriet izmešanas atveri ar rokām.

1. Izslēdziet un noņemiet akumulatora bloku. Pārliecinieties, ka visas kustīgās daļas ir pilnīgi apstājušās.
2. Izīriet nosprostojumu, izmantojot koka kātu. Nemiet vērā, ka rats pats var griezties aizsprostojuma atbrīvošanas laikā, jo mehānismā var būt uzkrājusies enerģija.
3. Pagrieziet ratu, izmantojot koka kārti.
4. Tiklīdz ratu var pagriezt ar koka kārti, dodieties ierīces aizmugurē. Tas ir normāli, ka rata mehānisms kustas pakāpeniski. Pārliecinieties, ka varat droši turpināt tīrīt sniegu.

#### TRANSPORTĒŠANA UN UZGLABĀŠANA

- Pirms produkta novietošanas glabāšanai vai transportēšanas, izslēdziet to, noņemiet akumulatoru bloku un ļaujiet tam atdzist.
- Vienmēr skatiet svarīgu informāciju lietotāja rokasgrāmatā, ja produkts jānovieto glabāšanai ilgāku laika posmu.
- Noīriet visus svešķermeņus no izstrādājuma. Uzglabājiet izstrādājumu labi vēdinātā vietā, kas nav pieejama bērniem. Sargiet izstrādājumu no korozīvām vielām, piemēram, dārza ķīmikālijām un pretapledošanas sāls. Neglabājiet produktu ārpus telpām.
- Transportējot nostipriniet ierīci, lai tā nekustētos un neapgāztos, jo tas var izraisīt miesas bojājumus un ierīces bojājumus.

#### LITĪJA BATERIJU TRANSPORTĒŠANA

Transportējiet baterijas saskaņā ar vietējiem un valsts noteikumiem un regulām.

Ievērojiet visas īpašas prasības saistībā ar iepakojšanu un marķēšanu, transportējot trešās puses baterijas. Nodrošiniet, ka baterijas transportā nevar nonākt saskarē ar citām baterijām vai vadītspējīgiem materiāliem, aizsargājot atklātos savienotājus ar nevadošiem izolācijas vāciņiem vai lentēm. Netransportējiet ieplaisājušas baterijas vai baterijas, kurām ir noplūde. Lūdziet padomu kravu pārvadāšanas uzņēmumam.

EN

FR

DE

ES

IT

NL

PT

DA

SV

FI

NO

RU

PL

CS

HU

RO

LV

LT

ET

HR

SL

SK

BG

UK

TR



## APKOPE

- Lietojiet tikai oriģinālās ražotāja rezerves daļas, piederumus un uzgaļus. Pretējā gadījumā var tikt radīti ievainojumi un parādīts slikts sniegums, kā arī var tikt anulēta garantija.
- Aptarnavimā atlikti būtina itin atidzīai, todēl rekomenduoame, kad tehniņē apziūra vykdytu kvalifikuotas specialistas. Veiciet apkalpošanu tikai pilnvarotā servisa centrā.
- Izslēdziet un noņemiet akumulatora bloku. Pārliecinieties, ka visas kustīgās daļas ir pilnīgi apstājušās, pirms veikt jebkādas tīrīšanas vai apkopes darbus.
- Regulāri pārbaudiet visus uzgriežņus, stiprinājumus un skrūves, lai pārliecinātos, ka tās ir cieši pievilktas un izstrādājums ir drošā darba stāvoklī. Jebkura bojāta detaļa jānodod remontam vai nomaināi pilnvarotā apkopes centrā.
- Nesiet precī uz pilnvarotu pakalpojumu centru, lai nomainītu bojātos vai nesalasāmās uzlīmes.
- Darbiniet produktu pāris reizes pēc sniega tīrīšanas, lai novērstu uzsalšanu uz gliemeža.
- Daudzus šajā lietotāja rokasgrāmatā aprakstītos regulēšanas un remontdarbus varat veikt pats. Citiem produkta remontiem nogādājiet produktu apkopei tikai pilnvarotā servisa centrā.
- Pēc katras lietošanas notīriet plastikāta daļas ar mitstu, sausu drānu.

## PAZĪSTIET SAVU IERĪCI

Skatīt 115. lappusi

1. Augšējais rokturis
2. Ieslēgšanas/izslēgšanas rokturis
3. Operatora rokasgrāmata
4. Palaišanas poga
5. Tīrītāja ātruma svira
6. Izvada rotācijas svira
7. Izvada deflektors
8. Deflektora poga
9. Priekšējā gaisma
10. Roktura regulēšanas svira
11. Rats
12. Akumulatora vāks
13. Akumulators
14. Lādētājs
15. Skrūves
16. Skruvgriezis

## APZĪMĒJUMI



Izlasiet un izprotiet visas norādes pirms produkta lietošanas. Ievērojiet visus brīdinājumus un drošības norādes.



Sargieties no izmestiem vai lidojošiem priekšmetiem. Nodrošiniet, ka nepiederošas personas, bērni un dzīvnieki atrodas vismaz 15 m attālumā no darba zonas.



Valkājiet acu aizsargaprīkojumu



Nepakļaujiet lietum vai mitriem apstākļiem.



Izvairieties no ievainojumiem no rotējošā mehānisma. Turiet rokas, kājas un apģērbu atstatu.



Nodrošiniet, ka nepiederošas personas, bērni un dzīvnieki atrodas vismaz 15 m attālumā no darba zonas.



Nelietojiet produktu nogāzēs.



Turiet rokas un kājas atstatu no ierīces priekšpusē un produkta izmešanas atveres.



Noņemiet akumulatoru.



Netīriet izmešanas atveri ar rokām.



Garantētais skaņas intensitātes līmenis

Neizmetiet akumulatoru atkritumus kā nešķirotus sadzīves atkritumus. Akumulatoru atkritumi, elektrisko un elektronisko iekārtu atkritumi jāsavāc atsevišķi. Bateriju, akumulatoru un gaismas avotu atkritumi ir jāizņem no iekārtām. Sazinieties ar jūsu vietējo pašvaldību vai pārdevēju, lai gūtu informāciju par šādām savākšanas vietām. Saskaņā ar vietējiem noteikumiem mazumtirgotājiem var būt pienākums bez maksas pieņemt atpakaļ akumulatoru, elektrisko un elektronisko iekārtu atkritumus. Jūsu ieguldījums elektrisko un elektronisko iekārtu atkritumu otrreizējā izmantošanā un otrreizējā pārstrādē palīdz samazināt izejvielu pieprasījumu. Akumulatoru atkritumi, it īpaši tie, kas satur litiju, un elektrisko un elektronisko iekārtu atkritumi satur vērtīgus un pārstrādājamus materiālus, kas var nelabvēlīgi ietekmēt vidi un cilvēku veselību, ja tos neapglabā videi draudzīgā veidā. Izdzēsiet no atkritumos nododamajām iekārtām personīgus datus, ja tādi tur ir.



Kuriant šį akumulatorinį sniego valytuvą didžiausias dėmesys buvo skiriamas saugumui, našumui ir patikimumui.

## NAUDOJIMO PASKIRTIS

Šis akumulatorinis sniego valytuvus skirtas naudoti tik lauke, gerai apšviestoje vietoje, naudotojui einant už įrenginio. Šis gaminys skirtas naudoti suaugusiems asmenims, perskaičiusiems ir supratusiems šiamė vadovė pateiktas instrukcijas ir įspėjimus bei atsakingiems už savo veiksmus. Saugos sumetimais įrenginys visada turi būti tinkamai valdomas dviem rankomis.

Gaminys skirtas valyti sniegą tokiose vietose, kaip įvažiavimai, šaligatviai, pėsčiųjų takai, takeliai, keliai ir takai aplink namus. Gaminys gali pastumti iki 33 cm gylio sniego pusnis.

Gaminio jokiū būdu negalima naudoti, jeigu ratukai nesiekia žemės. Ant gaminio lipti ir juo važiuoti negalima. Šį gaminį galima naudoti tik taip, kaip nurodyta šioje instrukcijoje.

Nenaudokite kitais tikslais.

## BENDROSIOS ĮRENGINIO NAUDOJIMO SAUGOS TAISYKLĖS

**⚠ ĮSPĖJIMAS!** Perskaitykite visus su šiuo gaminium pateiktus saugos įspėjimus, nurodymus, paveikslėlius ir specifikacijas. Apačioje išdėstytų instrukcijų nesilaikymas gali sukelti elektros smūgį, gaisrą ir (ar) sunkius asmens sužeidimus.

Saugokite šiuos įspėjimus ir nurodymus, kad galėtumėte vadovautis jais vėliau.

Įspėjimuose naudojama sąvoka „elektrinis įrankis“ reiškia prie elektros tinklo jungiamą (laidinį) elektrinį įrankį arba akumulatoriumi maitinamą (belaidį) įrenginį.

## DARBO APLINKA

- Darbo vieta turi būti švari ir gerai apšviesta. Nelaimingai atsitikimai įvyksta netvarkingose ar tamsiose vietose.
- Nenaudokite elektrinių įrankių, jei šalia yra degios ir sprogti galinčios medžiagos (skysčiai, dujos ar dulkės). Elektriniai įrankiai kibirkščiuoja ir gali uždegti dulkes arba garus.
- Neleiskite vaikams ir šalia esantiems asmenims būti šalia įjungto elektrinio įrankio. Išsiblaškę galite prarasti kontrolę.

## ELEKTROS SAUGA

- Elektrinio įrankio kištukai turi atitikti kištukinį lizdą. Niekada nekeiskite kištuko. Su įžemintais (įžeminimo) elektriniais įrankiais niekada nenaudokite kištukų adapterių. Nepakeisti kištukai ir atitinkantys lizdai sumažina elektros smūgio pavojų.
- Stenkitės nesiliesti prie įžemintų ar įžeminimo paviršių (vamzdžių, radiatorių, grandinių / viryklių, šaldytuvų). Įžeminius savo kūną, padidės elektros smūgio pavojus.
- Gaminio negalima naudoti ar laikyti Lietuje ar drėgmėje. Dėl vandens, patekusio į elektrinį įrankį, padidėja elektros smūgio pavojus.
- Laidą naudokite pagal jo paskirtį. Niekada jo nenaudokite elektriniams įrankiams pernešti, tempti ar išjungti. Saugokite maitinimo laidą nuo karščio, tepalų, aštrių kampų ir judančių detalių. Pažeisti ar supainioti laidai padidina elektros smūgio galimybę.
- Dirbdami su elektriniu įrankiu lauke, naudokite tik lauke naudoti skirtus ilginamuosius laidus. Naudojant tinkamą laukui laidą sumažinama elektros smūgio tikimybė.

- Jei būtina naudotis elektriniu įrankiu drėgnomis oro sąlygomis, naudokite likutinės srovės prietaisą (RCD). Naudojant RCD sumažinama elektros smūgio tikimybė.

## ASMENINĖ SAUGA

- Būkite budrus ir stebėkite, ką darote, bei sąmoningai naudokite elektrinį įrankį. Nesinaudokite įrankiu, kai esate pavargę ar paveikti narkotinių medžiagų, alkoholio ar vaistų. Neatidumas darbo su elektriniu įrankiu metu gali sukelti sunkius sužeidimus.
- Naudokite asmeninės apsaugos įrangą. Visada dėvėkite akių apsaugos priemones. Atitinkamomis sąlygomis naudojamos apsaugos priemonės, pvz. dulkių kaukė, neslystantys apsauginiai batai, šalmas ar apsaugos ausims, sumažina asmeninių sužeidimų pavojų.
- Saugokitės, kad įrankis netyčia neįsijungtų. Įsitinkinkite, kad prieš prijungiant įrankį prie maitinimo šaltinio ir (ar) baterijos, pakeliant ar nešant įrankį, jungiklis yra išjungtas. Nešant elektrinį įrankį, uždėjus pirštą ant jungiklio, arba elektrinį įrankį, kurio jungiklis yra įjungtoje padėtyje, gali įvykti nelaimingas atsitikimas.
- Prieš įjungiant elektrinį įrankį, išimkite derinimo raktą ar veržliaraktį. Jei juos paliksite pridėtus prie besisukančios įrankio dalies, galite susižaloti.
- Nepersitempkite. Visada tvirtai stovėkite ir išlaikykite pusiausvyrą. Tai padės geriau kontroliuoti įrankį netikėtų situacijų metu.
- Dėvėkite tik darbu tinkamus drabužius. Nedėvėkite laisvų, nepriglundusių drabužių ir juvelyrinių dirbinių. Saugokitės, kad judančios dalys neįtrauktų plaukų ir drabužių. Laisvi drabužiai, papuošalai ar ilgi plaukai gali įsipainioti į judančias įrankio dalis.
- Jei įrengti dulkių ištraukimo ir surinkimo įrenginiai, įsitinkinkite, kad jie prijungti ir naudojami tinkamai. Su dulkmėmis susijusiam pavojui sumažinti naudokite dulkių surinkimą.
- Nepasitikėkite vien savo patirtimi, įgyta dažnai naudojantis įrankiais,– neignoruokite įrankio naudojimo saugos taisyklių. Nerūpestingai elgiantis, galima susižeisti per sekundės dalį.

## ELEKTRINIO ĮRANKIO NAUDOJIMAS IR PRIEŽIŪRA

- Nenaudokite per didelės jėgos. Pritaikykite tinkamą elektrinį įrankį atliekamam darbui. Naudodami pagal paskirtį pagamintą tinkamą elektrinį įrankį, darbą atliksite geriau ir saugiau.
- Nenaudokite elektrinio įrankio, jei jungiklio negalite įjungti ir išjungti. Jungikliu nevaldomas elektrinis įrankis yra pavojingas ir jį reikia taisyti.
- Ištraukite kištuką iš energijos šaltinio ir (arba) išimkite iš elektrinio įrankio akumuliatorių, ir tik po to atlikite elektrinių įrankių reguliavimo, priedų keitimo arba paruošimo sandėliavimui darbus. Tokios saugomos priemonės apsaugos nuo atsitiktinio įrankio įsijungimo.
- Laikykite elektrinį įrankį vaikams neprieinamoje vietoje ir neleiskite juo naudotis asmenims, kurie nemoka juo naudotis. Neįgudusiems asmenims elektriniai įrankiai yra pavojingi.
- Prižiūrėkite elektrinius įrankius ir priedus. Patikrinkite judančių detalių nesutapimus, sukibimą, ar sumontuotos detalės nesulūžusios bei kitą būklę, kuri gali turėti neigiamos įtakos įrankio veikimui. Jei įrankis sugedęs, prieš naudojimą jį reikia suremontuoti. Nemažai nelaimingų atsitikimų įvyksta dėl netinkamai prižiūrimų elektrinių įrankių.





- **Pjovimo įrankius reikia pastoviai galąsti ir valyti.** Tinkamai prižiūrėti aštriais ašmenimis pjovimo įrankiai mažiau stringa ir juos lengviau valdyti.
- **Naudokite elektrinius įrankius, atsargines detales, grąžtus ir t. t., pagal šias instrukcijas ir atsižvelgdami į darbo sąlygas bei turimą atlikti darbą.** Naudokite elektrinį įrankį tik pagal tiesioginę paskirtį, kitaip sukelsite pavojingą situaciją.
- **Rankenos ir suėmimo paviršiai turi būti sausi, švarūs ir nesutepti alyva ar tepalais.** Jeigu rankenos ar suėmimo paviršiai slidūs, krūmapjovę naudoti ir valdyti nesaugu netikėtomis situacijomis.

## ĮRANKIO SU AKUMULIATORIUMI NAUDOJIMAS IR PRIEŽIŪRA

- **Pakartotinai kraukite prietaisą tik naudodami gamintojo nurodytą kroviklį.** Vieno tipo akumuliatoriui tinkantis įkroviklis gali kelti gaisro pavojų kitokiam akumuliatoriui.
- **Elektrinius įrankius naudokite tik su jiems skirtais baterijų paketais.** Naudojant kitokius akumuliatorius, galima susižeisti ar sukelti gaisrą.
- **Kai akumuliatorius nenaudojamas, jį laikykite toliau nuo kitų metalinių daiktų, pavyzdžiui, sąvaržėlių, monetų, raktų, vinių, varžtų ar kitų mažų metalinių daiktų, kurie vieną gnybtą gali sujungti su kitu.** Sutrumpinus vieną akumuliatoriaus gnybtą su kitu, galima nusideginti arba sukelti gaisrą.
- **Netinkamomis sąlygomis iš akumuliatoriaus gali ištekėti skystis - nelieskite jo.** Jei atsitiktinai išlįsietė - nuplaukite vandeniu. Jei skysčio pateko į akis, nedelsiant kreipkitės į gydytoją. Iš akumuliatoriaus ištekėjęs skystis gali nudeginti ar sukelti sudirginimus.
- **Nenaudokite akumuliatorių bloko ar įrankio, kuris yra sugadintas arba pakeistas.** Sugadinti arba pakeisti akumuliatoriai gali veikti neprognozuojamai ir dėl to gali kilti gaisras, sprongimas arba pavojus susižaloti.
- **Saugokite akumuliatorių nuo ugnies ir pernelyg aukštos temperatūros.** Patekus į ugnį arba veikiant aukštesnei nei 130 °C temperatūrai gali kilti sprongimas.
- **Laikykitės visų įkrovimo instrukcijų ir neįkraukite akumuliatorių bloko ar įrankio jei temperatūra yra už instrukcijoje nurodyto diapazono ribų.** Netinkamai įkraunant arba jei temperatūra yra už nurodyto diapazono ribų gali būti sugadinti akumuliatoriai ir padidėti gaisro pavojus.

## TECHNINIS APTARNAVIMAS

- **Elektrinį įrankį turi remontuoti tik kvalifikuoti darbuotojai, kurie naudoja identiškas atsargines dalis.** Tai užtikrina elektrinio įrankio saugumą.
- **Niekada neremontuokite pažeistų akumuliatorių.** Akumuliatorių remontuoti gali tik jo gamintojai arba įgaliotieji techninės priežiūros paslaugų teikėjai.

## AKUMULIATORINIO SNIEGO VALYTUVO NAUDOJIMO SAUGOS TAISYKLĖS

### APMOKYMAS

- Prieš pradėdami naudotis šiuo gaminiu, būtinai perskaitykite ir išnagrinėkite visus naudojimo instrukcijoje pateiktus nurodymus bei vadovaukitės jais. Atidžiai susipažinkite su valdikliais ir išnagrinėkite, kaip tinkamai naudotis gaminiu. Išmokite, kaip išjungti įrenginį ir greitai atjungti valdiklius.

- Jokiū būdu neleiskite naudoti, valyti ar prižiūrėti prietaisą vaikams, žmonėms su robotais fiziniiais, jutikliniais ar protiniais gebėjimais, arba nesuspajūzusiems su šiomis instrukcijomis asmenimis. Vietos įstatymai gali apriboti įrengimo operatoriaus amžių. Mažus vaikus visada privaloma tinkamai prižiūrėti, kad jie nežaistų šalia įrenginio arba su juo.
- Pašaliniai asmenys, vaikai ir gyvūnai turi būti 15 m atstumu nuo genėjimo vietos. Išjunkite įrenginį, jei kas nors patenka į darbo vietos zoną.
- Būkite atsargūs, kad nepaslystumėte ar nenukristumėte, ypač tada, kai gaminį naudojate atbuline eiga.
- Sureguliuokite rinktuvo korpuso aukštį, kad jis nelieštų žvyruoto ar akmenuoto paviršiaus.
- Niekada nebandykite atlikti jokių reguliavimo darbų, kai įrenginys veikia.
- Įrenginys gali amputuoti rankas ir pėdas, taip pat svaidyti daiktus. Nesilaikant visų saugos taisyklių galima sunkiai susižaloti.
- Turėkite omenyje, kad operatorius arba vartotojas yra atsakingas už nelaimingus atsitikimus arba kitiems asmenims ar jų turtui sukeltą pavojų.

## PARUOŠIMAS

- Kruopščiai apžiūrėkite vietą, kurioje bus valomas sniegas ir patraukite iš jos kilimėlius, roguotes, sniegglentes, laidus ir kitus pašalinius objektus.
- Prieš užvesdami variklį, išjunkite visas sankabas ir perjunkite į neutralią padėtį.
- Naudodami gaminį, dėvėkite tinkamą žieminę aprangą ir mūvėkite neslidžią avalynę. Stengtis nedėvėti dukslių drabužių, arba rūbų su kabanciais raišteliais ar kaklaraiščiu: juos gali įtraukti judamosios dalys.
- Ilgus plaukus suriškite aukščiau pečių, priešingu atveju, jie gali įspainioti į judančias įrankio dalis.
- Dirbdami arba atlikdami reguliavimo ar remonto darbus visada dėvėkite apsauginius akinius ir antveidžius, kad akys būtų apsaugotos pašalinių objektų, kuriuos gali svaidyti įrenginys.
- Prieš kiekvieną naudojimą patikrinkite, ar tinkamai veikia visi valdikliai ir saugos įtaisai. Nesinaudokite įrenginiu, jei jo neįmanoma išjungti išjungimo jungikliu.
- Prieš kiekvieną naudojimą visada patikrinkite, ar korpusas yra nepažeistas, ar apsauginiai gaubtai ir rankenos yra tinkamai pritvirtinti.

## EKSPLOATAVIMAS

- Gaminio negalima naudoti, jeigu yra perkūnijos ar žaibavimo grėsmė.
- Rankų ar kojų nelaikykite šalia besisukančių detalių ar po jomis. Visada laikykites saugaus atstumo nuo išmetimo angos. Nedėkite jokių daiktų į angas.
- Būkite itin atsargūs naudodamiesi įrenginiu ant žvyruotų kelių ar takų, arba juos kirsdami. Būkite budrus, kad išvengtumėte nematomų pavojų arba naudodamiesi įrenginiu viešuosiuose keliuose.
- Norėdami išvengti pavojaus susižaloti prisilietus prie judančių dalių, visada išjunkite įrenginį ir išimkite akumuliatorių. Patikrinkite, ar visos judančio dalys visiškai nustojo sukstis.
  - atsitrenkę į pašalinį objektą, patikrinkite įrenginį, ar jis nesugadintas
  - prieš valant ar išimant susidariusį kamštį
  - prieš palikdami įrenginį be priežiūros



- prieš įrenginį tikrindami, atlikdami jo techninės priežiūros darbus, jį valydami ar remontuodami
- prietaisui pradėjus neįprastai vibruoti (kuo skubiau patikrinkite) Paprastai vibracija yra įspėjimas.
- Šlaituose gaminį reikia stumti skersai, joku būdu ne aukštyrį ir žemyn šlaito. Būkite itin atsargūs ant šlaitų keisdami kryptį. Nebandykite valyti stačių šlaitų.
- Jokiu būdu neekspluatuokite gaminio be reikiamų apsauginių įtaisų, plokštelių ar kitų saugos įrenginių.
- Niekada nenukreipkite išmetamojo latakų į žmones ar tas vietas, kur gali būti padaryta žala turtui. Visi pašaliniai asmenys, o ypač vaikai ir gyvūnai, turi būti toliau nuo darbo zonos.
- Norėdami kuo greičiau nuvalyti sniegą, nebandykite eksploatuoti įrenginio perkrauti paleisdami jį veikti per dideliu našumu.
- Niekada nesinaudokite gaminiu, judėdami dideliu greičiu ant slidžių paviršių. Pažiūrėkite atgal, ir būkite atsargūs naudodamiesi įrenginiu, važiuodami atbuline eiga.
- Atjunkite rinktuvą / rotorių nuo energijos šaltinio, kai įrenginį transportuojate arba juo nesinaudojate.
- Keitimui naudokite tik originalias gamintojo atsargines dalis.
- Niekada nesinaudokite įrenginiu esant prastam matomumui arba apšvietimui. Visada užtikrinkite tvirtą stovėseną ir tvirtai laikykite už rankenų. Visada eikite, niekada nebėkite.
- Jeigu veikia variklis, gaminį reikia dėti tik ant kietų, švərių paviršių. Oro įleidimo anga gali įtraukti žvyrą, smėlį ir kitas nuolaužas, ir jas išsviesti į operatorių ar pašalinis asmenis; o tai gali sukelti sunkius sužeidimus.
- Jokiu būdu neekspluatuokite gaminio arti stiklo aptvėrimų, automobilių, langų ar tarpdurių, jeigu nėra tinkamai sureguliuotas sniego išpylimo kampas.
- Jei gaminys nukrito, patyrė stiprų smūgį arba pradeda neįprastai vibruoti, nedelsdami išjunkite gaminį ir patikrinkite, ar nėra pažeidimų arba nustatykite vibravimo priežastį. Pakenktos dalys turi būti tinkamai sutaisytos arba pakeistos įgaliotame techninio aptarnavimo centre.
- Gaminį galima eksploatuoti ir laikyti nuo –20 iki 20 °C temperatūroje, jei akumulatorius laikomas ne žemesnėje nei 0 °C temperatūroje. Nelaikykite akumulatoriaus žemesnėje nei 0 °C temperatūroje. Minusinė temperatūra gali sumažinti akumulatoriaus efektyvumą ir talpą. Jei akumulatorius laikomas šiek tiek aukštesnėje nei 0 °C temperatūroje, prieš pradėdami įprastą darbą paleiskite gaminį bent 2 minutėms, kad akumulatorius sušiltų. Baigę darbą arba išsikrovus akumulatoriui, išimkite akumulatorių iš gaminio ir laikykite jį tokioje vietoje, kur aplinkos temperatūra yra nuo 0 °C iki 20 °C.
- Įrenginį laikykite ten, kur aplinkos temperatūra yra nuo 0 °C iki 40 °C.
- Esant ekstremalioms oro sąlygoms, kai kurios gaminio dalys gali užšalti. Nenaudokite gaminio su užšalusiomis dalimis.
- Baigę darbą, prieš padėdami gaminį sandėliuoti, leiskite įrenginiui keletą minučių veikti, kad nuo sraigės pasišalintų sniegas.

#### PAPILDOMI AKUMULATORIAUS SAUGOS ĮSPĖJIMAI

- Siekiant sumažinti gaisro, susižeidimų ir įrangos pažeidimų pavojus, galinčius kilti dėl trumpojo elektros

judungio, pasirūpinkite, kad įrankis, akumulatorius arba įkroviklis niekada nebūtų panardintas į jokią skystį, o taip pat, kad skystis nepatektų į jų vidų. Koroziją sukeliantys arba laidūs skysčiai, pvz., sūrus vanduo, tam tikri chemikalai ir balikliai arba produktai, kurių sudėtyje yra baliklių, gali sukelti trumpąjį jungimą.

- Akumuliatorių kraukite nuo 10 °C iki 38 °C temperatūros aplinkoje.
- Įrenginį laikykite nuo 0 °C iki 20 °C temperatūros aplinkoje.
- Nelaikykite akumulatoriaus žemesnėje nei 0 °C temperatūroje. Minusinė temperatūra gali sumažinti akumulatoriaus efektyvumą ir talpą.

#### NAUDOJIMO PATARIMAI

- Gaminys neveiks, jeigu viršutinė rankena bus netinkamai įtaisyta ir negerai prispausta spausduku. 2 saugos blokatoriai neleidžia jungti įrenginio, jei jis yra netinkamai surinktas.
- Prieš pradėdami naudotis įrenginiu, atkreipkite dėmesį į vėjo kryptį. Sniegas privalo būti išmetamas vėjo kryptimi, kad jis nebūtų sviedžiamas atgal į naudotoją.

#### UŽSIKIMŠUSIO GAMINIO VALYMAS

Jokiu būdu negalima dėti rankų ar kojų priešais gaminį ar sniego iškratymo lovelį, nes priešingu atveju galima sunkiai susižeisti. Nevalykite išmetimo latakų rankomis.

1. Išjunkite gaminį ir išimkite akumuliatorių. Patikrinkite, ar visos judančios dalys visiškai nustojo sukstis.
2. Pašalinkite užsikimšimą mediniu pagaliu. Būkite atsargūs: išimant kamštį, sparnuotė gali savaime pajudėti dėl mechanizme išsaugotos energijos.
3. Medine lazdele pasukite sparnuotės sistemą.
4. Pasukus sparnuotę medine lazdele, reikia pereiti į gaminio galinę dalį. Normalu, kad sparnuotės mechanizmas juda pakopomis. Patikrinkite, ar toliau valyti sniegą saugu.

#### GABENIMAS IR LAIKYMAS

- Išjunkite įrenginį, išimkite akumuliatorių ir palaukite, kol įrenginys atvės, jei norite jį padėti saugojimo vietą arba transportuoti.
- Jei įrenginiu ilgai nesinaudojote, visada dar kartą perskaitykite naudojimo instrukciją, kad prisimintumėte svarbią informaciją.
- Nuo įrankio nuvalykite visas pašalines medžiagas. Įrankį laikykite gerai vėdinamoje ir vaikams neprieinamoje vietoje. Laikykite gaminį toliau nuo korozinių medžiagų, pvz. sodo chemikalų ir tirpdančių druskų. Nelaikykite įrenginio lauke.
- Paruošiant gabenimui, gaminį reikia pritvirtinti, kad neujudėtų ir nenuskristų, nes priešingu atveju jis gali sužaloti žmones arba sugesti pats.

#### LIČIO BATERIJŲ TRANSPORTAVIMAS

Akumuliatorių gabenkite pagal vietinius ir šalies reikalavimus bei nuostatas.

Akumulatorius gabenant trečiajai šaliai būtina laikytis visų specialių reikalavimų, nurodytų pakuotėse ir etiketėse. Užtikrinkite, kad gabenimo metu nei vienas akumulatorius nesiliestų su kitais akumulatoriais arba laidžiosiomis medžiagomis – apsauginius jungiamuosius elementus uždenkite izoliacinėmis nelaidžiomis movomis arba juosta.



Įskilusių ir tekančių akumuliatorių negabenkite. Dėl tolesnių patarimų kreipkitės į transporto įmonę.

## PRIEŽIŪRA

- Keitimui naudokite tik originalias gamintojo atsargines dalis. Neoriginalios dalys gali būti sužeidimų ir įrenginio blogo veikimo priežastis, ir dėl to gali būti anuliuotas garantinis pažymėjimas.
- Aptarnavimą atlikti būtina itin atidžiai, todėl rekomenduojame, kad techninę apžiūrą vykdytų kvalifikuotas specialistas. Įrenginį techninei priežiūrai pristatykite tik į įgaliotąjį techninės priežiūros centrą.
- Išjunkite gaminį ir išimkite akumuliatorių. Prieš valydami arba atikdami techninę priežiūrą pasirūpinkite, kad visos judančios dalys visiškai sustotų.
- Dažnai tikrinkite visas varžles, varžtus ir sraigtus, ar jie tvirtai laikosi ir ar gaminys yra saugios darbo būklės stovyje. Bet kurią apgadintą detalę leidžiama remontuoti arba keisti tik autorizuotame aptarnavimo centre.
- Prireikus pakeisti sugadintas ar neįskaitomas etiketes, gaminį reikia nugabenti į įgaliotą techninio aptarnavimo centrą.
- Pabaigę valyti sniegą, paleiskite įrenginį kelis kartus, kad neužšaltų rotorius.
- Prietaisą galite reguliuoti ir remontuoti, kaip aprašyta šiame naudotojo vadove. Įrenginį techninei priežiūrai ir remontui pristatykite tik į įgaliotąjį techninės priežiūros centrą.
- Po kiekvieno panaudojimo nuvalykite plastikines dalis minkšta, sausa šluoste.

## SUSIPAŽINKITE SU ĮRENGINIU

Zr. 115 psl.

- Viršutinė rankenėlė
- Įjungimo / išjungimo svirtinė rankena
- Vartotojo instrukcija
- Užvedimo mygtukas
- Valymo sraigto greičio svirtis
- Išmetimo latakų sukimo svirtis
- Išmetimo latakų kreiptuvas
- Kreiptuvo mygtukas
- Priekinis žibintas
- Rankenos reguliavimo svirtis
- Rotorius
- Akumuliatoriaus dangtis
- Baterija
- Įkroviklis
- Varžtai
- Atsuktuvas

## ŽENKLAI



Reguliariai ir prieš kiekvieną naudojimą tikrinkite, ar tinkamai užveržti visi sraigai, varžtai ir varžlės, kad užtikrintumėte saugą darbo aplinką. Vadovaukitės visais įspėjimais ir saugos taisyklėmis.



Saugokitės išmetamų arba skrendančių objektų. Visi pašaliečiai, ypač vaikai ir naminiai gyvūnai, privalo būti bent 15 m atstumu nuo darbo vietos.



Dėvėkite apsauginius akinius



Neleiskite gaminiui būti po lietumi arba drėgnose sąlygose.



Būkite atsargūs, kad jūsų nesužalotų besisukantis rotorius. Rankos, kojos ir drabužiai privalo būti atokiai nuo rotoriaus.



Visi pašaliečiai, ypač vaikai ir naminiai gyvūnai, privalo būti bent 15 m atstumu nuo darbo vietos



Nesinaudokite įrenginiu ant šlaitų.



Laikykite rankas ir pėdas atokiai nuo įrenginio priekio ir jo išmetimo latakų.



Išimkite akumuliatorių.



Nevalykite išmetimo latakų rankomis.



Garantuotas akustinis lygis

Neišmeskite senų akumuliatorių, elektros ir elektroninės įrangos atliekų kartu su nerūšiuotomis komunalinėmis atliekomis. Seni akumuliatoriai, elektros ir elektroninės įrangos atliekas privaloma surinkti atskirai. Senos baterijos, akumuliatoriai ir šviesos šaltinių atliekos turi būti pašalinti iš įrangos. Patarimų dėl perdirbimo ir informacijos apie surinkimo punktus kreipkitės į savo vietos valdžios institucijas. Atsižvelgiant į vietos teisės aktus, mažmenininkai gali būti įpareigoti nemokamai priimti atgal senus akumuliatorius ir elektros bei elektroninės įrangos atliekas. Prisidėdami prie pakartotinio senų akumuliatorių ir elektros bei elektroninės įrangos atliekų panaudojimo ir perdirbimo padedate mažinti žaliavų poreikį. Senuose akumuliatoriuose, ypač tuose, kuriuose yra ličio, elektros ir elektroninės įrangos atliekose yra vertingų ir perdirbimui tinkamų medžiagų, kurios gali turėti neigiamą poveikį aplinkai ir žmonių sveikatai, jei nėra šalinamos aplinkai nekenksmingu būdu. Ištrinkite senuose prietaisuose esančius asmens duomenis, jei tokių buvo.







Juhtmeta lumepuhasti juures on peetud esmatähtsaks ohutust, töövoimet ja töökindlust.

## OTSTARBEKOHANE KASUTAMINE

Juhtmeta lumepuhasti on mõeldud ainult välitingimustes kasutamiseks, hästi valgustatud alal, kus seisab toote taga kõndiv kasutaja. Toodet tohivad kasutada ainult need isikud, kes on läbi lugenud selles kasutusjuhendis olevad juhised ja hoiatused ning saavad neist aru ning keda saab pidada oma tegude eest vastutavaks. Ohutuse kaalutlustel tuleb toodet pidevalt kahe käega kasutama.

Seade on ette nähtud sissesõiduteede, kõnniteede, jalgteede, radade ja sõiduteede ning maja ümbruste lumest puhastamiseks. Seadmega saab eemaldada lund, mille sügavus on kuni 33 cm.

Toodet ei tohi kunagi kasutada, kui rattad on maapinnalt üles tõstetud. Tootel ei tohi sõita. Toodet tohib kasutada üksnes kasutusjuhendis kirjeldatud viisil.

Ärge kasutage ühekski muuks otstarbeks.

## SEADME ÜLDISED OHUTUSJUHISED

**⚠ HOIATUS! Lugege läbi kõik tootega kaasasolevad ohutusjuhised, illustatsioonid ja spetsifikatsioonid.** Allpool esitatud hoiatuste ja juhiste eiramise puhul on oht saada elektrilööki või raskeid kehavigastusi ning/või tekitada tulekahju.

**Hoidke kõik hoiatused ja juhised tulevikus vaatamiseks alles.**

Hoiatuses kasutatav termin "mootortööriist" viitab võrgutoitega (juhtmega) seadmele või akuga (juhtmeta) seadmele.

## TÖÖKOHT

- **Hoidke töökoht puhas ja hästi valgustatud.** Korrastamata ja pimedas kohas töötamisel võivad juhtuda õnnetused.
- **Ärge kasutage elektritööriistu plahvatusohtlikes keskkondades, näiteks kergestisüttivate vedelike ja gaaside läheduses ega tolmuses kohas.** Elektritööriistad tekitavad sädemeid, mis võivad tolmust või auru süüdata.
- **Elektritööriistaga töötamisel hoidke lapsed ja kõrvalised isikud eemal.** Tähelepanu hajumise korral võib teil kontroll kaduda.

## ELEKTROIHUTUS

- **Elektritööriistade pistikud peavad pistikupesast sobima.** Ärge püüdke pistiku konstruktsiooni mingil moel muuta. Ärge ühendage maanduskontaktiga (kordusmaandusega) elektritööriistu elektrivõrku läbi vahepistikute. Pistiku ja pistikupesast konstruktsiooni muutmise korral tekib elektrilöögi oht.
- **Hoiduge kehalisest kontaktist maandatud pindadega, näiteks torud, radiaatorid, elektripliidid ja külmikud.** Kehaosade maandamisel suureneb elektrilöögi saamise oht.
- **Ärge jätkke kultivaatorit vihma kätte või märga kohta.** Vee sattumisel elektrilise tööriista sisemusse suureneb elektrilöögi saamise oht.
- **Ärge kasutage toitejuhet mittesihhipäraselt.** Ärge kasutage toitejuhet tööriista kandmiseks, vedamiseks või pistikupesast väljatõmbamiseks.

**Hoidke toitejuhe eemal kuumusest, õlist, teravatest servadest ja liikuvatest osadest.** Vigastatud või keerduv toitekaablid suurendavad elektrilöögi ohtu.

- **Väljas töötamisel kasutage välitingimustes kasutamiseks sobivaid pikendusjuhtmeid.** Välitingimustele sobiva pikendusjuhtme kasutamine vähendab elektrilöögi ohtu.
- **Kui elektritööriistaga töötamine niisketes oludes on vältimatu, siis kasutage rikkevoolu-kaitselülitiga (RCD) kaitstud vooluvõrku.** RCD kasutamine vähendab elektrilöögi ohtu.

## ISIKUKAITSE

- **Mehaanilise tööriistaga töötamisel jälgige tööpiirkonda ja kasutage sealjuures tervet mõistust.** Ärge kasutage tööriista siis, kui te olete väsinud, uimastite, alkoholi või ravimite mõju all. Hetkeline tähelepanu hajumine tööriista kasutamise ajal võib põhjustada raske kehavigastuse.
- **Kasutage isikukaitsevahendeid.** Kandke alati silmakaitsevahendeid. Kui tööolud seda nõuavad, tuleb kasutada isikukaitsevahendeid, näiteks tolmumaski, libisemiskindlaid turvajalatsid, kiivrit ja kuulmiskaitsevahendeid, mis kehavigastuste riski vähendavad.
- **Vältige tahtmatut käivitumist.** Enne toitejuhtme või aku ühendamist, tööriista kättevõtmist või teisaldamist veenduge, et tööriista lüliti on välja lülitatud. Õnnetuste vältimiseks ärge hoidke tööriista kandmise ajal sõrme lülituspulki ega ühendage tööriista toitevõrku siis, kui lüliti on sisse lülitatud.
- **Enne tööriista sisselülitamist eemaldage sellelt reguleerivõti või mutrivõti.** Elektritööriista külge jäetud reguleerivõti või mutrivõti võivad põhjustada raske kehavigastuse.
- **Ärge kummardage.** Hoidke end pidevalt jalgadel ja tasakaalus. Siis on teil ootamatu olukorra tekkimisel tööriista üle parem kontroll.
- **Kandke tööks sobivat riietust.** Ärge kandke lõtvu riideid ja ehteid. Hoidke juuksed ja riided liikuvatest osadest eemal. Lõdvad riietuseseid, ehteid ja pikad juuksed võivad haakuda liikuvate osade külge.
- **Kui tööriistal tuleb kasutada tolmust eemaldamiseks kogumiseadisi, siis veenduge, et need on ühendatud ja nõuetekohases kasutuses.** Tolmukoguri kasutamisega saab vähendada tolmuga seotud ohtusid.

- **Ärge muutuge hooletuks ega ignoreerige tööriista ohutusnõudeid, kui te seadet juba tunnete ja olete seda tihti kasutanud.** Hooletu tegutsemine võib põhjustada raske kehavigastuse mõne sekundi murdosa jooksul.

## ELEKTROTÖÖRIISTA KASUTAMINE JA KORRASHOID

- **Ärge kasutage töötamisel liigset jõudu.** Kasutage tööks sobivat elektritööriista. Õigesti valitud elektritööriist töötab ettenähtud võimsuspiirkonnas paremini ja ohutumalt.
- **Ärge kasutage elektritööriista, kui lüliti ei lülita seda sisse ja välja.** Lülitiga lülitamatu tööriista kasutamine on ohtlik ja see tuleb lasta ära remontida.
- **Enne tööriista reguleerimist, tarkvike vahetamist või tööriista hoiustamist ühendage pistik vooluallikast lahti jāvõi eemaldage võimalusel tööriista aku.** Need ennetavad ohutusmeetmed vähendavad tööriista tahtmatu käivitumise riski.





- Hoidke kasutuses mitteolevaid elektritööriistu lastele kättesaamatus kohas ja ärge lubage elektritööriista mitte tundvaid või kasutusjuhendiga mitte tutvunud isikuid elektritööriista kasutada. Oskamatu kasutaja käes olev elektritööriist on ohtlik.
- Hooldage elektritööriistu ja tarvikuid. Kontrollige liikuvate osade mittesentreeritust ja kinnitumist, osade vigastusi ning tehke kindlaks muud seisundid, mis võivad mõjustada elektritööriista tööd. Kui mõni osa on vigastatud, siis laske elektritööriist enne kasutamist ära parandada. Halvasti hooldatud elektritööriistad põhjustavad palju õnnetusi.
- Hoidke lõiketerad teravad ja puhtad. Teravate lõiketeradega ja nõuetekohaselt hooldatud lõikeriistad jäävad harvemini kinni ning neid on kergem kontrolli all hoida.
- Tööriistade, tarvikute, otsakute ja muude lisaseadmete kasutamisel juhenduge nende kasutusjuhenditest, võttes arvesse tehtavat tööd ja tööolusid. Tööoperatsiooniks mitte ettenähtud tööriista kasutamine võib tekitada ohtliku olukorra.
- Hoidke tööriista käepidemed ja haardepinnad kuivana, puhtana ja ärge laske neile sattuda õli või määrat. Libedad käepidemed ja haardepinnad ei võimalda tööriista turvaliselt haarata ja ootamatutes olukordades kontrollida.

#### AKUTÖÖRIISTA KASUTAMINE JA KORRASHOID

- Laadige akut ainult tootja poolt ettenähtud laadijaga. Akulaadaja, mis sobib ühele akupaketile võib põhjustada tulekahju, kui seda kasutada teise akupaketiga.
- Kasutage akutööriista ainult selleks ettenähtud akudega. Muude akupaketite kasutamine võib põhjustada kehavigastusi või tulekahju.
- Sel ajal kui akupakett ei ole kasutusel, hoidke seda eemal metallesemetest nagu kirjaklambrid, mündid, võtmed, naelad, kruvid ja muudest väikestest metallobjektidest, mis võivad akulemmid lühistada. Aku klemmide lühistamine võib põhjustada põletust või tulekahju.
- Aku vale kasutamise korral võib akuedelik välja voolata - vältige sellega kokkupuudet. Akuedeliku nahale sattumisel peske see veega maha. Vedeliku silma sattumisel pöörduge viivitamatult arsti poole. Väljapriitsiv akuedelik võib tekitada nahaärritust või -põletust.
- Ärge kasutage vigast või ümbertehtud akut ega tööriista. Vigased või ümbertehtud akud võivad toimida ettearvamatu, mille tagajärjeks on tulekahju, plahvatus või vigastuste oht.
- Ärge jätke akut või tööriista tule lähedale ega liiga kõrge temperatuuri kätte. Tuli või temperatuur üle 130 °C võib põhjustada plahvatust.
- Järgige kõiki laadimisjuhiseid ning ärge laadige akut ega tööriista väljaspool juhistes määratletud temperatuurivahemikku. Vale laadimine või laadimine väljaspool määratletud temperatuurivahemikku võib akut rikkuda ja suurendada tulekahju ohtu.

#### TEENINDAMINE

- Laske oma elektrilist tööriista hooldada väljaõppinud teenindustöötajal; remontimisel tohib kasutada ainult originaalvaruosi. See tagab elektriseadme ohutuse.
- Ärge kunagi remontige vigast akut. Vigast akut tohivad remontida vaid tootja või volitatud hooldustöötajad.

#### JUHTMETA LUMEPUHASTI OHUTUSHOAIATUSED

##### VÄLJAÕPE

- Enne toote kasutamist lugege läbi ja tehke endale selgeks kõik tootel ja kasutamisujuhendis olevad juhised ning järgige neid. Tutvuge põhjalikult toote juhtelementide ja toote õige kasutamisega. Tehke endale selgeks toote peatamine ja juhtelementide kiire vabastamine.
- Ärge lubage lapsi ega piiratud füüsiliste, sensoorsete ja vaimsete võimetega inimesi ning nende juhisteга mittetutvunud inimesi seadet kasutada, puhastada ja hooldada. Kohalikud regulatsioonid võivad seada kasutaja vanusele piiranguid. Laste järele tuleb piisavalt valvata, et nad seadmega ei mängiks.
- Hoidke kõik kõrvalseisjad, lapsed ja lemmikloomad tööalalt vähemalt 15 meetri kaugusele. Lülitage toode välja, kui keegi satub tööpiirkonda.
- Olge ettevaatlik ja vältige libisemist ning kukkumist, eriti tootega tagurpidi töötades.
- Reguleerige kollektori korpuse kõrgus vastavalt kruusa- või killustikukattele.
- Ärge tehke mingeid reguleerimistöid, kui masin töötab.
- Toode võib käed või jalad maha lõigata ning esemeid lendu paisata. Ohutusjuhiste eiramine võib põhjustada tõsisid vigastusi.
- Pidage meeles, et operaator või kasutaja on vastutav õnnetuste või ohuolukordade eest, mis võivad puudutada teisi inimesi või nende vara.

##### ETTEVALMISTUSTOIMINGUD

- Enne lumepuhuri kasutamist kontrollige tööpiirkond hoolikalt üle ja eemaldage uksematid, kelgud, lumelauda, juhtmed ja muud esemed.
- Enne mootori käivitamist vabastage kõik sidurid ja lülitage seade neutraalasendisse.
- Kandke seadmega töötamisel alati talvist tööriietust ja mittelibisevaid jalanõusid. Vältige selliste riiete kandmist, mis on lõdvad või millel on paeld või sidemed; need võivad haakuda liikuvate osade külge.
- Kinnitage pikad juuksed õlgadest kõrgemale, et vältida nende takerdumist liikuvate osade vahele.
- Töötamise, reguleerimise või remondi ajal kandke alati kaitseprille või silmakaitseid, et kaitsta oma silmi tootest eemale paiskuda võivate võõrkehade eest.
- Enne seadme kasutamise alustamist veenduge, et kõik juht- ja ohutusseadised töötavad nõuetekohaselt. Ärge kasutage toodet, kui käivituslüliti mootorit ei peata.
- Enne igat kasutamist kontrollige alati, kas korpus on kahjustamata ning kaitsmed ja käepidemed on paigas ja korralikult kinnitatud.

##### KASUTAMINE

- Ärge kasutage seadet kui on äikesed oht.
- Ärge pange oma käsi või jalgu pöörlevate osade alla või lähedusse. Hoidke alati puisteavast eemale. Ärge pange avadesse mingeid esemeid.
- Olge äärmiselt ettevaatlik, kui töötate kruusateel või seda ületate. Olge tähelepanelik varjatud ohtude suhtes ja töötades üldkasutatavate teede läheduses.





- Et vähendada liikuvate osadega kokkupuutumist tingitud vigastuste ohtu, lülitage alati toode välja ja eemaldage aku. Veenduge, et kõik masina liikuvad osad on täielikult seiskunud:
  - pärast kokkupuutumist võõrkehaga, et seade vigastuste suhtes üle kontrollida
  - enne puhastamist ja ummistuse kõrvaldamist
  - enne toote juurest lahkimist
  - enne seadme kontrollimist, hooldamist ja sellega töötamist.
  - kui toode hakkab ebatavaliselt vibreerima (kontrollige koheselt) Vibratsioon hoiatab tavaliselt mõne vea eest.
- Töötamisel suunduge piki kallakut, mitte aga üles või alla. Olge ülimalt ettevaatlik, kui muudate kallakul olles suunda. Ärge püüdke puhastada järskusid nõlvaid.
- Ärge kasutage seadet ilma ettenähtud kaitsete, suunaplaatide või turvaseadisteta.
- Ärge kunagi suunake väljalaskeava inimeste või vara suunas. Hoidke kõrvalseisjad, eriti lapsed ja lemmikloomad kääride tööalalt eemal.
- Ärge koormake masinat üle võimete, et puhastada lund suurel kiirusel.
- Libedal pinnasel ärge kunagi käituge toodet kiirel sõidukäigul. Seadmega tagurpidi töötades vaadake taha ja olge ettevaatlik.
- Kui te toodet transportidite või seda ei kasuta, lahutage kollektori/tiiviku jõuallikas lahti.
- Kasutage ainult tootja originaalvaruosi, tarvikuid ja tööorganeid.
- Ärge kunagi töötage tootega halva nähtavusega või valgustusega kohas. Tagage alati kindel toetuspind oma jalgadele ja hoidke kindlalt kinni käepidemetest. Töötamisel kõndige, ärge kunagi jookske.
- Ärge jätke kunagi töötava mootoriga masinat mingile muule pinnale kui lumest puhastatud maapind. Kruus, liiv ja muu praht võib õhuvooluga üles tõusta ja välja paiskuda kõrvalseisjate suunas ja põhjustada raskeid kehavigastusi.
- Ärge puhastage lund klaasist katete, autode, akende ja läbikäikudes ilma, et lume väljaheiterenn pole vastavalt seadistatud.
- Kui toode on maha kukkunud, saanud tugevaid lööke või hakkab ebatavaliselt vibreerima, lülitage toode otsekohe välja ning kontrollige kahjustuste suhtes või tehke kindlaks vibratsiooni põhjus. Kõik vigastused tuleb lasta volitatud hooldustöökojas parandada või asendada.
- Toodet saab kasutada ja hoiustada temperatuuril –20 °C kuni 20 °C, seni kuni aku temperatuur on rohkem kui 0 °C. Ärge hoiustage akut alla 0 °C. Miinuskraadid võivad vähendada aku jõudlust ja mahutavust. Kui akut hoitakse veidi üle 0 °C, laske lumelibadal töötada vähemalt 2 minutit, et aku enne töö alustamist üles soojeneks. Kui töö on tehtud või aku on tühjaks saanud, eemaldage aku toote küljest ja hoidke seda kohas, kus ümbritsev temperatuur on vahemikus 0 °C kuni 20 °C.
- Hoidke toodet kohas, kus keskkonna temperatuur on vahemikus 0–40 °C.
- Mõned toote osad võivad äärmuslikes ilmaoludes külmuda. Ärge kasutage toodet külmunud osadega.
- Enne hoiustamist laske tootel mõni minut töötada, et spiraali küljest lumi eemaldada.

## AKU LISAHOIATUSJUHISED

- Et vähendada tulekahju ja kehaliste vigastuste ohtu ning lühisest tulenevat toote kahjustamist, ärge kunagi kastke tööriista, akut või laadijat vedelike ega laske neil vedelikega kokku puutuda. Korrodeeruvad või elektrit juhtivad vedelikud, nagu soolvesi, teatud kemikaalid ja pleegitusained või pleegitusaineid sisaldavad tooted, võivad põhjustada lühisid.
- Laadige akut kohas, kus keskkonna temperatuur on vahemikus 10–38 °C.
- Hoidke akut kohas, kus keskkonna temperatuur on vahemikus 0–20 °C.
- Ärge hoiustage akut alla 0 °C. Miinuskraadid võivad vähendada aku jõudlust ja mahutavust.

## KASUTUSJUHISED

- Masin ei tööta kui ülemine käepide pole nõuetekohaselt kinnitatud ja käepideme lukusti pole turvaliselt kinnitunud. Juhusliku käivitumise vältimiseks on 2 turvalukustust juhuks, kui toode pole õigesti kokku pandud.
- Enne kui asute tootega tööle, määrake tuule suund. Laske lumi tuulega samas suunas välja, et vältida lume kasutajale tagasi viskumist.

## UMMISTUSE KÕRVALDAMINE

Ärge pange mingil juhul oma käsi või jalgu masina ette või väljalasckerenni ette, et vältida raskeid kehavigastusi. Ärge kasutage käsi väljalaskeava puhastamiseks.

1. Lülitage välja ja eemaldage aku. Veenduge, et kõik masina liikuvad osad on täielikult seiskunud.
2. Eemaldage ummistus puidust pulga abil. Olge ettevaatlik, sest ummistuse korral võib tiivik salvestunud energia vabanemisel liikuma hakata.
3. Keerake tiivikut puitkepi abil.
4. Niipea kui tiivikut saab puitkepi pöörata, minge tagasi masina taha. Tiiviku astmeline liikumine on normaalne nähtus. Veenduge, et lumekoristuse jätkamine on ohutu.

## TRANSPORTIMINE JA HOIUSTAMINE

- Enne toote hoiustamist või selle transportimist lülitage toode välja, eemaldage aku ja laske mõlemal maha jahtuda.
- Kui seade kasvatetakse pikemaks ajaks hoiule panna, lugege täpsemat teavet alati kasutusjuhendist.
- Puhastage seade kõikidest võõrkehastest. Iranki laikukite gerai vedinamoje ir vaikams neprieinamoje vietoje. Hoidke seadet eemal korrodeerivatest ainetest, nagu aiakemikaalid ja jääsulatussoolad. Ärge hoiustage toodet väljas.
- Vedamise ajal tõkestage kultivaator liikuma hakkamise ja alla kukkumise vastu, et vältida kehavigastusi ja masinaosade kahjustamist.

## LIITUMAKUDE TEISALDAMINE

Akude transportimisel juhinduge kasutuskohas kehtivatest riiklikest määrustest ja eeskirjadest.

Akude transportimisel allettevõtjate poolt järgige kõiki pakkimise ja tähistamise erinõudeid. Veenduge, et akud ei satu kokkupuutest teiste akude ega voolu juhtivate materjalidega, kui avatud klemmid on transportimise ajal kaitstud voolu mittejuhtivate isoleerikorkide või teibiga. Ärge transportige pragunenud või lekkivaid akusid. Küsige lisateavet transportettevõtelt.



## HOOLDUS

- Kasutage ainult tootja originaalvaruosi, tarvikuid ja tööorganeid. Selle nõude eiramine võib põhjustada, kehavigastuse, tootluse languse ja teile antud garantii tühistamise.
- Hooldamine nõuab ülimalt korrashoidu ja teadmisi ning tuleks teostada ainult kvalifitseeritud hooldustehnikute poolt. Toodet tohib parandada vaid volitatud teeninduses.
- Lülitage välja ja eemaldage aku. Veenduge, et kõik liikuvad osad on täielikult peatunud enne toote puhastamist või hooldamist.
- Kontrollige kõiki mutreid, polte ja kruvisid sagedaste intervallidega õige pinguloleku suhtes, et veenduda toote ohutuse töökorras olemises. Vigastatud osad tuleb lasta pädeval hooldajal parandada või asendada.
- Pöörduge vigastatud ja loetamatute kleebiste asendamiseks volitatud hoolduskeskuse poole.
- Pärast lumekoristustööd laske masinal mõned minutid tühjalt töötada, et vältida tiiviku kinnikülmumist.
- Lubatud on teha ainult selles kasutusjuhendis kirjeldatud reguleerimis- ja parandustoiminguid. Muid remonditööd tohivad teha ainult volitatud teeninduskeskused.
- Iga kord pärast kasutamist puhastage plastist osi pehme kuiva lapiga.

## ÕPPIGE OMA TOODET TUNDMA

Vt leht 115.

1. Ülemine käepide
2. Sisse/välja hoob
3. Kasutusjuhend
4. Käivitusnupp
5. Tigufreesi kiiruse hoob
6. Renni pööramise hoob
7. Renni suunaja
8. Suunamisnupp
9. Esituli
10. Käepideme reguleerimishoob
11. Tiivik
12. Aku kaas
13. Aku paketi
14. Laadija
15. Kruvid
16. Kruvikeeraja

## SÜMBOLID



Enne toote kasutamist lugege läbi ja tehke endale selgeks kõik juhised. Järgige kõiki hoiatusi ja tööohutuseeskirju.



Hoiduge ülespaisatud ja lendavate esemete eest. Hoidke kõik kõrvalised isikud, eelkõige lapsed ja koduloomad, vähemalt 15 m kaugusel tööpiirkonnast.



Kandke silmakaitsevahendeid



Ärge jätke vihma ega niiskuse kätte.



Vältige pöörlevast tiivikust tulenevaid vigastusi. Hoidke käed, jalad ja riided ohutus kauguses.



Hoidke kõik kõrvalised isikud, eelkõige lapsed ja koduloomad, vähemalt 15 m kaugusel tööpiirkonnast.



Ärge kasutage masinat nõlvadel.



Hoidke käed ja jalad masina esiosast ja toote väljalaskerennist eemal.



Võtke akupakett välja.



Ärge kasutage käsi väljalaskeava puhastamiseks.



Garanteeritud helivõimsuse tase



Ärge kõrvaldage kasutatud patareisid ning elektri- ja elektroonikaseadmete jäätmeid sortimata olmejäätmetena. Kasutatud patareisid ning elektri- ja elektroonikaseadmete jäätmed tuleb koguda eraldi. Patareijäätmed, akujäätmed ja jäätmetest valgusallikad tuleb seadmetest eemaldada. Küsige nõu jäätmekäitluse ja kogumiskoha kohta oma kohalikust omavalitsusest või jaemüüjalt. Kohalike eeskirjade kohaselt võib jaemüüjatel olla kohustus kasutatud patareisid ning elektri- ja elektroonikaseadmete jäätmed tasuta tagasi võtta. Teie panus patareide ning elektri- ja elektroonikaseadmete jäätmete korduskasutamisse ja ringlussevõttu aitab vähendada toorainete nõudlust. Patareijäätmed, mis sisaldavad eelkõige liitiumi, ning elektri- ja elektroonikaseadmete jäätmed sisaldavad väärtuslikke ja ringlussevõetavaid materjale, mis võivad keskkonda ja inimeste tervist kahjustada, kui neid ei kõrvaldata keskkonnasäästlikul viisil. Olemasolul kustutage jäätmeseadmest isikuandmed.



Vodeću ulogu u dizajnu akumulatorskog bacača snijega imaju sigurnost, performanse i pouzdanost.

## NAMJENA

Akumulatorski bacač snijega namijenjen je samo vanjskoj uporabi u dobro osvijetljenom prostoru od strane operatera koji hoda iza proizvoda. Proizvod je konstruiran kako bi ga koristile samo odrasle osobe koje su pročitale upute i upozorenja u ovom priručniku i mogu se smatrati odgovornima za njihove postupke. Zbog sigurnosnih razloga, proizvodom se u svakom trenutku mora upravljati dvoručno.

Proizvod je namijenje za čišćenje snijega u područjima poput prilaznih putova, pločnika, nogostupaa, cesta i područja oko kuća. Proizvod može micati snijeg dubine do 33 cm.

proizvod nikada ne smije raditi s podignutim kotačim od tla. Ne smijete se voziti na proizvodu. Proizvod se treba koristiti samo kako je opisano u ovom priručniku.

Proizvod ne koristite ni za kakvu drugu svrhu.

## OPĆA SIGURNOSNA UPOZORENJA O PROIZVODU

**⚠ UPOZORENJE!** Pročitajte i pregledajte sve sigurnosne upute, slike i specifikacije isporučene uz ovaj proizvod. Nepoštivanje svih uputa može dovesti do električnog udara, požara i/ili teškim osobnim ozljedama.

**Sačuvajte ova upozorenja i upute kako biste ih naknadno mogli konzultirati.**

Pojam „električni alat“ u upozorenjima odnosi se na vaš električni proizvod (žični) napajan iz električne mreže ili proizvod na baterije (bežični).

## RADNA OKOLINA

- **Držite radni prostor čistim i dobro osvijetljenim.** Zatrpani i neosvijetljeni radni prostori izazivaju nezgode.
- **Nemojte rukovati električnim alatima u eksplozivnim atmosferama u kojima su prisutne zapaljive tekućine, plinovi ili prašina.** Električni alati stvaraju iskre koje mogu zapaliti prašinu ili pare.
- **Tijekom rada s električnim alatom držite podalje djecu i promatrače.** Ometanje može dovesti do toga da izgubite kontrolu.

## ELEKTRIČNA SIGURNOST

- **Utikači električnog alata moraju odgovarati utičnici.** Nikada nemojte modificirati utikače ni na koji način. **Nemojte koristiti nikakve adapter utikače s uzemljenim električnim alatima.** Originalni utikači i odgovarajuće utičnice smanjuju opasnost od strujnog udara.
- **Izbjegavajte kontakt tijela s uzemljenim površinama poput cijevi, radijatora, štednjaka i hladnjaka.** Ako je vaše tijelo uzemljeno, povećava se opasnost od strujnog udara.
- **Nemojte proizvod izlagati kiši ili vlažnim uvjetima.** Ulazak vode u električni alat povećava opasnost od strujnog udara.
- **Nemojte zlorabiti kabel.** Nikada nemojte koristiti kabel za nošenje, povlačenje ili isključivanje električnog alata. **Držite kabel podalje od topline, ulja, oštih rubova ili pokretnih dijelova uređaja.** Oštećeni ili zapleteni kabeli povećavaju opasnost od strujnog udara.
- **Kada radite s električnim alatom na otvorenom, koristite produžni kabel prikladan za rad na otvorenom.** Korištenje kabela prikladnog za rad na otvorenom smanjuje opasnost od strujnog udara.

- **Ako se ne može izbjeći rad s električnim alatom u vlažnoj lokaciji koristite FID sklopku (RCD uređaj) za zaštitu napajanja.** Korištenje RCD uređaja smanjuje opasnost od električnog udara.

## OSOBNA SIGURNOST

- **Budite na oprezu, gledajte to što radite i pri radu s električnim alatom koristite zdrav razum. Nemojte koristiti električni alat kad ste umorni ili pod utjecajem droge, alkohola ili lijekova.** Trenutak nepažnje pri radu s električnim alatima može dovesti do teških osobnih ozljeda.
- **Koristite osobnu zaštitnu opremu. Uvijek nosite zaštitna sredstva za oči.** Zaštitna oprema poput maske za prašinu, zaštitna obruca sa zaštitom od klizanja, kaciga ili zaštita za uši koja se koristi u odgovarajućim uvjetima smanjuje osobne ozljede.
- **Spriječite slučajno pokretanje. Osigurajte da je prije priključivanja na izvor napajanja i/ili baterije, podizanja ili nošenja alata, sklopka u položaju OFF (isključeno).** Nošenje električnog alata s vašim prstom na sklopki ili uključivanje električnih alata sa skloptom postavljenom na položaj on (uključeno) dovodi do nezgoda.
- **Prije uključivanja električnog alata uklonite sve klinove za podešavanje i ključeve.** Ključ ili klin ostavljen priključen na rotirajućem dijelu električnog alata može dovesti do osobne ozljede.
- **Ne sežite preko određene granice. Cijelo vrijeme držite pravilno uporište i ravnotežu.** Ovo u neočekivanim situacijama omogućuje bolju kontrolu nad električnim alatom.
- **Pravilno se odjenite. Nemojte nositi široku odjeću ili nakit. Svoju kosu i odjeću držite podalje od dijelova u pokretu.** Široka odjeća, nakit ili dugačka kosa mogu biti zahvaćeni u pokretne dijelove alata.
- **Ako su uređaji opremljeni s priključkom aparata za odvajanje i prikupljanje prašine, osigurajte da su oni priključeni i pravilno korišteni.** Korištenje uređaja za sakupljanje prašine smanjuje opasnosti vezane uz prašinu.
- **Nemojte dopustiti da vas poznavanje alata zbog česte uporabe opusti toliko da zanemarite sigurnosne principe rukovanja alatom.** Nepažljiv rad može uzrokovati ozbiljne povrede unutar djelića sekunde.

## KORIŠTENJE I BRIGA O ELEKTRIČNOM ALATU

- **Nemojte proizvod koristiti iznad njegovih mogućnosti.** Za vašu primjenu koristite točan električni alat. Točan električni alat bolje će i sigurnije uraditi posao u odnosu za što je namijenjen.
- **Nemojte koristiti električni alat ako ga sklopka pravilno ne uključuje i isključuje.** Svaki električni alat koje se ne može kontrolirati pomoću sklopke je opasan i mora se popraviti.
- **Izvcite utikač iz izvora električnog napajanja i/ili uklonite baterijski sklop, ako je odvojiv, prije izvršavanja bilo kakvih prilagodbi ili skladištenja električnih alata.** Ovakve preventivne sigurnosne mjere smanjuju opasnost od slučajnog pokretanja električnog alata.
- **Električne alate pohranite u stanju mirovanja izvan dohvata djece i ne dopustite rad s električnim alatom osobama koje nisu upoznate s električnim alatom ili ovim uputama.** Električni alati su opasni u rukama nestručnih korisnika.







- **Održavajte električne alate i pribor. Provjerite radi pogrešnog poravnanja ili savijanja pokretnih dijelova, puknuća dijelova i drugih uvjeta koji mogu utjecati na rad električnog alata. Ako je oštećen, električni alat prije korištenja popravite.** Većina nezgoda uzrokovano je od strane električnih alata koji su slabo održavani.
- **Rezne alate držite oštrim i čistim.** Pravilno održavanim reznim alatima s oštrim rubovima za rezanje, manja je vjerojatnost zahvaćanja i lakše se kontroliraju.
- **Koristite električni alat, pribor i dijelove alata itd., u skladu s ovim uputama i uzevši u obzir radne uvjete i rad koji treba izvršiti.** Korištenje električnog alata za radove drugačije od njegove namjene može dovesti do opasne situacije.
- **Održavajte ručke i površine hvata suhim, čistim i da na njima nema ulja i masti.** Skliske ručke i površine za hvatanje ne omogućuju sigurno rukovanje i kontrolu alata u neočekivanim situacijama.

## KORIŠTENJE I BRIGA O AKU ALATU

- **Punite samo s punjačem navedenim od proizvođača.** Punjač koji je prikladan za jednu vrstu baterija može dovesti do opasnosti od požara kada se koristi s drugom baterijom.
- **Koristite AKU alate samo s posebno naznačenim baterijama.** Korištenje bilo kojih drugih baterija dovodi do opasnosti od ozljeda i požara.
- **Kada se baterija ne koristi držite je dalje od drugih metalnih predmeta kao što su spajalice za papir, kovanice, ključevi, čavli, vijci ili drugi mali metalni predmeti koji mogu spojiti jedan pol na drugi.** Kratki spoj polova baterije može izazvati opekotine ili požar.
- **Pod uvjetima loma može doći do izbacivanja tekućine iz baterije, izbjegavajte kontakt. Ako dođe do nehotičnog kontakta, isperite to mjesto s vodom. Ako tekućina dospije u oči, dodatno potražite liječničku pomoć.** Tekućina koja istječe iz baterije može dovesti do iritacije ili opekotina.
- **Nemojte koristiti bateriju ili alat koji su oštećeni ili modificirani.** Oštećene ili modificirane baterije mogu imati nepredvidivo ponašanje, što može dovesti do požara, eksplozije ili rizika od tjelesnih ozljeda.
- **Nemojte izlagati baterijski sklop ili alat vatri ili visokoj temperaturi.** Izlaganje vatri ili temperaturi višoj od 130°C može dovesti do eksplozije.
- **Slijedite sve upute za punjenje i nemojte puniti bateriju ili alat na temperaturama izvan temperaturnog raspona specificiranog u uputama.** Nepravilno punjenje ili punjenje na temperaturama izvan specificiranog raspona može oštetiti bateriju i povećati rizik od požara.

## ODRÆAVANJE

- **Neka vaš električni alat servisira kvalificirana osoba za popravak koristeći samo identične zamjenske dijelove.** Ovo će osigurati da se održi sigurnost električnog alata.
- **Nikada nemojte popravljati oštećene baterije.** Popravak oštećenih baterija smije izvoditi isključivo proizvođač ili ovlašteni servisni centar.

## SIGURNOSNA UPOZORENJA AKUMULATORSKOG BACAČA SNIJEGA

### OBUKA

- Prije rada proizvodom morate pročitati razumjeti i slijediti sve upute koje se odnose na proizvod. Temeljito

se upoznajte s kontrolama i pravilnim korištenjem proizvoda. Morate znati kako isključiti proizvod i kako brzo deaktivirati naprave za upravljanje.

- Nikada ne dopustite djeci ili osobama sa smanjenim fizičkim, osjetljivim ili mentalnim mogućnostima ili osobama koje nisu upoznate s ovim uputama da rade, čiste ili oražavaju ovaj proizvod. Moguće je da lokalni propisi propisuju starosnu dob rukovatelja. Djecu je potrebno odgovarajuće nadzirati kako bi se osiguralo da se ne igraju s proizvodom.
- Držite promatrače, djecu i kućne ljubimce 15 m dalje od područja rada. Isključite proizvod ako bilo tko uđe na radnu površinu.
- Budite oprezni kako se ne biste poskliznuli ili pali, posebno prilikom inverznog rada proizvoda.
- Namjestite visinu kućišta kolektora kako biste očistili šljunak ili površinski zdrobljeni kamen.
- Ne pokušavajte vršiti nikakva podešavanja dok proizvod radi.
- Proizvod može amputirati ruke i stopala i izbacivati predmete. Nepridržavanje svih sigurnosnih uputa može dovesti do teške ozljede.
- Imajte na umu da je rukovatelj ili korisnik odgovoran za nezgode ili opasnosti koje nastanu drugim osobama ili njihovoj imovini.

### PRIPREMA

- Temeljito provjerite područje gdje će se uređaj koristiti i uklonite sve sanjke, ploče, žicu i druge strane predmete.
- Deaktivirajte sve spojke i prebacite se u neutralnu brzinu prije pokretanja motora.
- Tijekom rada s uređajem uvijek nosite odgovarajuću zimsku odjeću i obuću protiv klizanja. Izbjegavajte nositi odjeću koja je labava ili s nje visi konop ili kravata, oni se mogu zahvatiti u pokretne dijelove.
- Osigurajte dugu kosu na način da je iznad razine ramena kako biste spriječili zahvaćanje u bilo koje pokretne dijelove.
- Uvijek nosite sigurnosne naočale ili štitnik za oči tijekom rada ili prilikom prilagodbe ili popravka kako biste zaštitili oči od stranih tijela koji bi mogli izletjeti iz proizvoda.
- Osigurajte prije svakog korištenja da svi upravljački elementi i sigurnosni uređaji pravilno funkcioniraju. Ne koristite proizvod ako prekidač za isključivanje ne isključuje motor.
- Prije svake upotrebe, uvijek provjerite je li kućište neoštećeno i jesu li štitnici i ručke na svojem mjestu i dobro učvršćeni.

### UPORABA

- Nemojte raditi s proizvodom kada postoji opasnost od grmljavinskog nevremena.
- Nemojte stavljati ruke ili stopala blizu ili ispod rotirajućih dijelova. Neka je otvor za pražnjenje uvijek slobodan. Ne gurajte nikakve predmete u otvore.
- Budite iznimno oprezni prilikom rada ili prelaska šljunčanih prijelaza ili staza. Budite na oprezu zbog skrivenih opasnosti ili rada blizu javnih cesta.
- Kako biste smanjili rizik od ozljeda zbog kontakta s pokretnim dijelovima, uvijek isključite proizvod i izvadite baterijski sklop. Provjerite da su svi pokretni dijelovi zaustavljeni:
  - nakon odbacivanja nepoznatog predmeta; provjerite uređaj na oštećenja







- prije čišćenja i odblokiranja
  - prije ostavljanja proizvoda bez nadzora
  - prije provjere, održavanja ili rada na uređaju
  - ako uređaj počne abnormalno vibrirati (odmah provjerite) Vibracije su obično upozorenje na neki problem.
- Koristite proizvod uzduž kosine nikada gore ni dolje. Posebnu pozornost obratite kada mijenjate smjer na kosini. Nemojte pokušavati čistiti prevelike kosine.
  - Nikada nemojte raditi s proizvodom bez pravilno postavljenih štitnika, ploča ili drugih sigurnosnih zaštitnih uređaja.
  - Nikada ne usmjeravajte otvor za izbacivanje prema ljudima ili područjima gdje može doći do oštećenja. Držite sve promatrače dalje od radnog područja, posebice djecu i kućne ljubimce.
  - Nemojte preopteretiti kapacitet uređaja pokušavajući brzo očistiti snijeg.
  - Nikada nemojte rukovati proizvodom na klizavim površinama pri velikim transportnim brzinama. Gledajte iza sebe i budite oprezni prilikom rukovanja proizvodom tijekom kretanja unatrag.
  - Isključite napajanje kolektora/rotora kada se proizvod prevozi ili nije u uporabi.
  - Koristite samo originalne zamjenske dijelove, dodatni pribor i priključke od proizvođača.
  - Nikada ne radite s proizvodom ako vidljivost ili rasvjeta nisu dobri. Uvijek budite sigurni u svoj položaj nogu i čvrsto držite ručke. Hodajte, nemojte trčati.
  - Nikada ne postavljajte proizvod na nikakvu površinu, osim čvrste čiste površine, kada motor radi. Šijunak, pijesak i druge krhotine mogu se podići ulaskom zraka i odbaciti na operatera ili promatrače, uzrokujući moguće teške ozljede.
  - Nikada nemojte raditi s uređajem pored stakla, automobila, prozora ili prolaza bez pravilno podešenog kuta izbacivanja snijega.
  - Ako proizvod padne, pretrpi težak udarac ili počne nenormalno vibrirati, odmah ga isključite i pregledajte na oštećenja ili utvrdite uzrok vibracija. Svaki oštećeni dio trebao bi pravilno popraviti ili zamijeniti ovlašteni servisni centar.
  - Proizvod se može upotrebljavati i čuvati na temperaturama od -20 °C do 20 °C ako je temperatura baterije viša od 0 °C. Bateriju nemojte čuvati na temperaturi nižoj od 0 °C. Temperature ispod razine smrzavanja mogu oslabiti radne značajke i kapacitet baterije. Ako se baterija čuva na temperaturi tik iznad 0 °C, pokrenite proizvod i pustite ga da radi najmanje 2 minute da bi se baterija zagrijala prije početka normalnog rada. Nakon što zadatak bude završen ili baterija ispražnjena, bateriju izvadite iz proizvoda i čuvajte je na mjestu gdje je temperatura okruženja između 0 °C i 20 °C.
  - Proizvod čuvajte na mjestu čija je okolišna temperatura između 0°C i 40°C.
  - Neki se dijelovi proizvoda mogu zamrznuti u ekstremnim vremenskim uvjetima. Proizvod nemojte upotrebljavati ako su dijelovi zamrznuti.
  - Prije odlaganja pustite da proizvod nakon završetka rada radi još nekoliko minuta da bi snijeg izašao iz svrdla.

## DODATNA SIGURNOSNA UPOZORENJA ZA BATERIJU

- Kako biste smanjili rizik od požara, tjelesnih ozljeda i oštećenja proizvoda zbog kratkog spoja, nikada nemojte umakati proizvod, baterijski sklop ili punjač u tekućinu ili dozvoliti da tekućina proдре u njih. Korozirajuće ili vodljive tekućine kao slana voda, određene kemikalije i sredstva za bijeljenje ili proizvodi koji sadrže sredstva bijeljenja, mogu prouzročiti kratak spoj.
- Baterijski sklop punitе na mjestu na kojem je okolišna temperatura između 10°C i 38°C.
- Baterijski sklop čuvajte na mjestu na kojem je okolišna temperatura između 0°C i 20°C.
- Bateriju nemojte čuvati na temperaturi nižoj od 0 °C. Temperature ispod razine smrzavanja mogu oslabiti radne značajke i kapacitet baterije.

## SAVJETI ZA RAD

- Proizvod neće raditi ako gornja ručka nije pravilno postavljena, a klin ručke za zaključavanje nije sigurno postavljen. Postoje 2 sigurnosna uređaja za blokadu koji pomažu u sprječavanju nenamjernog pokretanja kada proizvod nije pravilno sastavljen.
- Imajte na umu smjer vjetra prije rada s proizvodom. Snijeg izbacujte u smjeru vjetra kako biste spriječili vraćanje snijega prema rukovatelju.

## ČIŠĆENJE BLOKADA

Nikada ne stavljajte ruke ili noge u prednji dio proizvoda ili lijevak za pražnjenje, kako biste izbjegli ozbiljne ozljede. Žlijeb za izbacivanje ne čistite rukama.

1. Isključite i izvadite baterijski sklop. Provjerite da su svi pokretni dijelovi zaustavljeni.
2. Blokadu uklonite pomoću drvenog štapa. Pazite, propeler se može pomicati samostalno tijekom uklanjanja blokade zbog spremljene energije u mehanizmu.
3. Okrenite sklop propelera korištenjem drvene grane.
4. Kada se propeler može okretati drvenom granom, gurnite ga u stražnji dio proizvoda. Normalno je da mehanizam propelera ima stupnjevito pomicanje. Provjerite je li sigurno nastaviti s čišćenjem snijega.

## PRIJEVOZ I SKLADIŠTENJE

- Isključite proizvod, izvadite baterijski sklop i pustite ga da se ohladi prije skladištenja ili prevoženja.
- Uvijek pogledajte priručnik za rukovatelja kako biste doznali važne detalje ako će se proizvod čuvati dulje vrijeme.
- Očistite svaki strani materijal s uređaja. Skladištite ga na dobro ventiliranom mjestu koje nije pristupačno djeci. Držite proizvod podalje od korozivnih sredstva kao što su vrtnе kemikalije i soli protiv zaleđivanja. Proizvod ne čuvajte na otvorenom.
- Za prijevoz, osigurajte uređaj protiv pomicanja ili pada kako biste spriječili povrede osoba ili oštećenja na uređaju.

## TRANSPORTIRANJE LITIJUMSKIH BATERIJA

Transportirajte bateriju u skladu s lokalnim i nacionalnim pravima i zakonima.

Slijedite sve specijalne zahtjeve na pakiranju i naljepnicama prilikom transporta baterije od treće strane. Osigurajte da baterija ne može doći u kontakt s drugim baterijama ili provodnim materijalima tijekom transporta tako da zaštitite izložene priključke s izolacijom, kapičama koje ne provode energiju ili



trakom. Nemojte transportirati baterije koje su polomljene ili cure. Provjerite kod kompanije koji transportirate za daljnju pomoć.

## ODRŽAVANJE

- Koristite samo originalne zamjenske dijelove, dodatni pribor i priključke od proizvođača. Nepoštivanje ovih uputa može dovesti do mogućih ozljeda, loše učinkovitosti i može dovesti do poništenja jamstva.
- Servisiranje iziskuje krajnju pažnju i znanje i treba da ga vrši samo kvalificirani serviser. Neka se proizvod servisira samo u ovlaštenom servisnom centru.
- Isključite i izvadite baterijski sklop. Prije bilo kakvih radnji čišćenja ili održavanja na uređaju obavezno provjerite jesu li se u potpunosti zaustavili svi pokretni dijelovi.
- Često provjeravajte sve matice i zavrtnje da li su dobro pritegnuti kako biste bili sigurni da je proizvod u sigurnom radnom stanju. Svaki oštećeni dio trebao bi pravilno popraviti ili zamijeniti ovlašteni servisni centar.
- Za zamjenu oštećenih ili nečitljivih naljepnica vratite proizvod u ovlašteni servisni centar.
- Pokrenite proizvod nekoliko puta nakon izbacivanja snijega kako biste spriječili smrzavanje rotora.
- Možete izvršiti podešavanja i popravke koji su opisani u ovom priručniku. Za ostale popravke, neka se proizvod servisira samo u ovlaštenom servisnom centru.
- Nakon svake upotrebe, plastične dijelove očistite suhom, mekom krpom.

## UPOZNAJTE SVOJ PROIZVOD

Pogledajte stranicu 115.

1. Gornja ručka
2. Držač za uključivanje/isključivanje
3. Upute za uporabu
4. Gumb za pokretanje
5. Ručica za regulaciju brzine svrdla
6. Ručica rotacije lijevka
7. Deflektor lijevka
8. Gumb deflektora
9. Prednje svjetlo
10. Poluga za namještanje ručke
11. Propeler
12. Poklopac baterije
13. Baterija
14. Punjač
15. Vijci
16. Odvijac

## SIMBOLI



Prije rada s proizvodom morate pročitati i razumjeti sve upute. Slijedite sva upozorenja i sigurnosne upute.



Čuvajte se odbačenih ili letećih predmeta. Sve nazočne osobe, a osobito djecu i kućne ljubimce, držite na udaljenosti od najmanje 15 m od radnog područja.



Nosite sredstva za zaštitu očiju



Ne izlažite kiši ili vlažnim uvjetima.



Pazite da vas ne ozlijedi rotor koji se okreće. Ruke, stopala i odjeću držite podalje od njega.



Sve nazočne osobe, a osobito djecu i kućne ljubimce, držite na udaljenosti od najmanje 15 m od radnog područja.



Proizvodom ne rukujte na strminama.



Šake i stopala držite podalje od prednjeg dijela uređaja i žlijeba za pražnjenje proizvoda.



Uklonite bateriju.



Žlijeb za izbacivanje ne čistite rukama.



Jamčena razina zvučne snage

Otpadne akumulatore, otpadnu električnu i elektroničku opremu nemojte odlagati kao nesortirani komunalni otpad. Otpadni akumulatori i otpadna električna i elektronička oprema moraju se prikupljati odvojeno. Otpadne baterije, otpadni akumulatori i izvori svjetla moraju se ukloniti iz opreme. Za savjete o recikliranju i mjestu prikupljanja otpadnih baterija obratite se lokalnim vlastima ili distributeru. U skladu s lokalnim propisima, trgovci u maloprodaji imaju obvezu besplatnog preuzimanja otpadnih baterija i otpadne električne i elektroničke opreme. Vaš doprinos ponovnoj upotrebi i recikliranju otpadnih baterija i otpadne električne i elektroničke opreme pomaže u smanjenju potrebe za sirovinama. Otpadne baterije, osobito one koje sadrže litij i električna i elektronička oprema sadrži i vrijedne materijale koje je moguće reciklirati, koji mogu negativno utjecati na okoliš i ljudsko zdravlje, ako se ne uklanja na način ekološki sukladan s okolišem. Izbrišite osobne podatke iz otpadne opreme, ako ih ima.



Brezžična snežna freza je zasnovana za zagotavljanje najvišje ravni varnosti, učinkovitosti in zanesljivosti delovanja.

### NAMEN UPORABE

Brezžična snežna freza je namenjena samo uporabi na prostem, v dobrih svetlobnih pogojih, pri čemer operater hodi za izdelkom. Orodje je zasnovano tako, da ga lahko uporabljajo samo odrasli, ki so prebrali in razumejo navodila in opozorila v tem priročniku, zaradi česar lahko tudi odgovarjajo za svoja dejanja. Iz varnostni razlogov je treba izdelek vedno ustrezno upravljati z dvema rokama.

Izdelek je oblikovan za čiščenje snega na območjih, kot so dovozi, pločniki, prehodi, poti, cestišča in v okolici hiš. Izdelek lahko odstrani sneg v višini do 33 cm.

Izdelka nikoli ne smete upravljati tako, da so kolesa dvignjena od tal. Na izdelku se ne smete voziti. Izdelek se sme uporabljati samo po navodilih, navedenih v tem priročniku.

Za druge namene ga ne uporabljajte.

### SPLOŠNA VARNOSTNA OPOZORILA ZA IZDELEK

**⚠ OPOZORILO! Preberite vsa varnostna opozorila, risbe in tehnične podatke, priložene tem izdelkom.** Neupoštevanje spodaj navedenih navodil se lahko odrazi v električnem udaru, požaru in/ali hudih telesnih poškodbah.

**Shranite vsa opozorila in navodila za kasnejšo uporabo.**

Izraz »električno orodje« v opozorilih se nanaša na električno napajani (ožičeni) izdelek ali baterijsko napajani (brežžični) izdelek.

### DELOVNO OBMOČJE

- Delovno območje naj bo čisto in dobro osvetljeno. V neurejenih in temnih območjih se rade zgodijo nesreče.
- Električni orodij ne uporabljajte v eksplozivnih okoljih npr. v bližini vnetljivih tekočin, plinov ali prahu. Električna orodja proizvajajo iskre, ki lahko vnamejo prah ali hlape.
- Med uporabo električnega orodja v bližino ne pustite otrok in drugih ljudi. Zaradi zmanjšane koncentracije lahko izgubite nadzor.

### ELEKTRIČNA VARNOST

- Vtiči električnih orodij se morajo prilegati vtičnicam. Vtiča nikoli in na noben način ne smete spreminjati. Z ozemljenimi električnimi orodji ne uporabljajte adapterjev vtiča. Nespremenjeni vtiči in ustrezne vtičnice zmanjšajo tveganje električnega udara.
- Izogibajte se telesnemu stiku z ozemljenimi površinami, kot so cevi, radiatorji, kuhalniki in hladilniki. Če je vaše telo ozemljeno, obstaja povečano tveganje električnega udara.
- Izdelka ne izpostavljajte dežju ali vlagi. Voda v električnem orodju znatno poveča tveganje električnega udara.
- Kabla ne uporabljajte za neustrezne namene. Kabla nikoli ne uporabljajte za prenašanje, vleko ali izklop električnega orodja. Pazite, da kabel ne pride v stik z vročino, oljem, ostrimi robovi ali gibljivimi deli. Poškodovani ali zapleteni kabli zvišujejo tveganje električnega udara.
- Med uporabo električnega orodja na prostem uporabljajte podaljševalni kabel, ki je primeren za zunanjo uporabo. Uporaba kabla, primernega za zunanjo uporabo, znižuje tveganje električnega udara.
- Če je delo z električnim orodjem v vlažnem okolju neizogibno, uporabite tokovno zaščitno stikalo (RCD). Uporaba naprave RCD zmanjša tveganje za električni udar.

### OSEBNA VARNOST

- Med obratovanjem bodite pozorni, spremljajte potek dela in uporabljajte zdrav razum. Električnega orodja ne uporabljajte, ko ste utrujeni oz. pod vplivom drog, alkohola ali zdravil. Trenutek nepazljivosti med uporabo električnega orodja lahko povzroči hude telesne poškodbe.
- Uporabljajte osebno zaščitno opremo. Vedno nosite zaščitno za oč. Če v različnih okoliščinah nosite ustrezno zaščitno opremo, kot so maska proti prahu, obutev z nedersečim podplatom, trdno pokrivalo glave in zaščita za sluh, zmanjšate možnost telesnih poškodb.
- Preprečite neželen zagon. Preden orodje priključite na vir napajanja, vstavite baterije, ga vzamete v roke ali prenašate, se prepričajte, da je stikalo v izključenem položaju. Prenašanje električnih orodij, tako da prst držite na stikalu, ali dovajanje napajanja električnim orodjem, pri katerih je stikalo v položaju »on (vklop)« poveča tveganje nesreč.
- Pred vklopom električnega orodja odstranite morebitne nastavitvene ključe ali izvijače. Izvijač ali ključ, ki ostane pritrjen na vrtljivi del električnega orodja, lahko povzroči telesne poškodbe.
- Nesiahajte priliš daleko. Pazite, da stojite stabilno in da imate ravnotežje. To omogoča boljši nadzor nad električnim orodjem v nepričakovanih situacijah.
- Bodite primerno oblečeni. Ne nosite ohlapnih oblačil ali nakita. Las in oblačil ne približujte gibljivim delom. Ohlapna oblačila, nakit ali dolgi lasje se lahko zapletejo v gibljive dele.
- Če so naprave namenjene priključitvi na pripomočke za sesanje in zbiranje prahu, se prepričajte, da so ti priključeni in ustrezno uporabljeni. Uporaba zbiralca prahu lahko zmanjša nevarnosti, povezane s prahom.
- Pazite, da zaradi pogoste uporabe orodja ne postanete preveč samozavestni pri svojem delu in ne namenite pozornosti upoštevanju varnostnih načel uporabe. Nepredvidnost lahko že v delčku sekunde povzroči hudo poškodbo.

### UPORABA IN NEGA ELEKTRIČNEGA ORODJA

- Izdelka ne preobremenjujte. Uporabite električno orodje bo nalogo opravilo bolje in varneje v kategoriji, za katero je bilo zasnovano.
- Ne uporabljajte električnega orodja, če ga stikalo ne vklopi ali izklopi, kot bi bilo treba. Kakršno koli električno orodje, ki ga ni mogoče nadzirati s stikalom, je nevarno in ga je potrebno popraviti.
- Pred izvajanjem prilagoditev, menjavanjem dodatkov ali shranjevanjem električnega orodja vtič izključite iz vira napajanja in/ali iz električnega orodja odstranite akumulatorsko baterijo, če se lahko odstrani. Tovrstni preventivni varnostni ukrepi zmanjšajo možnost slučajnega zagona električnega orodja.
- Električna orodja, ki niso v uporabi, shranjujte izven dosega otrok in ne dovolite, da bi električno orodje uporabljale osebe, ki niso seznanjene z električnim orodjem ali s temi navodili. Električna orodja so v rokah neusposobljenih uporabnikov nevarna.
- Električno orodje in dodatke vzdržujte. Preverite, če so gibljivi deli napačno poravnani ali zaskočeni, če so sestavni deli polomljeni ali če obstaja kakršno koli druge stanje, ki lahko vpliva na varno delovanje električnega orodja. Če je električno



orodje poškodovano, ga pred ponovno uporabo dajte v popravilo. Številne nesreče zakrivijo neustrezno vzdrževana električna orodja.

- **Rezalna orodja naj bodo vedno nabrušena in čista.** Pravilno vzdrževana rezalna orodja z ostrimi rezili se težje zaskočijo in jih je lažje nadzirati.
- **Električno orodje, dodatke, nastavke za orodje itd. uporabljajte v skladu s temi navodili ter upoštevajte delovne pogoje in vrsto dela, ki ga boste izvajali.** Uporaba električnega orodja za namene, ki so drugačni od tistih, za katere je bilo orodje zasnovano, lahko povzroči nevarne situacije.
- **Ročaji in površine za prijem naj bodo suhe in čiste, na njih naj ne bo olja ter maščobe.** Če so ročaji ali površine za prijem spolzke, ni zagotovljeno varno rokovanje in upravljanje z orodjem v nepričakovanih situacijah.

#### UPORABA IN VZDRŽEVANJE BATERIJSKEGA ORODJA

- **Baterijo polnite le s polnilnikom, ki ga določa proizvajalec.** Polnilnik, ki ustreza eni vrsti baterij, morda lahko povzroči požar, če z njim polnite drugo vrsto baterij.
- **Baterijska orodja uporabljajte samo s predpisano vrsto baterij.** Uporaba katerih koli drugih baterij ustvari tveganje poškodb in požara.
- **Ko baterije ne uporabljajte, pazite, da bo odmaknjena od kovinskih predmetov, kot so papirne sponke, kovanci, ključi, želblji, vijaki ali drugih majhni kovinski predmeti, ki bi lahko povzročili povezavo med obema terminaloma.** Kratek stik zaradi povezanih terminalov baterije lahko povzroči opekline ali požar.
- **Ob zlorabi baterije lahko iz nje steče tekočina. Če se po nesreči dotaknete tekočine, mesto dotika sperite z vodo. Če pride tekočina v stik z očmi, poiščite zdravstveno pomoč.** Tekočina, ki izteče iz baterije, lahko povzroči vnetje ali opekline.
- **Poškodovanega ali spremenjenega akumulatorja oziroma orodja ne uporabljajte.** Poškodovani ali spremenjeni akumulatorji lahko delujejo na nepredvidljiv način, kar lahko povzroči požar, eksplozijo ali nevarnost telesne poškodbe.
- **Akumulatorskega vložka ali orodja ne izpostavljajte ognju ali previsokim temperaturam.** Ob izpostavljenosti ognju ali temperaturam, višjim od 130 °C, lahko pride do eksplozije.
- **Dosledno upoštevajte navodila za polnjenje in akumulatorja oziroma orodja ne polnite izven temperaturnega razpona, predpisanega v navodilih.** Ob nepravilnem polnjenju oziroma polnjenju pri temperaturah izven predpisanega razpona se lahko poškoduje akumulator in poveča nevarnost požara.

#### SERVISIRANJE

- **Električno orodje naj servisira usposobljena oseba, uporabljati pa sme le originalne nadomestne dele.** To bo zagotovilo vzdrževanje varnostni električnega orodja.
- **Nikoli ne servisirajte poškodovanih akumulatorjev.** Akumulatorje lahko servisira samo proizvajalec ali pooblaščen serviser.

### VARNOSTNA OPOZORILO ZA BREŽIČNO SNEŽNO FREZO

#### URJENJE

- Pred uporabo izdelka preberite, razumite in upoštevajte vsa navodila, navedena na izdelku in v tem priročniku.

Temeljito se seznanite s kontrolami in pravilno uporabo izdelka. Naučite se, kako izklopiti izdelek in hitro sprostiti krmilne elemente.

- Otrokom in osebam z zmanjšanimi fizičnimi, senzoričnimi ali duševnimi zmoglostmi ter osebam, ki niso seznanjene s temi navodili, nikoli ne dovolite uporabljati, čistiti ali vzdrževati izdelka. Lokalni predpisi se morda nanašajo tudi na minimalno starost upravitelja. Otroke nenehno primerno nadzorujte, da se ne bodo igrali z napravo.
- Prisotni, otroci in živali naj bodo vsaj 15 m oddaljeni od delovnega območja. Če v območje vstopi oseba, izdelek izklopite.
- Bodite previdni, da vam ne spodrsne ali ne padete, predvsem ob uporabi izdelka v vzratni smeri.
- Ohišje zbiralnika nastavite na višino, da preprečite stik s talno površino, na kateri je gramoz ali grušč.
- Med delovanjem izdelka ne poskušajte izvajati nobenih prilagoditev.
- Izdelek lahko odseka roke in noge ter povzroči letenje predmetov. Neupoštevanje vseh varnostnih navodil lahko privede do hude telesne poškodbe.
- Pomnite, da je upravitelj oz. uporabnik odgovoren za nesreče ali nevarnosti, ki se pripetijo ostalim ljudem ali njihovi lastnini.

#### PRIPRAVA

- Temeljito preglejte območje, kjer boste uporabljali napravo in odstranite vse predpražnike, sani, deske za deskanje na snegu, žice in druge tujke.
- Pred zagonom motorja sprostite vse sklopke in prestavite v prosti tek.
- Med upravljanjem naprave vedno nosite primerna zimska oblačila in neдрsečo varnostno obutev. Izogibajte se nošenju ohlapnih oblačil ali oblačil z odstopajočimi dodatki, saj se lahko ujamejo med premične dele.
- Dolge lase si spnite nad rameni in tako preprečite, da bi se ujeli v premikajoče se dele.
- Med delovanjem izdelka ali prilagajanjem in popravljanjem izdelka vedno nosite varnostna očala ali ščitnik za oči, da zaščitite oči pred tujki, ki bi lahko prileteli iz izdelka.
- Pred vsako uporabo zagotovite, da vse kontrole in varnostne naprave delujejo pravilno. Ne uporabljajte izdelka, če stikalo za izklop ne ugasne motorja.
- Pred vsako uporabo preverite, ali je ohišje nepoškodovano in ali so ščitniki ter ročice na svojem mestu in varno pritrjene.

#### DELOVANJE

- Izdelka ne uporabljajte v primeru pojava nevihte.
- Roke in stopala držite stran od vrtečih se delov. Ne približujte se odprtini za praznjenje. V odprtine ne postavljajte nobenih predmetov.
- Med uporabo ali pomikanjem prek makadamskih cest ali pešpoti bodite izjemno previdni. Bodite pozorni na skrite nevarnosti ali med uporabo v bližini javnih cest.
- Za zmanjšanje nevarnosti poškodbe zaradi stika s premikajočimi se deli izdelek vedno izklopite in odstranite baterijski vložek. Prepričajte se, da so se vsi premikajoči se deli popolnoma zaustavili:
  - ko zadenete tujek, preverite, ali je izdelek poškodovan



- pred čiščenjem ali odstranjevanjem blokade
  - preden zapustite napravo
  - pred preverjanjem in vzdrževanjem izdelka ali delom na njem
  - če izdelek začne nenormalno vibrirati (preverite nemudoma) Vibracije so ponavadi znanilec težav.
- Na pobočjih se premikajte prečno, nikoli gor in dol. Pri menjavanju smeri na pobočjih bodite še posebej previdni. Ne poskušajte očistiti strmih pobočij.
  - Naprave nikoli ne upravljajte brez primernih ščitnikov, obleke in drugih varnostnih naprav na določenih mestih.
  - Izmeta nikoli ne usmerjajte v osebe ali območja, kjer lahko pride do poškodb lastnine. Vsi opazovalci morajo stati proč od delovnega območja, še posebej otroci in domače živali.
  - To lahko povzroči resne poškodbe. Naprave ne preobremenjujte s prehitrim čiščenjem snega.
  - Kadar izdelek uporabljate na drsljivi podlagi, ta ne sme nikoli obratovati pri visoki hitrosti. Med uporabo izdelka v vzvratni smeri glejte nazaj in izdelek previdno uporabljajte.
  - Med prevozom izdelka ali ko izdelka ne uporabljate, izklopite napajanje zbiralnika/pogonskega kolesa.
  - Uporabljajte le originalne rezervne dele in dodatke, ki jih priporoča proizvajalec.
  - Izdelka nikoli ne uporabljajte v slabi vidljivosti ali nezadostni svetlobi. Poskrbite, da vedno stabilno stojite in močno držite za ročaja. Vedno hodite, nikoli ne tecite.
  - Ko je naprava v teku, je nikoli ne postavite na katero koli površino, razen na trdo in čisto površino. Zračni dovod lahko pobere gramoz, pesek ali druge delce in jih vrže v operaterja naprave ali mimoidoče.
  - Nikoli ne uporabljajte naprave v bližini steklenih ograj, avtomobilov, oken ali vhodov brez primerne nastavitve kota izmeta.
  - Če izdelek pade, utрпи močan udarec ali začne nenormalno vibrirati, ga takoj izklopite in preverite, ali je poškodovan oziroma ugotovite vzrok vibracij. Vsakršno poškodbo mora ustrezno popraviti ali zamenjati pooblaščen servisni center.
  - Izdelek je mogoče uporabljati in hraniti pri temperaturah med  $-20^{\circ}\text{C}$  in  $20^{\circ}\text{C}$ , vendar le pod pogojem, da je temperatura baterije nad  $0^{\circ}\text{C}$ . Baterije ne hranite pri temperaturah pod  $0^{\circ}\text{C}$ . Temperature pod lediščem lahko zmanjšajo zmogljivost in kapaciteto baterij. Če je baterija shranjena pri temperaturah tik nad  $0^{\circ}\text{C}$ , naj izdelek pred normalno uporabo deluje vsaj 2 minuti, da se baterija segreje. Po končanem delu, ali ko je baterija izpraznjena, jo odstranite iz izdelka in jo shranite na mestu s temperaturo med  $0^{\circ}\text{C}$  in  $20^{\circ}\text{C}$ .
  - Izdelek shranjujte v prostoru, v katerem je temperatura okolja med  $0^{\circ}\text{C}$  in  $40^{\circ}\text{C}$ .
  - Nekateri deli izdelka lahko pri ekstremnih vremenskih pogojih zamrznejo. Ne uporabljajte izdelka z zamrznjenimi deli.
  - Po uporabi pustite izdelek pred shranjevanjem še nekaj minut delovati, s čimer s polža odstranite sneg.

#### DODATNA VARNOSTNA OPOZORILA ZA BATERIJO

- Za zmanjšanje nevarnosti požara, telesne poškodbe in poškodbe izdelka zaradi kratkega stika nikoli ne potopite izdelka, baterijskega vložka ali polnilca v tekočino ali dopustite, da bi tekočina vdrla vanju. Korozivne

ali prevodne tekočine, kot so slana voda, določene kemikalije in belila ali proizvodi, ki le ta vsebujejo, lahko povzročijo kratek stik.

- Baterijski vložek polnite na mestu, kjer je temperatura okolja med  $10^{\circ}\text{C}$  in  $38^{\circ}\text{C}$ .
- Baterijski vložek shranjujte na mestu, kjer je temperatura okolja med  $0^{\circ}\text{C}$  in  $20^{\circ}\text{C}$ .
- Baterije ne hranite pri temperaturah pod  $0^{\circ}\text{C}$ . Temperature pod lediščem lahko zmanjšajo zmogljivost in kapaciteto baterij.

#### NASVETI ZA UPRAVLJANJE

- Izdelek ne bo deloval, če zgornja ročica ni pravilno nameščena in če sponka za zaklepanje ročaja ni varno pripeta. Obstajata 2 varnostna zaklepa, ki preprečujeta nenameren zagon, če je izdelek nepravilno sestavljen.
- Pred uporabo izdelka preverite smer vetra. Sneg odmetavajte v smeri vetra, da preprečite padanje snega na uporabnika.

#### ODPRVLJANJE BLOKAD

V izogib resnim poškodbam nikoli ne polagajte rok ali nog pred napravo ali izmetni žleb. Praznilne cevi ne čistite z rokami.

1. Izklopite in odstranite akumulatorski vložek. Prepričajte se, da so se vsi premikajoči se deli popolnoma zaustavili.
2. Odstranite blokado z leseno palico. Bodite pozorni, zaradi shranjene energije v mehanizmu se lahko rotor med odstranjevanjem blokade samodejno zasuče.
3. Za zasuk rotorskega sklopa uporabite leseno palico.
4. Ko lahko rotor zasučete z leseno palico, premaknite zadnji del naprave. Za rotor je običajno intenzivirano gibanje. Prepričajte se, da je varno nadaljevati s čiščenjem snega.

#### TRANSPORT IN SHRANJEVANJE

- Pred shranjevanjem ali transportom izdelka izdelek izklopite, odstranite baterijski vložek in počakajte, da se ohladi.
- Pred shranjevanjem izdelka za daljše obdobje vedno preverite pomembne informacije v uporabniškem priročniku.
- Očistite vse tuje z izdelka. Izdelek shranjujte v dobro prezračenem prostoru izven dosega otrok. Shranjujte proč od korozivnih sredstev, kot so vrtno kemikalije in soli za topljenje ledu. Izdelka ne shranjujte na prostem.
- Za transport zavarujte izdelek pred premiki ali padci, da preprečite poškodbe oseb ali izdelka.

#### PRENAŠANJE LITIJEVIH BATERIJ

Baterije prevažajte v skladu z lokalnimi in državnimi uredbami in predpisi.

Upoštevajte vse posebne zahteve glede pakiranja in označevanja, kadar prevoz opravlja tretja oseba. Zagotovite, da baterije med prevozom ne morejo priti v stik z drugimi baterijami ali prevodnimi materiali tako, da zaščitite izpostavljene konektorje z izolacijo, neprevodnimi pokrovčki ali trakom. Ne prevažajte poškodovanih baterij oz. baterij, ki puščajo. Za nadaljnje informacije se obrnite na posredovalno podjetje.

## VZDRŽEVANJE

- Uporabljajte le originalne rezervne dele in dodatke, ki jih priporoča proizvajalec. V nasprotnem primeru naprava lahko slabo deluje, povzroči poškodbe, garancija pa ne velja več.
- Servisiranje zahteva posebno pozornost in znanje in naj jo zato opravlja samo izurjeni servisni tehnik. Izdelek naj servisirajo izključno v pooblaščenem servisnem centru.
- Izklopite in odstranite akumulatorski vložek. Pred čiščenjem ali vzdrževanjem se prepričajte, da so vsi premični deli zaustavljeni.
- Pogosto preverjajte, ali so vse matice in vijaki dobro pritihi in tako zagotovite varno delovno stanje izdelka. Vsak poškodovani del mora ustrezno popraviti ali zamenjati pooblaščen servisni center.
- Poškodovane ali nečitljive nalepke naj zamenjajo v pooblaščenem servisnem centru.
- Po odmetavanju snega izdelek nekajkrat poženite, da preprečite zamrznitev pogonskega kolesa.
- Opravljati smete le nastavitve in popravila, ki so opisana v teh navodilih za uporabo. Druga popravila izdelka naj izvedejo izključno na pooblaščenem servisu.
- Po vsaki uporabi očistite plastične dele z mehko, suho krpo.

## SPOZNAJTE SVOJ IZDELEK

Glejte stran 115.

1. Zgornji ročaj
2. Varovalo za vklop/izklop
3. Uporabniški priročnik
4. Gumb Start
5. Ročica za hitrost vijaka
6. Izmetni žleb
7. Odklon izmetnega žleba
8. Gumb odklona
9. Žaromet
10. Ročica za prilagajanje ročaja
11. Rotor
12. Pokrov akumulatorja
13. Akumulator
14. Polnilec
15. Vijaki
16. Izvijac

## SIMBOLI



Pred uporabo izdelka preberite in razumite vsa navodila. Upoštevajte vsa opozorila in varnostna navodila.



Pazite na izvržene ali leteče predmete. Opazovalci, predvsem otroci in domače živali, morajo biti najmanj 15 m od območja uporabe.



Nosite zaščito za oči



Ne izpostavljajte ga dežju ali vlagi.



Preprečite telesne poškodbe, ki jih lahko povzroči sesalni rotor. Ne približujte rok, nog in oblačil.



Opazovalci, predvsem otroci in domače živali, morajo biti najmanj 15 m od območja uporabe.



Izdelka ne uporabljajte na pobočjih.



Ne približujte rok in nog srednjemu delu stroja ter praznilni cevi izdelka.



Odstranite baterijo.



Praznilne cevi ne čistite z rokami.



Zajamčena raven zvočne moči



Odpadnih baterij in odpadne električne in elektronske opreme ne odlagajte med nesortirane gospodinjske odpadke. Odpadne baterije in odpadno električno in elektronsko opremo je treba zbirati ločeno. Odpadne baterije, odpadne akumulatorje in svetlobne vire je treba odstraniti iz opreme. Za informacije o recikliranju in mestih zbiranja odpadkov se obrnite na lokalno agencijo ali prodajalca. Skladno z lokalnimi predpisi morajo trgovci na drobno odpadne baterije in odpadno električno in elektronsko opremo morda brezplačno prevzeti. Vaš prispevek k ponovni uporabi in recikliranju odpadnih baterij in odpadne električne in elektronske opreme pomaga zmanjšati zahteve po surovinah. Odpadne baterije, predvsem tiste, ki vsebujejo litij, in odpadna električna in elektronska oprema vsebujejo dragocene materiale in materiale, ki jih je mogoče reciklirati, in lahko v primeru, da se ne odložijo na način, skladen z okoljem, negativno vplivajo na okolje in zdravje ljudi. Če so v odpadni opremi shranjeni osebni podatki, jih izbršite.



Pri návrhu akumulátorovej snežnej frézy boli prvoradá bezpečnosť, výkon a spoľahlivosť.

## ÚČEL POUŽITIA

Akumulátorová snežná fréza je určená len na použitie vonku, v dobre osvetlenom prostredí a to tak, že obsluha v stoji kráča za výrobkom. Tento výrobok môžu používať len svojprávne dospelé osoby, ktoré si prečítali a porozumeli pokynom a varovaniam v tejto príručke. Z bezpečnostných dôvodov sa výrobok musí celý čas riadne ovládať oboma rukami.

Tento produkt je určený na odstraňovanie snehu na miestach ako príjazdové cesty, bočné cesty, chodníky, cestičky, vozovky a okolie domov. Tento produkt dokáže odstraňovať sneh do hĺbky až 33 cm.

Produkt sa nikdy nesmie obsluhovať, keď kolieska nie sú na zemi. Na výrobku sa nesmie vozíť. Tento výrobok sa smie používať len v zmysle opisov uvedených v tomto návode.

Nepoužívajte na žiadne iné účely.

## VŠEOBECNÉ BEZPEČNOSTNÉ VÝSTRAHY PRE VÝROBOK

**⚠ VAROVANIE!** Prečítajte si všetky pokyny s bezpečnostnými výstrahami, obrázky a parametre uvádzané pre tento výrobok. Pri nedodržaní pokynov uvedených nižšie môže dôjsť k úrazu elektrickým prúdom, požiaru alebo závažnému osobnému poraneniu.

Odložte všetky upozornenia a pokyny použitie v budúcnosti.

Výraz „elektrické náradie“ uvádzaný vo výstrahách sa vzťahuje na produkt napájaný zo siete (s káblom) alebo produkt napájaný akumulátorom (bez kábla).

## PRACOVNÝ PRIESTOR

- **Pracovisko udržiavajte v čistote a správne osvetlené.** Prepchané alebo tmavé miesta zvyšujú pravdepodobnosť nehôd.
- **Nepracujte s mechanickými nástrojmi vo výbušných atmosférach, napríklad v blízkosti zápalných tekutín, plynov alebo prachu.** Mechanické nástroje vytvárajú iskry, ktoré môžu podpáliť trachy alebo výpary.
- **Deti a okolostojaci sa počas práce s mechanickým nástrojom nesmú zdržovať v jeho blízkosti.** Rozptýlenie môže spôsobiť, že stratíte nad nástrojom kontrolu.

## ELEKTRICKÁ BEZPEČNOSŤ

- **Zástrčky mechanického nástroja musia zodpovedať zásuvke.** Zástrčku nikdy žiadnym spôsobom neupravujte. S uzemnenými mechanickými nástrojmi nepoužívajte rozdvojné zásuvky. Použitím neupravených zástrčiek a zodpovedajúcich zásuviek sa znižuje riziko úrazu elektrickým prúdom.
- **Vyhýbajte sa telesnému kontaktu s uzemnenými povrchmi, napríklad rúrami, radiátormi, sporákmi a chladničkami.** Ak je vaše telo uzemnené, hrozí vysoké riziko úrazu elektrickým prúdom.
- **Nevystavujte produkt dažďu ani mokrému prostrediu.** Voda, ktorá vnikne do mechanického nástroja, zvyšuje riziko úrazu elektrickým prúdom.
- **Kábel nenamáhajte.** Nikdy nepoužívajte kábel na prenášanie, ťahanie alebo odpájanie mechanického nástroja. Kábel nedávajte do blízkosti tepla, oleja, ostrých okrajov alebo pohyblivých dielov. Poškodené alebo zamotané káble zvyšujú riziko úrazu elektrickým prúdom.

- **Pri práci s mechanickým nástrojom v exteriéri používajte predlžovací kábel vhodný pre použitie v exteriéri.** S káblom vhodným pre použitie v exteriéri sa znižuje riziko úrazu elektrickým prúdom.

- **Ak je nevyhnutné pracovať s mechanickým nástrojom vo vlhkom prostredí, použite zdroj chránený zariadením pre zvyškový prúd.** Použitie zariadenia pre zvyškový prúd znižuje riziko úrazu elektrickým prúdom.

## OSOBNÁ BEZPEČNOSŤ

- **Pri práci s mechanickým nástrojom buďte ostražití, sledujte, čo robíte a používajte zdravý rozum.** Nepoužívajte mechanický nástroj, keď ste unavení alebo pod vplyvom drog, alkoholu alebo liekov. Chvíľa nepozornosti počas práce s mechanickými nástrojmi môže spôsobiť závažné osobné poranenie.
- **Používajte osobné ochranné pomôcky. Vždy používajte chrániče zraku.** Ochranné pomôcky ako protiprachová maska, protišmyková bezpečnostná obuv, pevný klobúk alebo chrániče sluchu, používané pre príslušné podmienky, znižujú riziko vzniku osobného poranenia.
- **Zabráňte neúmyselnému spusteniu.** Pred zapojením zariadenia do siete a/alebo k jednotke akumulátora, zdvíhaním alebo prenášaním nástroja vždy skontrolujte, či je spínač vo vypnutej polohe. Pri prenášaní mechanických nástrojov s prstom položeným na spínači alebo pripájaní mechanických nástrojov so zapnutým spínačom sa zvyšuje riziko úrazu.
- **Pred zapnutím nástroja odstráňte prípadný nastavovací klin alebo kľúč.** Keď necháte kľúč alebo klin nasadený na rotujúci diel mechanického nástroja, môže dôjsť k vážnemu poraneniu osôb.
- **Neprecaňte sa. Neustále zachovávajú pevnú oporu nôh a rovnováhu.** Tak si zaistíte lepšiu kontrolu nad mechanickým nástrojom v nečakaných situáciách.
- **Primerane sa oblečte. Nenoste voľný odev ani šperky.** Svoje vlasy a odev majte v bezpečnej vzdialenosti od pohyblivých dielov. Voľný odev, šperky či dlhé vlasy sa môžu zachytiť do pohyblivých častí.
- **Ak sú zariadenia vybavené pripojením na prostriedky na odsávanie a zber prachu, zaistíte, aby boli správne pripojené a primerane sa používali.** Pri použití týchto prostriedkov sa znižujú riziká pochádzajúce z prachu.
- **Nedovoľte, aby znalosti získané počas častého používania náradia spôsobili, že budete ignorovať princípy bezpečnosti pre náradie.** Nedbanlivosť môže spôsobiť závažné poranenie v zlomku sekundy.

## POUŽÍVANIE ELEKTRICKÉHO NÁSTROJA A STAROSTLIVOSŤ OŇ

- **Na nástroj nevyvíjajte silu.** Používajte vhodný nástroj pre dané použitie. Správny mechanický nástroj splní svoju úlohu lepšie a bezpečnejšie pri rýchlosti, na ktorú je určený.
- **Mechanický nástroj nepoužívajte, ak spínač nezapína a nevypína nástroj.** Mechanický nástroj, ktorý sa nedá ovládať spínačom, je nebezpečný a musí sa dať opraviť.
- **Pred vykonávaním akýchkoľvek úprav, výmenou príslušenstva alebo uskladnením elektrického náradia odpojte elektrickú zástrčku zo zdroja napájania a/alebo vyberte z elektrického náradia súpravu batérií, ak sa dá vybrať.** Takéto preventívne opatrenie znižuje riziko neúmyselného spustenia mechanického nástroja.



- Nečinné mechanické nástroje odložte mimo dosahu detí a nedovoľte používať mechanický nástroj osobám neoboznánym s mechanickým nástrojom alebo týmito pokynmi. Mechanické nástroje sú v rukách netrénovaných osôb nebezpečné.
- **Vykonávajte údržbu elektrického náradia a príslušenstva.** Skontrolujte, či pohyblivé diely nie sú nesprávne nastavené alebo zablokované, či niektoré diely nie sú poškodené, ako aj akýkoľvek iný stav, ktorý by mohol ovplyvniť činnosť mechanického nástroja. V prípade poškodenia nechajte mechanický nástroj pre použitím opraviť. Veľké množstvo nehôd je spôsobených nedostatočnou údržbou mechanických nástrojov.
- **Rezacie nástroje udržiavajte ostré a v čistote.** Správne udržiavané rezacie nástroje s ostrými ostriami sa menej pravdepodobne zaseknú a ľahšie sa ovládajú.
- **Mechanický nástroj, príslušenstvo a vrtáky a pod., používajte v súlade s týmto návodom, pričom berte do úvahy pracovné podmienky a úlohu, ktorú chcete vykonať.** Pri používaní mechanického nástroja na iné ako určené činnosti môže dôjsť k nebezpečným situáciám.
- **Rukoväte a úchopné povrchy udržiavajte suché, čisté a bez zvyškov oleja či maziva.** Klzké rukoväte a úchopné povrchy neumožňujú bezpečnú manipuláciu a ovládanie nástroja v neočakávaných situáciách.

#### POUŽÍVANIE AKUMULÁTORA A STAROSTLIVOSŤ OŇ

- **Nabíjajte len s použitím nabíjačky špecifikovanej výrobcom.** Nabíjačka, ktorá je vhodná pre jeden typ jednotky akumulátora, môže pri použití s inou jednotkou akumulátora spôsobiť riziko požiaru.
- **Používajte len mechanické nástroje so špecificky určenými jednotkami akumulátorov.** Pri použití iných jednotiek akumulátora vzniká riziko poranenia a požiaru.
- **Keď sa jednotka akumulátora nepoužíva, nedávajte ju do blízkosti iných kovových objektov, ako sú papierové sponky, mince, kľúče, kince, skrutky či iné malé kovové predmety, ktoré by mohli skratovať svorky.** Pri skratovaní svoriek akumulátora môže dôjsť k popáleninám alebo požiaru.
- **Za nevhodných podmienok, keď by z batérie vytekala kvapalina, predchádzajte kontaktu s ňou. Pri náhodnom kontakte opláchnite vodou. Ak tekutina zasiahne oči, dodatočne vyhľadajte lekársku pomoc.** Tekutina vytečená z akumulátora môže spôsobiť podráždenie alebo popálenie.
- **Poškodenú alebo upravenú súpravu batérií alebo náradie nepoužívajte.** Poškodené alebo upravené batérie môžu vykazovať nepredvídateľné správanie s následkom požiaru, výbuchu alebo poranenia.
- **Súpravu batérií ani náradie nevystavujte účinkom ohňa ani nadmernej teplote.** Vystavenie účinkom ohňa alebo teploty nad 130 °C môže spôsobiť výbuch.
- **Dodržiavajte všetky pokyny na nabíjanie a súpravu batérií ani náradie nenabíjajte mimo rozsahu teplôt, ktorý je uvedený v pokynoch.** Nesprávne nabíjanie alebo nabíjanie pri teplotách mimo uvedeného rozsahu môže poškodiť batériu a zvýšiť riziko vzniku požiaru.

#### OPRAVY

- **Servis mechanického nástroja prenechajte kvalifikovanému servisnému pracovníkovi s použitím len identických náhradných dielov.** Takto zachováte bezpečnosť mechanického nástroja.
- **Nikdy nevykonávajte servis poškodených súprav batérií.** Servis súprav batérií sme vykonávať len výrobca alebo autorizovaný poskytovateľ servisu.

## BEZPEČNOSTNÉ VÝSTRAHY PRE AKUMULÁTOROVÚ SNEŽNÚ FRÉZU

### ŠKOLENIE

- Pred používaním tohto výrobku si prečítajte, pochopte a dodržiavajte všetky pokyny na výrobku a v tomto návode. Dôkladne sa oboznámte s ovládačmi a správnym používaním tohto výrobku. Naučte sa, ako vypnúť výrobok a rýchlo vyradiť ovládače.
- Nikdy nedovoľte deťom alebo osobám so zníženými fyzickými, duševnými alebo zmyslovými schopnosťami alebo osobám, ktoré nie sú oboznámené s týmto návodom, obsluhovať, čistiť alebo vykonávať údržbu tohto produktu. Miestne platné predpisy môžu obmedzovať dobu použitia kosačky. Deti musia byť pod primeraným dozorom, aby sa nemohli s produktom hrať.
- Okolostojace osoby, deti a domáce zvieratá, musia stáť min. 15 m od pracovného priestoru. Ak ktokoľvek vstúpi na plochu, výrobok vypnite.
- Dávajte pozor, aby ste sa nepošmykli alebo nespádli, hlavne pri používaní výrobku kráčajúc dozadu.
- Výšku krytu zbierača upravte na čistenie povrchu zo štrku alebo drveného kameniva.
- Kým je výrobok spustený, nikdy sa nepokúšajte o vykonávanie akýchkoľvek nastavení.
- Tento výrobok dokáže amputovať ruky alebo nohy a odhadzovať predmety. Opomenutie dodržiavať všetky bezpečnostné pokyny by mohlo mať za následok vážne poranenie.
- Užívateľ alebo obsluha stroja sú zodpovední za nehody alebo škody na majetku a za nebezpečenstvo vzniknuté pri prevádzke stroja.

### PRÍPRAVA

- Dôkladne skontrolujte priestor, kde sa má zariadenie používať a odstráňte všetky rohožky, sánky, dosky, drôty a iné cudzie predmety.
- Pred spustením motora vyradte spojky a zaradte do neutrálnej polohy.
- Počas práce so strojom vždy používajte primerané zimné šatstvo a protišmykovú bezpečnostnú obuv. Nenoste odev, ktorý je voľný alebo má voľne visiace šnúry či pútko – môžu sa zachytiť do pohybujúcich sa dielov.
- Dlhé vlasy zaistite, aby boli nad úrovňou pliec a nedošlo tak k ich zamotaniu do pohybujúcich dielov.
- Počas používania alebo vykonávania nastavenia alebo opravy vždy používajte bezpečnostné ochranné okuliare alebo štítky na ochranu zraku, aby ste si chránili oči pred predmetmi, ktoré môže tento výrobok odhodiť.
- Pred každým použitím skontrolujte, či všetky ovládacie prvky a bezpečnostné zariadenia fungujú správne. Ak sa pomocou „vypínača“ výrobok nevypne, výrobok nepoužívajte.
- Pred každým použitím vždy skontrolujte, či je kryt nepoškodený a či sú chrániče a rukoväti v správnej polohe a správne upevnené.

### PREVÁDZKA

- Nepoužívajte produkt, keď hrozí riziko blesku.
- Nedávajte ruky alebo nohy do blízkosti rotujúcich dielov ani pod ne. Výstupné otvory musia byť vždy čisté. Do otvorov nekladte žiadne predmety.
- Veľký pozor dávajte pri práci na alebo prechádzaní cez štrkové cesty alebo chodníky. Dávajte pozor na skryté nebezpečenstvá aj počas prevádzkovania pri verejných cestách.





- Aby ste znížili riziko poranenia spojeného s kontaktom s pohyblivými časťami, výrobok vždy vypnite a vyberte z neho súpravu batérií. Skontrolujte, či sa všetky pohyblivé diely úplne zastavili:
  - po zasiahnutí cudzím predmetom treba skontrolovať, či produkt nie je poškodený
  - pred čistením alebo odstránením upchatia
  - pred ponechaním výrobku bez dozoru
  - pred kontrolou, údržbou alebo prácou na produkte
  - ak zariadenie začne neštandardne vibrovať (ihneď skontrolujte) Vibrácie sú všeobecne znakom problémov.
- Produkt používajte na svahoch krížom, nikdy nie nahor a nadol. Ak meníte smer, buďte veľmi opatrní. Nepokúšajte sa odhadzovať na strmých svahoch.
- Nikdy nepracujte s produktom bez nasadených príslušných ochranných krytov, dosiek či iných bezpečnostných ochranných zariadení.
- Nikdy neodhadzujte smerom na ľudí ani na miesta, kde by mohlo dôjsť k poškodenou majetku. Okolostojace osoby, najmä deti a domáce zvieratá, musia stáť mimo pracovného priestoru.
- Nepreťažujte kapacitu zariadenia – neodhadzujte sneh príliš rýchlo naraz.
- Výrobok na klzkých povrchoch nikdy neprevádzkujte pri vysokých dopravných rýchlostiach. Pozerajte sa dozadu a dávajte pozor pri prevádzkovaní výrobku cúvaním.
- Ak budete výrobok prepravovať alebo ak ho nebudete používať, odpojte napájanie zberača/pohonu.
- Používajte len originálne náhradné diely, príslušenstvo a nástavce výrobcu.
- Výrobok nikdy neprevádzkujte pri zlej viditeľnosti a zlom osvetlení. Vždy zaujmite stabilný postoj a pevne držte ruky. Chodte krokom, nikdy nebežte.
- Keď je motor spustený, nikdy nedávajte produkt na žiadny povrch, okrem pevného čistého povrchu. Štrk, piesok a ostatná sutina sa môže nabráť do vstupu vzduchu a vymrštiť na obsluhujúcu osobu alebo okolostojacich a spôsobiť závažné poranenia.
- Nikdy nepracujte s produktom v blízkosti sklenených ohrád, automobilov, okien alebo dverí bez náležitého nastavenia uhla výstupu snehu.
- Ak výrobok spadne, utrpí silný náraz, alebo začne neštandardne vibrovať, okamžite výrobok vypnite a skontrolujte, či nedošlo k poškodeniu alebo zistíte príčinu vibrácií. Akékoľvek poškodenie sa musí náležite opraviť alebo vymeniť v autorizovanom servisnom centre.
- Výrobok je možné používať a skladovať pri teplotách od -20 °C do 20 °C, pokiaľ teplota akumulátora neklesne pod 0 °C. Akumulátor neskladujte pri teplote nižšej ako 0 °C. Teploty pod bodom mrazu môžu znížiť výkon a kapacitu akumulátora. Ak je akumulátor skladovaný pri teplote len o niečo vyššej ako 0 °C, pred začatím práce nechajte výrobok zapnutý aspoň 2 minúty, aby sa zahrial akumulátor. Po skončení práce alebo po vybití akumulátora demontujte akumulátor z výrobku a uskladnite ho na mieste, kde je teplota od 0 °C do 20 °C.
- Výrobok skladujte na mieste s teplotou okolia v rozsahu 0 °C až 40 °C.
- Niektoré časti výrobku môžu v dôsledku extrémnych poveternostných podmienok zamrznúť. Neobsluhujte výrobok so zamrznutými časťami.
- Pred uskladnením nechajte výrobok po prevádzke bežať niekoľko minút, aby sa sneh dostal zo závitovky.

## DOPLNKOVÉ BEZPEČNOSTNÉ VÝSTRAHY PRE BATÉRIU

- Aby ste znížili riziko požiaru alebo poškodenia výrobku skratom, nikdy výrobok, akumulátor ani nabíjačku neponárajte do kvapaliny ani nedovoľte, aby sa do nich kvapalina dostala. Korodujúce alebo vodivé kvapaliny, ako je slaná voda, určité chemikálie a bieliace prostriedky alebo výrobky, ktoré obsahujú lepidlo, môžu spôsobiť skrat.
- Akumulátor nabíjajte len na mieste s teplotou okolia v rozsahu 10 °C až 38 °C.
- Akumulátor skladujte na mieste s teplotou okolia v rozsahu 0 °C až 20 °C.
- Akumulátor neskladujte pri teplote nižšej ako 0 °C. Teploty pod bodom mrazu môžu znížiť výkon a kapacitu akumulátora.

## RADY K OBSLUHE

- Produkt nebude fungovať, ak horná rukoväť nie je správne nasadená a zaist'ovacia svorka rukoväte nie je správne zapnutá. K dispozícii sú 2 bezpečnostné blokovania, ktoré zabraňujú náhodnému spusteniu, keď výrobok nie je správne zostavený.
- Pred prevádzkovaním výrobku si všimnite smer vetra. Sneh odhadzujte v smere vetra, aby ste zabránili jeho vrhnutiu späť k obsluhu.

## ODSTRÁNENIE UPCHATIA

Nikdy nedávajte ruky ani nohy pred produkt ani vyprázdňovací žlab, mohlo by dôjsť k závažným poraneniam. Vyprázdňovací žlab nečistite rukami.

1. Vypnite a odpojte súpravu batérií. Skontrolujte, či sa všetky pohyblivé diely úplne zastavili.
2. Zablokovanie odstráňte drevenu tyčou. Pozor, lopatkové koleso sa pri odstraňovaní blokovania môže samovoľne pohnúť v dôsledku nahromadenej energie v mechanizme.
3. Otočte jednotku lopatkového kolesa pomocou drevenej tyčky.
4. Keď už sa dá lopatkové koleso otočiť pomocou drevenej tyčky, presuňte sa k zadnej časti produktu. Je normálny jav, ak sa mechanizmus lopatkového kolesa pohybuje krokovo. Skontrolujte, či je bezpečné pokračovať v odhadzovaní snehu.

## PREPRAVA A SKLADOVANIE

- Pred uskladnením alebo dopravou výrobok vypnite, vyberte z neho súpravu batérií a nechajte ho vychladnúť.
- Ak ste výrobok dlhšie skladovali, vždy si pozrite používateľskú príručku, kde nájdete dôležité podrobnosti.
- Z výrobku odstráňte všetok cudzí materiál. Odložte zariadenie na dobre vetrané miesto, na ktoré nemajú prístup deti. Nedávajte zariadenie do blízkosti korózných činidiel, ako sú záhradné chemikálie a rozmrazovacie soli. Výrobok neuchovávajte vonku.
- Pri preprave zaistite produkt pred pohybom alebo pádom, aby nedošlo k poraneniu osôb alebo poškodeniu produktu.

## PREPRAVA LÍTOVÝCH AKUMULÁTOROV

Akumulátory prepravujte v súlade s miestnymi smernicami a nariadeniami.

Keď akumulátory prepravuje tretia strana, dodržiavajte všetky požiadavky na balení a označení. Zabezpečte, aby počas prepravy akumulátory neprišli do kontaktu s inými



akumulátormi ani vodivými materiálmi – chráňte obnažené konektory pomocou izolácie, nevodivými viečkami alebo páskou. Neprepravujte akumulátory, ktoré sú prasknuté alebo vytekajú. Ďalšie pokyny zistíte u nasledujúcej spoločnosti.

## ÚDRŽBA

- Používajte len originálne náhradné diely, príslušenstvo a nástavce výrobcu. V opačnom prípade môže dôjsť k možnému poraneniu, nedostatočnému výkonu a strate platnosti záruky.
- Údržba vyžaduje extrémnu starostlivosť a znalosti, a musí byť prevádzaná výhradne v autorizovanom servise. Servis výrobku zverte len autorizovanému servisnému stredisku.
- Vypnite a odpojte súpravu batérií. Pred akýmkoľvek čistením alebo vykonávaním údržby sa ubezpečte, že sa všetky pohyblivé časti úplne zastavia.
- Skontrolujte všetky skrutky, matice v častých intervaloch či sú riadne utiahnuté, aby sa zaistila bezpečná prevádzka produktu. Akýkoľvek poškodený diel sa musí náležite opraviť alebo vymeniť v autorizovanom servisnom centre.
- Prineste produkt to autorizovaného servisného centra na výmenu poškodených alebo nečitateľných štítkov.
- Aby ste zabránili zamrznutiu pohonu, po odhadzovaní snehu niekoľkokrát výrobkom pohnite.
- Môžete vykonávať úpravy a opravy popísané v tejto príručke. Ostatné opravy zverte len autorizovanému servisnému stredisku.
- Po každom použití plastové diely očistite mäkkou suchou tkaninou.

## OBOZNÁMTE SA S VAŠIM PRODUKTOM

Pozrite stranu 115.

1. Horná rukoväť
2. Tyčka na zapnutie/vypnutie
3. Návod na obsluhu
4. Spúšťače tlačído
5. Páčka na nastavenie rýchlosti závitovky
6. Páčka na otáčanie žľabu
7. Vychyľovač žľabu
8. Tlačidlo vychyľovača
9. Reflektor
10. Páčka na nastavenie rúčky
11. Lopatkové koleso
12. Kryt batérie
13. Batéria
14. Nabíjačka
15. Skrutky
16. Skrutkovac

## SYMBOLY



Pred používaním výrobku si prečítajte a pochopte všetky pokyny. Dodržujte všetky výstrahy a bezpečnostné pokyny.



Pozor na vymrštené alebo odletujúce objekty. Zabezpečte, aby všetci okolostojaci, hlavne deti a zvieratá, boli aspoň 15 m od plochy používania výrobku.



Používajte chrániče zraku



Nevystavujte dažďu ani nepoužívajte vo vlhkom prostredí.



Zabráňte poraneniu rotujúcim obežným kolesom. Ruky, nohy a odev držte v bezpečnej vzdialenosti.



Zabezpečte, aby všetci okolostojaci, hlavne deti a zvieratá, boli aspoň 15 m od plochy používania výrobku.



Výrobok neprevádzkujte na svahu.



Ruky a nohy držte mimo prednej časti stroja a vyprázdňovacieho žľabu výrobku.



Vyberte jednotku akumulátora.



Vyprázdňovací žľab nečistte rukami.



Garantovaná úroveň hluku



Odpadové batérie a akumulátory a odpadové elektrické a elektronické zariadenia nelikvidujte ako netriedený komunálny odpad. Odpadové batérie a akumulátory a odpadové elektrické a elektronické zariadenia sa musia zbierať separovane. Odpadové batérie, odpadové akumulátory a svetelné zdroje treba z výrobku vybrať. Informácie o zbernom mieste získate od miestneho orgánu verejnej správy alebo vám ich poskytne maloobchodný predajca. Podľa miestnych predpisov môžu mať maloobchodníci povinnosť bezplatne prevziať odpadové batérie a akumulátory a odpadové elektrické a elektronické zariadenia. Váš príspevok k opätovnému použitiu a recyklácii odpadových batérií a akumulátorov a odpadových elektrických a elektronických zariadení pomáha znižovať dopyt po surovinách. Odpadové batérie a akumulátory, konkrétne tie, ktoré obsahujú lítium, a odpadové elektrické a elektronické zariadenia obsahujú cenné a recyklovateľné materiály, ktoré môžu mať nepriaznivý vplyv na životné prostredie a ľudské zdravie, ak sa nelikvidujú ekologicky vhodným spôsobom. Odstráňte prípadné osobné údaje z odpadového zariadenia.

Безопасността, производителността и надеждността са аспектите, на които е отделен най-голям приоритет при проектирането на вашия безжичен снегорин.

## ПРЕДНАЗНАЧЕНИЕ

Безжичният снегорин е предназначен за използване само на открити места с добро осветление и от оператор, който е заел изправена позиция на тялото, докато върви зад продукта. Продуктът е разработен, за да бъде използван от възрастни, които са прочели и разбрали инструкциите и предупрежденията в настоящото ръководство и могат да бъдат считани като отговорни за своите действия. От съображения за безопасност продуктът трябва непрекъснато да се управлява правилно с две ръце.

Продуктът е проектиран с цел чистене на сняг на места като пътища, тротоари, алеи, пътеки, улични платна и пространства около къщи. Продуктът може да чисти сняг с дебелина до 33 см.

Никога не трябва да се работи с продукта, ако колелата му не са в контакт със земната повърхност. Не трябва да се сядат върху продукта. Машината трябва да се използва само според описаното в това ръководство.

Не го използвайте за никакви други цели.

## ОБЩИ ПРЕДУПРЕЖДЕНИЯ ЗА БЕЗОПАСНОСТ ПРИ РАБОТА С ПРОДУКТА

**⚠ ПРЕДУПРЕЖДЕНИЕ!** Прочетете всички инструкции с предупреждения за безопасност, илюстрации и спецификации, предоставени с този продукт. Неспазването на всички инструкции, посочени по-долу, може да доведе до токов удар, пожар и/или сериозно нараняване.

**Съхранявайте всички предупреждения и инструкции за бъдещи справки.**

Терминът „електрически инструмент“ в предупрежденията се отнася до електрически продукт (с кабел) или работещ с батерия (безжичен).

## БЕЗОПАСНОСТ НА РАБОТНАТА ЗОНА

- Поддържайте работното пространство чисто и добре осветено. Безпорядъкът или тъмнината в работното пространство са предпоставка за злополуки.
- Не използвайте електрически инструменти в експлозивни среди, например в присъствието на запалителни течности, газове или прах. По време на работа електрическите инструменти произвеждат искри, които могат да възпламенят прах или пари.
- Дръжте децата и страничните наблюдатели далече, докато боравите с електрически инструмент. Ако вниманието ви бъде отклонено, може да загубите контрола над електрическия инструмент.

## ЕЛЕКТРИЧЕСКА БЕЗОПАСНОСТ

- Щепселът на електрическия инструмент трябва да е съвместим с контакта. В никакъв случай не внасяйте изменения в конструкцията на щепсела. Когато работите със занулени електрически инструменти, не използвайте адаптери за щепсела. Използването на оригиналните щепсели и контакти намалява риска от токов удар.
- Избягвайте допир със заземените повърхности, като тръби, радиатори, печки и хладилници.

Когато тялото ви е заземено, рискът от възникване на токов удар е по-голям.

- Не излагайте продукта на дъжд или влажни условия. Проникването на вода в електрическия инструмент повишава опасността от токов удар.
- Не насилвайте захранващия кабел. Никога не носете, не изключвайте и не дърпайте електрическия инструмент за кабела. Предпазвайте кабела от нагриване, омасляване, допир до остри ръбове или до подвижни звена на машини. Повредените или усукани кабели увеличават риска от токов удар.
- Когато работите с електрически инструмент на открито, използвайте само удължителни кабели, предназначени за работа на открито. Използването на удължител, предназначен за работа на открито, намалява риска токов удар.
- Ако не можете да избегнете използването на електрически инструмент на влажно място, използвайте RCD (прекъсвач със защитно изключване). Използването на RCD намалява опасността от електрически удар.

## ЛИЧНА БЕЗОПАСНОСТ

- Бъдете бдителни, внимавайте какво правите и проявявайте благоразумие, когато боравите с електрически инструмент. Не използвайте електрическия инструмент, когато сте уморени или под влиянието на наркотични вещества, алкохол или лекарства. Миг невнимание, докато боравите с електрически инструмент, е достатъчен за получаването на сериозни наранявания.
- Използвайте лична защитна екипировка. Винаги носете защитни очила. Предпазни средства като маска против прах, неплъзгащи се предпазни обувки, твърда шапка или антифони, използвани при подходящи условия, ще намалят физическите наранявания.
- Не допускате нежелано стартиране. Преди да вдигате или носите инструмента и преди да го включвате в електрическата мрежа и/или батерия, винаги проверявайте дали превключвателят е на позиция OFF (изкл). Носенето на инструмента с пръст върху превключвателя или включването му към електричеството, докато превключвателят му е на включен, е предпоставка за злополуки.
- Махнете всички гаечни или френски ключове за настройка преди да включите инструмента. Помощен инструмент, забравен на въртящ се елемент, може да доведе до физически наранявания.
- Не се протягайте, за да работите на трудно достижими места. Винаги стъпвайте стабилно по време на работа и пазете равновесие. Това дава възможност за по-добър контрол над електрическия инструмент в неочаквани ситуации.
- Обличайте се целесъобразно. Не носете широки дрехи или украшения. Дръжте косата и дрехите си далече от движещите се части. Широки дрехи, украшенията, дългите коси могат да бъдат захванати и увлечени от движещи се елементи.
- Ако устройствата са оборудвани със съоръжение за издърпване и събиране на прах, уверете се,



че е то свързано и функционира правилно. Използването на устройства за събиране на прах ще намали рисковете, свързани с работа в прашни условия.

- Не позволявайте опита ви с често използване на инструменти да ви направи прекалено самоуверени и да ви накара да игнорирате принципите за безопасност. Едно небрежно действие може да доведе до сериозно нараняване в рамките само на секунда.

#### ИЗПОЛЗВАНЕ И ОБСЛУЖВАНЕ НА ЕЛЕКТРИЧЕСКИЯ ИНСТРУМЕНТ

- Не насилвайте продукта. Използвайте електрически инструмент, съобразно неговото предназначение. Правилно подбираният електрически инструмент ще свърши работата по-добре и по-безопасно в зададения от производителя диапазон на натоварване.
- Не използвайте електрически инструменти, чиито пусков прекъсвач е повреден. Електрически инструмент, който не може да бъде контролиран посредством превключвател, е опасен и трябва да бъде ремонтиран.
- Изключете щепсела на ел. захранването и/или извадете акумулаторната батерия, ако може да се изважда, от електрически инструмент, преди да извършвате каквито и да е действия по регулиране, смяна на принадлежностите или съхраняване на електрически инструмент. Тази мярка премахва опасността от задействане на електрически инструмент по невнимание.
- Съхранявайте незаетите електрически инструменти на недостъпни за деца места и не позволявайте на лица, непознати с инструмента или с тези указания, да боравят с него. Когато са в ръцете на неопитни потребители, електрическите инструменти могат да бъдат изключително опасни.
- Поддържайте в добро състояние електрическите инструменти и техните принадлежности. Проверявайте за неизправности или заклиняване в подвижните елементи, за счупени части или други обстоятелства, които могат да влошат работата на електрически инструмент. Преди да използвате електрически инструмент, се погрижете повредите да бъдат отстранени. Много от трудовете злополуки се дължат на недобре поддържани електрически инструменти.
- Поддържайте режещите инструменти винаги добре заточени и чисти. Инструменти, за които е полагана правилна грижа и са с добре наточени режещи елементи, се управляват по-лесно и вероятността да заядат е по-малка.
- Използвайте електрическите инструменти, принадлежностите и режещите и др. части съобразно тези указания, като се съобразявате с работните условия и с работата, която ще извършвате. Използването на електрически инструменти за различни от предвидените от производителя приложения повишава опасността от възникване на трудови злополуки.

- Поддържайте ръкохватките и повърхностите за захващане сухи, чисти и неомаслени. Хлъзгавите ръкохватки и повърхности за захващане не дават възможност за безопасно управление и контролиране на инструмента при възникване на неочаквани ситуации.

#### ИЗПОЛЗВАНЕ И ОБСЛУЖВАНЕ НА ИНСТРУМЕНТА С БАТЕРИЯ

- Презареждайте единствено със зарядното устройство, посочено от производителя. Зарядно устройство, подходящо за зареждане на един вид батерии, може да предизвика риск от пожар, ако бъде използвано за други батерии.
- Използвайте електрически инструменти с батерии единствено със специално предназначенията за тях батерии. Използването на всякакви други батерии може да създаде риск от нараняване и пожар.
- Когато батерията не се използва, съхранявайте я далеч от други метални обекти, като например кламери, монети, ключове, гвоздеи, гайки или други малки метални обекти, които могат да направят връзка между клемите. Късото съединение от клемите може да доведе до изгаряния или пожар.
- При неправилно използване батерията може да отдели течност; избягвайте контакт. Ако случайно настъпи контакт, промийте с вода. Ако течността влезе в контакт с очите, потърсете незабавно медицинска помощ. Отделената от батерията течност може да причини възпаление или изгаряния.
- Не използвайте акумулаторна батерия или инструмент, които са повредени или променени по някакъв начин. Повредените или променени батерии могат да работят по непредсказуем начин, което да доведе до пожар, взрив или опасност от наранявания.
- Не излагайте акумулаторна батерия или инструмент на огън или прекалено висока температура. Излагането на огън или на температура над 130 °C може да причини взрив.
- Следвайте всички инструкции за зареждане и не зареждайте акумулаторната батерия или инструмента извън температурния диапазон, посочен в инструкциите. Неправилното зареждане или зареждането при температури извън посочения диапазон може да повреди батерията и да увеличи риска от пожар.

#### СЕРВИЗНО ОБСЛУЖВАНЕ

- Ремонтът на електрическите инструменти трябва да се извършва само от квалифицирани специалисти и само с използването на оригинални резервни части. По този начин се гарантира поддържането на безопасност при работа с електрически инструмент.
- Никога не обслужвайте повредени акумулаторни батерии. Обслужването на акумулаторните батерии трябва да се извършва само от производителя или от авторизирани доставчици на услуги по сервизно обслужване.



**ПРЕДУПРЕЖДЕНИЯ ЗА БЕЗОПАСНОСТ ПРИ РАБОТА С БЕЗЖИЧНИЯ СНЕГОРИН****ОБУЧЕНИЕ**

- Трябва да прочетете, да разберете и да спазвате всички инструкции върху машината и в това ръководство, преди да работите с машината. Запознайте се внимателно с контролите и правилната употреба на машината. Научете как да изключвате продукта и бързо да деактивирате контролите.
- Никога не позволявайте на деца, на хора с ограничени физически, сетивни или умствени способности и на хора, които не са запознати с тези инструкции, да работят и да извършват дейности по почистване и поддръжка на продукта. Местните наредби могат да налагат ограничения за възрастта на оператора. Децата трябва да бъдат внимателно надзирани, за да се гарантира, че не си играят с продукта.
- Дръжте всички странични наблюдатели, деца и домашни животни на разстояние поне 15 метра от работната зона. Ако някой влезе в зоната, изключете продукта.
- Внимавайте, за да избягвате подхлъзване или падане особено при работа с машината назад.
- Регулирайте височината на корпуса на колектора до нивото на чиста повърхност с чакъл или едър пясък.
- Никога не се опитвайте да регулирате настройки, докато машината работи.
- Продуктът може да отреже крак или ръка, както и да изхвърля предмети. Неспазването на всички инструкции за безопасност може да доведе до сериозно нараняване.
- Трябва да знаете, че операторът или потребителят е отговорен за причиняването на злополуки или щети на други лица или имущество.

**ПОДГОТОВКА**

- Проверете внимателно зоната, където ще се използва машината, и отстранете всички изтривалки, шейни, дъски, кабели и други чужди предмети.
- Освободете всички съединители и превключете на неутрална предавка, преди да стартирате двигателя.
- Докато работите с машината, винаги носете подходящо зимно облекло и неплъзгащи се защитни обувки. Избягвайте да носите широки дрехи или такива с висящи краища или връзки; те могат да се заплетат в движещите се части.
- Дългата коса трябва да бъде прибрана на ниво над раменете, за да се избегне заплитането ѝ в движещите се части.
- Винаги носете защитни очила или маска по време на работа или докато извършвате настройка или ремонт, за да предпазвате очите от чужди предмети, които може да бъдат отхвърлени от машината.
- Преди всяка употреба проверявайте дали всички контроли и устройства за безопасност функционират правилно. Не използвайте продукта, ако не той не се изключва с превключвателя за изключване.
- Преди всяка употреба винаги се уверявайте, че няма повреди по корпуса и че предпазителите и ръкохватките са на мястото си и са правилно закрепени.

**РАБОТА**

- Не използвайте продукта, когато има риск от мълнии.
- Не поставяйте ръцете или краката си близо до или под въртящите се части. Винаги стойте далеч от улея за изхвърляне. Но поставяйте каквито и да е предмети в отворите.
- Бъдете изключително внимателни, когато работите върху чакълести настилки или преминавате през такива. Бъдете нащрек за скрити опасности, както и при работа в близост до обществени пътища.
- За да се намали рискът от нараняване, свързан с контактуване с движещи се части, винаги изключвайте продукта и изваждайте акумулаторната батерия. Уверете се, че всички движещи се части са спрели напълно:
  - след сблъсък с друг предмет да инспектирате продукта за повреди
  - преди почистване или отстраняване на запушвания
  - преди оставяне на izdelieto без надзор
  - преди проверка, поддръжка или работа по продукта
  - ако уредът започне да вибрира неестествено (проверете незабавно) В повечето случаи вибрациите са сигнал за повреда.
- Върху наклонени терени работете с продукта напърно спрямо повърхността, никога нагоре и надолу. Бъдете особено бдителни при смяна на посоката на наклона. Не опитвайте да чистите стръмни склонове.
- Никога не работете с продукта, ако подходящите предпазители, пластини или други защитни устройства не са поставени на местата им.
- Никога не насочвайте улея за изхвърляне към хора или към зони, където може да възникнат материални щети. Не допускате наблюдатели, деца и домашни любимци до работната зона.
- Не претоварвайте капацитета на машината, опитвайки се с бързо темпо да чистите големи количества сняг.
- Никога не работете с продукта при висока скорост на движение върху хлъзгави повърхности. Поглеждайте назад и внимавайте при работа с продукта назад.
- Изключете захранването на колектора/ротора, когато машината се транспортира или не се използва.
- Използвайте само оригинални резервни части, аксесоари и приставки от производителя.
- Никога не работете с машината без добра видимост или осветление. Винаги проверявайте опората си и дръжте здраво ръкохватките. Вървете, никога не тичайте, когато косите.
- Докато е включен моторът, никога не поставяйте продукта върху повърхности, които не са здрави и чисти. Входящият въздушен отвор може да засмуче чакъл, пясък или други отломки, които в последствие могат да отхвърчат по посока на оператора или на странични наблюдатели и да им нанесат евентуални наранявания.
- Никога не работете с продукта в близост до стъклени предмети, автомобили, прозорци и входни врати, преди да сте задали правилен ъгъл на изхвърляне на снега.

- Ако продуктът падне, претърпи силен удар или започне да вибрира необичайно, незабавно го изключете и проверете за повреди или установете причината за вибрациите. Поправките и замените на части при повреда трябва да се извършват от оторизиран сервизен център.
- Продуктът може да работи и да се съхранява при температури между  $-20^{\circ}\text{C}$  и  $20^{\circ}\text{C}$ , стига температурата на акумулаторната батерия да се поддържа над  $0^{\circ}\text{C}$ . Не съхранявайте акумулаторната батерия при температура под  $0^{\circ}\text{C}$ . Температурите под нулата могат да намалят производителността и капацитета на акумулаторната батерия. Ако акумулаторната батерия се съхранява при температура малко над  $0^{\circ}\text{C}$ , стартирайте продукта за поне 2 минути, за да загрее акумулаторната батерия, преди да започнете нормална работа. След приключване на работата или изтощаване на акумулаторната батерия извадете акумулаторната батерия от продукта и я съхранявайте на място, където температурата на околната среда е между  $0^{\circ}\text{C}$  и  $20^{\circ}\text{C}$ .
- Съхранявайте продукта при околна температура между  $0^{\circ}\text{C}$  и  $40^{\circ}\text{C}$ .
- Някои части на продукта могат да замръзнат при екстремни метеорологични условия. Не използвайте продукта със замразени части.
- Преди съхраняване оставете продукта да работи няколко минути след работа, за да се отстрани снегът от снежа.

#### ДОПЪЛНИТЕЛНИ ПРЕДУПРЕЖДЕНИЯ ЗА БЕЗОПАСНОСТ ЗА БАТЕРИЯТА

- За да намалите риска от пожар, физическо нараняване и повреда на продукта поради късо съединение, никога не потапяйте продукта, комплекта батерии или зарядното устройство в течност и не позволявайте в тях да проникне течност. Течностите, предизвикващи корозия или провеждащи електричество, като солена вода, определени химикали, изобелващи вещества или продукти, съдържащи изобелващи вещества, могат да предизвикат късо съединение.
- Зареждайте акумулаторната батерия на място, на което околната температура е между  $10^{\circ}\text{C}$  и  $38^{\circ}\text{C}$ .
- Съхранявайте акумулаторната батерия на място, на което околната температура е между  $0^{\circ}\text{C}$  и  $20^{\circ}\text{C}$ .
- Не съхранявайте акумулаторната батерия при температура под  $0^{\circ}\text{C}$ . Температурите под нулата могат да намалят производителността и капацитета на акумулаторната батерия.

#### СЪВЕТИ ЗА РАБОТА С ПРОДУКТА

- Продуктът няма да работи, ако горната ръкохватка не е поставена правилно и фиксиращата скоба на ръкохватката не е здраво захваната. Има 2 предпазни блокировки, които помагат за предотвратяване на случайно стартиране, когато продуктът не е правилно сглобен.
- Обърнете внимание на посоката на вятъра, преди да започнете работа с машината. Изхвърляйте снега по

посока на вятъра, за да предотвратите връщане на сняг към оператора.

#### ИЗЧИСТВАНЕ НА ЗАПУШВАНЕ

Никога не поставяйте ръцете или краката си пред продукта или пред улея за изхвърляне, за да избегнете сериозни наранявания. Не почиствайте отвора за изхвърляне с ръце.

1. Изключете и извадете акумулаторната батерия. Уверете се, че всички движещи се части са спрели напълно.
2. Отстранявайте задръстването с помощта на дървения прът. Внимавайте, защото перките на ротора могат да се задвижат, докато отстранявате запушването, защото в роторния механизъм има остатъчна енергия.
3. Завъртете перките на ротора с дървената пръчка.
4. След като с помощта на дървената пръчка осигурите свободното движение на ротора, се преместете в задната част на продукта. Нормално е роторният механизъм да извършва постъпателни движения. Уверете се, че е безопасно да продължите с почистването на сняг.

#### ТРАНСПОРТИРАНЕ И СЪХРАНЕНИЕ

- Изключете продукта, извадете акумулаторната батерия и го изчакайте да се охлади, преди да го приберете за съхранение или да го транспортирате.
- Ако ще прибирате продукта за съхранение за продължителен период, винаги правете справка с ръководството за оператора за важна информация.
- Почистете продукта от всички чужди частици. Съхранявайте продукта на добре проветриво място, недостъпно за деца. Дръжте продукта далеч от разяждащи вещества, като например градински химикали и разтворяващи соли. Не съхранявайте продукта на открито.
- Когато транспортирате продукта, го обезопасете така, че да не може да се движи или да падне, защото това може да доведе до евентуални наранявания на хора или повреди по продукта.

#### ТРАНСПОРТИРАНЕ НА ЛИТИЕВИ БАТЕРИИ

Транспортирайте батериите в съответствие с местните и национални постановления и разпоредби.

Спазвайте всички специални изисквания за пакетирание и етикетирание, когато транспортирате батерии чрез трето лице. Уверете се, че батериите не влизат в контакт с други батерии или проводими материали по време на транспортиране, като предпазите откритите конектори с изолация, непроводими капачета или лента. Не транспортирайте батерии, които са спукани или текат. Свържете се със следната компания за допълнителен съвет.

#### ПОДДРЪЖКА

- Използвайте само оригинални резервни части, аксесоари и приставки от производителя. В противен случай може да се влоши работата на инструментата или да получите тежки контузии, а гаранцията ви ще стане невалидна.

- Сервизното обслужване изисква изключително внимание и специфични познания и следва да бъде извършвано само от квалифициран техник. Продуктът трябва да бъде ремонтиран само в упълномощен сервиз.
- Изключете и извадете акумулаторната батерия. Уверете се, че всички движещи се части са напълно спрели, преди каквото и да е почистване или задача по обслужване.
- Периодично проверявайте дали всички гайки, болтове и винтове са правилно затегнати, за да сте сигурни, че продуктът е в изправност. Всяка повредена част трябва да бъде поправена или заменена от упълномощен сервизен център.
- Занесете продукта в оторизиран сервизен център, ако е необходима замяна на повредени или нечетливи етикети.
- Стартирайте машината няколко пъти след ринене на сняг, за да предотвратите замръзване на ротора.
- Можете да правите настройки и поправки, описани в това ръководство на потребителя. Останалите видове ремонтни дейности трябва да се извършват само в упълномощен сервизен център.
- След всяка употреба почиствайте пластмасовите части с мека и суха кърпа.

## ОПОЗНАЙТЕ ВАШИЯ ПРОДУКТ

Вж. страница 115.

1. Горна ръкохватка
2. Ръкохватка за вкл./изкл.
3. Ръководство за оператора
4. Бутон за стартиране
5. Лост за скорост на шнека
6. Лост за завъртане на улея
7. Дефлектор на улея
8. Бутон за дефлектора
9. Фар
10. Лост за регулиране на ръкохватката
11. Ротор
12. Капак на батерията
13. Батерия
14. Зарядно устройство
15. Винтове
16. Отвертка

## СИМВОЛИ



Прочетете и разберете всички инструкции, преди да използвате продукта. Следвайте всички предупреждения и инструкции за безопасност.



Внимавайте за изхвърлени или летящи обекти. Близкостоящите, особено деца и домашни любимци, трябва да стоят поне на 15 m от зоната на работа.



Носете защитни средства за очи



Не излагайте на дъжд и на влажни условия.



Избягвайте нараняване от въртящия се ротор. Дръжте ръцете, краката и облеклото си далече от ротора.



Близкостоящите, особено деца и домашни любимци, трябва да стоят поне на 15 m от зоната на работа.



Не работете с продукта по наклони.



Пазете краката и ръцете си далеч от предната част на машината и от отвора за изхвърляне.



Отстранете батерията.



Не почиствайте отвора за изхвърляне с ръце.



Гарантирано ниво на шум



Не изхвърляйте отпадъците от батерии, електрическо и електронно оборудване като несортирани битови отпадъци. Отпадъците от батерии и електрически и електронно оборудване трябва да се събират отделно. Отпадъците от батерии, акумулатори и светлинни източници трябва да бъдат премахнати от оборудването. Обърнете се към местните власти или към продавача за съвет относно рециклирането и местата за събиране. Съгласно местните разпоредби търговците на дребно трябва да бъдат задължени да приемат обратно отпадъци от батерии и електрическо и електронно оборудване. Вашият принос за повторната употреба и рециклирането на отпадъци от батерии и електрическо и електронно оборудване помага за намаляване на търсенето на суровини. Отпадъците от батерии, особено съдържащите литий, и електрическо и електронно оборудване съдържат ценни, подходящи за рециклиране материали, които може да имат неблагоприятно въздействие върху околната среда и човешкото здраве, ако не бъдат изхвърлени по екологичен начин. Ако на отпадъчното оборудване има лични данни, изтрийте ги.

Головними міркуваннями при розробці цієї бездротової снігоприбиральної машини були безпека, ефективність та надійність.

### ПЕРЕДБАЧУВАНОМУ ВИКОРИСТАННІ

Бездротова снігоприбиральна машина призначена для використання оператором у стоячому положенні виключно на відкритому повітрі у добре провітрюваному місці. Пристрій призначений для використання тільки дорослими, які прочитали і зрозуміли інструкції і попередження, що містяться в цій інструкції та можуть вважатися відповідальними за свої дії. З метою безпеки керування виробом завжди має здійснюватися за допомогою обох рук.

Продукт призначений для очищення від снігу в таких областях, як під'їзні шляхи, тротуари, пішохідні доріжки, стежки, проїзних частини і навколо будинку. Продукт може рухати сніг глибиною до 33 см.

Продукт не повинен експлуатуватися з колесами не на землі. Забороняється їздити на виробі. Продукт слід використовувати тільки як описано в цій інструкції з використання.

Не використовуйте для будь-яких інших цілей.

### ЗАГАЛЬНІ ПОПЕРЕДЖЕННЯ З БЕЗПЕКИ ВИКОРИСТАННЯ

**⚠️ Попередження! Вивчіть всі правила безпеки, інструкції, ілюстрації і специфікації, що поставляються з пристроєм.** Недотримання попереджень та інструкцій може призвести до ураження електричним струмом, пожежі та / або серйозної травми.

**Збережіть всі інструкції і вказівки для майбутнього використання.**

Термін "електроінструмент" у попередженнях стосується вашого (дротового) електричного інструменту, що живиться від електромережі, або (бездротового) електричного інструменту, що працює на акумуляторній батареї.

### БЕЗПЕКА РОБОЧОГО МІСЦЯ

- **Утримуйте робоче місце в чистоті і добре освітленим.** Безлад на робочому місці або темні місця спричиняють аварії.
- **Не використовуйте продукт у вибухонебезпечних атмосферах, наприклад, у присутності легко займистих рідин, газів або пилу.** Під час роботи косарки виникають іскри, що можуть призвести до займання пилу або парів.
- **Тримайте дітей та сторонніх осіб подалі під час роботи електроінструментом.** Відволікання уваги може призвести до втрати контролю.

### ЕЛЕКТРОБЕЗПЕКА

- **Вилка живлення електроінструменту повинна відповідати розетці. Ніколи не змінюйте вилку. Не використовуйте ніякі вилки-перехідники з заземленими (замкнутими на землю) електроінструментами.** Не змінені вилки та

відповідні розетки зменшують ризик ураження електричним струмом.

- **Уникайте контакту тіла з заземленими поверхнями, такими як труби, радіатори, плити та холодильники.** Існує підвищений ризик ураження електричним струмом, якщо ваше тіло заземлене.
- **Не піддавайте електроінструменти впливу дощу або вологих умов.** Попадання води на пристрій збільшує ризик ураження електричним струмом.
- **Не зловжуйте шнур.** Ніколи не використовуйте шнур живлення для перенесення, переміщення або вилучення вилки з розетки. Тримайте шнур подалі від тепла, масла, гострих кромок або рухомих частин. Пошкоджені або заплутані шнури збільшують ризик ураження електричним струмом.
- **При роботі з електроінструментом на вулиці, використовуйте подовжувач, відповідний для використання на відкритому повітрі.** Використання кабелю, придатного для використання на відкритому повітрі, знижує ризик ураження електричним струмом.
- **При роботі з електроінструментом у вологому середовищі використовуйте залишковий поточний пристрій (ЗПП) захищеного живлення.** Використання ЗПП знижує ризик ураження електричним струмом.

### ОСОБИСТА БЕЗПЕКА

- **Будьте уважні, дивіться, що ви робите, і використовуйте здоровий глузд при експлуатації виробу.** Не працюйте з виробом, коли ви втомлені або знаходитесь під дією наркотиків, алкоголю або медикаментів. Найменша необережність при роботі з електроінструментом може призвести до серйозних травм.
- **Використовуйте персональне захисне обладнання.** Завжди одягайте захисні окуляри Засоби захисту, такі як респіратор, нековзне взуття, каска або засоби захисту органів слуху, що використовуються в належних умовах знизять ризик отримання травми.
- **Виключіть можливість випадкового вмикнення.** Переконайтеся, що вимикач знаходиться у вимкненому положенні перед підключенням до джерела живлення та / або акумуляторної батареї, підніманням або переміщенням інструменту. Не переносьте електроінструмент з пальцем на вимикачі або подачею живлення на інструмент, який має перемикач, щоб запобігти нещасного випадку.
- **Перед включенням електроінструменту знімайте регульовальний або гайковий ключ.** Гайковий ключ або регульовальний ключ, залишений на обертаємій частині електроінструменту, може призвести до травми.
- **Не тягніться.** Зберігайте правильну стійку і баланс весь час. Це дозволяє краще контролювати інструмент в несподіваних ситуаціях.



- **Одягайтеся правильно. Не носіть вільний одяг або прикраси. Saçlarınızı ve kıyafetlerinizi hareketli parçalardan uzak tutun.** Вільний одяг, прикраси або довге волосся можуть потрапити в рухомі частини.
- **Якщо є пристрої для підключення для збору пилу, переконайтеся, що вони під'єднані і використовуються правильно.** Використання пилозбірника знижує небезпеку, пов'язану з запиленістю.
- **Не дозволяйте звичці від частого використання пристрою стати причиною втрати пильності та ігнорувати принципи безпеки роботи з пристроєм.** Пам'ятайте, що достатньо частки секунди, щоб отримати серйозні травми.

## ВИКОРИСТАННЯ ТА ДОГЛЯД ЗА ЕЛЕКТРОІНСТРУМЕНТОМ

- **Не перевантажуйте електроінструмент.** Використовуйте відповідний для вашої потреби електроінструмент. Електроінструмент виконає роботу краще і безпечніше при швидкості, для якої він був розроблений.
- **Не використовуйте електроінструмент, якщо перемикач не вклучає та вимикає його.** Будь-який електроінструмент, яким не можливо керувати за допомогою перемикача - небезпечний і повинен бути відремонтований.
- **Herhangi bir ayar yapmadan ya da aksesuar değiştirmeden önce fişi güç kaynağından ve/veya pil takımını çıkartılabiliyorsa aletten çıkarın.** Такі запобіжні заходи знижують ризик випадкового запуску приладу.
- **Зберігайте непрацюючі електроприлади у недоступному для дітей місці і не дозволяйте особам, які не знайомі з інструкціями електричного прилада або з даними інструкціями, працювати з електроприладами.** Електроінструменти небезпечні в руках недосвідчених користувачів.
- **Elektrikli aletlerin ve aksesuarların bakımını uyarın.** Перевіряйте рухомі частини на наявність зміщення елементів або некоректного з'єднання, а також поломки та будь-яких інших чинників, які можуть вплинути на роботу електроінструменту. Якщо пошкоджений, відремонтуйте електроінструмент перед використанням. Багато нещасних випадків є наслідком поганого догляду за електроінструментом.
- **Тримайте ріжучий інструмент гострим і чистим.** Добре доглянутий ріжучий інструмент з гострими ріжучими крайками рідше зв'язується і легше контролюється.
- **Використовуйте електроприлади, приладдя та насадки відповідно до цих інструкцій, ураховуючи умови та характер роботи.** Використання електричного інструменту для операцій, які відрізняються від призначених, може призвести до небезпечної ситуації.

- **Тримайте ручки та поверхні захвату сухими, чистими та без слідів мастила та змазки.** Слизькі ручки та поверхні захвату не забезпечують безпечне маніпулювання та керування інструментом у неочікуваних ситуаціях.

## ВИКОРИСТАННЯ І ДОГЛЯД ІНСТРУМЕНТУ НА БАТАРЕЙКАХ

- **Перезаряджати тільки за допомогою зарядного пристрою, зазначеного виробником.** Зарядний пристрій, що підходить для одного типу акумуляторів, може створити ризик загорання при використанні з іншим акумуляторним блоком.
- **Використовуйте електроінструменти тільки з призначеними для них акумуляторами.** Використання будь-яких інших акумуляторів, може створити ризик отримання травми і пожежі.
- **Коли акумуляторна батарея не використовується, тримайте її подалі від металевих предметів, таких як кліпси, монети, ключі, цвяхи, гвинти або інші невеликі металеві предмети, які можуть замкнути клема.** Коротке замикання контактів акумулятора може призвести до опіків або пожежі.
- **У важких умовах експлуатації, рідина може бути випущена з батареї; уникайте контакту.** При випадковому контакті змийте водою. Якщо рідина потрапила в очі, зверніться за медичною допомогою. Рідина з акумулятора може викликати роздратування або опіки.
- **Заборонено використовувати акумулятор або пристрій, що були пошкоджені або модифіковані.** Використання пошкоджених або модифікованих акумуляторів може мати непередбачувані наслідки, серед яких: виникнення пожежі, вибуху та ризик травмування.
- **Уникайте загорання та високої температури акумулятору або пристрою.** Загорання або висока температура понад 130°C можуть стати причиною вибуху.
- **Дотримуйтесь усіх інструкцій щодо заряджання пристрою та уникайте заряджання поза діапазоном температур, що позначені у інструкції.** Неправильне заряджання або заряджання при температурі, поза межами позначеними в інструкції, може пошкодити акумулятор та підвищити ризик виникнення пожежі.

## ОБСЛУГОВУВАННЯ

- **Дозволяйте обслуговувати ваш електроінструмент тільки кваліфікованому персоналу, використовуючи тільки ідентичні запасні частини.** Це гарантуватиме безпечну експлуатацію електроінструменту.
- **Заборонено використання пошкоджених акумуляторів.** Обслуговування акумуляторів має бути здійснене тільки виробником або у авторизованому сервісному центрі.



## ЗАХОДИ БЕЗПЕКИ ПРИ ЕКСПЛУАТАЦІЇ БЕЗДРОТОВОЇ СНІГОПРИБИРАЛЬНОЇ МАШИНИ

### ПІДГОТОВКА

- Прочитайте та зрозумійте всі інструкції перед використанням пристрою, дотримуйтесь всіх попереджень та інструкцій з техніки безпеки. Слід ознайомитися з елементами керування та належним використанням продукту. Оператор повинен знати, як вимкнути виріб та швидко деактивувати елементи керування.
- Ніколи не дозволяйте дітям або людям з обмеженими фізичними, сенсорними або розумовими здібностями, або незнайомим з цими інструкціями, працювати, чистити або обслуговувати машину. Місцеве законодавство може обмежувати вік оператора. Потрібно належним чином стежити за дітьми, щоб вони не грали з машиною.
- Тримайте перехожих, дітей і домашніх тварин на відстані 15 м від місця експлуатації. Вимикайте виріб у разі появи у робочій зоні інших осіб.
- Будьте обережні, щоб уникнути ковзання або падіння, особливо при роботі з пристроєм у зворотному напрямку.
- Відрегулюйте висоту корпусу колектора, щоб очистити поверхню від гравію або подрібненої породи.
- Не робіть жодних налаштувань під час роботи пристрою.
- Пристрій може відрізати руки чи ноги, а також кидати предмети. Недотримання всіх правил техніки безпеки може призвести до серйозних травм.
- Майте на увазі, що оператор або користувач несе відповідальність за нещасні випадки або пошкодження спричинені іншим особам або їх майну.

### ПІДГОТОВКА

- Ретельно огляньте місце, де буде використовуватися машина і видаліть всі підстилки, санки, дошки, проводи та інші сторонні предмети.
- Перш ніж запустити мотор, від'єднайте всі зчеплення та ввімкніть холостий хід.
- Під час роботи машини завжди носіть адекватний зимовий одяг і нековзне захисне взуття. Уникайте носіння вільно одягу або який має висячі шнурки або зв'язки; вони можуть потрапити в рухомі частини.
- Зафіксуйте довге волосся вище рівня плеча, щоб запобігти заплутуванню в будь-яких рухомих частинах.
- Завжди носіть захисні окуляри або захисні щитки під час роботи або під час регулювання та ремонту для захисту очей від сторонніх предметів, які можуть бути відскочити від пристрою.
- Перед кожним використанням переконайтеся, що всі елементи управління і безпеки функціонують правильно. Заборонено використання пристрою,

якщо пристрій не вимикається за допомогою головного вимикача.

- Перед кожним використанням перевіряйте шланги на наявність пошкоджень, а також слідкуйте за тим, щобі всі щитки та ручки були на місці та надійно закріплені.

### ФУНКЦІОНУВАННЯ

- Не використовуйте продукт, якщо є ризик блискавки.
- Не підкладайте руки або ноги під обертаючі деталі. Завжди тримайтеся подалі від випускного отвору. Не вставляйте ніякі предмети в отвори.
- Використовуйте надзвичайну обережність при експлуатації або під час перетину доріжок з гравію. Будьте обережні щодо прихованої небезпеки або коли працюйте біля громадських доріг.
- Щоб знизити ризик травмування рухомими частинами пристрою, завжди вимикайте пристрій та виймайте акумулятор. Переконайтеся, що всі рухомі частини зупинилися:
  - після удару об сторонній предмет, щоб оглянути продукт на наявність прихованих пошкоджень
  - перед чищенням або перед усуненням забивання
  - до того, як залишити продукт без нагляду
  - перед перевіркою, проведенням технічного обслуговування, або роботою з продуктом
  - якщо машина починає аномально вібрувати (перевірте відразу) Вібрація, як правило, є попередженням щодо пошкодження.
- При роботі рухайтесь поперек схилу, а не вниз і вгору. Будьте особливо обережними під час зміни напрямку на схилі. Не намагайтеся очистити круті схили.
- Ніколи не використовуйте продукт без встановленого належного захисту, пластин або інших захисних пристроїв.
- Ніколи не направляйте отвір для вивантаження до людей або місць, де може бути спричинено матеріальний збиток. Тримайте дітей і домашніх тварин подалі.
- Не перевантажуйте машину, намагаючись очистити сніг на занадто високій швидкості.
- Заборонено використання пристрою на високих швидкостях на слизьких поверхнях. Озирайтесь навколо і будьте дуже обережними при русі заднім ходом.
- Вимкніть живлення колектора / імпульсу, коли пристрій транспортується чи не використовується.
- Використовуйте тільки оригінальні запасні частини, аксесуари та обладнання від виробника.
- Ніколи не експлуатуйте пристрій без належної видимості чи світла. Завжди стійте з розподілом ваги на обох ногах та міцно тримайте за ручки. Ходіть, ніколи не бігайте.



- Ніколи не розташовуйте виріб на будь-якій поверхні, крім твердої чистої поверхні, коли двигун працює. Гравій, пісок та інші тверді частинки можуть бути підхоплені повітрозабірником і кинуті в оператора або у перебуваючих поруч, в результаті чого можливі серйозні травми.
- Ніколи не використовуйте продукт поблизу скляних корпусів, автомобілів, вікон, або дверних отворів без належного регулювання кута вивантаження снігу.
- Якщо пристрій впав, був вдарений або вібрація є надмірною, негайно вимкніть пристрій та перевірте наявність пошкоджень або спробуйте визначити причину вібрації. Будь-яке пошкодження має бути правильно відремонтовано або замінено в авторизованому сервісному центрі.
- Цей інструмент можна використовувати та зберігати за температури від  $-20^{\circ}\text{C}$  до  $20^{\circ}\text{C}$  за умови, що температура акумулятора не опускається нижче  $0^{\circ}\text{C}$ . Не зберігайте акумулятор за температури нижче  $0^{\circ}\text{C}$ . Мінусові температури можуть знизити продуктивність і ємність акумулятора. Якщо акумулятор зберігався за температури лише трохи вище  $0^{\circ}\text{C}$ , увімкніть інструмент принаймні на 2 хвилини, щоб розігріти акумулятор, перш ніж розпочати прибирання снігу. Після завершення роботи або розрядження акумулятора вийміть його з інструмента та зберігайте за температури навколишнього середовища від  $0^{\circ}\text{C}$  до  $20^{\circ}\text{C}$ .
- Зберігайте виріб у місці, де навколишня температура тримається в межах  $0-40^{\circ}\text{C}$ .
- Деякі деталі інструмента можуть замерзати за екстремальних погодних умов. Не використовуйте інструмент із замерзлими деталями.
- Перш ніж помістити інструмент на зберігання після прибирання снігу, запустіть його на декілька хвилин у холостому режимі, щоб видалити сніг з шнека.

#### ДОДАТКОВІ ПОПЕРЕДЖЕННЯ З ТЕХНІКИ БЕЗПЕКИ ЩОДО ВИКОРИСТАННЯ АКУМУЛЯТОРІВ

- Для зменшення ризику загоряння, травмування та пошкодження пристрою у разі короткого замикання ніколи не занурюйте виріб, акумуляторну батарею або зарядний пристрій у рідину та не допускайте потрапляння рідини всередину. Корозійні і струмопровідні рідини, такі як солоний розчин, певні хімікати, вибілжувальні засоби або продукти, що їх містять, можуть призвести до короткого замикання.
- Заряджайте акумулятор у місці з температурою від  $10^{\circ}\text{C}$  до  $38^{\circ}\text{C}$ .
- Зберігайте акумулятор у місці, де навколишня температура тримається в межах  $0-20^{\circ}\text{C}$ .
- Не зберігайте акумулятор за температури нижче  $0^{\circ}\text{C}$ . Мінусові температури можуть знизити продуктивність і ємність акумулятора.

#### ПОРАДИ ЩОДО ЕКСПЛУАТАЦІЇ

- Продукт не працюватиме, якщо верхня ручка не правильно встановлена і затискач замка ручки

надійно не затиснутий. Виріб оснащено двома системами блокування, які запобігають випадковому запуску двигуна, якщо пристрій зібрано не правильно.

- Перед використанням пристрою уважно слідкуйте за напрямком вітру. Напрямам відкидання снігу має бути таким, щоби вітром його не зносило назад на оператора.

#### УСУНЕННЯ БЛОКУВАННЯ

Ніколи не кладіть руки або ноги попереду пристрою або розвантажувального жолобу, щоб уникнути серйозних травм. Не очищуйте жолоб викидання руками.

1. Вимкніть та від'єднайте акумуляторну батарею. Переконайтеся, що всі рухомі частини зупинилися.
2. Видаляйте предмети, що застрягли, за допомогою дерев'яного кілка. Обережно, крильчатка може рухатися під час видалення засмічення через накопичену енергію в механізмі.
3. Поверніть ротор у зборі за допомогою дерев'яної жердини.
4. Після того як ротор може бути повернутий дерев'яною жердиною, переміщуйте до задньої частини пристрою. Інкрементний рух механізму крильчатки є нормальним. Переконайтеся, що безпечно продовжити снігоприбирання.

#### ТРАНСПОРТУВАННЯ ТА ЗБЕРІГАННЯ

- Перед зберіганням або чищенням вимкніть пристрій, вийміть акумулятор та дайте пристрою охолонути.
- Перед розміщенням на зберігання впродовж тривалого періоду прочитайте важливі вказівки в інструкції з експлуатації.
- Почистіть всі сторонні матеріали з продукту. Зберігайте продукт в добре провітрюваному місці, недоступному для дітей. Зберігати подаль від агресивних агентів, таких як садові хімікати і солей проти обледеніння. Не зберігайте пристрій на відкритому повітрі.
- Для транспортування, забезпечіть машину від руху або падіння, щоб запобігти травми людей або пошкодження машини.

#### ПЕРЕВЕЗЕННЯ ЛІТЄВИХ БАТАРЕЙ

Здійснюйте транспортування акумуляторної батареї відповідно до місцевих та загальнодержавних норм і правил.

Дотримуйтеся всі спеціальні вимоги до упаковки і маркування при транспортуванні батареї третьою стороною. Переконайтеся, що під час транспортування акумулятор не вступає в контакт з іншими акумуляторними батареями або струмопровідними матеріалами та захистіть відкриті роз'єми ізоляційними непровідними кришками або стрічкою. Чи не переносьте акумулятори, тріснуті або бігу. Зв'язатися з нами для отримання подальших рекомендацій.

#### ТЕХНІЧНЕ ОБСЛУГОВУВАННЯ

- Використовуйте тільки оригінальні запасні частини, аксесуари та обладнання від виробника. Невиконання цієї вимоги може привести до можливої травми, поганої продуктивності та може призвести до втрати гарантії.

- Обслуговування вимагає крайньої обережності і знання і повинно бути виконане тільки кваліфікованим фахівцем. Звертайтеся тільки до авторизованого сервісного центру.
- Вимкніть та від'єднайте акумуляторну батарею. Переконайтесь, що всі рухомі частини повністю зупинились перед очищенням або технічним обслуговуванням пристрою.
- Перевірте всі гайки, болти і гвинти після короткого проміжка часу на правильну герметичність, щоб забезпечити продукт у безпечному робочому стані. Будь-яка пошкоджена деталь, має бути правильно відремонтована або замінена в авторизованому сервісному центрі.
- Принесіть продукт в авторизований сервісний центр для заміни пошкоджених або нечитаемих етикеток.
- Запустити продукт кілька разів після викидання снігу, щоб запобігти замерзанню крильчатки
- Ви можете зробити регулювання та ремонт, описані в цьому посібнику користувача. Для обслуговування або ремонту, звертайтеся тільки до авторизованого сервісного центру.
- Після кожного використання, очистуйте пластикові частини м'якою сухою тканиною.

## ЗНАЙ СВІЙ ПРОДУКТ

Дивіться сторінку 115.

1. Верхня ручка
2. Важіль вмикання/вимикання
3. Керівництво по експлуатації
4. Кнопка запуску
5. Важіль швидкості шнека
6. Важель повертання жолоба
7. Дефлектор жолоба
8. Кнопка відбивача
9. Фара
10. Важіль регулювання ручки
11. Крильчатка
12. Кришка акумуляторного відсіку
13. Акумуляторна батарея
14. Зарядний пристрій
15. Гвинти
16. Викрутка

## СИМВОЛИ



Перед використанням пристрою прочитайте та зрозумійте всі інструкції. Дотримуйтесь всіх попереджень та інструкцій з безпеки використання.



Остерігайтесь кинутих або літаючих об'єктів. Сторонні особи, діти та хатні тварини повинні знаходитися не ближче 15 м від робочої зони.



Одягайте захисні окуляри



Не піддавайте впливу дощу або вологих умов.



Ротор при обертанні може завдати травми. Руки, ноги й одяг мають знаходитися на безпечній відстані.



Сторонні особи, діти та хатні тварини повинні знаходитися не ближче 15 м від робочої зони.



Не використовуйте виріб на крутих схилах.



Руки та ноги мають знаходитися на безпечній відстані від двигуна виробу і жолобу викидання.



Від'єднайте акумуляторну батарею.



Не очищуйте жолоб викидання руками.



Гарантований рівень звукової потужності.



Не викидайте старі акумулятори, старе електричне та електронне устаткування разом із несортованим побутовим сміттям. Старі акумулятори, старе електричне та електронне устаткування збираються окремо. З устаткування необхідно зняти старі батареї, акумулятори та джерела світла. За консультацією по утилізації пристрою слід звернутися до органу місцевої влади або до дилера. Місцеве законодавство може зобов'язувати продавців безкоштовно приймати старі акумулятори та електричне й електронне устаткування. Ваш внесок до справи повторного використання та переробки старих акумуляторів, електричного та електронного устаткування зменшує потребу у сировині. В акумуляторах, особливо літєвих, і старому електричному та електронному устаткуванні містяться цінні, придатні для переробки матеріали, і якщо утилізація такого устаткування проводиться у неекологічний спосіб, це негативно впливає на навколишнє середовище та людське здоров'я. Видаліть персональні дані з устаткування, яке передається на переробку.

Kablosuz kar püskürtme makinesinin tasarımında güvenlik, performans ve güvenilirliğe en yüksek öncelik verilmiştir.

## KULLANIM AMACI

Kablosuz kar püskürtme makinesi sadece dış mekanlarda, iyi aydınlatılmış bir alanda, ürünün arkasında durup yürüyen bir operatör tarafından kullanılacak üzere tasarlanmıştır. Ürün, sadece bu el kitabındaki talimat ve uyarıları okuyup anlamış ve hareketlerinden sorumlu tutulabilecek olan yetişkinler tarafından kullanılabilir. Güvenliğe ilişkin nedenlerle, ürün her zaman iki elle kullanılarak yeterince kontrol edilmelidir.

Ürün araba yolları, kaldırımlar, yürüme yolları, patikalar, yollar gibi alanlarda ve evrelerin çevresindeki karları temizlemek üzere tasarlanmıştır. Ürün 33 cm derinliğe kadar karı kaldırabilir.

Ürün asla tekerlekleri toprağa değmez halde çalıştırılmamalıdır. Ürünün üzerine binilmemelidir. Ürün sadece bu el kitabında belirtildiği gibi kullanılmalıdır.

Başka herhangi bir amaçla kullanmayın.

## GENEL ÜRÜN GÜVENLİĞİ UYARILARI

**⚠ UYARI! Bu ürünle birlikte sağlanan bütün güvenlik uyarı ve talimatlarını, çizim ve teknik özellikleri okuyun.** Aşağıda belirtilen talimatlara uyulmaması, yangın, elektrik çarpması ve/veya ciddi bedensel yaralanmalar gibi kazalar sebep olabilir.

**İleride başvurmak üzere tüm uyarıları ve talimatları saklayın.**

Uyarılardaki "elektrikli alet" terimi şebeke elektrikle çalışan (kablolu) ya da pille çalışan (kablosuz) ürünü ifade eder.

## ÇALIŞMA ALANI GÜVENLİĞİ

- Çalışma alanını temiz tutun ve iyi şekilde aydınlatın. Dağınık veya karanlık alanlar kazaya davetiye çıkarır.
- Elektrikli aletleri yanıcı sıvıların, gazların veya tozun mevcut olduğu patlayıcı atmosferlerde kullanmayın. Elektrikli aletler tozu veya buharları ateşleyebilecek kıvılcıklar oluşturur.
- Bir elektrikli alet kullanırken çocukları ve çevredeki insanları uzaklaştırın. Dikkat dağınıklığı kontrolü kaybetmenize neden olabilir.

## ELEKTRİKSEL GÜVENLİK

- Elektrik fişleri prize uygun olmalıdır. Fişi hiçbir zaman hiçbir şekilde değiştirmeyin. Topraklı elektrikli aletlerle birlikte herhangi bir adaptörlü fiş kullanmayın. Üzerinde değişiklik yapılmayan fişler ve uygun prizler elektrik çarpması riskini azaltır.
- Vücudunuzla borular, radyatörler, kuzine ve buzdolabı gibi topraklı ürünlere temas etmekten kaçının. Vücudunuz topraklarsa yüksek elektrik çarpması riski mevcuttur.
- Ürünü yağmura veya ıslak koşullara maruz bırakmayın. Elektrikli alete su girmesi elektrik çarpması riskini artırır.
- Kabloyu amacı dışında kullanmayın. Kabloyu hiçbir zaman elektrikli aleti taşımak, çekmek veya fişten çıkarmak için kullanmayın. Kabloyu ısıdan, yağdan, keskin kenarlardan veya hareketli parçalardan uzak tutun. Hasarlı veya dolanmış kablolar elektrik çarpması riskini artırabilir.
- Bir elektrikli aleti açık alanda kullanırken açık alanda kullanıma uygun bir uzatma kablosu kullanın. Açık alanda kullanıma uygun bir kablo kullanmak elektrik çarpması riskini azaltır.

- Eğer bir elektrikli aleti nemli bir yerde kullanmanız kaçınılmazsa bir artık akım cihazı (RCD) korumalı kaynak kullanın. Bir RCD kullanmak elektrik çarpması riskini azaltır.

## KİŞİSEL GÜVENLİK

- Bir elektrikli alet kullanırken dikkatli olun, yaptığınız işe dikkat edin ve sağduyulu olun. Yorgunken veya uyuşturucu, alkol veya ilaç etkisi altındayken bir elektrikli alet kullanmayın. Elektrikli aletleri kullanırken bir anlık dikkatsizlik ciddi fiziksel yaralanma ile sonuçlanabilir.
- Kişisel koruyucu ekipman kullanın. Koruyucu gözlük takın. Uygun koşullarda kullanılan toz maskesi, kaymaz güvenlik ayakkabıları, kask veya kulak tıkağı fiziksel yaralanma riskini azaltacaktır.
- Kasıtsız başlamayı önleyin. Aleti yerinden alırken veya taşırken güç kaynağına ve/veya pil takımına bağlamadan önce anahtarın kapalı konumda olduğundan emin olun. Elektrikli aletleri parmağınız anahtarın üzerindeyken veya anahtarlı elektrikli aletlerin gücü açıkken taşımak tehlikeye davetiye çıkarır.
- Elektrikli alet açmadan önce ayar kamasını veya anahtarını çıkarın. Bir ayar anahtarının veya kamanın elektrikli aletin döner parçasına takılı hâlde bırakılması fiziksel yaralanma ile sonuçlanabilir.
- Yukarıya doğru erişmeye çalışmayın. Yere sağlam basın ve dengeyi her zaman koruyun. Bu, beklenmedik durumlarda gücün daha iyi kontrol edilmesini sağlar.
- Uygun şekilde giyinin. Bol kıyafet giymeyin veya takı takmayın. Saçlarınızı ve kıyafetlerinizi hareketli parçalardan uzak tutun. Bol kıyafetler, takı veya uzun saç hareketli parçalara yakalanabilir.
- Eğer toz tahliye ve toplama aparatları için bağlantı cihazları sağlanmışsa bunların doğru şekilde bağlandığından ve kullanıldığından emin olun. Toz toplama aparatı kullanmak tozdan kaynaklanan tehlikeleri azaltabilir.
- Makinelerin sık kullanılması ile elde edilen aşınalığın konsantrasyonunuza kaybettirmesine ve alet güvenliğini etkilemeye göz ardı etmenizi sağlamasına izin vermeyin. Dikkatsizce yapılan bir davranış birkaç saniye içinde ciddi yaralanmaya neden olabilir.

## ELEKTRİKLİ ALET KULLANIMI VE BAKIMI

- Elektrikli aletin kapasitesini zorlamayın. Uygulanması için doğru elektrikli aleti kullanın. Doğru elektrikli alet tasarlandığı işi daha iyi ve daha güvenli bir şekilde yapacaktır.
- Eğer anahtar açılıp kapanmıyorsa makineyi kullanmayın. Anahtarla kontrol edilemeyen her elektrikli alet tehlikelidir ve onarılmalıdır.
- Herhangi bir ayar yapmadan ya da aksesuar değiştirmeden önce fişi güç kaynağından ve/veya pil takımını çıkartılabiliyorsa aletten çıkarın. Bu gibi önleyici güvenlik tedbirleri elektrikli aletin kazara çalışma riskini azaltır.
- Boş konumda olan elektrikli aletleri çocukların ulaşamayacağı yerde depolayın ve elektrikli aleti tanımayan veya bu talimatları bilmeyen kişilerin elektrikli aleti kullanmasına izin vermeyin. Elektrikli aletler eğitimsiz kullanıcıların elinde tehlikelidir.
- Elektrikli aletlerin ve aksesuarların bakımını yapın. Hareketli parçaların hiza kaymasını ve bağlantısını,



parçaların kırık olup olmadığını ve elektrikli aletin çalışmasını etkileyebilecek diğer durumları kontrol edin. Eğer hasarlıysa elektrikli aleti kullanmadan önce onartın. Pek çok kaza bakımı kötü yapılmış elektrikli aletlerden kaynaklanır.

- Kesici aletleri keskin ve temiz tutun. Uygun şekilde bakımı yapılan keskin kesme kenarlarına sahip kesme aletlerinin sıkışma olasılığı daha azdır ve kontrol edilmesi daha kolaydır.
- Elektrik aleti, aksesuarları ve alet uçlarını vb. çalışma koşullarını ve yapılacak çalışmayı dikkate alarak bu talimatlara uygun şekilde kullanın. Elektrikli aleti amaçlananlar dışındaki çalışmalar için kullanmak tehlikeli bir durumun oluşmasına yol açabilir.
- Kulpları ve kavrama yüzeylerini kuru, temiz ve yağdan ve gresten arındırılmış hâle tutun. Kaygan kulplar ve kavrama yüzeyleri beklenmedik durumlarda aletin güvenli şekilde taşınmasına ve kontrol edilmesine izin vermez.

#### PİLLİ ALET KULLANIMI VE BAKIMI

- Sadece üretici tarafından belirtilen şarj cihazı ile şarj edin. Tek bir pil takımı tipine uygun bir şarj cihazı başka bir pil takımı ile birlikte kullanıldığında yangın riski oluşturabilir.
- Elektrikli aletleri sadece özel olarak belirtilmiş pil takımları ile birlikte kullanın. Başka bir pil takımı kullanmak yaralanma ve yangın riski oluşturabilir.
- Pil takımı kullanılmadığı zaman ataş, bozuk para, anahtar, çivi, vida ve diğer metal nesnelere gibi bir terminalden diğerine bağlantı oluşturabilecek diğer metal nesnelere uzak tutun. Pil terminallerinin birlikte kısa devre yapması yangına veya yangına neden olabilir.
- Kötü koşullarda pilden sıvı boşalabilir; temas etmekten kaçının. Eğer kazara temas ederseniz temas eden yeri suyla yıkayın. Eğer sıvı gözlerinize temas ederse ek olarak tıbbi yardım alın. Pilden boşalan sıvı tahrişe veya yanıklara neden olabilir.
- Hasar görmüş ya da değiştirilmiş pil paketi ya da aleti kullanmayın. Hasar görmüş ya da değiştirilmiş piller yangın, patlama ya da yaralanma riskine yol açabilecek beklenmeyen davranış sergileyebilir.
- Pil paketi ya da aleti ateş ya da aşırı ısıya maruz bırakmayın. Ateş ya da 130°C üzerinde ısıya maruz kalmak patlamaya neden olabilir.
- Şarj işlemine ilişkin tüm talimatlara uyun ve pil paketi ya da aleti talimatlarda belirtilen sıcaklık aralığı dışında şarj etmeyin. Belirtilen sıcaklık aralığı dışında şarj edildiğinde pil zarar görebilir ve yangın riski artar.

#### SERVİS

- Elektrikli aletinizi sadece aynı yedek parçaları kullanarak nitelikli bir tamirciye onartın. Bu, elektrikli aletin güvenliğinin muhafaza edilmesini sağlar.
- Hasarlı pil takımlarına asla bakım uygulamayın. Pil takımlarının bakımı üretici ya da yetkili hizmet sağlayıcılar tarafından yapılmalıdır.

#### KABLOSUZ KAR PÜSKÜRTME MAKİNESİ GÜVENLİK UYARILARI

#### EĞİTİM

- Ürünü çalıştırmadan önce ürün üzerindeki ve bu kılavuzdaki bütün talimatları okuyup anlayın ve bunlara uyun. Ürünün kontrollerine ve uygun kullanımına

tamamen aşına olun. Ürünü hızlı bir şekilde kapatıp kontrolleri devre dışı bırakmayı öğrenin.

- Çocuklar ya da kısıtlı fiziksel, duyuşsal ya da zihinsel becerilere sahip ya da bu talimatlara aşına olmayan kişilerin ürünü çalıştırma, temizleme ya da bakım yapmasına asla izin vermeyin. Yerel yönetmelikler kullanıcının yaşına kısıtlama getirebilir. Ürünle oynamadıklarından emin olmak için çocuklara uygun şekilde nezaret edilmelidir.
- Çevrenizdeki kişileri, çocukları ve evcil hayvanları çalışma alanından 15 m uzaklaştırın. Alana biri girdiği zaman, ürünü kapatın.
- Özellikle de makineyi ters yönde çalıştırırken kayma veya düşmeyi önlemek için dikkatli olun.
- Çakıl taşı ya da kayaların parçalanmış yüzeyinden kaçınmak için toplayıcı muhafazası yüksekliğini ayarlayın.
- Ürün çalışırken herhangi bir ayar yapmayı denemeyin.
- Ürün el ve ayakları kesebilir, cisimler fırlatabilir. Güvenlik talimatlarının tamamının uygulanmaması ciddi yaralanmaya yol açabilir.
- Kazalardan ve diğer insanlara veya mallarına zarar verebilecek tehlikelerden kullanıcının sorumlu olduğunu unutmayın.

#### HAZIRLIK

- Ürünün kullanılacağı alanı özenli denetleyin ve tüm paspasları, kızıkları, kartonları, telleri ve diğer yabancı cisimleri kaldırın.
- Pençeleri açın ve motoru çalıştırmadan önce nötr durumuna getirin.
- Ürünü çalıştırırken her zaman uygun kış kıyafetleri ve kaymaz emniyet ayakkabıları giyin. Üzerinize bol olan veya iplerin veya bağcıkların sarktığı kıyafetler giymekten kaçının; hareketli parçalara yakalanabilirler.
- Saçlarınız uzunsuzsa hareketli parçalara dolmasını önlemek için omuz seviyesinin üzerinde toplayın.
- Gözleri üründen fırlayacak yabancı nesnelere karşı korumak için ürünü kullanırken veya ayarlama ya da tamir işlemi esnasında her zaman emniyet gözlüğü ya da göz maskesi kullanın.
- Her kullanım öncesi tüm kontrollerin ve güvenlik cihazlarının doğru şekilde çalıştığından emin olun. Ana şalter ürünü çalıştırıp durduruyorsa, ürünü kullanmayın.
- Her kullanımdan önce, gövdenin hasarsız olduğunu, korkuluk ve tutamakların yerinde ve sağlam takılı olduğunu kontrol edin.

#### KULLANIM

- Gök gürültülü fırtına ya da şimşek çakması olasılığı olduğunda ürünü kullanmayın.
- El ve ayakları döner parçaların altına koymayın. Boşaltma ağzını daima temiz tutun. Deliklere herhangi bir cisim koymayın.
- Çakış taşıyla kaplı araba yolları ya da kaldırımlardan geçerken son derecede dikkatli olun. Gizli tehlikelere karşı ya da umumi yollarda çalışırken tetikte olun.
- Hareketli parçalara temastan kaynaklanabilecek yaralanma riskini azaltmak için her zaman ürünü kapatın ve pil paketini çıkarın. Tüm hareketli parçaların tamamen durduğundan emin olun:
  - yabancı bir nesne çarptıktan sonra ürünü hasara karşı incelemek için



- temizlik yapmadan veya bir tıkanıklığı açmadan önce
- ürünün yanından ayrılmadan önce
- ürünü kontrol etmeden, bakım veya başka bir çalışma yapmadan önce
- eğer ürünler anormal şekilde titremeye başlarsa (derhal inceleyin) Titreşim genellikle bir sorunun uyarısıdır.
- Ürünü yamaçlarda yukarı veya aşağıya doğru değil, yamaç boyunca kullanın. Eğimler üzerinde yön değiştiren çok dikkatli olun. Dik yamaçları temizlemeye kalkışmayın.
- Uygun korkuluklar, plakalar ve diğer koruyucu donanım yerinde olmadan ürünü asla çalıştırmayın.
- Atık kısmını asla insanlara ya da mülk hasarının oluşabileceği bölgelere çevirmeyin. Çocukları ve evcil hayvanları uzak tutun.
- Karı gereğinden hızlı temizlemeye çalışarak ürünün kapasitesine aşırı yüklenmeyin.
- Kaygan yüzeylerde ürünü asla yüksek nakliye hızlarıyla çalıştırmayın. Ürünü tersten çalıştırırken arkanıza bakın ve dikkatli olun.
- Ürünü taşırken ya da kullanmazken toplayıcı/pervaneyeye giden gücü kesin.
- Sadece orijinal üreticinin yedek parçalarını, aksesuarlarını ve ek parçalarını kullanın.
- Görüş açınız iyi değilken ya da karanlıkla ürünü asla kullanmayın. Her zaman ayaklarınızı sağlam bastığınızdan ve tutamakları sıkı tuttuğunuzdan emin olun. Yürüyün, hiçbir zaman koşmayın.
- Motor çalışır haldeyken ürünü asla sert ve temiz bir yüzey dışındaki yüzeylere koymayın. Çakıl taşları, kum veya benzeri döküntüler hava girişinden emilip operatörlerin ya da izleyicilerin üzerine fırlatılabilir, ciddi yaralanmaya neden olabilir.
- Kar tahliye açısını gerektiği gibi ayarlamadan ürünü asla cam cam bölmelerin, otomobillerin, pencerelerin veya kapıların yakınında çalıştırmayın.
- Ürün düşer, ağır darbeye maruz kalır ya da normal dışı titreşim çıkarırsa derhal ürünü kapatın ve hasar bakımından inceleyin ya da titreşim nedenini belirlemeye çalışın. Her tür hasar yetkili servis merkezi tarafından uygun şekilde onarılmalı veya değiştirilmelidir.
- Ürün, akü grubu sıcaklığı 0°C'nin üzerinde tutulduğu süre -20°C ile 20°C arasındaki sıcaklıklarda çalıştırılabilir ve saklanabilir. Akü grubunu 0°C'nin altında saklamayın. Donma sıcaklıklarının altındaki sıcaklıklar, akü grubunun performansını ve kapasitesini düşürebilir. Akü grubu 0°C'nin çok az üstündeki bir sıcaklıkta saklanıyorsa normal çalışmaya başlamadan önce akü grubunu ısıtmak için ürünü en az 2 dakika çalıştırın. İş tamamlandıktan veya akü grubu boşaldıktan sonra, akü grubunu üründen çıkarın ve ortam sıcaklığının 0°C ile 20°C arasında olduğu bir yerde saklayın.
- Ürünü ortam sıcaklığının 0°C ve 40°C arasında olduğu bir yerde muhafaza edin.
- Ürünün bazı parçaları aşırı hava koşullarında donabilir. Ürünü parçalar donukken çalıştırmayın.
- Depolamadan önce, burgudaki karların çıkmasını sağlamak için çalışma tamamlandıktan sonra ürünü birkaç dakika boyunca çalıştırmaya devam edin.

## PİL İÇİN EK GÜVENLİK UYARILARI

- Kısa devreden kaynaklanacak yangın, yaralanma ve maddi hasar risklerini azaltmak için ürünü, pil paketini ya da şarj cihazını asla bir sıvıya batırmayın, ya da içine sıvı girmesine izin vermeyin. Tuzlu su, belirli kimyasallar, ağartıcı madde veya ağartıcı madde içeren ürünler gibi korozif veya iletken sıvılar kısa devreye neden olabilir.
- Pil paketini 10°C ve 38°C arasındaki ortam sıcaklığında şarj edin.
- Pil paketini ortam sıcaklığının 0°C ve 20°C arasında olduğu bir yerde muhafaza edin.
- Akü grubunu 0°C'nin altında saklamayın. Donma sıcaklıklarının altındaki sıcaklıklar, akü grubunun performansını ve kapasitesini düşürebilir.

## ÇALIŞMA TAVSİYELERİ

- Üst tutamak gerektiği gibi takılmadığı, tutamak kilit klipsi emniyetli bir şekilde kapatılmadığı durumlarda ürün çalışmaz. Ürün doğru toplanmadığı zaman kazayla çalışmaya başlamasını önleyecek 2 emniyet interloku vardır.
- Ürünü çalıştırmadan önce rüzgar yönünü belirleyin. Karın operatöre boşaltılmasını engellemek için karı rüzgarla aynı yönde tahliye edin.

## TIKANIKLIĞIN GİDERİLMESİ

Ciddi yaralanmalardan kaçınmak için ellerinizi veya ayaklarınızı asla ürünün ön tarafına ya da tahliye kanalına uzatmayın. Boşaltma kanalını temizlemek için ellerinizi kullanmayın.

1. Ürünü depolamadan, pil paketini çıkarın. Tüm hareketli parçaların tamamen durduğundan emin olun.
2. Tıkanıklığı gidermek için bir ahşap çubuk kullanın. Dikkatli olun, mekanizmada biriken enerji nedeniyle tıkanıklık giderilmesi sırasında kendiliğinden hareket etmeyebilir.
3. Ahşap çubuğu kullanarak pervane takımını çevirin.
4. Pervane ahşap çubukla hareket ettirilebildikten sonra, ürünün arkasına geçin. Pervane düzeneğinin kademeli hareket edebilir. Kar temizlemeye devam etmenin güvenli olacağından emin olun.

## TAŞIMA VE DEPOLAMA

- Nakletmeden ya da depolamadan önce ürünü kapatın, pil paketini çıkarın ve her ürünün soğumasını bekleyin.
- Ürün uzun bir süre boyunca depolanacaksa önemli bilgiler için daima kullanın kılavuzuna bakın.
- Üründeki tüm yabancı maddeleri temizleyin. Ürünü çocukların erişemeyeceği serin, kuru ve iyi havalandırılmış bir yerde depolayın. Bahçe kimyasalları ve buz çözücü tuzlar gibi korozif maddelerden uzak tutun. Ürünü açık havada depolamayın.
- Taşınacağı zaman insanların yaralanmasını veya ürünün zarar görmesini önlemek amacıyla ürünü hareket etmemesi veya düşmemesi için sabitleyin.

## LİTYUM BATARYALARIN TAŞINMASI

Bataryayı yerel ve ulusal hükümlere ve yönetmeliklere uygun şekilde taşıyın.

Bataryalar üçüncü bir şahıs tarafından taşındığında ambalaj ve etiket üzerindeki tüm özel koşullara uyun. Açıktaki konektörleri yalıtkan, iletken olmayan başlıklar veya bant ile koruyarak hiçbir bataryanın taşıma sırasında diğer bataryalarla veya iletken malzemelerle temas etmediğinden emin olun. Çatlak veya sızdıran bataryaları taşımayın. Ek tavsiye için nakliye şirketi ile birlikte kontrol edin.

## BAKIM

- Sadece orijinal üreticinin yedek parçalarını, aksesuarlarını ve ek parçalarını kullanın. Aksine davranış olası yaralanmaya yol açabilir, yetersiz performansla neden olabilir ve garantinizin geçersiz olmasıyla sonuçlanabilir.
- Servis çalışması en yüksek düzeyde dikkat ve bilgi gerektirir ve sadece nitelikli bir servis teknisyeni tarafından yapılmalıdır. Ürünün servis işlemlerini sadece yetkili bir servis merkezinde yaptırın.
- Ürünü depolamadan, pil paketini çıkarın. Temizlik ya da bakım işlemine başlamadan önce hareketli tüm parçaların tamamen durduğundan emin olun.
- Ürünün güvenli çalışma durumunda olduğundan emin olmak için tüm somunların, civataların ve vidaların doğru sıklıkta sık aralıklarla takıldığını kontrol edin. Hasarlı her tür parça yetkili servis merkezi tarafından uygun şekilde onarılmalı veya değiştirilmelidir.
- Zarar görmüş veya okunmaz durumdaki etiketleri değiştirmek için yetkili bir servis merkezine gönderin.
- Pervanenin donması engellemek için kar püskürttüktan sonra ürünü birkaç defa daha çalıştırın.
- Sadece bu kılavuzda açıklandığı şekilde ayar veya onarım yapabilirsiniz. Ürün üzerinde yapılacak diğer onarımları sadece yetkili bir servis merkezinde yaptırın.
- Her kullanımdan sonra plastik parçaları yumuşak, kuru bir bezle temizleyin.

## ÜRÜNÜZÜ TANIYIN

Bkz. sayfa 115.

1. Üst tutamak
2. Açma/kapama çemberi
3. Kullanıcı Kılavuzu
4. Başlatma butonu
5. Ağaç delgisi hız kolu
6. Oluk dönüş kolu
7. Oluk deflektörü
8. Deflektör düğmesi
9. Far
10. Tutamak ayar kolu
11. Pervane
12. Pil kapağı
13. Pil
14. Şarj cihazı
15. Vidalar
16. Tornavida

## SEMBOLLER



Ürünü çalıştırmadan önce bütün talimatları okuyup anlayın. Tüm uyarı ve güvenlik talimatlarına uyun.



Fırlayan ve sıçrayan nesnelere dikkat edin. Üçüncü şahısları, özellikle çocukları ve evcil hayvanları çalışma alanından en az 15 m uzakta tutun.



Koruyucu gözlük takın.



Ürünü yağmura veya nemli koşullara maruz bırakmayın.



Döner pervanenin neden olacağı yaralanmalardan kaçının. Ellerinizi, ayaklarınızı ve giysilerinizi uzak tutun.



Üçüncü şahısları, özellikle çocukları ve evcil hayvanları çalışma alanından en az 15 m uzakta tutun.



Ürünü yokuşlarda çalıştırmayın.



Ellerinizi ve ayaklarınızı makinenin ön tarafından ve ürünün boşaltma oluğundan uzak tutun.



Pil takımını çıkartın.



Boşaltma kanalını temizlemek için ellerinizi kullanmayın.



Güvenceli ses gücü seviyesi

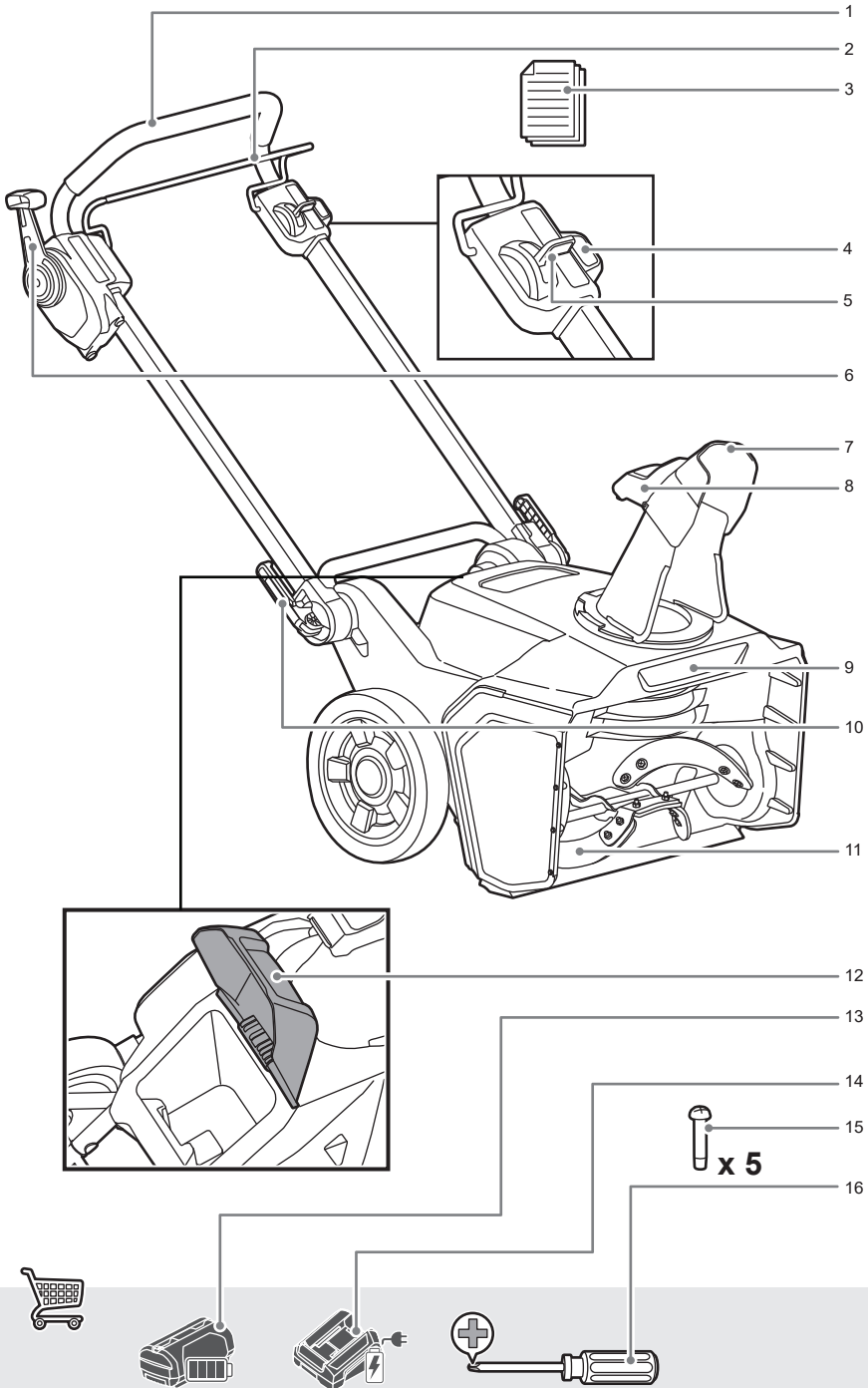


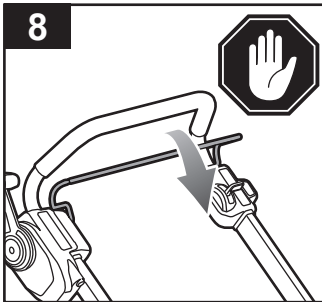
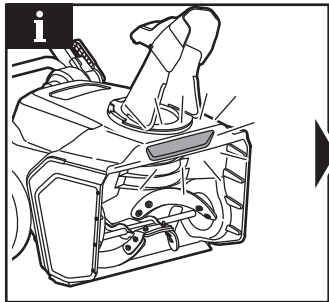
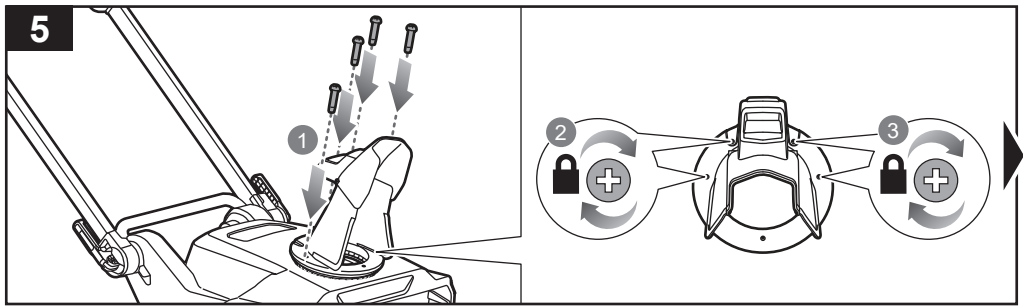
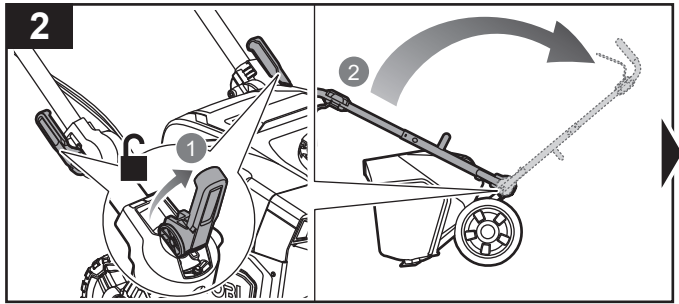
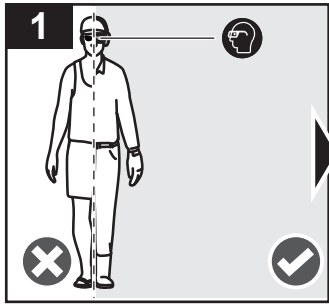
Atık pilleri, atık elektrikli ve elektronik ekipmanı, sınıflandırılmamış belediye atığı olarak bertaraf etmeyin. Atık piller ile atık elektrikli ve elektronik ekipmanlar ayrıca toplanmalıdır. Atık pil, akü ve ışık kaynakları ekipmandan çıkarılmalıdır. Geri dönüşüm tavsiyesi ve toplama noktası bilgisi için yerel yetkililer ya da perakendeciniz ile iletişime geçin. Yerel düzenlemelere göre perakendecilerin atık piller ile atık elektrikli ve elektronik ekipmanı ücretsiz olarak geri alma yükümlülüğü olabilir. Atık bataryaların yanı sıra atık elektrikli ve elektronik ekipmanların yeniden kullanımı ve geri dönüşümüne katkınız, hammadde talebini azaltmaya yardımcı olur. Özellikle lityum içeren atık piller ile atık elektrikli ve elektronik ekipmanlar, çevreye uyumlu bir şekilde bertaraf edilmediği takdirde çevre ve insan sağlığını olumsuz yönde etkileyebilecek değerli ve geri dönüştürülebilir malzemeler içerir. Varsa, atık ekipmandaki kişisel verileri silin.

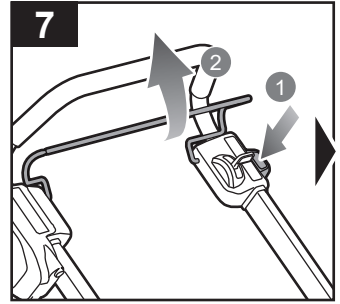
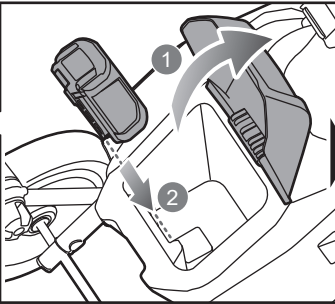
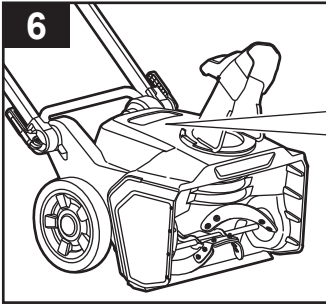
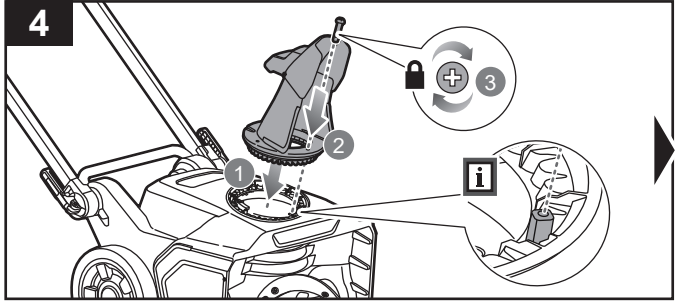
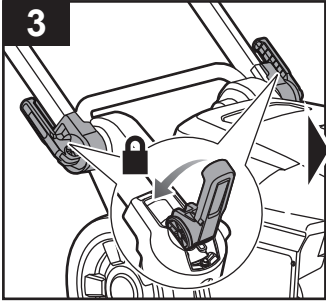


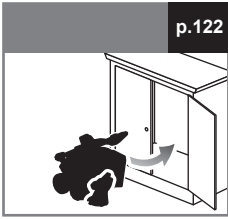
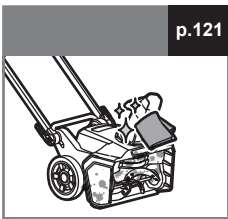
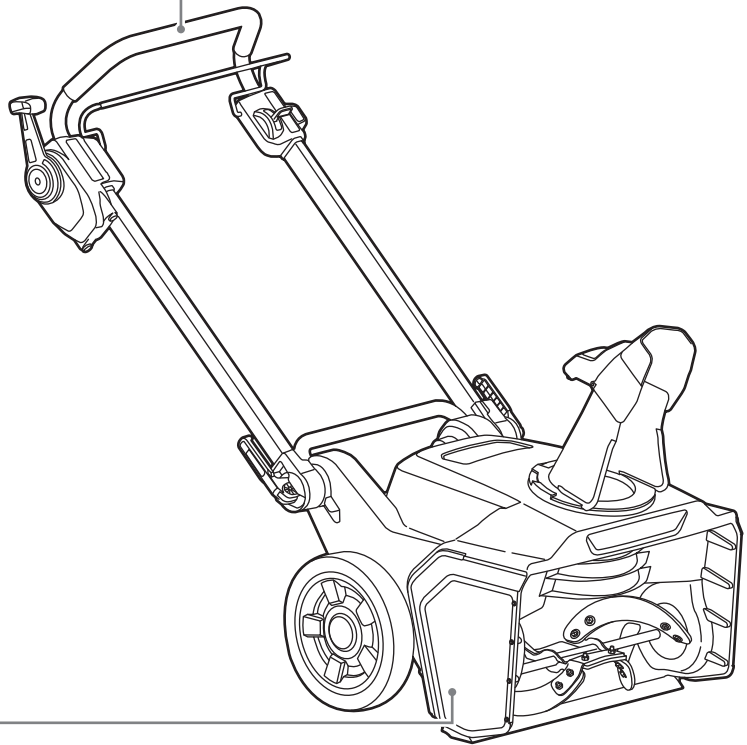
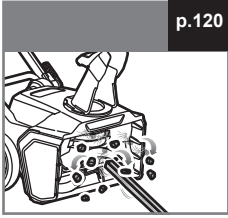
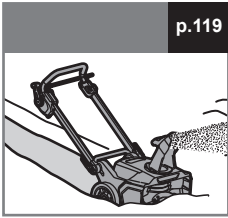


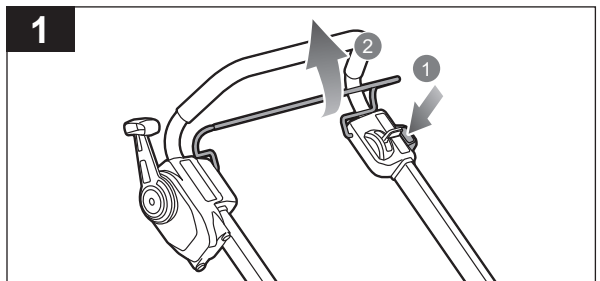
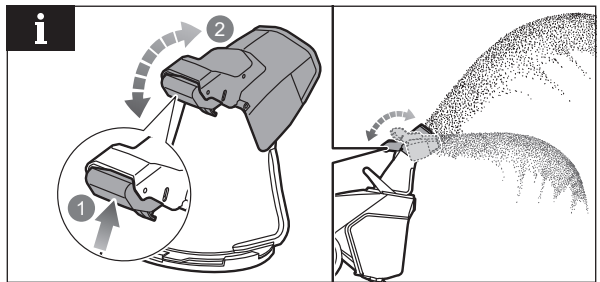
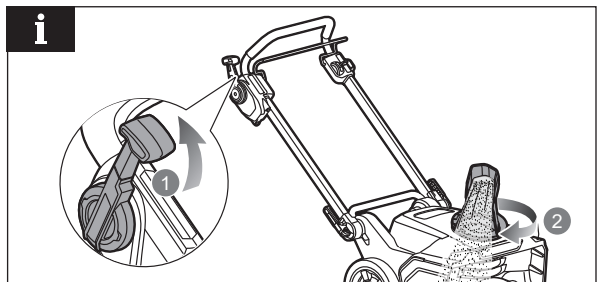
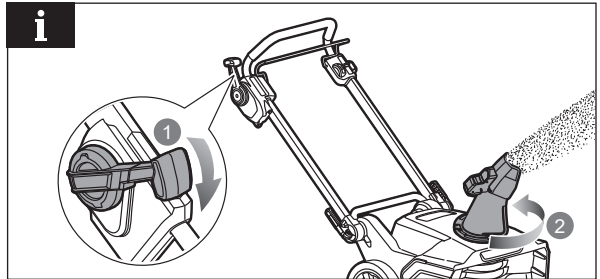
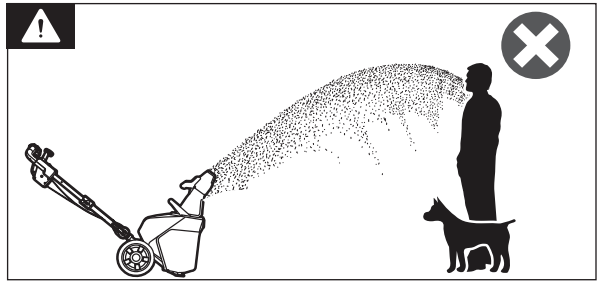
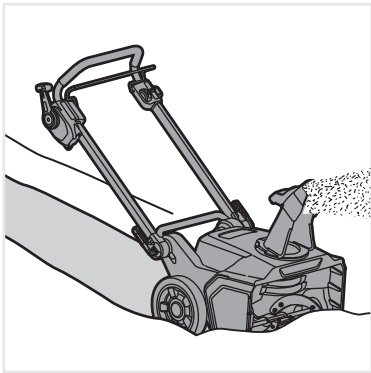
RY36STX53A-0

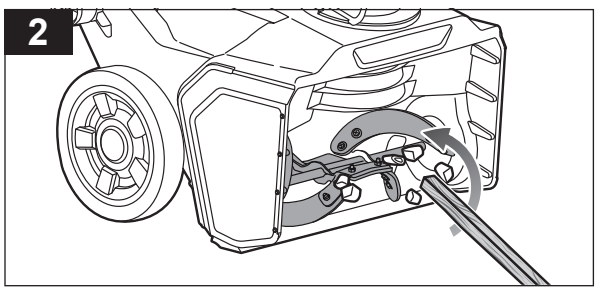
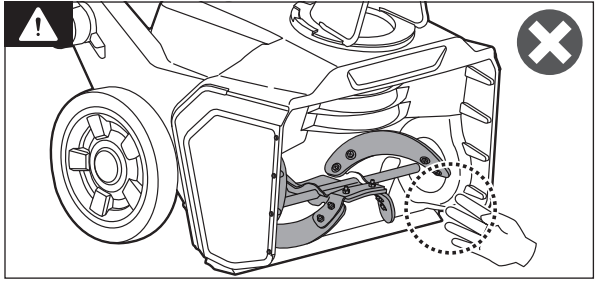
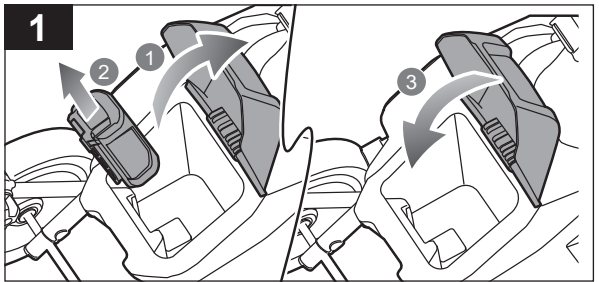
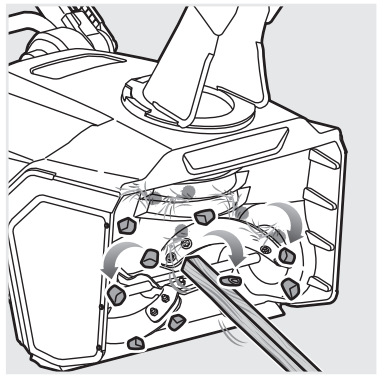
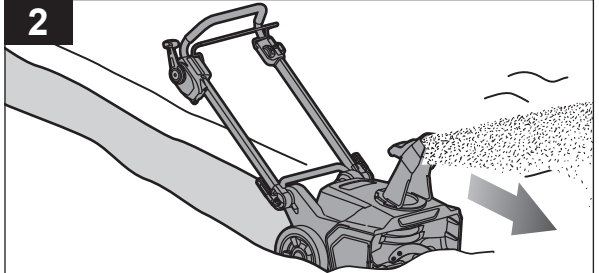




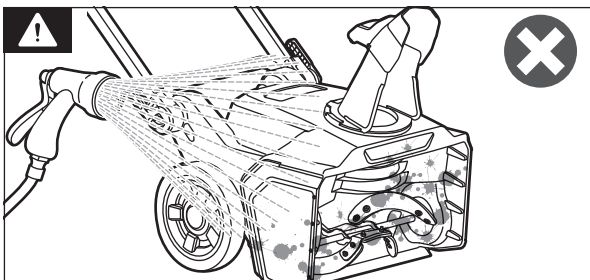
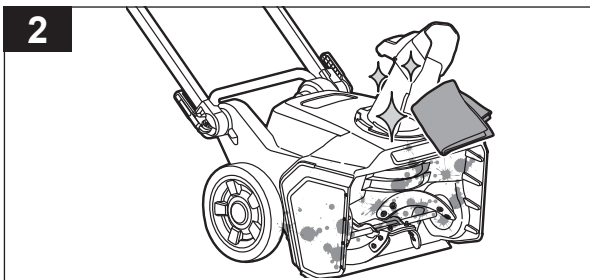
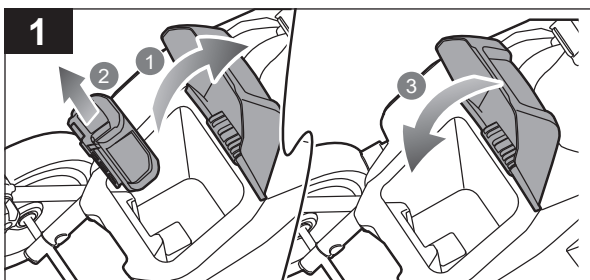
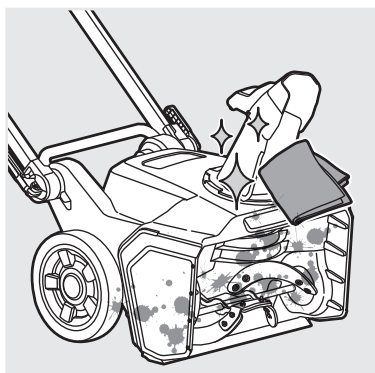
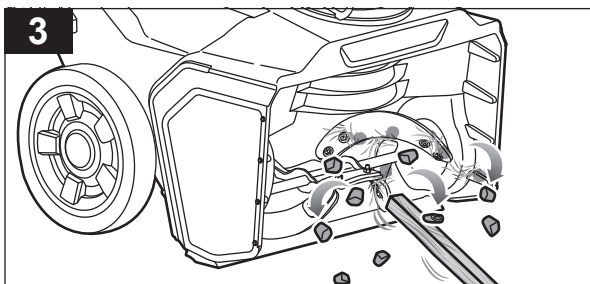


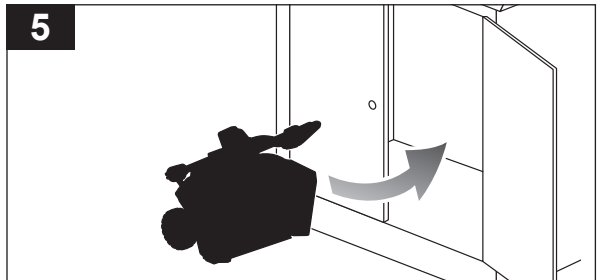
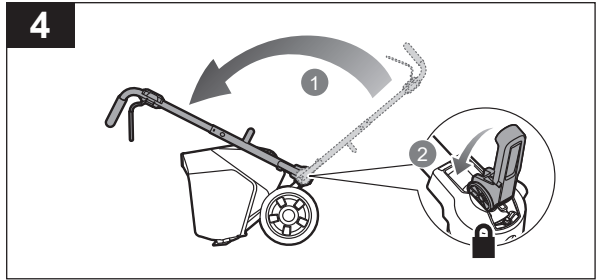
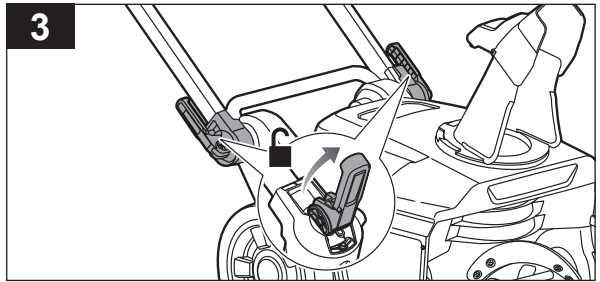
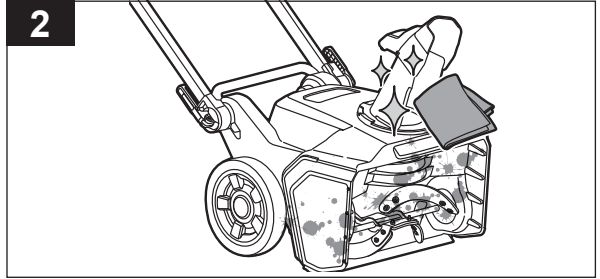
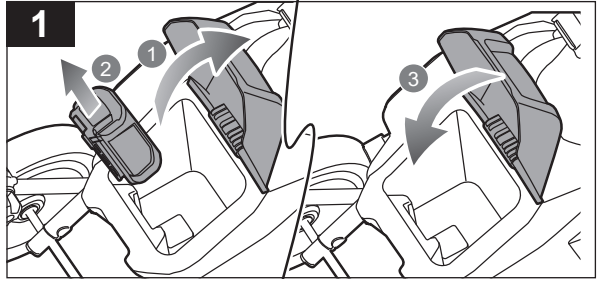
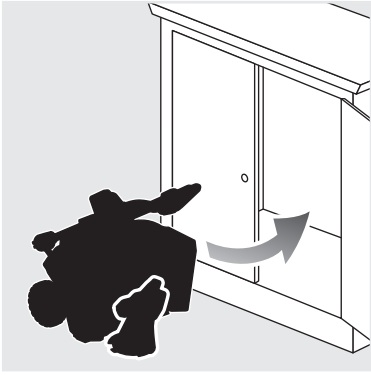












20230731v2g4



English	Français	Deutsch	Español	Italiano	Nederlands
Product specifications	Caractéristiques produit	Produkt-Spezifikationen	Características del producto	Caratteristiche del prodotto	Productgegevens
Cordless snow thrower	Souffleuse à neige sans fil	Akku-Schneefräse	Quitainieves inalámbrico	Spazzaneve a batteria	Snoerloze sneeuwruimer
Model	Modèle	Modell	Modelo	Modello	Model
Rated voltage	Tension nominale	Nennspannung	Tensión nominal	Voltaggio nominale	Toegekende spanning
Clearing width	Largeur de déblayage	Räumbreite	Ancho de la limpieza	Ampiezza di pulizia	Ruimbreedte
Clearing depth	Profondeur de déblayage	Räumtiefe	Profundidad de la limpieza	Profondità di pulizia	Ruimdtepte
Impeller size	Taille de la turbine	Impellergröße	Tamaño del impulsor	Dimensione ventola	Schoepafmetingen
Diameter	Diamètre	Durchmesser	Diámetro	Diametro	Diameter
Width	Largeur	Breite	Anchura	Larghezza	Breedte
Wheel size	Dimension de roue	Radgröße	Tamaño de las ruedas	Dimensione ruota	Wielafmetingen
Throwing distance	Distance d'évacuation	auswurfweite	Distancia de lanzamiento	Distanza di lancio	Gooiafstand
No-load speed	Vitesse à vide	Leerlaufdrehzahl	Velocidad sin carga	Velocità senza carico	Snelheid zonder lading
Weight (without battery pack)	Poids (sans la batterie)	Gewicht (ohne Akkupack)	Peso (sin la batería)	Peso (senza batterie)	Gewicht (zonder batterij)
Weight (with heaviest battery pack)	Poids (avec le pack de batterie le plus lourd)	Gewicht (mit dem schwersten Akkupack)	Peso (con el paquete de baterías más pesado)	Peso (con la batteria più pesante)	Gewicht (met de zwaarste accu)
Vibration level (in accordance with Annex A of EN ISO 8437-4)	Niveau de vibration (selon l'Annexe A de la norme EN ISO 8437-4)	Vibrationsgrad (gemäß Anhang B von EN ISO 8437-4)	Nivel de vibración (de acuerdo con el Anexo A de EN ISO 8437-4)	Livello vibrazioni (secondo quanto disposto dall'Allegato A della Direttiva EN ISO 8437-4)	Trillingsniveau (in overeenstemming met bijlage A van EN ISO 8437-4)
Vibration total value	Valeur totale des vibrations	Gesamtwert der Vibration	Valor total de vibración	Valore totale vibrazioni	Totale waarde trilling
Uncertainty	Incertitude	Unsicherheit	Incertidumbre	Incertezza	Onzekerheid
Noise emission level (in accordance with Annex B of EN ISO 8437-4)	Niveau d'émission sonore (selon l'Annexe B de la norme EN ISO 8437-4)	Geräuschemission (gemäß Anhang B von EN ISO 8437-4)	Nivel de emisión de ruido (de acuerdo con el Anexo B de EN ISO 8437-4)	Livello di emissione rumore (secondo quanto disposto dall'Allegato B della Direttiva EN ISO 8437-4)	Geluidsemissieniveau (in overeenstemming met bijlage B van EN ISO 8437-4)
A-weighted sound pressure level at the operator's position	Niveau de pression sonore pondéré A au niveau de l'opérateur	A-bewerteter Schalldruckpegel an der Position des Anwenders	Nivel de presión sonora ponderado A en la posición del operario	Livello di pressione sonora pesato A alla posizione dell'operatore	A-gewogen geluidsdrukkniveau op de plaats van de bediener
Uncertainty	Incertitude	Unsicherheit	Incertidumbre	Incertezza	Onzekerheid
A-weighted sound power level	Niveau de puissance sonore pondéré A	A-bewerteter Schallleistungspegel	Nivel de potencia acústica ponderada en A	Livello di potenza sonora pesato A	A-gewogen geluidsniveau
Uncertainty	Incertitude	Unsicherheit	Incertidumbre	Incertezza	Onzekerheid
$L_{WA} + K_{WA}$	$L_{WA} + K_{WA}$	$L_{WA} + K_{WA}$	$L_{WA} + K_{WA}$	$L_{WA} + K_{WA}$	$L_{WA} + K_{WA}$
Compatible battery packs	Blocs des batterie compatibles	Kompatible Akkupacks	Paquetes de batería compatibles	Gruppo batterie compatibili	Compatibele accupacks
Compatible chargers	Chargeurs compatibles	Kompatible Ladegeräte	Cargador compatible	Caricatore compatibile	Compatibele oplader

Português	Dansk	Svenska	Suomi	Norsk	Русский	
Características do aparelho	Produktspecifikationer	Produktspecifikationer	Tuotteen tekniset tiedot	Produktspesifikasjoner	Характеристики изделия	
Lançador de neve sem fios	Batteridrevet snekaster	Sladdlös snöslunga	Langaton lumilinko	Kabelfri snøfreser	Беспроводной снегоборщик	
Modelo	Model	Modell	Malli	Modell	Модель	RY36STX53A
Tensão nominal	Mærkespænding	Spänning	Nimellisännite	Nominell spenning	Номинальное напряжение	36 V d.c.
Comprimento da limpeza	Rydningbredde	Rensningsbredd	Poistoleveys	Ryddebredde:	Ширина очистки	53 cm
Profundidade da limpeza	Rydningdybde	Rensningsdjup	Poistosyvyys	Ryddedybde:	Глубина очистки	33 cm
Tamanho do impulsor	Skovhjulstørrelse	Bladstorlek	Siipiyörän koko	Skovlehjuldimensjon	Размер лопастного механизма	
Diâmetro	Diameter	Diameter	Läpimitta	Diameter	Диаметр	16 cm
Largura	Bredde	Bredd	Leveys	Bredde	Ширина	46 cm
Tamanho das rodas	Hjulstørrelse	Hjulstorlek	Pyörän koko	Hjulstørrelse:	Размер колеса	27 cm
Distância de lançamento	Udslyngningsafstand	Utkastlängd	Heittoäisyyys	Utkastavstand	Расстояние выброса	≤ 10,7 m
Velocidade sem carga	Tomgangshastighed	Hastighet utan belastning	Nopeus ilman kuormaa	Tomgangshastighet	Холостая скорость	1800 rpm
Peso (sem a bateria)	Vægt (uden batteri)	Vikt (utan batteri)0	Paino (ilman akkua)	Vekt (uten batteri)	Вес (без батарей)	24 kg
Peso (com o conjunto de baterias mais pesado de todos)	Vægt (med det tungeste batteri)	Vikt (med tyngsta batterienhet)	Paino (painavimman akun kanssa)	Vekt (med det tungste batteriet)	Вес (с самым тяжелым аккумуляторным блоком)	29,3 kg
Nível de vibração (em conformidade com o Anexo A de EN ISO 8437-4)	Vibrationsniveau (iht. bilag A til EN ISO 8437-4)	Vibrationsnivå (enligt Annex A i EN ISO 8437-4)	Tärinätaso (standardin EN ISO 8437-4 liitteen A mukaisesti)	Vibrasjonsnivå (iht. tillegg A i EN ISO 8437-4)	Уровень вибрации (в соответствии с Приложением А стандарта EN ISO 8437-4)	
Valor total da vibração	Total vibrationsværdi	Totalvärde för vibration	Tärinän kokonaisarvo	Vibrasjon totalverdi	Суммарное значение вибрации	$a_h = 2,8 \text{ m/s}^2$
Incerteza	Usikkerhed	Osäkerhet	Epätarkkuus	Usikkerhet	Погрешность	$K = 1,5 \text{ m/s}^2$
Nível de emissão de ruído (em conformidade com o Anexo B de EN ISO 8437-4)	Støjemissionsniveau (iht. bilag B til EN ISO 8437-4)	Bullerutsläppsnivå (enligt Annex B i EN ISO 8437-4)	Melutaso (standardin EN ISO 8437-4 liitteen B mukaisesti)	Støyutslippsnivå (iht. tillegg B i EN ISO 8437-4)	Уровень шума (в соответствии с Приложением В стандарта EN ISO 8437-4)	
Nível de pressão sonora ponderado A na posição do operador	A-vægtet lydtryksniveau ved operatørens position	A-viktad ljudtrycksnivå vid operatörsplats	A-painotettu käyttäjään kohdistuva äänenpainetaso	A-vektet lydtrykk ved operatørsposisjon	Амплитудно-взвешенный уровень звукового давления на рабочем месте оператора	$L_{PA} = 71,3 \text{ dB (A)}$
Incerteza	Usikkerhed	Osäkerhet	Epätarkkuus	Usikkerhet	Погрешность	$K_{PA} = 3,0 \text{ dB}$
Nível de potência sonora ponderada A	A-vægtet lydeffektniveau	A-vägd ljudeffektnivå	A-painotettu äänenteho	A-vektet lydeffektivå	Уровень А-взвешенной звуковой мощности	$L_{WA} = 88,4 \text{ dB (A)}$
Incerteza	Usikkerhed	Osäkerhet	Epätarkkuus	Usikkerhet	Погрешность	$K_{WA} = 3,8 \text{ dB}$
$L_{WA} + K_{WA}$	$L_{WA} + K_{WA}$	$L_{WA} + K_{WA}$	$L_{WA} + K_{WA}$	$L_{WA} + K_{WA}$	$L_{WA} + K_{WA}$	93 dB (A)
Baterias compatíveis	Kompatible batterier	Kompatibla batteripaket	Yhteensopivat akut	Kompatible batteripakker	Совместимая аккумуляторная батарея	BPL36..., RY36B..
Carregador compatível	Kompatibel oplader	Kompatibel laddare	Yhteensopiva laturi	Kompatibel lader	Совместимое зарядное устройство	RY36C..



Polški	Čeština	Magyar	Română	Latviski	Lietuviškai	Eesti
Parametry techniczne	Technické údaje produktu	Termék műszaki adatai	Specificațiile produsului	Produkta specifikācijas	Gaminio techninės savybės	Toote tehnilised andmed
Odśnieżarka bezprzewodowa	Akumulatorová sněhová fréza	Akkumulátoros hómaró	Freză de zăpadă fără cablu	Akumulatoru sniega pūtējs	Akumulatorinis sniego valytuvas	Juhtmeta lumepuhasti
Model	Model	Típus	Model	Modelis	Modelis	Mudel
Napięcie znamionowe	Jmenovité napětí	Névleges feszültség	Tensiunea nominală	Nominālais spriegums	Nominali įtampa	Nimpinge
Szerokość odśnieżania	Šifka záběru	Eltakarítási szélesség	Lățime curățare	Tīrīšanas platums	Valymo plotis	Puhastuslaius
Głębokość odśnieżania	Hluboka záběru	Eltakarítási mélység	Adâncime curățare	Tīrīšanas dziļums	Valymo gylis	Puhastussügavaus
Średnica wirnika	Velikost oběžného kola	Propeller mérete	Mărire rotor	Rata izmērs	Rotoriaus dydis	Tiiviku mõõt
Średnica	Průměr	Átmérő	Diametru	Diametrs	Skersmuo	Läbimõõt
Szerokość	Šifka	Szélesség	Lățime	Platums	Plotis	Laius
Rozmiar kola	Velikost kola	Kerék méret	Mărire roată	Riteņa izmērs	Rato dydis	Ratta mõõt
Odległość wyrzutu	Vzdálenost odhozu	Kidobási távolság	Distanță de aruncare	Pūšanas attālums	Metimo atstumas	Väljalaske kaugus
Prędkość obrotowa bez obciążenia	Rychlost naprázdno	Üresjárati fordulatszám	Viteză fără sarcină	Tukšgaitas ātrums	Greitis be apkrovimo	Tühikäigukiirus
Masa (bez akumulatora)	Hmotnost (bez baterie)	Súly (akkumulátor nélkül)	Greutate (fără acumulator)	Svars (bez baterijas)	Svoris (be akumulatorinės baterijos)	Kaal (ilma akuta)
Masa (z najcięższym akumulatorem)	Hmotnost (s nejtěžšími bateriemi)	Súly (a legnehezebb akkusomaggal)	Greutatea (cu cel mai greu acumulator)	Svars (ar smagāko akumulatoru bloku)	Svoris (su sunkiausiu akumuliatorių bloku)	Kaal (koos raskeima akuga)
Poziom vibracji (zgodnie z aneksem B normy EN ISO 8437-4)	Úroveň vibrací (v souladu s přílohou A normy EN ISO 8437-4)	Vibrációs szint (az EN ISO 8437-4 A függeléke szerint)	Nivel de vibrație (în conformitate cu Anexa A a EN ISO 8437-4)	Vibrācijas līmenis (saskaņā ar direktīvas EN ISO 8437-4 A pielikumu)	Vibrācijas lygis (pagal EN ISO 8437-4 standarto A priedą)	Vibratsioonitase (vastavalt standardi EN ISO 8437-4 lisale A)
Łączna wartość vibracji	Hodnota celkových vibrací	Vibráció teljes értéke	Valoare totală vibrație	Vibrācijas kopējais apjoms	Bendra vibracijos vertė	Vibratsiooni koguväärtus
Niepewność pomiaru	Nejistota	Bizonytalanság	Incertitudine	NeNOTEIKĪBA	Nepastovumas	Määramatus
Poziom emisji hałasu (zgodnie z aneksem B normy EN ISO 8437-4)	Hladina emise hluku (v souladu s přílohou B normy EN ISO 8437-4)	Hangkibocsátási szint (az EN ISO 8437-4 B függeléke szerint)	Nivel emisie zgomot (în conformitate cu Anexa B a EN ISO 8437-4)	Trokšņu emisijas līmenis (saskaņā ar direktīvas EN ISO 8437-4 B pielikumu)	Skleidžiamo triukšmo lygis (pagal EN ISO 8437-4 standarto B priedą)	Vibratsioonitase (vastavalt standardi EN ISO 8437-4 lisale B)
Poziom ważonego ciśnienia akustycznego w pozycji operatora	Hladina akustického tlaku vážená funkcií A v poloze obsluhy	A-súlyozott hangnyomásszint a kezelő helyén	Valoare A nivel presiune zgomot la poziția operatorului	A–novērtējuma skaņas spiediena līmenis operatora darba vietā	A dažnės charakteristikos garso slėgio lygis operatoriaus vietoje	A-kaalitud helirõhu tase operaatori töökohal
Niepewność pomiaru	Nejistota	Bizonytalanság	Incertitudine	NeNOTEIKĪBA	Nepastovumas	Määramatus
A-ważony poziom mocy akustycznej	Hladina akustického výkonu vážená funkcií A	A-súlyozott hangteljesítményszint	Nivel de putere acustică ponderată A	A-līmeņa skaņas jaudas līmenis	A-svertinis akustinis lygis	A-kaalitud helivõimsuse tase
Niepewność pomiaru	Nejistota	Bizonytalanság	Incertitudine	NeNOTEIKĪBA	Nepastovumas	Määramatus
$L_{WA} + K_{WA}$	$L_{WA} + K_{WA}$	$L_{WA} + K_{WA}$	$L_{WA} + K_{WA}$	$L_{WA} + K_{WA}$	$L_{WA} + K_{WA}$	$L_{WA} + K_{WA}$
Pasujące akumulatory	Kompatibilní akumulátory	Kompatibilis akkumulátorok	Acumulatori compatibili	Savietojami akumulatoru komplekti	Suderinami baterijos paketai	Ühilduvad akupaketid
Zgodna ładowarka	Kompatibilní nabíječka	Kompatibilis töltő	Încărcător compatibil	Saderīgs lādētājs	Suderinamas įkroviklis	Ühilduv laadija







Hrvatski	Slovenščina	Slovenčina	България	українська	Türkçe	
Specifikacije proizvoda	Specifikacije izdelka	Špecifikácie produktu	Технически характеристики	Технічні характеристики пристрою	Ürün teknik özellikleri	
Akumulatorski bacač snijega	Brezlična snežna freza	Akumulátorová snežná fréza	Безжичен снегорин	Бездротова снігоприбиральна машина	Kablosuz kar püskürtme makinesi	
Model	Model	Modelis	Модел	Модель	Model	RY36STX53A
Nazivni napon	Nazivna napetost	Menovité napätie	Номинален волтаж	Номинальна напруга	Nominal voltaj	36 V d.c.
Širina čišćenja	Širina čišćenja	Šírka odpratávania	Ширина на чистене	Ширина прибирання	Mesafe genişliği	53 cm
Dubina čišćenja	Globina čišćenja	Hĺbka odpratávania	Дълбочина на чистене	Глибина прибирання	Mesafe derinliği	33 cm
Veličina propelera	Velikost rotorja	Rozmer lopatkového koleša	Размер на ротора	Розмір крильчатки	Pervane ebadı	
Promjer	Premer	Priemer	Диаметър	Диаметр	Çap	16 cm
Širina	Širina	Šírka	Ширина	Ширина	Genişlik	46 cm
Veličina kotača	Velikost koles	Rozmer kolesa	Размер на колелата	Розмір колеса	Tekerlek büyüklüğü	27 cm
Udaljenost bacanja	Dolžina izmeta	Vzdialenosť odhadzovania	Разстояние на изхвърляне	Відстань відкидання	Fırlatma mesafesi	≤ 10,7 m
Brzina bez opterećenja	Hltnost neobremenjenega motorja	Rýchlosť naprázdno	Скорост в ненатоварен режим	Швидкість без навантаження	Yüksüz hız	1800 rpm
Težina (bez baterije)	Teža (brez baterije)	Hmotnosť (bez akumulátora)	Тегло (без батерията)	Вага (без акумулатора)	Ağırlık (batarya hariç)	24 kg
Težina (s najtežom baterijom)	Teža (z najtežjim akumulatorjem)	Hmotnosť (s najťažšou súpravou batérií)	Тегло (с най-тежката батерия)	Вага (з найбільш важким акумулятором)	En ağır pil paketiyle ağırlık	29,3 kg
Razina vibracija (u skladu s Dodatkom A EN ISO 8437-4)	Nivo vibracij (v skladu z dodatkom A standarda EN ISO 8437-4)	Úroveň vibrácií (v súlade s Dodatkom A v EN ISO 8437-4)	Ниво на вибрациите (в съответствие с приложение А на EN ISO 8437-4)	Рівень вібрації (відповідно до EN ISO 8437-4 додаток А)	Titreşim seviyesi (EN ISO 8437-4, Ek A uyarınca)	
Ukupna vrijednost vibracija	Skupna vrednost vibracij	Celková hodnota vibrácií	Обща стойност на вибрациите	Загальне значення вібрації	Toplam titreşim değeri.	$a_b = 2,8 \text{ m/s}^2$
Neodređenost	Negotovost	Neurčitost	Променливост	Похибка	Belirsiz	$K = 1,5 \text{ m/s}^2$
Razina emisija buke (u skladu s Dodatkom B EN ISO 8437-4)	Raven emisij hrupa (v skladu z dodatkom B standarda EN ISO 8437-4)	Úroveň emisii hluku (v súlade s Dodatkom B v EN ISO 8437-4)	Ниво на шумовите емисии (в съответствие с приложение В на EN ISO 8437-4)	Рівень шуму (відповідно до EN ISO 8437-4 додаток В)	Gürültü emisyon seviyesi (EN ISO 8437-4, Ek B uyarınca)	
A-ponderirana razina zvučnog tlaka u položaju operatera	A-vrednotena raven zvočnega tlaka na položaju upravljalca	Vážená A hladina akustického tlaku na pozícií operátora	Ниво на шумово налягане с равнище А на мястото на оператора	Рівень звукового тиску за шкалою А для оператора пристрою	Kullanıcı pozisyonundaki A ağırlıklı ses basıncı seviyesi	$L_{pA} = 71,3 \text{ dB (A)}$
Neodređenost	Negotovost	Neurčitost	Променливост	Похибка	Belirsiz	$K_{pA} = 3,0 \text{ dB}$
Ponderirana razina zvučne snage	A-izmerjena raven zvočne moči	Vážená A hladina akustického výkonu	Ниво на силата на шума с равнище А	А-зважений рівень звукової потужності	A ağırlıklı ses gücü seviyesi	$L_{WA} = 88,4 \text{ dB (A)}$
Neodređenost	Negotovost	Neurčitost	Променливост	Похибка	Belirsiz	$K_{WA} = 3,8 \text{ dB}$
$L_{WA} + K_{WA}$	$L_{WA} + K_{WA}$	$L_{WA} + K_{WA}$	$L_{WA} + K_{WA}$	$L_{WA} + K_{WA}$	$L_{WA} + K_{WA}$	93 dB (A)
Kompatibilna pakiranja baterija	Zdržljive baterije	Kompatibilné jednotky akumulátorov	Съвместими батерии	Сумісні акумулаторні блоки	Uyumlu pil takımları	BPL36... RY36B..
Kompatibilni punjači	Zdržljiv polnilec	Kompatibilná nabíjačka	Съвместимо зарядно устройство	Сумісний зарядний пристрій	Uyumlu şarj cihazı	RY36C..



EN

**⚠ WARNING**

The declared vibration total values and the declared noise emission values given in this instruction manual have been measured in accordance with a standardised test and may be used to compare one tool with another. They may be used for a preliminary assessment of exposure.

The declared vibration and noise emission values represent the main applications of the tool. However, if the tool is used for different applications, used with different accessories, or poorly maintained, the vibration and noise emission may differ. These conditions may significantly increase the exposure levels over the total working period. An estimation of the level of exposure to vibration and noise should take into account the times when the tool is turned off or when it is running idle. These conditions may significantly reduce the exposure level over the total working period.

Identify additional safety measures to protect the operator from the effects of vibration and noise, such as maintaining the tool and the accessories, keeping the hands warm (in case of vibration), and organising work patterns.

FR

**⚠ AVERTISSEMENT**

Le niveau total de vibrations et le niveau total d'émissions sonores déclarés indiqués dans ce manuel d'instruction ont été mesurés selon une méthode de test normalisée et peut servir de référence pour comparer les outils entre eux. Ils peuvent servir d'évaluation préliminaire à l'exposition.

Les niveaux d'émissions sonores et de vibrations déclarés représentent les principales applications de l'outil. Toutefois, si l'outil est utilisé pour des applications différentes ou des accessoires différents, ou s'il est mal entretenu, les vibrations émises peuvent varier. Ces facteurs pourraient augmenter considérablement les niveaux d'exposition sur la durée totale d'utilisation. Une estimation du niveau d'exposition aux vibrations et du bruit doit aussi prendre en compte les périodes durant lesquelles l'outil est éteint ou lorsqu'il fonctionne à vide. Ces facteurs pourraient réduire considérablement le niveau d'exposition sur la durée totale d'utilisation.

Identifiez toute mesure de sécurité supplémentaire à observer pour protéger l'opérateur des effets des vibrations et du bruit, comme l'entretien de l'outil et des accessoires, le maintien au chaud des mains (en cas de vibrations), et l'élaboration de schémas de pulvérisation.

DE

**⚠ WARNING**

Die in dieser Anleitung deklarierten Gesamtwerte der Schwingungsemission und die deklarierten Werte der Geräuschemission wurden gemäß einer standardisierten Testmethode gemessen und können verwendet werden, um Werkzeuge miteinander zu vergleichen. Sie können für eine vorläufige Beurteilung der Belastung verwendet werden.

Die deklarierten Werte für Schwingungs- und Geräuschemission treffen auf die Hauptanwendung des Werkzeugs zu. Wenn jedoch das Werkzeug für verschiedene Anwendungen oder mit unterschiedlichem Zubehör genutzt wird oder schlecht gewartet ist, kann die Schwingungs- und Geräuschemission variieren. Diese Bedingungen können das Belastungsniveau über die gesamte Arbeitszeit deutlich steigern. Eine Schätzung der Schwingungsbelastung sollte auch die Zeiten berücksichtigen, in denen das Werkzeug ausgeschaltet ist oder im Leerlauf läuft. Diese Bedingungen können das Belastungsniveau über die gesamte Arbeitszeit deutlich reduzieren.

Legen Sie zusätzliche Sicherheitsmaßnahmen fest, um den Bediener vor den Auswirkungen von Schwingung und Geräuschen zu schützen, z. B. Warten des Geräts und der Zubehörteile, Warmhalten der Hände (bei Schwingung) und Organisieren der Tätigkeiten.

ES

**⚠ ADVERTENCIA**

Los valores totales de emisión de vibración declarados y los valores de emisiones de ruido declarados que se indican en este manual de instrucciones se han calculado según lo establecido en una prueba estandarizada y se pueden utilizar para comparar una herramienta con otra. Se pueden utilizar para una evaluación preliminar de exposición.

Los valores declarados de emisión de vibración y ruido representan las aplicaciones principales de la herramienta. No obstante, si la herramienta se utiliza para diferentes aplicaciones, con distintos accesorios o con un mantenimiento deficiente, la emisión de vibración y ruido podría diferir. Estas condiciones podrían aumentar significativamente los niveles de exposición sobre el periodo de funcionamiento total. Una estimación del nivel de exposición a la vibración y el ruido debería también tenerse en cuenta cuando la herramienta está apagada o cuando funciona a baja intensidad. Estas condiciones podrían reducir significativamente el nivel de exposición sobre el periodo de funcionamiento total.

Identifique cualquier medida de protección adicional para proteger al operario de los efectos de la vibración y el ruido, como el mantenimiento de la herramienta y los accesorios, mantener las manos calientes (en caso de vibración) y la organización de los patrones de trabajo.

IT

**⚠ AVVERTENZE**

Il livello di emissioni di vibrazioni riportato in questa scheda informativa è stato misurato con un metodo di prova standardizzata ed è utilizzabile per confrontare gli utensili fra di loro. Questi possono essere usati per una valutazione preliminare dell'esposizione.

I valori di emissione di rumori e vibrazioni rappresentano le principali applicazioni dello strumento. Tuttavia, se l'utensile viene utilizzato in applicazioni differenti, con differenti accessori o con scarsa manutenzione, l'emissione di vibrazioni e rumori può essere diversa. Queste condizioni possono significativamente aumentare il livello di esposizione nel periodo di lavoro totale. Una stima del livello di esposizione alle vibrazioni e ai rumori va presa in considerazione anche quando l'utensile viene spento oppure è in funzione a folle. Queste condizioni possono significativamente ridurre il livello di esposizione nel periodo di lavoro totale.

Identificare le misure di sicurezza aggiuntive per proteggere l'operatore dagli effetti di vibrazioni e rumori, come la manutenzione di strumento e accessori, mantenendo le mani calde (in caso di vibrazione) e le modalità di lavoro.

NL

**⚠ WAARSCHUWING**

Het gespecificeerde totale trillingswaarden en geluidsemissiewaarden in deze instructiehandleiding zijn gemeten overeenkomstig een gestandaardiseerde test en kunnen worden gebruikt om gereedschappen met elkaar te vergelijken. Ze kunnen worden gebruikt voor een voorafgaande beoordeling van blootstelling.

De gespecificeerde trillings- en geluidsemissiewaarden vertegenwoordigen de belangrijkste toepassingen van het gereedschap. Als het gereedschap echter voor andere toepassingen of met andere accessoires wordt gebruikt slecht wordt onderhouden, kunnen de trillings- en geluidsemissiewaarden afwijken. Deze omstandigheden kunnen het blootstellingsniveau over de gehele gebruiksperiode aanzienlijk verhogen. Een schatting van het niveau van blootstelling aan trillingen en geluid dient ook rekening te houden met de perioden dat het gereedschap is uitgeschakeld of is ingeschakeld maar niet wordt gebruikt. Deze omstandigheden kunnen de blootstellingsniveaus over de gehele gebruiksperiode aanzienlijk verhogen.

Stel aanvullende veiligheidsmaatregelen vast om de gebruiker te beschermen tegen de effecten van trillingen en geluid, zoals onderhoud van het gereedschap en de accessoires, het warm houden van de handen (in geval van trillingen) en het organiseren van werkpatronen.

PT

**⚠ AVISO**

Os valores de vibração totais declarados e o nível de emissão de ruído dado nesta ficha de informações foi medido de acordo com um teste normalizado e pode ser utilizado para fazer comparações entre ferramentas. Podem ser utilizados para uma avaliação preliminar da exposição.

O nível declarado de emissão de vibrações e ruído representa as aplicações principais da ferramenta. Contudo, se a ferramenta for utilizada para várias aplicações, com diferentes acessórios ou se receber manutenção insuficiente, a emissão de vibrações e ruído pode ser diferente. Estas condições podem aumentar significativamente o nível de exposição ao longo do período total de trabalho. Uma estimativa do nível de exposição às vibrações e ruído deverá também levar em conta os tempos que a ferramenta está desligada ou que está a funcionar mas sem estar a ser utilizada para trabalho. Estas condições podem reduzir significativamente o nível de exposição ao longo do período total de trabalho.

Identifique medidas de segurança adicionais para proteger o operador dos efeitos da vibração e ruído, tal como a manutenção da ferramenta e dos acessórios, manter as mãos quentes (em caso de vibração) e organizar padrões de trabalho.

DA

**⚠ ADVARSEL**

Vibrations- og støjemissionsværdierne, der er angivet i denne vejledning er målt i overensstemmelse med en standardiseret test og kan bruges til at sammenligne et værktøj med et andet. De kan bruges til en foreløbig vurdering af udsættelse.

De angivne vibrations- og støjemissionsværdier repræsenterer værktøjets hovedanvendelser. Hvis værktøjet midlertidigt anvendes til andre formål med forskellig tilbehør eller er dårligt vedligeholdt, kan vibrations- og lydmissionen afvige. Disse forhold kan i væsentlig grad forøge udsættelsesniveauet over den samlede arbejdsperiode. Et overblik over udsættelsesniveauet for vibrationer og støj bør også tage højde for de gange, hvor værktøjet er slukket, eller når det kører i tomgang. Disse forhold kan i betragtelig omfang reducere udsættelsesniveauet over den samlede arbejdsperiode.

Find yderligere sikkerhedsforanstaltninger, der kan beskytte operatøren mod virkningerne af vibrationer og støj, såsom vedligeholdelse af værktøjet og tilbehøret, holde hænderne varme (i tilfælde af vibrationer) og organisering af arbejdsmonster.

**SV****⚠ VARNING**

De angivna totala vibrations- och bulleremissionsvärdena som anges i denna instruktionsmanual har uppmätts i enlighet med ett standardiserat test och kan användas för att jämföra olika verktyg. De kan användas för en preliminär bedömning av exponering.

De angivna vibrations- och bulleremissionsvärdena representerar verktygets huvudsakliga användningsområden. Om verktyget emellertid används i andra tillämpningar, med andra tillbehör eller underhålls bristfälligt, kan vibrationer och bulleremission skilja sig från de angivna. Dessa förhållanden kan öka exponeringsnivåerna under den totala arbetsperioden avsevärt. En uppskattning av exponeringsnivån för vibrationer och buller bör även ta med i beräkningen de tider då verktyget är avstängt eller när det är igång men inte används i arbete. Dessa förhållanden kan minska exponeringsnivån under den totala arbetsperioden avsevärt.

Identifiera ytterligare säkerhetsåtgärder för att skydda operatören från effekterna av vibrationer och buller, såsom att underhålla verktyget och tillbehören, hålla händerna varma (i händelse av vibrationer) och organisera arbetsmönster.

**FI****⚠ VAROITUS**

Tässä ohjekäsikirjassa tänäkin annettu kokonaisarvo ja ilmoitettu melupäästöarvo on miatuu standardoiduin kokeen mukaisesti, ja niitä voidaan käyttää työkalujen vertaamiseen toisiinsa. Niitä voidaan käyttää alitustumisen alustavaan arvioimiseen.

Ilmoitetut värinä- ja melupäästöarvot koskevat työkalun pääkäyttötarkoituksia. Värinäpäästö voi kuitenkin vaihdella, jos työkalua käytetään eri käyttötarkoituksiin, eri tarvikkeilla tai huonosti huollettuina. Mainitut olosuhteet saattavat nostaa alitustumistasoa huomattavasti kokonaistyöajaksi aikana. Värinän ja melun alitustumistason arviointi tulisi ottaa huomioon myös silloin, kun työkalu on kytketty pois päältä tai kun se on käynnissä, mutta sitä ei varsinaisesti käytetä. Mainitut olosuhteet saattavat vähentää huomattavasti alitustumistasoa kokonaistyöajaksi aikana.

Lisävaroitimenpiireillä, kuten työkalun ja lisävarusteiden huoltamisella, käsien lämpimänä pitämisellä (värinän tapauksessa) ja työmallien järjestämisellä, voit suojella käyttäjä värinältä ja melulta.

**NO****⚠ ADVARSEL**

De erklærte totale vibrasjonsverdiene og de erklærte støytstøttsverdiene gitt i denne brukerhåndboken har blitt målt i samsvar med en standardisert test og kan brukes til å sammenligne ett verktøy med ett annet. De kan brukes for en preliminær vurdering av eksponering.

De opplyste vibrasjons- og støytstøttsverdiene representerer verktøyets hovedbruksområder. Men hvis verktøyet brukes til ulike bruksområder, brukes med ulike tilbehør eller vedlikeholdet er dårlig, kan vibrasjons- og støytstøttsverdiene forskjellig. Disse forholdene kan øke eksponeringsnivået betraktelig i løpet av hele arbeidsperioden. En vurdering av eksponeringsnivået for vibrasjon og støyt skal ta hensyn til de gangene verktøyet er slått av eller går på tomgang. Disse forholdene kan betydelig redusere eksponeringsnivået over den totale arbeidsperioden.

Identifiser ytterligere sikkerhetstiltak for å beskytte operatøren mot virkningen av vibrasjon og støyt, slik som å vedlikeholde verktøyet og tilbehøret, holde hendene varme (i tilfelle vibrasjon) eller organisere arbeidsmønstre.

**RU****⚠ ОСТОЖО**

Заявленные данные о совокупном уровне вибрационного и шумового воздействия, указанные в настоящем руководстве, получены в ходе стандартизированных исследований и могут использоваться для сравнения инструментов. Могут применяться в рамках предварительной оценки степени воздействия.

Заявленный уровень вибрационного и шумового воздействия учитывает основные области применения инструмента. При этом, если инструмент используется иным образом, с другим оборудованием либо некачественно обслуживается, степень вибрационного и шумового воздействия может отличаться. В рамках всего периода эксплуатации эти условия могут способствовать значительному повышению уровня воздействия. Расчет уровня вибрационного и шумового воздействия должен также проводиться с учетом количества выключений инструмента и продолжительности работы на холостом ходу. В рамках всего периода эксплуатации эти условия могут способствовать значительному снижению уровня воздействия.

Обеспечьте дополнительные меры защиты оператора от воздействия вибрации и шума, например, техническое обслуживание инструмента и принадлежности, поддержание температуры рук (в случае вибрации) и организации графика работ.

**PL****⚠ OSTRZEŻENIE**

Podany w niniejszej instrukcji łączny poziom emisji wibracji zmierzony zgodnie ze znormalizowaną metodą testowania — może on być wykorzystywany do wzajemnego porównywania narzędzi. Można go wykorzystywać do wstępnej oceny narażenia.

Deklarowany poziom emisji wibracji i hałasu odpowiada głównym zastosowaniom narzędzia. Jeżeli jednak narzędzie będzie używane do innych zastosowań lub z innymi akcesoriami, bądź też jeśli będzie niewłaściwie konserwowane, poziom emisji wibracji i hałasu może się różnić. Warunki takie mogą doprowadzić do znaczącego wzrostu poziomu narażenia w całym okresie eksploatacji. Oszacowanie poziomu narażenia na wibracje i hałas powinno również uwzględniać okresy, w których narzędzie jest wyłączone bądź działa, ale nie jest wykorzystywane do pracy. Warunki takie mogą doprowadzić do znaczącego ograniczenia poziomu narażenia w całym okresie eksploatacji.

Należy zidentyfikować dodatkowe środki bezpieczeństwa mające na celu ochronę operatora przed skutkami wibracji i hałasu, takie jak konserwacja narzędzia i akcesoriów, utrzymywanie ciepła dłoni (w przypadku wibracji) oraz organizacja pracy.

**CS****⚠ VAROVÁNÍ**

Deklarované celkové hodnoty vibrací a deklarované hodnoty hlučnosti uvedené v tomto návodu byly změněny standardizovanou zkušební metodou a mohou být použity k porovnání jednoho mlohače s druhým. Mohou být použity k předběžnému posouzení vystavení vibracím a hluku.

Deklarované hodnoty vibrací a hlučnosti jsou vymezeny hlavními způsoby použití tohoto mlohače. Pokud je však mlohač použit jiným způsobem, s jiným příslušenstvím nebo při nedostatečné údržbě, úroveň vibrací a hluku se mohou lišit. Tyto podmínky mohou podstatně zvýšit úroveň vystavení vibracím a hluku za celou pracovní dobu. Při odhadu úrovně vystavení vibracím a hluku je nutné vzít v úvahu také dobu, kdy je mlohač vypnut nebo běží naprázdno. Tyto podmínky mohou podstatně snížit úroveň vystavení vibracím a hluku za celou pracovní dobu.

K ochraně obsluhy před účinky vibrací a hluku určete další bezpečnostní opatření, například provádění údržby mlohače a příslušenství, udržování rukou v teple (v případě vibrací) a organizování pracovních cyklů.

**HU****⚠ FIGYELMEZTÉS**

A jelen használati kézikönyvben közölt rezgés- és zajkibocsátási értékek szabványosított vizsgálat segítségével mérték, amelynek segítségével az eszközök egymással összehasonlíthatók. Ezek alkalmazhatók a kitétség előzetes felmérésére is.

A megadott rezgés-kibocsátási és zajkibocsátási szint az eszköz fő alkalmazásait jelöli. Azonban ha az eszköz nem megfelelően tartású karban, különböző alkalmazásokra vagy eltérő tartozékokkal használják, akkor a rezgés- és zajkibocsátás változhat. Ezek a beavatkozások jelentősen növelhetik a kitétségi szintet a teljes működési időtartam során. A rezgésnek és zajnak való kitétségi szint becslést értékeléskor is figyelembe kell venni, amikor az eszköz ki van kapcsolva, vagy amikor csak tétlenül jár. Ezek jelentősen csökkenthetik a kitétségi szintet a teljes működési időtartam során.

A kezelő rezgés- és zajártalom elleni védelméhez tegyen meg további biztonsági intézkedéseket, mint pl. az eszköz és alkatrészei karbantatása, a kéz melegen tartása (rezgés esetén) és a munkavégzési folyamat megszervezése.

**RO****⚠ AVERTISMENT**

Nivelul total al vibrațiilor și valorile emisiilor de zgomot declarate în acest manual cu instrucțiuni au fost măsurate în conformitate cu o metodă de testare standardizată și pot fi utile pentru compararea uneltelor între ele. Acestea pot fi utilizate pentru evaluarea preliminară a expunerii.

Valorile emisiilor de vibrație și de zgomot declarate sunt relevante pentru domeniul de utilizare al acesteia unelte. Totuși, dacă uneltea este utilizată în alte scopuri, cu alte accesorii sau este întreținută necorespunzător, nivelul vibrațiilor și al zgomotului poate fi diferit. În acest caz, nivelul de expunere total, pe parcursul întregii perioade de lucru, poate crește. O estimare a nivelului de expunere la vibrații și zgomot trebuie să țină cont și de numărul de porniri-opriiri, precum și de perioada în care uneltea este oprită sau funcționează în gol. În acest caz, nivelul de expunere total, pe parcursul întregii perioade de lucru, poate fi mai mic.

Identificați măsuri de protecție suplimentare pentru protecția operatorului contra efectelor vibrațiilor și zgomotului, precum întreținerea uneltei și a accesoriilor, menținerea mâinilor calde (în caz de vibrație) și organizarea de perioade de lucru.

LV



## BRĪDINĀJUMS

Deklarētie kopējie vibrāciju līmeņi un deklarētie trokšņu izstarošanas līmeņi, kas norādīti šajā instrukcijā ir mēriti saskaņā ar standartizētajiem testiem, un var tikt izmantoti viena instrumenta salīdzināšanai ar citu. Tos var izmantot sākotnējai ietekmes novērtēšanai.

Deklarētajos vibrāciju un trokšņu veidošanās vērtības atspoguļo galvenajam instrumenta pielietojumam. Tomēr, ja instruments tiek izmantots citam pielietojumam, izmantots ar citiem aksesoriem, vai netiek pienācīgi kopts, vibrāciju un trokšņu līmeņis var atšķirties. Šie apstākļi var būtiski palielināt ietekmes līmeņi visā darba laikā. Vibrāciju un trokšņu iedarbības līmeņa noteikšanai jāņem vērā arī laika posmi, kad instruments ir izslēgts, vai arī darbosjas tukšgājā. Šie apstākļi var būtiski samazināt ietekmes līmeņi visā darba laikā.

Nosakiet papildu drošības pasākumus. Iai aizsargātu lietotāju no vibrācijas un trokšņu ietekmes, piemēram, veicot instrumenta un aprīkojuma apkopes, roku uzturēšana siltumā (vibrāciju gadījumā), vai organizējot darba grafiku.

LT



## ĮSPĖJIMAS

Šioje naudojimo instrukcijoje nurodytos keliamos vibracijos vertės nustatytos atsižvelgiant į standartinį bandymo metodą, todėl jas galima palyginti su kitų elektrinių įrankių keliamąja vibracija. Jos taip pat gali būti naudojamos preliminariam vibracijos poveikiui įvertinti.

Deklaruojamos vibracijos ir skleidžiama triukšmo vertės atspindi pagrindinius įrenginio taikymo būdus. Tačiau, jei šiuo įrenginiu atliekami kiti darbai, naudojant kitus priedus arba prastai prižiūrimus priedus, keliamos vibracijos ir triukšmo vertės gali skirtis. Šiomis sąlygomis gali žymiai padidėti vibracijos poveikio lygiai per visą darbo laiką. Vertinant vibracijos ir triukšmo poveikio lygį per tam tikrą darbo laikotarpį, reikia atsižvelgti ne tik į laiką, kai įrenginys veikia, bet ir į tą laiką, kai įrenginys yra išjungtas, ir į laiką, kai jis veikia tuščiajia eiga be apkrovos. Šiomis sąlygomis gali žymiai sumažėti vibracijos poveikio lygis per visą darbo laiką.

Nustatykite papildomas saugos priemones, skirtas operatoriui apsaugoti nuo vibracijos ir triukšmo poveikio, pvz., technškai prižiūrėkite įrenginį ir priedus, laikykite rankas šiltai (vibracijos atveju) ir organizuokite darbo pamainas.

ET



## HOIATUS

Kāesleavas juhendis toodud vibratsioontaise ja deklarētiat mīraemissiooni vārtēstuden no mōdēstuden standartmetodai jārġi ja esat daab saab kasulada tōoriistade omavaheliseks vōrdemiseks. Neid vōib kasutada ka emissiooni atsīlġiseks hindamīseks.

Deklarētiatud vibratsiooni ja mīraemissiooni vārtēstude kehtvad tōoriista peamīstēle rakendusteile. Kūi aga tōoriista kasutatakse mōudeks tōodeks, rakendatakse teisi tavīkuid vōi kūi tōoriista hōoduse pole pīsav, vōib vibratsiooni ja mīraemissiooni tēse kōiktuda. Need tingimused vōivad emissiooni tōģepēnodi jōoksul tunduvalt saurendada. Vibratsiooni ja mīraemissiooni tēpseks hindamīseks tūleb atsees vōkta ka aega, mīl seade no vāljā lūlītatud vōi sisse lūlītatud, kul teģelīkult tōēse rakendamata. Need tingimused vōivad emissiooni tōģepēnodi jōoksul tunduvalt vāhendada.

Tehke kindlaks tāendavad ohutusmeelmed kasulaja kaitsmīseks vibratsiooni ja mīra mōju eest: nāitēks tōoriista ja līseesadmete hōoidamine, kāte soojas hōidmine (vibratsiooni korral) ja tōōkorraldus.

HR



## UPOZORENJE

Deklarirane ukupne vrijednosti vibracija i deklarirane emisije buke navedene u ovom priručniku s uputama izmjerenje su u skladu sa standardiziranim ispitnom metodom i mogu se koristiti za usporedbu jednog alata s drugim. Moguće ih je upotrijebiti za preliminarnu procjenu izlaganja.

Deklarirane vrijednosti razine emisije vibracija i buke predstavljaju glavne primjene alata. Međutim, ako se alat koristi za druge primjene, koristi s različitim dodacima ili ako se loše održava, emisija vibracija i buke se može razlikovati od navedene vrijednosti. Ti uvjeti mogu uzrokovati značajno povećanje razine izloženosti u ukupnom vremenu rada alatom. Procjena razine izloženosti vibracijama i buci također bi trebala uzeti u obzir i vrijeme u kojem je alat isključen ili radi u praznom hodu. Ti uvjeti mogu uzrokovati značajno smanjenje razine izloženosti u ukupnom vremenu rada alatom.

Utvrdite dodatne sigurnosne mjere za zaštitu rukovatelja od djelovanja vibracija i buke, kao što su održavanje alata i pribora, održavanje topline ruku (u slučaju vibracija) i organiziranje radnog vremena.

SL



## OPOZORILO

Skupni vrednosti emisij vibracij i emisij hrupa, navedeni v tem priručniku, sta bli izmerjeni v skladu z metodo standardiziranega preskusa in se lahko uporabljata za medsebojno primerjavo orodja. Uporabljajo se lahko za predhodno oceno stopnje izpostavljenosti.

Navedeni vrednosti emisij vibracij i hrupa veljavata za glavne namene uporabe orodja. Vendar, če se orodje uporablja v druge namene, z drugačnimi dodatki ali je slabo vzdrževano, sta lahko ravni emisij vibracij i hrupa drugačni. V teh pogojih se lahko stopnja izpostavljenosti v celotnem delovnem obdobju občutno zviša. V oceni stopnje izpostavljenosti vibracijam i hrupa je treba upoštevati tudi obdobja, v katerih je orodje ugasnjeno oziroma teče, vendar ni v dejanski uporabi. V teh pogojih se lahko stopnja izpostavljenosti v celotnem delovnem obdobju občutno zniža.

Ugotovite dodatne varnostne ukrepe za zaščito uporabnika pred učinki vibracij i hrupa, kot je vzdrževanje orodja in dodatkov, ohranjanje toplih rok (v primeru vibracij) i organizacija delovnih vzorcev.

SK



## VAROVANIE

Deklarované celkové hodnoty vibrací a deklarované hodnoty emisii hluku uvedené v tomto návodu na obsluhu boli merané v súlade so štandardizovanou skúškou a môžu sa použiť na porovnanie jedného náradia s druhým. Môžu sa použiť na predbežné posúdenie expozície.

Deklarované hodnoty vibráci a emisii hluku sú pre hlavné použitia náradia. No ak sa náradie používa na iné aplikácie, v spojení s iným príslušenstvom alebo je jeho údržba nepostačujúca, emisie vibráci a hluku sa môžu líšiť. Tieto podmienky značne zvyšia úroveň expozície počas celkovej pracovnej doby. Odhad úrovne expozície účinkom vibráci a hluku má tieto faktične zohľadniť čas vypnutia náradia alebo ak beží na voľnobeh. Tieto podmienky môžu značne znížiť úroveň expozície počas celkovej pracovnej doby.

Identifikujte ďalšie bezpečnostné opatrenia na ochranu obsluhy pred účinkami vibráci a hluku, ako je napríklad udržiavanie náradia a príslušenstva, udržiavanie teplých rúk (v prípade vibrácií) a organizácia pracovných postupov.

BG



## ВНИМАНИЕ

Декларираните общи стойности на излъчените вибрации и на шумовите емисии, посочени в настоящото ръководство, са измерени в съответствие със стандартизиран тестов метод и може да се използват за сравнение на един инструмент с друг. Те може да се използват за предварително оценяване на въздействието.

Декларираните стойности на излъчените вибрации и на шумовите емисии представляват основните приложения на инструмента. Въпреки това, ако инструментът се използва за различни приложения, с различни принадлежности или поддръжката му е некачествена, излъчените вибрации и шумовите емисии могат да се различават. Тези условия може значително да увеличат нивото на излагане през целия срок на работа. При оценяване на нивото на излагане на вибрации и шум също трябва да се вземе предвид колко пъти инструментът е бил изключван или колко пъти е работил на празен ход. Тези условия може значително да намалат нивото на излагане през целия срок на работа.

Определете допълнителни мерки за предпазване на оператора от ефектите от вибрациите и шума, като например поддръжане на инструмента и аксесоарите, поддръжане на ръцете топли (в случай на вибрации), организация на моделите за работа.

UK



## ПОПЕРЕДЖЕННЯ

Значения вибрації та шуму, наведені в цьому керівництві, вимірювалися відповідно до стандартизованого методу вивпробування та можуть бути використані для порівняння одного інструменту з іншим. Ними можна користуватися для попередньої оцінки впливу.

Наведені значення виміряно при стандартній експлуатації виробу. Утім якщо виріб використовується для інших цілей, з іншими додатковими пристосуваннями або ж не проходить належного обслуговування, рівні вибрації та шуму можуть відрізнятис від зазначених. Як наслідок, рівні впливу впродовж загального робочого часу можуть значно збільшитися. При оцінці рівнів впливу вібрації та шуму слід враховувати періоди, коли виріб вимкнений або працює на холостих обертах. Як наслідок, рівні впливу впродовж загального робочого часу можуть значно зменшитися.

Дотримуйтеся додаткових заходів, які можуть захистити оператора від впливу вібрації та шуму: підтримуйте пристрій та додаткові пристосування у належному стані, слідкуйте, щоби руки залишалися теплими (при вібрації), та продумайте графік роботи.

TR



## UYARI

Bu kullanim kilavuzunda verilen toplam titreşim değerleri ve gürültü emisyonu değerleri standartlaştırılmış bir teste göre ölçülmüştür ve bir aleti diğerlerle karşılaştırmak için kullanılabılır. Maruz kalmanın onceden değerlendirilmesini için kullanılabılır.

Beyan edilen titreşim ve gürültü emisyonu değerleri aletin ana uygulaması için temsil eder. Ancak, alet farklı uygulamalar için kullanılıyorsa, farklı aksesuarlarla kullanılıyorsa ve bakımı yapılmıyorsa, titreşim ve gürültü emisyonu değışiklik gösterebilir. Bu koşullar toplam çalışma süresi genelinde maruz kalma düzeylerini önemli oranda artırabilir. Titreşime ve gürültüye maruz kalma seviyesinin tahmininde aletin kapatıldığı veya boşta çalıştığı süreler dikkate alınmalıdır. Bu koşullar toplam çalışma süresi boyunca maruz kalma seviyesini önemli oranda azaltabilir.

Kullanıcı kişiyi titreşim ve gürültünün etkilerinden korumak için aletin ve aksesuarların bakımını yapmak, (titreşim halinde) elleri sıcak tutmak ve çalışma modelleri organize etmek gibi ilave güvenlik önlemlerini tanımlayın.



## EN RYOBI WARRANTY APPLICATION CONDITIONS

In addition to any statutory rights resulting from the purchase, this product is covered by a warranty as stated below.

- The warranty period is 24 months for consumers and commences on the date the product was purchased. This date has to be documented by an invoice or other proof of purchase. The product is designed and dedicated to consumer and private use only. So there is no warranty provided in case of professional or commercial use. This warranty applies only on new products.
- There is a possibility to extend for a part of the range of power tools (AC/DC) the warranty period over the period described above using the registration on the [www.ryobitools.eu](http://www.ryobitools.eu) website. The eligibility of products for extended warranty is clearly displayed in stores and / or on packaging and is contained within the product documentation. The end user is required to register his/her newly-acquired products online within 30 days from the date of purchase. The end user may register for the extended warranty in his/her country of residence if listed on the online registration form where this option is valid. Furthermore, end users must give their consent to the storage of their personal data that is required to be entered online. They must also accept the terms and conditions. The registration confirmation receipt, which is sent out by e-mail, and the original invoice showing the date of purchase will serve as proof of the extended warranty.
- The warranty covers all defects of the product during the warranty period due to faults in workmanship or material at the purchase date. The warranty is limited to repair and/or replacement and does not include any other obligations including but not limited to incidental or consequential damages. The warranty is not valid if the product has been misused, used contrary to the instruction manual, or has been incorrectly connected to a power supply. This warranty does not apply to:
  - any damage to the product that is the result of improper or lack of maintenance
  - any product that has been altered or modified
  - any product where original identification (trade mark, serial number) markings have been defaced, altered or removed
  - any damage caused by non-observance of the instruction manual
  - any product not displaying the CE approval mark on the rating plate
  - any product that has been attempted to be repaired by a non-authorized warranty service centre or without prior authorisation by Techtronic Industries
  - any product connected to improper power supply (amps, voltage, frequency)
  - any damage caused by external influences (water, chemical, physical, shocks) or foreign substances
  - normal wear and tear spare parts
  - inappropriate use, overloading of the tool
  - use of non-approved accessories or parts
  - Power tool accessories provided with the tool or purchased separately, including but not limited to screw driver bits, drill bits, abrasive discs, sand paper and blades, lateral guide, etc.
  - Components (parts and accessories) subject to natural wear and tear, including but not limited to service & maintenance kits, carbon brushes, bearings, chuck, SDS drill bit attachment or reception, power cord, auxiliary handle, transport carry case, sanding plate, dust bag, dust exhaust tube, felt washers, impact wrench pins & springs, etc.
- In some countries your local RYOBI dealer undertakes to send the product to the RYOBI service organisation. When sending a product to a RYOBI service station, the product should be safely packed without any dangerous contents such as petrol, marked with sender's address and accompanied by a short description of the fault.
- A repair / replacement under this warranty is free of charge. It does not constitute an extension or a new start of the warranty period. Exchanged parts or products become our property. In some countries delivery charges or postage will have to be paid by the sender. Your statutory rights arising from the purchase of the product remain unaffected.
- This warranty is valid in the European Community, Switzerland, Iceland, Norway, Liechtenstein, Turkey, Russia, and the United Kingdom. Outside these areas, please contact your authorised RYOBI dealer to determine if another warranty applies.

### AUTHORISED SERVICE CENTRE

Any request or issue with the product can be addressed to your local authorised service centres (visit [www.ryobitools.eu](http://www.ryobitools.eu)) or directly to: Techtronic Industries GmbH, Max Eyth Straße 10, 71364 Winnenden, Germany. Please state the serial number and product type printed on the label.

## FR RYOBI CONDITIONS D'APPLICATION DE LA GARANTIE

En plus des droits statutaires liés à l'achat, ce produit est couvert par une garantie telle que décrite ci-dessous.

- La durée de la garantie accordée au consommateur est de 24 mois à partir de la date d'achat. Cette date doit être authentifiée par une facture ou toute autre preuve d'achat. Le produit a été conçu en vue d'une utilisation strictement privée. Aucune garantie ne s'applique donc en cas d'utilisation professionnelle ou commerciale.
- Il existe pour une partie de la gamme d'outils électroportatifs (AC/DC), une possibilité d'étendre la période de garantie au-delà de la période précédemment décrite en utilisant le formulaire d'enregistrement présent sur le site Internet [www.ryobitools.eu](http://www.ryobitools.eu). L'éligibilité d'un outil est clairement affichée dans les points de vente et/ou sur l'emballage et la documentation. L'utilisateur final doit enregistrer son/ses outil(s) nouvellement acheté(s) en ligne dans les 30 jours qui suivent la date d'achat. L'utilisateur a la possibilité de s'enregistrer pour l'extension de garantie dans son pays de résidence si celui-ci est listé dans le formulaire d'enregistrement en ligne où cette option est valide. L'utilisateur final doit donner son consentement pour l'enregistrement des données requises pour accéder au site et doit accepter les termes et conditions. La confirmation d'enregistrement, envoyée par courrier électronique, ainsi que la facture originale mentionnant la date d'achat serviront de preuve de l'extension de garantie.
- La garantie couvre pendant la période de garantie les défauts des produits liés à la fabrication et aux matériaux à la date d'achat. La garantie est limitée à la réparation et/ou au remplacement et n'inclut aucune autre obligation, tel que, mais sans s'y limiter, les dommages accessoires ou indirects. La garantie est non valable en cas de mauvaise utilisation du produit, d'utilisation contraire aux instructions du mode d'emploi, ou en cas de branchement incorrect. Cette garantie ne s'applique pas pour :
  - tout dommage au produit résultant d'un mauvais entretien
  - tout produit ayant été altéré ou modifié
  - tout produit dont les marquages originaux d'identification (marque, numéro de série) ont été dégradés, altérés ou retirés
  - tout dommage causé par le non-respect des instructions du mode d'emploi
  - tout produit non CE
  - tout produit ayant subi une tentative de réparation par du personnel non qualifié ou sans autorisation préalable de Techtronic Industries
  - tout produit raccordé à une alimentation secteur non conforme (ampérage, voltage, fréquence)
  - tout dommage causé par des influences extérieures (chimiques, physiques, chocs) ou par des substances étrangères
  - l'usure normale des pièces consommables
  - une utilisation inappropriée, une surcharge de l'outil
  - l'utilisation de pièces ou accessoires non agréés
  - accessoires de l'outil électrique fournis avec l'outil ou achetés séparément. Cela comprend notamment les embouts de vissage, les forets de perceuse, les disques abrasifs, le papier de verre et les lames, le guide latéral
  - Les composants (pièces et accessoires) sujets à l'usure naturelle, ceci incluant notamment les mandrins, les charbons, adaptateurs SDS, les cordons d'alimentation, les poignées auxiliaires, les mallettes de transport, les plateaux de ponçage, les sacs collecteurs de poussière, les tubes d'extraction de poussière, les carrés de clé à choc, etc.
- Dans certains pays, votre revendeur RYOBI se chargera d'envoyer le produit à un centre de réparation RYOBI. Lorsque vous envoyez un produit à un service après-vente RYOBI, celui-ci doit être correctement emballé, sans contenir aucun produit dangereux tel que de l'essence, et vous devez indiquer votre adresse ainsi qu'une courte description du problème.
- Une réparation / un remplacement sous garantie est gratuit(e). Ceci ne constituera pas une extension de garantie ni un nouveau départ de la période de garantie. Les pièces ou les outils remplacés deviennent notre propriété. Dans certains pays, les frais de port devront être assumés par l'expéditeur. Vos droits statutaires restent inchangés.
- Cette garantie est valable dans la Communauté européenne, la Suisse, l'Islande, la Norvège, le Liechtenstein, la Turquie, la Russie et le Royaume-Uni. En dehors de ces zones, veuillez contacter votre distributeur agréé RYOBI pour déterminer si une autre garantie s'applique.

### CENTRE DE SERVICE AGRÉÉ

Toute demande ou tout problème concernant le produit peut être transmis à votre centre de service agréé local (consultez [www.ryobitools.eu](http://www.ryobitools.eu)) ou directement à : Techtronic Industries GmbH, Max Eyth Straße 10, 71364 Winnenden, Allemagne. Veuillez mentionner le numéro de série et le type de produit imprimés sur l'étiquette.





## DE RYOBI GARANTIEBEDINGUNGEN

Zusätzlich zu den gesetzlichen Rechten aus dem Kauf gilt für dieses Produkt die nachstehend aufgeführte Garantie.

- Der Garantiezeitraum beträgt für Verbraucher 24 Monate und beginnt mit dem Datum des Kaufs. Dieses Datum muss durch eine Rechnung oder einen anderen Kaufbeleg dokumentiert werden. Dieses Produkt wurde ausschließlich zur privaten Nutzung durch Verbraucher entwickelt. Für den Fall einer professionellen bzw. kommerziellen Nutzung besteht daher keine Garantie.
- Es besteht die Möglichkeit, für einen Teil des Sortiments der Elektrogeräte (AC/DC) den Garantiezeitraum über den oben genannten Zeitraum hinaus zu verlängern, indem der Verbraucher die Registrierung auf der Website [www.ryobitools.eu](http://www.ryobitools.eu) durchführt. Die Berechtigung der Werkzeuge für die Garantieverlängerung ist deutlich im Geschäft und/oder auf der Verpackung beschrieben und in der Produktdokumentation erwähnt. Der Verbraucher muss das neu erworbene Gerät online innerhalb von 30 Tagen ab dem Kaufdatum registrieren. Der Verbraucher kann das Gerät zwecks Garantieverlängerung in seinem Wohnsitzland/Heimatland registrieren, wenn dieses Land auf dem Online-Registrierungsformular aufgeführt ist und die Option gültig ist. Darüber hinaus muss der Verbraucher seine Zustimmung zur Speicherung der Daten geben, die online eingegeben werden müssen, und er muss die allgemeinen Geschäftsbedingungen akzeptieren. Die Bestätigung der Registrierung, die per E-Mail versandt wird, und die Originalrechnung mit dem Kaufdatum gelten als Beleg für die Garantieverlängerung.
- Die Garantie deckt alle Defekte des Geräts während des Garantiezeitraums ab, die auf zum Zeitpunkt des Kaufs bestehende Verarbeitungs- oder Materialfehler zurückzuführen sind. Die Garantie beschränkt sich auf Reparatur und/oder Ersatz und beinhaltet keine anderen Verpflichtungen, insbesondere keinen Schadenersatz für Folge- oder Nebenschäden. Die Garantie gilt nicht, wenn das Gerät fehlerhaft eingesetzt wurde, gegensätzlich zur Bedienungsanleitung eingesetzt wurde oder falsch angeschlossen wurde. Die Garantie gilt nicht folgendes:
  - Schäden am Gerät, die auf unkorrekte Wartung zurückzuführen sind
  - Geräte, an denen Veränderungen vorgenommen wurden
  - Produkte, bei denen die ursprüngliche Identifizierung (Handelsmarke, Seriennummer) unleserlich gemacht, verändert oder entfernt wurde
  - Schäden durch Nichtbeachtung der Bedienungsanleitung
  - nicht-CE-zertifizierte Geräte
  - Geräte, an denen durch nicht-qualifizierte Personen oder ohne vorherige Genehmigung von Techtronic Industries Reparaturversuche vorgenommen wurden
  - Geräte, die an unkorrekte Energiequellen (Ampere, Volt, Frequenz) angeschlossen wurden
  - Schäden durch äußere Einflüsse (chemisch, physisch, Stöße) oder Fremdstoffe
  - normaler Verschleiß von Ersatzteilen
  - unangemessene Nutzung, Überlastung des Geräts
  - Nutzung nicht genehmigter Zubehörteile oder Ersatzteile
  - mit dem Gerät gelieferte oder separat erworbene Zubehörteile. Dieser Ausschluss beinhaltet, ist aber nicht beschränkt auf Schraubendreher-Bits, Bohreinsätze, Schleifscheiben, Sandpapier und Klingen, Seitenführungen
  - Komponenten (Ersatzteile und Zubehörteile), die natürlichen und normalen Verschleißerscheinungen unterworfen sind, einschließlich aber nicht beschränkt auf: Service- und Wartungssätze, Kohlebürsten, Lager, Spannhalter, SDS-Bohreraufnahme /Bit-Adapter, Netzkabel, Zusatzhandgriff, Transportkoffer / Schleifteller, Staubbeutel, Staubabsaugrohr, Filzunterlegscheiben, Bolzen und Federn von Schlagschraubern usw.
- In einigen Ländern sendet Ihr RYOBI-Händler vor Ort das Gerät an das RYOBI-Serviceunternehmen. Beim Einsenden an die RYOBI-Servicestation sollte das Gerät sicher verpackt sein, ohne gefährliche Inhalte wie Benzin, und es sollte mit der Adresse des Absenders und einer kurzen Beschreibung des Fehlers versehen sein.
- Eine Reparatur bzw. ein Ersatz gemäß dieser Garantie ist kostenlos. Hieraus ergibt sich weder eine Garantieverlängerung noch der Beginn eines neuen Garantiezeitraums. Die ausgetauschten Ersatzteile oder Werkzeuge gehen in unser Eigentum über. In einigen Ländern müssen die Zustellgebühren oder die Versandkosten vom Absender gezahlt werden. Ihre gesetzlichen Rechte aus dem Kauf des Geräts bleiben hiervon unberührt.
- Diese Garantie ist gültig in der Europäischen Gemeinschaft, der Schweiz, Island, Norwegen, Liechtenstein, der Türkei, Russland und dem Vereinigten Königreich. Bitte wenden Sie sich außerhalb dieser Gebiete an Ihren autorisierten RYOBI-Händler, um festzustellen, ob eine andere Garantie gilt.

### AUTORISIERTER KUNDENDIENST

Bitte wenden Sie sich bei Fragen zum oder Problemen mit dem Gerät an das örtliche autorisierte Servicecenter (siehe [www.ryobitools.eu](http://www.ryobitools.eu)) oder direkt an: Techtronic Industries GmbH, Max Eyth Straße 10, 71364 Winnenden, Germany. Bitte geben Sie die Seriennummer und den auf dem Typenschild aufgedruckten Gerätetyp an.

## ES CONDICIONES DE APLICACIÓN DE LA GARANTÍA DE RYOBI

Además de cualquier derecho legal derivado de la compra, este producto está cubierto por una garantía que se indica a continuación.

- El periodo de garantía es de 24 meses para consumidores y comienza a la fecha en que se comprara el producto. Dicha fecha debe documentarse con una factura u otro comprobante de compra. El producto está diseñado y concebido únicamente para el uso privado del consumidor. Por lo tanto, no se ofrece garantía en caso de uso profesional o comercial.
- Existe la posibilidad de ampliar el periodo de garantía respecto a una parte de la gama de herramientas eléctricas (CA/CC) durante el periodo descrito más arriba y mediante el registro en el sitio web [www.ryobitools.eu](http://www.ryobitools.eu). La elegibilidad de las herramientas para que se amplíe el periodo de garantía se muestra claramente en las tiendas o en el embalaje y está incluida en la documentación del producto. El usuario final tiene que registrar en línea sus herramientas recientemente adquiridas en un plazo de 30 días a partir de la fecha de compra. El usuario final podrá registrarse para obtener la garantía ampliada en su país de residencia si este aparece en la lista del formulario de registro en línea cuando esta opción sea válida. Además, los usuarios finales deberán dar su consentimiento al almacenamiento de los datos necesarios para el acceso en línea y tienen que aceptar los términos y condiciones. El recibo de confirmación de registro, que se envía por correo electrónico, y la factura original que muestra la fecha de compra servirán como comprobante para la garantía ampliada.
- La garantía cubre todos los defectos del producto durante el periodo de garantía debido a fallos de mano de obra o material en la fecha de compra. La garantía se limita a la reparación o sustitución y no incluye ninguna otra obligación como, por ejemplo, daños accidentales o consecuentes. La garantía no es válida si se ha usado mal el producto, se ha usado contraviniendo el manual de instrucciones o se ha conectado de forma incorrecta. Esta garantía no es aplicable a:
  - ningún daño en el producto que sea consecuencia de un mantenimiento inadecuado
  - ningún producto que haya sido alterado o modificado
  - ningún producto en el que los marcados de identificación originales (marca comercial, número de serie) se hayan borrado, modificado o eliminado
  - ningún daño provocado por no seguir el manual de instrucciones
  - ningún producto que no sea CE
  - ningún producto que haya sufrido un intento de reparación por parte de un profesional no cualificado o sin la autorización previa de Techtronic Industries.
  - ningún producto conectado a un suministro eléctrico inadecuado (amperios, voltaje, frecuencia)
  - ningún daño causado por influencias externas (químicas, físicas, impactos) o sustancias extrañas
  - desgaste normal de piezas de repuesto
  - uso inadecuado, sobrecarga de la herramienta
  - uso de accesorios o piezas no aprobados
  - Accesorios de herramientas eléctricas proporcionados con la herramienta o comprados por separado. Tales exclusiones incluyen, entre otros, brocas de destornilladores, brocas de taladro, discos abrasivos, papel de lija y cuchillas, y guías laterales
  - Componentes (piezas y accesorios) sujetos a un desgaste natural, que incluyen, entre otros, equipos de servicio y mantenimiento, escobillas de carbono, cojinetes, pinzas, accesorio o recepción de broca de taladro SDS, cable eléctrico, manillar auxiliar, bolsa de transporte, hoja lijadora, bolsa de polvo, tubo de escape de polvo, disco de fieltro, pasadores y resortes de llave de impacto, etc.
- En algunos países, su distribuidor RYOBI local se responsabiliza de enviar el producto a la compañía de servicio de RYOBI. Cuando se envíe un producto a una estación de servicio de RYOBI, este debe estar empaquetado de forma segura sin contenidos peligrosos como gasolina, marcado con la dirección del remitente y acompañado de una breve descripción del fallo.
- Una reparación / sustitución con esta garantía es gratuita. No constituye una ampliación ni un nuevo comienzo del periodo de garantía. Las piezas o herramientas intercambiadas pasan a ser de nuestra propiedad. En algunos países, los gastos de envío o correo tendrá que pagarlos el remitente. Sus derechos legales derivados de esta compra de la herramienta no se verán afectados.
- Esta garantía es válida en la Comunidad Europea, Suiza, Islandia, Noruega, Liechtenstein, Turquía, Rusia y el Reino Unido. Fuera de estas zonas, póngase en contacto con su distribuidor de RYOBI autorizado para determinar si es aplicable otra garantía.

### SERVICIO TÉCNICO AUTORIZADO

Cualquier solicitud o problema relacionado con el producto se puede remitir a su centro de servicio autorizado local (visite [www.ryobitools.eu](http://www.ryobitools.eu)) o directamente a: Techtronic Industries GmbH, Max Eyth Straße 10, 71364 Winnenden, Germany. Indique el número de serie y el tipo de producto que aparecen impresos en la etiqueta.





## IT CONDIZIONI DI VALIDITÀ DELLA GARANZIA RYOBI

In aggiunta ai diritti di legge risultanti dall'acquisto, il prodotto è coperto dalla garanzia sotto descritta.

1. Il periodo di garanzia è di 24 mesi per i consumatori, a decorrere dalla data di acquisto del prodotto. La data deve essere documentata da una fattura o altra prova d'acquisto. Il prodotto è progettato e destinato solo all'utilizzo privato dei consumatori. Pertanto non viene fornita alcuna garanzia in caso di uso professionale o commerciale.
2. Per una serie di utensili elettrici (CA/CC) è possibile prolungare il periodo di garanzia oltre quello descritto, registrandosi sul sito web [www.ryobitools.eu](http://www.ryobitools.eu). Gli utensili per i quali è possibile prolungare il periodo di garanzia sono chiaramente indicati nei negozi e/o sulle confezioni e nella documentazione dei prodotti. L'utente deve registrare online l'utensile acquistato entro 30 giorni dalla data di acquisto. L'utente può registrarsi per la garanzia prolungata nel proprio paese di residenza, se questo è elencato nel modulo di registrazione online dove questa opzione sia valida. Inoltre gli utenti devono fornire il proprio consenso alla conservazione dei dati da immettere online e devono accettare le condizioni generali. La conferma di registrazione, inviata tramite e-mail, e la fattura originale indicante la data di acquisto, costituiranno la prova della garanzia prolungata.
3. La garanzia copre tutti i difetti del prodotto durante il periodo di garanzia, risultanti da manodopera o materiali alla data di acquisto. La garanzia è limitata alla riparazione e/o sostituzione e non include alcun altro obbligo quali, a mero titolo esemplificativo, i danni incidentali o consequenziali. La garanzia non è valida se il prodotto è stato usato scorrettamente, in modo contrario al manuale di istruzioni o se è stato collegato in modo errato. La garanzia non è valida per:
  - qualsiasi danno al prodotto dovuto a manutenzione errata;
  - qualsiasi prodotto che sia stato alterato o modificato;
  - qualsiasi prodotto le cui marcature di identificazione originali (marchi di fabbrica, numero di serie) siano state cancellate, alterate o rimosse;
  - qualsiasi danno causato dalla non osservanza delle istruzioni del manuale;
  - qualsiasi prodotto privo di omologazione CE;
  - qualsiasi prodotto che sia stato sottoposto a un tentativo di riparazione da parte di un professionista non qualificato oppure senza la previa autorizzazione di Techtronic Industries;
  - qualsiasi prodotto collegato a un'alimentazione errata (per ampere, tensione, frequenza);
  - qualsiasi danno causato da influenze esterne (chimiche, fisiche, urti) o sostanze estranee;
  - la normale usura delle parti di ricambio;
  - uso inappropriato, sovraccarico dell'utensile;
  - uso di accessori o parti non omologate;
  - accessori per utensili elettrici forniti con l'utensile o acquistati separatamente. Questa esclusione comprende, a mero titolo esemplificativo, punte per cacciaviti, punte per trapani, dischi abrasivi, carta vetrata, lame e guide laterali;
  - componenti (parti e accessori) soggetti alla normale usura compresi, a mero titolo esemplificativo, kit di servizio e manutenzione, spazzole al carbonio, cuscinetti, mandrini, attacchi per punte a vite autoproforante, cavi di alimentazione, maniglie ausiliarie, custodie di trasporto, piastre di levigatura, sacchetti per la polvere, tubi di scarico della polvere, rondelle di feltro, pemi e molle per avvitatori ecc.
4. In alcuni paesi il rivenditore locale RYOBI si incarica di inviare il prodotto all'organizzazione di assistenza RYOBI. Quando si invia un prodotto a un centro assistenza RYOBI, imballarlo in modo sicuro senza contenuti pericolosi come la benzina, apporre l'indirizzo del mittente e accompagnarlo da una breve descrizione del guasto.
5. La riparazione/sostituzione ai sensi della presente garanzia è gratuita. Non costituisce un prolungamento o un nuovo inizio del periodo di garanzia. Le parti o gli utensili scambiati diventano di nostra proprietà. In alcuni paesi i costi di consegna o di spedizione postale devono essere pagati dal mittente. I diritti di legge derivanti dall'acquisto dell'utensile rimangono inalterati.
6. La presente garanzia è valida in Comunità Europea, Svizzera, Islanda, Norvegia, Liechtenstein, Turchia, Russia e Regno Unito. Al di fuori di tali aree contattare il rivenditore autorizzato RYOBI per sapere se è valida un'altra garanzia.

### CENTRO SERVIZI AUTORIZZATO

Qualsiasi richiesta o problema con il prodotto può essere indirizzato ai centri di assistenza autorizzati locali (visitare [www.ryobitools.eu](http://www.ryobitools.eu)) o direttamente a: Techtronic Industries GmbH, Max Eyth Straße 10, 71364 Winnenden, Germany. Si prega di indicare il numero di serie e il tipo di prodotto stampati sull'etichetta.

## NL RYOBI GARANTIEVOORWAARDEN

Naast de wettelijke rechten die voortvloeien uit de aankoop, wordt dit product gedekt door een garantie, zoals hieronder staat vermeld.

1. De garantietermijn voor consumenten bedraagt 24 maanden en gaat in op de datum waarop het product is gekocht. Deze datum moet worden gedocumenteerd met een factuur of een ander aankoopbewijs. Het product is uitsluitend ontworpen en bedoeld voor persoonlijk gebruik door consumenten. Er wordt dus geen garantie gegeven voor professioneel of commercieel gebruik.
2. Voor een deel van ons aanbod van elektrische gereedschappen (AC/DC) is het mogelijk om de garantietermijn te verlengen over de boven beschreven termijn, met behulp van de website [www.ryobitools.eu](http://www.ryobitools.eu). De gereedschappen die in aanmerking komen voor de verlenging van de garantietermijn wordt duidelijk weergegeven in winkels en/of verpakkingen en staat beschreven in de productdocumentatie. De eindgebruiker moet zijn/haar nieuw gekochte gereedschappen binnen 30 dagen na aankoop online registreren. De eindgebruiker kan zich registreren voor de verlengde garantietermijn als zijn woonland staat vermeld op het online registratieformulier waar deze optie geldig is. Bovendien moeten eindgebruikers toestemming geven voor de opslag van de gegevens die online ingevuld moeten worden en moeten ze de algemene voorwaarden accepteren. Het ontvangstbewijs van de registratie, dat per e-mail wordt verzonden en de oorspronkelijke factuur met de aankoopdatum vormt het bewijs van de verlengde garantietermijn.
3. De garantie dekt tijdens de garantietermijn alle gebreken van het product vanwege defecten in vakmanschap of materiaal op de aankoopdatum. De garantie is beperkt tot reparatie en/of vervanging en bevat geen andere verplichtingen, waaronder maar niet beperkt tot incidentele of gevolgschade. De garantie is niet geldig als het product is misbruikt, in strijd met de gebruiksaanwijzing wordt gebruikt of onjuist is aangesloten. Deze garantie geldt niet voor:
  - alle schade aan het product die het gevolg is van onjuist onderhoud
  - elk product dat is veranderd of aangepast
  - elk product waar de oorspronkelijke identificatie (handelsmerk, serienummer) is beschadigd, gewijzigd of verwijderd
  - alle schade die is veroorzaakt door het niet opvolgen van de gebruiksaanwijzing
  - elk niet-CE-product
  - elk product waar een poging tot reparatie is gedaan door een niet-erkende professional of zonder voorafgaande toestemming door Techtronic Industries.
  - elk product dat is verbonden met een verkeerde voeding (amperage, spanning, frequentie)
  - alle schade die is veroorzaakt door externe invloeden (chemisch, fysisch, schokken) of vreemde stoffen
  - normale slijtage van reserveonderdelen
  - ongepast gebruik, overbelasting van het gereedschap
  - gebruik van niet-goedgekeurde accessoires of onderdelen
  - gereedschapsaccessoires die bij het gereedschap worden geleverd of afzonderlijk zijn aangeschaft. Zulke uitzonderingen bevatten, maar niet beperkt tot Schroevendraaierbits, boorbits, slijpschijven, schuurpapier en zagen, laterale geleiding
  - Componenten (onderdelen en accessoires) die onderhevig zijn aan natuurlijke slijtage, waaronder maar niet beperkt tot service- en onderhoudsets, koolstofborstels, lagers, boorkoppen, SDS boorbitbevestigingen of ontvangers, stroomsoeren, hulpgrepen, sporttassen, schuurplateaus, stofzakken, stofafvoerbuizen, viltgrenen, pennen en veren van slagmoersleutels, etc.
4. In sommige landen zal uw lokale RYOBI-dealer het product verzenden naar de RYOBI-serviceorganisatie. Wanneer u het product naar een servicestation van RYOBI verzendt, moet het product veilig worden verpakt zonder enige gevaarlijke inhoud, zoals benzine, met het adres van de afzender en vergezeld van een korte beschrijving van het defect.
5. Een reparatie/vervangende die onder deze garantie valt is gratis. Het vormt geen verlenging of een nieuwe start van de garantietermijn. Vervisselde onderdelen of gereedschappen worden ons eigendom. In sommige landen moeten de verzendkosten door de afzender worden betaald. Uw wettelijke rechten die voortvloeien uit de aankoop van het gereedschap blijven onaangetast.
6. Deze garantie is geldig binnen de Europese Gemeenschap, Zwitserland, IJsland, Noorwegen, Liechtenstein, Turkije, Rusland en het Verenigd Koninkrijk. Buiten deze gebieden moet u contact opnemen met uw erkende RYOBI-dealer om vast te stellen of er een andere garantie van toepassing is.

### GEAUTORISEERD ONDERHOUDSCENTRUM

Eik verzoek of probleem met het product kan worden gericht aan uw lokale geautoriseerde servicecentra (bezoek [www.ryobitools.eu](http://www.ryobitools.eu)) of rechtstreeks aan: Techtronic Industries GmbH, Max Eyth Straße 10, 71364 Winnenden, Germany. Vermeld het serienummer en het type product dat op het etiket staat.

## PT CONDIÇÕES DE APLICAÇÃO DA GARANTIA RYOBI

Para além de quaisquer direitos previstos por lei resultantes da compra, este produto está coberto por uma garantia conforme descrição abaixo.

1. O período da garantia é de 24 meses para consumidores particulares e inicia-se na data de compra do produto. Esta data tem de ser documentada por uma factura ou por outra prova de compra. O produto foi concebido para e destina-se apenas a consumidores particulares e uso privado. Assim, não é dada garantia em caso de utilização por profissionais ou uso comercial.
2. Para uma parte da gama de ferramentas eléctricas (AC/DC) existe a possibilidade de prolongamento do período da garantia para além do período descrito acima, mediante registo no Web site [www.ryobitools.eu](http://www.ryobitools.eu). A elegibilidade das ferramentas para prolongamento do período da garantia é claramente visível nas lojas e/ou nas embalagens e está contida na documentação do produto. O utilizador final tem de fazer o registo online das suas ferramentas recém-adquiridas no prazo de 30 dias após a data de compra. O utilizador final pode fazer o registo para prolongamento da garantia no seu país de residência, desde que esteja listado no formulário de registo online e para os casos em que esta opção seja válida. Para além disso, os utilizadores finais têm de autorizar o armazenamento dos dados cujo preenchimento lhes for solicitado online e têm de aceitar os termos e as condições. O recibo de confirmação do registo é enviado por e-mail e, em conjunto com a factura original ostentando a data de compra, servirá de prova do prolongamento da garantia.
3. A garantia cobre todos os defeitos do produto durante o período da garantia devidos a defeitos de fabrico ou de material à data da compra. A garantia está limitada à reparação e/ou substituição e não inclui quaisquer outras obrigações, incluindo mas não se limitando a, perdas complementares ou indirectas. A garantia não é válida se o produto tiver sido utilizado incorrectamente, utilizado de forma contrária ao Manual de Instruções ou se as respectivas ligações tiverem sido feitas incorrectamente. Esta garantia não se aplica ao seguinte:
  - quaisquer danos ao produto que sejam resultado de manutenção incorrecta
  - qualquer produto que tenha sido alterado ou modificado
  - qualquer produto cujas marcações de identificação de origem (marca comercial, número de série) tiverem sido apagadas, alteradas ou retiradas
  - quaisquer danos causados pelo incumprimento do Manual de Instruções
  - qualquer produto que não seja da Comunidade Europeia
  - qualquer produto ao qual tenha sido feita, ou tentada fazer, uma reparação por outra pessoa que não um profissional habilitado ou sem autorização prévia da Techtronic Industries.
  - qualquer produto ligado a uma fonte de alimentação eléctrica incorrecta (Amperes, Voltagem e Frequência)
  - qualquer dano causado por influências externas (químicas, físicas, impactos) ou substâncias estranhas
  - desgaste e degradação normal de sobresselentes
  - utilização incorrecta, sobrecarga da ferramenta
  - utilização de acessórios ou peças não aprovados
  - acessórios para ferramentas eléctricas fornecidos com a ferramenta ou comprados em separado. Estas exclusões incluem mas não se limitam a, pontas de aparafusadora, brocas, discos abrasivos, papel de lixa e lâminas, guia lateral
  - Componentes (peças e acessórios) sujeitos a desgaste e degradação natural, incluindo mas não se limitando a, Kits de Assistência e Manutenção, escovas de carvão, rolamentos, bucha, acessórios ou recepções de brocas SDS, cabos eléctricos, pegas auxiliares, estojos de transporte, placas de lixagem, sacos de poeiras, tubos de saída de poeiras, anilhas de feltro, pinos e molas da aparafusadora de impacto, etc.
4. Nalguns países, o seu concessionário RYOBI local encarrega-se de enviar o produto para a organização de assistência RYOBI. Quando enviar um produto para um posto de assistência RYOBI, o produto deve ser embalado de forma segura, sem conter nenhuns conteúdos perigosos (por exemplo, gasolina), marcado com o endereço do remetente e acompanhado por uma breve descrição da avaria.
5. Uma reparação/substituição ao abrigo desta garantia é gratuita. Não constitui um prolongamento a, nem um novo início de, o período da garantia. As peças ou ferramentas substituídas tornam-se propriedade nossa. Nalguns países, o remetente terá de pagar os custos de entrega ou a remessa postal. Os seus direitos previstos por lei resultantes da compra da ferramenta mantêm-se inalterados
6. Esta garantia é válida na Comunidade Europeia, Suíça, Islândia, Noruega, Liechtenstein, Turquia, Rússia e Reino Unido. Fora destas áreas, entre em contacto com o seu concessionário autorizado RYOBI para determinar se existe outra garantia aplicável.

### CENTRO DE ASSISTÊNCIA AUTORIZADO

Qualquer pedido ou problema relacionado com o produto pode ser encaminhado para os seus centros de reparação autorizados locais (visite [www.ryobitools.eu](http://www.ryobitools.eu)) ou directamente para: Techtronic Industries GmbH, Max Eyth Straße 10, 71364 Winnenden, Germany. Indique o número de série e o tipo de produto impressos na etiqueta.

## DA RYOBI BETINGELSER FOR GARANTI

Udover lovbestedte rettigheder, som resulterer af købet, er dette produkt dækket af en garanti, som anført herunder.

1. Garantiperioden er 24 måneder for forbrugere og begynder på den dato, som produktet blev købt. Denne dato skal dokumenteres af en faktura eller andet bevis for køb. Produktet er udelukkende designet og dedikeret til forbrugere og privat brug. Så der ydes ingen garanti i tilfælde af professionel eller kommerciel brug.
2. Der er en mulighed for at forlænge garantiperioden for en del af udvalget af elværktøj (AC/DC), hen over den ovenfor beskrevne periode vha. registrering på hjemmesiden [www.ryobitools.eu](http://www.ryobitools.eu). Betingelsen af værktøjet til forlængelse af garantiperioden er tydeligt vist i butikker og/eller på emballage/og indeholdt i produktokumentationen. Slutbrugeren skal registrere hans/hendes nyligt indkøbte værktøj online indenfor 30 dage efter købsdatoen. Slutbrugeren kan registrere sig for den forlængede garanti i sit land, hvis han/hun er opført på den online registreringsformular, hvor denne mulighed er gyldig. Derudover skal slutbrugere give deres samtykke til at opbevare data, som er påkrævet at indtaste online, og de er nødt til at acceptere vilkår og betingelser. Registreringsbekræftelseskvitteringen, som sendes ud på e-mail, og den originale faktura, som viser købsdatoen, vil fungere som bevis for den forlængede garanti.
3. Garantien dækker alle defekter, som et produkt måtte have i løbet af garantiperioden, og som skyldes produktionsfejl eller materialefejl på købsdatoen. Garantien er begrænset til reparation og/eller udskiftning og inkluderer ikke andre forpligtelser, inklusiv men ikke begrænset til tilfældige skader eller følgeskader. Garantien er ugyldig, hvis produktet er blevet misbrugt, brugt uden at overholde vejledningen, eller det er blevet forkeret tilsluttet. Denne garanti gælder ikke:
  - Beskadigelse af produktet, som er et resultat af uegnet vedligeholdelse
  - Et produkt der er blevet ændret eller modificeret
  - Et produkt hvor de originale identifikationsmærkninger (varemærke, serienummer) er blevet ødelagt, ændret eller fjernet.
  - Enhver beskadigelse forårsaget af manglende overholdelse af vejledningen
  - Ethvert ikke CE-produkt
  - Ethvert produkt som er blevet forsøgt repareret af en ukvalificeret professionel eller uden tidligere autorisation af Techtronic Industries.
  - Ethvert produkt som er tilsluttet uegnet strømforsyning (ampere, spænding, frekvens)
  - Enhver skade forårsaget af ekstern påvirkning (kemisk, fysisk, chok) eller fremmedelementer
  - Normal slid på reservedele
  - Uegnet brug, overbelastning af værktøjet
  - Brug af ikke-godkendt tilbehør eller dele
  - Elværktøjstilbehør som leveres med værktøjet eller købes separat. Sådanne udstødsdele inkluderer men ikke begrænset til skruetrækkerbits, bor, bits, silbeskiver, sandpapir og klinger, sideslyr
  - Komponenter (dele og tilbehør) som er udsat for naturligt slid og ælde, inklusiv men ikke begrænset til Service- og vedligeholdelsesstat, kulbørster, lejer, bøsninger, påsætning eller modtagelse af SDS-bor, El ledning, hjælpehåndtag, transporttaske, sandplade, støvpose, støvduststødningslange, filtskiver, nåle og fedre slagnegle etc.
4. I nogle lande påtager din lokale RYOBI-forhandler sig ansvaret for at sende produktet til RYOBI-serviceorganisationen. Når et produkt sendes til en RYOBI-service værksted, skal det pakkes sikkert ind uden noget farligt indhold som benzin, mærkes med afsenderens adresse og med en kort beskrivelse af fejlen.
5. En reparation/erstatning under denne garanti er gratis. Den udgør ikke en forlængelse eller en ny start på garantiperioden. Udvækslede dele eller værktøjer bliver vores ejendom. I nogle lande skal leveringsafgifter eller porto betales af afsenderen. Dine lovbestedte rettigheder i forbindelse med købet forbliver uanfægtede
6. Denne garanti gælder i EU, Schweiz, Island, Norge, Liechtenstein, Tyrkiet, Rusland og Storbritannien. Udover disse områder bedes du kontakte din autoriserede RYOBI-forhandler for at afgøre, om en anden garanti gælder.

### AUTORISEREDSE SERVICEVÆRKSTEDER

Enhver anmodning eller problem angående produktet kan adresseres til dine lokale autoriserede servicecentre (gå ind på [www.ryobitools.eu](http://www.ryobitools.eu)) eller direkte til: Techtronic Industries GmbH, Max Eyth Straße 10, 71364 Winnenden, Germany. Angiv serienummer og produkttype, der er trykt på etiketten.

## SV RYOBI ANVÄNDNINGSVILLKOR FÖR GARANTI

Förutom eventuella lagstadgade rättigheter som uppstår genom köpet, täcks den här produkten av en garanti som anges nedan.

- Garantiperioden är 24 månader för konsumenter och börjar gälla från det datum då produkten köptes. Detta datum måste dokumenteras på en faktura eller annat köpbevis. Produkten är utformad och avsedd för konsumenter och privat bruk. Dämed tillhandahålls ingen garanti vid yrkesmässigt eller kommersiellt bruk.
- Det finns möjlighet att förlänga garantiperioden för en del av utbudet för elverktyg (AC/DC) under den period som anges ovan genom att använda registreringen på webbplatsen [www.ryobitools.eu](http://www.ryobitools.eu). De verktyg som är berättigade till en förlängning av garantiperioden visas tydligt i butiker och/eller på förpackningen/och anges i produktdokumentationen. Slut användaren behöver registrera hans/hennes nyförvärdade verktyg online inom 30 dagar från köpdatumet. Slut användaren kan registrera sig för den förlängda garantin i det land där han/hon bor om landet finns angivet i registreringsformuläret online och där detta alternativ är giltigt. Dessutom måste slut användaren ge sitt medgivande till lagring av data vilket krävs vid registrering online samt acceptera villkoren. Bekräftelsekvittot för registreringen som skickas ut via e-post och originalfakturan som visar köpdatumet kommer att gälla som bevis för den förlängda garantin.
- Garantin täcker alla produktdefekter under garantiperioden som beror på brister i utförande eller material vid köpdatumet. Garantin är begränsad gällande reparation och/eller utbyte och inkluderar inte några skyldigheter inklusive men inte begränsat till oförutsedda skador eller följdskador. Garantin är inte giltig om produkten har missbrukats, använts i strid med bruksanvisningen eller inte anslutits på rätt sätt. Denna garanti täcker inte:
  - eventuella skador på produkten som uppstått till följd av felaktigt underhåll
  - produkter som har ändrats eller modifierats
  - produkter där ursprungliga identifieringsmärkningar (varumärke, serienummer) har målats över, ändrats eller tagits bort
  - eventuella skador som uppstått till följd av att bruksanvisningen inte efterföljts
  - alla icke CE-produkter
  - eventuella produkter som har försökts repareras av en icke-kvalificerad yrkesman eller utan föregående medgivande från Techtronic Industries.
  - eventuella produkter som anslutits till felaktig strömförsörjning (ampere, volt, frekvens)
  - eventuella skador som uppstått till följd av yttre påverkan (kemisk, fysisk, stöt) eller främmande ämnen
  - normalt slitage av reservdelar
  - olämplig användning, överbelastning av verktyget
  - användningen av icke-godkända tillbehör eller delar
  - tillbehör till elverktyg som medföljde verktyget eller köpts separat. Sådana undantag inkluderar men är inte begränsat till skruvmejselbits, borrarits, slipskivor, sandpapper, blad och sidoskena
  - Komponenter (delar och tillbehör) är föremål för naturligt slitage, inklusive men inte begränsat till service- och underhållsatsar, kolborstar, kullager, chuck, tillbehör eller tillhörande SDS-borritt, strömladd, hjälphandtag, transportväska, slippatta, dammpåse, dammutblåsör, filtbrickor, stift och fjädrar till mutterdragare osv.
- I vissa länder tar din lokala RYOBI-återförsäljare på sig ansvaret att skicka produkten till RYOBI-serviceorganisationen. När en produkt skickas till en RYOBI-servicestation, ska produkten paketeras säkert utan något farligt innehåll såsom bensin, markeras med avsändarens adress samt en kort beskrivning av felet.
- En reparation/ett utbyte under denna garanti är kostnadsfri. Det utgör inte en förlängning eller förnyelse av garantiperioden. Utbyta delar eller verktyg blir vår egendom. I vissa länder måste leveranskostnader eller porto betalas av avsändaren. Dina lagstadgade rättigheter som härrör från köpet av verktyget förblir opåverkade
- Denna garanti är giltig i Europeiska gemenskapen, Schweiz, Island, Norge, Liechtenstein, Turkiet, Ryssland och Storbritannien. Utanför dessa länder, kontakta din auktoriserade RYOBI-återförsäljare för att avgöra om en annan garanti gäller.

### AUKTORISERAT SERVICECENTER

Varje begäran eller problem avseende produkten kan adresseras till ditt lokala auktoriserade servicecenter (besök [www.ryobitools.eu](http://www.ryobitools.eu)) eller direkt till: Techtronic Industries GmbH, Max Eyth Straße 10, 71364 Winnenden, Germany. Ange serienumret och produkttypen som anges på etiketten.

## FI RYOBI-TAKUUN SOVELTAMISEHDOT

Tällä tuotteella on oston luomien lakisääteisten oikeuksien ohella alla mainitun mukainen takuu.

- Takuun kesto on kuluttajille 24 kuukautta ja takuaika alkaa tuotteen ostohetkestä. Tämän päivämäärän tulee lukea laskussa tai muussa ostotositteessa. Tuote on suunniteltu ja tarkoitettu vain kuluttajien ja yksityiseen käyttöön. Takuu ei siis kata ammatti- eikä kaupallista käyttöä.
- Joidenkin sähkötyökalujen (AC/DC) takuun kestoa on mahdollista laajentaa yllä mainittua kestoa pidemmäksi verkosivuston [www.ryobitools.eu](http://www.ryobitools.eu) rekisteröinnin kautta. Työkalujen kelpoisuus takuuajaksi laajennukseen näkyy selkeästi myymälöissä ja/tai pakkauksissa ja/tai tämä tieto sisältyy tuotetiedokantaan. Loppukäyttäjän täytyy rekisteröidä vasta hankitut työkalut internetissä 30 päivän kuluessa ostopäivämäärästä. Loppukäyttäjää voi rekisteröidä laajennettun takuun kotimaassaan, jos se on luetteluna online-rekisteröintilomakkeessa, jossa mainitaan, missä tämä vaihtoehto on voimassa. Loppukäyttäjien täytyy lisäksi hyväksyä tietojen tallennus, jotka heidän täytyy antaa online-tilassa sekä ehdot. Rekisteröinnin vahvistuskuitti, joka lähetetään sähköpostitse, ja alkuperäinen ostopäivämäärän ilmaiseva lasku toimivat laajennettun takuun tositteina.
- Takuu kattaa kaikki tuotteeeseen takuaikaana tulevat viat, joiden aiheuttajina ovat tuotteeessa ostopäivään olleet valmistus- tai materiaali viat. Takuu on rajoitettu korjaukseen ja/tai vaihtoon eikä se sisällä mitään muita velvoitteita mukaan lukien satunnais- ja seurannaisvaihinkoja, mutta rajoittumatta niihin. Takuu ei päde, jos tuotetta on käytetty väärin, käyttöohjeen vastaisesti tai jos se on liitetty virheellisesti. Tämä takuu ei kata:
  - virheellisestä huollosta johtuvia vaurioita
  - muunnettua tai muutettua tuotetta
  - tuotetta, jonka alkuperäiset tunnistusmerkinnät (tavaramerkki, sarjanumero) on turmeltu, muutettu tai poistettu
  - tämän käyttöoppaan laiminlyönnistä johtuvia vaurioita
  - ei-CE-tuotetta
  - tuotetta, jota on yrittänyt korjata epäpätevä ammattilainen tai joka on korjattu ilman Techtronic Industriesin ennakkolupaa.
  - tuotetta, joka on liitetty virheelliseen teholahteseen (ampeeri, jännite, taajuus)
  - ulkoisten vaihtokuitien (kemiallinen, fyysinen, iskut) tai vieraiden aineiden aiheuttamaa vauriota
  - normaaleja kuluvia varaosia
  - virheellistä käyttöä, työkalun ylikuormitusta
  - ei-hyväksytyjen tarvikkeiden tai osien käyttöä
  - sähkötyökalun tarvikkeita, jotka on toimitettu työkalun mukana tai ostettu erikseen. Poissuljettuja osia ovat nuuvausterat, poranterät, hiomalaikat, hiikkapaperi ja terät, sivuohjain, näihin kuitenkään rajoittumatta
  - Luonnollisesti kuluvia komponentteja (osia tai tarvikkeita), joihin sisältyvät huolto- ja kunnossapitosehdot, hiiliharjat, laakerit, terästätkä, SDS-porien kiinnitin tai istukka, virtajohto, apukahva, kuljetuskotelo, hiomalaikka, pölypusi, pölynpoistoputki, huopatiivisteet, iskunvääntimen pullit ja jouset yms. näihin kuitenkään rajoittumatta.
- Joissakin maissa paikallinen RYOBI-jälleenmyyjä huolehtii tuotteen lähetyksestä RYOBI-huolto-organisaatioon. Kun tuote lähetetään RYOBI-huoltoon, se täytyy pakata hyvin ilman vaarallisia aineita, kuten polttoainetta, ja pakkaukseen täytyy merkitä lähetettäjän nimi sekä vian lyhyt kuvaus.
- Takuun kattama korjaus/vaihto on maksuton. Se ei tarkoita takuuajan laajennusta tai alkamista alusta. Vaihdetut osat tai työkalut siirtyvät valmistajan omistukseen. Joissakin maissa lähetettäjän täytyy maksaa lähetyskustannukset tai postikulut. Työkalun oston luomat lakisääteiset oikeudet pysyvät koskemattomina
- Tämä takuu on voimassa Euroopan yhteisössä, Sveitsissä, Islannissa, Norjassa, Liechtensteinissä, Turkissa, Venäjällä ja Yhdistyneessä kuningaskunnassa. Ota näiden alueiden ulkopuolelta yhteyttä omaan valtuutettuun RYOBI-jälleenmyyjään ja selvitä, onko jotain muuta takuuta.

### VALTUUTETTU HUOLTO

Kaikki tuotteeeseen liittyvät pyynnöt tai kysymykset voidaan osoittaa paikallisille valtuutetuille huoltoliiketoille (katso [www.ryobitools.eu](http://www.ryobitools.eu)) tai suoraan osoitteeseen: Techtronic Industries GmbH, Max Eyth Straße 10, 71364 Winnenden, Germany. Ilmoita tarraan painettu sarjanumero ja tuotetyyppi.

## NO RYOBI GARANTIBETINGELSER

I tillegg til eventuelle lovbestemte rettigheter som følger av kjøpet, er dette produktet dekket av en garanti som angitt nedenfor.

1. Garantiperioden er 24 måneder for konsumenter og gjelder fra den datoen som produktet ble kjøpt. Denne datoen skal dokumenteres med en faktura eller annet kjøpsbevis. Produktet er designet og beregnet kun til konsument- og privat bruk. Så det gis ingen garanti ved profesjonell eller kommersiell bruk.
2. For en del av utvalgt ved elektriske verktøy (AC/DC) er det mulighet til å utvide garantiperioden i den perioden som er beskrevet ovenfor ved bruk av registreringen på nettsidene [www.ryobitools.eu](http://www.ryobitools.eu). Kvalifiseringen av verktøyene for en utvidelse av garantiperioden er tydelig vist i butikker og/eller på pakningen / og finnes innen produktdokumentasjonen. Sluttbrukeren må registrere sine nye / anskaffede verktøy online innen 30 dager etter kjøpsdato. Sluttbrukeren kan registrere seg for den utvidede garantien i sitt land hvis det er opplistet på online registreringskjemaet der dette alternativet er gyldig. Videre må sluttbrukere gi sitt samtykke til oppbevaring av dataene som kreves for å gå online, og de må godta vilkår og betingelser. Registreringsbekreftelsen, som sendes ut på e-post, og den originale fakturaen som viser kjøpsdato, vil tjene som bevis for den utvidede garantien.
3. Garantien dekker alle defekter i produktet under garantiperioden på grunn av defekter i utførelse eller materiale på kjøpsdato. Garantien er begrenset til å reparere og/eller erstatte og inkluderer ikke noen andre forpliktelser, inkludert, men ikke begrenset til, tilfeldige eller følgesmessige skader. Garantien er ikke gyldig hvis produktet har blitt misbrukt, brukt på annen måte enn det som beskrives i bruksanvisningen eller er koblet til på feil måte. Denne garantien gjelder ikke for:
  - enhver skade på produktet som er resultat av utilstrekkelig vedlikehold
  - hvert produkt som har blitt endret eller modifisert
  - hvert produkt der de originale identifiseringsmerkene (varemerke, serienummer) har blitt uleselig, er endret eller fjernet
  - enhver skade som forårsakes av ikke-overholdelse av instruksjonshåndboken
  - hvert ikke-CE-produkt
  - hvert produkt som har blitt forsøkt reparert eller av en ikke-kvalifisert fagperson eller uten tidligere autorisasjon fra Techntron Industries.
  - hvert produkt tilkoblet feil strømforsyning (ampere, spenning, frekvens)
  - enhver skade som er forårsaket av eksterne påvirkninger (kjemiske, fysiske, støt) eller fremmede stoffer
  - normal slitasje og slitereserverdel
  - feil bruk, overbelastning av verktøyet
  - bruk av ikke-godkjent tilbehør eller deler
  - Elektrisk verktøytilbehør levert med verktøyet eller kjøpt separat. Slike ekskluderinger, inkludert, men ikke begrenset til skrutrekkerbits, drillbits, slipeskiver, sandpapir og blader, lateral føring
  - Komponenter (deler og tilbehør) som er utsatt for naturlig slitasje, inkludert, men ikke begrenset til service- og vedlikeholdssett, karbonbørster, lagre, chuck, SDS-borrbifeste eller -mottak, strømledning, hjelpéhåndtak, transportbæresveske, sandingsplate, støvpose, støvstøpslirør, filt-pakninger, støtnøkkelpinner og fjær, osv.
4. I noen land sender den lokale RYOBI-forhandleren produktet til RYOBI serviceorganisasjonen. Ved å sende et produkt til en RYOBI servicestasjon skal produktet være sikkert pakket uten noe farlig innhold, slik som bensin, merket med senderens adresse og fulgt av en kort beskrivelse av feilen.
5. En reparasjon/erstatning under denne garantien er gratis. Den utgjør ingen forlengelse eller en ny start av garantiperioden. Utvexlede deler eller verktøy blir vår eiendom. I noen land vil leveringskostnader eller frankering måtte betales av senderen. Dine lovbestemte rettigheter som oppstår fra kjøp av verktøyet forblir ubørret.
6. Denne garantien er gyldig i EU, Sveits, Island, Norge, Liechtenstein, Tyrkia, Russland og Storbritannia. Utenfor disse områdene ta kontakt med din autoriserte RYOBI-forhandler om en annen garanti gjelder.

### AUTORISERT SERVICESENTER

Enhver forespørsel eller problem med produktet kan henvises til de lokale autoriserte serviceentrene (se [www.ryobitools.eu](http://www.ryobitools.eu)) eller direkte til: Techntron Industries GmbH, Max Eyth Straße 10, 71364 Winnenden, Germany. Angi serienummer og produkttype som er trykket på etiketten.

## RU УСЛОВИЯ ПРИМЕНЕНИЯ ГАРАНТИИ НА ПРОДУКЦИЮ RYOBI

Помимо законных прав, возникающих при покупке, данное изделие покрывается гарантией в соответствии с приведенными ниже пунктами.

1. Гарантийный период для покупателя составляет 24 месяца с даты покупки изделия. Дата покупки должна быть подтверждена полностью заполненным гарантийным талоном и чеком о покупке. Данное изделие предназначено только для частного использования покупателем. Поэтому гарантия не распространяется на использование в профессиональных или коммерческих целях.
2. Предусмотрена возможность продления для части изделий линейки электронинструментов (AC/DC) гарантийного периода с помощью регистрации на сайте [www.ryobitools.eu](http://www.ryobitools.eu). Право инструмента на продление гарантийного периода четко указано в магазинах и / или на упаковке / и содержится в сопутствующей инструменту документации. Конечный пользователь должен зарегистрировать свой приобретенный инструмент в течение 30 дней с даты покупки. Конечный пользователь может зарегистрировать свой инструмент на продление гарантии в стране своего проживания, если она указана в форме онлайн-регистрации. Кроме того, конечный пользователь должен дать свое согласие на хранение данных, которые необходимо ввести в онлайн-форму и принять правила и условия. Подтверждение регистрации, которое вы получите по электронной почте, заполненный гарантийный талон и оригинальный чек, в котором указана дата покупки, будут служить доказательством продленной гарантии.
3. Гарантия покрывает в течение гарантийного периода все дефекты качества или материала изделия на дату покупки. Гарантия ограничена ремонтом и / или заменой и не включает никакие другие обязательства, включая, но не ограничиваясь случайными или косвенными убытками. Гарантия становится недействительной, если изделие использовалось не по назначению, вопреки инструкциям, данным в Руководстве пользователя или было неправильно подключено. Настоящая гарантия не распространяется на:
  - любые повреждения изделия в результате неправильного технического обслуживания или недостаточного ухода за инструментом
  - любые изделия, подвергшиеся изменениям и модификации
  - любые изделия, оригинальные идентификационные отметки которого (торговая марка, серийный номер) были повреждены, изменены или удалены
  - любые повреждения, вызванные несоблюдением инструкций Руководства пользователя
  - любые изделия, не сертифицированные маркировкой "CE" для продажи в Европейском союзе
  - любые изделия, подвергшиеся попыткам ремонта неквалифицированным работником или без предварительного утверждения компанией Techntron Industries.
  - любые изделия, подключенные к неправильному источнику питания (сила тока, напряжение, частота)
  - любые повреждения, вызванные внешними воздействиями (химические, физические, удары) или посторонними веществами
  - естественный износ запасных деталей
  - несоответствующее использование, перегрузка инструмента
  - использование неутвержденных аксессуаров и неоригинальных запасных деталей
  - аксессуары электронинструментов, поставляемые с инструментом или приобретаемые отдельно. К этому списку относятся, но не исчерывают его: сверла шуруповертов, дрелей, абразивные диски, наждачную бумагу, лезвия и боковые направляющие
  - компоненты (детали и аксессуары), подверженные естественному износу и разрыву, включая, но не ограничиваясь наборы для технического обслуживания, угольные щетки, подшипники, патроны, переходники SDS, кабели питания, дополнительные ручки, футляры для транспортировки, шлифовальные подошвы, пылесборники, трубки для отвода пыли, войлочные шайбы, штиры и пружины ударных ключей и др.
4. В некоторых странах местные дилеры RYOBI отправляют изделия в сервисные организации RYOBI. При отправке изделия в сервисный центр RYOBI, изделие должно быть безопасно упаковано и не содержать никаких опасных веществ, таких как бензин, должен быть подписан адрес отправителя и сопровождаться кратким описанием неисправности.
5. Ремонт / замена проводится в рамках настоящей гарантии бесплатно. Он не продлевает гарантию и не начинает новый гарантийный период. Замененные детали и инструменты становятся нашей собственностью. В некоторых странах отправитель должен оплачивать стоимость отправки. Ваши законные права, возникшие при покупке инструмента, остаются неизменными
6. Настоящая гарантия действительна в Европейском Сообществе, Швейцарии, Исландии, Норвегии, Лихтенштейне, Турции, России и Великобритании. Вне указанных территорий обращайтесь к своему авторизованному дилеру RYOBI, чтобы узнать, применяются ли условия каких-либо других гарантий.

### УПОЛНОМОЧЕННЫЙ СЕРВИСНЫЙ ЦЕНТР

При возникновении проблем с изделием обращайтесь в один из региональных авторизованных сервисных центров (см. [www.ryobitools.eu](http://www.ryobitools.eu)) или напрямую: Techntron Industries GmbH, Max Eyth Straße 10, 71364 Winnenden, Germany. Укажите серийный номер и тип изделия, указанные на табличке.

## PL WARUNKI GWARANCJI RYOBI

Oprócz praw ustawowych wynikających z zakupu produkt jest objęty gwarancją, której warunki podano poniżej.

1. Okres gwarancyjny wynosi 24 miesiące dla konsumentów i rozpoczyna się w dniu zakupu produktu. Datę zakupu należy udokumentować fakturą lub innym dowodem zakupu. Produkt został zaprojektowany i jest przeznaczony do użytku konsumenckiego i prywatnego. W związku z tym gwarancja nie obejmuje zastosowań profesjonalnych i komercyjnych.
2. Istnieje możliwość wydłużenia okresu gwarancyjnego dla części asortymentu narzędzi ręcznych z napędem mechanicznym (AC/DC) poprzez zarejestrowanie produktu na stronie internetowej [www.ryobitools.eu](http://www.ryobitools.eu). Kwalifikowalność narzędzi do wydłużenia okresu gwarancyjnego jest wyraźnie określona w sklepach i/lub na opakowaniu oraz w dokumentacji produktu. Użytkownik końcowy musi zarejestrować nowo kupione narzędzia online w ciągu 30 dni od daty zakupu. Użytkownik końcowy może zarejestrować się w celu przedłużenia gwarancji w swoim kraju zamieszkania, jeżeli jest on wymieniony w formularzu rejestracji online, gdzie opcja ta obowiązuje. Ponadto użytkownicy końcowi muszą wyrazić zgodę na przechowywanie danych, wprowadzanych na stronie internetowej i zaakceptować regulamin. Dowodem wydłużenia gwarancji jest wysłane pocztą elektroniczną potwierdzenie rejestracji i oryginał faktury potwierdzającej datę zakupu.
3. Gwarancja obejmuje wszystkie wady produktu ujawnione w okresie gwarancyjnym wynikające z usterki wykonania lub materiału obecnego w dniu zakupu. Gwarancja jest ograniczona do naprawy i/lub wymiany i nie obejmuje żadnych innych zobowiązań, w tym między innymi odpowiedzialności za szkody przypadkowe lub wtórne. Gwarancja nie obowiązuje, jeżeli produkt był nieprawidłowo używany, używany niezgodnie z instrukcją lub nie był prawidłowo podłączony. Gwarancja nie obejmuje:
  - uszkodzenia produktu wynikającego z nieprawidłowej konserwacji,
  - produktu, który został zmieniony lub zmodyfikowany,
  - produktu, którego oryginalne oznaczenie (znak towarowy, numer seryjny) zostało zniszczone, zmienione lub usunięte,
  - jakiegokolwiek uszkodzeń wynikających z nieprzebrzeżenia instrukcji,
  - jakiegokolwiek produktu bez certyfikatu CE,
  - jakiegokolwiek produktu, który próbowano naprawić z pomocą niewykwalifikowanej osoby lub bez uzyskania wcześniejszej zgody firmy Technonic Industries.
  - jakiegokolwiek produktu podłączonego nie nieprawidłowego źródła zasilania (nieprawidłowe napięcie prądu, napięcie, częstotliwość),
  - jakiegokolwiek uszkodzeń spowodowanych wpływem czynników zewnętrznych (chemicznych, fizycznych, drgań) lub substancji obcych,
  - normalnego zużycia części zamiennych,
  - nieprawidłowego użycia, przeciążenia narzędzia,
  - stosowania niezatwierdzonych akcesoriów lub części,
  - akcesoriów narzędzi ręcznych z napędem mechanicznym dostarczonych z narzędziami lub kupionych oddzielnie. Takie wykluczenia obejmują, między innymi, wymienne ostrza wkrętaka, wiertła, tarcze cierne, papier ścierny i ostrza, przewodniczące boczna.
  - elementów (części i akcesoriów) podlegających naturalnemu zużyciu obejmujących, między innymi, zestawy do konserwacji i serwisu, szczotki węglowe, łożyska, uchwyty, przystawkę wiertła SDS, gniazdo, przewód zasilania, uchwyty pomocnicze, skrzynie transportowa, płytę szlifującą, worek pyłowy, rurę odprowadzania pyłu, podkładki filcowe, kółki i sprężyny klucza udarowego itp.
4. W niektórych krajach lokalny dystrybutor produktów RYOBI podejmuje się wysyłki produktu do centrum serwisowego RYOBI. W przypadku wysyłki do punktu serwisowego RYOBI produkt — pozbawiony jakiegokolwiek niebezpiecznych substancji, na przykład benzyny — należy bezpiecznie zapakować i dołączyć adres nadawcy oraz krótki opis usterki.
5. Naprawa/wymiana w ramach niniejszej gwarancji jest bezpłatna. Nie stanowi jednak o przedłużeniu lub rozpoczęciu od nowa biegu okresu gwarancyjnego. Wymienione części lub narzędzia stają się naszą własnością. W przypadku niektórych krajów nadawca będzie musiał uregulować koszty dostawy lub opłaty pocztowe. Prawa ustawowe wynikające z zakupu narzędzia pozostają niezmienione.
6. Niniejsza gwarancja obowiązuje we Wspólnocie Europejskiej, Szwajcarii, na Islandii, w Norwegii, a także w Liechtensteinie, Turcji, Rosji oraz Zjednoczonym Królestwie Wielkiej Brytanii i Irlandii Północnej. Poza tymi obszarami należy skontaktować się z autoryzowanym dostawcą produktów RYOBI i ustalić, czy obowiązuje inna gwarancja.

### AUTORYZOWANY PUNKT SERWISOWY

Wszelkie zapytania i problemy z produktem można zgłaszać do lokalnych autoryzowanych centrów serwisowych ([patrz.ryobitools.eu](http://patrz.ryobitools.eu)) lub bezpośrednio do: Technonic Industries GmbH, Max Eyth Straße 10, 71364 Winnenden, Germany. Prosimy o podanie wydrukowanego na etykiecie numeru seryjnego oraz typu produktu.

## CS ZÁRUČNÍ PODMÍNKY RYOBI

Kromě zákonných práv vyplývajících z koupě výrobku se na tento výrobek vztahuje také níže uvedené záruka.

1. Záruční doba pro spotřebitele je 24 měsíců a začíná datem nákupu výrobku. Datum musí být zaznamenáno na fakturě nebo jiném dokladu o koupi. Tento výrobek je navržen a určen pouze pro soukromé účely spotřebitelů. Záruka se tedy nevztahuje na profesionální nebo komerční využití výrobku.
2. U některých elektrických nástrojů (AC/DC) je možné záruční dobu prodloužit. K tomu je nutná registrace na stránkách [www.ryobitools.eu](http://www.ryobitools.eu). Možnost prodloužené záruční doby výrobků je jasně uvedena v prodejních, popř. na obalech nebo v dokumentech o výrobku. Koncový uživatel musí svůj nový nástroj zaregistrovat online do 30 dnů od data nákupu. Koncový uživatel se může k prodloužené záruční době zaregistrovat v zemi trvalého pobytu, pokud je tato uvedena na internetovém registračním formuláři u výrobku, kde je tato možnost dostupná. Koncový uživatel musí dále souhlasit s uložením osobních údajů, která musí zadat na internetu, a přijmout obchodní podmínky. E-mail s potvrzením registrace a původní faktura s datem koupě poslouží jako důkaz o prodloužené záruce.
3. Záruka se vztahuje na veškeré vady na výrobku v rámci záruční doby způsobené výrobními vadami nebo vadami materiálu v době koupě. Záruka je omezena na opravu, popřípadě výměnu a nezahrnuje žádné další povinnosti, včetně mimo jiné vedlejších či následných odškodnění. Záruka neplatí při použití výrobku k nevhodným účelům, v rozporu s uživatelskou příručkou nebo při nesprávném zapojení. Záruka se nevztahuje na:
  - veškeré škody na výrobku způsobené nesprávnou údržbou
  - veškeré produkty, které byly pozměněny nebo upraveny
  - veškeré produkty, kde byly původní identifikační prvky (obchodní značka, sériové číslo) poničeny, pozměněny nebo odstraněny
  - veškeré škody způsobené nedodržením pokynů uživatelské příručky
  - veškeré produkty bez CE certifikace
  - veškeré produkty, které se pokusil opravit nequalifikovaný odborník nebo opravy bez předchozího svolení společnosti Technonic Industries.
  - veškeré produkty zapojené do nesprávného elektrického zdroje (proud, napětí, frekvence)
  - veškeré škody způsobené externími vlivy (chemickými, fyzickými, nárazy) nebo cizími látkami
  - běžné opotřebování dílů
  - nevhodné použití, přetěžování nástroje
  - použití neschválených příslušenství nebo dílů
  - příslušenství k elektrickému nástroji poskytnuté s nástrojem nebo zakoupené samostatně. Tyto výjimky se vztahují mimo jiné na šroubovací bity, vrtáky, brusné disky, brusný papír a čepele, postranní vodič lišty
  - komponenty (díly a příslušenství) podléhající přirozenému opotřebování, včetně mimo jiné servisních sad, karbonových kartáčů, ložisek, skřel, SDS nástavce na vrtací bity, napájecího kabelu, pomocné rukojeti, přepravního pouzdra, brusné desky, prachového vaku, výfukové prachové trubice, plstěných podložek, západek a pružin rázového utahovačku atd.
4. V některých zemích za vás výrobek pošle servisní organizaci RYOBI sám prodejce výrobků této značky. Při zaslání výrobku do servisního centra RYOBI je potřeba výrobek bezpečně zabalit bez nebezpečného obsahu jako benzín, opatřit adresou odesílatele a připojit krátký popis závady.
5. Oprava, popř. výměna v rámci této záruky je zdarma. Neznámená to prodloužení nebo začátek nové záruční lhůty. Vyměněné díly nebo nástroje přejdou do našeho vlastnictví. V některých zemích platí poštovné odesílatele. Vaše zákonná práva vyplývající z koupě tohoto nástroje zůstávají nedotčená.
6. Tato záruka platí v Evropském společenství, Švýcarsku, na Islandu, v Norsku, Lichtenštejnsku, Turecku, Rusku a Spojeném království. Mimo tato území kontaktujte autorizovaného prodejce značky RYOBI, který zjistí, zda se na výrobek vztahuje jiná záruka.

### POVĚŘENÉ SERVISNÍ STŘEDISKO

S požadavky nebo problémy týkajícími se tohoto výrobku se můžete obracet na místní pověřená servisní střediska (podle [www.ryobitools.eu](http://www.ryobitools.eu)) nebo přímo na: Technonic Industries GmbH, Max Eyth Straße 10, 71364 Winnenden, Germany. Uveďte výrobní číslo a druh výrobku ze štítku.



## HU A RYOBI GARANCIA ALKALMAZÁSÁNAK FELTÉTELEI

A vásárlásból adódó törvényben rögzített jogok mellett a termékre az alábbi garancia vonatkozik.

- A fogyasztói garancia tartama 24 hónap, mely a termék vásárlásának napjával kezdődik. Ezt a dátumot számlával vagy a vásárlást igazoló egyéb dokumentummal kell bizonyítani. A termék rendeltetése csak fogyasztói és magánélelmi használat. Ezért professzionális vagy kereskedelmi használat esetén a garancia nem érvényes.
- A szerszámgépek (egyenáramú/váltóáramú) egy részénél a garancia időtartama a www.ryobitools.eu weblapon regisztrálva meghosszabbítható. Az áruházakban, a csomagoláson, illetve a termék dokumentációjában egyértelműen jelezve van, hogy az adott termék garanciája meghosszabbítható-e. A végfelhasználónak a vásárlás dátumától számított 30 napon belül regisztrálnia kell az újonnan vásárolt szerszámot. A végfelhasználó akkor regisztrálhat a kiterjesztett garanciára, ha az ország, ahol lakik, fel van sorolva az online regisztrációs űrlapon azon országok között, ahol választható ez az opció. Ezenkívül a végfelhasználónak bele kell egyeznie az online regisztrálás során szükséges adatok tárolásába, és el kell fogadnia a felhasználási feltételeket. A kiterjesztett garanciát a regisztráció beérkezésétől e-mailben köldött visszaigazolás és a vásárlás dátumát tartalmazó eredeti számla igazolja.
- A garancia a termék vásárlásakor fennálló, a gyártás során keletkezett hibákra és anyaghibákra érvényes a garanciális időtartamon belül. A garancia csak a javításra/cserére korlátozódik, és nem terjed ki semmilyen egyéb kötelezettségre, nem kizárólagosan ideértve a véletlen vagy szándékos rongálást. A garancia nem érvényes, ha a terméket nem megfelelően, a használati utasításban foglaltakkal ellentétben, illetve nem megfelelően csatlakoztatva használták. A garancia nem vonatkozik:
  - a terméket a nem megfelelő karbantartás következtében ért károsodásra
  - megváltoztatott vagy átalakított termékre
  - olyan termékre, melyen az eredeti azonosítókat (védjegy, sorozatszám) megrongálták, megváltoztatták vagy eltávolították
  - a használati utasítás be nem tartásából eredő kárra
  - CE jelöléssel nem rendelkező termékekre
  - olyan termékre, melyet nem képzett, illetve a Techtronic Industries által nem feljogosított szerelő javított
  - nem megfelelő (áramerősségű, feszültségű, frekvenciájú) áramforrásra csatlakoztatott termékre
  - külső (vegyi, fizikai, útés) hatásokból vagy idegen anyagokból eredő károokra
  - a cserélhető alkatrészek természetes kopására és elhasználódására
  - a szerszám helytelen használatára, túlterhelésére
  - nem jóváhagyott tartozékok és alkatrészek használatára
  - A szerszámmal adott vagy külön megvásárolt tartozékokra. Ilyenek például (de nem kizárólag) a csavarhúzófejek, fűrészarak, csiszolókorongok, csiszolópapír, kések, oldalirányú terelők.
  - A természetes kopásnak, elhasználódásnak kitett alkatrészek és kiegészítők, például (de nem kizárólag) szerviz- és karbantartókészletek, szénkefék, csapágycsák, tokmány, SDS fűrészar csatlakozója, tápkábel, segédfogantyú, szállítótok, csiszolólap, porzsák, porvezető cső, ficalátétek, ütőműves csavarbehajtó gép csapszege és rugója stb.
- Egyes országokban a helyi RYOBI kereskedő vállalja a termék elszállítását a RYOBI szervizbe. A terméket veszélyes tartalom, például benzín nélkül csomagolva, a feladó címét feltüntetve, a hiba rövid leírásával együtt küldje el a RYOBI szervizbe.
- A jelen garancia hatálya alatt végzett javítás, illetve csere ingyenes. Nem jelenti a garanciális időtartam újraindulását. A kicserélt alkatrészek és szerszámok a mi tulajdonunkba kerülnek. Egyes országokban a szállítás vagy postázás költségét a feladó viseli. A vevőnek a szerszám megvásárlásából adódó törvényes jogai nem változnak.
- Ez a garancia az Európai Közösségben, Svájcban, Izlandon, Norvégiában, Liechtensteinben, Törökországban, Oroszországban és az Egyesült Királyságban érvényes. E területen kívül kérdezze meg a RYOBI forgalmazót, hogy milyen garancia van érvényben.

### HIVATALOS SZERVIZKÖZPONT

Ha bármilyen kérése vagy problémája van a termékkel kapcsolatban, forduljon a helyi hivatalos szervizközpontozhoz (látogasson el a [www.ryobitools.eu](http://www.ryobitools.eu) oldalra), vagy közvetlenül ide: Techtronic Industries GmbH, Max Eyth Straße 10, 71364 Winnenden, Germany. Adja meg a címére nyomtatott sorozatszámot és terméktypust.

## RO CONDIȚII DE APLICARE A GARANȚIEI PENTRU PRODUSELE RYOBI

În plus față de condițiile statutare rezultate din achiziționarea acestui produs, acesta este acoperit de garanția stipulată mai jos.

- Perioada de garanție este de 24 de luni pentru consumatori și începe de la data achiziționării produsului. Data de începere a garanției trebuie demonstrată cu o factură sau altă dovadă a cumpărării produsului. Produsul este destinat și conceput doar pentru utilizare în scopuri personale. Din acest motiv, nu se oferă garanție pentru utilizarea sa în scop profesional sau comercial.
- Există posibilitatea de extindere a perioadei de garanție pentru gama de unelte electrice (de CA/CC) peste perioada stipulată mai sus prin înscrierea produsului pe website-ul [www.ryobitools.eu](http://www.ryobitools.eu). Eligibilitatea pentru perioada de extindere a garanției este afișată în mod clar în magazinele de vânzare și/sau pe ambalaj sau este inclusă în documentația livrată împreună cu produsul. Utilizatorul final este obligat să-și înregistreze produsul online în termen de maxim 30 de zile de la achiziția acestuia. Utilizatorul final poate înregistra produsul pentru garanția extinsă oferită în țara sa de rezidență dacă aceasta este listată în formularul de înregistrare online și dacă această opțiune este validă. În plus, utilizatorii finali trebuie să-și dea acordul pentru stocarea datelor personale solicitate la înregistrare online și trebuie să accepte termenii și condițiile. Mesajul de confirmare a înregistrării, trimis prin e-mail și factura originală cu data achiziției vor dovedi perioada de garanție extinsă.
- Garanția acoperă toate defecțiunile produsului survenite în perioada de garanție datorate defectelor de execuție sau materialelor folosite, începând cu data achiziției acestuia. Garanția este limitată la reparație și/sau înlocuire și nu include alte obligații, inclusiv, dar fără a se limita la daune accidentale sau rezultate pe cale de consecință. Garanția își pierde valabilitatea dacă produsul este utilizat necorespunzător, utilizat neconform cu instrucțiunile de utilizare din manualul cu instrucțiuni sau conectat incorect. Garanția nu se aplică în cazul:
  - oricărei defecțiuni survenite în urma înfrînării necorespunzătoare a produsului
  - oricărui produs alterat sau modificat
  - oricărui produs la care inscripțiile cu datele de identificare (marca comercială, numărul de serie) au fost șterse, modificate sau îndepărtate
  - oricărei defecțiuni datorate neconformării cu instrucțiunile din manualul de utilizare
  - oricărui produs necertificat CE
  - oricărui produs asupra căruia au fost efectuate tentative de reparație de către personal necalificat sau fără autorizație prealabilă din partea Techtronic Industries.
  - oricărui produs conectat la o sursă de alimentare necorespunzătoare (curent, tensiune, frecvență)
  - oricărui defecțiuni datorate unor influențe externe (chimice, fizice, șocuri) sau substanțe străine
  - uzurii și fisurării normale a pieselor de rezervă
  - utilizării neadecvate, suprasolicitanți uneltei
  - utilizării de piese și accesorii neaprobate
  - accesoriilor pentru unelaltă furnizate odată cu aceasta sau achiziționate separat. Acestea excluderi se aplică, dar fără a se limita la următoarele: burghie, biți de șurubelniță, discuri abrazive, hârtie abrazivă și lame de tăiere, ghidaje laterale
  - Componentele (piese și accesorii) supuse uzurii normale, care includ, fără a se limita la, kituri de întreținere și service, perii de cărbune, rulmenți, mandrină, adaptor pentru burghie SDS, cordon de alimentare, mănere auxiliare, cutie de transport, placă pentru șlefuit, sac pentru praf, tub pentru evacuarea prafului, discuri de pâslă, adaptoare și resorturi pentru cheile de strângere prin vibrație, etc.
- În anumite țări, reprezentatul local RYOBI va trimite produsul spre reparație la sediul central de reparații RYOBI. Atunci când trimiteți produsul spre reparație la un centru de reparații RYOBI, acesta trebuie ambalat în siguranță, fără conținut periculos (cum ar fi benzină), marcat cu adresa expeditorului și însoțit de o scurtă descriere a defectului.
- Repararea/inlocuirea în perioada de garanție este gratuită. Aceasta nu este însoțită de o prelungire sau o reînțiere a perioadei de garanție. Piese sau unelte schimbate devin proprietatea dvs. În anumite țări, taxele de expediție sau poștale vor fi suportate de expeditor. Drepturile dvs. statutare rezultate din achiziția produsului rămân neschimbate
- Această garanție este valabilă în Comunitatea Europeană, Elveția, Islanda, Norvegia, Liechtenstein, Turcia, Rusia și Marea Britanie. În afara acestor zone, vă rugăm să contactați reprezentantul dvs. local RYOBI pentru a determina dacă se aplică alt tip de garanție.

### CENTRU DE SERVICE AUTORIZAT

Orice întrebare sau problemă în legătură cu produsul se poate adresa la centrele locale autorizate de service (vizitați [www.ryobitools.eu](http://www.ryobitools.eu)) sau direct la: Techtronic Industries GmbH, Max Eyth Straße 10, 71364 Winnenden, Germany. Vă rugăm să specificați numărul de serie și tipul de produs tipărite pe etichetă.





## LV RYOBI GARANTIJAS PIEMĒROŠANAS NOSACĪJUMI

Papildus jebkādam likumiskajām tiesībām, kuras rodas, veicot pirkumu, izstrādājums tiek nodrošināts ar tālāk tekstā noteikto garantiju.

1. Garantijas periods patērētājiem ir 24 mēneši, tā atskaitē tiek sāka no datuma, kurā veikta izstrādājuma iegāde. Šim datumam jābūt dokumentētām rēķinā vai citā pirkumu apliecināšā dokumentā. Izstrādājums ir radīts un paredzēts tikai patērētāja privātai lietošanai. Saistībā ar iepriekšminēto, garantija netiek nodrošināta profesionālas vai komerciālas lietošanas gadījumā.
2. Pastāv iespēja pagarināt daļas no elektroinstrumentu klāsta (Mainstrāvas/akumulatoru) garantiju ilgāk par iepriekš minēto periodu, izmantojot reģistrāciju interneta vietnē [www.ryobitools.eu](http://www.ryobitools.eu). Instrumenti, kas pakļauti garantijas perioda pagarināšanai, tiek skaidri apzīmēti veikalos un/vai uz iepakojuma un izstrādājumu komplektojošajā dokumentācijā. Gala lietotājam nepieciešams reģistrēties tā iegādāto jauno instrumentu 30 dienu laikā no pirkuma datuma. Gala lietotājs var reģistrēties pagarinātajai garantijai savā mītnes valstī, ja tā minēta tiešsaistes reģistrācijas veidlapā, kurā šī iespēja ir aktīva. Bez tam, gala lietotājam ir jāsniedz pierādījumi tiešsaistes ievadīšanai nepieciešamo datu glabāšanai un jāpiekrīt noteikumiem un nosacījumiem. Reģistrācijas apstiprinājums, kas tiek nosūtīts, izmantojot e-pastu, un rēķina oriģināls, kurā norādīts iegādes datums, kalpo kā pagarinātās garantijas apstiprinājums.
3. Garantija attiecas uz visiem izstrādājuma defektiem garantijas periodā, kas saistīti ar ražošanas vai materiālu defektiem no pirkuma datuma. Šī garantija tiek ierobežota ar remontu un/vai nomainīšanu neievērojot jebkādas citas saistības, tajā skaitā, bet ne tikai, cēloņsakarīgas vai saistītas bojājumiem. Garantija nav spēkā, ja izstrādājums ir nepareizi lietots, izmantots pretēji norādēm lietošanas rokasgrāmatā vai bijis nepareizi pieslēgts. Šī garantija netiek attiecināta uz:
  - jebkādiem izstrādājuma bojājumiem, kas radušies nepareizas uzturēšanas rezultātā
  - jebkuru izstrādājumu, kas ticis pārveidots vai mainīts
  - jebkuru izstrādājumu, kura oriģinālās identifikācijas (preču zīme, sērijas numurs) marķējums ir ticis nodzēsts, mainīts vai noņemts
  - jebkādiem bojājumiem, kuri radušies neievērojot norādes lietošanas rokasgrāmatā
  - jebkādam izstrādājumam bez CE sertifikācijas
  - jebkurai izstrādājumam, kura remontu mēģinājis veikt nekvalificēts personāls vai bez Technronic Industries iepriekšējās autorizācijas.
  - jebkurai izstrādājumam, kurš bijis pieslēgts neatbilstošu parametru (strāvas, sprieguma, frekvences) sprieguma avotam
  - jebkuriem bojājumiem, kuri radušies ārējās iedarbības (ķīmiskas, fiziskas, triecieni) vai vielu ietekmē
  - detaļu normāla lietošanas nodiluma rezultātā
  - nepareizas lietošanas vai instrumentu pārslodzes rezultātā
  - neapstiprinātu detaļu vai aprīkojuma lietošanas rezultātā
  - elektroinstrumentu aksesuāriem, kas atrodas instrumenta komplektācijā vai ir iegādāti atsevišķi. Šis izņēmums attiecināms uz, bet neaprobežojoties ar, skrūvgriežu uzgaļiem, urbjiem, abrazīvajiem diskkiem, smilšpapīru un asmeņiem, sānu vadotnēm
  - komponentiem (daļām un aksesuāriem), kas pakļauti normālam nodilumam, ieskaitot, bet neaprobežojoties ar Servisa un apkopju komplekti, oglekļa suku, gultņi, patrona, SDS urbju uzvērējiem vai uzlikas, elektrības vads, papildus rokturis, transportēšanas un pārnēsāšanas kaste, slīpmašīnas plāksne, putekļu maiss, putekļu izvadsistāmas caurule, aplākšņi, triecienatslēgu tapas un atsperes, u.t.t.
4. Dažās valstīs jūsu vietējais RYOBI izplatītājs uzņemas izstrādājuma nosūtīšanu uz RYOBI servisa organizāciju. Nosūtīt izstrādājumu uz RYOBI servisa centru, izstrādājuma jābūt droši iepakotam, tas nedrīkst saturēt bīstamas vielas kā degvielu, sūtiņumam jābūt marķētam ar sūtītāja adresi un īsu kļūmes aprakstu.
5. Remonts/nomainīšana šīs garantijas ietvaros ir bezmaksas. Tas nerada garantijas perioda pagarināšanu vai jaunu garantiju. Nomainītās daļas vai instrumentu kļūst par mūsu īpašumu. Dažās valstīs piegādes vai pasta izmaksas būs jāapmaksā sūtītājam. Jūsu likumiskās tiesības, kas nodibinās, iegādājoties instrumentu, paliek nemainīgas
6. Šī garantija ir spēkā Eiropas Kopienā, Šveicē, Islandē, Norvēģijā, Lihtenšteinā, Turcijā, Krievijā un Apvienotajā Karalistē. Ārpus šīm teritorijām, lūdzu, sazinieties ar jūsu pilnvaroto RYOBI izplatītāju, lai noteiktu, vai ir piemērojama cita garantija.

### AUTORIZĒTS APKALPOŠANAS CENTRS

Ar jebkuru pieprasījumu vai problēmu, kas saistīta ar produktu, var vērsties Jūsu vietējā pilnvarotajā servisa centrā (apmeklējiet [www.ryobitools.eu](http://www.ryobitools.eu)) vai tieši pie: Technronic Industries GmbH, Max Eyth Straße 10, 71364 Winnenden, Germany, Lūdzu, norādiet sērijas numuru un produkta tipu, kas norādīts uz etiķetes.

## LT „RYOBI“ GARANTIJOS TAIKYMO SĄLYGOS

Papildint bet kokias įstatymuose numatytas perkant atsirandančias teises, šiam įrenginiui taikoma toliau nurodyta garantija.

1. Vartotojams suteikiama 24 mėnesių trukmės garantija nuo įrenginio įsigijimo datos. Ši data turi būti nurodyta sąskaitoje faktūroje ar kitame pirkimų įrodančiame dokumente. Šis įrenginys skirtas tik vartotojų rinkai ir asmeniniam naudojimui. Todėl garantija netaikoma, jei įrenginys naudojamas profesinėms ar komercinėms reikmėms.
2. Įsigijus tam tikrus elektrinius įrenginius (AC/DC), suteikiama galimybė pratęsti garantiją, kad ji galėtų ilgiau, nei nurodyta pirmiau, naudotojantis registracija interneto svetainėje [www.ryobitools.eu](http://www.ryobitools.eu). Ar galima pratęsti garantiją laikotarpi, aiškiai nurodoma parduotuvėse ir (arba) ant įrenginio pakuočės, ir (arba) įrenginio dokumentuose. Galutinis naudotojas turi užregistruoti savo naujai įsigytą įrenginį per 30 dienų nuo įsigijimo datos. Galutinis naudotojas gali registruotis išplėstinei garantijai savo gyvenamojoje šalyje, jei ji nurodyta internetinėje registracijos formoje, kurioje siūloma tokia galimybė. Be to, galutiniai naudotojai turi sukurti su duomenų, kuriuos reikia įvesti internetu, saugojimu ir svetainės naudojimo sąlygomis. Kaip išplėstinės garantijos įrodymas naudojamas registracijos patvirtinimo kvitas, atsiučiamas el. paštu, ir originali sąskaita faktūra, kurioje nurodyta įsigijimo data.
3. Ši garantija apima visus garantiniui laikotarpiu aptiktus įrenginio trūkumus, atsiradusius dėl gamybos arba medžiaginių defektų nuo įsigijimo datos. Ši garantija ribojama remontu ir (arba) pakeitimu, jei neapima jokių kitų įsipareigojimų, įskaitant (bet tuo neapsiribojant) šaltinius arba antrinius nuostolius. Garantija anuluojama, jei įrenginys buvo naudojamas netinkamai, naudojamas ne pagal naudojimo instrukciją arba netinkamai prijungtas. Ši garantija netaikoma:
  - jokiai įrenginiui padarytai žalai, kurią lėmė netinkama techninė priežiūra;
  - jokiai įrenginiui, kuris buvo keičiamas ar modifikuojamas;
  - jokiai įrenginiui, kurio originalios identifikavimo ženklai (prekės ženklas, serijos numeris) buvo sugadinti, pakeisti arba pašalinti;
  - jokiai žalai, kurią lėmė naudojimo instrukcijos nesilaikymas;
  - jokiems CE ženklui nepažymėtiems įrenginiams;
  - jokiai įrenginiui, kurį bandė remontuoti nekvalifikuoti asmenys arba kuris buvo remontuojamas be „Technronic Industries“ leidimo;
  - jokiai įrenginiui, kuris buvo prijungtas prie netinkamo maitinimo tinklo (netinkamos srovės, šilumos, dažnio);
  - jokiai žalai, kurią lėmė išorinis poveikis (cheminis, fizinis, smūgiai) arba pašalinės medžiagos;
  - dėvimosioms dalims;
  - netinkamam naudojimui; įrenginio perkrovai;
  - nepatvirtintų priedų arba dalių naudojimui;
  - su įrenginiu pateiktiems arba atskirai įsigytiems elektrinio įrenginio priedams. Šios išimtyje apima (tuo neapsiribojant) atsuktuvų antgalius, gražtų antgalius, šlifavimo diskus, švitrinį popierių ir geležtes, šoninį kreiptuvą;
  - komponentams (dalims ir priedams), kurie natūraliai dėviasi, įskaitant (bet tuo neapsiribojant) įprastines ir technines priežiūros rinkinius, anglinius šepetėlius, guolius, laikiklį, SDS gražtų antgalių priedą arba lizdą, maitinimo kabelį, pagalbinių rankena, nešiojimo dėklą, šlifavimo diską, maišelį dulkešms, dulkių ištraukimo vamzdelį, fetro poveržtes, smūginio veržliarakčio kaiščius ir spyrukes ir pan.
4. Kai kuriose šalyse vietinis RYOBI atstovas siunčia įrenginį RYOBI priežiūros organizacijai. Siunčiant įrenginį RYOBI priežiūros centrui, reikia saugiai jį supakuoti pašalinant visas pavojingas medžiagas, pvz., benzina, nurodyti ant pakuočės siuntėjo adresą ir pridėti trumpą gedimo aprašymą.
5. Pagal šią garantiją remontas / keitimas atliekami nemokamai. Tokie veiksmai netaikomi garantijos pratęsimui arba naujo garantinio laikotarpio pradžiai. Dalys arba įrenginiai, kuriuos pakeitėme, tampa mūsų nuosavybe. Kai kuriose šalyse pristatymo ir pašto išlaidas turi padengti siuntėjas. Įstatymuose numatytos jūsų teisės, atsirandančios perkant įrenginį, lieka nepakeistos
6. Ši garantija galioja Europos Bendrijos šalyse, Šveicarijoje, Islandijoje, Norvegijoje, Lihtenšteinėje, Turkiijoje, Rusijoje ir Jungtinėje Karalystėje. Jei gyvenate ne šiose šalyse, kreipkitės į galiojantį RYOBI atstovą ir sužinokite, ar jums taikoma kita garantija.

### ĮGALIOTOS TECHNINĖS PRIEŽIŪROS CENTRAS

Jei turite kokių nors pageidavimų ar problemų, susijusių su šiuo gaminiu, galite kreiptis į artimiausią įgaliojantį techninės priežiūros centrą aplinkui esantį [www.ryobitools.eu](http://www.ryobitools.eu) arba tiesiogiai: Technronic Industries GmbH, Max Eyth Straße 10, 71364 Winnenden, Germany. Nurodykite etiketėje išspausdintą serijos numerį ir gaminio tipą.

## ET RYOBI GARANTIINGIMUSED

Lisaks toote ostust tulenevatele seadusjärgsetele õigustele, kehtib tootele ka alldoodud garantiaga.

1. Tarbijatele on garantiiaeg 24 kuud ja algab sellel kuupäeval, mil toode osteti. Selle kuupäeva tõestuseks on vaja arvet või mõnda teist tõendit ostu sooritamise kohta. Toode on mõeldud eratarbijatele ainult isiklikuks kasutamiseks. Seega ei kehti garantii ostu kasutamisel ketsetegevuses või kaubanduslikel eesmärkidel.
2. Teatud osale elektrilistele (vahelduvvoolu/alisvoolu) tööriistadele on võimalik pikendada eespool toodud garantiiaega, kasutades toote registreerimist veebilehel [www.ryobitools.eu](http://www.ryobitools.eu). Teave tööriista võimaliku pikendatud garantiiaja kohta on selgelt esile toodud poodides ja/või pakendil / ning see sisaldub toote dokumentatsioonis. Lõpptarbijaja peab registreerima oma uued tööriistad interneti teel 30 päeva jooksul pärast ostupäeva. Lõppkasutaja võib registreerida pikendatud garantiiaja saamise oma elukohariigis, kui veebis olevas registreerimisvormis on see valik lubatud. Lisaks peavad kasutajad andma oma nõusoleku veebis nõutud sisestatavate andmete säilitamiseks ning nad peavad nõustuma tingimustega. E-posti teel saadetak registreerimise kinnitus ja arve originaal, kus on näha ostu sooritamise kuupäev, on pikendatud garantiiaja tõestuseks.
3. Garantii katab kõik defektid toote garantiiaja jooksul, kui ostu kuupäeval ilmnevad talitlus- või materjalivead. Garantii piirub toote remondi ja/või väljavahetamisega ning ei sisalda muid kohustusi, muu hulgas ettenägematuid või kaudseid kahjusid. Garantii ei kehti, kui toodet ei ole kasutatud sõltotarbimiselt või kooskõlas kasutusjuhendiga või see on valesti ühendatud. Garantii ei kehti järgmistel põhjustel:
  - toode on kahjustatud vale hoolduse tõttu
  - toodet on muudetud
  - toote algsuunasel identifitseerimismärgis (kaubamärk, seerianumber) on rikutud, muudetud või eemaldatud
  - kahju on tekkinud kasutusjuhendi mittejärgimisest
  - tootel puudub CE-märgis
  - toodet on püüdnud remondida vastavalt kvalifikatsiooni mitte omav isik või ilma firma Technronic Industries eelneva loata.
  - toode on ühendatud valesse toiteallikasse (voolutugevus, pinge, sagedus)
  - välismõjude (keemilised, füüsilised, elektrilöögid) või võrkehade tekitatud kahju
  - tavapärase kulumine ja katkised varuosad
  - ebaõige kasutamine, tööriista ülekoormamine
  - heakskiitmata tarvikute või osade kasutamine
  - koos tööriistaga saadud või eraldi ostetud elektriliste tööriistade tarvikud. Need erandid puudutavad muu hulgas kruvikeeraja otsakuid, puuriterasid, lihvkettaid, lihvpaberit ja -taldu, küljukiikuid
  - Komponentid (osad ja tarvikud), mida iseloomustab kulumine ja vananemine, muu hulgas remondi- ja hoolduskomplektid, süsinikharjad, laagrid, padrunid, SDS-puuriterade tarvikud, toitejuhe, lisakäepide, transpordikott, lihvlaat, tolmutokk, tolm väljalasketoru, viildist seibid, löökmutrivõtme võllid ja vedrud jne.
4. Mõnedes riikides võtab kohalik RYOBI edasimüüja enda kanda kohustuse saata toode RYOBI teenindusorganisatsiooni. Toote saatmisel RYOBI teenindusse peab toode olema ohutult pakitud ja ei tohi sisaldada ohtlikke aineid (nt bensiin), kirjas peab olema saatja aadress ja lisatud vae lühikirjeldus.
5. Garantii alusel tehtavad remonditööd / asendamine on tasuta. See ei pikenda garantiit kehtivusega ega tähistu uue garantiiaja algust. Väljavahetatud osad või tööriistad kuuluvad meile. Mõnedes riikides maksab kätetoimetamis- ja postikulud saatja. Teile jäävad kehtima tööriista ostust tulenevad seadusjärgsed õigused
6. See garantii kehtib Euroopa Liidus, Šveitsis, Islandil, Norras, Liechtensteinis, Türgis, Venemaal ja Ühendkuningriigis. Väljaspool neid piirkondi võtke ühendust volitatud RYOBI edasimüüjaga, et teha kindlaks kas kehtib mõni teine garantii.

## VOLITATUD HOOLDUSKESKUS

Tootega seotud päringute või probleemide korral pöörduge kohaliku volitatud hoolduskeskuse poole (vt [www.ryobitools.eu](http://www.ryobitools.eu)) või otse aadressile: Technronic Industries GmbH, Max Eyth Straße 10, 71364 Winnenden, Germany. Märkige ära siildil olev seerianumber ja toote tüüp.

## HR UVJETI PRIMJENE JAMSTVA TVRTKE RYOBI

Osim svim zakonskim pravima koja proizlaze iz kupnje, ovaj je proizvod pokriven jamstvom kako je navedeno u nastavku.

1. Jamstveno razdoblje za potrošače traje 24 mjeseca i počinje s datumom na koji je proizvod kupljen. Taj datum mora se dokumentirati računom ili drugim dokazom o kupnji. Proizvod je konstruiran i namijenjen samo za privatnu upotrebu korisnika. Stoga se jamstvo ne daje u slučajju profesionalne ili komercijalne uporabe.
2. Postoji mogućnost da se za dio asortimana električnih alata pokretanih izmjeničnom strujom (AC/DC) produži gore navedeno jamstveno razdoblje putem registriranja na mrežnom mjestu [www.ryobitools.eu](http://www.ryobitools.eu). Uvjeti koje je potrebno zadovoljiti kako bi se produžilo jamstveno razdoblje jasno su istaknuti u prodavaonicama i / ili na pakiranju / i nalaze se unutar dokumentacije proizvoda. Krajnji korisnik mora registrirati svoje novo kupljene alate na mreži u roku od 30 dana od datuma kupnje. Krajnji korisnik može se registrirati za produženo jamstvo u svojoj zemlji boravišta ako se nalazi na popisu u mrežnom obrascu za registraciju gdje je ta opcija važeća. Nadalje, krajnji korisnici moraju dati svoj pristanak na pohranu podataka koji su potrebni za mrežni ulazak i moraju prihvatiti odredbe i uvjete. Potvrda o prijemu registracije, koja se šalje putem e-pošte, kao i originalni račun s vidljivim datumom kupnje poslužiti će kao dokaz produženog jamstva.
3. Jamstvo pokriva sve nedostatke proizvoda tijekom jamstvenog razdoblja koji su nastali zbog neispravnosti prilikom izrade ili materijala s datumom kupnje. Jamstvo je ograničeno na popravak i/ili zamjenu i ne obuhvaća nikakve druge obveze, uključujući, ali ne ograničavajući se na slučajne ili posljedične štete. Jamstvo ne vrijedi ako je proizvod bio zlorabljen, korišten u suprotnosti s priručnikom s uputama ili ako je pogrešno spojen. Ovo jamstvo ne primjenjuje se na:
  - svaku štetu koja je na proizvodu nastala kao rezultat nepravilnog održavanja
  - svaki proizvod koji je promijenjen ili izmijenjen
  - svaki proizvod na kojem su izvorne identifikacijske oznake (žig, serijski broj) bile oštećene, izmijenjene ili uklonjene
  - svaku štetu prouzročenu neprikladnim priručnika s uputama
  - svaki proizvod koji nema oznaku CE
  - svaki proizvod koji je pokušao popraviti nekvalificiran profesionalac ili onaj koji je popravljan bez prethodnog odobrenja tvrtke Technronic Industries.
  - svaki proizvod koji je spojen na neprikladan izvor električnog napajanja (neodgovarajuća amperaza, napon, frekvencija)
  - svaku štetu prouzročenu unutarjarmim utjecajima (kemijskim, fizikalnim, udarnim) ili stranim tvarima
  - normalno habanje i trošenje rezervnih dijelova
  - neodgovarajuću uporabu, preopterećenje alata
  - upotrebu neodobrene pribora ili dijelova
  - dodatnu opremu električnog alata isporučenu s alatom ili kupljenu odvojeno. Takvi izuzetci uključuju ali nisu ograničeni na vrhove odvijača, svrdla bušilice, abrazivne disкове, brusni papir i noževe, bočnu vodilicu
  - Komponente (dijelovi i pribor) podložne prirodnom trošenju i habanju, što uključuje, ali nije ograničeno na komplete za servisiranje i održavanje, ugljične četkice, ležajeve, steznu glavu, nastavak ili priključak za svrdla za SDS bušilicu, priključni kabel, pomoćnu ručku, transportne torbe, brusnu ploču, vreću za prašinu, ispušnu cijev za prašinu, podloške od filca, udarni klič, zatic i opruge, itd.
4. U nekim zemljama, vaš lokalni RYOBI zastupnik obvezuje se da će poslati proizvod u servisnu organizaciju tvrtke RYOBI. Kada se proizvod šalje u neku servisnu postaju tvrtke RYOBI, proizvod se mora sigurno pakirati bez ijednog od opasnih sadržaja kao što je benzin, na njemu mora pisati adresa pošiljatelja i mora biti popraćen kratkim opisom kvara.
5. Popravak / zamjena pod ovim jamstvom su besplatni. Oni ne predstavljaju produženje ili novi početak jamstvenog razdoblja. Zamijenjeni dijelovi ili alati postaju naše vlasništvo. U nekim državama troškove isporuke ili poštarinu mora platiti pošiljatelj. Vaša zakonska prava koja proizlaze iz kupnje alata ostaju nepromijenjena
6. Ovo jamstvo je valjano u zemljama Europske zajednice, Švicarskoj, Islandu, Norveškoj, Lihtenštajnu, Turskoj, Rusiji i Ujedinjenoj Kraljevini. Izvan tih područja vas molimo da se obratite svojem ovlaštenom zastupniku tvrtke RYOBI kako biste utvrdili primjenjuje li se drugo jamstvo.

## OVLAŠTENI SERVISNI CENTAR

Za svaki zahtjev ili problem s proizvodom možete se obratiti vašim ovlaštenim servisnim centrima (posjetite adresu [www.ryobitools.eu](http://www.ryobitools.eu)) ili izravno na: Technronic Industries GmbH, Max Eyth Straße 10, 71364 Winnenden, Germany. Navedite serijski broj i vrstu proizvoda oisnutu na naljepnici.

## SL POGOJI ZA VELJAVNOST GARANCIJE RYOBI

Poleg morebitnih zakonsko določenih pravic, ki izvirajo iz nakupa, za ta izdelek velja spodaj navedena garancija.

- Garancijsko obdobje je za potrošnika 24 mesecev in začne teči z dnem nakupa izdelka. Ta datum mora biti dokumentiran z računom ali drugim dokazilom o nakupu. Izdelek je zasnovan in namenjen izključno za potrošniško zasebno uporabo. V primeru strokovne oziroma komercialne uporabe izdelka garancija ne velja.
- Obstaja možnost podaljšanja garancije na del nesode električnih orodij (AC/DC) prek obdobja garancije, opisanega zgoraj, s pomočjo registracije na spletnem mestu [www.ryobitools.eu](http://www.ryobitools.eu) website. Ustreznost orodij za podaljšanje garancijskega obdobja je jasno prikazana v trgovinah in/ali na embalaži oziroma je navedena v dokumentaciji izdelka. Končni uporabnik mora registrirati svoje novo orodje na spletu v 30 dneh po datumu nakupa. Končni uporabnik lahko registrira podaljšano garancijo v svoji državi bivanja, če je na obrazcu spletne registracije navedeno, da ta možnost velja za njegovo državo. Poleg tega morajo končni uporabniki podati svoje soglasje za shranjevanje podatkov, ki so potrebni za spletni vnos in morajo sprejeti pogoje in določila uporabe spletnega mesta. Potrdilo o registraciji, ki ga pošljemo prek e-pošte, in originalni račun, ki prikazuje datum nakupa, služita kot dokazilo o podaljšani garanciji.
- Garancija krije vse okvare izdelka, do katerih pride v garancijskem obdobju zaradi napak v izdelavi ali materialu, ki so bile prisotne ob datumu nakupa. Garancija je omejena na popravilo in/ali zamenjavo in ne vključuje nobenih drugih obveznosti, med drugim vključno z naključno ali posledično škodo. Garancija ne velja, če je bil izdelek napačno uporabljen, uporabljen v nasprotju z navodili iz priložnice za uporabo ali če ni bil pravilno povezan. Ta garancija ne velja za:
  - škodo na izdelku, ki je posledica neustreznega vzdrževanja
  - spremenjen ali prilagojen izdelek
  - izdelek, katerega originalna identifikacijska oznaka (blagovna znamka, serijska številka) je bil poškodovan, spremenjena ali odstranjena
  - škodo, ki je posledica neupoštevanja navodil iz priložnice za uporabo
  - izdelek, ki nima oznake CE
  - izdelek, ki ga je poskušal opraviti nekvalificiran strokovnjak ali ki je bil popravljen brez predhodne odobritve s strani družbe Techtronic Industries.
  - izdelek, ki je bil povezan na neustrezno napajanje (amperska moč, napetost, frekvenca)
  - škodo, ki jo povzročijo zunanji vplivi (kemični, fizični, mehanski) ali tuje snovi
  - rezervne dele, ki so podvrženi običajni uporabi
  - neprimerno uporabo, preobremenitev orodja
  - uporabo neodobrenih dodatkov ali delovDodatno električno orodje, priloženo orodju ali kupljeno ločeno. Take izjeme so med drugim nastavki za izvijače, svedri, abrazivni diski, brusni papir in rezila, stranska vodila.
  - komponente (sestavini in rezervni deli), ki so podvrženi običajni obrabi, med drugim vključno s kompleti za servisiranje in vzdrževanje, oglikovimi krtačkami, ležaji, vpenjali, svedni priključki SDS ali sprejemnimi odprtini zanje, napajalnimi kablji, pomožnimi ročajmi, prenosnimi kovčki, brusnimi ploščami, vreckami za prah, cevmi iz zupih prahu, tesnilni iz filca, iglami in vzmetni udarnega ključa itd.
- V nekaterih državah se vaš lokalni posrednik družbe RYOBI obveđa, da bo poslal izdelek na servis družbe RYOBI. Ko pošljate izdelek v servisni center družbe RYOBI, mora biti izdelek varno zapakiran in ne sme vsebovati nobenih nevarnih snovi, kot je npr. bencin, opremljen pa mora biti z naslovom pošiljatelja in vsebovati kratek opis napake.
- Popravilo/zamenjava v skladu s to garancijo sta brezplačni storitvi. To pa ne predstavlja podaljšanja ali ponovnega začetka garancijskega obdobja. Zamenjani deli ali orodja postanejo naša last. V nekaterih državah stroške dostave ali poštnino plača pošiljatelj. Vaše zakonsko določene pravice, ki izvirajo iz nakupa orodja, ostajajo nespremenjene.
- Ta garancija velja v Evropski skupnosti, Švici, na Islandiji, Norveškem, v Lichtenštajnu, Turčiji, Rusiji in Združenem kraljestvu. Izven teh območij se obrnite na svojega pooblaščenega posrednika izdelkov RYOBI, dealer ki vam bo povedal, ali velja kakšna druga garancija.

### POOBLAŠČEN SERVISNI CENTER

V primeru zahtev ali težav v zvezi z izdelkom se lahko obrnete na lokalne pooblaščené servise centre (običajno [www.ryobitools.eu](http://www.ryobitools.eu)) ali neposredno na: Techtronic Industries GmbH, Max Eyth Straße 10, 71364 Winnenden, Germany. Prosimo, da navedete serijsko številko in tip izdelka, ki sta natisnjena na oznaki.

## SK ZÁRUČNÉ PODMIENKY RYOBI

Na tento výrobok sa okrem všetkých zákonných práv, vyplývajúcich z nákupu, vzťahuje záruka v nasledovnom znení.

- Záručná doba pre spotrebiteľa je 24 mesiacov a začína plynúť odo dňa, keď bol výrobok zakúpený. Tento dátum musí byť doložený faktúrou alebo iným dokladom o zakúpení. Výrobok je navrhnutý a určený pre spotrebiteľov a len na súkromné používanie. Preto sa záruka sa neposkytuje v prípade použitia na profesionálne a komerčné účely.
- V prípade elektrického náradia (na striedavý/jednosmerný prúd AC/DC), existuje možnosť predĺženia záručnej doby oproti záručnej dobe, uvedenej vyššie, s využitím on-line registrácie na webovej stránke [www.ryobitools.eu](http://www.ryobitools.eu). Označenie na náradí o nároku na predĺženie záručnej doby je zreteľne uvedené v obchodoch a/alebo na obale a je uvedené v dokumentácii k výrobku. Koncový používateľ musí zaregistrovať svoje novozískané náradie on-line do 30 dní odo dňa nákupu. Koncový používateľ sa môže zaregistrovať na predĺženú záruku v krajine svojho bydliska, ak je v on-line registračnom formulári uvedená táto možnosť. Ďalej musia koncoví používatelia ešte dať svoj súhlas k uchovávaniu údajov, ktoré je potrebné zadať on-line a musia súhlasiť s podmienkami. Potvrdenie o prijatí registrácie, ktorý je zaslané e-mailom a originál faktúry, v ktorej je uvedený dátum nákupu, slúžia ako dôkaz o predĺženej záruke.
- Záruka sa vzťahuje na všetky poruchy výrobu k záručnej dobe, spôsobené chybami materiálů alebo spracovania k dátumu nákupu. Táto záruka je obmedzená na opravu alebo výmenu a nezahŕňa žiadne ďalšie povinnosti, vrátane, okrem iných, náhodné alebo následné škody. Táto záruka je neplatná, ak bol výrobok nesprávne používaný, bol používaný v rozpore s návodom na použitie alebo bol nesprávne zapojený. Táto záruka sa nevzťahuje na:
  - akékoľvek poškodenie výrobu, ktoré bolo spôsobené nesprávnou obsluhou
  - akýkoľvek výrobok, ktorý bol zmenený alebo upravený
  - akýkoľvek výrobok, na ktorom bolo poškodené, upravené alebo odstránené identifikačné označenie (ochranná známka, výrobné číslo)
  - akékoľvek škody, spôsobené nedodržaním návodu na obsluhu
  - akýkoľvek výrobok, ktorý neobsahuje označenie CE
  - akýkoľvek výrobok, ktorý sa pokúšal opravovať nekvalifikovaný odborník alebo bol opravovaný bez predchádzajúceho súhlasu so strany spoločnosti Techtronic Industries.
  - akýkoľvek výrobok, pripojený k nesprávnejmu napájaciemu zdroju (ampéry, napätie, frekvencia)
  - akékoľvek poškodenie, spôsobené vonkajšími vplyvmi (chemickými, fyzikálnymi, nárazmi) alebo cudzorodými látkami
  - bežné opotrebovanie náhradných dielov
  - nevhodné používanie, preťažovanie nástroja
  - používanie neschváleného príslušenstva a dielov
  - príslušenstvo k elektrickému náradu, dodávané spolu s náradím alebo zakúpené oddelene. Takéto vylúčenia sa vzťahujú, okrem iného, na násady skrutkovačov, vrtáky, brusne kotúče, brusný papier a čepele, bočné vodiace lišty
  - Súčiastky (diely a príslušenstvo), ktoré podliehajú prirodzenému opotrebeniu, okrem iného súpravy na servis a údržbu, uhľiky, ložiská, skľučovadlá, SDS vrtáky a príslušenstvo, príloh alebo prijímanie, napájací kábel, pomocná rukoväť, prepravná skriňa, brusna doska, prachové vrecko, výfuková trubica, plstené podložky, kolký a pružiny na rázový ťažovák atď.
- V niektorých krajinách miestny zástupca RYOBI preberá na seba záväzok zaslať tovar do servisnej organizácie RYOBI. Pri odoslaní výrobku do servisného strediska RYOBI je potrebné výrobok bezpečne zabaliť bez akéhokoľvek nebezpečného obsahu, ako je benzín, s vyznačením adresy odosielateľa, s krátkym popisom poruchy.
- Oprava/výmena je vrámcí tejto záruky bezplatná. Neznamená to predĺženie záruky alebo spustenie novej záručnej doby. Vymenené diely alebo nástroje sa stávajú našim vlastníctvom. V niektorých krajinách náklady na odoslanie alebo pôstovné musí zaplatiť odosielateľ. Vaše zákonné práva, vyplývajúce z nákupu náradia, zostávajú nedotknuté
- Táto záruka je platná v Európskych spoločenstvách, Švajčiarsku, Islande, Nórsku, Lichtenštajnsku, Turecku, Rusku a Spojenom kráľovstve. Ak sa nachádzate mimo týchto oblastí, obráťte sa na autorizovaného predajcu RYOBI na určenie, či sa dá uplatniť iná záruka.

### AUTORIZOVANÉ SERVISNÉ CENTRUM

Všetky žiadosti alebo problémy s výrobkom možno adresovať miestnym autorizovaným servisným strediskám (navštívte [www.ryobitools.eu](http://www.ryobitools.eu)) alebo priamo na: Techtronic Industries GmbH, Max Eyth Straße 10, 71364 Winnenden, Germany. Uvedte sériové číslo a typ výrobku uvedené na etikete.



## BG УСЛОВИЯ ЗА ВАЛИДНОСТ НА ГАРАНЦИЯТА НА RYOBI

В допълнение към законоустановените права, произтичащи от покупката, този продукт е обхванат от гаранция, както е изложено по-долу.

- Гаранционният срок е 24 месеца за клиенти и започва да тече от деня на закупуване на продукта. Тази дата трябва да се докаже с фактура или друго доказателство за покупка. Продуктът е изработен и предназначен само за потребителска и лична употреба. Следователно не се дава гаранция в случаи на използване от професионалисти или с търговска цел.
- Съществува възможност за удължаване на гаранционния срок за част от диапазона на гаранцията на електрически инструменти (AC/DC) след изчитането на описания тук чрез регистрация на уеб сайта [www.ryobitools.eu](http://www.ryobitools.eu). В магазините и/или на опаковката или вътре в документацията на продукта е показано ясно дали инструментът отговаря на условията за такова удължаване на гаранционния срок. Крайният потребител трябва да регистрира своите новопридобити инструменти онлайн в рамките на 30 дни от датата на покупка. Крайният потребител може да се регистрира за удължена гаранция в държавата си на пребиваване, ако е посочена във формуляра за онлайн регистрация като място, където тази опция е валидна. Освен това крайните потребители трябва да дадат съгласието си за съхранение на данните, които са задължителни за попълване онлайн, и трябва да приемат общите условия. Полученото потвърждение за регистрация, изпратено по електронна поща, и оригиналната фактура, показваща датата на покупка, ще служат като доказателство за удължената гаранция.
- Гаранцията покрива всички дефекти на продукта по време на гаранционния срок, които се дължат на проблеми в изработката или материалите към момента на покупката. Гаранцията е ограничена до ремонт и/или замаяна и не включва други задължения, включително, но не само, случайни или косвени щети. Гаранцията е невалидна, ако продуктът е използван неправилно или в противоречие с ръководството с инструкции, както и ако е свързан неправилно. Тази гаранция не важи за:
  - щети по продукта в резултат на неправилна профилактика
  - продукти, които са били изменени или модифицирани
  - продукт, при който оригиналните маркировки за идентификация (търговска марка, сериен номер) са изгрити, променени или премахнат
  - повреда, причинена от неспазване на ръководството с инструкции
  - продукт без CE маркировка
  - продукт, за който е направен опит за ремонт от неквалифициран специалист или без предварително разрешение от Technic Industries
  - продукт, свързан към неподходящо електрохранване (ампераж, волтаж, честота)
  - щети, причинени от външни влияния (химични, физични, удари) или чужди вещества
  - нормално износване на резервни част
  - неподходяща употреба, претоварване на инструмента
  - използване на неодобрен аксесоари или части
  - Аксесоарите за електрически инструмент са предоставени с инструмента или се купуват отделно. Тези изключения включват, но не само, найкрайници за отвертка, свердела, абразивни дискове, шкурка и остриета, страничен водач
  - Компоненти (части и аксесоари), подложени на естествено износване, включително, но не само, комплекти за обслужване и поддръжка, карбонови четки, лагери, патронник, приставка със свердело SDS или приемно устройство, захранващ кабел, подлагателна ръкохватка, кутия за транспортиране, шифовъчна пластина, торба за прах, трябва за отвеждане на прах, филцови шайби, шифтове и пружини за винтоверти и др.
- В някои държави местният търговец на RYOBI поема отговорността да изпрати продукта до сервизен център на RYOBI. При изпращане на продукт до сервиз на RYOBI той трябва да е опакован безопасно без опасно съдържание, напр. бензин, да е маркиран с адреса на подателя и придружен от кратко описание на повредата.
- Ремонтът/замаяната по силата на тази гаранция са безплатни. Те не водят до удължаване или подновяване на гаранционния срок. Сменените части или инструменти стават наша собственост. В някои държави таксите за доставка или изпращане трябва да се платят от подателя. Законоустановените ви права, произтичащи от закупуването на инструмента, остават незасегнати
- Тази гаранция е валидна в Европейската общност, Швейцария, Islandия, Норвегия, Лихтенщайн, Турция и Обединеното кралство. Извън тези области се свържете с упълномощения търговец на RYOBI, за да се установи дали е приложима друга гаранция.

### УПЪЛНОМОЩЕН СЕРВИЗЕН ЦЕНТЪР

Всички заявки или проблеми, свързани с продукта, могат да бъдат отправяни към местните упълномощени сервизни центрове ([www.ryobitools.eu](http://www.ryobitools.eu)) или директно до: Technic Industries GmbH, Max Eyth Straße 10, 71364 Winnenden, Germany. Посочете серийния номер и типа на продукта, отпечатани върху етикета.

## UK ГАРАНТИЙНИ УМОВИ ДЛЯ RYOBI

Окрім загалом установлених законом прав, що стосуються покупки, цей пристрій покривається гарантією, що зазначено нижче.

- Гарантійний період для споживачів складає 24 місяці і починається з моменту придбання цього пристрою. Ця дата повинна бути задокументована у гарантійному талоні або чеку. Цей пристрій був розроблений і призначений тільки для споживчого та приватного використання. У разі професійного або комерційного використання цього пристрою, він втрачає гарантію.
- Існує можливість подовжити гарантійний період для частини лінійки електрострумів (перемінного/постійного струму), понад період описаний вище за допомогою реєстрації на сайті [www.ryobitools.eu](http://www.ryobitools.eu). Пристрої, які мають право на подовження гарантійного періоду, мають чіткі позначки щодо цього в магазинах і / або на упаковці / та документації до пристрою. Кінцевий користувач повинен зареєструвати його/її новопридбаний пристрій онлайн протягом 30 днів з дати покупки. Кінцевий користувач може зареєструватися для подовження гарантійного періоду в своїй країні постійного перебування, якщо вона є доступною у відповідній опції онлайн форми реєстрації. Крім того, кінцеві користувачі повинні дати свою згоду на зберігання даних, які необхідні для введення онлайн, а також вони повинні прийняти правила та умови. Отримання підтвердження реєстрації, яке відправляється на адресу електронної пошти, та оригінал гарантійного талона із зазначеною датою покупки буде слугувати доказом подовженої гарантії.
- Гарантія поширюється на всі дефекти пристрою протягом гарантійного терміну щодо недотримання стандартів виробництва або матеріалів на дату придбання. Гарантія обмежується ремонтом та/або заміною, та не включає в себе будь-яких інших зобов'язань, в тому числі, але не обмежена у разі випадкових та подальших пошкоджень. Гарантія не діє, якщо пристрій використовувався неналежним чином, всупереч інструкції з експлуатації або був неправильно підключений до мережі. Дана гарантія не поширюється на:
  - пристрої, що були пошкоджені у результаті неправильного технічного обслуговування;
  - пристрої, що були вивозомінені або модифіковані;
  - пристрої, оригінальні ідентифікаційні (товарний знак, серійний номер) маркування яких було пошкоджене, змінене або видалене;
  - будь-які пошкодження, заподіяні недотриманнями інструкції з експлуатації;
  - пристрої, що не мають маркування CE;
  - пристрої, що були відремонтвані некваліфікованим фахівцем або за відсутності попереднього дозволу від Technic Industries;
  - пристрої, підключені до невідповідного джерела живлення (сила току, напруження, частота);
  - будь-які пошкодження спричинені зовнішнім впливом (хімічний, фізичний, стрибками напруги) або сторонніми речовинами;
  - нормальну амортизацію запасних частин;
  - невідповідне використання, перевантаження пристрою;
  - використання невідтверджених запасних частин або аксесуарів;
  - приладдя до електрострумів, що постачається разом з пристроєм або купуються окремо. Такі винятки враховують але не є обмеженнями для наконечників викруток, свердел, абразивних дисків, наждачного паперу та лез, бічних напрямних
  - компоненти(частини та приладдя) з урахуванням нормального зношування, враховуючи, але без обмеження на комплекти профілактики та технічного обслуговування, вугільні щітки, підшипники, патрони, кріплення або прийом SDS свердел, кабелі живлення, додаткові рукоятки, чохла для транспортування, шліфувальні пластини, мішки для збору пилу, трубки вихлопу, фетрові кільця, штирі і пружини гайковерти і т.д.
- У деяких країнах місцевий дилер RYOBI зобов'язується відправити пристрій до сервісного центру RYOBI. При відправленні пристрою до сервісного центру RYOBI, пристрій має бути надібно упакований без будь-якого небезпечного вмісту, наприклад бензину, з зазначеною адресою відправника та супроводжуватися коротким описом несправності.
- Ремонт / заміна відповідно до цієї гарантії здійснюється безкоштовно. Це не є основою для подовження або початку нового гарантійного періоду. Замінні частини або прилади переходять до власності компанії. У деяких країнах вартість доставки або поштові витрати повинні бути сплачені відправником. Загально встановлені права покупця на пристрій залишаються незмінними
- Ця гарантія є дійсною у країнах, членах ЄС, Швейцарії, Islandії, Норвегії, Лихтенштейні, Туреччині, Росії та Великій Британії. За межами цих зон, будь ласка, зверніться до офіційного дилера RYOBI, щоб визначити, чи застосовується інша гарантія.

### АВТОРИЗОВАНІ СЕРВІСНІ ЦЕНТРИ

З будь-яких питань або проблем, пов'язаних з пристроєм, ви можете звернутись до місцевих авторизованих сервісних центрів (відвідайте [www.ryobitools.eu](http://www.ryobitools.eu)) або напрямку до: Technic Industries GmbH, Max Eyth Straße 10, 71364 Winnenden, Germany. Будь ласка, вкажіть серійний номер та тип продукту, вказані на етикетці.



## TR RYOBI GARANTİ UYGULAMA KOŞULLARI

Alımdan kaynaklanan yasal haklara ek olarak, ürün aşağıda belirtilen garanti kapsamındadır.

1. Tüketiciler için 24 ay olan garanti süresi, ürünün satın alındığı tarihte başlar. Bu tarihin bir fatura ya da alım kanıtıyla belgelenmesi gerekir. Ürün sadece tüketim ve özel kullanım için geliştirilmiş ve adanmıştır. Bu nedenle, profesyonel ya da ticari kullanım halinde garanti kapsamı sağlanmaz.
2. Elektrikli el aletlerinin bir bölümü (AC/DC) için www.ryobitools.eu sayfasındaki kayıt işlemini kullanarak garantinin belirtilen sürenin ötesine uzatma imkanı mevcuttur. Aletlerin garanti süresinin uzatılmasına uygun olup olmadığı mağazalarda ve / veya ambalajda açıkça belirtilmiş olup, ürün dokümantasyonunda gösterilir. Son kullanıcının yeni aldığı aletleri satın alma tarihini izleyen 30 gün içinde kaydettirmesi gerekir. Son kullanıcı ikamet ettiği ülkede, bu seçeneğin geçerli olduğu çevrimiçi kayıt formunda belirtilmişse, uzatılmış garanti süresi için kayıt yapılabilir. Dahası, son kullanıcıların çevrimiçi giriş için gerekli verilerin kaydedilmesine izin vermeli ve hüküm ve koşulları kabul etmelidir. E-posta ile gönderilen kayıt teyit makbuzu ve alım tarihini gösteren orijinal fatura uzatılmış garantinin kanıtı olarak değerlendirilir.
3. Garanti, ürünün alım tarihindeki işçilik ve malzeme kusurları nedeniyle garanti süresi içinde oluşacak bütün arızalarını kapsar. Bu garanti onarım ve değiştirmeyle sınırlı olup, tesadüfi ya da dolaylı hasarlar da dahil, ancak bunlarla kısıtlı olmayan başka hiçbir taahhüdü kapsamaz. Garanti, ürünün kötü, kullanıcı kılavuzuna aykırı kullanılmış ya da yanlış bağlanmış olması halinde geçerli değildir. Bu garanti aşağıdakileri kapsamaz:
  - üründe, yanlış bakımdan kaynaklanan herhangi bir hasar
  - değiştirilmiş ya da modifiye edilmiş herhangi bir ürün
  - orijinal tanıtım işaretleri (ticari marka, seri numarası) silinmiş, değiştirilmiş ya da kaldırılmış herhangi bir ürün
  - kullanma kılavuzuna uymamaktan kaynaklanmış herhangi bir hasar
  - herhangi bir AT dışı ürün
  - kalifiye olmayan personel tarafından ya da önceden Techtronic Industries onayı alınmadan onarılmış herhangi bir ürün.
  - uygunsuz güç kaynağına (amper, voltaj, frekans) bağlanmış herhangi bir ürün
  - harici etkenlerden (kimyasal, fiziksel, darbe) veya yabancı cisimlerden kaynaklanan her türlü hasar
  - normal aşınır ve yıpranır aksam
  - uygunsuz kullanım, aletin aşırı yüklenmesi
  - onaysız aksesuar veya parça kullanımı
  - Aletle birlikte sağlanmış ya da ayrıca alınmış elektrikli alet aksesuarları. Tornavida uçları, matkap uçları, aşındırıcı diskler, zımpara kağıdı ve bıçakları, yanak kılavuz gibi aksesuarları içeren, ancak bunlarla sınırlı olmayan eklentiler
  - Servis ve Bakım kitiyle, kömür fırçalar, yataklar, kovanlar, SDS matkap ucu bağlantısı ya da yuvaları, güç kablosu, yedek tutamak, nakliye ve taşıma kutusu, kuşlama plakası, toz torbası, toz egzoz borusu, keçe rondelalar, Darbeli Tornavida Pim ve yayları vb. gibi parçaları kapsayan, ancak bunlarla sınırlı olmayan, aşınma ve yıpranmaya tabi bileşenler (aksam ve aksesuarlar).
4. Bazı ülkelerde, yerel RYOBI distribütörünüzü ürünü RYOBI servis teşkilatına göndermeyi üstlenir. Bir ürün bir RYOBI servis istasyonuna gönderilirken, ürünün güvenli bir biçimde ambalajlanması, benzin gibi tehlikeli maddeler içermemesi, gönderenin adresini taşıması ve arızanın kısa bir açıklamasını içermesi gerekir.
5. Bu garanti kapsamında yapılacak onarım / değişiklik ücretsizdir. Garanti süresinin uzatılması ya da yeniden başlatılması anlamına gelmez. Değiştirilmiş parçalar veya aletler bize ait olur. Bazı ülkelerde teslimat ücretleri veya posta giderlerinin gönderici tarafından ödenmesi gerekir. Alımdan kaynaklanan yasal haklarınız etkilenmez.
6. Bu garanti Avrupa Birliği'nde, İsviçre, İzlanda, Norveç, Lihtenştayn, Türkiye, Rusya ve Birleşik Krallık'ta geçerlidir. Bu alanların dışında, başka bir garantinin geçerli olup olmadığını belirlemek için lütfen yetkili RYOBI distribütörünüze irtibata geçin.

### YETKİLİ SERVİS MERKEZİ

Ürünle ilgili her türlü talep ve sorun yerel yetkili servis merkezlerine (www.ryobitools.eu adresini ziyaret edin) veya doğrudan aşağıdaki şekilde iletilebilir: Techtronic Industries GmbH, Max Eyth Straße 10, 71364 Winnenden, Germany. Lütfen etikette yer alan seri numarasını ve ürün tipini belirtin.

## EN EC DECLARATION OF CONFORMITY

### Cordless snow thrower

Brand: RYOBI | Manufacturer<sup>1</sup> | Model number<sup>2</sup> | Serial number range<sup>3</sup>  
 We declare as the manufacturer under our sole responsibility that the product mentioned below fulfills all the relevant provisions of the following European Directives, European Regulations and harmonised standards<sup>4</sup>  
 Measured sound power level..... 88,4 dB(A)  
 Guaranteed sound power level..... 92 dB(A)  
 Conformity assessment method to Annex V Directive 2000/14/EC amended by 2005/88/EC.  
 Authorised to compile the technical file.<sup>5</sup>

## FR DÉCLARATION CE DE CONFORMITÉ

### Souffleuse à neige sans fil

Marque: RYOBI | Fabricant<sup>1</sup> | Numéro de modèle<sup>2</sup> | Étendue des numéros de série<sup>3</sup>  
 Nous déclarons sous notre entière responsabilité que le produit mentionné ci-dessous remplit toutes les dispositions pertinentes des directives et réglementations européennes suivantes, ainsi que des normes harmonisées ci-après<sup>4</sup>  
 Niveau de puissance sonore mesuré..... 88,4 dB(A)  
 Niveau de puissance sonore garanti..... 92 dB(A)  
 Méthode d'évaluation de conformité de l'annexe V Directive 2000/14/EC modifiée 2005/88/EC.  
 Autorisé à rédiger le dossier technique.<sup>5</sup>

## DE EG-KONFORMITÄTSERKLÄRUNG

### Akku-Schneefräse

Marke: RYOBI | Hersteller<sup>1</sup> | Modellnummer<sup>2</sup> | Seriennummernbereich<sup>3</sup>  
 Wir erklären in alleiniger Verantwortung, dass das nachstehend erwähnte Produkt allen einschlägigen Bestimmungen der folgenden EU-Richtlinien, EU-Vorschriften und harmonisierten Normen entspricht<sup>4</sup>  
 Gemessener Schalleistungspegel..... 88,4 dB(A)  
 Garantiertes Schalleistungspegel..... 92 dB(A)  
 Konformitätsbeurteilungsmethode zu Anhang V Richtlinie 2000/14/EC wie durch 2005/88/EC.  
 Autorisiert die technische Datei zu erstellen.<sup>5</sup>

## ES DECLARACIÓN CE DE CONFORMIDAD

### Quitanieves inalámbrico

Marca: RYOBI | Fabricante<sup>1</sup> | Número de modelo<sup>2</sup> | Intervalo del número de serie<sup>3</sup>  
 Declaramos, bajo nuestra exclusiva responsabilidad, que el producto mencionado a continuación cumple con todas las disposiciones relevantes de las siguientes directivas, normas armonizadas y reglamentos europeos<sup>4</sup>  
 Nivel de potencia acústica medido..... 88,4 dB(A)  
 Nivel de potencia acústica garantizado..... 92 dB(A)  
 Método de evaluación de conformidad con el anexo V Directiva 2000/14/EC modificada por la 2005/88/EC.  
 Autorizado para elaborar la ficha técnica.<sup>5</sup>

## IT DICHIARAZIONE CE DI CONFORMITÀ

### Spazzaneve a batteria

Marca: RYOBI | Ditta produttrice<sup>1</sup> | Numero modello<sup>2</sup> | Gamma numero seriale<sup>3</sup>  
 Dichiariamo sotto la nostra unica responsabilità che il prodotto descritto in basso soddisfa tutte le disposizioni delle direttive europee e che sono state osservate le norme seguenti<sup>4</sup>  
 Livello di potenza acustica misurato..... 88,4 dB(A)  
 Livello di potenza sonora garantita..... 92 dB(A)  
 Metodo di valutazione sulla conformità all'allegato V Direttiva 2000/14/EC modificata con la 2005/88/EC.  
 Autorizzato per compilare il file tecnico.<sup>5</sup>

## NL EG-VERKLARING VAN OVEREENSTEMMING

### Snoerloze sneeuwruimer

Merk: RYOBI | Fabrikant<sup>1</sup> | Modelnummer<sup>2</sup> | Seriennummerbereik<sup>3</sup>  
 Wij verklaren naar onze eigen verantwoordelijkheid, dat het hieronder genoemde product voldoet aan alle relevante bepalingen van de volgende Europese richtlijnen, Europese verordeningen en geharmoniseerde normen<sup>4</sup>  
 Gemeten geluidsniveau..... 88,4 dB(A)  
 Gegarandeerd geluidsniveau..... 92 dB(A)  
 Evaluatiemethode conformiteit volgens bijlage V Richtlijn 2000/14/EC gewijzigd door 2005/88/EC.  
 Afgevaardigde voor het samenstellen van de technische fiche.<sup>5</sup>

## PT DECLARAÇÃO CE DE CONFORMIDADE

### Lançador de neve sem fios

Marca: RYOBI | Fabricante<sup>1</sup> | Número do modelo<sup>2</sup> | Intervalo do número de série<sup>3</sup>  
 Declaramos sob nossa exclusiva responsabilidade que o produto mencionado abaixo cumpre todas as disposições aplicáveis das seguintes diretivas, regulamentos e normas harmonizadas da União Europeia<sup>4</sup>  
 Nivel de potência sonora medido..... 88,4 dB(A)  
 Nivel de potência sonora garantido..... 92 dB(A)  
 Método de avaliação de conformidade para o anexo V Directiva 2000/14/EC alterada por 2005/88/EC.  
 Autorizado para compilar o ficheiro técnico.<sup>5</sup>

## DA EF-OVERENSSTEMMELSESEKYLÆRING

### Batteridrevet snekaster

Brand: RYOBI | Producent<sup>1</sup> | Modelnummer<sup>2</sup> | Seriennummerområde<sup>3</sup>  
 Vi erklærer under eget ansvar, at produktet nævnt nedenfor opfylder alle de relevante forskrifter i de følgende europæiske direktiver, europæiske forordninger og harmoniserede standarder<sup>4</sup>  
 Målt støjniveau..... 88,4 dB(A)  
 Garanteret støjniveau..... 92 dB(A)  
 Overensstemmelsesvurderingsmetode til bilag V Direktiv 2000/14/EC ændret ved 2005/88/EC.  
 Bemyndiget til at udarbejde det tekniske kartotek.<sup>5</sup>

## SV EG-FÖRSÄKRAN ÖVERENSSTÄMMELSE

### Sladdlös snöslunga

Marke: RYOBI | Tillverkare<sup>1</sup> | Modellnummer<sup>2</sup> | Seriennummerintervall<sup>3</sup>  
 Vi förklarar under eget ansvar att den produkt som nämns nedan uppfyller alla relevanta föreskrifter i följande europeiska direktiv, europeiska förordningar och harmoniserade standarder<sup>4</sup>  
 Uppmått ljudeffektnivå..... 88,4 dB(A)  
 Garanterad ljudeffektnivå..... 92 dB(A)  
 Konformitetsbedömning gjord enligt metod i V Direktiv 2000/14/EC samt tillägen i 2005/88/EC.  
 Godkänd att sammanställa den tekniska filen.<sup>5</sup>

## FI EY-VAATIMUSTENMUKAISUUSVAKUUTUS

### Langaton lumilinko

Tuotemerkki: RYOBI | Valmistaja<sup>1</sup> | Mallinnumero<sup>2</sup> | Sarjanumeroalue<sup>3</sup>  
 Vakuutamme alla mainitun tuotteen olevan seuraavien eurooppalaisten direktiivien, asetusten ja yhdenmukaistettujen standardien säännösten mukainen<sup>4</sup>  
 Mittattu ääniteho..... 88,4 dB(A)  
 Taattu ääniteho..... 92 dB(A)  
 Säännösten noudattaminen tarkastettu direktiivin 2000/14/EC liitteen V mukaisesti muunnettu direktiivillä 2005/88/EC.  
 Valtuutettu kokoamaan tekninen tiedosto.<sup>5</sup>

## NO CE-SAMSVARSEKYLÆRING

### Kabelfri snøfreser

Merke: RYOBI | Produsent<sup>1</sup> | Modellnummer<sup>2</sup> | Seriennummerserie<sup>3</sup>  
 Vi erklærer på eget ansvar at produktet beskrevet nedenfor oppfyller alle de relevante bestemmelsene i de europeiske direktiver, europeiske forskrifter og harmoniserte standarder<sup>4</sup>  
 Målt lydteffektivitet..... 88,4 dB(A)  
 Garantert lydteffektivitet..... 92 dB(A)  
 Metode for vurdering av konformitet til Tillegg V i Direktiv 2000/14/EC endret ved 2005/88/EC.  
 Autorisert til å sette sammen den tekniske filen.<sup>5</sup>

## RU ДЕКЛАРАЦИЯ О СООТВЕТСТВИИ СТАНДАРТАМ ЕС

### Беспроводной снегоуборщик

Марка: RYOBI | Изготовитель<sup>1</sup> | Номер модели<sup>2</sup> | Диапазон заводских номеров<sup>3</sup>  
 Со всей ответственностью заявляем, что нижеупомянутое изделие отвечает всем соответствующим положениям следующих европейских директив, европейских регламентов, а также гармонизированных стандартов<sup>4</sup>  
 Измеренный уровень звуковой мощности..... 88,4 dB(A)  
 Гарантируемый уровень звуковой мощности..... 92 dB(A)  
 Способ оценки соответствия, приложение V к директиве 2000/14/EC с изменениями 2005/88/EC.  
 Лицо, ответственное за подготовку технической документации.<sup>5</sup>

## PL DEKLARACJA ZGODNOŚCI WE

### Odsnieżarka bezprzewodowa

Marka: RYOBI | Producent<sup>1</sup> | Numer modelu<sup>2</sup> | Zakres numerów seryjnych<sup>3</sup>  
 Oświadczamy na własną odpowiedzialność, że produkt opisany w sekcji „Specyfikacja” spełnia wszystkie istotne postanowienia wymienionych poniżej dyrektyw UE, przepisów europejskich oraz norm zharmonizowanych<sup>4</sup>  
 Zmierzony poziom mocy akustycznej..... 88,4 dB(A)  
 Gwarantowany poziom mocy akustycznej..... 92 dB(A)  
 Metoda ocena zgodności zgodnie z załącznikiem V Dyrektywa 2000/14/EC zmieniona przez dyrektywę 2005/88/EC.  
 Osoba upoważniona do sporządzenia dokumentu technicznego.<sup>5</sup>

## CS CE PROHLÁŠENÍ O SHODĚ

### Akumulátorová sněhová fréza

Značka: RYOBI | Výrobce<sup>1</sup> | Číslo modelu<sup>2</sup> | Rozsah sériových čísel<sup>3</sup>  
 Výhradně na vlastní odpovědnost prohlašujeme, že níže uvedený výrobek splňuje všechna příslušná ustanovení evropských směrnic, evropských nařízení a harmonizovaných norem<sup>4</sup>  
 Změřená hladina akustického výkonu..... 88,4 dB(A)  
 Zaručená hladina akustického výkonu..... 92 dB(A)  
 Soulad s metodou určování pro přílohu V směrnice 2000/14/EC upravená 2005/88/EC.  
 Pověřeni ke kompilaci technického souboru.<sup>5</sup>



## HU EK-MEGFELELŐSÉGI NYILATKOZATA

### Akkumulátoros hómáró

Márka: RYOBI | Gyártó<sup>1</sup> | Tipusszám<sup>2</sup> | Sorozatszám tartomány<sup>3</sup>  
Kizárólagos felelősségünk keretében nyilatkozunk, hogy az alább említett termék megfelel a következő európai irányelvek, szabályozások és harmonizált szabványok vonatkozás rendelkezéseinek<sup>4</sup>

Mért hangteljesítményszint..... 88,4 dB(A)  
Garantált hangteljesítményszint..... 92 dB(A)  
A megfelelőségi értékelési eljárás a 2000/14/EC irányelv V. függeléké szerint történt által módosított 2005/88/EC irányelv.

A műszaki dokumentáció összeállítására felhatalmazott:<sup>5</sup>

## RO DECLARAȚIE DE CONFORMITATE CE

### Freză de zăpadă fără cablu

Marcă: RYOBI | Producător<sup>1</sup> | Număr serie<sup>2</sup> | Gamă număr serie<sup>3</sup>  
Declarăm pe proprie responsabilitate că produsul menționat mai jos îndeplinește toate prevederile relevante ale directivelor Uniunii Europene, ale Regulamentelor UE și standardele armonizate<sup>4</sup>

Nivelul măsurat al puterii acustice..... 88,4 dB(A)  
Nivel garantat al puterii acustice..... 92 dB(A)  
Metoda de evaluare a conformității cu Anexa V Directiva 2000/14/EC modificată prin 2005/88/EC.

Autorizat să completeze fișa tehnică:<sup>5</sup>

## LV EK ATBILSTĪBAS DEKLARĀCIJA

### Akkumulatortur sniega pūtējs

Zīmols: RYOBI | Ražotājs<sup>1</sup> | Modeļa numurs<sup>2</sup> | Sērijas numura intervāls<sup>3</sup>  
Ar pilnu atbildību mēs deklarējam, ka tālāk norādītais produkts izpilda visas atbilstošās norādīto Eiropas direktīvu, Eiropas regulu un harmonizēto standartu prasības<sup>4</sup>  
Izmērītās skaņas jaudas līmenis ..... 88,4 dB(A)  
Garantētās skaņas intensitātes līmenis ..... 92 dB(A)  
Atbilstības novērtēšanas metode pielikumam V Direktīvai 2000/14/EC labota 2005/88/EC.  
Pilnvarots sastādīt tehnisko failu:<sup>5</sup>

## LT EB ATITIKTIES DEKLARACIJA

### Akkumulacinis sniego valytuvas

Prekės ženklas: RYOBI | Gamintojas<sup>1</sup> | Modelio numeris<sup>2</sup> | Serijinio numerio diapazonas<sup>3</sup>  
Mes atsakingai pareiškiame, kad toliau minimas gaminyas atitinka nurodytus Europos direktyvas, Europos reglamentus ir darniuosius standartus<sup>4</sup>  
Išmatuotas akustinis lygis ..... 88,4 dB(A)  
Garantuotas akustinis lygis ..... 92 dB(A)  
Atitikties įvertinimo metodas pagal direktyvos 2000/14/EC, V Priedą su pataisomis 2005/88/EC.  
Įgaliotas sudaryti techninį failą:<sup>5</sup>

## ET EÜ VASTAVUSDEKLARATSIOON

### Juhtmeta lumepuhasti

Märk: RYOBI | Tootja<sup>1</sup> | Mudeli number<sup>2</sup> | Seerianumbri vahemik<sup>3</sup>  
Kinnitame oma ainuvastutusele, et allpool nimetatud toode vastab järgmistele Euroopa direktiivide, Euroopa määruste ja ühtlustatud standardite kõigile asjaomastele sätetele<sup>4</sup>  
Möödetud heli võimsuse tase ..... 88,4 dB(A)  
Garanteeritud heli võimsuse tase ..... 92 dB(A)  
Vastavushindamine vastavalt lisale V direktiivis 2000/14/EC muudetud direktiiviga 2005/88/EC.

Tehnilise faili koostamiseks volitatud isik:<sup>5</sup>

## HR IZJAVA O SUKLADNOSTI

### Akkumulatorski bacač snijega

Márka: RYOBI | Proizvođač<sup>1</sup> | Broj modela<sup>2</sup> | Raspon serijskog broja<sup>3</sup>  
Pod punom odgovornošću izjavljujemo da proizvod naveden u nastavku zadovoljava sve relevantne odredbe sljedećih europskih direktiva, europskih uredbi i usklađenih normi<sup>4</sup>  
Izmerjena razina zvučne snage ..... 88,4 dB(A)  
Jamčena razina zvučne snage ..... 92 dB(A)  
Metoda procjene usklađenosti prema Dodatku V Direktive 2000/14/EC navedeno u 2005/88/EC.

Ovlašten da sastavi tehničku datoteku:<sup>5</sup>

## SL ES-IZJAVA O SKLADNOSTI

### Brezžična snežna freza

Znamka: RYOBI | Proizvajalec<sup>1</sup> | Številka modela<sup>2</sup> | Razpon serijskih števil<sup>3</sup>  
Pod izključno lastno odgovornostjo izjavljamo, da spodaj navedeni izdelek izpolnjuje vse ustrezne predpise naslednjih evropskih direktiv, evropskih uredb in harmoniziranih standardov<sup>4</sup>  
Izmerjena raven zvočne moči ..... 88,4 dB(A)  
Zajamčena raven zvočne moči ..... 92 dB(A)  
Način ugotavljanja skladnosti z aneksom V direktive 2000/14/EC ki je bila spremenjena z 2005/88/EC.

Pooblaščen oseba za sestavo tehnične dokumentacije:<sup>5</sup>

## SK ES VYHLÁSENIE O ZHODE

### Akkumulátorová snežná freza

Značka: RYOBI | Výrobca<sup>1</sup> | Číslo modelu<sup>2</sup> | Rozsah sériových čísel<sup>3</sup>  
Na vlastnú zodpovednosť vyhlasujeme, že dolu uvedený výrobok vyhovuje príslušným ustanoveniam nasledujúcich európskych smerníc, európskych nariadení a harmonizovaných noriem<sup>4</sup>  
Nameraná úroveň hluku ..... 88,4 dB(A)  
Garantovaná úroveň hluku ..... 92 dB(A)  
Spôsob určenia zrovy podľa Dodatku V Smernica 2000/14/EC doplnená o 2005/88/EC.  
Oprávnená osoba na zostavenie technického súboru:<sup>5</sup>

## BG CE - ДЕКЛАРАЦИЯ ЗА СЪОТВЕТСТВИЕ

### Безжичен снегорин

Марка: RYOBI | Производител<sup>1</sup> | Номер на модела<sup>2</sup> | Обхват на серийни номера<sup>3</sup>  
Декларираме на своя лична отговорност, че продуктът, посочен по-долу, отговаря на всички съответни разпоредби на директивите и регламентите на Европейския съюз и хармонизираните стандарти по-долу<sup>4</sup>  
Измерено ниво на шума ..... 88,4 dB(A)  
Гарантирано ниво на шума ..... 92 dB(A)  
Метод за оценяване на съответствието с приложение V Директива 2000/14/EC, изменена от 2005/88/EC.  
Упълномощено лице за съставяне на техническия файл:<sup>5</sup>

## UK СЕРТИФІКАТ ВІДПОВІДНОСТІ ВИМОГАМ ЄС

### Бездротова снігоприбиральна машина

Марка: RYOBI | Виробник<sup>1</sup> | Номер моделі<sup>2</sup> | Діапазон серійного номеру<sup>3</sup>  
Ми відповідально заявляємо, що описаний нижче пристрій відповідає всім чинним положенням директив ЄС, Європейських норм та гармонізованих стандартів<sup>4</sup>  
Вимірний рівень звукової потужності ..... 88,4 dB(A)  
Гарантований рівень звукової потужності ..... 92 dB(A)  
Метод оцінки відповідності Annex V Директиві 2000/14/EC з поправками, внесеними 2005/88/EC.  
Дозвіл на складання технічного файлу:<sup>5</sup>

## TR CE UYGUNLUK BEYANI

### Kablolu ark çıkürte makinesi

Marka: RYOBI | Üretici<sup>1</sup> | Model numarası<sup>2</sup> | Seri numaraları aralığı<sup>3</sup>  
Tüm sorumluluğu bize ait olmak üzere, aşağıda belirtilen ürünün aşağıdaki Avrupa Direktifleri, Avrupa Mevzuatı ve uyumlaştırılmış standartların ilgili hükümlerini yerine getirdiğini beyan ederiz<sup>4</sup>  
Ölçülen ses gücü seviyesi ..... 88,4 dB(A)  
Güvenceli ses gücü seviyesi ..... 92 dB(A)  
2005/88/AT ile değiştirilen 2000/14/AT Direktifi Ek V uyarınca uygunluk değerlendirilmesi yöntemi.  
Teknik dosyayı derlemekle yetkili sorumlu:<sup>5</sup>

<sup>1</sup> Techtronic Industries GmbH  
Max-Eyth-Straße 10, 71364 Winnenden, Germany

<sup>2</sup> RY36STX53A

<sup>3</sup> 4862110100001 - 4862110199999

<sup>4</sup> 2006/42/EC, 2014/30/EU, 2000/14/EC, 2005/88/EC, 2011/65/EU, EN ISO 12100:2010, EN 62841-1:2015, EN ISO 8437-1:2021, EN ISO 8437-2:2021, EN ISO 8437-4:2021, EN 55014-1:2021, EN 55014-2:2021, EN IEC 63000:2018

Todd Chipner  
Senior Vice President, Quality – Asia  
Winnenden, June 30, 2022

<sup>5</sup> Alexander Krug, Managing Director  
Techtronic Industries GmbH  
Max-Eyth-Straße 10, 71364 Winnenden, Germany

## GB-DECLARATION OF CONFORMITY

Manufacturer: Techtronic Industries GmbH  
Max-Eyth-Straße 10, 71364 Winnenden, Germany

*We declare as the manufacturer under our sole responsibility that the product mentioned below*

Cordless snow thrower  
Brand: RYOBI  
Model number: RY36STX53A  
Serial number range: 48621101000001 - 48621101999999

*fulfills all the relevant provisions of the following Regulations: S.I. 2008/1597 (as amended), S.I. 2016/1091 (as amended), S.I. 2001/1701 (as amended), S.I. 2012/3032 (as amended) and that the following designated standards have been used:*

BS EN ISO 12100:2010, BS EN 62841-1:2015, BS EN ISO 8437-1:2021,  
BS EN ISO 8437-2:2021, BS EN ISO 8437-4:2021, BS EN 55014-1:2021,  
BS EN 55014-2:2021, BS EN IEC 63000:2018

Measured sound power level: 88.4 dB(A)  
Guaranteed sound power level: 92 dB(A)  
Conformity assessment method to S.I. 2001/1701 Schedule 8 and S.I 2005/3525 (as amended)



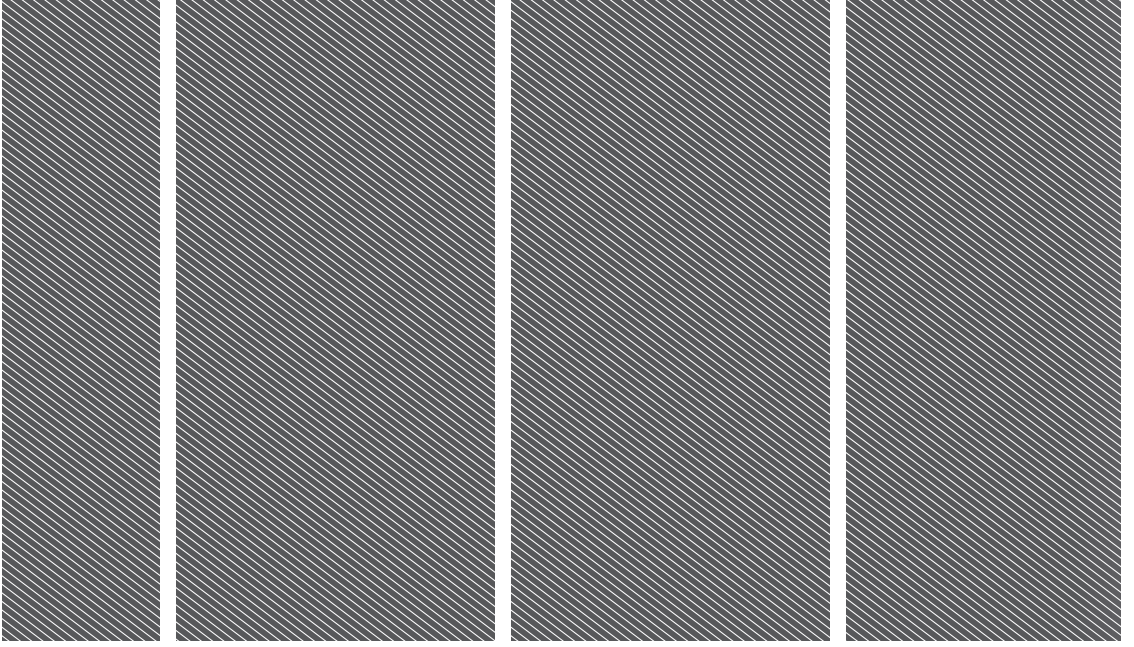
Todd Chipner  
Senior Vice President, Quality – Asia  
Winnenden, June 30, 2022

Authorised to compile the technical file:  
Techtronic Industries (UK) Ltd  
Parkway  
Marlow Bucks SL7 1YL  
UK



**EN** RYOBI is a trade mark of Ryobi Limited, and is used under license.  
**FR** RYOBI est une marque déposée de Ryobi Limited, et est utilisée sous license.  
**DE** RYOBI ist ein Markenzeichen von Ryobi Limited und wird in Lizenz verwendet.  
**ES** RYOBI es una marca registrada de Ryobi Limited, y se utiliza bajo licencia.  
**IT** L'utilizzo del marchio registrato RYOBI è legato alla licenza concessa da Ryobi Limited.  
**NL** RYOBI is een handelsmerk van Ryobi Limited en wordt onder licentie gebruikt.  
**PT** RYOBI é uma marca comercial de Ryobi Limited, e é utilizada sob licença.  
**DA** RYOBI er et varemærke tilhørende Ryobi Limited og bruges under licens.  
**SV** RYOBI är en del av varumärke Ryobi Limited och dess användning är licensierad.  
**FI** RYOBI on Ryobi Limitedin omistama tavaramerkki, ja sitä käytetään lisenssin puitteissa.  
**NO** RYOBI er et varemerke for Ryobi Limited, og brukes under lisens.  
**RU** RYOBI является товарным знаком компании Ryobi Limited, используемым по лицензии.  
**PL** RYOBI to znak towarowy firmy Ryobi Limited i jest używany zgodnie z udzieloną licencją.  
**CS** RYOBI je ochranná známka společnosti Ryobi Limited a její používání podléhá licenci.  
**HU** A RYOBI a Ryobi Limited védjegye, használatát licenc keretében történi.  
**RO** RYOBI este o marcă comercială a firmei Ryobi Limited și este utilizată sub licență.  
**LV** RYOBI ir Ryobi Limited preču zīme un tiek izmantota saskaņā ar licenci.  
**LT** „RYOBI” yra „Ryobi Limited” prekės ženklas, naudojamas pagal licenciją.  
**ET** RYOBI on ettevõtte Ryobi Limited kaubamärk, mida kasutatakse litsentsi alusel.  
**HR** RYOBI je zīg tvrtke Ryobi Limited i koristi se po licenci.  
**SL** RYOBI je blagovna znamka družbe Ryobi Limited in se uporablja na podlagi dovoljenja.  
**SK** RYOBI je ochranná známka spoločnosti Ryobi Limited a používa sa na základe licencie.  
**BG** RYOBI е търговска марка на Ryobi Limited и се използва под лиценз.  
**UK** RYOBI є товарним знаком Ryobi Limited, і використовується за ліцензією.  
**TR** RYOBI, Ryobi Limited şirketine ait olup, lisans altında kullanilan bir ticari markadır.





**Techtronic Industries GmbH**  
Max-Eyth-Straße 10,  
71364 Winnenden, Germany

**Techtronic Industries (UK) Ltd**  
Parkway  
Marlow Bucks SL7 1YL  
UK

961479070-02

