

RXBC01





- Important!** It is essential that you read the instructions in this manual before assembling, maintaining and operating the product.
- Attention!** Il est essentiel que vous lisiez les instructions contenues dans ce manuel avant d'assembler, d'entretenir et d'utiliser le produit.
- Achtung!** Es ist wichtig, dass Sie vor Zusammenbau, Wartung und Benutzung des Produktes die Anweisungen in dieser Anleitung lesen.
- ¡Atención!** Resulta fundamental que lea este manual de instrucciones antes de realizar el montaje, el mantenimiento y de utilizar este producto
- Attenzione!** È importante leggere le istruzioni contenute nel presente manuale prima di montare il prodotto, svolgere le operazioni di manutenzione sullo stesso e metterlo in funzione.
- Let op!** Het is van essentieel belang dat u de instructies in deze gebruiksaanwijzing leest voor u het product monteert, onderhoudt en gebruikt.
- Atenção!** É fundamental que leia as instruções deste manual antes da montagem, manutenção e operação do aparelho.
- OBS!** Det er vigtigt, at man læser instrukserne i denne brugsanvisning, inden man samler, vedligeholder og betjener produktet.
- Observera!** Det är viktigt att du läser instruktionerna i manualen före montering, användning och underhåll av produkten.
- Huomio!** On tärkeää, että luet tämän käsikirjan ohjeet ennen tuotteen kokoamista, huoltoa ja käyttöä.
- Advarsel!** Det er viktig at du leser instruksjonene i denne manualen før sammensetning, vedlikehold og bruk av produktet
- Внимание!** Необходимо прочитать инструкции в данном руководстве перед сборкой, обслуживанием и эксплуатацией этого изделия.
- Uwaga!** Koniecznie należy przeczytać instrukcje zawarte w tym podręczniku przed montażem, obsługą oraz konserwacją produktu.
- Důležité upozornění!** Neinstalujte, neprovádějte údržbu ani nepoužívejte tento výrobek dříve, než si přečtete pokyny uvedené v tomto návodu.
- Figyelem!** Fontos, hogy a termék összeszerelése, karbantartása és használatá elött elolvassa a kézikönyvben található utasításokat.
- Atenție!** Este esențial să citiți instrucțiunile din acest manual înainte de asamblare, efectuarea întreținerii și operarea produsului.
- Uzmanību!** Ir svarīgi izlasīt šīs rokasgrāmatas instrukcijas pirms uzstādīšanas, apkopes un precas darbināšanas.
- Démesio!** Prieš surenkant, prižiūrint ir naudojant gaminį, būtina perskaityti šiam vadove pateiktus nurodymus.
- Tähtis!** Enne masina kokkupanekut, hooldamist ja kasutama hakkamist tuleb käesolevas juhendis esitatud juhised kindlasti läbi lugeda.
- Upozoreње!** Vrlo je važno da ste prije sklapanja, održavanja i rada s ovim proizvodom pročitali upute u ovom priručniku.
- Pomembno!** Pomembno je da pred montažo vzdrževanjem in uporabo tega izdelka preberete navodila v tem priročniku.
- Upozornenie!** Je dôležité, aby ste si pred montážou, údržbou a obsluhou produktu prečítali pokyny v tomto návode.
- Важно!** Исключительно важно е да прочетете инструкциите в настоящото ръководство, преди да преминете към сглобяване, поддръжка или работа с продукта.
- Важливо!** Дуже важливо, щоб ви прочитали інструкції в цьому керівництві перед складанням, обслуговуванням та експлуатацією цієї машини.
- Önemli!** Ürünü monte etmeden, kullanmadan ve bakımını yapmadan önce bu kılavzdaki talimatları okumanız önemlidir.

Subject to technical modification | Sous réserve de modifications techniques | Technische Änderungen vorbehalten | Bajo reserva de modificaciones técnicas | Con riserva di eventuali modifiche tecniche | Technische wijzigingen voorbehouden | Com reserva de modificações técnicas | Med forbehold for tekniske ændringer | Med förbehåll för tekniska ändringar | Tekniset muutokset varataan | Med forbehold om tekniske endringer | могут быть внесены технические изменения | Z zastrzeżeniem modyfikacji technicznych | Změny technických údajů vyhrazeny | A műszaki módosítás jogát fenntartjuk | Sub rezerva modificațiilor tehnice | Paturam tiesības mainīt tehniskos raksturlielumus | Pasilieikant teisę daryti techninius pakeitimus | Tehnised muudatused võimalikud | Podloženo tehničkim promjenama | Tehnične spremembe dopuščene | Právo na technické zmeny je vyhradené | Подлежи на технически модификации | Є об'єктом для технічних змін | Teknik değişikliğe tabidir.



Safety, performance, and dependability have been given top priority in the design of your brushcutter attachment.

### INTENDED USE

The brushcutter attachment is approved for use with electric-driven power heads RPH1200, RLT1238I, RBC1226I, and battery-driven power heads RPH3601-BL and RY36ELTX33A.

The product is intended for cutting shrubs, brushes, and similar vegetation at or about ground level. The product can also cut long grass, pulpy weed, and similar vegetation.

The cutting plane should be approximately parallel to the ground surface.

The product is intended to be used only by adults who have read and understood the instructions and warnings in this manual and can be considered responsible for their actions.

The product is intended only for use outdoors in a well-ventilated area. For safety reasons, the product must be adequately controlled by a two-handed operation.

Do not use the product for any other purposes.

### GENERAL PRODUCT SAFETY WARNINGS

**⚠ WARNING! Read all safety warnings and all instructions.** Failure to follow the warnings and instructions may result in electric shock, fire and/or serious injury.

**Save all warnings and instruction for future reference.**

The term "power tool" in the warnings refers to your mains-operated (corded) product or battery-operated (cordless) product.

### WORK AREA SAFETY

- **Keep work area clean and well lit.** Cluttered or dark areas invite accidents.
- **Do not operate power tools in explosive atmospheres, such as in the presence of flammable liquids, gases or dust.** Power tools create sparks which may ignite the dust or fumes.
- **Keep children and bystanders away while operating a power tool.** Distractions can cause you to lose control.

### ELECTRICAL SAFETY

- **Power tool plugs must match the outlet. Never modify the plug in any way. Do not use any adapter plugs with earthed (grounded) power tools.** Unmodified plugs and matching outlets will reduce risk of electric shock.
- **Avoid body contact with earthed or grounded surfaces, such as pipes, radiators, ranges and refrigerators.** There is an increased risk of electric shock if your body is earthed or grounded.
- **Do not expose power tools to rain or wet conditions.** Water entering a power tool will increase the risk of electric shock.
- **Do not abuse the cord. Never use the cord for carrying, pulling or unplugging the power tool. Keep cord away from heat, oil, sharp edges or moving parts.** Damaged or entangled cords increase the risk of electric shock.

- **When operating a power tool outdoors, use an extension cord suitable for outdoor use.** Use of a cord suitable for outdoor use reduces the risk of electric shock
- **If operating a power tool in a damp location is unavoidable, use a residual current device (RCD) protected supply.** Use of an RCD reduces the risk of electric shock.

### PERSONAL SAFETY

- **Stay alert, watch what you are doing and use common sense when operating a power tool. Do not use a power tool while you are tired or under the influence of drugs, alcohol or medication.** A moment of inattention while operating power tools may result in serious personal injury.
- **Use personal protective equipment. Always wear eye protection.** Protective equipment such as dust mask, non-skid safety shoes, hard hat or hearing protection used for appropriate conditions will reduce personal injuries.
- **Prevent unintentional starting. Ensure the switch is in the off-position before connecting to power source and/or battery pack, picking up or carrying the tool.** Carrying power tools with your finger on the switch or energising power tools that have the switch on invites accidents.
- **Remove any adjusting key or wrench before turning the power tool on.** A wrench or a key left attached to a rotating part of the power tool may result in personal injury.
- **Do not overreach. Keep proper footing and balance at all times.** This enables better control of the power tool in unexpected situations.
- **Dress properly. Do not wear loose clothing or jewellery. Keep your hair and clothing away from moving parts.** Loose clothes, jewellery or long hair can be caught in moving parts.
- **If devices are provided for the connection of dust extraction and collection facilities, ensure these are connected and properly used.** Use of dust collection can reduce dust-related hazards.
- **Do not let familiarity gained from frequent use of tools allow you to become complacent and ignore tool safety principles.** A careless action can cause severe injury within a fraction of a second.

### POWER TOOL USE AND CARE

- **Do not force the power tool. Use the correct power tool for your application.** The correct power tool will do the job better and safer at the rate for which it was designed.
- **Do not use the power tool if the switch does not turn it on and off.** Any power tool that cannot be controlled with the switch is dangerous and must be repaired.
- **Disconnect the plug from the power source and/or remove the battery pack, if detachable, from the power tool before making any adjustments, changing accessories, or storing power tools.** Such preventive safety measures reduce the risk of starting the power tool accidentally.
- **Store idle power tools out of the reach of children and do not allow persons unfamiliar with the power tool**

or these instructions to operate the power tool. Power tools are dangerous in the hands of untrained users.

- **Maintain power tools and accessories. Check for misalignment or binding of moving parts, breakage of parts and any other condition that may affect the power tool's operation. If damaged, have the power tool repaired before use.** Many accidents are caused by poorly maintained power tools.
- **Keep cutting tools sharp and clean.** Properly maintained cutting tools with sharp cutting edges are less likely to bind and are easier to control.
- **Use the power tool, accessories and tool bits etc. in accordance with these instructions, taking into account the working conditions and the work to be performed.** Use of the power tool for operations different from those intended could result in a hazardous situation.
- **Keep handles and grasping surfaces dry, clean and free from oil and grease.** Slippery handles and grasping surfaces do not allow for safe handling and control of the tool in unexpected situations.

#### BATTERY TOOL USE AND CARE

- **Recharge only with the charger specified by the manufacturer.** A charger that is suitable for one type of battery pack may create a risk of fire when used with another battery pack.
- **Use power tools only with specifically designated battery packs.** Use of any other battery packs may create a risk of injury and fire.
- **When battery pack is not in use, keep it away from other metal objects, like paper clips, coins, keys, nails, screws or other small metal objects, that can make a connection from one terminal to another.** Shorting the battery terminals together may cause burns or a fire.
- **Under abusive conditions, liquid may be ejected from the battery; avoid contact. If contact accidentally occurs, flush with water. If liquid contacts eyes, additionally seek medical help.** Liquid ejected from the battery may cause irritation or burns.
- **Do not use a battery pack or tool that is damaged or modified.** Damaged or modified batteries may exhibit unpredictable behaviour resulting in fire, explosion or risk of injury.
- **Do not expose a battery pack or tool to fire or excessive temperature.** Exposure to fire or temperature above 130°C may cause explosion.
- **Follow all charging instructions and do not charge the battery pack or tool outside the temperature range specified in the instructions.** Charging improperly or at temperatures outside the specified range may damage the battery and increase the risk of fire.

#### SERVICE

- **Have your power tool serviced by a qualified repair person using only identical replacement parts.** This will ensure that the safety of the power tool is maintained.
- **Never service damaged battery packs.** Service of battery packs should only be performed by the manufacturer or authorized service providers.

#### BRUSHCUTTER SAFETY WARNINGS

- **Do not use the machine in bad weather conditions, especially when there is a risk of lightning.** This decreases the risk of being struck by lightning.
- **Thoroughly inspect the area for wildlife where the machine is to be used.** Wildlife may be injured by the machine during operation.
- **Thoroughly inspect the area where the machine is to be used and remove all stones, sticks, wires, bones, and other foreign objects.** Thrown objects can cause personal injury.
- **Before using the machine, always visually inspect to see that the cutter or blade and the cutter or blade assembly are not damaged.** Damaged parts increase the risk of injury.
- **Before use, check the supply cord and any extension cord for signs of damage or aging. Do not use the machine if the cord is damaged or worn. If the cord is damaged or worn during use, switch off the machine and do not touch the cord before disconnecting it from the supply.** A damaged supply cord or extension cord may result in electric shock, fire and/or serious injury.
- **Follow instructions for changing accessories.** Improperly tightened blade securing nuts or bolts may either damage the blade or result in it becoming detached.
- **The rated rotational speed of the blade must be at least equal to the maximum rotational speed marked on the machine.** Blades running faster than their rated rotational speed can break and fly apart.
- **Wear eye, ear, head and hand protection.** Adequate protective equipment will reduce personal injury by flying debris or accidental contact with the cutting line or blade.
- **While operating the machine, always wear safety footwear. Do not operate the machine when barefoot or wearing open sandals.** This reduces the chance of injury to the feet from contact with a moving cutter, line or blade.
- **While operating the machine, always wear long trousers.** Exposed skin increases the likelihood of injury from thrown objects.
- **Keep bystanders away while operating the machine.** Thrown debris can result in serious personal injury.
- **Always use two hands when operating the machine.** Holding the machine with both hands will avoid loss of control.
- **Hold the machine by the insulated gripping surfaces only, because the cutting line or blade may contact hidden wiring.** Cutting line or blades contacting a "live" wire may make exposed metal parts of the machine "live" and could give the operator an electric shock.
- **Always keep proper footing and operate the machine only when standing on the ground.** Slippery or unstable surfaces may cause a loss of balance or control of the machine.
- **Do not operate the machine on excessively steep slopes.** This reduces the risk of loss of control, slipping and falling which may result in personal injury.
- **When working on slopes, always be sure of your footing, always work across the face of slopes, never up or down and exercise extreme caution**

when changing direction. This reduces the risk of loss of control, slipping and falling which may result in personal injury.

- **Keep the supply cord away from the cutter, line or blade.** A damaged supply cord may result in electric shock, fire and/or serious injury.
- **Keep all parts of the body away from the cutter, line or blade when the machine is operating. Before you start the machine, make sure the cutter, line or blade is not contacting anything.** A moment of inattention while operating the machine may result in injury to yourself or others.
- **Do not operate the machine above waist height.** This helps prevent unintended cutter or blade contact and enables better control of the machine in unexpected situations.
- **When cutting brush or saplings that are under tension, be alert for spring back.** When the tension in the wood fibres is released, the brush or sapling may strike the operator and/or throw the machine out of control.
- **Use extreme caution when cutting brush and saplings.** The slender material may catch the blade and be whipped toward you or pull you off balance.
- **Maintain control of the machine and do not touch cutters, lines or blades and other hazardous moving parts while they are still in motion.** This reduces the risk of injury from moving parts.
- **Carry the machine with the machine switched off and away from your body.** Proper handling of the machine will reduce the likelihood of accidental contact with a moving cutter, line or blade.
- **When transporting or storing the machine, always fit the cover on metal blades.** Proper handling of the machine will reduce the likelihood of accidental contact with the blade.
- **Only use replacement cutters, lines, cutting heads and blades specified by the manufacturer.** Incorrect replacement parts may increase the risk of breakage and injury.
- **When clearing jammed material or servicing the machine, make sure the switch is off and the battery pack is removed.** Unexpected starting of the machine while clearing jammed material or servicing may result in serious personal injury.

#### BLADE THRUST CAUSES AND RELATED WARNINGS

Blade thrust is a sudden sideways, forward or backward motion of the machine, which may occur when the blade jams or catches on an object such as a sapling or a tree stump. It can be violent enough to cause the machine and/or operator to be propelled in any direction, and possibly lose control of the machine.

Blade thrust and its related hazards can be avoided by taking proper precautions as given below.

- **Maintain a firm grip with both hands on the machine and position your arms to resist blade thrust. Position your body to the left side of the machine. Blade thrust can increase the risk of injury due to the machine moving unexpectedly.** Blade thrust can be controlled by the operator if proper precautions are taken.
- **If the blade binds, or when interrupting a cut for any reason, switch the machine off and hold the**

**machine motionless in the material until the blade comes to a complete stop.** While the blade is binding, never attempt to remove the machine from the material or pull the machine backward while the blade is in motion, otherwise blade thrust may occur. Investigate and take corrective actions to eliminate the cause of blade binding.

- **Do not use blunt or damaged blades.** Blunt or damaged blades increase the risk of jamming or catching on an object, resulting in blade thrust.
- **Always maintain good visibility of the material being cut.** Blade thrust is more likely to occur in areas where it is difficult to see the material being cut.
- **If you are approached by another person while operating the machine, switch the machine off.** There is an increased risk of injury to other persons being struck by the moving blade in the event of blade thrust.

#### ADDITIONAL SAFETY WARNINGS

- Before use and after any impact, check that there are no damaged parts on the product. A defective switch or any part that is damaged or worn should be properly repaired or replaced by an authorised service centre.
- The small blade fitted to the safety guard is designed to trim the newly extended line to the correct length for safe and optimum performance. The blade is very sharp. Do not touch the blade, particularly when cleaning the product.
- Use only the manufacturer's replacement cutting line. Do not use any other cutting attachment.
- Make sure that the cutting attachment is properly installed and securely fastened.
- Never operate the product unless all guards, deflectors, and handles are properly and securely attached.
- Ensure that the line cut-off blade in the safety guard is properly positioned and secured before each use.
- Keep the head attachment below waist level.
- Immediately turn off the product and remove the battery pack or disconnect it from the power supply in the event of an accident or a breakdown. Do not operate the product again until it has been fully checked by an authorised service centre.
- To reduce the risk of injury associated with contacting moving parts, always turn off the product, remove the battery pack or disconnect it from the power supply. Allow both to cool down. Make sure that all moving parts have come to a complete stop:
  - before servicing
  - before clearing a blockage
  - before checking, cleaning, and working on the product
  - before changing accessories
  - after striking a foreign object
  - whenever leaving the product unattended
  - whenever performing maintenance
  - whenever the product starts to vibrate abnormally
- Ensure that all guards and handles are properly fitted and are in good condition.
- Hold the product by designated handles, and restrict working time and exposure.

- Beware of objects thrown by the cutting means. Remove debris like small stones, gravel, and other foreign objects from the work area before starting operation. Wires or string may become entangled with the cutting means.
- The product is fitted with a harness. Use the harness while operating the product. Carefully adjust the harness to fit comfortably and help support the weight of the product at your right side. Identify the quick-release mechanism and practice using it before you start using the product. Its correct use may prevent serious injury in case of an emergency. Never wear additional clothing over the harness or otherwise that restrict access to the quick-release mechanism.
- Do not wear multiple belt or shoulder harnesses.
- Always ensure that ventilation openings are kept clear of debris.
- Electrical power should be supplied via a residual current device (RCD) with a tripping current of not more than 30 mA.
- Operate the product only in temperatures between 0°C and 40°C.
- Store the product in a location where the ambient temperature is between 0°C and 40°C.
- If the supply cord is damaged, it must be replaced by a special cord or assembly available from an authorised service centre.
- Before every use, examine the power cord for damage. If the power cord is damaged, it must be replaced by a qualified person at an authorised service centre to avoid a hazard.
- Use heavy-duty gloves while installing or removing blades, they have sharp edges.
- Do not attempt to touch or stop the blade when it is rotating.
- Replace any blade that has been damaged. Always make sure that the blade is installed correctly and securely fastened before each use.
- Use only the manufacturer's replacement TRI-ARC blade. Do not use any other cutting attachment.
- Never cut any material over 13 mm diameter.
- Cover the blade with the blade protector before storing the product, or during transportation. Always remove the blade protector before using the product. If not removed, the blade protector could become a thrown object as the blade begins to turn.
- For cutting ease and safety, approach the weeds being cut from the right to the left. In the event that an unexpected object or woody stock is encountered, this practice could minimise the blade thrust reaction. Both hands must be used at all times to control the product.
- Injuries may be caused, or aggravated, by prolonged use of the product. When using the product for prolonged periods, ensure to take regular breaks.

#### ADDITIONAL BATTERY SAFETY WARNINGS

- To reduce the risk of fire, personal injury, and product damage due to a short circuit, never immerse the product, battery pack, or charger in fluid or allow fluid to flow inside them. Corrosive or conductive fluids, such as seawater, certain industrial chemicals, and bleach or bleach-containing products, etc., can cause a short circuit.

- Charge the battery pack in a location where the ambient temperature is between 10°C and 38°C.
- Store the battery pack in a location where the ambient temperature is between 0°C and 20°C.
- Use the battery pack in a location where the ambient temperature is between 0°C and 40°C.

#### TRANSPORTATION AND STORAGE

- Turn off the product, remove the battery pack, and allow both to cool down before storing or transporting.
- Remove all foreign materials from the product.
- Do not store or transport the product with the battery pack fitted. Remove the battery pack, and secure it separately. Store the product in a cool, dry, and well-ventilated place that is inaccessible to children. Keep the product away from corrosive agents, such as garden chemicals and de-icing salts. Do not store the product outdoors.
- For transportation in vehicles, secure the product against movement or falling to prevent injury to persons or damage to the product.

#### TRANSPORTING LITHIUM BATTERIES

- Transport the battery pack in accordance with local and national provisions and regulations.
- Follow all special requirements on packaging and labelling when transporting batteries by a third party. Ensure that no batteries can come in contact with other batteries or conductive materials while in transport by protecting exposed connectors with insulating, non-conductive caps or tape. Do not transport batteries that are cracked or leaking. Check with the forwarding company for further advice.

#### MAINTENANCE

- Use only original manufacturer's replacement parts, accessories, and attachments. Failure to do so can cause possible injury, can contribute to poor performance, and may void your warranty.
- Servicing requires extreme care and knowledge and should be performed only by a qualified service technician. Have the product serviced by an authorised service centre only.
- Turn off the product and remove the battery pack or disconnect it from the power supply. Make sure that all moving parts have come to a complete stop before any cleaning or maintenance task.
- You may make adjustments or repairs described in this manual. For other repairs, contact an authorised service centre.
- For the replacement line, use only a nylon filament line of the diameter described in the specifications table of this manual.
- After each use, clean the product with a soft, dry cloth. Any part that is damaged should be properly repaired or replaced by an authorised service centre.
- Check all nuts, bolts, and screws before each use and at frequent intervals for proper tightness to ensure that the product is in safe working condition. Any part that is damaged should be properly repaired or replaced by an authorised service centre.

- Bring the product to an authorised service centre to replace damaged or unreadable labels.

## KNOW YOUR PRODUCT

See page 137.

1. Attachment shaft
2. Blade protector
3. TRI-ARC blade
4. Blade guard
5. Operator's manual
6. Metal cover
7. Flanged washer
8. Construction washer
9. Lock pin
10. Combination wrench
11. Nut

## SYMBOLS ON THE PRODUCT

	Safety alert
	Read and understand all instructions before operating the product. Follow all warnings and safety instructions.
	Wear eye, ear, and head protection.
	Wear non-slip safety footwear when using the product.
	Wear non-slip, heavy-duty gloves.
	Beware of thrown or flying objects. Keep all bystanders, especially children and pets, at least 15 m away from the operating area.
	
	This product is not intended for use with a toothed saw type blade.
	TRI-ARC blade
	European Conformity Mark
	EurAsian Conformity Mark
	Ukraine Conformity Mark

001



Keep hands away from the cut-off blade.



Beware of blade thrust.



Do not expose the product to rain or damp condition.



Guaranteed sound power level



British Conformity Mark



Remove the battery pack before starting any work on the product.



Do not dispose of waste batteries, waste electrical and electronic equipment as unsorted municipal waste. Waste batteries and waste electrical and electronic equipment must be collected separately. Waste batteries, waste accumulators, and light sources have to be removed from the equipment. Check with your local authority or retailer for recycling advice and collection point. According to local regulations, retailers may have an obligation to take back waste batteries and waste electrical and electronic equipment free of charge. Your contribution to the reuse and recycling of waste batteries and waste electrical and electronic equipment helps to reduce the demand of raw materials. Waste batteries, in particular containing lithium, and waste electrical and electronic equipment contain valuable and recyclable materials, which can adversely impact the environment and the human health if not disposed of in an environmentally compatible manner. Delete personal data from waste equipment, if any.

## SYMBOLS IN THIS MANUAL



Note



Warning



Parts or accessories sold separately

Lors de la conception de l'accessoire de débroussaillage, l'accent a été mis sur la sécurité, la performance et la fiabilité.

## UTILISATION PRÉVUE

L'accessoire pour débroussailluse est homologué pour une utilisation avec toutes les têtes de coupe électriques RPH1200, RLT1238I et RBC1226I, et les têtes de coupe alimentées par batterie RPH3601-BL et RY36ELTX33A.

Le produit est prévu pour la coupe au niveau du sol (ou environ) d'arbustes, de broussailles et autres végétaux similaires. Le produit peut également couper les herbes hautes, les mauvaises herbes et les végétaux similaires.

Le plan de coupe doit être à peu près parallèle à la surface du sol.

Le produit est uniquement conçu pour une utilisation par les adultes qui ont lu et compris les instructions et avertissements contenus dans ce manuel et qui peuvent être considérés comme responsables de leurs actes.

Ce produit ne doit être utilisé qu'à l'extérieur dans une zone bien ventilée. Pour des raisons de sécurité, l'appareil doit être manipulé de manière appropriée, en utilisant les deux mains.

Utilisez ce produit pour aucun autre travail.

## AVERTISSEMENTS DE SÉCURITÉ GÉNÉRAUX CONCERNANT LE PRODUIT

**⚠ AVERTISSEMENT! Lisez tous les avertissements et indications.** Le non-respect des avertissements et instructions peut entraîner un décharge électrique, un incendie et/ou de graves blessures.

**Conservez tous les avertissements et toutes les instructions pour pouvoir vous y reporter ultérieurement.**

Dans les avertissements, l'expression « outil électrique » fait référence au produit alimenté sur le secteur (à fil) ou sur batterie (sans fil).

## SÉCURITÉ DANS LA ZONE DE TRAVAIL

- **Maintenez l'endroit de travail propre et bien éclairé.** Un lieu de travail en désordre ou mal éclairé augmente le risque d'accidents.
- **N'utilisez pas l'outil électroportatif dans un environnement présentant des risques d'explosion et où se trouvent des liquides, des gaz ou poussières inflammables.** Les outils électroportatifs génèrent des étincelles risquant d'enflammer les poussières ou les vapeurs.
- **Tenez les enfants et autres personnes éloignés durant l'utilisation de l'outil électroportatif.** En cas d'inattention vous risquez de perdre le contrôle sur l'appareil.

## SÉCURITÉ RELATIVE AU SYSTÈME ÉLECTRIQUE

- **La fiche de secteur de l'outil électroportatif doit être appropriée à la prise de courant. Ne modifiez en aucun cas la fiche. N'utilisez pas de fiches d'adaptateur avec des outils électriques avec mise à la terre.** Les fiches non modifiées et les prises de courant appropriées réduisent le risque de décharge électrique.
- **Évitez le contact physique avec des surfaces mises à la terre tels que tuyaux, radiateurs, fours et réfrigérateurs.** Il y a un risque élevé de choc électrique au cas où votre corps serait relié à la terre.

- **Ne pas exposer l'outil électroportatif à la pluie ou à l'humidité.** La pénétration d'eau dans un outil électroportatif augmente le risque d'un choc électrique.
- **Ne malmenez pas le câble d'alimentation. Ne jamais utiliser le cordon pour porter, tirer ou débrancher l'outil. Maintenir le câble éloigné des sources de chaleur, des parties grasses, des bords tranchants ou des parties de l'appareil en rotation.** Un câble endommagé ou torsadé augmente le risque d'un choc électrique.
- **Au cas où l'outil électroportatif serait utilisé à l'extérieur, utiliser une rallonge appropriée pour les applications extérieures.** L'utilisation d'une rallonge électrique appropriée pour les applications extérieures réduit le risque d'un choc électrique.
- **Si une utilisation de l'outil électroportatif dans un environnement humide ne peut pas être évitée, utiliser un disjoncteur différentiel.** Un disjoncteur différentiel réduit le risque d'un choc électrique.

## SÉCURITÉ DES PERSONNES

- **Rester vigilant, surveiller ce que vous faites. Faire preuve de bon sens en utilisant l'outil électroportatif. Ne pas utiliser un outil électroportatif lorsqu'on est fatigué ou après avoir consommé de l'alcool, des drogues ou avoir pris des médicaments.** Un moment d'inattention lors de l'utilisation de l'outil électroportatif peut entraîner de graves blessures sur les personnes.
- **Porter des équipements de protection. Porter toujours des lunettes de protection.** Afin d'éviter tout dommage corporel, il convient d'utiliser, dans les conditions appropriées, des équipements de protection tels qu'un masque anti-poussière, des chaussures de sécurité antidérapantes, un casque de sécurité et une protection auditive.
- **Éviter toute mise en service accidentelle. Assurez-vous que l'interrupteur est en position "arrêt" avant la connexion au secteur et/ou l'insertion de la batterie, ainsi qu'avant de saisir ou de transporter l'outil.** Le transport d'un outil électrique avec votre doigt sur l'interrupteur ou la mise sous tension d'un outil dont l'interrupteur est en position "marche" est propice aux accidents.
- **Enlever tout outil de réglage ou toute clé avant de mettre l'outil électroportatif en fonctionnement. Une clé ou un outil se trouvant sur une partie en rotation peut causer des blessures.** Le fait de porter l'outil électroportatif avec le doigt sur l'interrupteur ou de le brancher sur la source de courant lorsque l'outil électroportatif est en fonctionnement, peut entraîner des accidents.
- **Ne pas se précipiter. Gardez une position et un équilibre adaptés à tout moment.** Cela permet un meilleur contrôle de l'outil dans des situations inattendues.
- **Portez des vêtements appropriés. Ne pas porter de vêtements amples ni de bijoux. Tenir vos cheveux et vos vêtements à l'écart des pièces en mouvement.** Des vêtements amples, des bijoux ou des cheveux longs peuvent être happés par des pièces en mouvement.
- **Si des dispositifs servant à aspirer ou à recueillir les poussières doivent être utilisés, vérifier que ceux-ci soient effectivement raccordés et qu'ils sont correctement utilisés.** L'utilisation d'un dispositif



d'aspiration des poussières peut réduire les dangers dus aux poussières.

- **Ne pas relâcher sa vigilance en cas d'utilisation fréquente de certains outils et ne pas ignorer les principes de sécurité des outils.** Une action imprudente peut entraîner de graves blessures en une fraction de seconde.

#### UTILISATION ET EMPLOI SOIGNEUX D'OUTILS ÉLECTROPORTATIFS

- **Ne pas surcharger l'appareil. Utiliser l'outil électroportatif approprié au travail à effectuer.** Avec l'outil électroportatif approprié, vous travaillerez mieux et avec plus de sécurité à la vitesse pour laquelle il est prévu.
- **Ne pas utiliser un outil électroportatif dont l'interrupteur est défectueux.** Un outil électroportatif qui ne peut plus être mis en ou hors fonctionnement est dangereux et doit être réparé.
- **Retirer la fiche de la prise de courant et/ou enlever l'accu avant d'effectuer des réglages sur l'appareil, de changer les accessoires, ou de ranger l'appareil.** Cette mesure de précaution empêche une mise en fonctionnement de l'outil électroportatif par mégarde.
- **Conserver les outils à l'arrêt hors de la portée des enfants et ne pas permettre à des personnes ne connaissant pas l'outil ou les présentes instructions de le faire fonctionner.** Les outils sont dangereux entre les mains d'utilisateurs novices.
- **Entretenir les accessoires et les outils électriques. Vérifier que les parties en mouvement fonctionnent correctement et qu'elles ne soient pas coincées, et contrôler si des parties sont cassées ou endommagées de telle sorte que le bon fonctionnement de l'outil électroportatif s'en trouve entravé. Faire réparer ces parties endommagées avant d'utiliser l'appareil.** De nombreux accidents sont dus à des outils électroportatifs mal entretenus.
- **Maintenir les outils de coupe aiguisés et propres.** Des outils soigneusement entretenus avec des bords tranchants bien aiguisés se coincent moins souvent et peuvent être guidés plus facilement.
- **Utiliser l'outil, les accessoires et les lames etc., conformément à ces instructions, en tenant compte des conditions de travail et du travail à réaliser.** L'utilisation des outils électroportatifs à d'autres fins que celles prévues peut entraîner des situations dangereuses.
- **Gardez les poignées et les surfaces de préhension sèches, propres et exemptes d'huile et de graisse.** Des poignées et des surfaces de préhension glissantes ne permettent pas une manipulation et un contrôle de l'outil en toute sécurité en cas de situation imprévue.

#### UTILISATION ET EMPLOI SOIGNEUX DES OUTILS ÉLECTRIQUES SANS FIL

- **Ne chargez les blocs de batteries que dans des chargeurs recommandés par le fabricant.** Un chargeur approprié à un type spécifique de batterie peut engendrer un risque d'incendie lorsqu'il est utilisé avec une autre batterie.

- **Dans les outils électriques, n'utilisez que les blocs de batteries spécialement prévus pour ceux-ci.** L'utilisation de tout autre bloc de batterie peut entraîner des blessures et des risques d'incendie.
- **Lorsqu'un bloc de batterie n'est pas utilisé, le maintenir à l'écart de tout autre objet métallique, par exemple trombones, pièces de monnaie, clés, clous, vis ou autres objets de petite taille qui peuvent donner lieu à une connexion d'une borne à une autre.** Un court-circuit entre les contacts de batterie peut provoquer des brûlures ou un incendie.
- **En cas d'utilisation abusive, du liquide peut sortir du bloc de batterie. Évitez tout contact avec ce liquide. En cas de contact accidentel, rincez soigneusement avec de l'eau. Si du liquide entre en contact avec les yeux, consultez immédiatement un médecin.** Le liquide qui sort du bloc de batterie peut entraîner des irritations de la peau ou causer des brûlures.
- **Ne pas utiliser un outil ou un pack de batterie endommagé ou modifié.** Des batteries endommagées ou modifiées peuvent présenter un comportement imprévisible pouvant causer un incendie, une explosion ou un risque de blessure.
- **N'exposez pas un outil ou un bloc de batterie au feu ou à des températures excessives.** L'exposition au feu ou à des températures supérieures à 130 °C peut provoquer une explosion.
- **Suivre toutes les instructions de chargement et ne pas charger l'outil ou le pack de batterie en dehors de la plage de températures spécifiée dans les instructions.** Un chargement incorrect ou à des températures en dehors de la plage spécifiée peut endommager la batterie et augmenter le risque d'incendie.

#### TRAVAUX D'ENTRETIEN

- **Ne faire réparer l'outil électroportatif que par un personnel qualifié et seulement avec des pièces de rechange d'origine.** Ceci permet d'assurer la sécurité de l'appareil.
- **Ne jamais procéder à l'entretien des packs de batterie endommagés.** L'entretien des packs de batterie ne peut être effectué que par le fabricant ou des prestataires agréés.

#### AVERTISSEMENTS DE SÉCURITÉ CONCERNANT LA DÉBROUSSAILLEUSE

- **N'utilisez pas la machine par mauvais temps, tout particulièrement en cas de risque de foudre.** Ceci réduit le risque d'être frappé par la foudre.
- **Inspectez soigneusement la zone où la machine doit être utilisée.** Les animaux peuvent être blessés par la machine pendant l'opération.
- **Vérifiez minutieusement la surface sur laquelle la machine sera utilisée et retirez les cailloux, tiges, câbles, os et autres objets étrangers.** Les objets projetés peuvent causer des blessures.
- **Avant d'utiliser la machine, inspectez toujours visuellement le produit afin de vous assurer que les couteaux ou les lames et leur installation ne sont**



- ni usés ni endommagés. Les pièces endommagées augmentent le risque de blessure.
- **Avant utilisation, vérifiez l'absence de signes d'endommagement ou de vieillissement du câble d'alimentation et de toute rallonge. N'utilisez pas la machine si le câble est endommagé ou usé. Si le câble est endommagé ou usé pendant l'utilisation, éteignez la machine et ne touchez pas le câble avant de l'avoir débranché de l'alimentation.** Un câble d'alimentation ou une rallonge endommagé(e) peut provoquer un choc électrique, un incendie et/ou des blessures graves.
  - **Suivez les instructions pour changer les accessoires.** Des écrous ou des boulons de fixation de lame mal serrés peuvent endommager la lame ou se détacher.
  - **La vitesse de rotation nominale de la lame doit avoir des spécifications correspondant au moins à la vitesse maximale indiquée sur la machine.** Les lames qui fonctionnent plus rapidement que leur vitesse de rotation nominale peuvent se briser et être projetés.
  - **Portez des protections pour les yeux, les oreilles, la tête et les mains.** Un équipement de protection adéquat permettra de réduire les blessures personnelles causées par des débris volants ou un contact accidentel avec le fil de coupe ou la lame.
  - **Lorsque vous utilisez la machine, portez toujours des chaussures de sécurité. N'utilisez pas la machine pieds nus ou avec des sandales ouvertes.** Cela réduit le risque de blessures aux pieds dues au contact avec la lame, le couteau ou le fil en mouvement.
  - **Portez toujours un pantalon long lorsque vous utilisez la machine.** La peau exposée augmente le risque de blessures causées par des objets projetés.
  - **Tenez les observateurs à distance lorsque vous utilisez la machine.** La chute de débris pourrait provoquer des blessures graves.
  - **Utilisez toujours les deux mains lorsque vous opérez de la machine.** Le fait de tenir la machine avec les deux mains évitera toute perte de contrôle.
  - **Tenez la coupe bordures électrique uniquement au niveau des surfaces de saisie isolées. Son fil de coupe ou sa lame pourrait entrer en contact avec des branchements dissimulés.** Le contact entre un fil de coupe ou des lames et un fil sous tension peut rendre conductrices les parties métalliques exposées de la machine et envoyer une décharge électrique à l'opérateur.
  - **Conservez toujours de bons appuis et utilisez la machine uniquement lorsque vous vous tenez au sol.** Des surfaces glissantes ou instables pourraient entraîner une perte d'équilibre ou de contrôle de la machine.
  - **N'utilisez pas la machine sur des pentes trop raides.** Cela réduit le risque de perte de contrôle, de glissement et de chute, ce qui peut entraîner des blessures.
  - **Lorsque vous travaillez sur des pentes, assurez-vous d'être toujours stable sur vos jambes, travaillez toujours en travers de la pente, évitez de monter et descendre et faites preuve d'une prudence extrême lorsque vous changez de direction.** Cela réduit le risque de perte de contrôle, de glissement et de chute, ce qui peut entraîner des blessures.
  - **Maintenez le câble d'alimentation à l'écart du fil, de la ligne ou de la lame.** Un câble d'alimentation endommagé peut provoquer un choc électrique, un incendie et/ou des blessures graves.
  - **Maintenez toutes les parties de votre corps à l'écart du couteau, du fil ou de la lame lorsque la machine fonctionne. Avant de démarrer la machine, assurez-vous que le couteau, le fil ou la lame n'est pas en contact avec quoi que ce soit.** Un moment d'inattention lors de l'utilisation de la machine peut entraîner des blessures pour vous-même ou pour les autres.
  - **Ne faites pas fonctionner la machine au-dessus de la taille.** Cela contribue à éviter les contacts involontaires du couteau ou de la lame et confère un meilleur contrôle de la machine dans des situations imprévues.
  - **Lors de la coupe de broussailles ou d'arbustes qui sont sous tension, faites attention au rebond.** Lorsque la tension dans les fibres de bois est libérée, les broussailles ou l'arbuste peuvent heurter l'opérateur et/ou mettre la machine hors de contrôle.
  - **Soyez particulièrement prudent lors de la coupe de broussailles et de jeunes arbres.** Le matériau fin peut se prendre dans la lame et être propulsé vers vous ou vous déséquilibrer.
  - **Gardez le contrôle de la machine et ne touchez pas les couteaux, les fils ou les lames ni les autres pièces mobiles dangereuses lorsqu'elles sont encore en mouvement.** Cela réduit le risque de blessures causées par les pièces en mouvement.
  - **Transportez la machine lorsqu'elle est éteinte et tenez-la éloignée de votre corps.** Une manipulation correcte de la machine réduira le risque de contact accidentel avec un couteau, un fil ou une lame en mouvement.
  - **Lors du transport ou du stockage de la machine, installez toujours le couvercle sur les lames en métal.** Une manipulation correcte de la machine réduira le risque de contact accidentel avec la lame.
  - **Utilisez uniquement les têtes de coupe, couteaux, fils et lames spécifiés par le fabricant.** Des pièces de rechange inadaptées peuvent augmenter le risque de ruptures et de blessures.
  - **Lors du dégagement d'obstructions ou de l'entretien de la machine, assurez-vous que l'interrupteur est en position désactivée et que la batterie est déconnectée.** Un démarrage inattendu de la machine lors du dégagement d'obstructions ou de l'entretien peut provoquer de graves blessures.

## CAUSES ET AVERTISSEMENTS ASSOCIÉS À LA RÉACTION DE POUSSÉE DE LA LAME

La réaction de poussée de la lame est un mouvement soudain vers un côté, vers l'avant ou vers l'arrière de la machine, qui peut se produire lorsque la lame se coince ou se prend dans un arbuste ou une souche d'arbre. Elle peut être suffisamment violente pour que la machine et/ou l'opérateur soient propulsés dans n'importe quelle direction, risquant de perdre le contrôle de la machine.



La réaction de poussée de la lame et les risques associés peuvent être évités en prenant les précautions appropriées comme indiqué ci-dessous.

- **Maintenez une prise ferme avec les deux mains sur la machine et positionnez vos bras pour résister à la réaction de poussée de la lame. Positionnez votre corps sur le côté gauche de la machine. La réaction de poussée de la lame peut augmenter le risque de blessures causées par le déplacement inattendu de la machine.** La réaction de poussée de la lame peut être contrôlée par l'opérateur si des précautions appropriées sont prises.
- **Si la lame se bloque, ou si la découpe est interrompue pour une raison quelconque, éteignez la machine et maintenez-la immobile dans le matériau jusqu'à ce que la lame s'arrête complètement.** Lorsque la lame est bloquée, ne tentez jamais d'extraire la machine du matériau ou de la tirer vers l'arrière si la lame est en mouvement, sinon une réaction de poussée de la lame pourrait se produire. Recherchez et prenez des mesures correctives pour éliminer la cause du blocage de la lame.
- **N'utilisez pas de lames émoussées ou endommagées.** Les lames émoussées ou endommagées augmentent le risque qu'elles se bloquent ou se prennent dans un objet, entraînant une réaction de poussée de la lame.
- **Veillez à conserver en tout temps une bonne visibilité du matériau coupé.** La poussée de lame est plus susceptible de survenir dans des zones où il est difficile de voir le matériau à couper.
- **Si une autre personne vous approche lorsque vous utilisez la machine, éteignez-la.** Il existe un risque accru de blessures infligées à d'autres personnes par la lame en mouvement en cas de réaction de poussée.

#### INSTRUCTIONS DE SÉCURITÉ ADDITIONNELLES

- Avant utilisation et après tout impact, vérifiez qu'aucun élément n'est endommagé. Un interrupteur défectueux ou toute autre pièce endommagée doit être correctement remplacée ou réparée par un service après-vente agréé.
- La petite lame accrochée au carter de protection est conçue pour tailler la nouvelle ligne étendue à la bonne longueur pour une performance sûre et optimale. La lame est très tranchante. Ne pas toucher la lame, tout particulièrement lors du nettoyage du produit.
- N'utilisez que du fil de coupe fourni par le fabricant. N'utilisez aucun autre accessoire de coupe.
- Assurez-vous que l'accessoire de coupe est bien en place et bien serré.
- N'utilisez jamais le produit sans que toutes les protections, tous les déflecteurs et toutes les poignées soient bien en place et bien verrouillés.
- Assurez-vous que la lame du fil de coupe dans le carter de protection est correctement positionnée avant chaque utilisation.
- Garder l'accessoire de tête en dessous du niveau de la taille.
- En cas d'accident ou de panne, arrêtez immédiatement le produit et retirez la batterie ou débranchez-le de l'alimentation. N'utilisez plus le produit jusqu'à ce qu'il ait été entièrement vérifié par un service après-vente agréé.
- Pour réduire les risques de blessures infligées par les pièces mobiles, toujours mettre le produit hors tension, retirer la batterie et le débrancher de l'alimentation électrique. Laissez les deux refroidir. Assurez-vous que tous les éléments en mouvement se sont bien arrêtés:
  - avant entretien
  - avant de retirer une obstruction
  - avant de travailler sur le produit, de le vérifier ou de le nettoyer
  - avant de changer les accessoires
  - après un choc avec un corps étranger
  - lorsque vous laissez le produit sans surveillance
  - à chaque fois qu'une opération de maintenance est effectuée
  - si le produit se met à vibrer de façon anormale
- Assurez-vous que toutes les protections et poignées sont bien en place et en bon état.
- Maintenez le produit par les poignées destinées à cet effet et limitez le temps de travail et d'exposition.
- Prenez garde aux objets projetés par l'élément de coupe. Retirez les débris tels que les petits cailloux, le gravier et d'autres objets étrangers de la zone de travail avant de commencer l'opération. Des câbles ou de la ficelle pourraient s'emmêler dans les éléments de coupe.
- Le produit est équipé d'un harnais. Utilisez le harnais avec le produit. Réglez prudemment le harnais pour soutenir confortablement le poids du produit sur le côté droit. Repérez le mécanisme de libération rapide et entraînez-vous à sa manipulation avant de commencer à utiliser la machine. Son utilisation correcte peut empêcher de graves blessures en cas d'urgence. Ne portez jamais de vêtements par-dessus le harnais ou de manière à réduire l'accès au mécanisme de libération rapide.
- Ne pas multiplier les ceintures ou les sangles au niveau de la taille et du dos.
- Assurez-vous que les ouïes de ventilation sont en permanence exemptes de débris.
- L'appareil doit être alimenté par l'intermédiaire d'un disjoncteur différentiel d'une sensibilité minimale de 30mA.
- Utilisez le produit uniquement à des températures comprises entre 0 et 40 °C.
- Stockez le produit à un endroit dont la température ambiante est comprise entre 0 et 40 °C.
- Si le cordon d'alimentation est endommagé, il doit être remplacé par un cordon spécial ou un assemblage disponible auprès d'un centre d'entretien agréé.
- Avant chaque utilisation, vérifiez que le câble d'alimentation n'est pas endommagé. Si le câble d'alimentation est endommagé, il doit être changé par une personne qualifiée dans un centre de service autorisé afin d'éviter tout risque.
- Utilisez des gants haute protection pour installer et retirer les lames, qui ont des bords tranchants.
- N'essayez pas de toucher ou d'arrêter la lame en mouvement.

- Remplacez toute lame endommagée. Vérifiez toujours que la lame est bien en place et bien serrée avant chaque utilisation.
- N'utilisez que des lames de remplacement TRI-ARC d'origine constructeur. N'utilisez aucun autre accessoire de coupe.
- Ne jamais découper la matière sur plus de 13 mm de diamètre.
- Recouvrez la lame avec sa protection avant de ranger l'appareil, ou au cours de son transport. Retirez toujours le carter de protection avant d'utiliser l'appareil. Si vous ne le retirez pas, le carter de protection de la lame peut se transformer en projectile lors de la mise en rotation de la lame.
- Pour une coupe plus sûre et plus facile, attaquez les herbes à couper de la droite vers la gauche. En cas de contact inattendu avec un objet ou une souche, la réaction de rebond en sera minimisée. Utilisez toujours vos deux mains pour contrôler ce produit.
- L'utilisation prolongée d'un outil est susceptible de provoquer ou d'aggraver des blessures. Lorsque vous utilisez le produit pendant de longues périodes, assurez-vous de faire des pauses régulières.

#### MISES EN GARDE DE SÉCURITÉ SUPPLÉMENTAIRES CONCERNANT LA BATTERIE

- Pour réduire le risque d'incendie, de blessures corporelles et de dommages causés par un court-circuit, n'immergez jamais le produit, la batterie ou le chargeur dans un liquide et ne laissez jamais de liquide pénétrer dans aucun d'entre eux. Les fluides corrosifs ou conducteurs, tels que l'eau de mer, certains produits chimiques industriels, les produits de blanchiment ou contenant des agents de blanchiment etc. peuvent provoquer un court-circuit
- Rechargez le bloc de batterie à un endroit où la température ambiante est comprise entre 10 et 38 °C.
- Remisez le bloc de batterie à un endroit où la température ambiante est comprise entre 0 et 20 °C.
- Utilisez le bloc-batterie à un endroit où la température ambiante est comprise entre 0 et 40 °C.

#### TRANSPORT ET STOCKAGE

- Mettez l'appareil hors tension, retirez le bloc-batterie et laissez-le refroidir avant de le ranger ou de le transporter.
- Débarrassez l'appareil de tous les corps étrangers.
- Enlever la batterie avant de stocker et transporter le produit. Retirez le bloc-batterie et le fixer séparément. Rangez le produit dans un endroit sec, bien aéré et hors de portée des enfants. Tenez le produit à l'écart des agents corrosifs tels que les produits chimiques pour le jardin et les sels de dégivrage. Ne rangez pas ranger le produit à l'extérieur.
- Pour le transport dans un véhicule, attachez le produit pour l'empêcher de bouger ou de tomber, afin d'éviter toute blessure et tout dommage matériel.

#### TRANSPORT DES BATTERIES AU LITHIUM

- Transportez les batteries en conformité avec les dispositions et règlements locaux et nationaux.

- Respectez toutes les exigences légales particulières concernant l'emballage et l'étiquetage des batteries lorsque vous confiez leur transport à un tiers. Assurez-vous qu'aucune batterie ne puisse entrer en contact avec une autre batterie ou avec des matériaux conducteurs lors de son transport en isolant les bornes électriques avec du ruban adhésif ou des capuchons isolants non conducteurs. Ne transportez pas une batterie qui serait fendue ou qui fuirait. Demandez conseil au transporteur pour de plus amples informations.

#### ENTRETIEN

- N'utilisez que des pièces détachées et des accessoires d'origine constructeur. Le non respect de cette précaution peut entraîner de mauvaises performances, des blessures, et annuler votre garantie.
- Les réparations demandent un soin et des connaissances extrêmes et ne doivent être effectuées que par un technicien de service qualifié. Confiez l'entretien du produit à un centre de service agréé.
- Éteignez le produit et retirez la batterie ou débranchez-le de l'alimentation électrique. Assurez-vous que toutes les pièces mobiles se sont arrêtées entièrement avant toute tâche de nettoyage ou de maintenance.
- Vous n'êtes autorisé à effectuer que les réglages et réparations décrits dans ce manuel. Pour d'autres réparations ou conseils, faites vous assister par un service après-vente agréé.
- Pour remplacer le fil de coupe, n'utilisez que du fil nylon du diamètre indiqué dans la table des caractéristiques de ce manuel.
- Après chaque utilisation, utilisez un chiffon propre et sec pour nettoyer le produit. Toute pièce endommagée doit être correctement remplacée ou réparée par un centre de service agréé.
- Vérifier le bon serrage de tous les écrous, boulons et vis avant chaque utilisation et régulièrement pour s'assurer que le produit est en bon état de marche. Toute pièce endommagée doit être correctement remplacée ou réparée par un centre de service agréé.
- Apportez le produit à un centre de service agréé pour remplacer les étiquettes abîmées ou illisibles.

#### APPRENEZ À CONNAÎTRE VOTRE PRODUIT

Voir page 137.

1. Tige de fixation
2. Protège-lame
3. Lame TRI-ARC
4. Protection de la lame
5. Manuel utilisateur
6. Couvercle métallique
7. Rondelle à rebord
8. Rondelle de construction
9. Goupille de verrouillage
10. Clé mixte
11. Écrou

## SYMBOLES APPLIQUÉS SUR LE PRODUIT



Alerte de sécurité



Lisez et comprenez toutes les instructions avant d'utiliser le produit. Respectez l'ensemble des avertissements et consignes de sécurité.



Portez une protection oculaire et auditive ainsi qu'un casque.



Portez des chaussures de sécurité antidérapantes lorsque vous utilisez le produit.



Portez des gants de protection résistants et antidérapants.



Prenez garde à la projection d'objets au sol et dans les airs. Gardez tous les passants, en particulier les enfants et les animaux, éloignés d'au moins 15 m de la zone de travail.



Ce produit ne convient pas à une utilisation avec une lame de type denté.



Lame TRI-ARC



Marque de conformité européenne



Marque de conformité d'Eurasie



Marque de conformité ukrainienne



Gardez vos mains éloignées de la lame de taille du fil de coupe.



Faites attention aux effets de ricochet de la lame.



Ne pas exposer à la pluie ou à des conditions humides.



Niveau de puissance sonore garanti

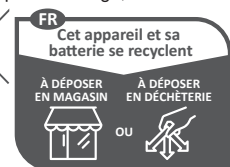


Marque de conformité britannique



Retirez le bloc de batterie avant de commencer un quelconque travail sur le produit.

Ne jetez pas les batteries et les équipements électriques et électroniques usagés parmi les déchets municipaux non triés. Les batteries et les équipements électriques et électroniques usagés doivent être collectés séparément. Les batteries, accumulateurs et sources lumineuses usagés doivent être retirés de l'équipement. Pour obtenir des conseils en matière de recyclage et de points de collecte, se renseigner auprès des autorités locales ou du détaillant. Selon les réglementations locales, les détaillants peuvent avoir l'obligation de récupérer gratuitement les batteries et les équipements électriques et électroniques usagés. Votre contribution à la réutilisation et au recyclage des batteries et équipements électriques et électroniques usagés permet de réduire la demande en matières premières. Les batteries, notamment celles qui contiennent du lithium, ainsi que les équipements électriques et électroniques usagés comportent des matériaux précieux et recyclables, qui peuvent avoir un impact négatif sur l'environnement et la santé humaine s'ils ne sont pas éliminés de manière respectueuse de l'environnement. Supprimer les données personnelles de l'équipement usagé, le cas échéant.

Points de collecte sur [www.quefairedemesdechets.fr](http://www.quefairedemesdechets.fr)

## SYMBOLES DE CE MANUEL



Remarque



Avertissement



Pièces détachées et accessoires vendus séparément

Sicherheit, Leistung und Zuverlässigkeit hatten oberste Priorität bei der Entwicklung Ihres Freischneider-Zubehörteils.

### BESTIMMUNGSGEMÄSSE VERWENDUNG

Das Freischneider-Zubehörteil ist für die Verwendung mit den elektrisch betriebenen Antriebsköpfen RPH1200, RLT1238I, RBC1226I und den akkubetriebenen Antriebsköpfen RPH3601-BL und RY36ELTX33A zugelassen.

Das Produkt ist für das Schneiden von Sträuchern, Büschen und ähnlicher Vegetation in Bodennähe bestimmt. Das Produkt kann auch langes Gras, breiiges Unkraut und ähnlichen Bewuchs schneiden.

Die Schnittebene muss ungefähr parallel zu Oberfläche des Untergrunds liegen.

Das Gerät ist ausschließlich zur Nutzung durch Erwachsene konzipiert, die die Anleitung und die Sicherheitshinweise in diesem Handbuch gelesen und verstanden haben und als für ihre Handlungen verantwortlich betrachtet werden können.

Das Produkt ist ausschließlich zur Verwendung in einem gut belüfteten Bereich im Freien vorgesehen. Aus Sicherheitsgründen muss das Produkt ausreichend durch Zweihandbedienung gesteuert werden.

Das Produkt darf zu keinen anderen Zwecken verwendet werden.

### ALLGEMEINE SICHERHEITSHINWEISE ZUM GERÄT

**⚠ WARNUNG! Lesen Sie alle Sicherheitshinweise und Anweisungen.** Versäumnisse bei der Einhaltung der Sicherheitshinweise und Anweisungen können elektrischen Schlag, Brand und/oder schwere Verletzungen verursachen.

**Bewahren Sie alle Sicherheitshinweise und Anweisungen für die Zukunft auf.**

Der Begriff „Elektrowerkzeug“ in den Warnhinweisen bezieht sich auf Ihr über einen Stromanschluss (mit Stromkabel) oder mit einem Akku (kabellos) betriebenes Gerät.

### ARBEITSPLATZSICHERHEIT

- **Halten Sie Ihren Arbeitsbereich sauber und gut beleuchtet.** Unordnung oder unbeleuchtete Arbeitsbereiche können zu Unfällen führen.
- **Arbeiten Sie mit dem Elektrowerkzeug nicht in explosionsgefährdeter Umgebung, in der sich brennbare Flüssigkeiten, Gase oder Stäube befinden.** Elektrowerkzeuge erzeugen Funken, die den Staub oder die Dämpfe entzünden können.
- **Halten Sie Kinder und andere Personen während der Benutzung des Elektrowerkzeugs fern.** Bei Ablenkung können Sie die Kontrolle über das Gerät verlieren.

### ELEKTRISCHE SICHERHEIT

- **Der Anschlussstecker des Elektrowerkzeuges muss in die Steckdose passen. Der Stecker darf in keiner Weise verändert werden.** Verwenden Sie keine Adapterstecker gemeinsam mit schutzgeerdeten Elektrowerkzeugen. Unveränderte Stecker und passende Steckdosen verringern das Risiko eines elektrischen Schlages!
- **Vermeiden Sie Körperkontakt mit geerdeten Oberflächen wie von Rohren, Heizungen, Herden und Kühlschränken.** Es besteht ein erhöhtes Risiko durch elektrischen Schlag, wenn Ihr Körper geerdet ist.

- **Halten Sie Elektrowerkzeuge von Regen oder Nässe fern.** Das Eindringen von Wasser in ein Elektrowerkzeug erhöht das Risiko eines elektrischen Schlages.
- **Das Stromkabel nicht überstrapazieren. Verwenden Sie das Kabel niemals, um das Werkzeug damit zu tragen, zu ziehen oder den Stecker aus der Steckdose zu ziehen. Halten Sie das Kabel fern von Hitze, Öl, scharfen Kanten oder sich bewegenden Geräteteilen.** Beschädigte oder verwickelte Kabel erhöhen das Risiko eines elektrischen Schlages.
- **Wenn Sie mit einem Elektrowerkzeug im Freien arbeiten, verwenden Sie nur Verlängerungskabel, die auch für den Außenbereich geeignet sind.** Die Anwendung eines für den Außenbereich geeigneten Verlängerungskabels verringert das Risiko eines elektrischen Schlages.
- **Wenn der Betrieb des Elektrowerkzeuges in feuchter Umgebung nicht vermeidbar ist, verwenden Sie einen Fehlerstromschalter.** Der Einsatz eines Fehlerstromschalters vermindert das Risiko eines elektrischen Schlages.

### SICHERHEIT VON PERSONEN

- **Seien Sie aufmerksam, achten Sie darauf, was Sie tun und gehen Sie mit Vernunft an die Arbeit mit einem Elektrowerkzeug. Benutzen Sie kein Elektrowerkzeug, wenn Sie müde sind oder unter dem Einfluss von Drogen, Alkohol oder Medikamenten stehen.** Ein Moment der Unachtsamkeit beim Gebrauch des Elektrowerkzeuges kann zu ernsthaften Verletzungen führen.
- **Benutzen Sie eine persönliche Schutzausrüstung. Immer eine Schutzbrille.** Schutzausrüstung, beispielsweise Staubschutzmasken, rutschsichere Sicherheitsschuhe, Schutzhelme oder Gehörschutz, reduziert unter den entsprechenden Bedingungen die Verletzungsgefahr.
- **Vermeiden Sie eine unbeabsichtigte Inbetriebnahme. Vergewissern Sie sich, dass das Elektrowerkzeug ausgeschaltet ist, bevor Sie es an die Stromversorgung und/oder den Akkupack anschließen, es aufnehmen oder tragen.** Das Tragen von Elektrowerkzeugen mit dem Finger am Schalter bzw. von an das Stromversorgung angeschlossenen Elektrowerkzeugen bei eingeschaltetem Schalter kann zu Unfällen führen.
- **Entfernen Sie Einstellwerkzeuge oder Schraubenschlüssel, bevor Sie das Elektrowerkzeug einschalten.** Ein Werkzeug oder Schlüssel, der sich in einem drehenden Geräteteil befindet, kann zu Verletzungen führen.
- **Vermeiden Sie eine abnormale Körperhaltung. Sorgen Sie für einen sicheren Stand und halten Sie jederzeit das Gleichgewicht.** Dadurch können Sie das Elektrowerkzeug in unerwarteten Situationen besser kontrollieren.
- **Tragen Sie geeignete Kleidung. Tragen Sie keine locker sitzende Kleidung oder Schmuck. Halten Sie Ihr Haar und Ihre Kleidung von beweglichen Teilen fern.** Lockere Kleidung, Schmuck oder lange Haare können von sich bewegenden Teilen erfasst werden.
- **Wenn Staubabsaug- und -auffangeinrichtungen montiert werden können, vergewissern Sie sich, dass diese angeschlossen sind und richtig verwendet werden.** Verwendung einer Staubabsaugung kann Gefährdungen durch Staub verringern.

- **Wiegen Sie sich nicht in falscher Sicherheit und setzen Sie sich nicht über die Sicherheitsregeln für Elektrowerkzeuge hinweg, auch wenn sie nach vielfachem Gebrauch mit dem Elektrowerkzeug vertraut sind.** Eine unvorsichtige Aktion kann in einem Sekundenbruchteil eine schwere Verletzung verursachen.

## VERWENDUNG UND BEHANDLUNG DES ELEKTROWERKZEUGES

- **Überlasten Sie das Gerät nicht. Verwenden Sie für Ihre Arbeit das dafür bestimmte Elektrowerkzeug.** Mit dem passenden Elektrowerkzeug arbeiten Sie besser und sicherer im angegebenen Leistungsbereich.
- **Benutzen Sie kein Elektrowerkzeug, dessen Schalter defekt ist.** Ein Elektrowerkzeug, das sich nicht mehr ein- oder ausschalten lässt, ist gefährlich und muss repariert werden.
- **Ziehen Sie den Stecker aus der Steckdose und/oder entfernen Sie den Akkupack, bevor Sie Geräteeinstellungen vornehmen, Zubehörteile wechseln oder das Gerät weglegen.** Diese Vorsichtsmaßnahme verhindert den unbeabsichtigten Start des Elektrowerkzeuges.
- **Bewahren Sie unbenutzte Elektrowerkzeuge außerhalb der Reichweite von Kindern auf. Lassen Sie Personen das Gerät nicht benutzen, die mit diesem nicht vertraut sind oder diese Anweisungen nicht gelesen haben.** Elektrowerkzeuge sind gefährlich, wenn sie von unerfahrenen Personen benutzt werden
- **Warten Sie Elektrowerkzeuge und das Zubehör. Kontrollieren Sie, ob bewegliche Teile einwandfrei funktionieren und nicht klemmen, ob Teile gebrochen oder so beschädigt sind, dass die Funktion des Elektrowerkzeuges beeinträchtigt ist. Lassen Sie beschädigte Teile vor dem Einsatz des Gerätes reparieren.** Viele Unfälle haben ihre Ursache in schlecht gewarteten Elektrowerkzeugen.
- **Halten Sie Schneidwerkzeuge scharf und sauber.** Sorgfältig gepflegte Schneidwerkzeuge mit scharfen Schneidkanten verklemmen sich weniger und sind leichter zu führen.
- **Verwenden Sie Elektrowerkzeug, Zubehör, Einsatzwerkzeuge usw. entsprechend diesen Anweisungen. Berücksichtigen Sie dabei die Arbeitsbedingungen und die auszuführende Tätigkeit.** Der Gebrauch von Elektrowerkzeugen für andere als die vorgesehenen Anwendungen kann zu gefährlichen Situationen führen.
- **Halten Sie die Griffe und Griffflächen trocken, sauber und frei von Öl und Schmierstoffen.** Rutschige Griffe und Griffflächen verhindern die sichere Bedienung und Kontrolle des Werkzeugs in unerwarteten Situationen.

## VERWENDUNG UND BEHANDLUNG DES AKKUWERKZEUGES

- **Laden Sie die Akkus nur in Ladegeräten auf, die vom Hersteller empfohlen werden.** Für ein Ladegerät, das für eine bestimmte Art von Akkupacks geeignet ist, besteht Brandgefahr, wenn es mit anderen Akkupacks verwendet wird.
- **Verwenden Sie nur die dafür vorgesehenen Akkupacks in den Elektrowerkzeugen.** Der Gebrauch von anderen Akkupacks kann zu Verletzungen und Brandgefahr führen.

- **Halten Sie den nicht benutzten Akkupack fern von Büroklammern, Münzen, Schlüsseln, Nägeln, Schrauben oder anderen kleinen Metallgegenständen, die eine Überbrückung der Kontakte verursachen könnten.** Ein Kurzschluss zwischen den Akkukontakten kann Verbrennungen oder Feuer zur Folge haben.

- **Bei falscher Anwendung kann Flüssigkeit aus dem Akku austreten; vermeiden Sie den Kontakt damit. Bei zufälligem Kontakt mit Wasser abspülen.** Suchen Sie außerdem medizinische Hilfe auf, falls die Flüssigkeit in die Augen gerät. Austretende Akkufflüssigkeit kann zu Hautreizungen oder Verbrennungen führen.
- **Verwenden Sie keinen beschädigten oder modifizierten Akkupack oder Werkzeuge.** Beschädigte oder modifizierte Akkus können zu unvorhersehbaren Reaktionen führen, was zu Feuer, Explosion oder Verletzungsgefahr führt.
- **Setzen Sie Akkupacks oder Werkzeuge nicht Feuer oder zu hohen Temperaturen aus.** Feuereinwirkung oder Temperaturen über 130° C können zu einer Explosion führen.
- **Befolgen Sie alle Ladeanweisungen und laden Sie den Akkupack nicht außerhalb des in der Anleitung angegebenen Temperaturbereichs auf.** Bei unsachgemäßer Aufladung oder Aufladung bei Temperaturen außerhalb des angegebenen Bereichs kann der Akku beschädigt und das Brandrisiko erhöht werden.

## SERVICE

- **Lassen Sie Ihr Elektrowerkzeug nur von qualifiziertem Fachpersonal und nur mit Original-Ersatzteilen reparieren.** Damit wird sichergestellt, dass die Sicherheit des Elektrowerkzeugs erhalten bleibt.
- **Warten Sie niemals beschädigte Akkupacks.** Sämtliche Wartung von Akkupacks sollte nur durch den Hersteller oder bevollmächtigte Kundendienststellen erfolgen.

## SICHERHEITSHINWEISE FÜR FREISCHNEIDER

- **Nutzen Sie das Gerät nicht bei schlechtem Wetter, vor allem nicht bei Gewittergefahr.** Dies verringert das Risiko, von einem Blitz getroffen zu werden.
- **Überprüfen Sie das Gelände, auf dem das Gerät eingesetzt werden soll, gründlich auf frei lebende Tiere.** Frei lebende Tiere können durch das Gerät während des Betriebs verletzt werden.
- **Überprüfen Sie den Bereich, in dem das Gerät eingesetzt werden soll, gründlich und entfernen Sie alle Steine, Stöcke, Drähte, Knochen und sonstige Fremdkörper.** Herausgeschleuderte Gegenstände können Verletzungen verursachen.
- **Vergewissern Sie sich vor dem Einsatz des Geräts immer visuell, dass das Schneidelement, das Messer und die Schneid- oder Messerbaugruppe nicht abgenutzt oder beschädigt sind.** Beschädigte Teile erhöhen die Verletzungsgefahr.
- **Überprüfen Sie vor der Verwendung das Netzkabel und eventuelle Verlängerungskabel auf Anzeichen von Beschädigung oder Alterung. Verwenden Sie die Maschine nicht falls das Kabel beschädigt**



- oder abgenutzt ist. Wenn das Kabel während des Gebrauchs beschädigt oder abgenutzt ist, schalten Sie das Gerät aus und berühren Sie das Kabel nicht, bevor Sie es vom Stromnetz trennen. Ein beschädigtes Netz- oder Verlängerungskabel kann zu einem elektrischen Schlag, Brand und/oder schweren Verletzungen führen.
- **Befolgen Sie beim Auswechseln von Zubehörteilen die Anleitung.** Nicht korrekt festgezogene Messersicherungsmuttern oder -schrauben können entweder das Messer beschädigen oder dazu führen, dass sich die Befestigung löst.
  - **Die Nenndrehzahl des Zubehörteils muss mindestens der Maximaldrehzahl des Geräts entsprechen.** Messer, die oberhalb der Nenndrehzahl betrieben werden, können zerspringen und auseinanderbrechen.
  - **Tragen Sie Schutzbrille, Gehörschutz, Kopfschutz und Handschuhe.** Angemessene Schutzausrüstung verringert das persönliche Risiko durch umherfliegende Teile oder versehentliches Berühren des Schneidfadens oder des Messers.
  - **Tragen Sie beim Bedienen des Geräts stets Sicherheitsschuhe. Arbeiten Sie mit der Maschine niemals Barfuß oder mit offenen Sandalen.** Dadurch wird die Gefahr von Fußverletzungen durch den Kontakt mit dem sich bewegendem Schneidelement, dem Faden oder dem Messer verringert.
  - **Tragen Sie beim Bedienen des Geräts immer lange Hosen.** Freiliegende Haut erhöht die Wahrscheinlichkeit von Verletzungen durch geworfene Gegenstände.
  - **Halten Sie umstehende Personen fern, während Sie das Gerät bedienen.** Umhergeschleuderte Überreste können zu schwerwiegenden Verletzungen führen.
  - **Bedienen Sie das Gerät immer mit beiden Händen.** Wenn Sie das Gerät mit beiden Händen halten, vermeiden Sie es, die Kontrolle zu verlieren.
  - **Halten Sie das Gerät nur an den isolierten Greifflächen, da der Schneidfaden oder das Messer in Kontakt mit verborgener Verkabelung kommen können.** Wenn der Schneidfaden oder die Messer Kontakt zu einem stromführenden Draht haben, kann das dazu führen, dass offenliegende Metallteile des Geräts ebenfalls Strom führen, und der Bediener könnte einen Stromschlag erleiden.
  - **Halten Sie immer einen sicheren Stand und bedienen Sie das Gerät nur, wenn Sie auf festem Boden stehen.** Rutschige oder instabile Böden können zu einem Verlust des Gleichgewichts oder der Kontrolle über das Gerät führen.
  - **Setzen Sie das Gerät nicht an übermäßig steilen Hängen ein.** Dadurch wird die Gefahr von Kontrollverlust, Ausrutschen und Stürzen, die zu Verletzungen führen können, verringert.
  - **Achten Sie bei Arbeiten an Hängen immer auf einen sicheren Stand, arbeiten Sie immer quer zum Hang, niemals bergauf oder bergab, und lassen Sie bei Richtungsänderungen äußerste Vorsicht walten.** Dadurch wird die Gefahr von Kontrollverlust, Ausrutschen und Stürzen, die zu Verletzungen führen können, verringert.
  - **Halten Sie das Netzkabel von der Schneidvorrichtung, dem Schneidfaden oder dem Messer fern.** Ein beschädigtes Netzkabel kann zu einem elektrischen Schlag, Brand und/oder schweren Verletzungen führen.
  - **Halten Sie alle Körperteile von Schneidelement, Faden bzw. Messer fern, während das Gerät in Betrieb ist. Bevor Sie das Gerät einschalten, stellen Sie sicher, dass Schneidelement, Faden oder Messer keinen Kontakt zu einem Gegenstand haben.** Schon kurze Unaufmerksamkeit, während Sie das Gerät bedienen, kann dazu führen, dass Sie sich selbst oder andere verletzen.
  - **Betreiben Sie das Gerät nicht oberhalb der Taillenhöhe.** Das hilft, ein unbeabsichtigtes Berühren von Schneidelement oder Messer zu verhindern, und ermöglicht eine bessere Kontrolle des Geräts in unerwarteten Situationen.
  - **Seien Sie beim Schneiden von Gebüsch oder jungen Trieben, die unter Spannung stehen, auf Rückfederung gefasst.** Wenn die Spannung der Holzfasern nachlässt, kann das Gebüsch bzw. der Trieb den Bediener treffen und/oder das Gerät außer Kontrolle geraten lassen.
  - **Seien Sie besonders vorsichtig beim Schneiden von Unterholz und jungen Bäumen.** Das dünne Material kann sich im Messer verfangen und Ihnen entgegengeschleudert werden oder Sie aus dem Gleichgewicht bringen.
  - **Behalten Sie die Kontrolle über das Gerät und berühren Sie Schneider, Fäden oder Messer und andere gefährliche bewegliche Teile nicht, solange sie noch in Bewegung sind.** Dadurch wird die Verletzungsgefahr durch bewegliche Teile verringert.
  - **Tragen Sie das Gerät nur, wenn es ausgeschaltet ist, und richten Sie es vom Körper fort.** Die korrekte Handhabung des Geräts verringert die Wahrscheinlichkeit einer versehentlichen Berührung des sich bewegendem Schneidelements, des Fadens oder des Messers.
  - **Legen Sie bei Transport oder Lagerung immer die Abdeckung über die Metallmesser.** Die korrekte Handhabung des Geräts verringert die Wahrscheinlichkeit einer versehentlichen Berührung des Messers.
  - **Verwenden Sie ausschließlich die vom Hersteller angegebenen Schneidelemente, Fäden, Schneidköpfe und Messer als Ersatzteile.** Die falschen Ersatzteile können das Risiko von Schäden und Verletzungen erhöhen.
  - **Stellen Sie beim Entfernen von eingeklemmtem Material bzw. beim Warten des Geräts sicher, dass der Schalter ausgeschaltet ist und dass der Akku entnommen wurde.** Unerwartetes Einschalten des Geräts bei der Wartung oder beim Entfernen von eingeklemmtem Material kann zu schwerwiegenden Personenschäden führen.

#### URSACHEN FÜR DEN MESSERSCHUB UND ENTSPRECHENDE WARNUNGEN

Ein Messerschub ist eine plötzliche Seitwärts-, Vorwärts- oder Rückwärtsbewegung des Geräts, die auftreten kann, wenn sich das Messer verklemt oder an einem Objekt wie einem Baumchen oder einem Baumstumpf hängen bleibt. Sie kann so heftig sein, dass das Gerät und/oder der





Bediener in eine beliebige Richtung geschleudert werden und möglicherweise die Kontrolle über das Gerät verlieren.

Der Messerschub und die damit verbundenen Gefahren können durch die nachstehend beschriebenen Vorsichtsmaßnahmen vermieden werden.

- **Halten Sie das Gerät mit beiden Händen fest und positionieren Sie Ihre Arme so, dass sie dem Messerschub standhalten. Positionieren Sie Ihren Körper auf der linken Seite des Geräts. Der Messerschub kann die Verletzungsgefahr durch eine unerwartete Bewegung des Geräts erhöhen.** Die Schubkraft des Messers kann vom Bediener kontrolliert werden, wenn die entsprechenden Vorsichtsmaßnahmen getroffen werden.
- **Wenn das Messer klemmt oder wenn Sie einen Schnitt aus irgendeinem Grund unterbrechen, schalten Sie das Gerät aus und halten Sie es im Material fest, bis das Messer zum Stillstand kommt.** Versuchen Sie niemals, das Gerät rückwärts zu ziehen, während das Messer in Bewegung ist, da es sonst zu einem Messerschub kommen kann. Untersuchen Sie die Ursache für das Verklemmen der Messer und ergreifen Sie entsprechende Maßnahmen, um sie zu beseitigen.
- **Verwenden Sie keine stumpfen oder beschädigten Messer.** Bei stumpfen oder beschädigten Messern besteht die Gefahr, dass sie sich verklemmen oder an einem Gegenstand hängen bleiben, was zu einem Messerschub führt.
- **Sorgen Sie stets für eine gute Sicht auf das zu schneidende Material.** Stöße der Messer treten mit höherer Wahrscheinlichkeit in Bereichen auf, in denen es schwierig ist, das Schneidmaterial zu sehen.
- **Wenn sich Ihnen eine andere Person nähert, während Sie das Gerät bedienen, schalten Sie das Gerät aus.** Es besteht ein erhöhtes Verletzungsrisiko für andere Personen, die von den sich bewegenden Messern im Falle eines Messerschubs getroffen werden.

#### ZUSÄTZLICHE SICHERHEITSWARNUNGEN

- Überprüfen Sie vor jeder Benutzung und nach jedem Schlag, dass keine Teile beschädigt sind. Ein defekter Schalter oder ein anderes Teil, das beschädigt oder abgenutzt ist, muss durch den autorisierten Kundendienst ordnungsgemäß repariert oder ausgetauscht werden.
- Die am Messerschutz angebrachte kleine Klinge soll die neue verlängerte Schnur auf die richtige Länge für eine sichere und optimale Leistung schneiden. Das Messer ist sehr scharf. Berühren Sie das Messer, vor allem beim Reinigen des Geräts, nicht.
- Verwenden Sie nur den Ersatz-Schneidfaden des Herstellers. Benutzen Sie keinen anderen Schneidaufsatz.
- Stellen Sie sicher, dass der Schneidaufsatz ordnungsgemäß montiert und befestigt ist.
- Bedienen Sie das Produkt niemals ohne dass alle Schutzvorrichtungen, Abweiser und Griffe ordnungsgemäß und sicher befestigt sind.
- Vergewissern Sie sich vor jedem Einsatz, dass die Schneidklinge zu Schneiden des Rasens in der Schutzvorrichtung richtig positioniert und gesichert ist.
- Halten Sie das Bürstenteil unterhalb der Taille.
- Schalten Sie das Gerät bei einem Unfall oder einer Panne sofort aus und nehmen Sie den Akku heraus oder trennen Sie ihn vom Stromnetz. Das Produkt darf nicht wieder in Betrieb genommen werden, bis es vollständig von einem autorisierten Kundendienst überprüft wurde.
- Um das Verletzungsrisiko bei Kontakt mit beweglichen Teilen zu verringern, schalten Sie das Gerät immer aus, entfernen Sie den Akku und unterbrechen Sie die Stromzufuhr. Lassen Sie beides abkühlen. Stellen Sie sicher, dass alle bewegliche Teile vollständig angehalten sind:
  - bevor Sie das Produkt warten
  - bevor Sie eine Blockierung entfernen
  - bevor Sie das Produkt prüfen, reinigen oder daran arbeiten
  - bevor Sie Zubehörteile wechseln
  - nachdem ein Fremdkörper getroffen wurde
  - wenn Sie das Produkt unbeaufsichtigt zurücklassen
  - wenn Sie Wartungsarbeiten durchführen
  - wenn die Maschine anfängt ungewöhnlich zu vibrieren
- Stellen Sie sicher, dass alle Schutzabdeckungen und Griffe ordnungsgemäß befestigt und in gutem Zustand sind.
- Halten Sie das Produkt an den dafür vorgesehenen Griffen und schränken Sie die Arbeitszeit und Belastung ein.
- Achten Sie auf Objekte die durch das Schneidwerkzeug geschleudert werden können. Entfernen Sie Schutt wie kleine Steine, Kies und andere Fremdkörper aus dem Arbeitsbereich, bevor Sie mit der Arbeit beginnen. Drähte oder Schnüre können in dem Schneidwerkzeug verwickelt werden.
- Das Produkt ist mit einem Tragegurt ausgestattet. Nutzen Sie beim Bedienen des Geräts den Gurt. Stellen Sie den Schultergurt sorgfältig ein, damit er das Gewicht der Maschine komfortabel auf Ihrer rechten Seite unterstützt. Ermitteln Sie, wie der Schnellverschluss funktioniert und üben Sie die Benutzung, bevor Sie die Maschine benutzen. Dessen richtige Benutzung kann im Notfall schwere Verletzungen verhindern. Tragen Sie niemals zusätzliche Kleidung über dem Gurt, um den Zugriff auf den Schnellöffnungs-Mechanismus nicht einzuschränken.
- Tragen Sie weder mehrere Gürtel noch einen Schultergurt.
- Stellen Sie immer sicher, dass die Belüftungsöffnungen frei von Ablagerungen sind.
- Die Stromversorgung sollte über eine Fehlerstromschutzeinrichtung mit einem Auslösestrom von nicht mehr als 30 mA angeschlossen werden.
- Betreiben Sie das Gerät nur bei Temperaturen zwischen 0 und 40 °C.
- Bewahren Sie das Gerät bei einer Umgebungstemperatur von 0 bis 40 °C auf.
- Wenn das Netzkabel beschädigt ist, muss es durch ein spezielles Kabel oder eine spezielle Baugruppe ersetzt werden, die bei einer autorisierten Kundendienststelle erhältlich ist.
- Überprüfen Sie das Netzkabel vor jedem Gebrauch auf Schäden. Bei einer Beschädigung muss das Stromkabel von einer qualifizierten Person in einem autorisierten Servicecenter ausgetauscht werden, damit keine Gefahr entsteht.
- Tragen Sie beim Ein- und Ausbau der Messer strapazierfähige Handschuhe, da sie scharfe Kanten haben.



- Versuchen Sie nicht das Messer zu berühren oder anzuhalten, wenn sie sich dreht.
- Ersetzen Sie jedes Messer das beschädigt wurde. Vergewissern Sie sich vor jedem Gebrauch, dass das Schneidblatt richtig eingebaut ist und fest sitzt.
- Verwenden Sie nur das Ersatz-TriArc Messer des Herstellers. Benutzen Sie keinen anderen Schneidaufsatz.
- Schneiden Sie keine Materialien mit mehr als 13 mm Durchmesser.
- Decken Sie das Messer mit dem Transportschutz ab, bevor Sie das Gerät lagern oder während des Transports. Entfernen Sie immer den Transportschutz, bevor Sie das Produkt benutzen. Wenn der Transportschutz nicht entfernt wird, kann er weg geschleudert werden, sobald das Messer sich bewegt.
- Gehen Sie, zum einfachen Schneiden und größerer Sicherheit, das zu schneidende Gras von rechts nach links an. Wenn unvermittelt auf einen Gegenstand oder Holzstock gestoßen wird, kann dadurch der Rückschlag des Messers minimiert werden. Beide Hände müssen immer eingesetzt werden um das Produkt zu kontrollieren.
- Verletzungen können durch lange Benutzung eines Produkts entstehen oder verschlimmert werden. Wenn Sie das Gerät über einen längeren Zeitraum nutzen, stellen Sie regelmäßige Pausen sicher.

#### WEITERE SICHERHEITSHINWEISE ZUM AKKU

- Um die Brandgefahr sowie die Gefahr von Personenschaden und der Beschädigung des Produkts aufgrund eines Kurzschlusses zu reduzieren, halten Sie das Gerät, den Akkupack und das Ladegerät von Flüssigkeiten fern. Korrodierende oder leitfähige Flüssigkeiten, wie Salzwasser, bestimmte Chemikalien und Bleichmittel oder Produkte, die Bleichmittel enthalten, können einen Kurzschluss verursachen.
- Laden Sie den Akkupack bei einer Umgebungstemperatur von 10 bis 38 °C.
- Bewahren Sie den Akkupack bei einer Umgebungstemperatur von 0 bis 20°C auf.
- Verwenden Sie den Akkupack bei Umgebungstemperaturen von 0 bis 40 °C.

#### TRANSPORT UND LAGERUNG

- Schalten Sie das Gerät aus, entfernen Sie den Akkupack und lassen Sie das Gerät abkühlen, bevor Sie es aufbewahren oder transportieren.
- Entfernen Sie alle Fremdkörper vom Produkt.
- Vermeiden Sie es, das Produkt mit eingeglegtem Akkupack zu lagern oder zu transportieren. Entfernen Sie den Akkupack und sichern Sie ihn separat. Lagern Sie das Produkt an einem kühlen, trockenen und gut belüfteten Ort, der Kindern keinen Zugang bietet. Halten Sie das Produkt von ätzenden Mitteln wie Gartenchemikalien und Streusalz fern. Lagern Sie das Gerät nicht im Freien.
- Sichern Sie das Produkt beim Transport in einem Fahrzeug gegen Bewegung oder Herunterfallen, um Verletzungen an Personen und Beschädigung des Produkts zu verhindern.

#### TRANSPORT VON LITHIUM-IONEN-AKKUS

- Transportieren Sie Akkupacks gemäß Ihren örtlichen und nationalen Bestimmungen und Regeln.
- Befolgen Sie alle besonderen Anforderungen für Verpackung und Beschriftung, wenn Sie Akkus von Dritten transportieren lassen. Stellen Sie sicher, dass beim Transport kein Akku in Kontakt mit anderen Akkus oder leitenden Materialien kommt, indem Sie die freien Anschlüsse mit Isolierband, nichtleitenden Kappen oder Klebeband schützen. Beschädigte oder auslaufende Akkus dürfen nicht transportiert werden. Weitere Informationen erhalten Sie bei Ihrem Transportunternehmen.

#### WARTUNG UND PFLEGE

- Verwenden Sie ausschließlich original Ersatzteile, Zubehör und Aufsätze des Herstellers. Nichtbefolgung kann mögliche Verletzungen oder schlechte Leistung verursachen und Ihre Garantie ungültig machen.
- Service und Wartung des Gerätes erfordert besonderen Sorgfalt und Kenntnisstand und sollte nur durch qualifiziertes Personal durchgeführt werden. Lassen Sie das Gerät nur von einem autorisierten Servicecenter warten.
- Schalten Sie das Gerät aus und nehmen Sie den Akku heraus oder trennen Sie ihn vom Stromnetz. Stellen Sie vor jeder Reinigung oder Wartung sicher, dass alle bewegliche Teile vollständig angehalten sind.
- Sie dürfen nur die in dieser Bedienungsanleitung beschriebenen Einstellungen oder Reparaturen durchführen. Kontaktieren Sie Ihren autorisierten Kundendienst für andere Reparaturen.
- Verwenden Sie als Ersatzfaden nur Nylonfaden mit einem Durchmesser wie in der Spezifikations-Tabelle in dieser Bedienungsanleitung beschrieben.
- Reinigen Sie das Produkt nach jeder Benutzung mit einem weichen, trockenen Lappen. Jedes beschädigte Teil muss durch den autorisierten Kundendienst ordnungsgemäß repariert oder ausgetauscht werden.
- Überprüfen Sie alle Muttern, Bolzen und Schrauben vor jedem Gebrauch und in regelmäßigen Abständen auf korrekte Dichtigkeit, um sicherzustellen, dass das Produkt in einem sicheren Arbeitszustand ist. Jedes beschädigte Teil muss durch den autorisierten Kundendienst ordnungsgemäß repariert oder ausgetauscht werden.
- Bringen Sie das Produkt zu einem autorisierten Kundendienst zurück, um beschädigte oder unleserliche Aufkleber zu ersetzen.

#### MACHEN SIE SICH MIT IHREM PRODUKT VERTRAUT

Siehe Seite 137.

1. Aufnahmeschacht
2. Transportschutz
3. TRI-ARC Messer
4. Schneidgarmentschutz
5. Bedienungsanleitung
6. Metallabdeckung
7. Flanschscheibe
8. Bauunterlegscheibe
9. Sicherungsstift
10. Kombischlüssel
11. Mutter



## SYMBOLS AUF DEM PRODUKT



Sicherheitswarnung



Vor dem Bedienen des Produkts müssen Sie alle Anweisungen lesen und verstehen. Befolgen Sie alle Warn- und Sicherheitshinweise.



Tragen Sie Augen, Gehör und Kopfschutz.



Tragen Sie rutschfeste Sicherheitsschuhe, wenn Sie dieses Produkt benutzen.



Tragen Sie rutschfeste, strapazierfähige Schutzhandschuhe.



Achten Sie auf geschleuderte oder fliegende Objekte. Halten Sie unbeteiligte Personen (insbesondere Kinder und Tiere) mindestens 15m vom Arbeitsbereich fern.



Das Produkt darf nicht mit gezahnten Messern verwendet werden.



TRI-ARC Messer



Europäisches Konformitätskennzeichen



EurAsian Konformitätszeichen



Ukrainisches Konformitätskennzeichen



Halten Sie die Hände von dem Fadenabschneider fern.



Achten Sie auf Rückschlag des Messers



Nicht Regen oder feuchten Bedingungen aussetzen.



Garantierter Schalleistungspegel



Britisches Konformitätskennzeichen



Entfernen Sie den Akkupack, bevor Sie mit Arbeiten an dem Produkt beginnen.



Entsorgen Sie Altbatterien, Elektro- und Elektronikaltgeräte nicht als unsortierten Siedlungsabfall. Altbatterien und Elektro- und Elektronikaltgeräte müssen getrennt gesammelt werden. Altbatterien, Altakkumulatoren und Lichtquellen müssen aus den Geräten entfernt werden. Informieren Sie sich bei den örtlichen Behörden oder bei Ihrem Einzelhändler über Recyclingoptionen und die Entsorgungseinrichtung. Je nach den örtlichen Vorschriften kann der Einzelhandel verpflichtet sein, Altbatterien und Elektro- und Elektronik-Altgeräte unentgeltlich zurückzunehmen. Ihr Beitrag zur Wiederverwendung und zum Recycling von Elektro- und Elektronikaltgeräten trägt dazu bei, den Bedarf an Rohstoffen zu verringern. Altbatterien, insbesondere lithiumhaltige Batterien, und Elektro- und Elektronik-Altgeräte enthalten wertvolle, wiederverwertbare Materialien, die sich negativ auf die Umwelt und die menschliche Gesundheit auswirken können, wenn sie nicht auf umweltverträgliche Weise entsorgt werden. Löschen Sie ggf. personenbezogene Daten aus Altgeräten.

## SYMBOLS IN DIESER BEDIENUNGSANLEITUNG



Hinweis



Warnung



Teile oder Zubehör getrennt erhältlich

La seguridad, rendimiento y fiabilidad han sido aspectos primordiales para el diseño de su accesorio de desbrozadora.

## USO PREVISTO

El accesorio de desbrozadora está aprobado para su uso con los cabezales eléctricos RPH1200, RLT1238I, RBC1226I, y con los cabezales eléctricos alimentados mediante batería RPH3601-BL y RY36ELTX33A.

El producto se ha diseñado para cortar arbustos, matorrales y vegetación similar al nivel del suelo o cerca de él. El producto también puede cortar césped alto, hierba con tallos carnosos y vegetación similar.

El plano de corte debe ser aproximadamente paralelo a la superficie del suelo.

El producto está concebido para que lo usen únicamente adultos que hayan leído y comprendido las instrucciones y advertencias de este manual, y que puedan considerarse responsables de sus acciones.

El producto solo está pensado para utilizarse al aire libre en una zona bien ventilada. Por razones de seguridad, es necesario controlar el producto correctamente utilizando las dos manos.

No la use para ninguna otra finalidad.

## ADVERTENCIAS GENERALES DE SEGURIDAD DEL PRODUCTO

**⚠ ¡ADVERTENCIA! Lea todas las advertencias de peligro e instrucciones.** El incumplimiento de las advertencias e instrucciones puede provocar descargas eléctricas, incendios y/o lesiones graves.

**Conservar estas advertencias e instrucciones para poder consultarlas posteriormente.**

El término «herramienta eléctrica» incluido en las advertencias hace referencia a su producto conectado a la red eléctrica (con cable) o a su producto alimentado con batería (inalámbrico).

### ZONA DE TRABAJO

- **Mantenga el área de trabajo limpia y bien iluminada.** Las zonas oscuras o poco despejadas pueden provocar accidentes.
- **No utilice herramientas eléctricas en entornos inflamables, como puede ser en presencia de líquidos inflamables, gases o polvo.** Las herramientas eléctricas crean chispas que pueden inflamar el polvo o el humo.
- **Mantenga a los niños y personas ajenas alejadas de la zona en la que está utilizando la herramienta eléctrica.** Las distracciones pueden hacer que pierda el control de la herramienta.

### SEGURIDAD ELÉCTRICA

- **Las conexiones de la herramienta eléctrica deben corresponder a los de la toma de corriente. No modifique el enchufe de ninguna manera. No utilice ningún adaptador con herramientas eléctricas conectadas a tierra.** Utilizar enchufes sin modificar

y tomas correspondientes reducirán el riesgo de descargas eléctricas.

- **Evite el contacto corporal con superficies conectadas a tierra, como tuberías, radiadores, estufas y refrigeradores.** Existe un mayor riesgo de descargas eléctricas si su cuerpo está conectado a tierra.
- **No exponga este producto a la lluvia o humedad.** Si entra agua en una herramienta eléctrica podría aumentar el riesgo de descargas eléctricas.
- **Utilice correctamente el cable. No utilice el cable para llevar, tirar o desconectar el cable de la herramienta. Mantenga el cable lejos del calor, aceite, bordes afilados o partes móviles.** Los cables dañados o enredados aumentan el riesgo de descargas eléctricas.
- **A la hora de utilizar herramientas eléctricas al aire libre, utilice un alargador adecuado para uso en exteriores.** El uso de un cable adecuado para uso en exteriores reduce el riesgo de descargas eléctricas.
- **Si es inevitable utilizar una herramienta eléctrica en un lugar húmedo, utilice un dispositivo de corriente residual (RCD) como protección.** El uso de un RCD reduce el riesgo de descargas eléctricas.

### SEGURIDAD PERSONAL

- **Manténgase alerta y atento a lo que está haciendo y utilice el sentido común al utilizar una herramienta eléctrica. No utilice una herramienta eléctrica cuando esté cansado o bajo la influencia de drogas, alcohol o medicamentos.** En un momento de descuido, mientras utiliza herramientas eléctricas podrían ocurrir lesiones personales graves.
- **Utilice un equipo de protección personal. Utilice siempre dispositivos de protección ocular.** El equipo de protección como la máscara antipolvo, los zapatos de seguridad antideslizantes, el casco o la protección auditiva utilizados para trabajar en las condiciones adecuadas reducirá los daños personales.
- **Evite la puesta en marcha accidental de la herramienta. Asegúrese de que el interruptor está en posición OFF antes de conectar la herramienta a una toma de corriente y/o batería, y levantar o transportar la herramienta.** El transporte de herramientas con el dedo sobre el interruptor o la conexión de herramientas eléctricas con el interruptor en ON puede causar accidentes.
- **Extraiga cualquier llave de ajuste antes de encender la herramienta eléctrica.** Una llave que se encuentra conectada a una pieza de rotación puede resultar en lesiones personales.
- **No se extienda demasiado. Afírmese bien en sus piernas y no extienda demasiado el brazo.** Esto permite un mejor control de la herramienta eléctrica en situaciones inesperadas.
- **Lleve ropa adecuada. No use ropa holgada o joyas. No acerque el pelo ni la ropa a las piezas móviles.** La ropa suelta, joyas o el cabello largo pueden quedar atrapados en las piezas móviles.

- Si existen dispositivos para la conexión de accesorios de recogida y extracción de polvo, asegúrese de que están conectados y que se utilizan adecuadamente. El uso de accesorios de recogida de polvo puede reducir riesgos relacionados con el polvo.
- Aunque se familiarice con el uso de la herramienta, no se relaje e ignore los principios de seguridad. Una acción imprudente puede provocar lesiones graves en una fracción de segundo.

## USO Y CUIDADO DE LA HERRAMIENTA ELÉCTRICA

- No fuerce el producto. Utilice la herramienta correcta para su aplicación. La herramienta correcta hará un trabajo más seguro y mejor para el que ha sido diseñada.
- No utilice la herramienta eléctrica si el interruptor de encendido no responde. Cualquier herramienta que no puede ser controlada con el interruptor de encendido es peligrosa y debe ser reparada.
- Desconecte el enchufe de la fuente de alimentación y/o quite la batería, si es extraíble, de la herramienta eléctrica antes de realizar ningún ajuste, cambiar los accesorios o guardar las herramientas eléctricas. Estas medidas preventivas de seguridad reducen el riesgo de arranque accidental de la herramienta.
- Coloque las herramientas eléctricas a ralenti fuera del alcance de los niños y no permita que personas no familiarizadas con la herramienta o con estas instrucciones la utilicen. Las herramientas eléctricas son peligrosas en manos de personas no capacitadas.
- Conserve las herramientas eléctricas y los accesorios. Compruebe la alineación o unión de las piezas móviles, si existe rotura de piezas o cualquier otro problema que pueda afectar al funcionamiento de la herramienta. Si alguna pieza está dañada, la herramienta eléctrica debería repararse antes de volver a utilizarla. Muchos accidentes son causados por un mantenimiento deficiente.
- Mantenga las herramientas de corte bien afiladas y limpias. Las herramientas de corte con bordes de corte afilados que tienen un mantenimiento adecuado reducen su deterioro y son más fáciles de controlar.
- Utilice la herramienta, accesorios, partes eléctricas, etc., de acuerdo con estas instrucciones, teniendo en cuenta las condiciones de trabajo y el trabajo que se va a realizar. Utilizar la herramienta eléctrica para realizar trabajos diferentes a los que esta herramienta está destinada podría dar como resultado una situación peligrosa.
- Mantenga los mangos y las superficies de agarre secos, limpios y libres de aceite o grasa. Los mangos y superficies de sujeción resbaladizas no le permiten una sujeción y un control seguro de la herramienta en situaciones inesperadas.

## USO Y CUIDADO DE LA HERRAMIENTA

- Recargue la unidad solamente con el cargador especificado por el fabricante. Podría haber un riesgo de incendio cuando se utilice un cargador con una batería para la que no está diseñado.

- Utilice sólo herramientas eléctricas específicamente diseñadas para ellos. Utilizar cualquier otro tipo de baterías puede causar lesiones o un riesgo de incendio.
- Cuando la batería no está en uso, manténgala alejada de otros objetos metálicos como clips, monedas, llaves, clavos, tornillos u otros objetos metálicos pequeños que puedan crear una conexión desde una terminal a otra. Causar un cortocircuito en los terminales de la batería puede causar quemaduras o un incendio.
- En condiciones abusivas, podría salir expulsado líquido de la batería, por lo que debería evitar el contacto con éste. Si se produce un contacto accidental, enjuáguese las manos con agua. Si el líquido entra en contacto con los ojos, acuda inmediatamente al médico. Si el líquido es expulsado de la batería y entra en contacto con él, podría causar irritación o quemaduras.
- No utilice un paquete de baterías o una herramienta que esté dañado o modificado. Las baterías dañadas o modificadas pueden presentar un comportamiento impredecible y provocar fuego, explosión o riesgo de lesión.
- No esponga la batería o la herramienta al fuego o a temperaturas excesivas. La exposición al fuego o a una temperatura superior a 130 °C puede provocar una explosión.
- Siga todas las instrucciones de carga y no cargue el paquete de baterías o la herramienta fuera del rango de temperatura especificado en las instrucciones. La carga inadecuada o a temperaturas fuera del rango especificado puede dañar la batería e incrementar el riesgo de fuego.

## MANTENIMIENTO

- Su herramienta eléctrica debería ser reparada por personas cualificadas, que deberían utilizar únicamente piezas de repuesto idénticas. Esto garantizará la seguridad a la hora de utilizar la herramienta eléctrica.
- Nunca arregle baterías dañadas. Solo el fabricante o proveedores homologados deberían reparar las baterías.

## ADVERTENCIAS DE SEGURIDAD DEL CORTAMALEZAS

- No utilice el producto si las condiciones meteorológicas son adversas, especialmente si hay riesgo de rayos. Esto reduce el riesgo de ser alcanzado por un rayo.
- Inspecciones minuciosamente si hay algún animal silvestre en la zona en la que va a utilizar la máquina. La máquina podría provocar lesiones a estos animales silvestres durante su uso.
- Inspeccione cuidadosamente la zona en la que va a utilizar la máquina y retire todas las piedras, palos, cables, huesos y cualquier otro objeto extraño. Los objetos despedidos pueden provocar lesiones personales.
- Antes de utilizar la máquina, inspecciónela visualmente para asegurarse de que el dispositivo de corte o la cuchilla y el conjunto del sistema de corte

EN

FR

DE

ES

IT

NL

PT

DA

SV

FI

NO

RU

PL

CS

HU

RO

LV

LT

ET

HR

SL

SK

BG

UK

TR



o cuchilla no estén desgastados ni dañados. El uso de componentes dañados aumenta el riesgo de lesión.

- **Antes de utilizar la máquina, compruebe si el cable de alimentación o cualquier cable alargador presentan signos de daños o envejecimiento. No utilice la máquina si el cable está dañado o gastado. Si el cable sufre algún daño o desgaste durante su uso, apague la máquina y no toque el cable antes de desconectarlo de la corriente eléctrica.** Un cable de alimentación o un cable alargador dañado puede provocar una descarga eléctrica, un incendio y/o lesiones graves.
- **Siga las instrucciones para cambiar accesorios.** Los pernos o tornillos que no sujeten correctamente la cuchilla pueden dañarla o provocar que se suelte.
- **La velocidad nominal de rotación de la cuchilla debe ser, como mínimo, igual a la velocidad máxima de rotación indicada en la máquina.** Las cuchillas con una velocidad especificada superior a la velocidad nominal de rotación pueden romperse y salir despedidas.
- **Utilice equipos de protección ocular, auditiva, para la cabeza y las manos.** El uso de los equipos de protección adecuados reducirá la posibilidad de que se produzcan lesiones personales por residuos despedidos o por un contacto accidental con el hilo de corte o la cuchilla.
- **Mientras utilice la máquina, lleve siempre calzado de seguridad. No utilice la máquina si está descalzo o lleva sandalias.** Esto reduce las probabilidades de que se produzca una lesión en los pies debido a un contacto con el dispositivo de corte, el hilo de corte o la cuchilla en movimiento.
- **Mientras utilice la máquina, lleve siempre pantalones largos.** La piel expuesta aumenta las probabilidades de que se produzca una lesión por objetos despedidos.
- **Mantenga alejados a los transeúntes mientras utilice la máquina.** Los residuos despedidos pueden provocar una lesión personal grave.
- **Utilice siempre las dos manos mientras utilice la máquina.** Sujetar la máquina con las dos manos evitará la pérdida de control.
- **Sujete la máquina exclusivamente por las superficies de agarre aisladas, ya que el hilo de corte puede entrar en contacto con cables eléctricos ocultos.** Si el hilo de corte o las cuchillas entran en contacto con un cable bajo tensión, es posible que las piezas metálicas de la máquina también reciban esta tensión y provoquen una descarga eléctrica al usuario.
- **Mantenga siempre los pies bien apoyados y utilice la máquina solo cuando esté situado de pie sobre el suelo.** Las superficies deslizantes o inestables pueden provocar una pérdida del equilibrio o del control de la máquina.
- **No utilice la máquina en pendientes muy pronunciadas.** Esto reduce el riesgo de que se produzca una pérdida de control, resbalones y caídas, que podrían provocar una lesión personal.
- **Cuando trabaje en pendientes, asegure siempre la posición de los pies, trabaje siempre en sentido**

**transversal en relación con la pendiente, nunca hacia arriba o hacia abajo, y exteme las precauciones cuando cambie de dirección.** Esto reduce el riesgo de que se produzca una pérdida de control, resbalones y caídas, que podrían provocar una lesión personal.

- **Mantenga el cable de alimentación alejado de la cortadora, el hilo de corte o la cuchilla.** Un cable de alimentación dañado puede provocar una descarga eléctrica, un incendio y/o lesiones graves.
- **Mantenga todas las partes del cuerpo alejadas del dispositivo de corte, el hilo de corte o la cuchilla cuando la máquina esté en funcionamiento. Antes de encender la máquina, asegúrese de que el dispositivo de corte, el hilo de corte o la cuchilla no esté en contacto con nada.** Un momento de distracción durante el uso de la máquina puede provocar lesiones, tanto para usted como para otras personas.
- **No utilice la máquina por encima de la altura de la cintura.** Esto ayudará a evitar un contacto accidental con el dispositivo de corte o cuchilla y permitirá mantener un mejor control de la máquina en situaciones inesperadas.
- **Al cortar arbustos o árboles jóvenes que estén en tensión, tenga cuidado con el resorte.** Cuando se libera la tensión en las fibras de madera, el arbusto o árbol joven puede golpear al usuario o hacerle perder el control de la máquina.
- **Tenga extremo cuidado al cortar los arbustos y brotes.** Las ramas y tallos finos pueden quedar atrapados en la cuchilla y salir despedidos hacia usted o hacerle perder el equilibrio.
- **Mantenga el control de la máquina y no toque los dispositivos de corte, hilos, cuchillas ni ningún otro componente móvil peligroso mientras estén en movimiento.** Esto reduce el riesgo de sufrir una lesión provocada por los componentes móviles.
- **Cuando transporte la máquina, hágalo con el motor apagado y manténgala alejada del cuerpo.** Una manipulación adecuada de la máquina reducirá la posibilidad de un contacto accidental con el dispositivo de corte, el hilo de corte o la cuchilla en movimiento.
- **Durante el transportar o almacenamiento de la máquina, coloque siempre el protector en las cuchillas metálicas.** Una manipulación adecuada de la máquina reducirá la posibilidad de un contacto accidental con la cuchilla.
- **Utilice únicamente dispositivos de corte, hilos de corte, cabezales de corte y cuchillas de repuesto especificadas por el fabricante.** El uso de piezas de repuesto incorrectas puede aumentar el riesgo de rotura o lesión.
- **A la hora de retirar el material atascado o realizar el mantenimiento de la máquina, asegúrese de que el interruptor esté apagado y la batería se haya retirado.** Un accionamiento inesperado de la máquina mientras se retira material atascado o durante una operación de mantenimiento puede provocar una lesión personal grave.



## CAUSAS DEL CONTRAGOLPE DE LA CUCHILLA Y ADVERTENCIAS RELACIONADAS

El contragolpe de la cuchilla es un movimiento brusco hacia un lateral, hacia delante o hacia atrás de la máquina, que se puede producir cuando la cuchilla se atasca o queda atrapada en un objeto, como un árbol joven o el tocón de un árbol. Puede ser lo suficientemente violento como para hacer que la máquina y/o el usuario salgan despedidos en cualquier dirección, perdiendo posiblemente el control de la máquina.

El contragolpe de la cuchilla y sus peligros relacionados se pueden evitar adoptando las precauciones adecuadas indicadas a continuación.

- **Mantenga un agarre firme con las dos manos colocadas en la máquina y coloque los brazos de tal forma que puedan soportar el contragolpe de la cuchilla. Coloque el cuerpo en el lado izquierdo de la máquina. El contragolpe de la cuchilla puede aumentar el riesgo de sufrir una lesión debido a un movimiento inesperado de la máquina.** El usuario puede controlar el contragolpe de la cuchilla si se adoptan las precauciones adecuadas.
- **Si la cuchilla se atasca o si se interrumpe un corte por algún motivo, apague la máquina y maténgala inmóvil en el material hasta que la cuchilla se detenga por completo.** Mientras la cuchilla esté atascada, no intente nunca quitar la máquina del material ni tirar de la máquina hacia atrás con la cuchilla todavía en movimiento; de lo contrario, se podría producir un contragolpe de la cuchilla. Investigue y toma las medidas correctoras necesarias para eliminar la causa del atasco de la cuchilla.
- **No utilice cuchillas romas o dañadas.** Las cuchillas romas o dañadas aumentan el riesgo de atasco o de quedar atrapadas en un objeto, provocando así el contragolpe de la cuchilla.
- **Mantenga siempre una buena visibilidad del material que pretenda cortar.** Es más probable que el contragolpe de la cuchilla se produzca en áreas en las que sea difícil ver el material que se pretende cortar.
- **Si otra persona se acerca a usted mientras está utilizando la máquina, apáguela.** Hay un mayor riesgo de que otra persona sufra una lesión por contacto con una cuchilla en movimiento en caso de que se produzca un contragolpe de la cuchilla.

### AVISOS DE SEGURIDAD ADICIONALES

- Antes de su uso y después de algún golpe, compruebe que no hay piezas dañadas. Los interruptores defectuosos o cualquier otra pieza dañada o gastada deben ser sustituidos o reparados adecuadamente por un establecimiento de servicio autorizado.
- La pequeña cuchilla colocada en la protección de seguridad está diseñada para recortar la nueva línea ampliada en la longitud correcta para un rendimiento seguro y óptimo. La cuchilla está muy afilada. No toque la cuchilla, especialmente, cuando limpie el producto.
- Utilice sólo el hilo de corte de recambio del fabricante. No utilice ningún tipo de pieza cortante.

- Asegúrese de que el accesorio de corte está correctamente instalado y ajustado.
- Nunca use el producto excepto si todas las protecciones, deflectores y mangos están unidos de forma correcta y segura.
- Asegúrese de que la cuchilla de corte de línea de la protección de seguridad esté correctamente colocada y fijada antes de cada uso.
- Mantenga el accesorio del cabezal por debajo de la cintura.
- Apague inmediatamente el producto y extraiga la batería o desconéctelo de la corriente eléctrica en caso de accidente o avería. No vuelva a utilizar el producto hasta que un servicio de mantenimiento autorizado lo haya inspeccionado completamente.
- Para reducir el riesgo de lesión asociado con el contacto con las piezas móviles, apague siempre el producto, extraiga la batería y desconéctelo de la corriente eléctrica. Deje que se enfrien los dos. Asegúrese de que todas las partes móviles se han detenido por completo:
  - antes del mantenimiento
  - antes de limpiar una obstrucción
  - antes de inspeccionar, limpiar o trabajar con el producto
  - antes de cambiar los accesorios
  - después de golpear un objeto extraño
  - cuando deje el aparato desatendido
  - siempre que se lleve a cabo el mantenimiento
  - si el producto empieza a vibrar de forma anormal
- Asegúrese de que todas las protecciones y mangos están bien ajustados y en buenas condiciones.
- Sujete el producto por los mangos destinados al efecto y limite el tiempo de funcionamiento y de exposición.
- Tenga cuidado con los objetos lanzados por el medio de corte. Elimine cualquier residuo, como piedras pequeñas, grava y otros objetos extraños del área de trabajo antes de iniciar el funcionamiento del producto. Los alambres o las cuerdas pueden enredarse en las líneas de corte.
- El producto cuenta con un arnés. Utilice el arnés durante el funcionamiento del producto. Ajuste con cuidado el arnés para que pueda soportar el peso del producto cómodamente en la parte trasera derecha. Identifique el mecanismo de liberación rápida y practique utilizándolo antes de empezar a usar la máquina. Su uso correcto puede evitar lesiones graves en caso de emergencia. Nunca lleve ropa adicional sobre el arnés ni dificulte el acceso al mecanismo de extracción rápida.
- No utilice varias correas o arneses para los hombros.
- Asegúrese siempre de que las aberturas de ventilación estén libres de residuos.
- El suministro eléctrico debería efectuarse mediante un dispositivo de corriente residual (RDC) con una corriente activa no superior a 30 mA.
- Utilice el producto únicamente a temperaturas comprendidas entre 0 °C y 40 °C.
- Guarde el producto en un lugar donde la temperatura ambiente esté comprendida entre 0 °C y 40 °C.

- Si el cable de alimentación está dañado, se debe sustituir por un cable especial, que puede adquirirse en un centro de servicio autorizado.
- Antes de cada uso, compruebe el cable de alimentación en busca de posibles daños. Si el cable de alimentación está dañado, debe ser sustituido por una persona cualificada en un centro de servicio autorizado para evitar una posible situación de peligro.
- Utilice guantes de trabajo resistentes a la hora de instalar o quitar las cuchillas, ya que tienen bordes afilados.
- No intente tocar o detener la cuchilla durante la rotación.
- Sustituya cualquier cuchilla dañada. Compruebe siempre si la lámina está correctamente colocada y sujeta de forma segura antes de cada utilización.
- Utilice sólo hojas TRI-ARC de repuesto del fabricante. No utilice ningún tipo de pieza cortante.
- Nunca corte ningún material con un diámetro superior a 13 mm.
- Cubra la lámina con la debida protección antes de guardarla, o durante el transporte de la misma. Retire siempre la protección de la cuchilla antes de utilizar la unidad. Se no se retirase la protección de la cuchilla, ésta podría salir despedida cuando la cuchilla comience a girar.
- Para cortar de forma fácil y segura acérquese a las hierbas que corta de derecha a izquierda. En caso de que se encuentre con un objeto inesperado o material leñoso esto podría minimizar el contragolpe de la cuchilla. Para controlar este aparato deben utilizarse ambas manos.
- El uso prolongado de una herramienta puede causar o agravar lesiones. Si utiliza el producto durante periodos de tiempo prolongados, asegúrese de realizar pausas de forma periódica.

### ADVERTENCIAS DE SEGURIDAD DE LA BATERÍA ADICIONAL

- Para reducir el riesgo de incendio, lesiones personales y daños al producto provocados por un cortocircuito, nunca sumerja el producto, la batería o el cargador en líquido, ni permita que un líquido fluya por su interior. Los fluidos corrosivos o conductivos, como el agua de mar, ciertos productos quími-cos industriales y blanqueadores o lejías que contienen, etc., Pueden causar un cortocircuito.
- Cargue la batería en un lugar donde la temperatura ambiente esté comprendida entre 10 °C y 38 °C.
- Guarde la batería en un lugar donde la temperatura ambiente esté comprendida entre 0 °C y 20°C.
- Utilice la batería en un lugar donde la temperatura ambiente esté comprendida entre 0 °C y 40 °C.

### TRANSPORTE Y ALMACENAMIENTO

- Apague el producto, extraiga la batería y deje que el producto se enfríe antes de almacenarlo o transportarlo.
- Limpie todo el material extraño que pueda permanecer en el producto.
- No almacene ni transporte el producto con las baterías instaladas. Extraiga la batería y fijela de forma independiente.

Guarde en una zona seca y bien ventilada, a la que no puedan acceder los niños. Almacene el producto lejos de agentes corrosivos como sales de deshielo y productos químicos de jardín. No guarde el producto a la intemperie.

- Para transportar el producto, sujételo de modo que no se mueva ni se caiga para evitar lesiones personales o daños al producto.

### TRANSPORTE DE BATERÍAS DE LITIO

- Transporte de baterías de acuerdo con las disposiciones y reglamentos nacionales y locales.
- Cumpla todos los requisitos especiales relativos al embalaje y etiquetado cuando el transporte de baterías se lleve a cabo por un tercero. Asegúrese de que, durante el transporte, las baterías no entran en contacto con otras baterías o materiales conductores protegiendo los conectores expuestos con tapones o tapas aislantes de material no conductor. No transporte baterías que tengan grietas o fugas. Consulte a la empresa de transporte para obtener más asesoramiento.

### MANTENIMIENTO

- Utilice sólo piezas y accesorios de recambio originales del fabricante. Si no lo hace podría ocurrir un mal funcionamiento, podrían producirse daños o podría quedar anulada la garantía.
- Las reparaciones requieren tener mucho cuidado y conocimiento y sólo debe realizarse por un técnico de servicio calificado. Solicite la reparación del producto únicamente en un centro de servicio autorizado.
- Apague el producto, retire la batería, o desconéctelo de la corriente eléctrica. Asegúrese de que todas las partes móviles se han detenido completamente antes de cualquier tarea de mantenimiento o limpieza.
- Usted solo puede realizar los ajustes o reparaciones descritos en este manual. Para otras reparaciones o consejos, busque la ayuda de un centro de servicio autorizado.
- Para sustituir el hilo utilice solo hilo con filamento de nylon del diámetro descrito en la tabla de características de este manual.
- Limpiar el producto con un paño suave seco después de cada uso. Cualquier pieza dañada debe ser sustituida o reparada adecuadamente por un centro de servicio autorizado.
- Compruebe todas las tuercas, pernos y tornillos antes de cada uso y a intervalos frecuentes para verificar si están bien apretados y asegurarse de que el producto se pueda utilizar de forma segura. Cualquier pieza dañada debe ser sustituida o reparada adecuadamente por un centro de servicio autorizado.
- Lleve el aparato a un centro de servicios autorizado para sustituir las etiquetas dañadas o ilegibles.

### CONOZCA SU PRODUCTO

Véase la página 137.

1. Eje del accesorio
2. Protector de la cuchilla
3. Cuchilla TRI-ARC
4. Protección de la cuchilla
5. Manual de instrucciones
6. Cubierta metálica
7. Arandela de brida



- 8. Arandela de estructura
- 9. Seguro
- 10. Llave de combinación
- 11. Tuerca

**SÍMBOLOS EN EL PRODUCTO**



Advertencia



Lea y entienda todas las instrucciones antes de utilizar el producto. Siga todas las advertencias e instrucciones de seguridad.



Póngase protección para los ojos, los oídos y la cabeza.



Lleve puesto calzado de seguridad antideslizante cuando utilice el producto.



Utilice guantes protectoras antideslizantes resistentes.



Tenga cuidado con los objetos volátiles o lanzados. Mantenga a todos los transeúntes, especialmente niños y mascotas, a una distancia mínima de 15 m de la zona de trabajo.



El producto no está diseñado para su uso con una cuchilla de tipo sierra dentada.



Cuchilla TRI-ARC



Marca de conformidad europea



Certificado EAC de conformidad



Marca de conformidad de Ucrania



Mantenga las manos apartadas de la hoja de corte.



Tenga precaución con el impulso de la cuchilla.



No la exponga a la lluvia o a lugares húmedos.



Nivel de potencia acústica garantizado



Marca de conformidad británica



Quite las baterías antes de empezar ningún trabajo con el producto.

No deseche los residuos de baterías, aparatos eléctricos y electrónicos como residuos municipales no clasificados. Los residuos de baterías, aparatos eléctricos y electrónicos se deben recoger de forma independiente. Los residuos de baterías, acumuladores y fuentes de luz se deben retirar de los aparatos. Consulte a sus autoridades locales o a su vendedor para obtener información sobre reciclaje y puntos de recogida. De acuerdo con lo establecido en las normativas locales, los establecimientos minoristas pueden tener la obligación de recuperar los residuos de baterías, aparatos eléctricos y electrónicos de forma gratuita. Su contribución a la hora de reutilizar y reciclar los residuos de baterías y los residuos de aparatos eléctricos y electrónicos ayuda a reducir la demanda de materias primas. Los residuos de baterías, en especial las que contienen litio, y los residuos de aparatos eléctricos y electrónicos contienen materiales valiosos que se pueden reciclar, y que podrían afectar de forma negativa al medio ambiente y a la salud humana si no se desechan de un modo medioambientalmente responsable. Si lo hubiera, elimine cualquier dato personal de los residuos de los aparatos.



- EN
- FR
- DE
- ES**
- IT
- NL
- PT
- DA
- SV
- FI
- NO
- RU
- PL
- CS
- HU
- RO
- LV
- LT
- ET
- HR
- SL
- SK
- BG
- UK
- TR

**SÍMBOLOS EN ESTE MANUAL**



Nota



Advertencia



Las piezas o accesorios se venden por separado

Durante la progettazione di questo accessorio per decespugliatore è stata data la massima priorità a sicurezza, prestazioni e affidabilità.

### UTILIZZO RACCOMANDATO

L'accessorio per decespugliatore è approvato per l'uso con tutte le testine elettriche RPH1200, RLT1238I, RBC1226I e le testine elettriche a batteria RPH3601-BL e RY36ELTX33A.

Il prodotto è destinato al taglio di erbacce, cespugli e altra vegetazione simile al livello del terreno o a circa tale altezza. Il prodotto può anche tagliare erba alta, erbacce spesse e vegetazione simile.

Il piano di taglio dovrebbe essere approssimativamente parallelo alla superficie del terreno.

Il prodotto deve essere utilizzato solo da persone adulte, che abbiano letto e compreso le istruzioni e le avvertenze contenute in questo manuale e che siano responsabili delle proprie azioni.

Prodotto adatto solo per essere utilizzato all'esterno in aree ben ventilate. Per ragioni di sicurezza, l'utensile deve essere adeguatamente controllato utilizzando sempre due mani.

Non utilizzare per altri scopi.

### AVVISI DI SICUREZZA GENERALI PER IL PRODOTTO

**⚠ AVVERTENZA!** Leggere tutte le avvertenze di sicurezza e le istruzioni. La mancata osservanza di tutte le istruzioni potrà causare scosse elettriche, incendi e/o gravi lesioni personali.

Conservare le presenti avvertenze ed istruzioni per poterle consultare in seguito.

Il termine "elettroutensile" nelle avvertenze si riferisce al prodotto alimentato con un cavo o al prodotto alimentato con una batteria (senza fili).

### AMBIENTE DI LAVORO

- **Mantenere l'area di lavoro pulita e ben illuminata.** Aree di lavoro disordinate o non illuminate adeguatamente potranno causare incidenti.
- **Non mettere in funzione gli elettroutensili in atmosfere esplosive, come in presenza di liquidi infiammabili, gas o polvere.** Gli elettroutensili creano scintille che possono causare incendi a contatto con polveri e fumi.
- **Tenere bambini ed eventuali osservatori lontani mentre si mette in funzione l'elettroutensile.** Eventuali distrazioni potranno causare una perdita di controllo.

### SICUREZZA ELETTRICA

- **La spina dell'elettroutensile deve corrispondere alla presa. Non modificare la spina in alcun modo. Non utilizzare spine adattatrici con elettroutensili con messa a terra (presa di terra).** Spine non modificate e prese corrispondenti ridurranno il rischio di scosse elettriche.
- **Evitare il contatto del corpo con superfici con messa a terra come tubi, radiatori, piani cottura e refrigeratori.** Rischio aumentato di scosse elettriche se il corpo viene collegato con messa a terra.
- **Non esporre il prodotto a pioggia o umidità.** Nel caso in cui dell'acqua entrerà nell'elettroutensile il rischio di scosse elettriche aumenterà.
- **Non sottoporre a sforzi il cavo dell'alimentazione. Non trasportare né tirare o scollegare l'elettroutensile dal cavo. Tenere il cavo lontano da calore, olio, angoli appuntiti o parti in movimento.**

Cavi danneggiati o intrecciati potranno far aumentare il rischio di scosse elettriche.

- **Quando si mette in funzione un elettroutensile all'esterno, utilizzare una prolunga adatta all'esterno.** Utilizzare un cavo adatto agli esterni per ridurre il rischio di scosse elettriche.
- **Nel caso in cui non si possa fare a meno di mettere in funzione un elettroutensile in un luogo umido, utilizzare un dispositivo di corrente residua (RCD).** Utilizzare un RCD ridurrà il rischio di scosse elettriche.

### SICUREZZA PERSONALE

- **Mantenere sempre l'attenzione e utilizzare buon senso quando si utilizza un elettroutensile. Non utilizzare un elettroutensile se stanchi o sotto l'influenza di droghe, alcool o farmaci.** Un momento di disattenzione durante le operazioni potrà risultare in gravi lesioni personali.
- **Utilizzare equipaggiamento di protezione personale. Indossare sempre occhiali di protezione.** L'utilizzo di attrezzature di protezione individuali, come maschere antipolveri, scarpe di sicurezza antisdrucciolo, elmetto e dispositivi auricolari riducono il rischio di lesioni personali.
- **Prevenire l'avvio accidentale. Assicurarsi che l'interruttore sia sulla posizione off (spento) prima di collegare l'utensile all'alimentazione e/o al gruppo batterie, o prima di affere e trasportare l'utensile.** Trasportare elettroutensili tenendo un dito sull'interruttore o con l'elettroutensile acceso potrà causare incidenti.
- **Rimuovere eventuali chiavi o dispositivi di regolazione prima di accendere l'elettroutensile.** Una chiave o un dispositivo di blocco collegato a una parte rotante dell'utensile potrà risultare in gravi lesioni personali.
- **Non protendersi. Rimanere bene in equilibrio sulle gambe e non distendere troppo lontano le braccia.** Ciò permetterà un miglior controllo dell'elettroutensile in situazioni inaspettate.
- **Indossare un abbigliamento adatto. Non utilizzare abiti con parti svolazzanti o gioielli. Tenere capelli e abiti a distanza dalle parti mobili.** Abiti con parti svolazzanti, gioielli o capelli lunghi potranno rimanere impigliati nelle parti in movimento.
- **Nel caso in cui vengano forniti dispositivi per l'estrazione e la raccolta della polvere, assicurarsi che gli stessi siano collegati e utilizzati correttamente.** Utilizzare il sacchetto di raccolta della polvere può ridurre rischi collegati alla polvere.
- **Non consentire che la familiarità conseguita con l'uso frequente degli utensili faccia diventare disinvolti al punto di ignorare i principi di sicurezza.** Eventuali disattenzioni potranno causare gravi lesioni in una frazione di un secondo.

### UTILIZZO E MANUTENZIONE ELETTROUTENSILI

- **Non forzare il prodotto. Utilizzare l'elettroutensile corretto per il proprio lavoro.** L'elettroutensile corretto svolgerà in maniera migliore e più sicura il lavoro per il quale è stato progettato.
- **Non utilizzare l'elettroutensile se l'interruttore non si accende e spegne.** Un elettroutensile che non può essere controllato dall'interruttore è pericoloso e deve essere riparato.
- **Prima di regolare, sostituirne gli accessori o riporre gli utensili elettrici, scollegare la spina dalla presa elettrica e/o rimuovere il gruppo batteria, se rimovibile.** Queste misure di sicurezza preventive ridurranno il rischio di avvio dell'elettroutensile.



- **Riporre elettrotensili lontano dalla portata dei bambini e non permettere a persone che non conoscano il funzionamento dell'elettrotensile o queste istruzioni di metterlo in funzione.** Gli elettrotensili possono essere pericolosi se utilizzati da personale non preparato.
- **Manutenere gli utensili elettrici e i loro accessori.** Controllare l'eventuale allineamento scorretto o blocco delle parti in movimento, la rottura di parti e qualsiasi altra condizione che potrà influenzare il funzionamento dell'elettrotensile. In caso di danni far riparare l'elettrotensile prima di utilizzarlo. Elettrotensili sui quali non sono state svolte le dovute operazioni di manutenzione possono essere causa di incidenti.
- **Mantenere tutti gli utensili affiliati e appuntiti.** Utensili per operazioni di taglio con parti taglienti sui quali sono state svolte le corrette operazioni di manutenzione non si bloccheranno e saranno più facili da controllare.
- **Utilizzare l'elettrotensile, i suoi accessori, le punte ecc. assieme a queste istruzioni tenendo conto delle condizioni di lavoro e del lavoro da svolgere.** Utilizzare l'elettrotensile per operazioni diverse da quelle indicate potrà causare situazioni pericolose.
- **tenere manici e superfici da ancoraggio asciutte, pulite, e libere da olio e grasso.** Impugnature o manici scivolosi non permetteranno di controllare e gestire in maniera sicura l'utensile in situazioni inaspettate.

#### UTILIZZO E MANUTENZIONE DI UN UTENSILE A BATTERIE

- **Ricaricare solo con il caricatore indicato dalla ditta produttrice.** Un caricatore adatto per un tipo di batterie potrà creare un rischio di incendio se utilizzato con un altro gruppo batterie.
- **Utilizzare elettrotensili solo con i gruppi batteria indicati.** L'utilizzo di gruppi batteria diversi da quelli indicati potrà causare rischi di lesioni e incendi.
- **Quando il gruppo batterie non viene utilizzato, tenerlo lontano da oggetti in metallo come fermagli, monete, chiavi, chiodi, viti o altri piccoli oggetti che potranno fare da tramite da un terminale all'altro.** Cortocircuitare i terminali della batteria assieme potrà causare scottature o incendi.
- **Se sottoposto a stress, la batteria potrà perdere dei liquidi; evitare il contatto.** Se si entra accidentalmente in contatto con tali liquidi, lavarsi immediatamente con acqua. Se il liquido entra negli occhi, rivolgersi a un medico. Il liquido espulso dalla batteria potrà causare irritazioni o scottature.
- **Non utilizzare batterie o strumenti danneggiati o alterati.** Le batterie danneggiate o alterate potrebbero avere un comportamento imprevedibile e causare incendi, esplosioni o rischio di lesioni.
- **Non esporre la batteria o l'utensile a fiamme libere o a temperature eccessive.** L'esposizione a fiamme libere o a temperature superiori a 130°C può causare esplosioni.
- **Seguire tutte le istruzioni per la ricarica e non ricaricare le batterie o gli utensili all'infuori dell'intervallo di temperature specificato nelle istruzioni.** Eseguire la ricarica in modo improprio o all'infuori dell'intervallo specificato potrebbe danneggiare la batteria e aumentare il rischio d'incendio.

#### MANUTENZIONE

- **Far svolgere la manutenzione da personale qualificato utilizzando solo parti di ricambio identiche.** Ciò permette di mantenere la sicurezza dell'elettrotensile.

- **Non riparare mai le batterie danneggiate.** La riparazione delle batterie dev'essere eseguita solo dal fabbricante o da fornitori di assistenza autorizzati.

#### AVVERTENZE DI SICUREZZA PER IL DECESPUGLIATORE

- **Non utilizzare la macchina con avverse condizioni meteo, specialmente in caso di fulmini.** Questo riduce il rischio di essere colpiti dai fulmini.
- **Ispezionare accuratamente l'area per eventuale presenza di fauna selvatica laddove la macchina dovrà essere utilizzata.** La fauna selvatica potrebbe essere danneggiata dalla macchina durante il funzionamento.
- **Ispezionare accuratamente l'area sulla quale la macchina deve essere utilizzata e rimuovere tutte le pietre, i ramoscelli, i fili, le ossa e altri oggetti estranei.** Gli oggetti scagliati possono causare lesioni personali.
- **Prima dell'uso della macchina, ispezionare visivamente il prodotto per visualizzare l'attrezzo di taglio e la lama e che l'attrezzo di taglio e il gruppo della lama non siano danneggiati.** I pezzi danneggiati aumentano il rischio di lesioni.
- **Prima dell'uso, controllare il cavo di corrente e la prolunga per eventuali segni di danni o usura. Non utilizzare l'utensile se il cavo è danneggiato o usurato. Se il cavo si è danneggiato o consumato durante l'uso, spenere la macchina e non toccare il cavo prima di scollegarlo dalla corrente.** Un cavo di corrente o una prolunga danneggiata potrebbe causare scosse elettriche, incendi e/o lesioni gravi.
- **Seguire le istruzioni per cambiare gli accessori.** Un serraggio non corretto della lama che stringe dadi e bulloni potrebbe danneggiare la lama o comportare un distacco.
- **La velocità rotazionale nominale della lama deve essere almeno pari alla velocità rotazionale massima contrassegnata sulla macchina.** Le lame che superano la velocità rotazionale nominale possono rompersi e volare via.
- **Indossare una protezione per testa, occhi e mani.** Adeguate dispositivi protettivi ridurranno le lesioni personali causate da detriti volanti o contatto accidentale con il filo di taglio o la lama.
- **Durante l'uso della macchina, indossare sempre calzature di sicurezza. Non mettere in funzione l'utensile se scalzi o se si indossano sandali.** Questo riduce la possibilità di lesioni ai piedi dal contatto con l'attrezzo di taglio mobile, la linea o la lama.
- **Quando si aziona la macchina, indossare sempre i pantaloni lunghi.** La pelle esposta fa aumentare la possibilità di lesioni da oggetti scagliati.
- **Stare lontano dai passanti durante l'uso della macchina.** I detriti scagliati possono comportare gravi lesioni personali.
- **Azionare la macchina utilizzando sempre entrambe le mani.** Mantenere la macchina con entrambe le mani eviterà la perdita di controllo.
- **Tenere la macchina solo tramite le superfici antiscivolo isolate, perché la linea di taglio o la lama potrebbe entrare in contatto con dei fili elettrici nascosti.** Il filo di taglio o le lame che entrano in contatto con un filo sotto tensione potrebbero a loro volta mettere le parti metalliche sotto tensione, con conseguente scossa elettrica per l'operatore.
- **Indossare sempre le calzature adatte e azionare la macchina solo su un terreno stabile.** Le superfici scivolose o instabili possono causare perdita di equilibrio o controllo della macchina.





- **Non azionare la macchina su discese eccessivamente ripide.** Questo riduce il rischio di perdita di controllo, scivolamento e caduta che potrebbe causare lesioni personali.
- **Quando si lavora sulle discese, prestare sempre attenzione al proprio appoggio, a lavorare sul davanti, senza fare sopra e sotto e prestare particolare attenzione quando si cambia direzione.** Questo riduce il rischio di perdita di controllo, scivolamento e caduta che potrebbe causare lesioni personali.
- **Tenere il cavo di corrente lontano da attrezzo di taglio, linea o lama.** Un cavo di corrente danneggiato potrebbe causare scosse elettriche, incendi e/o lesioni gravi.
- **Tenere tutte le parti del corpo lontano dall'attrezzo di taglio, la linea o la lama quando la macchina è in funzione.** Prima di azionare la macchina, assicurarsi che l'attrezzo di taglio, la linea o la lama non siano in contatto con altre cose. Un momento di disattenzione durante il funzionamento della macchina può comportare lesioni a sé stessi o gli altri.
- **Non azionare la macchina sopra l'altezza del giro vita.** Questo aiuta a prevenire il contatto accidentale con l'attrezzo di taglio o la lama e consente un migliore controllo della macchina in situazioni impreviste.
- **Quando si tagliano cespugli o alberelli che sono sotto tensione, fare attenzione alla molla.** Quando viene rilasciata la tensione nelle fibre di legno, il cespuglio o l'alberello potrebbe colpire l'operatore e portare la macchina fuori controllo.
- **Fare estrema attenzione quando si tagliano rami e arbusti.** Il materiale sottile potrebbe prendere la lama ed essere schizzato verso di sé o far perdere l'equilibrio.
- **Mantenere il controllo della macchina e non toccare attrezzi di taglio, linee o lame o altre parti pericolose mentre sono in funzione.** Questo riduce il rischio di lesioni da parti mobili.
- **Trasportare la macchina spenta e lontana dal corpo.** Maneggiare correttamente la macchina ridurrà la possibilità di contatto accidentale con un attrezzo di taglio, una linea o una lama in movimento.
- **Durante il trasporto o la conservazione della macchina, montare sempre il coperchio sulle lame metalliche.** Il corretto maneggio della macchina ridurrà la possibilità di contatto accidentale con la lama.
- **Utilizzare solo attrezzi di taglio, linee, testine di taglio e lame sostitutive specificate dal produttore.** Pezzi sostitutivi non corretti potrebbero incrementare il rischio di rotture e lesioni.
- **Quando si rimuove il materiale inceppato o si effettua la manutenzione della macchina, assicurarsi che l'interruttore di alimentazione sia spento e il pacco batteria sia rimosso.** Un avvio imprevisto della macchina durante la rimozione del materiale inceppato o la manutenzione potrebbe causare gravi lesioni personali.
- **Mantenere una buona presa con entrambe le mani sulla macchina e posizionare le braccia per consentire di resistere al reggispinga della lama.** Posizionare il corpo sul lato sinistro della macchina. Il reggispinga della lama può incrementare il rischio di lesioni dovute al movimento inaspettato della macchina. Il reggispinga della lama può essere controllato dall'operatore se vengono prese le giuste precauzioni.
- **Se la lama si impiglia o si interrompe il taglio per qualche ragione, spegnere la macchina e mantenerla ferma fino a quando la lama non si arresta completamente.** Mentre la lama è impigliata, non provare a rimuovere il materiale dalla macchina o tirare la macchina indietro mentre la lama è in movimento, altrimenti si potrebbe attivare il reggispinga della lama. Ricercare e intraprendere le azioni correttive per eliminare la causa dell'inceppamento della lama.
- **Non utilizzare le lame danneggiate o spuntate.** Le lame spuntate o danneggiate incrementano il rischio di inceppatura o impiglio in un oggetto, comportando una spinta della lama.
- **Mantenere sempre una buona visibilità del materiale tagliato.** La spinta della lama è più probabile che si verifichi nelle aree i cui è difficile vedere il materiale da tagliare.
- **Se si viene avvicinati da un'altra persona durante il funzionamento della macchina, spegnerla.** Esiste un maggiore rischio di lesioni per le altre persone colpite dalla lama in movimento in caso di attivazione del reggispinga della lama.

#### ULTERIORI AVVERTENZE DI SICUREZZA

- Prima dell'utilizzo e dopo ogni impatto, controllare che non vi siano parti danneggiate. Un interruttore difettoso o qualsiasi parte danneggiata o consumata dovrebbe essere accuratamente riparata o sostituita da un servizio autorizzato.
- La piccola lama fissata sullo schermo di sicurezza serve a regolare la nuova linea ampliata, alla lunghezza esatta per lavorare in modo sicuro e ottimale. La lama è molto affilata. Non toccare la lama, soprattutto durante la pulizia del prodotto.
- Utilizzare solo il filo di taglio di sostituzione della ditta produttrice. Non utilizzare alcun altro accessorio di taglio.
- Assicurarsi che l'accessorio di taglio sia accuratamente installato e serrato.
- Non mettere mai in funzione il prodotto a meno che tutti gli schermi, i deflettori e i manici siano correttamente e saldamente montati.
- Assicurarsi che la lama di taglio a filo nello schermo di sicurezza sia correttamente posizionata e fissata prima di ogni uso.
- Tenere l'accessorio testa di taglio più in basso del giro vita.
- Spegnerla immediatamente il prodotto e scollegare il pacco batteria o scollegarlo in caso di incidente o guasto. Non utilizzare di nuovo il prodotto finché non è stato controllato a fondo da un centro di assistenza autorizzato.
- Per ridurre il rischio di lesioni associate al contatto con le parti mobili, spegnere sempre il prodotto, rimuovere il pacco batteria e scollegare l'alimentazione. Lasciare che entrambi si raffreddino. Assicurarsi che tutte le parti in movimento si siano arrestate:
  - prima degli interventi di assistenza
  - prima di rimuovere un blocco
  - prima di svolgere le operazioni di controllo o pulizia sul prodotto o prima di utilizzarlo
  - prima di cambiare accessori

#### CAUSE DEL REGGISPINGA DELLA LAMA E AVVISI CORRELATI

Il reggispinga della lama è un movimento improvviso di lato, in avanti o indietro, che potrebbe verificarsi quando la lama si inceppa o si impiglia in un oggetto come un alberello o un ceppo. Può essere abbastanza violento da causare l'azionamento della macchina e/o dell'operatore in qualsiasi direzione e possibile perdita di controllo della macchina.

Il reggispinga della lama e i pericoli correlati possono essere evitati prendendo le giuste precauzioni come indicato in basso.



- dopo aver colpito un corpo estraneo
- quando si lascia il prodotto incustodito
- ogniqualvolta si esegue la manutenzione
  - se il prodotto inizia a vibrare in maniera anormale
- Assicurarsi che tutti gli schermi e manici siano correttamente montati e siano in ottime condizioni.
- Reggere il prodotto dai manici e limitare i tempi di utilizzo e l'esposizione.
- Fare attenzione agli oggetti che potranno essere scagliati dalle parti di taglio dell'utensile. Rimuovere i detriti come piccole pietre, ghiaia e altri oggetti estranei dall'area di lavoro prima di avviare il funzionamento. I cavi o fili potranno rimanere impigliati nelle parti di taglio.
- Il prodotto è dotato di una cinghia. Utilizzare l'imbracatura per il funzionamento del prodotto. Regolare con cura la cinghia affinché renda confortevole il sostentamento del peso del dispositivo sul lato destro dell'operatore. Identificare il meccanismo a rilascio veloce e fare pratica nell'utilizzarlo prima di mettere in funzione la macchina. L'utilizzo corretto può prevenire gravi lesioni in caso d'emergenza. Non indossare altri capi di abbigliamento sulla cinghia da spalla né limitare in qualsiasi caso l'accesso al meccanismo di rilascio rapido.
- Non indossare doppie cinghie o imbragature da spalla.
- Assicurarsi che le griglie di ventilazione siano pulite e rimuovere eventuali materiali di scarto rimasti intrappolati.
- La corrente elettrica dovrà essere fornita attraverso un dispositivo di corrente residua (RCD) con una corrente di scatto non superiore a 30 mA.
- Azionare il prodotto solo con temperature tra 0°C e 40°C.
- Conservare il prodotto in una posizione in cui la temperatura ambiente è compresa tra 0°C e 40°C.
- Se il cavo di alimentazione è danneggiato, questo dovrà essere sostituito da un cavo o gruppo speciale e un centro assistenza autorizzato.
- Prima di ogni uso, verificare che il cavo di alimentazione non sia danneggiato. Se il cavo di alimentazione presenta danni, deve essere sostituito da una persona qualificata presso un centro di assistenza autorizzato per evitare pericoli.
- Utilizzare guanti per impegni gravosi quando si installano o rimuovono le lame perché hanno bordi affilati.
- Non tentare di toccare o arrestare le lame mentre sono in movimento.
- Sostituire le lame danneggiate. Assicurarsi sempre che la lama sia stata correttamente inserita e correttamente collegata prima di ogni utilizzo.
- Utilizzare la lama TRI-ARC di ricambio fornita dalla ditta produttrice. Non utilizzare alcun altro accessorio di taglio.
- Non tagliare mai materiale con diametro superiore a 13 mm.
- Coprire la lama con il coprilame prima di riporre l'unità o durante il trasporto. Rimuovere sempre il proteggi lame prima di utilizzare l'unità. Se non viene rimosso, il proteggi lame potrà venire scagliato contro l'operatore nel momento in cui la lama inizierà a ruotare.
- Per ragioni di sicurezza e per una maggiore facilità nel taglio, tagliare l'erba da destra a sinistra. La spinta all'indietro della lama potrà minimizzarsi se si incontra un oggetto inaspettato o del materiale legnoso. Utilizzare entrambe le mani per controllare questo dispositivo.
- Il prolungato utilizzo dell'utensile potrà causare o aggravare lesioni. Quando il prodotto viene utilizzato per periodi prolungati, effettuare brevi interruzioni.

## AVVERTENZE AGGIUNTIVE PER LA SICUREZZA DELLA BATTERIA

- Per ridurre il rischio di incendio, lesioni personali e danni al prodotto dovuti a corto circuito, non immergere mai il prodotto, il pacco batteria o il caricabatterie in liquidi, né favorire la penetrazione di liquidi al loro interno. I fluidi corrosivi o conduttori come acqua salata, alcuni agenti chimici, agenti candeggianti o prodotti contenenti agenti candeggianti potrebbero provocare un corto circuito.
- Caricare il pacco batteria in una posizione in cui la temperatura ambiente è compresa tra 10°C e 38°C.
- Conservare il pacco batteria in una posizione in cui la temperatura ambiente è compresa tra 0°C e 20°C.
- Utilizzare il pacco batteria in una posizione in cui la temperatura ambiente è compresa tra 0°C e 40°C.

## TRASPORTO E RIPONIMENTO

- Spegnerne il prodotto, rimuovere il pacco batteria e lasciare che si raffreddi prima di conservarlo o trasportarlo.
- Rimuovere eventuali materiali di scarto dal prodotto.
- Non conservare o trasportare il prodotto quando è installato il pacco batteria. Rimuovere il pacco batteria e stringerlo separatamente. Riporre in un luogo asciutto e ben ventilato non accessibile ai bambini. Tenere il prodotto lontano da agenti corrosivi come agenti chimici da giardino e sali scongelanti. Non conservare il prodotto all'aperto.
- Per il trasporto, assicurare il prodotto contro ogni movimento o contro eventuali cadute per evitare lesioni a persone o danni al prodotto.

## TRASPORTO BATTERIE AL LITIO

- Trasportare le batterie rispettando quanto indicato dalle norme e regolamentazioni locali.
- Far rispettare quanto indicato sulle etichette e sull'involucro quando la batteria viene trasportata da terzi. Assicurarsi che le batterie non entrino in contatto con altre batterie o con materiali conduttivi mentre si trasportano proteggendo connettori esposti con tappi o nastro isolante e non conduttivo. Non trasportare batterie rotte o che perdono liquidi. Consultare la ditta produttrice per eventuali ulteriori consigli.

## MANUTENZIONE

- Utilizzare solo parti di ricambio, accessori e dispositivi originali della ditta produttrice. In caso contrario si potranno causare lesioni, prestazioni basse e la garanzia verrà invalidata.
- Le operazioni di manutenzione devono essere svolte con grande attenzione e accortezza solo da un tecnico qualificato. Far riparare il prodotto esclusivamente da un centro assistenza autorizzato.
- Spegnerne il prodotto e rimuovere la batteria o scollegarlo dall'alimentazione. Assicurarsi che tutte le parti mobili si siano arrestate completamente prima di qualsiasi attività di pulizia o manutenzione.
- Sarà solo possibile svolgere le regolazioni o riparazioni indicate nel presente manuale. Per altre riparazioni o consigli, rivolgersi a un centro servizi autorizzato.
- Per sostituire il filo di taglio, utilizzare solo il filo in nylon del diametro descritto nella tabella delle specifiche del presente manuale.
- Dopo ogni uso, pulire il prodotto con una panno morbido e asciutto. Riparare eventuali parti danneggiate o farle sostituire da un centro servizi autorizzato.

- Controllare che tutti i dadi, i bulloni e le viti siano adeguatamente serrati prima di ogni utilizzo e a intervalli frequenti, per accertarsi che il prodotto possa funzionare in sicurezza. Riparare eventuali parti danneggiate o farle sostituire da un centro servizi autorizzato.
- Portare il prodotto presso un centro servizi autorizzato per sostituire le parti danneggiate o le etichette illeggibili.

## FAMILIARIZZARE CON IL PRODOTTO

Vedere pagina 137.

1. Albero accessorio
2. Protettore lama
3. Lama TRI-ARC
4. Paralame
5. Manuale dell'operatore
6. Copertura di metallo
7. Rondella flangiata
8. Rondella di costruzione
9. Perno di blocco
10. Chiave a combinazione
11. Dado

## SIMBOLI SUL PRODOTTO



Avvertenza



Prima di utilizzare il prodotto leggere e comprendere tutte le istruzioni. Osservare tutte le avvertenze e le istruzioni di sicurezza.



Indossare protezione occhi, orecchie e testa.



Durante l'utilizzo del prodotto indossare delle calzature di sicurezza antiscivolo.



Indossare guanti di protezione resistenti e anti-scivolo.



Fare attenzione ad oggetti scagliati o lanciati dall'utensile. Tenere tutti i presenti, in particolare bambini e animali domestici, ad almeno 15 m dall'area operativa.



Il prodotto non è destinato all'uso con una lama di tipo sega dentata.



Lama TRI-ARC



Marchio di conformità europeo



Marchio di conformità EurAsian



Marchio di conformità ucraino

001



Tenere le mani lontane dalle lame di taglio.



Fare attenzione al rimbalzo della lama.



Non esporre a pioggia o umidità.



Livello di potenza acustica garantito



Marchio di conformità britannico



Rimuovere la batteria prima di iniziare qualsiasi lavoro sul prodotto.

Non smaltire le batterie scariche e altre apparecchiature elettriche ed elettroniche come normali rifiuti. Le batterie scariche e i dispositivi elettrici ed elettronici dovranno essere raccolti separatamente. Le batterie usate, gli accumulatori e le fonti luminose non più utilizzabili dovranno essere rimossi dall'apparecchiatura. Consultare l'autorità locale o il rivenditore per consigli sullo smaltimento e il punto di raccolta. In base alle normative locali i rivenditori potrebbero avere l'obbligo di riprendersi le batterie usate e le apparecchiature elettriche ed elettroniche gratuitamente. Il vostro contributo al riciclaggio delle batterie e delle apparecchiature elettriche ed elettroniche aiuta a ridurre la richiesta di materie prime. Le batterie usate, in particolare quelle che contengono litio e le apparecchiature elettriche ed elettroniche contengono materiali preziosi e riciclabili che potrebbero avere un impatto avverso sull'ambiente e la salute umana, se non smaltiti in un modo ecocompatibile. Eliminare i dati personali, se presenti, dalle apparecchiature da buttare.



## SIMBOLI NEL PRESENTE MANUALE



Note



Avvertenze



Parti o accessori venduti separatamente

Bij het ontwerp van het bosmaaier hulpstuk kregen veiligheid, prestaties en betrouwbaarheid de hoogste prioriteit.

## VOORGESCHREVEN GEBRUIK

Het aanzetstuk voor de bosmaaier is goedgekeurd voor gebruik met de elektrisch aangedreven motorkoppen RPH1200, RLT1238I, RBC1226I en de accu-aangedreven motorkoppen RPH3601-BL en RY36ELTX33A.

Het product is bedoeld voor het maaien van struikgewas, lage begroeiing en gelijksoortige vegetatie op of net boven grondniveau. Dit product is ook geschikt voor het maaien van lang gras, stevig onkruid en vergelijkbare vegetatie.

De maailijn moet ongeveer parallel met het grondoppervlak zijn.

Het product is uitsluitend ontworpen voor gebruik door volwassenen die de instructies en waarschuwingen in deze handleiding hebben gelezen en verantwoordelijk kunnen worden gehouden voor hun acties.

Het product is uitsluitend bedoeld voor gebruik buitenshuis in een goed geventileerd gebied. Om veiligheidsredenen moet dit product met twee handen op de juiste wijze worden bediend en vastgehouden.

Gebruik het product niet voor andere doeleinden.

## ALGEMENE PRODUCTVEILIGHEIDSWAARSCHUWINGEN

**WAARSCHUWING!** Lees alle veiligheidswaarschuwingen en instructies. Wanneer niet de waarschuwingen en instructies niet opvolgt, kan dit leiden tot elektrische schok en/of ernstig letsel.

**Bewaar deze waarschuwingen en voorschriften zorgvuldig om ze ook later te kunnen inzien.**

De term "power tool" in de waarschuwingen heeft betrekking op uw elektrische gereedschap dat ofwel wordt aangedreven door een stroomvoorziening (via een kabel), of werkt op een accu (snoerloos).

### WERKOMGEVING

- **Houd de werkplek schoon en goed verlicht.** Vervuilde of donkere plekken nodigen uit tot ongevallen.
- **Gebruik elektrische werktuigen niet in explosieve omgevingen, zoals in de aanwezigheid van ontvlambare vloeistoffen, gassen of stof.** Elektrisch gereedschap kan vonken veroorzaken die het stof of de gassen kunnen ontsteken.
- **Houd kinderen en omstanders weg terwijl u elektrisch gereedschap gebruikt.** Wanneer u wordt afgeleid, kunt u de controle verliezen.

### ELEKTRISCHE VEILIGHEID

- **Stekkers van elektrisch gereedschap moeten overeenkomen met de contactdoos. Wijzig de stekker nooit. Gebruik geen adapters met geaarde elektrische werktuigen.** Niet-gewijzigde stekkers en overeenkomstige contactdozen zullen het risico op elektrische schok verminderen.
- **Vermijd lichaamscontact met een geaard oppervlak, zoals buizen, radiatoren, kookfornuizen en**

**koelkasten.** Er bestaat een verhoogd risico voor elektrische schokken als uw lichaam is geaard.

- **Stel het product niet bloot aan regen of natte omstandigheden.** Water dat een elektrisch werktuig binnendringt, verhoogt het risico op elektrische schokken.
- **Misbruik het snoer niet. Gebruik het snoer nooit om het elektrisch werktuig te dragen, eraan te trekken of het uit de contactdoos te trekken. Houd het snoer weg van hitte, olie, scherpe randen of bewegende onderdelen.** Beschadigde of verstrikte snoeren verhogen het risico op elektrische schokken.
- **Gebruik een verlengsnoer geschikt voor buitenshuis gebruik wanneer u een elektrisch werktuig buitenshuis gebruikt.** Het gebruik van een snoer dat geschikt is voor buitenshuis gebruik, vermindert het risico op elektrische schokken.
- **Als het gebruik van een elektrisch werktuig op een vochtig plaats onvermijdelijk is, gebruikt u een contactdoos die beschermd is door een aardlekschakelaar.** Het gebruik van een aardlekschakelaar vermindert het risico op elektrische schokken.

### PERSOONLIJKE VEILIGHEID

- **Blijf alert, kijk naar wat u doet en gebruik uw gezond verstand wanneer u elektrisch gereedschap gebruikt.** Gebruik een elektrisch werktuig niet wanneer u moe of onder de invloed van drugs, alcohol of medicijnen bent. Een ogenblik van onoplettendheid terwijl u elektrisch gereedschap gebruikt, kan leiden tot ernstige verwondingen.
- **Gebruik een persoonlijke beschermuitrusting. Draag altijd gehoorbescherming.** Gebruik van beschermingsmiddelen zoals een stofmasker, anti-slip veiligheidschoenen, veiligheidshelm of gehoorbescherming leidt tot minder persoonlijk letsel.
- **Ongewenst starten voorkomen. Zorg ervoor dat de schakelaar zich in de uit-stand bevindt voor u de machine met een stroombron en/of accupack verbindt, de machine opheft of draagt.** Wanneer u elektrisch gereedschap draagt met de vinger op de schakelaar of wanneer het gereedschap met de stroombron is verbonden, kan dit leiden tot ongevallen.
- **Verwijder alle afstelsleutels voor u het elektrisch werktuig inschakelt.** Een sleutel die op een draaiend onderdeel van het elektrisch gereedschap werd achtergelaten, kan leiden tot verwondingen.
- **Overrek u niet. Ga altijd stevig op uw benen staan en reik niet te ver weg met uw arm.** Dit maakt een betere controle van het werktuig in onverwachte omstandigheden mogelijk.
- **Draag geen wijde kleding, dassen of sieraden die klem kunnen raken en u naar de bewegende delen toe kunnen trekken. Draag geen losse kledij of juwelen. Houd uw haar en kleding uit de buurt van bewegende delen.** Losse kledij, juwelen of lang haar kan in bewegende onderdelen verstrikt raken.
- **Als er apparaten worden geleverd voor de verbinding met een stofextractie en verzamelafaciliteiten, zorgt**

u ervoor dat deze zijn verbonden en goed worden gebruikt. Het gebruik van een stofverzamelaar vermindert stof-gerelateerde gevaren.

- **Voorkom dat u door het frequent gebruik van gereedschappen laks wordt en de veiligheidsvoorschriften uit het oog verliest.** Een onzorgvuldige handeling kan binnen enkele seconden leiden tot ernstige verwondingen

## GEREBUIK VAN EN ZORG VOOR UW ELEKTRISCH GEREEDSCHAP

- **Forceer het product niet. Gebruik het correcte werktuig voor uw toepassing.** Het juiste werktuig zal de taak beter en veiliger uitvoeren aan het tempo waarvoor het werd ontworpen.
- **Gebruik het elektrisch werktuig niet als de schakelaar het niet kan in- of uitschakelen.** Een elektrisch werktuig dat niet met behulp van de schakelaar kan worden bediend, is gevaarlijk en moet worden gerepareerd.
- **Trek de stekker uit de contactdoos en/of ontkoppel het accupack van het werktuig voor u de machine afstelt, accessoires vervangt of het werktuig opbergt.** Zulke preventieve veiligheidsmaatregelen kunnen het risico op ongewenst starten van de machine verminderen.
- **Bewaer ongebruikt elektrisch gereedschap buiten het bereik van kinderen en niet-opgeleide personen die het gereedschap of deze gebruiksaanwijzingen niet kennen.** Elektrisch gereedschap is gevaarlijk in de handen van niet-opgeleide gebruikers.
- **Elektrisch gereedschap en accessoires moeten worden onderhouden.** Controleer op verkeerde aflijning of verstrikt raken van bewegende delen, defecten van onderdelen en alle andere situaties die de werking van het werktuig kunnen beïnvloeden. Indien beschadigd, laat u het elektrisch gereedschap repareren voor gebruik. Veel ongevallen worden veroorzaakt door slecht onderhouden elektrische werktuigen.
- **Houd de zaagwerktuigen scherp en schoon.** Correct onderhouden zaagwerktuigen met scherpe randen zijn minder geneigd om verstrikt te raken en kunnen makkelijker worden bestuurd.
- **Gebruik het werktuig, de accessoires en werktuigonderdelen, etc. in overeenstemming met deze instructies en houd rekening met de bedrijfsomstandigheden en het uit te voeren werk.** Het gebruik van een elektrisch werktuig voor zaken die niet in het voorgeschreven gebruik zijn beschreven, kan leiden tot gevaarlijke situaties.
- **Houd handvatten en grepen droog, schoon en vrij van olie en vet.** Gladde handvatten en grepen laten u niet toe om de machine veilig te bedienen en in onverwachte situaties te controleren.

## GEREBUIK EN ONDERHOUD VAN HET ACCU AANGEDREVEN WERKTUIG

- **Herlaad enkel met de oplader die door de fabrikant is gespecificeerd.** Een oplader die voor een type accupack is geschikt kan een brandgevaar betekenen wanneer het met een ander accupack wordt gebruikt.

- **Gebruik elektrisch gereedschap uitsluitend met de specifiek toegewezen accupacks.** Het gebruik van andere accupacks kan leiden tot risico's op letsels en brand.
- **Wanneer het accupack niet wordt gebruikt, moet u het weg houden van andere metalen objecten, zoals papierclips, munten, sleutels, spijkers, schroeven of andere kleine metalen voorwerpen die een verbinding kan maken van een terminal naar een andere.** De batterijterminals kortsluiten kan leiden tot brandwonden of brand.
- **Bij verkeerd gebruik kan vloeistof uit de batterij lekken; vermijd contact. Als per ongeluk contact wordt gemaakt, spoel dan met water.** Schakel bovendien medische hulp in als er vloeistof in de ogen komt. Vloeistof die uit de accu lekt, kan irritatie of brandwonden veroorzaken.
- **Gebruik geen beschadigde of gewijzigde accu of gereedschap.** Beschadigde of gewijzigde accu's kunnen onvoorspelbaar gedrag vertonen en leiden tot brand, explosies, of het risico op letsel.
- **Stel accu's of gereedschap niet bloot aan vuur of hoge temperaturen.** Blootstelling aan vuur of temperaturen hoger dan 130 °C kan explosies veroorzaken.
- **Volg alle instructies en laad de accu of het gereedschap niet op buiten het temperatuurbereik dat in de handleiding wordt aangegeven.** Onjuist opladen of opladen bij temperaturen buiten het aangegeven bereik kan schade aan de accu veroorzaken en risico op brand verhogen.

## ONDERHOUD

- **Laat uw elektrisch gereedschap onderhouden door een gekwalificeerd onderhoudspersoon en gebruik hierbij uitsluitend identieke vervangonderdelen.** Dit zal ervoor zorgen dat de veiligheid van het werktuig wordt behouden.
- **Beschadigde accu's mogen niet worden onderhouden.** Onderhoud van accu's mag uitsluitend worden uitgevoerd door de fabrikant of erkende dienstverleners.

## VEILIGHEIDSWAARSCHUWINGEN VOOR BOSMAAIER

- **Gebruik het apparaat niet bij slechte weersomstandigheden, vooral niet als er kans op blikseminslag bestaat.** Dit vermindert de kans te worden verrast.
- **Inspecteer het gebied waar het apparaat zal worden gebruikt grondig op eventueel aanwezige dieren.** Dieren kunnen gewond raken tijdens het gebruik van het apparaat.
- **Inspecteer grondig het gebied waar het apparaat zal worden gebruikt en verwijder stenen, stokken, draden, botten en andere vreemde voorwerpen.** Weggeslingerde voorwerpen kunnen persoonlijk letsel veroorzaken.
- **Voordat u het apparaat gebruikt, moet u altijd visueel controleren of het zaagmes of het mes en de zaagmes- of mesbevestiging niet beschadigd zijn.** Beschadigde onderdelen verhogen het risico op letsel.



- **Controleer vóór gebruik het netsnoer en verlengkabels op tekenen van schade of veroudering. Gebruik de machine niet als het snoer versleten of beschadigd is. Als het netsnoer tijdens gebruik beschadigd of versleten is, schakel het apparaat uit en raak het netsnoer niet aan alvorens het apparaat los te koppelen van de voeding.** Een beschadigd netsnoer of verlengkabel kan elektrische schokken, vuur en/of ernstig letsel veroorzaken.
- **Volg de instructies voor het vervangen van accessoires.** Niet goed vastgedraaide bevestigingsmoeren of -bouten kunnen het mes beschadigen of ervoor zorgen dat het mes loskomt.
- **Het nominale toerental van het mes moet minstens gelijk zijn aan het maximale toerental dat op het apparaat is aangegeven.** Messen die sneller draaien dan hun nominale snelheid kunnen breken en uit elkaar vliegen.
- **Draag oog-, gehoor-, hoofd- en handbescherming.** Goede beschermende uitrusting beperkt de kans op persoonlijk letsel door rondvliegende stukken of toevallig contact met de snijdraad of het mes.
- **Draag tijdens het gebruik van het apparaat altijd veiligheidsschoenen. Gebruik de machine wanneer u blootsvoets bent of open sandalen draagt.** Dit vermindert de kans op verwondingen aan de voeten door contact met een bewegende snijder, draad of mes.
- **Draag tijdens het gebruik van het apparaat altijd een lange broek.** Onbeschermde huid verhoogt de kans op verwondingen door wegslingerende voorwerpen.
- **Houd omstaanders uit de buurt tijdens gebruik van het apparaat.** Rondvliegende stukken kunnen ernstig lichamelijk letsel veroorzaken.
- **Gebruik altijd beide handen als u met het apparaat werkt.** Als u het apparaat met beide handen vasthoudt, zult u nooit de controle erover verliezen.
- **Houd het apparaat enkel vast aan de geïsoleerde grepen, aangezien de snijdraad of het mes in contact kunnen komen met verborgen of de eigen bedrading.** Snijdraad of messen die in contact komen met een stroomdraad kunnen blootliggende metalen delen van het apparaat onder stroom zetten en de gebruiker een elektrische schok geven.
- **Zorg dat u altijd stevig staat en werk enkel met het apparaat als u op de grond staat.** Gladde of onstabiele oppervlakken kunnen leiden tot evenwichtsverlies of verlies van controle over het apparaat.
- **Gebruik het apparaat niet op heel steile hellingen.** Dit vermindert het risico van controleverlies, uitglijden en vallen, wat tot persoonlijk letsel kan leiden.
- **Wanneer u op hellingen werkt, moet u altijd uw voeten in veiligheid weten, altijd dwars op de helling werken, nooit naar boven of naar beneden en wees uiterst voorzichtig wanneer u van richting verandert.** Dit vermindert het risico van controleverlies, uitglijden en vallen, wat tot persoonlijk letsel kan leiden.
- **Houd het netsnoer weg van de machine, snijblad of mes.** Een beschadigd netsnoer kan elektrische schokken, vuur en/of ernstig letsel veroorzaken.
- **Houd alle delen van het lichaam weg van het zaagmes, de draad of het mes terwijl het apparaat werkt. Vóór u het apparaat start, zorg ervoor dat de snijder, draad of mes met niets contact maakt.** Eén moment van onoplettendheid tijdens het gebruik van het apparaat kan leiden tot letsel bij uzelf of anderen.
- **Gebruik het apparaat niet hoger dan de heupen.** Hierdoor wordt onbedoeld contact met de snijder of het mes voorkomen en kan het apparaat in onverwachte situaties beter onder controle worden gehouden.
- **Let op voor terugveren wanneer u onder spanning staande struiken of jonge boompjes snijdt.** Als de spanning in de houtvezels vrijkomt, kan de struik of het boompje de gebruiker en/of het apparaat raken waardoor het niet meer onder controle is.
- **Weest uiterst voorzichtig als u hout en twijgen zaagt.** Het ranke materiaal kan in het mes verstrikt raken en naar u toe worden gezwiept of u uit evenwicht brengen.
- **Behoud de controle over het apparaat en raak snijmesses, draden, messen en andere gevaarlijke bewegende delen niet aan wanneer deze nog in beweging zijn.** Dit vermindert het risico op verwondingen door bewegende delen.
- **Vervoer het apparaat wanneer dit is uitgeschakeld en houd het weg van uw lichaam.** Een juiste hantering van het apparaat vermindert de kans op toevallig contact met een bewegende snijder, draad of mes.
- **Plaats altijd de afdekking op de metalen messen bij het transporteren of opslaan van het apparaat.** Een juiste hantering van het apparaat vermindert de kans op toevallig contact met het mes.
- **Gebruik uitsluitend vervangende snijders, draden, snijkoppen en messen die door de fabrikant worden gespecificeerd.** Onjuiste vervangingsonderdelen verhogen het risico op breuk en verwondingen.
- **Bij het verwijderen van vastgelopen materiaal of tijdens onderhoud aan het apparaat moet de aan/uit-schakelaar uit staan en de accu verwijderd zijn.** Onverwacht inschakelen van het apparaat tijdens het verwijderen van vastzittend materiaal of onderhoud kan leiden tot ernstig persoonlijk letsel.

#### OOZAKEN VAN TERUGSLAG VAN HET MES

Terugslag van het mes is een plotselinge zijdelingse, voorwaartse of achterwaartse beweging van het apparaat, die kan optreden als het mes vastloopt of blijft vastzitten in een object zoals een jonge scheut of een boomstronk. Deze kan krachtig genoeg zijn om het apparaat en/of de gebruiker in een bepaalde richting te duwen en daarbij mogelijk de controle over het apparaat te verliezen.

Terugslag en de daarmee samenhangende gevaren kunnen worden vermeden door onderstaande voorzorgsmaatregelen toe te passen.

- **Houd het apparaat met beide handen stevig vast en houdt uw armen in een zodanige positie dat u weerstand kunt bieden tegen terugslag van het mes. Plaats uw lichaam links van het apparaat. Terugslag van het mes kan de kans op letsel vergroten, doordat het apparaat onverwachts beweegt.** Als de juiste voorzorgsmaatregelen worden getroffen, kan de gebruiker deze terugslag in de hand houden.
- **Schakel de machine uit als het mes vastloopt, of wanneer het zagen om welke reden dan ook moet worden onderbroken, en houd deze bewegingsloos in het materiaal totdat het mes stilstaat.** Probeer als het mes is vastgelopen nooit om het apparaat uit het materiaal te verwijderen of om het apparaat achterwaarts te trekken zolang het mes nog beweegt; dit kan terugslag van het mes veroorzaken. Onderzoek wat de oorzaak is van het vastgelopen mes en neem corrigerende maatregelen om dit te verhelpen.
- **Gebruik geen stompe of beschadigde messen.** Stompe of beschadigde messen vergroten de kans op vastlopen of beklemd raken en leiden tot terugslag van het mes.
- **Zorg altijd voor goed zicht op het materiaal dat wordt gemaaid.** Bladstuwkracht is waarschijnlijker op plaatsen waar het moeilijk is om het te snijden materiaal te zien.
- **Schakel het apparaat uit wanneer u tijdens gebruik van het apparaat door iemand anders wordt benaderd.** Andere personen die bij terugslag door het bewegende mes worden getroffen, hebben een grotere kans op letsel.
- Schakel om het risico op verwonding door contact met bewegende onderdelen te verminderen het apparaat altijd uit en koppel het los van de stroomvoorziening. Laat beide afkoelen. Zorg ervoor dat alle bewegende delen volledig tot stilstand zijn gekomen:
  - vóór onderhoud
  - voordat u een obstructie verwijdert
  - voor u het product controleert, reinigt of aan het product werkt.
  - voordat u accessoires verwisselt
  - nadat u een onbekend voorwerp raakt
  - wanneer u het product onbeheerd achterlaat
  - tijdens het uitvoeren van onderhoud
  - als het product abnormaal begint te trillen
- Zorg ervoor dat alle beschermers, handvatten correct zijn gemonteerd en zich in goede staat bevinden.
- Houd het product uitsluitend vast aan de handvatten en beperk de bedrijfs- en blootstellingstijd.
- Wees voorzichtig voor voorwerpen die door de snijelementen worden weggegooid. Verwijder rommel zoals kleine steentjes, grint en andere vreemde objecten uit het werkgebied voordat u met de werkzaamheden begint. Draden of touw kunnen/kan in het snijmechanisme vast komen te zitten.
- Het product is uitgerust met een harnas. Gebruik de draagband tijdens het gebruik van het apparaat. Stel het harnas zorgvuldig af om comfortabel te passen en help het gewicht van het product te ondersteunen aan rechterzijde. Zoek het snelle ontgrendelmechanisme en oefen dit voor u de machine begint te gebruiken. Een goed gebruik kan ernstig letsel vermijden bij een noodgeval. Draag nooit extra kleding over het harnas. Ook mag u niet op andere wijze de toegang tot het snelkoppelingsmechanisme belemmeren.

## BIJKOMENDE VEILIGHEIDSWAARSCHUWINGEN

- Voor gebruik en na elke impact controleert u op beschadigde onderdelen. Een defecte schakelaar of een ander onderdeel dat beschadigd of versleten is, moet deskundig worden hersteld of vervangen door een geautoriseerde onderhoudsdienst.
- Het kleine mes dat aan de veiligheidskap is bevestigd, is ontworpen om de nieuw uitgetrokken draad op de juiste lengte te snijden voor veiligheid en optimale prestaties. Het snijblad is erg scherp. Raak het snijblad niet aan, vooral niet tijdens het reinigen van het product.
- Gebruik alleen de vervangmaailijn van de fabrikant. Gebruik geen enkel ander maaivoorzetstuk.
- Zorg ervoor dat het snijvoorzetstuk goed is geïnstalleerd en stevig is vastgemaakt.
- Gebruik het product nooit tenzij alle beschermers, deflectoren en handvatten correct en stevig zijn bevestigd.
- Controleer voor elk gebruik of het snijblad goed in de veiligheidskap is geplaatst en vastgezet.
- Houd het kop-hulpstuk onder middelhoogte.
- Schakel het product onmiddellijk uit en verwijder de accu of ontkoppel het van de voeding in geval van een ongeval of panne. Gebruik het product niet opnieuw totdat het volledig is gecontroleerd door een erkend onderhoudscentrum.
- Draag niet meerdere gordels of schouderbanden tegelijk.
- Zorg er altijd voor dat de ventilatie-openingen vrij blijven van afval.
- Elektrische stroom moet via een aardlekschakelaar (RCD) worden geleverd met een uitschakelstroom van niet meer dan 30 mA.
- Bedien het product alleen bij temperaturen tussen 0 °C en 40 °C.
- Bewaar het product op een locatie met een omgevingstemperatuur tussen 0 °C en 40 °C.
- Als het netsnoer is beschadigd, moet dit worden vervangen door een speciaal snoer of een speciale voorziening, verkrijgbaar bij een erkend servicecentrum.
- Controleer vóór elk gebruik het netsnoer op schade. Als het netsnoer beschadigd is, moet het om gevaar te voorkomen worden vervangen door een bevoegd persoon in een erkend servicecentrum.
- Gebruik dikke handschoenen tijdens het installeren of verwijderen van de messen, want deze hebben scherpe randen.

- Probeer het maaiblad niet aan te raken of te stoppen wanneer het draait.
- Vervang alle maaibladeren die zijn beschadigd. Zorg er voor gebruik altijd voor dat het maaiblad correct is geïnstalleerd en stevig werd vastgemaakt.
- Gebruik uitsluitend het vervang TRI-ARC maaiblad van de fabrikant. Gebruik geen enkel ander maaivoorzetsuk.
- Maai nooit materiaal met een diameter van meer dan 13 mm
- Bedek het maaiblad met een maaibladbeschermer voor u de machine opbergt of tijdens transport. Verwijder de maaibladbeschermer voor u de machine gebruikt. Indien niet verwijderd, kan de maaibladbeschermer worden weggeslingerd als het maaiblad begint te draaien.
- Om makkelijk en veilig te maaien, dient u het onkruid van rechts naar links te maaien. Als u op een onverwacht voorwerp of houtig materiaal stoot, kan dit de kans tot terugslag verminderen. Gebruik altijd beide handen om dit product te controleren.
- Verwondingen kunnen ontstaan, of verergeren, door langdurig gebruik van het product. Wanneer u het product voor langere tijd achtereen gebruikt, neem dan regelmatig een pauze.

### EXTRA WAARSCHUWINGEN BATTERIJVEILIGHEID

- Dompel uw accu of oplader nooit onder in vloeistof en laat er nooit vloeistof instromen, zulks om het risico op brand, persoonlijk letsel en productschade door kortsluiting te verminderen. Bijtende of geleidende vloeistoffen, zoals zeewater, bepaalde industriële chemicaliën en bleekmiddelen of chloorhoudende producten, etc., kunnen kortsluiting veroorzaken.
- Laad de accu op op een locatie met een omgevingstemperatuur van 10 °C tot 38 °C.
- Bewaar de accu op een locatie met een omgevingstemperatuur van 0 °C tot 20 °C.
- Gebruik de accu op een locatie met een omgevingstemperatuur van 0 °C tot 40 °C.

### TRANSPORT EN OPSLAG

- Schakel het product uit, verwijder de accu en laat het product afkoelen voordat u het vervoert of opbergt.
- Verwijder al het vreemde materiaal van het product.
- Stal of transporteer de machine niet met geïnstalleerde accu. Verwijder de accu en berg deze apart op. Bewaar het product op een koele, droge en goed geventileerde plaats die voor kinderen ontoegankelijk is. Houd het product weg van corrosieve producten, zoals tuinchemicaliën en ontdooingszout. Sla het product niet buitenshuis op.
- Voor transport beveiligt u het product tegen bewegen of vallen om lichamelijke letsels of schade aan het product te voorkomen.

### LITHIUMBATTERIJEN TRANSPORTEREN

- De accu's dienen in overeenstemming met de plaatselijke en nationale regelgeving te worden getransporteerd.
- Volg alle speciale voorschriften voor verpakking en etikettering wanneer u accu's door een derde laat vervoeren. Zorg ervoor dat accu's tijdens het vervoer niet in contact kunnen komen met andere accu's of geleidende materialen door blootliggende connectoren te beschermen met isolerende, niet-geleidende doppen of tape. Transporteer geen accues die lekken of gebarsen zijn. Neem contact op met het expeditiebedrijf voor verder advies.

### ONDERHOUD

- Gebruik alleen originele vervangingsonderdelen, accessoires en hulpstukken van de fabrikant. Doet u dat niet, dan kan dat mogelijke verwondingen veroorzaken, bijdragen tot slechte prestaties en kan uw garantie vervallen.
- Het onderhoud vereist uiterste zorgvuldigheid en kennis en mag alleen door een gekwalificeerde onderhoudstechnicus worden uitgevoerd. Het product mag uitsluitend door een erkend servicecentrum worden gerepareerd.
- Schakel het apparaat uit en verwijder de accu of koppel het apparaat los van de voeding. Zorg dat alle bewegende onderdelen volledig tot stilstand zijn gekomen voordat u schoonmaak- of onderhoudstaken uitvoert.
- U mag uitsluitend de afstellingen of herstellingen uitvoeren die in deze gebruiksaanwijzing worden beschreven. Voor andere herstellingen of advies, vraagt u hulp in een geautoriseerd onderhoudscentrum.
- Als vervanglijn gebruikt u uitsluitend filamentlijnen uit nylon van de diameter die in de specificatijstijl van deze gebruiksaanwijzing is beschreven.
- Na elk gebruik, reinigt u het product met een zachte, droge doek. Elk onderdeel dat beschadigd is, moet naar behoren gerepareerd of vervangen worden door een erkend servicecentrum.
- Controleer alle moeren, bouten en schroeven regelmatig en vóór elk gebruik om te garanderen dat het product in veilige staat verkeert. Elk onderdeel dat beschadigd is, moet naar behoren gerepareerd of vervangen worden door een erkend servicecentrum.
- Breng het product naar een erkend servicecentrum om beschadigde of onleesbare etiketten te laten vervangen.

### KEN UW PRODUCT

Zie pagina 137.

1. As aanzetstuk
2. Maailijnbeschermer
3. TRI-ARC-mes
4. Snoeibladbeschermer
5. Gebruikershandleiding
6. Metalen kap
7. Gefeneste ring
8. Sluistring
9. Vergrendelpin
10. Combinatiesleutel
11. Moer

## SYMBOLEN OP HET PRODUCT



Waarschuwing



Zorg ervoor dat u alle instructies op het product en in deze handleiding leest, begrijpt en uitvoert voordat u het product gebruikt. Volg alle waarschuwingen en veiligheidsinstructies.



Draag gezichts-, gehoor- en hoofdbescherming.



Draag anti-slip veiligheidsschoenen wanneer u het product gebruikt.



Draag zware antislip beschermhandschoenen.



Pas op voor rondvliegende voorwerpen. Houd alle omstanders op tenminste 15 m afstand van de werkomgeving, vooral kinderen en huisdieren.



Het product is niet bedoeld voor gebruik met een getande zaag.



TRI-ARC-mes



CE-markering



Europees-Aziatisch conformiteitskeurmerk



Oekraïens conformiteitskeurmerk

001



Houd uw handen van het afsnijblad.



Pas op voor de stuwkracht van de motor



Het product niet blootstellen aan regen of vochtige omstandigheden.



Gewaarborgd geluidsvermogensniveau



Brits conformiteitskeurmerk



Verwijder de accu voordat u werkzaamheden aan het product uitvoert.

Gooi afgedankte elektrische en elektronische apparatuur niet weg als ongesorteerd gemeentelijk afval. Afgedankte elektrische en elektronische apparatuur moet afzonderlijk worden ingezameld. Afvalbatterijen, afvalaccu's en lichtbronnen moeten uit de apparatuur worden verwijderd. Neem contact op met uw gemeente of winkelier voor advies over recycling en het inzamelpunt. Volgens de plaatselijke voorschriften kunnen winkeliers verplicht zijn afgedankte elektrische en elektronische apparatuur kosteloos terug te nemen. Uw bijdrage aan hergebruik en recycling van afgedankte batterijen en afgedankte elektrische en elektronische apparatuur helpt de vraag naar grondstoffen te verminderen. Afgedankte batterijen, in het bijzonder deze die lithium bevatten, en afgedankte elektrische en elektronische apparatuur bevatten waardevolle en recycleerbare materialen, die een negatief effect kunnen hebben op het milieu en de volksgezondheid, indien ze niet op een milieuvriendelijke manier worden verwijderd. Verwijder eventuele persoonlijke gegevens van afgedankte apparatuur.



## SYMBOLEN IN DEZE HANDLEIDING



Opmerking



Waarschuwing



Onderdelen of accessoires worden apart verkocht

Na conceção da sua roçadora foi dada a máxima prioridade à segurança, ao desempenho e à fiabilidade.

### USO PREVISTO

O acessório cortador está aprovado para utilização com as cabeças eléctricas RPH1200, RLT1238I, RBC1226I e para as cabeças a bateria RPH3601-BL e RY36ELTX33A.

O produto destina-se a cortar arbustos, mato, arbustos e vegetação similar ao nível do solo. O produto também pode cortar relva comprida, ervas pulposas e vegetação similar.

O aparelho de corte deve estar quase paralelo à superfície do chão.

O produto destina-se a ser utilizado apenas por adultos que tenham lido e compreendido as instruções e os avisos neste manual e que possam ser considerados responsáveis pelas suas ações.

O produto apenas se destina a ser usado ao ar livre numa área bem ventilada. Por motivos de segurança, o produto tem obrigatoriamente de ser controlado adequadamente, utilizando ambas as mãos durante a operação.

Não a use para nenhuma outra finalidade.

### AVISOS DE SEGURANÇA GERAIS DO PRODUTO

**⚠ ADVERTÊNCIA! Leia todos os avisos de segurança e todas as instruções.** O facto de não seguir os avisos e as instruções pode conduzir a um choque eléctrico, fogo e/ou lesão grave.

**Conserve estas advertências e instruções para que possa consultá-las mais tarde.**

O termo "ferramenta eléctrica" nos avisos refere-se ao seu produto alimentado diretamente pela rede eléctrica (com cabo eléctrico) ou alimentado por bateria (sem cabo eléctrico).

### AMBIENTE DE TRABALHO

- **Mantenha a área de trabalho limpa e bem iluminada.** As áreas desordenadas ou escuras são um convite para acidentes.
- **Não opere ferramentas eléctricas em atmosferas explosivas, tais como na presença de líquidos inflamáveis, gases ou poeira.** As ferramentas eléctricas criam faíscas que podem causar uma inflamação de poeiras ou vapores.
- **Ao operar esta ferramenta eléctrica, mantenha as crianças e as pessoas presentes afastadas.** Distrações podem fazer com que perca o controlo.

### SEGURANÇA ELÉCTRICA

- **As fichas eléctricas da ferramenta têm de corresponder à tomada. Nunca altere a ficha seja de que maneira for. Não use quaisquer fichas adaptadoras com ferramentas de ligação com terra.** As fichas não modificadas e tomadas compatíveis reduzirão o risco de choque eléctrico.
- **Evite o contacto do corpo com superfícies com ligação terra ou enterradas, tais como tubos, radiadores, fogões e frigoríficos.** Há um aumento do risco de choque eléctrico se o seu corpo estiver ligado à terra.

- **Não exponha este produto à chuva ou humidade elevada.** A entrada de água na ferramenta eléctrica aumentará o risco de choque eléctrico.
- **Não abuse do cabo de alimentação. Nunca use o cabo para carregar, puxar ou retirar a ficha da ferramenta da tomada. Mantenha o cabo afastado do calor, óleo, pontas afiadas ou peças móveis.** Os cabos danificados ou emaranhados aumentam o risco de choque eléctrico.
- **Ao operar uma ferramenta eléctrica ao ar livre, use um cabo de extensão apropriado para o uso ao ar livre.** A utilização de um cabo apropriado para o uso ao ar livre reduz o risco de choque eléctrico.
- **Se operar uma ferramenta eléctrica num local húmido é inevitável, use uma fonte com protecção de dispositivo de corrente residual (RCD).** O uso de um RCD reduz o risco de choque eléctrico.

### SEGURANÇA PESSOAL

- **Ao operar esta ferramenta eléctrica, permaneça alerta, tenha em atenção ao que está a fazer e use o bom senso. Não utilize a ferramenta eléctrica quando se sentir cansado ou se se encontrar sob a influência de drogas, álcool ou medicamentos.** Um momento de desatenção enquanto opera estas ferramentas eléctricas pode resultar em ferimentos graves.
- **Utilizar equipamento de protecção. Use sempre protecção para os olhos.** Equipamento de protecção (por exemplo, máscara para poeiras, calçado antiderrapante, capacete ou protecção para os ouvidos) utilizado para as condições adequadas irá reduzir o risco de ferimentos.
- **Evite o arranque involuntário. Assegure-se de que o interruptor se encontra na posição de desligado antes de o ligar à fonte de energia e/ou bateria, levantando ou transportando a ferramenta.** Transportar ferramentas eléctricas com o seu dedo no interruptor ou ligar à corrente ferramentas eléctricas que têm o interruptor ligado são um convite a acidentes.
- **Remova qualquer chave de ajuste antes de ligar a ferramenta eléctrica.** Uma chave-inglesa ou uma chave colocada numa peça móvel da ferramenta eléctrica pode causar lesões pessoais.
- **Não se aproxime em demasia. Fique sempre bem apoiado nas pernas e não estique demasiado o braço.** Isto possibilita um melhor controlo da ferramenta eléctrica em situações inesperadas.
- **Use roupas adequadas. Não use roupa larga ou acessórios de jóias. Mantenha o seu cabelo e a sua roupa afastados de peças em movimento.** A roupa larga, jóias ou cabelo comprido podem ficar presos nas peças móveis.
- **Se são fornecidos os dispositivos para a ligação de espaços de extracção e recolha de pó, assegure-se de que estes se encontram conectados e usados correctamente.** A utilização de um colectador de pó pode reduzir os perigos relacionados com o pó.

- **Estar familiarizado com as ferramentas por as utilizar com frequência não é razão para se tornar descuidado e para ignorar os princípios de segurança referentes a ferramentas.** Uma ação imprudente pode provocar lesões graves numa fração de segundo.

## UTILIZAÇÃO E MANUTENÇÃO DA FERRAMENTA ELÉCTRICA

- **Não force o produto. Use a ferramenta eléctrica correcta para a sua aplicação.** A ferramenta fará o seu trabalho melhor e de forma mais segura trabalhando ao ritmo para que foi concebida.
- **Não use uma ferramenta caso o interruptor não ligue e desligue a ferramenta eléctrica correctamente.** Qualquer ferramenta eléctrica que não possa ser controlada com o interruptor é perigosa e deve ser reparada.
- **Antes de fazer quaisquer ajustes, substituir acessórios, ou guardar ferramentas eléctricas, desencaixe a ficha da tomada da rede eléctrica e/ou desmonte o conjunto de baterias (se for desmontável) da ferramenta eléctrica.** Estas medidas de segurança preventivas reduzem o risco de arranque accidental da ferramenta eléctrica.
- **Armazene as ferramentas eléctricas fora do alcance das crianças e não permita que pessoas não familiarizadas com a ferramenta eléctrica ou com estas instruções utilizem a ferramenta eléctrica.** As ferramentas eléctricas são perigosas nas mãos de utilizadores inexperientes.
- **Faça manutenção às ferramentas eléctricas e aos respectivos acessórios. Verifique se existe desalinhamento ou emperramento das peças móveis, ruptura das peças e qualquer outra condição que possa ter afectado o funcionamento da ferramenta eléctrica. Se danificado, mande a ferramenta eléctrica ser reparada antes de a utilizar.** Muitos acidentes são causados por ferramentas eléctricas com fracas manutenções.
- **Mantenha as ferramentas de corte afiadas e limpas.** É menos provável que as ferramentas de corte com uma correcta manutenção e com pontas de corte afiadas fiquem presas e são mais fáceis de controlar.
- **Utilize a ferramenta, acessórios, peças eléctricas, etc., de acordo com estas instruções, tendo em conta as condições de trabalho e o trabalho que se vai realizar.** O uso da ferramenta eléctrica para as operações diferentes daquelas a que se destina podem causar uma situação perigosa.
- **Mantenha os cabos e as superfícies de agarre secos, limpos e livres de óleo ou gordura.** Os cabos e superfícies de fixação resvaladiças não permitem uma fixação e um controlo seguro da ferramenta em situações inesperadas.

## UTILIZAÇÃO E MANUTENÇÃO DA BATERIA

- **Recarregue apenas com o carregador especificado pelo fabricante.** Um carregador que seja adequado para um tipo de bateria pode causar risco de incêndio, quando utilizado com outra bateria.

- **Use ferramentas eléctricas somente com baterias especificamente concebidas.** O uso de qualquer outro tipo de bateria pode causar risco de lesões e incêndio.
- **Quando a bateria não estiver a ser utilizada, mantenha-a afastada de outros objectos metálicos como clipes de papel, moedas, chaves, pregos, parafusos, ou outros pequenos objectos metálicos que podem fazer a ligação de um terminal para outro.** Ligar os terminais da bateria em conjunto pode causar queimaduras ou um incêndio.
- **Sob circunstâncias abusivas, o líquido pode ser ejectado da bateria, evite o contacto. Se o contacto ocorrer acidentalmente, limpe com água abundante. Se o líquido entrar em contacto com os olhos, procure adicionalmente assistência médica.** O líquido ejectado da bateria pode causar irritação ou queimaduras.
- **Não use um conjunto de baterias ou uma ferramenta que tenha sido sofrido danos ou modificações.** Baterias danificadas ou modificadas podem ter um comportamento imprevisível, resultando em incêndio, explosão ou risco de ferimentos.
- **Não exponha um conjunto de baterias nem uma ferramenta ao fogo ou a temperaturas excessivas.** A exposição ao fogo ou a temperaturas acima de 130 °C pode causar uma explosão.
- **Siga todas as instruções de carregamento e não dê carga ao conjunto de baterias ou à ferramenta fora da amplitude de temperaturas especificada nas instruções.** O carregamento feito de forma incorrecta ou sob temperaturas fora da amplitude especificada pode danificar a bateria e aumentar o risco de incêndio.

## MANUTENÇÃO

- **A manutenção da sua ferramenta eléctrica deve ser efectuada por uma pessoa qualificada para reparações, utilizando apenas peças de substituição idênticas.** Isto assegurará que a segurança da ferramenta eléctrica é mantida.
- **Nunca tente reparar nem fazer manutenção a conjuntos de baterias danificados.** A reparação e manutenção de conjuntos de baterias só deve ser feita pelo fabricante ou por um centro de assistência autorizado.

## AVISOS DE SEGURANÇA DA ROÇADORA

- **Não utilize o equipamento em condições meteorológicas adversas, especialmente se existir o risco de trovoadas.** Desta forma, reduz o risco de ser atingido por um raio.
- **Inspecione a área minuciosamente para identificar a presença de vida selvagem quando utilizar o equipamento.** Os animais podem sofrer ferimentos durante o funcionamento do equipamento.
- **Inspecione minuciosamente a área na qual o equipamento será utilizado e retire todas as pedras, galhos, fios, ossos e outros objetos estranhos.** Os objetos projetados podem provocar ferimentos pessoais.
- **Antes de utilizar o equipamento, inspecione sempre visualmente para garantir que o cortador ou a lâmina**

não está gasto ou danificado. As peças danificadas aumentam o risco de ferimentos.

- **Antes da utilização, verifique se o cabo de alimentação e qualquer extensão apresentam sinais de danos ou desgaste. Não utilize a máquina se o cabo estiver danificado ou gasto. Se o cabo ficar danificado ou desgastado durante a utilização, desligue a máquina e não toque no cabo enquanto não o desligar da alimentação elétrica.** Se o cabo de alimentação/extensão ficar danificado, pode provocar choques elétricos, incêndios e/ou ferimentos graves.
- **Siga as instruções para mudar de acessórios.** As porcas e parafusos de fixação da lâmina incorretamente apertados poderão danificar a lâmina ou resultar na sua separação.
- **A velocidade nominal de rotação da lâmina deve ser, no mínimo, igual à velocidade máxima de rotação assinalada na ferramenta elétrica.** As lâminas utilizadas a uma velocidade superior à velocidade nominal podem partir-se e projetar-se.
- **Use proteção para os olhos, ouvidos, cabeça e mãos.** O equipamento de proteção adequado reduz a possibilidade de ferimentos pessoais devido à projeção de resíduos ou contacto acidental com a linha de corte ou lâmina.
- **Durante a utilização do equipamento, use sempre calçado de proteção. Não opere a máquina se estiver descalço ou se usar sandálias.** Desta forma, reduz as hipóteses de ferimentos nos pés devido ao contacto com um cortador, linhas ou lâmina em movimento.
- **Durante a utilização do equipamento, use sempre calças compridas.** A pele exposta aumenta a probabilidade de ferimentos devido a objetos projetados.
- **Mantenha os transeuntes afastados durante a utilização do equipamento.** A projeção de resíduos pode resultar em ferimentos pessoais graves.
- **Use sempre as duas mãos ao operar o equipamento.** Segurar o equipamento com ambas as mãos evita a perda de controlo.
- **Segure o equipamento apenas pelas superfícies de prensão isoladas, uma vez que a linha de corte ou a lâmina podem entrar em contacto com fios condutores ocultos.** Em contacto com um fio "energizado", as linhas de corte ou lâminas podem expor partes metálicas do equipamento energizado e resultar em choques elétricos para o operador.
- **Mantenha sempre uma postura adequada e opere o equipamento apenas numa posição vertical no solo.** As superfícies escorregadias ou instáveis podem provocar a perda de equilíbrio ou controlo do equipamento.
- **Não utilize o equipamento em inclinações excessivamente acentuadas.** Desta forma, reduz o risco de perda de controlo, deslize e queda, que poderá resultar em ferimentos pessoais.
- **Ao trabalhar em inclinações, certifique-se sempre onde pisa, trabalhe sempre na direção transversal às inclinações, nunca para cima ou para baixo e exerça extrema cautela ao mudar de direção.** Desta forma, reduz o risco de perda de controlo, deslize e queda, que poderá resultar em ferimentos pessoais.

- **Mantenha o cabo de alimentação afastado do cortador, da linha ou da lâmina.** Se o cabo de alimentação estiver danificado, pode provocar choques elétricos, incêndios e/ou ferimentos graves.
- **Mantenha todas as partes do corpo afastadas do cortador, linha ou lâmina quando o equipamento estiver em funcionamento.** Antes de ligar o equipamento, certifique-se de que o cortador, a linha ou a lâmina não estão em contacto com qualquer objeto. Uma falta de atenção momentânea durante a utilização do equipamento poderá resultar em ferimentos para o operador ou terceiros.
- **Não opere o equipamento acima da linha da cintura.** Deste modo, ajuda a evitar o contacto inadvertido com o cortador ou lâmina e permite controlar melhor a podadora em situações imprevistas.
- **Ao cortar arbustos ou ramos sob tensão, mantenha a atenção aos ressaltos.** Se a tensão nas fibras da madeira for libertada, o arbusto ou ramo pode atingir o operador e/ou implicar a perda de controlo do equipamento.
- **Use extrema cautela ao cortar os arbustos e rebentos.** O material mais fino pode ficar preso na lâmina e atingir o operador através do efeito de chicote ou provocar a perda de equilíbrio.
- **Mantenha o controlo do equipamento e não toque nos cortadores, linhas ou lâminas ou noutras peças móveis perigosas enquanto estiverem em funcionamento.** Desta forma, reduz o risco de ferimentos resultantes das peças móveis.
- **Transporte o equipamento desligado e afastado do corpo.** O correto manuseamento do equipamento reduz a probabilidade de contacto acidental com um cortador, linha ou lâmina em movimento.
- **Ao transportar ou armazenar o equipamento, instale sempre as coberturas da lâminas metálicas.** O correto manuseamento do equipamento reduz a probabilidade de contacto acidental com a lâmina.
- **Utilize apenas os cortadores, linhas, cabeças de corte e lâminas de substituição especificados pelo fabricante.** A utilização de peças de substituição incorretas poderá aumentar o risco de quebra e ferimentos.
- **Ao desobstruir material preso ou ao realizar tarefas de manutenção no equipamento, certifique-se de que todos os interruptores estão desligados e de que a bateria é retirada.** Poderá ocorrer o funcionamento inesperado do equipamento ao retirar material obstruído ou ao realizar tarefas de manutenção e causar graves ferimentos pessoais.

#### CAUSAS DA PROJEÇÃO DA LÂMINA E AVISOS RELACIONADOS

A projeção da lâmina é um movimento lateral, para a frente ou para trás repentino da máquina, que poderá ocorrer se a lâmina ficar presa ou apanhar um objeto, tal como um rebento ou um tronco de árvore. Pode ser suficientemente violento para provocar a projeção da máquina e/ou do operador em qualquer direção e a eventual perda do controlo da máquina.

A projeção da lâmina e os perigos associados podem ser evitados ao tomar as devidas precauções, descritas abaixo.

- **Mantenha uma prensão firme com ambas as mãos na máquina e posicione os braços de modo a que resistam à projeção da lâmina. Posicione o corpo do lado esquerdo da máquina. A projeção da lâmina pode aumentar o risco de ferimentos devido à movimentação inesperada da máquina.** A projeção da lâmina pode ser controlada pelo operador se forem tomadas as devidas precauções.
- **Se a lâmina gripar ou se interromper o corte por qualquer motivo, desligue a máquina e mantenha-a imóvel até que a lâmina pare por completo.** Enquanto a lâmina gripar, nunca tente retirar a máquina do material nem puxar a máquina para trás enquanto a lâmina estiver em movimento, caso contrário, pode ocorrer a projeção da lâmina. Investigue e inicie ações corretivas para eliminar a causa da gripagem da lâmina.
- **Não utilize lâminas rombas ou danificadas.** As lâminas rombas ou danificadas aumentam o risco de encravamento ou aprisionamento de um objeto, resultando na projeção da lâmina.
- **Mantenha sempre uma boa visibilidade do material a cortar.** É mais provável ocorrer o retorno da lâmina em áreas em que seja difícil ver o material que está a cortar.
- **Se for abordado por outra pessoa durante a utilização da máquina, desligue a máquina.** Existe um risco acrescido de ferimentos para terceiros devido à lâmina em movimento em caso de projeção da lâmina.

#### AVISOS DE SEGURANÇA ADICIONAIS

- Antes do seu uso e após qualquer impacto, comprove que não há peças danificadas. Os interruptores defeituosos ou gastas ou qualquer outra peça danificada devem ser substituídos ou reparados adequadamente por um estabelecimento de serviço autorizado.
- A lâmina pequena montada na guarda de segurança foi concebida para aparar a linha acabada de esticar ao comprimento correto, proporcionando assim um desempenho seguro e otimizado. A lâmina é muito afiada. Não toque na lâmina, em particular, ao limpar o produto.
- Use somente linhas de corte de substituição do fabricante. Não utilize nenhum tipo de peça cortante.
- Assegure-se de que o acessório de corte está correctamente instalado e ajustado.
- Nunca opere com o produto a menos que todas as proteções, deflectores e cabos estejam unidos de forma correta e segura.
- Certifique-se de que a lâmina de corte da linha na guarda de proteção está corretamente posicionada e segura antes de cada utilização.
- Mantenha o acessório da cabeça abaixo da linha da cintura.
- Desligue imediatamente o produto e retire a bateria ou desligue-o da corrente elétrica em caso de acidente ou avaria. Não volte a operar o produto enquanto não tiver sido totalmente verificado por um centro de assistência autorizado.
- Para reduzir o risco de ferimentos associados ao contacto com peças móveis, desligue sempre o produto, retire a unidade da bateria e desligue da alimentação elétrica. Deixe arrefecer. Certifique-se de que todas as peças em movimento pararam completamente:
  - antes de fazer reparações ou manutenção
  - antes de desobstruir bloqueios
  - antes de verificar, limpar ou funcionar com o produto
  - antes de substituir acessórios
  - depois de embater num objecto estranho
  - quando deixar o aparelho sem ninguém
  - sempre que fizer manutenção
  - se o produto começar a vibrar de forma anormal
- Assegure-se de que todas as proteções e cabos estão bem ajustados e em boas condições.
- Segure o produto pelos cabos destinados para o efeito e limite o tempo de funcionamento e de exposição.
- Tenha cuidado com os objectos lançados pelo meio de corte. Retire resíduos como pequenas pedras, gravilhas e outros objetos estranhos da área de trabalho antes de iniciar a operação. Os cabos ou fio podem ficar emaranhados com as peças de corte.
- O produto está equipado com um arnês. Utilize o arnês durante a utilização do produto. Ajuste cuidadosamente o arnês por forma a servir-lhe confortavelmente e a ajudá-lo a suportar o peso do produto do seu lado direito. Identifique o mecanismo de libertação rápida e pratique utilizando-o antes de começar a usar a máquina. A sua utilização correta pode prevenir lesões graves em caso de uma emergência. Nunca vista nenhuma roupa por cima do arnês, e certifique-se de que tem sempre livre acesso ao mecanismo de libertação rápida.
- Não use vários cintos ou arneses de ombros.
- Assegure-se sempre que as aberturas de ventilação se mantêm desobstruídas de detritos.
- O fornecimento eléctrico deveria efectuar-se através de um dispositivo de corrente residual (RDC) com uma corrente activa não superior a 30 mA.
- Utilize o produto apenas em temperaturas entre 0 °C e 40 °C.
- Guarde o produto num local em que a temperatura ambiente se situe entre 0 °C e 40 °C.
- Se o cabo de alimentação estiver danificado tem de ser substituído por um cabo ou conjunto especial disponível num centro de assistência autorizado.
- Antes de cada utilização, examine a existência de danos no cabo de alimentação. Se o cabo de alimentação apresentar danos, tem de ser substituído por uma pessoa qualificada num centro de assistência autorizado para evitar perigos.
- Utilize luvas de uso muito intensivo ao instalar ou retirar as lâminas; as lâminas possuem arestas afiadas.
- Não tente tocar ou parar a lâmina durante a rotação.
- Substitua qualquer lâmina danificada. Verifique sempre se a lâmina está correctamente colocada e fixada de forma segura antes de cada utilização.



- Use apenas lâminas TRI-ARC de substituição do fabricante. Não utilize nenhum tipo de peça cortante.
- Nunca corte nenhuns materiais com mais de 13 mm de diâmetro.
- Cubra a lâmina com a devida protecção antes de a guardar, ou durante o transporte da mesma. Retire sempre o protector da lâmina antes de usar a unidade. Caso não seja retirado, o protector da lâmina poderia ser projectado quando a lâmina começasse a girar.
- Para segurança e facilidade de corte, aproxime-se das ervas daninhas a serem cortadas da direita para a esquerda. No caso de encontrar um objeto inesperado ou cepo de lenha, isto poderia minimizar a reacção de impulsão da lâmina. Ambas as mãos devem ser usadas em todos os momentos para controlar este aparelho.
- O uso prolongado de uma ferramenta pode causar o agravar lesões. Sempre que utilizar o produto durante períodos de tempo prolongados, certifique-se de que faz intervalos regulares.

#### AVISOS DE SEGURANÇA ADICIONAIS DAS BATERIAS

- Para reduzir o risco de incêndio, ferimentos pessoais e danos ao produto causados por curto-circuito, nunca coloque o produto, o conjunto de baterias ou o carregador dentro de qualquer líquido, nem deixe que sejam penetrados por qualquer líquido! Líquidos corrosivos ou condutivos como água salgada, determinadas substâncias químicas o produtos que contenham branqueadores podem causar um curto-circuito.
- Carregue a bateria num local em que a temperatura ambiente se situe entre 10 °C e 38 °C.
- Guarde a bateria num local em que a temperatura ambiente se situe entre 0 °C e 20°C.
- Utilize a bateria num local em que a temperatura ambiente se situe entre 0 °C e 40 °C.

#### TRANSPORTE E ARMAZENAMENTO

- Desligue o produto, retire sempre a bateria e permita que o produto arrefeça antes de transportá-lo ou arrumá-lo.
- Limpe todos os materiais estranhos do produto.
- Não guarde nem transporte o produto com a bateria instalada. Retire a unidade da bateria e guarde-a separadamente. Guarde-o num local fresco e seco e bem ventilado a que as crianças não consigam aceder. Mantenha o produto afastado de agentes corrosivos tais como produtos químicos de jardim e sais de remoção de gelo. Não guarde o produto em espaços exteriores.
- Para transportar, prenda o aparelho de modo a evitar que este se mova ou caia, para evitar lesões ou danos no produto.

#### TRANSPORTE DE BATERIAS DE LÍTIO

- Transporte as baterias em conformidade com as disposições e regulamentos locais e nacionais.

#### MANUTENÇÃO

- Utilize apenas peças de substituição, acessórios e encaixes do fabricante original. A inobservância desta indicação pode causar um fraco desempenho, possíveis lesões e poderá anular a sua garantia.
- Os serviços de manutenção requerem extremo cuidado e conhecimentos e devem apenas ser realizado por um técnico de assistência qualificado. Repare o seu produto exclusivamente num centro de assistência autorizado.
- Desligue o produto e retire a bateria ou desligue o produto da alimentação elétrica. Antes de fazer quaisquer trabalhos de limpeza ou de manutenção, certifique-se de que todas as peças móveis pararam completamente.
- Só pode proceder aos ajustes ou reparações descritas neste manual. Para outros reparos ou conselhos, procurar a ajuda de um centro de serviço autorizado.
- Ao substituir a linha use sempre linha com filamento de nylon com o diâmetro descrito na tabela de especificações neste manual.
- Limpar o produto com um pano suave seco depois de cada uso. Qualquer peça danificada deve ser substituída ou reparada adequadamente por um centro de serviço autorizado.
- Antes de cada utilização e a intervalos regulares, inspeccione e certifique-se de que todas as porcas, parafusos e outros fixadores estão apertados com firmeza, para garantir que o produto está em condições que permitem o funcionamento em segurança. Qualquer peça danificada deve ser substituída ou reparada adequadamente por um centro de serviço autorizado.
- Leve o produto a um centro de serviço autorizado para substituir as etiquetas danificadas ou ilegíveis.

#### CONHEÇA O SER APARELHO

Ver a página 137.

1. Eixo do acessório
2. Protector da lâmina
3. Lâmina TRI-ARC
4. Protecção da lâmina
5. Manual do operador
6. Cobertura de metal
7. Anilha flangeada
8. Anilha de construção
9. Pino de Bloqueio
10. Chave de combinação
11. Porca

## SÍMBOLOS NO PRODUTO



Aviso



Antes de utilizar este produto, leia e compreenda todas as instruções neste Manual. Siga todos os avisos e todas as instruções de segurança.



Coloque proteção para olhos, ouvidos e cabeça.



Quando utilizar o produto, use calçado de segurança anti-derrapante.



Utilize luvas protectoras antideslizantes resistentes.



Tenha cuidado com os objectos voláteis ou lançados. Mantenha todos os transeuntes, em especial as crianças e os animais de estimação, a uma distância mínima de 15 m da área de utilização.



O produto não se destina a ser utilizado com uma lâmina do tipo serra com dentes.



Lâmina TRI-ARC



Marca europeia de conformidade



Marca de conformidade EurAsian



Marca ucraniana de conformidade



Mantenha as mãos afastadas da lâmina de corte.



Cuidado com o impulso da lâmina.



Não o exponha à chuva ou a condições de humidade.



Nível de potência sonora garantido



Marca britânica de conformidade



Antes de fazer quaisquer trabalhos de manutenção ou limpeza ao produto, desmonte o conjunto de baterias.

Não elimine baterias, pilhas, equipamentos elétricos e eletrônicos juntamente com resíduos municipais não separados. Os resíduos de baterias, pilhas e equipamentos elétricos e eletrônicos devem ser recolhidos separadamente. Os resíduos de acumulares de baterias, pilhas e fontes de luz têm de ser retirados do equipamento. Consulte a sua autoridade local ou retalhista para obter aconselhamento sobre reciclagem e pontos de recolha. De acordo com os regulamentos locais, os retalhistas têm a obrigação de receber os resíduos de baterias, pilhas e equipamentos elétricos e eletrônicos livres de encargos. O seu contributo para reutilizar e reciclar os resíduos de equipamentos elétricos e eletrônicos ajuda a reduzir a procura de matérias-primas. As baterias e pilhas usadas, em particular, contêm lítio e os resíduos de equipamentos elétricos e eletrônicos contêm materiais recicláveis preciosos, que podem afetar negativamente o meio ambiente e a saúde humana se não forem eliminados de uma forma ambientalmente compatível. Elimine os dados pessoais dos equipamentos, se existirem.



## SÍMBOLOS NESTE MANUAL



Nota



Aviso



As peças ou acessórios vendem-se separadamente

Sikkerhed, ydelse og driftssikkerhed har fået topprioritet i designet af dit buskryddertilbehør.

### TILTÆNKT ANVENDELSESFORMÅL

Krudstrimmertilbehøret er godkendt til brug med elektrisk drevne powerheads RPH1200, RLT1238I, RBC1226I og batteridrevne powerheads RPH3601-BL og RY36ELTX33A.

Produktet er beregnet til klipning af krat, buske og tilsvarende vegetation på jordniveau eller umiddelbart derover. Produktet kan også klippe langt græs, frodigt ukrudt og lignende vegetation.

Klippeplanet bør så vidt muligt være omtrent parallelt med jordoverfladen.

Dette produkt er kun beregnet til at blive anvendt af voksne personer, der har læst og forstået instruktionerne og advarslerne i denne brugsvejledning, og som kan betragtes som værende ansvarlige for deres handlinger.

Produktet er kun beregnet til brug i det fri i et godt ventileret område. Af sikkerhedsmæssige årsager skal produktet betjenes med to hænder, så man kan kontrollere det ordentligt.

Må ikke bruges til andre formål.

### GENERELLE SIKKERHEDSADVARSLER FOR PRODUKTET

**⚠ ADVARSEL!** Alle sikkerhedsadvarsler og alle anvisninger skal læses. Manglende overholdelse af advarslerne og anvisningerne kan medføre elektrisk stød, brand og/eller alvorlige personskader.

**Gem vejledningen med advarsler og anvisninger til senere opslag.**

Betegnelsen "eldrevet værktøj" i advarslerne henviser til jeres ledningsforbundne produkt eller batteridrevne (ledningsfrie) produkt.

### ARBEJDSOMGIVELSER

- **Hold arbejdsområdet rent og godt oplyst.** Rodede eller mørke områder inviterer til ulykker.
- **Brug ikke elværktøjer i eksplosive omgivelser som fx i nærheden af brandbar væske, gas eller støv.** Elværktøjer udløser gnister, som kan antænde støvet eller dampene.
- **Der må ikke være børn og tilskuere i nærheden, når et elværktøj anvendes.** Distractioner kan medføre, at du mister kontrollen.

### ELEKTRISK SIKKERHED

- **Elværktøjets elstik skal passe til elnetkontakten.** Elstikket må aldrig modificeres på nogen som helst måde. Undlad brug af adapterstik til jordede (stelforbundne) elværktøjer. Umodificerede elstik og passende elnetkontakter reducerer faren for elektrisk stød.
- **Undgå kropskontakt med jordede eller stelforbundne overflader som fx rør, radiatorer, komfurer og køleskabe.** Der er forøget risiko for elektrisk stød, hvis din krop er forbundet med jord eller stel.
- **Dette produkt må ikke udsættes for regn eller fugt.** Hvis der trænger vand ind i et elværktøj, øges faren for elektrisk stød.
- **Undlad at misbruge ledningen.** Ledningen må aldrig bruges til at bære eller trække i elværktøjet eller til at trække stikket ud. Ledningen må ikke komme i nærheden af varme, olie, skarpe kanter eller bevægelige dele. Beskadigede eller sammenfildrede ledninger øger faren for elektrisk stød.

- **Når et elværktøj anvendes i det fri, skal der bruges en forlængerledning, der er egnet til udendørs brug.** Brug af ledninger beregnet til udendørs brug reducerer faren for elektrisk stød.
- **Hvis man er nødt til at bruge et elværktøj i fugtige omgivelser, skal strømforsyningen have en fejlstrømsafbryder (RCD-afbryder).** Brug af fejlstrømssikring reducerer faren for elektrisk stød.

### PERSONLIG SIKKERHED

- **Når man bruger et elværktøj, skal man være agtpågivende, iagttage hvad man gør og bruge sund fornuft. Undlad at bruge et elværktøj, hvis du er træt eller påvirket af narkotika, alkohol eller medikamenter.** Et øjeblik uopmærksomhed under brug af motoriserede værktøjer kan medføre alvorlige personskader.
- **Brug personlige værnemidler.** Brug altid øjenværn. Personlige værnemidler som støvmaske, skridsikre sikkerhedssko, beskyttelseshjelm eller høreværn anvendt under de rette betingelser nedsætter antallet af personskader.
- **Forebyg utilsigtet start. Kontrollér, at kontakten er i pos. OFF (=slukket), inden værktøjet sluttes til strømkilde og/eller batteri, samles op eller bæres.** At bære elværktøjer med fingern på kontakten eller at slutte strøm til elværktøjer med tændt kontakt er at invitere til ulykker.
- **Fjern evt. skruenøgler, inden der tændes for elværktøjet.** En efterladt skruenøgle fastgjort til en roterende del af elværktøjet kan medføre personskader.
- **Overstræk ikke. Sørg for altid at have godt fodfæste og god balance.** Dette giver bedre kontrol over elværktøjet i uventede situationer.
- **Vær ordentligt klædt på. Bær ikke løftsiddende tøj eller smykker. Hold hår og beklædning på afstand af bevægelige dele.** Løstsiddende tøj, smykker eller langt hår kan hænge fast i bevægelige dele.
- **Hvis der findes anordninger for tilslutning af støvudsugnings- og -opsamlingsudstyr, skal disse tilsluttes og anvendes korrekt.** Brug af støvopsamling kan reducere støvrelaterede faremomenter.
- **Lad ikke fortroligheden, der er opstået ud fra hyppig brug af et redskab, påvirke dig til at være tilbagelænet og ignorere sikkerhedsprincipper.** En uforsigtig handling kan forårsage alvorlige personskader på en brøkdæl af et sekund.

### BRUG OG PLEJE AF ELVÆRKTØJ

- **Undlad at tvinge produktet.** Brug elværktøjet til det tiltænkte anvendelsesformål. Det korrekte elværktøj klarer opgaven bedre og sikrer den med hastighed, det er designet til.
- **Elværktøjet må ikke tages i brug, hvis TÆND/SLUK-kontakten ikke virker.** Et elværktøj, der ikke kan kontrolleres med TÆND/SLUK-kontakten, er farligt og skal repareres.
- **Fjern stikket fra strømkilden, og/eller fjern batteripakken fra elværktøjet, hvis den er aftagelig, før du foretager justeringer, udfikter tilbehør eller lægger elværktøjet væk.** Disse forebyggende sikkerhedsforanstaltninger reducerer faren for utilsigtet start af elværktøjet.
- **Når elværktøjer ikke bruges, skal de opbevares utilgængeligt for børn; personer, som ikke er fortrolige med elværktøjet eller denne brugsanvisning, må ikke anvende elværktøjet.** Elværktøjer er farlige i hænderne på ukyndige brugere.
- **Vedligehold elværktøj og tilbehør. Kontrollér, om der er forkert indjusterede eller forbundne bevægelige dele,**

afbrækkede dele samt andre tilstande, som kan påvirke elværktøjets funktionsmåde. Hvis der konstateres skader, skal elværktøjet repareres inden brug. Mange ulykker skyldes dårligt vedligeholdte elværktøjer.

- **Skærende værktøjer skal holdes skarpe og rene.** Korrekt vedligeholdte skærende værktøjer med skarpe skær er mindre tilbøjelige til at binde/blokere og er lettere at kontrollere.
- **Brug elværktøjet, tilbehøret og værktøjs-bits osv. som foreskrevet i denne brugsanvisning, og tag højde for arbejdsforholdene og den aktuelle arbejdsopgave.** Brug af elværktøjet i strid med de tiltænkte anvendelsesformål kan medføre farlige situationer.
- **Hold håndtagene og gribefladerne tørre, rene og fri for olie og fedt.** Glatte håndtag og gribeflader umuliggør sikker håndtering og kontrol af redskabet i uventede situationer.

## BRUG OG PLEJE AF BATTERIVÆRKTØJ

- **Opladning må kun finde sted med den af producenten foreskrevne oplader.** En oplader, der er beregnet til én type batteri, kan udgøre en brandrisiko, hvis den bruges til en anden batteritype.
- **Brug kun elværktøjer sammen med specifikt godkendte batterier.** Brug af andre batterityper kan medføre fare for personskade og brand.
- **Når batteriet ikke bruges, må det ikke opbevares sammen med metalgenstande som fx papirclips, mønter, nøgler, søm, skruer eller andre metalgenstande, som kan skabe forbindelse mellem batteriets poler.** Hvis batteriets poler kortsluttes, kan det forårsage forbrændinger eller ildebrand.
- **Hvis batteriet misbruges, kan der sprøjte væske ud af det; undgå kontakt med batterivæsken.** Ved kontakt med batterivæsken skylles der med vand. Hvis der kommer væske i øjnene, kontaktes læge straks. Udsprøjet batterivæske kan forårsage irritation eller forbrændinger.
- **Brug ikke et batteri eller værktøj, der er beskadiget eller modificeret.** Beskadigede eller modificerede batterier kan være ustabile, hvilket kan medføre brand, eksplosion eller personskade.
- **Udsæt ikke batteri eller værktøj for åben ild eller høje temperaturer.** Udsættelse for ild eller temperaturer over 130 °C kan medføre eksplosion.
- **Følg vejledningen for opladning, og oplad ikke batteriet eller værktøjet uden for det temperaturområde, der er angivet i vejledningen.** Forkert opladning eller opladning ved temperaturer uden for det angivne område kan beskadige batteriet og øge risikoen for brand.

## VEDLIGEHOLDELSE

- **Sørg for, at elværktøjet serviceres af en kvalificeret reparatør, som kun benytter sig af originale reservedele.** Herved garanteres sikkerheden for elproduktet.
- **Efterse aldrig beskadigede batteripakker.** Eftersyn af batteripakker bør kun udføres af producenten eller autoriserede serviceleverandører.

## SIKKERHEDSADVARSLER FOR BUSKRYDDER

- **Brug ikke maskinen under dårlige vejrforhold, især ikke når der er fare for lynnedslag.** Dette mindsker risikoen for at blive ramt af lynet.

- **Inspicér grundigt området, hvor maskinen skal bruges, for vilde dyr.** Dyr kan skades af maskinen under drift.
- **Undersøg grundigt området, hvor maskinen skal bruges, og fjern alle sten, pinde, ledninger, ben og andre fremmedelelementer.** Udkastede genstande kan forårsage personskade.
- **Inden brug af maskinen skal du altid inspicere produktet visuelt for at se, at skæret og klingens fastgørelseselementer ikke er beskadiget.** Beskadigede dele øger risikoen for personskader.
- **Før brug skal du kontrollere strømledningen og forlængerledningen for tegn på skader eller ælde.** Undlad at bruge maskinen, hvis ledningen er beskadiget eller slidt. Hvis ledningen er beskadiget eller slidt under brug, skal du slukke for maskinen og ikke berøre ledningen, før den frakobles strømforsyningen. En beskadiget strømledning eller forlængerledning kan medføre elektrisk stød, brand og/eller alvorlig personskade.
- **Følg anvisningerne for udskiftning af tilbehør.** Forkert tilspændte møtrikker eller bolte til fastgørelse af klingens kan enten beskadige klingens eller resultere i, at den løsnes.
- **Klingens rotationsmæssige hastighedsangivelser skal mindst svare til maks. hastigheden afmærket på maskinen.** Klinger, der kører hurtigere end deres nominelle hastighed, kan gå i stykker og falde fra hinanden.
- **Brug øjen-, hoved- og håndbeskyttelse og høreværn.** Passende beskyttelsesudstyr reducerer personskader pga. flyvende elementer eller utilsigtet kontakt med klippetråden eller klingens.
- **Bær altid sikkerhedssko under betjening af maskinen.** Undlad at bruge maskinen barfodet eller med åbne sandaler. Dette reducerer risikoen for, at fødderne kommer til skade ved kontakt med det bevægelige skær, line eller klinge.
- **Under betjening af maskinen skal du altid bære lange bukser.** Eksponeret hud øger sandsynligheden for skade fra udslyngede genstande.
- **Hold tilskuere på afstand under betjening af produktet.** Udkastede grene og ting kan resultere i alvorlig personskade.
- **Brug altid to hænder, når du betjener maskinen.** Hold fast i maskinen med begge hænder for at undgå tab af kontrol.
- **Hold fast i maskinen på de isolerede gribeflader, da klippetråden eller klingens evt. kan komme i berøring med skjulte ledninger.** Hvis klippetråden eller klingerne kommer i berøring med en strømførende ledning, kan det gøre blottede metaldele på maskinen strømførende og give operatøren elektrisk stød.
- **Sørg for altid at have et godt fodfæste, og betjen kun maskinen, når du står på jorden.** Glatte eller ustabile overflader kan forårsage tab af balance eller kontrol over maskinen.
- **Betjen ikke maskinen på meget stejle skråninger.** Dette reducerer risikoen for at miste kontrollen, glide og falde, hvilket kan resultere i personskade.
- **Når du arbejder på skråninger, skal du altid sikre dig et godt fodfæste, altid arbejde på tværs af skråninger, aldrig op eller ned og udvis ekstrem forsigtighed, når du skifter retning.** Dette reducerer risikoen for at miste kontrollen, glide og falde, hvilket kan resultere i personskade.
- **Hold strømledningen på afstand af skæret, tråden eller klingens.** En beskadiget strømledning kan medføre elektrisk stød, brand og/eller alvorlig personskade.

- **Hold alle kropsdele på afstand af klingen, når maskinen er i drift.** Før du starter maskinen, skal du sørge for, at skæret, linen eller klingen ikke kommer i berøring med noget. Et øjeblik uopmærksomhed under betjening af maskinen kan resultere i skade på dig selv eller andre.
- **Betjen ikke maskinen over livshøjde.** Dette hjælper med at forhindre utilsigtet kontakt med skæret eller klingen og muliggør bedre kontrol af maskinen i uventede situationer.

■ **Vær opmærksom på tilbageslag ved klipning af buske eller ungtræer, der er under spænding.** Når spændingen i træfibre udløses, kan busken eller ungtræet ramme operatøren og/eller slå maskinen ud af kontrol.

■ **Vær ekstremt forsigtig ved savning af buske og unge træer.** Det tynde materiale kan fange klingens og blive pisket mod dig eller trække dig ud af balance.

■ **Bevar kontrollen over maskinen, og berør ikke skær, ledninger eller klinger og andre farlige bevægelige dele, mens de stadig er i bevægelse.** Dette reducerer risikoen for personskade fra bevægelige dele.

■ **Bær maskinen, mens den er slukket og væk fra din krop.** Korrekt håndtering af maskinen vil reducere sandsynligheden for utilsigtet kontakt med et bevægeligt skær, line eller klinge.

■ **Når du transporterer eller opbevarer maskinen, skal du altid montere klingebeskytteren på metalklinger.** Korrekt håndtering af maskinen vil reducere sandsynligheden for utilsigtet kontakt med klingens beskyttelse.

■ **Brug kun udskiftningsskær, -linjer, -skærehoveder og -klinger, der er specificeret af producenten.** Ukorrekte reservedele kan øge risikoen for brud og personskade.

■ **Når du fjerner fastklemt materiale eller servicerer maskinen, skal du sørge for, at alle afbrydere er slukket, og at batteripakken er fjernet.** Uventet start af motorsaven, under fjernelse af fastklemt materiale eller servicering, kan medføre alvorlig personskade.

## ÅRSAGER TIL TILBAGESLAG OG RELATEREDE ADVARSLER

Tilbageslag er en pludselig sidelæns, fremadrettet eller bagudrettet bevægelse af maskinen, som kan forekomme, når klingens spænding sætter sig fast eller får fat i en genstand som f.eks. et ungtræ eller en træstump. Der kan være tilstrækkeligt megen kraft til at få maskinen og/eller operatøren "skudt" i en hvilken som helst retning og muligvis miste kontrollen over maskinen.

Tilbageslag og de dermed forbundne farer kan undgås ved at tage passende forholdsregler som angivet nedenfor.

- **Vedligehold et fast greb med begge hænder på maskinen, og placer dine arme, så du kan modstå tilbageslaget.** Placer din krop til venstre for maskinen. Tilbageslaget kan øge risikoen for personskader på grund af, uventede bevægelser af maskinen. Tilbageslaget kan styres af operatøren, hvis der tages passende forholdsregler.
- **Hvis klingens binder eller ved afbrydelse af et snit af en eller anden årsag, skal du slukke for maskinen og holde den ubevægelig, indtil klingens standser fuldstændigt.** Mens klingens binder, må du aldrig forsøge at fjerne maskinen fra materialet eller trække maskinen bagud, mens klingens er i bevægelse, ellers kan der forekomme tilbageslag. Undersøg problemet, og iværksæt korrigerende handlinger for at fjerne årsagen til, at klingens sidder fast.
- **Brug ikke sløve eller beskadigede klinger.** Sløve eller beskadigede klinger øger risikoen for fastklemning eller indfangning af en genstand, hvilket resulterer i tilbageslag.

- **Hold altid godt overblik over det materiale, der skæres.** Det er mere sandsynligt, at bladets effekt forekommer i områder, hvor det er vanskeligt at se, at materialet bliver skåret.
- **Hvis du kontaktes af en anden person, mens du betjener maskinen, skal du slukke for maskinen.** Der er en øget risiko for, at andre personer bliver ramt af den bevægelige klinge i tilfælde af tilbageslag.

## EKSTRA SIKKERHEDSADVARSLER

■ Inden ibrugtagning og efter enhver ydre påvirkning skal man kontrollere, at der ikke findes beskadigede dele. En defekt kontakt eller en del, som er blevet beskadiget eller slidt, skal repareres ordentligt eller udskiftes på et autoriseret serviceværksted.

■ Den lille klinge, der sidder fast på sikkerhedsafskærmningen, er beregnet til at afskære den fornyligt forlængede line til den korrekte længde af hensyn til sikkerheden og bedst mulige resultat. Kniven er meget skarp. Berør ikke kniven, især ikke når du rengører produktet.

■ Brug kun udskiftningstråd fra producenten. Der må ikke bruges andet skærende udstyr.

■ Kontrollér, at klippeudstyret er monteret korrekt og ordentligt fastgjort.

■ Produktet må aldrig benyttes, før alle skærme, deflektorer og håndtag er fastgjort ordentligt og sikkert.

■ Sørg for, at afklipningsklingen i sikkerhedsafskærmningen er korrekt placeret og fastgjort før hver brug.

■ Hold hovedtilbehøret under livniveau.

■ Sluk straks for produktet, og fjern batteriet eller tag ledningen ud af stikkontakten i tilfælde af en ulykke eller et nedbrud. Betjen ikke produktet igen, før det er blevet kontrolleret fuldstændigt af et godkendt servicecenter.

■ Sluk altid for produktet, fjern batteripakken og afbryd forbindelsen til strømforsyningen for at reducere risikoen for personskader ved kontakt med bevægelige dele. Lad begge køle af. Kontrollér, at alle bevægelige dele er standset fuldstændigt:

- før betjening
- før rydning af en blokering
- inden kontrol, rengøring eller arbejde på produktet
- før der skiftes tilbehør
- efter at have ramt et fremmedelement
- når produktet efterlades uden opsyn
- under vedligeholdelse
- hvis produktet begynder at vibrere unormalt

■ Sørg for, at alle afskærmninger og håndtag er korrekt monteret og i god stand.

■ Hold produktet i de hertil indrettede håndtag, og begræns arbejdstiden og eksponeringen.

■ Pas på bortslyngede objekter fra klippeudstyr. Fjern ting som småsten, grus og andre fremmedlegemer fra arbejdsområdet, før arbejdet påbegyndes. Ledninger og snore kan blive viklet ind i klippeudstyret.

■ Dit produkt er udstyret med en sele. Brug selen, mens du betjener produktet. Juster selen, så den sidder behageligt og kan støtte vægten af produktet på din højre side. Lokalisér hurtigudløsningsmekanismen, og øv dig i at bruge denne, inden du tager maskinen i brug. Korrekt brug af denne funktion kan forhindre alvorlige



personskader i en nødsituation. Bær aldrig ekstra tøj over selen, og undgå på anden måde at begrænse adgangen til hurtigaktiveringsmekanismen.

- Bær ikke bælte eller seletøj.
- Sørg altid for, at ventilationsåbningerne er fri for affald.
- Strømmen skal tilføres via et fejlstrømsmodul (RCD) med en udløsestrøm på max 30 mA.
- Brug kun produktet ved temperaturer mellem 0° C og 40° C.
- Opbevar produktet et sted, hvor omgivelsestemperaturen er mellem 0° C og 40° C.
- Hvis strømledningen er beskadiget, skal den udskiftes med en særlig ledning eller enhed, der er tilgængelig fra et autoriseret servicecenter.
- Kontrollér elledningen for beskadigelse før hver brug. Hvis elledningen er er beskadiget, skal den udskiftes af en autoriseret person på et autoriseret servicecenter for at undgå fare.
- Brug solide handsker, når du installerer eller fjerner knivene, de har skarpe kanter.
- Forsøg aldrig at røre ved eller stoppe en roterende klinge.
- En beskadiget klinge skal straks udskiftes. Kontrollér altid, at klingen er korrekt monteret og ordentligt fastgjort inden ibrugtagning.
- Brug kun producentens TRI-ARC-udskiftningsklinger. Der må ikke bruges andet skærende udstyr.
- Beskær aldrig materiale over 13 mm diameter.
- Beskyt klingens med klingebeskytteren inden opbevaring af produktet - eller under transport. Husk altid at fjerne klingebeskytteren, inden produktet tages i brug. I modsat fald risikerer man, at klingebeskytteren slynges ud, når klingens begynder at rotere.
- For bedre skærekomfort og sikkerhed bør man angribe ukrudtet fra højre mod venstre. Herved minimeres klingens tilbageslag, hvis man skulle støde på en uventet genstand eller en træstub. Man skal altid bruge begge hænder til at kontrollere dette produkt.
- Længere tids brug af et værktøj kan forårsage - eller forværre - personskader. Når du bruger produktet i længere perioder, skal du sørge for at tage regelmæssige pauser.

#### YDERLIGERE SIKKERHEDSADVARSLER OM BATTERI

- For at nedsætte risikoen for brand, personskade og produktbeskadigelse på grund af kortslutning må produktet, batteripakken eller opladeren aldrig nedsænkes i en væske, ligesom væsker ikke må flyde ind i dem. Sørg ligeledes for, at der ikke trænger væske ind i enhederne og batterierne. Korroderende eller ledende væsker, f.eks. saltvand, bestemte kemikalier, blegestoffer eller produkter, som indeholder blegemidler, kan forårsage kortslutning.
- Oplad batteripakken et sted, hvor omgivelsestemperaturen er mellem 10° C og 38° C.
- Opbevar batteripakken et sted, hvor omgivelsestemperaturen er mellem 0° C og 20° C.
- Brug batteripakken et sted, hvor omgivelsestemperaturen er mellem 0° C og 40° C.

#### TRANSPORT OG OPBEVARING

- Sluk for produktet, og fjern batteripakken, og lad det afkøle inden det opbevares eller transporteres.
- Afrens alle fremmedlegemer fra produktet.

- Lad være med at opbevare eller transportere produktet med batterier isat. Fjern batteripakken og placer den separat. Opbevar den på et køligt, tørt og godt ventileret sted utilgængeligt for børn. Sørg for, at produktet ikke kommer i nærheden af korrosive stoffer såsom havekemikalier og strøsalt. Opbevar ikke produktet udendørs
- Til transport skal man sikre produktet, så den ikke kan bevæge sig eller vælte; dette for at forebygge personskader eller skader på produktet.

#### TRANSPORT AF LITHIUM-BATTERIER

- Batterier skal transporteres i henhold til lokale og nationale forskrifter og love.
- Når batterier skal transporteres af tredjepart, skal alle specielle krav til emballering og mærkning overholdes. Man skal sikre sig, at ingen batterier under transporten kan komme i kontakt med andre batterier eller ledende materialer ved at beskytte blottede konnektorer med isolerende, ikke-ledende hætter eller tape. Undlad at transportere batterier med revner eller utætheder. Rådfør dig desuden med speditøren.

#### VEDLIGEHOLDELSE

- Brug kun originale reservedele, ekstraudstyr og tilbehør fra producenten. I modsat fald er der fare for personskader, dårlig maskinydelse og annullering af garantien.
- Vedligeholdelse kræver stor omhyggelighed og viden og bør kun udføres af en kvalificeret tekniker. Lad kun et autoriseret serviceværksted servicere produktet.
- Sluk for produktet og fjern batteriet eller tag stikket ud af stikkontakten. Sørg for, at alle bevægelige dele er fuldstændigt stoppet, før du rengør eller vedligeholder græsslåmaskinen.
- Man kan selv foretage de justeringer eller reparationer, der er beskrevet i denne brugsanvisning. For andre reparationer eller råd skal man søge assistance på et autoriseret servicecenter.
- Tråden må kun udskiftes med en nylonfilamenttråd med den diameter, der er beskrevet i specifikationstabellen i denne brugsanvisning.
- Produktet skal rengøres med en blød klud efter hver brug. Enhver del, som bliver beskadiget, skal repareres korrekt eller udskiftes hos et autoriseret servicecenter.
- Tjek alle møtrikker, bolte og skruer før brug og ved regelmæssige intervaller for at sikre, at de er strammet ordentligt og at produktet er i en sikker funktionstilstand. Enhver del, som bliver beskadiget, skal repareres korrekt eller udskiftes hos et autoriseret servicecenter.
- Indlevér produktet hos et autoriseret servicecenter for at få udskiftet beskadigede eller ulæselige mærkater.

#### KEND PRODUKTET

Se side 137.

1. Påsætteligt skaft
2. Bladbeskytter
3. TRI-ARC-klinge
4. Skæreblassafsærmning
5. Brugsanvisning
6. Metaldæksel
7. Spændeskive med flange
8. Konstruktionsspændeskive
9. Låsepind
10. Kombineøgle
11. Møtrik



## SYMBOLER PÅ PRODUKTET



Sikkerheds Varsel



Læs og forstå alle anvisninger inden betjening af produktet. Overhold alle advarsler og sikkerhedsanvisninger.



Benyt øjen-, høre- og hovedværn.



Brug skridsikre sko ved anvendelse af produktet.



Brug friktionsfri, kraftige beskyttelseshandsker.



Pas på udslyngede eller flyvende objekter. Hold alle omkringstående, især børn og kæledyr, mindst 15 m væk fra operationsområdet.



Produktet er ikke beregnet til brug med savklinger, der har tænder.



TRI-ARC-klinge



Europæisk overensstemmelsesmærkning



EurAsian overensstemmelsesmærke



Ukrainsk overensstemmelsesmærkning



Hold hænderne på afstand af afkortningskniven.



Vær opmærksom på, at klingens pludseligt kan køre.



Må ikke udsættes for regn eller bruges på fugtige steder.



Garanteret støjniveau



Britisk overensstemmelsesmærkning



Aftag batterisættet før der eventuelt udføres arbejde på produktet.

Bortskaf ikke brugte batterier, elektriske dele og elektronisk udstyr som usorteret kommunalt affald. Brugte batterier, kasserede elektriske dele og elektronisk udstyr skal indsamles separat. Brugte batterier, affaldsakkumulatorer og lyskilder skal fjernes fra udstyret. Kontakt din lokale myndighed eller forhandler for rådgivning om genbrug og indsamlingssted. Ifølge lokale bestemmelser er detailhandlere måske forpligtede til gratis at tage kasserede batterier, elektriske dele og elektronisk udstyr retur til bortskaffelse. Dit bidrag til genbrug og genanvendelse af brugte batterier, kasserede elektriske dele og elektronisk udstyr bidrager til at reducere efterspørgslen efter råmaterialer. Kasserede batterier, navnlig indeholdende lithium, og kasserede elektriske dele og elektronisk udstyr indeholder værdifulde og genanvendelige materialer, som kan have en negativ indvirkning på miljøet og menneskers sundhed, hvis det ikke bortskaffes på en miljøvenlig måde. Slet persondata fra eventuelt kasseret udstyr.



## SYMBOLER I DENNE BRUGSANVISNING



Bemærk



Advarsel



Dele eller tilbehør, der sælges separat

Säkerhet, prestanda och pålitlighet har fått högsta prioritet vid utformningen av ditt röjsågstillbehör.

## ANVÄNDINGSOMRÅDE

Röjsågstillbehöret är godkänt för användning med eldrivna drivhuvuden RPH1200, RLT1238I, RBC1226I och batteridrivna drivhuvuden RPH3601-BL och RY36ELTX33A.

Produkten är avsedd för att klippa häckar, buskar och liknande växtlighet, på eller omkring marknivå. Produkten kan också klippa långt gräs, tjockt ogräs och liknande växtlighet.

Klipplanet bör vara parallellt med marken.

Produkten är endast avsedd för vuxna användare som har läst och förstått instruktionerna och varningarna i denna manual och som kan anses vara ansvariga för sina handlingar.

Produkten är enbart avsedd för utomhusbruk på väl ventilerade områden. Av säkerhetsskäl ska båda händerna användas för korrekt manövrering av produkten.

Får ej användas för annat ändamål.

## ALLMÄNNA PRODUKTSÄKERHETSVARNINGAR

**⚠ VARNING!** Läs alla säkerhetsvarningar och alla instruktioner. Om du inte följer varningarna och anvisningarna kan du orsaka elektrisk stöt, brand och allvarlig skada.

**Spara dessa varningar och instruktioner för senare behov.**

Termen "elektriskt verktyg" i varningarna avser din nätdrivna produkt (med sladd) eller din batteridrivna produkt (utan sladd).

## ARBETSMILJÖ

- **Håll arbetsområdet rent och välupplyst.** Oordnade och mörka områden inbjuder till olyckor.
- **Använd inte kraftverktyg i explosiva atmosfärer, exempelvis i närheten av brännbara vätskor, gaser eller damm.** Kraftverktyg ger upphov till gnistor vilka kan antända damm eller ångor.
- **Håll barn och åskådare borta när du använder ett kraftverktyg.** Distraktioner kan få dig att tappa kontrollen.

## ELEKTRISK SÄKERHET

- **Kraftverktygets kontakt måste matcha uttaget.** Modifiera inte kontakten på något sätt. Använd inga adapterkontakter med jordade kraftverktyg. Omodifierade kontakter och matchande uttag minskar risken för elektrisk stöt.
- **Undvik kroppskontakt med jordade ytor, som exempelvis rör, element, spis och kylskåp.** Det föreligger en förhöjd risk för elektrisk stöt om din kropp är jordad.
- **Exponera inte produkten för regn eller våta förhållanden.** Vatten som tränger in i ett kraftverktyg ökar risken för elektrisk stöt.
- **Misshandla inte sladden.** Använd aldrig sladden för att bära, dra eller koppla bort kraftverktyget. Håll sladden borta från värme, olja, vassa kanter och rörliga delar. Skadade eller intrasslade elsladdar ökar risken för elektrisk stöt.
- **Använd en förlängningssladd avsedd för utomhusbruk när du använder kraftverktyget utomhus.** Användning av en sladd lämplig för utomhusbruk minskar risken för elektrisk stöt.

- **Använd en jordfelsbrytare om det är oundvikligt att använda ett kraftverktyg i en fuktig miljö.** Användningen av en jordfelsbrytare minskar risken för elektrisk stöt.

## PERSONLIG SÄKERHET

- **Var uppmärksam på vad du gör och använd sunt förnuft när du använder ett kraftverktyg. Använd inte ett kraftverktyg när du är trött eller påverkad av droger, alkohol eller mediciner.** Ett ögonblicks ouppmärksamhet när du använder kraftverktyg kan orsaka allvarlig personskada.
- **Använd skyddsutrustning. Bär alltid ögonskydd.** Skyddsutrustning som en dammskyddsmask, halkfria skyddsskor, en hård hjälm eller hörselskydd som används under lämpliga förhållanden minskar personskador.
- **Förhindra oavsiktlig start. Säkerställ att strömbrytaren är i av-läge innan du ansluter till uttaget och/eller batteripaketet, innan du lyfter upp verktyget och innan du bär det.** Att bära kraftverktyg med fingret på avtryckaren eller kraftverktyg som är igång bjuder in olyckor.
- **Ta bort eventuella justerings- eller skiftnycklar innan du startar kraftverktyget.** En skiftnyckel eller justeringsnyckel som lämnas kvar i en roterande del av kraftverktyget kan orsaka personskada.
- **Sträck dig inte. Ha alltid ett bra fotfäste och en god balans.** Det ger dig bättre kontroll över kraftverktyget i oväntade situationer.
- **Klä dig korrekt. Använd inte löst åtsittande kläder eller smycken. Håll ditt hår och dina kläder borta från rörliga delar.** Lösliggande kläder, smycken och långt hår kan fastna i rörliga delar.
- **Om några uppsamlingsenheter för damm och avfall medföljer ska dessa vara anslutna och användas på ett korrekt sätt.** Användningen av en dammuppsamlare kan minska dammrelaterade faror.
- **Låt inte den erfarenhet som följer med vana vid verktygsanvändning göra dig oförsiktig och ignorera säkerhetsprinciper för verktygsanvändningen.** En oförsiktig handling kan orsaka allvarlig personskada på bara bråkdelen av en sekund.

## ANVÄND OCH TA HAND OM KRAFTVERKTYGET

- **Tvinga inte produkten. Använd rätt kraftverktyg för ditt jobb.** Rätt kraftverktyg gör jobbet bättre och säkrare om det används i den takt som det är designat för.
- **Använd inte kraftverktyget om strömbrytaren inte fungerar för att stänga av och sätta på verktyget.** Alla kraftverktyg som inte kan kontrolleras med strömbrytaren är farliga och måste repareras.
- **Ta ut kontakten ur eluttaget och/eller ta bort batteripaketet, ifall avtagbart, från elverket innan du gör några justeringar, byter tillbehör eller förvarar elverket.** Sådana förebyggande åtgärder minskar risken för att kraftverktyget startar oavsiktligt.
- **Förvara avstängda kraftverktyg utom räckhåll för barn och låt inte personer som är obekanta med kraftverktyg, eller dessa instruktioner, använda kraftverktyget.** Kraftverktyg är farliga i händerna på otränade användare.
- **Underhåll elverket och tillbehör. Kontrollera så att inga rörliga delar är felinriktade eller sitter fast, att inga delar har gått sönder samt att ingenting annat föreligger som kan påverka kraftverktygets**



användning. Reparera kraftverktyget innan användning om det är skadat. Många olyckor uppstår på grund av dåligt underhållna kraftverktyg.

- **Håll skärverktyg vassa och rena.** Korrekt underhållna skärverktyg med vassa skärkanter fastnar inte lika lätt och är lättare att kontrollera.
- **Använd kraftverktyget, tillbehören och borrspetsar etc. i enlighet med dessa anvisningar och ta hänsyn till arbetsförhållanden och det jobb som ska utföras.** Användning av kraftverktyget till andra saker än det är avsett för kan resultera i en farlig situation.
- **Håll handtag och grepp torra, rena och fria från olja och smörj fett.** Hala handtag och grepp innebär osäker hantering och dålig kontroll över verktyget i oväntade situationer.

#### ANVÄNDNING OCH UNDERHÅLL AV BATTERIET

- **Använd endast den batteriladdare som tillverkaren rekommenderar.** En batteriladdare som passar en typ av batteripack kan vara en brandfara om den används med en annan typ av batteripack.
- **Använd eldrivna verktyg med batteripaket som är speciellt utformade för användning tillsammans med produkterna.** Om du använder andra batteripaket ökar du risken för skador och brand.
- **När batteripaketet inte används ska det hållas bort från metallföremål som gem, mynt, nycklar, spikar, skruvar och andra små metallföremål som kan kortsluta batteriets kontakter.** Vid kortslutning av batteriets kontakter finns det risk för brännskador eller brand.
- **Vätska kan läcka ut från batteripaketet vid felaktig användning; undvik kontakt med vätskan. Spola med vatten om du kommer i kontakt med den. Uppsök omedelbart läkarhjälp om du får vätska i ögonen.** Den kan orsaka irritation eller brännskador.
- **Använd inte en batterienhet eller ett verktyg som är skadat eller har modifierats.** Skadade eller modifierade batterier kan bete sig oförutsägbart, vilket kan leda till brand, explosion eller risk för olycksfall.
- **Utsätt inte ett batteripaket eller ett verktyg för eld eller mycket hög temperatur.** Exponering för eld eller temperaturer över 130 °C kan orsaka explosion.
- **Följ alla anvisningar för laddning och ladda inte batterienheten eller verktyget vid en temperatur utanför det intervall som anges i anvisningarna.** Att ladda på felaktigt sätt eller vid temperaturer utanför det angivna intervall kan skada batteriet och ökar brandrisken.

#### UNDERHÅLL

- **Låt en kvalificerad serviceperson serva ditt kraftverktyg med identiska utbytesdelar.** Detta säkerställer att kraftverktygets säkerhet bibehålls.
- **Reparera aldrig skadade batteripaket.** Reparation av batteripaket får endast utföras av tillverkaren eller en auktoriserad serviceverkstad.

#### SÄKERHETSVARNINGAR FÖR RÖJSÄG

- **Använd inte maskinen vid dåliga väderförhållanden, särskilt inte när det finns risk för blixtnedslag.** Detta minskar risken för att träffas av blixten.
- **Inspektera området noga så att det inte finns djur där maskinen ska användas.** Djur kan skadas av maskinen när den används.
- **Inspektera noggrant det område där maskinen ska användas och plocka bort alla stenar, pinnar, ledningar, benbitar och andra främmande föremål.** Föremål som slungas upp kan orsaka personskada.
- **Innan maskinen används, inspektera den alltid för att säkerställa att skäret eller bladet inte är skadade.** Skadade delar ökar risken för kroppsskada.
- **Före användning, kontrollera strömsladden och eventuella förlängningssladdar med avseende på tecken på skada eller åldrande. Använd inte produkten om kabeln är skadad eller sliten. Om sladden skadas eller nöts under användning, stäng av maskinen och vidrör inte sladden förrän den kopplats bort från eluttaget.** En skadad strömsladd eller förlängningssladd kan resultera i elstötar, brand och/eller allvarlig personskada.
- **Följ anvisningarna för att byta tillbehör.** Otillräckligt åtdragna muttrar eller bultar för bladlåsning kan skada bladet eller göra till att det lossnar.
- **Bladets nominella rotationshastighet måste vara åtminstone lika med den maximala hastigheten som anges på maskinen.** Blad som körs snabbare än dess nominella rotationshastighet kan gå sönder och flyga isär.
- **Använd skyddsglasögon, hörselskydd, handskar och hjälm.** Adekvat skyddsutrustning minskar risken för personskador orsakade av kringflygande skräp eller oavsiktlig kontakt med skärningsbanan eller bladet.
- **Använd alltid skyddsskor när du använder maskinen. Använd inte maskinen barfota eller med öppna sandaler.** Det minskar risken för att arbetande skär, strängar eller blad ska skada fötterna.
- **Använd alltid långbyxor när du använder maskinen.** Exponerad hud riskerar att skadas av utslungade föremål.
- **Håll undan andra personer från maskinen när den används.** Kringflygande kvistar och skräp kan orsaka allvarlig kroppsskada.
- **Använd alltid bägge händerna när du kör maskinen.** Genom att använda bägge händerna undviker du att tappa kontrollen över maskinen.
- **Håll endast maskinen i de isolerade greppytorna, eftersom skärtråden eller bladet kan komma i kontakt med dolda ledningar.** Skärtråd eller blad som vidrör en strömförande ledning kan göra att maskinens exponerade metalldelar blir strömförande och att användaren får en elstöt.
- **Tänk på att alltid hålla fötterna stadigt och använd maskinen endast när du står på marken.** Halt eller instabilt underlag kan göra att du tappar balansen eller kontrollen över maskinen.
- **Använd inte maskinen i överdrivet branta sluttningar.** Detta för att minska risken för att förlora kontrollen, halka eller falla vilket kan resultera i personskada.
- **När du arbetar i backar, tänk på att alltid placera fötterna säkert, arbeta alltid tvärs utmed backar, aldrig uppåt eller neråt, och var extra försiktig när du ändrar riktning.** Detta för att minska risken för att förlora kontrollen, halka eller falla vilket kan resultera i personskada.
- **Håll strömsladden borta från skäret, strängen och bladet.** En skadad strömsladd kan resultera i elstötar, brand och/eller allvarlig personskada.
- **Håll alla kroppsdelar borta från skäret, strängen eller bladet när maskinen körs.** Innan du startar maskinen, säkerställ att skär, strängar eller blad inte har kontakt



med något. Ett ögonblick av uppmärksamhet när maskinen körs kan resultera i skada på dig själv eller andra.

- **Använd inte maskinen över midjehöjd.** Då kan oavsiktlig kontakt med skär eller blad undvikas, och du har bättre kontroll över maskinen i oväntade situationer.
- **Var uppmärksam på att buskage eller skott under spänning kan sprätta tillbaka när de kapas.** När spänningen i träfibren frigörs kan buskens grenar eller skott träffa operatören och/eller göra maskinen okontrollerbar.
- **Var extremt försiktig när du kapar buskar och skott.** Det smala materialet kan fånga bladet och snärtas mot dig eller få dig ur balans.
- **Håll hela tiden kontroll över maskinen och vidrör inte skär, strängar, blad och andra farliga rörliga delar medan de fortfarande är i rörelse.** Då minskar risken för skador på grund av rörliga delar.
- **Bär maskinen avstängd och undan från kroppen.** Korrekt hantering av maskinen minskar risken för oavsiktlig kontakt med skär strängar eller blad i rörelse.
- **Vid transport eller förvaring av maskinen, sätt alltid på skyddet på metallbladen.** Korrekt hantering av maskinen minskar risken för oavsiktlig kontakt med bladet.
- **Använd endast ersättningsskär, strängar, skärhuvuden och blad som specificeras av tillverkaren.** Felaktiga reservdelar kan öka risken för materialbrott och personskada.
- **När material som fastnat avlägsnas eller vid underhåll av maskinen, säkerställ att strömbrytaren är avstängd och att batteripaketet är borttaget.** Övåntad igångsättning av maskinen vid avlägsning av fastnat material eller vid underhåll kan resultera i allvarlig personskada.

## ORSAKER TILL BLADTRYCK OCH RELATERADE VARNINGAR

Bladtryck är en plötslig rörelse framåt eller bakåt i maskinen, vilket kan inträffa när bladet fastnar på ett föremål som en planta eller en trädstump. Det kan vara tillräckligt våldsamt för att få maskinen och/eller operatören att framdrivas i vilken riktning som helst och eventuellt tappa kontrollen över maskinen.

Bladtryck och dess risker kan undvikas genom att vidta lämpliga försiktighetsåtgärder enligt nedan.

- **Håll maskinen i ett fast grepp med båda händerna och placera armarna så att de står emot bladtryck.** Placera din kropp till vänster sida av maskinen. Bladtryck kan öka risken för olycksfall på grund av att maskinen oväntat rör sig. Bladtryck kan kontrolleras av operatören om lämpliga försiktighetsåtgärder vidtas.
- **Om bladet fastnar, eller om ett snitt avbryts av någon anledning, stäng av maskinen och håll maskinen helt stilla i materialet tills bladet har stannat helt.** Medan bladet fastnar, försök aldrig att ta bort maskinen från materialet eller dra den bakåt medan bladet är i rörelse, annars kan bladtryck inträffa. Undersök och vidta lämpliga åtgärder för att eliminera orsaken till att bladet fastnar.
- **Använd inte trubbiga eller skadade blad.** Trubbiga eller skadade blad ökar risken för att fastna eller fastna på ett föremål, vilket kan resultera i bladtryck.
- **Se till att materialet som skärs alltid är väl synligt.** Bladet kan lättare rycka till där det är svårt att se det material som kapas.

- **Stäng av maskinen om en annan person närmar sig dig när du använder maskinen.** Det finns en ökad risk för skada på andra personer som träffas av det rörliga bladet i händelse av bladtryck.

## YTTERLIGARE SÄKERHETSFORESKRIFTER

- Kontrollera före användning och efter påverkan att det inte finns några skadade delar. Ett defekt reglage eller någon del som är skadad eller sliten ska repareras eller ersättas av godkänt servicecenter.
- Det lilla bladet som är fäst vid säkerhetsskyddet är avsett att trimma den nyss framförda strängen till korrekt längd för säker och optimal prestanda. Bladet är väldigt vasst. Vidrör inte bladet, särskilt vid rengöring av produkten.
- Använd enbart ersättningsstråd från tillverkaren. Använd inga andra skärtillbehör.
- Se till att skärtillbehöret är korrekt installerat och ordentligt fäst.
- Använd inte maskinen om inte alla skydd, avvisare och handtag är korrekt och ordentligt monterade.
- Säkerställ att linans skärblad i säkerhetsskyddet är korrekt placerat och säkrat före varje användning.
- Håll huvudtillbehöret under midjenivå.
- Stäng av enheten direkt och avlägsna batteripaketet eller koppla från strömmen i händelse av olycka eller maskinfel. Använd inte produkten igen innan den har kontrollerats i sin helhet av en auktoriserad serviceverkstad.
- För att minska risken för olycksfall i samband med rörliga delar, stäng alltid av produkten, ta ur batteripaketet och koppla från strömförsörjningen. Låt båda svalna. Se till att samtliga rörliga delar har stannat helt:
  - före service
  - före rensning av en blockering
  - före kontroll av, rengöring av eller arbete med produkten
  - före byte av tillbehör
  - efter kollision med ett främmande föremål
  - när produkten lämnas utan övervakning
  - alltid när underhåll utförs
  - när maskinen börjar vibrera onormalt
- Se till att alla skydd, handtag och spikskydd sitter ordentligt och är i gott skick.
- Håll produkten i de avsedda handtagen och begränsa arbetstid och exponering.
- Se upp för föremål som kastas i väg av skåranordningen. Avlägsna skräp som små stenar, grus och andra främmande föremål från arbetsområdet innan arbete påbörjas. Vajrar eller tråd kan trasas in i skärverktyget.
- Produkten är utrustad med en sele. Använd selen när du använder produkten. Justera selen omsorgsfullt så att den bekvämt bär upp vikten av produkten vid din högra sida. Ta reda på snabbkopplingsmekanismen och testa den innan du börjar använda maskinen. Korrekt användning av den kan förhindra allvarliga skador i nödfall. Bär aldrig ytterligare kläder över selen eller på annat sätt begränsa åtkomsten av snabbkopplingsmekanismen.
- Använd inte mer än ett bälte eller en sele.



- Säkerställ alltid att ventilationshålen är öppna och fria från smuts.
- Strömförsörjningen ska ske via en jordfelsbrytare (RCD) med en utlösningsström som inte får överstiga 30 mA.
- Använd endast produkten vid temperaturer mellan 0-40 °C.
- Förvara produkten på en plats där omgivningstemperaturen är mellan 0-40 °C.
- Om strömladdan är skadad måste den bytas ut mot en specialkabel eller ett kabelmontage från ett auktoriserat servicecenter.
- Undersök strömladdan med avseende på skador före varje användning. Om strömladdan är skadad, måste den, för att undvika fara, bytas ut av en kvalificerad person på ett auktoriserat servicecenter.
- Använd tåliga arbetshandskar när du monterar eller avlägsnar bladen, de har vassa kanter.
- Försök inte att vidröra eller stoppa bladet när det roterar.
- Byt ut alla blad som har blivit skadade. Kontrollera alltid att bladet är korrekt monterat och fastsatt innan användning.
- Använd enbart tillverkarens utbytes-TRI-ARC-blad. Använd inga andra skärtillbehör.
- Skär aldrig något material över 13 mm i diameter.
- Täck bladet med bladskyddet innan du förvarar eller transporterar enheten. Ta alltid av bladskyddet innan enheten används. Om det inte tas bort kan bladskyddet kastas iväg när bladet börjar snurra.
- För att det ska vara enklare och säkrare ska du skära grenarna från höger till vänster. Om ett oväntat föremål eller träbit stöts på kan det minimera bladets slagreaktion. Båda händerna måste alltid användas för att kontrollera den här produkten.
- Risk för person- eller slitageskador vid användning av verktyget under lång tid. Om en produkt används under en längre tid, var noga med att ta regelbundna pauser.

### YTTERLIGARE SÄKERHETSVARNINGAR FÖR BATTERIER

- För att minska risken för brand, personskador och produktskador på grund av kortslutning, sänk aldrig ner produkten, batteripaketet eller laddaren i vätska och låt inte vätska tränga in i dem. Korroderande eller ledande vätskor, som saltvatten, vissa kemikalier, blekningsmedel eller produkter som innehåller blekmedel, kan orsaka en kortslutning.
- Ladda batteripaketet på en plats där omgivningstemperaturen är mellan 10-38 °C.
- Förvara batteripaketet på en plats där omgivningstemperaturen är mellan 0-20 °C.
- Använd batteripaketet på en plats där omgivningstemperaturen är mellan 0-40 °C.

### TRANSPORT OCH FÖRVARING

- Stäng av produkten, ta ur batteripaketet och låt produkten svalna innan den förvaras eller transporteras.
- Ta bort allt främmande material från produkten.
- Förvara eller transportera inte produkten med batteripaketet installerat. Avlägsna batteripaketet och säkra det separat. Förvara den svalt och välventilerat på

en plats där barn inte kan komma åt den. Håll produkten borta från frätande ämnen, såsom trädgårdskemikalier och vägsalt. Förvara inte produkten utomhus.

- Vid transport ska produkten säkras mot rörelser eller fallande för att förhindra personskador eller att produkten skadas.

### TRANSPORTERA LITIUMBATTERIER

- Transportera batterier enligt lokala och nationella riktlinjer och föreskrifter.
- Följ alla särskilda krav på förpackning och etikettering vid transport av batterier som utförs av tredje part. Se till att inga batterier kommer i kontakt med andra batterier eller ledande material under transporten genom att skydda exponerade kontaktytor med isolerande, icke ledande överdrag eller tejp. Transportera aldrig batterier som har spruckit eller som läcker. Kontrollera med det transporterande företaget för vidare rådgivning.

### UNDERHÅLL

- Använd enbart reservdelar och tillbehör från tillverkaren. Om inte kan det eventuellt orsaka skador, sämre resultat och kan upphäva garantin.
- Att serva produkten kräver extrem försiktighet och kunskap och bör endast utföras av en kvalificerad servicetekniker. Produkten får endast repareras på ett auktoriserat servicecenter.
- Stäng av produkten och avlägsna batteripaketet eller koppla bort det från strömförsörjningen. Säkerställ att alla rörliga delar har stannat helt före eventuell rengöring eller eventuellt underhåll.
- Du får enbart göra justeringar eller reparationer som nämns i denna manual. För andra reparationer eller för råd ska du alltid vända till auktoriserat servicecenter.
- Använd enbart den specificerade nylontråden (finns i specifikationsstabell i denna manual) vid utbyte.
- Efter rengöring ska maskinen alltid rengöras med en mjuk torr trasa. Skadade delar skall repareras ordentligt eller bytas ut av en auktoriserad servicefirma.
- Kontrollera alla muttrar, bultar och skruvar före varje användning och med täta intervall, så att de är ordentligt åtdragna och så att produkten är i säkert skick för användning. Skadade delar skall repareras ordentligt eller bytas ut av en auktoriserad servicefirma.
- Lämna produkten till auktoriserat servicecenter för utbyte av skadade eller oläsbara etiketter.

### LÄR KÄNNA PRODUKTEN

Se sida 137.

1. Fästskaft
2. Bladskydd
3. TRI-ARC-blad
4. Vakt av bladet
5. Bruksanvisning
6. Metallhölje
7. Flänsbricka
8. Bricka
9. Låsstift
10. Kombinationsnyckel
11. Mutter

## SYMBOLER PÅ PRODUKTEN



Säkerhetsvarning



Läs och se till att du förstår alla anvisningar innan du använder produkten. Följ alla varningar och säkerhetsanvisningar.



Använd alltid ögon-, hörsel- och ansiktsskydd.



Bär halkfria skyddsskor vid användning av produkten.



Använd kraftiga, halkskyddade handskar.



Se upp för kringkastade eller flygande föremål. Alla åskådare, särskilt barn och husdjur, ska befinna sig minst 15 m från arbetsområdet.



Produkten är inte avsedd att användas med tandat sågblad.



TRI-ARC-blad



CE-märkning



EurAsian överensstämmelsesymbol



Ukrainsk CE-märkning



Håll händerna borta från sågbladen.



Var uppmärksam på slag från bladet.



Utsätt inte för regn eller våta omgivningar.



Garanterad ljudeffektnivå



Brittisk CE-märkning



Ta bort batteripaketet innan du påbörjar arbete på produkten.



Kassera inte uttjänta batterier, elavfall och elektronisk utrustning som restavfall. Uttjänta batterier, elavfall och elektronisk utrustning måste samlas in separat. Uttjänta batterier, uttjänta ackumulatörer och ljuskällor måste avlägsnas från utrustningen. Fråga din lokala myndighet eller återförsäljare om återvinningsråd och uppsamlingsplats. Beroende på lokala bestämmelser kan återförsäljare vara skyldiga att kostnadsfritt ta tillbaka uttjänta batterier samt elektriskt och elektroniskt avfall. Ditt bidrag till återanvändning och återvinning av uttjänta batterier samt elektriskt och elektroniskt avfall bidrar till att minska behovet av råmaterial. Uttjänta batterier, särskilt litiumbatterier, samt elavfall och elektronisk utrustning innehåller värdefulla och återvinningsbara material som kan påverka miljön och människors hälsa negativt, om de inte kasseras på ett miljömässigt sätt. Radera eventuella personuppgifter från avfallsutrustningen.

## SYMBOLER I MANUALEN



OBS



Varning



Delar och utrustning säljs separat

Turvallisuus, tehokkuus ja käyttövarmuus ovat raivaussahalisävarustemme tärkeimpiä ominaisuuksia.

## KÄYTTÖTARKOITUS

Tämä raivaussahalisävaruste on hyväksytty käytettäväksi sähkökäyttöisillä moottoriyksiköillä RPH1200, RLT12381 ja RBC12261 sekä akkukäyttöisillä moottoriyksiköillä RPH3601-BL ja RY36ELTX33A.

Tämä tuote on tarkoitettu pensaikkojen, tiheikköjen ja vastaavan kasvillisuuden leikkaamiseen lähellä maanpintaa. Tuote voi myös leikata pitkää ruohoa, paksuvartistia rikkakasveja ja vastaavaa kasvillisuutta.

Leikkutason on oltava suunnilleen maanpinnan suuntainen.

Tuote on tarkoitettu ainoastaan aikuisten käytettäväksi, jotka ovat lukeneet ja ymmärtäneet tämän käyttöoppaan ohjeet ja varoitukset, ja joita on voitava pitää vastuullisina tekemisistään.

Tuote on tarkoitettu ainoastaan ulkokäyttöön hyvin tuuletuilla alueilla. Turvallisuuden varmistamiseksi tuotetta on ohjattava hallintakahvoilla kahdella kädellä.

Älä käytä muihin tarkoituksiin.

## TUOTTEEN YLEISET TURVALLISUUSVAROITUKSET

**VAROITUS!** Lue kaikki turvallisuusvaroitukset ja ohjeet. Varoitusten ja ohjeiden laiminlyönnistä voi seurata sähköisku, tulipalo ja/tai vakava loukkaantuminen.

Säilytä nämä varoitukset ja ohjeet myöhempää tarvetta varten.

Varoituksissa termillä "konetyökalu" viitataan sähkö- (johdolliseen) tai akkukäyttöiseen (johdottomaan) tuotteeseen.

## TYÖYMPÄRISTÖ

- **Pidä työalue siistinä ja valoisana.** Epäjärjestyksessä olevat ja pimeät alueet myötävaikuttavat onnettomuuksiin.
- **Älä käytä sähkötyökalua räjähdyssaltiliissa paikoissa, kuten helposti syttyvien nesteiden tai kaasujen tai pölyn läheisyydessä.** Sähkötyökalut kipinöivät, mikä saattaa sytyttää pölyn tai höyryä.
- **Pidä lapset ja sivulliset loitolla, kun käytät sähkötyökaluja.** Häiriöt voivat saada koneen riistäytymään hallinnasta.

## SÄHKÖTURVALLISUUS

- **Pistokkeen on sovittava pistorasiaan.** Älä koskaan muunna pistoketta millään tavalla. Älä käytä maadoitettujen sähkötyökalujen kanssa minkäänlaisia sovintipistokkeita. Alkuperäiset pistokkeet ja niitä vastaavat pistorasiat pienentävät sähköiskun vaaraa.
- **Älä kosketa maadoitettuihin pintoihin, kuten putkiin, lämpöpattereihin, helliin tai jääkaappeihin.** Jos ruumiisi on maadoitettu, sähköiskun vaara on suurempi.
- **Älä altista tuotetta sateelle tai kosteudelle.** Sähkötyökaluun joutunut vesi kasvattaa sähköiskun vaaraa.
- **Pidä huolta sähköjohdosta.** Älä koskaan kannata tai vedä sähkötyökalua johdosta tai irrota pistoketta johdosta vetämällä. Pidä johto etäällä kuumista paikoista, öljystä, terävistä kulumista ja liikkuvista osista. Vioittunut tai takkuinen johto lisää sähköiskun vaaraa.

- **Kun käytät sähkötyökalua ulkotiloissa, käytä ulkokäyttöön sopivaa jatkojohtoa.** Ulkokäyttöön sopivan johdon käyttö pienentää sähköiskun vaaraa.
- **Jos sähkötyökalua on pakko käyttää kosteissa tiloissa, käytä jäännösvirtalaitteella (RCD) suojattua pistorasiaa.** RCD:n käyttö pienentää sähköiskun vaaraa.

## KÄYTTÄJÄN TURVALLISUUS

- **Ole valpas, katso mitä teet ja käytä maalaisjärkeä, kun käytät sähkötyökalua.** Älä käytä sähkötyökalua väsyneenä tai huumeiden, alkoholin tai lääkkeiden vaikutuksen alaisena. Tarkkaamattomuus sähkötyökalua käytettäessä saattaa johtaa vakavaan loukkaantumiseen.
- **Käytä henkilökohtaisia suojavarusteita.** Käytä aina suojalaseja. Sahan käytönaikaiset suojavälineet, kuten hengityssuojain, liukumattomat turvakengät, kypärä tai kuulosuojaimet, vähentävät henkilövahinkoja.
- **Älä anna koneen käynnistyä vahingossa.** Varmista, että katkaisin on poissa päältä, ennen kuin kytket koneen virtalähteeseen ja/tai akkuun ja ennen kuin nostat tai kannat konetta. Sähkötyökalun kantaminen sormi katkaisimella ja virran kytkeminen koneeseen, joka on päällä, saattaa johtaa onnettomuuksiin.
- **Irrota säätöavaimet ja jokoavaimet ennen sähkötyökalun käynnistystä.** Sähkötyökalun pyöriivään osaan jätetty jako- tai säätöavain saattaa johtaa loukkaantumiseen.
- **Älä kurkota liian pitkälle.** Pysyttele tukevasti jaloillasi äläkä kurkota käsivartta liian kauas. Tällöin sähkötyökalua on helpompi hallita odottamattomissa tilanteissa.
- **Älä pukeudu väliin vaatteisiin, kravattiin tai koruihin, jotka voivat juuttua liikkuviin osiin.** Älä käytä väljiä vaatteita tai koruja. Estä hiusten tai vaatteiden takertuminen liikkuviin osiin. Löysät vaatteet, korut ja pitkät hiukset saattavat tarttua liikkuviin osiin.
- **Jos laitetta varten on pölynpoisto- ja keräyslaite, kytke se asianmukaisesti ja käytä sitä oikein.** Pölyn kerääminen voi vähentää pölyn liittyviä vaaroja.
- **Älä ole huolimaton ja laiminlyö turvaohjeita vain siksi, että olet kokenut muiden laitteiden käytössä.** Huolimaton toiminto voi aiheuttaa välittömän loukkaantumisen.

## SÄHKÖTYÖKALUN KÄYTTÖ JA HUOLTO

- **Älä pakota tuotetta.** Käytä työhön sopivaa sähkötyökalua. Asianmukainen sähkötyökalu hoitaa työt paremmin ja turvallisemmin sillä vauhdilla, jota varten se on suunniteltu.
- **Älä käytä sähkötyökalua, jos se ei käynnisty ja sammu katkaisimesta.** Jos sähkötyökalua ei voida hallita katkaisimella, se on vaarallinen ja vaatii korjaamista.
- **Irrota kosketin virtalähteestä ja/tai akkupaketti konetyökalusta aina ennen säätämistä, lisävarusteiden vaihtamista tai työkalun varastointia.** Tällaiset varoimet pienentävät sitä vaaraa, että kone käynnistyi vahingossa.
- **Varastoi sähkötyökalu pois lasten ulottuvilta äläkä anna kenenkään, joka ei tunne työkonetta tai näitä ohjeita, käyttää sitä.** Sähkötyökalut ovat vaarallisia kouluttamattomien käyttäjien käsissä.
- **Pidä konetyökalusi lisävarusteineen hyvässä kunnossa.** Tarkista, että liikkuvat osat on kohdistettu oikein ja että ne liikkuvat kunnolla, että osia ei ole



rikkoutunut ja että mikään muu seikka ei häitää sähkötyökalun toimintaa. Jos sähkötyökalu vioittuu, korjaa se ennen käyttöä. Onnettomuudet johtuvat usein sähkötyökalujen huonosta huollosta.

- **Pidä leikkuutyökalut terävinä ja puhtaina.** Asianmukaisesti huolletut leikkuutyökalut, joiden leikkuupinnat ovat teräviä, eivät jumiudu helposti ja niitä on helppo hallita.
- **Käytä työkonetta, lisävarusteita, teriä jne. näiden ohjeiden mukaisesti, ja huomioi työolosuhteet ja tehtävän työn laatu.** Työkoneen käyttö muuhun kuin sille tarkoitettuun työhön voi aiheuttaa vaarallisia tilanteita.
- **Pidä kädensijat ja tartuntapinnat kuivina ja puhtaina liasta, öljystä ja rasvasta.** Liukkaat kahvat ja tartuntapinnat tekevät käytöstä vaarallista, eikä laitetta voi hallita odottamattomissa tilanteissa.

#### AKKUKÄYTTÖISEN TYÖKALUN KÄYTTÖ JA HOITO

- **Käytä lataukseen ainoastaan valmistajan suosittelemaa laturia.** Yhden tyyppiselle akulle sopivan laturin käyttö toisenlaisen akun kanssa voi olla vaarallista.
- **Käytä sähkötyökalua ainoastaan sitä varten suunniteltujen akkujen kanssa.** Muiden akkujen käyttö voi johtaa loukkaantumiseen ja tulipaloon.
- **Kun akkua ei käytetä, pidä se erillään metalliesineistä, kuten paperiliittimistä, kolikoista, avaimista, nauhoista, ruuveista ja muista pienistä metalliesineistä, jotka voivat yhdistää akun navat.** Akun napojen oikosulkeminen voi aiheuttaa palovammoja ja tulipalon.
- **Jos akkua käsitellään väärin, siitä voi vuotaa nestettä; älä kosketa sitä.** Jos kosketat sitä vahingossa, huuhtele se vedellä. Jos nestettä pääsee silmiin, hakeudu välittömästi lääkärin hoitoon. Akusta vuotanut neste voi ärsyttää ihoa ja aiheuttaa palovammoja.
- **Vaurioitunutta tai muunneltua akkua tai työkalua ei saa käyttää.** Vaurioituneet tai muunnellut akut voivat käyttäytyä odottamattomasti, ja ne voivat johtaa tulipaloon, räjähdykseen, vaaraan tai tapaturmaan.
- **Älä altista akkua tai työkalua tullelle tai liian korkealle lämpötilalle.** Tullelle tai yli 130 °C:n lämpötilalle altistuminen voi johtaa räjähdykseen.
- **Noudata kaikkia latausohjeita äläkä lataa akkua tai työkalua muissa kuin ohjeissa määritellyissä lämpötilaolosuhteissa.** Virheellinen lataus tai määritellyistä poikkeavat lämpötilat saattavat johtaa akun vaurioitumiseen ja lisätä tulipalon vaaraa.

#### HUOLTO

- **Huollata työkonetta pätevällä huoltomiehellä, joka käyttää ainoastaan asianmukaisia varaosia.** Tämä varmistaa, että sähkötyökalu on turvallinen.
- **Vaurioituneita akkuja ei koskaan saa huoltaa.** Akkuja saa huoltaa vain valmistaja tai valtuutettu huoltoliike.

#### RAIVAUSSAHAN TURVALLISUUSVAROITUKSET

- **Älä käytä laitetta huonolla säällä, varsinkaan, jos on vaaraa salamoinnista.** Tämä pienentää riskiä salamaniskun kohteeksi joutumisesta.
- **Tarkasta laitteen käyttöalue huolellisesti villieläinten varalta.** Laitte voi vahingoittaa villieläimiä käytön aikana.

- **Tarkasta perusteellisesti alue, jolla laitetta käytetään, ja poista siltä kaikki vierasesineet, kuten kivet, kepit, johdot, luut jne.** Sinkoutuvat esineet voivat aiheuttaa henkilövahingon.
- **Tarkista aina ennen koneen käyttöä silmämääräisesti, että leikkuri tai terä ja leikkuri-tai teräkokoonpano eivät ole kuluneet tai vahingoittuneet.** Vaurioituneet osat lisäävät loukkaantumisvaaraa.
- **Tarkista ennen käyttöä virtajohto ja jatkojohto vaurioiden ja vanhenemisen varalta.** Älä käytä laitetta, jos johto on vioittunut tai kulunut. Jos virtajohto on vaurioitunut tai kulunut käytön aikana, katkaise laitteesta virta äläkä kosketa johtoa ennen sen irrottamista virtälähteestä. Vahingoittunut virtajohto tai jatkojohto voi aiheuttaa sähköiskun, tulipalon ja/tai vakavan vamman.
- **Noudata lisävarusteiden vaihto-ohjeita.** Väärin kiristetyt terän kiinnitysmutterit tai -pultit voivat joko vahingoittaa terää tai johtaa sen irtoamiseen.
- **Terän nimellisyörimisnopeuden on oltava vähintään sama kuin laitteeseen merkitty enimmäisyörimisnopeus.** Nimellisyörimisnopeutta nopeammin pyörivät terät voivat rikkoutua ja irrota.
- **Käytä suojalaseja, kuulosuojaimia, suojakypärää ja käsineitä.** Riittävät suojavarusteet vähentävät sinkoavista kappaleista tai leikkuusiiman tai terän kanssa kosketuksiin joutumisesta aiheutuvia henkilövahinkoja.
- **Käytä aina laitetta käyttäessäsi turvajalkineita.** Älä käytä laitetta paljasjaloin tai avosandaaleissa. Tämä vähentää jalkojen loukkaantumisvaaraa, jos ne joutuvat kosketuksiin liikkuvan leikkurin, siiman tai terän kanssa.
- **Käytä ihoa konetta käyttäessäsi pitkiä housuja.** Paljas iho lisää sinkoutuneiden esineiden aiheuttamien vammojen mahdollisuutta.
- **Pidä sivulliset loitolla laitteesta työskentelyn aikana.** Sinkoutuvat roskat voivat aiheuttaa vakavan henkilövamman.
- **Käytä konetta aina kahdella kädellä.** Koneen piteleminen molemmin käsin estää hallinnan menettämisen.
- **Pidä laitteesta kiinni vain eristetyistä tartuntapinnoista, sillä leikkuusiima tai terä saattaa koskea pinnassa olevia johtoja.** Jos leikkuusiima tai terä koskettavat jännitteellistä johtoa, virta saattaa kulkeutua pensasleikkurin metalliosien kautta käyttäjään ja aiheuttaa sähköiskun.
- **Seiso aina tukevasti ja käytä laitetta vain silloin, kun seisot maassa.** Liukkailla tai epävakailta pinoilla on vaarana menettää tasapaino tai koneen hallinta.
- **Älä käytä laitetta liian jyrkissä rinteissä.** Tämä vähentää hallinnan menettämisen, liukastumisen ja putoamisen vaaraa; tällaisesta vaarasta voi seurata henkilövahinko.
- **Kun työskentelet rinteissä, seiso aina tukevasti, etene rinteessä aina poikittain, ei koskaan ylös ja alas, ja ole erittäin varovainen, kun vaihdat suuntaa.** Tämä vähentää hallinnan menettämisen, liukastumisen ja putoamisen vaaraa; tällaisesta vaarasta voi seurata henkilövahinko.
- **Pidä virtajohto loitolla leikkurista, siimasta tai terästä.** Vahingoittunut virtajohto voi aiheuttaa sähköiskun, tulipalon ja/tai vakavan vamman.
- **Pidä kaikki kehonosat loitolla leikkurista, siimasta tai terästä koneen käytön aikana.** Varmista ennen laitteen käynnistämistä, että leikkuri, siima tai terä



ei ole kosketuksissa mihinkään. Tarkkaavaisuuden herpaantuminen koneen käytön aikana voi aiheuttaa loukkaantumisen itsellesi tai muille.

- **Älä käytä laitetta vyötärön korkeuden yläpuolella.** Tämä auttaa estämään tahattoman kosketuksen leikkuriin tai terään ja mahdollistaa koneen paremman hallinnan odottamattomissa tilanteissa.
- **Kun leikkaat jännityksissä olevaa pensasta tai versoja, varo takapotkua.** Kun puukuikuidun jännitys vapautuu, pensas tai taimi voi iskeytyä käyttäjään ja/tai riistää koneen pois hallinnasta.
- **Ole erityisen varovainen sahatessasi pensaita ja puun versoja.** Kapea materiaali voi tarttua terään ja sinkoutua käyttäjää kohti tai vetää käyttäjän pois tasapainosta.
- **Pidä kone hallinnassa äläkä koske leikkureihin, siimoihin tai teriin tai muihin vaarallisiin liikkuviin osiin niiden ollessa vielä liikkeessä.** Tämä vähentää liikkuvien osien aiheuttamaa loukkaantumisvaaraa.
- **Kuljeta laitetta siten, että laite on pois päältä ja irti vartalostasi.** Koneen asianmukainen käsittely vähentää tahattoman kosketuksen mahdollisuutta liikkuvaan leikkuriin, siimaan tai terään.
- **Kun laitetta kuljetetaan tai varastoidaan, kiinnitä metalliteriin aina suojus.** Laitteen asianmukainen käsittely vähentää tahattoman kosketuksen mahdollisuutta terään.
- **Käytä vain valmistajan määrittämiä vaihtoleikkureita, siimoja, leikkuupäitä ja teriä.** Virheelliset varaosat voivat lisätä rikkoutumis- ja loukkaantumisvaaraa.
- **Kun poistat juuttunutta materiaalia tai huollat laitetta, varmista, että se on kytketty pois päältä ja akku irrotettu.** Koneen odottamaton käynnistyminen tukkeutuneen materiaalin selvittämisen tai huolto-toimenpiteen aikana voi johtaa vakavaan henkilövammaan.

## TERÄN TYÖNTÖVOIMAN SYYT JA SIIHEN LIITTYVÄT VAROITUKSET

Terän työntövoima on äkillinen laitteen sivuttais-, etu- tai takaliike, joka voi tapahtua, kun terä jumiutuu tai osuu esineeseen, kuten puun tai kantoon. Se voi olla niin voimakas, että liike saa laitteen ja/tai käyttäjän sinkoutumaan mihin tahansa suuntaan, ja laitteen hallinta voidaan mahdollisesti menettää.

Terän työntövoima ja siihen liittyvät vaarat voidaan välttää noudattamalla alla esitettyjä asianmukaisia varotoimia.

- **Pidä tukeva ote laitteesta molemmin käsin ja varaudu ottamaan käsivarsillasi vastaan työntövoima.** Aseta kehosi laitteen vasemmalle puolelle. Terän työntövoima voi lisätä laitteen odottamattomasta liikkumisesta aiheutuvaa loukkaantumisriskiä. Käyttäjää voi ohjata terän työntövoimaa, jos asianmukaiset varoimet toteutetaan.
- **Kun terä jumiutuu tai kun leikkuu keskeytetään jostakin syystä, sammuta laite ja pidä sitä paikoillaan materiaalissa, kunnes terä pysähtyy kokonaan.** Kun terä on jumiutunut, älä koskaan yritä irrottaa laitetta materiaalista tai vedä laitetta taaksepäin terän ollessa liikkeessä, muutoin tuloksena voi olla terän työntövoima. Tutki terän jumiutumisen syy ja ryhdy korjaaviin toimenpiteisiin.
- **Älä käytä tylsiä tai vaurioituneita teriä.** Tylsät tai vaurioituneet terät lisäävät juuttumis- tai kiinnijäämisriskiä esineeseen, jolloin tuloksena on terän työntövoima.

- **Pidä leikattavaan materiaaliin aina hyvä näkyvyys.** Terän työntövoima esiintyy todennäköisemmin alueilla, joilla leikattavaa materiaalia on vaikea nähdä.
- **Jos toinen henkilö lähestyy sinua laitteen käytön aikana, kytke laite pois päältä.** Liikkuva terä saattaa iskeytyä muihin terän työntövoiman aikana.

## MUITA TURVALLISUUSVAROITUKSIA

- Tarkista ennen käyttöä ja aina iskun jälkeen, että laitteessa ei ole vioittuneita osia. Valtuutetun huoltopisteen on korjattava tai vaihdettava viallinen kytkin tai muu vahingoittunut tai kulunut osa asianmukaisesti.
- Teräsuojaan kiinnitetyn pienen terän tehtävä on katkaista uusi esille tuleva siima oikeaan pituuteen, mikä takaa turvallisen ja optimaalisen toiminnan. Terä on hyvin terävä. Varo koskemasta terään, erityisesti puhdistaussasi laitetta.
- Käytä ainoastaan valmistajan tuottamaa siimaa. Älä käytä muita leikkuuvälineitä.
- Tarkista, että leikkuupää on asennettu asianmukaisesti ja tukevasti.
- Älä koskaan käytä tuotetta ilman, että kaikki suojukset, hihnat, ohjauslevyt ja kädensijat on kiinnitetty tukevasti.
- Varmista ennen jokaista käyttökertaa, että suojassa oleva siiman katkaisujärjestelmä on oikein asennettu ja kiinnitetty.
- Pidä pääsisävaruste vyötärön tason alapuolella.
- Jos tapahtuu onnettomuus tai laitteeseen tulee vika, katkaise laitteesta virta ja irrota akku välittömästi tai kytke se irti virransyötöstä. Älä käytä laitetta ennen kuin se on perusteellisesti tutkittu valtuutetussa huoltoiliikikkeessä.
- Liikkuvien osien kanssa kosketuksiin joutumiseen liittyvän tapaturmavaaran välttämiseksi laite on aina sammutettava, akkupakkauks poistettava ja laite irrotettava virransyötöstä. Anna molempien jäähtyä. Varmista, että kaikki liikkuvat osat ovat pysähtyneet täysin:
  - ennen huoltoa
  - ennen tukoksen poistamista
  - ennen tuotteen tarkastusta, puhdistusta ja huoltoa
  - ennen lisävarusteiden vaihtamista
  - vieraaseen esineeseen osumisen jälkeen
  - kun jätät tuotteen valvomatta
  - aina huollon aikana
  - Jos tuote alkaa tärinä epänormaalisti
- Varmista, että kaikki suojukset ja kahvat ovat kunnolla paikoillaan ja hyvässä kunnossa.
- Pitele tuotetta aina kahvoista ja rajoita työaikaa sekä altistumista.
- Varo leikkusuiman sinkoamia kappaleita. Poista työalueelta ennen käytön aloittamista roskat, kuten pienet kivet, sora ja muut vieraat esineet. Leikkulaitteeseen voi tarttua johtoja tai lankeja.
- Tuotteessa on valjaat. Käytä työssä valjaita. Säädä valjaat huolellisesti, jotta ne istuvat mukavasti ja auttavat kannattamaan tuotteen painoa oikealla puolellasi. Paikanna pikavapautusmekanismi ja harjoittele sen käyttöä ennen kuin alat käyttää laitetta. Sen asianmukainen käyttö voi hätätilanteessa estää vakavan loukkaantumisen. Älä koskaan pidä valjaiden

päällä vaatteita äläkä rajoita muilla tavoin pääsyä pikavapautusmekanismiin.

- Älä käytä useita vyö- tai olkavaljaita.
- Pidä aina huoli siitä, että tuuletusaukoissa ei ole roskia.
- Virtalähteessä tulee olla vuotovirtakytkin (RCD), jonka laukeamisvirtaon enintään 30 mA.
- Käytä tuotetta vain 0–40 °C:n lämpötilassa.
- Säilytä tuotetta paikassa, jossa ympäristölämpötila on 0–40 °C.
- Jos virtajohto on vaurioitunut, se on korvattava erityisellä johdolla tai kokoonpanolla, joka on saatavilla valtuutetussa huoltoliikkeestä.
- Ennen jokaista käyttökertaa tarkista virtajohto vaurioiden varalta. Jos virtajohto on vaurioitunut, se on turvallisuussyistä vaihdettava valtuutetussa huoltoliikkeessä.
- Käytä viilloilta suojaavia käsinettä, kun asennat tai poistat terät – ne ovat teräviä.
- Älä yritä koskettaa tai pysäyttää terää sen pyöriessä.
- Vaihda vioittuneet terät. Varmista ennen käyttöä, että asensit terän oikein ja tukevasti.
- Käytä ainoastaan valmistajan TRI-ARC-varatterää. Älä käytä muita leikkuuvälineitä.
- Älä koskaan leikkaa materiaalia, jonka halkaisija ylittää 13 mm.
- Peitä terä teränsuojuksella ennen yksikön varastointia sekä kuljetuksen ajaksi. Irrota teränsuojus aina ennen laitteen käyttöä. Jos suojusta ei irroteta, se saattaa singota laitteesta terän alkaessa pyöriä.
- Jotta leikkuu olisi helppoa ja turvallista, leikkaa ruojoja oikealta vasemmalle. Tämä minimoi takapotkun, jos terä törmää odottamatta kappaleeseen tai kantoon. Tuotteen hallintaan on aina käytettävä kahta kättä.
- Laitteen pitkittynyt käyttö voi aiheuttaa tai vaikeuttaa vammoja. Jos käytät laitetta jatkuvasti pitkään, muista pitää työssä säännöllisiä taukoja.

#### MUITA AKUN TURVALLISUUSVAROITUKSIA

- Jotta oikosulusta aiheutuva tulipalon, loukkaantumisen ja tuotevaurion riski olisi pienempi, älä koskaan upota akkupakkausta tai laturia nesteeseen tai päästä nestettä niiden sisälle. Syövyttävät tai sähköä johtavat nesteet, kuten suolavesi, tietyt kemikaalit ja lalkaisuaineet tai valkaisuaineita sisältävät tuotteet voivat aiheuttaa lyhytsulun.
- Lataa akku paikassa, jossa ympäristön lämpötila on välillä 10 °C – 38 °C.
- Säilytä akkupakkausta paikassa, jossa ympäristön lämpötila on välillä 0 °C – 20 °C.
- Käytä akkupakkausta paikassa, jossa ympäristön lämpötila on välillä 0 °C – 40 °C.

#### KULJETUS JA VARASTOITAESSA

- Sammuta laite, poista akkupakkaus ja anna laitteen jäähtyä ennen sen varastointia tai kuljetusta.
- Puhdista laitteesta kaikki vieraat materiaalit.
- Älä varastoi äläkä kuljeta laitetta akun ollessa paikallaan. Poista akkupakkaus ja varmista sen turvallisuus erikseen. Varastoi laite viileään, kuivaan ja hyvin

tuulettuun paikkaan, jossa lapset eivät pääse siihen käsiksi. Pidä tuote erillään syövyttävistä aineista, kuten puutarhakemikaaleista ja jäänestosuolasta. Älä säilytä laitetta ulkona.

- Kiinnitä tuote kuljetettaessa siten, että se ei pääse liikkumaan tai kaatumaan, jotta vältytä loukkaantumisilta ja vaurioilta.

#### LITIUMAKKIJEN KULJETTAMINEN

- Kuljeta akkuja paikallisten ja kansallisten ehtojen ja säädösten mukaisesti.
- Noudata kaikkia pakkaamista ja nimeämistä koskevia erikoissäädöksiä, kun kolmas osapuoli kuljettaa akkuja. Varmista, että mikään akku ei kosketa muita akkuja tai johtavaa materiaalia kuljetuksen aikana suojaamalla paljaat navat eristävillä, johtamattomilla korkeilla tai teipillä. Älä kuljeta akkuja, jotka ovat halkeilleet tai vuotavat. Kysy välityritykseltä lisäneuvoja.

#### HUOLTO

- Käytä ainoastaan alkuperäisiä valmistajan tuottamia varaosia, lisälaitteita ja lisävarusteita. Tämän noudattamatta jättäminen voi johtaa loukkaantumiseen ja huonoon tulokseen ja voi mitätöidä takuun.
- Huolto kaipaa suurta huolellisuutta ja hyvää työkalun tuntemusta: Se on annettava pätevän teknikon tehtäväksi. Teetä huollot ainoastaan valtuutetussa huoltoliikkeessä.
- Sammuta tuote ja irrota akku tai kytkä se irti virtalähteestä. Varmista, että laitteen kaikki liikkuvat osat ovat pysähtyneet täysin, ennen kuin alat puhdistaa tai huoltaa sitä.
- Sinulla on lupa suorittaa ainoastaan tässä käsikirjassa kuvattuja säätöjä ja korjauksia. Pyydä apua valtuutetusta huollosta muiden korjaus- tai neuvontatarpeiden tapauksessa.
- Käytä vaihtosiimana ainoastaan nailonisiimaa, jonka läpimitä vastaa tämän käsikirjan teknisten tietojen taulukkoa.
- Puhdista tuote aina käytön jälkeen pehmeällä ja kuivalla liinalla. Valtuutetun huoltopisteen on korjattava tai vaihdettava vioittuneet osat asianmukaisesti.
- Tarkista kaikkien muttereiden, pulltien ja ruuvien kireys ennen jokaista käyttökertaa ja säännöllisin aikaväleihin laitteen turvallisuuden takaamiseksi. Valtuutetun huoltopisteen on korjattava tai vaihdettava vioittuneet osat asianmukaisesti.
- Vie tuote valtuutettuun huoltoon vaurioituneiden ja lukukelvottomien kyttien vaihtamiseksi.

#### TUNNE TUOTTEESI

Katso sivu 137.

1. Lisävarusteaksesi
2. Teränsuoja
3. TRI-ARC-terä
4. Teräsuojain
5. Manuaalinen leikkuu
6. Metallisuojus
7. Laipallinen aluslevy
8. Kokoonpanon aluslevy
9. Sokka
10. Avain
11. Mutteri



## TUOTTEESSA OLEVAT SYMBOLIT



Varoitus



Kaikki ohjeet on luettava ja ymmärrettävä ennen tuotteen käyttöä. Noudata varoituksia ja turvallisuusohjeita.



Käytä suojalaseja, kuulosuojaimia ja kypärää



Käytä liukusteellisiä turvajalkineita laitteen käytön aikana.



Käytä luisumattomia raskaan käytön suojakäsineitä.



Varo sinkoutuneita ja muita lentäviä esineitä. Pidä kaikki sivulliset, erityisesti lapset ja lemmikit, vähintään 15 m päässä työskentelyalueelta.



Tuotetta ei ole tarkoitettu käytettäväksi hammasetun sahanterän kanssa.



TRI-ARC-terä



Eurooppalainen vaatimustenmukaisuusmerkintä



EurAsian-vaatimustenmukaisuusmerkki



Ukrainalainen vaatimustenmukaisuusmerkintä



Pidä kädet kaukana katkaisuterästä.



Varo terän iskua.



Älä altista konetta sateelle tai kosteudelle.



Taattu äänenteho



Brittiläinen vaatimustenmukaisuusmerkintä



Irrota akkuyksikkö laitteesta ennen kuin teet siihen mitään toimenpiteitä.

Älä hävitä käytettyjä akkuja sekä sähkö- ja elektroniikkalaiteromua lajittelemattomana yhdyskuntajätteenä. Käytetyt akut sekä sähkö- ja elektroniikkalaiteromu on kerättävä erikseen. Käytetyt paristot ja akut ja hukkavalonlähteet on poistettava laitteista. Kysy paikalliselta viranomaiselta tai jälleenmyyjältä kierrätysneuvoja ja tietoja keräyspisteistä. Paikallisten määräysten mukaan jälleenmyyjillä voi olla velvollisuus ottaa käytetyt akut sekä sähkö- ja elektroniikkalaiteromu takaisin veloituksetta. Panoksesi käytettyjen akkujen sekä sähkö- ja elektroniikkalaiteromun uudelleenkäyttöön ja kierrätykseen auttaa vähentämään raaka-aineiden kysyntää. Käytetyt, erityisesti litiumia sisältävät akut sekä sähkö- ja elektroniikkalaiteromu sisältävät arvokkaita ja kierrätettäviä materiaaleja, jotka voivat vaikuttaa haitallisesti ympäristöön ja ihmisten terveyteen, jos niitä ei hävitetä ympäristöystävällisellä tavalla. Poista mahdolliset henkilötiedot jätelaitteista.



## TÄMÄN KÄSIKIRJAN SYMBOLIT



Huom



Varoitus



Osat ja lisävarusteet on hankittava erikseen

Sikkerhet, ytelse og pålitelighet har hatt topp prioritet ved konstruksjonen av dette buskkutterutstyret.

### TILTENKT BRUK

Buskkutterutstyret er godkjent for bruk med elektrisk drevne strømhoder RPH1200, RLT1238I, RBC1226I og batteridrevne strømhoder RPH3601-BL og RY36ELTX33A.

Produktet er beregnet til kutting av ugress, små busker og lignende vegetasjon på eller nær bakkenivå. Produktet kan også kutte langt gress, tykt ugress og lignende vegetasjon.

Kutteflaten bør være om trent parallell med bakkeoverflaten.

Produktet skal bare brukes av voksne som har lest og forstått instruksjonene og advarslene i denne håndboken og som kan anses som ansvarlig for sine handlinger.

Produktet er kun tiltenkt til utendørs bruk på et godt ventilert sted. Av sikkerhetshensyn må produktet betjenes på forsvarlig vis med to hender.

Den skal ikke brukes til noe annet formål

### GENERELLE SIKKERHETSADVARSLER FOR PRODUKTET

**⚠ ADVARSEL! Les alle sikkerhetsadvarslene og alle instruksjonene.** Å unnlate å følge advarslene og instruksjonene kan føre til elektrisk støt, brann og alvorlig personskade.

**Ta vare på disse advarslene og instruksene for å se i dem senere.**

Betegnelsen "elektroverktøy" i advarslene refererer til strømledningsdrevet produkt eller batteridrevet (trådløst) produkt.

### ARBEIDSOMGIVELSER

- **Hold arbeidsområdet rent, ryddig og godt opplyst.** Uryddige og dårlig opplyste områder fører lett til ulykker.
- **Ikke bruk elektrisk verktøy i eksplosive atmosfærer, som der det finnes brennbare væsker, gasser eller støv.** Elektrisk verktøy skaper gnister som kan antenne støv eller gasser.
- **Hold barn og andre på avstand når et elektrisk verktøy brukes.** Distraksjon kan føre til tap av kontroll.

### ELEKTRISK SIKKERHET

- **Støpslet på det elektriske verktøyet må stemme med stikkkontakten.** Foreta aldri noen form for endringer av støpslet. Ikke bruk noen form for adapterstøpsel til jordet elektrisk verktøy. Umodifiserte støpsler og passende stikkontakter vil redusere risikoen for elektrisk sjokk.
- **Unngå kroppskontakt med jordede overflater, som vannrør, radiatorer, kokeapparater og kjøleaggregater.** Det er økt risiko for elektrisk støt dersom kroppen din har kontakt med jord.
- **Ikke utsett produktet for regn eller høy fuktighet.** Vann som trenger inn i et elektrisk verktøy vil øke faren for elektrisk støt.
- **Ikke misbruk den elektriske ledningen.** Bruk aldri ledningen til å bære det elektriske verktøyet eller trekke støpslet ut av stikkkontakten. Hold ledningen vekk fra varme, olje, skarpe kanter eller bevegelige deler. Skadet eller sammenfloknet ledning øker risikoen for elektrisk støt.

- **Når du bruker det elektriske verktøyet utendørs, bruk en skjøteledning som er tilpasset utendørs bruk.** Bruk av ledning som er tilpasset utendørs bruk reduserer risikoen for elektrisk støt.
- **Dersom bruk av elektrisk verktøy i fuktige omgivelser ikke er til å unngå, bruk en strømkrets med sikring som er tilpasset verktøyet.** Bruk av strømkrets med sikring reduserer risikoen for elektrisk støt.

### PERSONLIG SIKKERHET

- **Vær våken, se på hva du gjør og bruk fornuft når du arbeider med et elektrisk verktøy. Ikke bruk elektrisk verktøy når du er sliten eller under påvirkning av narkotiske stoffer, alkohol eller medisiner som kan påvirke din reaksjonsevne og/eller dømmekraft.** Et øyeblikks uoppmerksomhet når elektrisk verktøy brukes kan føre til alvorlige personskade.
- **Bruk personlig verneutstyr. Bruk alltid øyebeskyttelse.** Verneutstyr som støvmaske, skliskire vernesko, hjelm og hørselsvern som brukes ved behov, vil redusere personskader.
- **Unngå utilsiktet start. Sørg for at bryteren er i posisjon OFF før utstyret kobles til strømmettet og / eller batteripakken, plukkes opp eller bæres.** Å bære det elektriske verktøyet med fingeren på startknappen eller koble strøm til et elektrisk verktøy med bryteren i ON inviterer til ulykker.
- **Fjern justeringsnøkler og annet verktøy før du setter strøm på det elektriske verktøyet.** En fastnøkkel eller annet verktøy festet til en roterende del av et elektrisk verktøy når det startes kan føre til personskade.
- **Ikke len deg for langt. Sørg for godt fotfeste og god balanse til enhver tid.** Dette gir bedre kontroll over det elektriske verktøyet i en uventet situasjon.
- **Kle deg riktig. Ikke bruk løstsittende plagg og/eller løsthengende smykker.** Hold hår og klær unna bevegelige deler. Løse plagg, smykker og langt hår kan fanges opp av bevegelige deler.
- **Hvis det finnes tilkoblingsmuligheter for oppsugnings- og oppsamlingsutstyr for støv, sørg for at dette blir tilkoblet og brukt på riktig måte.** Bruk av støvoppsamler kan redusere støvrelatert faresituasjoner.
- **Ikke la hyppig bruk av verktøyet føre til at du blir lettfeilig og ignorerer sikkerhetsprinsipper.** En uforsiktig handling kan føre til alvorlige personskader på en brøkdell av et sekund.

### BRUK OG BEHANDLING AV ELEKTRISK VERKTØY

- **Ikke press maskinen. Bruk korrekt elektrisk verktøy for jobben som skal gjøres.** Riktig elektrisk verktøy vil gjøre jobben bedre og tryggere når det brukes slik det var tiltenkt.
- **Ikke bruk verktøyet hvis bryteren ikke slår verktøyet av og på.** Ethvert elektrisk verktøy som ikke kan kontrolleres med bryteren er farlig og må repareres før det kan brukes.
- **Før du gjør justeringer på elektroverktøy, bytter tilbehør eller setter verktøyet bort, må du trekke pluggen ut av strømkilden eller fjerne batteriet hvis dette lar seg gjøre.** Slike forebyggende sikkerhetstiltak reduserer risikoen for utilsiktet start av det elektriske verktøyet.
- **Oppbevar elektrisk verktøy som ikke brukes utenfor barns rekkevidde og la ikke personer som ikke er kjent med det elektriske verktøyet eller dets**



instruksjoner bruke det. Elektrisk verktøy er farlig i hendene på uerfarne brukere.

- **Sørg for at elektroverktøy og tilbehør alltid er i god stand.** Kontroller for feilinnretting og at bevegelige deler løper fritt, at det ikke finnes ødelagte deler og enhver annen tilstand som kan påvirke det elektriske verktøyet drift. Hvis skadet må det elektriske verktøyet repareres før bruk. Mange ulykker skyldes dårlig vedlikeholdt elektrisk verktøy.
- **Hold skjæreredskap skarpe og rene.** Korrekt vedlikeholdt skjæreverktøy med skarpe skjærekanter har mindre mulighet for å blokkere seg og er lettere å kontrollere.
- **Bruk det elektriske verktøyet, tilbehøret, verktøybits etc i henhold til disse instruksjonene, der du tar hensyn til arbeidsforholdene og det arbeidet som skal utføres.** Bruk av elektrisk verktøy på en måte det ikke var tiltenkt kan skape farlige situasjoner.
- **Hold håndtak og andre holdeoverflater tørre, rene og fri for olje og smøring.** Unngå at håndtak og andre holdeoverflater er glatte for det reduserer sikker håndtering og styring av verktøyet i uforutsette situasjoner.

#### BATTERIPRODUKTER - BRUK OG STELL

- **Lad bare med ladere som er spesifisert av produsenten.** En lader som passer til en type batteripakke kan skape risiko for brann dersom den brukes til en annen type batteripakke.
- **Bruk patteriprodukter kun med spesielt tiltenkte batteripakker.** Bruk av andre batteripakker kan føre til risiko for skade og brann.
- **Når batteripakken ikke er i bruk, hold den borte fra metallgjenstander som binders, mynter, nøkler, spiker, skruer og annet som kan forbinde de to terminalene med hverandre.** Kortslutning av batteriterminalene kan føre til brenning eller brann.
- **Ved feil bruk av batteriet kan det slippe ut væske.** Hvis du får kontakt med væsken fra batteriet, skyl med rikelige mengder vann. Hvis væsken får kontakt med øynene må det søkes medisinsk hjelp. Væske som kommer ut av batteriet kan føre til irritasjon eller brannskår.
- **Ikke bruk et batteri eller verktøy som er skadet eller endret.** Batterier som er skadd eller endret, kan oppføre seg uforutsigbart, noe som kan føre til brann, eksplosjon og personskade.
- **Ikke utsett batteriet eller verktøyet for ild eller høy temperatur.** Eksponering for brann eller temperatur over 130 °C kan føre til eksplosjon.
- **Alle ladeinstruksjoner må følges.** Ikke lad batteriet eller verktøyet hvis omgivelsestemperaturen er utenfor området som er angitt i bruksanvisningen. Feil lading eller lading ved temperaturer utenfor det angitte området kan ødelegge batteriet og øke risikoen for brann.

#### VEDLIKEHOLD

- **Sørg for at reparasjoner og vedlikehold av ditt elektriske verktøy utføres av kvalifiserte teknikere som kun bruker originale erstatningsdeler.** Dette vil sørge for at sikkerheten med det elektriske verktøyet ivaretas.
- **Aldri utfør vedlikehold på skadde batteripakker.** Vedlikehold av batterier skal bare utføres av produsenten eller autoriserte serviceleverandører.

#### SIKKERHETSADVARSLER FOR RYDDESAG

- **Ikke bruk maskinen under dårlige værforhold, spesielt når det er fare for lyn.** Dette øker risikoen for å bli truffet av lynet.
- **Inspiser området nøye for dyreliv der maskinen skal brukes.** Ville dyr kan bli skadet av maskinen under drift.
- **Inspiser området der maskinen skal brukes nøye, og fjern alle steiner, pinner, kabler, bein og andre fremmedlegemer.** Gjenstander som slynges ut, kan forårsake personskade.
- **Før bruk av maskinen må du alltid se over produktet for å sjekke at bladet og bladmonteringen ikke er skadet.** Skadde deler øker risikoen for skade.
- **Før bruk må strømledningen og skjøteledningen kontrolleres for tegn på skade eller aldring.** Ikke bruk maskinen dersom den elektriske ledningen er slitt eller skadet. Hvis ledningen er skadet eller slitt under bruk, slå av maskinen og ikke berør ledningen før du kobler den fra strømforsyningen. En skadet strømledning eller skjøteledning kan føre til elektrisk støt, brann og/eller alvorlig skade.
- **Følg instruksjonene for bytte av tilbehør.** Feil strammet bladfesting av muttere eller bolter kan enten skade bladet eller føre til at det løsner.
- **Nominell rotasjonshastighet på bladet må være minst lik maksimum rotasjonshastighet merket på maskinen.** Tilbehør som går raskere enn den nominelle rotasjonshastigheten, kan brette og fly fra hverandre.
- **Bruk vernebriller, hørselvern, hode- og håndbeskyttelse.** Egnede verneutstyr motvirker personskader på grunn av flyvende avfall eller utilsikket kontakt med klippesnoren eller bladet.
- **Bruk alltid vernesko når du bruker maskinen. Ikke bruk maskinen uten sko eller med åpne sandaler.** Dette reduserer risikoen for skade på føttene fra kontakt med den bevegelige klipperen, snoren eller bladet.
- **Bruk alltid lange bukser ved betjening av maskinen.** Eksponert hud øker risikoen for skade fra gjenstander som slynges ut.
- **Hold tilskuere på avstand mens du bruker maskinen.** Utslyngt avfall kan føre til alvorlige personskader.
- **Bruk alltid to hender når du bruker maskinen.** Hvis du holder maskinen med begge hender, unngår du å miste kontrollen.
- **Hold maskinen kun etter isolerte gripeoverflater, fordi kuttesnoren eller bladet kan komme i kontakt med skjult kabling.** Kuttesnorer eller blader som kommer i kontakt med en strømførende ledning kan gjøre eksponerte metalldele på maskinen strømførende og gi operatøren et elektrisk støt.
- **Hold alltid godt fotfeste og bruk maskinen kun når du står på bakken.** Glatte eller ustabile overflater kan forårsake tap av balanse eller kontroll over maskinen.
- **Ikke bruk maskinen i svært bratte bakker.** Dette reduserer risikoen for tap av kontroll, glidning og fall, noe som kan føre til personskade.
- **Når du jobber i bakker, må du alltid være sikker på at du har fotfeste, alltid arbeide på tvers av bakker, aldri opp eller ned, samt være ekstremt forsiktig når du skifter retning.** Dette reduserer risikoen for tap av kontroll, glidning og fall, noe som kan føre til personskade.





- **Hold strømledningen på avstand fra kutteren, linjen eller bladet.** En skadet strømledning kan føre til elektrisk støt, brann og/eller alvorlig skade.
- **Hold alle deler av kroppen på avstand fra kutteren, snoren eller bladet når maskinen er i drift. Før du starter maskinen, se til at kutteren, snoren eller bladet ikke kommer i kontakt med noe.** Et øyeblikks uoppmerksomhet under drift av maskinen kan føre til skade på deg selv eller andre.
- **Ikke bruk maskinen over hofte høyde.** Dette bidrar til å forhindre utilsikket kontakt med kutteren eller bladet og muliggjør bedre kontroll av maskinen i uventede situasjoner.
- **Ved kutting av busker eller ugress som er under spenning, vær oppmerksom på tilbakeføring.** Når spenningen i trefibrene slipper, kan busken eller ugresset slå mot operatøren og/eller kaste maskinen ut av kontroll.
- **Vær ekstremt forsiktig når du kutter busker og skudd.** Det tynne materialet kan fange bladet og bli pisket mot deg eller trekke deg ut av balanse.
- **Oppretthold kontrollen over maskinen og ikke berør kniver og andre farlige bevegelige deler mens de fortsatt er i bevegelse.** Dette reduserer risikoen for skade fra bevegelige deler.
- **Bær maskinen med maskinen slått av og bort fra kroppen din.** Riktig håndtering av maskinen vil redusere risikoen for utilsikket kontakt med en bevegelig kutter, snor eller blad.
- **Ved transport eller lagring av maskinen, monter alltid dekselet på metallbladet.** Riktig håndtering av maskinen reduserer risikoen for utilsikket kontakt med bladet.
- **Bruk kun erstatningskuttere, snorer, kuttelhoder og blader som er spesifisert av produsenten.** Feil reservedeler kan øke risikoen for brudd og skade.
- **Ved rengjøring av fastkjørt materiale eller ved service av maskinen, se til at beryeten er av og at batteripakken er fjernet.** Uventet start av maskinen under fjerning av fastkjørt materiale eller service kan føre til alvorlig personskade.

## ÅRSAKER TIL OG ADVARSLER OM BLADBEVEGELSER

Bladbevegelse er en uventet, brå bevegelse i maskinen, enten sidelengs, forover eller bakover, som oppstår fordi bladet kiler seg fast eller treffer noe hardt, f.eks. en trestump eller en stein. Bevegelsen kan være voldsom nok til å dytte maskinen og/eller operatøren i en hvilken som helst retning, og føre til at man mister kontroll over maskinen.

Bladbevegelser og relaterte farer kan unngås ved å ta de riktige forholdsreglene, som beskrives nedenfor.

- **Hold maskinen godt med begge hender, og plasser armene slik at de er forberedt på å stoppe uventede bevegelser. Plasser kroppen din på venstre side av maskinen. Bladbevegelser kan øke risikoen for skade, siden maskinen beveger seg uventet.** Hvis operatøren tar de riktige forholdsreglene, kan bladbevegelser kontrolleres.
- **Hvis bladet kiler seg fast, eller hvis en kutteoperasjon blir avbrutt, skal maskinen slås av. Hold så maskinen i ro der den er helt til bladet stopper fullstendig.** Når bladet har kilt seg fast, må du aldri forsøke å fjerne maskinen fra materialet eller trekke maskinen bakover før bladet har stoppet fullstendig, ellers kan det oppstå bladbevegelser. Undersøk hva som har kilt seg fast, og løsne bladet igjen.

## SPESIELLE SIKKERHETSADVARSLER

- Før bruk og etter hvert slag, sjekk for skadede deler. En defekt bryter eller annen del som er skadet eller slitt skal repareres adekvat eller skiftes ut av et autorisert serviceverksted.
- Det lille bladet som er montert på sikkerhetsvernet, er designet for å trimme klippesnoren til riktig lengde for sikker og optimal ytelse. Bladet er svært skarpt. Ikke berør bladet, spesielt ved rengjøring av produktet.
- Bruk kun produsentens påfyllingstråd. Ikke bruk andre kuttetillegg.
- Påse at kutteutstyret er satt på riktig og festet godt.
- Ikke bruk produktet dersom ikke alle vern, avvisere og håndtak er på plass og forsvarlig festet.
- Sørg for at det lille kappebladet på sikkerhetsvernet er riktig plassert og godt festet før hver gangs bruk.
- Hold hodefestet under hoftenivå.
- Skru umiddelbart av produktet og fjern batteripakken eller koble fra strømforsyningen om det skulle oppstå en ulykke eller produktet bryter sammen. Ikke bruk redskaper igjen før den er nøye kontrollert av et autorisert servicecenter.
- Slå alltid av produktet, fjern batteripakken og koble det fra strømforsyningen for å redusere risikoen for personskade som skyldes kontakt med bevegelige deler. La begge kjøles ned. Påse at alle bevegelige deler har stoppet helt:
  - før betjening
  - før rengjøring av en blokkering
  - før kontroll, rensing og arbeider på produktet
  - før endring av tilbehør
  - etter at en fremmed gjenstand er truffet
  - å la produktet stå uten tilsyn
  - når vedlikehold utføres
  - hvis produktet starter å vibrere unormalt
- Påse at alle verneanordninger og håndtak er på plass riktig og i god stand.
- Hold produktet i angitte håndtak og begrens arbeidstid og eksponering.
- Vær oppmerksom på at kutteenheten kan slenge opp gjenstander. Fjern avfall som små steiner, grus og andre fremmedlegemer fra arbeidsområdet før start. Ledninger eller snorer kan surre seg inn i kutteenheten.
- Produktet er utstyrt med en sele. Bruk selen ved drift av produktet. Juster forsiktig selen slik at den komfortabelt bidrar til å støtte vekten på produktet og henge på ryggen din med blåserøret på din høyre side. Finn ut hvordan du skal bruke hurtigutløsermekanismen og øv deg på å bruke den før du tar i bruk maskinen. Riktig bruk kan hindre alvorlige personskader dersom en nødsituasjon skulle oppstå. Ha aldri på deg ekstra



klær over bæreselen, og ikke begrenns tilgang til hurtigutkoblingsmekanismen på annen måte.

- Bruk ikke flere belte- eller reimseiler.
- Sørg alltid for at avfall ikke tetter ventilasjonsspaltene.
- Utstyret må få strøm fra en elektrisk kurs med jordfeilbryter som ikke overstiger 30 mA.
- Betjen produktet kun ved temperaturer mellom 0 °C og 40 °C.
- Oppbevar produktet på et sted der omgivelsestemperaturen er mellom 0 °C og 40 °C.
- Hvis strømledningen er skadet, må den byttes ut med en spesialledning eller enhet som er tilgjengelig fra et autorisert servicesenter.
- Kontroller strømledningen for skade før bruk. Hvis strømledningen er skadet, må den skiftes ut av en kvalifisert person ved et autorisert servicesenter for å unngå en fare.
- Bruk kraftige hansker ved installering eller fjerning av bladene, de har skarpe kanter.
- Ikke gjør forsøk på å berøre eller stanse kniven når den roterer.
- Fjern enhver kniv som er påført skade. Påse at bladet alltid er korrekt installert og forsvarlig festet før hver gangs bruk.
- Bruk kun produsentens TRI-ARC reserveblader. Ikke bruk andre kuttetilllegg.
- Kutt aldri materiale over 13 mm i diameter.
- Dekk bladet med bladsliren før du lagrer enheten eller ved transport. Fjern alltid bladbeskytteren før du bruker enheten. Dersom den ikke fjernes kan bladbeskytteren bli kastet ut når bladet begynner å rotere.
- For å gjøre arbeidet enklere og tryggere bør kratt kappes fra høyre mot venstre. Dersom du skulle treffe på en skjult gjenstand eller en tykkere trestamme vil dette kunne minimalisere bladets kastbevegelse. Begge hender må hele tiden benyttes for å kontrollere dette produktet.
- Hvis man bruker verktøyet for lenge av gangen, kan det føre til eller forverre allerede eksisterende personskade. Sørg for å ta regelmessige pauser når du bruker et produkt over lengre tid.

#### EKSTRA SIKKERHETSINSTRUKSER FOR BATTERI

- For å redusere risikoen for brann, personskade og produktskade på grunn av en kortslutning skal produktet, batteripakken eller laderen aldri senkes ned i væske, og væske skal aldri flyte inn på innsiden av disse. Korroderende og ledende væsker som saltvann, visse kjemikalier og blekemidler eller produkt som inneholder blekemidler kan forårsake en kortslutning.
- Lad batteripakken på et sted der omgivelsestemperaturen er mellom 10 °C og 38 °C.
- Oppbevar batteripakken på et sted der omgivelsestemperaturen er mellom 0 °C og 20 °C.
- Bruk batteripakken på et sted der omgivelsestemperaturen er mellom 0 °C og 40 °C.

#### TRANSPORT OG LAGRING

- Slå av produktet, ta ut batteripakken og la det kjøles av før lagring eller transport.
- Fjern alle fremmedelementer fra produktet.

- Ikke lagre eller transporter produktet med montert batteripakke. Fjern batteripakken og sikre den separat. Lagres på et kjølig, tørt og godt ventilert sted som er utilgjengelig for barn. Hold avstand til korroderende midler som havekjemikalier og avisingssalt. Produktet skal ikke oppbevares utendørs.
- Ved transport må produktet sikres mot å komme i bevegelse eller falle for å unngå skade på personer eller produktet.

#### TRANSPORTERE LITIUUM-BATTERIER

- Transporter batterier i henhold til lokale og nasjonale lover og forskrifter.
- Følg alle spesialkrav med hensyn til emballering og merking når batterier transporteres av en tredjepart. Påse at ingen batterier kan komme i kontakt med andre batterier eller ledende materialer under transporten ved å beskytte åpne kontakter med isolasjon, ikkeledende lokk eller tape. Ikke transporter batterier som er sprukne eller som lekker. Kontakt speditøren for å få ytterligere råd.

#### VEDLIKEHOLD

- Bruk kun produsentens originale reservedeler, tilleggsutstyr og påsatser. Dersom dette ikke følges, kan det forårsake personskader, dårlig funksjon og kan annullere garantien din.
- Service krever meget stor forsiktighet og kunnskap og bør utføres kun av kvalifisert teknisk personale. Få utført service på produktet kun av et autorisert servicesenter.
- Skru av produktet og fjern batteripakken eller koble produktet fra strømmettet. Pass på at alle bevegelige deler har stoppet fullstendig før du rengjør eller vedlikeholder gressklipperen.
- Du kan bare foreta justeringer og reparasjoner som er beskrevet i denne brukermanualen. For andre typer reparasjoner eller råd anbefales det å kontakte et autorisert servicesenter.
- For å skifte tråd, bruk kun nylonfibertråd med diameteren spesifisert i tabellen i denne håndboken.
- Etter hver bruk, rens produktet med en myk tørr klut. Enhver del som er skadet må repareres eller skiftes ut på fagmessig måte ved et autorisert serviceverksted.
- Kontroller alle løse muttere, bolter og skruer før du bruker enheten. Sjekk ofte at disse er tilstrekkelig tilstrammet, slik at du er sikret et trygt arbeidsmiljø. Enhver del som er skadet må repareres eller skiftes ut på fagmessig måte ved et autorisert serviceverksted.
- Bring produktet til et autorisert servicesenter for utskifting av skadede eller uleselige etiketter.

#### KJENN PRODUKTET DITT

Se side 137.

1. Utstyrsaksel
2. Knivbeskytter
3. TRI-ARC-blad
4. Bladhylse
5. Brukermanual
6. Metalldeksel
7. Flenset skive
8. Konstruksjonsskive
9. Låsepinne
10. Kombinasjonsnøkkel
11. Mutter

## SYMBOLER PÅ PRODUKTET



Sikkerhetsalarm



Les og forstå alle instruksjoner før du betjener produktet. Følg alle advarsler og sikkerhetsanvisninger.



Bruk beskyttelse for øyne, hørsel og ansiktet.



Bruk glidesikre sikkerhetssko når du bruker produktet.



Bruk sklisikre og kraftige beskyttelseshansker.



Pass opp for gjenstander som slynges ut eller flyr i luften. Hold alle tilskuere, spesielt barn og kjæledyr, på en avstand på minst 15 m fra driftsområdet.



Dette produktet skal ikke brukes med knivblad med tenner.



TRI-ARC-blad



Europeisk samsvarsmerking



EurAsian samsvarsmerke



Ukrainsk samsvarsmerking



Hold hendene vekk fra klippeknivene.



Følg nøye med på bladets bevegelse.



Ikke utsette for regn eller fuktige forhold.



Garantert lydeffektnivå



Britisk samsvarsmerking



Fjern batteripakken før du starter arbeid på produktet.

Ikke kast avfallsbatterier, elektrisk og elektronisk utstyrsavfall som usortert kommunalt avfall. Avfallsbatterier og elektrisk og elektronisk utstyrsavfall må samles inn separat. Avfallsbatterier, avfallsakkumulatører og lyskilder må fjernes fra utstyret. Undersøk med de lokale myndighetene for resirkuleringsråd og innsamlingspunkt. I henhold til lokale forskrifter kan forhandlere være forpliktet til å ta tilbake avfallsbatterier, elektrisk og elektronisk utstyrsavfall gratis. Ditt bidrag til gjenbruk av og gjenvinning av avfallsbatterier og elektrisk og elektronisk utstyrsavfall bidrar til å redusere etterspørselen etter råmaterialer. Avfallsbatterier, spesielt de som inneholder litium, og elektrisk og elektronisk utstyrsavfall inneholder verdifulle og resirkulerbare materialer som kan påvirke miljøet og menneskets helse negativt, hvis de ikke blir kastet på en miljøkompatibel måte. Slett personlig data fra utstyrsavfall, om noen.



## SYMBOLER I DENNE MANUALEN



Merk



Advarsel



Deler eller tilbehør som er tilgjengelige separat



В основе конструкции вашей насадки-косы лежат принципы безопасности, продуктивности и надежности.

## НАЗНАЧЕНИЕ

Насадка-кусторез одобрена для использования с силовыми головками для инструментов с питанием от сети RPH1200, RLT12381, RBC12261, а также силовыми головками для инструментов с питанием от аккумулятора RPH3601-BL и RY36ELTX33A.

Это изделие предназначено для срезания кустарника, веток и другой подобной растительности, находящейся примерно на уровне земли. Это изделие также подходит для скашивания длинной травы, сорняков с мясистыми стеблями и листьями и другой подобной растительности.

Плоскость скашивания должна быть приблизительно параллельной поверхности земли.

К использованию изделия допускаются только совершеннолетние, способные нести ответственность за свои действия, после изучения инструкций и предостережений в настоящем руководстве.

Продукт предназначен только для использования на открытом воздухе в хорошо проветриваемом месте. В целях безопасности инструментом необходимо управлять двумя руками.

Не используйте устройство для каких-либо иных целей.

## ОБЩИЕ ПРАВИЛА ТЕХНИКИ БЕЗОПАСНОСТИ ПРИ ИСПОЛЬЗОВАНИИ ИЗДЕЛИЯ

**⚠ ОСТОРОЖНО!** Прочтите все предупреждения и инструкции по технике безопасности. Несоблюдение приводимых ниже предупреждений и инструкций может привести к поражению электрическим током, возгоранию или тяжким телесным повреждениям.

Сохраните все предупреждения и инструкции по технике безопасности для последующего использования.

Термин "электроинструмент" в предупреждениях означает изделие, работающее от электрической сети (проводное) или аккумулятора (беспроводное).

### БЕЗОПАСНОСТЬ НА РАБОЧЕМ МЕСТЕ

- **Рабочая зона должна быть свободна и хорошо освещена.** Загромождение или плохое освещение рабочей зоны может привести к несчастным случаям.
- **Не используйте электроинструмент во взрывоопасной среде, например в присутствии легковоспламеняющихся жидкостей, газов или пыли.** В электроинструментах происходит искрообразование, что может привести к воспламенению пыли или газа.
- **Не допускайте присутствия детей и посторонних лиц при работе с инструментом.** Невнимательность может привести к утрате контроля.

### ЭЛЕКТРОБЕЗОПАСНОСТЬ

- **Вилка кабеля питания инструмента должна соответствовать используемой розетке. Не подвергайте вилку кабеля каким-либо изменениям. Не используйте какие-либо переходники с электроинструментами с заземляющим проводом.** Использование оригинальных штепсельных вилок и соответствующих розеток предотвращает опасность поражения электрическим током.

- **Не допускайте контакта частей тела с поверхностями заземленных предметов, таких как трубы, радиаторы отопления, кухонные плиты, холодильники.** При соприкосновении частей тела человека с заземленными участками возрастает опасность поражения электрическим током.
- **Не допускайте попадания влаги на изделие и не используйте его во влажной атмосфере.** Попавшая внутрь инструмента вода повышает опасность поражения электрическим током.
- **Обращайтесь с кабелем питания надлежащим образом. Не используйте кабель для переноски, перемещения или отключения инструмента от сети питания. Оберегайте кабель от источников тепла, масляных и острых предметов и движущихся деталей.** Поврежденные или запутанные провода повышают опасность поражения электрическим током.
- **При работе с электроинструментом вне помещений пользуйтесь удлинительным кабелем, предназначенным для наружного применения.** Использование кабеля, предназначенного для наружного применения, снижает опасность поражения электрическим током.
- **Если нет возможности избежать работы в условиях повышенной влажности, подключайте инструмент через устройство защитного отключения.** При использовании устройства защитного отключения снижается опасность поражения электрическим током.

### ЛИЧНАЯ БЕЗОПАСНОСТЬ

- **Соблюдайте осторожность, следите за своими действиями и пользуйтесь здравым смыслом при работе с электроинструментом. Не пользуйтесь инструментом в состоянии усталости или под воздействием наркотических средств, алкоголя или медицинских препаратов.** Малейшая невнимательность при работе с инструментом может привести к тяжкому телесному повреждению.
- **Используйте средства индивидуальной защиты. Всегда надевайте средства защиты зрения.** Такие средства защиты, как противопылевая маска, нескользящая обувь, жесткий головной убор и средства защиты органов слуха, при использовании в соответствующих условиях позволят снизить риск получения травмы.
- **Не допускайте случайного запуска. Перед подключением к источнику питания или установкой аккумуляторной батареи, подъемом или перемещением инструмента убедитесь, что переключатель находится в положении «выключено».** Во избежание несчастных случаев при перемещении инструмента не держите пальцы на переключателе инструмента и не подключайте его к источнику питания при включенном положении переключателя.
- **Перед включением инструмента уберите все регулировочные и гаечные ключи.** Гаечные или регулировочные ключи, оставленные на вращающихся частях инструмента, могут привести к телесному повреждению.
- **Не перенапрягайте.** Старайтесь сохранять устойчивость и подыскивайте твердую опору. Это обеспечивает лучшую управляемость электроинструментом в непредвиденных ситуациях.





- Одевайтесь соответствующим образом. Не надевайте свободную одежду и украшения. Не допускайте попадания волос и одежды в подвижные детали. Свободная одежда, украшения и длинные волосы могут попасть в движущиеся части.
- Если в инструменте предусмотрено использование устройства удаления и сбора пыли, обеспечьте их надежное крепление и надлежащее использование. Использование пылесборника снижает опасность, связанную с пылеобразованием.
- Не нарушайте правила техники безопасности, даже несмотря на длительный опыт работы с инструментами. Неосторожное действие может стать причиной тяжелых травм в течение доли секунды.

## ИСПОЛЬЗОВАНИЕ И ОБРАЩЕНИЕ С ИНСТРУМЕНТОМ

- Не прикладывайте чрезмерных усилий при работе с данным инструментом. В каждом случае используйте надлежащий электроинструмент. Правильно выбранный электроинструмент позволяет выполнить работу, для которой он предназначен, более качественно и более безопасно.
- Не пользуйтесь инструментом, если выключатель не включается или не выключается. Любой электроинструмент, не управляемый выключателем, представляет опасность и должен быть отремонтирован.
- Перед регулировкой, заменой принадлежностей и помещением электроинструмента на хранение отсоедините вилку от источника питания и/или извлеките аккумуляторный блок (если это возможно). Такие меры предосторожности помогут предотвратить опасность случайного пуска инструмента.
- Храните неиспользуемые электроинструменты в месте, недоступном для детей, а также не допускайте к использованию данного инструмента лиц, не знакомых с его работой или не ознакомленных с данными инструментами инструкциями. Инструмент в руках неподготовленного лица представляет опасность.
- Электроинструменты и принадлежности необходимо обслуживать. Проверяйте инструмент на отсутствие перекосов или заклинивания движущихся частей, их неисправности или других причин, которые могут отразиться на работе инструмента. При повреждении инструмента перед его дальнейшим использованием его следует отремонтировать. Многие несчастные случаи вызваны ненадлежащим обращением с инструментом.
- Содержите режущее устройство в чистоте и заточенном виде. При надлежащем техническом обслуживании режущего инструмента снижается вероятность застревания режущих частей и облегчается управляемость.
- Используйте инструмент, принадлежности, насадки и т.п. в соответствии с данными указаниями, и принимая во внимание условия работы и выполняемую работу. Использование данного электроинструмента не по назначению может создать опасную ситуацию.
- Держите ручки и поверхности захватывания сухими, чистыми, не допускайте попадания на них смазочных веществ. Скользкие ручки и поверхности захватывания не позволяют безопасно управлять и контролировать инструмент в непредвиденных ситуациях.

## ЭКСПЛУАТАЦИЯ УСТРОЙСТВА С АККУМУЛЯТОРНЫМ ПИТАНИЕМ И УХОД ЗА НИМ

- Зарядку выполняйте только с использованием зарядного устройства, указанного изготовителем. Зарядное устройство, подходящее к одному типу аккумуляторных батарей, может создать опасность возгорания при использовании с аккумуляторными батареями другого типа.
- Используйте электрические устройства только со специально предназначенными для них аккумуляторными батареями. Использование аккумуляторных батарей другого типа может привести к телесным повреждениям или возгоранию.
- Если аккумуляторная батарея не используется, храните ее отдельно от других металлических предметов, например канцелярских скрепок, монет, ключей, гвоздей, винтов и других мелких металлических предметов, которые могут привести к замыканию контактов батареи. Замыкание контактов батареи может вызвать ожоги или привести к возгоранию.
- При ненормальных условиях из батареи может вытечь жидкость, избегайте контакта с ней. Если этого избежать не удалось, смойте жидкость водой. Если жидкость попала в глаза, после их промывания обратитесь за медицинской помощью. Жидкость, вытекающая из батареи, может вызвать раздражение или ожог.
- Не используйте поврежденный или модифицированный аккумуляторный блок и инструмент. Поврежденные или модифицированные аккумуляторы могут вести себя непредсказуемо, что может привести к пожару, взрыву или послужить причиной травмы.
- Запрещается подвергать аккумуляторный блок или инструмент воздействию огня и высокой температуры. Воздействие огня или температуры выше 130°C может привести к взрыву.
- Заряжайте аккумуляторные блоки и инструмент в соответствии с инструкцией, не подвергая их при этом воздействию температур вне диапазона, указанного в инструкции. Несоблюдение инструкций и зарядка при воздействии температур вне диапазона, указанного в инструкции, может привести к повреждению аккумулятора и повысить риск возгорания.

## ОБСЛУЖИВАНИЕ

- Техническое обслуживание и ремонт инструмента должно выполняться только квалифицированным специалистом с использованием взаимозаменяемых запасных частей. Это обеспечит нормальное техническое состояние устройства.
- Обслуживание аккумуляторных блоков с признаками повреждения не допускается. Обслуживание аккумуляторных блоков должно выполняться производителем или авторизованным сервисным центром.

## ТРЕБОВАНИЯ БЕЗОПАСНОСТИ ПРИ ИСПОЛЬЗОВАНИИ КУСТОРЕЗА

- Запрещается использовать машину в плохую погоду, особенно при угрозе возникновения молнии. Это снижает риск удара молнии.
- Внимательно осмотрите зону использования машины, чтобы убедиться в отсутствии диких животных. Животные могут пострадать от машины.





- **Внимательно осмотрите зону использования машины и очистите ее от камней, палок, металлических предметов, проводов, костей, игрушек и других инородных предметов.** Отбрасываемые предметы могут причинить травму.
- **Перед началом использования машины всегда осматривайте ее, чтобы убедиться в отсутствии повреждений пластмассовых лезвий или металлических ножей.** Использование деталей с повреждениями повышает риск получения травм.
- **Перед использованием машины проверьте шнур питания и все применяемые удлинительные кабели на предмет наличия повреждений или признаков старения. Не пользуйтесь инструментом, если кабель питания поврежден или изношен. Если кабель имеет повреждения или признаки износа в результате эксплуатации, выключите машину и не прикасайтесь к шнуру до его отсоединения от электрической сети.** Наличие повреждений на шнуре питания или удлинительном кабеле может привести к поражению электрическим током, возникновению пожара и/или получению серьезных травм.
- **При выполнении замены принадлежностей руководствуйтесь инструкцией.** Слабая степень затяжки крепежных гаек или болтов ножа может привести к повреждению ножа или его отделению от машины.
- **Значение номинальной скорости вращения лезвий должно быть не менее значения максимальной скорости вращения, указанного на машине.** Лезвия, скорость вращения которых превышает номинальное значение, могут разрушаться с разлетом его частей в разные стороны.
- **Используйте защитные очки, средства защиты органов слуха, защитный головной убор и перчатки.** Использование надлежащих средств защиты снижает риск получения травм от вылетающих частиц или случайного прикосновения к режущей леске или ножам.
- **В процессе работы с машиной независимо от обстоятельств используйте защитную обувь. Не работайте с инструментом босиком или в открытых сандалиях.** Это снижает риск получения травм от соприкосновения стоп с движущейся режущей леской, пластмассовыми или металлическими лезвиями.
- **В процессе работы с машиной независимо от обстоятельств используйте длинные штаны.** Открытые участки кожи могут пострадать от отбрасываемых предметов.
- **В процессе работы с машиной убедитесь, что поблизости нет посторонних.** Существует риск получения травм от отлетающих частиц.
- **В процессе работы с машиной независимо от обстоятельств используйте обе руки.** Удерживание машины двумя руками позволяет устранить риск потери управления.
- **Удерживайте машину только за изолированные захватные поверхности, поскольку режущая леска или лезвие может задеть скрытые провода.** Режущая леска или лезвия при соприкосновении с проводкой под напряжением способны передавать напряжение через металлические части машины, в результате чего возникает риск поражения электрическим током оператора.
- **Независимо от обстоятельств соблюдайте устойчивое положение ног.** Работа с машиной допускается только когда оператор стоит на земле. Работа на скользких и неустойчивых поверхностях может привести к потере баланса или управления машиной.
- **Запрещается работать с машиной на избыточно скользких склонах.** Это повышает риск потери управления, падения и получения травмы.
- **Во время работы на склонах всегда следите за равновесием, работайте поперек склона, а не вниз и вверх, будьте особенно внимательны при смене направления движения.** Это повышает риск потери управления, падения и получения травмы.
- **Держите шнур питания вдали от режущей лески, пластмассовых и металлических лезвий.** Наличие повреждений на шнуре питания может привести к поражению электрическим током, возникновению пожара и/или получению серьезных травм.
- **В процессе работы машины держите все части тела вдали от режущей лески, пластмассовых или металлических лезвий.** Перед включением машины убедитесь, что режущая леска, пластмассовые или металлические лезвия не соприкасаются с какими-либо предметами. При работе с машиной отвлечение даже на короткий момент может привести к получению серьезных травм.
- **Запрещается работать с машиной с ее расположением выше уровня пояса.** Это помогает избежать случайного соприкосновения с пластмассовыми лезвиями или металлическими ножами и обеспечивает повышенное качество управления машиной во внештатных ситуациях.
- **При обрезке кустов или молодых деревьев, находящихся под растягивающим напряжением, остерегайтесь отскока материала.** При ослаблении напряжения в древесных волокнах ветка или молодое дерево может ударить оператора и/или привести к потере управления машиной.
- **Будьте крайне осторожны при пилении кустарника и молодых деревьев.** Тонкие части материала могут запутаться в ноже и нанести вам резкий удар или привести к потере вами равновесия.
- **Сохраняйте управление машиной.** Запрещается касаться режущей лески, пластмассовых лезвий или металлических ножей и других опасных движущихся частей до их полной остановки. Это повышает риск получения травм.
- **При переноске машины она должна находиться в выключенном состоянии.** Держите машину на расстоянии от себя. Надлежащее обращение с машиной снижает вероятность случайного прикосновения к движущейся режущей леске, пластмассовым лезвиям или металлическим ножам.
- **В процессе транспортировки и хранения машины независимо от обстоятельств устанавливайте крышку на металлические лезвия.** Надлежащее обращение с машиной снижает вероятность случайного прикосновения к лезвиям.
- **При замене режущей лески, пластмассовых лезвий или металлических ножей и режущей головки используйте только рекомендованные производителем комплектующие.** Использование неправильно подобранных запасных частей

способно привести к повышению риска поломки машины и получения травм.

- **При удалении застрявшего материала или техническом обслуживании машины убедитесь в том, что все выключатели питания находятся в положении «Выкл.», а аккумуляторный блок извлечен из машины.** Непреднамеренное включение машины в процессе извлечения застрявшего материала или при проведении технического обслуживания может привести к получению серьезных травм.

#### **УДАР НОЖА И СВЯЗАННЫЕ С ЭТИМ ПРЕДУПРЕЖДЕНИЯ**

Удар ножа представляет собой резкое движение машины в стороны, вперед или назад и может возникнуть в случаях, когда ножи застревают или входят в соприкосновение с каким-то предметом, например молодым деревом или пнем. При этом возникает довольно большое усилие, которое способно оттолкнуть оператора и/или машину в любом направлении, что может привести к потере управления над машиной.

Удар ножа и связанных с этим опасностей можно избегать, если должным образом выполнять изложенные ниже меры предосторожности.

- **Крепко удерживайте машину обеими руками, располагая руки таким образом, чтобы противостоять усилию удара ножа.** Располагаясь по левую сторону от машины, удар ножа способен повысить риск получения травм из-за неожиданного движения машины в таком случае. Однако оператор способен контролировать удар ножа при условии выполнения всех мер предосторожности.
- **При застревании или иной остановке ножа отключите машину и удерживайте ее в неподвижном состоянии до полной остановки ножа.** Когда нож находится в соприкосновении с материалом, ни когда не пытайтесь выдернуть машину из материала или потянуть ее назад, пока нож находится в движении, иначе может произойти удар ножа. Выясните причину застревания ножа и примите меры по его устранению.
- **Запрещается использовать тупые или поврежденные ножи.** Использование тупых или поврежденных ножей приводит к повышению риска застревания ножа или его соприкосновения с каким-то предметом, что может привести к удару ножа.
- **Всегда поддерживайте хорошую видимость материала, подвергаемого резке.** Упор лопастей более вероятен в местах, где обзор разрезаемого материала затруднен.
- **Если во время работы к вам кто-то подходит, выключите машину.** Существует повышенный риск получения травм другими лицами в результате контакта с движущимся ножом, а также в случае удара ножа.

#### **ДОПОЛНИТЕЛЬНЫЕ УКАЗАНИЯ ПО БЕЗОПАСНОСТИ**

- Перед использованием устройства или после него убедитесь, что в нем нет поврежденных деталей. Для ремонта или замены неисправного переключателя или любой иной детали следует обращаться в авторизованный сервисный центр.
- Маленький нож, установленный на защитном кожухе, предназначен для обрезки лески при ее

замене и обеспечивает повышенную безопасность и эффективную работу машины. Лезвие очень острое. Не касайтесь лезвия, в частности, при очистке изделия.

- Для замены режущей струны используйте только оригинальные струны от производителя. Использование других режущих насадок не допускается.
- Убедитесь, что режущая насадка правильно установлена и надежно закреплена.
- Никогда не эксплуатируйте изделие, если все защитные приспособления, отражатели и ручки не будут правильно и надежно закреплены.
- Перед каждым использованием проверяйте правильность и надежность установки ножа для обрезки лески на защитном кожухе.
- Удерживайте насадку ниже уровня талии.
- В случае аварии или поломки изделия немедленно выключите изделие, отсоедините его от электросети или извлеките из него аккумуляторный блок. Не используйте устройство, обратитесь в гарантийное обслуживание для дальнейшей проверки.
- Чтобы снизить риск получения травмы при контакте с подвижными деталями, всегда выключайте изделие, извлекайте аккумуляторный блок и отсоединяйте от источника питания. Дайте изделию и аккумуляторному блоку остыть. Убедитесь в полной остановке всех движущихся деталей:
  - перед техническим обслуживанием
  - перед устранением засора
  - перед проверкой, чисткой и техобслуживанием продукта;
  - перед заменой принадлежностей
  - после удара о посторонний предмет
  - оставляя продукт без присмотра
  - при выполнении технического обслуживания
  - если продукт начинает вибрировать
- Убедитесь в том, что все устройства защиты и ручки должным образом установлены и находятся в хорошем состоянии.
- Держите изделие только за предназначенные для этого ручки и соблюдайте рабочий режим.
- Остерегайтесь объектов, выбрасываемых режущими приспособлениями. Перед началом работы удаляйте с рабочей области мусор, такой как маленькие камешки, гальку, а также иные сторонние предметы. Провода или шнуры могут запутаться в режущих деталях.
- Изделие оснащено ремнем. Ремень должен использоваться в процессе работы с изделием. Отрегулируйте плечевой ремень с учетом массы изделия и удобно разместите его на спине; при этом инструмент должен располагаться справа. Найдите механизм быстрого освобождения и опробуйте его перед началом использования устройства. Его правильное использование может предотвратить серьезные травмы в случае возникновения чрезвычайной ситуации. Нельзя надевать одежду поверх ремня или иным образом ограничивать доступ к механизму быстрого снятия.
- Использование нескольких поясных или плечевых ремней не допускается.
- Всегда проверяйте устройство на отсутствие грязи в вентиляционных отверстиях.



- Электропитание на устройство должно подаваться через устройство защитного отключения (RCD) с силой тока размыкания не более 30 мА.
- Рабочий диапазон изделия: от 0°C до 40°C.
- Храните изделие при температуре воздуха от 0°C и 40°C.
- В случае повреждения шнура питания его следует заменить на специализированный шнур или шнур в сборе, поставляемый авторизованным сервисным центром.
- Перед каждым использованием проверяйте шнур питания на предмет наличия повреждений. Во избежание опасных ситуаций в случае повреждения шнура питания должен быть заменен квалифицированным специалистом авторизованного сервисного центра.
- При установке и снятии ножей используйте сверхпрочные перчатки. Ножи имеют острые кромки.
- Не прикасайтесь к вращающемуся режущему полотну и не пытайтесь его остановить.
- Заменяйте поврежденное режущее полотно. Всегда проверяйте правильность установки и надежность крепления режущего полотна перед каждым использованием.
- Используйте только запасное лезвие TRI-ARC от производителя. Использование других режущих насадок не допускается.
- Не используйте для резки материала более 13 мм в диаметре.
- Надевайте защитное устройство на режущее полотно перед помещением устройства на хранение или при транспортировке. Перед использованием инструмента всегда снимайте защитное устройство. Если его не снять, защитное устройство может быть отброшено, когда лезвие начнет вращаться.
- Для облегчения подрезания и обеспечения безопасности подрезайте растения справа налево. В случае неожиданного соприкосновения с каким-либо предметом или со стволом дерева это может свести к минимуму отдачу. Управление инструментом всегда осуществляется двумя руками.
- Слишком продолжительное использование инструмента может привести к травме. При длительном использовании изделия периодически делайте перерыв.

### ТРЕБОВАНИЯ БЕЗОПАСНОСТИ ПРИ ИСПОЛЬЗОВАНИИ ДОПОЛНИТЕЛЬНОЙ АККУМУЛЯТОРНОЙ БАТАРЕИ

- Чтобы уменьшить риск пожара, травмы и повреждения изделия вследствие короткого замыкания не погружайте изделие, аккумуляторный блок или зарядное устройство в жидкость и не допускайте попадания жидкости внутрь. Коррозионные и проводящие жидкости, такие как соленый раствор, определенные химикаты, отбеливающие средства или содержащие их продукты, могут привести к короткому замыканию.
- Заряжайте аккумуляторный блок при температуре воздуха от 10°C до 38°C.
- Храните аккумуляторный блок при температуре воздуха от 0°C и 20°C.
- Эксплуатация аккумуляторного блока допускается при температуре воздуха от 0°C и 40°C.

### ТРАНСПОРТИРОВКА И ХРАНЕНИЕ

- Перед размещением на хранение или транспортировкой выключите изделие, извлеките аккумуляторный блок и дождитесь остывания изделия.
- Очистите устройство от всех посторонних материалов.
- Хранение и транспортировка изделия с установленными элементами питания не допускается. Извлеките аккумуляторный блок и надежно закрепите его. Храните его в прохладном, сухом, хорошо проветриваемом и недоступном для детей месте. Оберегайте от веществ, вызывающих коррозию, например, садовых удобрений или соли для удаления льда. Запрещается хранить изделие на улице.
- Для транспортировки закрепите изделие так, чтобы оно не могло перемещаться или упасть во избежание травмирования персонала или повреждения изделия.

### ПЕРЕВОЗКА ЛИТИЕВЫХ БАТАРЕЙ

- Транспортировку батареи осуществляйте в соответствии местными и национальными нормами и положениями.
- Следуйте всем особым требованиям к упаковке и маркировке при транспортировке батареи в сторонние организации. Проверьте, чтобы батарея не соприкасалась с другими батареями или токопроводящими материалами во время транспортировки, защитив открытые контакты с помощью изоляции, непроводящих колпачков или пленки. Не транспортируйте поврежденные или протекающие батареи. За консультацией обращайтесь в транспортно-экспедиционную компанию.

### ОБСЛУЖИВАНИЕ

- Используйте только оригинальные запчасти, аксессуары и насадки от производителя. Невыполнение этого требования может привести к травме, к снижению производительности и к аннулированию гарантии.
- Обслуживание требует чрезвычайной заботы и знания и должно быть выполнено только квалифицированным техником обслуживания. Обратитесь в авторизованный сервисный центр.
- Выключите изделие и извлеките из него аккумуляторный блок либо отсоедините изделие от источника питания. Перед очисткой или проведением технического обслуживания инструмента проверьте, чтобы все движущиеся детали полностью остановились.
- Вы можете выполнять работы по регулировке и обслуживанию, которые описаны в данном руководстве. Для проведения других ремонтных работ или за получением рекомендаций обращайтесь в авторизованный сервисный центр.
- Для замены струны используйте только нейлоновую струну, диаметр которой выбирается в соответствии с таблицей технических характеристик настоящего руководства.
- После каждого использования протирайте изделие мягкой сухой тканью. В случае повреждения какой-либо детали необходимо обратиться в авторизованный сервисный центр для выполнения надлежащего ремонта или замены.
- Перед каждым использованием и через определенные промежутки времени проверяйте



затяжку всех гаек, болтов и винтов, чтобы убедиться, что инструмент находится в безопасном для эксплуатации состоянии. В случае повреждения какой-либо детали необходимо обратиться в авторизованный сервисный центр для выполнения надлежащего ремонта или замены.

- Обратитесь в авторизованный сервисный центр для замены поврежденных или нечитаемых этикеток изделия.

## ИЗУЧИТЕ УСТРОЙСТВО

См. стр. 137.

1. Вал для насадки
2. Защитное устройство режущего полотна
3. Лезвие TRI-ARC
4. Предохранительный колпак для режущего устройства
5. Руководство оператора
6. Металлическая крышка
7. Шайба с фланцами
8. Конструкционная шайба
9. Стопорный штифт
10. Комбинированный гаечный ключ
11. Гайка

## УСЛОВНЫЕ ОБОЗНАЧЕНИЯ НА ПРОДУКТЕ



Внимание



Перед началом работы с изделием внимательно ознакомьтесь со всеми инструкциями. Соблюдайте технику безопасности.



Носите устройства защиты зрения и слуха, а также защитную каску.



При эксплуатации изделия используйте нескользящую обувь.



Надевайте нескользящие защитные перчатки для тяжелых условий работы.



Помните об опасности, которую представляют собой отбрасываемые устройством или вылетающие из-под него предметы. Не допускайте приближения посторонних лиц, особенно детей и домашних животных к рабочей зоне ближе чем на 15 м.



Это изделие не предназначено для использования с зубчатым пильным полотном.



Лезвие TRI-ARC



Знак соответствия европейским стандартам



Знак Евразийского Соответствия



Знак соответствия Украины



Держите свои руки подальше от режущей головки.



Отскок режущего лезвия может произойти неожиданно.



Не подвергайте инструмент воздействию дождя и не используйте в условиях повышенной влажности.



Гарантируемый уровень звуковой мощности



Знак соответствия стандартам Великобритании



Перед запуском и использованием изделия извлеките аккумуляторный блок.



Утилизация аккумуляторов, электрического и электронного оборудования в месте с несортированными бытовыми отходами не допускается. Сбор аккумуляторов, электрического и электронного оборудования в целях утилизации должен осуществляться отдельно. Перед утилизацией необходимо извлечь из оборудования элементы питания, аккумуляторы и источники света. Уточните порядок утилизации и местонахождения пункта приема у местных властей или поставщика. Ритейлеры могут быть обязаны бесплатно принимать аккумуляторы, электрическое и электронное оборудование на утилизацию в соответствии с местными регламентами. Ваш вклад в повторную переработку аккумуляторов, а также электрического и электронного оборудования позволит сократить потребность в сырье. Аккумуляторы, в частности, содержащие литий, а также электрическое и электронное оборудование содержат ценные и подлежащие повторной переработке материалы, которые в случае ненадлежащей утилизации способны вредить экологии и здоровью людей. Перед утилизацией удалите с оборудования все персональные данные.

**УСЛОВНЫЕ ОБОЗНАЧЕНИЯ В ДАННОМ РУКОВОДСТВЕ**



Примечание



Осторожно



Детали или принадлежности, приобретаемые отдельно

**Транспортировка:**

Категорически не допускается падение и любые механические воздействия на упаковку при транспортировке.

При разгрузке/погрузке не допускается использование любого вида техники, работающей по принципу зажима упаковки.

**Хранение:**

Необходимо хранить в сухом месте.

Необходимо хранить вдали от источников повышенных температур и воздействия солнечных лучей.

При хранении необходимо избегать резкого перепада температур.

Хранение без упаковки не допускается.

**Срок службы изделия:**

Срок службы изделия составляет 5 лет.

Не рекомендуется к эксплуатации по истечении 5 лет хранения с даты изготовления без предварительной проверки.

**Дата изготовления** (код даты) отштампован на поверхности корпуса изделия.

Пример:

W17 Y2015, где Y2015 - год изготовления

W17 – неделя изготовления

Определить месяц изготовления можно согласно приведенной ниже таблице, на примере 2015 года.

**Обратите внимание!** Количество недель в месяце различается от года в год.

Месяц	Январь	Февраль	Март	Апрель	Май	Июнь	Июль	Август	Сентябрь	Октябрь	Ноябрь	Декабрь	Год
Неделя	01	05	09	14	18	22	27	31	36	40	44	49	2015
	02	06	10	15	19	23	28	32	37	41	45	50	
	03	07	11	16	20	24	29	33	38	42	46	51	
	04	08	12	17	21	25	30	34	39	43	47	52	
	05	09	13	18	22	26	31	35	40	44	48	53	
			14			27							

Bezpieczeństwo, efektywność i niezawodność były czynnikami o najwyższym priorytecie w trakcie projektowania Państwa przyłączanej przycinarki do krzewów.

### PRZEZNACZENIE URZĄDZENIA

Przyłączana przycinarka do krzewów została zatwierdzona do stosowania z głowicami elektrycznymi RPH1200, RLT1238I, RBC1226I oraz głowicami akumulatorowymi RPH3601-BL i RY36ELTX33A.

Produkt nadaje się do cięcia zarośli, krzewów i podobnej roślinności na poziomie gruntu lub powyżej poziomu gruntu. Produkt może również ścinać długą trawę, niezdrewniałe chwasty i podobną roślinność.

Płaszczyzna cięcia powinna być jak najbardziej równoległa do powierzchni gruntu.

Produkt powinny obsługiwać osoby dorosłe, które przeczytały i zrozumiały instrukcje i ostrzeżenia zawarte w niniejszym podręczniku oraz które są odpowiedzialne za swoje czyny.

Produkt jest przeznaczony do użytku wyłącznie na zewnątrz pomieszczeń w dobrze wentylowanym miejscu. Ze względów bezpieczeństwa produkt należy obsługiwać dwiema rękami.

Nie używać do żadnych innych celów.

### OGÓLNE OSTRZEŻENIA DOTYCZĄCE BEZPIECZEŃSTWA PRODUKTU

**⚠ OSTRZEŻENIE!** Zapoznaj się ze wszystkimi zasadami bezpieczeństwa i instrukcjami. Niezastosowanie się do ostrzeżeń i instrukcji może spowodować porażenie prądem, pożar oraz/lub poważne obrażenia ciała.

**Zachowajcie te ostrzeżenia i zalecenia, aby móc się do nich odnieść w późniejszym czasie.**

Określenie „elektronarzędzie” w ostrzeżeniach oznacza produkt zasilany z sieci (przewodowy) lub zasilany akumulatorem (bezprowadowy).

### OTOCZENIE ROBOCZE

- **Miejsce pracy musi być utrzymywane w czystości i dobrze oświetlone.** Obszary zaśmiecone lub niewystarczająco oświetlone mogą być przyczyną wypadku.
- **Nie wolno uruchamiać urządzeń elektrycznych w miejscach, gdzie grozi to wybuchem, na przykład w pobliżu łatwopalnych cieczy, gazów lub pyłów.** Urządzenia elektryczne mogą wytwarzać iskry, które mogą być przyczyną zapłonu pyłów lub oparów.
- **Podczas używania narzędzi elektrycznych należy utrzymywać osoby postronne i dzieci z dala od miejsca pracy.** Odwrócenie uwagi operatora może spowodować utratę kontroli nad urządzeniem.

### ZASADY BEZPIECZEŃSTWA DOTYCZĄCE OBSŁUGI URZĄDZEŃ ELEKTRYCZNYCH

- **Wtyczki zasilania elektronarzędzi muszą pasować do gniazd sieciowych. Nie wolno modyfikować wtyczek w żaden sposób. Nie wolno używać żadnych przejściówek do podłączania urządzeń posiadających przewód zasilania z uziemieniem.** Stosowanie oryginalnych wtyczek i dopasowanych gniazd sieciowych zmniejsza ryzyko porażenia prądem.

- **Unikać kontaktu ciała z powierzchniami uziemionymi lub podłączonymi do bieguna zerowego, np..rury, instalacje grzewcze i chłodnicze.** Kontakt ciała z masą lub uziemieniem zwiększa ryzyko porażenia prądem.
- **Nie narażać tego produktu na działanie deszczu lub wody.** Przedostanie się wody do wnętrza elektronarzędzia zwiększa ryzyko porażenia prądem.
- **Nie uszkodzić przewodu zasilania. Nie wolno używać przewodu zasilania do przenoszenia, ciągnięcia urządzenia lub jego odłączenia z gniazda sieciowego. Przewody elektryczne trzymać z dala od źródeł ciepła, oleju, ostrych krawędzi lub ruchomych elementów.** Uszkodzony lub zaplątany przewód elektryczny zwiększa ryzyko porażenia prądem.
- **W przypadku używania urządzenia na zewnątrz, ewentualne przedłużacze muszą być do tego przystosowane.** Zastosowanie przedłużacza przystosowanego do warunków zewnętrznych zmniejsza ryzyko porażenia prądem.
- **Jeśli nie można uniknąć użytkowania urządzenia elektrycznego w warunkach wilgotnych, należy je zasilac z obwodu zabezpieczonego wyłącznikiem różnicowo-prądowym (RCD).** Zastosowanie takiego wyłącznika pozwala zmniejszyć ryzyko porażenia prądem elektrycznym.

### BEZPIECZEŃSTWO OSOBISTE

- **Zachowywać skupienie, uważnie obserwować wykonywane czynności, stosować zasady zdrowego rozsądku podczas obsługi urządzenia. Nie używać urządzeń elektrycznych w stanie zmęczenia lub będąc pod wpływem leków, alkoholu lub środków odurzających.** Moment nieuwagi podczas obsługi elektronarzędzia może być przyczyną poważnego zranienia.
- **Stosować środki ochrony osobistej. Zawsze nosić okulary ochronne.** Sprzęt ochronny, taki jak maski przeciwpyłowe, ochronne obuwie antypoślizgowe, kask czy ochronniki słuchu, stosowany w odpowiednich warunkach pozwala zapobiegać obrażeniu.
- **Unikać możliwości przypadkowego uruchomienia urządzenia. Przed podłączeniem do zasilania/założeniem akumulatora lub w celu jego podniesienia lub przeniesienia należy upewnić się, że wyłącznik zasilania znajduje się w położeniu wyłączonym.** Przenoszenie elektronarzędzia z palcem na wyłączniku lub podłączenie zasilania do urządzenia, w którym wyłącznik znajduje się w położeniu włączonym grozi wypadkiem.
- **Usunąć wszelkie narzędzia i klucze przed włączeniem zasilania.** Uruchomienie elektronarzędzia z kluczem założonym na ruchomym elemencie grozi poważnym wypadkiem.
- **Nie sięgać zbyt daleko. Należy cały czas pewnie opierać stopy i utrzymywać równowagę.** Zapewni to lepsze panowanie nad urządzeniem w nieprzewidywanych sytuacjach.
- **Należy zakładać odpowiednią odzież ochronną. Nie zakładać luźnego ubioru ani biżuterii. Włosy i luźne fragmenty odzieży należy trzymać z dala od ruchomych części.** Mogą być one wciągnięte przez ruchome części urządzenia.



- Jeśli używane urządzenie posiada przyłącze do wyciągu i gromadzenia kurzu, należy go używać w odpowiedni sposób. Stosowanie metod usuwania pyłu zmniejsza zagrożenie związane z jego gromadzeniem.
- Nie należy dopuszczać do tego, aby wcześniejsza znajomość obsługi podobnych narzędzi doprowadziła do ignorowania zasad bezpiecznego posługiwania się narzędziami. Nieostrożna obsługa może spowodować poważne urazy ciała w ciągu ułamka sekundy.

## UŻYTKOWANIE I KONSERWACJA URZĄDZEŃ ELEKTRYCZNYCH

- Nie przeciążać urządzenia. Używać odpowiedniego narzędzia do odpowiedniego rodzaju prac. Najlepsze efekty pracy, przy zachowaniu pełnego bezpieczeństwa, zapewni używanie urządzeń w zakresie parametrów znamionowych i stosownie do ich przeznaczenia.
  - Nie używać tego urządzenia, jeśli wyłącznik nie pracuje poprawnie. Używanie elektronarzędzia bez sprawnego wyłącznika jest zbyt niebezpieczne - należy oddać je do naprawy.
  - Przed przystąpieniem do regulacji lub wymiany akcesoriów bądź przed rozpoczęciem przechowywania należy odłączyć wtyczkę od źródła zasilania i/lub (o ile jest to możliwe) odłączyć akumulator od narzędzia z napędem. Tego rodzaju środki zapobiegawcze pozwolą zmniejszyć ryzyko przypadkowego uruchomienia elektronarzędzia.
  - Nieużywane urządzenia należy przechowywać poza zasięgiem dzieci. Nie wolno zezwalać osobom nie obeznanym z obsługą urządzeń elektrycznych na ich używanie. Urządzenia elektryczne mogą być niebezpieczne w rękach osób nieposiadających odpowiedniego przygotowania.
  - Narzędzia z napędem i akcesoria należy utrzymywać w dobrym stanie technicznym. Należy sprawdzać wyrównanie elementów ruchomych, sprawdzać, czy nie ma jakichkolwiek uszkodzeń, uwzględniać wszelkie aspekty mające wpływ na bezpieczną pracę urządzenia. W przypadku stwierdzenia uszkodzeń, oddać urządzenie do naprawy. Wiele wypadków spowodowane jest używaniem urządzeń w niewłaściwym stanie technicznym.
  - Elementy tnące muszą być ostre i czyste. Odpowiednio ostre krawędzie tnące ułatwią prowadzenie urządzenia i są bardziej odporne na uszkodzenie.
  - Wszelkie urządzenia, przystawki, akcesoria itp. należy używać zgodnie z dołączonymi instrukcjami obsługi, z uwzględnieniem warunków i charakteru wykonywanej pracy. Używanie narzędzi w sposób niezgodny z ich przeznaczeniem grozi poważnym niebezpieczeństwem.
  - Uchwyty i powierzchnie do trzymania muszą zawsze być suche, czyste i wolne od smaru oraz oleju. Śliszkie uchwyty i powierzchnie do trzymania nie umożliwiają bezpiecznej obsługi i kontrolowania narzędzia w nieoczekiwanych sytuacjach.
- ## UŻYTKOWANIE I OBSŁUGA AKUMULATORA
- Ładować wyłącznie za pomocą ładowarki dostarczonej przez producenta. Ładowarka przeznaczona do jednego modelu akumulatora może

być przyczyną pożaru w przypadku zastosowania do ładowania akumulatora innego typu.

- Używać narzędzi ręcznych z napędem elektrycznym wyłącznie z akumulatorami przeznaczonymi do tych urządzeń. Używanie innych akumulatorów wiąże się ze zwiększonym ryzykiem pożaru lub obrażeń ciała.
- Gdy akumulator nie jest używany, przechowywać go z dala od innych metalowych przedmiotów, np. spinaczy, monet, kluczy, gwoździ, śrub lub innych małych metalowych przedmiotów, które mogłyby utworzyć połączenie między stykami, prowadząc do zwarcia. Zwarcie styków akumulatora może spowodować oparzenia lub pożar.
- W przypadku niewłaściwej obsługi może dojść do wycieku płynu z akumulatora, należy unikać kontaktu z tym płynem. Miejsce ewentualnego kontaktu przepłukać wodą. W przypadku, gdy płyn dostanie się do oczu, po przemyciu zwrócić się o pomoc do lekarza. Płyn wyciekający z akumulatora może powodować podrażnienia i oparzenia.
- Nie stosować uszkodzonych ani zmodyfikowanych akumulatorów i narzędzi. Uszkodzone lub zmodyfikowane akumulatory mogą zachowywać się w sposób nieprzewidywalny, co może prowadzić do pożaru, wybuchu lub ryzyka obrażeń.
- Nie narażać akumulatora lub narzędzia na działanie ognia lub zbyt wysokich temperatur. Narażenie na działanie ognia lub temperatury powyżej 130°C może spowodować wybuch.
- Przestrzegać wszystkich instrukcji ładowania i nie ładować akumulatora ani narzędzia poza podanym w instrukcji zakresem temperatur. Ładowanie w niewłaściwy sposób lub w temperaturze poza określonym zakresem może doprowadzić do uszkodzenia akumulatora i wzrostu zagrożenia pożarowego.

## KONSERWACJA

- Urządzenie elektryczne powinno być naprawiane przez wykwalifikowany personel, z zastosowaniem identycznych części zamiennych. Dzięki temu zapewnione będzie bezpieczeństwo użytkownika urządzenia.
- Nigdy nie serwisować uszkodzonych akumulatorów. Serwisowanie akumulatorów powinien zajmować się wyłącznie producent lub autoryzowany serwis.

## PRZYCINARKA DO ŻYWPŁOTU — OSTRZEŻENIA DOTYCZĄCE BEZPIECZEŃSTWA

- Nie należy używać urządzenia w niekorzystnych warunkach atmosferycznych, zwłaszcza gdy istnieje ryzyko uderzenia pioruna. Zmniejsza to ryzyko porażenia piorunem.
- Należy dokładnie sprawdzić, czy na obszarze, na którym ma być używane urządzenie, nie ma dzikich zwierząt. Dzikie zwierzęta mogą zostać zranione przez urządzenie podczas pracy.
- Dokładnie sprawdzić obszar, na którym ma być używane urządzenie, i usunąć wszelkie kamienie, patyki, druty, kości i inne przedmioty. Miotane przedmioty mogą spowodować obrażenia.
- Przed użyciem urządzenia należy zawsze przeprowadzić jego oględziny, aby upewnić się, czy





obcinak lub ostrze oraz zespół obcinaka i zespół koszący nie są zużyte lub uszkodzone. Uszkodzone części zwiększają ryzyko obrażeń.

- **Przed użyciem należy sprawdzić, czy przewód zasilania i ewentualny przedłużacz nie mają śladów uszkodzeń lub starzenia się. Nie używać urządzenia w przypadku uszkodzenia lub zużycia kabla zasilania. Jeżeli podczas użytkowania przewód zostanie uszkodzony lub ulegnie zużyciu, należy wyłączyć urządzenie i nie dotykać przewodu przed odłączeniem go od zasilania. Uszkodzony przewód zasilania lub przedłużacz może spowodować porażenie prądem, pożar i/lub poważne obrażenia.**
- **Należy przestrzegać instrukcji dotyczących wymiany akcesoriów.** Nieprawidłowo dokręcone nakrętki lub śruby mocujące ostrze mogą spowodować jego uszkodzenie lub odseparowanie.
- **Znamionowa prędkość obrotowa ostrza musi być co najmniej równa prędkości maksymalnej podanej na urządzeniu.** Ostrza pracujące z prędkością obrotową większą niż znamionowa mogą pęknąć i rozpaść się.
- **Stosować środki ochrony oczu, uszu, głowy i dłoni.** Odpowiedni sprzęt ochronny zmniejsza ryzyko urazów ciała powodowanych przez latające odłamki lub przypadkowy kontakt z żyłką tnącą lub ostrzem.
- **Podczas obsługi urządzenia należy zawsze nosić obuwie ochronne.** Nie wolno obsługiwać urządzenia będąc boso, lub mając założone lekkie obuwie typu sandały. Zmniejsza to prawdopodobieństwo obrażeń stóp w wyniku kontaktu z ruchomym obcinakiem, żyłką lub ostrzem.
- **Podczas obsługi urządzenia należy zawsze nosić długie spodnie.** Odsłonięta skóra zwiększa prawdopodobieństwo zranienia przez miotane przedmioty.
- **Urządzenia należy używać z dala od osób postronnych.** Wyrzucane pozostałości mogą spowodować poważne obrażenia.
- **Podczas obsługi urządzenia należy zawsze używać obu rąk.** Trzymanie urządzenia obiema rękami pozwoli uniknąć utraty kontroli.
- **Urządzenie należy trzymać wyłącznie za izolowane powierzchnie chwytne, ponieważ w przeciwnym przypadku żyłka tnąca lub ostrze może zetknąć się z ukrytymi przewodami.** Zetknięcie się żyłki tnącej lub ostrzy z przewodem pod napięciem może spowodować, że odsłonięte metalowe części urządzenia również znajdują się pod napięciem, co może skutkować porażeniem prądem elektrycznym.
- **Należy zawsze dbać o prawidłowe oparcie stóp i obsługiwać urządzenie wyłącznie stojąc na gruncie.** Śliskie i niestabilne powierzchnie mogą doprowadzić do utraty równowagi lub kontroli nad urządzeniem.
- **Nie używać urządzenia na zbyt stromych zboczach.** Zmniejsza to ryzyko utraty kontroli, poślizgnięcia się i upadku, mogących prowadzić do powstania obrażeń.
- **Podczas pracy na zboczach należy zawsze upewniać się, że stoi się na stabilnym gruncie, zawsze kosić w poprzek zbocza, a nigdy w górę lub w dół, zaś podczas zmiany kierunku zachowywać szczególną ostrożność.** Zmniejsza to ryzyko utraty kontroli, poślizgnięcia się i upadku, mogących prowadzić do powstania obrażeń.

- **Przewód zasilający należy trzymać z dala od obcinaka, żyłki lub noża.** Uszkodzony przewód zasilający może spowodować porażenie prądem, pożar i/lub poważne obrażenia.
- **Podczas pracy urządzenia należy trzymać wszystkie części ciała z dala od obcinaka, żyłki lub ostrza.** Przed uruchomieniem urządzenia należy upewnić się, że obcinak, żyłka lub ostrze z niczym się nie stykają. Chwila nieuwagi podczas obsługi maszyny może spowodować obrażenia ciała zarówno u operatora, jak i u innych osób.
- **W trakcie pracy z urządzeniem nie należy trzymać go powyżej pasa.** Zapobiega to niezamierzonomu dotknięciu obcinaka lub ostrza i umożliwia lepszą kontrolę nad urządzeniem w nieoczekiwanych sytuacjach.
- **Podczas ścinania naprzężonych krzewów lub drzewek należy uważać na przemieszczające się pnie i gałęzie.** Gdy napięcie drewna zostanie uwolnione, krzew lub drzewko może uderzyć operatora i/lub spowodować utratę kontroli nad urządzeniem.
- **Należy zachować szczególną ostrożność podczas cięcia krzaków i młodych drzew.** Ostrze może złączyć się ze smukłymi łodygami, czego skutkiem może być wyrzucenie ich w stronę operatora lub wytrącenie go z równowagi.
- **Należy utrzymywać kontrolę nad urządzeniem i nie dotykać ostrzy ani innych niebezpiecznych ruchomych części, gdy znajdują się one w ruchu.** Zmniejsza to ryzyko obrażeń spowodowanych przez ruchome części.
- **W czasie przenoszenia urządzenie powinno być wyłączone i trzymane z dala od ciała.** Właściwa obsługa urządzenia zmniejszy prawdopodobieństwo przypadkowego kontaktu z ruchomym obcinakiem, żyłką lub ostrzem.
- **Na czas transportu lub przechowywania urządzenia należy zawsze zakładać osłonę na metalowe ostrza.** Właściwa obsługa urządzenia zmniejszy prawdopodobieństwo przypadkowego kontaktu z ruchomym ostrzem.
- **Jako części zamienne należy stosować wyłącznie obcinaki, żyłki, głowice tnące i ostrza określone przez producenta.** Nieprawidłowe części zamienne mogą zwiększyć ryzyko awarii i obrażeń.
- **Podczas usuwania zakleszczonego materiału lub serwisowania urządzenia należy upewnić się, że wyłącznik jest ustawiony w położeniu oznaczającym wyłączenie, a akumulator jest wymontowany lub odłączony.** Nieoczekiwane uruchomienie urządzenia podczas usuwania zakleszczonego materiału lub serwisowania może spowodować poważne obrażenia ciała.

#### PRZYCZYNY WYBICIA OSTRZA I ZWIĄZANE Z TYM OSTRZEŻENIA

Wybicie ostrza to nagły ruch urządzenia w bok, do przodu lub do tyłu, który może wystąpić, gdy ostrze zakleszczy się lub zahaczy o jakiś obiekt, np. sadzonkę lub pień drzewa. Może być na tyle gwałtowne, by spowodować odepchnięcie urządzenia i/lub operatora w dowolnym kierunku oraz utratę kontroli nad urządzeniem.

Wybicia ostrza i związanych z nim zagrożeń można uniknąć, stosując opisane poniżej odpowiednie środki ostrożności.







- **Mocno trzymać urządzenie obiema rękami i ustawić ramiona tak, by móc oprzeć się wybicciu ostrza. Ustawić się na lewo od urządzenia. Wybicie ostrza może zwiększyć ryzyko obrażeń spowodowanych niespodziewanym ruchem urządzenia.** Operator może kontrolować wybicie ostrza, jeśli podejmie odpowiednie środki ostrożności.
- **Gdy ostrze zakleszczy się lub gdy cięcie zostanie przerwane z jakiegokolwiek powodu, należy wyłączyć urządzenie i przytrzymać je nieruchomo do momentu całkowitego wyhamowania ostrza.** Gdy ostrze jest zakleszczone, nigdy nie należy próbować odrywać urządzenia od materiału ani ciągnąć urządzenia do tyłu, gdy ostrze jest w ruchu, ponieważ w przeciwnym razie może dojść do wybiccia ostrza. Przeprowadzić dochodzenie i podjąć działania naprawcze w celu wyeliminowania przyczyny zakleszczenia ostrza.
- **Nie należy używać tępych lub uszkodzonych ostrzy.** Tępe lub uszkodzone ostrza zwiększają ryzyko zakleszczenia się lub zaczepienia o przedmiot, co może spowodować wybicie ostrza.
- **Należy zawsze utrzymywać dobrą widoczność ciętego materiału.** Odrzut ostrza jest bardziej prawdopodobny w miejscach, gdzie trudno jest zobaczyć cięty materiał.
- **Jeżeli w trakcie pracy z urządzeniem do operatora podejrzanie inna osoba, należy je wyłączyć.** W przypadku wybiccia ostrza istnieje zwiększone ryzyko obrażeń u innych osób, które mogą zostać uderzone przez poruszające się ostrze.

#### DODATKOWE OSTRZEŻENIA DOTYCZĄCE BEZPIECZEŃSTWA

- Przed użyciem oraz po jakimkolwiek uderzeniu należy sprawdzić, czy żadna część nie jest uszkodzona. Uszkodzony przełącznik lub inna uszkodzona lub zużyta część muszą być odpowiednio naprawione lub wymienione przez autoryzowany punkt serwisowy.
- Zadaniem nożyka przymocowanego do osłony zabezpieczającej jest przyciągnięcie wysuniętej żyłki na właściwą długość w celu zapewnienia bezpiecznego, optymalnego działania. Ostrze jest bardzo ostre. Nie dotykać ostrza — zwłaszcza w trakcie czyszczenia produktu.
- Należy stosować wyłącznie żyłkę tnącą producenta. Nie używać żadnych innych akcesoriów tnących.
- Należy upewnić się, że głowica tnąca jest prawidłowo zainstalowana i dobrze zamocowana.
- Nigdy nie wolno używać produktu, jeśli jakkolwiek osłona, deflektor lub uchwyt nie są prawidłowo i dobrze zamocowane.
- Przed każdym użyciem należy upewnić się, że ostrze do przycinania żyłki w osłonie zabezpieczającej znajduje się w prawidłowym położeniu i jest prawidłowo zamocowane.
- Utrzymywać przystawkę z głowicą tnącą poniżej poziomu talii operatora.
- W razie wypadku lub awarii należy natychmiast wyłączyć produkt i wyjąć z niego akumulator lub odłączyć go od sieci zasilającej. Nie należy włączać produktu ponownie, dopóki nie zostanie w pełni sprawdzony przez autoryzowane centrum serwisowe.
- Aby ograniczyć ryzyko obrażeń związanych z kontaktem z częściami w ruchu, należy zawsze wyłączyć produkt, wymontować akumulator i odłączyć produkt od zasilania. Poczekać, aż zarówno produkt, jak i akumulator ostygną. Upewnić się, że wszystkie elementy ruchome zostały całkowicie zatrzymane:
  - przed serwisowaniem
  - przed usunięciem zatoru
  - przed sprawdzeniem, czyszczeniem i użytkowaniem produktu,
  - przed wymianą akcesoriów
  - po uderzeniu innym przedmiotem
  - pozostawiając produkt bez nadzoru
  - zawsze w trakcie wykonywania konserwacji
  - jeśli produkt zacznie wibrować w nietypowy sposób
- Należy dopilnować, aby wszystkie osłony i uchwyty były odpowiednio zamontowane i znajdowały się w dobrym stanie.
- Należy trzymać produkt za odpowiednie uchwyty oraz stosować się do zaleceń dotyczących czasu pracy i narażenia.
- Należy zwrócić uwagę na obiekty odrzucane przez elementy tnące. Przed rozpoczęciem pracy należy usunąć z miejsca jej wykonywania zanieczyszczenia, takie jak małe kamienie, żwir i inne ciała obce. Druty lub sznurki mogą zostać pochwycone przez przyrząd tnący.
- Produkt jest wyposażony w uprząż. Uprząży należy używać podczas pracy z produktem. Starannie dopasować uprząż, aby umożliwiała wygodne oparcie masy produktu na prawym boku użytkownika. Należy sprawdzić, w jaki sposób należy obsługiwać mechanizm szybkiego zwalniania i przeciwdziałać używaniu go przed uruchomieniem maszyny. Prawidłowe użycie może zapobiec poważnym obrażeniom ciała w razie nagłej sytuacji. Nigdy nie należy zakładać na uprząż dodatkowej odzieży lub w inny sposób ograniczać dostępu do mechanizmu szybkiego rozłączania.
- Nie nosić więcej niż jednej uprząży z pasem lub szelkami.
- Otwory wentylacyjne należy utrzymywać w stanie wolnym od zanieczyszczeń.
- Urządzenie powinno być zasilane przez wyłącznik różnicowo-prądowy (RCD), o prądzie zadziałania nie większym niż 30 mA.
- Produkt należy stosować tylko w temperaturach od 0°C do 40°C.
- Produkt należy przechowywać w miejscu, w którym temperatura otoczenia wynosi od 0°C do 40°C.
- Jeśli przewód zasilający jest uszkodzony, należy go wymienić na specjalny przewód lub moduł dostępny w autoryzowanym serwisie.
- Przed każdym użyciem sprawdzić przewód zasilania pod kątem braku uszkodzeń. W przypadku uszkodzenia przewód zasilający musi zostać wymieniony przez wykwalifikowaną osobę w autoryzowanym centrum serwisowym, tak by można było uniknąć zagrożenia.





- Podczas montażu lub demontażu ostrzy należy używać rękawic o dużej wytrzymałości, ponieważ ostrza mają ostre krawędzie.
- Nie wolno próbować dotykać ani zatrzymywać obracającego się ostrza.
- Uszkodzone ostrze należy niezwłocznie wymienić. Przed każdym użyciem należy upewnić się, że ostrze jest prawidłowo założone i bezpiecznie zamocowane.
- Należy stosować wyłącznie zamienne ostrze TRI-ARC producenta. Nie używaj żadnych innych akcesoriów tnących.
- Nigdy nie ciac materialu o średnicy większej niż 13 mm.
- Do przechowywania lub transportu na ostrze należy zakładać osłonę. Przed uruchomieniem urządzenia należy zdjąć osłonę ostrza. Jeśli nie zostanie zdjęta, osłona ostrza może zostać odrzucona z dużą siłą gdy ostrze zacznie pracować.
- Ze względu na wygodę i bezpieczeństwo cięcia do cietej trawy należy zbliżyć się od prawej do lewej strony. W przypadku kontaktu z nieoczekiwanym obiektem lub zdrewniałymi łodygami może go zminimalizować zjawisko odskoczenia ostrza. Do obsługi tego urządzenia należy przez cały czas używać obydwu rąk.
- Długotrwałe użytkowanie narzędzia może spowodować obrażenia ciała lub nasilić dolegliwości zdrowotne. W przypadku długotrwałego użytkowania jakiegokolwiek produktu należy robić regularne przerwy.

#### AKUMULATOR — DODATKOWE OSTRZEŻENIA DOTYCZĄCE BEZPIECZEŃSTWA

- Aby ograniczyć ryzyko pożaru, obrażeń oraz uszkodzenia produktu z powodu zwarcia, nigdy nie zanurzać produktu, akumulatora ani ładowarki w płynie ani nie dopuszczać do przedostania się płynu do ich wnętrza. Zwarcie spowodować mogą korodujące lub przewodzące cieczce, takie jak woda morską, określone chemikalia i wybielacze lub produkty zawierające wybielacze.
- Akumulator należy ładować w miejscu, w którym temperatura otoczenia wynosi od 10°C do 38°C.
- Akumulator należy przechowywać w miejscu, w którym temperatura otoczenia wynosi od 0°C do 20°C.
- Akumulator należy użytkować w miejscu, w którym temperatura otoczenia wynosi od 0°C do 40°C.

#### TRANSPORT I PRZECHOWYWANIE

- Przed odłożeniem bądź rozpoczęciem transportu lub składowania wymontować akumulator i poczekać, aż produkt ostygnie.
- Usunąć z produktu wszelkie zanieczyszczenia.
- Nie przechowywać ani nie transportować produktu z włożonym akumulatorem. Wyjąć akumulator i zamocować go osobno. Należy przechowywać urządzenie w chłodnym, suchym i dobrze wentylowanym miejscu, które jest niedostępne dla dzieci. Nie przechowywać urządzenia wraz z materiałami korozyjnymi, takimi jak ogrodowe substancje chemiczne lub sól odmrażająca. Nie przechowywać produktu poza pomieszczeniami.
- W przypadku transportu produktu należy zabezpieczyć go przed przemieszczaniem się lub upadkiem, aby nie dopuścić do obrażeń ciała lub uszkodzenia urządzenia.

#### TRANSPORTOWANIE AKUMULATORÓW LITOWYCH

- Akumulatory należy transportować zgodnie z lokalnymi i krajowymi przepisami i regulacjami.
- Należy postępować zgodnie z wszystkimi specjalnymi wymaganiami dotyczącymi pakowania i etykietowania akumulatorów podczas transportu przez stronę trzecią. Upewnij się, że żadne akumulatory nie zetkną się z innymi akumulatorami lub materiałami przewodzącymi podczas transportu; w tym celu należy zabezpieczyć odkryte złącza nieprzewodzącymi nakładkami izolacyjnymi lub taśmą izolacyjną. Nie należy transportować pękniętych ani nieszczelnych akumulatorów. Szczegółowe porady można uzyskać w firmie spedycyjnej.

#### KONSERWACJA

- Należy stosować wyłącznie oryginalne części zamienne, akcesoria oraz przystawki producenta. W przeciwnym razie może dość do obrażeń ciała, niskiej wydajności oraz do unieważnienia gwarancji.
- Serwisowanie wymaga wyjątkowej staranności i wiedzy. Może być wykonywane wyłącznie przez wykwalifikowany personel serwisowy. Serwisowanie należy powierzać wyłącznie autoryzowanemu serwisowi.
- Wyłączyć produkt, wyjąć akumulator lub odłączyć produkt od zasilania. Przed przystąpieniem do czyszczenia lub konserwacji zawsze upewnić się, że wszystkie części ruchome całkowicie się zatrzymały.
- Użytkownik może jedynie wykonywać czynności regulacyjne i naprawcze opisane w tej instrukcji obsługi. W przypadku innych napraw lub pytań należy zwrócić się o pomoc do autoryzowanego punktu serwisowego.
- Do wymiany należy stosować wyłącznie nylonowej ciągłej żyłki o średnicy podanej w tabeli specyfikacji w tej instrukcji.
- Po każdym użyciu należy wyczyścić produkt miękką, suchą szmatką. Każdą uszkodzoną część należy odpowiednio naprawić lub wymienić w autoryzowanym punkcie serwisowym.
- Często (w tym przed każdym użyciem) sprawdzać wszystkie nakrętki, śruby i wkręty pod kątem należytego dokręcenia, aby mieć pewność, że produkt jest bezpieczny. Każdą uszkodzoną część należy odpowiednio naprawić lub wymienić w autoryzowanym punkcie serwisowym.
- Jeśli etykiety są uszkodzone lub nieczytelne, należy zwrócić produkt do punktu serwisowego w celu wymiany etykiet.

#### POZNAJ SWÓJ PRODUKT

*Patrz str. 137.*

1. Wał połączeniowy
2. Ochraniacz ostrza
3. Nóż TRI-ARC
4. Osłona ostrza
5. Instrukcja obsługi
6. Metalowa osłona
7. Podkładka kołnierзова
8. Podkładka konstrukcyjna
9. Sworzeń blokujący
10. Klucz uniwersalny
11. Nakrętka



## SYMBOLE PRODUKTU



Alarm bezpieczeństwa



Przed przystąpieniem do obsługi produktu należy przeczytać ze zrozumieniem wszystkie instrukcje. Należy przestrzegać wszystkich ostrzeżeń i instrukcji dotyczących bezpieczeństwa.



Stosować środki ochrony oczu, uszu i głowy.



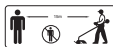
Podczas korzystania z produktu należy nosić antypoślizgowe obuwie.



Nosić nieślizgające się, trwałe rękawice ochronne.



Uwaga na odrzucane przedmioty. Dopilnować, aby wszyscy gapie — zwłaszcza dzieci, a także zwierzęta — znajdowali się co najmniej 15 m od obszaru pracy.



Produkt nie jest przeznaczony do stosowania z nożem zębąтым.



Nóż TRI-ARC



Symbol zgodności z przepisami europejskimi



Oznaczenie zgodności EurAsian



Symbol zgodności z przepisami ukraińskimi



Nie zbliżać rąk do ostrza tnącego.



Zwracać uwagę na ciąg tarczy tnącej.



Nie wystawiać urządzenia na działanie deszczu ani nie używać w miejscach o dużej wilgotności.



Gwarantowany poziom mocy akustycznej



Symbol zgodności z przepisami brytyjskimi



Przed rozpoczęciem pracy z produktem wymontować akumulator.

Zużytego sprzętu elektrycznego i elektronicznego, w tym zużytych baterii i akumulatorów, nie należy wyrzucać jako nieposortowanych odpadów komunalnych. Zużyty sprzęt elektryczny i elektroniczny, w tym zużyte baterie i akumulatory, musi być gromadzony osobno. Zużyte baterie, akumulatory i źródła światła muszą zostać usunięte ze sprzętu. Skontaktować się z lokalnymi władzami lub sprzedawcą detalicznym w celu uzyskania porad dotyczących recyklingu i punktu zbiórki odpadów. Zgodnie z lokalnymi przepisami sprzedawcy detaliczni mogą być zobowiązani do nieodpłatnego odbioru zużytego sprzętu elektrycznego i elektronicznego, w tym baterii i akumulatorów. Państwa wkład w ponowne wykorzystanie i recykling zużytego sprzętu elektrycznego i elektronicznego, w tym baterii i akumulatorów, pomaga zmniejszyć zapotrzebowanie na surowce. Zużyte baterie i akumulatory — w szczególności zawierające lit — a także pozostały sprzęt elektryczny i elektroniczny, zawierają nadające się do recyklingu i cenne materiały i surowce, które mogą mieć negatywny wpływ na środowisko naturalne i zdrowie ludzkie, jeśli nie są usuwane w sposób przyjazny dla środowiska naturalnego. Z utylizowanego sprzętu należy usunąć wszelkie ewentualne dane osobowe.



## SYMBOLE STOSOWANE W NINIEJSZEJ INSTRUKCJI



Uwaga



Ostrzeżenie!



Części lub akcesoria sprzedawane osobno

Při návrhu tohoto křovinořezového nástavce byl kladen obzvláštní důraz na bezpečnost, provozní vlastnosti a spolehlivost.

## ZAMÝŠLENÉ POUŽITÍ

Tento křovinořezový nástavec je schválen pro používání na hlavách s elektrickým pohonem RPH1200, RLT12381 a RBC12261 a s akumulátorovými hlavami RPH3601-BL a RY36ELTX33A.

Tento přístroj je určen k sekání křovin, výhonů a podobné vegetace těsně nad zemí. Tento přístroj může také sekat dlouhou travu, dužnatý plevel a podobné druhy vegetace.

Rovina řezu by měla být víceméně rovnoběžně s plochou země.

Výrobek smí používat pouze dospělé osoby, které si přečetly a seznámily se s pokyny a varováními v tomto návodu a které lze považovat za zodpovědné za své jednání.

Tento výrobek je určen pouze pro venkovní používání v dobře vetrané oblasti. Z bezpečnostních důvodů je nutné s produktem řádně manipulovat oběma rukama.

Přístroj nepoužívejte ji k jiným účelům.

## OBCENÁ BEZPEČNOSTNÍ UPOZORNĚNÍ K PRODUKTU

**VAROVÁNÍ!** Přečtěte si všechny pokyny a bezpečnostní varování. Opomenutí dodržování varování a pokynů uvedených níže může způsobit úraz elektřinou požár a/nebo vážná poranění osob.

**Uchovajte všechny pokyny a upozornění, abyste se k nim mohli v budoucnosti vrátit.**

Termín „elektrické nářadí“ ve výstrahách odkazuje na produkt napájený ze sítě (s kabelem) nebo na baterie (bezdrátový).

### PRACOVNÍ PROSTŘEDÍ

- **Udržujte pracovní prostor čistý a dobře osvětlený.** Zatarasené nebo tmavé oblasti vedou k nehodám.
- **Neppracujte s tímto elektricky poháněným nástrojem ve výbušných prostředích, například v přítomnosti hořlavých kapalin, plynů nebo prachu.** Elektricky poháněné nástroje vytváří jiskry, které mohou zapálit prach nebo výpary.
- **Udržujte děti a přihlízející během práce s elektricky poháněným nástrojem stranou.** Rozptylování může způsobit ztrátu kontroly.

### ELEKTRICKÁ BEZPEČNOST

- **Zástrčky elektricky poháněného nástroje musí být shodné s elektrickou zásuvkou.** Nepokoušejte se zástrčku jakýmkoliv způsobem upravovat. Nepoužívejte žádný adaptér zástrček se zemněným (uzemněným) elektricky poháněným nástrojem. Neupravené zástrčky a shodné zásuvky snižují nebezpečí elektrického úrazu.
- **Předcházejte tělesnému kontaktu s uzemněnými nebo zemněnými povrchy, například trubkami, radiátory, sporáky a lednicemi.** Je zde zvýšené nebezpečí zásahu elektrickým proudem, pokud je vaše tělo zemněno nebo uzemněno.
- **Nevystavujte tento přístroj dešti nebo vlhkým podmínkám.** Voda vnikající do elektricky poháněného nástroje zvyšuje nebezpečí elektrického úrazu.
- **Nepoškozujte napájecí kabel. Nikdy pro odpojování, táhnutí nebo přenášení elektricky poháněného nástroje nepoužívejte kabel. Udržujte kabel mimo**

**horké plochy, olej, pohyblivé součásti nebo ostré hrany.** Poškozené nebo zamotané kabely zvyšují nebezpečí elektrického úrazu.

- **Pokud používáte elektricky poháněný nástroj ve venkovním prostředí, používejte prodlužovací kabel vhodný pro venkovní prostředí.** Použití kabelu vhodného pro venkovní prostředí snižuje nebezpečí elektrického úrazu.
- **Pokud používáte elektricky poháněný nástroj ve vlhkém prostředí, je nezbytné používat proudový chránič (PCH).** Použitím PCH snížíte nebezpečí poranění elektrickým proudem.

### OSOBNÍ BEZPEČNOST

- **Buďte ve střehu, hlídejte, co děláte a používejte zdravý rozum při provozu tohoto elektricky poháněného nástroje. Elektrický nástroj nepoužívejte, pokud jste unaveni nebo pod vlivem drog, alkoholu nebo léků.** Chvilce nepozornosti při práci s tímto elektricky poháněným nástrojem může způsobit vážná poranění osob.
- **Používejte osobní ochrannou výbavu. Vždy noste ochranu očí.** Ochranné prostředky jako ochranná maska, protiskluzová bezpečnostní obuv, přilba a ochrana sluchu využívané podle podmínek sníží riziko úrazů.
- **Zabraňte náhodnému spuštění. Zabezpečte, aby byl spínač v poloze vypnuto (off) před připojením zdroje energie a/nebo bloku baterií, přípravou nebo nesením nástroje.** Nošení elektrického nástroje s vaším prstem na spínači nebo se zapojenou zástrčkou elektrického nástroje může při zapnutí vést k nehodě.
- **Odstraňte všechny seřizovací klíče nebo šroubováky, než zapnete poháněný nástroj.** Klíč nebo šroubovák ponechaný přiložený k pohyblivému dílu elektricky poháněného nástroje může způsobit poranění osob.
- **Nepřeceňujte se. Udržujte řádné postavení a rovnováhu po celou dobu práce.** Toto umožňuje lepší ovládání poháněného nástroje v neočekávaných situacích.
- **Správně se oblékejte. Nenoste volný oděv nebo šperky. Braňte styku vlasů a oděvu s pohyblivými částmi.** Volný oděv, šperky nebo dlouhé vlasy mohou být zachyceny do pohyblivých dílů.
- **Pokud jsou zařízení vybavena přípojkou pro odsávání prachu a sběrným zařízením, ujistěte se, že jsou správně připojeny k nástroji, a že se správně používají.** Použití odsavače prachu může snížit nebezpečí související s prachem.
- **Nenechte se ukolébat znalostmi získanými při častém používání nástrojů a neignorujte bezpečnostní pravidla.** Nedbalá činnost může způsobit poranění ze zlomku sekundy.

### POUŽITÍ A PÉČE O NÁSTROJ

- **Nepoužívejte nadměrnou sílu na nástroj. Nářadí vybírejte podle povahy práce, kterou chcete provádět.** Správný elektricky poháněný nástroj bude svou práci provádět lépe a bezpečněji při práci, pro kterou byl navržen.
- **Elektricky poháněný nástroj nepoužívejte, pokud spínač nezapíná a nevypíná.** Každý elektricky poháněný nástroj, který nemůže být ovládán spínačem, je nebezpečný a musí být opraven.
- **Před jakýmkoliv seřizováním, výměnou doplňků, vyjímáním baterie nebo ukládáním elektrického nářadí odpojte nejdříve zástrčku od zdroje napájení elektrického nářadí, popřípadě, podle provedení,**



vyjměte baterii. Také bezpečnostní preventivní opatření snižují riziko náhodného spuštění elektrického nástroje.

- Ukládejte nečinný elektricky poháněný nástroj mimo dosah dětí a nenechávejte neznámé osoby pracovat s elektricky poháněným nástrojem nebo s těmito pokyny k obsluze elektrického nástroje. Elektricky poháněné nástroje jsou nebezpečné v rukou nekvalifikovaných uživatelů.
- Provádějte údržbu elektrického nářadí i příslušenství. Kontrolujte vychýlení nebo zasekávání pohyblivých dílů, rozbité části a každé jiné podmínky, které mohou ovlivnit funkci elektricky poháněných nástrojů. Zjistili se poškození, musí se elektricky poháněný nástroj před použitím opravit. Mnoho úrazů je způsobeno nedostatečně udržovanými elektricky poháněnými nástroji.
- Udržujte řezné nástroje ostré a čisté. Řádně udržované řezné nástroje s ostrými řeznými hranami mají nízkou pravděpodobnost zaseknutí a jsou snadněji ovladatelné.
- Poháněné nástroje, příslušenství a vrtáky, atd. používejte v souladu s těmito pokyny s ohledem k pracovním podmínkám a práci, která má být provedena. Použití elektricky poháněného nástroje pro práce jiné, než zamýšlené by mohlo mít za následek nebezpečnou situaci.
- Udržujte rukojeti a úchopové oblasti suché, čisté a bez mastnot a oleje. Kluzké rukojeti a úchopové plochy neumožňují bezpečnou manipulaci a kontrolu nad nástrojem v neočekávaných situacích.

#### POUŽITÍ A PÉČE O NÁSTROJ NA BATERIE

- Dobíjejte pouze nabíječkou určenou výrobcem. Nabíječka, která je vhodná pro jeden typ akumulátoru může způsobit nebezpečí požáru, pokud se používá s jiným bateriovým modulem.
- Elektrický nástroj používejte pouze s přesně určeným bateriovým modulem. Použití jakéhokoliv jiného akumulátoru může způsobit nebezpečí poranění a požáru.
- Pokud akumulátor nepoužíváte, uchovávejte jej mimo kovové předměty jako svorky pro papír, mince, klíče, hřebíky, šrouby nebo jiné malé kovové předměty, které mohou vytvořit propojení jednoho vývodu s druhým. Zkratování vývodů baterie může způsobit požár nebo popáleniny.
- Za nevhodných podmínek může z baterie vytékat kapalina; zabraňte kontaktu. Pokud dojde k náhodnému kontaktu, omyjte vodou. Pokud kapalina přijde do kontaktu s očima, ihned vyhledejte lékařskou pomoc. Kapalina vytečená z baterie způsobí podráždění nebo popáleniny.
- Nepoužívejte baterie ani nástroj, který je poškozený nebo upravený. Poškozené nebo upravené baterie se mohou chovat nepředvídatelně a důsledkem může být požár, výbuch nebo riziko zranění.
- Nevystavujte baterii ani zařízení ohni nebo příliš vysoké teplotě. Vystavení ohni nebo teplotám nad 130 °C může způsobit výbuch.
- Postupujte podle všech pokynů k nabíjení a nenabíjejte baterie nebo nástroj mimo teplotní rozsah uvedený v pokynech. Nesprávné nabíjení nebo při teplotách mimo uvedených rozsahů může poškodit baterii a zvýšit riziko požáru.

#### ÚDRŽBA

- Váš elektricky poháněný nástroj smí opravovat pouze kvalifikovaný opravárenský pracovník a musí používat pouze shodné náhradní díly. Toto zajišťuje udržování bezpečnosti elektricky poháněného nástroje.
- Nikdy neopravujte poškozené baterie. Baterie by měl opravovat pouze výrobce nebo autorizovaný servis.

#### BEZPEČNOSTNÍ UPOZORNĚNÍ KE KŘOVINOŘEZU

- Stroj nepoužívejte za nepříznivého počasí, obzvláště hrozí-li riziko zásahu bleskem. Toto snižuje riziko zasažení bleskem.
- Před použitím stroje si pozorně prohlédněte povrch, na němž jej budete používat, jestli tam nejsou volně žijící zvířata. Při provozu stroje by mohla volně žijící zvířata utrpět zranění.
- Pozorně si prohlédněte povrch, na němž budete stroj používat, a odstraňte všechny kameny, klacky, dráty, kosti a další cizorodý materiál. Odskakující předměty mohou způsobit úraz.
- Před použitím přístroje vždy proveďte jeho vizuální kontrolu a zkontrolujte, zda není poškozen kotouč a mechanismus nebo uchycení kotouče. Poškozené části zvyšují riziko úrazu.
- Před použitím zkontrolujte napájecí kabel a případný prodlužovací kabel, zda nejsou známky poškození nebo stárnutí. Nepoužívejte nástroj, když je kabel poškozen nebo ve špatném stavu. Pokud je kabel během používání poškozen nebo opotřebován, vypněte stroj a nedotýkejte se kabelu před jeho odpojením od zdroje. Poškozený napájecí nebo prodlužovací kabel může způsobit úraz elektrickým proudem, požár popřípadě vážné zranění.
- Dodržujte pokyny pro výměnu příslušenství. Nedotažené zajišťovací matice nebo šrouby kotouče mohou kotouč poškodit nebo způsobit jeho uvolnění.
- Jmenovitě otáčky kotouče musí být minimálně stejné jako jsou maximální otáčky vyznačené na stroji. Kotouče, které se pohybují vyšší rychlostí, než na jaké jsou homologovány, se mohou roztržít a rozlétnout se po okolí.
- Používejte ochranu zraku, sluchu, hlavy a rukou. Odpovídající ochranné prostředky snižují riziko úrazu od odletujících oděvků a náhodného styku s žací strunou nebo kotoučem.
- Při práci se strojem vždy noste bezpečnostní obuv. Se zařízením nepracujte, pokud máte obuty sandály s otevřenou špičkou, nebo pokud jste bosí. Tím omezíte riziko úrazu nohou v důsledku kontaktu s rotujícím mechanismem, strunou nebo kotoučem.
- Při práci s přístrojem vždy noste dlouhé kalhoty. Obnažená pokožka zvyšuje pravděpodobnost úrazu odmršťovanými předměty.
- Během provozu udržujte stroj v bezpečné vzdálenosti od osob. Odlétávající třísky mohou způsobit vážný úraz.
- Obsluhujte přístroj vždy oběma rukama. Držením stroje oběma rukama předejdete ztrátě kontroly.
- Držte stroj pouze na izolovaných plochách, protože jeho žací struna nebo kotouč mohou přijít do styku se skrytými vodiči. Styk žací struny nebo kotouče s fázovým vodičem může vystavit kovové části stroje napětí proti zemi a způsobit uživateli úraz elektrickým proudem.





- **Vždy udržujte stabilní postoj a obsluhujte stroj pouze tehdy, když stojíte na zemi.** Kluzký nebo nestabilní povrch může způsobit ztrátu rovnováhy nebo kontroly nad přístrojem.
- **Nepracujte se strojem na příliš příkrých svazích.** Tím omezíte riziko ztráty kontroly, uklouznutí a pádu, jež by mohlo vést k úrazu.
- **Při práci na svahu vždy dbejte na bezpečný postoj, pracujte napříč svahem, nikdy nahoru a dolů a obzvláště si dávejte pozor při změně směru.** Tím omezíte riziko ztráty kontroly, uklouznutí a pádu, jež by mohlo vést k úrazu.
- **Udržujte napájecí kabel v dostatečné vzdálenosti od vyžinače, struny nebo kotočce.** Poškozený napájecí kabel může způsobit úraz elektrickým proudem, požár popřípadě vážné zranění.
- **Udržujte všechny části těla v dostatečné vzdálenosti od mechanismu, struny nebo kotočce, když je přístroj v chodu.** Před spuštěním stroje se ujistěte, že se mechanismus, struna nebo kotočč nicého nedotýkají. Chvilka nepozornosti při obsluze přístroje může vést k úrazu obsluhy nebo druhých osob.
- **Nepracujte se strojem nad úrovní pasu.** Pomůže to zabránit nechtěnému kontaktu s mechanismem, strunou nebo kotočcem a umožní to lépe ovládat stroj i v neočekávaných situacích.
- **Při stříhání keřů nebo stromků, které jsou napjaty, si dávejte pozor na zpětný odraz.** Po uvolnění napětí ve vláknec dřeva může keř nebo stromek zasáhnout obsluhu případně dostat stroj mimo kontrolu.
- **Buďte velmi opatrní při řezání malých větviček a křovin.** Štíhlý pružný materiál se může zachytit kotočce a může šlehnout směrem k vám nebo vás vyvést z rovnováhy.
- **Udržujte přístroj pod kontrolou a nedotýkejte se vyžinací části, struny nebo kotočce a jiných nebezpečných pohyblivých částí, pokud jsou stále v pohybu.** Tím omezíte riziko úrazu od pohyblivých částí.
- **Přenášejte stroj s vypnutým motorem a dále od těla.** Správná manipulace s přístrojem snižá pravděpodobnost náhodného kontaktu s pohyblivým se mechanismem, strunou nebo kotočcem.
- **Při přepravě nebo skladování stroje vždy nasadte kryt na kovové kotočce.** Správná manipulace se strojem snižá pravděpodobnost náhodného kontaktu s kotočcem.
- **Používejte pouze náhradní mechanismus, struny, vyžinací hlavy a kotočce určené výrobcem.** Nesprávné náhradní díly mohou zvýšit riziko poruchy a úrazu.
- **Při odstraňování zachyceného materiálu nebo provádění údržby musí být stroj vypnut a akumulátor musí být vyjmut.** Náhodné spuštění přístroje během odstraňování zachyceného materiálu nebo provádění servisu může způsobit vážný úraz.

## PŘÍČINY KOPNUTÍ KOTOČE A PŘÍSLUŠNÁ VAROVÁNÍ

Kopnutí kotočce je náhlý pohyb přístroje do strany, dopředu nebo dozadu, ke kterému může dojít, když se kotočč zasekne nebo zachytí o nějaký předmět, jako je stromek nebo pařez. Může být dost prudké na to, aby způsobilo náhlý pohyb přístroje případně obsluhu libovolným směrem a ztrátu kontrolu nad přístrojem.

Kopnutí kotočce a souvisejícímu nebezpečí se lze vyhnout přijetím vhodných opatření, jak je uvedeno níže.

- **Držte přístroj pevně oběma rukama a nastavte paže tak, abyste kopnutí zachytili.** Umístěte své tělo na levou stranu přístroje. Kopnutí kotočce může zvýšit riziko úrazu v důsledku neočekávaného pohybu přístroje. Obsluha se může vyhnout kopnutí kotočce díky vhodným opatřením.
- **Pokud dochází ke svírání kotočce nebo je potřeba z jakéhokoliv důvodu sekání přerušit, vypněte přístroj a držte jej bez pohybu, dokud se kotočč úplně nezastaví.** Dokud se kotočč zasekává, nikdy se nepokoušejte odtrhnout přístroj od materiálu nebo jej táhnout dozadu, dokud je kotočč v pohybu, jinak by mohlo dojít ke kopnutí kotočce. Najděte a proveďte nápravná opatření k odstranění příčiny zablokování kotočce.
- **Nepoužívejte tupé nebo poškozené kotočce.** Tupé nebo poškozené kotočce zvyšují riziko zaseknutí nebo zachycení předmětu, což má za následek kopnutí kotočce.
- **Vždy udržujte dobrou viditelnost sekaného materiálu.** K zaseknutí čepel pravděpodobněji dojde v místech, kde je špatně vidět na sekanou hmotu.
- **Pokud se k vám při obsluze přístroje přiblíží jiná osoba, přístroj vypněte.** Existuje zvýšené riziko úrazu dalších osob, které mohou být v případě kopnutí zasaženy pohyblivým se kotočcem.

## DOPLŇUJÍCÍ BEZPEČNOSTNÍ VAROVÁNÍ

- Před prací s nástrojem a po nárazu zkontrolujte možné poškození dílů. Pokud je spínač nebo nějaká část poškozena či opotřebená, musí se řádně opravit nebo vyměnit pověřeným servisním střediskem.
- Malá čepel umístěná v ochranném krytu je určena k uřezání nově vytažené struny na správnou délku pro bezpečné použití a optimální výkon. Nůž je velmi ostrý. Nedotýkejte se nože, obzvláště během čištění přístroje.
- Používejte pouze náhradní žací strunu od výrobce. Nepoužívejte žádné jiné sekací nástavce.
- Zkontrolujte, zda je sekací doplněk řádně nainstalován a bezpečně upevněn.
- Nikdy výrobek neprovozujte, dokud nejsou všechny chrániče, vodící plechy a rukojetě řádně a bezpečně připojeny.
- Před každým použitím se ujistěte, že je řezací čepel řádně umístěna v bezpečnostním krytu a zajištěna.
- Nástavec vyžinače udržujte pod výší pasu.
- V případě nehody nebo poruchy přístroj okamžitě vypněte a vyjměte akumulátor nebo přístroj odpojte od zdroje napájení. Výrobek můžete znovu používat až po důkladné kontrole autorizovaným servisním centrem.
- Ke snížení rizika úrazu v důsledku styku s pohyblivými díly produkt vždy vypněte, vyjměte baterie a odpojte je od přívodu energie. Nechte oba zchladnout. Ujistěte se, že se zastavily všechny pohyblivé díly:
  - před servisem
  - před čištěním usazenin
  - před kontrolou, čištěním nebo prací na nástroji,
  - před výměnou příslušenství
  - po nárazu na cizí předmět
  - je-li ponechán výrobek bez dozoru
  - při údržbě
  - pokud stroj začne abnormálně vibrovat



- Zkontrolujte, zda jsou všechny bezpečnostní kryty, rukojeti správně instalovány a v dobrém stavu.
- Držte výrobek za rukojetě určené k držení a práci provádějte po omezenou dobu.
- Vyhýbejte se při sekání odmršťování předmětů. Před zahájením práce odstraňte z pracovního prostoru nečistoty jako malé kamínky, štěrk a jiné cizí předměty. Do žacího nástroje se mohou namotat dráty nebo struna.

## TRANSPORT A SKLADOVÁNÍ

- Tento přístroj je vybaven popruhem. Používejte tento popruh během provozu přístroje. Opatrně nastavte postroj tak, aby pohodlně podpíral hmotnost produktu po vaší pravé straně. Vyhleďte si jak obsluhovat rychlospojku a naučte se ji používat před první obsluhou nástroje. Její správné používání může zabránit v nouzi vážným poraněním. Nad postrojem nikdy nenoste další odev ani jinak neomezujte přístup k rychloupínacímu mechanismu.
- Nenoste více pásů nebo ramenních popruhů.
- Vždy zajistěte, aby ventilační otvory nebyly ničím zataraseny.
- Elektrické zařízení musí být napájeno přes proudový chránič s reziduálním proudem nepřesahujícím 30 mA.
- Přístroj provozujte pouze při teplotách mezi 0 °C a 40 °C.
- Přístroj skladujte v místě s teplotou prostředí mezi 0 °C a 40 °C.
- Pokud je napájecí kabel poškozen, musí být nahrazen speciálním kabelem nebo sestavou, kterou lze zakoupit v autorizovaném servisním středisku.
- Před každým použitím zkontrolujte napájecí kabel, zda není poškozen. Pokud je napájecí kabel poškozen, musí být odborně vyměněn v autorizovaném servisním středisku.
- Při nasazování nebo vyjímání čepelí používejte ochranné rukavice.
- Nezkoušejte se dotýkat nebo zastavovat nůž, když se otáčí.
- Vyměňujte každý poškozený nůž. Vždy se ujistěte, že je nůž řádně nainstalován a bezpečně připevněn před každým použitím.
- Používejte pouze náhradní kotouč TRI-ARC od výrobce. Nepoužívejte žádné jiné sekací nástavce.
- Nikdy nesekejte materiál s průměrem přes 13 mm.
- Před skladováním nebo přepravováním výrobku vždy na nůž umístěte chránič nože. Před používáním nástroje vždy chránič nože sundejte. Pokud jej nesundáte, může chránič vyletět jako projektil při spuštění přístroje.
- Pro jednoduché a bezpečné sečení provádějte sečení plevele zprava doleva. V případě kontaktu s neočekávaným předmětem nebo dřevěným kmenem by toto mohlo snížit zpětnou reakci kotouče. Pro ovládání výrobku jsou zapotřebí obě ruce.
- Poranění mohou být způsobena, či zhoršena, prodlouženým používáním nástroje. Používáte-li tento přístroj delší dobu, zajišťujte pravidelné přestávky.

- Baterii dobíjejte na místě s teplotou prostředí mezi 10 °C a 38 °C.
- Baterii skladujte na místě s teplotou prostředí mezi 0 °C a 20 °C.
- Baterii používejte na místě s okolní teplotou 0 °C a 40 °C.
- Před přenášením nebo uložením přístroje z něj vždy vyjměte akumulátor a nechte oba vychladnout.
- Odstraňte z výrobku všechny cizí materiály.
- Výrobek neskladujte ani nepřenášejte s vloženou baterií. Vyjměte baterii a zajistěte ji odděleně. Ukládejte v chladných, suchých a dobře větraných prostorech, které nejsou přístupné dětem. Udržujte produkt mimo korozivní materiály, například zahrádkářské chemikálie a rozmrazovací soli. Výrobek neskladujte venku.
- Při transportu výrobku zajistete proti pohybu nebo pádu, abyste zabránili poranění osob nebo poškození výrobku.

## TRANSPORT LITHIOVÝCH BATERÍ

- Přenos baterií dle místních a národních opatření a předpisů.
- Dodržujte všechny zvláštní požadavky na balení a značení při transportu baterií třetí stranou. Zajistěte, aby žádné baterie nepřišly do kontaktu s jinými bateriemi nebo vodivými materiály při transportu pomocí ochrany nekrytých kontaktů prostřednictvím izolace, nevodivých krytek či lepicích pásek. Neprepravujte prasklé nebo baterie s unikajícím elektrolytem. Ptejte se u zásilkové společnosti na další radu.

## ÚDRŽBA

- Používejte pouze originální příslušenství, doplňky a náhradní díly výrobce. Zanedbání může zapříčinit možné poranění, slabý výkon a může dojít ke ztrátě záruky.
- Údržba vyžaduje extrémní péči a znalosti a měla by být prováděna pouze kvalifikovaným servisním technikem. Výrobek nechte opravit pouze v pověřeném servisu.
- Vypněte přístroj, vyjměte akumulátor nebo přístroj odpojte od napájecího zdroje. Veškeré pohyblivé části se před jakoukoliv údržbou nebo údržbou musejí kompletně zastavit.
- Můžete provádět pouze v návodu k obsluze uvedené opravy a seřízení. Pro jiné opravy nebo poradenství, požádejte o pomoc autorizované servisní středisko.
- Při výměně struny používejte pouze monofilní strunu o průměru dle tabulky technických údajů v návodu.
- Po každém použití setřete nástroj měkkým a suchým hadříkem. Jakýkoliv poškozený díl je nutné správně opravit nebo nechat vyměnit v autorizovaném servisním středisku.
- Pravidelně a před každým použitím zkontrolujte, zda jsou matice, šrouby a šroubky řádně utažené, aby byl výrobek v bezpečném provozním stavu. Jakýkoliv poškozený díl je nutné správně opravit nebo nechat vyměnit v autorizovaném servisním středisku.
- Chcete-li vyměnit poškozené nebo nečitelné štítky, předejte zařízení do autorizovaného servisního střediska.

## DOPLŇUJÍCÍ BEZPEČNOSTNÍ UPOZORNĚNÍ K BATERII

- Ke snížení rizika požáru, úrazu a poškození výrobku v důsledku zkratu nikdy nenoste přístroj, baterii ani nabíječku do tekutiny a nedovolte, aby do nich tekutina vnikla. Korodující nebo vodivé kapaliny, jako je slaná voda, určité chemikálie a bělicí prostředky nebo výrobky, které obsahují bělidlo, mohou způsobit zkrat.

## POZNEJTE SVŮJ NÁSTROJ

Viz strana 137.

1. Spojovací hřídel nástavce
2. Chráníč nože
3. Nůž TRI-ARC
4. Kryt lišty
5. Návod k obsluze
6. Kovový kryt
7. Přírubová podložka
8. Konstrukční podložka
9. Aretovací klíč
10. Kombinovaný klíč
11. Matice

## SYMBOLY NA VÝROBKU



Bezpečnostní výstraha



Před používáním výrobku se obeznamte se všemi pokyny. Dbejte na všechna upozornění a dodržujte bezpečnostní pokyny.



Používejte ochranu zraku, hlavy a sluchu.



Při používání pily noste protiskluzovou pracovní obuv.



Navlékněte si pevné neklouzavé pracovní rukavice.



Dávejte pozor na odmrštěné nebo odletující předměty. V okruhu nejméně 15 m od pracovního prostoru se nesmí vyskytovat žádní přihlížející, zejména děti a zvířata.



Tento výrobek není určen k použití s ozubeným typem kotouče.



Nůž TRI-ARC



Značka shody s evropskými normami



Euroasijská značka shody



Značka shody s ukrajinskými normami



Udržujte ruce mimo odřezávací nůž.



Dejte pozor na rázy od čepele.



Nevystavujte dešti nebo nepoužívejte ve vlhkých podmínkách.



Zaručená hladina akustického výkonu



Značka shody s britskými normami



Před zahájením jakékoli práce na přístroji vyjměte akumulátor.

Nelikvidujte vybité baterie a elektrické a elektronické zařízení společně s netříděným komunálním odpadem. Vybité baterie a elektrický a elektronický odpad musí být shromažďovány odděleně. Vybité baterie, akumulátory a odpadní světelné zdroje musí být od zařízení odděleny. Zjistěte si u místní samosprávy nebo u maloobchodníka, jaké jsou pokyny k recyklaci a kde je sběrné místo. Podle místních nařízení mohou mít maloobchodníci povinnost brát bezplatně zpět vybité baterie, elektrický a elektronický odpad. Když budete přispívat k opětnému použití a recyklaci vybitých baterií a elektrického a elektronického odpadu, pomůže to snížit potřebu surovin. Vybité baterie, zejména ty s obsahem lithia, elektrický a elektronický odpad obsahují cenné a recyklovatelné materiály, které mohou mít nepříznivý dopad na životní prostředí a lidské zdraví, nebudou-li zlikvidovány ekologickým způsobem. Odstraňte z odpadu osobní údaje, pokud nějaké obsahuje.



## SYMBOLY V NÁVODU



Poznámka



Varování



Díly nebo příslušenství jsou v prodeji samostatně



A bozótvágó tartozék kialakítása során elsődleges szempont volt a biztonság, a teljesítmény és a megbízhatóság.

## RENDELTETTÉSSZERŰ HASZNÁLAT

A bozótvágó tartozék az RPH1200, RLT1238I, RBC1226I elektromos fejekkel, valamint az RPH3601-BL és RY36ELTX33A akkumulátoros fejekkel használható.

A terméket cseréjk, bokrok és hasonló növényzet talajszint közeli vágására tervezték. A termék képes levágni hosszú fűvet, puha gyomot és hasonló növényzetet.

A vágás síkjának nagyjából párhuzamosnak kell lennie a talajfelszínnel.

A termék kizárólag a tetteikért felelősséget vállalni képes felnőttek általi használatra készült, akik elolvasták és megértették a jelen kézikönyv utasításait és figyelmeztetéseit.

A termék csak kültéri, jól szellőztetett területen való használatra készült. Biztonsági okokból a terméket kézkezes működtetéssel megfelelő ellenőrzés alatt kell tartani.

Semmilyen más célra ne használja.

## ÁLTALÁNOS BIZTONSÁGI FIGYELMEZTETÉSEK A TERMÉKHEZ

**⚠ FIGYELMEZTETÉS! Olvassa el az összes biztonsági figyelmeztetést és útmutatást.** A figyelmeztetések és utasítások be nem tartása elektromos áramütést, tüzet és/vagy súlyos sérülést eredményezhet.

**Őrizz meg ezeket a figyelmeztetéseket és utasításokat a későbbi tájékozódásra is.**

A figyelmeztetésekből a „nagy teljesítményű eszköz” a hálózatról működtetett (vezetékes) vagy az akkumulátorral üzemelő (vezeték nélküli) termékre utal.

### MUNKATERÜLET

- A munkaterületet tartsa tisztán és jól megvilágítva. A rendellen vagy sötét munkaterületek balesetekhez vezethetnek.
- Az elektromos szerszámgepeket ne működtesse robbanásveszélyes környezetben, mint például robbanásveszélyes folyadékok, gázok vagy porok jelenlétében. Az elektromos gépekben szikrák keletkeznek, amik begyűjthetik a port vagy a gőzöket.
- Az elektromos szerszámgép használatakor a gyerekeket és a kívülről tartva távol. A figyelem elterelődése az irányítás elvesztését okozhatja.

### ELEKTROMOS BIZTONSÁG

- A szerszámgép dugaszának illeszkednie kell az aljzathoz. Semmilyen módon ne módosítsa a dugaszt. A földelt elektromos gépekhez ne használjon adapter dugaszt. A nem módosított és illeszkedő dugasz csökkenti az áramütés kockázatát.
- Kerülje az érintkezést földelt felületekkel, mint például csövekkel, radiátorokkal és hűtőkkel. Megnöveli az áramütés kockázatát, ha a teste földeltté válik.
- Ne tegye ki a terméket esőnek vagy nedves környezet hatásának. A szerszámgépekbe kerülő víz növeli az áramütés kockázatát.
- Ne rongálja meg a kábelt. A szerszámgép kábelét soha ne használja a szerszám hordozására, húzására vagy kihúzására. A kábel hőtől, olajtól, éles tárgyaktól vagy mozgó alkatrészekről tartsa távol. A sérült vagy beakadt kábelek növelik az áramütés kockázatát.

- Szerszámgépnek a szabadban való működtetésekor kültéri használatra is megfelelő hosszabbító kábelt használjon. Kültéri használatra megfelelő hosszabbító kábel csökkenti az áramütés kockázatát.
- Ha a szerszámgép használata nedves környezetben elkerülhetetlen, használjon áram-védőkacsolt (RCD). Az RCD használata csökkenti az áramütés kockázatát.

### SZEMÉLYI BIZTONSÁG

- Elektromos szerszámgép működtetésekor legyen mindig éber, figyeljen arra, amit csinál, és használja a józan esztét. Ne használja a szerszámgépet, ha fáradt vagy alkohol, gyógyszer illetve más tudatmódosító szerek hatása alatt áll. A gép használata közben már egyetlen figyelmen kívül hagyás is súlyos személyi sérüléshez vezethet.
- Használjon személyi védelmi eszközöket. Mindig viseljen védőszemüveget. Az adott feltételekhez használt védőfelszerelés, például porvédő maszk, csúszásmentes biztonsági cipő, védősisak vagy hallásvédő, csökkenti a személyi sérüléseket.
- Kerülje el a véletlen bekapcsolást. A szerszám szállítása vagy felemelése, az áramellátás és/vagy akkumulátor csatlakoztatása előtt ellenőrizze, hogy a kapcsoló kikapcsolt állásban van. Szerszámgépek szállítása a kapcsolón tartott ujjal vagy bekapcsolt szerszámgépek áram alá helyezése balesetekhez vezet.
- A szerszámgépről bekapcsolás előtt távolítsa el minden beállító kulcsot és csavarkulcsot. Egy a szerszámgép forgó alkatrészén maradt beállító kulcs vagy csavarkulcs személyi sérülést eredményezhet.
- Ne hajoljon ki túlságosan. Mindig tartson megfelelő testtartást és egyensúlyt. Ez a szerszámgép jobb irányítását teszi lehetővé váratlan szituációkban.
- Viseljen megfelelő ruházatot. Ne vegyen fel laza ruhát vagy ékszereket. A haját és a ruházatát tartsa távol a mozgó alkatrészekről. A laza ruházat, ékszerek vagy a hosszú haj beakadhatnak a mozgó alkatrészekbe.
- Ha a gép el van látva porkivezető vagy -gyűjtő berendezésekhez való csatlakozási lehetőséggel, akkor ügyeljen rá, hogy ezeket csatlakoztassák és megfelelően használják. A porfogó használatát csökkentheti a porral kapcsolatos veszélyeket.
- Ne töltse el elégedettségével az, hogy a gyakori eszközhasználatból kellő jártasságot szerzett, és ne hagyja figyelmen kívül az eszköz biztonsági alapelveit. Egy figyelmen kívül hagyás a másodperc törtrésze alatt súlyos sérüléseket okozhat.

### A SZERSZÁMGÉP HASZNÁLATA ÉS KARBANTARTÁSA

- Ne erőltesse a terméket. A feladathoz a megfelelő szerszámgépet használja. A megfelelő szerszámgép jobb teljesítménnyel és sokkal biztonságosabban fog dolgozni olyan körülmények között, amilyenekre azt tervezték.
- Ne használja a szerszámgépet, ha a kapcsoló nem kapcsol be és ki. Bármilyen szerszámgép veszélyes, amit a kapcsolóval nem lehet irányítani, ezért azt meg kell javítani.
- Mielőtt beállítást végezne, tartozékokat cserélne vagy a nagy teljesítményű gépet eltávolítja, húzza ki a csatlakozódugót a konnektorból és/vagy vegye ki az akkumulátort, ha eltávolítható. Az ilyen megelőző biztonsági óvintézkedések csökkenti a szerszámgép véletlen bekapcsolódásának kockázatát.
- A használaton kívüli gépet gyerekek számára nem elérhető helyen tárolja, és ne hagyja, hogy



a szerszámgépet vagy a kézikönyvet nem ismerő személyek használják a szerszámgépet. Gyakorlatlan felhasználók kezében a szerszámgépek veszélyesek.

- Végezze el a nagy teljesítményű gépek és a tartozékok karbantartását. Ellenőrizze a mozgó alkatrészek akadását vagy helytelen beállítását, az alkatrészek törését és minden más körülményt, ami hatással lehet a szerszámgép működésére. Ha sérült, a szerszámgépet használat előtt meg kell javítani. Sok balesetet a rosszul karbantartott szerszámgépek okoznak.
- A vágószerszámok legyenek élesek és tiszták. A megfelelően karbantartott, éles vágóélű vágószerszámok kevésbé akadnak be és könnyebben irányíthatók.
- A szerszámgépet, a tartozékokat és a biteket stb. ezen utasításban leírtaknak megfelelően használja, figyelembe véve a munkakörülményeket és az elvégzendő feladatot. A szerszámgép rendeltetésétől eltérő műveletekre való használata veszélyes helyzeteket eredményezhet.
- A fogantyúkat és a fogófelületeket tartsa szárazon, tisztán, olajtól és kenőzsírtól mentesen. A csúszós fogantyúk és fogófelületek nem teszik lehetővé a gép kezelését és irányítását egy váratlan helyzetben.

#### AKKUMULÁTOROS SZERSZÁMGÉP HASZNÁLATA ÉS KARBANTARTÁSA

- Csak a gyártó által megadott töltővel töltsen az akkumulátorokat. Egy adott akkumulátortípusúhoz való töltő egy másik típusú akkumulátorral való használata tűzveszélyes lehet.
- A szerszámokat csak a hozzájuk való akkumulátorokkal üzemeltesse. Más akkumulátorok használata tűzveszélyes lehet, és sérüléseket okozhat.
- Az akkumulátort használaton kívül tartsa távol más fém tárgyaktól, úgymint gemkapcsoktól, érméktől, kulcsoktól, szögektől, csavaroktól vagy más kisméretű fém tárgyaktól, amelyek rövidre zárhatják a két érintkezőt. Az akkumulátor érintkezőinek rövidre zárása tüzet vagy égéseket okozhat.
- Nem megfelelő körülmények esetén folyadék távozhatsz az akkumulátorból, kerülje az azzal való érintkezést. Ha mégis érintkezik vele, öblítse le vízzel. Ha a folyadék szembe kerül, forduljon orvoshoz. Az akkumulátorból kifolyt folyadék irritációt vagy égéseket okozhat.
- Ne használjon sérült vagy átalakított akkucsomagot vagy eszközt. A sérült vagy átalakított akkumulátor előre nem látható módon üzemelhet, ami tüzet, robbanást, más kockázatot vagy sérülést okozhat.
- Ne tegye ki az akkucsomagot vagy az eszközt túl magas hőmérsékleti hatásnak és ne tegye tűzbe ezeket. A tűznek vagy a 130°C feletti hőmérsékletnek való kitettség robbanást okozhat.
- Tartsa be az összes feltöltési utasítást és ne töltsen az akkucsomagot vagy az eszközt az utasításban megadott hőmérséklet-tartományon kívül. A helytelen töltés vagy a megadott tartományon kívüli hőmérsékleten való feltöltés az akkumulátort károsíthatja, és a tűzveszély kockázatát növelheti.

#### KARBANTARTÁS

- A szerszámgépet csak szakképzett szervizszakemberrel szervizeltesse, csak azonos cserealkatrészeket használva. Ez biztosítja, hogy a szerszámgép használata továbbra is biztonságos legyen.

- Soha ne javítson sérült akkucsomagokat. Az akkucsomagok javítását csak a gyártó vagy a hivatalos szervizek végezhetik.

#### A BOZÓTVÁGÓ BIZTONSÁGI FIGYELMEZTETÉSEI

- Ne használja a gépet rossz időjárási körülmények között, különösen villámlás kockázata idején. Ez csökkenti a villámcsapás kockázatát.
- Alaposan vizsgálja meg a területet, ahol a gépet használni kívánja. A vadon élő állatok a gép működése közben megsérülhetnek.
- Alaposan vizsgálja át a felületet, ahol a gépet használni fogja, és távolítsa el minden követ, botot, drótot, csontot és más idegen tárgyat. A ledobott tárgyak személyi sérülést okozhatnak.
- A gép használata előtt mindig szemrevételezze, hogy a vágószerszám vagy a kés, illetve azok szerelvénye nem sérült. A sérült alkatrészek növelik a sérülés kockázatát.
- Használat előtt ellenőrizze a tápkábelt és az esetleges hosszabbítót sérülések vagy elhasználódás szempontjából. Ne használja a gépet, ha a tápkábel károsodott vagy elhasználódott. Ha a vezeték sérült vagy elkopott használat közben, kapcsolja ki a gépet, és ne érjen a vezetékhez, amíg ki nem húzta a hálózatból. A sérült tápkábel vagy hosszabbító áramütést, tüzet és/vagy súlyos személyi sérülést okozhat.
- Kövesse a tartozékok cseréjéről szóló útmutatásokat. A nem megfelelően meghúzott, pengét rögzítő anyák vagy csavarok megsérthetik a kést, illetve azok miatt a kés leválhat.
- A kés névleges forgási sebessége legyen legalább egyenlő a gépen feltüntetett maximális sebességgel. A névleges forgási sebességüknél gyorsabban forgó kések széttörhetnek és elrepülhetnek.
- Viseljen szem-, fül- és fejszévedőt, valamint kesztyűt. A megfelelő védőeszközök használata csökkenti a repülő törmelék, illetve a vágószállal vagy késsel való véletlen érintkezés miatti sérülés kockázatát.
- A gép működtetése közben mindig viseljen biztonsági lábbelit. Ne használja a gépet meztelen vagy nyitott szandálban. Ez csökkenti a lábsérülés esélyét a mozgó vágószerszámmal, damillal vagy késsel való érintkezés miatt.
- A gép működtetése közben mindig viseljen hosszú nadrágot. A szabadon hagyott bőrfelület növeli a repülő tárgyak okozta sérülések valószínűségét.
- A termék üzemeltetése alatt tartsa távol a nézelődőket. A kivetett törmelék súlyos személyi sérülést okozhat.
- Mindig két kézzel üzemeltesse a gépet. A gépet két kézzel fogva megakadályozhatja, hogy elvesse az irányítást felette.
- A gépet csak a szigetelt fogófelületeknél tartsa, mert a vágószál vagy a kés hozzáérhet a rejtett vezetékhez. Ha feszültség alatti vezetékkel érintkezik a vágószál vagy a kések, a gép külvilággal érintkező fémrészei is áram alá kerülhetnek, és megrázzhatják a kezelőt.
- Mindig viseljen megfelelő lábbelit, és csak a talajon állva üzemeltesse a gépet. A csúszós vagy instabil felületek egyensúlyvesztést okozhatnak, illetve a kezelőt elvesztheti az irányítást a gép felett.





- Ne üzemeltesse a gépet túl meredek lejtőn. Ez csökkenti az irányítás elvesztésének, a megcsúszás és az elesés kockázatát, ami személyi sérüléssel járhat.
- A lejtőn végzett munka során mindig biztos lábon álljon, mindig a lejtő mentén keresztül dolgozzon, soha ne felfelé vagy lefelé, és irányváltáskor legyen rendkívül óvatos. Ez csökkenti az irányítás elvesztésének, a megcsúszás és az elesés kockázatát, ami személyi sérüléssel járhat.
- Tartsa a tápkábelt a vágófőtől, -száltól vagy késtől távol. A sérült tápkábel áramütést, tüzet és/vagy súlyos személyi sérülést okozhat.
- A gép működése közben tartsa távol összes testrészét a vágószerszámtól, damiltól vagy késtől. A gép elindítása előtt győződjön meg róla, hogy a vágószerszám, a damil vagy a kés nem ér hozzá semmihez. A gép üzemeltetése közben akár egy pillanatnyi figyelmetlenség is saját vagy mások sérülését okozhatja.
- Ne működtesse a gépet csipőmagasság felett. Ez segít megelőzni a vágószerszámmal vagy késsel való véletlen érintkezést, és váratlan helyzetekben jobb irányítást biztosít a gép felett.
- Kifeszített bokor vagy facsemeték vágása során számítson azok visszacsapódására. Amikor a fa kifeszített szálai kioldódnak, a bokor vagy a facsemete megütheti a kezelőt, és/vagy az ütés hatására a gép felett elvesztheti az irányítást.
- Különleges figyelemmel járjon el a kisebb bozót és facsemeték vágásakor. A vékony anyag beleakadhat a késbe, és a kezelő felé csapódhat, vagy kibillentheti az egyensúlyból.
- Tartsa ellenőrzése alatt a gépet, és ne érintse meg a vágószerszámokat, damilokat vagy pengéket, illetve más veszélyes mozgó alkatrészeket, amíg azok mozgásban vannak. Ez csökkenti a mozgó alkatrészek okozta sérülésveszélyt.
- A gépet kikapcsolt állapotban és testétől eltartva szállítsa. A gép megfelelő kezelése esetén csökken a mozgó vágószerszámmal, damillal vagy késsel való érintkezés esélye.
- A gép szállítása vagy tárolása során mindig helyezze fel a burkolatot a fémkésekre. A gép megfelelő kezelése esetén csökken a késsel való érintkezés esélye.
- Csak a gyártó által előírt csere vágószerszámokat, damilokat, vágófejeket és késeket használja. Nem megfelelő cserealkatrészek esetén nőhet a meghibásodás és sérülés kockázata.
- A beragadt anyag kitisztításakor vagy a gép javításakor ügyeljen arra, hogy a kapcsoló kikapcsolt helyzetben legyen, és vegye ki az akkumulátort. Súlyos személyi sérülést okozhat, ha javítás vagy a beragadt anyag kitisztítása közben a gép váratlanul elindul.

## A KÉS LÖKÉSE MIATTI ÉS AZ EHEZ KAPCSOLÓDÓ FIGYELMEZTETÉSEK

A kés lökése a gép hirtelen oldal-, előre- vagy hátrairányú mozgása, melyet a kés beszorulása vagy olyan tárgyak elkapása okoz, mint egy facsemete vagy fatuskó. Ez elég heves lehet ahhoz, hogy a gépet és/vagy a kezelőt bármely irányba elmozdítsa, és jó eséllyel elveszítse a gép feletti uralmát.

A kés lökését és a hozzá kapcsolódó veszélyeket elkerülheti, ha betartja az alább megadott óvintézkedéseket.

- Szilárdan tartsa mindkét kezével a gépet, és úgy helyezze a testét és a karjait, hogy ellenálljon a kés lökésének. Teste a gép bal oldalán legyen. A kés

lökése növelheti a sérülés kockázatát, hiszen a gép váratlanul mozoghat. Megfelelő óvintézkedésekkel a kezelő úrrá tud lenni a kés lökésén.

- Ha a kés megszorul, vagy bármilyen okból megszakítja a vágást, kapcsolja ki a gépet és tartsa egy helyben az anyagban, amíg a kés teljesen meg nem áll. A kés megszorulásakor soha ne próbálja az anyagból kivenni a gépet vagy hátrafele húzni mozgó kés mellett, különben lökés történhet. Végezzen vizsgálatot és javításokat, hogy megszüntesse a kés megszorulásának okát.
- Ne használjon tompa vagy sérült késeket. Ezek növelik a beszorulás vagy egy tárgy elkapásának kockázatát, ami a kés lökésével végződhet.
- Mindig tisztán lássa a vágott anyagot. A penge lökődése nagyobb valószínűséggel fordul elő azokon a területeken, ahol nehéz észrevenni a vágandó anyagot.
- Ha valaki más megközelíti Önt a gép működtetése közben, kapcsolja ki. A kés lökése esetén ha a mozgó kés eltalál más személyeket, az fokozott sérülésveszélyt okoz.

## TOVÁBBI BIZTONSÁGI FIGYELMEZTETÉSEK

- Használat előtt és amennyiben a gépet bármilyen behatás éri, ellenőrizze, hogy az alkatrészek nem sérültek. A hibás kapcsolókat vagy bármilyen más sérült vagy elhasználdott alkatrészt egy hivatalos szervizközpontban megfelelően meg kell javítani vagy ki kell cseréltetni.
- A biztonsági védőburkolatra szerelt kis kés vágja le az újonnan kihúzott szálat a megfelelő hosszra a biztonságos és az optimális teljesítményért. A kés nagyon éles. Ne nyúljon a késhez, különösen a termék tisztításakor ne.
- Csere esetén csak a gyártó által előírt cserezszalát használja. Ne használjon semmilyen más vágó szerelvényt.
- Bizonyosodjon meg róla, hogy a vágószerszám helyesen lett felszerelve és biztonságosan rögzítve van.
- Soha ne működtesse a terméket, amíg nincs minden védőburkolat, terelőlemez és fogantyú megfelelően felszerelve és rögzítve.
- Minden használat előtt gondoskodjon arról, hogy a biztonsági védőburkolatban lévő vágókés megfelelően legyen elhelyezve és rögzítve.
- Tartsa a vágófejet a derék szintje alatt.
- Baleset vagy üzemzavar esetén azonnal állítsa le a terméket, és vegye ki az akkumulátort, vagy válassza le a terméket a tápellátásról. Ne használja a készüléket, amíg teljesen ét nem vizsgálták egy hivatalos szervizközpont
- A mozgó alkatrészek megérintése miatti sérülés kockázatának csökkentéséhez minden esetben állítsa le a terméket, vegye ki az akkumulátort, és válassza le a tápellátásról. Hagyja mindkettőt lehűlni. Ellenőrizze, hogy minden mozgó rész teljesen megállt:
  - szervizelés előtt
  - az eltömődés eltávolítása előtt
  - ellenőrzés, karbantartás vagy a gépen végzett bármilyen művelet megkezdése előtt;
  - kiegészítők cseréje előtt
  - idegen objektum eltávolítása után
  - a termék felügyelet nélküli hagyása esetén
  - karbantartás végzésekor
  - ha a gép szokatlanul kezd rezegni
- Ügyeljen rá, hogy az összes védőburkolat és fogantyú megfelelően felszerelt és jó állapotú legyen.





- A terméket az arra szolgáló fogantyúknál tartsa, és korlátozza a munkaidőt és a vibrációnak való kitettséget.
- Ügyeljen a vágóeszköz által kivetett tárgyra. Használat előtt tisztítsa meg a munkaterületet az olyan törmelékektől, mint a kis kövek, kavicsok és egyéb idegen tárgyak. A drótok és a vágószál beakadhatnak a vágóeszközbe.
- A termék hevederrel rendelkezik. Használja a hevedert a termék működtetése közben. A hevedert gondosan állítsa be, hogy kényelmes legyen, és a terméket a jobb oldalán tartsa. Keresse meg a gyorskioldó mechanizmust, és gyakorolja be a használatát, mielőtt elkezdené használni a gépet. A helyes használat megakadályozhatja a súlyos sérüléseket vészhelyzetben. Soha ne vegyen fel további ruházatot a hevederre, és más módon se korlátozza a hozzáférést a gyorskioldó szerkezetéhez.
- Ne viseljen több övet vagy vállhevedert.
- Mindig ügyeljen rá, hogy semmi ne maradjon a szellőzőnyílásokban.
- A készüléket egy 30 mA-nél nem nagyobb kioldóáramú áram-védőkapcsolóval (RCD) kell felszerelni.
- Csak 0 °C és 40 °C közötti hőmérsékleten használja a készüléket.
- A készüléket 0 °C és 40 °C közötti hőmérsékleten tárolja.
- Ha a tápkábel sérült, akkor a hivatalos szervizközpontban kapható speciális kábellel vagy szerelvényvel kell kicserélni.
- Minden használat előtt ellenőrizze a tápkábel épségét. Ha a tápkábel megsérült, akkor azt a veszély elhárítása érdekében a szervizközpont egy képzett szerelőjével kell kicseréltetni.
- A kések felhelyezésekor és leszerelésekor használjon erős védőkesztyűt, a kések élesek.
- Ne próbálja forgás közben megérinteni vagy megállítani a kést.
- A sérült késeket cserélje ki. Használat előtt mindig ellenőrizze, hogy a vágókés megfelelően fel van szerelve és erősen rögzítve van.
- Csak a gyártó TRI-ARC cserekeszt használja. Ne használjon semmilyen más vágó szerelvényt.
- Ne vágjon 13 mm-nél nagyobb átméروju anyagokat.
- A gép tárolásakor vagy szállításkor helyezze fel a késvédő burkolatot a késekre. Mindig távolítsa el a késvédő burkolatot a szerszám használata előtt. Ha nincs eltávolítva a késvédő burkolat, akkor kivetődhet, amint a kés elkezd forogni.
- A könnyű és biztonságos vágás érdekében, jobbról balra mozogva közelítse meg a vágandó gázt. Abban az esetben, ha hirtelen egy tárggyal vagy fadarabbal találkozik, ezzel minimalizálhatja a kés kilökődésének reakcióját. Mindig mindkét kezét használja a termék irányításához.
- Hosszabb használat sérülést okozhat. Ha a terméket hosszabb ideig használja, ügyeljen arra, hogy rendszeresen tartson szünetet.

#### AZ AKKUMULÁTOR KIEGÉSZÍTŐ BIZTONSÁGI FIGYELMEZTETÉSEI

- A rövidzárlat általi tűz, sérülések vagy termékkárosodások veszélye elkerülésére ne merítse a szerszámot, a cserélhető akkut vagy a töltőkészüléket folyadékokba, és gondoskodjon arról, hogy ne hatoljanak folyadékok a készülékekbe és az akkukba. A korrozív hatású vagy vezetőképes folyadékok, mint pl. a

sós víz, bizonyos vegyi anyagok, fehérítők vagy fehérítő tartalmú termékek, rövidzárlatot okozhatnak.

- Olyan helyen töltsse az akkumulátort, ahol a környezeti hőmérséklet 10 °C és 38 °C között van.
- Az akkumulátort 0 °C és 20 °C közötti hőmérsékleten tárolja.
- Az akkumulátort 0 °C és 40 °C közötti hőmérsékleten használja.

#### SZÁLLÍTÁS ÉS TÁROLÁS

- Tárolás vagy szállítás előtt kapcsolja ki a terméket, vegye ki az akkucsomagot és hagyja kihűlni.
- Minden idegen anyagtól tisztítsa meg a terméket.
- Ne tárolja vagy szállítsa a terméket beszerelt akkumulátorral. Vegye ki az akkumulátort, és rögzítse külön. Hűvös, száraz és jól szellőztetett, gyerekektől elzárt helyiségben tárolja. A terméket tartsa távol a korrodáló szerektől, például kerti vegyszerektől vagy a jégmentesítő sótól. Ne tárolja a terméket kültéren.
- Szállításkor rögzítse a terméket elmozdulás és leesés ellen, hogy elkerülje a sérüléseket és a termék sérülését.

#### LÍTIUM AKKUMULÁTOROK SZÁLLÍTÁSA

- Az akkumulátorokat a helyi és nemzeti előírásokkal és szabályokkal összhangban szállítsa.
- Az akkumulátorok külső fél általi szállításkor kövesse a csomagolásra és a címkézésre vonatkozó speciális előírásokat. Ügyeljen arra, hogy az akkumulátorok ne érhessenek más akkumulátorokhoz vagy vezető anyagokhoz szállítás közben; ehhez a szabadon maradt csatlakozókat védje szigetelő fedéllel vagy szalaggal. Ne szállítson repedt vagy szivárgó akkumulátorokat. További információért vegye fel a kapcsolatot a továbbítást végző céggel.

#### KARBANTARTÁS

- Csak a gyártó eredeti cserealkatrészeit, tartozékait és szereléseit használja. Ennek figyelmen kívül hagyása gyenge motorteljesítményt, esetleges sérülést és a jótállás elvesztését okozhatja.
- szervizelés különös figyelmet és hozzáértést igényel, és csak szakképzett szerelő végezheti el. A terméket csak engedéllyel rendelkező szervizben javíttassa.
- Kapcsolja ki a terméket, és vegye ki az akkumulátort, vagy válassza le a terméket az áramellátásról. A tisztítási és karbantartási műveletek megkezdése előtt győződjön meg arról, hogy minden mozgó alkatrész teljesen megállt.
- Ön csak a használati útmutatóban leírt beállításokat és javításokat végezheti el. További javításokért vagy tanácsért kérjen segítséget egy hivatalos szervizközpontban.
- Csere vágószállék csak a jelen kézikönyvben a műszaki adatoknál megadott átméروjú nejlón vágószálat használjon.
- Minden egyes használat után egy puha, száraz ruhával tisztítsa meg a terméket. A sérült alkatrészeket egy hivatalos szervizközpontban kell megjavíttatni vagy kicseréltetni.
- Minden használat előtt és gyakori időközönként ellenőrizzen minden anyacsavart és csavart a megfelelő meghúzás szempontjából, hogy biztosítsa a termék biztonságos üzemi állapotát. A sérült alkatrészeket egy hivatalos szervizközpontban kell megjavíttatni vagy kicseréltetni.
- A sérült vagy olvashatatlan címkék cseréjéhez vigye vissza a terméket egy hivatalos szervizközpontba.



## ISMERJE MEG A TERMÉKET

Lásd 137. oldal.

1. Rögzítőengely
2. Vágókés védőburkolata
3. TRI-ARC tárcsa
4. Késvédő
5. Kezelői kézikönyv
6. Fémfedél
7. Peremes alátétkarika
8. Szerkezeti alátétkarika
9. Rögzítocsap
10. Kombinált kulcs
11. Anyacsavar

## SZIMBÓLUMOK A TERMÉKEN



Biztonsági figyelmeztetés



A termék használata előtt olvasson el és értsen meg minden utasítást. Tartsa be az összes figyelmeztetést és biztonsági utasítást.



Viseljen szem-, fül- és fejdédőt.



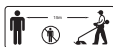
A termék használatakor nem csúszó, biztonsági lábbelit viseljen.



Viseljen csúszásgátló bevonatú, nehéz igénybevételre tervezett védőkesztyűt.



Figyeljen a kivetett vagy repülő tárgyakra. A működési területtől tartson legalább 15 m-es távolságban minden nézelődőt, különösen a gyerekeket és a háziállatokat.



A terméket nem fogazott fűrészlapokkal való használatra terveztük.



TRI-ARC tárcsa



Európai megfelelőségi jelölés



Eurázsiai megfelelőségi jelzés



Ukrán megfelelőségi jelölés



Tartsa a kezét távol a vágókéstől.



A vágótárcsa visszalökődhet.



Ne tegye ki esőnek, és ne használja nedves környezetben.



Garantált hangteljesítményszint



Brit megfelelőségi jelölés



A terméken végzett bármilyen munkálat előtt vegye ki az akkumulátort

Az akkumulátorok, valamint az elektromos és elektronikus berendezések hulladékait ne dobja a válogatatlan települési hulladékok közé. Az akkumulátorok, valamint az elektromos és elektronikus berendezések hulladékait elkülönítve gyűjtse. A hulladékká vált elemeket, akkumulátorokat és fényforrásokat vegye ki a berendezésből. Lépjen kapcsolatba a helyi hatósággal vagy kereskedővel az újrahasznosításra vonatkozó útmutatásért és a gyűjtőállomásokkal kapcsolatos információkért. A helyi szabályozások szerint a kereskedők kötelesek lehetnek ingyen visszavenni az akkumulátorok, illetve az elektromos és elektronikus berendezések hulladékait. A hozzájárulása az akkumulátorok, illetve az elektromos és elektronikus berendezések hulladékainak újrafelhasználásához és újrafeldolgozásához segít csökkenteni a nyersanyagok iránti keresletet. Különösen a lítiumot tartalmazó akkumulátorok, illetve az elektromos és elektronikus berendezések hulladékai értékes és újrafeldolgozható anyagokat tartalmaznak, amelyek káros hatással lehetnek a környezetre és az emberi egészségre, ha nem környezetbarát módon kezelik őket. A hulladékká vált berendezésből szükség esetén törölje a személyes adatokat.



## A KÉZIKÖNYVBEN HASZNÁLT SZIMBÓLUMOK



Megjegyzés



Figyelem



Külön értékesített alkatrészek és kiegészítők

Siguranța, performanța și fiabilitatea au constituit principalele priorități la proiectarea accesoriului cuțit

### UTILIZARE PREVĂZUTĂ

Accesoriul cositorii rotative este aprobat pentru utilizarea cu capetele motoare RPH1200, RLT12381, RBC12261 și cu capetele motoare cu acumulator RPH3601-BL și RY36ELTX33A.

Produsul este destinat tunderii ierbi înalte, a tufșurilor, arbuștilor și a altor plante similare, la nivelul solului. Produsul poate tăia și iarbă înaltă, buruieni cu sevă multă și vegetație asemănătoare.

Planul de tăiere trebuie să fie aproximativ paralel cu suprafața solului.

Produsul este conceput pentru a fi utilizat de adulți care au citit și au înțeles instrucțiunile și avertismentele din acest manual și pot fi considerați responsabili pentru acțiunile proprii.

Produsul este proiectat să fie folosit doar în mediu exterior și în zona bine aerisită. Din motive de siguranță, produsul trebuie manevrat corespunzător, cu ambele mâini.

Nu folosiți în alte scopuri.

### ATENȚIONĂRI GENERALE CU PRIVIRE LA SIGURANȚA ÎN UTILIZARE A DRUJBEI CU LANȚ

**⚠️ AVERTISMENT!** Citiți toate avertismentele și instrucțiunile de siguranță. Nerespectarea acestor avertismente și instrucțiuni poate conduce la șocuri electrice, incendii și/sau accidente grave.

**Păstrați aceste avertismente și instrucțiuni, pentru a le putea consulta ulterior.**

Termenul „unealtă electrică” din avertizări se referă la unealta dvs. electrică alimentată la curent (cu fir) sau la baterie (fără fir).

### MEDIUL DE LUCRU

- **Mențineți curată și bine iluminată zona de lucru.** Zonele dezordonate și întunecate prezintă pericol de accidente.
- **Nu operați cu unealta electrică în atmosfere explozive, precum în prezența lichidelor, gazelor sau a prafului inflamabil(e).** Unelele electrice creează scântei care pot aprinde praful sau vaporii.
- **Țineți copiii și persoanele din jur la distanță în timpul operării unei unelte electrice.** Distragerea atenției vă poate face să pierdeți controlul.

### SIGURANȚĂ ELECTRICĂ

- **Ștecărele uneltelor electrice trebuie să se potrivească cu priza.** Nu modificați niciodată ștecărul în nici un fel. Nu folosiți niciodată adaptoare de ștecăr cu uneltele electrice cu împământare. Ștecărele nemodificate și prizele potrivite reduc riscul de electrocutare.
- **Evitați contactul corpului cu suprafețele conectate la împământare, precum țevi, radiatoare, reșouri, mașini de gătit și frigider.** Există un risc crescut de electrocutare când corpul dumneavoastră are contact cu împământarea.
- **Nu expuneți produsul la ploaie sau condiții de umiditate.** Apa care intră într-o unealtă electrică va crește riscul de electrocutare.
- **Nu forțați cablul.** Nu trageți niciodată unealta electrică de cablul de alimentare pentru a o transporta, a o trage sau a scoate ștecărul din priză. Țineți cablul de alimentare departe de căldură, ulei, muchii ascuțite sau piese în mișcare. Cablurile deteriorate sau încurcate cresc riscul de electrocutare.
- **Atunci când lucrați cu o unealtă electrică în aer liber, folosiți un prelungitor adecvat pentru utilizarea în**

aer liber. Folosirea unui prelungitor adecvat pentru utilizarea în aer liber reduce riscul de electrocutare.

- **În cazul în care operarea unei unelte electrice într-o zonă umedă nu poate fi evitată, folosiți o alimentare protejată cu un dispozitiv de curent rezidual (RCD).** Utilizarea unui RCD reduce riscul de electrocutare.

### SIGURANȚĂ PERSONALĂ

- **Fiți vigilenți, fiți atenți la ceea ce faceți, acționați cu simț practic când operați o unealtă electrică.** Nu folosiți unealta electrică în timp ce sunteți obosit sau sub influența drogurilor, a alcoolului sau a medicamentelor. Un moment de neatenție în timpul operării uneltelor electrice poate cauza vătămare personală gravă.
- **Utilizați echipament personal de protecție. Purtați întotdeauna ochelari de protecție.** Utilizarea echipamentelor de protecție, cum ar fi măști pentru praf, pantofi anti-derapanți, cască de protecție sau protecții pentru auz, conform condițiilor specifice de lucru ajută la evitarea pericolelor de răniri personale.
- **Prevenirea pornirii neintenționate. Asigurați-vă că comutatorul este în poziția oprit înainte deconectarea la sursa de alimentare și / sau la acumulator, ridicarea sau transportul uneltei.** Transportarea uneltelor electrice cu degetul pe comutator sau punerea sub tensiune a uneltelor electrice care au comutatorul în poziția pornit predisune la accidente.
- **Îndepărtați orice cheie de reglare înainte de a porni unealta.** O cheie sau rămasă atașată de o piesă rotativă a uneltei electrice poate cauza vătămări corporale.
- **Nu vă aplecați excesiv. În timpul operării dispozitivului, păstrați-vă în permanență echilibrul și stabilitatea.** Acest lucru permite un mai bun control al uneltei electrice în situații neașteptate.
- **Îmbrăcați-vă corespunzător. Nu purtați haine largi sau bijuterii. Păstrați-vă părul și îmbrăcămintea departe de piesele în mișcare.** Hainele largi, bijuteriile sau părul lung pot fi prinse de piesele aflate în mișcare.
- **Dacă sunt prevăzute dispozitive pentru conectarea facilităților de extracție și de colectare a prafului, asigurați-vă că acestea sunt conectate și folosite corect.** Utilizarea colectării prafului poate reduce riscurile legate de praf.
- **Obișnuința dobândită prin utilizarea frecventă a instrumentelor nu trebuie să vă facă impasibili și să ignorați principiile de siguranță privind instrumentele.** O acțiune neatență poate cauza vătămarea gravă într-o fracțiune de secundă.

### FOLOSIREA ȘI ÎNTREȚINEREA UNELTEI ELECTRICE

- **Nu forțați produsul.** Folosiți unealta electrică corectă pentru aplicație. Unealta electrică corectă va funcționa mai bine și mai sigur la viteza pentru care a fost proiectată.
- **Nu folosiți unealta electrică dacă comutatorul nu o poate porni și opri.** Orice unealtă electrică, care nu poate fi controlată cu comutatorul este periculoasă și trebuie reparată.
- **Înainte de a efectua reglaje, de a schimba accesoriile sau de a depozita o unealtă electrică, deconectați ștecherul de la rețea și/sau acumulatorul de la unealtă.** Astfel de măsuri preventive de siguranță reduc riscul de pornire accidentală a uneltei electrice.
- **Nu lăsați uneltele electrice la îndemâna copiilor și nu permiteți persoanelor nefamiliarizate cu unealta electrică sau cu aceste instrucțiuni să folosească unealta.** Unelele electrice sunt periculoase în mâinile utilizatorilor neinstruiți.
- **Efectuați regulat lucrări de întreținere a uneltelor electrice și accesoriilor acestora.** Verificați alinierea sau

lipirea pieselor în mișcare, spargerea pieselor, precum și orice altă stare care poate afecta funcționarea unei electrice. Dacă este deteriorată, solicitați repararea unei înainte de utilizare. Multe accidente sunt cauzate de unelte electrice întreținute necorespunzător.

- **Păstrați uneltele de tăiere ascuțite și curate.** Uneltele de tăiere corect întreținute, cu muchii de tăiere ascuțite au o probabilitate mai redusă de lipire și sunt mai ușor de controlat.
- **Folosiți unealta electrică, accesoriile și burghiile etc. în conformitate cu aceste instrucțiuni, ținând cont de condițiile de lucru și de lucrarea care urmează să fie efectuată.** Utilizarea unei electrice pentru alte operații decât cele preconizate poate duce la situații periculoase.
- **Țineți mânerul și suprafețele de apucare uscate, curate, fără ulei sau grăsimi.** Mânerul alunecoase și suprafețele neregulate nu permit o manipulare sigură și un control al aparatului în situații neașteptate.

## FOLOSIREA ȘI ÎNTREȚINEREA MAȘINI CU ACUMULATOR

- **Reîncărcați numai cu încărcătorul specificat de producător.** Un încărcător destinat unui anumit tip de acumulator este folosit la încărcarea altor acumulatori există pericolul de incendii.
- **Folosiți uneltele electrice numai cu acumulatorii indicați.** Utilizarea oricărui altii acumulatori poate crea un risc de vătămare și de incendiu.
- **Atunci când acumulatorul nu este în uz, păstrați-l departe de alte obiecte metalice, cum ar fi agrafe de birou, monede, chei, cuie, șuruburi sau alte obiecte metalice mici, care pot face o conexiune de la o bornă la alta.** Scurtcircuitarea bornelor bateriei poate provoca arsuri sau incendiu.
- **Ca urmare a folosirii necorespunzătoare, din acumulator se poate scurge lichid; evitați contactul cu acesta.** În cazul unui contact accidental, spălați cu apă. În cazul contactului cu ochii, consultați suplimentar un medicul. Lichidul care iese din acumulator poate provoca iritații sau arsuri.
- **Nu utilizați acumulatori sau unelte deteriorate sau modificate.** Acumulatorii deteriorați sau modificați au un comportament imprevizibil și prezintă pericol de incendiu, explozie sau accidentare.
- **Nu expuneți acumulatorul sau uneltele la foc sau temperaturi excesive.** Expunerea la foc sau temperaturi de peste 130°C prezintă pericol de explozie.
- **Respectați toate instrucțiunile de încărcare și nu încărcați acumulatorul sau uneltele la temperaturi din afara intervalului specificat în instrucțiuni.** Încărcarea necorespunzătoare sau la o temperatură din afara intervalului specificat poate deteriora acumulatorul și crește riscul de incendiu.

## ÎNȚEȚINERE

- **Solicitați efectuarea lucrărilor de service la uneltele dvs. electrice numai de către o persoană calificată în reparații, folosind numai piese de schimb identice.** Acest lucru va garanta că siguranța unei electrice este menținută.
- **Nu trebuie să efectuați niciodată reparații asupra acumulatorilor deteriorate.** Reparațiile asupra acumulatorilor trebuie să fie efectuate numai de către producător sau de furnizorii de servicii autorizați.

## AVERTISMENTE DE SIGURANȚĂ PENTRU MAȘINĂ DE TUNS ARBORET

- **Nu utilizați mașina în condiții de vreme nefavorabilă, mai ales când există riscul de producere de fulgere.** Aceasta scade riscul de a fi lovit de fulger.

- **În zonele în care veți folosi mașina, asigurați-vă mai întâi că nu se află animale sălbatice.** Animalele sălbatice pot avea de suferit în timpul operării mașinii.
- **Inspectați cu atenție suprafața unde se va utiliza mașina și îndepărtați toate pietrele, bețele, firele, oasele și alte lucruri.** Obiectele proiectate pot cauza leziuni fizice.
- **Înainte de a utiliza mașina, inspecțiți întotdeauna vizual echipamentul pentru a vă asigura că discul și ansamblul tăietor nu prezintă uzură și nici defecte.** Piesele uzate sporesc riscul de vătămare.
- **Înainte de utilizare verificați cordonul de alimentare electrică și prelungitorul dacă e cazul, să nu fie semne de deteriorare sau uzură.** Nu utilizați mașina în cazul în care cablul este deteriorat sau uzat. Dacă este deteriorat sau uzat cablul de alimentare electrică, opriți echipamentul și nu atingeți cordonul până nu îl deconectați de la priza de curent. Cordonul de alimentare electrică sau prelungitorul defect poate provoca electrocutare, incendii și/sau vătămări corporale grave.
- **Urmați instrucțiunile pentru schimbarea accesoriilor.** Piulițele sau șuruburile de fixare a discului, care nu sunt corespunzător strânse, pot să aibă ca rezultat fie deteriorarea discului, fie desfacerea acestuia.
- **Viteza nominală de rotație a discului trebuie să fie cel puțin egală cu valoarea maximă de rotație a vitezei de lucru a unelei electrice.** Discurile operate la o viteză mai mare decât viteza lor nominală maximă de rotație se pot rupe și pot fi proiectate.
- **Purtați echipament de protecție pentru ochi, urechi, cap și mâini.** Echipamentul adecvat de protecție va reduce riscul de rănire cu resturile proiectate sau prin venirea în contact accidental cu firul sau discul de tăiere.
- **Purtați întotdeauna încălțăminte de protecție în timpul operării mașinii.** Nu operați mașina când sunteți desculți sau purtați sandale deschise. Acest lucru va reduce riscul de vătămare a picioarelor printr-un eventual contact cu dispozitivul, firul sau discul de tăiere aflate în funcțiune.
- **Purtați întotdeauna pantaloni lungi când folosiți mașina.** Prin expunerea unor suprafețe neacoperite ale corpului, sporii șansele de a suferi leziuni cauzate de eventuale obiecte proiectate.
- **În timpul operării mașinii, țineți la distanță persoanele prezente.** Resturile proiectate pot cauza răni grave ale persoanelor.
- **Folosiți întotdeauna ambele mâini când operați mașina.** Folosirea mașinii cu ambele mâini vă va ajuta să evitați pierderea controlului.
- **Țineți mașina numai de suprafețele aderente izolate, deoarece în timpul lucrului firul sau discul de tăiere pot atinge cabluri ascunse.** Firul sau discurile de tăiere care intră în contact cu fire aflate „sub tensiune” pot face ca piesele metalice expuse ale mașinii să intre „sub tensiune”, ceea ce ar putea electrocuta operatorul.
- **Adoptați întotdeauna o poziție adecvată și operați mașina numai când sunteți cu picioarele pe pământ.** Suprafețele instabile sau alunecoase pot cauza pierderea echilibrului sau a controlului mașinii.
- **Nu folosiți mașina pe pante excesiv de înclinate.** Reduceți astfel riscul de a pierde controlul, de a aluneca și de a cădea, care poate conduce la vătămări personale.
- **Când folosiți mașina în pantă, asigurați-vă de o poziție fermă a picioarelor, operați mașina întotdeauna transversal peste suprafața în pantă, niciodată în susul sau în josul pantei, și accordați o atenție deosebită la schimbarea direcției.** Reduceți astfel riscul de a pierde controlul, de a aluneca și de a cădea, care poate conduce la vătămări personale.



- **Țineți cordonul de alimentare electrică departe de discul de tăiere de fir sau de lamă.** Un cordon de alimentare electrică defect poate provoca electrocutare, incendiu și/sau vătămări corporale grave.
- **Țineți toate părțile corpului departe de dispozitivul, firul sau discul de tăiere, când mașina funcționează. Înainte de a porni mașina, asigurați-vă că dispozitivul, firul sau discul de tăiere nu intră în contact cu nimic.** Un moment de neatenție în timpul utilizării mașinii poate duce la rănirea dumneavoastră sau a altor persoane.
- **Nu utilizați mașina peste înălțimea taliei.** Acest lucru vă ajută să preveniți contactul nedorit cu dispozitivul sau discul de tăiere și vă asigură un control mai bun asupra mașinii în situații neașteptate.
- **Când tăiați tufișuri sau puieti tensionați, fiți atenți să nu ricoșeze.** Când tensiunea din fibra lemnului este eliberată, tufișul sau puietii pot ricoșa în operator și/sau pot face ca mașina să vă scape de sub control.
- **Folosiți maximă atenție când tăiați tufișuri și puiet.** Materialele subțiri pot agăța discul și vă pot lovi sau vă pot dezechilibra.
- **Păstrați controlul asupra mașinii și nu atingeți dispozitivele, firele sau discurile de tăiere și alte părți mobile periculoase în timp ce acestea sunt încă în mișcare.** Reduceți astfel riscul de a suferi leziuni cauzate de piesele aflate în mișcare.
- **Transportați mașina în stare oprită și la distanță de corpul dumneavoastră.** Manipularea corespunzătoare a mașinii va reduce riscul contactului accidental cu un eventual dispozitiv, fir sau disc de tăiere aflate în mișcare.
- **Atunci când transportați sau depozitați mașina, puneți întotdeauna capacul peste discurile metalice.** Manipularea corespunzătoare a mașinii va reduce riscul contactului accidental cu un eventual disc.
- **Folosiți numai dispozitive, fire, capete de tăiere și discuri de tăiere specificate de producător.** Piesele de schimb incorecte pot spori riscul unei eventuale stricări a mașinii și al accidentării.
- **Când curățați materialul prins în echipament sau când efectuați operații de service asupra mașinii, asigurați-vă că butonul de pornire este oprit și că acumulatorul este scos.** Pornirea neașteptată a mașinii în timp ce se face îndepărtarea materialului care o blochează sau în timpul operațiilor de service poate avea ca urmare rănirea gravă a persoanelor.

## CAUZE PENTRU ÎMPINGEREA LATERALĂ A LAMEI ȘI AVERTIZĂRI AFERENTE

Împingerea laterală a lamei este mișcarea bruscă a mașinii în lateral, înainte sau înapoi, care poate avea loc când lama se blochează sau prinde un obiect precum o așchie sau un butuc de copac. Poate fi suficient de violentă pentru a face ca motocoasa și/sau operatorul să fie azvârlit(ă) (azvârlit) în orice direcție și, posibil, să piardă controlul mașinii.

Împingerea laterală a lamei și pericolele aferente acesteia pot fi evitate prin luarea de măsuri adecvate de prevedere, așa cum sunt date mai jos.

- **Țineți ferm cu ambele mâini de motocoasă și poziționați-vă mâinile astfel încât să rezistați forței de împingere laterală. Poziționați-vă corpul pe partea stângă a motocoasei.** Împingerea laterală a lamei poate mări riscul de rănire cauzat de mișcarea neașteptată a motocoasei. Împingerea laterală a lamei poate fi controlată de operator dacă se iau măsuri adecvate de prevedere.
- **Dacă lama s-a prins în ceva sau când se întrerupe procesul de tăiere dintr-un oarecare motiv, opriți motocoasa în material până când lama se oprește**

complet. Când lama este prinsă în material, nu încercați niciodată să scoateți motocoasa din material sau să trageți de motocoasă în spate cât timp lama este în mișcare, în caz contrar, poate apărea fenomenul de împingere laterală a lamei. Verificați și luați măsurile de corecție necesare pentru a elimina cauza blocării lamei.

- **Nu folosiți lame deteriorate sau tocite.** Lamele deteriorate sau tocite măresc riscul de blocare sau de prindere a unui obiect, având ca rezultat împingerea laterală a lamei.
- **Întotdeauna să aveți o bună vizibilitate asupra materialului în curs de tăiere.** Probabilitatea ca lama să se blocheze este mai mare în zonele unde este dificil să se vadă materialul care este tuns.
- **Dacă se apropie de dvs. o altă persoană în timp ce lucrați cu motocoasa, opriți motocoasa.** Există un risc mărit de rănire a altor persoane care pot fi lovite cu lama în mișcare, în cazul în care apare fenomenul de împingere laterală a lamei.

## AVERTIZĂRI SUPLIMENTARE DE SIGURANȚĂ

- Înainte de folosire și după fiecare impact, verificați să nu existe părți/piese deteriorate. Un întrerupător defect sau orice altă parte care e deteriorată sau uzată trebuie reparată corespunzător sau înlocuită la un atelier service autorizat.
- Lama mică montată pe apărătoarea de siguranță este destinată scurtării firului tăietor nou la lungimea corespunzătoare pentru a garanta siguranța și performanțele optime. Lama este foarte ascuțită. Nu atingeți lama, mai ales atunci când se curăță echipamentul.
- Folosiți doar fir de tăiere înlocuitor al producătorului. Nu folosiți niciun alt accesoriu de tăiere.
- Asigurați-vă că accesoriul de tăiere este corect instalat și prins fix.
- Nu operați niciodată produsul fără a avea toate apărătoarele, deflectoarele și mânerul corespunzător atașate și fixate.
- Înainte de fiecare utilizare, asigurați-vă că apărătoarea de siguranță este bine poziționată și securizată.
- Mențineți capul tăietor atașat mai jos de nivelul taliei dvs.
- Opriti imediat produsul, scoateți acumulatorul sau deconectați-l de la sursa de alimentare în caz de accident sau defecțiune. Nu utilizați din nou produsul înainte de a realiza o verificare completă, la un centru de service autorizat.
- Pentru a se reduce riscul de accidente în urma contactului cu piesele în mișcare, opriți întotdeauna echipamentul, scoateți acumulatorul și deconectați-l de la priza de curent. Lăsați-le pe ambele să se răcească. Asigurați-vă că toate piesele mobile s-au oprit complet:
  - înainte de efectuarea reparațiilor
  - înainte de a îndepărta un obiect ce a determinat un blocaj
  - înainte de a verifica, curăța sau lucra asupra produsului
  - înainte de a schimba accesoriile
  - după ce a fost lovit un obiect străin
  - când lăsați produsul nesupravegheat
  - în timpul lucrărilor de întreținere a produsului
  - dacă produsul începe să vibreze anormal
- Asigurați-vă că toate apărătoarele și mânerul sunt corespunzător fixate și că se află în stare bună.
- Țineți produsul de mânerul proiectate și restricționați timpul și expunerea de lucru.
- Fiți atent la obiectele aruncate de mijloacele de tăiere. Îndepărtați gunoarele, precum pietre mici, pietriș și alte corpuri





străine de pe suprafața de lucru, înainte de a începe operarea. Cabluri sau fire pot să fie încălțite în mijloacele de tăiere

- Produsul este echipat cu un ham. Folosiți curelele de prindere în timpul utilizării produsului. Reglați cu atenție hamul, astfel încât să sustină și să fixeze produsul cu greutatea pe partea dreaptă a corpului. Identificați mecanismul de eliberare rapidă și faceți câteva probe înainte de a folosi aparatul. Folosirea corespunzătoare poate preveni vatamarea gravă în cazul unei urgențe. Nu purtați niciodată îmbracaminte suplimentară peste harnasament deoarece acest lucru va împiedica accesul la mecanismul de deschidere rapidă.
- Nu purtați curele multiple, nici ham pentru umăr.
- Asigurați-vă întotdeauna că deschiderile de ventilație nu sunt acoperite de resturi.
- Energia electrică trebuie să fie furnizată printr-un dispozitiv pentru curent rezidual (RCD) cu un curent de declanșare de nu mai mult de 30 mA.
- Operați cu produsul numai în medii cu valori de temperatură cuprinse între 0°C și 40°C.
- Depozitați produsul într-un loc unde temperatura ambientală este între 0°C și 40°C.
- În eventualitatea în care cablul de alimentare este deteriorat, acesta trebuie înlocuit cu un cablu sau echipament special, disponibil în centrele autorizate de service.
- Înainte de fiecare utilizare, verificați cablul de alimentare să nu aibă defecte. Dacă cablul de alimentare prezintă semne de deteriorare, acesta trebuie înlocuit de o persoană calificată, la un centru service autorizat, pentru a se evita orice pericol.
- Utilizați mănuși groase de protecție când montați sau demontați lamele; acestea sunt prevăzute cu muchii ascuțite.
- Nu încercați să atingeți sau să opriti lama când aceasta se rotește.
- Înlocuiți toate lamele deteriorate. Asigurați-vă întotdeauna că lama este instalată corect și fixată strâns înainte de fiecare utilizare.
- Folosiți doar lamă de schimb TRI-ARC a producătorului. Nu folosiți niciun alt accesoriu de tăiere.
- Nu tăiați material cu diametrul mai mare de 13 mm.
- Acoperiți lama cu protecția pentru lamă înainte de a depozita unitatea sau în timpul transportului. Întotdeauna îndepărtați dispozitivul de protecție al lamei înainte de a utiliza unitatea. Dacă nu sunt îndepărtate, dispozitivul de protecție al lamei ar putea deveni un obiect ce poate fi aruncat atunci când lama va începe să se rotească.
- Pentru o tăiere ușoară și sigură, apropiați-vă de burueniile ce doriți să le tăiați din partea dreaptă înspre stânga. În cazul în care este întâlnit un obiect neașteptat sau buștean de lemn, acest lucru poate micșora reacția de rezistență a lamei. Întotdeauna trebuie folosite ambele mâini pentru a controla acest produs.
- Pot fi cauzate sau agravate vătămarile de la folosirea prelungită a aparatului. Când utilizați unealta timp mai îndelungat, asigurați-vă că faceți pauze regulate.

#### AVERTISMENTE SUPLIMENTARE PRIVIND SIGURANȚA LA UTILIZAREA BATERIILOR

- Pentru a reduce riscurile de incendiu, accidentare și deteriorare a produsului în urma unui scurtcircuit, nu scufundați niciodată produsul, acumulatorul sau încărcătorul în lichide și nici nu permiteți pătrunderea lichidelor în interiorul acestora. Lichidele corosive sau cu conductibilitate, precum apa sărată, anumite substanțe chimice și înalbitori sau produse ce conțin înalbitori, pot provoca un scurtcircuit.

- Încărcați acumulatorul într-un loc unde temperatura ambientală este între 10°C și 38°C.
- Depozitați acumulatorul într-un loc unde temperatura ambientală este între 0°C și 20°C.
- Utilizați acumulatorul într-un loc unde temperatura ambientală este între 0°C și 40°C.

#### TRANSPORTAREA ȘI DEPOZITAREA

- Opriti echipamentul, scoateți acumulatorul și lăsați să se răcească atât echipamentul cât și acumulatorul înainte de transport sau depozitare.
- Curățați toate materialele străine din produs.
- Nu depozitați și nu transportați unealta cu acumulatorul montat. Scoateți acumulatorul și asigurați-l separat. Depozitați-l într-un loc răcoros, uscat și bine aerisit ce este inaccesibil copiilor. Păstrați produsul la distanță de agenți corozivi, precum substanțe chimice de grădinișă și săruri de dezghețare. Nu depozitați produsul în aer liber.
- Pentru transportare, fixați produsul împotriva miscării sau caderii pentru a preveni vatamarea persoanelor sau deteriorarea produsului.

#### TRANSPORTAREA BATERIILOR DE LITIU.

- Transportați bateriile în conformitate cu prevederile și reglementările locale și naționale.
- Urmați toate cerințele speciale privind împachetarea și etichetarea atunci când transportați baterii către un terț. Asigurați-vă că nicio baterie nu poate să intre în contact cu alte baterii sau materiale conductive în timpul transportului prin protejarea conectorilor expuși cu bandă, capace izolatoare neconductive. Nu transportați bateriile ce sunt crapate sau care au scurgeri. Verificați cu firma transportatoare pentru recomandări ulterioare.

#### ÎNȚEȚINEREA

- Folosiți doar piese de schimb, accesorii și atasamente originale ale producătorului Neurmarea acestora poate cauza posibilă vătămare, slaba funcționare și ar putea anula garanția.
- Service-ul necesită atenție și cunoștințe deosebite și trebuie îndeplinit doar de către un tehnician service calificat. Duceți produsul la reparații numai într-un centru service autorizat.
- Opriti produsul, scoateți acumulatorul sau deconectați-l de la sursa de alimentare. Asigurați-vă că toate părțile mobile se află în stare completă de repaus înainte de a efectua o operație de curățare sau mentenanță.
- Puteți face doar reglaje sau reparațiile descrise în acest manual. Pentru alte reparații sau sfaturi, căutați asistență din partea unui centru service autorizat.
- Pentru fir de schimb, folosiți doar linie cu filament din nylon cu diametrul descris în tabelul cu specificații din acest manual.
- După fiecare folosire curățați produsul cu o cârpă moale și uscată. Orice piesă deteriorată trebuie să fie reparată în mod corespunzător sau înlocuită de un service autorizat.
- Verificați înainte de fiecare utilizare și periodic ca toate șuruburile, piulițele și bolțurile filetate să fie strânse adecvat, pentru a asigura siguranța în utilizare a produsului. Orice piesă deteriorată trebuie să fie reparată în mod corespunzător sau înlocuită de un service autorizat.
- Duceți produsul la un centru service autorizat pentru a înlocui etichetele deteriorate sau ilizibile.

## CUNOAȘTEȚI-VĂ PRODUSUL

Vezi pagina 137.

1. Axul de prindere
2. Protecție lamă
3. Lamă TRI-ARC
4. Element de protecție lamă
5. Manualul de operare
6. Capac metalic
7. Șaibă cu flanșă
8. Șaibă
9. Cui de blocare
10. Cheie combinată
11. Piuliță

## SIMBOLURILE DE PE PRODUS



Avertizare de siguranță



Citiți și înțelegeți toate instrucțiunile înainte de a utiliza produsul. Respectați toate avertismentele și instrucțiunile de siguranță.



Purtați protecție pentru ochi, auz și cap.



Purtați încălțăminte de protecție anti-alunecare în timpul utilizării produsului.



Purtați mănuși care nu alunecă, de protecție la sarcinile dificile.



Feriți-vă de obiecte proiectate sau în zbor. Mențineți o distanță de cel puțin 15 m între zona de lucru și persoanele prezente, mai ales copii și animale.



Produsul nu trebuie utilizat cu lame dințate (tip fierăstrău).



Lamă TRI-ARC



Marcajul european de conformitate



Marcaj de conformitate EurAsian



Marcajul ucrainian de conformitate

001



Țineți mâinile ferite de discul de tăiere



Feriți-vă de mișcările bruște ale lamei.



Nu expuneți produsul la ploaie sau umezeală.



Nivel garantat al puterii acustice



Marcajul britanic de conformitate



Decuplați acumulatorul înainte de a realiza orice fel de operație de întreținere sau reparație asupra produsului.

A nu se arunca deșeurile de echipamente electronice și electrice și bateriile epuizate la gunoia menajeră. Deșeurile formate din echipamente electrice și electronice și bateriile epuizate trebuie colectate separat. Sursele de iluminare, bateriile și acumulatorii epuizați trebuie scoase din aceste echipamente. Solicitați consiliere de la autoritatea dvs. locală sau de la comerciantul de unde ați achiziționat aspiratorul, în privința punctului de colectare. Conform reglementărilor naționale, vânzătorii cu amănuntul au obligația de a colecta bateriile epuizate, deșeurile de echipament electric și electronic, gratuit. Contribuția dvs. la reciclarea și reutilizarea bateriilor, a echipamentelor electrice și electronice ajută la reducerea cererii de materii prime. Bateriile epuizate, în special cele cu litiu, deșeurile formate din echipamente electrice și electronice conțin materiale reciclabile valoroase, care pot avea o influență negativă asupra mediului înconjurător și asupra sănătății umane, dacă nu sunt eliminate într-o manieră ecologică. Ștergeți datele personale din echipamentul deșeu, dacă este cazul.



## SIMBOLURI DIN ACEST MANUAL



Notă



Avertisment



Piese sau accesorii vândute separat



Radot jūsu krūmgrieža uzgali, drošībai, veiktspējai un uzticamībai ir pievērsta vislielākā vērība.

## PAREDZĒTAIS LIETOJUMS

Krūmgrieža uzlika ir apstiprināta izmantošanai ar elektromotoru jaudas blokiem RPH1200, RLT1238I, RBC1226I, un akumulatoru piedziņas jaudas blokiem RPH3601-BL un RY36ELTX33A.

Izstrādājums ir paredzēts stiebru, krūmu vai līdzīgu augu plaušanai pie zemes vai nelielā augstumā. Produkts var arī griezt garu zāli, mikstas nezāles un līdzīgu veģetāciju.

Griešanas plaknei ir jābūt aptuveni paralēli zemes virsmai.

Produkts ir paredzēts lietošanai tikai pieaugušajiem, kas ir izlasījuši un izpratīši norādes un brīdinājumus šajā rokasgrāmatā un var tikt uzskatīti par atbildīgiem par savām darbībām.

Ierīce ir paredzēta tikai lietošanai āra, labi vedinatos apstākļos. Drošības apsvērumu dēļ produkts ir atbilstoši jākontrolē, strādājot ar abām rokām.

Nelietojiet citiem merkiem.

## VISPĀRĒJIE PRODUKTA DROŠĪBAS BRĪDINĀJUMI

**⚠ BRĪDINĀJUMS!** Izlasiet visus drošības brīdinājumus un norādījumus. Brīdinājumu un norādījumu neizpildīšana var izraisīt elektrisko triecienu, aizdegšanos un/vai smagu ievainojumu.

**Brīdinājumus un instrukcijas saglabāiet turpmākai uzziņai.**

Apzīmējums “elektroinstruments” brīdinājumos attiecas uz jūsu elektroinstrumentu, kas tiek darbināts no elektrotīkla (ar vadu) vai ar akumulatora (bezvadu) palīdzību.

## DARBA VIETA

- Turiet darba vietu tīru un labi apgaismotu. Pārblīvētās un tumšas vietas izraisa negadījumus.
- Nedarbiniet elektroinstrumentus sprādzienbīstamā vidē, piemēram, degošu šķidrumu, gāzu vai putekļu klātbūtnē. Elektroinstrumenti rada dzirksteles, kas var aizdedzināt putekļus vai gāzes.
- Neļaujiet bērniem un blakusstāvētājiem tuvoties darbā esošiem elektroinstrumentiem. Izkļaidības dēļ jūs varat zaudēt kontroli.

## ELEKTRODROŠĪBA

- Elektroinstrumenta kontaktdakšai jāatbilst kontaktligzdai. Nekad nepārvēidojiet kontaktdakšu. Sazemētiem elektroinstrumentiem nelietojiet pārejas ligzdas. Nepārveidotas kontaktdakšas un atbilstošas kontaktligzdas samazinās elektriskā trieciena risku.
- Nepieļaujiet ķermeņa kontaktu ar sazemētām virsmām, piemēram, caurulēm, radiatoriem, pavarjiem un saldētāvām. Ja jūsu ķermenis ir sazemēts, pastāv palielināts elektriskā trieciena risks.
- Nepakļaujiet precī lietum vai slāpjiem apstākļiem. Ūdens iekļūšana elektroinstrumentā palielina elektriskā trieciena risku.
- Neizmantojiet kabeli nepareizi. Nekad neizmantojiet vadu, lai nestu, vilktu elektroinstrumentu vai atvienotu kontaktdakšu. Turiet kabeli tālu no siltuma avota, eļļas, asiem priekšmetiem vai kustīgām detaļām. Bōjāts vai savērtēs kabelis palielina elektriskā trieciena iespēju.

- Strādājot ar elektroinstrumentu ārpus telpām, lietojiet āra lietošanai piemērotu pagarinātāju. Elektriska trieciena risku samazina lietošanai ārpus telpām piemērota kabēla izmantošana.
- Ja elektroinstruments ir jālieto mitrās telpās, izmantojiet strāvas noplūdes automātslēdzi (RCD) barošanas vadā. Paliekošās strāvas ierīces izmantošana samazina elektriskā trieciena risku.

## PERSONISKĀ DROŠĪBA

- Uzmanieties darba laikā un izmantojiet veselo saprātu, darbojoties ar elektroinstrumentu. Neizmantojiet elektroierīci, ja esat noguris vai narkotisko vielu, alkohola vai medikamentu ietekmē. Neuzmanības brīdis, strādājot ar elektroinstrumentiem, var izraisīt smagus ievainojumus.
- Lietojiet personīgo aizsargaprīkojumu. Vienmēr lietojiet aizsargbrilles. Aizsardzības aprīkojums, piemēram, putekļu maska, neslīdoši drošības apavi, aizsargķivere, vai ausu aizsarglīdzekļi, to izmantojot atbilstošos apstākļos, samazinās ievainojumu risku.
- Nepieļaujiet nejausu iedarbināšanu. Pirms pievienot enerģijas avotam un/vai akumulatoram, pacelt un pārvietot darbarīku, pārliecinieties, ka slēdzis ir izslēgtā stāvoklī. Elektroinstrumentu pārnēsāšana, turot pirkstu uz slēdža vai ieslēgtu elektroinstrumentu pārnēsāšana var izraisīt nelaimes gadījumu.
- Noņemiet visas regulēšanas uzgriežņu atslēgas pirms elektroierīces ieslēgšanas. Uzgriežņu atslēga vai atslēga, kas palikusi piestiprināta pie elektroinstrumenta rotējošās detaļās, var izraisīt personas ievainojumu.
- Nepersītepkite. Visu laiku stāviet stingri un stabili. Tas ļauj labāk vadīt elektroinstrumentu negaidītās situācijās.
- Apģērbieties pareizi. Nevalkājiet vaļīgu apģērbu vai rotaslietas. Netuviniet matus un apģērbu kustīgajām daļām. Vaļīgs apģērbs, rotaslietas vai gari mati var tikt ierauti starp kustīgām detaļām.
- Ja ierīce ir aprīkota ar putekļu nosūcēja un savācēja pievienojumu, pārliecinieties, ka tas ir pievienots un tiek pareizi lietots. Putekļu savācēja lietošana var samazināt putekļu izraisītos riskus.
- Neļaujiet biežas instrumentu lietošanas radītam pieradumam ļaut palikt nevērigam un neievērot instrumentu drošības principus. Neuzmanīga rīcība var radīt smagas traumas tikai dažu sekunžu laikā.

## ELEKTROINSTRUMENTU LIETOŠANA UN APRŪPE

- Nepielietojiet spēku, izmantojot ražojumu. Izmantojiet savam darbam atbilstošu elektroierīci. Pareizais elektroinstruments veiks darbu labāk un drošāk ar ātrumu, kādam ticis konstruēts.
- Nelietojiet elektroinstrumentu, ja ar slēdzi to nevar ieslēgt un izslēgt. Ja elektroinstrumentu nevar vadīt ar slēdzi, tas ir bīstams un jāremontē.
- Atvienojiet kontaktdakšu no sprieguma avota un/vai noņemiet akumulatoru bloku no elektroinstrumenta, pirms veikt jebkādu regulēšanu vai darba piederumu maiņu vai novietot elektroinstrumentu glabāšanai. Šādi profilakses pasākumi samazina elektroierīces nejaūšas iedarbināšanas iespēju.
- Glabājiet neizmantotus elektroinstrumentus bērniem nepieejamās vietās un neļaujiet neapmācītam personām darboties ar elektroinstrumentiem. Elektroinstrumenti ir bīstami neapmācītu personu rokās.





- **Uzturiet elektroinstrumentus un to aksesuārus kārtībā.** Pārbaudiet kustīgo detaļu savienojumu pareizību, detaļu berzi un citus apstākļus, kas var ietekmēt elektroinstrumenta darbu. Ja elektroinstrumenti ir bojāti, pirms lietošanas veiciet tā remontu. Daudzus negadījumus izraisa slikti apkopti elektroinstrumenti.
- **Turiet griezējīrus asus un tīrus.** Pareizi apkopti griezējīinstrumenti ar asām griezējīšķautnēm retāk pielīp un ir vieglāk vadāmi.
- **Izmantojiet elektroierīci, piederumus, darbinstrumentus u.c. saskaņā ar šiem norādījumiem, ņemiet vērā darba apstākļus un veicamo darbu.** Elektroinstrumenta izmantošana neparedzētu darbību veikšanai var radīt bīstamu situāciju.
- **Rokturim un citām satverošām virsmām ir jābūt sausām, tīrām un bez eļļas un smērvielu plankumiem.** Negaidītās situācijās slideni rokturi un slīdēna satvēriena virsmas padara darbarīka lietošanu nedrošu un nekontrolējamu.

## AR AKUMULATORU DARBINĀMU IERĪČU LIETOŠANA UN KOPŠANA

- **Uzlādējiet tikai ar ražotāja noteikto lādētāju.** Lādētājs, kas paredzēts lietošanai ar viena veida akumulatoru, var būt ugunsnedrošs, ja to izmanto ar citu akumulatoru.
- **Lietojiet elektriskos instrumentus tikai ar konkrētajai ierīcei paredzēto akumulatoru.** Jebkura cita akumulatora lietošana var radīt ievainojumu un ugunsgrēka risku.
- **Kad nelietojat akumulatoru, neturiet to citu metāla priekšmetu tuvumā, piemēram: papīra saspaušanas, mēroņa, atslēgas, naglas, skrūves vai citi sīki metāla priekšmeti, kas var veidot savienojumu starp spailēm.** Akumulatora spaiļu īsslēgums var radīt aizdegšanos vai ugunsgrēku.
- **Nepareizas rīcības gadījumā no akumulatora var izkļūt šķidrums; izvairieties no saskares ar to.** Nejausās saskares gadījumā skalojiet skarto vietu ar ūdeni. Ja šķidrums iekļūst acīs, nekavējoties meklējiet medicīnisko palīdzību. No akumulatora izkļuvušais šķidrums var izraisīt kairinājumu vai apdegumus.
- **Neizmantojiet akumulatoru bloku, kas ir bojāts vai pārveidots.** Bojāts vai pārveidots akumulatoru bloks var izraisīt neparedzamu darbību, kas var izraisīt uzliesmošanu, sprādzieni vai ievainojumu risku.
- **Nepakļaujiet akumulatoru bloku vai instrumentu liesmu vai paaugstinātas temperatūras iedarbībai.** Pakļaujot liesmām vai temperatūrai virs 130°C var izraisīt sprādzienu.
- **Ievērojiet visas lādēšanas instrukcijas un nelādējiet akumulatoru bloku vai instrumentu, ja temperatūra ir ārpus diapazona, kas norādīts instrukcijās.** Nepareiza lādēšana vai lādēšana temperatūrā, kas ir ārpus norādītā diapazona, var izraisīt akumulatora bojājumus un palielināt uzliesmošanas risku.

## APKOPE

- **Vai jūsu elektroinstrumentu apkalpo kvalificēts personāls, izmantojot tikai identiskas rezerves daļas.** Tas nodrošinās elektroinstrumenta drošības saglabāšanu.
- **Nekad neveiciet bojātu akumulatoru bloku remontu.** Akumulatoru bloku remontu drīkst veikt tikai ražotājs vai pilnvarots servisa nodrošinātājs.

## KRŪMGRIEŽA DROŠĪBAS BRĪDINĀJUMI

- **Neizmantojiet ierīci sliktos laika apstākļos, it īpaši, pastāvot zibens riskam.** Tas samazina zibens spēriena saņemšanas risku.
- **Rūpīgi pārbaudiet teritoriju, kurā paredzēts izmantot ierīci, vai tajā nav savvaļas dzīvnieku.** Ierīce darbības laikā var savainot savvaļas dzīvniekus.
- **Rūpīgi pārbaudiet zonu, kurā ierīce tiks izmantota, un novāciet visus akmeņus, zarus, vadus, koka gabalus un citus svešķermeņus.** Mesti priekšmeti var izraisīt ievainojumus.
- **Pirms ierīces lietošanas vienmēr vizuāli pārbaudiet, lai pārliecinātos, ka asmeņi, griezēja vai asmeņu mezgls nav nodiluši vai bojāti.** Bojātas daļas palielina ievainojumu risku.
- **Pirms lietošanas pārbaudiet barošanas vadu un pagarinātāju, vai tiem nav bojājumu vai novecošanās pazīmju.** Nelietojiet iekārtu, ja tās vads ir bojāts vai nodilis. Ja vads lietošanas laikā ir bojāts vai nodilis, izslēdziet ierīci un nepieskarieties vadam, pirms atvienojiet to no barošanas avota. Bojāts barošanas vads vai pagarinātāja vads var izraisīt elektrības triecienu, aizdegšanos un/vai smagus ievainojumus.
- **Ievērojiet norādes par piederumu nomaiņu.** Nepareizi pievilkti asmens nostiprināšanas uzgriežņi vai skrūves var sabojāt asmeni vai izraisīt tā atdalīšanos.
- **Asmens nominālajam rotācijas ātrumam ir jābūt vismaz tādām, kas vienāds vai lielāks par maksimālo rotācijas ātrumu, kas norādīts uz ierīces.** Asmeņi, kas tiek lietoti ar lielāku ātrumu nekā to nominālais rotācijas ātrums, var salūzt un mestī pa gaisu.
- **Valkājiet acu, dzirdes, galvas un roku aizsarglīdzekļus.** Atbilstoši aizsarglīdzekļi samazinās savainošanas risku no lidojošām atlūzām vai nejausās saskarsmes ar griešanas auklu vai asmeni.
- **Lietojot ierīci, vienmēr valkājiet aizsargājošus apavus.** Nestrādājiet ar iekārtu, ja jums ir basas kājas vai valējās sandales. Tas samazina kāju ievainojumu iespējamību, saskaroties ar kustīgo griezēju, auklu vai asmeni.
- **Darbinot ierīci, vienmēr valkājiet garās bikses.** Atklāta āda palielina ievainojumu iespējamību no mestiem priekšmetiem.
- **Ierīces lietošanas laikā turiet pārējos atstatu.** Mesti priekšmeti var izraisīt smagus ievainojumus.
- **Lietojot ierīci, vienmēr izmantojiet abas rokas.** Ierīces turēšana ar abām rokām novērsīs kontroles zaudēšanu.
- **Turiet ierīci tikai aiz izolētajām satveršanas virsmām, jo griešanas aukla vai asmens var saskarties ar apslēptiem vadiem.** Griešanas auklas vai asmeņu saskarsme ar zem sprieguma esošu vadu var radīt strāvas noplūdi uz ierīces metāla daļām un izraisīt lietotāja elektrotraumas.
- **Vienmēr stāviet uz stingras pamatnes un lietojiet ierīci tikai, stāvot uz zemes.** Slīdenas vai nestabilas virsmas var izraisīt līdzsvara vai kontroles pār ierīci zaudēšanu.
- **Neizmantojiet ierīci pārmērīgi stāvās nogāzēs.** Tas samazina kontroles zaudēšanas, slīdēšanas un krišanas risku, kas var izraisīt ievainojumus.
- **Strādājot nogāzēs, vienmēr pārliecinieties par stabili pamatu zem kājām, vienmēr strādājiet paralēli nogāzei, nekad augšup vai lejup un ievērojiet īpašu piesardzību, mainot virzienu.** Tas samazina kontroles





zaudēšanas, slidēšanas un krišanas risku, kas var izraisīt ievainojumus.

- **Turiet barošanas vadu atstatu no griezēja, auklas vai asmens.** Bojāts barošanas vads var izraisīt elektriskās strāvas triecienu, aizdegšanos un/vai smagus ievainojumus.
- **Ierīces darbības laikā turiet visas ķermeņa daļas atstatu no griezēja, auklas vai asmens.** Pirms ierīces iedarbināšanas pārliecinieties, ka griezējs, aukla vai asmens ne ar ko nesaskaras. Neuzmanības brīdis ierīces lietošanas laikā var izraisīt ievainojumus jums vai citiem.
- **Neizmantojiet ierīci virs jostas augstuma.** Tas palīdzēs novērst neparedzētu saskari ar griezēju vai asmeni un negaidītās situācijās nodrošinās labāku kontroli pār ierīci.
- **Griežot krūmus vai nelielus kokus, kas ir zem spriegojuma, uzmanieties no atlēkšanas.** Atbrīvojot koka šķiedru spriegojumu, krūms vai stumbrs var izraisīt sitienu lietotājam un/vai izraisīt kontroles pār ierīci zaudēšanu.
- **Zāgējot jaunus krūmus esiet ārkārtīgi uzmanīgs.** Smalks materiāls var radīt asmens iekēršanos un tikt rauts jūsu virzienā vai izraisīt līdzsvara zaudēšanu.
- **Nodrošiniet kontroli pār ierīci un nepieskarieties griezējiem, auklām vai asmeņiem un citām bīstamām kustīgām daļām, kamēr tās vēl atrodas kustībā.** Tas samazina ievainojumu risku no kustīgajām daļām.
- **Pārnēsājiet ierīci, kad ierīce ir izslēgta un atstāta no ķermeņa.** Pareiza apiešanās ar ierīci samazinās nejaušanas saskarsmes iespējāmību ar kustīgo griezēju, auklu vai asmeni.
- **Pārvadājot vai glabājot ierīci, vienmēr uzlieciet vāku uz metāla asmeņiem.** Pareiza apiešanās ar ierīci samazinās nejaušanas saskarsmes iespēju ar asmeni.
- **Izmantojiet tikai ražotāja norādītos nomainīgas griezējus, auklas, pļaušanas galvas un asmeņus.** Nepareizas nomainīgas daļas var palielināt lūzumu un ievainojumu risku.
- **Izņemot iestrēgušu materiāli vai veicot ierīces apkopi, pārliecinieties, ka visi slēdži ir izslēgti un akumulatora bloks ir noņemts.** Neparedzēta ierīces iedarbināšana, veicot iestrēguša materiāla izņemšanu vai apkopi, var izraisīt smagus ievainojumus.

## ASMENS IZRAISĪTAS KUSTĪBAS CĒĻONI UN SAISTĪTIE BRĪDINĀJUMI

Asmens izraisītā kustība ir pēkšņa kustība uz sāniem, uz priekšu vai atpakaļ, kas var notikt, kad asmens iesprūst vai iekēras uz priekšmeta, piemēram, krūma vai koka celma. Tas var būt pietiekami spēcīgs, lai izraisītu mašīnas un/vai lietotāja kustību jebkurā virzienā un, iespējams, zaudētu kontroli pār iekārtu.

No asmens izraisītas kustības un ar to saistītajiem apdraudējumiem var izvairīties, veicot atbilstošus piesardzības pasākumus, kā norādīts tālāk.

- **Nodrošiniet ierīces stingru satvērienu ar abām rokām un novietojiet rokas tā, lai varēti pretoties asmens radītai kustībai.** Novietojiet ķermeni pa kreisi no ierīces. Asmens radīta kustība var palielināt ievainojumu risku, ja ierīce negaidīti maina virzienu. Lietotājs var kontrolēt asmens izraisītu kustību, ja tiek veikti atbilstoši piesardzības pasākumi.
- **Asmenim iekēroties vai jebkāda cita iemesla dēļ pārtraucot pļaušanu, izslēdziet instrumentu un**

**turiet to nekustīgu, līdz asmens pilnīgi apstājas.** Kamēr asmens ir iekēries, nekad nemēģiniet izņemt ierīci no materiāla vai vilkt ierīci atpakaļ, kamēr asmens ir kustībā, pretējā gadījumā var rasties asmens izraisīta kustība.. Pārbaudiet un veiciet darbības, lai novērstu asmens iekļīšanās iemeslu.

- **Neizmantojiet truluks vai bojātus asmeņus.** Trulks vai bojāts asmens palielina iesprūšanas vai priekšmeta satveršanas risku, izraisot asmens radītu kustību.
- **Vienmēr nodrošiniet pļaušanas materiāla labu redzamību.** Asmens vilces iespējāmība ir lielāka vietās, kur ir grūti saskatīt griežamo materiālu.
- **Ja ierīces lietošanas laikā Jums tuvojas cita persona, izslēdziet ierīci.** Pastāv paaugstināts risks, ka asmens radītas kustības gadījumā citi cilvēki var tikt ievainoti ar kustīgo asmeni.

## PAPILDU DROŠĪBAS BRĪDINĀJUMI

- Pirms lietošanas un pēc jebkura trieciena, pārbaudiet, vai nav bojātu daļu. Bojāts slēdzis vai kāda daļa, kas ir bojāta vai nolietota, pareizi jāsalabo vai jānomaina pilnvarotā servisa centrā.
- Mazais asmens, kas uzstādīts uz drošības aizsarga ir paredzēts tikko izvilkta auklas apciršanai pareizajā garumā drošai un optimālai darbībai. Asmens ir ļoti ass. Nepieskarieties asmenim, it īpaši, tīrot produktu.
- Lietojiet tikai ražotāja piedāvāto rezerves griešanas auklu. Nelietojiet citus griešanas uzgaļus.
- Pārliecinieties, ka griešanas uzgalis ir pareizi uzstādīts un droši nostiprināts.
- Nekad nedarbiniet produktu, ja vien visi aizsargi, deflektori un rokturi ir pareizi droši pievienoti.
- Pirms katras lietošanas pārliecinieties, ka auklas apciršanas asmens drošības aizsargā ir pareizi uzlikts un nostiprināts.
- Turiet galvas pielāgojumu zemāk par jostasvietu.
- Nelaimes gadījuma vai salūšanas gadījumā nekavējoties izslēdziet produktu un noņemiet akumulatoru bloku vai atvienojiet no elektrības padeves. Neizmantojiet izstrādājumu līdz tas nav pilnībā pārbaudīts pilnvarotā servisa centrā.
- Lai samazinātu tādu ievainojumu risku, kas saistīti ar saskarsmi ar kustīgām daļām, vienmēr izslēdziet produktu, noņemiet akumulatoru bloku un atvienojiet no barošanas avota. Ļaujiet abiem atdzist. Pārliecinieties, ka visas kustīgās daļas ir pilnīgi apstājušās:
  - pirms sākt apkopi
  - pirms nosprostojumu tīrīšanas
  - pirms iekārtas pārbaudes, tīrīšanas vai labošanas
  - pirms papildaprīkojuma nomainīšanas
  - pēc trieciena pret svešķermeni
  - kad atstājat ierīci bez uzraudzības
  - ikreiz, kad veicat apkopi
  - ja iekārta sāk neparasti vibrēt
- Pārliecinieties, ka visi aizsargi un rokturi ir atbilstoši uzstādīti un ir labā stāvoklī.
- Turiet precī aiz paredzētajiem rokturiem un ierobežojiet darba laiku, un pakļaušanu.
- Uzmanieties no priekšmetiem, kas tiek izsvaidīti griešanas laikā. Pirms sākt darbu, novāciet no darba zonas traucēkļus, piemēram, nelielus akmeņus, granti un citus svešķermeņus. Vadi vai auklas var iepīties griešanas laikā.





- Produkts ir aprīkots ar uzskabi. Izmantojiet uzskabi darbam ar produktu. Rupīgi noregulējiet uzskabi, lai ta komfortabli balstītu izstrādājuma svaru jūsu labajā pusē. Identificējiet ātrās atbrīvošanas mehānismu un iemācieties to lietot pirms jūs esat sācis lietot šo ierīci. Šī mehānisma pareiza izmantošana var pasargāt jūs no ievainojumiem arkartas gadījumos. Nekad nevalkājiet papildus apģerbu virs uzkabes, citādi Jūs ierobežosiet piekļuvi ātras atbrīvošanas mehānismam.
- Nenēsājiet vairākas jostu vai plecu uzkabes.
- Vienmēr pārliecinieties, ka ventilācijas atveres ir tīras un netīrumiem.
- Elektriskā enerģija jāpiegādā caur strāvas noplūdes automātslēdzi (RCD) ar atslēgšanas strāvu, kas nepārsniedz 30 mA.
- Izmantojiet produktu tikai apkartejas vides temperatūras diapazonā no 0°C un 40°C.
- Glabājiet produktu vieta, kura apkartejas vides temperatūra ir starp 0°C un 40°C.
- Ja barošanas vads ir bojāts, tas jānomaina ar īpašu vadu vai mezglu, kas pieejams pilnvarotā servisa centrā.
- Pirms katras lietošanas reizes pārbaudiet, vai sprieguma vads nav bojāts. Ja sprieguma vads ir bojāts, lai izvairītos no apdraudējuma, sprieguma vadu ir jānomaina kvalificētai personai pilnvarotā servisa centrā.
- Uzstādot vai noņemot asmeņus, valkājiet izturīgus darba cimdus, jo asmeņiem ir asas malas.
- Nemēģiniet pieskarties vai apstādināt asmeni, kamēr tas griežas.
- Vienmēr nomainiet bojātu asmeni. Vienmēr pirms lietošanas pārliecinieties, ka asmens ir uzstādīts pareizi un ir stingri piestiprināts.
- Lietojiet tikai ražotāja TRI-ARC maināmos asmeņus. Nelietojiet citus griešanas uzgaļus.
- Nekad negrieziet jebkuru materiālu, kura diametrs nesnaks par 13 mm.
- Nosedziet asmeni ar asmens aizsargu pirms ierīces glabāšanas vai tās transportēšanas laika. Pirms iekārtas izmantošanas vienmēr noņemiet asmens aizsargu. Pretējā gadījumā asmens transporta aizsargs var kļūt par mestu priekšmetu, kad asmens sāk griezties.
- Ērtības un drošības apsvērumu dēļ grieziet nezāles no labās puses uz kreiso. Tādējādi var samazināt asmens grūdienu reakciju, pēkšņi saskaroties ar negaidītu objektu vai koka gabalu. Šis ražojums vienmēr ir jākontrolē, izmantojot abas rokas.
- Ilgstoša preces lietošana var radīt ievainojumus vai pasliktināt jau esošos. Izmantojot produktu ilgāku laika posmu, nodrošiniet, ka tiek ņemti regulāri pārtraukumi.

## PAPILDU AKUMULATORU BLOKA DROŠĪBAS BRĪDINĀJUMI

- Lai samazinātu aizdegšanās, ievainojumu un produkta bojājumu risku, kas radies īssavienojuma rezultātā, nekad neiemērciet produktu, akumulatoru bloku vai lādētāju šķidrumā vai nepieļaujiet šķidruma iepļūšanu tajos. Koroziju izraisoši vai vadītspējīgi šķidrumi, piemēram, sālsūdens, noteiktas ķīmikālijas, balinātāji vai produkti, kas satur balinātājus, var izraisīt īssavienojumu.
- Veiciet akumulatora bloka nomainīšanu vieta, kur temperatūra ir starp 10°C un 38°C.

- Glabājiet akumulatoru bloku vieta, kura apkartejas vides temperatūra ir starp 0°C un 20°C.
- Izmantojiet akumulatoru bloku vieta, kura apkartejas vides temperatūra ir starp 0°C un 40°C.

## TRANSPORTĒŠANA UN UZGLABĀŠANA

- Pirms produkta novietošanas glabāšanai vai transportēšanas, izslēdziet to, noņemiet akumulatoru bloku un ļaujiet tam atdzist.
- Notīriet visus svešķermeņus no izstrādājuma.
- Neglabājiet vai nepārvadājiet produktu, ja tam ievietotas baterijas. Noņemiet akumulatora bloku un nolieciet to drošā vietā. Uzglabājiet to vēsā, sausā un labi vēdinātā vietā, kurai nevar piekļūt bērni. Sargiet izstrādājumu no korozīvām vielām, piemēram, dārzeņu ķīmikālijām un pretapledošanas sāļš. Neglabājiet produktu ārpus telpām.
- Transportējot nostipriniet ierīci, lai tā nekustotos un neapgāztos, jo tas var izraisīt miesas bojājumus un ierīces bojājumus.

## LITIJA BATERIJU TRANSPORTĒŠANA

- Transportējiet baterijas saskaņā ar vietējiem un valsts noteikumiem un regulām.
- Ievērojiet visas īpašās prasības saistībā ar iepakojšanu un marķēšanu, transportējot trešās puses baterijas. Nodrošiniet, ka baterijas transportā nevar nonākt saskarē ar citām baterijām vai vadītspējīgiem materiāliem, aizsargājot atklātos savienotājus ar nevadošiem izolācijas vāciņiem vai lentēm. Netransportējiet ieplaisājušas baterijas vai baterijas, kurām ir noplūde. Lūdziet padomu kravu pārvadāšanas uzņēmumam.

## APKOPE

- Lietojiet tikai oriģinālās ražotāja rezerves daļas, piederumus un uzgaļus. Pretējā gadījumā var tikt radīti ievainojumi un pārādīts slikts sniegums, kā arī var tikt anulēta garantija.
- Aptarnavimā atlikti būtina itin atdizāi, todēl rekomenduojame, kad tehniņē apziūrā vykdytū kvalifikuotas specialistas. Veiciet apkalpošanu tikai pilnvarotā servisa centrā.
- Izslēdziet produktu un noņemiet akumulatoru bloku vai atvienojiet produktu no barošanas avota. Pārliecinieties, ka visas kustīgās daļas ir pilnīgi apstājušās, pirms veikt jebkādas tīrīšanas vai apkopes darbus.
- Jūs varat veikt tikai šajā rokasgrāmatā aprakstīto regulēšanu un remontdarbus. Cita veida remontam vai konsultācijām, vērsieties pēc padoma autorizētā servisa centrā.
- Aizstāšanai izmantojiet tikai neilona šķiedras auklu, kuras diametrs aprakstīts šīs rokasgrāmatas specifikācijas tabulā.
- Pēc katras lietošanas reizes notīriet precī ar mīkstu, sausu drāniņu. Jebkura bojāta detaļa jānodod remontam vai nomainītai pilnvarotā apkopes centrā.
- Pārbaudiet visus uzgriežņus un skrūves pirms katras lietošanas kā arī ar regulāriem intervāliem, vai tie ir novilkti, lai nodrošinātu izstrādājuma drošu lietošanas stāvokli. Jebkura bojāta detaļa jānodod remontam vai nomainītai pilnvarotā apkopes centrā.
- Nesiet precī uz pilnvarotu pakalpojumu centru, lai nomainītu bojātos vai nesalāsāmās uzlīmes.



## PAZĪSTIET SAVU IERĪCI

Skatīt 137. lappusi

1. Piederumu vārpsta
2. Asmens transporta aizsargs
3. TRI-ARC asmens
4. Asmens aizsargs
5. Lietotāja rokasgrāmata
6. Metāla vāks
7. Atloka paplāksne
8. Celtniecības paplāksnes
9. Sprosstapa
10. Kombinētā uzgriežņu atslēga
11. Uzgrieznis

## UZ PRECES ESOŠIE SIMBOLI



Drošības brīdinājums



Izlasiet un izprotiet visas norādes pirms produkta lietošanas. Ievērojiet visus brīdinājumus un drošības norādes.



Izmantojiet acu, ausu un galvas aizsargu.



Izmantojot izstrādājumu lietojiet neslīdošus, drošus darba apavus.



Nēsājiet neslīdošus, smagam darbam piemērotus aizsargcimdus.



Sargieties no izmestiem vai lidojošiem priekšmetiem. Nodrošiniet, ka nepiederošas personas, bērni un dzīvnieki atrodas vismaz 15 m attālumā no darba zonas.



Šis izstrādājums nav paredzēts izmantošanai ar zoboto zāga tipa ripu.



TRI-ARC asmens



Eiropas atbilstības zīme



EurAsian atbilstības marķējums



Ukrainas atbilstības zīme



Turiet rokas pa gabalu no asmeņiem.



Uzmanieties no asmeņiem.



Nepakļaujiet lietum vai mitriem apstākļiem.



Garantētais skaņas intensitātes līmenis



Lielbritānijas atbilstības zīme



Noņemiet akumulatoru bloku, pirms uzsākt jebkādu apkopes darbus.

Neizmetiet akumulatoru atkritumus kā nešķirotus sadzīves atkritumus. Akumulatoru atkritumi, elektrisko un elektronisko iekārtu atkritumi jāsavāc atsevišķi. Bateriju, akumulatoru un gaismas avotu atkritumi ir jāizņem no iekārtām. Sazinieties ar vietējo pašvaldību vai mazumtirgotāju, lai saņemtu ieteikumus pārstrādei un savākšanas punktus. Saskaņā ar vietējiem noteikumiem mazumtirgotājiem var būt pienākums bez maksas pieņemt atpakaļ akumulatoru, elektrisko un elektronisko iekārtu atkritumus. Jūsu ieguldījums elektrisko un elektronisko iekārtu atkritumu otrreizējā izmantošanā un otrreizējā pārstrādē palīdz samazināt izejvielu pieprasījumu. Akumulatoru atkritumi, it īpaši tie, kas satur litiju, un elektrisko un elektronisko iekārtu atkritumi satur vērtīgus un pārstrādājamus materiālus, kas var nelabvēlīgi ietekmēt vidi un cilvēku veselību, ja tos neapglabā vidi draudzīgā veidā. Izdzēsiet no atkritumos nododamajām iekārtām personīgos datus, ja tādi tur ir.



## SIMBOLI ŠAJĀ ROKASGRĀMATĀ



Piezīme



Brīdinājums



Atsevišķi nopērkamās daļas vai piederumi

Gaminant šią krūmaprovę, didžiausia pirmenybė buvo skiriama saugai, našumui ir patikimumui.

## NAUDOJIMO PASKIRTIS

Žoliapjovės priedas yra patvirtintas tinkamu naudoti su elektrinėmis galvomis RPH1200, RLT1238I, RBC1226I ir akumuliatorinėmis galvomis RPH3601-BL, RY36ELTX33A.

Šis įrenginys skirtas krūmynams, brūzgynams ir panašiai augalijai pažemiumi arba prie pat žemės pjauti. Įrenginys taip pat gali pjauti aukštą žolę, sužėlusias piktžoles ir panašią augmeniją.

Pjovimo plokštuma turi būti maždaug lygiagreti žemės paviršiui.

Šis įrenginys skirtas naudoti tik suaugusiems, kurie yra perskaitę ir suprastę šiame vadove pateiktus nurodymus bei įspėjimus ir gali būti laikomi atsakingais už savo veiksmus.

Prietaisas skirtas naudoti lauke, gerai vedinamoje vietoje. Darbo šiuo įrenginiu saugą galima užtikrinti tik dirbant abiem rankomis.

Nenaudokite kitais tikslais.

## BENDROSIOS ĮRENGINIO NAUDOJIMO SAUGOS TAISYKLĖS

**⚠️ ĮSPĖJIMAS!** Perskaitykite visus saugos įspėjimus ir visą instrukciją. Įspėjimų ir instrukcijų nesilaikymas gali sukelti elektros smūgį, gaisrą ir (ar) rimtus sužeidimus.

Saugokite šiuos įspėjimus ir nurodymus, kad galėtumėte vadovautis jais vėliau.

Įspėjimuose naudojama sąvoka „elektrinis įrankis“ reiškia prie elektros tinklo jungiamą (laidinį) elektrinį įrankį arba akumuliatoriumi maitinamą (belaidį) įrenginį.

## DARBO APLINKA

- Darbo vieta turi būti švari ir gerai apšviesta. Nelaimingi atsitikimai įvyksta netvarkingose ar tamsiose vietose.
- Nenaudokite elektrinių įrankių, jei šalia yra degios ir sprogti galinčios medžiagos (skysčiai, dujos ar dulkės). Elektriniai įrankiai kibirkščiuoja ir gali uždegti dulkes arba garus.
- Neleiskite vaikams ir šalia esantiems asmenims būti šalia įjungto elektrinio įrankio. Išsiblaškę galite prarasti kontrolę.

## ELEKTROS SAUGA

- Elektrinio įrankio kištukai turi atitikti kištukinį lizdą. Niekada nekeiskite kištuko. Su žemintais (žemėjimo) elektriniais įrankiais niekada nenaudokite kištukų adapterių. Nepakeisti kištukai ir atitinkantys lizdai sumažina elektros smūgio pavojų.
- Stenkitės nesiliesti prie įžemintų ar žemėjimo paviršių (vamzdžių, radiatorių, grandinių / viryklių, šaldytuvų). Įžeminus savo kūną, padidės elektros smūgio pavojus.
- Gaminio negalima naudoti ar laikyti lietuje ar drėgmėje. Dėl vandens, patekusio į elektrinį įrankį, padidėja elektros smūgio pavojus.
- Laidą naudokite pagal jo paskirtį. Niekada jo nenaudokite elektriniams įrankiams pernešti, tempti ar išjungti. Saugokite maitinimo laidą nuo karščio, tepalų, aštrių kampų ir judančių detalių. Pažeisti ar supainioti laidai padidina elektros smūgio galimybę.

- Dirbdami su elektriniu įrankiu lauke, naudokite tik lauke naudoti skirtus ilginamuosius laidus. Naudojant tinkama laukui laida sumažinama elektros smūgio tikimybė.
- Jei būtina naudotis elektriniu įrankiu drėgnomis oro sąlygomis, naudokite likutinės srovės prietaisą (RCD). Naudojant RCD sumažinama elektros smūgio tikimybė.

## ASMENINĖ SAUGA

- Būkite budrūs ir stebėkite, ką darote, bei sąmoningai naudokite elektrinį įrankį. Nesinaudokite įrankiu, kai esate pavargę ar paveikti narkotinių medžiagų, alkoholio ar vaistų. Neatidumas darbo su elektriniu įrankiu metu gali sukelti sunkius sužeidimus.
- Naudokite asmeninės apsaugos įrangą. Visada dėvėkite akių apsaugos priemones. Apsauginės priemonės, pavyzdžiui, apsauginės kaukės, batai neslidžiais padais, šalmas arba klausos apsaugos priemonės, naudojamos atitinkamomis darbo sąlygomis, sumažins pavojų susižaloti.
- Saugokitės, kad įrankis netyčia neįsijungtų. Įsitinkinkite, kad prieš prijungiant įrankį prie maitinimo šaltinio ir (ar) baterijos, pakeliant ar nešant įrankį, jungiklis yra išjungtas. Nešant elektrinį įrankį, uždėjus pirštą ant jungiklio, arba elektrinį įrankį, kurio jungiklis yra įjungtoje padėtyje, gali įvykti nelaimingas atsitikimas.
- Prieš įjungiant elektrinį įrankį, išimkite derinimo raktą ar veržliaraktį. Jei juos paliksite pridėtus prie besisukančios įrankio dalies, galite susižaloti.
- Nepersitempkite. Visada tvirtai stovėkite ir išlaikykite pusiausvyrą. Tai padės geriau kontroliuoti įrankį netikėtų situacijų metu.
- Dėvėkite tik darbui tinkamus drabužius. Nedėvėkite laisvų, neprigludusių drabužių ir juvelyrinių dirbinių. Saugokitės, kad jie judančios dalys neįtrauktų plaukų ir drabužių. Laisvi drabužiai, papuošalai ar ilgi plaukai gali įspainioti į judančias įrankio dalis.
- Jei įrengti dulkių ištraukimo ir surinkimo įrengimai, įsitinkinkite, kad jie prijungti ir naudojami tinkamai. Su dulkelėmis susijusiam pavojui sumažinti naudokite dulkių surinkimą.
- Nepasitikėkite vien savo patirtimi, įgyta dažnai naudojantis įrankiais, – neignoruokite įrankio naudojimo saugos taisyklių. Nerūpestingai elgiantis, galima susižeisti per sekundės dalį.

## ELEKTRINIO ĮRANKIO NAUDOJIMAS IR PRIEŽIŪRA

- Nenaudokite per didelės jėgos. Pritaikykite tinkamą elektrinį įrankį atliekamam darbui. Naudodami pagal paskirtį pagamintą tinkamą elektrinį įrankį, darbą atliksite geriau ir saugiau.
- Nenaudokite elektrinio įrankio, jei jungiklio negalite įjungti ir išjungti. Jungikliu nevaldomas elektrinis įrankis yra pavojingas ir jį reikia taisyti.
- Ištraukite kištuką iš energijos šaltinio ir (arba) išimkite iš elektrinio įrankio akumuliatorių, ir tik po to atlikite elektrinių įrankių reguliavimo, priedų keitimo arba paruošimo sandėliavimui darbus. Tokios saugumo priemonės apsaugos nuo atsitiktinio įrankio įsijungimo.
- Laikykite elektrinį įrankį vaikams neprieinamoje vietoje ir neleiskite juo naudotis asmenims, kurie nemoka juo naudotis. Neįgudusiems asmenims elektriniai įrankiai yra pavojingi.





- Prižiūrėkite elektrinius įrankius ir priedus. Patikrinkite judančių detalių nesutapimus, sukibimą, ar sumontuotos detalės nesulūžusios bei kitą būklę, kuri gali turėti neigiamos įtakos įrankio veikimui. Jei įrankis sugedęs, prieš naudojimą jį reikia suremontuoti. Nemažai nelaimingų atsitikimų įvyksta dėl netinkamai prižiūrimų elektrinių įrankių.
- Pjovimo įrankius reikia pastoviai galąsti ir valyti. Tinkamai prižiūrėti aštriais ašmenimis pjovimo įrankiai mažiau stringa ir juos lengviau valdyti.
- Naudokite elektrinius įrankius, atsargines detales, gražtus ir t. t., pagal šias instrukcijas ir atsižvelgdami į darbo sąlygas bei turimą atlikti darbą. Naudokite elektrinį įrankį tik pagal tiesioginę paskirtį, kitaip sukelsite pavojingą situaciją.
- Rankenos ir suėmimo paviršiai turi būti sausi, švarūs ir nesutepti alyva ar tepalais. Jeigu rankenos ar suėmimo paviršiai slidūs, krūmapojovę naudoti ir valdyti nesaugu netikėtomis situacijomis.

## ĮRANKIO SU AKUMULIATORIUMI NAUDOJIMAS IR PRIEŽIŪRA

- Pakartotinai kraukite prietaisą tik naudodami gamintojo nurodytą kroviklį. Vieno tipo akumuliatoriui tinkantis įkroviklis gali kelti gaisro pavojų kitokiam akumuliatoriui.
- Elektrinius įrankius naudokite tik su jiems skirtais baterijų paketais. Naudojant kitokius akumuliatorius, galima susižeisti ar sukelti gaisrą.
- Kai akumuliatorius nenaudojamas, jį laikykite toliau nuo kitų metalinių daiktų, pavyzdžiui, sąvaržėlių, monetų, raktų, vinių, varžtų ar kitų mažų metalinių daiktų, kurie vieną gnybtą gali sujungti su kitu. Sutrumpinus vieną akumuliatoriaus gnybtą su kitu, galima nusidiegti arba sukelti gaisrą.
- Netinkamomis sąlygomis iš akumuliatoriaus gali ištekėti skystis - nelieskite jo. Jei atsitiktinai prisilietėte - nuplaukite vandeniu. Jei skystis pateko į akis, nedelsiant kreipkitės į gydytoją. Iš akumuliatoriaus ištekėjęs skystis gali nudeginti ar sukelti sudirginimus.
- Nenaudokite akumuliatorių bloko ar įrankio, kuris yra sugadintas arba pakeistas. Sugadinti arba pakeisti akumuliatoriai gali veikti neprognozuojamai ir dėl to gali kilti gaisras, sprogimas arba pavojus susižaloti.
- Saugokite akumuliatorių nuo ugnies ir pernelyg aukštos temperatūros. Patekus į ugnį arba veikiant aukštesnei nei 130 °C temperatūrai gali kilti sprogimas.
- Laikykites visų įkrovimo instrukcijų ir neįkraukite akumuliatorių bloko ar įrankio jei temperatūra yra už instrukcijose nurodyto diapazono ribų. Netinkamai įkraunant arba jei temperatūra yra už nurodyto diapazono ribų gali būti sugadinti akumuliatoriai ir padidėti gaisro pavojus.

## TECHNINIS APTARNAVIMAS

- Elektrinį įrankį turi remontuoti tik kvalifikuoti darbuotojai, kurie naudoja identiškas atsargines dalis. Tai užtikrina elektrinio įrankio saugumą.
- Niekada neremontuokite pažeistų akumuliatorių. Akumuliatorius remontuoti gali tik jo gamintojai arba įgaliotieji techninės priežiūros paslaugų teikėjai.

## NEŠIOJAMOSIOS KRŪMAPJOVĖS NAUDOJIMO SAUGOS TAISYKLĖS

- Nenaudokite įrenginio prastomis oro sąlygomis, ypač, jei gali trenkti žaibas. Taip sumažinamas pavojus būti nutrenktiems žaibo.
- Kruopščiai patikrinkite, ar toje vietoje, kur bus naudojamas įrenginys, nėra laukinių gyvūnų. Veikiantis įrenginys gali sužeisti laukinius gyvūnus.
- Kruopščiai patikrinkite vietą, kur bus naudojamas įrenginys, ir pašalinkite visus akmenis, šakeles, laidus, kaulus ir kitus pašalinius daiktus. Svaidomi daiktai gali sužaloti.
- Prieš naudodami įrenginį visada įsitikinkite, kad pjoviklis arba peilis ir pjoviklio arba peilio blokas yra nenusidėvėję ir nepažeisti. Sugadintos dalys didina pavojų susižaloti.
- Prieš naudodami patikrinkite, ar nėra maitinimo kabelio ir ilginamųjų kabelių pažeidimo arba nusidėvėjimo požymių. Jei laidas pažeistas ar nusidėvėjęs, prietaiso nenaudokite. Jei naudojant įrenginį būtų pažeistas kabelis, išjunkite įrenginį. Nelieskite kabelio, kol įrenginys nebus išjungtas. Dėl pažeisto maitinimo ar ilginamojo kabelio gali kilti elektros smūgis, gaisras ir (arba) sunkių sužalojimų.
- Vadovaukitės nurodymais, kaip pakeisti priedus. Netinkamai priveržtos peilių tvirtinimo veržlės arba varžtai gali sugadinti peilį arba peilis gali atsijungti.
- Naudojant peilius su nominaliais sukimosi greičio parametrais, sukimosi greitis privalo būti mažiausiai lygus maksimaliam greičiui, pažymėtam ant įrenginio. Peiliai, veikiantys didesniu nei nominalusis sukimosi greičiu, gali skilti ir subyrėti.
- Dėvėkite akių, ausų, galvos ir rankų apsaugos priemones. Tinkamos apsaugos priemonės sumažins sužalojimo pavojų, keliamą lekiančių nuopojų ar netyčinio prisilietimo prie pjovimo vielos ar peilio.
- Naudodamiesi įrenginiu, visada dėvėkite apsauginę avalynę. Nedirbkite su šiuo prietaisu neapsiauvę arba avėdami atvirus sandalus. Taip sumažinsite galimybę susižeisti kojas dėl sąlyčio su judančiais pjovikliais ar peiliu.
- Naudodamiesi įrenginiu visada mūvėkite ilgas kelnes. Neapsaugotą odą gali sužeisti svaidomi objektai.
- Dirbdami su įrenginiu nelieskite artyn vaikų ir pašalinių asmenų. Išmestos nupjautos šakos gali sunkiai sužaloti.
- Naudodamiesi įrenginiu jį visada laikykite abiem rankomis. Laikydami įrenginį abiem rankomis, neprarasite kontrolės.
- Įrenginį laikykite tik už izoliuotų paviršių, nes pjovimo valų ar peiliu galite užkliudyti nematomus laidus. Pjovimo valui ar peiliams prisilietus prie laido, kuriuo teka srovė, neizoliuotos metalinės įrenginio dalys gali sukelti elektros smūgį ir nutrenkti naudotoją.
- Visuomet stovėkite tvirtai ir dirbkite įrenginiu tik stovėdami ant žemės. Būdami ant slidžių ar nestabilių paviršių galite prarasti pusiausvyrą arba nesuvaldyti įrenginio.
- Nedirbkite įrenginiu pernelyg stačiuose šlaituose. Taip sumažinsite riziką prarasti įrenginio kontrolę, paslysti, nukristi ir susižaloti.
- Dirbdami šlaituose visada stovėkite tvirtai, visada dirbkite skersai šlaito ir niekada – aukštyn ar žemyn, o keisdami judėjimo kryptį būkite itin atsargūs. Taip sumažinsite riziką prarasti įrenginio kontrolę, paslysti, nukristi ir susižaloti.





- **Maitinimo kabelį laikykite toliau nuo pjoviklio, valo ar peilio.** Dėl pažeisto maitinimo kabelio gali kilti elektros smūgis, gaisras ir (arba) sunkių sužalojimų.
- **Naudodamiesi įrenginiu pasirūpinkite, kad visos kūno dalys būtų atokiau nuo pjoviklio, vielos ar peilio.** Prieš įjungdami įrenginį įsitinkinkite, kad pjoviklis, valas ar peilis prie nieko nesiliečia. Akimirka nukreipus dėmesį, besinaudojant įrenginiu, galima sunkiai susižaloti arba sužaloti kitus.
- **Nenaudokite įrenginio virš juosmens aukščio.** Taip netyčia neprisiliesite prie pjoviklio ar peilio ir lengviau suvaldysite įrenginį netikėtų situacijų atvejais.
- **Pjaunant įtemptus krūmus ar sodinukus, saugokitės atatraknos.** Kai medienos plaušų įtempimo neliks, krūmas ar jaunas medelis gali atsokti ir užgauti naudotoją, arba galima prarasti įrenginio kontrolę.
- **Būkite ypatingai atsargūs pjaudami krūmus ir medelius.** Peilis gali įstrigti liaunoje medienoje ir atsokti į jus ar sukelti pusiausvyros praradimą.
- **Išlaikykite įrenginio kontrolę, nelieskite pjoviklio, vielos, peilio ir kitų pavojingų judančių dalių, kol jos dar juda.** Taip sumažinsite riziką susižeisti prisilietus prie judančių dalių.
- **Nešamas įrenginys turi būti išjungtas ir neprispaustas prie kūno.** Tinkamai dirbdami su įrenginiu sumažinsite atsitiktinio prisilietimo prie judančio pjoviklio, vielos ar peilio tikimybę.
- **Transportuodami arba sandėliuodami įrenginį visada uždėkite dangtį ant metalinių peilių.** Tinkamai dirbdami su įrenginiu sumažinsite atsitiktinio prisilietimo prie peilio tikimybę.
- **Naudokite tik gamintojo nurodytus atsarginius pjoviklius, vielas, pjovimo galvutes ir peilius.** Netinkamos atsarginės dalys gali padidinti lūžimo ir susižalojimo pavojų.
- **Valydami užstrigusias nuopjovas arba vykdydami įrenginio techninės priežiūros darbus būtinai išjunkite jungiklį ir ištraukite arba atjunkite akumuliatorių.** Netyčia įjungus įrenginį, valant jį užkimšusius nešvarumus arba vykdat techninės priežiūros darbus, galima sunkiai susižaloti.

## PEILIO ATATRANKOS PRIEŽASTYS IR SUSIJE ĮSPĖJIMAI

Peilio atatranka – tai staigus įrenginio judesys į šoną, pirmyn arba atgal, kuris gali atsirasti, kai peiliai užstringa arba užkliūva už pjaunamo objekto, pavyzdžiui, medelio ar kelmo. Ši jėga gali būti tokia stipri, kad įrenginys ir (arba) naudotojas gali būti pastumti bet kuria kryptimi, ir naudotojas net gali prarasti įrenginio kontrolę.

Peilio atatraknos ir su ja susijusių pavojų galima išvengti imantis toliau nurodytų tinkamų atsargumo priemonių.

- **Laikykite tvirtai suėmę įrenginį abiem rankomis; rankų padėtis privalo būti stabilii, kad galėtumėte atlaikyti peilio atatraknos jėgą.** Jūsų kūnas privalo būti kairėje įrenginio pusėje. Peilio atatranka gali padidinti susižalojimo riziką, jei įrenginys netikėtai pajudėtų. Imdamasis tinkamų atsargumo priemonių, naudotojas gali suvaldyti peilio atatranką.
- **Peiliui užstrigus arba, kai pjovimas dėl kokių nors priežasčių nutrūksta, išjunkite įrenginį ir nelieskite jo, kol peilis visiškai nustos sukstis.** Peiliui užstrigus, niekada nebandykite traukti įrenginio iš augmenijos arba

traukti įrenginio atgal, kai peilis juda, nes priešingu atveju gali įvykti peilio atatranka. Jei peilis stringa, nustatykite priežastį ir imkitės korekcinii veiksmų.

- **Nenaudokite bukų ar apgadintų peilių.** Buki arba sugadinti peiliai didina pavojų užstrigti, arba jie gali įtraukti augalus, todėl gali įvykti peilio atatranka.
- **Pjaunami augalai privalo būti gerai matomi.** Peilis gali įstrigti tose vietose, kur sunku pamatyti pjaunamą augmeniją.
- **Jei dirbant su įrenginiu jūsų link artinasi kitas asmuo, išjunkite įrenginį.** Kitiems asmenims kyla didesnis pavojus susižaloti, nes, jei įvyktų atatranka, juos gali kliudyti judantis peilis.

## PAPILDOMI SAUGOS ĮSPĖJIMAI

- Prieš naudodami įrenginį ir po bet kokio jo sutrenkimo patikrinkite, ar nėra pakenktų dalių. Nekokybišką jungiklį ar pakenktą arba susidėvėjusią dalį reikia tinkamai sutaisyti arba pakeisti. Dalis keisti gali tik įgaliotas techninio aptarnavimo centras.
- Mažas, ant peilio apsauginio gaubto sumontuotas peiliukas skirtas naujai išstumtai pjovimo vietai iki tinkamo ilgio nukirpti, kad darbas būtų saugus ir optimalus. Peilis yra labai aštrus. Nelieskite šio peilio, ypač valydami įrenginį.
- Keitimui naudokite tik gamintojo pjovimo lyną. Nenaudokite jokio kito pjovimo įtaiso.
- Patikrinkite, ar pjovimo įtaisas tinkamai sumontuotas ir pritvirtintas.
- Gaminio jokiu būdu negalima naudoti, jeigu nėra tinkamai pritvirtinti apsauginiai įtaisai, kreiptuvai ir rankenos.
- Prieš kiekvieną naudojimą įsitinkinkite, kad apsauginiame gaubte esantis vielos nuopjovimo peiliukas yra tinkamai nustatytas ir pritvirtintas.
- Pjovimo įtaisas privalo būti laikomas žemiau juosmens linijos.
- Nelaimingo atsitiktimo arba gedimo atveju tuoj pat išjunkite įrenginį, išimkite akumuliatorių arba atjunkite jį nuo elektros tinklo. Nenaudokite įrenginio tol, kol jis nebus išsamiai patikrintas įgaliotos techninės priežiūros centre.
- Norėdami sumažinti pavojų susižaloti prisilietus prie judančių dalių, visada išjunkite įrenginį, išimkite akumuliatorių ir atjunkite nuo elektros tinklo. Palaukite, kol abu atvės. Patikrinkite, ar visos judančio dalys visiškai nustojo sukstis.
  - prieš atlikdami techninę priežiūrą
  - prieš pašalindami užsikimšimą
  - prieš tikrindami ar valydami prietaisą arba prieš pradėdami juo pjauti žolę;
  - prieš keisdami priedus
  - kliudę pašalinį objektą
  - prieš palikdami įrenginį be priežiūros
  - kaskart atlikdami techninę priežiūrą
  - prietaisui pradėjus neįprastai vibruoti
- Patikrinkite, ar visi apsauginiai įtaisai ir rankenos tinkamai sumontuotos ir geros būklės.
- Laikyti gaminį už tam skirtų rankenų ir roboti darbo laiką bei buvimą sveikatai žalingoje aplinkoje.
- Saugokitės iš pjovimo įtaiso „iššaunamų“ objektų. Prieš pradėdami darbą, pašalinkite šiukšles, pavyzdžiui, smulkius akmenis, žvyrą ir kitus pašalinius daiktus. Vietos arba virvelės gali įspainioti pjovimo įtaisuose.



- Įrenginyje sumontuotas perpetinis diržas. Naudodamiesi įrenginiu naudokite diržą. Kruopščiai sureguliuokite diržus, kad jie būtų patogus ir padėtų išlaikyti įrenginio svori dešinėje puseje. Prieš pradėdami naudotis įrenginiu, susipažinkite su diržo greitojo atkabinimo mechanizmu ir pasipraktikuokite, kaip juo naudotis. Teisingai naudojant šį itaisa, galima apsisaugoti nuo sužeidimų įvykus avarijai. Nevilkite ant diržo jokių papildomų drabužių ir kitaip neribokite galimybiu pasiekti greito atfiksavimo mechanizma.
- Nedėvėkite kelių diržų arba perpetinio diržo.
- Visada patikrinkite, ar ventiliavimo angos nėra užsikūšusios atliekomis.
- Elektros maitinimas turi būti paduodamas per prietaisą su srovės atjungimo (RCD), kurio išsijungimo srovės riba neturi būti didesnė, nei 30 mA.
- Naudokite įrenginį tik esant nuo 0 °C iki 40 °C temperatūrai.
- Įrenginį laikykite ten, kur aplinkos temperatūra yra nuo 0 °C iki 40 °C.
- Jei maitinimo kabelis yra pažeistas, jį reikia pakeisti specialiu kabeliu arba kabelio komplektu, kurį galima įsigyti įgaliotajame techninės priežiūros centre.
- Kiekvieną kartą prieš naudodamiesi įrankiu, patikrinkite, ar nepažeistas jo maitinimo kabelis. Jei maitinimo kabelis būtų pažeistas, jį privalo pakeisti kvalifikuotas specialistas įgaliotajame techninės priežiūros centre, kad nekiltų pavojus.
- Montuodami ar nuimdami peilius, užsidėkite tvirtas pirštines, nes jie turi aštrias briaunas.
- Geležtės nebandykite priliesti ar sustabdyti, kai ji sukasi.
- Visas pažeistas geležtės būtina pakeisti. Kiekvieną kartą prieš naudodami įrankį, patikrinkite, ar geležtė yra teisingai pritvirtinta ir tvirtai priveržta.
- Keitimui naudokite tik originalią gamintojo geležtę „TRI-ARC“. Nenaudokite jokio kito pjovimo įtaiso.
- Nepjaukite jokių medžiagų, kurių skersmuo didesnis nei 13 mm.
- Prieš padedami įranki saugoti ar jį pervežant, geležtė visada uždenkite apsauginiu gaubtu. Prieš pradėdami naudoti įrankį, visada nuimkite geležtės apsauginį gaubtą. Jei geležtės apsauginis gaubtas nenuimtas, geležtė pradėjus sukintis, gaubtas gali būti nušviestas.
- Kad darbą atlikti būtų lengviau ir saugiau, žolę pradėkite pjauti iš dešinės į kairę. Susidūrus su netikėtu objektu ar medžio gabalu, tokie veiksmai gali sumažinti geležtės sviedimo reakciją. Šį prietaisą visada būtina valdyti abiejomis rankomis.
- Ilgiau naudojant, įrankis kelia sužeidimų pavojų ir apsunkina darbą. Naudodamiesi įrenginiu ilgesnį laiką, būtina darykite pertraukas.

### PAPILDOMI AKUMULIATORIAUS SAUGOS ĮSPĖJIMAI

- Siekiant sumažinti gaisro, susižeidimų ir įrangos pažeidimų pavojus, galinčius kilti dėl trumpojo elektros jungimo, pasirūpinkite, kad įrankis, akumuliatorius arba įkroviklis niekada nebūtų panardintas į jokią skystį, o taip pat, kad skystis nepatektų į jų vidų. Koroziją sukeliantys arba laidūs skysčiai, pvz., sūrus vanduo, tam tikri chemikalai ir balikliai arba produktai, kurių sudėtyje yra baliklių, gali sukelti trumpąjį jungimą.
- Akumuliatorių kraukite nuo 10 °C iki 38 °C temperatūros aplinkoje.

- Akumuliatorių laikykite nuo 0 °C iki 20 °C temperatūros aplinkoje.
- Akumuliatorių naudokite nuo 0 °C iki 40 °C temperatūros aplinkoje.

### GABENIMAS IR LAIKYMAS

- Išjunkite įrenginį, išimkite akumuliatorių ir palaukite, kol įrenginys atvės, jei norite jį padėti saugojimo vietą arba transportuoti.
- Nuo įrankio nuvalykite visas pašalines medžiagas.
- Nelaikykite ir negabenkite gaminio su įdėtomis baterijomis. Išimkite akumuliatorių ir padėkite jį atskirai į saugią vietą. Laikykite vėsioje, sausoje, gerai vėdinamoje ir vaikams nepasiekiamoje vietoje. Laikykite gaminių toliau nuo korozinių medžiagų, pvz. sodo chemikalų ir tirpdančių druskų. Nelaikykite įrenginio lauke.
- Paruošiant gabenimui, gamini reikia pritvirtinti, kad nejudėtų ir nenukristų, nes priešingu atveju jis gali sužaloti žmones arba sugesti pats.

### LIČIO BATERIJŲ TRANSPORTAVIMAS

- Akumuliatorių gabenkite pagal vietinius ir šalies reikalavimus bei nuostatas.
- Akumuliatorius gabenant trečiajai šaliai būtina laikytis visų specialių reikalavimų, nurodytų pakuočiose ir etiketėse. Užtikrinkite, kad gabenimo metu nei vienas akumuliatorius nesiliestų su kitais akumuliatoriais arba laidžiosiomis medžiagomis – apsauginius jungiamuosius elementus uždenkite izoliacinėmis nelaidžiomis momomis arba juosta. Iškiliusiu ir tekanciu akumuliatorių negabenkite. Dėl tolesnių patarimų kreipkitės į transporto įmonę.

### PRIEŽIŪRA

- Keitimui naudokite tik originalias gamintojo atsargines dalis. Neoriginalios dalys gali būti sužeidimų ir įrenginio blogo veikimo priežastis, ir dėl to gali būti anuliuotas garantinis pažymėjimas.
- Aptarnavimą atlikti būtina itin atidžiai, todėl rekomenduojame, kad techninę apžiūrą vykdytų kvalifikuotas specialistas. Įrenginį techninei priežiūrai pristatykite tik į įgaliotąjį techninės priežiūros centrą.
- Išjunkite įrenginį, ištraukite išimkite akumuliatorių arba atjunkite įrenginį nuo elektros tinklo. Prieš valydami arba atlikdami techninę priežiūrą pasirūpinkite, kad visos judančios dalys visiškai sustotų.
- Gaminį reguliuoti ar taisyti patiems galima tik tiek, kiek aprašyta šiame vadove. Dėl kitų dalių taisyimo ar pagalbos taisant reikia kreiptis į įgaliotą techninio aptarnavimo centrą.
- Seną stygą keisti tik nailono pluošto styga, kurios skersmuo nurodytas šio vadovo specifikacijų lentelėje.
- Po kiekvieno naudojimo, išvalykite įrenginį sausu švelnaus audinio gabalėliu. Bet kurią apgadintą detalę leidžiama remontuoti arba keisti tik autorizuotame aptarnavimo centre.
- Reguliariai ir prieš kiekvieną naudojimą tikrinkite, ar tinkamai užveržti visi sraigtai, varžtai ir veržlės, kad užtikrintumėte saugą darbo aplinką. Bet kurią apgadintą detalę leidžiama remontuoti arba keisti tik autorizuotame aptarnavimo centre.
- Prireikus pakeisti sugadintas ar neįskaitomas etiketes, gaminių reikia nugabenti į įgaliotą techninio aptarnavimo centrą.

## SUSIPAŽINKITE SU ĮRENGINIU

Žr. 137 psl.

1. Tvirtinimo velenas
2. Geležtės saugiklis
3. „TRI-ARC“ geležtė
4. Geležtės apsauginis gaubtas
5. Naudotojo vadovas
6. Metalinis gaubtas
7. Priveržiamoji poveržlė
8. Montažinė poveržlė
9. Blokavimo kaištis
10. Daugiafunkcis veržliaraktis
11. Veržlė

## SIMBOLIAI ANT ĮRENGINIO



Pranešimas apie saugumą



Reguliariai ir prieš kiekvieną naudojimą tikrinkite, ar tinkamai užveržti visi sraigčiai, varžtai ir veržlės, kad užtikrintumėte saugą darbo aplinką. Vadovaukitės visais įspėjimais ir saugos taisyklėmis.



Dėvėkite akių, ausų ir galvos apsaugą.



Naudodamiesi gaminiu, avėkite apsauginę avalynę neslidžiais padais.



Mūvėkite neslystančias, tvirtas apsaugines pirštines.



Saugokitės išmetamų arba skrendančių objektų. Visi pašaliečiai, ypač vaikai ir naminiai gyvūnai, privalo būti bent 15 m atstumu nuo darbo vietos



Šis įrenginys neskirtas naudoti su dantytu peiliu.



„TRI-ARC“ geležtė



Europos atitikties ženklas



„EurAsian“ atitikties ženklas



Ukrainos atitikties ženklas

001



Laikykite rankas atokiai nuo lyno nupjovimo geležtės.



Saugokitės geležtės smūgio.



Neleiskite gaminiui būti po lietuimi arba drėgnose sąlygose.



Garantuotas akustinis lygis



Didžiosios Britanijos atitikties ženklas



Prieš pradėdami bet kokius darbus gaminyje išimkite akumuliatorių bloką.

Neišmeskite senų akumuliatorių, elektros ir elektroninės įrangos atliekų kartu su nerūšiuotomis komunalinėmis atliekomis. Seni akumuliatoriai, elektros ir elektroninės įrangos atliekas privaloma surinkti atskirai. Senos baterijos, akumuliatoriai ir šviesos šaltinių atliekos turi būti pašalinti iš įrangos. Kur rasti surinkimo ir perdirbimo punktą ir kaip tinkamai utilizuoti seną įrenginį, kreipkitės į vietos valdžios įstaigą ar pardavėją. Atsižvelgiant į vietos teisės aktus, mažmenininkai gali būti įpareigoti nemokamai priimti atgal senus akumuliatorius ir elektros bei elektroninės įrangos atliekas. Prisdėdami prie pakartotinio senų akumuliatorių ir elektros bei elektroninės įrangos atliekų panaudojimo ir perdirbimo padedate mažinti žaliavų poreikį. Senuose akumuliatoriuose, ypač tuose, kuriuose yra ličio, elektros ir elektroninės įrangos atliekose yra vertingų ir perdirbimui tinkamų medžiagų, kurios gali turėti neigiamą poveikį aplinkai ir žmonių sveikatai, jei nėra šalinamos aplinkai nekenksmingu būdu. Ištrinkite senuose prietaisuose esančius asmens duomenis, jei tokių buvo.



## SIMBOLIAI VADOVE



Pastaba



Įspėjimas!



Detalės arba priedai yra parduodami atskirai

Võsalõikuri tarviku juures on peetud esmatähtsaks ohutust, töövõimet ja töökindlust.

### OTSTARBEKOHANE KASUTAMINE

Võsalõikuri tarvikut tohib kasutada koos elektrimootoriga veopeadega RPH1200, RLT1238I, RBC1226I ning akuajamiga veopeadega RPH3601-BL ja RY36ELTX33A.

Toode on ette nähtud võsa, säise umbrohu ja sarnase taimeistiku lõikamiseks maapinnal või selle lähedal. Seadmega saab lõigata ka kõrget muru, säisist umbrohtu ja sarnast taimeistikut.

Lõiketapasind peab olema maapinnaga ligikaudu paralleelne.

Toodet tohivad kasutada ainult need isikud, kes on läbi lugenud selles kasutusjuhendis olevad juhised ja hoiatused ning saavad neist aru ning keda saab pidada oma tegude eest vastutavaks.

See seade on ette nähtud kasutamiseks vaid väljaspool ruume, hästiventileeritud kohas. Ohutuse tagamise eesmärgil peab töötamise ajal hoidma tööriista kahe käega, et seda saaks piisavalt kontrollida.

Ärge kasutage ühekski muuks otstarbeks.

### SEADME ÜLDISED OHUTUSJUHISED

**⚠ HOIATUS! Lugege kõik ohuhoiatused ja juhised läbi.** Hoiatuste ja juhiste eiramisel on oht saada elektrilööki või raskeid kehavigastusi ning/või põhjustada tulekahju.

**Hoidke kõik hoiatused ja juhised tulevikus vaatamiseks alles.**

Hoiatuses kasutatav termin "mootortööriist" viitab võrgutoitega (juhtmega) seadmele või akuga (juhtmeta) seadmele.

### TÖÖKOHT

- Hoidke töökoht puhas ja hästi valgustatud. Korrastamata ja pimedas kohas töötamisel võivad juhtuda õnnetused.
- Ärge kasutage elektritööriista plahvatusohtlikes keskkondades, näiteks kergesti süttivate vedelike ja gaaside läheduses ega tolmuses kohas. Elektritööriistad tekitavad sädemeid, mis võivad tolmu või aurd süüdata.
- Elektritööriistaga töötamisel hoidke lapsed ja kõrvalised isikud eemal. Tähelepanu hajumise korral võib teil kontroll kaduda.

### ELEKTROIHUTUS

- Elektritööriistade pistikud peavad pistikupespa sobima. Ärge püüdke pistiku konstruktsiooni mingil moel muuta. Ärge ühendage maanduskontaktiga (kordusmaandusega) elektritööriistu elektrivõrku läbi vahepistmike. Pistiku ja pistikupespa konstruktsiooni muutmise korral tekib elektrilöögi oht.
- Hoiduge kehalisest kontaktist maandatud pindadega, näiteks torud, radiaatorid, elektripliidid ja külmikud. Kehaosade maandamisel suureneb elektrilöögi saamise oht.
- Ärge jätke kultivaatorit vihma kätte või märga kohta. Vee sattumisel elektrilise tööriista sisemusse suureneb elektrilöögi saamise oht.
- Ärge kasutage toitejuhet mittesihipäraselt. Ärge kasutage toitejuhet tööriista kandmiseks, vedamiseks või pistikupesast väljatõmbamiseks.

**Hoidke toitejuhe eemal kuumusest, õlist, teravatest servadest ja liikuva osadest.** Vigastatud või keerdsu toitekaablid suurendavad elektrilöögi ohtu.

- Väljas töötamisel kasutage välistingimustes kasutamiseks sobivaid pikendusjuhtmeid. Välistingimustele sobiva pikendusjuhtme kasutamine vähendab elektrilöögi ohtu.
- Kui elektritööriistaga töötamine niisketes oludes on vältimatu, siis kasutage rikkevoolu-kaitselülitiga (RCD) kaitstud vooluvõrku. RCD kasutamine vähendab elektrilöögi ohtu.

### ISIKUKAITSE

- Mehaanilise tööriistaga töötamisel jälgige tööpiirkonda ja kasutage sealjuures tervet mõistust. Ärge kasutage tööriista siis, kui te olete väsinud, uimastite, alkoholi või ravimite mõju all. Hetkeline tähelepanu hajumine tööriista kasutamise ajal võib põhjustada raske kehavigastuse.
- Kasutage isikukaitsevahendeid. Kandke alati silmakaitsevahendeid. Oludele vastavad kaitsevahendid, nagu tolmumask, libisemist takistavad turvajalatsid, kiiver või kuulmiskaitsmed, vähendavad kehalisi vigastusi.
- Vältige tahtmatut käivitumist. Enne toitejuhtme või aku ühendamist, tööriista kättevõtmist või teisaldamist veenduge, et tööriista lüliti on välja lülitatud. Õnnetuste vältimiseks ärge hoidke tööriista kandmise ajal sõrme lülitisnupul ega ühendage tööriista toitevõrku siis, kui lüliti on sisse lülitatud.
- Enne tööriista sisselülitamist eemaldage sellelt reguleerivõti või mutrivõti. Elektritööriista külge jäetud reguleerivõti või mutrivõti võivad põhjustada raske kehavigastuse.
- Ärge kummardage. Hoidke end pidevalt jalgadel ja tasakaalus. Siis on teil ootamatu olukorra tekkimisel tööriista üle parem kontroll.
- Kandke tööks sobivat riietust. Ärge kandke lõtvu riideid ja ehteid. Hoidke juuksed ja riided liikuvatest osadest eemal. Lõdvad riietuseseid, ehteid ja pikad juuksed võivad haakuda liikuvate osade külge.
- Kui tööriistal tuleb kasutada tolmu eraldamis- või kogumisseadist, siis veenduge, et need on ühendatud ja nõuetekohases kasutuses. Tolmukoguri kasutamisega saab vähendada tolmuga seotud ohtusid.
- Ärge muutuge hooletuks ega ignoreerige tööriista ohutusnõudeid, kui te seadte juba tunnete ja olete seda tihti kasutanud. Hooletu tegutsemine võib põhjustada raske kehavigastuse mõne sekundi murdosa jooksul.

### ELEKTROTÖÖRIISTA KASUTAMINE JA KORRASHOID

- Ärge kasutage töötamisel liigset jõudu. Kasutage tööks sobivat elektritööriista. Õigesti valitud elektritööriist töötab ettenähtud võimsuspiirkonnas paremini ja ohutumalt.
- Ärge kasutage elektritööriista, kui lüliti ei lülita seda sisse ja välja. Lülitiga lülitamatu tööriista kasutamine on ohtlik ja see tuleb lasta ära remontida.
- Enne tööriista reguleerimist, tarvikute vahetamist või tööriista hoiustamist ühendage pistik vooluallikast lahti ja/või eemaldage võimalusel tööriista aku. Need ennetavad ohutusmeetmed vähendavad tööriista tahtmatu käivitumise riski.
- Hoidke kasutuses mitteolevaid elektritööriistu lastele kättesaamatus kohas ja ärge lubage



elektritööriista mitte tundvaid või kasutusjuhendiga mitte tutvunud isikuid elektritööriista kasutada. Oskamatu kasutaja käes olev elektritööriist on ohtlik.

- **Hoidlage elektritööriista ja tarvikuid.** Kontrollige liikuvate osade mittetsentreeritust ja kinnitumist, osade vigastusi ning tehke kindlaks muud seisundid, mis võivad mõjustada elektritööriista tööd. Kui mõni osa on vigastatud, siis laske elektritööriist enne kasutamist ära parandada. Halvasti hooldatud elektritööriistad põhjustavad palju õnnetusi.
- **Hoidke löiketerad teravad ja puhtad.** Teravate löiketeradega ja nõuetekohaselt hooldatud löikeriistad jäävad harvemini kinni ning neid on kergem kontrolli all hoida.
- **Tööriistade, tarvikute, otsake ja muude lisaseadmete kasutamisel juhendage nende kasutusjuhenditest, võttes arvesse tehtavat tööd ja tööolusid.** Tööoperatsiooniks mitte ettenähtud tööriista kasutamine võib tekitada ohtliku olukorra.
- **Hoidke tööriista käepidemed ja haardepinnad kuivana, puhtana ja ärge laske neile sattuda õli või määrat.** Libedad käepidemed ja haardepinnad ei võimalda tööriista turvaliselt haarata ja ootamatutes olukordades kontrollida.

#### AKUTÖÖRIISTA KASUTAMINE JA KORRASHOID

- **Laadige akut ainult tootja poolt ettenähtud laadijaga.** Akulaadaja, mis sobib ühele akupaketile võib põhjustada tulekahju, kui seda kasutada teise akupaketiga.
- **Kasutage akutööriista ainult selleks ettenähtud akudega.** Muude akupaketide kasutamine võib põhjustada kehavigastusi või tulekahju.
- **Sel ajal kui akupakett ei ole kasutusel, hoidke seda eemal metallesemetest nagu kirjaklambrid, mündid, võtmed, naelad, kruvid ja muudest väikestest metallobjektidest, mis võivad akuklemmid lühistada.** Aku klemmide lühistamine võib põhjustada põletust või tulekahju.
- **Aku vale kasutamise korral võib akudeveldik välja voolata - vältige sellega kokkupuudet.** Akudeveldiku nahale sattumisel peske see veega maha. Vedeliku silma sattumisel pöörduge viivitamatult arsti poole. Väljapritsv akudeveldik võib tekitada nahaärritust või -põletust.
- **Ärge kasutage vigast või ümbertehtud akut ega tööriista.** Vigased või ümbertehtud akud võivad toimida ettearvatult, mille tagajärjeks on tulekahju, plahvatus või vigastuste oht.
- **Ärge jätke akut või tööriista tule lähedale ega liiga kõrge temperatuuri kätte.** Tuli või temperatuur üle 130 °C võib põhjustada plahvatust.
- **Järgige kõiki laadimisjuhiseid ning ärge laadige akut ega tööriista väljaspool juhistes määratletud temperatuurivahemikku.** Vale laadimine või laadimine väljaspool määratletud temperatuurivahemikku võib akut rikkuda ja suurendada tulekahju ohtu.

#### TEENINDAMINE

- **Laske oma elektrilist tööriista hooldada väljaõppinud teenindustöötajal; remontimisel tohib kasutada ainult originaalvaruosi.** See tagab elektriseadme ohutuse.
- **Ärge kunagi remontige vigast akut.** Vigast akut tohivad remontida vaid tootja või volitatud hooldustöötajad.

#### VÕSALÖIKURI OHUTUSJUHISED

- **Ärge kasutage masinat halva ilma korral, eriti kui on olemas äikesehoht.** See vähendab pikselöögi ohtu.
- **Kontrollige põhjalikult ala, kus masinat kasutatakse, metsloomade ja -lindude suhtes.** Masin võib neid töötamise ajal vigastada.
- **Kontrollige põhjalikult ala, kus masinat kasutatakse, ja eemaldage kõik kivid, pulgad, juhtmed, kondid ja muud esemed.** Õhu paisatud esemed võivad põhjustada kehavigastusi.
- **Enne masina kasutamist kontrollige alati visuaalselt, et löikur või tera ning löikuri ja tera koost poleks kulunud ega kahjustatud.** Kahjustatud osad suurendavad vigastuste ohtu.
- **Enne kasutamist kontrollige toitejuhet ja kõiki pikendusjuhtmeid kahjustuste või vananemise ilmingute suhtes.** Kui juhe on vigastada saanud, siis ärge seadet kasutage. Kui juhe saab kasutamise ajal kahjustusi või on kulunud, lülitage masin välja ja ärge puudutage juhet enne kui see on vooluvõrgust lahti ühendatud. Kahjustatud toitejuhe või pikendusjuhe võib põhjustada elektrilöögi, tulekahju ja/või tõsiselt vigastusi.
- **Järgige tarvikute vahetamise juhiseid.** Valesti pingutatud tera kinnitusmutrid või poldid võivad tera kahjustada või põhjustada selle eraldumise.
- **Tera nimipöörlemiskiirus peab olema vähemalt võrdne masinal märgitud maksimaalse pöörlemiskiirusega.** Tera, mis liiguvad nimipöörlemiskiirusest kiiremini, võivad puruneda ja minema lennata.
- **Kasutage silma-, kõrva-, pea- ja kätekaitsset.** Piisavad kaitsevahendid vähendavad väljapaiskuvast prahist ja juhuslikust löikejõhvi või teraga kokkupuutumistest tulenevate vigastuste ohtu.
- **Seadme kasutamisel kandke alati turvajalatseid.** Ärge kasutage seadet paljajalu ega kandke töötamise ajal lahtisi sandaale. See vähendab jalgade liikuva löikuri, jõhvi või teraga kokkupuutest tulenevat vigastamisohu.
- **Masina kasutamisel kandke alati pikki pükse.** Katmata nahk suurendab õhkupaisatud esemetest tulenevat vigastusohu.
- **Masina kasutamise ajal hoidke kõrvalised isikud eemal.** Lendav prügi võib tekitada tõsiselt kehavigastusi.
- **Kasutage masinat alati kahe käega.** Masina hoidmine mõlema käega väldib kontrolli kaotamist.
- **Hoidke masinat üksnes käepideme isoleeritud pinnast, sest löikejõhv või tera võib sattuda kokkupuutesse peidus elektrijuhtmega.** Voolu all oleva juhtmega kokku puutuv löikejõhv või tera võib panna masina metallosad voolu alla ja anda elektrilöögi.
- **Säilitage alati kindel jalgealune ja kasutage masinat ainult maapinnal seistes.** Libedad ja ebakindlad pinnad võivad põhjustada tasakaalu või kontrolli kadumist masina kasutamisel.
- **Ärge kasutage masinat liiga järskudel nõlvadel.** See vähendab kontrolli kaotamise, libisemise ja kukkumise ohtu, mis võib lõppeda kehavigastustega.
- **Kui töötate nõlvadel, olge alati oma jalgealuses kindel.** Töötage alati piki nõlvakut, mitte kunagi üles või alla, ja suunda muutes olge äärmiselt ettevaatlik. See vähendab kontrolli kaotamise, libisemise ja kukkumise ohtu, mis võib lõppeda kehavigastustega.





- **Hoidke toitejuhe lõikurist, jõhvist või terast eemal.** Kahjustatud toitejuhe võib põhjustada elektrilöögi, tulekahju ja/või tõsiseid vigastusi.
- **Kui masin töötab, hoidke kõik kehaosad lõikurist, jõhvist ja terast eemal. Enne masina käivitamist veenduge, et lõikur, jõhv või tera ei puutu millilegagi kokku.** Hetkeline tähelepanematus masina töötamise ajal võib põhjustada vigastusi teile või teistele.
- **Ärge kasutage masinat vöökohast kõrgemal.** See aitab vältida tahtmatut kokkupuudet lõikuri või teraga ja tagab ootamatutes olukordades masina üle parema kontrolli.
- **Pinge all olevate pöösaste ja noorte puude saagimisel olge tagasivikamise suhtes tähelepanelik.** Kui puudu kiududes olev pinge vabaneb, võib pöösast või noor puu tabada kasutajat ja/või viia masina kontrolli alt välja.
- **Olge okste ja puuvõsude saagimisel äärmiselt ettevaatlik.** Nõrke materjal võib tera tabada ja selle teie poole visata või teid tasakaalust välja tõmmata.
- **Säilitage kontroll masina üle ning ärge puudutage lõikureid, jõhve või terasid ega muid ohtlikke liikuvaid osi, kui need veel liiguvad.** See vähendab liikuvatest osadest tingitud vigastuste ohtu.
- **Kandke masinat, kui masin on välja lülitatud ja keha eemal.** Masina nõuetekohane käsitsemine vähendab juhusliku kokkupuute tõenäosust liikuva lõikuri, jõhvi või teraga.
- **Masina transportimisel või hoiustamisel pange metallteradele alati kate.** Seadme nõuetekohane käsitsemine vähendab juhusliku kokkupuute tõenäosust lõiketeraga.
- **Kasutage ainult tootja poolt ette nähtud varulõikureid, jõhve, -lõikepead ja -terasid.** Valed varuosad võivad suurendada purunemise ja vigastuste ohtu.
- **Kui puhastate masinat kinnijäänud materjalist või seda hooldate, veenduge, et lüliti on välja lülitatud ning aku on eemaldatud.** Seadme ootamatu käivitumine toote kinnijäänud materjalist puhastamise või hoolduse ajal võib põhjustada raskeid kehavigastusi.

## TERA TÕUKEJÕU PÕHJUSED JA NENDEGA SEOTUD HOIATUSED

Tera tõukejõud on masina äkiline külgsuunas ette- või tahapoole liikumine, mis võib tekkida siis, kui tera kinni kiilub või haakub mõne objekti, näiteks istiku või kännu külge. See võib olla piisavalt tugev, et seadet ja/või kasutajat suvalises suunas liigutada ja seadme üle kontrolli kaotada.

Tera tõukejõudu ja sellega seotud ohte saab vältida, järgides alltoodud ettevaatusabinõusid.

- **Hoidke seadmest mõlema käega tugevasti kinni ja valige käte asend, mis suudab tagasilöögi jõuga toime tulla. Asetage keha seadme vasakule küljele. Tera tõukejõud võib suurendada masina ootamatult liikumisest tingitud vigastuste ohtu.** Sobivate ettevaatusabinõude kasutamisel saab kasutaja tera tõukejõudu kontrollida.
- **Kui ketas jääb kinni või katkestate löike mingil põhjusel, lülitage tööriist välja ja hoidke seda liikumatult, kuni ketas täielikult peatub.** Kui tera on kinni kiilunud, ärge kunagi proovige masinat materjalist eemaldada ega seda liikumise ajal tahapoole tõmmata, vastasel juhul võib tekkida tera tõukejõud. Selgitage välja kinnikiilumise põhjus ja eemaldage see.
- **Ärge kasutage nüri ega kahjustatud terasid.** Nürid või kahjustatud terad suurendavad objekti kinnikiilumise ohtu, mille tagajärjeks on tera tõukejõud.
- **Säilitage alati lõigatud materjali hea nähtavus.** Tagasilöökk võib tekkida kergesti sellises kohas, kus seadme operاتور ei näe selgelt lõigatavat materjali.
- **Kui seadmega töötades läheneb teile keegi teine, lülitage tööriist välja.** Tera tõukejõu korral on suurem oht, et liikuv tera tabab teisi inimesi.

## TÄIENDAVAD OHUTUSJUHISED

- Enne töötamise alustamist kontrollige, et seadme osad ei ole vigastatud. Vigastatud lüliti ja vigastatud osad tuleb lasta pädeval hooldajal parandada või asendada.
- Kaitsekatte küljes olev väike tera lõikab uue väljaulatava jõhvi pikkuse parajaks, et saavutada ohutu ja optimaalne tulemus. Lõiketera on väga terav. Ärge puudutage lõiketera, eriti toodet puhastades.
- Kasutage ainult tootja poolt tarnitud jõhvi. Ärge kasutage mingit muud lõikeorganit.
- Veenduge, et lõikeorgan on õigesti paigaldatud ja kindlalt kinnitatud.
- Ärge hakake masinat enne kasutama, kui olete veendunud, et kõik kaitse, suunajad ja käepidemed on õigesti ja ohutult kinnitatud.
- Enne iga kasutamist veenduge, et terakaitse olev lõiketera oleks õigesti paigutatud ja kinnitatud.
- Hoidke peatarvik vöökohast allpool.
- Õnnetuse või rikke korral lülitage toote otsekohe välja ja eemaldage aku või ühendage see vooluvõrgust lahti. Ärge kasutage tööriista enne, kui see on volitatud parandustöökojas põhjalikult kontrollitud.
- Et vähendada liikuvate osadega kokkupuutumistest tingitud vigastuste ohtu, lülitage alati toode välja, eemaldage aku ja ühendage vooluvõrgust lahti. Laske mõlemal maha jahtuda. Veenduge, et kõik masina liikuvad osad on täielikult seiskunud:
  - enne hooldust
  - enne takistuse kõrvaldamist
  - enne kontrollimist, puhastamist või teenindamist,
  - enne tarvikute vahetamist
  - pärast võrkehaga kokkupuutumist
  - seadme jätmise järelvalveta
  - alati hooldustööde teostamisel
  - kui toode hakkab ebatavaliselt vibreerima
- Veenduge, et kõik kaitsekatted ja käepidemed on nõuetekohaselt kinnitatud ning heas seisundis.
- Hoidke kultivaatorit kinni selleks ette nähtud käepidemetest ja piirake tööaega ning vibratsiooniga kokkupuudet.
- Hoidke eemale lõikeorgani poolt ülespaisatud esemete eest. Enne tööga alustamist eemaldage tööpiirkonnast praht nagu väikesed kivid, kruus jms. Traadid ja nõbrid võivad takerduda lõiketeradesse.
- Tootel on õlarakmed. Toote töötamise ajal kasutage õlarihma. Kohandage kanderihmad hoolikalt, et need aitaksid mugavalt taluda teie paremal küljel asuva toote kaalu. Tehke kindlaks, kuidas kasutada kiirvabastusmehhanismi ja proovige seda enne kasutamise alustamist. Selle õige kasutamine võimaldab ära hoida hädaolukorras tekkida võiva raske kehavigastuse. Ärge kunagi kandke kanderihma peal



riideid või takistage muul viisil juurdepääsu kiiravatavale mehhanismile.

- Ärge kasutage mitmikvööd ega õlarihmasid.
- Veenduge, et ventilatsioonivad on kogu aeg prahist puhtad.
- Elektriline tööriist tuleb ühendada vooluvõrku läbi rikkevoolu-kaitselüüti (RCD), mille rakendumisvoolu tugevus on maksimaalselt 30 mA.
- Kasutage toodet ainult temperatuurivahemikus 0–40 °C.
- Hoidke toodet kohas, kus keskkonna temperatuur on vahemikus 0–40 °C.
- Kui toitejuhe on kahjustatud, tuleb see asendada spetsiaalse juhtme või komplektiga, mis on saadaval volitatud teeninduskeskuses.
- Kontrollige toitejuhett enne iga kasutamist võimalike kahjustuste suhtes. Kui toitejuhe on kahjustatud, peab võimalike ohtude vältimiseks selle välja vahetama ametliku teeninduskeskuse kvalifitseeritud tehnik.
- Lõiketerade paigaldamisel ja eemaldamisel kasutage vastupidavaid töökindaid, neil on teravad servad.
- Ärge püüdke pöörlevat lõiketera puudutada või mingil moel peatada.
- Vigastatud lõiketera tuleb igal juhul asendada. Alati enne kasutamist veenduge, et tera on nõuetekohaselt paigaldatud ja kindlalt kinnitatud.
- Kasutage ainult tootja varuosadena tarnitud lõiketerasid TRI-ARC. Ärge kasutage mingit muud lõikeorganit.
- Ärge kunagi lõigake materjali, mille läbimõõt on suurem kui 13 mm.
- Enne seadme hoiulepanekut või transportimise alustamist katke lõiketera selleks ettenähtud kaitsekattega. Võtke tera kaitsekate enne seadme kasutamist maha. Kui seda ei eemaldata, paiskub terakaitse lõiketera pöörlema hakkamisel välja.
- Lõikamise kergendamiseks ja ohutuse tagamiseks tuleb umbrohtu lõigata paremalt vasakule. Juhul, kui on oodata ettearvamatuid objekte või kändusid, võib nimetatud tööviis minimeerida vastulöögi reaktsiooni. Hoidke töötamise ajal tööriistast alati kahe käega kinni.
- Seadme pikaajalisel kasutamisel võite saada kehavigastusi ja varasemad vigastused võivad süveneda. Kui kasutate toodet pikaajaliselt, tehke regulaarselt pause.

### AKU LISAOHUTUSJUHISED

- Et vähendada tulekahju ja kehaliste vigastuste ohtu ning lühisest tulenevat toote kahjustamist, ärge kunagi kastke tööriista, akut või laadijat vedelikesse ega laske neil vedelikega kokku puutuda. Korrodeeruvad või elektrit juhtivad vedelikud, nagu soolvesi, teatud kemikaalid ja pleegitusained või pleegitusaineid sisaldavad tooted, võivad põhjustada lühisid.
- Laadige akut kohas, kus keskkonna temperatuur on vahemikus 10–38 °C.
- Hoidke akut kohas, kus keskkonna temperatuur on vahemikus 0–20 °C.
- Kasutage akut kohas, kus keskkonna temperatuur on vahemikus 0–40 °C.

### TRANSPORTIMINE JA HOIUSTAMINE

- Enne toote hoiustamist või selle transportimist lülitage toode välja, eemaldage aku ja laske mõlemal maha jahtuda.
- Puhastage seade kõikidest võõrkehadest.
- Ärge hoidke ega transportige toodet koos paigaldatud patareidega. Eemaldage aku ja kinnitage see eraldi. Hoidke kuivas ja hästi ventileeritud kohas, mis on lastele juurdepääsmatu. Hoidke seadet eemal korrodeerivatest ainetest, nagu aiakemikaalid ja jääsulatussoolad. Ärge hoiustage toodet väljas.
- Vedamise ajal tõkestage kultivaator liikuma hakkamise ja alla kukkumise vastu, et vältida kehavigastusi ja masinaosade kahjustamist.

### LIITIUMAKUDE TEISALDAMINE

- Akude transportimisel juhenduge kasutuskohas kehtivatest riiklikest määrustest ja eeskirjadest.
- Akude transportimisel allettevõtjate poolt järgige kõiki pakkimise ja tähistamise erinõudeid. Veenduge, et akud ei satu kokkupuutese teiste akude ega voolu juhtivate materjalidega, kui avatud klemmid on transportimise ajal kaitstud voolu mittejuhtivate isoleerkorkide või teibiga. Ärge transportige pragunenud või lekkivaid akusid. Küsige lisateavet transportettevõtelt.

### HOOLDUS

- Kasutage ainult tootja originaalvaruosi, tarvikuid ja tööorganeid. Selle nõude eiramine võib põhjustada, kehavigastuse, tootluse languse ja teile antud garantii tühistamise.
- Hooldamine nõuab ülimalt korrashoidu ja teadmisi ning tuleks teostada ainult kvalifitseeritud hooldustehnikute poolt. Toodet tohib parandada vaid volitatud teeninduses.
- Lülitage toode välja ja eemaldage aku või ühendage toode vooluvõrgust lahti. Veenduge, et kõik liikuvad osad on täielikult peatunud enne toote puhastamist või hooldamist.
- Lubatud on teha ainult selles kasutusjuhendis kirjeldatud reguleerimis- ja parandustoiminguid. Muude remonditööde tellimiseks ja abi saamiseks pöörduge volitatud hoolduskeskusesse.
- Asendusjõhvina kasutage vaid sellise läbimõõduga nailonjõhvi, mis on esitatud selle kasutusjuhendi tehniliste andmete tabelis.
- Iga kord pärast kasutamist puhastage seadet pehme ja kuiva lapiga. Vigastatud osad tuleb lasta pädeval hooldajal parandada või asendada.
- Iga kord enne kasutamist ja sagedaste intervallide tagant kontrollige, kas kõik mutrid, poldid ja kruvid on tugevalt kinni ning veenduge, et tööriist on kasutamiseks ohutu. Vigastatud osad tuleb lasta pädeval hooldajal parandada või asendada.
- Pöörduge vigastatud ja loetamatute kleebiste asendamiseks volitatud hoolduskeskuse poole.

### ÕPPIGE OMA TOODET TUNDMA

Vt leht 137.

1. Kinnitusvars
2. Lõiketera kaitsekate
3. TRI-ARC lõiketera
4. Terakaitse
5. Kasutusjuhend



- 6. Metallist kate
- 7. Äärikuga seib
- 8. Konstruksiooni seib
- 9. Lukustussõrm
- 10. Universaalvõti
- 11. Mutter

### MASINAL OLEVAD SÜMBOLID

-  Ohutusallane teave
-  Enne toote kasutamist lugege läbi ja tehke endale selgeks kõik juhised. Järgige kõiki hoiatusi ja tööohutuseeskirju.
-  Kandke silma- ja kuulmiskaitsevahendeid ning kiivrit.
-  Toodet kasutades kandke mittelibiseva tallaga turvajalatsid.
-  Kandke libisemiskindlaid, tugevdatud kaitsekindlaid.
-  Hoiduge ülespaisatud ja lendavate esemete eest. Hoidke kõik kõrvalised isikud, eelkõige lapsed ja koduloomad, vähemalt 15 m kaugusel tööpiirkonnast.
-  
-  Toodet ei tohi kasutada hammastega saelehe-tüüpi teraga.
-  TRI-ARC löiketera
-  Euroopa vastavusmärgis
-  Euraasia vastavusmärk
-  Ukraina vastavusmärgis  
001
-  Hoidke käed mahalöiketerast eemal.
-  Löiketera vastusurve!
-  Ärge jätke vihma ega niiskuse kätte.



Garanteeritud helivõimsuse tase



Suurbritannia vastavusmärgis






Enne mistahes tööde tegemist toote kallal võtke aku välja.

Ärge kõrvaldage kasutatud patareisid ning elektri- ja elektroonikaseadmete jäätmeid sortimata olmejäätmetena. Kasutatud patareid ning elektri- ja elektroonikaseadmete jäätmed tuleb koguda eraldi. Patareijäätmed, akujäätmed ja jäätmetest valgusallikad tuleb seadmetest eemaldada. Taaskasutusnõuannete ja kogumispunktiiga seotud teabe saamiseks pöörduge kohaliku omavalitsuse või edasimüüja poole. Kohalike eeskirjade kohaselt võib jaemüüjatel olla kohustus kasutatud patareid ning elektri- ja elektroonikaseadmete jäätmed tasuta võtta. Teie panus patareide ning elektri- ja elektroonikaseadmete jäätmete korduskasutamisse ja ringlussevõttu aitab vähendada toorainete nõudlust. Patareijäätmed, mis sisaldavad eelkõige liitiumi, ning elektri- ja elektroonikaseadmete jäätmed sisaldavad väärtuslikke ja ringlussevõetavaid materjale, mis võivad keskkonda ja inimeste tervist kahjustada, kui neid ei kõrvaldata keskkonnasäästlikul viisil. Olemasolul kustutage jäätmeseadmest isikuandmed.



### KASUTUSJUHENDI SÜMBOLID

-  Märkus
-  Hoiatus
-  Eraldi ostetavad osad või tarvikud

Vodeću ulogu u dizajnu vašeg rezača za grmlje imaju sigurnost, performanse i pouzdanost.

## NAMJENA

Priključak rezača za grmlje odobren je za korištenje sa svim glavama na električni pogon RPH1200, RLT1238I, RBC1226I, i na glavama na baterijski pogon RPH3601-BL i RY36ELTX33A.

Proizvod je namijenjen za rezanje šiblja, grmlja i sličnog raslinja na razini zemlje ili blizu nje. Proizvod može rezati i visoku travu, mesnati korov i slično raslinje.

Ravnina rezanja treba približno biti paralelna s površinom tla.

Proizvod smiju koristiti samo odrasle osobe koje su pročitale i razumjele upute i upozorenja u ovom priručniku i koje se mogu smatrati odgovornima za svoje postupke.

Ovaj uređaj namijenjen je samo za korištenje na otvorenom u dobro prozračenom prostoru. Iz sigurnosnih razloga proizvod za vrijeme rukovanja uvijek držite pod kontrolom držeći ga s obje ruke.

Proizvod ne koristite ni za kakvu drugu svrhu.

## OPĆA SIGURNOSNA UPOZORENJA O PROIZVODU

**⚠ UPOZORENJE! Pročitajte sva sigurnosna upozorenja i sve upute.** Nepridržavanje upozorenja i uputa može izazvati strujni udar, požar i/ili ozbiljne ozljede.

**Sačuvajte ova upozorenja i upute kako biste ih naknadno mogli konzultirati.**

Pojam „električni alat“ u upozorenjima odnosi se na vaš električni proizvod (žični) napajan iz električne mreže ili proizvod na baterije (bežični).

## RADNA OKOLINA

- **Držite radni prostor čistim i dobro osvijetljenim.** Zatrpani i neosvijetljeni radni prostori izazivaju nezgode.
- **Nemojte rukovati električnim alatima u eksplozivnim atmosferama u kojima su prisutne zapaljive tekućine, plinovi ili prašina.** Električni alati stvaraju iskre koje mogu zapaliti prašinu ili pare.
- **Tijekom rada s električnim alatom držite podalje djecu i promatrače.** Ometanje može dovesti do toga da izgubite kontrolu.

## ELEKTRIČNA SIGURNOST

- **Utikači električnog alata moraju odgovarati utičnici.** Nikada nemojte modificirati utikače ni na koji način. **Nemojte koristiti nikakve adapter utikače s uzemljenim električnim alatima.** Originalni utikači i odgovarajuće utičnice smanjuju opasnost od strujnog udara.
- **Izbjegavajte kontakt tijela s uzemljenim površinama poput cijevi, radijatora, štednjaka i hladnjaka.** Ako je vaše tijelo uzemljeno, povećava se opasnost od strujnog udara.
- **Nemojte proizvod izlagati kiši ili vlažnim uvjetima.** Ulazak vode u električni alat povećava opasnost od strujnog udara.
- **Nemojte zlorabiti kabel.** Nikada nemojte koristiti kabel za nošenje, povlačenje ili isključivanje električnog alata. **Držite kabel podalje od topline, ulja, oštih rubova ili pokretnih dijelova uređaja.** Oštećeni ili zapleteni kabeli povećavaju opasnost od strujnog udara.

- **Kada radite s električnim alatom na otvorenom, koristite produžni kabel prikladan za rad na otvorenom.** Korištenje kabela prikladnog za rad na otvorenom smanjuje opasnost od strujnog udara.
- **Ako se ne može izbjeći rad s električnim alatom u vlažnoj lokaciji koristite FID sklopku (RCD uređaj) za zaštitu napajanja.** Korištenje RCD uređaja smanjuje opasnost od električnog udara.

## OSOBNA SIGURNOST

- **Budite na oprezu, gledajte to što radite i pri radu s električnim alatom koristite zdrav razum.** **Nemojte koristiti električni alat kad ste umorni ili pod utjecajem droge, alkohola ili lijekova.** Trenutak nepažnje pri radu s električnim alatima može dovesti do teških osobnih ozljeda.
- **Koristite osobnu zaštitnu opremu. Uvijek nosite zaštitna sredstva za oči.** Zaštitna oprema poput maske za zaštitu od prašine, protukliznih sigurnosnih cipela, kacige, ili opreme za zaštitu sluha korištena u odgovarajućim uvjetima smanjit će tjelesne ozljede.
- **Spriječite slučajno pokretanje. Osigurajte da je prije priključivanja na izvor napajanja i/ili baterije, podizanja ili nošenja alata, sklopka u položaju OFF (isključeno).** Nošenje električnog alata s vašim prstom na sklopki ili uključivanje električnih alata sa sklopkom postavljenom na položaj on (uključeno) dovodi do nezgoda.
- **Prije uključivanja električnog alata uklonite sve klinove za podešavanje i ključeve.** Ključ ili klin ostavljen priključen na rotirajućem dijelu električnog alata može dovesti do osobne ozljede.
- **Ne sežite preko određene granice. Cijelo vrijeme držite pravilno uporište i ravnotežu.** Ovo u neočekivanim situacijama omogućuje bolju kontrolu nad električnim alatom.
- **Pravilno se odjenite. Nemojte nositi široku odjeću ili nakit.** Svoju kosu i odjeću držite podalje od dijelova u pokretu. Široka odjeća, nakit ili dugačka kosa mogu biti zahvaćeni u pokretne dijelove alata.
- **Ako su uređaji opremljeni s priključkom aparata za odvajanje i prikupljanje prašine, osigurajte da su oni priključeni i pravilno korišteni.** Korištenje uređaja za sakupljanje prašine smanjuje opasnosti vezane uz prašinu.
- **Nemojte dopustiti da vas poznavanje alata zbog česte uporabe opusti toliko da zanemarite sigurnosne principe rukovanja alatom.** Nepažljiv rad može uzrokovati ozbiljne povrede unutar djelića sekunde.

## KORIŠTENJE I BRIGA O ELEKTRIČNOM ALATU

- **Nemojte proizvod koristiti iznad njegovih mogućnosti. Za vašu primjenu koristite točan električni alat.** Točan električni alat bolje će i sigurnije uraditi posao u odnosu za što je namijenjen.
- **Nemojte koristiti električni alat ako ga sklopka pravilno ne uključuje i isključuje.** Svaki električni alat koji se ne može kontrolirati pomoću sklopke je opasan i mora se popraviti.
- **Izvučite utikač iz izvora električnog napajanja i/ili uklonite baterijski sklop, ako je odvojiv, prije izvršavanja bilo kakvih prilagodbi ili skladištenja električnih alata.** Ovakve preventivne sigurnosne mjere smanjuju opasnost od slučajnog pokretanja električnog alata.
- **Električne alate pohranite u stanju mirovanja izvan dohvata djece i ne dopustite rad s električnim**



alatom osobama koje nisu upoznate s električnim alatom ili ovim uputama. Električni alati su opasni u rukama nestručnih korisnika.

- **Održavajte električne alate i pribor.** Provjerite radi pogrešnog poravnjanja ili savijanja pokretnih dijelova, puknuća dijelova i drugih uvjeta koji mogu utjecati na rad električnog alata. Ako je oštećen, električni alat prije korištenja popravite. Većina nezgoda uzrokovano je od strane električnih alata koji su slabo održavani.
- **Rezne alate držite oštrim i čistim.** Pravilno održavanim reznim alatima s oštrim rubovima za rezanje, manja je vjerojatnost zahvaćanja i lakše se kontroliraju.
- **Koristite električni alat, pribor i dijelove alata itd., u skladu s ovim uputama i uzevši u obzir radne uvjete i rad koji treba izvršiti.** Korištenje električnog alata za radove drugačije od njegove namjene može dovesti do opasne situacije.
- **Održavajte ručke i površine hvata suhim, čistim i da na njima nema ulja i masti.** Skliske ručke i površine za hvatanje ne omogućuju sigurno rukovanje i kontrolu alata u neočekivanim situacijama.

#### KORIŠTENJE I BRIGA O AKU ALATU

- **Punite samo s punjačem navedenim od proizvođača.** Punjač koji je prikladan za jednu vrstu baterija može dovesti do opasnosti od požara kada se koristi s drugom baterijom.
- **Koristite AKU alate samo s posebno naznačenim baterijama.** Korištenje bilo kojih drugih baterija dovodi do opasnosti od ozljeda i požara.
- **Kada se baterija ne koristi držite je dalje od drugih metalnih predmeta kao što su spajalice za papir, kovanice, ključevi, čavli, vijci ili drugi mali metalni predmeti koji mogu spojiti jedan pol na drugi.** Kratki spoj polova baterije može izazvati opekotine ili požar.
- **Pod uvjetima loma može doći do izbacivanja tekućine iz baterije, izbjegavajte kontakt. Ako dođe do nehotičnog kontakta, isperite to mjesto s vodom. Ako tekućina dospije u oči, dodatno potražite liječničku pomoć.** Tekućina koja istječe iz baterije može dovesti do iritacije ili opekotina.
- **Nemojte koristiti bateriju ili alat koji su oštećeni ili modificirani.** Oštećene ili modificirane baterije mogu imati nepredvidivo ponašanje, što može dovesti do požara, eksplozije ili rizika od tjelesnih ozljeda.
- **Nemojte izlagati baterijski sklop ili alat vatri ili visokoj temperaturi.** Izlaganje vatri ili temperaturi višoj od 130°C može dovesti do eksplozije.
- **Slijedite sve upute za punjenje i nemojte puniti bateriju ili alat na temperaturama izvan temperaturnog raspona specificiranog u uputama.** Nepravilno punjenje ili punjenje na temperaturama izvan specificiranog raspona može oštetiti bateriju i povećati rizik od požara.

#### ODR/EAUVANJE

- **Neka vaš električni alat servisira kvalificirana osoba za popravak koristeći samo identične zamjenske dijelove.** Ovo će osigurati da se održi sigurnost električnog alata.
- **Nikada nemojte popravljati oštećene baterije.** Popravak oštećenih baterija smije izvoditi isključivo proizvođač ili ovlašteni servisni centar.

#### SIGURNOSNA UPOZORENJA REZAČA GRMLJA

- **Izbjegavajte uporabu uređaja po lošem vremenu, posebno kada postoji opasnost od munje.** Time se smanjuje rizik od udara munje.
- **Temeljito pregledajte površinu na kojoj će se koristiti uređaj i provjerite ima li na njoj divljih životinjskih vrsta.** Uređaj može ozlijediti divlje životinje tijekom rada.
- **Temeljito pregledajte površinu na kojoj će se koristiti uređaj i uklonite svo kamenje, štapove, žice, kosti i ostale strane predmete.** Bačeni predmeti mogu prouzročiti tjelesne ozljede.
- **Prije korištenja uređaja uvijek vizualno pregledajte proizvod kako biste se uvjerali da rezač ili oštrica i sklop rezača ili oštrice nije oštećen.** Oštećeni dijelovi povećavaju rizik od ozljede.
- **Prije upotrebe provjerite kabel za napajanje i sve produžne kabele i potražite znakove oštećenja ili dotrajalosti.** Nemojte koristiti uređaj ako je kabel oštećen ili istrošen. Ako je kabel oštećen ili istrošen tijekom upotrebe, isključite uređaj i nemojte dodirivati kabel prije nego što ga odvojite od izvora napajanja. Oštećen kabel za napajanje ili produžni kabel može izazvati strujni udar, požar i/ili teške ozljede.
- **Slijedite upute za promjenu pribora.** Nedovoljno pritegnute sigurnosne matice ili vijci mogu ili oštetiti oštricu ili izazvati njezino otpadanje.
- **Nazivna rotacijska brzina oštrice mora biti barem jednaka maksimalnoj rotacijskoj brzini označenoj na alatu.** Oštrice koje se kreću brže od svoje rotacijske brzine mogu se slomiti i razletjeti se.
- **Nosite zaštitu za oči, uši, glavu i ruke.** Odgovarajuća zaštitna oprema smanjit će nastanak tjelesnih ozljeda izazvanih letećim krhotinama ili slučajnim kontaktom s reznom nit ili oštricom.
- **Tijekom rukovanja uređajem, uvijek nosite sigurnosnu obuću.** Nemojte raditi bos ili u otvorenim sandalama. Time se smanjuje mogućnost ozljeđivanja stopala izazvanog kontaktom s pokretnim rezačem, reznom nit ili oštricom.
- **Tijekom rada s uređajem uvijek nosite duge hlače.** Gola koža povećava vjerojatnost ozljeđivanja odbačenim predmetima.
- **Nazočne osobe držite podalje tijekom rada s uređajem.** Izbacivanje krhotina otpada može izazvati teške tjelesne ozljede.
- **Prilikom rada s uređajem uvijek koristite dvije ruke.** Držanjem uređaja s obje ruke spriječit će se gubitak nadzora.
- **Uređaj držite isključivo za izolirane površine za hvatanje, pošto rezna nit ili oštrica može dotaknuti skriveno ožičenje.** Rezna nit ili oštrice u doticaju sa žicom i pod naponom izložene metalne dijelove i trimer za živicu mogu staviti pod napon i mogu prouzročiti strujni udar rukovatelju.
- **Uvijek zadržavajte pravilan položaj nogu i uređajem rukujte samo stojeći na tlu.** Skliske ili nestabilne površine mogu prouzročiti gubitak ravnoteže ili nadzora nad strojem.
- **Uređajem nemojte upravljati na prevelikim strminama.** Time se smanjuje rizik od gubitka nadzora, klizanja i pada koji mogu dovesti do tjelesne ozljede.
- **Prilikom rada na strminama, uvijek budite sigurni u svoje uporište, na strminama uvijek radite**





dijagonalno, a nikada prema gore ili dolje i budite krajnje oprezni pri promjeni smjera. Time se smanjuje rizik od gubitka nadzora, klizanja i pada koji mogu dovesti do tjelesne ozljede.

- **Kabel za napajanje držite podalje od rezača, niti ili oštrice.** Oštećen kabel za napajanje može izazvati strujni udar, požar i/ili teške ozljede.
- **Sve dijelove tijela držite podalje od rezača, rezne niti ili oštrice kada uređaj radi. Prije nego što pokrenete uređaj, uvjerite se da rezač, rezna niti ili oštrica ne dodiruju ništa.** Trenutak neopreza tijekom rukovanja uređajem može dovesti do ozljeđivanja sebe ili drugih osoba.
- **Uređajem ne rukujte na visini iznad struka.** Na taj se način sprečava nenamjeran kontakt rezača ili oštrice i omogućava bolje upravljanje uređajem u neočekivanim situacijama.
- **Prilikom rezanja grmlja ili napetih mladica pazite na povratni udarac.** Kada se napetost u drvenim vlaknima smanji, grmlje ili mladice mogu udariti rukovatelja i/ili izbaciti uređaj izvan kontrole.
- **Poduzmite posebne mjere opreza prilikom rezanja žbunja ili mladica.** Tanak materijal može zahvatiti oštricu i oštinuti vas i povući vas tako da izgubite ravnotežu.
- **Zadržite nadzor na uređajem i ne dirajte rezače, rezne niti ili oštrice niti ostale opasne pokretne dijelove dok su još u pokretu.** Time se smanjuje rizik od ozljeđivanja pokretnim dijelovima.
- **Uređaj nosite dok je isključen i udaljen od vašeg tijela.** Pravilno rukovanje uređajem smanjit će vjerojatnost slučajnog kontakta s pokretnim rezačem ili reznom niti ili oštricom.
- **Prilikom prevoženja ili skladištenja uređaja, uvijek stavite poklopac na metalne oštrice.** Pravilno rukovanje uređajem smanjit će vjerojatnost slučajnog kontakta s oštricom.
- **Koristite samo zamjenske rezače, rezne niti, rezne glave i oštrice koje je naveo proizvođač.** Neodgovarajući zamjenski dijelovi mogu povećati rizik od kvarova i ozljede.
- **Prilikom čišćenja zaglavljenog materijala ili servisiranja uređaja, uvjerite se da je električna sklopka isključena i da je baterijski sklop uklonjen.** Neočekivano pokretanje uređaja tijekom čišćenja zaglavljenog materijala ili servisiranja može dovesti do teške tjelesne ozljede.

#### UZROCI UDARA OŠTRICE I POVEZANA UPOZORENJA

Udar oštrice je iznenadno pomicanje uređaja u stranu, prema naprijed ili unatrag, do kojeg može doći kada se oštrice zaglave ili zahvate neki objekt poput mladice stabla ili panja. On može biti dovoljno silovit da uzrokuje pomak uređaja i/ili rukovatelja u bilo kojem smjeru i moguću gubitak nadzora nad uređajem.

Udar oštrice i s njim povezane opasnosti mogu se izbjeći poduzimanjem odgovarajućih mjera opreza kako je prikazano u nastavku.

- **Uređaj čvrsto uhvatite s obje šake, a svoje ruke postavite tako da mogu izdržati udar oštrice. Tijelo smjestite na lijevu stranu uređaja. Udar oštrice može povećati rizik od ozljeda izazvanih neočekivanim kretanjem uređaja.** Rukovatelj može kontrolirati udar oštrice ako se poduzmu odgovarajuće mjere opreza.

- **Ako se oštrica usiječe ili kada se rezanje prekida zbog bilo kojeg razloga, isključite uređaj i držite ga u nepomičnom položaju sve dok se oštrica potpuno ne zaustavi.** Dok se oštrica usjeca, nikada ne pokušavajte izvaditi uređaj iz materijala ili povlačiti uređaj unatrag dok je oštrica u pokretu, u suprotnom bi moglo doći do udara oštrice. Istražite uzrok i poduzmite korektivne radnje kako biste uklonili uzrok usjecanja oštrice.
- **Ne koristite tupe ili oštećene oštrice.** Tupe ili oštećene oštrice povećavaju rizik od zaglavljivanja ili zahvaćanja nekog objekta, što dovodi do udara oštrice.
- **Uvijek pazite na dobru vidljivost materijala koji se reže.** Do zabijanja oštrice vjerojatnije će doći u područjima u kojima je teže vidjeti materijal koji se reže.
- **Ako vam se tijekom rada s uređajem približi druga osoba, isključite uređaj.** Postoji povećan rizik od ozljeđivanja drugih osoba pogođenih oštricom u pokretu u slučaju udara osoba.

#### DODATNA SIGURNOSNA UPOZORENJA

- Prije korištenja i nakon svakog udara provjerite da nema oštećenih dijelova. Prekidač u kvaru ili bilo koji dio da je oštećen ili istrošen trebali biste pravilno popraviti ili zamijeniti od strane ovlaštenog servisnog centra.
- Mali nož montiran na sigurnosni štitnik dizajniran je za odsjecanje novoizvučene niti na ispravnu duljinu, za siguran i optimalan rad. Oštrica je vrlo oštra. Nemojte dirati oštricu, osobito prilikom čišćenja proizvoda.
- Koristite samo proizvođačevu zamjenski flaks. Nemojte koristiti nikakav drugi priključak za rezanje.
- Provjerite da li je priključak za rezanje pravilno instaliran i čvrsto pritegnut.
- Nikada ne radite s proizvodom ako svi štitnici, deflektori i ručke nisu pravilno i čvrsto priključeni.
- Prije svake upotrebe uvjerite se da je nož za odsjecanje niti u sigurnosnom štitniku pravilno smješten i pričvršćen.
- Nastavak glave držite ispod visine struka.
- U slučaju nezgode ili slamanja odmah isključite proizvod i uklonite baterijski sklop ili ga odvojite od izvora napajanja. Proizvodom nemojte ponovno rukovati sve dok ga potpuno ne provjeri ovlaštenu servisni centar.
- Kako biste smanjili rizik od ozljeda zbog kontakta s pokretnim dijelovima, uvijek isključite proizvod, izvadite baterijski sklop i odvojite ga od električnog napajanja. Pustite da se ohladi. Provjerite da su svi pokretni dijelovi zaustavljeni:
  - prije servisiranja
  - prije uklanjanja blokade
  - prije provjere, čišćenja ili rada na uređaju
  - prije promjene pribora
  - nakon udaranja u strano tijelo
  - kada ostavljate proizvod bez nadzora
  - prilikom svakog održavanja
  - ako uređaj počne abnormalno vibrirati
- Osigurajte da su svi štitnici, ručke pravilno pričvršćeni i u dobrom stanju.
- Držite proizvod za označene ručke i ograničite radno vrijeme i izloženost.
- Čuvajte se odbačenih premeta od flaksa. Uklonite ostatke poput malog kamenja, šljunka i drugih stranih



tijela iz radnog područja prije početka radova. Žice ili flaks se mogu upetljati odrezenim komadima.

- Proizvod ima naramenicu. Tijekom rukovanja proizvodom, nosite naramenicu. Pažljivo namjestite pojas kako biste udobno pomogli poduprijeti težinu proizvoda na desnoj strani. Pronađite brzi mehanizam za otpuštanje i vježbajte korištenje prije nego počnete koristiti uređaj. Njegovo pravilno korištenje sprječava ozbiljne povrede u slučaju nužde. Nikada nemojte nositi dodatnu odjeću preko pojasa ili na neki drugi način ograničiti pristup brzorastavnom mehanizmu.
- Nikada ne nosite nekoliko remenova ili pojaseva za rame.
- Osigurajte da su ventilacijski otvori uvijek čisti od krhotina.
- Napajanje treba biti putem FID sklopke (RCD uređaj) s praradnom strujom ne većom od 30 mA.
- Proizvodom rukujte samo na temperaturama između 0°C i 40°C.
- Proizvod čuvajte na mjestu čija je okolišna temperatura između 0°C i 40°C.
- Ako je kabel za napajanje oštećen, potrebno ga je zamijeniti posebnim kabelom ili sklopom koji je dostupan u ovlaštenom servisnom centru.
- Prije svake upotrebe, pregledajte kabel za električno napajanje i utvrdite je li oštećen. Ako je kabel za napajanje oštećen, mora ga zamijeniti stručna osoba ili neki ovlaštení servisni centar kako bi se izbjegla opasnost.
- Prilikom stavljanja ili skidanja oštrica koristite rukavice za teške radne uvjete, jer oštrice imaju oštre rubove.
- Nemojte pokušavati dodirnuti ili zaustaviti oštricu kada se okreće.
- Zamijenite svaku oštricu koja je oštećena. Prije svakog korištenja uvijek provjerite da je oštrica pravilno i čvrsto pritegnuta.
- Koristite samo proizvođačevu zamjensku oštricu TRI-ARC. Nemojte koristiti nikakav drugi priključak za rezanje.
- Nikada nemojte rezati nikakav materijal promjera većeg od 13 mm.
- Prije pohranjivanja jedinice ili tijekom transporta pokrijte oštricu sa štitnikom za oštricu. Prije korištenja jedinice uvijek uklonite štitnik oštrice. Ako ga ne uklonite, kad se nož počne okretati štitnik noža će biti odbačen.
- Za jednostavno i sigurno rezanje, prilazite korovu koji je odrezan s desne na lijevu stranu. U slučajevima kada nož dođe neočekivanog predmeta ili drvene klade, ovo može minimalizirati reakciju odbacivanja noža. Za kontrolu ovog uređaja uvijek se moraju koristiti obje ruke.
- Povrede mogu biti uzrokovane ili zadobivene produljenim korištenjem alata. Kada proizvod koristite dulje vremensko razdoblje, svakako se redovito odmarajte.

#### DODATNA SIGURNOSNA UPOZORENJA ZA BATERIJU

- Kako biste smanjili rizik od požara, tjelesnih ozljeda i oštećenja proizvoda zbog kratkog spoja, nikada nemojte umakati proizvod, baterijski sklop ili punjač u tekućinu ili dozvoliti da tekućina proдре u njih. Korozirajuće ili vodljive tekućine kao slana voda, određene kemikalije i sredstva za bijeljenje ili proizvodi koji sadrže sredstva bijeljenja, mogu prouzročiti kratak spoj.
- Baterijski sklop punite na mjestu na kojem je okolišna temperatura između 10°C i 38°C.

- Baterijski sklop čuvajte na mjestu na kojem je okolišna temperatura između 0°C i 20°C.
- Baterijski sklop koristite na mjestu na kojem je okolišna temperatura između 0°C i 40°C.

#### PRIJEVOZ I SKLADIŠTENJE

- Isključite proizvod, izvadite baterijski sklop i pustite ga da se ohladi prije skladištenja ili prevoženja.
- Očistite svaki strani materijal s uređaja.
- Ne skladištite i ne prevozite proizvod s ugrađenim baterijskim sklopom. Izvadite baterijski sklop i zasebno ga pričvrstite. Skladištite ga na suhom i dobro ventiliranom mjestu koje nije pristupačno djeci. Držite proizvod podalje od korozivnih sredstva kao što su vrtnе kemikalije i soli protiv zaleđivanja. Proizvod ne čuvajte na otvorenom.
- Za prijevoz, osigurajte uređaj protiv pomicanja ili pada kako biste spriječili povrede osoba ili oštećenja na uređaju.

#### TRANSPORTIRANJE LITIJUMSKIH BATERIJA

- Transportirajte bateriju u skladu s lokalnim i nacionalnim pravima i zakonima.
- Slijedite sve specijalne zahtjeve na pakiranju i naljepnicama prilikom transporta baterije od treće strane. Osigurajte da baterija ne može doći u kontakt s drugim baterijama ili provodnim materijalima tijekom transporta tako da zaštitite izložene priključke s izolacijom, kapicama koje ne provode energiju ili trakom. Nemojte transportirati baterije koje su polomljene ili cure. Provjerite kod kompanije koji transportirate za daljnju pomoć.

#### ODRŽAVANJE

- Koristite samo originalne zamjenske dijelove, dodatni pribor i priključke od proizvođača. Nepoštovanje ovih uputa može dovesti do mogućih ozljeda, loše učinkovitosti i može dovesti do poništenja jamstva.
- Servisiranje iziskuje krajnju pažnju i znanje i treba da ga vrši samo kvalificirani serviser. Neka se proizvod servisira samo u ovlaštenom servisnom centru.
- Isključite proizvod i uklonite baterijski sklop ili odvojite proizvod od električnog napajanja. Prije bilo kakvih radnji čišćenja ili održavanja na uređaju obavezno provjerite jesu li se u potpunosti zaustavili svi pokretni dijelovi.
- Možete samo vršiti podešavanje ili popravke opisane u ovom manualu. Za ostale popravke ili savjete, potražite pomoć ovlaštenog servisnog centra.
- Za zamjenski flaks koristite samo najlonski flaks promjera koji je opisan u tablici specifikacija u ovom priručniku.
- Nakon svakog korištenja proizvoda obrišite sa suhom mekom krpom. Svaki oštećeni dio trebao bi pravilno popraviti ili zamijeniti ovlaštení servisni centar.
- Prije svake upotrebe i u čestim vremenskim intervalima provjeravajte jesu li sve matice, svornjaci i vijci dobro zategnuti kako biste bili sigurni da se proizvod nalazi u sigurnom radnom stanju. Svaki oštećeni dio trebao bi pravilno popraviti ili zamijeniti ovlaštení servisni centar.
- Za zamjenu oštećenih ili nečitljivih naljepnica vratite proizvod u ovlaštení servisni centar.

## UPOZNAJTE SVOJ PROIZVOD

Pogledajte stranicu 137.

1. Osovina nastavka
2. Štitnik za oštricu
3. Nož TRI-ARC
4. Štitnik za nož
5. Upute za uporabu
6. Metalni poklopac
7. Podloška s prirubnicom
8. Konstrukcijska podloška
9. Klin za blokiranje
10. Kombinirani ključ
11. Matica

## SIMBOLI NA PROIZVODU



Sigurnosno upozorenje



Prije rada s proizvodom morate pročitati i razumjeti sve upute. Slijedite sva upozorenja i sigurnosne upute.



Nosite zaštitu za vid, sluh i glavu



Kada koristite proizvod nosite sigurnosnu obuću s protukliznim donom.



Nosite zaštitne rukavice velike debljine koje se ne klišu.



Čuvajte se odbačenih ili letećih predmeta. Sve nazočne osobe, a osobito djecu i kućne ljubimce, držite na udaljenosti od najmanje 15 m od radnog područja.



Proizvod je namijenjen uporabi s nazubljenim nožem pile.



Nož TRI-ARC



Europska oznaka sukladnosti



EurAsian znak konformnosti



Ukrajinska oznaka sukladnosti

001



Držite ruke dalje od rezne ploče.



Pazite na potisak od noža.



Ne izlažite kiši ili vlažnim uvjetima.



Jamčena razina zvučne snage



Britanska oznaka sukladnosti



Prije započinjanja bilo kakvih radova na proizvodu uklonite bateriju.

Otpadne akumulatore, otpadnu električnu i elektroničku opremu nemojte odlagati kao nesortirani komunalni otpad. Otpadni akumulatori i otpadna električna i elektronička oprema moraju se prikupljati odvojeno. Otpadne baterije, otpadni akumulatori i izvori svjetla moraju se ukloniti iz opreme. Od lokalnih nadležnih tijela ili trgovca zatražite savjete koji se odnose na recikliranje i mjesto za skupljanje otpada. U skladu s lokalnim propisima, trgovci u maloprodaji imaju obvezu besplatnog preuzimanja otpadnih baterija i otpadne električne i elektroničke opreme. Vaš doprinos ponovnoj upotrebi i recikliranju otpadnih baterija i otpadne električne i elektroničke opreme pomaže u smanjenju potrebe za sirovinama. Otpadne baterije, osobito one koje sadrže litij i električna i elektronička oprema sadrži i vrijedne materijale koje je moguće reciklirati, koji mogu negativno utjecati na okoliš i ljudsko zdravlje, ako se ne uklanja na način ekološki sukladan s okolišem. Izbrišite osobne podatke iz otpadne opreme, ako ih ima.



## SIMBOLI U OVOM PRIRUČNIKU



Napomena



Upozorenje



Dijelovi ili pribor prodan odvojeno



Krtačno rezilo je zasnovano za zagotavljanje najvišje ravni varnosti, učinkovitosti in zanesljivosti delovanja.

### NAMEN UPORABE

Nastavek za obrezovanje grmičevja je odobren za uporabo z električnimi pogonskimi glavami RPH1200, RLT12381, RBC12261 in akumulatorskima pogonskima glavama RPH3601-BL ter RY36ELTX33A.

Izdelek je namenjen za rezanje podrastja, grmičevja in podobnih rastlin približno na nivoju tal. Izdelek lahko kosi tudi visoko travo, močan plevel in podobno rastlinje.

Rezilna raven mora biti približno vzporedna tlom.

Izdelek lahko uporabljajo samo odrasli, ki so prebrali in razumejo navodila ter opozorila v tem priročniku ter lahko odgovarjajo za svoja dejanja.

Izdelek je namenjen le za uporabo na prostem in v dobro zraccenih prostorih. Zaradi varnosti je zahtevano dvoročno krmiljenje naprave.

Za druge namene ga ne uporabljajte.

### SPLOŠNA VARNOSTNA OPOZORILA ZA IZDELEK

**⚠ OPOZORILO! Preberite vsa varnostna opozorila in navodila.** Zaradi neupoštevanja opozoril in navodil lahko pride do električnega udara, požara in/ali resnih poškodb.

**Shranite vsa opozorila in navodila za kasnejšo uporabo.**

Izraz »električno orodje« v opozorilih se nanaša na električno napajani (ozičeni) izdelek ali baterijsko napajani (brezžični) izdelek.

### DELOVNO OBMOČJE

- Delovno območje naj bo čisto in dobro osvetljeno. V neurejenih in temnih območjih se rade zgodijo nesreče.
- Električnih orodij ne uporabljajte v eksplozivnih okoljih npr. v bližini vnetljivih tekočin, plinov ali prahu. Električna orodja proizvajajo iskre, ki lahko vnamejo prah ali hlape.
- Med uporabo električnega orodja v bližino ne pustite otrok in drugih ljudi. Zaradi zmanjšane koncentracije lahko izgubite nadzor.

### ELEKTRIČNA VARNOST

- Vtiči električnih orodij se morajo prilegati vtičnicam. Vtiča nikoli in na noben način ne smete spreminjati. Z ozemljenimi električnimi orodji ne uporabljajte adapterjev vtiča. Nespremenjeni vtiči in ustrezne vtičnice zmanjšajo tveganje električnega udara.
- Izogibajte se telesnemu stiku z ozemljenimi površinami, kot so cevi, radiatorji, kuhalniki in hladilniki. Če je vaše telo ozemljeno, obstaja povečano tveganje električnega udara.
- Izdelka ne izpostavljajte dežju ali vlagi. Voda v električnem orodju znatno poveča tveganje električnega udara.
- Kabla ne uporabljajte za neustrezne namene. Kabla nikoli ne uporabljajte za prenašanje, vleko ali izklop električnega orodja. Pazite, da kabel ne pride v stik z vročino, oljem, ostrimi robovi ali gibljivimi deli. Poškodovani ali zapleteni kabli zvišujejo tveganje električnega udara.
- Med uporabo električnega orodja na prostem uporabljajte podaljševalni kabel, ki je primeren za zunanjo uporabo. Uporaba kabla, primerne za zunanjo uporabo, znižuje tveganje električnega udara.

- Če je delo z električnim orodjem v vlažnem okolju neizogibno, uporabite tokovno zaščitno stikalo (RCD). Uporaba naprave RCD zmanjša tveganje za električni udar.

### OSEBNA VARNOST

- Med obratovanjem bodite pozorni, spremljajte potek dela in uporabljajte zdrav razum. Električnega orodja ne uporabljajte, ko ste utrujeni oz. pod vplivom drog, alkohola ali zdravil. Trenutek nepazljivosti med uporabo električnega orodja lahko povzroči hude telesne poškodbe.
- Uporabljajte osebno zaščitno opremo. Vedno nosite zaščito za oči. Uporaba zaščitne opreme, na primer protiprašne maske, nedrsečih varnostnih čevljev, čelade ali zaščite ušes v ustreznih pogojih zmanjša nevarnost telesnih poškodb.
- Preprečite neželen zagon. Preden orodje priključite na vir napajanja, vstavite baterije, ga vzamete v roke ali prenašate, se prepričajte, da je stikalo v izključenem položaju. Prenašanje električnih orodij, tako da prst držite na stikalu, ali dovajanje napajanja električnim orodjem, pri katerih je stikalo v položaju »on (vklop)« poveča tveganje nesreč.
- Pred vklopom električnega orodja odstranite morebitne nastavitvene ključe ali izvijače. Izvijač ali ključ, ki ostane pritrjen na vrtljivi del električnega orodja, lahko povzroči telesne poškodbe.
- Nesiahajte priliš daleko. Pazite, da stojite stabilno in da imate ravnotežje. To omogoča boljši nadzor nad električnim orodjem v nepričakovanih situacijah.
- Bodite primerno oblačeni. Ne nosite ohlapnih oblačil ali nakita. Las in oblačil ne približujte gibljivim delom. Ohlapna oblačila, nakit ali dolgi lasje se lahko zapletejo v gibljive dele.
- Če so naprave namenjene priključitvi na pripomočke za sesanje in zbiranje prahu, se prepričajte, da so ti priključeni in ustrezno uporabljeni. Uporaba zbiralca prahu lahko zmanjša nevarnosti, povezane s prahom.
- Pazite, da zaradi pogoste uporabe orodja ne postanete preveč samozavestni pri svojem delu in ne namenite pozornosti upoštevanju varnostnih načel uporabe. Neprevidnost lahko že v delčku sekunde povzroči hudo poškodbo.

### UPORABA IN NEGA ELEKTRIČNEGA ORODJA

- Izdelka ne preobremenjujte. Uporabite električno orodje, ki ustreza vašemu delu. Ustrezno električno orodje bo nalogo opravilo bolje in varneje v kategoriji, za katero je bilo zasnovano.
- Ne uporabljajte električnega orodja, če ga stikalo ne vklopi ali izklopi, kot bi bilo treba. Kakršno koli električno orodje, ki ga ni mogoče nadzirati s stikalom, je nevarno in ga je potrebno popraviti.
- Pred izvajanjem prilagoditev, menjavanjem dodatkov ali shranjevanjem električnega orodja vtiči izključite iz vira napajanja in/ali iz električnega orodja odstranite akumulatorsko baterijo, če se lahko odstrani. Tovrstni preventivni varnostni ukrepi zmanjšajo možnost slučajnega zagona električnega orodja.
- Električna orodja, ki niso v uporabi, shranjujte izven dosega otrok in ne dovolite, da bi električno orodje uporabljale osebe, ki niso seznanjene z električnim orodjem ali s temi navodili. Električna orodja so v rokah neusposobljenih uporabnikov nevarna.





- **Električno orodje in dodatke vzdržujte. Preverite, če so gibljivi deli napačno poravnani ali zaskočeni, če so sestavni deli polomljeni ali če obstaja kakršno koli druge stanje, ki lahko vpliva na varno delovanje električnega orodja. Če je električno orodje poškodovano, ga pred ponovno uporabo dajte v popravilo. Številne nesreče zakrivijo neustrezno vzdrževana električna orodja.**
- **Rezalna orodja naj bodo vedno nabrušena in čista.** Pravilno vzdrževana rezalna orodja z ostrimi rezili se težje zaskočijo in jih je lažje nadzirati.
- **Električno orodje, dodatke, nastavke za orodje itd. uporabljajte v skladu s temi navodili ter upoštevajte delovne pogoje in vrsto dela, ki ga boste izvajali.** Uporaba električnega orodja za namene, ki so drugačni od tistih, za katere je bilo orodje zasnovano, lahko povzroči nevarne situacije.
- **Ročaji in površine za prijem naj bodo suhe in čiste, na njih naj ne bo olja ter maščobe.** Če so ročaji ali površine za prijem spolzke, ni zagotovljeno varno rokovanje in upravljanje z orodjem v nepričakovanih situacijah.

#### UPORABA IN VZDRŽEVANJE BATERIJSKEGA ORODJA

- **Baterijo polnite le s polnilnikom, ki ga določa proizvajalec.** Polnilnik, ki ustreza eni vrsti baterij, morda lahko povzroči požar, če z njim polnite drugo vrsto baterij.
- **Baterijska orodja uporabljajte samo s predpisano vrsto baterij.** Uporaba katerih koli drugih baterij ustvari tveganje poškodb in požara.
- **Ko baterije ne uporabljajte, pazite, da bo odmaknjena od kovinskih predmetov, kot so papirne sponke, kovanci, ključji, žebliji, vijaki ali drugih majhni kovinski predmeti, ki bi lahko povzročili povezavo med obema terminaloma.** Kratek stik zaradi povezanih terminalov baterije lahko povzroči opekline ali požar.
- **Ob zlorabi baterije lahko iz nje steče tekočina. Če se po nesreči dotaknete tekočine, mesto dotika sperite z vodo. Če pride tekočina v stik z očmi, poiščite zdravstveno pomoč.** Tekočina, ki izteče iz baterije, lahko povzroči vnetje ali opekline.
- **Poškodovanega ali spremenjenega akumulatorja oziroma orodja ne uporabljajte.** Poškodovani ali spremenjeni akumulatorji lahko delujejo na nepredvidljiv način, kar lahko povzroči požar, eksplozijo ali nevarnost telesne poškodbe.
- **Akumulatorskega vložka ali orodja ne izpostavljajte ognju ali previsokim temperaturam.** Ob izpostavljenosti ognju ali temperaturam, višjim od 130 °C, lahko pride do eksplozije.
- **Dosledno upoštevajte navodila za polnjenje in akumulatorja oziroma orodja ne polnite izven temperaturnega razpona, predpisanega v navodilih.** Ob nepravilnem polnjenju oziroma polnjenju pri temperaturah izven predpisanega razpona se lahko poškoduje akumulator in poveča nevarnost požara.

#### SERVISIRANJE

- **Električno orodje naj servisira usposobljena oseba, uporabljati pa sme le originalne nadomestne dele.** To bo zagotovilo vzdrževanje varnostni električnega orodja.
- **Nikoli ne servisirajte poškodovanih akumulatorjev.** Akumulatorje lahko servisira samo proizvajalec ali pooblaščen serviser.

#### VARNOSTNA OPOZORILA ZA OBREZOVALNIK GRMIČEVJA

- **Stroja ne uporabljajte v slabem vremenu, predvsem če obstaja nevarnost grmenja.** To zmanjša nevarnost udara strele.
- **Temeljito preverite, ali so na območju, kjer nameravate uporabljati stroj, živali.** Delujoč stroj lahko poškoduje živali.
- **Temeljito pregledjte območje, v katerem boste uporabljali stroj, in odstranite vse kamne, veje, žice, kosti in drug material.** Leteči predmeti lahko povzročijo telesne poškodbe.
- **Pred uporabo stroja vedno vizualno preverite, ali sta rezalnik ali rezilo oziroma sestav rezalnika ali rezila poškodovana.** Poškodovani deli povečajo nevarnost telesnih poškodb.
- **Pred uporabo preverite, ali so na napajalnem kablu in morebitnem podaljškju znaki poškodb ali staranja. Če opazite, da je napajalni kabel poškodovan ali obrabljen, naprave ne uporabljajte. Če se kabel med uporabo poškoduje ali obrabi, izklopite stroj in se ne dotikajte kabla, dokler ga ne iztaknete iz napajanja.** Poškodovan napajalni kabel ali podaljšek lahko povzroči električni udar, požar in/ali hude telesne poškodbe.
- **Upoštevajte navodila za menjavo dodatkov.** Neustrezno prвите pritrdilne matice ali vijaki zoda lahko poškodujejo rezilo ali povzročijo, da le-to odpade.
- **Nazivna hitrost vrtenja rezila mora biti vsaj enaka največji hitrosti vrtenja, navedeni na stroju.** Rezila, ki tečejo s hitrostjo, ki presega njihovo nazivno hitrost vrtenja, se lahko zlomijo in razletijo.
- **Nosite zaščito oči, ušes, glave in rok.** Ustrezna zaščitna oprema zmanjša telesne poškodbe zaradi letečega drobirja ali slučajnega stika z rezilno nitko ali rezilom.
- **Med uporabo stroja vedno nosite varnostne čevlje. Naprave ne uporabljajte, če ste bos ali nosite odprte sandale.** S tem se zmanjša možnost poškodb nog, če pridejo v stik s premikajočim se rezalnikom, nitko ali rezilom.
- **Med uporabo stroja vedno nosite dolge hlače.** Izpostavljena koža poveča možnost telesnih poškodb zaradi letečih predmetov.
- **Med uporabo stroja naj se opazovalci ne približujejo delovnemu območju.** Leteči drobir lahko povzroči hude telesne poškodbe.
- **Stroj vedno uporabljajte z obema rokama.** Držanje stroja z obema rokama prepreči izgubo nadzora.
- **Stroj držite izključno za izolirana držala, ker se rezilna nitka ali rezila lahko dotakne skritih kablov.** Rezilna nitka ali rezila, ki pridejo v stik s kablom pod napetostjo, lahko povzročijo prenos napetosti na kovinske dele stroja, zaradi česar operater lahko doživi električni udar.
- **Vedno stabilno stojte in stroj uporabljajte le, ko stojite na tleh.** Spolzke ali nestabilne površine lahko povzročijo izgubo ravnotežja ali nadzora nad strojem.
- **Stroja ne uporabljajte na preveč strmih pobočjih.** S tem se zmanjša nevarnost izgube nadzora, zdrsa in padca ter posledičnih telesnih poškodb.
- **Med delom na pobočjih hodite s trdnimi koraki in vedno delajte prečno na pobočja, nikoli v smeri navzgor ali navzdol, med spreminjanjem smeri pa bodite izjemno previdni.** S tem se zmanjša nevarnost izgube nadzora, zdrsa in padca ter posledičnih telesnih poškodb.





- **Napajalnega kabla ne približujte rezalniku, nitki ali rezilu.** Poškodovan napajalni kabel lahko povzroči električni udar, požar in/ali hude telesne poškodbe.
- **Med delovanjem stroja nobenega dela telesa ne približujte rezalniku, nitki ali rezilu. Pred zagonom stroja se prepričajte, da rezalnik, nitka ali rezilo niso v stiku z nobenim predmetom.** Trenutek nepozornost med uporabo stroja lahko povzroči telesno poškodbo vas ali drugih.
- **Stroja ne uporabljajte na višini nad pasom.** To pomaga preprečiti neželeni stik z rezalnikom ali rezilom in omogoča boljši nadzor nad strojem v nepričakovanih situacijah.
- **Med obrezovanjem grmovja ali mladik, ki so pod napetostjo, bodite pozorni na povratni udarec.** Po sprostitvi napetosti lesenih vlaken lahko grmovje ali mladika udari uporabnika in/ali povzroči izgubo nadzora nad strojem.
- **Pri rezanju grmičevja in mladega drevja bodite še posebej previdni.** Tanek material se lahko zagodzi v rezilo, zaradi česar ga vrže proti vam ali pa vas povleče iz ravnotežja.
- **Ohranite nadzor nad strojem in se ne dotikajte rezalnikov, nitk ali rezil in drugih nevarnih premikajočih se delov, če se še vedno premikajo.** S tem se zmanjša nevarnost povzročitve telesnih poškodb zaradi premikajočih se delov.
- **Stroj prenašajte, ko je izklopljen in usmerjen stran od vašega telesa.** Ustrezno ravnanje s strojem zmanjša verjetnost nenamernega stika s premikajočim se rezalnikom, nitko ali rezilom.
- **Med transportom ali shranjevanjem stroja vedno namestite pokrov na kovinska rezila.** Ustrezno ravnanje s strojem zmanjša verjetnost nenamernega stika z rezilom.
- **Uporabljajte izključno nadomestne rezalnike, nitke, rezalne glave in rezila, predpisane s strani proizvajalca.** Neustrezni nadomestni deli lahko povečajo nevarnost zloma in poškodbe.
- **Med čiščenjem zagozdenega materiala ali servisiranjem stroja se prepričajte, da je stikalo izklopljeno in akumulator odstranjen.** Nepričakovan zagon stroja med čiščenjem zagozdenega materiala ali servisiranjem lahko povzroči hudo telesno poškodbo.

#### VZROKI POTISKA REZILA POVEZANA OPOZORILA

Potisk rezila je nenaden premik stroja vstran, naprej ali nazaj, ki se lahko pojavi, če se rezilo zatakne ali udari ob predmet, kot sta mladika ali štor. Lahko je dovolj močan, da stroj in/ali uporabnika potisne v katerokoli stran, kar lahko povzroči izgubo nadzora nad strojem.

Potisk rezila in s tem povezane nevarnosti lahko preprečite z ustreznimi previdnostnimi ukrepi, navedenimi spodaj.

- **Stroj trdno držite z obema rokama in roke imejte v položaju, ki zagotavlja odpor na potisk rezila. Telo imejte na levi strani stroja. Potisk rezila lahko poveča nevarnost telesne poškodbe zaradi nepričakovanega premika stroja.** Uporabnik lahko potisk rezila obvladuje z ustreznimi previdnostnimi ukrepi.
- **Če se rezilo zatakne ali se košnja iz kakršnegakoli razloga prekine, ugasnite stroj in ga držite v nepremičnem položaju z zagozdenim materialom, dokler se rezilo povsem ne ustavi.** Ko je rezilo zataknjeno, stroja nikoli ne poskušajte odstraniti iz materiala ali ga potegniti nazaj, ko se rezilo premika, ker

bi lahko s tem povzročili potisk rezila. Ugotovite vzrok zatikanja in izvedite popravne ukrepe, da odpravite vzrok zatikanja rezila.

- **Ne uporabljajte skrhanih ali poškodovanih rezil.** Skrhana ali poškodovana rezila povečajo nevarnost zatikanja ali zagozdenja v predmet, kar povzroči potisk rezila.
- **Vedno zagotovite dobro vidnost materiala, ki ga kosite.** V območjih, kjer je težko videti material, ki ga kosite, obstaja večja verjetnost pojava potiskanja rezila.
- **Če med uporabo stroja k vam pristopi druga oseba, stroj izklopite.** V primeru potiska rezila se poveča nevarnost udarca premikajočega se rezila ob druge osebe.

#### DODATNA VARNOSTNA OPOZORILA

- Pred uporabo in po vsakem udarcu se prepričajte, da ni poškodovanih delov. Okvarjeno stikalo ali drug del, ki je poškodovan ali obrabljen, morate ustrezno popraviti ali zamenjati pri pooblaščenem serviserju.
- Manjše rezilo, nameščeno na varovalo, je zasnovano za rezanje na novo podaljšane nitke na dolžino, ki omogoča varno in optimalno delovanje. Rezilo je zelo ostro. Ne dotikajte se rezila, predvsem med čiščenjem izdelka.
- Uporabljajte le originalno nadomestno rezalno vrvico. Ne uporabljajte nobenih drugih rezalnih pripomočkov.
- Prepričajte se, da je rezalna glava ustrezno nameščena in trdno pritrjena.
- Izdelka nikoli ne uporabljajte, če vse zaščite, ščitniki in ročaji niso pravilno in čvrsto nameščeni.
- Pred vsako uporabo se prepričajte, da je rezilo za rezanje na varovalu v ustreznem položaju.
- Glava izdelka naj bo vedno pod višino pasu.
- Ob nesreči ali okvari izdelek takoj izklopite in odstranite akumulator ali pa ga iztaknite iz napajanja. Izdelek prenehajte uporabljati, dokler ga temeljito ne pregledajo na pooblaščenem servisu.
- Za zmanjšanje nevarnosti poškodbe zaradi stika s premikajočimi se deli izdelek vedno izklopite, odstranite baterijski vložek in iztaknite kabel iz napajalne vtičnice. Počakajte, da se oboje ohladi. Prepričajte se, da so se vsi premikajoči se deli popolnoma zaustavili:
  - preden opravite servis
  - preden odstranite zamašek
  - pred preverjanjem in čiščenjem izdelka ali delom na njem,
  - preden menjate dodatke
  - zatem ko udarite ob tuj predmet
  - ko pustite izdelek brez nadzora
  - med vzdrževanjem
  - če izdelek začne nenormalno vibrirati
- Zagotovite, da so vsa varovala in ročaji pravilno nameščeni in v dobrem stanju.
- Izdelek držite za temu namenjene ročaje ter omejite čas uporabe in izpostavljenosti.
- Pazite na predmete, ki jih odmetava rezalni del. Pred začetkom dela odstranite drobir, kot so kamenčki, prod in drugi tujki. Žice ali vrvice se lahko ujamejo v rezila.
- Izdelek je opremljen z jermenom. Med uporabo izdelka uporabljajte pas. Nosilni pas previdno prilagodite, da se vam udobno prilaga in podpira težo naprave, ki naj visi na vaši desni strani. Preden začnete uporabljati napravo,



poiščite hitri odpenjalni mehanizem in vadite njegovo uporabo. Pravilna uporaba lahko prepreči hude telesne poškodbe v najhujšem primeru. Preko nosilnega pasu ne smete nositi dodatnih oblačil oziroma ne smete kakor koli drugače ovirati dostop do mehanizma za hitro sprožitve.

- Ne uporabljajte varnostnega pasu z več jermeni ali naramnega varnostnega pasu.
- Poskrbite, da bodo prezračevalne odprtine vedno proste.
- Napajanje naprave mora imeti napravo za rezidualni tok (RCD), tok naj ne presega 30 mA.
- Izdelek uporabljajte samo pri temperaturah med 0 °C in 40 °C.
- Izdelek shranjujte v prostoru, v katerem je temperatura okolja med 0 °C in 40 °C.
- Če je napajalni kabel poškodovan, ga je treba zamenjati s posebnim kablom ali sestavo, ki je na voljo pri pooblaščenem servisu.
- Pred vsako uporabo preverite, ali je napajalni kabel poškodovan. Če se napajalni kabel poškoduje, ga mora zamenjati usposobljena oseba v pooblaščenem servisnem centru, da se prepreči nevarnost.
- Med nameščanjem ali odstranjevanjem rezil nosite močne rokavice, saj imajo ostre robove.
- Ne poskušajte se dotakniti ali zaustaviti vrtečega se rezila.
- Zamenjajte poškodovano rezilo. Pred uporabo se vedno prepričajte, če je rezilo pravilno nameščeno in dobro pritrjeno.
- Uporabljajte le proizvajalčevo nadomestno rezilo TRI-ARC. Ne uporabljajte nobenih drugih rezalnih pripomočkov.
- Nikoli ne režite materiala, ki ima premer več kot 13 mm.
- Pred shranjevanjem ali med transportom vedno zavarujte rezilo z zaščito rezila. Pred uporabo naprave ščitnik vedno odstranite. Če ga ne odstranite, ga bo ob zagonu odvrlo proč od naprave.
- Za lažje rezanje in večjo varnost dostopajte k vejam z desne smeri proti levi. Če naletite na nepredviden predmet ali lesen del, lahko to minimizira reakcijo povratnega udarca rezila. Za nadzorovanje izdelka vedno uporabljajte obe roki.
- Daljša uporaba orodja lahko privede do poškodb ali pa so poškodbe lahko hujše. Če izdelek uporabljate daljši čas, poskrbite za redne premore.

#### DODATNA VARNOSTNA OPOZORILA ZA BATERIJO

- Za zmanjšanje nevarnosti požara, telesne poškodbe in poškodbe izdelka zaradi kratkega stika nikoli ne potopite izdelka, baterijskega vložka ali polnilca v tekočino ali dopustite, da bi tekočina vdrla vanju. Korozivne ali prevodne tekočine, kot so slana voda, določene kemikalije in belila ali proizvodi, ki le ta vsebujejo, lahko povzročijo kratek stik.
- Baterijski vložek polnite na mestu, kjer je temperatura okolja med 10 °C in 38 °C.
- Baterijski vložek shranjujte na mestu, kjer je temperatura okolja med 0 °C in 20 °C.
- Baterijski vložek uporabljajte na mestu, kjer je temperatura okolja med 0 °C in 40 °C.

#### TRANSPORT IN SHRANJEVANJE

- Pred shranjevanjem ali transportom izdelka izdelek izklopite, odstranite baterijski vložek in počakajte, da se ohladi.
- Očistite vse tujke z izdelka.
- Ne shranjujte in ne prevažajte izdelka z nameščenim baterijskim vložkom. Odstranite baterijski vložek in ga pritržite ločeno. Shranite jo na suhem in dobro prezračenem mestu, ki ni na dosegu otrok. Shranjujte proč od korozivnih sredstev, kot so vrtno kemikalije in soli za topljenje ledu. Izdelka ne shranjujte na prostem.
- Za transport zavarujte izdelek pred premiki ali padci, da preprečite poškodbe oseb ali izdelka.

#### PRENAŠANJE LITIJEVIH BATERIJ

- Baterije prevažajte v skladu z lokalnimi in državnimi uredbami in predpisi.
- Upoštevajte vse posebne zahteve glede pakiranja in označevanja, kadar prevoz opravlja tretja oseba. Zagotovite, da baterije med prevozom ne morejo priti v stik z drugimi baterijami ali prevodnimi materiali tako, da zaščitite izpostavljene konektorje z izolacijo, neprevodnimi pokrovi ali trakom. Ne prevažajte poškodovanih baterij oz. baterij, ki puščajo. Za nadaljnje informacije se obrnite na posredovalno podjetje.

#### VZDRŽEVANJE

- Uporabljajte le originalne rezervne dele in dodatke, ki jih priporoča proizvajalec. V nasprotnem primeru naprava lahko slabo deluje, povzroči poškodbe, garancija pa ne velja več.
- Servisiranje zahteva posebno pozornost in znanje in naj jo zato opravlja samo izurjeni servisni tehnik. Izdelek naj servisirajo izključno v pooblaščenem servisnem centru.
- Izklopite izdelek in odstranite akumulator ali iztaknite izdelek iz napajanja. Pred čiščenjem ali vzdrževanjem se prepričajte, da so vsi premični deli zaustavljeni.
- Opravite lahko samo tukaj navedene prilagoditve ali popravila. Za druga popravila ali nasvete se posvetujte s pooblaščenim storitvenim centrom.
- Za nadomestno nitko uporabljajte samo nitko iz najlonskih vlaken s premerom, ki je opisan v tabeli s tehničnimi podatki v tem priročniku.
- Po vsaki uporabi izdelek očistite z mehko in suho krpo. Vsak poškodovani del mora ustrezno popraviti ali zamenjati pooblaščen servisni center.
- Pred vsako uporabo in nato v rednih intervalih preverite, da so vse matice, sorniki in vijaki ustrezno pritihi ter da je izdelek varen za uporabo. Vsak poškodovani del mora ustrezno popraviti ali zamenjati pooblaščen servisni center.
- Poškodovane ali nečitljive nalepke naj zamenjajo v pooblaščenem servisnem centru.

#### SPOZNAJTE SVOJ IZDELEK

Glejte stran 137.

1. Os za nastavke
2. Ščitnik rezila
3. Rezilo TRI-ARC
4. Varovalo rezila
5. Priročnik za uporabo



6. Kovinski pokrov
7. Prirobna podložka
8. Konstrukcijska podložka
9. Zaklepni zatic
10. Kombinirani ključ
11. Matica

## SIMBOLI NA IZDELKU



Varnostni alarm



Pred uporabo izdelka preberite in razumite vsa navodila. Upoštevajte vsa opozorila in varnostna navodila.



Nosite zaščito za oči, ušesa in glavo.



Pri uporabi izdelka nosite obutev, ki ne drsi.



Nadenite si nedrseče zaščitne rokavice za težka dela.



Pazite na izvržene ali leteče predmete. Opazovalci, predvsem otroci in domače živali, morajo biti najmanj 15 m od območja uporabe.



Izdelek ni predviden za uporabo z žagastim rezilom.



Rezilo TRI-ARC



Evropski znak skladnosti



EurAsian oznaka o skladnosti



Ukrajinski znak skladnosti



Roke držite stran od rezila.



Potrebna je previdnost pred sunki rezila.



Ne izpostavljajte ga dežju ali vlagi.



Zajamčena raven zvočne moči



Britanski znak skladnosti



Pred izvajanjem del na pripomočku odstranite akumulatorski vložek.

Odpadnih baterij in odpadne električne in elektronske opreme ne odlagajte med nesortirane gospodinjske odpadke. Odpadne baterije in odpadno električno in elektronsko opremo je treba zbirati ločeno. Odpadne baterije, odpadne akumulatorje in svetlobne vire je treba odstraniti iz opreme. Glede recikliranja in zbirališča se posvetujte z lokalnim organom ali prodajalcem. Skladno z lokalnimi predpisi morajo trgovci na drobno odpadne baterije in odpadno električno in elektronsko opremo morda brezplačno prevzeti. Vaš prispevek k ponovni uporabi in recikliranju odpadnih baterij in odpadne električne in elektronske opreme pomaga zmanjšati zahteve po surovinah. Odpadne baterije, predvsem tiste, ki vsebujejo litij, in odpadna električna in elektronska oprema vsebujejo dragocene materiale in materiale, ki jih je mogoče reciklirati, in lahko v primeru, da se ne odložijo na način, skladen z okoljem, negativno vplivajo na okolje in zdravje ljudi. Če so v odpadni opremi shranjeni osebni podatki, jih izbršite.



## SIMBOLI V TEM PRIROČNIKU



Opomba



Opozorilo



Deli ali dodatki so na prodaj ločeno

Bezpečnosť, efektívnosť a spoľahlivosť boli prvoradá pri navrhovaní vášho príslušenstva krovinoresu.

## ÚČEL POUŽITIA

Príslušenstvo krovinoresu bolo schválené na používanie s elektrickými hlavami pohonu RPH1200, RLT1238I, RBC1226I a akumulátorovými hlavami pohonu RPH3601-BL a RY36ELTX33A.

Výrobok je určený na rezanie kríkov, krovín a podobnej vegetácie na úrovni zeme alebo okolo nej. Výrobok sa môže použiť aj na na kosenie dlhej trávy, dužinatej buriny a podobnej vegetácie.

Rezná rovina musí byť vždy približne rovnobežná s povrchom zeme.

Tento výrobok je určený len na používanie osobami, ktoré si prečítali a rozumejú pokynom a výstrahám v tejto príručke a sú za svoje konanie zodpovedné.

Tento produkt je určený výhradne na použitie v exteriéri a v dobre vetraných priestoroch. Z bezpečnostných dôvodov musí byť produkt náležite ovládaný pomocou oboch rúk.

Nepoužívajte na žiadne iné účely.

## VŠEOBECNÉ BEZPEČNOSTNÉ VÝSTRAHY PRE VÝROBOK

**VAROVANIE!** Prečítajte si všetky bezpečnostné výstrahy a pokyny. Pri nedodržaní týchto výstrah a pokynov môže dôjsť k úrazu elektrickým prúdom, požiaru a/alebo závažnému poraneniu.

Odložte všetky upozornenia a pokyny použité v budúcnosti.

Výraz „elektrické náradie“ uvádzaný vo výstrahách sa vzťahuje na produkt napájaný zo siete (s káblom) alebo produkt napájaný akumulátorom (bez kábla).

## PRACOVNÝ PRIESTOR

- **Pracovisko udržiavajte v čistote a správne osvetlené.** Prepchané alebo tmavé miesta zvyšujú pravdepodobnosť nehôd.
- **Nepracujte s mechanickými nástrojmi vo výbušných atmosférach, napríklad v blízkosti zápalných tekutín, plynov alebo prachu.** Mechanické nástroje vytvárajú iskry, ktoré môžu podpáliť takýto prach alebo výpary.
- **Deti a okolostojaci sa počas práce s mechanickým nástrojom nesmú zdržovať v jeho blízkosti.** Rozptýlenie môže spôsobiť, že stratíte nad nástrojom kontrolu.

## ELEKTRICKÁ BEZPEČNOSŤ

- **Zástrčky mechanického nástroja musia zodpovedať zásuvke.** Zástrčku nikdy žiadnym spôsobom neupravujte. S uzemnenými mechanickými nástrojmi nepoužívajte rozdielne zásuvky. Použitím neupravovaných zástrčiek a zodpovedajúcich zásuviek sa znižuje riziko úrazu elektrickým prúdom.
- **Vyhýbajte sa telesnému kontaktu s uzemnenými povrchmi, napríklad rúrami, radiátormi, sporákmi a chladničkami.** Ak je vaše telo uzemnené, hrozí vysoké riziko úrazu elektrickým prúdom.
- **Nevystavujte produkt dažďu ani mokrému prostrediu.** Voda, ktorá vnikne do mechanického nástroja, zvyšuje riziko úrazu elektrickým prúdom.
- **Kábel nenamáhajte.** Nikdy nepoužívajte kábel na prenášanie, ťahanie alebo odopájanie mechanického nástroja. Kábel nedávajte do blízkosti tepla, oleja, ostrých

okrajov alebo pohyblivých dielov. Poškodené alebo zamotané káble zvyšujú riziko úrazu elektrickým prúdom.

- **Pri práci s mechanickým nástrojom v exteriéri používajte predlžovací kábel vhodný pre použitie v exteriéri.** S káblom vhodným pre použitie v exteriéri sa znižuje riziko úrazu elektrickým prúdom.
- **Ak je nevyhnutné pracovať s mechanickým nástrojom vo vlhkom prostredí, použite zdroj chránený zariadením pre zvyškový prúd.** Použitie zariadenia pre zvyškový prúd znižuje riziko úrazu elektrickým prúdom.

## OSOBNÁ BEZPEČNOSŤ

- **Pri práci s mechanickým nástrojom buďte ostražití, sledujte, čo robíte a používajte zdravý rozum. Nepoužívajte mechanický nástroj, keď ste unavení alebo pod vplyvom drog, alkoholu alebo liekov.** Chvilka nepozornosti počas práce s mechanickými nástrojmi môže spôsobiť závažné osobné poranenie.
- **Používajte osobné ochranné pomôcky. Vždy používajte chrániče zraku.** Na redukovanie osobných poranení sa pre príslušné podmienky musia používať ochranné prostriedky, ako je protiprachová maska, ochranná obuv s protišmykovou úpravou, prilba alebo chrániče sluchu.
- **Zabráňte neúmyselnému spusteniu.** Pred zapojením zariadenia do siete a/alebo k jednotke akumulátora, zdvíhaním alebo prenášaním nástroja vždy skontrolujte, či je spínač vo vypnutej polohe. Pri prenášaní mechanických nástrojov s prstom položeným na spínači alebo pripájaní mechanických nástrojov so zapnutým spínačom sa zvyšuje riziko úrazu.
- **Pred zapnutím nástroja odstráňte prípadný nastavovací klin alebo kľúč.** Keď necháte kľúč alebo klin nasadený na rotujúci diel mechanického nástroja, môže dôjsť k vážnemu poraneniu osôb.
- **Nepreceňujte sa. Neustále zachovávajte pevnú oporu nôh a rovnováhu.** Tak si zaistíte lepšiu kontrolu nad mechanickým nástrojom v nečakaných situáciách.
- **Primerane sa oblečte. Nenoste voľný odev ani šperky.** Svoje vlasy a odev majte v bezpečnej vzdialenosti od pohyblivých dielov. Voľný odev, šperky či dlhé vlasy sa môžu zachytiť do pohyblivých častí.
- **Ak sú zariadenia vybavené pripojením na prostriedky na odsávanie a zber prachu, zaistite, aby boli správne pripojené a primerane sa používali.** Pri použití týchto prostriedkov sa znižujú riziká pochádzajúce z prachu.
- **Nedovoľte, aby znalosti získané počas častého používania náradia spôsobili, že budete ignorovať princípy bezpečnosti pre náradie.** Nedbanlivosť môže spôsobiť závažné poranenie v zlomku sekundy.

## POUŽÍVANIE ELEKTRICKÉHO NÁSTROJA A STAROSTLIVOSŤ OŇ

- **Na nástroj nevyvíjajte silu. Používajte vhodný nástroj pre dané použitie.** Správny mechanický nástroj splní svoju úlohu lepšie a bezpečnejšie pri rýchlosti, na ktorú je určený.
- **Mechanický nástroj nepoužívajte, ak spínač nezapína a nevypína nástroj.** Mechanický nástroj, ktorý sa nedá ovládať spínačom, je nebezpečný a musí sa dať opraviť.
- **Pred vykonávaním akýchkoľvek úprav, výmenou príslušenstva alebo uskladnením elektrického náradia odpojte elektrickú zástrčku zo zdroja napájania a/alebo vyberte z elektrického náradia úpravu batérii, ak sa dá vybrať.** Takéto preventívne opatrenie znižuje riziko neúmyselného spustenia mechanického nástroja.



- Nečinné mechanické nástroje odložte mimo dosahu detí a nedovoľte používať mechanický nástroj osobám neoboznámeným s mechanickým nástrojom alebo týmito pokynmi. Mechanické nástroje sú v rukách netrénovaných osôb nebezpečné.

- Vykonávajte údržbu elektrického náradia a príslušenstva. Skontrolujte, či pohyblivé diely nie sú nesprávne nastavené alebo zablokované, či niektoré diely nie sú poškodené, ako aj akýkoľvek iný stav, ktorý by mohol ovplyvniť činnosť mechanického nástroja. V prípade poškodenia nechajte mechanický nástroj pre použitím opraviť. Veľké množstvo nehôd je spôsobených nedostatočnou údržbou mechanických nástrojov.
- Rezacie nástroje udržiavajte ostré a v čistote. Správne udržiavané rezacie nástroje s ostrými ostriami sa menej pravdepodobne zaseknú a ľahšie sa ovládajú.
- Mechanický nástroj, príslušenstvo a vrtáky a pod., používajte v súlade s týmto návodom, pričom berte do úvahy pracovné podmienky a úlohu, ktorú chcete vykonať. Pri používaní mechanického nástroja na iné ako určené činnosti môže dôjsť k nebezpečným situáciám.
- Rukoväte a úchopné povrchy udržiavajte suché, čisté a bez zvyškov oleja či maziva. Klzké rukoväte a úchopné povrchy neumožňujú bezpečnú manipuláciu a ovládanie nástroja v neočakávaných situáciách.

#### POUŽÍVANIE AKUMULÁTORA A STAROSTLIVOSŤ OŇ

- Nabíjajte len s použitím nabíjačky špecifikovanej výrobcom. Nabíjačka, ktorá je vhodná pre jeden typ jednotky akumulátora, môže pri použití s inou jednotkou akumulátora spôsobiť riziko požiaru.
- Používajte len mechanické nástroje so špecificky určenými jednotkami akumulátorov. Pri použití iných jednotiek akumulátora vzniká riziko poranenia a požiaru.
- Keď sa jednotka akumulátora nepoužíva, nedávajte ju do blízkosti iných kovových objektov, ako sú papierové sponky, mince, kľúče, klice, skrutky či iné malé kovové predmety, ktoré by mohli skratovať svorky. Pri skratovaní svoriek akumulátora môže dôjsť k popáleninám alebo požiaru.
- Za nevhodných podmienok, keď by z batérie vytekala kvapalina, predchádzajte kontaktu s ňou. Pri náhodnom kontakte opláchnite vodou. Ak tekutina zasiahne oči, dodatočne vyhľadajte lekársku pomoc. Tekutina vytečená z akumulátora môže spôsobiť podráždenie alebo popálenie.
- Poškodenú alebo upravenú súpravu batérií alebo náradie nepoužívajte. Poškodené alebo upravené batérie môžu vykazovať nepredvídateľné správanie s následkom požiaru, výbuchu alebo poranenia.
- Súpravu batérií ani náradie nevystavujte účinkom ohňa ani nadmernej teploty. Vystavenie účinkom ohňa alebo teploty nad 130 °C môže spôsobiť výbuch.
- Dodržiavajte všetky pokyny na nabíjanie a súpravu batérií ani náradie nenabíjajte mimo rozsahu teplôt, ktorý je uvedený v pokynoch. Nesprávne nabíjanie alebo nabíjanie pri teplotách mimo uvedeného rozsahu môže poškodiť batériu a zvýšiť riziko vzniku požiaru.

#### OPRAVY

- Servis mechanického nástroja prenechajte kvalifikovanému servisnému pracovníkovi s použitím len identických náhradných dielov. Takto zachováte bezpečnosť mechanického nástroja.

- Nikdy nevykonávajte servis poškodených súprav batérií. Servis súprav batérií sme vykonávať len výrobca alebo autorizovaný poskytovateľ servisu.

#### BEZPEČNOSTNÉ VÝSTRAHY PRE KROVINOREZ

- Stroj nepoužívajte za zlých poveternostných podmienok, hlavne ak existuje riziko výskytu bleskov. Znižuje sa tým riziko zasiahnutia bleskom.
- Z hľadiska výskytu voľne žijúcich zvierat dôkladne skontrolujte oblasť, kde sa má stroj používať. Stroj môže počas prevádzky poraniť voľne žijúce zvieratá.
- Pozorne skontrolujte plochu, kde sa stroj používať a odstráňte všetky kamene, palice, drôty, kosti a iný cudzí materiál. Odhodené predmety môžu spôsobiť osobné poranenie.
- Pred použitím vždy zrakom stroj skontrolujte, aby ste sa uistili, že rezací nôž alebo čepeľ a zostava rezacieho noža alebo čepeľi nie sú poškodené. Poškodené diely zvyšujú riziko poranenia.
- Pred použitím skontrolujte, či prívodný kábel a predlžovací kábel nevykazujú známky poškodenia alebo opotrebovania. Nástroj nepoužívajte, ak je kábel poškodený alebo opotrebovaný. Ak dôjde k poškodeniu alebo opotrebovaniu kábla počas používania, vypnite stroj a nedotýkajte sa kábla skôr, ako ho odpojíte od napájania. Poškodený napájací kábel alebo predlžovací kábel môže spôsobiť úraz elektrickým prúdom, požiar a/alebo vážne zranenie.
- Pri výmene príslušenstva postupujte podľa pokynov. Nesprávne utiahnuté upevňovacie skrutky alebo matice čepele môžu buď poškodiť čepeľ, alebo spôsobiť, že sa odpojí.
- Menovitá rýchlosť otáčok čepele musí byť minimálne rovnaká ako maximálna rýchlosť otáčok vyznačená na stroji. Čepele, ktoré bežia rýchlejšie, ako je ich menovitá rýchlosť otáčok, sa môžu zlomiť a rozletieť.
- Používajte ochranu zraku, sluchu, hlavy a rúk. Primerané ochranné prostriedky znižujú možnosť poranenia letiacimi úlomkami či náhodným kontaktom s rezacím drôtom alebo čepeľou.
- Pri obsluhu stroja vždy noste bezpečnostnú obuv. Nepoužívajte nástroj bosí alebo v otvorených sandáloch. Znižuje sa tak možnosť poranenia nôh pri kontakte s pohybujúcim sa rezacím nožom, drôtom alebo čepeľou.
- Pri prevádzkovaní stroja vždy noste dlhé nohavice. Odhalená koža zvyšuje pravdepodobnosť poranenia odhodnenými predmetmi.
- Počas obsluhy stroja zabráňte prístupu okolostojacim. Vymrštené úlomky môžu spôsobiť vážne poranenie osôb.
- Stroj obsluhujte vždy oboma rukami. Keď držíte stroj oboma rukami, zabránite tak strate kontroly nad ním.
- Stroj držte len za izolované povrchy na uchopenie, pretože rezací drôt alebo čepeľ môžu prísť do kontaktu so skrytým vedením. Rezací drôt alebo čepele, ktoré sa dostanú do kontaktu s káblom pod napätím, môžu spôsobiť vodivosť nechránených kovových častí stroja a zapríčiniť obsluhu zasiahnutie elektrickým prúdom.
- Vždy si zachovajte pevný postoj a pri obsluhu stroja stojte na zemi. Klzké alebo nestabilné povrchy môžu spôsobiť stratu rovnováhy alebo kontroly nad strojom.
- Stroj nepoužívajte na nadmerne strmých svahoch. Znižuje sa tak riziko straty kontroly, pošmyknutia a pádu, ktoré môžu mať za následok zranenie osôb.





- Pri práci na svahoch vždy zaujmite správny postoj, pracujte vždy naprieč svahom, nikdy nie hore alebo dole svahom, a pri zmene smeru pracujte mimoriadne opatrne. Znižuje sa tak riziko straty kontroly, pošmyknutia a pádu, ktoré môžu mať za následok zranenie osôb.
- Udržujte napájací kábel v dostatočnej vzdialenosti od rezacieho noža, drôtu alebo čepele. Poškodený napájací kábel môže spôsobiť úraz elektrickým prúdom, požiar a/alebo vážne zranenie.
- Pri obsluhu stroja zabránite kontaktu akejkoľvek časti tela s rezacím nožom, drôtom alebo čepeľou. Poškodený napájací kábel môže spôsobiť úraz elektrickým prúdom, požiar a/alebo vážne zranenie.
- Pri obsluhu stroja zabránite kontaktu akejkoľvek časti tela s rezacím nožom, drôtom alebo čepeľou. Poškodený napájací kábel môže spôsobiť úraz elektrickým prúdom, požiar a/alebo vážne zranenie.
- Stroj neobsluhujte nad výškou pásu. Pomáha to predísť náhodnému kontaktu s rezacím nožom alebo čepeľou a umožňuje lepšiu kontrolu nad strojom v neočakávaných situáciách.
- Pri rezaní krovinatého porastu alebo napnutých mladých stromčekov dajte pozor na to, že sa môžu vrátiť do pôvodnej polohy. Pri uvoľnení napätia v drevenom vlákne môžu krovinatý porast alebo mladé stromčeky zasiahnuť obsluhu a/alebo spôsobiť stratu kontroly nad strojom.
- Pri rezaní kríkov a mladých stromčekov buďte mimoriadne opatrní. Tenký materiál sa môže zachytiť do čepele a byť prudko vymrštený smerom k vám alebo by ste mohli stratiť rovnováhu.
- Udržujte si kontrolu nad strojom a nedotýkajte sa rezacích nožov, drôtov ani čepeľí a iných nebezpečných pohyblivých častí, kým sú v pohybe. Tým sa znižuje riziko poranenia pohyblivými časťami.
- Stroj prenášajte vypnutý a v dostatočnej vzdialenosti od tela. Náležitá manipulácia so strojom zníži pravdepodobnosť náhodného kontaktu s pohybujúcim sa rezacím nožom, drôtom alebo čepeľou.
- Pri preprave alebo skladovaní stroja vždy nasadte kryt na kovové čepele. Náležitá manipulácia so strojom zníži pravdepodobnosť náhodného kontaktu s čepeľou.
- Pri výmene používajte len rezacie nože, drôty, rezacie hlavice a čepele špecifikované výrobcom. Nesprávne náhradné diely môžu zvýšiť riziko poškodenia a zranenia.
- Pri čistení zaseknutého materiálu alebo vykonávaní servisu na stroji sa presvedčte, že spínač je vypnutý a batéria je vybratá. Neočakávané spustenie stroja pri odstraňovaní zaseknutého materiálu alebo vykonávaní servisu môže mať za následok vážne poranenie osôb.

## PRÍČINY TLAKU NA NŮŽ A SÚVISIACE VÝSTRAHY

Tlak na nôž je náhly pohyb stroja do strán, vpred alebo vzad, ktorý môže nastať, ak sa nôž zasekne alebo zachytí o predmet, ako je mladý stromček alebo peň. Môže byť natoľko prudký, že spôsobí vrhnutie stroja a/alebo obsluhu akýmkoľvek smerom a prípadne stratu kontroly nad strojom.

Tlaku na nôž a s ním súvisiacim nebezpečenstvám sa môžete vyhnúť, ak prijmete náležité bezpečnostné opatrenia, ako sa uvádza nižšie.

- Stroj pevne držte obomi rukami a ruky umiestnite tak, aby ste dokázali odolať tlaku na nôž. Vaše telo by malo byť z ľavej strany stroja. Tlak na nôž môže zvýšiť riziko zranenia kvôli neočakávanému pohybu stroja. Operátor môže mať kontrolu nad tlakom na nôž, ak prijme náležité bezpečnostné opatrenia.
- Ak dôjde k uviaznutiu noža alebo zastaveniu rezu z akéhokoľvek dôvodu, stroj vypnite a držte ho bez pohybnosti v materiály až do úplného zastavenia noža. Kým je nôž uviaznutý, nikdy sa nepokúšajte o odstránenie stroja z materiálu alebo o jeho potiahnutie dozadu, keď sa nôž pohybuje. Mohol by nastať tlak na nôž. Zistite príčinu zaseknutia noža a vykonajte nápravné opatrenia na jej odstránenie.
- Nepoužívajte tupé alebo poškodené nože. Tupé alebo poškodené nože zvyšujú riziko zaseknutia alebo zachytenia o predmet s následným tlakom na nôž.
- Rezaný materiál by mal byť vždy dobre viditeľný. Tlak na nôž sa môže vyskytnúť na miestach, kde ťažko vidno strihaný materiál.
- Ak sa k vám počas obsluhy stroja priblíži iná osoba, stroj vypnite. Existuje zvýšené riziko zranenia iných osôb zasiahnutím pohybujúcim sa nožom v prípade, ak dôjde k tlaku na nôž.

## ĎALŠIE BEZPEČNOSTNÉ VÝSTRAHY

- Pred použitím a po každom náraze skontrolujte, či nie sú nejaké diely poškodené. Chybný spínač či akýkoľvek iný diel, ktorý je poškodený alebo opotrebovaný, je potrebné náležite opraviť alebo vymeniť v autorizovanom servisnom zariadení.
- Malý nôž, vsadený do ochranného krytu, je určený na zastríhnutie novo vysunutého vlákna na správnu dĺžku pre bezpečnú a optimálnu prevádzku. Čepeľ je veľmi ostrá. Najmä počas čistenia výrobku sa nedotýkajte čepele.
- Používajte len náhradné rezné vlákno výrobcu. Nepoužívajte žiadne iné rezné nástavce.
- Skontrolujte, či je rezný nástavec správne namontovaný a bezpečne upnutý.
- Nikdy nepoužívajte produkt, kým nie sú správne a bezpečne nasadené všetky ochranné kryty, odchyľovače a rukoväte.
- Pred každým použitím skontrolujte, že je orezávacie ostrie struny v ochrannom kryte v správnej polohe a zaistené.
- Príslušenstvo hlavy držte pod úroveň pásu.
- V prípade nehody alebo poruchy výrobok okamžite vypnite a vyberte batériu alebo ho odpojte od elektrickej siete. Nepoužívajte výrobok znovu, pokiaľ nebude úplne skontrolovaný autorizovaným servisným strediskom.
- Aby ste znížili riziko poranenia spojeného s kontaktom s pohyblivými časťami, výrobok vždy vypnite, vyberte z neho batériu a odpojte ho od napájania. Nechajte oba diely vychladnúť. Skontrolujte, či sa všetky pohyblivé diely úplne zastavili:
  - pred vykonávaním servisu
  - pred odstránením zablokovania
  - pred kontrolou, čistením alebo prácou na zariadení
  - pred výmenou príslušenstva
  - po narazení na cudzí predmet
  - pri ponechaní produktu bez dozoru
  - pri každom vykonávaní údržby
  - ak zariadenie začne neštandardne vibrovať
- Skontrolujte, či sú všetky ochranné kryty, rukoväte správne nasadené a v dobrom stave.
- Produkt držte za rukoväť na to určené a obmedzte pracovný čas a expozíciu.
- Pozor na objekty vymrštené rezným nástrojom. Pred začiatkom práce z pracovnej plochy odstráňte nečistoty,



ako sú malé kamene, štrk a iné cudzie predmety. Do rezných zariadení sa môžu zamotať vodiče alebo vlákna.

- Váš výrobok je vybavený strojom. Stroj používajte počas prevádzkovania výrobku. Starostlivo nastavte popruhy na pohodlné nosenie a rozloženie hmotnosti výrobku na vašej ľavej strane. Oboznámte sa s činnosťou mechanizmu rýchleho uvoľnenia a vyskúšajte si jeho používanie predtým, ako začnete používať zariadenie. Jeho správne použitie môže zabrániť vážnemu poraneniu v prípade ohrozenia. Nikdy cez pruh nenoste ďalšie oblečenie alebo iným spôsobom neobmedzujte prístup k mechanizmu rýchleho uvoľnenia.
- Nepoužívajte viac-remeňový stroj ani stroj na plece.
- Vždy skontrolujte, či vetracie otvory nie sú upchaté úlomkami.
- Elektrické napájanie musí byť privádzané cez zariadenie pre zvyškový prúd s vypínacím prúdom maximálne 30 mA.
- Výrobok prevádzkujte len pri teplotách v rozsahu 0 °C až 40 °C.
- Výrobok skladujte na mieste s teplotou okolia v rozsahu 0 °C až 40 °C.
- Ak je napájací kábel poškodený, musí sa nahradiť špeciálnym káblom alebo zostavou poskytnutými autorizovaným servisným strediskom.
- Pred každým použitím skontrolujte napájací kábel, či nie je poškodený. Ak je napájací kábel poškodený, musí ho vymeniť kvalifikovaný pracovník v autorizovanom servisnom stredisku, aby sa predišlo nebezpečenstvu.
- Pri inštalácii alebo demontáži čepelí používajte hrubé rukavice. Čepele majú ostré hrany.
- Ne pokúšajte sa dotýkať rotujúceho ostria, ani ho zastaviť.
- Vymeňte ostrie, ktoré bolo poškodené. Pred každým použitím vždy skontrolujte, či je ostrie namontované správne a bezpečne utiahnuté.
- Používajte len náhradné ostrie výrobcu TRI-ARC. Nepoužívajte žiadne iné rezné nástavce.
- Nikdy nepoužívajte na rezanie žiadneho materiálu s priemerom väčším ako 13 mm.
- Pred skladovaním zariadenia alebo počas prepravy zakryte ostrie ochranným krytom ostria. Pred použitím zariadenia vždy odstráňte ochranný kryt ostria. Pokiaľ ochranný kryt ostria neodstránite, mohlo by dôjsť k jeho vymršteniu, ako sa ostrie začne otáčať.
- Ak chcete rezať ľahko a bezpečne, prístupujte k rezanej burine sprava doľava. V prípade neočakávaného kontaktu s nejakým predmetom alebo drevným prhom tak môžete minimalizovať reakciu pri zachytení ostria. Na ovládanie tohto produktu sa neustále musia používať obe ruky.
- Pri dlhodobom alebo zvýšenom používaní môže dôjsť k zraneniam. Keď používate výrobok dlhší čas, robte si pravidelné prestávky.

#### DOPLNKOVÉ BEZPEČNOSTNÉ VÝSTRAHY PRE BATÉRIU

- Aby ste znížili riziko požiaru alebo poškodenia výrobku skratom, nikdy výrobok, akumulátor ani nabíjačku neponárajte do kvapaliny ani nedovoľte, aby sa do nich kvapalina dostala. Korodujúce alebo vodivé kvapaliny, ako je slaná voda, určité chemikálie a bieliace prostriedky alebo výrobky, ktoré obsahujú bieliadlo, môžu spôsobiť skrat.

- Akumulátor nabíjajte len na mieste s teplotou okolia v rozsahu 10 °C až 38 °C.
- Akumulátor skladujte na mieste s teplotou okolia v rozsahu 0 °C až 20 °C.
- Akumulátor používajte na mieste, kde je teplota okolia v rozsahu 0 °C až 40 °C.

#### PREPRAVA A SKLADOVANIE

- Pred uskladnením alebo dopravou výrobok vypnite, vyberte z neho súpravu batérií a nechajte ho vychladnúť.
- Z výrobku odstráňte všetok cudzí materiál.
- Výrobok neskladujte ani neprevádzajte s namontovanou súpravou batérií. Vyberte súpravu batérií a samostatne zaisťte. Odložte ho na suché a dobre vetrané miesto, na ktoré nemajú prístup deti. Nedávajte zariadenie do blízkosti korozívnych činidiel, ako sú záhradné chemikálie a rozmrazovacie soli. Výrobok neuchovávajte vonku.
- Pri preprave zaisťte produkt pred pohybom alebo pádom, aby nedošlo k poraneniu osôb alebo poškodeniu produktu.

#### PREPRAVA LÍTIOVÝCH AKUMULÁTOROV

- Akumulátory prepravujte v súlade s miestnymi smernicami a nariadeniami.
- Keď akumulátory prepravuje tretia strana, dodržiavajte všetky požiadavky na balení a označení. Zabezpečte, aby počas prepravy akumulátory neprišli do kontaktu s inými akumulátormi ani vodivými materiálmi – chráňte obnažené konektory pomocou izolácie, nevodivými viečkami alebo páskou. Neprepravujte akumulátory, ktoré sú prasknuté alebo vytekajú. Ďalšie pokyny zistíte u nasledujúcej spoločnosti.

#### ÚDRŽBA

- Používajte len originálne náhradné diely, príslušenstvo a nástavce výrobcu. V opačnom prípade môže dôjsť k možnému poraneniu, nedostatočnému výkonu a strate platnosti záruky.
- Údržba vyžaduje extrémnu starostlivosť a znalosti, a musí byť prevádzaná výhradne v autorizovanom servise. Servis výrobku zverte len autorizovanému servisnému stredisku.
- Vypnite výrobok a vyberte batériu alebo ho odpojte od napájania. Pred akýmkoľvek čistením alebo vykonávaním údržby sa ubezpečte, že sa všetky pohyblivé časti úplne zastavili.
- Môžete vykonávať len úpravy alebo opravy popísané v tejto príručke. Pri ostatných opravách alebo ak potrebujete radu, vyhľadajte pomoc v autorizovanom servisnom centre.
- Pri výmene drôtu používajte len nylonové drôtené vlákno s priemerom predpísaným v tabuľke špecifikácií tejto príručky.
- Po každom použití vyčistite produkt suchou suchou tkaninou. Akýkoľvek poškodený diel sa musí náležite opraviť alebo vymeniť v autorizovanom servisnom centre.
- Pred používaním a v častých intervaloch skontrolujte všetky matice, svorníky a skrutky, či sú správne utiahnuté, aby ste zaisťili bezpečný prevádzkový stav výrobku. Akýkoľvek poškodený diel sa musí náležite opraviť alebo vymeniť v autorizovanom servisnom centre.
- Prineste produkt to autorizovaného servisného centra na výmenu poškodených alebo nečitateľných štítkov.

## OBOZNÁMTE SA S VAŠIM PRODUKTOM

Pozrite stranu 137.

1. Hriadeľ príslušenstva
2. Ochranný kryt ostria
3. Nôž TRI-ARC
4. Chránič čepele
5. Návod na obsluhu
6. Kovový kryt
7. Prírubová podložka
8. Konštrukčná podložka
9. Poistný kolík
10. Kombinovaný kľúč
11. Matica

## SYMBOLY NA PRODUKTE



Výstražná značka



Pred používaním výrobku si prečítajte a pochopte všetky pokyny. Dodržujte všetky výstrahy a bezpečnostné pokyny.



Používajte chrániče zraku, sluchu a hlavy.



Pri používaní výrobku noste nešmykľavú ochrannú obuv.



Používajte protišmykové odolné ochranné rukavice.



Pozor na vymrštené alebo odletujúce objekty. Zabezpečte, aby všetci okolostojaci, hlavne deti a zvieratá, boli aspoň 15 m od plochy používania výrobku.



Výrobok nie je určený na použitie v spojení s ozubeným typom noža.



Nôž TRI-ARC



Európske označenie zhody



Euroázijská značka zhody



Ukrajinské označenie zhody

001



Nikdy nedávajte ruky do blízkosti orezávacieho ostria.



Dajte pozor na odmrštenie noža.



Nevystavujte dažďu ani nepoužívajte vo vlhkom prostredí.



Garantovaná úroveň hluku



Britské označenie zhody



Vyberte sadu batérií pred vykonávaním akýchkoľvek prác na výrobku.

Odpadové batérie a akumulátory a odpadové elektrické a elektronické zariadenia nelikvidujte ako netriedený komunálny odpad. Odpadové batérie a akumulátory a odpadové elektrické a elektronické zariadenia sa musia zbierať separovane. Odpadové batérie, odpadové akumulátory a svetelné zdroje treba z výrobku vybrať. Pokyny na recykláciu a miesta recyklácie zistíte u svojho miestneho orgánu alebo predajcu. Podľa miestnych predpisov môžu mať maloobchodníci povinnosť bezplatne prevziať odpadové batérie a akumulátory a odpadové elektrické a elektronické zariadenia. Váš príspevok k opätovnému použitiu a recyklácii odpadových batérií a akumulátorov a odpadových elektrických a elektronických zariadení pomáha znížiť dopyt po surovinách. Odpadové batérie a akumulátory, konkrétne tie, ktoré obsahujú lítium, a odpadové elektrické a elektronické zariadenia obsahujú cenné a recyklovateľné materiály, ktoré môžu mať nepriaznivý vplyv na životné prostredie a ľudské zdravie, ak sa nelikvidujú ekologicky vhodným spôsobom. Odstráňte prípadné osobné údaje z odpadového zariadenia.



## SYMBOLY V TOMTO NÁVODE



Poznámka



Varovanie



Diely alebo príslušenstvo predávané samostatne





Безопасността, работните характеристики и надеждността са аспектите, на които е отделен най-голям приоритет при проектирането на вашия хросторез.

## ПРЕДНАЗНАЧЕНИЕ

Приставката с хросторез е одобрена за употреба с всички електрически задвижващи глави RPH1200, RLT12381, RBC12261 и захранвани с батерии задвижващи глави RY36ELTX3A и RPH3601-BL.

Продуктът е предназначен за рязане на бурени, храсти и подобна растителност на или около нивото на земята. Уредът може да реже и дълга трева, бурени и друга подобна растителност.

Плоскостта на косене трябва да е приблизително успоредна на земната повърхност.

Продуктът е предназначен за използване само от възрастни, които са прочели и разбрали инструкциите и предупрежденията в това ръководство и могат да се считат отговорни за действията си.

Продуктът е предназначен за използване само на открити и добре проветрени пространства. От съображения за сигурност, продуктът трябва да бъде управляван адекватно чрез работа с двете ръце.

Не го използвайте за никакви други цели.

## ОБЩИ ПРЕДУПРЕЖДЕНИЯ ЗА БЕЗОПАСНОСТ ПРИ РАБОТА С ПРОДУКТА

**⚠ ПРЕДУПРЕЖДЕНИЕ!** Прочетете всички предупреждения относно безопасността и всички инструкции. Неспазването на предупрежденията и инструкциите може да доведе до токов удар, пожар и/или сериозни наранявания.

**Съхранявайте всички предупреждения и инструкции за бъдещи справки.**

Терминът „електрически инструмент“ в предупрежденията се отнася до електрически продукт (с кабел) или работещ с батерия (безжичен).

### БЕЗОПАСНОСТ НА РАБОТНАТА ЗОНА

- **Поддържайте работното пространство чисто и добре осветено.** Безпорядъкът или тъмнината в работното пространство са предпоставка за злополуки.
- **Не използвайте електрически инструменти в експлозивни среди, например в присъствието на запалителни течности, газове или прах.** По време на работа електрическите инструменти произвеждат искри, които могат да възпламенят прах или пари.
- **Дръжте децата и страничните наблюдатели далече, докато боравите с електрически инструмент.** Ако вниманието ви бъде отклонено, може да загубите контрола над електрическия инструмент.

### ЕЛЕКТРИЧЕСКА БЕЗОПАСНОСТ

- **Щепселът на електрическия инструмент трябва да е съвместим с контакта. В никакъв случай не внасяйте изменения в конструкцията на щепсела.** Когато работите със занулени електрически инструменти, не използвайте адаптери за щепсела. Използването на оригиналните щепсели и контакти намалява риска от токов удар.

- **Избягвайте допир със заземени повърхности, като тръби, радиатори, печки и хладилници.** Когато тялото ви е заземено, рискът от възникване на токов удар е по-голям.
- **Не излагайте продукта на дъжд или влажни условия.** Проникването на вода в електрическия инструмент повишава опасността от токов удар.
- **Не насилвайте захранващия кабел. Никога не носете, не изключвайте и не дърпайте електрическия инструмент за кабела.** Предпазвайте кабела от нагряване, омасляване, допир до остри ръбове или до подвижни звена на машини. Повредените или усукани кабели увеличават риска от токов удар.
- **Когато работите с електрически инструмент на открито, използвайте само удължителни кабели, предназначени за работа на открито.** Използването на удължител, предназначен за работа на открито, намалява риска токов удар.
- **Ако не можете да избегнете използването на електрически инструмент на влажно място, използвайте RCD (прекъсвач със защитно изключване).** Използването на RCD намалява опасността от електрически удар.

### ЛИЧНА БЕЗОПАСНОСТ

- **Бъдете бдителни, внимавайте какво правите и проявявайте благоразумие, когато боравите с електрически инструмент.** Не използвайте електрическия инструмент, когато сте уморени или под влиянието на наркотични вещества, алкохол или лекарства. Миг невнимание, докато боравите с електрически инструмент, е достатъчен за получаването на сериозни наранявания.
- **Използвайте лична защитна екипировка. Винаги носете защитни очила.** Предпазни средства като маска против прах, неплъзгащи се предпазни обувки, твърда шапка или антифони, използвани при подходящи условия, ще намалят физическите наранявания.
- **Не допускайте нежелано стартиране. Преди да вдигате или носите инструмента и преди да го включвате в електрическата мрежа и/или батерия, винаги проверявайте дали превключвателят е на позиция OFF (изкл).** Носенето на инструмента с пръст върху превключвателя или включването му към електричеството, докато превключвателят му е на включен, е предпоставка за злополуки.
- **Махнете всички гачни или френски ключове за настройка преди да включите инструмента.** Помощен инструмент, забравен на въртящ се елемент, може да доведе до физически наранявания.
- **Не се протягайте, за да работите на трудно достижими места. Винаги стъпвайте стабилно по време на работа и пазете равновесие.** Това дава възможност за по-добър контрол над електрическия инструмент в неочаквани ситуации.
- **Обличайте се целесъобразно. Не носете широки дрехи или украшения. Дръжте косата и дрехите си далече от движещите се части.** Широките дрехи, украшенията, дългите коси могат да бъдат захванати и увлечени от движещи се елементи.
- **Ако устройствата са оборудвани със съоръжение за издърпване и събиране на прах, уверете се, че е то свързано и функционира правилно.** Използването на устройства за събиране на прах



ще намали рисковете, свързани с работа в прашни условия.

- Не позволявайте опита ви с често използване на инструменти да ви направи прекалено самоуверени и да ви накара да игнорирате принципите за безопасност. Едно небрежно действие може да доведе до сериозно нараняване в рамките само на секунда.

## ИЗПОЛЗВАНЕ И ОБСЛУЖВАНЕ НА ЕЛЕКТРИЧЕСКИЯ ИНСТРУМЕНТ

- Не насилвайте продукта. Използвайте електрически инструмент, съобразно неговото предназначение. Правилно подобреният електрически инструмент ще свърши работата по-добре и по-безопасно в зададения от производителя диапазон на натоварване.
- Не използвайте електрически инструменти, чиито пусков прекъсвач е повреден. Електрически инструмент, който не може да бъде контролиран посредством превключвател, е опасен и трябва да бъде ремонтиран.
- Изключете щепсела на ел. захранването и/или извадете акумулаторната батерия, ако може да се изважда, от електрическия инструмент, преди да извършвате каквито и да е действия по регулиране, смяна на принадлежностите или съхраняване на електрическия инструмент. Тази мярка премахва опасността от задействане на електрическия инструмент по невнимание.
- Съхранявайте незаетите електрически инструменти на недостъпни за деца места и не позволявайте на лица, непознати с инструмента или с тези указания, да боравят с него. Когато са в ръцете на неопитни потребители, електрическите инструменти могат да бъдат изключително опасни.
- Поддържайте в добро състояние електрическите инструменти и техните принадлежности. Проверявайте за неизправности или заклиняване в подвижните елементи, за счупени части или други обстоятелства, които могат да влошат работата на електрическия инструмент. Преди да използвате електрическия инструмент, се погрижете повредите да бъдат отстранени. Много от трудовете злополуки се дължат на недобре поддържани електрически инструменти.
- Поддържайте режещите инструменти винаги добре заточени и чисти. Инструменти, за които е полагана правилна грижа и са с добре наточени режещи елементи, се управляват по-лесно и вероятността да заядат е по-малка.
- Използвайте електрическите инструменти, принадлежностите и режещите и др. части съобразно тези указания, като се съобразявате с работните условия и с работата, която ще извършвате. Използването на електрически инструменти за различия от предвидените от производителя приложения повишава опасността от възникване на трудови злополуки.
- Поддържайте ръкохватките и повърхностите за захващане сухи, чисти и неомаслени. Хлъзгавите ръкохватки и повърхности за захващане не дават възможност за безопасно управление и контролиране на инструмента при възникване на неочаквани ситуации.

## ИЗПОЛЗВАНЕ И ОБСЛУЖВАНЕ НА ИНСТРУМЕНТА С БАТЕРИЯ

- Презареждайте единствено със зарядното устройство, посочено от производителя. Зарядно устройство, подходящо за зареждане на един вид батерии, може да предизвика риск от пожар, ако бъде използвано за други батерии.
- Използвайте електрически инструменти с батерии единствено със специално предназначенията за тях батерии. Използването на всякакви други батерии може да създаде риск от нараняване и пожар.
- Когато батерията не се използва, съхранявайте я далеч от други метални обекти, като например кламери, монети, ключове, гвоздеи, гайки или други малки метални обекти, които могат да направят връзка между клемите. Късото съединение от клемите може да доведе до изгаряния или пожар.
- При неправилно използване батерията може да отдели течност; избягвайте контакт. Ако случайно настъпи контакт, промийте с вода. Ако течността влезе в контакт с очите, потърсете незабавно медицинска помощ. Отделената от батерията течност може да причини възпаление или изгаряния.
- Не използвайте акумулаторна батерия или инструмент, които са повредени или променени по някакъв начин. Повредените или променени батерии могат да работят по непредсказуем начин, което да доведе до пожар, взрив или опасност от наранявания.
- Не излагайте акумулаторна батерия или инструмент на огън или прекалено висока температура. Излагането на огън или на температура над 130 °C може да причини взрив.
- Следвайте всички инструкции за зареждане и не зареждайте акумулаторната батерия или инструмента извън температурния диапазон, посочен в инструкциите. Неправилното зареждане или зареждането при температури извън посочения диапазон може да повреди батерията и да увеличи риска от пожар.

## СЕРВИЗНО ОБСЛУЖВАНЕ

- Ремонтът на електрическите инструменти трябва да се извършва само от квалифицирани специалисти и само с използването на оригинални резервни части. По този начин се гарантира поддържането на безопасност при работа с електрическия инструмент.
- Никога не обслужвайте повредени акумулаторни батерии. Обслужването на акумулаторните батерии трябва да се извършва само от производителя или от оторизирани доставчици на услуги по сервизно обслужване.

## ПРЕДУПРЕЖДЕНИЯ ЗА БЕЗОПАСНОСТ ПРИ РАБОТА С ХРАСТОРЕЗА

- Не използвайте машината при лоши метеорологични условия, особено когато има риск от мълнии. Това намалява риска от поразяване от мълния.

- Проверете внимателно зоната, в която ще използвате машината, за диви животни. Дивите животни може да бъдат наранени от машината по време на работа.
- Проверете внимателно мястото, на което ще се използва машината, и премахнете всички камъни, пръчки, жици, кости и други чужди предмети. Изхвърлените предмети може да причинят физическо нараняване.
- Преди да използвате машината, винаги я проверявайте визуално, за да се уверите, че диска или острието и модулът на диска или острието не са повредени. Повредени части повишават риска от нараняване.
- Преди употреба проверете захранващия кабел и удължителите, ако има такива, за следи от повреда или стареене. Не използвайте инструмента, ако кабелът е повреден или износен. Ако кабелът се повреди или скъса по време на употреба, изключете машината и не докосвайте кабела, преди да го изключите от мрежовото захранване. Повреден захранващ кабел или удължител може да доведе до токов удар, пожар и/или сериозно нараняване.
- Следвайте инструкциите за смяна на аксесоари. Неправилно затегнатите гайки или болтове за закрепване на острието може да повредят острието или да доведат до отделянето му.
- Номиналната скорост на въртене на острието трябва да е поне равна на максималната скорост на въртене, означена върху машината. Остриета, работещи по-бързо от номиналната си скорост на въртене, могат да се счупят и да се разхвърчат части от тях.
- Носете предпазни средства за очите, ушите, главата и ръцете. Подходящите предпазни средства ще намалят риска от физическо нараняване от летящи отпадъци или неумишлен контакт с кордата или острието.
- Докато работите с машината, винаги носете предпазни обувки. Не използвайте инструмента, ако сте боси или носите отворени сандали. Това намалява възможността от нараняване на краката при контакт с движещите се резачка, влакно или острие.
- Когато работите с машината, винаги носете дълги панталони. Оголената кожа повишава възможността от нараняване от изхвърлени предмети.
- Страничните наблюдатели трябва да са далече при работа с машината. Изхвърляните отпадъци могат да доведат до сериозно физическо нараняване.
- Винаги използвайте двете си ръце, когато работите с машината. Ако държите машината с две ръце, ще избегнете загуба на контрол.
- Дръжте машината само за изолираните повърхности за хващане, защото кордата може да влезе в контакт със скрити кабели. Кордата или остриета, които влязат в контакт с проводник, по който тече ток, могат да доведат до протичането на ток по неизолираните метални части на машината и да причинят токов удар на оператора.
- Винаги стъпвайте стабилно и работете с машината само когато стоите на земята. Хлъзгавите или нестабилни повърхности може да причинят загуба на равновесия или контрол върху машината.
- Не работете с машината на прекалено стръмни склонове. Това намалява риска от загуба на контрол, подхлъзване и падане, което може да доведе до физическо нараняване.
- Когато работите по склонове, винаги бъдете сигурни в опората си, винаги работете по хоризонтала спрямо наклона на склона, никога нагоре или надолу, и бъдете изключително внимателни, когато промените посоката. Това намалява риска от загуба на контрол, подхлъзване и падане, което може да доведе до физическо нараняване.
- Захранващият кабел не трябва да влиза в контакт с резачката, кордата или острието. Повреден захранващ кабел може да доведе до токов удар, пожар и/или сериозно нараняване.
- Дръжте всички части на тялото далеч от диска, кордата или острието, когато машината работи. Преди да стартирате машината, се уверете, че дискът, кордата или острието не се допират до нищо. Момент на невнимание по време на работа с машината може да доведе до нараняване на Вас или на други лица.
- Не работете с машината на височина над кръста. Това помага да се предотврати неволен контакт с диска или острието и позволява по-добър контрол върху машината в неочаквани ситуации.
- Когато режете храсти или фиданки, които са под напрежение, внимавайте за отскачането им назад. Когато напрежението в дървесните влакна се освободи, храстите или фиданките могат да ударят оператора и/или да попречат на контрола върху машината.
- Бъдете особено внимателни при рязане на храсти или млади дървета. Тънките материали могат да захванат острието и да се насочат към Вас или да Ви извадят от равновесие.
- Дръжте машината под контрол и не докосвайте дисковете, кордите или остриетата и други опасни движещи се части, докато още са в движение. Това намалява риска от нараняване от движещите се части.
- Пренасяйте машината изключена и далеч от тялото си. Правилното боравене с машината ще намали вероятността от случаен контакт с движещи се дискове, корди или остриета.
- При транспортиране или прибиране на машината за съхранение, винаги поставяйте капака на металните остриета. Правилното боравене с машината ще намали вероятността от случаен контакт с острието.
- Използвайте само резервни дискове, корди, режещи глави и остриета, посочени от производителя. Неправилните резервни части могат да увеличат риска от счупване и нараняване.
- При отстраняване на заседнали материали или обслужване на машината се уверете, че превключвателят е изключен и батерията е извадена. Неочаквано задействане на машината по време на почистване на заседнал материал или обслужване може да доведе до сериозно физическо нараняване.

## ПРИЧИНИ ЗА ТЛАСКАНЕ НА ОСТРИЕТО И СВЪРЗАНИ С ТОВА ПРЕДУПРЕЖДЕНИЯ

Тласкането на острието представлява внезапно движение на машината настрани, напред или назад, което може да възникне, когато острието се заклеши или се закачи за предмет, например фиданка или пън. То може да бъде достатъчно силно, за да доведе до задвижване на машината и/или оператора във всяка посока и евентуална загуба на контрол над машината.

Тласкането на острието и свързаните с него опасности могат да бъдат избегнати чрез предприемане на подходящи предпазни мерки, както е посочено по-долу.

- **Поддържайте здрав захват с две ръце на машината и разположете ръцете си така, че да можете да устоите на тласкането на острието. Разположете тялото си от лявата страна на машината. Тласкането на острието може да увеличи риска от нараняване поради неочаквано движение на машината.** Тласкането на острието може да се контролира от оператора, ако се вземат подходящи предпазни мерки.
- **Когато острието се заклеши или когато рязането се прекъсне по някаква причина, изключете машината и я дръжте в покой в материала, докато острието напълно спре.** Когато острието е заклещено, никога не опитвайте да изваждате машината от материала или да я дърпате назад, докато острието се движи, тъй като може да се получи тласкане на острието. Направете проверка и предприемете коригиращи действия, за да отстраните причината за огъване на острието.
- **Не използвайте тъпи или повредени остриета.** Тъпите или повредени остриета увеличават риска от заклеждане или захващане на предмет, което води до тласкане на острието.
- **Винаги поддържайте добра видимост към материала, който режете.** По-вероятно е острието да се забие в зони, в които е трудно да виждате материала, който режете.
- **Ако по време на работа с машината към вас се приближи друго лице, изключете машината.** Съществува повишен риск от нараняване на други лица, които могат да бъдат ударени от движещото се острие в случай на тласкане на острието.

### ДОПЪЛНИТЕЛНИ ПРЕДУПРЕЖДЕНИЯ ЗА БЕЗОПАСНОСТ

- Преди употреба и след всяко въздействие проверете дали няма повредени части. Поправянето или заменянето на дефектен превключвател или повредени или износени части трябва да се извършва само от упълномощени сервиси.
- Малкото острие, прикачено към предпазителя, служи за подрязване на новоразвитата корда до подходящата дължина, при която се гарантира безопасна работа и оптимални работни характеристики. Острието е много остро. Не докосвайте острието особено при почистване на продукта.
- Подменяйте режещото влакно само с оригинално такова от производителя. Не използвайте никакво друго режещо приспособление.
- Уверете се, че приспособлението за рязане е правилно монтирано и здраво закрепено.

- Никога не работете с продукта, докато всички предпазители, отклонители и ръкохватки не са прикрепени правилно и стабилно.
- Преди всяка употреба се уверявайте, че острието за подрязване на кордата в предпазителя е правилно позиционирано и закрепено.
- Дръжте приставката с главата под нивото на кръста.
- Незабавно спрете продукта и извадете акумулаторната батерия или изключете от електрическата мрежа в случай на инцидент или повреда. Не работете с продукта отново, докато той не премине щателна проверка в оторизиран сервизен център.
- За да се намали рискът от нараняване, свързан с контакт с движещи се части, винаги изключвайте продукта, изваждайте батерията и го разкачвайте от електрозахранването. Оставете продукта и батерията да изстинат. Уверете се, че всички движещи се части са спрели напълно:
  - преди обслужване
  - преди почистване на запушване
  - преди проверка, почистване или работа по уреда
  - преди смяна на принадлежности
  - след удяране на чужд предмет
  - когато оставяте продукта без надзор
  - всеки път при извършване на техническо обслужване
  - ако уредът започне да вибрира неестествено
- Уверете се, че всички предпазители и ръкохватки са поставени на мястото им и са в изправност.
- Дръжте продукта за предназначенияте ръкохватки и ограничавайте времето за работа.
- Внимавайте за обекти, захвърлени от режещия механизъм. Преди да започнете работа, отстранете замърсяванията, като малки камъни, чакъл и други чужди предмети от работната зона. В режещите елементи могат да се заплетат жици или влакна.
- Уредът е снабден с презрамка. Когато работите с продукта, използвайте презрамката. Внимателно регулирайте презрамката, така че да ви е удобно, докато поддържате тежестта на продукта от дясната си страна. Запознайте се с механизма за бързо освобождаване и упразнявайте използването му, преди да започнете да работите с машината. Правилното използване на този механизъм може да предотврати сериозно нараняване при възникване на извънредна ситуация. Никога не носете допълнителни дрехи над колана и не ограничавайте достъпа по друг начин до механизма за бързо освобождаване.
- Не използвайте многобревен колан или ремък през рамо.
- Винаги проверявайте дали по вентилационните отвори има отпадък.
- Уредът трябва да бъде захранван чрез прекъсвач за защитно изключване, пропускатък ток не повече от 30 mA.
- С продукта трябва да се работи само при температури между 0 °C и 40 °C.
- Съхранявайте продукта при околна температура между 0 °C и 40 °C.
- Ако захранващият кабел е повреден, трябва да бъде подменен със специален кабел или сглобка, които се предлагат от упълномощен сервизен център.

- Преди всяка употреба проверявайте захранващия кабел за повреда. Ако захранващият кабел е повреден, той трябва да се смени от квалифицирано лице в оторизиран сервиз, за да се избегнат рискове.
- При поставянето или свалянето на остриетата използвайте здрави предпазни ръкавици, тъй като са с остри ръбове.
- Не докосвайте и не се опитвайте да спирате острието, когато се върти.
- Заменйте повредените остриета. Всеки път преди да използвате уреда, проверявайте дали острието е правилно и стабилно монтирано.
- За подмяна използвайте само оригинално TRI-ARC острие от производителя. Не използвайте никакво друго режещо приспособление.
- Никога не режете материал с диаметър над 13 mm.
- Съхранявайте и транспортирайте уреда само с монтиран предпазител на острието. Винаги махайте предпазителя, преди да използвате уреда. Предпазителят може да изхвърчи, ако острието започне да се върти, докато е монтиран.
- За лесно и безопасно рязане пристъпвайте към бурените, които ще режете, от дясно на ляво. Това може да намали силата на обратния тласък при неочакваната среща с дървен материал. За управление на този продукт винаги трябва да се използват двете ръце.
- Продължителното използване на инструмента може да доведе до наранявания или влошаване. Когато използвате продукта продължително време, уверявайте се, че правите редовни почивки.

#### ДОПЪЛНИТЕЛНИ ПРЕДУПРЕЖДЕНИЯ ЗА БЕЗОПАСНОСТ ЗА БАТЕРИЯТА

- За да намалите риска от пожар, физическо нараняване и повреда на продукта поради късо съединение, никога не потапяйте продукта, комплекта батерии или зарядното устройство в течност и не позволявайте в тях да проникне течност. Течностите, предизвикващи корозия или провеждащи електричество, като солена вода, определени химикали, избелващи вещества или продукти, съдържащи избелващи вещества, могат да предизвикат късо съединение.
- Зареждайте акумулаторната батерия на място, на което околната температура е между 10 °C и 38 °C.
- Съхранявайте акумулаторната батерия на място, на което околната температура е между 0 °C и 20 °C.
- Използвайте акумулаторната батерия на място, на което околната температура е между 0 °C и 40 °C.

#### ТРАНСПОРТИРАНЕ И СЪХРАНЕНИЕ

- Изключете продукта, извадете акумулаторната батерия и го изчакайте да се охлади, преди да го приберете за съхранение или да го транспортирате.
- Почистете продукта от всички чужди частици.
- Не съхранявайте и транспортирайте продукта с поставени батерии. Извадете акумулаторната батерия и я съхранете отделно. Съхранявайте я на хладно, сухо и добре проветрявано място, което

е недостъпно за деца. Дръжте продукта далече от разяждащи вещества, като например градински химикали и размразяващи соли. Не съхранявайте продукта на открито.

- Когато транспортирате продукта, го обезопасете така, че да не може да се движи или да падне, защото това може да доведе до евентуални наранявания на хора или повреди по продукта.

#### ТРАНСПОРТИРАНЕ НА ЛИТИЕВИ БАТЕРИИ

- Транспортирайте батериите в съответствие с местните и национални постановления и разпоредби.
- Спазвайте всички специални изисквания за пакетирание и етикетирание, когато транспортирате батерии чрез трето лице. Уверете се, че батериите не влизат в контакт с други батерии или проводими материали по време на транспортиране, като предпазете откритите конектори с изолация, непроводими капачета или лента. Не транспортирайте батерии, които са спукани или текат. Свържете се със следната компания за допълнителен съвет.

#### ПОДДРЪЖКА

- Използвайте само оригинални резервни части, аксесоари и приставки от производителя. В противен случай може да се влоши работата на инструмента или да получите тежки контузии, а гаранцията ви ще стане невалидна.
- Сервизното обслужване изисква изключително внимание и специфични познания и следва да бъде извършвано само от квалифициран техник. Продуктът трябва да бъде ремонтиран само в упълномощен сервиз.
- Изключете продукта, извадете акумулаторната батерия или го изключете от електрическото захранване. Уверете се, че всички движещи се части са напълно спрели, преди каквото и да е почистване или задача по обслужване.
- Можете да правите само такива настройки и поправки, които са описани в настоящото ръководство. За други поправки или съвети потърсете съдействие от оторизиран сервизен център.
- Когато трябва да смените кордата, използвайте само корда с найлонови влакна със съответния диаметър, посочен в таблицата със спецификации в настоящото ръководство.
- Всеки път след употреба почиствайте продукта с мека и суха кърпа. Всяка повредена част трябва да бъде поправена или заменена от упълномощен сервизен център.
- Проверявайте всички гайки, болтове и винтове преди всяко използване и на чести интервали за правилно затягане, за да се уверите, че izdeliето е в безопасно работно състояние. Всяка повредена част трябва да бъде поправена или заменена от упълномощен сервизен център.
- Занесете продукта в оторизиран сервизен център, ако е необходима замяна на повредени или нечетливи етикети.

## ОПОЗНАЙТЕ ВАШИЯ ПРОДУКТ

Вж. страница 137.

1. Вал за закрепване
2. Предпазител за остриета
3. Острие TRI-ARC
4. Предпазител на острието
5. Ръководство за оператора
6. Метален капак
7. Фланцова шайба
8. Конструктивна шайба
9. Фиксиращ шифт
10. Комбиниран гаечен ключ
11. Гайка

## СИМВОЛИ НА ПРОДУКТА



Предупреждение относно безопасността



Прочетете и разберете всички инструкции, преди да използвате продукта. Следвайте всички предупреждения и инструкции за безопасност.



Носете защитни средства за очите, слуха и главата.



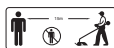
Когато използвате продукта, носете неплъзгащи се предпазни обувки.



Носете здрави предпазни ръкавици, пригодени против плъзгане.



Внимавайте за изхвърлени или летящи обекти. Близкостоящите, особено деца и домашни любимци, трябва да стоят поне на 15 м от зоната на работа.



Продуктът не е предназначен за употреба с тип острие за назъбен трион.



Острие TRI-ARC



Знак за съответствие с европейските изисквания



EurAsian знак за съответствие



Знак за съответствие с изискванията на Украйна



Дръжте ръцете си далече от острието за подрязване на кордата.



Пазете се от тягата на диска.



Не излагайте на дъжд и на влажни условия.



Гарантирано ниво на шум



Знак за съответствие с изискванията на Обединеното кралство



Извадете батерията, преди да започнете каквато и да е работа по уреда.

Не изхвърляйте отпадъците от батерии, електрическо и електронно оборудване като несортирани битови отпадъци. Отпадъците от батерии и електрически и електронно оборудване трябва да се събират отделно. Отпадъците от батерии, акумулатори и светлинни източници трябва да бъдат премахнати от оборудването. За съвети относно рециклирането и пункта за събиране се обърнете към вашите местни власти или търговски представители. Съгласно местните разпоредби търговците на дребно трябва да бъдат задължени да приемат обратно отпадъци от батерии и електрическо и електронно оборудване. Вашият принос за повторната употреба и рециклирането на отпадъци от батерии и електрическо и електронно оборудване помага за намаляване на търсенето на суровини. Отпадъците от батерии, особено съдържащите литий, и електрическо и електронно оборудване съдържат ценни, подходящи за рециклиране материали, които може да имат неблагоприятно въздействие върху околната среда и човешкото здраве, ако не бъдат изхвърлени по екологичен начин. Ако на отпадъчното оборудване има лични данни, изтрийте ги.



## СИМВОЛИ В НАСТОЯЩОТО РЪКОВОДСТВО



Забележка



Предупреждение



Частите или принадлежностите се продават отделно



Головними міркуваннями при розробці цього куцорізу були безпека, ефективність та надійність.

### ПЕРЕДБАЧУВАНОМУ ВИКОРИСТАННІ

Приладдя для куцоріза може використовуватися з електроприводними силовими головками RPH1200, RLT1238I, RBC1226I та акумуляторними головками RPH3601-BL і RY36ELTX33A.

Вибір призначений для різання чагарників, куців і подібної рослинності на рівні ґрунту або близько до нього. Продукт також придатний для зрізання довгої трави, м'ясистих бур'янів та аналогічної рослинності.

Ріжуча площина повинна бути приблизно паралельна поверхні землі.

Вибір призначений для використання тільки дорослими, які уважно прочитали та зрозуміли інструкції та попередження у цьому керівництві, та можуть вважатися відповідальними за власні дії.

Продукт призначений тільки для використання на відкритому повітрі у добре провітрюваній області. З міркувань безпеки продукт повинен належним чином контролюватися за допомогою двох рук.

Не використовуйте для будь-яких інших цілей.

### ЗАГАЛЬНІ ПОПЕРЕДЖЕННЯ З БЕЗПЕКИ ВИКОРИСТАННЯ

**⚠ Попередження! Прочитайте всі правила безпеки та інструкції.** Недотримання попереджень та інструкцій може призвести до ураження електричним струмом, пожежі та / або серйозної травми.

**Збережіть всі інструкції і вказівки для майбутнього використання.**

Термін "електроінструмент" у попередженнях стосується вашого (дротового) електричного інструменту, що живиться від електромережі, або (бездротового) електричного інструменту, що працює на акумуляторній батареї.

### БЕЗПЕКА РОБОЧОГО МІСЦЯ

- **Утримуйте робоче місце в чистоті і добре освітленим.** Безлад на робочому місці або темні місця спричиняють аварії.
- **Не використовуйте продукт у вибухонебезпечних атмосферах, наприклад, у присутності легко займистих рідин, газів або пилу.** Під час роботи косарки виникають іскри, що можуть призвести до займання пилу або парів.
- **Тримайте дітей та сторонніх осіб подалі під час роботи електроінструментом.** Відволікання уваги може призвести до втрати контролю.

### ЕЛЕКТРОБЕЗПЕКА

- **Вилка живлення електроінструменту повинна відповідати розетці. Ніколи не змінюйте вилку. Не використовуйте ніякі вилки-перехідники з заземленими (замкнутими на землю) електроінструментами.** Не змінені вилки та відповідні розетки зменшують ризик ураження електричним струмом.
- **Уникайте контакту тіла з заземленими поверхнями, такими як труби, радіатори, плити та холодильники.** Існує підвищений ризик ураження електричним струмом, якщо ваше тіло заземлене.
- **Не піддавайте електроінструменти впливу дощу або вологих умов.** Попадання води на пристрій збільшує ризик ураження електричним струмом.
- **Не зловжуйте шнур. Ніколи не використовуйте шнур живлення для перенесення, переміщення**

**або вилучення вилки з розетки. Тримайте шнур подалі від тепла, масла, гострих кромок або рухомих частин.** Пошкоджені або заплутані шнури збільшують ризик ураження електричним струмом.

- **При роботі з електроінструментом на вулиці, використовуйте подовжувач, відповідний для використання на відкритому повітрі.** Використання кабелю, придатного для використання на відкритому повітрі, знижує ризик ураження електричним струмом.
- **При роботі з електроінструментом у вологому середовищі використовуйте залишковий поточний пристрій (ЗПП) захищеного живлення.** Використання ЗПП знижує ризик ураження електричним струмом.

### ОСОБИСТА БЕЗПЕКА

- **Будьте уважні, дивіться, що ви робите, і використовуйте здоровий глузд при експлуатації виробу. Не працюйте з виробом, коли ви втомлені або знаходитесь під дією наркотиків, алкоголю або медикаментів.** Найменша необережність при роботі з електроінструментом може призвести до серйозних травм.
- **Використовуйте персональне захисне обладнання. Завжди одягайте захисні окуляри.** Засоби захисту, такі як респіратор, нековзне взуття, каска або засоби захисту органів слуху, що використовуються в належних умовах знизять ризик отримання травми.
- **Виключіть можливість випадкового ввімкнення.** Переконайтеся, що вимикач знаходиться у вимкненому положенні перед підключенням до джерела живлення та / або акумуляторної батареї, підніманням або переміщенням інструменту. Не переносьте електроінструмент з пальцем на вимикачі або подачею живлення на інструмент, який має перемикач, щоб запобігти нещасного випадку.
- **Перед ввімкненням електроінструменту знімайте регулювальний або гайковий ключ.** Гайковий ключ або регулювальний ключ, залишений на обертаємій частині електроінструменту, може призвести до травми.
- **Не тягніть. Зберігайте правильну стійку і баланс весь час.** Це дозволяє краще контролювати інструмент в несподіваних ситуаціях.
- **Одягайтеся правильно. Не носіть вільний одяг або прикраси.** Saçlarınızı ve kıyafetlerinizi hareketli parçalardan uzak tutun. Вільний одяг, прикраси або довге волосся можуть потрапити в рухомі частини.
- **Якщо є пристрій для підключення для збору пилу, переконайтеся, що вони під'єднані і використовуються правильно.** Використання пилозбірника знижує безпеку, пов'язану з запиленістю.
- **Не дозволяйте звичці від частого використання пристрою стати причиною втрати пильності та ігнорувати принципи безпеки роботи з пристроєм.** Пам'ятайте, що достатньо частки секунди, щоб отримати серйозні травми.

### ВИКОРИСТАННЯ ТА ДОГЛЯД ЗА ЕЛЕКТРОІНСТРУМЕНТОМ

- **Не перевантажуйте електроінструмент. Використовуйте відповідний для вашої потреби електроінструмент.** Електроінструмент виконає роботу краще і безпечніше при швидкості, для якої він був розроблений.
- **Не використовуйте електроінструмент, якщо перемикач не вклучає та вимикає його.** Будь-який електроінструмент, який не може управлятися за допомогою перемикача, є небезпечним і має бути відремонтований.
- **Перед здійсненням будь-яких налаштувань, заміною аксесуарів або зберіганням пристрою від'єднайте штекер від електричної мережі та/або**





вийміть акумулятор з електричного пристрою, якщо він знімний. Такі запобіжні заходи знижують ризик випадкового запуску приладу.

- **Зберігайте неприрацюючі електроприлади у недоступному для дітей місці і не дозволяйте особам, які не знайомі з інструкціями електричного прилада або з даними інструкціями, працювати з електроприладами.** Електроінструменти небезпечні в руках недосвідчених користувачів.
- **Обслуговування електричного пристрою та аксесуарів.** Перевіряйте рухомі частини на наявність зміщення елементів або некоректного з'єднання, а також пеломки та будь-яких інших чинників, які можуть вплинути на роботу електроінструменту. Якщо пошкоджені, відремонтуйте електроінструмент перед використанням. Багато нещасних випадків є наслідком поганого догляду за електроінструментом.
- **Тримайте ріжучий інструмент гострим і чистим.** Добре доглянутий ріжучий інструмент з гострими ріжучими крайками рідше зв'язується і легше контролюється.
- **Використовуйте електроприлади, приладдя та насадки відповідно до цих інструкцій, урахувуючи умови та характер роботи.** Використання електричного інструменту для операцій, які відрізняються від призначених, може призвести до небезпечної ситуації.
- **Тримайте ручки та поверхні захвату сухими, чистими та без слідів мастила та змазки.** Слизькі ручки та поверхні захвату не забезпечують безпечне маніпулювання та керування інструментом у неочікуваних ситуаціях.

## ВИКОРИСТАННЯ І ДОГЛЯД ІНСТРУМЕНТУ НА БАТАРЕЙКАХ

- **Перезаряджати тільки за допомогою зарядного пристрою, зазначеного виробником.** Зарядний пристрій, що підходить для одного типу акумуляторів, може створити ризик загоряння при використанні з іншим акумуляторним блоком.
- **Використовуйте електроінструменти тільки з призначеними для них акумуляторами.** Використання будь-яких інших акумуляторів, може створити ризик отримання травми і пожежі.
- **Коли акумуляторна батарея не використовується, тримайте її подаль від металевих предметів, таких як кліпси, монети, ключі, цвяхи, гвинти або інші невеликі металеві предмети, які можуть замкнути клеми.** Коротке замикання контактів акумулятора може призвести до опіків або пожежі.
- **У важких умовах експлуатації, рідина може бути випущена з батареї; уникайте контакту.** При випадковому контакті змийте водою. Якщо рідина потрапила в очі, зверніться за медичною допомогою. Рідина з акумулятора може викликати роздратування або опіки.
- **Заборонено використовувати акумулятор або пристрій, що були пошкоджені або модифіковані.** Використання пошкоджених або модифікованих акумуляторів може мати непередбачувані наслідки, серед яких: виникнення пожежі, вибуху та ризик травмування.
- **Уникайте загоряння та високої температури акумулятору або пристрою.** Загоряння або висока температура понад 130°C можуть стати причиною вибуху.
- **Дотримуйтесь усіх інструкцій щодо заряджання пристрою та уникайте заряджання поза діапазоном температур, що позначені у інструкції.** Неправильне заряджання або заряджання при температурі, поза межами позначеними в інструкції, може пошкодити акумулятор та підвищити ризик виникнення пожежі.

## ОБСЛУГОВУВАННЯ

- **Дозволяйте обслуговувати ваш електроінструмент тільки кваліфікованому персоналу, використовуючи тільки ідентичні запасні частини.** Це гарантуватиме безпечну експлуатацію електроінструменту.
- **Заборонено використання пошкоджених акумуляторів.** Обслуговування акумуляторів має бути здійснене тільки виробником або у авторизованому сервісному центрі.

## ЗАХОДИ БЕЗПЕКИ ПРИ ЕКСПЛУАТАЦІЇ КУЩОРІЗА

- **Не використовуйте виріб при поганій погоді, особливо коли існує ризик блискавки.** Це зменшує ризик ураження блискавкою.
- **Переконайтеся у відсутності тварин та птахів на ділянці, на якій планується використовувати виріб.** При роботі виріб може завдати шкоди птахам і тваринам.
- **Уважно огляньте ділянку, на якій планується використовувати виріб, та приберіть з неї всі камені, цеглу, гілки, дріт, кістки й інші предмети.** При розльоті такі предмети можуть травмувати.
- **Перед використанням виробу завжди перевіряйте ножі, леза та блок скошування в цілому на наявність пошкоджень.** Ушкодження деталей підвищує ризик травмування.
- **Перед використанням перевіряйте дріт живлення та подовжувач на наявність пошкоджень або зношення.** Не використовуйте виріб при наявності пошкоджень або зношенні кабелю живлення. Якщо дріт живлення пошкоджено або він зношений, вимкніть інструмент і не торкайтеся дроту, доки не від'єднасте його від джерела живлення. Пошкодження дроту живлення або подовжувача може призвести до ураження електричним струмом, загоряння та (або) серйозної травми.
- **Дотримуйтесь інструкції при заміні аксесуарів.** Через неправильно затягнуті гайки чи болти кріплення можливе пошкодження ножа або його від'єднання.
- **Номинальна швидкість обертання ножа має щонайменше дорівнювати максимальній швидкості, позначеної на виробі.** Ножі, які обертаються зі швидкістю, вищу за допустиму, можуть розламуватися, при цьому розлітатимуться скалки.
- **Надягайте засоби захисту очей, вух, голови та рук.** Належне захисне обладнання зменшить імовірність травмування від шматків, що розлітаються при випадковому контакті з волосінню або ножем.
- **При роботі з інструментом завжди надягайте захисне взуття.** Не експлуатуйте машину босоніж або у відкритих сандалях. Воно зменшує шанс травмування ніг від контакту з волосінню або ножами, що рухаються.
- **Для роботи з інструментом обов'язково надягайте довгі штани.** Відкрита шкіра підвищує ризик травмування від предметів, що розлітаються.
- **Сторонні особи повинні знаходитися на віддаленні від виробу, коли він працює.** Уламки при розльоті можуть завдати серйозної травми.
- **При роботі завжди утримуйте виріб обома руками.** Утримання виробу обома руками запобігає втраті контролю.
- **Тримайте виріб тільки за ізольовані поверхні, тому що ніж або волосінь можуть контактувати із прихованою проводкою.** У разі контакту ножів або волосінь з дротом під напруженою напругою може передаватися на металеві частини виробу, і користувач може бути уражений електричним струмом.
- **Слідкуйте за рівновагою та використовуйте виріб, тільки стоячи на землі.** На слизьких або





нестабільних поверхнях можна втратити рівновагу та контроль над інструментом.

- **Не використовуйте інструмент на занадто крутих схилах.** На крутих схилах можна послизнутися та впасти, що може призвести до травмування.
- **При роботі на схилах слідкуйте за надійністю опори, завжди рухайтесь поперек схилу, а не вниз чи вгору, і будьте обережні при зміні напрямку руху.** На крутих схилах можна послизнутися та впасти, що може призвести до травмування.
- **Тримайте дріт живлення виробу на відстані від ножа або волосіні.** Пошкодження дроту живлення може призвести до ураження електричним струмом, загоряння та (або) серйозної травми.
- **Коли інструмент працює, тримайте кінцівки та інші частини тіла на відстані від ножа або волосіні. Перед запуском інструменту переконайтеся, що ніж або волосінь нічого не торкаються.** Навіть нетривала втрата уваги при роботі з інструментом може призвести до травмування оператора або сторонніх осіб.
- **Не використовуйте інструмент на рівні поясу або вище.** Це допомагає запобігти випадковим контактам ножа або волосіні та дозволяє краще контролювати інструмент у несподіваних ситуаціях.
- **При різанні нагнутих кущів або гілок пам'ятайте, що вони можуть різко розігнутися.** Коли натягнута зв'язка, гілка куща або дерева може розпрямитися та вдарити оператора та (або) вибити інструмент з його рук.
- **Будьте гранично обережні при різанні хмиза і паростків.** Цупкий матеріал може намотатися на ніж і вдарити оператора або вивести його з рівноважного положення.
- **Контролюйте інструмент і не торкайтеся ножів, волосіні та інших небезпечних рухомих частин, доки вони не зупиняться.** Торкання рухомих частин може стати причиною травмування.
- **Для перенесення вимикайте інструмент і тримайте його на відстані від тіла.** Правильне поводження з інструментом знижує ймовірність випадкового контакту з ножем або волосінню, що рухаються.
- **Перед зберіганням або транспортуванням інструменту завжди встановлюйте кожух на металеві ножі.** Правильне поводження з інструментом знижує ймовірність випадкового контакту з ножем.
- **Використовуйте тільки насадки, волосінь, головки або ножі, визначені виробником.** Неправильно обрані запасні частини можуть підвищувати ризик поломки та травмування.
- **При видаленні матеріалів, що застрягли, або обслуговування виробу обов'язково переконайтеся, що перемикач вимкнений, а акумулятор вийнятий.** Неочікуване включення інструменту під час очищення або обслуговування може призвести до серйозної травми.

#### ПРИЧИНИ СТРИБКІВ НОЖА ТА ВІДПОВІДНІ ПОПЕРЕДЖЕННЯ

Стрибок ножа – це різких рух інструмента вбік, уперед або назад, який може статися, коли ніж застрягає або чіпляється за міцний предмет, наприклад саджанець або пень. Рух може бути настільки потужним, що інструмент та (або) оператора може відкинути в будь-якому напрямку, внаслідок чого він може втратити контроль інструмента.

Небезпек, пов'язаних із стрибком ножа, можна уникнути, вдавнившись до наведених нижче заходів.

- **Утримуйте інструмент обома руками. Руки мають бути розташовані так, щоби протидіяти поштовху в разі стрибка ножа. Тіло має знаходитися зліва від інструмента. Стрибок ножа підвищує**

**ризик травмування через неочікуваний рух інструмента.** Стрибки ножа можна контролювати, якщо вдатися до відповідних запобіжних заходів.

- **У разі застрягання ножа або коли треба перервати роботу з будь-якої причини, вимкніть інструмент і тримайте його нерухомо, не піднімаючи, доки ніж не зупиниться повністю.** Якщо ніж застряг, не намагайтеся вийняти його з матеріалу або потягнути інструмент на себе, коли ніж рухається, оскільки це може призвести до відскоку ножа. Знайдіть та усуньте причини застрягання ножа.
- **Не використовуйте тупі або пошкоджені ножі.** Тупі або пошкоджені ножі підвищують ризик застрягання або чіпляння, що може призвести до відскоку.
- **Завжди уважно вивчайте територію, на якій проводяться роботи.** Відскік ножів більш вірогідний у місцях, де важко побачити матеріал, що зрізається.
- **Якщо під час роботи до вас наближається інша особа, вимкніть інструмент.** У разі стрибка ножа існує високий ризик травмування осіб, що знаходяться поблизу.

#### ДОДАТКОВІ ЗАГАЛЬНІ ПОПЕРЕДЖЕННЯ ЩОДО БЕЗПЕКИ

- Перед використанням, а також у разі механічного впливу перевіряйте цілісність виробу та його частин. Несправний вимикач або будь-яка пошкоджена частина, повинні бути відремонтовані чи замінені в авторизованому сервісному центрі.
- Маленька лопатка встановлена на захисний кожух призначена для обрізки нової подовженої волосіні потрібної довжини для безпечної і оптимальної продуктивності. Лезо дуже гостре. Не торкайтеся леза, особливо під час чищення.
- Використовуйте тільки заміну ріжучу лінію від виробника. Не використовуйте будь-який інше ріжуче приладдя.
- Переконайтеся, що ріжуча насадка правильно встановлена та надійно закріплена.
- В жодному разі не користуйтеся приладом, поки всі захисні частини, дефлектори та ручки не будуть належним чином та надійно закріплені.
- Перед кожним використанням перевіряйте ніж на захисному щитку і слідкуйте за тим, щоби він був правильно встановлений і надійно закріплений.
- Тримайте прилаштування голівки нижче рівня пояса.
- Негайно вимкніть пристрій та вийміть акумуляторну батарею у випадку нещасного випадку або несправності. Не використовуйте прилад знову до проведення його повної перевірки в авторизованому сервісному центрі.
- Щоб знизити ризик травмування рухомими частинами пристрою, завжди вимикайте пристрій, виймайте акумулятор і від'єднуйте пристрій від джерела живлення. Дайте їм охолонуть. Переконайтеся, що всі рухомі частини зупинилися:
  - перед обслуговуванням
  - перед очищенням закупорення
  - перед перевіркою, чищенням, або роботі на продукті
  - перед зміною приладдя
  - Після удару об сторонній предмет
  - коли залишаєте продукт без нагляду
  - перед кожним технічним обслуговуванням
  - якщо продукт починає ненормально вібрувати



- Переконайтесь, що всі захисні щитки та ручки приладнані належним чином і знаходяться у робочому стані.
- Тримайте прилад за спеціально призначені ручки та лімітуйте час роботи із ним.
- Остерігайтеся об'єктів, кинутих у ріжучі засоби. Перед початком роботи приберіть з робочої зони камінці, щабінь та інші сторонні предмети. Дроти або волосінь можуть заплутатися у ріжучому засобі.
- Виріб обладнаний ременями. Під час експлуатації пристрою використовуйте реміні. Ретельно відрегулюйте реміні для зручності та для підтримки ваги пристрою з вашого правого боку. Ідентифікуйте механізм швидкого вивільнення та попрактикуйтеся у його використанні, перш ніж почати використовувати продукт. Його правильне використання може запобігти серйозним травмам в разі виникнення надзвичайної ситуації. Забороняється поверх ременів надягати додатковий одяг або іншим чином перекривати доступ до швидкознімного механізму.
- Не надягайте зайві реміні або ремінів кріплення.
- Завжди переконайтеся, що вентиляційні отвори знаходяться чистими від сміття.
- Електроживлення має подаватися через пристрій захисного вимкнення (ПЗВ) зі струмом вимкання не більше 30 МА.
- Експлуатувати виріб дозволяється при температурі від 0°C до 40°C.
- Зберігайте виріб у місці, де навколишня температура тримається в межах 0-40°C.
- Якщо кабель живлення пошкоджений, його слід замінити на спеціально призначений кабель або на такий, що постачається авторизованим сервісним центром.
- Перевіряйте кабель живлення на наявність пошкодження перед кожним використанням. Щоб уникнути небезпеки, у випадку пошкодження кабелю живлення його заміну має виконувати кваліфікований спеціаліст в авторизованому сервісному центрі.
- При встановленні або знятті ножів користуйтеся міцними рукавицями: у ножів дуже гострі краї.
- Не намагайтеся торкатися ножа або зупиняти його під час обертання.
- Замініть ніж, який було пошкоджено. Перед кожним використанням слід упевнитися, що ніж правильно встановлено та надійно закріплено.
- Використовуйте тільки замінні TRI-ARC леза від виробника. Не використовуйте будь-який інше ріжуче приладдя.
- Заборонено зрізати матеріал товстіший за 13 мм.
- Накрийте лезо протектором леза, перш ніж зберігати пристрій, або під час транспортування. Перед використанням приладу завжди знімайте захисний чохол. Якщо не зняти, запобіжник леза може стати кинутим об'єктом, коли лезо почне повертатися.
- Для легкого та безпечного косіння, слід зрізати рослини, справа наліво. У випадку несподіваної позы предмета або стовбура, ця практика може мінімізувати реакцію поштового ножа. При використанні завжди треба тримати інструмент обома руками для контролю.
- Тривале використання інструменту може призвести до травмування або загострення існуючої травми. При використанні приладу протягом тривалого періоду часу, часті перерви.

## ДОДАТКОВІ ПОПЕРЕДЖЕННЯ З ТЕХНІКИ БЕЗПЕКИ ЩОДО ВИКОРИСТАННЯ АКУМУЛЯТОРІВ

- Для зменшення ризику загоряння, травмування та пошкодження пристрою у разі короткого замикання ніколи не занурюйте виріб, акумуляторну батарею або зарядний пристрій у рідину та не допускайте потрапляння рідини всередину. Корозійні і струмопровідні рідини, такі як солоний розчин, певні хімікати, вибілювальні засоби або продукти, що їх містять, можуть призвести до короткого замикання.
- Заряджайте акумулятор у місці з температурою від 10°C до 38°C.
- Зберігайте акумулятор у місці, де навколишня температура тримається в межах 0-20°C.
- Використовуйте акумулятор у місці, де навколишня температура тримається в межах 0-40°C.

## ТРАНСПОРТУВАННЯ ТА ЗБЕРІГАННЯ

- Перед зберіганням або чищенням вимкніть пристрій, вийміть акумулятор та дайте пристрою охолонути.
- Почистіть всі сторонні матеріали з продукту.
- Заборонено зберігання або транспортування пристрою зі встановленим акумулятором. Вийміть акумуляторну батарею та зберігайте її окремо. Зберігайте продукт в прохолодному, сухому і добре провітрюваному місці, недоступному для дітей. Зберігати подаль від агресивних агентів, таких як садові хімікати і солей проти обледеніння. Не зберігайте пристрій на відкритому повітрі.
- Для транспортування, забезпечіть машину від руху або падіння, щоб запобігти травми людей або пошкодження машини.

## ПЕРЕВЕЗЕННЯ ЛІТЄВИХ БАТАРЕЙ

- Здійсніть транспортування акумуляторної батареї відповідно до місцевих та загальнодержавних норм і правил.
- Дотримуйтеся всі спеціальні вимоги до упаковки і маркування при транспортуванні батареї третьою стороною. Переконайтеся, що під час транспортування акумулятор не вступає в контакт з іншими акумуляторними батареями або струмопровідними матеріалами та захистіть відкриті роз'єми ізоляційними непровідними кришками або стрічками. Чи не переносьте акумулятори, тріснуті або бігу. Зв'язатися з нами для отримання подальших рекомендацій.

## ТЕХНІЧНЕ ОБСЛУГОВУВАННЯ

- Використовуйте тільки оригінальні запасні частини, аксесуари та обладнання від виробника. Невиконання цієї вимоги може привести до можливої травми, поганій продуктивності та може призвести до втрати гарантії.
- Обслуговування вимагає крайньої обережності і знання і повинно бути виконане тільки кваліфікованим фахівцем. Звертайтеся тільки до авторизованого сервісного центру.
- Вимкніть виріб і вийміть акумуляторну батарею або від'єднайте його від джерела живлення. Переконайтеся, що всі рухомі частини повністю зупинились перед очищенням або технічним обслуговуванням пристрою.
- Ви можете зробити регулювання та ремонт, описані в цьому посібнику користувача. Для інших ремонтних робіт, зверніться до авторизованого сервісного агента.
- Під час заміни волосінь використовуйте тільки нейлонову волосінь з діаметром, вказаним у таблиці технічних характеристик цього керівництва.



- Після кожного використання, очистіть виріб м'якою сухою тканиною. Будь-яка пошкоджена деталь, має бути правильно відремонтована або замінена в авторизованому сервісному центрі.
- Перевірте всі гайки, болти і гвинти після короткого проміжка часу і перед кожним використанням на правильну герметичність, щоб забезпечити продукт у безпечному робочому стані. Будь-яка пошкоджена деталь, має бути правильно відремонтована або замінена в авторизованому сервісному центрі.
- Принесіть продукт в авторизований сервісний центр для заміни пошкоджених або нечитаемих етикеток.

**ЗНАЙ СВІЙ ПРОДУКТ**

Дивіться сторінку 137.

1. Вал для приладдя
2. Запобіжник леза
3. Лезо TRI-ARC
4. Кожух леза
5. Інструкція з експлуатації
6. Металева кришка
7. Фланцева шайба
8. Шайба
9. Шпилька
10. Комбінований ключ
11. Гайка

**СИМВОЛИ НА ПРОДУКТІ**

-  Попередження  
Перед використанням пристрою прочитайте та зрозумійте всі інструкції. Дотримуйтесь всіх попереджень та інструкцій з безпеки використання.
-  Носіть захист очей, слуху, і голови.
-  Носіть нековзне захисне взуття при використанні продукту.
-  Носіть неслизькі, надміцні рукавички.
-  Остерігайтеся кинутих або літаючих об'єктів. Сторонні особи, діти та хатні тварини повинні знаходитися не ближче 15 м від робочої зони.
- 
-  Виріб не призначений для використання із зубцевими ножами.
-  Лезо TRI-ARC
-  Європейський знак відповідності
-  Євразійська знак відповідності.



Український знак відповідності



Тримайте руки подальше від зрізаючого леза.



Пам'ятайте, що ніж може рухатися з ривками.



Не піддавайте впливу дощу або вокому стану.



Гарантований рівень звукової потужності.






Британський знак відповідності



Вийміть батарею перед початком ремонту або технічного обслуговування приладдя.

Не викидайте старі акумулятори, старе електричне та електронне устаткування разом із несорттованим побутовим сміттям. Старі акумулятори, старе електричне та електронне устаткування збираються окремо. З устаткування необхідно зняти старі батареї, акумулятори та джерела світла. За інформацією стосовно утилізації або місць збору звертайтеся до місцевої влади або дилера. Місцеве законодавство може зобов'язувати продавців безкоштовно приймати старі акумулятори та електричне й електронне устаткування. Ваш внесок до справи повторного використання та переробки старих акумуляторів, електричного та електронного устаткування зменшує потребу у сировині. В акумуляторах, особливо літєвих, і старому електричному та електронному устаткуванні містяться цінні, придатні для переробки матеріали, і якщо утилізація такого устаткування проводиться у неекологічний спосіб, це негативно впливає на навколишнє середовище та людське здоров'я. Видаліть персональні дані з устаткування, яке передається на переробку.

**СИМВОЛИ В ЦЬОМУ ПОСІБНИКУ**

-  ПРИМІТКА
-  Попередження
-  Запчастини та аксесуари, що продаються окремо

Çalı kesme makinesi eklentinizin tasarımında emniyet, performans ve güvenilirliğe öncelik verilmiştir.

## KULLANIM AMACI

Çalı kesme eklentisi elektrikle çalışan güç başlıkları RPH1200, RLT12381, RBC12261 ve pille çalışan güç başlıkları RPH3601-BL ve RY36ELTX33A ile kullanılmak için onaylanmıştır.

Ürün; fundalık, çalılar ve yer seviyesindeki benzer otları kesmek için tasarlanmıştır. Ürün aynı zamanda uzun çimleri, kalın otları ve yer seviyesindeki benzer otları kesebilir.

Kesme düzlemi yaklaşık olarak zemin yüzeyine paralel olmalıdır.

Ürün, sadece bu el kitabındaki talimat ve uyarıları okuyup anlamış ve hareketlerinden sorumlu tutulabilecek olan yetişkinler tarafından kullanılabilir.

Ürün sadece dış mekanlarda, iyi havalandırılan bir alanda kullanılmak üzere tasarlanmıştır. Güvenlik nedenleriyle ürün iki elle kullanılarak uygun şekilde kontrol edilmelidir.

Baska herhangi bir amaçla kullanmayın.

## GENEL ÜRÜN GÜVENLİĞİ UYARILARI

**⚠ UYARI!** Tüm güvenlik uyarılarını ve tüm talimatları okuyun. Uyarılara ve talimatlara uymamak elektrik çarpması, yangın ve/veya ciddi yaralanma ile sonuçlanabilir.

İleride başvurmak üzere tüm uyarıları ve talimatları saklayın.

Uyarılardaki "elektrikli alet" terimi şebeke elektrifiyle çalışan (kablolu) ya da pille çalışan (kablesiz) ürünü ifade eder.

## ÇALIŞMA ALANI GÜVENLİĞİ

- Çalışma alanını temiz tutun ve iyi şekilde aydınlatın. Dağınık veya karanlık alanlar kazaya davetiye çıkarır.
- Elektrikli aletleri yanıcı sıvıların, gazların veya tozun mevcut olduğu patlayıcı atmosferlerde kullanmayın. Elektrikli aletler tozu veya buharları ateşleyebilecek kıvılcımlar oluşturur.
- Bir elektrikli alet kullanırken çocukları ve çevredeki insanları uzaklaştırın. Dikkat dağınıklığı kontrolü kaybetmenize neden olabilir.

## ELEKTRİKSEL GÜVENLİK

- Elektrik fişleri prize uygun olmalıdır. Fişi hiçbir zaman hiçbir şekilde değiştirmeyin. Topraklı elektrikli aletlerle birlikte herhangi bir adaptörlü fiş kullanmayın. Üzerinde değişiklik yapılmayan fişler ve uygun prizler elektrik çarpması riskini azaltır.
- Vücudunuzla borular, radyatörler, kuzine ve buzdolabı gibi topraklı ürünlere temas etmekten kaçının. Vücudunuz topraklanırsa yüksek elektrik çarpması riski mevcuttur.
- Ürünü yağmura veya ıslak koşullara maruz bırakmayın. Elektrikli alete su girmesi elektrik çarpması riskini artırır.
- Kabloyu amacı dışında kullanmayın. Kabloyu hiçbir zaman elektrikli aleti taşımak, çekmek veya fişten çıkarmak için kullanmayın. Kabloyu ısıdan, yağdan, keskin kenarlardan veya hareketli parçalardan uzak tutun. Hasarlı veya dolanmış kablolar elektrik çarpması riskini artırabilir.
- Bir elektrikli aleti açık alanda kullanırken açık alanda kullanıma uygun bir uzatma kablosu kullanın. Açık alanda kullanıma uygun bir kablo kullanmak elektrik çarpması riskini azaltır.

- Eğer bir elektrikli aleti nemli bir yerde kullanmanız kaçınılmazsa bir artık akım cihazı (RCD) korumalı kaynak kullanın. Bir RCD kullanmak elektrik çarpması riskini azaltır.

## KİŞİSEL GÜVENLİK

- Bir elektrikli alet kullanırken dikkatli olun, yaptığınız işe dikkat edin ve sağduyulu olun. Yorgunken veya uyuşturucu, alkol veya ilaç etkisi altındayken bir elektrikli alet kullanmayın. Elektrikli aletleri kullanırken bir anlık dikkatsizlik ciddi fiziksel yaralanma ile sonuçlanabilir.
- Kişisel koruyucu ekipman kullanın. Koruyucu gözlük takın. Uygun koşullarda kullanılan toz maskesi, kaymaz güvenlik ayakkabıları, kask veya kulak tıkaçı fiziksel yaralanma riskini azaltacaktır.
- Kasıtsız başlamayı önleyin. Aleti yerinden alırken veya taşırken güç kaynağına ve/veya pil takımına bağlamadan önce anahtarın kapalı konumda olduğundan emin olun. Elektrikli aletleri parmağınız anahtarın üzerindeyken veya anahtarlı elektrikli aletlerin gücü açıkken taşımak tehlikeye davetiye çıkarır.
- Elektrikli aleti açmadan önce ayar kamasını veya anahtarını çıkartın. Bir ayar anahtarının veya kamanın elektrikli aletin döner parçasına takılı hâlde bırakılması fiziksel yaralanma ile sonuçlanabilir.
- Yukarıya doğru erişmeye çalışmayın. Yere sağlam basın ve dengeyi her zaman koruyun. Bu, beklenmedik durumlarda gücün daha iyi kontrol edilmesini sağlar.
- Uygun şekilde giyinin. Bol kıyafet giymeyin veya takı takmayın. Saçlarınızı ve kıyafetlerinizi hareketli parçalardan uzak tutun. Bol kıyafetler, takı veya uzun saç hareketli parçalara yakalanabilir.
- Eğer toz tahliye ve toplama aparatları için bağlantı cihazları sağlanmışsa bunların doğru şekilde bağlandığından ve kullanıldığından emin olun. Toz toplama aparatı kullanmak tozdan kaynaklanan tehlikeleri azaltabilir.
- Makinelerin sık kullanılması ile elde edilen aşınalığın konsantrasyonunuzu kaybettirmesine ve alet güvenliği ilkelerini göz ardı etmenizi sağlamasına izin vermeyin. Dikkatsizce yapılan bir davranış birkaç saniye içinde ciddi yaralanmaya neden olabilir.

## ELEKTRİKLİ ALET KULLANIMI VE BAKIMI

- Elektrikli aletin kapasitesini zorlamayın. Uygulamanız için doğru elektrikli aleti kullanın. Doğru elektrikli alet tasarlandığı işi daha iyi ve daha güvenli bir şekilde yapacaktır.
- Eğer anahtar açılıp kapanmıyorsa makineyi kullanmayın. Anahtarla kontrol edilemeyen her elektrikli alet tehlikelidir ve onarılmalıdır.
- Herhangi bir ayar yapmadan ya da aksesuar değiştirmeden önce fişi güç kaynağından ve/veya pil takımını çıkartılabiliyorsa aletten çıkarın. Bu gibi önleyici güvenlik tedbirleri elektrikli aletin kazara çalışma riskini azaltır.
- Boş konumda olan elektrikli aletleri çocukların ulaşamayacağı yerde depolayın ve elektrikli aleti tanımayan veya bu talimatları bilmeyen kişilerin elektrikli aleti kullanmasına izin vermeyin. Elektrikli aletler eğitimsiz kullanıcıların elinde tehlikelidir.

- Elektrikli aletlerin ve aksesuarların bakımını yapın. Hareketli parçaların hıza kaymasını ve bağlantısını, parçaların kırık olup olmadığını ve elektrikli aletin çalışmasını etkileyebilecek diğer durumları kontrol edin. Eğer hasarlıysa elektrikli aleti kullanmadan önce onartın. Pek çok kaza bakımı kötü yapılmış elektrikli aletlerden kaynaklanır.
- Kesici aletleri keskin ve temiz tutun. Uygun şekilde bakımı yapılan keskin kesme kenarlarına sahip kesme aletlerinin sıkışma olasılığı daha azdır ve kontrol edilmesi daha kolaydır.
- Elektrik aleti, aksesuarları ve alet uçlarını vb. çalışma koşullarını ve yapılacak çalışmayı dikkate alarak bu talimatlara uygun şekilde kullanın. Elektrikli aleti amaçlananlar dışındaki çalışmalar için kullanmak tehlikeli bir durumun oluşmasına yol açabilir.
- Kulpları ve kavrama yüzeylerini kuru, temiz ve yağdan ve gresten arındırılmış hâlede tutun. Kaygan kulplar ve kavrama yüzeyleri beklenmedik durumlarda aletin güvenli şekilde taşınmasına ve kontrol edilmesine izin vermez.

### PİLLİ ALET KULLANIMI VE BAKIMI

- Sadece üretici tarafından belirtilen şarj cihazı ile şarj edin. Tek bir pil takımı tipine uygun bir şarj cihazı başka bir pil takımı ile birlikte kullanıldığında yangın riski oluşturabilir.
- Elektrikli aletleri sadece özel olarak belirtilmiş pil takımları ile birlikte kullanın. Başka bir pil takımı kullanmak yaralanma ve yangın riski oluşturabilir.
- Pil takımı kullanılmadığı zaman atış, bozuk para, anahtar, çivi, vida ve diğer metal nesnelere gibi bir terminalden diğerine bağlantı oluşturabilecek diğer metal nesnelere uzak tutun. Pil terminallerinin birlikte kısa devre yapması yangına veya yangına neden olabilir.
- Kötü koşullarda pilden sıvı boşalabilir; temas etmekten kaçının. Eğer kazara temas ederseniz temas eden yeri suyla yıkayın. Eğer sıvı gözlerinize temas ederse ek olarak tıbbi yardım alın. Pilden boşalan sıvı tahrişe veya yanıklara neden olabilir.
- Hasar görmüş ya da değiştirilmiş pil paketi ya da aleti kullanmayın. Hasar görmüş ya da değiştirilmiş piller yangın, patlama ya da yaralanma riskine yol açabilecek beklenmeyen davranış sergileyebilir.
- Pil paketi ya da aleti ateş ya da aşırı ısıya maruz bırakmayın. Ateş ya da 130°C üzerinde ısıya maruz kalmak patlamaya neden olabilir.
- Şarj işlemine ilişkin tüm talimatlara uyun ve pil paketi ya da aleti talimatlarda belirtilen sıcaklık aralığı dışında şarj etmeyin. Belirtilen sıcaklık aralığı dışında şarj edildiğinde pil zarar görebilir ve yangın riski artar.

### SERVİS

- Elektrikli aletinizi sadece aynı yedek parçaları kullanarak nitelikli bir tamirciye onartın. Bu, elektrikli aletin güvenliğinin muhafaza edilmesini sağlar.
- Hasarlı pil takımlarına asla bakım uygulamayın. Pil takımlarının bakımı üretici ya da yetkili hizmet sağlayıcılar tarafından yapılmalıdır.

### ÇALI KESİCİ GÜVENLİK UYARILARI

- Makineyi kötü hava koşullarında, özellikle de yıldırım riskinin olduğu durumlarda kullanmayın. Bu yıldırım çarpması riskini azaltır.

- Makinenin kullanılacağı alanda canlılar olup olmadığını iyice kontrol edin. Canlılar çalışma sırasında makine yüzünden yaralanabilir.
- Makinenin kullanılacağı alanı özenle denetleyin ve tüm paspasları, kızakları, kartonları, telleri, kemikleri ve diğer yabancı cisimleri kaldırın. Fırlayan nesnelere kişisel yaralanmaya neden olabilir.
- Bıçakların ve bıçak grubunun hasar görmediğinden emin olmak için makineyi kullanmadan önce her zaman görsel olarak inceleyin. Hasarlı parçalar yaralanma riskini artırır.
- Kullanımdan önce güç kaynağı ve uzatma kablosunu hasar ve eskimeye yönelik kontrol edin. Kablo hasarlı veya aşırı ısınmışsa makineyi kullanmayın. Kablo kullanım sırasında hasar görün veya aşırı ısıya makineyi kapatın ve güç kaynağıyla bağlantısını kesmeden kabloya dokunmayın. Hasarlı bir güç kaynağı veya uzatma kablosu, elektrik şoku, yangın veya ciddi yaralanmaya yol açabilir.
- Aksesuarları değiştirmek için talimatlara uyun. Yanlış sıkılmış bıçak tespit somunları veya civataları, bıçağa hasar verebilir veya ayrılmasına neden olabilir.
- Bıçağın nominal dönüş hızı en azından makinenin üstünde belirtilen maksimum dönüş hızına eşit olmalıdır. Nominal dönüş hızlarından yüksek hızda çalışan bıçaklar kırılabilir ve sıçrayabilir.
- Göz, kulak, kafa ve el koruyucu ekipman kullanın. Doğru koruyucu donanım, uçan döküntülerin ya da kesme ipi veya bıçakla kazara temasın neden olabileceği yaralanma olasılığını düşürür.
- Makineyi çalıştırırken her zaman emniyet ayakkabısı giyin. Ürünü çıplak ayakla veya üstü açık terlik giyerken kullanmayın. Bu hareketli bir kesici, ip veya bıçağa temastan kaynaklanan ayak yaralanmaları ihtimalini azaltır.
- Makineyi çalıştırırken daima uzun pantolon giyin. Derinin açıkta kalması fırlayan nesnelere yüzünden yaralanma ihtimalini artırır.
- Makineyi çalıştırırken çevredekileri uzakta tutun. Fırlayan parçalar ciddi bedensel yaralanmalara neden olabilir.
- Makineyi çalıştırırken daima iki elinizi kullanın. Makineyi iki elinizle tutmak kontrol kaybını önleyecektir.
- Kesme ipi veya bıçak gizli kablo telleriyle temas edebileceğinden makineyi yalnızca yalıtılmış kavrama yüzeyinden tutun. Kesme ipinin veya bıçaklarının "akımlı" bir telle temas etmesi, makinenin açtıkları metal kısımlarının "akımlı" olmasına ve operatörün elektrik çarpmasına maruz kalmasına neden olabilir.
- Her zaman yeterli dayanak kullanın ve makineyi yalnızca yerde dururken çalıştırın. Kaygan ya da oynak yüzeyler dengenizi ya da makine kontrolünüzü kaybına neden olabilir.
- Makineyi çok dik yokuşlarda çalıştırmayın. Bu, kişisel yaralanmayla sonuçlanabilecek kontrolü kaybetme riskini azaltır.
- Yokuşlarda çalışırken her zaman ayağınızı sağlam bastığınızdan emin olun, her zaman yokuşun yüzüne doğru çalışın, asla yukarıya veya aşağıya doğru çalışmayın ve yön değiştirirken ekstra dikkatli olun. Bu, kişisel yaralanmayla sonuçlanabilecek kontrolü kaybetme riskini azaltır.



- **Güç kaynağı kablosunu kesici, ip veya bıçaktan uzakta tutun.** Hasarlı bir güç kaynağı kablosu, elektrik şoku, yangın veya ciddi yaralanmaya yol açabilir.
- **Makine çalışırken vücudunuzun tüm kısımlarını kesiciden, ipten veya bıçaktan uzak tutun. Makineyi çalıştırmadan önce kesicinin, ipin veya bıçağın herhangi bir şeye temas etmediğinden emin olun.** Makineyi çalıştırırken bir anlık dikkatsizlik sizin veya başkalarının yaralanmasıyla sonuçlanabilir.
- **Makineyi bel yüksekliğinin üzerinde çalıştırmayın.** Bu, istenmeyen kesici veya bıçak temasını önlemeye yardımcı olur ve beklenmedik durumlarda makinenin daha iyi kontrol edilmesini sağlar.
- **Gerilim altındaki çalı veya fidanları keserken geri tepmeye karşı dikkatli olun.** Ağaç elyafındaki gerilim serbest kaldığında, çalı veya fidan operatöre çarpabilir ve/veya makinenin kontrolünü kaybolmasına neden olabilir.
- **Çalı ve fidan keserken son deredede dikkatli davranın.** İnce malzeme bıçağa kapılıp size çarpabilir ya da dengeyi kaybettirebilir.
- **Makinenin kontrolünü elinizde tutun ve kesicilere, iplere veya bıçaklara ve diğer tehlikeli hareketli parçalara hareketleri devam ettiği sürece dokunmayın.** Bu hareketli parçalardan dolayı yaralanma riskini azaltır.
- **Makineyi makine kapalıyken taşıyın ve vücudunuzdan uzakta tutun.** Makinenin uygun şekilde kullanılması, hareketli bir kesici, ip veya bıçakla kazara temas olasılığını azaltır.
- **Makineyi taşıırken ya da depolarken metal bıçakların üzerine her zaman kılıf takın.** Makinenin uygun şekilde kullanılması, bıçakla kazara temas olasılığını azaltır.
- **Yalnızca üretici tarafından belirtilen yedek kesiciler, ipler, kesme kafaları ve bıçakları kullanın.** Yanlış yedek parçalar kırılma ve yaralanma riskini artırabilir.
- **Sıkışmış materyali temizlerken ya da makineye bakım yaparken güç düğmesinin kapalı ve pil takımının çıkarılmış olduğundan emin olun.** Sıkışan malzemeleri temizlerken veya bakım yaparken makinenin beklenmedik bir şekilde çalışması ciddi kişisel yaralanmalarla sonuçlanabilir.

#### **BİÇAK İTMESİNİN NEDENLERİ VE İLGİLİ UYARILAR**

Bıçak itmesi makinenin ani bir şekilde yana, öne veya geriye hareketidir ve bu hareket de bıçak sıkıştığında veya fidan ya da ağaç tomruğu gibi bir nesneyi kaptığında ortaya çıkabilir. Makinenin ve/veya operatörün herhangi bir yönde dönmeye neden olacak kadar sert olabilir ve makinenin kontrolünü kaybedilmesiyle sonuçlanabilir.

Bıçak itmesi ve ilgili tehlikeler aşağıda belirtilen uygun önlemler alınarak önlenebilir.

- **İki eliniz de makinede olacak şekilde sıkıca kavrayın ve bıçak itmesine direnmek için vücudunuzu ve kollarınızı konuşturmayın.** Vücudunuzu makinenin sol tarafına konuşturmayın. Bıçak itmesi makinenin beklenmedik bir şekilde hareket etmesi nedeniyle yaralanma riskini artırabilir. Bıçak itmesi uygun önlemleri alması kaydıyla operatör tarafından kontrol edilebilir.
- **Bıçak takılırsa veya herhangi bir nedenle kesim işlemi duraklarsa makineyi kapatın ve bıçak tamamen durana kadar bıçağı makinenin içinde hareketsiz tutun.** Makine takılmış durumdayken asla makineyi malzemeden çıkarmayı denemeyin veya

makine hareket halindeyken makineyi geriye çekmeyin, aksi takdirde bıçak itmesi gerçekleşebilir. Bıçağın takılmasının nedenini ortadan kaldırmak için araştırıp düzeltici önlemleri alın.

- **Körelmiş veya hasarlı bıçakları kullanmayın.** Hasarlı veya körelmiş bıçaklar sıkışma riskini veya bir nesneye takılma riskini artırarak bıçağın sıkışmasına neden olur.
- **Her zaman kesilmekte olan malzemenin göz önünde olmasını sağlayın.** Bıçak tepkisinin özellikle kesilen malzemenin görülmesinin zor olduğu yerlerde görülmesi beklenir.
- **Makineyi çalıştırırken başka biri size yaklaşırsa makineyi kapatın.** Bıçağın itmesi halinde hareket den bıçağın çarpması sonucu yaralanma riski başka insanlar için daha yüksektir.

#### **EK GÜVENLİK UYARILARI**

- Kullanımdan önce ve her türlü darbeden sonra üründe hasarlı parça olup olmadığını kontrol edin. Arızalı bir anahtarın ya da hasarlı veya aşınmış herhangi bir parçanın yetkili bir servis tarafından gerektiği gibi onarılması ya da değiştirilmesi gerekir.
- Çim korumasına takılı olan küçük bıçak, güvenli ve en iyi performans için yeni çekilmiş teli doğru uzunlukta kesmek içindir. Bıçak çok keskindir. Özellikle de ürünü temizlerken bıçağa dokunmayın.
- Yalnızca üreticinin yedek kesme telini kullanın. Başka bir kesme aparatı kullanmayın.
- Kesme eklentisinin düzgün şekilde takılı olduğundan ve güvenli şekilde sıkıştırıldığında emin olun.
- Tüm korumalar, deflektörler ve tutamaklar düzgün ve güvenli şekilde takılmadan asla ürünü kullanmayın.
- Güvenlik korumasındaki hat kesme bıçağının her kullanımdan önce düzgün konumlandırıldığından ve sabitlendiğinden emin olun.
- Kafa bağlantısını göğüs hizasının altında tutun.
- Bir kaza ya da arıza halinde ürünü derhal durdurun ve pil takımını çıkarın veya güç kaynağıyla bağlantısını kesin. Yetkili servis merkezi tarafından kontrol edilene dek ürünü tekrar çalıştırmayın.
- Hareketli parçalara temastan kaynaklanabilecek yaralanma riskini azaltmak için her zaman ürünü kapatın, pil paketini sökün ve güç kaynağıyla bağlantısını kesin. Her ikisini de soğumaya bırakın. Tüm hareketli parçaların tamamen durduğundan emin olun:
  - servis yapmadan önce
  - tıkanıklığı temizlemeden önce
  - ürünü kontrol etme, temizleme ve ürün üzerinde çalışmadan önce
  - aksesuarları değiştirmeden önce
  - yabancı bir nesneye çarptıktan sonra
  - ürün gözetimsiz bırakıldığında
  - bakım yapıldığı her zaman
  - eğer ürünler anormal şekilde titremeye başlarsa
- Tüm korumaların, kulpların doğru şekilde takıldığından ve iyi durumda olduğundan emin olun.
- Ürünü belirtilen tutamaklardan tutun ve ürünle çalışma ve ürüne maruz kalma süresini kısa tutun.
- Kesme araçlarının fırlatabileceği objelere karşı dikkatli olun. Küçük taşlar, çakıl ve diğer yabancı nesnelere



çalışmaya başlamadan önce çalışma alanından kaldırın. Kablo ya da teller kesme araçlarına dolanabilir.

- Ürün bir kayış tertibatına sahiptir. Ürünü çalıştırırken kayış donanımını kullanmalısınız. Kayış donanımını ürünün ağırlığını rahatça destekleyecek şekilde ve sağ tarafınızda kalacak gibi sirtinize asın. Hızlı serbest bırakma mekanizmasını tanıyın ve ürünü kullanmaya başlamadan önce bunu kullanarak pratik yapın. Doğru şekilde kullanılması acil bir durumda ciddi yaralanmaları önleyebilir. Asla emniyet kemerinin üzerine başka kıyafet giymeyin veya hızlı açma mekanizmasına erişimi baska bir şekilde sınırlandırmayın.
- Çok sayıda kemer veya omuz emniyet kemerleri takmayın.
- Havalandırma girişlerinin her zaman biriktikten arındırılmış hâlde tutulduğundan emin olun.
- Elektrik gücü 30 mA'yı geçmeyen trip akımına sahip bir artık akım cihazı (RCD) ile sağlanmalıdır.
- Ürünü yalnızca 0°C ve 40°C arası sıcaklıklarda çalıştırın.
- Ürünü ortam sıcaklığının 0°C ve 40°C arasında olduğu bir yerde muhafaza edin.
- Elektrik kablosu hasar alırsa yetkili servis merkezinden özel bir kablo veya kablo grubuyla değiştirilmelidir.
- Her kullanımdan önce, güç kablosunu hasar açısından kontrol edin. Elektrik kablosu hasar gördüyse, tehlikeli bir durumdan kaçınmak için değiştirme işleminin yetkili bir servis merkezince yapılması gerekir.
- Keskin kenarları olduğundan bıçakları takarken veya sökerken ağır iş eldivenleri kullanın.
- Dönerken bıçağa dokunmaya veya durdurmaya çalışmayın.
- Hasar gören tüm bıçakları değiştirin. Her kullanım öncesi bıçağın doğru şekilde takıldığından ve güvenli bir şekilde sabitlendiğinden her zaman emin olun.
- Yalnızca üreticinin yedek parçası olan TRI-ARC™ bıçak ya kullanın. Başka bir kesme aparatı kullanmayın.
- Hiçbir zaman çapı 13 mm'den büyük malzemeleri kesmeyin.
- Üniteyi depolamadan önce veya tasima sırasında bıçağı bıçak koruyucu ile koruma altına alın. Üniteyi kullanmadan önce her zaman bıçak koruyucuyu çıkartın. Eğri çıkartılmazsa bıçak koruyucu bıçak dönmeye başladığında fırlayan bir nesneye dönüşebilir.
- Kolay ve güvenli kesim için kesilen otlara soldan sağa doğru yaklaşın. Beklenmedik bir nesne veya odunsu gövdeyle karşılaşılması durumunda bu, bıçağın itme tepkisini en aza indirebilir. Ürünü kontrol etmek için her zaman iki elinizi de kullanmalısınız.
- Ürünün uzun süre kullanılması nedeniyle yaralanmalar meydana gelebilir veya kötüleşebilir. Herhangi bir alet uzun süre kullanıldığında düzenli molalar verdiğinizden emin olun.

### PİL İÇİN EK GÜVENLİK UYARILARI

- Kısa devreden kaynaklanacak yangın, yaralanma ve maddi hasar risklerini azaltmak için ürünü, pil paketini ya da şarj cihazını asla bir sıvıya batırmayın, ya da içine sıvı girmesine izin vermeyin. Tuzlu su, belirli kimyasallar, ağartıcı madde veya ağartıcı madde içeren ürünler gibi korozif veya iletken sıvılar kısa devreye neden olabilir.
- Pil paketini 10°C ve 38°C arasındaki ortam sıcaklığında sarj edin.

- Pil paketini ortam sıcaklığının 0°C ve 20°C arasında olduğu bir yerde muhafaza edin.
- Pil paketini ortam sıcaklığının 0°C ve 40°C arasında olduğu bir yerde kullanın.

### TAŞIMA VE DEPOLAMA

- Nakletmeden ya da depolamadan önce ürünü kapatın, pil paketini çıkarın ve ürünü soğumasını bekleyin.
- Üründeki tüm yabancı maddeleri temizleyin.
- Ürünü pil paketi takılıyken ürünü saklamayın veya taşımayın. Pil paketini çıkarın ve ayrıca sabitleyin. Çocukların erişemeyeceği serin, kuru ve iyi havalandırılan bir yerde depolayın. Bahçe kimyasalları ve buz çözücü tuzlar gibi korozif maddelerden uzak tutun. Ürünü açık havada depolamayın.
- Tasınacağı zaman insanların yaralanmasını veya ürünü zarar görmesini önlemek amacıyla ürünü hareket etmemesi veya düşmemesi için sabitleyin.

### LİTYUM BATARYALARIN TAŞINMASI

- Bataryayı yerel ve ulusal hükümlere ve yönetmeliklere uygun şekilde taşıyın.
- Bataryalar üçüncü bir şahıs tarafından taşındığında ambalaj ve etiket üzerindeki tüm özel koşullara uyun. Açıkta ki konnektörleri yalıtın, iletken olmayan başlıklar veya bant ile koruyarak hiçbir bataryanın taşıma sırasında diğer bataryalarla veya iletken malzemelerle temas etmediğinden emin olun. Çatlak veya sızdıran bataryaları taşımayın. Ek tavsiye için nakliye şirketi ile birlikte kontrol edin.

### BAKIM

- Sadece orijinal üreticinin yedek parçalarını, aksesuarlarını ve ek parçalarını kullanın. Aksine davranış olası yaralanmaya yol açabilir, yetersiz performans neden olabilir ve garantinizin geçersiz olmasıyla sonuçlanabilir.
- Servis çalışması en yüksek düzeyde dikkat ve bilgi gerektirir ve sadece nitelikli bir servis teknisyeni tarafından yapılmalıdır. Ürünün servis işlemlerini sadece yetkili bir servis merkezinde yaptırın.
- Ürünü kapatın ve pil paketini çıkarın veya güç kaynağıyla bağlantısını kesin. Temizlik ya da bakım işlemine başlamadan önce hareketli tüm parçaların tamamen durduğundan emin olun.
- Sadece bu kılavuzda açıklandığı şekilde ayar veya onarım yapılabiliriz. Diğer onarımlar için yetkili servis temsilcisini arayın.
- Yedek tel olarak yalnızca bu kılavuzun spesifikasyonlar tablosunda belirtilen çapta naylon tel kullanın.
- Her kullanım sonrası ürünü yumuşak ve kuru bir bezle temizleyin. Hasarlı her tür parça yetkili servis merkezi tarafından uygun şekilde onarılmalı veya değiştirilmelidir.
- Her kullanımdan önce ve sık aralıklarla tüm somun, civata ve vidaların uygun sıklıkta olduğuna ve bu şekilde ürünün emniyetli kullanım koşullarına sahip olduğunu kontrol edin. Hasarlı her tür parça yetkili servis merkezi tarafından uygun şekilde onarılmalı veya değiştirilmelidir.
- Zarar görmüş veya okunmaz durumdaki etiketleri değiştirmek için yetkili bir servis merkezine gönderin.

## ÜRÜNÜZÜ TANIYIN

Bkz. sayfa 137.

1. Uzatma mili
2. Bıçak koruyucu
3. TRI-ARC bıçak
4. Bıçak koruması
5. Kullanım kılavuzu
6. Metal kapak
7. Flaşlı pul
8. Yapı pulu
9. Kilit pimi
10. Kombine anahtar
11. Somun

## ÜRÜN ÜZERİNDEKİ SEMBOLLER



Güvenlik ikazı



Ürünü çalıştırmadan önce bütün talimatları okuyup anlayın. Tüm uyarı ve güvenlik talimatlarına uyun.



Kulak tıkacı, gözlük ve kask takın.



Ürünü kullanırken kaymaz güvenlik ayakkabısını giyin.



Kaymaz, ağır iş eldiveni giyin.



Fırlayan ve sıçrayan nesnelere dikkat edin. Üçüncü şahısları, özellikle çocukları ve evcil hayvanları çalışma alanından en az 15 m uzakta tutun.



Bu ürün dişli bir testere türü bıçakla kullanıma yönelik değildir.



TRI-ARC bıçak



Avrupa Uyumluluk İşareti



EurAsian Uygunluk İşareti



Ukrayna Uyumluluk İşareti

001



Ellerinizi kesici bıçağa yaklaştırmayın.



Bıçağın itiş gücüne dikkat edin.



Ürünü yağmura veya nemli koşullara maruz bırakmayın.



Güvenceli ses gücü seviyesi



Britanya Uyumluluk İşareti



Ürün üzerinde herhangi bir çalışma yapmaya başlamadan önce batarya takımını çıkartın.

Atık pilleri, atık elektrikli ve elektronik ekipmanı, sınıflandırılmamış belediye atığı olarak bertaraf etmeyin. Atık piller ile atık elektrikli ve elektronik ekipmanlar ayrıca toplanmalıdır. Atık pil, akü ve ışık kaynakları ekipmandan çıkarılmalıdır. Yerel otorite veya satıcıdan geri dönüşüm tavsiyesi alın ve toplama noktasını öğrenin. Yerel düzenlemelere göre perakendecilerin atık piller ile atık elektrikli ve elektronik ekipmanı ücretsiz olarak geri alma yükümlülüğü olabilir. Atık bataryaların yanı sıra atık elektrikli ve elektronik ekipmanların yeniden kullanımı ve geri dönüşümüne katkınız, hammadde talebini azaltmaya yardımcı olur. Özellikle lityum içeren atık piller ile atık elektrikli ve elektronik ekipmanlar, çevreye uyumlu bir şekilde bertaraf edilmediği takdirde çevre ve insan sağlığını olumsuz yönde etkileyebilecek değerli ve geri dönüştürülebilir malzemeler içerir. Varsa, atık ekipmandaki kişisel verileri silin.

## BU KILAVUZDAKİ SEMBOLLER



Not



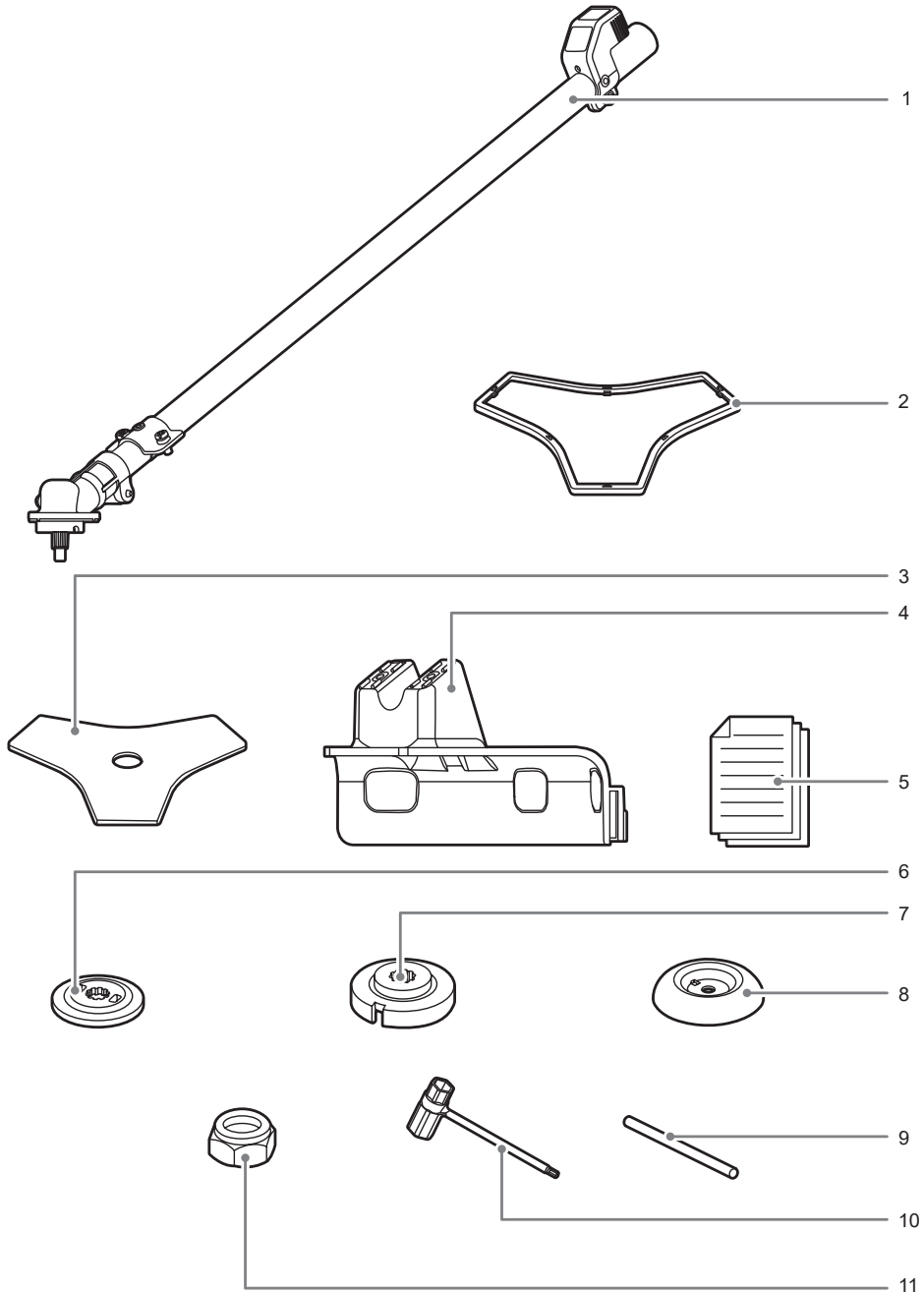
Uyarı

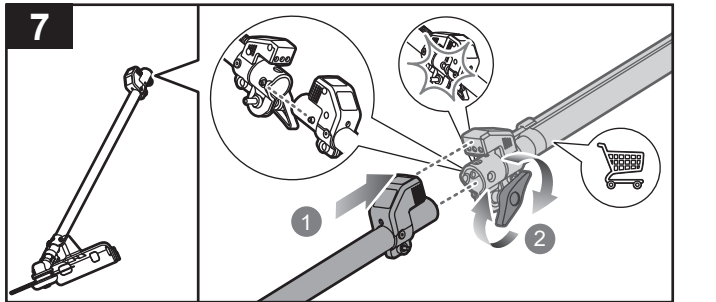
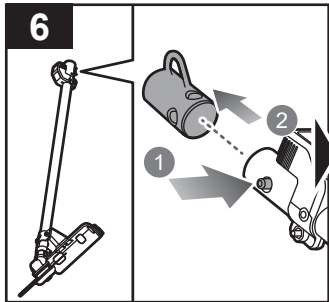
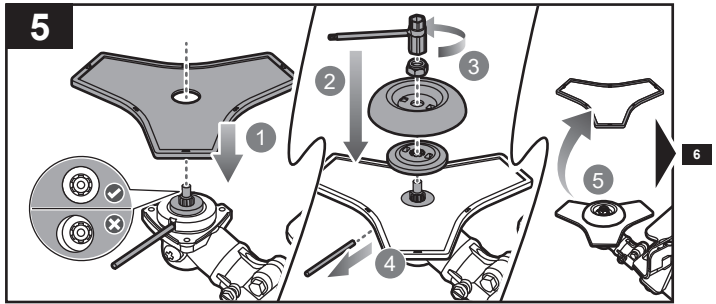
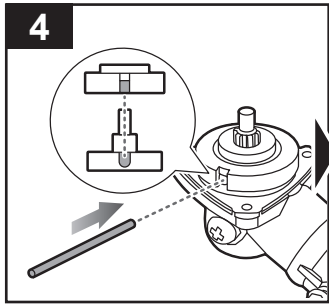
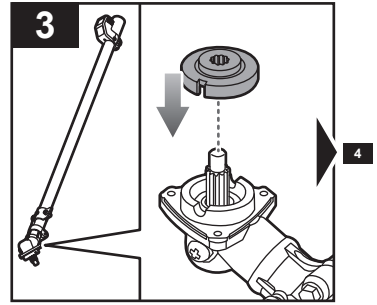
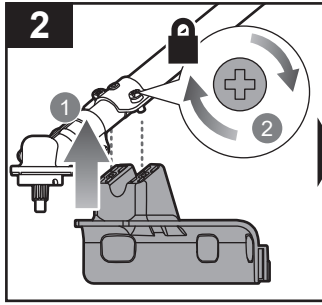
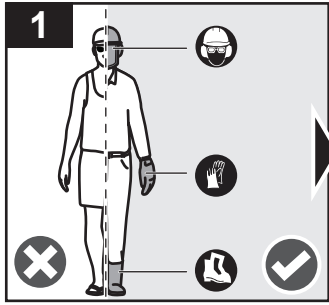


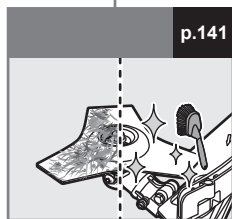
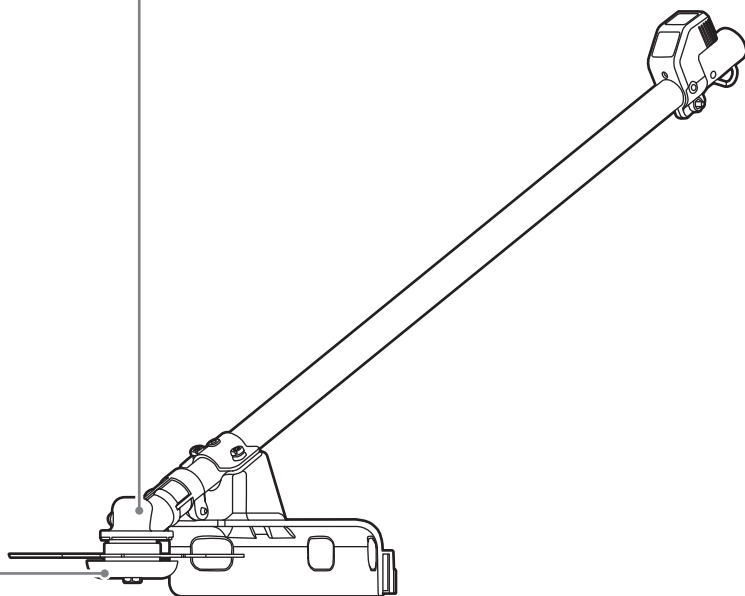
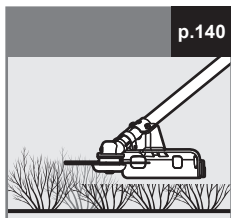
Ayrı satılan parçalar veya aksesuarlar

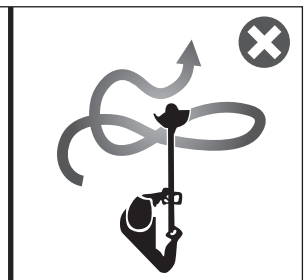
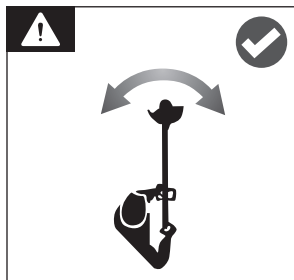
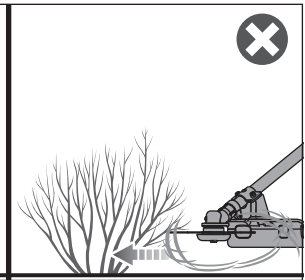
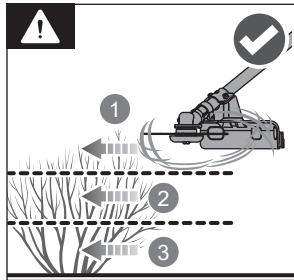
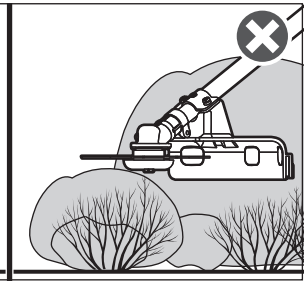
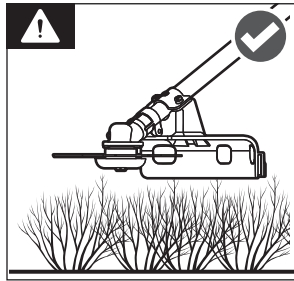
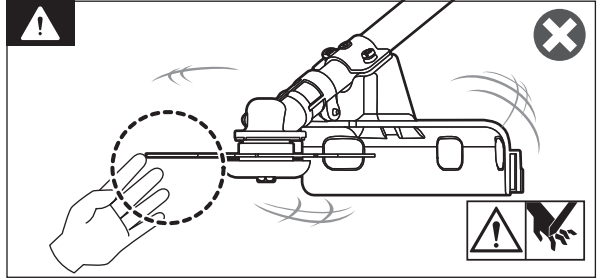
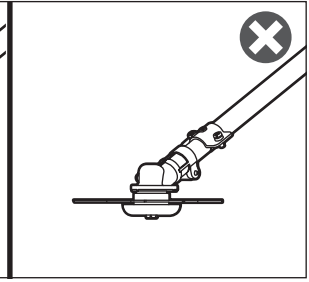
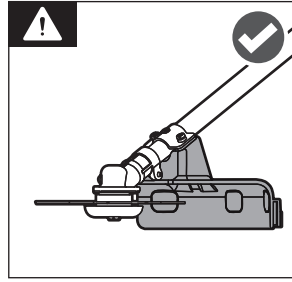
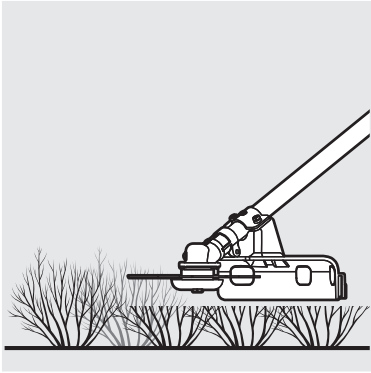


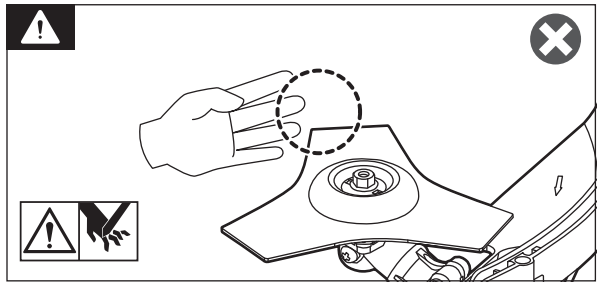
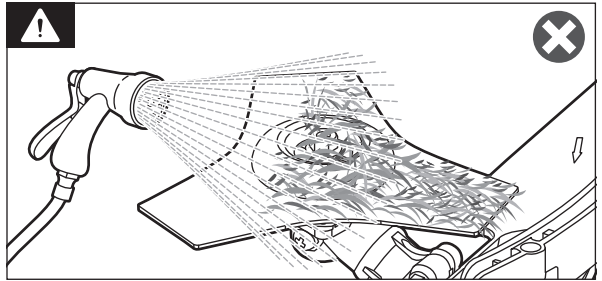
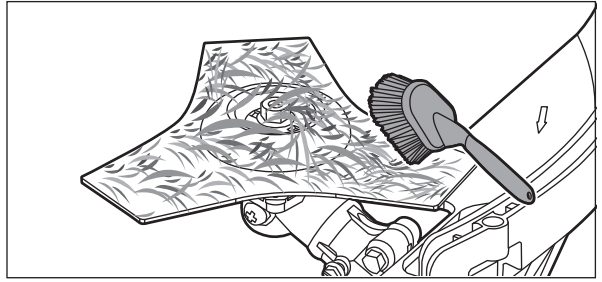
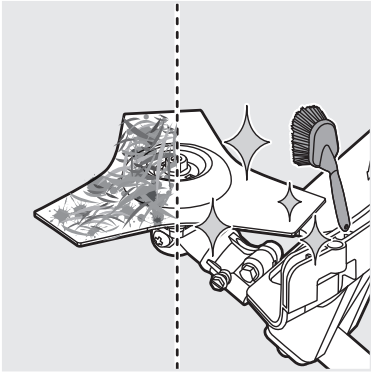
RXBC01

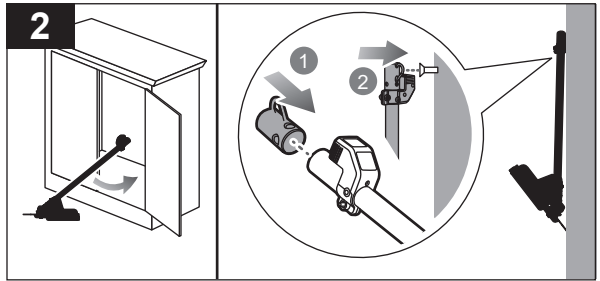
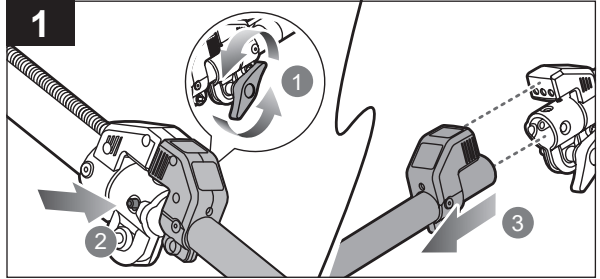
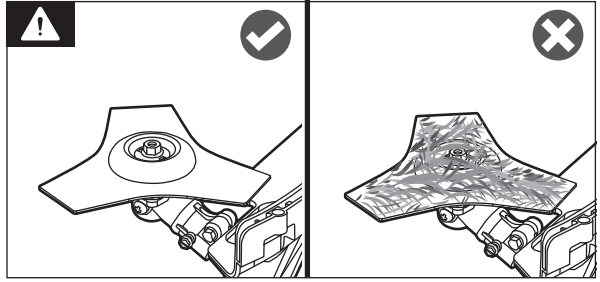
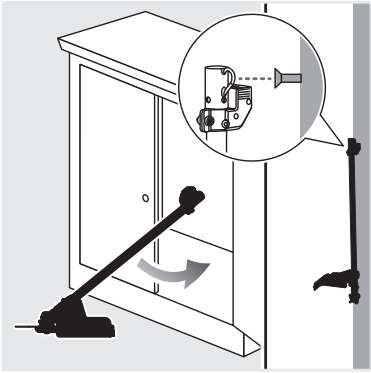
















English	Français	Deutsch	Español	Italiano	Nederlands	Português
<b>Product specifications</b>	<b>Caractéristiques produit</b>	<b>Produkt-Spezifikationen</b>	<b>Características del producto</b>	<b>Caratteristiche del prodotto</b>	<b>Productgegevens</b>	<b>Características do aparelho</b>
Brushcutter attachment	Accessoire de débroussaillage	Freischneider	Accesorio de desbrozadora	Accessorio per decespugliatore	Bosmaaier hulpstuk	Roçadora
Model	Modèle	Modell	Modelo	Modello	Model	Modelo
For assembling with electric-driven power head (below values measured on RPH1200, RLT1238I and RBC1226I power heads)	Pour assemblage sur la tête de coupe électrique (les valeurs ci-dessous correspondent aux têtes de coupe RPH1200, RLT1238I et RBC1226I)	Zur Montage mit einem elektrisch betriebenen Triebkopf (die nachstehenden Werte wurden an Triebköpfen RPH1200, RLT1238I und RBC1226I gemessen)	Para el montaje con el cabezal eléctrico (los valores indicados a continuación se han obtenido con los cabezales RPH1200, RLT1238I y RBC1226I)	Per il montaggio su un utensile a motore elettrico (i valori di cui sotto sono misurati sugli utensili RPH1200, RLT1238I e RBC1226I)	Voor montage met elektrische motor aangedreven motorkop (de onderstaande waarden gemeten op de RPH1200, RLT1238I en RBC1226I motorkoppen)	Para a montagem da cabeça elétrica (os valores abaixo são medidos nas cabeças elétricas RPH1200, RLT1238I e RBC1226I)
Rated power	Puissance nominale	Nennleistung	Potencia nominal	Potenza nominale	Nominaal vermogen	Potência nominal
Rated voltage	Tension nominale	Nennspannung	Tensión nominal	Voltaggio nominale	Toegekende spanning	Tensão nominal
No-load speed	Vitesse à vide	Leerlaufdrehzahl	Velocidad sin carga	Velocità senza carico	Snelheid zonder lading	Velocidade sem carga
Cutting swath	Bande de découpe	Schnittstreifen	Barrido de corte	Lunghezza di taglio	Maaipad	Largura de corte
Recommended torque for blade	Couple recommandé pour la lame	Empfohlenes Anzugsmoment für die Klinge	Par de apriete recomendado para la cuchilla	Coppia massima consigliata per la lama	Aanbevolen koppel voor mes	Binário recomendado para a lâmina
Weight	Poids	Gewicht	Peso	Peso	Gewicht	Peso
With power head, without harness	Avec tête de coupe, sans harnais	Mit Triebkopf, ohne Tragegurt	Con el cabezal, sin arnés	Con utensile a motore, senza imbracatura	Met motorkop, zonder harnas	Com a cabeça motorizada, sem arnês
Brushcutter attachment	Accessoire de débroussaillage	Freischneider	Accesorio de desbrozadora	Accessorio per decespugliatore	Bosmaaier hulpstuk	Roçadora
Noise emission level (in accordance with ISO 22868)	Niveau d'émission sonore (selon ISO 22868)	Schallenergiepegel (gemäß ISO 22868)	Nivel de emisión de ruido (de acuerdo con ISO 22868)	Livello di emissione rumore (in accordo con la direttiva ISO 22868)	Geluidsemissieniveau (in overeenstemming met ISO 22868)	Nível de emissão de ruído (em conformidade com ISO 22868)
A-weighted sound pressure level at the operator's position	Niveau de pression sonore pondéré A au niveau de l'opérateur	A-bewerteter Schalldruckpegel an der Position des Anwenders	Nivel de presión sonora ponderado A en la posición del operario	Livello di pressione sonora pesato A alla posizione dell'operatore	A-gewogen geluidsniveau op de plaats van de bediener	Nível de pressão sonora ponderado A na posição do operador
Uncertainty of measurement	Incertitude de la mesure	Unsicherheit der Messung	Incertidumbre de medición	Incertezza delle misurazioni	Onzekerheid bij meting	Incerteza de medições
A-weighted sound power level	Niveau de puissance sonore pondéré A	A-bewerteter Schalleistungspegel	Nivel de potencia acústica ponderada en A	Livello di potenza sonora pesato A	A-gewogen geluidsniveau	Nível de potência sonora ponderada A
Uncertainty of measurement	Incertitude de la mesure	Unsicherheit der Messung	Incertidumbre de medición	Incertezza delle misurazioni	Onzekerheid bij meting	Incerteza de medições
Vibration level (in accordance with IEC 62841)	Niveau de vibration (selon IEC 62841)	Vibrationsgrad (gemäß IEC 62841)	Nivel de vibración (de acuerdo con IEC 62841)	Livello vibrazioni (in accordo con la direttiva IEC 62841)	Trillingsniveau (in overeenstemming met IEC 62841)	Nível de vibração (em conformidade com IEC 62841)
Rear handle	Poignée arrière	Hinterer Handgriff	Mango trasero	Manico posteriore	Achterste handvat	Pega traseira
Front handle	Poignée avant	Vorderer Handgriff	Mango delantero	Manico anteriore	Voorste handvat	Pega frontal
Uncertainty of measurement	Incertitude de la mesure	Unsicherheit der Messung	Incertidumbre de medición	Incertezza delle misurazioni	Onzekerheid bij meting	Incerteza de medições
For assembling with battery-driven power head (below values measured RPH3601-BL and RY36ELTX33A power heads)	Pour assembler la tête de coupe alimentée par batterie (les valeurs suivantes sont mesurées sur la tête de coupe du RPH3601-BL et du RY36ELTX33A)	Zur Montage mit dem akkubetriebenen Triebkopf (die unten genannten Werte wurden bei Nutzung der Triebköpfe RPH3601-BL und RY36ELTX33A gemessen)	Para su montaje con un cabezal eléctrico alimentado mediante batería (los valores indicados a continuación se han obtenido con los cabezales eléctricos RPH3601-BL y RY36ELTX33A)	Per il montaggio con testina di alimentazione a batteria (valori sotto riportati misurati con testine RPH3601-BL e RY36ELTX33A)	Voor montage met accu-aangedreven motorkop (onderstaande waarden gemeten op RPH3601-BL en RY36ELTX33A motorkop)	Para montagem com a cabeça alimentada a bateria (os valores abaixo dão medidos nas cabeças motorizadas RPH3601-BL e RY36ELTX33A)







Dansk	Svenska	Suomi	Norsk	Русский	Polski	
Produktspecifikationer	Produktspecifikationer	Tuotteen tekniset tiedot	Produktspecificasjoner	Характеристики изделия	Parametry techniczne	
Buskryddertilbehør	Röjsågstillbehör	Raivaussahalisävaruste	Buskkutterutstyr	Насадка-коса	Przylączana przycinarka do krzewów	
Model	Modell	Malli	Modell	Модель	Model	RXBC01
Til montering med elektrisk drivhoved (Nedenstående værdier målt på RPH1200, RLT1238I og RBC1226I drivhoved)	För montering med eldrivet drivhuvud (värdena nedan är uppmätta på drivhuvuden RPH1200, RLT1238I och RBC1226I)	Tarkoitettu sähkökäyttöiseen moottoriyksikköön (alla olevat arvot on mitattu moottoriyksiköllä RPH1200, RLT1238I ja RBC1226I) iitettäväksi	For montering med elektrisk drevet krafthode (verdiene nedenfor er målt på RPH1200, RLT1238I og RBC1226I krafthoder)	Для установки на электрическую силовую головку (нижеуказанные значения получены на силовых головках RPH1200 и RBC1226I)	Dotyczy montażu z elektryczną głowicą napędową (poniższe wartości zmierzono dla głowic napędowych RPH1200, RLT1238I i RBC1226I)	
Mærkeeffekt	Klassad effekt	Moottoriteho	Nominell effekt	Номинальная мощность	Мощность	1200 W
Mærkespænding	Spänning	Nimellisjännite	Nominell spenning	Номинальное напряжение	Napięcie znamionowe	230V ~ 50Hz
Tomgangshastighed	Hastighet utan belastning	Nopeus ilman kuormaa	Tomgangshastighet	Холостая скорость	Prędkość obrotowa bez obciążenia	8000 min <sup>-1</sup>
Skæremråde	Skårlängd	Pyyhkäisyalueen leveys	Klipperunde	Режущая полоса	Pokos	200 mm
Anbefalet drejningsmoment for klingen	Rekommenderat vidmoment för blad	Terän suositeltu kiristysmomentti	Anbefalt dreiemoment for blad	Рекомендуемый момент затяжки ножа	Zalecany moment obrotowy noża	>= 13 Nm
Vægt	Vikt	Paino	Vekt	Вес	Masa	
Med drivhoved, uden sele	Med drivhuvud, utan sele	Moottoriyksiköllä, ilman valjaita	Med krafthode, uten seletøy	С силовой головкой, без ремня	Z głowicą napędową, bez paliwa i uprząży	4,8 kg
Buskryddertilbehør	Röjsågstillbehör	Raivaussahalisävaruste	Buskkutterutstyr	Насадка-коса	Przylączana przycinarka do krzewów	1,41 kg
Støjemissionsniveau (iht. ISO 22868)	Bullerutsläppsnivå (enligt ISO 22868)	Melutaso (standardin ISO 22868 mukaisesti)	Støytvåknivå (iht. ISO 22868)	Уровень шума (в соответствии с ISO 22868)	Poziom emisji hałas (zgodnie z normą ISO 22868)	
A-vægtet lydtryksniveau ved operatørens position	A-viktad ljudtrycksnivå vid operatörsplats	A-painotettu käyttöjään kohdistuva äänenpainetaso	A-vektet lydtrykk ved operatørposisjon	Амплитудно-взвешенный уровень звукового давления на рабочем месте оператора	Poziom ważonego ciśnienia akustycznego w pozycji operatora	84,9 dB(A)
Målingsusikkerhed	Osäkerhet för mätt	Mittausten epätarkkuus	Usikkerhet ved måling	Погрешность измерения	Niepewność pomiaru	3,0 dB
A-vægtet lyd effektiveau	A-vågad ljudeffektnivå	A-painotettu äänenteho	A-vektet lydeffektnivå	Уровень А-взвешенной звуковой мощности	A-ważony poziom mocy akustycznej	97,12 dB(A)
Målingsusikkerhed	Osäkerhet för mätt	Mittausten epätarkkuus	Usikkerhet ved måling	Погрешность измерения	Niepewność pomiaru	1,81 dB
Vibrationsniveau (iht. IEC 62841)	Vibrationsnivå (enligt IEC 62841)	Tärinätaso (standardin IEC 62841 mukaisesti)	Vibrasjonsnivå (iht. IEC 62841)	Уровень вибрации (в соответствии с IEC 62841)	Poziom wibracji (zgodnie z normą IEC 62841)	
Baghåndtag	Bakre handtag	Takakädensija	Bakre håndtak	Задняя ручка	Tyliny uchwyt	5,8 m/s <sup>2</sup>
Forhåndtag	Främre handtag	Etukädensija	Fremre håndtak	Передняя ручка	Przedni uchwyt	5,5 m/s <sup>2</sup>
Målingsusikkerhed	Osäkerhet för mätt	Mittausten epätarkkuus	Usikkerhet ved måling	Погрешность измерения	Niepewność pomiaru	1,5 m/s <sup>2</sup>
Til montering med batteridrevet powerhead (nedenstående værdier er målt på powerheads til RPH3601-BL og RY36ELTX33A)	För montering på batteridrivnen motorhuvud (lägre värden mätt på RPH3601-BL och RY36ELTX33A drivhuvuden)	Asennettäväksi akkukäyttöiseen moottoriyksikköön (alla olevat arvot on mitattu RPH3601-BL ja RY36ELTX33A-moottoriyksiköllä)	For montering med batteridrevet strømhode (verdiene nedenfor er målt på RPH3601-BL og RY36ELTX33A krafthode)	Для установки на аккумуляторную силовую головку (нижеуказанные значения получены на силовых головках RPH3601-BL и RY36ELTX33A)	Do montażu z głowicą zasilaną z akumulatora (poniższe wartości zmierzono na głowicy RPH3601-BL i RY36ELTX33A)	





English	Français	Deutsch	Español	Italiano	Nederlands	Português
<b>Product specifications</b>	<b>Caractéristiques produit</b>	<b>Produkt-Spezifikationen</b>	<b>Características del producto</b>	<b>Caratteristiche del prodotto</b>	<b>Productgegevens</b>	<b>Características do aparelho</b>
Noise emission level (in accordance with ISO 22868)	Niveau d'émission sonore (selon ISO 22868)	Schallenergiepegel (gemäß ISO 22868)	Nivel de emisión de ruido (de acuerdo con ISO 22868)	Livello di emissione rumore (in accordo con la direttiva ISO 22868)	Geluidsemissieniveau (in overeenstemming met ISO 22868)	Nível de emissão de ruído (em conformidade com ISO 22868)
A-weighted sound pressure level at the operator position	Niveau de pression sonore pondéré A au niveau de l'opérateur	A-bewerteter Schalldruckpegel an der Position des Anwenders	Nivel de presión sonora ponderado A en la posición del operario	Livello di pressione sonora pesato A alla posizione dell'operatore	A-gewogen geluidsdrukkniveau op de plaats van de bediener	Nível de pressão sonora ponderado A na posição do operador
Uncertainty	Incertitude	Unsicherheit	Incertidumbre	Incertezza	Onzekerheid	Incerteza
A-weighted sound power level	Niveau de puissance sonore pondéré A	A-bewerteter Schalleistungspegel	Nivel de potencia acústica ponderada en A	Livello di potenza sonora pesato A	A-gewogen geluidsniveau	Nível de potência sonora ponderada A
Uncertainty	Incertitude	Unsicherheit	Incertidumbre	Incertezza	Onzekerheid	Incerteza
Vibration level (in accordance with IEC 62841)	Niveau de vibration (selon IEC 62841)	Vibrationsgrad (gemäß IEC 62841)	Nivel de vibración (de acuerdo con IEC 62841)	Livello vibrazioni (in accordo con la direttiva IEC 62841)	Trillingsniveau (in overeenstemming met IEC 62841)	Nível de vibração (em conformidade com IEC 62841)
Front handle	Poignée avant	Vorderer Handgriff	Mango delantero	Manico anteriore	Voorste handvat	Pega frontal
Rear handle	Poignée arrière	Hintere Handgriff	Mango trasero	Manico posteriore	Achterste handvat	Pega traseira
Uncertainty	Incertitude	Unsicherheit	Incertidumbre	Incertezza	Onzekerheid	Incerteza



Replacement parts	Pièces de rechange	Ersatzteile	Piezas de repuesto	Parti di ricambio	Vervangonderdelen	Peças de substituição
Blade	Lame	Messer	Hoja	Lama	Zaagblad	Lâmina
Blade guard	Protection de lame	Schneidgarniturschutz	Protección del disco	Protezione lama	Beschermkap	Resguardo da lâmina



Dansk	Svenska	Suomi	Norsk	Русский	Polski	
<b>Produktspecifikationer</b>	<b>Produktspecifikationer</b>	<b>Tuotteen tekniset tiedot</b>	<b>Produktspecificasjoner</b>	<b>Характеристики изделия</b>	<b>Parametry techniczne</b>	
Støjemissionsniveau (iht. ISO 22868)	Bullerutsläppsnivå (enligt ISO 22868)	Melutaso (standardin ISO 22868 mukaisesti)	Støyutslippsnivå (iht. ISO 22868)	Уровень шума (в соответствии с ISO 22868)	Poziom emisji hałasu (zgodnie z normą ISO 22868)	
A-vægtet lydtryksniveau ved operatørens position	A-viktad ljudtrycksnivå vid operatörsplats	A-painotettu käyttäjäan kohdistuva äänenpainetaso	A-vektet lydtrykk ved operatørposisjon	Амплитудно-взвешенный уровень звукового давления на рабочем месте оператора	Poziom ważonego ciśnienia akustycznego w pozycji operatora	$L_{pA} = 83,4 \text{ dB(A)}$
Usikkerhed	Osäkerhet	Epätarkkuus	Usikkerhet	Погрешность	Niepewność pomiaru	$K = 3,0 \text{ dB}$
A-vægtet lydeffektniveau	A-vägd ljudeffektsnivå	A-painotettu äänenteho	A-vektet lydeffektnivå	Уровень А-взвешенной звуковой мощности	A-ważony poziom mocy akustycznej	$L_{WA} = 94,2 \text{ dB(A)}$
Usikkerhed	Osäkerhet	Epätarkkuus	Usikkerhet	Погрешность	Niepewność pomiaru	$K = 2,9 \text{ dB}$
Vibrationsniveau (iht. IEC 62841)	Vibrationsnivå (enligt IEC 62841)	Tärinätaso (standardin IEC 62841 mukaisesti)	Vibrasjonsnivå (iht. IEC 62841)	Уровень вибрации (в соответствии с IEC 62841)	Poziom wibracji (zgodnie z normą IEC 62841)	
Forhåndtag	Främre handtag	Etukädensija	Fremre håndtak	Передняя ручка	Przedni uchwyt	$a_h = 3,5 \text{ m/s}^2$
Baghåndtag	Bakre handtag	Takakädensija	Bakre håndtak	Задняя ручка	Tylny uchwyt	$a_h = 3,7 \text{ m/s}^2$
Usikkerhed	Osäkerhet	Epätarkkuus	Usikkerhet	Погрешность	Niepewność pomiaru	$K = 1,5 \text{ m/s}^2$

Reserve dele	Utbytesdelar	Varaosat	Erstatningsdeler	Запасные части	Części zamienne	
Klinge	Blad	Terä	Blad	Пильное полотно	Ostrze	RAC108
Klingeafskærmning	Bladskydd	Teränsuojus	Bladbeskyttelse	Предохранительный кофпак для режущего устройства	Oslona tarczy	5131009092



Čeština	Magyar	Română	Latviski	Lietuviškai	Eesti	Hrvatski
<b>Technické údaje produktu</b>	<b>Termék muszaki adatai</b>	<b>Specificatiile produsului</b>	<b>Produkta specifikācijas</b>	<b>Gaminio technines savybės</b>	<b>Toote tehnilised andmed</b>	<b>Specifikacije proizvoda</b>
Křovinofezový nástavec	Bozótívóg tartozék	Accesoriu tăietor	Křumgrieža uzgalis	Křumapjovė	Vősalőikuri tarvik	Nastavak rezača za grmlje
Model	Tipus	Model	Modelis	Modelis	Mudel	Model
Pro sestavení s hlavou s elektrickým pohonem (níže uvedené hodnoty naměřeny s hlavami RPH1200, RLT12381 a RBC12261)	Az elektromos fej felszereléséhez (az alábbi értékeket az RPH1200, RLT12381 és RBC12261 fejeken mértük)	Pentru asamblarea cu chiulasă electrică (Parametrii de mai jos măsurați pentru chiulase RPH1200, RLT12381 și RBC12261)	Salikšanai ar elektrisko piedziņas bloku (zemāk minētie lielumi ir mēriti RPH1200, RLT12381, un RBC12261 piedziņas blokiem)	Montavimui prie elektrinės galvos (toliau pateiktos išmatuotos galvų RPH1200, RLT12381 ir RBC12261 vertės)	Elektrirmootoriga veopeaga ühendamiseks (Allolevad väärtused on mõõdetud veopeadega RPH1200, RLT12381 ja RBC12261)	Za sklapanje s pogonskom glavom na električni pogon (Donje vrijednosti mjerene su na pogonskim glavama RPH1200, RLT12381 i RBC12261)
Jmenovitý výkon	Névleges teljesítmény	Puterea nominală	Nominālā jauda	Nominali galia	Nimivõimsus	Nazivna snaga
Jmenovitě napětí	Névleges feszültség	Tensiunea nominală	Nominālais spriegums	Nominali įtampa	Nimipinge	Nazivni napon
Rychlost napřázdno	Üresjárati fordulatszám	Viteză fără sarcină	Tukšgaitas ātrums	Greitis be apkrovimo	Tühikäigukiirus	Brzina bez opterećenja
Šířka pokosu	Vágási szélesség	Tăierea paelor	griešanas vāls	Pjovimo juosta	Lõikekaar	Rezni otkos
Doporučený utahovací moment pro čepel	A késhez ajánlott nyomaték	Cuplu recomandat pentru lamă	Ieteicamais asmens pievilkšanas griezes moments	Rekomenduojama peilio priveržimo jėga	Soovitavut lõiketera pöördemoment	Preporučeni okretni moment za oštricu
Hmotnost	Súly	Greutate	Svars	Svoris	Kaal	Težina
S pohonnou hlavou, bez popruhu	Fejfel, heveder nélkül	Cu chiulasă, fără hamuri	Ar piedziņas bloku, bez uzkabes	Su įrenginio galva, be diržo	Koos veopeaga, ilma rakmeteta	S pogonskom glavom, bez pojasa za nošenje.
Křovinofezový nástavec	Bozótívóg tartozék	Accesoriu tăietor	Křumgrieža uzgalis	Křumapjovė	Vősalőikuri tarvik	Nastavak rezača za grmlje
Hladina emise hluku (v souladu s ISO 22868)	Hangkibocsátási szint (az ISO 22868 szerint)	Nivel emisie zgomot (în conformitate cu ISO 22868)	Trokšņu emisijas līmenis (saskaņā ar ISO 22868)	Skleidžiamo triukšmo lygis (pagal ISO 22868 standartą)	Helivõimsuse tase (vastavalt standardile ISO 22868)	Razina emisija buke (u skladu s ISO 22868)
Hladina akustického tlaku vážená funkci A v poloze obsluhy	A-súlyozott hangnyomásszint a kezelő helyén	Valoare A nivel presiune zgomot la poziția operatorului	A–novērtējuma skaņas spiediena līmenis operatora darba vietā	A dažininės charakteristikos garso slėgio lygis operatoriaus vietoje	A-kaalutud helirõhu tase operaatiori töökojal	A-ponderirana razina zvučnog tlaka u položaju operatera
Nejistota měření	Mérés bizonytalansága	Nesiguranța măsurătorii	Mērījuma nenoteiktība	Matavimo paklaida	Mõõtmismääramatus	Neodređenost mjerenja
Hladina akustického výkonu vážená funkci A	A-súlyozott hangteljesítményszint	Nivel de putere acustică ponderată A	A-līmeņa skaņas jaudas līmenis	A-svertinis akustinis lygis	A-kaalutud helivõimsuse tase	Ponderirana razina zvučne snage
Nejistota měření	Mérés bizonytalansága	Nesiguranța măsurătorii	Mērījuma nenoteiktība	Matavimo paklaida	Mõõtmismääramatus	Neodređenost mjerenja
Úroveň vibrací (v souladu s IEC 62841)	Vibrációs szint (az IEC 62841 szerint)	Nivel de vibrație (în conformitate cu IEC 62841)	Vibrācijas līmenis (saskaņā ar IEC 62841)	Vibracijos lygis (pagal IEC 62841 standartą)	Vibratsioonitase (vastavalt standardile IEC 62841)	Razina vibracija (u skladu s IEC 62841)
Zadní rukojet	Hátso fogantyú	Mănerul principal	Aizmugurejais rokturis	Galine rankena	Tagumine käepide	Strážnja rucica
Přední rukojet	Előso fogantyú	Măner anterior	Priekšējais rokturis	Priekine rankena	Eesmine käepide	Prednja rucka
Nejistota měření	Mérés bizonytalansága	Nesiguranța măsurătorii	Mērījuma nenoteiktība	Matavimo paklaida	Mõõtmismääramatus	Neodređenost mjerenja
Pro sestavení s pohonnou hlavou s akumulátorovým napájením (níže uvedené hodnoty byly naměřeny u hlav RPH3601-BL a RY36ELTX33A)	Akkumulátoros fejfel történő összeszereléséhez (az alábbi értékek mérése az RPH3601-BL és RY36ELTX33A fejfen történt)	Pentru asamblarea cu capul motor cu acumulator (valorile de mai jos sunt măsurate pentru modelele RPH3601-BL și RY36ELTX33A)	Salikšanai ar akumulatora barošanas jaudas bloku (tālāk norādītās vērtības mēritas RPH3601-BL un RY36ELTX33A jaudas blokam)	Montavimui prie akumulatorinių galvų (toliau pateiktos išmatuotos galvų RPH3601-BL ir RY36ELTX33A vertės)	Akutoitega veopeaga ühendamiseks (allolevad väärtused on mõõdetud veopeadega RPH3601-BL ja RY36ELTX33A)	Za sklapanje s električnim glavama na baterijski pogon (ispod vrijednosti izmjerenih na pogonskoj glavi RPH3601-BL i RY36ELTX33A)





Slovenščina	Slovenčina	България	українська	Türkçe	
Specifikacije izdelka	Špecifikácie produktu	Технически характеристики	Технічні характеристики пристрою	Ürün teknik özellikleri	
Krtačno rezilo	Prislušenstvo krovinorezu	Приставка с хросторез	Приладдя для кушоріза	Çalı kesme makinesi eklentisi	
Model	Modelis	Модел	Модель	Model	RXBC01
Za sestavljanje s pogonsko glavo na električni pogon (spodaj navedene vrednosti so izmerjene na pogonskih glavah RPH1200, RLT1238I in RBC1226I)	Pre montáž s elektrickou hlavoú pohonu (dolu uvedené hodnoty boli namerané pre hlavu pohonu RPH1200, RLT1238I a RBC1226I)	За монтаж към електрическа задвижваща глава (стойностите по-долу са измерени със задвижващи глави RPH1200, RLT1238I и RBC1226I)	Для збирки з силовою голівкою та електроприводом (нижче вказані значення вимірюються на силовій голові RPH1200, RLT1238I, and RBC1226I)	Elektriklere çalışan güç başlığına montaj için (Aşağıdaki değerler RPH1200, RLT1238I ve RBC1226I güç başlıkları üzerinde ölçülmüştür)	
Nazivna moč	Menovitý výkon	Номинална мощност	Номинальна потужність	Nominal güç	1200 W
Nazivna napetost	Menovitý napätie	Номинален волтаж	Номинальна напруга	Nominal voltaj	230V ~ 50Hz
Hitrost neobremenjenega motorja	Rýchlosť naprázdno	Скорост в ненатоварен режим	Швидкість без навантаження	Yüksüz hız	8000 min <sup>-1</sup>
Pas rezanja	Pokos pri sekaní	Размах на косене	Підрізання	Kesme alanı	200 mm
Priporočeni navor za rezilo	Odporúčaný krútiaci moment pre čepeľ	Препоръчителен въртящ момент за острието	Рекомендований момент для ножа	Biçak için tavsiye edilen tork	>= 13 Nm
Teža	Hmotnosť	Тегло	Вага	Ağirlik	
S pogonsko glavo, brez pasu	S hlavou pohonu, bez postroja	Със задвижваща глава, без ремък	З силовою головою, без ремєнів	güç başlığıyla; bağlar olmadan	4,8 kg
Krtačno rezilo	Prislušenstvo krovinorezu	Приставка с хросторез	Приладдя для кушоріза	Çalı kesme makinesi eklentisi	1,41 kg
Raven emisij hrupa (v skladu s standardom ISO 22868)	Úroveň emisij hluku (podľa normy ISO 22868)	Ниво на шумовите емисии (в съответствие с ISO 22868)	Рівень шуму (відповідно до ISO 22868)	Gürültü Emisyonu (ISO 22868 uyarınca)	
A-vrednotena raven zvočnega tlaka na položaju upravljalca	Vážená A hladina akustického tlaku na pozícii operátora	Ниво на шумово налягане с равнище А на мястото на оператора	Рівень звукового тиску за шкапою А для оператора пристрою	Kullanıcı pozisyonundaki A ağırlıklı ses basıncı seviyesi	84,9 dB(A)
Negotovost meritev	Nespořahilvost meraní	Несигурност на измерването	Невизначеність вимірювання	Ölçüm bilinmiyor	3,0 dB
A-izmerjena raven zvočne moči	Vážená A hladina akustického výkonu	Ниво на силата на шума с равнище А	А-зважений рівень звукової потужності	A ağırlıklı ses gücü seviyesi	97,12 dB(A)
Negotovost meritev	Nespořahilvost meraní	Несигурност на измерването	Невизначеність вимірювання	Ölçüm bilinmiyor	1,81 dB
Nivo vibracij (v skladu s standardom IEC 62841)	Úroveň vibrací (podľa normy IEC 62841)	Ниво на вибрациите (в съответствие с IEC 62841)	Рівень вібрації (відповідно до IEC 62841)	Titreşim seviyesi (IEC 62841 uyarınca)	
Zadnji rocaj	Zadná rukovät	Задна ръкохватка	Задня ручка	Arka kulp	5,8 m/s <sup>2</sup>
Sprednji rocaj	Předná rukovät	Предна ръкохватка	Передня ручка	Ön kulp	5,5 m/s <sup>2</sup>
Negotovost meritev	Nespořahilvost meraní	Несигурност на измерването	Невизначеність вимірювання	Ölçüm bilinmiyor	1,5 m/s <sup>2</sup>
Za namestitev z baterijsko pogonsko glavo (spodnje vrednosti, izmerjene na pogonski glavi RPH3601-BL in RY36ELTX33A)	Pre montáž s akumulátorovou elektrickou hlavoú pohonu (hodnoty nižšie boli namerané pre elektrickou hlavu RPH3601-BL a RY36ELTX33A)	За сглобяване със захранвана с батерии задвижваща глава (посочените по-долу стойности са измерени на задвижваща глава RPH3601-BL и RY36ELTX33A)	При оснащенні акумуляторною голівкою (наведені нижче значення отримані при вимірах на силовій голівці RPH3601-BL та RY36ELTX33A)	Pili güç başlıklarıyla montaj için (aşağıdaki değerler RPH3601-BL ve RY36ELTX33A güç başlığında ölçülmüştür)	





Čeština	Magyar	Română	Latviski	Lietuviškai	Eesti	Hrvatski
<b>Technické údaje produktu</b>	<b>Termék muszaki adatai</b>	<b>Specificatiile produsului</b>	<b>Produkta specifikācijas</b>	<b>Gaminio techninės savybės</b>	<b>Toote tehnilised andmed</b>	<b>Specifikacije proizvoda</b>
Hladina emise hluku (v souladu s ISO 22868)	Hangkibocsátási szint (az ISO 22868 szerint)	Nivel emisie zgomot (în conformitate cu ISO 22868)	Trokšņu emisijas līmenis (saskaņā ar ISO 22868)	Skleidžiamo triukšmo lygis (pagal ISO 22868 standartą)	Helivõimsuse tase (vastavalt standardile ISO 22868)	Razina emisija buke (u sklada s ISO 22868)
Hladina akustického tlaku vážená funkcí A v poloze obsluhy	A-súlyozott hangnyomásszint a kezelő helyén	Valoare A nivel presiune zgomot la poziția operatorului	A-novērtējuma skaņas spiediena līmenis operatora darba vietā	A dažnines charakteristikos garso slėgio lygis operatoriaus vietoje	A-kaalutud helirõhu tase operaatori töökojal	A-ponderirana razina zvučnog tlaka u položaju operatera
Nejistota	Bizonytalanság	Incertitudine	Nenoteiktība	Nepastovumas	Määramatus	Neodređenost
Hladina akustického výkonu vážená funkcí A	A-súlyozott hangteljesítményszint	Nivel de putere acustică ponderată A	A-līmeņa skaņas jaudas līmenis	A-svertinis akustinis lygis	A-kaalutud helivõimsuse tase	Ponderirana razina zvučne snage
Nejistota	Bizonytalanság	Incertitudine	Nenoteiktība	Nepastovumas	Määramatus	Neodređenost
Úroveň vibrací (v souladu s IEC 62841)	Vibrációs szint (az IEC 62841 szerint)	Nivel de vibrație (în conformitate cu IEC 62841)	Vibrācijas līmenis (saskaņā ar IEC 62841)	Vibracijos lygis (pagal IEC 62841 standartą)	Vibratsioonitase (vastavalt standardile IEC 62841)	Razina vibracija (u sklada s IEC 62841)
Přední rukojet	Előlső fogantyú	Mâner anterior	Priekšējais rokturis	Priekine rankena	Eesmine käepide	Prednja rucka
Zadni rukojet	Hátsó fogantyú	Mânerul principal	Aizmugurejais rokturis	Galine rankena	Tagumine käepide	Štražnja rucica
Nejistota	Bizonytalanság	Incertitudine	Nenoteiktība	Nepastovumas	Määramatus	Neodređenost

Náhradní díly	Cserealkatrészek	Piese de schimb	Rezerves daļas	Atsarginės detalės	Asendusosad	Zamjena dijelova
Nuž	Kés	Lamă	Asmens	Geležte	Saeleht	Oštrica
Kryt pilového kotouce	Furészártárcsa védoeleme	Element de protecție lamă	Asmens aizsargs	Disko apsauginis gaubtas	Saeketta kaitse	Štitnik noža



Slovenščina	Slovenčina	България	українська	Türkçe	
Specifikacije izdelka	Špecifikácie produktu	Технически характеристики	Технічні характеристики пристрою	Ürün teknik özellikleri	
Raven emisij hrupa (v skladu s standardom ISO 22868)	Úroveň emisii hluku (podľa normy ISO 22868)	Ниво на шумовите емисии (в съответствие с ISO 22868)	Рівень шуму (відповідно до ISO 22868)	Gürültü Emisyonu (ISO 22868 uyarınca)	
A-vrednotena raven zvočnega tlaka na položaju upravljalca	Vážená A hladina akustického tlaku na pozícii operátora	Ниво на шумово налягане с равнище А на мястото на оператора	Рівень звукового тиску за шкалою А для оператора пристрою	Kullanıcı pozisyonundaki A ağırlıklı ses basıncı seviyesi	$L_{pA} = 83,4 \text{ dB(A)}$
Negotovost	Neurčitost	Променливост	Похибка	Belirsiz	$K = 3,0 \text{ dB}$
A-izmerjena raven zvočne moči	Vážená A hladina akustického výkonu	Ниво на силата на шума с равнище А	А-зважений рівень звукової потужності	A ağırlıklı ses gücü seviyesi	$L_{WA} = 94,2 \text{ dB(A)}$
Negotovost	Neurčitost	Променливост	Похибка	Belirsiz	$K = 2,9 \text{ dB}$
Nivo vibracij (v skladu s standardom IEC 62841)	Úroveň vibrácií (podľa normy IEC 62841)	Ниво на вибрациите (в съответствие с IEC 62841)	Рівень вібрації (відповідно до IEC 62841)	Titreşim seviyesi (IEC 62841 uyarınca)	
Sprednji ročaj	Předná rukovát	Предна ръкохватка	Передня ручка	Ön kulp	$a_n = 3,5 \text{ m/s}^2$
Zadnji ročaj	Zadná rukovát	Задна ръкохватка	Задня ручка	Arka kulp	$a_n = 3,7 \text{ m/s}^2$
Negotovost	Neurčitost	Променливост	Похибка	Belirsiz	$K = 1,5 \text{ m/s}^2$

Nadomestni deli	Náhradné diely	Резервни части	Запасні частини	Yedek Parça	
Rezilo	Ostrie	Острие	Лезо	Bıçak	RAC108
Ščitnik rezila	Kryt cepele	Предпазител на острието	Кожух леза	Bıçak muhafazası	5131009092

EN

**⚠ WARNING**

The declared vibration total values and the declared noise emission values given in this instruction manual have been measured in accordance with a standardised test and may be used to compare one tool with another. They may be used for a preliminary assessment of exposure.

The declared vibration and noise emission values represent the main applications of the tool. However, if the tool is used for different applications, used with different accessories, or poorly maintained, the vibration and noise emission may differ. These conditions may significantly increase the exposure levels over the total working period. An estimation of the level of exposure to vibration and noise should take into account the times when the tool is turned off or when it is running idle. These conditions may significantly reduce the exposure level over the total working period.

Identify additional safety measures to protect the operator from the effects of vibration and noise, such as maintaining the tool and the accessories, keeping the hands warm (in case of vibration), and organising work patterns.

FR

**⚠ AVERTISSEMENT**

Le niveau total de vibrations et le niveau total d'émissions sonores déclarés indiqués dans ce manuel d'instruction ont été mesurés selon une méthode de test normalisée et peut servir de référence pour comparer les outils entre eux. Ils peuvent servir d'évaluation préliminaire à l'exposition.

Les niveaux d'émissions sonores et de vibrations déclarés représentent les principales applications de l'outil. Toutefois, si l'outil est utilisé pour des applications différentes ou des accessoires différents, ou s'il est mal entretenu, les vibrations émises peuvent varier. Ces facteurs pourraient augmenter considérablement les niveaux d'exposition sur la durée totale d'utilisation. Une estimation du niveau d'exposition aux vibrations et du bruit doit aussi prendre en compte les périodes durant lesquelles l'outil est éteint ou lorsqu'il fonctionne à vide. Ces facteurs pourraient réduire considérablement le niveau d'exposition sur la durée totale d'utilisation.

Identifiez toute mesure de sécurité supplémentaire à observer pour protéger l'opérateur des effets des vibrations et du bruit, comme l'entretien de l'outil et des accessoires, le maintien au chaud des mains (en cas de vibrations), et l'élaboration de schémas de pulvérisation.

DE

**⚠ WARNING**

Die in dieser Anleitung deklarierten Gesamtwerte der Schwingungsemission und die deklarierten Werte der Geräuschemission wurden gemäß einer standardisierten Testmethode gemessen und können verwendet werden, um Werkzeuge miteinander zu vergleichen. Sie können für eine vorläufige Beurteilung der Belastung verwendet werden.

Die deklarierten Werte für Schwingungs- und Geräuschemission treffen auf die Hauptanwendung des Werkzeugs zu. Wenn jedoch das Werkzeug für verschiedene Anwendungen oder mit unterschiedlichem Zubehör genutzt wird oder schlecht gewartet ist, kann die Schwingungs- und Geräuschemission variieren. Diese Bedingungen können das Belastungsniveau über die gesamte Arbeitszeit deutlich steigern. Eine Schätzung der Schwingungsbelastung sollte auch die Zeiten berücksichtigen, in denen das Werkzeug ausgeschaltet ist oder im Leerlauf läuft. Diese Bedingungen können das Belastungsniveau über die gesamte Arbeitszeit deutlich reduzieren.

Legen Sie zusätzliche Sicherheitsmaßnahmen fest, um den Bediener vor den Auswirkungen von Schwingung und Geräuschen zu schützen, z. B. Warten des Geräts und der Zubehörteile, Warmhalten der Hände (bei Schwingung) und Organisieren der Tätigkeit.

ES

**⚠ ADVERTENCIA**

Los valores totales de emisión de vibración declarados y los valores de emisiones de ruido declarados que se indican en este manual de instrucciones se han calculado según lo establecido en una prueba estandarizada y se pueden utilizar para comparar una herramienta con otra. Se pueden utilizar para una evaluación preliminar de exposición.

Los valores declarados de emisión de vibración y ruido representan las aplicaciones principales de la herramienta. No obstante, si la herramienta se utiliza para diferentes aplicaciones, con distintos accesorios o con un mantenimiento deficiente, la emisión de vibración y ruido podría diferir. Estas condiciones podrían aumentar significativamente los niveles de exposición sobre el periodo de funcionamiento total. Una estimación del nivel de exposición a la vibración y el ruido debería también tenerse en cuenta cuando la herramienta está apagada o cuando funciona a baja intensidad. Estas condiciones podrían reducir significativamente el nivel de exposición sobre el periodo de funcionamiento total.

Identifique cualquier medida de protección adicional para proteger al operario de los efectos de la vibración y el ruido, como el mantenimiento de la herramienta y los accesorios, mantener las manos calientes (en caso de vibración) y la organización de los patrones de trabajo.

IT

**⚠ AVVERTENZE**

Il livello di emissioni di vibrazioni riportato in questa scheda informativa è stato misurato con un metodo di prova standardizzata ed è utilizzabile per confrontare gli utensili fra di loro. Questi possono essere usati per una valutazione preliminare dell'esposizione.

I valori di emissione di rumori e vibrazioni rappresentano le principali applicazioni dello strumento. Tuttavia, se l'utensile viene utilizzato in applicazioni differenti, con differenti accessori o con scarsa manutenzione, l'emissione di vibrazioni e rumori può essere diversa. Queste condizioni possono significativamente aumentare il livello di esposizione nel periodo di lavoro totale. Una stima del livello di esposizione alle vibrazioni e ai rumori va presa in considerazione anche quando l'utensile viene spento oppure è in funzione a folle. Queste condizioni possono significativamente ridurre il livello di esposizione nel periodo di lavoro totale.

Identificare le misure di sicurezza aggiuntive per proteggere l'operatore dagli effetti di vibrazioni e rumori, come la manutenzione di strumento e accessori, mantenendo le mani calde (in caso di vibrazione) e le modalità di lavoro.

NL

**⚠ WAARSCHUWING**

Het gespecificeerde totale trillingswaarden en geluidsemissiewaarden in deze instructiehandleiding zijn gemeten overeenkomstig een gestandaardiseerde test en kunnen worden gebruikt om gereedschappen met elkaar te vergelijken. Ze kunnen worden gebruikt voor een voorafgaande beoordeling van blootstelling.

De gespecificeerde trillings- en geluidsemissiewaarden vertegenwoordigen de belangrijkste toepassingen van het gereedschap. Als het gereedschap echter voor andere toepassingen of met andere accessoires wordt gebruikt slecht wordt onderhouden, kunnen de trillings- en geluidsemissiewaarden afwijken. Deze omstandigheden kunnen het blootstellingsniveau over de gehele gebruiksperiode aanzienlijk verhogen. Een schatting van het niveau van blootstelling aan trillingen en geluid dient ook rekening te houden met de perioden dat het gereedschap is uitgeschakeld of is ingeschakeld maar niet wordt gebruikt. Deze omstandigheden kunnen de blootstellingsniveaus over de gehele gebruiksperiode aanzienlijk verhogen.

Stel aanvullende veiligheidsmaatregelen vast om de gebruiker te beschermen tegen de effecten van trillingen en geluid, zoals onderhoud van het gereedschap en de accessoires, het warm houden van de handen (in geval van trillingen) en het organiseren van werkpatronen.

PT

**⚠ AVISO**

Os valores de vibração totais declarados e o nível de emissão de ruído dado nesta ficha de informações foi medido de acordo com um teste normalizado e pode ser utilizado para fazer comparações entre ferramentas. Podem ser utilizados para uma avaliação preliminar da exposição.

O nível declarado de emissão de vibrações e ruído representa as aplicações principais da ferramenta. Contudo, se a ferramenta for utilizada para várias aplicações, com diferentes acessórios ou se receber manutenção insuficiente, a emissão de vibrações e ruído pode ser diferente. Estas condições podem aumentar significativamente o nível de exposição ao longo do período total de trabalho. Uma estimativa do nível de exposição às vibrações e ruído deverá também levar em conta os tempos que a ferramenta está desligada ou que está a funcionar mas sem estar a ser utilizada para trabalho. Estas condições podem reduzir significativamente o nível de exposição ao longo do período total de trabalho.

Identifique medidas de segurança adicionais para proteger o operador dos efeitos da vibração e ruído, tal como a manutenção da ferramenta e dos acessórios, manter as mãos quentes (em caso de vibração) e organizar padrões de trabalho.

DA

**⚠ ADVARSEL**

Vibrations- og støjemissionsværdierne, der er angivet i denne vejledning er målt i overensstemmelse med en standardiseret test og kan bruges til at sammenligne et værktøj med et andet. De kan bruges til en foreløbig vurdering af udsættelse.

De angivne vibrations- og støjemissionsværdier repræsenterer værktøjets hovedanvendelser. Hvis værktøjet midlertidigt anvendes til andre formål med forskellig tilbehør eller er dårligt vedligeholdt, kan vibrations- og lydmissionen afvige. Disse forhold kan i væsentlig grad forøge udsættelsesniveauerne over den samlede arbejdsperiode. Et overslag over udsættelsesniveauet for vibrationer og støj bør også tage højde for de gange, hvor værktøjet er slukket, eller når det kører i tomgang. Disse forhold kan i betragteligt omfang reducere udsættelsesniveauet over den samlede arbejdsperiode.

Find yderligere sikkerhedsforanstaltninger, der kan beskytte operatøren mod virkningerne af vibrationer og støj, såsom vedligeholdelse af værktøjet og tilbehøret, holde hænderne varme (i tilfælde af vibrationer) og organisering af arbejdsmonster.



SV

**VARNING**

De angivna totala vibrations- och bulleremissionsvärdena som anges i denna instruktionsmanual har uppmätts i enlighet med ett standardiserat test och kan användas för att jämföra olika verktyg. De kan användas för en preliminär bedömning av exponering.

De angivna vibrations- och bulleremissionsvärdena representerar verktygets huvudsakliga användningsområden. Om verktyget emellertid används i andra tillämpningar, med andra tillbehör eller underhålls bristfälligt, kan vibrationer och bulleremission skilja sig från de angivna. Dessa förhållanden kan öka exponeringsnivåerna under den totala arbetsperioden avsevärt. En uppskattning av exponeringsnivån för vibrationer och buller bör även ta med i beräkningen de tider då verktyget är avstängt eller när det är igång men inte används i arbete. Dessa förhållanden kan minska exponeringsnivån under den totala arbetsperioden avsevärt.

Identifiera ytterligare säkerhetsåtgärder för att skydda operatören från effekterna av vibrationer och buller, såsom att underhålla verktyget och tillbehören, hålla händerna varma (i händelse av vibrationer) och organisera arbetsmönster.

FI

**VAROITUS**

Tässä ohjekäsikirjassa tänäkin annetut kokonaisarvot ja ilmoitetut melupäästöarvot on mitattu standardoiduin kokein mukaisesti, ja niitä voidaan käyttää työkalujen vertaamiseen toisiinsa. Niitä voidaan käyttää alitustumisen alustavaan arvioimiseen.

Ilmoitetut värinä- ja melupäästöarvot koskevat työkalun pääkäyttötarkoituksia. Värinäpäästö voi kuitenkin vaihdella, jos työkalua käytetään eri käyttötarkoituksiin, eri tarvikkeilla tai huonosti huollettuina. Mainitut olosuhteet saattavat nostaa alitustumistasoa huomattavasti kokonaistyöajaksi aikana. Värinän ja melun alitustumistason arviointi tulisi ottaa huomioon myös silloin, kun työkalu on käytetty pois päältä tai kun se on käynnissä, mutta sitä ei varsinaisesti käytetä. Mainitut olosuhteet saattavat vähentää huomattavasti alitustumistasoa kokonaistyöajaksi aikana.

Lisävaroitimenpiireillä, kuten työkalun ja lisävarusteiden huoltamisella, käsien lämpimänä pitämisellä (värinän tapauksessa) ja työmallien järjestämisellä, voit suojella käyttäjä värinältä ja melulta.

NO

**ADVARSEL**

De erklærte totale vibrasjonsverdiene og de erklærte støytstøpsverdiene gitt i denne brukerhåndboken har blitt målt i samsvar med en standardisert test og kan brukes til å sammenligne ett verktøy med ett annet. De kan brukes for en preliminær vurdering av eksponering.

De opplyste vibrasjons- og støytstøpsverdiene representerer verktøyets hovedbruksområder. Men hvis verktøyet brukes til ulike bruksområder, brukes med ulike tilbehør eller vedlikeholdet er dårlig, kan vibrasjons- og støytstøps være forskjellig. Disse forholdene kan øke eksponeringsnivået betraktelig i løpet av hele arbeidsperioden. En vurdering av eksponeringsnivået for vibrasjon og støy skal ta hensyn til de gangene verktøyet er slått av eller går på tomgang. Disse forholdene kan betydelig redusere eksponeringsnivået over den totale arbeidsperioden.

Identifiser ytterligere sikkerhetstiltak for å beskytte operatøren mot virkningen av vibrasjon og støy, slik som å vedlikeholde verktøyet og tilbehøret, holde hendene varme (i tilfelle vibrasjon) eller organisere arbeidsmønster.

RU

**ОСТОЖО**

Заявленные данные о совокупном уровне вибрационного и шумового воздействия, указанные в настоящем руководстве, получены в ходе стандартизированных исследований и могут использоваться для сравнения инструментов. Могут применяться в рамках предварительной оценки степени воздействия.

Заявленный уровень вибрационного и шумового воздействия учитывает основные области применения инструмента. При этом, если инструмент используется иным образом, с другим оборудованием либо некачественно обслуживается, степень вибрационного и шумового воздействия может отличаться. В рамках всего периода эксплуатации эти условия могут способствовать значительному повышению уровня воздействия. Расчет уровня вибрационного и шумового воздействия должен также проводиться с учетом количества выключений инструмента и продолжительности работы на холостом ходу. В рамках всего периода эксплуатации эти условия могут способствовать значительному снижению уровня воздействия.

Обеспечьте дополнительные меры защиты оператора от воздействия вибрации и шума, например, техническое обслуживание инструмента и принадлежности, поддержание температуры рук (в случае вибрации) и организации графика работ.

PL

**OSTRZEŻENIE**

Podany w niniejszej instrukcji łączny poziom emisji wibracji zmierzony zgodnie ze znormalizowaną metodą testowania — może on być wykorzystywany do wzajemnego porównywania narzędzi. Można go wykorzystywać do wstępnej oceny narażenia.

Deklarowany poziom emisji wibracji i hałasu odpowiada głównym zastosowaniom narzędzia. Jeżeli jednak narzędzie będzie używane do innych zastosowań lub z innymi akcesoriami, bądź też jeśli będzie niewłaściwie konserwowane, poziom emisji wibracji i hałasu może się różnić. Warunki takie mogą doprowadzić do znaczącego wzrostu poziomu narażenia w całym okresie eksploatacji. Oszacowanie poziomu narażenia na wibracje i hałas powinno również uwzględniać okresy, w których narzędzie jest wyłączone bądź działa, ale nie jest wykorzystywane do pracy. Warunki takie mogą doprowadzić do znaczącego ograniczenia poziomu narażenia w całym okresie eksploatacji.

Należy zidentyfikować dodatkowe środki bezpieczeństwa mające na celu ochronę operatora przed skutkami wibracji i hałasu, takie jak konserwacja narzędzia i akcesoriów, utrzymywanie ciepła dłoni (w przypadku wibracji) oraz organizacja pracy.

CS

**VAROVÁNÍ**

Deklarované celkové hodnoty vibrací a deklarované hodnoty hlučnosti uvedené v tomto návodu byly změněny standardizovanou zkušební metodou a mohou být použity k porovnání jednoho mlohače s druhým. Mohou být použity k předběžnému posouzení vystavení vibracím a hluku.

Deklarované hodnoty vibrací a hlučnosti jsou vymezeny hlavními způsoby použití tohoto mlohače. Pokud je však mlohač použit jiným způsobem, s jiným příslušenstvím nebo při nedostatečné údržbě, úroveň vibrací a hluku se mohou lišit. Tyto podmínky mohou podstatně zvýšit úroveň vystavení vibracím a hluku za celou pracovní dobu. Při odhadu úrovně vystavení vibracím a hluku je nutné vzít v úvahu také dobu, kdy je mlohač vypnut nebo běží naprázdno. Tyto podmínky mohou podstatně snížit úroveň vystavení vibracím a hluku za celou pracovní dobu.

K ochraně obsluhy před účinky vibrací a hluku určete další bezpečnostní opatření, například provádění údržby mlohače a příslušenství, udržování rukou v teple (v případě vibrací) a organizování pracovních cyklů.

HU

**FIGYELMEZTETÉS**

A jelen használati kézikönyvben közölt rezgés- és zajkibocsátási értékek szabványosított vizsgálat segítségével mérték, amelynek segítségével az eszközök egymással összehasonlíthatók. Ezek alkalmazhatók a kitétség előzetes felmérésére is.

A megadott rezgés-kibocsátási és zajkibocsátási szint az eszköz fő alkalmazásait jelöli. Azonban ha az eszköz nem megfelelően tartású karban, különböző alkalmazásokra vagy eltérő tartozékokkal használják, akkor a rezgés- és zajkibocsátás változhat. Ezek a beavatkozások jelentősen növelhetik a kitétségi szintet a teljes működési időtartam során. A rezgésnek és zajnak való kitétségi szint becslést értékeléskor is figyelembe kell venni, amikor az eszköz ki van kapcsolva, vagy amikor csak tétlenül jár. Ezek jelentősen csökkenthetik a kitétségi szintet a teljes működési időtartam során.

A kezelő rezgés- és zajártalom elleni védelméhez tegyen meg további biztonsági intézkedéseket, mint pl. az eszköz és alkatrészei karbantatása, a kéz melegen tartása (rezgés esetén) és a munkavégzési folyamat megszervezése.

RO

**AVERTISMENT**

Nivelul total al vibrațiilor și valorile emisiilor de zgomot declarate în acest manual cu instrucțiuni au fost măsurate în conformitate cu o metodă de testare standardizată și pot fi utile pentru compararea uneltelor între ele. Acestea pot fi utilizate pentru evaluarea preliminară a expunerii.

Valorile emisiilor de vibrație și de zgomot declarate sunt relevante pentru domeniul de utilizare al acesteia unelte. Totuși, dacă uneltea este utilizată în alte scopuri, cu alte accesorii sau este întreținută necorespunzător, nivelul vibrațiilor și al zgomotului poate fi diferit. În acest caz, nivelul de expunere total, pe parcursul întregii perioade de lucru, poate crește. O estimare a nivelului de expunere la vibrații și zgomot trebuie să țină cont și de numărul de porniri-opriri, precum și de perioada în care uneltea este oprită sau funcționează în gol. În acest caz, nivelul de expunere total, pe parcursul întregii perioade de lucru, poate fi mai mic.

Identificați măsuri de protecție suplimentare pentru protecția operatorului contra efectelor vibrațiilor și zgomotului, precum întreținerea uneltei și a accesoriilor, menținerea mâinilor calde (în caz de vibrație) și organizarea de perioade de lucru.

LV

## BRĪDINĀJUMS

Deklarētie kopējie vibrāciju līmeņi un deklarētie trokšņu izstarošanas līmeņi, kas norādīti šajā instrukcijā ir mēriti saskaņā ar standartizētajiem testiem, un var tikt izmantoti viena instrumenta salīdzināšanai ar citu. Tos var izmantot sākotnējai ietekmes novērtēšanai.

Deklarētajos vibrāciju un trokšņu veidošanās vērtības atspoguļo galvenajam instrumenta pielietojumam. Tomēr, ja instruments tiek izmantots citām pielietojumiem, izmantots ar citiem aksesoriem, vai netiek pienācīgi kopts, vibrāciju un trokšņu līmeņis var atšķirties. Šie apstākļi var būtiski palielināt ietekmes līmeņi visā darba laikā. Vibrāciju un trokšņu iedarbības līmeņa noteikšanai jāņem vērā arī laika posmi, kad instruments ir izslēgts, vai arī darbosjas tukšgājā. Šie apstākļi var būtiski samazināt ietekmes līmeņi visā darba laikā.

Nosakiet papildu drošības pasākumus. Iai aizsargātu lietotāju no vibrācijas un trokšņu ietekmes, piemēram, veicot instrumenta un aprīkojuma apkopes, roku uzturēšana siltumā (vibrāciju gadījumā), vai organizējot darba grafiku.

LT

## ĮSPĖJIMAS

Šioje naudojimo instrukcijoje nurodytos keliamos vibracijos vertės nustatytos atsižvelgiant į standartinį bandymo metodą, todėl jas galima palyginti su kitų elektrinių įrankių keliamąja vibracija. Jos taip pat gali būti naudojamos preliminariam vibracijos poveikiui įvertinti.

Deklaruojamos vibracijos ir skleidžiama triukšmo vertės atspindi pagrindinius įrenginio taikymo būdus. Tačiau, jei šiuo įrenginiu atliekami kiti darbai, naudojant kitus priedus arba prastai prižiūrinus priedus, keliamos vibracijos ir triukšmo vertės gali skirtis. Šiomis sąlygomis gali žymiai padidėti vibracijos poveikio lygiai per visą darbo laiką. Vertinant vibracijos ir triukšmo poveikio lygį per tam tikrą darbo laikotarpį, reikia atsižvelgti ne tik į laiką, kai įrenginys veikia, bet ir į tą laiką, kai įrenginys yra išjungtas, ir į laiką, kai jis veikia tuščiajia eiga be apkrovos. Šiomis sąlygomis gali žymiai sumažėti vibracijos poveikio lygis per visą darbo laiką.

Nustatykite papildomas saugos priemones, skirtas operatoriui apsaugoti nuo vibracijos ir triukšmo poveikio, pvz., technikai prižiūrėti įrenginį ir priedus, laikykite rankas šiltai (vibracijos atveju) ir organizuokite darbo pamainas.

ET

## HOIATUS

Kāsesleivas juhendis toodud vibratsioonitase ja deklaritud müramissiooni väärtused on mõhõdetud standardmeetodi järgi ja see saab kasutada tõristade omavaheliseks võrdlemiseks. Neid võib kasutada ka emissiooni alistselgseks hindamiseks.

Deklareitud vibratsiooni ja müramissiooni väärtused kehtivad tõrista peamistele rakendustele. Kui aga tõrista kasutatakse muudeks töödeks, rakendatakse teisi tavikuid või kui tõrista hooalus pole piisav, võib vibratsiooni ja müramissiooni tase kõrguda. Need tingimused võivad emissiooni tõõperioodi jooksul tunduvalt suurendada. Vibratsiooni ja müramissiooni täpsuseks hindamiseks tuleb aevselt võtta ka aega, mil seade on välja lülitatud või sisse lülitatud, kuid tegelikult tõõde rakendamata. Need tingimused võivad emissiooni tõõperioodi jooksul tunduvalt vahendada.

Tehke kindlaks läendavad õhutusmeetmed kasutaja kaitsmiseks vibratsiooni ja müra mõju eest. Näiteks tõrista ja liiseadmetele hooldamine, käte soojas hoidmine (vibratsiooni korral) ja tõõkorraldus.

HR

## UPOZORENJE

Deklarirane ukupne vrijednosti vibracija i deklarirane emisije buke navedene u ovom priručniku s uputama izmjerenje su u skladu sa standardiziranim ispitnom metodom i mogu se koristiti za usporedbu jednog alata s drugim. Moguće ih je upotrijebiti za preliminarnu procjenu izlaganja.

Deklarirane vrijednosti razine emisije vibracija i buke predstavljaju glavne primjene alata. Međutim, ako se alat koristi za druge primjene, koristi s različitim dodacima ili ako se loše održava, emisija vibracija i buke se može razlikovati od navedene vrijednosti. Ti uvjeti mogu uzrokovati značajno povećanje razine izloženosti u ukupnom vremenu rada alatom. Procjena razine izloženosti vibracijama i buci također bi trebala uzeti u obzir i vrijeme u kojem je alat isključen ili radi u praznom hodu. Ti uvjeti mogu uzrokovati značajno smanjenje razine izloženosti u ukupnom vremenu rada alatom.

Utvrdite dodatne sigurnosne mjere za zaštitu rukovatelja od djelovanja vibracija i buke, kao što su održavanje alata i pribora, održavanje topline ruku (u slučaju vibracija) i organiziranje radnog vremena.

SL

## OPOZORILO

Skupni vrednosti emisij vibracij i emisij hrupa, navedeni v tem priručniku, sta bili izmerjeni v skladu z metodo standardiziranega preskusa in se lahko uporabljata za medsebojno primerjavo orodja. Uporabljajo se lahko za predhodno oceno stopnje izpostavljenosti.

Navedeni vrednosti emisij vibracij i hrupa veljavata za glavne namene uporabe orodja. Vendar, če se orodje uporablja v druge namene, z drugačnimi dodatki ali je slabo vzdrževano, sta lahko ravni emisij vibracij i hrupa drugačni. V teh pogojih se lahko stopnja izpostavljenosti v celotnem delovnem obdobju občutno zviša. V oceni stopnje izpostavljenosti vibracijam i hrupa je treba upoštevati tudi obdobja, v katerih je orodje ugasnjeno oziroma teče, vendar ni v dejanski uporabi. V teh pogojih se lahko stopnja izpostavljenosti v celotnem delovnem obdobju občutno zniža.

Ugotovite dodatne varnostne ukrepe za zaščito uporabnika pred učinki vibracij i hrupa, kot je vzdrževanje orodja in dodatkov, ohranjanje toplih rok (v primeru vibracij) i organizacija delovnih vzorcev.

SK

## VAROVANIE

Deklarované celkové hodnoty vibráci a deklarované hodnoty emisii hluku uvedené v tomto návode na obsluhu boli merané v súlade so štandardizovanou skúškou a môžu sa použiť na porovnanie jedného náradia s druhým. Môžu sa použiť na predbežné posúdenie expozície.

Deklarované hodnoty vibráci a emisii hluku sú pre hlavné použitia náradia. No ak sa náradie používa na iné aplikácie, v spojení s iným príslušenstvom alebo je jeho údržba nepostačujúca, emisie vibráci a hluku sa môžu líšiť. Tieto podmienky značne zvýšia úroveň expozície počas celkovej pracovnej doby. Ohad úroveň expozície účinkom vibráci a hluku musí taktiež zohľadniť čas vypnutia náradia alebo ak beží na voľnobeh. Tieto podmienky môžu značne znížiť úroveň expozície počas celkovej pracovnej doby.

Identifikujte ďalšie bezpečnostné opatrenia na ochranu obsluhy pred účinkami vibráci a hluku, ako je napríklad udržiavanie náradia a príslušenstva, udržiavanie teplých rúk (v prípade vibrácií) a organizácia pracovných postupov.

BG

## ВНИМАНИЕ

Декларираните общи стойности на излъчените вибрации и на шумовите емисии, посочени в настоящото ръководство, са измерени в съответствие със стандартизирани тестови методи и може да се използват за сравнение на един инструмент с друг. Те може да се използват за предварително оценяване на въздействието.

Декларираните стойности на излъчените вибрации и на шумовите емисии представляват основните приложения на инструмента. Въпреки това, ако инструментът се използва за различни приложения, с различни принадлежности или поддръжката му е некачествена, излъчените вибрации и шумовите емисии могат да се различават. Тези условия може значително да увеличат нивото на излагане през целия срок на работа. При оценяване на нивото на излагане на вибрации и шум също трябва да се вземе предвид колко пъти инструментът е бил изключван или колко пъти е работил на празен ход. Тези условия може значително да намалат нивото на излагане през целия срок на работа.

Определете допълнителни мерки за предпазване на оператора от ефектите от вибрациите и шума, като например поддръжане на инструмента и аксесоарите, поддръжане на ръцете топли (в случай на вибрации), организация на моделите за работа.

UK

## ПОПЕРЕДЖЕННЯ

Значення вібрації та шуму, наведені в цьому керівництві, вимірювалися відповідно до стандартизованого методу випробування та можуть бути використані для порівняння одного інструменту з іншим. Ними можна користуватися для попередньої оцінки впливу.

Наведені значення виміряно при стандартній експлуатації виробу. Утім якщо виріб використовується для інших цілей, з іншими додатковими пристосуваннями або ж не проходить належного обслуговування, рівні вібрації та шуму можуть відрізнятись від зазначених. Як наслідок, рівні впливу впродовж загального робочого часу можуть значно збільшитися. При оцінці рівнів впливу вібрації та шуму слід враховувати періоди, коли виріб вимкнений або працює на холостих обертах. Як наслідок, рівні впливу впродовж загального робочого часу можуть значно зменшитися.

Дотримуйтеся додаткових заходів, які можуть захистити оператора від впливу вібрації та шуму: підтримуйте пристрій та додаткові пристосування у належному стані, слідкуйте, щоби руки залишалися теплими (при вібрації), та продумайте графік роботи.

TR

## UYARI

Bu kullanımla kilavuzunda verilen toplam titreşim değerleri ve gürültü emisyonu değerleri standartlaştırılmış bir teste göre ölçülmüştür ve bir aleti diğerine karşılaştırmak için kullanılabılır. Maruz kalmanın onceden değerlendirilmesini için kullanılabılır.

Beyan edilen titreşim ve gürültü emisyonu değerleri aletin ana uygulaması için temsil eder. Ancak, alet farklı uygulamalar için kullanılıyorsa, farklı aksesuarlarla kullanılıyorsa ve bakımı yapılmıyorsa, titreşim ve gürültü emisyonu değışiklik gösterebilir. Bu koşullar toplam çalışma süresi genelinde maruz kalma düzeylerini önemli oranda artırabilir. Titreşime ve gürültüye maruz kalma seviyesinin tahmininde aletin kapatıldığı veya boşta çalıştığı süreler dikkate alınmalıdır. Bu koşullar toplam çalışma süresi boyunca maruz kalma seviyesini önemli oranda azaltabilir.

Kullanılan kişiyi titreşim ve gürültünün etkilerinden korumak için aletin ve aksesuarların bakımını yapmak, (titreşim halinde) elleri sıcak tutmak ve çalışma modelleri organize etmek gibi ilave güvenlik önlemlerini tanımlayın.

## EN RYOBI WARRANTY APPLICATION CONDITIONS

In addition to any statutory rights resulting from the purchase, this product is covered by a warranty as stated below.

1. The warranty period is 24 months for consumers and commences on the date when the product was purchased. This date has to be documented by an invoice or other proof of purchase. The product is designed and dedicated to consumer and private use only. So there is no warranty provided in case of professional or commercial use. This warranty applies only on new products.
2. There is a possibility to extend for a part of the range of power tools (AC/DC) the warranty period over the period described above using the registration on the [www.ryobitools.eu](http://www.ryobitools.eu) website. The eligibility of products for extended warranty is clearly displayed in stores and / or on packaging and is contained within the product documentation. The end user is required to register his/her newly-acquired products online within 30 days from the date of purchase. The end user may register for the extended warranty in his/her country of residence if listed on the online registration form where this option is valid. Furthermore, end users must give their consent to the storage of their personal data that is required to be entered online. They must also accept the terms and conditions. The registration confirmation receipt, which is sent out by e-mail, and the original invoice showing the date of purchase will serve as proof of the extended warranty.
3. The warranty covers all defects of the product during the warranty period due to faults in workmanship or material at the purchase date. The warranty is limited to repair and/or replacement and does not include any other obligations including but not limited to incidental or consequential damages. The warranty is not valid if the product has been misused, used contrary to the instruction manual, or has been incorrectly connected to a power supply. This warranty does not apply to:
  - any damage to the product that is the result of improper or lack of maintenance
  - any product that has been altered or modified
  - any product where original identification (trade mark, serial number) markings have been defaced, altered or removed
  - any damage caused by non-observance of the instruction manual
  - any product not displaying the CE approval mark on the rating plate
  - any product that has been attempted to be repaired by a non-authorized warranty service centre or without prior authorisation by Techtronic Industries
  - any product connected to improper power supply (amps, voltage, frequency)
  - any product used with inappropriate fuel mixture (fuel, oil, ratio of oil/fuel mixture)
  - any damage caused by external influences (water, chemical, physical, shocks) or foreign substances
  - normal wear and tear spare parts
  - inappropriate use, overloading of the tool
  - use of non-approved accessories or parts
  - Accessories provided with the tool or purchased separately including but not limited to blades, saw chains, cutting lines, etc.
  - Any periodic adjustments to or maintenance cleaning of carburetors
  - Components (parts and accessories) subject to natural wear and tear, including but not limited to bump knobs, drive belts, clutch, blades of hedge trimmers or lawn mowers, harness, cable throttle, carbon brushes, power cord, tines, felt washers, hitch pins, blower fans, blower and vacuum tubes, vacuum bag and straps, guide bars, saw chains, hoses, connector fittings, spray nozzles, wheels, spray wands, inner reels, outer spools, cutting lines, spark plugs, air filters, gas filters, mulching blades, etc.
4. For servicing, the product must be sent or presented to a RYOBI authorised service station listed for each country in the following list of service station addresses. In some countries your local RYOBI dealer undertakes to send the product to the RYOBI service organisation. When sending a product to a RYOBI service station, the product should be safely packed without any dangerous contents such as petrol, marked with sender's address and accompanied by a short description of the fault.
5. A repair / replacement under this warranty is free of charge. It does not constitute an extension or a new start of the warranty period. Exchanged parts or products become our property. In some countries delivery charges or postage will have to be paid by the sender. Your statutory rights arising from the purchase of the product remain unaffected.
6. This warranty is valid in the European Community, Switzerland, Iceland, Norway, Liechtenstein, Turkey, Russia, and the United Kingdom. Outside these areas, please contact your authorised RYOBI dealer to determine if another warranty applies.

### AUTHORISED SERVICE CENTRE

Any request or issue with the product can be addressed to your local authorised service centres (visit [www.ryobitools.eu](http://www.ryobitools.eu)) or directly to: Techtronic Industries GmbH, Max Eyth Straße 10, 71364 Winnenden, Germany. Please state the serial number and product type printed on the label.

## FR RYOBI CONDITIONS D'APPLICATION DE LA GARANTIE

En plus des droits statutaires liés à l'achat, ce produit est couvert par une garantie telle que décrite ci-dessous.

1. La durée de la garantie accordée au consommateur est de 24 mois à partir de la date d'achat. Cette date doit être authentifiée par une facture ou tout autre preuve d'achat. Le produit a été conçu en vue d'une utilisation strictement privée. Aucune garantie ne s'applique donc en cas d'utilisation professionnelle ou commerciale.
2. Il existe pour une partie de la gamme « jardin » (AC/DC), une possibilité d'étendre la période de garantie au-delà de la période précédemment décrite en utilisant le formulaire d'enregistrement présent sur le site Internet [www.ryobitools.eu](http://www.ryobitools.eu). L'éligibilité d'un outil est clairement affichée dans les points de vente et/ou sur l'emballage et la documentation. L'utilisateur final doit enregistrer son/ses outil(s) nouvellement acheté(s) en ligne dans les 30 jours qui suivent la date d'achat. L'utilisateur a la possibilité de s'enregistrer pour l'extension de garantie dans son pays de résidence si celui-ci est listé dans le formulaire d'enregistrement en ligne où cette option est valide. L'utilisateur final doit donner son consentement pour l'enregistrement des données requises pour accéder au site et doit accepter les termes et conditions. La confirmation d'enregistrement, envoyée par courrier électronique, ainsi que la facture originale mentionnant la date d'achat serviront de preuve de l'extension de garantie.
3. La garantie couvre pendant la période de garantie les défauts des produits liés à la fabrication et aux matériaux à la date d'achat. La garantie est limitée à la réparation et/ou au remplacement et n'inclut aucune autre obligation, tel que, mais sans s'y limiter, les dommages accessoires ou indirects. La garantie est non valable en cas de mauvaise utilisation du produit, d'utilisation contraire aux instructions du mode d'emploi, ou en cas de branchement incorrect. Cette garantie ne s'applique pas pour :
  - tout dommage au produit résultant d'un mauvais entretien
  - tout produit ayant été altéré ou modifié
  - tout produit dont les marquages originaux d'identification (marque, numéro de série) ont été dégradés, altérés ou retirés
  - tout dommage causé par le non-respect des instructions du mode d'emploi
  - tout produit non CE
  - tout produit ayant subi une tentative de réparation par du personnel non qualifié ou sans autorisation préalable de Techtronic Industries
  - tout produit raccorder à une alimentation secteur non conforme (ampérage, voltage, fréquence)
  - tout produit utilisé avec un mélange inapproprié (essence, huile, pourcentage d'huile)
  - tout dommage causé par des influences extérieures (chimiques, physiques, chocs) ou par des substances étrangères
  - l'usure normale des pièces consommables
  - une utilisation inappropriée, une surcharge de l'outil
  - l'utilisation de pièces ou accessoires non agréés
  - Tout réglage périodique ou tout nettoyage de maintenance des carburateurs
  - les composants (pièces et accessoires) sujets à une usure naturelle, incluant de façon non exhaustive les têtes de fil à frapper, les courroies de transmission, les embrayages, les lames des taille-haies ou des tondeuses à gazon, les harnais, les câbles d'accélérateur, les charbons, les cordons d'alimentation, les fraises de cultivateurs, les rondelles feutre, les gouilles de fraise, les turbines et lame de broyage des souffleurs, les tubes de soufflage et d'aspiration des souffleurs, les sacs de souffleurs et leurs lanières, les guides-chaîne, les chaînes de tronçonneuses, les tuyaux et raccords, les buses et lances de nettoyeurs haute pression, les roues, les recharges de fil des têtes de coupe, les têtes de coupe, le fil de coupe, les bougies d'allumage, les filtres à air, les filtres à essence, etc.
4. Si le produit doit être réparé, envoyez-le à un service après-vente agréé RYOBI dont vous trouverez ci-dessous la liste pour chaque pays. Dans certains pays, votre revendeur RYOBI se chargera d'envoyer le produit à un centre de réparation RYOBI. Lorsque vous envoyez un produit à un service après-vente RYOBI, celui-ci doit être correctement emballé, sans contenir aucun produit dangereux tel que de l'essence, et vous devez indiquer votre adresse ainsi qu'une courte description du problème.
5. Une réparation / un remplacement sous garantie est gratuit(e). Ceci ne constituera pas une extension de garantie ni un nouveau départ de la période de garantie. Les pièces ou les outils remplacés deviennent notre propriété. Dans certains pays, les frais de port devront être assumés par l'expéditeur. Vos droits statutaires restent inchangés.
6. Cette garantie est valable dans la Communauté européenne, la Suisse, l'Islande, la Norvège, le Liechtenstein, la Turquie, la Russie et le Royaume-Uni. En dehors de ces zones, veuillez contacter votre distributeur agréé RYOBI pour déterminer si une autre garantie s'applique.

### SERVICE APRÈS-VENTE AGRÉÉ

Toute demande ou tout problème concernant le produit peut être transmis à votre centre de réparation agréé local (consultez [www.ryobitools.eu](http://www.ryobitools.eu)) ou directement à : Techtronic Industries GmbH, Max Eyth Straße 10, 71364 Winnenden, Germany. Veuillez mentionner le numéro de série et le type de produit imprimé sur l'étiquette.

## DE RYOBI GARANTIEBEDINGUNGEN

Zusätzlich zu den gesetzlichen Rechten aus dem Kauf gilt für dieses Produkt die nachstehend aufgeführte Garantie.

- Der Garantiezeitraum beträgt für Verbraucher 24 Monate und beginnt mit dem Datum des Kaufs. Dieses Datum muss durch eine Rechnung oder einen anderen Kaufbeleg dokumentiert werden. Dieses Produkt wurde ausschließlich zur privaten Nutzung durch Verbraucher entwickelt. Für den Fall einer professionellen bzw. kommerziellen Nutzung besteht daher keine Garantie.
- Es besteht die Möglichkeit, für einen Teil des Sortiments der Gartenwerkzeuge (AC/DC) den Garantiezeitraum über den oben genannten Zeitraum hinaus zu verlängern, indem der Verbraucher die Registrierung auf der Website [www.ryobitools.eu](http://www.ryobitools.eu) durchführt. Die Berechtigung der Werkzeuge für die Garantieverlängerung ist deutlich im Geschäft und/oder auf der Verpackung beschrieben und in der Produktdokumentation erwähnt. Der Verbraucher muss das neu erworbene Gerät online innerhalb von 30 Tagen ab dem Kaufdatum registrieren. Der Verbraucher kann das Gerät zwecks Garantieverlängerung in seinem Wohnsitzland/Heimatland registrieren, wenn dieses Land auf dem Online-Registrierungsformular aufgeführt und die Option gültig ist. Darüber hinaus muss der Verbraucher seine Zustimmung zur Speicherung der Daten geben, die online eingegeben werden müssen, und er muss die allgemeinen Geschäftsbedingungen akzeptieren. Die Bestätigung der Registrierung, die per E-Mail versandt wird, und die Originalrechnung mit dem Kaufdatum gelten als Beleg für die Garantieverlängerung.
- Die Garantie deckt alle Defekte des Geräts während des Garantiezeitraums ab, die auf zum Zeitpunkt des Kaufs bestehende Verarbeitungs- oder Materialfehler zurückzuführen sind. Die Garantie beschränkt sich auf Reparatur und/oder Ersatz und beinhaltet keine anderen Verpflichtungen, insbesondere keinen Schadenersatz für Folge- oder Nebenschäden. Die Garantie gilt nicht, wenn das Gerät fehlerhaft eingesetzt wurde, gegenseitlich zur Bedienungsanleitung eingesetzt wurde oder falsch angeschlossen wurde. Die Garantie gilt nicht für Folgendes:
  - Schäden am Gerät, die auf unkorrekte Wartung zurückzuführen sind
  - Geräte, an denen Veränderungen vorgenommen wurden
  - Produkte, bei denen die ursprüngliche Identifizierung (Handelsmarke, Seriennummer) unleserlich gemacht, verändert oder entfernt wurde
  - Schäden durch Nichtbeachtung der Bedienungsanleitung
  - nicht-CE-zertifizierte Geräte
  - Geräte, an denen durch nicht-qualifizierte Personen oder ohne vorherige Genehmigung von Technonic Industries Reparaturversuche vorgenommen wurden
  - Geräte, die an unkorrekte Energiequellen (Ampere, Volt, Frequenz) angeschlossen wurden
  - Geräte, die mit einer fehlerhaften Treibstoffmischung (Treibstoff, Öl, Ölantel) betrieben wurden
  - Schäden durch äußere Einflüsse (chemisch, physisch, Stöße) oder Fremdstoffe
  - normaler Verschleiß von Ersatzteilen
  - unangemessene Nutzung, Überlastung des Geräts
  - Nutzung nicht genehmigter Zubehörteile oder Ersatzteile
  - Regelmäßige Einstellung oder Wartungsreinigung des Vergasers
  - Komponenten (Ersatzteile und Zubehörteile), die natürlichem Verschleiß unterliegen, einschließlich, aber nicht begrenzt auf Service- und Wartungssets, Kohlebürsten, Lager, Spannvorrichtungen, SDS-Bohreraufnahme /Bit-Adapter, Netzkabel, Zusatzhandgriff, Transportkoffer, Schleifplatten, Staubbeutel, Staubabführungen, Filzunterlegscheiben, Bolzen und Federn von Schlagschraubern, einschließlich, aber nicht beschränkt auf Fadenköpfe, Antriebsriemen, Kupplungen, die Klängen von Heckenscheren oder Rasenmähern, Kabelstränge, Gaszüge, Zinken, Steckbolzen, Lüfter, Saug- und Gebläserohre oder Düsen, Fangsäcke und Gurte, Führungsschienen, Sägeketten, Schläuche, Verbinder, Sprühdüsen, Räder, Sprühstäbe, innere Rollen, äußere Spulen, Schneidfäden, Zündkerzen, Luftfilter, Benzin/- ÖlfILTER, Hackseil-Messer usw.
- Zum Service muss das Gerät zu einer von RYOBI autorisierten Servicestation gebracht oder dorthin geschickt werden. Die Servicestationen für die einzelnen Länder sind in der folgenden Liste aufgeführt. In einigen Ländern sendet Ihr RYOBI-Händler vor Ort das Gerät an das RYOBI-Serviceunternehmen. Beim Einsenden an die RYOBI-Servicestation sollte das Gerät sicher verpackt sein, ohne gefährliche Inhalte wie Benzin, und es sollte mit der Adresse des Absenders und einer kurzen Beschreibung des Fehlers versehen sein.
- Eine Reparatur bzw. ein Ersatz gemäß dieser Garantie ist kostenlos. Hieraus ergibt sich weder eine Garantieverlängerung noch der Beginn eines neuen Garantiezeitraums. Die ausgelassenen Ersatzteile oder Werkzeuge gehen in unser Eigentum über. In einigen Ländern müssen die Zustellgebühren oder die Versandkosten vom Absender gezahlt werden. Ihre gesetzlichen Rechte aus dem Kauf des Geräts bleiben hiervon unberührt.
- Diese Garantie ist gültig in der Europäischen Gemeinschaft, der Schweiz, Island, Norwegen, Liechtenstein, der Türkei, Russland und dem Vereinigten Königreich. Bitte wenden Sie sich außerhalb dieser Gebiete an Ihre autorisierten RYOBI-Händler, um festzustellen, ob eine andere Garantie gilt.

### AUTORISIERTER KUNDENDIENST

Bitte wenden Sie sich bei Fragen zum oder Problemen mit dem Gerät an das örtliche autorisierte Servicecenter (siehe [www.ryobitools.eu](http://www.ryobitools.eu)) oder direkt an: Technonic Industries GmbH, Max Eyth Straße 10, 71364 Winnenden, Germany. Bitte geben Sie die Seriennummer und den auf dem Typenschild aufgedruckten Gerätetyp an.

## ES CONDICIONES DE APLICACIÓN DE LA GARANTÍA DE RYOBI

Además de cualquier derecho legal derivado de la compra, este producto está cubierto por una garantía que se indica a continuación.

- El periodo de garantía es de 24 meses para consumidores y comienza en la fecha en que se comprara el producto. Dicha fecha debe documentarse con una factura u otro comprobante de compra. El producto está diseñado y concebido únicamente para el uso privado del consumidor. Por lo tanto, no se ofrece garantía en caso de uso profesional o comercial.
- Existe la posibilidad de ampliar el periodo de garantía respecto a una parte de la gama de herramientas de jardinería (CA/CC) durante el periodo descrito más arriba y mediante el registro en el sitio web [www.ryobitools.eu](http://www.ryobitools.eu). La elegibilidad de las herramientas para que se amplíe el periodo de garantía se muestra claramente en las tiendas o en el embalaje y está incluida en la documentación del producto. El usuario final tiene que registrar en línea sus herramientas recientemente adquiridas en un plazo de 30 días a partir de la fecha de compra. El usuario final podrá registrarse para obtener la garantía ampliada en su país de residencia si este aparece en la lista del formulario de registro en línea cuando esta opción sea válida. Además, los usuarios finales deberán dar su consentimiento al almacenamiento de los datos necesarios para el acceso en línea y tienen que aceptar los términos y condiciones. El recibo de confirmación de registro, que se envía por correo electrónico, y la factura original que muestra la fecha de compra servirán como comprobante para la garantía ampliada.
- La garantía cubre todos los defectos del producto durante el periodo de garantía debido a fallos de mano de obra o material en la fecha de compra. La garantía se limita a la reparación o sustitución y no incluye ninguna otra obligación como, por ejemplo, daños accidentales o consecuentes. La garantía no es válida si se ha usado mal el producto, se ha usado contraviniendo el manual de instrucciones o se ha conectado de forma incorrecta. Esta garantía no es aplicable a:
  - ningún daño en el producto que sea consecuencia de un mantenimiento inadecuado
  - ningún producto que haya sido alterado o modificado
  - ningún producto en el que los marcados de identificación originales (marca comercial, número de serie) se hayan borrado, modificado o eliminado
  - ningún daño provocado por no seguir el manual de instrucciones
  - ningún producto que no sea CE
  - ningún producto que haya sufrido un intento de reparación por parte de un profesional no cualificado o sin la autorización previa de Technonic Industries.
  - ningún producto conectado a un suministro eléctrico inadecuado (amperios, voltaje, frecuencia)
  - ningún producto usado con una mezcla de combustible inadecuada (combustible, aceite, porcentaje de aceite)
  - ningún daño causado por influencias externas (químicas, físicas, impactos) o sustancias extrañas
  - desgaste normal de piezas de repuesto
  - uso inadecuado, sobrecarga de la herramienta
  - uso de accesorios o piezas no aprobados
  - Cualquier ajuste periódico o limpieza de mantenimiento de los carburadores
  - Componentes (piezas y accesorios) sujetos al desgaste natural incluyendo, entre otros, pomos de golpes, correas de transmisión, embragues, cuchillas de cortasetos o cortacésped, arneses, cable del acelerador, escobillas de carbono, cables eléctricos, púas, discos de filtro, pasadores de enganche, ventiladores de soplador, tubos de aspiración y de soplado, bolsas y correas de aspiración, barras guías, cadenas de sierra, mangueras, herrajes de conectores, boquillas pulverizadoras, ruedas, lanzas pulverizadoras, bobinas interiores, carretes exteriores, líneas de corte, bujías, filtros de aire, filtros de gas, cuchillas de compostaje, etc.
- Para su mantenimiento, el producto debe enviarse o presentarse a una estación de servicio de RYOBI autorizada que figure en la siguiente lista de direcciones de estaciones de servicio por países. En algunos países, su distribuidor RYOBI local se responsabiliza de enviar el producto a la compañía de servicio de RYOBI. Cuando se envíe un producto a una estación de servicio de RYOBI, este debe estar empaquetado de forma segura sin contenidos peligrosos como gasolina, marcado con la dirección del remitente y acompañado de una breve descripción del fallo.
- Una reparación / sustitución con esta garantía es gratuita. No constituye una ampliación ni un nuevo comienzo del periodo de garantía. Las piezas o herramientas intercambiadas pasan a ser de nuestra propiedad. En algunos países, los gastos de envío o correos tendrá que pagarlos el remitente. Sus derechos legales derivados de esta compra de la herramienta no se verán afectados.
- Esta garantía es válida en la Comunidad Europea, Suiza, Islandia, Noruega, Liechtenstein, Turquía, Rusia y el Reino Unido. Fuera de estas zonas, póngase en contacto con su distribuidor de RYOBI autorizado para determinar si es aplicable otra garantía.

### SERVICIO TÉCNICO AUTORIZADO

Cualquier solicitud o problema relacionado con el producto se puede remitir a su centro de servicio autorizado local ([www.ryobitools.eu](http://www.ryobitools.eu)) o directamente a: Technonic Industries GmbH, Max Eyth Straße 10, 71364 Winnenden, Germany. Indique el número de serie y el tipo de producto que aparecen impresos en la etiqueta.

## IT CONDIZIONI DI VALIDITÀ DELLA GARANZIA RYOBI

In aggiunta ai diritti di legge risultanti dall'acquisto, il prodotto è coperto dalla garanzia sotto descritta.

- Il periodo di garanzia è di 24 mesi per i consumatori, a decorrere dalla data di acquisto del prodotto. La data deve essere documentata da una fattura o altra prova d'acquisto. Il prodotto è progettato e destinato solo all'utilizzo privato dei consumatori. Pertanto non viene fornita alcuna garanzia in caso di uso professionale o commerciale.
- Per una serie di utensili da giardino (CA/CC) è possibile prolungare il periodo di garanzia oltre quello descritto, registrandosi sul sito web [www.ryobitools.eu](http://www.ryobitools.eu). Gli utensili per i quali è possibile prolungare il periodo di garanzia sono chiaramente indicati nei negozi e/o sulle confezioni e nella documentazione dei prodotti. L'utente deve registrare online l'utensile acquistato entro 30 giorni dalla data di acquisto. L'utente può registrarsi per la garanzia prolungata nel proprio paese di residenza, se questo è elencato nel modulo di registrazione online dove questa opzione sia valida. Inoltre gli utenti devono fornire il proprio consenso alla conservazione dei dati da immettere online e devono accettare le condizioni generali. La conferma di registrazione, inviata tramite e-mail, e la fattura originale indicante la data di acquisto, costituiranno la prova della garanzia prolungata.
- La garanzia copre tutti i difetti del prodotto durante il periodo di garanzia, risultati da manodopera o materiali alla data di acquisto. La garanzia è limitata alla riparazione e/o sostituzione e non include alcun altro obbligo quali, a mero titolo esemplificativo, i danni incidentali o consequenziali. La garanzia non è valida se il prodotto è stato usato scorrettamente, in modo contrario al manuale di istruzioni o se è stato collegato in modo errato. La garanzia non è valida per:
  - qualsiasi danno al prodotto dovuto a manutenzione errata;
  - qualsiasi prodotto che sia stato alterato o modificato;
  - qualsiasi prodotto le cui marcature di identificazione originali (marchi di fabbrica, numero di serie) siano state cancellate, alterate o rimosse;
  - qualsiasi danno causato dalla non osservanza delle istruzioni del manuale;
  - qualsiasi prodotto privo di omologazione CE;
  - qualsiasi prodotto che sia stato sottoposto a un tentativo di riparazione da parte di un professionista non qualificato oppure senza la previa autorizzazione di Technronic Industries;
  - qualsiasi prodotto collegato a un'alimentazione errata (per ampere, tensione, frequenza);
  - qualsiasi prodotto usato con una miscela di carburante errata (carburante, olio, percentuale di olio);
  - qualsiasi danno causato da influenze esterne (chimiche, fisiche, urti) o sostanze estranee;
  - la normale usura delle parti di ricambio;
  - uso inappropriato, sovraccarico dell'utensile;
  - uso di accessori o parti non omologate;
  - qualsiasi regolazione periodica o pulizia di manutenzione dei carburatori;
  - componenti (parti e accessori) soggetti alla normale usura compresi, a mero titolo esemplificativo, testine a filo, cinghie di trasmissione, frizioni, lame di tagliasièpi o tagliaerba, imbragature, cavi di accelerazione, spazzole al carbonio, cavi di alimentazione, denti, rondelle di feltro, perni di aggancio, ventole dei soffiatori, tubi di soffiatori e aspiratori, sacchetti e cinghie per aspirapolvere, barre guida, catene per seghe, tubi, raccordi di connessione, ugelli di spruzzo, ruote, erogatori, bobine interne ed esterne, linee di taglio, candele, filtri dell'aria, filtri del gas, lame per mulching ecc.
- Per la manutenzione il prodotto dev'essere spedito o portato presso uno dei centri assistenza autorizzati RYOBI elencati per ogni paese nel seguente elenco di indirizzi dei centri. In alcuni paesi il rivenditore locale RYOBI si incarica di inviare il prodotto all'organizzazione di assistenza RYOBI. Quando si invia un prodotto a un centro assistenza RYOBI, imballarlo in modo sicuro senza contenuti pericolosi come la benzina, apporre l'indirizzo del mittente e accompagnarlo da una breve descrizione del guasto.
- La riparazione/sostituzione ai sensi della presente garanzia è gratuita. Non costituisce un prolungamento o un nuovo inizio del periodo di garanzia. Le parti o gli utensili scambiati diventano di nostra proprietà. In alcuni paesi i costi di consegna o di spedizione postale devono essere pagati dal mittente. I diritti di legge derivanti dall'acquisto dell'utensile rimangono inalterati.
- La presente garanzia è valida in Comunità Europea, Svizzera, Islanda, Norvegia, Liechtenstein, Turchia, Russia e Regno Unito. Al di fuori di tali aree contattare il rivenditore autorizzato RYOBI per sapere se è valida un'altra garanzia.

### CENTRO SERVIZI AUTORIZZATO

Qualsiasi richiesta o problema con il prodotto può essere indirizzato ai centri di assistenza autorizzati locali (visitare [www.ryobitools.eu](http://www.ryobitools.eu)) o direttamente a: Technronic Industries GmbH, Max Eyth Straße 10, 71364 Winnenden, Germany. Si prega di indicare il numero di serie e il tipo di prodotto stampati sull'etichetta.

## NL RYOBI GARANTIEVOORWAARDEN

Naast de wettelijke rechten die voortvloeien uit de aankoop, wordt dit product gedekt door een garantie, zoals hieronder staat vermeld.

- De garantietermijn voor consumenten bedraagt 24 maanden en gaat in op de datum waarop het product is gekocht. Deze datum moet worden gedocumenteerd met een factuur of een ander aankoopbewijs. Het product is uitsluitend ontworpen en bedoeld voor persoonlijk gebruik door consumenten. Er wordt dus geen garantie gegeven voor professioneel of commercieel gebruik.
- Voor een deel van ons aanbod van tuingeredschappen (AC/DC) is het mogelijk om de garantietermijn te verlengen over de boven beschreven termijn, met behulp van de website [www.ryobitools.eu](http://www.ryobitools.eu). De gereedschappen die in aanmerking komen voor de verlenging van de garantietermijn wordt duidelijk weergegeven in winkels en/of verpakkingen en staat beschreven in de productdocumentatie. De eindgebruiker moet zijn/haar nieuw gekochte gereedschappen binnen 30 dagen na aankoop online registreren. De eindgebruiker kan zich registreren voor de verlengde garantietermijn als zijn woonland staat vermeld op het online registratieformulier waar deze optie geldig is. Bovendien moeten eindgebruikers toestemming geven voor de opslag van de gegevens die online ingevuld moeten worden en moeten ze de algemene voorwaarden accepteren. Het ontvangstbewijs van de registratie, dat per e-mail wordt verzonden en de oorspronkelijke factuur met de aankoopdatum vormt het bewijs van de verlengde garantietermijn.
- De garantie dekt tijdens de garantietermijn alle gebreken van het product vanwege defecten in vakmanschap of materiaal op de aankoopdatum. De garantie is beperkt tot reparatie en/of vervanging en bevat geen andere verplichtingen, waaronder maar niet beperkt tot incidentele of gevolgschade. De garantie is niet geldig als het product is misbruikt, in strijd met de gebruiksaanwijzing wordt gebruikt of onjuist is aangesloten. Deze garantie geldt niet voor:
  - alle schade aan het product die het gevolg is van onjuist onderhoud
  - elk product dat is veranderd of aangepast
  - elk product waar de oorspronkelijke identificatie (handelsmerk, serienummer) is beschadigd, gewijzigd of verwijderd
  - alle schade die is veroorzaakt door het niet opvolgen van de gebruiksaanwijzing
  - elk niet-CE-product
  - elk product waar een poging tot reparatie is gedaan door een niet-erkende professional of zonder voorafgaande toestemming door Technronic Industries.
  - elk product dat is verbonden met een verkeerde voeding (amperage, spanning, frequentie)
  - elk product dat wordt gebruikt met een verkeerd brandstofmengsel (brandstof, olie, oliegehalte)
  - alle schade die is veroorzaakt door externe invloeden (chemisch, fysiek, schokken) of vreemde stoffen
  - normale slijtage van reserveonderdelen
  - ongepast gebruik, overbelasting van het gereedschap
  - gebruik van niet-goedgekeurde accessoires of onderdelen
  - Alle periodieke aanpassingen aan of het onderhoud en reiniging van carburateurs
  - Componenten (onderdelen en accessoires) die onderhevig zijn aan natuurlijke slijtage, waaronder maar niet beperkt tot stootknoppen, aandrijfriemen, koppelingen, messen van hegtrimmers of grasmaaiers, harnas, gaskabel, koolstofborstels, stroomsnoeren, tanden, vittringen, koppelingsspannen, blazers, blaas- en zuigbuizen, zuigzakken en -riemen, geleidingsstaven, zaagkettingen, slangen, koppelingen, mondstukken, wielen, spuitstokken, binnenhaspels, buitenhaspels, snijdraden, bougies, luchtfilters, gasfilters, maaimessen, etc.
- Voor onderhoud moet het product worden verzonden of gebracht naar een erkend servicestation van RYOBI die voor elk land staan vermeld in de volgende lijst met adressen voor servicestations. In sommige landen zal uw lokale RYOBI-dealer het product verzenden naar de RYOBI-serviceorganisatie. Wanneer u het product naar een servicestation van RYOBI verzendt, moet het product veilig worden verpakt zonder enige gevaarlijke inhoud, zoals benzine, met het adres van de afzender en vergezeld van een korte beschrijving van het defect.
- Een reparatie/vervanging die onder deze garantie valt is gratis. Het vormt geen verlenging of een nieuwe start van de garantietermijn. Verwisselde onderdelen of gereedschappen worden ons eigendom. In sommige landen moeten de verzendkosten door de afzender worden betaald. Uw wettelijke rechten die voortvloeien uit de aankoop van het gereedschap blijven onaangetast.
- Deze garantie is geldig binnen de Europese Gemeenschap, Zwitserland, IJsland, Noorwegen, Liechtenstein, Turkije, Rusland en het Verenigd Koninkrijk. Buiten deze gebieden moet u contact opnemen met uw erkende RYOBI-dealer om vast te stellen of er een andere garantie van toepassing is.

### GEAUTORISEERD ONDERHOUDSCENTRUM

Eik verzoek of probleem met het product kan worden gericht aan uw lokale geautoriseerde servicecentra (bezoek [www.ryobitools.eu](http://www.ryobitools.eu)) of rechtstreeks aan: Technronic Industries GmbH, Max Eyth Straße 10, 71364 Winnenden, Germany. Vermeld het serienummer en het type product dat op het etiket staat.

## PT CONDIÇÕES DE APLICAÇÃO DA GARANTIA RYOBI

Para além de quaisquer direitos previstos por lei resultantes da compra, este produto está coberto por uma garantia conforme descrição abaixo.

- O período da garantia é de 24 meses para consumidores particulares e inicia-se na data de compra do produto. Esta data tem de ser documentada por uma factura ou por outra prova de compra. O produto foi concebido para e destina-se apenas a consumidores particulares e uso privado. Assim, não é dada garantia em caso de utilização por profissionais ou uso comercial.
- Para uma parte da gama de ferramentas de jardim (AC/DC) existe a possibilidade de prolongamento do período da garantia para além do período descrito acima, mediante registo no Web site [www.ryobitools.eu](http://www.ryobitools.eu). A elegibilidade das ferramentas para prolongamento do período da garantia é claramente visível nas lojas e/ou nas embalagens e está contida na documentação do produto. O utilizador final tem de fazer o registo online das suas ferramentas recém-adquiridas no prazo de 30 dias após a data de compra. O utilizador final pode fazer o registo para prolongamento da garantia no seu país de residência, desde que esteja listado no formulário de registo online e para os casos em que esta opção seja válida. Para além disso, os utilizadores finais têm de autorizar o armazenamento dos dados cujo preenchimento lhes for solicitado online e têm de aceitar os termos e as condições. O recibo de confirmação do registo é enviado por e-mail e, em conjunto com a factura original ostentando a data de compra, servirá de prova do prolongamento da garantia.
- A garantia cobre todos os defeitos do produto durante o período da garantia devidos a defeitos de fabrico ou de material à data da compra. A garantia está limitada à reparação e/ou substituição e não inclui quaisquer outras obrigações, incluindo mas não se limitando a, perdas complementares ou indirectas. A garantia não é válida se o produto tiver sido utilizado incorrectamente, utilizado de forma contrária ao Manual de Instruções ou se as respectivas ligações tiverem sido feitas incorrectamente. Esta garantia não se aplica ao seguinte:
  - quaisquer danos ao produto que sejam resultado de manutenção incorrecta
  - qualquer produto que tenha sido alterado ou modificado
  - qualquer produto cujas marcações de identificação de origem (marca comercial, número de série) tiverem sido apagadas, alteradas ou retiradas
  - quaisquer danos causados pelo incumprimento do Manual de Instruções
  - qualquer produto que não seja da Comunidade Europeia
  - qualquer produto ao qual tenha sido feita, ou tentada fazer, uma reparação por outra pessoa que não um profissional habilitado ou sem autorização prévia da Techntronic Industries.
  - qualquer produto ligado a uma fonte de alimentação eléctrica incorrecta (Amperes, Voltagem e Frequência)
  - qualquer produto utilizado com uma mistura de combustível incorrecta (combustível, óleo, percentagem de óleo)
  - qualquer dano causado por influências externas (químicas, físicas, impactos) ou substâncias estranhas
  - desgaste e degradação normal de sobresselentes
  - utilização incorrecta, sobrecarga da ferramenta
  - utilização de acessórios ou peças não aprovados
  - quaisquer ajustes periódicos a, ou limpeza de manutenção de, carburadores
  - Componentes (peças e acessórios) sujeitos a desgaste e degradação natural, incluindo mas não se limitando a, maçanetas anti-choque, correias de transmissão, embraíagens, lâminas de recortadores de sebes ou cortarelas, arneses, cabos de acelerador, escovas de carvão, cabos eléctricos, dentes, anilhas de feltro, pinos de engate, ventoinhas do soprador, tubos do soprador e do aspirador, cintas e sacos do aspirador, barras de guia, correntes de serra, mangueiras, peças de ligação, bocais de pulverização, rodas, varinhas de pulverização, bobinas interiores, bobinas exteriores, linhas de corte, velas de ignição, filtros do ar, filtros de gasolina, lâminas trituradoras, etc.
- Para assistência, o produto tem de ser enviado para, ou apresentado em, um posto de assistência autorizado RYOBI, conforme listado para cada país na lista de moradas de postos de assistência seguinte. Nalguns países, o seu concessionário RYOBI local encarrega-se de enviar o produto para a organização de assistência RYOBI. Quando enviar um produto para um posto de assistência RYOBI, o produto deve ser embalado de forma segura, sem conter nenhuns conteúdos perigosos (por exemplo, gasolina), marcado com o endereço do remetente e acompanhado por uma breve descrição da avaria.
- Uma reparação/substituição ao abrigo desta garantia é gratuita. Não constitui um prolongamento a, nem um novo início de, o período da garantia. As peças ou ferramentas substituídas tornam-se propriedade nossa. Nalguns países, o remetente terá de pagar os custos de entrega ou a remessa postal. Os seus direitos previstos por lei resultantes da compra da ferramenta mantêm-se inalterados
- Esta garantia é válida na Comunidade Europeia, Suíça, Islândia, Noruega, Liechtenstein, Turquia, Rússia e Reino Unido. Fora destas áreas, entre em contacto com o seu concessionário autorizado RYOBI para determinar se existe outra garantia aplicável.

### CENTRO DE ASSISTÊNCIA AUTORIZADO

Qualquer pedido ou problema relacionado com o produto pode ser encaminhado para os seus centros de reparação autorizados locais (visite [www.ryobitools.eu](http://www.ryobitools.eu)) ou directamente para: Techntronic Industries GmbH, Max Eyth Straße 10, 71364 Winnenden, Germany. Indique o número de série e o tipo de produto impressos na etiqueta.

## DA RYOBI BETINGELSER FOR GARANTI

Udover lovbestemte rettigheder, som resulterer af købet, er dette produkt dækket af en garanti, som anført herunder.

- Garantiperioden er 24 måneder for forbrugere og begynder på den dato, som produktet blev købt. Denne dato skal dokumenteres af en faktura eller andet bevis for køb. Produktet er udelukkende designet og dedikeret til forbrugere og privat brug. Så der ydes ingen garanti i tilfælde af professionel eller kommerciel brug.
- Der er en mulighed for at forlænge garantiperioden for en del af udvalget af haveværktøj (AC/DC), hen over den ovenfor beskrevne periode vha. registrering på hjemmesiden [www.ryobitools.eu](http://www.ryobitools.eu). Betingelsen af værktøjet til forlængelse af garantiperioden er tydeligt vist i butikker og/eller på emballage og indeholdt i produktokumentationen. Slutbrugeren skal registrere hans/hendes nyligt indkøbte værktøj online indenfor 30 dage efter købsdatoen. Slutbrugeren kan registrere sig for den forlængede garanti i sit land, hvis han/hun er opført på den online registreringsformular, hvor denne mulighed er gyldig. Derudover skal slutbrugere give deres samtykke til at opbevare data, som er påkrævet at indtaste online, og de er nødt til at acceptere vilkår og betingelser. Registreringsbekræftelseskvitteringen, som sendes ud på e-mail, og den originale faktura, som viser købsdatoen, vil fungere som bevis for den forlængede garanti.
- Garantien dækker alle defekter, som et produkt måtte have i løbet af garantiperioden, og som skyldes produktionsfejl eller materialefejl på købsdatoen. Garantien er begrænset til reparation og/eller udskiftning og inkluderer ikke andre forpligtelser, inklusiv men ikke begrænset til tilfældige skader eller følgeskader. Garantien er ugyldig, hvis produktet er blevet mistet, brugt uden at overholde vejledningen, eller det er blevet forkeret tilslutet. Denne garanti gælder ikke:
  - Beskadigelse af produktet, som er et resultat af uegnet vedligeholdelse
  - Et produkt der er blevet ændret eller modificeret
  - Et produkt hvor de originale identifikationsmærkninger (varemærke, serienummer) er blevet ødelagt, ændret eller fjernet.
  - Enhver beskadigelse forårsaget af manglende overholdelse af vejledningen
  - Ethvert ikke CE-produkt
  - Ethvert produkt som er blevet forsøgt repareret af en ukvalificeret professionel eller uden tidligere autorisation af Techntronic Industries.
  - Ethvert produkt som er tilslutet uegnet strømforsyning (ampere, spænding, frekvens)
  - Ethvert produkt som bruges med uegnet brændstofblanding (brændstof, olie, procentdel olie)
  - Enhver skade forårsaget af ekstern påvirkning (kemisk, fysisk, chok) eller fremmedelementer
  - Normal slid på reservedele
  - Uegnet brug, overbelastning af værktøjet
  - Brug af ikke-godkendt tilbehør eller dele
  - Alle regelmæssige justeringer eller vedligeholdelsesrengøring af karburatorer
  - Komponenter (dele og tilbehør) som er udsat for naturlig slid og ælde, inklusiv men ikke begrænset til drejeknapper, drivrem, greb, klinger til hæktrimmere eller plæneklippere, sele, kabel gasspjæld, kulbørster, elledning, tænder, filtskiver, ophængstapper, blæserventilatorer, blæser- og sugeslanger, sugepose og stropper, styrestænger, savkæder, slanger, forbindelsespakninger, sprøjtedyser, hjul, sprøjtestave, indvendige ruller, udvendige ruller, udvendige spoler, skærelinjer, tændrør, luftfiltre, gasfiltre, tildækningsblade etc.
- For eftersyn skal produktet sendes til eller præsenteres for en RYOBI-autoriseret service værksted, som er oplyst for hvert land i den følgende liste over service værksted adresser. I nogle lande påtager din lokale RYOBI-forhandler sig ansvaret for at sende produktet til RYOBI-serviceorganisationen. Når et produkt sendes til en RYOBI-service værksted, skal det pakkes sikkert ind uden noget farligt indhold som benzin, mærkes med afsenderens adresse og med en kort beskrivelse af fejlen.
- En reparation/erstatning under denne garanti er gratis. Den udgør ikke en forlængelse eller en ny start på garantiperioden. Udvekslede dele eller værktøjer bliver vores ejendom. I nogle lande skal leveringsafgifter eller porto betales af afsenderen. Dine lovbestemte rettigheder i forbindelse med købet forbliver uanfægtede
- Denne garanti gælder i EU, Schweiz, Island, Norge, Liechtenstein, Tyrkiet, Rusland og Storbritannien. Udenfor disse områder bedes du kontakte din autoriserede RYOBI-forhandler for at afgøre, om en anden garanti gælder.

### AUTORISEREDSE SERVICEVÆRKSTEDER

Enhver anmodning eller problem angående produktet kan adresseres til dine lokale autoriserede servicecentre (gå ind på [www.ryobitools.eu](http://www.ryobitools.eu)) eller direkte til: Techntronic Industries GmbH, Max Eyth Straße 10, 71364 Winnenden, Germany. Angiv serienummer og produkttype, der er trykt på etiketten.

## SV RYOBI ANVÄNDNINGSVILLKOR FÖR GARANTI

Förutom eventuella lagstadgade rättigheter som uppstår genom köpet, täcks den här produkten av en garanti som anges nedan.

- Garantiperioden är 24 månader för konsumenter och börjar gälla från det datum då produkten köptes. Detta datum måste dokumenteras på en faktura eller annat köpbevis. Produkten är utformad och avsedd för konsumenter och privat bruk. Därmed tillhandahålls ingen garanti vid yrkesmässigt eller kommersiellt bruk.
- Det finns möjlighet att förlänga garantiperioden för en del av utbudet för trädgårdsverktyg (AC/DC) under den period som anges ovan genom att använda registreringen på webbplatsen [www.ryobitools.eu](http://www.ryobitools.eu). De verktyg som är berättigade till en förlängning av garantiperioden visas tydligt i butikler och/eller på förpackningen/och anges i produktdokumentationen. Slut användaren behövs registrera hans/hennes nyförvärvade verktyg online inom 30 dagar från köpdatumet. Slut användaren kan registrera sig för den förlängda garantin i det land där han/hon bor om landet finns angivet i registreringsformuläret online och där detta alternativ är giltigt. Dessutom måste slut användaren ge sitt medgivande till lagring av data vilket krävs vid registrering online samt acceptera villkoren. Bekräftelsekvittot för registreringen som skickas ut via e-post och originalfakturan som visar köpdatumet kommer att gälla som bevis för den förlängda garantin.
- Garantin täcker alla produktdefekter under garantiperioden som beror på brister i utförande eller material vid köpdatumet. Garantin är begränsad gällande reparation och/eller utbyte och inkluderar inte några skyldigheter inklusive men inte begränsat till oförutsedda skador eller följdskador. Garantin är inte giltig om produkten har missbrukats, använts i strid med bruksanvisningen eller inte anslutits på rätt sätt. Denna garanti täcker inte:
  - eventuella skador på produkten som uppstått till följd av felaktigt underhåll
  - produkter som har ändrats eller modifierats
  - produkter där ursprungliga identifieringsmärkningarna (varumärke, serienummer) har målats över, ändrats eller tagits bort
  - eventuella skador som uppstått till följd av att bruksanvisningen inte efterföljts
  - alla icke CE-produkter
  - eventuella produkter som har försökts repareras av en icke-kvalificerad yrkesman eller utan föregående medgivande från Technronic Industries.
  - eventuella produkter som anslutits till felaktig strömförsörjning (ampere, volt, frekvens)
  - eventuella produkter som använts med olämplig bränsleblandning (bränsle, olja, oljeprocent)
  - eventuella skador som uppstått till följd av yttre påverkan (kemisk, fysisk, stöt) eller främmande ämnen
  - normalt slitage av reservdelar
  - olämplig användning, överbelastning av verktyget
  - användningen av icke-godkända tillbehör eller delar
  - Eventuella periodiska justeringar av eller vid underhållsrengöring av förgasare
  - Komponenter (delar och tillbehör) är föremål för naturligt slitage, inklusive men inte begränsat till tryckknappar, drivremmar, koppling, blad till kantrimrar eller gräsklippare, sele, gasreglageväjare, kolborstar, strömladd, spetsar, filterbrickor, kopplingsprint, blåsfäkt, blås- och sugrör, sugpåse och remmar, styrskenor, sägkedjor, slangar, anslutningsdonördel, spraymunstycken, hjul, spraystavar, innerullar, ytterspolar, skärtråd, tändstift, luftfilter, gasfilter, spröydelningsblad osv.
- Vid service måste produkten skickas eller uppvisas för en RYOBI- auktoriserad servicestation som står angiven för varje land i följande adresslista över servicestationer. I vissa länder tar din lokala RYOBI- återförsäljare på sig ansvaret att skicka produkten till RYOBI- serviceorganisationen. När en produkt skickas till en RYOBI- servicestation, ska produkten paketeras säkert utan något farligt innehåll såsom bensin, markeras med avsändarens adress samt en kort beskrivning av felet.
- En reparation/ett utbyte under denna garanti är kostnadsfri. Det utgör inte en förlängning eller förymelse av garantiperioden. Utbyta delar eller verktyg blir vår egendom. I vissa länder måste leveranskostnader eller porto betalas av avsändaren. Dina lagstadgade rättigheter som härrör från köpet av verktyget förblir opåverkade
- Denna garanti är giltig i Europeiska gemenskapen, Schweiz, Island, Norge, Liechtenstein, Turkiet, Ryssland och Storbritannien. Utanför dessa länder, kontakta din auktoriserade RYOBI- återförsäljare för att avgöra om en annan garanti gäller.

### AUKTORISERAT SERVICECENTER

Varje begäran eller problem avseende produkten kan adresseras till ditt lokala auktoriserade servicecenter (besök [www.ryobitools.eu](http://www.ryobitools.eu)) eller direkt till: Technronic Industries GmbH, Max Eyth Straße 10, 71364 Winnenden, Germany. Ange serienumret och produkttypen som anges på etiketten.

## FI RYOBI-TAKUUN SOVELTAMISEHDOT

Tällä tuotteella on oston luomien lakisäästeiden oikeuksien ohella alla mainitun mukainen takuu.

- Takuun kesto on kuluttajille 24 kuukautta ja takuuaika alkaa tuotteen ostohetkestä. Tämän päivämäärän tulee lukea laskussa tai muussa ostotositteesta. Tuote on suunniteltu ja tarkoitettu vain kuluttajien ja yksityiseen käyttöön. Takuu ei siis kata ammatti- eikä kaupallista käyttöä.
- Joidenkin putarhätökalujen (AC/DC) takuun kesto on mahdollista laajentaa yllä mainittua kesto pidemmäksi verkkoosivuston [www.ryobitools.eu](http://www.ryobitools.eu) rekisteröinnin kautta. Työkalujen kelpoisuus takuujakson laajennukseen näkyy selkeästi myymälöissä ja/tai pakkauksissa ja/tai tämä tieto sisältyy tuotedokumentaation. Loppukäyttäjän täytyy rekisteröidä vasta hankittu työkalu internetissä 30 päivän kuluessa ostopäivämäärästä. Loppukäyttäjää voi rekisteröidä laajennettun takuun kolmeaanssa, jos se on tueltuella online-rekisteröintilomakkeessa, jossa mainitaan, missä tämä vaihtoehto on voimassa. Loppukäyttäjien täytyy lisäksi hyväksyä tietojen tallennus, jotka heidän täytyy antaa online-tilassa sekä ehdot. Rekisteröinnin vahvistuskuitti, joka lähetetään sähköpostitse, ja alkuperäinen ostopäivämäärän ilmaiseva lasku toimivat laajennettun takuun tositteina.
- Takuu kattaa kaikki tuotteenen takuuaikana tulevat viat, joiden aiheuttajina ovat tuotteenosa ostopäivänä olleet valmistus- tai materiaaliviat. Takuu on rajoitettu korjaukseen jalkien vaihtoon eikä se sisällä mitään mutta velvoitteita mukaan lukien satunnais- ja seurannaisvahinkoja, mutta rajoittumatta niihin. Takuu ei päde, jos tuotetta on käytetty väärin, käyttöohjeeseen vastaisesti tai jos se on liitetty virheellisesti. Tämä takuu ei kata:
  - virheellisestä huollosta johtuvia vaurioita
  - muunnuttua tai muutettua tuotetta
  - tuotetta, jonka alkuperäiset tunnistemerkinnät (tavaramerkki, sarjanumero) on turmeltu, muutettu tai poistettu
  - tämän käyttöoppaan laiminlyönnistä johtuvia vaurioita
  - ei-CE-tuotetta
  - tuotetta, jota on yrittänyt korjata epäpätevä ammattilainen tai joka on korjattu ilman Technronic Industriesin ennakkolupa.
  - tuotetta, joka on liitetty virheelliseen teholahteteseen (ampeirit, jännite, taajuus)
  - tuotetta, jossa on käytetty väärää polttoaineseosta (polttoaine, öljy, öljyprosentti)
  - ulkoisten vaikutusten (kemiallinen, fyysinen, iskut) tai vieraiden aineiden aiheuttamaa vauriota
  - normaaleja kuluja vaurioita
  - virheellistä käyttöä, työkalun ylikuormitusta
  - ei-hyväksytyjen tarvikkeiden tai osien käyttöä
  - Kaasutinten säännöllistä säätöä tai ylläpitävää puhdistusta
  - Luonnollisesti kuluja komponentteja (osia tai tarvikkeita), joihin sisältyvät puskunipit, käyttöihinat, kytkin, pensasleikkurien tai ruohonleikkurien terät, valjaat, kaasuvaijeri, hihharajat, virtajohto, piikit, huopatiivisteet, sokkapatit, puhallinten tuulettimek, puhallin- ja imu-puiket, muurin säkit ja ihinat, terälevyt, sahankeijut, leikut, liinostat, siikusuttimet, pyörät, ruiskutuspuiket, sisä- ja ulkoeläet, leikkusuomitt, hehkutalut, ilmansuodattimet, kaasusuodattimet, siipputerät yms. näihin kuitenkin rajoittumatta.
- Tuote on lähetettävä huollettavaksi valtuutettuun RYOBI-huoltoon tai näytettävä siellä. Niiden osoitteet kussakin maassa löytyvät seuraavasta luettelosta. Joissakin maissa paikallinen RYOBI-jälleenmyyjä huolehtii tuotteen lähetyksestä RYOBI-huolto-organisaatioon. Kun tuote lähetetään RYOBI-huoltoon, se täytyy pakata hyvin ilman vaarallisia aineita, kuten polttoainetta, ja pakkaukseen täytyy merkitä lähettäjän nimi sekä vian lyhyt kuvaus.
- Takuun kattama korjaus/vaihto on maksuton. Se ei tarkoita takuujakson laajennusta tai alkamista alusta. Vaihdetut osat tai työkalut siirtyvät valmistajan omistukseen. Joissakin maissa lähettäjän täytyy maksaa lähetyskustannukset tai postikulut. Työkalun oston luomat lakisäästeiset oikeudet pysyvät koskemattomina
- Tämä takuu on voimassa Euroopan yhteisössä, Sveitsissä, Islannissa, Norjassa, Liechtensteinissa, Turkissa, Venäjällä ja Yhdistyneessä kuningaskunnassa. Osa näiden alueiden ulkopuolella yhteyttä omaan valtuutettuun RYOBI-jälleenmyyjään ja selvitä, onko jotain muuta takuuta.

### VALTUUTETTU HUOLTO

Kaikki tuotteenen liittyvät pyynnöt tai kysymykset voidaan osoittaa paikallisille valtuutetuille huoltoilikoille (katso [www.ryobitools.eu](http://www.ryobitools.eu)) tai suoraan osoitteeseen: Technronic Industries GmbH, Max Eyth Straße 10, 71364 Winnenden, Germany. Ilmoita tarraan painettu sarjanumero ja tuotetyyppi.



## NO RYOBI GARANTIBETINGELSER

I tillegg til eventuelle lovbestemte rettigheter som følger av kjøpet, er dette produktet dekket av en garanti som angitt nedenfor.

- Garantiperioden er 24 måneder for konsumenter og gjelder fra den datoen som produktet ble kjøpt. Denne datoen skal dokumenteres med en faktura eller annet kjøpsbevis. Produktet er designet og beregnet kun til konsument- og privat bruk. Så det gis ingen garanti ved profesjonell eller kommersiell bruk.
- For en del av utvalget av hageverktøy (AC/DC) er det mulighet til å utvide garantiperioden i den perioden som er beskrevet ovenfor ved bruk av registreringer på nettsidene [www.ryobitools.eu](http://www.ryobitools.eu). Kvalifiseringen av verktøyene for en utvidelse av garantiperioden er tydelig vist i butikker og/eller på pakningen / og finnes innen produktdokumentasjonen. Sluttbrukeren må registrere sine nylig anskaffede verktøy online innen 30 dager etter kjøpsdato. Sluttbrukeren kan registrere seg for den utvidede garantien i sitt land hvis det er opplyst på online registreringsskjemaet der dette alternativet er gyldig. Videre må sluttbrukere gi sitt samtykke til oppbevaring av dataene som kreves for å gå online, og de må godta vilkår og betingelser. Registreringsbekræftelsen, som sendes ut på e-post, og den originale fakturaen som viser forårsdato, vil tjene som bevis for den utvidede garantien.
- Garantien dekker alle defekter i produktet under garantiperioden på grunn av defekter i utførelse eller materiale på kjøpsdato. Garantien er begrenset til å reparere og/eller erstatte og inkluderer ikke noen andre forpliktelser, inkludert, men ikke begrenset til, tilfeldige eller følgesmessige skader. Garantien er ikke gyldig hvis produktet har blitt misbrukt, brukt på annen måte enn det som beskrives i bruksanvisningen eller er koblet til på feil måte. Denne garantien gjelder ikke for:
  - enhver skade på produktet som er resultat av utilsikketlig vedlikehold
  - ethvert produkt som har blitt endret eller modifisert
  - ethvert produkt der de originale identifiseringsmerkene (varemerke, serienummer) har blitt uleselig, er endret eller fjernet
  - enhver skade som forårsakes av ikke-overholdelse av instruksjonshåndboken
  - ethvert ikke-CE-produkt
  - ethvert produkt som har blitt forsøkt reparert eller av en ikke-kvalifisert fagperson eller uten tidligere autorisasjon fra Technonic Industries.
  - ethvert produkt tilkoblet feil strømforsyning (ampere, spenning, frekvens)
  - ethvert produkt som brukes med feil drivstoffblandning (drivstoff, olje, prosentandel olje)
  - enhver skade som er forårsaket av eksterne påvirkninger (kjemiske, fysiske, støt) eller fremmede stoffer
  - normal slitasje og sliteserservedeler
  - feil bruk, overbelastning av verktøyet
  - bruk av ikke-godkjent tilbehør eller deler
  - Eventuelle periodiske justeringer av eller vedlikeholdsrengjøring av forbrennere
  - Komponenter (deler og tilbehør) som er underlagt naturlig slitasje, inkludert, men ikke begrenset til bulkknøtter, drivreimer, clutch, blader på hekktrimmere eller gressklippere, seler, kabelspjeld, karbonbørster, strømledning, kniver, feltpakninger, heispinner, blåsevisfler, blåse- og vakuumslang, vakuumpose og reimer, førerstenger, sagkjeder, strømpjer, koblingsmonteringer, spraydyser, hjul, spraystenger, indre spoler, ytre spoler, kuttelinjer, tennplugg, luftfilter, gassfilter, mulchingblader osv.
- For service må produktet sendes eller fremlegges for en RYOBI-autorisert servicestasjon opplyst for hvert land i den følgende listen over servicestasjonsadresser. I noen land sender den lokale RYOBI-forhandleren produktet til RYOBI servicorganisasjonen. Ved å sende et produkt til en RYOBI servicestasjon skal produktet være sikkert pakket uten noe farlig innhold, slik som bensin, merket med senderens adresse og fulgt av en kort beskrivelse av feilen.
- En reparasjon/erstatning under denne garantien er gratis. Den utgjør ingen forlengelse eller en ny start av garantiperioden. Utvekslede deler eller verktøy blir vår eiendom. I noen land vil leveringskostnader eller franking måtte betales av senderen. Dine lovbestemte rettigheter som oppstår fra kjøp av verktøyet forblir uberørt.
- Denne garantien er gyldig i EU, Sveits, Island, Norge, Liechtenstein, Tyrkia, Russland og Storbritannia. Utenfor disse områdene ta kontakt med din autoriserte RYOBI-forhandler om en annen garanti gjelder.

### AUTORISERT SERVICESTASJON

Enhver forespørsel eller problem med produktet kan henvises til de lokale autoriserte servicestasjonene (se [www.ryobitools.eu](http://www.ryobitools.eu)) eller direkte til: Technonic Industries GmbH, Max Eyth Straße 10, 71364 Winnenden, Germany. Angi serienummer og produkttype som er trykket på etiketten.

## RU УСЛОВИЯ ПРИМЕНЕНИЯ ГАРАНТИИ НА ПРОДУКЦИЮ RYOBI

Помимо законных прав, возникающих при покупке, данное изделие покрывается гарантией в соответствии с приведенными ниже пунктами.

- Гарантийный период для покупателя составляет 24 месяца с даты покупки изделия. Дата покупки должна быть подтверждена полностью заполненным гарантийным талоном и чеком о покупке. Данное изделие предназначено только для частного использования покупателем. Поэтому гарантия не распространяется на использование в профессиональных или коммерческих целях.
- Предусмотрена возможность продления для части изделий линейки садовых инструментов (AC/DC) гарантийного периода с помощью регистрации на сайте [www.ryobitools.eu](http://www.ryobitools.eu). Право инструмента на продление гарантийного периода четко указано в магазинах и / или на упаковке / и содержится в сопутствующему инструменту документации. Конечный пользователь должен зарегистрировать свой приобретенный инструмент в течение 30 дней с даты покупки. Конечный пользователь может зарегистрировать свой инструмент на продление гарантии в стране своего проживания, если она указана в форме онлайн-регистрации. Кроме того, конечный пользователь должен дать свое согласие на хранение данных, которые необходимо ввести в онлайн-форму и принять правила и условия. Подтверждение регистрации, которое вы получите по электронной почте, заполненный гарантийный талон и оригинальный чек, в котором указана дата покупки, будут служить доказательством продленной гарантии.
- Гарантия покрывает в течение гарантийного периода все дефекты качества или материала изделия на дату покупки. Гарантия ограничена ремонтом и / или заменой и не включает никакие другие обязательства, включая, но не ограничиваясь случайными или косвенными убытками. Гарантия становится недействительной, если изделие использовалось не по назначению, вопреки инструкциям, данным в Руководстве пользователя или было неправильно подключено. Настоящая гарантия не распространяется на:
  - любые повреждения изделия в результате неправильного технического обслуживания или недостаточного ухода за инструментом
  - любые изделия, подвергшиеся изменениям и модификации
  - любые изделия, оригинальные идентификационные отметки которого (торговая марка, серийный номер) были повреждены, изменены или удалены
  - любые повреждения, вызванные несоблюдением инструкций Руководства пользователя
  - любые изделия, не сертифицированные маркировкой "CE" для продажи в Европейском союзе
  - любые изделия, подвергшиеся попыткам ремонта неквалифицированным работником или без предварительного утверждения компанией Technonic Industries.
  - любые изделия, подключенные к неправильному источнику питания (сила тока, напряжение, частота)
  - любые изделия, в которых использовались несоответствующие топливные смеси (топливо, масло, процент масла)
  - любые повреждения, вызванные внешними воздействиями (химические, физические, удары) или посторонними веществами
  - естественный износ запасных деталей
  - несоответствующее использование, перегрузка инструмента
  - использование неутвержденных аксессуаров и неоригинальных запасных деталей
  - любые регулярные регулировки, техническое обслуживание или чистка карбюраторов
  - компоненты (детали и аксессуары), подверженные естественному износу, включая, но не ограничиваясь фиксаторы шпильки приводные ремни, сдельные муфты, лезвия триммеров и газонокосилок, плевачные ремни, кабельный дроссельный регулятор, угольные щетки, кабели питания, зубья, войлочные шайбы, фиксирующие шпильки, вентиляторы воздушной заслонки, трубки воздушной заслонки и пылесоса, мешок для сбора мусора и ремни, пыльные шины, пыльные цепи, шланги, соединительные детали, распылительные насадки, колеса, распылительные переходники, внутренние катушки и шпули, режущую леску, свечи зажигания, воздушные и топливные фильтры, мульчирующие лезвия и др.
- Для проведения технического обслуживания изделие следует направлять в авторизованные сервисные центры RYOBI, указанные для каждой страны в приведенном ниже списке адресов станций сервисного обслуживания. В некоторых странах местные дилеры RYOBI отправляют изделия в сервисные организации RYOBI. При отправке изделия в сервисный центр RYOBI, изделие должно быть безопасно упаковано и не содержать никаких опасных веществ, таких как бензин, должен быть подписан адрес отправителя и сопровождаться кратким описанием неисправности.
- Ремонт / замена проводится в рамках настоящей гарантии бесплатно. Он не продлевает гарантию и не начинает новый гарантийный период. Замененные детали и инструменты становятся нашей собственностью. В некоторых странах отправитель должен оплачивать стоимость отправки. Ваши законные права, возникшие при покупке инструмента, остаются неизменными.
- Настоящая гарантия действительна в Европейском Сообществе, Швейцарии, Исландии, Норвегии, Лихтенштейне, Турции, России и Великобритании. Вне указанных территорий обращайтесь к своему авторизованному дилеру RYOBI, чтобы узнать, применяются ли условия каких-либо других гарантий.

### УПОЛНОМОЧЕННЫЙ СЕРВИСНЫЙ ЦЕНТР

При возникновении проблем с изделием обращайтесь в один из региональных авторизованных сервисных центров (см. [www.ryobitools.eu](http://www.ryobitools.eu)) или напрямую: Technonic Industries GmbH, Max Eyth Straße 10, 71364 Winnenden, Germany. Укажите серийный номер и тип изделия, указанные на табличке.





## PL WARUNKI GWARANCJI RYOBI

Oprócz praw ustawowych wynikających z zakupu produkt jest objęty gwarancją, której warunki podano poniżej.

1. Okres gwarancyjny wynosi 24 miesiące dla konsumentów i rozpoczyna się w dniu zakupu produktu. Datę zakupu należy udokumentować fakturą lub innym dowodem zakupu. Produkt został zaprojektowany i jest przeznaczony do użytku konsumenckiego i prywatnego. W związku z tym gwarancja nie obejmuje zastosowań profesjonalnych i komercyjnych.
2. Istnieje możliwość wyłączenia okresu gwarancyjnego dla części asortymentu narzędzi ogrodniczych (AC/DC) poprzez zarejestrowanie produktu na stronie internetowej [www.ryobitools.eu](http://www.ryobitools.eu). Kwalifikowalność narzędzi do wyłączenia okresu gwarancyjnego jest wyraźnie określona w sklepach i/lub na opakowaniu oraz w dokumentacji produktu. Użytkownik końcowy musi zarejestrować nowo kupione narzędzia online w ciągu 30 dni od daty zakupu. Użytkownik końcowy może zarejestrować się w celu przedłużenia gwarancji w swoim kraju zamieszkania, jeżeli jest on wymieniony w formularzu rejestracji online, gdzie opcja ta obowiązuje. Ponadto użytkownicy końcowi muszą wyrazić zgodę na przechowywanie danych, wprowadzanych na stronie internetowej i zaakceptować regulamin. Dowodem wyłączenia gwarancji jest wysłane pocztą elektroniczną potwierdzenie rejestracji i oryginał faktury potwierdzającej datę zakupu.
3. Gwarancja obejmuje wszystkie wady produktu ujawnione w okresie gwarancyjnym wynikające usterek wykonania lub materiału obecnych w dniu zakupu. Gwarancja jest ograniczona do naprawy i/lub wymiany i nie obejmuje żadnych innych zobowiązań, w tym między innymi odpowiedzialności za szkody przypadkowe lub wtórne. Gwarancja nie obowiązuje, jeżeli produkt był nieprawidłowo używany, używany niezgodnie z instrukcją lub nie był prawidłowo podłączony. Gwarancja nie obejmuje:
  - uszkodzenia produktu wynikającego z nieprawidłowej konserwacji,
  - produktu, który został zmieniony lub zmodyfikowany,
  - produktu, którego oryginalne oznaczenie (znak towarowy, numer seryjny) zostało zniszczone, zmienione lub usunięte,
  - jakichkolwiek uszkodzeń wynikających z nieprzestrzegania instrukcji,
  - jakiegokolwiek produktu bez certyfikatu CE,
  - jakiegokolwiek produktu, który było próbковано naprawią z pomocą niewykwalifikowanej osoby lub bez uzyskania wcześniejszej zgody firmy Techtronic Industries.
- jakiegokolwiek produktu podłączonego nie prawidłowego źródła zasilania (nieprawidłowe napięcie prądu, napięcie, częstotliwość),
- jakiegokolwiek produktu, który był używany z nieprawidłową mieszanką paliwową (paliwo, olej, procentowy udział oleju),
- jakichkolwiek uszkodzeń spowodowanych wpływem czynników zewnętrznych (chemicznych, fizycznych, drgań) lub substancji obcych,
- normalnego zużycia części zamiennych,
- nieprawidłowego użycia, przeciążenia narzędzia,
- stosowania niezatwierdzonych akcesoriów lub części,
- jakichkolwiek okresowych regulacji lub czyszczenia gaźników w ramach konserwacji
- elementów (części i akcesoriów) podlegających naturalnemu zużyciu, obejmujących, między innymi, kopułki do zwalniania żyłki, pasy napędowe, sprężelgo, ostrza przycinarek do żywopłotów lub kosiarzek do trawy, uprzęż, przepustnicę linkową, szcztokłi węglowe, przewód zasilania, zęby, podkładki filcowe, kolki podnośnika, wentylatory dmuchawy, rury nadmuchowe i ssawne, worek na śmieci i paski, prowadnice, łańcuchy piły, węże, mocowanie złączcy, dysze natryskowe, koła, przęty natryskowe, szpule wewnętrzne, szpule zewnętrzne, filtry gazu, ostrza do ściółkowania itp.
4. W celu serwisowania produkt należy wysłać lub okazać w autoryzowanym punkcie serwisowym RYOBI znajdującym się na przedstawionym poniżej wykazie punktów serwisowych w poszczególnych krajach. W niektórych krajach lokalny dystrybutor produktów RYOBI podejmuje się wysyłki produktu do centrum serwisowego RYOBI. W przypadku wysyłki do punktu serwisowego RYOBI produkt – pozbawiony jakichkolwiek niebezpiecznych substancji, na przykład benzyny – należy bezpiecznie zapakować i dołączyć adres nadawcy oraz krótki opis usterki.
5. Naprawa/wymiana w ramach niniejszej gwarancji jest bezpłatna. Nie stanowi jednak o przedłużeniu lub rozpoczęciu od nowa biegu okresu gwarancyjnego. Wymienione części lub narzędzia stają się naszą własnością. W przypadku niektórych krajów nadawca będzie musiał uregulować koszty dostawy lub opłaty pocztowe. Prawa ustawowe wynikające z zakupu narzędzia pozostają niezmiennione.
6. Niniejsza gwarancja obowiązuje we Wspólnocie Europejskiej, Szwajcarii, na Islandii, w Norwegii, a także w Liechtensteinie, Turcji, Rosji oraz Zjednoczonym Królestwie Wielkiej Brytanii i Irlandii Północnej. Poza tymi obszarami należy skontaktować się z autoryzowanym dostawcą produktów RYOBI i ustalić, czy obowiązuje inna gwarancja.

### AUTORYZOWANY PUNKT SERWISOWY

Wszelkie zapytania i problemy z produktem można zgłaszać do lokalnych autoryzowanych centrów serwisowych (patrz [www.ryobitools.eu](http://www.ryobitools.eu)) lub bezpośrednio do: Techtronic Industries GmbH, Max Eyth Straße 10, 71364 Winnenden, Germany. Prosimy o podanie wydrukowanego na etykiecie numeru seryjnego oraz typu produktu.

## CS ZÁRUČNÍ PODMÍNKY RYOBI

Kromě zákonných práv vyplývajících z koupě výrobku se na tento výrobek vztahuje také níže uvedené záruka.

1. Záruční doba pro spotřebitele je 24 měsíců a začíná datem nákupu výrobku. Datum musí být zaznamenáno na faktúře nebo jiném dokladu o koupi. Tento výrobek je navržen a určen pouze pro soukromé účely spotřebitelů. Záruka se tedy nevztahuje na profesionální nebo komerční využití výrobku.
2. U některých zahradních nástrojů (AC/DC) je možné záruční dobu prodloužit. K tomu je nutná registrace na stránkách [www.ryobitools.eu](http://www.ryobitools.eu). Možnost prodloužení záruční doby výrobků je jasně uvedena v prodejních, popř. na obalech nebo v dokumentech o výrobku. Koncový uživatel musí svůj nový nástroj zaregistrovat online do 30 dnů od data nákupu. Koncový uživatel se může k prodloužení záruční době zaregistrovat v zemi trvalého pobytu, pokud je tato uvedena na internetovém registračním formuláři u výrobku, kde je tato možnost dostupná. Koncový uživatel musí dále souhlasit s uložením osobních údajů, která musí zadat na internetu, a přijmout obchodní podmínky. E-mail s potvrzením registrace a původní faktura s datem koupě poslouží jako důkaz o prodloužení záruce.
3. Záruka se vztahuje na veškeré vady na výrobku v rámci záruční doby způsobené výrobními vadami nebo vadami materiálu v době koupě. Záruka je omezena na opravu, popřípadě výměnu a nezahrnuje žádné další povinnosti, včetně mimo jiné vedlejších či následných odškodnění. Záruka neplatí při použití výrobku k nevhodným účelům, v rozporu s uživatelskou příručkou nebo při nesprávném zapojení. Záruka se nevztahuje na:
  - veškeré škody na výrobku způsobené nesprávnou údržbou
  - veškeré produkty, které byly pozměněny nebo upraveny
  - veškeré produkty, kde byly původní identifikační prvky (obchodní značka, sériové číslo) poňeny, pozměněny nebo odstraněny
  - veškeré škody způsobené nedodržením pokynů uživatelské příručky
  - veškeré produkty bez CE certifikace
  - veškeré produkty, které se pokusil opravit nekvalifikovaný odborník nebo opravy bez předchozího svolení společnosti Techtronic Industries.
  - veškeré produkty zapojené do nesprávného elektrického zdroje (proud, napětí, frekvence)
  - veškeré produkty používané s nevhodnou palivovou směsí (palivo, olej, procento oleje)
  - veškeré škody způsobené externími vlivy (chemickými, fyzickými, nárazy) nebo cizími látkami
  - běžné opotřebování dílů
  - nevhodné použití, přetěžování nástroje
  - použití neschválených příslušenství nebo dílů
  - veškerá pravidelná seřízení nebo čištění v rámci údržby karburátorů
  - komponenty (díly a příslušenství) podléhající opotřebení, včetně mimo jiné nárazových koleček, posuvných pásů, spojek, nožů plotových nůžek a sekaček na trávu, popruhu, plynového lanka, karbonových kartáčů, napájecího kabelu, zubů, plstěných podložek, závesných kolíků, větráků fukaru, trubíc fukaru a vysavače, vaku, kol, stříkačích tyčí, vnitřních cívek, plynových kotočů, fezných strun, zapalovačích svíček, vzduchových filtrů, plynových filtrů, mulčovačích nožů atd.
4. K provedení servisu musí být výrobek zašlán nebo předán do autorizovaného servisního centra společnosti RYOBI, jejichž adresy jsou uvedeny podle zemí v seznamu servisních center. V některých zemích za vás výrobek pošle servisní organizaci RYOBI sám prodejce výrobků této značky. Při zasílání výrobku do servisního centra RYOBI je potřeba výrobek bezpečně zabalit bez nebezpečného obsahu jako benzín, opatřit adresou odesílatele a připojit krátký popis závady.
5. Oprava, popř. výměna v rámci této záruky je zdarma. Neznámená to prodloužení nebo začátek nové záruční lhůty. Vyměněné díly nebo nástroje přejdou do našeho vlastnictví. V některých zemích platí poštovné odesílatele. Vaše zákonná práva vyplývající z koupě tohoto nástroje zůstávají nedotčena.
6. Tato záruka platí v Evropském společenství, Švýcarsku, na Islandu, v Norsku, Lichtenštejnsku, Turecku, Rusku a Spojeném království. Mimo tuto území kontaktujte autorizovaného prodejce značky RYOBI, který zjistí, zda se na výrobek vztahuje jiná záruka.

### POVĚŘENÉ SERVISNÍ STŘEDISKO

S požadavky nebo problémy týkajícími se tohoto výrobku se můžete obracet na místní pověřené servisní středisko (podle [www.ryobitools.eu](http://www.ryobitools.eu)) nebo přímo na: Techtronic Industries GmbH, Max Eyth Straße 10, 71364 Winnenden, Germany. Uveďte výrobní číslo a druh výrobku ze štítku.



## HU A RYOBI GARANCIA ALKALMAZÁSÁNAK FELTÉTELEI

A vásárlásból adódó törvényben rögzített jogok mellett a termékre az alábbi garancia vonatkozik.

- A fogyasztói garancia tartama 24 hónap, mely a termék vásárlásának napjával kezdődik. Ezt a dátumot számlával vagy a vásárlást igazoló egyéb dokumentummal kell bizonyítani. A termék rendeltetése csak fogyasztói és magánéleti használat. Ezért professzionális vagy kereskedelmi használat esetén a garancia nem érvényes.
- A kerti szerszámok (egyenáramú/váltóáramú) egy részénél a garancia időtartama a [www.ryobitools.eu](http://www.ryobitools.eu) weblapon regisztrálva meghosszabbítható. Az áruházakban, a csomagoláson, illetve a termék dokumentációjában egyértelműen jelzve van, hogy az adott termék garanciája meghosszabbítható-e. A végfelhasználónak a vásárlás dátumától számított 30 napon belül regisztrálnia kell az újonnan vásárolt szerszámot. A végfelhasználó akkor regisztrálhat a kiterjesztett garanciára, ha az ország, ahol lakik, fel van sorolva az online regisztrációs űrlapon azon országok között, ahol választható ez az opció. Ezenkívül a végfelhasználónak bele kell egyeznie az online regisztrálás során szükséges adatok tárolásába, és el kell fogadnia a felhasználási feltételeket. A kiterjesztett garanciát a regisztráció beérkezésétől e-mailben küldött visszaigazolás és a vásárlás dátumát tartalmazó eredeti számla igazolja.
- A garancia a termék vásárlásakor fennálló, a gyártás során keletkezett hibákra és anyaghibákra érvényes a garanciális időtartam alatt. A garancia csak a javításra/cserére korlátozódik, és nem terjed ki semmilyen egyéb kötelezettségre, nem kizárólagosan ideértve a véletlen vagy szándékos rongálást. A garancia nem érvényes, ha a terméket nem megfelelően, a használati utasításban foglaltakkal ellentétben, illetve nem megfelelően csatlakoztatva használták. A garancia nem vonatkozik:
  - a terméket a nem megfelelő karbantartás következtében ért károsításra
  - megváltoztatott vagy átalakított termékre
  - olyan termékre, melyen az eredeti azonosítókat (védjegy, sorozatszám) megromlították, megváltoztatták vagy eltávolították
  - a használati utasítás be nem tartásából eredő kárra
  - CE jelöléssel nem rendelkező termékekre
  - olyan termékre, melyet nem képzett, illetve a Techtronic Industries által nem feljogosított szerelő javított
  - nem megfelelő (áramerősségű, feszültségű, frekvenciájú) áramforrásra csatlakoztatott termékre
  - nem megfelelő üzemanyag-keverékkel (üzemanyag, olaj, olaj aránya) használt termékre
  - külső (vegyi, fizikai, ütés) hatásokból vagy idegen anyagokból eredő károkról
  - a cserélhető alkatrészek természetes kopására és elhasználódására
  - a szerzőm helytelen használatára, túlterhelésére
  - nem jóváhagyott tartozékok és alkatrészek használatára
  - A karburátorok rendszeres beállítása, karbantartása, tisztítása
  - A természetes kopásnak és elhasználódásnak kitett alkatrészek és kiegészítők, például (de nem kizárólag) damildobok, ékszíjak, foglalatok, sövényvágók és fűnyírók kése, heveder, gázbowden, szénkéfék, tápkábel, kultivátorfogak, filcalátétek, akasztószögek, fűvókészülekek ventilátora, fűvókés szívócsövek, szívózsák és pánok, terelőrudak, fűrészlánccok, tömlők, csatlakozószerevények, permetezőfejek, kerekek, permetezőszárak, belső dobok, külső csévék, vágódamilok, gyújtógyertyák, légszűrők, gázsűrők, mulcsokésék stb.
- A terméket javításra el kell vinni egy meghatalmazott RYOBI szervizbe; ezeket az egyes országokhoz a következő listában találja. Egyes országokban a helyi RYOBI kereskedő vállalja a termék elszállítását a RYOBI szervizbe. A terméket veszélyes tartalom, például benzín nélkül csomagolva, a feladói címét feltüntetve, a hiba rövid leírásával együtt küldje el a RYOBI szervizbe.
- A jelen garancia hatálya alatt végzett javítás, illetve csere ingyenes. Nem jelenti a garanciális időtartam újraindulását. A kicserélt alkatrészek és szerszámok a mi tulajdonunkba kerülnek. Egyes országokban a szállítási vagy postázási költség a feladói viseli. A vedőnek a szerzőm megvásárlásából adódó törvényes jogai nem változnak.
- Ez a garancia az Európai Közösségben, Svájcban, Izlandon, Norvégiában, Liechtensteinben, Törökországban, Oroszországban és az Egyesült Királyságban érvényes. E területen kívül kérdezze meg a RYOBI forgalmazót, hogy milyen garancia van érvényben.

### HIVATALOS SZERVIZKÖZPONT

Ha bármilyen kérés vagy problémája van a termékkel kapcsolatban, forduljon a helyi hivatalos szervizközponthoz (látogasson el a [www.ryobitools.eu](http://www.ryobitools.eu) oldalra), vagy közvetlenül ide: Techtronic Industries GmbH, Max Eyth Straße 10, 71364 Winnenden, Germany. Adja meg a címkére nyomtatott sorozatszámot és terméktípust.

## RO CONDIȚII DE APLICARE A GARANȚIEI PENTRU PRODUSELE RYOBI

În plus față de condițiile stabilite rezultate din achiziționarea acestui produs, acesta este acoperit de garanția stipulată mai jos.

- Perioada de garanție este de 24 de luni pentru consumatorii și începe de la data achiziționării produsului. Data de începere a garanției trebuie demonstrată cu o factură sau altă dovadă a cumpărării produsului. Produsul este destinat și conceput doar pentru utilizare în scopuri personale. Din acest motiv, nu se oferă garanție pentru utilizarea sa în scop profesional sau comercial.
- Există posibilitatea de extindere a perioadei de garanție pentru gama de unelte electrice pentru grădini (de CA/CC) peste perioada stipulată mai sus prin înscrierea produsului pe website-ul [www.ryobitools.eu](http://www.ryobitools.eu). Eligibilitatea pentru perioada de extindere a garanției este afișată în mod clar în magazinele de vânzare și/sau pe ambalaj sau este inclusă în documentația livrată împreună cu produsul. Utilizatorul final este obligat să-și înregistreze produsul online în termen de maxim 30 de zile de la achiziția acestuia. Utilizatorul final poate înregistra produsul pentru garanția extinsă oferită în țara sa de rezidență dacă aceasta este listată în formularul de înregistrare online și dacă această opțiune este validă. În plus, utilizatorii finali trebuie să-și dea acordul pentru stocarea datelor personale solicitate la înregistrarea online și trebuie să accepte termenii și condițiile. Mesajul de confirmare a înregistrării, trimis prin e-mail și factura originală cu data achiziției vor dovedi perioada de garanție extinsă.
- Garanția acoperă toate defecțiunile produsului survenite în perioada de garanție datorate defectelor de execuție sau materialelor folosite, începând cu data achiziției acestuia. Garanția este limitată la reparare și/sau înlocuire și nu include alte obligații, inclusiv, dar fără a se limita la daune accidentale sau rezultate pe cale de consecință. Garanția își pierde valabilitatea dacă produsul este utilizat necorespunzător, utilizat neconform cu instrucțiunile de utilizare din manualul cu instrucțiuni sau conectat incorect. Garanția nu se aplică în cazul:
  - oricărei defecțiuni survenite în urma întreținerii necorespunzătoare a produsului
  - oricărui produs alterat sau modificat
  - oricărui produs la care inscripțiile cu datele de identificare (marca comercială, numărul de serie) au fost șterse, modificate sau îndepărtate
  - oricărei defecțiuni datorate neconformării cu instrucțiunile din manualul de utilizare
  - oricărui produs necreativitate CE
  - oricărui produs asupra căruia au fost efectuate tentative de reparare de către personal necalificat sau fără autorizație prealabilă din partea Techtronic Industries.
  - oricărui produs conectat la o sursă de alimentare necorespunzătoare (curent, tensiune, frecvență)
  - oricărui produs utilizat cu un amestec de carburant necorespunzător (combustibil, ulei, proporții de adaos ulei)
  - oricărui defecțiuni datorate unor influențe externe (chimice, fizice, șocuri) sau substanțe străine
  - uzurii și fisurării normale a pieselor de rezervă
  - utilizării neadevurate, suprasolicitarilor uneltei
  - utilizării de piese și accesorii neaprobate
  - Orice operații de curățare sau reglare periodică a carburatoarelor
- Componentele (piese și accesorii) supuse uzurii și defecțiilor normale, care includ, fără a se limita la manșona de protecție, curele de transmisie, ambreiaj, lamele de la tăietoarele de arbore sau gazon, hamașamente, cablu de accelerație, perni de cărbune, cordon de alimentare, dinți, discuri de păslă, știfturi de siguranță, ventilatoare de suflantă, tuburi de aspirare sau suflare, sac de colectare resturi și banda de susținere a acestuia, bare de ghidare, lanțuri de fierăstrău, furtunuri, accesorii de conectare, duze de pulverizare, volante, baghete de pulverizare, moșoare interne, carcase exterioare pentru moșoare, fire tăietoare, bujii, filtre de aer, filtre de gaz, lame de tocător, etc.
- Pentru efectuarea reparațiilor, produsul trebuie trimis sau adus la un centru de reparații autorizat RYOBI din lista următoare de centre de reparații prezentate pentru fiecare țară. În anumite țări, reprezentantul local RYOBI va trimite produsul spre reparare la sediul central de reparații RYOBI. Atunci când trimiteți produsul spre reparare la un centru de reparații RYOBI, acesta trebuie ambalat în siguranță, fără conținut periculos (cum ar fi benzină), marcat cu adresa expeditorului și însoțit de o scurtă descriere a defectului.
- Repararea/înlocuirea în perioada de garanție este gratuită. Aceasta nu este însoțită de o prelungire sau o reințiere a perioadei de garanție. Piesele sau uneltele schimbate devin proprietatea dvs. În anumite țări, taxele de expediție sau poștale vor fi suportate de expeditor. Drepturile dvs. stabilite rezultate din achiziția produsului rămân neschimbate.
- Această garanție este valabilă în Comunitatea Europeană, Elveția, Islanda, Norvegia, Liechtenstein, Turcia, Rusia și Marea Britanie. În afara acestor zone, vă rugăm să contactați reprezentantul dvs. local RYOBI pentru a determina dacă se aplică alt tip de garanție.

### CENTRU DE SERVICE AUTORIZAT

Orice întrebare sau problemă în legătură cu produsul se poate adresa la centrele locale autorizate de service (vizitați [www.ryobitools.eu](http://www.ryobitools.eu)) sau direct la: Techtronic Industries GmbH, Max Eyth Straße 10, 71364 Winnenden, Germany. Vă rugăm să specificați numărul de serie și tipul de produs tipărit pe eticheta.



## LV RYOBI GARANTIJAS PIEMĒROŠANAS NOSACĪJUMI

Papildus jebkādam likumiskajām tiesībām, kuras rodas, veicot pirkumu, izstrādājums tiek nodrošināts ar tālāk tekstā noteikto garantiju.

1. Garantijas periods patērētājiem ir 24 mēneši, tā atskaitē tiek sākta no datuma, kurā veikta izstrādājuma iegāde. Šim datumam jābūt dokumentētam rēķinā vai citā pirkumu apliecinošā dokumentā. Izstrādājums ir radīts un paredzēts tikai patērētāja privātai lietošanai. Saistībā ar iepriekšminēto, garantija netiek nodrošināta profesionālās vai komerciālās lietošanas gadījumā.
2. Pastāv iespēja pagarināt daļas no dārzeņu instrumentu klāsta (Mainstrāvas/akumulatoru) garantiju ilgāk par iepriekš minēto periodu, izmantojot reģistrāciju internetā vietnē [www.ryobitools.eu](http://www.ryobitools.eu). Instrumenti, kas pakļauti garantijas perioda pagarināšanai, tiek skaidri apzīmēti veikalos un/vai uz iepakojuma un izstrādājumu komplektācijā dokumentācijā. Gala lietotājam nepieciešams reģistrēt tā iegādāto jauno instrumentu 30 dienu laikā no pirkuma datuma. Gala lietotājs var reģistrēties pagarinātajai garantijai savā mītnes valstī, ja tā minēta tiešsaistes reģistrācijas veidlapā, kurā šī iespēja ir aktīva. Bez tam, gala lietotājam ir jānodrošina piekrišana tiešsaistes ievadīšanai nepieciešamo datu glabāšanai un jāpiekrīt noteikumiem un nosacījumiem. Reģistrācijas apstiprinājums, kas tiek nosūtīts, izmantojot e-pastu, un rēķina oriģināls, kurā norādīts iegādes datums, kalpo kā pagarinātās garantijas apstiprinājums.
3. Garantija attiecas uz visiem izstrādājuma defektiem garantijas periodā, kas saistīti ar ražošanas vai materiālu defektiem no pirkuma datuma. Šī garantija tiek ierobežota ar remontu un/vai nomainu un neietver jebkādas citas saistības, tajā skaitā, bet ne tikai, cēloniskarīgos vai saistītos bojājumus. Garantija nav spēkā, ja izstrādājums ir nepareizi lietots, izmantots pretējai norādē lietošanas rokasgrāmātā vai bijis nepareizi pieslēgts. Šī garantija netiek attiecināta uz:
  - jebkādiem izstrādājuma bojājumiem, kas radušies nepareizas uzturēšanas rezultātā
  - jebkuru izstrādājumu, kas ticis pārveidots vai mainīts
  - jebkuru izstrādājumu, kura oriģinālās identifikācijas (preču zīme, sērijas numurs) marķējums ir ticis nodzēsts, mainīts vai noņemts
  - jebkādiem bojājumiem, kuri radušies neievērojot norādes lietošanas rokasgrāmātā
  - jebkādam izstrādājumam bez CE sertifikācijas
  - jebkuru izstrādājumu, kura oriģinālās identifikācijas (preču zīme, sērijas numurs) marķējums ir ticis nodzēsts, mainīts vai noņemts
  - jebkuru izstrādājumu, kurš bijis pieslēgts neatbilstošo parametru (strāvas, sprieguma, frekvences) sprieguma avotam
  - jebkuru izstrādājumu, kurš bijis izmantots ar nepareizu degvielas maisījumu (degviela, eļļa, eļļas procentuālais saturs)
  - jebkuriem bojājumiem, kuri radušies ārējās iedarbības (ķīmiskas, fiziskas, triecieni) vai vielu ietekmē
  - detaļu normāla lietošanas nodiluma rezultātā
  - nepareizas lietošanas vai instrumentu pārslodzes rezultātā
  - neapstiprinātu detaļu vai aprīkojuma lietošanas rezultātā
  - jebkādas periodiskus karburatoru regulēšanas darbus vai apkopes tīrīšanu
  - Komponentus (daļas un aksesuārus), kas pakļauti dabīgām nodilumam, ieskaitot, bet neaprobežojoties ar atsitiena poga, piedziņas siksnām, sajūgiem, krūmu šķēru un plaujašmašīnu asmeņiem, uzkabēm, drošību trosītem, oglekļa sukām, elektrības vadiem, tapām, filca aplākšņiem, sakabes tapām, pūteja ventilatoriem, pūteja un sūkšanas caurulēm, savākšanas maisiņiem un siksnām, vadotņu plankām, zaģu ķēdēm, šūtenēm, savienojumu uzgaļiem, izsmidzinātāja uzgaļiem, rīteniem, izsmidzinātāja caurulēm, iekšējām spoļēm, ārējām spoļēm, plaušanas auklām, aizdedzēs svečēm, gaisa filtriem, degvielas filtriem, mulčēšanas asmeņiem, utt.
4. Servisa nodrošināšanai, izstrādājums ir jānodod pilnvarotā RYOBI servisa centrā, kas norādīts katrai valstij tālāk minētajā servisa centru adresē sarakstā. Dažās valstīs jūsu vietējais RYOBI izplatītājs uzņemas izstrādājuma nosūtīšanu uz RYOBI servisa organizāciju. Nosūtīt izstrādājumu uz RYOBI servisa centru, izstrādājuma jābūt droši iepakotam, kas nodrošinās saturēt bīstamas vielas kā degvielu, sūtījumam jābūt marķētam ar sūtītāja adresi un īsu kļūmes aprakstu.
5. Remonts/nomaina šīs garantijas ietvaros ir bezmaksas. Tas nerada garantijas perioda pagarināšanu vai jaunu garantiju. Nomainītās daļas vai instrumentu kļūst par mūsu īpašumu. Dažas valstīs piegādes vai pasta izmaksas būs jāapmaksā sūtītājam. Jūsu likumiskās tiesības, kas nodrošinās, iegādājoties instrumentu, paliek nemainīgas
6. Šī garantija ir spēkā Eiropas Kopienā, Šveicē, Islandē, Norvēģijā, Lichtenšteinā, Turcijā, Krievijā un Apvienotajā Karalistē. Ārpus šīm teritorijām, lūdzu, sazinieties ar jūsu pilnvaroto RYOBI izplatītāju, lai noteiktu, vai ir piemērojama cita garantija.

### AUTORIZĒTS APKALPOŠANAS CENTRS

Ar jebkuru pieprasījumu vai problēmu, kas saistīta ar produktu, var vērsties Jūsu vietējā pilnvarotajā servisa centrā (apmeklējiet [www.ryobitools.eu](http://www.ryobitools.eu)) vai tieši pie: Technonic Industries GmbH, Max Eyth Straße 10, 71364 Winnenden, Germany, Lūdzu, norādiet sērijas numuru un produkta tipu, kas norādīts uz etiķetes.

## LT „RYOBI” GARANTIJOS TAIKĀMO SĀLYGOS

Papildant bet kokias įstatymuose numatytas perkant atsiirandancias teises, šiam įrenginiui taikoma toliau nurodyta garantija.

1. Vartotojams suteikiama 24 mėnesių trukmės garantija nuo įrenginio įsigijimo datos. Ši data turi būti nurodyta sąskaitoje faktūroje ar kitame pirkimo įrodančiame dokumente. Šis įrenginys skirtas tik vartotojų rinkai ir asmeniniam naudojimui. Todėl garantija netaikoma, jei įrenginys naudojamas profesionalūs ar komercinems reikmėms.
2. Įsigijus tam tikrus sudedamuosius įrenginius (AC/DC), suteikiama galimybė pratęsti garantiją, kad ji galiojot ilgiau, nei nurodyta pirmiau, naudojantis registracija interneto svetainėje [www.ryobitools.eu](http://www.ryobitools.eu). Ar galima pratęsti įrenginio garantinį laikotarpį, aiškiai nurodoma parduotuvėse ir (arba) ant įrenginio pakuočės, ir (arba) įrenginio dokumentuose. Galutinis naudotojas turi užregistruoti savo naujai įsigytą įrenginį per 30 dienų nuo įsigijimo datos. Galutinis naudotojas gali registruotis išplėstinei garantijai savo gyvenamojoje šalyje, jei ji nurodyta internetinėje registracijos formoje, kurioje siūdoma tokia galimybė. Be to, galutiniai naudotojai turi sutikti su duomenų, kuriuos reikia įvesti internetu, saugojimu ir svetainės naudojimo sąlygomis. Kaip išplėstinės garantijos įrodymą naudojamos registracijos patvirtinimo kvitas, atsiunčiamas el. paštu, ir originali sąskaita faktūra, kurioje nurodyta įsigijimo data.
3. Ši garantija apima visus garantiniu laikotarpiu aptiktus įrenginio trūkumus, atsiradusius dėl gamybos arba medžiaginių defektų nuo įsigijimo datos. Ši garantija ribojama remontu ir (arba) pakeitimu, ji neapima jokių kitų įsipareigojimų, įskaitant (bet tuo neapsiribojant) galutinius arba antrinius naudotojus. Garantija anuluojama, jei įrenginys buvo naudojamas netinkamai, naudojamas ne pagal nurodomą instrukciją arba netinkamai prijungtas. Ši garantija netaikoma:
  - jokiai įrenginiui padarytai žalai, kurią lėmė netinkama techninė priežiūra;
  - jokiai įrenginiui, kuris buvo keičiamas ar modifikuojamas;
  - jokiai įrenginiui, kurio originalūs identifikavimo ženklai (prekės ženklas, serijos numeris) buvo sugadinti, pakeisti arba pašalinti;
  - jokiai žalai, kurią lėmė naudojimo instrukcijos nesilaikymas;
  - jokiai CE ženklu nepažymėtiems įrenginiams;
  - jokiai įrenginiui, kurį bandė remontuoti nekvalifikuoti asmenys arba kuris buvo remontojamas be „Technonic Industries“ leidimo;
  - jokiai įrenginiui, kuris buvo prijungtas netinkamo maitinimo tinklo (netinkamos srovės, įtampos, dažnio);
  - jokiai įrenginiui, kuris buvo naudojamas su netinkamu degalų mišiniu (degalai, alyva, maišymo santykis);
  - jokiai žaliai, kurią lėmė išorinis poveikis (cheminis, fizinis, smūgiai) arba pašalinės medžiagos;
  - dėvimosioms dalims;
  - netinkamam naudojimui, įrenginio perkrovai;
  - nepatvirtintų priedų arba dalių naudojimui;
  - Jokiai reguliariam karbiuratorių reguliavimui arba priežiūros ir valymo darbams
  - Komponentams (dalims ir priedams), kurie natūraliai dėvisi, įskaitant (bet tuo neapsiribojant) spyruoklines galvutes, pavarų žirnelis, sankabą, gyvatvorių genėtuvą ar žoliapjovių geležtes, diržus, trosinį drošelį, anglišius šepetėlius, maitinimo kabelį, virbus, fetro poveržes, prikabinimo kaiščius, pūstuvo ventilatorius, pūstuvo ir siurblio vamzdžius, siurblio maišą ir diržus, kreipiamuosius strypus, pjūklų grandines, žarneles, jungiamąsias detales, purškimo antgalius, ratus, purškimo liestukus, vidines rites, išorines rites, pjovimo vielą, uždegimo žvakės, oro filtrus, dujų filtrus, mulčavimo geležtes ir pan.
4. Prireikus atlikti priežiūros darbus, įrenginį reikia siųsti arba atvežti RYOBI įgaliotajam priežiūros centrui, nurodytam kiekvienos šalies priežiūros centrų adresų sąrašė. Kai kuriose šalyse vietinis RYOBI atstovas siunčia įrenginį RYOBI priežiūros organizacijai. Siunčiant įrenginį RYOBI priežiūros centrui, reikia saugiai jį supakuoti pašalinant visas pavojingas medžiagas, pvz., benzina, nurodyti ant pakuočės siuntėjo adresą ir pridėti trumpą gedimo aprašymą.
5. Pagal šią garantiją remontas / keitimas atliekami nemokamai. Tokie veiksmai nelaikomi garantijos pratęsimu arba naujo garantinio laikotarpio pradžia. Dalys arba įrenginiai, kuriuos pakeitėme, tampa mūsų nuosavybė. Kai kuriose šalyse pristatymo ir pašto išlaidas turi padengti siuntėjas. Įstatymuose numatytos jūsų teisės, atsiirandancias perkant įrenginį, lieka nepakeistos
6. Ši garantija galioja Europos Bendrijos šalyse, Šveicarijoje, Islandijoje, Norvegijoje, Lichtenšteine, Turkiijoje, Rusijoje ir Jungtinėje Karalystėje. Jei gyvenate ne šiose šalyse, kreipkitės į įgaliotąjį RYOBI atstovą ir sužinokite, ar jums taikoma kita garantija.

### ĮGALIOTAS TECHINIS PRIEŽIŪROS CENTRAS

Jei turite kokių nors pagadavimų ar problemų, susijusių su šiuo gaminiu, galite kreiptis į artimiausią įgaliotąjį techninės priežiūros centrą apsilankydami [www.ryobitools.eu](http://www.ryobitools.eu) arba tiesiogiai: Technonic Industries GmbH, Max Eyth StraÙe 10, 71364 Winnenden, Germany. Nurodykite etiketėje išspausdintą serijos numerį ir gaminio tipą.

## ET RYOBI GARANTIIINGIMUSED

Lisaks toote ostust tulenevatele seadusjärgsetele õigustele, kehtib tootele ka alltoodud garantiiga.

1. Tarbijatele on garantiiaeg 24 kuud ja algab sellel kuupäeval, mil toode osteti. Selle kuupäeva tõestuseks on vaja arvi või mõnda teist tõendit ostu sooritamise kohta. Toode on mõeldud eratarbijatele ainult isiklikuks kasutamiseks. Seega ei kehti garantii ostu kasutamisel kutsesetegevuses või kaubanduslikel eesmärkidel.
2. Teatud osale (vahelduvvoolu/älalisvoolu) aiatööriistadele on võimalik pikendada eespool toodud garantiiaega, kasutades toote registreerimist veebilehel [www.ryobitools.eu](http://www.ryobitools.eu). Teave tööriista võimaliku pikendatud garantiiaja kohta on selgelt esile toodud pöördides ja/või pakendil / ning see sisaldub toote dokumentatsioonis. Lõpptarbijaja peab registreerima oma uued tööriistad interneti teel 30 päeva jooksul pärast ostupäeva. Lõppkasutaja võib registreerida pikendatud garantiiaja saamise oma elukohariigis, kui veebis olevas registreerimisvormis on see valik lubatav. Lisaks peavad kasutajad andma oma nõusoleku veebis nõutud sisestatavate andmete säilitamiseks ning nad peavad nõustuma tingimustega. E-posti teel saadetav registreerimise kinnitus ja arve originaal, kus on näha ostu sooritamise kuupäev, on pikendatud garantiiaja tõestuseks.
3. Garantii katab kõik defektid toote garantiiaja jooksul, kui ostu kuupäeval ilmnevad talitlus- või materjalivead. Garantii piirub toote remondi ja/ või väljavahetamisega ning ei sisalda mudi kohustusi, muu hulgas ettenägematuid või kaudseid kahjusid. Garantii ei kehti, kui toode ei ole kasutatud sihtotstarbelselt või kooskõlas kasutusjuhendiga või see on valesti ühendatud. Garantii ei kehti järgmistel põhjustel:
  - toode on kahjustatud vale hoolduse tõttu
  - toode on muudetud
  - toode algupärase identifitseerimisjärgised (kaubamärk, seerianumber) on rikutud, muudetud või eemaldatud
  - kahju on tekkinud kasutusjuhendi mittejärgmisest
  - tootel puudub CE-märk
  - toode on püüdnud remondida vastavalt kvalifikatsiooni mitte omav isik või ilma firma Technonic Industries eelneva loata.
  - toode on ühendatud valesse toiteallikasse (voolutugevus, pinge, sagedus)
  - tootega kasutati sobimatut kütusesegu (kütus, õli, õli protsent)
  - välismõjude (keemilised, füüsikalised, elektrilõigid) või võõrkehade tekitatud kahju
  - tavapärase kulumine ja katkised varuosad
  - ebaõige kasutamine, tööriista ülekoormamine
  - heakskiitmata tarvikute või osade kasutamine
  - Karburaatorite korralised reguleerimistööd või hooldus- ja puhastustööd
  - Komponentid (osad ja tarvikud), mida iseloomustab kulumine ja vananemine, muu hulgas puutenupud, kiirihmad, sidur, hekilõikurite või muruniidukite lõiketerad, rakmed, gaasitross, süsinikharjad, toitejuhe, freesiterad, viidist seibid, tihvtid, õhuventilaatorid, puhuri- ja imuritrud, kogumiskott ja rihmad, juhkimid, saeketid, voolikud, liitmikud, pihusti otsakud, rattad, pritsi varred, sisemised poolid, välised poolid, jõhvud, süüteküünlad, õhufiltrid, gaasifiltrid, mülmisinterad jne.
4. Hoolduseks peab toote saatma või viima RYOBI volitatud teenindusse, mille aadressi leiate järgnevat teeninduspunkti nimekirjast vastava riigi alt. Mõnedes riikides võtab kohalik RYOBI edasimüüja enda kanda kohustuse saata toode RYOBI teenindusorganisatsiooni. Toote saatmisel RYOBI teenindusse peab toode olema ohutult pakitud ja ei tohi sisaldada ohtlikke aineid (nt bensiini), kirjas peab olema saatja aadress ja lisatud vea lühikirjeldus.
5. Garantii alusel tehtavad remonditööd / asendamine on tasuta. See ei pikenda garantii kehtivusaega ega tähistu vea garantiiaja algust. Väljavahetatud osad või tööriistad kuuluvad meile. Mõnedes riikides maksab kättevõimetamis- ja postikulud saatja. Teile jäävad kehita tööriista ostust tulenevad seadusjärgsed õigused
6. See garantii kehtib Euroopa Liidus, Šveitsis, Islandil, Norras, Liechtensteinis, Türgis, Venemaal ja Ühendkuningriigis. Väljaspool neid piirkondi võtke ühendust volitatud RYOBI edasimüüjaga, et teha kindlaks kas kehtib mõni teine garantii.

### VOLITATUD HOOLDUSKESKUS

Tootega seotud päringute või probleemide korral pöörduge kohaliku volitatud hoolduskeskuse poole (vt [www.ryobitools.eu](http://www.ryobitools.eu)) või otse aadressile: Technonic Industries GmbH, Max Eyth Straße 10, 71364 Winnenden, Germany. Märkige ära sildil olev seerianumber ja toote tüüp.

## HR UVJETI PRIMJENE JAMSTVA TVRTKE RYOBI

Osim svim zakonskim pravima koja proizlaze iz kupnje, ovaj je proizvod pokriven jamstvom kako je navedeno u nastavku.

1. Jamstveno razdoblje za potrošače traje 24 mjeseca i počinje s datumom na koji je proizvod kupljen. Taj datum mora se dokumentirati računom ili drugim dokazom o kupnji. Proizvod je konstruiran i namijenjen samo za privatnu upotrebu korisnika. Stoga se jamstvo ne daje u slučaju profesionalne ili komercijalne uporabe.
2. Postoji mogućnost da se za dio asortimana vrtnih alata pokrenutih izmjeničnom strujom (AC/DC) produži gore navedeno jamstveno razdoblje putem registriranja na mrežnom mjestu [www.ryobitools.eu](http://www.ryobitools.eu). Uvjeti koje je potrebno zadovoljiti kako bi se produžilo jamstveno razdoblje jasno su istaknuti u prodavaonicama i / ili na pakiranju / i nalaze se unutar dokumentacije proizvoda. Krajnji korisnik mora registrirati svoje novo kupljene alate na mreži u roku od 30 dana od datuma kupnje. Krajnji korisnik može se registrirati za produženo jamstvo u svojoj zemlji boravišta ako se nalazi na popisu u mrežnom obrascu za registraciju gdje je ta opcija važeća. Nadalje, krajnji korisnici moraju dati svoj pristanak na pohranu podataka koji su potrebni za mrežni ulazak i moraju prihvatiti odredbe i uvjete. Potvrda o prijemu registracije, koja se šalje putem e-pošte, kao i originalni račun s vidljivim datumom kupnje poslužit će kao dokaz produženog jamstva.
3. Jamstvo pokriva sve nedostatke proizvoda tijekom jamstvenog razdoblja koji su nastali zbog neispravnosti prilikom izrade ili materijala s datumom kupnje. Jamstvo je ograničeno na popravak i/ili zamjenu i ne obuhvaća nikakve druge obveze, uključujući, ali ne ograničavajući se na slučajne ili posljedične štete. Jamstvo ne vrijedi ako je proizvod bio zlorabljeno, korišten u suprotnosti s priručnikom s uputama ili ako je pogrešno spojen. Ovo jamstvo ne primjenjuje se na:
  - svako oštećenje proizvoda koje je rezultat nepravilnog održavanja
  - svaki proizvod koji je izmijenjen ili modificiran
  - svaki proizvod gdje su originalne identifikacijske oznake (zaštitni znak, serijski broj) izbrisane, zamijenjene ili uklonjene
  - svako oštećenje uzrokovano nepridržavanjem korisničkog priručnika
  - svaki proizvod koji nije CE
  - svaki proizvod koji je pokušao popraviti nekvalificirani profesionalac ili bez prethodnog odobrenja od strane Technonic Industries
  - svaki proizvod priključen na nepravilno napajanje energijom (amperi, napon, frekvencija)
  - Svaki proizvod korišten s neodgovarajućom mješavinom (gorivo, ulje, postotak ulja)
  - svako oštećenje uzrokovano vanjskim utjecajima (kemijsko, fiziko, udar) ili stranim stvarima
  - normalno trošenje i habanje rezervnih dijelova
  - nepravilno korištenje, preopterećenje alata
  - korištenje neodobrenog dodatnog pribora ili dijelova
  - rasplinjača nakon 6 mjeseci, podešavanje rasplinjača nakon 6 mjeseci
  - komponente (dijelovi i dodatni pribor) koji su predmet prirodnog trošenja i habanja, uključujući no ne ograničavajući se na gumbce za otpuštanje, pogonske remene, spojk, oštrice trimera za grmlje ili kosilicu, kope, saje gasa, ugljene četke, kabele za napajanje, noževe, podloške, ztike za zglobnu vezu, ventilatore puhalica, cijevi za ispuhavanje i usisavanje, vakuumske vrećice i trake, vodicice, lance pile, crijeva, priključene elemente, mlaznice za raspršivanje, kodače, koplja za raspršivanje, unutarnje kolote, vanjske kalame, flaksove, svjećice, filtre za zrak, filtre za plin, oštrice za usitnjavanje itd.
4. Za potrebe servisiranja, proizvod se mora poslati ili odnijeti u ovlaštenu servisnu postaju tvrtke RYOBI navedenu na sljedećem popisu s adresama servisnih postaja u svakoj zemlji. U nekim zemljama, vaš lokalni RYOBI zastupnik obvezuje se da će poslati proizvod u servisnu organizaciju tvrtke RYOBI. Kada se proizvod šalje u neku servisnu postaju tvrtke RYOBI, proizvod se mora sigurno pakirati bez ijednog od opasnih sadržaja kao što je benzin, na njemu mora pisati adresa pošiljatelja i mora biti popraćen kratkim opisom kvara.
5. Popravak / zamjena pod ovim jamstvom su besplatni. Oni ne predstavljaju produženje ili novi početak jamstvenog razdoblja. Zamijenjeni dijelovi ili alati postaju naše vlasništvo. U nekim državama troškove isporuke ili poštarinu mora platiti pošiljatelj. Vaša zakonska prava koja proizlaze iz kupnje alata ostaju nepromijenjena
6. Ovo jamstvo je valjano u zemljama Europske zajednice, Švicarskoj, Islandu, Norveškoj, Lihtenštajnu, Turskoj, Rusiji i Ujedinjenoj Kraljevini. Izvan tih područja vas molimo da se obratite svojem ovlaštenom zastupniku tvrtke RYOBI kako biste utvrdili primjenjuje li se drugo jamstvo.

### OVLASŤENI SERVISNI CENTAR

Za svaki zahtjev ili problem s proizvodom možete se obratiti vašim ovlaštenim servisnim centrima (posjetite adresu [www.ryobitools.eu](http://www.ryobitools.eu)) ili izravno u Technonic Industries GmbH, Max Eyth Straße 10, 71364 Winnenden, Germany. Navedite serijski broj i vrstu proizvoda oisnutu na naljepnici.

## SL POGOJI ZA VELJAVNOST GARANCIJE RYOBI

Poleg morebitnih zakonsko določenih pravic, ki izvirajo iz nakupa, za ta izdelek velja spodaj navedena garancija.

- Garancijsko obdobje je za potrošnika 24 mesecev in začne teči z dnem nakupa izdelka. Ta datum mora biti dokumentiran z računom ali drugim dokazilom o nakupu. Izdelek je zasnovan in namenjen izključno za potrošniško zasebno uporabo. V primeru strokovne oziroma komercialne uporabe izdelka garancija ne velja.
- Obstaja možnost podaljšanja garancije na del naše ponudbe vrtnih orodij (AC/DC) prek obdobja garancije, opisanega zgoraj, s pomočjo registracije na spletnem mestu [www.ryobitools.eu](http://www.ryobitools.eu). Ustreznost orodij za podaljšanje garancijskega obdobja je jasno prikazana v trgovinah in/ali na embalaži oziroma je navedena v dokumentaciji izdelka. Končni uporabnik mora registrirati svoje novo orodje na spletu v 30 dneh po datumu nakupa. Končni uporabnik lahko registrira podaljšano garancijo v svoji državi bivanja, če je na obrazcu spletne registracije navedeno, da ta možnost velja za njegovo državo. Poleg tega morajo končni uporabniki podati svoje soglasje za shranjevanje podatkov, ki so potrebni za spletni dostop in morajo sprejeti pogoje in določila uporabe spletnega mesta. Potrdilo o registraciji, ki ga pošljemo prek e-pošte, in originalni račun, ki prikazuje datum nakupa, služita kot dokazilo o podaljšani garanciji.
- Garancija krije vse okvare izdelka, do katerih pride v garancijskem obdobju zaradi napak v izdelavi ali materialu, ki so bile prisotne ob datumu nakupa. Garancija je omejena na popravilo in/ali zamenjavo in ne vključuje nobenih drugih obveznosti, med drugim vključno z naključno ali posledično škodo. Garancija ne velja, če je bil izdelek napačno uporabljen, uporabljen v nasprotju z navodili iz priročnika za uporabo ali če ni bil pravilno povezan. Ta garancija ne velja za:
  - škodo na izdelku, ki je posledica neustreznega vzdrževanja
  - spremenjen ali prilagojen izdelek
  - izdelek, katerega originalna identifikacijska oznaka (blagovna znamka, serijska številka) je bil poškodovan, spremenjena ali odstranjena
  - škodo, ki je posledica neupoštevanja navodil iz priročnika za uporabo
  - izdelek, ki nima oznake CE
  - izdelek, ki ga je poskušal opraviti nekvalificiran strokovnjak ali ki je bil popravljen brez predhodne odobritve s strani družbe Technronic Industries.
  - izdelek, ki je bil povezan na neustrezno napajanje (amperska moč, napetost, frekvenca)
  - izdelek, ki je bil uporabljen z neustrezno mešanico goriva (gorivo, olje, odstotek olja)
  - škodo, ki jo povzročijo zunanji vplivi (kemični, fizični, mehanski) ali tuje snovi
  - rezervne dele, ki so podvrženi običajni uporabi
  - neprimerno uporabo, preobremenitev orodja
  - uporabo neodobrenih dodatkov ali delov
  - Vsako redno prilagajanje ali vzdrževalno čiščenje uplinjačev
  - Komponente (sestavni in rezervni deli), ki so podvrženi običajni obrabi, med drugim vključno z gumbi odbijača, pogonskimi jermeni, sklopko, rezili obrezovalnikov za žive meje ali kosilnic za trato, nosilnimi pasovi, kablji, dušilnimi ventili, oglikovimi krtačami, napajalnimi kablji, zobci, tesnili iz filca, vezniimi zatčji, ventilatorji pihalnika, cevimi pihalnika in sesalnika, vrečko in pasovi sesalnika, vodilnimi palicami, verigami motorne žage, cevimi, priključki, razpršilnimi šobami, kolesi, razpršilnimi palicami, notranjimi kolesci, zunanjimi motki, rezalnimi vrvicami, vžigalnimi svečkami, zračnimi filtri, plinskimi filtri, rezili za mulčenje itd.
- Za servisiranje morate izdelek poslati ali prinesiti v pooblaščen servisni center družbe RYOBI, ki je naveden za vsako državo na naslednjem seznamu naslovov servisnih centrov. V nekaterih državah se vaš lokalni posrednik družbe RYOBI obveže, da bo poslal izdelek na servis družbe RYOBI. Ko pošiljate izdelek v servisni center družbe RYOBI, mora biti izdelek varno zapakiran in ne sme vsebovati nobenih nevarnih snovi, kot je npr. bencin, opravljen pa mora biti z naslovom pošiljatelja in vsebovati kratek opis napake.
- Popravilo/zamenjava v skladu s to garancijo sta brezplačni storitvi. To pa ne predstavlja podaljšanja ali ponovnega začeta garancijskega obdobja. Zamenjani deli ali orodja postanejo naša last. V nekaterih državah stroške dostave ali poštno plačilo pošiljatelj. Vaše zakonsko določene pravice, ki izvirajo iz nakupa orodja, ostajajo nespremenjene.
- Ta garancija velja v Evropski skupnosti, Švici, na Islandiji, Norveškem, v Lichtenštajnu, Turčiji, Rusiji in Združenem kraljestvu. Izven teh območij se obrnite na svojega pooblaščenega posrednika izdelkov RYOBI, dealer ki vam bo povedal, ali velja kakšna druga garancija.

### POOBLAŠČEN SERVISNI CENTER

V primeru zahtev ali težav v zvezi z izdelkom se lahko obrnete na lokalne pooblaščen servisne centre (obiščite [www.ryobitools.eu](http://www.ryobitools.eu)) ali neposredno na: Technronic Industries GmbH, Max Eyth Straße 10, 71364 Winnenden, Germany. Prosimo, da navedete serijsko številko in tip izdelka, ki sta natisnjena na oznaki.

## SK ZÁRUČNÉ PODMIENKY RYOBI

Na tento výrobok sa okrem všetkých zákonných práv, vyplývajúcich z nákupu, vzťahuje záruka v nasledovnom znení.

- Záručná doba pre spotrebiteľa je 24 mesiacov a začína plynúť odo dňa, kedy bol výrobok zakúpený. Tento dátum musí byť doložený faktúrou alebo iným dokladom o zakúpení. Výrobok je navrhnutý a určený pre spotrebiteľov a len na súkromné použitie. Preto sa záruka sa neposkytuje v prípade použitia na profesionálne a komerčné účely.
- V prípade záhradného náradia (na striedavý/jednosmerný prúd AC/DC), existuje možnosť predĺženia záručnej doby oproti záručnej dobe, uvedenej vyššie, s využitím on-line registrácie na webovej stránke [www.ryobitools.eu](http://www.ryobitools.eu). Označenie na náradí o nároku na predĺženie záručnej doby je zreteľne uvedené v obchodoch a/alebo na obale a je uvedené v dokumentácii k výrobku. Koncový používateľ musí zaregistrovať svoje novozískané náradie on-line do 30 dní odo dňa nákupu. Koncový používateľ sa môže zaregistrovať na predĺženie záruky v krajine svojho bydliska, ak je v on-line registračnom formulári uvedená táto možnosť. Ďalej musí osoba koncový používateľa ešte dať svoj súhlas k uchovávaniu údajov, ktoré je potrebné zadať on-line a musia súhlasiť s podmienkami. Potvrdenie o prijatí registrácie, ktorý je zasielaný e-mailom a originál faktúry, v ktorej je uvedený dátum nákupu, slúžia ako dôkaz o predĺženej záruke.
- Záruka sa vzťahuje na všetky poruchy výroby v záručnej dobe, spôsobené chybami materiálu alebo spracovania k dátumu nákupu. Táto záruka je obmedzená na opravu a/alebo výmenu a nezahŕňa ďalšie povinnosti, vrátane, okrem iných, náhodné alebo následné škody. Táto záruka je neplátná, ak bol výrobok nesprávne používaný, bol používaný v rozpore s návodom na použitie alebo bol nesprávne zapojený. Táto záruka sa nevzťahuje na:
  - akékoľvek poškodenie výrobku, ktoré bolo spôsobené nesprávnou obsluhou
  - akýkoľvek výrobok, ktorý bol zmenený alebo upravený
  - akýkoľvek výrobok, na ktorom bolo poškodené, upravené alebo odstránené identifikačné označenie (ochranná známka, výrobné číslo)
  - akékoľvek škody, spôsobené nedodrzaním návodu na obsluhu
  - akýkoľvek výrobok, ktorý neobsahuje označenie CE
  - akýkoľvek výrobok, ktorý sa pokúša opraviť nekvalifikovaný odborník alebo bol opravovaný bez predchádzajúceho súhlasu zo strany spoločnosti Technronic Industries.
  - akýkoľvek výrobok, pripojený k nesprávnemu napájacíemu zdroju (ampéry, napätie, frekvencia)
  - akýkoľvek výrobok, používaný s nesprávnou palivovou zmesou (palivo, olej, percento oleja)
  - akékoľvek poškodenia, spôsobené vonkajšími vplyvmi (chemickými, fyzikálnymi, nárazmi) alebo cudzoročnými látkami
  - bežné opotrebovanie náhradných dielov
  - nevhodné používanie, preťažovanie nástroja
  - používanie neschváleného príslušenstva a dielov
  - Akékoľvek pravidelné úpravy alebo čistenie karburátorov, vykonávaných iných údržby
  - Súčiastky (diely a príslušenstvo), ktoré podliehajú prirodzenému opotrebeniu, okrem iných, otočné gombíky, hnacie remene, spojka, nože na nožnice na živý plot alebo kosačku na trávu, popruhy, lanko škrtiace klapky, uhliky, napájací kábel, radličky, plsténé podložky, závesné klince, lopatky fúkačov, trubice vysávača a fúkača, vak do vysávača a popruhy, vodiace líšty, retazové pily, hadice, spojovacie armatúry, trysky, kolesá, striekacie rúrky, vnútorné cievky, vonkajšie cievky, žacie lanká, zapalovacie sviečky, vzduchové filtre, benzínové filtre, mulčovacie nože atď.
- Na opravu musí byť výrobok odoslaný alebo doručený do autorizovaného servisného strediska RYOBI, uvedeného pre každú krajinu v nasledovnom zozname adries servisných stredísk. V niektorých krajinách miestny zástupca RYOBI preberá na seba záväzok zaslať tovar do servisnej organizácie RYOBI. Pri odosielaní výrobku do servisného strediska RYOBI je potrebné výrobok bezpečne zabaliť bez akéhokoľvek nebezpečného obsahu, ako je bencín, s vyznačením adresy odosielaťa, s krátkym popisom poruchy.
- Oprava/výmena je vrátmi teľto záruky bezplatná. Nezmenené a predĺženie záruky alebo spustenie novej záručnej doby. Vymenené diely alebo nástroje sa stávajú našim vlastníctvom. V niektorých krajinách náklady na odoslanie alebo poštovné musí zaplatiť odosielať. Vaše zákonné práva, vyplývajúce z nákupu náradia, zostávajú nedotknuté
- Táto záruka je plátná v Európskych spoločenstvách, Švajčiarsku, Islande, Nórsku, Lichtenštajnsku, Turecku, Rusku a Spojenom kráľovstve. Ak sa nachádzate mimo týchto oblastí, obráťte sa na autorizovaného predajcu RYOBI na určenie, či sa dá uplatniť iná záruka.

### AUTORIZOVANÉ SERVISNÉ CENTRUM

Všetky žiadosti alebo problémy s výrobkom možno adresovať miestnym autorizovaným servisným strediskám (navštívte [www.ryobitools.eu](http://www.ryobitools.eu)) alebo priamo na: Technronic Industries GmbH, Max Eyth Straße 10, 71364 Winnenden, Germany. Uvedte sériové číslo a typ výrobku uvedené na etikete.

## BG УСЛОВИЯ ЗА ВАЛИДНОСТ НА ГАРАНЦИЯТА НА RYOBI

В допълнение към законоустановените права, произтичащи от покупката, този продукт е обхванат от гаранция, както е изложено по-долу.

- Гаранционният срок е 24 месеца за клиенти и започва да тече от деня на закупуване на продукта. Тази дата трябва да се докаже с фактура или друго доказателство за покупка. Продуктът е изработен и предназначен само за потребителска и лична употреба. Следователно не се дава гаранция в случай на използване от професионалисти или с търговска цел.
- Съществува възможност за удължаване на гаранционния срок за част от диапазона на гаранцията на градински инструменти (AC/DC) след изтичането на описания тук чрез регистрацията на уеб сайта [www.ryobitools.eu](http://www.ryobitools.eu). В магазините и/или на опаковката или вътре в документацията на продукта е показано ясно дали инструментът отговаря на условията за такова удължаване на гаранционния срок. Крайният потребител трябва да регистрира своите новопридобити инструменти онлайн в рамките на 30 дни от датата на покупка. Крайният потребител може да се регистрира за удължена гаранция в държавата си на пребиваване, ако е посочена вня формулара за онлайн регистрация като място, където тази опция е валидна. Освен това крайните потребители трябва да дадат съгласието си за съхранение на данните, които са задължителни за попълване онлайн, и трябва да приемат общите условия. Полученото потвърждение за регистрация, изпратено по електронна поща, и оригиналната фактура, показваща датата на покупка, ще служат като доказателство за удължената гаранция.
- Гаранцията покрива всички дефекти на продукта по време на гаранционния срок, които се дължат на проблеми в изработката или материалите към момента на покупката. Гаранцията е ограничена до ремонт или измяна и не включва други задължения, включително, но не само, случайни или косвени щети. Гаранцията е невалидна, ако продуктът е използван неправилно или в противоречие с ръководството с инструкции, както и ако е свързан неправилно. Тази гаранция не важи за:
  - щети по продукта в резултат на неправилна профилация
  - продукти, които са били изменени или модифицирани
  - продукт, при който оригиналните маркировки за идентификация (търговска марка, сериен номер) са изтрили, променени или премахнати
  - повреда, причинена от неспазване на ръководството с инструкции
  - продукт без CE маркировка
  - продукт, за който е направен опит за ремонт от неквалифициран специалист или без предварително разрешение от Techtronic Industries.
  - продукт, свързан към неподходящо електрозахранване (ампераж, волтаж, честота)
  - продукт, използван с неподходяща горивна смес (гориво, масло, процент масло)
  - щети, причинени от външни влияния (химични, физични, удари) или чужди вещества
  - нормално износване на резервни части
  - неподходяща употреба, претоварване на инструмента
  - използване на неодобрени аксесоари или частиВсякакви периодични настройки или почистване с цел извършване на поддръжка на карбуратори
- Компоненти (част и аксесоари), подложени на естествено износване, включително, но не само, копчета за пласане, задвижващи ремъци, съединител, остриета на ножици за жив плет или косачки за трева, презрамки, кабелен дросел, карбонови четки, захранващ кабел, остриета, филцови шайби, осигурителни шифтове, вентилатори на уреди за обдухване, тръби за обдухване и всмукване, торба за отпадъци и ремъци, водещи шини, вериги за триони, маркучи, фитинги на конектори, дюзи, копела, пръскалки, вътрешни и външни макарки, режещо влакно, запалителни свещи, въздушни филтри, горивни филтри, остриета за мулчиране и др.
- За обслужване продуктът трябва да се изпрати или занесе на оторизиран сервиз на RYOBI, посочен за всяка държава в следния списък с адреси на сервиси. В някои държави местният търговец на RYOBI поема отговорността да изпрати продукта до сервизен център на RYOBI. При изпращане на продукт до сервиз на RYOBI той трябва да е опакован безопасно без опасно съдържание, напр. бензин, да е маркиран с адреса на подателя и придружен от кратко описание на повреда.
- Ремонтът/замяната по силата на тази гаранция са безплатни. Те не водят до удължаване или подновяване на гаранционния срок. Сменените части или инструменти стават наша собственост. В някои държави таксите за доставка или изпращане трябва да се платят от подателя. Законоустановените ви права, произтичащи от закупуването на инструмента, остават незаменни.
- Тази гаранция е валидна в Европейската общност, Швейцария, Исландия, Норвегия, Лихтенщайн, Турция и Обединеното кралство. Извън тези области се свържете с упълномощения търговец на RYOBI, за да се установи дали е приложима друга гаранция.

### УПЪЛНОМОЩЕН СЕРВИЗЕН ЦЕНТЪР

Всички заявки или проблеми, свързани с продукта, могат да бъдат отправени към местните упълномощени сервизни центрове ([www.ryobitools.eu](http://www.ryobitools.eu)) или директно до: Techtronic Industries GmbH, Max Eyth Straße 10, 71364 Winnenden, Germany. Посочете серийния номер и типа на продукта, отпечатани върху етикета.

## UK ГАРАНТИЙНИ УМОВИ ДЛЯ RYOBI

Окрім загалом установених законом прав, що стосуються покупок, цей пристрій покривається гарантією, що зазначено нижче.

- Гарантійний період для споживачів складає 24 місяці і починається за моменту придбання цього пристрою. Ця дата повинна бути задокументована у гарантійному талоні або чеку, що підтверджує покупку. Цей пристрій був розроблений і призначений тільки для споживачого і приватного використання. У разі професійного або комерційного використання цього пристрою, він втрачає гарантію.
- Існує можливість продовжити гарантійний період, понад період описаний вище, для частини лінійки садових інструментів (перемінного/постійного струму) за допомогою реєстрації на сайті [www.ryobitools.eu](http://www.ryobitools.eu). Пристрої, які мають право на подовження гарантійного періоду, мають чіткі позначки щодо цього в магазинах і/або на упаковок / та документації до пристрою. Кінцевий користувач повинен зареєструвати його/її новопридбаний пристрій онлайн протягом 30 днів з дати покупки. Кінцевий користувач може зареєструватися для подовження гарантійного періоду в своїй країні постійного перебування, якщо вона є доступною у відповідній опції онлайн форми реєстрації. Крім того, кінцеві користувачі повинні дати свою згоду на прийняття даних, які необхідні для введення онлайн, а також вони повинні прийняти правила та умови. Отримання підтвердження реєстрації, яке відправляється на адресу електронної пошти, та оригінал гарантійного талона із зазначеною датою покупки буде слугувати доказом подовженої гарантії.
- Гарантія поширюється на всі дефекти пристрою протягом гарантійного терміну щодо недотримання стандартів виробництва або матеріалів на дату придбання. Гарантія обмежується ремонтом та/або заміною, та не включає в себе будь-яких інших зобов'язань, в тому числі, але не обмежена у разі випадкових та подальших пошкоджень. Гарантія не діє, якщо пристрій використовувався неналежним чином, всупереч інструкції з експлуатації або був неправильно підключений до мережі. Дана гарантія не поширюється на:
  - пристрої, що були пошкоджені у результаті неправильного технічного обслуговування;
  - пристрої, що були видозмінені або модифіковані;
  - пристрої, оригінальне ідентифікаційне (товарний знак, серійний номер) маркування яких було пошкоджене, змінено або видалено;
  - будь-які пошкодження, заподіяні недотриманням інструкції з експлуатації;
  - пристрої, що не мають маркування CE;
  - пристрої, що були відремонтовані некваліфікованим фахівцем або за відсутності попереднього дозволу від Techtronic Industries;
  - пристрої, підключені до невідповідного джерела живлення (сила току, напруження, частота);
  - пристрої, що використовувалися із невідповідною паливною сумішшю (паливом, оливою, відсотковою часткою оливи);
  - будь-які пошкодження спричинені зовнішніми впливами (хімічними, фізичними, стрибком напруги) або сторонніми речовинами;
  - нормальну амортизацію запасних частин;
  - невідповідне використання, переваження пристрою;
  - використання не підтверджених запасних частин або аксесуарів;
  - Будь-які періодичні коригування або технічне очищення карбураторівКомпоненти (частини та аксесоари) з урахуванням нормального зношування, враховуючи але це без обмеження на імпульсні кнопки, ремені приводу, зчеплення, леза кущоріза або газонкосарки, ремені, троси дросельного клапану, вугільні щітки, шнури живлення, зубці, фетрові підкладки, зчіпні шпирі, вентилятори повітродувки, трубки аліосота та повітродувки, вакуумні мішки та накладки, напруги, ланцюги, гнучкі шланги, з'єднувальні фітінги, розсілювальні насадки, копелса, жорсткі сопла, внутрішні кутюшки, зовнішні золотники, ріжучі волосінні, свічки запалення, повітряні фільтри, протигазові фільтри, мульчувальні леза, т.д.
- Для обслуговування, пристрій має бути відправлений або поданий до одного з авторизованих сервісних центрів RYOBI, які перелічені для кожної країни у наступному переліку адрес сервісних центрів. У деяких країнах місцевий дилер RYOBI зобов'язується відправити пристрій до сервісного центру RYOBI. При відправленні пристрою до сервісного центру RYOBI, пристрій має бути надійно упакований без будь-якого небезпечного вмісту, наприклад бензину, з позначеною адресою відправника та супроводжується коротким описом несправності.
- Ремонт / заміна відповідно до цієї гарантії здійснюється безкоштовно. Це не є основою для подовження або початку нового гарантійного періоду. Замінені частини або прилади переходять до власності компанії. У деяких країнах вартість доставки або поштові витрати повинні бути сплачені відправником. Загально встановлені правила поведінки на пристрій залишаються незмінними
- Ця гарантія є діючою у країнах, членах ЄС, Швейцарії, Ісландії, Норвегії, Лихтенштейні, Туреччині, Росії та Великій Британії. За межами цих зон, будь ласка, зверніться до офіційного дилера RYOBI, щоб визначити, чи застосовується інша гарантія.

### АВТОРИЗОВАНІ СЕРВІСНІ ЦЕНТРИ

З будь-яких питань або проблем, пов'язаних з пристроєм, ви можете звернутись до місцевих авторизованих сервісних центрів (відвідайте [www.ryobitools.eu](http://www.ryobitools.eu)) або напрямку до: Techtronic Industries GmbH, Max Eyth Straße 10, 71364 Winnenden, Germany. Будь ласка, вкажіть серійний номер та тип продукту, вказані на етикетці.

## TR RYOBI GARANTİ UYGULAMA KOŞULLARI

Alımdan kaynaklanan yasal haklara ek olarak, ürün aşağıda belirtilen garanti kapsamındadır.

1. Tüketiciler için 24 ay olan garanti süresi, ürünün satın alındığı tarihte başlar. Bu tarihin bir fatura ya da alım kanıtıyla belgelenmesi gerekir. Ürün sadece tüketim ve özel kullanım için geliştirilmiş ve adanmıştır. Bu nedenle, profesyonel ya da ticari kullanım halinde garanti kapsamı sağlanmaz.
2. Bahçe aletlerinin bir bölümü (AC/DC) için [www.ryobitools.eu](http://www.ryobitools.eu) sayfasındaki kayıt işlemini kullanarak garantinin belirtilen sürenin ötesine uzatma imkanı mevcuttur. Aletlerin garanti süresinin uzatılmasına uygun olup olmadığı mağazalarda ve / veya ambalajda açıkça belirtilmiş olup, ürün dokümantasyonunda gösterilir. Son kullanıcının yeni aldığı aletleri satın alma tarihini izleyen 30 gün içinde kaydettirmesi gerekir. Son kullanıcı ikamet ettiği ülkede, bu seçeneğin geçerli olduğu çevrimiçi kayıt formunda belirtilmişse, uzatılmış garanti süresi için kayıt yaptırabilir. Dahası, son kullanıcıların çevrimiçi giriş için gerekli verilerin kaydedilmesine izin vermeli ve hüküm ve koşulları kabul etmelidir. E-posta ile gönderilen kayıt teyit makbuzu ve alım tarihini gösteren orijinal fatura uzatılmış garantinin kanıtı olarak değerlendirilir.
3. Garanti, ürünün alım tarihindeki işçilik ve malzeme kusurları nedeniyle garanti süresi içinde oluşacak bütün arızalarını kapsar. Bu garanti onarım ve değiştirmeyle sınırlı olup, tesadüfi ya da dolaylı hasarlar da dahil, ancak bunlarla kısıtlı olmayan başka hiçbir taahhüdü kapsamaz. Garanti, ürünün kötü, kullanıcı kılavuzuna aykırı kullanılmış ya da yanlış bağlanmış olması halinde geçerli değildir. Bu garanti aşağıdakileri kapsamaz:
  - üründe, yanlış bakımdan kaynaklanan herhangi bir hasar
  - değiştirilmiş ya da modifiye edilmiş herhangi bir ürün
  - orijinal tanıtmı işaretleri (ticari marka, seri numarası) silinmiş, değiştirilmiş ya da kaldırılmış herhangi bir ürün
  - kullanma kılavuzuna uymamaktan kaynaklanmış herhangi bir hasar
  - herhangi bir AT dışı ürün
  - kalifiye olmayan personel tarafından ya da önceden Techtronic Industries onayı alınmadan onarılmış herhangi bir ürün.
  - uygunsuz güç kaynağına (amper, voltaj, frekans) bağlanmış herhangi bir ürün
  - uygunsuz bir yakıt karışımıyla (yakıt, yağ, yap yüzdesi) kullanılmış herhangi bir ürün
  - harici etkenlerden (kimyasal, fiziksel, darbe) veya yabancı cisimlerden kaynaklanan her türlü hasar
  - normal aşınır ve yıpranır aksam
  - uygunsuz kullanım, aletin aşırı yüklenmesi
  - onaysız aksesuar veya parça kullanımı
  - Karbüratörlere uygulanacak her türlü periyodik ayar, bakım veya temizlik
  - Darbe Düğmeleri, Tahrik Kayışları, Kavrama, Çit Budama ya da Çim Biçme Makinelerinin Bıçakları, Kayış Koşumlar, Kablo Gaz, Kömür Fırçalar, Güç Kablo, Dişler, Keçe Rondelalar, Bağlantı Pimleri, Üfleyci Pervaneleri, Üfleyci ve Vakum Boruları, Vakum Torbası ve Kayışlar, Kılavuz Çubuklar, Zincir Testere, Hortumlar, Konektör bağlantıları, Püskürtme Memeleri, Çarklar, Püskürtme Çubukları, Dahili Makaralar, Harici Makaralar, Kesme Telleri, Bujiler, Hava Filtreleri, Gaz Filtreleri, Malçlama Bıçakları vb. gibi parçaları kapsayan, ancak bunlarla sınırlı olmayan, aşınma ve yıpranmaya tabi bileşenler (aksam ve aksesuarlar).
4. Ürünün servis için her ülkede aşağıdaki servis istasyonları adres listesinde yer alan yetkili bir RYOBI servis istasyonuna gönderilmesi ya götürülmesi gereklidir. Bazı ülkelerde, yerel RYOBI distribütörünüz ürünü RYOBI servis teşkilatına göndermeyi üstlenir. Bir ürün bir RYOBI servis istasyonuna gönderilirken, ürünün güvenli bir biçimde ambalajlanması, benzin gibi tehlikeli maddeler içermemesi, gönderenin adresini taşıması ve arızanın kısa bir açıklamasını içermesi gerekir.
5. Bu garanti kapsamında yapılacak onarım / değişiklik ücretsizdir. Garanti süresinin uzatılması ya da yeniden başlatılması anlamına gelmez. Değiştirilmiş parçalar veya aletler bize ait olur. Bazı ülkelerde teslimat ücretleri veya posta giderlerinin gönderici tarafından ödenmesi gerekir. Alımdan kaynaklanan yasal haklarınız etkilenebilir.
6. Bu garanti Avrupa Birliği'nde, İsviçre, İzlanda, Norveç, Lihtenştayn, Türkiye, Rusya ve Birleşik Krallık'ta geçerlidir. Bu alanların dışında, başka bir garantinin geçerli olup olmadığını belirlemek için lütfen yetkili RYOBI distribütörünüzle irtibata geçin.

### YETKİLİ SERVİS MERKEZİ

Ürüne ilgili her türlü talep ve sorun yerel yetkili servis merkezlerine ([www.ryobitools.eu](http://www.ryobitools.eu) adresini ziyaret edin) veya doğrudan aşağıdaki şekilde iletilebilir: Techtronic Industries GmbH, Max Eyth Straße 10, 71364 Winnenden, Germany. Lütfen etikette yer alan seri numarasını ve ürün tipini belirtin.

**RYOBI****EN EC DECLARATION OF CONFORMITY****Brushcutter attachment**Brand: EXPAND-IT | Manufacturer<sup>1</sup> | Model number<sup>2</sup> | Serial number range<sup>3</sup>

We declare as the manufacturer under our sole responsibility that the product mentioned below fulfills all the relevant provisions of the following European Directives, European Regulations and harmonised standards

For assembling with petrol-driven power head<sup>4</sup>For assembling with electric-driven power head<sup>5</sup>

The brushcutter attachment (RXBC01) is intended to assemble with all RYOBI battery-driven power heads RPH3601-BL/RP36ELTX33A and electric-driven power heads RPH1200/RLT1238I/RBC1226I.

Measured sound power level.....112,2 dB(A)

Guaranteed sound power level.....114 dB(A)

Conformity assessment method to Annex VI Directive 2000/14/EC amended by 2005/88/EC.

Authorised to compile the technical file.<sup>6</sup>**FR DÉCLARATION CE DE CONFORMITÉ****Accessoire de débroussaillage**Marque: EXPAND-IT | Fabricant<sup>1</sup> | Numéro de modèle<sup>2</sup> | Étendue des numéros de série<sup>3</sup>

Nous déclarons sous notre entière responsabilité que le produit mentionné ci-dessous remplit toutes les dispositions pertinentes des directives et réglementations européennes suivantes, ainsi que des normes harmonisées ci-après

Pour montage avec tête d'entraînement à essence<sup>4</sup>Pour montage avec tête d'entraînement électrique<sup>5</sup>

L'accessoire pour débroussaillage (RXBC01) est destiné à une utilisation avec toutes les têtes de coupe RYOBI alimentées par batterie RPH3601-BL/RP36ELTX33A et les têtes de coupe électriques RPH1200/RLT1238I/RBC1226I.

Niveau de puissance sonore mesuré.....112,2 dB(A)

Niveau de puissance sonore garanti.....114 dB(A)

Méthode d'évaluation de conformité de l'annexe VI Directive 2000/14/EC modifiée 2005/88/EC.

Autorisé à rédiger le dossier technique.<sup>6</sup>**DE EG-KONFORMITÄTSEKLRÄRUNG****Freischnaideraufsatz**Marke: EXPAND-IT | Hersteller<sup>1</sup> | Modellnummer<sup>2</sup> | Seriennummernbereich<sup>3</sup>

Wir erklären in alleiniger Verantwortung, dass das nachstehend erwähnte Produkt allen einschlägigen Bestimmungen der folgenden EU-Richtlinien, EU-Vorschriften und harmonisierten Normen entspricht

Für die Montage mit benzinbetriebem Antriebskopf<sup>4</sup>Für die Montage mit elektrisch betriebem Antriebskopf<sup>5</sup>

Das Freischnaider-Zubehörteil (RXBC01) ist für die Montage mit allen RYOBI Akku-Schnaidköpfen RPH3601-BL/RP36ELTX33A und allen Elektro-Schnaidköpfen RPH1200/RLT1238I/RBC1226I vorgesehen.

Gemessener Schalleistungspegel.....112,2 dB(A)

Garantierter Schalleistungspegel.....114 dB(A)

Konformitätserklärungsmethode zu Anhang VI Richtlinie 2000/14/EC wie durch 2005/88/EC.

Autorisiert die technische Datei zu erstellen.<sup>6</sup>**ES DECLARACIÓN CE DE CONFORMIDAD****Accesorio de desbrozadora**Marca: EXPAND-IT | Fabricante<sup>1</sup> | Número de modelo<sup>2</sup> | Intervalo del número de serie<sup>3</sup>

Declaramos, bajo nuestra exclusiva responsabilidad, que el producto mencionado a continuación cumple con todas las disposiciones relevantes de las siguientes directivas, normas armonizadas y reglamentos europeos

Para montar con cabezal de potencia de gasolina<sup>4</sup>Para montar con cabezal de potencia eléctrico<sup>5</sup>

El accesorio de desbrozadora (RXBC01) está diseñado para su montaje con todos los cabezales eléctricos alimentados mediante batería de RYOBI RPH3601-BL/RP36ELTX33A y los cabezales eléctricos RPH1200/RLT1238I/RBC1226I.

Nivel de potencia acústica medido.....112,2 dB(A)

Nivel de potencia acústica garantizado.....114 dB(A)

Método de evaluación de conformidad con el anexo VI Directiva 2000/14/EC modificada por la 2005/88/EC.

Autorizado para elaborar la ficha técnica.<sup>6</sup>**IT DICHIARAZIONE CE DI CONFORMITÀ****Accessorio per decesugliatore**Marca: EXPAND-IT | Ditta produttrice<sup>1</sup> | Ditta produttrice<sup>1</sup> | Numero modello<sup>2</sup> | Gamma numero seriale<sup>3</sup>

Dichiariamo sotto la nostra unica responsabilità che il prodotto descritto in basso soddisfa tutte le disposizioni delle direttive europee e che sono state osservate le norme seguenti

Per l'assemblaggio con motore a benzina<sup>4</sup>Per l'assemblaggio con motore elettrico<sup>5</sup>

L'accessorio per decesugliatore (RXBC01) è pensato per montare tutte le testine elettriche RPH3601-BL/RP36ELTX33A a batteria e le testine elettriche RPH1200/RLT1238I/RBC1226I.

Livello di potenza acustica misurato.....112,2 dB(A)

Livello di potenza sonora garantita.....114 dB(A)

Metodo di valutazione sulla conformità all'allegato VI Direttiva 2000/14/EC modificata con la 2005/88/EC.

Autorizzato per compilare il file tecnico.<sup>6</sup>**NL EG-VERKLARING VAN OVEREENSTEMMING****Bosmaaier hulpstuk**Merk: EXPAND-IT | Fabrikant<sup>1</sup> | Modelnummer<sup>2</sup> | Seriennummerbereik<sup>3</sup>

Wij verklaren naar onze eigen verantwoordelijkheid, dat het hieronder genoemde product voldoet aan alle relevante bepalingen van de volgende Europese richtlijnen, Europese verordeningen en geharmoniseerde normen

Voor montage met de benzineaangedreven aandrijfkop<sup>4</sup>Voor montage met de elektrisch aangedreven aandrijfkop<sup>5</sup>

Het aanzetstuk voor de bosmaaier (RXBC01) is bedoeld voor montage met alle RYOBI accu-aangedreven motorkoppen RPH3601-BL/RP36ELTX33A en de elektrisch aangedreven motorkoppen RPH1200/RLT1238I/RBC1226I.

Gemeten geluids niveau.....112,2 dB(A)

Gegarandeerd geluidsniveau.....114 dB(A)

Evaluatiemethode conformiteit volgens bijlage VI Richtlijn 2000/14/EC gewijzigd door 2005/88/EC.

Afgevaardigde voor het samenstellen van de technische fiche.<sup>6</sup>**PT DECLARAÇÃO CE DE CONFORMIDADE****Roçadora**Marca: EXPAND-IT | Fabricante<sup>1</sup> | Número do modelo<sup>2</sup> | Intervalo do número de série<sup>3</sup>

Declaramos sob nossa exclusiva responsabilidade que o produto mencionado abaixo cumpre todas as disposições aplicáveis das seguintes diretivas, regulamentos e normas harmonizadas da União Europeia

Para montagem em cabeça motriz a gasolina<sup>4</sup>Para montagem em cabeça motriz elétrica<sup>5</sup>

O acessório podador (RXBC01) destina-se a ser montado com todas as cabeças motorizadas a bateria RPH3601-BL/RP36ELTX33A e cabeças elétricas RPH1200/RLT1238I/RBC1226I da RYOBI.

Nível de potência sonora medido.....112,2 dB(A)

Nível de potência sonora garantido.....114 dB(A)

Método de avaliação de conformidade para o anexo VI Directiva 2000/14/EC alterada por 2005/88/EC.

Autorizado para compilar o ficheiro técnico.<sup>6</sup>**DA EF-OVERENSSTEMMELSEERKLÆRING****Buskryddertilbehør**Brand: EXPAND-IT | Producent<sup>1</sup> | Produktnummer<sup>2</sup> | Seriennummerområde<sup>3</sup>

Vi erklærer under eget ansvar at produktet nævnt nedenfor opfylder alle de relevante forskrifter i de følgende europæiske direktiver, europæiske forordninger og harmoniserede standarder

For montering med benzindrevet powerhead<sup>4</sup>For montering med elektrisk drevet powerhead<sup>5</sup>

Ukrudstrimmerertilbehøret (RXBC01) er beregnet til brug med alle batteridrevne powerheads RPH3601-BL/RP36ELTX33A og elektrisk drevne powerheads RPH1200/RLT1238I/RBC1226I fra RYOBI.

Målt støjniveau.....112,2 dB(A)

Garanteret støjniveau.....114 dB(A)

Overensstemmelsesvurderingsmetode til bilag VI Direktiv 2000/14/EC ændret ved 2005/88/EC.

Bemyndiget til at udarbejde det tekniske kartotek.<sup>6</sup>**SV EG-FÖRSÄKRAN ÖVERENSSTÄMMELSE****Röjsågstillbehör**Märke: EXPAND-IT | Tillverkare<sup>1</sup> | Modellnummer<sup>2</sup> | Seriennummerintervall<sup>3</sup>

Vi förklarar under eget ansvar att den produkt som nämns nedan uppfyller alla relevanta föreskrifter i följande europeiska direktiv, europeiska förordningar och harmoniserade standarder

För montering med bensindrivna drivenhet<sup>4</sup>För montering med elektrisk drivenhet<sup>5</sup>

Röjsågstillbehöret (RXBC01) är godkänt för användning tillsammans med alla RYOBI-batteridrivna drivhuvuden RPH3601-BL/RP36ELTX33A och eldrivna drithuvuden RPH1200/RLT1238I/RBC1226I.

Uppmått ljudeffektsnivå.....112,2 dB(A)

Garanterad ljudeffektsnivå.....114 dB(A)

Konformitetsbedömning gjord enligt metod i VI Direktiv 2000/14/EC samt tillägg i 2005/88/EC.

Godkänd att sammanställa den tekniska filen.<sup>6</sup>**FI EY-VAATIMUSTENMUKAISUUSVAKUUTUS****Raivaussahaslisävaruste**Tuotemerkki: EXPAND-IT | Valmistaja<sup>1</sup> | Mallinumero<sup>2</sup> | Sarjanumeroalue<sup>3</sup>

Vakuutamme alla mainitun tuotteen olevan seuraavien eurooppalaisten direktiivien, asetusten ja yhdenmukaistettujen standardien säännösten mukainen

Kytkeminen bensiinikäyttöiseen moottoripäähän<sup>4</sup>Kytkeminen sähkökäyttöiseen moottoripäähän<sup>5</sup>

Raivaussahan lisävaruste (RXBC01) on tarkoitettu asennettavaksi kaikkiin RYOBIin akkukäyttöisiin moottorikäyttöihin RPH3601-BL/RP36ELTX33A ja sähkökäyttöisiin moottorikäyttöihin RPH1200/RLT1238I/RBC1226I.

Mitattu äänenteho.....112,2 dB(A)

Taattu äänenteho.....114 dB(A)

Säännösten noudattaminen tarkastettu direktiivin 2000/14/EC liitteen V mukaisesti muutettu direktiivillä 2005/88/EC.

Valtuutettu kokoamaan tekninen tiedosto.<sup>6</sup>





## NO CE-SAMSVARSKERLÆRING

### Buskutterstyr

Merke: EXPAND-IT | Produsent<sup>1</sup> | Modellnummer<sup>2</sup> | Serienummerserie<sup>3</sup>

Vi erklærer på eget ansvar at produktet beskrevet nedenfor oppfyller alle de relevante bestemmelser i de europeiske direktiver, europeiske forskrifter og harmoniserte standarder

For montering med bensindrevet kraftkilde<sup>4</sup>

For montering med elektrisk drevet kraftkilde<sup>5</sup>

Buskutterstyr (RXBC01) er tiltenkt montering med alle RYOBI batteridrevne strømhoder RPH3601-BL/RY36ELTX33A og elektrisk drevne strømhoder RPH1200/RLT1238/RBC1226I.

Målt lydeffektivitet ..... 112,2 dB(A)

Garantert lydeffektivitet ..... 114 dB(A)

Metode for vurdering av konformitet til Tillegg VI Direktiv 2000/14/EC endret ved 2005/88/EC.

Autorisert til å sette sammen den tekniske filen.<sup>6</sup>

## RU ДЕКЛАРАЦИЯ О СООТВЕТСТВИИ СТАНДАРТАМ ЕС

### Насадка-коса

Марка: EXPAND-IT | Изготовитель<sup>1</sup> | Номер модели<sup>2</sup> | Диапазон заводских номеров<sup>3</sup>

Со всей ответственностью заявляем, что нижеупомянутое изделие отвечает всем соответствующим положениям следующих европейских директив, европейских регламентов, а также гармонизированных стандартов

Для установки на силовую головку с приводом от бензинового двигателя<sup>4</sup>

Для установки на силовую головку с электрическим приводом<sup>5</sup>

Насадка-кусторез (RXBC01) предназначена для использования с силовыми головками с питанием от аккумулятора RYOBI RPH3601-BL/RY36ELTX33A, а также с силовыми головками с питанием от сети RPH1200/RLT1238/RBC1226I.

Измеренный уровень звуковой мощности ..... 112,2 dB(A)

Гарантируемый уровень звуковой мощности ..... 114 dB(A)

Способ оценки соответствия, приложение VI к директиве 2000/14/EC с изменениями 2005/88/EC.

Лицо, ответственное за подготовку технической документации.<sup>6</sup>

## PL DEKLARACJA ZGODNOŚCI WE

### Przylączana przycinarka do krzewów

Marka: EXPAND-IT | Producent<sup>1</sup> | Numer modelu<sup>2</sup> | Zakres numerów seryjnych<sup>3</sup>

Oświadczamy na własną odpowiedzialność, że produkt opisany w sekcji „Specyfikacja” spełnia wszystkie istotne postanowienia wymienionych poniżej dyrektyw UE, przepisów europejskich oraz norm harmonizowanych

Dotyczy montażu z silnikiem benzynowym<sup>4</sup>

Dotyczy montażu z silnikiem elektrycznym<sup>5</sup>

Przylączana przycinarka do krzewów (RXBC01) została zatwierdzona do stosowania z wszystkimi głowicami akumulatorowymi RPH3601-BL/RY36ELTX33A oraz z głowicami elektrycznymi RPH1200/RLT1238/RBC1226I.

Zmierzony poziom mocy akustycznej ..... 112,2 dB(A)

Gwarantowany poziom mocy akustycznej ..... 114 dB(A)

Metoda ocena zgodności zgodnie z aneksem VI Dyrektywa 2000/14/EC zmieniona przez dyrektywę 2005/88/EC.

Osoba upoważniona do sporządzenia dokumentu technicznego.<sup>6</sup>

## CS CE PROHLÁŠENÍ O SHODĚ

### Křovinořezový nástavec

Značka: EXPAND-IT | Výrobce<sup>1</sup> | Číslo modelu<sup>2</sup> | Rozsah sériových čísel<sup>3</sup>

Výhradně na vlastní odpovědnost prohlašujeme, že níže uvedený výrobek splňuje všechna příslušná ustanovení evropských směrnice, evropských nařízení a harmonizovaných norem

Montáž s benzínovým čerpadlem<sup>4</sup>

Montáž s elektrickým čerpadlem<sup>5</sup>

Tento nástavec křovinořezu (RXBC01) je schválen pro používání na všech hlavách RYOBI s akumulátorovým pohonem RPH3601-BL/RY36ELTX33A i s elektrickým pohonem RPH1200/RLT1238/RBC1226I.

Změřená hladina akustického výkonu ..... 112,2 dB(A)

Zaručená hladina akustického výkonu ..... 114 dB(A)

Soulad s metodou určování pro přílohu VI směrnice 2000/14/EC upravená 2005/88/EC.

Pověření ke kompilaci technického souboru.<sup>6</sup>

## HU EK-MEGFELELŐSÉGI NYILATKOZAT

### Bozótívágó tartozék

Márka: EXPAND-IT | Gyártó<sup>1</sup> | Típuszám<sup>2</sup> | Sorozatszám tartomány<sup>3</sup>

Kizárólagos felelősségünk keretében nyilatkozunk, hogy az alább említett termék megfelel a következő európai irányelvek, szabványok és harmonizált szabványok vonatkozó rendelkezéseinek

Benzines tápféjre szerelés esetén<sup>4</sup>

Elektromos tápféjre szerelés esetén<sup>5</sup>

A bozótívágó tartozék (RXBC01) minden RYOBI RPH3601-BL/RY36ELTX33A akkumulátoros fejfel és az RPH1200/RLT1238/RBC1226I akkumulátoros fejfel használható

Mért hangteljesítményszint ..... 112,2 dB(A)

Garantált hangteljesítményszint ..... 114 dB(A)

A megfeleléségi értékelési eljárás a 2000/14/EC irányelv VI. függeléké szerint történt által módosított 2005/88/EC irányelv.

A műszaki dokumentáció összeállítására felhatalmazott.<sup>6</sup>

## RO DECLARAȚIE DE CONFORMITATE CE

### Accesorii tăietor

Marca: EXPAND-IT | Producător<sup>1</sup> | Număr serie<sup>2</sup> | Gamă număr serie<sup>3</sup>

Declarăm pe proprie răspundere că produsul menționat mai jos îndeplinește toate prevederile relevante ale directivelor Uniunii Europene, ale Regulamentelor UE și standardelor armonizate

În situația asamblării pe un cap de antrenare cu motor pe benzină<sup>4</sup>

În situația asamblării pe un cap de antrenare cu motor electric<sup>5</sup>

Accesorii tăietor (RXBC01) este conceput pentru a fi montat pe toate capetele motoare RYOBI cu acumulator RPH3601-BL/RY36ELTX33A și pe capetele motoare electrice RPH1200/RLT1238/RBC1226I.

Nivelul măsurat al puterii acustice ..... 112,2 dB(A)

Nivel garantat al puterii acustice ..... 114 dB(A)

Metoda de evaluare a conformității cu Anexa VI Directiva 2000/14/EC modificată prin 2005/88/EC.

Autorizat să completeze fișa tehnică.<sup>6</sup>

## LV EK ATBILSTĪBAS DEKLARĀCIJA

### Krūmgrieža uzgais

Zīmols: EXPAND-IT | Ražotājs<sup>1</sup> | Modeļa numurs<sup>2</sup> | Sērijas numura intervāls<sup>3</sup>

Ar pilnu atbildību mēs deklarējam, ka tālāk norādītais produkts izpilda visas atbilstošās norādīto Eiropas direktīvu, Eiropas regulu un harmonizēto standartu prasības

Savienošana ar benzīna piedziņas bloku<sup>4</sup>

Savienošana ar elektriskās piedziņas bloku<sup>5</sup>

Krūmgrieža piederums (RXBC01) ir paredzēts salikšanai ar visiem RYOBI akumulatoru piedziņas jaudas blokiem RPH3601-BL/RY36ELTX33A un elektriskās piedziņas jaudas blokiem RPH1200/RLT1238/RBC1226I.

Izmērītās skaņas jaudas līmenis ..... 112,2 dB(A)

Garantētais skaņas intensitātes līmenis ..... 114 dB(A)

Atbilstības novērtēšanas metode pielikumam VI Direktīvai 2000/14/EC labota 2005/88/EC. Pilnvarots sastādīt tehnisko failu.<sup>6</sup>

## LT EB ATITIKTIES DEKLARACIJA

### Krūmapjovė

Prėkės ženklas: EXPAND-IT | Gamintojas<sup>1</sup> | Modelio numeris<sup>2</sup> | Serijinio numerio diapazonas<sup>3</sup>

Mes atsakingai pareiškiamo, kad toliau minimas gaminytis atitinka nurodytus

Europos direktyvas, Europos reglamentas ir darniuosius standartus

Irenginiams su benzinu varomais galios agregatais<sup>4</sup>

Irenginiams su elektra varomais galios agregatais<sup>5</sup>

Žoliapjovės priedas (RXBC01) yra patvirtintas tinkamam naudoti su visomis RYOBI akumuliatorinėmis galvomis RPH3601-BL / RY36ELTX33 ir elektrinėmis galvomis RPH1200 / RLT1238 / RBC1226I.

Išmatuotas akustinis lygis ..... 112,2 dB(A)

Garantuotas akustinis lygis ..... 114 dB(A)

Atitikties įvertinimo metodas pagal direktyvos 2000/14/EC, VI Priedą su pataisomis 2005/88/EC.

Igaliautas sudaryti techninį failą.<sup>6</sup>

## ET EÜ VASTAVUSDEKLARATSIOON

### Võsalõikuri tarvik

Mark: EXPAND-IT | Tootja<sup>1</sup> | Mudeli number<sup>2</sup> | Seerianumbr vahemik<sup>3</sup>

Kinnitame oma ainuvastutuse, et allpool nimetatud toode vastab järgmistele

Euroopa direktiivide, Euroopa määruste ja ühtlustatud standardite kõigile

asjaomastele sätetele

Bensiinimootoriga kasutamiseks<sup>4</sup>

Elektrimootoriga kasutamiseks<sup>5</sup>

Võsalõikuri tarvik (RXBC01) tohib kasutada koos kõigi RYOBI akuajamiga

veopaelega RPH3601-BL/RY36ELTX33A ja elektrimootoriga veopaelega

RPH1200/RLT1238/RBC1226I.

Möödetud helivõimsuse tase ..... 112,2 dB(A)

Garanteeritud helivõimsuse tase ..... 114 dB(A)

Vastavushindamine vastavalt lisale VI direktiivis 2000/14/EC muudetud direktiiviga 2005/88/EC.

Tehnilise faili koostamiseks volitatud isik.<sup>6</sup>

## HR IZJAVA O SUKLADNOSTI

### Nastavak rezača za grmlje

Marka: EXPAND-IT | Proizvođač<sup>1</sup> | Broj modela<sup>2</sup> | Raspon serijskog broja<sup>3</sup>

Pod punom odgovornošću izjavljujemo da proizvod naveden u nastavku zadovoljava sve relevantne odredbe sljedećih europskih direktiva, europskih uredbi i usklađenih normi

Za sklanjanje sklopa s benzinskom pogonskom glavom<sup>4</sup>

Za sklanjanje sklopa s električnom pogonskom glavom<sup>5</sup>

Priključak rezača za grmlje (RXBC01) namijenjen je za sklanjanje sa svim RYOBI glavama na baterijski pogon RPH3601-BL/RY36ELTX33A i glavama na električni pogon RPH1200/RLT1238/RBC1226I.

Izmjerena razina zvučne snage ..... 112,2 dB(A)

Jamčena razina zvučne snage ..... 114 dB(A)

Metoda procjene usklađenosti prema Dodatku VI Direktive 2000/14/EC navedeno u 2005/88/EC.

Ovlašten za sastavi tehničku datoteku.<sup>6</sup>



## SL ES-IZJAVA O SKLADNOSTI

### Krtačno rezilo

Znamka: EXPAND-IT | Proizvajalec<sup>1</sup> | Številka modela<sup>2</sup> | Razpon serijskih števil<sup>3</sup>

Pod izključno lastno odgovornostjo izjavljamo, da spodaj navedeni izdelek izpolnjuje vse ustrezne pogoje naslednjih evropskih direktiv, evropskih uredb in harmoniziranih standardov

Za sestavljanje s pogonsko glavo na bencin<sup>4</sup>

Za sestavljanje z električno pogonsko glavo<sup>5</sup>

Nastavek za obrezovanje grmičevja (RXBC01) je predviden za namestitvev na akumulatorski pogonski glavi RPH3601-BL/RYP36ELTX33A in električne pogonske glave RPH1200/RLT12381/RBC1226I.

Izmerjena raven zvočne moči ..... 112,2 dB(A)

Zajamčena raven zvočne moči ..... 114 dB(A)

Način ugotavljanja skladnosti z aneksom VI direktive 2000/14/EC ki je bila spremenjena z 2005/88/EC.

Pooblaščenca oseba za sestavo tehnične dokumentacije.<sup>6</sup>

## SK ES VYHLÁŠENIE O ZHODE

### Prisluženstvo krovinorezu

Značka: EXPAND-IT | Výrobca<sup>1</sup> | Číslo modelu<sup>2</sup> | Rozsah sériových čísel<sup>3</sup>

Na vlastnú zodpovednosť vyhlasujeme, že dolu uvedený výrobok vyhovuje príslušným ustanoveniam nasledujúcich európskych smerníc, európskych nariadení a harmonizovaných noriem

Pre montáž s benzínovým pohonom<sup>4</sup>

Pre montáž s elektrickým pohonom<sup>5</sup>

Prisluženstvo krovinorezu (RXBC01) je určené na montáž so všetkými akumulátorovými hlavami pohonu RYOBI RPH3601-BL/RYP36ELTX33A a elektrickými hlavami pohonu RPH1200/RLT12381/RBC1226I.

Nameraná úroveň hluku ..... 112,2 dB(A)

Garantovaná úroveň hluku ..... 114 dB(A)

Spôsob určenia zhody podľa Dodatku VI Smernica 2000/14/EC doplnená o 2005/88/EC.

Oprávnená osoba na zostavenie technického súboru.<sup>6</sup>

## BG CE - ДЕКЛАРАЦИЯ ЗА СЪОТВЕТСТВИЕ

### Приставка с хросторез

Марка: EXPAND-IT | Производител<sup>1</sup> | Номер на модела<sup>2</sup> | Обхват на серийни номера<sup>3</sup>

Декларираме на своя лична отговорност, че продуктът, посочен по-долу, отговаря на всички съответни разпоредби на директивите и регламентите на Европейския съюз и хармонизираните стандарти по-долу

За монтаж с бензинова задвижваща глава<sup>4</sup>

За монтаж с електрическа задвижваща глава<sup>5</sup>

Хросторезът (RXB01) е предназначен за монтиране с всички захванани с батерии задвижващи глави на RYOBI RPH3601-BL/RYP36ELTX33A и електрически задвижващи глави RPH1200/RLT12381/RBC1226I.

Измерено ниво на шум ..... 112,2 dB(A)

Гарантирано ниво на шум ..... 114 dB(A)

Метод за оценяване на съответствието с приложение VI Директива 2000/14/EC, изменена от 2005/88/EC.

Упълномощено лице за съставяне на техническия файл.<sup>6</sup>

## UK СЕРТИФІКАТ ВІДПОВІДНОСТІ ВИМОГАМ ЄС

### Приладдя для кущоріза

Марка: EXPAND-IT | Виробник<sup>1</sup> | Номер моделу<sup>2</sup> | Діапазон серійного номеру<sup>3</sup>

Ми відповідально заявляємо, що описаний нижче пристрій відповідає всім чинним положенням директив ЄС, Європейським нормам та гармонізованих стандартів Для збірки з бензиною силовою головою<sup>4</sup>

Для збірки з електричною силовою головою<sup>5</sup>

Приладдя для кущоріза (RXBC01) призначене для встановлення разом із усіма силовими головками RYOBI з акумуляторним приводом RPH3601-BL/RYP36ELTX33A і електроприводними головками RPH1200/RLT12381/RBC1226I.

Вимірний рівень звукової потужності ..... 112,2 dB(A)

Гарантований рівень звукової потужності ..... 114 dB(A)

Метод оцінки відповідності Annex VI Directive 2000/14/EC з поправками, внесеними 2005/88 / EC.

Дозвіл на складання технічного файла.<sup>6</sup>

## TR CE UYGUNLUK BEYANI

### Çali kesme makinesi eklentisi

Marka: EXPAND-IT | Üretici<sup>1</sup> | Model numarası<sup>2</sup> | Seri numarası aralığı<sup>3</sup>

Tüm sorumluluğu bize ait olmak üzere, aşağıda belirtilen ürünün aşağıdaki Avrupa Direktifleri, Avrupa Mevzuatı ve uyumlaştırılmış standartlarını ilgili hükümlerini yerine getirdiğini beyan ederiz

Petrolle çalışan güç başlığına montaj için<sup>4</sup>

Elektrikle çalışan güç başlığına montaj için<sup>5</sup>

Çali kesme eklentisi (RXBC01), tüm RYOBI RPH3601-BL/RYP36ELTX33A pille çalışan güç başlıklarına ve RPH1200/RLT12381/RBC1226I elektrikle çalışan güç başlıklarına monte edilmek için tasarlanmıştır.

Öçülen ses gücü seviyesi ..... 112,2 dB(A)

Güvenceli ses gücü seviyesi ..... 114 dB(A)

2005/88/AT ile değiştirilen 2000/14/AT Direktifi Ek VI uyarınca uygunluk değerlendirilmesi yöntemi.

Teknik dosyası derlemekle yetkili sorumluluğu.

1 Techtronic Industries GmbH  
Max-Eyth-Straße 10, 71364 Winnenden, Germany

### 2 RXBC01

3 44471001000001-44471001999999

4 2006/42/EC, 2014/30/EU, 2000/14/EC, 2005/88/EC, 2011/65/EU, EN 62841-1:2015+A11: 2022, EN ISO 12100:2010, EN IEC 55014-1:2021, EN IEC 55014-2:2021, EN IEC 61000-3-2:2019 EN 61000-3-3:2013+A1:2019, EN IEC 63000:2018

5 2006/42/EC, 2014/30/EU, 2000/14/EC, 2005/88/EC, 2011/65/EU, EN 60335-1:2012+A11:2014+A13:2017+A1:2019+A14:2019+A2:2019, EN ISO 11806-1:2011, EN IEC 55014-1:2021, EN IEC 55014-2:2021

Todd Chipner  
Vice President, Quality – Asia  
Winnenden, Mar. 03, 2023

6 Alexander Krug, Managing Director  
Techtronic Industries GmbH  
Max-Eyth-Straße 10, 71364 Winnenden, Germany

## GB-DECLARATION OF CONFORMITY

Manufacturer: Techtronic Industries GmbH  
Max-Eyth-Straße 10, 71364 Winnenden, Germany

We declare as the manufacturer under our sole responsibility that the product mentioned below

Brushcutter attachment  
Brand: EXPAND-IT  
Model number: RXBC01  
Serial number range: 44471001000001-44471001999999

fulfills all the relevant provisions of the following Regulations: S.I. 2008/1597 (as amended), S.I. 2016/1101 (as amended), S.I. 2001/1701 (as amended), S.I. 2012/3032 (as amended) and that the following designated standards have been used:

For assembling with electric-driven power head  
BS EN 62841-1:2015+A11: 2022, BS EN ISO 12100:2010,  
BS EN IEC 55014-1:2021, BS EN IEC 55014-2:2021, BS EN IEC 61000-3-2:2019  
BS EN 61000-3-3:2013+A1:2019, BS EN IEC 63000:2018

For assembling with battery-driven power head  
BS EN 60335-1:2012+A11:2014+A13:2017+A1:2019+A14:2019+A2:2019,  
BS EN ISO 11806-1:2011, BS EN IEC 55014-1:2021, BS EN IEC 55014-2:2021

The brushcutter attachment (RXBC01) is intended to assemble with all RYOBI battery-driven power heads RPH3601-BL/RYP36ELTX33A and electric-driven power heads RPH1200/RLT12381/RBC1226I.

Measured sound power level: 112.2 dB (A)  
Guaranteed sound power level: 114 dB (A)  
Conformity assessment method to S.I. 2001/1701 Schedule 9 (as amended)

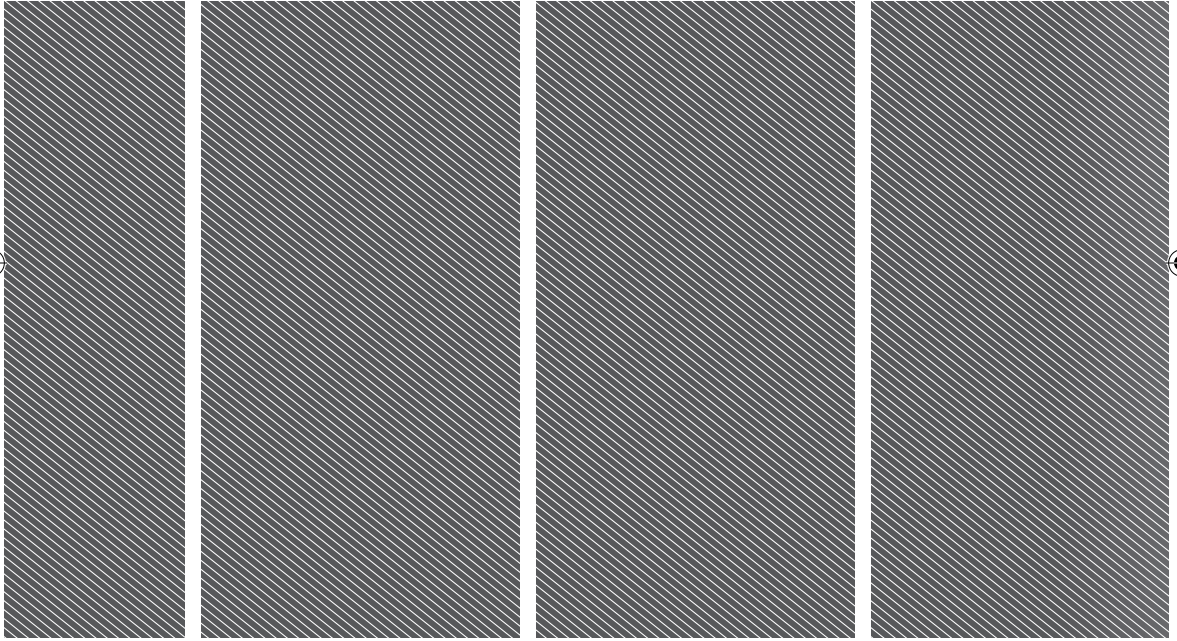
Todd Chipner  
Vice President, Quality – Asia  
Winnenden, Mar. 03, 2023

Authorised to compile the technical file:  
Techtronic Industries (UK) Ltd  
Parkway  
Marlow Bucks SL7 1YL  
UK



- EN** RYOBI is a trade mark of Ryobi Limited, and is used under license.  
TRI-ARC is a trade mark of Techtronic Outdoor Products Technology Limited.
- FR** RYOBI est une marque déposée de Ryobi Limited, et est utilisée sous licence.  
TRI-ARC est une marque commerciale d' Techtronic Outdoor Products Technology Limited.
- DE** RYOBI ist ein Markenzeichen von Ryobi Limited und wird in Lizenz verwendet.  
TRI-ARC ist eine Handelsmarke von Techtronic Outdoor Products Technology Limited.
- ES** RYOBI es una marca registrada de Ryobi Limited, y se utiliza bajo licencia.  
TRI-ARC es una marca comercial de Techtronic Outdoor Products Technology Limited.
- IT** L'utilizzo del marchio registrato RYOBI è legato alla licenza concessa da Ryobi Limited.  
TRI-ARC è un marchio commerciale di Techtronic Outdoor Products Technology Limited.
- NL** RYOBI is een handelsmerk van Ryobi Limited en wordt onder licentie gebruikt.  
TRI-ARC is een handelsmerk van Techtronic Outdoor Products Technology Limited.
- PT** RYOBI é uma marca comercial de Ryobi Limited, e é utilizada sob licença.  
TRI-ARC é uma marca comercial da Techtronic Outdoor Products Technology Limited.
- DA** RYOBI er et varemærke tilhørende Ryobi Limited og bruges under licens.  
TRI-ARC er et varemærke tilhørende Techtronic Outdoor Products Technology Limited.
- SV** RYOBI är en del av varumärke Ryobi Limited och dess användning är licensierad.  
TRI-ARC är ett varumärke som tillhör Techtronic Outdoor Products Technology Limited.
- FI** RYOBI on Ryobi Limitedin omistama tavaramerkki, ja sitä käytetään lisenssin puitteissa.  
TRI-ARC on tavaramerkki, jonka omistaa Techtronic Outdoor Products Technology Limited.
- NO** RYOBI er et varemerke for Ryobi Limited, og brukes under lisens.  
TRI-ARC er et varemerke som tilhører Techtronic Outdoor Products Technology Limited.  
EXPAND-IT er et varemerke som tilhører Techtronic Outdoor Products Technology Limited.
- RU** RYOBI является товарным знаком компании Ryobi Limited, используемым по лицензии.  
TRI-ARC является товарным знаком компании Techtronic Outdoor Products Technology Limited.
- PL** RYOBI to znak towarowy firmy Ryobi Limited i jest używany zgodnie z udzieloną licencją.  
TRI-ARC jest znakiem towarowym na licencji Techtronic Outdoor Products Technology Limited.
- CS** RYOBI je ochranná známka společnosti Ryobi Limited a její používání podléhá licenci.  
TRI-ARC je ochranná známka společnosti Techtronic Outdoor Products Technology Limited.
- HU** A RYOBI a Ryobi Limited védjegye, használatá licenc keretében történik.  
A TRI-ARC az Techtronic Outdoor Products Technology Limited védjegye.
- RO** RYOBI este o marcă comercială a firmei Ryobi Limited și este utilizată sub licență.  
TRI-ARC este marca comercială a Techtronic Outdoor Products Technology Limited.
- LV** RYOBI ir Ryobi Limited preču zīme un tiek izmantota saskaņā ar licenci.  
TRI-ARC ir Techtronic Outdoor Products Technology Limited preču zīme.
- LT** „RYOBI” yra „Ryobi Limited” prekės ženklas, naudojamas pagal licenciją.  
TRI-ARC yra „Techtronic Outdoor Products Technology Limited” prekės ženklas.
- ET** RYOBI on ettevõtte Ryobi Limited kaubamärk, mida kasutatakse litsentsi alusel.  
TRI-ARC on ettevõtte Techtronic Outdoor Products Technology Limited kaubamärk.
- HR** RYOBI je žig tvrtke Ryobi Limited i koristi se po licenci.  
TRI-ARC je žig tvrtke Techtronic Outdoor Products Technology Limited.
- SL** RYOBI je blagovna znamka družbe Ryobi Limited in se uporablja na podlagi dovoljenja.  
TRI-ARC je blagovna znamka podjetja Techtronic Outdoor Products Technology Limited.
- SK** RYOBI je ochranná známka spoločnosti Ryobi Limited a používa sa na základe licencie.  
TRI-ARC je ochranná známka spoločnosti Techtronic Outdoor Products Technology Limited.
- BG** RYOBI е търговска марка на Ryobi Limited и се използва под лиценз.  
TRI-ARC е търговска марка на Techtronic Outdoor Products Technology Limited.
- UK** RYOBI е товарним знаком Ryobi Limited, і використовується за ліцензією.  
TRI-ARC є торговою маркою Techtronic Outdoor Products Technology Limited.
- TR** RYOBI, Ryobi Limited şirketine ait olup, lisans altında kullanılan bir ticari markadır.  
TRI-ARC, Techtronic Outdoor Products Technology Limited şirketinin bir ticari markasıdır.





**Techtronic Industries GmbH**  
Max-Eyth-Straße 10,  
71364 Winnenden, Germany

**Techtronic Industries (UK) Ltd**  
Parkway  
Marlow Bucks SL7 1YL  
UK

961480328-01

