

# RYOBI®

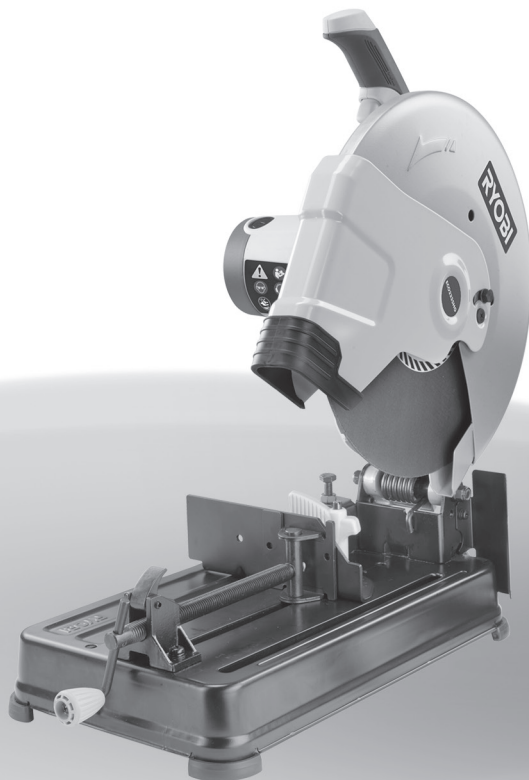
## ECO2335HG

Type II

### ORIGINAL INSTRUCTIONS

TRADUCTION DES INSTRUCTIONS ORIGINALES  
ÜBERSETZUNG DER ORIGINALANLEITUNG  
TRADUCCIÓN DE LAS INSTRUCCIONES ORIGINALES  
TRADUZIONE DELLE ISTRUZIONI ORIGINALI  
VERTALING VAN DE ORIGINELE INSTRUCTIES  
TRADUÇÃO DAS INSTRUÇÕES ORIGINAIS  
OVERSÆTTELSE AF DE ORIGINALE INSTRUKTIONER  
ÖVERSÄTTNING AV DE URSPRUNGLIGA INSTRUKTIONERNA  
ALKUPERÄISTEN OHJEIDEN SUOMENNOS  
OVERSETTELSE AV DE ORIGINALE INSTRUKSJONENE  
ИНСТРУКЦИЯ ПО ЭКСПЛУАТАЦИИ  
TŁUMACZENIE INSTRUKCJI ORYGINALNEJ  
PŘEKLAD ORIGINÁLNÍCH POKYNŮ  
AZ EREDETI ÚTMUTATÓ FORDÍTÁSA  
TRADUCEREA INSTRUCȚIUNILOR ORIGINALE  
TULKOTS NO ORIGINĀLĀS INSTRUKCIJAS  
ORIGINALIŲ INSTRUKCIJŲ VERTIMAS  
ORIGINAALJUHENDI TÖLGE  
PRIJEVOD ORIGINALNIH UPUTA  
PREVOD ORIGINALNIH NAVODIL  
PREKLAD ORIGINÁLNYCH POKYNOV  
ПРЕВОД ОТ ОРИГИНАЛНИТЕ ИНСТРУКЦИИ  
ПРЕКЛАД ОРИГІНАЛЬНИХ ІНСТРУКЦІЙ  
ORIJINAL TALIMATLARIN TERCÜMESİ  
ΜΕΤΑΦΡΑΣΗ ΤΩΝ ΠΡΩΤΟΤΥΠΩΝ ΟΔΗΓΙΩΝ

EN  
FR  
DE  
ES  
IT  
NL  
PT  
DA  
SV  
FI  
NO  
RU  
PL  
CS  
HU  
RO  
LV  
LT  
ET  
HR  
SL  
SK  
BG  
UK  
TR  
EL





<b>Important!</b>	It is essential that you read the instructions in this manual before assembling, maintaining and operating the product.
<b>Attention!</b>	Il est essentiel que vous lisiez les instructions contenues dans ce manuel avant d'assembler, d'entretenir et d'utiliser le produit.
<b>Achtung!</b>	Es ist wichtig, dass Sie vor Zusammenbau, Wartung und Benutzung des Produktes die Anweisungen in dieser Anleitung lesen.
<b>¡Atención!</b>	Resulta fundamental que lea este manual de instrucciones antes de realizar el montaje, el mantenimiento y de utilizar este producto
<b>Attenzione!</b>	E' importante leggere le istruzioni contenute nel presente manuale prima di montare il prodotto, svolgere le operazioni di manutenzione sullo stesso e metterlo in funzione.
<b>Let op!</b>	Het is van essentieel belang dat u de instructies in deze gebruiksaanwijzing leest voor u het product monteert, onderhoudt en gebruikt.
<b>Atenção!</b>	É fundamental que leia as instruções deste manual antes da montagem, manutenção e operação do aparelho.
<b>OBS!</b>	Det er vigtigt, at man læser instrukserne i denne brugsanvisning, inden man samler, vedligeholder og betjener produktet.
<b>Observera!</b>	Det är viktigt att du läser instruktionerna i manualen före montering, användning och underhåll av produkten.
<b>Huomio!</b>	On tärkeää, että luet tämän käsikirjan ohjeet ennen tuotteen kokoamista, huoltoa ja käyttöä.
<b>Advarsel!</b>	Det er viktig at du leser instruksjonene i denne manualen før sammensetning, vedlikehold og bruk av produktet
<b>Внимание!</b>	Необходимо прочитать инструкции в данном руководстве перед сборкой, обслуживанием и эксплуатацией этого изделия.
<b>Uwaga!</b>	Koniecznle należy przeczytać instrukcje zawarte w tym podręczniku przed montażem, obsługą oraz konserwacją produktu.
<b>Důležitý upozornění!</b>	Neinstalujte, neprovádějte údržbu ani nepoužívejte tento výrobek dřív, než si přečtete pokyny uvedené v tomto návodu.
<b>Figyelem!</b>	Fontos, hogy a termék összeszerelése, karbantartása és használatá elött elolvassa a kézikönyvben található utasításokat.
<b>Atenție!</b>	Este esențial să citiți instrucțiunile din acest manual înainte de asamblare, efectuarea întreținerii și operarea produsului.
<b>Uzmanību!</b>	Ir svarīgi izlasīt šīs rokasgrāmatas instrukcijas pirms uzstādīšanas, apkopes un preces darbināšanas.
<b>Démesio!</b>	Prieš surenkant, prižiūrint ir naudojant gaminį, būtina perskaityti šiam vadove pateiktus nurodymus.
<b>Tähtis!</b>	Enne masina kokkupanekut, hooldamist ja kasutama hakkamist tuleb käesolevas juhendis esitatud juhised kindlasti läbi lugeda.
<b>Upozorenie!</b>	Vrlo je važno da ste prije sklapanja, održavanja i rada s ovim proizvodom pročitali upute u ovom priručniku.
<b>Pomembno!</b>	Pomembno je da pred montažo vzdrževanjem in uporabo tega izdelka preberete navodila v tem priročniku.
<b>Upzornenie!</b>	Je dôležité, aby ste si pred montážou, údržbou a obsluhou produktu prečítali pokyny v tomto návode.
<b>Важно!</b>	Исключительно важно е да прочетете инструкциите в настоящото ръководство, преди да преминете към сглобяване, поддръжка или работа с продукта.
<b>Важливо!</b>	Дуже важливо, щоб ви прочитали інструкції в цьому керівництві перед складанням, обслуговуванням та експлуатацією цієї машини.
<b>Dikkat!</b>	Ürünün montajını, bakımını yapmadan ve ürünü çalıştırmadan önce bu kılavuzda yer alan talimatları okumanız önemlidir.
<b>Προσοχή!</b>	Είναι πολύ σημαντικό να διαβάσετε τις οδηγίες στο παρόν εγχειρίδιο πριν συναρμολογήσετε, συντηρήσετε ή λειτουργήσετε το προϊόν.

Subject to technical modification | Sous réserve de modifications techniques | Technische Änderungen vorbehalten | Bajo reserva de modificaciones técnicas | Con riserva di eventuali modifiche tecniche | Technische wijzigingen voorbehouden | Com reserva de modificações técnicas | Med forbehold for tekniske ændringer | Med förbehåll för tekniska ändringar | Tekniset muutokset varataan | Med forbehold om tekniske ændringer | могут быть внесены технические изменения | Z zastrzeżeniem modyfikacji technicznych | Změny technických údajů vyhrazeny | A műszaki módosítás jogát fenntartjuk | Sub rezerva modifiцаiilor tehnice | Paturam tiesības mainīt tehniskos raksturlielumus | Pasiliekan teisę daryti techninius pakeitimus | Tehnilised muudatused võimalikud | Podloženo tehničkim promjenama | Tehnične spremembe dopuščene | Právo na technické zmeny je vyhradené | Подлежи на технически модификации | Є об'єктом для технічних змін | Teknik değişiklik hakkı saklıdır | Υπό την επιφύλαξη τεχνικών τροποποιήσεων





Safety, performance, and dependability have been given top priority in the design of your cut-off machine.

### INTENDED USE

The cut-off machine is intended to be used for cutting metal materials. Do not use for non-metal materials.

The product is intended to be used only by adult operators who have read the instruction manual and understand the risks and hazards.

The product is intended to be fixed at the base to a solid bench top. If the base is not securely fixed the whole machine may move during cutting operations, which increases the possibility of serious personal injury.

The product is to be used in dry conditions, with excellent ambient lighting and adequate ventilation.

The product is intended for consumer use and should only be used as described above and is not intended for any other purpose.

### GENERAL POWER TOOL SAFETY WARNINGS

#### WARNING

**Read all safety warnings, instructions, illustrations and specifications provided with this power tool.** Failure to follow all instructions listed below may result in electric shock, fire and/or serious injury.

**Save all warnings and instructions for future reference.** The term "power tool" in the warnings refers to your mains-operated (corded) power tool or battery-operated (cordless) power tool.

### WORK AREA SAFETY

- **Keep work area clean and well lit.** Cluttered or dark areas invite accidents.
- **Do not operate power tools in explosive atmospheres, such as in the presence of flammable liquids, gases or dust.** Power tools create sparks which may ignite the dust or fumes.
- **Keep children and bystanders away while operating a power tool.** Distractions can cause you to lose control.

### ELECTRICAL SAFETY

- **Power tool plugs must match the outlet. Never modify the plug in any way. Do not use any adapter plugs with earthed (grounded) power tools.** Unmodified plugs and matching outlets will reduce risk of electric shock.
- **Avoid body contact with earthed or grounded surfaces, such as pipes, radiators, ranges and refrigerators.** There is an increased risk of electric shock if your body is earthed or grounded.
- **Do not expose power tools to rain or wet conditions.** Water entering a power tool will increase the risk of

electric shock.

- **Do not abuse the cord. Never use the cord for carrying, pulling or unplugging the power tool. Keep cord away from heat, oil, sharp edges or moving parts.** Damaged or entangled cords increase the risk of electric shock.
- **When operating a power tool outdoors, use an extension cord suitable for outdoor use.** Use of a cord suitable for outdoor use reduces the risk of electric shock.
- **If operating a power tool in a damp location is unavoidable, use a residual current device (RCD) protected supply.** Use of an RCD reduces the risk of electric shock.

### PERSONAL SAFETY

- **Stay alert, watch what you are doing and use common sense when operating a power tool. Do not use a power tool while you are tired or under the influence of drugs, alcohol or medication.** A moment of inattention while operating power tools may result in serious personal injury.
- **Use personal protective equipment. Always wear eye protection.** Protective equipment such as a dust mask, non-skid safety shoes, hard hat, or hearing protection used for appropriate conditions will reduce personal injuries.
- **Prevent unintentional starting. Ensure the switch is in the off -position before connecting to power source and/or battery pack, picking up or carrying the tool. Carrying power tools with your finger on the switch or energising power tools that have the switch on invites accidents.**
- **Remove any adjusting key or wrench before turning the power tool on.** A wrench or a key left attached to a rotating part of the power tool may result in personal injury.
- **Do not overreach. Keep proper footing and balance at all times.** This enables better control of the power tool in unexpected situations.
- **Dress properly. Do not wear loose clothing or jewellery. Keep your hair and clothing away from moving parts.** Loose clothes, jewellery or long hair can be caught in moving parts.
- **If devices are provided for the connection of dust extraction and collection facilities, ensure these are connected and properly used.** Use of dust collection can reduce dust-related hazards.
- **Do not let familiarity gained from frequent use of tools allow you to become complacent and ignore tool safety principles.** A careless action can cause severe injury within a fraction of a second.

### POWER TOOL USE AND CARE

- **Do not force the power tool. Use the correct power tool for your application.** The correct power tool will do the job better and safer at the rate for which it was



designed.

- **Do not use the power tool if the switch does not turn it on and off.** Any power tool that cannot be controlled with the switch is dangerous and must be repaired.
- **Disconnect the plug from the power source and/or remove the battery pack, if detachable, from the power tool before making any adjustments, changing accessories, or storing power tools.** Such preventive safety measures reduce the risk of starting the power tool accidentally.
- **Store idle power tools out of the reach of children and do not allow persons unfamiliar with the power tool or these instructions to operate the power tool.** Power tools are dangerous in the hands of untrained users.
- **Maintain power tools and accessories. Check for misalignment or binding of moving parts, breakage of parts and any other condition that may affect the power tool's operation. If damaged, have the power tool repaired before use.** Many accidents are caused by poorly maintained power tools.
- **Keep cutting tools sharp and clean.** Properly maintained cutting tools with sharp cutting edges are less likely to bind and are easier to control.
- **Use the power tool, accessories and tool bits etc. in accordance with these instructions, taking into account the working conditions and the work to be performed.** Use of the power tool for operations different from those intended could result in a hazardous situation.
- **Keep handles and grasping surfaces dry, clean and free from oil and grease.** Slippery handles and grasping surfaces do not allow for safe handling and control of the tool in unexpected situations.

#### SERVICE

- **Have your power tool serviced by a qualified repair person using only identical replacement parts.** This will ensure that the safety of the power tool is maintained.

#### CUT-OFF MACHINE SAFETY WARNINGS

- **Position yourself and bystander away from the plane of the rotating wheel.** The guard helps to protect the operator from broken wheel fragments and accidental contact with wheel.
- **Use only bonded reinforced cut-off wheels for your power tool.** Just because an accessory can be attached to your power tool, it does not assure safe operation.
- **The rated speed of the accessory must be at least equal to the maximum speed marked on the power tool.** Accessories running faster than their rated speed can break and fly apart.
- **Wheels must be used only for recommended applications. For example: do not grind with the side of a cut-off wheel.** Abrasive cut-off wheels are

intended for peripheral grinding, side forces applied to these wheels may cause them to shatter.

- **Always use undamaged wheel flanges that are of correct diameter for your selected wheel.** Proper wheel flanges support the wheel thus reducing the possibility of wheel breakage.
- **The outside diameter and the thickness of your accessory must be within the capacity rating of your power tool.** Incorrectly sized accessories cannot be adequately guarded or controlled.
- **The arbour size of wheels and flanges must properly fit the spindle of the power tool.** Wheels and flanges with arbour holes that do not match the mounting hardware of the power tool will run out of balance, vibrate excessively and may cause loss of control.
- **Do not use damaged wheels. Before each use, inspect the wheels for chips and cracks. If the power tool or wheel is dropped, inspect for damage or install an undamaged wheel. After inspecting and installing the wheel, position yourself and bystanders away from the plane of the rotating wheel and run the power tool at maximum no load speed for one minute.** Damaged wheels will normally break apart during this test time.
- **Wear personal protective equipment. Depending on application, use face shield, safety goggles or safety glasses. As appropriate, wear dust mask, hearing protectors, gloves and shop apron capable of stopping small abrasive or workpiece fragments.** The eye protection must be capable of stopping flying debris generated by various operations. The dust mask or respirator must be capable of filtering particles generated by your operation. Prolonged exposure to high intensity noise may cause hearing loss.
- **Keep bystanders a safe distance away from work area. Anyone entering the work area must wear personal protective equipment.** Fragments of workpiece or of a broken wheel may fly away and cause injury beyond immediate area of operation.
- **Position the cord clear of the spinning accessory.** If you lose control, the cord may be cut or snagged and your hand or arm may be pulled into the spinning wheel.
- **Regularly clean the power tool's air vents.** The motor's fan can draw the dust inside the housing and excessive accumulation of powdered metal may cause electrical hazards.
- **Do not operate the power tool near flammable materials. Do not operate the power tool while placed on a combustible surface such as wood.** Sparks could ignite these materials.
- **Do not use accessories that require liquid coolants.** Using water or other liquid coolants may result in electrocution or shock.

#### KICKBACK AND RELATED WARNINGS

Kickback is a sudden reaction to a pinched or snagged rotating wheel. Pinching or snagging causes rapid stalling



of the rotating wheel which in turn causes the uncontrolled **cutting unit** to be forced upwards toward the operator.

For example, if an abrasive wheel is snagged or pinched by the workpiece, the edge of the wheel that is entering into the pinch point can dig into the surface of the material causing the wheel to climb out or kick out. Abrasive wheels may also break under these conditions.

Kickback is the result of power tool misuse and/or incorrect operating procedures or conditions and can be avoided by taking proper precautions as given below.

- **Maintain a firm grip on the power tool and position your body and arm to allow you to resist kickback forces.** The operator can control upward kickback forces, if proper precautions are taken.
- **Do not position your body in line with the rotating wheel.** If kickback occurs, it will propel the cutting unit upwards toward the operator.
- **Do not attach a saw chain, woodcarving blade, segmented diamond wheel with a peripheral gap greater than 10 mm or toothed saw blade.** Such blades create frequent kickback and loss of control.
- **Do not "jam" the wheel or apply excessive pressure. Do not attempt to make an excessive depth of cut.** Overstressing the wheel increases the loading and susceptibility to twisting or binding of the wheel in the cut and the possibility of kickback or wheel breakage.
- **When the wheel is binding or when interrupting a cut for any reason, switch off the power tool and hold the cutting unit motionless until the wheel comes to a complete stop. Never attempt to remove the wheel from the cut while the wheel is in motion otherwise kickback may occur.** Investigate and take corrective action to eliminate the cause of wheel binding.
- **Do not restart the cutting operation in the workpiece. Let the wheel reach full speed and carefully re-enter the cut.** The wheel may bind, walk up or kickback if the power tool is restarted in the workpiece.
- **Support any oversized workpiece to minimize the risk of wheel pinching and kickback.** Large workpieces tend to sag under their own weight. Supports must be placed under the workpiece near the line of cut and near the edge of the workpiece on both sides of the wheel.

#### ADDITIONAL SAFETY WARNINGS

- Ensure that the product is always used on a stable and level surface.
- Always use eye and ear protection when cutting.
- Use personal protective equipment such as dust mask, gloves and apron.
- If there is the risk of falling object, wear helmet or head protection.
- Ensure that the abrasive cutting-off wheel is correctly fitted and tightened before use and run the machine at no-load for 30 s in a safe position, and to stop

immediately and replace the cutting-off wheel if there is considerable vibration.

- Before making a cut, be sure all adjustments are secure.
- Before performing any adjustment, make sure the tool is unplugged from the power supply. Failure to unplug cut-off machine could result in accidental starting causing possible serious personal injury.
- Assemble all parts to your cut-off machine before connecting it to power supply.
- Machine should never be connected to power supply when you are assembling parts, making adjustments, installing or removing wheels, or when not in use.
- Visually inspect the abrasive wheel before every use. Check the wheel for fissures and cracks. Do not use damaged abrasive wheel.
- Do not use saw blades.
- Never use a wheel that is too thick to allow outer flange to engage with the flats on the spindle. Larger wheels will come in contact with the wheel guards, while thicker wheels will prevent the bolt from securing the wheel on the spindle. Either of these situations could result in a serious accident and can cause serious personal injury.
- Do not remove the machine's wheel guards. Never operate the machine with any guard or cover removed. Make sure all guards are operating properly before each use.
- Do not start your abrasive cut-off machine without checking for interference between the wheel and the machine base support. Damage may result to the wheel if it strikes the machine base support during operation of the machine.
- Do not attempt to cut wood or masonry with this cut-off machine. Never cut magnesium or magnesium alloy with this machine.
- Do not tighten wheel excessively, since this can cause cracks.
- Always ease the abrasive wheel against the work piece when starting to cut. A harsh impact can break the wheel.
- Never cut more than one work piece at a time. Do not stack more than one work piece on the machine base at a time.
- To minimize risk of tipping the machine, always support long work pieces.
- Cutting steel will cause sparks. Do not operate in the presence of combustible or flammable materials.
- **Never leave tool running unattended. Do not leave tool until it comes to a complete stop. The wheel continues to rotate after the product is switched off.**
- Always release the power switch and allow the wheel to stop rotating before raising it out of the work piece.
- Keep hands away from cutting area. Keep hands away from wheel. Do not reach underneath work or around or under the wheel while the wheel is rotating. Do not attempt to remove cut material while wheel is moving.
- Never stand or have any part of your body in line with



the path of the wheel.

- Never stand on the tool. Serious injury could occur if the tool is tipped or if the wheel is unintentionally contacted.
- Never perform any operation "freehand". Always secure the work piece to be cut in the vice. Refer to specification table for safe minimum size of work piece. Always ensure you grip at least 80 mm in the vice jaws to ensure security while grinding.
- Never hand hold a work piece, it will become very hot while being cut.
- A power spike causes voltage fluctuations and may affect other electrical products in the same power line. Connect the product to a power supply with an impedance equal to 0.233  $\Omega$  to minimize voltage fluctuations. Contact your electric power supplier for further clarification.
- It is recommended that the tool always be supplied via a residual current device having a rated residual current of 30mA or less.

**RYOBI recommends that you use Metal cutting Disc COSB355A1 as a replacement whenever you need a new disc.**

#### SAFETY WARNINGS FOR FITTING AN ABRASIVE WHEEL

- **To reduce the risk of injury, user must read and comply with instructions, warnings and operator's manual before starting to use this abrasive wheel. Failure to heed these warnings can result in wheel breakage and serious personal injury. Save these instructions.**
- The use of any wheel other than the one recommended in the machine instruction manual may present a risk of personal injury. Use only abrasive wheels which have marked speed equal or greater to that marked on the machine.
- Never use abrasive wheel that is too thick to allow outer flange to engage with the flats on the spindle. Larger wheels will come in contact with the wheel guards, while thicker wheels will prevent the bolt from securing the wheel on the spindle. Either of these situations could result in a serious accident and can cause serious personal injury.
- This abrasive wheel is for ferrous metal cutting only. Do not attempt to cut wood or masonry with it. Never cut magnesium or magnesium alloy with it.
- This abrasive wheel is only suitable for dry cutting, should use it before the date of expiry (marking on label e.g. 11/2021).
- Do not use damaged abrasive wheels, do not use wheels that are chipped, cracked or otherwise defective.
- Ensure that the abrasive cutting-off wheel is correctly fitted and tightened before use.
- The direction of rotation of the abrasive wheel is indicated on the tool, make sure the direction mark on

wheel consistent with the direction identified on the tool while installing and changing abrasive wheel.

- Do not tighten abrasive wheel excessively, since this can cause cracks.
- Machine should never be connected to power supply when you are installing or removing abrasive wheels.
- Store your spare abrasive disc's carefully, they are easily damaged.

#### Information available on the abrasive wheel label

The information on the wheel label is IMPORTANT. Read and check it carefully to ensure you are selecting the correct type of disc.

1. Manufacturer, supplier, importer or trade mark
2. Nominal dimensions of abrasive wheel, in particular the diameter of the bore
3. Abrasive type, grain size, grade or hardness, type of bond and use of reinforcement e.g.
  - 41A24RBF80
  - 41--- abrasive type, flat cutting-off wheel
  - A --- abrasive material: brown corundum
  - 24 --- grain size
  - R --- grade or hardness
  - BF --- type of bond
  - 80 --- maximum operating speed m/s
4. Maximum operation speed in metres per second
5. Maximum permissible speed of rotation in 1/min
6. For declaration of conformity, the abrasive products shall be marked with EN 12413
7. Restriction of use and safety warning symbols.
8. Traceability code, eg. A production/batch number, expiry date or series number

#### RESIDUAL RISKS

Even when the product is used as prescribed, it is still impossible to completely eliminate certain residual risk factors. The following hazards may arise in use and the operator should pay special attention to avoid the following:

- Stability. Ensure the tool is stable, if necessary secure it.
- Inhalation of dust. Wear a mask if necessary.
- Sparks and hot metal particles, these can cause fire, skin burns. Wear protective equipment during using.
- Eye injury from metal particles. Wear eye protection when working.
- Hearing injury – restrict exposure and wear appropriate hearing protection.

#### KNOW YOUR PRODUCT

See page 172.

1. Handle, insulated gripping surface
2. Trigger switch
3. Top handle
4. Spindle lock
5. Cutting depth adjustment screw
6. Cutting depth lock nut



7. Mitre guide
8. Wrench
9. Upper guard
10. Lower guard
11. Cutting wheel
12. Work clamp
13. Work clamp lock lever
14. Work clamp adjustment crank
15. Rubber foot
16. Saw head lock chain
17. Mounting hole
18. Carbon brush cap
19. Carbon brush
20. Chip deflector
21. Mitre guide lock lever

### OPERATION TIPS

#### MITRE GUIDE LOCK LEVER

When the mitre guide is placed closest to the saw head pivot, the mitre guide lock lever may interfere with the head pivot when turning. Repeat the locking process by lifting and rewinding the lever until the mitre guide is tightly locked.

### MAINTENANCE

- Do not modify the product in any way or use accessories not approved by the manufacturer. Your safety and that of others may be compromised.
- Do not use the product if any switches, guards or other functions does not work as intended. Return to an authorised service centre for professional repair or adjustment.
- Do not make any adjustments while the motor is in motion.
- Always make sure the machines plug has been removed from the mains power source before changing brushes, lubricating or when doing any works or maintenance on the machine.
- After each use, check your machine for damage or broken parts and keep it in top working condition by repairing or replacing parts immediately.
- Ensure that ventilation openings are kept clear, especially when working in dusty conditions. If it becomes necessary to clear dust, disconnect the product from the mains supply. Clean the openings using a soft brush.
- Clean out accumulated dust.
- To assure safety and reliability, all repairs with the exception of externally accessible brushes should be performed by an authorised service centre.
- If the power cord is damaged, it must be replaced by an authorised service center in order to avoid a hazard.

### ⚠ WARNING

For greater safety and reliability, all repairs should be performed by an authorised service centre.

### ENVIRONMENTAL PROTECTION



Recycle raw materials instead of disposing of as waste. The machine, accessories and packaging should be sorted for environmental-friendly recycling.

### SYMBOL



Safety alert



CE Conformity



EurAsian conformity mark



Ukrainian mark of conformity



Please read the instructions carefully before starting the product.



Class II tool, double insulation



Wear ear protection



Wear eye protection.



Not for wet grinding or cutting



Do not use chipped, cracked or defective grinding wheel



Wear safety gloves



Wear dust mask.



Do not expose to rain or use in damp locations.



Cutting-off wheel rotation direction (shown on wheel guard)



Waste electrical products should not be disposed of with household waste. Please recycle where facilities exist. Check with your Local Authority or retailer for recycling advice.

**SYMBOLS IN THIS MANUAL**



Lock



Unlock



Waiting time for blade to reach full speed



Parts or accessories sold separately



Note



Warning

The following signal words and meanings are intended to explain the levels of risk associated with this product:

**⚠ DANGER**

Indicates an imminently hazardous situation, which, if not avoided, will result in death or serious injury.

**⚠ WARNING**

Indicates a potentially hazardous situation, which, if not avoided, could result in death or serious injury.





Votre tronçonneuse a été conçue en donnant priorité à la sécurité, à la performance et à la fiabilité.

### UTILISATION PRÉVUE

La tronçonneuse est conçue pour être utilisée pour la coupe des matériaux métalliques. Ne l'utilisez pas avec des matériaux non métalliques.

L'outil est conçu pour être utilisé par des adultes qui ont lu le mode d'emploi et comprennent les risques et dangers.

Le produit est conçu pour être fixé à la base sur un plan de travail solide. Si la base n'est pas bien fixée, l'ensemble de la machine est susceptible de bouger en cours de coupe, ce qui augmente les risques de blessures graves.

Le produit est conçu pour réaliser des coupes en biseau et d'onglet. Les capacités pour les différentes coupes sont fournies dans les spécifications du produit de ce manuel.

Le produit doit être utilisé au sec, avec un excellent éclairage ambiant et une ventilation adéquate.

Ce produit est destiné à une utilisation par des particuliers et ne doit être utilisé que comme décrit ci-dessus, à l'exclusion de toute autre utilisation.

### AVERTISSEMENTS DE SÉCURITÉ GÉNÉRAUX POUR L'OUTIL ÉLECTRIQUE

#### ⚠ AVERTISSEMENT

Lire tous les avertissements de sécurité, les instructions, les illustrations et les spécifications fournis avec cet outil électrique. Ne pas suivre les instructions énumérées ci-dessous peut provoquer un choc électrique, un incendie et/ou une blessure sérieuse.

**Conserver tous les avertissements et toutes les instructions pour pouvoir s'y reporter ultérieurement.**

Le terme «outil électrique» dans les avertissements fait référence à votre outil électrique alimenté par le secteur (avec cordon d'alimentation) ou votre outil électrique fonctionnant sur batterie (sans cordon d'alimentation).

### SÉCURITÉ DE LA ZONE DE TRAVAIL

- **Conserver la zone de travail propre et bien éclairée.** Les zones en désordre ou sombres sont propices aux accidents.
- **Ne pas faire fonctionner les outils électriques en atmosphère explosive, par exemple en présence de liquides inflammables, de gaz ou de poussières.** Les outils électriques produisent des étincelles qui peuvent enflammer les poussières ou les fumées.
- **Maintenir les enfants et les personnes présentes à l'écart pendant l'utilisation de l'outil électrique.** Les distractions peuvent vous faire perdre le contrôle de l'outil.

### SÉCURITÉ ÉLECTRIQUE

- **Il faut que les fiches de l'outil électrique soient adaptées au socle. Ne jamais modifier la fiche de quelque façon que ce soit. Ne pas utiliser d'adaptateurs avec des outils électriques à branchement de terre.** Des fiches non modifiées et des socles adaptés réduisent le risque de choc électrique.
- **Éviter tout contact du corps avec des surfaces reliées à la terre telles que les tuyaux, les radiateurs, les cuisinières et les réfrigérateurs.** Il existe un risque accru de choc électrique si votre corps est relié à la terre.
- **Ne pas exposer les outils électriques à la pluie ou à des conditions humides.** La pénétration d'eau à l'intérieur d'un outil électrique augmente le risque de choc électrique.
- **Ne pas maltraiter le cordon. Ne jamais utiliser le cordon pour porter, tirer ou débrancher l'outil électrique. Maintenir le cordon à l'écart de la chaleur, du lubrifiant, des arêtes vives ou des parties en mouvement.** Des cordons endommagés ou emmêlés augmentent le risque de choc électrique.
- **Lorsqu'on utilise un outil électrique à l'extérieur, utiliser un prolongateur adapté à l'utilisation extérieure.** L'utilisation d'un cordon adapté à l'utilisation extérieure réduit le risque de choc électrique.
- **Si l'usage d'un outil électrique dans un emplacement humide est inévitable, utiliser une alimentation protégée par un dispositif à courant différentiel résiduel (RCD).** L'usage d'un RCD réduit le risque de choc électrique.

### SÉCURITÉ DES PERSONNES

- **Rester vigilant, regarder ce que vous êtes en train de faire et faire preuve de bon sens dans votre utilisation de l'outil électrique. Ne pas utiliser un outil électrique lorsque vous êtes fatigué ou sous l'emprise de drogues, de l'alcool ou de médicaments.** Un moment d'inattention en cours d'utilisation d'un outil électrique peut entraîner des blessures graves.
- **Utiliser un équipement de protection individuelle. Toujours porter une protection pour les yeux.** Les équipements de protection individuelle tels que les masques contre les poussières, les chaussures de sécurité antidérapantes, les casques ou les protections auditives utilisés pour les conditions appropriées réduisent les blessures.
- **Éviter tout démarrage intempestif. S'assurer que l'interrupteur est en position arrêté avant de brancher l'outil au secteur et/ou au bloc de batteries, de le ramasser ou de le porter.** Porter les outils électriques en ayant le doigt sur l'interrupteur ou brancher des outils électriques dont l'interrupteur est en position marche est source d'accidents.
- **Retirer toute clé de réglage avant de mettre l'outil électrique en marche.** Une clé laissée fixée sur une



partie tournante de l'outil électrique peut donner lieu à des blessures.

- **Ne pas se précipiter. Garder une position et un équilibre adaptés à tout moment.** Cela permet un meilleur contrôle de l'outil électrique dans des situations inattendues.
- **S'habiller de manière adaptée. Ne pas porter de vêtements amples ou de bijoux. Garder les cheveux et les vêtements à distance des parties en mouvement.** Des vêtements amples, des bijoux ou les cheveux longs peuvent être pris dans des parties en mouvement.
- **Si des dispositifs sont fournis pour le raccordement d'équipements pour l'extraction et la récupération des poussières, s'assurer qu'ils sont connectés et correctement utilisés.** Utiliser des collecteurs de poussière peut réduire les risques dus aux poussières.
- **Rester vigilant et ne pas négliger les principes de sécurité de l'outil sous prétexte que vous avez l'habitude de l'utiliser.** Une fraction de seconde d'inattention peut provoquer une blessure grave.

#### UTILISATION ET ENTRETIEN DE L'OUTIL ÉLECTRIQUE

- **Ne pas forcer l'outil électrique. Utiliser l'outil électrique adapté à votre application.** L'outil électrique adapté réalise mieux le travail et de manière plus sûre au régime pour lequel il a été construit.
- **Ne pas utiliser l'outil électrique si l'interrupteur ne permet pas de passer de l'état de marche à arrêt et inversement.** Tout outil électrique qui ne peut pas être commandé par l'interrupteur est dangereux et il faut le réparer.
- **Débrancher la fiche de la source d'alimentation et/ou enlever le bloc de batteries, s'il est amovible, avant tout réglage, changement d'accessoires ou avant de ranger l'outil électrique.** De telles mesures de sécurité préventives réduisent le risque de démarrage accidentel de l'outil électrique.
- **Conservé les outils électriques à l'arrêt hors de la portée des enfants et ne pas permettre à des personnes ne connaissant pas l'outil électrique ou les présentes instructions de le faire fonctionner.** Les outils électriques sont dangereux entre les mains d'utilisateurs novices.
- **Observer la maintenance des outils électriques et des accessoires. Vérifier qu'il n'y a pas de mauvais alignement ou de blocage des parties mobiles, des pièces cassées ou toute autre condition pouvant affecter le fonctionnement de l'outil électrique. En cas de dommages, faire réparer l'outil électrique avant de l'utiliser.** De nombreux accidents sont dus à des outils électriques mal entretenus.
- **Garder affûtés et propres les outils permettant de couper.** Des outils destinés à couper correctement entretenus avec des pièces coupantes tranchantes sont moins susceptibles de bloquer et sont plus faciles à contrôler.
- **Utiliser l'outil électrique, les accessoires et les**

**lames etc., conformément à ces instructions, en tenant compte des conditions de travail et du travail à réaliser.** L'utilisation de l'outil électrique pour des opérations différentes de celles prévues peut donner lieu à des situations dangereuses.

- **Il faut que les poignées et les surfaces de préhension restent sèches, propres et dépourvues d'huiles et de graisses.** Des poignées et des surfaces de préhension glissantes rendent impossibles la manipulation et le contrôle en toute sécurité de l'outil dans les situations inattendues.

#### ENTRETIEN

- **Faire entretenir l'outil électrique par un réparateur qualifié utilisant uniquement des pièces de rechange identiques.** Cela assure le maintien de la sécurité de l'outil électrique.

#### AVERTISSEMENTS DE SÉCURITÉ CONCERNANT LA SCIE DE COUPE

- **Positionnez vous, ainsi que les personnes alentour, en dehors du plan de rotation du disque.** La protection aide à protéger l'opérateur des fragments d'un disque brisé ainsi que du contact accidentel avec le disque.
- **Utilisez uniquement des disques de coupe renforcés pour votre outil électrique.** Même si un accessoire peut être monté sur un outil, cela ne garantit pas que vous pourrez utiliser cet outil en toute sécurité.
- **La vitesse nominale de l'accessoire doit être égale ou supérieure à la vitesse maximale indiquée sur l'outil.** Les accessoires fonctionnant à une vitesse supérieure à leur vitesse nominale peuvent se casser et être éjectés.
- **Les disques ne doivent être utilisés que dans leur domaine d'application recommandé. Par exemple, n'utilisez pas le flanc d'un disque à tronçonner pour meuler.** Les disques à tronçonner abrasifs sont conçus pour meuler sur leur périphérie, ils sont susceptibles de se briser si l'on y applique une force latérale.
- **Assurez-vous de toujours utiliser des bagues à épaulement en bon état et dont la taille et la forme sont adaptées au disque à utiliser.** Une bague à épaulement adapté maintient le flanc du disque et réduit le risque de bris.
- **Le diamètre extérieur et l'épaisseur de l'accessoire doivent correspondre aux caractéristiques spécifiées pour l'outil.** Si les accessoires ne correspondent pas aux caractéristiques données, les systèmes de protection et de réglage de l'outil ne pourront pas fonctionner correctement.
- **La taille du trou central du disque et de la bague à épaulement doit correspondre à celle de l'arbre de l'outil électrique.** Les disques et bagues aux dimensions ne correspondant pas aux éléments de l'outil électrique entraîneront un mauvais centrage créant un balourd, source de vibrations et de perte de contrôle.



- **N'utilisez pas de disques endommagés. Avant chaque utilisation, vérifiez l'absence d'ébréchantures et de fissures sur le disque de coupe. En cas de chute de l'outil ou du disque de coupe, vérifiez l'absence de dommages ou remettez en place un disque en bon état. Après avoir vérifié et mis en place le disque, tenez-vous, ainsi que les personnes alentour, écarté du plan de rotation du disque et faite tourner l'outil électrique à sa vitesse à vide maximale pendant une minute.** Normalement, un disque endommagé se disloquera au cours de ce test à vide.
- **Portez un équipement de protection individuelle. Selon l'utilisation que vous faites de votre outil, portez un masque de protection, des lunettes de sécurité ou des lunettes de protection.** Si besoin, portez un masque anti-poussière, des protections auditives, des gants et un tablier de protection afin de vous protéger de toute projection de corps étrangers (éléments abrasifs, copeaux de bois, etc.). Le masque anti-poussière doit être capable de filtrer les particules générées par l'opération que vous menez. Une exposition prolongée à un niveau sonore excessif peut provoquer une diminution de l'acuité auditive.
- **Maintenez les visiteurs à bonne distance de la zone de travail et veillez à ce qu'ils portent un équipement de protection.** Des fragments de la pièce à usiner ou de disque sont susceptibles d'être éjectés et de provoquer des blessures au-delà de la zone de travail proche.
- **Positionnez le cordon d'alimentation de façon à ce qu'il soit à distance de l'accessoire en rotation.** En cas de perte de contrôle, le câble secteur est susceptible de se voir coupé ou coincé ce qui pourrait entraîner votre main ou votre bras vers le disque de coupe.
- **Nettoyez régulièrement les fentes de ventilation de l'outil.** La ventilation du moteur fait pénétrer les poussières à l'intérieur du carter moteur, ce qui peut générer une accumulation excessive de particules métalliques et provoquer des décharges électriques.
- **N'utilisez pas votre outil à proximité de produits inflammables. N'utilisez pas l'outil électrique sur une surface combustible, telle que du bois.** Des étincelles risqueraient de les enflammer.
- **N'utilisez pas d'accessoires nécessitant des fluides de refroidissement.** L'utilisation d'eau ou de liquides de refroidissement peut causer des électrocutions ou des décharges électriques.

#### AVERTISSEMENTS RELATIFS AU REBOND ET AUTRES RISQUES ASSOCIÉS

Le rebond est une réaction soudaine au pincement ou au coincement du disque en rotation. Le pincement ou l'accrochage provoque un blocage rapide du disque en rotation, ce qui provoque à son tour une remontée incontrôlée de l'unité de coupe en direction de l'opérateur.

Par exemple, si un disque abrasif se coince ou se tord dans la pièce à usiner, le bord du disque qui se fait coincer peut

se faire entraîner dans le matériau et provoquer un rebond vers le haut ou vers l'arrière. Le rebond est donc le résultat d'une mauvaise utilisation de l'outil et/ou de procédures ou de conditions d'utilisation incorrectes

Le rebond est donc le résultat d'une mauvaise utilisation de l'outil et / ou de procédures ou de conditions d'utilisation incorrectes. Il peut être évité en veillant à respecter quelques précautions:

- **Maintenez fermement l'outil et positionnez votre corps et votre bras de façon à pouvoir contrôler un éventuel rebond.** L'opérateur peut contrôler cette remontée si des précautions adaptées sont prises.
- **Ne positionnez pas votre corps dans l'alignement du disque en rotation.** Si un rebond survient, cela propulsera l'unité de coupe vers le haut, en direction de l'opérateur.
- **Ne mettez pas en place de chaîne de scie, de lame de coupe du bois, de disque au diamant segmenté ayant une ouverture périphérique supérieure à 10 mm ou une lame de scie avec des dents.** De telles lames augmentent le risque de rebond et de perte de contrôle de l'outil.
- **Ne « coinciez » pas le disque et ne lui appliquez pas de pression excessive. Ne tentez pas d'effectuer des coupes d'une profondeur excessive.** Un excès de contraintes sur le disque augmente sa charge et risque de le tordre ou de le coincer dans la coupe, ce qui pourrait provoquer un rebond ou un bris du disque.
- **Quand le disque se bloque ou si la coupe est interrompue pour une raison quelconque, éteignez l'outil électrique et maintenez l'unité de coupe immobile jusqu'à ce que le disque s'arrête complètement. Ne tentez jamais de retirer le disque de la coupe tant qu'il est en rotation, sous peine de provoquer un effet de rebond.** Si le disque se coince, cherchez-en la cause et prenez les mesures nécessaires pour que cela ne se reproduise plus.
- **Ne reprenez pas la coupe dans la pièce à tronçonner. Laissez le disque atteindre sa pleine vitesse et pénétrez à nouveau dans la coupe.** Le disque peut se coincer, être entraîné ou provoquer un rebond si l'outil est redémarré dans la pièce à couper.
- **Soutenez toutes les pièces travaillées de grande taille pour éviter le risque de pincement et de rebond du disque.** Les grandes pièces à couper ont tendance à fléchir sous leur propre poids. Les supports doivent être placés sous la pièce à proximité de la ligne de coupe ou près du bord de la pièce de chaque côté du disque.

#### INSTRUCTIONS DE SÉCURITÉ ADDITIONNELLES

- Utilisez toujours le produit sur une surface plane et stable.
- Portez toujours une protection auditive lorsque vous utilisez ce produit.
- Utilisez des équipements de protection individuelle tels que masque anti-poussière, gants, et tablier.





- En cas de risque de chute d'objets, portez un casque de chantier.
  - Assurez-vous que le disque abrasif de tronçonnage est correctement mis en place et serré avant utilisation, faites fonctionner le produit à vide pendant 30 secondes dans une position sûre, et arrêtez-le immédiatement et changez le disque en cas de forte vibration.
  - Avant d'effectuer une coupe, assurez-vous que tous les réglages sont bien serrés.
  - Avant d'effectuer tout réglage, assurez-vous que l'outil est débranché du secteur. Si vous ne débranchez pas la tronçonneuse, vous risquez une mise en marche accidentelle pouvant entraîner de graves blessures.
  - Assemblez toutes les pièces de votre tronçonneuse avant de la brancher sur le secteur.
  - La machine ne doit jamais être branchée sur le secteur lorsque vous-y montez des pièces, effectuez des réglages, mettez en place ou retirez des disques ou lorsque vous ne l'utilisez pas.
  - Vérifiez visuellement le disque abrasif avant chaque utilisation. Vérifiez que le disque n'est ni fissuré ni craquelé. N'utilisez pas de disques endommagés.
  - N'utilisez pas de lames de scie.
  - N'utilisez jamais de disque de coupe trop épais qui empêcherait la bride extérieure de s'insérer dans la partie aplatie de l'axe de broche. Les disques de grand diamètre entreraient en contact avec les protections, tandis que les disques trop épais empêcheraient le boulon de bien bloquer le disque sur la broche. N'importe laquelle de ces situations peut entraîner de graves accidents.
  - Ne retirez pas les protections du disque de la machine. N'utilisez jamais la machine si l'une de ses protections ou l'un de ses carters a été retiré. Assurez-vous que toutes les protections remplissent correctement leur fonction avant chaque utilisation.
  - Ne mettez pas votre tronçonneuse abrasive en marche sans avoir vérifié l'absence d'interférence entre le disque et le plateau de la machine. Le disque peut être endommagé s'il heurte le plateau de la machine en cours d'opération.
  - Ne tentez pas de couper du bois ou de la maçonnerie avec cette machine. Ne coupez jamais du magnésium ou des alliages de magnésium avec cette machine.
  - Ne serrez pas trop le disque, vous risqueriez de le craqueler.
  - Approchez toujours doucement le disque abrasif de la pièce à usiner lorsque vous commencez la coupe. Un fort impact peut briser le disque.
  - Ne coupez jamais plusieurs pièces à la fois. N'empilez pas plusieurs pièces à couper sur le plateau.
  - Pour minimiser le risque de basculement de la machine, supportez toujours les longues pièces.
  - La coupe de l'acier produit des étincelles. N'opérez pas en présence de matériaux combustibles ou inflammables.
  - Ne laissez jamais la machine fonctionner sans surveillance. Ne vous éloignez pas de l'outil avant son arrêt complet. Le disque continue de tourner une fois l'alimentation du produit coupée.
  - Relâchez toujours l'interrupteur d'alimentation et laissez toujours le disque s'arrêter avant de le soulever de la pièce à usiner.
  - Gardez vos mains à l'écart de la zone de coupe. Gardez vos mains à l'écart du disque. Ne cherchez pas à atteindre le dessous du travail ni les alentours ou le dessus du disque lorsqu'il est en rotation. Ne tentez pas de retirer des matériaux coupés lorsque le disque est en rotation.
  - Ne vous tenez jamais dans l'axe du disque de coupe et n'ayez jamais aucune partie de votre corps dans l'axe du disque de coupe.
  - Ne vous tenez jamais debout sur la machine. De graves blessures pourraient se produire au cas où l'outil basculerait ou en cas de mise en contact accidentelle avec le disque.
  - N'effectuez aucune opération à main levée. Bloquez toujours la pièce à usiner dans l'étau. Reportez-vous au tableau des caractéristiques concernant la taille minimale de la pièce à usiner. Assurez-vous de toujours avoir au moins 80 mm de pris dans les mâchoires de l'étau afin de meuler en toute sécurité.
  - Ne tenez jamais une pièce à la main. La pièce devient très chaude au cours de sa coupe.
  - Une surconsommation temporaire provoque des variations de tension susceptibles d'affecter les autres appareils électriques branchés sur la même ligne d'alimentation. Branchez le produit sur une source d'alimentation électrique dont l'impédance est égale à 0,233  $\Omega$  afin de minimiser les variations de tension. Contactez votre compagnie de distribution d'électricité pour de plus amples informations.
  - Nous vous recommandons d'utiliser un disjoncteur différentiel d'une sensibilité maximale de 30 mA.
- Nous vous conseillons l'utilisation d'un disque de coupe COSB355A1 si vous devez le remplacer.**

## AVERTISSEMENTS DE SÉCURITÉ CONCERNANT LE MONTAGE D'UN DISQUE ABRASIF

- **Pour réduire le risque de blessures, l'utilisateur doit lire et respecter le mode d'emploi, les avertissements et les instructions avant d'utiliser le disque abrasif. Le non-respect de ces avertissements pourrait entraîner le bris du disque, ce qui pourrait provoquer de graves blessures. Conservez ces instructions.**
- L'utilisation de tout autre disque que celui recommandé dans le manuel utilisateur du produit peut entraîner un risque de blessures. N'utilisez que des disques abrasifs qui portent l'indication d'une vitesse de rotation maximale supérieure ou égale à celle indiquée sur le



produit.

- N'utilisez jamais de disque de abrasif trop épais qui empêcherait l'épaulement extérieur de s'insérer dans la partie aplatie de l'axe de broche. Les disques de grand diamètre entreraient en contact avec les protections, tandis que les disques trop épais empêcheraient le boulon de bien bloquer le disque sur la broche. N'importe laquelle de ces situations peut entraîner de graves accidents.
- Le disque abrasif ne convient qu'à la coupe des métaux ferreux. Ne tentez pas de couper du bois ou de la maçonnerie avec le disque abrasif. Ne coupez jamais du magnésium ou des alliages de magnésium avec le disque abrasif.
- Le disque abrasif ne convient que pour la coupe à sec. Le disque abrasif doit être utilisé avant sa date d'expiration (indiquée sur l'étiquette, par ex. 11/2021).
- N'utilisez pas de disques abrasifs endommagés. N'utilisez pas de disques ébréchés, fendus ou défectueux.
- Assurez-vous que le disque abrasif de coupe est correctement mis en place et serré avant utilisation.
- Le sens de rotation du disque abrasif est indiqué sur l'outil. Assurez-vous que le sens de rotation indiqué sur le disque correspond à celui marqué sur l'outil lors de la mise en place ou du changement de disque abrasif.
- Ne serrez pas trop le disque abrasif, vous risqueriez de le craqueler.
- Le produit ne doit jamais être branché sur le secteur lorsque vous installez ou changez le disque abrasif.
- Rangez vos disques de rechange avec soin, ils sont fragiles.

#### Informations disponibles sur l'étiquette du disque abrasif

- Les informations présentes sur l'étiquette du disque sont importantes. Lisez et vérifiez attentivement l'étiquette pour vous assurer que vous avez choisi le bon type de disque.
1. Fabricant, fournisseur, importateur ou marque commerciale
  2. Dimensions nominales du disque abrasif, en particulier diamètre de l'alésage
  3. Type d'abrasif, granulométrie, indice ou dureté, type de frittage et utilisation de renforts, par ex.,
    - 41A24RBF80
    - 41 --- type d'abrasif, disque plat de coupe
    - A --- matériau abrasif : corindon marron
    - 24 --- granulométrie
    - R --- indice ou dureté
    - BF --- type de frittage
    - 80 --- vitesse opérationnelle maximale en m/s
  4. Vitesse opérationnelle maximale en mètres par seconde
  5. Vitesse admissible maximale en 1/min
  6. Pour la déclaration de conformité, les produits abrasifs doivent porter l'inscription EN 12413

7. Symboles de restriction d'utilisation et d'avertissements de sécurité.
8. Code de traçabilité, par ex. A, numéro de production/lot, date d'expiration ou numéro de série

#### RISQUES RÉSIDUELS

Même lorsque la machine est utilisée selon les prescriptions, il reste impossible d'éliminer totalement certains facteurs de risques résiduels. Les dangers suivants risquent de se présenter en cours d'utilisation et l'utilisateur doit prêter particulièrement garde aux points suivants :

- Stabilité. Assurez-vous que l'outil est stable. Au besoin, bloquez-le.
- Inhalation de poussières. Portez un masque au besoin.
- Étincelles et particules métalliques chaudes. Les étincelles et les particules métalliques chaudes peuvent provoquer des incendies et des brûlures de la peau. Portez un équipement de protection pendant utilisation.
- Blessures oculaires dues aux particules métalliques. Portez une protection oculaire lorsque vous travaillez.
- Atteinte à l'audition. Limitez l'exposition et portez une protection auditive appropriée.

#### APPRENEZ À CONNAÎTRE VOTRE PRODUIT

Voir page 172.

1. Poignée, surface de préhension isolée
2. Interrupteur de mise en marche
3. Poignée supérieure
4. Bouton de verrouillage de l'arbre
5. Vis de réglage de la profondeur de coupe
6. Erou de profondeur de coupe
7. Guide d'onglet
8. Clé de service
9. Protège-lame supérieur
10. Protège-lame inférieur
11. Disque de coupe
12. Serrage de pièce usinée
13. Levier de serrage de pièce usinée
14. Manette de réglage de serrage de pièce usinée
15. Pied caoutchouc
16. Chaîne de verrouillage de la tête de scie
17. Trou de montage
18. Bouchon de balai de carbone
19. Balai de charbon
20. Défecteur de copeaux
21. Levier de verrouillage de guide d'onglet

#### CONSEILS D'UTILISATION

##### LEVIER DE VERROUILLAGE DE GUIDE D'ONGLET

Lorsque le guide d'onglet se trouve dans la position la plus proche du pivot de la tête de scie, le levier de verrouillage du guide d'onglet peut gêner le pivotement de la tête lors de la rotation. Répétez le processus de verrouillage. Pour cela, levez et moulinez le levier vers l'arrière jusqu'à ce que le guide d'onglet soit solidement verrouillé.

**ENTRETIEN**

- Ne modifiez le produit d'aucune façon et n'utilisez aucun accessoire non recommandé par le fabricant. Votre sécurité et celle des autres pourrait en être affectée.
- N'utilisez pas le produit si un de ses interrupteurs, une de ses protections ou autre élément ne fonctionne pas correctement. Retournez-le à un centre de service agréé pour le faire remplacer ou réparer de façon professionnelle.
- N'effectuez aucun réglage lorsque le moteur est en marche.
- Assurez-vous toujours que la prise a été débranchée du secteur avant de changer les charbons, de lubrifier ou d'effectuer toute opération ou toute réparation sur la machine.
- Après chaque utilisation, vérifiez qu'aucune pièce n'est cassée et que la machine est en bon état, et maintenez-la en parfait état de fonctionnement en effectuant les réparations immédiatement.
- Assurez-vous que les ouvertures de ventilation sont libres de toute obstruction, en particulier lorsque vous travaillez dans des conditions poussiéreuses. S'il devient nécessaire de dégager la poussière, débranchez le produit du secteur. Nettoyez les ouvertures à l'aide d'une brosse douce.
- Retirez la sciure accumulée.
- Pour assurer fiabilité et sécurité, toutes les réparations (à l'exception des charbons accessibles de l'extérieur) doivent être effectuées par un centre de service agréé.
- Si le câble d'alimentation est endommagé, faites-le remplacer par un Centre Service agréé afin d'éviter les risques d'accidents.

**⚠ AVERTISSEMENT**

Pour plus de sécurité et de fiabilité, toutes les réparations doivent être effectuées par un centre de service agréé.

**PROTECTION DE L'ENVIRONNEMENT**

Recyclez les matières premières au lieu de les jeter avec les ordures ménagères. Pour protéger l'environnement, l'outil, les accessoires et les emballages doivent être triés.

**SYMBOLE**

Alerte de Sécurité



Conformité CE



Marque de qualité EurAsian



Marque de conformité ukrainienne



Veillez lire attentivement les instructions avant de mettre l'appareil en marche.



Équipement à isolation de Classe II, double isolation



Portez une protection auditive



Portez toujours une protection oculaire.



Ne convient pas au meulage ou à la découpe à l'eau



N'utilisez pas de meule ébréchée, fendue ou défectueuse



Portez des gants de sécurité



Portez un masque anti poussières.



Ne pas exposer à la pluie ni utiliser en un lieu humide.



Direction de rotation de la roue de découpe (montrée sur le pare-lame)



Les produits électriques hors d'usage ne doivent pas être jetés avec les ordures ménagères. Recyclez-les par l'intermédiaire des structures disponibles. Contactez les autorités locales pour vous renseigner sur les conditions de recyclage.

**SYMBOLES DE CE MANUEL**

Verrouillage



Déverrouillage



Temps d'attente avant que la lame n'ait atteint sa pleine vitesse



Pièces détachées et accessoires vendus séparément



Note:



AVERTISSEMENT

Les symboles suivants, et les noms qui leur sont associés, permettent d'expliquer les différents niveaux de risques liés à l'utilisation de cet outil.

**⚠ DANGER**

Imminence d'un danger qui, si l'on n'y prend garde, peut entraîner des blessures graves voire mortelles.

**⚠ AVERTISSEMENT**

Situation potentiellement dangereuse qui, si l'on n'y prend garde, peut entraîner des blessures graves voire mortelles.

**⚠ ATTENTION**

Situation potentiellement dangereuse qui, si l'on n'y prend garde, peut entraîner des blessures moyennes ou légères.

**ATTENTION**

(Sans symbole de sécurité) Indique une situation pouvant provoquer des dommages matériels.



Sicherheit, Leistung und Zuverlässigkeit hatten oberste Priorität bei der Entwicklung Ihrer Trennschleifer.

## BESTIMMUNGSGEMÄSSE VERWENDUNG

Der Trennschleifer wurde zum Schneiden von Metallen konzipiert. Nutzen Sie sich nicht zum Schneiden nicht-metallischer Materialien.

Das Produkt darf nur von Erwachsenen verwendet werden, die die Bedienungsanleitung gelesen und die Risiken und Gefahren verstanden haben.

Das Produkt ist so konzipiert, dass es an der Bodenplatte einer massiven Werkbank befestigt werden kann. Wenn das Sockel nicht sicher befestigt ist, kann sich die ganze Maschine beim Sägen bewegen und die Gefahr schwerer Verletzungen vergrößern.

Das Produkt ist für Neigungs- und Gehrungsschnitte ausgelegt. Die Schnittmaße für die verschiedenen Schnitte sind in der Produktbeschreibung in diesem Handbuch aufgeführt.

Das Produkt muss bei trockenen Bedingungen eingesetzt werden, mit sehr guter Umgebungsbeleuchtung und einer ausreichenden Belüftung.

Das Produkt ist für den Hausgebrauch und sollte nur wie oben beschrieben, und für keine anderen Zwecke, benutzt werden.

## ALLGEMEINE SICHERHEITSHINWEISE FÜR ELEKTROWERKZEUGE

### ⚠️ WARNUNG

**Lesen Sie alle Sicherheitshinweise und Anweisungen.** Versäumnisse bei der Einhaltung der Sicherheitshinweise und Anweisungen können elektrischen Schlag, Brand und/oder schwere Verletzungen verursachen.

**Bewahren Sie alle Sicherheitshinweise und Anweisungen für die Zukunft auf.** Der in den Sicherheitshinweisen verwendete Begriff „Elektrowerkzeug“ bezieht sich auf netzbetriebene Elektrowerkzeuge (mit Netzleitung) oder auf akkubetriebene Elektrowerkzeuge (ohne Netzleitung).

## ARBEITSPLATZSICHERHEIT

- **Halten Sie Ihren Arbeitsbereich sauber und gut beleuchtet.** Unordnung oder unbeleuchtete Arbeitsbereiche können zu Unfällen führen.
- **Arbeiten Sie mit dem Elektrowerkzeug nicht in explosionsgefährdeter Umgebung, in der sich brennbare Flüssigkeiten, Gase oder Stäube befinden.** Elektrowerkzeuge erzeugen Funken, die den Staub oder die Dämpfe entzünden können.
- **Halten Sie Kinder und andere Personen während der Benutzung des Elektrowerkzeugs fern.** Bei Ablenkung können Sie die Kontrolle über das Gerät

verlieren.

## ELEKTRISCHE SICHERHEIT

- **Der Anschlussstecker des Elektrowerkzeugs muss in die Steckdose passen. Der Stecker darf in keiner Weise verändert werden. Verwenden Sie keine Adapterstecker gemeinsam mit schutzgeerdeten Elektrowerkzeugen.** Unveränderte Stecker und passende Steckdosen verringern das Risiko eines elektrischen Schlages.
- **Vermeiden Sie Körperkontakt mit geerdeten Oberflächen wie von Rohren, Heizungen, Herden und Kühlschränken.** Es besteht ein erhöhtes Risiko durch elektrischen Schlag, wenn Ihr Körper geerdet ist.
- **Halten Sie Elektrowerkzeuge von Regen oder Nässe fern.** Das Eindringen von Wasser in ein Elektrowerkzeug erhöht das Risiko eines elektrischen Schlages.
- **Zweckentfremden Sie die Anschlussleitung nicht, um das Elektrowerkzeug zu tragen, aufzuhängen oder um den Stecker aus der Steckdose zu ziehen. Halten Sie die Anschlussleitung fern von Hitze, Öl, scharfen Kanten oder sich bewegenden Geräteteilen.** Beschädigte oder verwickelte Anschlussleitungen erhöhen das Risiko eines elektrischen Schlages.
- **Wenn Sie mit einem Elektrowerkzeug im Freien arbeiten, verwenden Sie nur Verlängerungsleitungen, die auch für den Außenbereich geeignet sind.** Die Anwendung einer für den Außenbereich geeigneten Verlängerungsleitung verringert das Risiko eines elektrischen Schlages.
- **Wenn der Betrieb des Elektrowerkzeugs in feuchter Umgebung nicht vermeidbar ist, verwenden Sie einen Fehlerstromschutzschalter.** Der Einsatz eines Fehlerstromschutzschalters vermindert das Risiko eines elektrischen Schlages.

## SICHERHEIT VON PERSONEN

- **Seien Sie aufmerksam, achten Sie darauf, was Sie tun, und gehen Sie mit Vernunft an die Arbeit mit einem Elektrowerkzeug. Benutzen Sie kein Elektrowerkzeug, wenn Sie müde sind oder unter dem Einfluss von Drogen, Alkohol oder Medikamenten stehen.** Ein Moment der Unachtsamkeit beim Gebrauch des Elektrowerkzeugs kann zu ernsthaften Verletzungen führen.
- **Tragen Sie persönliche Schutzausrüstung und immer eine Schutzbrille.** Das Tragen persönlicher Schutzausrüstung, wie Staubmaske, rutschfeste Sicherheitsschuhe, Schutzhelm oder Gehörschutz, je nach Art und Einsatz des Elektrowerkzeugs, verringert das Risiko von Verletzungen.
- **Vermeiden Sie eine unbeabsichtigte Inbetriebnahme. Vergewissern Sie sich, dass das Elektrowerkzeug ausgeschaltet ist, bevor Sie es an die Stromversorgung und/oder den Akku anschließen, es aufnehmen oder tragen.** Wenn Sie





beim Tragen des Elektrowerkzeugs den Finger am Schalter haben oder das Gerät eingeschaltet an die Stromversorgung anschließen, kann dies zu Unfällen führen.

- **Entfernen Sie Einstellwerkzeuge oder Schraubenschlüssel, bevor Sie das Elektrowerkzeug einschalten.** Ein Werkzeug oder Schlüssel, der sich in einem drehenden Geräteteil befindet, kann zu Verletzungen führen.
- **Vermeiden Sie eine abnormale Körperhaltung. Sorgen Sie für einen sicheren Stand und halten Sie jederzeit das Gleichgewicht.** Dadurch können Sie das Elektrowerkzeug in unerwarteten Situationen besser kontrollieren.
- **Tragen Sie geeignete Kleidung. Tragen Sie keine weite Kleidung oder Schmuck. Halten Sie Haare und Kleidung fern von sich bewegenden Teilen.** Lockere Kleidung, Schmuck oder lange Haare können von sich bewegenden Teilen erfasst werden.
- **Wenn Staubabsaug- und -auffangeinrichtungen montiert werden können, sind diese anzuschließen und richtig zu verwenden.** Verwendung einer Staubabsaugung kann Gefährdungen durch Staub verringern.
- **Wiegen Sie sich nicht in falscher Sicherheit und setzen Sie sich nicht über die Sicherheitsregeln für Elektrowerkzeuge hinweg, auch wenn sie nach vielfachem Gebrauch mit dem Elektrowerkzeug vertraut sind.** Achtloses Handeln kann binnen Sekundenbruchteilen zu schweren Verletzungen führen.

#### VERWENDUNG UND BEHANDLUNG DES ELEKTROWERKZEUGS

- **Überlasten Sie das Gerät nicht. Verwenden Sie für Ihre Arbeit das dafür bestimmte Elektrowerkzeug.** Mit dem passenden Elektrowerkzeug arbeiten Sie besser und sicherer im angegebenen Leistungsbereich.
- **Benutzen Sie kein Elektrowerkzeug, dessen Schalter defekt ist.** Ein Elektrowerkzeug, das sich nicht mehr ein- oder ausschalten lässt, ist gefährlich und muss repariert werden.
- **Ziehen Sie den Stecker aus der Steckdose und/oder entfernen Sie einen abnehmbaren Akku, bevor Sie Geräteeinstellungen vornehmen, Zubehörteile wechseln oder das Gerät weglegen.** Diese Vorsichtsmaßnahme verhindert den unbeabsichtigten Start des Elektrowerkzeugs.
- **Bewahren Sie unbenutzte Elektrowerkzeuge außerhalb der Reichweite von Kindern auf. Lassen Sie Personen das Gerät nicht benutzen, die mit diesem nicht vertraut sind oder diese Anweisungen nicht gelesen haben.** Elektrowerkzeuge sind gefährlich, wenn Sie von unerfahrenen Personen benutzt werden.
- **Pflegen Sie Elektrowerkzeuge und Zubehör mit Sorgfalt. Kontrollieren Sie, ob bewegliche Teile einwandfrei funktionieren und nicht klemmen, ob**

**Teile gebrochen oder so beschädigt sind, dass die Funktion des Elektrowerkzeugs beeinträchtigt ist. Lassen Sie beschädigte Teile vor dem Einsatz des Gerätes reparieren.** Viele Unfälle haben ihre Ursache in schlecht gewarteten Elektrowerkzeugen.

- **Halten Sie Schneidwerkzeuge scharf und sauber.** Sorgfältig gepflegte Schneidwerkzeuge mit scharfen Schneidkanten verkleben sich weniger und sind leichter zu führen.
- **Verwenden Sie Elektrowerkzeug, Zubehör, Einsatzwerkzeuge usw. entsprechend diesen Anweisungen.** Berücksichtigen Sie dabei die Arbeitsbedingungen und die auszuführende Tätigkeit. Der Gebrauch von Elektrowerkzeugen für andere als die vorgesehenen Anwendungen kann zu gefährlichen Situationen führen.
- **Halten Sie Griffe und Griffflächen trocken, sauber und frei von Öl und Fett.** Rutschige Griffe und Griffflächen erlauben keine sichere Bedienung und Kontrolle des Elektrowerkzeugs in unvorhergesehenen Situationen.

#### SERVICE

- **Lassen Sie Ihr Elektrowerkzeug nur von qualifiziertem Fachpersonal und nur mit Original-Ersatzteilen reparieren.** Damit wird sichergestellt, dass die Sicherheit des Gerätes erhalten bleibt.

#### SICHERHEITSHINWEISE FÜR TRENNSCHLEIFMASCHINEN

- **Halten Sie und in der Nähe befindliche Personen sich außerhalb der Ebene der rotierenden Schleifscheibe auf.** Die Schutzhaube soll die Bedienperson vor Bruchstücken und zufälligem Kontakt mit dem Schleifkörper schützen.
- **Verwenden Sie ausschließlich gebundene verstärkte Trennscheiben für Ihr Elektrowerkzeug.** Nur weil Sie das Zubehör an Ihrem Elektrowerkzeug befestigen können, garantiert das keine sichere Verwendung.
- **Die zulässige Drehzahl des Einsatzwerkzeugs muss mindestens so hoch sein wie die auf dem Elektrowerkzeug angegebene Höchstzahl.** Zubehör, das sich schneller als zulässig dreht, kann zerbrechen und umherfliegen.
- **Schleifkörper dürfen nur für die empfohlenen Einsatzmöglichkeiten verwendet werden. Zum Beispiel: Schleifen Sie nie mit der Seitenfläche einer Trennscheibe.** Trennscheiben sind zum Materialabtrag mit der Kante der Scheibe bestimmt. Seitliche Krafteinwirkung auf diese Schleifkörper kann sie zerbrechen.
- **Verwenden Sie immer unbeschädigte Spannflansche in der richtigen Größe und Form für die von Ihnen gewählte Schleifscheibe.** Geeignete Flansche stützen die Schleifscheibe und verringern so die Gefahr eines Schleifscheibenbruchs.



- **Außendurchmesser und Dicke des Einsatzwerkzeugs müssen den Maßangaben Ihres Elektrowerkzeugs entsprechen.** Falsch bemessene Einsatzwerkzeuge können nicht ausreichend abgeschirmt oder kontrolliert werden.
- **Schleifscheiben und Flansche müssen genau auf die Schleifspindel Ihres Elektrowerkzeugs passen.** Einsatzwerkzeuge, die nicht genau auf die Schleifspindel des Elektrowerkzeugs passen, drehen sich ungleichmäßig, vibrieren sehr stark und können zum Verlust der Kontrolle führen.
- **Verwenden Sie keine beschädigten Schleifscheiben. Kontrollieren Sie vor jeder Verwendung die Schleifscheiben auf Abspalterungen und Risse. Wenn das Elektrowerkzeug oder die Schleifscheibe herunterfällt, überprüfen Sie, ob es/sie beschädigt ist, oder verwenden Sie eine unbeschädigte Schleifscheibe. Wenn Sie die Schleifscheibe kontrolliert und eingesetzt haben, halten Sie und in der Nähe befindliche Personen sich außerhalb der Ebene der rotierenden Schleifscheibe auf und lassen Sie das Gerät eine Minute lang mit Höchstzahl laufen.** Beschädigte Schleifscheiben brechen meist in dieser Zeit.
- **Tragen Sie persönliche Schutzausrüstung. Verwenden Sie je nach Anwendung Vollgesichtsschutz, Augenschutz oder Schutzbrille. Soweit angemessen, tragen Sie Staubmaske, Gehörschutz, Schutzhandschuhe oder Spezialschuhe, die kleine Schleif- und Materialpartikel von Ihnen fernhält.** Der Augenschutz muss vor herumfliegenden Fremdkörpern schützen, die bei verschiedenen Anwendungen entstehen. Staub- oder Atemschutzmaske müssen den bei der Anwendung entstehenden Staub filtern. Wenn Sie lange lautem Lärm ausgesetzt sind, können Sie einen Hörverlust erleiden.
- **Achten Sie bei anderen Personen auf sicheren Abstand zu Ihrem Arbeitsbereich. Jeder, der den Arbeitsbereich betritt, muss persönliche Schutzausrüstung tragen.** Bruchstücke des Werkstücks oder gebrochener Einsatzwerkzeuge können wegfiegen und Verletzungen auch außerhalb des direkten Arbeitsbereichs verursachen.
- **Halten Sie die Anschlussleitung von sich drehenden Einsatzwerkzeugen fern.** Wenn Sie die Kontrolle über das Gerät verlieren, kann die Anschlussleitung durchtrennt oder erfasst werden und Ihre Hand oder Ihr Arm in das sich drehende Einsatzwerkzeug geraten.
- **Reinigen Sie regelmäßig die Lüftungsschlitze Ihres Elektrowerkzeugs.** Das Motorgebläse zieht Staub in das Gehäuse, und eine starke Ansammlung von Metallstaub kann elektrische Gefahren verursachen.
- **Verwenden Sie das Elektrowerkzeug nicht in der Nähe brennbarer Materialien. Verwenden Sie das Elektrowerkzeug nicht, wenn es auf einer brennbaren Oberfläche wie beispielsweise Holz steht.** Funken könnten diese Materialien entzünden.
- **Verwenden Sie keine Einsatzwerkzeuge, die flüssige Kühlmittel erfordern.** Die Verwendung von

Wasser oder anderen flüssigen Kühlmitteln kann zu einem elektrischen Schlag führen.

## RÜCKSCHLAG UND ENTSPRECHENDE SICHERHEITSHINWEISE

Rückschlag ist die plötzliche Reaktion infolge einer hakenden oder blockierten drehenden Trennscheibe. Verhaken oder Blockieren führt zu einem abrupten Stopp des rotierenden Einsatzwerkzeugs. Dadurch wird ein unkontrolliertes Trennschleifaggregat nach oben in Richtung des Bedieners beschleunigt.

Wenn z. B. eine Trennscheibe im Werkstück hakt oder blockiert, kann sich die Kante der Trennscheibe, die in das Werkstück eintaucht, verfangen und dadurch die Trennscheibe ausbrechen oder einen Rückschlag verursachen. Hierbei können Trennscheiben auch brechen.

Ein Rückschlag ist die Folge eines falschen oder fehlerhaften Gebrauchs des Elektrowerkzeugs. Er kann durch geeignete Vorsichtsmaßnahmen, wie nachfolgend beschrieben, verhindert werden.

- **Halten Sie das Elektrowerkzeug gut fest und bringen Sie Ihren Körper und Ihre Arme in eine Position, in der Sie die Rückschlagkräfte abfangen können.** Die Bedienperson kann durch geeignete Vorsichtsmaßnahmen die Rückschlag- und Reaktionskräfte beherrschen.
- **Meiden Sie den Bereich vor und hinter der rotierenden Trennscheibe.** Bei einem Rückschlag wird das Trennschleifaggregat nach oben in Richtung des Bedieners getrieben.
- **Verwenden Sie kein Ketten-, Holzschnitt- oder gezähntes Sägeblatt sowie keine segmentierte Diamantscheibe mit mehr als 10 mm breiten Lücken.** Solche Einsatzwerkzeuge verursachen häufig einen Rückschlag oder den Verlust der Kontrolle über das Elektrowerkzeug.
- **Vermeiden Sie ein Blockieren der Trennscheibe oder zu hohen Anpressdruck. Führen Sie keine übermäßig tiefen Schnitte aus.** Eine Überlastung der Trennscheibe erhöht deren Beanspruchung und die Anfälligkeit zum Verkanten oder Blockieren und damit die Möglichkeit eines Rückschlags oder Schleifkörperbruchs.
- **Falls die Trennscheibe verklemmt oder Sie die Arbeit unterbrechen, schalten Sie das Gerät aus und halten Sie das Trennschleifaggregat ruhig, bis die Scheibe zum Stillstand gekommen ist. Versuchen Sie nie, die noch laufende Trennscheibe aus dem Schnitt zu ziehen, sonst kann ein Rückschlag erfolgen.** Ermitteln und beheben Sie die Ursache für das Verkleben.
- **Schalten Sie das Elektrowerkzeug nicht wieder ein, solange es sich im Werkstück befindet. Lassen Sie die Trennscheibe erst ihre volle Drehzahl erreichen, bevor Sie den Schnitt vor-sichtig fortsetzen.** Anderenfalls kann die Scheibe verhaken, aus dem Werkstück springen oder einen Rückschlag verursachen.





- **Stützen Sie große Werkstücke ab, um das Risiko eines Rückschlags durch eine eingeklemmte Trennscheibe zu vermindern.** Große Werkstücke können sich unter ihrem eigenen Gewicht durchbiegen. Das Werkstück muss auf beiden Seiten der Scheibe abgestützt werden, und zwar sowohl in der Nähe des Trennschnitts als auch an der Kante.

#### ZUSÄTZLICHE SICHERHEITSWARNUNGEN

- Stellen Sie sicher, dass das Produkt immer auf einer standsicheren und ebenen Fläche benutzt wird.
- Tragen Sie immer Augen- und Gehörschutz, wenn Sie dieses Gerät bedienen.
- Verwenden Sie Schutzausrüstung, wie Staubmaske, Handschuhe und Schürze.
- Tragen Sie einen Helm oder Kopfschutz, wenn die Gefahr fallender Gegenstände besteht.
- Stellen Sie sicher, dass die Trennscheibe ordnungsgemäß befestigt und festgezogen ist, bevor Sie sie benutzen. Lassen Sie das Gerät im Leerlauf für 30 Sekunden in einer sicheren Position laufen. Sollten deutliche Vibrationen auftreten, stoppen Sie das Gerät sofort und wechseln Sie die Trennscheibe umgehend.
- Vergewissern Sie sich, dass alle Vorrichtungen fest sitzen, bevor Sie mit dem Schnitt beginnen.
- Stellen Sie sicher, dass das Werkzeug vom Stromnetz getrennt ist, bevor Sie irgendwelche Einstellungen vornehmen. Wenn die Trennschleifmaschine nicht vom Stromnetz getrennt ist, kann sie unbeabsichtigt eingeschaltet werden und möglicherweise zu schweren Verletzungen führen.
- Bauen Sie alle Teile Ihrer Trennschleifmaschine zusammen bevor Sie ihn an das Stromnetz anschließen.
- Die Maschine darf nie an das Stromnetz angeschlossen sein, während Sie Teile montieren, Einstellungen vornehmen, Trennscheiben anbauen oder entfernen oder wenn sie nicht benutzt wird.
- Inspizieren Sie die Trennscheibe vor jeder Benutzung. Überprüfen Sie die Scheibe auf Brüche und Risse. Benutzen Sie keine beschädigte Trennscheibe.
- Verwenden Sie keine Sägeblätter.
- Verwenden Sie außerdem niemals eine Trennscheibe die für den Außenflansch zu dick ist, um in den flachen Bereich der Spindel zu greifen. Größere Trennscheiben geraten in Kontakt mit der Schutzabdeckung, während dickere Trennscheiben verhindern, dass die Trennscheibe sicher mit der Schraube an der Spindel befestigt werden kann. Diese Situationen können zu Unfällen mit schweren Verletzungen führen.
- Entfernen Sie die Schutzabdeckungen der Maschine nicht. Benutzen Sie die Maschine niemals, wenn eine Schutzvorrichtung oder Abdeckung fehlt. Stellen Sie vor jedem Einsatz sicher, dass alle Schutzvorrichtungen funktionsfähig sind.
- Starten Sie Ihren Trennschleifer nicht, bevor Sie geprüft haben ob sich die Trennscheibe und das Untergestell stören. Die Trennscheibe kann beschädigt werden, wenn sie beim Betrieb der Maschine auf das Untergestell trifft.
- Versuchen Sie nicht Holz oder Mauerwerk mit diesem Trennschleifer zu schneiden. Schneiden Sie niemals Magnesium oder Magnesiumlegierungen mit dieser Maschine.
- Ziehen Sie die Trennscheibe nicht zu fest an, dadurch können Risse entstehen.
- Setzen Sie die Trennscheibe am Anfang eines Schnitts immer vorsichtig an das Werkstück. Ein starker Schlag kann die Trennscheibe brechen.
- Schneiden Sie niemals mehr als ein Werkstück gleichzeitig. Stapeln Sie nicht mehr als ein Werkstück auf dem Untergestell der Maschine.
- Stützen Sie lange Werkstücke immer ab, um das Risiko des Kippens zu verringern.
- Schneiden von Stahl verursacht Funken. Nicht in der Umgebung von brennbarem oder entflammbarem Material benutzen.
- Lassen Sie das Werkzeug während es sich in Betrieb befindet niemals unbeaufsichtigt. Verlassen Sie das Werkzeug nicht, bis es vollständig angehalten ist. Die Trennscheibe dreht sich weiter, nachdem der Motor ausgeschaltet ist.
- Lassen Sie immer den Netzschalter los und die Trennscheibe vollständig anhalten, bevor Sie sie aus dem Werkstück heben.
- Hände vom Schnittbereich fern halten. Halten Sie die Hände von der Trennscheibe fern. Greifen Sie nicht unter oder hinter die Scheibe, während die Scheibe sich dreht. Versuchen Sie nicht, abgeschnittenes Material zu entfernen, während sich die Trennscheibe bewegt.
- Halten Sie alle Körperteile vom laufweg der Trennscheibe fern.
- Stellen Sie sich niemals auf das Werkzeug. Schwere Verletzungen können entstehen, wenn das Werkzeug umkippt oder die Trennscheibe unabsichtlich berührt wird.
- Führen Sie niemals eine Aufgabe freihändig durch. Spannen Sie immer das zu schneidende Werkstück in einem Schraubstock. Lesen Sie die sichere Mindestgröße des Werkstücks in den technischen Daten nach. Stellen Sie immer sicher, dass beim Schleifen mindestens 80 mm in den Schraubstockbacken gehalten werden.
- Halten Sie ein Werkstück niemals mit der Hand. Werkstücke können beim Schneiden sehr heiß werden.
- Eine Spannungsspitze kann Spannungsschwankungen verursachen und andere elektrische Produkte an der selben Stromleitung beeinflussen. Schließen Sie das Produkt an eine Stromversorgung mit einer Impedanz von 0.233 Ω an, um die Spannungsschwankungen zu minimieren. Kontaktieren Sie Ihren Stromlieferanten für weitere Erklärungen.
- Wir empfehlen, eine Fehlerstromschutzschaltung





mit einem Auslösestrom von 30 mA oder weniger zu verwenden.

**RYOBI empfiehlt, dass Sie die Metall-Trennscheibe COSB355A1 als Ersatz verwenden, wenn Sie eine neue Scheibe benötigen.**

#### SICHERHEITSWARNUNG FÜR MONTAGE EINER TRENNSCHEIBE.

- Um die Verletzungsgefahr zu verringern, muss der Benutzer die Anweisungen, Warnungen und Bedienungsanleitungen lesen und befolgen, bevor die Trennscheibe benutzt wird. Die Nichtbeachtung dieser Warnungen kann zu Bruch der Scheibe und schweren Verletzungen führen. Bewahren sie diese Anleitung auf.
- Die Verwendung von anderen als der in dieser Bedienungsanleitung empfohlenen Scheibe kann eine Gefahr von Verletzungen darstellen. Benutzen Sie nur Trennscheiben mit einer höheren oder gleichen Geschwindigkeit wie auf dem Gerät gekennzeichnet.
- Verwenden Sie niemals eine Scheibe die für den Außenflansch zu dick ist, um in den flachen Bereich der Spindel zu greifen. Größere Trennscheiben geraten in Kontakt mit der Schutzabdeckung, während dickere Trennscheiben verhindern, dass die Trennscheibe sicher mit der Schraube an der Spindel befestigt werden kann. Diese Situationen können zu schweren Unfällen mit schweren Verletzungen führen.
- Die Trennscheibe ist nur zum Schneiden von Eisenmetall geeignet. Versuchen Sie nicht Holz oder Mauerwerk mit der Trennscheibe zu schneiden. Schneiden Sie niemals Magnesium oder Magnesiumlegierungen mit der Trennscheibe.
- Die Trennscheibe ist nur für Trockenschneiden geeignet. Die Trennscheibe sollte vor dem Ablaufdatum benutzt werden (Kennzeichnung z.B., 11/2021).
- Benutzen Sie keine beschädigten Trennscheiben. Benutzen Sie keine Scheiben die angeschlagen, gerissen oder defekt sind.
- Stellen Sie vor der Benutzung sicher, dass die Trennscheibe ordnungsgemäß befestigt und festgezogen ist.
- Die Drehrichtung der Trennscheibe ist auf dem Werkzeug gekennzeichnet. Stellen Sie bei der Installation und dem Wechsel einer Trennscheibe sicher, dass die gekennzeichnete Richtung auf der Scheibe mit der Richtungsmarkierung auf dem Werkzeug übereinstimmt.
- Ziehen Sie die Trennscheibe nicht zu fest an, weil dadurch Risse entstehen können.
- Das Gerät darf niemals an die Stromversorgung angeschlossen sein, während Sie Trennscheiben installieren oder entfernen.
- Bewahren Sie Ihre Ersatz-Trennscheiben sorgfältig auf, weil sie leicht beschädigt werden können.

#### Informationen stehen auf dem Etikett der Trennscheibe.

Die Information auf dem Etikett der Trennscheibe ist wichtig. Lesen und überprüfen Sie das Etikett sorgfältig, um sicherzustellen dass Sie die richtige Scheibe wählen.

1. Hersteller, Lieferant, Importeur oder Markenzeichen
2. Nominale Abmessungen der Trennscheiben, besonders der Durchmesser des Mittel Lochs.
3. Schleiftyp, Korngröße, Klasse oder Härtegrad, Bindung und Verstärkung, z.B.
  - 41A24RBF80
  - 41 --- Schleiftyp, flache Trennscheibe
  - A --- Schleifmittel: brauner Korund
  - 24 --- Korngröße
  - R --- Klasse oder Härtegrad
  - BF --- Bindung
  - 80 --- maximale Geschwindigkeit in m/s
4. Maximale Geschwindigkeit in Meter pro Sekunde
5. maximale Drehzahl in Umdrehungen pro Minute
6. Als Konformitätserklärung sind Schleifprodukte mit EN 12413 gekennzeichnet.
7. Verwendungsbeschränkung und Warnsymbole.
8. Rückverfolgbarkeitscode, z.B. eine Produktions-/Chargennummer, Ablaufdatum oder Seriennummer

#### RESTRISIKEN

Sogar wenn die Maschine wie vorgeschrieben benutzt wird, ist es unmöglich ein gewisses Restrisiko vollständig zu beseitigen. Die folgenden Gefahren können bei der Benutzung entstehen, und der Benutzer sollte besonders auf folgende Punkte achten:

- Stabilität. Stellen Sie sicher, dass das Produkt standsicher ist. Wenn nötig, sichern Sie es.
- Einatmen von Staub. Tragen Sie eine Staubmaske, wenn nötig.
- Funken und heiße Metallteile. Funken und heiße Metallteile können Feuer und Verbrennungen verursachen. Tragen Sie bei der Benutzung eine Schutzausrüstung.
- Augenverletzung durch Metallteile. Tragen Sie bei der Arbeit einen Augenschutz.
- Hörschäden Schränken Sie die Belastung ein und tragen einen geeigneten Gehörschutz.

#### MACHEN SIE SICH MIT IHREM PRODUKT VERTRAUT

Siehe Seite 172.

1. Handgriff, isolierte Grifffläche
2. Ein-/Ausschalter
3. Oberer Griff
4. Spindelarretierung
5. Einstellschraube für die Schneidtiefe
6. Feststellmutter für die Schneidtiefe
7. Gehrungsschiene
8. Schraubenschlüssel
9. Obere Schutzhaube



10. Unterer Sägeblattschutz
11. Trennscheibe
12. Spannbacke
13. Verriegelung Spannbacke
14. Einstellkurbel Spannbacke
15. Gummifuß
16. Transportschutz
17. Befestigungsloch
18. Abdeckung Kohlebürste
19. Kohlebürste
20. Spanabweiser
21. Verriegelungshebel

### TIPPS ZUR BEDIENUNG

#### VERRIEGELUNGSHEBEL

Wenn die Gehrungsführung an der dem Drehpunkt des Sägekopfs nächstgelegenen Stelle platziert ist, kann der Verriegelungshebel der Gehrungsführung die Drehung des Sägekopfs beeinträchtigen. Wiederholen Sie den Sperrvorgang, indem Sie den Hebel anheben und zurückdrehen, bis die Gehrungsführung fest verriegelt ist.

### WARTUNG UND PFLEGE

- Verändern Sie das Produkt nicht auf irgendeine Weise oder verwenden Zubehör, das nicht vom Hersteller empfohlen ist. Ihre Sicherheit und die anderer könnte beeinträchtigt sein.
- Benutzen Sie das Produkt nicht, wenn Schalter oder andere Funktionen nicht wie vorgesehen funktionieren. Bringen Sie das Werkzeug zu einem autorisierten Kundendienst, um Einstellungen oder Reparaturen vorzunehmen.
- Nehmen Sie keine Einstellungen vor, während der Motor in Betrieb ist.
- Stellen Sie sicher, dass der Stecker der Maschine von der Stromquelle getrennt wurde, bevor Sie die Bürsten wechseln, schmieren oder andere Wartungsarbeiten an der Maschine durchführen.
- Überprüfen Sie die Maschine nach jedem Einsatz auf Schäden oder beschädigte Teile und halten Sie die Maschine in erstklassigem Zustand, indem Sie Reparaturen oder den Austausch von Teilen sofort ausführen.
- Stellen Sie sicher, dass alle Belüftungsöffnungen frei gehalten werden, besonders wenn Sie in staubiger Umgebung arbeiten. Wenn es erforderlich ist, den Staub zu entfernen, trennen Sie das Produkt von der Stromversorgung. Reinigen Sie die Öffnungen mit einer weichen Bürste.
- Entfernen Sie angesammelten Staub.
- Um die Sicherheit und Zuverlässigkeit zu gewährleisten, sollten alle Reparaturen, mit Ausnahme der von außen zugänglichen Bürsten, von einem autorisierten Kundendienst durchgeführt werden.
- Lassen Sie ein beschädigtes Stromkabel zur

Vermeidung von Unfallgefahren von einem autorisierten Kundendienst auswechseln.

### ⚠️ WARNUNG

Alle Reparaturen sollten zur besseren Sicherheit und Zuverlässigkeit von einem autorisierten Kundendienst durchgeführt werden.

### UMWELTSCHUTZ



Recyceln Sie die Rohstoffe, anstatt sie im Haushaltsabfall zu entsorgen. Zum Schutz der Umwelt müssen das Gerät, die Zubehörteile und die Verpackungen getrennt entsorgt werden.

### SYMBOL



Sicherheitswarnung



CE-Konformität



EurAsian Konformitätszeichen



Ukrainisches Prüfzeichen



Bitte lesen Sie die Anweisungen sorgfältig durch, bevor Sie das Produkt einschalten.



Klasse II Gerät, doppelisolation



Gehörschutz tragen



Tragen Sie immer Augenschutz!



Nicht für nasses Schleifen oder Schneiden



Benutzen Sie keine angeschlagene, gebrochene oder defekte Schleifscheibe



Tragen Sie Sicherheitshandschuhe



Tragen Sie eine Staubschutzmaske.



Nicht Regen aussetzen, oder an feuchten Orten verwenden!



Drehrichtung der Trennscheibe (auf dem Scheibenschutz angegeben)



Elektrische Geräte sollten nicht mit dem übrigen Müll entsorgt werden. Bitte entsorgen Sie diese an den entsprechenden Entsorgungsstellen. Wenden Sie sich an die örtliche Behörde oder Ihren Händler, um Auskunft über die Entsorgung zu erhalten.

führen kann.

**⚠️ WARNUNG**

Bezeichnet eine mögliche Gefahrensituation, die, falls nicht vermieden, zum Tode oder schweren Verletzungen führen kann.

**⚠️ ACHTUNG**

Bezeichnet eine mögliche Gefahrensituation, die, falls nicht vermieden, zu kleineren und mittleren Verletzungen führen kann.

**ACHTUNG**

(Ohne Warnsymbol) weist auf eine Situation hin, die zu Sachschaden führen kann.

**SYMBOLE IN DER BEDIENUNGSANLEITUNG**



Sperren



Öffnen



Wartezeit, bis das Sägeblatt die volle Drehzahl erreicht



Teile oder Zubehör getrennt erhältlich



HINWEIS



WARNUNG

Mit den folgenden Symbolen wird die Bedeutung der verschiedenen Risikostufen, die mit dem Produkt einhergehen, dargestellt.

**⚠️ GEFAHR**

Bezeichnet eine unmittelbare Gefahrensituation, die, falls nicht vermieden, zum Tode oder schweren Verletzungen



La seguridad, el rendimiento y la fiabilidad han sido las máximas prioridades a la hora de diseñar esta máquina de corte.

### USO PREVISTO

La máquina de corte está diseñada para llevar a cabo el corte de materiales metálicos. No la utilice para materiales no metálicos.

El producto debe ser utilizado por usuarios adultos que hayan leído el manual de instrucciones y que comprendan los riesgos y peligros asociados al uso de este producto.

Este producto se ha diseñado para poder fijar su base a un banco de trabajo sólido. Si la base no está firmemente fijada, toda la máquina puede moverse durante las operaciones de corte, lo que aumenta la posibilidad de sufrir lesiones personales graves.

El producto está diseñado para hacer cortes oblicuos y en inglete. La capacidad para realizar los diferentes tipos de corte viene indicada en las especificaciones del producto incluidas en este manual.

Este producto se debe utilizar en condiciones secas, con una iluminación ambiental excelente y una ventilación adecuada.

El producto está diseñado para uso doméstico y solo debe utilizarse tal como se describe anteriormente y no para otros fines.

### INSTRUCCIONES GENERALES DE SEGURIDAD DE LA HERRAMIENTA

#### ⚠ ADVERTENCIA

**Lea atentamente todas las advertencias, instrucciones y especificaciones suministradas con la herramienta, y consulte las ilustraciones.** El incumplimiento de las instrucciones que se indican a continuación puede ocasionar diversos accidentes como incendios, descargas eléctricas y/o graves heridas corporales.

**Guarde todas estas advertencias e instrucciones para futuras referencias.** El término "herramienta eléctrica" incluido en las advertencias hace referencia a su herramienta eléctrica conectada a la red eléctrica (con cable) o a su herramienta eléctrica alimentada con batería (inalámbrica).

### SEGURIDAD EN EL ÁREA DE TRABAJO

- **Mantenga el área de trabajo limpia y bien iluminada.** Las zonas oscuras o poco despejadas pueden provocar accidentes.
- **No utilice herramientas eléctricas en atmósferas explosivas, como en presencia de gases, polvos o líquidos inflamables.** Las herramientas eléctricas producen chispas que pueden inflamar el polvo o humos.
- **Mantenga a los niños y personas ajenas alejadas**

**de la zona en la que está utilizando la herramienta eléctrica.** Las distracciones pueden hacerle perder el control de la unidad.

### SEGURIDAD ELÉCTRICA

- **Las conexiones de la herramienta eléctrica deben corresponder a los de la toma de corriente. No modifique el enchufe de ninguna manera. No utilice ningún adaptador con herramientas eléctricas conectadas a tierra.** Utilizar enchufes sin modificar y tomas correspondientes reducirán el riesgo de descargas eléctricas.
- **Evite el contacto corporal con superficies conectadas a tierra, como tuberías, radiadores, estufas y refrigeradores.** Existe un mayor riesgo de descargas eléctricas si su cuerpo está conectado a tierra.
- **No exponga las herramientas eléctricas a la lluvia o a la humedad.** Si entra agua en una herramienta eléctrica aumentará el riesgo de descargas eléctricas.
- **Utilice correctamente el cable. No utilice el cable para llevar, tirar o desconectar el cable de la herramienta. Mantenga el cable alejado del calor, aceite, de los bordes afilados y de partes móviles.** Los cables dañados o enredados aumentan el riesgo de descargas eléctricas.
- **A la hora de utilizar herramientas eléctricas al aire libre, utilice un alargador adecuado para uso en exteriores.** El uso de un cable adecuado para uso en exteriores reduce el riesgo de descargas eléctricas.
- **Si es inevitable utilizar una herramienta eléctrica en un lugar húmedo, utilice un dispositivo de corriente residual (RCD) como protección.** El uso de un RCD reduce el riesgo de descargas eléctricas.

### SEGURIDAD PERSONAL

- **Manténgase alerta y preste atención a lo que está haciendo; utilice el sentido común cuando utilice una herramienta. No use la herramienta cuando esté cansado o bajo la influencia de drogas, alcohol o medicamentos.** Un momento de distracción mientras utiliza herramientas eléctricas puede resultar en lesiones personales graves.
- **Use el equipo de protección personal. Utilice siempre gafas de protección.** El equipo de protección como la máscara antipolvo, los zapatos de seguridad antideslizantes, el casco o la protección auditiva utilizados para trabajar en las condiciones adecuadas reducirá los daños personales.
- **Evite el arranque accidental de la herramienta. Asegúrese de que el interruptor está en la posición de apagado antes de conectar el producto a una fuente de alimentación a la batería, de cogerlo o de transportarlo.** Transportar las herramientas eléctricas con el dedo en el interruptor o alimentarlas con el interruptor encendido puede provocar accidentes.
- **Extraiga cualquier llave de ajuste antes de encender la herramienta eléctrica.** Una llave que se encuentra





conectada a una pieza de rotación puede resultar en lesiones personales.

- **No realice sobreesfuerzos. Mantenga un equilibrio adecuado en todo momento.** Esto permite un mejor control de la herramienta eléctrica en situaciones inesperadas.
- **Vístase adecuadamente. No utilice ropa holgada ni joyas. No acerque el pelo ni la ropa a las piezas móviles.** La ropa suelta, joyas o el cabello largo pueden quedar atrapados en las piezas móviles.
- **Si se proporcionan dispositivos para conectar la extracción de polvo y las instalaciones de recogida, asegúrese de que están conectados y se utilizan correctamente.** La recogida de polvo puede reducir los riesgos relacionados con él.
- **Aunque se familiarice con el uso de la herramienta, no se relaje e ignore los principios de seguridad.** Descuidarse puede provocar daños graves en una fracción de segundo.

#### USO Y CUIDADO DE LA HERRAMIENTA ELÉCTRICA

- **No fuerce la herramienta. Use el producto adecuado para su aplicación.** El producto adecuado funcionará mejor y de forma más segura en el ámbito para el que está diseñado.
- **No utilice la herramienta eléctrica si el interruptor de encendido no responde.** Cualquier herramienta que no puede ser controlada con el interruptor de encendido es peligrosa y debe ser reparada.
- **Desconecte el enchufe de la fuente de alimentación y/o quite la batería, si es extraíble, de la herramienta eléctrica antes de realizar ningún ajuste, cambiar los accesorios o guardar las herramientas eléctricas.** Tales medidas de seguridad preventivas reducen el riesgo de encender el producto accidentalmente.
- **Coloque las herramientas eléctricas a ralentí fuera del alcance de los niños y no permita que personas no familiarizadas con la herramienta o con estas instrucciones la utilicen.** Las herramientas eléctricas son peligrosas en manos de personas no capacitadas.
- **Conservar las herramientas eléctricas y los accesorios. Verifique que las piezas móviles estén alineadas y bien sujetas, que no haya piezas rotas y que no haya cualquier otro problema que pueda afectar el funcionamiento de la herramienta. Si está dañada, lleve la herramienta al servicio técnico autorizado antes de usarla.** Muchos accidentes son causados por herramientas que no han recibido un mantenimiento adecuado.
- **Mantenga las herramientas de corte afiladas y limpias.** Si se mantienen correctamente las herramientas de corte con los bordes afilados, es menos probable que se atasquen y se controlan con más facilidad.
- **Use el producto, accesorios y piezas de la herramienta, etc., de acuerdo con estas instrucciones, teniendo en cuenta las condiciones laborales y el trabajo que se ha de llevar a cabo.**

Utilizar la herramienta eléctrica para realizar trabajos diferentes a los que esta herramienta está destinada podría dar como resultado una situación peligrosa.

- **Mantenga las asas y las superficies de agarre secas, limpias y sin aceite ni grasa.** Las asas resbaladizas y las superficies de agarre no permiten manejar y controlar con seguridad la herramienta en situaciones inesperadas.

#### MANTENIMIENTO

- **Su herramienta eléctrica debería ser reparada por personas cualificadas, que deberían utilizar únicamente piezas de repuesto idénticas.** Esto garantizará la seguridad a la hora de utilizar la herramienta eléctrica.

#### ADVERTENCIAS DE SEGURIDAD DE LA SIERRA DE CORTE

- **Colóquese usted y otras personas alejadas del plano del disco giratorio.** La protección ayuda a proteger al operario de los fragmentos del disco y del contacto accidental con el disco.
- **Use exclusivamente discos de corte reforzados y aglomerados para su herramienta eléctrica.** Aun cuando pueda montar un accesorio en una herramienta, esto no le garantiza que pueda utilizar la herramienta con total seguridad.
- **La velocidad nominal del accesorio debe ser igual o superior a la velocidad máxima indicada en la herramienta.** Los accesorios que funcionen a una velocidad superior a su velocidad nominal pueden romperse y resultar proyectados de la herramienta.
- **Los discos sólo deben utilizarse para las aplicaciones recomendadas. Por ejemplo, no use los laterales de los discos de corte para amolar.** Los discos abrasivos de corte están destinados a las fuerzas laterales, de afilado periférico; si se aplican a estos discos puede hacer que se rompan.
- **Siempre use bridas en los discos en perfecto estado que sean del diámetro correcto para el disco seleccionado.** Las bridas adecuadas soportan el disco, reduciendo así la posibilidad de rotura del mismo.
- **El diámetro exterior y el grosor del accesorio deben corresponder a las características especificadas para la herramienta.** Si los accesorios no corresponden a las características indicadas, los sistemas de protección y ajuste de la herramienta no podrán funcionar correctamente.
- **El tamaño del árbol de los discos y las bridas debe encajar correctamente en el eje de la herramienta eléctrica.** Los discos y las bridas con orificios en el árbol que no encajen con el hardware de montaje de la herramienta eléctrica se desequilibrarán, vibrarán excesivamente y pueden provocar la pérdida de control.
- **No utilice discos dañados. Antes de cada utilización,**







inspeccione los discos para detectar grietas y grietas. Si la herramienta eléctrica o el disco se caen, verifique si existen daños o instale un disco que no esté dañado. Después de inspeccionar e instalar el disco, colóquese usted y los que están alrededor lejos del plano de disco giratorio y opere la herramienta eléctrica a velocidad máxima sin carga durante un minuto. Normalmente los discos dañados se partirán durante el test.

- Use el equipo de protección personal. En función del uso que haga de la herramienta, lleve una máscara de protección, gafas de seguridad o de protección. Si fuera necesario, lleve una mascarilla antipolvo, protecciones auditivas, guantes y un delantal de protección para protegerse de las proyecciones de cuerpos extraños (elementos abrasivos, virutas de madera, etc.). Las gafas de protección permiten evitar las proyecciones de residuos que pueden dañar los ojos. Las mascarillas antipolvo permiten filtrar las partículas producidas por la operación que está realizando. La exposición prolongada a ruidos de fuerte intensidad puede causar una pérdida de audición.
- Mantenga a las demás personas a una distancia prudente de la zona de trabajo y cerciórese de que lleven un equipo de protección. Cualquiera que entre en el área de trabajo debe utilizar equipo de protección personal. Fragmentos de la pieza de trabajo o de un disco partido pueden saltar y causar lesiones más allá del área inmediata de operación.
- Coloque el cable de alimentación de manera que esté alejado del accesorio en movimiento. Si pierde el control, el cable podrá cortarse o engancharse y su mano o brazo pueden ser empujados hacia el disco giratorio.
- Limpie con frecuencia las ranuras de ventilación de la herramienta. La ventilación del motor arrastra el polvo hacia el cárter del motor, lo que puede producir una acumulación excesiva de partículas metálicas y provocar descargas eléctricas.
- No utilice la herramienta cerca de productos inflamables. No utilice la herramienta eléctrica si está en una superficie combustible como la madera. Las chispas podrían provocar un incendio.
- No utilice accesorios que requieran el uso de fluidos de refrigeración. El uso de agua o de líquidos de refrigeración puede provocar electrocuciones o descargas eléctricas.

#### ADVERTENCIAS DE REBOTE Y SIMILARES

El rebote es una reacción repentina a un disco giratorio pinchado o enganchado. Los pellizcos o enganches provocan que el disco giratorio se detenga rápidamente, lo que a su vez provoca una unidad de corte descontrolada que se fuerza hacia arriba en dirección al operario.

En el caso de que por ejemplo, un disco amolador se atasque o bloquee en la pieza de trabajo, puede suceder que el canto del accesorio que penetra en el material se enganche, provocando la rotura del accesorio o el rebote del aparato. En estos casos puede suceder que el

accesorio incluso llegue a romperse.

Por lo tanto, el rebote es el resultado de una mala utilización de la máquina y/o de procedimientos o condiciones de corte incorrectas.

- **Sostenga firmemente la herramienta y mantenga el cuerpo y el brazo de manera que pueda controlar un posible rebote.** El operario puede controlar las fuerzas de retroceso hacia arriba, si se toman las precauciones adecuadas.
- **No coloque su cuerpo en línea con el disco giratorio.** Si se produce un retroceso, empujará la unidad de corte hacia arriba en dirección al operario.
- **No acople una motosierra, una lámina para tallar madera, un disco de diamante segmentado con un hueco periférico de más de 10 mm o una hoja de sierra dentada.** Este tipo de hojas aumenta el riesgo de rebote y de pérdida de control de la herramienta.
- **No "sature" el disco ni aplique una presión excesiva. No trate de hacer una excesiva profundidad de corte.** La sobrecarga del disco aumenta la carga y la susceptibilidad a la torsión o al atasco del disco en el corte y la posibilidad de contragolpes o rotura del disco.
- **Cuando el disco está bloqueado o si se interrumpe un corte por algún motivo, apague la herramienta eléctrica y sujete la unidad de corte inmóvil hasta que el disco se detenga por completo. Nunca intente retirar el disco del corte mientras está en movimiento porque podría rebotar.** Si el disco se atasca, averigüe la causa del problema y tome las medidas necesarias para que no se repita.
- **No reinicie la operación de corte en la pieza de trabajo. Deje que el disco alcance la máxima velocidad y con cuidado vuelva a introducir la herramienta para realizar el corte.** El disco se puede doblar, saltar o rebotar si la herramienta se vuelve a arrancar en la pieza de trabajo.
- **Sujete cualquier pieza de trabajo de gran tamaño para minimizar el riesgo de que «muerda» el material y de posibles retrocesos.** Las piezas de trabajo grandes tienden a hundirse por su propio peso. Los soportes deben colocarse bajo la pieza de trabajo cerca de la línea de corte y cerca del borde de la pieza de trabajo a ambos lados del disco.

#### AVISOS DE SEGURIDAD ADICIONALES

- Asegúrese de que el producto siempre se usa en una superficie estable y nivelada.
- Utilice siempre protección ocular y auditiva cuando trabaje con este producto.
- Utilice el equipo de protección individual, máscaras antipolvo, guantes y mandil.
- Si existe el riesgo de que caiga algún objeto póngase un casco o protección para la cabeza.
- Asegúrese de que la rueda de corte abrasiva esta correctamente instalada y apretada antes de usarla, arranque el aparato sin carga durante 30 segundos





en una posición segura, y pare inmediatamente y sustituya la rueda de corte si ve que hay una vibración considerable.

- Antes de hacer un corte, asegúrese de que todos los ajustes están fijados.
- Antes de realizar cualquier ajuste, asegúrese de que la herramienta está desconectada del suministro de corriente.
- Si no desconecta correctamente la máquina, podría arrancar accidentalmente y provocar graves daños personales.
- Para evitar un arranque accidental que podría causar posibles lesiones graves, monte todas las piezas de su máquina de corte antes de conectarla al suministro de corriente.
- La máquina nunca debe estar conectada al suministro de electricidad cuando esté montando piezas, realizando ajustes, instalando o retirando discos o cuando no la esté utilizando.
- Inspeccione visualmente la rueda abrasiva antes de cada uso. Compruebe que el disco no tiene fisuras ni grietas y que funciona con normalidad antes de utilizarlo. No utilice discos abrasivos dañados.
- No utilice cuchillas para sierras.
- No use un disco que sea demasiado grueso para dejar que el reborde entre en contacto con las marcas del eje. Los discos más grandes entrarán en contacto con los protectores del disco, mientras que los discos más gruesos evitarán que el tornillo se afloje en el eje. Cualquiera de estas situaciones podría resultar en un accidente grave y causar lesiones personales graves.
- No retire las protecciones de disco de la máquina. No utilice la máquina sin alguna de las protecciones o tapas. Asegúrese de que todas las protecciones están en perfecto estado antes de cada uso.
- No arranque la máquina abrasiva de corte sin comprobar que no hay interferencias entre el disco y el soporte de la base de la máquina. El disco puede resultar dañado si golpea el soporte de la base de la máquina durante el funcionamiento de la misma.
- No intente cortar madera ni mampostería con esta herramienta de corte. No corte magnesio o aleaciones de magnesio con esta máquina.
- No apriete la rueda en exceso, ya que esto puede provocar grietas.
- Apoye siempre el disco abrasivo en la pieza de trabajo cuando empiece a cortar. Un impacto fuerte puede partir la rueda.
- No corte transversalmente más de una pieza a la vez. No coloque más de una pieza de trabajo en la base de la máquina al mismo tiempo.
- Para minimizar el riesgo de que la máquina se incline, apoye siempre las piezas de trabajo largas.
- Si corta acero, se producirán chispas. No haga funcionar la herramienta en presencia de combustible o material inflamable.

- Nunca deje desatendida una herramienta en funcionamiento. No abandone la herramienta hasta que se detenga totalmente. La rueda continúa girando una vez apagado el producto.
- Suelte siempre el interruptor de encendido y deje que el disco deje de girar antes de levantarlo de la pieza de trabajo.
- Mantenga las manos fuera de la zona de corte. Mantenga las manos alejadas del disco. No se ponga debajo de la pieza de trabajo, o bajo del disco, mientras ésta esté girando. No intente retirar el material cortado cuando el disco esté en movimiento.
- No se pare ni alinee ninguna parte de su cuerpo con la trayectoria del disco.
- Nunca se coloque sobre la herramienta. Podrían producirse lesiones graves si la herramienta se inclina o si el disco se toca de forma accidental.
- No realice ninguna operación a mano alzada. Asegure siempre la pieza de trabajo que va a cortar en el torno. Véase la tabla de especificaciones para consultar el tamaño mínimo seguro de la pieza de trabajo. Asegúrese siempre de sujetar al menos 80 mm con la mordaza para garantizar la seguridad mientras pule.
- No sujete con la mano una pieza de trabajo. La pieza de trabajo se calentará mientras está siendo cortada.
- Un pico de tensión causa variaciones de voltaje y puede afectar a otros aparatos eléctricos de la misma línea eléctrica. Enchufe el dispositivo a la toma de electricidad con una impedancia de 0,233 Ω para minimizar las fluctuaciones de voltaje. Contacte con su proveedor de energía eléctrica para obtener más aclaraciones.
- Recomendamos el uso de un dispositivo de corriente residual con un rango de corriente residual de 30 mA o menos.

**Le recomendamos que utilice discos de corte de metal COSB355A1 siempre que necesite sustituirlos por unos nuevos.**

#### ADVERTENCIAS DE SEGURIDAD PARA COLOCAR UNA RUEDA ABRASIVA.

- Antes de empezar a usar la rueda abrasiva y para reducir el riesgo de lesiones, el usuario debe leer y seguir las instrucciones, las advertencias y el manual de usuario. Si no presta atención a estas advertencias la rueda podría romperse y provocar lesiones físicas. Guarde estas instrucciones.
- El uso de cualquier rueda que no sea la recomendada en el manual de instrucciones puede suponer un riesgo de lesión física. Utilice únicamente ruedas abrasivas que tengan una velocidad igual o superior a la que marca el aparato.
- Nunca utilice una rueda abrasiva que sea tan gruesa que haga que la brida externa se trabe con las partes planas de eje. Los discos más grandes entrarán en contacto con los protectores del disco, mientras que los





discos más gruesos evitarán que el tornillo se afloje en el eje. Cualquiera de estas situaciones podría resultar en un accidente grave y causar lesiones personales graves.

- La rueda abrasiva sirve únicamente para cortar metal ferroso. No intente cortar madera o mampostería con la rueda abrasiva. Nunca corte magnesio o aleaciones de magnesio con la rueda abrasiva.
- La rueda abrasiva solo es adecuada para cortar en seco. La rueda abrasiva debe utilizarse antes de la fecha de caducidad (marcada en la etiqueta, por ejemplo 11/2021).
- No utilice ruedas abrasivas dañadas. No utilice ruedas que estén melladas, agrietadas o defectuosas.
- Asegúrese de que la rueda abrasiva de corte está correctamente colocada y apretada antes de usarla.
- La dirección de rotación de la rueda abrasiva se indica en la herramienta. Cuando instale y cambie la rueda abrasiva asegúrese de que la marca de dirección de la rueda coincide con la dirección identificada en la herramienta.
- No apriete la rueda abrasiva en exceso ya que esto puede producir grietas.
- El aparato nunca debe estar conectado a un suministro eléctrico mientras se esté instalando o quitando la rueda abrasiva.
- Guarde el disco abrasivo con cuidado; pueden dañarse fácilmente.

#### Información disponible en la etiqueta de la rueda abrasiva

La información de la etiqueta de la rueda es importante. Lea y revise la etiqueta con atención para asegurarse de que está eligiendo el tipo de disco correcto.

1. Fabricante, proveedor, importador o marca registrada
2. Dimensiones nominales de la rueda abrasiva, concretamente el diámetro del calibre
3. Tipo de abrasión, tamaño de grano, calidad o dureza, tipo de adherencia y uso de refuerzo, por ejemplo,
  - 41A24RBF80
  - 41 --- tipo de abrasión, rueda de corte plana
  - A --- material abrasivo: corindón marrón
  - 24 --- tamaño del grano
  - R --- grado de dureza
  - BF --- tipo de adherencia
  - 80 --- velocidad máxima de funcionamiento en m/s
4. Velocidad máxima de funcionamiento en metros por segundo
5. Velocidad de rotación máxima permitida en 1/min
6. Para la declaración de conformidad, los productos abrasivos deben llevar la marca EN 12413
7. Símbolos relativos al uso restrictivo y advertencias de seguridad.
8. Código de trazabilidad, por ejemplo, el número de producción/lote, fecha de caducidad o número de serie

#### RIESGOS RESIDUALES

Incluso cuando la máquina se usa conforme se indica, sigue siendo imposible eliminar completamente ciertos factores de riesgo residual. Pueden surgir los siguientes riesgos durante el uso y el operador debe prestar especial atención para evitar lo siguiente:

- Estabilidad. Asegurarse de que la herramienta es estable. Si fuera necesario, sujétela.
- Inhalación de polvo. Llevar una mascarilla cuando sea necesario.
- Chispas y las partículas de metal calientes. Las chispas y las partículas de metal calientes pueden provocar un incendio y quemaduras en la piel. Lleve puesto el equipo de protección mientras usa el aparato.
- Lesiones oculares por partículas de metal. Lleve puesta una protección ocular mientras trabaja.
- Lesión auditiva. Limite la exposición y lleve puesta la protección auditiva adecuada.

#### CONOZCA EL PRODUCTO

Consulte la página 172.

1. Asa, superficie de agarre aislada
2. Gatillo
3. Mango superior
4. Botón de bloqueo del eje
5. Tornillo de ajuste de profundidad de corte
6. Tuerca de bloqueo de profundidad de corte
7. Guía de inglete
8. Llave de servicio
9. Protector superior de la hoja
10. Protector de hoja inferior
11. Disco de corte
12. Pinza de trabajo
13. Palanca de bloqueo de pinza de trabajo
14. Manivela de ajuste de pinza de trabajo
15. Base de goma
16. Cadena de seguridad del cabezal de la sierra
17. Orificio de montaje
18. Tapón de la escobilla de carbono
19. La escobilla de carbón
20. Deflector de virutas
21. Palanca de bloqueo de la guía ingletadora

#### CONSEJOS DE FUNCIONAMIENTO

##### PALANCA DE BLOQUEO DE LA GUÍA INGLETADORA

Cuando la guía ingletadora se coloque más cerca del pivote del cabezal de la sierra, la palanca de bloqueo de la guía ingletadora puede interferir en el pivote del cabezal al girar. Repita el proceso de bloqueo elevando y rebobinando la palanca hasta que la guía ingletadora esté bien ajustada.

#### MANTENIMIENTO

- No modifique el producto de ningún modo ni utilice accesorios no aprobados por el fabricante. Su seguridad



y la de los demás pueden verse amenazadas.

- No utilice el producto si alguno de los interruptores, protecciones u otras funciones no funcionan según lo previsto. Vaya a un centro de servicio autorizado para ajustes o reparaciones profesionales.
- No haga ningún ajuste cuando el motor esté en marcha.
- Asegúrese siempre de que se ha retirado el enchufe de la máquina de la toma de corriente antes de cambiar cepillos, lucirla o realizar cualquier operación o mantenimiento a la máquina.
- Tras cada uso, compruebe si la máquina tiene alguna pieza dañada o rota y manténgala en buenas condiciones de funcionamiento reparando o sustituyendo las piezas inmediatamente.
- Asegúrese de que las aberturas de ventilación están libres de obstáculos, especialmente al trabajar en entornos polvorientos. Si es necesario limpiar el polvo, desconecte el producto de la toma de corriente. Limpie las aberturas usando un cepillo blando.
- Retire el polvo acumulado.
- Para asegurar su seguridad y fiabilidad, todas las reparaciones, a excepción de los cepillos con acceso externo, deben ser realizadas por un centro de servicio autorizado.
- Si el cable de alimentación está dañado, hágalo reemplazar en un Centro de Servicio Habilitado para evitar accidentes.

#### ⚠ ADVERTENCIA

Para una mayor seguridad y fiabilidad, todas las reparaciones deben ser realizadas por un centro de servicio autorizado.

#### PROTECCIÓN DEL MEDIO AMBIENTE



Recicle las materias primas en lugar de tirarlas a la basura doméstica. Para proteger el medio ambiente, debe separar la herramienta, los accesorios y los embalajes.

#### SÍMBOLO



Atención



Conformidad con CE



Certificado EAC de conformidad



001

Marca de conformidad ucraniana



Por favor, lea atentamente las instrucciones antes de encender el producto.



Equipamiento de Clase II, doble aislamiento



Utilice dispositivos de protección para los oídos



Utilice siempre gafas de protección.



No apto para cortar o moler en mojado



No utilice una rueda de esmeril picada, rajada o defectuosa



Utilice guantes de seguridad



Utilice una máscara antipolvo.



No exponer a la lluvia ni utilizar en lugares húmedos.



Dirección de giro de la rueda de corte (se muestra en la protección de la rueda)



Los productos eléctricos de desperdicio no deben desecharse con desperdicios caseros. Por favor recíclelos donde existan dichas instalaciones. Compruebe con su autoridad local o minorista para reciclar.

#### SÍMBOLOS EN ESTE MANUAL



Bloquear



Desbloquear



Tiempo de espera para que la hoja alcance la velocidad máxima



Las piezas o accesorios se venden por separado



Nota:



ADVERTENCIA

Los siguientes símbolos y palabras detallan los niveles de cuidado necesarios para usar este producto.

**⚠ PELIGRO**

Indica una situación inminente de peligro que, si no se evita, provocará la muerte o lesiones graves.

**⚠ ADVERTENCIA**

Indica una situación potencialmente peligrosa que, si no se evita, podría causar la muerte o lesiones graves.

**⚠ PRECAUCIÓN**

Indica una situación potencialmente peligrosa que, si no se evita, puede provocar lesiones leves o moderadas.

**PRECAUCIÓN**

(Sin símbolo de seguridad) Indica una situación que podría ocasionar daños materiales.



Durante la progettazione di questa macchina da taglio è stata data la massima priorità a sicurezza, prestazioni e affidabilità.

### UTILIZZO

La macchina da taglio è stata pensata per essere utilizzata per il taglio di materiali in metallo. Non utilizzare per materiali non in metallo.

Il prodotto deve essere utilizzato solo da operatori adulti, che abbiano letto il manuale di istruzioni e abbiano compreso rischi e pericoli.

Il prodotto è studiato per essere fissato a un piano di lavoro robusto. Se la base non è fissata in modo sicuro, l'intero dispositivo si potrà spostare durante le operazioni di taglio, il che aumenterà la possibilità di gravi lesioni alla persona.

Questo prodotto è progettato per l'esecuzione di tagli a 90° e a smusso. Le caratteristiche dei tipi di taglio eseguibili sono incluse nelle specifiche tecniche del prodotto presenti in questo manuale.

Il prodotto deve essere utilizzato in un ambiente asciutto, con eccellente illuminazione e adeguata ventilazione.

Il prodotto è indicato per l'uso hobbistico e deve essere utilizzato solo come descritto sopra e non per qualsiasi altro scopo.

### NORME DI SICUREZZA GENERALI

#### ⚠ AVVERTENZE

**Leggere attentamente tutte le avvertenze, le istruzioni e le specifiche fornite con l'apparecchio e fare riferimento alle illustrazioni.** La mancata osservanza delle istruzioni riportate di seguito potrebbe provocare incidenti quali incendi, scosse elettriche e/o gravi lesioni fisiche.

**Conservare tutte le istruzioni e le avvertenze per eventuali riferimenti futuri.** Il termine "elettroutensile" nelle avvertenze si riferisce all'utensile elettrico alimentato con un cavo o all'utensile elettrico alimentato con una batteria (senza fili).

### SICUREZZA AREA LAVORO

- **Tenere l'area di lavoro pulita e ben illuminata.** Aree non ordinate o non illuminate possono causare incidenti.
- **Non mettere in funzione gli elettroutensili in atmosfera esplosiva, come in presenza di liquidi infiammabili, gas o polvere.** Gli elettroutensili creano scintille che potranno causare incendi se a contatto con polveri o vapori.
- **Tenere bambini ed eventuali osservatori lontani quando si mette in funzione un elettroutensile.** Eventuali distrazioni potranno causare una perdita di controllo.

### SICUREZZA ELETTRICA

- **La spina dell'elettroutensile deve combaciare con la presa. Non modificare mai la spina. Non utilizzare eventuali adattatori con elettroutensili con messa a terra (collegati a terra).** Spine non modificate e prese adeguate ridurranno il rischio di scosse elettriche.
- **Evitare il contatto con il corpo con dispositivi con messa a terra come tubi, radiatori, fornelli elettrici e refrigeratori.** Esiste un maggior rischio di scosse elettriche se il corpo dell'operatore entra in contatto con un dispositivo con messa a terra.
- **Non esporre gli elettroutensili a pioggia o umidità.** Nel caso in cui dell'acqua entrerà nell'elettroutensile, si aumenterà il rischio di scosse elettriche.
- **Non sottoporre il cavo a stress. Non tirare l'elettroutensile dal cavo per trasportarlo, né scollarlo tirando il cavo dell'alimentazione. Tenere il cavo dell'alimentazione lontano da fonti di calore, olio e estremità appuntite o parti in movimento.** Cavi danneggiati o intrecciati potranno aumentare il rischio di scosse elettriche.
- **Quando si mette in funzione un utensile in esterni, utilizzare una prolunga adatta per tali scopi.** Utilizzare un cavo adeguato per esterni ridurrà il rischio di scosse elettriche.
- **Se non è possibile evitare di utilizzare elettroutensili in zone umide, utilizzare una fornitura elettrica con un dispositivo di corrente residua (RCD).** Utilizzare un RCD ridurrà il rischio di scosse elettriche.

### SICUREZZA PERSONALE

- **Prestare la massima attenzione a quello che si sta facendo e utilizzare buon senso quando si mette in funzione un utensile. Non utilizzare l'utensile se stanchi o sotto l'influenza di droghe, alcool o medicinali.** Un momento di disattenzione mentre si utilizzano elettroutensili potrà causare gravi lesioni personali.
- **Indossare dispositivi equipaggiamento di protezione personale. Indossare sempre occhiali di protezione.** L'utilizzo di attrezzature di protezione individuali, come maschere antipolveri, scarpe di sicurezza antisdrucciuolo, elmetto, e dispositivi auricolari riducono il rischio di lesioni personali.
- **Evitare l'avvio accidentale. Prima di prendere o trasportare il prodotto, o di collegarlo alla presa di corrente e/o al pacco batterie, assicurarsi che il suo interruttore sia spento.** Trasportare dispositivi elettrici con il dito sull'interruttore di attivazione, oppure collegarli all'elettricità con l'interruttore di attivazione inserito, può causare infortuni.
- **Rimuovere eventuali chiavi o dispositivi prima di accendere l'elettroutensile.** Un utensile o un cavo lasciati collegati a una parte rotante dell'elettroutensile potranno causare gravi lesioni personali.
- **Non protendersi. Mantenere sempre l'equilibrio e un punto di appoggio sicuro.** Ciò permetterà un controllo migliore dell'elettroutensile in situazioni inaspettate.



- **Vestirsi adeguatamente. Non indossare abiti con parti svolazzanti o gioielli. Tenere capelli e abiti a distanza dalle parti mobili.** Abiti con parti svolazzanti, gioielli o capelli lunghi potranno rimanere impigliati nelle parti in movimento.
- **Ove siano previsti dispositivi di collegamento a impianti di estrazione e di raccolta delle polveri, assicurarne il collegamento e l'utilizzo corretti.** La raccolta delle polveri può ridurre i rischi connessi.
- **La familiarità d'uso proveniente dall'impiego frequente degli utensili non deve indurre a operare con eccessiva disinvoltura o a ignorare le norme di sicurezza.** Una momentanea disattenzione può causare lesioni gravi in pochi attimi.

#### UTILIZZO E CURA DI UN UTENSILE

- **Non forzare l'utensile. Utilizzare il prodotto corretto per il lavoro da svolgere.** Il prodotto corretto svolgerà il lavoro in modo migliore e in maniera più sicura se lo si utilizza alla potenza di utilizzo per la quale è stato progettato.
- **Non utilizzare l'elettrostrumento se l'interruttore non lo accende o spegne.** Un elettrostrumento non controllabile dall'interruttore è pericoloso e deve essere riparato.
- **Prima di regolare, sostituirne gli accessori o riporre gli utensili elettrici, scollegare la spina dalla presa elettrica e/o rimuovere il gruppo batteria, se rimovibile.** Tali misure preventive di sicurezza riducono il rischio di avviare accidentalmente il prodotto.
- **Riporre elettrostrumenti non in funzione lontano dalla portata dei bambini e non lasciare che persone che non conoscono il funzionamento dell'elettrostrumento mettano in funzione il dispositivo.** Gli elettrostrumenti possono essere pericolosi nelle mani di operatori non qualificati.
- **Manutenere gli utensili elettrici e i loro accessori. Controllare il corretto allineamento o l'ingolfamento di parti in movimento, la rottura di parti e qualsiasi altra condizione che potrà influire sul funzionamento dell'utensile. Se danneggiato farlo riparare prima di utilizzarlo di nuovo.** Utensili sui quali non viene svolta una corretta manutenzione potranno causare gravi incidenti.
- **Mantenere gli utensili da taglio affilati e puliti.** Se mantenuti in modo appropriato con lame affilate, gli strumenti da taglio vanno incontro meno frequentemente a inceppamento e sono più facili da controllare.
- **Utilizzare il prodotto, gli accessori, le punte, ecc. secondo le indicazioni contenute in queste istruzioni, tenendo conto delle condizioni di lavoro e del compito da eseguire.** Utilizzare l'elettrostrumento per operazioni diverse da quelle indicate potrà causare situazioni pericolose.
- **Mantenere la maniglia e le superfici di presa asciutte, pulite e prive di olio o grasso.** Maniglie e superfici di presa scivolose non consentono di

maneggiare e controllare in sicurezza lo strumento in caso di situazioni impreviste.

#### MANUTENZIONE

- **Fare svolgere sempre le dovute riparazioni da una persona qualificata che utilizzi solo parti di ricambio identiche.** In questo modo verrà garantita la sicurezza dell'utensile.

#### AVVISI DI SICUREZZA DELLA SEGA DI TAGLIO

- **L'operatore ed eventuali osservatori dovranno posizionarsi ad adeguata distanza dal piano della ruota rotante.** I pararuote aiutano a proteggere l'operatore da frammenti di ruote rotte e da contatto accidentale con le ruote.
- **Utilizzare solo ruote di taglio rinforzate accattate per l'elettrostrumento.** Anche se un accessorio può essere montato su un apparecchio, ciò non garantisce che l'apparecchio possa comunque essere utilizzato in totale sicurezza.
- **La velocità nominale dell'accessorio deve essere pari o superiore alla velocità massima indicata sull'apparecchio.** Gli accessori utilizzati ad una velocità superiore alla loro velocità nominale possono infatti rompersi ed essere proiettati verso l'esterno.
- **Le ruote devono essere utilizzate solo per le applicazioni raccomandate. Per esempio, non svolgere operazioni di smerigliatura con la parte laterale delle ruote di taglio.** Le ruote di taglio abrasive sono progettate per molature periferiche, applicare eccessiva forza su di esse potrà romperle.
- **Utilizzare sempre flange per ruote non danneggiate del diametro corretto per le ruote selezionate.** Le flange per le ruote sostengono le ruote riducendo la possibilità di rottura.
- **Il diametro esterno e lo spessore dell'accessorio devono corrispondere alle caratteristiche specificate per l'apparecchio.** Se gli accessori non corrispondono alle caratteristiche indicate, i sistemi di protezione e di regolazione dell'apparecchio non possono funzionare correttamente.
- **La dimensione del mandrino delle ruote e delle flange deve combaciare con quella dell'asse dell'elettrostrumento.** Le ruote e le flange con fori per il mandrino che non combaciano con la parte meccanica dell'utensile perderanno qualsiasi equilibrio, vibreranno in maniera eccessiva, e causeranno una perdita di controllo.
- **Non utilizzare ruote danneggiate.** Prima di ciascun utilizzo, controllare che le ruote non presentino incrinature e rotture. Se l'utensile o la ruota cade, controllare eventuali danni o installare una ruota nuova. Dopo aver controllato e montato la ruota, posizionare se stessi ed eventuali osservatori lontani dal piano della ruota rotante e avviare l'utensile alla velocità massima senza carico per un minuto. Le ruote danneggiate si romperanno durante il tempo di test.



- **Indossare dispositivi equipaggiamento di protezione personale.** A seconda dell'uso a cui è destinato l'apparecchio, indossare una maschera protettiva, occhiali di sicurezza o occhiali di protezione. All'occorrenza, indossare una maschera antipolvere, dispositivi di protezione uditiva, guanti ed un grembiule di protezione per proteggersi da eventuali proiezioni di corpi estranei (elementi abrasivi, trucioli di legno, ecc.). Gli occhiali di protezione consentono di evitare le lesioni oculari dovute alle proiezioni di frammenti. Le maschere antipolvere permettono di filtrare le particelle generate dall'operazione eseguita. L'esposizione prolungata ad un rumore di forte intensità può comportare la perdita dell'udito.
- **Tenere le persone estranee a debita distanza dalla zona di lavoro ed assicurarsi che indossino un'attrezzatura di protezione. Persone che entrano nella zona di lavoro deve indossare dispositivi di protezione individuale.** Frammenti del pezzo sul quale si sta lavorando o di una ruota rotta potranno essere scagliati contro l'operatore e causare lesioni a osservatori posizionatisi appena oltre l'area di lavoro.
- **Posizionare il cavo d'alimentazione in modo tale che si trovi a debita distanza dall'accessorio in rotazione.** Se si perde controllo, il cavo potrà tagliarsi o strapparsi e la mano o il braccio dell'operatore potranno essere risucchiati dalla ruota in movimento.
- **Pulire regolarmente le aperture di ventilazione dell'apparecchio.** La ventilazione del motore fa penetrare le polveri all'interno del carter del motore, con conseguente accumulo eccessivo di particelle metalliche e possibilità di scosse elettriche.
- **Non utilizzare l'apparecchio nelle vicinanze di prodotti infiammabili. Non azionare l'elettrotensile se posizionato su una superficie combustibile come il legno.** Le eventuali scintille generate rischierebbero di incendiarli.
- **Non utilizzare accessori che richiedono fluidi di raffreddamento.** L'utilizzo di acqua o di liquidi di raffreddamento può causare episodi di elettrocuzione o scosse elettriche.
- **Tenere l'apparecchio saldamente e posizionare il proprio corpo e il braccio in modo tale da riuscire a controllare un eventuale contraccolpo.** L'operatore può controllare le forze di contraccolpo verso l'alto prendendo le giuste precauzioni.
- **Non allineare il corpo con la ruota rotante.** Se si verifica un contraccolpo, si azionerà l'unità di taglio verso l'operatore.
- **Non collegare una catena, una lama per taglio del legno, una ruota segmentata alla polvere di diamante con un taglio periferico più profondo di 10 mm o una motosega dentata.** Queste lame aumentano infatti il rischio di contraccolpo e di perdita di controllo dell'apparecchio.
- **Non "incastrare" la ruota né applicare eccessiva pressione. Non tentare di fare un taglio eccessivamente profondo.** Applicare una eccessiva forza sulla ruota aumenterà il carico e la possibilità che la ruota si pieghi o rimanga incastrata nel taglio e la possibilità di rimbalzi o di rottura delle ruote.
- **Quando la ruota è inceppata o si interrompe il taglio per qualche ragione, spegnere l'elettrotensile e tenere l'unità di taglio ferma fino a quando la ruota non si arresta completamente. Non tentare di rimuovere la ruota dal taglio mentre è in movimento, in caso contrario si verificherebbero dei rimbalzi.** Se il disco si incastra, individuarne la causa e adottare le misure necessarie affinché ciò non si verifichi più.
- **Non riavviare le operazioni di taglio sul pezzo sul quale si sta lavorando. Lasciare che la ruota raggiunga la massima velocità quindi reinserire la lama nel taglio.** La ruota potrà incastrarsi, rimanere bloccata o scagliare contro l'operatore corpi estranei se l'elettrotensile viene riavviato nel pezzo sul quale si sta lavorando.
- **Mantenere eventuali pezzi di grandi dimensioni per ridurre al minimo il rischio di bucare la ruota o di contraccolpo.** I pezzi molti grandi sui quali si lavora tendono a cedere sotto il proprio peso. I sostegni dovranno essere posizionati sotto il pezzo sul quale si sta lavorando accanto alla linea di taglio e vicino all'estremità del pezzo sul quale si sta lavorando su entrambi i lati della ruota.

#### RIMBALZI E AVVERTENZE CORRELATE

Il rimbalzo è una reazione improvvisa a una ruota rotante incastrata o bloccata. La foratura o lacerazione causa un rapido blocco della ruota rotante che a sua volta provoca il mancato controllo dell'unità di taglio spingendola in alto verso l'operatore.

Ad esempio, se un disco abrasivo si incastra o si piega nel pezzo da lavorare, il tagliente del disco rischia di penetrare nella superficie del pezzo facendo uscire bruscamente il disco dal pezzo e scagliandolo verso l'operatore o comunque a distanza. In caso di contraccolpo, il disco abrasivo può anche rompersi.

Il contraccolpo è pertanto il risultato di un utilizzo errato dell'apparecchio e/o di procedimenti o di condizioni di impiego inappropriati.

#### ULTERIORI AVVERTENZE DI SICUREZZA

- Assicurarsi di utilizzare il prodotto su una superficie stabile e dritta.
- Indossare sempre dispositivi di protezione per gli occhi e le orecchie quando si mette in funzione questo prodotto.
- Utilizzare equipaggiamento di protezione come maschere per la polvere, guanti e grembiuli.
- In caso di rischio di caduta oggetti, indossare elmetti o caschi di protezione.
- Assicurarsi che la ruota di taglio abrasiva sia correttamente installata e serrata prima dell'uso, far funzionare il prodotto senza carico per 30 secondi in





una posizione sicura, e arrestare immediatamente e sostituire la ruota di taglio in caso di considerevoli vibrazioni.

- Prima di procedere con le operazioni di taglio, assicurarsi che tutte le regolazioni siano state svolte correttamente. Prima di svolgere eventuali regolazioni, assicurarsi che l'utensile sia scollegato dall'alimentazione.
- Non scollegare la macchina potrà causare un avvio accidentale e gravi lesioni personali.
- Per prevenire l'avvio accidentale che potrebbe causare gravi lesioni personali, montare tutte le parti alla macchina prima di collegarla all'alimentazione.
- La macchina non dovrà mai essere collegata all'alimentazione mentre si montano parti, svolgono regolazioni, installano o rimuovono ruote o quando non viene utilizzata.
- Ispezionare il lato abrasivo della ruota prima di ogni utilizzo. Controllare la ruota per eventuali rotture e cedimenti, e testare l'utensile per operazioni normali prima dell'uso. Non utilizzare ruote abrasive danneggiate.
- Non utilizzare lame per la motosega.
- Non utilizzare una ruota troppo spessa per fare in modo che la flangia esterna sia allineata con i fori sull'albero. Ruote più grandi entreranno in contatto con pararuote, mentre ruote più spesse non permetteranno al bullone di bloccare la ruota sull'albero. Queste situazioni potranno causare gravi incidenti e gravi lesioni personali.
- Non rimuovere i pararuote dell'utensile. Non mettere mai in funzione la macchina senza il pararuote o il coperchio. Assicurarsi che tutte le protezioni siano in ottime condizioni prima di utilizzare l'utensile.
- Non avviare la macchina di taglio abrasiva senza aver prima controllato le eventuali interferenze tra la ruota e il supporto della base. Si potranno verificare danni alle ruote se la ruota tocca il sostegno della macchina durante il funzionamento della stessa.
- Non tentare di tagliare legno o materiali edili con questo utensile. Non tagliare magnesio o leghe di magnesio con questa macchina.
- Non serrare la ruota eccessivamente, dal momento che ciò potrà causare rotture.
- Allentare la ruota abrasiva contro il pezzo sul quale si sta lavorando quando si iniziano le operazioni di taglio. Un impatto forte potrà rompere le ruote.
- Non tagliare più di un pezzo alla volta. Non impilare più di un pezzo da tagliare alla volta sulla macchina.
- Per minimizzare il rischio di eventuali capovolgimenti dell'utensile, reggere sempre pezzi grandi.
- Tagliare l'acciaio provocherà scintille. Non operare in presenza di materiali combustibili o infiammabili.
- Non lasciare mai l'utensile incustodito. Non lasciare l'utensile fino a che non si sia completamente arrestato. La ruota continuerà a girare dopo che il prodotto sarà stato spento.

- Rilasciare sempre l'interruttore e lasciare che la ruota smetta di ruotare prima di rimuoverla dal pezzo sul quale si sta lavorando.
- Tenere le mani lontane dall'area di taglio. Tenere le mani lontane dalle ruote. Non piegarsi sotto il pezzo sul quale si sta lavorando o sotto la ruota se quest'ultima è in movimento. Non tentare di rimuovere materiale di taglio mentre la ruota si muove.
- Non posizionarsi in piedi né allineare una parte qualsiasi del proprio corpo alla ruota.
- Non salire mai sull'utensile. Si potranno verificare gravi lesioni se l'utensile viene rovesciato o se la ruota viene accidentalmente sfiorata.
- Non svolgere operazioni a mano libera. Assicurare sempre il pezzo da tagliare nel morsetto. Far riferimento alla tabella delle specifiche per le dimensioni minime sicure del pezzo di lavoro. Assicurarsi sempre di aver inserito almeno 80 mm nel morsetto per assicurare stabilità e sicurezza durante le operazioni di smerigliatura.
- Non reggere mai il pezzo da tagliare con le mani. Il pezzo sul quale si sta lavorando si surriscaldierà mentre lo si taglia.
- Sovratensioni potrebbero influenzare altri prodotti elettrici collegati alla stessa presa. Collegare il prodotto a una presa dell'alimentazione con una impedenza pari a 0.233  $\Omega$  per minimizzare le fluttuazioni di voltaggio. Contattare il proprio fornitore elettrico per avere maggiori chiarificazioni.
- Raccomandiamo l'utilizzo di un dispositivo di corrente residua con una alimentazione residua pari a o inferiore a 30 mA.

**Si raccomanda l'utilizzo di un disco di taglio COSB355A1 nel caso in cui si debba sostituire il vecchio disco con uno nuovo.**

#### AVVERTENZE DI SICUREZZA PER INSTALLARE UNA RUOTA ABRASIVA.

- **Per ridurre il rischio di lesioni, leggere e seguire le istruzioni di sicurezza, le avvertenze e il manuale dell'operatore prima di iniziare ad utilizzare la ruota abrasiva. La mancata osservanza di queste avvertenze di sicurezza potrà causare rotture alla ruota e gravi lesioni alla persona. Conservare queste istruzioni.**
- L'utilizzo di qualsiasi ruota diversa da quella raccomandata nel manuale d'istruzioni del prodotto potrà causare un rischio di gravi lesioni alla persona. Utilizzare solo ruote abrasive che funzionino alla stessa velocità o a velocità superiore rispetto a quella indicata sul prodotto.
- Non utilizzare mai una ruota abrasiva troppo spessa per permettere alla flangia esterna di entrare in contatto con la ghiera del mandrino. Ruote più grandi entreranno in contatto con pararuote, mentre ruote più spesse non permetteranno al bullone di bloccare la ruota sull'albero. Queste situazioni potranno causare



gravi incidenti e gravi lesioni personali.

- La ruota abrasiva è progettata per tagliare solo materiale metallico ferroso. Non tentare di tagliare legno o materiali edili con la ruota abrasiva. Non tagliare mai magnesio o leghe di magnesio con la ruota abrasiva.
- La ruota abrasiva è adatta solo per tagli a secco. La ruota abrasiva deve essere utilizzata prima della data di scadenza (vedere etichetta, per esempio, 11/2021).
- Non utilizzare ruote abrasive danneggiate. Non utilizzare ruote scheggiate, rotte, o difettose.
- Assicurarsi che la ruota di taglio abrasiva sia correttamente inserita e serrata prima dell'utilizzo.
- La direzione di rotazione della ruota abrasiva è indicata sull'utensile. Assicurarsi che il segno della direzione sulla ruota sia consistente con la direzione identificata sull'utensile mentre si installa e cambia la ruota abrasiva.
- Non serrare la ruota abrasiva eccessivamente dal momento che ciò potrà causare rotture.
- Il prodotto non dovrà mai essere collegato all'alimentazione durante le operazioni di installazione o rimozione delle ruote abrasive.
- Riporre i dischi abrasivi in un luogo sicuro; sono facilmente danneggiabili.

#### Informazioni disponibili sull'etichetta della ruota abrasiva

Le informazioni sull'etichetta della ruota sono importanti. Leggere e controllare l'etichetta attentamente per assicurarsi di selezionare il corretto tipo di disco.

1. Produttore, fornitore, importatore o marchio registrato
2. Dimensioni nominali della ruota abrasiva, in particolare diametro del foro.
3. Tipo abrasivo, granulometria, grado o durezza, tipo di saldatura e utilizzo del rinforzo, per esempio,
  - 41A24RBF80
  - 41 --- tipo di abrasivo, ruota di taglio piatta
  - A --- materiale abrasivo: corindone marrone
  - 24 --- Granulometria
  - R --- grado o durezza
  - BF --- tipo di saldatura
  - 80 --- Velocità massima di funzionamento m/s
4. Velocità massima di funzionamento in metri al secondo
5. Velocità massima di rotazione permessa in 1/min
6. Per la dichiarazione di conformità, i prodotti abrasivi verranno contrassegnati con la dicitura EN 12413
7. Restrizione dei simboli di utilizzo e avvertenze di sicurezza.
8. Codice di tracciabilità, per esempio numero di produzione/partita, data di scadenza o numero di serie.

#### RISCHI RESIDUI

Anche quando la macchina viene utilizzata come indicato, sarà ancora impossibile eliminare alcuni fattori di rischio residuo. Si potranno verificare i seguenti rischi e l'operatore dovrà prestare particolare attenzione per evitare quanto

segue:

- Stabilità. Assicurarsi che l'utensile sia stabile. Se necessario, assicurarlo.
- Inalazione della polvere. Indossare una maschera ove necessario.
- Scintille e particelle di metallo caldo. Scintille e particelle di metallo caldo potranno causare incendi e scottature. Indossare equipaggiamento di protezione durante l'utilizzo.
- Lesioni agli occhi causate da particelle in metallo. Indossare protezioni per gli occhi durante le operazioni di lavoro.
- Lesioni all'udito. Limitare l'esposizione e indossare adeguate protezioni per l'udito.

#### FAMILIARIZZARE CON IL PRODOTTO

Vedere a pagina 172.

1. Impugnatura con superficie isolata antiscivolo
2. Interruttore di avvio/arresto
3. Manico superiore
4. Pulsante di bloccaggio dell'albero
5. Vite di regolazione della profondità di taglio
6. Dado di blocco della profondità di taglio
7. Guida per tagli ad angolo
8. Chiave di servizio
9. Paralama superiore
10. Paralama inferiore
11. Ruota di taglio
12. Morsetto del pezzo
13. Leva di blocco del morsetto del pezzo
14. Manopola di regolazione del morsetto del pezzo
15. Piedino in gomma
16. Catena di blocco testa di sega
17. Foro di supporto
18. Coperchio spazzole al carbonio
19. Spazzola al carbonio
20. Deflettore di trucioli
21. Leva di blocco della guida circolare

#### CONSIGLI PER UN ADEGUATO FUNZIONAMENTO

##### LEVA DI BLOCCO DELLA GUIDA CIRCOLARE

Quando la guida circolare viene posizionata più vicina al fulcro della testa di sega, la leva di blocco della guida circolare potrebbe interferire con il fulcro della testa durante la rotazione. Ripetere la procedura di blocco sollevando e avvolgendo la leva fino a quando la guida circolare non viene bloccata bene.

#### MANUTENZIONE

- Non modificare il prodotto in alcun modo né utilizzare accessori non approvati dalla ditta produttrice. La sicurezza dell'utente e quella degli altri potrà essere compromessa.
- Non utilizzare il prodotto se interruttori, paralame o altre applicazioni non funzionano come dovrebbero.



Riportare presso un centro servizi autorizzato per riparazioni professionali o regolazioni.

- Non effettuare alcun tipo di regolazione quando il motore è in funzione.
- Assicurarsi che la spina dell'utensile sia stata scollegata dall'alimentazione principale prima di cambiare le spazzole, di svolgere le operazioni di lubrificazione o quando si svolgono operazioni di lavoro o manutenzione sulla macchina.
- Dopo ciascun utilizzo, controllare che la macchina non abbia riportato danni, né presenti parti danneggiate e mantenerla sempre in condizioni di funzionamento ottimali riparando o sostituendo immediatamente le parti.
- Assicurarsi che le ventole dell'aria siano pulite, soprattutto quando le operazioni di lavoro potranno produrre polvere. Se diventa necessario rimuovere la polvere, scollegare il prodotto dall'alimentazione principale. Pulire le griglie utilizzando una spazzola morbida.
- Rimuovere l'eventuale polvere accumulata.
- Per assicurare sempre sicurezza e affidabilità, tutte le riparazioni dovranno essere svolte da un centro servizi autorizzato, ad eccezione delle riparazioni da svolgere sulle spazzole accessibili esternamente.
- Se il cavo d'alimentazione appare danneggiato, richiederne la sostituzione presso un Centro di Assistenza Autorizzato onde evitare i rischi di incidenti.

### ⚠ AVVERTENZE

Per maggiore sicurezza e affidabilità, tutte le riparazioni dovranno essere svolte da un centro servizi autorizzato.

### TUTELA DELL'AMBIENTE



Riciclare le materie prime anziché gettarle tra i rifiuti domestici. Per tutelare l'ambiente, l'apparecchio, gli accessori e gli imballaggi devono essere smaltiti separatamente.

### SIMBOLO



Allarme di sicurezza



Conformità CE



Marchio di conformità EurAsian



001

Marchio di conformità ucraino



Leggere attentamente le istruzioni prima di utilizzare il prodotto.



Utensile di Classe II , doppio isolamento



Indossare cuffie di protezione



Indossare sempre occhiali di protezione.



Non adatto ad operazioni di molatura o taglio bagnati



Non utilizzare ruote smerigliatrici consumate, rotte o difettose



Indossare guanti di sicurezza



Indossare una maschera per la polvere.



Non esporre a pioggia né utilizzare in ambienti umidi.



Direzione di rotazione della mola di taglio (mostrata sul paralama)



I prodotti elettrici non devono essere smaltiti con i rifiuti domestici. Vi sono strutture per smaltire tali prodotti. Informarsi presso il proprio Comune o rivenditore di sicurezza per smaltire adeguatamente tali rifiuti.

### SIMBOLI NEL MANUALE



Blocco



Sblocco



Tempo impiegato dalla lama per raggiungere la massima velocità.



Parti o accessori venduti separatamente



Note:



### AVVERTENZE

I seguenti simboli indicano i livelli di rischio associati a questo prodotto.

#### **PERICOLO**

Indica una situazione immediatamente pericolosa che, se non evitata, potrà causare gravi lesioni o morte.

#### **AVVERTENZE**

Indica una situazione potenzialmente pericolosa che, se non evitata potrà causare gravi lesioni o morte.

#### **ATTENZIONE**

Indica una situazione potenzialmente pericolosa che, se non evitata, potrà causare lesioni minori o moderate.

#### **ATTENZIONE**

(Senza simbolo di allarme in materia di sicurezza) Indica una situazione che può provocare danni materiali.



Bij het ontwerp van uw doorslijpmachine hebben veiligheid, prestaties en betrouwbaarheid de hoogste prioriteit gekregen.

### BEOOGD GEBRUIK

De doorslijpmachine is bedoeld voor het doorslijpen van metalen materialen. Gebruik deze machine niet voor niet-metalen materialen.

Het product is bedoeld voor gebruik door volwassenen die de handleiding hebben gelezen en de risico's en gevaren begrijpen.

Het product is ontworpen op bij de voetplaat te worden bevestigd aan een massief werkblad. Als de basis niet stevig is vastgemaakt, kan de hele machine tijdens het zagen bewegen, wat de kans op ernstige verwondingen verhoogt.

Het product is ontworpen voor het maken van schuine en versteksnedes. De mogelijkheden voor de verschillende snedes staan vermeld in de productspecificaties in deze handleiding.

Het product moet worden gebruikt in droge omstandigheden, met uitstekend omgevingslicht en voldoende ventilatie.

Het product is bedoeld voor doe-het-zelf gebruik en mag uitsluitend zoals hierboven beschreven en dus niet voor andere doeleinden worden gebruikt.

### ALGEMENE VEILIGHEIDVOORSCHRIFTEN

#### ⚠ WAARSCHUWING

**Lees aandachtig alle waarschuwingen, aanwijzingen en specificaties die bij deze machine worden meegeleverd en bestudeer de afbeeldingen.** Als u onderstaande voorschriften niet opvolgt, kan dit leiden tot ongelukken zoals brand, elektrische schokken en/of ernstig lichamelijk letsel.

**Bewaar alle waarschuwingen en instructies voor toekomstig gebruik.** De term "elektrisch gereedschap" in de waarschuwingen heeft betrekking op uw elektrische gereedschap dat wordt aangedreven door een stroomvoorziening (via een kabel) of gereedschap dat werkt op een accu (snoerloos).

### WERKPLEKVEILIGHEID

- **Houd de werkplaats schoon en goed verlicht.** Rommelige of donkere plaatsen nodigen uit tot ongevallen.
- **Gebruik gereedschapswerktuigen niet in explosieve atmosferen, zoals in de aanwezigheid van ontvlambare vloeistoffen, gassen of stof.** Werktuigen kunnen vonken veroorzaken die stof of gassen kunnen ontsteken.
- **Houd kinderen en omstanders weg terwijl u het werktuig gebruikt.** Wanneer u wordt afgeleid kunt u de controle verliezen.

### ELEKTRISCHE VEILIGHEID

- **Werktuigstekkers moeten overeenkomen met de contactdoos. Wijzig de stekker nooit. Gebruik geen adapterstekkers met geaarde werktuigen.** Ongewijzigde stekkers en overeenkomstige contactdozen zullen het risico op elektrische schok verminderen.
- **Vermijd lichaamscontact met geaarde oppervlakken, zoals buizen, radiatoren, fornuizen en koelkasten.** Er bestaat een verhoogd risico op elektrische schokken als uw lichaam geaard is.
- **Stel gereedschapswerktuigen niet bloot aan regen of natte omstandigheden.** Wanneer water een gereedschapswerktuig binnenkomt zal het risico op een elektrische schok toenemen.
- **Misbruik het snoer niet. Gebruik het snoer nooit om het werktuig te dragen of de stekker uit het stopcontact te trekken. Houd het snoer weg van hitte, olie, scherpe randen en bewegende delen.** Beschadigde of verstrikte snoeren verhogen het risico op elektrische schokken.
- **Wanneer u een werktuig buitenshuis gebruikt, gebruikt u een verlengsnoer dat geschikt is voor buitenshuis gebruik.** Gebruik een snoer dat geschikt is voor buitenshuis gebruik, wat het risico op elektrische schok vermindert.
- **Als het noodzakelijk is dat een werktuig in een vochtige omgeving wordt gebruikt, gebruikt u een stroomtoevoer met aardlekschakelaar.** Het gebruik van een aardlekschakelaar vermindert het risico op elektrische schok.

### PERSOONLIJKE VEILIGHEID

- **Blijf alert, kijk naar wat u doet en gebruik uw gezond verstand wanneer u een werktuig bedient. Gebruik het werktuig niet als u moe bent of onder de invloed bent van drugs, alcohol of medicijnen.** Een ogenblik van onoplettendheid terwijl u gereedschapswerktuigen gebruikt, kan leiden tot ernstige persoonlijke letsels.
- **Draag persoonlijke beschermingsmiddelen. Draag altijd gezichtsbescherming.** Gebruik van beschermingsmiddelen zoals een stofmasker, anti-slip veiligheidsschoenen, veiligheidshelm of gehoorbescherming leidt tot minder persoonlijk letsel.
- **Vermijd ongewild starten. Schakel de schakelaar uit voordat u het product aansluit op de voeding en/of accu, oppakt of draagt.** Het dragen van elektrische apparatuur met uw vinger op de schakelaar of het onder spanning zetten van elektrisch apparatuur met ingeschakelde schakelaar leidt tot ongevallen.
- **Verwijder alle afstelsleutels voor u het werktuig inschakelt.** Een sleutel die op een ronddraaiend onderdeel van het werktuig achterblijft, kan leiden tot lichamelijke letsels.
- **Overrek u niet. Houd steeds een goed evenwicht en sta stevig met beide voeten op de grond.** Dit geeft u een betere controle over het werktuig in overwachte omstandigheden.



- **Draag aangepaste kleding. Draag geen losse kledij of juwelen. Houd uw haar en kleding uit de buurt van bewegende delen.** Losse kledij, juwelen of lang haar kan in bewegende delen vaststraken.
- **Als er apparatuur wordt meegeleverd voor het aansluiten van stofafzuiging, dient u ervoor te zorgen dat deze op de juiste wijze wordt aangesloten en gebruikt.** Het gebruik van stofafzuiging leidt tot minder stofgerelateerde risico's.
- **Voorkom dat u door het frequent gebruik van gereedschappen laks wordt en de veiligheidsvoorschriften uit het oog verliest.** Een zorgeloze handeling kan binnen een fractie van een seconde ernstig letsel veroorzaken.

#### GEbruik EN ONDERHOUD VAN EEN ELEKTRISCH WERKTOEG

- **Forceer de machine niet. Gebruik het juiste product voor uw toepassing.** Het correcte product zal de taak beter en veiliger uitvoeren aan het tempo waarvoor het is ontworpen.
- **Gebruik het werktuig niet als de schakelaar het werktuig niet in- of uitschakelt.** Een werktuig dat niet met de schakelaar kan worden bediend, is gevaarlijk en moet worden gerepareerd.
- **Haal de stekker uit de stroombron en/of verwijder de accu, indien deze afneembaar is, uit het elektrische gereedschap voordat u wijzigingen aanbrengt, accessoires wijzigt of het elektrische gereedschap opbergt.** Dergelijke preventieve veiligheidsmaatregelen verminderen het risico dat het product per ongeluk wordt ingeschakeld.
- **Bewaar niet-gebruikte werktuigen buiten het bereik van kinderen en laat personen die niet vertrouwd zijn met het werktuig of deze instructies, het werktuig niet gebruiken.** Werktuigen zijn gevaarlijk in de handen van niet-opgeleide gebruikers.
- **Elektrisch gereedschap en accessoires moeten worden onderhouden. Controleer op foutieve aflijning of binding van bewegende delen, defecten van onderdelen en alle andere omstandigheden die de werking van het werktuig kunnen beïnvloeden. Indien beschadigd, laat u het werktuig onderhouden voor u het gebruikt.** Veel ongevallen worden veroorzaakt door slecht onderhouden werktuigen.
- **Snijgereedschap moet scherp en schoon worden gehouden.** Goed onderhouden snijgereedschap met scherpe snijranden zal minder snel vastlopen en is gemakkelijker te beheersen.
- **Gebruik het product, de accessoires, bitjes, enz., in overeenstemming met deze instructies, en houd rekening met de werkomstandigheden en de uit te voeren werkzaamheden.** Het gebruik van het werktuig voor niet-voorgeschreven gebruik kan leiden tot gevaarlijke situaties.
- **Handvatten en grijpvlakken moeten droog, schoon en vrij van vet en olie worden gehouden.** Als handvatten en grijpvlakken glibberig zijn, kan het gereedschap in onverwachte situaties niet veilig worden gebruikt en beheerst.

#### ONDERHOUD

- **Laat uw werktuig door een gekwalificeerde reparateur onderhouden en gebruik uitsluitend identieke vervangonderdelen.** Dit zal ervoor zorgen dat de veiligheid van het gereedschap wordt bewaard.

#### STOP VEILIGHEIDSWAARSCHUWINGEN VOOR ZAGEN

- **Plaats uzelf en omstanders weg van de schaaft van het ronddraaiende wiel.** De beschermkap helpt de gebruiker te beschermen tegen gebroken schijffragmenten en ongewild contact met de slijpschijf.
- **Gebruik uitsluitend gebonden verstevigde slijpschijven voor uw elektrisch gereedschap.** Ook al kan een accessoire wel op de machine worden gemonteerd, garandeert dit niet dat u de machine geheel veilig kunt gebruiken.
- **De nominale snelheid van de accessoire moet hoger of gelijk zijn aan de maximale snelheid die op de machine is aangegeven.** Als accessoires op een snelheid werken die hoger is dan hun nominale snelheid, kunnen ze breken of worden weggeslingerd.
- **Slijpschijven mogen uitsluitend worden gebruikt voor de aanbevolen toepassingen. Zo is het verboden te slijpen met de rand van de slijpschijf.** Afbraamschijven zijn bedoeld voor periferisch slijpen, zijdelingse krachten die op deze slijpschijven worden uitgeoefend kunnen ervoor zorgen dat deze breken.
- **Gebruik altijd onbeschadigde wielflensen met de juiste diameter voor uw gekozen wiel.** Degelijke wielflensen ondersteunen de slijpschijf zodanig dat de kans dat de slijpschijf breekt, kleiner wordt.
- **De buitendiameter en de dikte van de accessoire moeten overeenkomen met de specificaties die zijn voorgeschreven voor de machine.** Als de accessoires niet overeenkomen met de voorgeschreven specificaties, werken de beveiligings- en afstelsystemen van de machine mogelijk niet naar behoren.
- **De werkgrootte van de bladen en flenzen moeten goed zijn bevestigd op de as van het elektrische gereedschap.** Bladen en flenzen met werktagen die niet overeenkomen met de montagehardware van het elektrische gereedschap, zullen uit balans raken, overmatig trillen en verlies van controle veroorzaken.
- **Geen beschadigde wielen gebruiken. Controleer vóór elk gebruik de bladen op hakken en scheurtjes.** Indien het elektrische gereedschap of het blad is gevallen, het apparaat controleren op schade en zo nodig een intact blad bevestigen. Na controle en montage van het blad, dient u en eventuele omstanders uit de buurt te gaan staan van het draaiende blad en het elektrische gereedschap gedurende één minuut op max. onbelaste snelheid te laten draaien. Beschadigde bladen zullen normaal



defect raken tijdens deze testfase.

- **Draag persoonlijke beschermingsmiddelen.** Afhankelijk van het gebruik dat u van uw machine maakt, dient u een veiligheidsmasker, veiligheidsbril of beschermbril te dragen. Draag al naar behoefte een stofmasker, gehoorbeschermers, handschoenen en een veiligheidsschoort om u te beschermen tegen alle eventueel rondslingerde voorwerpen (slijpsel, zaagsel, stukjes hout, enz.). Een veiligheidsbril helpt te voorkomen dat wegsplattend vuil uw ogen beschadigt. Door stofmaskers worden de deeltjes weggefilterd die ontstaan door het werk dat u aan het doen bent. Langdurige blootstelling aan intens geluid kan gehoorverlies veroorzaken.
- **Houd omstanders op redelijke afstand van de werkzone en zorg dat zij een veiligheidsuitrusting dragen.** Iedereen die zich binnen de werkzone moeten dragen van persoonlijke beschermingsmiddelen. Fragmenten van het werkstuk of van een gebroken blad kunnen in de rondte vliegen en letsel veroorzaken buiten het directe werkgebied.
- **Plaats het netsnoer op zodanige wijze dat het uit de buurt blijft van de draaiende accessoire.** Indien u de controle verliest, kan het snoer worden doorgesneden of vast komen te zitten en kan uw hand of uw arm in het draaiende blad worden getrokken.
- **Reinig regelmatig de ventilatieopeningen van de machine.** De ventilatie van de motor doet stof in de motorombouw binnendringen, wat een overmatige opeenhoping van metaaldeeltjes kan verwekken en elektrische schokken kan veroorzaken.
- **Gebruik de machine niet in de buurt van brandbare stoffen.** Gebruik het elektrische apparaat niet op een brandbaar oppervlak zoals hout. Door vonkvorming kunnen deze in brand worden gestoken.
- **Gebruik geen accessoires waarvoor koelvloeistoffen zijn vereist.** Het gebruik van water of koelvloeistoffen kan elektrocuties of elektrische schokken veroorzaken.

## TERUGSLAG EN AANVERWANTE WAARSCHUWINGEN

Een terugslag is een plotselinge reactie van een vastgeklemd of vastzittend draaiend blad. Door knijpen of haken wordt het roterende wiel snel afgeslagen, waardoor het ongecontroleerde snijblad naar boven wordt gedrukt in de richting van de gebruiker.

Als bijvoorbeeld een doorslijpschijf zich vastklemt of verbogen raakt in het werkstuk, bestaat het gevaar dat de snijkant van de schijf zich diep in het oppervlak van het werkstuk drukt, waardoor de schijf plotseling uit het werkstuk kan komen. Bij een terugslag kan de doorslijpschijf ook breken.

Terugslag is dus het gevolg van een verkeerd gebruik van de machine en/of van onjuiste procedures of omstandigheden.

- **Houd de machine stevig vast en plaats uw lichaam en uw armen zo dat ze een eventuele**

**terugslag kunnen opvangen.** De bediener kan de terugslagkrachten naar boven controleren, mits de juiste voorzorgsmaatregelen worden genomen.

- **Uw lichaam niet in lijn brengen met het draaiende blad.** Indien er terugslag optreedt, wordt het snijblad naar boven in de richting van de gebruiker voortgestuwd.
- **Geen kettingzaag, houtzaagblad, gesegmenteerd diamanten blad met een grotere perifere opening dan 10 mm of getand zaagblad bevestigen.** Dergelijke bladen verhogen het risico voor terugslag en verlies van de macht over de machine.
- **Het blad niet “vastklemmen” of overmatige druk zetten.** Probeer geen overdreven diepe insnedes te maken. Wanneer u teveel druk op het wiel plaatst verhoogt dit de lading en gevoeligheid voor plooiën en verstrengelen van het wiel in de insnede en de mogelijkheid tot terugslag.
- **Wanneer het wiel vastzit of wanneer u een snede om welke reden dan ook onderbreekt, schakelt u het elektrische gereedschap uit en houdt u het snijblad stil totdat het wiel volledig tot stilstand komt. Het blad nooit proberen te verwijderen uit de insnijding terwijl het blad nog beweegt; anders kan er een terugslag optreden.** Als de schijf zich vastklemt, moet u de oorzaak daarvan opzoeken en de nodige maatregelen nemen om te voorkomen dat het opnieuw gebeurt.
- **Herstart de zaagwerken niet in het werkstuk. Laat het wiel op topsnelheid komen en voeg de zaag voorzichtig opnieuw in de zaagsnede.** Het wiel kan vastraken, oplopen of terugslaan als het werktuig in het werkstuk wordt herstart.
- **Ondersteun het werkstuk om het risico van wielknellen en terugslag te minimaliseren.** Grote werkstukken hebben de neiging om onder hun eigen gewicht door te zakken. Steunen moeten onder het werkstuk aan beide zijden van het wiel nabij de zaaglijn en de rand van het werkstuk worden geplaatst.

## AANVULLENDE VEILIGHEIDSWAARSCHUWINGEN

- **Zorg ervoor dat het product altijd op een stabiele en vlakke ondergrond wordt gebruikt.**
- **Draag altijd gezichts- en gehoorbescherming wanneer u dit product gebruikt.**
- **Gebruik persoonlijke beschermende materialen, zoals stofmasker, handschoenen en schoort.**
- **Draag, bij gevaar voor vallende objecten, een helm of hoofdbescherming.**
- **Controleer of de slijpschijf goed is geplaatst en vastgezet voordat u deze gaat gebruiken; schakel het product in zonder belasting gedurende 30 seconden in een veilige positie en stop direct en vervang de schijf als er veel trilling is.**
- **Voor u een insnede maakt, moet u ervoor zorgen dat alle afstellingen veilig zijn.**



- Voor u de machine afstelt, moet u ervoor zorgen dat de stekker uit de contactdoos is getrokken. Wanneer u de slijpmachine niet uit de contactdoos trekt, kan dit leiden tot ongewild starten en ernstige letsels.
- Om ongewild starten te voorkomen, wat kan leiden tot ernstige letsels, monteert u alle onderdelen van de zaagmachine voor u ze met een contactdoos verbindt.
- De machine mag nooit met een contactdoos worden verbonden wanneer u onderdelen monteert, de machine afstelt, wielen installeert of verwijdert of de machine niet wordt gebruikt.
- Controleer voor gebruik de slijpschijf. Controleer de schijf op scheuren en barsten. Gebruik geen beschadigde slijpwielen.
- Gebruik geen zaagbladen.
- Gebruik nooit een wiel dat te dik is om de buitenste flens aan het plaatstaal op de as te koppelen. Grotere wielen komen in contact met de wielbeschermers, terwijl dikkere wielen vermijden dat het wiel op de as wordt vastgemaakt. Deze situaties kunnen leiden tot een ernstig ongeval en kunnen ernstige persoonlijke letsels veroorzaken.
- Verwijder de wielbeschermers van de machine niet. Gebruik een zaagmachine nooit zonder beschermer of wanneer het deksel is verwijderd. Zorg er voor elk gebruik voor dat alle beschermers goed werken.
- Start uw slijpmachine niet zonder ze te controleren op interferentie tussen het wiel en de machinevoet. Het wiel kan worden beschadigd als het tijdens de werking de machinevoet raakt.
- Probeer met deze zaagmachine geen hout of steenwerk te zagen. Zaag nooit magnesium of magnesiumlegeringen.
- Span het wiel niet te strak aan aangezien dit kan leiden tot barsten.
- Laat het slijpwiel altijd zachtjes tegen het werkstuk neer wanneer u begint te zagen. Een hevige impact wiel breken.
- Zaag nooit meer dan een werkstuk tegelijk. Stapel niet meer dan een werkstuk tegelijk op de machinevoet.
- Ondersteun lange werkstukken altijd om te voorkomen dat de machine kantelt.
- Het zagen van staal veroorzaakt vonken. Gebruik de machine niet in de buurt van ontvlambare of ontplofbare materialen.
- Laat een werktuig nooit onbeheerd draaien. Laat het werktuig niet achter tot het volledig tot stilstand is gekomen. Het wiel blijft draaien nadat het product is uitgeschakeld.
- Laat de aan/uit-schakelaar altijd los en laat het wiel stilvallen voor u het uit het werkstuk opeft.
- Houd uw handen weg van het zaaggebied. Houd uw handen weg van het wiel. Reik niet onder het werkstuk of rond of onder het wiel terwijl het draait. Probeer geen afgezaagd materiaal te verwijderen terwijl het wiel beweegt.
- Sta nooit in het pad van het zaagwiel en houd nooit een lichaamsdeel in de lijn van het zaagwiel.
- Sta nooit op een werktuig. Als het werktuig kantelt of als men ongewild in contact komt met het zaagwiel kunnen ernstige letsels ontstaan.
- Voer nooit een handeling met de vrije hand uit. Maak het werkstuk dat moet worden gezaagd altijd stevig in de bankschroef vast. Raadpleeg de specificatietabel voor de veilige minimumafmetingen van het werkstuk. Zorg er altijd voor dat u tenminste 80 mm ver in de bankschroefklemmen grijpt om te verzekeren dat u veilig kunt slijpschijven.
- Houd een werkstuk nooit met de hand vast. Het werkstuk zal tijdens het zagen erg warm worden.
- Een stroomstoot veroorzaakt stroomschommelingen die andere elektrische producten op dezelfde stroomtoevoer kunnen beïnvloeden. Verbind het product met een stroombron waarvan de impedantie gelijk is aan  $0,233 \Omega$  om de spanningsschommelingen te minimaliseren. Neem contact op met uw energieleverancier voor meer informatie.
- We raden het gebruik van een aardlekschakelaar aan met een waarde van 30 mA of minder aan.

**Wij raden aan dat u de metalen snijdschijf COSB355A1 gebruikt als vervanging als u een nieuwe schijf nodig hebt.**

## VEILIGHEIDSWAARSCHUWINGEN BIJ HET PLAATSEN VAN EEN SLIJPSCHIJF

- **Om het risico van letsel te verminderen, dient de gebruiker deze instructies, waarschuwingen en gebruikshandleiding te lezen en hieraan te voldoen voordat de slijpschijf gebruikt gaat worden. Het niet naleven van deze waarschuwingen kan leiden tot het breken van de schijf en een ernstig persoonlijk letsel. Bewaar deze instructies.**
- Het gebruik van elk ander wiel dan die aanbevolen wordt in de gebruikshandleiding van het product kan een risico inhouden van persoonlijk letsel. Gebruik alleen slijpschijven met een gemarkeerde snelheid die gelijk is of groter is dan wat vermeld staat op het product.
- Gebruik nooit een slijpschijf die te dik is, zodat de buitenste flens geen contact krijgt met het contactpunt op de as. Grotere wielen komen in contact met de wielbeschermers, terwijl dikkere wielen vermijden dat het wiel op de as wordt vastgemaakt. Deze situaties kunnen leiden tot een ernstig ongeval en ernstig persoonlijk letsel veroorzaken.
- De slijpschijf is uitsluitend bedoeld voor het slijpen van ferro-metaal. Geen hout of metselwerk snijden met de slijpschijf. Nooit magnesium of magnesiumlegeringen snijden met de slijpschijf.
- De slijpschijf is uitsluitend geschikt voor droog snijden. De slijpschijf moet worden gebruikt voor het einde van de houdbaarheidsdatum (vermeld op het etiket, bijv.,





11/2021).

- Geen beschadigde slijpschijven gebruiken. Gebruik geen schijven die zijn afgeschilferd, gebarsten of defect zijn.
- Controleer of de slijpschijf goed is geplaatst en vastgezet voordat u het gaat gebruiken.
- De draairichting van de schijf staat aangegeven op het product. Controleer, bij het installeren of vervangen van de slijpschijf, of de richtingmarkering op het wiel overeenkomt met de richting die staat weergegeven op het product.
- De slijpschijf niet overmatig vast aandraaien, omdat hierdoor de schijf kan barsten.
- Het product mag nooit op de netvoeding worden aangesloten tijdens het installeren of verwijderen van slijpschijven.
- Bewaar uw reserveschijven met enige zorg; ze kunnen eenvoudig beschadigd raken.

#### Informatie beschikbaar op het etiket op de slijpschijf

De informatie op het etiket op de schijf is belangrijk. Lees en controleer het etiket zorgvuldig om ervoor te zorgen dat u de juiste schijf kiest.

1. Fabrikant, leverancier, importeur of handelsmerk
2. Nominale afmetingen van slijpschijf, met name de diameter van het boorgat
3. Slijptype, korrelgrootte, hardheidsgraad, verbindingstype en gebruik van versterking, bijv.
  - 41A24RBF80
  - 41 --- slijptype, vlakke slijpschijf
  - A --- slijpmateriaal: bruin korund
  - 24 --- korrelgrootte
  - R --- hardheidsgraad
  - BF --- verbindingstype
  - 80 --- maximale gebruikssnelheid m/s
4. Maximale gebruikssnelheid in meters per seconde
5. Maximale toegestane draaisnelheid in 1/min
6. Voor de verklaring van conformiteit, moeten slijpproducten gemarkeerd zijn met EN 12413
7. Symbolen voor beperking van gebruik en veiligheidswaarschuwingen
8. Traceerbaarheidscodes, bijv. Een product-/batchnummer, houdbaarheidsdatum of serienummer

#### RESTRISCO'S

Zelfs wanneer de machine zoals voorgeschreven wordt gebruikt, is het onmogelijk om elk restrisco uit te sluiten. De volgende gevaren kunnen optreden bij gebruik en de gebruiker dient speciaal op te letten om het volgende te voorkomen:

- Stabiliteit. Controleer of het product stabiel is. Zo nodig het product vergrendelen.
- Inademing van stof. Zo nodig een masker dragen.
- Vonken en hete metaaldeeltjes. Vonken en hete metaaldeeltjes kunnen brand en brandwonden op de huid veroorzaken. Draag beschermende materialen

tijdens het gebruik.

- Oogletsel als gevolg van metaaldeeltjes. Draag oogbescherming tijdens het gebruik.
- Gehoorschade. Beperk de blootstelling en draag geschikte gehoorbescherming.

#### KEN UW PRODUCT

Zie pagina 172.

1. Hendel, geïsoleerd grijppoppervlak
2. Activeringsschakelaar
3. Bovenste handvat
4. Asvergrendeling
5. Schroef voor het instellen van de zaagdiepte
6. Zaagdiepte borgmoer
7. Verstekgeleider
8. Speciale sleutel
9. Bovenste beschermkap
10. Onderste beschermkap
11. Zaagwiel
12. Werkklem
13. Werkklem vergrendelingshendel
14. De regelbare aanpassingsslinger van de werkklem
15. Rubberen voet
16. Borgketting zaagkop
17. Montageopening
18. Dop koolstofborstel
19. Koolborstel
20. Spaander deflector
21. Verstekvergrendelhendel

#### GEBRUIKSTIPS

#### VERSTEKVERGRENDELHENDEL

Als de verstekgeleider dichtbij de draaibare zaagkop wordt geplaatst, kan de vergrendeling van de verstekgeleider bij het draaien in aanraking komen met de draaibare kop. Herhaal de vastzetprocedure door de hendel omhoog te doen en terug te draaien totdat de verstekgeleider stevig vastzit.

#### ONDERHOUD

- Wijzig het product niet op een manier die niet door de fabrikant is goedgekeurd en gebruik geen accessoires die niet door de fabrikant zijn goedgekeurd. Uw veiligheid en deze van anderen kan in gevaar worden gebracht.
- Gebruik het product niet als de schakelaars, beschermers of andere functies niet naar behoren werken. Breng naar een geautoriseerd onderhoudscentrum voor professionele herstellingen of afstellingen.
- Probeer niet om een afstelling te wijzigen als de motor draait.
- Zorg er altijd voor dat de stekker van de machine uit de stroomvoorziening is getrokken voor u borstels vervangt, de machine smeert of werken of onderhoud



aan de machine uitvoert.

- Na elk gebruik moet u de machine controleren op schade of gebroken onderdelen en deze in de beste conditie houden door onderdelen onmiddellijk te repareren of vervangen.
- Zorg ervoor dat de ventilatieopeningen vrij blijven, vooral wanneer u in stofferige omstandigheden werkt. Als het nodig wordt om het stof te verwijderen, ontkoppelt u het product van de contactdoos. Maak de openingen met behulp van een zachte borstel vrij.
- Ruim opgehoopt stof op.
- Om de veiligheid en betrouwbaarheid van de machine te verzekeren, dienen alle reparaties met uitzondering van extern toegankelijke borstels door een geautoriseerd onderhoudscentrum worden uitgevoerd.
- Laat een eventueel beschadigd netsnoer vervangen door een erkend servicecentrum om gevaar voor ongelukken te voorkomen.

## ⚠ WAARSCHUWING

Alle reparaties moeten worden uitgevoerd door een Erkend Servicecentrum teneinde de veilige en betrouwbare werking van de machine te garanderen.

## MILIEUBESCHERMING



Zorg dat grondstoffen gerecycleerd worden in plaats van weggegooid als afval. Om het milieu te beschermen moeten de machine, de accessoires en de verpakking gesorteerd bij een erkend recyclingcentrum worden aangeleverd.

## SYMBOOL



Veiligheidswaarschuwing



EU-conformiteit



EurAsian-symbool van overeenstemming.



Oekraïens conformiteitssymbool



Lees zorgvuldig de instructies voor u het product start.



Klasse II-apparaat, dubbele isolatie



Draag gehoorbescherming



Draag altijd gezichtsbescherming.



Niet voor nat slijpen of snijden



Gebruik geen gebroken, gearsten of defect slijpwielen



Draag veiligheidshandschoenen



Draag een stofmasker.



Stel niet bloot aan regen of gebruik niet in op vochtige plaatsen.



Rotatierichting doorslijpschijf (afgebeeld op beschermkap)



Elektrisch afval mag niet samen met ander huishoudafval worden weggegooid. Gelieve te recyclen indien de mogelijkheid bestaat. Neem contact op met uw lokaal bestuur of handelaar om advies te krijgen over recycling.

## SYMBOLEN IN DE GEBRUIKSAANWIJZING



Vergrendeling



Ontgrendeling



Wachttijd tot het zaagblad zijn volledige snelheid bereikt



Onderdelen of accessoires afzonderlijk gekocht



Opmerking:



**WAARSCHUWING**

De volgende kernwoorden en verklaringen zijn bedoeld om de gevaarniveaus die op dit toestel betrekking hebben, te verklaren.

 **GEVAAR**

Wijst op een gevaarlijke situatie die, indien ze niet wordt vermeden, kan leiden tot ernstige verwondingen of de dood.

 **WAARSCHUWING**

Wijst op een mogelijk gevaarlijke situatie die, indien ze niet wordt vermeden, kan leiden tot ernstige verwondingen of de dood.

 **LET OP**

Wijst op een mogelijk gevaarlijke situatie die, indien ze niet wordt vermeden, kan leiden tot lichte of middelmatige verwondingen.

**LET OP**

(Zonder veiligheidssymbool) Geeft een situatie aan die materiële schade zou kunnen veroorzaken.



Na conceção da máquina de corte foi dada a máxima prioridade à segurança, ao desempenho e à fiabilidade.

### UTILIZAÇÃO PREVISTA

A máquina de corte destina-se a ser utilizada para cortar materiais metálicos. Não utilize para cortar materiais não metálicos.

O produto destina-se a ser utilizado por operadores adultos que tenham lido o Manual de Instruções e que compreendam os riscos e os perigos.

O produto foi concebido para ser fixado pela base ao tampo de uma bancada sólida. Se a base não estiver firmemente fixa, qualquer máquina se pode mover durante as operações de corte, o que aumenta a possibilidade de sofrer lesões pessoais graves.

O produto foi concebido para fazer cortes biselados e cortes angulares. As capacidades para os diversos cortes são dadas nas características técnicas do produto, neste Manual.

O produto destina-se a ser utilizado em condições secas, com iluminação ambiente excelente e com ventilação adequada.

O produto foi desenhado para uso doméstico e apenas deve ser utilizado tal como se descreve anteriormente e não para outros fins.

### AVISOS GERAIS DE SEGURANÇA DE FERRAMENTAS ELÉCTRICAS

#### ⚠ AVISO

Leia com atenção todas as advertências, instruções e especificações fornecidas com a ferramenta, e consulte as ilustrações. O incumprimento das instruções seguintes pode ocasionar acidentes como incêndios, choques eléctricos e/ou ferimentos graves.

Guarde todos os avisos e instruções para futuras consultas. O termo “ferramenta eléctrica” nos avisos refere-se à sua ferramenta eléctrica alimentada directamente pela rede eléctrica (com cabo eléctrico) ou à sua ferramenta eléctrica alimentada a baterias recarregáveis (sem cabo eléctrico).

### SEGURANÇA NA ÁREA DE TRABALHO

- **Mantenha a área de trabalho limpa e bem iluminada.** As áreas desordenadas ou escuras são um convite para acidentes.
- **Não opere ferramentas eléctricas em atmosferas explosivas, como na presença de líquidos, gases ou poeiras inflamáveis.** As ferramentas eléctricas produzem faíscas que podem inflamar o pó ou fumos.
- **Ao operar esta ferramenta eléctrica, mantenha as crianças e as pessoas presentes afastadas.** As distrações podem levá-lo a perder o controlo.

### SEGURANÇA ELÉCTRICA

- **As fichas eléctricas da ferramenta têm de corresponder à tomada. Nunca altere a ficha seja de que maneira for. Não use quaisquer fichas adaptadoras com ferramentas de ligação com terra.** As fichas não modificadas e tomadas compatíveis reduzirão o risco de choque eléctrico.
- **Evite o contacto do corpo com superfícies com ligação terra ou enterradas, tais como tubos, radiadores, fogões e frigoríficos.** Há um aumento do risco de choque eléctrico se o seu corpo estiver ligado à terra.
- **Não exponha as ferramentas eléctricas à chuva ou a condições de humidade.** Se entra água numa ferramenta eléctrica aumentará o risco de descargas eléctricas.
- **Não puxe pelo cabo. Nunca use o cabo para carregar, puxar ou retirar a ficha da ferramenta da tomada. Mantenha o cabo afastado de fontes de calor, óleo, extremidades afiadas ou peças móveis.** Os cabos danificados ou emaranhados aumentam o risco de choque eléctrico.
- **Ao operar uma ferramenta eléctrica ao ar livre, use um cabo de extensão apropriado para o uso ao ar livre.** A utilização de um cabo apropriado para o uso ao ar livre reduz o risco de choque eléctrico.
- **Se operar uma ferramenta eléctrica num local húmido é inevitável, use uma fonte com protecção de dispositivo de corrente residual (RCD).** O uso de um RCD reduz o risco de choque eléctrico.

### SEGURANÇA PESSOAL

- **Mantenha-se alerta, preste atenção àquilo que está a fazer e utilize o senso comum ao operar uma ferramenta. Não use a ferramenta quando estiver cansado ou sob a influência de drogas, álcool ou medicação.** Um momento de distração durante a operação de ferramentas eléctricas pode resultar em lesões físicas graves.
- **Usar equipamento de protecção pessoal. Use sempre protecção para os olhos.** Equipamento de protecção (por exemplo, máscara para poeiras, calçado anti-derrapante, capacete ou protecção para os ouvidos) utilizado para as condições adequadas irá reduzir o risco de ferimentos.
- **Evite o arranque involuntário. Antes de ligar o produto à alimentação eléctrica e/ou ao conjunto de baterias, e antes de pegar no produto ou de o transportar, certifique-se de que o interruptor está na posição de Desligado (“O”).** Transportar ferramentas eléctricas tendo o dedo no gatilho ou montar baterias em ferramentas eléctricas tendo o interruptor na posição de Ligado é um convite a acidentes.
- **Remova qualquer chave de ajuste antes de ligar a ferramenta eléctrica.** Uma chave-inglesa ou uma chave colocada numa peça móvel da ferramenta eléctrica pode causar lesões pessoais.



- **Não se aproxime em demasia. Mantenha sempre o equilíbrio e a posição dos pés adequada.** Isto possibilita um melhor controlo da ferramenta eléctrica em situações inesperadas.
- **Vista-se adequadamente. Não use roupas largas ou jóias. Mantenha o seu cabelo e a sua roupa afastados de peças em movimento.** A roupa solta, jóias ou o cabelo comprido podem ficar presos nas peças móveis.
- **Se forem fornecidos dispositivos para fazer a ligação a sistemas de extracção e recolha de poeiras, certifique-se de que estão montados e que são correctamente utilizados.** A utilização de um sistema de recolha de poeiras pode reduzir os riscos relacionados com poeiras.
- **Estar familiarizado com as ferramentas por as utilizar com frequência não é razão para se tornar descuidado e para ignorar os princípios de segurança referentes a ferramentas.** Uma acção descuidada pode causar ferimentos graves numa fracção de segundo.

#### UTILIZAÇÃO E MANUTENÇÃO DA FERRAMENTA ELÉCTRICA

- **Não force a ferramenta. Use o produto adequado para a sua aplicação.** O produto adequado funcionará melhor e de forma mais segura no âmbito para o qual foi desenhado.
- **Não use uma ferramenta caso o interruptor não ligue e desligue a ferramenta eléctrica correctamente.** Qualquer ferramenta eléctrica que não possa ser controlada com o interruptor é perigosa e deve ser reparada.
- **Antes de fazer quaisquer ajustes, substituir acessórios, ou guardar ferramentas eléctricas, desencaixe a ficha da tomada da rede eléctrica e/ou desmonte o conjunto de baterias (se for desmontável) da ferramenta eléctrica.** Estas medidas de segurança preventivas reduzem o risco de activar o produto acidentalmente.
- **Armazene as ferramentas eléctricas fora do alcance das crianças e não permita que pessoas não familiarizadas com a ferramenta eléctrica ou com estas instruções utilizem a ferramenta eléctrica.** As ferramentas eléctricas são perigosas nas mãos de utilizadores inexperientes.
- **Faça manutenção às ferramentas eléctricas e aos respectivos acessórios.** Verifique se as peças móveis estão bem alinhadas ou presas, se há peças partidas e quaisquer outras situações que possam afectar o funcionamento da ferramenta. Se estiver danificada, leve a ferramenta ao serviço técnico autorizado antes de a usar. Muitos acidentes são causados por ferramentas que não receberam manutenção adequada.
- **Mantenha as ferramentas de corte afiadas e limpas.** Ferramentas de corte que tenham recebido manutenção correcta para manter as arestas de corte

afiadas têm menor probabilidade de encravar e são mais fáceis de controlar.

- **Utilize o produto, os acessórios e as peças de encaixe na ferramenta, etc. de acordo com estas instruções, levando em consideração as condições de trabalho e as tarefas a serem executadas.** O uso da ferramenta eléctrica para as operações diferentes daquelas a que se destina podem causar uma situação perigosa.
- **Mantenha as pegas e as superfícies de prensão secas, limpas, e livres de óleo e de gordura.** Pegas e superfícies de prensão escorregadias não permitem manusear a ferramenta em segurança, nem permitem manter o controlo da ferramenta em situações inesperadas.

#### ASSISTÊNCIA

- **A manutenção da sua ferramenta eléctrica deve ser efectuada por uma pessoa qualificada para reparações, utilizando apenas peças de substituição idênticas.** Isto assegurará que a segurança da ferramenta eléctrica é mantida.

#### AVISOS DE SEGURANÇA DA SERRA DE CORTE

- **Posicione as pessoas presentes e a si próprio afastados do nível do disco em rotação.** A protecção ajuda a proteger o operador de fragmentos de disco partido e de contactos acidentais com o disco.
- **Utilize apenas rodas de corte reforçadas coladas para a sua ferramenta eléctrica.** Mesmo se um acessório puder ser montado numa ferramenta, isso não garante que possa utilizar esta ferramenta com toda a segurança.
- **A velocidade nominal do acessório deve ser igual ou superior à velocidade máxima indicada na ferramenta.** Os acessórios que funcionam a uma velocidade superior à sua velocidade nominal podem quebrar e ser ejectados.
- **Os discos só devem ser usados para as aplicações recomendadas. Por exemplo, não triture com a parte lateral do disco de corte.** Os discos de corte são concebidos para a esmerilhagem periférica, sendo que as forças laterais aplicadas a esses discos podem fazer com que estilhacem.
- **Utilize sempre flanges não danificadas que tenham um diâmetro correcto para o disco que escolheu.** As adequadas aletas de disco suportam o disco reduzindo, assim, a possibilidade de este se partir.
- **O diâmetro externo e a espessura do acessório devem corresponder às características especificadas para a ferramenta.** Se os acessórios não corresponderem às características indicadas, os sistemas de protecção e de ajuste da ferramenta não poderão funcionar correctamente.
- **O tamanho da haste dos discos e flanges tem que encaixar devidamente no eixo da ferramenta eléctrica.** Os discos e as flanges com orifícios na haste



que não correspondam com o hardware de montagem da ferramenta elétrica ficam desequilibrados, vibram excessivamente e podem causar a perda de controlo.

- **Não utilize discos danificados. Antes de cada utilização, inspecione os discos para detetar fendas e rachaduras. Se a ferramenta elétrica ou o disco cair, verifique se existem danos ou instale um disco não danificado. Depois de inspecionar e instalar o disco, coloque-se a si e aos que assistem afastados do plano do disco rotativo e opere a ferramenta elétrica à velocidade máxima sem carga durante um minuto. Os discos danificados irão, de modo geral, quebrar durante este período de teste.**
- **Usar equipamento de protecção pessoal. Conforme a utilização que faz da sua ferramenta, use uma máscara de protecção, óculos de segurança ou óculos de protecção. Conforme a utilização que faz da sua ferramenta, use uma máscara de protecção, óculos de segurança ou óculos de protecção. Se necessário, use uma máscara anti-poeira, protecções auditivas, luvas e um avental de protecção, de modo a proteger-se contra qualquer projecção de corpos estranhos (elementos abrasivos, aparas de madeira, etc.). As máscaras anti-poeira permitem filtrar as partículas criadas pela operação realizada. As máscaras anti-poeira permitem filtrar as partículas criadas pela operação realizada.**
- **Mantenha os visitantes a boa distância da zona de trabalho e verifique se usam equipamento de protecção. Mantenha os visitantes a boa distância da zona de trabalho e verifique se usam equipamento de protecção. Fragmentos da peça de trabalho ou de um disco partido podem ser projetados e causar lesões para fora da área imediata de operação.**
- **Posicione o fio de alimentação de modo que fique distante do acessório em rotação. Se perder o controlo, o cabo poderá cortar ou enganchado e a sua mão ou o braço podem ser puxados para o disco giratório.**
- **Limpe regularmente as fendas de ventilação da ferramenta. A ventilação do motor faz penetrar as poeiras no cárter do motor, o que pode ocasionar uma acumulação excessiva de partículas metálicas e provocar choques eléctricos.**
- **Não utilize a sua ferramenta próximo de produtos inflamáveis. Não utilize a ferramenta elétrica enquanto estiver sobre uma superfície combustível, como madeira. As chispas poderiam inflamá-los.**
- **Não utilize acessórios que requerem fluidos de arrefecimento. A utilização de água ou de líquidos de arrefecimento pode provocar electrocussões ou choques eléctricos.**

## RECUO E AVISOS ASSOCIADOS

O ressalto é uma reacção súbita a um disco rotativo enganchado ou emperrado. Os apertos e obstáculos provocam a paragem repentina da roda, o que por sua vez faz com que a unidade de corte descontrolada seja forçada para cima na direcção do operador.

Por exemplo, se um disco abrasivo ficar entalado ou torcido na peça a trabalhar, o gume do disco pode encravar-se na superfície da peça a trabalhar, fazendo com que o disco suba ou seja projectado bruscamente. Em caso de contra-golpe, o disco abrasivo também pode quebrar.

Pode ser evitado tendo o cuidado de respeitar certas precauções.

- **Mantenha a ferramenta bem firme e coloque o corpo e o braço de modo a poder controlar um eventual contra-golpe.** O operador pode controlar as forças de impulso para cima se tomar as precauções adequadas.
- **Não posicione o seu corpo em linha com o disco rotativo.** Se o retorno ocorrer, dispara a unidade de corte para cima, na direcção do operador.
- **Não anexe uma motosserra, lâmina de talha, disco de diamante segmentado com um espaço periférico superior a 10 mm ou lâmina de serra dentada.** Estas lâminas aumentam o risco de contra-golpe e de perda de controlo da ferramenta.
- **Não “encrave” o disco nem aplique pressão excessiva. Não trate de fazer uma excessiva profundidade de corte.** A sobrecarga do disco aumenta a carga e a susceptibilidade à torção ou ao entupimento do disco no corte e a possibilidade de contra-golpes ou rotura do disco.
- **Quando a roda fica presa ou ao interromper um corte por qualquer motivo, desligue a ferramenta elétrica e segure a unidade de corte imóvel até que a roda pare por completo. Nunca tente retirar o disco do corte enquanto este se encontra em movimento, caso contrário poderá verificar-se um ressalto.** Se o disco ficar entalado, procure a causa e tome as medidas necessárias para que isso não volte a acontecer.
- **Não reinicie a operação de corte na peça a trabalhar. Permita que o disco alcance a velocidade total e volte a efectuar o corte cuidadosamente.** O disco pode prender, avançar ou recuar se a ferramenta for reiniciada na peça a trabalhar.
- **Apoie qualquer peça de trabalho de grandes dimensões para minimizar o risco de retorno ou prisão da roda.** As peças a trabalhar grandes têm tendência a vergar sob o seu próprio peso. Os apoios devem ser colocados por baixo da peça a trabalhar perto da linha de corte e perto da borda da peça a trabalhar em ambos os lados do disco.

## AVISOS DE SEGURANÇA ADICIONAIS

- **Certifique-se de que o produto é sempre utilizado numa superfície estável e nivelada.**
- **Use sempre protecção para os olhos e ouvidos ao operar este equipamento.**
- **Utilize o equipamento de protecção individual, máscaras antipó, luvas e avental.**
- **Se existir risco de cair algum objeto coloque um capacete ou protecção para a cabeça.**



- Assegure-se que a roda de corte abrasiva está corretamente instalada e apertada antes de a usar, arranque o aparelho sem carga durante 30 segundos numa posição segura, e pare imediatamente e substitua a roda de corte se vir que há uma vibração considerável.
- Antes de realizar um corte, verifique que todos os ajustes estão fixados.
- Antes de realizar qualquer ajusta, certifique-se de que a ferramenta se encontra desconectada da fonte de alimentação. A inobservância em desconectar a máquina de corte pode resultar no arranque acidental e causar possíveis graves lesões pessoais.
- Para prevenir um arranque acidental que poderia causar possíveis lesões graves, monte todas as peças da sua máquina de corte antes de a conectar à fonte de alimentação.
- A máquina nunca deverá estar conectada à fonte de alimentação quando estiver a montar peças, a realizar ajustes, a instalar ou remover rodas, ou quando não se encontre em utilização.
- Inspeccione visualmente a roda abrasiva antes de cada uso. Verifique se a roda tem fissuras e gretas. Não use uma roda abrasiva danificada.
- Não utilize lâminas para serras.
- Nunca use uma roda que seja demasiado grossa para permitir que a flange exterior engate cim as abas no eixo. Rodas maiores entrarão em contacto com as protecções da roda, enquanto rodas mais grossas impedirão o parafuso de fixar a roda ao eixo. Qualquer destas situações pode resultar num acidente grave e causar lesões pessoais graves.
- Não remova as protecções da roda da máquina. Nunca opere a máquina sem nenhuma protecção ou com a cobertura removida. Assegure-se de que todas as protecções estão operacionais antes de cada utilização.
- Não inicie a sua máquina de corte abrasiva sem verificar se existem interferências entre a roda e o suporte da base da máquina. A roda poderá sofrer danos caso esta embata no suporte da base da máquina durante a operação da mesma.
- Não tente cortar madeira ou maçonaria com esta máquina de corte. Nunca corte magnésio ou liga de magnésio com esta máquina.
- Não aperte a roda excessivamente, dado que isto poderá causar fendas.
- Alivie sempre a roda abrasiva contra a peça de trabalho quando começar a cortar. Um impacto forte pode partir a roda.
- Nunca corte mãos do que uma peça de trabalho de cada vez. Não coloque mais do que uma peça de trabalho na base da máquina de cada vez.
- Para minimizar o risco de derrubar a máquina, suporte sempre as peças de trabalho compridas.
- Cortar aço causará faíscas. Não opere na presença de

combustível ou materiais inflamáveis.

- Nunca deixe uma ferramenta em funcionamento sem vigilância. Não abandone a ferramenta até que esta se imobilize totalmente. A roda continua a rodar assim que se desliga o produto.
- Liberte sempre o interruptor de corrente e deixe que a roda se imobilize antes de a levantar da peça de trabalho.
- Mantenha as mãos afastadas da área de corte. Mantenha as mãos afastadas da roda. Não tente alcançar a peça de trabalho por baixo ou à volta ou sob a roda enquanto esta se encontra em rotação. Não remova o material cortado enquanto a roda se encontrar em movimento.
- Nunca se posicione ou coloque qualquer parte do seu corpo em linha com o percurso da roda.
- Nunca se coloque sobre a ferramenta. Poderão ocorrer lesões graves caso a ferramenta seja derrubada ou se encontrar em contacto acidental com a roda.
- Nunca execute qualquer operação sem as mãos. Fixe sempre a peça de trabalho a ser cortada ao torno. Conferir a tabela de especificações para consultar o tamanho mínimo seguro da peça de trabalho. Assegure-se sempre de prender pelo menos 80mm com a mordaça para garantir a segurança enquanto prende.
- Nunca segure manualmente uma peça de trabalho. A peça de trabalho ficará muito quente ao ser cortada.
- Um pico de corrente causa variações de voltagem e pode afectar outros aparelhos eléctricos na mesma linha eléctrica. Ligue o dispositivo à tomada eléctrica com uma impedância de 0.233  $\Omega$  para minimizar as flutuações de voltagem. Contacte o seu fornecedor de energia eléctrica para mais esclarecimentos.
- Recomendamos a utilização de um dispositivo de corrente residual com uma classificação de corrente residual de 30 mA ou menos.

**Recomendamos que utilize discos de corte de metal COSB355A1 sempre que necessite substituí-los por uns novos.**

#### **ADVERTÊNCIAS DE SEGURANÇA PARA COLOCAR UMA RODA ABRASIVA.**

- **Antes de começar a usar a roda abrasiva e para reduzir o risco de lesões, o utilizador deve ler e seguir as instruções, as advertências e o manual de utilizador. Se não prestar atenção a estas advertências a roda poderá partir e provocar lesões físicas. Guarde estas instruções.**
- O uso de qualquer roda que não seja a recomendada no manual de instruções pode representar um risco de lesão física. Utilize apenas rodas abrasivas que tenham uma velocidade igual ou superior à marcada no aparelho.
- Nunca utilize uma roda abrasiva que seja tão grossa que faça com que a brida externa trave com as partes



planas de eixo. Rodas maiores entrarão em contacto com as protecções da roda, enquanto rodas mais grossas impedirão o parafuso de fixar a roda ao eixo. Qualquer destas situações pode resultar num acidente grave e causar lesões pessoais graves.

- A roda abrasiva serve apenas para cortar metal ferroso. Não tente cortar madeira ou alvenaria com a roda abrasiva. Nunca corte magnésio ou liga de magnésio com a roda abrasiva.
- A roda abrasiva apenas é adequada para cortar em seco. A roda abrasiva deve utilizar-se antes da data de validade (marcada na etiqueta, por exemplo 11/2021).
- Não utilize rodas abrasivas danificadas. Não utilize rodas que estejam desdentadas, com gretas ou defeituosas.
- Assegure-se que a roda abrasiva de corte está corretamente colocada e apertada antes de a usar.
- A direção de rotação da roda abrasiva indica-se na ferramenta. Quando instalar e mudar a roda abrasiva assegure-se que a marca de direção da roda coincide com a direção identificada na ferramenta.
- Não aperte a roda abrasiva em excesso porque isto pode produzir gretas.
- O aparelho nunca deve estar ligado a um fornecimento elétrico enquanto estiver a ser instalado ou ao retirar a roda abrasiva.
- Guarde o disco abrasivo com cuidado; podem danificar-se facilmente.

#### Informação disponível na etiqueta da roda abrasiva

A informação da etiqueta da roda é importante. Leia e reveja a etiqueta com atenção para assegurar-se que está a escolher o tipo de disco correto.

1. Fabricante, fornecedor, importador ou marca registada
2. Dimensões nominais da roda abrasiva, concretamente o diâmetro do calibre
3. Tipo de abrasão, tamanho de grão, qualidade ou dureza, tipo de aderência e uso de reforço, por exemplo,
  - 41A24RBF80
  - 41 --- tipo de abrasão, roda de corte plana
  - A --- material abrasivo: corindo castanho
  - 24 --- tamanho do grão
  - R --- grau de dureza
  - BF --- tipo de aderência
  - 80 --- velocidade máxima de funcionamento em m/s
4. Velocidade máxima de funcionamento em metros por segundo
5. Velocidade de rotação máxima permitida em 1/min
6. Para a declaração de conformidade, os produtos abrasivos devem ter a marca EN 12413
7. Símbolos relativos ao uso restritivo e advertências de segurança.
8. Código de rastreabilidade, por exemplo, o número de produção/lote, data de validade ou número de série

#### RISCOS RESIDUAIS

Mesmo quando a máquina é utilizada conforme prescrito, continua a ser impossível eliminar totalmente determinados factores de risco residual. Podem surgir os seguintes riscos durante o uso e o operador deve prestar especial atenção para evitar o seguinte:

- Estabilidade. Assegurar-se que a ferramenta é estável. Se for necessário, fixe-a.
- Inalação de pó. Levar uma máscara quando for necessário.
- Faíscas e l7as partículas de metal quentes. As faíscas e as partículas de metal quentes podem provocar um incêndio e queimaduras na pele. Coloque o equipamento de protecção enquanto usa o aparelho.
- Lesões oculares por partículas de metal. Coloque uma protecção ocular enquanto trabalha.
- Lesão auditiva. Limite a exposição e coloque a protecção auditiva adequada.

#### CONHEÇA O SEU PRODUTO

Consulte a página 172.

1. Pega, superfícies de prensão isoladas
2. Interruptor do gatilho
3. Asa superior
4. Botão de bloqueio do eixo
5. Parafuso de ajuste da profundidade de corte
6. Porca de bloqueio da profundidade de corte
7. Guia de corte/graminho
8. Chave de serviço
9. Protector da lâmina superior
10. Protector da lâmina inferior
11. Roda de corte
12. Braçadeira de trabalho
13. Alavanca de bloqueio da braçadeira de trabalho
14. Manivela de ajuste da braçadeira de trabalho
15. Base de borracha
16. Correia de travão da cabeça da serra
17. Orifício de montagem
18. Tampa da escova de carbono
19. Escova de carbono
20. Defletor de lascas
21. Alavanca de bloqueio do corte angular

#### CONSELHOS DE FUNCIONAMENTO

##### ALAVANCA DE BLOQUEIO DO CORTE ANGULAR

Quando a guia da mitra é colocada o mais próximo possível da articulação da cabeça da serra, a alavanca de travão da guia da mitra pode interferir com a articulação da cabeça ao rodar. Repita o processo de bloqueio, levantando e recuando a alavanca até que a guia da mitra fique bem apertada.



**MANUTENÇÃO**

- Não modifique o produto de nenhum modo nem utilize acessórios não aprovados pelo fabricante. A sua segurança e a dos demais pode ver-se ameaçada.
- Não utilize o produto se algum dos interruptores, proteções ou outras funções não funcionam conforme o previsto. Dirija-se a um centro de serviço autorizado para ajustes ou reparações profissionais.
- Nunca efectue nenhum ajuste quando o motor está em funcionamento.
- Certifique-se sempre que a ficha da máquina foi retirada da tomada eléctrica antes de mudar escovas, lubrificar ou quando realiza quaisquer trabalhos ou manutenção na máquina.
- Após cada utilização, inspeccione a sua máquina para verificar se existem danos ou peças partidas e mantenha-a em óptima condição de funcionamento reparando ou substituindo as peças de imediato.
- Assegure-se que as aberturas de ventilação estão livres de obstáculos, especialmente ao trabalhar em meios poeirentos. Se for necessário limpar o pó, desligue o produto da tomada de corrente. Limpe as aberturas com uma escova mole.
- Limpe o pó acumulado.
- Para garantir segurança e fiabilidade, todas as reparações, com excepção das escovas às quais se pode aceder externamente, devem ser realizadas por um centro de assistência autorizado.
- Se o cabo de alimentação ficar danificado, mande substituí-lo num Centro de Serviço Autorizado para evitar os riscos de acidentes.

**⚠ AVISO**

O utilizador não pode ajustar o tope máximo de profundidade de corte. Não ajuste o tope máximo de profundidade de corte.

**PROTECÇÃO DO AMBIENTE**

Recicle os materiais em vez de pô-los directamente no lixo doméstico. Para proteger o ambiente, a ferramenta, os acessórios e as embalagens devem ser seleccionados.

**SÍMBOLO**

Alerta de Segurança



Conformidade CE



Marca de conformidade EurAsian.



Marca de conformidade ucraniana



Por favor, leia atentamente as instruções antes de acender o produto.



Equipamento de Classe II, isolamento duplo



Use protecção para os ouvidos



Use sempre protecção para os olhos.



Não é adequado para cortar ou moer no molhado



Não use uma mó lascada, rachada ou com defeito



Use luvas de segurança



Use máscara contra pó.



Não expor à chuva nem utilizar em locais húmidos.



Sentido de rotação do disco de corte (mostrado na guarda do disco)



Os aparelhos eléctricos antigos não devem ser eliminados juntamente com o lixo doméstico. Recicle onde existem instalações para o efeito. Verifique com as suas Autoridades Locais ou revendedor para obter informações sobre reciclagem.



## SÍMBOLOS NESTE MANUAL



Bloqueio



Abrir



Tempo de espera para que a lâmina alcance a velocidade máxima



As peças ou acessórios vendem-se separadamente



Nota:



AVISO

As seguintes palavras de sinal e significados destinam-se a explicar os níveis de risco associados a este produto.

### **PERIGO**

Indica uma situação de perigo iminente, a qual, se não for evitada, pode resultar em morte ou ferimentos graves.

### **AVISO**

Indica uma situação potencialmente perigosa que, se não for evitada, pode resultar em morte ou ferimentos graves.

### **CAUTELA**

Indica uma situação potencialmente perigosa que, se não for evitada, pode resultar em ferimentos leves ou moderados.

### **CAUTELA**

(Sem símbolo de segurança) Indica uma situação que pode provocar danos materiais.



Sikkerhed, ydelse og driftssikkerhed har fået topprioritet i designet af din afskæringsmaskine.

### TILTÆNKT ANVENDELSESFORMÅL

Afskæringsmaskinen er beregnet til brug i forbindelse med afskæring af metalmaterialer. Må ikke bruges på ikke-metalliske materialer.

Produktet er kun beregnet til at blive brugt af voksne, som har læst brugsanvisningen og forstået de involverede risici og farer.

Produktet er beregnet til at blive monteret på overfladen af en solid arbejdsbænk. Hvis soklen ikke er forsvarligt fastgjort, kan hele maskinen flytte sig under skærearbejdet, hvilket øger muligheden for alvorlig personskade.

Produktet er designet til at foretage skræ- og geringsnrit. Karakteristika for de forskellige skærehandlinger er angivet i produktspecifikationerne i denne vejledning.

Produktet skal anvendes i tørre omgivelser med kraftigt omgivende belysning og tilstrækkelig ventilation.

Produktet er beregnet til privat brug og må kun bruges som beskrevet ovenfor og ikke til noget andet formål.

### ALMINDELIGE SIKKERHEDSREGLER FOR ELVÆRKTØJET

#### ⚠ ADVARSEL

Læs alle omhyggeligt alle advarsler, anvisninger og specifikationer, som følger med maskinen, og studer illustrationerne. Hvis nedenstående forskrifter ikke overholdes, kan der ske uheld og ulykker som brand, elektrisk stød og/eller alvorlige personskader.

**Gem alle advarsler og brugsanvisninger til senere brug.** Betegnelsen "eldrevet værktøj" i advarslerne henviser til jeres ledningsforbundne elværktøj eller batteridrevne (ledningsfrie) elværktøj.

### SIKKERHED I ARBEJDSOMRÅDET

- **Hold arbejdsområdet rent og godt oplyst.** Rodede eller mørke områder inviterer til ulykker.
- **Brug ikke elværktøjer i eksplosive omgivelser som fx i nærheden af brandbar væske, gas eller støv.** Elværktøjer udløser gnister, som kan antænde støvet eller dampene.
- **Der må ikke være børn og tilskuere i nærheden, når et elværktøj anvendes.** Distractioner kan medføre, at du mister kontrollen.

### ELEKTRISK SIKKERHED

- **Elværktøjets elstik skal passe til elnetkontakten.** Elstikket må aldrig modificeres på nogen som helst måde. Undlad brug af adapterstik til jordede (stelforbundne) elværktøjer. Umodificerede elstik og passende elnetkontakter reducerer faren for elektrisk stød.

- **Undgå kropskontakt med jordede eller stelforbundne overflader som fx rør, radiatorer, komfurer og køleskabe.** Der er forøget risiko for elektrisk stød, hvis din krop er forbundet med jord eller stel.
- **Undlad at udsætte elværktøjer for regn eller fugt.** Hvis der trænger vand ind i et elværktøj, øges faren for elektrisk stød.
- **Undlad at misbruge ledningen.** Ledningen må aldrig bruges til at bære eller trække i elværktøjet eller til at trække stikket ud. Hold ledningen på afstand af varme, olie og skarpe kanter eller bevægelige dele. Beskadigede eller sammenfiltrede ledninger øger faren for elektrisk stød.
- **Når et elværktøj anvendes i det fri, skal der bruges en forlængerledning, der er egnet til udendørs brug.** Brug af ledninger beregnet til udendørs brug reducerer faren for elektrisk stød.
- **Hvis man er nødt til at bruge elværktøjer i fugtige omgivelser, skal strømforsyningen have en fejlstrømsafbryder (RCD-afbryder).** Brug af fejlstrømssikring reducerer faren for elektrisk stød.

### PERSONLIG SIKKERHED

- **Vær årvågen, hold øje med, hvad du gør, og brug sund fornuft, når du benytter et værktøj.** Undlad at bruge værktøjet, hvis du er træt eller påvirket af narkotika, alkohol eller medikamenter. Et øjeblik uopmærksomhed under brug af motoriserede værktøjer kan medføre alvorlige personskader.
- **Bær personlige værnemidler. Brug altid øjenværn.** Personlige værnemidler som støvmaske, skridsikre sikkerhedssko, beskyttelseshjelm eller høreværn anvendt under de rette betingelser nedsætter antallet af personskader.
- **Undgå utilsigtet start. Sørg for, at afbryderen er slukket (i off-position), før du tilslutter produktet til strømkilden og/eller batteriet eller løfter eller går rundt med produktet.** Der kan ske en ulykke, hvis du går rundt med fingeren på afbryderen eller tilslutter strøm til elværktøj med afbryderen tændt.
- **Fjern evt. skruenøgler, inden der tændes for elværktøjet.** En efterladt skruenøgle fastgjort til en roterende del af elværktøjet kan medføre personskader.
- **Læn dig aldrig for langt frem. Sørg for altid at have godt fodfæste og god balance.** Dette giver bedre kontrol over elværktøjet i uventede situationer.
- **Vær ordentligt klædt på. Bær ikke løstsiddende tøj eller smykker.** Hold hår og beklædning på afstand af bevægelige dele. Løstsiddende tøj, smykker eller langt hår kan hænge fast i bevægelige dele.
- **Hvis der medfølger anordninger til tilslutning af støvudsugning og støvopsamling, skal det sikres, at de tilsluttes og bruges korrekt.** Brug af støvopsamling kan nedsætte farer forbundet med støv.
- **Lad ikke bortoligheden, der er opstået ud fra hyppig brug af et redskab, påvirke dig til at være**



tilbagelænet og ignorere sikkerhedsprincipper. En skødesløs handling kan forårsage alvorlig personskade inden for en brøkdæl af et sekund.

#### BRUG OG PLEJE AF ELVÆRKTØJ

- Undlad at tvinge værktøjet. Brug det korrekte produkt til anvendelsesformålet. Det korrekte produkt klarer opgaven bedre og sikrer i den hastighed, det er designet til.
- Elværktøjet må ikke tages i brug, hvis TÆND/SLUK-kontakten ikke virker. Et elværktøj, der ikke kan kontrolleres med TÆND/SLUK-kontakten, er farligt og skal repareres.
- Fjern stikket fra strømkilden, og/eller fjern batteripakken fra elværktøjet, hvis den er aftagelig, før du foretager justeringer, udskifter tilbehør eller lægger elværktøjet væk. Sådanne forebyggende sikkerhedsforanstaltninger reducerer risikoen for opstart af produktet ved et uheld.
- Når elværktøjer ikke bruges, skal de opbevares utilgængeligt for børn; personer, som ikke er fortrolige med elværktøjet eller denne brugsanvisning, må ikke anvende elværktøjet. Elværktøjer er farlige i hænderne på ukundige brugere.
- Vedligehold elværktøj og tilbehør. Kontrollér, om der er forkert indjusterede eller forbundne bevægelige dele, afbrækkede dele samt andre tilstande, som kan påvirke værktøjets funktionsmåde. Hvis der konstateres skader, skal værktøjet repareres inden brug. Mange ulykker skyldes dårligt vedligeholdte værktøjer.
- Hold skæreværktøjer skarpe og rene. Korrekt vedligeholdte skæreværktøjer med skarpe ægge er mindre tilbøjelige til at sætte sig fast og er nemmere at styre.
- Brug produktet, tilbehør og bits til værktøj mv. i overensstemmelse med disse anvisninger, idet der tages hensyn til arbejdsbetingelser og arbejdet, der skal udføres. Brug af elværktøjet i strid med det tiltænkte anvendelsesformål kan medføre farlige situationer.
- Hold håndtag og gribeblader tørre og fri for olie og fedt. Glatte håndtag og gribeblader muliggør ikke sikker håndtering og styring af værktøjet under ikke forventede situationer.

#### SERVICE

- Sørg for, at elværktøjet serviceres af en kvalificeret reparatør, som kun benytter sig af originale reservedele. Herved garanteres sikkerheden for elproduktet.

#### AFSKÆRING SAVSIKKERHEDSADVARSLER

- Sørg for, at hverken du selv eller evt. tilskuere befinder sig i det roterende hjuls skæreplan. Skærmen hjælper til at beskytte operatøren mod afknækkede hjulsegmenter og utilsigtet kontakt med hjulet.

- Brug kun bundne forstærkede afskæringshjul til dit elværktøj. Selv om en tilbehørsdel kan monteres på et værktøj, er der ingen garanti for, at det er forsvarligt at bruge værktøjet.
- Tilbehørets mærkehastighed skal være lig med eller højere end maksimalhastigheden anført på værktøjet. Hvis tilbehøret anvendes med en hastighed, der er højere end dets mærkehastighed, kan det knække og rive sig løs.
- Hjul må kun bruges til de anbefalede anvendelsesformål. Man må fx ikke slibe med siden af skærehjulet. Abrasive skærehjul er beregnet til periferislibning; hjulene kan begynde at ryste, hvis de udsættes for sidekræfter.
- Brug altid uskadede hjulflanger med korrekt diameter i forhold til det valgte hjul. Ordentlige hjulflanger understøtter hjulet og reducerer dermed faren for, at hjulet knækker.
- Tilbehørets udvendige diameter og tykkelse skal svare til det for værktøjet specificerede. Hvis tilbehøret ikke svarer til de anførte specifikationer, virker værktøjets sikkerheds- og indstillingssystemer måske ikke efter hensigten.
- Skivernes akselhuller og flanger skal passe perfekt til elværktøjets spindel. Skiver og flanger med akselhuller, som ikke passer til elværktøjets monteringsudstyr, vil rotere ubalanceret, vibrere kraftigt og kan bevirke, at operatøren mister kontrollen.
- Undlad at bruge beskadigede skiver. Inden brug skal man inspicere skiverne for hak og revner. Hvis man taber elværktøjet, skal man inspicere det for skader eller montere en intakt skive. Når man har inspiceret og monteret skiven, skal man anbringe sig selv og andre personer i god afstand til den roterende skives plan og køre elværktøjet med maksimal tomgangshastighed i ét minut. Beskadigede skiver vil normalt gå itu under denne testperiode.
- Bær personlige værnemidler. Brug beskyttelsesmaske, sikkerheds- eller beskyttelsesbriller afhængig af den pågældende opgave. Om nødvendigt bruges støvmaske, høreværn, handsker og beskyttelsesforklæde som sikring mod løsevne fremmedlegemer (slibeelementer, spåner m.v.). Med beskyttelsesbriller undgår man øjenskader på grund af udslyngede stumper. Støvmasken filtrerer partikler dannet under arbejdet. Hvis man udsættes for kraftig støj i længere tid, kan hørelsen tage skade.
- Sørg for at holde tilskuere i god afstand fra arbejdsstedet, og for at få dem til at bruge beskyttelsesudstyr. Alle kommer ind i arbejdsområdet skal bære personlige værnemidler. Emnefragmenter eller en knækket skive kan blive slynget bort og forårsage personskader, også uden for arbejdsområdet.
- Anbring ledningen således, at den ikke kommer i nærheden af det roterende tilbehør. Hvis man mister



kontrollen, risikerer man at overskære kablet eller få det viklet omkring hænder og arme og dermed blive trukket ind i den roterende skive.

- **Rens værktøjets ventilationsåbninger med jævn mellemrum.** Motorens ventilation bevirker, at der trænger støv ind i motorkassen, og at der derfor ophobes for mange metalpartikler, som kan forårsage elektrisk stød.
- **Anvend ikke værktøjet i nærheden af brændbare stoffer. Brug ikke elværktøjet, når det placeres på en brændbar overflade som træ.** De kan blive antændt af gnister.
- **Brug ikke tilbehør, som kræver kølemiddel.** Hvis der anvendes vand eller flydende kølemiddel, kan man få elektrisk stød, måske livsfarligt.

### TILBAGESLAG ('KICKBACK') OG TILHØRENDE ADVARSLER

Tilbageslag ('kickback') er en pludselig reaktion på en fastklemt eller fastsiddende roterende skive. Klemning eller fastkørsel forårsager hurtig standsning af det roterende hjul, hvilket igen medfører, at den ukontrollerede skæreenhed bliver tvunget opad mod operatøren.

Hvis fx. en slibeskive kommer i klemme eller vrider sig i emnet, kan skivens kant trænge ned i emnets overflade, hvorefter skiven pludselig springer ud af emnet, så værktøjet bliver slynget mod brugeren. Ved tilbageslag kan slibeskiven tilmed knække.

Tilbageslag skyldes altså, at værktøjet bruges forkert, og/eller at fremgangsmåden eller driftsforholdene er u hensigtsmæssige. Det kan undgås, hvis der tages nogle forholdsregler.

- **Grib godt fat om værktøjet, og hold kroppen og armen i en stilling, hvor et eventuelt tilbageslag kan kontrolleres.** Operatøren kan styre opadgående tilbageslagskræfter, hvis der træffes passende forholdsregler.
- **Undgå at anbringe kroppen på linje med ved det roterende hjul.** Hvis der sker tilbageslag, vil det presse skæreenheden opad mod operatøren.
- **Undgå at montere en savkæde, træskæreklinge, segmenteret diamantskive med en periferiafstand større end 10 mm eller tandet savklinge.** Den slags klinger øger risikoen for tilbageslag og for at miste kontrollen over værktøjet.
- **Undgå at "blokere" skiven eller anvende overdrevent pres. Forsøg ikke at udføre overdrevent dybe snit.** Overbelastning af hjulet øger belastningen og tilbøjeligheden til vrid eller blokering af hjulet samt tilbageslag ("kickback") eller hjulbrud.
- **Når hjulet binder eller ved afbrydelse af et snit af en eller anden grund skal du slukke for værktøjet og holde skæreaggregatet ubevægeligt, indtil hjulet standser fuldstændigt. Forsøg aldrig at tage skiven ud af snittet, mens denne roterer; der er fare for tilbageslag ('kickback').** Hvis skiven sætter sig fast, skal årsagen søges og de nødvendige forholdsregler tages for at undgå, at det sker igen.

- **Genstart ikke skæreoperationen i emnet. Vent, til hjulet har tophastighed, og sæt det da forsigtigt ind i snittet igen.** Hjulet kan binde, kravle op eller slå tilbage, hvis elværktøjet genstartes, mens hjulet sidder i emnet.
- **Understøt ethvert overdimensioneret emne for at minimere risikoen for knibning og tilbageslag.** Store emner har tendens til at synke ned under egenvægten. Understøtninger skal anbringes under emnet nær skærelinjen og nær emnekanten på begge sider af hjulet.

### EKSTRA SIKKERHEDSADVARSLER

- Sørg for, at produktet altid bruges på en stabil og plan overflade.
- Bær altid øjen- og høreværn under arbejdet med dette produkt.
- Brug personlige værnemidler såsom støvmaske, handsker og forklæde.
- Hvis der er fare for nedfaldende genstande, skal man bære hjelm.
- Sørg for, at de slibende skæreskiver er korrekt monteret og fastspændt inden brug, køр produktet uden belastning i 30 sekunder i en sikker position, og stop øjeblikkeligt og udskiift skæreskiven, hvis der opstår betydelige vibrationer.
- Inden der foretages et snit, skal man sikre sig, at alle indstillinger er spændt fast.
- Inden der foretages indstillinger, skal man sikre sig, at værktøjets stik er trukket ud af lysnetkontakten. Trækker man ikke skæremaskinens stik ud af lysnetkontakten, risikerer man utilsigtet motorstart og evt. alvorlig personskade.
- For at forhindre utilsigtet maskinstart, som evt. kan medføre alvorlige personskader, skal alle skæremaskinens dele samles, inden den sluttes til lysnettet.
- Maskinen må aldrig sluttes til strømforsyningen, mens man er i færd med at samle dele, foretage justeringer, montere eller udtage skiver, eller når den ikke er i brug.
- Inspicér slibeskiven visuelt inden hver ibrugtagning. Kontrollér skiven for sprækker og revner. Undlad at bruge beskadigede slibeskiver.
- Undlad brug af savklinger.
- Der må aldrig bruges en skive, der er for tyk til, at yderflangen kan gå i indgreb med den flade del af spindlen. Større skiver vil røre ved skiveskærmene, mens tykkere skiver vil forhindre boltene i at låse skiven ordentligt fast til spindlen. Enhver af disse situationer kan medføre alvorlige uheld og kan forårsage alvorlige personskader.
- Undlad at fjerne maskinens skiveafskærmninger. Maskinen må aldrig benyttes med afmonterede skærme eller dæksler. Inden ibrugtagning skal man altid kontrollere, at alle skærme virker korrekt.
- Undlad at starte skæreslibemaskinen uden at



kontrollere kollisionsrisikoen mellem skiven og maskinens underdel. Der kan opstå skader på skiven, hvis den rammer mod maskinens underdel under arbejdet.

- Udlad at skære i træ eller murværk med denne afskæringsmaskine. Der må aldrig skæres i magnesium eller magnesiumlegeringer med denne maskine.
- Udlad at spænde skiven for hårdt, da man herved risikerer, at den revner.
- Inden man påbegynder skæringen, skal man altid trække slibeskiven ud fra emnet. En hård kraftpåvirkning kan knække skiven.
- Der må aldrig skæres mere end ét emne ad gangen. Undlad at anbringe mere end ét emne ad gangen på maskinens underdel.
- For at minimere risikoen for at maskinen tipper, skal lange emner altid understøttes.
- Ved skæring i stål udvikles der gnister. Undlad at bruge værktøjet i letantændelige eller brændbare materialer.
- Lad aldrig værktøjet køre uden opsyn. Efterlad ikke værktøjet, før det er stoppet fuldstændigt. Hjulet vil fortsætte med at rotere, efter at der slukkes for produktet.
- Slip altid strømfryderen, og vent til skiven ikke længere roterer, inden den løftes ud af emnet.
- Hold hænderne på afstand af skæreområdet. Hold hænderne på afstand af skiven. Ræk ikke hånden ind under emnet eller rundt om eller under skiven, så længe denne roterer. Undlad at fjerne afskåret materiale, mens skiven er i bevægelse.
- Man må aldrig stå i eller have en kropsdelt på linje med skivens bane.
- Stå aldrig på værktøjet. Der kan opstå alvorlige personskader, hvis værktøjet tipper, eller hvis skiven bevæger sig.
- Udfør aldrig frihåndsarbejde med saven. Kontrollér altid, at emnet er fastspændt i skruestikken. Se tabellen med specifikationer mht. sikker minimal størrelse for emnet. Sørg altid for at holde mindst 80 mm i skruestikstens kæber af hensyn til sikkerheden under slibearbejdet.
- Hold aldrig emnet i hånden. Emnet bliver meget varmt under skæringen.
- En strømspids forårsager spændingssvingninger og kan påvirke andre elektriske produkter tilsluttet samme strømforsyningslinje. Produktet skal slutes til en strømforsyning med en impedans svarende til 0.233 Ω for at minimere spændingssvingninger. Kontakt dit elselskab for nærmere oplysninger.
- Vi anbefaler brug af fejlstrømsikring (HFI-relæ) med en fejlstrømsnormering på 30 mA eller mindre.

**Vi anbefaler, at man bruger metalskæreskive COSB355A1 som udskiftning, når der er behov for en ny skive**

## SIKKERHEDSADVARSLER VEDR. MONTERING AF SLIBESKIVE

- For at begrænse faren for personskader skal brugeren læse og iagttage instruktioner, advarsler og brugsanvisning inden ibrugtagning af slibeskiven. Manglende iagttagelse af disse advarsler kan medføre brud på skiven og alvorlig personskade. Gem denne brugsanvisning.
- Brug af skivetyper, som ikke er anbefalet i denne produktvejledning, kan medføre fare for personskader. Der må kun benyttes slibeskiver, som er mærket med en hastighed lig med eller højere end den hastighed, der er angivet på produktet.
- Der må aldrig bruges en slibeskive, der er for tyk til, at yderflangen kan gå i indgreb med den flade del af spindlen. Større skiver vil røre ved skiveskærmene, mens tykkere skiver vil forhindre bolten i at låse skiven ordentligt fast til spindlen. Enhver af disse situationer kan medføre alvorlige uheld og kan forårsage alvorlige personskader.
- Slibeskiven må kun benyttes til skæring i jernmetal. Udlad at skære i træ eller murværk med slibeskiven. Der må aldrig skæres i magnesium eller magnesiumlegeringer med slibeskiven.
- Slibeskiven er kun egnet til tørskæring. Slibeskiven bør afbenyttes inden udløbet af datoen (se mærke på mærkat, fx 11/2021).
- Undlad at bruge beskadigede slibeskiver. Undlad at benytte skiver, som er revnede, krakelerede eller ødelagte.
- Kontrollér, at slibeskæreskiven er korrekt monteret og fastspændt inden hver ibrugtagning.
- Slibeskivens omløbsretning er angivet på værktøjet. Under montering og skift af slibeskive skal man kontrollere, at retningsmærket på skiven stemmer overens med den retning, der er angivet på værktøjet.
- Undlad at spænde slibeskiven for hårdt, da man herved risikerer, at den revner.
- Produktet må aldrig være sluttet til en strømforsyning, mens man monterer eller fjerner slibeskiver.
- Sørg for at opbevare slibeskiver omhyggeligt; de kan nemt blive beskadiget.

### Information på slibeskivens mærkat

Informationen på skivens mærkat er vigtig. Læs og kontrollér mærkaten grundigt, og sørg for at vælge den korrekte skivetype.

1. Producent, leverandør, importør eller varemærke
2. Nominelle mål på slibeskive, især diameteren af hullet i midten.
3. Slibetype, Kornstørrelse, kvalitet eller hårdhed, bindingstype og brug af forstærkning, fx
  - 41A24RBF80
  - 41 --- slibende, flad skæreskive
  - A --- slibemateriale: brun korund
  - 24 --- kornstørrelse



- R --- kvalitet eller hårdhed
  - BF --- bindingstype
  - 80 --- max driftshastighed m/s
4. Max driftshastighed i meter pr. sekund
  5. Max tilladt rotationshastighed i 1/min
  6. Mht. overensstemmelseserklæringen skal slibende produkter være mærket med EN 12413
  7. Begrænsning af brug samt sikkerhedsadvarselssymboler.
  8. Spøringskode, fx produktions-/batchnummer, udløbsdato eller serienummer

### UUNDGÅELIGE RISICI

Selv om maskinen anvendes som foreskrevet, er det stadig umuligt at eliminere visse uundgåelige risikofaktorer fuldstændigt. Følgende risici kan opstå under brug, og operatøren bør være særligt opmærksom for at undgå følgende:

- Stabilitet. Sørg for, at værktøjet er stabilt. Fastgør det om nødvendigt.
- Indånding af støv. Bær om nødvendigt ansigtsmaske.
- Gløder og varme metalpartikler. Gløder og varme metalpartikler kan forårsage brand eller brandsår. Benyt værnemidler under brug.
- Øjenskader hidrørende fra metalpartikler. Benyt øjenværn under arbejdet.
- Hørskeade. Begræns eksponering, og benyt passende høreværn.

### KEND PRODUKTET

Se side 172.

1. Håndtag, isoleret gribeblade
2. Aktiveringskontakt
3. Tophåndtag
4. Aksellåseknop
5. Justeringsskrue til skæredybde
6. Låsemøtrik for skæredybde
7. Geringsanslag
8. Servicenøgle
9. Øverste klingeskærm
10. Nederste klingeskærm
11. Skærehjul
12. Klemme til arbejdsemne
13. Låsehåndtag til arbejdsklemme
14. Justeringssving til arbejdsklemme
15. Gummifod
16. Savhovedlåsekæde
17. Monteringshul
18. Kulbørstehætte
19. Kulbørste
20. Spåneafbørjer
21. Låsehåndtag til geringsstyr

### BRUGSTIPS

#### LÅSEHÅNDTAG TIL GERINGSSTYR

Når geringsstyret er placeret tættest ved savhovedets drejetal, kan geringsstyrets låsegreb komme i vejen for hovedtappen ved drejning. Gentag låseprocessen ved at løfte og tilbagetrække håndtaget, til geringsstyret er låst forsvarligt.

### VEDLIGEHOLDELSE

- Undlad at ændre produktet på nogen måde eller bruge tilbehør, som ikke er godkendt af producenten. Det kan gå ud over din og andres sikkerhed.
- Undlad at bruge produktet, hvis kontakter, skærme eller andre funktioner ikke fungerer efter hensigten. Indlevér på autoriseret servicecenter til professionel reparation eller justering.
- Der må aldrig foretages justeringer med motoren gående.
- Sørg altid for, at maskinens stik er trukket ud af lysnetkontakten, inden der skiftes børster, foretages smøring eller andet arbejde, herunder vedligeholdelse, på maskinen.
- Efter hver brug skal maskinen kontrolleres for skader eller knækkede dele og holdes i perfekt arbejdstilstand ved straks at reparere eller udskifte evt. defekte dele.
- Sørg for at holde ventilationsåbningerne åbne, især når der arbejdes i støvede omgivelser. Hvis det bliver nødvendigt at fjerne støv, skal man først koble produktet fra lysnettet. Rengør åbningerne med en blød børste.
- Fjern ophobet støv.
- Af hensyn til sikkerhed og pålidelighed skal alt reparationsarbejde (med undtagelse af udefra tilgængelige børster) udføres på et autoriseret servicecenter.
- Hvis den strømførende ledning er beskadiget, skal den skiftes på et autoriseret serviceværksted for at forebygge ulykker og uheld.

### ⚠ ADVARSEL

For bedre sikkerhed og pålidelighed skal alt reparationsarbejde udføres på et autoriseret servicecenter.

### MILJØBESKYTTELSE



Råmaterialerne skal genbruges og ikke bortkaffes som almindeligt affald. Af hensyn til miljøet skal redskab, tilbehør og emballage sorteres.



## SYMBOL



Sikkerheds Varsel



CE Overensstemmelse



EurAsian overensstemmelsesmærke.



Ukrainsk overensstemmelsesmærke



Læs venligst vejledningen omhyggeligt inden start af produktet.



Klasse II-udstyr, dobbelt-isolering



Benyt høreværn



Brug altid øjenværn.



Ikke til vådslibning eller -skæring



Undgå at bruge krakelerede, revnede eller defekte slibeskiver



Bær sikkerhedshandsker



Bær støvmaske.



Må ikke udsættes for regn eller bruges i fugtige omgivelser.



Omdrejningsretning for skæreskive (vist på skærm)



Elektriske affaldsprodukter bør ikke afskaffes sammen med husholdningsaffald. Genbrug venligst hvor faciliteterne tillader dette. Tjek med din lokale kommune eller forhandler for genbrugsråd.

## SYMBOLER I BRUGSANVISNINGEN



Lås



Oplås



Ventetid til klingen har nået tophastighed



Dele eller tilbehør, der sælges separat



Bemærk:



ADVARSEL

De følgende ikoner og betydninger er beregnet til at forklare risikoen involveret i at anvende denne enhed.

**⚠ FARE**

Indikerer en umiddelbart farlig situation, som - hvis den ikke afværges - vil medføre dødsfald eller alvorlig personskade.

**⚠ ADVARSEL**

Indikerer en potentielt farlig situation, som - hvis den ikke afværges - kan medføre dødsfald eller alvorlig personskade.

**⚠ VÆR OPMÆRKSOM**

Indikerer en potentielt farlig situation, som - hvis den ikke afværges - kan medføre mindre eller middelsvære personskade.

**VÆR OPMÆRKSOM**

(Uden sikkerhedssymbol) indikerer en situation som kan føre til skade af personlig ejendom.





Säkerhet, prestanda och pålitlighet har fått högsta prioritet vid utformningen av din skärmaskin.

### ANVÄNDINGSOMRÅDE

Skärmaskinen är avsedd att användas för att skära metallmaterial. Använd endast för metallmaterial.

Produkten är avsedd för vuxna användare som har läst instruktionsboken och inser riskerna och farorna.

Produkten ska vid basen fixeras på en solid bänkskiva. Om basen inte är ordentligt säkrad kan hela maskinen röra sig under sågning vilket ökar risken för allvarlig personskada.

Produkten är utformad för utföra fasade och gerade snitt. Kapaciteterna för de olika snitten återges i produktspecifikationerna i den här manualen.

Produkten får bara användas i torra miljöer, med utmärkt omgivningsbelysning och adekvat ventilation.

Produkten är avsedd för privat bruk och får enbart användas så som beskrivs ovan och inte för något annat ändamål.

### ALLMÄNNA SÄKERHETSFORESKRIFTER FÖR MASKINVERKTYG

#### ⚠ VARNING

Läs uppmärksamt alla varningar, instruktioner och specifikationer som bifogas med detta verktyg och studera bilderna. Underlåtenhet att respektera dessa föreskrifter kan leda till olyckor som brand, elektriska stötar och/eller allvarliga kroppsskador.

Behåll dessa varningar och anvisningar för framtida referens. Termen "elektriskt verktyg" i varningarna avser ditt nätdrivna elverktyg (med sladd) eller ditt batteridrivna elverktyg (sladdlöst).

### ARBETSOMRÅDESSKYDD

- **Håll arbetsområdet rent och använd god belysning.** Skräpiga och mörka utrymmen inbjuder till olyckor.
- **Använd inte motordrivna verktyg i explosiva miljöer, till exempel i närheten av brännbara vätskor, brännbara gaser eller damm.** Motordrivna verktyg skapar blixtrar som kan antända damm och ångor.
- **Håll barn och åskådare på avstånd när du använder verktyget.** Distractioner kan få dig att tappa kontrollen.

### ELSÄKERHET

- **El-verktygskontakter måste passa i vägguttaget. Gör aldrig ändringar i kontakten på något sätt. Använd inte delningakontakter tillsammans med jordade el-verktyg.** Oförändrade kontakter och passande vägguttag reducerar risken för elektrisk chock.
- **Undvik kroppskontakt med jordade ytor så som rör, element, spisar och kylskåp.** Risken för elektrisk chock ökar om din kropp är jordad.

- **Utsätt inte motordrivna verktyg för regn eller blöta omgivningar.** Vatten som tränger in i ett motordrivet verktyg ökar risken för elektrisk stöt.
- **Skada inte sladden. Använd aldrig sladden till att bära med, dra ur eller koppla ur el-verktyget med. Håll strömsladden borta från värme, olja, vassa kanter och rörliga delar.** Trassliga eller skadade sladdar ökar risken för elektrisk chock.
- **När du använder ett el-verktyg utomhus måste en förlängningsladd för utomhusbruk användas.** Användning av kabel avsedd för utomhusbruk reducerar risken för elektrisk chock.
- **Om du inte kan undvika att använda el-verktyget i fuktiga utrymmen, använd en jordfelsbrytare som skydd.** En jordfelsbrytare reducerar risken för elektrisk chock.

### PERSONSÄKERHET

- **Se upp med vad du gör och använd sunt förnuft när du använder verktyget. Använd inte verktyg när du är trött eller påverkad av droger, alkohol eller mediciner.** Ett ögonblicks uppmärksamhet vid användning av motordrivna verktyg kan resultera i allvarlig personskada.
- **Använd personlig skyddsutrustning. Bär alltid ögonskydd.** Skyddsutrustning som en damm mask, halkfria skyddsskor, en hård hjälm, eller hörselskydd som används under lämpliga förhållanden minskar personskadorna.
- **Undvik oavsiktlig start. Försäkra dig om att brytaren står i fränslaget läge innan du ansluter limpistolen till en strömkälla och/eller ett batteri, samt innan du plockar upp eller bär produkten.** Att bära elverktyg med fingret på brytaren eller att låta energigivande elverktyg vara igång med brytaren påslagen är att bjuda in till olycksfall.
- **Avlägsna inställningsverktyg eller nyckel innan du sätter på el-verktyget.** En nyckel eller annat verktyg som sitter kvar på en roterande del i el-verktyget kan orsaka kroppsskada.
- **Sträck dig inte. Ha alltid ett bra fotfäste och en god balans.** Detta ger bättre kontroll av el-verktyget i oväntade situationer.
- **Klä dig korrekt. Bär inte löst åtsittande kläder eller smycken. Håll ditt hår och dina kläder borta från rörliga delar.** Löst åtsittande kläder, smycken och långt hår kan fastna i rörliga delar.
- **Om enheter tillhandahålls för anslutningen av dammutsug och uppsamlingsanläggningar, säkerställ att dessa är anslutna och används korrekt.** Användningen av dammuppsamling kan minska dammrelaterade faror.
- **Låt inte den erfarenhet som följer med vana vid verktygsanvändning göra dig oförsiktig och ignorera säkerhetsprinciper för verktygsanvändningen.** En slarvig handling kan orsaka allvarig skada inom en bråkdel sekund.



## ANVÄNDNING OCH UNDERHÅLL AV MOTORVERKTYG

- **Använd inte kraft mot verktyget. Använd rätt produkt för applikationen.** Rätt produkt gör arbetet enklare och säkrare i den takt som den är avsedd för.
- **Använd inte el-verktyget om det inte startar när du slår på eller av switchen.** Ett el-verktyg som inte kan kontrolleras med switchen är farligt och måste repareras.
- **Ta ut kontakten ur eluttaget och/eller ta bort batteripaketet, ifall avtagbart, från elverktyget innan du gör några justeringar, byter tillbehör eller förvarar elverktyg.** Sådana förebyggande säkerhetsåtgärder minskar risken för att starta produkten oavsiktligt.
- **Förvara oanvända el-verktyg utom räckhåll för barn och låt inte oerfarna människor använda el-verktyget.** El-verktyg är farliga i händerna på oerfarna användare.
- **Underhåll elverktyg och tillbehör.** Kontrollera att det inte föreligger någon obalans eller oförmåga för rörliga delar att röra sig, att inga delar är trasiga och att ingenting annat som påverkar användningen av det motordrivna verktyget föreligger. Om maskinen är skadad måste den repareras innan den kan användas. Många olyckor uppstår på grund av dåligt underhållna verktyg.
- **Håll skärverktyg vassa och rena.** Korrekt underhålla skärverktyg med vassa kanter är mindre benägna att fastna och lättare att kontrollera.
- **Använd produkten, tillbehör och insatsverktyg mm. i enlighet med dessa anvisningar, och anpassat till arbetsförhållandena och det arbete som ska utföras.** Användning av el-verktyget för andra områden än de avsedda kan resultera i en riskfylld situation.
- **Håll handtag och greppytor torra, rena och fria från olja och smörjfett.** Hala handtag och greppytor tillåter inte säker hantering och kontroll av verktyget i oväntade situationer.

## SERVICE

- **Se till att ditt el-verktyg får service av en kvalificerad tekniker som bara använder identiska reservdelar.** Detta garanterar en säker användning av det motordrivna verktyget.

## SÄKERHETSVARNINGAR FÖR SKÄRSÅG

- **Positionera dig själv och se till att andra personer placerar sig så att ni inte står i den roterande skivans plan.** Skyddet hindrar oavsiktligt kontakt med skivan och skyddar användaren från splitter från en trasig skiva.
- **Använd endast massiva förstärkta avskärningshjul för ditt elverktyg.** Även om ett tillbehör kan monteras på ett verktyg är detta ingen garanti för att du kan använda verktyget helt tryggt.
- **Tillbehörets nominella hastighet ska vara lika med eller högre än den maximala hastighet som anges på verktyget.** Tillbehör som fungerar i en hastighet

som är högre än deras nominella hastighet kan brytas av och slungas ut.

- **Skivorna får endast användas till de aktiviteter som de är avsedda för. Exempel: använd inte sidorna på en kapskiva för att slipa.** Abrasiva kapskivor är avsedda för slipning med skivans periferi; om skivorna utsätts för sidokrafter kan de spricka.
- **Använd alltid oskadade hjulflansar som är av korrekt diameter för den skiva som ska användas.** Korrekta skivflansar stärker skivan och minskar risken att den går sönder.
- **Tillbehörets ytterdiameter och tjocklek bör motsvara de karakteristika som getts för verktyget.** Om tillbehören inte motsvarar givna karakteristika, kan det hända att verktygets skyddssystem och inställning inte fungerar normalt.
- **Storlek på klinga och flansar måste passa perfekt på elverktygets spindel.** Klinga och flansar med hål som inte stämmer med monteringsverktyget för elverktyget kommer att bli obalanserade, vibrera alltför mycket och kan göra att användaren tappar kontrollen.
- **Använd inte skadade klingor. Kontrollera klingan för eventuella hack eller sprickor inför varje användning. Om elverktyget eller klingan tappas, kontrollera för skador eller installera en ny klinga.** Efter kontroll och installation av klingan ska du placera dig och eventuella åskådare utanför den roterande klingans plan och köra verktyget på max hastighet utan belastning under en minut. Skadade klingor går oftast sönder under denna testperiod.
- **Använd personlig skyddsutrustning. Beroende på vad du använder verktyget till bör du använda en skyddsmask, säkerhetsglasögon eller skyddsglasögon.** Använd även vid behov en skyddsmask mot damm, hörselskydd, handskar och skyddsförkläde för att skydda dig mot utslungade främmande föremål (slipdelar, träspån, osv.). Skyddsglasögon hindrar att utslungat avfall skadar ögonen. Skyddsmasken mot damm filtrerar partiklar som alstras av det arbete du utför. Långvarig exponering för kraftigt ljud kan leda till hörselörlust.
- **Håll besökare på ett lämpligt avstånd från arbetsområdet och se till att de använder en skyddsutrustning. Den som kommer in i arbetsområdet måste bära personlig skyddsutrustning.** Delar av arbetsstycke eller trasig klinga kan fara iväg och orsaka skada även utanför det näraliggande arbetsområdet.
- **Placera nätsladden så att den är på avstånd från det roterande tillbehöret.** Om du förlorar kontrollen kan kabeln klämmas och din hand eller arm kan dras in mot klingan.
- **Rengör regelbundet verktygets ventilationsöppningar.** Motorventilationen gör att damm tränger in i motorhuset, vilket kan förorsaka en extrem anhopning av metallpartiklar och framkalla elektriska stötar.
- **Använd inte verktyget i närheten av lättantändliga**



produkter. Använd inte elverktyget när det är placerat på en brännbar yta såsom trä. Gnistor kan antända dem.

- Använd inte tillbehör som kräver kylvätskor. Användning av vatten eller kylvätskor kan förorsaka elektriska stötar.

#### ÅTERKAST OCH RELATERADE VARNINGAR

Kickback är en plötslig reaktion på en klämd eller satt roterande klinga. Klämning eller hakning gör att det roterande hjulet snabbt stannar vilket i sin tur medför att den okontrollerade skärenheten pressas uppåt mot operatören.

Om till exempel en slipskiva kläms ihop eller vrids inne i arbetsstycket, kan eggen på skivan tryckas in i arbetsstyckets yta, vilket gör att skivan snabbt går ut ur arbetsstycket och slungas mot användaren. I händelse av återslag kan slipskivan även brytas av.

Det kan undvikas genom att vidta några försiktighetsåtgärder.

- Håll stadigt i verktyget och placera kroppen och armen så att du kan kontrollera ett eventuellt återslag. Operatören kan kontrollera uppåtriktade återstudskrafter, om lämpliga försiktighetsåtgärder vidtas.
- Ha aldrig kroppen i linje med den roterande klingan. Om återstud sker kommer det att driva skärenheten uppåt mot operatören.
- Använd inte sågklinga, träblad, segmenterade diamantringor med yttre mellanrum större än 10 mm och inte heller tandade sågblad. Dylka skivor eller klingor ökar risken för återslag och för att man förlorar kontrollen över verktyget.
- Kör inte fast klingan eller "belasta" den för hårt. Försök inte att göra ett djupt skär. Överbelastning av skivan ökar påfrestningarna, och risken att skivan böjs eller fastnar i skåret ökar samtidigt som det finns risk för återkast och att skivan går sönder.
- När hjulet fastnar eller när en skärning avbryts oavsett anledning, stäng av elverktyget och håll skärenheten orörlig tills hjulet har stannat helt. Försök aldrig ta bort klingan från skåret medan klingan är i rörelse såvida inte en kickback sker. Om skivan kllas fast, ta reda på orsaken och vidta nödvändiga åtgärder för att detta inte upprepas.
- Starta inte maskinen igen medan skivan sitter i arbetsstycket. Låt skivan komma upp i maximal hastighet och för sedan försiktigt in skivan i kappparet igen. Skivan kan nypas fast, klättra uppåt eller slungas bakåt med en våldsam kraft om elverktyget startas om medan skivan sitter i arbetsstycket.
- Stöd alla överdimensionerade arbetsstycken för att minimera risken för att hjul kläms samt återstuds. Stora arbetsstycken tenderar att bägna av sin egen vikt. Placera stöd, till exempel bockar, på båda sidor av arbetsstycket; placera dem nära sågspåret och nära arbetsstyckets kanter.

#### YTTERLIGARE SÄKERHETSFORESKRIFTER

- Säkerställ att produkten alltid används på en stabil och jämn yta.
- Använd alltid ögon- och hörselskydd när du använder den här maskinen.
- Använd personlig skyddsutrustning som ansiktsmask, handskar och förkläde.
- Om det finns risk för fallande föremål ska skyddshjälm bäras.
- Se till att den skärande slipskivan sitter ordentligt och är väl ådragen före användning, kör produkten utan belastning under 30 sekunder i säkert läge. Avbryt omedelbart och byt ut slipskivan om den vibrerar kraftigt.
- Kontrollera att alla justeringar är ordentligt ådragna innan du börjar såga.
- Kontrollera att verktyget är urkopplat från elnätet innan du utför några justeringar. Om du inte kopplar bort maskinen från elnätet kan oavsiktliga starter uppstå och dessa kan orsaka allvarliga personskador.
- För att minska risken att maskinen startar oavsiktligt och ger allvarliga skador som följd ska alla delar på maskinen monteras innan den ansluts till elnätet.
- Maskinen ska aldrig vara ansluten till elnätet när du monterar delar, utför justeringar, monterar eller tar bort klingor eller när den inte används.
- Se alltid över slipskivan före användning. Kontrollera skivan så det inte finns ojämnheter eller sprickor. Använd inte skadade klingor.
- Använd inte sågblad.
- Använd aldrig en klinga som är så tjock att den yttre flänsen inte kan fästas mot spindeln. Större klingor kommer i kontakt med skyddsanordningen och tjockare klingor hindrar fästbulten att fästa klingan på spindeln. Dessa situationer kan resultera i en allvarlig olycka och orsaka allvarliga personskador.
- Ta inte bort maskinens skyddsanordningar. Använd aldrig maskinen med någon skyddsanordning borttagen. Kontrollera att alla skydd finns på plats före varje användning.
- Starta inte din kapmaskin innan du har kontrollerat att klingan inte tar i maskinens platta. Skada på klingan kan uppstå om den kommer i kontakt med maskinen under användning.
- Försök inte att kapa trä- eller stenmaterial med denna kapmaskin. Kapa aldrig magnesium eller magnesiumlegeringar med den här maskinen.
- Dra inte åt klingan för hårt eftersom det kan uppstå sprickor.
- Låt alltid klingan komma i kontakt med arbetsstycket på ett mjukt sätt när du börjar kapa. En hård träff kan skada klingan.
- Kapa aldrig mer än ett arbetsstycke åt gången. Ställ inte mer än ett arbetsstycke åt gången på maskinen.



- För att minska risken att maskinen tippar ska långa arbetsstycken alltid stödjas.
- Klingan ger upphov till gnistor. Använd inte i närheten av något brännbart material.
- Lämna aldrig ett verktyg som är igång. Lämna inte verktyget innan det stannar helt. Hjulet fortsätter att rotera när produkten har stängts av.
- Släpp alltid upp strömbrytaren och låt klingan stanna helt innan du tar ut den ur arbetsstycket.
- Håll händerna borta från skärområdet. Håll händerna borta från klingan. Sträck dig inte under arbetsstycket eller runt och under klingan när den roterar. Försök inte att ta bort sågmaterial när klingan roterar.
- Stå aldrig i linje med klingan när du använder maskinen.
- Stå aldrig på verktyget. Allvarlig skada kan uppstå om maskinen tippar eller om oavsiktlig kontakt med klingan uppstår.
- Utför aldrig något jobb på fri hand. Fäst alltid arbetsstycket som ska kapas i ett skruvstöd. Läs i tabellen med specifikationer gällande minsta storlek på arbetsstycke. Se till att greppa minst 80 mm in i klämman säker slipning.
- Håll aldrig i arbetsstycket. Arbetsstycket kommer att bli väldigt varmt när det kapas.
- Spänningstopp ger spänningsvariationer och kan påverka andra elektriska produkter anslutna till samma källa. Anslut produkten till en strömkälla med impedans motsvarande 0.233  $\Omega$  för att minimera svängningar. Kontakta din leverantör för ytterligare klagoranden.
- Vi rekommenderar en jordfelsbrytare med märkström 30 mA eller mindre.

Vi rekommenderar användning av metallskärande skiva, COSB355A1, som ersättning när det är dags att byta ut skivan.

#### SÄKERHETSFORESKRIFTER FÖR ATT FÅSTA SLIPSKIVA

- För att minska skaderisken ska användaren läsa och följa instruktioner, varningar och manualen före användning av slipskivan. Om inte denna varning hörsammas kan det leda till att skivan går sönder och allvarlig personskada. Spara dessa anvisningar.
- Användning av andra skivor än rekommenderade i manualen kan innebära risk för personskada. Använd enbart slipskivor med samma hastighetsmärkning som är lika eller bättre än produkten.
- Använd aldrig en slipskiva som är så tjock att ytterflänsen inte kan fästa på spindeln. Större klingor kommer i kontakt med skyddsanordningen och tjockare klingor hindrar fästbulten att fästa klingan på spindeln. Dessa situationer kan resultera i en allvarlig olycka och orsaka allvarliga personskador.
- Slipskivan är enbart för att skära i metall. Skär inte trä eller betong med slipskivan. Skär aldrig magnesium

eller magnesiumlegeringar med slipskivan.

- Slipskivan är enbart avsedd för torrkapning. Slipskivan ska användas före utgångsdatum(märkt på etiketten, exempelvis 11/2021).
- Använd aldrig skadade slipskivor. Använd inte skivor som har flisats, spruckit eller är defekta.
- Se till att den skärande slipskivan sitter ordentligt och är väl ådragen före användning.
- Rotationsriktning för slipskivan finns angiven på verktyget. Se till att riktningmärket på skivan stämmer med riktningen som anges på verktyget vid installation och byte av slipskiva.
- Dra inte åt slipskivan för hårt eftersom det kan göra att skivan spricker.
- Produkten får aldrig vara ansluten till strömkälla vid installation eller byte av slipskiva.
- Var noga med hur du förvarar reservslipskivor. De kan lätt skadas.

#### Information finns på slipskivans etikett.

Informationen på skivans etikett är viktig. Läs och kontrollera etiketten noga så att du är säker på att du har rätt typ av skiva.

1. Tillverkare, leverantör, importör eller varumärke
2. Nominella mått på slipskivan, speciellt diameter på hål.
3. Typ av ytbeläggning, storlek på korn, grad och hårdhet, typ av bindmedel och användning av förstärkning som
  - 41A24RBF80
  - 41 --- slipmedelstyp, platt kapskiva
  - A --- slipmedel: brun korund
  - 24 --- kornstorlek
  - R --- grad eller hårdhet
  - BF --- typ av bindmedel
  - 80 --- max hastighet m/s
4. Max rotationshastighet i meter per sekund
5. Max tillåten rotationshastighet per minut
6. Deklaration av överensstämmelse ska vara märkt EN 12413
7. Begränsningar för användning och säkerhetssymboler.
8. Spårbarhetskod, exempelvis produktions-/batchnummer, utgångsdatum eller serienummer

#### RESIDUALRISK

Även om maskinen används enligt föreskrift så är det omöjligt att helt eliminera vissa residualriskfaktorer. Följande risker kan uppstå vid användning och operatören ska vara extra uppmärksam för att undvika följande:

- Stabilitet. Se till att verktyget är stabilt. Stabilisera det vid behov.
- Inandning av damm. Använd ansiktsmask vid behov.
- Gnistor och heta metallpartiklar. Gnistor och heta metallpartiklar kan orsaka brand och brännskador. Bär skyddsutrustning vid användning.
- Ögonskador på grund av metallpartiklar. Används skyddsglasögon under arbetet.



- Hörselskador. Begränsa exponering och använd lämpliga hörselskydd.

### LÄR KÄNNA DIN PRODUKT

Se sidan 172.

1. Handtag, isolerad greppyta
2. Triggeromkopplare
3. Övre handtag
4. Låsknapp för axeln
5. Justeringskruv för skärdjup
6. Låsmutter för skärdjup
7. Geringsguide
8. Servicenyckel
9. Övre skyddskåpa
10. Nedre skyddskåpa
11. Skärklinga
12. Arbetsklämma
13. Låsspak för arbetsklämma
14. Justeringsvev för arbetsklämma
15. Gummifot
16. Låskedja till såghuvud
17. Monteringshål
18. Lock för kolborste
19. Kolborste
20. Chipdeflektor
21. Gerlåsarm

### TIPS FÖR ANVÄNDNING

#### GERLÅSARM

När gerlåsarmen placeras närmast såghuvudets pivot, kan gerlåsarmens låsspak störa huvudpivoten vid vridning. Upprepa låsförfarandet genom att lyfta och vrida tillbaka spaken tills gerlåsarmen är helt låst.

### UNDERHÅLL

- Modifiera inte produkten på något sätt och använd inga tillbehör som inte godkänts av tillverkaren. Din och andras säkerhet kan vara i fara.
- Använd inte produkten om brytare, skydd eller andra funktioner inte fungerar som avsett. Lämna den till auktoriserat servicecenter för reparation eller justering.
- Utför ingen inställning medan motorn är i gång.
- Kontrollera alltid att maskinens kontakt har tagits ur eluttaget innan du byter ut borstar, smörjer eller utför underhåll på maskinen.
- Kontrollera din maskin efter varje användning så att det inte finns några skadade eller trasiga delar och håll maskinen i toppskick genom att reparera eller byta ut delar omedelbart.
- Se till att ventilationsöppningarna är fria, speciellt vid arbete i dammiga förhållanden. Om det blir nödvändigt att rensa bort damm ska produkten kopplas från elförsörjning. Rensa öppningarna med en mjuk borste.
- Ta bort uppsamlat damm.

- För att säkerställa säkerhet och pålitlighet ska alla reparationer, förutom på de borstar som kan komma åt utifrån, utföras av ett auktoriserat servicecenter.
- Om nåtsladden är skadad skall du låta den bytas ut på en godkänd serviceverkstad, för att undvika risker för olyckor.

### ⚠ VARNING

För säkerhet och pålitlighet ska alla reparationer utföras av auktoriserat reparationscenter.

### MILJÖSKYDD



Råmaterialen ska återvinnas i stället för att kastas i hushållsavfallet. För att skona miljön ska verktyget, tillbehören och emballagen sorteras.

### SYMBOL



Säkerhetsvarning



CE-konformitet



EurAsian överensstämmelsesymbol.



Ukrainskt märke för överensstämmelse



Läs alla instruktioner noggrant innan du startar produkten.



Klass II-utrustning, dubbelisolerad



Bär hörselskydd.



Bär alltid ögonskydd.



Ej avsedd för våtslipning eller kapning.



Använd aldrig hackade, spruckna eller defekta slipskivor



Använd skyddshandskar



Använd dammskydd.



Får inte utsättas för regn eller användas i fuktiga miljöer.



Rotationsriktning för kaphjulet (visas på hjulskyddet)



Gamla elektroniska produkter ska inte kastas med hushållssoporna. Återvinn där sådana faciliteter finns. Kontrollera med din lokala myndighet eller säljaren för att få återvinningstips.

### FARA

Visar på en direkt riskfylld situation som, om den inte undviks, kan orsaka dödsfall eller allvarlig personskada.

### VARNING

Visar på en potentiellt riskfylld situation som, om den inte undviks, kan orsaka dödsfall eller allvarlig personskada.

### FÖRSIKTIGHET

Visar på en potentiellt riskfylld situation som, om den inte undviks, kan orsaka mindre eller måttlig personskada.

### FÖRSIKTIGHET

(Utan säkerhetssymbolen) Indikerar en situation som kan leda till egendomsskada.

## SYMBOLER I MANUALEN



Lås



Lås upp



Väntetid innan bladet når högsta hastighet



Delar och utrustning säljs separat



Notera:



VARNING

Följande signalord och betydelser är tänkta att förklara de olika risknivåerna som är associerade med denna produkt.



Turvallisuus, tehokkuus ja käyttövarmuus ovat katkaisukoneemme tärkeimpiä ominaisuuksia.

## KÄYTTÖTARKOITUS

Tämä katkaisukone on tarkoitettu metallin katkaisuun. Älä käytä konetta muille materiaaleille kuin metallille.

Laitteen käyttäjän on oltava aikuinen henkilö, joka on lukenut käyttöoppaan ja ymmärtää laitteen käyttöön liittyvät riskit.

Koneen jalusta on kiinnitettävä lujasti tukevan työpenkin päälle. Jos jalustaa ei ole kiinnitetty tiukasti, koko laite saattaa liikkua leikkaamisen aikana, mikä kasvattaa vakavan loukkaantumisen riskiä.

Saha on suunniteltu vino- ja viisteleikkauksiin. Erilaisten katkaisujen ominaisuudet on ilmoitettu tämän oppaan teknisissä tiedoissa.

Konetta tulee käyttää kuivissa, hyvin valaistuissa ja riittävästi ilmastoiduissa tiloissa.

Tuote on tarkoitettu yksityiskäyttöön, ja sitä saa käyttää vain yllä kuvatulla tavalla; sitä ei ole tarkoitettu mihinkään muuhun käyttöön.

## YLEISET SÄHKÖTYÖKALUJEN TURVALLISUUSVAROITUKSET

### ⚠ VAROITUS

Lue tarkkaavaisesti kaikki tämän työkalun kanssa toimitetut varoitukset, ohjeet ja spesifikaatiot, ja katso lisäksi kuvat. Seuraavassa esitettyjen ohjeiden laiminlyönnistä saattaa olla seurauksena onnettomuuksia kuten tulipalot, sähköiskut ja/tai vakavia kehon vammoja.

Säästä kaikki varoitukset ja ohjeet tulevaa käyttöä varten. Varoituksissa oleva termi "sähkötyökalu" viittaa verkkokäyttöiseen (johdollisiin) sähkötyökaluun tai akkukäyttöiseen (johdottomaan) sähkötyökaluun.

## TYÖALUEEN TURVALLISUUS

- Pidä työalue siistinä ja valoosana. Epäjärjestyksessä olevat ja pimeät alueet myötävaikuttavat onnettomuuksiin.
- Älä käytä sähkötyökalua räjähdyssaltiissa paikoissa, kuten helposti syttyvien nesteiden tai kaasujen tai pölyn läheisyydessä. Sähkötyökalut kipinöivät, mikä saattaa syyttää pölyn tai höyryä.
- Pidä lapset ja sivulliset loitolla, kun käytät sähkötyökaluja. Häiriöt voivat saada koneen riistäytymään hallinnasta.

## SÄHKÖTURVALLISUUS

- Pistokkeen on sovittava pistorasiaan. Älä koskaan muunna pistoketta millään tavalla. Älä käytä maadoitettujen sähkötyökalujen kanssa minkäänlaisia sovintipistokkeita. Alkuperäiset

pistokkeet ja niitä vastaavat pistorasiat pienentävät sähköiskun vaaraa.

- Älä kosketa maadoitettuihin pintoihin, kuten putkiin, lämpöpattereihin, heloihin tai jääkaappeihin. Jos ruumiisi on maadoitettu, sähköiskun vaara on suurempi.
- Älä altista sähkötyökalua sateelle tai kosteudelle. Sähkötyökaluun joutunut vesi kasvattaa sähköiskun vaaraa.
- Pidä huolta sähköjohdosta. Älä koskaan kannata tai vedä sähkötyökalua johdosta tai irrota pistoketta johdosta vetämällä. Älä päästä johtoa koskettamaan kuumuuden lähteitä, öljyä, teräviä reunoja tai liikkuvia osia. Vioittunut tai takkuinen johto lisää sähköiskun vaaraa.
- Kun käytät sähkötyökalua ulkotiloissa, käytä ulkokäyttöön sopivaa jatkojohtoa. Ulkokäyttöön sopivan johdon käyttö pienentää sähköiskun vaaraa.
- Jos sähkötyökalua on pakko käyttää kosteissa tiloissa, käytä jännönsvirtalaitteella (RCD) suojattua pistorasiaa. RCD:n käyttö pienentää sähköiskun vaaraa.

## KÄYTTÄJÄN TURVALLISUUS

- Ole valpas, katso mitä teet ja käytä maalaisjärkeä laitetta käyttäessäsi. Älä käytä laitetta väsyneenä tai huumeiden, alkoholin tai lääkkeiden vaikutuksen alaisena. Tarkkaamattomuus sähkötyökalua käytettäessä saattaa johtaa vakavaan loukkaantumiseen.
- Käytä henkilökohtaisia suojavarusteita. Käytä aina suojalaseja. Suojavälineiden, kuten hengityssuojaimen, liukumattomien turvakengien, kypärän ja kuulosuojainten, käyttö vähentää henkilövahinkoja.
- Älä anna koneen käynnistyä vahingossa. Varmista, että kytkin on off-asennossa ennen kuin liität tuotteen sähköverkkoon ja/tai akkuun, nostat tai kuljetat sitä. Jos kannat konetyökalua sormi kytkimellä tai jos kytket sähkötyökaluun verkkoon kytkimen ollessa päällä, altistat itsesi onnettomuuksille.
- Irrota säätöavaimet ja jakoavaimet ennen sähkötyökalun käynnistystä. Sähkötyökalun pyöriivään osaan jätetty jako- tai säätöavain saattaa johtaa loukkaantumiseen.
- Älä kurkota liian kauas. Säilytä aina kunnollinen jalansija ja tasapaino. Tällöin sähkötyökalua on helpompi hallita odottamattomissa tilanteissa.
- Pukeudu asianmukaisesti. Älä käytä väljiä vaatteita tai koruja. Estä hiusten tai vaatteiden takertuminen liikkuviin osiin. Löysät vaatteet, korut ja pitkät hiukset saattavat tarttua liikkuviin osiin.
- Jos laitteen toimitukseen kuului varustus pölyn poistamiseen tai keräämiseen, varmista, että se on sahaan liitettyä ja toimii oikein. Pölyn kerääminen voi vähentää pölyn liittyviä vaaroja.
- Älä ole huolimaton ja laiminlyö turvaohjeita vain siksi, että olet käyttänyt usein ennenkin



**konetyökaluja.** Huolimattomuus voi aiheuttaa vakavan vamman sekunnin murto-osassa.

## SÄHKÖTYÖKALUN KÄYTTÖ JA HUOLTO

- **Älä pakota laitetta. Käytä sovellukseesi sopiva a tuotetta.** Asianmukainen tuote hoitaa työt paremmin ja turvallisemmin sillä vauhilla, jota varten se on suunniteltu.
- **Älä käytä sähkötyökalua, jos se ei käynnisty ja sammuu katkaisimesta.** Jos sähkötyökalua ei voida hallita katkaisimella, se on vaarallinen ja vaatii korjaamista.
- **Irrota kosketin virtalähteestä ja/tai akkupaketti konetyökalusta aina ennen säätämistä, lisävarusteiden vaihtamista tai työkalun varastoimista.** Tällaiset ennaltaehkäisevät turvallisuustoimenpiteet vähentävät vaaraa, että tuote käynnistyy vahingossa.
- **Varastoi sähkötyökalu pois lasten ulottuvilta äläkä anna kenenkään, joka ei tunne työkonetta tai näitä ohjeita, käyttää sitä.** Sähkötyökalut ovat vaarallisia kouluttamattomien käyttäjien käsissä.
- **Pidä konetyökalusi lisävarusteineen hyvässä kunnossa.** Tarkista, että liikkuvat osat on kohdistettu oikein ja että ne liikkuvat kunnolla, että osia ei ole rikkoutunut ja että mikään muu seikka ei häiritse laitteen toimintaa. Jos laite on vioittunut, vie se huoltoon ennen sen käyttöä. Monet onnettomuudet johtuvat huonosti huolletuista tuotteista.
- **Pidä leikkuuterät terävinä ja puhtaina.** Kun katkaisutyökalujen terät ovat terävät, ne eivät jumitu ja ohjaaminen on vaivatonta.
- **Käytä tuotetta, tarvikkeita, osia jne. näiden ohjeiden mukaisesti ja ottaen huomioon työskentelyolosuhteet ja tehtävä työ.** Sähkötyökalun käyttö muuhun kuin sille tarkoitettuun työhön voi aiheuttaa vaarallisia tilanteita.
- **Pidä kahvat ja tarttumispinnat kuivina ja puhtaina ja katso, etteivät ne tahriinnu öljystä ja rasvasta.** Jos kahvat ja tarttumispinnat ovat liukkaita, työkalujen turvallinen käsittely ja kontrolli eivät ole hallinnassa yllätyksessä tilanteissa.

## HUOLTO

- **Huollata työkonetta pätevällä huoltomiehellä, joka käyttää ainoastaan asianmukaisia varaosia.** Tämä varmistaa, että sähkötyökalu on turvallinen.

## KATKAISUSAHAN TURVALLISUUSVAROITUKSET

- **Sijoi itsesi ja sivulliset pois pyörivän laikan linjalta.** Suoja suojelee käyttäjää irronneilta laikan osasilta ja estävät häntä koskettamatta laikkaa vahingossa.
- **Käytä sähkötyökalussasi ainoastaan kiinnitettyjä ja vahvistettuja katkaisulaikkoja.** Vaikka lisälisävarusteen voi mahdollisesti asentaa työkaluun, tämä ei takaa, että työkalua voi käyttää täysin turvallisesti.
- **Lisävarusteen nimellisoikeuden on oltava sama tai korkeampi kuin lisävarusteelle mainittu maksiminopeus.** Yli nimellisoikeudella käytetyt lisävarusteet saattavat rikkoutua ja joutuvat hylätyiksi.
- **Laikkoja saa käyttää ainoastaan niille tarkoitettuun käyttötarkoitukseen.** Älä esimerkiksi hio katkaisulaikan sivulla. Katkaisulaikat on tarkoitettu käytettäväksi siten, että hionta suoritetaan niiden ulkokehällä; niihin kohdistuvat sivuttaisrasitukset voisivat murtaa ne.
- **Käytä aina eheitä laippoja, jotka vastaavat valitsemasi laikan läpimittaa.** Asianmukaiset laipat tukevat laikkaa ja pienentävät siten mahdollisuutta, että laikka rikkoutuu.
- **Lisävarusteen ulkohalkaisijan ja paksuuden on vastattava työkalun ilmoitettuja ominaisuuksia.** Ellei lisävarusteiden ominaisuudet vastaa annettuja ominaisuuksia, työkalun suoja- ja säätöjärjestelmä elleivät voi toimia oikein.
- **Laikan ja laippojen tuurnakoon on istuttava asianmukaisesti sähkötyökalun karassa.** Laikat ja laipat, joiden tuurnareiat eivät vastaa sähkötyökalun kiinnityksiä, joutuvat epätasapainoon, tärisevät liikaa ja voivat riistää laitteen hallinnasta.
- **Älä käytä voittuneita laikkoja.** Tarkista laikat lohkeamien ja halkeamien varalta ennen jokaista käyttökertaa. Jos sähkölaite tai laikka putoaa, tarkista se vaurioiden varalta tai asenna vahingoittumaton laikka. Kun olet tarkistanut ja asentanut laikan, asetu itse ja ohjaa sivulliset pois pyörivän laikan reitiltä ja käytä sähkötyökalua suurimmalla kuormattomalla nopeudella minuutin ajan. Vioittuneet laikat pirstoutuvat tavallisesti tänä aikana.
- **Käytä henkilökohtaisia suojavarusteita.** Sen mukaan, mihin käytät työkalua, pidä suojaanamaaria, turva- tai suojalaseja. Pidä tarvittaessa pölynsuojanamaaria, kuulosuojaimia, suojakäsineitä ja suojaesiliinaa kaikkia ulkoisten kappaleiden sinkoamista vastaan (hankaavat kappaleet, puun lastut jne.). Suojalasit estävät lentäviä jätetalasia vahingoittamasta silmiä. Pölynsuojanamaareilla voidaan suodattaa käytetyssä työssä syntyneet hiukkaset. Pitkäaikaisesta altistuksesta kovalle melulle saattaa aiheutua kuulon huononeminen.
- **Pidä vieraat hyvin loitolla työalueesta ja huolehdi, että heillä on suojalisävarusteet.** Jokaisella, joka tulee työalueelle on käytettävä henkilökohtaisia suojavarusteita. Työkappaleen tai rikkoutuneen laikan kappaleita saattaa singota ulospäin ja aiheuttaa vammoja välittömän työalueen ulkopuolella.
- **Aseta virtajohto niin, että se on kaukana laitteen pyörivästä osasta.** Jos menetät hallinnan, johto saattaa katketa tai juuttua ja kätesi saattaa joutua pyörivän laikan tielle.
- **Puhdista säännöllisesti työkalun puhallinaukot.**







Moottorin puhallin imee pölyä moottorin kuoren sisään, mistä saattaa johtua metallihiukkasten liiallinen kertyminen aiheuttaen sähköiskuja.

- **Älä käytä laitetta syytynneiden alueiden läheisyydessä. Älä käytä sähkötyökälua, jos se on syytyvällä pinnalla, kuten puun päällä.** Kipinät saattavat syyttää ne.
- **Älä käytä lisävarusteita, jotka tarvitsevat jäähdytysnesteitä.** Vesi tai jäähdytysnesteet voivat aiheuttaa sähkösurman tai sähköiskun.

#### TAKAPOTKU JA SIIHEN LIITTYVÄT VAROITUKSET

Laikan puristuksiin jääminen tai juuttuminen voi aiheuttaa takapotkun. Puristuminen tai kiertyminen johtavat pyörivän laikan nopeaan sakkaukseen, mikä puolestaan johtaa hallitsemattoman leikkuuyksikön voimakkaaseen ajoon ylöspäin käyttäjää kohti.

Esimerkiksi, jos hiomalaikka jumiuuu tai puristuu kiinni työkappaleeseen, se laikan reunan kohta, joka koskettaa jumittumiskohtaa, voi kaivautua materiaalin pintaan, jolloin laikka kiipeää ulos tai ponnahtaa käyttäjää kohden. Hiomalaikka saattaa myös haljeta pomppauksen seurauksena.

Sen voi välttää erällä varoitoimenpiteillä:

- **Pidä tukevasti kiinni työkalusta ja pidä vartalosi ja käsivarret niin, että voit hallita mahdollisen pomppauksen.** Käyttäjää voi hallinnoida ylöspäin suuntautuvia takapotkuvoimia oikeita varoitoimenpiteitä käyttämällä.
- **Älä asetu samaan linjaan pyörivän laikan kanssa.** Jos takapotku tapahtuu, se sinkoa leikkuuyksikön ylöspäin käyttäjää kohti.
- **Älä liitä laitteeseen sahaketjua, puunmuokkausterää, hammastettua timanttilaikkaa jossa hammasrako on suurempi kuin 10 mm tai hammastettua sahanterää.** Sellaisilla terillä on suurempi pomppausvaara ja työkalun hallinnan menetys.
- **Älä ”jumita” laikkaa tai käytä liiallista painetta. Älä yritä leikata liian syvälle.** Laikan ylikuormitus kasvattaa kuormaa ja mahdollisuutta, että laikka taittuu tai jumittuu leikkuu-uraan ja potkaisee takaisin tai rikkoutuu.
- **Kun laikka kiinnittyy tai kun leikkuu keskeytetään jostakin syystä, sammuta sähkötyökälu ja pidä leikkuuyksikköä paikoillaan, kunnes laikka pysähtyy kokonaan. Älä koskaan yritä nostaa laikkaa leikkuu-urasta laikan pyöriessä; muutoin laite voi potkaista takaisin. Älä yritä koskaan irrottaa laikkaa sen pyöriessä, se saattaa aiheuttaa pomppauksen.**
- **Älä aloita leikkausta laikan koskettaessa työkappaletta. Anna laikan saavuttaa täysi nopeus ja aseta laikka takaisin leikkuu-uraan varovasti.** Laikka saattaa jumittua, kulkea ylöspäin tai potkaista takaisin, jos sähkötyökälu käynnistetään laikan ollessa kosketuksissa työkappaleeseen.
- **Tue suurikokoisia työkappaleita minimoidaksesi**

**laikan puristumisen ja takapotkun vaaran.** Suuret työkappaleet ovat taipuvaisia painumaan oman painonsa ansiosta. Tuet tulee asettaa työkappaleen alle, lähelle leikkuulinjaa, ja lähelle työkappaleen reunoja, laikan molemmille puolille.

#### MUITA TURVALLISUUSVAROITUKSIA

- Varmista, että tuotetta käytetään aina vakaalla ja tasaisella pinnalla.
- Käytä aina näkö- ja kuulosuojaimia tätä tuotetta käyttäessäsi.
- Käytä henkilökohtaisia suojavarusteita, kuten polynaamaria, käsineitä ja esiliinaa.
- Käytä suojakypärää tai muuta päänsuojaa paikoissa, joissa on putoavien kappaleiden vaara.
- Varmista, että leikkulaikka on asetettu ja kiristetty asianmukaisesti ennen käyttöä; käytä tuotetta ilman kuormaa 30 sekuntia turvallisessa asennossa ja pysäytä välittömästi ja vaihda leikkulaikka, jos laite tärisee huomattavasti.
- Varmista ennen leikkaamista, että kaikki säätimet on kiristetty.
- Tarkista ennen mitään säätöjä, että laite on irrotettu pistorasiasta. Jos leikkulaitetta ei irroteta pistorasiasta, se saattaa käynnistyä vahingossa ja aiheuttaa loukkaantumisen.
- Jotta laite ei käynnisty vahingossa ja aiheuttaisi vammaa, kokoa leikkulaite täysin ennen sen kytkemistä pistorasiaan.
- Laitetta ei tule koskaan kytkeä pistorasiaan osia koottaessa, säätöjä tehtäessä, laikkaa asennettaessa tai irrotettaessa tai kun laitetta ei aiota käyttää.
- Tarkista laikka silmämääräisesti ennen kutakin käyttökertaa. Tarkista, että laikkassa ei ole railoja eikä halkeamia. Älä käytä vioittuneita hiomalaikkoja.
- Älä käytä sahanterää.
- Älä koskaan käytä laikkaa, joka on niin paksu, että ulkolaippa ei kosketa karan tasaista osaa. Suuremmat laikat koskettavat laikansuojuksia ja paksummat laikat estävät pulttia kiinnistämästä laikkaa karaan. Kummassakin tapauksessa seuraus voi olla vakava onnettomuus ja vakava loukkaantuminen.
- Älä irrota koneen laikansuojusta. Älä koskaan käytä laitetta, jos jokin sen suojusta on irrotettu. Varmista ennen käyttöä, että kaikki suojat toimivat asianmukaisesti.
- Älä käynnistä katkaisulaitetta tarkistamatta, että laikan ja koneen alustatuen välissä ei ole mitään. Laikka saattaa vioittua, jos se koskettaa koneen alustukea koneen käytön aikana.
- Älä yritä leikata puuta tai kiveä tällä katkaisulaitteella. Älä koskaan leikkaa tällä koneella magnesiumia tai magnesiumiyhdistettä.
- Älä kiristä laikkaa liiaksi, sillä se saattaa haljeta.
- Aseta hiomalaikka aina varoen työkappaletta vasten



kun aloitat leikkaamisen. Kova isku saattaa rikkoa laikan.

- Älä koskaan leikkaa useampaa kuin yhtä työkappaletta kerrallaan. Älä kasaa yhtä useampaa työkappaletta koneen alustalle.
- Jotta laite ei pääse kaatumaan, tue aina pitkät työkappaleet.
- Teräksen leikkaamisesta syntyy kipinöitä. Älä käytä tulenarkojen tai helposti syttyvien materiaalien lähellä.
- Älä koskaan jätä käynnissä olevaa laitetta vartioimatta. Älä päästä laitteesta irti ennen kuin se on täysin pysähtynyt. Pyörä jatkaa pyörimistä kun tuote sammutetaan.
- Vapauta aina virtakytkin ja anna laikan pysähtyä ennen sen nostamista työkappaleesta.
- Pidä kädet poissa leikkausalueelta. Pidä kädet kaukana laikasta. Älä kurottele työkappaleen alle tai sen ympäri tai laikan alle laikan pyöriessä. Älä yritä poistaa leikattua materiaalia laikan vielä liikkeessa.
- Älä koskaan seiso tai pidä mitään ruumiinosaa laikan polulla.
- Älä koskaan seiso laitteen päällä. Se, että laitetta kallistetaan tai laikkaan kosketaan vahingossa, voi aiheuttaa vakavan vamman.
- Älä koskaan suorita mitään toimintoa vapaalla kädellä. Kiinnitä aina leikattava työkappale ruuvipenkkiin. Teknisten tietojen taulukossa ilmoitetaan työkappaleen turvallinen minimikoko. Varmista aina, että vähintään 80 mm on ruuvipenkin leukojen välissä, jotta hiominen olisi turvallista.
- Älä koskaan pitele työkappaletta käsin. Työkappale tulee leikatessa hyvin kuumaksi.
- Virtapiikki aiheuttaa jännitteen heilahtelua ja voi vaikuttaa muihin samaan syöttöverkkoon kytkettyihin tuotteisiin. Minimoidaksesi jänniteheilahtelun kytke tuote pistorasiaan, jonka impedanssi on 0.233 Ω. Lisätietoja saa sähkötyhtiöltä.
- Suositellaan, että käytät jäännösvirtalaitetta, jonka jäännösvirtaluokitus on enintään 30 mA.

**Suosittelomme käyttämään metallinleikkaulaikkaa COSB355A1, kun vaihdat laikan.**

#### LAIKAN ASENTAMISEN TURVALLISUUSVAROITUKSET

- Jotta loukkaantumisriski olisi mahdollisimman pieni, käyttäjän on luettava ohjeet, varoitukset ja käyttöopas ja noudatettava niitä ennen laikan käytön aloittamista. Näiden varoitusten laiminlyönti voi johtaa laikan rikkoutumiseen ja vakavaan loukkaantumiseen. Säilytä nämä ohjeet.
- Muun kuin tuotteen käyttöoppaassa suositellun laikan käyttäminen voi aiheuttaa loukkaantumisvaaran. Käytä ainoastaan sellaisia laikkoja, joiden nopeusmerkintä vastaa tuotteen merkintää tai on sitä suurempi.

- Älä koskaan käytä laikkaa, joka on niin paksu, että ulkolaippa ei kosketa karan tasaista osaa. Suuremmat laikat koskettavat laikansuojuksia ja paksummat laikat estävät pulttia kiinnittämästä laikkaa karaan. Kummassakin tapauksessa seuraus voi olla vakava onnettomuus ja vakava loukkaantuminen.
- Laikka on tarkoitettu vain rautapitoisen metallin leikkaamiseen. Älä yritä leikata puuta tai kiveä tällä laikalla.
- Laikka soveltuu vain leikkaamiseen kuivana. Laikka tulee käyttää ennen erääntymispäivää (merkitty etikettiin, esim. 11/2021).
- Älä käytä vioittuneita laikkoja. Älä käytä lohkeilleita, haljenneita tai viallisia laikkoja.
- Tarkista ennen käyttöä, että laikka istuu kunnolla ja on kiristetty.
- Laikan kiertosuunta on merkitty laitteeseen. Varmista laikkaa asentaessasi ja vaihtaessasi, että laikkaan merkitty suunta vastaa laitteeseen merkittyä suuntaa.
- Älä kiristä laikkaa liiaksi, sillä se saattaa haljeta.
- Laitetta ei tule koskaan kytkeä pistorasiaan laikkaa asennettaessa tai irrotettaessa.
- Varastoi varalaikat varoen – ne vioittuvat helposti.

#### Laikan etiketin tiedot

Laikan etiketin tiedot ovat tärkeitä. Lue ja tarkista etiketti huolella taatakseksi, että valitset oikean tyyppisen laikan.

1. Valmistaja, toimittaja, maahantuojat tai tavaramerkki
2. Laikan nimellimitat, erityisesti reiän halkaisija
3. Hionta-aineen tyyppi, raekoko, luokka tai kovuus, sidostyyppi ja vahvisteiden käyttö, esim.
  - 41A24RBF80
  - 41 --- hionta-aineen tyyppi, litteä leikkaulaikka
  - A --- hionta-aine: ruskea korundi
  - 24 --- raekoko
  - R --- luokka tai kovuus
  - BF --- sidostyyppi
  - 80 --- pienin käyttönopeus m/s
4. Suurin käyttönopeus m/s
5. Suurin sallittu pyörimisnopeus 1/min
6. Hiomatuotteiden säädösten noudattamismerkintä on EN 12413
7. Käyttörajoitukset ja turvallisuusvaroitusten symbolit.
8. Jäljityskoodi, esim. tuotanto/erännumero, erääntymispäivä tai sarjanumero

#### KÄYTÖN RISKIT

Vaikka laitetta käytettäisiin ohjeiden mukaisesti, ei ole mahdollista täysin eliminoida tiettyjä käyttöön liittyviä riskitekijöitä. Käytössä voi aiheutua seuraavia vaaroja, ja käyttäjän tulee kiinnittää erityistä huomiota niiden välttämiseen:

- Stabiiliisuus. Varmista, että laite on stabiili. Kiinnitä se tarvittaessa paikoilleen.
- Pölyn hengittäminen. Käytä tarvittaessa naamaria.





- Kipinät ja kuumat metallinpalat. Kipinät ja kuumat metallinpalat voivat aiheuttaa tulipalon tai palovamman. Käytä käytön aikana suojarusteita.
- Silmävamma metallinkappaleiden takia. Käytä suojalaseja työskennellessäsi.
- Kuulovamma. Rajoita altistuminen ja käytä asianmukaisia kuulosuojaimia.

### TUNNE TUOTTEESI

Katso sivu 172.

1. Kahva, eristetty tartuntapinta
2. Liipaisukytkin
3. Yläkahva
4. Akselin lukintanappi
5. Leikkuusyvyyden säätöruuvi
6. Leikkuusyvyyden lukkomutteri
7. Viisteohjain
8. Säätöavain
9. Ylempi teränsuojus
10. Alempi teränsuojus
11. Leikkuuterä
12. Työpuristin
13. Työpuristimen lukitusvipu
14. Työpuristimen säätökamppi
15. Kumijalka
16. Sahapään lukitusketju
17. Asennusreikä
18. Hiiliharjan korkki
19. Hiiliharja
20. Lastun kääntölevy
21. Jiirisahaohjaimen lukitusvipu

### KÄYTTÖVINKKEJÄ

#### JIIRISAHAUSOHJAIMEN LUKITUSVIPU

Jos viisteohjain on sijoitettu mahdollisimman lähelle sahapään kääntötappia, viisteohjaimen lukitusvipu voi häiritä pään kääntymistä. Toista lukitusprosessi nostamalla ja kiertämällä vipua, kunnes viisteohjain on tiukasti lukittu.

### HUOLTO

- Älä muuntele tuotetta millään tavoin tai käytä muita kuin valmistajan hyväksymiä lisävarusteita. Sinun ja muiden turvallisuus saattaa vaarantua.
- Älä käytä tuotetta, jos jokin kytkin, suojuus tai muu toiminto ei toimi tarkoitetulla tavalla. Palauta se valtuutettuun huoltoon ammattilaisen korjattavaksi tai säädettäväksi.
- Älä tee säätöjä moottorin käydessä.
- Varmista aina, että laitteen pistoke on irrotettu pistorasiasta, ennen kuin vaihdat harjoja, voitelet laitetta tai teet muuta työtä laitteen kimpussa tai huollat sitä.
- Tarkista laite kunkin käyttökerran jälkeen vaurioiden ja voittuneiden osien varalta ja pidä se hyvässä työkunnossa korjaamalla tai vaihtamalla voittuneet

osat välittömästi.

- Varmista, että tuuletusaukot pysyvät avoimina, erityisesti pölyisissä olosuhteissa työskennellessäsi. Jos pölyt on poistettava, irrota tuote pistorasiasta. Puhdista aukot pehmeällä harjalla.
- Siivoa kerääntynyt pöly.
- Jotta laite toimisi turvallisesti ja luotettavasti, kaikki korjaukset, paitsi ulkoa päin vaihdettavat harjat, tulee antaa valtuutetun huoltopisteen hoidettavaksi.
- Jos liitäntäjohto on vaurioitunut, anna valtuutetun huolto liikkeen vaihtaa se onnettomuuksien ehkäisemiseksi.

### VAROITUS

Jotta laite toimisi turvallisesti ja luotettavasti, kaikki korjaukset tulee antaa valtuutetun huoltopisteen hoidettavaksi.

### YMPÄRISTÖNSUOJELU



Älä hävitä raaka-aineita jätteinä vaan vie ne kierrätykseen. Ympäristönsuojelun kannalta työkalu, lisävara-usteet ja pakkausmateriaali on lajiteltava.

### SYMBOLI



Turvavaroitus



CE-vastaavuus



EurAsian-vaatimustenmukaisuusmerkki.



Ukrainalainen säädöstenmukaisuusmerkintä



Lue ohjeet huolella ennen laitteen käyttöä.



Luokan II laite, kaksoiseristys



Käytä kuulosuojaimia



Käytä aina suojalaseja.



Märkähionta tai leikkuu ei ole sallittu



Älä käytä lohkeilleita, haljenneita tai viallisia hiomalaikkoja



Käytä suojakäsineitä



Käytä pölynaamaria.



Älä jätä sateeseen tai kosteaan paikkaan.



Katkaisuterän pyörimissuunta (näytetään teräsuojuksessa)



Käytöstä poistettavia sähkölaitteita ei pidä hävittää talousjätteiden mukana. Ne on mahdollisuuksien mukaan pantava kiertoon. Kierrätysohjeita antavat kunnan viranomaiset ja vähittäiskauppiat.



## VAROITUS

Seuraavat signaalisanat ja merkitykset on tarkoitettu selittämään tähän tuotteeseen liittyviä riskin tasoja.

### ⚠ VAARA

Ilmoittaa välittömästä vaaratilanteesta, joka saattaa aiheuttaa kuoleman tai vakavan vamman.

### ⚠ VAROITUS

Ilmoittaa mahdollisesta vaaratilanteesta, joka saattaa aiheuttaa kuoleman tai vakavan vamman.

### ⚠ VAROITUS

Ilmoittaa mahdollisesta vaaratilanteesta, joka saattaa aiheuttaa pienen tai kohtalaisen vamman.

### VAROITUS

(Ilman varoitusmerkkiä) Tilanne, joka voi aiheuttaa materiaalista vahinkoa.

## KÄSIKIRJAN SYMBOLIT



Lukko



Avaa



Odotusaika terän kiihtyessä täyteen nopeuteen



Osat ja lisävarusteet on hankittava erikseen



Huom:



Sikkerhet, ytelse og pålitelighet har hatt topp prioritet ved konstruksjonen av denne kappemaskinen.

### TILTENKT BRUK

Kappemaskinen er beregnet til bruk for å kutte metallmaterialer. Skal ikke brukes til materialer som ikke er av metall.

Produktet skal bare brukes av voksne operatører som har lest instruksjonshåndboken, og som forstår risikoene og farene.

Produktet er designet for å festes på bases til en solid benkeplate. Hvis fundamentet ikke er forsvarlig festet vil hele sagbordet kunne bevege seg under saging, noe som øker muligheten for alvorlig personskade.

Sagen er beregnet på skrå- og gjæringskutt. Størrelsen på de forskjellige kuttene er gitt i produktspesifikasjonene i denne håndboken.

Produktet må brukes i tørre forhold, med god belysning og god ventilasjon.

Produktet er kun ment brukt av vanlige forbrukere og skal bare brukes som beskrevet ovenfor og ikke for noe annet bruk.

### GENERELLE SIKKERHETSADVARSLER FOR ELEKTRISK VERKTØY

#### ⚠ ADVARSEL

**Les nøye gjennom alle advarslene, instruksene og spesifikasjonene som følger med verktøyet, og se på tegningene.** Hvis forskriftene nedenfor ikke overholdes, kan det forårsake ulykker som brann, elektrisk støt og/eller alvorlige personskader.

Ta vare på alle advarslar og anvisninger for senere bruk. Betegnelsen "elektroverktøy" i advarslene refererer til strømføringsdrevet elektroverktøy eller batteridrevet (trådløs) elektroverktøy.

### SIKKERHET PÅ ARBEIDSMRÅDET

- **Hold arbeidsområdet rent, ryddig og godt opplyst.** Uryddige og dårlig opplyste områder fører lett til ulykker.
- **Ikke bruk elektrisk verktøy i eksplosive atmosfærer, hvor det finnes brennbare væsker, gasser eller støv.** Elektrisk verktøy skaper gnister som kan antenne støv eller gasser.
- **Hold barn og andre på avstand når et elektrisk verktøy brukes.** Distrasjon kan føre til tap av kontroll.

### ELEKTRISK SIKKERHET

- **Støpslet på det elektriske verktøyet må stemme med stikkkontakten. Foreta aldri noen form for endringer av støpslet. Ikke bruk noen form for adapterstøpslet til jordat elektrisk verktøy.** Umodifiserte støpsler og tilpassede stikkontakter vil redusere risikoen for elektrisk støt.

- **Unngå kroppskontakt med jordede overflater som vannrør, radiatorer, kokeapparater og kjøleaggregater.** Det er økt risiko for elektrisk støt dersom kroppen din har kontakt med jord.
- **Ikke utsett elektrisk verktøy for regn eller høy fuktighet.** Vann som trenger inn i et elektrisk verktøy vil øke faren for elektrisk støt.
- **Ikke misbruk den elektriske ledningen. Bruk aldri ledningen til å bære det elektriske verktøyet eller trekke støpslet ut av stikkkontakten. Hold ledningen vekk fra varme, olje, skarpe kanter eller bevegelige deler.** Skadet eller sammenfloknet ledning øker risikoen for elektrisk støt.
- **Når du bruker det elektriske verktøyet utendørs, bruk en skjoteledning som er tilpasset utendørs bruk.** Bruk av ledning som er tilpasset utendørs bruk reduserer risikoen for elektrisk støt.
- **Dersom bruk av elektrisk verktøy i fuktige omgivelser ikke er til å unngå, bruk en strømkrets med restspenningsbeskyttelse (RCD) som er tilpasset verktøyet.** Bruk av strømkrets med sikring reduserer risikoen for elektrisk støt.

### PERSONLIG SIKKERHET

- **Vær årvåken, følg med på det du gjør og bruk fornuft når du benytter et verktøy. Ikke bruk verktøyet når du er sliten eller under påvirkning av alkohol, narkotiske stoffer eller medisiner som kan påvirke din reaksjonsevne og/eller dømmekraft.** Et øyeblikks uoppmerksomhet mens elektrisk eller luftdrevet verktøy brukes kan føre til alvorlige personskader.
- **Bruk Personlig verneutstyr. Bruk alltid øyebeskyttelse.** Verneutstyr som støvmaske, sklisikre vernesko, hjelm og hørselsvern som brukes ved behov, vil redusere personskader.
- **Unngå utilsiktet start. Pass på at limpistolen er slått av før du kobler den til en strømkilde eller en batteripakke, tar den opp eller bærer den.** Ikke bær elektroverktøy med fingeren på bryteren eller mens verktøyet er slått på, da dette kan føre til ulykke.
- **Fjern justeringsnøkler og annet verktøy før du setter strøm på det elektriske verktøyet.** En fastnøkkel eller annet verktøy festet til en roterende del av et elektrisk verktøy når det startes kan føre til personskade.
- **Ikke len deg for langt frem. Sørg for godt fotfeste og god balanse til enhver tid.** Dette gir bedre kontroll over det elektriske verktøyet i en uventet situasjon.
- **Kle deg riktig. Ikke bruk løstsittende plagg og/eller løsthengende smykker. Hold hår og klær unna bevegelige deler.** Løse plagg, smykker og langt hår kan fanges opp av bevegelige deler.
- **Hvis utstyr gir mulighet for tilkobling av uttrekk og oppsamling av støv, må du forsikre deg om at de er tilkoblet og riktig brukt.** Bruk av utstyr for oppsamling av støv kan redusere faren forbundet med støv.
- **Ikke la hyppig bruk av verktøyet føre til at du blir uvøren og ikke tar hensyn til sikkerhetsprinsipper.**



En uforsiktig handling kan forårsake alvorlig skade på et øyeblikk.

### ELEKTRISK VERKTØY - BRUK OG STELL

- **Ikke press verktøyet. Bruk korrekt verktøy for jobben som skal gjøres.** Riktig elektrisk verktøy vil gjøre jobben bedre og tryggere når det brukes slik det var tiltenkt.
- **Ikke bruk verktøyet hvis bryteren ikke slår verktøyet av og på.** Ethvert elektrisk verktøy som ikke kan kontrolleres med bryteren er farlig og må repareres før det kan brukes.
- **Før du gjør justeringer på elektroverktøy, bytter tilbehør eller setter verktøyet bort, må du trekke pluggen ut av strømkilden eller fjerne batteriet hvis dette lar seg gjøre.** Slike forholdsregler reduserer risikoen for å starte limpistolen ved et uhell.
- **Oppbevar elektrisk verktøy som ikke brukes utenfor barns rekkevidde og la ikke personer som ikke er kjent med det elektriske verktøyet eller dets instruksjoner bruke det.** Elektrisk verktøy er farlig i hendene på uerfarne brukere.
- **Sørg for at elektroverktøy og tilbehør alltid er i god stand.** Kontroller for feilinnretting, at bevegelige deler løper fritt og andre forhold som kan påvirke verktøyets drift. Dersom det er skadet må produktet repareres før bruk. Mange ulykker skyldes dårlig vedlikeholdt verktøy.
- **Sørg for at skjæreverktøy alltid er skarpe og rene.** Sørg for at eggene på skjæreverktøy alltid er skarpe. Dette gir mindre risiko for at verktøyet sette seg fast, og gjør det lettere å styre verktøyet.
- **Bruk limpistolen, tilbehør, verktøybits osv. i samsvar med disse anvisningene, og ta hensyn til arbeidsforholdene og arbeidet som skal utføres.** Bruk av elektrisk verktøy på en måte det ikke var tiltenkt kan skape farlige situasjoner.
- **Hold håndtakene og gripeflatene tørre, rene og fri for olje og fett.** Hvis håndtakene og gripeflatene er glatte, fører det til mindre sikker håndtering og styring av verktøyet i uventede situasjoner.

### SERVICE

- **Sørg for at reparasjoner og vedlikehold av ditt elektriske verktøy utføres av kvalifiserte teknikere som kun bruker originale reservedeler.** Dette vil sørge for at sikkerheten med verktøyet ivaretas.

### SIKKERHETSADVARSLER FOR KAPPESAG

- **Plasser deg selv og eventuelle tilskuere slik at det roterende hjulet vender vekk fra dere.** Skjermen bidrar til å beskytte brukeren mot avbrutte hjulfragmenter og utilsiktet kontakt med hjulet.
- **Bruk kun bundne forsterkede kappeskiver til det elektriske verktøyet.** Selv om et tilbehør kan monteres på et verktøy, garanterer det ikke at du kan bruke det verktøyet på en sikker måte.

- **Tilbehørets nominelle hastighet skal være lik eller høyere enn maksimalhastigheten som står på verktøyet.** Tilbehørene som brukes i høyere hastighet enn sin nominelle hastighet kan brytes og slynges ut.
- **Hjul må kun benyttes til anbefalte applikasjoner.** For eksempel må du ikke slippe med kanten på et kappeshjul. Slipende kappeskiver er ment for periferisliping, når disse hjulene utsettes for sidekrefter kan det oppstå splintring.
- **Bruk alltid ubeskadigede hjulflenser som har korrekt størrelse og form for det valgte hjulet.** Korrekt hjulflens støtter hjulet og reduserer dermed muligheten for at hjulet skal bryte.
- **Tilbehørets ytre diameter og tykkelse skal svare til egenskapene som spesifiseres for verktøyet.** Hvis tilbehørene ikke svarer til de angitte egenskapene, kan ikke verktøyet beskyttelses- og innstillingssystemer virke ordentlig.
- **Skafstørrelsen på skivene og flensene må passer riktig inn i spindelen til elektroverktøyet.** Skiver og flenser med skafthull som ikke passer i festene på elektroverktøyet vil gå ut av balanse, vibrere veldig å kan føre til kontrolltap.
- **Ikke bruk skiver med skader.** Før hver bruk må skiven kontrolleres for skår og sprekker. Hvis elektroverktøyet eller skiven faller i bakken, må delen inspiseres for skader og ev. byttes med en hel skive. Etter kontroll og installasjon av skiven, må du og tilskuere stå lengst unna den åpne delen av kutteskiven, og elektroverktøyet må kjøres i ett minutt med maksimal hastighet og uten belastning. Skiver med skader vil vanligvis knekke i denne testtiden.
- **Bruk Personlig verneutstyr.** Alt etter hva du bruker verktøyet til, skal du bruke beskyttelsesmaske, sikkerhetsbriller eller vernebriller. Bruk om nødvendig støvmaske, hørselsvern, hansker og beskyttelsesforkle for å beskytte deg mot utslynging av fremmedlegemer (slipeavfall, trespon, osv.). Vernebriller hindrer at partikler slynges ut og skader øynene dine. Støvmaske filtrerer partiklene som dannes ved arbeidsoppgaven din. Langvarig eksponering for sterkt støy kan svekke hørselen.
- **Hold besøkende i god avstand fra arbeidsområdet og påse at de har verneutstyr på seg.** Alle som kommer inn i arbeidsområdet må bruke personlig verneutstyr. Biter av arbeidsmateriale eller avknekte skivedeler kan bli slengt ut og føre til personskade også utenfor det umiddelbare arbeidsområde.
- **Posisjoner ledningen slik at det ligger unna det roterende tilbehøret.** Hvis du mister kontrollen, kan ledningen bli kuttet helt eller delvis og din hånd eller arm kan bli dratt inn i den roterende skiven.
- **Rengjør regelmessig verktøyet ventilasjonsspalter.** Motorens ventilasjon får støv til å komme inn i motorhuset, noe som kan medføre allfor stor oppsamling av metallpartikler og forårsake elektrisk støt.
- **Bruk ikke verktøyet i nærheten av brannfarlige**





**produkter. Ikke bruk det elektriske verktøyet mens det er plassert på en brennbar overflate, slik som tre.** Gnister kan sette fyr i dem.

- **Bruk ikke tilbehør som krever kjølevæsker.** Bruken av vann eller kjølevæsker kan forårsake elektrisk støt, som kan være livsfarlig.

#### TILBAKESLAG OG RELATERTE ADVARSLER

Tilbakeslag er en plutselig reaksjon som kan oppstå hvis skiven er i klem eller knekt. Klemming eller fastkiling gir hurtig stopp av den roterende skiven, som i sin tur gjør at den ukontrollerte kappeenheten tvinges oppover mot operatøren.

Hvis for eksempel en slipeskive klemmes eller vrís i arbeidsstykket, vil skivens skarpe del trenge inn i arbeidsstykkets overflate, noe som vil få skiven til å klatre ut eller slå tilbake. I tilfelle tilbakeslag, kan slipeskiven også brekkes.

Det kan unngås ved å ta visse forholdsregler:

- **Hold godt i verktøyet og still kroppen og armen din slik at du kan kontrollere et eventuelt tilbakeslag.** Operatøren kan kontrollere oppadgående rekylkrefter hvis det tas riktige forholdsregler.
- **Ikke stå slik at kroppen din er foran det roterende skiven.** Hvis det forekommer rekyl, vil dette propellere kappeenheten oppover mot operatøren.
- **Ikke sett på sagkjede, treskjæringsblad, segmentert diamantskive med sideåpning større at 10 mm eller tannet sagblad.** De kan øke faren for tilbakeslag og tap av kontroll over verktøyet.
- **Ikke "klem" skiven eller bruk overdrevet trykk. Ikke gjør forsøk på å utføre et ekstremt dypt kutt.** Kraftig trykk mot hjulet øker belastningen og mulighet for at hjulet bendes eller blokkeres i kappesporet med tilhørende fare for tilbakeslag eller at kappehjulet brekker.
- **Når hjulet bindes eller ved avbrudd av en kapping av en eller annen grunn, slå av det elektriske verktøyet og hold kappeenheten i ro inntil skiven stopper helt. Prøv aldri å fjerne skiven fra kuttet mens skiven er i bevegelse ellers kan tilbakeslag forårsakes.** Hvis skiven står fast, må du forsøke å finne årsaken og ta nødvendige foranstaltninger for at det ikke gjentar seg.
- **Ikke start kappingen på nytt mens kappehjulet fortsatt står i arbeidsstykket. La hjulet nå maksimal hastighet før du forsiktig setter det tilbake i sporet som er kappet.** Hjulet kan blokkeres, krype ut eller slå tilbake dersom verktøyet startes mens kappehjulet står i arbeidsstykket.
- **Støtt eventuelt for stort arbeidsstykke for å minimere risikoen for skiveklemming og rekyl.** Store plater har en tendens til å sige under sin egen vekt. Støttene må legges under begge sider av platen, nær sporet som skal skjæres og nær kanten av platen.

#### SPESIELLE SIKKERHETSADVARSLER

- Se til at produktet alltid brukes på en stabil og jevn overflate.
- Benytt alltid syns- og hørselvern når dette verktøyet brukes.
- Bruk personlig verneutstyr som støvmaske, hansker og forkle.
- Ved fare for fallende gjenstander, bruk hjelp eller hodebeskyttelse.
- Sikre at slipeskiven er satt på riktig og strammet før bruk, kjør enheten uten belastning i 30 sekunder i en trygg posisjon - stans omgående og skift ut slipeskiven hvis det oppstår merkbare vibrasjoner.
- Før kappingen begynner må det påses at alle innstillinger er sikret.
- Før du foretar justeringer, påse at verktøyet ikke er koblet til strømmettet. Unnlattelse av å trekke ut det elektriske støpset til maskinen kan føre til utilsiktet start og mulig alvorlig personskade.
- For å hindre utilsiktet start som kan føre til alvorlig personskade bør alle deler til maskinen være monteret før maskinen kobles til det elektriske anlegget.
- Maskinen må aldri være koblet til det elektriske anlegget når du monterer deler, foretar justeringer, installerer eller fjerner hjul eller når maskinen ikke er i bruk.
- Kontroller slipeskiven visuelt før hver bruk. Sjekk at hjulet ikke har revner eller sprekker. Ikke bruk skadede slipehjul.
- Ikke bruk sagblad.
- Bruk aldri et hjul som er for tykt til at den ytre flensen ikke får kontakt med spindelplaten. Større hjul vil komme i kontakt med hjuldekslet, mens tykkere skjæreblader vil hindre skruen fra å feste hjulet forsvarlig på spindelen. Begge disse situasjonene kan føre til en alvorlig ulykke og kan resultere i alvorlig personskade.
- Ikke fjern maskinens hjulskjerm. Bruk aldri maskinen dersom beskyttelsesinnretninger er fjernet. Påse at dysevernet virker tilfredsstillende før hver gangs bruk.
- Ikke start slipekappemaskinen uten å ha undersøkt interferens mellom hjulet og maskinens basestøtte. Skade kan oppstå på hjulet dersom det treffer maskinstøtten under bruk av maskinen.
- Ikke gjør forsøk på å kappe tre eller mur med denne kappemaskinen. Kapp aldri magnesium eller magnesiumlegeringer med denne maskinen.
- Ikke overstram hjulet idet det kan føre til sprekker.
- Len alltid slipehjulet mot arbeidsstykket før du begynner å kappe. Et kraftig slag kan ødelegge hjulet.
- Kapp aldri mer enn ett arbeidsstykke ad gangen. Ikke legg mer enn ett arbeidsstykke på maskinbasen ad gangen.
- For å redusere faren for velt må lange arbeidsstykker alltid støttes.
- Kapping av stål vil skape gnister. Ikke bruk i nærheten





av antennelige eller eksplosive materialer.

- La aldri sagen gå uten betjening. Ikke forlat verktøyet før det har stoppet helt. Hjulet fortsetter å rotere etter at motoren er slått av.
- Slipp alltid den elektriske bryteren og la hjulet stoppe helt før du løfter det ut av arbeidsstykket.
- Hold ledningen vekke fra arbeidsområdet. Hold hendene vekke fra hjulet. Ikke ta under verktøyet eller rundt eller over hjulet mens det roterer. Ikke gjør forsøk på å fjerne avkuttet materiale mens hjulet fortsatt er i bevegelse.
- Stå aldri eller ha noen del av kroppen på linje med hjulets bane.
- Stå aldri på verktøyet. Alvorlig skade kan oppstå dersom verktøyet velter eller man får utilsiktet kontakt med kappehjulet.
- Utfør aldri noe arbeid på frihånd. Sørg alltid for at arbeidsstykket er sikret med en tvinge eller i en skrustikke. Se i spesifikasjonstabellen for sikker minstestørrelse på arbeidsømne ditt. På se at ømne er minst 80 mm i skrustikkebakkene for å sikre trygg sliping.
- Hold aldri arbeidsstykket med hånden. Arbeidsstykket kan bli meget varmt under kappingen.
- Strømstans skaper spenningsvariasjoner og kan påvirke andre elektriske apparater på den samme kursen. Koble produktet til en strømforsyning med en impedans lik 0.233 Ω for å minimere spenningsvingninger. Kontakt det lokale energiverket for å få en ytterligere klargjøring.
- Vi anbefaler å bruke reststrømutstyr med en reststrømytelse på 30 mA eller mindre.

**Vi anbefaler at du bruker metallslipeskiver COSB355A1 som reservedel når du trenger nye slipeskiver.**

#### SIKKERHETSADVARSLER VED PÅMONTERING AV ET SLIPEHJUL.

- **For å minske faren for personskade, må brukeren lese og følge instruksene, advarslene og brukermanualen før han begynner å bruke slipeskiven. Hvis denne advarselen ikke følges, kan det føre til at skiven knekker og alvorlig personskade. Ta vare på disse instruksjonene.**
- Bruk av hjul som ikke er anbefalt i produktmanualen kan være potensiell kilde for farer. Bruk av hjul som ikke er anbefalt i produktmanualen kan være potensiell kilde for farer.
- Du må aldri bruke en slipeskive som er for tykk slik at den ytre flensen kan hekte seg fast i spindelen. Større hjul vil komme i kontakt med hjuldekslet, mens tykkere skjæreblader vil hindre skruen fra å feste hjulet forsvarlig på spindelen. Begge disse situasjonene kan føre til en alvorlig ulykke og kan resultere i alvorlig personskade.
- Slipeskiven er kun ment for kutting av jernmetall. Ikke prøv å kutte tre eller trevirke med slipeskiven. Du må

aldri kutte magnesium eller magnesiumlegeringer med slipeskiven.

- Slipeskiven er kun egnet for tørr kutting. Slipeskiven bør brukes før dens utløpsdato (på merkelapp f. eks. 11/2021).
- Ikke bruk slipeskiver med skader. Ikke bruk hjul som har kantfeil, er sprukket eller defekte.
- Sjekk før bruk at slipeskiven er satt på riktig og festet godt.
- Rotasjonsretningen til slipeskiven er vist på verktøyet. Forsikre deg om at retningsmerke er i samsvar med retningen som er merket av på verktøyet når du monterer og skifter slipeskiven.
- Ikke stram slipeskiven for mye for det kan føre til sprekker.
- Dette produktet bør aldri være tilkoblet strøm når du skal installere eller fjerne slipeskiven.
- Lagre reserve slipeskiver med omhu, de kan lett bli skadet.

#### Informasjon tilgjengelig på slipeskivens etikett

Informasjonen på etiketten til slipeskiven er viktig. Les og kontroller etiketten nøye for å sikre at du har valgt riktig type skive.

1. Produsent, leverandør, importør eller varemærke
2. Nominell størrelse til slipeskiven, spesielt diameteren på hullet
3. Slipetype, kornstørrelse, klasse eller hardhet, type binding og forsterkning, f.eks.
  - 41A24RBF80
  - 41 --- slipetype, flat kutteskive
  - A --- slipematerial: brun korund
  - 24 --- kornstørrelse
  - R --- klasse eller hardhet
  - BF --- type binding
  - 80 --- maks driftshastighet m/s
4. Maks driftshastighet i meter per sekund
5. Maks tillatt hastighet på rotasjon i 1/min
6. For samsvarserklæringen skal slipeprodukt være merket med EN 12413
7. Symboler for bruksbegrensning og sikkerhetsadvarsel.
8. Sporingkode, f.eks. A produksjons/batch nummer, utløpsdato eller serienummer

#### GJENVÆRENDE RISIKO

Selv når maskinen brukes fullt ut i henhold til instruksene er det umulig å oppnå en fullstendig eliminering av gjenværende risikomomenter. Følgende farer kan oppstå ved bruk og operatøren bør være spesielt oppmerksom på å unngå/sikre følgende:

- Stabilitet. Sikre at verktøyet er stabilt. Ved behov, sikre det.
- Inhalering av støv. Bruk maske ved behov.
- Gnist og varme metallspint. Gnister og varme metallpartikler kan forårsake brann og hudforbrenninger. Bruk verneutstyr når du jobber.







- Øyeskader av metallsplint. Bruk øyebeskyttelse når du jobber.
- Hørselskader. Begrens eksponeringen og bruk adekvat hørselvern.

### KJENN DITT PRODUKT.

Se side 172.

1. Håndtak, isolert gripeoverflate
2. Utløsningsbryter
3. Topphåndtak
4. Spindellåseknepp
5. Kuttedybdejusteringsskrue
6. Kuttedybdelåsemutter
7. Smygmål
8. Skrunøkkel
9. Øvre bladbeskytter
10. Nedre bladbeskytter
11. Skjæreblad
12. Arbeidsklemme
13. Arbeidsklemme, låsespak
14. Arbeidsklemme, justeringsveiv
15. Gummifot
16. Saghodelåsekjede
17. Monteringshull
18. Karbonbørstelokk
19. Karbonbørste
20. Chipdeflektor
21. Gjærføringslåsespak

### BRUKERTIPS

#### GJÆRFØRINGSLÅSESPAK

Når gjærføringsringen er plassert nærmest saghodedreiningen, kan gjærføringslåsespaken forstyrre hoveddreiningen ved rotasjon. Gjenta låseprosessen ved å løfte og vikle tilbake spaken inntil gjærføringsringen er godt låst.

### VEDLIKEHOLD

- Ikke modifier produktet på noen måte eller bruk tilbehør som ikke er godkjent av produsenten. Din og andres sikkerhet vil kunne påvirkes negativt.
- Ikke bruk produktet hvis noen av bryterne, beskyttelsesutstyret eller andre funksjoner ikke virker som de skal. Oppsøk et autorisert servicesenter for profesjonelle reparasjoner eller justeringer.
- Det skal ikke foretas noen innstilling mens motoren går.
- Sørg alltid for at maskinens støpsel er trukket ut av strømkontakten før det skiftes børster, smøres eller foretas annet vedlikeholdsarbeid på maskinen.
- Etter hver gangs bruk må maskinen undersøkes for skader eller ødelagte deler og det må sørges for at maskinen holdes i god stand ved å reparere eller skifte deler umiddelbart etter at en skade er oppdaget.
- Påse at ventilasjonsåpningene holdes åpne, spesielt når det arbeides i støvete miljøer. Dersom det blir

nødvendig å fjerne støv må produktet koples fra det elektriske anlegget. Rengjør åpningene med en myk børste.

- Fjern oppsamlet støv.
- For å sørge for sikkerhet og driftssikkerhet må alle reparasjoner med unntak av eksternt tilgjengelige børster utføres ved et autorisert servicesenter.
- Hvis kabelen er skadet, få den skiftet ut av et godkjent serviceverksted for å unngå fare for ulykke.

### ⚠ ADVARSEL

For edre sikkerhet og pålitelighet skal alle reparasjoner utføres av et autorisert verksted.

### MILJØVERN



Resirkuler råmaterialer istedenfor å kaste dem i søppelen. Verktøyet, tilbehørene og emballasjen bør sorteres for miljøvennlig resirkulering.

### SYMBOL



Sikkerhetsalarm



CE samsvar



EurAsian Konformitetstegn.



Ukrainsk merke for konformitet



Les instruksjonene nøye før apparatet tas i bruk.



Class II-utstyr, dobbel isolering



Bruk hørselsvern



Bruk alltid øyebeskyttelse.



Ikke for våtsliping eller våtkutting



Ikke bruk sprukne eller på annen måte skadede slipehjul



Bruk sikkerhetshansker



Bruk støvmaske.



Utsett ikke for regn eller bruk på fuktige steder.



Avkuttingshjulets rotasjonsretning (vises på hjulbeskytteren)



Avfall fra elektriske produkter skal ikke kastes sammen med husholdningsavfall. Vennligst resirkulere vedeksisterende avfallsbehandlingssted. Undersøk hos dine lokale myndigheter eller forhandler for råd om resirkulering.

## **FARE**

Indikerer en umiddelbart farlig situasjon, som, dersom den ikke unngås, kan føre til alvorlig personskade eller død.

## **ADVARSEL**

Indikerer en potensiell farlig situasjon, som, dersom den ikke unngås, kan føre til alvorlig personskade eller død.

## **ADVARSEL**

Indikerer en potensiell farlig situasjon, som, dersom den ikke unngås, kan føre til mindre eller moderate skader.

## **ADVARSEL**

(Uten sikkerhetssymbol) Indikerer en situasjon som kan resultere i skader på eiendom.

## SYMBOLER I MANUALEN



Lås



Låse opp



Ventetid for at bladet skal nå full hastighet



Deler eller tilbehør solgt separat



Nb:



ADVARSEL

Følgende symboler og betydninger forklarer risikonivået som er assosiert med dette produktet.



В основе конструкции вашего отрезного станка лежат принципы безопасности, продуктивности и надежности.

### НАЗНАЧЕНИЕ

Отрезной станок предназначен для резки по металлу. Запрещается использовать для резки неметаллических материалов.

К работе с устройством допускаются совершеннолетние лица, ознакомившиеся с инструкцией по эксплуатации и осознающие связанные с этим риски и угрозы.

Инструмент фиксируется основанием на твердой поверхности. Если основание закреплено ненадежно, все устройство может двигаться во время резки, что повышает вероятность получения серьезных травм.

Изделие предназначено для выполнения наклонного и косого распила. Производительность по различным видам распила приводится в технических характеристиках изделия в настоящем руководстве.

Инструмент подлежит использованию в сухом помещении в условиях достаточного освещения и вентиляции.

Используйте данное изделие только по его прямому назначению в соответствии с данным руководством.

### ОСНОВНЫЕ УКАЗАНИЯ ПО ТЕХНИКЕ БЕЗОПАСНОСТИ ПРИ РАБОТЕ С ЭЛЕКТРОИНСТРУМЕНТОМ

#### ⚠ ОСТОРОЖНО

Прочтите все указания, инструкции, иллюстрации и спецификации, поставляемый с этим электроинструментом. Несоблюдение всех инструкций, указанных ниже, может привести к поражению электрическим током, пожару и / или серьезным травмам.

Сохраните все предупреждения и инструкции для дальнейшего использования. Термин «электроинструмент» в предупреждениях означает инструмент, работающий от электрической сети (проводной) или аккумулятора (беспроводной).

### БЕЗОПАСНОСТЬ НА РАБОЧЕМ МЕСТЕ

- Рабочий участок должен быть свободным и хорошо освещенным. Загромождение или плохое освещение рабочей зоны может привести к несчастным случаям.
- Не используйте электроинструменты во взрывоопасной среде, например, при наличии легковоспламеняющихся жидкостей, газов или пыли. В электрических устройствах могут образовываться искры, что может привести к воспламенению пыли или газа.
- Не допускайте присутствия детей и посторонних лиц при работе с электроинструментом. Отвлечение на посторонних лиц может привести к

потере контроля во время эксплуатации агрегата.

### ЭЛЕКТРОБЕЗОПАСНОСТЬ

- Вилки кабеля питания инструмента должны соответствовать используемой розетке. Не подвергайте вилку кабеля каким-либо изменениям. Не используйте какие-либо переходники с электроинструментами с заземляющим проводом. Использование оригинальных штепсельных вилок и соответствующих розеток предотвращает опасность поражения электрическим током.
- Не допускайте контакта частей тела с поверхностями заземленных предметов, например труб, радиаторов отопления, кухонных плит, холодильников. При соприкосновении частей тела человека с заземленными участками возрастает опасность поражения электрическим током.
- Не оставляйте электроинструменты под дождем или в условиях повышенной влажности. Попавшая внутрь электроинструмента вода увеличивает опасность поражения электрическим током.
- Не допускайте неправильного обращения с кабелем. Не используйте кабель для переноски, перемещения или отключения инструмента от сети питания. Не раскладываете кабель вблизи источников тепла, масла, острых предметов или подвижных элементов. Поврежденные или запутанные провода повышают опасность поражения электрическим током.
- При работе с электроинструментом вне помещений пользуйтесь удлинительным кабелем, предназначенным для наружного применения. Использование кабеля, предназначенного для наружного применения, снижает опасность поражения электрическим током.
- Если нет возможности избежать работы в условиях повышенной влажности, подключайте электроинструмент через устройство защитного отключения. При использовании устройства защитного отключения снижается опасность поражения электрическим током.

### ЛИЧНАЯ БЕЗОПАСНОСТЬ

- Будьте внимательны при работе с устройством и руководствуйтесь здравым смыслом. Не используйте агрегат в случае усталости или после принятия наркотиков, алкоголя или медицинских препаратов. Малейшая невнимательность при работе с электроинструментом может привести к серьезной травме.
- Использовать средства индивидуальной защиты. Всегда надевайте защитные очки. Такие средства защиты, как противопылевая маска, нескользящая обувь, жесткий головной убор и





средства защиты органов слуха, при использовании в соответствующих условиях позволят снизить риск получения травмы.

- **Не допускайте непреднамеренного запуска.** Перед подключением инструмента к источнику питания, заменой аккумуляторного блока, поднятием и переноской инструмента проверьте, чтобы переключатель находился в положении «выключено». При переноске электроинструментов с пальцем на переключателе или подаче питания к инструментам при переключателе в положении «вкл.» возможны несчастные случаи.
- **Перед включением электроинструмента уберите все регулировочные и гаечные ключи.** Гаечные или регулировочные ключи, оставленные на вращающихся частях электроинструмента, могут привести к телесному повреждению.
- **Не прикладывайте чрезмерных усилий.** Старайтесь сохранять устойчивость и подыскивайте твердую опору. Это обеспечивает лучшую управляемость электроинструментом в непредвиденных ситуациях.
- **Одевайтесь соответствующим образом.** Не надевайте одежду свободного покроя и украшения. Не допускайте попадания волос и одежды в подвижные детали. Свободная одежда, украшения и длинные волосы могут попасть в движущиеся части.
- **При наличии оборудования для соединения пылеуловителей и пылеотделителей обеспечьте его надлежащее подключение и эксплуатацию.** Пылеулавливание может снизить угрозы, связанные с образованием пыли.
- **Не нарушайте правила техники безопасности, даже несмотря на длительный опыт работы с инструментами.** небрежные действия могут за долю секунды привести к серьезной травме.

#### ЭКСПЛУАТАЦИЯ ЭЛЕКТРОИНСТРУМЕНТА И УХОД ЗА НИМ

- **Не увеличивайте скорость работы инструмента.** Правильно подбирайте инструмент для выполнения необходимой работы. Правильно подобранный инструмент лучше и безопаснее выполняет свою работу.
- **Не пользуйтесь электроинструментом, если выключатель не включается или не выключается.** Любой электроинструмент, не управляемый выключателем, представляет опасность и должен быть отремонтирован.
- **Перед регулировкой, заменой принадлежностей и помещением электроинструмента на хранение отсоедините вилку от источника питания и/или извлеките аккумуляторный блок (если это возможно).** Такие меры предосторожности снижают риск случайного пуска инструмента.
- **Храните неиспользуемые электроинструменты**

в месте, недоступном для детей, а также не допускайте к использованию данного инструмента лиц, не знакомых с его работой или не ознакомленных с данными данными инструкциями. Использование электроинструментов лицами, не подготовленными к работе с подобными электроинструментами, может стать причиной создания опасных ситуаций.

- **Электроинструменты и принадлежности необходимо обслуживать.** Проверьте инструмент на предмет наличия перекоса или заклинивания движущихся частей, дефектов компонентов или наличия иных условий, которые могут отразиться на его работе. При повреждении изделия перед его дальнейшим использованием следует выполнить техническое обслуживание. Большое количество несчастных случаев происходит из-за ненадлежащего технического обслуживания изделий.
- **Поддерживайте режущие инструменты в заточенном и чистом виде.** Режущие инструменты в надлежащем состоянии, с острыми кромками менее подвержены застреванию и более управляемы.
- **Используйте инструмент, принадлежности, наконечники и др. в соответствии с данными инструкциями, учитывая условия и характер работы.** Использование данного электроинструмента не по назначению может создать опасную ситуацию.
- **Поддерживайте захватные поверхности в сухом, чистом виде, без масла и смазки.** Скользкие рукояти и захватные поверхности не дают возможности контролировать инструмент в нестандартных ситуациях.

#### ОБСЛУЖИВАНИЕ

- **Техническое обслуживание и ремонт электроинструмента должен выполнять только квалифицированный специалист с использованием взаимозаменяемых запасных частей.** Это обеспечит нормальное техническое состояние устройства.

#### ТРЕБОВАНИЯ ТЕХНИКИ БЕЗОПАСНОСТИ ПРИ РАБОТЕ С ОТРЕЗНОЙ ПИЛОЙ

- **Не находитесь сами и не позволяйте другим находиться около плоскости вращения круга.** Защитный экран предназначен для защиты оператора от разлета осколков и случайного контакта с кругом.
- **Применяйте только усиленные отрезные круги.** Просто потому, что аксессуар может быть подключен к вашей власти инструмент, он не обеспечивает безопасную эксплуатацию.
- **Номинальная скорость аксессуара должен быть по меньшей мере равной максимальной**



скорости отмечается электроинструмента. Аксессуар работает быстрее, чем их номинальная скорость может привести к поломке и развалится.

- **Круги должны использоваться только для рекомендуемого применения.** Например, не допускается шлифование боковыми поверхностями отрезного круга. Абразивные отрезные круги предназначаются для работы периферией круга, боковые силы, возникающие при такой работе, могут привести к обламыванию краев.
- **Не допускается использование кругов с поврежденным гребнем, всегда используйте круги, подходящие по диаметру.** Соответствующие рубашки дисков поддерживают диски, препятствуя их разрушению.
- **Наружный диаметр и толщина ваших аксессуаров должна быть в пределах возможностей рейтинг вашего электроинструмента.** Неправильно размера принадлежности не может быть адекватно охраняется или контролировать.
- **Размер внутреннего отверстия дисков и фланцев должен точно соответствовать размеру шпинделя электроинструмента.** Диски и фланцы с отверстиями, размеры которых не в точности соответствуют деталям электроинструмента, будут несбалансированы, что вызывает сильную вибрацию и может привести к потере управления.
- **Не используйте поврежденные диски.** Перед каждым использованием следует осмотреть диски на предмет сколов и трещин. Если электроинструмент или диск упал, убедитесь в отсутствии повреждений и при необходимости установите другой диск. После проверки и установки диска встаньте в стороне от плоскости вращения диска и запустите электроинструмент на максимальной скорости без нагрузки в течение одной минуты. Поврежденные диски обычно разламываются на части во время этого испытания.
- **Использовать средства индивидуальной защиты.** В зависимости от приложения, используйте маску, защитные очки или защитные очки. В случае необходимости надевайте маску от пыли, защитными наушниками, перчатки и фартук семинар, способных остановить малых абразивные или заготовки фрагментов. Для защиты глаз должны быть в состоянии остановить полеты мусора в различных операций. Респиратор или противогаз должен быть способен фильтрации частиц, созданных на операцию. Длительное воздействие высокой интенсивности шума может привести к потере слуха.
- **Держите проход на безопасном расстоянии от рабочей области.** Лица, которые прибывают области работы должны носить средства индивидуальной защиты. Фрагменты заготовки или сломанный диск могут вылететь и причинить травму за пределами непосредственной рабочей зоны.

- **Позиция шнур подальше от вращающегося устройства.** В случае потери контроля шнур может быть перерезан или зацеплен, и ваша рука может быть затянута под вращающийся диск.
- **Регулярно очищайте воздушные силы инструмента отверстия.** Вентилятор двигателя будет опираться пыли внутри корпуса и чрезмерное накопление сухого металла может привести к опасности поражения электрическим током.
- **Не работайте с электроинструментом вблизи легковоспламеняющихся материалов.** Запрещается работать с электроинструментом на возгораемых поверхностях, например, выполненных из дерева. Искры могут воспалить эти материалы.
- **Не используйте аксессуары, которые требуют жидких хладагентов.** Использование воды или других жидких хладагентов может привести к поражению электрическим током или удара.

#### МЕРЫ ПРЕДОСТОРОЖНОСТИ, СВЯЗАННЫЕ С ОТСКОКОМ ИНСТРУМЕНТА

Обратный удар является внезапной реакцией на зацепление или застревание вращающегося диска. В случае застревания или заклинивания происходит резкое блокирование вращающегося круга, что, в свою очередь, приводит к бесконтрольному смещению режущего блока в сторону оператора.

Например, заклинивание отрезного круга в заготовке и зажим кромки круга в зоне заземления, может привести к резкому отскоку инструмента. Абразивные круги могут сломать и в этих условиях.

Отдача является результатом злоупотребления властью инструмента и/или неправильных оперативных процедур или условий, и ее можно избежать путем принятия надлежащих мер предосторожности, которые приводятся ниже.

- **Поддерживайте крепко электроинструмент и положение тела и рук, чтобы вас не поддаваться отдачи сил.** Оператор может контролировать вертикальную отдачу при условии принятия надлежащих мер предосторожности.
- **Не располагайте ваше тело на одной линии с вращающимся диском.** В момент отдачи режущий блок смещается вверх на оператора.
- **Не прикрепляйте пильную цепь, лезвие для резбы по дереву, сегментированный алмазный диск с периферийным зором более 10 мм или мелкозубое пильное полотно.** Такие лопасти создают частые отдачи и потери контроля.
- **Не «давите» слишком сильно на диск.** Не делайте разрезы чрезмерной глубины. Перенапряжение режущего диска увеличивает нагрузку и подвергает его скручиванию или защемлению диска в разрезе, что может привести к отскоку или повреждению диска.
- **При застревании или иной остановке круга отключите электроинструмент и удерживайте**





режущий блок неподвижно до полной остановки круга. Никогда не пытайтесь извлечь диск из разреза, пока диск вращается, в противном случае может произойти обратный удар. Расследовать и принять меры по исправлению положения, чтобы устранить причину колеса обязательным.

- Не возобновляйте резание, если круг находится в заготовке. Дождитесь, пока диск не наберет полную скорость, и осторожно вводите круг в обрабатываемую деталь. Если электроинструмент повторно запускается, когда отрезной круг находится в заготовке, то круг может заклинить, податься на оператора или отскочить.
- Обеспечьте поддержку крупной обрабатываемой детали, чтобы минимизировать риск заклинивания и отдачи. Большие заготовки могут прогнуться под собственным весом. Опоры следует размещать под панелью, рядом с линией пропила и ближе к краю панели с обеих сторон круга.

#### ДОПОЛНИТЕЛЬНЫЕ ПРЕДУПРЕЖДЕНИЯ ПО ТЕХНИКЕ БЕЗОПАСНОСТИ

- Убедитесь в том, чтобы изделие всегда находилось на стабильной и ровной поверхности.
- При работе с данным устройством всегда используйте средства защиты органов зрения и слуха.
- Используйте личные средства защиты, такие как противопылевые респираторы, перчатки и фартуки.
- Если существует опасность падения предметов, надевайте каску или средства для защиты головы.
- Перед использованием убедитесь, что абразивный отрезной круг правильно установлен и закреплен, запустите инструмент без нагрузки на 30 секунд в безопасном положении, немедленно остановите и замените отрезной круг при обнаружении значительной вибрации.
- Перед выполнением реза убедитесь, что все настройки выполнены правильно.
- Перед всеми регулировками отключите инструмент от сети питания. Если не отключить инструмент от электросети, может произойти его случайный запуск и привести к тяжким телесным повреждениям.
- Во избежание случайного запуска, при котором возможны тяжкие телесные повреждения, соберите все детали инструмента перед его подключением к сети питания.
- Всегда следует отключать инструмент от сети питания при монтаже деталей, регулировке, установке и извлечении отрезных кругов, а также во время перерывов в работе.
- Перед использованием визуально осмотрите абразивный круг. Проверьте круг на наличие разрывов и трещин. Не пользуйтесь поврежденными абразивными кругами.
- Не используйте пыльные полотна.
- Никогда не используйте слишком толстый отрезной круг, чтобы внешний фланец совпал с фасками шпинделя. Режущие круги большого диаметра будут задевать за ограждение круга, а круги большей, чем требуется, толщины могут помешать креплению диска на шпинделе болтом крепления. Любая из этих ситуаций может стать причиной несчастного случая и в результате этого серьезного травмирования.
- Не снимайте дисковые защитные приспособления. Никогда не работайте с данным станком со снятыми защитными приспособлениями или крышками. Каждый раз перед началом работы убедитесь в том, что все защитные приспособления функционируют надлежащим образом.
- Не запускайте отрезной станок, не устранив препятствия между кругом и рабочим столом станка. Если при работе инструмента круг соприкоснется с основанием, он может получить повреждение.
- Не пытайтесь разрезать данным инструментом деревянные или каменные детали. Не пытайтесь резать магний или магниевые сплавы с помощью данного станка.
- Не перетягивайте отрезной круг, так как это может привести к образованию трещин.
- В начале разрезания поднесите абразивный круг к обрабатываемой заготовке с осторожностью. При резком ударе круг может сломаться.
- Одновременно допускается резка только одной заготовки. Не укладывайте на стол для резки одновременно более одной заготовки.
- Во избежание опрокидывания инструмента при работе с длинными заготовками используйте опору.
- При резке стали образуются искры. Не пользуйтесь данным инструментом вблизи взрывоопасных и легковоспламеняющихся материалов.
- Никогда не оставляйте инструмент работающим без присмотра. Не оставляйте инструмент до его полного останова. Колесо продолжает вращаться после выключения изделия.
- Перед извлечением абразивного круга из заготовки отпустите выключатель питания и дождитесь полной остановки вращения круга.
- Не допускайте попадания рук в область резки. Не допускайте попадания частей тела в область вращения круга. Не допускайте попадания частей тела под заготовку, круг или в зону его вращения при работе инструмента. Не пытайтесь убрать разрезаемый материал, пока круг вращается.
- Никогда не стойте сами и не допускайте попадания частей тела в зону вращающегося отрезного круга.
- Никогда не вставляйте на инструмент. При опрокидывании инструмента или случайном прикосновении к вращающемуся отрезному кругу существует опасность телесных повреждений.



- Не выполняйте ни одной операции без использования вспомогательных средств. При обработке всегда закрепляйте заготовку в тисках. См. таблицу спецификаций, чтобы узнать безопасный минимальный размер заготовки. Обязательно убедитесь, что тиски захватывают 80 мм для обеспечения безопасности при шлифовании.
- Никогда не придерживайте заготовку рукой. В процессе резки заготовка сильно нагревается.
- Резкое увеличение нагрузки приводит к флуктуации напряжения, что может повлиять на работу других электроприборов, подключенных к данной линии питания. Подключите устройство к источнику питания с полным сопротивлением, равным 0,233 Ω, для минимизации колебаний напряжения. За подробными разъяснениями обращайтесь к поставщику электроэнергии.
- Рекомендуем использовать устройство защитного отключения, значение остаточного тока которого не превышает 30 мА.

**Мы рекомендуем использовать металлорежущий диск COSB355A1 для замены в случае, если вам нужен новый диск.**

#### ПРЕДУПРЕЖДЕНИЯ ОТНОСИТЕЛЬНО БЕЗОПАСНОЙ УСТАНОВКИ АБРАЗИВНОГО КРУГА

- **Перед началом использования абразивного круга, чтобы уменьшить риск получения травм, пользователь должен прочесть и соблюсти инструкции, предупреждения и руководства пользователя. Несоблюдение данных предупреждений может привести к поломке круга и к тяжелым травмам. Сохраните данные инструкции.**
- Использование круга, не рекомендованного в руководстве по эксплуатации, может представлять опасность и привести к случайным травмам. Используйте исключительно те абразивные круги, которые имеют пометку о равной или большей скорости вращения, нежели чем указано для инструмента.
- Никогда не используйте абразивный круг, если он слишком толстый, так как он затруднит внешней кромке прийти в зацепление с поверхностью шпинделя. Режущие круги большего диаметра будут задевать за ограждение круга, а круги большей, чем требуется, толщины могут помешать креплению диска на шпинделе болтом крепления. Любая из этих ситуаций может стать причиной несчастного случая и в результате этого серьезного травмирования.
- Абразивный круг предназначен только для резки черных металлов. Не пытайтесь резать дерево или кирпичную кладку с помощью абразивного круга. Никогда не режьте магний или магниевые сплавы с помощью абразивного круга.
- Абразивный круг подходит только для резания без

СОЖ. Абразивный круг должен использоваться до истечения срока его эксплуатации (см. фабричную маркировку, например, 11/2021).

- Не используйте абразивные круги с повреждениями. Не пользуйтесь кругами, если на них имеются сколы, трещины или изъяны.
- Перед использованием убедитесь, что абразивный отрезной круг правильно установлен и затянут.
- Направление вращения абразивного круга указано на инструменте. При установке и смене абразивного круга проверьте, чтобы отметка о направлении вращения на круге соответствовала направлению, указанному на инструменте.
- Не затягивайте абразивный круг слишком сильно, так как это может привести к появлению трещин.
- Никогда не подключайте данный инструмент к источнику питания при установке или снятии абразивного круга.
- Аккуратно храните запасные абразивные диски, они могут легко повредиться.

#### Информация доступная на маркировке абразивного круга

Информация на маркировке круга очень важна. Прочитайте ее и внимательно проверьте маркировку, чтобы убедиться в выборе правильного диска.

1. Производитель, поставщик, импортер или заводская марка
2. Номинальные размеры абразивного круга, в частности, размер отверстия
3. Номинальные размеры абразивного круга, в частности, размер отверстия
  - 41A24RBF80
  - 41 --- тип абразивного материала, плоский отрезной круг
  - A --- абразивный материал: коричневый корунд
  - 24 --- размер зерна
  - R --- класс или степень жесткости
  - BF --- тип соединения
  - 80 --- максимальная рабочая скорость м/с
4. Максимальная рабочая скорость в метрах в секунду
5. Максимальная допустимая скорость вращения в об/мин
6. В соответствии с декларацией о соответствии абразивные продукты должны иметь маркировку EN 12413
7. Ограничения в использовании и символы предупреждений относительно безопасности
8. Код прослеживаемости, например, номер партии/производства, дата истечения срока эксплуатации или серийный номер

#### ОСТАТОЧНЫЕ РИСКИ

Даже если станок используется в соответствии с предписаниями, все равно невозможно полностью устранить определенные факторы остаточных рисков. Следующие опасности могут возникнуть во время его



использования, и во избежание их рабочий должен обратить особое внимание на следующее:

- Устойчивость. Проверка прочного положения инструмента. При необходимости инструмент нужно закрепить.
- Вдыхание пыли. При необходимости следует надеть респиратор.
- Искры и частицы горячего металла. Искры и частицы горячего металла могут привести к пожару и ожогам кожи. Во время использования следует носить защитную одежду.
- Глазные травмы от частиц металла. При работе следует надевать средства защиты глаз.
- Поражение слуха. Не следует оголять части тела, следует носить соответствующие средства защиты органов слуха.

### ИЗУЧИТЕ ИЗДЕЛИЕ

Стр 172.

1. Ручка, изолированная поверхность захвата
2. Триггерный переключатель
3. Верхняя ручка
4. Блокировка шпинделя кнопки
5. Винт регулировки глубины пропила
6. Стопорная гайка регулировки глубины пропила
7. Наклонная направляющая
8. Гаечный ключ
9. Верхняя охранник
10. Нижняя охранник
11. Отрезной диск
12. Зажим обрабатываемой детали
13. Рычаг блокировки зажима обрабатываемой детали
14. Рукоять регулировки зажима обрабатываемой детали
15. Резиновая ножка
16. Цепь блокировки головки пильной шины
17. Монтажное отверстие
18. Крышка отсека для графитовой щетки
19. Угольная щетка
20. Стружкоотражатель
21. Торцевой запорный рычаг

### СОВЕТЫ ПО ЭКСПЛУАТАЦИИ

#### ТОРЦЕВОЙ ЗАПОРНЫЙ РЫЧАГ

Когда торцевая направляющая размещается максимально близко от шарнира головки пильной шины, при вращении рычаг блокировки торцевой направляющей может соприкоснуться с шарниром головки. Выполните блокировку повторно, подняв и отведя рычаг до надежной блокировки торцевой направляющей.

### ТЕХНИЧЕСКОЕ ОБСЛУЖИВАНИЕ

- Запрещается каким-либо образом изменять конструкцию изделия или использовать аксессуары,

не рекомендованные производителем. Ваша безопасность и безопасность других людей может быть нарушена.

- Не используйте изделие, если выключатели, защитные приспособления или другие компоненты не функционируют должным образом. обратитесь в авторизованный сервисный центр для ремонта или регулировки.
- Не следует вносить корректировки в то время как двигатель находится в движении.
- Перед заменой щеток, смазкой, выполнением каких-либо работ на станке или его техническим обслуживанием всегда вынимайте вилку кабеля питания станка из розетки сети питания.
- После каждого использования проверяйте станок на наличие повреждений или вышедших из строя деталей и незамедлительно производите их ремонт и замену, чтобы обеспечить наилучшее рабочее состояние станка.
- Следите за тем, чтобы вентиляционные отверстия всегда были свободными, особенно при работе в пыльных условиях. Если необходимо осуществить очистку от пыли, отключите изделие от источника питания. Очистите отверстия, используя мягкую кисть.
- Удалите скопившуюся пыль.
- В целях обеспечения безопасности и надежности все ремонтные работы, за исключением работы со щетками, к которым возможен доступ снаружи, должны производиться специалистами авторизованного сервисного центра.
- Во избежание несчастных случаев меняйте поврежденные сетевые шнуры только в фирменном центре технического обслуживания.

### ⚠ ОСТОРОЖНО

Для большей безопасности и надежности все ремонтные работы должны проводиться авторизованным сервисным центром.

### ЗАЩИТА ОКРУЖАЮЩЕЙ СРЕДЫ



Утилизируйте как сырье, а не выбрасывайте как мусор. Машина, аксессуары и упаковка должны быть отсортированы.

### СИМВОЛ



Внимание







Соответствие требованиям CE

Знак Евразийского Соответствия  
Сертификат Соответствия  
№ TC RU C-DE.AE61.B.06625  
Срок действия Сертификата  
Соответствия По 17.09.2020  
АНО Экспертизы и контроля качества –  
Центр сертификации «Евро-Тест»  
109147 РФ, город Москва,  
улица Малая Калитниковская дом 7



Украинский знак стандартизации



Внимательно прочтите данные инструкции  
перед использованием продукта.



Оборудование класса II, двойная изоляция



Применяйте средства защиты органов  
слуха



Всегда надевайте защитные очки.



Не предназначено для шлифования или  
резки с охлаждением



Не используйте бракованные  
шлифовальные диски или диски со  
сколами или трещинами



Надевайте защитные перчатки



Надевайте пылезащитную маску.



Не оставляйте под дождем или во  
влажных местах.



Направление вращения отрезного круга  
(показано на предохранительном щитке)



Отработанная электротехническая  
продукция должна уничтожаться вместе  
с бытовыми отходами. Утилизируйте,  
если имеется специальное техническое  
оборудование. По вопросам утилизации  
проконсультируйтесь с местным органом  
власти или предприятием розничной  
торговли.

## ОБОЗНАЧЕНИЯ В РУКОВОДСТВЕ



Зафиксировать



Расцепить



Время достижения диском полной  
скорости



Детали или принадлежности,  
приобретаемые отдельно



Примечание:



ОСТОРОЖНО

Следующие сигнальные слова и значения  
предназначены, чтобы объяснить уровни риска,  
связанного с этим изделием.

### ⚠ ОПАСНО

Указывает на потенциально опасную ситуацию,  
которая, если ее не избежать, приведет к летальному  
исходу или серьезной травме.

### ⚠ ОСТОРОЖНО

Указывает на потенциально опасную ситуацию,  
которая, если ее не избежать, может привести к  
летальному исходу или серьезной травме.

### ⚠ ВНИМАНИЕ

Указывает на потенциально опасную ситуацию,  
которая, если ее не избежать, может привести к травме  
легкой или средней тяжести.

### ВНИМАНИЕ

(Без Символа Тревоги Безопасности) Указывает  
ситуацию, которая может кончаться повреждением  
собственности.

**Транспортировка:**

Категорически не допускается падение и любые механические воздействия на упаковку при транспортировке.

При разгрузке/погрузке не допускается использование любого вида техники, работающей по принципу зажима упаковки.

**Хранение:**

Необходимо хранить в сухом месте.

Необходимо хранить вдали от источников повышенных температур и воздействия солнечных лучей.

При хранении необходимо избегать резкого перепада температур.

Хранение без упаковки не допускается.

**Срок службы изделия:**

Срок службы изделия составляет 5 лет.

Не рекомендуется к эксплуатации по истечении 5 лет хранения с даты изготовления без предварительной проверки.

**Дата изготовления** (код даты) отштампован на поверхности корпуса изделия.

Пример:

W17 Y2015, где Y2015 - год изготовления

W17 – неделя изготовления

Определить месяц изготовления можно согласно приведенной ниже таблице, на примере 2015 года.

**Обратите внимание!** Количество недель в месяце различается от года в год.

Месяц	Январь	Февраль	Март	Апрель	Май	Июнь	Июль	Август	Сентябрь	Октябрь	Ноябрь	Декабрь	Год
Неделя	01	05	09	14	18	22	27	31	36	40	44	49	2015
	02	06	10	15	19	23	28	32	37	41	45	50	
	03	07	11	16	20	24	29	33	38	42	46	51	
	04	08	12	17	21	25	30	34	39	43	47	52	
	05	09	13	18	22	26	31	35	40	44	48	53	
		14			27								



Bezpieczeństwo, efektywność i niezawodność były czynnikami o najwyższym priorytecie w trakcie projektowania Państwa odcinarki.

### PRZEZNACZENIE

Odcinarka przeznaczona jest do cięcia przedmiotów metalowych. Nie stosować do cięcia przedmiotów niewykonyanych z metalu.

Produkt przeznaczony jest dla dorosłych operatorów, którzy zapoznali się z instrukcją obsługi oraz rozumieją źródła ryzyka i zagrożenia.

Podstawę produktu należy przymocować do mocnego blatu stołu. Jeśli podstawa nie jest dobrze zamocowana, cała maszyna może poruszyć się podczas cięcia, co zwiększa ryzyko poważnych urazów ciała.

Produkt przeznaczony jest do wykonywania cięć ukośnych i fazowań. Parametry poszczególnych cięć zamieszczono w specyfikacji produktu w tej instrukcji.

Produktu należy używać w miejscu suchym, doskonale oświetlonym i wystarczająco wentylowanym.

Produkt jest przeznaczony do zastosowań konsumenckich i powinien być używany wyłącznie zgodnie z wyżej podaną instrukcją; produkt nie jest przeznaczony do żadnego innego celu.

### OGÓLNE ZASADY BEZPIECZEŃSTWA DOTYCZĄCE URZĄDZEŃ ELEKTRYCZNYCH

#### ⚠ OSTRZEŻENIE

Prosimy o uważne zapoznanie się z ostrzeżeniami, instrukcjami i specyfikacjami dostarczonymi z tym narzędziem oraz z zawartymi w nich ilustracjami. Nie przestrzeganie przedstawionych niżej zaleceń mogłoby pociągnąć za sobą wypadki takie jak pożary, porażenia prądem elektrycznym i /lub poważne obrażenia ciała.

Zachowaj wszystkie ostrzeżenia i instrukcje do wykorzystania w przyszłości. Określenie „elektronarzędzie” w ostrzeżeniach oznacza zasilane z sieci (przewodowe) elektronarzędzie lub zasilane akumulatorem (beprzewodowe) elektronarzędzie.

### BEZPIECZEŃSTWO MIEJSCA PRACY

- **Miejsce pracy musi być utrzymywane w czystości i dobrze oświetlone.** „Zagracone” i słabo oświetlone miejsca pracy to częsta przyczyna wypadków.
- **Nie używać elektronarzędzi w atmosferze wybuchowej, np. w obecności łatwopalnych cieczy, gazów i pyłów.** Elektronarzędzia wytwarzają iskry, co może spowodować zapłon pyłu lub oparów.
- **Podczas używania narzędzi elektrycznych należy utrzymywać osoby postronne i dzieci z dala od miejsca pracy.** Utrata koncentracji może spowodować utratę kontroli nad urządzeniem.

### BEZPIECZEŃSTWO ELEKTRYCZNE

- **Wtyczki zasilania elektronarzędzi muszą pasować do gniazd sieciowych. Nie wolno modyfikować wtyczek w żaden sposób. Nie wolno używać żadnych przejściówek do podłączania elektronarzędzi posiadających przewód zasilania z uziemieniem.** Stosowanie oryginalnych wtyczek i dopasowanych gniazd sieciowych zmniejsza ryzyko porażenia prądem.
- **Unikać kontaktu ciała z ziemią lub uziemioną powierzchnią (rury, instalacje grzewcze i chłodnicze).** Kontakt ciała z masą lub uziemieniem zwiększa ryzyko porażenia prądem.
- **Nie narażać elektronarzędzi na działanie deszczu lub wody.** Woda dostająca się do elektronarzędzia stwarza zagrożenie porażenia prądem.
- **Nie rozciągać nadmiernie przewodu. Nie wolno używać przewodu zasilania do przenoszenia, ciągnięcia urządzenia lub jego odłączania z gniazda sieciowego.** Przewód zasilania należy trzymać z dala od oleju, ostrych krawędzi lub ruchomych części. Uszkodzony lub zaplątany przewód elektryczny zwiększa ryzyko porażenia prądem.
- **W przypadku używania urządzenia na zewnątrz, ewentualne przedłużacze muszą być do tego przystosowane.** Zastosowanie przedłużacza przystosowanego do warunków zewnętrznych zmniejsza ryzyko porażenia prądem.
- **Jeśli nie można uniknąć użytkowania urządzenia elektrycznego w warunkach wilgotnych, należy je zasilac z obwodu zabezpieczonego wyłącznikiem różnicowo-prądowym (RCD).** Zastosowanie takiego wyłącznika pozwala zmniejszyć ryzyko porażenia prądem elektrycznym.

### BEZPIECZEŃSTWO OSOBISTE

- **Należy obserwować miejsce pracy, skupić się na wykonywanych czynnościach i rozsądnie obchodzić się z narzędziem. Nie używać tego narzędzia w stanie zmęczenia, będąc pod wpływem narkotyków, alkoholu lub leków.** Chwila nieuwagi podczas obsługi elektronarzędzi może spowodować poważne obrażenia ciała.
- **Stosować środki ochrony osobistej. Zawsze nosić okulary ochronne.** Zastosowanie w odpowiednich warunkach sprzętu ochronnego, takiego jak maska przeciwpyłowa, bezpieczne buty antypoślizgowe, kask czy ochronniki słuchu, umożliwiają zapobieżenie obrażeniom.
- **Unikać możliwości przypadkowego uruchomienia urządzenia. Przed podłączeniem do źródła zasilania i/lub akumulatora bądź przystąpieniem do podnoszenia lub przenoszenia produktu upewnić się, że wyłącznik znajduje się w położeniu oznaczającym wyłączenie.** Przenoszenie produktów z napędem z palcem na przełączniku bądź podłączanie do zasilania produktów z przełącznikiem ustawionym w położeniu oznaczającym włączenie zwiększa



prawdopodobieństwo wypadków.

- **Usunąć wszelkie narzędzia i klucze przed włączeniem zasilania.** Uruchomienie urządzenia z kluczem lub innym narzędziem założonym na ruchomym elemencie grozi poważnym wypadkiem.
- **Nie sięgać zbyt daleko. Należy cały czas pewnie opierać stopy i utrzymywać równowagę.** Zapewni to lepsze panowanie nad urządzeniem w nieprzewidzianych sytuacjach.
- **Należy zakładać odpowiednią odzież ochronną. Nie zakładać luźnego ubioru ani biżuterii. Włosy i luźne fragmenty odzieży należy trzymać z dala od ruchomych części.** Luźna odzież, biżuteria lub długie włosy mogą zostać wciągnięte przez ruchome części.
- **Jeśli zapewniony został osprzęt do odprowadzania pyłu, należy upewnić się, że jest on podłączony i należyście stosowany.** Zastosowanie odprowadzenia pyłu może ograniczyć zagrożenia związane z pyłem.
- **Nie należy dopuszczać do tego, aby wcześniejsza znajomość obsługi podobnych narzędzi doprowadziła do ignorowania zasad bezpiecznego posługiwania się narzędziem.** Nieostrożne postępowanie może w ułamku sekundy doprowadzić do poważnych obrażeń.

#### UŻYTKOWANIE I KONSERWACJA URZĄDZEŃ ELEKTRYCZNYCH

- **Nie używać siły podczas obsługi narzędzia. Należy stosować odpowiedni produkt do danego zastosowania.** Odpowiedni produkt będzie najwydajniejszy i najbezpieczniejszy w obsłudze, jeśli będzie używany zgodnie z przeznaczeniem.
- **Nie wolno używać tego urządzenia, jeśli wyłącznik nie pracuje poprawnie.** Używanie urządzenia bez sprawnego wyłącznika jest zbyt niebezpieczne – należy oddać je do naprawy.
- **Przed przystąpieniem do regulacji lub wymiany akcesoriów bądź przed rozpoczęciem przechowywania należy odłączyć wtyczkę od źródła zasilania i/lub (o ile jest to możliwe) odłączyć akumulator od narzędzia z napędem.** Takie zapobiegawcze środki ostrożności ograniczają zagrożenie przypadkowym włączeniem produktu.
- **Nie używane urządzenia należy przechowywać poza zasięgiem dzieci. Nie wolno zezwalać osobom nie obeznanym z obsługą urządzeń elektrycznych na ich używanie.** Urządzenia elektryczne mogą być niebezpieczne w rękach osób nie posiadających odpowiedniego przygotowania.
- **Narzędzia z napędem i akcesoria należy utrzymywać w dobrym stanie technicznym. Sprawdzić, czy ruchome części są dobrze dopasowane i zamocowane, czy nie są uszkodzone. Należy również uwzględnić inne okoliczności, które mogą mieć wpływ na pracę narzędzia. W razie uszkodzenia przed kolejnym uruchomieniem należy przeprowadzić czynności naprawcze narzędzia.** Wiele wypadków jest spowodowanych

przez nieprawidłowo serwisowane narzędzia.

- **Należy dbać o to, aby narzędzia tnące były zawsze ostre i czyste.** Należy je konserwować i naostrzone narzędzia tnące rzadziej się zakleszczają, a ponadto zapewniają lepszą kontrolę.
- **Używać produktu, akcesoriów, narzędzi itp. zgodnie z niniejszymi zaleceniami, uwzględniając warunki pracy oraz charakter zadań do wykonania.** Używanie narzędzi w sposób niezgodny z ich przeznaczeniem jest niebezpieczne.
- **Należy dbać o to, aby uchwyty i powierzchnie chwytne były zawsze suche, czyste i niezatłuszczone.** Śliskie uchwyty i powierzchnie chwytne nie umożliwiają bezpiecznego manipulowania narzędziami i kontrolowania go w nieoczekiwanych sytuacjach.

#### SERWIS

- **Urządzenie elektryczne powinno być naprawiane przez wykwalifikowany personel, z zastosowaniem identycznych części zamiennych.** Dzięki temu zapewnione będzie bezpieczeństwo użytkownika urządzenia.

#### OBCINARKA – OSTRZEŻENIA DOTYCZĄCE BEZPIECZEŃSTWA

- **Operator ani inne osoby nie mogą znajdować się na linii obrotów tarczy.** Osłona pomaga chronić operatora przed fragmentami pękniętej tarczy i przypadkowym kontaktem z tarczą.
- **Do cięcia za pomocą nabytego narzędzia z napędem należy używać wyłącznie przecinaków ściernych wzmocnionych włóknem szklanym.** Nawet jeżeli da się zamontować jakąś przystawkę na narzędziu, nie oznacza to, że można bezpiecznie używać narzędzia z tą przystawką.
- **Prędkość znamionowa przystawki powinna być równa lub większa od prędkości maksymalnej oznaczonej na narzędziu.** Przystawki (akcesoria) funkcjonujące przy prędkości większej od ich prędkości znamionowej, mogą się połamać i zostać odrzucone.
- **Tarczy należy używać wyłącznie do zalecanych zastosowań. Przykładowo, nie należy szlifować boczną powierzchnią tarczy tnącej.** Tarcze przeznaczone do szlifowania obwodowego; siły boczne oddziałujące na tarcze mogą spowodować ich zniszczenie.
- **Należy używać wyłącznie nieuszkodzonych kołnierzy tarczy, które są przystosowane do współpracy z tarczami o odpowiedniej średnicy.** Odpowiedni kołnierz tarczy podpira ją, zmniejszając ryzyko pęknięcia tarczy.
- **Średnica zewnętrzna i grubość akcesoria powinny odpowiadać charakterystyce podanej dla narzędzia.** Jeżeli akcesoria nie są zgodne z podaną charakterystyką, systemy zabezpieczenia i ustawiania narzędzia nie będą nalezyście funkcjonowały.





- **Tarcza musi mieć odpowiednią średnicę i jej kolnierz musi dobrze przylegać do wrzeciona elektronarzędzia.** Tarcze i kolnierze z otworami nieprzylegającymi dobrze do wrzeciona elektronarzędzia będą źle wyważone, wpadną w nadmierne wibracje i mogą spowodować utratę kontroli nad narzędziem.
- **Nie wolno używać uszkodzonych tarczy.** Przed każdym użyciem należy sprawdzić, czy tarcze nie są wyszczerbione lub pęknięte. W przypadku upuszczenia elektronarzędzia lub tarczy należy sprawdzić, czy urządzenie nie zostało uszkodzone lub zamontować sprawną tarczę. Po sprawdzeniu i zamontowaniu tarczy należy usunąć się oraz inne osoby z linii obrotu tarczy i uruchomić elektronarzędzie na pełnych obrotach bez obciążenia na jedną minutę. Uszkodzone tarcze podczas takiego testu z reguły rozpadną się.
- **Stosować środki ochrony osobistej.** W zależności od tego do czego używacie wasze narzędzie, załóżcie maskę zabezpieczającą, lub okulary zabezpieczające. W razie potrzeby, załóżcie maskę przeciwpyłową, ochronniki słuchu, rękawice i fartuch ochronny, które zabezpieczają przed odrzutem ciał obcych (opiłki, wióry, itd.). Okulary ochronne umożliwiają uniknąć skaleczenia oczu spowodowanego odrzutem odpadów. Maski przeciwpyłowe służą do filtrowania mikroskopijnych cząstek wydzielających się podczas wykonywanych prac. Wystawienie na wysoki poziom hałasu, może spowodować utratę słuchu.
- **Wszystkie osoby wizytujące powinny nosić wyposażenie ochronne i zostawać w odpowiedniej odległości od strefy roboczej.** Każdy, kto wchodzi do strefy roboczej musi nosić sprzęt ochrony osobistej. Fragmenty obrabianego materiału lub uszkodzonej tarczy mogą odskoczyć i spowodować obrażenia ciała osób znajdujących się z dala od pracującego urządzenia.
- **Należy umieścić przewód zasilający w taki sposób, by nie stykał się z obracającymi się akcesoriami.** W przypadku utraty kontroli może dojść do przecięcia lub naruszenia przewodu i może dojść do wciągnięcia dłoni lub ręki przez obracającą się tarczę.
- **Należy regularnie czyścić szczeliny wentylacyjne narzędzia.** Wentylacja silnika wprowadza kurz do wewnątrz obudowy silnika, co może być przyczyną nadmiernego nagromadzenia cząstek stałych i spowodować porażenie prądem elektrycznym.
- **Nigdy nie używajcie waszego narzędzia w pobliżu produktów łatwopalnych.** Nie należy obsługiwać narzędzia z napędem na łatwopalnych powierzchniach, takich jak drewno. Iskry mogłyby spowodować podpalenie narzędzia.
- **Nie używajcie akcesoriów wymagających płynów chłodzących.** Używanie wody czy płynów chłodzących może spowodować porażenie prądem elektrycznym, nawet śmiertelne.

## ZJAWISKO ODBICIA I ZWIĄZANE Z NIM OSTRZEŻENIA

Odrzut polega na gwałtownym odskoku na skutek zaklinowania lub zablokowania obracającej się tarczy. Zaciśnięcie lub utknięcie powoduje gwałtowne zatrzymanie obracającej się tarczy, co skutkuje niekontrolowanym wyrzutem narzędzia tnącego w górę, w stronę operatora.

Np. przytarta lub zakleszczona tarcza ścierna, której krawędź zagłębiona w szczelinie na skutek ruchu obrotowego próbuje wydostać się z zakleszczenia może odskoczyć od obrabianego przedmiotu, powodując gwałtowny odrzut elektronarzędzia. W przypadku odbicia, tarcza ścierna może również się polamać.

Można go uniknąć podejmując środki ostrożności.

- **Trzymajcie mocno narzędzie dwoma rękami i ustawcie ciało i ramię tak, by móc skontrolować ewentualne odbicie.** Operator może kontrolować siły powodujące odbicie w górę, pod warunkiem podjęcia odpowiednich środków ostrożności.
- **Operator nie może znajdować się w jednej linii z obracającą się tarczą.** W przypadku wystąpienia odbicia zespół tnący zostanie wyrzucony w górę w kierunku operatora.
- **Nie wolno montować łańcucha do cięcia, frezów, segmentowej tarczy diamentowej o przerwie powyżej 10 mm ani zębatej tarczy do piłowania.** Mogłoby to spowodować ryzyko odrzutu i utratę kontroli nad narzędziem.
- **Nie wolno blokować tarczy tnącej i nie dociskać za mocno. Nie próbować ciąć materiału zbyt głęboko.** Nadmierne dociskanie tarczy zwiększa obciążenie i ryzyko skręcenia lub zakleszczenia tarczy w ciętym materiale, co może spowodować szarpnięcie lub pęknięcie tarczy.
- **Gdy tarcza zakleszczy się lub gdy cięcie zostanie przerywane z jakiegokolwiek powodu, należy wyłączyć narzędzie i przytrzymać zespół tnący nieruchomo do momentu całkowitego wyhamowania tarczy.** Nie wolno usiłować zdejmować obracającej się tarczy, ponieważ może dojść do odrzutu lub odskoczenia urządzenia. Kiedy tarcza się zaklinuje, szukajcie przyczyny i podejmijcie środki zapobiegawcze, by to się już nie powtórzyło.
- **Nie wznowiać cięcia, gdy urządzenie styka się z ciętym materiałem.** Należy poczekać aż tarcza nabierze pełnej prędkości i ostrożnie przyłożyć tarczę do szczeliny cięcia. Tarcza może zaklinować się, wykonać gwałtowny ruch lub odskoczyć, jeśli elektronarzędzie zostanie uruchomione w chwili kontaktu z obiektem.
- **Wszelkie nadwymiarowe elementy obrabiane należy podeprzeć w celu ograniczenia ryzyka zakleszczenia i odbicia tarczy.** Duże obiekty mogą załamać się/ugiąć pod własnym ciężarem. Podpory muszą być umieszczone pod obrabianym materiałem blisko linii cięcia i blisko krawędzi materiału, po obu stronach tarczy.

**DODATKOWE OSTRZEŻENIA BEZPIECZEŃSTWA**

- Należy dbać o to, by produkt był zawsze używany na stabilnej i równej powierzchni.
- Podczas pracy z tym urządzeniem należy zakładać środki ochrony wzroku i słuchu.
- Należy stosować środki ochrony osobistej, takie jak maska przeciwpyłowa, rękawice oraz fartuch.
- W przypadku występowania ryzyka spadających obiektów należy nosić kask lub zabezpieczenie głowy.
- Przed użyciem należy upewnić się, że tarcza tnąca jest prawidłowo zamontowana i zamocowana, należy uruchomić produkt bez obciążenia na 30 sekund w bezpiecznym położeniu. Jeśli wystąpią znaczne wibracje, należy natychmiast zatrzymać urządzenie i wymienić tarczę tnącą.
- Przed rozpoczęciem cięcia upewnić się, że wszystkie nastawy są zabezpieczone.
- Przed przystąpieniem do regulacji należy sprawdzić, czy urządzenie jest odłączone od źródła zasilania. Pozostawienie wtyczki zasilania w gnieździe sieciowym grozi wypadkiem i poważnym zranieniem.
- Aby zapobiec przypadkowemu uruchomieniu, które mogłoby spowodować poważne zranienie, wszystkie elementy szlifierki przecinarki należy zamontować przed podłączeniem jej do zasilania.
- Podczas montażu elementów, regulacji, zakładania lub zdejmowania ściernicy oraz gdy nie jest używane urządzenie musi być odłączone od zasilania.
- Sprawdzić wizualnie tarczę tnącą przed każdym użyciem. Sprawdzić, czy tarcza nie jest wyszczerbiona lub pęknięta. Nie używać uszkodzonych ściernic.
- Nie należy stosować tarczy do piły.
- Nie wolno stosować zbyt grubych ściernic, kołnierz ściernicy musi mieścić się na spłaszczeniu wrzeciona. Większe ściernice będą kolidować z osłonami, grubsze ściernice uniemożliwią prawidłowe zabezpieczenie na wrzecionie za pomocą śruby. Każda z tych sytuacji może doprowadzić do poważnego wypadku i spowodować poważne obrażenia.
- Nie zdejmować z urządzenia osłon ściernicy. Nie wolno używać tego urządzenia przy zdjętych albo uszkodzonych osłonach lub pokrywach. Przed każdym uruchomieniem tego urządzenia należy upewnić się, że wszystkie osłony funkcjonują prawidłowo.
- Nie należy uruchamiać szlifierki przecinarki bez sprawdzenia dopasowania ściernicy i podstawy urządzenia. Uderzenie ściernicą podstawy urządzenia podczas pracy grozi uszkodzeniem ściernicy.
- Niniejszego urządzenia nie należy używać do cięcia drewna ani elementów murarskich. Za pomocą tego urządzenia nie należy ciąć elementów z magnezu lub stopów magnezu.
- Nie należy dokręcać ściernicy z nadmierną siłą, może to spowodować jej pęknięcie.
- Przed rozpoczęciem cięcia obrabiany element

powinien być odsunięty od ściernicy. Silne uderzenie grozi pęknięciem ściernicy.

- Jednorazowo nie wolno przecinać więcej niż jednego elementu. Jednorazowo na podstawie urządzenia nie może znajdować się więcej niż jeden przecinany element.
- Aby zmniejszyć ryzyko przewrócenia maszyny, należy podierać dłuższe obrabiane elementy.
- Cięcie elementów stalowych powoduje powstawanie iskier. Nie używać tego narzędzia w obecności materiałów palnych i łatwopalnych.
- Nie wolno zostawiać maszyny podczas pracy bez nadzoru. Nie odkładać narzędzia, aż do całkowitego zatrzymania ruchu ściernicy. Koło nadal obraca się po wyłączeniu produktu.
- Przed wyjęciem ściernicy z obrabianego przedmiotu należy wyłączyć zasilanie za pomocą wyłącznika i odczekać, aż ściernica przestanie się obracać.
- Dłonie trzymać z dala od obszaru cięcia. Trzymać dłonie z dala od ściernicy. Nie wolno sięgać pod obrabiany przedmiot, obok tarczy tnącej lub ponad nią, gdy tarcza się obraca. Nie należy próbować wyjmować przecinanych materiałów gdy ściernica nadal się obraca.
- Żadna część ciała nie może znaleźć się na linii pracy ściernicy, nie wolno też stać na tej linii.
- Nie wolno stawać na maszynie. Przewrócenie urządzenia lub przypadkowy kontakt ze ściernicą grozi poważnym zranieniem.
- Nie wykonywać żadnych czynności trzymając urządzenie swobodnie w dłoniach. Obrabiany element należy mocować w imadle. Informacje na temat bezpiecznych minimalnych rozmiarów obrabianego przedmiotu można znaleźć w tabeli specyfikacji. Zawsze należy zamocować element w imadle na odcinku przynajmniej 80 mm, aby zapewnić bezpieczeństwo podczas szlifowania.
- Nie wolno trzymać obrabianego elementu w rękach. Podczas przecinania obrabiany przedmiot mocno się nagrzewa.
- Impuls elektryczny powoduje wahania napięcia i może wpływać na pracę innych urządzeń elektrycznych podłączonych do tej samej linii zasilającej. Podłącz produkt do źródła zasilania o impedancji wynoszącej 0.233 Ω, aby ograniczyć wahania napięcia. Skontaktuj się z dostawcą energii elektrycznej, aby uzyskać szczegółowe informacje.
- Zaleca się używać wyłącznika różnicowo-prądowego o prądzie zadziałania nie większym niż 30 mA.

**W przypadku konieczności zamontowania nowej tarczy, zalecamy stosowanie tarczy tnących do metalu COSB355A1.**





## OSTRZEŻENIA BEZPIECZEŃSTWA DOTYCZĄCE MONTAŻU TARCZY TNĄCEJ

- Aby ograniczyć ryzyko wystąpienia obrażeń ciała, użytkownik musi przeczytać i stosować się do instrukcji, ostrzeżeń oraz podręcznika operatora przed rozpoczęciem korzystania z tarczy tnącej. Niezastosowanie się do tych ostrzeżeń może spowodować pęknięcie tarczy i poważne obrażenia ciała. Zachować ten podręcznik.
- Stosowanie tarczy innej niż zalecana w podręczniku obsługi może spowodować ryzyko i obrażenia ciała. Należy używać wyłącznie tarczy tnących z oznaczoną prędkością, która jest równa lub wyższa od prędkości oznaczonej na produkcie.
- Nigdy nie wolno stosować tarczy tnącej, której grubość uniemożliwia kontakt zewnętrznego kołnierza z płaskimi elementami wrzeciona. Większe tarcze będą kolidować z osłonami, grubsze tarcze uniemożliwią prawidłowe zabezpieczenie na wrzecionie za pomocą śruby. Każda z tych sytuacji może doprowadzić do poważnego wypadku i spowodować poważne uszkodzenia lub obrażenia.
- Tarcza tnąca jest przeznaczona wyłącznie do cięcia metali żelaznych. Nie należy ciąć drewna ani elementów cementowych przy użyciu tarczy tnącej. Nigdy nie wolno ciąć magnezu lub stopów magnezu przy użyciu tarczy tnącej.
- Tarcza tnąca jest przeznaczona wyłącznie do cięcia na sucho. Nie należy używać tarczy tnącej po upływie terminu ważności (oznaczenie na etykiecie, np. 11/2011).
- Nie należy stosować uszkodzonych tarczy tnących. Nie należy używać tarczy, które są wyszczerbione, pęknięte lub mają inne uszkodzenia.
- Przed użyciem należy upewnić się, że tarcza tnąca jest prawidłowo zamontowana i zamocowana.
- Kierunek obrotów tarczy tnącej jest oznaczony na narzędziu. Przy montażu i wymianie tarczy tnącej należy upewnić się, że kierunek obrotów na tarczy jest zgodny z kierunkiem oznaczonym na narzędziu.
- Nie dokręcać za mocno tarczy tnącej, ponieważ może dojść do jej pęknięcia.
- Produkt nigdy nie może być podłączony do źródła zasilania podczas montażu lub demontażu tarczy tnącej.
- Tarcze tnące należy przechowywać z zachowaniem ostrożności, ponieważ łatwo ulegają uszkodzeniu.

### Informacje dostępne na etykiecie tarczy tnącej

Informacje zawarte na etykiecie tarczy tnącej są istotne. Należy uważnie przeczytać i sprawdzić informacje na etykiecie, aby upewnić się, że został wybrany odpowiedni typ tarczy.

1. Producent, dostawca, importer lub znak handlowy
2. Wymiary znamionowe tarczy tnącej, w szczególności średnica otworu

3. Typ materiału ściernego, wielkość ziarna lub twardość, typ spoiwa oraz zastosowane wzmocnienia, np.
  - 41A24RBF80
  - 41 --- typ materiału ściernego, płaska tarcza tnąca
  - A --- materiał ścierny: kordun brązowy
  - 24 --- wielkość ziarna
  - R --- klasa lub twardość
  - BF --- typ spoiwa
  - 80 --- maksymalna prędkość robocza m/s
4. Maksymalna prędkość robocza w metrach na sekundę
5. Maksymalna dopuszczalna prędkość obrotowa w 1/min
6. Zgodnie z deklaracją zgodności produkty ściernie powinny mieć oznaczenie EN 12413
7. Ograniczenia użycia oraz symbole ostrzegawcze dot. bezpieczeństwa.
8. Kod identyfikacji, np. numer produkcji/serii, data ważności lub numer serii

## RYZIKO ZWIĄZANE Z UŻYTKOWANIEM

Nawet w przypadku użytkowania urządzenia zgodnie z przeznaczeniem, nie jest możliwe całkowite wyeliminowanie określonych zagrożeń. Następujące zagrożenia mogą wystąpić podczas używania urządzenia i operator powinien zwracać szczególną uwagę na poniższe punkty:

- Stabilność. Upewnić się, że narzędzie jest stabilne. W razie potrzeby należy je zamocować.
- Wdychanie pyłu. W razie potrzeby nosić maskę.
- Iskry i gorące metalowe odłamki. Iskry i gorące metalowe odłamki mogą spowodować pożar oraz oparzenia skóry. Podczas obsługi nosić odzież ochronną.
- Urazy oczu na skutek kontaktu z metalowymi odławkami. Podczas pracy należy stosować środki ochrony oczu.
- Urazy słuchu. Ograniczyć poziom narażenia i stosować odpowiednie środki ochrony słuchu.

## INFORMACJE O PRODUKCIE

Patrz strona 172.

1. Uchwyt, izolowana powierzchnia chwytana
2. Włącznik
3. Górny uchwyt
4. Przycisk blokady wrzeciona
5. Śruba do regulacji głębokości cięcia
6. Nakrętka zabezpieczająca śruby do regulacji głębokości cięcia
7. Prowadnica ukośna
8. Kluczyk
9. Górna osłona tarczy
10. Dolna osłona tarczy
11. Tarcza tnąca
12. Zaciśk roboczy
13. Dźwignia blokująca zacisku roboczego
14. Korba do regulacji zacisku roboczego
15. Gumowe stopy
16. Łańcuch blokujący głowicę piły





17. Otwór montażowy
18. Nasadka szczotki węglowej
19. Szczotka węglowa
20. Przegroda kierująca wióry
21. Dźwignia blokująca prowadnicy

### WSKAZÓWKI DOTYCZĄCE OBSŁUGI

#### DŹWIGNIA BLOKUJĄCA PROWADNICY

Gdy prowadnica ukośna znajduje się najbliżej osi obrotu głowicy piły, dźwignia blokady kąta wychylenia może przeszkadzać w obrocie głowicy. Powtarzać proces blokowania, podnosząc i ponownie obracając dźwignię do momentu gdy prowadnica ukośna zostanie dokładnie zamocowana.

#### KONSERWACJA

- Nie należy modyfikować produktu w żaden sposób ani nie używać akcesoriów, które nie są zalecane przez producenta. Może dojść do obniżenia poziomu bezpieczeństwa użytkownika oraz innych osób.
- Nie używać produktu, jeśli dowolny przycisk, osłona lub inna funkcja nie pracują prawidłowo. Przekazać urządzenie do autoryzowanego centrum serwisowego do naprawy lub regulacji.
- Kiedy silnik jest w trakcie działania nie wolno wykonywać żadnych regulacji.
- Przed przystąpieniem do wymiany szczotek, smarowania lub wykonywania dowolnych innych prac przy urządzeniu, upewnij się, że wtyczka zasilania została wyjęta z gniazda sieciowego.
- Po każdym użyciu sprawdź, czy urządzenie nie ma uszkodzonych lub zużytych elementów i utrzymuj je w dobrym stanie technicznym, wymieniając lub naprawiając niezwłocznie wszystkie wymagające tego elementy.
- Otwory wentylacyjne muszą być utrzymywane w czystości, szczególnie w przypadku pracy przy dużym zapyleniu. Jeśli konieczne jest usunięcie pyłu, należy odłączyć produkt od źródła zasilania. Wyczyścić otwory za pomocą miękkiej szczotki.
- Usuwać nagromadzony pył.
- Aby zapewnić bezpieczeństwo użytkownika urządzenia i jego niezawodność, wszystkie naprawy z wyjątkiem dostępnych z zewnątrz szczotek powinny być przeprowadzane przez autoryzowany punkt serwisowy.
- Jeżeli przewód zasilający jest uszkodzony, należy go oddać do wymiany do Autoryzowanego Punktu Serwisowego, aby uniknąć ryzyka wypadku.

#### OSTRZEŻENIE

Aby zapewnić wyższy poziom bezpieczeństwa i niezawodności, wszystkie naprawy powinny być przeprowadzane przez autoryzowany punkt serwisowy.

### OCHRONA ŚRODOWISKA



Surowce należy oddawać do powtórnego przetworzenia zamiast wyrzucać je na śmieci. Z myślą o ochronie środowiska, narzędzie, akcesoria i opakowania powinny być sortowane.

### SYMBOL



Alarm bezpieczeństwa



Zgodność CE



Znak zgodności EurAsian



Ukraiński znak zgodności



Przed uruchomieniem produktu należy dokładnie przeczytać te instrukcje.



Urządzenie II klasy, podwójna izolacja



Stosować środki ochrony słuchu



Zawsze nosić okulary ochronne.



Narzędzie nie jest przeznaczone do cięcia ani szlifowania na mokro.



Nie należy używać tarczy szlifierskiej, która jest wyszczerbiona, pęknięta (zarysowana) lub w inny sposób uszkodzona



Zakładać rękawice ochronne



Noś maskę przeciwpyłową.





Nie wystawiać urządzenia na działanie deszczu ani nie używać go w miejscach o dużej wilgotności.



Kierunek obrotów tarczy tnącej (oznaczony na osłonie tarczy)



Zużyte produkty elektryczne nie powinny być utylizowane z odpadami domowymi. Prosimy poddawać recyklingowi w odpowiednich miejscach. Informacje o właściwych metodach recyklingu można uzyskać u władz lokalnych lub sprzedawcy.

## SYMBOLE W INSTRUKCJI



Blokada



Odkręcenie uchwytu



Czas oczekiwania aż ostrze osiągnie pełną prędkość



Części lub akcesoria sprzedawane oddzielnie



Uwaga:



OSTRZEŻENIE

Poniższe symbole i nazwy które im nadano, pozwalają wyjaśnić różne poziomy ryzyka związanego z używaniem tego narzędzia.

### **NIEBEZPIECZEŃSTWO**

Oznacza bezpośrednio niebezpieczną sytuację, która, jeśli nie zostanie uniknięta, spowoduje śmierć lub poważne urazy ciała.

### **OSTRZEŻENIE**

Oznacza potencjalnie niebezpieczną sytuację, która, jeśli nie zostanie uniknięta, może spowodować śmierć lub poważne urazy ciała.

### **UWAGA**

Oznacza potencjalnie niebezpieczną sytuację, która, jeśli nie zostanie uniknięta, może spowodować niewielkie lub umiarkowane urazy ciała.



Při návrhu této zkracovací pily na kovy byl kladen obzvláštní důraz na bezpečnost, provozní vlastnosti a spolehlivost.

### ZAMÝŠLENÉ POUŽITÍ

Tato zkracovací pila je určena k řezání kovových materiálů. Nepoužívat na nekovové materiály.

Výrobek je určen k používání dospělými osobami, které četly návod k použití a chápou riziko a nebezpečí s ním spojená.

Výrobek je navržen k upevnění podstavce na masivní stůl. Pokud není základna bezpečně upevněna, celý stroj se může při řezání pohybovat, což zvyšuje možnost vážného zranění.

Tato pila je určena k provádění řezů na příčný úkos a na pokos. Funkce pro různé druhy řezů jsou uvedeny v technických vlastnostech výrobku v této příručce.

Výrobek použijte v suchém prostředí s vynikajícím osvětlením a dostatečným větráním.

Produkt je určen pro spotřebitelské využití a měl by být používán pouze, jak je popsáno výše a nikoli k žádnému jinému účelu.

### OBCENÁ BEZPEČNOSTNÍ VAROVÁNÍ K POHÁNĚNÝM NÁSTROJŮM

#### ⚠ VAROVÁNÍ

**Přečtěte si pozorně upozornění, pokyny a technické specifikace dodané s nářadím a prohlédněte si ilustrace.** Nedodržení uvedených pokynů může způsobit požár, úraz elektrickým proudem a/nebo jiné vážné zranění.

**Uchovejte si všechny pokyny a varování pro budoucí nahlédnutí.** Termín „elektrické nářadí“ ve výstrahách odkazuje na elektrické nářadí napájené ze sítě (s kabelem) nebo na baterie (bez kabelu).

### BEZPEČNOST PRACOVNÍ OBLASTI

- **Udržujte pracovní prostor čistý a dobře osvětlený.** Zaházené nebo tmavé oblasti vedou k nehodám.
- **Nepracujte s tímto elektrickým nástrojem ve výbušných prostředích, například v přítomnosti hořlavých kapalin, plynu nebo prachu.** Elektricky poháněné nástroje vytvářejí jiskry, které mohou zapálit prach nebo výpary.
- **Udržujte děti a přihlížející během práce s elektricky poháněným nástrojem stranou.** Rozptylování může způsobit ztrátu kontroly.

### ELEKTRICKÁ BEZPEČNOST

- **Zástrčky elektricky poháněného nástroje musí být shodné s elektrickou zásuvkou.** Nepokoušejte se zástrčku jakýmkoliv způsobem upravovat. Nepoužívejte žádný adaptér zástrček se zemním (uzemněným) elektricky poháněným nástrojem.

Neupravené zástrčky a shodné zásuvky snižují nebezpečí elektrického úrazu.

- **Předcházejte tělesnému kontaktu s uzemněnými nebo zemněnými povrchy, například trubkami, radiátory, sporáky a lednicemi.** Je zde zvýšené nebezpečí zásahu elektrickým proudem, pokud je vaše tělo zemněno nebo uzemněno.
- **Nevystavujte elektrické nástroje dešti nebo vysoké vlhkosti.** Voda vnikající do elektricky poháněného nástroje zvyšuje nebezpečí elektrického úrazu.
- **Nepoškozujte napájecí kabel. Nikdy pro odpojování, táhnutí nebo přenášení elektricky poháněného nástroje nepoužívejte kabel. Udržujte kabel mimo horké plochy, olej, pohyblivé součásti nebo ostré hrany.** Poškozené nebo zamotané kabely zvyšují nebezpečí elektrického úrazu.
- **Pokud používáte elektricky poháněný nástroj ve venkovním prostředí, použijte prodlužovací kabel vhodný pro venkovní prostředí.** Použití kabelu vhodného pro venkovní prostředí snižuje nebezpečí elektrického úrazu.
- **Pokud používáte elektricky poháněný nástroj ve vlhkém prostředí, je nezbytné používat proudový chránič (PCH).** Použitím PCH snížíte nebezpečí poranění elektrickým proudem.

### OSOBNÍ BEZPEČNOST

- **Buďte ve střehu, hlídejte, co děláte a používejte zdravý rozum při provozu tohoto výrobku. Nástroj nepoužívejte, pokud jste unaveni nebo pod vlivem drog, alkoholu nebo léků.** Chvilce nepozornosti při práci s tímto elektricky poháněným nástrojem může způsobit vážná poranění osob.
- **Používejte osobní ochranné pomůcky. Vždy noste ochranu očí.** Ochranné prostředky jako ochranná maska, protiskluzová bezpečnostní obuv, přilba a ochrana sluchu využívané podle podmínek snižují riziko úrazů.
- **Zabraňte náhodnému spuštění. Před připojením ke zdroji elektrického napětí, popř. vložením baterie, zvednutím nebo přenosem výrobku se vždy ujistěte, že je výrobek vypnutý.** Přenášení elektrického nářadí s prstem na spínači nebo připojování elektrického nářadí k napájení s vypínačem v poloze zapnuto zvyšuje riziko úrazů.
- **Odstraňte všechny seřizovací klíče nebo šroubováky, než zapnete elektricky poháněný nástroj.** Klíč nebo šroubovák ponechaný přiložený k pohyblivému dílu elektricky poháněného nástroje může způsobit poranění osob.
- **Nepřeceňujte se. Udržujte řádné postavení a rovnováhu po celou dobu práce.** Toto umožňuje lepší ovládání elektricky poháněného nástroje v neočekávaných situacích.
- **Správně se oblékejte. Nenoste volný oděv nebo šperky. Braňte styku vlasů a oděvu s pohyblivými částmi.** Volný oděv, šperky nebo dlouhé vlasy mohou být zachyceny do pohybujících se částí.



- **Pokud je k dispozici zařízení na odtah a sběr prachu a pilin, zajistěte jeho správné připojení a používání.** Sběr prachu a pilin může snižovat s související nebezpečí.
- **Nenechte se ukolébat znalostmi získanými při častém používání nástrojů a neignorujte bezpečnostní pravidla.** Neopatrné zacházení může ve zlomku vteřiny způsobit vážný úraz.

## POUŽITÍ A PÉČE O NÁSTROJ

- **Nepoužívejte nadměrnou sílu na nástroj. Nářadí vybírejte podle povahy práce, kterou chcete provádět.** Správný nástroj bude svou prací provádět lépe a bezpečněji při práci, pro kterou byl navržen.
- **Elektricky poháněný nástroj nepoužívejte, pokud spínač nezapíná a nevyplíná.** Každý elektricky poháněný nástroj, který nemůže být ovládán spínačem, je nebezpečný a musí být opraven.
- **Před jakýmkoliv seřizováním, výměnou doplňků, vyjímáním baterie nebo ukládáním elektrického nářadí odpojte nejdříve zástrčku od zdroje napájení elektrického nářadí, popřípadě, podle provedení, vyjměte baterii.** Takováto preventivní opatření snižují riziko nechtěného spuštění výrobku.
- **Ukládejte nečinný elektricky poháněný nástroj mimo dosah dětí a nenechávejte neznámé osoby pracovat s elektricky poháněným nástrojem nebo s těmito pokyny k obsluze elektrického nástroje.** Elektricky poháněné nástroje jsou nebezpečné v rukou nekvalifikovaných uživatelů.
- **Provádějte údržbu elektrického nářadí i příslušenství.** Zkontrolujte vychýlení nebo zasekávání pohybujících se částí, rozbité části a každé jiné podmínky, které mohou ovlivnit funkci nástrojů. Pokud je poškozen, musí být nástroj před použitím opraven. Mnoho úrazů je způsobeno nedostatečnou držbou nástrojů.
- **Řezné nástroje udržujte ostré a čisté.** U řádně udržovaných řezných nástrojů s ostrými břity je nižší pravděpodobnost drhnutí a snadněji se ovládají.
- **Výrobek, jeho příslušenství, díly apod. používejte podle tohoto návodu k obsluze a vezměte na vědomí pracovní podmínky a prováděný úkon.** Použití elektricky poháněného nástroje pro práce jiné, než zamýšlené by mohlo mít za následek nebezpečnou situaci.
- **Rukojeti a úchopy udržujte suché a čisté, bez olejí a tuků.** Kluzké rukojeti a úchopy brání bezpečné manipulaci a ovládání nářadí v neočekávaných situacích.

## SERVIS

- **Váš elektricky poháněný nástroj smí opravovat pouze kvalifikovaný opravárenský pracovník a musí používat pouze shodné náhradní díly.** Toto zajišťuje, že bezpečnost elektrického nástroje je udržována.

## BEZPEČNOSTNÍ UPOZORNĚNÍ KE ZKRACOVACÍ PILE

- **Polohujte sebe i přihlížející mimo oblast rotujícího kotouče.** Kryt pomáhá obsluhu chránit před rozbitými fragmenty kotouče a kontaktem s kotoučem.
- **S tímto elektrickým nářadím používejte pouze tmelené řezné kotouče s výztuhou.** I když lze příslušenství jiných výrobců nasadit na nářadí, neznamená to, že je jeho používání bezpečné.
- **Jmenovitá rychlost příslušenství musí být stejná nebo vyšší než je maximální rychlost uvedená na nářadí.** Příslušenství, které pracuje vyšší rychlostí, než je jeho jmenovitá rychlost, se může rozlomit a vyvrstít z nářadí.
- **Kotouče se smí používat pouze pro doporučená použití. Například nebruste stranou brusného kotouče.** Hrubé rozbrušovací kotouče jsou určeny pro okrajová broušení, boční síly použité na tyto kotouče mohou způsobit jejich poničení.
- **Vždy používejte nepoškozené okolky kotouče se správným průměrem pro váš zvolený kotouč.** Správné okolky kotouče podporují kotouč, čímž snižují možnost zaseknutí kotouče.
- **Vnější průměr a tloušťka příslušenství musí odpovídat technickým údajům pro dané nářadí.** Pokud příslušenství neodpovídá technickým údajům, ochranný systém nebude pracovat správně a nářadí nebude dobře seřizené.
- **Velikost kotouče a příruba se musí vhodná na vřetenou nástroje.** Kotouče a příruby, jejichž otvor je nevhodný pro nástroj, může způsobit nerovnováhu, nadměrné vibrace a dokonce ztrátu kontroly.
- **Nepoužívejte poškozené kotouče. Před použitím prohledněte kotouč na praskliny a odlomení. V případě pádu nářadí nebo kotouče zkontrolujte, zda žádný prvek nářadí nebyl poškozen a v případě nutnosti, použijte nový kotouč.** Po prohlídce a instalaci kotouče přesuňte sebe i přihlížející mimo dosah rotujícího kotouče a nechejte elektrický nástroj rozběhnout na maximální otáčky bez zatížení na jednu minutu. Poškozené kotouče se během této testovací doby zlomí.
- **Používejte osobní ochranné pomůcky. V závislosti na používání nářadí, noste bezpečnostní nebo uzavřené ochranné brýle, nebo ochranné brýle s bočními kryty. V případě potřeby používejte protiprašný respirátor, sluchovou ochranu, ochranné rukavice a ochrannou zástěru s laclem, abyste se chránili před odletajícími kusky obráběného materiálu (kovový prach a piliny, třísky apod.).** Ochranné brýle chrání před vniknutím cizích těles do očí, které může způsobit zranění. Protiprašný respirátor filtruje částice prachu vytvářející se při práci. Dlouhodobá expozice vysokému hluku může způsobit poškození sluchu.
- **Dbejte, aby se přihlížející osoby zdržovaly v dostatečné vzdálenosti a aby byly vybaveny**





osobními ochrannými prostředky. Všechny osoby vstupující na pracoviště musí používat osobní ochranné prostředky. Části obrobku nebo rozbitý kotouč mohou odletat a mohou způsobit zranění bezprostřední oblasti použití.

- **Napájecí kabel vedte tak, aby byl v bezpečné vzdálenosti od otáčejícího se příslušenství.** Při ztrátě kontroly se může kabel přefíknout či poškodit a vaše ruce se mohou dostat do zóny působnosti rotujícího kotouče.
- **Pravidelně čistěte větrací otvory v nářadí.** Při větrání motoru se pod kryt motoru dostává prach, proto je nutné větrací otvory pravidelně čistit, aby nedocházelo k usazování kovových částic, které by mohly způsobit úraz elektrickým proudem.
- **Nepoužívejte nářadí v blízkosti hořlavých předmětů. Nářadí nepoužívejte, pokud je umístěno na hořlavém povrchu, například ze dřeva.** Jiskřením by mohlo dojít k jejich vznícení.
- **Nepoužívejte příslušenství, které si vyžaduje chladič médium.** Používání vody nebo chladič kapaliny může způsobit úraz elektrickým proudem nebo elektrickou ránu.

### ZPĚTNÝ VRH A SOUVISEJÍCÍ VAROVÁNÍ

Zpětný ráz je náhlá reakce na sevření či uvíznutí rotujícího kotouče. Skřípnutí nebo zadrnutí způsobí rychlé zastavení rotujícího kotouče a tím neřízený prudký pohyb řezné jednotky nahoru směrem k obsluze.

Například pokud uvízne brusný kotouč v obráběném dílu, řezná hrana kotouče se zanoří do obráběného dílu a dojde k prudké reakci kotouče a tím neřízený prudký pohyb řezné jednotky směrem k uživateli, v závislosti na směru otáčení kotouče před jeho zablokováním. Při zpětném rázu se brusný kotouč může zlomit.

Zpětný ráz je tudíž způsoben nesprávným používáním nářadí a/nebo nevhodným postupem při řezání, případně nevhodnými podmínkami řezání.

- **Držte nářadí pevně a postavte se tak, abyste mohli kontrolovat případný zpětný ráz nářadí.** Obsluha může silu zpětného rázu směrem nahoru uplatněním příslušných opatření regulovat.
- **Nestavte své tělo do linie rotujícího kotouče.** Zpětný ráz působí prudký pohyb řezné jednotky nahoru směrem k obsluze.
- **Nemontujte řetěz pily, hoblovací nůž, segmentovaný diamantový kotouč s obvodovou mezerou vyšší jak 10 mm nebo pilový ozubený kotouč.** Tyto kotouče zvyšují riziko zpětného rázu a ztráty kontroly nad nářadím.
- **„Neblokujte“ řezný kotouč ani nepoužívejte nadměrný tlak. Nezkoušejte se provádět nadměrně hluboké řezy.** Namáhání kotouče zvyšuje zátěž a náchylnost ke stočení nebo uváznutí kotouče v řezu a možnost zpětného vrhu nebo zlomení kotouče.
- **Pokud dochází k svírání nebo je potřeba z jakéhokoliv důvodu řezání přerušit, vypněte**

nářadí a držte řeznou jednotku bez pohybu, dokud se řezný kotouč úplně nezastaví. Nikdy se nepokoušejte přemístit řezný kotouč z místa řezání, když se kotouč pohybuje, jinak nastane zpětný vrh. Pokud kotouč uvízne v řezaném materiálu, pokuste se nalézt příčinu a proveďte nápravu, aby k zablokování kotouče již nemohlo dojít.

- **Neobnovujte řezání přímo v obrobku. Nechte kotouč dosáhnout plné rychlosti a opatrně znovu vstupte do řezaného místa.** Když je kotouč uvízlý, může z obrobku vyskočit nebo být zpětně vržen, když se znovu spustí v obrobku.
- **Nadměrné obrobky upevněte, aby se minimalizovalo riziko skřípnutí kotouče a zpětného rázu.** Velké obrobky mají sklon se prohýbat vlastní tíhou. Podpory musí být umístěny pod obrobkem po obou stranách blízko linie řezu a blízko okrajů obrobku.

### DOPLŇUJÍCÍ BEZPEČNOSTNÍ VAROVÁNÍ

- Zajistěte, aby bylo nářadí vždy používáno na stabilním a vodorovném povrchu.
- Vždy používejte ochranu očí a sluchu při provozování tohoto produktu.
- Používejte osobní ochranné pomůcky, jako např. respirátor, rukavice a zástěru.
- Noste ochrannou helmu či ochranu hlavy, kde hrozí nebezpečí pádu předmětů.
- Zajistěte, aby byl brusný kotouč řádně nasazen a utažen před použitím, spusťte produkt na 30 sekund naprázdno v bezpečné poloze a ihned zastavte a vyměňte brusný kotouč, pokud silně vibruje.
- Ujistěte se, že jsou všechna seřízení bezpečná před samotným řezáním.
- Před seřizováním se ujistěte, že je nástroj odpojen od zdroje elektrické energie. Zanedbání odpojení rozřezávacího nástroje může způsobit náhodné spuštění a možné vážné poranění osob.
- Abyste zabránili náhodnému zapnutí, které může způsobit vážné poranění osob, vždy před připojením k napájení namontujte všechny díly na váš rozřezávací nástroj.
- Nástroj nikdy nepřipojujte ke zdroji napájení, když se montují díly, provádí seřizování, vkládají nebo vyndávají kotouče, čistí, nebo když se nepoužívá.
- Před každým použitím vizuálně prohlédněte brusný kotouč. Zkontrolujte, zda není kotouč prasklý či olámaný. Nikdy nepoužívejte poškozené brusné kotouče.
- Nepoužívejte pilové kotouče.
- Nikdy nepoužívejte řezný kotouč, který je příliš silný, příruba kotouče by jej pak nezajistila k ploše vřeten. Větší kotouče by přišly do kontaktu s krytem kotouče, zatímco silnější kotouče budou bránit šroubu v zajištění kotouče na vřeten. Kterákoliv událost by mohla vést k vážné nehodě a může způsobit vážný úraz.
- Nesundávejte kryty nástroje. Nikdy nástroj neprovozujte,



je-li jakýkoliv chránič nebo kryt odstraněn. Ujistěte se, zda jsou všechny chrániče před každým použitím funkční.

- Nespouštějte váš rozřezávací nástroj bez kontroly rozhraní mezi kotoučem a podpěrou stojanu stroje. Poškození může vzniknout, když kotouč vráží do základny stroje během jeho funkce.
- Nepokoušejte se řezat dřevo nebo zdivo rozřezávacím nástrojem. Nikdy neřežte na nástroji hořčík či hořčíkové slitiny.
- Kotouč nadměrně neutahujte, může to způsobit prasknutí.
- Vždy uvolňujte brusný kotouč, když začínáte řezat. Silný úder může zlomit kotouč.
- Nikdy neřezejte více než jeden obrobek současně. Nepoužívejte současně více jak jeden obrobek na stojanu stroje.
- Pro minimalizaci nebezpečí převrácení nástroje podepírejte dlouhé obroby.
- Řezání oceli způsobuje jiskry. Nepoužívejte v přítomnosti výbušných nebo hořlavých materiálů.
- Nikdy nenechávejte činný nástroj bez dozoru. Neodcházejte od nástroje, dokud se zcela nezastaví. Kotouč ještě rotuje i po vypnutí výrobku.
- Vždy uvolněte spínač a nechejte kotouč zastavit před vysunutím z obrobku.
- Ruce udržujte mimo oblast řezání. Udržujte ruce mimo kotouč. Nedotýkejte se spodní části obrobku nebo okolo či pod kotoučem, když rotuje. Nezkoušejte odstranit řezaný materiál, když se kotouč pohybuje.
- Nikdy nestůjte ani nemějte žádnou část těla v linii dráhy kotouče.
- Na nástroji nikdy nestůjte. Nebezpečí poranění, pokud si stoupnete na nástroj nebo pokud je kotouč neúmyslně kontaktován.
- Nevykonávejte žádné činnosti nedbale. Vždy obrobek k řezání upevněte ve svorce. Viz tabulka technických údajů pro bezpečnou minimální velikost obrobku. Vždy musí být zachyceno min. 80 mm v čelisti svěráku pro zajištění bezpečného broušení.
- Obrobek nikdy nadržte rukou. Obrobek se při řezání velmi zahřívá.
- Výkonové špičky způsobují napěťovou fluktuaci a mohou ovlivnit ostatní elektrické přístroje na stejném napájecím okruhu. Připojte výrobek ke zdroji napájení s impedancí rovné 0.233 Ω pro minimalizaci napěťové fluktuace. Více informací vám poskytnete váš dodavatel elektrické energie.
- Doporučujeme používání proudových chráničů s vypínacím proudem 30 mA nebo méně.

**Doporučujeme používat kovové řezné kotouče COSB355A1 jako náhradu, když je zapotřebí nový kotouč.**

## BEZPEČNOSTNÍ VAROVÁNÍ PRO MONTÁŽ BRUSNÉHO KOTOUČE

- Pro snížení nebezpečí poranění musí uživatel před použitím brusného kotouče přečíst a pochopit návod k použití, varování a pokyny. Nedodržení tohoto varování může způsobit zlomení kotouče a vážné osobní poranění. Uchovejte si tyto pokyny.
- Používání jiného než doporučeného kotouče v této příručce může vést k poranění osob. Používejte pouze brusné kotouče s rychlostí stejnou či vyšší jak uvedenou na produktu.
- Nikdy nepoužívejte brusný kotouč, který je příliš silný, příruba kotouče by jej pak nezajistila k ploše vřeten. Větší kotouče by přišly do kontaktu s krytem kotouče, zatímco silnější kotouče budou bránit šroubu v zajištění kotouče na vřeten. Kterákoliv událost by mohla vést k vážné nehodě a může způsobit vážný úraz.
- Brusný kotouč je pouze pro řezání železných kovů. Nepokoušejte se řezat dřevo nebo zdivo brusným kotoučem. Nikdy neřežte brusným kotoučem hořčík či hořčíkové slitiny.
- Brusný kotouč je vhodný pouze pro suché řezání. Brusný kotouč je nutno používat před datem expirace (viz štítek, např. 11/2021).
- Nikdy nepoužívejte poškozené brusné kotouče. Nepoužívejte kotouče prasklé, vadné či zlomené.
- Brusný kotouč musí být před použitím řádně nasazen a utažen.
- Směr rotace brusného kotouče je uveden na nástroji. Zajistěte, aby šipka na kotouči směřovala jako šipka na nástroji, když kotouč montujete a měníte.
- Brusný kotouč nadměrně neutahujte, může to způsobit prasknutí.
- Produkt nikdy nemějte připojen k napájení, když kotouč montujete a měníte.
- Brusné kotouče opatrně skladujte; snadno se poškozují.

### Informace uvedené na brusném kotouči

Informace (etiketa) na brusném kotouči jsou důležité. Informace (etiketa) na brusném kotouči důkladně pročtěte, když vybíráte správný typ kotouče.

1. Výrobce, dodavatel, importér či obchodní značka
2. Jmenovitě rozměry brusného kotouče, především průměr otvoru
3. Brusný kotouč, zrnitost, třída či tvrdost, typ spojení a použití výztuh, například
  - 41A24RBF80
  - 41 --- brusný kotouč, plochý řezný kotouč
  - A --- brusný materiál: hnědý korund
  - 24 --- zrnitost
  - R --- třída či tvrdost
  - BF --- typ spojení
  - 80 --- Maximální provozní rychlost m/s
4. Maximální provozní rychlost v metrech za sekundu
5. Maximální přípustná rychlost v otáčkách za 1/min



- Pro prohlášení o shodě brusné produkty se značí dle EN 12413
- Omezení použití a symboly bezpečnostních varování.
- Kód výsledovatelnosti, například číslo produkce/dávky, datum expirace nebo číslo série

**ZBYTKOVÁ RIZIKA**

Dokonce, i když se zařízení provozuje jak je předepsáno, je stále nemožné zcela eliminovat veškeré zbytkové rizikové faktory. Následující nebezpečí mohou nastat při používání; vyhýbejte se:

- Stabilita. Ujistěte se, že je nástroj stabilní. V případě potřeby zajistěte.
- Inhalace prachu. V případě nutnosti noste masku.
- Jiskry a horké kovové částice. Jiskry a horké kovové částice mohou způsobit popálení nebo požár. Během používání noste ochranné vybavení.
- Poranění zraku kovovými částicemi. Vždy noste při práci ochranu zraku.
- Poranění sluchu. Omezte vystavení a noste ochranu sluchu.

**SEZNAMTE SE S VÝROBKEM**

Viz strana 172.

- Rukojeť s izolací a protiskluzovým povrchem
- Spouštěč
- Horní rukojeť
- Tlačítko pro aretaci vřetene
- Šroub seřizování hloubky řezu
- Pojistná matice hloubky řezu
- Pokosové pravítko
- Servisní utahovací klíč
- Horní ochranný kryt pilového kotouče
- Dolní ochranný kryt pilového kotouče
- Řezný kotouč
- Upínadlo obrobku
- Aretační páčka upínadla obrobku
- Seřizovací klika upínadla obrobku
- Pryžová noha
- Řetěz na uzamykání hlavy pily
- Montážní otvor
- Krytka uhlíkového kartáče
- Uhlíkový kartáček
- Zachytávač odřezků
- Aretační páčka vodící lišty pokosu

**TIPY TÝKAJÍCÍ SE PROVOZU****ARETAČNÍ PÁČKA VODÍCÍ LIŠTY POKOSU**

Když je vodící lišta pokosu umístěna co nejbližší k čepu hlavy pily, může páčka aretace vodící lišty pokosu při otáčení překážet čepu hlavy. Opakujte aretování zdvihnutím a přetočením páčky, dokud nebude vodící lišta pokosu pevně aretována.

**ÚDRŽBA**

- Nepoužívejte s výrobkem příslušenství nebo doplňky, jež nejsou schváleny výrobcem. Vaše bezpečnost i bezpečnost osob, které se nacházejí v blízkosti, může být ohrožena.
- Nepoužívejte výrobek, pokud nějaké přepínače, kryty nebo jiné funkce nefungují tak, jak bylo zamýšleno. Odevzdejte nejbližšímu servisnímu středisku k profesionální opravě.
- Neprovádějte žádná seřizování, pokud je motor v provozu.
- Vždy zajistěte, aby byla zástrčka stroje odpojena od zdroje napájení před výměnou kartáčů, maziva nebo když provádíte jakékoliv práce či údržbu na stroji.
- Po každém použití zkontrolujte svůj stroj na poškozené či poničené díly a udržujte jej v bezchybném provozním stavu okamžitou výměnou či opravou dílů.
- Vždy zajistěte, aby ventilační otvory nebyly ničím zataraseny, zejména v prašném prostředí. Pokud je nutné odstranit prach, odpojte výrobek od elektrické sítě. Otvory vyčistěte měkkým kartáčem.
- Vyčistěte nanesený prach.
- Pro zajištění bezpečnosti a spolehlivosti musí provádět všechny opravy autorizované servisní středisko mimo externě přístupných kartáčů.
- Pokud je napájecí kabel poškozen, je nutné ho nechat bez prodlení vyměnit v autorizované opravně. Jinak se vystavujete nebezpečí úrazu elektrickým proudem.

**VAROVÁNÍ**

Pro lepší bezpečnost a bezporuchovost by mělo opravy provádět pověřené autorizované servisní středisko.

**OCHRANA ŽIVOTNÍHO PROSTŘEDÍ**

V rámci možností neodhazujte vysloužilé nářadí do domovního odpadu a upřednostněte jeho recyklaci. V souladu s předpisy na ochranu životního prostředí odkládejte vysloužilé nářadí, příslušenství i obalový materiál do tříděného odpadu.

**SYMBOL**

Bezpečnostní výstraha



Shoda CE



Euroasijská značka shody



Ukrajinská značka shody



Před použitím přístroje si prosím řádně přečtěte tyto pokyny.



Zařízení třídy II, dvojitá izolace



Noste ochranu sluchu



Vždy noste ochranu očí.



Nevhodné pro vlhké broušení a řezání



Nepoužívejte kotouč s prasklinami, otřepy nebo vadami



Požívejte ochranné rukavice



Noste respirátor.



Nevystavujte desti nebo nepoužívejte ve vlhkých místech.



Směr točení řezného kotouče (zobrazeno na krytu kotouče)



Odpad elektrických výrobků se nesmí likvidovat v domovním odpadu. Recyklujte prosím na sběrných místech. Ptejte se u místních úřadů nebo prodejce na postup při recyklaci.

## SYMBOLY POUŽITÉ V NÁVODU



Zamknuto



Odemknuto



Čekací doba na kotouč pro dosažení plné rychlosti



Díly nebo příslušenství jsou v prodeji samostatně



Poznámka:



VAROVÁNÍ

Následující signální slova a významy jsou vhodné pro vysvětlení úrovně nebezpečí spojených s tímto výrobkem.

**⚠ NEBEZPEČÍ**

Upozorňuje na bezprostředně nebezpečnou situaci, která vede k usmrcení nebo těžkému zranění.

**⚠ VAROVÁNÍ**

Upozorňuje na možnou nebezpečnou situaci, která by mohla vést ke smrtelnému úrazu nebo k závažnému zranění.

**⚠ POZOR**

Upozorňuje na možnou nebezpečnou situaci, která může vést k menšímu nebo lehkému zranění.

**POZOR**

(Bez bezpečnostního výstražného symbolu) Určuje situaci, která může mít za následek vážné poškození.



A darabológép kialakítása során elsődleges szempont volt a biztonság, a teljesítmény és a megbízhatóság.

### RENDELTESSZERŰ HASZNÁLAT

A darabológép fémből készült anyagok vágására való. Ne használja fémtől eltérő anyagokhoz.

A terméket felnőtt kezelők általi használatra terveztük, akik elolvasták a gépkönyvet, és értik a kockázatokat és veszélyeket.

A terméket olyan módon alakították ki, hogy a talpánál egy masszív munkaasztalhoz legyen rögzítve. Ha az alapzat nincs biztonságosan rögzítve, a vágási művelet során a teljes gép mozoghat, ami megnöveli a súlyos személyi sérülések kockázatát.

A terméket ferde- és gérvágásra tervezték. A különböző vágásokhoz tartozó teljesítmények ebben a használati utasításban találhatóak a termékleírásoknál.

A termék száraz körülmények között, kiváló megvilágítás és megfelelő szellőztetés mellett használandó.

A termék csak otthoni használatra alkalmas, és csak a fent meghatározottak szerint használható, és nem alkalmas semmilyen más célra.

### ÁLTALÁNOS BIZTONSÁGI ELŐÍRÁSOK

#### ▲ FIGYELEM

Figyelmesen olvassa el az ehhez a szerszámhoz mellékelt összes figyelmeztetést, utasítást és műszaki adatokat, valamint tanulmányozza az ábrákat is. Az alább részletezett előírások be nem tartása olyan baleseteket okozhat, mint pl. tűz, áramütés és/vagy súlyos testi sérülések.

A jövőbeli felhasználásra őrizze meg az összes figyelmeztetést és útmutatót. A figyelmeztetésekben a „nagy teljesítményű eszköz” a hálózatról működtetett (vezetékes) gépere vagy az akkumulátorról üzemelő (vezeték nélküli) gépere utal.

### A MUNKATERÜLET BIZTONSÁGA

- **A munkaterületet tartsa tisztán és jól megvilágítva.** A rendetlen vagy sötét munkaterületek balesetekhez vezethetnek.
- **Az elektromos szerszámgepeket ne működtesse robbanásveszélyes környezetben, mint például robbanásveszélyes folyadékok, gázok vagy porok jelenlétében.** Az elektromos készülékekben szikrák keletkeznek, amik begyűjthetik a port vagy a gőzöket.
- **Az elektromos szerszám gép használatakor a gyerekeket és a kivüállókat tartsa távol.** A figyelem elterelődése az irányítás elvesztését okozhatja.

### ELEKTROMOS BIZTONSÁG

- **Az elektromos szerszám dugaszának egyeznie kell az aljzattal. Semmilyen módon ne módosítsa**

**a dugaszt. A földelt elektromos szerszámokhoz ne használjon csatlakozó adaptert.** A nem módosított és illeszkedő dugasz csökkenti az áramütés kockázatát.

- **Kerülje az érintkezést földelt felületekkel, mint például csövekkel, radiátorokkal és hűtőkkel.** Megnöveli az áramütés kockázatát, ha a teste földeltté válik.
- **Ne tegye ki az elektromos szerszámokat esőnek vagy nedves környezetnek.** Az elektromos gépekbe kerülő víz növeli az áramütés kockázatát.
- **Ne rongálja meg a kábelt. Az elektromos szerszám kábelét soha ne használja a szerszám hordozására, húzására vagy kihúzására. Tartsa távol a kábelt hőforrásoktól, olajtól, éles szélektől és mozgó alkatrészekről.** Sérült vagy beakadt kábelek növelik az áramütés kockázatát.
- **Elektromos szerszám szabadtéri működtetésekor egy kültéri használatra is megfelelő hosszabbító kábelt használjon.** Kültéri használatra megfelelő hosszabbító kábel csökkenti az áramütés kockázatát.
- **Ha a szerszám gép használata nedves környezetben elkerülhetetlen, használjon áram-védőkacsolót (RCD). Az RCD használata csökkenti az áramütés kockázatát.**

### SZEMÉLYI BIZTONSÁG

- **A szerszám használatakor legyen éber, figyeljen arra, amit csinál, és használja az összes érzékszervét. Ne használja a gépet, ha fáradt, illetve ha alkohol, gyógyszer vagy tudatmódosító szerek hatása alatt áll.** A szerszám gépek használata közben már egyetlen figyelmen kívül hagyás is súlyos személyi sérüléshez vezethet.
- **Viseljen személyi védőfelszerelést. Mindig viseljen védőszemüveget.** Az adott feltételekhez használt védőfelszerelés, például porvédő maszk, csúszásmentes biztonsági cipő, védősisak vagy hallásvédő, csökkenti a személyi sérüléseket.
- **Kerülje el a véletlen bekapcsolást. A termék felvétele, szállítása, tápellátáshoz/akkucsomaghoz csatlakoztatása előtt győződjön meg arról, hogy a kapcsoló kikapcsolt helyzetben van.** Baleseteket okozhat, ha az ujjával a kapcsolón nagy teljesítményű gépeket szállít, vagy ezeket bekapcsolva áram alá helyezi.
- **A szerszám gépről bekapcsolás előtt távolítson el minden beállító kulcsot és csavarkulcsot.** Egy a szerszám gép forgó alkatrészén maradt beállító kulcs vagy csavarkulcs személyi sérülést eredményezhet.
- **Ne hajoljon ki túlságosan. Mindig tartson megfelelő testtartást és egyensúlyt.** Ez a szerszám gép jobb irányítását teszi lehetővé váratlan szituációkban.
- **Viseljen megfelelő ruházatot. Ne vegyen fel laza ruhát vagy ékszereket. A haját és a ruházatát tartsa távol a mozgó alkatrészekről.** A laza ruházat és ékszerek vagy a hosszú haj beakadhatnak a mozgó alkatrészekbe.





- Ha porelvezető vagy -gyűjtő tartozékok csatlakoztatásához szolgáló eszközökkel rendelkezik, akkor biztosítsa ezek csatlakoztatását és megfelelő használatát. A porelvezetés használata csökkentheti a porhoz kapcsolódó veszélyeket.
- Ne töltse el elégedettséggel az, hogy a gyakori eszközhasználatból kellő jártasságot szerzett, és ne hagyja figyelmen kívül az eszköz biztonsági alapelveit. A gondatlan cselekvés súlyos sérülést okozhat a másodperc tört része alatt.

## A SZERSZÁMGÉP HASZNÁLATA ÉS KARBANTARTÁSA

- Ne erőltesse a gépet. A feladathoz a megfelelő terméket használja. A megfelelő termék jobb teljesítménnyel és biztonságosabban fog dolgozni olyan fordulatszámra, amilyenekre azt tervezték.
- Ne használja a szerszámgépet, ha a kapcsoló nem kapcsol be és ki. Bármilyen szerszám gép veszélyes, amit a kapcsolóval nem lehet irányítani. Azt meg kell javítani.
- Mielőtt beállítást végezne, tartozékokat cserélne vagy a nagy teljesítményű gépet eltávolítaná, húzza ki a csatlakozódugót a konnektorból és/vagy vegye ki az akkumulátort, ha eltávolítható. Az ilyen megelőző biztonsági intézkedések csökkentik a termék véletlen elindításának veszélyét.
- A használaton kívüli készüléket gyerekek számára nem elérhető helyen tárolja, és ne hagyja, hogy a szerszámgépet vagy a kézikönyvet nem ismerő személyek használják a szerszámgépet. Gyakorlatlan felhasználók kezében a szerszámgépek veszélyesek.
- Végezze el a nagy teljesítményű gépek és a tartozékok karbantartását. Ellenőrizze a mozgó alkatrészek akadását vagy helytelen beállítását, az alkatrészek törését és minden más körülményt, ami hatással lehet a gép működésére. Ha sérült, a szerszámot az újbóli használat előtt meg kell javítani. A rosszul karbantartott szerszámok sok balesetet okoznak.
- A vágóeszközöket tartsa élesen és tisztán. A megfelelően karbantartott, éles vágóélel rendelkező vágóeszközök kevésbé akadnak el, és egyszerűbben irányíthatók.
- A terméket, tartozékokat és szerszámfejeket stb. ezen útmutatónak megfelelően használja a munkakörülmények és a végrehajtandó munka figyelembe vételével. A szerszám gép rendeltetésétől eltérő műveletekre való használata veszélyes helyzeteket eredményezhet.
- A markolatokat és a fogófelületeket tartsa szárazon, tisztán és ne legyenek zsírosak, olajosak. A csúszós markolatokkal és fogófelületekkel váratlan helyzetekben az eszköz kezelése és irányítása nem biztonságos.

## SZERVIZELÉS

- A szerszámgépet csak szakképzett szervizszakemberrel szervizeltesse, csak azonos cserelkatrészeket használva. Ez biztosítja, hogy a szerszám gép használata továbbra is biztonságos legyen.

## BIZTONSÁGI FIGYELMEZTETÉSEK A KÖRFŰRÉSZHEZ

- A kezelő és a báméskodók ne álljanak a tárcsa forgássíkjaiba. A védőburkolat megvédi a kezelőt a széttört tárcsa darabjaitól és a tárcsával való véletlen érintkezéstől.
- Csak kötőanyaggal megerősített körfűrészlapot használjon a szerszámhoz. Még ha egy tartozékot fel is lehet a szerszámmra szerelni / helyezni, ez nem jelenti azt, hogy teljes biztonságban is lehetne ezt a szerszámot ily módon használni.
- A tartozék névleges sebessége (fordulatszama) nagyobb vagy egyenlő kell hogy legyen, mint a szerszámon jelölt maximális sebesség (fordulatszám). A saját névleges sebességűknél nagyobb sebességen üzemelő tartozékok eltörhetnek és kibőbódhatnak / kirepülhetnek a szerszámból.
- A tárcsákat csak a javasolt alkalmazásokra szabad használni. Ezért ne csiszoljon például a vágótárcsa oldalával. A csiszoló vágótárcsák oldalirányú csiszolásra valók, ezért nagy oldalsó erőknél vannak kitéve, melyek akár a tárcsa összetörését is okozhatják.
- Mindig sérülésektől mentes tárcsarögzítő peremeket használjon, melyek átmérője megfelelő a kiválasztott tárcsához. A tárcsarögzítő peremek megtámasztják a tárcsát, így csökkentik a tárcsa eltörésének veszélyét.
- A tartozék külső átmérője és vastagsága meg kell hogy feleljen a szerszám megjelölt műszaki adatainak. Amennyiben a tartozékok nem felelnek meg a megadott adatoknak, akkor a szerszám védelmi- és beállítási rendszerei nem képesek megfelelőképp működni.
- A tárcsák és peremek középfuratának pontosan kell illeszkednie a szerszámog tengelyére. A szerszámog tengelyéhez nem illeszkedő központi furattal rendelkező tárcsák és peremek nem lesznek kiegyensúlyozva, ami túlzott vibrációt és az irányítás elvesztését okozhatja.
- Sérült tárcsákat ne használjon. Minden használat előtt vizsgálja meg a tárcsát repedések és csorbulás tekintetében. Ha a gép vagy a tárcsa leesett, vizsgálja meg, hogy a tárcsa nem sérült-e vagy használjon új tárcsát. A tárcsa átvizsgálása és felszerelése után Ön és a közelben tartózkodó egyéb személyek álljanak a tárcsa forgási síkján kívül, és működtesse a gépet egy percig maximális üresjáratú fordulatszámra. Ezalatt az idő alatt a sérült tárcsák általában eltörnek.
- Viseljen személyi védőfelszerelést. Aszerint, hogy





mire használja a szerszámot, viseljen védőmaszkot, biztonsági- vagy védőszemüveget. Szükség esetén hordjon porvédő maszkot, hallásvédő eszközt (fülvédőt, fül dugót), kesztyűt, védőkötényt az idegen testek (súroló darabok, faforgács stb.) becsapódása elleni védelem érdekében. A védőszemüveg lehetővé teszi, hogy a kipattogó törmelék ne sértse meg a szemet. A porvédő maszk lehetővé teszi a munkafolyamat által keltett részecskék kiszűrését. Halláskárosodást okozhat, ha erős zajnak hosszabb időn keresztül ki van téve.

- **A munkát szemléltetőt tartsa megfelelő távolságban a munkaterülettől és ügyeljen arra, hogy hordjanak megfelelő védőfelszerelést.** Bárki beléphet a munkaterületen kell viselniük egyéni védőeszközöket. A munkadarab vagy a törött vágótárcsa darabjai a közvetlen munkaterülettől távolabbra is kirepülhetnek és sérüléseket okozhatnak.
- **Oly módon vezesse a hálózati tápvezetéket, hogy távol maradjon a forgásban lévő tartozéktól.** Ha elveszti az uralmát a gép fölött, átvághatja a tápkábelt vagy az beakadhat a tárcsába, és kezét vagy karját a forgó tárcsára ránthatja.
- **Rendszeresen tisztítsa a szerszám szellőzőnyílásait.** A motor légáramlása a motorház belsejébe szívja a port, ami által felhalmozódhatnak ott a fémrészecskék és ez áramütést idézhet elő.
- **Ne használja a szerszámot gyúlékony, tűzveszélyes anyagok közelében. Ne használja a szerszámot gyúlékony felületre, pl. fára elhelyezve.** A szerszám által keltett szikrák meggyújthatják ezeket.
- **Ne használjon hűtőfolyadékkal működő tartozékokat.** A víz ill. a hűtőfolyadékok használata áramütést okozhat.

## VISSZARÚGÁS ÉS AHOZ KAPCSOLÓDÓ FIGYELMEZTETÉSEK

A visszarúgás a forgó tárcsa beakadásakor vagy beszorulásakor fellépő váratlan reakció. A becsípődés vagy beakadás miatt a forgó körfűrészlap gyorsan leállhat, és ennek következtében az irányítást veszített vágószerszám a kezelő felé ugorhat.

Például, ha egy vágótárcsa beszorul vagy elgömbül a munkadarabban, akkor a tárcsa éle belemélyülhet a munkadarab felületébe, ami a tárcsát a munkadarabról hirtelen a szerszámot használó személy irányába ill. – a leblokkolt tárcsa forgásirányának függvényében – távolra is vetheti. Megugrás esetén a vágótárcsa el is törhet.

A megugrás ily módon a szerszám nem megfelelő használatának és/vagy a helytelen használati módoknak / körülményeknek az eredménye. Néhány óvintézkedés meghozatalával ill. figyelmes betartásával azonban elkerülhető ez a veszélyes jelenség.

- **Tartsa erősen a szerszámot és oly módon pozicionálja a testét és a kezét, hogy egy esetleges megugrást kontrollálni tudjon.** A kezelő a megfelelő óvintézkedésekkel meg tudja akadályozni a visszautéréseket.

- **Ne helyezze a testét forgó tárcsa síkjába.** Visszautérés esetén a vágószerszám a kezelő felé ugrik.
- **Ne szereljen fel a gépre fűrészláncot, famegmunkáló korongot, 100 mm-nél nagyobb szegmensmélységgel rendelkező szegmentált gyémánttárcsát és fűrészlapot.** Az ilyen típusú tárcsák növelik a szerszám megugrásának és uralomvesztésének veszélyét.
- **Ne “csipje be” a tárcsát, és ne fejtessen ki túlzott nyomást. Ne próbálkozzon túl mélyen vágni.** A tárcsa feszítése növeli a terhelést és a tárcsa hajlamosságát a csavarodásra vagy görbülésre a vágásjáratban, valamint a visszarúgás és a tárcsa törésének veszélyét.
- **Amikor a körfűrész bármilyen okból megszorul vagy megszakítja a vágást, kapcsolja ki a szerszámot, és rögzítse a vágószerszám helyzetét, amíg a körfűrész teljesen megáll.** Ne próbálja eltávolítani a tárcsát a vágásból, ha a tárcsa forog, máskülönben visszarúgás történhet. Soha ne próbálja a még forgó tárcsát levenni, ez megugrást idézhet elő.
- **Ne kezdje újra a vágást a munkadarabban. Hagyja, hogy a vágótárcsa teljes fordulatszámra gyorsuljon, majd óvatosan engedje be a vágásba.** A tárcsa beakadhat, felemelkedhet vagy visszarúghat, ha a gépet a munkadarabban indítja be.
- **A körfűrészlap beakadásának és a szerszám visszautérésének kockázatát a túl nagy méretű munkadarabok megtámasztásával csökkentheti.** A nagyméretű munkadarabok a saját súlyuk alatt behajolhatnak. A támasztékokat a vágásvonal közelében, valamint a munkadarab széléhez közel is el kell helyeznie a tárcsa mindkét oldalán.

## TOVÁBBI BIZTONSÁGI FIGYELMEZTETÉSEK

- Győződjön meg róla, hogy a terméket mindig stabil és vízszintes felületen használja.
- A termék működtetésekor mindig viseljen szem- és fülvédőt.
- Használjon személyi védelmi eszközöket, mint a pormaszk, kesztyű és kötény.
- Viseljen sisakot vagy fejdődöt, ha leeső tárgyak veszélye áll fenn.
- Használat előtt biztosítsa, hogy a vágótárcsa megfelelően fel legyen helyezve és be legyen húzva, biztonságos helyen működtesse a terméket 30 másodpercig terhelés nélkül, és ha jelentős vibrációt észlel, azonnal állítsa le a gépet és cserélje ki a vágótárcsát.
- Vágás megkezdése előtt ellenőrizze, hogy a gép minden állítható eleme rögzítve van.
- A beállítások végrehajtása előtt győződjön meg arról, hogy a szerszám ki van húzva az elektromos hálózatról. Ha a vágógépet nem húzza ki a hálózatról, az véletlenül elindulhat, ami súlyos személyi sérülést okozhat.
- A súlyos személyi sérüléseket okozó véletlen beindítás





megakadályozása érdekében a hálózatba való csatlakoztatás előtt szerelje fel az összes tartozékot a gépre.

- Alkatrészek szerelések, beállítások végzésekor, vágótárcsák felszereléskor vagy cseréjekor, illetve használaton kívül mindig húzza ki a gépet az elektromos hálózatból.
- Minden használat előtt vizuálisan vizsgálja meg a tárcsát. Repedések és törések tekintetében ellenőrizze a tárcsát. Sérült csiszolótárcsát ne használjon.
- Ne használjon fűrészlapokat.
- Ne használjon olyan tárcsát, amelyek elég vastag ahhoz, hogy a külső pereme beakadjon a tengely lapos részébe. A nagyobb méretű tárcsák érintkezhetnek a tárcsavédőkkel, a vastagabb tárcsák pedig megakadályozhatják a csavar felcsavarását a tengelyre. Ezen szituációk bármelyike súlyos balesetet eredményezhet, és súlyos személyi sérülést okozhat.
- Ne távolítsa el a gép vágótárcsájának védőburkolatait. Ne használja a gépet eltávolított védőberendezéssel vagy burkolattal. Használat előtt győződjön meg róla, hogy minden védőberendezés megfelelően működik.
- Ne indítsa be a csiszoló vágógépet, amíg nem ellenőrizte, hogy a vágótárcsa és a gép alapzata nem érintkezik. Károsodhat a vágótárcsa, ha a gép működése közben ütközik a gép alapzatával.
- Ne próbáljon fát vagy falazatot vágni ezzel a vágógéppel. Ne vágjon magnéziumot és magnézium ötvözetet ezzel a géppel.
- Ne húzza meg túl erősen a vágótárcsát, mert repedéseket okozhat.
- Mindig óvatosan közelítse a munkadarabhoz a csiszolótárcsát a vágás megkezdésekor. Egy erős ütés eltriheti a tárcsát.
- Ne vágjon egynél több munkadarabot egyszerre. Ne helyezzen egyszerre egynél több munkadarabot a gép alapzatára.
- A gép átfordulása kockázatának minimalizálása érdekében mindig támassza meg a hosszú munkadarabokat.
- Az acél vágásakor szikrák keletkeznek. Ne működtesse a gépet gyúlékony vagy robbanékony anyagok jelenlétében.
- Soha ne hagyja felügyelet nélkül a működő gépet. Ne hagyja ott a gépet, amíg az teljesen meg nem állt. A kerék a termék kikapcsolása után tovább forog.
- Mindig engedje fel a főkapcsolót, és hagyja megállni a tárcsát, mielőtt kiemelné a munkadarabot.
- Tartsa távol a kezeit a vágási területtől. Tartsa a kezeit távol a vágótárcsától. Ne hajoljon a munkadarab alá vagy mellé, illetve a tárcsa alá, ha a tárcsa forog. Ne próbálja meg eltávolítani a levágott darabot, amikor a tárcsa még forog.
- Ne álljon, és egyik testrésze se legyen egy vonalban a tárcsa útvonalával.
- Soha ne álljon a gépre. Súlyos sérülést okozhat, ha a

gép átfordul, vagy ha véletlenül megérinti a vágótárcsát.

- Ne próbáljon szabad kézzel műveleteket végezni. Mindig rögzítse satuba a vágandó munkadarabot. A munkadarab minimális biztonságos méretéről lásd a műszaki adatokat tartalmazó táblázatot. Csiszoláskor mindig legalább 80 mm-es befogást alkalmazzon a satupofák között.
- Ne tartsa a kezével a munkadarabot. A munkadarab a vágás során felforrósodhat.
- A pillanatnyi áramfelvétel kiugrások feszültségingadozást okozhatnak és ez az azonos áramkörbe kapcsolt más elektromos termékek működésére is hatással lehet. A feszültségfluktuációk minimalizálása érdekében a termékelt olyan áramforráshoz csatlakoztassa, amelynek impedanciája 0,233 Ω. További információkért forduljon az áramszolgáltatóhoz.
- Javasolt 30 mA vagy alacsonyabb áramerősségen kioldó visszamaradó áramú áramkör-megszakító használata.

**Javasoljuk, hogy COSB355A1 fém vágótárcsát használjon cserétárcsaként, amikor új tárcsára van szüksége.**

#### BIZTONSÁGI FIGYELMEZTETÉSEK A TÁRCSA FELSZERELÉSÉHEZ

- **A sérülés kockázatának csökkentése érdekében a felhasználónak a csiszolótárcsa használatának megkezdése előtt el kell olvasnia és be kell tartania az utasításokat, figyelmeztetéseket és a kezelői útmutatóban leírtakat. Ezen figyelmeztetések figyelmen kívül hagyása a tárcsa törését és súlyos személyi sérülést eredményezhet. Őrizze meg ezt az útmutatót.**
- A termék használati utasításban nem javasolt tárcsa használata személyi sérülés veszélyével jár. Csak olyan tárcsákat használjon, melyek a terméken megadott vagy annál nagyobb fordulatszámra vannak méretezve.
- Ne használjon olyan tárcsát, amelyek elég vastag ahhoz, hogy a külső pereme beakadjon a tengely lapos részébe. A nagyobb méretű tárcsák érintkezhetnek a tárcsavédőkkel, a vastagabb tárcsák pedig megakadályozhatják a csavar felcsavarását a tengelyre. Ezen okok bármelyike súlyos balesetet eredményezhet, és súlyos személyi sérülést okozhat.
- A tárcsa csak vastartalmú fémek vágására szolgál. Ne próbáljon fát vagy falazatot vágni ezzel a tárcsával. Ne vágjon magnéziumot és magnéziumötvözetet ezzel a csiszolótárcsával.
- A tárcsa csak száraz vágásra alkalmas. A tárcsát a lejáratú dátuma előtt fel kell használni (a címkén van jelölve, pl. 11/2021).
- Sérült tárcsát ne használjon. Ne használjon csorba, repedt vagy hibás tárcsákat.
- Használat előtt ellenőrizze, hogy a vágótárcsa megfelelően van felszerelve és meg van húzva.



- A tárcsa forgásiránya a szerszámon van megjelölve.
- Ellenőrizze, hogy a tárcsán lévő irányjelzés azonos a szerszámon feltüntetettel, miközben felszereli és cseréli a tárcsát.
- Ne húzza meg túl erősen a tárcsát, mert megrepedhet.
- A termék nem lehet csatlakoztatva a hálózathoz, amikor felszereli vagy leszereli a tárcsákat.
- Körültekintően tárolja a csere tárcsákat; könnyen megsérülnek.

#### A csiszoló tárcsa címkéjén megadott információk

A tárcsa címkéjén található információk fontosak. Figyelmesen olvassa el és ellenőrizze a címkét, hogy biztosan a megfelelő tárcsát választotta ki.

1. Gyártó, szállító, importőr és védjegy
2. A tárcsa névleges méretei, különösen a furat átmérője
3. A csiszolóanyag típusa, szemcseméret, fok vagy keménység, kötőanyag típusa és a használt erősítés stb.
  - 41A24RBF80
  - 41 --- csiszoló típusú, lapos vágótárcsa
  - A --- csiszolóanyag: barna korund
  - 24 --- szemcseméret
  - R --- fok vagy keménység
  - BF --- kötőanyag típusa
  - 80 --- maximális működési sebesség m/s
4. Maximális működési sebesség méter per másodpercben
5. Maximális megengedett fordulatszám, 1/perc
6. A megfelelőségi nyilatkozathoz a csiszoló termékeknek EN 12413 jelöléssel kell rendelkezniük
7. Használat korlátozása és biztonsági figyelmeztetés szimbólumok.
8. Nyomon követhetőségi kód, pl. gyártási/kötegszám, lejárat dátum vagy sorozatszám

#### VISSZAMARADÓ KOCKÁZATOK

Bizonyos visszamaradó kockázati tényezőket a gép előírások szerinti használatakor sem lehet teljesen kiküszöbölni. A gép használata során a következő veszélyek merülhetnek fel, és a kezelőnek különösen oda kell figyelnie az alábbiak elkerülésére:

- Stabilitás. Ellenőrizze, hogy a szerszámgép stabil. Ha szükséges, rögzítse azt.
- Por belélegzése. Ha szükséges, viseljen maszkot.
- Szikrák és forró fém szemcsék. A szikrák és a forró fém szemcsék tüzet és bőrvégéseket okozhatnak. Használat során viseljen védőfelszerelést.
- Szemsérülés a fém szemcséktől. Munka közben viseljen védőszemüveget.
- Halláskárosodás. Korlátozza a kitettséget, és viseljen megfelelő hallásvédőt.

#### ISMERJE MEG A TERMÉKET

172. oldal.

1. Kar, szigetelt fogófelület

2. Indítókapcsoló
3. Felső fogantyú
4. Főtengely gátoló gomb
5. Vágási mélység beállítócsavarja
6. Vágási mélység rögzítőanyája
7. Gérvezető
8. Szorítókulcs
9. Felső fűrészlemez-védő
10. Alsó fűrészlemez-védő
11. Vágótárcsa
12. Szorító
13. Szorító rögzítőkarja
14. Szorító beállítófogantyúja
15. Gumitalp
16. Fűrészfej rögzítőlánc
17. Rögzítőfurat
18. Szénkefe fedele
19. Szénkefe
20. Forgácsterelő
21. Gérvágó vezetősínjének rögzítőkarja

#### TIPPEK A HASZNÁLATHOZ

##### GÉRVÁGÓ VEZETŐSÍNJÉNEK RÖGZÍTŐKARJA

Ha a gérvágó vezetőt a legközelebb helyezi a fűrészfej forgócsapjához, a gérvágó vezető rögzítőkarja zavarhatja a forgócsapot a fej forgása közben. Ismételje meg a rögzítési eljárást a kar felemelésével és visszaforgatásával, amíg a gérvágó vezetőt stabilan nem rögzíti.

#### KARBANTARTÁS

- Semmilyen módon ne módosítsa a terméket, és ne használjon a gyártó által nem jóváhagyott tartozékokat. Az Ön és mások biztonsága veszélybe kerülhet.
- Ne használja a terméket, ha valamelyik kapcsoló, védőburkolat vagy egyéb funkció nem rendeltetésszerűen működik. Szakszerű javításhoz vigye a gépet egy hivatalos szervizközpontba.
- Semmilyen beállítást ne végezzen a készüléken, ha a motor üzemben van.
- A kefék cseréjekor, a gép kenésekor, vagy más munkák és karbantartás végzése esetén ügyeljen arra, hogy a gép ki legyen húzva az elektromos hálózatról.
- Minden használat után ellenőrizze a gépet sérült vagy törött alkatrészek tekintetében, és a hibás darabok azonnali javítása vagy cseréje révén biztosítsa a gép működőképességét.
- Ügyeljen arra, hogy a szellőzőnyílások ne tömődjenek el, különösen, ha poros környezetben dolgozik. Ha ki kell takarítani a port, válassza le a terméket az elektromos hálózatról. Puha kefével tisztítsa meg a nyílásokat.
- Tisztítsa meg a felgyülemlett portól.
- A biztonság és a megbízható működés érdekében minden javítást - kivéve a kívülről is elérhető kefék cseréjét - a hivatalos szervizközpontban kell elvégezni.





- Ha a hálózati tápvezeték megrongálódott, a balesetveszély elkerülése érdekében cseréltesse ki egy hivatalos (szerződött) Szerviz Központban.

**⚠ FIGYELEM**

A nagyobb biztonság és megbízhatóság érdekében minden javítást hivatalos szervizközpontban kell elvégeztetni.

**KÖRNYEZETVÉDELLEM**

Segítse elő az alanyagok újrahasznosítását azzal, hogy nem helyezi el őket a háztartási szemétként. Környezetvédelmi megfontolásból az elhasznált gépet és tartozékokat, valamint a csomagolóanyagokat szelektív módon kell gyűjteni.

**SZIMBÓLUM**

Bezpečnostní výstraha



Shoda CE



Euroasijská značka shody



Ukrajnai megfeleléségi nyilatkozat



Před použitím přístroje si prosím řádně přečtete tyto pokyny.



Zařízení třídy II, dvojitá izolace



Noste ochranu sluchu



Vždy noste ochranu očí.



Nevhodné pro vlhké broušení a řezání



Nepoužívejte kotouč s prasklinami, ořepky nebo vadami



Poživejte ochranné rukavice



Noste respirátor.



Nevystavujte desti nebo nepoužívejte ve vlhkých místech.



A vágókorong forgási iránya (a korongvédőn látható)



Odpad elektrických výrobků se nesmí likvidovat v domovním odpadu. Recyklujte prosím na sběrných místech. Ptejte se u místních úřadů nebo prodejce na postup při recyklaci.

**A KÉZIKÖNYVBEN HASZNÁLT SZIMBÓLUMOK**

Retesz



Szétnyitás



A fűrészlap teljes fordulatszámra pörgésének várakozási ideje



Külön értékesített alkatrészek és kiegészítők



Megjegyzés:



FIGYELEM

A következő jelölőszavak és jelentések arra szolgálnak, hogy megmagyarázzák a termékkel kapcsolatos veszélyességi szinteket.

**⚠ VESZÉLY**

Egy bekövetkező veszélyes helyzetet jelez, ami, ha nem előzik meg, halált vagy komoly sérülést eredményez.

**⚠ FIGYELEM**

Egy potenciálisan bekövetkező veszélyes helyzetet jelez, ami, ha nem előzik meg, halált vagy súlyos sérülést eredményezhet.



 **VIGYÁZAT**

Egy potenciálisan veszélyes helyzetet jelez, ami, ha nem előzik meg, kisebb vagy mérsékelten súlyos sérülést eredményezhet.

**VIGYÁZAT**

(Biztonsági figyelmeztető szimbólum nélkül) Egy olyan helyzetet jelez, ami anyagi kárt eredményezhet.



Siguranța, performanța și fiabilitatea au constituit principalele priorități la proiectarea mașinii dvs. de debitat.

### DOMENIU DE APLICAȚII

Mașina de debitat este destinată debitării produselor metalice. Nu folosiți mașina pentru produse nemetalice.

Produsul trebuie utilizat doar de operatori adulți, care au citit manualul de instrucțiuni și înțeleg riscurile și pericolele de accidentare.

Acest produs trebuie fixat pe un banc de lucru solid. Dacă baza nu este fixată bine, întregul echipament ar putea să se miște în timpul operațiunilor de tăiere, ceea ce crește posibilitatea de vătămare personală gravă.

Produsul este conceput pentru a efectua tăieri la unghi și cu ajutorul mitrei. Dimensiunile posibile pentru diferitele tipuri de tăieturi sunt furnizate în specificațiile produsului din acest manual.

Produsul trebuie folosit în medii uscate, cu lumină și ventilație adecvată.

Produsul este destinat pentru uz comercial și trebuie folosit doar așa cum este descris mai sus și pentru niciun alt scop.

### AVERTIZĂRI DE SIGURANȚĂ GENERALE PENTRU APARAT

#### ▲ AVERTISMENT

**Citiți, cu atenție, toate avertismentele, instrucțiunile și specificațiile furnizate împreună cu aparatul, și consultați ilustrațiile.** Nerespectarea instrucțiunilor prezentate în continuare poate provoca accidente cum ar fi incendii, electrocutare și/sau vătămări corporale grave.

**Salvați toate avertisările și instrucțiunile pentru o consultare ulterioară.** Termenul „unealtă electrică” din avertisări se referă la unealta dvs. electrică alimentată la curent (cu fir) sau la baterie (fără fir).

### SIGURANȚA ZONEI DE LUCRU

- **Mențineți curată și bine iluminată zona de lucru.** Zonele dezordonate și întunecate prezintă pericol de accidente.
- **Nu operați cu unealta electrică în atmosfere explozive, precum în prezența lichidelor, gazelor sau a prafului inflamabil(e).** Unelele electrice creează scântei care pot aprinde praful sau vaporii.
- **Țineți copiii și persoanele din jur la distanță în timpul operării unei unelte electrice.** Distragerea atenției vă poate face să pierdeți controlul.

### SIGURANȚĂ ELECTRICĂ

- **Ștecărele uneltelor electrice trebuie să se potrivească cu priza. Nu modificați niciodată ștecărul în nici un fel. Nu folosiți niciodată adaptoare de ștecăr cu uneltele electrice cu împământare.**

Ștecărele nemodificate și prizele potrivite reduc riscul de electrocutare.

- **Evitați contactul corpului cu suprafețele conectate la împământare, precum țevi, radiatoare, reșouri, mașini de gătit și frigider.** Există un risc crescut de electrocutare când corpul dumneavoastră are contact cu împământarea.
- **Nu expuneți uneltele electrice la ploaie sau umezeală.** Apa care intră într-o unealtă electrică va crește riscul de electrocutare.
- **Nu forțați cablul. Nu trageți niciodată unealta electrică de cablul de alimentare pentru a o transporta, a o trage sau a scoate ștecărul din priză. Țineți cordonul la distanță de căldură, ulei, muchii ascuțite sau piese în mișcare.** Cablurile deteriorate sau încurcate cresc riscul de electrocutare.
- **Atunci când lucrați cu o unealtă electrică în aer liber, folosiți un prelungitor adecvat pentru utilizarea în aer liber.** Folosirea unui prelungitor adecvat pentru utilizarea în aer liber reduce riscul de electrocutare.
- **În cazul în care operarea uneltelor electrice într-o zonă umeză nu poate fi evitată, folosiți o alimentare protejată cu un dispozitiv de curent rezidual (RCD).** Utilizarea unui RCD reduce riscul de electrocutare.

### SIGURANȚĂ PERSONALĂ

- **Fiți atenți, observați ceea ce faceți și folosiți-vă simțul practic la utilizarea unei unelte. Nu folosiți unealta în timp ce sunteți obosit sau sub influența drogurilor, a alcoolului sau a medicamentelor.** Un moment de neatenție în timpul operării uneltelor electrice poate cauza vătămare personală gravă.
- **Purtați echipament de protecție personală. Purtați întotdeauna ochelari de protecție.** Utilizarea echipamentelor de protecție, cum ar fi măști pentru praf, pantofi anti-derapanți sau protecții pentru auz conform condițiilor specifice de lucru ajută la evitarea pericolelor de răni personale.
- **Evitați pornirea accidentală. Asigurați-vă că pistolul este oprit înainte de a-l conecta la rețea, înainte de a introduce bateria, înainte de a-l ridica sau transporta.** Transportarea uneltelor electrice cu degetul pe trăgaciul declanșator sau alimentarea uneltelor cu butonul de pornire apăsat constituie cauze frecvente ale accidentelor.
- **Îndepărtați orice cheie de reglare înainte de a porni unealta.** O cheie sau rămasă atașată de o piesă rotativă a uneltei electrice poate cauza vătămări corporale.
- **Nu vă întindeți excesiv. În timpul operării dispozitivului, păstrați-vă în permanentă echilibrul și stabilitatea.** Acest lucru permite un mai bun control al uneltei electrice în situații neașteptate.
- **Îmbrăcați-vă corespunzător. Nu purtați haine largi sau bijuterii. Păstrați-vă părul și îmbrăcămintea departe de piesele în mișcare.** Hainele largi, bijuteriile sau părul lung pot fi prinse de piesele aflate în mișcare.
- **Dacă dispozitivele sunt echipate cu conectori**



pentru accesorii de colectare a prafului, asigurați-vă că acestea sunt conectate și utilizate adecvat. Utilizarea accesoriilor de colectare a prafului poate reduce pericolele provocate de praf.

- **Obişnuința dobândită prin utilizarea frecventă a uneltelor nu trebuie să vă facă neglijent sau să vă determine să ignorați principiile de siguranță privind uneltele.** O neglijență poate provoca răni grave într-o fracțiune de secundă.

#### FOLOSIREA ȘI ÎNȚEȚINEREA UNELTEI ELECTRICE

- **Nu forțați unealta.** Folosiți produsul corect pentru aplicația dvs. Produsul corect va îndeplini sarcina mai bine și mai în siguranță la un ritm pentru care a fost proiectat.
- **Nu folosiți unealta electrică dacă comutatorul nu o poate porni și opri.** Orice unealtă electrică, care nu poate fi controlată cu comutatorul este periculoasă și trebuie reparată.
- **Înainte de a efectua reglaje, de a schimba accesoriile sau de a depozita o unealtă electrică, deconectați ștecherul de la rețea și/sau acumulatorul de la unealtă.** Aceste măsuri preventive reduc riscul de pornire accidentală a produsului.
- **Nu lăsați uneltele electrice la îndemâna copiilor și nu permiteți persoanelor nefamiliarizate cu unealta electrică sau cu aceste instrucțiuni să folosească unealta.** Uneltele electrice sunt periculoase în mâinile utilizatorilor neinstruiți.
- **Efectuați regulat lucrări de întreținere a uneltelor electrice și accesoriilor acestora.** Verificați alinierea sau lipirea pieselor în mișcare, spargerea pieselor, precum și orice altă condiție care poate afecta funcționarea uneltei. Dacă este deteriorată, trimiteți unealta în service înainte de utilizare. Multe accidente sunt cauzate de unelte întreținute necorespunzător.
- **Păstrați uneltele de tăiere ascuțite și curate.** Uneltele de tăiere întreținute adecvat și care au muchii tăietoare bine ascuțite prezintă mai puține riscuri de încovoiere și sunt mai ușor de controlat.
- **Utilizați produsul și accesoriile sale în conformitate cu aceste instrucțiuni, luând în considerare condițiile de lucru și operațiile pe care le realizați.** Utilizarea uneltei electrice pentru alte operații decât cele preconizate poate duce la situații periculoase.
- **Păstrați mânerul și suprafețele de prindere uscate, curate și fără urme de ulei sau unsoare.** Mânerul și suprafețele de prindere alunecoase nu permit mânăuarea în siguranță și controlul uneltei în situații neașteptate.

#### OPERAȚII DE SERVICE

- **Solicitați efectuarea lucrărilor de service la unealta dvs. electrică numai de către o persoană calificată în reparații, folosind numai piese de schimb identice.** Acest lucru va asigura păstrarea în siguranță a uneltei electrice.

#### ATENȚIONĂRI DE SIGURANȚĂ CU PRIVIRE LA FIERĂȘTRĂU

- **Rămâneți și țineți trecătorii la distanță de planul discului rotativ.** Elementul de apărare ajută la protejarea operatorului de fragmentele de piatră sfărmată și de contactul accidental cu piatra.
- **Cu unealta dvs. electrică, utilizați numai discuri de tăiere din material armat.** Chiar dacă un accesoriu se poate monta pe aparat, acesta nu garantează că veți putea utiliza aparatul în deplină siguranță.
- **Viteza nominală a accesoriului trebuie să fie egală sau mai mare decât viteza maximă indicată pe aparat.** Accesoriile care funcționează la o viteză mai mare decât viteza lor nominală se pot rupe și pot fi aruncate.
- **Pietrele trebuie folosite numai pentru aplicațiile recomandate.** De exemplu, nu șlefuiți cu partea laterală a pietre abrazive. Discurile abrazive de tăiere sunt destinate pentru polizarea periferică, forțele laterale aplicate asupra acestor discuri poate provoca spargerea lor.
- **Folosiți întotdeauna flanșe de disc intacte, care sunt de diametrul corect pentru discul selectat.** Flanșele corespunzătoare sprijină piatra, reducând astfel posibilitatea sfărâmării pietrei.
- **Diametrul exterior al accesoriului și grosimea acestuia trebuie să corespundă caracteristicilor specificate pentru aparat.** În cazul în care accesoriile nu corespund caracteristicilor date, sistemele de protecție și de reglare ale aparatului nu vor putea funcționa corect.
- **Mărimea axului pentru discuri și a flanșei trebuie să se potrivească corespunzător axului sculei electrice.** Discurile și flanșele cu găurile axului care nu se potrivesc la ansamblului echipamentului vor funcționa fără echilibru, vor vibra excesiv și pot cauza pierderea controlului.
- **Nu folosiți discuri deteriorate.** Înainte de fiecare folosire, inspecțiați discurile de ciobituri și crăpături. Dacă este scăpată pe jos scula electrică sau discurile, inspecțiați dacă e deteriorată și instalați un disc nedeteriorat. După inspecțierea și instalarea discului, poziționați-vă pe dvs și persoanele din jur ferit de planul discului rotativ și operați scula electrică la maximum, fără sarcină timp de 1 minut. Discurile deteriorate în mod normal se vor rupe în timpul perioadei de testare.
- **Purtați echipament de protecție personală.** În funcție de utilizarea aparatului dumneavoastră, purtați o mască de protecție, ochelari de siguranță sau ochelari de protecție. Dacă este necesar, purtați o mască antipraf, protecții auditive, mănuși și un șorț pentru a vă proteja de proiectarea de corpuri străine (elemente abrazive, așchii de lemn, etc.). Ochelarii de protecție vă permit să evitați ca proiectilele de resturi să vă rănească ochii. Măștile antipraf permit filtrarea particulelor generate de operația pe o care o faceți. Expunerea prelungită la un zgomot de intensitate





mare poate duce la pierderea auzului.

- **Țineți vizitorii la o distanță suficientă de zona de lucru și asigurați-vă că aceștia poartă echipament de protecție.** Oricine intră în zona de lucru trebuie să poarte echipament personal de protecție. Fragmente ale piesei de lucru sau a discului rupt ar putea zbura și cauza vătămare dincolo de imediata vecinătate a zonei de lucru.
- **Așezați cablul de alimentare în așa fel încât să fie la distanță de accesoriul în rotație.** Dacă pierdeți controlul, cablul ar putea să fie tăiat sau agățat și mâna sau brațul dvs ar putea fi tras înspre discul în rotire.
- **Curățați în mod regulat orificiile de ventilație ale aparatului.** Ventilația motorului face ca praful să pătrundă în interiorul carcasei motorului, ceea ce poate produce o acumulare excesivă de particule metalice și poate provoca șocuri electrice.
- **Nu utilizați aparatul în apropiere de produse inflamabile. Nu lucrați cu unealta electrică în timp ce aceasta e așezată pe o suprafață de material combustibil precum lemnul.** Scânteile ar risca să le aprindă.
- **Nu utilizați accesorii care necesită lichide de răcire.** Utilizarea apei sau a lichidelor de răcire poate cauza electrocutări sau șocuri electrice.

## RECOLUL ȘI ALTE AVERTIZĂRI ASOCIATE

Recul este reacția bruscă a unui disc în rotire care este strâns sau agățat. Rindelierea sau șlefuirea cauzează încetinirea vitezei de rotație a discului care, la rândul său, poate cauza deplasarea necontrolată și forțată a unității de tăiere în sus, către operator.

De exemplu, dacă un disc abraziv se agață sau se îndoaie în piesa de prelucrat, există riscul ca tăișul discului să intre în suprafața materialului, ceea ce va face ca discul să iasă brusc din aceasta sau să fie proiectat. În caz de recul, discul abraziv se poate și rupe.

Recul este deci rezultatul unei utilizări incorecte a aparatului și/sau al procedurilor sau al condițiilor de utilizare incorecte. Reculul poate fi evitat printr-o atenție deosebită acordată respectării unor precauțiuni:

- **Țineți aparatul cu putere și poziționați-vă corpul și brațele astfel încât să puteți controla un eventual recul.** Operatorul poate controla forțele de recul dacă se iau măsuri adecvate de protecție.
- **Nu vă poziționați corpul în linie cu discul în rotire.** Dacă are loc un recul, unitatea de tăiere va fi împinsă în sus, în direcția operatorului.
- **Nu atașați o drujbă, un disc de tăiat lemn, un disc diamantat segmentat cu un spațiu periferic mai mare de 10 mm sau un disc de tăiere cu dinți.** Astfel de lame măresc riscul de recul și de pierdere a controlului asupra aparatului.
- **Nu „blocați” discul sau să aplicați o forță de apăsare excesivă. Nu încercați să efectuați o adâncitură de tăiere excesivă.** Suprasolicitarea discului crește sarcina și probabilitatea răsucirii sau îndoirii discului

în tăietură și posibilitatea de recul sau de spargere a discului.

- **Când discul s-a prins în ceva sau când se întrerupe procesul de tăiere dintr-un oarecare motiv, opriți unealta electrică și țineți nemișcată unitatea de tăiere până când discul se oprește complet. Nu încercați niciodată să îndepărtați discul din locul de tăiere în timp ce discul se învâрте căci ar putea avea loc un recul.** Dacă discul se blochează, căutați cauza și luați măsurile necesare pentru ca acest lucru să nu se mai repete.
- **Nu reporniți operația de tăiere în piesa de prelucrat. Lăsați discul să ajungă la viteza maximă și pătrundeți din nou cu atenție în tăietură.** Discul se poate gripa, poate urca sau poate provoca recul, dacă unealta electrică este repornită în piesa de prelucrat.
- **Sprrijiniți pe un suport piesele de lucru de dimensiuni mai mari pentru a reduce la minim riscul ca discul să se împotmolească sau să aibă recul.** Piesele de prelucrat mari au tendința să se lase sub propria greutate. Suporturile trebuie să fie plasate sub piesa de prelucrat, lângă linia de tăiere și lângă marginea piesei de prelucrat pe ambele părți ale roții.

## AVERTIZĂRI SUPLIMENTARE DE SIGURANȚĂ

- Asigurați-vă că echipamentul este întotdeauna folosit pe o suprafață stabilă și uniformă.
- Purtați întotdeauna protecție pentru ochi și urechi atunci când utilizați acest produs.
- Folosiți echipament personal de protecție precum mască de praf, mănuși și șorț
- Dacă există riscul căderii unui obiect purtați cască de protecție sau protecție pentru cap.
- Asigurați-vă că discul abraziv de tăiere este corespunzător potrivit și strâns înainte de folosire, operați produsul fără sarcină preț de 30 de secunde dintr-o poziție sigură și opriți imediat și înlocuiți discul de tăiere dacă există o vibrație considerabilă.
- Înainte de a face o tăiere, asigurați-vă că toate reglajele sunt securizate.
- Înainte de a efectua orice ajustare, asigurați-vă că unealta este deconectată de la sursa de alimentare. Dacă mașina de tăiat nu este deconectată de la priză, aceasta ar putea cauza pomirea accidentală și posibile vătămări corporale grave.
- Pentru a evita pomirea accidentală care ar putea cauza o vătămare corporală gravă, montați toate piesele mașinii de tăiat înainte de a conecta mașina la sursa de alimentare.
- Mașina nu trebuie să fie conectată la sursa de alimentare atunci când sunt montați piese, efectuați ajustări, instalați sau scoateți discuri sau atunci când nu este în funcțiune.
- Inspectați vizual discul abraziv înainte de fiecare folosire. Verificați discul de fisuri sau crăpături. Nu folosiți discuri abrazive deteriorate.



- Nu folosiți discuri ferăstrău.
- Nu folosiți niciodată un disc prea gros pentru a permite flanșei exterioare să se cupleze cu porțiunile plate de pe ax. Discurile mai mari vor veni în contact cu apărătorile de roți, în timp ce discurile mai groase vor împiedica șurubul să fixeze discul pe ax. Oricare dintre aceste situații poate conduce la un accident grav și poate provoca rănirea gravă.
- Nu scoateți apărătorile de disc ale utilajului. Nu operați mașina dacă o apărătoare sau un capac este scos. Înainte de fiecare utilizare, asigurați-vă că toate elementele de protecție funcționează în mod corespunzător.
- Nu porniți mașina de tăiat cu disc abraziv fără să verificați dacă există interferență între disc și suportul de bază al mașinii. Discul poate fi deteriorat, dacă lovește suportul de bază al mașinii în timpul funcționării mașinii.
- Nu încercați să tăiați lemn sau cărămizi cu această mașină de tăiat. Nu tăiați magneziu sau aliaj de magneziu cu această mașină.
- Nu strângeți discul în mod excesiv, deoarece acest lucru poate provoca fisuri.
- Apropiati întotdeauna ușor discul abraziv de piesa de lucru atunci când începeți să tăiați. Un impact dur poate rupe discul.
- Nu tăiați niciodată mai mult de o piesă de lucru la un moment dat. Nu puneți mai mult de o piesă de prelucrat pe baza mașinii la un moment dat.
- Pentru a reduce riscul răsturnării utilajului, susțineți întotdeauna piesele de lucru lungi.
- Tăierea oțelului va provoca scântei. Nu folosiți în prezența materialelor combustibile sau inflamabile.
- Nu lăsați niciodată unealta să funcționeze nesupravegheată. Nu părăsiți unealta până când nu se oprește complet. Roata continuă să se învîrtă după ce produsul a fost oprit.
- Eliberați întotdeauna comutatorul de alimentare și lăsați discul să se oprească înainte de a-l scoate din piesa de lucru.
- Țineți mâinile la distanță de zona de tăiere. Feriți mâinile de fisc. Nu vă apropiați sub piesa de lucru, în jurul discului sau sub disc, în timp ce discul se rotește. Nu încercați să scoateți materialul tăiat în timp ce discul este în mișcare.
- Nu stați niciodată cu nicio parte a corpului în dreptul căii discului.
- Nu stați niciodată pe unealtă. Vătămări grave ar putea apărea în cazul în care unealta se răstoarnă sau în cazul în care se intră accidental în contact cu discul.
- Nu efectuați niciodată operațiuni fără control manual. Fixați întotdeauna piesa de lucru care urmează să fie tăiată în menghină. Consultați tabelul cu specificații pentru dimensiunea minimă sigură a piesei de lucru. Asigurați-vă întotdeauna că prindeți cel puțin 80 de mm în menghină pentru a asigura securitatea în timpul

polizării.

- Niciodată nu țineți cu mâna o piesă de lucru. Piesa de lucru va deveni foarte fierbinte în timpul tăierii.
- O cădere a tensiunii cauzează fluctuații ale voltajului și poate afecta alte produse electrice de la aceeași sursă de curent. Conectați produsul la o sursă de curent cu o impedanță egală cu 0.233 Ω pentru a reduce fluctuațiile de voltaj. Contactați furnizorul dvs de energie electrică pentru clarificări ulterioare.
- Vă recomandăm utilizarea unui dispozitiv pentru curenți reziduali, cu o clasă de curenți reziduali de 30 mA sau mai puțin.

**Vă recomandăm să folosiți discul de tăiat metale COSB355A1 ca și înlocuitor oricând e nevoie de un disc nou.**

#### AVERTIZĂRI DE SIGURANȚĂ LA MONTAREA DISCULUI ABRAZIV

- **Pentru a reduce riscul vătămării, utilizatorul trebuie să citească și să urmeze instrucțiunile, avertizările și manualul de utilizare înainte de începerea folosirii discului abraziv. Neurmarea acestor avertizări poate rezulta în ruperea discului și vătămare personală gravă. Păstrați aceste instrucțiuni.**
- Folosirea oricărui alt disc decât cel recomandat în manualul de utilizare al produsului poate prezenta risc de vătămare personală. Folosiți doar discuri abrazive ce au marcate pe ele o viteză egală sau mai mare decât cea marcată pe produs.
- Nu folosiți niciodată un disc abraziv care nu este prea gros pentru a permite flanșei exterioare să se angajeze cu fațetele axului. Discurile mai mari vor veni în contact cu apărătorile de roți, în timp ce discurile mai groase vor împiedica șurubul să fixeze discul pe ax. Oricare dintre aceste situații poate conduce la un accident grav și poate provoca rănirea gravă.
- Discul abraziv este doar pentru tăierea metalelor feroase. Nu încercați să tăiați lemn sau zidărie cu discul abraziv. Nu tăiați niciodată aliaje de magneziu sau magneziu cu discul abraziv.
- Discul abraziv este potrivit doar pentru tăierea uscată. Discul abraziv trebuie folosit înainte de data de expirare (marcat pe etichetă, de ex. 11/2021).
- Nu folosiți discuri abrazive deteriorate. Nu folosiți discuri ce sunt ciobite, crăpate sau defecte.
- Asigurați-vă că discul abraziv de tăiere este corespunzător potrivit și strâns înainte de folosire.
- Direcția de rotire a discului abraziv este indicată pe sculă. Asigurați-vă că marcajul privind direcția de rotire a discului este în concordanță cu direcția de rotire identificată pe sculă atunci când instalați sau schimbați discul abraziv.
- Nu strângeți excesiv discul abraziv întrucât poate cauza crăpături.
- Produsul nu trebuie să fie niciodată conectat la priză atunci când instalați sau schimbați discul abraziv.



- Depozitați cu atenție discurile abrazive de rezervă; se pot deteriora ușor.

#### Informații disponibile pe eticheta discului abraziv

Informațiile conținute pe eticheta de pe disc sunt importante. Citiți și verificați eticheta cu atenție pentru a vă asigura că ați selectat tipul de disc corect.

1. Producător, furnizor, importator sau deținător marcă înregistrată.
2. Dimensiunile nominale ale discului abraziv, în particular diametrul găuririi.
3. Tip de abraziune, marime granulație, grad de duritate, tipe de fixare și folosire de întăritură etc.
  - 41A24RBF80
  - 41 --- tip de abraziune, disc de tăiere plat
  - A --- material abraziv: corindon maro
  - 24 --- mărime granulație
  - R --- grad de duritate
  - BF --- tip de fixare
  - 80 --- viteză maximă de operare m/s
4. Viteză maximă de operare în metri pe secundă
5. Viteză maximă permisibilă de rotație în 1 minut
6. Pentru declarația de conformitate, produsele abrazive trebuie marcate cu EN 12413.
7. Restricții de folosire și simboluri avertizări de siguranță.
8. Cod de identificare, de ex. Un număr de producție/serie, data expirării și numere de serie

#### RISCURI REZIDUALE

Chiar și atunci când unealta este folosită conform instrucțiunilor, eliminarea completă a anumitor factori de risc rezidual este, totuși, imposibilă. Următoarele pericole ar putea apărea în timpul folosirii iar operatorul trebuie să acorde o atenție specială pentru a evita următoarele:

- Stabilitate. Asigurați-vă că scula este stabilă. Dacă e necesar, fixați-o.
- Inhalare de praf. Purtați o mască dacă e necesar.
- Scântei și particule fierbinți de metal. Scântele și particulele fierbinți de metal pot cauza incendiu și arsuri de piele. Purtați echipament de protecție în timpul folosirii.
- Vătămare a ochiului de la particulele de metal. Purtați protecție a ochilor în timpul lucrului.
- Vătămare a auzului. Restricționați expunerea și purtați protecție pentru auz corespunzătoare.

#### CUNOAȘTEȚI-VĂ PRODUSUL.

Salt la pagina nr. 172.

1. Mâner, suprafață de contact izolată
2. Comutator de pornire
3. Mâner superior
4. Buton De Blocare A Axului
5. Șurub de ajustare a adâncimii de tăiere.
6. Piuliță de blocare pentru adâncimea de tăiere
7. Ghidaj în unghi
8. Cheie de serviciu

9. Protecția superioară a lamei
10. Protecția inferioară a lamei
11. Disc de tăiere
12. Clamă de lucru
13. Levier de blocare a clamei de lucru
14. Manetă de ajustare a clamei de lucru
15. Picior de cauciuc
16. Lanț de blocare cap fierăstrău
17. Gaură de montare
18. Capac perie carbon
19. Perie de carbon
20. Protecție contra așchiilor
21. Levier de blocare ghidaj pentru mitră

#### SFATURI PRIVIND OPERAREA

#### LEVIER DE BLOCARE GHIDAJ PENTRU MITRĂ

Când ghidajul în 45 de grade se află aproape de pivotul capului fierăstrău, levierul de blocare al ghidajului în 45 de grade poate să interfereze cu pivotul capului la rotire. Repetați procesul de blocare prin ridicarea și rotirea înapoi a levierului până când ghidajul în 45 de grade este bine fixat.

#### ÎNȚREȚINEREA

- Nu modificați produsul în niciun fel sau să folosiți accesorii neaprobate de producător. Siguranța dvs. și a celorlalți poate fi periclitată.
- Nu folosiți produsul dacă oricare din întrerupătoare, apărători sau alte funcții nu funcționează corespunzător. Returnați la un centru service autorizat pentru reparare profesională sau reglare.
- Nu efectuați nici un reglaj când motorul este în mișcare.
- Asigurați-vă întotdeauna că ștecherul utilajului a fost scos din priză de perete înainte de a schimba perii, a lubrifia sau când efectuați orice lucrări de întreținere pe unealtă.
- După fiecare utilizare, verificați dacă unealta este deteriorată sau are piese defecte și păstrați-o în cea mai bună stare de funcționare prin repararea sau înlocuirea pieselor imediat.
- Asigurați-vă că deschizăturile de aerisire sunt menținute curate, în special când lucrați în condiții de praf. Dacă devine necesar să curățați praful, deconectați produsul de la alimentarea de la rețea. Curățați deschizăturile folosind o perie moale.
- Curățați praful acumulat.
- Pentru a asigura siguranța și fiabilitatea, toate reparațiile cu excepția celor la periele externe accesibile trebuie să fie efectuate de către un centru de service autorizat.
- În cazul în care cablul de alimentare este deteriorat, înlocuiți-l la un Centru de Service Autorizat, pentru a evita pericolele de accidente.

**⚠ AVERTISMENT**

Pentru o mai mare siguranță și încredere, toate reparațiile trebuie să fie îndeplinite la un centru service autorizat.

**PROTECȚIA MEDIULUI ÎNCONJURĂTOR**

Reciclați materiile prime în loc să le aruncați la gunoi, împreună cu deșeurile menajere. Pentru a proteja mediul înconjurător, mașina, accesoriile acesteia și ambalajele trebuie triate.

**SIMBOL**

Avertizare de siguranță



Conform CE



Marcaj de conformitate EurAsian.



Semn de conformitate ucrainean



Citiți instrucțiunile cu atenție înainte de pornirea produsului.



Echipament clasa a II-a, izolarea dublă



Purtați echipamente de protecție a auzului



Purtați întotdeauna ochelari de protecție.



Nu este pentru polizare sau tăiere la umed.



Nu folosiți disc de șlefuire ciobit, crăpat sau defect



Purtați mănuși de protecție



Purtați mască de praf.



Nu expuneți la ploaie sau la medii încărcate de umezeală.



Direcția de rotație a discului tăietor (indicată pe protecția discului)



Deșeurile produselor electrice nu trebuie să fie aruncate împreună cu deșeurile casnice. Vă rugăm să reciclați acolo unde există facilități. Verificați la autoritatea dvs. locală sau la vânzător pentru sfaturi privind reciclarea.

**SIMBOLURILE DIN MANUAL**

Piedică



Deblocare



Timp de așteptare a discului de atingere a vitezei maxime



Piese sau accesorii vândute separat



Notă:



AVERTISMENT

Rmătoarele cuvinte simbol și înțelesul lor au intenția de a explica nivelele de risc asociate cu acest produs.

**⚠ PERICOL**

Indică o situație imediată de pericol, care dacă nu este evitată va rezulta în deces sau rănire gravă.

**⚠ AVERTISMENT**

Indică o situație potențială de pericol, care dacă nu este evitată poate rezulta în deces sau rănire gravă.



**⚠ PRECAUȚIE**

Indică o situație potențial periculoasă, care dacă nu este eviată, poate rezulta în vătămare minoră sau moderată.

**PRECAUȚIE**

(Fără simbol de alertă de siguranță) Indică o situație ce poate rezulta în distrugerea proprietății.



Radot jūsu metāla griešanas iekārtu, drošībai, veikspējai un uzticamībai ir pievērsta vislielākā vērība.

## PAREDZĒTĀ LIETOŠANA

Metāla griešanas iekārta ir paredzēta metāla materiālu griešanai. Neizmantojiet to citas izcelsmes materiāliem.

Instrumenti ir paredzēti lietošanai pieaugušiem, kuri ir izlasījuši lietošanas rokasgrāmatu un izpratuši riskus un briesmas.

Izstrādājums ir paredzēts nostiprināšanai pie pamatnes uz stabilas darba virsmas. Ja pamats nav droši nostiprināts, visa ierīce var kustēties darbības laikā, kas palielina iespēju gūt nopietnas traumas.

Produkts ir radīts slīpu un noliektu zāģējumu veikšanai. Dažādu griezumu iespējas ir norādītas instrumenta specifikācijās šajā rokasgrāmatā.

Izstrādājumu drīkst lietot sausos apstākļos, labā apgaismojumā un ar pietiekošu ventilāciju.

Prece paredzēta klientu lietošanai un to drīkst izmantot tikai kā aprakstīts iepriekš un ne citiem mērķiem.

## VISPĀRĒJIE DROŠĪBAS BRĪDINĀJUMI

### ⚠ BRĪDINĀJUMS

Izlasiet visus drošības brīdinājumus, instrukcijas, specifikācijas un apskatiet attēlus šī elektroinstrumenta dokumentācijā. Visu uzskaitīto instrukciju neievērošana ir bīstama; tā var izraisīt elektrisko triecienu, aizdegšanos un/vai nopietnas traumas.

Visus brīdinājumus un norādījumus saglabājiet turpmākām uzziņām. Apzīmējums "elektroinstrumenti" brīdinājumos attiecas uz jūsu elektroinstrumentu, kas tiek darbināts no elektrotīkla (ar vadu) vai ar akumulatora (bezvadu) palīdzību.

## DROŠĪBA DARBA VIETĀ

- Uzturiet darba vietu tīru un labi apgaismotu. Nekārtīgās vai tumšās vietās ir paaugstināts negadījumu risks.
- Nedarbiniet elektroinstrumentus sprādzienbīstamā vidē, piemēram, degošu šķidrumu, gāzu vai putekļu klātbūtnē. Elektroinstrumenti rada dzirksteles, kas var aizdedzināt putekļus vai gāzes.
- Neļaujiet bērniem un apkārtesošajiem atrasties tuvumā, kamēr tiek darbināts elektroinstrumenti. Izklaidības dēļ jūs varat zaudēt kontroli.

## ELEKTRODROŠĪBA

- Elektroinstrumenta kontaktdakšām ir jābūt atbilstošām kontaktligzdām. Nekad nekādā veidā neveiciet kontaktdakšas izmaiņas. Neizmantojiet adapterus ar zemētiem elektroinstrumentiem. Nemodificētas kontaktdakšas un atbilstošas

kontaktligzdas mazinās elektrošoka risku.

- Izvairieties no ķermeņa saskares ar zemētām virsmām, piemēram, caurulēm, radiatoriem, apgabaliem un saldētavām. Ja jūsu ķermenis ir ir zemēts, pastāv palielināts elektrošoka risks.
- Nepakļaujiet elektroinstrumentus lietum vai mitriem apstākļiem. Ūdens iekļūšana elektroinstrumentā palielina elektriskā trieciena risku.
- Izmantojiet barošanas vadu tikai pareizi. Nekad neizmantojiet kabeli elektroinstrumenta nēsāšanai, vilkšanai vai atvienošanai. Vadam jāatrodas pietiekamā atstatumā no siltumavotiem, eļļas, asām malām un kustīgām detaļām. Bojāti vai sapinušies kabeli palielina elektrošoka risku.
- Darbinot elektroinstrumentu ārā, lietojiet pagarinātāja kabeli, kas ir piemērots āra lietošanai. Izmantojot kabeli, kas ir piemērots lietošanai ārā, tiek samazināts elektrošoka risks.
- Ja elektroinstrumentu darbināšana mitrā vietā ir neizbēgama, izmantojiet ar paliekošās strāvas iekārtu (RCD) aizsargātu avotu. Izmantojot RCD, tiek samazināts elektrošoka risks.

## PERSONAS DROŠĪBA

- Saglabājiet modrību, vērojiet savu darbu un rīkojieties saskaņā ar veselo saprātu. Neizmantojiet darbarīku, ja esat noguris vai narkotisko vielu, alkohola vai medikamentu ietekmē. Neuzmanības brīdis, strādājot ar elektroinstrumentiem, var izraisīt smagus ievainojumus.
- Valkājiet individuālos aizsarglīdzekļus. Vienmēr lietojiet aizsargbrilles. Aizsardzības aprīkojums, piemēram, putekļu maska, neslidoši drošības apavi, aizsargķivere, vai ausu aizsarglīdzekļi, to izmantojot atbilstošos apstākļos, samazinās ievainojumu risku.
- Nepieļaujiet nejausu iedarbināšanu. Nodrošiniet, ka slēdzis ir izslēgtā stāvoklī, pirms pievienot pistoli spriegumam un/vai akumulatoru blokam, satverot vai pārnēsājot izstrādājumu. Elektroinstrumentu pārnēsāšana, pirkstam atrodoties uz slēdža, vai instrumenta, kas ir ieslēgtā stāvoklī, pieslēgšana elektrotīklam, palielina negadījumu iespējamību.
- Pirms elektroinstrumenta ieslēgšanas izņemiet visus regulējošos ķīļus vai uzgriežņu atslēgas. Pie elektromotora rotējošās daļas atgrieztā uzgriežņu atslēga vai ķīlis var izraisīt savainojumus.
- Nesniedzieties tam pāri. Visu laiku stāviet stingri un stabili. Tādējādi tiek nodrošināta labāka elektroinstrumenta kontrole negaidītās situācijās.
- Apģērbieties pareizi. Nenēsājiet vaļīgu apģērbu un rotaslietas. Netuviniet matus un apģērbu kustīgajām daļām. Vaļīgs apģērbs, rotaslietas vai gari mati var tikt ierauti starp kustīgām detaļām.
- Ja instruments ir apgādāts ar ierīcēm putekļu nosūkšanai, nodrošiniet, ka šīs ierīces tiek pieslēgtas un pareizi izmantotas. Putekļu savākšanas ierīču izmantošana var samazināt briesmas, kas



saistītas ar putekļu uzkrāšanos.

- **Neļaujiet biežas instrumentu lietošanas radītam pieradumam ļaut palikt nevērigam un neievērot instrumentu drošības principus.** Bezrūpīga darbība var izraisīt smagus ievainojumus sekundes daļu laikā.

#### ELEKTROINSTRUMENTA LIETOŠANA UN APKOPE

- **Nepārslēdziet instrumentu.** Izmantojiet attiecīgajam darbam piemērotu ierīci. Piemērota ierīce darbu paveiks labāk un drošāk, un tā, kā tā ir paredzēta.
- **Nelietojiet elektroinstrumentu, ja slēdzis to neieslēdz un neizslēdz.** Visi elektroinstrumenti, kurus nevar kontrolēt ar slēdzi, ir bīstami un tie ir jāremontē.
- **Atvienojiet kontaktdakšu no sprieguma avota un/vai noņemiet akumulatoru bloku no elektroinstrumenta, pirms veikt jebkādu regulēšanu vai darba piederumu maiņu vai novietot elektroinstrumentu glabāšanai.** Šādi preventīvi drošības pasākumi samazina nejaušas izstrādājuma ieslēgšanās risku.
- **Turiet elektroinstrumentus bērniem nepieejamā vietā, un neļaujiet cilvēkiem, kas nepazīst šo elektroinstrumentu vai šīs instrukcijas, darbināt elektroinstrumentu.** Neapmācītu lietotāju rokās elektroinstrumenti ir bīstami.
- **Uzturiet elektroinstrumentus un to aksesuārus kārtībā.** Pārbaudiet kustīgo detaļu savienojumu pareizību, detaļu berzi un citus apstākļus, kas var ietekmēt instrumenta darbu. Ja instruments ir bojāts, pirms lietošanas veiciet tā remontu. Daudzus negadījumus izraisa slikti apkopti instrumenti.
- **Uzturiet griezējinstrumentus asus un tīrus.** Pareizi uzturēti griezējinstrumentiem ar asu griezējasmēni ir mazāka iespēja iekerties, tos ir vieglāk vadīt.
- **Izmantojiet izstrādājumu, aksesuārus, instrumentu uzgajus utml. saskaņā ar šīm norādēm un ņemot vērā darba apstākļus un veicamā darba specifiku.** Izmantojot elektroinstrumentu darbībā, kas nav paredzētas, var rasties bīstama situācija.
- **Uzturiet rokturus un satveršanas virsmas sausas un tīras, arī no eļļas un smērvielām.** Slideni rokturi un satvēriena virsmas nepodrošina drošu apiešanos un instrumenta vadību neparedzētās situācijās.

#### TEHNISKĀ APKOPE

- **Nododiet savu elektroinstrumentu apkopei kvalificētam tehnikam, izmantojot tikai identiskas rezerves daļas.** Tādā veidā tiek nodrošināta elektroinstrumenta drošība.

#### GARINĀŠANAS ZĀGA DROŠĪBAS BRĪDINĀJUMI

- **Nostājjieties tā, lai jūs un klātesošie neatrastos rotējošā diska plaknē.** Aizsargs palīdz pasargāt operatoru no salūzuša diska fragmentiem un nejaušas saskares ar disku.
- **Jūsu elektroinstrumentā izmantojiet tikai armētus, pastiprinātus griešanas diskus.** Tas, ka piederumu

var pastiprināt elektroinstrumentam, nenozīmē, ka tā lietošana ir droša.

- **Piederuma nominālajam ātrumam jābūt vismaz vienādam vai maksimālajam, kas norādīts uz elektroinstrumenta.** Piederumi, kas kustās ātrāk par nominālo ātrumu, var salūzt un lidot uz visām pusēm.
- **Diskus drīkst lietot tikai tam paredzētajiem darbiem.** Piemēram, neslīpējiet ar griezēdiska sāniem. Abrazīvie griezēdiski ir paredzēti papildu slīpēšanai; šiem diskkiem pielikts spēks no sāniem var tos salauzt.
- **Vienmēr izvēlētajam diskam lietojiet nebojātus pareiza diametra diska atlokus.** Pareizi disku atloki atbalsta disku, samazinot diska salūšanas iespēju.
- **Piederuma ārējam diametram un biežumam jāatbilst elektroinstrumenta specifikācijām.** Nepareiza izmēra griezē-/slīpinstrumentus nevar atbilstoši nodrošināt un kontrolēt.
- **Ripu un atloku loka izmēram ir pareizi jāatbilst elektroinstrumenta asij.** Ja ripām un atlokiem ir lokveida caurumi, kas neatbilst elektroinstrumenta montāžas piederumiem, var veidoties disbalanss, pārmērīga vibrācija un kontroles zudums.
- **Nelietojiet bojātas ripas.** Pirms katras lietošanas pārbaudiet, vai ripām nav robu un plaisu. Ja elektroinstruments vai ripa nokrīt, pārbaudiet, vai tas nav bojāts vai uzstādīt nebojātu ripu. Pēc ripas pārbaudes un uzstādīšanas gan operatoram, gan klātesošajiem ir jāattālinās no rotējošās ripas plaknes; elektroinstruments vienu minūti jādarbina ar maksimālo bezslodzes ātrumu. Šādas pārbaudes laikā bojātas ripas parasti salūst.
- **Valkājiet individuālos aizsarglīdzekļus.** Atkarībā no pielietojuma valkājiet sejas aizsargu vai aizsargbrilles. Ja nepieciešams, valkājiet putekļu masku, dzirdes aizsargus, cimdus un darba priekšautu, kas var apturēt mazus abrazīvā materiāla vai sagataves fragmentus. Acu aizsargiem jāspēj apturēt dažādu darbu radītie lidojošie gruži. Putekļu maskai vai respiratoram jāspēj filtrēt dāļiņas, kas rodas attiecīgā darba gaitā. Ilgstoša atrašanās ļoti intensīvā troksnī var izraisīt dzirdes traucējumus.
- **Tuvumā esošajām personām jāatrodas drošā attālumā no darba vietas.** Visiem, kas tuvojas darba zonai, jāvalkā individuālie aizsarglīdzekļi. Apstrādājamās detaļas vai salūzušas ripas daļas var aizlidot tālāk par tiešo darba zonu un izraisīt traumas.
- **Novietojiet vadu atstātus no griezē j - / slīpinstrumenta.** Zaudējot kontroli, var tikt nogriezts vai aizķerts vads, un plauksta vai roka var tikt ievilkta rotējošajā ripā.
- **Regulāri tīriet elektroinstrumenta ventilācijas atveres.** Motora ventilators ievilkts putekļus korpusā, un pārāk liela metāla pulvera koncentrācija var izraisīt elektrisko bīstamību.
- **Nelietojiet elektroinstrumentu uzliesmojošu materiālu tuvumā.** Nelietojiet elektroinstrumentu, ja tas novietots uz degošas virsmas, piemēram, koka. Dzirksteles var aizdedzināt šos materiālus.





- **Nelietojiet griezēj-/slīpinstrumentus, kam nepieciešami dzesēšanas šķidrums.** Ūdens vai cita šķidrā dzesēšanas līdzekļa lietošana var izraisīt elektrisko triecienu vai nāvi.

### ATSITIENS UN SAISTĪTIE BRĪDINĀJUMI

Atsitiens ir pēkšņa reakcija uz rotējošas ripas iespiešanu vai aizķeršanos. Iespiešana vai iekļīšana rada strauju rotējošā diska apstāšanos, kas, savukārt, rada nekontrolētu griešanas instrumenta griezienu uz augšu, pret lietotāju.

Piemēram, ja abrazīvais disks iekeras vai iekļījas materiālā, iesprūdušā diska mala var iespieties materiāla virsmā, izraisot diska izlēkšanu vai atsitienu. Abrazīvie diski šādos apstākļos var arī salūzt.

Atsitiens rodas no elektroinstrumenta nepareizas lietošanas un/vai nepareizas darba procedūras vai apstākļiem; no tā var izvairīties, veicot pareizus drošības pasākumus:

- **Turiet elektroinstrumentu stingri un novietojiet ķermeni un rokas tā, lai tie pretotos atsitienu spēkiem.** Lietotājs var kontrolēt vertikālā atsitienu spēku, ja tiek ievēroti atbilstoši drošības pasākumi.
- **Nenovietojiet savu ķermeni vienā līnijā ar rotējošo ripu.** Notiekot atsitienu, tas radīs griešanas instrumenta kustību augšup, pret lietotāju.
- **Nepiestipriniet zāga ķēdi, kokgriešanas asmeni, segmentētu dimanta ripu, kuras perifērā atstarpe pārsniedz 10 mm vai zāga asmeni ar zobiem.** Šie griezējinstrumenti rada biežus atsitienu un kontroles zaudēšanu.
- **“Neiespiediet” ripu un nespiediet pārāk stipri.** Nemēģiniet griezt pārmērīgi dziļi. Pārslodot disku, palielinās slodze un risks, ka disks var nokļūt vērpē vai tikt saliekts, kas var izraisīt atsitienu vai diska salūšanu.
- **Ieķeroties diskam, vai jebkāda cita iemesla pārtraucot griešanas darbību, izslēdziet instrumentu un turiet griešanas daļu nekustīgu, līdz disks pilnīgi apstājas.** Nekad nemēģiniet izņemt ripu no griezuma, kamēr tā kustas, jo citādi var notikt atsitiens. Izpētiet, kādi iemesli izraisa diska ķeršanos, un novērsiet tos.
- **Neatsāciet griešanu sagatavē. Ļaujiet diskam sasniegt pilnu ātrumu un uzmanīgi ievietojiet iegriezumu.** Disks var iekļīties, novirzīties vai dot atsitienu, ja elektroinstrumenti tiek iedarbināti sagatavē.
- **Atbalstiet jebkuru pārmērīgi lielu materiāla gabalu, lai izvairītos no diska iespiešanas un atsitienu.** Lielām sagatavēm ir tendence liekties zem pašu svara. Atbalsti ir jānovieto zem sagataves, tuvu griešanas līnijai un tuvu sagataves malai abās diska pusēs.

### PAPILDU DROŠĪBAS BRĪDINĀJUMI

- **Nodrošiniet, ka produkts vienmēr tiek lietots uz stabilas un līdzsvaras virsmas.**
- **Lietojot šo produktu, vienmēr valkājiet acu un ausu aizsargus.**

- **Izmantojiet personisko aizsardzības aprīkojumu, tādu kā putekļu maska, cimdi un priekšauts.**
- **Ja pastāv krītošu priekšmetu risks, izmantojiet ķiveri vai galvas aizsargu.**
- **Nodrošiniet, ka abrazīvais griešanas frēzes disks ir pareizi ievietots un nostiprināts, pirms izmantošanas, turot ierīci drošā stāvoklī darbiniet to tukšgaitā 30 sekundes, nekavējoties apstājieties un nomainiet griešanas disku, ja ir manāma vēra ņemama vibrācija.**
- **Pirms griešanas pārliecinieties, vai visi noregulējumi ir droši.**
- **Pirms jebkādu regulējumu izdarīšanas pārbaudiet, vai darbarīks ir atvienots no strāvas padeves. Ja garināšanas iekārta netiek atvienota, iekārta var nejauši ieslēgties, izraisot iespējamus nopietnus savainojumus.**
- **Lai novērstu nejaušu ieslēgšanos, kas var izraisīt iespējamus nopietnus savainojumus, veiciet visu garināšanas iekārtas daļu montāžu pirms pievienojat to strāvas avotam.**
- **Iekārta nekad nedrīkst būt pievienota strāvas avotam, kad jūs veicat daļu montāžu, regulēšanu, ripu uzlikšanu vai noņemšanu, vai kad tā netiek izmantota.**
- **Pirms katras lietošanas vizuāli novērtējiet abrazīvo disku.** Pārbaudiet vai diskā nav spraugas un plaisas. Nelietojiet bojātu slīpripu.
- **Neizmantojiet zāgripas.**
- **Nekad nelietojiet ripu, kas ir pārāk bieza, lai atļautu ārējam atlokam saskarties ar plāksnēm uz darbvirsmas.** Lielākas ripas nonāks saskarē ar ripas aizsargiem, bet biežākas ripas neļaus skrūvei piestiprināt ripu pie darbvirsmas. Jebkurā no šīm situācijām var notikt nopietns negadījums un rasties nopietna personiskā trauma.
- **Nenoņemiet iekārtas ripas aizsargus.** Nekad nelietojiet iekārta, ja kāds no aizsargiem vai pārsegumi ir noņemti. Pirms katras lietošanas pārliecinieties, vai visi aizsargi darbojas pareizi.
- **Neieslēdziet garināšanas iekārta, ja neesat pārbaudījis, vai starp ripu un iekārtas pamatnes balstiem nav traucējumu.** Ripu var sabojāt, ja tā trāpa iekārtas pamata atbalstam iekārtas darba laikā.
- **Nemēģiniet griezt koku vai mūrējumu ar šo garināšanas iekārta.** Nekad negrieziet magniju vai magnija sakausējumu ar šo iekārta.
- **Nepievelciet ripu pārāk cieši, jo var rasties plaisas.**
- **Vienmēr viegli virziet slīpripu pret sagatavi, sākot griešanu.** Stiprs trieciens var salauzt ripu.
- **Nekad vienlaicīgi negrieziet vairāk par vienu sagatavi.** Vienlaikus uz iekārtas pamatnes nelieciet vairāk par vienu sagatavi.
- **Lai mazinātu iekārtas savēršanās risku, vienmēr atbalstiet garas sagataves.**
- **Griežot tēraudu, radīsies dzirksteles.** Nestrādājiet degošu un uzliesmojošu materiālu tuvumā.
- **Nekad neatstājiet darbojošos instrumentu bez**







uzraudzības. Nepametiet darbarīku, līdz tas nav pilnībā apstājies. Pēc preces izslēgšanas ritenis turpina griezties.

- Vienmēr atlaidiet strāvas slēdzi un ļaujiet ripai pārstāt griezties pirms izceļat to no sagataves.
- Rokas nedrīkst atrasties griešanas zonā. Neturiet rokas ripas tuvumā. Nesniedzieties zem sagataves vai ap ripu vai zem tās, kamēr ripa griežas. Nemēģiniet izņemt sagriezto materiālu, kamēr ripa griežas.
- Nekad nestāviet un neturiet nevienu ķermeņa daļu vienā līnijā ar ripas ceļu.
- Nekad nestāviet uz instrumenta. Var rasties nopietni savainojumi, ja darbarīks ir saskāries vai netīši pieskaroties ripai.
- Nekad neveiciet nevienu darbību ar brīvām, neaizsargātām rokām. Vienmēr nostipriniet griežamo sagatavi skrūvspīlēs. Atsaucieties uz specifikāciju tabulu, drošām minimālam darba daļas izmēram. Vienmēr nodrošiniet, ka Jūsu rokturis atrodas vismaz 80 mm starp skrūvspīļu spīļēm, lai nodrošinātu drošību slīpēšanas laikā.
- Nekad neturiet sagatavi ar rokām. Griešanas laikā sagatave ļoti sakarsīs.
- Elektrības kāpumi izraisa sprieguma svārstības un var ietekmēt citas elektroierīces tajā pašā elektrības slēgumā. Lai mazinātu sprieguma svārstības, pievienojiet izstrādājumu strāvas padevei, kuras pretestība ir vienāda ar 0.233 Ω. Sazinieties ar savu elektroenerģijas piegādātāju, lai saņemtu plašāku informāciju.
- Rekomendējama naudoti likutinās srovēs prietaisā, kai ribinē išjungimo srovē yra 30 mA ar mažiau.

Mēs iesakām izmantot metāla griešanas disku COSB355A1 kā aizstājēju, kad vien jums nepieciešams jauns disks.

#### DROŠĪBAS BRĪDINĀJUMI, IEVIETOJOT ABRAZĪVO DISKU

- Lai samazinātu ievainojumu risku, pirms abrazīvā diska lietošanas jums jāizlasa un jāievēro brīdinājumi un vadības rokasgrāmatā sniegtās instrukcijas. Šo brīdinājumu neievērošana var novest pie diska bojājuma un nopietniem ievainojumiem. Saglabājiet šīs instrukcijas.
- Jebkura cita, ne lietošanas instrukcijā ieteiktā diska izmantošana var izraisīt ievainojumu risku. Izmantojiet tikai abrazīvo disku, kura atzīmētais ātrums ir vienāds vai lielāks nekā uz preces norādītais.
- Nekad neizmantojiet abrazīvo disku, kurš ir pārāk biezs un tāpēc neļauj ārējam atlokam darboties ar vārpstas plakano virsmu. Lielākas ripas nonāks saskarē ar ripas aizsargiem, bet biezākas ripas neļaus skrūvei piestiprināt ripu pie darbvārpstas. Jebkurā no šīm situācijām var notikt nopietns negadījums un rasties nopietna personiskā trauma.
- Abrazīvais disks ir paredzēts tikai dzelzs metālu

griešanai. Nemēģiniet ar abrazīvo disku griezt koku vai mūri. Nekad ar abrazīvo disku negrieziet magniju vai magnija sakausējumus.

- Abrazīvais disks ir piemērots tikai sausai griešanai. Abrazīvo disku vajadzētu izmantot, pirms tā derīguma termiņa beigām (atzīme uz etiķetes, piem., 11/2021).
- Nelietojiet bojātus abrazīvos diskus. Neizmantojiet diskus, kas ir plēsts, iekļausījies vai bojāts.
- Nodrošiniet, ka abrazīvais griešanas frēzes disks pirms lietošanas ir pareizi ievietots no nostiprināts.
- Abrazīvā diska rotācijas virziens ir norādīts uz instrumenta. Ievietojot un mainot abrazīvo disku, pārliecinieties, vai virziens uz diska sakrīt ar uz instruments norādīto virzienu.
- Nenostipriniet abrazīvo disku pārāk cieši, tas var radīt plaisas.
- Šī prece nekad nedrīkst būt pieslēgta strāvas padevei, kad jūs ievietojat vai noņemat abrazīvo disku.
- Uzmanīgi glabājiet savu rezerves disku, tos ir viegli sabojāt.

#### Uz abrazīvā diska etiķetes pieejamā informācija

Informācija uz diska etiķetes ir svarīga. Uzmanīgi izlasiet un pārbaudiet etiķeti, lai nodrošinātu, ka esat izvēlējis pareizo diska veidu.

1. Ražotājs, piegādātājs, importētājs vai precizīme
2. Abrazīvā diska nominālais izmērs, sevišķi urbja diametrs
3. Abrazīvais veids, graudu izmēra, šķira vai cietība, saites veids un armatūras izmantošana, piemēram,
  - 41A24RBF80
  - 41 --- abrazīvais veids, plakana griešanas disks
  - A --- abrazīvs materiāls: brūns korunds
  - 24 --- graudu izmērs
  - R --- šķira vai cietība
  - BF --- saites veids
  - 80 --- maksimālais darbības ātrums m/s
4. Maksimālais darbības ātrums metri sekundē
5. Maksimālais pieļaujamais rotācijas ātrums 1/min.
6. Attiecībā uz atbilstības noteikšanu, atbilstošās abrazīvās preces ir atzīmētas ar EN 12413.
7. Lietošanas aizliegums un drošības brīdinājuma simboli.
8. Izsekojamības kods, piem., ražošanas/partijas numurs, derīguma termiņš vai sērijas numurs.

#### PALIEKOŠIE RISKI

Arī tad, ja mehānisms tiek izmantots paredzētajā veidā, nav iespējams pilnīgi izslēgt noteiktus paliekošos riska faktorus. Lietošanas laikā var rasties šādas briesmas un strādniekam īpaša uzmanība jāpievērš šim:

- Stabilitāte. Jānodrošina, lai instruments būtu stabils. Ja nepieciešams nostipriniet to.
- Putekļu ieelpošana. Velciet masku, ja nepieciešams.
- Dzirksteles un karstas metāla daļiņas. Dzirksteles un karstas metāla daļiņas var izraisīt ugunsgrēku un ādas apdegumus. Izmantošanas laikā valkājiet





aizsargaprīkojumu.

- Acu savainojumi no metāla daļiņām. Strādājot velciet acu aizsargu.
- Dzirdes bojājumi. Ierobežojiet piekļuvi un valkājiet ausu aizsargus.

## IERĪCES IEPAZĪŠANA

Skatīt 172. lpp.

1. Rokturis, izolēta satveršanas virsma
2. Palaišanas slēdzis
3. Augšējais rokturis
4. Vārpstas bloķēšanas poga
5. Griešanas dziļuma regulēšanas skrūve
6. Griešanas dziļuma fiksācijas uzgrieznis
7. 45° leņķa vadošā detaļa
8. Uzgrieznis
9. Augšējais aizsargs
10. Apakšējais aizsargs
11. Zāģripa
12. Darba spaile
13. Darba spailes fiksācijas svira
14. Darba spailes regulēšanas rokturis
15. Gumijas kājiņas
16. Zāģa galvas fiksācijas ķēde
17. Uztādīšanas caurums
18. Oglīšu vāciņš
19. Ogles suka
20. Skaidu deflektors
21. Slīpuma vadotnes fiksācijas svira

## LIETOŠANAS IETEIKUMI

### SLĪPUMA VADOTNES FIKSĀCIJAS SVIRA

Kad zāģa vadotne ir novietota tuvākajā stāvoklī zāģa galvas šarnīram, vadotnes fiksācijas svira pagriešanas laikā var atdurties pret galvas šarnīru. Atkārtotiet fiksācijas procesu, paceļot un atkārtoti pievelkot sviru, līdz vadotne ir stingri nostiprināta.

### APKOPE

- Nepārveidojiet ierīci jebkādā veidā, kā arī nelietojiet piederumus, kas nav ražotāja apstiprināti. Jūsu un citu drošība var tikt apdraudēta.
- Neizmantojiet ierīci, ja slēdži, aizsargi vai citas funkcijas neestrādā kā paredzēts. Vērsieties pilnvarotā servisa centrā, lai saņemtu profesionālu remontu vai pielāgojumu.
- Neveiciet nekādus regulēšanas darbus, kamēr motors kustās.
- Pirms suku maiņas, eļļošanas vai jebkuru mehānisma tehniskās apkopes darbu veikšanas vienmēr pārlecinieties, ka mehānisma kontaktdakša ir atvienota no barošanas avota.
- Pēc katras mehānisma lietošanas pārbaudiet, vai nav bojājumu vai salūzušu detaļu un vienmēr turiet mehānismu labā darba kārtībā, nekavējoties

remontējiet un nomainiet salūzušās detaļas.

- Nodrošiniet, lai ventilācijas atvērumi ir tīri, īpaši darbojoties putekļainos apstākļos. Ja nepieciešams notīriet putekļus, atvienojiet precī no strāvas padeves. Tīriet atvērumus, izmantojot mīkstu suku.
- Iztīriet uzkrājušos putekļus.
- Lai nodrošinātu drošu darbību, visus remontdarbus, izņemot no ārpusē pieejamām sukām, uzticiet veikt licencētām apkopes centram.
- Ja barošanas vads ir bojāts, to jānomaina pilnvarotā servisa centrā, lai nepieļautu bīstamību.

## ▲ BRĪDINĀJUMS

Lielākas drošības un uzticamības labad visi remontī jāveic pilnvarotā apkopes centrā.

## VIDES AIZSARDZĪBA



Tā vietā, lai izejmateriālus izmestu atkritumos, nododiet tos otrreizējai pārstrādei. Mašīna, aksesuāri un iepakojums ir jāsašķiro un jānodod videi draudzīgā atkārtotas pārstrādes vietā.

## SIMBOLS



Drošības brīdinājums



CE atbilstība



EurAsian atbilstības marķējums.



Ukrainas apstiprinājuma zīme



Pirms iedarbināt izstrādājumu, lūdzu, uzmanīgi izlasiet norādījumus.



II klases aprīkojums, dubultā izolācija



Lietojiet dzirdes aizsargus



Vienmēr lietojiet aizsargbrilles.



Nav paredzēts mitrai slīpēšanai vai griešanai



Neizmantot saplīsušus, ieplaisājušus un bojātus slīpēšanas diskus



Valkājiet aizsargcimdus



Valkājiet putekļu masku.



Sargājiet no lietus un nelietojiet mitrās vietās.



Griešanas rīpas rotācijas virziens (parādīts uz rīpas aizsarga)



Izlietotie elektroprodukti nedrīkst tikt izmesti kopā ar mājtsaimniecības atkritumiem. Lūdzu, nododiet tos attiecīgajās atk ār tolas izmantošanas vietās. Sazinieties ar savu vietējo varas pārstāvi vai izplatītāju, lai noskaidrotu, kur iespējama atkārtota pārstrāde.

## SIMBOLI ROKASGRĀMATĀ



Bloķētājs



Atbloķēt



Gaidīšanas laiks, lai asmens sasniegtu pilnu ātrumu



Atsevišķi nopērkamās daļas vai piederumi



Piezīme:



## BRĪDINĀJUMS

Lai izskaidrotu risku, kas saistīti ar izstrādājumu, līmeni, paredzēti šādi norādījuma vārdi un jēdzieni.

### ⚠ BĪSTAMI

Norāda uz nenovēršami bīstamu situāciju, kas, ja netiks novērsta, izraisīs nāvi vai nopietnus miesas bojājumus.

### ⚠ BRĪDINĀJUMS

Norāda uz potenciāli bīstamu situāciju, kas, ja netiks novērsta, var izraisīt nāvi vai nopietnus miesas bojājumus.

### ⚠ UZMANĪBU

Norāda uz potenciāli bīstamu situāciju, kas, ja netiek novērsta, var izraisīt vieglus vai vidējus miesas bojājumus.

### UZMANĪBU

(Bez drošības trauksmes simbola), kas norāda, uz situāciju, kas var novest pie īpašuma bojājuma.



Gaminant šias diskines metalo pjovimo stakles, didžiausia pirmenybė buvo skiriama saugai, našumui ir patikimumui.

### NAUDOJIMO PASKIRTIS

Diskinės metalo pjovimo staklės skirtos metalinėms medžiagoms pjaustyti. Nenaudokite jų nemetalinėms medžiagoms pjaustyti.

Gaminys skirtas naudoti suaugusiems operatoriams, kurie perskaitė instrukcijų vadovą ir supranta kylančius pavojus.

Šio įrenginio pagrindą reikia pritvirtinti prie tvirto darbastalio. Jeigu pagrindas negerai pritvirtintas, pjaunant gali pajudėti visas įrenginys, o tai padidina sunkių sužeidimų pavojų.

Šis gaminys skirtas įstrižiesiems ir nuožambiesiems pjūviams atlikti. Įvairių pjūvių parametrai nurodyti gaminio specifikacijose šiose instrukcijose.

Įrenginį reikia naudoti sausoje aplinkoje, kurioje yra puikus aplinkos apšvietimas ir pakankama ventilacija.

Gaminys – plataus vartojimo ir turi būti naudojamas tik pagal nurodytą paskirtį.

### BENDROSIOS ELEKTRINIO ĮRANKIO SAUGOS Taisyklės

#### ⚠ ĮSPĖJIMAS

Perskaitykite visus saugos įspėjimus, visas instrukcijas, poveikslėlius ir techninius reikalavimus, pateikiamus su šiuo elektriniu įrankiu. Apačioje išdėstytų instrukcijų nesilaikymas gali sukelti elektros smūgį, gaisrą ir (ar) sunkius sužeidimus.

Kad tinkamai naudotumėte įrankį, žr. visus perspėjimus ir nurodymus. Įspėjimuose naudojama sąvoka „elektrinis įrankis“ reiškia prie elektros tinklo jungiamą (laidinį) elektrinį įrankį arba akumuliatoriumi maitinamą (belaidį) elektrinį įrankį.

### DARBO ZONOS SAUGUMAS

- Darbo vieta turi būti švari ir gerai apšviesta. Nelaimingi atsitikimai įvyksta netvarkingose ar tamsiose vietose.
- Nenaudokite elektrinių įrankių, jei šalia yra degios ir sprogti galinčios medžiagos (degūs skysčiai, dujos ar dulkės). Elektriniai įrankiai kibirkščiuoja ir gali uždegti dulkes arba garus.
- Neleiskite vaikams ir šalia esantiems asmenims būti šalia įjungto elektrinio įrankio. Išsiblaškę galite prarasti kontrolę.

### ELEKTROS SAUGA

- Elektrinio įrankio kištukai turi atitikti kištukinį lizdą. Niekada nekeiskite kištuko. Su įžemintais (įžeminimo) elektriniais įrankiais niekada nenaudokite kištukų adapterių. Nepakeisti kištukai ir atitinkantys lizdai sumažina elektros smūgio pavojų.
- Stenkitės nesiliesti prie įžemintų ar įžeminimo paviršių (vamzdžių, radiatorių, grandinių/viryklių,

šaldytuvų). Įžeminus savo kūną, padidės elektros smūgio pavojus.

- Saugokite elektrinius įrankius nuo lietaus ar drėgmės. Dėl vandens, patekusio į elektrinį įrankį, padidėja elektros smūgio pavojus.
- Laidą naudokite pagal jo paskirtį. Niekada jo nenaudokite elektriniams įrankiams pernešti, tempti ar išjungti. Saugokite maitinimo laidą nuo karščio, tepalų, aštrių kampų bei judančių detalių. Pažeisti ar supainioti laidai padidina elektros smūgio galimybę.
- Dirbdami su elektriniu įrankiu lauke, naudokite tik lauke naudoti skirtus ilginamuosius laidus. Naudojant tinkamą laukui laidą sumažinama elektros smūgio tikimybė.
- Jei būtina naudotis elektriniu įrankiu drėgnomis oro sąlygomis, naudokite likutinės srovės prietaisą (RCD). Naudojant RCD sumažinama elektros smūgio tikimybė.

### ASMENINĖ SAUGA

- Dirbdami su prietaisu būkite budrūs, stebėkite, ką darote bei vadovaukitės sveika nuovoka. Nenaudokite įrankio, jei esate pavargę, paveikti kvaišalų, alkoholio ar vaistų. Neatidumas darbo su elektriniu įrankiu metu gali sukelti sunkius sužeidimus.
- Dėvėkite asmenines apsaugos priemones. Visada dėvėkite akių apsaugos priemones. Apsauginės priemonės, pavyzdžiui, apsauginės kaukės, batai neslidžiais padais, šalmas arba klausos apsaugos priemonės, naudojamos atitinkamomis darbo sąlygomis, sumažins pavojų susižaloti.
- Saugokitės, kad įrankis netyčia neužsivestų. Prieš prijungdami gaminį prie maitinimo ir (arba) akumuliatorių bloko, jį keldami arba nešdami įsitikinkite, kad jungiklis būtų išjungimo padėtyje. Nešant elektrinius įrankius ir laikant pirštą ant įjungimo jungiklio arba prijungiant elektrinius įrankius esant įjungtam jungikliui gali kilti nelaimingų atsitikimų.
- Prieš įjungiant elektrinį įrankį, išimkite derinimo raktą ar veržliaraktį. Jei juos paliksite pridėtus prie besisukančio įrankio dalies, galite susižaloti.
- Nesiekite per toli. Visada tvirtai stovėkite ir išlaikykite pusiausvyrą. Tai padės geriau kontroliuoti įrankį netikėtų situacijų metu.
- Dėvėkite tik darbu tinkamus drabužius. Nedėvėkite laisvų, neprigludusių drabužių ir juvelyrinių dirbinių. Saugokitės, kad judančios dalys neįtrauktų plaukų ir drabužių. Laisvi drabužiai, papuošalai ar ilgi plaukai gali įsipainioti į judančias prietaiso detales.
- Jei pateikiami prietaisai dulkių ištraukimo ir surinkimo įrenginiais prijungti, būtina tinkamai juos prijunkite ir naudokite. Naudojant dulkių surinkimo sistemą galima sumažinti dulkių keliamus pavojus.
- Nepasitikėkite vien savo patirtimi, įgyta dažnai naudojantis įrankiais, – neignoruokite įrankio naudojimo saugos taisyklių. Aplaidus veiksmas



akimirksniu gali sukelti sunkų sužalojimą.

## ELEKTRINIO ĮRANKIO NAUDOJIMAS IR PRIEŽIŪRA

- **Nenaudokite įrankio jėga.** Reikia pasirinkti ir naudoti tinkamą paskirčiai gaminį. Tinkamu gaminiu šlifavimo darbai bus atliekami geriau, saugiau ir reikiamu projektniu greičiu.
- **Nenaudokite elektrinio įrankio, jei jungiklio negalite įjungti ir išjungti.** Jungikliu nevaldomas elektrinis įrankis yra pavojingas ir jį reikia taisyti.
- **Ištraukite kištuką iš energijos šaltinio ir (arba) išimkite iš elektrinio įrankio akumuliatorių, ir tik po to atlikite elektrinių įrankių reguliavimo, priedų keitimo arba paruošimo sandėliavimui darbus.** Tokios prevencinės saugos priemonės sumažina pavojų, kad gaminys netyčia įsijungs.
- **Laikykite elektrinį įrankį vaikams neprieinamoje vietoje ir neleiskite juo naudotis asmenims, kurie nemoka juo naudotis.** Neįgudusiems asmenims elektriniai įrankiai yra pavojingi.
- **Prižiūrėkite elektrinius įrankius ir priedus.** Patikrinkite judančių detalių nesutapimus, sukibimą, ar sumontuotos detalės nesulūžusios bei kitą būklę, kuri gali turėti neigiamos įtakos įrankio veikimui. Jei įrankis sugedęs, prieš naudojimą jį reikia suremontuoti. Nemažai nelaimingų atsitikimų įvyksta dėl netinkamai prižiūrimų prietaisų.
- **Pjovimo įrankiai privalo būti aštrūs ir švarūs.** Prižiūrėkite, kad pjovimo įrankiai būtų švarūs ir aštrūs. Tinkamai prižiūrimi pjovimo įrankiai su aštriais asmenimis mažiau sukimba ir juos lengviau valdyti.
- **Gaminį, priedus, įrankių antgalius ir kt. naudokite laikydamiesi šių instrukcijų, atsižvelgdami į darbo sąlygas ir darbo, kurį reikia padaryti, pobūdį.** Naudokite elektrinį įrankį tik pagal tiesioginę paskirtį, kitaip sukelsite pavojingą situaciją.
- **Rankenos ir paviršiai, už kurių yra laikomas įrankis, privalo būti sausi, švarūs, netepaluoti ir nealyvuoti.** Slidžios rankenos ir laikymo paviršiai neleidžia saugiai naudotis įrankiu ir suvaldyti jo netikėtomis sąlygomis.

## TECHNINĖ PRIEŽIŪRA

- **Elektrinį įrankį turi remontuoti tik kvalifikuoti darbuotojai, kurie naudoja identiškas atsargines dalis.** Tai užtikrina elektrinio įrankio saugumą.

## DISKINIO PJŪKLO NAUDOJIMO SAUGOS TAISYKLĖS

- **Patys stovėkite ir stebėkite, kad pašaliniai asmenys būtų toliau nuo besisukančio disko plokštumos.** Apsauginis gaubtas apsaugo operatorių nuo atskilusių nuo disko dalelių ir atsitiktinio prisilietimo prie disko.
- **Su šiuo elektriniu įrankiu naudokite tik korundinius pjovimo diskus.** Vien tik tai, kad priedą galima pritvirtinti prie Jūsų elektrinio įrankio, saugaus darbo neužtikrina.
- **Priedo nustatytas greitis turi būti lygus bent**

didžiausiam greičiui, pažymėtam ant elektrinio įrankio. Priedai, kurie sukasi didesniu nei jų nustatytu greičiu, gali sulūžti, atsiskirti ir skrieti į šonus.

- **Diskus galima naudoti tik rekomenduojamiems darbams atlikti.** Pavyzdžiui, nešlifaukite nupjovimo disko šonu. Abrazyviniai nupjovimo diskai yra skirti periferiniam šlifavimui, dėl šiuos diskus veikiančių šoninių jėgų, jie gali sulūžti.
- **Visada naudokite nepažeistas diskų junges, teisingo skersmens jūsų pasirinktam diskui.** Tinkamos diskų jungės atremia diską, dėl to sumažėja disko sulūžimo tikimybė.
- **Priedo išorinis skersmuo ir storis turi būti Jūsų įrankio nustatytos galios ribose.** Neteisingo dydžio priedų atitinkamai apsaugoti ar suvaldyti neįmanoma.
- **Ratukų ir jungių lenkta dalis turi tinkamai priglusti prie elektrinio įrankio veleno.** Ratukai ir jungės su lenktomis angomis, kurios neatitinka elektrinio įrankio montavimo dalių, neišlaikys pusiausvyros, per stipriai vibruos ir įrankis gali tapti neįdomas.
- **Nenaudokite pakenktų ratukų.** Prieš naudodami, būtinai patikrinkite, ar ratukai neapdaužyti ir neištrūkė. Elektrinį įrankį ar ratuką numetus, patikrinkite, ar ratukas nepakenktas arba imtuokite nepakenktą. Apžiūrėję ir įmontavę ratuką, dirbantieji šiuo įrankiu bei geta esantieji asmenys turi atsistoti atokiai nuo besisukančio ratuko plokštumos ir vieną minutę paleisti elektrinį įrankį veikti maksimaliu greičiu be apkrovos. Pakenkti ratukai paprastai suskyla per šį patikros laiką.
- **Dėvėkite asmenines apsaugos priemones.** Priklausomai nuo darbo paskirties, naudokite veido kaukę, apsauginius didesnius akinius ar saugos akinius. Jei taikytina, dėvėkite kaukę nuo dulkių, ausų apsaugą, pirštines ir darbinę prijuostę, atlaikančią mažas, šlifavimo metu susidariusias ar nuo ruošinio daleles. Apsauginiai akiniai turi apsaugoti akis, kad į jas nepatektų įvairaus darbo operacijų metu skriejančių dalelių. Kaukė nuo dulkių ar dujų kaukė turi filtruoti darbo metu susidariusias daleles. Dėl neapsaugotų ausų nuo didelio triukšmo ilgesnį laiką, galite klausą prarasti.
- **Įsitikinkite, kad atstumas tarp įrankio ir pašalinių asmenų yra saugus.** Visi asmenys, esantys darbo zonoje, privalo dėvėti asmenines apsaugos priemones. Ruošinio ar suskilusio ratuko fragmentai gali pasklįsti ore ir sužeisti žmones arti prie veikiančio įrankio.
- **Laidą laikykite kuo toliau besisukančio įrankio priedo.** Jei įrankis tampa nevaldomas, gali nupjauti laidą arba ratukas gali užsikabinti, ir dirbančiojo ranka ar plaštaka gali būti įtraukta į besisukančių ratuką.
- **Reguliariai valykite elektrinio įrankio oro ventiliacijos angeles.** Variklio ventiliatorius įsurbia į korpuso vidų dulkes ir per didelis susikaupusių metalo dalelių kiekis gali kelti su elektra susijusius pavojus.
- **Nenaudokite elektrinio įrankio šalia degių medžiagų.** Nenaudokite elektrinio įrankio, padėto ant degaus, pavyzdžiui, medinio, paviršiaus. Kibirkštys gali šias





medžiagas uždegti.

- **Nenaudokite tokių priedų, kuriems reikalingas aušinimo skystis.** Naudojant vandenį ar kitą aušinimo skystį galima sukelti elektros smūgį ar nuo elektros žūti.

#### ATATRANKA IR SU JA SUSIJĘ ĮSPĖJIMAI

Suspaustas ar užsikabinęs ratukas gali staiga atšokti veikiamas atatrankos jėgos. Suspaustas arba įstrigęs besisukantis diskas gali staigiai užsikirsti, dėl to elektrinis įrankis gali nevaldomai atšokti naudotojo link.

Pavyzdžiui, jei abrazyvinį diską sugnybia ar užkabina ruošinys, tas disko kraštas, kuris prisiliečia prie sugnybimo taško, gali įlįsti į medžiagos paviršių, ir dėl to diskas išlenda ar iššoksta atgal. Tokiais atvejais, abrazyviniai diskai gali taip pat sulūžti.

Atatranka yra netinkamo naudojimo elektrinio įrankio ir (ar) klaidingo darbo proceso ar sąlygų rezultatas. Jos galima išvengti laikantis atitinkamų žemiau išdėstytų apsaugos priemonių.

- **Pjūklą tvirtai laikykite rankomis, o ranką ir kūną laikykite taip, kad jie išlaikytų atgalinio smūgio jėgą.** Naudotojas gali suvaldyti atatrankos jėgas, jei imsis tinkamų atsargumo priemonių.
- **Neatsistokite vienoje eilėje su besisukančiu ratuku.** Jei įvyks atatranka, pjovimo diskas atšoks naudotojo link.
- **Netvirtinkite pjūklo grandinės, medžio drožinėjimo geležtės, segmentinio deimantinio ratuko, kurio periferinis tarpas didesnis nei 10 mm taip pat nemontuokite dantytų pjūklo ašmenų.** Tokios geležtės dažnai sukelia atgalinį smūgį ar dėl jų įrankis nesuvaldomas.
- **„Neįstraiginkite“ ratuko ir per stipriai nespauskite jo. Nebandykite pjauti per daug giliai.** Naudojant per didelę jėgą aprova diskui padidėja, taip pat pjaunant diskas greičiau gali sulinkti, užsikirsti ar sulūžti, ar įvykti atatranka.
- **Diskui užstrigus arba, kai pjovimas dėl kitų priežasčių nutrūksta, išjunkite elektrinį įrankį ir nejudinkite jo, kol diskas visiškai nenustos suktis. Jokiu būdu nebandykite nuimti nuo pjautuvo judančio ratuko: paveiktas atatrankos jėgos, jis gali atšokti.** Nustatykite disko kirtimosi priežastis ir imkitės tinkamų veiksmų joms pašalinti.
- **Pjovimo metu įrankiui esant ruošinyje, įrankio iš naujo neužveskite. Leiskite diskui išvystyti visą greitį ir jį iš naujo atsargiai įveskite į pjovą.** Jei elektrinį įrankį iš naujo užvesite diskui esant ruošinyje, diskas gali užkliūti, pasislinkti, ar atšokti atgal.
- **Paremkite labai didelius ruošinius, kad maksimaliai sumažėtų pavojus suspausti diską ir sukelti atatranką.** Dėl savo svorio dideli ruošiniai paprastai įlinksta. Atramas būtina padėti iš abiejų disko pusių po ruošiniu, šalia pjovimo linijos bei ruošinio kraštų.

#### PAPILDOMI SAUGOS PERSPĖJIMAI

- Prietaisą visada naudokite padėję ant lygaus, stabilaus paviršiaus.
- Naudodamiesi šiuo įrankiu visada dėvėkite akių ir klausos apsaugos priemones.
- Dėvėkite asmeninę apsaugos priemones, tokias kaip dulkių apsauginę kaukę, pirštines ir prijuostę.
- Jei yra krintančių objektų pavojus, dėvėkite šalną ar galvos apsaugines priemones.
- Prieš naudodami įrankį, patikrinkite ar abrazyvinis pjovimo diskas tinkamai uždėtas ir pritvirtintas; paleiskite įrankį 30 s veikti saugioje padėtyje be apkrovos ir pastebėję didelę vibraciją, permontuokite pjovimo diską.
- Prieš pradėdami pjovimą, patikrinkite, ar visi nustatymai yra saugiai pritvirtinti.
- Prieš atlikdami bet kokius nustatymus, patikrinkite, ar įrankis yra atjungtas nuo maitinimo šaltinio. Neišjungus pjovimo įrenginio iš maitinimo šaltinio, variklis gali atsitiktinai užsivesti ir jus sunkiai sužeisti.
- Norint išvengti atsitiktinio įrenginio įsijungimo, dėl kurio galite sunkiai susižeisti, visas įrenginio detales sumontuokite prieš jį prijungdami prie maitinimo šaltinio.
- Kai montuojate detales, reguliuojate, tvirtinate, nuimate diskus ar įrenginio nebenaudojate, jo niekada negalima laikyti prijungto prie elektros maitinimo šaltinio.
- Prieš kiekvieną naudojimą apžiūrėkite abrazyvinį diską. Patikrinkite, ar jis neįskilęs ir neįtrūkęs. Nenaudokite pažeisto disko.
- Nenaudokite pjūklo ašmenų.
- Niekada nenaudokite per storo pjovimo disko, dėl kurio išorinė disko jungė negali sukibti su ašies plokštumomis. Didesni diskai liečiasi į disko apsauginius gaubtus, o storesni diskai neleidžia jo varžtui tvirtai priveržti disko ant ašies. Bet kuri iš šių situacijų gali sukelti nelaimingą atsitikimą bei jus sunkiai sužeisti.
- Nenuimkite įrenginio disko apsaugų. Niekada nenaudokite šio prietaiso, jei nuimtas apsauginis gaubtas ar dangtis. Prieš kiekvieną prietaiso naudojimą patikrinkite, ar apsauginiai įtaisai tinkamai funkcionuoja.
- Prieš įjungdami abrazyvinį pjovimo įrenginį pirmiausia patikrinkite, ar diskas ir įrenginio pagrindas nesiliečia vienas į kitą. Diskas gali būti pažeistas, jei darbo metu jis smarkiai liečiasi į įrenginio pagrindą.
- Šiuo pjovimo įrenginio negalima pjauti medienos ir mūro. Šiuo įrenginiu niekada nepjaukite magnio ar magnio lydinių.
- Disko per smarkiai nepriveržkite, nes dėl to jis gali įtrūkti.
- Pradėdami pjauti visada tik lengvai spauskite abrazyvinį diską prie ruošinio. Didelis smūgis gali sulaužyti diską.
- Niekada vienu metu nepjaukite daugiau nei vieno ruošinio. Vienu metu dėkite ne daugiau kaip vieną ruošinį ant įrenginio pagrindo.



- Siekiant sumažinti įrenginio pasvirimo pavojaus, ilgus roošinius visada paremkite.
- Pjaunant plieną kyla kibirkštys. Įrankio nenaudokite esant degioms ir lengvai užsidegantioms medžiagoms.
- Niekada nepalikite veikiančio įrankio be priežiūros. Neatsitraukite nuo įrankio, kol jis visiškai nesustojo. Gaminį išjungus, ratukas kurį laiką dar sukasi.
- Prieš iškeldami diską nuo roošinio visada atleiskite įjungimo mygtuką ir palaukite, kol diskas nustos sukstis.
- Rankas laikykite toliau nuo pjovimo zonos. Rankas laikykite toliau nuo disko. Kai pjovimo diskas sukasi, nesiekite po roošiniu, aplink jį, o taip pat po pjovimo disku. Pjovimo diskui judant roošinio nebandykite ištraukti.
- Niekada nestovėkite ir stebėkite, kad nei viena jūsų kūno dalis nebūtų vienoje linijoje su pjovimo disku.
- Niekada nelipkite ant prietaiso. Įrankiui pasvirus arba netyčia priilietus diską galima sunkiai susižeisti.
- Nei vienos operacijos niekada neatlikite rankomis. Pjaunamą roošinį visada pritvirtinkite spaustuvuose. Saugus minimalus roošinio dydis pateiktas specifikacijų lentelėje. Kad šlifavimo darbas būtų saugus, roošinį reikia suimti spaustuvu ne mažesniu kaip 80 mm skersmeniu.
- Niekada roošinio nelaikykite rankomis. Pjaunant roošinys smarkiai įkaista.
- Dėl srovės pertrūkio įtampa pradeda svyruoti bei gali turėti įtakos kitiems prie tos pačios energijos grandinės prijungtiems elektros prietaisams. Kad sumažintumėte įtampos svyravimus, gaminįjunkite į maitinimo tinklą, kurio tariamoji varža yra 0.233 Ω. Dėl išsamesnės informacijos kreipkitės į elektros energijos tiekėją.
- Rekomenduojama naudoti likutinės srovės prietaisą, kai ribinė išjungimo srovė yra 30 mA ar mažiau.

**Kai reikia keisti diską, patartina naudoti COSB355A1 serijos pakaitą.**

### ŠLIFAVIMO RATO MONTAVIMO SAUGOS PERSPĖJIMAI

- Kad susižeidimo pavojus būtų kuo mažesnis, prieš pradėdams darbą abrazyviniu disku, naudotojas turi perskaityti nurodymus, perspėjimus ir naudotojo vadovą bei šių nurodymų laikytis. Nelaikant šių perspėjimų, gali sulūžti diskas ir sunkiai susižeisti darbuotojai. Išsaugokite šias instrukcijas.
- Naudojant gaminio instrukcijų vadovą nenurodytą diską galima susižeisti. Nuadokite tik tuos abrazyvinius diskus, ant kurių nurodytas greitis yra didesnis arba lygus nurodytajam ant gaminio.
- Jokių būdu nenaudokite abrazyvinio disko, kuris per storas, kad išorinė jungė susikabintų su suklio briaunomis. Didesni diskai liečiasi į disko apsauginius gaubtus, o storesni diskai neleidžia jo varžtui tvirtai priveržti disko ant ašies. Bet kuri iš šių situacijų gali sukelti nelaimingą atsitikimą bei jus sunkiai sužeisti.

- Abrazyvinis ratas skirtas pjauti tik geležingą metalą. Abrazyviniu ratu nepjunkite medienos ar mūro. Šlifavimo rato niekada nepjunkite magno ar magno lydinių.
- Abrazyvinis ratas skirtas tik pjovimui sausuoju būdu. Abrazyvinio disko negalima naudoti pasibaigus jo galiojimo laikui (paženklintas ant etiketės, pvz., 2021/11).
- Nenaudokite pakenktų abrazyvinių diskų. Nenaudokite atplyšusių, suskilusių ar defektuotų abrazyvinių diskų.
- Prieš naudodami įrankį, patikrinkite ar abrazyvinis pjovimo diskas tinkamai uždėtas ir pritvirtintas.
- Abrazyvinio disko sukimosi kryptis nurodyta ant įrankio. Montuodami ir keisdami abrazyvinį diską, patikrinkite, ar disko sukimosi krypties ženklas atitinka kryptį, nurodytą ant įrankio.
- Neveržkite abrazyvinio disko per stipriai, nes jis gali sutrūkinėti.
- Uždedant arba nuimant abrazyvinius diskus įrankis jokių būdu negali būti jungtas į maitinimą.
- Atsargiai abrazyvinius diskus rūpestingai saugokite: jie lengvai pakenkiami.

### Informacija ant abrazyvinio disko etiketės

Informacija ant abrazyvinio disko etiketės svarbi. Rūpestingai perskaitykite etiketės informaciją, kad pasirinktumėte tinkamą diską.

1. Gamintojas, tiekėjas, importuotojas arba prekyženklis
2. Nominalieji abrazyvinio disko matmenys; ypač, išgrąžos skersmuo
3. Abrazyvo tipas, smiltelių dydis, kietumo klasė, sukibimo tipas ir sutvirtinimas, pvz.,
  - 41A24RBF80
  - 41 --- abrazyvo tipas, plokščio pjovimo diskas
  - A --- abrazyvinė medžiaga: rudasis koruindas
  - 24 --- smiltelių dydis
  - R --- kietumo klasė
  - BF --- sukibimo tipas
  - 80 --- maksimalus darbinis greitis m/s
4. Maksimalus darbinis greitis metrais per sekundę
5. Maksimalus galimas sukimosi greitis 1/min
6. Atitikties deklaraciniai abrazyviniai gaminiai turi būti pažymėti EN 12413 standartu
7. Naudojimo apribojimas ir saugos perspėjamieji simboliai.
8. Atsekamumo kodas, pvz., gaminio / partijos numeris, galiojimo pabaigos data ar serijos numeris

### ŠALUTINIS PAVOJUS

Netgi prietaisą naudojant pagal jo paskirtį visų šalutinių rizikos veiksnių visiškai pašalinti neįmanoma. Naudojant gali kilti toliau nurodyti pavojai ir naudotojas turi būti ypatingai atsargus, kad išvengtų šių pavojų:

- Stabilitumas. Pasirūpinkite, kad įrankis būtų stabilus. Jei reikia, pritvirtinkite jį.
- Dulkių įkvėpimas. Jei reikia, dėvėkite kaukę.
- Kibirkštys ir įkaitusio metalo dalelės. Kibirkštys ir





įkaitusio metalo dalelės gali sukelti gaisrą ir odos nudegimus. Naudodami dėvėkite apsauginę įrangą.

- Akių sužeidimas metalo dalelėmis. Dirbdami dėvėkite akių apsaugines priemones.
- Klausos sužeidimas. Apribokite buvimą klausai žalingoje aplinkoje ir dėvėkite ausų apsaugines priemones.

### GERAI IŠMANYKITE APIE GAMINĮ

Žiūrėti 172 psl.

1. Rankena, izoliuotu paviršiumi
2. Įjungimo jungiklis
3. Viršutinė rankena
4. Ašies užrakinimo mygtukas
5. Pjovimo gylio reguliavimo varžtas
6. Pjovimo gylio fiksavimo veržlė
7. Nuožambaus pjovimo kreiptuvas
8. Veržliaraktis
9. Viršutinis apsauginis gaubtas
10. Apatinis apsauginis gaubtas
11. Pjovimo diskas
12. Ruošinio spauštuvai
13. Ruošinio spauštuvų fiksavimo svirtis
14. Ruošinio spauštuvų reguliavimo rankena
15. Guminė koja
16. Pjūklo galvutės fiksavimo grandinė
17. Montavimo anga
18. Anglinio šepetėlio gaubtelis
19. Anglinis šepetys
20. Drožlių kreiptuvas
21. Įstrižojo pjūvio fiksavimo svirtelė

### NAUDINGI EKSPLOATAVIMO PATARIMAI

#### ĮSTRIŽOJO PJŪVIO FIKSAVIMO SVIRTELĖ

Kai įstrižojo pjūvio kreiptuvas yra arčiausiai pjūklo galvutės ašies, galvutės ašis gali trukdyti sukti įstrižojo pjūvio kreiptuvo fiksavimo svirtį. Pakartokite fiksavimo procesą pakeldami ir atsukdami atgal svirtį, kol įstrižojo pjūvio kreiptuvas bus tvirtai užfiksuotas.

### PRIEŽIŪRA

- Gaminio negalima modifikuoti arba naudoti gamintojo neparvirtintus priedus. Gali kilti pavojus jūsų bei kitų asmenų saugai.
- Gaminio negalima naudoti, jeigu netinkamai veikia jungikliai, apsauginiai įtaisai ar kitos dalys. Nugabenkite į įgaliotą techninio aptarnavimo centrą, kad sutaisytų ar sureguliuotų specialistai.
- Kai variklis įjungtas, įrankio jokiais būdais nereguliokite.
- Prieš keisdami šepetėlius, sutepdami ar atlikdami kitus prietaiso techninės priežiūros darbus, visų pirma visada patikrinkite, ar prietaiso kištukas yra ištrauktas iš maitinimo lizdo.
- Po kiekvieno naudojimo patikrinkite, ar prietaisas nepažeistas, ar nėra sulūžusių detalių; prietaisą

išlaikykite geriausios darbinės būklės reikiamas dalis nedelsiant suremontuodami arba pakeisdami.

- Reikia stebėti, kad ventilacijos angos neužsiterštų, ypač dirbant sdulkėtomis sąlygomis. Jei būtina išvalyti dulkes, atjunkite gaminį nuo maitinimo tinklo. Angas valykite minkštu šepetėliu.
- Nuvalykite susikaupusias dulkes.
- Siekiant užtikrinti saugumą ir patikimumą, visus remonto darbus, išskyrus iš išorės pasiekiamus šepetėlius, privalo atlikti įgaliotas techninės priežiūros centras.
- Jei pažeistas laidas, kad išvengtumėte pavojų, jį pakeisti turi įgaliotasis serviso centras.

### ⚠ ĮSPĖJIMAS

Kad būtų saugiau ir patikimiau, visus remonto darbus turi atlikti įgaliotasis techninio aptarnavimo centras.

### APLINKOS APSAUGA



Žaliavines medžiagas perdirbkite pakartotinai, o ne išmeskite kaip atliekas. Mechanizmas, priedai ir pakuotės turi būti laikomi pakartotinai perdirbti aplinkai nekenksmingu būdu.

### SIMBOLIAI



Pranešimas apie saugumą



CE suderinimas



„EurAsian“ atitikties ženklas.



Ukrainos atitikties ženklas



Prieš pradėdami naudoti šį prietaisą, prašome atidžiai perskaityti šias instrukcijas.



II klasės įrenginys, dviguba izoliacija





Dėvėkite klausos apsaugos priemones



Pastaba:



Visada dėvėkite akių apsaugos priemones.



**ĮSPĖJIMAS**



Neskirtas šlifavimui ar pjovimui drėgnuoju būdu



**PAVOJUS**

Rodo grėšiančią pavojingą situaciją, kurios neišvengus galima patirti mirtiną arba sunkų sužalojimą.



Nenaudokite nuskilusio, įskilusio ar pažeisto šlifavimo disko



**ĮSPĖJIMAS**

Rodo potencialiai pavojingą situaciją, kurios neišvengus galima patirti mirtiną arba sunkų sužalojimą.



Mūvėkite apsaugines pirštines



**ATSARGIAI**

Rodo potencialiai pavojingą situaciją, kurios neišvengus galima patirti nesunkų arba vidutinio sunkumo sužalojimą.



Dėvėkite kaukę nuo dulkių.

**ATSARGIAI**

(Be įspėjamojo šauktuko) Reiškia situaciją, kurioje galima sugadinti turtą.



Nenaudoti lyjant ar drėgnose vietose.



Nupjovimo rato sukimosi kryptis (parodyta ant rato apsaugo)



Elektrinių produktų atliekos neturi būti metamos kartu su namų ūkio atliekomis. Prašome perdirbkite jas ten, kur yra tokios perdirbimo bazės. Dėl perdirbimo patarimo kreipkitės į savo vietinę savivaldybę ar pardavėją.

## SIMBOLIAI VADOVE



Bloketąs



Atrakinti



Laikas, per kurį geležtė išvysto maksimalų greitį



Detalės arba priedai yra parduodami atskirai



Metalllõikuri juures on peetud esmatähtsaks ohutust, töövõimet ja töökindlust.

### OTSTARBEKOHANE KASUTAMINE

Metalllõikur on mõeldud metalli lõikamiseks. Ärge kasutage mittemetalli jaoks.

Toodet tohivad kasutada täiskasvanud isikud, kes on lugenud läbi kasutusjuhendi ning mõistavad tööriista kasutamiseiga seotud riske ja ohte.

Toode tuleb kinnitada tööpingi külge. Kui alus ei ole kindlalt fikseeritud, võib masin lõikamise ajal liikuma hakata ja põhjustada sellega raske kehavigastuse.

Toode sobib kald- ja eerunglõigetega tegemiseks. Erinevate lõigete andmed on toodud kasutusjuhendis toote tehniliste andmete all.

Puurpinki tohib kasutada kuivas, hästi valgustatud ja piisava ventilatsiooniga töökohas.

Seade on ette nähtud erakasutajale ja seda tuleb kasutada vaid eespool kirjeldatud otstarveteks ning seda ei tohi kasutada mingiks muuks otstarbeks.

### ÜLDISED OHUTUSREEGLID

#### ⚠ HOIATUS

Lugege läbi kõik mehaanilise tööriista kohta esitatud ohuhoiatused ning tutvuge tööriista jooniste ja tehniliste andmetega. Allpool esitatud hoiatuste ja juhiste eiramise puhul on oht saada elektrilööki või raskeid kehavigastusi ning/või tekitada tulekahju.

Hoidke kõik hoiatused ja juhised edaspidiseks juhindumiseks alles. Hoiatuses kasutatav termin "mootortööriist" viitab võrgutoitega (juhtmega) tööriistale või akuga (juhtmata) tööriistale.

### TÖÖKOHA OHUTUS

- Hoidke töökoht puhas ja hästi valgustatud. Korrastamata ja pimedas kohas töötamisel võivad juhtuda õnnetused.
- Ärge kasutage suruõhutooristu plahvatusohtlike keskkondades, näiteks kergestisüttivate vedelike ja gaaside läheduses ega tolmuses kohas. Elektritööriistad tekitavad sädemeid, mis võivad tolmu või auru süüdata.
- Elektritööriistaga töötamisel hoidke lapsed ja kõrvalised isikud eemal. Tähelepanu hajumise korral võib teil kontroll kaduda.

### ELEKTRIOHUTUS

- Elektritööriistade pistikud peavad pistikupesasse sobima. Ärge püüdke pistiku konstruktsiooni mingil moel muuta. Ärge ühendage maanduskontaktiga (kordusmaandusega) elektritööriistu elektrivõrku läbi vahepistmike. Pistiku ja pistikupesa konstruktsiooni muutmine korral tekib elektrilöögi oht.

- Töötamisel hoiduge kehalisest kontaktist maandatud pindadega, näiteks torude, radiaatorite, elektripliitide ja külmikutega. Kehaosade maandamisel suureneb elektrilöögi saamise oht.
- Ärge jätke tööriistu vihma kätte ega niiskesse kohta. Vee sattumisel elektrilise tööriista sisemusse suureneb elektrilöögi saamise oht.
- Ärge kasutage toitejuhet nõuetevastaselt. Ärge kasutage toitejuhet tööriista kandmiseks, vedamiseks või pistikupesast väljatõmbamiseks. Hoidke toitejuhe eemale küttekahadest, õlist, teravatest servadest ja liikuvatest osadest. Vigastatud või keerduv toitekaablid suurendavad elektrilöögi ohtu.
- Väljas töötamisel kasutage välistingimustes kasutamiseks sobivaid pikendusjuhtmeid. Välistingimustele sobiva pikendusjuhtme kasutamine vähendab elektrilöögi ohtu.
- Kui elektritööriista kasutamine niisketes oludes on vältimatu, siis kasutage rikkevoolu-kaitselülitiga (RCD) kaitstud vooluvõrku. RCD kasutamine vähendab elektrilöögi ohtu.

### ISIKUKAITSE

- Olge töötamisel tähelepanelik, jägige, mida teete ja kasutage tööriistaga töötamisel tervet mõistust. Ärge kasutage seadet, kui olete väsinud või narkootiliste ainete, alkoholi või ravimite mõju all. Hetkeline tähelepanu hajumine tööriista kasutamise ajal võib põhjustada raske kehavigastuse.
- Kandke isikukaitsevahendeid. Kandke alati silmakaitsevahendeid. Oludele vastavad kaitsevahendid, nagu tolmumask, libisemist takistavad turvajalatsid, kiiver või kuulmiskaitsemed, vähendavad kehalisi vigastusi.
- Vältige tahtmatut käivitumist. Kontrollige, et lüliti on väljalülitatud asendis, enne kui ühendate toote vooluvõrguga ja/või akuga, võtate toote kätte või kannate seda. Kui elektriliste tööriistade kandmise ajal on sõrm lüliti või sisselülitatud seade lülitatakse elektrivõrku, võib juhtuda õnnetus.
- Enne tööriista sisselülitamist eemaldage sellel reguleerivõti või mutrivõti. Elektritööriista külge jäetud reguleerivõti või mutrivõti võivad põhjustada raske kehavigastuse.
- Ärge küünitage end töötamisel liigselt välja. Hoidke end pidevalt jalgedel ja tasakaalus. Siis on teil ootamatu olukorra tekkimisel tööriista üle parem kontroll.
- Kandke tööks sobivat riietust. Ärge kandke lõtvu riideid ega ehteid. Hoidke juuksed ja riided liikuvatest osadest eemal. Lahtised riietusesemed, ehted ja pikad juuksed võivad haakuda liikuvate osade külge.
- Kui on olemas detailid tolmu väljatõmbe- ja kogumisvahenditega ühendamiseks, veenduge, et need on ühendatud ja neid kasutatakse õigesti. Tolmu kogumine vähendab tolmuga seotud ohte.



- Ärge muutuge hooletuks ega ignoreerige tööriista ohutusnõudeid, kui te seadet juba tunnete ja olete seda tihti kasutanud. Hooletus võib põhjustada raskeid vigastusi juba sekundi mürdosa jooksul.

#### ELEKTRITÖÖRIISTA KASUTAMINE JA KORRASHOID

- Ärge kasutage töötamisel liigset jõudu. Kasutage tööks sobivat elektritööriista. Õigesti valitud tööriist töötab paremini ja ohutumalt selles võimsuspiirkonnas, millele see on ette nähtud.
- Ärge kasutage elektritööriista, kui lüliti ei lülita seda sisse ja välja. Lülitiga lülitamatu tööriista kasutamine on ohtlik ja see tuleb lasta ära remontida.
- Enne tööriista reguleerimist, tarvikute vahetamist või tööriista hoiustamist ühendage pistik vooluallikast lahti ja/või eemaldage võimalusel tööriista aku. Need ennetavad ohutusmeetmed vähendavad toote ootamatu käivitumise riski.
- Hoidke kasutuses mitteolevaid elektritööriistu lastele kättesaamatus kohas ja ärge lubage elektritööriista mittetundvaid või kasutusjuhendiga mittetutvunud isikuid elektritööriista kasutada. Oskamatu kasutaja käes olev elektritööriist on ohtlik.
- Hooldage elektritööriista ja tarvikuid. Kontrollige liikuvate osade mittesentreeeritust ja kinniteid, osade vigastusi ning tehke kindlaks muud seisundid, mis võivad mõjustada elektriseadme tööd. Kui mõni osa on vigastatud, siis laske seade enne kasutamist ära parandada. Halvasti hooldatud tööriistad põhjustavad palju õnnetusi.
- Hoidke lõiketerad teravad ja puhtad. Hästi hooldatud teravate lõikeservadega lõikeriistad kiiluvad kinni väiksema tõenäosusega ja neid on lihtsam juhtida.
- Kasutage toodet, tarvikuid ja otsakuid kooskõlas nende juhistega ning võttes arvesse töötingimusi ja teostatavat tööd. Tööoperatsiooniks mitte ettenähtud elektritööriista kasutamine võib tekitada ohtliku olukorra.
- Hoidke käepidemed ja haardepinnad kuivad, puhtad ning õli- ja määrdevabad. Ootamatutes olukordades ei saa libedate käepidemete ja haardepindadega tööriista ohutult käsitseda ega kontrollida.

#### HOOLDUS

- Laske oma elektrilist tööriista hooldada väljaõppinud teenindustöötajal. Remontimisel tohib kasutada ainult originaalvaruosi. See tagab hooldatud seadme elektriohutuse.

#### JÄRKAMISSAE OHUTUSJUHISED

- Hoidke ennast ja kõrvalseisjaid eemal lõikeketta pöörlemistasapinnast. Kaitsekate kaitseb kasutajat purunenud kettatükkide ja juhusliku kontakti eest kettaga.
- Kasutage oma elektritööriistaga ainult ühendatud tugevdatud järkamiskettaid. Asjaolu, et tarvikut on võimalik mehaanilisele tööriistale kinnitada, ei taga

selle tarvikuga töötamisel ohutust.

- Tarviku lubatud nimikiirus peab olema vähemalt võrdne mehaanilisele tööriistale märgitud maksimaalse kiirusega. Tarvikud, mis ületavad nendele ettenähtud kiiruse, võivad puruneda ja tükki lennata.
- Kettaid tohib kasutada ainult neile ettenähtud otstarveteks. Näiteks ärge lihvide mahalõikeketta küljega. Abrasiiv-mahalõikekettad on ette nähtud läbilõikamiseks; kui neile rakendada külgjõudusid, siis võivad need kildudeks puruneda.
- Kasutage valitud kettale läbimõeldule sobivaid ning vigastamata kettaäärkuid. Õigesti valitud äärکید toetavad kettast ja vähendavad sellega ketta purunemisohtu.
- Kasutatava tarviku välisläbimõõt ja paksus peab vastama teie tööriista nimiaandmetele. Valede mõõtmetega tarvikuid ei ole võimalik nõuetekohaselt turvata ja kontrolli all hoida.
- Ketta ja äärکید kinnitusava peab täpselt vastama seadme spindlile. Kettad ja äärکید, mille võlliava ei sobi mehaanilise tööriista kinnitusosadega kokku, läheb tasakaalust välja, hakkab tugevasti vibreerima ja võib kontrolli alt väljuda.
- Ärge kasutage vigastatud lõikekettaid. Kontrollige kettad üle kildumise ja pragunemise suhtes. Kui tööriist või lõikekettas on maha kukkunud, siis vaadake tööriista vigastused üle või asendage uue lõikekettaga. Pärast lõikeketta ülevaatamist ja paigaldamist hoidke ennast ning kõrvalseisjad pöörleva lõikeketta pöörlemistasapinnast eemal ja käituge tööriista ühe minuti jooksul maksimaalsel pöörlemiskiirusel ilma koormuseta. Vigastatud lõikekettas puruneb selle aja jooksul tavaliselt tükki.
- Kandke isikukaitsevahendeid. Olenevalt töö iseloomust kandke näovisiiri, kaitsemaski või kaitseprille. Vajaduse korral kandke tolumaski, kuulmiskaitseid, kaitsekindaid ja kaitsepõlle, mis kaitsevad teid abrasiivkettast või toorikust lähtuvate osakeste eest. Silmakaitsevahendid peavad kaitsema töötlemisjääkide eest, mis erinevate tööoperatsioonide juures välja paiskuvad. Tolumask või respiraator peavad tööoperatsioonidel tekkivaid osakesi piisavalt filtreerima. Pikaajaline viibimine kõrge müratasemega piirkonnas võib põhjustada kuulmishäireid.
- Hoidke kõrvalised isikud tööpiirkonnast ohutul kaugusel. Iga tööpiirkonda siseneja peab kandma isikukaitsevahendeid. Tooriku töötlemisjäätmel või purunenud lõikeketta tükid võivad välja lennata ja põhjustada kehavigastusi ka väljapool vahetut tööpiirkonda.
- Hoidke juhet pöörlevatest tarvikutest eemal. Kontrolli kadumise korral võite seadme teitejuhtme läbi lõigata või see võib haakuda ja teie käsi või käsivars võidakse tõmmata pöörleva lõikeketta vastu.
- Puhastage regulaarselt tööriista ventilatsioonipilusid. Mootori ventilaator tõmbab tolmu korpusesse ja metalliosakesi sisaldava tolmu





kogunemine põhjustab elektrivooluga seotud ohtusid.

- **Ärge kasutage tööriista süttivate materjalide läheduses.**Sädemed võivad need materjalid süüdata. **Ärge kasutage elektritööriista kergesti süttivale pinnale (näiteks puidule) asetatuna.** Sädemed võivad need materjalid süüdata.
- **Ärge kasutage tarvikud, mis nõuavad jahutusvedelike kasutamist.** Kasutades vett või muud vedelikku jahutusvedelikud võib põhjustada elektrilöögi või šokk.

#### TAGASILÖÖK JA SELLEGA SEOTUD HOIATUSED

Kinnikiilunud või haardunud löikeketas põhjustab ootamatut tagasilöögi. Pitsumine või kinnijäämine põhjustab pöörleva ketta äkilise seiskumise, mis omakorda põhjustab kontrollimatut löikeseadme liikumise ülespoole, operaatori suunas.

Näiteks juhul, kui abrasiivketas on toorikuga haardunud või sellesse kinni jäänud, võib ketta sisenev serv kinnijäämise punktis materjali pinna sisse kaevuda ja põhjustada ketta väljalikumise või tagasilöögi. Abrasiivkettad võivad selliste tingimuste korral puruneda.

Tagasilöök on tööriista väära kasutamise, ebaõigete jõvõtete või tööks mittevastavate töötingimuste tulemus ja seda saab vältida allpool esitatud ettevaatusabinõude rakendamisega.

- **Tagasilöögist tulenevate jõudude vastuvõtmiseks kasutage oma keha ja käsivart ning hoidke tööriistast tugevasti kinni.** Operaator saab ülespoole suunatud tagasilöögi jõudu kontrollida, kui võetud on vastavad meetmed.
- **Ärge seiske tööriista taga pöörleva ketta tasapinnas.** Kui tagasilöök toimub, viib see löikeseadme edasi ja ülespoole, operaatori suunas.
- **Ärge kinnitage seadmele kettsaagi, freesi, hammastatud saeketast ega pilutatud teemantketast, mille pilude vahe on 10 mm.** Selliste ketaste kasutamisel ilmneb tihti tagasilööki ja kontrolli kadumist.
- **Ärge laske löikekettal kinni jääda ega suruge sellele liigselt peale.** Ärge püüdke kasutada liiga suurt löikesügavust. Liigse jõu avaldamine suurendab ketta koormust, väändumist või kinnijäämist löiketees ning suurendab tagasilöögi või ketta purunemise tõenäosust.
- **Kui ketas jääb kinni või löige mingil põhjusel katkeb, lülitage elektritööriist välja ja hoidke löikeseadet liikumatuna, kuni ketas täielikult peatub.** Ärge püüdke võtta löikeketast löikekohast välja ketta pöörlemise ajal, muidu võib ilmned tagasilöök. Uurige ketta kinnijäämise põhjus välja ja võtke meetmeid selle kõrvaldamiseks.
- **Ärge alustage löikamisoperatsiooni uuesti siis, kui ketas on tooriku sees.** Laske kettal saavutada täiskirrus ja pange ketas uuesti löikekohta. Kui löikamist jätkata ilma, et ketas oleks välja võetud, siis võib see kinni jääda, üles tõusta või anda tagasilöögi.

- **Toetage suurt toorikut, et minimeerida ketta pitsumist ja tagasilööki.** Suurtel toorikutel on kalduvus oma raskuse all läbi vajuda. Toetage toorikuid alpoolt löikejoone lähedal ja serva lähedal mõlemal pool löikejoont.

#### TÄIENDAVALD OHUTUSJUHISED

- Veenduge, et toodet kasutatakse alati stabiilsel ja tasasel pinnal.
- Kandke selle seadme kasutamisel alati silma- ja kuulmiskaitsevahendeid.
- Kasutage isikukaitsevahendeid, näiteks tolumask, kindad ja põll.
- Kui on allakukkivate objektide oht, siis kandke kiivrit.
- Enne töö alusamist veenduge, et abrasiiv-löikeketas on nõuetekohaselt kinnitatud ja pingutatud, käituge saagi 30 sekundit ilma koormuseta, hoides seda ohutus asendis ning kui ilmneb märgatav vibratsioon, siis peatage tööriist kohe ja asendage saeketast.
- Enne löikamist veenduge, et juhikud on kindlalt kinni keeratud.
- Enne mingite reguleertoimingute tegemist veenduge, et tööpink on toitevõrgust lahti ühendatud. Toitevõrgust mittelahaühendamine võib põhjustada masina juhusliku käivitumise.
- Kehavigastust põhjustava tahtmatu käivitumise vältimiseks paigaldage tööpingile kõik osad, enne kui ühendate selle toitevõrku.
- Tööpink ei tohi olla mingil juhul ühendatud elektritoitevõrguga sel ajal, kui te selle osi paigaldate, tööpinki reguleerite, paigaldate või võtate ära löikeketast ning tööpingi mittekasutamise ajal.
- Enne igakordset kasutamist vaadake abrasiivketas välise vaatluse teel üle. Kontrollige ketas üle lõhede ja pragude suhtes. Ärge kasutage vigastatud löikeketast.
- Ärge kasutage hammastatud saeketast.
- Ärge mingil juhul kasutage liiga paksu löikeketast, mida ei saa spindli kinnitusaarikute vahele kinnitada. Liiga suure läbimõõduga löikekettad satuvad kokku puutesse kettakaitsega ja paksemad saekettad ei võimalda kinnitamist tööpingi spindlile. Mõlemad nendest olukordadest võivad põhjustada raske õnnetuse ja põhjustada raske kehavigastuse.
- Ärge eemaldage tööpingilt löikeketta kaitsekatteid. Ärge kunagi kasutage tööpinki kui mõni kaitsekate või kaas on eemaldatud. Enne kasutamist veenduge, et kõik kaitseesadised töötavad nõuetekohaselt.
- Ärge alustage löikamist enne, kui olete kontrollinud vahemikku löikeketta ja tööpingi alustoe vahel. Kui löikeketas saab masinast töötamise ajal löögi tööpingi alustoele, siis võib ketas vigastada saada.
- Ärge püüdke selle tööpingiga lõigata puitu või ehituskive. Ärge lõigake selle tööpingiga magneesiumit või magneesiumsulameid.
- Ärge pingutage löikeketast ülemäära, sest see võib



põhjustada pragunemist.

- Lõikamise alustamisel ärge suruge lõikeketast tugevasti vastu toorikut. Järsk löök võib lõikeketta purustada.
- Ärge püüdke kunagi lõigata mitut toorikut üheaegselt. Ärge pange tööpinki korraga rohkem kui ühte toorikut.
- Tööpingi ümbermineku vältimiseks toetage alati pikki toorikuid.
- Terasel lõikamisel tekivad sädemed. Ärge töötage siis, kui läheduses on põlevaid või süttivaid materjale.
- Ärge jätke masinat pöörlema järelvalveta. Ärge lahkuge tööpingi juurest enne, kui see on täielikult seiskunud. Lõikeketas pöörleb edasi ka siis, kui tööriist on välja lülitatud.
- Enne lõikeketta toorikult ülestõstmist vabastage lülitusnupp ja laske lõikekettal peatuda.
- Hoidke käed lõikeketta tööpiirkonnast eemal. Hoidke käed kettast eemal. Ärge küünitage end üle tooriku, selle kõrvale ega lõikeketta alla sel ajal kui saeketas pöörleb. Ärge püüdke eemaldada materjali siis, kui lõikeketas pöörleb.
- Ärge kunagi seiske ega hoidke mõnd kehaosa lõikeketta lõikejoonel.
- Ärge mingil juhul astuge tööriista peale. Juhuslikul lõikeketta puudutamisel võite saada raske kehavigastuse.
- Ärge tehke mingeid lõikeid vabakäejoont pidi. Kinnitage lõigatav toorik alati pitskruviga. Tooriku minimaalseid ohutuid mõõtmeid vaadake tehnilistest andmetest. Lihvimise ajal kinnitage toorik kruustangide vahele vähemalt 80 mm ulatuses.
- Ärge mingil juhul hoidke toorikut kinni käega. Lõikamise ajal kuumenevad toorikud kõrge temperatuurini.
- Voolutõuked põhjustavad pingekõikumisi ja võivad mõjutada samasse toiteahelasse ühendatud elektriseadmete tööd. Ühendage seade toitevõrku, mille näivtakistus on 0,233 Ω, et pingekõikumisi minimeerida. Lisateabe saamiseks võtke ühendust oma elektritarbijajaga.
- Toitevõrgus soovitatakse kasutada rikkevoolu-kaitselüliti, mille rakendamisvoolu tugevus on 30 mA või alla selle.

**Soovitame kasutada asendusketana metallilõikeketast COSB355A1.**

#### ABRASIIVKETTA PAIGALDAMISE OHUHOIATUSED

- **Enne abrasiivketta kasutama hakkamist peab kasutaja läbi lugema kasutusjuhendi ja selle nõudeid järgima. Nende hoiatuste eiramine võib põhjustada tõsise kehavigastuse. Hoidke käesolev juhend alles.**
- Kasutusjuhendis mittesoovitatud lõikeketta kasutamine võib põhjustada tõsise kehavigastuse ohtu. Kasutage vaid sellist abrasiivketast, millele märgitud kiirus võrdub või on suurem seadmele märgitud kiirusest.
- Ärge mingil juhul kasutage liiga paksu lõikeketast, mida

ei saa spindli kinnitusaärikute vahele kinnitada. Liiga suure läbimõõduga lõikekettad satuvad kokkupuutesse kettakaitsega ja paksemad saekettad ei võimalda kinnitamist tööpingi spindlile. Mõlemad nendest olukordadest võivad põhjustada raske õnnetuse ja põhjustada raske kehavigastuse.

- Abrasiivketas on ette nähtud vaid raudmetallide lõikamiseks. Ärge püüdke sellega lõigata puitu või müürikivi. Ärge lõigake selle kettaga mingil juhul magneesiumit või magneesiumsulameid.
- See abrasiivketas sobib vaid kuival lõikamiseks. Abrasiivketast tohib kasutada ainult kehtiva kasutusaja lõpuni (vt sildil olevat märgistust nt 11/2021).
- Ärge kasutage vigastatud lõikekettaid. Ärge kasutage pragunenud või kildunud ega muude defektidega kettaid.
- Veenduge enne kasutamist, et abrasiivlõikeketas on nõuetekohaselt paigaldatud ja pingutatud.
- Abrasiivlõikeketta pöörlemissood on näidatud kettal. Ketta paigaldamisel ja vahetamisel veenduge, et suunamärk ühtib ketaslõikerile märgitud suunamärgiga.
- Ärge pingutage abrasiivlõikeketast ülemäära, sest see võib põhjustada pragunemist.
- Lõikeketta paigaldamise ja eemaldamise ajal ei tohi ketaslõiker mingil juhul olla toitevõrku ühendatud.
- Hoidke oma varukettaid hoolikalt, sest need võivad lihtsalt vigastada saada.

#### Teave on esitatud abrasiivketta sildil

Ketta sildil olev teave on olulise tähtsusega. Lugege silt hoolikalt läbi ja veenduge, et olete valinud õiget tüüpi ketta.

1. Tootja, tarnija, importija või kaubamärk
2. Abrasiivketta nimimõõtmed, eriti kinnitusava läbimõõt
3. Abrasiivi tüüp, tera suurus, klass või kõvadus, sideaine tüüp ja sarruse andmed jne.
  - 41 --- abrasiivi tüüp, lapik lõikeketas
  - A --- abrasiivmaterjal: pruun korund
  - 24 --- tera suurus
  - R --- kõvadusklass
  - BF --- sideaine tüüp
  - 80 --- suurim töökiirus, m/s
4. Suurim töökiirus meetrit sekundis
5. Suurim lubatav pöörlemiskiirus, 1/min
6. Vastavusdeklaratsiooni kohaselt peab lõikeketta tähistus vastama standardile EN 12413
7. Kasutuspiirangud ja ohuhoiatuse sümbolid.
8. Jälgimiskood, nt toote / partii number, kehtivuse kuupäev või seerianumber

#### JÄÄKRISKID

Toode on ette nähtud raudmetallidest valmistatud torude ja varbmaterjalide kuivilõikamiseks. Toode on kasutamiseks vaid ühe isiku poolt. Toodet tohib kasutada vaid tasapinnalisel, tasasel, stabiilsel pinnal ja see peab olema vajaduse korral turvatud.

- Stabiilsus. Veenduge, et seade on stabiilne. Vajadusel



kinnitage see.

- Tolmu sissehingamine. Vajadusel kasutage tolumumaski.
- Sädemed ja kuuma metalli kübemed. Sädemed ja kuuma metalli kübemed võivad põhjustada tulekahju ja nahapõletust. Kandke kasutamise ajal kaitsevarustust.
- Kaitske silmi metallikübemetest. Kandke töötamise ajal silmakaitsevahendeid.
- Kuulmiskahjustus. Piirake kokkupuudet ja kandke nõuetekohaseid kuulmiskaitsevahendeid.

### ÕPPIGE OMA TOODET TUNDMA

Vt lk 172.

1. Isoleeritud haardepinnaga käepide
2. Lülit
3. Ülemine käepide
4. Spindli lukustusnupp
5. Lõikesügavuse reguleerikruvi
6. Lõikesügavuse lukustusmutter
7. Kaldlõike juhik
8. Võti
9. Ülemine kaitse
10. Alumine kaitse
11. Lõikeketas
12. Tööklamber
13. Tööklambri lukustushoob
14. Tööklambri reguleerimisvõlli
15. Kummijalg
16. Saepea lukustuskest
17. Kinnitusava
18. Süsiharja kate
19. Süsiharjad
20. Laastudeflektor
21. Eerunginurga lukustushoob

### KASUTUSJUHISED

#### EERUNGINURGA LUKUSTUSHOOB

Kui eerunginurga piirik on pöörlevale saepeale hästi lähedale seatud, võib eerunginurga lukustushoob saepea pöörlemist häirida. Korraldage lukustamist, tõstes hoova üles ja seda keerates, kuni piirik on tihedalt kinni.

#### HOOLDUS

- Ärge püüdke seadme konstruktsiooni mingil viisil muuta ega kasutage varuosi või tarvikuid, mis pole tootja poolt soovitatud. Teie ja kõrvalolijate turvalisus võib olla ohustatud.
- Ärge kasutage seadet kuni mõni lülit, kaitsekate või funktsioon ei tööta nagu ette nähtud. Andke need volitatud hoolduskeskusesse remondiks või reguleerimiseks.
- Ärge püüdke teha mingeid reguleertoiminguid sel ajal, kui mootor töötab.
- Enne harjade puhastamise, määrimistöde või muude masina hooldustööde alustamist veenduge, et pistik on

pistikupesast välja võetud.

- Pärast iga kasutuskorda kontrollige, et masinal ei ole purunenud osi ja vajaduse korral tehke kohe remonttööd või asendage osad.
- Veenduge, et ventilatsioonivad on puhtad, eriti tähtis on see tolmuses keskkonnas töötamisel. Tolmust puhastamise ajaks ühendage seade toitevõrgust lahti. Puhastage avad pehme harjaga.
- Pühkige ära kogunenud tolm.
- Kõik remonttööd, välja arvatud väljaspoolt kättesaadavatel harjadel, tuleb lasta teha volitatud hoolduskeskuses, et tagada masina ohutus ja töövoime.
- Kui toitejuhe on kahjustatud, tuleb see volitatud teeninduskeskuses välja vahetada, et vältida ohtu.

### ⚠ HOIATUS

Kõik remonttööd tuleb lasta teha volitatud hoolduskeskuses, et tagada masina ohutus ja töövoime.

### KESKKONNAKAITSE



Taaskasutage materjale nende jäätmekäitluse andmise asemel. Masin, selle lisaseadmed ja pakend tuleb jäätmekäitluseks keskkonnasõbralikult sorteerida.

### SÜMBOL



Ohutusalane teave



CE vastavus



Euraasia vastavusmärk.



Ukraina vastavusmärgis



Lugege enne masina kasutamist juhised hoolikalt läbi.



II klassi seade, topeltisolatsioon



Kandke kuulmise kaitsevahendeid



Märkus:



Kandke alati silmakaitsevahendeid.



**HOIATUS**



Ei ole ette nähtud märjalt lihvimiseks ega lõikamiseks



**OHT.**

Osutab ähvardavale ohuolukorrale, mille mittevältimine lõpeb surma või tõsise vigastusega.



Ärge kasutage kildunud, pragunenud ja rikutud kettaid



**HOIATUS**

Osutab võimalikule ohuolukorrale, mille mittevältimine võib lõppeda surma või tõsise kehavigastusega.



Kandke turvakindaid



**ETTEVAATUST**

Osutab võimalikule ohuolukorrale, mille mittevältimine võib lõppeda väiksemate või mõõdukate kehavigastustega.



Kandke tolmu maski.

**ETTEVAATUST**

(Ilma ohutussümbolita) Viitab olukorrale, mis võib põhjustada kahjustusi varale.



Ärge jätke vihma kätte või kasutage niisketes kohtades.



Lõikeketta pöörlemissuund (näidatud kettakaitse)



Mittekasutatavaid elekritooteid ei tohi visata olmejäätmete hulka. Vaid tuleb viia vastavasse kogumispunkti. Vajadusel küsige sellekohast nõu oma edasimüüjalt või vastavalt kohaliku omavalitsuse institutsioonilt.

## KASUTUSJUHENDIS KASUTATUD SÜMBOLID



Lukk



Lahtikeeramine



Saeketta ooteaeg täiskiruse saavutamiseks



Eraldi ostetavad osad või tarvikud



Vodeću ulogu u dizajnu vaše rezačice imaju sigurnost, performanse i pouzdanost.

### NAMJENA

Rezačica je namijenjena za rezanje metalnih materijala. Ne koristite je za obradu materijala koji nisu metalni.

Proizvod smiju upotrebljavati samo punoljetne osobe koje su pročitale upute za korištenje i razumjele moguće rizike i opasnosti.

Proizvod je konstruiran tako da se postolje stroja mora učvrstiti za stabilnu radnu površinu. Ako postolje nije čvrsto pričvršćeno, cijeli uređaj se može pomicati tijekom postupka rezanja, što povećava mogućnost oslabljenih osobnih ozljeda.

Proizvod je konstruiran za izradu kosih i kutnih rezova. Kapaciteti za različite rezove navedeni su u specifikacijama proizvoda u ovom priručniku.

Proizvod se mora koristiti u suhim uvjetima, pod izvrsnim osvjetljenjem i uz odgovarajuću ventilaciju.

Proizvod je namijenjen za korištenje i treba se koristiti samo kao što je gore opisano i nije namijenjeno za bilo koju drugu svrhu.

### OPĆA SIGURNOSNA PRAVILA ZA KORIŠTENJE AKU ALATA

#### ⚠ UPOZORENJE

**Pažljivo pročitajte sva upozorenja, upute i specifikacije priložene uz alat i pogledajte crteže.** Nepoštivanje svih uputa može dovesti do električnog udara, požara i / ili teške ozljede.

**Spremite sva upozorenja i upute za buduće korištenje.** Pojam „električni alat” u upozorenjima odnosi se na vaš električni alat (žični) napajan iz električne mreže ili električni alat na baterije (bežični).

### SIGURNOST RADNOG PODRUČJA

- **Držite radni prostor čistim i dobro osvjetljenim.** Zatrpani i neosvijetljeni radni prostori izazivaju nezgode.
- **Nemojte rukovati električnim alatima u eksplozivnim atmosferama poput onih u kojima su prisutne zapaljive tekućine, plinovi ili prašina.** Električni alati stvaraju iskre koje mogu zapaliti prašinu ili pare.
- **Tijekom rada s električnim alatom držite podalje djecu i promatrače.** Ometanje može dovesti do toga da izgubite kontrolu.

### ELEKTRIČNA SIGURNOST

- **Utikači električnog alata moraju odgovarati utičnici.** Nikada nemojte modificirati utikače ni na koji način. Nemojte koristiti nikakve adapter utikače s uzemljenim električnim alatima. Originalni utikači i odgovarajuće utičnice smanjuju opasnost od strujnog udara.

- **Izbjegavajte kontakt tijela s uzemljenim površinama poput cijevi, radijatora, štednjaka i hladnjaka.** Ako je vaše tijelo uzemljeno, povećava se opasnost od strujnog udara.
- **Nemojte izlagati električne alate kiši ili vlažnim uvjetima.** Ulazak vode u električni alat povećava opasnost od strujnog udara.
- **Nemojte zlorabiti kabel.** Nikada nemojte koristiti kabel za nošenje, povlačenje ili isključivanje električnog alata. Držite kabel podalje od topline, ulja, oštih rubova ili rotirajućih dijelova. Oštećeni ili zapleteni kabeli povećavaju opasnost od strujnog udara.
- **Kada radite s električnim alatom na otvorenom, koristite produžni kabel prikladan za rad na otvorenom.** Korištenje kabela prikladnog za rad na otvorenom smanjuje opasnost od strujnog udara.
- **Ako se ne može izbjeći rad s električnim alatima u vlažnoj lokaciji koristite FID sklopku (RCD uređaj) za zaštitu napajanja.** Korištenje RCD uređaja smanjuje opasnost od električnog udara.

### OSOBNJA SIGURNOST

- **Budite na oprezu, gledajte to što radite i pri radu s alatom koristite zdrav razum.** Nemojte koristiti alat kad ste umorni ili pod utjecajem droge, alkohola ili lijekova. Trenutak nepažnje pri radu s električnim alatima može dovesti do teških osobnih ozljeda.
- **Nosite osobnu zaštitnu opremu. Uvijek nosite zaštitna sredstva za oči.** Zaštitna oprema poput maske za zaštitu od prašine, protukliznih sigurnosnih cipela, kacige, ili opreme za zaštitu sluha korištena u odgovarajućim uvjetima smanjit će tjelesne ozljede.
- **Izbjegavajte slučajno pokretanje.** Prije priključivanja na izvor napajanja i/ili bateriju, podizanja ili prenošenja proizvoda, uvijek provjerite je li prekidač za paljenje u isključenom položaju. Prenosjenje električnih alata s prstom na prekidaču za paljenje proizvoda ili stavljanje pod napon električnih alata koji imaju upaljen prekidač za paljenje priziva nesreće.
- **Prije uključivanja električnog alata uklonite sve klinove za podešavanje i ključeve.** Ključ ili klin ostavljen priključen na rotirajućem dijelu električnog alata može dovesti do osobne ozljede.
- **Nemojte se naginjati preko rubova.** Cijelo vrijeme držite pravilno uporište i ravnotežu. Ovo u neočekivanim situacijama omogućuje bolju kontrolu nad električnim alatom.
- **Pravilno se odjenite.** Nemojte nositi široku odjeću ili nakit. Svoju kosu i odjeću držite podalje od dijelova u pokretu. Široka odjeća, nakit ili dugačka kosa mogu biti zahvaćeni u pokretne dijelove.
- **Ako su uređaji opremljeni priključkom na objekte za odvajanje i prikupljanje prašine, uvjerite se da su priključeni i pravilno korišteni.** Korištenje sustava za hvatanje prašine može smanjiti opasnosti povezane s prašinom.







- **Nemojte dopustiti da vas poznavanje alata zbog česte uporabe opusti toliko da zanemarite sigurnosne principe rukovanja alatom.** Nepažljivo postupanje može prouzročiti teške ozljede u djeliću sekunde.

#### KORIŠTENJE I BRIGA O ELEKTRIČNOM ALATU

- **Nemojte alat koristiti iznad njegovih mogućnosti. Za vašu primjenu koristite točan uređaj.** Uređaj će bolje i sigurnije raditi na brzini za koju je konstruiran.
- **Nemojte koristiti električni alat ako ga sklopka pravilno ne uključuje i isključuje.** Svaki električni alat koji se ne može kontrolirati pomoću sklopke je opasan i mora se popraviti.
- **Izvučite utikač iz izvora električnog napajanja i/ili uklonite baterijski sklop, ako je odvojiv, prije izvršavanja bilo kakvih prilagodbi ili skladištenja električnih alata.** Takve preventivne sigurnosne mjere smanjuju rizik od slučajnog pokretanja proizvoda.
- **Električne alate pohranite u stanju mirovanja izvan dohvata djece i ne dopustite rad s električnim alatom osobama koje nisu upoznate s električnim alatom ili ovim uputama.** Električni alati su opasni u rukama nestručnih korisnika.
- **Održavajte električne alate i pribor.** Provjerite radi pogrešnog poravnanja ili savijanja pokretnih dijelova, puknuća dijelova i drugih uvjeta koji mogu utjecati na rad alata. Ako je oštećen, uređaj prije korištenja servisirajte. Većina nezgoda uzrokovane su od strane slabo održavanih uređaja.
- **Održavajte oštrinu i čistoću reznih alata.** Pravilno održavani rezni alati oštrih reznih rubova vjerojatno će se manje savijati i njima se lakše upravlja.
- **Proizvod, dodatke i alatne nastavke i sl. koristite u skladu s ovim uputama, uzimajući u obzir radne uvjete i radni postupak koji namjeravate izvršiti tim alatom.** Korištenje električnog alata za radove drugačije od njegove namjene može dovesti do opasne situacije.
- **Ručke i zahvatne površine održavajte suhima, čistima i vodite računa da na njima nema ulja i masti.** Skliske ručke i zahvatne površine ne omogućavaju sigurno rukovanje i nadzor nad alatom u neočekivanim situacijama.

#### SERVIS

- **Neka vaš električni alat servisira kvalificirana osoba za popravak koristeći samo identične zamjenske dijelove.** Ovo će osigurati da se održi sigurnost električnog alata.

#### SIGURNOSNA UPOZORENJA ZA PREKLOPNU PILU

- **Namjestite se i udaljite promatrače od planiranog smjera okretanja rezne ploče.** Štitnik pomaže zaštititi rukovatelja od dijelića slomljenog kotača i slučajnog kontakta s kotačem.

- **Za svoj električni alat koristite samo spojene ojačane kotače za rezanje.** Samo zato što pribor može biti priključen na vaš električni alat, to ne osigurava siguran rad.
- **Okretaja od pribora mora biti najmanje jednaka maksimalnu brzinu označen na električni alat.** Dodaci koji rade na višim brzinama od njihove nominalne brzine mogu se slomiti ili izletjeti s alata.
- **Kotači se moraju koristiti samo za preporučene primjene.** Na primjer, nemojte brusiti s bočnom stranom reznog kotača. Abrzivne rezne ploče namijenjene su za površinsko brušenje, primjena bočnih sila na ove kotače može dovesti do njihovog pucanja.
- **Za vašu odabranu reznu ploču uvijek koristite neoštećene pribornice za rezu ploču koje su točne veličine i oblika.** Pravilna pribornica kotača podupire kotač te stoga smanjuje mogućnost lomljenja kotača.
- **Vanjskog promjera i debljine vašeg pribora mora biti unutar ocjenjivanja sposobnosti vašeg uređaja.** Pogrešno veličine pribor se ne može adekvatno čuvano ili kontrolirati.
- **Veličina rezne ploče i pribornica mora odgovarati osovini električnog alata.** Rezne ploče i pribornice s karo otvorima koje ne odgovaraju pričvrstnim elementima električnog alata se okreću izvan balansa, previše vibriraju i mogu dovesti do gubitka kontrole.
- **Nemojte koristiti oštećene rezne ploče.** Prije svakog korištenja provjerite rezne ploče na puknuća i otkrnuća. Ako je električni alat ili rezna ploča pala na tlo, provjerite za oštećenja ili instalirajte neoštećenu rezu ploču. Nakon provjere i ugradnje rezne ploče, postavite sebe i promatrače dalje od smjera okretanja rezne ploče i pokrećite alat na maksimalnoj brzini za oko jednu minutu. Oštećene rezne ploče obično se raspadnu tijekom ove provjere.
- **Nosite osobnu zaštitnu opremu. Ovisno o primjeni, koristite lice štiti, zaštitne naočale i zaštitne naočale.** Ako je potrebno, stavite i masku protiv prašine, zaštitu od buke, rukavice i zaštitnu ploču kako biste se zaštitili od izlijetanja dijelova komada kojeg obrađujete (brusni dijelovi, komadići drveta itd.). Zaštita očiju mora biti sposoban zaustavljanja letećih krhotina generirani od strane različitih operacija. Maska protiv prašine filtrirat će prašinu koja se stvara tijekom rada. Duže izlaganje jakoj buci može dovesti do gubitka sluha.
- **Držite nazočnima sigurnoj udaljenosti od područja rada.** Svatko tko bi stupio u radno područje, mora nositi osobnu zaštitnu opremu. Komadići izratka ili polomljene rezne ploče mogu odetjeti i uzrokovati povrede.
- **Kabel napajanja uvijek postavite tako da bude udaljen od dijela alata koji se vrti.** Ako izgubite kontrolu, kable može biti prešječen ili zapetljan i vaša ruka ili noga mogu biti povučeni u rezu ploču.
- **Redovno čistite ventilacijske otvore alata.** Kroz ventilacijske otvore u unutrašnjost kućišta motora





može dospjeti prašina što može uzrokovati pretjerano nakupljanje metalnih komadića i uzrokovati strujni udar.

- **Ne koristite uređaj u blizini zapaljivih tvari. Ne koristite električni alat dok se nalazi na zapaljivoj površini poput drva.** U slučaju odskakivanja, alat se odbacuje u smjeru suprotnom od smjera rotacije ploče.
- **Ne koristite pribor koji zahtijevaju tekućih sredstava za hlađenje.** Korištenje vode ili druge tekućine rashladne može dovesti do električnog udara.

#### UPOZORENJA NA POVRATNI UDAR I DRUGE VEZANE OPASNOSTI

Povratni udar je iznenadna reakcija na prignječenu ili zasječenu reznu ploču. Pričepljenje ili povlačenje uzrokuje brzo zaglavljivanje rotirajućeg kotača koji naizmjenice uzrokuje silovito podizanje nekontrolirane jedinice za rezanje prema gore u smjeru rukovatelja.

Na primjer, ako je brusna ploča kvrgava ili prignječena od strane izratka, rub kotača koji ulazi u točnju prignječena se može zakopati u površinu materijala uzrokujući da se kotač popne iz prignječena ili iskoči. U slučaju odskakivanja može doći i do lomljenja brusne ploče.

Odskakivanje je dakle rezultat loše uporabe alata i/ili nepravilnih postupaka ili uvjeta upotrebe. Može ga se izbjeći ako se poštuju neke mjere opreza:

- **Održavati čvrst zahvat na električni alat i položaj vašeg tijela i ruke kako bi Vam omogućiti da se odupre silama povratnog udara.** Rukovatelj može kontrolirati sile povratnog udara prema gore, ako se poduzmu odgovarajuće mjere opreza.
- **Nemojte postavljati tijelo u liniju s reznom pločom.** Ako dođe do povratnog udara to će jedinicu za rezanje odbaciti prema gore u smjeru rukovatelja.
- **Nemojte priključivati lanac pile, oštricu za rezbarenje drveta, segmentnu dijamantsku ploču s perifernim razmakom većim od 10 mm ili pilu s nazubljenom oštricom.** Takve oštrice povećavaju rizik od odskakivanja i gubitka nadzora na alatom.
- **Nemojte „zaglavljivati“ reznu ploču ili primjenjivati prekomjerni pritisak. Nemojte pokušavati učiniti pređubok rez.** Prekomjerno naprezanje ploče povećava opterećenje i mogućnost uvrtnja ili savijanja ploče prilikom reza i mogućnost povratnog udara ili pucanje ploče.
- **Kada se kotač spaja ili kada se rezanje prekida zbog bilo kojeg razloga, isključite električni alat i držite ga u nepomičnom položaju sve dok se kotač potpuno ne zaustavi. Nikada ne pokušavajte ukloniti reznu ploču iz reza dok je ploča u pokretu, u suprotnom može doći do povratnog udara.** Istražiti i poduzeti korektivne akcije kako bi se uklonili uzrok kotača obvezujuće.
- **Nemojte ponovno pokretati radnju rezanja u izratku. Neka rezna ploča dostigne punu brzinu i pažljivo ponovno nastavite rezati.** Ploča se može saviti, iskliznuti ili odskočiti unatrag ako se električni alat ponovno pokreće u izratku.

- **Poduprite svaki obradak prekomjerne veličine kako biste smanjili rizik od pričepjenja kotačem i povratnog udara.** Veliki izratci se uvijaju pod svojom vlastitom težinom. Potpornji se moraju postaviti ispod izratka na obim stranama, blizu crte rezanja i pored ruba izratka.

#### DODATNA SIGURNOSNA UPOZORENJA

- Pobrinite se da se proizvod uvijek koristi na stabilnoj i ravnoj površini.
- Kada radite s ovim proizvodom uvijek nosite zaštitu za vid i sluh.
- Koristite osobnu zaštitnu opremu poput maske protiv prašine, rukavica i pregače.
- Nosite kacigu ili zaštitu za glavu gdje postoji opasnost od padajućih predmeta.
- Provjerite je li rezna ploča pravilno pričvršćena i pritegnuta prije korištenja, uključite proizvod bez opterećenja 30 sekunda u sigurnom položaju i odmah zaustavite i zamijenite reznu ploču ako dolazi do zabrinjavajućih vibracija.
- Prije rezanja osigurajte da su sva podešenja osigurana.
- Prije izvođenja bilo kakvih podešavanja, osigurajte da je alat isključen iz napajanja. Neisključivanje alata može izazvati slučajno pokretanje uzrokujući moguće ozbiljne osobne ozljede.
- Za sprečavanje slučajnog pokretanja koje može dovesti do ozbiljnih osobnih ozljeda, prije priključivanja na izvor napajanja sklopite sve dijelove svog uređaja.
- Vaš uređaj nikad se ne smije priključiti na izvor napajanja kada sklapate dijelove, vršite podešenja, ugrađujete ili uklanjate rezne ploče ili leg se ne koristi.
- Vizualno provjerite reznu ploču prije svakog korištenja. Provjerite ploču za naprsline i puknuća. Nemojte koristiti oštećenu abrazivnu reznu ploču.
- Nemojte koristiti list za pilu.
- Nikada nemojte koristiti reznu ploču koja je predebelo kako bi se omogućilo da se prirubnica rezne ploče aretira sa zaravnjanjem na osovinu. Velike rezne ploče dolaze u kontakt sa štitnicima rezne ploče, dok će deblja rezna ploča spriječiti vijak rezne ploče da pričvrsti ploču na osovinu. Svaka od ovih situacija dovodi do ozbiljnih nesreća i mogu uzrokovati ozbiljne osobne ozljede.
- Nemojte uklanjati štitnike na uređaju. Nikada ne radite s alatom ako je neki štitnik ili poklopac uklonjen. Prije svake uporabe provjerite da li svi štitnici pravilno rade.
- Nemojte pokretati abrazivni uređaj za rezanje bez da ste provjerili smetnje između rezne ploče i postolja stola. Ako tijekom rada uređaja rezna ploča udari u podlogu nosača uređaja dolazi do oštećenja rezne ploče.
- Nemojte pokušavati rezati drvo ili zid s ovim uređajem za rezanje. Nikad ne režite magnezij ili legure magnezija s ovim uređajem.
- Nemojte pretjerano pritezati reznu ploču, budući da to





može dovesti do pucanja.

- Prilikom započinjanja rezanja uvijek abrazivnu reznu ploču lagano postavite prema izratku. Oštar udarac može oštetiti reznu ploču.
- Nikada ne režite istovremeno više od jednog izratka. Nemojte istovremeno postavljati više od jednog izratka na postolje uređaja.
- Radi minimiziranja opasnosti od doticanja uređaja, uvijek poduprite dugačke izratke.
- Rezanje čelika dovodi do iskrenja. Nemojte raditi u prisutnosti zapaljivih materijala.
- Nikada ne ostavljajte alat da radi bez nadzora. Ne ostavljajte alat dok se potpuno ne zaustavi. Kotač se nastavlja okretati nakon što je proizvod isključen.
- Uvijek otpustite sklopku za pokretanje i omogućite reznoj ploči da se zaustavi prije nego je izvadite iz izratka.
- Držite ručke podalje od područja rezanja. Držite ruke dalje od rezne ploče. Nemojte dohvaćati izradak ispod ili oko, ili preko rezne ploče dok se okreće. Nemojte pokušavati ukloniti odrezani materijal dok se rezna ploča okreće.
- Nikada nemojte stajati niti imati neki dio tijela u liniji puta rezne ploče.
- Nikada nemojte stajati na alatu. Može doći do ozbiljnih ozljeda ako se alat prevrne ili se rezna ploča slučajno dotakne.
- Nikada ne izvodite neku radnju bez ruku. Izradak uvijek pričvrstite u škripu. Pogledajte tablice specifikacija za sigurnu minimalnu veličinu izratka. Uvijek osigurajte da je hvat 80 mm u čeljustima kako biste osigurali sigurno brušenje.
- Nikad ne držite ruku na izratku. Tijekom rezanja izradak će postati vrlo vruć.
- Vršna struja uzrokuje fluktuacije napona i može utjecati na druge električne proizvode na istoj liniji napajanja. Priključite uređaj na napajanje s impedancijom jednakom  $0.233 \Omega$  za minimiziranje fluktuacije napona. Obratite se dobavljaču električne energije za daljnje informacije.
- Preporučujemo korištenje FID sklopke (RCD uređaj) s prorađnom strujom od 30 mA ili manje.

**Preporučujemo da koristite ploču za rezanje metala COSB355A1 kao zamjensku kad got trebate novu ploču.**

#### SIGURNOSNA UPOZORENJA ZA PRIČVRŠČIVANJE REZNE PLOČE

- Za smanjenje opasnosti od ozljeda, korisnik mora pročitati i pridržavati se ovih uputa, upozorenja i korisničkog priručnika prije pokretanja rezne ploče. Nepoštivanje ovih upozorenja može dovesti do puknuća rezne ploče i ozbiljnih osobnih ozljeda. Sačuvajte ove upute.
- Korištenje bilo kakve rezne ploče osim preporučene u ovim uputama za upotrebu može dovesti do opasnosti od osobnih ozljeda. Koristite samo rezne ploče

koje imaju oznaku istu ili veću oznaku brzine koja je označena na proizvodu.

- Nikada nemojte koristiti reznu ploču koja je predebela kako bi se omogućilo da se pribornica rezne ploče areтира sa zaravanjanjem na osovinu. Velike rezne ploče dolaze u kontakt sa štitnicima rezne ploče, dok će deblja rezna ploča spriječiti vijak rezne ploče da pričvrsti ploču na osovinu. Svaka od ovih situacija dovodi do ozbiljnih nesreća i mogu uzrokovati ozbiljne osobne ozljede.
- Rezna ploča je samo za rezanje metalnih materijala. Nemojte pokušavati rezati drvo ili zid s reznom pločom. Nikad ne režite magnezij ili legure magnezija s reznom pločom.
- Rezna ploča je prikladna samo za suho rezanje. Reznu ploču treba iskoristiti prije isteka roka (označeno na naljepnici, npr. 11/2021).
- Nemojte koristiti oštećene rezne ploče. Nemojte koristiti rezne ploče koje su zarezane, puknute ili oštećene.
- Provjerite je li rezna ploča pravilno pričvršćena i pritegnuta prije korištenja.
- Smjer rotacije rezne ploče označen je na alatu. Osigurajte da je oznaka smjera na ploči u skladu s oznakom označenom na alatu tijekom instalacije i promjene rezne ploče.
- Nemojte pretjerano pritezati reznu ploču, budući da to može dovesti do pucanja.
- Proizvod se nikada ne smije priključiti na izvor napajanja kada instalirate ili uklanjate reznu ploču.
- Pažljivo spremite rezervne rezne ploče; lako se oštete.

#### Informacije koje se nalaze na reznoj ploči

Informacije na naljepnici rezne ploče su važne. Pažljivo pročitajte i provjerite naljepnicu kako biste bili sigurni da ste odabrali točnu vrstu ploče.

1. Proizvođač, dobavljač, uvoznik ili trgovačka marka
2. Nazivne dimenzije rezne ploče, posebice promjer rupe
3. Vrsta abraziva, veličina zrna, stupanj ili tvrdoća, vrsta spoja i pojačanja, npr.
  - 41A24RBF80
  - 41 --- vrsta, ravna rezna ploča
  - A --- rezni materijal: smeđi korund
  - 24 --- veličina zrna
  - R --- stupanj ili tvrdoća
  - BF --- vrsta spoja
  - 80 --- maksimalna radna brzina m/s
4. Maksimalna radna brzina u metrima po sekundi
5. Maksimalna dopuštena brzina rotacije u 1/min
6. Za deklaraciju o sukladnosti, abrazivni proizvodi trebaju se označiti s EN 12413
7. Simboli ograničenja korištenja i sigurnosnih upozorenja.
8. Kod za praćenje, npr. broj proizvoda/serije, rok valjanosti ili serijski broj

#### PREOSTALE OPASNOSTI

Čak i kad je uređaj korišten kao što je prethodno opisano, još uvijek nije moguće potpuno isključiti ostale čimbenike





opasnosti. Može doći do sljedećih opasnosti prilikom korištenja i operater mora obratiti posebnu pozornost kako bi izbjegao sljedeće:

- Stabilnost. Osigurajte da je alat stabilan. Po potrebi ga pričvrstite.
- Udisanje prašine. Po potrebi nosite masku.
- Iskre i vruće metalne čestice. Iskre i vruće metalne čestice mogu dovesti do požara i opekline kože. Tijekom korištenja nosite zaštitnu opremu.
- Ozljeđe oka od metalnih čestica. Nosite zaštitu za oči kada radite.
- Ozljeđe sluha. Ograničite izlaganje i nosite odgovarajuću zaštitu za sluh.

### UPOZNAJTE SVOJ PROIZVOD

Pogledajte stranicu 172.

1. Drška, izolirana površina za hvatanje
2. Prekidač za paljenje
3. Gornja ručka
4. Gumb za zaključavanje osovine
5. Vijak za podešavanje dubine rezanja
6. Sigurnosna matica za određivanje dubine rezanja
7. Kutna vodilica
8. Iščašenje
9. Gornji štitnik
10. Donji štitnik
11. Rezna ploča
12. Radni škripac
13. Ručica za blokiranje radnog škripca
14. Ručica za podešavanje radnog škripca
15. Gumene nožice
16. Lanac za blokiranje glave pile
17. Otvor za montažu
18. Poklopac ugljične četke
19. Ugljična četka
20. Odbojnik krhotina
21. Poluga za blokiranje kutne vodilice

### SAVJETI ZA RAD

#### POLUGA ZA BLOKIRANJE KUTNE VODILICE

Kada se kutna vodilica nalazi najbliže stožeru glave pile, ručica za blokiranje kutne vodilice prilikom okretanja može praviti smetnje stožeru glave. Ponovite postupak blokiranja podizanjem i okretanjem ručice sve dok kutna vodilica na bude dobro blokirana.

### ODRŽAVANJE

- Nemojte modificirati proizvod ni na koji način ili koristiti dodatni pribor koji nije odobren od strane proizvođača. Može doći u pitanje vaša i sigurnost ostalih.
- Nemojte koristiti proizvod ako neki prekidači, štitnici ili druge funkcije ne rade po namjeni. Vratite u ovlašteni servisni centar radi profesionalnog popravka ili zamjene.

- Dok motor radi, ne obavljajte nikakva podešavanja.
- Uvijek provjerite da li je utikač uređaja uklonjen iz izvora glavnog napajanja prije promjene četke, podmazivanja ili kod bilo kakvog rada ili održavanja na uređaju.
- Nakon svake uporabe provjerite uređaj radi oštećenja ili slomljenih dijelova i održavajte ga u vrhunskim uvjetima za rad na način da odmah popravite ili zamijenite dijelove.
- Osigurajte da su otvori za ventilaciju čisti, posebice kad raditi u uvjetima prašine. Ako bude potrebno očistiti prašinu, odspojite proizvod iz glavnog napajanja. Očistite otvore korištenjem meke četke.
- Očistite nakupljenu prašinu.
- Za osiguranje sigurnosti i pouzdanosti sve popravke s izuzetkom vanjskih četki koje su pristupačne treba izvoditi ovlašteni servisni centar.
- Ako je kabel za napajanje oštećen, zamijenite ga u ovlaštenom servisu kako biste izbjegli opasnost od nezgoda.

### ⚠ UPOZORENJE

Radi veće sigurnosti i pouzdanosti, sve popravke treba izvoditi ovlašteni servisni centar.

### ZAŠTITA OKOLIŠA



Sirovine reciklirajte, umjesto da ih odlažete kao otpad. Kako biste zaštitili okoliš, alat, dodatke i ambalažu treba odvojeno bacati u otpad.

### SIMBOL



Sigurnosno upozorenje



Sukladno CE



EurAsian znak konformnosti.



Ukrajinska oznaka za sukladnost



Molimo vas da prije pokretanja uređaja pažljivo pročitate upute.



Oprema klase II, dvostruka izolacija



Nosite zaštitu za sluh



Uvijek nosite zaštitna sredstva za oči.



Nije za mokro brušenje ili rezanje



Nemojte koristiti zarezanu, puknutu ili oštećenu brusnu ploču



Nosite zaštitne rukavice



Nosite masku protiv prašine.



Nemojte izlagati kiši ili koristiti na vlažnim lokacijama.



Smjer okretanja reznog lista pile za tvrde materijale (prikazan na štitniku reznog lista)



Otpadni električni proizvodi ne treba da se odlažu s otpadom iz domaćinstva. Molimo da reciklirate gdje je to moguće. Potražite savjet od lokalnih vlasti ili prodavca kako reciklirati.



Dijelovi ili pribor prodan odvojeno



Napomena:



**UPOZORENJE**

Slijedeće riječi upozorenja i značenja imaju namjeru da objasne nivo rizika u vezi s ovim proizvodom.

**⚠ OPASNOST**

Naznačuje prijeteću opasnu situaciju, koja ako se ne izbjegne dovodi do smrti ili ozbiljnih ozljeda.

**⚠ UPOZORENJE**

Naznačuje potencijalno opasnu situaciju, koja ako se ne izbjegne dovodi do smrti ili ozbiljnih ozljeda.

**⚠ OPREZ**

Naznačuje potencijalno opasnu situaciju, koja ako se ne izbjegne dovodi do lakših ili srednjih ozljeda.

**OPREZ**

(Without Safety Alert Symbol) Indicates a situation that may result in property damage.

## SIMBOLI U PRIRUČNIKU



Brava



Otključavanje



Vrijeme čekanja dok oštrica ne dostigne punu brzinu



Obrezovalni stroj je zasnovan za zagotavljanje najvišje ravni varnosti, učinkovitosti in zanesljivosti delovanja.

### NAMEN UPORABE

Obrezovalni stroj je namenjen za rezanje kovinskih materialov. Ne uporabljajte ga za nekovinske materiale.

Orodje smejo uporabljati odrasle osebe, ki so podrobno seznanjene z navodili za uporabo in se zavedajo vseh tveganj in nevarnosti pri delu z orodjem.

Izdelek mora biti privit v trdno in stabilno delovno podlago. Če osnova ni tesno privita, se lahko med rezanjem celoten stroj začne premikati, kar poveča nevarnost resnih telesnih poškodb.

Izdelek je zasnovan za poševno in zajerno rezanje. Zmogljivosti žage pri posameznih vrstah rezov so predstavljene v tehničnih specifikacijah v tem priročniku.

Namizni vrtalnik uporabljajte izključno v suhih pogojih z ustrezno razsvetljavo in zadostnim prezračevanjem.

Izdelek je namenjen za potrošniško uporabo in se sme uporabljati le tako, kot je opisano zgoraj in ne v druge namene.

### SPLOŠNA VARNOSTNA NAVODILA ZA ELEKTRIČNA ORODJA

#### ⚠ OPOZORILO

**Preberite vsa varnostna opozorila, navodila, ilustracije in specifikacije, ki so priložene temu električnemu orodju.** Če ne upoštevate opozoril in navodil, lahko pride do električnega udara, ognja in/ali hudih poškodb.

Vsa opozorila in vsa navodila shranite za bodočo referenco. Izraz »električno orodje« v opozorilih se nanaša na električno napajano (ožičeno) električno orodje ali baterijsko napajano (brezžično) električno orodje.

#### VARNOST NA DELOVNEM PROSTORU

- Delovno območje naj bo čisto in dobro osvetljeno. V neurejenih in temnih območjih se rade zgodijo nesreče.
- Ne delajte z električnimi orodji v okolju, kjer je nevarnost eksplozije na primer v prisotnosti vnetljivih tekočin, plinov ali prahu. Električna orodja proizvajajo iskre, ki lahko vnamejo prah ali hlape.
- Med uporabo električnega orodja v bližino ne pustite otrok in drugih ljudi. Zaradi zmanjšane koncentracije lahko izgubite nadzor.

#### ELEKTRIČNA VARNOST

- Vtiči električnih orodij se morajo prilegati vtičnicam. Vtiča nikoli in na noben način ne smete spreminjati. Z ozemljenimi električnimi orodji ne uporabljajte adapterskih vtičev. Nespremenjeni vtiči in ustrezne vtičnice zmanjšajo tveganje električnega udara.
- Izogibajte se telesnemu stiku z ozemljenimi

površinami, kot so cevi, radiatorji, kuhalniki in hladilniki. Če je vaše telo ozemljeno, obstaja povečano tveganje električnega udara.

- Električnih orodij ne izpostavljajte dežju ali vlažnim pogojem. Voda v električnem orodju znatno poveča tveganje električnega udara.
- Kabla ne uporabljajte za neustrezne namene. Kabla nikoli ne uporabljajte za prenašanje, vleko ali izklop električnega orodja. Kabel imejte proč od vročine, olja, ostrih robov ali premikajočih se delov. Poškodovani ali zapleteni kabli zvišujejo tveganje električnega udara.
- Med uporabo električnega orodja na prostem uporabljajte podaljševalni kabel, ki je primeren za zunanjo uporabo. Uporaba kabla, primernega za zunanjo uporabo, znižuje tveganje električnega udara.
- Če je delo z električnimi orodji v vlažnem okolju neizogibno, uporabite tokovno zaščitno stikalo (RCD). Uporaba naprave RCD zmanjša tveganje za električni udar.

#### OSEBNA VARNOST

- Ostanite pozorni, spremljajte svoje delo in pri uporabi orodja uporabljajte zdravo pamet. Ne uporabljajte orodja, ko ste utrujeni ali pod vplivom drog, alkohola ali zdravil. Trenutek nepazljivosti med uporabo električnega orodja - kompresorja lahko povzroči hude telesne poškodbe.
- Nosite osebno varovalno opremo. Vedno nosite zaščito za oči. Uporaba zaščitne opreme, na primer protiprašne maske, nedrsečih varnostnih čevljev, čelade ali zaščitne ušes v ustreznih pogojih zmanjša nevarnost osebnih poškodb.
- Preprečite nehoten zagon. Poskrbite, da je pred priključitvijo naprave na vir napajanja in/ali akumulator ter pred pobiranjem ali prenašanjem naprave stikalo v položaju za izklop. Če električno orodje prenašate s prstom na stikalo za vklop ali polnite električne izdelke, ko je stikalo vklopljeno, lahko povzročite nesrečo.
- Pred vklopom električnega orodja odstranite morebitne nastavitvene ključe ali izvijače. Izvijač ali ključ, ki je pritrdjen na vrtljivi del električnega orodja, lahko povzroči telesne poškodbe.
- Ne segajte preko dosega. Pazite, da stojite stabilno in da imate ravnotežje. To omogoča boljši nadzor nad električnim orodjem v nepričakovanih situacijah.
- Bodite primerno oblečeni. Ne nosite ohlapnih oblačil ali nakita. Las in oblačil ne približujte gibljivim delom. Ohlapna obleka, nakit ali dolgi spuščeni lasje se zlahka ujamejo v gibajoče se dele.
- Če se na napravo lahko priključijo elementi za ekstrakcijo ali zbiranje prahu, poskrbite, da jih priključite in ustrezno uporabljate. Zbiranje prahu lahko zmanjša nevarnosti, povezane s prahom.
- Pazite, da zaradi pogoste uporabe orodja ne postanete preveč samozavestni pri svojem delu



in ne namenite pozornosti upoštevanju varnostnih načel uporabe. Brezbržno dejanje lahko že v delcu sekunde povzroči hudo poškodbo.

#### UPORABA IN NEGA ELEKTRIČNEGA ORODJA

- **Orodja ne preobremenjujte.** Uporabljajte vaši uporabi ustrezen izdelek. Z ustreznim izdelkom boste delo opravljali bolje in varneje pri hitrosti, za katero je namenjen.
- **Ne uporabljajte električnega orodja, če ga stikalo ne vklopi ali izklopi, kot bi bilo treba.** Kakršno koli električno orodje, ki ga ni mogoče nadzirati s stikalom, je nevarno in ga je potrebno popraviti.
- **Pred izvajanjem prilagoditev, menjavanjem dodatkov ali shranjevanjem električnega orodja vtič izključite iz vira napajanja in/ali iz električnega orodja odstranite akumulatorsko baterijo, če se lahko odstrani.** S temi preventivnimi ukrepi omejite tveganje slučajnega vklopa izdelka.
- **Električna orodja, ki niso v uporabi, shranjujte izven doseg otrok in ne dovolite, da bi električno orodje uporabljale osebe, ki niso seznanjene z električnim orodjem ali s temi navodili.** Električna orodja so v rokah neusposobljenih uporabnikov nevarna.
- **Električno orodje in dodatke vzdržujte.** Preverite, če so gibljivi deli napačno pritrjeni ali poškodovani ali kar koli drugega, kar bi lahko vplivalo na delovanje orodja. Če se orodje poškoduje, ga pred ponovno uporabo popravite. Veliko nesreč se zgodi zaradi slabega vzdrževanja orodij.
- **Rezalno orodje naj bo vedno ostro in čisto.** Ustrezno vzdrževano rezalno orodje z ostrimi rezili se manj verjetno sprime in lažje upravlja.
- **Izdelek, dodatke, orodje itd. uporabljajte v skladu s temi navodili in upoštevajte delovne pogoje ter delo, ki ga izvajate.** Uporaba električnega orodja za namene, ki so drugačni od tistih, za katere je bilo orodje zasnovano, lahko povzroči nevarne situacije.
- **Ročaji in držalne površine naj bodo suhi, čisti in brez olja ter masti.** Spolzki ročaji in držalne površine ne omogočajo varnega ravnanja z orodjem ter njegovega upravljanja v nepričakovanih situacijah.

#### SERVIS

- **Električno orodje naj servisira za to usposobljena oseba, uporabljati pa sme le originalne nadomestne dele.** To bo zagotovilo vzdrževanje varnostni električne naprave.

#### VARNOSTNA OPOZORILA ZA OBREZOVALNO ŽAGO

- **Vi in opazovalci se postavite proč od ravni vrtečega se koluta.** Varovalno ščiti upravljavca pred delci, ki se odlomijo od koluta, in pred nenamernim stikom s kolutom.
- **Za to električno orodje uporabljajte samo vezana, utrjena obrezovalna kolesa.** Samo dejstvo, da je

dodatek mogoče priključiti na vaše električno orodje, ne zagotavlja varnega delovanja.

- **Označena hitrost dodatka mora biti najmanj enaka maksimalni hitrosti, označeni na električnem orodju.** Dodatki, ki delujejo hitreje, kot je njihova označena hitrost, se lahko polomijo in razletijo.
- **Kolute smete uporabljati le za priporočeno uporabo. Zato, na primer, ne brusite s stranjo rezilnega koluta.** Abrazivni rezalni koluti so namenjeni obrobnemu brušenju; stranske sile, ki delujejo na kolute lahko povzročijo, da se koluti zdrobijo.
- **Vedno uporabljajte nepoškodovane prirobnice kolotov pravilnega premera za izbrani kolot.** Ustrezne prirobnice kolotov podpirajo kolot in tako zmanjšujejo možnost, da se kolot zlomi.
- **Zunanji premer in debelina vašega dodatka morata biti znotraj oznake zmogljivosti vašega električnega orodja.** Dodatkov nepravilne velikosti ne boste mogli ustrezno nadzorovati.
- **Velikost osnikov koles in prirobnic se mora dobro prilegati vretenu električnega orodja.** Če se pritrilne izvrtine kolotov in prirobnic ne ujemajo z namestitvenimi elementi električnega orodja, koluti in prirobnice padejo iz ravnotežja, prekomerno vibrirajo in lahko povzročijo izgubo nadzora.
- **Ne uporabljajte poškodovanih koles.** Pred vsako uporabo preglejte, ali so koluti morebiti razpokani ali odkrušeni. Če vam električno orodje pade na tla, ga preglejte za primere poškodb oziroma namestite nepoškodovano kolo. Ko kolot pregledate in namestite, vi in opazovalci stopite proč od ravnine vrtečega se koluta in orodje eno minuto pustite delovati pri polni hitrosti brez obremenitve. Poškodovani koluti običajno v tem času preizkusa razpadejo.
- **Nosite osebno varovalno opremo. Glede na uporabo orodja nosite obrazno masko in varnostna očala.** Po potrebi nosite proti-prašno masko, zaščito za sluh, rokavice in delovni predpasnik, ki lahko zadrži drobne ostanke brušenja ali drobne delce obdelovanca. Očesna zaščita mora biti zadostna, da ustavi leteče drobce, ki nastajajo pri različnih operacijah. Proti-prašna maska ali dihalni aparat morata biti sposobna filtriranja delcev, ki nastajajo pri vašem delu. Daljša izpostavljenost zelo intenzivnemu hrupu lahko povzroči okvaro sluha.
- **Pazite, da bodo morebitni gledalci dovolj oddaljeni od delovnega območja. Vsaka oseba, ki vstopi v delovno območje, mora nositi sredstva za osebno zaščito.** Delci obdelovanca ali počenega koluta lahko odletijo stran in povzročijo poškodbe tudi zunaj neposrednega delovnega območja.
- **Umaknite kabel od vrtečih se dodatkov.** Če izgubite nadzor, lahko prerežete kabel ali se vanj zapletete, roko pa vam lahko povleče v vrteči se kolot.
- **Redno čistite zračne odprtine na električnem orodju.** Ventilator motorja bo potegnil prah v ohišje, preveliko nabiranje kovinskega prahu pa lahko povzroči



električno tveganje.

- **Ne uporabljajte električnega orodja v bližini vnetljivih materialov. Električnega orodja ne uporabljajte, če je položeno na vnetljivo površino, kot je les.** Zaradi iskric se ti materiali lahko vžgejo.
- **Ne uporabljajte dodatkov, pri katerih je potreba hladilna tekočina.** Pri uporabi vode ali drugih hladilnih tekočin lahko pride do električnega udara.

#### OPOZORILA GLEDE POVRATNIH UDARCEV IN PO- DOBNIH PRIMEROV

Povratni udarec je takojšnja reakcija na stisnjenje ali zatik vrtečega se koluta. Priščip ali zatik povzroči nenadno zaustavitev vrtečega se kolesa, kar povzroči, da se nenadzorovana enota, ki jo žagate, na silo premakne navzgor proti operaterju.

Na primer, če se brusno kolo zatakne ali zagodzi na obdelovancu, se lahko rob kolesa, ki vstopa v točko zatikanja, zakopje v površino materiala, kar povzroči, da se kolo nenadoma pomakne ali skoči navzven. Brusna kolesa lahko v takih pogojih tudi počijo.

Izognemo se mu lahko tako, da upoštevamo ustrezne previdnostne ukrepe, ki so navedeni v nadaljevanju.

- **Trdno držite električno orodje in postavite svoje telo in roko tako, da boste lahko kljubovali sili povratnega udarca.** Če se izvajajo ustrezni previdnostni ukrepi, lahko operater nadzoruje sile povratnega udarca navzgor.
- **Telesa ne imejte v liniji z vrtečim se kolutom.** Ob povratnem udarcu enota, ki jo žagate, poleti navzgor proti operaterju.
- **Ne pritrdite verižne žage, rezila za oblikovanje lesa, segmentiranega diamantnega koluta s perifernim razmikom večjim od 10 mm ali nazobčanega rezila.** Taka rezila pogosto povzročijo povratni udarec in izgubo nadzora.
- **Koluta ne »zagozdite« in nanj ne pritiskajte s preveliko silo. Ne poskušajte prekomerno zarezati v globino.** Prekomeren pritisk na kolut poveča obremenjenost in s tem dovzetnost za upogibanje ali zvižanje koluta v rezu ter možnost povratnega udarca ali zloma koluta.
- **Če se kolo zatika ali če se žaganje iz kakršnega razloga prekine, izklopite električno orodje in enoto, ki jo žagate, zadržujte v nepremičnem položaju, dokler se kolo povsem ne ustavi. Koluta nikoli ne poskušajte odstraniti iz reza, medtem ko se kolut premika, saj lahko pride do povratnega udarca.** Preiščite situacijo in ukrepite tako, da boste odstranili vzrok za ustavitev kolesa.
- **Rezanja obdelovanca ne začnite znova. Kolut naj doseže polno hitrost, nato pa previdno ponovite rez.** Kolut se lahko upogne, nenadzorovano premakne ali udari nazaj, če električno orodje ponovno zaženete v obdelovancu.
- **Velike obdelovance podprite, da minimizirate nevarnost priščipa kolesa in povratnega udarca.**

Veliki obdelovanci se lahko zaradi svoje lastne teže upognejo. Podpore morajo biti nameščene pod obdelovanec na obeh straneh, blizu linije rezanja in na robu obdelovanca.

#### DODATNA VARNOSTNA OPOZORILA

- Poskrbite, da izdelek vedno uporabljate na stabilni in ravni površini.
- Med delom s tem izdelkom vedno nosite zaščito za oči in ušesa.
- Uporabite osebno zaščitno opremo, npr. protiprašno masko, rokavice in predpasnik.
- Nosite čelado ali zaščito za glavo, če obstaja nevarnost padajočih predmetov.
- Prepričajte se, da je abrazivna rezalna plošča pred uporabo pravilno nameščena in pričvrščena. Izdelek zaženite v varnem položaju v prostem teku za 30 sekund, in ga takoj izklopite in zamenjajte rezalno ploščo, če prihaja do močnih vibracij.
- Pred rezanjem se prepričajte, da so vse nastavitve varno pričvrščene.
- Preden napravo kakor koli nastavljate, se prepričajte, da je odklopljena od električne energije. Če orodja ne izklopite iz vtičnice, se naprava lahko nehotе vključi in povzroči hude telesne poškodbe.
- Da bi preprečili nehoten zagon, ki bi lahko povzročil hude telesne poškodbe, vse dele priključite na orodje, preden orodje priključite na napajanje.
- Ko sestavljate dele, prilagajate orodje, nameščate ali odstranjujete kolute ali ko orodja ne uporabljate, ga nikoli ne imejte priključenega na vir napajanja.
- Abrazivno rezalno ploščo pregledajte pred vsako uporabo. Na njej ne sme biti razpok. Ne uporabljajte poškodovanih abrazivnih kolutov.
- Ne uporabljajte rezalnih listov.
- Nikoli ne uporabljajte predebelega koluta, ker se zunanja prirobnica ne bi pritrdila na površino vretena. Večji koluti pridejo v stik z varovali kolutov, medtem ko debelejši koluti povzročijo, da vijaka ni mogoče dobro pritrditi na vreteno. Katera koli izmed teh situacij se lahko nesrečno konča in povzroči hude telesne poškodbe.
- Ne odstranite varoval koluta na orodju. Nikoli ne delajte z napravo, ki ima odstranjeno varovalo ali zaščito. Pred vsako uporabo se prepričajte, da vsa varovala delujejo pravilno.
- Orodja za abrazivno rezanje ne zaženite, če niste preverili, ali se kolut in podstavek dotikata. Kolut se lahko poškoduje, če med delovanjem orodja udari ob podstavek orodja.
- S tem orodjem ne režite lesa ali zidovja. S tem orodjem nikoli ne režite magnezija ali magnezijevih zlitin.
- Koluta ne privijte preveč, saj lahko razpoka.
- Vedno previdno približajte abrazivni kolut obdelovancu, ko začnete rezati. Močan udarec lahko zlomi kolut.





- Nikoli ne žagajte več kot enega obdelovanca hkrati. Na podstavek orodja ne naložite več kot enega obdelovanca hkrati.
- Da bi zmanjšali tveganje za prevrnitev orodja, dolge obdelovance vedno podprite.
- Rezanje jekla tvori iskre. Ne uporabljajte, če so prisotni vnetljivi materiali.
- Orodje nikoli ne pustite teči brez nadzora. Orodja ne zapustite, dokler se ta popolnoma ne ustavi. Kolo se še vedno vrti ko izdelek izključite.
- Vedno spustite stikalo za vklop in počakajte, da se kolut ustavi, preden ga dvignete iz obdelovanca.
- Pazite, da roke niso v območju rezanja. Roke držite proč od kolutov. Med vrtenjem koluta ne segajte pod, okoli ali nad njegovo delovno območje. Ne poskušajte odstraniti odrezanega materiala medtem, ko se kolut premika.
- Nikoli ne stojte, niti ne imejte nobenega dela telesa v dosegu koluta.
- Nikoli ne stojte na napravi. Če se orodje prevrne ali če nenamerno pridete v stik s kolutom, lahko pride do hudih poškodb.
- Nikoli ne uporabljajte žage prosto. Obdelovanec za rezanje vedno namestite v primež. Minimalne varne velikosti obdelovanca najdete v tabeli s specifikacijami. Da zagotovite varnost med brušenjem, naj bo oprijem v čeljusti primeža vsaj 80 mm.
- Obdelovanca nikoli ne držite z roko. Med rezanjem se obdelovanec zelo segreje.
- Tokovna konic povzroči fluktuacije napetosti in lahko vpliva na druge električne izdelke na istem električnem vodju. Izdelek priključite na napajanje z impedanco 0.233 Ω, da čim bolj zmanjšate napetostna nihanja. Za nadaljnja pojasnila se obrnite na svojega dobavitelja električne energije.
- Priporočamo, da pri napajanju orodja uporabljate tokovno zaščitno stikalo s nazivnim tokom, ki ne presega 30 mA.

Če potrebujete novo ploščo, priporočamo kovinsko rezalno ploščo COSB355A1.

#### VARNOSTNA OPOZORILA PRI NAMEŠČANJU ABRAZIVNE PLOŠČE

- Uporabniki morajo prebrati in upoštevati navodila, opozorila in navodila za uporabo pred začetkom uporabe abrazivne plošče, da zmanjšajo tveganje telesnih poškodb. Če navodil ne boste upoštevali, lahko plošča počí, kar lahko povzroči hude telesne poškodbe. Shranite ta navodila.
- Uporaba katere koli plošče, ki ni priporočena v navodilih za uporabo izdelka, lahko pomeni tveganje za nastanek telesnih poškodb. Uporabite le abrazivne plošče z enako ali višjo hitrostjo vrtenja od hitrosti, ki je označena na izdelku.
- Nikoli ne uporabljajte predebele plošče, da se zunanja

pirobница lahko utiri na površino vretena. Večji koluti pridejo v stik z varovali kolutov, medtem ko debelejši koluti povzročijo, da vijaka ni mogoče dobro pritrčiti na vreteno. Katera koli izmed teh situacij se lahko nesrečno konča in povzroči hude telesne poškodbe.

- Abrazivna plošča je namenjena izključno rezanju železnih kovin. S to ploščo ne režite lesa ali zidovja. S to abrazivno ploščo nikoli ne režite magnezija ali magnezijevih zlitin.
- Abrazivna plošča je namenjena izključno suhemu rezanju. Abrazivno ploščo morate uporabiti pred iztekom roka uporabe (označeno na nalepki, npr. 11/2021).
- Ne uporabljajte poškodovanih abrazivnih plošč. Ne uporabljajte odkrušenih, počenih ali drugače poškodovanih plošč.
- Pred uporabo se prepričajte, da je abrazivna rezalna plošča pravilno nameščena in dobro pričvrščena.
- Smer vrtenja abrazivne plošče je navedena na orodju. Med nameščanjem ali menjavo abrazivne plošče bodite pozorni, da oznaka smeri vrtenja plošče kaže v isto smer kot oznaka na orodju.
- Abrazivne plošče ne privijte preveč, ker lahko razpoka.
- Med nameščanjem ali odstranjevanjem abrazivnih plošč izdelek nikoli ne bi smel biti priključen v električno omrežje.
- Nadomestne abrazivne plošče skrbno shranite, ker se hitro poškodujejo.

#### Informacije na nalepki na abrazivni plošči.

Informacije na nalepki na plošči so pomembne. Pozorno preberite nalepko in se prepričajte, da ste izbrali pravilno ploščo.

1. Proizvajalec, dobavitelj, uvoznik ali blagovna znamka.
2. Nazivne mere abrazivne plošče, zlasti izvrtina.
3. Vrsta abraziva, granulacija, trdota/trdnost, vrsta veziva, ojačitve ...
  - 41A24RBF80
  - 41 --- vrsta abraziva, ploska rezalna plošča
  - A --- material abraziva: rjavi korund
  - 24 --- granulacija
  - R --- trdota/trdnost
  - BF --- vrsta veziva
  - 80 --- največja obodna hitrost m/s
4. Največja obodna hitrost brusa v metrih na sekundo.
5. Največje dovoljeno število vrtljajev na minuto.
6. V izjavi o skladnosti so abrazivni izdelki označeni s standardom EN 12413.
7. Omejitve uporabe in varnostni simboli.
8. Koda sledljivosti, npr. proizvodna/serijska številka, datum poteka ali številka tipa.

#### PREOSTALA TVEGANJA

Tudi če napravo uporabljate tako, kot je predpisano, ni mogoče popolnoma odpraviti določenih preostalih dejavnikov tveganja. Med uporabo se lahko pojavijo nekatere nevarnosti, upravljavec pa naj bo pozoren na



naslednje:

- Stabilnost. Zagotovite stabilnost orodja. Če je potrebno, ga pritrdite.
- Vdihavanje prahu. Če je potrebno, nosite masko.
- Iskre in vroči kovinski delci. Iskre in vroči kovinski delci lahko zanetijo ogenj in povzročijo opekline. Med uporabo nosite zaščitno opremo.
- Poškodbe oči zaradi kovinskih delcev. Med delom nosite zaščito za oči.
- Poškodbe sluha. Omejite izpostavljenost hrupu in uporabite primerno opremo za zaščito sluha.

### SPOZNAJTE SVOJ IZDELEK

Glej stran 172.

1. Ročaj, izolirano držalo
2. Stikalo sprožilca
3. Zgornji ročaj
4. Gumb za blokado vretena
5. Vijak za nastavljanje globine žaganja
6. Varnostna matica za globino žaganja
7. Kotno vodilo
8. Ključ
9. Gornji ščitnik
10. Spodnji ščitnik
11. Rezilni žagin list
12. Delovna spona
13. Zaklepna ročica za delovno spono
14. Ročica za nastavljanje delovne spone
15. Gumijasta nožica
16. Zaklepna veriga glave žage
17. Luknja za pritrditev
18. Pokrov karbonske krtače
19. Grafitna ščetka
20. Deflektor odrezkov
21. Ročica za zaklepanje vodile mitre

### NASVETI ZA UPRAVLJANJE

#### ROČICA ZA ZAKLEPANJE VODILE MITRE

Če se vodilno mitro namesti najbližje tečaju glave žage, lahko zaklepna ročica vodilne mitre ovira tečaj glave med obračanjem. Ponovite postopek zaklepanja, tako da dvignete in znova privijete ročico, dokler vodilna mitra ni tesno zaklenjena.

### VZDRŽEVANJE

- Tega izdelka na noben način ne spreminjajte ali uporabljajte dodatkov, ki jih ni odobril proizvajalec. Vaša varnosti in varnost drugih sta morda ogroženi.
- Izdelka ne uporabljajte, če stikala, zaščite ali druge funkcije ne delujejo, kot je bilo predvideno. Za profesionalno popravilo ali zamenjavo se obrnite na pooblaščen servis.
- Ne spreminjajte nobenih nastavitvev, ko motor deluje.
- Pred menjavo ščetk, pred mazanjem ali vzdrževanjem

stroja se vedno prepričajte, da je vtič stroja odstranjen iz električne vtičnice.

- Po vsaki uporabi preverite, ali je stroj poškodovan in ali ima zlomljene dele ter ga vzdržujte v dobrem delovnem stanju s tem, ko takoj zamenjate ali popravite poškodovane dele.
- Zagotovite da so prezračevalne odprtine čiste predvsem kadar delate v prašnem okolju. Če je treba odstraniti prah izdelek odklopite iz napajanja. Odprtine čistite z mehko krtačo.
- Počistite nakopičeni prah.
- Da bi zagotovili varnost in zanesljivost, mora vsa popravila stroja opraviti pooblaščen servisni center (z izjemo z zunanje strani dostopnih ščetk).
- Če je poškodovan napajalni kabel, naj vam ga zamenja pooblaščen servisni center, da se izognete nevarnosti.

### ⚠ OPOZORILO

Zaradi večje varnosti in zanesljivosti naj vsa popravila izvaja pooblaščen servisni center.

### ZAŠČITA OKOLJA



Namesto, da napravo zavržete, reciklirajte surovine. Napravo, pribor in embalažo je treba sortirati za okolju prijazno recikliranje.

### SIMBOL



Varnostni alarm



Skladnost CE



EurAsian oznaka o skladnosti.



Ukrajinska oznaka za skladnost



Pred zagonom naprave pazorno preberite navodila.



Oprema razreda II, dvojna izolacija



Nosite zaščito za ušesa



Vedno nosite zaščito za oči.



Ni za mokro brušenje ali rezanje



Ne uporabljajte odkrušenih, počenih ali poškodovanih brusilnih kolutov



Nosite zaščitne rokavice



Nosite protiprašno masko.



Ne izpostavljajte dežju in ne uporabljajte na vlažnih mestih.



Smer vrtenja rezalne plošče (prikazana na varovalu plošče)



Odpadne električne izdelke odlagajte skupaj z ostalimi gospodinjskimi odpadki. Reciklažo opravljajte na predpisanih mestih. Za reciklažni nasvet se obrnite na lokalne oblasti.

**SIMBOLI V PRIROČNIKU**

Zaklenjeno



Odklenjeno



Čakalni čas za maksimalno hitrost rezila



Deli ali dodatki so na prodaj ločeno



Opomba:

**OPOZORILO**

Sledeče signalne besede in pomeni naj bi pojasnili ravni tveganja, ki so povezane s tem izdelkom.

**! NEVARNOST**

Označuje neizogibno nevarno stanje, ki lahko povzroči smrt ali hude poškodbe, če ga ne preprečite.

**! OPOZORILO**

Označuje morebitno nevarno stanje, ki bi lahko povzročilo smrt ali hude poškodbe, če ga ne preprečite.

**! POZOR**

Označuje morebitno nevarno stanje, ki lahko povzroči manjše ali zmerne poškodbe, če se ga ne preprečite.

**POZOR**

(Brez simbola Varnostni alarm) Označuje stanje, ki lahko privede do poškodovanja lastnine.



Bezpečnosť, efektívnosť a spoľahlivosť boli prvoradé pri navrhovaní vašej rozbrusovačky.

### ÚČEL POUŽITIA

Táto rozbrusovačka je určená na rezanie kovových materiálov. Nepoužívajte ju na nekovové materiály.

Tento výrobok môžu používať len dospelé osoby, ktoré si prečítali a porozumeli návodu na obsluhu, rizikám a nebezpečenstvám.

Tento výrobok je navrhnutý tak, aby sa dal v spodnej časti pripevniť k pevnej doske stola. Pokiaľ základňa nie je bezpečne zaistená, celý stroj sa pri operáciách rezania môže pohybovať, čo zvyšuje možnosť závažného poranenia.

Tento výrobok bol navrhnutý na vykonávanie šikmých a pokosových rezov. Možnosti vykonávať rôzne rezy sú uvedené v špecifikácii výrobku v tejto príručke.

Výrobok je určený na použitie v suchom prostredí, s výborným osvetlením okolia a dostatočným vetraním.

Tento produkt je určený na použitie spotrebiteľom, musí sa používať len podľa vyššie uvedeného popisu a nie je určený na žiadny iný účel.

### VŠEOBECNÉ BEZPEČNOSTNÉ VÝSTRAHY PRE ELEKTRICKÝ NÁSTROJ

#### ⚠ VARIOVANIE

Prečítajte si všetky výstrahy, pokyny, vyobrazenia a špecifikácie dodané k tomuto elektrickému nástroju. Pri nedodržaní týchto výstrah a pokynov môže dôjsť k úrazu elektrickým prúdom, požiaru a/alebo závažnému poraneniu

**Odložte všetky výstrahy a pokyny pre budúce použitie.** Výraz „elektrické náradie“ uvádzaný vo výstrahách sa vzťahuje na elektrické náradie napájané zo siete (s káblom) alebo elektrické náradie napájané akumulátorom (bez kábla).

### BEZPEČNOSŤ PRACOVISKA

- **Pracovisko udržiavajte v čistote a správne osvetlené.** Prepchané alebo tmavé miesta zvyšujú pravdepodobnosť nehôd.
- **Nepracujte s mechanickými nástrojmi vo výbušných atmosférach, napríklad v blízkosti zápalných tekutín, plynov alebo prachu.** Mechanické nástroje vytvárajú iskry, ktoré môžu podpáliť takýto prach alebo výpary.
- **Deti a okolostojaci sa počas práce s mechanickým nástrojom nesmú zdržovať v jeho blízkosti.** Rozptylenie môže spôsobiť, že stratíte nad nástrojom kontrolu.

### ELEKTRICKÁ BEZPEČNOSŤ

- **Zástrčky mechanického nástroja musia zodpovedať zásuvke.** Zástrčku nikdy žiadnym spôsobom neupravujte. S uzemnenými mechanickými nástrojmi nepoužívajte adaptérové zásuvky. Použitím neupravených zástrčiek a zodpovedajúcich zásuviek sa znižuje riziko úrazu elektrickým prúdom.
- **Vyhýbajte sa telesnému kontaktu s uzemnenými povrchmi, napríklad rúrami, radiátormi, sporákmi a chladničkami.** Ak je vaše telo uzemnené, hrozí vysoké riziko úrazu elektrickým prúdom.
- **Mechanické nástroje nevystavujte dažďu ani mokrému prostrediu.** Voda, ktorá vnikne do mechanického nástroja, zvyšuje riziko úrazu elektrickým prúdom.
- **Kábel nenamáhajte. Nikdy nepoužívajte kábel na prenášanie, ťahanie alebo odpájanie mechanického nástroja.** Kábel nedávajte do blízkosti tepla, oleja, ostrých hrán alebo pochybujúcich sa dielov. Poškodené alebo zamotané káble zvyšujú riziko úrazu elektrickým prúdom.
- **Pri práci s mechanickým nástrojom v exteriéri používajte predĺžovací kábel vhodný pre použitie v exteriéri.** S káblom vhodným pre použitie v exteriéri sa znižuje riziko úrazu elektrickým prúdom.
- **Ak je nevyhnutné pracovať s mechanickými nástrojmi vo vlhkom prostredí, použite zdroj chránený zariadením pre zvyškový prúd.** Použitie zariadenia pre zvyškový prúd znižuje riziko úrazu elektrickým prúdom.

### OSOBNÁ BEZPEČNOSŤ

- **Pri práci s nástrojom dávajte neustále pozor, sledujte, čo robíte a používajte zdravý rozum.** Nepoužívajte tento nástroj, keď ste unavení alebo pod vplyvom drog, alkoholu alebo liekov. Chvíľa nepozornosti počas práce s mechanickými nástrojmi môže spôsobiť závažné osobné poranenie.
- **Používajte osobné ochranné prostriedky. Vždy používajte chrániče zraku.** Na redukovanie osobných poranení sa pre príslušné podmienky musia používať ochranné prostriedky, ako je protiprachová maska, ochranná obuv s protišmykovou úpravou, prilba alebo chrániče sluchu.
- **Dbajte na to, aby nedochádzalo k neúmyselnému spusteniu.** Pred pripojením k zdroju napájania a/alebo súprave batérií, zdvíhaním alebo prenášaním výrobku vždy vypínač prepnite do vypnutej polohy. Prenášanie elektrického náradia s prstom na vypínači alebo dodávanie energie do elektrického náradia s vypínačom v zapnutej polohe môže spôsobiť úraz.
- **Pred zapnutím nástroja odstráňte prípadný nastavovací klin alebo kľúč.** Keď necháte kľúč alebo klin nasadený na rotujúci diel mechanického nástroja, môže dôjsť k vážnemu poraneniu osôb.
- **Nesiahajte príliš ďaleko. Neustále zachovávajte pevnú oporu nôh a rovnováhu.** Tak si zaistíte lepšiu kontrolu nad mechanickým nástrojom v nečakaných



situáciách.

- **Primerane sa oblečte. Nenoste voľný odev ani šperky. Svoje vlasy a odev majte v bezpečnej vzdialenosti od pohyblivých dielov.** Voľný odev, šperky či dlhé vlasy sa môžu zachytiť do pohyblivých častí.
- **Ak sú zariadenia vybavené prípojkou pre zariadenie na odsávanie a zber prachu, pripojte ich a správne ich používajte.** Používanie zberu prachu môže znížiť nebezpečenstvá súvisiace s prachom.
- **Nedovoľte, aby znalosti získané počas častého používania náradia spôsobili, že budete ignorovať princípy bezpečnosti pre náradie.** Nepozorná činnosť môže v zlomku sekundy spôsobiť vážne poranenie.

#### POUŽÍVANIE ELEKTRICKÉHO NÁSTROJA A STATORSTIVOST OŇ

- **Na nástroj nevyvíjajte silu. Používajte vhodný produkt pre danú aplikáciu.** Správny produkt splní svoju úlohu lepšie a bezpečnejšie pri rýchlosti, na ktorú je určený.
- **Mechanický nástroj nepoužívajte, ak spínač nezapína a nevypína nástroj.** Mechanický nástroj, ktorý sa nedá ovládať spínačom, je nebezpečný a musí sa dať opraviť.
- **Pred vykonávaním akýchkoľvek úprav, výmenou príslušenstva alebo uskladnením elektrického náradia odpojte elektrickú zástrčku zo zdroja napájania a/alebo vyberte z elektrického náradia súpravu batérií, ak sa dá vybrať.** Takéto preventívne bezpečnostné opatrenia znižujú riziko náhodného spustenia výrobku.
- **Nečinné mechanické nástroje odložte mimo dosahu detí a nedovoľte používať mechanický nástroj osobám neoboznámeným s mechanickým nástrojom alebo týmito pokynmi.** Mechanické nástroje sú v rukách netrénovaných osôb nebezpečné.
- **Vykonávajte údržbu elektrického náradia a príslušenstva.** Skontrolujte, či pohyblivé diely nie sú nesprávne nastavené alebo zablokované, či niektoré diely nie sú poškodené, ako aj akýkoľvek iný stav, ktorý by mohol ovplyvniť činnosť nástroja. Pri poškodení nechajte pred opätovným použitím nástroj opraviť v servise. Mnoho nehoď je spôsobených nedostatočnou údržbou nástrojov.
- **Udržujte ostrosť a čistotu rezného náradia.** Správne udržiavané rezné náradie s ostrými reznými hranami menej pravdepodobne uviazne a jednoduchšie sa ovláda.
- **Výrobok, príslušenstvo, nadstavce a pod. používajte v súlade s týmito pokynmi a zohľadnite pritom pracovné podmienky a vykonávanú prácu.** Pri používaní mechanického nástroja na iné ako určené činnosti môže dôjsť k nebezpečným situáciám.
- **Rúčky a úchopné povrchy uchovávajte suché, čisté a bez oleja a maziva.** Smyklivé rúčky a úchopné povrchy neumožňujú bezpečnú manipuláciu a ovládanie náradia v neočakávaných situáciách.

#### SERVIS

- **Servis mechanického nástroja prenechajte kvalifikovanému servisnému pracovníkovi s použitím len identických náhradných dielov.** Týmto sa zabezpečí, že sa zachová bezpečnosť elektrického nástroja.

#### BEZPEČNOSTNÉ VÝSTRAHY PRE SKRACOVACIU PÍLU

- **Postavte sa, vy aj okolostojace osoby, mimo rovinu rotujúceho kotúča.** Kryt chráni obsluhujúceho od odložených úlomkov kotúča a zabraňuje neúmyselnému kontaktu s kotúčom.
- **V spojení s týmito elektrickým náradím používajte len lepené skracovacie kotúče.** To, že príslušenstvo sa dá nasadiť na váš elektrický nástroj, ešte neznamená, že bude pri tom zaistená bezpečná prevádzka.
- **Menovitá rýchlosť príslušenstva môže byť maximálne rovnaká maximálnej rýchlosti vyznačenej na elektrickom náradí.** Príslušenstvo pracujúce na vyššej ako svojej menovitej rýchlosti, sa môže rozbiť a rozpadnúť.
- **Kotúče možno používať len pre odporúčané aplikácie.** Napríklad, nebrúste s bočnou stranou rozbrusovacieho kotúča. Abrázivne rozbrusovacie kotúče sú určené pre periférne brúsenie, inak by bočné sily aplikované na tieto kotúče mohli zapríčiniť ich rozlomenie.
- **Vždy používajte nepoškodené príruby kotúčov správneho priemeru pre váš zvolený kotúč.** Správne príruby kotúčov podopierajú kotúč, a tým znižujú pravdepodobnosť zlomenia kotúča.
- **Vonkajší priemer a hrúbka vášho príslušenstva musí byť v rozmedzí menovitej kapacity elektrického náradia.** Príslušenstvo nepravnej veľkosti nie je možné primerane viesť a ovládať.
- **Veľkosť upínacích otvorov a prírub musí správne sadnúť na vreteno elektrického nástroja.** Kotúče a príruby s upínacími otvormi, ktoré nezodpovedajú montážnemu náradiu elektrického nástroja, sa dostanú mimo rovnováhu, spôsobia nadmerné vibrácie a môžu spôsobiť stratu kontroly.
- **Nepoužívajte poškodené kotúče.** Pred každým použitím skontrolujte kotúče, či neobsahujú úlomky a praskliny. Ak elektrický nástroj alebo kotúč spadnú, skontrolujte prípadné poškodenie alebo namontujte nepoškodený kotúč. Po skontrolovaní a namontovaní kotúča sa postavte vy aj okolostojaci mimo roviny rotujúceho kotúča a na jednu minútu spustíte elektrický nástroj na maximálnu rýchlosť bez záťaže. Poškodené kotúče sa zvyčajne počas tohto testu rozpadnú.
- **Používajte osobné ochranné prostriedky.** V závislosti od použitia používajte chránič na tvár, ochranné alebo bezpečnostné okuliare. Podľa potreby používajte protiprachovú masku, chrániče sluchu, rukavice a pracovnú zásteru schopnú



**zachytiť malé úlomky brusiva alebo obrobku.** Chránič zraku musí byť schopný zastaviť odletujúce úlomky vytvárané pri rôznych úkonoch. Protiprachová maska alebo respirátor musia byť schopné filtrovať častičky vytvárané pri vašej činnosti. Dlhodobé vystavovanie hluku môže spôsobiť stratu sluchu.

- **Okolostojacích udržiavajte v bezpečnej vzdialenosti od pracoviska.** Každá osoba, ktorý vstúpi do oblasti pracoviska, musí mať osobné ochranné pomôcky. Úlomky obrobku alebo poškodené kotúče môžu odletieť a spôsobiť poranenie aj mimo bezprostredného miesta práce.
- **Kábel umiestnite mimo dosahu rotujúceho príslušenstva.** Ak stratíte kontrolu, kábel sa môže prerezať alebo zachytiť vašu ruku alebo rameno môže vtiahnuť do otáčajúceho sa kotúča.
- **Pravidelne čistíte vzduchové prieduchy elektrického náradia.** Ventilátor motora vtahuje prach dovnútra a nadmerné nahromadenie práškoveho kovu môže spôsobiť ohrozenie elektrickým prúdom.
- **Nepracujte s elektrickým náradím v blízkosti zápalných materiálov.** Elektrické náradie neprevádzkujte umiestnené na horľavom povrchu ako je drevo. Iskry mohli spôsobiť vznietenie týchto materiálov.
- **Nepoužívajte príslušenstvo, ktoré vyžadujú tekutú chladivá.** Pri použití vody alebo iného tekutého chladiva by mohlo dôjsť k usmrteniu alebo úderu elektrickým prúdom.

### SPÄTNÝ NÁRAZ A SÚVISIACE VÝSTRAHY

Spätný náraz je náhla reakcia na zovreté alebo pritlačené kotúče. Zovretie alebo uviaznutie spôsobuje náhle zastavenie rotujúceho kotúča s následkom nekontrolovaného odhodnenia reznej jednotky smerom k obsluhu.

Napríklad, ak obrobok priškrtní alebo pritlačí rozbrusovací kotúč, okraj kotúča vstupujúceho do bodu priškrtenia môže spôsobiť jeho vrytie do povrchu materiálu, čo spôsobí vytiahnutie alebo vykopnutie kotúča. Za týchto podmienok môžu tiež prasknúť abrazívne kotúče.

Spätný náraz je výsledok nesprávneho používania nástroja a/alebo nesprávnych prevádzkových postupov a možno mu predchádzať vykonávaním príslušných predbežných opatrení uvedených nižšie.

- **Udržiavajte pevný úchop elektrického náradia a vaše telo a rameno v polohe, ktorá vám umožní odolávať sile spätného nárazu.** Obsluha dokáže pri prijatí správnych opatrení kontrolovať sily spätného nárazu smerom nahor.
- **Nepribližujte sa telom do línie otáčajúceho sa kotúča.** Ak dôjde k spätnému nárazu, dôjde k odhodneniu reznej jednotky smerom nahor k obsluhu.
- **Nenasadzujte reťazovú pílu, rezbárske ostrie, segmentovaný diamantový kotúč s obvodovou medzerou väčšou ako 10 mm alebo ozubené pílové ostrie.** Takéto ostria často spôsobujú spätný náraz a stratu kontroly

- **Dbajte na to, aby nedošlo k „zaseknutiu“ kotúča ani naň nevyvíjajte nadmerný tlak.** Nevykonávajte rezy nadmernej hĺbky. Preťažovanie kotúča zvyšuje zaťaženie a náchylnosť ku skrúteniu alebo zovretiu kotúča v reze a pravdepodobnosť spätného nárazu alebo prasknutia kotúča.
- **Ak dôjde k uviaznutiu kotúča alebo zastaveniu rezu kvôli akémukoľvek dôvodu, elektrické náradie vypnite a reznú jednotku držte nepohnute až do úplného zastavenia kotúča.** Nikdy sa nepokúšajte vybrať kotúč z rezu, kým sa tento pohybuje, inak môže dôjsť k spätnému nárazu. Zistíte a vykonajte nápravné kroky a eliminujte príčinu zovierania kotúča.
- **Nespušťaťe znova rezanie v obrobku.** Počkajte, kým kotúč dosiahne maximálnu rýchlosť a potom znova vojdite do rezu. Pri opätovnom spustení elektrického nástroja v obrobku sa kotúč môže zovrieť, vysunúť alebo späťne naraziť.
- **Aby ste zabránili vzniku zovretia alebo spätného nárazu, nadmerne dlhé obrobky podoprite.** Veľké obrobky sa zvyknú preháňať pod vlastnou váhou. Podpery sa musia umiestniť pod obrobok v blízkosti línie rezania a v blízkosti okraja obrobku na oboch stranách kotúča.

### AKUMULÁTOR – BEZPEČNOSTNÉ VÝSTRAHY

- Výrobok vždy používajte na stabilnom a rovnom povrchu.
- Pri práci s týmto produktom vždy používajte chrániče zraku a sluchu.
- Používajte osobné ochranné pomôcky, napríklad protiprachovú masku, rukavice a zásteru.
- Ak existuje riziko pádu predmetov, používajte helmu alebo ochranu hlavy.
- Pred použitím skontrolujte, či je abrazívny rozbrusovací kotúč správne namontovaný a utiahnutý, spustíte nástroj na 30 sekúnd bez záťaže v bezpečnej polohe a pokiaľ dochádza k výrazným vibráciám, okamžite ho zastavte a vymeňte rozbrusovací kotúč.
- Pred začatím rezania skontrolujte, či sú všetky nastavenia bezpečné.
- Pred vykonaním akýchkoľvek úprav skontrolujte, či je nástroj odpojený z elektrickej siete. Pri neodpojení rezacieho nástroja by mohlo dôjsť k neúmyselnému spusteniu, čo by mohlo spôsobiť závažné osobné poranenie.
- Aby nedošlo k neúmyselnému spusteniu, ktoré by mohlo spôsobiť vážne osobné poranenie, pred pripojením rezacieho nástroja do elektrickej zásuvky zmontujte všetky diely nástroja.
- Keď montujete diely, vykonávate úpravy, nasadzujete alebo odstraňujete kotúče, alebo keď stroj nepoužívate, vždy ho odpojte z napájacej siete.
- Pred každým použitím vizuálne skontrolujte abrazívny kotúč. Skontrolujte, či na kotúči nie sú pukliny a praskliny. Poškodený abrazívny kotúč nepoužívajte.



- Nepoužívajte pilové ostria.
- Nikdy nepoužívajte kotúč, ktorý je príliš hrubý a mohlo by umožniť prírube kotúča zachytiť sa o plošky na vretene. Väčšie kotúče sa dostanú do kontaktu s krytmi kotúča, zatiaľ čo hrubšie kotúče zabránia maticovej skrutke zaistiť kotúč na vretene. Každá z týchto operácií by mohla mať za následok vážnu nehodu a mohla zapríčiniť poranenie osôb.
- Neodstraňujte kryt kotúča nástroja. Nikdy nepracujte so strojom, keď je odstránený niektorý kryt alebo veko. Pred každým použitím sa ubezpečte, či všetky chrániče pracujú správne.
- Nespúšťajte abrazívny rezací nástroj, kým najskôr neskontrolujete, či nedochádza k interferencii medzi kotúčom a podporou základne nástroja. Pri zasiahnutí podpory základne stroja kotúčom počas činnosti stroja môže dôjsť k poškodeniu kotúča.
- S týmto rezacím nástrojom sa nepokúšajte rezať drevo alebo murivo. Na tomto stroji nikdy nerezte horčík alebo horčíkovú zliatinu.
- Kotúč nedotahuje nadmerne, inak môžu vzniknúť praskliny.
- Na začiatku rezania vždy povoľte abrazívny kotúč voči obrobku. Tvrdý náraz môže spôsobiť prasknutie kotúča.
- Nikdy nepíľte viac ako jeden obrobok súčasne. Nenakladajte na základňu nástroja viac ako jeden obrobok.
- Dlhé obrobky vždy podoprite, minimalizujete tak riziko prevrátenia stroja.
- Pri rezaní ocele vznikajú iskry. Nepracujte v prítomnosti horľavých alebo zápalných materiálov.
- Stroj nikdy nenechávajte spustený bez dozoru. Neodchádzajte od nástroja, kým sa úplne nezastaví. Kotúč sa aj po vypnutí nástroja ešte otáča.
- Pred nadvihnutím kotúča z obrobku vždy uvoľnite hlavný spínač a počkajte, kým sa kotúč úplne nezastaví.
- Ruky udržiavajte mimo dosahu priestoru rezania. Ruky nedávajte do blízkosti kotúča. Nesiahajte pod obrobok ani do blízkosti či nad kotúč, kým sa kotúč otáča. Nepokúšajte sa odstrániť rezaný materiál, kým sa kotúč pohybuje.
- Nikdy sa nestavajte ani nedávajte žiadnu časť tela do línie trasy kotúča.
- Na nástroji nikdy nestojte. Pri prevrhnutí nástroja alebo neúmyselnom kontakte s kotúčom môže dôjsť k vážnemu poraneniu.
- Nikdy nevykonávajte žiadne operácie voľnou rukou. Rezaný obrobok vždy zaistíte do zveráka. Bezpečnú minimálnu veľkosť obrobku nájdete v tabuľke špecifikácií. Vždy zabezpečte uchytienie minimálne 80 mm v čelustiach zveráka, aby bola počas brúsenia zaistená bezpečnosť.
- Nikdy nekladte ruku na obrobok. Obrobok sa počas rezania zohreje na vysokú teplotu.
- Napájacia špička spôsobí fluktuácie napätia a

môže mať vplyv na ostatné elektrické zariadenia na rovnakom elektrickom vedení. Produkt pripojte do elektrickej siete s impedanciou 0.233 Ω, minimalizujete tak fluktuácie napätia. Blížšie vysvetlenie žiadajte od vášho dodávateľa elektrickej energie.

- Odporúčame používať zariadenie pre zvyškový prúd so zvyškovým prúdom maximálne 30 mA.

**Ako náhradný disk pri potrebe nového disku odporúčame použiť kovový rezný disk COSB355A1.**

#### BEZPEČNOSTNÉ VÝSTRAHY PRE NASADZOVANIE ABRÁZIVNEHO KOTÚČA

- **Na zníženie rizika poranenia si používateľ musí pred použitím abrazívneho kotúča s porozumením prečítať pokyny, výstrahy a návod na obsluhu. Pri nerešpektovaní týchto výstrah môže dôjsť k prasknutiu kotúča a vážnemu poraneniu osôb. Uschovajte si tieto inštrukcie.**
- Používanie akéhokoľvek iného kotúča, ktorý nie je odporúčaný v tomto návode k produktu, môže predstavovať riziko osobného poranenia. Používajte len abrazívne kotúče, ktoré majú vyznačenú rýchlosť rovnakú alebo väčšiu ako je rýchlosť vyznačená na produkte.
- Nikdy nepoužívajte abrazívny kotúč, ktorý je príliš hrubý a mohlo by umožniť prírube kotúča zachytiť sa o plošky na vretene. Väčšie kotúče sa dostanú do kontaktu s krytmi kotúča, zatiaľ čo hrubšie kotúče zabránia maticovej skrutke zaistiť kotúč na vretene. Každá z týchto operácií by mohla mať za následok vážnu nehodu a mohla zapríčiniť poranenie osôb.
- Abrazívny kotúč je určený len na rezanie železných kovov. S abrazívnym kotúčom sa nepokúšajte rezať drevo alebo murivo. S abrazívnym kotúčom nikdy nerezte horčík alebo horčíkovú zliatinu.
- Abrazívny kotúč je vhodný len na suché rezanie. Abrazívny kotúč sa smie používať pred dátumom ukončenia lehoty (vyznačená na štítku, napr. 11/2021).
- Poškodené abrazívne kotúče nepoužívajte. Nepoužívajte vyštrbený, prasknutý alebo poškodený kotúč.
- Pred použitím skontrolujte, či je abrazívny rozbrusovací kotúč správne nasadený a utiahnutý.
- Smer otáčania abrazívneho kotúča je vyznačený na nástroji. Pri inštalácii a výmene abrazívneho kotúča dbajte na to, aby značka smeru na kotúči zodpovedala smeru identifikovanom na kotúči.
- Abrazívny kotúč nedotahuje príliš, inak môžu vzniknúť praskliny.
- Tento produkt sa pri inštalovaní alebo demontáži abrazívnych kotúčov nikdy nesmie pripájať do elektrickej siete.
- Abrazívne disky odkladajte s opatnosťou – ľahko sa poškodia.

**Informácie dostupné na štítku abrazívneho disku**

Informácie na štítku kotúča sú dôležité. Štítok si dôkladne



prečítajte a skontrolujte, aby ste zaručene vybrali správny typ disku.

1. Výrobca, dodávateľ, importér alebo obchodná známka
2. Menovité rozmery abrazívneho kotúča, najmä priemer otvoru
3. Typ abrazíva, veľkosť zrn, stupeň alebo tvrdosť, typ uchytenia a použitie vystuženia, napr.
  - 41A24RBF80
  - 41 --- typ abrazíva, plochý rozbrusovací kotúč
  - A --- abrazívny materiál: hnedý korund
  - 24 --- veľkosť zrna
  - R --- stupeň alebo tvrdosť
  - BF --- typ uchytenia
  - 80 --- maximálna prevádzková rýchlosť m/s
4. Maximálna prevádzková rýchlosť v metroch za sekundu
5. Maximálna povolená rýchlosť otáčania v 1/min.
6. Výhlásenie o zhode abrazívnych produktov vyznačuje norma EN 12413
7. Obmedzenie použitia a symboly bezpečnostných výstrah.
8. Stopovací kód, napr. číslo produkcie/dávky, dátum skončenia platnosti lebo číslo série

### ZVYŠKOVÁ RIZIKOVOSŤ

Aj keď sa nástroj používa podľa predpisu, nie je možné eliminovať určité zvyškové rizikové faktory. Pri použití vznikajú nasledujúce riziká a obsluhujúca osoba musí venovať zvláštnu pozornosť, aby nedošlo k nasledovnému:

- Stabilita. Zabezpečte, aby bol produkt stabilný. V prípade potreby ho zaistíte.
- Vdýchnutie pilín. V prípade potreby používajte masku.
- Iskry a horúce kovové čiastočky. Iskry a horúce kovové čiastočky môžu spôsobiť požiar a popáleniny pokožky. Pri práci používajte ochranné pomôcky.
- Poranenie očí kovovými čiastočkami. Pri práci používajte chrániče zraku.
- Poranenie sluchu. Obmedzte vystavenie a používajte primeranú ochranu sluchu.

### OBOZNÁMTE SA S VAŠIM PRODUKTOM

Vid' strana 172.

1. Rúčka, izolovaný povrch na držanie
2. Spínač
3. Vrchná rukoväť
4. Tlačidlo blokovania vretena
5. Skrutka na nastavenie hĺbky rezu
6. Poistná matica pre hĺbku rezu
7. Vodidlo sklonu
8. Kľúč
9. Horný kryt
10. Spodný kryt
11. Rezací kotúč
12. Príchytka obrobku
13. Poistná páčka príchytky obrobku
14. Kľuka na nastavenie príchytky obrobku
15. Gumená nožička

16. Reťaz na zaistenie hlavy píly
17. Montážny otvor
18. Kryt uhlíkovej kefky
19. Uhlíková kefka
20. Vychyľovač odrezkov
21. Poistná páčka vodiaceho prvku pokosu

### RADY K OBSLUHE

#### POISTNÁ PÁČKA VODIACEHO PRVKU POKOSU

Ak sa vodiaci prvok pokosu umiestni do polohy najbližšie k čapu hlavy píly, poistná páčka vodiaceho prvku pokosu môže pri otáčaní prekážať čapu hlavy. Zopakujte tento proces zaistenia zdvihnutím a pretočením páčky, až kým sa vodiaci prvok pokosu dôkladne nezaistí.

### ÚDRŽBA

- Produkt žiadnym spôsobom neupravujte ani nepoužívajte príslušenstvo, ktoré neschválil výrobca. Môže dôjsť k narušeniu bezpečnosti vás i iných osôb.
- Produkt nepoužívajte, ak akékoľvek spínače, ochranné kryty či iné funkcie nefungujú podľa ich účelu. Odovzdajte zariadenie do autorizovaného servisného centra na profesionálnu opravu alebo úpravu.
- Kým sa motor pohybuje, nevykonávajte žiadne nastavenia.
- Pred výmenou kefiiek, mazaním alebo vykonaním akýchkoľvek prác alebo údržby na zariadení vždy skontrolujte, či bola zástrčka zariadenia odpojená z elektrickej zásuvky.
- Po každom použití skontrolujte na zariadení poruchy alebo poškodené diely a udržiavajte ho špičkovom prevádzkovom stave – príslušné diely opravte alebo vymeňte bezodkladne.
- Zaistite, aby vetracie otvory neboli zakryté, najmä pri práci v prašnom prostredí. Ak bude potrebné vyčistiť prach, odpojte produkt z elektrickej siete. Otvory vyčistite mäkkou kefkou.
- Odstráňte nahromadený prach.
- Na zabezpečenie bezpečnosti a spoľahlivosti musí všetky opravy, s výnimkou externe dostupných kefiiek, vykonávať autorizované servisné centrum.
- Poškodený prívodný kábel je riziko a je nutné ho vymeniť v autorizovanom servisnom stredisku.

### VAROVANIE

Pre vyššiu bezpečnosť a spoľahlivosť sa musia všetky opravy vykonávať v autorizovanom servisnom centre.



**OCHRANA ŽIVOTNÉHO PROSTREDIA**

Surové materiály recyklujte, nelikvidujte ich ako odpad. Stroj, príslušenstvo a obaly by sa mali triedene recyklovať spôsobom šetrným k životnému prostrediu.

**ZNAČKY**

Výstražná značka



CE konformita



Euroázijská značka zhody



Ukrajinské označenie zhody



Pred spustením zariadenia si pozorne prečítajte tento návod.



Zariadenie triedy II, dvojité izolácia



Noste ochranu sluchu



Vždy používajte chrániče zraku.



Nie je určené na mokré brúsenie alebo rezanie



Nepoužívajte vyštrbený, prasknutý alebo poškodený brúsny kotúč



Používajte ochranné rukavice



Používajte protiprachovú masku.



Nevystavujte dažďu ani nepoužívajte vo vlhkom prostredí.



Smer otáčania rezného kotúča (uvedený na kryte kotúča)



Opotrebované elektrické zariadenia by ste nemali odhadzovať do domového odpadu. Prosíme o recykláciu ak je možné. Kontaktujte miestne úrady, alebo predajcu pre viac informácií ohľadom ekologického spracovania.

**SYMBOLY V NÁVODE**

Zamknuté



Odomknuté



Čakacia doba, kým ostrie nedosiahne maximálne otáčky



Diely alebo príslušenstvo predávané samostatne



Poznámka:



**VAROVANIE**

Nasledujúce značky a významy vysvetľujú úroveň rizika spojeným s výrobkom.

**⚠ NEBEZPEČENSTVO**

Označuje bezprostredne nebezpečnú situáciu, ktorá, ak jej nepredídete, spôsobí usmrtenie alebo vážne poranenie.

**⚠ VAROVANIE**

Označuje potenciálne nebezpečnú situáciu, ktorá, ak jej nepredídete, môže spôsobiť usmrtenie alebo vážne poranenie.

**⚠ UPOZORNENIE**

Označuje potenciálne nebezpečnú situáciu, ktorá, ak jej nepredídete, môže spôsobiť menšie alebo stredne závažné poranenie.

**UPOZORNENIE**

(Bez výstražnej značky s výkričníkom) Označuje situáciu, ktorá môže zapríčiniť škody na majetku.



Безопасността, работните характеристики и надеждността имат най-висок приоритет при проектирането на Вашия отрезан циркуляр.

### ПРЕДНАЗНАЧЕНИЕ

Отрезният циркуляр е предназначен за рязане на материали от метал. Да не се използва за други материали.

Продуктът е предназначен да се използва само от възрастни оператори, които са прочели ръководството с инструкции и разбират рисковете и опасностите.

Продуктът е проектиран да бъде фиксиран в основата си на твърд плот. Ако основата не е здраво закрепена, цялата машина може да се премести по време на операции за рязане, което увеличава възможността от сериозни наранявания.

Циркулярът за рязане под ъгъл е предназначен за направа на конусни и наклонени сръзвания. Възможностите за различни рязания са предвидени в спецификациите в това ръководството на циркуляра за рязане под ъгъл.

Продуктът трябва да се използва на сухи места, с отлично осветление на обкръжаващата среда и подходяща вентилация.

Продуктът е предназначен за потребителска употреба, трябва да се използва само както е описано по-горе и не е предназначен за други цели.

### ОСНОВНИ ПРЕДУПРЕЖДЕНИЯ ЗА БЕЗОПАСНОСТ ПРИ РАБОТА С ЕЛЕКТРИЧЕСКИ ИНСТРУМЕНТИ

#### ⚠ ПРЕДУПРЕЖДЕНИЕ

Прочетете всички предупреждения за безопасност инструкции, илюстрации и спецификации, предоставени с този електрически инструмент. Неспазването на инструкциите, изброени по-долу, може да доведе до електрически удар, пожар и/или тежки физически травми.

Съхранявайте всички предупреждения и инструкции за бъдещи справки. Терминът „електрически инструмент“ в предупрежденията се отнася за вашия инструмент - със захранване от електрическата мрежа (с кабел) или на батерия (безжичен).

### БЕЗОПАСНОСТ НА РАБОТНАТА ЗОНА

- Поддържайте работното пространство чисто и добре осветено. Безпорядъкът или тъмнината в работното пространство са предпоставка за злополуки.
- Не използвайте електрически инструменти в експлозивни среди, например в присъствието на запалителни течности, газове или прах. По време на работа електрическите инструменти произвеждат искри, които могат да възпламенят

прах или пари.

- Дръжте децата и страничните наблюдатели далече, докато боравите с електрически инструмент. Ако вниманието ви бъде отклонено, може да загубите контрола над електрическия инструмент.

### ЕЛЕКТРИЧЕСКА БЕЗОПАСНОСТ

- Щепселът на електрическия инструмент трябва да е съвместим с контакта. В никакъв случай не внасяйте изменения в конструкцията на щепсела. Когато работите със занулени електрически инструменти, не използвайте адаптери за щепсела. Използването на оригиналните щепсели и контакти намалява риска от токов удар.
- Избягвайте допир със заземени повърхности, като тръби, радиатори, печки и хладилници. Когато тялото ви е заземено, рискът от възникване на токов удар е по-голям.
- Не излагайте продукта на дъжд или влажни условия. Проникването на вода в електрическия инструмент повишава опасността от токов удар.
- Не насилвайте захранващия кабел. Никога не носете, не изключвайте и не дърпайте електрическия инструмент за кабела. Предпазвайте кабела от нагриване, омасляване, допир до остри ръбове или до подвижни звена на машини. Повредените или усукани кабели увеличават риска от токов удар.
- Когато работите с електрически инструмент на открито, използвайте само удължителни кабели, предназначени за работа на открито. Използването на удължител, предназначен за работа на открито, намалява риска токов удар.
- Ако не можете да избегнете използването на електрически инструмент на влажно място, използвайте RCD (прекъсвач със защитно изключване). Използването на RCD намалява опасността от електрически удар.

### ЛИЧНА БЕЗОПАСНОСТ

- Бъдете бдителни, внимавайте какво правите и проявявайте благоразумие, когато боравите с електрически инструмент. Не използвайте електрическия инструмент, когато сте уморени или под влиянието на наркотични вещества, алкохол или лекарства. Миг невнимание, докато боравите с електрически инструмент, е достатъчен за получаването на сериозни наранявания.
- Използвайте лична защитна екипировка. Винаги носете защитни очила. Защитната екипировка, като маска против прах, пригодени против плъзгане защитни обувки, твърда шапка или антифони, използвани за подходящите условия, ще намали опасността от физически наранявания.
- Не допускайте нежелано стартиране. Преди да вдигате или носите инструмента и преди да го включвате в електрическата мрежа и/



или батерия, винаги проверявайте дали превключателят е на позиция OFF (изкл). Носенето на инструмента с пръст върху превключателя или включването му към електричеството, докато превключателят му е на включен, е предпоставка за злополуки.

- **Махнете всички гаечни или френски ключове за настройка преди да включите инструмента.** Помощен инструмент, забравен на въртящ се елемент, може да доведе до физически наранявания.
- **Не се протягайте, за да работите на трудно достижими места. Винаги стъпвайте стабилно по време на работа и пазете равновесие.** Това дава възможност за по-добър контрол над електрическия инструмент в неочаквани ситуации.
- **Обличайте се целесъобразно. Не носете широки дрехи или украшения. Пазете косата и дрехите си далеч от движещите се части.** Широките дрехи, украшенията, дългите коси могат да бъдат захванати и увлечени от движещи се елементи.
- **Ако устройствата са оборудвани със съоръжение за издърпване и събиране на прах, уверете се, че е то свързано и функционира правилно.** Използването на устройства за събиране на прах ще намали рисковете, свързани с работа в прашни условия.
- **Не позволявайте опита ви с често използване на инструменти да ви направи прекалено самоуверени и да ви накара да игнорирате принципите за безопасност.** Едно небрежно действие може да доведе до сериозно нараняване в рамките само на секунда.

#### ИЗПОЛЗВАНЕ И ОБСЛУЖВАНЕ НА ЕЛЕКТРИЧЕСКИЯ ИНСТРУМЕНТ

- **Не насилвайте продукта.** Използвайте електрическия инструмент, съобразно неговото предназначение. Правилно подбраният електрически инструмент ще свърши работата по-добре и по-безопасно в зададения от производителя диапазон на натоварване.
- **Не използвайте електрически инструменти, чито пусков прекъсвач е повреден.** Електрически инструмент, който не може да бъде контролиран посредством превключател, е опасен и трябва да бъде ремонтиран.
- **Изключете щепсела от захранващия източник и/или извадете акумулаторната батерия от електрическия инструмент, ако е демонтируема, преди извършване на каквито и да са настройки, смяна на принадлежности или съхраняване на електрически инструменти.** Тази мярка премахва опасността от задействане на електрическия инструмент по невнимание.
- **Съхранявайте незаеитите електрически инструменти на недостъпни за деца места и не позволявайте на лица, непознати с**

инструмента или с тези указания, да боравят с него. Когато са в ръцете на неопитни потребители, електрическите инструменти могат да бъдат изключително опасни.

- **Поддържайте в добро състояние електрическите инструменти и техните принадлежности.** Проверявайте за неизправности или заклиняване в подвижните елементи, за ступени части или други обстоятелства, които могат да влошат работата на електрическия инструмент. Преди да използвате електрическия инструмент, се погрижете повредите да бъдат отстранени. Много от трудовите злополуки се дължат на недобре поддържани електрически инструменти.
- **Поддържайте режещите инструменти винаги добре заточени и чисти.** Инструменти, за които е полагана правилна грижа и са с добре наточени режещи елементи, се управляват по-лесно и вероятността да заядат е по-малка.
- **Използвайте електрическите инструменти, принадлежностите и режещите и др. части съобразно тези указания, като се съобразявате с работните условия и с работата, която ще извършвате.** Използването на електрически инструменти за различни от предвидените от производителя приложения повишава опасността от възникване на трудови злополуки.
- **Поддържайте ръкохватките и повърхностите за захващане сухи, чисти и неомаслени.** Хлъзгавите ръкохватки и повърхности за захващане не дават възможност за безопасно управление и контролиране на инструмента при възникване на неочаквани ситуации.

#### СЕРВИЗНО ОБСЛУЖВАНЕ

- **Ремонтът на електрическите инструменти трябва да се извършва само от квалифицирани специалисти и само с използването на оригинални резервни части.** По този начин се гарантира поддържането на безопасност при работа с електрическия инструмент.

#### ПРЕДУПРЕЖДЕНИЯ ЗА БЕЗОПАСНОСТ ПРИ РАБОТА С ОТРЕЗЕН ЦИРКУЛЯР

- **Вие и наблюдателите застанете на безопасно разстояние от равнината на въртящия се диск.** Предпазителят помага да се защити оператора от фрагменти на ступен диск и случаен контакт с диска.
- **Използвайте само свързани, армирани режещи дискове за електрическия си инструмент.** Това, че аксесоарът може да бъде прикачен към електрическия инструмент, не гарантира безопасна работа.
- **Номиналната скорост на аксесоара трябва да е поне равна на максималната скорост, означена върху електрическия инструмент.** Аксесоари, работещи по-бързо от номиналната си скорост,





могат да се счупят и да се разхвърчат части от тях.

- **Дисковете трябва да се използват само за препоръчителните приложения.** Например, не заточвайте със страничната част на режещ диск. Абразивните режещи дискове са предназначени за периферно заточване, страничните сили, приложени към тези дискове, могат да доведат до разтрошаването им.
- **Винаги използвайте здрави фланци за дискове, които са с правилния диаметър за избора на вас диск.** Подходящият фланец поддържа диска, като по този начин намалява вероятността за неговото счупване.
- **Външният диаметър и дебелината на аксесоара трябва да попадат в номиналните стойности за капацитета на електрическия инструмент.** Аксесоари с неподходящ размер не могат да бъдат правилно предпазвани и контролирани.
- **Размерът на отворите за вал на дисковете и фланците трябва правилно да съответстват на шпиндела на електроинструмента.** Дисковете и фланците с отвори за вал, които не съответстват на елементите за закрепване на електроинструмента, ще работят неуравновесени, ще вибрират прекалено и може да причинят загуба на управление.
- **Не използвайте повредени дискове.** Преди всяко използване, проверявайте дисковете за отчупвания и пукнатини. Ако електроинструментът или дискът са изпуснати, проверете за повреда или монтирайте неповреден диск. След проверка и монтиране на диска, разположете себе си и наблюдателите на безопасно разстояние от равнината на въртящия се диск и работете с електроинструмента в продължение на една минута при максимална скорост без натоварване. Обикновено повредените дискове ще се разпаднат по време на този изпитателен период.
- **Използвайте лична защитна екипировка.** В зависимост от приложението използвайте маска за лице или предпазни очила. Ако е необходимо носете маска против прах, антифони, ръкавици и работна престилка, която да е в състояние да спре малки абразивни фрагменти или елементи от работния материал. Предпазните очила трябва да са в състояние да спрат хвърчащи детайли, образувани при различните операции. Противопраховата маска или респираторът трябва да са в състояние да филтрират частиците, образувани при съответната операция. Продължителното излагане на действието на шум с висока интензивност може да доведе до загуба на слуха.
- **Страничните лица трябва да са на безопасно разстояние от работната зона.** Всеки, който навлиза в работната зона, трябва да носи лични предпазни средства. Фрагменти от обработвания детайл или на счупен диск могат да отлетят и да

причинят наранявания извън непосредствената област на работа.

- **Разположете кабела извън зоната на въртящия аксесоар.** Ако загубите контрол, кабелът може да бъде прерязан или захванат и дланта или ръката ви може да бъде издърпана към въртящия се диск.
- **Редовно почиствате вентилационните отвори на електрическия инструмент.** Вентилаторът на мотора ще придърпва праха в корпуса, а прекомерното натрупване на метални прахообразни частици може да причини рискове от електрическа неизправност.
- **Не използвайте електрическия инструмент в близост до запалими материали.** Не работете с инструмента, докато е поставен върху запалима повърхност, напр. дърво. Искрите могат да ги запалят.
- **Не използвайте аксесоари, които изискват течни охладители.** Използването на вода или друг течен охладител може да доведе до токов удар.

#### ОТКАТ И СВЪРЗАНИ С ТОВА ПРЕДУПРЕЖДЕНИЯ

Обратният удар е внезапната реакция на защитан или закачен въртящ се диск. При защитване или заклинване въртящият се диск спира бързо, което на свой ред тласка неуправляемия режещ инструмент нагоре към оператора.

Ако например абразивен диск бъде стегнат или захванат в работния детайл, ръбът на диска, който влиза в точката на захващане, може да задълбае в повърхността на материала, което да доведе до излизан или откат на диска. Абразивните дискове могат и да се счупят при тези условия.

Откатът е следствие на неправилно използване на електрическия инструмент. Той може да бъде предотвратен с предприемане на подходящи предпазни мерки, които са описани по-долу:

- **Поддържайте здрав захват на електрическия инструмент и разположете тялото и ръката си така, че да можете да устоите на силите на отката.** Операторът може да контролира силите на отката, ако са взети подходящи предпазни мерки.
- **Не заставайте на една линия с въртящия се диск.** Ако се получи откат, режещият инструмент ще се завърти нагоре към оператора.
- **Не поставяйте режеща верига, острие за резба на дърво, сегментирани диамантени дискове с по-големи от 10 mm периферни прорези или циркулярни дискове.** Такива остриета причиняват често откат и загуба на контрол.
- **Внимавайте дискът да не „заседне“ и прилагайте прекомерен натиск.** Не се опитвайте да правите разрез с прекалена дълбочина. Претоварването на диска увеличава натоварването и податливостта му на усукване или захващане в разреза, както и вероятността от откат или счупване на диска.
- **Когато дискът е заклепен или даден разрез е**





прекъснат поради някаква причина, изключете електрическия инструмент и задръжте режещия уред неподвижен, докато дискът спре напълно. Никога не опитвайте да извадите режещия диск от разреза, докато се движи, тъй като може да се получи откат. Направете проверка и предприемете коригиращи действия, за да отстраните причината за заклещване на диска.

- Не започвайте отново операцията по рязане на детайла. Нека дискът да достигне пълна скорост и внимателно го вкарайте отново в разреза. Дискът може да отскочи, да се придвижи нагоре или да се получи откат, ако електрическият инструмент е стартиран повторно в работния детайл.
- Поддържайте всеки голям работен детайл, с цел намаляване до минимум на риска от захващане или стягане на диска. Големите работни детайли могат да се огънат от собствената си тежест. Трябва да се поставят подпори под работния детайл, близо до линията на рязане и до ръба на детайла, от двете страни на диска.

#### ДОПЪЛНИТЕЛНИ ПРЕДУПРЕЖДЕНИЯ ЗА БЕЗОПАСНОСТ

- Уверете се, че продуктът се използва винаги върху стабилна и равна повърхност.
- Винаги носете средства за защита на вашето зрение и слух, когато боравите с този продукт.
- Използвайте лични предпазни средства, като напр. противопрахова маска, ръкавици и престилка.
- Ако има опасност от падащи предмети, носете каска или защита за глава.
- Уверете се, че абразивният кръг за отрязване е правилно монтиран и е затегнат преди използване и пуснете изделието на празен ход в продължение на 30 секунди в безопасно положение и спрете незабавно и заменете абразивният кръг за отрязване, ако има значителна вибрация.
- Преди да направите срез, се уверете, че всички настройки са сигурни.
- Преди извършването на всяка настройка, се уверете, че инструментът е изключен от електрозахранването. Ако не изключите продукта от захранването, това може да доведе до случайно стартиране, което да причини възможни сериозни наранявания.
- Сглобете всички части на вашия отрезан циркуляр преди свързването му към електрозахранването.
- Изделието никога не трябва да се свързва към електрозахранването, когато сглобявате частите, правите настройки, монтирате или сваляте дисковете, или когато не се използва.
- Огледайте визуално абразивния диск преди всяко използване. Проверете диска за пукнатини. Не използвайте повредени абразивни дискове.
- Не използвайте циркулярни дискове.

- Никога не използвайте диск, който е твърде дебел, за да позволи на външния фланец да влезе в контакт с плоскостите на шпиндела. По-големи дискове ще влязат в контакт с предпазните устройства, докато по-дебели дискове ще попречат на болта за закрепване на диска на шпиндела. Всяка от тези ситуации може да доведе до сериозен инцидент и да причини сериозно нараняване.
- Не отстранявайте предпазителите на диска на изделието. Никога на работете с изделието със свален предпазител или капак. Уверете се, че всички предпазители работят нормално преди всяко използване.
- Не стартирайте абразивната отрезна машина, без преди това да проверите за сблъсък между диска и опората на машината. Може да възникне повреда на диска, ако той се сблъска с опората на машината по време на работата ѝ.
- Не се опитвайте да режете дърво или зидария с този отрезан циркуляр. Никога не режете магnezий или магnezиева сплав с тази машина.
- Не затягайте прекалено диска, понеже това може да причини пукнатини.
- Винаги спускайте полека абразивния диск срещу детайла, когато започвате да режете. Рязък удар може да счупи диска.
- Никога не режете повече от един обработан детайл едновременно. Не нареждайте едновременно повече от един обработан детайл на основата на машината.
- За да сведете до минимум опасността от преобръщане на машината, винаги подкрепяйте дълги обработвани детайли.
- Рязането на стомана ще причини искри. Не работете при наличие на горими или запалими материали.
- Никога не оставяйте инструмента да работи без надзор. Не оставяйте инструмента, преди да е спрял напълно. Дискът продължава да се върти след като машината е изключена.
- Винаги освобождавайте превключвателя на захранването и оставяйте диска да спре да се върти, преди да го вдигнете от обработвания детайл.
- Дръжте ръцете си далече от зоната на рязане. Дръжте ръцете си настрана от диска. Не посягайте под детайли или около и под диска, докато той се върти. Не се опитвайте да премахнете отрязан материал, докато дискът се движи.
- Никога не застивайте и не разполагайте никоя част от тялото си по направление на пътя на диска.
- Не стъпвайте върху инструмент. Може да възникне сериозно нараняване, ако инструментът е заострен или се допрете неволно до диска.
- Никога на изпълнявайте операция „свободни ръце“, без направляващи устройства. Винаги закрепвайте обработвания детайл, който трябва да се реже в менгема. Вижте таблицата със





спецификациите за минималния размер на обработвания детайл. Винаги осигурявайте захващането на поне 80 mm в челюстите на менгемето, за да гарантирате сигурността, докато шлифовате.

- Никога не дръжте в ръка обработвания детайл, той ще стане много горещ, докато режете.
- Резният скок на мощността причинява флуктуации на напрежението и може да повлияе на други електрически изделия на същата силова линия. Свържете машината към източник на захранване с импеданс, равен на 0,233, за да минимизирате колебанията на напрежението. Свържете се с вашия доставчик на електроенергия за допълнителни разяснения.
- Προτείνουμε τη χρήση διάταξης προστασίας ρεύματος διάρροής με βαθμόμηση ρεύματος διάρροής 30 mA ή λιγότερο.
- Рекомендуем использовать устройство защитного отключения, значение остаточного тока которого не превышает 30 mA.

**RYOBI препоръчва да използвате диск за рязане на метал COSB355A1 като замяна, когато имате нужда от нов диск.**

#### ПРЕДУПРЕЖДЕНИЯ ЗА БЕЗОПАСНОСТ ПРИ МОНТИРАНЕ НА АБРАЗИВЕН ДИСК

- За намаляване на опасността от нараняване, потребителят трябва да прочете и да спазва инструкциите, предупрежденията и ръководството за оператора преди започване на използването на този абразивен диск. Неспазването на тези предупреждения може да доведе до разрушаване на диска и сериозни наранявания. Запазете това ръководство.
- Използването на какъвто и да е друг диск освен препоръчания в ръководството с инструкции за машината може да представлява опасност от наранявания. Използвайте само абразивни дискове, които имат маркирана скорост, равна или по-голяма от маркираната на изделието.
- Никога не използвайте абразивен диск, който е твърде дебел, за да позволи на външния фланец да влезе в контакт с плоскостите на шпиндела. По-големи дискове ще влязат в контакт с предпазните устройства, докато по-дебели дискове ще попречат на болта за закрепване на диска на шпиндела. Всяка от тези ситуации може да доведе до сериозен инцидент и да причини сериозно нараняване.
- Този абразивен диск е за рязане само на черни метали. Не се опитвайте да режете дърво или зидария с него. Никога не режете магнезий или магнезиев сплав с тази машина.
- Този абразивен диск е подходящ само за сухо рязане, трябва да го използвате преди изтичане на датата (маркировка на етикета, напр.
- Не използвайте повредени абразивни дискове, не

използвайте дискове, които са отчупени, напукани или дефектни по друг начин.

- Преди използване се уверете, че абразивният диск за отрязване е правилно монтиран и затегнат.
- Посоката на въртене на абразивния диск е посочена на инструмента, уверете се, че маркерът за посока върху диска съответства на посоката, идентифицирана на инструмента при монтиране и смяна на абразивен диск.
- Не затягайте прекалено абразивния диск, тъй като това може да причини пукнатини.
- Машината никога не трябва да бъде свързана към електрозахранването, когато монтирате или сваляте абразивни дискове.
- Съхранявайте внимателно резервните си абразивни дискове, те се повредят лесно.

#### Налична информация върху етикета на абразивния диск

Информацията на етикета на диска е важна. Прочете я и я проверете внимателно, за да се уверите, че сте избрали правилния тип диск.

1. Производител, доставчик, вносител или търговска марка.
2. Номинални размери на абразивния диск, в частност диаметъра на отвора
3. Тип на абразива, размер на зърното, клас или твърдост, тип на свързващото вещество и използването на армировка:
  - 41A24RBF80
  - 41 --- тип на абразива, плосък диск за отрязване
  - A --- абразивен материал: кафяв корунд
  - 24 --- размер на зърното
  - R --- клас на твърдост
  - BF --- тип на свързващото вещество
  - 80 --- максимална работна скорост в m/s
4. Максимална работна скорост в метри за секунда.
5. Максимална разрешена скорост на въртене в 1/min.
6. За декларацията за съответствие абразивните продукти трябва да бъдат маркирани по EN 12413.
7. Ограничение за използване и символи за предупреждения за безопасност.
8. Код за проследяване, например, номер на производство/партиден номер, срок на валидност или сериен номер.

#### НЕПРЕДВИДЕНИ РИСКОВЕ.

Дори когато продуктът се използва по предназначение, е невъзможно напълно да се ограничи влиянието на определени рискови фактори. Рисковете, описани по-долу, може да възникнат по време на употреба и операторът трябва да внимава за избягването на следното:

- Стабилност. Уверете се, че инструментът е стабилен, ако е необходимо го закрепете.
- Вдишване на прах. Ако е необходимо, носете маска.



- Искри и горещи метални частици могат да причинят пожар и изгаряния на кожата. Носете защитно оборудване по време на използване.
- Наранявания на окото от метални частици. Носете защита на очите, когато работите.
- Поражения на слуха - ограничете излагането и носете подходяща защита за слуха.

## ОПОЗНАЙТЕ ВАШИЯ ПРОДУКТ

Вж. страница 172.

1. Ръкохватка, изолирана повърхност за захващане
2. Спусък
3. Горна ръчка
4. Заклучване на шпиндела
5. Винт за настройка на дълбочината на рязане
6. Фиксираща гайка за дълбочината на рязане
7. Водач на скосяването
8. Гаечен ключ
9. Горен предпазител
10. Долен предпазител
11. Режещ диск
12. Работна стяга
13. Лост за заключване на работната стяга
14. Манивела за регулиране на работната стяга
15. Гумен крак
16. Блокираща верига на режещата глава
17. Монтажен отвор
18. Капачка за въглеродните четки
19. Въглена четка
20. Дефлектор за стружки
21. Застопоряващ лост за ъгловия упор

## СЪВЕТИ ЗА РАБОТА С ПРОДУКТА

### ЗАСТОПОРЯВАЩ ЛОСТ ЗА ЪГЛОВИЯ УПОР

Когато ъгловият упор е поставен възможно най-близо до завъртащата се режеща се глава, лостът за застопоряване на ъгловия упор може да влезе контакт с главата, когато се върти. Повторете процеса за застопоряване, като повдигнете и завъртите отново лоста, докато ъгловият упор бъде застопорен.

### ПОДДРЪЖКА

- По никакъв начин не модифицирайте машината и не използвайте принадлежности, които не са одобрени от производителя. Безопасността Ви и тази на другите може да бъде компрометирана.
- Не използвайте машината, ако някои превключватели, предпазни устройства или други функции не работят по предназначение. Занесете изделието на упълномощен сервизен център за професионален ремонт или настройка.
- Не правете никакви настройки, докато моторът е в движение.
- Винаги се уверявайте, че щепселът на машината е отстранен от електрическата мрежа преди смяна на

четки, смазване или при извършване на каквото и да е техническо обслужване на машината.

- След всяко използване, проверявайте изделието за повреда или счупени части и го поддържайте във върхово работно състояние чрез ремонтване или незабавна замяна на части.
- Уверете се, че вентилационните отвори са свободни, особено при работа в прашни условия. Ако стане необходимо да се изчисти прахта, изключете изделието от основното електрозахранване. Почистете отворите с помощта на мека четка.
- Изчистете натрупалия се прах.
- За осигуряване на безопасност и надеждност, всички ремонти с изключение на външно достижимите четки, трябва да се извършват от упълномощен сервизен център.
- Ако захранващият кабел бъде повреден, той трябва да се смени от оторизиран сервиз, за да се избегнат рисковете.

### ▲ ПРЕДУПРЕЖДЕНИЕ

За по-голяма безопасност и надеждност всички ремонти трябва да се извършват от оторизиран сервиз.

### ОПАЗВАНЕ НА ОКОЛНАТА СРЕДА



Рециклиране на суровини, вместо за обезвреждане като отпадък. Машината, допълнителните приспособления и опаковките трябва да бъдат подложени на подходяща преработка за оползотворяване на съдържанието в тях вторични суровини.

### ЗНАК



Предупреждение относно безопасността



ЕС Съответствие



EurAsian знак за съответствие



Украински знак за съответствие

001



Прочетете инструкциите внимателно, преди да стартирате машината.



Инструмент от клас II, двойна изолация



Носете антифони



Носете защитни средства за очи



Не е предназначена за мокро шлифование или рязане



Не използвайте надраскан, пукнат или дефектен шлифовъчен диск



Носете предпазни ръкавици



Носете подходяща маска против прах.



Не излагайте на дъжд и не използвайте на мокри места.



Посока на въртене на диска за отрязване (показана на предпазителя на диска)



Електрическите уреди не трябва да се изхвърлят заедно с битовите отпадъци. Рециклирайте, където има възможност. Обърнете се за съвет по рециклирането към местните власти или разпространителите.



Време на изчакване за достигане на пълната скорост на циркулярния нож



Частите или принадлежностите се продават отделно



Забележка



Предупреждение

Следните сигнални думи и техните съответни значения обясняват нивата на опасност, свързани с употребата на този продукт:

**⚠ ОПАСНОСТ**

Указва неминуемо опасна ситуация, която ако не бъде избегната, ще доведе до сериозни наранявания или смърт.

**⚠ ПРЕДУПРЕЖДЕНИЕ**

Указва потенциално опасна ситуация, която ако не бъде избегната, може да доведе до сериозни наранявания или смърт.

**⚠ ВНИМАНИЕ**

Указва потенциално опасна ситуация, която ако не бъде избегната, може да доведе до дребни или средни наранявания.

**ВНИМАНИЕ**

(Без предупредителен символ за безопасност) Указва ситуация, която може да доведе до имуществени щети.

**СИМВОЛИ В НАСТОЯЩОТО РЪКОВОДСТВО**



Ключалка



Отключване





Головними міркуваннями при розробці цього відрізного станка були безпека, ефективність та надійність.

### ПРИЗНАЧЕННЯ

Відрізний станок призначений для різання металевих матеріалів. Не використовувати для неметалевих матеріалів.

Продукт призначений для експлуатації тільки дорослими користувачами, які прочитали інструкцію та розуміють ризики та небезпеку пов'язані з експлуатацією приладу.

Пристрій має бути закріплений на твердій рівній поверхні. Якщо основа не надійно закріплена, вся машина може рухатися під час різання, що збільшує можливість отримання серйозної травми.

Пристрій призначений для обробки косих зрізів та зрізів під кутом. Можливості щодо різновидів зрізів наведено в описі технічних характеристик пристрою в цій інструкції.

Пристрій має використовуватись в сухому середовищі з гарним освітленням та потрібною вентиляцією.

Продукт призначений для побутового використання і повинен використовуватись тільки як описано вище, і не для якихось інших цілей.

### ГОЛОВНІ ПОПЕРЕДЖЕННЯ З БЕЗПЕКИ ЕЛЕКТРОІНСТРУМЕНТУ

#### ▲ ПОПЕРЕДЖЕННЯ

Прочитайте всі правила безпеки, інструкції, ілюстрації і специфікації, що поставляються з електроінструментом. Недотримання всіх зазначених інструкцій може призвести до ураження електричним струмом, пожежі та/або серйозних травм.

**Збережіть всі інструкції і вказівки для майбутнього використання.** Термін «електроінструмент» «в попередженнях відноситься до Вашого мережевого (з кабелем) електроінструменту або з батарейним живленням (бездротового) електроінструменту.

### БЕЗПЕКА РОБОЧОГО МІСЦЯ

- Утримуйте робоче місце в чистоті і добре освітленим. Безлад на робочому місці або темні місця спричиняють аварії.
- Не використовуйте електроінструменти у вибухонебезпечній атмосфері, наприклад, у присутності легкозаймистих рідин, газів або пилу. Електричні інструменти створюють іскри, що можуть запалити пил або пари.
- Тримайте дітей та сторонніх осіб подалі під час роботи електроінструментом. Відволікання уваги може призвести до втрати контролю.

### ЕЛЕКТРОБЕЗПЕКА

- Вилка живлення електроінструменту повинна відповідати розетці. Ніколи не змінюйте вилку. Не використовуйте ніякі вилки-перехідники з заземленими (замкнутими на землю) електроінструментами. Не змінюйте вилки та відповідні розетки зменшують ризик ураження електричним струмом.
- Уникайте контакту тіла з заземленими поверхнями, такими як труби, радіатори, плити та холодильники. Існує підвищений ризик ураження електричним струмом, якщо ваше тіло заземлене.
- Не піддавайте електроінструменти впливу дощу або вологих умов. Вода, що потрапила в електроінструмент збільшує ризик ураження електричним струмом.
- Не зловжуйте шнур. Ніколи не використовуйте шнур живлення для перенесення, переміщення або вилучення вилки з розетки. Тримайте шнур подалі від тепла, масла, гострих кромок або рухомих частин. Пошкоджені або заплутані шнури збільшують ризик ураження електричним струмом.
- При роботі з електроінструментом на вулиці, використовуйте подовжувач, відповідний для використання на відкритому повітрі. Використання кабелю, придатного для використання на відкритому повітрі, знижує ризик ураження електричним струмом.
- При роботі з електроінструментом у вологому середовищі використовуйте залишковий поточний пристрій (ЗПП) захищеного живлення. Використання ЗПП знижує ризик ураження електричним струмом.

### ОСОБИСТА БЕЗПЕКА

- Будьте уважні, дивіться, що ви робите, і використовуйте здоровий глузд при роботі з електроприладами. Не використовуйте електроінструмент, якщо Ви втомилися або перебуваєте під впливом наркотиків, алкоголю або ліків. Найменша необережність при роботі з електроінструментом може призвести до серйозних травм.
- Використовуйте персональне захисне обладнання. Завжди надягайте захисні окуляри. Захисне устаткування, наприклад, респіратор, взуття на нековзній підшві, захисний шолом або засоби захисту органів слуху, використовувати в належних умовах, зменшать ризик отримання травми.
- Запобігайте випадковому запуску. Переконайтеся, що вимикач знаходиться у вимкненому положенні перед підключенням до джерела живлення та / або акумуляторної батареї, підніманням або переміщенням інструменту. Не переносьте електроінструмент з пальцем на вимикачі або подачею живлення на



інструмент, який має перемикач, щоб запобігти нещасного випадку.

- **Перед включенням електроінструменту знімайте регульовальний або гайковий ключ.** Гайковий ключ або регульовальний ключ, залишений на обертаємій частині електроінструменту, може призвести до травми.
- **Не тягніться.** Зберігайте правильну стійку і баланс весь час. Це дозволяє краще контролювати інструмент в несподіваних ситуаціях.
- **Одягайтеся правильно.** Не носіть вільний одяг або прикраси. Тримайте волосся та одяг далі від частин пристрою, що рухаються. Вільний одяг, прикраси або довге волосся можуть потрапити в рухомі частини.
- **Якщо є пристрій для підключення для збору пилу, переконайтеся, що вони під'єднані і використовуються правильно.** Використання пилозбірника знижує небезпеку, пов'язану з запиленістю.
- **Не дозволяйте звичці від частого використання пристрою стати причиною втрати пильності та не ігноруйте правила безпеки під час роботи з пристроєм.** Необережні дії можуть стати причиною серйозного травмування менш ніж за секунду.

#### ВИКОРИСТАННЯ ТА ДОГЛЯД ЗА ЕЛЕКТРОІНСТРУМЕНТОМ

- **Не перевантажуйте електроінструмент.** Використовуйте відповідний для вашої потреби електроінструмент. Електроінструмент виконає роботу краще і безпечніше при швидкості, для якої він був розроблений.
- **Не використовуйте електроінструмент, якщо перемикач не включає та вимикає його.** Будь-який електроінструмент, який не може управлятися за допомогою перемикача, є небезпечним і має бути відремонтований.
- **Перед здійсненням будь-яких налаштувань, заміною аксесуарів або зберіганням пристрою від'єднайте штекер від електричної мережі та/або вийміть акумулятор з електричного пристрою, якщо він знімний.** Такі профілактичні заходи безпеки зменшують ризик випадкового включення електроінструмента.
- **Зберігайте непрацюючі електроприлади у недоступному для дітей місці і не дозволяйте особам, які не знайомі з інструкціями електричного прилада або з даними інструкціями, працювати з електроприладами.** Електроінструменти небезпечні в руках недосвідчених користувачів.
- **Обслуговування електричного пристрою та аксесуарів.** Перевірте розрегульовані або зв'язані рухомі частини, поломані частини і будь-які інші умови, які можуть вплинути на роботу електроінструменту. Якщо пошкоджений, відремонтуйте електроінструмент перед

використанням. Багато нещасних випадків є наслідком поганого догляду за електроінструментом.

- **Тримайте ріжучий інструмент гострим і чистим.** Добре доглянутий ріжучий інструмент з гострими ріжучими крайками рідше зв'язується і легше контролюється.
- **Використовуйте електроінструмент, аксесуари та насадки відповідно до цих інструкцій, беручи до уваги умови роботи і роботу, що повинна бути виконана.** Використання електричного інструменту для операцій, які відрізняються від призначених, може призвести до небезпечної ситуації.
- **Тримайте ручки та різальні поверхні сухими, чистими та очищеними від олії та мастил.** Ковзкі ручки та різальні поверхні не призначені для безпечного утримування та контролювання пристрою у неочікуваних ситуаціях.

#### СЕРВІС

- **Дозволяйте обслуговувати ваш електроінструмент тільки кваліфікованому персоналу, використовуючи тільки ідентичні запасні частини.** Це буде гарантувати безпечне обслуговування електроінструменту.

#### ТЕХНІКА БЕЗПЕКИ ПРИ КОРИСТУВАННІ ВІДРІЗНОЮ ПІЛКОЮ

- **Ви самі і спостерігачі повинні стояти в стороні від площини диску, що обертається.** Захист допомагає захистити користувача від відламаних фрагментів диску і випадкового контакту з диском.
- **При користуванні електроінструментом використовуйте тільки закріплені посилені відрізи диски.** Просто тому, що приладдя може бути підключене до електроінструменту, це не гарантує безпечну експлуатацію.
- **Номинальна швидкість диску повинна бути як мінімум рівною максимальній швидкості, зазначеній на силовому інструменті.** Диски, які обертаються швидше за їх номінальну швидкість можуть розколотися і їх частини можуть розлетітися.
- **Треба використовувати тільки ті диски, які підходять для операції.** Наприклад, не виконуйте шліфування боковою стороною відрізного диску. Абразивні відрізаючі диски призначені для периферійного шліфування, бічні сили, прикладені до цих дисків можуть призвести до їх зруйнування.
- **Завжди використовуйте для обраного диску непошкоджені фланці диску правильного діаметру.** Правильні фланці диску підтримують диск, що знижує можливість розламування диску.
- **Зовнішній діаметр і товщина приладдя повинна бути в межах розрахунку продуктивності вашого електроінструменту.** Некоректні за розміром аксесуари не можуть бути адекватно захищені та керовані.
- **Розмір оправки диску і фланців повинен**



точно підходити під шпindelь силового інструменту. Диски та фланці з отворами оправок, які не відповідають посадочним місцям силового інструмента, не будуть збалансовані, будуть занадто вібрувати і можуть призвести до втрати контролю над інструментом.

- **Не використовуйте пошкоджені диски. Перед кожним використанням перевіряйте диски на наявність тріщин. У разі падіння електроінструменту або диску, перевірте їх на предмет пошкоджень або встановіть новий диск замість пошкодженого. Після перевірки та встановлення диска, користувач пилки, разом із сторонніми спостерігачами, має стати подалі від площини обертowego диску та увімкнути електроінструмент на максимальну швидкість без навантаження, щоб інструмент пропрацював вхолосту протягом однієї хвилини. Пошкоджений диск зазвичай розпадається на частини протягом цього випробування.**
- **Використовуйте персональне захисне обладнання. Залежно від застосування, використовуйте захисну маску, запобіжні або захисні окуляри.» Коли необхідно, надягайте маску від пилу, захист для слуху, рукавички і робочий фартух, здатні зупинити невеликі абразивні частинки або фрагменти заготовки. Захист очей повинен бути здатним зупинити летюче сміття, утворене при різних операціях. Маска від пилу або респіратор повиненні бути здатними фільтрувати частинки, що утворюються від вашої роботи. Тривалий вплив високої шуму може призвести до втрати слуху.**
- **Тримайте людей на безпечній відстані від робочої зони. Будь-хто, входячи в робочу зону повинен носити приватне захисне обладнання. Фрагменти оброблюваної деталі або розбитого диску можуть відлетіти та спричинити травмування за межами безпосередньої робочої зони.**
- **Розташуйте шнур подалі від обиртаючогося приладдя. Якщо ви втратите контроль над інструментом, то можете перерізати або зачепити шнур, і ваша кисть або рука можуть бути втягнуті в зону диска, що обертається.**
- **Регулярно очищайте вентиляційні прорізи електроінструменту. Вентилятор двигуна буде втягувати пил усередину корпусу і надмірне накопичення металевих порошків може викликати ураження електричним струмом.**
- **Не використовуйте електроінструмент поблизу легкозаймистих матеріалів. Не використовуйте електроінструмент, розміщуючи його на горючих поверхнях, таких як дерево. Іскри можуть запалити ці матеріали.**
- **Не використовуйте приладдя, що вимагає рідких охолоджувачів. Використання води або інших охолоджувачів рідин може призвести до ураження електрострумом або шоку.**

## ВІДДАЧА І СУМІЖНІ ПОПЕРЕДЖЕННЯ

Віддача - це несподівана реакція на защемлення або стопоріння диску, що обертається. Притискання або зачеплення обертowego диска спричиняє його швидке гальмування, що, в свою чергу, призведе до перекидання неконтрольованого ріжучого пристрою вгору у бік оператора.

Наприклад, якщо абразивне коло зачепилося або затиснуто у заготовці, край колеса, що входить в точку зачиплення може вкопатися в поверхню матеріалу в результаті чого колесо буде западати або викидатися.» За цих умов абразивні диски можуть також розколотися.

Віддача є наслідком неправильного застосування електро інструменту та/або неправильних процедур або умов експлуатації і може бути уникнута застосуванням належних запобіжних заходів, як зазначено нижче.

- **Міцно тримайте електроінструмент і розташуйте тіло і руки, щоб дозволити вам протистояти віддачі.** Оператор може контролювати силу верхньої віддачі, якщо будуть прийняті відповідні запобіжні заходи.
- **Не стійте на одній лінії з диском, що обертається.** Якщо відбувається віддача, вона відсуне ріжучий блок вгору у бік оператора.
- **Не встановлюйте пильний ланцюг, диск для різьби по дереву, сегментований алмазний диск з периферійним прорізами більшими 10 мм або зубчатий пильяний диск.** Такі леза створюють часті відкати і втрату контролю.
- **Не «затискайте» відрізний диск або не застосовуйте надмірний тиск. Не намагайтеся зробити зріз надмірної глибини.** Перевантаження диска збільшує навантаження і сприйнятливості до скручування або зачеплення диска в розрізі, віддачі або поломки диска.
- **Перед під'єднанням диска або у разі призупинення різання з будь-якої причини, вимкніть електроінструмент і тримайте ріжучий блок нерухомо, поки диск не зупиниться повністю. Ніколи не намагайтеся забрати диск з зони різання, коли диск рухається, інакше може виникнути віддача. Щоб усунути причину заклинювання диску, знайдіть її та усуньте.**
- **Не розпочинайте ріжучу операцію у заготовці. Нехай диски досягнуть повної швидкості і повторно введіть їх у розріз.** Диск може зв'язуватися, підскакувати або спричинити віддачу, якщо електроінструмент буде перезапущений у заготовці.
- **Підтримуйте будь-яку велику заготовку, щоб мінімізувати ризик тискання та віддачі.** Великі заготовки можуть прогинатися під власною вагою. Опори повинні бути поміщені під заготовку поблизу лінії розрізу і поруч з краями заготовки на обох сторонах диска.

**ДОДАТКОВІ ЗАХОДИ БЕЗПЕКИ.**

- Виріб має завжди використовуватися на стійкій та рівній поверхні.
- Під час різання завжди використовуйте захисні окуляри і навушники.
- Використовуйте засоби індивідуального захисту, такі як респіратор, рукавички і фартух.
- Якщо існує ризик падіння предметів, надягайте захисну каску
- Переконайтеся, що абразивний відрізний круг правильно встановлений і перед використанням затягнутий належним чином, запустить машину на холостому ході протягом 30 секунд у безпечному положенні, негайно зупиніть і замініть відрізний круг, якщо є значна вібрація.
- Перед тим як різати, переконайтеся, що всі налаштування безпечні
- Перед виконанням будь-якого регулювання, переконайтеся, що інструмент відключений від джерела живлення. Невдала спроба відключення відрізної пили може привести при випадковому запуску до можливих серйозних травм.
- Перш ніж підключати прилад до джерела живлення змонтуйте всі деталі до вашої відрізної пили.
- Під час монтування деталей, регулювання, установок, заміні кругів або коли прилад не використовується, машину слід вимкнути з джерела живлення.
- Перевіряти абразивний круг перед кожним використанням. Перевірте круг на наявність зломів і тріщин. Не використовуйте пошкоджені абразивні круги.
- Не використовуйте леза пилки.
- Ніколи не використовуйте занадто товстий круг, щоб зовнішній фланець торкався поверхню шпінделя. Великі круги будуть торкатися захисного кожуха круга, в той час як більш товсті круги захищають болт від кріплення круга на шпінделі. У будь-якій з цих ситуацій це може призвести до серйозної аварії і серйозних травм.
- Не знімайте захисний кожух круга з приладу. Заборонено користуватися інструментом зі знятим захисним кожухом або кришкою. Перед кожним використанням переконайтеся, що всі захисні кожухи працюють належним чином.
- Не починайте роботу на абразивній відрізній пилі без перевірки перешкод між кругом і основною опорою машини. Круг може бути пошкоджений, якщо він вдариться о базову опору машини під час роботи машини.
- Не намагайтеся різати деревину або каміння за допомогою цієї відрізної пили. Заборонено використовувати магній або сплав магнію під час різання за допомогою цього приладу.
- Не затягуйте надмірно круг, тому що це може

призвести до утворення тріщин.

- Перед різанням завжди треба легко притиснути абразивний круг до заготовки. Різкий удар може зламати круг.
- Не обробляти більш ніж одну заготовку за раз. Не ставте більше, ніж одну заготовку на підставку машини в той же час.
- Щоб звести до мінімуму ризик перекидання машини, слід завжди підтримувати довгі заготовки.
- Під час різання сталі виникають іскри. Не використовувати поблизу горючих або легкозаймистих матеріалів.
- **Ніколи не залишайте працюючий виріб без нагляду. Не залишайте інструмент, доки він не зупиниться повністю. Круг продовжує обертатися після того, як прилад вимкнено.**
- Перед підйомом приладу з заготовки завжди вимкніть вимикач електроживлення і заждіть доки круг зупиниться.
- Тримайте руки подалі від зони різання. Тримайте руки подалі від круга. Не виконуйте роботу під кругом або навколо, коли круг обертається. Не намагайтеся прибирати зрізаний матеріал, коли круг рухається.
- Ніколи не стійте або не розміщуйте будь-яку частину вашого тіла відповідно до шляху круга.
- Ніколи не стійте на інструменті. Нахилений інструмент або випадковий контакт з кругом може привести до серйозних травм.
- Не виконуйте операцій "від руки". Завжди фіксуйте заготовку для різання у лещатах. Зверніться до таблиці специфікації, щодо безпечного мінімального розміру заготовки. Для безпеки під час шліфування завжди стежте, щоб ручка була затиснена лещатами щонайменше на 80 мм.
- Заборонено тримати заготовку руками, тому що під час різання вона дуже нагрівається.
- Сплеск напруги призводить до коливань, що можуть впливати на інші електричні прилади в одній лінії електропередачі. Підключіть пристрій до мережі живлення з імпедансом рівним 0,233 Ом, щоб звести до мінімуму коливання напруги. Зверніться до постачальника електроенергії за подальшим уточненням.
- Рекомендуємо використовувати устройство защитного отключения, значение остаточного тока которого не превышает 30 мА.

**Якщо вам потрібний новий диск, RYOBI рекомендує використовувати металевий диск COSB355A1 в якості заміни.**

**ЗАХОДИ БЕЗПЕКИ ПІД ЧАС МОНТАЖУ АБРАЗИВНОГО КРУГА.**

- **Щоб зменшити ризик отримання травм, користувач повинен прочитати і дотримуватися**



інструкції, попереджень і інструкції з експлуатації, перш ніж почати використовувати цей абразивний круг. Використання цієї вказівки може привести до пошкодження круга та серйозної травми. Збережіть ці інструкції.

- Використання круга, відмінного від рекомендованого у цієї інструкції з експлуатації машини може становити небезпеку для отримання травм. Використовуйте тільки абразивні круги, з позначкою про швидкість, що дорівнює або вище тої, що зазначена на машині.
- Ніколи не використовуйте занадто товстий абразивний круг, щоб зовнішній фланець торкався фасок шпинделя. Великі круги будуть торкатися захисного кожуха круга, в той час як більш товсті круги захищають болт від кріплення круга на шпинделі. У будь-якої з цих ситуацій це може призвести до серйозної аварії і серйозних травм.
- Цей абразивний круг призначений тільки для різання кольорових металів. Не намагайтеся різати деревину або каміння за допомогою цього приладу. Заборонено використовувати магній або сплав магнію під час різання.
- Цей абразивний круг підходить тільки для сухого різання, слід використовувати його до дати закінчення терміну дії (маркування на етикетці, напр., 11/2021).
- Не використовуйте пошкоджені абразивні круги, якщо вони мають відколи, тріщини або інші пошкодження.
- Переконайтеся, що абразивний відрізний круг правильно встановлений і перед використанням затягнутий
- Під час установки і зміни абразивного круга напрямку обертання шліфувального круга вказується на інструменті, переконайтеся, що мітка напрямку на колесі відповідає напрямку, позначеному на інструменті.
- Не затягуйте надмірно абразивний круг, тому що це може призвести до утворення тріщин.
- Під час установки або заміни кругів машину слід вимкнути з джерела живлення.
- Ретельно зберігайте запасні абразивні диски, вони легко пошкоджуються.

**Інформацію можна прочитати на етикетці до абразивного круга.**

Інформація, вказана на етикетці круга ВАЖЛИВА. Прочитайте і обережно перевірте його, щоб переконатися, що ви обираєте правильний тип диска.

1. Виробник, постачальник, імпортер або товарний знак
2. Номінальні розміри абразивного круга, зокрема, діаметр отвору
3. тип абразивного покриття, розмір зерна, клас або твердість, тип з'єднання і посилення, наприклад,
  - 41A24RBF80
  - 41 --- тип абразивного покриття, плоский

абразивний відрізний круг

- A --- абразивний матеріал: коричневий корунд
  - 24 --- розмір зерна
  - R --- клас або твердість
  - BF --- тип з'єднання
  - 80 --- Максимальна робоча швидкість м/сек.
4. Максимальна робоча швидкість у м за сек.
  5. Максимально допустима швидкість обертання 1/хв
  6. Для декларації відповідності, абразивні вироби повинні мати маркування EN 12413
  7. Обмеження використання і попереджувальні знаки безпеки.
  8. Ідентифікація простежування товарів, напр. Номер виробу/ партії, дата закінчення терміну дії або серійний номер

### ЗАЛИШКОВІ РИЗИКИ

Навіть коли продукт використовується як написано, залишається неможливим повністю усунути деякі залишкові чинники ризику. Наступні небезпеки можуть виникнути і оператор повинен звернути особливу увагу, щоб уникнути наступного:

- Стійкість Переконайтеся, що машина завжди стабільна і безпечна.
- Вдихання пилу. При потребі надягайте маску.
- Іскри і частки гарячого металу можуть привести до виникнення пожежі, опіків шкіри. Під час використання надягайте захисне спорядження.
- Травми очей від металевих частинок. Під час роботи надягайте засоби для захисту очей.
- Забезпечте захист, використовуйте засоби захисту органів слуху.

### ЗНАЙТЕ СВІЙ ПРОДУКТ

Див. стор. 172.

1. Ручка, ізольована поверхня для утримання
2. Курковий перемикач
3. Верхня ручка
4. Зажим шпинделя
5. Гвинт регулювання глибини різання
6. Стопорна гайка глибини різання
7. Напрямна планка
8. Гайковий ключ
9. Верхній захисний кожух
10. Нижній захисний кожух
11. Відрізний диск
12. Пристрій затиску заготовки
13. Важіль блокування пристрою затиску заготовки
14. Кривошип налаштування пристрою затиску заготовки
15. Гумова ніжка
16. Ланцюг фіксації головки пили
17. Монтажний отвір
18. Вугільний шліфковий ковпачок
19. Вугільна щітка
20. Відбивач стружки



## 21. Важіль блокування напрямної пили

**ПОРАДИ ЩОДО РОБОТИ****ВАЖІЛЬ БЛОКУВАННЯ НАПРЯМНОЇ ПИЛИ**

Коли кутова напрямна розташовується у найближчому до шарніру головки пили положенні, головка пили може чіплятися за важіль фіксації напрямної при повороті. Повторіть процедуру фіксації: підніміть важіль та заведіть його у потрібне положення так, щоб надійно зафіксувати напрямну.

**ОБСЛУГОВУВАННЯ**

- Не змінюйте пристрій будь-яким способом або не використовуйте приладдя, не схвалені виробником. Ваша та інших безпека може бути порушена.
- Не використовуйте продукт, якщо які-небудь перемикачі, кожухи або інші функції не працюють належним чином. Поверніться в авторизований сервісний центр для професійного ремонту або налаштування.
- Заборонено проводити налаштування під час обертання двигуна.
- Перед заміною щіток, мастила, під час виконання будь-яких робіт або технічного обслуговування завжди переконайтеся, що штепсельна вилка приладу була вийнята з мережі живлення.
- Після кожного використання, перевірте машину на предмет пошкоджень або зламаних деталей і підтримуйте її у відмінному робочому стані, ремонтуючи або замінюючи деталі відразу.
- Переконайтеся, що вентиляційні отвори чисті, особливо при роботі в умовах підвищеної запиленості. Якщо виникає потреба видалення пилу, вимкніть пристрій з електромережі. Очистіть отвори за допомогою м'якої щітки.
- Очистіть накопичений пил.
- Для забезпечення безпеки і надійності, всі ремонти, за винятком зовнішніх доступних щіток, повинні виконуватися в авторизованому сервісному центрі.
- Щоб уникнути небезпеки, у випадку пошкодження шнура живлення його слід замінити в авторизованому сервісному центрі.

**⚠ ПОПЕРЕДЖЕННЯ**

Для більшої безпеки і надійності, всі ремонтні роботи повинні виконуватися в авторизованому сервісному центрі.

**ЗАХИСТ НАВКОЛИШНЬОГО СЕРЕДОВИЩА.**

Переробляйте сировину замість утилізації в якості відходів. Машини, обладнання та упаковка повинні бути відсортовані для дружньої для навколишнього середовища утилізації.

**СИМВОЛ**

Попередження безпеки



СЕ відповідність



Євразійський знак відповідності



Український знак відповідності



Будь ласка, уважно прочитайте інструкцію перед запуском продукту.



Інструмент II класу, подвійна ізоляція



Носіть захист слуху



Носіть захист для очей



Не для мокрого шліфування або різання.



Не використовуйте шліфувальний круг, якщо він пошкоджений або має відколи, тріщини.



Надягати захисні рукавиці.



Носіть відповідну маску від пилу.



Захищати від дощу або не використовувати у сирих приміщеннях.



Напрямок обертання відрізного круга (показано на захисному кожусі)



Відходи електротехнічної продукції не слід викидати разом із побутовими відходами. Будь ласка, переробляйте там, де наявне устаткування. Перевірте з вашим місцевим органом влади або продавцем для консультацій з приводу переробки.

### СИМВОЛИ В ЦЬОЇ ІНСТРУКЦІЇ З ЕКСПЛУАТАЦІЇ



Блокувати



Розблокувати



Час очікування досягнення лезом повної швидкості



Запасні деталі або принадлежности продаються окремо



Примітка



Попередження

Нижчезказані попереджальні слова та символи пояснюють рівень ризику при роботі з цим приладом.

#### **НЕБЕЗПЕКА**

Вказує на неминуче небезпечну ситуацію, яка, якщо її не уникнути, може призвести до смерті або серйозних травм.

#### **ПОПЕРЕДЖЕННЯ**

Вказує на потенційно небезпечну ситуацію, яка, якщо її не уникнути, може призвести до смерті або серйозних травм.

#### **УВАГА**

Вказує на потенційно небезпечну ситуацію, яка, якщо її не уникнути, може призвести до середньої або легкої травми.



Kesme makinenizin tasarımında emniyet, performans ve güvenilirliğe öncelik verilmiştir.

### KULLANIM AMACI

Kesme makinesi metal malzeme kesmek için geliştirilmiştir. Metal dışı malzemede kullanmayın.

Ürün sadece talimat kılavuzunu okumuş olup, risk ve tehlikeleri anlayan yetişkin kullanıcılar tarafından kullanılmalıdır.

Ürün sağlam bir tezgah üzerine taban sabitlenecek şekilde tasarlanmıştır. Taşıyıcı taban sağlam bir şekilde sabitlenmemişse tüm makine, kesme çalışmaları sırasında hareket edebilir ve ciddi kişisel yaralanma olasılığını artırabilir.

Ürün eğimli ve şev kesimler yapmak için tasarlanmıştır. Çeşitli kesimler için kapasiteler bu kılavuzun ürün özellikleri bölümünde verilmektedir.

Ürün kuru ortamlarda, mükemmel ortam aydınlatması ve uygun havalandırma koşullarında kullanılmalıdır.

Ürün sadece tüketici kullanımı için tasarlanmıştır, yukarıda anlatıldığı gibi kullanılmalı ve başka hiçbir amaç için kullanılmamalıdır.

### ELEKTRİKLİ ALET İÇİN GENEL GÜVENLİK TALİMATLARI

#### ⚠ UYARI

Bu aletle birlikte verilen tüm uyarı, talimat ve özellikleri dikkatlice okuyunuz ve resimli açıklamalara bakınız. Aşağıda belirtilen talimatlara uyulmaması, yangın, elektrik çarpması ve/veya ciddi bedensel yaralanmalar gibi kazalar sebep olabilir.

Tüm uyarıları ve talimatları daha sonra başvurmak üzere saklayın. Uyarılardaki "elektrikli alet" terimi şebeke elektrikle çalışan (kablolu) ya da pille çalışan (kablesiz) el aletini ifade eder.

### ÇALIŞMA ALANI EMNİYETİ

- Çalışma alanını temiz ve iyi aydınlatılmış halde tutun. Dağınık ya da karanlık alanlar kazalara davetiyeye çıkarır.
- Elektrikli aletleri, yanıcı sıvıların, gazların veya tozların vb. bulunduğu patlayıcı ortamlarda çalıştırmayın. Elektrikli aletler buharı ateşleyebilecek kıvılcım çıkarırlar.
- Elektrikli bir alet çalışırken çocukları ve çevredekileri aletten uzak tutun. Dikkat dağılması kontrolünüzü kaybetmenize neden olabilir.

### ELEKTRİKLE İLGİLİ GÜVENLİK

- Elektrikli aletin fişi elektrik prizine uymalıdır. Elektrik fişini asla modifiye etmeyin. Topraklanmış elektrikli aletlerle birlikte adaptör fişleri kullanmayın. Modifiye edilmiş fişler ve doğru prizler elektrik çarpması

riskini azaltır.

- Borular, radyatörler ve buzdolapları gibi topraklanmış yüzeylere temastan kaçının. Vücudunuz topraklanmışsa elektriğe çarpılma riskiniz çok yüksektir.
- Elektrikli aletleri yağmura veya ıslak ortamlara maruz bırakmayın. Elektrikli aletin içine giren su elektrik çarpması riskini çoğaltacaktır.
- Elektrik kablosunu kötü kullanmayın. Elektrikli aleti taşımak, çekmek ya da fişini çekmek için asla elektrik kablosunu kullanmayın. Kabloyu ısıdan, yağdan, keskin kenarlardan ve hareketli parçalardan uzak tutun. Hasarlı ya da dolaşmış kablolar elektrik çarpması riskini yükseltir.
- Elektrikli bir aleti dış mekanda kullanırken mutlaka dış mekanda kullanıma uygun bir uzatma kablosu kullanın. Dış mekana uygun bir uzatma kablosu kullanmak elektrik çarpması riskini azaltır.
- Elektrikli aleti nemli bir yerde kullanmak zorundaysanız, artık akım cihazı (RCD) korumalı bir besleme kullanın. RCD kullanımı elektrik çarpması riskini azaltır.

### KİŞİSEL EMNİYET

- Bu cihazı kullanırken daima tetikte olun, ne yaptığınıza dikkat edin ve sağduyunuzu kullanın. Yorgunken, bir ilacın, alkolün veya ilaç tedavisinin etkisi altındayken alet kullanmayın. Elektrikli aletlerle çalışırken bir anlık dikkat eksikliği ciddi kişisel yaralanmalara neden olabilir.
- Kişisel koruyucu donanımlar kullanın. Her zaman koruyucu toz maskesi, kaymaz emniyet ayakkabıları, sert şapka veya koruyucu kulaklık kişisel yaralanmaları azaltır.
- İstemsiz çalıştırmalardan kaçının. Güç kaynağı ve/veya pil paketine takmadan, ürünü kaldırmadan ya da taşımadan önce ürünün kapalı konumda olduğundan emin olun. Parmağınız açma kapama düğmesindeyken elektrikli aletleri taşımak ya da düğmesi açık elektrikli aletleri çalıştırmak kazaya davetiyeye çıkarmaktır.
- Elektrikli aleti çalıştırmadan önce ayar anahtarını veya İngiliz anahtarını çıkarın. Elektrikli aletin dönen parçalarının üzerinde unutulun bir anahtar veya civata anahtarı kişisel yaralanmalara neden olabilir.
- Aşırı derecede uzanmayın. Her zaman güvenli ve dengede durun. Bu sayede elektrikli aletin beklenmedik durumlarda daha iyi kontrol edilmesi sağlanır.
- Uygun giysiler giyin. Bol giysiler giymeyin ya da takı takmayın. Saçlarınızı ve kıyafetlerinizi hareketli parçalardan uzak tutun. Bol ebiseler, takılar veya uzun saç hareketli parçalara kaptrılabilir.
- Toz boşaltma bağlantısı ve toplama araçları için sağlanan cihazlar varsa bunların bağlı olduğundan ve uygun kullanıldığından emin olun. Toz toplama aparatı kullanımı tozla ilgili tehlikeleri azaltabilir.





- Ürünü sık kullanmanın verdiği alışkanlığın dikkatsiz davranmanıza neden olmasına izin vermeyin ve alet güvenliğini ilkelerini göz ardı etmeyin. Dikkatsiz bir hareket saniyenin onda biri gibi bir sürede ciddi yaralanmalara yol açabilir.

#### ELEKTRİKLİ CİHAZ KULLANIMI VE BAKIMI

- **Alete güç uygulamayın. Yapacağınız uygulama için doğru ürünü kullanın.** Doğru ürün tasarlandığı hızda işi daha iyi ve daha güvenli şekilde yerine getirecektir.
- **Düğmesinden açılıp kapatılamıyorsa elektrikli aleti kullanmayın.** Düğmesiyle kontrol edilemeyen elektrikli aletler tehlikelidir ve onarılması gerekir.
- **Herhangi bir ayar yapmadan ya da aksesuar değiştirmeden önce fişi güç kaynağından ve/veya pil takımını çıkartılabiliyorsa aletten çıkarın.** Bu gibi önleyici emniyet önlemleri ürünün kaza ile çalışma riskini azaltır.
- **Rölanti halindeki elektrikli aletleri çocukların ulaşamayacakları bir yerde muhafaza edin ve elektrikli aleti tanımayan veya kullanım talimatlarını bilmeyen kişilerin kullanımına izin vermeyin.** Elektrikli aletler deneyimsiz kişilerin ellerinde tehlikeli olabilir.
- **Elektrikli aletlerin ve aksesuarların bakımını yapın. Aletin çalışmasına kötü etki edecek hareketli parçaları yanlış ayarlamalara veya sıkışmalara, kırık parçalara ve diğer olumsuz durumlara karşı kontrol edin. Alet hasar görürse tekrar kullanmadan önce onarımı yapılmış olmalıdır.** Kazaların çoğu yetersiz olarak onarılan aletlerden kaynaklanmaktadır.
- **Kesme aletlerini keskin ve temiz tutun.** Keskin kenarlı, bakımı düzgün yapılmış kesme aletlerinin tutukluk yapma ihtimali daha düşüktür ve kontrolleri daha kolaydır.
- **Çalışma koşulları ve yapılacak işi göz önünde bulundurarak ürün, aksesuarlar ve alet parçaları vb.yi bu talimatlara uyarak kullanın.** Elektrikli aletin tasarladığından farklı bir işte kullanılması tehlikeli durumlara neden olabilir.
- **Tutamakların ve kavrama yüzeylerinin kuru, temiz, yağ ve gresten arınmış olmasını sağlayın.** Kaygan tutamaklar ve kavrama yüzeyleri güvenli kullanıma ve aletin beklenmedik durumlarda kontrol edilmesine imkan vermez.

#### SERVİS

- **Elektrikli aletin bakımını/onarımını sadece yetkili onarım personeline yaptırın, sadece orijinal yedek parça kullanılmasını sağlayın.** Böylece elektrikli aletinizin güvenliği korunmuş olur.

#### GÖNYE TESTERESİ GÜVENLİK UYARILARI

- **Kendinizi ve çevrenizdekileri döner çark seviyesinden uzak tutun.** Koruma, operatörü kırılan dişli parçalarından ve dişliyle kazayla temas etmekten korumaya yardımcı olur.

- **Elektrikli aletiniz için sadece yapışık takviyeli kesme çarkları kullanın.** Bir aksesuar bir alet üzerine takılabile bile, bu, cihazı güvenlik içerisinde kullanabileceğiniz anlamına gelmemektedir.
- **Aksesuarın nominal hızının, alet üzerinde belirtilen azami hıza eşit veya üzerinde olması gerekmektedir.** Nominal hızlarından daha yüksek bir hızda çalışan aksesuarlar kırışabilir veya fırlatabilir.
- **Dişliler sadece tavsiye edilen uygulamalar için kullanılmalıdır. Örneğin, kesme dişlilerinin yanlarıyla taşlama yapmayın.** Taşlama taşı kesici çarklar sadece çevresel taşlama işlemi için üretilmiştir, çarklara yanlardan uygulanacak basınç çarkın dağılmasına sebep olabilir.
- **Her zaman hasar görmemiş ve seçtiğiniz çark için doğru çapta olan çark flanşları kullanın.** Uygun dişli flanşları dişliyi destekleyerek dişli kırılması olasılığını azaltırlar.
- **Aksesuarın dış çapı ve kalınlığının, cihaz için belirtilen özelliklere tekabül etmesi gerekmektedir.** Eğer aksesuarlar verilen özelliklere uymuyor ise, aletin koruma ve ayarlama sistemleri doğru olarak çalışmazlar.
- **Çarkların ve flanşların dingil büyüklüğü elektrikli aletin miline tam olarak uymalıdır.** Elektrikli aletin montaj donanımına uygun olmayan dingil delikli çarklar ve flanşlar dengeşizleşerek aşırı titreşime ve kontrol kaybına yol açacaktır.
- **Hasarlı çarkları kullanmayın. Her kullanımdan önce çarklarda çentik veya çatlak olup olmadığını kontrol edin. Elektrikli alet veya çark düştüyse hasar oluşup oluşmadığını kontrol edin veya sağlam bir çark takın. Çarkı inceledikten ve taktıktan sonra kendinizi ve çevredikleri döner çarktan uzakta tutun ve elektrikli aleti bir dakika boyunca maksimum yüksüz hızda çalıştırın.** Hasar gören çarklar bu işlem sırasında parçalanırlar.
- **Kişisel koruyucu donanımlar kullanın. Aletinizi kullandığınız şekle göre, bir koruma maskesi, güvenlik gözlükleri veya koruma gözlükleri takın. Gerekirse, toz önleyici bir maske, sese karşı koruyucular, eldivenler ve her türlü yabancı madde (aşındırıcı unsurlar, ağaç talaşı, vs.) sıçramasına karşı kendinizi korumak için bir koruma tablası kullanın.** Koruma gözlükleri, sıçrayan parçaların gözlerinizi yaralamamasını sağlar. Toz önleyici maskeler, yaptığınız işlemin ürettiği partiküllerin filtrenmesini sağlar. Uzun süre çok yoğun bir gürültüye maruz kalınması, duyum kaybına sebep olabilir.
- **Ziyaretçileri çalışma alanına uzak bir mesafede tutun ve bir koruma ekipmanı takmalarına dikkat edin. Herkes Çalışma alanınıza giren kişisel koruyucu donanımlar giymek gerekir.** İşlenen maddenin veya kırık bir çarkın parçaları fırlatabilir ve aletin etrafında yaralanmalara neden olabilir.
- **Elektrik kablosunu, döner aksesuardan uzak bir mesafeye yerleştirin.** Kontrolü kaybederseniz kablo kesilebilir veya sıkışabilir ve eliniz veya kolunuz döner



çarkın içine çekilebilir.

- **Aletin havalandırma boşluklarını düzenli olarak temizleyin.** Motorun havalandırılması, motor karteri içerisine toz girmesine sebep olur ve bu da metalik partiküllerin aşırı şekilde toplanmasına elektrik çarpmalarına sebep olabilir.
- **Aletinizi yanıcı unsurların yanında kullanmayın. Ahşap gibi yanabilir bir yüzey üzerindeyken elektrikli aletinizi çalıştırmayın.** Kıvılcımlar bunların tutuşmasına sebep olabilir.
- **Soğutma sıvıları gerektiren aksesuarlar kullanmayın.** Su veya soğutma sıvısının kullanılması, elektrik çarpmasına veya buna bağlı ölümlere sebep olabilir.

### GERİ TEPME VE İLGİLİ UYARILAR

Geri tepme, sıkıştırılmış veya takılmış bir dönen çarkın ani bir hareketidir. Sıkışma ya da takılma döner çarkın hemen teklemesine, bu durum da kontrolsüz kesme ünitesinin operatörü doğru yukarıya hareket etmesine neden olur.

Örneğin, aşındırıcı bir disk iş parçasına takılır veya iş parçasına sıkışır, sıkışan diskin kenarı iş parçasına girebilir ve bu durum diskin çıkmasına veya aniden fırlamasına yol açabilir. Sıçrama olması durumunda, aşındırıcı disk ayrıca kırılabilir de.

Dolayısıyla sıçrama, aletin yanlış olarak kullanılmasının ve/veya hatalı kullanım yöntemi ve koşullarının sonucunda oluşur. Birkaç tedbire uyarak bu önlenir:

- **Aleti sıkıca tutun ve vücudunuzu ve kolunuzu, olası bir sıçramayı kontrol edebilecek şekilde yerleştirin.** Gerekli önlemlerin alınması halinde, operatör yukarı tepme güçlerini kontrol edebilir.
- **Gövdenizin duruşu dönen çarkla aynı doğrultuda olmasın.** Geri tepme halinde, kesme ünitesi operatöre doğru yukarıya hareket eder.
- **Bir testere zinciri, odun oyma bıçağı, çevresel boşluğu 10 mm'den fazla olan parçalı bir elmas veya dişli bir testere bıçağı takmayın.** Bu tür bıçaklar sıçrama ve aletin kontrolünü kaybetme riskini artırmaktadır.
- **Çarkı "sıkıştırmayın" veya çarka aşırı baskı uygulamayın.** Fazla derin kesmeye çalışmayın. Çarka aşırı baskı uygulamak, kesme sırasında çarkın yükü ile bükülme ya da sıkışmaya karşı hassasiyetini ve geri tepme ya da çarkın kırılma olasılığını artırır.
- **Çarkın yapışması ya da kesme işleminin herhangi bir nedenle durdurulması halinde elektrikli aleti kapatın ve çark tamamen durana kadar kesme ünitesini hareketsiz tutun.** Çarkı hareket halindeyken asla kesik yerden çıkarmaya çalışmayın, yoksa geri tepmeye neden olabilir. Eğer disk sıkışır, sebebini araştırın ve bunun yeniden olmaması için gerekli tedbirleri alın.
- **İş parçası üzerinde keme işlemini yeniden başlatmayın.** Çarkın tam hızına ulaşmasını bekleyin ve ardından kesik yere dikkatli bir şekilde tekrar girin. Elektrikli alet iş parçası üzerinde yeniden

başlatıldığında çark sıkışabilir, yanaşabilir ya da geri tepebilir.

- **Çarkın sıkışması ya da geri tepmesi riskini asgariye indirmek için işlenecek aşırı büyük parçaları destekleyin.** Büyük iş parçaları kendi ağırlıkları altında eğilip bükülebilmektedirler. Destekler iş parçasının altına çarkın her iki tarafına kesme hattının yani ile iş parçasının kenarına yerleştirilmelidir.

### İLAVE GÜVENLİK UYARILARI

- Ürünün her sabit ve düz bir yüzeyde kullanıldığından emin olun.
- Ürünü çalıştırırken daima gözleri ve kulakları koruyucu donanımlar takın.
- Toz maskesi, eldiven ve önlük gibi kişisel koruyucu donanımlar kullanın.
- Cisim düşme riski varsa, kask veya kafa koruyucusu takın.
- Kullanmadan önce aşındırıcı kesme çarkının doğru yerleştirildiğinden ve sıkılaştırıldığından emin olun, ürünü emniyetli bir konumda 30 saniye boyunca yüksüz çalıştırın, fazla titreşim olması halinde hemen durdurun ve kesme çarkını yenisiyle değiştirin.
- Bir kesim gerçekleştirilmeden önce tüm ayarların yapıldığından emin olun.
- Malzeme üzerinde ayarlamalar yapmadan önce aletin güç kaynağına bağlı olmadığından emin olun. Makinenin elektrige bağlı unutulması aletin kazara çalışmasına ve ciddi yaralanmalara sebep olabilir.
- Ciddi yaralanmalara sebep olabilen kazara çalışmayı engellemek için elektrige bağlamadan önce kesme makinenizin tüm parçalarını monte edin.
- Makine üzerinde ayarlamalar yaparken, diski çıkarıp takarken, parçaları monte ederken, ya da makineyi kullanmadığınız zamanlarda makine kesinlikle elektrige bağlı olmamalıdır.
- Her kullanımdan önce aşındırma çarkını görsel olarak kontrol edin. Kullanmadan önce diski kırık ve çatlaklara karşı kontrol edin ve normal kullanım için test edin. Hasarlı diskleri kullanmayın.
- Testere bıçağı kullanmayın.
- Dış flanşların mile sabitlenmesini engelleyebilecek kalınlıkta diskler kullanmayın. Alete daha büyük diskler takarsanız disk korumalarına çarpar, daha kalın diskler ise civatanın kesme diskini sabitlemesine engel olur. Bu her iki durum da ciddi kazalara ve ciddi kişisel yaralanmalara neden olabilirler.
- Makinenin disk korumalarını sökmeyin. Makineyi asla korumaları ya da makine kaplamaları çıkarılmış şekilde kullanmayın. Her kullanımdan önce tüm muhafazaların doğru şekilde görev yaptığından emin olun.
- Makinenin taban desteği ile kesme diski arasında bir uyumsuzluk olup olmadığını kontrol etmeden kesme makinenizi çalıştırmayın. Eğer kesme diski kesme işlemi sırasında makinenin taban kısımlarına temas ederse hasara yol açabilir.



- Bu kesme makinesiyle aħşap ya da tař malzemeleri kesmeye kalkıřmayın. Bu makineyle kesinlikle magnezyum ya da magnezyum alařımlı bir malzeme kesmeye alıřmayın.
- Kesme diskini ařırı sıkarsanız diskin atlamasına sebep olabilirsiniz.
- Kesme iřlemine bařlarken kesme diskini zerinde alıřılacak olan malzemeye daima dikkatle yaklařtırın. Őiddetli bir darbe diskin kırılmasına sebep olabilir.
- Asla aynı anda birden fazla malzemeyi kesmeyin. Makineye aynı anda birden fazla malzeme yerleřtirmeyin.
- Makinenin devrilmesini engellemek iin uzun malzemeleri her zaman destekleyerek kesin.
- elik kesmek kıvılcımlara neden olur. Aleti yanıcı ve tutuřucu zellikli maddelerin yakınında alıřtırmayın.
- Aleti asla alıřır durumdayken gzetimsiz bırakmayın. Alet duruncaya dek bařından ayrılmayın. rn kapatıldıktan sonra disk dnmeye devam eder.
- Diski zerinde alıřtıđınız malzeden kaldırmadan nce daima gc kesin ve diskin durmasını bekleyin.
- Ellerinizi kesme blgesinden uzak tutun. Ellerinizi diskten uzak tutun. Kesme diskinin dndđ sırada diskin etrafında, altında ya da makinenin altında alıřmayın. Kesme diski alıřırken kesilmiř malzemeleri yerinden almaya alıřmayın.
- Herhangi bir uzvunuzu asla kesme diskinin nne koymayın ya da diskin nnde durmayın.
- Asla alete dayanmayın. Aletin devrilmesi veya alete farkında olmayarak temas etmek yaralanmalara sebep olabilir.
- Herhangi bir iřlemi dikkatsizce gerekleřtirmeyin. Malzemeyi mengeneye daima sıkıca sabitleyin. Gvenlik aısından alıřma parasının olması gereken minimum boyutu đrenmek iin teknik zellikler sayfasına bakın. Tařlama iřlemi sırasında mengene eneleri ile en az 80 mm kavradıđınızdan emin olun.
- Mazemeyi asla elinizle tutmayın. Kesilen malzeme kesme iřlemi sırasında ok yksek bir ısıya ulařır.
- Ani bir voltaj ykselmesi, voltaj dalgalanmalarına neden olur ve bu durum aynı g hattındaki diđer elektronik rnlere zarar verebilir. Voltaj dalgalanmalarını en aza indirmek iin rn 0.233 Ω deđerinden empedansa sahip bir g kaynađına bađlayın. Daha fazla bilgi almak iin elektrik gc tedarikiniz ile iletiřime gein.
- 30 mA veya daha az tetikleyici akıma sahip bir artik akım cihazı kullanmanızı neririz.

**Yeni bir diske ihtiyaınız olduđunda COSB355A1 metal kesme diskini kullanmanızı neririz.**

#### AŐINDIRMA ARKINI YERLEŐTİRMEK İİN GVENLİK UYARILARI

- Yaralanma riskini azaltmak iin kullanıcı ařındırma arkını kullanmaya bařlamadan nce talimatları,

**uyarıları ve operatr el kitabını okumalı ve bunlara uymalıdır. Bu uyarıları gz ardı etmek arkın kırılmasına ve ciddi yaralanmalara yol aabilir. Bu talimatı saklayın.**

- rn kullanım kitapıđında nerilenden farklı bir ark kullanılması fiziksel yaralanma riski oluřturabilir. Sadece rn zerinde belirtilene eřit veya daha yksek hızda olduđu belirtilen ařındırma arklarını kullanın.
- Asla dıř flařın iđdeki lamalarla bađlantısını engelleyecek kadar kalın bir ařındırma arkı kullanmayın. Alete daha byk diskler takarsanız disk korumalarına arpar, daha kalın diskler ise civatanın kesme diskini sabitlemesine engel olur. Bu her iki durum da ciddi kazalara ve ciddi kiřisel yaralanmalara neden olabilirler.
- Ařındırma arkı yalnızca demirden oluřan metalleri kesmek iindir. Ařındırma arkıyla tahta veya tař kesmeye alıřmayın. Ařındırma arkıyla asla magnezyum veya magnezyum alařımı kesmeyin.
- Ařındırma arkı yalnızca kuru kesim iin uygundur. Ařındırma arkı son kullanma tarihinden nce kullanılmalıdır (etikette iřaretli, rneđin, 11/2021).
- Hasarlı ařındırma arklarını kullanmayın. Kırık, atlak veya kusurlu arkları kullanmayın.
- Kullanmadan nce ařındırıcı kesme arkının dođru yerleřtirildiđinden ve sıkılařtırıldıđından emin olun.
- Ařındırma arkının dnř yn alet zerinde belirtilmiřtir. Ařındırma arkını kurarken ve deđiřtirirken, arkın zerindeki yn iřaretinin alet zerinde belirtilene tutarlı olduđundan emin olun.
- atlaklara yol aabileceđinden dolayı ařındırma arkını ařırı derecede sıkılařtırmayın.
- Ařındırma arklarını kurarken veya ıkarırken rn asla bir g kaynađına bađlı olmamalıdır.
- Yedek ařındırıcı disklerinizi dikkatle muhafaza edin; kolay zarar grrler.

#### Ařındırma arkı etiketinde mevcut olan bilgiler

ark etiketi zerindeki bilgi nemlidir. Dođru disk trn setiđinizden emin olmak iin etiketi dikkatle okuyun ve kontrol edin.

1. İmalatı, tedariki, ithalatı veya ticari marka
2. Ařındırma arkının itibari ebatları, zellikle delik apı
3. Ařındırıcı tr, tane byklđ, sınıf veya sertlik, bađ tr ve takviye kullanımı, rneđin,
  - 41A24RBF80
  - 41 --- ařındırıcı tr, dz kesme arkı
  - A --- ařındırıcı madde: kahverengi korundum
  - 24 --- tane byklđ
  - R --- sınıf veya sertlik
  - BF --- bađ tr
  - 80 --- azami alıřma hızı m/s
4. Saniyede metre bazında azami alıřma hızı
5. 1/dk'da azami izin verilebilir dnř hızı
6. Uygunluk beyanı iin ařındırıcı rnler EN 12413 ile iřaretlenecektir.
7. Kullanım kısıtlaması ve gvenlik ikaz iřaretleri.



8. İzlenebilirlik kodu, örneğin, Bir üretim/parti numarası, son kullanma tarihi veya seri numarası

### ARDIL RİSKLER

Makine talimatlara uygun bir şekilde kullanılsa bile, bazı ardıl risklerin tamamen ortadan kaldırılması imkânsızdır. Kullanım sırasında aşağıdaki tehlikeler ortaya çıkabilir ve operatör bunlardan kaçınmak için özellikle dikkat etmelidir:

- Sabitlik. Aletin sabitliğinden emin olun. Gerekirse sağlamlaştırın.
- Toz solunumu. Gerekirse maske takın.
- Kıvılcımlar ve sıcak metal parçacıkları. Kıvılcımlar ve sıcak metal parçacıkları yangına ve cilt yanıklarına yol açabilir. Kullanım sırasında koruyucu donanımlar kullanın.
- Metal parçacıklarından dolayı göz yaralanmaları. Çalışırken göz koruyucu takın.
- İşitme hasarı. Maruziyeti sınırlandırın ve uygun işitme koruyucusunu takın.

### ÜRÜNÜZÜ TANIYIN

Sayfa 172'ya bakın.

1. Tutamak, yalıtılmış kavrama yüzeyi
2. Tetik anahtar
3. Üst kulp
4. Mil kilitleme düğmesi
5. Kesme derinliği ayar vidası
6. Kesme derinliği kilit somunu
7. Gönye kılavuzu
8. Servis anahtarı
9. Üst bıçak koruyucu
10. Alt bıçak koruyucu
11. Kesme diski
12. Tespit kelepçesi
13. Tespit kelepçesi kilit kolu
14. Tespit kelepçesi ayar kolu
15. Гумова ніжка
16. Ланцюг фіксації головки пили
17. Монтажний отвір
18. Kömür fırçası karağı
19. Karbon fırça
20. Yonga deflektörü
21. Gönye kılavuzu kilit kolu

### KULLANMA İPUÇLARI

#### GÖNYE KILAVUZU KİLİT KOLU

Gönye kılavuzu testere başı milinin en yakınına konumlandığında, gönye kilit kolu dönüş sırasında baş miline müdahale edebilir. Gönye kılavuzunu kaldırıp sıkıca kilittenene kadar kurarak kilitleme işlemini tekrarlayın.

### BAKİM

- Ürünü herhangi bir şekilde değiştirmeyin veya üretici tarafından onaylanmamış aksesuarlar kullanmayın. Sizin ve diğer kişilerin güvenliği tehlikeye girebilir.

- Herhangi bir şalter, koruma veya başka bir fonksiyon amaçlandığı şekilde çalışmıyorsa ürünü kullanmayın. Profesyonel onarım veya ayar işlemi için yetkili bir servis merkezine gönderin.
- Motor çalıştığında hiçbir ayarlama gerçekleştirilmeyin.
- Fırçaları değiştirmeden, yağlama yapmadan ya da makine üzerinde bakım yapmadan önce mutlaka makinenin fişini elektrik prizinden çekin.
- Her kullanımdan sonra makinenizi hasara veya kırılan parçalara karşı kontrol edin, sorunlu parçaları onararak veya değiştirerek her zaman iyi durumda olmalarını sağlayın.
- Özellikle tozlu şartlarda çalışırken havalandırma deliklerinin temiz tutulduğundan emin olun. Tozu temizlemek gerekirse ürünün şebeke bağlantısını kesin. Delikleri yumuşak bir fırçayla temizleyin.
- Biriken tozu temizleyin.
- Kendi güvenliğiniz ve makinenin güvenilirliği için, dışarıdan erişilebilen fırçalar haricindeki tüm parçaları mutlaka yetkili servis merkezine onartın.
- Besleme kablosu zarar görmüş ise, kaza risklerini önlemek için Yetkili bir Servis Merkezinde yenisiyle değiştirtiniz.

### ⚠ UYARI

Güvenliği ve güvenilirliği arttırmak için tüm onarım çalışmaları yetkili bir servis merkezi tarafından gerçekleştirilmelidir.

### ÇEVRENİN KORUNMASI



Ham maddeleri çöp olarak atmak yerine geri dönüştürün. Çevreyi korumak için, alet, aksesuarlar ve ambalajlar tasnif edilmelidir.

### SEMBOL



Güvenlik Uyarısı



CE Uygunluğu



EurAsian Uyumluluk işareti



Ukrayna uygunluk işareti



Ürünü çalıştırmadan önce, lütfen aşağıdaki talimatları dikkatlice okuyun.



"Sınıf II ekipmanı  
Çift yalıtım"



Koruyucu kulaklık kullanın



Her zaman koruyucu gözlük kullanın.



Islak taşlama veya kesim işlemlerine uygun değildir



Kırık, çatlak ya da arızalı taşlama çarkını kullanmayın



Emniyet eldivenleri giyin



Toz maskesi kullanın.



Yağmura maruz bırakmayın veya nemli yerlerde kullanmayın.



Kesme diski dönüş yönü (disk korkuluğunda gösterilir)



Atık elektrikli ürünler evsel atıklarla birlikte atılmamalıdır. Tesis bulunuyorsa lütfen geri dönüşüme verin. Geri dönüşümle ilgili tavsiye için Yerel Makamlarla veya bayi ile irtibat kurun.



Bıçağın tam hıza ulaşması için bekleme süresi



Parçalar ya da aksesuarlar ayrı olarak satılır.



Not:



UYARI

Aşağıdaki işaret sözcükleri ve anlamları, bu ürünle ilişkili risk seviyelerini açıklamaya yöneliktir:

#### ⚠ TEHLİKE

Önlenmemesi durumunda ölüm veya ciddi yaralanma ile sonuçlanacak, tehdit edici tehlikeli bir durumu gösterir.

#### ⚠ UYARI

Önlenmemesi durumunda ölüm veya ciddi yaralanma ile sonuçlanabilecek potansiyel olarak tehlikeli bir durumu gösterir.

#### ⚠ DİKKAT

Önlenmemesi durumunda önemsiz veya orta derece yaralanma ile sonuçlanabilecek potansiyel olarak tehlikeli bir durumu gösterir.

#### DİKKAT

(Güvenlik Uyarı Sembolü Yok) Mal hasarına neden olabilecek bir durumu gösterir.

### KITAPÇIKTAKI SEMBOLLER



Kilit



Kilidi açma



Κατά το σχεδιασμό του μηχανήματος αποκοπής δόθηκε ιδιαίτερη προτεραιότητα στην ασφάλεια, την απόδοση και την αξιοπιστία του.

## ΠΡΟΟΡΙΖΟΜΕΝΗ ΧΡΗΣΗ

Το μηχάνημα αποκοπής προορίζεται για χρήση στην κοπή μεταλλικών υλικών. Μην το χρησιμοποιείτε για μη μεταλλικά υλικά.

Το εργαλείο προορίζεται για χρήση μόνο από ενήλικες χειριστές που έχουν διαβάσει το εγχειρίδιο χρήσης και έχουν κατανοήσει τους κινδύνους.

Το κολωνάτο δράπανο έχει σχεδιαστεί για στερέωση σε βάση που βρίσκεται σε σταθερό πάγκο εργασίας. Εάν η βάση δεν είναι καλά στερεωμένη, ολόκληρη η μηχανή μπορεί να μετακινηθεί κατά τη διάρκεια εργασιών κοπής, γεγονός που αυξάνει την πιθανότητα σοβαρής σωματικής βλάβης.

Το μηχάνημα έχει σχεδιαστεί για λοξή και φάτσα κοπή. Οι παρεχόμενες επιλογές κοπής για κάθε περίπτωση, αναφέρονται στις προδιαγραφές προϊόντος, στο παρόν εγχειρίδιο.

Το κολωνάτο δράπανο προορίζεται για χρήση σε στεγνό περιβάλλον, με άριστο φωτισμό χώρου και επαρκή εξαερισμό.

Το προϊόν διατίθεται για καταναλωτική χρήση και πρέπει να χρησιμοποιείται μόνο σύμφωνα με την παραπάνω περιγραφή και για κανέναν άλλο σκοπό.

## ΓΕΝΙΚΕΣ ΣΥΣΤΑΣΕΙΣ ΑΣΦΑΛΕΙΑΣ ΧΡΗΣΗΣ ΗΛΕΚΤΡΟΚΙΝΗΤΩΝ ΕΡΓΑΛΕΙΩΝ

### ⚠ ΠΡΟΕΙΔΟΠΟΙΗΣΗ

**Διαβάστε προσεκτικά όλες τις προειδοποιήσεις, οδηγίες και προδιαγραφές που παρέχονται με το εργαλείο και ανατρέξτε στις εικόνες.** Η μη τήρηση των ακόλουθων οδηγιών μπορεί να επιφέρει ατυχήματα όπως πυρκαγιές, ηλεκτροπληξίες ή και σοβαρό σωματικό τραυματισμό.

Φυλάσσετε όλες τις προειδοποιήσεις και οδηγίες για μελλοντική χρήση. Ο όρος «μηχάνημα» στις προειδοποιήσεις αναφέρεται αναφέρεται στο χειροκίνητο (ενσύρματο) μηχάνημα ή σε μηχάνημα (ασύρματο) που λειτουργεί με μπαταρία.

## ΑΣΦΑΛΕΙΑ ΣΤΟΝ ΧΩΡΟ ΕΡΓΑΣΙΑΣ

- Διατηρείτε τον χώρο εργασίας καθαρό και καλά φωτισμένο. Χώροι με υπερβολικά αντικείμενα ή μη φωτισμένοι προκαλούν ατυχήματα.
- Μην χρησιμοποιείτε ηλεκτροκίνητα προϊόντα σε εκρηκτικές ατμόσφαιρες, όπως στην παρουσία εύφλεκτων υγρών, αερίων ή σκόνης. Τα ηλεκτροκίνητα εργαλεία δημιουργούν σπινθήρες που μπορεί να προκαλέσουν ανάφλεξη στη σκόνη ή τις αναθυμιάσεις.
- Διατηρείτε τα παιδιά και τους παριστάμενους

μακριά όσο χρησιμοποιείτε μηχανοκίνητα εργαλεία. Οι αποσπάσεις μπορούν να προκαλέσουν απώλεια ελέγχου.

## ΗΛΕΚΤΡΙΚΗ ΑΣΦΑΛΕΙΑ

- Τα βύσματα των μηχανοκίνητων εργαλείων πρέπει να ταιριάζουν με την πρίζα. Μην τροποποιείτε ποτέ το βύσμα με οποιονδήποτε τρόπο. Μην χρησιμοποιείτε βύσματα προσαρμογέα με γειωμένα μηχανοκίνητα εργαλεία. Μη τροποποιημένα βύσματα και αντίστοιχες πρίζες μειώνουν τον κίνδυνο ηλεκτροπληξίας.
- Αποφύγετε την επαφή με γειωμένες επιφάνειες όπως σωλήνες, καλοριφέρ, εστίες και ψυγεία. Αν το σώμα σας γειωθεί, υπάρχει αυξημένος κίνδυνος ηλεκτροπληξία.
- Μην εκθέτετε τα ηλεκτροκίνητα εργαλεία σε βροχή ή συνθήκες υγρασίας. Η είσοδος νερού σε ηλεκτροκίνητα εργαλεία αυξάνει τον κίνδυνο ηλεκτροπληξίας.
- Προσέχετε στη χρήση του καλωδίου. Μην χρησιμοποιείτε ποτέ το καλώδιο για να μεταφέρετε, τραβήξε ή αποσυνδέετε το μηχανοκίνητο εργαλείο. Διατηρείτε το καλώδιο μακριά από θερμότητα, λάδι, αιχμηρές γωνίες ή κινούμενα εξαρτήματα. Φθαρμένα ή μπερδεμένα καλώδια αυξάνουν τον κίνδυνο ηλεκτροπληξίας.
- Όταν χρησιμοποιείτε μηχανοκίνητα εργαλεία σε εξωτερικούς χώρους, χρησιμοποιείτε και καλώδιο πρόεκτασης κατάλληλο για εξωτερική χρήση. Η χρήση κατάλληλου καλωδίου για εξωτερικούς χώρους μειώνει τον κίνδυνο ηλεκτροπληξίας.
- Όταν χρησιμοποιείτε μηχανοκίνητα εργαλεία σε νωπή τοποθεσία, χρησιμοποιείτε διάταξη προστασίας ρεύματος διαρροής (RCD). Η χρήση RCD μειώνει τον κίνδυνο ηλεκτροπληξίας.

## ΠΡΟΣΩΠΙΚΗ ΑΣΦΑΛΕΙΑ

- Παραμείνετε σε εγρήγορση, προσέχετε τι κάνετε και χρησιμοποιείτε την κοινή λογική κατά τη χρήση του εργαλείου. Μην χρησιμοποιείτε το προϊόν αν είστε κουρασμένοι ή υπό την επήρεια ναρκωτικών, αλκοόλ ή φαρμάκων. Μια στιγμή απροσεξίας κατά τον χειρισμό ηλεκτροκίνητων εργαλείων, αρκεί για να προκληθεί σοβαρός τραυματισμός.
- Να φοράτε μέσα ατομικής προστασίας. Φοράτε πάντα προστατευτικά ματιών. Ο προστατευτικός εξοπλισμός, όπως προσωπίδα κατά της σκόνης, αντιολισθητικά παπούτσια, σκληρό καπέλο και προστατευτικά αυτιών, συμβάλουν στην πρόληψη τραυματισμών, εφόσον χρησιμοποιούνται σωστά.
- Αποφύγετε τις τυχαίες εκκινήσεις. Βεβαιωθείτε ότι ο διακόπτης βρίσκεται στην απενεργοποιημένη θέση πριν συνδεθείτε με την παροχή ρεύματος ή/και την μπαταρία, όταν σηκώνετε ή μεταφέρετε το προϊόν. Η μεταφορά προϊόντων με μπαταρία με το δάχτυλό σας στο διακόπτη ή ενεργοποίηση προϊόντων μπαταρίας με ενεργοποιημένο το διακόπτη μπορεί να



προκαλέσει ατύχημα.

- **Αφαιρέστε τυχόν κλειδιά πριν ενεργοποιήσετε το μηχανοκίνητο εργαλείο.** Ένα κλειδί αφημένο σε περιστρεφόμενο μέρος του μηχανοκίνητου εργαλείου μπορεί να προκαλέσει τραυματισμούς.
- **Μην τεντώνετε. Διατηρείτε σταθερό πάτημα και ισορροπία συνεχώς.** Έτσι θα έχετε καλύτερο έλεγχο του μηχανοκίνητου εργαλείου σε περίπτωση απρόσμεμων συνθηκών.
- **Ντυθείτε κατάλληλα. Μην φοράτε χαλαρά ρούχα ή κοσμήματα. Κρατήστε τα μαλλιά και τα χέρια σας μακριά από κινούμενα μέρη.** Τα χαλαρά ρούχα, κοσμήματα ή μακριά μαλλιά μπορούν να πιαστούν στα κινούμενα εξαρτήματα.
- **Εάν παρέχονται συσκευές για τη διασύνδεση εξαρτημάτων εξαγωγής και συλλογής σκόνης, βεβαιωθείτε ότι είναι συνδεδεμένες και ότι χρησιμοποιούνται σωστά.** Η χρήση εξαρτημάτων συλλογής σκόνης μπορεί να αποτρέψει τυχόν επικίνδυνες καταστάσεις που σχετίζονται με τη σκόνη.
- **Μην παραλείπετε την εφαρμογή των κανόνων ασφάλειας της συσκευής όσο κι έχετε εξοικειωθεί με την χρήση της.** Οποιαδήποτε απροσεξία μπορεί να προκαλέσει σοβαρό τραυματισμό εντός δευτερολέπτων.

#### ΧΡΗΣΗ ΚΑΙ ΦΡΟΝΤΙΔΑ ΕΡΓΑΛΕΙΟΥ

- **Μην πιέζετε υπερβολικά το εργαλείο.** Χρησιμοποιείτε το σωστό προϊόν για την εφαρμογή σας. Το σωστό προϊόν ολοκληρώνει την εργασία σας καλύτερα και με περισσότερη ασφάλεια, με την ταχύτητα για την οποία έχει σχεδιαστεί.
- **Μην χρησιμοποιείτε το μηχανοκίνητο εργαλείο αν ο διακόπτης δεν το ενεργοποιεί και απενεργοποιεί.** Μηχανοκίνητα εργαλεία που δεν ελέγχονται με τον διακόπτη τους, είναι επικίνδυνα και θα πρέπει να επισκευάζονται.
- **Πριν από τη διεξαγωγή οποιωνδήποτε ρυθμίσεων ή την αντικατάσταση εξαρτημάτων, αποσυνδέετε το φως από την παροχή ρεύματος και/ή τις μπαταρίες από το ηλεκτρικό εργαλείο, εφόσον αυτές αφαιρούνται.** Αυτού του είδους τα προληπτικά μέτρα ασφαλείας μειώνουν τον κίνδυνο τυχαίας έναρξης του προϊόντος.
- **Φυλάσσετε τα μηχανοκίνητα εργαλεία που δεν χρησιμοποιείτε μακριά από παιδιά και μην αφήνετε άτομα που δεν είναι εξοικειωμένα μαζί τους ή με αυτές τις οδηγίες να τα χρησιμοποιούν.** Τα μηχανοκίνητα εργαλεία είναι επικίνδυνα όταν χρησιμοποιούνται από μη εκπαιδευμένους χρήστες.
- **Συντηρείτε τα ηλεκτρικά εργαλεία και εξαρτήματα. Ελέγχετε για προβλήματα στην ευθυγράμμιση ή πιάσιμο των κινούμενων εξαρτημάτων, σπάσιμο εξαρτημάτων και άλλες καταστάσεις που μπορεί να επηρεάζουν τη λειτουργία του εργαλείου. Σε περίπτωση ζημιάς, επισκευάστε το προϊόν πριν τη χρήση.** Πολλά ατυχήματα προκαλούνται εξαιτίας κακής συντήρησης στα εργαλεία.

- **Διατηρείτε τα εργαλεία κοπής αιχμηρά και καθαρά.** Τα σωστά συντηρημένα εργαλεία με ακονισμένες άκρες είναι λιγότερο πιθανό να στομώσουν και ελέγχονται ευκολότερα.
- **Χρησιμοποιείτε το προϊόν, τα εξαρτήματα και τις μύτες του εργαλείου, κ.λπ., σύμφωνα με τις παρούσες οδηγίες, συνυπολογίζοντας τις συνθήκες εργασίας και την εργασία που πρέπει να εκτελεστεί.** Η χρήση του μηχανοκίνητου εργαλείου για εργασίες διαφορετικές από τις προοριζόμενες μπορεί να προκαλέσει κινδύνους.
- **Διατηρείτε τις λαβές και τις επιφάνειες συγκράτησης στεγνές και καθαρές χωρίς λάδια και γράσα.** Τυχόν γλιστερές λαβές και επιφάνειες συγκράτησης δεν επιτρέπουν τον ασφαλή χειρισμό και τον έλεγχο του εργαλείου σε μη αναμενόμενες καταστάσεις.

#### ΣΥΝΤΗΡΗΣΗ

- **Επισκευάστε το μηχανοκίνητο εργαλείο σας από ειδικευμένους τεχνικούς, χρησιμοποιώντας μόνο πανομοιότυπα ανταλλακτικά.** Έτσι θα διασφαλιστεί η διατήρηση της ασφάλειας του εργαλείου.

#### ΠΡΟΕΙΔΟΠΟΙΗΣΕΙΣ ΑΣΦΑΛΕΙΑΣ ΑΠΟΚΟΠΗΣ ΠΡΙΟΝΙΟΥ

- **Τοποθετήστε τον εαυτό σας και τους παριστάμενους μακριά από το επίπεδο του περιστρεφόμενου τροχού.** Το προστατευτικό βοηθά στην προστασία του χειριστή από κομμάτια σπασμένων τροχών και τυχαία επαφή με τον τροχό.
- **Χρησιμοποιείτε μόνο συγκολλημένους ενισχυμένους τροχούς αποκοπής για το ηλεκτρικό σας εργαλείο.** Ακόμα κι αν ένα αξεσουάρ μπορεί να τοποθετηθεί σε εργαλείο, αυτό δεν διασφαλίζει ότι μπορείτε να χρησιμοποιείτε το εργαλείο εκείνο με απόλυτη ασφάλεια.
- **Η ονομαστική ταχύτητα του αξεσουάρ πρέπει να είναι ίση ή μεγαλύτερη από την μέγιστη ταχύτητα που αναγράφεται στο εργαλείο.** Τα αξεσουάρ που λειτουργούν με ταχύτητα μεγαλύτερη από την ονομαστική ταχύτητα μπορεί να σπάσουν και να εκπιναχτούν.
- **Οι τροχοί πρέπει να χρησιμοποιούνται μόνο για τις προτεινόμενες εφαρμογές.** Για παράδειγμα, μην εκτελείτε εργασίες ακονίσματος / λείανσης με την πλευρά του τροχού αποκοπής. Οι λειαντικοί τροχοί αποκοπής διατίθενται για περιφερειακό ακόνισμα - εάν ασκηθεί πλευρική πίεση σε αυτούς τους τροχούς ενδέχεται να θρυμματιστούν.
- **Χρησιμοποιείτε πάντα φλάντζες τροχών σε άριστη κατάσταση και με σωστή διάμετρο για τον επιλεγμένο τροχό.** Οι σωστές φλάντζες τροχών στηρίζουν τον τροχό και μειώνουν την πιθανότητα σπασίματός του.
- **Η εξωτερική διάμετρος και το πάχος του αξεσουάρ πρέπει να αντιστοιχούν στα τεχνικά χαρακτηριστικά του εργαλείου.** Όταν τα αξεσουάρ δεν αντιστοιχούν στα δεδομένα χαρακτηριστικά, δεν





μπορούν να λειτουργήσουν σωστά τα συστήματα προστασίας και ρύθμισης του εργαλείου.

- **Το μέγεθος πλαισίου των τροχών και φλάντζών πρέπει να είναι κατάλληλο για την άκρικο του εργαλείου.** Τροχοί και φλάντζες με σπές πλαίσιο που δεν ταιριάζουν με το υλικό στερώνσης του εργαλείου, δεν θα παρέχουν ισορροπία, θα δονούνται υπερβολικά και μπορεί να προκαλέσουν απώλεια ελέγχου.
- **Μην χρησιμοποιείτε φθαρμένους τροχούς.** Πριν από κάθε χρήση, ελέγχετε τους τροχούς για ρωγμές και γρατσουνιές. Αν το εργαλείο ή ο τροχός πέσουν, ελέγξτε για ζημιές ή τοποθετήστε καινούριο τροχό. Αφού ελέγξετε και τοποθετήσετε τον τροχό, σταθεί εσείς και οι παριστάμενοι μακριά από το επίπεδο του περιστρεφόμενου τροχού και λειτουργήστε το εργαλείο σε μέγιστη ταχύτητα χωρίς φορτίο για ένα λεπτό. Οι φθαρμένοι τροχοί συνήθως διαλύονται στη διάρκεια αυτής της δοκιμής.
- **Να φοράτε μέσα ατομικής προστασίας.** Ανάλογο με την χρήση του εργαλείου σας, φοράτε προστατευτική μάσκα, γυαλιά ασφαλείας ή προστατευτικά γυαλιά. Αν χρειαστεί, φορέστε μάσκα κατά της σκόνης, ωτασπίδες, γάντια και προστατευτική ποδιά για να προφυλαχτείτε από οιαδήποτε εκτίναξη ξένων σωματίων (λειαντικά στοιχεία, ροκανίδια κλπ). Τα προστατευτικά γυαλιά αποτρέπουν την εκτίναξη θραυσμάτων και τον τραυματισμό των ματιών. Οι μάσκες κατά της σκόνης φιλτράρουν τα σωματίδια που δημιουργούνται από την εργασία που κάνετε. Η παρατεταμένη έκθεση στο δυνατό θόρυβο μπορεί να προκαλέσει απώλεια της ακοής.
- **Κρατάτε τους επισκέπτες σε αρκετή απόσταση από την ζώνη εργασίας και φροντίστε να φορούν προστατευτικό εξοπλισμό.** Κάθε άτομο που εισέρχεται στο χώρο εργασίας πρέπει να φορούν εξοπλισμό ατομικής προστασίας. Θραύσματα του τεμαχίου εργασίας ή σπασμένοι τροχοί μπορεί να εκτιναχθούν, προκαλώντας τραυματισμούς και σε απόσταση από την άμεση περιοχή λειτουργίας.
- **Τοποθετήστε το καλώδιο τροφοδότησης με τρόπο ώστε να βρίσκεται σε κάποια απόσταση από το περιστρεφόμενο αξεσουάρ.** Αν χάσετε τον έλεγχο, το καλώδιο μπορεί να κοπεί ή τιναχθεί και το χέρι ή το μπράτσο σας να τραβηχτούν στον περιστρεφόμενο τροχό.
- **Καθαρίζετε τακτικά τις σχισμές αερισμού του εργαλείου.** Ο αερισμός του μοτέρ αφήνει να διεισδύουν σκόνες στο εσωτερικό του περιβλήματος μοτέρ, με αποτέλεσμα να δημιουργείται υπερβολική συσσώρευση μεταλλικών σωματιδίων με κίνδυνο την ηλεκτροπληξία.
- **Μην χρησιμοποιείτε το εργαλείο σας κοντά σε εύφλεκτα υλικά.** Μην χειρίζεστε το ηλεκτρικό εργαλείο όταν είναι τοποθετημένο σε καύσιμη επιφάνεια, όπως ξύλο. Οι σπίνες κινδυνεύουν να προκαλέσουν ανάφλεξη.
- **Μην χρησιμοποιείτε αξεσουάρ που χρειάζονται ψυκτικά ρευστά.** Η χρήση νερού ή ψυκτικών υγρών μπορεί να προκαλέσει ηλεκτροπληξία.

## ΕΠΙΣΤΡΟΦΗ ΚΑΙ ΣΧΕΤΙΚΕΣ ΕΙΔΟΠΟΙΗΣΕΙΣ

Η επιστροφή είναι μια ξαφνική αντίδραση σε έναν πιασμένο ή κολλημένο περιστρεφόμενο τροχό. Το τσάκισμα ή το σκάλωμα προκαλεί ταχεία απενεργοποίηση του περιστρεφόμενου τροχού, η οποία με τη σειρά της αναγκάζει την μη ελεγχόμενη μονάδα κοπής να μετακινηθεί προς τα πάνω προς τον χειριστή.

Για παράδειγμα, αν ένας λειαντικός τροχός μαγκώσει ή στρεβλώσει μέσα στο κατεργαζόμενο τεμάχιο, η κόψη του τροχού κινδυνεύει να καρφώσει στην επιφάνεια του κατεργαζόμενου τεμαχίου, με αποτέλεσμα ο τροχός να βγει απότομα από το κατεργαζόμενο τεμάχιο ή να κάνει επιστροφή. Το αναπήδημα είναι συνεπώς το αποτέλεσμα λανθασμένης χρήσης του εργαλείου ή και λανθασμένων διαδικασιών ή συνθηκών κοπής.

Το αναπήδημα είναι συνεπώς το αποτέλεσμα λανθασμένης χρήσης του εργαλείου ή και λανθασμένων διαδικασιών ή συνθηκών κοπής. Μπορεί ωστόσο να αποφευχθεί τηρώντας ορισμένες προφυλάξεις:

- **Κρατάτε σταθερά το εργαλείο και φέρετε το σώμα σας και το μπράτσο σας σε κατάλληλη θέση ώστε να μπορείτε να ελέγχετε τυχόν αναπήδημα.** Ο χειριστής μπορεί να ελέγξει τα κλωστήματα, αν ληφθούν τα κατάλληλα μέτρα.
- **Μην στέκεστε σε ευθεία γραμμή με τον περιστρεφόμενο τροχό.** Αν προκύψει κλώστημα, η μονάδα κοπής ωθείται προς τα πάνω προς τον χειριστή.
- **Μην τοποθετείτε αλυσσπρίονα, λεπίδες σκαλίσματος ξύλου, τροχό διαμαντιού σε τμήματα με περιφερειακό κενό μεγαλύτερο από 10 mm ή οδοντωτές λεπίδες κόπτη.** Αυτού του είδους οι λάμες αυξάνουν τον κίνδυνο αναπηδήματος και απώλειας ελέγχου του εργαλείου.
- **Μην “φρακάρετε” τον τροχό και μην ασκείτε υπερβολική πίεση.** Μην προσπαθείτε να κάνετε υπερβολικά βαθιές κοπές. Αν πιέσετε υπερβολικά τον τροχό, αυξάνεται το φορτίο και η πιθανότητα συστροφής ή πιασίματος του τροχού στην κοπή, μαζί με την πιθανότητα επιστροφής ή σπασίματος του τροχού.
- **Όταν ο τροχός μαγκώνει ή όταν διακόπεται η κοπή για οποιονδήποτε λόγο, απενεργοποιήστε το ηλεκτρικό εργαλείο και κρατήστε τη μονάδα κοπής ακίνητη μέχρι ο τροχός να τερματίσει τελείως.** Μην προσπαθείτε ποτέ να αφαιρέσετε τον τροχό από την κοπή, όταν ο τροχός κινείται, διαφορετικά μπορεί να προκληθεί επιστροφή. Αν ο δίσκος μαγκώσει, αναζητήστε την αιτία και λάβετε τα απαραίτητα μέτρα ούτως ώστε να μην επαναληφθεί.
- **Μην ξεκινάτε απ’ την αρχή την εργασία κοπής στο τεμάχιο όπου εργάζεστε.** Αφήστε τον τροχό να φτάσει στην πλήρη ταχύτητά του και κάντε προσεκτικά ξανά την κοπή. Ο τροχός μπορεί να πιαστεί, να μετακινηθεί ή να κάνει επιστροφή, αν γίνει νέα εκκίνηση του εργαλείου πάνω στο τεμάχιο.
- **Στηρίξτε οποιοδήποτε υπερμέγεθος τεμάχιο για να ελαχιστοποιήσετε τον κίνδυνο τσάκισματος και**







**κλωστήματος του τροχού.** Τα μεγάλα πλαίσια τείνουν να κρεμάνε από το βάρος τους. Τα υποστηρίγματα πρέπει να τοποθετηθούν κάτω από το τεμάχιο, κοντά στη γραμμή της κοπής και κοντά στην άκρη του τεμαχίου και στις δύο πλευρές του τροχού.

#### ΕΠΙΠΡΟΣΘΕΤΕΣ ΠΡΟΕΙΔΟΠΟΙΗΣΕΙΣ ΑΣΦΑΛΕΙΑΣ

- Βεβαιωθείτε ότι το προϊόν χρησιμοποιείται πάντοτε σε σταθερή και επίπεδη επιφάνεια.
- Φοράτε πάντα προστασία για τα μάτια και τα αφτιά κατά τη λειτουργία του προϊόντος.
- Χρησιμοποιείτε ατομικό προστατευτικό εξοπλισμό όπως μάσκα προστασίας από τη σκόνη, γάντια και ποδιά.
- Εάν υπάρχει κίνδυνος πτώσης αντικειμένων φοράτε κράνος και προστασία για το κεφάλι.
- Εξασφαλίστε ότι ο τροχός κοπής-ακονίσματος έχει τοποθετηθεί σωστά και έχει σφικτεί πριν από τη χρήση, θέστε σε λειτουργία το προϊόν χωρίς φορτίο για 30 δευτερόλεπτα σε μια ασφαλή θέση και σταματήστε αμέσως και αντικαταστήστε τον τροχό κοπής εάν παρουσιάζονται σημαντικοί κραδασμοί.
- Πριν κάνετε μία κοπή, βεβαιωθείτε ότι όλες οι προσαρμογές είναι ασφαλείς.
- Πριν εκτελέσετε οποιαδήποτε προσαρμογή, βεβαιωθείτε ότι το εργαλείο δεν είναι συνδεδεμένο στην παροχή ρεύματος. Αν δεν αποσυνδέσετε το μηχανήμα από το ρεύμα, υπάρχει κίνδυνος τυχαίας εκκίνησης που μπορεί να προκαλέσει σοβαρούς τραυματισμούς.
- Για να αποφεύγετε τυχαίες εκκινήσεις του μηχανήματος που μπορεί να οδηγήσουν σε σοβαρούς τραυματισμούς, συναρμολογήστε όλα τα εξαρτήματα του μηχανήματος πριν το συνδέσετε στο ρεύμα.
- Το μηχανήμα δεν θα πρέπει ποτέ να συνδέεται στο ρεύμα όταν συναρμολογείτε εξαρτήματα, κάνετε προσαρμογές, τοποθετείτε ή αφαιρείτε τροχούς ή δεν το χρησιμοποιείτε.
- Ελέγχετε οπτικά τον τροχό ακονίσματος πριν από κάθε χρήση. Ελέγχετε τον τροχό για σχισμές και ρωγμές. Μην χρησιμοποιείτε φθαρμένους τριπτικούς τροχούς.
- Μη χρησιμοποιείτε πριονόδισκους.
- Μην χρησιμοποιείτε τροχούς που είναι τόσο μεγάλοι ώστε δεν επιτρέπουν στην εξωτερική φλάντζα να κλειδώσει με την άτρακτο. Οι μεγαλύτεροι τροχοί έρχονται σε επαφή με τα προστατευτικά ενώ οι πιο παχιοί δεν αφήνουν το μπουλόνι να ασφαλίσει τον τροχό στην άτρακτο. Όλες αυτές οι καταστάσεις μπορούν να προκαλέσουν σοβαρά ατυχήματα και τραυματισμούς.
- Μην αφαιρείτε τα προστατευτικά τροχού. Μην χρησιμοποιείτε το μηχανήμα χωρίς τα προστατευτικά ή τα καλύμματα του. Βεβαιωθείτε ότι όλες οι ασφάλειες λειτουργούν σωστά πριν από κάθε χρήση.
- Μην ξεκινάτε το μηχανήμα τριπτικής κοπής αν δεν έχετε ελέγξει ότι ο χώρος ανάμεσα στον τροχό και τη βάση του μηχανήματος είναι ελεύθερος. Υπάρχει πιθανότητα πρόκλησης βλαβών στον τροχό αν χτυπήσει στην βάση

της μηχανής κατά τη λειτουργία.

- Μην προσπαθείτε να κόψετε ξύλο ή τοιχοποιία με αυτή τη μηχανή κοπής. Μην κόβετε ποτέ μαγνήσιο ή κράματα μαγνησίου με αυτό το μηχανήμα.
- Μην σφίγγετε υπερβολικά τον τροχό, καθώς μπορεί να προκληθούν σπασίματα.
- Ακουμπάτε πάντα απαλά τον τριπτικό τροχό στο τεμάχιο εργασίας όταν αρχίζετε την κοπή. Ισχυρές συσκρούσεις μπορούν να προκαλέσουν θραύση του τροχού.
- Μην εργάζεστε σε περισσότερα από ένα τεμάχια εργασίας κάθε φορά. Μην στοιβάξετε περισσότερα από ένα τεμάχια εργασίας στη βάση του μηχανήματος κάθε φορά.
- Για να ελαχιστοποιήσετε τον κίνδυνο πτώσης του μηχανήματος, στηρίζετε πάντα τα μεγαλύτερα τεμάχια εργασίας.
- Η κοπή ασαλιού προκαλεί σπινθήρες. Μην χρησιμοποιείτε το εργαλείο αν υπάρχουν αναφλέξιμα ή εύφλεκτα υλικά.
- Μην αφήνετε ποτέ το εργαλείο να λειτουργεί χωρίς την επίβλεψή σας. Μην αφήνετε το εργαλείο μέχρι να σταματήσει τελειώς. Ο τροχός συνεχίζει να περιστρέφεται και μετά την απενεργοποίηση της συσκευής.
- Αφήνετε πάντα τον διακόπτη ισχύος και περιμένετε να σταματήσει να περιστρέφεται ο τροχός πριν τον ανασηκώσετε από το τεμάχιο εργασίας.
- Διατηρείτε τα χέρια σας μακριά από τον τροχό. Μην τεντώνετε κάτω από το τεμάχιο εργασίας ή γύρω ή κάτω από τον τροχό όσο αυτός περιστρέφεται. Μην προσπαθείτε να αφαιρέσετε το υλικό που κόβετε όσο κινείται ο τροχός.
- Μην στέκεστε ποτέ στην διαδρομή του τροχού και μην βάζετε ποτέ εκεί το σώμα σας.
- Μην στέκεστε ποτέ πάνω στο εργαλείο. Υπάρχει κίνδυνος σοβαρού τραυματισμού αν το εργαλείο γλιστρήσει ή γίνει τυχαία επαφή με τον τροχό.
- Μην εκτελείτε καμία λειτουργία χωρίς χέρια. Ασφαλίστε πάντα το τεμάχιο εργασίας που θα κοπεί στην μέγγενη. Συμβουλευτείτε τον πίνακα προδιαγραφών σχετικά με το ασφαλές ελάχιστο μέγεθος του τεμαχίου εργασίας. Βεβαιωθείτε ότι έχετε πιάσει τουλάχιστον 80 mm στις δαγκάνες της μέγγενης για να υπάρχει ασφάλεια κατά τη λείανση.
- Μην κρατάτε ποτέ με το χέρι το τεμάχιο εργασίας. Το τεμάχιο εργασίας θερμαίνεται πολύ όσο κόβεται.
- Τα υπερρεύματα προκαλούν διακυμάνσεις στην τάση και μπορεί να επηρεάζουν άλλα ηλεκτρικά προϊόντα στην ίδια γραμμή. Συνδέστε το προϊόν σε παροχή ρεύματος με σύνθετη αντίσταση 0.233 Ω για να ελαχιστοποιηθούν οι διακυμάνσεις τάσης. Επικοινωνήστε με την εταιρεία παροχής ηλεκτρικού ρεύματος για περισσότερες διευκρινίσεις.
- Προτείνουμε τη χρήση διάταξης προστασίας ρεύματος διαρροής με βαθμονόμηση ρεύματος διαρροής 30 mA





ή λιγότερο.

**Συστήνουμε τη χρήση του μεταλλικού δίσκου κοπής COSB355A1 ως αντικατάσταση όποτε χρειάζεστε ένα νέο δίσκο.**

#### ΠΡΟΕΙΔΟΠΟΙΗΣΕΙΣ ΑΣΦΑΛΕΙΑΣ ΓΙΑ ΤΗΝ ΤΟΠΟΘΕΤΗΣΗ ΕΝΟΣ ΤΡΟΧΟΥ ΑΚΟΝΙΣΜΑΤΟΣ

- Για τη μείωση κινδύνων τραυματισμού, ο χρήστης πρέπει να διαβάσει και να συμμορφώνεται με τις οδηγίες, τις προειδοποιήσεις και το εγχειρίδιο χειριστή προτού ξεκινήσει με τη χρήση του τροχού ακονίσματος. Αμέλεια τήρησης αυτών των προειδοποιήσεων μπορεί να προκαλέσει σπάσιμο του τροχού και σοβαρό ατομικό τραυματισμό. Φυλάξτε αυτές τις οδηγίες.
- Η χρήση οποιουδήποτε τροχού διαφορετικού από τον προτεινόμενο στο εγχειρίδιο οδηγιών προϊόντος μπορεί να προκαλέσει κίνδυνο ατομικού τραυματισμού. Χρησιμοποιείτε μόνο τροχούς ακονίσματος, οι οποίοι έχουν τη σημειωμένη ταχύτητα ή μεγαλύτερη από τη σημειωμένη στο προϊόν.
- Ποτέ μη χρησιμοποιείτε έναν τροχό ακονίσματος, ο οποίος είναι πολύ χοντρός, ώστε να επιτρέπετε στην εξωτερική φλάντζα να κομπώνει με τα επίπεδα τμήματα της άτρακτου. Οι μεγαλύτεροι τροχοί έρχονται σε επαφή με τα προστατευτικά ενώ οι πιο παχιοί δεν αφήνουν το μπουλόνι να ασφαλίσει τον τροχό στην άτρακτο. Όλες αυτές οι καταστάσεις μπορούν να προκαλέσουν σοβαρά ατυχήματα και τραυματισμούς.
- Ο τροχός ακονίσματος προορίζεται μόνο για την κοπή σιδηρούχου μετάλλου. Μην προσπαθείτε να κόβετε ξύλο ή σκυρόδεμα με τον τροχό ακονίσματος. Ποτέ μην κόβετε μαγνήσιο ή κράμα μαγνησίου με τον τροχό ακονίσματος.
- Ο τροχός ακονίσματος είναι κατάλληλος μόνο για ξηρά κοπή. Ο τροχός ακονίσματος πρέπει να χρησιμοποιείται πριν από την ημερομηνία λήξης (σήμανση στην ετικέτα, π. χ. 11/2021).
- Μη χρησιμοποιείτε φθαρμένους τροχούς ακονίσματος. Μη χρησιμοποιείτε τροχούς, οι οποίοι έχουν ραγίσματα, σπασίματα ή είναι ελαττωματικοί.
- Εξασφαλίστε ότι ο τροχός κοπής ακονίσματος έχει τοποθετηθεί σωστά και έχει σφίχτεί πριν από τη χρήση.
- Η κατεύθυνση περιστροφής του τροχού ακονίσματος επισημαίνεται επάνω στο εργαλείο. Εξασφαλίστε ότι η σήμανση κατεύθυνσης στον τροχό αντιστοιχεί στην προσδιοριζόμενη κατεύθυνση στο εργαλείο κατά την εγκατάσταση και αλλαγή του τροχού ακονίσματος.
- Μη σφίγγετε τον τροχό ακονίσματος υπερβολικά καθώς κάτι τέτοιο μπορεί να προκαλέσει ραγίσματα.
- Το προϊόν δεν πρέπει ποτέ να συνδέεται σε παροχή ισχύος όταν εγκαθιστάτε ή απομακρύνετε τροχούς ακονίσματος.
- Αποθηκεύετε τους εφεδρικούς δίσκους ακονίσματος προσεκτικά. Αυτοί φθείρονται εύκολα.

**Διατίθενται πληροφορίες επάνω στην ετικέτα τροχού**

#### ακονίσματος

Οι πληροφορίες στην ετικέτα τροχού είναι σημαντικές. Διαβάστε και ελέγχετε την ετικέτα προσεκτικά ώστε να εξασφαλίσετε ότι επιλέγετε το σωστό τύπο δίσκου.

1. Κατασκευαστής, προμηθευτής, εισαγωγέας ή εμπορικό σήμα
2. Οι ονομαστικές διαστάσεις του τροχού ακονίσματος, συγκεκριμένα η διάμετρος
3. Τύπος ακονίσματος, μέγεθος κόκκωσης, βαθμός σκληρότητας, τύπος συνδετικού υλικού και χρήση ενίσχυσης π. χ.
  - 41A24RBF80
  - 41 --- τύπος ακονίσματος, επίπεδος τροχός κοπής
  - A --- υλικό ακονίσματος: καφέ κορούντιο
  - 24 --- μέγεθος κόκκωσης:
  - R --- βαθμός σκληρότητας
  - BF --- τύπος συνδετικού υλικού
  - 80 --- μέγιστη ταχύτητα λειτουργίας m/s
4. Μέγιστη ταχύτητα λειτουργίας σε μέτρα ανά δευτερόλεπτο
5. Μέγιστη επιτρεπόμενη ταχύτητα περιστροφής σε 1/min
6. Για τη Δήλωση συμμόρφωσης, τα προϊόντα ακονίσματος θα επισημαίνονται με το EN 12413
7. Περιορισμός χρήσης και σύμβολα προειδοποίησης ασφαλείας
8. Κωδικός ανανευσιμότητας, π. χ. αριθμός παραγωγής/ παρτίδας, ημερομηνία λήξης ή αριθμός σειράς

#### ΆΛΛΟΙ ΚΙΝΔΥΝΟΙ

Ακόμη και όταν το μηχάνημα χρησιμοποιείται σύμφωνα με τις οδηγίες, είναι αδύνατο να εξαλειφθούν απόλυτα ορισμένοι άλλοι κίνδυνοι. Κατά τη χρήση μπορεί να προκύψουν οι ακόλουθοι κίνδυνοι και ο χειριστής πρέπει να δίδει ιδιαίτερη προσοχή προς αποφυγή των εξής:

- Σταθερότητα. Εξασφαλίστε ότι το εργαλείο είναι σταθερό. Εάν απαιτείται, ασφαλίστε το.
- Εισπνοή σκόνης. Φοράτε μάσκα προστασίας εφόσον απαιτείται.
- Σπινθήρες και σωματίδια καυτού μετάλλου. Οι σπινθήρες και τα σωματίδια καυτού μετάλλου μπορεί να προκαλέσουν πυρκαγιά και δερματικά εγκαύματα. Φοράτε προστατευτικό εξοπλισμό κατά τη χρήση.
- Τραυματισμός στα μάτια από μεταλλικά σωματίδια. Φοράτε προστασία για τα μάτια κατά την εργασία.
- Ζημιά στην ακοή. Περιορίστε την έκθεση και φοράτε κατάλληλη προστασία για την ακοή.

#### ΓΝΩΡΙΣΤΕ ΤΟ ΠΡΟΪΟΝ ΣΑΣ

*Βλέπε σελίδα 172.*

1. Λαβή, μονωμένη επιφάνεια λαβής
2. Διακόπτης-σκανδάλη
3. Επάνω λαβή
4. Διακόπτης ασφάλισης του άξονα
5. Βίδα ρύθμισης βάθους κοπής
6. Παξιμάδι ασφάλισης βάθους κοπής





7. Οδηγός λοξότμησης
8. Κλειδί
9. Άνω προστατευτικό λάμας
10. Κάτω προστατευτικό λάμας
11. Τροχός κοπής
12. Σφικτήρας εργασίας
13. Μοχλός ασφάλισης σφικτήρα εργασίας
14. Μανιβέλα ρύθμισης σφικτήρα εργασίας
15. Πόδι από καουτσούκ
16. Αλυσίδα ασφάλισης κεφαλής πριονιού
17. Τρόπα τοποθέτησης
18. Καπάκι για καρβουνάκια
19. Ανθρακική ψήκτρα
20. Εκτροπέας τεμαχιδίων
21. Μοχλός ασφάλισης οδηγού φάλτσας κοπής

### ΣΥΜΒΟΥΛΕΣ ΛΕΙΤΟΥΡΓΙΑΣ

#### ΜΟΧΛΟΣ ΑΣΦΑΛΙΣΗΣ ΟΔΗΓΟΥ ΦΑΛΤΣΑΣ ΚΟΠΗΣ

Όταν ο οδηγός φάλτσας κοπής είναι τοποθετημένος πλησιέστερα στον άξονα της κεφαλής του πριονιού, ο μοχλός ασφάλισης οδηγού φάλτσας κοπής μπορεί να παρεμβληθεί με τον άξονα της κεφαλής όταν στρίβει. Επαναλάβετε τη διαδικασία ασφάλισης ανασηκώνοντας και γυρίζοντας πίσω το μοχλό μέχρι ο οδηγός φάλτσας κοπής να ασφαλίσει καλά.

### ΣΥΝΤΗΡΗΣΗ

- Μην τροποποιήσετε το προϊόν με οποιονδήποτε τρόπο ή χρησιμοποιήσετε αξεσουάρ που δεν είναι εγκεκριμένα από τον κατασκευαστή. Η ασφάλεια σας και η ασφάλεια των άλλων μπορεί να υποβαθμιστεί.
- Μην χρησιμοποιείτε το προϊόν εάν υπάρχουν διακόπτες, προφυλακτικές ή άλλες λειτουργίες που δεν λειτουργούν όπως θα έπρεπε. Επιστρέψτε το σε ένα εξουσιοδοτημένο κέντρο επισκευών για επαγγελματική επισκευή ή ρύθμιση.
- Μην πραγματοποιείτε καμία ρύθμιση όταν ο κινητήρας βρίσκεται σε λειτουργία.
- Φροντίστε πάντα το βύσμα του μηχανήματος να έχει αφαιρεθεί από την παροχή ρεύματος πριν αλλάξετε βούρτσες, προσθέσετε λιπαντικό ή εκτελέσετε εργασίες συντήρησης.
- Μετά από κάθε χρήση, ελέγξτε το μηχανήμα σας για ζημιές ή φθαρμένα εξαρτήματα και διατηρείτε το πάντα σε άριστη κατάσταση επισκευάζοντας ή αντικαθιστώντας τα εξαρτήματα αμέσως μόλις χρειαστεί.
- Βεβαιωθείτε ότι τα ανοίγματα εξαερισμού είναι καθαρά, ιδιαίτερα όταν εργάζεστε σε συνθήκες με σκόνη. Αν χρειαστεί να καθαρίσετε τη σκόνη, αποσυνδέστε τη συσκευή από το ρεύμα. Καθαρίστε τα ανοίγματα με μια μαλακή βούρτσα.
- Καθαρίστε πριονίδια που έχουν μαζευτεί.
- Για σίγουρη ασφάλεια και αξιοπιστία, όλες οι επισκευές - εκτός των εξωτερικά προσβάσιμων βουρτσών - θα πρέπει να εκτελούνται από εξουσιοδοτημένο κέντρο

σέρβις.

- Αν το καλώδιο παροχής ρεύματος έχει υποστεί ζημιά, ζητήστε την αντικατάστασή του από κάποιο εξουσιοδοτημένο Κέντρο Τεχνικής Εξυπηρέτησης ώστε να αποφύγετε τον κίνδυνο ατυχημάτων.

### ⚠ ΠΡΟΕΙΔΟΠΟΙΗΣΗ

Για μεγαλύτερη ασφάλεια και αξιοπιστία, όλες οι επισκευές πρέπει να διεξάγονται από ένα εξουσιοδοτημένο κέντρο σέρβις.

### ΠΡΟΣΤΑΣΙΑ ΤΟΥ ΠΕΡΙΒΑΛΛΟΝΤΟΣ



Ανακυκλώνετε τις πρώτες ύλες αντί να τις πετάτε ως απορρίμματα. Για την προστασία του περιβάλλοντος, πρέπει να γίνεται ι διαλογή του εργαλείου, των εξαρτημάτων και των συσκευασιών του.

### ΠΣΥΜΒΟΛΟ



Προειδοποίηση ασφάλειας



Συμμόρφωση CE



EurAsian σήμα πιστότητας.



Ουκρανικό σήμα συμμόρφωσης



Παρακαλούμε διαβάστε προσεκτικά τις οδηγίες πριν χρησιμοποιήσετε το προϊόν.



Εξοπλισμός Κλάσης II  
Διπλή μονωση



Φοράτε προστατευτικά αυτιών



Φοράτε πάντα προστατευτικά ματιών.



Ακατάλληλο για εργασίες λείανσης ή κοπής σε συνθήκες υγρασίας



Μην χρησιμοποιείτε λειαντικούς τροχούς που έχουν ξεφλουδίσει, ραγίσει ή είναι ελαττωματικοί



Φοράτε γάντια ασφαλείας



Φοράτε μάσκα προστασίας από πριονίδια/σωματίδια.



Να μην εκτίθεται σε βροχή και να μην χρησιμοποιείται σε τοποθεσίες με υγρασία.



Κατεύθυνση περιστροφής τροχού κοπής (φαίνεται στον προφυλακτήρα)



Τα ηλεκτρικά προϊόντα προς απόρριψη δεν θα πρέπει να απορρίπτονται μαζί με τα οικιακά απόβλητα. Παρακαλούμε ανακυκλώστε όπου υπάρχουν οι αντίστοιχες εγκαταστάσεις. Μιλήστε με τις τοπικές αρχές ή τον πωλητή για να σας ενημερώσουν σχετικά με τα προγράμματα ανακύκλωσης.

τραυματισμό.

#### ΠΡΟΕΙΔΟΠΟΙΗΣΗ

Υποδεικνύει μια δυνητικά επικίνδυνη κατάσταση, η οποία, αν δεν αποφευχθεί, θα οδηγήσει σε θάνατο ή σοβαρό τραυματισμό.

#### ΠΡΟΣΟΧΗ

Υποδεικνύει μια δυνητικά επικίνδυνη κατάσταση, η οποία, αν δεν αποφευχθεί, ενδέχεται να οδηγήσει σε ελαφρύ ή μέτριο τραυματισμό.

#### ΠΡΟΣΟΧΗ

(Χωρίς σύμβολο προειδοποίησης ασφαλείας) Υποδεικνύει μια κατάσταση που μπορεί να οδηγήσει σε υλικές ζημιές.

## ΣΥΜΒΟΛΑ ΣΤΟ ΕΓΧΕΙΡΙΔΙΟ



Κλειδωμα



Ξεκλειδωμα



Χρόνος αναμονής ώστε η λεπίδα να φτάσει στη μέγιστη ταχύτητα



Ανταλλακτικά και εξαρτήματα πωλούνται χωριστά



Σημείωση:

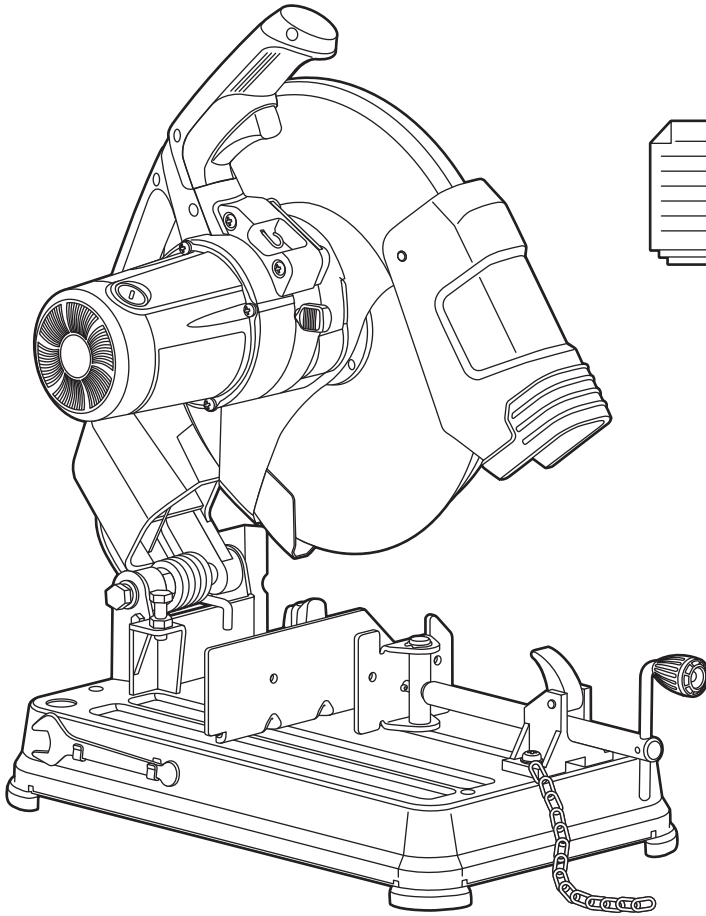


ΠΡΟΕΙΔΟΠΟΙΗΣΗ

Οι ακόλουθες προειδοποιητικές λέξεις και έννοιες προορίζονται να εξηγήσουν τα επίπεδα κινδύνου που συνδέονται με αυτό το προϊόν:

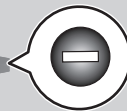
#### ΚΙΝΔΥΝΟΣ

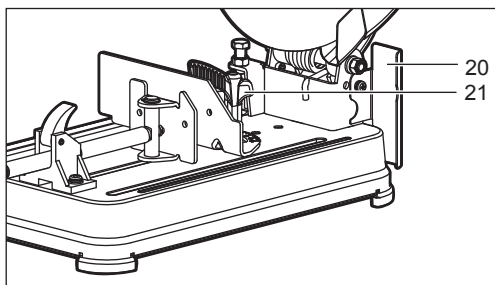
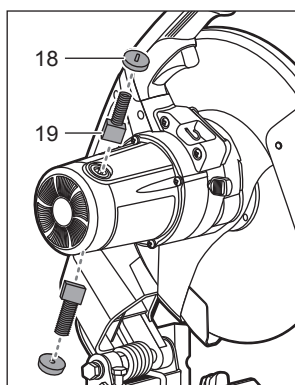
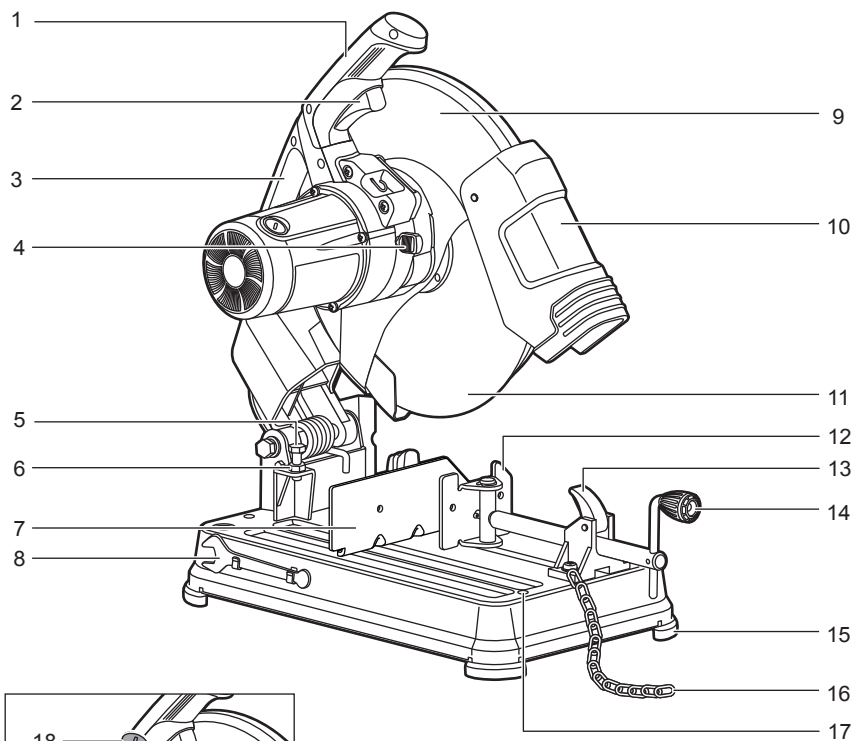
Υποδεικνύει μια επικείμενη επικίνδυνη κατάσταση, η οποία, αν δεν αποφευχθεί, θα οδηγήσει σε θάνατο ή σοβαρό

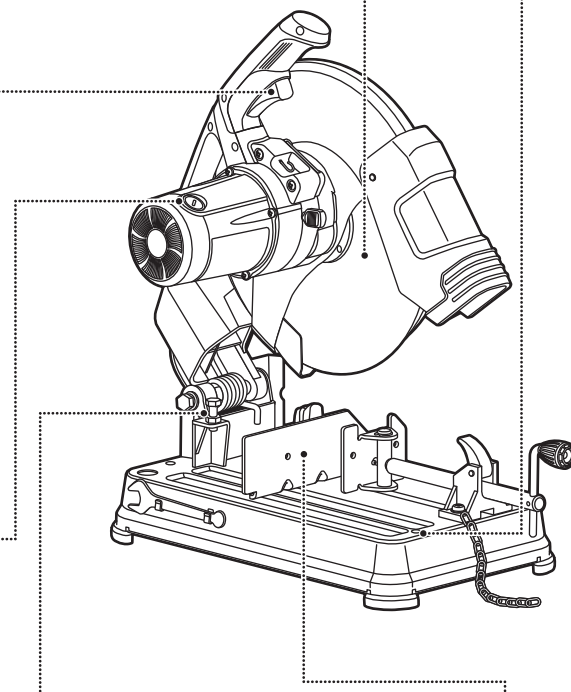
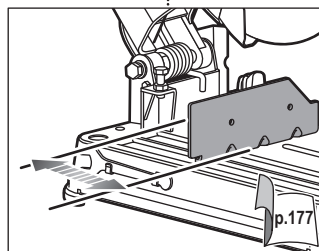
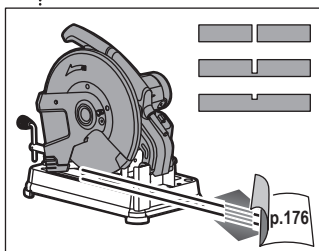
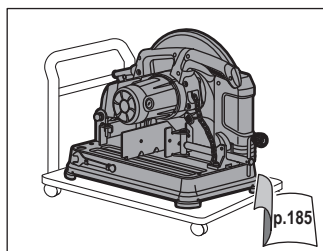
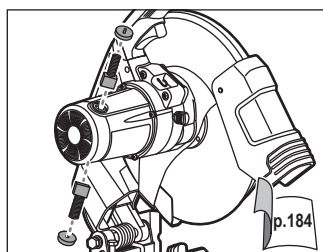
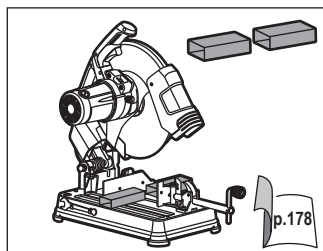
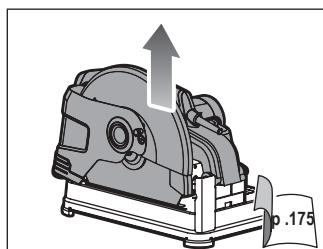
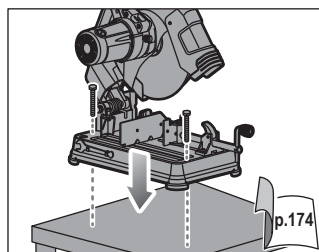
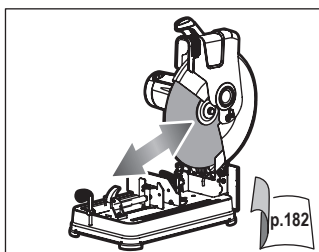
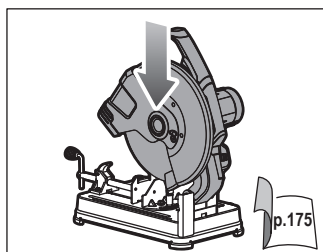


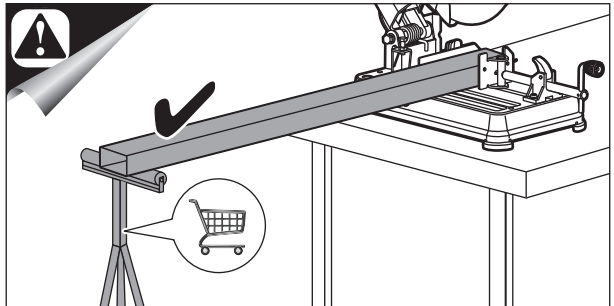
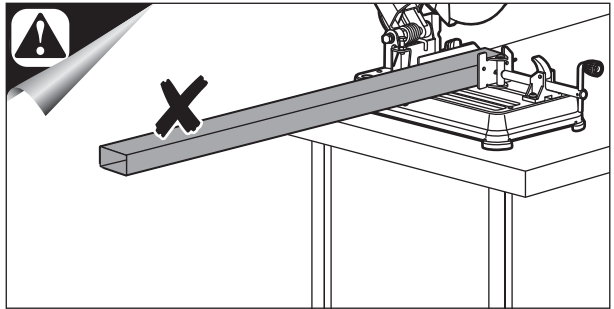
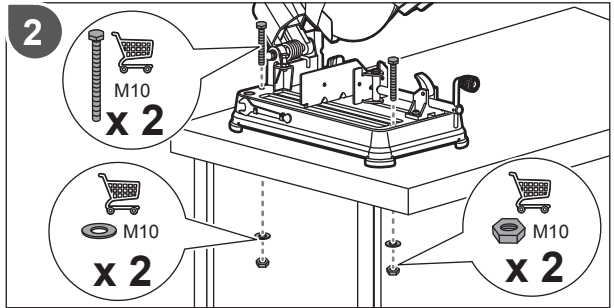
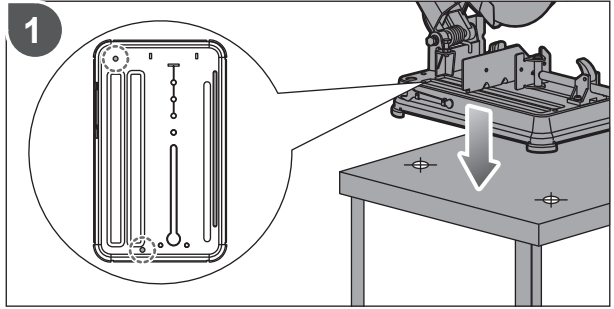
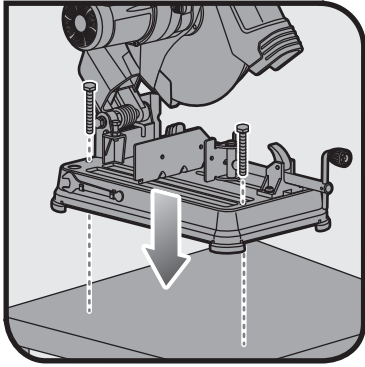
**x 1**

**x 1**

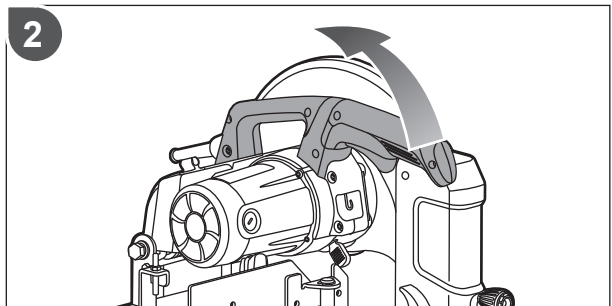
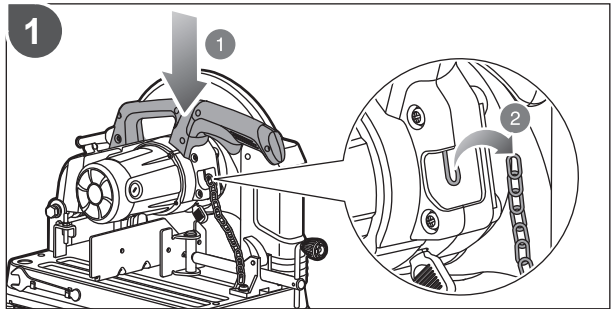
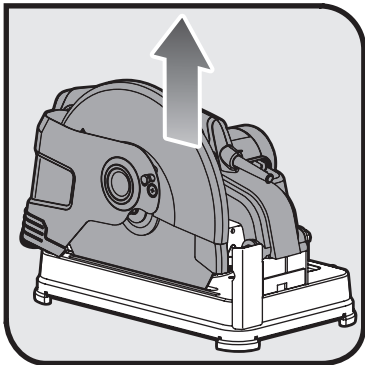
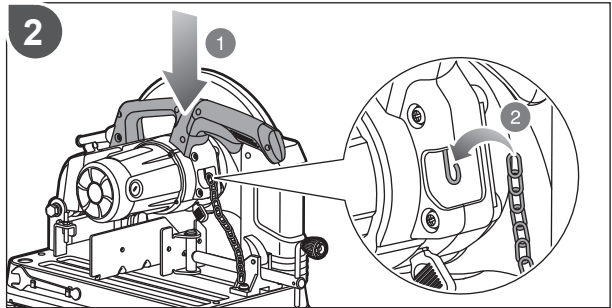
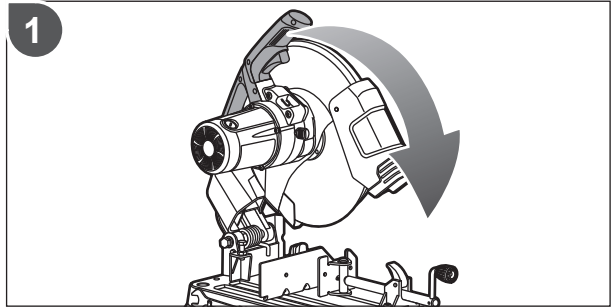
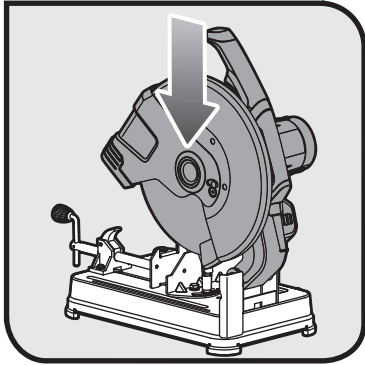


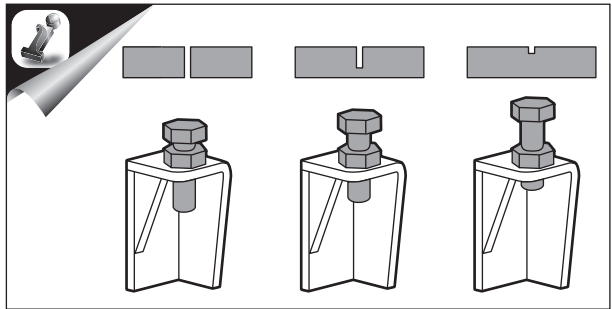
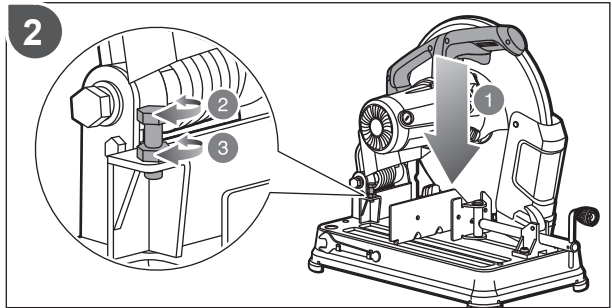
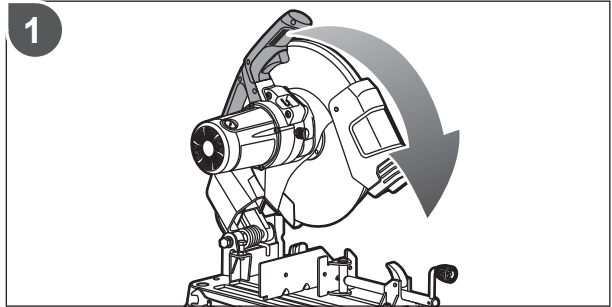
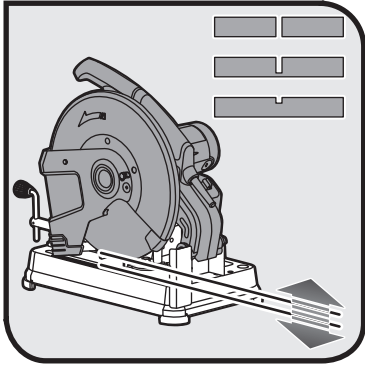


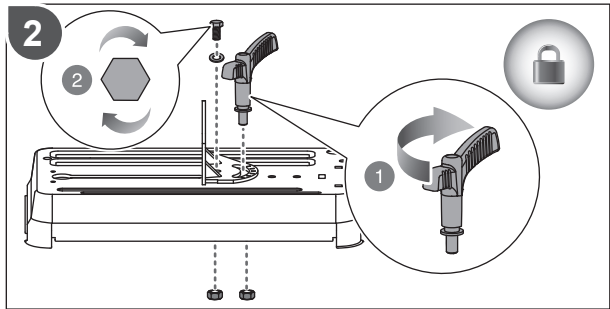
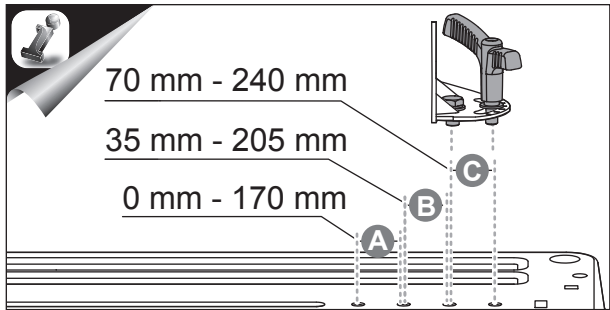
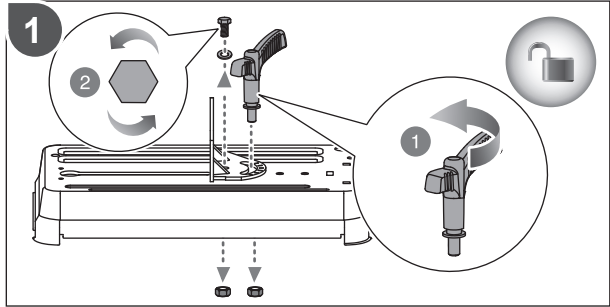
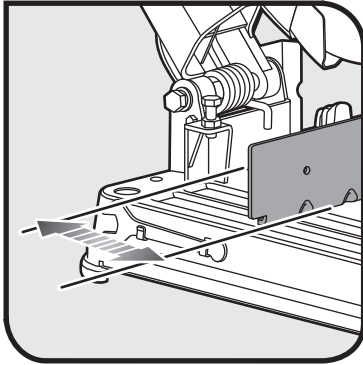


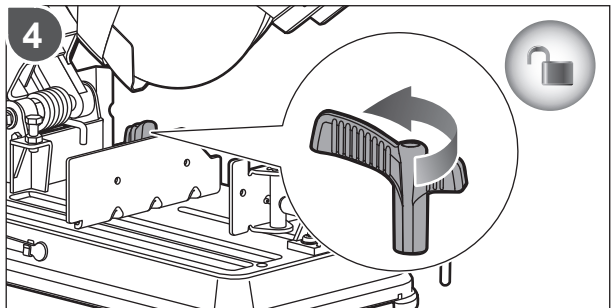
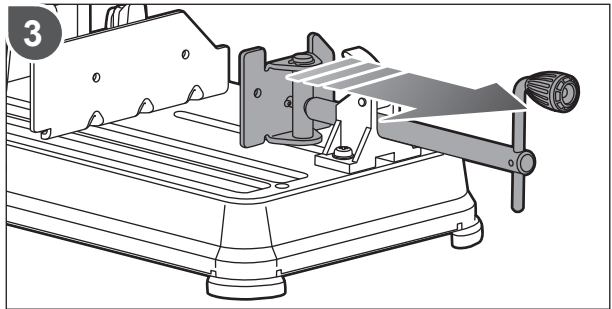
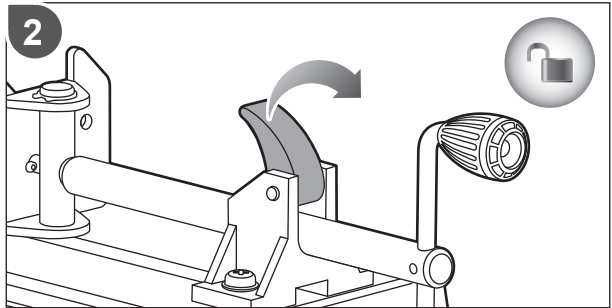
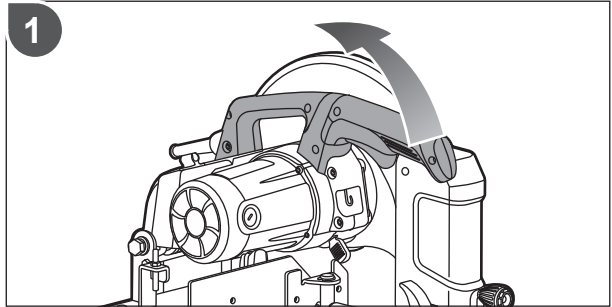
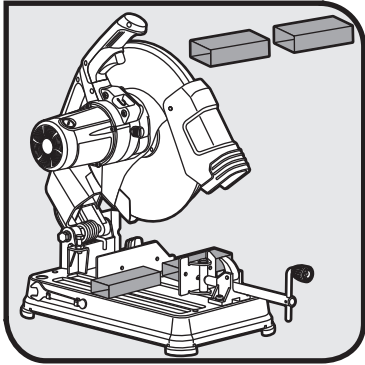


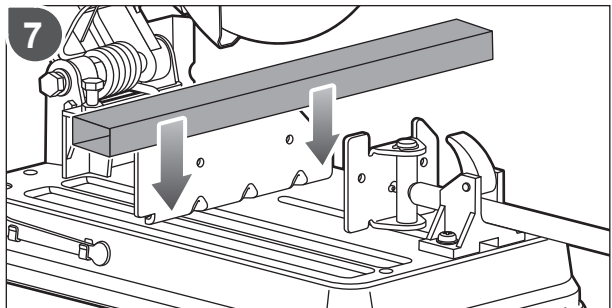
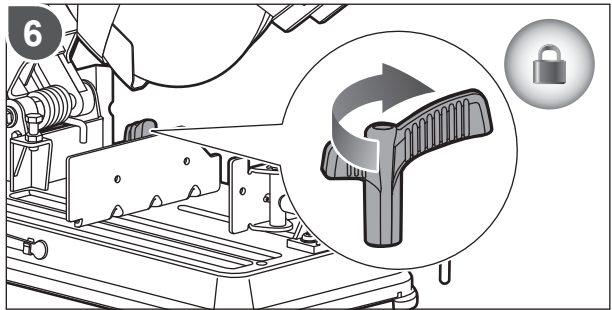
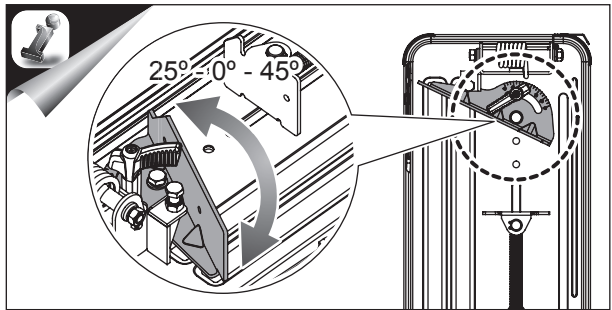
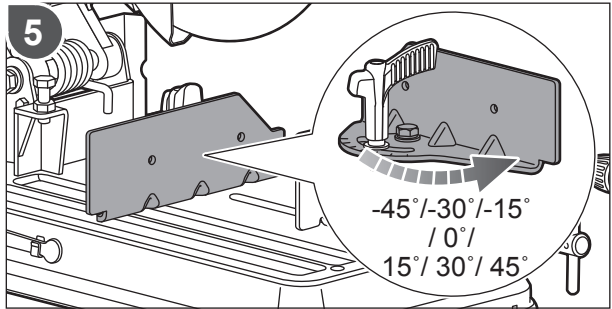


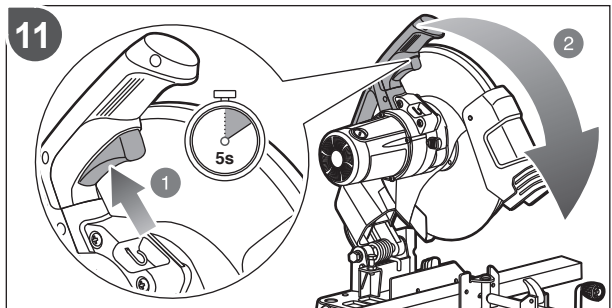
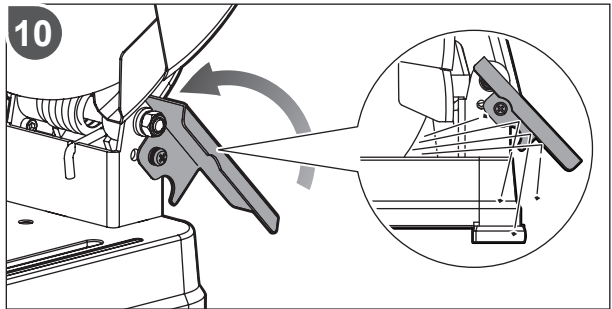
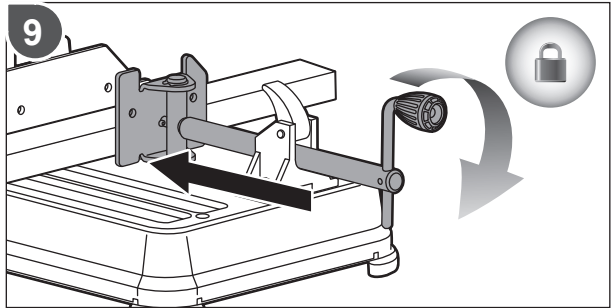
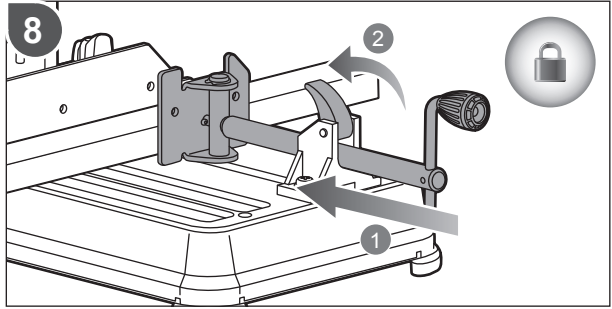


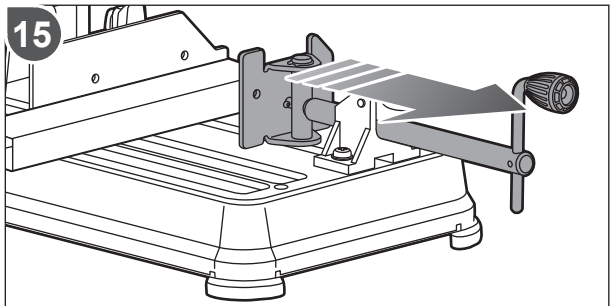
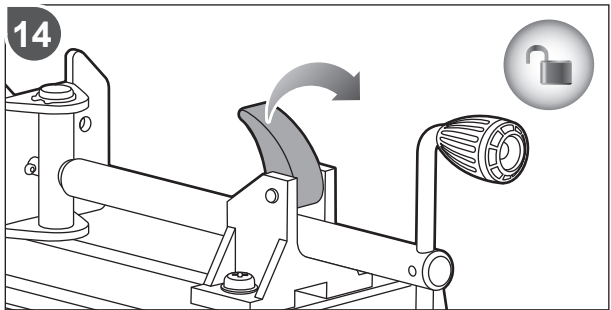
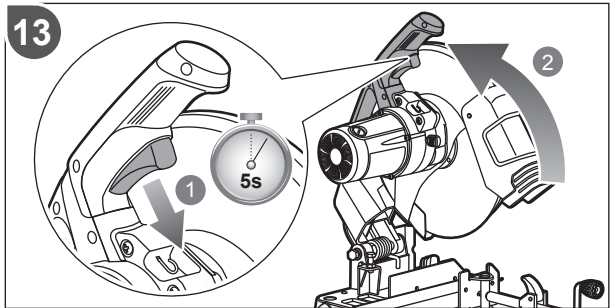
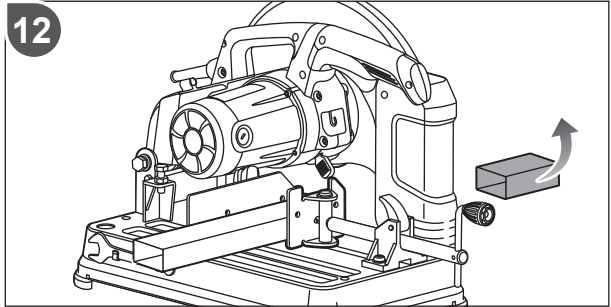


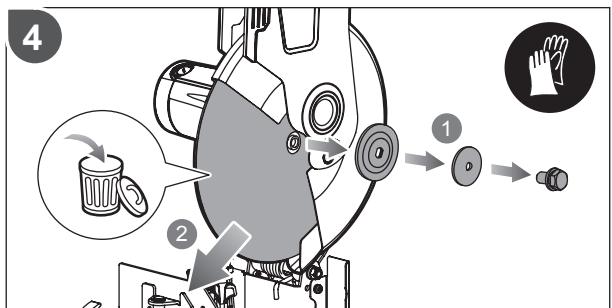
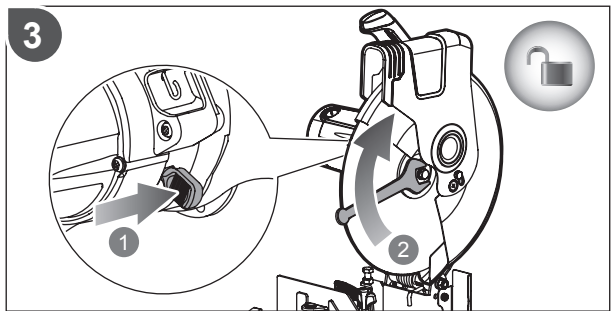
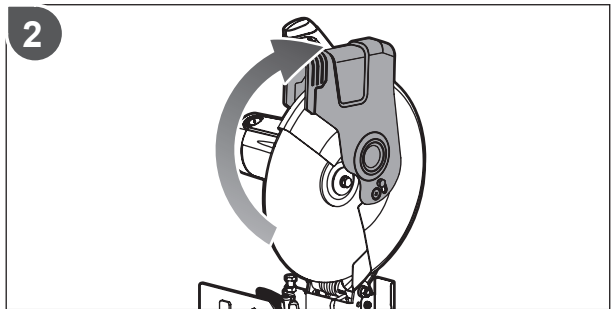
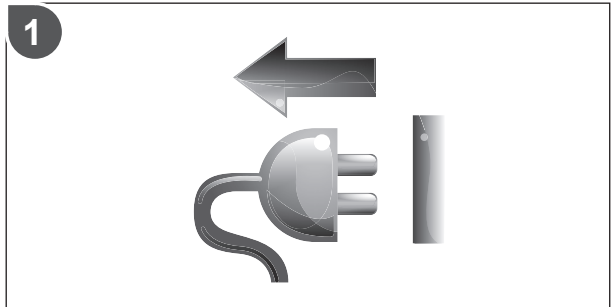
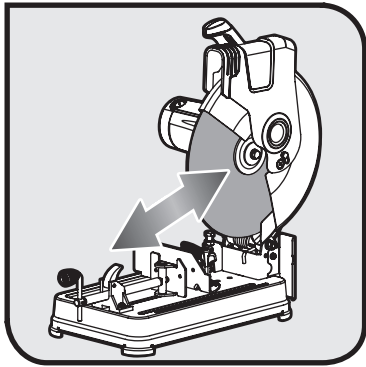




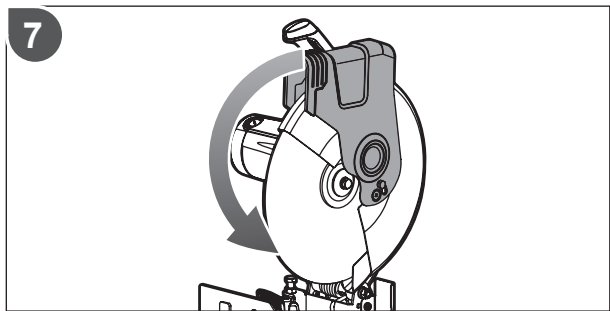
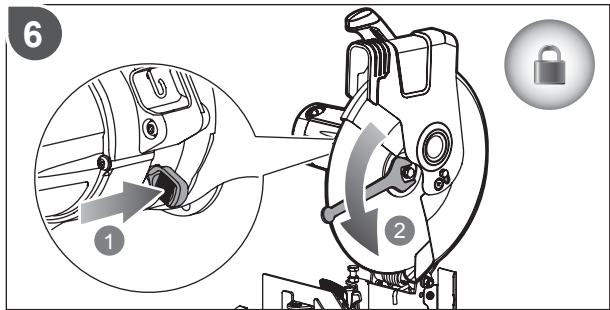
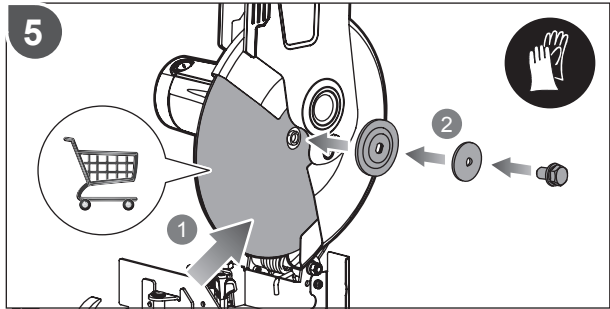


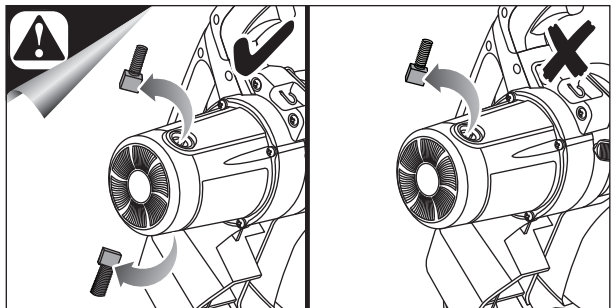
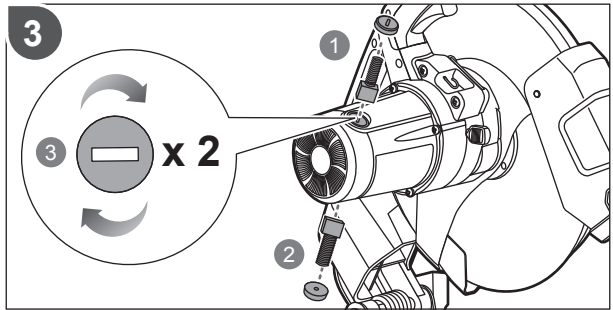
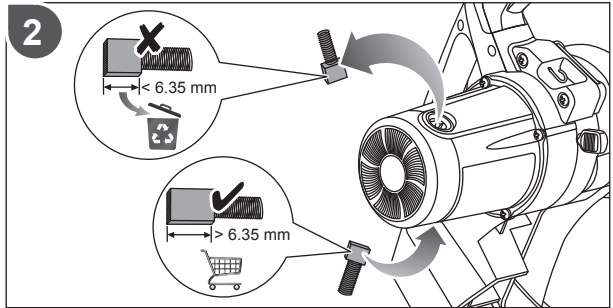
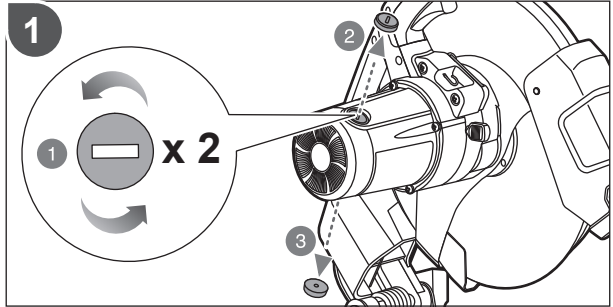
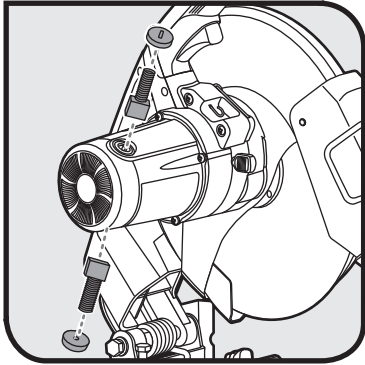


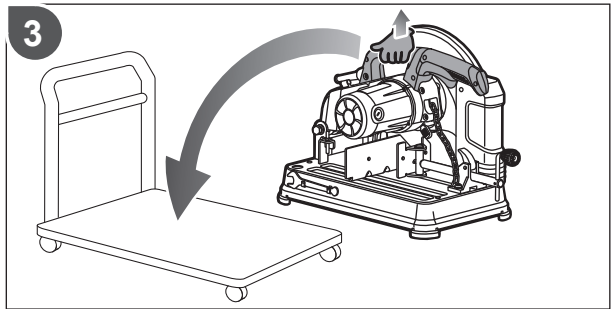
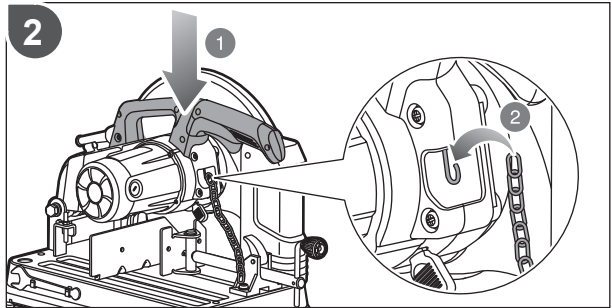
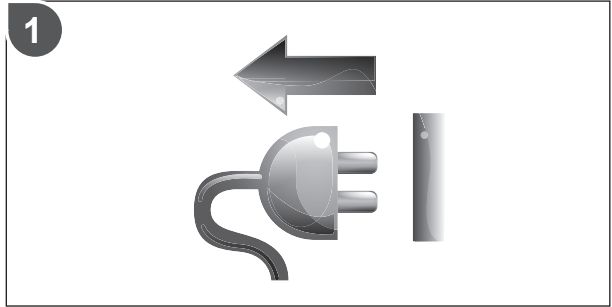
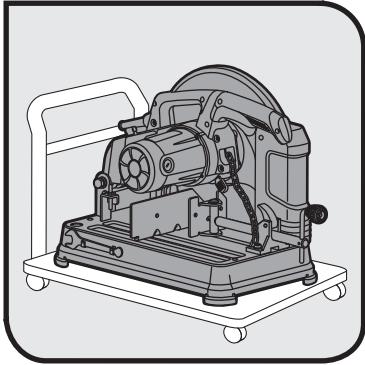







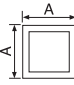
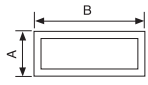
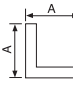










English	Français	Deutsch	Español	Italiano	Nederlands	Português
Product specifications	Caractéristiques de l'appareil	Produkt-Spezifikationen	Especificaciones del producto	Specifiche prodotto	Productspecificaties	Especificações do produto
Cut-off Machine	Tronçonneuse	Trennschleifer	Máquina de corte	Macchina di taglio	Doorslijpmachine	Máquina de corte
Model	Modèle	Modell	Modelo	Modello	Model	Modelo
Net weight	Poids net	Nettogewicht	Peso neto	Peso netto	Nettogewicht	Peso líquido
Wheel type (Type 41 reinforced abrasive wheel)	Type de disque (Disque abrasif renforcé de type 41)	Scheiben-Typ (Verstärkte Schleifscheibe Typ 41)	Tipo de disco (Disco abrasivo reforzado tipo 41)	Tipo di ruota (Ruota abrasiva rinforzata tipo 41)	Schijftype (Verstevigde slijpschijf type 41)	Tipo de roda (Disco abrasivo reforçado tipo 41)
Wheel diameter	Diamètre du disque	Durchmesser der Schleifscheibe	Diámetro de la muela	Diámetro della mola	Schijfdiameter	Diâmetro do disco
Wheel thickness	Épaisseur du disque	Scheibenstärke	Grosor del disco	Spessore della ruota	Schijfdikte	Espessura do disco
Arbor hole	Trou de broche	Mittelloch	Huevo del eje	Foro dell'albero	Asgat	Orifício do eixo
No-load speed	Vitesse à vide	Leerlaufdrehzahl	Velocidad sin carga	Velocità a vuoto	Onbelast toerental	Velocidade em vazio
Input	Alimentation	Eingangsleistung	Cargador	Alimentazione	Input	Admissão
Power	Puissance	Leistung	Potencia	Alimentazione	Vermogen	Potência
Fence angle (Right / left)	Angle du guide (Droit / Gauche)	Anschlagwinkel (Rechts / Links)	Ángulo de valla (Derecha / Izquierda)	Angolo guida (Destro / Sinistro)	Aanslaghoek (Rechts / Links)	Ângulo da vedação (Direita / Esquerda)
Vice clamp angle (Right / left)	Angle de l'étau (Droit / Gauche)	Winkel des Schraubspanners (Rechts / Links)	Ángulo de la abrazadera (Derecha / Izquierda)	Angolo morsetto (Destro / Sinistro)	Bankschroefhoek (Rechts / Links)	Ângulo do grampo do torno (Direita / Esquerda)
Min. workpiece dimensions	Dimensions min. de la pièce	Min. Werkstückabmessungen	Dimensiones min. de la pieza de trabajo	Min. misurazione massima dei pezzi	Min. werkstukafmeting	Capacidade de corte máxima
Measured values determined according to EN 62841 A-weighted sound pressure level	Valeurs mesurées obtenues selon EN 62841 Niveau de pression sonore pondéré-A	Gemäß EN 62841 gemessene Werte A-bewerteter Schalldruckpegel	Valores medidos determinados de acuerdo con EN 62841 Nivel de presión acústica ponderada en A	Valori misurati determinati in accordo con lo standard EN 62841 Livello di pressione sonora pesato A	Valeurs mesurées obtenues selon EN 62841 A-gewogen geluidsdrukniveau	Valores medidos calculados de acuerdo con EN 62841 Nivel de presión sonora ponderada A
Uncertainty K	Incertitude K	Unsicherheit K	Incertidumbre K	Incertezza K	Onzekerheid K	Incerteza K
Measured values determined according to EN 62841 A-weighted sound power level	Valeurs mesurées obtenues selon EN 62841 Niveau de puissance sonore pondéré-A	Gemäß EN 62841 gemessene Werte A-bewerteter Schalleistungspegel	Valores medidos determinados de acuerdo con EN 62841 Nivel de potencia acústica ponderada en A	Valori misurati determinati in accordo con lo standard EN 62841 Livello di potenza sonora pesato A	Valeurs mesurées obtenues selon EN 62841 A-gewogen geluidsniveau	Valores medidos calculados de acuerdo con EN 62841 Nivel de potencia sonora ponderada A
Uncertainty K	Incertitude K	Unsicherheit K	Incertidumbre K	Incertezza K	Onzekerheid K	Incerteza K
Replacement parts:	Pièces de rechange:	Ersatzteile:	Piezas de repuesto:	Parti di ricambio:	Vervangonderdelen:	Peças de substituição:
Cutting wheel	Disque de coupe	Trennscheibe	Disco de corte	Ruota di taglio	Zaagwiel	Roda de corte
Carbon brush	Balai de charbon	Kohlebürste	La escobilla de carbón	Spazzola al carbonio	Koolborstel	Escova de carbono

EN Maximum cutting capacity   FR Capacité maximale de coupe   DE Maximale Schnittleistung   ES Máxima capacidad de corte   IT Capacità di taglio massima   NL Max. zaagcapaciteit   PT Capacidade de corte máxima   DA Max skærekapacitet   SV Maximal sågkapacitet   FI Maksimileikkusuuyuus   NO Maksimum skjærekapasitet   RU Максимальная производительность резания   PL Maksymalna zdolność cięcia   CS Maximální řezací kapacita   HU Maximális vágási teljesítmény   RO Capacitate maximă de tăiere   LV Maksimālā griešanas jauda   LT Didžiausias pjovimo pajėgumas   ET Maksimaalne lõikevõime   HR Maksimalni kapacitet rezanja   SL Največja rezalna kapaciteta   SK Maximálna kapacita rezania   BG Максимален капацитет на рязане   UK Максимальна різуча здатність   TR Maksimum kesme kapasitesi   EL Μέγιστη δυνατότητα κοπής				
EN Cutting angle   FR Angle de coupe   DE Schneidwinkel   ES Ángulo de corte   IT Angolo di taglio   NL Snijshoek   PT Angulo de corte   DA Skærevinkel   SV Skärinkel   FI Leikkuukulma   NO Kutteinkel   RU Угол резания   PL Kąt cięcia   CS Úhel stříhání   HU Vágási szög   RO Unghi de tăiere   LV Griešanas leņķis   LT Pjovimo kampas   ET Lõikenurk   HR Kut rezanja   SL Rezalni kot   SK Úhol rezu   BG Ъгъл на рязане   UK Кут різання   TR Kesme açısı   EL Γωνία κοπής				
				
90°	115 mm	115 mm	115 mm x 120 mm	130 mm
45°	115 mm	100 mm	95 mm x 105 mm	100 mm





Dansk	Svenska	Suomi	Norsk	Русский	Polski	
Produktspecifikationer	Produktspecifikationer	Tuotteen tekniset tiedot	Produktspesifikasjoner	Характеристики изделия	Parametry techniczne	
Afskæringsmaskine	Skärmaskin	Katkaisukone	Kappemaskin	Отрезной станок	Przecinarka	
Model	Modell	Malli	Modell	Модель	Model	ECO2335HG
Nettovægt	Nettovikt	Kokonaispaino	Nettovekt	Вес нетто	Masa netto	17,5 kg
Skivetype (Type 41 forstærket slibehjul)	Typ av klinga (Förstärkt slipande hjul av typ 41)	Laikan tyyppi (Tyyppi 41 vahvistettu hiomapyörä)	Hjultype (Type 41 forsterket slipeskive)	Тип абразивного круга (Абразивный круг, тип 41)	Typ ściernicy (Wzmocniana tarcza ścierna typu 41)	
Slibeskivens diameter	Slipskivans diameter	Hiomalaikan halkaisija	Slipeskivens diameter	Диаметр колеса	Średnica tarczy	355 mm
Hjultykkelse	Hjultykkelse	Pyörän paksuus	Skivetykkelse	Толщина круга	Grubość tarczy	3,0 mm
Spindelhul	Spindelhål	Karan reikä	Spindelhull	Рабочее отверстие	Otwór trzpienia	25,4 mm
Tomgangshastighed	Tomgångshastighet	Tyhjäkäyntinopeus	Hastighet ubelastet	Скорость на холостом ходу	Prędkość bez obciążenia	4280 min <sup>-1</sup>
Strømforsyning	Matningsspänning	Virrankulutus	Input	Питание	Zasilanie	220V - 240V ~ 50 Hz
Effekt	Ström	Teho	Effekt	Мощность	Moc	2,300 W
Anslagsvinkel (Højre / venstre)	Anslagsvinkel (Höger / Vänster)	Ohjaimen kulma (Oikea / vasen)	Styreskinnevinkel (Høyre / Venstre)	Угол направляющей (Правый / Левый)	Kąt prowadnicy (W prawo / W lewo)	45° / 45°
Skruestik-spændevinkel (Højre / venstre)	Vinkel for fästet på skruvstødet (Höger / Vänster)	Ruuvipenkin kulma (Oikea / vasen)	Tvingeklemnevinkel (Høyre / Venstre)	Угол зажима тисков (Правый / Левый)	Kąt zacisku imadła (W prawo / W lewo)	45° / 45°
Max skærekapacitet	Maximal sågkapacitet	Maksimileikkuusyyvyys	Maksimum skjærekapasitet	Максимальная производительность резания	Min. wymiary przedmiotu obrabianego	 115 mm (L) x 3 mm (W) x 3 mm (H)  115 mm (L) x 3 mm (ø)
Målte værdier bestemmes i henhold til EN 62841 A-vægtet lydtryksniveau	Värden uppmätta enligt EN 62841 A-vägd ljudtrycksnivå	Mitatut arvot määritetty EN 62841 -standardin mukaan A-painotettu äänenpainetaso	Målte verdier i samsvar med EN 62841 A-vektet lydtryknivå	Измеренные значения определены в соответствии с EN 62841 Уровень A-взвешенного звукового давления	Zmierzone wartości określone wg EN 62841 A-ważony poziom ciśnienia hałasu	$L_{pA} = 91,5 \text{ dB(A)}$
Usikkerhed K	Osäkerhet K	Epätarkkuus K	Usikkerhet K	Разброс K	Niepewność pomiaru K	3 dB(A)
Målte værdier bestemmes i henhold til EN 62841 A-vægtet lydeffektniveau	Värden uppmätta enligt EN 62841 A-vägd lydeffektnivå	Mitatut arvot määritetty EN 62841 -standardin mukaan A-painotettu äänenteho	Målte verdier i samsvar med EN 62841 A-vektet lydeffektnivå	Измеренные значения определены в соответствии с EN 62841 Уровень A-взвешенной звуковой мощности	Zmierzone wartości określone wg EN 62841 A-ważony poziom natężenia hałasu	$L_{wA} = 104,5 \text{ dB(A)}$
Usikkerhed K	Osäkerhet K	Epätarkkuus K	Usikkerhet K	Разброс K	Niepewność pomiaru K	3 dB(A)
Reserve dele:	Utbytesdelar:	Varaosat:	Reserve deler:	Запасные части:	Części zamienne:	
Skærehjul	Skärklinga	Leikkuerä	Skjærebblad	Отрезной диск	Tarcza tnąca	COSB355A1
Kulbørste	Kolborste	Hiilihärja	Karbonborste	Угольная щетка	Uhlíkový kartáček	5131031610





Čeština	Magyar	Română	Latviski	Lietuviškai	Eesti
Technické údaje produktu	Termék műszaki adatai	Specificațiile produsului	Produkta specifikācijas	Gaminio techninės savybės	Toote tehnilised andmed
Zkracovací pila na kovy	Darabológép	Mašină de debitat	Metāla griešanas iekārta	Diskinės metalo pjovimo staklės	Metalllõikur
Model	Típus	Model	Modelis	Modelis	Mudeli tähis
Čistá hmotnost	Nettó tömeg	Greutate netă	Svars neto	Neto svoris	Netomass
Typ kotouče (Vyztužený brusný kotouč, typ 41)	Tárcsa típusa (41-es típusú erősített darabolókerék)	Tip disc (Disc abraziv ranforsat tip 41 )	Ripas tips (41. tipa armētā abrazīvā ripa)	Disko tipas (41 tipo sustiprintas šlifavimo diskas)	Lõikeketta tüüp (Tüüp 41 tugevdatud lihvimisketas)
Průměr brusného kotouče	Korong átmérője	Diametru polizorului	Diska diametrs	Disko skersmuo	Ketta läbimõõt
Tloušťka kotouče	Kerék vastagsága	Grosime disc	Abrazīvas ripas biezums	Disko storis	Ketta paksus
Otvor hřídele	Tengelyfurat	Orificiu arbore	Vārpstas atvere	Ašies anga	Võlliava
Otáčky naprázdno	Üresjáratú fordulatszám	Viteză în gol	Apgrīezienu bez slodzes	Greitis be apkrovimo	Kiirus ilma koormuseta
Vstup	Bemenet	Intrare	Ieeja	Ivestis	Vooluvõrk
Výkon	Teljesítmény	Alimentare	Strāva	Galia	Võimsus
Úhel dorazu (Pravý / levý)	Vezetőcsín szöge (Jobbra / Balra)	Unghi riglă de ghidaj (Dreapta / Stânga)	Barjeras leņķis (Pa labi / pa kreisi)	Užvaros kampas (Dešinė / kairė)	Alustoe nurk (Parem / Vasak)
Úhel ruční svěrky (Pravý / levý)	Satuba fogás szöge (Jobbra / Balra)	Unghi mecanism de fixare mehinā (Dreapta / Stânga)	Skrūvspļu spaļu leņķis (Pa labi / pa kreisi)	Spaustuvo kampas (Dešinė / kairė)	Pitskrvi nurk (Parem / Vasak)
Min. rozměry obrobku	Min. munkadarab méretek	Dimensiunile minime ale piesei de prelucrat	Min. aprādājāmās detaļas izmērs	Min. apdorojamos detalės matmenys	Min. tooriku mõõtmed
Naměřené hodnoty zjištěné dle EN 62841 Hladina akustického tlaku vážená funkcí A	A mért értékek meghatározása az EN 62841 szerint történt A-súlyozott hangnyomásszint	Valori măsurate determinate în conformitate cu EN 62841 Nivel de presiune acustică ponderată A	Izmērītās vērtības saskaņā ar EN 62841 A-līmeņa skaņas spiediena līmenis	Įsmatuotosios vertės nustatytos pagal EN 62841 A vertinis garso slėgio lygis	Mõõteväärtsused on kindlaks määratud vastavalt standardile EN 62841 A-kaalutud helirõhu tase
Nejistota K	Bizonytalanság K	Incertitudine K	Kļūdas vērtība K	Nepastovumas K	Mõõtemääramatus K
Naměřené hodnoty zjištěné dle EN 62841 Hladina akustického výkonu vážená funkcí A	A mért értékek meghatározása az EN 62841 szerint történt A-súlyozott hangteljesítményszint	Valori măsurate determinate în conformitate cu EN 62841 Nivel de putere acustică ponderată A	Izmērītās vērtības saskaņā ar EN 62841 A-līmeņa skaņas jaudas līmenis	Įsmatuotosios vertės nustatytos pagal EN 62841 A vertinis garso galios lygis	Mõõteväärtsused on kindlaks määratud vastavalt standardile EN 62841 A-kaalutud helivõimsuse tase
Nejistota K	Bizonytalanság K	Incertitudine K	Kļūdas vērtība K	Nepastovumas K	Mõõtemääramatus K
Náhradní díly:	Cserealkatrészek:	Piese de schimb:	Rezerves daļas:	Atsarginės detalės:	Asendusosad:
Řezný kotouč	Vágótárcsa	Disc de tăiere	Zāgriņa	Pjovimo diskas	Lõikeketas
Uhlíkový kartáček	Szénkefe	Perie de carbon	Ogles suka	Anglinis šepetys	Süsiharjad





Hrvatski	Slovensko	Slovenčina	България	українська мова	Türkçe	Ελληνικά	
Specifikacije proizvoda	Specifikacije izdelka	Špecifikácia	Технически характеристики	Технічні характеристики продукту	Ürün Özellikleri	Προδιαγραφές Προϊόντος	
Rezačica	Obrezovalni stroj	Rozbrusovačka	Отрезен циркуляр	Відрізний станок	Kesme Makinesi	Μηχάνημα αποκοπής	
Model	Model	Model	Модел	Модель	Model	Μοντέλο	ECO2335HG
Neto težina	Neto teža	Netto hmotnosť	Нетно тегло	Вага нетто	Net ağırlık	Καθαρό βάρος	17.5 kg
Vrsta rezne ploče (Ojačana abrazivna ploča tipa 41)	Vrsta koluta (Ojačano abrazivno kolo vrste 41)	Typ kotúča (Vystužený brúsny kotúč typu 41)	Тип на диска (Армиран абразивен диск, тип 41)	Тип круга (Армований абразивний диск тип 41)	Disk tipi (Tip 41 takviyeli taşlama taşı)	Τύπος τροχού (Ενισχυμένος τροχός λείανσης τύπου 41)	
Promjer kotača	Premer koluta	Priemer kotúča	Диаметър на диска	Диаметр леза	Taşın çapı	Диаметρος δίσκου	355 mm
Debljina ploče	Debelina koleasa	Hrúbka kotúča	Дебелина на диска	Товщина диска	Çark kalınlığı	Πάχος τροχού	3.0 mm
Otvor za vratilo	Izvrtna vretena	Otvor hriadeľa	Отвор на шпиндела	Отвір валу	Mil delği	Τοπή άξονα	25.4 mm
Brzina bez opterećenja	Hlístost brez optremenitve	Otáčnosť bez zaťaženia	Скорост на празен ход	Швидкість навантаження Об/хв.	Botu hız	Τύπηση στ κεν	4280 min <sup>-1</sup>
Ulaz	Vhod	Vstup	Вход	Вхідний	Giriş	Είσοδος ρεύματος	220V - 240V ~ 50 Hz
Napajanje	Napajanje	Napájanie	Мощност	Потужність	Güç	Ισχύς	2.300 W
Kut rezne letve (Desno / lijevo)	Kot ščitnika (Desno / levo)	Uhol úkosu (Vpravo / vľavo)	Ъгъл на ограничителя (Дясно / ляво)	Кут направляючої (праву/ліворуч)	Destek açısı (Sağ / Sol)	Γωνία προστατευτικού (Δεξιά / Αριστερά)	45° / 45°
Kut pritezanja u škripu (Desno / lijevo)	Kot primeža oz. svore (Desno / levo)	Uhol svorky zveráka (Vpravo / vľavo)	Ъгъл на скобата на менгемето (Дясно / ляво)	Кут лещат (праву/ліворуч)	Mengene açısı (Sağ / Sol)	Γωνία μέγησης (Δεξιά / Αριστερά)	45° / 45°
Minimalna dimenzije radnog predmeta	Minimalna izmere obdelovalnega kosa	Min. rozmery obrobku	Минимални размери на работния детайл	Мінімальні розміри заготовки	Minimum iş parçası boyutu	Ελάχιστες διαστάσεις τεμαχίου	 115 mm (L) x 3 mm (W) x 3 mm (H)  115 mm (L) x 3 mm (ø)
Mjerene vrijednosti određene su prema EN 62841 Ponderirana razina tlaka zvuka	Izmerjene vrednosti določene v skladu s standardom EN 62841 A-izmerjena raven zvočnega tlaka	Namerané hodnoty určené podľa EN 62841 Vážená A hladina akustického tlaku	Измерени стойности, определени в съответствие с EN 62841. Ниво на шумово налягане с равнище А	Вимірні значення шуму визначаються відповідно до EN 62841: А-зважений рівень звукового тиску	EN 62841 ile uyumlu olarak belirlenen ölçülen değerler A ağırlıklı ses basınç seviyesi	Οι υπολογισμένες τιμές καθορίστηκαν σύμφωνα με το EN 62841 Α-σταθμισμένο επίπεδο πίεσης ήχου	$L_{WA} = 91,5 \text{ dB(A)}$
Neodređenost K	Nedoloč. K	Odhýľka K	Промениливост (К)	Невизначеність К	Belirsizlik K	Αβεβαιότητα Κ	3 dB(A)
Mjerene vrijednosti određene su prema EN 62841 Ponderirana razina zvučne snage	Izmerjene vrednosti določene v skladu s standardom EN 62841 A-izmerjena raven zvočne moči	Namerané hodnoty určené podľa EN 62841 Vážená A hladina akustického tlaku	Измерени стойности, определени в съответствие с EN 62841 Ниво на силата на шума с равнище А	Вимірні значення шуму визначаються відповідно до EN 62841: А-зважений рівень звукової потужності	EN 62841 ile uyumlu olarak belirlenen ölçülen değerler A ağırlıklı ses gücü seviyesi	Οι υπολογισμένες τιμές καθορίστηκαν σύμφωνα με το EN 62841 Α-σταθμισμένο επίπεδο έντασης ήχου	$L_{WA} = 104,5 \text{ dB(A)}$
Neodređenost K	Nedoloč. K	Odhýľka K	Промениливост (К)	Невизначеність К	Belirsizlik K	Αβεβαιότητα Κ	3 dB(A)
Zamjena dijelova:	Nadomestni deli:	Náhradné diely:	Смяна на части:	Запасні частини	Yedek parçalar:	Ανταλλακτικά:	
Rezna ploča	Rezilini žagin list	Rezaci kotúč	Режущ диск	Відрізний диск	Kesme diski	Τροχός κοπής	COSB355A1
Ugljična četka	Grafična ščetka	Uhlíková keřka	Въглинена четка	Вугільна щітка	Karbon fırça	Ανθρακική ψήκτρα	5131031610





## EN WARNING

The declared noise emission value(s) have been measured in accordance with a standard test method of EN 62841-1 and EN 62841-3-10, and may be used for comparing one tool with another.

The declared noise emission value(s) may also be used in a preliminary assessment of exposure.

The noise emissions during actual use of the power tool can differ from the declared values depending on the ways in which the tool is used especially what kind of workpiece is processed.

Identify safety measures to protect the operator that are based on an estimation of exposure in the actual conditions of use (taking account of all parts of the operating cycle such as the times when the tool is switched off and when it is running idle in addition to the trigger time).

Wear ear protectors. Exposure to noise can cause hearing loss.

## IT AVVERTENZE

I valori di emissione sonora dichiarati che sono stati misurati in base a un metodo di prova standardizzato di EN 62841-1 e EN 62841-3-10, possono essere utilizzati per confrontare uno strumento con un altro.

I valori sonori dichiarati possono inoltre essere utilizzati in una valutazione preliminare dell'esposizione.

Le emissioni sonore durante l'uso effettivo dell'elettrotensile possono differire dai valori dichiarati a seconda delle modalità in cui lo strumento è utilizzato, soprattutto in base al tipo di pezzo trattato.

Identificare le misure di sicurezza per proteggere l'operatore in base alla valutazione dell'esposizione nelle attuali condizioni d'uso (tenendo conto di tutte le parti del ciclo operativo come il numero di volte in cui lo strumento viene spento e quando gira al minimo, oltre al tempo di attivazione).

Indossare una protezione dell'udito. L'esposizione prolungata al rumore senza protezione può causare danni all'udito.

## FR AVERTISSEMENT

Les valeurs d'émission sonore déclarées ont été mesurées en suivant la procédure de test standard des normes EN 62841-1 et EN 62841-3-10, et peuvent être utilisées pour comparer les différents outils.

Les valeurs d'émission sonore déclarées peuvent aussi servir à une évaluation préliminaire d'exposition au bruit.

Les émissions sonores lors de l'utilisation d'un outil électrique peuvent être différentes des valeurs déclarées en fonction de la méthode d'utilisation de l'outil, surtout selon le type de la pièce qui est traitée.

Identifiez les mesures de sécurité pour protéger l'opérateur en fonction de l'estimation de l'exposition dans les conditions d'utilisation réelles (en tenant compte de toutes les phases du cycle de fonctionnement, notamment les périodes pendant lesquelles l'outil est éteint et celles où il fonctionne au ralenti, en plus du temps de déclenchement).

Portez des protections auditives. L'influence du bruit peut provoquer la surdité.

## NL WAARSCHUWING

De opgegeven geluidsemissiewaarde(n) is (zijn) gemeten volgens een standaard testmethode van EN 62841-1 en EN 62841-3-10 en kan (kunnen) worden gebruikt om het ene gereedschap met het andere te vergelijken.

De opgegeven geluidswaarde(n) kan (kunnen) ook worden gebruikt bij een voorafgaande beoordeling van de blootstelling.

De geluidsemissie tijdens het feitelijke gebruik van het elektrische gereedschap kan afwijken van de opgegeven waarden, afhankelijk van de manier waarop het gereedschap wordt gebruikt, in het bijzonder welk werkstuk wordt ingezet.

Identificeer veiligheidsmaatregelen om de bediener te beschermen op basis van een schatting van de blootstelling in de werkelijke gebruiksomstandigheden (rekening houdend met alle onderdelen van de werkingscyclus, zoals de tijden waarop het apparaat wordt uitgeschakeld en wanneer het naast de activeringstijd stationair draait).

Draag gehoorbescherming. Blootstelling aan geluid kan het gehoor beschadigen.

## DE WARNUNG

Die ausgewiesenen Geräuschemissionswerte wurden gemäß einer Standardtestmethode von EN 62841-1 und EN 62841-3-10 gemessen und können zum Vergleich von Werkzeugen verwendet werden.

Die ausgewiesenen Geräuschemissionswerte können auch für die Erstbewertung der Emission verwendet werden.

Geräuschemissionen während des Betriebs des Elektrowerkzeugs können sich, abhängig von der Verwendung des Werkzeugs und insbesondere des Werkstücks, von den ausgewiesenen Werten unterscheiden.

Legen Sie die Sicherheitsmaßnahmen fest, die den Bediener basierend auf einer Schätzung der Belastung unter tatsächlichen Einsatzbedingungen schützen (unter Berücksichtigung aller Phasen des Betriebszyklus, beispielsweise die Zeiten, wenn das Werkzeug aus- und eingeschaltet ist und sich zusätzlich zur Startzeit im Leerlauf befindet).

Tragen Sie einen Gehörschutz. Die Einwirkung von Lärm kann Gehörverlust bewirken.

## PT AVISO

Os valores da emissão de ruído declarados foram medidos de acordo com um método de teste padrão das normas EN 62841-1 e EN 62841-3-10 e poderão ser utilizados para comparar uma ferramenta com outra.

Os valores de ruído declarados também poderão ser utilizados numa avaliação da exposição preliminar.

As emissões de ruído durante a utilização real da ferramenta elétrica podem ser diferentes dos valores declarados, dependendo das formas como a ferramenta é utilizada e, particularmente, que tipo de peça de trabalho é processada.

Identifique medidas de segurança para proteger o operador com base numa estimativa da exposição nas condições de utilização reais (considerando todas as partes do ciclo de operação, tal como os períodos em que a ferramenta está desligada e quando está a funcionar ao ralenti, bem como o tempo de acionamento do gatilho).

Use proteção auditiva. A influência de ruídos pode causar surdez.

## ES ADVERTENCIA

Los valores de emisiones de ruido declarados se han medido conforme a un método de prueba estándar de EN 62841-1 y EN 62841-3-10, y se pueden usar para comparar una herramienta con otra.

Los valores de ruido declarados se pueden usar en una evaluación de exposición preliminar.

Las emisiones de ruido durante el uso actual de la herramienta eléctrica pueden diferir de los valores declarados en función de las maneras en las que se usa la herramienta, especialmente el tipo de pieza de trabajo que se está procesando.

Identificar las medidas de seguridad para proteger al operario en función del cálculo de exposición en las condiciones actuales de uso (teniendo en cuenta todas las piezas del ciclo operativo como las veces que se apaga la herramienta y cuando funciona al ralenti además del tiempo del gatillo).

¡Utilice protecciones auditivas. La exposición a niveles de ruido excesivos puede causar pérdida de audición.

## DA ADVARSEL

De angivne støjemissionsværdier er målt i overensstemmelse med en standardtestmetode i EN 62841-1 og EN 62841-3-10 og kan bruges til at sammenligne et værktøj med et andet.

De angivne støjværdier kan også anvendes i en foreløbig vurdering af eksponeringen.

Støjniveauet under selve brugen af elværktøjet kan afvige fra de deklarerede værdier afhængigt af, hvordan værktøjet bruges, især hvad slags emne behandles.

Identificer sikkerhedsforanstaltninger for at beskytte operatøren ud fra et estimat af eksponering under de aktuelle anvendelsesbetingelser (under hensyntagen til alle dele af drifts cyklussen, som f.eks. de tider, hvor værktøjet er slukket, og når det kører tomgang ud over udløserens tid).

Brug høreværn. Støjpåvirkning kan berive tab af hørelse.







## SV VARNING

De angivna brusnivåerna har mätts i enlighet med en standard testmetod enligt SE 62841-1 och SE 62841-3-10, och kan användas för att jämföra ett verktyg med ett annat.

De angivna brusnivåerna kan även användas i en preliminär exponeringsbedömning. Brusnivåerna vid verklig användning av elverktyget kan skilja sig från de angivna värdena beroende på vilket sätt verktyget används på, särskilt när det kommer till vilken typ av arbetsstycke som bearbetas.

Identifiera säkerhetsåtgärder för att skydda operatören baserat på en uppskattad exponering under verkliga användningsförhållanden (med betraktande av alla delar av driftcykeln såsom när verktyget stängs av och när det körs i tomgångsläge, förutom utlösningstiden).

Använd hörselskydd. Bullerbelastning kan orsaka hörselskador.

## FI VAROITUS

Ilmoitetut melutasot on mitattu vakioestimenetelmän EN 62841-1 ja EN 62841-3-10 mukaisesti, ja niitä voidaan käyttää työkalujen vertailussa.

Ilmoitettuja melutasoja voidaan käyttää myös altistumisen ennakoarvioinnissa.

Sähkötyökalun käytön aikaiset todelliset melutasot voivat poiketa ilmoitettua arvoista riippuen siitä, miten työkalua käytetään ja erityisesti siitä, minkä tapaisia työkalupaletta työstetään.

Tunnista turvakeinot, joiden avulla työntekijää suojataan, todellisten käyttöolosuhteiden altistusarvon perusteella (ota huomioon käyttöajon kaikki osat, kuten ajat, joina työkalu on pois päältä ja milloin se on joutokäynnissä laukaisujalan lisäksi).

Käytä kuulosuojaimia. Altistuminen melulle voi vahingoittaa kuuloa.

## NO ADVARSEL

De erklærte utslippsverdiene har blitt målt i samsvar med en standardtestmetode i henhold til EN 62841-1 og EN 62841-3-10, og kan brukes til å sammenligne et verkøy med et annet.

De erklærte støyverdiene kan også brukes i en preliminær eksponeringsvurdering. Støyutslippene under faktisk bruk av det elektriske verktøyet kan skille seg fra de erklærte verdiene avhengig av måten verktøyet brukes på, spesielt i henhold til hvilke materiale som behandles.

Identifiser sikkerhetstiltak for å beskytte operatøren basert på en beregning av eksponering i de faktiske bruksforholdene (ta i vurdering alle deler i driftssyklusen, slik som tidene da verktøyet er avslått og når det kjører i tomgang i tillegg til utløsningstiden).

Bruk hørselsvern. Støy kan føre til tap av hørselen.

## RU ОСТОРОЖНО!

Заявленные уровни шумового воздействия получены с использованием метода, предусмотренного стандартами EN 62841-1 и EN 62841-3-10, и могут применяться для сравнения инструментов.

Заявленные уровни шума также могут применяться в ходе предварительной оценки общего воздействия.

Фактическая шумность работающего электроинструмента может отличаться от заявленных значений в зависимости от условий использования, в частности от обрабатываемого материала.

Меры безопасности оператора должны определяться с учетом примерного воздействия в фактических условиях эксплуатации (принимая во внимание все этапы рабочего цикла, например, периоды отключения инструмента и работы на холостом ходу).

Используйте средства защиты органов слуха. Воздействие шума может привести к потере слуха.

## PL OSTRZEŻENIE

Deklarowany(-e) poziom(y) emisji hałasu został(y) zmierzony(-e) zgodnie ze znormalizowaną metodą badania opisaną w normach EN 62841-1 i EN 62841-3-10 i może(-ga) być wykorzystywany(-e) do porównywania poszczególnych narzędzi.

Deklarowany(-e) poziom(y) hałasu można również wykorzystywać do wstępnej oceny narażenia.

Emisja hałasu podczas rzeczywistego użytkowania narzędzia z napędem może różnić się od deklarowanych wartości w zależności od sposobu jego użytkowania, a w szczególności w zależności od rodzaju obrabianego przedmiotu.

Należy zidentyfikować środki bezpieczeństwa w celu ochrony operatora w oparciu o szacunkową ocenę narażenia w rzeczywistych warunkach użytkowania (z uwzględnieniem wszystkich etapów cyklu operacyjnego, takich jak włączanie, przestój przy włączonym silniku czy rozruch).

Nosić ochronę słuchu. Narażenie na hałas może spowodować utratę słuchu.

## CS VAROVÁNÍ

Udávané hodnoty akustické hladiny hluku byly změněny s využitím standardních zkušebních metod podle ustanovení norem EN 62841-1 a EN 62841-3-10 a lze je použít na porovnání hlučnosti různého nářadí.

Udávané hodnoty hlučnosti lze také využít k předběžnému vyhodnocení účinků na osoby.

Skutečná hlučnost se může od udávaných hodnot lišit v závislosti na způsobu používání nářadí, obzvláště na druhu obrobku.

Určete bezpečnostní opatření na ochranu obsluhu na základě odhadnutého účinku za podmínek konkrétního používání (při zohlednění všech součástí provozního cyklu, například kromě obrábění také když je nářadí vypnuto nebo běží na volnoběh).

Používejte ochranu sluchu. Působením hluku může dojít k poškození sluchu.

## HU FIGYELMEZTETÉS

A közölt zajkibocsátási érték(ek)et az EN 62841-1 és EN 62841-3-10 szabványos tesztfével mérték, és ez(ek) alapján az egyik szerszám összehasonlítható egy másikkal.

A közölt zajszintérték(ek) alapján előzetesen felmérhető a kitettség mértéke.

A szerszám tényleges használatá során kibocsátott zajszint a szerszám használati módjától, különösen a feldolgozott munkadarabtól függően eltérhet.

A tényleges használati körülmények miatti kitettségi szint alapján állapítsa meg a kezelő védelméhez szükséges biztonsági intézkedéseket (vegye figyelembe a működési ciklus összes részét, pl. a szerszám kikapcsolási és újrásárlási idejét, valamint az indítási időt).

Viseljen hallásvédelmet. A fokozott zajhatás hosszú távon a hallás elvesztését eredményezheti.

## RO AVERTISMENT

Valoarea declarată a emisiei de zgomot a fost măsurată în conformitate cu o metodă de testare standard EN 62841-1 și EN 62841-3-10, și poate fi utilizată pentru compararea uneltor.

Valoarea de zgomot declarată poate fi utilizată și pentru evaluarea preliminară a expunerii.

Emisiile de zgomot în timpul utilizării efective a unelei electrice pot fi diferite față de valorile declarate în funcție de modul în care este utilizată unealta și în special de tipul de piesă prelucrată.

Identificați măsurile de siguranță pentru protecția operatorului, pe baza unei estimări a expunerii în condițiile reale de lucru (având în vedere toate părțile ciclului de funcționare, precum perioadele când unealta este oprită și când funcționează la ralanti, plus perioada de activare).

Purtați protecție pentru urechi. Expunerea la zgomot poate produce pierderea auzului.





## LV BRĪDINĀJUMS

Deklarētais radīto trokšņu līmeņa vērtība(s) ir mērīta saskaņā ar standartā testa metodēm, kas aprakstītas EN 62841-1 un EN 62841-3-10, un var tikt izmantotas viena instrumenta salīdzināšanai ar citu.

Deklarētais trokšņu vērtība(s) var tikt izmantotas arī sākotnējai ietekmes novērtēšanai.

Trokšņu līmeņi faktiskās elektroinstrumenta lietošanas laikā var atšķirties no deklarētās vērtības, atkarībā no veida, kādā instruments tiek izmantots, un it sevišķi, kāds materiāls tiek apstrādāts.

Nosakiet drošības pasākumus, lai aizsargātu lietotāju, pamatojoties uz ietekmes aplēsi faktiskajos apstākļos (ņemot vērā visas darba cikla daļas, piemēram laiku, kad instruments ir izslēgts un kad tas darbojas tukšgaitā papildu izmantošanas laikam).

Valkājiet dzirdes aizsarglīdzekļus. Ausu pakļaušana trokšņa iedarībai var izraisīt dzirdes traucējumus.

## LT ĮSPĖJIMAS

Deklaruoti keliama triukšmo vertė(-ės) nustatyta(-os) atsižvelgiant į standartinį EN 62841-1 ir EN 62841-3-10 bandymo metodą, todėl ja(jas) galima palyginti su kitų elektrinių įrankių keliamu triukšmu.

Deklaruota keliamo triukšmo vertė(-ės) taip pat gali būti naudojama(-os) preliminariam triukšmo poveikiui įvertinti.

Faktiškai naudojant elektrinį įrankį, keliamo triukšmo lygis gali skirtis nuo paskelbtosios vertės, priklausomai nuo būdų, kuriais yra naudojamas šis įrankis, ir ypač nuo to, koks ruošinys yra apdirbamas.

Siekiant apsaugoti naudotoją, būtina įvertinkite saugos priemonės, remdamiesi triukšmo poveikiu įvertinimu esant faktinėms naudojimo sąlygoms (atsižvelgdami į visas darbo ciklo dalis, pavyzdžiui, ne tik kiek laiko įrankis veikia, bet ir kiek kartų jis yra išjungiamas bei kai jis veikia be aprovų).

Naudokite klausos apsaugos priemones. Jei ausų neapsaugosite, galite prarasti klausą.

## ET HOIATUS

Deklarēritud mūrataseme vāartus(ed) no mōōdetud vastavalt standarti EN 62841-1 ja EN 62841-3-10 standarttesti meetodile ja seda saab kasutada tōōriistade vōrdlemiseks.

Deklarēritud mūrataseme vāartust (vāartuseid) saab kasutada ka kokkuupuute eelhinnaugaks.

Elektritōōriista kasutamisega kaasnev mūratase vōib erineda deklarēritud vāartustest, sōltuvalt tōōriista kasutamise viisist, eriti sellest, millist toorikut tōōdeldatakse.

Tehke kindlaks ohutusmeetmed, et kaitsta operaatorit vastavalt tegelike kasutustingimuste hinnangule (vōttes arvesse kōiki tōōtsūkli osasid, nāiteks tōōriista vāljāililitamise aegu ja vabakāigul tōōtamise aega lisaks kāivitamise ajale).

Kandke kuuldekaitset. Tugev mūra vōib pōhjustada kuulmiskaotuse.

## HR UPOZORENJE

Deklarirane vrijednosti emisije buke izmjerene su u skladu sa standardnom ispitnom metodom normi EN 62841-1 i EN 62841-3-10, i mogu se koristiti za usporedbu jednog alata s drugim.

Deklarirana vrijednost buke može se koristiti i za preliminarnu procjenu izlaganja. Emisije buke tijekom trenutnog korištenja električnog alata mogu se razlikovati od deklariranih vrijednosti ovisno o načinima korištenja alata, osobito o vrsti obrade radnog komada.

Utvrđite sigurnosne mjere za zaštitu rukovatelja na temelju procjene izlaganja u sadašnjim uvjetima korištenja (vođeći računa o svim dijelovima radnog ciklusa kao što su vremena isključivanja alata i kada alat radi u praznom hodu uz vrijeme okidanja).

Nosite zaštitu za sluh. Izlaganje buci može izazvati gubitak sluha.

## SL OPOZORILO

Navedene vrednosti oddajanja hrupa so bile izmerjene v skladu s standardno testno metodo v EN 62841-1 in EN 62841-3-10 in se lahko uporabljajo za medsebojno primerjavo orodij.

Navedene vrednosti oddajanja hrupa ase lahko uporabijo tudi za predhodno oceno izpostavljenosti.

Emisije hrupa med dejansko uporabo električnega orodja so lahko drugačne od navedenih vrednosti, kar je odvisno od načinov uporabe orodja in predvsem vrste obdelovanja.

Varnostne ukrepe za zaščito operaterja ugotovite na podlagi ocene izpostavljenosti v dejanskih pogojih uporabe (pri čemer upoštevajte vse dele cikla uporabe, to je čas dejanske uporabe in tudi čas, v katerem je orodje izklopljeno in ko teče v prostem teku).

Uporabljajte zaščito sluha. Izpostavljenost hrupu lahko povzroči izgubo sluha.

## SK VAROVANIE

Udāvané hodnoty emisií hluku boli namerané v ťáľade so štandardným spôsobom testovania podľa normy EN 62841-1 a EN 62841-3-10 a môžu sa používať na porovnávanie jednotlivých nástrojov.

Udāvané hodnoty hluku sa môžu tiež používať na predbežné posúdenie expozície.

Emisie hluku počas skutočného používania električného náradia sa môžu od udāvaných hodnôt líšiť v závislosti od spôsobov používania náradia, hlavne od opracovaného obrobku.

Identifikujte bezpečnostné opatrenia s cieľom chrániť obsluhu na základe približného stanovenia expozície v aktuálnych podmienkach používania (pri zohľadnení všetkých súčastí prevádzkového cyklu; okrem času spustenia zohľadnite aj časy vypnutia náradia a jeho spustenia na voľnobehu).

Používajte ochranu sluchu. Vystavovanie hluku môže spôsobiť stratu sluchu.

## BG ВНИМАНИЕ

Посочените стойности на шумовите емисии са измерени по стандартен тестов метод на EN 62841-1 и EN 62841-3-10 и могат да се използват за сравняване на един инструмент с друг.

Посочените стойности на шума могат да се използват също така и при предварителна оценка на излагането.

Шумовите емисии по време на действителната употреба на електрическа инструмент може да се различават от посочените стойности в зависимост от начините, по които се използва инструментът, и по-специално от вида на обработвания детайл.

Идентифициране на мерките за безопасност за защита на оператора въз основа на излагането в действителните условия на употреба (като се вземат предвид всички части на работния цикъл, като напр. времето, през което инструментът е изключен и когато работи на празен ход в допълнение към времето на работа).

Носете антифони. Излагането на шум може да причини увреждане на слуха.

## UK ПОПЕРЕДЖЕННЯ

Заявлені значення випромінювання шуму було виміряно у відповідності зі стандартним методом випробування згідно EN 62841-1 та EN 62841-3-10, і можуть бути використані для порівняння одного інструменту з іншим.

Заявлені значення шуму також можуть бути використані при попередній оцінці впливу.

Викиди шуму при фактичному використанні електроінструменту можуть відрізнятись від заявлених значень залежно від способів використання інструменту, особливо того, який вид оброблюваної деталі обробляється.

Визначити заходи безпеки для захисту оператора на основі оцінки впливу в реальних умовах використання (з урахуванням всіх частин робочого циклу, таких як час, коли інструмент вимикається і коли він працює на холостому ходу на додаток до часу вмикання).

Носіть захист слуху. Вплив шуму може призвести до втрати слуху.



## TR UYARI

Açıklanan gürültü emisyon değeri/değerleri EN 62841-1 ve EN 62841-3-10 uyumlu standart test yöntemleriyle ölçülmüş olup, bir aleti diğeriyle karşılaştırmak için kullanılabilir.

Açıklanan gürültü değeri/değerleri maruz kalma ön değerlendirmesi için de kullanılabilir.

Aletin kullanıma yöntemleri ve özellikle işlenen parçanın türüne bağlı olarak, elektrikli aletin fiili kullanımı sırasındaki gürültü emisyonları açıklanan değerlere göre farklılık gösterebilir.

Operatörü korumak için, işletme döngüsünün bütün safhalarını (çalışma süresine ilave olarak aletin çalıştırılmadığı ve boşta çalıştırıldığı süreler de dahil) göz önünde bulundurarak fiili kullanım koşullarındaki maruz kalma tahminini temel alıp gerekli güvenlik önlemlerini belirleyin.

Kulak tıkacı kullanın. Gürültüye maruz kalmak işitme kaybına neden olabilir.

## EL ΠΡΟΕΙΔΟΠΟΙΗΣΗ

Οι δηλωθείσες τιμές εκπομπής θορύβου έχουν μετρηθεί σύμφωνα με μια τυπική μέθοδο δοκιμών των προτύπων EN 62841-1 και EN 62841-3-10 και μπορούν να χρησιμοποιηθούν για τη σύγκριση ενός εργαλείου με ένα άλλο.

Η δηλωθείσα τιμή θορύβου μπορεί επίσης να χρησιμοποιηθεί σε προκαταρκτική εκτίμηση της έκθεσης.

Οι εκπομπές θορύβου κατά τη διάρκεια της πραγματικής χρήσης του ηλεκτρικού εργαλείου μπορεί να διαφέρουν από τις δηλωθείσες τιμές ανάλογα με τους τρόπους με τους οποίους χρησιμοποιείται το εργαλείο, και ιδίως το είδος του κατεργαζόμενου τεμαχίου.

Προσδιορίστε τα μέτρα ασφαλείας για την προστασία του χειριστή με βάση την εκτίμηση της έκθεσης στις πραγματικές συνθήκες χρήσης (λαμβάνοντας υπόψη όλα τα μέρη του κύκλου λειτουργίας, όπως είναι οι χρόνοι κατά τις οποίες το εργαλείο είναι απενεργοποιημένο και όταν βρίσκεται σε αδρανή κατάσταση επιπροσθέτως του χρόνου πυροδότησης).

Φοράτε προστατευτικά ακοής. Η επίδραση θορύβου μπορεί να προκαλέσει απώλεια ακοής.

## EN RYOBI® WARRANTY APPLICATION CONDITIONS

In addition to any statutory rights resulting from the purchase, this product is covered by a warranty as stated below.

1. The warranty period is 24 months for consumers and commences on the date the product was purchased. This date has to be documented by an invoice or other proof of purchase. The product is designed and dedicated to consumer and private use only. So there is no warranty provided in case of professional or commercial use. This warranty applies only on new products.
2. There is a possibility to extend for a part of the range of power tools (AC/DC) the warranty period over the period described above using the registration on the [www.ryobitools.eu](http://www.ryobitools.eu) website. The eligibility of products for extended warranty is clearly displayed in stores and / or on packaging and is contained within the product documentation. The end user is required to register his/her newly-acquired products online within 30 days from the date of purchase. The end user may register for the extended warranty in his/her country of residence if listed on the online registration form where this option is valid. Furthermore, end users must give their consent to the storage of their personal data that is required to be entered online. They must also accept the terms and conditions. The registration confirmation receipt, which is sent out by e-mail, and the original invoice showing the date of purchase will serve as proof of the extended warranty.
3. The warranty covers all defects of the product during the warranty period due to faults in workmanship or material at the purchase date. The warranty is limited to repair and/or replacement and does not include any other obligations including but not limited to incidental or consequential damages. The warranty is not valid if the product has been misused, used contrary to the instruction manual, or has been incorrectly connected to a power supply. This warranty does not apply to:
  - any damage to the product that is the result of improper or lack of maintenance
  - any product that has been altered or modified
  - any product where original identification (trade mark, serial number) markings have been defaced, altered or removed
  - any damage caused by non-observance of the instruction manual
  - any product not displaying the CE approval mark on the rating plate
  - any product that has been attempted to be repaired by a non-authorized warranty service centre or without prior authorisation by Techtronic Industries
  - any product connected to improper power supply (amps, voltage, frequency)
  - any damage caused by external influences (water, chemical, physical, shocks) or foreign substances
  - normal wear and tear spare parts
  - inappropriate use, overloading of the tool
  - use of non-approved accessories or parts
  - Power tool accessories provided with the tool or purchased separately, including but not limited to screw driver bits, drill bits, abrasive discs, sand paper and blades, lateral guide, etc.
  - Components (parts and accessories) subject to natural wear and tear, including but not limited to service & maintenance kits, carbon brushes, bearings, chuck, SDS drill bit attachment or reception, power cord, auxiliary handle, transport carry case, sanding plate, dust bag, dust exhaust tube, felt washers, impact wrench pins & springs, etc.
4. For servicing, the product must be sent or presented to a RYOBI authorised service station listed for each country in the following list of service station addresses. In some countries your local RYOBI dealer undertakes to send the product to the RYOBI service organisation. When sending a product to a RYOBI service station, the product should be safely packed without any dangerous contents such as petrol, marked with sender's address and accompanied by a short description of the fault.
5. A repair / replacement under this warranty is free of charge. It does not constitute an extension or a new start of the warranty period. Exchanged parts or products become our property. In some countries delivery charges or postage will have to be paid by the sender. Your statutory rights arising from the purchase of the product remain unaffected.
6. This warranty is valid in the European Community, Switzerland, Iceland, Norway, Liechtenstein, Turkey and Russia. Outside these areas, please contact your authorised RYOBI dealer to determine if another warranty applies.

### AUTHORISED SERVICE CENTRE

To find an authorised service centre near you, visit <http://uk.ryobitools.eu/header/service-and-support/service-agents>

## FR RYOBI® CONDITIONS D'APPLICATION DE LA GARANTIE

En plus des droits statutaires liés à l'achat, ce produit est couvert par une garantie telle que décrite ci-dessous.

1. La durée de la garantie accordée au consommateur est de 24 mois à partir de la date d'achat. Cette date doit être authentifiée par une facture ou toute autre preuve d'achat. Le produit a été conçu en vue d'une utilisation strictement privée. Aucune garantie ne s'applique donc en cas d'utilisation professionnelle ou commerciale.
2. Il existe pour une partie de la gamme d'outils électroportatifs (AC/DC), une possibilité d'étendre la période de garantie au-delà de la période précédemment décrite en utilisant le formulaire d'enregistrement présent sur le site Internet [www.ryobitools.eu](http://www.ryobitools.eu). L'éligibilité d'un outil est clairement affichée dans les points de vente et/ou sur l'emballage et la documentation. L'utilisateur final doit enregistrer son/ses outil(s) nouvellement acheté(s) en ligne dans les 30 jours qui suivent la date d'achat. L'utilisateur a la possibilité de s'enregistrer pour l'extension de garantie dans son pays de résidence si celui-ci est listé dans le formulaire d'enregistrement en ligne où cette option est valide. L'utilisateur final doit donner son consentement pour l'enregistrement des données requises pour accéder au site et doit accepter les termes et conditions. La confirmation d'enregistrement, envoyée par courrier électronique, ainsi que la facture originale mentionnant la date d'achat serviront de preuve de l'extension de garantie.
3. La garantie couvre pendant la période de garantie les défauts des produits liés à la fabrication et aux matériaux à la date d'achat. La garantie est limitée à la réparation et/ou au remplacement et n'inclut aucune autre obligation, tel que, mais sans s'y limiter, les dommages accessoires ou indirects. La garantie est non valable en cas de mauvaise utilisation du produit, d'utilisation contraire aux instructions du mode d'emploi, ou en cas de branchement incorrect. Cette garantie ne s'applique pas pour :
  - tout dommage au produit résultant d'un mauvais entretien
  - tout produit ayant été altéré ou modifié
  - tout produit dont les marquages originaux d'identification (marque, numéro de série) ont été dégradés, altérés ou retirés
  - tout dommage causé par le non-respect des instructions du mode d'emploi
  - tout produit non CE
  - tout produit ayant subi une tentative de réparation par du personnel non qualifié ou sans autorisation préalable de Techtronic Industries
  - tout produit raccordé à une alimentation secteur non conforme (ampérage, voltage, fréquence)
  - tout dommage causé par des influences extérieures (chimiques, physiques, chocs) ou par des substances étrangères
  - l'usure normale des pièces consommables
  - une utilisation inappropriée, une surcharge de l'outil
  - l'utilisation de pièces ou accessoires non agréés
  - accessoires de l'outil électrique fournis avec l'outil ou achetés séparément. Cela comprend notamment les mandrins, les charbons, adaptateurs SDS, les cordons d'alimentation, les poignées auxiliaires, les mallettes de transport, les plateaux de ponçage, les sacs collecteurs de poussière, les tubes d'extraction de poussière, les carrés de clé à choc, etc.
4. Si le produit doit être réparé, envoyez-le à un service après-vente agréé RYOBI dont vous trouverez ci-dessous la liste pour chaque pays. Dans certains pays, votre revendeur RYOBI se chargera d'envoyer le produit à un centre de réparation RYOBI. Lorsque vous envoyez un produit à un service après-vente RYOBI, celui-ci doit être correctement emballé, sans contenir aucun produit dangereux tel que de l'essence, et vous devez indiquer votre adresse ainsi qu'une courte description du problème.
5. Une réparation / un remplacement sous garantie est gratuit(e). Ceci ne constituera pas une extension de garantie ni un nouveau départ de la période de garantie. Les pièces ou les outils remplacés deviennent notre propriété. Dans certains pays, les frais de port devront être assumés par l'expéditeur. Vos droits statutaires restent inchangés.
6. Cette garantie est valable au sein de l'Europe, de la Suisse, de l'Islande, de la Norvège, du Liechtenstein, de la Turquie, de la Russie. En dehors de ces zones, veuillez contacter votre distributeur agréé RYOBI pour déterminer si une autre garantie s'applique.

### SERVICE APRÈS-VENTE AGRÉÉ

Pour trouver le service après-vente agréé le plus proche, rendez-vous sur <http://fr.ryobitools.eu/header/service-and-support/service-agents>.

## DE RYOBI® GARANTIEBEDINGUNGEN

Zusätzlich zu den gesetzlichen Rechten aus dem Kauf gilt für dieses Produkt die nachstehend aufgeführte Garantie.

- Der Garantiezeitraum beträgt für Verbraucher 24 Monate und beginnt mit dem Datum des Kaufs. Dieses Datum muss durch eine Rechnung oder einen anderen Kaufbeleg dokumentiert werden. Dieses Produkt wurde ausschließlich zur privaten Nutzung durch Verbraucher entwickelt. Für den Fall einer professionellen bzw. kommerziellen Nutzung besteht daher keine Garantie.
- Es besteht die Möglichkeit, für einen Teil des Sortiments der Elektrogeräte (AC/DC) den Garantiezeitraum über den oben genannten Zeitraum hinaus zu verlängern, indem der Verbraucher die Registrierung auf der Website [www.ryobitools.eu](http://www.ryobitools.eu) durchführt. Die Berechtigung der Werkzeuge für die Garantieverlängerung ist deutlich im Geschäft und/oder auf der Verpackung beschrieben und in der Produktdokumentation erwähnt. Der Verbraucher muss das neu erworbene Gerät online innerhalb von 30 Tagen ab dem Kaufdatum registrieren. Der Verbraucher kann das Gerät zwecks Garantieverlängerung in seinem Wohnsitzland/Heimatland registrieren, wenn dieses Land auf dem Online-Registrierungsformular aufgeführt ist und die Option gültig ist. Darüber hinaus muss der Verbraucher seine Zustimmung zur Speicherung der Daten geben, die online eingegeben werden müssen, und er muss die allgemeinen Geschäftsbedingungen akzeptieren. Die Bestätigung der Registrierung, die per E-Mail versandt wird, und die Originalrechnung mit dem Kaufdatum gelten als Beleg für die Garantieverlängerung.
- Die Garantie deckt alle Defekte des Geräts während des Garantiezeitraums ab, die auf zum Zeitpunkt des Kaufs bestehende Verarbeitungs- oder Materialfehler zurückzuführen sind. Die Garantie beschränkt sich auf Reparatur und/oder Ersatz und beinhaltet keine anderen Verpflichtungen, insbesondere keinen Schadenersatz für Folge- oder Nebenschäden. Die Garantie gilt nicht, wenn das Gerät fehlerhaft eingesetzt wurde, gegenseitlich zur Bedienungsanleitung eingesetzt wurde oder falsch angeschlossen wurde. Die Garantie gilt nicht für Folgendes:
  - Schäden am Gerät, die auf unkorrekte Wartung zurückzuführen sind
  - Geräte, an denen Veränderungen vorgenommen wurden
  - Produkte, bei denen die ursprüngliche Identifizierung (Handelsmarke, Seriennummer) unleserlich gemacht, verändert oder entfernt wurde
  - Schäden durch Nichtbeachtung der Bedienungsanleitung
  - nicht-CE-zertifizierte Geräte
  - Geräte, an denen durch nicht-qualifizierte Personen oder ohne vorherige Genehmigung von Techtronic Industries Reparaturversuche vorgenommen wurden
  - Geräte, die an unkorrekte Energiequellen (Ampere, Volt, Frequenz) angeschlossen wurden
  - Schäden durch äußere Einflüsse (chemisch, physisch, Stöße) oder Fremdstoffe
  - normaler Verschleiß von Ersatzteilen
  - unangemessene Nutzung, Überlastung des Geräts
  - Nutzung nicht genehmigter Zubehörteile oder Ersatzteile
  - mit dem Gerät gelieferte oder separat erworbene Zubehörteile. Dieser Ausschuss beinhaltet, ist aber nicht beschränkt auf Schraubendreher-Bits, Bohreinsätze, Schleifscheiben, Sandpapier und Klingen, Seitenführungen
  - Komponenten (Ersatzteile und Zubehörteile), die natürlichen und normalen Verschleißerscheinungen unterworfen sind, einschließlich aber nicht beschränkt auf: Service- und Wartungssätze, Kohlebürsten, Lager, Spannfutter, SDS-Bohreraufnahme /Bit-Adapter, Netzkabel, Zusatzhandgriff, Transportkoffer, Schleifteller, Staubbeutel, Staubabsaugrohr, Filzunterlegscheiben, Bolzen und Federn von Schlagschraubern usw.
- Zum Service muss das Gerät zu einer von RYOBI autorisierten Servicestation gebracht oder dorthin gesendet werden. Die Servicestationen für die einzelnen Länder sind in der folgenden Liste aufgeführt. In einigen Ländern sendet Ihr RYOBI-Händler vor Ort das Gerät an das RYOBI-Serviceunternehmen. Beim Einsenden an die RYOBI-Servicestation sollte das Gerät sicher verpackt sein, ohne gefährliche Inhalte wie Benzin, und es sollte mit der Adresse des Absenders und einer kurzen Beschreibung des Fehlers versehen sein.
- Eine Reparatur bzw. ein Ersatz gemäß dieser Garantie ist kostenlos. Hieraus ergibt sich weder eine Garantieverlängerung noch der Beginn eines neuen Garantiezeitraums. Die ausgetauschten Ersatzteile oder Werkzeuge gehen in unser Eigentum über. In einigen Ländern müssen die Zustellgebühren oder die Versandkosten vom Absender gezahlt werden. Ihre gesetzlichen Rechte aus dem Kauf des Geräts bleiben hiervon unberührt.
- Diese Garantie gilt in der Europäischen Union, der Schweiz, Island, Norwegen, Liechtenstein, der Türkei und Russland. Bitte wenden Sie sich außerhalb dieser Gebiete an Ihren autorisierten RYOBI-Händler, um festzustellen, ob eine andere Garantie gilt.

### AUTORISIERTER KUNDENDIENST

Besuchen Sie <http://de.ryobitools.eu/header/service-and-support/service-agents>, um einen autorisierten Kundendienst in Ihrer Nähe zu finden.

## ES CONDICIONES DE APLICACIÓN DE LA GARANTÍA DE RYOBI®

Además de cualquier derecho legal derivado de la compra, este producto está cubierto por una garantía que se indica a continuación.

- El periodo de garantía es de 24 meses para consumidores y comienza en la fecha en que se comprara el producto. Dicha fecha debe documentarse con una factura u otro comprobante de compra. El producto está diseñado y concebido únicamente para el uso privado del consumidor. Por lo tanto, no se ofrece garantía en caso de uso profesional o comercial.
- Existe la posibilidad de ampliar el periodo de garantía respecto a una parte de la gama de herramientas eléctricas (CA/CC) durante el periodo descrito más arriba y mediante el registro en el sitio web [www.ryobitools.eu](http://www.ryobitools.eu). La elegibilidad de las herramientas para que se amplíe el periodo de garantía se muestra claramente en las tiendas o en el embalaje y está incluida en la documentación del producto. El usuario final tiene que registrar en línea sus herramientas recientemente adquiridas en un plazo de 30 días a partir de la fecha de compra. El usuario final podrá registrarse para obtener la garantía ampliada en su país de residencia si este aparece en la lista del formulario de registro en línea cuando esta opción sea válida. Además, los usuarios finales deberán dar su consentimiento al almacenamiento de los datos necesarios para el acceso en línea y tienen que aceptar los términos y condiciones. El recibo de confirmación de registro, que se envía por correo electrónico, y la factura original que muestra la fecha de compra servirán como comprobante para la garantía ampliada.
- La garantía cubre todos los defectos del producto durante el periodo de garantía debido a fallos de mano de obra o material en la fecha de compra. La garantía se limita a la reparación o sustitución y no incluye ninguna otra obligación como, por ejemplo, daños accidentales o consecuentes. La garantía no es válida si se ha usado mal el producto, se ha usado contraviniendo el manual de instrucciones o se ha conectado de forma incorrecta. Esta garantía no es aplicable a:
  - ningún daño en el producto que sea consecuencia de un mantenimiento inadecuado
  - ningún producto que haya sido alterado o modificado
  - ningún producto en el que los marcados de identificación originales (marca comercial, número de serie) se hayan borrado, modificado o eliminado
  - ningún daño provocado por no seguir el manual de instrucciones
  - ningún producto que no sea CE
  - ningún producto que haya sufrido un intento de reparación por parte de un profesional no cualificado o sin la autorización previa de Techtronic Industries.
  - ningún producto conectado a un suministro eléctrico inadecuado (amperios, voltaje, frecuencia)
  - ningún daño causado por influencias externas (químicas, físicas, impactos) o sustancias extrañas
  - desgaste normal de piezas de repuesto
  - uso inadecuado, sobrecarga de la herramienta
  - uso de accesorios o piezas no aprobados
  - Accesorios de herramientas eléctricas proporcionados con la herramienta o comprados por separado. Tales exclusiones incluyen, entre otros, brocas de destornilladores, brocas de taladro, discos abrasivos, papel de lija y cuchillas, y guías laterales
  - Componentes (piezas y accesorios) sujetos a un desgaste natural, que incluyen, entre otros, equipos de servicio y mantenimiento, escobillas de carbono, cojinetes, pinzas, accesorio o recepción de broca de taladro SDS, cable eléctrico, manillar auxiliar, bolsa de transporte, hoja lijadora, bolsa de polvo, tubo de escape de polvo, disco de fieltro, pasadores y resortes de llave de impacto, etc.
- Para su mantenimiento, el producto debe enviarse o presentarse a una estación de servicio de RYOBI autorizada que figure en la siguiente lista de direcciones de estaciones de servicio por países. En algunos países, su distribuidor RYOBI local se responsabiliza de enviar el producto a la compañía de servicio de RYOBI. Cuando se envíe un producto a una estación de servicio de RYOBI, este debe estar empaquetado de forma segura sin contenidos peligrosos como gasolina, marcado con la dirección del remitente y acompañado de una breve descripción del fallo.
- Una reparación / sustitución con esta garantía es gratuita. No constituye una ampliación ni un nuevo comienzo del periodo de garantía. Las piezas o herramientas intercambiadas pasan a ser de nuestra propiedad. En algunos países, los gastos de envío o correo tendrán que pagarlos el remitente. Sus derechos legales derivados de esta compra de la herramienta no se verán afectados.
- Esta garantía es válida en la Unión Europea, Suiza, Islandia, Noruega, Liechtenstein, Turquía y Rusia. Fuera de estas zonas, póngase en contacto con su distribuidor de RYOBI autorizado para determinar si es aplicable otra garantía.

### SERVICIO TÉCNICO AUTORIZADO

Para encontrar el servicio técnico autorizado más cercano, visite <http://es.ryobitools.eu/header/service-and-support/service-agents>

## IT CONDIZIONI DI VALIDITÀ DELLA GARANZIA RYOBI®

In aggiunta ai diritti di legge risultanti dall'acquisto, il prodotto è coperto dalla garanzia sotto descritta.

- Il periodo di garanzia è di 24 mesi per i consumatori, a decorrere dalla data di acquisto del prodotto. La data deve essere documentata da una fattura o altra prova d'acquisto. Il prodotto è progettato e destinato solo all'utilizzo privato dei consumatori. Pertanto non viene fornita alcuna garanzia in caso di uso professionale o commerciale.
- Per una serie di utensili elettrici (CA/CC) è possibile prolungare il periodo di garanzia oltre quello descritto, registrandosi sul sito web [www.ryobitools.eu](http://www.ryobitools.eu). Gli utensili per i quali è possibile prolungare il periodo di garanzia sono chiaramente indicati nei negozi e/o sulle confezioni e nella documentazione dei prodotti. L'utente deve registrare online l'utensile acquistato entro 30 giorni dalla data di acquisto. L'utente può registrarsi per la garanzia prolungata nel proprio paese di residenza, se questo è elencato nel modulo di registrazione online dove questa opzione sia valida. Inoltre gli utenti devono fornire il proprio consenso alla conservazione dei dati da immettere online e devono accettare le condizioni generali. La conferma di registrazione, inviata tramite e-mail, e la fattura originale indicante la data di acquisto, costituiscono la prova della garanzia prolungata.
- La garanzia copre tutti i difetti del prodotto durante il periodo di garanzia, risultati da manodopera o materiali alla data di acquisto. La garanzia è limitata alla riparazione e/o sostituzione e non include alcun altro obbligo quali, a mero titolo esemplificativo, i danni incidentali o consequenziali. La garanzia non è valida se il prodotto è stato usato scorrettamente, in modo contrario al manuale di istruzioni o se è stato collegato in modo errato. La garanzia non è valida per:
  - qualsiasi danno al prodotto dovuto a manutenzione errata;
  - qualsiasi prodotto che sia stato alterato o modificato;
  - qualsiasi prodotto le cui marcature di identificazione originali (marchi di fabbrica, numero di serie) siano state cancellate, alterate o rimosse;
  - qualsiasi danno causato dalla non osservanza delle istruzioni del manuale;
  - qualsiasi prodotto privo di omologazione CE;
  - qualsiasi prodotto che sia stato sottoposto a un tentativo di riparazione da parte di un professionista non qualificato oppure senza la previa autorizzazione di Techtronic Industries;
  - qualsiasi prodotto collegato a un'alimentazione errata (per ampere, tensione, frequenza);
  - qualsiasi danno causato da influenze esterne (chimiche, fisiche, urti) o sostanze estranee;
  - la normale usura delle parti di ricambio;
  - uso inappropriato, sovraccarico dell'utensile;
  - uso di accessori o parti non omologate;
  - accessori per utensili elettrici forniti con l'utensile o acquistati separatamente. Questa esclusione comprende, a mero titolo esemplificativo, punte per cacciaviti, punte per trapani, dischi abrasivi, carta vetrata, lame e guide laterali;
  - componenti (parti e accessori) soggetti alla normale usura compresi, a mero titolo esemplificativo, kit di servizio e manutenzione, spazzole al carbonio, cuscinetti, mandrini, attacchi per punte a vite autopoterforante, cavi di alimentazione, maniglie ausiliarie, custodie di trasporto, piastre di levigatura, sacchetti per la polvere, tubi di scarico della polvere, rondelle di feltro, perni e molle per avvitatori ecc.
- Per la manutenzione il prodotto dev'essere spedito o portato presso uno dei centri assistenza autorizzati RYOBI elencati per ogni paese nel seguente elenco di indirizzi dei centri. In alcuni paesi il rivenditore locale RYOBI si incarica di inviare il prodotto all'organizzazione di assistenza RYOBI. Quando si invia un prodotto a un centro assistenza RYOBI, imballarlo in modo sicuro senza contenuti pericolosi come la benzina, apporre l'indirizzo del mittente e accompagnarlo da una breve descrizione del guasto.
- La riparazione/sostituzione ai sensi della presente garanzia è gratuita. Non costituisce un prolungamento o un nuovo inizio del periodo di garanzia. Le parti o gli utensili scambiati diventano di nostra proprietà. In alcuni paesi i costi di consegna o di spedizione postale devono essere pagati dal mittente. I diritti di legge derivanti dall'acquisto dell'utensile rimangono inalterati.
- La presente garanzia è valida in Unione Europea, Svizzera, Islanda, Norvegia, Liechtenstein, Turchia e Russia. Al di fuori di tali aree contattare il rivenditore autorizzato RYOBI per sapere se è valida un'altra garanzia.

### CENTRO SERVIZI AUTORIZZATO

Per individuare il più vicino centro servizi autorizzato, visitare il sito <http://it.ryobitools.eu/header/service-and-support/service-agents>.

## NL RYOBI® GARANTIEVOORWAARDEN

Naast de wettelijke rechten die voortvloeien uit de aankoop, wordt dit product gedekt door een garantie, zoals hieronder staat vermeld.

- De garantietermijn voor consumenten bedraagt 24 maanden en gaat in op de datum waarop het product is gekocht. Deze datum moet worden gedocumenteerd met een factuur of een ander aankoopbewijs. Het product is uitsluitend ontworpen en bedoeld voor persoonlijk gebruik door consumenten. Er wordt dus geen garantie gegeven voor professioneel of commercieel gebruik.
- Voor een deel van ons aanbod van elektrische gereedschappen (AC/DC) is het mogelijk om de garantietermijn te verlengen over de boven beschreven termijn, met behulp van de website [www.ryobitools.eu](http://www.ryobitools.eu). De gereedschappen die in aanmerking komen voor de verlenging van de garantietermijn wordt duidelijk weergegeven in winkels en/of verpakkingen en staat beschreven in de productdocumentatie. De eindgebruiker moet zijn/haar nieuw gekochte gereedschappen binnen 30 dagen na aankoop online registreren. De eindgebruiker kan zich registreren voor de verlengde garantietermijn als zijn woonland staat vermeld op het online registratieformulier waar deze optie geldt is. Bovendien moeten eindgebruikers toestemming geven voor de opslag van de gegevens die online ingevuld moeten worden en moeten ze de algemene voorwaarden accepteren. Het ontvangstbewijs van de registratie, dat per e-mail wordt verzonden en de oorspronkelijke factuur met de aankoopdatum vormt het bewijs van de verlengde garantietermijn.
- De garantie dekt tijdens de garantietermijn alle gebreken van het product vanwege defecten in vakmanschap of materiaal op de aankoopdatum. De garantie is beperkt tot reparatie en/of vervanging en bevat geen andere verplichtingen, waaronder maar niet beperkt tot incidentele of gevolgschade. De garantie is niet geldig als het product is misbruikt, in strijd met de gebruiksaanwijzing wordt gebruikt of onjuist is aangesloten. Deze garantie geldt niet voor:
  - alle schade aan het product die het gevolg is van onjuist onderhoud
  - elk product dat is veranderd of aangepast
  - elk product waar de oorspronkelijke identificatie (handelsmerk, serienummer) is beschadigd, gewijzigd of verwijderd
  - alle schade die is veroorzaakt door het niet opvolgen van de gebruiksaanwijzing
  - elk niet-CE-product
  - elk product waar een poging tot reparatie is gedaan door een niet-erkende professional of zonder voorafgaande toestemming door Techtronic Industries.
  - elk product dat is verbonden met een verkeerde voeding (amperage, spanning, frequentie)
  - alle schade die is veroorzaakt door externe invloeden (chemisch, fysisch, schokken) of vreemde stoffen
  - normale slijtage van reserveonderdelen
  - ongepast gebruik, overbelasting van het gereedschap
  - gebruik van niet-goedgekeurde accessoires of onderdelen
  - gereedschapsaccessoires die bij het gereedschap worden geleverd of afzonderlijk zijn aangeschaft. Zulke uitzonderingen bevatten, maar niet beperkt tot schroevendraaierbits, boorbits, slijpschijven, schuurpapier en zagen, laterale geleiding
  - Componenten (onderdelen en accessoires) die onderhevig zijn aan natuurlijke slijtage, waaronder maar niet beperkt tot service-onderhoudsets, koolstofborstels, lagers, boorkoppen, SDS boorbitbevestigingen of ontvangers, stroomsoeren, hulpgrepen, transporttassen, schuurplateaus, stofzakken, stofafvoerbuizen, viltlingen, pennen en veren van slagmoerleutels, etc.
- Voor onderhoud moet het product worden verzonden of gebracht naar een erkend servicestation van RYOBI die voor elk land staan vermeld in de volgende lijst met adressen voor servicestations. In sommige landen zal uw lokale RYOBI-dealer het product verzenden naar de RYOBI-serviceorganisatie. Wanneer u het product naar een servicestation van RYOBI verzendt, moet het product veilig worden verpakt zonder enige gevaarlijke inhoud, zoals benzine, met het adres van de afzender en vergezeld van een korte beschrijving van het defect.
- Een reparatie/vervanging die onder deze garantie valt is gratis. Het vormt geen verlenging of een nieuwe start van de garantietermijn. Verwisselde onderdelen of gereedschappen worden ons eigendom. In sommige landen moeten de verzendkosten door de afzender worden betaald. Uw wettelijke rechten die voortvloeien uit de aankoop van het gereedschap blijven onaangetaast.
- Deze garantie is geldig in de Europese Gemeenschap, Zwitserland, Usland, Noorwegen, Liechtenstein, Turkije en Rusland. Buiten deze gebieden moet u contact opnemen met uw erkende RYOBI-dealer om vast te stellen of er een andere garantie van toepassing is.

### GEAUTORISEERD ONDERHOUDSCENTRUM

Om een geautoriseerd onderhoudscentrum in uw buurt te vinden, surf u naar <http://nl.ryobitools.eu/header/service-and-support/service-agents>.

## PT CONDIÇÕES DE APLICAÇÃO DA GARANTIA RYOBI®

Para além de quaisquer direitos previstos por lei resultantes da compra, este produto está coberto por uma garantia conforme descrição abaixo.

- O período da garantia é de 24 meses para consumidores particulares e inicia-se na data de compra do produto. Esta data tem de ser documentada por uma factura ou por outra prova de compra. O produto foi concebido para e destina-se apenas a consumidores particulares e uso privado. Assim, não é dada garantia em caso de utilização por profissionais ou uso comercial.
- Para uma parte da gama de ferramentas eléctricas (AC/DC) existe a possibilidade de prolongamento do período da garantia para além do período descrito acima, mediante registo no Web site [www.ryobitools.eu](http://www.ryobitools.eu). A elegibilidade das ferramentas para prolongamento do período da garantia é claramente visível nas lojas e/ou nas embalagens e está contida na documentação do produto. O utilizador final tem de fazer o registo online das suas ferramentas recém-adquiridas no prazo de 30 dias após a data de compra. O utilizador final pode fazer o registo para prolongamento da garantia no seu país de residência, desde que esteja listado no formulário de registo online e para os casos em que esta opção seja válida. Para além disso, os utilizadores finais têm de autorizar o armazenamento dos dados cujo preenchimento lhes for solicitado online e têm de aceitar os termos e as condições. O recibo de confirmação do registo é enviado por e-mail e, em conjunto com a factura original ostentando a data de compra, servirá de prova do prolongamento da garantia.
- A garantia cobre todos os defeitos do produto durante o período da garantia devidos a defeitos de fabrico ou de material à data da compra. A garantia está limitada à reparação e/ou substituição e não inclui quaisquer outras obrigações, incluindo mas não se limitando a, perdas complementares ou indirectas. A garantia não é válida se o produto tiver sido utilizado incorrectamente, utilizado de forma contrária ao Manual de Instruções ou se as respectivas ligações tiverem sido feitas incorrectamente. Esta garantia não se aplica ao seguinte:
  - quaisquer danos ao produto que sejam resultado de manutenção incorrecta
  - qualquer produto que tenha sido alterado ou modificado
  - qualquer produto cujas marcações de identificação de origem (marca comercial, número de série) tiverem sido apagadas, alteradas ou retradas
  - quaisquer danos causados pelo incumprimento do Manual de Instruções
  - qualquer produto que não seja da Comunidade Europeia
  - qualquer produto ao qual tenha sido feita, ou tentada fazer, uma reparação por outra pessoa que não um profissional habilitado ou sem autorização prévia da Techtronic Industries.
  - qualquer produto ligado a uma fonte de alimentação eléctrica incorrecta (Amperes, Voltagem e Frequência)
  - qualquer dano causado por influências externas (químicas, físicas, impactos) ou substâncias estranhas
  - desgaste e degradação normal de sobresselentes
  - utilização incorrecta, sobrecarga da ferramenta
  - utilização de acessórios ou peças não aprovados
  - acessórios para ferramentas eléctricas fornecidos com a ferramenta ou comprados em separado. Estas exclusões incluem mas não se limitam a, pontas de aparafusadora, brocas, discos abrasivos, papel de lixa e lâminas, guia lateral
  - Componentes (peças e acessórios) sujeitos a desgaste e degradação natural, incluindo mas não se limitando a, Kits de Assistência e Manutenção, escovas de carvão, roletamentos, bucha, acessórios ou recepções de brocas SDS, cabos eléctricos, pegas auxiliares, estojos de transporte, placas de lixagem, sacos de poeiras, tubos de saída de poeiras, anilhas de feltro, pinos e molas da aparafusadora de impacto, etc.
- Para assistência, o produto tem de ser enviado para, ou apresentado em, um posto de assistência autorizado RYOBI, conforme listado para cada país na lista de moradas de postos de assistência seguinte. Nalguns países, o seu concessionário RYOBI local encarrega-se de enviar o produto para a organização de assistência RYOBI. Quando enviar um produto para um posto de assistência RYOBI, o produto deve ser embalado de forma segura, sem conter nenhuns conteúdos perigosos (por exemplo, gasolina), marcado com o endereço do remetente e acompanhado por uma breve descrição da avaria.
- Uma reparação/substituição ao abrigo desta garantia é gratuita. Não constitui um prolongamento a, nem um novo início de, o período da garantia. As peças ou ferramentas substituídas tornam-se propriedade nossa. Em alguns países, o remetente terá de pagar os custos de entrega ou a remessa postal. Os seus direitos previstos por lei resultantes da compra da ferramenta mantêm-se inalterados
- Esta garantia é válida na Comunidade Europeia, Suíça, Islândia, Noruega, Liechtenstein, Turquia e Rússia. Fora destas áreas, entre em contacto com o seu concessionário autorizado RYOBI para determinar se existe outra garantia aplicável.

## CENTRO DE ASSISTÊNCIA AUTORIZADO

Para encontrar um centro de assistência autorizado próximo de si, visite <http://pt.ryobitools.eu/header/service-and-support/service-agents>.

## DA RYOBI® BETINGELSER FOR GARANTI

Udover lovbestemte rettigheder, som resulterer af købet, er dette produkt dækket af en garanti, som anført herunder.

- Garantiperioden er 24 måneder for forbrugere og begynder på den dato, som produktet blev købt. Denne dato skal dokumenteres af en faktura eller andet bevis for køb. Produktet er udelukkende designet og dedikeret til forbrugere og privat brug. Så der ydes ingen garanti i tilfælde af professionel eller kommerciel brug.
- Der er en mulighed for at forlænge garantiperioden for en del af udvalget af elværktøj (AC/DC), hen over den ovenfor beskrivne periode vha. registrering på hjemmesiden [www.ryobitools.eu](http://www.ryobitools.eu). Rettigheden af værktøjet til forlængelse af garantiperioden er tydeligt vist i butikker og/eller på emballage/og indeholdt i produktokumentationen. Slutbrugeren skal registrere hans/hendes nyligt indkøbte værktøj online indenfor 30 dage efter købsdatoen. Slutbrugeren kan registrere sig for den forlængede garanti i sit land, hvis han/hun er opført på den online registreringsformular, hvor denne mulighed er gyldig. Derudover skal slutbrugere give deres samtykke til at opbevare data, som er påkrævet at indtaste online, og de er nødt til at acceptere vilkår og betingelser. Registreringsbekræftelseskvitteringen, som sendes ud på e-mail, og den originale faktura, som viser købsdatoen, vil fungere som bevis for den forlængede garanti.
- Garanti dækker alle defekter, som et produkt måtte have i løbet af garantiperioden, og som skyldes produktionsfejl eller materialefejl på købsdatoen. Garantien er begrænset til reparation og/eller udskiftning og inkluderer ikke andre forpligtelser, inklusiv men ikke begrænset til tilfældige skader eller følgeskader. Garantien er ugyldig, hvis produktet er blevet misbrugt, brugt uden at overholde vejledningen, eller det er blevet forkert tilsluttet. Denne garanti gælder ikke:
  - Beskadigelse af produktet, som er et resultat af uegnet vedligeholdelse
  - Et produkt der er blevet ændret eller modificeret
  - Et produkt hvor de originale identifikationsmærkninger (varemærke, serienummer) er blevet ødelagt, ændret eller fjernet.
  - Enhver beskadigelse forårsaget af manglende overholdelse af vejledningen
  - Ethvert ikke CE-produkt
  - Ethvert produkt som er blevet forsøgt repareret af en ukvalificeret professionel eller uden tidligere autorisation af Techtronic Industries.
  - Ethvert produkt som er tilsluttet uegnet strømforsyning (ampere, spænding, frekvens)
  - Enhver skade forårsaget af ekstern påvirkning (kemisk, fysisk, chok) eller fremmedelementer
  - Normal slid på reservedele
  - Uegnet brug, overbelastning af værktøjet
  - Brug af ikke-godkendt tilbehør eller dele
  - Elværktøjstilbehør som leveres med værktøjet eller købes separat. Sådanne undtagelser inkluderer men er ikke begrænset til skruetrækkerbits, bor, bits, slibeværk, sandpapir og klinger, sidestyrt
  - Komponenter (dele og tilbehør) som er udsat for naturligt slid og ælde, inklusiv men ikke begrænset til Service- og vedligeholdelsessæt, kulbrøster, lejer, bøsninger, påsætning eller modtagelse af SDS-bor, El ledning, hjælpehåndtag, transporttaske, sandplade, støvpose, støvudstødningslange, filtskiver, nåle og fjedre slagngøle etc.
- For eftersyn skal produktet sendes til eller præsenteres for en RYOBI-autoriseret service værksted, som er oplyst for hvert land i den følgende liste over service værksted adresser. I nogle lande påtager din lokale RYOBI-forhandler sig ansvaret for at sende produktet til RYOBI-serviceorganisationen. Når et produkt sendes til en RYOBI-service værksted, skal det pakkes sikkert ind uden noget farligt indhold som benzin, mærkes med afsenderens adresse og med en kort beskrivelse af fejlen.
- En reparation/erstatning under denne garanti er gratis. Den udgør ikke en forlængelse eller en ny start på garantiperioden. Udvekslede dele eller værktøjer bliver vores ejendom. I nogle lande skal leveringsafgifter eller porto betales af afsenderen. Dine lovbestemte rettigheder i forbindelse med købet forbliver uanfægtede
- Denne garanti gælder i EU, Schweiz, Island, Norge, Liechtenstein, Tyrkiet og Rusland. Udenfor disse områder bedes du kontakte din autoriserede RYOBI-forhandler for at afgøre, om en anden garanti gælder.

## AUTORISERED E SERVICE/VERKSTEDER

Find nærmeste autoriserede serviceværksted på <http://dk.ryobitools.eu/header/service-and-support/service-agents>.

## SV RYOBI® ANVÄNDNINGSVILLKOR FÖR GARANTI

Förutom eventuella lagstadgade rättigheter som uppstår genom köpet, täcks den här produkten av en garanti som anges nedan.

- Garantiperioden är 24 månader för konsumenter och börjar gälla från det datum då produkten köptes. Detta datum måste dokumenteras på en faktura eller annat köpbevis. Produkten är utformad och avsedd för konsumenter och privat bruk. Därmed tillhandahålls ingen garanti vid yrkesmässigt eller kommersiellt bruk.
- Det finns möjlighet att förlänga garantiperioden för en del av utbudet för elverktyg (AC/DC) under den period som anges ovan genom att använda registreringen på webbplatsen [www.ryobitools.eu](http://www.ryobitools.eu). De verktyg som är berättigade till en förlängning av garantiperioden visas tydligt i butiker och/eller på förpackningen/och anges i produktdokumentationen. Slut användaren behöver registrera hans/hennes nyförvävade verktyg online inom 30 dagar från köpdatumet. Slut användaren kan registrera sig för den förlängda garantin i det land där han/hon bor om landet finns angivet i registreringsformuläret online och där detta alternativ är giltigt. Dessutom måste slut användaren ge sitt medgivande till lagring av data vilket krävs vid registrering online samt acceptera villkoren. Bekräftelsekvittot för registreringen som skickas ut via e-post och originalfakturan som visas köpdatumet kommer att gälla som bevis för den förlängda garantin.
- Garantin täcker alla produktdefekter under garantiperioden som beror på brister i utförande eller material vid köpdatumet. Garantin är begränsad gällande reparation och/eller utbyte och inkluderar inte några skyldigheter inklusive men inte begränsat till oförutsedda skador eller följskador. Garantin är inte giltig om produkten har missbrukats, använts i strid med bruksanvisningen eller inte anslutits på rätt sätt. Denna garanti täcker inte:
  - eventuella skador på produkten som uppstått till följd av felaktigt underhåll
  - produkter som har ändrats eller modifierats
  - produkter där ursprungliga identifieringsmärkningar (varumärke, serienummer) har målats över, ändrats eller tagits bort
  - eventuella skador som uppstått till följd av att bruksanvisningen inte efterföljts
  - alla icke CE-produkter
  - eventuella produkter som har försöpts repareras av en icke-kvalificerad yrkesman eller utan föregående medgivande från Technronic Industries.
  - eventuella produkter som anslutits till felaktig strömförsörjning (ampere, volt, frekvens)
  - eventuella skador som uppstått till följd av yttre påverkan (kemisk, fysisk, stöt) eller främmande ämnen
  - normalt slitage av reservdelar
  - olämplig användning, överbelastning av verktyget
  - användningen av icke-godkända tillbehör eller delar
  - tillbehör till elverktyg som medföljde verktyget eller köpts separat. Sådana undantag inkluderar men är inte begränsat till skruvmejselbits, borrbits, slipskivor, sandpapper, blad och sidoskena
  - Komponenter (delar och tillbehör) är föremål för naturligt slitage, inklusive men inte begränsat till service- och underhållsatsar, kolborstar, kullager, chuck, tillbehör eller tillhörande SDS-borrbitt, strömsladd, hjälphandtag, transportväska, slipplatta, dammpåse, dammtullblåsar, filterbrickor, stift och fjädrar till mutterdragare osv.
- Vid service måste produkten skickas eller uppvisas för en RYOBI- auktoriserad servicestation som står angiven för varje land i följande adresslista över servicestationer. I vissa länder tar din lokala RYOBI- återförsäljare på sig ansvaret att skicka produkten till RYOBI- serviceorganisationen. När en produkt skickas till en RYOBI- servicestation, ska produkten paketeras säkert utan något farligt innehåll såsom bensin, markeras med avsändarens adress samt en kort beskrivning av felet.
- En reparation/ett utbyte under denna garanti är kostnadsfri. Det utgör inte en förlängning eller förnyelse av garantiperioden. Utbyta delar eller verktyg blir vår egendom. I vissa länder måste leveranskostnader eller porto betalas av avsändaren. Dina lagstadgade rättigheter som härrör från köpet av verktyget förblir opåverkade
- Denna garanti är giltig i Europeiska gemenskapen: Schweiz, Island, Norge, Liechtenstein, Turkiet och Ryssland. Utanför dessa länder, kontakta din auktoriserade RYOBI-återförsäljare för att avgöra om en annan garanti gäller.

### AUKTORISERAT SERVICECENTER

Du hittar närmaste auktoriserade servicecenter genom att gå till <http://se.ryobitools.eu/header/service-and-support/service-agents>.

## FI RYOBI®-TAKUUN SOVELTAMISEHDOT

Tällä tuotteella on oston luomien lakisäästeisten oikeuksien ohella alla mainitun mukainen takuu.

- Takuun kesto on kuluttajille 24 kuukautta ja takuuaika alkaa tuotteen ostohetkestä. Tämän päivämäärän tulee lukea laskussa tai muussa ostotositteessa. Tuote on suunniteltu ja tarkoitettu vain kuluttajien ja yksityiseen käyttöön. Takuu ei siis kata ammatti- eikä kaupallista käyttöä.
- Joidenkin sähkötyökalujen (AC/DC) takuun kesto on mahdollista laajentaa yllä mainittua kestoä pidemmäksi verkkosivuston [www.ryobitools.eu](http://www.ryobitools.eu) rekisteröinnin kautta. Työkalujen kelppisuutta takuujakson laajennukseen näkyy selkeästi myymälöissä ja/tai pakkauksissa ja/ tai tämä tieto sisältyy tuotetodokumentaation. Loppukäyttäjän täytyy rekisteröidä vasta hankitut työkalut internetissä 30 päivän kuluessa ostopäivämäärästä. Loppukäyttäjät voi rekisteröidä laajennetun takuun kotimaassaan, jos se on luetteluna online-rekisteröintilomakkeessa, jossa mainitaan, missä tämä vaihtoehto on voimassa. Loppukäyttäjien täytyy lisäksi hyväksyä tietojen tallennus, jotka heidän täytyy antaa online-tilassa sekä ehdot. Rekisteröinnin vahvistuskuitti, joka lähetetään sähköpostitse, ja alkuperäinen ostopäivämäärän ilmaiseva lasku toimivat laajennetun takuun tositteina.
- Takuu kattaa kaikki tuotteeseen takuuaikana tulevat vauriot, joiden aiheuttajina ovat tuotteessa ostopäivänä olleet valmistus- tai materiaaliavut. Takuu on rajoitettu korjaukseen ja/tai vaihtoon eikä se sisällä mitään muuta velvoitetta mukaan lukien satunnais- ja seurannaisvaurioita, mutta rajoittumatta niihin. Takuu ei päde, jos tuotetta on käyretty väärin, käyttöohjeen vastaisesti tai jos se on liitetty virheellisesti. Tämä takuu ei kata:
  - virheellisestä huollosta johtuvia vaurioita
  - muunnettua tai muutettua tuotetta
  - tuotetta, jonka alkuperäiset tunnistemerkinnät (tavaramerkki, sarjanumero) on turmeltu, muutettu tai poistettu
  - tämän käyttöoppaan laiminlyönnistä johtuvia vaurioita
  - ei-CE-tuotetta
  - tuotetta, jota on yrittänyt korjata epäpätevä ammattilainen tai joka on korjattu ilman Technronic Industriesin emakkoluopaa.
  - tuotetta, joka on liitetty virheelliseen tehohäätteen (ampeirit, jännite, taajuus)
  - ulkoisten vaikutusten (kemiallinen, fyysinen, iskut) tai vieraiden aineiden aiheuttamaa vauriota
  - normaaleja kuluvia vaurioita
  - virheellistä käyttöä, työkalun ylikuormitusta
  - ei-hyväksytyjen tarvikkeiden tai osien käyttöä
  - sähkötyökalun tarvikkeita, jotka on toimitettu työkalun mukana tai ostettu erikseen. Poissuljettuja osia ovat ruuvausterät, poranterät, hiomalaikat, hiekkapaperi ja terät, sivuohjain, näihin kuitenkaan rajoittumatta
  - Luonnollisesti kuluvia komponentteja (osia tai tarvikkeita), joihin sisältyvät huolto- ja kunnossapitoset, hiiliharjat, laakerit, terästäkat, SDS-porien kiinnitin tai istukka, virtajohto, apukahva, kuljetuskotelo, hiomalaikka, pölypussi, pölynpoistoputki, huopatiivisteet, iskunvääntimen pultit ja jouset yms. näihin kuitenkaan rajoittumatta.
- Tuote on lähetettävä huollettavaksi valtuutettuun RYOBI-huoltoon tai näytettävä siellä. Niiden osoitteet kussakin maassa löytyvät seuraavasta luettelosta. Joissakin maissa paikallinen RYOBI-jälleenmyyjä huolehtii tuotteen lähetyksestä RYOBI-huolto-organisaatioon. Kun tuote lähetetään RYOBI-huoltoon, se täytyy pakata hyvin ilman vaarallisia aineita, kuten polttoainetta, ja pakkaukseen täytyy merkitä lähettäjän nimi sekä vain lyhyt kuvaus.
- Takuun kattama korjaus/vaihto on maksuton. Se ei tarkoita takuuaajan laajennusta tai alkamista alusta. Vaihdetut osat tai työkalut siirtyvät valmistajan omistukseen. Joissakin maissa lähettäjän täytyy maksaa lähetyuskustannukset tai postikulut. Työkalun oston luomat lakisäästeiset oikeudet pysyvät koskemattomina
- Tämä takuu on voimassa Euroopan yhteisössä, Sveitsissä, Islannissa, Norjassa, Liechtensteinissä, Turkissa ja Venäjällä. Ota näiden alueiden ulkopuolella yhteyttä omaan valtuutettuun RYOBI-jälleenmyyjään ja selvitä, onko jotain muuta takuuta.

### VALTUUTETTU HUOLTO

Voit etsiä lähimmän valtuutetun huollon sivulta <http://fi.ryobitools.eu/header/service-and-support/service-agents>.



## NO RYOBI® GARANTIBETINGELSER

I tillegg til eventuelle lovbestemte rettigheter som følger av kjøpet, er dette produktet dekket av en garanti som angitt nedenfor.

1. Garantiperioden er 24 måneder for konsumenter og gjelder fra den datoen som produktet ble kjøpt. Denne datoen skal dokumenteres med en faktura eller annet kjøpsbevis. Produktet er designet og beregnet kun til konsument- og privat bruk. Så det gis ingen garanti ved profesjonell eller kommersiell bruk.
2. For en del av utvalget av elektriske verktøy (AC/DC) er det mulighet til å utvide garantiperioden i den perioden som er beskrevet ovenfor ved bruk av registreringen på nettsidene [www.ryobitools.eu](http://www.ryobitools.eu). Kvalifiseringen av verktøyene for en utvidelse av garantiperioden er tydelig vist i butikker og/eller på pakningen / og finnes innen produktdokumentasjonen. Sluttbrukeren må registrere sine nylig anskaffede verktøy online innen 30 dager etter kjøpsdato. Sluttbrukeren kan registrere seg for den utvidede garantien i sitt land hvis det er opplistet på online registreringsskjemaet der dette alternativet er gyldig. Videre må sluttbrukere gi sitt samtykke til oppbevaring av dataene som kreves for å gå online, og de må godta vilkår og betingelser. Registreringsbekreftelsen, som sendes ut på e-post, og den originale fakturaen som viser kjøpsdato, vil tjene som bevis for den utvidede garantien.
3. Garantien dekker alle defekter i produktet under garantiperioden på grunn av defekter i utførelse eller materiale på kjøpsdato. Garantien er begrenset til å reparere og/eller erstatte og inkluderer ikke noen andre forpliktelser, inkludert, men ikke begrenset til, tilfældige eller følgesmessige skader. Garantien er ikke gyldig hvis produktet har blitt misbrukt, brukt på annen måte enn det som beskrives i bruksanvisningen eller er koblet til på feil måte. Denne garantien gjelder ikke for:
  - enhver skade på produktet som er resultat av utlilstrøkkelig vedlikehold
  - ethvert produkt som har blitt endret eller modifisert
  - ethvert produkt der de originale identifiseringsmerkene (varemerke, serienummer) har blitt uleselig, er endret eller fjernet
  - enhver skade som forårsakes av ikke-overholdelse av instruksjonshåndboken
  - ethvert ikke-CE-produkt
  - ethvert produkt som har blitt forsøkt reparert eller av en ikke-kvalifisert fagperson eller uten tidligere autorisasjon fra Techtronic Industries.
  - ethvert produkt tilkoblet feil strømforsyning (ampere, spenning, frekvens)
  - enhver skade som er forårsaket av eksterne påvirkninger (kjemiske, fysiske, støt) eller fremmede stoffer
  - normal slitasje og sliteresvedeler
  - feil bruk, overbelastning av verktøyet
  - bruk av ikke-godkjent tilbehør eller deler
  - Elektrisk verktøytilbehør levert med verktøyet eller kjøpt separat. Slike ekskluderinger, inkludert, men ikke begrenset til skrutrekkkerbits, drillbits, slipedisker, sandpapir og blader, lateral føring
  - Komponenter (deler og tilbehør) som er utsatt for naturlig slitasje, inkludert, men ikke begrenset til service- og vedlikeholdssett, karbonborster, lagre, chuck, SDS-borrbifeste eller -mottak, strømledning, hjelpehåndtak, transportbæreske, sandingsplate, støvpose, støvutslippsrør, filtpakninger, støtnøkkelpinner og fjær, osv.
4. For service må produktet sendes eller fremlegges for en RYOBI-autorisert servicestasjon opplistet for hvert land i den følgende listen over servicestasjonsadresser. I noen land sender den lokale RYOBI-forhandleren produktet til RYOBI serviceorganisasjonen. Ved å sende et produkt til en RYOBI servicestasjon skal produktet være sikkert pakket uten noe farlig innhold, slik som bensin, merket med senderens adresse og fulgt av en kort beskrivelse av feilen.
5. En reparasjon/erstatning under denne garantien er gratis. Den utgjør ingen forlengelse eller en ny start av garantiperioden. Utvekslede deler eller verktøy blir vår eiendom. I noen land vil leveringskostnader eller frankering måtte betales av senderen. Dine lovbestemte rettigheter som oppstår fra kjøp av verktøyet forblir uberørt.
6. Denne garantien er gyldig i EU, Sveits, Island, Norge, Liechtenstein, Tyrkia og Russland. Utenfor disse områdene ta kontakt med din autoriserte RYOBI-forhandler om en annen garanti gjelder.

### AUTORISERT SERVICESENTER

For å finne et autorisert servicesenter i nærheten, gå til <http://no.ryobitools.eu/header/service-and-support/service-agents>.

## RU УСЛОВИЯ ПРИМЕНЕНИЯ ГАРАНТИИ НА ПРОДУКЦИЮ RYOBI®

Помимо законных прав, возникающих при покупке, данное изделие покрывается гарантией в соответствии с приведенными ниже пунктами.

1. Гарантийный период для покупателя составляет 24 месяца с даты покупки изделия. Дата покупки должна быть подтверждена полностью заполненным гарантийным талоном и чеком о покупке. Данное изделие предназначено только для частного использования покупателем. Поэтому гарантия не распространяется на использование в профессиональных или коммерческих целях.
2. Предусмотрена возможность продления для части изделий линейки электроинструментов (AC/DC) гарантийного периода с помощью регистрации на сайте [www.ryobitools.eu](http://www.ryobitools.eu). Право инструмента на продление гарантийного периода четко указано в магазинах и / или на упаковке / и содержится в сопутствующей инструменту документации. Конечный пользователь должен зарегистрировать свой приобретенный инструмент в течение 30 дней с даты покупки. Конечный пользователь может зарегистрировать свой инструмент на продление гарантии в стране своего проживания, если она указана в форме онлайн-регистрации. Кроме того, конечный пользователь должен дать свое согласие на хранение данных, которые необходимо ввести в онлайн-форму и принять правила и условия. Подтверждение регистрации, которое вы получите по электронной почте, заполненный гарантийный талон и оригинальный чек, в котором указана дата покупки, будут служить доказательством продленной гарантии.
3. Гарантия покрывает в течение гарантийного периода все дефекты качества или материала изделия на дату покупки. Гарантия ограничена ремонтом и / или заменой и не включает никакие другие обязательства, включая, но не ограничиваясь случайными или косвенными убытками. Гарантия становится недействительной, если изделие использовалось не по назначению, вопреки инструкциям, данным в Руководстве пользователя или было неправильно подключено. Настоящая гарантия не распространяется на:
  - любые повреждения изделия в результате неправильного технического обслуживания или недостаточного ухода за инструментом
  - любые изделия, подвергшиеся изменениям и модификации
  - любые изделия, оригинальные идентификационные отметки которого (торговая марка, серийный номер) были повреждены, изменены или удалены
  - любые повреждения, вызванные несоблюдением инструкций Руководства пользователя
  - любые изделия, не сертифицированные маркировкой "CE" для продажи в Европейском союзе
  - любые изделия, подвергшиеся попыткам ремонта неквалифицированным работником или без предварительного утверждения компанией Techtronic Industries.
  - любые изделия, подключенные к неправильному источнику питания (сила тока, напряжение, частота)
  - любые повреждения, вызванные внешними воздействиями (химические, физические, удары) или посторонними веществами
  - естественный износ запасных деталей
  - несоответствующее использование, перегрузка инструмента
  - использование неутвержденных аксессуаров и неофициальных запасных деталей
  - аксессуары электроинструментов, поставляемые с инструментом или приобретаемые отдельно. К этому списку относятся, но не исчерпывают его: сверла шуруповертов, дрели, абразивные диски, наждачная бумага, лезвия и боковые направляющие компоненты (дзвонки и аксессуары), подверженные естественному износу и развалу, включая, но не ограничиваясь наборы для технического обслуживания, угольные щетки, подшипники, патроны, переходники SDS, кабели питания, дополнительные ручки, футляры для транспортировки, шифовальные подошвы, пылесборники, трубки для отвода пыли, войлочные шайбы, штыри и пружины ударных ключей и др.
4. Для проведения технического обслуживания изделие следует направлять в авторизованные сервисные центры RYOBI, указанные для каждой страны в приведенном ниже списке адресов станций сервисного обслуживания. В некоторых странах местные дилеры RYOBI отправляют изделия в сервисные организации RYOBI. При отправке изделия в сервисный центр RYOBI, изделие должно быть безопасно упаковано и не содержать никаких опасных веществ, таких как бензин, должен быть подписан адрес отправителя и сопровождаться кратким описанием неисправности.
5. Ремонт / замена проводится в рамках настоящей гарантии бесплатно. Он не продлевает гарантию и не начинает новый гарантийный период. Заменяемые детали и инструменты становятся нашей собственностью. В некоторых странах отправитель должен оплачивать стоимость отправки. Ваши законные права, возникшие при покупке инструмента, остаются неизменными.
6. Данная гарантия действительна в Европейском Союзе, Швейцарии, Исландии, Норвегии, Лихтенштейне, Турции и России. Вне указанных территорий обращайтесь к своему авторизованному дилеру RYOBI, чтобы узнать, применяются ли условия каких-либо других гарантий.

### УПОЛНОМОЧЕННЫЙ СЕРВИСНЫЙ ЦЕНТР

Чтобы найти ближайший уполномоченный сервисный центр, обратитесь к веб-сайту <http://ru.ryobitools.eu/header/service-and-support/service-agents>.

## PL WARUNKI GWARANCJI RYOBI®

Oprócz praw ustawowych wynikających z zakupu produkt jest objęty gwarancją, której warunki podano poniżej.

1. Okres gwarancyjny wynosi 24 miesiące dla konsumentów i rozpoczyna się w dniu zakupu produktu. Datę zakupu należy udokumentować fakturą lub innym dowodem zakupu. Produkt został zaprojektowany i jest przeznaczony do użytku konsumenckiego i prywatnego. W związku z tym gwarancja nie obejmuje zastosowań profesjonalnych i komercyjnych.
2. Istnieje możliwość wydłużenia okresu gwarancyjnego dla części asortymentu narzędzi ręcznych z napędem mechanicznym (AC/DC) poprzez zarejestrowanie produktu na stronie internetowej [www.ryobitools.eu](http://www.ryobitools.eu). Kwalifikowalność narzędzi do wydłużenia okresu gwarancyjnego jest wyraźnie określona w sklepach i/lub na opakowaniu oraz w dokumentacji produktu. Użytkownik końcowy musi zarejestrować nowo kupione narzędzia online w ciągu 30 dni od daty zakupu. Użytkownik końcowy może zarejestrować się w celu przedłużenia gwarancji w swoim kraju zamieszkania, jeżeli jest on wymieniony w formularzu rejestracji online, gdzie opcja ta obowiązuje. Ponadto użytkownicy końcowi muszą wyrazić zgodę na przechowywanie danych, wprowadzanych na stronie internetowej i zaakceptować regulamin. Dowodem wydłużenia gwarancji jest wysłane pocztą elektroniczną potwierdzenie rejestracji i oryginał faktury potwierdzającej datę zakupu.
3. Gwarancja obejmuje wszystkie wady produktu ujawnione w okresie gwarancyjnym wynikające usterek wykonania lub materiału obecnego w dniu zakupu. Gwarancja jest ograniczona do naprawy i/lub wymiany i nie obejmuje żadnych innych zobowiązań, w tym między innymi odpowiedzialności za szkody przypadkowe lub wtórne. Gwarancja nie obowiązuje, jeżeli produkt był nieprawidłowo używany, używany niezgodnie z instrukcją lub nie był prawidłowo podłączony. Gwarancja nie obejmuje:
  - uszkodzenia produktu wynikającego z nieprawidłowej konserwacji,
  - produktu, który został zmieniony lub zmodyfikowany,
  - produktu, którego oryginalne oznaczenie (znak towarowy, numer seryjny) zostało zniszczone, zmienione lub usunięte,
  - jakiegokolwiek uszkodzeń wynikających z nieprzestrzegania instrukcji,
  - jakiegokolwiek produktu bez certyfikatu CE,
  - jakiegokolwiek produktu, który próbowano naprawić z pomocą niewykwalifikowanej osoby lub bez uzyskania wcześniejszej zgody firmy Techtronic Industries.
  - jakiegokolwiek produktu podłączonego nie prawidłowego źródła zasilania (nieprawidłowe napięcie prądu, napięcie, częstotliwość),
  - jakiegokolwiek uszkodzeń spowodowanych wpływem czynników zewnętrznych (chemicznych, fizycznych, drgań) lub substancji obcych,
  - normalnego zużycia części zamiennych,
  - nieprawidłowego użycia, przeciążenia narzędzia,
  - stosowania niezatwierdzonych akcesoriów lub części,
  - akcesoriów narzędzi ręcznych z napędem mechanicznym dostarczonych z narzędziem lub kupionych oddzielnie. Takie wykluczenia obejmują, między innymi, wymienne ostrza wkrętaka, wiertła, tarcze cierne, papier ścierny i ostrza, prowadnicę boczną.
  - elementów (części i akcesoriów) podlegających naturalnemu zużyciu obejmujących, między innymi, zestawy do konserwacji i serwisu, szczotki węglowe, łożyska, uchwyt, przystawkę wiertła SDS, gniazdo, przewód zasilania, uchwyt pomocniczy, skrzynię transportową, płytę szlifierską, worek pyłowy, rurę odprowadzania pyłu, podkładki filcowe, kolki i sprężyny klucza udarowego itp.
4. W celu serwisowania produkt należy wysłać lub okazać w autoryzowanym punkcie serwisowym RYOBI znajdującym się na przedstawionym poniżej wykazie punktów serwisowych w poszczególnych krajach. W niektórych krajach lokalny dystrybutor produktów RYOBI podejmuje się wysyłki produktu do centrum serwisowego RYOBI. W przypadku wysyłki do punktu serwisowego RYOBI produkt — pozbawiony jakiegokolwiek niebezpiecznych substancji, na przykład benzyny — należy bezpiecznie zapakować i dołączyć adres nadawcy oraz krótki opis usterek.
5. Naprawa/wymiana w ramach niniejszej gwarancji jest bezpłatna. Nie stanowi jednak o przedłużeniu lub rozpoczęciu od nowa biegu okresu gwarancyjnego. Wymienione części lub narzędzia stają się naszą własnością. W przypadku niektórych krajów nadawca będzie musiał uregulować koszty dostawy lub opłaty pocztowe. Prawa ustawowe wynikające z zakupu narzędzia pozostają niezmienione.
6. Niniejsza gwarancja obowiązuje w Unii Europejskiej, Szwajcarii, Islandii, Norwegii, Liechtensteinie, Turcji i Rosji. Poza tymi obszarami należy skontaktować się z autoryzowanym dostawcą produktów RYOBI i ustalić, czy obowiązuje inna gwarancja.

### AUTORYZOWANY PUNKT SERWISOWY

Najbliższy autoryzowany punkt serwisowy można wyszukać w witrynie internetowej <http://pl.ryobitools.eu/header/service-and-support/service-agents>.

## CS ZÁRUČNÍ PODMÍNKY RYOBI®

Kromě zákonných práv vyplývajících z koupě výrobku se na tento výrobek vztahuje také níže uvedená záruka.

1. Záruční doba pro spotřebitele je 24 měsíců a začíná datem nákupu výrobku. Datum musí být zaznamenáno na fakturě nebo jiném dokladu o koupi. Tento výrobek je navržen a určen pouze pro soukromé účely spotřebitelů. Záruka se tedy nevztahuje na profesionální nebo komerční využití výrobku.
2. U některých elektrických nástrojů (AC/DC) je možné záruční dobu prodloužit. K tomu je nutná registrace na stránkách [www.ryobitools.eu](http://www.ryobitools.eu). Možnost prodloužení záruční doby výrobků je jasně uvedena v prodejních, popř. na obalech nebo v dokumentech o výrobku. Koncový uživatel musí svůj nový nástroj zaregistrovat online do 30 dnů od data nákupu. Koncový uživatel se může k prodloužení záruční doby zaregistrovat v zemi trvalého pobytu, pokud je tato uvedena na internetovém registračním formuláři u výrobku, kde je tato možnost dostupná. Koncoví uživatelé musí dále souhlasit s uložením osobních údajů, která musí zadat na internetu, a přijmout obchodní podmínky. E-mail s potvrzením registrace a původní faktura s datem koupě poslouží jako důkaz o prodloužení záruce.
3. Záruka se vztahuje na veškeré vady na výrobku v rámci záruční doby způsobené výrobními vadami nebo vadami materiálu v době koupě. Záruka je omezena na opravu, popřípadě výměnu a nezahrnuje žádná další povinnosti, včetně mimo jiné vedlejších či následných odškodnění. Záruka neplatí při použití výrobku k nevhodným účelům, v rozporu s uživatelskou příručkou nebo při nesprávném zapojení. Záruka se nevztahuje na:
  - veškeré škody na výrobku způsobené nesprávnou údržbou
  - veškeré produkty, které byly pozměněny nebo upraveny
  - veškeré produkty, kde byly původní identifikační prvky (obchodní značka, sériové číslo) poničeny, pozměněny nebo odstraněny
  - veškeré škody způsobené nedodržením pokynů uživatelské příručky
  - veškeré produkty bez CE certifikace
  - veškeré výrobky, které se pokusil opravit nekvalifikovaný odborník nebo opravy bez předchozího svolení společnosti Techtronic Industries.
  - veškeré produkty zapojené do nesprávného elektrického zdroje (proud, napětí, frekvence)
  - veškeré škody způsobené externími vlivy (chemickými, fyzickými, nárazy) nebo cizími látkami
  - běžné opotřebování dílů
  - nevhodné použití, přetěžování nástroje
  - použití neschválených příslušenství nebo dílů
  - příslušenství k elektrickému nástroji poskytnuté s nástrojem nebo zakoupené samostatně. Tyto výjimky se vztahují mimo jiné na šroubovací bity, vrtáky, brusné disky, brusný papír a čepele, postranní vodičí lišty
  - komponenty (díly a příslušenství) podléhající přirozenému opotřebování, včetně mimo jiné servisních sad, karbonových kartáčů, ložisek, sklíčidla, SDS nástavce na vrtací bity, napájecího kabelu, pomocné rukojeti, přepravního pouzdra, brusné desky, prachového vaku, výfukové prachové trubice, plstěných podložek, západek a pružin rážového utahákového trudu.
4. K provedení servisu musí být výrobek zaslán nebo předán do autorizovaného servisního centra společnosti RYOBI, jejichž adresy jsou uvedeny podle zemí v seznamu servisních center. V některých zemích z vás výrobek pošle servisní organizaci RYOBI sám prodejce výrobků této značky. Při zasílání výrobku do servisního centra RYOBI je potřeba výrobek bezpečně zabalit bez nebezpečného obsahu jako benzín, opatřit adresou odesílatele a přiložit krátký popis závady.
5. Oprava, popř. výměna v rámci této záruky je zdarma. Neznamená to prodloužení nebo začátek nové záruční lhůty. Vyměněné díly nebo nástroje přejdou do našeho vlastnictví. V některých zemích platí poštovné odesílatele. Vaše zákonná práva vyplývající z koupě tohoto nástroje zůstávají nedotčena.
6. Tato záruka platí v Evropském Společenství, Švýcarsku, Norsku, Lichtenštejnsku, Turecku, Rusku a na Islandu. Mimo tato území kontaktujte autorizovaného prodejce značky RYOBI, který zjistí, zda se na výrobek vztahuje jiná záruka.

### POVĚŘENÉ SERVISNÍ STŘEDISKO

Pro nalezení nejbližšího pověřeného servisního střediska navštivte <http://cz.ryobitools.eu/header/service-and-support/service-agents>.

## **HU** A RYOBI® GARANCIA ALKALMAZÁSÁNAK FELTÉTELEI

A vásárlásból adódó törvényben rögzített jogok mellett a termékre az alábbi garancia vonatkozik.

1. A fogyasztói garancia tartama 24 hónap, mely a termék vásárlásának napjával kezdődik. Ezt a dátumot számlával vagy a vásárlást igazoló egyéb dokumentummal kell bizonyítani. A termék rendeltetése csak fogyasztói és magáncéllú használathoz. Ezért professzionális vagy kereskedelmi használat esetén a garancia nem érvényes.
2. A szerszámgépek (egyenáramú/váltóáramú) egy részénél a garancia időtartama a [www.ryobitools.eu](http://www.ryobitools.eu) weblapon regisztrálva meghosszabbítható. Az áruházakban, a csomagolásban, illetve a termék dokumentációjában egyértelműen jelezzük, hogy az adott termék garanciája meghosszabbítható-e. A végfelhasználónak a vásárlás dátumától számított 30 napon belül regisztrálnia kell az újonnan vásárolt szerszámot. A végfelhasználó akkor regisztrálhatja a kiterjesztett garanciára, ha az ország, ahol lakik, fel van sorolva az online regisztrációs űrlapon azon országok között, ahol választható ez az opció. Ezenkívül a végfelhasználónak bele kell egyeznie az online regisztrálás során szükséges adatok tárolásába, és el kell fogadnia a felhasználási feltételeket. A kiterjesztett garanciát a regisztráció beérkezésétől e-mailben küldött visszaigazolás és a vásárlás dátumát tartalmazó eredeti számla igazolja.
3. A garancia a termék vásárlásakor fennálló, a gyártás során keletkezett hibákra és anyaghibákra érvényes a garanciális időtartamon belül. A garancia csak a javításra/cserére korlátozódik, és nem terjed ki semmilyen egyéb kötelezettségre, nem kizárólagosan ideértve a véletlen vagy szándékos rongálást. A garancia nem érvényes, ha a terméket nem megfelelően, a használati utasításban foglaltakkal ellentétben, illetve nem megfelelően csatlakoztatva használták. A garancia nem vonatkozik:
  - a terméket a nem megfelelő karbantartás következtében ért károsodásra
  - megváltoztatott vagy átalakított termékre
  - olyan termékre, melyben az eredeti azonosítókat (védjegy, sorozatszám) megromlották, megváltoztatták vagy eltávolították
  - a használati utasítás be nem tartásából eredő kárra
  - CE jelöléssel nem rendelkező termékekre
  - olyan termékre, melyet nem képzett, illetve a Techtronc Industries által nem fejlesztett szerelvény javított
  - nem megfelelő (áramerősségű, feszültségű, frekvenciájú) áramforrásra csatlakoztatott termékre
  - külső (fizikai, ütés) hatásokból vagy idegen anyagokból eredő károkkra
  - a cserélhető alkatrészek természetes kopására és elhasználódására
  - a szerszám helytelen használatára, túlterhelésére
  - nem jóváhagyott tartozékok és alkatrészek használatára
  - A szerszámmal adott vagy külön megvásárolt tartozékokra. Ilyenek például (de nem kizárólag) a csavarhűzőfejek, fúrószárak, csiszolókorongok, csiszolópapír, kések, oldallirányú terelő.
  - A természetes kopásnak, elhasználódásnak kitett alkatrészek és kiegészítők, például (de nem kizárólag) szerviz- és karbantartókészletek, szénkefék, csapagyak, tokmány, SDS fúrószár csatlakozója, tápkábel, segédfogantyú, szállítók, csiszolólap, porzsák, porvezető cső, ficalátétek, ütőműves csavarbehajtó gép csapszege és rugója stb.
4. A terméket javításra el kell vinni egy meghatalmazott RYOBI szervizbe; ezeket az egyes országokhoz a következő listában találja. Egyes országokban a helyi RYOBI kereskedő vállalja a termék elszállítását a RYOBI szervizbe. A terméket veszélyes tartalom, például benzín nélkül csomagolja, a feladó címét feltüntetve, a hiba rövid leírásával együtt küldje el a RYOBI szervizbe.
5. A jelen garancia hatálya alatt végzett javítás, illetve csere ingyenes. Nem jelenti a garanciális időtartam újraindulását. A kicserélt alkatrészek és szerszámok a mi tulajdonunkba kerülnek. Egyes országokban a szállítás vagy postázás költségét a feladó viseli. A vevőnek a szerszám megvásárlásából adódó törvényes jogai nem változnak.
6. Jelen garancia az Európai Közösségben, Svájcban, Izlandon, Norvégiában, Liechtensteinben, Törökországban és Oroszországban érvényes. E területeken kívül kérdezze meg a RYOBI forgalmazót, hogy milyen garancia van érvényben.

### **HIVATALOS SZERVIZKÖZPONT**

A legközelebbi hivatalos szervizközpont megtalálásához látogasson el a <http://hu.ryobitools.eu/header/service-and-support/service-agents>.

## **RO** CONDIȚII DE APLICARE A GARANȚIEI PENTRU PRODUSELE RYOBI®

În plus față de condițiile statutare rezultate din achiziționarea acestui produs, acesta este acoperit de garanția stipulată mai jos.

1. Perioada de garanție este de 24 de luni pentru consumatori și începe de la data achiziționării produsului. Data de începere a garanției trebuie demonstrată cu o factură sau altă dovadă a cumpărării produsului. Produsul este destinat și conceput doar pentru utilizare în scopuri personale. Din acest motiv, nu se oferă garanție pentru utilizarea sa în scop profesional sau comercial.
2. Există posibilitatea de a extinde a perioadei de garanție pentru gama de unelte electrice (de CA/CC) peste perioada stipulată mai sus prin înscrierea produsului pe [website-ul www.ryobitools.eu](http://www.ryobitools.eu). Eligibilitatea pentru perioada de extindere a garanției este afișată în mod clar în magazinele de vânzare și/sau pe ambalaj sau este inclusă în documentația livrată împreună cu produsul. Utilizatorul final este obligat să-și înregistreze produsul online în termen de maxim 30 de zile de la data achiziției acestuia. Utilizatorul final poate înregistra produsul pentru garanția extinsă oferită în țara sa de rezidență dacă aceasta este listată în formularul de înregistrare online și dacă această opțiune este validă. În plus, utilizatorul final trebuie să-și dea acordul pentru stocarea datelor personale solicitate la înregistrarea online și trebuie să accepte termenii și condițiile. Mesajul de confirmare a înregistrării, trimis prin e-mail și factura originală cu data achiziției vor dovedi perioada de garanție extinsă.
3. Garanția acoperă toate defecțiunile produsului survenite în perioada de garanție datorate defectelor de execuție sau materialelor folosite, începând cu data achiziției acestuia. Garanția este limitată la reparare și/sau înlocuire și nu include alte obligații, inclusiv, dar fără a se limita la daune accidentale sau rezultate pe cale de consecință. Garanția își pierde valabilitatea dacă produsul este utilizat necorespunzător, utilizat neconform cu instrucțiunile de utilizare din manualul cu instrucțiuni sau conectat incorect. Garanția nu se aplică în cazul:
  - oricărei defecțiuni survenite în urma întreținerii necorespunzătoare a produsului
  - oricărui produs alterat sau modificat
  - oricărui produs la care inscripțiile cu datele de identificare (marca comercială, numărul de serie) au fost șterse, modificate sau îndepărtate
  - oricărei defecțiuni datorate neconformării cu instrucțiunile din manualul de utilizare
  - oricărui produs necertificat CE
  - oricărui produs asupra căruia au fost efectuate tentative de reparare de către personal necalificat sau fără autorizație prealabilă din partea Techtronc Industries.
  - oricărui produs conectat la o sursă de alimentare necorespunzătoare (curent, tensiune, frecvență)
  - oricărui defecțiuni datorate unor influențe externe (chimice, fizice, socuri) sau substanțe străine
  - uzurii și fisurării normale a pieselor de rezervă
  - utilizării neadecvate, suprasolicitării uneltei
  - utilizării de piese și accesorii neaprobate
  - accesorilor pentru unelți furnizate odată cu acestea sau achiziționate separat. Acestea excluderă se aplică, dar fără a se limita la următoarele: burghie, biți de șurubelniță, discuri abrazive, hărte abrazive și lame de tăiere, ghidaje laterale
  - Componentele (piese și accesorii) supuse uzurii normale, care includ, fără a se limita la, kituri de întreținere și service, perii de carbon, rulmenți, mandrină, adaptor pentru burghie SDS, cordon de alimentare, manere auxiliare, cutie de transport, placă pentru șlefuit, suport praf, tub pentru evacuarea prafului, discuri de păsă, adaptoare și resorturi pentru cheile de strângere prin vibrație, etc.
4. Pentru efectuarea reparațiilor, produsul trebuie trimis sau adus la un centru de reparații autorizat RYOBI din lista următoare de centre de reparații prezentate pentru fiecare țară. În anumite țări, reprezentantul local RYOBI va trimite produsul spre reparare la sediul central de reparații RYOBI. Atunci când trimiteți produsul spre reparare la un centru de reparații RYOBI, acesta trebuie ambalat în siguranță, fără conținut periculos (cum ar fi benzina), marcat cu adresa expeditorului și însoțit de o scurtă descriere a defectului.
5. Repararea/inlocuirea în perioada de garanție este gratuită. Aceasta nu este însoțită de o prelungire sau o reințiere a perioadei de garanție. Piesele sau uneltele schimbate devin proprietatea dvs. În anumite țări, taxele de expediție sau poștale vor fi suportate de expeditor. Drepturile dvs. statutare rezultate din achiziția produsului rămân neschimbate
6. Această garanție este valabilă în Comunitatea Europeană, Elveția, Islanda, Norvegia, Liechtenstein, Turcia și Rusia. În afara acestor zone, vă rugăm să contactați reprezentantul dvs. local RYOBI pentru a determina dacă se aplică alt tip de garanție.

### **CENTRU DE SERVICE AUTORIZAT**

Pentru a găsi un centru de service autorizat lângă dvs., vizitați <http://uk.ryobitools.eu/header/service-and-support/service-agents>.

## LV RYOBI® GARANTIJAS PIEMĒROŠANAS NOSACĪJUMI

Papildus jebkādam likumiskajām tiesībām, kuras rodas, veicot pirkumu, izstrādājums tiek nodrošināts ar tālāk tekstā noteikto garantiju.

1. Garantijas periods patērētājiem ir 24 mēneši, tā atskaitē tiek sākta no datuma, kurā veikta izstrādājuma iegāde. Šim datumam jābūt dokumentētam rēķinā vai citā pirkumu apliecināšā dokumentā. Izstrādājums ir radīts un paredzēts tikai patērētājam privātai lietošanai. Saistībā ar iepriekšminēto, garantija netiek nodrošināta profesionālas vai komerciālas lietošanas gadījumā.
2. Pastāv iespēja pagarināt daļas no elektroinstrumentu klāsta (Mainstrāvas/akumulatoru) garantiju ilgāk par iepriekš minēto periodu, izmantojot reģistrāciju interneta vietnē [www.ryobitools.eu](http://www.ryobitools.eu). Instrumenti, kas pakļauti garantijas perioda pagarināšanai, tiek skaidri apzīmēti veikalos un/vai uz iepakojuma un izstrādājumu komplektējošajā dokumentācijā. Gala lietotājam nepieciešams reģistrēt lai iegādātu jauno instrumentu 30 dienu laikā no pirkuma datuma. Gala lietotājs var reģistrēties pagarinātajai garantijai savas mitnes valstī, ja tā minēta tiešsaistes reģistrācijas veidlapā, kurā šī iespēja ir aktīva. Bez tam, gala lietotājam ir jāsniedz piekrišana tiešsaistes ievadīšanai nepieciešamo datu glabāšanai un jāpiekrīt noteikumiem un nosacījumiem. Reģistrācijas apstiprinājums, kas tiek nosūtīts, izmantojot e-pastu, un rēķina oriģināls, kurā norādīts iegādes datums, kalpo kā pagarinātās garantijas apstiprinājums.
3. Garantija attiecas uz visiem izstrādājuma defektiem garantijas periodā, kas saistīts ar ražošanas vai materiālu defektiem no pirkuma datuma. Šī garantija tiek ierobežota ar remontu un/vai nomainītu neietver jebkādas citas saistības, tajā skaitā, bet ne tikai, cēloņsakarīgos vai saistītos bojājumus. Garantija nav spēkā, ja izstrādājums ir nepareizi lietots, izmantots pretēji norādēm lietošanas rokasgrāmatā vai bijis nepareizi pieslēgts. Šī garantija netiek attiecināta uz:
  - jebkādiem izstrādājuma bojājumiem, kas radušies nepareizas uzturēšanas rezultātā
  - jebkuru izstrādājumu, kas ticis pārveidots vai mainīts
  - jebkuru izstrādājumu, kura oriģinālās identifikācijas (preču zīme, sērijas numurs) marķējums ir ticis nodzēsts, mainīts vai noņemts
  - jebkādiem bojājumiem, kuri radušies neievērojot norādes lietošanas rokasgrāmatā
  - jebkādam izstrādājumam bez CE sertifikācijas
  - jebkuru izstrādājumam, kura remontu mēģinājis veikt nekvalificēts personāls vai bez Technronic Industries iepriekšējas autorizācijas.
  - jebkuru izstrādājumam, kurš bijis pieslēgts neatbilstošu parametru (strāvas, sprieguma, frekvences) sprieguma avotam
  - jebkuriem bojājumiem, kuri radušies ārējas iedarbības (ķīmiskas, fiziskas, triecieni) vai vielu ietekmē
  - detaļu normāla lietošanas nodiluma rezultātā
  - nepareizas lietošanas vai instrumentu pārslodzes rezultātā
  - neapstiprinātu detaļu vai aprīkojuma lietošanas rezultātā
  - elektroinstrumentu aksesuāriem, kas atrodas instrumenta komplektācijā vai ir iegādāti atsevišķi. Šis izņēmums attiecināms uz, bet neaprobežojoties ar, skrūvgrīvēju uzgaļiem, urbjiem, abrazīvajiem diskkiem, smilšpapīru un asmeņiem, sānu vadotnēm
  - komponentiem (daļām un aksesuāriem), kas pakļauti normālam nodilumam, ieskaitot, bet neaprobežojoties ar Servisa un apkopju komplekti, oglekļa sukuks, gultņi, patrona, SDS urbju uztvērējiem vai uzlikas, elektrības vads, papildus rukturis, transportēšanas un pārnēsāšanas kaste, stipmašīnas plāksne, putekļu maisis, putekļu izvadīšanas caurule, paplākšņi, triecienatslēgu tapas un atsperes, u.t.t.
4. Servisa nodrošināšanai, izstrādājums ir jānodod pilnvarotā RYOBI servisa centrā, kas norādīts katrai valstij tālāk minētajā servisa centru adresē sarakstā. Dažās valstīs jūsu vietējais RYOBI izplatītājs uzņemas izstrādājuma nosūtīšanu uz RYOBI servisa organizāciju. Nosūtot izstrādājumu uz RYOBI servisa centru, izstrādājuma jābūt droši iepakotam, tas nedrīkst saturēt bīstamas vielas kā degvielu, sūtfūjumam jābūt marķētam ar sūtfūtajā adresi un īsu kļūmes aprakstu.
5. Remonts/nomaina šīs garantijas ietvaros ir bezmaksas. Tas nerada garantijas perioda pagarināšanu vai jaunu garantiju. Nomainītās daļas vai instrumentu kļūst par mūsu īpašumu. Dažās valstīs piegādes vai pasta izmaksas būs jāapmaksā sūtfūtajam. Jūsu likumiskās tiesības, kas nodibinās, iegādājoties instrumentu, paliek nemainīgas
6. Šī garantija ir spēkā Eiropas Kopienā, Šveicē, Islandē, Norvēģijā, Līhtenšteinā, Turcijā un Krievijā. Ārpus šīm teritorijām, lūdzu, sazinieties ar jūsu pilnvaroto RYOBI izplatītāju, lai noteiktu, vai ir piemērojama cita garantija.

### AUTORIZĒTS APKALPOŠANAS CENTRS

Lai atrastu tuvāko autorizēto apkalošanas centru, apmeklējiet <http://uk.ryobitools.eu/header/service-and-support/service-agents>.

## LT „RYOBI®“ GARANTIJOS TAIKYMO SĄLYGOS

Papildant bet kokias įstatybose numatytas perkanat atsirančias teises, šiam įrenginiui taikoma toliau nurodyta garantija.

1. Vartotojams suteikiama 24 mėnesių trukmės garantija nuo įrenginio įsigijimo datos. Ši data turi būti nurodyta sąskaitoje faktūroje ar kitame pirkimą įrodančiame dokumente. Šis įrenginys skirtas tik vartotojų rinkai ir asmeniniam naudojimui. Todėl garantija netaikoma, jei įrenginys naudojamas profesiniems ar komerciniems reikmėms.
2. Įsigijus tam tikrus elektrinius įrenginius (AC/DC), suteikiama galimybė pratęsti garantiją, kai ji galiotų ilgiau, nei nurodyta pirmiau, naudojantis registracija interneto svetainėje [www.ryobitools.eu](http://www.ryobitools.eu). Ar galima pratęsti įrenginio garantinį laikotarpį, aiškiai nurodoma praduotuvėse ir (arba) ant įrenginio pakuočės, ir (arba) įrenginio dokumentuose. Galutinis naudotojas turi užregistruoti savo naujai įsigytą įrenginį per 30 dienų nuo įsigijimo datos. Galutinis naudotojas gali registruotis išplėstinei garantijai savo gyvenamojoje šalyje, jei ji nurodyta internetinėje registracijos formoje, kurioje siūloma tokia galimybė. Be to, galutiniai naudotojai turi sutikti su duomenų, kuriuos reikia įvesti internetu, saugojimu ir sveatinės naudojimo sąlygomis. Kaip išplėstinės garantijos įrodymas naudojamas registracijos patvirtinimo kvitas, atsiunčiamas e. paštu, ir originali sąskaita faktūra, kurioje nurodyta įsigijimo data.
3. Ši garantija apima visus garantiniu laikotarpiu aptiktus įrenginio trūkumus, atsiradusius dėl gamybos arba medžiaginių defektų nuo įsigijimo datos. Ši garantija nįbjoama remontu ir (arba) pakeitimu, ji neapima jokių kitų įsipareigojimų, įskaitant (bet tuo neapsiribojant) šalutinius arba antrinius nuostolius. Garantija anuliuojama, jei įrenginys buvo naudojamas netinkamai, naudojamas ne pagal naudojimo instrukciją arba netinkamai prijungtas. Ši garantija netaikoma:
  - jokiai įrenginiui padarytai žalai, kurią lemė netinkama techninė priežiūra;
  - jokiam įrenginiui, kuris buvo keičiamas ar modifikuojamas;
  - jokiam įrenginiui, kurio originalūs identifikavimo ženklai (prekės ženklas, serijos numeris) buvo sugadinti, pakeisti arba pašalinti;
  - jokiai žalai, kurią lemė naudojimo instrukcijos nesilaikymas;
  - jokiems CE ženklų nepažymėtiems įrenginiams;
  - jokiam įrenginiui, kurį bandė remontuoti nekvalifikuoti asmenys arba kuris buvo remontojamas be „Technronic Industries“ leidimo;
  - jokiam įrenginiui, kuris buvo prijungtas prie netinkamo maitinimo tinklo (netinkamos srovės, įtampos, dažnio);
  - jokiai žalai, kurią lemė išorinis poveikis (cheminis, fizinis, smūgiai) arba pašalinės medžiagos;
  - dėvimosioms dalims;
  - netinkamam naudojimui, įrenginio perkrovai;
  - nepatvirtintų priedų arba dalių naudojimui;
  - su įrenginiu pateiktiems arba atskirai įsigytiems elektrinio įrenginio priedams. Šios išimty apima (tuo neapsiribojant) atsektvų antgalius, gražtų antgalius, šlifavimo diskus, švitrinį popierių ir geležtes, šoninį kreiptuvą;
  - komponentams (dalims ir priedams), kurie natūraliai dėviasi, įskaitant (bet tuo neapsiribojant) įprastines ir technines priežiūros rinkinius, anglinius šepetėlius, guolius, laikiklį, SDS gražtų antgalį priedą arba lizdą, maitinimo kabelį, pagalbini rąnkėną, nešiojimo dėklą, šlifavimo diską, maišelį dulkmėms, dulkių ištraukimo vamzdelį, fetro poveržles, smūginio veržliarakčio kaiščius ir spyruokles ir pan.
4. Prireikus atlikti priežiūros darbus, įrenginį reikia siųsti arba atvežti RYOBI įgaliotajam priežiūros centrui, nurodytam kiekvienos šalies priežiūros centrų adresų sąrašė. Kai kuriose šalyse vietinis RYOBI atstovas siunčia įrenginį RYOBI priežiūros organizacijai. Siunčiant įrenginį RYOBI priežiūros centrui, reikia saugiai įj pakuočės pašalinant visas pavojingas medžiagas, pvz., benzina, nurodyti ant pakuočės siuntytojo adresą ir pridėti trumpą gedimo aprašymą.
5. Pagal šią garantiją remontas / keitimas atliekami nemokamai. Tokie veiksmai netaikomi garantijos pratęsimu arba naujo garantinio laikotarpio pradžia. Dalys arba įrenginiai, kuriuos pakeitėme, tampa mūsų nuosavybe. Kai kuriose šalyse pristatymo ir pašto išlaidas turi padengti siuntėjas. Įstatybose numatytos jūsų teisės, atsirandančios perkanat įrenginį, lieka nepakeistos
6. Ši garantija galioja Europos bendrijoje, Šveicarijoje, Islandijoje, Norvegijoje, Lichtenšteine, Turkijoje ir Rusijoje. Jei gyvenate ne šiose šalyse, kreipkitės į įgaliotąjį RYOBI atstovą ir sužinokite, ar jums taikoma kita garantija.

### ĮGALIOTOS TECHNINĖS PRIEŽIŪROS CENTRAS

Jei norite surasti įgaliotą techninės priežiūros centrą netoli Jūsų, apsilankykite interneto svetainėje <http://uk.ryobitools.eu/header/service-and-support/service-agents>.

## ET RYOBI® GARANTIIINGIMUSED

Lisaks toote ostust tulenevatele seadusjärgsetele õigustele, kehtib tootele ka alitoodud garantiiga.

1. Tarbijatele on garantiiaeg 24 kuud ja algab sellel kuupäeval, mil toode osteti. Selle kuupäeva tõestuseks on vaja arvet või mõnda teist tõendit ostu sooritamise kohta. Toode on mõeldud eratarbijatele ainult isiklikuks kasutamiseks. Seega ei kehti garantii ostu kasutamisel kutsetegevuses või kaubanduslikel eesmärkidel.
2. Teatud osale elektrilistele (vahelduvvoolu/alalisvoolu) tööriistadele on võimalik pikendada tõestuseks toodud garantiiaega, kasutades toote registreerimist veebilehel [www.ryobitools.eu](http://www.ryobitools.eu). Teave tööriista võimaliku pikendatud garantiiaja kohta on selgelt esile toodud poodides ja/või pakendil / ning see sisaldub toote dokumentatsioonis. Lõpptarbijaja peab registreerima oma uued tööriistad interneti teel 30 päeva jooksul pärast ostmise. Lõppkasutaja võib registreerida pikendatud garantiiaja saamise oma elukohariigis, kui veebis olevas registreerimisvormis on see valik lubatud. Lisaks peavad kasutajad andma oma nõusoleku veebis nõutud sisestatavate andmete säilitamiseks ning nad peavad nõustuma tingimustega. E-posti teel saadetav registreerimise kinnitus ja arve originalid, kus on näha ostu sooritamise kuupäev, on pikendatud garantiiaja tõestuseks.
3. Garantii katab kõik defektid toote garantiiaja jooksul, kui ostu kuupäeval ilmnevad talitlus- või materjalivead. Garantii piirneb toote remondi ja/või väljavahetamisega ning ei sisalda muid kohustusi, muu hulgas ettenägematuid või kaudseid kahjusid. Garantii ei kehti, kui toodet ei ole kasutatud sihtotstarbelselt või kooskõlas kasutusjuhendiga või see on valesti ühendatud. Garantii ei kehti järgmistel põhjustel:
  - toode on kahjustatud vale hoolduse tõttu
  - toodet on muudetud
  - toode algupärase identifitseerimismärgised (kaubamärk, seerianumber) on rikutud, muudetud või eemaldatud
  - kahju on tekkinud kasutusjuhendi mittejärgmisest
  - tootel puudub CE-märgis
  - toodet on püüdnud remontida vastavat kvalifikatsiooni mitte omav isik või ilma firma Techtronic Industries eelneva loata.
  - toode on ühendatud valesse toiteallikasse (voolutugevus, pinge, sagedus)
  - välismõjude (keemilised, füüsilised, elektrilöögid) või võrkehade tekitatud kahju
  - tavapärase kulumine ja katkised varuosad
  - ebaõige kasutamine, tööriista ülekoormamine
  - heakskiitmata tarvikute või osade kasutamine
  - koos tööriistaga saadud või eraldi ostetud elektriliste tööriistade tarvikud. Need erandid puudutavad muu hulgas kruvikeeraja otsakuid, puuriterasid, lihvkettaid, lihvpaberit ja -tald, küljühikuid
  - Komponentid (osad ja tarvikud), mida iseloomustab kulumine ja vananemine, muu hulgas remondi- ja hoolduskomplektid, süsinikharjad, laagrid, padrunid, SDS-puuriterade tarvikud, toitejuhid, lisakäepide, transpordikott, lihvplaat, tolmuokott, tolmu väljalasketoru, vildist seibid, löökmutrivõtme võliid ja vedrud jne.
4. Hoolduseks peab toote saatma või viima RYOBI volitatud teenindusse, mille aadressi leiata järgnevat teeninduspunkti nimekirjast vastava riigi alt. Mõnedes riikides võtab kohalik RYOBI edasimüüja enda kanda kohustuse saata toode RYOBI teenindusorganisatsiooni. Toote saatmisel RYOBI teenindusse peab toode olema ohutult pakitud ja ei tohi sisaldada ohtlikke aineid (nt bensini), kirjas peab olema saatja aadress ja lisatud vea lühikirjeldus.
5. Garantii alusel tehtavad remonditööd / asendamine on tasuta. See ei pikenda garantii kehtivusaega ega tähista uue garantiiaja algust. Väljavahetatud osad või tööriistad kuuluvad meile. Mõnedes riikides maksab kätetoimetamis- ja postikulud saatuja. Teile jäävad kehtima tööriista ostust tulenevad seadusjärgsed õigused
6. See garantii kehtib Euroopa Ühenduse territooriumil, Šveitsis, Islandil, Norras, Liechtensteinis, Türgis ja Venemaal. Väljaspool neid piirkondi võtke ühendust volitatud RYOBI edasimüüjaga, et teha kindlaks kas kehtib mõni teine garantii.

## VOLITATUD HOOLDUSKESKUS

Oma volitatud hoolduskeskuse leiata veebisaidil <http://uk.ryobitools.eu/header/service-and-support/service-agents>.

## HR UVJETI PRIMJENE JAMSTVA TVRTKE RYOBI®

Osim svim zakonskim pravima koja proizlaze iz kupnje, ovaj je proizvod pokriven jamstvom kako je navedeno u nastavku.

1. Jamstveno razdoblje za potrošače traje 24 mjeseca i počinje s datumom na koji je proizvod kupljen. Taj datum mora se dokumentirati računom ili drugim dokazom o kupnji. Proizvod je konstruiran i namijenjen samo za privatnu upotrebu korisnika. Stoga se jamstvo ne daje u slučaju profesionalne ili komercijalne uporabe.
2. Postoji mogućnost da se za dio asortimana električnih alata pokretanih izmjeničnom strujom (AC/DC) proizvodi gore navedeno jamstveno razdoblje putem registriranja na mrežnom mjestu [www.ryobitools.eu](http://www.ryobitools.eu). Uvjeti koje je potrebno zadovoljiti kako bi se produžilo jamstveno razdoblje jasno su istaknuti u prodavaonicama i / ili na pakiranju / i nalaze se unutar dokumentacije proizvoda. Krajnji korisnik mora registrirati svoje novo kupljene alate na mreži u roku od 30 dana od datuma kupnje. Krajnji korisnik može se registrirati za produženo jamstvo u svojoj zemlji boravišta ako se nalazi na popisu u mrežnom obrascu za registraciju gdje je ta opcija važeća. Nadalje, krajnji korisnici moraju dati svoj pristanak na pohranu podataka koji su potrebni za mrežni ulazak i moraju prihvatiti odredbe i uvjete. Potvrda o prijemu registracije, koja se šalje putem e-pošte, kao i originalni račun s vidljivim datumom kupnje poslužit će kao dokaz produženog jamstva.
3. Jamstvo pokriva sve nedostatke proizvoda tijekom jamstvenog razdoblja koji su nastali zbog neispravnosti prilikom izrade ili materijala s datumom kupnje. Jamstvo je ograničeno na popravak i/ili zamjenu i ne obuhvaća nikakve druge obveze, uključujući, ali ne ograničavajući se na slučajne ili posjednične štete. Jamstvo ne vrijedi ako je proizvod bio zlorabljeno, korišten u suprotnosti s priručnikom s uputama ili ako je pogrešno spojen. Ovo jamstvo ne primjenjuje se na:
  - svaku štetu koja je na proizvodu nastala kao rezultat nepravilnog održavanja
  - svaki proizvod koji je promijenjen ili izmijenjen
  - svaki proizvod na kojem su izvorne identifikacijske oznake (žig, serijski broj) bile oštećene, izmijenjene ili uklonjene
  - svaku štetu prouzročenu neprirodžavanjem priručnika s uputama
  - svaki proizvod koji nema oznaku CE
  - svaki proizvod koji je pokušao popraviti nekvalificirani profesionalac ili onaj koji je popravljao bez prethodnog odobrenja tvrtke Techtronic Industries.
  - svaki proizvod koji je spojen na neprikladan izvor električnog napajanja (neodgovarajuća amperaza, napon, frekvencija)
  - svaku štetu prouzročenu unutarnjim utjecajima (kemijskim, fizikalnim, udarima) ili stranim tvarima
  - normalno habanje i trošenje rezervnih dijelova
  - neodgovarajuću uporabu, preopterećenje alata
  - upotrebu neodobrenog pribora ili dijelova
  - dodatnu opremu električnog alata isporučenu s alatom ili kupljenu odvojeno. Takvi izuzetci uključuju ali nisu ograničeni na vrhove odvijачa, svrdla bušilice, abrazivne diske, brusni papir i noževe, bočnu vodilicu
  - Komponente (dijelovi i pribor) podložne prirodnom trošenju i habanju, što uključuje, ali nije ograničeno na komplecte za servisiranje i održavanje, ugljične četkice, ležajeve, steznu glavu, nastavak ili priključak za svrdla za SDS bušilicu, priključni kabel, pomoćnu ručku, transportne torbe, brusnu ploču, vreću za prašinu, ispušnu cijev za prašinu, podloške od filca, udarni ključ, zatici i opruge, itd.
4. Za potrebe servisiranja, proizvod se mora poslati ili odnijeti u ovlaštenu servisnu postaju tvrtke RYOBI navedenu na sljedećem popisu s adresama servisnih postaja u svakoj zemlji. U nekim zemljama, vaš lokalni RYOBI zastupnik obvezuje se da će poslati proizvod u servisnu organizaciju tvrtke RYOBI. Kada se proizvod šalje u neku servisnu postaju tvrtke RYOBI, proizvod se mora sigurno pakirati bez jednog od opasnih sadržaja kao što je benzin, na njemu mora pisati adresa pošiljatelja i mora biti popraćen kratkim opisom kvara.
5. Popravak / zamjena pod ovim jamstvom su besplatni. Oni ne predstavljaju produženje ili novi početak jamstvenog razdoblja. Zamijenjeni dijelovi ili alati postaju vaše vlasništvo. U nekim državama troškove isporuke ili poštarinu mora platiti pošiljatelj. Vaša zakonska prava koja proizlaze iz kupnje alata ostaju nepromijenjena
6. Ovo jamstvo vrijedi u Europskoj uniji, Švicarskoj, Islandu, Norveškoj, Lihtenštajnu, Turskoj i Rusiji. Izvan tih područja vas molimo da se obratite svojem ovlaštenom zastupniku tvrtke RYOBI kako biste utvrdili primjenjuje li se drugo jamstvo.

## OVLAŠTENI SERVISNI CENTAR

Za pronalazjenje ovlaštenog servisnog centra pored vas posjetite <http://uk.ryobitools.eu/header/service-and-support/service-agents>.

## SL POGOJI ZA VELJAVNOST GARANCIJE RYOBI®

Poleg morebitnih zakonsko določenih pravic, ki izvirajo iz nakupa, za ta izdelek velja spodaj navedena garancija.

- Garancijsko obdobje je za potrošnike 24 mesecev in začne teči z dnem nakupa izdelka. Ta datum mora biti dokumentiran z računom ali drugim dokazilom o nakupu. Izdelek je zasnovan in namenjen izključno za potrošniško zasebno uporabo. V primeru strokovne oziroma komercialne uporabe izdelka garancija ne velja.
- Obstaja možnost podaljšanja garancije na del naše ponudbe električnih orodij (AC/DC) prek obdobja garancije, opisanege zgoraj, s pomočjo registracije na spletnem mestu [www.ryobitools.eu](http://www.ryobitools.eu) website. Ustreznost orodij za podaljšanje garancijskega obdobja je jasno prikazana v trgovinah in/ali na embalaži oziroma je navedena v dokumentaciji izdelka. Končni uporabnik mora registrirati svoje novo orodje na spletu v 30 dneh po datumu nakupa. Končni uporabnik lahko registrira podaljšano garancijo v svoji državi bivanja, če je na obrazcu spletne registracije navedeno, da ta možnost velja za njegovo državo. Poleg tega morajo končni uporabniki podati svoje soglasje za shranjevanje podatkov, ki so potrebni za spletni dostop in morajo sprejeti pogoje in določila uporabe spletnega mesta. Potrdilo o registraciji, ki ga pošljemo prek e-pošte, in originalni račun, ki prikazuje datum nakupa, služita kot dokazilo o podaljšani garanciji.
- Garancija krije vse okvare izdelka, do katerih pride v garancijskem obdobju zaradi napak v izdelavi ali materialu, ki so bile prisotne ob datumu nakupa. Garancija je omejena na popravilo in/ali zamenjavo in ne vključuje nobenih drugih obveznosti, med drugim vključno z naključno ali posledično škodo. Garancija ne velja, če je bil izdelek napačno uporabljen, uporabljen v nasprotju z navodili iz priročnika za uporabo ali če ni bil pravilno povezan. Ta garancija ne velja za:
  - škodo na izdelku, ki je posledica neustreznega vzdrževanja
  - spremenjen ali prilagojen izdelek
  - izdelek, katerega originalna identifikacijska oznaka (blagovna znamka, serijska številka) je bil poškodovan, spremenjena ali odstranjena
  - škodo, ki je posledica neupoštevanja navodil iz priročnika za uporabo izdelka, ki nima oznake CE
  - izdelek, ki ga je poskušal opraviti nequalificiran strokovnjak ali ki je bil popraviljen brez predhodne odobritve s strani družbe Techtronic Industries.
  - izdelek, ki je bil povezan na neustrezno napajanje (amperska moč, napetost, frekvenca)
  - škodo, ki jo povzročijo zunanji vplivi (kemični, fizični, mehanski) ali tuje snovi
  - rezervne dele, ki so podvrženi običajni uporabi
  - neprimerno uporabo, preobremenitev orodja
  - uporabo neodobrenih dodatkov ali delov
  - Dodatno električno orodje, priloženo orodju ali kupljeno ločeno. Take izjeme so med drugim nastavki za izvijače, svedri, abrazivni diski, brusni papir in rezila, stranska vodila.
  - Komponente (sestavni in rezervni deli), ki so podvrženi običajni obrabi, med drugim vključno s kompleti za servisiranje in vzdrževanje, oglikovimi krtačkami, ležaji, vpenjali, svedrni priključki SDS ali sprejemnimi odprtini zanje, napajalnimi kablji, pomožnimi ročajji, prenosnimi kovčki, brusnimi ploščami, vrečkami za prah, cevmi za izpuh prahu, tesnilni iz filca, iglami in vzmetni udarnega ključa itd.
- Za servisiranje morate izdelek poslati ali prinesiti v pooblaščen servisni center družbe RYOBI, ki je naveden za vsako državo na naslednjem seznamu naslovov servisnih centrov. V nekaterih državah se vaš lokalni posrednik družbe RYOBI obveže, da bo poslal izdelek na servis družbe RYOBI. Ko pošiljate izdelek v servisni center družbe RYOBI, mora biti izdelek varno zapakiran in ne sme vsebovati nobenih nevarnih snovi, kot je npr. bencin, opremljen pa mora biti z naslovom pošiljatelja in vsebovati kratek opis napake.
- Popravilo/zamenjava v skladu s to garancijo sta brezplačni storitvi. To pa ne predstavlja podaljšanja ali ponovnega začetka garancijskega obdobja. Zamenjani deli ali orodja postanejo naša last. V nekaterih državah stroške dostave ali poštno plača pošiljatelj. Vaše zakonsko določene pravice, ki izvirajo iz nakupa orodja, ostajajo nespremenjene.
- Ta garancija velja v Evropski skupnosti, Švici, Islandiji, na Norveškem, v Lichtenštajnu, v Turčiji in Rusiji. Izven teh območij se obrnite na svojega pooblaščenega posrednika izdelkov RYOBI, dealer ki vam bo povedal, ali velja kakšna druga garancija.

### POOBLAŠČEN SERVISNI CENTER

Pooblaščen servisni center blizu vas poiščite na <http://uk.ryobitools.eu/header/service-and-support/service-agents>.

## SK ZÁRUČNÉ PODMIENKY RYOBI®

Na tento výrobok sa okrem všetkých zákonných práv, vyplývajúcich z nákupu, vzťahuje záruka v nasledovnom znení.

- Záručná doba pre spotrebiteľa je 24 mesiacov a začína plynúť odo dňa, kedy bol výrobok zakúpený. Tento dátum musí byť doložený faktúrou alebo iným dokladom o zakúpení. Výrobok je navrhnutý a určený pre spotrebiteľov a ten na súkromné používanie. Preto sa záruka sa neposkytuje v prípade použitia na profesionálne a komerčné účely.
- V prípade elektrického náradia (na striedavý/jednosmerný prúd AC/DC), existuje možnosť predĺženia záručnej doby oproti záručnej dobe, uvedenej vyššie, s využitím on-line registrácie na webovej stránke [www.ryobitools.eu](http://www.ryobitools.eu). Označenie na náradí o nároku na predĺženie záručnej doby je zreteľne uvedené v obchodoch a/alebo na obale a je uvedené v dokumentácii k výrobku. Koncový používateľ musí zaregistrovať svoje novozískané náradie on-line do 30 dní odo dňa nákupu. Koncový používateľ sa môže zaregistrovať na predĺženie záruky v krajine svojho bydliska, ak je v on-line registračnom formulári uvedená táto možnosť. Ďalej musia koncoví používatelia ešte dať svoj súhlas s podmienkami. Potvrdenie o prijatí registrácie, ktoré je zaslané e-mailom a originálny faktúra, v ktorej je uvedený dátum nákupu, slúžia ako dôkaz o predĺženej záruke.
- Záruka sa vzťahuje na všetky poruchy výrobku v záručnej dobe, spôsobené chybami materiálů alebo spracovania k dátumu nákupu. Táto záruka je obmedzená na opravu a/alebo výmenu a nezahŕňa ďalšie povinnosti, vrátane, okrem iných, náhodné alebo následné škody. Táto záruka je neplatná, ak bol výrobok nesprávne používaný, bol používaný v rozpore s návodom na použitie alebo bol nesprávne zapojený. Táto záruka sa nevzťahuje na:
  - akékoľvek poškodenie výrobku, ktoré bolo spôsobené nesprávnou obsluhou
  - akýkoľvek výrobok, ktorý bol zmenený alebo upravený
  - akýkoľvek výrobok, na ktorom bolo poškodené, upravené alebo odstránené identifikačné označenie (ochranná známka, výrobné číslo)
  - akékoľvek škody, spôsobené nedodržaním návodu na obsluhu
  - akýkoľvek výrobok, ktorý neobsahuje označenie CE
  - akýkoľvek výrobok, ktorý sa pokúšal opraviť nequalifikovaný odborník alebo bol opravovaný bez predchádzajúceho súhlasu so strany spoločnosti Techtronic Industries.
  - akýkoľvek výrobok, pripojený k nesprávnemu napájaciemu zdroju (ampéry, napätie, frekvencia)
  - akékoľvek poškodenia, spôsobené vonkajšími vplyvmi (chemickými, fyzikálnymi, nárazmi) alebo cudzorodnými látkami
  - bežné opotrebovanie náhradných dielov
  - nehodné používanie, preťažovanie nástroja
  - používanie neschváleného príslušenstva a dielov
  - príslušenstvo k elektrickému náradiu, dodávané spolu s náradím alebo zakúpené oddelene. Takéto vylúčenia sa vzťahujú, okrem iného, na násady skrutkovačov, vrtáky, brusne kotúče, brusný papier a čepele, bočné vodiace lišty
  - Súčiastky (diely a príslušenstvo), ktoré podliehajú prirodzenému opotrebeniu, okrem iného súpravy na servis a údržbu, uhličky, ložiská, skľučovadlá, SDS vrtáky a príslušenstvo, príloh alebo prijímanie, napájací kábel, pomocná rukoväť, prepravná skriňa, brusna doska, pracovné vrecko, výfuková trubica, pistené podložky, kotlíky a pružiny na rázový uťahovač atď.
- Na opravu musí byť výrobok odoslaný alebo doručený do autorizovaného servisného strediska RYOBI, uvedeného pre každú krajinu v nasledovnom zozname adries servisných stredísk. V niektorých krajinách miestny zástupca RYOBI preberá na seba záväzok zaslať tovar do servisnej organizácie RYOBI. Pri odoslaní výrobku do servisného strediska RYOBI je potrebné výrobok bezpečne zabaliť bez akéhokoľvek nebezpečného obsahu, ako je bencín, s vyznačením adresy odosielateľa, s krátkym popisom poruchy.
- Oprava/výmena je vrámci tejto záruky bezplatná. Neznamená to predĺženie záruky alebo spustenie novej záručnej doby. Vymenené diely alebo nástroje sa stávajú našim vlastníctvom. V niektorých krajinách náklady na odoslanie alebo poštovné musí zaplatiť odosielateľ. Vaše zákonné práva, vyplývajúce z nákupu náradia, zostávajú nedotknuté.
- Táto záruka platí v Európskej únii, Švajčiarsku, Islande, Nórsku, Lichtenštajnsku, Turesku a Rusku. Ak sa nachádzate mimo týchto oblastí, obráťte sa na autorizovaného predajcu RYOBI na určenie, či sa dá uplatniť iná záruka.

### AUTORIZOVANÉ SERVISNÉ CENTRUM

Ak chcete nájsť najbližšie autorizované servisné centrum, navštívte stránku <http://uk.ryobitools.eu/header/service-and-support/service-agents>.

## **BG** УСЛОВИЯ ЗА ВАЛИДНОСТ НА ГАРАНЦИЯТА НА RYOBI®

В допълнение към законоустановените права, произтичащи от покупката, този продукт е обхванат от гаранцията, както е изложено по-долу.

- Гаранционният срок е 24 месеца за клиенти и започва да тече от деня на закупуване на продукта. Тази дата трябва да се докаже с фактура или друго доказателство за покупка. Продуктът е изработен и предназначен само за потребителска и лична употреба. Следователно не се дава гаранция в случай на използване от професионалисти или с търговска цел.
- Съществува възможност за удължаване на гаранционния срок за част от диалогана на гаранцията на електрически инструменти (AC/DC) след изтичането на описания тук чрез регистрация на уеб сайта [www.ryobitools.eu](http://www.ryobitools.eu). В магазините и/или на опаковката или вътре в документацията на продукта е показано ясно дали инструментът отговаря на условията за такова удължаване на гаранционния срок. Крайният потребител трябва да регистрира своите новопридобити инструменти онлайн в рамките на 30 дни от датата на покупка. Крайният потребител може да се регистрира за удължена гаранция в държавата си на пребиваване, ако е посочена във формуляра за онлайн регистрация като място, където тази опция е валидна. Освен това крайните потребители трябва да дадат съгласието си за съхранение на данните, които са задължителни за ползване онлайн, и трябва да приемат общите условия. Полученото потвърждение за регистрация, изпратено по електронна поща, и оригиналната фактура, показваща датата на покупка, ще служат като доказателство за удължената гаранция.
- Гаранцията покрива всички дефекти на продукта по време на гаранционния срок, които се дължат на проблеми в изработката или материалите към момента на покупката. Гаранцията е ограничена до ремонт и/или замяна и не включва други задължения, включително, но не само, случайни или косвени щети. Гаранцията е невалидна, ако продуктът е използван неправилно или в противоречие с ръководството с инструкции, както и ако е свързан неправилно. Тази гаранция не важи за:
  - щети по продукта в резултат на неправилна профилактика
  - продукти, които са били изменени или модифицирани
  - продукт, при който оригиналните маркировки за идентификация (търговска марка, серийен номер) са изтрети, променени или премахнати
  - повреда, причинена от неспазване на ръководството с инструкции
  - продукт без CE маркировка
  - продукт, за който е направен опит за ремонт от неквалифициран специалист или без предварително разрешение от Techtronic Industries.
  - продукт, свързан към неподходящо електрохранване (ампераж, волтаж, честота)
  - щети, причинени от външни влияния (химични, физични, удари) или чужди вещества
  - нормално износване на резервни част
  - неподходяща употреба, претоварване на инструмента
  - използване на неподходящи аксесоари или части
  - Аксесоарите за електрически инструмент са предоставени с инструмента или се кулват отделно. Тези изключения включват, но не само, накрайници за отвертка, свердела, абразивни дискове, шкурка и остриета, страничен водач
  - Компоненти (части и аксесоари), подложени на естествено износване, включително, но не само, комплекти за обслужване и поддръжка, карбонови четки, лагери, патронник, приставка със средло SDS или приемно устройство, захванващ кабел, спомогателна ръкохватка, кутия за транспортиране, шлифовъчна пластина, торба за прах, тръба за отвеждане на прах, филцови шабви, цифрове и пружини за винтоверти и др.
- За обслужване продуктът трябва да се изпрати или занесе на авторизан сервис на RYOBI, посочен за всяка държава в следния списък с адреси на сервиси. В някои държави местният търговец на RYOBI поема отговорността да изпрати продукта до сервисен център на RYOBI. При изпращане на продукт до сервис на RYOBI той трябва да е опакован безопасно без опасо съдържание, напр. бензин, да е маркиран с адреса на подателя и придружен от кратко описание на повредата.
- Ремонът/замяната по силата на тази гаранция са безплатни. Те не водят до удължаване или подновяване на гаранционния срок. Сменените части или инструменти стават наша собственост. В някои държави таксите за доставка или изпращане трябва да се платят от подателя. Законоустановените ни права, произтичащи от закупуването на инструмента, остават незасегнати.
- Тази гаранция е валидна в Европейската общност, Швейцария, Исландия, Норвегия, Лихтенщайн, Турция и Русия. Извън тези области се свържете с упълномощения търговец на RYOBI, за да се установи дали е приложима друга гаранция.

### УПЪЛНОМОЩЕН СЕРВИЗЕН ЦЕНТЪР

За да намерите упълномощен сервисен център близо до вас, посетете <http://uk.ryobitools.eu/header/service-and-support/service-agents>.

## **UK** ГАРАНТИЙНИ УМОВИ ДЛЯ RYOBI®

Окрім загалом установлених законом прав, що стосуються покупки, цей пристрій покривається гарантією, що зазначено нижче.

- Гарантійний період для споживачів складає 24 місяці і починається з моменту придбання цього пристрою. Ця дата повинна бути задокументована у гарантійному талоні або чеку. Цей пристрій був розроблений і призначений тільки для споживчого та приватного використання. У разі професійного або комерційного використання цього пристрою, він втрачає гарантію.
- Існує можливість подовжити гарантійний період для частини лінійки електронструментів (перемінного/постійного струму), понад період описаний вище за допомогою реєстрації на сайті [www.ryobitools.eu](http://www.ryobitools.eu). Пристрої, які мають право на подовження гарантійного періоду, мають чіткі позначки щодо цього в магазинах і / або на упакуванні / та документації до пристрою. Кінцевий користувач повинен зареєструвати його/її новопридбаний пристрій онлайн протягом 30 днів з дати покупки. Кінцевий користувач може зареєструватися для подовження гарантійного періоду в своїй країні постійного перебування, якщо вона є доступною у відповідній опції онлайн форми реєстрації. Крім того, кінцеві користувачі повинні дати свою згоду на зберігання даних, які необхідні для введення онлайн, а також вони повинні прийняти правила та умови. Отримання підтвердження реєстрації, яке відправляється на адресу електронної пошти, та оригінал гарантійного талона і зазначеною датою покупки буде служити доказом подовженої гарантії.
- Гарантія поширюється на всі дефекти пристрою протягом гарантійного терміну щодо недотримання стандартів виробництва або матеріалів на дату придбання. Гарантія обмежується ремонтом та/або заміною, та не включає в себе будь-яких інших зобов'язань, в тому числі, але не обмежена у разі випадкових та подальших пошкоджень. Гарантія не діє, якщо пристрій використовувався ненадлежащим чином, всупереч інструкції з експлуатації або був неправильно підключений до мережі. Дана гарантія не поширюється на:
  - пристрої, що були пошкоджені у результаті неправильного технічного обслуговування;
  - пристрої, що були видозміннені або модифіковані;
  - пристрої, оригінальні ідентифікаційні (товарний знак, серійний номер) маркування яких було пошкоджене, змінене або видалено;
  - будь-які пошкодження, заподіяні недотриманням інструкції з експлуатації;
  - пристрої, що не мають маркування CE;
  - пристрої, що були відремонтовані некваліфікованим фахівцем або за відсутності попереднього дозволу від Techtronic Industries;
  - пристрої, підключені до невідповідного джерела живлення (сила току, напруження, частота);
  - будь-які пошкодження спричинені зовнішнім впливом (хімічним, фізичним, стрибком напруги) або сторонніми речовинами;
  - нормальну амортизацію запасних частин;
  - невідповідне використання, перевантаження пристрою;
  - використання не підтверджених запасних частин або аксесуарів;
  - приладдя до електронструменту, що постачається разом з пристроєм або купуються окремо. Такі винятки враховують але не є обмеженнями для наконечників викруток, свердел, абразивних дисків, наждачного паперу та лез, бачних напрямних – компоненти(частини та приладдя) з урахуванням нормального зношування, враховуючи, але без обмеження на комплекти профілактики та технічного обслуговування, вузькі штиці, підшипники, патрони, кріплення або прийом SDS свердел, кабелі живлення, додаткові рукоятки, чохла для транспортування, шлифувальні пластини, мішки для збору пилу, трубки виплопу, фетрові кльня, штирі і пружини гайковерту і т.д.
- Для обслуговування, пристрій має бути відправлений або поданий до одного з авторизованих сервісних центрів RYOBI, які перелічені для кожної країни у наступному переліку адрес сервісних центрів. У деяких країнах місцевий дилер RYOBI зобов'язується відправити пристрій до сервісного центру RYOBI. При відправленні пристрою до сервісного центру RYOBI, пристрій має бути надійно упакований без будь-якого небезпечного вмісту, наприклад бензину, з позначеною адресою відправника та супроводжується коротким описом несправності.
- Ремонт / заміна відповідно до цієї гарантії здійснюється безкоштовно. Це не є основою для подовження або початку нового гарантійного періоду. Замінені частини або прилади переходять до власності компанії. У деяких країнах вартість доставки або поштові витрати повинні бути сплачені відправником. Загально встановлені права покупця на пристрій залишаються незмінними.
- Ця гарантія діє в Європейському Союзі, Швейцарії, Ісландії, Норвегії, Лихтенштейні, Туреччині та Росії. За межами цих зон, будь ласка, зверніться до офіційного дилера RYOBI, щоб визначити, чи застосовується інша гарантія.

### АВТОРИЗОВАНІ СЕРВІСНІ ЦЕНТРИ

Для отримання оновленого переліка авторизованих сервісних центрів, відвідайте <http://uk.ryobitools.eu/header/service-and-support/service-agents>.

## TR RYOBI® GARANTİ UYGULAMA KOŞULLARI

Alımdan kaynaklanan yasal haklara ek olarak, ürün aşağıda belirtilen garanti kapsamındadır.

1. Tüketiciler için 24 ay olan garanti süresi, ürünün satın alındığı tarihte başlar. Bu tarihin bir faktura ya da alım kanıtıyla belgelenmesi gerekir. Ürün sadece tüketim ve özel kullanım için geliştirilmiş ve adanmıştır. Bu nedenle, profesyonel ya da ticari kullanım halinde garanti kapsamı sağlanmaz.
2. Elektrikli el aletlerinin bir bölümü (AC/DC) için [www.ryobitools.eu](http://www.ryobitools.eu) sayfasındaki kayıt işlemini kullanarak garantinin belirtilen süresini ötesine uzatma imkanı mevcuttur. Aletlerin garanti süresinin uzatılmasına uygun olup olmadığı mağazalarda ve / veya ambalajda açıkça belirtilmiş olup, ürün dokümantasyonunda gösterilir. Son kullanıcının yeni aldığı aletleri satın alma tarihini izleyen 30 gün içinde kaydetmesi gerekir. Son kullanıcı ikamet ettiği ülkede, bu seçeneğin geçerli olduğu çevrimiçi kayıt formunda belirtilmişse, uzatılmış garanti süresi için kayıt yapılabilir. Dahası, son kullanıcıların çevrimiçi giriş için gerekli verilerin kaydedilmesine izin vermek ve hüküm ve koşulları kabul etmelidir. E-posta ile gönderilen kayıt teyit makbuzu ve alım tarihini gösteren orijinal fatura uzatılmış garantinin kanıtı olarak değerlendirilir.
3. Garanti, ürünün alım tarihindeki işçilik ve malzeme kusurları nedeniyle garanti süresi içinde oluşacak bütün arızaları kapsar. Bu garanti onarım ve değiştirilmeyle sınırlı olup, tasadufi ya da dolaylı hasarlar da dahil, ancak bunlarla kısıtlı olmayan başka hiçbir tahahhüdü kapsamaz. Garanti, ürünün kötü, kullanıcı kılavuzuna aykırı kullanımıyla ya da yanlış bağlanmış olması halinde geçerli değildir. Bu garanti aşağıdakileri kapsamaz:
  - üründe, yanlış bakımın kaynaklanan herhangi bir hasar
  - değiştirilmiş ya da modifiye edilmiş herhangi bir ürün
  - orijinal tanıtmış işaretleri (ticari marka, seri numarası) silinmiş, değiştirilmiş ya da kaldırılmış herhangi bir ürün
  - kullanma kılavuzuna uymamaktan kaynaklanmış herhangi bir hasar
  - herhangi bir AT dışı ürün
  - kalifiye olmamış personel tarafından ya da önceden Techtronic Industries onayı alınmadan onarılmış herhangi bir ürün.
  - uygunsuz güç kaynağına (amper, voltaj, frekans) bağlanmış herhangi bir ürün
  - harici etkenlerden (kimyasal, fiziksel, darbe) veya yabancı cisimlerden kaynaklanan her türlü hasar
  - normal aşınır ve yıpranır aksam
  - uygunsuz kullanım, aletin aşırı yüklenmesi
  - onaysız aksesuar veya parça kullanımı
4. Aletle birlikte sağlanmış ya da ayrıca alınmış elektrikli alet aksesuarları, Tornavida uçları, matkap uçları, aşındırıcı diskler, zımpara kağıdı ve bıçakları, yanall kılavuz gibi aksamı içeren, ancak bunlarla sınırlı olmayan eklentiler
5. Servis ve Bakım kitiyle, kömür fırçalar, yataklar, kovanlar, SDS matkap ucu bağlantısı ya da yuvaları, güç kablosu, yedek tutamak, nakliye ve taşıma kutusu, kuşlama plakası, toz torbası, toz egzoz borusu, keçe rondelalar, Darbeli Tornavida Pim ve yayları vb. gibi parçaları kapsayan, ancak bunlarla sınırlı olmayan, aşınma ve yıpranmaya tabi bileşenler (aksam ve aksesuarlar).
4. Ürünün servis için her ülkede aşağıdaki servis istasyonları adres listesinde yer alan yetkili bir RYOBI servis istasyonuna gönderilmesi ya götürülmesi gereklidir. Bazı ülkelerde, yerel RYOBI distribütörünüz ürünü RYOBI servis teşkilatına göndermeyi üstlenir. Bir ürün bir RYOBI servis istasyonuna gönderilirse, ürünün güvenli bir biçimde ambalajlanması, benzin gibi tehlikeli maddeler içermemesi, gönderinen adresini taşıması ve anızın kısa bir açıklamasını içermesi gerekir.
5. Bu garanti kapsamında yapılacak onarım / değişiklik ücretsizdir. Garanti süresinin uzatılması ya da yeniden başlatılması anlamına gelmez. Değiştirilmiş parçalar veya aletler bize ait olur. Bazı ülkelerde teslimat ücretleri veya posta giderlerini gönderici tarafından ödenmesi gerekir. Alımdan kaynaklanan yasal haklarınıza etkilenmez
6. Bu Garanti Avrupa Topluçuluğu, İsviçre, İzlanda, Norveç, Liechtenstein, Türkiye ve Rusya'da geçerlidir. Bu alanların dışında, başka bir garantinin geçerli olup olmadığını belirlemek için lütfen yetkili RYOBI distribütörünüzle irtibata geçin.

### YETKİLİ SERVİS MERKEZİ

En yakın yetkili servis merkezini öğrenmek için <http://uk.ryobitools.eu/header/service-and-support/service-agents> sitesine girin.

## EL ΟΡΟΙ ΕΦΑΡΜΟΓΗΣ ΤΩΝ ΠΡΟΫΠΟΘΕΣΩΝ ΕΓΓΥΗΣΗΣ ΤΗΣ RYOBI®

Εκτός από τα νόμιμα δικαιώματα, τα οποία προκύπτουν από την αγορά, το προϊόν καλύπτεται από εγγύηση, λεπτομέρειες της οποίας ακολουθούν στη συνέχεια.

1. Η διάρκεια της εγγύησης για τους καταναλωτές είναι 24 μήνες και αρχίζει από την ημερομηνία αγοράς. Η ημερομηνία θα πρέπει να αναγράφεται στην απόδειξη ή σε άλλο αποδεικτικό αγοράς. Το προϊόν έχει σχεδιαστεί και προορίζεται αποκλειστικά για οικιακή χρήση από καταναλωτές. Συνεπώς, δεν παρέχεται εγγύηση σε περίπτωση επαγγελματικής ή εμπορικής χρήσης.
2. Υπάρχει η δυνατότητα επέκτασης της εγγύησης για ορισμένα ηλεκτρικά εργαλεία (AC/DC), πέραν του παραπάνω αναφερόμενου χρονικού διαστήματος, μέσω εγγραφής στο δικτυακό τόπο [www.ryobitools.eu](http://www.ryobitools.eu). Η επλεξιμότητα των εργαλείων με δυνατότητα επέκτασης της περιόδου εγγύησης αναγράφεται ρητά στα καταστήματα και/ή επάνω στη συσκευασία, ενώ περιέχεται στην τεκμηρίωση του προϊόντος. Το τελικός χρήστης θα πρέπει να καταχωρήσει τα προσωπικά αποκτηθέντα εργαλεία online, εντός 30 ημερών από την ημερομηνία αγοράς. Ο τελικός χρήστης μπορεί να εγγραφεί για την επέκταση εγγύησης εάν υπάρχει η δυνατότητα επέκτασης. Επιπλέον, οι τελικοί χρήστες θα πρέπει να παρέχουν τη συγκατάθεσή τους για την αποθήκευση των στοιχείων τους, τα οποία οφείλουν να καταχωρούν online, όπως και να αποδεχθούν του όρους και τις προϋποθέσεις. Η απόδειξη επιβεβαίωσης της εγγραφής, η οποία αποστέλλεται μέσω email, και η πρωτότυπη απόδειξη αγοράς, η οποία αναγράφεται στην ημερομηνία αγοράς, αποτελούν αποδεικτικά της παρατεταμένης εγγύησης.
3. Η εγγύηση καλύπτει όλα τα ελαττώματα του προϊόντος, κατά τη διάρκεια της περιόδου εγγύησης, λόγω κατασκευαστικών ελαττωμάτων ή αστοχίας υλικού κατά την ημερομηνία αγοράς. Η εγγύηση περιορίζεται στην επισκευή και/ή την αντικατάσταση και δεν περιλαμβάνει καμία άλλη υποχρέωση, συμπεριλαμβανομένων, ενδεικτικά, συμπληρωματικών ή παρεπόμενων ζημιών. Η εγγύηση δεν ισχύει εφόσον, έχει σημειωθεί κακομεταχείριση του προϊόντος, δεν έχουν τηρηθεί οι οδηγίες του εγχειριδίου οδηγιών ή το προϊόν έχει συνδεθεί λανθασμένα. Η εγγύηση δεν ισχύει για:
  - οποιαδήποτε ζημία στο προϊόν, η οποία είναι αποτέλεσμα κακής συντήρησης
  - οποιοδήποτε προϊόν, το οποίο έχει αλλοιωθεί ή τροποποιηθεί
  - οποιοδήποτε προϊόν, στο οποίο έχει αλλοιωθεί, τροποποιηθεί ή αφαιρεθεί το γνήσιο αναγνωριστικό (σήμα κατατεθέν, σειριακός αριθμός)
  - οποιαδήποτε ζημία προκλήθει λόγω μη τήρησης του εγχειριδίου οδηγιών
  - οποιοδήποτε προϊόν χωρίς σήμανση CE
  - οποιοδήποτε προϊόν, στο οποίο έχει γίνει προσπάθεια επισκευής από μη καταρτισμένο επαγγελματία ή χωρίς την προηγούμενη έγκριση της Techtronic Industries.
  - οποιοδήποτε προϊόν, το οποίο έχει συνδεθεί σε ακατάλληλη παροχή ρεύματος (αμπερ, ισχύ, συχνότητα)
  - οποιαδήποτε ζημία έχει προκληθεί από εξωτερικές επιδράσεις (χημικές, φυσικές, κλιματιομετρικές) ή ξένες ουσίες
  - φυσιολογική φθορά και ρήξη ανταλλακτικών
  - ακατάλληλη χρήση, υπερφόρτωση του εργαλείου
  - χρήση μη ενδεδειγμένων εξαρτημάτων ή ανταλλακτικών
  - Εξαρτήματα ηλεκτρικών εργαλείων που παρασχεθήκαν με το εργαλείο ή αγοράστηκαν ξεχωριστά. Τέτοιες εξαρτήματα περιλαμβάνουν, ενδεικτικά, μύτες καταβρόχου, τρυπάνια, δίσκους λείανσης, γυαλόχαρτο και λειπίδες, πλευρικό οδηγό
  - Εξαρτήματα (ανταλλακτικά και αξεσουάρ) που υποκείμενα σε φυσική φθορά και θραύση, συμπεριλαμβανομένων, ενδεικτικά, σετ επισκευής & συντήρησης, ψηκτρών άνθρωρα, εφεδράνων, τσοκ, εξαρτημάτων ή υποδοχών τρυπάνιων SDS, καλωδίων ισχύος, βοηθητικής λαβής, βαλβίδας μεταφοράς, βάσης τριβείου, σκαουλιάς συλλογής σκόνης, σωλήνα εξαναγκαστικής σκόνης, ροδελών τόδους, μωτών και ελατηρίων κροστικού κλειδιού κοχλίων, κτλ.
4. Το προϊόν θα πρέπει να αποσταλεί ή να παραδοθεί για επισκευή ή συντήρηση σε εξουσιοδοτημένο σημείο σέρβις της RYOBI που περιλαμβάνεται στον ακόλουθο κατάλογο διευθύνσεων για κάθε χώρα. Σε ορισμένες χώρες, το τοπικό σημείο πώλησης της RYOBI αναλαμβάνει την αποστολή του προϊόντος στο κεντρικό σέρβις της RYOBI. Κατά την αποστολή ενός προϊόντος σε σημείο σέρβις της RYOBI, αυτό θα πρέπει να είναι ασφαλώς συσκευασμένο, χωρίς επικίνδυνο περιεχόμενο, όπως πετρέλαιο, να φέρει τη διευθύνση του αποστολέα και να συνοδεύεται από σύντομη περιγραφή της βλάβης.
5. Η επιδιόρθωση / αντικατάσταση υπό την παρούσα εγγύηση παρέχεται δωρεάν. Δε συνιστά παράταση της περιόδου εγγύησης ή εκκίνηση νέας περιόδου εγγύησης. Τα μέρη που αντικαθίστανται περιέχονται στην κυριότητα μας. Σε ορισμένες χώρες, τα ενδεχόμενα έξοδα παραδοσης ή μεταφοράς βερνούν τον αποστολέα. Τα νόμιμα δικαιώματά σας, τα οποία απορρέουν από την αγορά του εργαλείου, δεν θίγονται.
6. Η παρούσα εγγύηση ισχύει στην Ευρωπαϊκή Κοινότητα, την Ελβετία, την Ισπανία, τη Νορβηγία, το Λιχτενστάιν, την Τουρκία και την Ρωσία. Εκτός των παραπάνω περιοχών, σας παρακαλούμε να επικοινωνήσετε με εξουσιοδοτημένο κατάστημα πώλησης της RYOBI, προκειμένου να διαπιστωθεί ένα ισχύει κάποια άλλη εγγύηση.

### ΕΞΟΥΣΙΟΔΟΤΗΜΕΝΟ ΚΕΝΤΡΟ ΣΕΡΒΙΣ

Για να εντοπίσετε ένα εξουσιοδοτημένο κέντρο σέρβις στην περιοχή σας, επισκεφτείτε τη σελίδα <http://uk.ryobitools.eu/header/service-and-support/service-agents>.





## EN DECLARATION OF CONFORMITY

Technronic Industries GmbH  
Max-Eyth-Straße 10, 71364 Winnenden, Germany

Herewith we declare that the product

Cut-off machine  
Brand: RYOBI  
Model number: ECO2335HG  
Serial number range: 46299301000001 - 46299301999999

is in conformity with the following European Directives and harmonised standards

2006/42/EC, 2014/30/EU, 2011/65/EU  
EN 55014-1-2017; EN 55014-2-2015;  
EN 61000-3-2-2014; EN 61000-3-11-2000;  
EN 62841-1-2015; EN 62841-3-10-2015; EN 50581:2012

Todd Chipner  
Sr. Director, Regulatory & Safety  
Winnenden, Apr. 02, 2019

Authorised to compile the technical file:

Alexander Krug, Managing Director  
Technronic Industries GmbH  
Max-Eyth-Straße 10, 71364 Winnenden, Germany

## ES DECLARACIÓN DE CONFORMIDAD

Technronic Industries GmbH  
Max-Eyth-Straße 10, 71364 Winnenden, Germany

Por la presente declaramos que los productos

Máquina de corte  
Marca: RYOBI  
Número de modelo: ECO2335HG  
Intervalo del número de serie: 46299301000001 - 46299301999999

se encuentra en conformidad con las siguientes Directivas Europeas y normas armonizadas

2006/42/EC, 2014/30/EU, 2011/65/EU  
EN 55014-1-2017; EN 55014-2-2015;  
EN 61000-3-2-2014; EN 61000-3-11-2000;  
EN 62841-1-2015; EN 62841-3-10-2015; EN 50581:2012

Todd Chipner  
Director principal, Director General de Normativa y Seguridad  
Winnenden, Apr. 02, 2019

Autorizado para elaborar la ficha técnica:

Alexander Krug, Administrador Ejecutivo  
Technronic Industries GmbH  
Max-Eyth-Straße 10, 71364 Winnenden, Germany

## FR DÉCLARATION DE CONFORMITÉ

Technronic Industries GmbH  
Max-Eyth-Straße 10, 71364 Winnenden, Germany

Déclarons par la présente que le produit

Tronçonneuse  
Marque: RYOBI  
Numéro de modèle: ECO2335HG  
Étendue des numéros de série: 46299301000001 - 46299301999999

est conforme aux Directives Européennes et Normes Harmonisées suivantes

2006/42/EC, 2014/30/EU, 2011/65/EU  
EN 55014-1-2017; EN 55014-2-2015;  
EN 61000-3-2-2014; EN 61000-3-11-2000;  
EN 62841-1-2015; EN 62841-3-10-2015; EN 50581:2012

Todd Chipner  
Directeur principal, Réglementation & Sécurité  
Winnenden, Apr. 02, 2019

Autorisé à rédiger le dossier technique:

Alexander Krug, Directeur Général  
Technronic Industries GmbH  
Max-Eyth-Straße 10, 71364 Winnenden, Germany

## IT DICHIARAZIONE DI CONFORMITÀ

Technronic Industries GmbH  
Max-Eyth-Straße 10, 71364 Winnenden, Germany

Si dichiara con la presente che il prodotto

Macchina di taglio  
Marca: RYOBI  
Numero modello: ECO2335HG  
Gamma numero seriale: 46299301000001 - 46299301999999

è conforme alle seguenti Direttive Europee e ai seguenti standard armonizzati

2006/42/EC, 2014/30/EU, 2011/65/EU  
EN 55014-1-2017; EN 55014-2-2015;  
EN 61000-3-2-2014; EN 61000-3-11-2000;  
EN 62841-1-2015; EN 62841-3-10-2015; EN 50581:2012

Todd Chipner  
Sig. Direttore, Dipartimento Regolazioni & Sicurezza  
Winnenden, Apr. 02, 2019

Autorizzato per compilare il file tecnico:

Alexander Krug, Direttore Amministrativo  
Technronic Industries GmbH  
Max-Eyth-Straße 10, 71364 Winnenden, Germany

## DE KONFORMITÄTSERKLÄRUNG

Technronic Industries GmbH  
Max-Eyth-Straße 10, 71364 Winnenden, Germany

Hiermit erklären wir, dass die Produkte

Trennschleifer  
Marke: RYOBI  
Modellnummer: ECO2335HG  
Seriennummernbereich: 46299301000001 - 46299301999999

den folgenden europäischen Richtlinien und harmonisierten Normen entspricht

2006/42/EC, 2014/30/EU, 2011/65/EU  
EN 55014-1-2017; EN 55014-2-2015;  
EN 61000-3-2-2014; EN 61000-3-11-2000;  
EN 62841-1-2015; EN 62841-3-10-2015; EN 50581:2012

Todd Chipner  
Sr. Director, Vorschriften und Sicherheit  
Winnenden, Apr. 02, 2019

Autorisiert die technische Datei zu erstellen:

Alexander Krug, Geschäftsführer  
Technronic Industries GmbH  
Max-Eyth-Straße 10, 71364 Winnenden, Germany

## NL CONFORMITEITSVERKLARING

Technronic Industries GmbH  
Max-Eyth-Straße 10, 71364 Winnenden, Germany

Hierbij verklaren wij dat het product

Doorslijpmachine  
Merk: RYOBI  
Modelnummer: ECO2335HG  
Seriennummervereik: 46299301000001 - 46299301999999

is in overeenstemming met de volgende Europese Richtlijnen en geharmoniseerde normen

2006/42/EC, 2014/30/EU, 2011/65/EU  
EN 55014-1-2017; EN 55014-2-2015;  
EN 61000-3-2-2014; EN 61000-3-11-2000;  
EN 62841-1-2015; EN 62841-3-10-2015; EN 50581:2012

Todd Chipner  
Dhr. Directeur, Regelgeving en veiligheid  
Winnenden, Apr. 02, 2019

Afgevaardigde voor het samenstellen van de technische fiche:

Alexander Krug, Directeur  
Technronic Industries GmbH  
Max-Eyth-Straße 10, 71364 Winnenden, Germany



**PT** DECLARAÇÃO DE CONFORMIDADE

Techtronic Industries GmbH  
Max-Eyth-Straße 10, 71364 Winnenden, Germany

*Pelo presente declaramos que os produtos*

Máquina de corte  
Marca: RYOBI  
Número do modelo: ECO2335HG  
Intervalo do número de série: 46299301000001 - 46299301999999

*se encontra em conformidade com as seguintes Directivas Europeias e normas harmonizadas*

2006/42/EC, 2014/30/EU, 2011/65/EU  
EN 55014-1:2017; EN 55014-2:2015;  
EN 61000-3-2:2014; EN 61000-3-11:2000;  
EN 62841-1:2015; EN 62841-3-10:2015; EN 50581:2012

Todd Chipner  
Sr. Diretor, Regulação & Segurança  
Winnenden, Apr. 02, 2019

Autorizado para compilar o ficheiro técnico:

Alexander Krug, Administrador Executivo  
Techtronic Industries GmbH  
Max-Eyth-Straße 10, 71364 Winnenden, Germany

CE

**FI** SÄÄNNÖSTEN NOUDATTAMINEN

Techtronic Industries GmbH  
Max-Eyth-Straße 10, 71364 Winnenden, Germany

*Ilmoitamme täten, että tuotteet*

Katkaisukone  
Tuotemerkki: RYOBI  
Mallinumero: ECO2335HG  
Sarjanumeroalue: 46299301000001 - 46299301999999

*noudattaa seuraavia EU-direktiivejä ja harmonoituja standardeja*

2006/42/EC, 2014/30/EU, 2011/65/EU  
EN 55014-1:2017; EN 55014-2:2015;  
EN 61000-3-2:2014; EN 61000-3-11:2000;  
EN 62841-1:2015; EN 62841-3-10:2015; EN 50581:2012

Todd Chipner  
Sr. Director, säästöstenmukaisuus ja turvallisuus  
Winnenden, Apr. 02, 2019

Valtuutettu kokoamaan tekninen tiedosto:

Alexander Krug, Toimitusjohtaja  
Techtronic Industries GmbH  
Max-Eyth-Straße 10, 71364 Winnenden, Germany

CE

**DA** OVERENSSTEMMELSESERKLÆRING

Techtronic Industries GmbH  
Max-Eyth-Straße 10, 71364 Winnenden, Germany

*Vi erklærer hermed, at produktet*

Afskæringsmaskine  
Brand: RYOBI  
Modelnummer: ECO2335HG  
Serienummerområde: 46299301000001 - 46299301999999

*er i overensstemmelse med følgende EU-direktiver og harmoniserede standarder*

2006/42/EC, 2014/30/EU, 2011/65/EU  
EN 55014-1:2017; EN 55014-2:2015;  
EN 61000-3-2:2014; EN 61000-3-11:2000;  
EN 62841-1:2015; EN 62841-3-10:2015; EN 50581:2012

Todd Chipner  
Hr. Direktør, regler og sikkerhed  
Winnenden, Apr. 02, 2019

Bemyndiget til at udarbejde det tekniske kartotte:

Alexander Krug, Administrerende Direktør  
Techtronic Industries GmbH  
Max-Eyth-Straße 10, 71364 Winnenden, Germany

CE

**NO** SAMSVARERKLÆRING

Techtronic Industries GmbH  
Max-Eyth-Straße 10, 71364 Winnenden, Germany

*Herved erklærer vi at produktet*

Kappemaskin  
Merke: RYOBI  
Modellnummer: ECO2335HG  
Serienummerserie: 46299301000001 - 46299301999999

*er i samsvar med følgende europeiske direktiver og harmoniserte standarder*

2006/42/EC, 2014/30/EU, 2011/65/EU  
EN 55014-1:2017; EN 55014-2:2015;  
EN 61000-3-2:2014; EN 61000-3-11:2000;  
EN 62841-1:2015; EN 62841-3-10:2015; EN 50581:2012

Todd Chipner  
Sr. direktør, forskrifter og sikkerhet  
Winnenden, Apr. 02, 2019

Autorisert til å sette sammen den tekniske filen:

Alexander Krug, Administrerende Direktør  
Techtronic Industries GmbH  
Max-Eyth-Straße 10, 71364 Winnenden, Germany

CE

**SV** KONFORMITETSDEKLARATION

Techtronic Industries GmbH  
Max-Eyth-Straße 10, 71364 Winnenden, Germany

*Härmed deklarerar vi att produkterna*

Skärmskinn  
Märke: RYOBI  
Modellnummer: ECO2335HG  
Serienummerintervall: 46299301000001 - 46299301999999

*är i enlighet med följande EU-direktiv och harmoniserade standarder*

2006/42/EC, 2014/30/EU, 2011/65/EU  
EN 55014-1:2017; EN 55014-2:2015;  
EN 61000-3-2:2014; EN 61000-3-11:2000;  
EN 62841-1:2015; EN 62841-3-10:2015; EN 50581:2012

Todd Chipner  
Överordnad direktör, regelverk och säkerhet  
Winnenden, Apr. 02, 2019

Godkänd att sammanställa den tekniska filen:

Alexander Krug, VD  
Techtronic Industries GmbH  
Max-Eyth-Straße 10, 71364 Winnenden, Germany

CE

**RU** ЗАЯВЛЕНИЕ О СООТВЕТСТВИИ ТРЕБОВАНИЯМ

Techtronic Industries GmbH  
Max-Eyth-Straße 10, 71364 Winnenden, Germany

*Настоящим мы заявляем, что данный продукт*

Отрезной станок  
Марка: RYOBI  
Номер модели: ECO2335HG  
Диапазон заводских номеров: 46299301000001 - 46299301999999

*соответствует требованиям следующих Директив ЕС и согласованных стандартов*

2006/42/EC, 2014/30/EU, 2011/65/EU  
EN 55014-1:2017; EN 55014-2:2015;  
EN 61000-3-2:2014; EN 61000-3-11:2000;  
EN 62841-1:2015; EN 62841-3-10:2015; EN 50581:2012

Todd Chipner  
Г-н Директор, технике безопасности и стандартам  
Winnenden, Apr. 02, 2019

Лицо, ответственное за подготовку технической документации:

Alexander Krug, Директор  
Techtronic Industries GmbH  
Max-Eyth-Straße 10, 71364 Winnenden, Germany

CE



## PL DEKLARACJA ZGODNOŚCI

Techtronic Industries GmbH  
Max-Eyth-Straße 10, 71364 Winnenden, Germany

*Niniejszym deklarujemy, że produkty*

Przecinarka  
Marka: RYOBI  
Numer modelu: ECO2335HG  
Zakres numerów seryjnych: 46299301000001 - 46299301999999

*jest zgodny z następującymi dyrektywami europejskimi i zharmonizowanymi normami*

2006/42/EC, 2014/30/EU, 2011/65/EU  
EN 55014-1:2017; EN 55014-2:2015;  
EN 61000-3-2:2014; EN 61000-3-11:2000;  
EN 62841-1:2015; EN 62841-3-10:2015; EN 50581:2012

Todd Chipner  
Starszy dyrektor ds. zgodności prawnej i bezpieczeństwa  
Winnenden, Apr. 02, 2019

Osoba upoważniona do sporządzenia dokumentu technicznego:  
Alexander Krug, Dyrektor Zarządzający  
Techtronic Industries GmbH  
Max-Eyth-Straße 10, 71364 Winnenden, Germany

## RO DECLARAȚIE DE CONFORMITATE

Techtronic Industries GmbH  
Max-Eyth-Straße 10, 71364 Winnenden, Germany

*Prin prezenta, declarăm că produsele*

Mașină de debitat  
Marca: RYOBI  
Număr serie: ECO2335HG  
Gamă număr serie: 46299301000001 - 46299301999999

*este în conformitate cu următoarele Directive Europene și standarde armonizate*

2006/42/EC, 2014/30/EU, 2011/65/EU  
EN 55014-1:2017; EN 55014-2:2015;  
EN 61000-3-2:2014; EN 61000-3-11:2000;  
EN 62841-1:2015; EN 62841-3-10:2015; EN 50581:2012

Todd Chipner  
Director Senior, reglementare și siguranță  
Winnenden, Apr. 02, 2019

Autorizat să completeze fișa tehnică:  
Alexander Krug, Director General  
Techtronic Industries GmbH  
Max-Eyth-Straße 10, 71364 Winnenden, Germany

## CS PROHLÁŠENÍ O SHODĚ

Techtronic Industries GmbH  
Max-Eyth-Straße 10, 71364 Winnenden, Germany

*Tímto prohlašujeme, že výrobky*

Zkracovací pila na kovy  
Značka: RYOBI  
Číslo modelu: ECO2335HG  
Rozsah sériových čísel: 46299301000001 - 46299301999999

*že tento výrobek je v souladu s evropskými a harmonizovanými standardy*

2006/42/EC, 2014/30/EU, 2011/65/EU  
EN 55014-1:2017; EN 55014-2:2015;  
EN 61000-3-2:2014; EN 61000-3-11:2000;  
EN 62841-1:2015; EN 62841-3-10:2015; EN 50581:2012

Todd Chipner  
Vyšší ředitel, normy a bezpečnost  
Winnenden, Apr. 02, 2019

Pověření ke kompilaci technického souboru:  
Alexander Krug, Generální ředitel  
Techtronic Industries GmbH  
Max-Eyth-Straße 10, 71364 Winnenden, Germany

## LV ATBILSTĪBAS DEKLARĀCIJA

Techtronic Industries GmbH  
Max-Eyth-Straße 10, 71364 Winnenden, Germany

*Ar šo paziņojam, ka produkti*

Metāla griešanas iekārta  
Zīmols: RYOBI  
Modeļa numurs: ECO2335HG  
Sērijas numura intervāls: 46299301000001 - 46299301999999

*atbilst šādām Eiropas direktīvām un saskaņotajiem standartiem*

2006/42/EC, 2014/30/EU, 2011/65/EU  
EN 55014-1:2017; EN 55014-2:2015;  
EN 61000-3-2:2014; EN 61000-3-11:2000;  
EN 62841-1:2015; EN 62841-3-10:2015; EN 50581:2012

Todd Chipner  
Vecākais Direktors, darba drošības noteikumi  
Winnenden, Apr. 02, 2019

Pilnvarots sastādīt tehnisko failu:  
Alexander Krug, Izpildīdītājs  
Techtronic Industries GmbH  
Max-Eyth-Straße 10, 71364 Winnenden, Germany

## HU MEGFELELŐSÉGI NYILATKOZAT

Techtronic Industries GmbH  
Max-Eyth-Straße 10, 71364 Winnenden, Germany

*Ezúton kijelentjük, hogy a termék*

Darabológép  
Márka: RYOBI  
Típuszám: ECO2335HG  
Sorozatszám tartomány: 46299301000001 - 46299301999999

*megfelel az alábbi Európai Irányelvek és harmonizált szabványok vonatkozó rendelkezéseinek*

2006/42/EC, 2014/30/EU, 2011/65/EU  
EN 55014-1:2017; EN 55014-2:2015;  
EN 61000-3-2:2014; EN 61000-3-11:2000;  
EN 62841-1:2015; EN 62841-3-10:2015; EN 50581:2012

Todd Chipner  
Senior igazgató, Megfelelőségi és biztonsági területék  
Winnenden, Apr. 02, 2019

A műszaki dokumentáció összeállítására felhatalmazott:  
Alexander Krug, Ügyvezető Igazgató  
Techtronic Industries GmbH  
Max-Eyth-Straße 10, 71364 Winnenden, Germany

## LT ATITIKTIES PAREIŠKIMAS

Techtronic Industries GmbH  
Max-Eyth-Straße 10, 71364 Winnenden, Germany

*Mes pareiškiame, kad šie produktai*

Diskinės metalo pjūvio staklės  
Prekės ženklas: RYOBI  
Modelio numeris: ECO2335HG  
Serijinio numerio diapazonas: 46299301000001 - 46299301999999

*pagamintas laikantis toliau nurodytųjų Europos Direktyvų ir darniųjų standartų*

2006/42/EC, 2014/30/EU, 2011/65/EU  
EN 55014-1:2017; EN 55014-2:2015;  
EN 61000-3-2:2014; EN 61000-3-11:2000;  
EN 62841-1:2015; EN 62841-3-10:2015; EN 50581:2012

Todd Chipner  
Vyr. direktorius, Kontrolės ir saugos  
Winnenden, Apr. 02, 2019

Igaliautos sudaryti techninį failą:  
Alexander Krug, Generalinis Direktorius  
Techtronic Industries GmbH  
Max-Eyth-Straße 10, 71364 Winnenden, Germany



**ET** VASTAVUSDEKLARATSIOON

Techtronic Industries GmbH  
Max-Eyth-Straße 10, 71364 Winnenden, Germany

**Kinnitame, et see toode**

Metallilõikur  
Mark: RYOBI  
Mudelil number: ECO2335HG  
Seeriainumbri vahemik: 46299301000001 - 46299301999999

**vastab järgmistele Euroopa direktiividele ja harmoniseeritud standarditele**

2006/42/EC, 2014/30/EU, 2011/65/EU  
EN 55014-1-2017; EN 55014-2-2015;  
EN 61000-3-2-2014; EN 61000-3-11-2000;  
EN 62841-1-2015; EN 62841-3-10-2015; EN 50581-2012

Todd Chipner  
Vanemdirektor, standardiseerimise ja ohutuse alal  
Winnenden, Apr. 02, 2019

Tehnilise faili koostamiseks volitatud isik:  
Alexander Krug, Tegevdirektor  
Techtronic Industries GmbH  
Max-Eyth-Straße 10, 71364 Winnenden, Germany

**SK** PREHLÁSENIE O ZHODE

Techtronic Industries GmbH  
Max-Eyth-Straße 10, 71364 Winnenden, Germany

**Týmto vyhlasujeme, že výrobok**

Rozbrusovačka  
Značka: RYOBI  
Číslo modelu: ECO2335HG  
Rozsah sériových čísiel: 46299301000001 - 46299301999999

**je v súlade s nasledujúcimi Európskymi smernicami a harmonizovanými normami**

2006/42/EC, 2014/30/EU, 2011/65/EU  
EN 55014-1-2017; EN 55014-2-2015;  
EN 61000-3-2-2014; EN 61000-3-11-2000;  
EN 62841-1-2015; EN 62841-3-10-2015; EN 50581-2012

Todd Chipner  
vyšší riaditeľ, Regulácia a bezpečnosť  
Winnenden, Apr. 02, 2019

Oprávnená osoba na zostavenie technického súboru:  
Alexander Krug, Generálny Riaditeľ  
Techtronic Industries GmbH  
Max-Eyth-Straße 10, 71364 Winnenden, Germany

**HR** IZJAVA O USKLADENOSTI

Techtronic Industries GmbH  
Max-Eyth-Straße 10, 71364 Winnenden, Germany

**Ovime izjavujemo da su proizvodi**

Rezačica  
Marka: RYOBI  
Broj modela: ECO2335HG  
Raspon serijskog broja: 46299301000001 - 46299301999999

**usklađen sa sledećim Europskim Direktivama i usklađenim normama**

2006/42/EC, 2014/30/EU, 2011/65/EU  
EN 55014-1-2017; EN 55014-2-2015;  
EN 61000-3-2-2014; EN 61000-3-11-2000;  
EN 62841-1-2015; EN 62841-3-10-2015; EN 50581-2012

Todd Chipner  
Viši direktor, pravila i sigurnost  
Winnenden, Apr. 02, 2019

Ovlašten da sastavi tehničku datoteku:  
Alexander Krug, Direktor Upravljanja  
Techtronic Industries GmbH  
Max-Eyth-Straße 10, 71364 Winnenden, Germany

**BG** ДЕКЛАРАЦИЯ НА ЗА СЪОТВЕТСТВИЕ

Techtronic Industries GmbH  
Max-Eyth-Straße 10, 71364 Winnenden, Germany

**С настоящето декларираме, че продуктите**

Отрязан циркуляр  
Марка: RYOBI  
Номер на модела: ECO2335HG  
Обхват на серийни номера: 46299301000001 - 46299301999999

**отговаря на следните директиви на ЕС и хармонизирани стандарти**

2006/42/EC, 2014/30/EU, 2011/65/EU  
EN 55014-1-2017; EN 55014-2-2015;  
EN 61000-3-2-2014; EN 61000-3-11-2000;  
EN 62841-1-2015; EN 62841-3-10-2015; EN 50581-2012

Todd Chipner  
Главен директор, отдел Нормативни изисквания и безопасност  
Winnenden, Apr. 02, 2019

Упълномощено лице за съставяне на техническия файл:  
Alexander Krug, Изпълнителен Директор  
Techtronic Industries GmbH  
Max-Eyth-Straße 10, 71364 Winnenden, Germany

**SL** IZJAVA O SKLADNOSTI

Techtronic Industries GmbH  
Max-Eyth-Straße 10, 71364 Winnenden, Germany

**Izjavljamo, da je izdelek**

Obrezovalni stroj  
Znamka: RYOBI  
Številka modela: ECO2335HG  
Razpon serijskih števil: 46299301000001 - 46299301999999

**v skladu s sledećimi evropskimi direktivami in harmoniziranimi standardi**

2006/42/EC, 2014/30/EU, 2011/65/EU  
EN 55014-1-2017; EN 55014-2-2015;  
EN 61000-3-2-2014; EN 61000-3-11-2000;  
EN 62841-1-2015; EN 62841-3-10-2015; EN 50581-2012

Todd Chipner  
Višji direktor, zakonodajne in varnostne zadeve  
Winnenden, Apr. 02, 2019

Pooblaščená oseba za sestavo tehnične dokumentacije:  
Alexander Krug, Izvršni Direktor  
Techtronic Industries GmbH  
Max-Eyth-Straße 10, 71364 Winnenden, Germany

**UK** ДЕКЛАРАЦИЯ ПРО ВІДПОВІДНІСТЬ

Techtronic Industries GmbH  
Max-Eyth-Straße 10, 71364 Winnenden, Germany

**При цьому ми заявляємо, що продукт**

Відрізний станок  
Марка: RYOBI  
Номер моделі: ECO2335HG  
Діапазон серійного номеру: 46299301000001 - 46299301999999

**у відповідності з наступними європейськими директивами та гармонізованими стандартами**

2006/42/EC, 2014/30/EU, 2011/65/EU  
EN 55014-1-2017; EN 55014-2-2015;  
EN 61000-3-2-2014; EN 61000-3-11-2000;  
EN 62841-1-2015; EN 62841-3-10-2015; EN 50581-2012

Todd Chipner  
Ген. директор, регулювання і безпека  
Winnenden, Apr. 02, 2019

Дозвіл на складання технічного файлу:  
Alexander Krug, Керуючий директор  
Techtronic Industries GmbH  
Max-Eyth-Straße 10, 71364 Winnenden, Germany

**TR** UYGUNLUK BEYANI

Techtronic Industries GmbH  
Max-Eyth-Straße 10, 71364 Winnenden, Germany

*Böylelikle beyan ederiz ki; ürün*

Kesme Makinesi  
Marka: RYOBI  
Model numarası: ECO2335HG  
Seri numarası aralığı: 46299301000001 - 46299301999999

*aşağıdaki Avrupa Direktifleri ve uyumlaştırılmış standartlara uygundur*

2006/42/EC, 2014/30/EU, 2011/65/EU  
EN 55014-1:2017; EN 55014-2:2015;  
EN 61000-3-2:2014; EN 61000-3-11:2000;  
EN 62841-1:2015; EN 62841-3-10:2015; EN 50581:2012

Todd Chipner  
Kıdemli Direktör, Düzenleme ve Güvenlik  
Winnenden, Apr. 02, 2019

CE

Teknik dosya hazırlamaya yetkilidir:  
Alexander Krug, Genel Müdür  
Techtronic Industries GmbH  
Max-Eyth-Straße 10, 71364 Winnenden, Germany

**EL** ΔΗΛΩΣΗ ΣΥΜΜΟΡΦΩΣΗΣ

Techtronic Industries GmbH  
Max-Eyth-Straße 10, 71364 Winnenden, Germany

*Δια του παρόντος δηλώνουμε ότι το προϊόν*

Μηχάνημα αποκοπής  
Μάρκα: RYOBI  
Αριθμός μοντέλου: ECO2335HG  
Εύρος σειριακών αριθμών: 46299301000001 - 46299301999999

*είναι σύμφωνο με τις παρακάτω Ευρωπαϊκές Οδηγίες και εναρμονισμένα πρότυπα*

2006/42/EC, 2014/30/EU, 2011/65/EU  
EN 55014-1:2017; EN 55014-2:2015;  
EN 61000-3-2:2014; EN 61000-3-11:2000;  
EN 62841-1:2015; EN 62841-3-10:2015; EN 50581:2012

Todd Chipner  
Ανώτερος Διευθυντής, Τμήμα Ρυθμίσεων & Ασφάλειας  
Winnenden, Apr. 02, 2019

CE

Εξουσιοδοτημένο άτομο για σύνταξη τεχνικού αρχείου:  
Alexander Krug, Διευθύνων Σύμβουλος  
Techtronic Industries GmbH  
Max-Eyth-Straße 10, 71364 Winnenden, Germany





- EN** RYOBI is a trade mark of Ryobi Limited, and is used under license.  
© 2012-20 Techtronic Cordless GP.
- FR** RYOBI est une marque déposée de Ryobi Limited, et est utilisée sous license.  
© 2012-20 Techtronic Cordless GP.
- DE** RYOBI ist ein Markenzeichen von Ryobi Limited und wird in Lizenz verwendet.  
© 2012-20 Techtronic Cordless GP.
- ES** RYOBI es una marca registrada de Ryobi Limited, y se utiliza bajo licencia.  
© 2012-20 Techtronic Cordless GP.
- IT** L'utilizzo del marchio registrato RYOBI è legato alla licenza concessa da Ryobi Limited.  
© 2012-20 Techtronic Cordless GP.
- NL** RYOBI is een handelsmerk van Ryobi Limited en wordt onder licentie gebruikt.  
© 2012-20 Techtronic Cordless GP.
- PT** RYOBI é uma marca comercial de Ryobi Limited, e é utilizada sob licença.  
© 2012-20 Techtronic Cordless GP.
- DA** RYOBI er et varemærke tilhørende Ryobi Limited og bruges under licens.  
© 2012-20 Techtronic Cordless GP.
- SV** RYOBI är en del av varumärke Ryobi Limited och dess användning är licensierad.  
© 2012-20 Techtronic Cordless GP.
- FI** RYOBI on Ryobi Limitedin omistama tavaramerkki, ja sitä käytetään lisenssin puitteissa.  
© 2012-20 Techtronic Cordless GP.
- NO** RYOBI er et varemerke for Ryobi Limited, og brukes under lisens.  
© 2012-20 Techtronic Cordless GP.
- RU** RYOBI является товарным знаком компании Ryobi Limited, используемым по лицензиям.  
© 2012-20 Techtronic Cordless GP.
- PL** RYOBI to znak towarowy firmy Ryobi Limited i jest używany zgodnie z udzieloną licencją.  
© 2012-20 Techtronic Cordless GP.
- CS** RYOBI je ochranná známka společnosti Ryobi Limited a její používání podléhá licenci.  
© 2012-20 Techtronic Cordless GP.
- HU** A RYOBI a Ryobi Limited védjegye, használatá licenc keretében történik.  
© 2012-20 Techtronic Cordless GP.
- RO** RYOBI este o marcă comercială a firmei Ryobi Limited și este utilizată sub licență.  
© 2012-20 Techtronic Cordless GP.
- LV** RYOBI ir Ryobi Limited precu zime un tiek izmantota saskaņā ar licenci.  
© 2012-20 Techtronic Cordless GP.
- LT** „RYOBI” yra „Ryobi Limited” prekės ženklas, naudojamas pagal licenciją.  
© 2012-20 Techtronic Cordless GP.
- ET** RYOBI on ettevõtte Ryobi Limited kaubamärk, mida kasutatakse litsentsi alusel.  
© 2012-20 Techtronic Cordless GP.
- HR** RYOBI je žig tvrtke Ryobi Limited i koristi se po licenci.  
© 2012-20 Techtronic Cordless GP.
- SL** RYOBI je blagovna znamka družbe Ryobi Limited in se uporablja na podlagi dovoljenja.  
© 2012-20 Techtronic Cordless GP.
- SK** RYOBI je ochranná známka spoločnosti Ryobi Limited a používa sa na základe licencie.  
© 2012-20 Techtronic Cordless GP.
- BG** RYOBI е търговска марка на Ryobi Limited и се използва под лиценз.  
© 2012-20 Techtronic Cordless GP.
- UK** RYOBI є товарним знаком Ryobi Limited, і використовується за ліцензією.  
© 2012-20 Techtronic Cordless GP.
- TR** RYOBI, Ryobi Limited şirketine ait olup, lisans altında kullanılan bir ticari markadır.  
© 2012-20 Techtronic Cordless GP.
- EL** Το RYOBI αποτελεί εμπορικό σήμα της Ryobi Limited και χρησιμοποιείται μετά από χορήγηση άδειας.  
© 2012-20 Techtronic Cordless GP.





**Techtronic Industries GmbH**  
Max-Eyth-Straße 10,  
71364 Winnenden, Germany

20200217v10