

EN
FR
DE
ES
IT
NL
PT
DA
SV
FI
NO
RU
PL
CS
HU
RO
LV
LT
ET
HR
SL
SK
BG
UK
TR
EL

RMS18254X



- Important!** It is essential that you read the instructions in this manual before assembling, maintaining and operating the product.
- Attention!** Il est essentiel que vous lisiez les instructions contenues dans ce manuel avant d'assembler, d'entretenir et d'utiliser le produit.
- Achtung!** Es ist wichtig, dass Sie vor Zusammenbau, Wartung und Benutzung des Produktes die Anweisungen in dieser Anleitung lesen.
- ¡Atención!** Resulta fundamental que lea este manual de instrucciones antes de realizar el montaje, el mantenimiento y de utilizar este producto
- Attenzione!** È importante leggere le istruzioni contenute nel presente manuale prima di montare il prodotto, svolgere le operazioni di manutenzione sullo stesso e metterlo in funzione.
- Let op!** Het is van essentieel belang dat u de instructies in deze gebruiksaanwijzing leest voor u het product monteert, onderhoudt en gebruikt.
- Atenção!** É fundamental que leia as instruções deste manual antes da montagem, manutenção e operação do aparelho.
- OBS!** Det er vigtigt, at man læser instrukserne i denne brugsanvisning, inden man samler, vedligeholder og betjener produktet.
- Observera!** Det är viktigt att du läser instruktionerna i manualen före montering, användning och underhåll av produkten.
- Huomio!** On tärkeää, että luet tämän käsikirjan ohjeet ennen tuotteen kokoamista, huoltoa ja käyttöä.
- Advarsel!** Det er viktig at du leser instruksjonene i denne manualen før sammensetning, vedlikehold og bruk av produktet
- Внимание!** Необходимо прочитать инструкции в данном руководстве перед сборкой, обслуживанием и эксплуатацией этого изделия.
- Uwaga!** Koniecznie należy przeczytać instrukcje zawarte w tym podręczniku przed montażem, obsługą oraz konserwacją produktu.
- Důležité upozornění!** Neinstalujte, neprovádějte údržbu ani nepoužívejte tento výrobek dříve, než si přečtete pokyny uvedené v tomto návodu.
- Figyelem!** Fontos, hogy a termék összeszerelése, karbantartása és használatá elött elolvassa a kézikönyvben található utasításokat.
- Atenție!** Este esențial să citiți instrucțiunile din acest manual înainte de asamblare, efectuarea întreinerii și operarea produsului.
- Uzmanību!** Ir svarīgi izlasīt šīs rokasgrāmatas instrukcijas pirms uzstādīšanas, apkopes un preces darbināšanas.
- Děmesio!** Prieš surenkant, prižiūrint ir naudojant gaminį, būtina perskaityti šiame vadove pateiktus nurodymus.
- Tähtis!** Enne masina kokkupanekut, hooldamist ja kasutama hakkamist tuleb käesolevas juhendis esitatud juhised kindlasti läbi lugeda.
- Upozorenje!** Vrlo je važno da ste prije sklapanja, održavanja i rada s ovim proizvodom pročitali upute u ovom priručniku.
- Pomembno!** Pomembno je da pred montažo vzdrževanjem in uporabo tega izdelka preberete navodila v tem priručniku.
- Upozornenie!** Je dôležité, aby ste si pred montážou, údržbou a obsluhou produktu prečítali pokyny v tomto návode.
- Важно!** Исключительно важно е да прочетете инструкциите в настоящото ръководство, преди да преминете към сглобяване, поддръжка или работа с продукта.
- Важливо!** Дуже важливо, щоб ви прочитали інструкції в цьому керівництві перед складанням, обслуговуванням та експлуатацією цієї машини.
- Dikkat!** Ürünün montajını, bakımını yapmadan ve ürünün çalıştırmadan önce bu kılavuzda yer alan talimatları okumanız önemlidir.
- Προσοχή!** Είναι πολύ σημαντικό να διαβάσετε τις οδηγίες στο παρόν εγχειρίδιο πριν συναρμολογήσετε, συντηρήσετε ή λειτουργήσετε το προϊόν.

Subject to technical modification | Sous réserve de modifications techniques | Technische Änderungen vorbehalten | Bajo reserva de modificaciones técnicas | Con riserva di eventuali modifiche tecniche | Technische wijzigingen voorbehouden | Com reserva de modificações técnicas | Med forbehold for tekniske ændringer | Med förbehåll för tekniska ändringar | Tekniset muutokset varataan | Med forbehold om tekniske ændringer | могут быть внесены технические изменения | Z zastrzeżeniem modyfikacji technicznych | Změny technických údajů vyhrazeny | A műszaki módosítás jogát fenntartjuk | Sub rezerva de modificăţiilor tehnice | Paturam tiesības mainīt tehniskos raksturlielumus | Pasliiekant teisę daryti techninius pakeitimus | Tehnised muudatused võimalikud | Подлежно tehničkim promjenama | Tehnične spremembe dopuščene | Právo na technické zmeny je vyhradené | Подлежи на технически модификации | С об'єктом для технічних змін | Teknik değışiklik hakkı saklıdır | Υπό την επιφύλαξη τεχνικών τροποποιήσεων

Safety, performance, and dependability have been given top priority in the design of your mitre saw.

INTENDED USE

The mitre saw is intended for sawing solid and bonded wood, materials similar to wood, with or without glued veneer and plastics.

The mitre saw is intended to be used only by adult operators who have read the instruction manual and understand the risks and hazards.

The mitre saw is designed to be fixed at the base to a solid bench top. If the base is not securely fixed, the whole machine may move during cutting operations, which increases the possibility of serious personal injury.

The mitre saw is designed to make bevel and mitre cuts. The capacities for the various cuts are provided in the product specifications in this manual.

The mitre saw is to be used in dry conditions, with excellent ambient lighting and adequate ventilation.

The mitre saw is intended for consumer use and should only be used as described above and is not intended for any other purpose.

GENERAL POWER TOOL SAFETY WARNINGS

⚠ WARNING! Read all safety warnings, instructions, illustrations and specifications provided with this power tool. Failure to follow all instructions listed below may result in electric shock, fire and/or serious injury.

Save all warnings and instructions for future reference. The term "power tool" in the warnings refers to your mains-operated (corded) power tool or battery-operated (cordless) power tool.

WORK AREA SAFETY

- **Keep work area clean and well lit.** Cluttered or dark areas invite accidents.
- **Do not operate power tools in explosive atmospheres, such as in the presence of flammable liquids, gases or dust.** Power tools create sparks which may ignite the dust or fumes.
- **Keep children and bystanders away while operating a power tool.** Distractions can cause you to lose control.

ELECTRICAL SAFETY

- **Power tool plugs must match the outlet. Never modify the plug in any way. Do not use any adapter plugs with earthed (grounded) power tools.** Unmodified plugs and matching outlets will reduce risk of electric shock.
- **Avoid body contact with earthed or grounded surfaces, such as pipes, radiators, ranges and refrigerators.** There is an increased risk of electric shock if your body is earthed or grounded.
- **Do not expose power tools to rain or wet conditions.** Water entering a power tool will increase the risk of electric shock.
- **Do not abuse the cord. Never use the cord for carrying, pulling or unplugging the power tool. Keep cord away from heat, oil, sharp edges or moving parts.** Damaged or entangled cords increase the risk of electric shock.
- **When operating a power tool outdoors, use an extension cord suitable for outdoor use.** Use of a

cord suitable for outdoor use reduces the risk of electric shock.

- **If operating a power tool in a damp location is unavoidable, use a residual current device (RCD) protected supply.** Use of an RCD reduces the risk of electric shock.

PERSONAL SAFETY

- **Stay alert, watch what you are doing and use common sense when operating a power tool. Do not use a power tool while you are tired or under the influence of drugs, alcohol or medication.** A moment of inattention while operating power tools may result in serious personal injury.
- **Use personal protective equipment. Always wear eye protection.** Protective equipment such as a dust mask, non-skid safety shoes, hard hat, or hearing protection used for appropriate conditions will reduce personal injuries.
- **Prevent unintentional starting. Ensure the switch is in the off -position before connecting to power source and/or battery pack, picking up or carrying the tool.** Carrying power tools with your finger on the switch or energising power tools that have the switch on invites accidents.
- **Remove any adjusting key or wrench before turning the power tool on.** A wrench or a key left attached to a rotating part of the power tool may result in personal injury.
- **Do not overreach. Keep proper footing and balance at all times.** This enables better control of the power tool in unexpected situations.
- **Dress properly. Do not wear loose clothing or jewellery. Keep your hair and clothing away from moving parts.** Loose clothes, jewellery or long hair can be caught in moving parts.
- **If devices are provided for the connection of dust extraction and collection facilities, ensure these are connected and properly used.** Use of dust collection can reduce dust-related hazards.
- **Do not let familiarity gained from frequent use of tools allow you to become complacent and ignore tool safety principles.** A careless action can cause severe injury within a fraction of a second.

POWER TOOL USE AND CARE

- **Do not force the power tool. Use the correct power tool for your application.** The correct power tool will do the job better and safer at the rate for which it was designed.
- **Do not use the power tool if the switch does not turn it on and off.** Any power tool that cannot be controlled with the switch is dangerous and must be repaired.
- **Disconnect the plug from the power source and/or remove the battery pack, if detachable, from the power tool before making any adjustments, changing accessories, or storing power tools.** Such preventive safety measures reduce the risk of starting the power tool accidentally.
- **Store idle power tools out of the reach of children and do not allow persons unfamiliar with the power tool or these instructions to operate the power tool.** Power tools are dangerous in the hands of untrained users.

- **Maintain power tools and accessories. Check for misalignment or binding of moving parts, breakage of parts and any other condition that may affect the power tool's operation. If damaged, have the power tool repaired before use.** Many accidents are caused by poorly maintained power tools.
- **Keep cutting tools sharp and clean.** Properly maintained cutting tools with sharp cutting edges are less likely to bind and are easier to control.
- **Use the power tool, accessories and tool bits etc. in accordance with these instructions, taking into account the working conditions and the work to be performed.** Use of the power tool for operations different from those intended could result in a hazardous situation.
- **Keep handles and grasping surfaces dry, clean and free from oil and grease.** Slippery handles and grasping surfaces do not allow for safe handling and control of the tool in unexpected situations.

BATTERY TOOL USE AND CARE

- **Recharge only with the charger specified by the manufacturer.** A charger that is suitable for one type of battery pack may create a risk of fire when used with another battery pack.
- **Use power tools only with specifically designated battery packs.** Use of any other battery packs may create a risk of injury and fire.
- **When battery pack is not in use, keep it away from other metal objects, like paper clips, coins, keys, nails, screws or other small metal objects, that can make a connection from one terminal to another.** Shorting the battery terminals together may cause burns or a fire.
- **Under abusive conditions, liquid may be ejected from the battery; avoid contact. If contact accidentally occurs, flush with water. If liquid contacts eyes, additionally seek medical help.** Liquid ejected from the battery may cause irritation or burns.
- **Do not use a battery pack or tool that is damaged or modified.** Damaged or modified batteries may exhibit unpredictable behaviour resulting in fire, explosion or risk of injury.
- **Do not expose a battery pack or tool to fire or excessive temperature.** Exposure to fire or temperature above 130°C may cause explosion.
- **Follow all charging instructions and do not charge the battery pack or tool outside the temperature range specified in the instructions.** Charging improperly or at temperatures outside the specified range may damage the battery and increase the risk of fire.

SERVICE

- **Have your power tool serviced by a qualified repair person using only identical replacement parts.** This will ensure that the safety of the power tool is maintained.
- **Never service damaged battery packs.** Service of battery packs should only be performed by the manufacturer or authorized service providers.

SAFETY INSTRUCTIONS FOR MITRE SAWS

- **Mitre saws are intended to cut wood or wood-like products, they cannot be used with abrasive cut-off wheels for cutting ferrous material such as bars, rods, studs, etc.** Abrasive dust causes moving parts such as the lower guard to jam. Sparks from abrasive cutting will burn the lower guard, the kerf insert and other plastic parts.
- **Use clamps to support the workpiece whenever possible. If supporting the workpiece by hand, you must always keep your hand at least 100 mm from either side of the saw blade. Do not use this saw to cut pieces that are too small to be securely clamped or held by hand.** If your hand is placed too close to the saw blade, there is an increased risk of injury from blade contact.
- **The workpiece must be stationary and clamped or held against both the fence and the table. Do not feed the workpiece into the blade or cut "freehand" in any way.** Unrestrained or moving workpieces could be thrown at high speeds, causing injury.
- **Push the saw through the workpiece. Do not pull the saw through the workpiece. To make a cut, raise the saw head and pull it out over the workpiece without cutting, start the motor, press the saw head down and push the saw through the workpiece.** Cutting on the pull stroke is likely to cause the saw blade to climb on top of the workpiece and violently throw the blade assembly towards the operator.
- **Never cross your hand over the intended line of cutting either in front or behind the saw blade.** Supporting the workpiece "cross handed" i.e. holding the workpiece to the right of the saw blade with your left hand or vice versa is very dangerous.
- **Do not reach behind the fence with either hand closer than 100 mm from either side of the saw blade, to remove wood scraps, or for any other reason while the blade is spinning.** The proximity of the spinning saw blade to your hand may not be obvious and you may be seriously injured.
- **Inspect your workpiece before cutting. If the workpiece is bowed or warped, clamp it with the outside bowed face toward the fence. Always make certain that there is no gap between the workpiece, fence and table along the line of the cut.** Bent or warped workpieces can twist or shift and may cause binding on the spinning saw blade while cutting. There should be no nails or foreign objects in the workpiece.
- **Do not use the saw until the table is clear of all tools, wood scraps, etc., except for the workpiece.** Small debris or loose pieces of wood or other objects that contact the revolving blade can be thrown with high speed.
- **Cut only one workpiece at a time.** Stacked multiple workpieces cannot be adequately clamped or braced and may bind on the blade or shift during cutting.
- **Ensure the mitre saw is mounted or placed on a level, firm work surface before use.** A level and firm work surface reduces the risk of the mitre saw becoming unstable.
- **Plan your work. Every time you change the bevel or mitre angle setting, make sure the adjustable fence is set correctly to support the workpiece and will not interfere with the blade or the guarding system.** Without turning the tool "ON" and with no workpiece on the table, move the saw blade through a complete simulated cut to assure there will be no interference or danger of cutting the fence.
- **Provide adequate support such as table extensions, saw horses, etc. for a workpiece that is wider or**

longer than the table top. Workpieces longer or wider than the mitre saw table can tip if not securely supported. If the cut-off piece or workpiece tips, it can lift the lower guard or be thrown by the spinning blade.

- **Do not use another person as a substitute for a table extension or as additional support.** Unstable support for the workpiece can cause the blade to bind or the workpiece to shift during the cutting operation pulling you and the helper into the spinning blade.
- **The cut-off piece must not be jammed or pressed by any means against the spinning saw blade.** If confined, i.e. using length stops, the cut-off piece could get wedged against the blade and thrown violently.
- **Always use a clamp or a fixture designed to properly support round material such as rods or tubing.** Rods have a tendency to roll while being cut, causing the blade to "bite" and pull the work with your hand into the blade.
- **Let the blade reach full speed before contacting the workpiece.** This will reduce the risk of the workpiece being thrown.
- **If the workpiece or blade becomes jammed, turn the mitre saw off. Wait for all moving parts to stop and disconnect the plug from the power source and/or remove the battery pack. Then work to free the jammed material.** Continued sawing with a jammed workpiece could cause loss of control or damage to the mitre saw.
- **After finishing the cut, release the switch, hold the saw head down and wait for the blade to stop before removing the cut-off piece.** Reaching with your hand near the coasting blade is dangerous.
- **Hold the handle firmly when making an incomplete cut or when releasing the switch before the saw head is completely in the down position.** The braking action of the saw may cause the saw head to be suddenly pulled downward, causing a risk of injury.

SAFETY INSTRUCTIONS FOR WOOD CUTTING BLADE

- Please read the manual and instructions carefully before using the saw blade and the machine.
- The product must be in good condition, the spindle without deformation and vibration.
- Do not use the product without the guards in position. Keep guards in good working order and properly maintained.
- Ensure the operator is adequately trained in safety precautions, adjustment and operation of the product.
- Always wear goggles and ear protection when using the product. It is recommended to wear gloves, sturdy non-slipping shoes and apron.
- Before using any accessory, consult the instruction manual. The improper use of an accessory can cause damage and increase the potential for injury.
- Use only blades specified in this manual, complying with EN 847-1.
- Observe the maximum speed marked on the saw blade. Ensure the speed marked on the saw blade is at least equal to the speed marked on the saw.
- Always use blades with correct size and shape of arbour holes. Blades that do not match the mounting hardware of the saw will run eccentrically, causing loss of control.

- Do not use blades of larger or smaller diameter than recommended. Do not use any spacers to make the blade fit onto the spindle.
- Check the tips of the saw blade for damage or abnormal appearance before each use. Tips that are damaged or loose can become flying objects in use and increase the chance of personal injury.
- Do not use cracked or distorted saw blades. Do not use saw blades that are damaged or deformed.
- Scrap the saw blade if damaged, deformed, distorted or cracked, repairing is not permitted.
- Do not use HSS blades.
- Ensure the saw blade is mounted correctly, tighten the arbor nut securely before use (tightening torque approx. 8-10 Nm).
- Fastening screw and nuts shall be tightened using the appropriate spanner, etc.
- Extension of the spanner or tightening using hammer blows is not permitted.
- Make sure the blade and flanges are clean and the recessed sides of the collar are against the blade.
- Make sure the blade rotates in the correct direction.
- Before work, make a dummy cut without the motor turned on so the position of the blade, operation of the guards with respect to other machine parts and workpiece may be checked.
- Never leave the product unattended.
- Do not apply lubricants on the blade when it is running.
- Never perform any cleaning or maintenance work when the machine is still running and the head is not in the rest position.
- Never attempt to stop a machine in motion rapidly by jamming a tool or other means against the blade, serious accidents can be caused unintentionally in this way.
- Disconnect the product from the mains supply or remove battery pack before changing blades or carrying out maintenance.
- Pay attention to blade packing and unpacking, it is easy to be injured by the sharp blade tips.
- Use a blade holder or wear gloves when handling a saw blade.
- Keep and store the blade in original packaging or other suitable packaging, keep in dry conditions and away from chemicals which may damage the blade.

ADDITIONAL SAFETY WARNINGS

- Always clamp the workpiece safely and securely.
- Ensure that the product is always stable and secure (e.g., fixed to a bench).
- Always wear ear protectors. Exposure to noise can cause hearing loss.
- Always wear safety goggles when using the product. It is recommended to wear gloves for handling blades and rough material, plus sturdy non-slip shoes to protect the feet from workpieces which may fall from the cutting area.
- Disconnect the product from the mains supply or remove battery pack before carrying out any maintenance or cleaning the product.
- Only install the battery pack when the product is switched off.

- Never reach into the area near the blade unless the blade has completely stopped.
- Before use, thoroughly check the product and battery pack for any damage or material fatigue. Repairs to the whole product should only be carried out by an authorised service centre.
- Always use the guards on the product. Do not use the product if the guards are not in place and working correctly.
- The lower blade guard should only open when the blade is lowered to the workpiece and must always be able to move freely and close automatically.
- Always fix and use extension bars for workpiece support during operation.
- Never alter or modify the product or its function. Your safety may be compromised.
- Do not use saw blades which are cracked, damaged or deformed.
- Do not use saw blades made of high-speed steel.
- Only use blades that are sharp. Replace dull blades.
- Always use blades with correct size and shape of arbour holes. Blades that do not match the mounting hardware of the saw will run eccentrically, causing loss of control.
- Use only woodworking blades specified in this manual, which comply with EN 847-1.
- Do not use any flanges, washers and nuts to secure the saw blade other than those supplied or indicated in the instruction manual.
- It is necessary to select a saw blade which is suitable for the material being cut. Never use the product to cut materials other than those specified in the intended use section in this manual.
- It is important to avoid overheating the blade and melting the plastic when cutting.
- It is essential to adhere to the maximum speed specified on the saw blade, only use saw blades that are marked with a speed equal or higher than the speed marked on the tool.
- Replace the table insert when worn or damaged.
- Before work, make a dummy cut without the motor turned on so the position of the blade, operation of the guards with respect to other machine parts, and workpiece may be checked.
- When performing mitre, bevel or compound mitre cuts, adjust the sliding fence or sub-fence to ensure the correct clearance from the blade.
- Avoid uncontrolled release of the saw unit from the fully down position.
- The handle lock must always be engaged when transporting the product.
- Keep the floor area free of loose materials, such as chips and cut-offs.
- Refrain from removing any cut-offs or other parts of the workpiece from the cutting area whilst the product is running and the saw head is not in the rest position.
- Long workpieces must be adequately supported. The working area of the saw includes the whole extent of the workpiece. The operator should secure this area from accidental contact from other persons or objects which may move the workpiece during operation.
- The dust produced when using the product may be harmful to health. Use a dust suction system and wear

a suitable dust protection mask. Remove deposited dust thoroughly with a vacuum cleaner.

- It may be necessary to adjust the sliding fence to ensure proper clearance prior to making a bevel or compound cut. Make sure the sliding fence lock screw is tightened securely after the adjustment.
- The clamp can be installed and used on either side of the blade. In some operation, the clamp may interfere with the blade guard assembly. Always make sure there is no interference with the blade guard prior to beginning any cutting operation to reduce the risk of serious personal injury.
- Ambient temperature range for tool during operation is between 0 °C and 40° C.
- Ambient temperature range for tool storage is between 0 °C and 40° C.
- The recommended ambient temperature range for the charging system during charging is between 10 °C and 38° C.

ADDITIONAL BATTERY SAFETY WARNINGS

- To reduce the risk of fire, personal injury, and product damage due to a short circuit, never immerse your tool, battery pack or charger in fluid or allow a fluid to flow inside them. Corrosive or conductive fluids, such as seawater, certain industrial chemicals, and bleach or bleach-containing products, etc., can cause a short circuit.
- Ambient temperature range for battery during use is between 0 °C and 40° C.
- Ambient temperature range for battery storage is between 0 °C and 20° C.

TRANSPORTING LITHIUM BATTERIES

Transport the battery in accordance with local and national provisions and regulations.

Follow all special requirements on packaging and labelling when transporting batteries by a third party. Ensure that no batteries can come in contact with other batteries or conductive materials while in transport by protecting exposed connectors with insulating, non-conductive caps or tape. Do not transport batteries that are cracked or leaking. Check with the forwarding company for further advice.

RESIDUAL RISKS

Even when the product is used as prescribed, it is still impossible to completely eliminate certain residual risk factors. The following hazards may arise and the operator should pay special attention to avoid the following:

- Risk of contact with uncovered parts of the rotating saw blade
- Kick-back of workpieces or parts of workpieces due to improper adjustment or handling
- Catapulting of faulty carbide tips from the saw blade
- Damage to the respiratory system
NOTE: Wear respiratory protection masks containing filters appropriate to the materials being worked. Ensure adequate workplace ventilation. Do not eat, drink or smoke in the work area.
- Damage to hearing if effective hearing protection is not worn.

⚠ WARNING! Dust from certain paints, coatings and materials may cause irritation or allergic reactions to the

respiratory system. Dust from wood such as oak, beech, MDF and others are carcinogenic. Material containing asbestos should only ever be worked or processed by qualified specialist operators.

⚠ WARNING! Injuries may be caused, or aggravated, by prolonged use of a tool. When using any tool for prolonged periods, ensure you take regular breaks.

KNOW YOUR PRODUCT

See page 198.

1. Handle, insulated gripping surface
2. Power switch
3. Switch lock-off lever
4. LED switch
5. Lower guard
6. Main fence
7. Side carrying handle
8. Sliding fence
9. Turntable
10. Kerf plate
11. Mitre lock knob
12. Mitre detent release lever
13. Support foot
14. Battery pack
15. Top carrying handle
16. Linear rod stop knob
17. Clamp
18. Mitre angle pointer
19. Mounting hole
20. Screws for locking main fence
21. Cutting depth adjustment screw
22. Bevel angle pointer
23. Screws for adjusting 45° bevel angle limit stop
24. Bevel angle lock knob
25. Saw head lock pin
26. Dust bag
27. Hex key
28. Screws for adjusting 0° bevel angle limit stop
29. Screw for locking the sliding fence
30. Spindle lock button
31. Outer flange
32. Saw blade

OPERATION

The product features a moving saw blade that can be set at various angles by the operator when cutting a workpiece which is securely fixed to the base of the product. It must be operated by only one person to prevent unintentional contact with the moving saw blade.

The principles for safe operation of the product are as follows:

- Maintain saw, blades and work area in good condition.
- Secure the mitre saw base to a sturdy work bench. The product may move and tip if it is not adequately secured.
- Set up and lock the cutting angles and depth before making the cut.
- Secure the workpiece to the mitre saw base. Use the clamp provided and, where necessary, use additional clamps or holding mechanisms to prevent unintentional movement of the workpiece while cutting.
 - Check that the operation of the blade guards are not restricted by the position of the workpiece.
 - Ensure that the fence and other parts of the product will not be cut as the blade lowers to the cutting position.

- Start the motor and allow the blade to reach full speed before slowly lowering it to cut the workpiece.
- Allow the blade assembly to rise to its upper position where the blade guards are fully closed. Switch off the motor and allow the blade to come to a complete stop before removing the workpiece or off-cuts, or before reaching into the area of the blade.

Before first use, ensure that the angle of the bevel or mitre set on the product matches the angle to be produced on the workpiece. Check this on a discarded piece of wood by using a carpenter's set or mitre square.

Removing saw blade:

1. Wear gloves when handling saw blade.
2. Turn off the power and remove the battery pack.
3. Loosen, but do not remove, the screw on the blade bolt cover. Raise the blade bolt cover.
4. Swing back the self-closing guard and hold it.
5. Press spindle lock button and unscrew the blade bolt with provided hex key at the same time. Remove the outer flange.
6. Remove the saw blade.

Mounting saw blade:

If necessary, clean all parts to be mounted prior to assembly.

After following the procedure of "Removing Saw Blade".

1. Wear gloves when handling the saw blade.
2. Ensure the power is off and the battery pack is removed.
3. Swing back the self-closing guard, and hold it.
4. Place the new saw blade. Ensure the rotation direction on the blade is consistent with the arrow direction on the blade guard.
5. Place on the flange and blade bolt.
6. Press spindle lock button until it engages, tighten the blade bolt.
7. Put the self-closing guard down.
8. Lower the blade bolt cover and tighten the screw.

⚠ WARNING! Ensure that the blade bolt cover is lowered to the original position and the screw is tightened.

Adjusting mitre angle:

The mitre angle can be set in the range from 45 degree (left side) to 45 degree (right side).

1. Loosen the mitre lock knob.
2. Press mitre detent release lever. Turn the saw table to the desired mitre angle by the mitre lock knob.
3. Tighten the mitre lock knob again.

Adjusting bevel angle:

The bevel angle can be set in the range from 0 degree to 45 degrees.

1. Loosen the bevel lock knob.
2. Tilt the tool arm to desired bevel angle by the handle.
3. Hold the tool arm in this position and retighten the bevel lock knob.

⚠ WARNING! The manufacturer strongly recommends that the product is always securely mounted to a bench top.

When the base of the product is firmly secured to a bench top by four nuts, bolts and washers as instructed, the product can be used at maximum bevel and mitre setting without the possibility of it tipping over. If the product is not secured properly, the product may over balance when large bevel angles are selected.

MAINTENANCE

- Do not modify the product in any way or use accessories not approved by the manufacturer. Your safety and that of others may be compromised.
- Do not use the product if any switches, guards or other functions does not work as intended. Return to an authorised service centre for professional repair or adjustment.
- Do not make any adjustments whilst the saw blade is in motion.
- Always make sure the battery pack has been removed from the product before making adjustments, lubricating or when doing any maintenance on the product.
- Before and after each use, check the product for damage or broken parts. Keep the product in top working condition by immediately replacing parts with spares approved by the manufacturer.
- The blade has sharp edges and may also remain hot after cutting operations. Exercise extreme caution when cleaning an exposed blade. Wear gloves to protect yourself from personal injury.
- Clean the saw and its accessories from dust regularly, especially moving parts including the blade guard. Use a hand brush or vacuum cleaner to remove dust effectively. Do not use compressed air.
- For greater safety and reliability, all repairs, including changing brushes, should be performed by an authorised service centre.

⚠ WARNING! Do not attempt to disassemble the blade guard assembly for cleaning or repair. Damaged guards should not be used. Return to an authorised service centre for repair or replacement.

Mitre and bevel angle calibration

If mitre and bevel angle calibration are needed, see pages 213 – 217 and follow the calibration instructions.

TRANSPORTATION AND STORAGE

- When storing the product, remove the battery pack. Store the product in a secure place that is not accessible to children.
- Clean the product using a brush and vacuum cleaner before storage.
- If you remove the saw blade or keep spares with the unit, ensure they are in the original packaging to prevent injury.

To secure the product prior to movement:

- The product should be stored at the zero degree mitre and bevel angle and locked in position. The handle should be locked in the lower (safe) position with the guards closed.

To move or transport in a vehicle:

- Secure the product prior to movement as described in the manual.
- Remove the product from the bench top by releasing the 4 bolts, one at each corner. Secure the bolts for future use. Carry the product using the top carrying handle or side carrying handles with two hands.
- When transporting in a vehicle, set the product on its base and secure against movement.

SYMBOLS ON THE PRODUCT



Safety alert



European Conformity Mark



British Conformity Mark



Ukraine Conformity Mark



EurAsian Conformity Mark



Please read the instructions carefully before starting the product.



Wear ear protection



Always wear eye protection.



Keep hands away from the cutting area and sharp blade.



Do not expose to rain or use in damp locations.



Wear safety gloves



Blade rotation direction (shown on saw blade)



Blade rotation direction (shown on blade guard)



Blade width of cut (Kerf)



Number of teeth on this saw blade



Cutting capacity



For cutting wood and analogous material



Not for cutting metals



Adjust the position of sliding fence before performing bevel or compound cuts.



Loosening direction of blade bolt

Do not dispose of waste batteries, waste electrical and electronic equipment as unsorted municipal waste. Waste batteries and waste electrical and electronic equipment must be collected separately. Waste batteries, waste accumulators, and light sources have to be removed from the equipment. Check with your local authority or retailer for recycling advice and collection point. According to local regulations, retailers may have an obligation to take back waste batteries and waste electrical and electronic equipment free of charge. Your contribution to the reuse and recycling of waste batteries and waste electrical and electronic equipment helps to reduce the demand of raw materials. Waste batteries, in particular containing lithium, and waste electrical and electronic equipment contain valuable and recyclable materials, which can adversely impact the environment and the human health if not disposed of in an environmentally compatible manner. Delete personal data from waste equipment, if any.



SYMBOLS IN THIS MANUAL



Lock



Unlock



Waiting time for blade to reach full speed or stop completely



Parts or accessories sold separately



Note



Warning

La plus grande priorité a été donnée à la sécurité, aux performances et à la fiabilité de votre scie à onglet lors de sa conception.

UTILISATION PRÉVUE

La scie à onglets est conçue pour scier du bois massif ou aggloméré, des matériaux similaires au bois, avec ou sans placage collé et plastiques.

La scie à onglets est conçue pour être utilisée uniquement par des adultes qui ont lu le mode d'emploi et comprennent les risques et dangers.

La scie à onglets est conçue pour être fixée à la base sur un plan de travail solide. Si la base n'est pas bien fixée, l'ensemble de la machine est susceptible de bouger en cours de coupe, ce qui augmente les risques de blessures graves.

La scie à onglet est conçue pour réaliser des coupes en biseau et d'onglet. Les capacités pour les différentes coupes sont fournies dans les spécifications du produit de ce manuel.

La scie à onglets doit être utilisée au sec, avec un excellent éclairage ambiant et une ventilation adéquate.

La scie à onglets doit toujours être utilisée comme indiqué ci-dessus, et n'est destinée à aucun autre usage.

AVERTISSEMENTS DE SÉCURITÉ GÉNÉRAUX POUR L'OUTIL ÉLECTRIQUE

⚠ AVERTISSEMENT! Lisez attentivement l'ensemble des avertissements, instructions et spécifications fournis avec cet outil, et reportez-vous aux illustrations. Le non-respect des instructions présentées ci-après peut entraîner des accidents tels que des incendies, des décharges électriques et/ou des blessures corporelles graves.

Conservez tous les avertissements et toutes les instructions pour pouvoir vous y reporter ultérieurement. Dans les mises en garde, l'expression « outil électrique » fait référence à l'outil électrique alimenté sur le secteur (à fil) ou sur batterie (sans fil).

SÉCURITÉ DE LA ZONE DE TRAVAIL

- **Conserver la zone de travail propre et bien éclairée.** Les zones en désordre ou sombres sont propices aux accidents.
- **Ne pas faire fonctionner les outils électriques en atmosphère explosive, par exemple en présence de liquides inflammables, de gaz ou de poussières.** Les outils électriques produisent des étincelles qui peuvent enflammer les poussières ou les fumées.
- **Maintenir les enfants et les personnes présentes à l'écart pendant l'utilisation de l'outil.** Les distractions peuvent vous faire perdre le contrôle de l'outil.

SÉCURITÉ ÉLECTRIQUE

- **Il faut que les fiches de l'outil électrique soient adaptées au socle. Ne jamais modifier la fiche de quelque façon que ce soit. N'utilisez pas d'adaptateur de prise avec les outils électriques reliés à la terre.** Des fiches non modifiées et des socles adaptés réduiront le risque de choc électrique.
- **Évitez que votre corps entre en contact avec des surfaces reliées à la terre, telles que tuyaux, radiateurs, cuisinières et réfrigérateurs.** Il existe un

risqué accru de choc électrique si votre corps est relié à la terre.

- **Ne pas exposer les outils à la pluie ou à des conditions humides.** La pénétration d'eau à l'intérieur d'un outil augmentera le risque de choc électrique.
- **Ne pas maltraiter le cordon. Ne jamais utiliser le cordon pour porter, tirer ou débrancher l'outil. Maintenir le cordon à l'écart de la chaleur, du lubrifiant, des arêtes ou des parties en mouvement.** Des cordons endommagés ou emmêlés augmentent le risque de choc électrique.
- **Lorsqu'on utilise un outil à l'extérieur, utiliser un prolongateur adapté à l'utilisation extérieure.** L'utilisation d'un cordon adapté à l'utilisation extérieure réduit le risque de choc électrique.
- **S'il n'est pas possible d'éviter d'utiliser un outil électrique en environnement humide, utilisez une alimentation électrique protégée par un disjoncteur différentiel.** L'usage d'un RCD réduit le risque de choc électrique.

SÉCURITÉ DES PERSONNES

- **Restez vigilant(e), faites attention à ce que vous faites et faites preuve de bon sens lorsque vous utilisez un outil électrique. Ne pas utiliser d'outil électrique en cas de fatigue ou après avoir consommé des drogues, de l'alcool ou des médicaments.** Un moment d'inattention en cours d'utilisation d'un outil électrique peut entraîner des blessures graves.
- **Utiliser un équipement de protection personnelle. Toujours porter une protection pour les yeux.** Afin d'éviter tout dommage corporel, il convient d'utiliser, dans les conditions appropriées, des équipements de protection tels qu'un masque anti-poussière, des chaussures de sécurité antidérapantes, un casque de sécurité et une protection auditive.
- **Prévenez les mises en marche accidentelles. Assurez-vous que l'interrupteur est en position arrêt avant de brancher la produit sur l'alimentation électrique et/ou sur la batterie, avant de prendre et de transporter le produit.** Porter un outil électrique avec votre doigt sur le bouton ou mettre sous tension un outil dont l'interrupteur est en position marche crée un risque d'accident.
- **Retirer toute clé de réglage avant de mettre l'outil en marche.** Une clé laissée fixée sur une partie tournante de l'outil peut donner lieu à des blessures.
- **Ne travaillez pas en extension. Garder une position et un équilibre adaptés à tout moment.** Cela permet un meilleur contrôle de l'outil dans des situations inattendues.
- **S'habiller de manière adaptée. Ne pas porter de vêtements amples ou de bijoux. Tenir vos cheveux et vos vêtements à l'écart des pièces en mouvement.** Des vêtements amples, des bijoux ou les cheveux longs peuvent être pris dans des parties en mouvement.
- **Si des dispositifs destinés au raccordement des unités d'extraction et de collecte de poussière sont fournis, il convient de s'assurer qu'ils soient bien raccordés et correctement utilisés.** Collecter la poussière permet de réduire les risques liés à la poussière.
- **Ne relâchez pas votre vigilance en cas d'utilisation fréquente de certains outils et n'ignorez pas les principes de sécurité des outils.** Une action

imprudente, ne serait-ce que pendant une fraction de seconde, peut entraîner de graves blessures.

UTILISATION ET ENTRETIEN DE OUTIL ÉLECTRIQUE

- **Ne forcez pas l'outil électrique. Utilisez l'outil électrique approprié pour le travail à accomplir.** Le bon outil électrique fera le travail de façon plus efficace et plus sûre à la vitesse pour laquelle il a été conçu.
- **Ne pas utiliser l'outil électrique si l'interrupteur ne permet pas de passer de l'état de marche à arrêt et vice versa.** Tout outil électrique qui ne peut pas être commandé par l'interrupteur est dangereux et il faut le réparer.
- **Débrancher l'appareil et/ou retirer si possible le pack de batterie avant de réaliser tout réglage, de changer des accessoires ou de stocker un outil électrique.** Une telle mesure de sécurité préventive permet de réduire le risque de démarrage accidentel de l'outil électrique.
- **Conservé les outils électriques à l'arrêt hors de la portée des enfants et ne pas permettre à des personnes ne connaissant pas l'outil électrique ou les présentes instructions de le faire fonctionner.** Les outils sont dangereux entre les mains d'utilisateurs novices.
- **Entretien des accessoires et les outils électriques. Vérifiez le mauvais alignement ou la mauvaise fixation des pièces mobiles, toute présence de pièce ou fixation cassée, et toute autre condition pouvant affecter le fonctionnement de l'outil électrique. En cas de dommage, faites réparer l'outil avant de l'utiliser.** De nombreux accidents sont causés par des outils électriques mal entretenus.
- **Maintenir les outils de coupe affûtés et propres.** Correctement affûter les outils de coupe permet de les utiliser plus facilement et de réduire le risque de déformation.
- **Utilisez l'outil électrique, les accessoires et embouts etc. conformément aux présentes instructions, en tenant compte des conditions de travail et du travail à effectuer.** L'utilisation détournée d'un outil électrique entraîne des situations dangereuses.
- **Maintenez les surfaces de préhension et les poignées sèches, propres et exemptes d'huile ou de graisse.** Des surfaces de préhension ou des poignées glissantes empêchent de contrôler et de manipuler l'outil de façon sécurisée en cas de situation inattendue.

UTILISATION ET ENTRETIEN DE L'OUTIL DE BATTERIE

- **Recharger uniquement avec le chargeur spécifié par le fabricant.** L'utilisation d'un chargeur prévu pour un certain type de batterie avec un autre type de batterie peut entraîner un risque d'incendie.
- **Utiliser uniquement des outils électriques avec leurs propres packs de batterie spécialement conçus.** Utiliser un autre pack de batterie peut entraîner des risques de blessures et d'incendie.
- **Lorsque le bloc de batterie n'est pas utilisé, éloignez-le des autres objets métalliques tels que trombones, pièces de monnaie, clés, clous, vis, ou autres petits objets susceptibles de court-circuiter les bornes de la batterie.** Court-circuiter les bornes de la batterie peut provoquer des brûlures ou un incendie.
- **Dans des conditions d'utilisation non conformes, du liquide peut être éjecté de la batterie, éviter tout contact. Si un contact accident se produit, rincer à**

l'eau. Si du liquide entre en contact avec les yeux, consulter un médecin. Le liquide éjecté par la batterie peut entraîner des irritations ou des brûlures.

- **N'utilisez pas un outil ou un bloc de batterie endommagé ou modifié.** Des batteries endommagées ou modifiées peuvent présenter un comportement imprévisible pouvant causer un incendie, une explosion ou un risque de blessure.
- **N'exposez pas un outil ou un bloc de batterie au feu ou à des températures excessives.** L'exposition au feu ou à des températures supérieures à 130° C peut provoquer une explosion.
- **Suivez toutes les instructions de chargement et ne chargez pas l'outil ou le bloc de batterie en dehors de la plage de température spécifiée dans les instructions.** Un chargement incorrect ou à des températures situées en dehors de la plage spécifiée peut endommager la batterie et augmenter le risque d'incendie.

MAINTENANCE ET ENTRETIEN

- **Faire entretenir l'outil électrique par un réparateur qualifié utilisant uniquement des pièces de rechange identiques.** Cela assurera que la sécurité de l'outil est maintenue.
- **Ne jamais procéder à l'entretien des packs de batterie endommagés.** L'entretien des packs de batterie ne peut être effectué que par le fabricant ou des prestataires agréés.

CONSIGNES DE SÉCURITÉ POUR LES SCIES À ONGLET

- **Les scies à onglet sont conçues pour couper du bois ou des objets en bois. Elles ne peuvent être utilisées avec des disques à tronçonner destinés à la coupe de matériaux ferreux comme des barres, des tiges, des goujons, etc. La poussière abrasive provoque le blocage des pièces mobiles telles que la protection inférieure. Les étincelles issues d'une découpe abrasive peuvent brûler la protection inférieure, l'insert de trait de scie et d'autres pièces en plastique.**
- **Bloquez la pièce à travailler avec des serre-joints lorsque cela est possible. Si la pièce à usiner est tenue manuellement, il convient de tenir vos mains à au moins 100 mm de la lame de scie. N'utilisez pas la scie pour couper des pièces trop petites pour être soutenues manuellement ou fixées correctement. Le fait d'approcher votre main de la lame de scie augmente le risque de blessures dues au contact avec la lame.**
- **La pièce à usiner doit être immobile et fixée ou bloquée contre le guide et la table. Il ne faut en aucun cas avancer la pièce vers la lame ou effectuer de coupe « à la main ». Les pièces non retenues ou en mouvement peuvent être projetées à très grande vitesse et provoquer des blessures.**
- **Avancez la scie vers la pièce à usiner. Ne tirez pas la scie vers vous. Pour effectuer une coupe, levez la tête de la scie, positionnez-la au-dessus de la pièce à usiner, mettez le moteur sous tension, abaissez la tête de la scie et avancez la scie vers la pièce à usiner. Effectuer une coupe en tirant peut faire monter la lame de scie au-dessus de la pièce à usiner et la projeter vers l'opérateur.**
- **Ne placez jamais votre main au-dessus de la ligne de coupe, que ce soit devant ou derrière la lame de**



scie. Il est extrêmement dangereux de soutenir la pièce à usiner de façon « croisée », c'est-à-dire en utilisant votre main gauche pour tenir la pièce à droite de la lame de scie ou vice-versa.

- **Lorsque la lame est en mouvement, n'essayez pas d'atteindre l'autre côté du guide si vos mains se trouvent à moins de 100 mm d'un des côtés de la lame de scie, que ce soit pour retirer des chutes de bois ou pour toute autre raison.** La proximité de votre main avec la lame de scie en mouvement est difficile à évaluer, ce qui présente un risque de blessures graves.
- **Inspectez la pièce à usiner avant de procéder à la coupe. Si la pièce à usiner est courbée ou déformée, il convient de la fixer avec la face courbée extérieure contre le guide. Veillez toujours à ce qu'il n'y ait aucun écart entre la pièce à usiner, le guide et la table le long de la ligne de coupe.** Les pièces à usiner courbées ou déformées peuvent vriller ou se tordre et provoquer le grippage de la lame de scie en mouvement lors de la coupe. La pièce à usiner doit être exempte de clous ou de tout autre objet étranger.
- **N'utilisez pas la scie s'il reste des outils, des chutes de bois ou autres sur la table.** Les petites chutes de bois, les pièces libres ou tout autre objet entrant en contact avec la lame rotative peuvent être projetés à grande vitesse.
- **Ne coupez qu'une seule pièce à la fois.** Des pièces à usiner empiéées ne peuvent pas être correctement fixées ou maintenues et peuvent gripper la lame ou dévier pendant la coupe.
- **Avant utilisation, veillez toujours à ce que la scie à onglet soit montée ou placée sur une surface de travail ferme et plane.** Une surface de travail ferme et plane réduit le risque d'instabilité de la scie à onglet.
- **Planifiez vos tâches. À chaque changement de réglage de l'angle de biseau ou d'onglet, veillez toujours à ce que le guide ajustable soit correctement positionné afin de soutenir la pièce à usiner et à ce qu'il n'entre pas en contact avec la lame ou le système de protection.** Avec l'outil sous tension et en l'absence de pièce à usiner sur la table, simulez une coupe avec la lame de scie afin de vous assurer qu'il n'y aura aucun contact avec le guide et aucun danger de le couper.
- **Pour une pièce à usiner plus large ou longue que la table, prévoyez un support adapté (rallonges de table, chevalets de sciage, etc.).** Les pièces à usiner plus larges ou plus longues que la table de la scie à onglet peuvent basculer si elles ne sont pas fixées correctement. Le basculement de la chute ou de la pièce à usiner peut provoquer le soulèvement de la protection inférieure ou sa projection par la lame en mouvement.
- **Ne faites jamais appel à une personne pour servir de substitut à une rallonge de table ou à un support complémentaire.** Lors de l'opération de coupe, un support de pièce à usiner instable peut provoquer le grippage de la lame ou la déviation de la pièce à usiner, ce qui vous entraînera, votre assistant et vous, vers la lame.
- **En aucun cas la chute ne doit être bloquée ou appuyée contre la lame de scie en mouvement.** Si l'espace est réduit, par exemple en cas d'utilisation de butées, la chute pourrait se coincer contre la lame et être projetée violemment.
- **Utiliser toujours une bride ou un dispositif conçu pour correctement soutenir les matériaux ronds**

comme des tiges ou des tubes. Lors de la coupe, les tiges ont tendance à rouler et la lame peut alors « mordre » et entraîner la pièce à usiner et vos mains vers la lame.

- **Attendez que la lame atteigne sa pleine vitesse avant d'y apposer la pièce à usiner.** Cela réduira le risque de projection de la pièce à usiner.
- **Si la pièce à usiner ou la lame se coince, arrêtez la scie à onglet. Attendez que toutes les pièces en mouvement se soient immobilisées puis débrancher l'outil et/ou retirer la batterie. Procéder ensuite au déblocage du matériau coincé.** Poursuivre la coupe avec une pièce bloquée peut provoquer une perte de contrôle ou endommager la scie à onglet.
- **Après la coupe, relâchez le bouton, tenez la scie tête vers le bas et attendez l'arrêt de la lame avant de passer au retrait de la chute.** Il est dangereux d'approcher votre main de la lame encore en rotation.
- **Tenez fermement la poignée en cas de coupe incomplète ou lorsque le bouton est relâché avant que la tête de la scie ne soit complètement abaissée.** L'action de freinage de la scie peut soudainement tirer la tête de la scie vers le bas et provoquer un risque de blessures.

INSTRUCTIONS DE SÉCURITÉ POUR LA LAME DE DÉCOUPE DU BOIS

- Il est important de lire attentivement le manuel et les instructions avant d'utiliser la lame de scie et la machine.
- Le produit doit être en bon état, avec un axe sans déformation ni vibration.
- N'utilisez pas le produit si les protections ne sont pas en place. Gardez les protections en bon état de fonctionnement et bien entretenues.
- Veillez à ce que l'opérateur soit bien formé aux précautions de sécurité, aux réglages et à l'utilisation du produit.
- Lors de l'utilisation du produit, portez en tout temps des lunettes et des protections auditives. Des gants de sécurité, des chaussures solides et à semelles antidérapantes et un tablier sont recommandés.
- Avant toute utilisation d'un accessoire, consultez le manuel utilisateur. La mauvaise utilisation d'un accessoire peut entraîner des dommages et augmenter le risque de blessure.
- N'utilisez que les lames spécifiées dans ce manuel, répondant à la norme EN 847-1.
- Respectez la vitesse maximale de rotation indiquée sur la lame. Assurez-vous que la vitesse marquée sur la lame de scie est au moins égale à la vitesse marquée sur la scie.
- Utilisez toujours des lames dont la taille et la forme sont adaptées à l'alésage de l'arbre. Des lames non adaptées à l'arbre sur lequel elles doivent être montées ne tourneront pas correctement et peuvent vous faire perdre de contrôle de l'outil.
- N'utilisez pas de lames d'un diamètre supérieur ou inférieur à celui recommandé. N'utilisez pas de rondelles ou d'entretoises pour adapter la lame à la broche.
- Vérifiez que les dents de la lame de scie sont en bon état et d'apparence normale avant chaque utilisation. Les dents endommagées ou instables peuvent, à l'utilisation, devenir des projectiles et augmenter le risque de blessures.





- Ne pas utiliser de lames de scie fissurées ou déformées. Ne pas utiliser de lames de scie qui sont endommagées ou déformées.
- Mettez la lame de scie au rebut si elle est endommagée, déformée, tordue ou fendue ; aucune réparation n'est permise.
- N'utilisez pas de lames HSS.
- Avant utilisation, veillez à ce que la lame de scie soit correctement montée et serrez fermement l'écrou du mandrin (couple de serrage d'environ 8-10 Nm).
- Les vis et les écrous de fixation doivent être serrés à l'aide d'une clé adaptée, etc.
- Ni l'utilisation d'une rallonge de clé ni le serrage à l'aide de coups de marteau ne sont autorisés.
- Assurez-vous que toutes les lames et tous les flasques sont propres et que les parties épaulées des colliers sont orientés vers la lame.
- Assurez-vous que la lame tourne dans le bon sens.
- Avant de travailler, faites une coupe à blanc moteur arrêté afin de pouvoir vérifier la position de la lame, le fonctionnement des protections par rapport aux autres éléments de la machine ainsi que la pièce à couper.
- Ne laissez jamais le produit sans surveillance.
- N'appliquez pas de lubrifiant sur la lame lorsqu'elle est en rotation.
- N'effectuez jamais aucune opération de nettoyage ou d'entretien lorsque la machine est toujours en mouvement et que la tête n'est pas en position de repos.
- Ne tentez jamais d'arrêter rapidement une machine en rotation en coinçant un outil ou autre élément contre la lame, vous risqueriez de provoquer de graves accidents.
- Débranchez l'appareil de la prise secteur ou retirez la batterie avant de changer les lames ou d'effectuer l'entretien.
- Faites attention au moment d'emballer et de débiller la lame, il est facile d'être blessé par les extrémités tranchantes de la lame.
- Utilisez un porte-lame ou portez des gants lorsque vous manipulez une lame.
- Conservez et rangez la lame dans son emballage d'origine ou dans tout autre emballage approprié. Gardez-la dans un endroit sec et à l'écart des produits chimiques qui pourraient endommager la lame.
- Avant toute utilisation, vérifiez soigneusement l'absence de dommage ou d'usure du matériel sur le produit ou la batterie. Les réparations à effectuer sur le produit doivent uniquement être réalisées par un centre d'entretien agréé.
- Utilisez toujours les protections du produit. N'utilisez pas le produit si les protections ne sont pas en place ou ne fonctionnent pas correctement.
- La protection de lame inférieure ne doit s'ouvrir que lorsque la lame est abaissée sur la pièce de travail. Elle doit toujours être en mesure de se déplacer librement et de se fermer automatiquement.
- Pour le soutien de la pièce à usiner lors de l'opération, veillez à toujours fixer et utiliser des barres d'extension.
- N'altérez et ne modifiez jamais le produit ou son fonctionnement. Votre sécurité pourrait en être affectée.
- N'utilisez pas de lame de scie fêlée, endommagée ou déformée.
- Ne pas utiliser de lame de scie fabriquées en acier à coupe rapide.
- N'utilisez que des lames bien affûtées. Remplacez toute lame émoussée.
- Utilisez toujours des lames dont la taille et la forme sont adaptées à l'alésage de l'arbre. Des lames non adaptées à l'arbre sur lequel elles doivent être montées ne tourneront pas correctement et peuvent vous faire perdre de contrôle de l'outil.
- Utilisez uniquement les lames à bois indiquées dans ce manuel et conformes à la norme EN 847-1.
- N'utilisez aucun autre collet, aucune autre rondelle, ni aucun autre écrou que ceux fournis ou indiqués dans le manuel pour verrouiller la lame.
- Choisir une lame de scie qui convient au matériau à couper. N'utilisez jamais le produit pour couper des matériaux autres que ceux indiqués dans la section « Utilisation prévue » de ce manuel.
- Pendant la coupe, il est important d'éviter la surchauffe de la lame et la fonte du plastique.
- Il est essentiel de respecter la vitesse maximum indiquée sur la lame de scie et d'utiliser uniquement une lame de scie dont la vitesse indiquée est égale ou supérieure à celle indiquée sur l'outil.
- Remplacez l'insert de plateau une fois usé ou endommagé.
- Avant de travailler, effectuez une coupe fictive avec le moteur hors tension afin de vérifier la position de la lame, le fonctionnement des protections par rapport aux autres pièces de la machine et la pièce à usiner.
- Lors de la réalisation de coupes en biseau, d'onglets ou d'onglets mixtes, réglez le guide coulissant ou le sous-guide afin garantir le dégagement complet de la lame.
- Évitez le déverrouillage non contrôlé de la scie depuis la position complètement abaissée.
- Le verrouillage de la poignée doit toujours être engagé lors du transport du produit.
- Maintenez la surface du sol exempte de matériaux en vrac, tels que les sciures et copeaux.
- Évitez de retirer toute sciure, tout copeau ou toute autre partie de la pièce à usiner de la zone de coupe pendant que le produit est en marche et que la tête de la scie n'est pas en position de repos.
- Les longues pièces à ouvrir doivent être soutenues de manière appropriée. L'espace de travail de la

INSTRUCTIONS DE SÉCURITÉ ADDITIONNELLES

- Fixez toujours la pièce à couper de façon ferme et sûre.
- Assurez-vous que le produit est toujours stable et sécurisé (par exemple, fixé à un établi).
- Portez toujours des protections auditives. L'influence du bruit peut provoquer la surdité.
- Portez toujours des lunettes de sécurité lors de l'utilisation du produit. Il est recommandé de porter des gants pour manipuler les lames et les matériaux bruts, ainsi que de solides chaussures antidérapantes pour protéger les pieds de la chute de pièces coupées de la zone de coupe.
- Débranchez l'appareil de la prise secteur ou retirez la batterie avant d'entretenir ou de nettoyer le produit.
- Installez uniquement la batterie lorsque le produit est hors tension.
- Ne tentez jamais d'atteindre l'entourage de la lame sans qu'elle ne soit totalement immobile.



scie comprend toute l'étendue de la pièce à couper. L'opérateur doit sécuriser cette espace contre tout contact accidentel par d'autres personnes ou objets qui serait susceptible de faire bouger la pièce en cours de coupe.

- La poussière générée lors de l'utilisation du produit pourrait entraîner des risques pour la santé. Utilisez un système d'aspiration de la poussière et portez un masque anti-poussière adapté. Éliminez soigneusement les dépôts de poussière avec un aspirateur.
- Afin d'assurer un dégagement correct avant de procéder à une découpe complexe ou en diagonale, un réglage de la barrière coulissante peut être nécessaire. S'assurer que la vis de verrouillage de la barrière coulissante est bien serrée après le réglage.
- Le collier peut être installé et utilisé de l'autre côté de la lame. Dans certaines opérations, le collier peut gêner le bon fonctionnement de la protection de lame. Avant d'effectuer toute opération de coupe, toujours veiller à l'absence d'interférence avec la protection de la lame afin de réduire le risque de blessure grave.
- La plage de température ambiante pour l'outil en fonctionnement se situe entre 0 °C et 40 °C.
- La plage de température ambiante pour l'entreposage de l'outil se situe entre 0 °C et 40 °C.
- La plage de température ambiante recommandée pour le système de chargement en fonctionnement se situe entre 10 °C et 38 °C.

MISES EN GARDE DE SÉCURITÉ SUPPLÉMENTAIRES CONCERNANT LA BATTERIE

- Pour réduire le risque d'incendie, de blessures corporelles et de dommages cau-sés par un court-circuit, ne jamais immerger l'outil, le bloc-piles ou le chargeur dans un liquide ou laisser couler un fluide à l'intérieur de celui-ci. Les fluides corrosifs ou conducteurs, tels que l'eau de mer, certains produits chim-iques industriels, les produits de blanchiment ou de blanchi-ment, etc., Peuvent provoquer un court-circuit.
- La plage de température ambiante pour la batterie en fonctionnement se situe entre 0 °C et 40 °C.
- La plage de température ambiante pour l'entreposage de la batterie se situe entre 0 °C et 20 °C.

TRANSPORT DES BATTERIES AU LITHIUM

Transportez les batteries en conformité avec les dispositions et règlements locaux et nationaux.

Respectez toutes les exigences légales particulières concernant l'emballage et l'étiquetage des batteries lorsque vous confiez leur transport à un tiers. Assurez-vous qu'aucune batterie ne puisse entrer en contact avec une autre batterie ou avec des matériaux conducteurs lors de son transport en isolant les bornes électriques avec du ruban adhésif ou des capuchons isolants. Ne transportez pas une batterie qui serait fendue ou qui fuirait. Demandez conseil au transporteur pour de plus amples informations.

RISQUES RÉSIDUELS

Même lorsque le produit est utilisé selon les prescriptions, il reste impossible d'éliminer totalement certains facteurs de risque résiduels. Les dangers suivants risquent de se présenter en cours d'utilisation et l'utilisateur doit prêter particulièrement garde aux points suivants :

- Risque d'entrée en contact avec les parties non couvertes de la lame en rotation.
- Recul de pièces à usiner ou des morceaux des pièces à usiner en raison d'un mauvais réglage ou d'une mauvaise manipulation
- Projection de plaquettes au carbure défectueuses de la lame de scie.
- Atteinte du système respiratoire.
NOTE: Portez un masque de protection respiratoire adapté aux matériaux coupés Assurez une ventilation correcte à l'espace de travail. Ne mangez pas, de buvez pas, et ne fumez pas dans l'espace de travail.
- Atteinte à l'audition en cas de non-port d'une protection auditive.

⚠ AVERTISSEMENT! La sciure en provenance de certaines peintures, vernis et matériaux est susceptible de provoquer des irritations ou des réactions allergiques au système respiratoire. La sciure de bois tels que le chêne, le hêtre, le médium et autres est cancérigène. Les matériaux contenant de l'amiante ne doivent être travaillés ou traités que par du personnel spécialisé.

⚠ AVERTISSEMENT! L'utilisation prolongée d'un outil est susceptible de provoquer ou d'aggraver des blessures. Assurez-vous de faire des pauses de façon régulière lorsque vous utilisez tout outil de façon prolongée.

APPRENEZ À CONNAÎTRE VOTRE PRODUIT

Voir page 198.

1. Poignée, surface de préhension isolée
2. Interrupteur d'alimentation
3. Levier de déverrouillage de commutateur
4. Interrupteur de la LED
5. Protège-lame inférieur
6. Guide principal
7. Poignée de transport latérale
8. Guide de coupe
9. Plateau tournant
10. Plaque de trait de scie
11. Bouton de verrouillage d'onglet
12. Levier de libération du cliquet d'onglet
13. Pied
14. Pack batterie
15. Poignée de transport supérieure
16. Bouton de butée de la tige
17. Serre-joint
18. Pointeur de l'angle d'onglet
19. Trou de montage
20. Vis pour verrouiller la clôture principale
21. Vis de réglage de la profondeur de découpe
22. Pointeur de l'angle de biseau
23. Vis pour régler la butée de l'angle de biseau à 45 °
24. Bouton de verrouillage de l'angle de biseau
25. Goupille de verrouillage de la tête de scie
26. Sac à poussière
27. Clé hexagonale
28. Vis pour régler la butée de l'angle de biseau à 0 °
29. Vis de verrouillage de la barrière coulissante
30. Bouton de verrouillage de l'arbre
31. Flasque extérieur
32. Lame de scie

UTILISATION

Le produit est équipé d'une lame de scie en mouvement pouvant être réglée à différents angles par l'opérateur pour la coupe d'une pièce fermement fixée à la base du produit.

Il ne doit être manipulé que par une seule personne afin d'éviter tout contact involontaire avec la lame en rotation.

Les principes d'utilisation du produit en toute sécurité sont les suivants :

- Gardez la scie, les lames et l'espace de travail en bon état.
- Fixez la base de la scie à onglet soit à un établi solide. Le produit est susceptible de bouger et de basculer s'il n'est pas fixé de façon adéquate.
- Réglez et verrouillez les angles et la profondeur de coupe avant d'effectuer la coupe.
- Verrouillez la pièce à couper sur la base de la scie à onglet. Utilisez le serre-joint fourni et, lorsque cela est nécessaire, utilisez d'autres serre-joints ou dispositifs de serrage pour empêcher tout mouvement intempestif de la pièce en cours de coupe.
 - Vérifiez que le fonctionnement du carter de lame n'est pas gêné par la position de la pièce à couper.
 - Assurez-vous que le guide et autres parties du produit ne seront pas coupés lors de l'abaissement de la lame en position de coupe.
- Démarrez le moteur et laissez la lame atteindre sa vitesse maximale avant de l'abaisser lentement sur la pièce à couper.
- Laissez l'ensemble de la lame remonter à sa position la plus haute où le carter de protection est totalement fermé. Arrêtez le moteur et laissez la lame s'arrêter complètement avant de retirer la pièce coupée ou les chutes, ou avant d'accéder à la zone proche de la lame.

Avant première utilisation, assurez-vous que l'angle d'onglet ou de biseau réglé sur le produit correspond bien à l'angle obtenu sur la pièce coupée. Vérifiez ceci sur une chute de bois à l'aide d'outils de charpentier ou d'une équerre à onglet.

Retrait la lame de scie :

1. Portez des gants lors de la manipulation de la lame.
2. Coupez l'alimentation et retirez la batterie.
3. Desserrer, mais ne pas retirer la vis sur le cache du boulon de lame. Lever le cache du boulon de lame.
4. Basculer vers l'arrière le dispositif de protection autobloquant et le maintenir.
5. Appuyez sur le bouton de blocage d'arbre et dévissez en même temps le boulon de lame à l'aide de la clé Allen fournie. Retirez la flasque de lame extérieure.
6. Retirez la lame de scie.

Montage de la lame de scie :

Si nécessaire, nettoyez toutes les pièces à monter avant l'assemblage.

Suivez ensuite la procédure pour « Retirer la lame ».

1. Portez des gants lors de la manipulation de la lame.
2. Assurez-vous que l'appareil est hors tension et que la est retirée.
3. Basculer vers l'arrière le dispositif de protection autobloquant et le maintenir.
4. Placez la nouvelle lame. Veillez à ce que le sens de rotation de la lame corresponde au sens de la flèche sur la garde de lame.
5. Placez la flasque et le boulon de lame.
6. Appuyez sur le bouton de verrouillage de l'arbre jusqu'à son enclenchement, serrez le boulon de lame.
7. Déposez le dispositif de protection autobloquant.
8. Abaisser le cache du boulon de lame et serrer la vis.

⚠ AVERTISSEMENT! S'assurer que le cache du boulon de lame est abaissé à sa position initiale et que la vis est serrée.

Réglage de l'angle d'onglet :

L'angle d'onglet peut être réglé de 45 degrés (côté gauche) à 45 degrés (côté droit).

1. Desserrer le bouton de verrouillage de l'onglet.
2. Appuyer sur le levier de libération du cliquet de l'onglet. Tourner la table de sciage à l'angle d'onglet souhaité par le bouton de verrouillage de l'onglet.
3. Serrer de nouveau le bouton de verrouillage de l'onglet.

Réglage de l'angle du biseau :

L'angle de biseau peut être réglé de 0 à 45 degrés.

1. Desserrez le bouton de verrouillage de biseau.
2. Inclinez le bras de l'outil selon l'angle de biseau souhaité par la poignée.
3. Maintenez le bras de l'outil dans cette position et resserrez le bouton de verrouillage de biseau.

⚠ AVERTISSEMENT! Le fabricant conseille fortement de laisser le produit monté en permanence sur un établi.

Lorsque la base du produit est bien fixée sur le dessus de la table par quatre écrous, boulons et rondelles, tel qu'indiqué, le produit peut être utilisé sur le biseau et l'angle maximum sans qu'il ne puisse basculer. Si le produit n'est pas bien fixé, il est susceptible de basculer lorsque de grands angles de biseau sont sélectionnés.

ENTRETIEN

- Ne modifiez le produit d'aucune façon et n'utilisez aucun accessoire non recommandé par le fabricant. Votre sécurité et celle des autres pourrait en être affectée.
- N'utilisez pas le produit si un de ses interrupteurs, une de ses protections ou autre élément de fonctionne pas correctement. Retournez-le à un service après-vente agréé pour le faire remplacer ou réparer de façon professionnelle.
- Ne faites aucun réglage pendant que la lame est en mouvement.
- Toujours veiller à ce que le pack de batterie soit retiré du produit avant d'effectuer des réglages, de graisser ou d'entretenir le produit.
- Avant et après chaque utilisation du produit, vérifiez l'absence de dommages et d'éléments abîmés. Gardez le produit en parfait état de fonctionnement en remplaçant immédiatement les pièces avec des pièces détachées agréées par le fabricant.
- La lame a des bords tranchants et peut aussi rester chaude après les opérations de découpe. Soyez extrêmement prudent quand vous nettoyez une lame exposée. Portez des gants pour vous protéger et éviter de vous blesser.
- Nettoyez régulièrement la scie de façon à retirer toute la poussière, notamment au niveau des pièces en mouvement telles que la protection de la lame. Pour retirer efficacement la poussière, utilisez une balayette ou un aspirateur. Ne pas utiliser d'air comprimé.
- Pour plus de sécurité et de fiabilité, toutes les réparations, y compris le changement des brosses, doivent être effectuées par un centre de service agréé.

⚠ AVERTISSEMENT! N'essayez pas de démonter la protection de lame pour nettoyer ou effectuer des réparations. N'utilisez pas de protections endommagées.

Retournez le produit à un centre de service agréé en vue de sa réparation ou de son remplacement.

Étalonnage de l'angle de biseau et de l'onglet

Pour procéder à l'étalonnage de l'angle de biseau et de l'onglet, reportez-vous aux pages 213 – 217 et observez les instructions d'étalonnage.

TRANSPORT ET STOCKAGE

- Retirez la batterie du produit avant de le ranger. Rangez le produit dans un endroit sûr, hors de portée des enfants.
- Nettoyez le produit à l'aide d'un pinceau ou d'un aspirateur avant de le ranger.
- Si vous retirez la lame de scie ou si vous gardez des lames de rechange avec l'appareil, assurez-vous qu'elles sont dans leur emballage d'origine afin d'éviter toute blessure.

Pour verrouiller le produit avant de le déplacer :

- Le produit doit être rangé avec les angles de biseau et d'onglet à zéro, poignée en position verrouillée. La poignée doit être verrouillée en position basse (de sécurité), protections fermées.

Pour un déplacement ou un transport dans un véhicule :

- Verrouillez le produit avant tout mouvement comme décrit dans le manuel.
- Le produit doit être retiré de l'établi en desserrant les 4 boulons, un à chaque angle. Verrouillez les écrous pour utilisation ultérieure. Transporter le produit à l'aide de la poignée de transport supérieure ou des poignées de transport latérales avec les deux mains.
- Lors de son transport dans un véhicule, posez le produit sur sa base et empêchez qu'il puisse bouger.

SYMBOLES APPLIQUÉS SUR LE PRODUIT



Alerte de sécurité



Marque de conformité européenne



Marque de conformité britannique



Marque de conformité ukrainienne



Marque de conformité d'Eurasie



Veuillez lire attentivement le mode d'emploi avant de démarrer la machine.



Portez une protection auditive



Toujours porter une protection pour les yeux.



N'approchez pas vos mains de la zone de coupe et de la lame tranchante.



Ne pas exposer à la pluie ni utiliser en un lieu humide.



Portez des gants de sécurité



Sens de rotation de la lame (indiquée sur le lame de scie)



Sens de rotation de la lame (indiqué sur le carter de protection de la lame)



Largeur de coupe de la lame (trait de scie)



Nombre de dents de la lame de scie



Capacité de coupe



Pour la coupe du bois et de matériaux similaires



Inadapté à la coupe des métaux



Ajuster la position de la barrière coulissante avant de procéder à des coupes complexes ou en biseau.



Sens de desserrage du boulon de la lame

Ne jetez pas les batteries et les équipements électriques et électroniques usagés parmi les déchets municipaux non triés. Les batteries et les équipements électriques et électroniques usagés doivent être collectés séparément. Les batteries, accumulateurs et sources lumineuses usagés doivent être retirés de l'équipement. Pour obtenir des conseils en matière de recyclage et de points de collecte, se renseigner auprès des autorités locales ou du détaillant. Selon les réglementations locales, les détaillants peuvent avoir l'obligation de récupérer gratuitement les batteries et les équipements électriques et électroniques usagés. Votre contribution à la réutilisation et au recyclage des batteries et équipements électriques et électroniques usagés permet de réduire la demande en matières premières. Les batteries, notamment celles qui contiennent du lithium, ainsi que les équipements électriques et électroniques usagés comportent des matériaux précieux et recyclables, qui peuvent avoir un impact négatif sur l'environnement et la santé humaine s'ils ne sont pas éliminés de manière respectueuse de l'environnement. Supprimer les données personnelles de l'équipement usagé, le cas échéant.



SYMBOLES PRÉSENTS DANS LE MANUEL



Verrouillage



Déverrouillage



Temps d'attente avant que la lame atteigne sa pleine vitesse ou s'arrête complètement.



Pièces détachées et accessoires vendus séparément



Note



Avertissement

Sicherheit, Leistung und Zuverlässigkeit hatten oberste Priorität bei der Entwicklung Ihrer Gehrungskappsäge.

BESTIMMUNGSGEMÄSSE VERWENDUNG

Die Gehrungskappsäge ist zum Sägen von massivem und verleimtem Holz, holzähnlichen Werkstoffen mit oder ohne Furnier und Kunststoffurnieren ausgelegt.

Das Produkt darf nur von Erwachsenen verwendet werden, die Bedienungsanleitung gelesen und die Risiken und Gefahren verstanden haben.

Das Produkt ist so konzipiert, dass es an der Bodenplatte auf einer massiven Werkbank befestigt werden kann. Wenn die Bodenplatte nicht sicher befestigt ist, kann sich die ganze Maschine beim Sägen bewegen und die Gefahr schwerer Verletzungen vergrößern.

Das Produkt ist für Neigungs- und Gehrungsschnitte ausgelegt. Die Schnittmaße für die verschiedenen Schnitte sind in der Produktbeschreibung in diesem Handbuch aufgeführt.

Das Produkt muss bei trockenen Bedingungen eingesetzt werden, mit sehr guter Umgebungsbeleuchtung und einer ausreichenden Belüftung.

Das Produkt ist für den Hausgebrauch und sollte nur wie oben beschrieben, und für keine anderen Zwecke, benutzt werden.

ALLGEMEINE SICHERHEITSHINWEISE FÜR ELEKTROWERKZEUGE

⚠️ WARNUNG! Lesen Sie alle Sicherheitshinweise und Anweisungen. Versäumnisse bei der Einhaltung der Sicherheitshinweise und Anweisungen können elektrischen Schlag, Brand und/oder schwere Verletzungen verursachen.

Bewahren Sie alle Sicherheitshinweise und Anweisungen für die Zukunft auf. Der in den Sicherheitshinweisen verwendete Begriff „Elektrowerkzeug“ bezieht sich auf netzbetriebene Elektrowerkzeuge (mit Netzleitung) oder auf akkubetriebene Elektrowerkzeuge (ohne Netzleitung).

ARBEITSPLATZSICHERHEIT

- **Halten Sie Ihren Arbeitsbereich sauber und gut beleuchtet.** Unordnung oder unbeleuchtete Arbeitsbereiche können zu Unfällen führen.
- **Arbeiten Sie mit dem Elektrowerkzeug nicht in explosionsgefährdeter Umgebung, in der sich brennbare Flüssigkeiten, Gase oder Stäube befinden.** Elektrowerkzeuge erzeugen Funken, die den Staub oder die Dämpfe entzünden können.
- **Halten Sie Kinder und andere Personen während der Benutzung des Elektrowerkzeugs fern.** Bei Ablenkung können Sie die Kontrolle über das Gerät verlieren.

ELEKTRISCHE SICHERHEIT

- **Der Anschlussstecker des Elektrowerkzeugs muss in die Steckdose passen. Der Stecker darf in keiner Weise verändert werden. Verwenden Sie keine Adapterstecker gemeinsam mit schutzgeerdeten Elektrowerkzeugen.** Unveränderte Stecker und passende Steckdosen verringern das Risiko eines elektrischen Schlages.
- **Vermeiden Sie Körperkontakt mit geerdeten Oberflächen wie von Rohren, Heizungen, Herden und Kühlschränken.** Es besteht ein erhöhtes Risiko durch elektrischen Schlag, wenn Ihr Körper geerdet ist.

- **Halten Sie Elektrowerkzeuge von Regen oder Nässe fern.** Das Eindringen von Wasser in ein Elektrowerkzeug erhöht das Risiko eines elektrischen Schlages.
- **Zweckentfremden Sie die Anschlussleitung nicht, um das Elektrowerkzeug zu tragen, aufzuhängen oder um den Stecker aus der Steckdose zu ziehen. Halten Sie die Anschlussleitung fern von Hitze, Öl, scharfen Kanten oder sich bewegenden Geräteteilen.** Beschädigte oder verwickelte Anschlussleitungen erhöhen das Risiko eines elektrischen Schlages.
- **Wenn Sie mit einem Elektrowerkzeug im Freien arbeiten, verwenden Sie nur Verlängerungsleitungen, die auch für den Außenbereich geeignet sind.** Die Anwendung einer für den Außenbereich geeigneten Verlängerungsleitung verringert das Risiko eines elektrischen Schlages.
- **Wenn der Betrieb des Elektrowerkzeugs in feuchter Umgebung nicht vermeidbar ist, verwenden Sie einen Fehlerstromschutzschalter.** Der Einsatz eines Fehlerstromschutzschalters vermindert das Risiko eines elektrischen Schlages.

SICHERHEIT VON PERSONEN

- **Seien Sie aufmerksam, achten Sie darauf, was Sie tun, und gehen Sie mit Vernunft an die Arbeit mit einem Elektrowerkzeug. Benutzen Sie kein Elektrowerkzeug, wenn Sie müde sind oder unter dem Einfluss von Drogen, Alkohol oder Medikamenten stehen.** Ein Moment der Unachtsamkeit beim Gebrauch des Elektrowerkzeugs kann zu ernsthaften Verletzungen führen.
- **Tragen Sie persönliche Schutzausrüstung und immer eine Schutzbrille.** Das Tragen persönlicher Schutzausrüstung, wie Staubmaske, rutschfeste Sicherheitsschuhe, Schutzhelm oder Gehörschutz, je nach Art und Einsatz des Elektrowerkzeugs, verringert das Risiko von Verletzungen.
- **Vermeiden Sie eine unbeabsichtigte Inbetriebnahme. Vergewissern Sie sich, dass das Elektrowerkzeug ausgeschaltet ist, bevor Sie es an die Stromversorgung und/oder den Akku anschließen, es aufnehmen oder tragen.** Wenn Sie beim Tragen des Elektrowerkzeugs den Finger am Schalter haben oder das Gerät eingeschaltet an die Stromversorgung anschließen, kann dies zu Unfällen führen.
- **Entfernen Sie Einstellwerkzeuge oder Schraubenschlüssel, bevor Sie das Elektrowerkzeug einschalten.** Ein Werkzeug oder Schlüssel, der sich in einem drehenden Geräteteil befindet, kann zu Verletzungen führen.
- **Vermeiden Sie eine abnormale Körperhaltung. Sorgen Sie für einen sicheren Stand und halten Sie jederzeit das Gleichgewicht.** Dadurch können Sie das Elektrowerkzeug in unerwarteten Situationen besser kontrollieren.
- **Tragen Sie geeignete Kleidung. Tragen Sie keine weite Kleidung oder Schmuck. Halten Sie Haare und Kleidung fern von sich bewegenden Teilen.** Lockere Kleidung, Schmuck oder lange Haare können von sich bewegenden Teilen erfasst werden.
- **Wenn Staubabsaug- und -auffangeinrichtungen montiert werden können, sind diese anzuschließen und richtig zu verwenden.** Verwendung einer Staubabsaugung kann Gefährdungen durch Staub verringern.

- **Wiegen Sie sich nicht in falscher Sicherheit und setzen Sie sich nicht über die Sicherheitsregeln für Elektrowerkzeuge hinweg, auch wenn sie nach vielfachem Gebrauch mit dem Elektrowerkzeug vertraut sind.** Achtloses Handeln kann binnen Sekundenbruchteilen zu schweren Verletzungen führen.

VERWENDUNG UND BEHANDLUNG DES ELEKTROWERKZEUGS

- **Überlasten Sie das Gerät nicht.** Verwenden Sie für Ihre Arbeit das dafür bestimmte Elektrowerkzeug. Mit dem passenden Elektrowerkzeug arbeiten Sie besser und sicherer im angegebenen Leistungsbereich.
- **Benutzen Sie kein Elektrowerkzeug, dessen Schalter defekt ist.** Ein Elektrowerkzeug, das sich nicht mehr ein- oder ausschalten lässt, ist gefährlich und muss repariert werden.
- **Ziehen Sie den Stecker aus der Steckdose und/oder entfernen Sie einen abnehmbaren Akku, bevor Sie Geräteeinstellungen vornehmen, Zubehörteile wechseln oder das Gerät weglegen.** Diese Vorsichtsmaßnahme verhindert den unbeabsichtigten Start des Elektrowerkzeugs.
- **Bewahren Sie unbenutzte Elektrowerkzeuge außerhalb der Reichweite von Kindern auf.** Lassen Sie Personen das Gerät nicht benutzen, die mit diesem nicht vertraut sind oder diese Anweisungen nicht gelesen haben. Elektrowerkzeuge sind gefährlich, wenn Sie von unerfahrenen Personen benutzt werden.
- **Pflegen Sie Elektrowerkzeuge und Zubehör mit Sorgfalt.** Kontrollieren Sie, ob bewegliche Teile einwandfrei funktionieren und nicht klemmen, ob Teile gebrochen oder so beschädigt sind, dass die Funktion des Elektrowerkzeugs beeinträchtigt ist. Lassen Sie beschädigte Teile vor dem Einsatz des Gerätes reparieren. Viele Unfälle haben ihre Ursache in schlecht gewarteten Elektrowerkzeugen.
- **Halten Sie Schneidwerkzeuge scharf und sauber.** Sorgfältig gepflegte Schneidwerkzeuge mit scharfen Schneidkanten verklemmen sich weniger und sind leichter zu führen.
- **Verwenden Sie Elektrowerkzeug, Zubehör, Einsatzwerkzeuge usw. entsprechend diesen Anweisungen.** Berücksichtigen Sie dabei die Arbeitsbedingungen und die auszuführende Tätigkeit. Der Gebrauch von Elektrowerkzeugen für andere als die vorgesehenen Anwendungen kann zu gefährlichen Situationen führen.
- **Halten Sie Griffe und Griffflächen trocken, sauber und frei von Öl und Fett.** Rutschige Griffe und Griffflächen erlauben keine sichere Bedienung und Kontrolle des Elektrowerkzeugs in unvorhergesehenen Situationen.

VERWENDUNG UND BEHANDLUNG VON AKKUWERKZEUGEN

- **Laden Sie die Akkus nur mit Ladegeräten auf, die vom Hersteller empfohlen werden.** Durch ein Ladegerät, das für eine bestimmte Art von Akkus geeignet ist, besteht Brandgefahr, wenn es mit anderen Akkus verwendet wird.
- **Verwenden Sie nur die dafür vorgesehenen Akkus in den Elektrowerkzeugen.** Der Gebrauch von anderen Akkus kann zu Verletzungen und Brandgefahr führen.
- **Halten Sie den nicht benutzten Akku fern von Büroklammern, Münzen, Schlüsseln,**

Nägeln, Schrauben oder anderen kleinen Metallgegenständen, die eine Überbrückung der Kontakte verursachen könnten. Ein Kurzschluss zwischen den Akkukontakten kann Verbrennungen oder Feuer zur Folge haben.

- **Bei falscher Anwendung kann Flüssigkeit aus dem Akku austreten.** Vermeiden Sie den Kontakt damit. Bei zufälligem Kontakt mit Wasser abspülen. Wenn die Flüssigkeit in die Augen kommt, nehmen Sie zusätzlich ärztliche Hilfe in Anspruch. Austretende Akkufflüssigkeit kann zu Hautreizungen oder Verbrennungen führen.
- **Benutzen Sie keinen beschädigten oder veränderten Akku.** Beschädigte oder veränderte Akkus können sich unvorhersehbar verhalten und zu Feuer, Explosion oder Verletzungsgefahr führen.
- **Setzen Sie einen Akku keinem Feuer oder zu hohen Temperaturen aus.** Feuer oder Temperaturen über 130°C können eine Explosion hervorrufen.
- **Befolgen Sie alle Anweisungen zum Laden und laden Sie den Akku oder das Akkuwerkzeug niemals außerhalb des in der Betriebsanleitung angegebenen Temperaturbereichs.** Falsches Laden oder Laden außerhalb des zugelassenen Temperaturbereichs kann den Akku zerstören und die Brandgefahr erhöhen.

SERVICE

- **Lassen Sie Ihr Elektrowerkzeug nur von qualifiziertem Fachpersonal und nur mit Original-Ersatzteilen reparieren.** Damit wird sichergestellt, dass die Sicherheit des Gerätes erhalten bleibt.
- **Warten Sie niemals beschädigte Akkus.** Sämtliche Wartung von Akkus sollte nur durch den Hersteller oder bevollmächtigte Kundendienststellen erfolgen.

SICHERHEITSHINWEISE FÜR GEHRUNGSKAPPSÄGEN

- **Gehrungsappsägen sind zum Schneiden von Holz oder holzartigen Produkten vorgesehen, sie können nicht zum Schneiden von Eisenwerkstoffen wie Stäben, Stangen, Schrauben usw. verwendet werden.** Abrasiver Staub führt zum Blockieren von beweglichen Teilen wie der unteren Schutzhaube. Schneidfunken verbrennen die untere Schutzhaube, die Einlegeplatte und andere Kunststoffteile.
- **Fixieren Sie das Werkstück nach Möglichkeit mit Zwingen.** Wenn Sie das Werkstück mit der Hand festhalten, müssen Sie Ihre Hand immer mindestens 100 mm von jeder Seite des Sägeblatts entfernt halten. Verwenden Sie diese Säge nicht zum Schneiden von Stücken, die zu klein sind, um sie einzuspannen oder mit der Hand zu halten. Wenn Ihre Hand zu nahe am Sägeblatt ist, besteht ein erhöhtes Verletzungsrisiko durch Kontakt mit dem Sägeblatt.
- **Das Werkstück muss unbeweglich sein und entweder festgespannt oder gegen den Anschlag und den Tisch gedrückt werden.** Schieben Sie das Werkstück nicht in das Sägeblatt und schneiden Sie nie „freihändig“. Lose oder sich bewegende Werkstücke könnten mit hoher Geschwindigkeit herausgeschleudert werden und zu Verletzungen führen.
- **Schieben Sie die Säge durch das Werkstück.** Vermeiden Sie es, die Säge durch das Werkstück zu ziehen. Für einen Schnitt heben Sie den Sägekopf



und ziehen ihn über das Werkstück, ohne zu schneiden. Dann schalten Sie den Motor ein, schwenken den Sägekopf nach unten und drücken die Säge durch das Werkstück. Bei ziehendem Schnitt besteht die Gefahr, dass das Sägeblatt am Werkstück aufsteigt und die Sägeblatteinheit dem Bediener gewaltsam entgegengeschleudert wird.

- Kreuzen Sie nie die Hand über die vorgesehene Schnittlinie, weder vor noch hinter dem Sägeblatt. Abstützen des Werkstücks „mit gekreuzten Händen“, d.h. Halten des Werkstücks rechts neben dem Sägeblatt mit der linken Hand oder umgekehrt, ist sehr gefährlich.
- Greifen Sie bei rotierendem Sägeblatt nicht hinter den Anschlag. Unterschreiten Sie nie einen Sicherheitsabstand von 100 mm zwischen Hand und rotierendem Sägeblatt (gilt auf beiden Seiten des Sägeblatts, z. B. beim Entfernen von Holzabfällen). Die Nähe des rotierenden Sägeblatts zu Ihrer Hand ist möglicherweise nicht erkennbar, und Sie können schwer verletzt werden.
- Prüfen Sie das Werkstück vor dem Schneiden. Wenn das Werkstück gebogen oder verzogen ist, spannen Sie es mit der nach außen gekrümmten Seite zum Anschlag. Stellen Sie immer sicher, dass entlang der Schnittlinie kein Spalt zwischen Werkstück, Anschlag und Tisch ist. Gebogene oder verzogene Werkstücke können sich verdrehen oder verlagern und ein Klemmen des rotierenden Sägeblatts beim Schneiden verursachen. Es dürfen keine Nägel oder Fremdkörper im Werkstück sein.
- Verwenden Sie die Säge erst, wenn der Tisch frei von Werkzeugen, Holzabfällen usw. ist; nur das Werkstück darf sich auf dem Tisch befinden. Kleine Abfälle, lose Holzstücke oder andere Gegenstände, die mit dem rotierenden Blatt in Berührung kommen, können mit hoher Geschwindigkeit weggeschleudert werden.
- Schneiden Sie jeweils nur ein Werkstück. Mehrfach gestapelte Werkstücke lassen sich nicht angemessen spannen oder festhalten und können beim Sägen ein Klemmen des Blatts verursachen oder verrutschen.
- Sorgen Sie dafür, dass die Gehrungskappsäge vor Gebrauch auf einer ebenen, festen Arbeitsfläche steht. Eine ebene und feste Arbeitsfläche verringert die Gefahr, dass die Gehrungskappsäge instabil wird.
- Planen Sie Ihre Arbeit. Achten Sie bei jedem Verstellen der Sägeblattneigung oder des Gehrungswinkels darauf, dass der verstellbare Anschlag richtig justiert ist und das Werkstück abstützt, ohne mit dem Blatt oder der Schutzhaube in Berührung zu kommen. Ohne die Maschine einzuschalten und ohne Werkstück auf dem Tisch ist eine vollständige Schnittbewegung des Sägeblatts zu simulieren, um sicherzustellen, dass es nicht zu Behinderungen oder der Gefahr des Schneidens in den Anschlag kommt.
- Sorgen Sie bei Werkstücken, die breiter oder länger als die Tischoberseite sind, für eine angemessene Abstützung, z. B. durch Tischverlängerungen oder Sägeböcke. Werkstücke, die länger oder breiter als der Tisch der Gehrungskappsäge sind, können kippen, wenn sie nicht fest abgestützt sind. Wenn ein abgeschnittenes Stück Holz oder das Werkstück kippt, kann es die untere Schutzhaube anheben und unkontrolliert vom rotierenden Blatt weggeschleudert werden.
- Ziehen Sie keine anderen Personen als Ersatz für eine Tischverlängerung oder zur zusätzlichen

Abstützung heran. Eine instabile Abstützung des Werkstücks kann zum Klemmen des Blatts führen. Auch kann sich das Werkstück während des Schnitts verschieben und Sie und den Helfer in das rotierende Blatt ziehen.

- Das abgeschnittene Stück darf nicht gegen das rotierende Sägeblatt gedrückt werden. Wenn wenig Platz ist, z. B. bei Verwendung von Längsanschlägen, kann sich das abgeschnittene Stück mit dem Blatt verkeilen und gewaltsam weggeschleudert werden.
- Verwenden Sie immer eine Zwinde oder eine geeignete Vorrichtung, um Rundmaterial wie Stangen oder Rohre ordnungsgemäß abzustützen. Stangen neigen beim Schneiden zum Wegrollen, wodurch sich das Blatt „festbeißen“ und das Werkstück mit Ihrer Hand in das Blatt gezogen werden kann.
- Lassen Sie das Blatt die volle Drehzahl erreichen, bevor Sie in das Werkstück schneiden. Dies verringert das Risiko, dass das Werkstück weggeschleudert wird.
- Wenn das Werkstück eingeklemmt wird oder das Blatt blockiert, schalten Sie die Gehrungskappsäge aus. Warten Sie, bis alle beweglichen Teile zum Stillstand gekommen sind, ziehen Sie den Netzstecker und/oder nehmen Sie den Akku heraus. Entfernen Sie anschließend das eingeklemmte Material. Wenn Sie bei einer solchen Blockierung weitersägen, kann es zum Verlust der Kontrolle oder zu Beschädigungen der Gehrungskappsäge kommen.
- Lassen Sie nach beendetem Schnitt den Schalter los, halten Sie den Sägekopf unten und warten Sie den Stillstand des Blatts ab, bevor Sie das abgeschnittene Stück entfernen. Es ist sehr gefährlich, mit der Hand in die Nähe des auslaufenden Blatts zu fassen.
- Halten Sie den Handgriff gut fest, wenn Sie einen unvollständigen Sägeschnitt ausführen oder wenn Sie den Schalter loslassen, bevor der Sägekopf seine untere Lage erreicht hat. Durch die Bremswirkung der Säge kann der Sägekopf ruckartig nach unten gezogen werden, was zu einem Verletzungsrisiko führt.

SICHERHEITSANWEISUNGEN FÜR DAS HOLZSÄGEBLATT

- Lesen Sie das Handbuch und die Anleitungen, bevor Sie das Sägeblatt und das Produkt verwenden.
- Das Elektrowerkzeug muss sich in einem guten Zustand befinden; die Spindel darf keine Verformungen aufweisen und nicht vibrieren.
- Verwenden Sie das Produkt nicht ohne die Schutzvorrichtungen. Halten Sie die Schutzvorrichtungen in gutem Zustand und ordentlich gewartet.
- Stellen Sie sicher, dass der Bediener in den Vorsichtsmaßnahmen, der Einstellung und dem Betrieb des Produkts geschult ist.
- Tragen Sie eine Schutzbrille und einen Gehörschutz, wenn Sie das Produkt verwenden. Schutzhandschuhe, festes und rutschsicheres Schuhwerk und Schürze werden empfohlen.
- Lesen Sie immer die Bedienungsanleitung, bevor Sie ein Zubehörteil benutzen. Der unsachgemäße Gebrauch von Zubehörteilen kann zu Schäden führen und das Verletzungspotenzial erhöhen.
- Benutzen Sie nur die in dieser Bedienungsanleitung angegebenen Sägeblätter, die EN 847-1 erfüllen.





- Beachten Sie die auf dem Sägeblatt angezeigte maximale Drehzahl. Stellen Sie sicher, dass die auf dem Sägeblatt gekennzeichnete Drehzahl mindestens der auf der Säge gekennzeichneten Drehzahl entspricht.
- Verwenden Sie stets Sägeblätter, deren Größe und Form dem Spindeldurchmesser entsprechen. Sägeblätter, die nicht an die Spindel angepasst sind, an der sie montiert werden, laufen nicht korrekt und können dazu führen, dass Sie die Kontrolle über Ihr Gerät verlieren.
- Benutzen Sie keine Sägeblätter mit größeren oder kleineren Durchmesser als empfohlen. Benutzen Sie keine Unterlegscheiben, um das Sägeblatt an die Spindel anzupassen.
- Prüfen Sie die Sägezähne des Sägeblatts vor jeder Benutzung auf Schäden und ungewöhnliches Aussehen. Beschädigte oder lose Sägezähne können sich bei der Verwendung des Geräts lösen und weg geschleudert werden und damit das Verletzungsrisiko erhöhen.
- Rissige Sägeblätter oder solche, die ihre Form verändert haben, dürfen nicht verwendet werden! Benutzen Sie keine Sägeblätter, die beschädigt oder verformt sind.
- Entsorgen Sie das Sägeblatt, wenn es beschädigt, verformt, deformiert oder gerissen ist; es ist nicht erlaubt, es zu reparieren.
- Verwenden Sie keine HSS Sägeblätter.
- Stellen Sie sicher, dass das Sägeblatt richtig montiert ist und ziehen Sie die Mutter vor der Verwendung fest (Anzugsdrehmoment ca. 8 -10 Nm).
- Die Schrauben und Muttern sollten mit einem geeigneten Schraubenschlüssel angezogen werden.
- Das Verlängern des Schlüssels und das Anziehen mit Hammerschlägen ist nicht erlaubt.
- Stellen Sie sicher, dass alle Sägeblätter und Flansche sauber sind und die vertiefte Seite der Manschette an dem Sägeblatt anliegen.
- Stellen Sie sicher, dass sich das Sägeblatt in die richtige Richtung dreht.
- Machen Sie einen Testdurchlauf ohne angeschalteten Motor, bevor Sie mit der Arbeit beginnen, um die Position des Sägeblattes, Funktion der Schutzvorrichtungen und das Werkstück zu überprüfen.
- Lassen Sie das Produkt nicht unbeaufsichtigt.
- Tragen Sie keine Schmiermittel auf die laufende Säge auf.
- Niemals Reinigungsarbeiten oder Wartungsarbeiten an der laufenden Maschine durchführen, und wenn das Sägeaggregat nicht in Ruheposition ist.
- Versuchen Sie niemals die Maschine anzuhalten, indem Sie ein Werkzeug oder einen anderen Gegenstand gegen das Sägeblatt klemmen, schwere Unfälle können so versehentlich verursacht werden.
- Ziehen Sie den Netzstecker oder entfernen Sie den Akku, bevor das Sägeblatt wechseln oder Wartungsarbeiten durchführen.
- Seien Sie beim Ein- und Auspacken des Sägeblattes vorsichtig, Verletzungen durch die scharfen Zähne sind schnell passiert.
- Benutzen Sie eine Sägeblatthalterung oder tragen Sie Handschuhe, wenn Sie das Sägeblatt handhaben.
- Bewahren und lagern Sie das Sägeblatt in der Originalverpackung oder einer anderen geeigneten Verpackung. Bewahren Sie es in trockener Umgebung

und fern von Chemikalien, die das Sägeblatt beschädigen können, auf.

ZUSÄTZLICHE SICHERHEITSWARNUNGEN

- Fixieren Sie das Werkstück immer fest und sicher.
- Stellen Sie sicher, dass das Werkzeug einen sicheren Stand hat (z.B. indem es an einer Werkbank befestigt ist)
- Tragen Sie Gehörschutz. Die Einwirkung von Lärm kann Hörverlust bewirken.
- Tragen Sie eine Schutzbrille, wenn Sie das Produkt verwenden. Wir empfehlen Handschuhe bei der Handhabung von Sägeblättern und grobem Material zu tragen, zusätzlich feste, rutschfeste Schuhe, um Ihre Füße vor Werkstücken die von dem Sägebereich fallen könnten, zu schützen.
- Ziehen Sie den Netzstecker oder entfernen Sie den Akku, bevor Sie Wartungsarbeiten durchführen oder das Produkt reinigen.
- Installieren Sie den Akku nur, wenn das Produkt ausgeschaltet ist.
- Greifen Sie niemals in den Bereich des Sägeblattes, außer das Sägeblatt ist vollständig gestoppt.
- Überprüfen Sie vor der Verwendung das Produkt und den Akku gründlich auf Schäden oder Materialermüdung. Reparaturen des gesamten Produkts sollten nur von einem autorisierten Servicecenter durchgeführt werden.
- Verwenden Sie stets die Schutzabdeckung der Maschine. Benutzen Sie die Maschine nicht, wenn die Schutzabdeckungen nicht montiert sind und nicht ordnungsgemäß funktionieren.
- Der untere Schutzhaube sollte sich nur öffnen, wenn das Sägeblatt auf das Arbeitsstück gesenkt wird. Er muss jederzeit frei beweglich sein und sich automatisch schließen.
- Befestigen und verwenden Sie Verlängerungsschienen, um das Werkstück während des Betriebs abzustützen.
- Das Produkt und seine Funktionalität dürfen nicht geändert oder modifiziert werden. Ihre Sicherheit könnte beeinträchtigt sein.
- Benutzen Sie keine gerissene, beschädigte oder verformte Sägeblätter.
- Keine aus Schnellarbeitsstahl gefertigten Sägeblätter verwenden.
- Benutzen Sie nur scharfe Sägeblätter. Ersetzen Sie stumpfe Sägeblätter.
- Verwenden Sie immer Sägeblätter in der richtigen Größe und passend zur Form des Aufnahmeflansches. Sägeblätter, die nicht zu den Montageteilen der Säge passen, werden exzentrisch laufen und zu Kontrollverlust des Gerätes führen.
- Benutzen Sie nur in dieser Bedienungsanleitung angegebene Sägeblätter die EN 847-1 erfüllen.
- Benutzen Sie keine anderen Flansche, Unterlegscheiben und Muttern als die mitgelieferten oder in der Bedienungsanleitung angegebenen, um das Sägeblatt zu befestigen.
- Wählen Sie ein für den zu schneidenden Werkstoff geeignetes Sägeblatt aus. Verwenden Sie das Produkt nicht, um Material zu schneiden, das nicht im Abschnitt zum bestimmungsgemäßen Gebrauch in diesem Handbuch aufgeführt ist.





- Es ist wichtig, die Überhitzung des Blatts und das Schmelzen der Plastikteile während des Betriebs zu vermeiden.
- Die auf dem Sägeblatt angegebene maximale Drehzahl muss eingehalten werden. Verwenden Sie nur Sägeblätter für eine Drehzahl, die größer oder gleich der auf dem Werkzeug angegebenen Drehzahl ist.
- Ersetzen Sie die Einlegeplatte, wenn sie abgenutzt oder beschädigt ist.
- Machen Sie einen Testdurchlauf ohne angeschalteten Motor, bevor Sie mit der Arbeit beginnen, um die Position des Sägeblattes, Funktion der Schutzvorrichtungen und das Werkstück zu überprüfen.
- Wenn Sie Gehrungs-, Neigungs- oder kombinierte Gehrungsschnitte durchführen, passen Sie den Schiebeanschlag oder Unteranschlag an, um den richtigen Abstand vom Sägeblatt sicherzustellen.
- Vermeiden Sie es, die Sägeeinheit unkontrolliert von der untersten Position aus zu entriegeln.
- Der Handgriff muss während des Transports des Produkts eingerastet sein.
- Halten Sie den Boden frei von loseem Material, z. B. Späne und Abfall.
- Keine Sägereste oder andere Teile von Werkstücken aus dem Sägebereich entfernen wenn die Maschine läuft und das Sägeaggregat nicht in der Ruhestellung ist.
- Lange Werkstück sind geeignet abzustützen. Der Arbeitsbereich der Säge beinhaltet das gesamte Ausmaß des Werkstücks. Der Benutzer sollte diesen Bereich vor versehentlichem Kontakt durch andere Personen oder Gegenstände, die das Werkstück während des Betriebs bewegen könnten, schützen.
- Der beim Einsatz des Produktes anfallende Staub kann gesundheitsschädlich sein. Benutzen Sie ein System zur Staubabsaugung und tragen Sie eine geeignete Staubschutzmaske. Entfernen Sie gründlich den abgelagerten Staub, z. B. mit einem Staubsauger.
- Möglicherweise muss der Schiebeanschlag eingestellt werden, um den richtigen Abstand sicherzustellen, bevor ein Schräg- oder Verbundschnitt durchgeführt wird. Stellen Sie sicher, dass die Klemmschraube des Schiebeanschlags nach der Einstellung fest angezogen ist.
- Die Klammer kann an beiden Seiten des Blatts angebracht und benutzt werden. In einige Fällen kann die Klammer die Blattschutzmontage behindern. Stellen Sie vor einem Schneidvorgang immer sicher, dass der Blattschutz nicht behindert wird, um das Risiko von schweren Verletzungen zu reduzieren.
- Der Umgebungstemperaturbereich für das Werkzeug während des Betriebs liegt zwischen 0 °C und 40 °C.
- Der Umgebungstemperaturbereich für die Lagerung des Werkzeugs liegt zwischen 0 °C und 40 °C.
- Der empfohlene Umgebungstemperaturbereich für das Ladesystem während des Ladevorgangs liegt zwischen 10 °C und 38 °C.

WEITERE SICHERHEITSHINWEISE ZUM AKKU

- Um die durch einen Kurzschluss verursachte Gefahr eines Brandes, von Verletzungen oder Produktbeschädigungen zu vermeiden, tauchen Sie das Werkzeug, den Wechselakku oder das Ladegerät nicht in Flüssigkeiten ein und sorgen Sie dafür, dass keine Flüssigkeiten in die Geräte und Akkus eindringen.

Korrozierende oder leitfähige Flüssigkeiten, wie Salzwasser, bestimmte Chemikalien und Bleichmittel oder Produkte, die Bleichmittel enthalten, können einen Kurzschluss verursachen.

- Der Umgebungstemperaturbereich für die Batterie während des Gebrauchs liegt zwischen 0 °C und 40 °C.
- Der Umgebungstemperaturbereich für die Lagerung der Batterie liegt zwischen 0 °C und 20 °C.

TRANSPORT VON LITHIUM AKKUS

Transportieren Sie den Akku gemäß Ihren örtlichen und nationalen Bestimmungen und Regeln.

Befolgen Sie alle besonderen Anforderungen für Verpackung und Beschriftung, wenn Sie Akkus von Dritten transportieren lassen. Stellen Sie sicher, dass beim Transport kein Akku in Kontakt mit anderen Akkus oder leitenden Materialien kommt, indem Sie die freien Anschlüsse mit Isolierband, nichtleitenden Kappen oder Klebeband schützen. Beschädigte oder auslaufende Akkus dürfen nicht transportiert werden. Befragen Sie Ihre Transportfirma nach weiteren Informationen.

RESTRISIKEN

Sogar wenn das Produkt wie vorgeschrieben benutzt wird, ist es unmöglich ein gewisses Restrisiko vollständig auszuschließen. Die folgenden Gefahren können bei der Benutzung entstehen, und der Benutzer sollte besonders auf folgende Punkte achten:

- Risiko durch Kontakt mit dem freiliegenden, rotierenden Sägeblatt.
- Rückschlag von Werkstücken und Werkstückteilen aufgrund von falscher Handhabung oder Einstellungen.
- Wegschleudern von defekten Hartmetallsitzen vom Sägeblatt.
- Verletzung der Atemwege.
HINWEIS: Tragen Sie eine für das zu bearbeitende Material geeignete Atemschutzmaske mit Filter. Sorgen Sie für ausreichende Belüftung des Arbeitsbereichs. Essen, trinken oder rauchen Sie nicht in dem Arbeitsbereich.
- Gehörschäden wenn ein wirksamer Gehörschutz nicht getragen wird.

⚠️ WARNUNG! Staub von bestimmten Farben, Beschichtungen und Materialien können Irritationen oder allergische Reaktionen der Atemwege verursachen. Staub von Holz wie Eiche, Buche, Faserstoffplatten und anderen kann krebserregend sein. Asbesthaltige Materialien dürfen nur von qualifizierten Spezialisten bearbeitet oder verarbeitet werden.

⚠️ WARNUNG! Verletzungen können durch lange Benutzung eines Werkzeugs entstehen oder verschlimmert werden. Machen Sie regelmäßig Pausen, wenn Sie ein Werkzeug für lange Zeit benutzen.

MACHEN SIE SICH MIT IHREM PRODUKT VERTRAUT

Siehe Seite 198.

1. Griff, isolierte Grifffläche
2. Hauptschalter
3. Sicherungshebel
4. LED Schalter
5. Unterer Sägeblattschutz
6. Hauptanschlag
7. Seitlicher Tragegriff



8. Verschiebbarer Anschlag
9. Drehteller
10. Schnittplatte
11. Gehrungshandrad
12. Betätigungshebel für Gehrungssäge
13. Stützfuß
14. Akkupack
15. Tragegriff oben
16. Klemmung Führungsstange
17. Klemme
18. Anzeige Gehrungswinkel
19. Befestigungsloch
20. Schrauben zum Verriegeln des Hauptanschlags
21. Einstellschraube für die Schneidtiefe
22. Anzeige Neigungswinkel
23. Schrauben zum Einstellen des 45°-Neigungswinkelanschlags
24. Verriegelung für Winkelanschlag
25. Transportsicherung
26. Staubauffangeinrichtung
27. Sechskantschlüssel
28. Schrauben zur Einstellung des 0°-Neigungswinkelanschlag
29. Schraube zum Arretieren des Schiebeanschlags
30. Knopf der Spindelarretierung
31. Flansch
32. Sägeblatt

BETRIEB

Das Produkt ist durch ein sich drehendes Sägeblatt gekennzeichnet, das von dem Benutzer in verschiedenen Winkeln eingestellt werden kann, um ein Werkstück zu sägen das sicher auf der Basisplatte befestigt ist. Es darf nur von einer Person bedient werden, um versehentlichen Kontakt mit dem Sägeblatt zu verhindern.

Die Prinzipien der sicheren Bedienung des Produktes sind wie folgt:

- Halten Sie die Säge, Sägeblätter und den Arbeitsbereich in gutem Zustand.
- Befestigen Sie die Gehrungskappsäge an einer stabilen Werkbank. Das Produkt kann sich bewegen oder umfallen, wenn es nicht ausreichend gesichert ist.
- Stellen Sie den Sägewinkel und die Tiefe ein und verriegeln sie, bevor Sie den Schnitt durchführen.
- Befestigen Sie das Werkstück auf der Basisplatte der Gehrungskappsäge. Benutzen Sie die mitgelieferte Klemme und, wo erforderlich, zusätzliche Klemmen oder Haltemechanismen, um versehentliche Bewegung des Werkstücks beim Sägen zu verhindern.
 - Überprüfen Sie, dass die Funktion der Schutzhaube nicht durch die Position des Werkstücks beeinträchtigt ist.
 - Stellen Sie sicher, dass der Anschlag und andere Teile des Produktes nicht angesägt werden, wenn das Sägeblatt in die Sägeposition abgesenkt wird.
- Starten Sie den Motor und lassen das Sägeblatt die volle Drehzahl erreichen, bevor sie es langsam zum Sägen auf das Werkstück senken.
- Schieben Sie das Sägeaggregat zurück in die obere Position, wo beide Schutzhauben schließen. Schalten Sie den Motor aus und lassen das Sägeblatt vollständig stoppen, bevor Sie das Werkstück oder Reststücke entfernen oder in den Bereich des Sägeblattes greifen.

Stellen Sie vor jeder Benutzung sicher, dass der am Gerät eingestellte Winkel mit dem gewünschten Winkel

auf dem Werkstück übereinstimmt. Überprüfen Sie das an einem Stück Restholz mit einem Schreinerwinkel oder Gehrungswinkel.

Entfernen des Sägeblattes:

1. Tragen Sie Handschuhe, wenn Sie mit dem Sägeblatt hantieren.
2. Schalten Sie das Gerät aus und entfernen Sie den Akku.
3. Lösen Sie die Schraube an der Abdeckung der Sägeblattschraube, entfernen Sie sie jedoch nicht. Heben Sie die Abdeckung der Sägeblattschraube an.
4. Ziehen Sie die selbstschließende Schutzvorrichtung zurück und halten Sie sie fest.
5. Drücken Sie die Taste zur Spindelarretierung und drehen Sie die Sägeblattschraube zur gleichen Zeit mit dem zur Verfügung stehenden Schraubenschlüssel. Entfernen Sie den Außenflansch.
6. Entfernen Sie das Sägeblatt.

Montieren des Sägeblattes:

Falls erforderlich, reinigen Sie alle zu montierenden Teile vor der Montage.

Nach Durchführen des Verfahrens "Sägeblatt entfernen".

1. Tragen Sie Handschuhe, wenn Sie mit dem Sägeblatt hantieren.
2. Achten Sie darauf, das Gerät ausgeschaltet ist und der Akku entfernt ist.
3. Ziehen Sie die selbstschließende Schutzvorrichtung zurück und halten Sie sie fest.
4. Setzen Sie das neue Sägeblatt ein. Stellen Sie sicher, dass die Drehrichtung des Blattes mit der Richtung des Pfeils auf der Schutzvorrichtung übereinstimmt.
5. Setzen Sie den Flansch und die Sägeblattschraube ein.
6. Drücken der Taste zur Spindelarretierung, bis sie einrastet. Ziehen Sie die Sägeblattschraube fest.
7. Schwenken Sie die selbstschließende Schutzvorrichtung nach unten.
8. Senken Sie die Abdeckung der Sägeblattschraube ab und ziehen Sie die Schraube fest.

⚠️ WARNUNG! Vergewissern Sie sich, dass die Abdeckung der Sägeblattschraube in die ursprüngliche Position abgesenkt und die Schraube angezogen ist.

Einstellen des Gehrungswinkels:

Der Gehrungswinkel kann im Bereich von 45 Grad (links) bis 45 Grad (rechts) eingestellt werden.

1. Lösen Sie das Gehrungshandrad.
2. Drücken Sie den Betätigungshebel für die Gehrungssäge. Drehen Sie den Säge Tisch mittels Gehrungshandrad auf den gewünschten Gehrungswinkel.
3. Ziehen Sie das Gehrungshandrad wieder fest.

Einstellen des Neigungswinkels:

Der Neigungswinkel kann im Bereich von 0 Grad bis 45 Grad eingestellt werden.

1. Lösen Sie den Feststellknopf zum Einstellen des Neigungswinkels.
2. Neigen Sie den Werkzeugträger bis zum gewünschten Neigungswinkel mittels Griff.
3. Halten Sie den Werkzeugträger in dieser Position und ziehen Sie den Feststellknopf zum Einstellen des Neigungswinkels fest.

⚠️ WARNUNG! Der Hersteller rät dringend, dass das Produkt immer sicher auf einer Arbeitsplatte befestigt ist.

Wenn der Sockel des Produktes mit vier Muttern, Schrauben und Unterlegscheiben, wie angewiesen, fest an einer Tischplatte befestigt ist, kann das Produkt bei maximaler

Winkeleinstellung und Gehrungseinstellung verwendet werden, ohne dass es umgekippen kann. Wenn das Produkt nicht sicher befestigt ist, kann das Produkt aus dem Gleichgewicht geraten, wenn große Winkel gewählt werden.

WARTUNG UND PFLEGE

- Verändern Sie das Produkt nicht auf irgendeine Weise oder verwenden Zubehör, das nicht vom Hersteller empfohlen ist. Ihre Sicherheit und die anderer könnte beeinträchtigt sein.
- Benutzen Sie das Produkt nicht, wenn Schalter oder andere Funktionen nicht wie vorgesehen funktionieren. Bringen Sie das Werkzeug zu einem autorisierten Kundendienst, um Einstellungen oder Reparaturen vorzunehmen.
- Nehmen Sie keine Einstellungen vor, während die Säge in Bewegung ist.
- Stellen Sie sicher, dass der Akku aus dem Produkt entfernt wurde, bevor Sie Einstellungen vornehmen, das Produkt schmieren oder Wartungsarbeiten am Produkt durchführen.
- Überprüfen Sie das Produkt vor und nach jeder Benutzung auf Schäden und beschädigte Teile. Halten Sie das Produkt in optimalem Betriebszustand, indem sie Teile sofort mit vom Hersteller empfohlenen Ersatzteilen ersetzen.
- Das Sägeblatt hat scharfe Zähne und Kanten und kann nach dem Sägen auch erhitzt sein. Seien Sie beim Reinigen freiliegender Sägeblätter extrem vorsichtig. Tragen Sie Handschuhe, um sich vor Verletzungen zu schützen.
- Stauben Sie die Säge und das Zubehör regelmäßig ab, insbesondere die beweglichen Teile wie die Schutzhaube. Entfernen Sie Staub mit einer Handbürste oder einem Staubsauger. Nutzen Sie keine Druckluft.
- Alle Reparaturen sollten zur besseren Sicherheit und Zuverlässigkeit von einem autorisierten Kundendienst durchgeführt werden.

⚠️ WARNUNG! Versuchen Sie nicht, den Sägeblattschutz zu demontieren, um ihn zu reinigen oder zu reparieren. Ein Beschädigter Sägeblattschutz darf nicht verwendet werden. Bringen Sie diesen zur Reparatur oder zum Austausch zu einem autorisierten Servicecenter.

Einstellung des Gehrungsschnitt- und Fasenwinkels

Wenn der Gehrungsschnitt- und Fasenwinkel eingestellt werden muss, folgen Sie den Anweisungen auf den Seiten 213 bis 217.

TRANSPORT UND AUFBEWAHRUNG

- Entfernen Sie den Akku, wenn Sie das Produkt einlagern. Lagern Sie das Produkt an einem sicheren Ort, der für Kinder nicht zugänglich ist.
- Reinigen Sie das Produkt mit einer Bürste und einem Staubsauger, bevor Sie es einlagern.
- Wenn Sie das Sägeblatt entfernen oder Ersatz-Sägeblätter mit dem Gerät aufbewahren, stellen Sie sicher, dass sie in der Originalverpackung sind, um Verletzungen zu verhindern.

Zum Sichern des Produktes vor der Bewegung:

- Das Produkt sollte mit dem auf Null gestellten Gehrungswinkel und in verriegelter Position gelagert werden. Der Griff muss in der unteren (sicheren)

Position, mit geschlossenen Schutzhauben, verriegelt sein.

Bewegen oder Transport in einem Fahrzeug:

- Befestigen Sie das Produkt wie in der Bedienungsanleitung beschrieben, bevor es bewegt wird.
- Entfernen Sie das Produkt von der Arbeitsplatte, indem Sie die vier Schrauben, eine an jeder Ecke, lösen. Verstauen Sie die Schrauben für zukünftige Verwendung. Tragen Sie das Produkt am oberen Tragegriff oder an den seitlichen Tragegriffen mit beiden Händen.
- Stellen sie das Produkt beim Transport in einem Fahrzeug auf seine Basisplatte und sichern es vor Bewegung.

SYMBOLS AUF DEM PRODUKT



Sicherheitswarnung



Europäisches Konformitätskennzeichen



Britisches Konformitätskennzeichen



Ukrainisches Konformitätskennzeichen



EurAsian Konformitätszeichen



Bitte lesen Sie die Anweisungen sorgfältig, bevor Sie das Gerät einschalten.



Gehörschutz tragen



Tragen Sie immer Augenschutz!



Halten Sie Hände vom Schnittbereich und dem Sägeblatt fern!



Nicht Regen aussetzen, oder an feuchten Orten verwenden!



Tragen Sie Sicherheitshandschuhe



Blattdrehrichtung (auf dem Sägeblatt angezeigt)



Drehrichtung des Sägeblattes (markiert auf dem Sägeblattschutz)



Blattbreite des Schnitts (Sägeschnitt)



Anzahl der Sägezähne auf dem Blatt



Schnittleistung



Zum Sägen von Holz und ähnlichem Material



Nicht zum Sägen von Metall



Passen Sie die Position des Schiebeanschlags an, bevor Sie Schräg- oder Verbundchnitte durchführen.



Löserichtung der Messerschraube

Entsorgen Sie Altbatterien, Elektro- und Elektronikaltgeräte nicht als unsortierten Siedlungsabfall. Altbatterien und Elektro- und Elektronikaltgeräte müssen getrennt gesammelt werden. Altbatterien, Akkumulatoren und Lichtquellen müssen aus den Geräten entfernt werden. Informieren Sie sich bei den örtlichen Behörden oder bei Ihrem Einzelhändler über Recyclingoptionen und die Entsorgungseinrichtung. Je nach den örtlichen Vorschriften kann der Einzelhandel verpflichtet sein, Altbatterien und Elektro- und Elektronik-Altgeräte unentgeltlich zurückzunehmen. Ihr Beitrag zur Wiederverwendung und zum Recycling von Elektro- und Elektronikaltgeräten trägt dazu bei, den Bedarf an Rohstoffen zu verringern. Altbatterien, insbesondere lithiumhaltige Batterien, und Elektro- und Elektronik-Altgeräte enthalten wertvolle, wiederverwertbare Materialien, die sich negativ auf die Umwelt und die menschliche Gesundheit auswirken können, wenn sie nicht auf umweltverträgliche Weise entsorgt werden. Löschen Sie ggf. personenbezogene Daten aus Altgeräten.



Öffnen



Wartezeit bis das Sägeblatt die volle Geschwindigkeit erreicht oder vollständig anhält.



Teile oder Zubehör getrennt erhältlich



Hinweis



Warnung

SYMBOLE IN DER BEDIENUNGSANLEITUNG



Sperren

Seguridad, desempeño y fiabilidad han sido las prioridades en el diseño de su ingletadora.

USO PREVISTO

La sierra ingletadora tiene como uso previsto el serrado de madera maciza y aglomerados, materiales similares a la madera, con o sin chapado exterior, y plásticos.

La sierra ingletadora debe ser utilizada solamente por usuarios adultos que hayan leído el manual de instrucciones y que comprendan los riesgos y peligros asociados al uso de este producto.

La sierra ingletadora se ha diseñado para poder fijar su base a un banco de trabajo sólido. Si la base no está firmemente fijada, toda la máquina puede moverse durante las operaciones de corte, lo que aumenta la posibilidad de sufrir lesiones personales graves.

La sierra ingletadora está diseñada para hacer cortes oblicuos y en inglete. La capacidad para realizar los diferentes tipos de corte viene indicada en las especificaciones del producto incluidas en este manual.

La sierra ingletadora se debe utilizar en condiciones secas, con una excelente iluminación ambiental y una ventilación adecuada.

La sierra ingletadora está destinada al uso personal y solo se debe utilizar del modo descrito anteriormente, y no se puede utilizar con ningún otro fin.

INSTRUCCIONES GENERALES DE SEGURIDAD DE LA HERRAMIENTA

⚠ ¡ADVERTENCIA! Lea atentamente todas las advertencias, instrucciones y especificaciones suministradas con la herramienta, y consulte las ilustraciones. El incumplimiento de las instrucciones que se indican a continuación puede ocasionar diversos accidentes como incendios, descargas eléctricas y/o graves heridas corporales.

Guarde todas estas advertencias e instrucciones para futuras referencias. El término "herramienta eléctrica" incluido en las advertencias hace referencia a su herramienta eléctrica conectada a la red eléctrica (con cable) o a su herramienta eléctrica alimentada con batería (inalámbrica).

SEGURIDAD EN EL ÁREA DE TRABAJO

- **Mantenga el área de trabajo limpia y bien iluminada.** Las zonas oscuras o poco despejadas pueden provocar accidentes.
- **No utilice herramientas eléctricas en atmósferas explosivas, como en presencia de gases, polvos o líquidos inflamables.** Las herramientas eléctricas producen chispas que pueden inflamar el polvo o humos.
- **Mantenga a los niños y personas ajenas alejadas de la zona en la que está utilizando la herramienta eléctrica.** Las distracciones pueden hacerle perder el control de la unidad.

SEGURIDAD ELÉCTRICA

- **Las conexiones de la herramienta eléctrica deben corresponder a los de la toma de corriente. No modifique el enchufe de ninguna manera. No utilice ningún adaptador con herramientas eléctricas**

conectadas a tierra. Utilizar enchufes sin modificar y tomas correspondientes reducirán el riesgo de descargas eléctricas.

- **Evite el contacto corporal con superficies conectadas a tierra, como tuberías, radiadores, estufas y refrigeradores.** Existe un mayor riesgo de descargas eléctricas si su cuerpo está conectado a tierra.
- **No exponga las herramientas eléctricas a la lluvia o a la humedad.** Si entra agua en una herramienta eléctrica aumentará el riesgo de descargas eléctricas.
- **Utilice correctamente el cable. No utilice el cable para llevar, tirar o desconectar el cable de la herramienta. Mantenga el cable alejado del calor, aceite, de los bordes afilados y de partes móviles.** Los cables dañados o enredados aumentan el riesgo de descargas eléctricas.
- **A la hora de utilizar herramientas eléctricas al aire libre, utilice un alargador adecuado para uso en exteriores.** El uso de un cable adecuado para uso en exteriores reduce el riesgo de descargas eléctricas.
- **Si es inevitable utilizar una herramienta eléctrica en un lugar húmedo, utilice un dispositivo de corriente residual (RCD) como protección.** El uso de un RCD reduce el riesgo de descargas eléctricas.

SEGURIDAD PERSONAL

- **Manténgase alerta, fíjese en lo que está haciendo y aplique el sentido común cuando maneje una herramienta eléctrica. No utilice una herramienta eléctrica si está cansado, enfermo o bajo la influencia de drogas, alcohol o medicamentos.** Un momento de distracción mientras utiliza herramientas eléctricas puede resultar en lesiones personales graves.
- **Utilice equipos de protección personal. Utilice siempre gafas de protección.** El equipo de protección como la máscara antipolvo, los zapatos de seguridad antideslizantes, el casco o la protección auditiva utilizados para trabajar en las condiciones adecuadas reducirá los daños personales.
- **Evite el arranque accidental de la herramienta. Asegúrese de que el interruptor está en la posición de apagado antes de conectar el producto a una fuente de alimentación a la batería, de cogerlo o de transportarlo.** Transportar las herramientas eléctricas con el dedo en el interruptor o alimentarlas con el interruptor encendido puede provocar accidentes.
- **Extraiga cualquier llave de ajuste antes de encender la herramienta eléctrica.** Una llave que se encuentra conectada a una pieza de rotación puede resultar en lesiones personales.
- **No realice sobreesfuerzos. Mantenga un equilibrio adecuado en todo momento.** Esto permite un mejor control de la herramienta eléctrica en situaciones inesperadas.
- **Vístase adecuadamente. No utilice ropa holgada ni joyas. No acerque el pelo ni la ropa a las piezas móviles.** La ropa suelta, joyas o el cabello largo pueden quedar atrapados en las piezas móviles.
- **Si se proporcionan dispositivos para conectar la extracción de polvo y las instalaciones de recogida, asegúrese de que están conectados y se utilizan**

correctamente. La recogida de polvo puede reducir los riesgos relacionados con él.

- Aunque esté familiarizado con el uso de la herramienta, no se relaje e ignore los principios de seguridad. Las acciones descuidadas, incluso durante una fracción de segundo, puede resultar en lesiones personales graves.

USO Y CUIDADO DE LA HERRAMIENTA ELÉCTRICA

- No fuerce la herramienta eléctrica. Utilice la herramienta eléctrica correcta para su aplicación. La herramienta eléctrica correcta realizará el trabajo mejor y de un modo más seguro si se emplea a la velocidad para la que fue diseñada.
- No utilice la herramienta eléctrica si el interruptor de encendido no responde. Cualquier herramienta que no puede ser controlada con el interruptor de encendido es peligrosa y debe ser reparada.
- Desconecte el enchufe de la fuente de alimentación y/o quite la batería, si es extraíble, de la herramienta eléctrica antes de realizar ningún ajuste, cambiar los accesorios o guardar las herramientas eléctricas. Estas medidas de seguridad preventivas reducen el riesgo de encender la herramienta eléctrica accidentalmente.
- Coloque las herramientas eléctricas a ralentí fuera del alcance de los niños y no permita que personas no familiarizadas con la herramienta o con estas instrucciones la utilicen. Las herramientas eléctricas son peligrosas en manos de personas no capacitadas.
- Conserve las herramientas eléctricas y los accesorios. Compruebe la alineación y el acoplamiento de los componentes móviles, la presencia de cualquier componente roto y cualquier otra condición que pueda afectar al correcto funcionamiento de la herramienta eléctrica. Si está dañada, lleve la herramienta al servicio técnico autorizado antes de usarla. Muchos accidentes están causados por herramientas eléctricas sometidas a un mantenimiento deficiente.
- Mantenga las herramientas de corte afiladas y limpias. Si se mantienen correctamente las herramientas de corte con los bordes afilados, es menos probable que se atasquen y se controlan con más facilidad.
- Use la herramienta eléctrica, los accesorios y las piezas de la herramienta, etc., de acuerdo con estas instrucciones, teniendo en cuenta las condiciones laborales y el trabajo que se ha de llevar a cabo. Utilizar la herramienta eléctrica para realizar trabajos diferentes a los que esta herramienta está destinada podría dar como resultado una situación peligrosa.
- Mantenga las asas y las superficies de agarre secas, limpias y sin aceite ni grasa. Las asas y las superficies de agarre resbaladizas no permiten manejar y controlar con seguridad la herramienta en situaciones inesperadas.

USO Y CUIDADO DE LA BATERÍA

- Recárguela únicamente con el cargador especificado por el fabricante. Podría provocar un riesgo de incendio si utiliza un cargador con una batería para la que no está diseñado.

- Utilice herramientas eléctricas con baterías especialmente diseñadas. El uso de cualquier otra batería puede generar un riesgo de lesiones y fuego.
- Cuando la batería no está en uso, manténgala alejada de otros objetos metálicos como clips, monedas, llaves, clavos, tornillos u otros objetos metálicos pequeños que puedan crear una conexión desde una terminal a otra. Un cortocircuito de las terminales de la batería puede provocar quemaduras o fuego.
- En condiciones indebidas, puede salir líquido de la batería. Evite su contacto. Si se produce un contacto accidental, enjuáguese con agua. Si el líquido entra en contacto con los ojos, busque ayuda médica adicional. El líquido expulsado de la batería puede provocar irritaciones o quemaduras.
- No utilice una batería o una herramienta que haya sufrido daños o modificaciones. Las baterías dañadas o modificadas pueden presentar un comportamiento impredecible y provocar fuego, explosión o riesgo de lesión.
- No exponga la batería o la herramienta al fuego o a temperaturas excesivas. La exposición al fuego o a una temperatura superior a 130°C puede provocar una explosión.
- Siga todas las instrucciones de carga y no cargue la batería o la herramienta fuera del rango de temperatura especificado en las instrucciones. La carga inadecuada o a temperaturas fuera del rango especificado puede dañar la batería e incrementar el riesgo de fuego.

MANTENIMIENTO

- Su herramienta eléctrica debería ser reparada por personas cualificadas, que deberían utilizar únicamente piezas de repuesto idénticas. Esto garantizará la seguridad a la hora de utilizar la herramienta eléctrica.
- Nunca arregle baterías dañadas. Solo el fabricante o proveedores homologados deberían reparar las baterías.

INSTRUCCIONES DE SEGURIDAD PARA SIERRAS INGLETADORAS

- Las sierras ingletadoras están diseñadas para cortar madera o productos similares, no se pueden utilizar con discos de corte abrasivos para cortar materiales ferrosos como barras, varillas, pernos, etc. El polvo abrasivo provoca que las piezas móviles como la protección inferior se atasquen. Las chispas que surgen de los cortes abrasivos quemarán la protección inferior, el hueco para el corte y otras piezas de plástico.
- Siempre que pueda, utilice pinzas para sujetar la pieza de trabajo. Si sujeta la pieza con la mano, colóquela al menos a 100 mm de distancia de cada lado de la cuchilla de la sierra. No utilice esta sierra para cortar trozos demasiado pequeños como para fijarlos o sujetarlos con la mano con seguridad. Si tiene la mano demasiado cerca de la cuchilla de la sierra, hay un creciente riesgo de lesión por contacto.
- La pieza debe estar fija y enganchada o sujeta contra el tope y la mesa. No meta la pieza en la cuchilla ni corte «a mano alzada» en ningún caso. Las piezas

descontroladas o móviles pueden salir despedidas a velocidades elevadas, provocando lesiones.

- **Empuje la sierra en la pieza. No tire de la sierra desde la pieza. Para hacer un corte, levante el cabezal de la sierra y sáquelo de la pieza sin cortar, encienda el motor, apriete el cabezal de la sierra y empuje la sierra en la pieza.** Si se corta empujando hacia afuera, es probable que el filo de la sierra salte sobre la pieza y la hoja salga violentamente despedida hacia el operario.
- **Nunca cruce la mano por la línea prevista de corte o por delante o detrás de la cuchilla de la sierra.** Sujetar la pieza con las «manos cruzadas», p. ej., sujetando la pieza a la derecha de la cuchilla de la sierra con la mano izquierda o viceversa es muy peligroso.
- **No meta ninguna de las manos por detrás del tope, a menos de 100 mm de cada lado de la cuchilla de la sierra, para quitar pedazos de madera o por cualquier otro motivo, cuando la hoja está girando.** La proximidad de su mano a la cuchilla de la sierra girando quizá no sea tan obvia y podría herirse gravemente.
- **Analice la pieza antes de cortarla. Si la pieza está arqueada o deformada, sujétela con el lado arqueado hacia el tope. Asegúrese siempre de que no hay huecos entre la pieza, el tope y la mesa a lo largo de la línea de corte.** Las piezas dobladas o deformadas se pueden girar o mover y provocar que se atasque la cuchilla giratoria de la sierra al cortar. No debería haber clavos ni objetos extraños en la pieza.
- **No use la sierra hasta que la mesa esté despejada de herramientas, trozos de madera, etc., de manera que solo esté la pieza.** Residuos pequeños o piezas sueltas de madera u otros objetos que están en contacto con la cuchilla giratoria pueden salir despedidos a alta velocidad.
- **Corte solo una pieza a la vez.** Si se apilan varias piezas, no podrán sujetarse o asegurarse correctamente y podrían atascarse en la cuchilla o moverse durante el corte.
- **Asegúrese de que la sierra ingletadora está montada o colocada en una superficie de trabajo firme y nivelada antes de su uso.** Una superficie de trabajo firme y nivelada reduce el riesgo de que la sierra ingletadora esté inestable.
- **Planifique su trabajo. Cada vez que cambie los ajustes de ángulo de bisel e inglete, asegúrese de que el tope ajustable está colocado correctamente para sujetar la pieza y que no interferirá con la cuchilla ni el sistema de protección.** Sin «ENCENDER» la herramienta y sin piezas en la mesa, desplace la cuchilla de la sierra por un corte completo simulado para asegurarse de que no interfiere ni hay peligro de cortar el tope.
- **Proporcione un soporte adecuado como extensiones de mesa, caballetes, etc., para una pieza que sea más ancha o más larga que la encimera.** Si las piezas son más largas o más anchas que la mesa de la sierra ingletadora, se pueden volcar si no se sujetan de manera segura. Si la pieza de corte vuelca, podría levantar la protección inferior o salir lanzada por la cuchilla giratoria.
- **No utilice a otra persona como sustituta de una extensión de mesa ni como soporte adicional.** Si

la pieza se sujeta de manera inestable, la cuchilla puede atascarse o la pieza puede moverse durante la operación de corte, empujándole a su ayudante y a usted a la cuchilla giratoria.

- **La pieza de corte no debe quedarse atascada ni empujada en ningún caso contra la cuchilla giratoria de la sierra.** Si se limita, p. ej. con otros topes, la pieza de corte podría quedarse atrapada contra la cuchilla y salir despedida violentamente.
- **Utilice siempre una pinza o una fijación diseñados para sujetar correctamente material curvo como cilindros varillas o tubos.** Las varillas tienen tendencia a rodar al cortarse, lo que provoca que la cuchilla «muerda», así que empuje la pieza con la mano hacia la cuchilla.
- **Deje que la cuchilla alcance la velocidad total antes de entrar en contacto con la pieza.** Esto reducirá el riesgo de que la pieza salga despedida.
- **Si la pieza de trabajo o el disco de sierra se atascan, apague (posición “OFF”) la sierra ingletadora. Espere a que todas las piezas móviles se detengan y desconecte el enchufe de la fuente de alimentación o retire la batería. A continuación, libere el material atascado.** Si se sigue serrando con una pieza atascada, podría perderse el control o dañarse la sierra ingletadora.
- **Al acabar el corte, suelte el interruptor, sujete el cabezal de la sierra y espere a que la cuchilla se detenga antes de quitar la pieza de corte.** Acercar la mano a la cuchilla que sigue girando es peligroso.
- **Sujete el asa con fuerza al hacer un corte incompleto o cuando suelte el interruptor antes de que el cabezal de la sierra esté completamente en la posición baja.** La acción de frenado de la sierra puede provocar que el cabezal de la sierra caiga repentinamente hacia abajo, con riesgo de lesiones.

INSTRUCCIONES DE SEGURIDAD PARA EL DISCO DE SIERRA PARA MADERA

- Lea el manual y las instrucciones atentamente antes de usar la cuchilla de la sierra y la máquina.
- El producto debe estar en buen estado, el husillo no debe tener ninguna deformación ni producir vibraciones.
- No utilice el producto sin las protecciones en su sitio. Conserve as guardas en bom estado de funcionamiento e manutenção.
- Asegúrese de que el operario esté adecuadamente formado en precauciones de seguridad, ajustes y funcionamiento del producto.
- Lleve siempre gafas y protección auditiva al utilizar el producto. Se recomienda utilizar guantes, calzado pesado antideslizante y delantal.
- Antes de utilizar cualquier accesorio, consulte el manual de instrucciones. El uso inadecuado de un accesorio puede causar daños y aumentar la posibilidad de lesiones.
- Use solamente hojas especificadas en este manual, según EN 847-1.
- Observe la velocidad máxima marcada en la lámina de la sierra. Asegure que a velocidade indicada no disco da serra é pelo menos igual à velocidade indicada na serra.

- Utilice hojas de tamaño y forma adecuados al diámetro interior del eje. Unas hojas que no se adaptan al eje en el que se deben montar no girarán correctamente y provocarán una pérdida de control.
- No utilice láminas de diámetro mayor o más pequeño que el recomendado. No utilice ningún espaciador para encajar la lámina en el eje.
- Compruebe rastros de daños o aspecto anormal en el disco de sierra antes de cada uso. Los rastros de daño u holgura pueden causar el lanzamiento de objetos durante su uso y aumentar las probabilidades de lesiones personales.
- No usar discos de corte rotos o defectuosos. No use hojas de sierra dañadas o deformadas.
- Deseche el disco de sierra si está dañado, deformado, torcido o agrietado; queda prohibida su reparación.
- No utilice láminas HSS.
- Asegúrese de que la cuchilla de la sierra está montada correctamente, apriete la tuerca del árbol firmemente antes de su uso (par de apriete de aprox. 8-10 Nm).
- Las tuercas y tornillos de fijación se tienen que apretar con la llave adecuada, etc.
- Queda prohibido el uso de prolongaciones de llave o apretar con golpes de martillo.
- Compruebe que la lámina y las bridas están limpias y los lados encajados del aro están contra la lámina.
- Compruebe que la lámina gira en la dirección correcta.
- Antes de empezar a trabajar, haga un corte de prueba con el motor apagado para comprobar la posición de la lámina, el funcionamiento de las protecciones con respecto a otras piezas de la máquina y la pieza de trabajo.
- Nunca deje el producto sin supervisión.
- No aplique lubricantes en la hoja cuando esté en funcionamiento.
- Nunca realice ningún trabajo de limpieza o de mantenimiento cuando la máquina se encuentra aún en funcionamiento y si la cabeza no está en la posición de descanso.
- Nunca intente parar una máquina en movimiento repentinamente enclavando una herramienta u otros medios contra la lámina pues de este modo podrá causar accidentes graves sin intención.
- Desconecte el producto de la toma de corriente o retire la batería antes de cambiar los discos de sierra o de realizar tareas de mantenimiento.
- Preste atención cuando embale y desembale los discos de sierra; es fácil sufrir una lesión debido a las puntas afiladas de la hoja de sierra.
- Utilice un soporte de discos o guantes para manipular los discos de sierra.
- Guarde y almacene el disco de sierra en su embalaje original o en otro embalaje adecuado; manténgalo en un lugar seco y alejado de sustancias químicas que puedan dañarlo.
- Asegúrese de que el producto se mantenga siempre estable y seguro (por ejemplo, fijado en un banco de trabajo).
- Lleve siempre protectores acústicos. La exposición a niveles de ruido excesivos puede causar pérdida de audición.
- Lleve siempre gafas de seguridad al utilizar el producto. Se recomienda utilizar guantes para manejar las hojas y el material en bruto, además de zapatos antideslizantes resistentes para proteger los pies de las piezas de trabajo que puedan caer de la zona de corte.
- Desconecte el producto de la toma de corriente o retire la batería antes de realizar ninguna tarea de mantenimiento ni limpiar el producto.
- Instale la batería exclusivamente cuando el producto esté apagado.
- No acerque la mano a la hoja a menos que la hoja se haya detenido por completo.
- Antes de su uso, compruebe minuciosamente el producto y la batería en busca de cualquier daño o desgaste de los materiales. La reparaciones de todo el producto solo debe realizarlas un centro de servicio autorizado.
- Utilice siempre las protecciones del producto. No utilice el producto si las protecciones no están en su sitio y funcionando correctamente.
- La protección inferior de la cuchilla solo se debería abrir cuando la cuchilla descienda sobre la pieza de trabajo y siempre se debe poder mover libremente y cerrar de forma automática.
- Fije siempre la pieza y utilice barras de extensión para sujetarla durante la operación.
- Nunca altere ni modifique el producto o su función. Su seguridad puede verse amenazada.
- No utilice hojas de sierra que estén agrietadas, dañadas o deformadas.
- No emplear hojas de sierra elaboradas de acero de corte rápido.
- Utilice solamente hojas afiladas. Cambie las hojas sin filo.
- Utilice hojas de tamaño y forma adecuados al diámetro interior del eje. Unas hojas que no se adaptan al eje en el que se deben montar no girarán correctamente y provocarán una pérdida de control.
- Use solo las cuchillas para madera especificadas en este manual, que cumplen con la norma EN 847-1.
- No utilice bridas, arandelas y tuercas para fijar la hoja de sierra que no sean las suministradas o indicadas en el manual de instrucciones.
- Elegir la hoja de sierra adecuada para el material a cortar. Nunca utilice el producto para cortar materiales distintos a los especificados en la sección de uso previsto de este manual.
- Es importante evitar que la cuchilla se sobrecaliente y derrita el plástico al cortar.
- Es esencial respetar la velocidad máxima especificada en la cuchilla de la sierra, así que use solo aquella marcada con una velocidad igual o mayor a la que se especifique en la herramienta.
- Cambie el inserto de la hoja cuando esté desgastado o dañado.

AVISOS DE SEGURIDAD ADICIONALES

- Sujete siempre la pieza de trabajo con seguridad y firmeza.



- Antes de llevar a cabo el trabajo, realice un simulacro de corte sin encender el motor para poder comprobar la posición del disco de sierra, el funcionamiento de las protecciones respecto al resto de componentes de la máquina y la pieza de trabajo.
- Al realizar cortes oblicuos y en inglete o de ingletadora compuesta, ajuste el tope deslizante o el subtope para asegurarse que la distancia desde la cuchilla es la correcta.
- Evite el soltado no controlado de la sierra en la posición totalmente bajada.
- El bloqueo del mango tiene que estar siempre activado al transportar el producto.
- Mantenga el suelo libre de materiales sueltos, como virutas y recortes.
- No retire ningún recorte ni ninguna otra parte de la pieza de trabajo del área de corte mientras el producto esté en funcionamiento y el cabezal de la sierra no esté en la posición de descanso.
- Las piezas de trabajo largas deben estar correctamente apoyadas. El área de trabajo de la sierra incluye toda la extensión de la pieza de trabajo. El operador debe evitar el contacto accidental de esta zona con otras personas u objetos que puedan mover la pieza de trabajo durante la operación.
- El polvo producido durante el uso del producto puede suponer un peligro para la salud. Utilice un sistema de aspiración de polvo y una máscara de protección contra el polvo adecuada. Retire el polvo depositado en toda la máquina con un aspirador.
- Puede que sea necesario ajustar el tope deslizante para garantizar una distancia correcta antes de realizar cortes en inglete o compuestos. Asegúrese de que el tornillo de bloqueo del tope deslizante esté bien fijado después del ajuste.
- La abrazadera se puede instalar y utilizar en cualquiera de los dos lados de la cuchilla. En algunas operaciones, la abrazadera puede interferir con el conjunto de la protección de la cuchilla. Asegúrese siempre de que no haya ninguna interferencia con la protección de la cuchilla antes de iniciar cualquier operación de corte para reducir el riesgo de que se produzca alguna lesión personal grave.
- El rango de temperatura ambiente para la herramienta en funcionamiento está comprendido entre 0 °C y 40 °C.
- El rango de temperatura ambiente para el almacenamiento de la herramienta está comprendido entre 0 °C y 40 °C.
- El rango de temperatura ambiente recomendado para el sistema de carga durante la carga es de entre 10 °C y 38 °C.

ADVERTENCIAS DE SEGURIDAD DE LA BATERÍA ADICIONAL

- Para reducir el riesgo de incendio, lesión personales y daños al producto debido a un cortocircuito, no sumerja nunca la herramienta, el paquete de baterías o el cargador en líquido ni permita que fluya un fluido dentro de ellos. Los fluidos corrosivos o conductivos, como el agua de mar, ciertos productos químicos industriales y blanqueadores o lejías que contienen, etc., Pueden causar un cortocircuito.

- El rango de temperatura ambiente para la batería durante el uso está comprendido entre 0 °C y 40 °C.
- El rango de temperatura ambiente para el almacenamiento de batería es de entre 0 y 20 °C.

TRANSPORTE DE BATERÍAS DE LITIO

Transporte la batería de conformidad con las disposiciones y las normativas locales y nacionales.

Cuando las baterías sean transportadas por un tercero, cumpla los requisitos especiales relativos al embalaje y etiquetado. Asegúrese de que ninguna batería entra en contacto con otra batería o con materiales conductores durante el transporte, proteja los conectores expuestos con tapones o tapas aislantes no conductoras. No transporte baterías con fisuras o fugas. Para más asesoramiento, póngase en contacto con la empresa de distribución.

RIESGOS RESIDUALES

Incluso cuando se utiliza el producto según las instrucciones, sigue siendo imposible eliminar por completo ciertos factores de riesgo residuales. Pueden surgir los siguientes riesgos durante el uso y el operador debe prestar especial atención para evitar lo siguiente:

- Riesgo de contacto con las piezas descubiertas de la lámina circular giratoria.
- Movimiento de retroceso de las piezas de trabajo debido a un ajuste o manipulación inadecuados
- Puntas de carburo defectuosas salen disparadas de la hoja de la sierra.
- Daños al sistema respiratorio.
NOTA: Use mascarillas protectoras con filtros adecuados para los materiales con los que va a trabajar. Asegure una ventilación adecuada del lugar de trabajo. No comer, beber o fumar en el área de trabajo.
- Daños auditivos si no se utiliza una protección auditiva eficaz.

⚠ ¡ADVERTENCIA! El polvo de ciertas pinturas, revestimientos y materiales puede causar irritación o reacciones alérgicas en el sistema respiratorio. El polvo de madera como el roble, la haya, el MDF y otros es cancerígeno. El material que contiene amianto sólo debe ser trabajado o procesado por operadores especialistas cualificados.

⚠ ¡ADVERTENCIA! El uso prolongado de la herramienta puede provocar o agravar lesiones. Al utilizar cualquier herramienta durante períodos prolongados asegúrese de tomar descansos regulares.

CONOZCA EL PRODUCTO

Consulte la página 198.

1. Asa, superficie de agarre aislada
2. Interruptor de encendido
3. Palanca de desbloqueo del interruptor
4. Interruptor LED
5. Protector de hoja inferior
6. Tope-guía principal
7. Asa lateral de transporte
8. Tope-guía corredero
9. Mesa giratoria
10. Placa de corte
11. Perilla de bloqueo de la ingletadora
12. Palanca de liberación del retenedor de la ingletadora
13. Pie de soporte



14. Batería
15. Asa superior de transporte
16. Perilla de tope de la varilla lineal
17. Abrazadera
18. Puntero de ángulo de inglete
19. Orificio de montaje
20. Tornillos para la barrera principal de bloqueo
21. Tornillo de ajuste de profundidad de corte
22. Puntero de ángulo de bisel
23. Tornillos para el ajuste del tope de límite de ángulo de bisel a 45°
24. Botón de bloqueo de ángulo del bisel
25. Pasador de seguridad del cabezal de la sierra
26. Bolsa para el polvo
27. Llave hexagonal
28. Tornillos para el ajuste del tope de límite de ángulo de bisel a 0°
29. Tornillo para el bloqueo del tope deslizante
30. Palanca de desbloqueo del interruptor
31. Reborde exterior
32. Cuchilla de la sierra

FUNCIONAMIENTO

El producto cuenta con una hoja de sierra en movimiento que el operador puede ajustar a varios ángulos al cortar una pieza de trabajo que se fija firmemente a la base del producto. Debe ser utilizada por una sola persona para evitar el contacto accidental con la hoja de la sierra en movimiento.

Los principios para un uso seguro del producto son los siguientes:

- Mantenga la sierra, las hojas y el área de trabajo en buenas condiciones.
- Fije la base de la ingletadora a un banco de trabajo sólido. El producto puede moverse y volcar si no está correctamente sujeto.
- Ajuste y bloquee los ángulos de corte y la profundidad antes de hacer el corte.
- Asegure la pieza de trabajo a la base de la ingletadora. Utilice la abrazadera proporcionada y, en caso necesario, utilice abrazaderas adicionales o mecanismos de sujeción para evitar el movimiento involuntario de la pieza de trabajo durante el corte.
 - Compruebe que el funcionamiento de las protecciones de la hoja no está limitado por la posición de la pieza de trabajo.
 - Asegúrese de que el tope-guía y otras partes del producto no se cortarían mientras la hoja baja hasta la posición de corte.
- Arranque el motor y deje que la hoja alcance la velocidad máxima antes de bajarla lentamente para cortar la pieza de trabajo.
- Deje que el conjunto de la hoja llegue a su posición superior, donde las protecciones de la cuchilla están completamente cerradas. Apague el motor y deje que la hoja se detenga por completo antes de retirar la pieza de trabajo o los recortes, o antes de llegar a la zona de la hoja.

Antes del primer uso, asegúrese de que el ángulo del bisel o inglete colocado en el producto coincida con el ángulo que desea producir en la pieza de trabajo. Compruébelo sobre un trozo de madera desechado utilizando un juego de carpintero o una escuadra.

Retirada del disco de sierra:

1. Utilice guantes cuando manipule los discos de sierra.
2. Desactive la alimentación y retire el pack de baterías.
3. Afloje, sin retirar, el tornillo del protector del perno del disco de sierra. Suba el protector del perno del disco de sierra.
4. Gire hacia atrás la protección de cierre automático y sujétela.
5. Presione el botón de bloqueo del husillo y desenrosque el perno del disco de sierra al mismo tiempo con la llave suministrada. Retire la brida exterior.
6. Retire la cuchillas de la sierra.

Montaje del disco de sierra:

Si fuera necesario, limpie todas las piezas que vaya a montar antes del ensamblaje.

Después de seguir el procedimiento para «Retirada del disco de sierra».

1. Utilice guantes cuando manipule los discos de sierra.
2. Asegúrese de que la alimentación está desactivada y que se ha extraído el pack de baterías.
3. Gire hacia atrás la protección de cierre automático y sujétela.
4. Coloque el nuevo disco de sierra. Asegúrese de que el sentido de rotación del disco sea el mismo que el señalado por la flecha de la protección del disco.
5. Coloque la brida y el perno del disco de sierra.
6. Presione el botón de bloqueo del husillo hasta que quede encajado y apriete el perno del disco.
7. Baje la protección de cierre automático.
8. Baje el protector del perno del disco de sierra y apriete el tornillo.

⚠ ¡ADVERTENCIA! Asegúrese de que el protector del perno del disco de sierra esté bajado hasta la posición inicial y el tornillo esté apretado.

Ajuste del ángulo de la ingletadora:

El ángulo de la ingletadora se puede ajustar dentro de un intervalo que va de 45 grados (lado izquierdo) hasta 45 grados (lado derecho).

1. Afloje la perilla de bloqueo de la ingletadora.
2. Presione la palanca de liberación del retenedor de la ingletadora. Gire la base de la sierra hasta alcanzar el ángulo de inglete deseado utilizando la perilla de bloqueo de la ingletadora.
3. Vuelva a apretar la perilla de bloqueo de la ingletadora.

Ajuste del ángulo de corte oblicuo:

El ángulo de corte oblicuo se puede ajustar dentro de un intervalo que va de 0 a 45 grados.

1. Afloje la perilla de bloqueo para corte oblicuo.
2. Incline el brazo de la herramienta hasta alcanzar el ángulo deseado de corte oblicuo utilizando el tirador.
3. Mantenga el brazo de la herramienta en esta posición y vuelva a apretar la perilla de bloqueo de corte oblicuo.

⚠ ¡ADVERTENCIA! El fabricante recomienda encarecidamente montar siempre de modo seguro el producto sobre un banco de trabajo.

Si la base del producto está firmemente asegurada a un banco de trabajo por cuatro tuercas, tornillos y arandelas, como se indica, el producto se podrá utilizar con la configuración máxima de bisel e inglete sin posibilidad de que vuelque. Si el producto no está bien sujeto, puede balancearse cuando se seleccionan grandes ángulos de bisel.

MANTENIMIENTO

- No modifique el producto de ningún modo ni utilice accesorios no aprobados por el fabricante. Su seguridad y la de los demás pueden verse amenazadas.
- No utilice el producto si alguno de los interruptores, protecciones u otras funciones no funcionan según lo previsto. Vaya a un centro de servicio autorizado para ajustes o reparaciones profesionales.
- No haga ningún ajuste mientras la hoja de la sierra está en movimiento.
- Asegúrese siempre de que la batería se ha quitado del producto antes de realizar los ajustes, lubricar o cuando se realice algún tipo de mantenimiento en el producto.
- Antes y después de cada uso, compruebe que no hay daños ni piezas rotas en el producto. Mantenga el producto en las mejores condiciones de trabajo sustituyendo de inmediato las piezas por repuestos aprobados por el fabricante.
- La cuchilla tiene bordes afilados y también puede estar caliente después de realizar operaciones de corte. Extreme las precauciones cuando limpie una cuchilla expuesta. Utilice guantes para protegerse y evitar lesiones.
- Limpie el polvo de la sierra y sus accesorios regularmente, especialmente las piezas móviles como la protección de la cuchilla. Utilice un cepillo de mano o una aspiradora para quitar el polvo con eficacia. No utilice aire comprimido.
- Para una mayor seguridad y fiabilidad, todas las reparaciones, incluida la sustitución de escobillas, deben ser realizadas por un centro de servicio autorizado.

⚠ ¡ADVERTENCIA! No intente desmontar la protección de la cuchilla para limpiar o reparar. No se deberían utilizar las protecciones dañadas. Vuelva a un centro de servicio autorizado para reparación o sustitución.

Calibración del ángulo para ingletes y biseles

Si fuese necesario realizar la calibración del ángulo para ingletes y biseles, consulte las páginas 213-217 y siga las instrucciones de calibración.

TRANSPORTE Y ALMACENAMIENTO

- Al guardar el producto, quite la batería. Guarde el producto en un lugar seguro que no sea accesible a los niños.
- Limpie el producto con un cepillo y un aspirador antes de su almacenamiento.
- Si retira la hoja de sierra o guarda repuestos con la unidad, asegúrese de que estén en el embalaje original para evitar lesiones.

Para asegurar el producto antes de realizar movimientos:

- El producto debe guardarse con el ángulo de bisel e inglete a cero grados y bloqueado en esa posición. El mango debe bloquearse en la posición más baja (segura) con las protecciones cerradas.

Para desplazar el producto o transportar en un vehículo:

- Asegure el producto antes de realizar movimientos tal como se describe en el manual.

- Retire el producto del banco de trabajo soltando las 4 tuercas, una en cada esquina. Asegure los tornillos para utilizarlos en el futuro. Transporte el producto por el asa superior o las asas laterales usando las dos manos.
- Para transportarlo en un vehículo, coloque el producto sobre su base e inmovilícelo.

SÍMBOLOS EN EL PRODUCTO



Alerta de seguridad



Marca de conformidad europea



Marca de conformidad británica



Marca de conformidad de Ucrania



Certificado EAC de conformidad



Por favor lea las instrucciones detenidamente antes de arrancar la máquina.



Utilice dispositivos de protección para los oídos



Utilice siempre gafas de protección.



Mantenga las manos alejadas del área de corte y de la hoja de sierra afilada.



No exponer a la lluvia ni utilizar en lugares húmedos.



Utilice guantes de seguridad



Dirección de rotación de la cuchilla (se muestra en la cuchilla de la sierra)



Sentido de rotación de la hoja (se muestra en la protección de la hoja)



Anchura de corte de la cuchilla



Número de dientes en la cuchilla de la sierra



Capacidad de corte



Para cortar madera y material similar



No sirve para cortar metales



Advertencia



Ajuste la posición del tope deslizante antes de llevar a cabo cortes en inglete o compuestos.



Sentido de giro para aflojar el perno del disco de sierra



No deseche los residuos de baterías, aparatos eléctricos y electrónicos como residuos municipales no clasificados. Los residuos de baterías, aparatos eléctricos y electrónicos se deben recoger de forma independiente. Los residuos de baterías, acumuladores y fuentes de luz se deben retirar de los aparatos. Consulte a sus autoridades locales o a su vendedor para obtener información sobre reciclaje y puntos de recogida. De acuerdo con lo establecido en las normativas locales, los establecimientos minoristas pueden tener la obligación de recuperar los residuos de baterías, aparatos eléctricos y electrónicos de forma gratuita. Su contribución a la hora de reutilizar y reciclar los residuos de baterías y los residuos de aparatos eléctricos y electrónicos ayuda a reducir la demanda de materias primas. Los residuos de baterías, en especial las que contienen litio, y los residuos de aparatos eléctricos y electrónicos contienen materiales valiosos que se pueden reciclar, y que podrían afectar de forma negativa al medio ambiente y a la salud humana si no se desechan de un modo medioambientalmente responsable. Si lo hubiera, elimine cualquier dato personal de los residuos de los aparatos.

SÍMBOLOS EN ESTE MANUAL



Bloquear



Desbloquear



Tiempo de espera para que la cuchilla alcance la velocidad máxima o se detenga completamente.



Las piezas o accesorios se venden por separado



Nota

E' stata data massima priorità a sicurezza, prestazioni e affidabilità nel design di questa sega per tagli obliqui.

UTILIZZO

La troncatrice è utilizzabile per segare legno massiccio e agglomerato, materiali simili al legno, con o senza impiallacciatura e plastica.

La troncatrice deve essere utilizzata solo da operatori adulti, che abbiano letto il manuale di istruzioni e abbiano compreso rischi e pericoli.

La troncatrice è pensata per essere fissata a un piano di lavoro robusto. Se la base non è fissata in modo sicuro, l'intero dispositivo si potrà spostare durante le operazioni di taglio, il che aumenterà la possibilità di gravi lesioni alla persona.

La troncatrice è pensata per l'esecuzione di tagli a 90° e a smusso. Le caratteristiche dei tipi di taglio eseguibili sono incluse nelle specifiche tecniche del prodotto presenti in questo manuale.

La troncatrice deve essere usata in un ambiente asciutto, con eccellente illuminazione e adeguata ventilazione.

La troncatrice è per l'uso da parte de consumatore e deve essere utilizzata esclusivamente come descritto in alto e non è pensata per altri scopi.

NORME DI SICUREZZA GENERALI

⚠ AVVERTENZE! Leggere attentamente tutte le avvertenze, le istruzioni e le specifiche fornite con l'apparecchio e fare riferimento alle illustrazioni. La mancata osservanza delle istruzioni riportate di seguito potrebbe provocare incidenti quali incendi, scosse elettriche e/o gravi lesioni fisiche.

Conservare tutte le istruzioni e le avvertenze per eventuali riferimenti futuri. Il termine "elettroutensile" nelle avvertenza si riferisce all'utensile elettrico alimentato con un cavo o all'utensile elettrico alimentato con una batteria (senza fili).

SICUREZZA AREA LAVORO

- **Tenere l'area di lavoro pulita e ben illuminata.** Aree non ordinate o non illuminate possono causare incidenti.
- **Non mettere in funzione gli elettroutensili in atmosfere esplosive, come in presenza di liquidi infiammabili, gas o polvere.** Gli elettroutensili creano scintille che potranno causare incendi se a contatto con polveri o vapori.
- **Tenere bambini ed eventuali osservatori lontani quando si mette in funzione un elettroutensile.** Eventuali distrazioni potranno causare una perdita di controllo.

SICUREZZA ELETTRICA

- **La spina dell'elettroutensile deve combaciare con la presa. Non modificare mai la spina. Non utilizzare eventuali adattatori con elettroutensili con messa a terra (collegati a terra).** Spine non modificate e prese adeguate ridurranno il rischio di scosse elettriche.
- **Evitare il contatto con il corpo con dispositivi con messa a terra come tubi, radiatori, fornelli elettrici e refrigeratori.** Esiste un maggior rischio di scosse elettriche se il corpo dell'operatore entra in contatto con un dispositivo con messa a terra.

- **Non esporre gli elettroutensili a pioggia o umidità.** Nel caso in cui dell'acqua entrerà nell'elettroutensile, si aumenterà il rischio di scosse elettriche.
- **Non sottoporre il cavo a stress. Non tirare l'elettroutensile dal cavo per trasportarlo, né scollegarlo tirando il cavo dell'alimentazione. Tenere il cavo dell'alimentazione lontano da fonti di calore, olio e estremità appuntite o parti in movimento.** Cavi danneggiati o intrecciati potranno aumentare il rischio di scosse elettriche.
- **Quando si mette in funzione un utensile in esterni, utilizzare una prolunga adatta per tali scopi.** Utilizzare un cavo adeguato per esterni ridurrà il rischio di scosse elettriche.
- **Se non è possibile evitare di utilizzare elettroutensili in zone umide, utilizzare una fornitura elettrica con un dispositivo di corrente residua (RCD).** Utilizzare un RCD ridurrà il rischio di scosse elettriche.

SICUREZZA PERSONALE

- **Restare vigili e prestare attenzione a ciò che si sta facendo avvalendosi di buon senso quando si aziona un elettroutensile. Non usare l'elettroutensile in caso di stanchezza o sotto l'effetto di droghe, alcool o farmaci.** Un momento di disattenzione mentre si utilizzano elettroutensili potrà causare gravi lesioni personali.
- **Utilizzare attrezzature di protezione individuale. Indossare sempre occhiali di protezione.** L'utilizzo di attrezzature di protezione individuali, come maschere antipolveri, scarpe di sicurezza antisdruciolio, elmetto, e dispositivi auricolari riducono il rischio di lesioni personali.
- **Evitare l'avvio accidentale. Prima di prendere o trasportare il prodotto, o di collegarlo alla presa di corrente e/o al pacco batterie, assicurarsi che il suo interruttore sia spento.** Trasportare dispositivi elettrici con il dito sull'interruttore di attivazione, oppure collegarli all'elettricità con l'interruttore di attivazione inserito, può causare infortuni.
- **Rimuovere eventuali chiavi o dispositivi prima di accendere l'elettroutensile.** Un utensile o un cavo lasciati collegati a una parte rotante dell'elettroutensile potranno causare gravi lesioni personali.
- **Non protendersi. Mantenere sempre l'equilibrio e un punto di appoggio sicuro.** Ciò permetterà un controllo migliore dell'elettroutensile in situazioni inaspettate.
- **Vestirsi adeguatamente. Non indossare abiti con parti svolazzanti o gioielli. Tenere capelli e abiti a distanza dalle parti mobili.** Abiti con parti svolazzanti, gioielli o capelli lunghi potranno rimanere impigliati nelle parti in movimento.
- **Ove siano previsti dispositivi di collegamento a impianti di estrazione e di raccolta delle polveri, assicurarne il collegamento e l'utilizzo corretti.** La raccolta delle polveri può ridurre i rischi connessi.
- **La familiarità d'uso proveniente dall'impiego frequente degli utensili non deve indurre a operare con eccessiva disinvoltura o a ignorare le norme di sicurezza.** Azioni sconsiderate, anche per una frazione di un secondo, potranno causare gravi lesioni personali.



UTILIZZO E CURA DI UN UTENSILE

- **Non forzare l'elettro utensile. Utilizzare l'elettro utensile corretto per l'applicazione.** L'elettro utensile corretto eseguirà il lavoro meglio e in condizioni di maggiore sicurezza alla frequenza per la quale è stato progettato.
- **Non utilizzare l'elettro utensile se l'interruttore non lo accende o spegne.** Un elettro utensile non controllabile dall'interruttore è pericoloso e deve essere riparato.
- **Prima di regolare, sostituirne gli accessori o riporre gli utensili elettrici, scollegare la spina dalla presa elettrica e/o rimuovere il gruppo batteria, se rimovibile.** Tale misura di sicurezza preventiva riduce il rischio di avviare accidentalmente l'elettro utensile.
- **Riporre elettro utensili non in funzione lontano dalla portata dei bambini e non lasciare che persone che non conoscono il funzionamento dell'elettro utensile mettano in funzione il dispositivo.** Gli elettro utensili possono essere pericolosi nelle mani di operatori non qualificati.
- **Manutenere gli utensili elettrici e i loro accessori. Verificare il disallineamento e la tenuta delle parti mobili, la presenza di eventuali parti rotte e qualsiasi altra condizione che possa compromettere il corretto funzionamento. Se danneggiato farlo riparare prima di utilizzarlo di nuovo.** Molti incidenti sono causati da elettro utensili non adeguatamente conservati.
- **Mantenere gli utensili da taglio affilati e puliti.** Se mantenuti in modo appropriato con lame affilate, gli strumenti da taglio vanno incontro meno frequentemente a inceppamento e sono più facili da controllare.
- **Utilizzare l'elettro utensile, gli accessori, le punte, ecc. secondo le indicazioni contenute in queste istruzioni, tenendo conto delle condizioni di lavoro e del compito da eseguire.** Utilizzare l'elettro utensile per operazioni diverse da quelle indicate potrà causare situazioni pericolose.
- **Mantenere le maniglie e le superfici di presa asciutte, pulite e prive di olio o grasso.** Maniglie e superfici di presa scivolose non consentono di maneggiare e controllare in sicurezza lo strumento in caso di situazioni impreviste.

USO E MANUTENZIONE DELLA BATTERIA

- **Ricaricare le batterie solo con il caricabatterie specificato dal produttore.** Un caricatore che potrà essere adatto per un tipo di batteria potrà rappresentare un rischio di incendio quando viene utilizzato con un'altra batteria.
- **Utilizzare gli utensili elettrici solo con i gruppi batteria specificatamente indicati.** L'uso di qualsiasi altro tipo di pacco batterie può creare il rischio di lesioni o di incendio.
- **Quando il gruppo batterie non viene utilizzato, tenerlo lontano da altri oggetti metallici come fermagli, monete, chiavi, chiodi, viti, o altri piccoli oggetti che potranno creare connessioni da un terminale all'altro.** Cortocircuitare i terminali delle batterie può produrre ustioni e incendi.
- **In condizioni scorrette, la batteria può espellere liquidi; evitare il contatto. In caso di contatto accidentale, sciacquare con acqua. Se il liquido viene a contatto con gli occhi, rivolgersi a un**

medico. Il liquido espulso dalla batteria può causare irritazione o ustioni.

- **Non utilizzare gruppi batteria o utensili danneggiati o modificati.** Le batterie danneggiate o alterate possono funzionare in modo imprevedibile e causare incendi, esplosioni o rischio di lesioni.
- **Non esporre il gruppo batteria o l'utensile a fiamme libere o a temperature eccessive.** L'esposizione a fiamme libere o a temperature superiori a 130°C può causare esplosioni.
- **Attenersi alle istruzioni di ricarica e non ricaricare il gruppo batteria o l'utensile in condizioni di temperatura eccedenti l'intervallo di valori specificato nelle istruzioni.** Una ricarica condotta in modo improprio o in condizioni di temperatura eccedenti l'intervallo di valori specificato, può danneggiare la batteria e aumentare il rischio d'incendio.

MANUTENZIONE

- **Fare svolgere sempre le dovute riparazioni da una persona qualificata che utilizzi solo parti di ricambio identiche.** In questo modo verrà garantita la sicurezza dell'utensile.
- **Non riparare mai le batterie danneggiate.** La riparazione del gruppo batteria può essere effettuata solo dal produttore o presso servizi di assistenza tecnica autorizzati.

ISTRUZIONI DI SICUREZZA DELLA TRONCATRICE

- **Le troncatrici sono progettate per tagliare legno o materiali analoghi al legno, pertanto non possono essere utilizzate con dischi per taglio e smeriglio su materiali ferrosi, come barre, aste, borchie, ecc. La presenza di polveri abrasive provoca l'inceppamento di parti mobili, come il dispositivo di protezione inferiore.** Le scintille prodotte durante di taglio abrasivo possono bruciare il dispositivo di protezione inferiore, l'inserto della larghezza di taglio, e altre parti in plastica.
- **Utilizzare i morsetti per sostenere il pezzo sul quale si sta lavorando ogni qualvolta sia possibile. Se il pezzo in lavorazione viene mantenuto con le dita, è necessario osservare sempre una distanza di almeno 100 mm tra mano e lama, su entrambi i versanti. Non utilizzare questa sega per tagliare pezzi troppo piccoli per essere clampati saldamente o tenuti con la mano.** Accostare troppo la mano alla lama aumenta il rischio di lesioni personali.
- **Il pezzo in lavorazione deve essere fermo e bloccato, oppure deve essere mantenuto adeso alla guida di appoggio e al tavolo portapezzi. Non spingere il pezzo in lavorazione verso la lama né effettuare alcun tipo di taglio a "mano libera".** Pezzi in lavorazione non fissati o mobili possono essere scagliati via ad alta velocità, causando lesioni.
- **Spingere la sega attraverso lo spessore del pezzo in lavorazione. Non tirare la sega attraverso il pezzo in lavorazione. Per eseguire un taglio, sollevare la testa della sega e spostarla sopra il pezzo senza tagliare, quindi avviare il motore, premere la testa della sega in basso e spingere la lama nel pezzo in lavorazione.** Tagliare mentre si tira può determinare la risalita della lama della sega sulla parte superiore





del pezzo in lavorazione, proiettando violentemente il gruppo di taglio verso l'operatore.

- **Non incrociare mai con la mano la traiettoria della linea di taglio prevista, sia anteriormente che posteriormente alla lama.** È molto pericoloso sorreggere il pezzo in lavorazione a "mani incrociate", vale a dire trattenendo il pezzo a destra della lama con la mano sinistra, o viceversa.
- **Quando la lama è in funzione, non avvicinare le mani a meno di 100 mm dalla lama, su entrambi i lati, per rimuovere scarti di legno, o per altri motivi, dietro la guida di appoggio.** La prossimità della mano alla lama in rotazione può non essere immediatamente evidente e si corre il rischio di ferirsi gravemente.
- **Prima di procedere al taglio ispezionare il pezzo in lavorazione. Se il pezzo è curvo o deformato, fissarlo con il lato esterno curvo verso la guida di appoggio.** Assicurarsi sempre che non resti spazio tra il pezzo in lavorazione, la guida di appoggio e il tavolo portapezzi lungo la linea del taglio. Pezzi in lavorazione curvi o deformati possono ruotare o spostarsi, causando il blocco della lama della sega nel materiale sottoposto a taglio. Il pezzo in lavorazione non deve contenere chiodi o altri elementi estranei.
- **Utilizzare la sega solo dopo aver sgombrato il tavolo portapezzi di ogni utensile, scarto di legno, ecc., con la sola eccezione del pezzo in lavorazione.** A contatto con la lama rotante, eventuali detriti, pezzetti di legno o altri oggetti presenti possono essere proiettati tutt'intorno ad alta velocità.
- **Tagliare solo un pezzo alla volta.** Pezzi multipli, impilati gli uni sugli altri, non possono essere adeguatamente fissati o bloccati, e possono perciò restare incastrati nella lama o spostarsi durante il taglio.
- **Prima dell'uso, assicurarsi che la troncatrice sia montata o collocata su una superficie di lavoro stabile e in piano.** Una superficie di lavoro stabile e in piano riduce il rischio di instabilità della sega.
- **Pianificare il lavoro. Ogni volta che si cambia l'impostazione dell'angolo di taglio o di smusso, assicurarsi che la guida di appoggio regolabile sia impostata correttamente per supportare il pezzo senza interferire con la lama o con il sistema di protezione.** Per assicurarsi che la guida di appoggio non interferisca e non venga tagliata, senza "accendere" l'utensile e con il tavolo portapezzi vuoto, muovere la lama simulandone l'intera traiettoria di taglio.
- **In caso di pezzi in lavorazione più larghi o più lunghi del piano del tavolo portapezzi, procurare una superficie di appoggio adeguata, servendosi di prolunghe per il tavolo, di cavalletti, ecc.** Se non adeguatamente supportati, i pezzi in lavorazione più lunghi o più larghi del tavolo portapezzi della troncatrice possono rovesciarsi. Rovesciandosi, il pezzo in lavorazione o quello tagliato può sollevare la protezione inferiore o essere proiettato via dalla lama rotante.
- **Per supportare il pezzo in lavorazione servirsi di una prolunga per il tavolo o di altri tipo di sostegno, mai di persone.** Se il pezzo in lavorazione non viene stabilmente fissato, la lama può bloccarsi sul materiale da tagliare o spostare il pezzo risucchiando l'operatore e l'aiutante verso la lama rotante.
- **Il pezzo tagliato non deve essere incastrato né pressato con alcun mezzo contro la lama rotante della sega.** Se vincolato, per esempio tramite arresti di lunghezza, il pezzo tagliato potrebbe incastrarsi contro la lama ed essere eiettato violentemente.
- **Utilizzare sempre un morsetto o un apposito dispositivo per fissare correttamente materiali a sezione circolare, come le barre o strutture tubolari.** Durante il taglio le barre tendono a ruotare, determinando il "morso" e il tiraggio del pezzo, e della mano, nella lama rotante.
- **Lasciare che la lama raggiunga la piena velocità di rotazione prima di approssicare il pezzo in lavorazione.** Ciò ridurrà il rischio di espulsione violenta del pezzo in lavorazione.
- **Se il pezzo da lavorare o la lama si incastra, spegnere la troncatrice. Attendere che tutte le parti in movimento si arrestino, quindi disconnettere la spina dalla presa elettrica e/o rimuovere la batteria. Procedere a liberare il materiale inceppato.** Continuare il taglio con un pezzo in lavorazione inceppato può causare la perdita di controllo o il danneggiamento della troncatrice.
- **Una volta terminato il taglio rilasciare l'interruttore di attivazione e, prima di rimuovere il pezzo tagliato, mantenendo abbassata la testa sega, attendere l'arresto della lama rotante.** Avvicinare la mano alla lama in fase di arresto è pericoloso.
- **In caso di taglio incompleto o quando si rilascia l'interruttore prima che la testa della sega sia completamente abbassata, mantenere saldamente la maniglia.** L'azione di arresto della rotazione della sega può causare l'improvviso rinculo verso il basso della testa della sega, con rischio di lesioni personali.

ISTRUZIONI DI SICUREZZA DELLA LAMA PER IL TAGLIO DEL LEGNO

- Leggere attentamente il manuale e le istruzioni prima di utilizzare la lama per sega e la macchina.
- Il prodotto deve essere in buone condizioni, il mandrino senza deformazioni e vibrazioni.
- Non utilizzare il prodotto senza le protezioni in posizione. Mantenere gli schermi in ottime condizioni per garantire un corretto funzionamento.
- Assicurarsi che l'operatore sia adeguatamente addestrato riguardo alle precauzioni di sicurezza da adottare, alle regolazioni e al funzionamento del prodotto.
- Quando si utilizza il prodotto, indossare sempre dispositivi di protezione oculare e auricolare. Inoltre si consiglia di indossare guanti, calzature resistenti antiscivolo e un grembiule.
- Prima di utilizzare un qualsiasi accessorio, consultare il manuale d'istruzioni. L'uso improprio di un accessorio può causare danni e aumentare il rischio di lesioni.
- Utilizzare solo lame specificate con questo manuale, rispettando lo standard EN 847-1.
- Rispettare la velocità massima indicata sulla motosega. Assicurarsi che la velocità indicata sulla lama della motosega sia uguale a quella indicata dalla motosega.
- Utilizzare sempre lame di dimensioni e forma idonee all'alesaggio dell'albero. Una lama non idonea all'albero





sul quale deve essere montata non è in grado di girare correttamente e potrebbe causare una perdita del controllo dell'apparecchio.

- Non utilizzare lame di un diametro più grande o più piccolo di quello raccomandato. Non utilizzare distanziatori per inserire la lama nell'albero.
- Prima di ogni uso, ispezionare attentamente le punte della lama per verificare che non siano danneggiate o presentino altre anomalie. Lame danneggiate o allentate possono volare via durante l'uso e aumentare il rischio di lesioni personali.
- Non devono essere utilizzate né lame incrinata né lame la cui forma abbia subito alterazioni. Non usare lame danneggiate o deformate.
- Sostituire la lama se danneggiata, deformata, distorta o rotta. Non è consentito eseguire alcuna riparazione.
- Non utilizzare lame HSS.
- Assicurarsi che la lama della sega sia stata montata correttamente e prima dell'uso serrare bene il dado conico (coppia di serraggio, circa 8-10 Nm).
- La vite di fissaggio e i dadi devono essere serrati con l'apposita chiave, ecc.
- Prolunghe per attrezzi o serraggio con colpi di martello non sono permessi.
- Assicurarsi che tutte le flange e le lame siano pulite e che le parti interne del colletto siano posizionate accanto alla lama.
- Assicurarsi che la lama ruoti nella direzione corretta.
- Prima di avviare le operazioni di lavoro, fare un taglio di prova senza accendere il motore in modo da poter controllare la posizione delle lame, il funzionamento dei paralame rispetto alle altre parti delle macchine e i pezzi sui quali si dovrà lavorare.
- Non lasciare mai incustodito il prodotto.
- Non applicare lubrificanti sulla lama quando non è in funzione.
- Non svolgere mai operazioni di pulizia o manutenzione se la macchina è in funzione e la testa di taglio non è in posizione di riposo.
- Non tentare mai di bloccare una macchina in funzione rapidamente incastrando un utensile o altre parti contro la lama, in caso contrario si potranno verificare accidentalmente gravi incidenti.
- Prima di cambiare le lame o di eseguire la manutenzione, scollegare il prodotto dalla rete elettrica o rimuovere il gruppo batteria.
- Prestare attenzione alla confezione e all'apertura, è facile essere colpiti da punte di lame appuntite.
- Durante la manipolazione di una lama, usare un portalama o indossare dei guanti.
- Conservare la lama nella confezione originale o altra confezione adeguata, mantenerla asciutta e lontano da agenti chimici che potrebbero danneggiare la lama.

ULTERIORI AVVERTENZE DI SICUREZZA

- Inserire sempre il morsetto sul pezzo sul quale si sta lavorando in maniera sicura e salda.
- Assicurarsi che il prodotto sia sempre stabile e sicuro (ad es. fissato su un piano).

- Indossare sempre le protezioni per le orecchie! L'esposizione prolungata al rumore senza protezione può causare danni all'udito.
- Quando si utilizza il prodotto indossare sempre gli occhiali protettivi. Si raccomanda di indossare guanti per manipolare lame e materiali grezzi oltre a resistenti scarpe antiscivolo per proteggere i piedi dai pezzi di lavoro che potranno cadere dall'area di taglio.
- Prima di effettuare qualsiasi operazione di manutenzione o di pulizia scollegare il prodotto dalla rete elettrica o rimuovere il gruppo batteria.
- Installare il gruppo batteria solo quando il prodotto è spento.
- Non esporsi sull'area accanto alla lama a meno che la lama non si sia completamente arrestata.
- Prima dell'uso, controllare accuratamente che il prodotto e il gruppo batteria non siano danneggiati e non presentino segni di affaticamento dei materiali. Qualsiasi intervento di riparazione sul prodotto deve essere eseguito esclusivamente presso un centro di assistenza autorizzato.
- Utilizzare sempre le protezioni presenti sul prodotto. Non utilizzare il prodotto se le protezioni non sono in posizione o non funzionano correttamente.
- Il coprilama inferiore deve aprirsi solo quando la lama è abbassata sul pezzo in lavorazione e deve potersi muovere sempre liberamente e chiudere automaticamente.
- Fissare e utilizzare sempre le barre di prolunga per supportare il pezzo in lavorazione durante il funzionamento della sega.
- Non apportare mai modifiche al prodotto o alle sue modalità di funzionamento. La sicurezza dell'utente potrà essere compromessa.
- Non utilizzare lame rotte, danneggiate o deformate.
- Non utilizzare lame di sega fatte in acciaio rapido.
- Utilizzare solo lame affilate. Sostituire le lame non più affilate.
- Utilizzare sempre lame di dimensioni e forma idonee all'alesaggio dell'albero. Una lama non idonea all'albero sul quale deve essere montata non è in grado di girare correttamente e potrebbe causare una perdita del controllo dell'apparecchio.
- Utilizzare solo le lame per la lavorazione del legno specificate in questo manuale, conformi allo standard EN 847-1.
- Non utilizzare flange, rondelle e dadi per assicurare la motosega diversi da quelli forniti o indicati nel manuale d'istruzioni.
- Scegliere una lama di sega adatta al materiale da tagliare. Non usare mai il prodotto per tagliare materiali diversi da quelli specificati in questo manuale nella sezione relativa all'uso previsto.
- Durante il taglio è importante evitare il surriscaldamento della lama e l'eventuale fusione di parti in plastica.
- È essenziale rispettare la velocità massima specificata sulla lama per sega. Utilizzare esclusivamente lame per sega contrassegnate con l'indicazione di velocità massima pari o superiore a quella indicata sullo strumento.
- Sostituire l'insero tavolo quando consumato o danneggiato.



- Prima di iniziare a lavorare, praticare un taglio di prova senza accendere il motore in modo che la posizione della lama, il funzionamento delle protezioni rispetto agli altri pezzi della macchina e al pezzo di lavoro potranno essere verificati.
- Durante l'esecuzione di tagli a 90°, smussi, o obliqui composti, regolare la guida o la sottoguida di appoggio scorrevole per assicurare una corretta distanza dalla lama.
- Evitare il rilascio incontrollato della sega dalla posizione completamente abbassata.
- Quando il prodotto viene trasportato occorre sempre inserire il dispositivo di blocco della maniglia.
- Mantenere l'area del pavimento libera da materiali, come schegge e ritagli.
- Astenersi dal rimuovere eventuali ritagli o altri pezzi di lavoro dall'area di taglio mentre il prodotto è in esecuzione e la testa della sega non è nella posizione di appoggio.
- Pezzi lunghi devono essere supportati adeguatamente. L'area di lavoro della motosega comprende tutta la zona di lavoro. L'operatore dovrebbe assicurare quest'area dal contatto accidentale con altre persone od oggetti che, trovandosi nell'area di lavoro, potranno spostare il pezzo sul quale si sta lavorando durante le operazioni.
- La polvere prodotta durante l'utilizzo del prodotto può essere dannosa per la salute. Utilizzare un sistema di aspirazione della polvere e indossare una maschera antipolvere adeguata. Rimuovere la polvere depositata accuratamente con un aspiratore.
- Potrebbe essere necessario regolare la guida scorrevole per garantire un adeguato spazio libero prima di effettuare il taglio inclinato o composto. Assicurarsi che la vite di blocco della guida scorrevole sia stretta bene dopo la regolazione.
- Il morsetto può essere installato e utilizzato su entrambi i lati della lama. In alcuni casi, il morsetto può interferire con il gruppo di protezione della lama. Assicurarsi sempre che non ci siano interferenze con la protezione della lama prima di iniziare l'operazione di taglio per ridurre il rischio di lesioni personali gravi.
- L'intervallo della temperatura ambiente per lo strumento durante il funzionamento è compreso tra 0 °C e 40 °C.
- L'intervallo della temperatura ambiente per la conservazione dello strumento è compreso tra 0 °C e 40° C.
- L'intervallo della temperatura ambiente raccomandato per il sistema di carica durante la carica rientra tra 10 °C e 38° C.

AVVERTENZE AGGIUNTIVE PER LA SICUREZZA DELLA BATTERIA

- Per ridurre il rischio d'incendio, di lesioni o di danni al prodotto causati da corto circuito, non immergere mai l'utensile, la batteria ricaricabile o il carica batterie in un liquido e non lasciare mai penetrare alcun liquido all'interno dei dispositivi e delle batterie. I fluidi corrosivi o conduttori come acqua salata, alcuni agenti chimici, agenti candeggianti o prodotti contenenti agenti candeggianti potrebbero provocare un corto circuito.
- L'intervallo della temperatura ambiente per la batteria durante l'utilizzo rientra tra 0 °C e 40° C.

- L'intervallo della temperatura ambiente per la conservazione della batteria rientra tra 0° C e 20° C.

TRASPORTARE BATTERIE AL LITIO

Trasportare la batteria secondo quanto indicato dalle norme e regolamentazioni locali e nazionali.

Seguire tutte le istruzioni speciali riportate sulla scatola e sull'etichetta quando si fanno trasportare batterie da eventuali terzi. Assicurarsi che le batterie non entrino in contatto con altre batterie o materiali conduttivi durante il trasporto proteggendo i connettori esposti con tappi isolanti, non conduttivi o nastro adesivo. Non trasportare batterie rotte o che perdono liquidi. Rivolgersi alla ditta distributrice per ulteriori consigli.

RISCHI RESIDUI

Anche quando il prodotto viene utilizzato come indicato, sarà ancora impossibile eliminare completamente alcuni fattori di rischio residuo. Si potranno verificare i seguenti rischi e l'operatore dovrà prestare particolare attenzione per evitare quanto segue:

- Rischio di contatto con le parti scoperte delle lame rotanti.
- Rinculo dei pezzi di lavorazione a causa di una regolazione o gestione improprie
- Rimbalzo di punte al carburatore fallate dalla motosega.
- Danni al sistema respiratorio.

NOTE: Indossare maschere di protezione contenenti filtri adeguati ai materiali che si stanno manipolando. Assicurarsi una adeguata ventilazione del luogo di lavoro. Non mangiare, bere, né fumare nell'area di lavoro.

- Danni all'udito nel caso in cui non si indossino cuffie.

⚠ AVVERTENZE! La polvere di alcune vernici, rivestimenti e materiali potrà causare irritazioni o reazioni allergiche al sistema respiratorio. La polvere prodotta da legno come quercia, betulla, pannelli di fibra a media densità (MDF) e altri tipi di legname è cancerogena. Materiali contenenti amianto devono essere lavorati o manipolati solo da operatori specializzati qualificati.

⚠ AVVERTENZE! L'utilizzo prolungato dell'utensile potrà causare o aggravare lesioni già esistenti. Quando si utilizza questo utensile per periodi di tempo prolungati, assicurarsi di fare sempre delle pause regolari.

FAMILIARIZZARE CON IL PRODOTTO

Vedere a pagina 198.

1. Impugnatura con superficie isolata antiscivolo
2. Interruttore alimentazione
3. Leva di blocco dell'interruttore
4. Interruttore LED
5. Paralama inferiore
6. Tope-guida principal
7. Maniglia laterale
8. Paralame a scorrimento
9. Piattaforma girevole
10. Piastra intagliata
11. Manopola di blocco circolare
12. Leva di rilascio del dente di arresto circolare
13. Piede di supporto
14. Gruppo batterie
15. Maniglia superiore
16. Manopola di blocco asta lineare
17. Morsetto.

18. Puntatore angolo di taglio
19. Foro di supporto
20. Tornillos para la barrera principal de bloqueo
21. Vite di regolazione della profondità di taglio
22. Puntatore angolo a smusso
23. Viti per regolazione dell'arresto limite angolo a smusso a 45°
24. Manopola di blocco angolo di smussatura
25. Perno di blocco testa di sega
26. Sacchetto per la polvere
27. Chiave esagonale
28. Viti per regolazione dell'arresto limite angolo a smusso a 0°
29. Vite per il blocco della guida scorrevole
30. Pulsante di bloccaggio dell'albero
31. Flangia esterna
32. Lama sega

FUNZIONAMENTO

Il prodotto comprende una lama in movimento che può essere impostata a vari angoli dall'operatore quando si taglia un pezzo di lavoro assicurato alla base del prodotto. L'utensile deve essere messo in funzione da una sola persona per evitare contatto non intenzionale con le lame in movimento.

I principi per operazioni di funzionamento sicure del prodotto sono quelli che seguono:

- Mantenere la motosega, le lame e l'area di lavoro in ottime condizioni.
- Assicurare la motosega per tagli obliqui a un tavolo da lavoro solido. Il prodotto potrà spostarsi e rovesciarsi se non viene adeguatamente assicurato.
- Impostare e bloccare gli angoli di taglio e la profondità prima di passare al taglio vero e proprio.
- Assicurare il pezzo sul quale si sta lavorando alla base della motosega per tagli obliqui. Utilizzare il morsetto fornito e, quando necessario, utilizzare gli ulteriori morsetti o meccanismi di supporto per prevenire movimenti non intenzionali del pezzo sul quale si sta lavorando durante le operazioni di lavoro.
 - Verificare che il funzionamento dei paralame non sia limitato dalla posizione del pezzo sul quale si sta lavorando.
 - Assicurarsi che il paralame e altre parti del prodotto non verranno tagliate quando la lama di abbassa nella posizione di taglio.
- Avviare il motore e lasciare che la lama raggiunga la piena velocità prima di abbassarla lentamente per tagliare il pezzo sul quale si sta lavorando.
- Lasciare che il gruppo lame si alzi nella posizione superiore durante la quale i paralame si chiuderanno completamente. Spegnere il motore e lasciare che la lama si sia completamente arrestata prima di spostare il pezzo sul quale si sta lavorando o gli eventuali scarti, o prima di protendersi nella zona lame.

Prima del primo utilizzo, assicurarsi che l'angolo di smussatura o della sega per tagli obliqui impostato sul prodotto sia lo stesso di quello da riprodurre sul pezzo sul quale si sta lavorando. Verificare quanto indicato sopra su un pezzo di legno in più utilizzando una riga da carpentiere o una squadra obliqua.

Rimozione della lama a sega:

1. Indossare i guanti quando si utilizza la lama della sega.

2. Spegnere l'alimentazione e rimuovere il pacco batteria.
3. Allentare, ma non rimuovere, la vite sul coperchio del bullone della lama. Sollevare il coperchio del bullone della lama.
4. Portare indietro la protezione a chiusura automatica e stringerla.
5. Premere il pulsante di blocco del mandrino e svitare contemporaneamente il bullone della lama con la chiave esagonale fornita. Rimuovere la flangia esterna.
6. Rimuovere la lama.

Montaggio della lama a sega:

Se necessario, pulire tutti i pezzi da montare prima del montaggio.

Quindi seguire la procedura di "Rimozione della lama della sega".

1. Indossare i guanti quando si utilizza la lama della sega.
2. Assicurarsi che l'alimentazione sia spenta e che il pacco batteria sia rimosso.
3. Portare indietro la protezione a chiusura automatica e stringerla.
4. Posizionare la nuova lama della sega. Assicurarsi che la direzione di rotazione sulla lama sia coerente con la direzione della freccia sulla protezione della lama.
5. Posizionare sulla flangia e il bullone della lama.
6. Premere il pulsante di blocco del mandrino fino a quando non si aggancia e stringere il bullone della lama.
7. Abbassare la protezione a chiusura automatica.
8. Abbassare il coperchio del bullone della lama e serrare la vite.

⚠ AVVERTENZE! Accertarsi che il coperchio del bullone della lama sia abbassato nella posizione originale e che la vite sia serrata.

Regolazione dell'angolo della sega:

L'angolo della sega può essere impostato in un'intervallo di 45 gradi (lato sinistro) a 45 gradi (lato destro).

1. Allentare la manopola di blocco circolare.
2. Premere la leva di rilascio del dente di arresto circolare. Ruotare la sega da tavolo all'angolo di rotazione desiderato con la manopola di blocco.
3. Stringere di nuovo la manopola di blocco circolare.

Regolazione angolo di smusso:

L'angolo di smusso può essere impostato in un'intervallo da 0 a 45 gradi.

1. Allentare la manopola di blocco dello smusso.
2. Inclinare il braccio dello strumento all'angolo di smusso desiderato con la maniglia.
3. Mantenere il braccio dello strumento in questa posizione e stringere la manopola di blocco dello smusso.

⚠ AVVERTENZE! La ditta produttrice raccomanda fortemente di assicurare sempre il prodotto alla superficie di un tavolo da lavoro.

Quando la base del prodotto è saldamente fissata a un banco per mezzo di quattro dadi, bulloni e rondelle come da istruzioni, il prodotto può essere usato alla massima impostazione per i tagli a 90° e smussati senza il rischio che si capovolga. Se il prodotto non è assicurato correttamente, potrà perdere l'equilibrio quando si selezionano ampi angoli di smussatura.

MANUTENZIONE

- Non modificare il prodotto in alcun modo né utilizzare accessori non approvati dalla ditta produttrice. La

sicurezza dell'utente e quella degli altri potrà essere compromessa.

- Non utilizzare il prodotto se interruttori, paralame o altre applicazioni non funzionano come dovrebbero. Riportare presso un centro servizi autorizzato per riparazioni professionali o regolazioni.
- Non fare alcuna regolazione mentre la lama è in movimento.
- Prima di eseguire regolazioni, lubrificare o manutene- re il prodotto, assicurarsi sempre di aver rimosso il gruppo batteria dal prodotto.
- Prima e dopo ogni utilizzo, controllare eventuali danni o parti rotte sull'utensile. Tenere il prodotto in condizioni di funzionamento ottimali sostituendo parti con ricambi approvati dalla ditta produttrice.
- La lama presenta dei bordi affilati e dopo le operazioni di taglio può rimanere calda. Usare estrema cautela durante la pulizia di una lama esposta. Indossare dei guanti per evitare lesioni.
- Pulire la polvere depositata sulla sega e sugli accessori regolarmente, con particolare riguardo ai pezzi mobili, compreso il dispositivo di protezione della lama. Utilizzare un pennello a mano o un aspirapolvere per rimuovere la polvere in modo efficace. No utilize aire comprimido.
- Per una maggiore sicurezza e affidabilità, tutte le riparazioni, inclusa la sostituzione dei pennelli, deve essere effettuata presso un centro di assistenza autorizzato.

AVVERTENZE! Non tentare di smontare il gruppo di protezione della lama per operazioni di pulizia o riparazione. Non utilizzare protezioni danneggiate. Inviare il prodotto a un centro di assistenza autorizzato per la riparazione o la sostituzione.

Taratura degli angoli per i tagli della sega e a smusso

Se è necessaria la taratura degli angoli per i tagli a 90° e a smusso, seguire le istruzioni riportate alle pagg. 213-217.

TRASPORTO E RIPONIMENTO

- Quando si ripone il prodotto, rimuovere la batteria. Riporre il prodotto in un luogo sicuro non accessibile ai bambini.
- Pulire il prodotto con una spazzola e un aspirapolvere prima di riporlo.
- Se si rimuove la motosega o si conservano parti di ricambio assieme all'unità, assicurarsi che si trovino nell'involucro originale per prevenire eventuali lesioni.

Per assicurare il prodotto prima di spostarlo:

- Il prodotto dovrà essere risposto con la sega per tagli obliqui e l'angolo di smussatura su zero e con il dispositivo di blocco inserito. Il manico dovrebbe essere bloccato nella posizione inferiore (sicura) con i paralame chiusi.

Per spostare o trasportare il veicolo:

- Assicurare il prodotto prima di spostarlo come descritto nel manuale.
- Rimuovere il prodotto dalla superficie del tavolo di lavoro allentando i 4 bulloni, uno per ciascun lato. Assicurare i bulloni per eventuali utilizzi futuri. Trasportare il prodotto

utilizzando la maniglia superiore o le maniglie laterali con due mani.

- Quando si trasporta in un veicolo, montare il prodotto sulla base e assicurarlo in modo che non possa spostarsi.

SIMBOLI SUL PRODOTTO



Indicazioni sicurezza



Marchio di conformità europeo



Marchio di conformità britannico



Marchio di conformità ucraino



Marchio di conformità EurAsian



Leggere attentamente le istruzioni prima di avviare l'utensile.



Indossare cuffie di protezione



Indossare sempre occhiali di protezione.



Tenere le mani lontano dall'area di taglio e dalla lama affilata.



Non esporre a pioggia né utilizzare in ambienti umidi.



Indossare guanti di sicurezza



Direzione di rotazione della lama (indicata sulla lama)



Direzione di rotazione lama (indicata sul paralame)



Larghezza del taglio prodotto dalla lama (Kerf)



Numero di denti su questa lama



Capacità di taglio



Per il taglio di legno e materiali analoghi



Non utilizzabile per il taglio di metalli



Regolare la posizione della guida scorrevole prima di effettuare il taglio inclinato o composto.



Direzione per svitare il bullone della lama

Non smaltire le batterie scariche e altre apparecchiature elettriche ed elettroniche come normali rifiuti. Le batterie scariche e i dispositivi elettrici ed elettronici dovranno essere raccolti separatamente. Le batterie usate, gli accumulatori e le fonti luminose non più utilizzabili dovranno essere rimossi dall'apparecchiatura. Consultare l'autorità locale o il rivenditore per consigli sullo smaltimento e il punto di raccolta. In base alle normative locali i rivenditori potrebbero avere l'obbligo di riprendersi le batterie usate e le apparecchiature elettriche ed elettroniche gratuitamente. Il vostro contributo al riciclaggio delle batterie e delle apparecchiature elettriche ed elettroniche aiuta a ridurre la richiesta di materie prime. Le batterie usate, in particolare quelle che contengono litio e le apparecchiature elettriche ed elettroniche contengono materiali preziosi e riciclabili che potrebbero avere un impatto avverso sull'ambiente e la salute umana, se non smaltiti in un modo ecocompatibile. Eliminare i dati personali, se presenti, dalle apparecchiature da buttare.



SIMBOLI NEL MANUALE



Blocco



Sblocco



Tempo di attesa per il raggiungimento della massima velocità o di arresto completo della lama.



Parti o accessori venduti separatamente



Note



Avvertenze

Veiligheid, prestaties en betrouwbaarheid kregen topprioriteit in het ontwerp van uw verstekzaag.

BEOOGD GEBRUIK

De verstekzaag is bedoeld voor het zagen van massief hout en multiplex, materialen die op hout lijken, met of zonder fineerlaag en kunststof.

De verstekzaag is uitsluitend bedoeld voor gebruik door volwassenen die de handleiding hebben gelezen en de risico's en gevaren begrijpen.

De verstekzaag is bedoeld om met de basis op een stevige werkbank te worden bevestigd. Als de basis niet stevig is vastgemaakt, kan de hele machine tijdens het zagen bewegen, wat de kans op ernstige verwondingen verhoogt.

De verstekzaag is ontworpen voor het maken van schuine en versteksnedes. De mogelijkheden voor de verschillende snedes staan vermeld in de productspecificaties in deze handleiding.

De verstekzaag moet worden gebruikt in droge omstandigheden, met uitstekend omgevingslicht en passende ventilatie.

De verstekzaag mag alleen worden gebruikt zoals hierboven en in deze handleiding beschreven en is niet bedoeld voor enig ander doel.

ALGEMENE VEILIGHEIDSVOORSCHRIFTEN

⚠ WAARSCHUWING! Lees aandachtig alle waarschuwingen, aanwijzingen en specificaties die bij deze machine worden meegeleverd en bestudeer de afbeeldingen. Als u onderstaande voorschriften niet opvolgt, kan dit leiden tot ongelukken zoals brand, elektrische schokken en/of ernstig lichamelijk letsel.

Bewaar alle waarschuwingen en instructies voor toekomstig gebruik. De term "elektrisch gereedschap" in de waarschuwingen heeft betrekking op uw elektrische gereedschap dat wordt aangedreven door een stroomvoorziening (via een kabel) of gereedschap dat werkt op een accu (snoerloos).

WERKPLEKVEILIGHEID

- **Houd de werkplaats schoon en goed verlicht.** Rommelige of donkere plaatsen nodigen uit tot ongevallen.
- **Gebruik gereedschapswerktuigen niet in explosieve atmosferen, zoals in de aanwezigheid van ontvlambare vloeistoffen, gassen of stof.** Werktuigen kunnen vonken veroorzaken die stof of gassen kunnen ontsteken.
- **Houd kinderen en omstanders weg terwijl u het werktuig gebruikt.** Wanneer u wordt afgeleid kunt u de controle verliezen.

ELEKTRISCHE VEILIGHEID

- **Werktuigstekkers moeten overeenkomen met de contactdoos. Wijzig de stekker nooit. Gebruik geen adapterstekkers met geaarde werktuigen.** Ongewijzigde stekkers en overeenkomstige contactdozen zullen het risico op elektrische schok verminderen.
- **Vermijd lichaamscontact met geaarde oppervlakken, zoals buizen, radiatoren, fornuizen en koelkasten.** Er bestaat een verhoogd risico op elektrische schokken als uw lichaam geaard is.

- **Stel gereedschapswerktuigen niet bloot aan regen of natte omstandigheden.** Wanneer water een gereedschapswerktuig binnenkomt zal het risico op een elektrische schok toenemen.
- **Misbruik het snoer niet. Gebruik het snoer nooit om het werktuig te dragen of de stekker uit het stopcontact te trekken. Houd het snoer weg van hitte, olie, scherpe randen en bewegende delen.** Beschadigde of verstrikte snoeren verhogen het risico op elektrische schokken.
- **Wanneer u een werktuig buitenshuis gebruikt, gebruikt u een verlengsnoer dat geschikt is voor buitenshuis gebruik.** Gebruik een snoer dat geschikt is voor buitenshuis gebruik, wat het risico op elektrische schok vermindert.
- **Als het noodzakelijk is dat een werktuig in een vochtige omgeving wordt gebruikt, gebruikt u een stroomtoevoer met aardlekschakelaar.** Het gebruik van een aardlekschakelaar vermindert het risico op elektrische schok.

PERSOONLIJKE VEILIGHEID

- **Blijf alert, kijk uit wat u doet en gebruik uw gezond verstand wanneer u een elektrisch gereedschap bedient. Gebruik geen krachtgereedschap als u moe of onder de invloed van drugs, alcohol of medicijnen bent.** Een ogenblik van onoplettendheid terwijl u gereedschapswerktuigen gebruikt, kan leiden tot ernstige persoonlijke letsels.
- **Gebruik beschermende uitrusting. Draag altijd gezichtsbescherming.** Gebruik van beschermingsmiddelen zoals een stofmasker, anti-slip veiligheidsschoenen, veiligheidshelm of gehoorbescherming leidt tot minder persoonlijk letsel.
- **Vermijd ongewild starten. Schakel de schakelaar uit voordat u het product aansluit op de voeding en/of accu, oppakt of draagt.** Het dragen van elektrische apparatuur met uw vinger op de schakelaar of het onder spanning zetten van elektrisch apparatuur met ingeschakelde schakelaar leidt tot ongevallen.
- **Verwijder alle afstelsleutels voor u het werktuig inschakelt.** Een sleutel die op een ronddraaiend onderdeel van het werktuig achterblijft, kan leiden tot lichamelijke letsels.
- **Overrek u niet. Houd steeds een goed evenwicht en sta stevig met beide voeten op de grond.** Dit geeft u een betere controle over het werktuig in overwachte omstandigheden.
- **Draag aangepaste kleding. Draag geen losse kledij of juwelen. Houd uw haar en kleding uit de buurt van bewegende delen.** Losse kledij, juwelen of lang haar kan in bewegende delen vast raken.
- **Als er apparatuur wordt meegeleverd voor het aansluiten van stofafzuiging, dient u ervoor te zorgen dat deze op de juiste wijze wordt aangesloten en gebruikt.** Het gebruik van stofafzuiging leidt tot minder stofgerelateerde risico's.
- **Voorkom dat u door het veelvoudige gebruik van gereedschappen laks wordt en de veiligheidsvoorschriften uit het oog verliest.** Zorgeloze handelingen, al duren ze maar een fractie van een seconde, kunnen leiden tot ernstige letsels.

GEbruik EN ONDERHOUD VAN EEN ELEKTRISCH WERKTUIG

- **Forceer het elektrische gereedschap niet. Gebruik het juiste elektrische gereedschap voor uw toepassing.** Het juiste elektrische gereedschap zal het werk beter en veiliger doen in het tempo waarvoor het is ontworpen.
- **Gebruik het werktuig niet als de schakelaar het werktuig niet in- of uitschakelt.** Een werktuig dat niet met de schakelaar kan worden bediend, is gevaarlijk en moet worden gerepareerd.
- **Haal de stekker uit de stroombron en/of verwijder de accu, indien deze afneembaar is, uit het elektrische gereedschap voordat u wijzigingen aanbrengt, accessoires wijzigt of het elektrische gereedschap opbergt.** Dergelijke preventieve veiligheidsmaatregelen verminderen het risico dat het gereedschap per ongeluk wordt ingeschakeld.
- **Bewaar niet-gebruikte werktuigen buiten het bereik van kinderen en laat personen die niet vertrouwd zijn met het werktuig of deze instructies, het werktuig niet gebruiken.** Werktuigen zijn gevaarlijk in de handen van niet-opgeleide gebruikers.
- **Elektrisch gereedschap en accessoires moeten worden onderhouden.** Controleer of bewegende delen niet verkeerd zijn uitgelijnd of vastzitten, of er onderdelen gebroken zijn en of er geen andere omstandigheden zijn, die de werking van het elektrische apparaat kunnen beïnvloeden. Indien beschadigd, laat u het werktuig onderhouden voor u het gebruikt. Veel ongelukken worden veroorzaakt door slecht onderhouden elektrisch gereedschap.
- **Snijgereedschap moet scherp en schoon worden gehouden.** Goed onderhouden snijgereedschap met scherpe snijranden zal minder snel vastlopen en is gemakkelijker te beheersen.
- **Gebruik het elektrische gereedschap, de accessoires en de bits etc. in overeenstemming met deze instructies, rekening houdend met de werkomstandigheden en de uit te voeren werkzaamheden.** Het gebruik van het werktuig voor niet-voorgeschreven gebruik kan leiden tot gevaarlijke situaties.
- **Handvatten en grijpvlakken moeten droog, schoon en vrij van vet en olie worden gehouden.** Als handvatten en grijpvlakken glibberig zijn, kan het gereedschap in onverwachte situaties niet veilig worden gebruikt en beheerst.

GEbruik EN VERZORGING VAN DE ACCU

- **Laad alleen op met de oplader die door de fabrikant is aangegeven.** Een oplader die geschikt is voor een batterijtype kan brandgevaar veroorzaken wanneer het voor een andere batterij wordt gebruikt.
- **Gebruik elektrisch gereedschap uitsluitend met speciaal hiervoor bedoelde accu's.** Het gebruik van andere accu's kan letsel en brand veroorzaken.
- **Wanneer het batterijpak niet wordt gebruikt, houdt u het weg van andere metalen voorwerpen, zoals paperclips, muntstukken, sleutels, nagels, schroeven of andere kleine metalen voorwerpen die een verbinding van de ene naar de andere terminal kunnen maken.** Het op elkaar kortsluiten van accupolen kan leiden tot brandwonden of brand.
- **Bij verkeerd gebruik kan vloeistof uit de batterij lekken; vermijd contact. Als per ongeluk contact wordt gemaakt, spoel dan met water. Schakel bovendien medische hulp in als er vloeistof in de ogen komt.** Uit de accu afkomstige vloeistof kan irritatie of brandwonden veroorzaken.
- **Gebruik geen beschadigde of aangepaste accu of gereedschap.** Beschadigde of aangepaste accu's kunnen onvoorspelbaar gedrag vertonen en leiden tot brand, explosies of kans op letsel.
- **Stel accu's of gereedschap niet bloot aan vuur of hoge temperaturen.** Blootstelling aan vuur of temperaturen van boven 130°C kan explosies veroorzaken.
- **Volg alle instructies en laad de accu of het gereedschap niet op buiten het temperatuurbereik dat in de handleiding wordt aangegeven.** Onjuist opladen of opladen bij temperaturen buiten het aangegeven bereik kan schade aan de accu veroorzaken en de kans op brand verhogen.

ONDERHOUD

- **Laat uw werktuig door een gekwalificeerde reparateur onderhouden en gebruik uitsluitend identieke vervangonderdelen.** Dit zal ervoor zorgen dat de veiligheid van het gereedschap wordt bewaard.
- **Beschadigde accu's mogen niet worden onderhouden.** Onderhoud van accu's mag uitsluitend worden uitgevoerd door de fabrikant of erkende dienstverleners.

VEILIGHEIDSINSTRUCTIES VOOR VERSTEKZAGEN

- **Een verstekzaag is bedoeld voor het zagen van hout of houtachtige producten. Hij kan niet met doorslijpmessen worden gebruikt voor het zagen van ijzerhoudende materialen zoals stangen, staven en pijpen.** Schuurstof kan ertoe leiden dat bewegende delen zoals de onderste beschermkap vastlopen. Vonken veroorzaakt door slijpen geven brandvlekken op de onderste beschermkap, de zaagsnede en overige plastic delen.
- **Gebruik, waar mogelijk, klemmen om het werkstuk te ondersteunen. Wanneer u het werkstuk met de hand ondersteunt, dient u uw hand aan weerszijden van het zaagblad minimaal 100 mm ervan verwijderd te houden. Gebruik deze zaag niet om delen te zagen die te klein zijn om stevig vast te klemmen of met de hand vast te houden.** Als uw hand te dicht bij het zaagblad wordt geplaatst, bestaat er een verhoogde kans op letsel door contact met het zaagblad.
- **Het werkstuk moet stabiel zijn en zowel tegen de kap als tegen de tafel zijn aangeduwd of geklemd. Het werkstuk niet in het zaagblad voeren of op enigerlei wijze "uit de vrije hand" snijden.** Losse of bewegende werkstukken kunnen met hoge snelheid worden weggeslingerd en letsel veroorzaken.
- **Duw de zaag door het werkstuk. De zaag mag niet door het werkstuk worden getrokken. Om een snede te maken, duwt u de zaagkop omhoog en trekt u deze zonder te zagen over het werkstuk. Vervolgens start u de motor, duwt de zaagkop omlaag en duwt u de zaag door het werkstuk.** Als u gaat zagen tijdens het trekken, loopt het zaagblad waarschijnlijk het werkstuk



op en wordt het zaagdeel krachtig in de richting van de gebruiker geworpen.

- **Laat uw hand nooit de bedoelde zaaglijn doorkruisen, niet vóór maar ook niet achter het zaagblad.** Het werkstuk "kruislings" ondersteunen, d.w.z. met de linkerhand het werkstuk rechts van het zaagblad vasthouden of omgekeerd, is zeer gevaarlijk.
- **Als het zaagblad draait, mag u met uw handen niet dichter dan 100 mm aan elke zijde van het zaagblad achter de kap reiken om houtsnippers weg te halen of om welke andere reden dan ook.** Het hoeft niet meteen duidelijk te zijn dat het draaiende zaagblad zich vlakbij uw hand bevindt, zodat u ernstig letsel kunt oplopen.
- **Inspecteer het werkstuk voordat u begint met zagen.** Als het werkstuk verbogen of krom is, dient u dit met de naar de buitenzijde verbogen kant richting de kap vast te klemmen. U dient er altijd voor te zorgen dat zich langs de zaaglijn geen spleet tussen het werkstuk, de kap en de tafel bevindt. Verbogen of kromme werkstukken kunnen verschuiven of verbuigen en kunnen ervoor zorgen dat het ronddraaiende zaagblad tijdens het zagen vastloopt. Er mogen zich geen spijkers of vreemde voorwerpen in het werkstuk bevinden.
- **U mag de zaag pas gebruiken als er op de tafel geen gereedschappen, houtschilfers e.d. liggen, maar uitsluitend het werkstuk.** Klein afval, losse stukjes hout of andere objecten die in contact komen met de ronddraaiende zaag, kunnen met hoge snelheid worden weggeslingerd.
- **Zaag slechts één werkstuk tegelijk.** Op elkaar gestapelde meerdere werkstukken kunnen niet goed worden vastgeklemd of geduwd; de zaag kan erop vastlopen of de werkstukken kunnen tijdens het zagen verschuiven.
- **Zorg ervoor dat de verstekzaag vóór gebruik op een vlakke en stevige ondergrond is geplaatst of gemonteerd.** Een vlak en stevig werkblad verkleint de kans dat de verstekzaag onstabiel wordt.
- **Plan uw werk. Telkens wanneer u de hoek- of verstekstand aanpast, dient u ervoor te zorgen dat de verstelbare kap correct is ingesteld om het werkstuk te ondersteunen, en niet in de weg zit van het zaagblad of het geleidesysteem.** Duw het zaagblad, zonder het gereedschap in de stand "ON" te schakelen en zonder werkstuk op de tafel, door een volledige gesimuleerde zaagsnede, om te controleren dat er niets in de weg zit en dat de kap niet door het zaagblad wordt geraakt.
- **Zorg voor voldoende ondersteuning, zoals tafelverlengstukken, zaagpoten, etc. voor een werkstuk dat breder of langer is dan het tafelblad.** Werkstukken die langer of breder zijn dan de tafel van de verstekzaag kunnen kantelen als ze niet voldoende worden ondersteund. Als het afgezaagde stuk of het werkstuk zelf kantelt, kan hierdoor de onderste kap omhoog komen of kan het door het ronddraaiende zaagblad worden weggeslingerd.
- **Gebruik geen ander persoon als vervanging van een verlengstuk van de tafel of als extra ondersteuning.** Instabiele ondersteuning van het werkstuk kan ervoor zorgen dat het zaagblad vastloopt of dat het werkstuk tijdens het zagen verschuift, en dat u en de helpende

persoon naar het ronddraaiende zaagblad worden getrokken.

- **Het afgezaagde stuk mag op geen enkele manier tegen het ronddraaiende zaagblad vastlopen of worden gedrukt.** Indien het vastloopt, bijvoorbeeld door een stop in de lengte toe te passen, kan het afgezaagde stuk tegen het zaagblad vast komen te zitten en met geweld worden weggeslingerd.
- **Gebruik altijd een klem of een ander hulpstuk dat is ontworpen om rond materiaal zoals stangen of buizen goed te ondersteunen.** Staven hebben de neiging te rollen terwijl ze worden gezaagd, waardoor het blad "grijpt" en het werk met uw hand in het blad trekt.
- **Laat het zaagblad op volle snelheid komen, voordat het in contact komt met het werkstuk.** Dit zal de kans verkleinen dat het werkstuk wordt weggeslingerd.
- **Als het werkstuk of het zaagblad vastloopt, schakelt u de verstekzaag op "OFF" (UIT). Wacht tot alle bewegende delen tot stilstand zijn gekomen, en koppel de stekker los van de stroombron en/of verwijder de accu. Probeer vervolgens pas het vastgeklemd materiaal te verwijderen.** Wanneer u door blijft zagen terwijl het werkstuk vast zit, kan dit leiden tot controleverlies of beschadiging van de verstekzaag.
- **Nadat u de snede hebt afgerond, laat u de schakelaar los, houdt u de zaagkop omlaag en wacht u tot het zaagblad tot stilstand is gekomen alvorens u het afgezaagde stuk verwijdert.** Het is gevaarlijk om met uw hand in de buurt van het vrij draaiende zaagblad te komen.
- **Houd het handvat stevig vast als u een onvolledige snede maakt of als u de schakelaar loslaat voordat de zaagkop helemaal in de onderste stand staat.** De remactie van de zaag kan ervoor zorgen dat de zaagkop plotseling omlaag wordt getrokken, wat kans geeft op letsel.

VEILIGHEIDSINSTRUCTIES VOOR HET HOUTZAAGBLAD

- Lees de handleiding en de instructies zorgvuldig door voordat u het zaagblad en het apparaat gebruikt.
- Het artikel moet in goede staat zijn, de spindel zonder vervorming en trillingen.
- Gebruik het product niet als de beschermkappen niet in de goede stand staan. Zorg dat de bescherming goed blijft werken en goed onderhouden blijft.
- Zorg ervoor dat de gebruikers voldoende getraind is in veiligheidsvoorzorgen, het afstellen en bedienen van het product.
- Draag bij het gebruik van het apparaat altijd een veiligheidsbril en gehoorbescherming. Het is aangewezen om handschoenen, stevige en antislipschoenen en een schort te dragen.
- Voor u een accessoire gebruikt, raadpleegt u de gebruiksaanwijzing. Het onjuiste gebruik van een accessoire kan leiden tot schade en verhoogt de kans op letsel.
- Gebruik uitsluitend zaagbladen die in deze gebruiksaanwijzing worden gespecificeerd en die overeenstemmen met EN 847 - 1.



- Houd rekening met de maximumsnelheid die op het zaagblad is aangeduid. Controleer of de snelheid die op het zaagblad staat vermeld ten minste gelijk is aan de snelheid die op de zaag staat vermeld.
- Gebruik altijd zaagbladen waarvan de grootte en de vorm geschikt zijn voor de dikte van de as. Zaagbladen die niet geschikt zijn voor de as waarop ze moeten worden gemonteerd zullen niet op de juiste manier ronddraaien en kunnen u de macht over de machine doen verliezen.
- Gebruik geen zaagbladen met een grotere of kleinere diameter dan aangewezen. Gebruik geen afstandhouders om het zaagblad op de as te doen passen.
- Controleer de punten van het zaagblad vóór gebruik op schade en een abnormaal uiterlijk. Punten die zijn beschadigd of loszitten kunnen tijdens het gebruik veranderen in vliegende objecten en verhogen het risico op persoonlijk letsel.
- Gescheurde zaagbladen of welke van vorm veranderd zijn, mogen niet gebruikt worden. Gebruik geen zaagbladen die beschadigd of vervormd zijn.
- Gooi de zaag weg als het is beschadigd, vervormd, verbogen of gescheurd; repareren is niet toegestaan.
- Gebruik geen HSS-zaagbladen.
- Zorg ervoor dat het zaagblad correct is gemonteerd, en draai de spanmoer vóór gebruik stevig vast (aanhaalmoment ong. 8-10 Nm).
- Bevestigingsschroeven en moeren moeten met de juiste sleutel etc. worden aangehaald.
- Het verlengen van de spanner of aanhalen met behulp van hamerslagen is niet toegestaan.
- Zorg ervoor dat alle zaagbladen en flensen schoon zijn en de inspringzijden van de kraag zich tegen het zaagblad bevinden.
- Zorg ervoor dat het zaagblad in de juiste richting draait.
- Voor u begint te werken, maakt u een testsnede zonder dat de motor is ingeschakeld zodat de positie van het zaagblad, de werking van de beschermers m.b.t. andere machine-onderdelen en het werkstuk kunnen worden gecontroleerd.
- Laat het product nooit onbeheerd achter.
- Gebruik geen smeermiddelen op het zaagblad wanneer dit draait.
- Voer nooit reinigings- of onderhoudswerken uit wanneer de machine nog draait en de kop zich niet in de rustpositie bevindt.
- Probeer de machine nooit te stoppen als die in beweging is door een werktuig of een ander voorwerp tegen het zaagblad te klemmen aangezien dit ernstige ongevallen kan veroorzaken.
- Alvorens het zaagblad te vervangen of onderhoud uit te voeren moet het product worden losgekoppeld van de stroomvoorziening, of moet de accu worden verwijderd.
- Let op het in- en uitpakken van de zaagbladen, want u kunt zich gemakkelijk verwonden aan de scherpe mespunten.
- Gebruik een zaagbladhouder of draag handschoenen als u een zaagblad hanteert.
- Bewaar het blad in de originele verpakking of een andere geschikte verpakking, bewaar het in een droge

omgeving en uit de buurt van chemicaliën die het blad kunnen beschadigen.

AANVULLENDE VEILIGHEIDSWAARSCHUWINGEN

- Klem het werkstuk altijd veilig en stevig vast.
- Zorg ervoor dat het product altijd stabiel en veilig staat (bijv. bevestigd aan een werkbank).
- Draag altijd gehoorbescherming! Blootstelling aan geluid kan het gehoor beschadigen.
- Draag bij gebruik van het apparaat altijd een veiligheidsbril. Het is aangewezen om handschoenen te dragen als u de zaagbladen of ruwe materialen manipuleert, antislipschoenen als bescherming voor de voeten indien het werkstuk van het werkbereik valt.
- Alvorens onderhoud uit te voeren of het product te reinigen moet het product worden losgekoppeld van de stroomvoorziening, of moet de accu worden verwijderd.
- Plaats de accu uitsluitend als het product is uitgeschakeld.
- Reik nooit in het gebied rond het zaagblad tenzij het zaagblad volledig is stilgevallen.
- Controleer het product en de accu vóór gebruik grondig op beschadigingen of materiaalmoetheid. Reparaties van het gehele product mogen uitsluitend worden uitgevoerd door een erkend servicecentrum.
- Gebruik altijd de beschermkappen op het product. Gebruik het apparaat niet als de beschermkappen niet op hun plek zitten of niet goed functioneren.
- De onderste zaagbescherming mag alleen openen wanneer de zaag op het werkstuk verlaagd wordt en moet altijd vrij kunnen bewegen en automatisch sluiten.
- Bij gebruik moeten altijd verlengstangen voor het werkstuk worden aangebracht en gebruikt.
- Het product of zijn functie mag nooit worden aangepast. Uw veiligheid kan in gevaar worden gebracht.
- Gebruik geen gearbsten, beschadigde of vervormde zaagbladen.
- Gebruik geen zaagbladen van sneldraaistaal.
- Gebruik uitsluitend scherpe zaagbladen. Vervang stompe zaagbladen.
- Gebruik altijd zaagbladen waarvan de grootte en de vorm geschikt zijn voor de dikte van de as. Zaagbladen die niet geschikt zijn voor de as waarop ze moeten worden gemonteerd zullen niet op de juiste manier ronddraaien en kunnen u de macht over de machine doen verliezen.
- Gebruik uitsluitend zaagbladen voor houtbewerking zoals gespecificeerd in deze handleiding, die voldoen aan EN 847-1.
- Gebruik geen andere flenzen, sluitringen of moeren om het zaagblad vast te maken dan deze die werden meegeleverd of in de gebruiksaanwijzing werden vermeld.
- Kies een geschikt zaagblad voor het te zagen materiaal. Gebruik het product nooit om materialen te zagen anders dan zoals gespecificeerd in de paragraaf Beoogd gebruik in deze handleiding.
- Het is belangrijk om te vermijden dat het zaagblad oververhit raakt waardoor tijdens het zagen het plastic kan gaan smelten.

- Het is van cruciaal belang dat het maximumtoerental dat op het zaagblad vermeld staat wordt aangehouden; gebruik alleen zaagbladen die geschikt zijn voor een toerental (snelheid) dat gelijk is of hoger, dan het toerental dat vermeld staat op het gereedschap.
- Vervang het tafelinzetstuk wanneer het versleten of beschadigd is.
- Maak vóór het werk een proefsnede zonder de motor aan te zetten, zodat de positie van het mes, de werking van de afschermingen ten opzichte van andere machinedelen en het werkstuk kunnen worden gecontroleerd.
- Bij het uitvoeren van verstek-, haakse of samengestelde versteksnedes, dient u het schuifraam of onderraam aan te passen om ervoor te zorgen dat het zaagblad genoeg ruimte heeft.
- Voorkom ongecontroleerd loslaten van de zaagmachine vanuit de volledig neergelaten positie.
- Bij transport van het apparaat moet de hendelvergrendeling altijd zijn ingeschakeld.
- Houd het vloeroppervlak vrij van losse materialen, zoals spaanders en zaagsel.
- Verwijder geen afsnijdsels of andere delen van het werkstuk uit het zaagbereik, terwijl het product draait en de zaagkop zich niet in de ruststand bevindt.
- Lange werkstukken moeten goed gesteund worden. Het werkgebied van de zaag omvat de hele lengte van het werkstuk. De bediener moet dit gebied afsluiten tegen accidenteel contact met andere personen of voorwerpen die het werkstuk kunnen bewegen tijdens de werking.
- Het stof dat tijdens het gebruik van het apparaat vrijkomt kan een gevaar voor de gezondheid vormen. Gebruik een stofafzuigstelsel en draag een geschikt stofbeschermingsmasker. Verwijder neergelaten stof grondig met een stofzuiger.
- Het kan nodig zijn om het schuifhekje aan te passen om de juiste speling te verzekeren voordat de schuine kant of de verbinding wordt gesneden. Zorg ervoor dat de schroef van het schuifhekje goed vast zit na het aanpassen.
- De klem kan aan beide kanten van het blad worden geïnstalleerd en gebruikt. In sommige operaties kan de klem interfereren met de beschermkap van het blad. Zorg er altijd voor dat er geen interferentie is met de beschermkap van het blad alvorens een snijoperatie te beginnen om het risico op ernstige verwondingen te verminderen.
- De toegestane omgevingstemperatuur voor het gereedschap tijdens gebruik ligt tussen 0 °C en 40 °C.
- De omgevingstemperatuur voor opslag van het gereedschap ligt tussen 0 °C en 40 °C.
- De aanbevolen omgevingstemperatuur voor het laadsysteem tijdens het laden ligt tussen 10 °C en 38 °C.

EXTRA WAARSCHUWINGEN BATTERIJVEILIGHEID

- Voorkom brand, persoonlijk letsel of materiële schade door kortsluiting en dompel het gereedschap, de wisselaccu en het laadtoestel niet onder in vloeistoffen en waarborg dat geen vloeistoffen in de apparaten en accu's kunnen dringen. Corrosieve of geleidende vloeistoffen zoals zout water, bepaalde chemicaliën,

bleekmiddelen of producten die bleekmiddelen bevatten, kunnen een kortsluiting veroorzaken.

- De omgevingstemperatuur voor de accu tijdens gebruik ligt tussen 0 °C en 40 °C.
- Toegestane omgevingstemperatuur voor opslag van de accu ligt tussen 0 °C en 20 °C.

VERVOEREN VAN LITHIUM BATTERIJEN

Vervoer de accu in overeenstemming met de plaatselijke en nationale voorzieningen en regelgevingen.

Volg alle speciale vereisten op de verpakking en etiketten bij het vervoeren van batterijen door een derde partij. Zorg dat de batterijen tijdens het vervoer niet in contact komen met andere batterijen of geleidende materialen door de blootliggende aansluitpunten te beschermen met een isolerende, niet-geleidende dop of tape. Geen gekraakte of lekkende accu's vervoeren. Controleer bij het doorsturende bedrijf voor verder advies.

RESTRISCO'S

Zelfs wanneer het product zoals voorgeschreven wordt gebruikt, blijft het onmogelijk om alle restrisco's te voorkomen. De volgende gevaren kunnen optreden bij gebruik en de gebruiker dient speciaal op te letten om het volgende te voorkomen:

- Risico op contact met onbedekte onderdelen van het draaiende zaagblad.
- Terugschlag van werkstukken of delen van werkstukken als gevolg van onjuiste afstelling of behandeling
- Catapulteren van defecte carbidetips van het zaagblad.
- Schade aan de luchtwegen.

OPMERKING:

Draag ademhalingsbeschermingsmaskers met filters die aangepast zijn aan het materiaal waarmee wordt gewerkt. Zorg voor voldoende ventilatie op de werkplaats. Eten, drinken of roken verboden in het werkgebied.

- Gehoorschade bij het niet dragen van een efficiënte gehoorbescherming.

⚠ WAARSCHUWING! Stof van bepaalde verven, coatings of materialen kunnen irritatie of allergische reacties aan de ademhalingswegen veroorzaken. Stof van hout, zoals eik, beuk, MDF en anderen zijn kankerwekkend. Materiaal dat asbest bevat mag uitsluitend door een gekwalificeerde specialist worden bewerkt of verwerkt.

⚠ WAARSCHUWING! Letsels kunnen optreden of verergeren door langdurig gebruik van een gereedschap. Als u een werktuig gedurende langere periodes gebruikt, neem dan regelmatig pauze.

KEN UW PRODUCT

Zie pagina 198.

1. Hendel, geïsoleerd grijppoppervlak
2. Aan-/uitschakelaar
3. Schakelaar voor blokkkeerhendel
4. LED-schakelaar
5. Onderste beschermkap
6. Hoofdgeleider
7. Draaghandvat aan de zijkant
8. Glijdende geleider
9. Draaitafel
10. Kerfplaat
11. Mitre-vergrendelknop

12. Mitre-vergrendelingshendel
13. Steunvoet
14. Batterijpak
15. Bovenste draaghandvat
16. Lineaire staaf stopknop
17. Klem
18. Verstekhoek aanwijzer
19. Montageopening
20. Schroeven voor vergrendeling van het hoofdhek
21. Schroef voor het instellen van de zaagdiepte
22. Afschuining hoek aanwijzer
23. Schroeven voor het instellen van de 45° schuine hoekeindaanslag
24. Verstekhoekvergrendelknop
25. Zaagkop borgpen
26. Stofzak
27. Inbussleutel
28. Schroeven voor het instellen van de 0° schuine hoekeindaanslag
29. Schroef voor het vergrendelen van het schuifraam
30. Asvergrendelingsknop
31. Buitenflens
32. Zaagblad

BEDIENING

Het product bevat een bewegend zaagblad dat door de gebruiker in verschillende hoeken kan worden afgesteld wanneer u een werkstuk zaagt dat veilig aan de basis van het product is vastgemaakt. Het mag uitsluitend door een persoon worden bediend om ongewenst contact met het bewegend zaagblad te voorkomen.

De principes voor het veilig bedienen van het product zijn als volgt:

- Houd de zaagmachine, zaagbladen en het werkgebied in een goede conditie.
- Maak de verstekzaagvoet vast aan een stevige werkbank. Het product kan bewegen en kantelen als het niet goed is vastgemaakt.
- Stel de zaaghoeken en -diepte in en vergrendel deze voor u de insnedde maakt.
- Maak het werkstuk aan de verstekzaagbasis vast. Gebruik de meegeleverde klem en, indien nodig, gebruik bijkomende klemmen of houdermechanismen om ongewilde bewegingen van het werkstuk tijdens het zagen te voorkomen.
 - Controleer dat de werking van de bladbeschermers niet wordt gehinderd door de positie van het werkstuk.
 - Zorg ervoor dat de geleider en andere onderdelen van het product niet worden geraakt als het zaagblad in de zaagpositie daalt.
- Start de motor en laat het zaagblad op volle snelheid komen voor u het langzaam in het werkstuk laat zakken.
- Laat het zaagblad tot zijn hoogste positie komen waarbij de zaagbladbeschermers volledig zijn gesloten. Schakel de motor uit en laat het zaagblad volledig stilvallen voor u het werkstuk of het zaagafval verwijdert of voor u in het zaagbladbereik reikt.

Voor elk eerst gebruik, zorgt u ervoor dat de hoek van de afschuining of verstek die op het product is ingesteld overeenkomt met de hoek die op het werkstuk moet worden geproduceerd. Controleer dit op een stuk afvalhout met behulp van een timmermanspotlood of verstekhaak.

Verwijderen van het zaagblad:

1. Draag handschoenen als u een zaagblad hanteert.
2. Schakel de stroomvoorziening uit en verwijder de accu.
3. Draai de schroef op de kap van de mesbout los, maar haal hem er niet uit. Doe de kap van de mesbout omhoog.
4. Klap de zelfsluitende beschermkap weg en houd deze vast.
5. Druk op de spindelvergrendeling en draai tegelijkertijd de zaagbladbout los met de bijgeleverde inbussleutel. Verwijder de buitenste flens.
6. Verwijder het zaagblad.

Aanbrengen van het zaagblad:

Reinig indien nodig alle benodigde onderdelen alvorens ze aan te brengen.

Volg daarna de procedure onder "Verwijderen van het zaagblad".

1. Draag altijd handschoenen als u een zaagblad hanteert.
2. Zorg ervoor dat de stroom is uitgeschakeld en dat de accu is verwijderd.
3. Klap de zelfsluitende beschermkap weg en houd deze vast.
4. Plaats het nieuwe zaagblad. Zorg ervoor dat de draairichting van het zaagblad overeenkomt met de richting van de pijl op de zaagbladkap.
5. Plaats de flens en de zaagbladbout.
6. Druk op de spindelvergrendeling totdat deze vastklikt, draai de zaagbladbout vast.
7. Neem de zelfsluitende beschermkap omlaag.
8. Doe de kap van de mesbout omlaag en draai de schroef vast.

⚠ WAARSCHUWING! Let erop dat de kap van de mesbout in de oorspronkelijke positie wordt teruggezet en dat de schroef wordt aangedraaid.

De verstekhoek instellen:

De verstekhoek kan worden ingesteld van 45 graden (linkerzijde) tot 45 graden (rechterzijde).

1. Maak de verstekvergrendelknop los.
2. Druk op de ontgrendelingshendel van de verstekpal. Draai het zaagblad in de gewenste verstekhoekstand met behulp van de verstekvergrendelknop.
3. Maak de verstekvergrendelknop weer vast.

De schuinstand instellen:

De schuinstand kan worden ingesteld tussen 0 en 45 graden.

1. Draai de schuinstandvergrendelknop los.
2. Kantel de gereedschapsarm met de hendel in de gewenste schuinstand.
3. Houd het apparaat in deze stand vast en draai de schuinstandvergrendelknop weer vast.

⚠ WAARSCHUWING! De fabrikant raadt ten zeerste aan om het product altijd stevig op een werkbank gemonteerd te laten.

Zodra de voet van het apparaat stevig met vier moeren, bouten en ringen op de werkbank is bevestigd, zoals is geïnstrueerd, kan het product worden gebruikt bij maximale kant- en verstekinstellingen zonder de mogelijkheid om te kantelen. Als het product niet stevig is vastgemaakt, kan het kantelen wanneer een grote verstekhoek wordt geselecteerd.

ONDERHOUD

- Wijzig het product niet op een manier die niet door de fabrikant is goedgekeurd en gebruik geen accessoires die niet door de fabrikant zijn goedgekeurd. Uw veiligheid en deze van anderen kan in gevaar worden gebracht.
- Gebruik het product niet als de schakelaars, beschermers of andere functies niet naar behoren werken. Breng naar een geautoriseerd onderhoudscentrum voor professionele herstellingen of afstellingen.
- Voer geen afstellingen uit terwijl het zaagblad beweegt.
- Zorg er altijd voor dat de accu uit het product is verwijderd voordat u afstellingen uitvoert, het product smeert of onderhoud op het product uitvoert.
- Voor en na elk gebruik controleert u het product op schade of gebroken onderdelen. Bewaar het product in een uitstekende conditie door onderdelen onmiddellijk te vervangen door vervangonderdelen die door de fabrikant zijn goedgekeurd.
- De beitelas heeft scherpe randen en kan ook heet blijven na schaafbewerkingen. Wees zeer voorzichtig bij het reinigen van een blootgelegde beitelas. Draag handschoenen om u te beschermen tegen verwonding.
- Reinig de zaag en zijn accessoires regelmatig om het stof te verwijderen, vooral van de bewegende delen zoals de zaagbladkap. Gebruik een handborstel of een stofzuiger om het stof grondig te verwijderen. Gebruik geen perslucht.
- Voor meer veiligheid en betrouwbaarheid moeten alle reparaties, inclusief het vervangen van de borstels, worden uitgevoerd door een erkend servicecentrum.

⚠ WAARSCHUWING! Probeer de zaagbladkap niet te demonteren om deze te reinigen of repareren. Beschadigde beschermkappen mogen niet worden gebruikt. Breng het apparaat naar een erkend servicecentrum voor reparatie of vervanging.

IJking van de verstek- en schuinstandhoek

Indien kalibratie van de verstek- en schuinstandhoek nodig is, zie pagina's 213 – 217 en volg de instructies.

TRANSPORT EN OPSLAG

- Verwijder de accu uit het apparaat voor opslag. Bewaar het product op een veilige plaats die niet toegankelijk is voor kinderen.
- Reinig het product met behulp van een borstel en stofzuiger voor u het opbergt.
- Als u het zaagblad verwijdert of vervangbladen bij de machine bewaart, moet u ervoor zorgen dat ze in de originele verpakking worden bewaard om letsels te voorkomen.

Om het product vast te maken voor u het beweegt:

- Het product moet worden bewaard in een verstek- en afschuinhoek van nul graden en in de vergrendelde positie. Het handvat moet in de onderste (veilige) positie zijn vergrendeld met gesloten beschermers.

In een voertuig plaatsen of transporteren:

- Maak het product vast voor u het beweegt, zoals beschreven in de gebruiksaanwijzing.
- Verwijder het product van de werkbank door de 4 bouten, elk aan een hoek, los te maken. Maak de bouten

voor toekomstig gebruik vast. Draag het product met twee handen aan het bovenste draaghandvat of aan de draaghandvatten aan de zijkant

- Wanneer u het in een voertuig transporteert, plaatst u het product op zijn basis en beveiligd u het tegen beweging.

SYMBOLEN OP HET PRODUCT



Veiligheidswaarschuwing



CE-markering



Brits conformiteitskeurmerk



Oekraïens conformiteitskeurmerk

001



EurAsian-symbool van overeenstemming



Lees de instructies zorgvuldig voordat u de machine in gebruik neemt.



Draag gehoorbescherming



Draag altijd gezichtsbescherming.



Houd uw handen uit de buurt van het zaggedeelte en het scherpe zaagblad.



Stel niet bloot aan regen of gebruik niet in op vochtige plaatsen.



Draag veiligheidshandschoenen



Draairichting van het zaagblad (weergegeven op het zaagblad)



Bladdraairichting (getoond op de zaagbladbeschermer)



Snijbreedte van het zaagblad (groef)



Aantal tanden op dit zaagblad



Zaagcapaciteit



Alleen geschikt voor het zagen van hout en vergelijkbaar materiaal



Niet geschikt voor het zagen van metalen



Pas de positie van het schuifhekje aan alvorens schuine kanten of verbindingen te snijden.



Losdraairichting van de mesbout

Gooi afgedankte elektrische en elektronische apparatuur niet weg als ongesorteerd gemeentelijk afval. Afgedankte elektrische en elektronische apparatuur moet afzonderlijk worden ingezameld. Afvalbatterijen, afvalaccu's en lichtbronnen moeten uit de apparatuur worden verwijderd. Neem contact op met uw gemeente of winkelier voor advies over recycling en het inzamelpunt. Volgens de plaatselijke voorschriften kunnen winkeliers verplicht zijn afgedankte elektrische en elektronische apparatuur kosteloos terug te nemen. Uw bijdrage aan hergebruik en recycling van afgedankte batterijen en afgedankte elektrische en elektronische apparatuur helpt de vraag naar grondstoffen te verminderen. Afgedankte batterijen, in het bijzonder deze die lithium bevatten, en afgedankte elektrische en elektronische apparatuur bevatten waardevolle en recycleerbare materialen, die een negatief effect kunnen hebben op het milieu en de volksgezondheid, indien ze niet op een milieuvriendelijke manier worden verwijderd. Verwijder eventuele persoonlijke gegevens van afgedankte apparatuur.



SYMBOLLEN IN DE GEBRUIKSAANWIJZING



Vergrendeling



Ontgrendeling



Wachttijd tot het snijblad op volle snelheid is of helemaal tot stilstand is gekomen.



Onderdelen of accessoires afzonderlijk gekocht



Opmerking



Waarschuwing

Segurança, desempenho e fiabilidade foram as prioridades na conceção da sua serra de esquadria.

UTILIZAÇÃO PREVISTA

A serra circular angular destina-se a ser utilizada para serrar madeira sólida e aglomerado de madeira, materiais semelhantes a madeira (com ou sem verniz colado) e plásticos.

A serra circular produto destina-se a ser utilizada por operadores adultos que tenham lido o Manual de Instruções e que compreendam os riscos e os perigos.

A serra circular foi concebida para ser fixada pela base ao tampo de uma bancada sólida. Se a base não estiver firmemente fixa, qualquer máquina se pode mover durante as operações de corte, o que aumenta a possibilidade de sofrer lesões pessoais graves.

A serra circular foi concebida para fazer cortes biselados e cortes angulares. As capacidades para os diversos cortes são dadas nas características técnicas do produto, neste Manual.

A serra circular destina-se a ser utilizada em condições secas, com iluminação ambiente excelente e com ventilação adequada.

A serra circular destina-se a ser utilizada pelo consumidor e só deve ser utilizada tal como se descreve acima; não se destina a qualquer outra finalidade.

AVISOS GERAIS DE SEGURANÇA DE FERRAMENTAS ELÉCTRICAS

⚠ AVISO! Leia com atenção todas as advertências, instruções e especificações fornecidas com a ferramenta, e consulte as ilustrações. O incumprimento das instruções seguintes pode ocasionar acidentes como incêndios, choques eléctricos e/ou ferimentos graves.

Guarde todos os avisos e instruções para futuras consultas. Betegnelsen "eldrevet værktøj" in advarslerne henviser til jeres ledningsforbundne elværktøj eller batteridrevne (ledningssfrie) elværktøj.

SEGURANÇA NA ÁREA DE TRABALHO

- **Mantenha a área de trabalho limpa e bem iluminada.** As áreas desordenadas ou escuras são um convite para acidentes.
- **Não opere ferramentas eléctricas em atmosferas explosivas, como na presença de líquidos, gases ou poeiras inflamáveis.** As ferramentas eléctricas produzem faíscas que podem inflamar o pó ou fumos.
- **Ao operar esta ferramenta eléctrica, mantenha as crianças e as pessoas presentes afastadas.** As distrações podem levá-lo a perder o controlo.

SEGURANÇA ELÉCTRICA

- **As fichas eléctricas da ferramenta têm de corresponder à tomada. Nunca altere a ficha seja de que maneira for. Não use quaisquer fichas adaptadoras com ferramentas de ligação com terra.** As fichas não modificadas e tomadas compatíveis reduzirão o risco de choque eléctrico.
- **Evite o contacto do corpo com superfícies com ligação terra ou enterradas, tais como tubos, radiadores, fogões e frigoríficos.** Há um aumento do risco de choque eléctrico se o seu corpo estiver ligado à terra.

- **Não exponha as ferramentas eléctricas à chuva ou a condições de humidade.** Se entra água numa ferramenta eléctrica aumentará o risco de descargas eléctricas.
- **Não puxe pelo cabo. Nunca use o cabo para carregar, puxar ou retirar a ficha da ferramenta da tomada. Mantenha o cabo afastado de fontes de calor, óleo, extremidades afiadas ou peças móveis.** Os cabos danificados ou emaranhados aumentam o risco de choque eléctrico.
- **Ao operar uma ferramenta eléctrica ao ar livre, use um cabo de extensão apropriado para o uso ao ar livre.** A utilização de um cabo apropriado para o uso ao ar livre reduz o risco de choque eléctrico.
- **Se operar uma ferramenta eléctrica num local húmido é inevitável, use uma fonte com protecção de dispositivo de corrente residual (RCD).** O uso de um RCD reduz o risco de choque eléctrico.

SEGURANÇA PESSOAL

- **Mantenha-se alerta, preste atenção ao que está a fazer e utilize senso comum ao utilizar uma ferramenta eléctrica. Anvend ikke et elværktøj, hvis du er træt, syg eller du har taget stoffer, drukket alkohol eller taget medicin.** Um momento de distração durante a operação de ferramentas eléctricas pode resultar em lesões físicas graves.
 - **Brug personlige værnemidler Use sempre protecção para os olhos.** Personlige værnemidler som støvmaske, skridsikre sikkerhedsskjold, beskyttelseshjelm eller høreværn anvendt under de rette betingelser nedsætter antallet af personskader.
 - **Evite o arranque involuntário. Antes de ligar o produto à alimentação eléctrica e/ou ao conjunto de baterias, e antes de pegar no produto ou de o transportar, certifique-se de que o interruptor está na posição de Desligado ("O").** Der kan ske en ulykke, hvis du går rundt med fingeren på afbryderen eller tilslutter strøm til elværktøj med afbryderen tændt.
 - **Remova qualquer chave de ajuste antes de ligar a ferramenta eléctrica.** Uma chave-inglesa ou uma chave colocada numa peça móvel da ferramenta eléctrica pode causar lesões pessoais.
 - **Não se aproxime em demasia. Mantenha sempre o equilíbrio e a posição dos pés adequada.** Isto possibilita um melhor controlo da ferramenta eléctrica em situações inesperadas.
 - **Vista-se adequadamente. Não use roupas largas ou jóias. Hold hår og beklædning på afstand af bevægelige dele.** A roupa solta, jóias ou o cabelo comprido podem ficar presos nas peças móveis.
 - **Hvis der medfølger anordninger til tilslutning af støvudsugning og støvopsamling, skal det sikres, at de tilsluttes og bruges korrekt.** Brug af støvopsamling kan nedsætte farer forbundet med støv.
 - **Estar familiarizado com as ferramentas por as utilizar com frequência não é razão para se tornar descuidado e para ignorar os princípios de segurança referentes a ferramentas.** Acções descuidadas, mesmo por uma fracção de segundo, podem resultar em graves lesões pessoais.
- UTILIZAÇÃO E MANUTENÇÃO DA FERRAMENTA ELÉCTRICA**
- **Não force a ferramenta eléctrica. Utilize a ferramenta correta para a sua aplicação.** A ferramenta eléctrica

correta fará um trabalho melhor e mais seguro à velocidade para a qual foi concebida.

- **Não use uma ferramenta caso o interruptor não ligue e desligue a ferramenta eléctrica correctamente.** Qualquer ferramenta eléctrica que não possa ser controlada com o interruptor é perigosa e deve ser reparada.
- **Fjern stikket fra strømkilden, og/eller fjern batteripakken fra elværktøjet, hvis den er aftagelig, før du foretager justeringer, udskifter tilbehør eller lægger elværktøjet væk.** Estas medidas de segurança preventivas reduzem o risco de ativar a ferramenta eléctrica acidentalmente.
- **Armazene as ferramentas eléctricas fora do alcance das crianças e não permita que pessoas não familiarizadas com a ferramenta eléctrica ou com estas instruções utilizem a ferramenta eléctrica.** As ferramentas eléctricas são perigosas nas mãos de utilizadores inexperientes.
- **Vedligehold elværktøj og tilbehør.** Verifique a existência de desalinhamento ou gripagem das peças móveis, avarias nas peças ou qualquer outra condição que possa afetar o funcionamento da ferramenta eléctrica. Hvis der konstateres skader, skal værktøjet repareres inden brug. Muitos acidentes são provocados por ferramentas eléctricas com uma manutenção deficiente.
- **Hold skæreværktøjer skarpe og rene.** Korrekt vedligeholdte skæreværktøjer med skarpe ægge er mindre tilbøjelige til at sætte sig fast og er nemmere at styre.
- **Utilize a ferramenta eléctrica, os acessórios e as peças de encaixe na ferramenta, etc. de acordo com estas instruções, levando em consideração as condições de trabalho e as tarefas a serem executadas.** O uso da ferramenta eléctrica para as operações diferentes daquelas a que se destina podem causar uma situação perigosa.
- **Mantenha as pegas e as superfícies de preensão secas, limpas, e livres de óleo e de gordura.** Pegas e superfícies de preensão escorregadias não permitem manusear a ferramenta em segurança, nem permitem manter o controlo da ferramenta em situações inesperadas.

BRUG OG PLEJE AF BATTERIVÆRKTØJ

- **Recarregue apenas com o carregador especificado pelo fabricante.** Um carregador que seja adequado para um tipo de bateria pode causar risco de incêndio, quando utilizado com outra bateria.
- **Brug kun elværktøj med de specielt beregnede batteripakker.** A utilização de quaisquer outros conjuntos de baterias pode causar risco de ferimentos ou de incêndio.
- **Quando a bateria não estiver a ser utilizada, mantenha-a afastada de outros objetos metálicos como cliques de papel, moedas, chaves, pregos, parafusos, ou outros pequenos objetos metálicos que podem fazer a ligação de um terminal para outro.** Sammenføjning af batteriklemmer kan forårsage forbrændinger eller brand.
- **Sob condições de utilização incorrecta, existe o risco de derrame de líquido de baterias – evite o contacto.** Em caso de contacto accidental, lave com água. Se o líquido entrar em contacto com os olhos, procure também ajuda médica imediatamente. O

líquido derramado da bateria pode causar irritação da pele ou queimaduras.

- **Não use um conjunto de baterias nem uma ferramenta que tenha sofrido danos ou modificações.** Baterias danificadas ou modificadas podem ter um comportamento imprevisível, resultando em incêndio, explosão ou risco de ferimentos.
- **Não exponha um conjunto de baterias nem uma ferramenta ao fogo ou a temperaturas excessivas.** A exposição ao fogo ou a temperaturas acima de 130°C pode causar uma explosão.
- **Siga todas as instruções de carregamento e não dê carga ao conjunto de baterias nem à ferramenta fora da amplitude de temperaturas especificada nas instruções.** O carregamento feito de forma incorrecta ou sob temperaturas fora da amplitude especificada pode danificar a bateria e aumentar o risco de incêndio.

ASSISTÊNCIA

- **A manutenção da sua ferramenta eléctrica deve ser efectuada por uma pessoa qualificada para reparações, utilizando apenas peças de substituição idênticas.** Isto assegurará que a segurança da ferramenta eléctrica é mantida.
- **Efterse aldrig beskadigede batteripakker.** Eftersyn af batteripakker bør kun udføres af producenten eller autoriserede serviceleverandører.

INSTRUÇÕES DE SEGURANÇA PARA SERRAS CIRCULARES ANGULARES

- **As serras circulares angulares são concebidas para cortar madeira e produtos semelhantes a madeira: não podem ser utilizadas com rodas de corte abrasivas para cortar materiais ferrosos (por exemplo, barras, varetas, pernos, etc.). O pó abrasivo faz com que as peças móveis encravem (por exemplo, a guarda inferior).** Faíscas causadas por corte abrasivo irão queimar a guarda inferior, o embutido do canal e outras peças de plástico.
- **Sempre que possa, utilize pinças para fixar a peça de trabalho.** Se apoiar a peça de trabalho à mão, tem obrigatoriamente de manter sempre a sua mão afastada no mínimo 10 cm de ambos os lados da lâmina da serra. Não utilize esta serra para cortar peças que sejam demasiado pequenas para serem fixadas em segurança com um grampo ou para serem agarradas com a mão. Posicionar a sua mão demasiado perto da lâmina da serra aumenta o risco de ferimentos causados por contacto com a lâmina.
- **A peça de trabalho tem obrigatoriamente de estar parada e de estar fixada com um grampo, ou de ser agarrada por forma a ficar encostada simultaneamente à proteção e à mesa.** Não empurre a peça de trabalho para a alimentar à lâmina, nem faça cortes “à mão livre”, seja de que maneira for! Peças de trabalho que não estejam fixadas ou que estejam em movimento podem ser projetadas a alta velocidade, causando ferimentos.
- **Empurre a serra para a fazer atravessar a peça de trabalho.** Não puxe a serra para a fazer atravessar a peça de trabalho. Para fazer um corte, levante a cabeça da serra e puxe-a para fora, por cima da peça de trabalho – sem cortar – ponha o motor a trabalhar, empurre a cabeça da serra para baixo e empurre a serra para a fazer atravessar a peça de trabalho. Se for feito um corte durante o movimento

de puxar, é provável que isso faça com que a lâmina suba para cima da peça de trabalho e que o conjunto da lâmina seja lançado com violência na direcção do utilizador.

- **Nunca atravesse a linha de corte com a sua mão: nem à frente da lâmina da serra, nem atrás da lâmina da serra.** Apoiar a peça de trabalho “com as mãos cruzadas”, ou seja, segurar a peça de trabalho à direita da lâmina da serra com a sua mão esquerda, ou vice-versa, é extremamente perigoso.
- **Enquanto a lâmina estiver a rodar, não estenda nenhuma das mãos para além da protecção (por exemplo, para tirar desperdícios de madeira, ou por qualquer outra razão) a menos de 10 cm da lâmina da serra: mantenha sempre as suas mãos afastadas no mínimo 10 cm de ambos os lados da lâmina da serra.** A lâmina da serra em rotação pode estar mais perto da sua mão do que parece, e poderá causar-lhe ferimentos graves.
- **Antes de cortar, faça uma inspecção visual à sua peça de trabalho. Se a peça de trabalho estiver encurvada ou distorcida, fixe-a com um grampo por forma a que a face encurvada externa fique virada para a protecção. Certifique-se sempre de que não há nenhum espaço vazio ao longo da linha de corte, entre a peça de trabalho, a protecção e a mesa.** Peças de trabalho encurvadas ou deformadas podem torcer-se ou mudar de posição, com o risco de causar o encravamento da lâmina da serra em rotação durante o corte. A peça de trabalho não pode ter nenhuns pregos, nem outros objectos estranhos.
- **Não utilize a serra enquanto a mesa não estiver completamente livre e desimpedida de todas as ferramentas, desperdícios de madeira, etc., excepto a peça de trabalho.** Pequenos desperdícios ou pedaços soltos de madeira ou outros objectos que entrem em contacto com a lâmina em rotação podem ser projectados a alta velocidade.
- **Corte apenas uma peça de trabalho de cada vez.** Várias peças de trabalho empilhadas não podem ser fixadas em segurança com um grampo e, por isso, causam o risco de encravar a lâmina ou de mudar de posição durante o corte.
- **Antes da utilização, certifique-se de que a serra circular angular está montada ou posicionada em cima de uma superfície de trabalho horizontal, nivelada e firme.** Uma superfície de trabalho horizontal, nivelada e firme reduz o risco de instabilidade da serra circular angular.
- **Planeie o seu trabalho. De cada vez que mudar a regulação de corte biselado e de corte angular, certifique-se de que a protecção ajustável está afinada corretamente para apoiar a peça de trabalho e que não irá interferir com a lâmina nem com o sistema de guarda.** Sem ligar a alimentação elétrica da ferramenta com o respetivo botão na posição de Ligado (“ON”) e sem nenhuma peça de trabalho na mesa, mova a lâmina da serra no curso total de um corte completo simulado, para se assegurar de que não há interferências nem há perigo de cortar a protecção.
- **Se a peça de trabalho for mais larga ou mais comprida do que o tampo da mesa, forneça apoio adequado (por exemplo, com extensões da mesa, cavaletes, etc.).** Peças de trabalho que sejam mais largas ou mais compridas do que a mesa da serra circular angular podem tombar se não estiverem

apoiadas em segurança. Se a peça cortada ou a peça de trabalho tombar, poderá atingir a guarda inferior ou ser projectada pela lâmina em rotação.

- **Não use outra pessoa como substituto para uma extensão da mesa ou como apoio adicional.** Se a peça de trabalho tiver um apoio instável, isso pode fazer com que a lâmina encrave ou que a peça de trabalho mude de posição durante a operação de corte, puxando o utilizador e o ajudante para cima da lâmina em rotação.
- **A peça cortada não pode nunca ser forçada nem empurrada, seja de que maneira for, de encontro à lâmina da serra em rotação.** Se for confinada, ou seja, se forem utilizados batentes de comprimento), a peça cortada pode ficar comprimida em cunha contra a lâmina, sendo projetada com violência.
- **Use sempre um grampo ou um dispositivo fixador concebido para apoiar corretamente material redondo (por exemplo, varetas ou tubos).** As varetas têm a tendência para rolarem durante o corte, fazendo com que a lâmina “morda” e a peça de trabalho seja puxada – juntamente com a sua mão – para cima da lâmina.
- **Deixe a lâmina atingir a velocidade total antes de entrar em contacto com a peça de trabalho.** Isto irá reduzir o risco da peça de trabalho ser projetada.
- **Se a peça de trabalho ou a lâmina ficarem encravadas, desligue a serra circular angular, passando o botão de potência para a posição de Desligado (“OFF”). Espere até que todas as peças em movimento tenham parado e, em seguida, desencaixe a ficha da tomada da rede elétrica e/ou desmonte o conjunto de baterias. Depois, tente libertar o material encravado.** Se o corte continuar com uma peça de trabalho encravada, isso irá causar perda de controlo pelo utilizador ou causar danos à serra circular angular.
- **Depois de terminar o corte, liberte o interruptor, agarre a cabeça da serra para a manter na posição descida e espere até a lâmina parar, e só então retire a peça cortada.** É perigoso estender a mão na direcção da lâmina ainda a rodar, mesmo que já esteja desligada.
- **Segure a peça com firmeza quando fizer um corte incompleto ou quando libertar o interruptor antes da cabeça da serra estar completamente na posição descida.** A ação de travagem da serra pode fazer com que a cabeça da serra seja puxada para baixo subitamente, causando risco de ferimentos.

INSTRUÇÕES DE SEGURANÇA PARA A LÂMINA PARA CORTE DE MADEIRA

- Antes de utilizar a serra da lâmina e a máquina, leia atentamente o Manual e as instruções de utilização.
- O produto deve estar em bom estado e não devem existir deformações ou vibrações no veio.
- Não utilize o produto sem as guardas estarem montadas em posição. Conserve as guardas em bom estado de funcionamento e manutenção.
- Certifique-se de que o utilizador recebeu a formação correcta referente às precauções de segurança, à afinação e à utilização do produto.
- Durante a utilização do produto, use sempre óculos de protecção e protecção para os ouvidos. Recomenda-se a utilização de luvas de protecção, calçado pesado anti-deslizante e avental.

- Antes de utilizar qualquer acessório, consulte o manual de instruções. A utilização incorrecta de um acessório pode causar danos e aumentar o potencial de risco de ferimentos.
- Use lâminas apenas especificadas neste manual, em conformidade com EN 847-1.
- Observe a velocidade máxima marcada na lâmina da serra. Assegure que a velocidade indicada no disco da serra é pelo menos igual à velocidade indicada na serra.
- Utilize sempre lâminas de tamanho e de forma adaptadas ao furo do eixo. Lâminas não adaptadas ao eixo onde elas devem ser montadas não trabalharão correctamente e provocarão uma perda de controlo da ferramenta.
- Não utilize lâminas de diâmetro maior ou mais pequeno que o recomendado. Não utilize qualquer espaçador para encaixar a lâmina no eixo.
- Antes de cada utilização, inspeccione a lâmina da serra, procurando danos ou defeitos visíveis. Pontas danificadas ou frouxas podem soltar-se da lâmina e ser projectadas pelo ar durante a utilização, aumentando o risco de ferimentos.
- Não utilizar lâminas de corte fissuradas ou deformadas. Não use folhas de serra danificadas ou deformadas.
- Deite fora a lâmina da serra se estiver danificada, deformada, distorcida ou rachada. Não são permitidas reparações à lâmina da serra.
- Não utilize lâminas HSS.
- Antes da utilização, certifique-se de que a lâmina da serra está montada corretamente e dê aperto em segurança à porca da haste (a força de aperto é de aprox. 8 a 10 Nm).
- Serão utilizadas as chaves de porcas corretas, etc., para apertar os parafusos e as porcas de fixação.
- Não é permitido utilizar a chave de porcas com extensor, nem dar aperto à martelada.
- Certifique-se que a lâmina e as flanges estão limpas e os lados encaixados do aro estão contra a lâmina.
- Certifique-se que a lâmina gira na direcção correcta.
- Antes de proceder ao trabalho, faça um corte de teste sem o motor ligado de modo a verificar a posição da lâmina, a operação das proteções relativamente a outras peças da máquina e a peça a trabalhar.
- Nunca deixe o produto desacompanhado.
- Não aplique lubrificantes na lâmina quando estiver em funcionamento.
- Nunca realize qualquer trabalho de limpeza ou manutenção quando a máquina ainda se encontra em funcionamento e a cabeça não estiver na posição de descanso.
- Nunca tente parar uma máquina em movimento repentinamente encravando uma ferramenta ou outros meios contra a lâmina pois deste modo poderá causar acidentes graves sem intenção.
- Antes de substituir as lâminas de corte ou de fazer manutenção, desencaixe a ficha do produto da tomada da rede eléctrica ou desmonte o conjunto de baterias.
- Preste atenção à embalagem e desembalagem da lâmina; é fácil sofrer ferimentos devido a pontas de lâminas afiadas.
- Quando manejar uma lâmina de corte da serra, use um suporte de lâmina ou calce luvas.

- Mantenha e guarde a lâmina na embalagem original ou noutra embalagem adequada, mantenha em condições secas e afastada de substâncias químicas que possam danificar a lâmina.

AVISOS DE SEGURANÇA ADICIONAIS

- Fixe sempre a peça de trabalho com segurança e firmeza.
- Certifique-se de que o produto está sempre estável e seguro (por exemplo, fixado a uma bancada).
- Use sempre proteção para os ouvidos! A influência de ruídos pode causar surdez.
- Quando utilizar o produto, use sempre óculos de proteção. Recomenda-se utilizar luvas para manusear as lâminas e o material em bruto, além de sapatos anti-deslizantes resistentes para proteger os pés das peças de trabalho que possam cair da zona de corte.
- Antes de fazer qualquer limpeza ou manutenção ao produto, desencaixe a ficha do produto da tomada da rede eléctrica ou desmonte o conjunto de baterias.
- Só monte o conjunto de baterias quando o produto estiver desligado.
- Não aproxime a mão da lâmina a menos que a lâmina tenha parado completamente.
- Antes da utilização, faça uma inspeção visual rigorosa ao produto e ao conjunto de baterias, procurando danos ou fadiga dos materiais. Quaisquer reparações ao produto como um todo devem ser feitas apenas por um centro de assistência autorizado.
- Use sempre as guardas no produto. Não utilize o produto se as guardas não estiverem montadas em posição ou se não estiverem a funcionar corretamente.
- A guarda inferior da lâmina deve abrir apenas quando a lâmina for descida na direcção da peça de trabalho e tem obrigatoriamente de poder sempre mover-se livremente e fechar-se automaticamente.
- Monte sempre e utilize barras de extensão para apoiar a peça de trabalho durante a utilização.
- Nunca altere nem modifique o produto nem o respectivo funcionamento. A sua segurança pode ver-se ameaçada.
- Não utilize lâminas de serra que estejam gretadas, danificadas ou deformadas.
- Não utilize folhas de serra fabricadas de aço rápido.
- Utilize apenas lâminas afiadas. Mude as lâminas embotadas.
- Utilize sempre lâminas de tamanho e de forma adaptadas ao furo do eixo. Lâminas não adaptadas ao eixo onde elas devem ser montadas não trabalharão correctamente e provocarão uma perda de controlo da ferramenta.
- Use apenas as lâminas para trabalhos em madeira especificadas neste Manual, em conformidade com a norma EN 847-1.
- Não utilize manilhas, anilhas e porcas para fixar a lâmina de serra que não sejam as fornecidas ou indicadas no manual de instruções.
- Seleccione uma folha de serra apropriada para o material a cortar. Nunca utilize o produto para cortar outros materiais para além dos especificados na secção Utilização Prevista, neste Manual.
- Durante o corte, é importante evitar que a lâmina sobreaqueça e que os plásticos derretam.

- É essencial respeitar a velocidade máxima especificada na lâmina da serra: use apenas lâminas de serra cuja marcação indique uma velocidade igual ou superior à velocidade especificada pela marcação na ferramenta.
- Mude a inserção da lâmina quando estiver desgastada ou danificada.
- Antes de começar a trabalhar, faça um corte de teste sem o motor ligado para verificar a posição da lâmina, o funcionamento dos resguardos em relação a outras partes da máquina e a peça de trabalho.
- Quando fizer cortes angulares, cortes biselados e cortes angulares combinados, afine a proteção deslizante ou a sub-proteção para garantir o afastamento correto da lâmina.
- Evite a libertação descontrolada da unidade da serra da posição totalmente para baixo.
- Durante o transporte do produto, o bloqueio da pega tem obrigatoriamente de estar sempre ativado.
- Mantenha o chão livre de materiais soltos, tais como lascas e restos de material.
- Abstenha-se de retirar quaisquer restos de material ou outras partes da peça de trabalho da área de corte com o produto em funcionamento e se a cabeça da serra não estiver na posição de repouso.
- Materiais comprimidos deverão ser suportados apropriadamente. A área de trabalho da serra inclui toda a extensão da peça de trabalho. O operador deve evitar o contacto accidental desta zona com outras personas ou objetos que possam mover a peça de trabalho durante a operação.
- A poeira gerada pela utilização do produto pode ser prejudicial para a saúde. Utilize um sistema de aspiração de pó e use uma máscara de proteção adequada. Retire minuciosamente o pó depositado com um aspirador.
- Poderá ser necessário ajustar a guia deslizante de modo a garantir a distância correta antes de realizar o corte biselado ou composto. Certifique-se de que o parafuso de bloqueio da guia deslizante fica corretamente apertado após o ajuste.
- O grampo pode ser instalado e utilizado em qualquer dos lados da lâmina. Em algumas operações, o grampo poderá interferir com o conjunto de proteção da lâmina. Certifique-se sempre de que não existe qualquer interferência com a proteção da lâmina antes de iniciar qualquer operação de corte, de modo a reduzir o risco de ferimentos pessoais graves.
- A amplitude de temperatura ambiente para a ferramenta durante o funcionamento é entre 0 °C e 40 °C.
- A amplitude de temperatura ambiente para o armazenamento da ferramenta é entre 0 °C e 40 °C.
- A amplitude de temperatura ambiente recomendada para o sistema de carregamento durante o carregamento é entre 10 °C e 38 °C.

AVISOS DE SEGURANÇA ADICIONAIS DAS BATERIAS

- Para evitar o risco de incêndio, de feridas ou de danificação do produto causado por um curto-circuito, não imerja a bateria intercambiável ou o carregador em líquidos e assegure-se de que líquidos não penetrem nos aparelhos ou nas baterias. Líquidos corrosivos ou condutivos como água salgada, determinadas substâncias químicas ou produtos que contenham branqueadores podem causar um curto-circuito.

- A amplitude de temperatura ambiente para a bateria durante a utilização é entre 0 °C e 40 °C.
- A amplitude de temperatura ambiente para a bateria em armazenamento é entre 0 °C e 20 °C.

TRANSPORTE DE BATERIAS DE LÍCIO

Transporte a bateria em conformidade com as disposições e os regulamentos locais e nacionais.

Respeite os requisitos especiais que existam na embalagem e a etiquetagem durante o transporte de baterias por terceiros. Assegure-se que não há risco de uma bateria entrar em contacto com outra bateria nem com materiais condutores durante o transporte, protegendo os conectores expostos com tampas ou fita isoladoras e não condutoras. Não transporte baterias com fissuras ou fugas. Contacte a empresa transitária para mais aconselhamento.

RISCOS RESIDUAIS

Mesmo quando se utiliza o produto segundo as instruções, continua a ser impossível eliminar por completo certos fatores de risco residuais. Podem surgir os seguintes riscos durante o uso e o operador deve prestar especial atenção para evitar o seguinte:

- Risco de contacto com peças não cobertas da lâmina circular rotativa.
- Projeção de peças de trabalho ou pedaços das mesmas devido ao ajuste ou manuseamento incorretos
- Catapultamento de pontas de carboneto defeituosas da lâmina da serra.
- Danos no sistema respiratório.

NOTA: Use máscaras protetoras com filtros adequados para os materiais com que vai trabalhar. Assegure uma ventilação adequada do local de trabalho. Não coma, beba ou fume na área de trabalho.

- Danos para a audição caso não se utilize protecção auditiva eficaz.

⚠ AVISO! O pó de certas pinturas, revestimentos e materiais pode causar irritação ou reações alérgicas no sistema respiratório. O pó de madeira como o carvalho, a faia, o MDF e outros é cancerígeno. O material que contém amianto apenas deve ser trabalhado ou processado por operadores especialistas qualificados.

⚠ AVISO! As lesões podem ser causadas ou agravadas pelo uso prolongado de uma ferramenta. Ao usar qualquer ferramenta durante períodos prolongados, assegure-se que faz intervalos regulares.

CONHEÇA O SEU PRODUTO

Consulte a página 198.

1. Pega, superfícies de prensão isoladas
2. Interruptor de ligação
3. Alavanca de desbloqueio do interruptor
4. Interruptor LED
5. Protector da lâmina inferior
6. Fence principal
7. Pega de transporte lateral
8. Eixo deslizante
9. Mesa giratória
10. Placa de corte
11. Botão de bloqueio da serra
12. Alavanca de desbloqueio do batente da serra
13. Pé de apoio
14. Bateria
15. Pega de transporte superior

16. Botão de tope da vareta lineal
17. Braçadeira
18. Ponteiro do ângulo de corte angular
19. Orifício de montagem
20. Parafusos para bloqueio da barreira principal
21. Parafuso de ajuste da profundidade de corte
22. Ponteiro do ângulo do biselado
23. Parafusos para regular o batente do limite do ângulo biselado a 45°
24. Botão de bloqueio de ângulo do bisel
25. Cavilha de bloqueio da cabeça da serra
26. Saco para o pó
27. Chave hexagonal
28. Parafusos para regular o batente de limite do ângulo do biselado a 0°
29. Parafuso para bloquear a guia deslizante
30. Botão de bloqueio do eixo
31. Flange externa
32. Lâmina da serra

OPERAÇÃO

O produto conta com uma lâmina de serra em movimento que o operador pode ajustar vários ângulos o cortar uma peça de trabalho que se fixa firmemente na base do produto. Deve ser utilizada por uma única pessoa para evitar o contacto accidental com a lâmina da serra em movimento.

Os princípios para um uso seguro do produto são as seguintes:

- Mantenha a serra, as lâminas e a área de trabalho em boas condições.
- Fixe a serra circular a uma base de bancada compacta. O produto pode mover-se e cair se não estiver corretamente sujeito.
- Ajuste e bloqueie os ângulos de corte e a profundidade antes de fazer o corte.
- Asegure a peça de trabalho à base da esquadria. Utilize a braçadeira proporcionada e, em caso necessário, utilize braçadeiras adicionais ou mecanismos de fixação para evitar o movimento involuntário da peça de trabalho durante o corte.
 - Verifique se o funcionamento das proteções da lâmina não está limitado pela posição da peça de trabalho.
 - Assegure-se que o fence e outras partes do produto não se cortam enquanto a lâmina desce até à posição de corte.
- Ligue o motor e deixe que a lâmina alcance a velocidade máxima antes de descer lentamente para cortar a peça de trabalho.
- Deixe que o conjunto da lâmina chegue à sua posição superior, onde as proteções da lâmina estão completamente fechadas. Desligue o motor e deixe que a lâmina pare completamente antes de retirar a peça de trabalho ou os recortes, ou antes de chegar à zona da lâmina.

Antes do primeiro uso, assegure-se de que o ângulo do bisel ou esquadria colocado no produto coincida com o ângulo que deseja produzir na peça de trabalho. Verifique-o sobre um pedaço de madeira sem uso utilizando um conjunto de carpinteiro ou uma esquadria.

Retirar a lâmina da serra:

1. Calce luvas quando manusear a lâmina de corte da serra.
2. Desligue a alimentação elétrica e desmonte a bateria.

3. Desaperte, mas não retire, o parafuso na cobertura do parafuso da lâmina. Levante a cobertura do parafuso da lâmina.
4. Faça rodar para trás a proteção de fecho automático e segure-a.
5. Prima o botão de bloqueio do veio e desaparafuse em simultâneo o parafuso da lâmina com a chave sextavada fornecida. Desmonte a flange exterior.
6. Remova a lâmina de serra.

Montar a lâmina da serra:

Antes da montagem, se necessário, limpe todas as peças a serem montadas.

Depois de seguir o procedimento "Retirar a lâmina da serra".

1. Calce luvas quando manusear a lâmina de corte da serra.
2. Certifique-se de que a alimentação elétrica está desligada e que a bateria está desmontada.
3. Faça rodar para trás a proteção de fecho automático e segure-a.
4. Aplique a nova lâmina de corte da serra em posição. Certifique-se de que o sentido de rotação da lâmina de corte é consistente com o sentido apontado pela seta na guarda da lâmina de corte.
5. Coloque a flange e o parafuso da lâmina.
6. Prima o botão de bloqueio do veio até engrenar e aperte o parafuso da lâmina.
7. Puxe a guarda de fecho automático para baixo.
8. Baixe a cobertura do parafuso da lâmina e aperte o parafuso.

⚠ AVISO! Certifique-se de que baixa a cobertura do parafuso da lâmina até à posição original e de que aperta o parafuso.

Ajustar o ângulo do corte:

O ângulo de corte angular pode ser regulado desde 45 graus (do lado esquerdo) até 45 graus (do lado direito).

1. Solte o botão de bloqueio da serra.
2. Prima a alavanca de libertação do batente da serra. Rode a mesa da serra para o ângulo pretendido, rodando o botão de bloqueio da serra.
3. Aperte novamente o botão de bloqueio da serra.

Ajustar o ângulo do biselamento:

O ângulo de corte biselado pode ser regulado de 0 a 45 graus.

1. Desaperte o manípulo de bloqueio do corte biselado.
2. Com a pega, incline o braço da ferramenta para o ângulo de corte biselado pretendido.
3. Mantendo o braço da ferramenta nessa posição, volte a dar aperto à maçaneta de bloqueio do corte biselado.

⚠ AVISO! O fabricante recomenda veementemente que este aparelho seja sempre montado de forma segura sobre uma bancada.

Quando a base do produto está fixa ao topo de uma bancada com firmeza e em segurança, por 4 porcas, parafusos e anilhas conforme as instruções, o produto pode ser utilizado com a regulação máxima de corte biselado e de corte angular sem o risco de tombar. Se o produto não estiver bem fixo, pode balancear-se quando se selecionam grandes ângulos de bisel.

MANUTENÇÃO

- Não modifique o produto de nenhum modo nem utilize acessórios não aprovados pelo fabricante. A sua segurança e a dos demais pode ver-se ameaçada.

- Não utilize o produto se algum dos interruptores, proteções ou outras funções não funcionam conforme o previsto. Dirija-se a um centro de serviço autorizado para ajustes ou reparações profissionais.
- Não faça nenhum ajuste enquanto a lâmina da serra está em movimento.
- Antes de fazer afinações ou lubrificação, ou quando fizer qualquer manutenção ao produto, certifique-se sempre de que o conjunto das baterias foi desmontado do produto.
- Antes e depois de cada uso, verifique se há danos ou partes partidas no produto. Mantenha o produto nas melhores condições de trabalho substituindo de imediato as peças por peças sobresselentes aprovadas pelo fabricante.
- A lâmina tem arestas afiadas e pode ficar quente depois de operações de corte. Tenha o máximo cuidado quando limpar uma lâmina exposta. Use luvas para se proteger contra ferimentos.
- Limpe com regularidade as poeiras da serra e dos respectivos acessórios, especialmente nas peças móveis, incluindo a guarda da lâmina. Para limpar as poeiras com eficácia, use uma escova de mão ou um aspirador. Não use ar comprimido.
- Para uma maior segurança e fiabilidade, todas as reparações, incluindo a mudança de escovas, deverão ser realizadas por um centro de serviço autorizado.

AVISO! Não tente desarmar o conjunto da guarda da lâmina: nem para limpeza, nem para reparações. Guardas danificadas não devem ser usadas. Devolva-as a um centro de assistência autorizado, para reparação ou substituição.

Calibração de corte biselado e de corte angular

Se a calibração de corte biselado e de corte angular for necessária, consulte as páginas 213 a 217 e siga as instruções de calibração.

TRANSPORTE E ARMAZENAMENTO

- Quando guardar o produto, desmonte o conjunto de baterias. Guarde o produto num local seguro que não seja acessível às crianças.
- Limpe o produto com uma escova e um aspirador antes do seu armazenamento.
- Se retirar a lâmina de serra ou guardar peças sobresselentes com a unidade, assegure-se que estão na embalagem original para evitar lesões.

Para assegurar o produto antes de realizar movimentos:

- O produto deve ser guardado com o ângulo de bisel e esquadria a zero graus e bloqueado nessa posição. A asa deve ser bloqueada na posição mais baixa (segura) com as proteções fechadas.

Para transportar à mão ou num veículo:

- Asegure o produto antes de realizar movimentos tal como se descreve no manual.
- Retire o aparelho da bancada, libertando os quatro parafusos, um em cada canto. Guarde os parafusos para utilizá-los no futuro. Transporte o produto pela pega de transporte superior ou lateral com as duas mãos.
- Para transportá-lo num veículo, coloque o produto sobre a sua base e imobilize-o.

SÍMBOLOS NO PRODUTO



Alerta de segurança



Marca europeia de conformidade



Marca britânica de conformidade



Marca ucraniana de conformidade



Marca de conformidade EurAsian



Agradecemos que leia atentamente as instruções antes de iniciar a máquina.



Use protecção para os ouvidos



Use sempre protecção para os olhos.



Mantenha as mãos afastadas da área de corte e das lâminas afiadas.



Não expor à chuva nem utilizar em locais húmidos.



Use luvas de segurança



Sentido de rotação da lâmina (mostrado na lâmina da serra)



Sentido de rotação da lâmina (mostrado na protecção da lâmina)



Largura de corte da lâmina (Canal)



Número de dentes nesta lâmina de serra



Capacidade de corte



Para corte de madeira e de materiais semelhantes



Não para corte de metais



Regule a posição da guia deslizantes antes de realizar cortes biselados ou compostos.



Direção de desaperto do parafuso da lâmina

Não elimine baterias, pilhas, equipamentos elétricos e eletrônicos juntamente com resíduos municipais não separados. Os resíduos de baterias, pilhas e equipamentos elétricos e eletrônicos devem ser recolhidos separadamente. Os resíduos de acumulares de baterias, pilhas e fontes de luz têm de ser retirados do equipamento. Consulte a sua autoridade local ou retalhista para obter aconselhamento sobre reciclagem e pontos de recolha. De acordo com os regulamentos locais, os retalhistas têm a obrigação de receber os resíduos de baterias, pilhas e equipamentos elétricos e eletrônicos livres de encargos. O seu contributo para reutilizar e reciclar os resíduos de equipamentos elétricos e eletrônicos ajuda a reduzir a procura de matérias-primas. As baterias e pilhas usadas, em particular, contêm lítio e os resíduos de equipamentos elétricos e eletrônicos contêm materiais recicláveis preciosos, que podem afetar negativamente o meio ambiente e a saúde humana se não forem eliminados de uma forma ambientalmente compatível. Elimine os dados pessoais dos equipamentos, se existirem.



SÍMBOLOS NESTE MANUAL



Bloqueio



Abrir



Tempo de espera para que a lâmina atinja a velocidade máxima ou pare por completo.



As peças ou acessórios vendem-se separadamente



Nota



Aviso

Sikkerhed, ydelse og driftssikkerhed har fået topprioritet i designet af din kap- & geringsssav.

TILTÆNK ANVENDELSESFORMÅL

Hensigten med geringsssaven er saven i massivt og sammenlimet træ, materialer svarende til træ med eller uden pålimet finer eller plastik.

Den geringsssaven til jævnstrøm er kun beregnet til at blive brugt af voksne, som har læst instruktionerne og forstået risici og farer.

Geringsssaven er beregnet til at blive monteret i bunden til overfladen på en solid arbejdsbænk. Hvis soklen ikke er forsvarligt fastgjort, kan hele maskinen flytte sig under skærearbejdet, hvilket øger muligheden for alvorlig personskade.

Geringsssaven er designet til at foretage skrå- og geringsssnit. Karakteristika for de forskellige skærehandlinger er angivet i produktspecifikationerne i denne vejledning.

Geringsssaven skal anvendes i tørre omgivelser med kraftigt omgivende belysning og tilstrækkelig ventilation.

Geringsssaven er bestemt til forbrugeranvendelse og skal kun bruges som beskrevet ovenfor og er ikke beregnet til andet formål.

ALMINDELIGE SIKKERHEDSREGLER FOR ELVÆRKTØJET

⚠ ADVARSEL! Læs alle omhyggeligt alle advarsler, anvisninger og specifikationer, som følger med maskinen, og studer illustrationerne. Hvis nedenstående forskrifter ikke overholdes, kan der ske uheld og ulykker som brand, elektrisk stød og/eller alvorlige personskader.

Gem alle advarsler og brugsanvisninger til senere brug. Betegnelsen "eldrevet værktøj" i advarslerne henviser til jeres ledningsforbundne elværktøj eller batteridrevne (ledningsfrie) elværktøj.

SIKKERHED I ARBEJDSOMRÅDET

- **Hold arbejdsområdet rent og godt oplyst.** Rodede eller mørke områder inviterer til ulykker.
- **Brug ikke elværktøjer i eksplosive omgivelser som fx i nærheden af brandbar væske, gas eller støv.** Elværktøjer udløser gnister, som kan antænde støvet eller dampene.
- **Der må ikke være børn og tilskuere i nærheden, når et elværktøj anvendes.** Distractioner kan medføre, at du mister kontrollen.

ELEKTRISK SIKKERHED

- **Elværktøjets elstik skal passe til elnetkontakten.** Elstikket må aldrig modificeres på nogen som helst måde. Undlad brug af adapterstik til jordede (stelforbundne) elværktøjer. Umodificerede elstik og passende elnetkontakter reducerer faren for elektrisk stød.
- **Undgå kropskontakt med jordede eller stelforbundne overflader som fx rør, radiatorer, komfurer og køleskabe.** Der er forøget risiko for elektrisk stød, hvis din krop er forbundet med jord eller stel.
- **Undlad at udsætte elværktøjer for regn eller fugt.** Hvis der trænger vand ind i et elværktøj, øges faren for elektrisk stød.
- **Undlad at misbruge ledningen.** Ledningen må aldrig bruges til at bære eller trække i elværktøjet eller til at trække stikket ud. Hold ledningen på afstand af

varme, olie og skarpe kanter eller bevægelige dele. Beskadigede eller sammenfildrede ledninger øger faren for elektrisk stød.

- **Når et elværktøj anvendes i det fri, skal der bruges en forlængerledning, der er egnet til udendørs brug.** Brug af ledninger beregnet til udendørs brug reducerer faren for elektrisk stød.
- **Hvis man er nødt til at bruge elværktøjer i fugtige omgivelser, skal strømforsyningen have en fejlstrømsafbryder (RCD-afbryder).** Brug af fejlstrømsafbryder reducerer faren for elektrisk stød.

PERSONLIG SIKKERHED

- **Vær opmærksom, se på det, du laver, og brug almindelig sund fornuft, når du betjener et elværktøj. Anvend ikke et elværktøj, hvis du er træt, syg eller du har taget stoffer, drukket alkohol eller taget medicin.** Et øjeblik uopmærksomhed under brug af motoriserede værktøjer kan medføre alvorlige personskader.
- **Brug personlige værnemidler Brug altid øjenværn.** Personlige værnemidler som støvmaske, skridsikre sikkerhedssko, beskyttelseshjelm eller høreværn anvendt under de rette betingelser nedsætter antallet af personskader.
- **Undgå utilsigtet start. Sørg for, at afbryderen er slukket (i off-position), før du tilslutter produktet til strømkilden og/eller batteriet eller løfter eller går rundt med produktet.** Der kan ske en ulykke, hvis du går rundt med fingeren på afbryderen eller tilslutter strøm til elværktøj med afbryderen tændt.
- **Fjern evt. skruenøgler, inden der tændes for elværktøjet.** En efterladt skruenøgle fastgjort til en roterende del af elværktøjet kan medføre personskader.
- **Læn dig aldrig for langt frem. Sørg for altid at have godt fodfæste og god balance.** Dette giver bedre kontrol over elværktøjet i uventede situationer.
- **Vær ordentligt klædt på. Bær ikke løstsiddende tøj eller smykker. Hold hår og beklædning på afstand af bevægelige dele.** Løstsiddende tøj, smykker eller langt hår kan hænge fast i bevægelige dele.
- **Hvis der medfølger anordninger til tilslutning af støvudsugning og støvopsamling, skal det sikres, at de tilsluttes og bruges korrekt.** Brug af støvopsamling kan nedsætte farer forbundet med støv.
- **Lad ikke fortroligheden, der er opstået ud fra hyppig brug af et redskab, påvirke dig til at være tilbagelænet og ignorere sikkerhedsprincipper.** Uforsigtige handlinger, selv i brøkdelen af sekunder, kan medføre alvorlige personskader.

BRUG OG PLEJE AF ELVÆRKTØJ

- **Lad være med at tvinge elværktøjet. Brug det korrekte elværktøj til din applikation.** Det korrekte elværktøj vil gøre arbejdet bedre og sikrere ved den hastighed, det er designet til.
- **Elværktøjet må ikke tages i brug, hvis TÆND/SLUK-kontakten ikke virker.** Et elværktøj, der ikke kan kontrolleres med TÆND/SLUK-kontakten, er farligt og skal repareres.
- **Fjern stikket fra strømkilden, og/eller fjern batteripakken fra elværktøjet, hvis den er aftagelig, før du foretager justeringer, udskifter tilbehør eller lægger elværktøjet væk.** Sådanne forebyggende sikkerhedsforanstaltninger reducerer risikoen for opstart af produktet ved et uheld.

- Når elværktøjer ikke bruges, skal de opbevares utilgængeligt for børn; personer, som ikke er fortrolige med elværktøjet eller denne brugsanvisning, må ikke anvende elværktøjet. Elværktøjer er farlige i hænderne på ukundige brugere.
- Vedligehold elværktøj og tilbehør. Kontroller for fejljustering og binding af bevægelige dele, fejl på dele og alle andre forhold, der kan påvirke elværktøjets funktion. Hvis der konstateres skader, skal værktøjet repareres inden brug. Mange ulykker er forårsaget af dårligt vedligeholdt elværktøj.
- Hold skæreværktøjer skarpe og rene. Korrekt vedligeholdte skæreværktøjer med skarpe ægge er mindre tilbøjelige til at sætte sig fast og er nemmere at styre.
- Brug elværktøjet, tilbehør og bits til værktøj mv. i overensstemmelse med disse anvisninger, idet der tages hensyn til arbejdsbetingelser og arbejdet, der skal udføres. Brug af elværktøjet i strid med det tiltænkte anvendelsesformål kan medføre farlige situationer.
- Hold håndtag og gribeblader tørre og fri for olie og fedt. Glatte håndtag og gribeblader muliggør ikke sikker håndtering og styring af værktøjet under ikke forventede situations.

BRUG OG PLEJE AF BATTERIVÆRKTØJ

- Brug kun producentens angivne oplader til genopladning. En oplader, der kan bruges til én type batteri, kan udgøre en brandrisiko, hvis den bruges med en anden batteritype.
- Brug kun elværktøj med de specielt beregnede batteripakker. Brug af andre typer batterier kan medføre risiko for personskader og brand.
- Når batteripakken ikke bruges, må det ikke opbevares sammen med metalgenstande som fx papirclips, mønter, nøgler, søm, skruer eller andre metalgenstande, som kan skabe forbindelse mellem batteriets poler. Sammenføjning af batteriklemmer kan forårsage forbrændinger eller brand.
- Væske kan sprøjte ud fra batteriet ved misbrug af produktet. Undgå kontakt. Skyl med vand ved utilsigtet kontakt. Søg desuden lægehjælp ved øjenkontakt. Væske fra batteriet kan forårsage irritation eller forbrændinger.
- Brug ikke et batteri eller værktøj, der er beskadiget eller modificeret. Beskadigede eller modificerede batterier kan være ustabile, hvilket kan medføre brand, eksplosion eller personskade.
- Udsæt ikke batteri eller værktøj for åben ild eller høje temperaturer. Udsættelse for temperaturer over 130°C kan medføre eksplosion.
- Følg vejledningen for opladning, og oplad ikke batteriet eller værktøjet uden for det temperaturområde, der er angivet i vejledningen. Forkert opladning eller opladning ved temperaturer uden for det angivne område kan beskadige batteriet og øge risikoen for brand.

SERVICE

- Sørg for, at elværktøjet serviceres af en kvalificeret reparatør, som kun benytter sig af originale reservedele. Herved garanteres sikkerheden for elproduktet.

- Efterse aldrig beskadigede batteripakker. Eftersyn af batteripakker bør kun udføres af producenten eller autoriserede serviceleverandører.

SIKKERHEDSANVISNINGER FOR GERINGSSAVE

- Geringsssave har til formål at skære i træ eller tilsvarende produkter. De kan ikke bruges med slibende afskæringshjul til afskæring af jernholdige materialer som stænger, stokke, søm osv. Slibestøv forårsager, at bevægelige dele som den nederste afskærmning kører fast. Gnister fra slibende skæring brænder den nederste afskærmning, sniffugeindsats og andre plastdele.
- Brug så vidt muligt altid spændeudstyr til at understøtte emnet. Hvis arbejdsområdet understøttes med hånden, skal man altid hold hånden mindst 100 mm fra begge sider af savklingen. Brug ikke denne sav til skæring af stykker, der er for små til sikker opspænding eller håndholdt. Hvis hånden placeres for tæt på savklingen, er der en forøget risiko for personskade forårsaget af kontakt med savklingen.
- Arbejdsområdet skal være stationært og opspændes eller holdes mod både anlægget og bordet. Undlad at indføre arbejdsområdet i klingens eller på nogen måde at skære med "frihånd". Ikke fastgjorte arbejdsområder eller arbejdsområder i bevægelse kan blive udkastet med høj hastighed og forårsage personskade.
- Skub saven igennem arbejdsområdet. Træk ikke saven igennem arbejdsområdet. Foretag et snit ved at hæve savhovedet og trække det ud over arbejdsområdet uden at skære. Start motoren, og tryk savhovedet ned, og skub saven igennem arbejdsområdet. Skæring i forbindelse med trækslaget vil sandsynligvis forårsage, at savklingen kravler op på arbejdsområdet og med stor kraft slynge klingeenheden i retning af operatøren.
- Kryds aldrig hånden over den tilsigtede skærelinje hverken foran eller bag savklingen. Understøtning af arbejdsområdet med "krydsede hænder", dvs. at arbejdsområdet holdes til højre for savklingen med venstre hånd eller omvendt, er meget farligt.
- Ræk ikke bag anlægget med nogen af hænderne tættere end 100 mm fra hver side af savklingen for at fjerne træresten eller af nogen anden årsag, mens klingens kører rundt. Nærheden af den roterende savklinge i forhold til hånden er måske ikke indlysende, og du kan komme alvorligt til skade.
- Undersøg emnet inden skæring. Hvis arbejdsområdet er buet eller kaster sig, skal det fastgøres med den udvendige bøjede forside vendende mod anlægget. Sørg altid for at sikre, at der ikke er noget mellemrum mellem arbejdsområdet, anlæg og bord langs skærelinjen. Arbejdsområdet, der er bøjede eller kaster sig, kan vride sig eller forskydes og forårsage, at den roterende savklinge sætter sig fast under skæring. Der må ikke være søm eller fremmedlegemer i arbejdsområdet.
- Brug ikke saven, før bordet er ryddet for alt værktøj, træaffald osv. bortset fra arbejdsområdet. Småaffald eller løse stykker træ eller andre genstande i berøring med den roterende savklinge kan blive udkastet med høj hastighed.
- Skær kun et arbejdsområde ad gangen. Flere stakke arbejdsområder kan ikke fastspændes eller afstives tilstrækkeligt og kan få klingens til at sætte sig fast eller forskydes under skæring.

- **Kontroller, at geringssaven er monteret eller placeret på en plan, fast arbejdsflade inden brug.** En plan og fast arbejdsflade nedsætter risikoen for, at geringssaven bliver ustabil.
- **Planlæg dit arbejde.** Hver gang du skifter vinkelindstilling for smig eller gering, skal der sørges for, at det justerbare anlæg er indstillet korrekt, så arbejdsområdet bliver understøttet og ikke kommer i konflikt med klingens eller afskærmningen. Flyt uden at tænde for værktøjet og uden arbejdsbenne på bordet savklingen gennem et simuleret komplet snit for at sikre, at der ikke opstår nogen konflikt med eller fare for skæring af anlægget.
- **Sørg for tilstrækkelig understøtning som bordforlængelser, savbukke osv. for et arbejdsbenne, der er bredere eller længere end bordfladen.** Arbejdsbenner, der er længere eller bredere end geringssavens bord, kan vippe, hvis de ikke er forsvarligt understøttede. Hvis det afskårne stykke eller spidsen på arbejdsbennet vipper, kan det løfte den nederste afskærmning eller blive udkastet af den roterende klinge.
- **Brug ikke en anden person som erstatning for en bordforlængelse eller som yderligere støtte.** Ustabil understøtning af arbejdsbennet kan forårsage, at klingens sætter sig fast, eller at arbejdsbennet forskubbes under skæring, så du og din hjælper bliver trukket ind i den roterende klinge.
- **Det afskårne stykke må ikke sætte sig fast eller på anden måde blive trykket mod den roterende savklinge.** Hvis det afskårne stykke fastholdes, dvs. ved brug af længdestop, kan det blive kilet mod klingens og udkastet med stor kraft.
- **Brug altid denskruetvinge eller ret opspændingsværktøj designet til korrekt understøtning af rundt materiale som stænger eller rør.** Stænger er tilbøjelige til at rulle under afskæring, og det forårsager, at klingens "bider" og trækker emnet ind i klingens sammen med din hånd.
- **Lad klingens opnå fuld hastighed, inden den kommer i berøring med arbejdsbennet.** Dette reducerer risikoen for, at arbejdsbennet bliver kastet ud.
- **Hvis arbejdsbennet eller klingens sætter sig fast, skal du slukke for geringssaven på "FRA".** Vent, indtil alle bevægende dele er standset, og fjern stikket fra strømkilden, og/eller fjern batteripakken. Arbejd så på at frigøre det fastkørte materiale. Fortsat savning med et fastkørt arbejdsbenne kan forårsage tab af styring eller beskadigelse af geringssaven.
- **Efter færdiggørelse af snittet, skal kontakten frigøres, savholdet holdes nedad, og du skal vente til klingens stopper, inden det afskårne stykke fjernes.** Det er farligt at række ud med hånden, mens klingens stadig roterer.
- **Hold godt fast i håndtaget, når der foretages et ufuldstændigt snit, eller hvis kontakten udløses, inden savhovedet fuldstændigt har nået nederste position.** Bremselandingen kan forårsage, at savhovedet pludseligt bliver trukket nedad, så der opstår fare for personskade.

SIKKERHEDSINSTRUKTIONER FOR TRÆSKÆRENDE KLINGE

- Læs vejledning og anvisninger omhyggeligt inden brug af savklingen og maskinen.
- Produktet skal være i god stand, spindlen uden deformation og vibration.
- Brug kun produktet, hvis afskærmninger er på plads. Hold afskærmningerne i god stand, og sørg for at vedligeholde dem.
- Kontroller, at operatøren er tilstrækkelig uddannet i sikkerhedsforanstaltninger, justering og betjening af produktet.
- Brug altid sikkerhedsbriller og høreværn ved brug af produktet. Beskyttelseshandsker, skridsikre sko, høreværn og forklæde anbefales.
- Konsulter brugsanvisningen inden brug af ekstraudstyr/tilbehør. Forkert anvendelse af tilbehør kan forårsage skader og øge risikoen for personskader.
- Brug kun klinger, som er specificeret i denne brugsanvisning, og som overholder EN 847-1.
- Overhold den maksimale hastighed, der er markeret på savklingen. Kontrollér, at den hastighed, der er anført på savklingen, som minimum svarer til den hastighed, der er anført på saven.
- Brug altid klinger med en størrelse og facon, der passer til akselboringen. Klinger, som ikke passer til akslen, de skal monteres på, vil ikke dreje ordentligt rundt og kan bevirke, at man mister kontrollen over værktøjet.
- Undlad brug af klinger med større eller mindre diameter end anbefalet. Undlad brug af mellemstykker for at få klingens til at passe til spindlen.
- Før hver anvendelse skal du kontrollere spidsen af savklingen for skader og kontrollere, om den ser normal ud. Spidser, der er beskadigede eller løse, kan under brug flyve af, hvorved risikoen for personskade øges.
- Ridsede savklinger eller sådanne, som har ændret form, må ikke bruges. Benyt ikke savblade, der er beskadiget eller deformet.
- Hvis en savklinge er beskadiget, deform, skæv eller revnet, skal den smides ud. Reparation er ikke tilladt.
- Undlad brug af HHS-klinger.
- Kontroller, at savklingen er monteret korrekt, og spænd opspændingsdommøtrikken forsvarligt inden brug (tilspændingsmoment ca. 8-10 Nm).
- Fastgørelsesskrue og møtrikker skal tilspændes med korrekt nøgle, osv.
- Det er ikke tilladt at forlænge skruenøglen eller stramme den ved at slå på den med en hammer.
- Sørg for, at alle klinger og flanger er rene, og at manchettens forsænkede sider ligger an mod klingens.
- Kontrollér, at klingens roterer i den rigtige retning.
- Inden påbegyndelse af arbejdet skal man foretage et prøvesnit uden tændt motor, så man kontrollere klingens position og skærmens funktionsmåde i forhold til maskindelene og emnet.
- Lad aldrig produktet køre uden opsyn.
- Undlad at påføre smøremidler på klingens, mens denne kører.
- Der må aldrig udføres rengøring eller vedligeholdelsesarbejde, mens maskinen kører og skærehovedet ikke er i hvileposition.
- Forsøg aldrig at stoppe en maskine i bevægelse på en hurtig måde ved at presse et værktøj eller andre genstande ind mod klingens; dette kan resultere i alvorlige ulykker.
- Strømmen til produktet skal afbrydes, eller batteriet skal fjernes, før der udskiftes klinger, eller før der udføres vedligeholdelse.



- Vær opmærksom ved klingens nedpakning og udpakning, det er nemt at komme til skade med de skarpe klingespidser.
- Brug en klingeholder eller anvend handsker ved håndteringen af savklinger.
- Opbevar klingen i original emballage eller anden egnet emballage, opbevar den under tørre forhold og væk fra kemikalier, der kan beskadige klingens.

EKSTRA SIKKERHEDSADVARSLER

- Emnet skal altid være sikkert fastspændt.
- Sørg for, at produktet altid er stabilt og sikkert (f.eks. fastgjort til en bænk).
- Brug altid høreværn. Støjpåvirkning kan bevirke tab af hørelse.
- Brug altid sikkerhedsbriller ved brug af produktet. Det anbefales at bruge handsker til håndtering af klinger og ru materiale, samt solide skridsikre sko for at beskytte fødderne mod emner, som kan falde ned fra skæreområdet.
- Strømmen til produktet skal afbrydes, eller batteripakken skal fjernes, før der udføres vedligeholdelse eller rengøring af produktet.
- Installer kun batteripakken, når strømmen til produktet er afbrudt.
- Undlad at række hånden ind i området nær klingens, med mindre klingens er helt stoppet.
- Før anvendelse skal du grundigt kontrollere produktet og batteripakken for eventuelle skader eller materialetræthed. Reparation af hele produktet må kun udføres af et autoriseret serviceværksted.
- Brug altid afskærmningerne på produktet. Brug ikke produktet, hvis afskærmningerne ikke er på plads og fungerer korrekt.
- Den nederste klingeafskærmning må kun åbnes, når klingens sænkes til arbejdsområdet og skal altid være i stand til at bevæge sig frit og lukke automatisk.
- Fastgør og brug altid forlængerstænger til understøtning af arbejdsområdet under arbejdet.
- Foretag aldrig større eller mindre ændringer på produktet eller dets funktion. Det kan gå ud over din sikkerhed.
- Undlad at bruge savklinger, som er revnet, beskadiget eller deformet.
- Brug ikke savklinger, som er fremstillet af high-speed stål.
- Der må kun benyttes skarpe klinger. Uskarpe klinger skal udskiftes.
- Brug altid klinger med en størrelse og facon, der passer til akselboringen. Klinger, som ikke passer til akslen, de skal monteres på, vil ikke dreje ordentligt rundt og kan bevirke, at man mister kontrollen over værktøjet.
- Brug kun træbearbejdningsklinger angivet i denne vejledning, er i overensstemmelse med EN 847-1.
- Undlad at bruge flanger, at spændeskiver og møtrikker til at fastgøre savklingen - ud over dem, der følger med, eller som er angivet i brugsanvisningen.
- Vælg en savklinge, som passer til det emne, der skal skæres over. Brug aldrig produktet til skæring af andre materialer end dem, der angives i afsnittet om tilsigtet brug i denne vejledning.
- Det er vigtigt at undgå overophedning og smeltning af plast under skæring.

- Det er meget vigtigt at overholde den maks. hastighed, der er angivet på savklingen. Brug kun savklinger, der er afmærket med en hastighed svarende til eller højere end den hastighed, der er angivet på værktøjet.
- Udskift bordindsatsen, så snart den er slidt eller beskadiget.
- Før arbejdet bør der udføres en prøveskæring, uden at motoren er tændt, så klingens placering, afskærmningens funktion i forhold til andre maskindele, og arbejdsområdet kan kontrolleres.
- Når der foretages geringssnit, smigsnit eller sammensatte geringssnit, skal glideanlægget eller underanlægget justeres for at sikre den korrekte frigang fra klingens.
- Undgå ukontrolleret frigørelse af saveenheden i den dybeste position.
- Håndtagets lås skal altid være aktiveret ved transport af produktet.
- Hold gulvområdet fri for løse materialer, såsom spåner og afskårne dele.
- Afstå fra at fjerne eventuelle afskærmninger eller andre dele af emnet fra skæreområdet, mens produktet kører, og savhovedet ikke står stille.
- Lange emner skal støttes af på passende måde. Savens arbejdsområde omfatter hele emnets omfang. Operatøren bør sikre dette område mod utilsigtet kontakt fra andre personer eller genstande, der vil kunne flytte emnet under arbejdet.
- Det støv, der genereres ved brug af produktet, kan udgøre en sundhedsfare. Brug et støvudsugningssystem og bær en passende støvbeskyttelsesmaske. Fjern omhyggeligt ophobet støv, f.eks. med en støvsuger.
- Det kan være nødvendigt at justere det forskydelige rækværk for at sikre korrekt frigang, før du foretager smigsnit eller sammensatte geringssnit. Kontroller, at det forskydelige rækværks låseskrue er strammet forsvarligt efter justeringen.
- Klemmen kan monteres og bruges på begge sider af klingens. Ved nogle operationer kan klemmen komme i vejen for klingeafskærmningen. Sørg altid for, at der ikke er nogen konflikt med klingeafskærmningen, inden der påbegyndes nogen form for skæreooperation for at mindske risikoen for alvorlig personskade.
- Omgivelsestemperaturområdet for redskabet under betjening er mellem 0 °C og 40 °C.
- Omgivelsestemperaturområdet for opbevaring af redskabet er mellem 0 °C og 40 °C.
- Det anbefalede omgivelsestemperaturområde for ladesystemet under opladning er mellem 10 °C og 38 °C.

YDERLIGERE SIKKERHEDSADVARSLER OM BATTERI

- For at undgå risiko for brand, kvæstelser eller beskadigelse af produktet forårsaget af kortslutning må værktøjet, batteripakken eller opladeren ikke nedsænkes i vand. Sørg ligeledes for, at der ikke trænger væske ind i enhederne og batterierne. Korroderende eller ledende væsker, f.eks. saltvand, bestemte kemikalier, blegestoffer eller produkter, som indeholder blegestoffer, kan forårsage kortslutning.
- Omgivelsestemperaturområdet for batteri under brug er mellem 0 °C and 40 °C.



- Omgivelsestemperaturområdet for batteriopbevaring er mellem 0°C og 20°C.

TRANSPORT AF LITHIUM-BATTERIER

Batteriet skal transporteres i henhold til lokale og nationale forskrifter og love.

Når batterier skal transporteres af tredjepart, skal alle specielle krav til emballering og mærkning efterleves. Man skal sikre sig, at ingen batterier kan komme i kontakt med andre batterier eller ledende materialer under transporten ved at beskytte blottede konnektorer med isolerende, ikke-ledende hætter eller tape. Undlad at transportere batterier med revner eller utætheder. Rådfør dig desuden hos spediteøren.

UUNDGÅELIGE RISICI

Selv om produktet anvendes som foreskrevet, er det stadig umuligt at eliminere visse uundgåelige risikofaktorer fuldstændigt. Følgende risici kan opstå under brug, og operatøren bør være særligt opmærksom for at undgå følgende:

- Fare for kontakt med uafskærmede dele af den roterende savklinge.
- Tilbageslag fra arbejdsemner eller dele af arbejdsemner på grund af forkert indstilling eller håndtering
- Udslyngning af defekte hårdmetalspidser fra savklingen.
- Fare for skader på åndedrætsorganerne.

BEMÆRK: Benyt åndedrætsværn med filtre, der svarer til det materiale, der arbejdes med. Sørg for tilstrækkelig ventilation på arbejdspladsen. Undlad at spise, drikke eller ryge i arbejdsområdet.

- Skader på hørelse ved manglende brug af effektivt høreværn.

⚠ ADVARSEL! Støv fra visse typer maling, belægninger og materialer kan forårsage irritation eller allergiske reaktioner i åndedrætssystemet. Støv fra træ som fx eg, bøg, MDF og andre er kræftfremkaldende. Materiale, som indeholder asbest, må kun bearbejdes eller håndteres af hertil kvalificerede specialoperatører.

⚠ ADVARSEL! Længere tids brug af et værktøj kan forårsage - eller forværre - personskader. Når man bruger et værktøj i længere perioder ad gangen, skal man huske at holde hyppige pauser.

KEND PRODUKTET

Se side 198.

1. Håndtag, isoleret gribeblade
2. Tænd-/Sluk-kontakt
3. Omskift oplåsningsgreb
4. LED-kontakt
5. Nederste klingskærm
6. Hovedanslag
7. Bærehåndtag på siden
8. Glidende anslag
9. Drejebord
10. Snitplade
11. Geringslåseknop
12. Frigørelsesgreb for geringslåsepal
13. Støttefod
14. Batterienhed
15. Øverste bærehåndtag
16. Lineær stangstopknap
17. Spænde
18. Geringsvinkelmarkør

19. Monteringshul
20. Skrue til låsning af hovedafskærmning
21. Justeringskrue til skæredybde
22. Facetvinkelmarkør
23. Skrue til justering af 45 ° facetvinkelstop
24. Smigvinkelåseknop
25. Låsestift til savhoved
26. Støvpose
27. Sekskantnøgle
28. Skrue til justering af 0 ° facetvinkelstop
29. Skru til at låse den forskydelige beskytter
30. Aksellåseknop
31. Yderflange
32. Savklinge

BETJENING

Produktet har en bevægelig savklinge, der kan indstilles i forskellige vinkler af operatøren, når der skæres i et emne, der er forsvarligt fastgjort til soklen af produktet. Maskinen må kun betjenes af én person for at forhindre utilsigtet kontakt med den bevægelige savklinge.

Principperne for sikker brug af produktet er som følger:

- Sav, klinger og arbejdsområdet skal holdes i god stand.
- Kap- & geringssavens sokkel skal fastgøres til en robust arbejdsbænk. Produktet kan bevæge sig og tippe, hvis det ikke er forsvarligt fastgjort.
- Opsæt og fastlås skærevinklerne og -dybden inden savning.
- Fastgør emnet til kap- & geringssavens sokkel. Brug den medfølgende klemme, og om nødvendigt ekstra klemmer eller holdemekanismer til at forhindre utilsigtet bevægelse af emnet, mens der skæres.
 - Kontrollér, at klingskærmens bevægelse ikke er hæmmet pga. emnets position.
 - Sørg for, at der ikke skæres i anslaget eller andre dele af produktet, når klingens sænkes ned i skæreposition.
- Start motoren, og vent til klingens hastighed, inden den langsomt sænkes ned og skærer emnet.
- Lad klingemoduliet køre op i øverste yderposition, hvor klingskærmene er helt lukket. Sluk for motoren, og vent til klingens hastighed er helt standset, før emnet eller afskæringer fjernes, eller inden man rækker hånden ind i klingemoduliet.

Før første ibrugtagning skal man sikre sig, at den smig- eller geringsvinkel, der er indstillet på produktet, svarer til den vinkel, der skal fremstilles i emnet. Dette kan man kontrollere på et stykke affaldstræ ved hjælp af tømmerets eller geringsklods.

Fjern savklinge:

1. Anvend handsker, når du skal håndtere savklinger.
2. Sluk for strømmen, og fjern batteriet.
3. Løsn, men fjern ikke skrue på klingeboltens dæksel. Løft klingeboltens dæksel.
4. Sving den selvlukkende afskærmning tilbage, og hold på den.
5. Tryk på spindellåseknappen, og skru samtidig klingeboltens af ved hjælp af den medfølgende umbraconøgle. Fjern den ydre flange.
6. Fjern savklingen.

Montering af savklingen:

Før installeringen skal du efter behov rengøre alle de dele, der skal monteres.

Følg først proceduren "Sådan fjerner du savklingen".

1. Anvend handsker, når du skal håndtere savklinger.
2. Sørg for, at der er slukket for strømmen, eller at batteriet er fjernet.
3. Sving den selvslukkende afskærmning tilbage, og hold på den.
4. Monter den nye savklinge. Sørg for, at klingens rotationsretning er den samme som angivet af pilen på klingeafskærmningen.
5. Sæt flange og klingebolt på.
6. Tryk på spindellåseknappen, indtil den aktiveres, stram bladbolten.
7. Træk den selvslående afskærmning ned.
8. Sænk klingeboltens dæksel, og stram skruen.

⚠ ADVARSEL! Sørg for, at klingeboltens dæksel sænkes til den oprindelige position, og at skruen strammes.

Justering af geringsvinklen:

Geringsvinklen kan indstilles i området fra 45 grader (venstre side) til 45 grader (højre side).

1. Løsn geringslåsegrebet.
2. Tryk på frigørelsesgreb for geringslås Drej savbordet til den ønskede geringsvinkel ved hjælp af geringslåsehåndtaget.
3. Stram håndtaget til geringslåsen igen.

Justering af facetvinklen:

Facetvinklen kan indstilles i området fra 0 grader til 45 grader.

1. Løsgør håndtaget til facetlåsen.
2. Vip værktøjsarmen til den ønskede facetvinkel ved hjælp af håndtaget.
3. Hold værktøjsarmen i denne position, og stram atter håndtaget til facetlåsen.

⚠ ADVARSEL! Producenten anbefaler på det kraftigste, at produktet altid monteres forsvarligt på en arbejdsbænk.

Når bunden af produktet er solidt fastgjort til en bordplade med fire møtrikker, bolte og spændeskiver som anvist, kan produktet anvendes ved maks. facet- og geringsindstillinger uden mulighed for at vælte. Hvis produktet ikke er ordentligt fastgjort, kan det få overbalance, når der arbejdes med store smigvinkler.

VEDLIGEHOJDELSE

- Undlad at ændre produktet på nogen måde eller bruge tilbehør, som ikke er godkendt af producenten. Det kan gå ud over din og andres sikkerhed.
- Undlad at bruge produktet, hvis kontakter, skærme eller andre funktioner ikke fungerer efter hensigten. Indlevér på autoriseret servicecenter til professionel reparation eller justering.
- Undlad at foretage justeringer, mens savklingen roterer.
- Kontroller altid, at batteripakken er blevet fjernet fra produktet, inden der foretages justeringer og smøring, og når der udføres vedligeholdelse på produktet.
- Inden og efter hver brug skal produktet kontrolleres for skader eller afbrækkede dele. Hold altid produktet i god stand ved straks at udskifte dele med reservedele, der er godkendt af producenten.
- Klingens skarpe kanter og kan være varme efter skærehandlinger. Vær meget forsigtig, når du rengør en eksponeret klinge. Brug handsker for at beskytte dig selv mod skade.
- Rengør sav og tilbehør for støv med regelmæssige mellemrum og specielt for bevægelige dele, inkl.

klingeafskærmning. Brug en hånbørste eller støvsuger til effektiv fjernelse af støv. Anvend ikke trykluft.

- For at øge sikkerheden og pålideligheden bør alle reparationer, herunder udskiftning af børster, udføres af et autoriseret servicecenter.

⚠ ADVARSEL! Forsøg ikke at adskille klingeafskærmningen med henblik på rengøring eller reparation. Beskadigede afskærmninger må ikke bruges. Returner produktet til et aut. serviceværksted i tilfælde af reparation eller udskiftning.

Kalibrering af gerings- og smigvinkel

Hvis der er brug for kalibrering af gerings- og smigvinkel, se side 213 – 217, og følg kalibreringsanvisningerne.

TRANSPORT OG OPBEVARING

- Fjern batteripakken fra produktet ved opbevaring. Opbevar produktet på et sikkert sted, der er utilgængeligt for børn.
- Rengør produktet med en børste og støvsuger, inden det stilles til opbevaring.
- Hvis man fjerner savklingen eller opbevarer reservedele til enheden, skal man sikre sig, at sådanne opbevares i den originale emballage for at undgå personskader.

Til fastlåsning af produktet, inden det flyttes:

- Produktet bør opbevares ved nul graders gevings- og smigvinkel og låses fast. Håndtaget skal låses i nederste (sikre) position med lukkede afskærmninger.

Ved flytning eller transport med et køretøj:

- Fastgør produktet inden bevægelse, som beskrevet i denne brugsanvisning.
- Fjern produktet fra arbejdsbænken ved at løsne de 4 bolte, én i hvert hjørne. Gem boltene til senere brug. Bær produktet i det øverste bærehåndtag eller bærehåndtaget på siden med to hænder.
- Ved transport i et køretøj skal produktet stilles på soklen og fastgøres, så det ikke kan bevæge sig.

SYMBOLER PÅ PRODUKTET



Sikkerhedsadvarsel



Europæisk overensstemmelsesmærkning



Britisk overensstemmelsesmærkning



Ukrainsk overensstemmelsesmærkning



EurAsian overensstemmelsesmærke



Læs venligst vejledningen grundigt igennem før maskinen tages i brug.



Benyt høreværn



Brug altid øjenværn.



Hold hænderne væk fra skæreområdet og den skarpe klinge.



Må ikke udsættes for regn eller bruges i fugtige omgivelser.



Bær sikkerhedshandsker



Klingens rotationsretning (vist på savklinge)



Klingens omløbsretning (vist på klingskærmen)



Klingens snitbredde (snitfuge)



Antal tænder på denne savklinge



Savekapacitet



Tilskæring af træ og tilsvarende materiale



Ikke til skæring af metaller



Juster positionen for det forskydelige rækværk, inden du udfører smig- eller sammensatte snit.



Løsnende retningen for klingebolt



Bortskaf ikke brugte batterier, elektriske dele og elektronisk udstyr som usorteret kommunalt affald. Brugte batterier, kasserede elektriske dele og elektronisk udstyr skal indsamles separat. Brugte batterier, affaldsakkumulatorer og lyskilder skal fjernes fra udstyret. Kontakt din lokale myndighed eller forhandler for rådgivning om genbrug og indsamlingssted. Ifølge lokale bestemmelser er detailhandlere måske forpligtede til gratis at tage kasserede batterier, elektriske dele og elektronisk udstyr retur til bortskaffelse. Dit bidrag til genbrug og genanvendelse af brugte batterier, kasserede elektriske dele og elektronisk udstyr bidrager til at reducere efterspørgslen efter råmaterialer. Kasserede batterier, navnlig indeholdende lithium, og kasserede elektriske dele og elektronisk udstyr indeholder værdifulde og genanvendelige materialer, som kan have en negativ indvirkning på miljøet og menneskers sundhed, hvis det ikke bortskaffes på en miljøvenlig måde. Slet persondata fra eventuelt kasseret udstyr.

SYMBOLER I BRUGSANVISNINGEN



Lås



Oplås



Ventetid til klinge når fuld hastighed eller stopper fuldstændig.



Dele eller tilbehør, der sælges separat



Bemærk



Advarsel

Säkerhet, prestanda och pålitlighet har varit högsta prioritet vid design av din gerningsåg.

ANVÄNDINGSOMRÅDE

Gersågen är avsedd för sågning i massivt trä och spånskivor, träliknande material, med eller utan limmat fanér, och plast.

Gersågen är endast avsedd för vuxna användare som har läst instruktionsboken och inser riskerna och farorna.

Gersågen ska fixeras vid basen vid en solid bänkskiva. Om basen inte är ordentligt säkrad kan hela maskinen röra sig under sågning vilket ökar risken för allvarlig personskada.

Gersågen är utformad för utföra fasade och gerade snitt. Kapaciteterna för de olika snitten återges i produktspecifikationerna i den här manualen.

Gersågen ska bara användas i torra miljöer, med utmärkt allmänbelysning och adekvat ventilation.

Gersågen är avsedd för konsumentanvändning och ska endast användas såsom beskrivs ovan och är inte avsedd för andra ändamål.

ALLMÄNNA SÄKERHETSFORESKRIFTER FÖR MASKINVERKTYG

⚠ VARNING! Läs uppmärksamt alla varningar, instruktioner och specifikationer som bifogas med detta verktyg och studera bilderna. Underlåtenhet att respektera dessa föreskrifter kan leda till olyckor som brand, elektriska stötter och/eller allvarliga kroppsskador.

Behåll dessa varningar och anvisningar för framtida referens. Termen "elektriskt verktyg" i varningarna avser ditt nätdrivna elverktyg (med sladd) eller ditt batteridrivna elverktyg (sladdlöst).

ARBETSOMRÅDESSKYDD

- **Håll arbetsområdet rent och använd god belysning.** Skräpiga och mörka utrymmen inbjuder till olyckor.
- **Använd inte motordrivna verktyg i explosiva miljöer, till exempel i närheten av brännbara vätskor, brännbara gaser eller damm.** Motordrivna verktyg skapar blixtnar som kan antända damm och ångor.
- **Håll barn och åskådare på avstånd när du använder verktyget.** Distraktioner kan få dig att tappa kontrollen.

ELSÄKERHET

- **El-verktygskontakter måste passa i vägguttaget. Gör aldrig ändringar i kontakten på något sätt. Använd inte delningakontakter tillsammans med jordade el-verktyg.** Oförändrade kontakter och passande vägguttag reducerar risken för elektrisk chock.
- **Undvik kroppskontakt med jordade ytor så som rör, element, spisar och kylskåp.** Risken för elektrisk chock ökar om din kropp är jordad.
- **Utsätt inte motordrivna verktyg för regn eller blöta omgivningar.** Vatten som tränger in i ett motordrivet verktyg ökar risken för elektrisk stöt.
- **Skada inte sladden. Använd aldrig sladden till att bära med, dra ur eller koppla ur el-verktyget med. Håll strömsladden borta från värme, olja, vassa kanter och rörliga delar.** Trassliga eller skadade sladdar ökar risken för elektrisk chock.
- **När du använder ett el-verktyg utomhus måste en förlängningssladd för utomhusbruk användas.** Användning av kabel avsedd för utomhusbruk reducerar risken för elektrisk chock.

- **Om du inte kan undvika att använda el-verktyget i fuktiga utrymmen, använd en jordfelsbrytare som skydd.** En jordfelsbrytare reducerar risken för elektrisk chock.

PERSONSÄKERHET

- **Var uppmärksam, ha koll på vad du gör och använd sunt förnuft när du använder elverktyg. Använd inte ett elverktyg när du är trött, sjuk eller är påverkad av droger, alkohol eller medicin.** Ett ögonblicks ouppmärksamhet vid användning av motordrivna verktyg kan resultera i allvarlig personskada.
- **Använd personlig skyddsutrustning. Bär alltid ögonskydd.** Skyddsutrustning som en damm mask, halkfria skyddsskor, en hård hjälm, eller hörselskydd som används under lämpliga förhållanden minskar personskador.
- **Undvik oavsiktlig start. Försäkra dig om att brytaren står i fränslaget läge innan du ansluter limpistolen till en strömkälla och/eller ett batteri, samt innan du plockar upp eller bär produkten.** Att bära elverktyg med fingret på brytaren eller att låta energigivande elverktyg vara igång med brytaren påslagen är att bjuda in till olycksfall.
- **Avlägsna inställningsverktyg eller nyckel innan du sätter på el-verktyget.** En nyckel eller annat verktyg som sitter kvar på en roterande del i el-verktyget kan orsaka kroppsskada.
- **Sträck dig inte. Ha alltid ett bra fotfäste och en god balans.** Detta ger bättre kontroll av el-verktyget i oväntade situationer.
- **Klä dig korrekt. Bär inte löst åtsittande kläder eller smycken. Håll ditt hår och dina kläder borta från rörliga delar.** Löst åtsittande kläder, smycken och långt hår kan fastna i rörliga delar.
- **Om enheter tillhandahålls för anslutningen av dammsuget och uppsamlingsanläggningar, säkerställ att dessa är anslutna och används korrekt.** Användningen av dammuppsamling kan minska dammrelaterade faror.
- **Låt inte den erfarenhet som följer med vana vid verktygsanvändning göra dig oförsiktig och ignorera säkerhetsprinciper för verktygsanvändningen.** En bråkdel av en sekunds oaktsamhet kan resultera i allvarlig personskada.

ANVÄNDNING OCH UNDERHÅLL AV MOTORVERKTYG

- **Tvinga inte elverktyget. Använd rätt elverktyg för det du ska göra.** Med rätt elverktyg görs jobbet bättre och säkrare vid den hastighet för vilken det utformades.
- **Använd inte el-verktyget om det inte startar när du slår på eller av switchen.** Ett el-verktyg som inte kan kontrolleras med switchen är farligt och måste repareras.
- **Ta ut kontakten ur eluttaget och/eller ta bort batteripaketet, ifall avtagbart, från elverktyget innan du gör några justeringar, byter tillbehör eller förvarar elverktyg.** Sådana förebyggande säkerhetsåtgärder minskar risken för att starta elverktyget oavsiktligt.
- **Förvara oanvända el-verktyg utom räckhåll för barn och låt inte oerfarna människor använda el-verktyget.** El-verktyg är farliga i händerna på oerfarna användare.
- **Underhåll elverktyg och tillbehör. Kontrollera att de rörliga delarna inte är felinriktade och inte sitter fast, eventuella defekta delar eller monteringsfästen, eller**



något annat förhållande som kan påverka korrekt drift. Om maskinen är skadad måste den repareras innan den kan användas. Många olyckor orsakas av dåligt underhållna elverktyg.

- **Håll skärverktyg vassa och rena.** Korrekt underhålla skärverktyg med vassa kanter är mindre benägna att fastna och lättare att kontrollera.
- **Använd elverktyget, tillbehör och insatsverktyg mm. i enlighet med dessa anvisningar, och anpassat till arbetsförhållandena och det arbete som ska utföras.** Användning av el-verktyget för andra områden än de avsedda kan resultera i en riskfylld situation.
- **Håll handtag och greppytor torra, rena och fria från olja och smörj fett.** Håla handtag och greppytor tillåter inte säker hantering och kontroll av verktyget i oväntade situationer.

ANVÄNDNING OCH HANTERING AV BATTERIVERKTYG

- **Använd endast den laddare som specificeras av tillverkaren för uppladdning av batteriet.** En laddare som passar en typ av batteri kan innebära brandrisk om den används med annat batteri.
- **Använd endast elverktyg med specifikt utformade batteripaket.** Användning av andra batterier kan utgöra en risk för olycksfall och eldsvåda.
- **När batterier inte används ska det hållas på avstånd från metallföremål som gem, mynt, nycklar, spik, skruvar och andra metallföremål som kan ansluta mellan de olika polerna.** Att kortslua batteriterminalerna kan orsaka brännskador eller brand.
- **Vid missbruk kan vätska tränga ut ur batteriet, undvik att komma i kontakt med den. Om du av misstag kommer i kontakt med vätskan, skölj med vatten. Om vätskan kommer i kontakt med ögonen, kontakta också läkare.** Vätska som tränger ut ur batteriet kan orsaka irritation och brännskador.
- **Använd inte ett batteripaket eller ett verktyg som är skadat eller har modifierats.** Skadade eller modifierade batterier kan bete sig oförutsägbart, vilket kan leda till brand, explosion eller risk för olycksfall.
- **Utsätt inte ett batteripaket eller ett verktyg för eld eller mycket hög temperatur.** Exponering för eld eller temperaturer över 130°C kan orsaka explosion.
- **Följ alla anvisningar för laddning och ladda inte batteripaketet eller verktyget vid en temperatur utanför det intervall som anges i anvisningarna.** Att ladda på felaktigt sätt eller vid temperaturer utanför det angivna intervallet kan skada batteriet och ökar brandrisken.

SERVICE

- **Se till att ditt el-verktyg får service av en kvalificerad tekniker som bara använder identiska reservdelar.** Detta garanterar en säker användning av det motordrivna verktyget.
- **Reparera aldrig skadade batteripaket.** Reparation av batteripaket får endast utföras av tillverkaren eller en auktoriserad serviceverkstad.

SÄKERHETSANVISNINGAR FÖR GERSÅGAR

- **Gersågar är avsedda för att skära trä och träliknande produkter, de kan inte användas tillsammans med slipande kapningshjul för skärning av järnhaltigt material som stänger, stavar, stolpar osv. Slipande damm gör att rörliga delar som det nedre skyddet**

fastnar. Gnistor från slipande skärning bränner det nedre skyddet, sågsnittets insats och andra delar av plast.

- **Använd klämmor som stöd för arbetsstycket när så är möjligt. Om du håller i arbetsstycket med händerna, måste du alltid hålla dina händer åtminstone 100 mm från var sida av sågbladet. Använd inte denna såg för att skära bitar som är för små för att spännas fast säkert eller måste hållas för hand.** Om din hand är placerad för nära sågbladet, finns det en ökad risk för skada i händelse av kontakt med bladet.
- **Arbetsstycket måste vara stillastående och fastspänt eller hållas mot både anslaget och bordet. Mata inte in arbetsstycket i bladet eller skär "på fri hand".** Okontrollerade eller rörliga arbetsstycken kan kastas iväg i hög hastighet och orsaka skada.
- **Tryck sågen genom arbetsstycket. Dra inte sågen genom arbetsstycket. För att göra ett snitt, höj såghuvudet och dra det ut över arbetsstycket utan att skära, starta motorn, tryck ner såghuvudet och tryck sågen genom arbetsstycket.** Att skära på pull-stroke kommer säkerligen göra att sågbladet reser sig över arbetsstycket och kasta bladmonteringen med våld mot operatören.
- **Håll aldrig handen över den avsedda linjen för skärning, framför eller bakom sågbladet.** Att hålla stödjande arbetsstycket med "korsade händer", dvs. hålla arbetsstycket till höger om sågbladet med din vänstra hand eller tvärtom är väldigt farligt.
- **Sträck dig inte bakom anslaget med någon av dina händer närmare än 100 mm från var sida av sågbladet, för att ta bort trärester eller av någon annan anledning medan bladet snurrar.** Närheten till det snurrande sågbladet och din hand kanske inte är uppenbar och du kan skadas allvarligt.
- **Inspektera arbetsstycket före skärning. Om arbetsstycket är böjt eller krökt, spänn det med den yttre böjda sidan mot anslaget. Säkerställ alltid att det inte finns något gap mellan arbetsstycket, anslaget och bordet längs med skärlinjen.** Böjda eller krökta arbetsstycken kan vridas eller röra på sig och orsaka att sågbladet fastnar eller vrids. Det får inte finnas några spikar eller främmande föremål i arbetsstycket.
- **Använd inte sågen förrän bordet är fritt från verktyg, trärester osv., med undantag för arbetsstycket.** Skräp eller lösa träbitar eller andra föremål som kommer i kontakt med det roterande bladet kan kastas iväg med hög hastighet.
- **Skär endast ett arbetsstycke i taget.** Flera staplade arbetsstycken kan inte spännas fast säkert eller fästas och kan fastna på bladet eller vridas under skärning.
- **Säkerställ att gersågen är monterad och placerad på en jämn, stabil arbetsyta före användning.** En jämn och stabil arbetsyta minskar risken för att gersågen blir ostabil.
- **Planera ditt arbete. Varje gång du ändrar skråvinkel eller vinkel för gersågen, säkerställ att det justerbara anslaget är korrekt för att stödja arbetsstycket och inte kommer i vägen för bladet eller skyddssystemet.** Utan att slå på verktyget och utan något arbetsstycke på bordet, för sågbladet genom en helt simulerad skärning för att säkerställa att det inte finns någon störning eller fara vid skärning genom anslaget.
- **Tillhandahåll tillräckligt stöd i form av bordsförlängningar, sågbockar osv., för arbetsstycken som är bredare eller längre än**



- bordsskivan.** Arbetsstycken som är längre eller bredare än bordet för gersågen kan tippa om de inte stöds på ett säkert sätt. Om avskärningsbiten eller arbetsstycket tippar, kan det resa det nedre skyddet eller kastas iväg av det snurrande bladet.
- **Använd inte en annan person som en ersättare för en bordsförlängning eller för ytterligare stöd.** Ostabil stöd av arbetsstycket kan orsaka att bladet fastnar eller att arbetsstycket vrids under skärning, vilket kan göra att du och medhjälparen dras in i det snurrande bladet.
 - **Avskärningsbiten måste in fästas eller tryckas mot det snurrande sågbladet på något sätt.** Om den fastnar, dvs. om längdstopp används, kan avskärningsbiten kilas in i bladet och kastas iväg okontrollerat.
 - **Använd alltid en klämma eller en fixtur som är utformad för att korrekt stödja runt material som stänger eller rör.** Stänger har en tendens att snurra medan de skärs, vilket gör att bladet biter och drar in arbetsstycket samt din hand in i bladet.
 - **Låt bladet nå full hastighet innan det får kontakt med arbetsstycket.** Det minskar risken för att arbetsstycket kastas iväg.
 - **Stäng av (OFF) gersågen om arbetsstycket eller bladet fastnar.** Invänta att alla rörliga delar har avstannat och koppla loss kontakten från strömkällan och/eller ta ur batteripaketet. Arbeta sedan för att frigöra materialet som fastnat. Att fortsätta såga med material som fastnat kan göra att du förlorar kontrollen eller skadar gersågen.
 - **Efter slutförd skärning, släpp strömbrytaren, håll såghuvudet nedåt och vänta tills bladet har stannat före du tar bort avskärningsbiten.** Att sträcka din hand nära kastbladet är farligt.
 - **Håll ordentligt i handtaget när du gör en ofullständig skärning eller när du släpper strömbrytaren före såghuvudet är helt nere.** Sågens bromsverkan kan göra att såghuvudet plötsligt dras nedåt, vilket utgör en olycksrisk.

SÄKERHETSINSTRUKTIONER FÖR SKÄRBLAD FÖR TRÄ

- Läs manualen och anvisningarna noggrant innan du använder sågbladet och maskinen.
- Produkten måste vara i gott skick, spindeln utan deformation och vibrationer.
- Använd inte produkten utan att skydden är på plats. Underhåll och sköt skydden så att de hålls i bra skick.
- Säkerställ att operatören har tillräcklig utbildning när det kommer till säkerhetsåtgärder, justering och drift av produkten.
- Använd alltid skyddsglasögon och hörselskydd vid användning av produkten. Det är rekommenderat att använda handskar, kraftiga skor med halkskydd och ett förkläde.
- Läs alltid bruksanvisningen innan ett tillbehör skall användas. Felaktig användning av ett tillbehör kan orsaka skador och ökar risken för olyckor.
- Använd endast klingor som specificerats i denna manual, enligt EN 847-1.
- Observera den maximala hastigheten som finns angiven på sågklingan. Kontrollera att hastigheten som anges på sågklingan är minst lika hög som den som anges på sågen.

- Använd alltid sågklingor vars storlek och form är anpassade till axelns fästhål. Sågklingor som inte är anpassade till axeln på vilken de ska monteras roterar inte normalt och leder till att man förlorar kontrollen.
- Använd inte klingor av större eller mindre diameter än vad som rekommenderas. Använd inte brickor för att få klingan att passa på tappen.
- Kontrollera spetsarna på sågbladet med avseende på skador och onormalt utseende innan du använder det. Skadade eller löst sittande spetsar kan bli flygande objekt när sågen används och ökar risken för personskador.
- Spruckna sågklingor eller sådana som förändrat form får ej användas! Använd inga sågblad som har tagit skada eller är defomerade.
- Du får aldrig reparera sågbladet om det är skadat, defomerat, förvridet eller sprucket - om det har skador ska det skrotas.
- Använd inte HSS-klingor.
- Säkerställ att sågbladet är korrekt monterat, dra åt spindelmuttern ordentligt före användning (åtdragningsmoment ca 8-10 Nm).
- Fästskruv och muttrar ska fästas med lämplig skruvnyckel.
- Extension av skruvnyckeln eller åtdragning med hjälp av hammarslag är inte tillåtet.
- Se till att alla klingor och glansar är rena och de ingröpta sidorna av kragen är vända mot klingan.
- Kontrollera att klingan roterar i rätt riktning.
- Före arbete bör du göra en provkapning utan motorn påslagen så att läget för bladet och skydden i förhållande till andra maskiner och arbeten kan kontrolleras.
- Lämna aldrig produkten utan uppsikt.
- Applicera en smörjmedel på bladet när det är igång.
- Utför aldrig rengöring eller underhållsarbete medan maskinen är igång och huvudet inte är i läge.
- Försök aldrig stoppa maskinen snabbt genom att använda ett verktyg eller på annat sätt mot klingan, oavsiktliga allvarliga olyckor kan orsakas på det här sättet.
- Koppla bort produkten från elnätet eller ta ur batteripaketet innan du byter blad eller utför underhållsarbete.
- Var försiktig när bladet packas upp och läggs tillbaka i förpackningen, det är lätt att skadas av de vassa bladspetsarna.
- Använd bladhållare eller handskar vid hantering av sågblad.
- Förvara bladet i originalförpackningen eller annan lämplig förpackning, förvara det torrt och på avstånd från kemikalier som kan skada bladet.

YTTERLIGARE SÄKERHETSFORESKRIFTER

- Kläm alltid fast arbetsstycket ordentligt så det sitter säkert.
- Kontrollera att produkten alltid är stabil och säker (t.ex. fastsatt på en bänk).
- Använd alltid hörselskydd. Bullerbelastning kan orsaka hörselskador.
- Använd alltid skyddsglasögon och hörselskydd vid användning av produkten. Vi rekommenderar skyddshandskar vid hantering av sågblad och grovt material, plus kraftiga halkfria skor som skyddar fötterna från arbetsstycken som kan falla ner från sågytan.

- Koppla bort produkten från elnätet eller ta ur batteripaketet innan du utför underhållsarbete eller rengör produkten.
- Installera endast batteripaketet när produkten är avstängd.
- Sträck dig aldrig in i området nära bladet om det inte helt har slutat rotera.
- Inspektera produkten grundligt med avseende på skador samt batteripaketet eller materialförsvagningar innan du använder den. Reparationer av hela produkten skall utföras av ett auktoriserat servicecenter.
- Använd alltid produktens skydd. Använd inte produkten om skydden inte är på plats och fungerar korrekt.
- Det lägre skyddet för bladet skall bara öppnas när bladet har sänkts mot arbetsstycket, och måste alltid kunna röra sig fritt och stängas automatiskt.
- Fixera alltid och använd förlängningsstänger för att stödja arbetsstycket under drift.
- Ändra eller modifiera aldrig produkten eller dess funktioner. Din säkerhet kan vara i fara.
- Använd inga sågblad som är spruckna, skadade eller deformerade.
- Använd inga sågklingor som är tillverkade av highspeed stål.
- Använd enbart vassa blad. Byt ut blad som inte är vassa.
- Använd alltid sågklingor vars storlek och form är anpassade till axelns fästhål. Sågklingor som inte är anpassade till axeln på vilken de ska monteras roterar inte normalt och leder till att man förlorar kontrollen.
- Använd endast blad avsedda för träbearbetning som anges i denna manual, som överensstämmer med EN 847-1.
- Använd inte flänsar, distanser eller muttrar för att säkra sågbladet förutom de som medföljs eller anvisas i bruksanvisningen.
- Välj en sågklinga som lämpar sig för materialet som ska sågas. Använd aldrig produkten för att skära material annat än de som specificerats i den avsedda användningssektionen i denna manual.
- Det är viktigt att undvika överhettning av bladet och smältning av plast vid skärning.
- Det är viktigt att hålla sig till den maxhastighet som står angiven på sågbladet, använd endast sågblad som är märkta med en hastighet som är samma som eller högre än hastigheten som anges på verktyget.
- Byt ut bordsinlägget när det är slitet eller skadat.
- Före arbetet, gör en provskärning utan motor, så att bladets position, skyddets funktion i förhållande till andra maskindelar och arbetsstycket kan kontrolleras.
- Vid utförande av gerade, fasade eller kombinerade skärningar, justera det glidande anslaget eller det extra anslaget för att säkerställa korrekt avstånd från bladet.
- Undvik okontrollerad frigöring av sågen i läget helt nere.
- Handtagslåset måste alltid vara inkopplat vid transport av produkten.
- Håll golvytan fri från löst material, som spån och kapningar.
- Ta inte bort eventuella kapningar eller andra delar av arbetsstycket från skärområdet medan produkten är i gång och såghuvudet inte är i viloläge.
- Stötta långa arbetsstycken på lämpligt sätt. Arbetsområdet för sågen inkluderar hela omfattningen

av arbetsstycket. Användaren ska säkra området från kontakt av misstag av andra personer eller föremål som kan flytta arbetsstycket under användning.

- Det damm som uppstår vid användning av produkten kan utgöra en hälsorisk. Använd dammsugsystem och bör lämplig dammskyddsmask. Ta bort damm noggrant med dammsugare.
- Det kan vara nödvändigt att justera det glidande anslaget för att säkerställa att det finns tillräckligt med fritt utrymme före du utför avfasning eller kombinerad skärning. Säkerställ att låsskraven för det glidande anslaget är ordentligt ådragen efter justeringen.
- Klämman kan installeras och användas på valfri sida av bladet. Vid vissa operationer kan klämman störa bladskyddsmonteringen. Säkerställ alltid att det inte finns några störningar med bladskyddet före du påbörjar någon klippoperation för att minska risken för allvarlig personskada.
- Omgivningstemperaturen för verktyget vid drift skall ligga mellan 0 °C och 40 °C.
- Omgivningstemperaturen för verktyget vid förvaring skall ligga mellan 0 °C och 40 °C.
- Rekommenderad omgivningstemperatur vid laddning av systemet skall ligga mellan 10 °C och 38 °C.

YTTERLIGARE SÄKERHETSVARNINGAR FÖR BATTERIER

- För att undvika den fara för brand, personskador eller produktskador som orsakas av en kortslutning, doppa inte ner verktyget, utbytesbatteriet eller laddaren i vätskor och se till att ingen vätska kan tränga in i apparaterna eller batterierna. Korroderande eller ledande vätskor, som saltvatten, vissa kemikalier, blekningsmedel eller produkter som innehåller blekmedel, kan orsaka en kortslutning.
- Omgivningstemperaturen för batteriet vid drift skall ligga mellan 0 °C och 40 °C.
- Omgivningstemperatur för batteriet vid förvaring skall ligga mellan 0 °C och 20 °C.

TRANSPORTERA LITIUMBATTERIER.

Transportera batteriet enligt lokala och nationella lagar och regleringar.

Följ alla specifika krav på förpackning och etiketter när batteri transporteras av tredje part. Se till att batteriet inte kommer i kontakt med andra batterier eller ledande material genom att skydda exponerade kontakter med isolerande, icke ledande skydd eller tejp. Transportera inte batterier som är spruckna eller läcker. Kontrollera med vidarebefordrande företag för mer information.

RESIDUALRISK

Även om produkten används enligt instruktionerna går det inte att eliminera alla eventuella riskfaktorer. Följande risker kan uppstå vid användning och operatören ska vara extra uppmärksam för att undvika följande:

- Risk för kontakt med oskyddade delar av det roterande sågbladet.
- Rekyler av arbetsstycken eller delar av arbetsstycken på grund av felaktig justering eller hantering
- Felaktiga hårdmetallskär kan skjutas ut från sågklingan.
- Skador på andningsvägarna.

NOTERA: Använd andningskydd med filter som är lämpliga för de material som du arbetar med. Se till att arbetsplatsen är tillräckligt ventilerad. Åt, drick eller rök inte på arbetsområdet.

- Skada på hörseln om ett effektivt hörselskydd inte används.

⚠ VARNING! Damm från viss typ av färg, ytor och material kan skapa irritation eller allergiska reaktioner i andningssystemet. Damm från trä som ek, bok, MDF och annat är cancerframkallande. Material som innehåller asbest får enbart bearbetas av specialutbildade användare.

⚠ VARNING! Risk för person- eller slitageskador vid användning av verktyget under lång tid. Om verktyget används under längre perioder krävs regelbundna pauser.

LÄR KÄNNA DIN PRODUKT

Se *sidan 198*.

1. Handtag, isolerad greppyta
2. Strömbrytare
3. Spårspak
4. LED-brytare
5. Nedre skyddskåpa
6. Huvudstängsel
7. Bärhandtag på sidan
8. Glidstängsel
9. Tallrik
10. Platta för sågsknitt
11. Gerläsknapp
12. Frigöringsspak för gerspär
13. Stödfot
14. Batteripack
15. Bärhandtag på toppen
16. Stoppvred för linjärstav
17. Klämma
18. Gervinkelpekare
19. Monteringshå
20. Skruvar för låsning av anhål
21. Justeringskrav för skärdjup
22. Avfasningsvinkelpekare
23. Skruvar för justering av stopp för fasvinkel 45° fasvinkel
24. Låsvred för fasvinkel
25. Låsstift för såghuvud
26. Dampåse
27. Sexkantsnyckel
28. Skruvar för justering av stopp för fasvinkel 0°
29. Skruv för att låsa det glidande anslaget
30. Låsknapp för axeln
31. Yttre fläns
32. Sägblad

ANVÄNDNING

Produkten har ett rörligt sågblad som kan ställas i olika vinklar av användaren för att såga i arbetsstycken som är säkert fixerade vid produktens bas. Det får bara användas av en person för att förhindra kontakt av misstag med sågbladet när det är i rörelse.

Föreskrifter för säker användning av produkten är som följer:

- Håll såg, blad och arbetsyta i gott skick.
- Säkra geringsågen vid en stadig arbetsbänk. Produkten kan röra sig och välla om den inte är tillräckligt säkrad.
- Ställ in och läs sågvinklar och djup före sågning.
- Säkra arbetsstycket till geringsågens bas. Använd den medföljande klämman och, vid behov, ytterligare klämmor eller fästankordningar för att hindra oönskad rörelse av arbetsstycket under sågning.

- Kontrollera att bladskyddet inte hindras av arbetsstyckets placering.
 - Se till att stängsel och andra delar av produkten inte sägas när bladet sänks till sågläge.
- Starta motorn och låt bladet komma upp i full hastighet innan du sakta sänker ner det för att såga i arbetsstycket.
 - Låt bladet komma upp i sitt högsta läge där bladskydden är helt slutet. Stäng av motorn och låt bladet stanna helt innan arbetsstycke eller avsågade delar tas bort och före du sträcker dig in i bladets närhet.

Före första användning, se till att fasningen eller geringinställningen på produkten stämmer med vinkeln på arbetsstycket. Kontrollera på en träbit med vinkelhake eller gering.

Borttagning av sågblad:

1. Bär handskar vid hantering av sågbladet.
2. Stäng av strömmen och plocka ur batteripaketet.
3. Lossa, men ta inte bort skruven på bladbultskyddet. Hög bladbultskyddet
4. Sväng det självstängande skyddet bakåt och håll kvar.
5. Tryck in spindellåsknappen och skruva samtidigt loss bladbulsten med hjälp av den medföljande insexnyckeln. Plocka av den yttre flänsen.
6. Ta bort sågbladet.

Montera sågblad:

Rengör vid behov alla delar innan du monterar dem.

Efter att ha följt proceduren för "Borttagning av sågblad".

1. Använd handskar vid hantering av sågbladet.
2. Kontrollera att strömmen är avslagen och batteriet urplockat.
3. Sväng det självstängande skyddet bakåt och håll kvar.
4. Sätt det nya sågbladet på plats. Kontrollera att rotationsriktningen på bladet överensstämmer med pilriktningen på bladskyddet.
5. Sätt flänsen och bladbulsten på plats.
6. Tryck på spindellåsknappen tills den tar, dra åt bladbulsten.
7. Fäll ner det självstängande skyddet.
8. Sänk bladbultskyddet och dra åt skruven.

⚠ VARNING! Säkerställ att bladbultskyddet sänks till den ursprungliga positionen och att skruven dras åt.

Justera gervinkeln:

Gervinkeln kan justeras inom intervallet 45 grader (vänster sida) till 45 grader (höger sida).

1. Lossa gerläsknappen.
2. Tryck ner frigöringsspaken för gerspärren. Vrid sågbordet till önskad gervinkel med hjälp av gerläsknappen.
3. Dra åt gerläsknappen igen.

Justera fasvinkeln:

Fasvinkeln kan ställas in från 0 till 45 grader.

1. Lossa avfasningens låsknapp.
2. Luta verktygsarmen till önskad vinkel med hjälp av handtaget.
3. Håll verktygsarmen i detta läge och dra åt låsvredet för avfasningen igen.

⚠ VARNING! Tillverkaren rekommenderar att geringsågen alltid är solitt monterad på arbetsbänk.

När produktens bas är ordentligt säkrad vid en bänkskiva med fyra muttrar, bultar och brickor enligt instruktionerna, kan produkten användas med max-inställningar för avfasning och gering utan risk för att den välter. Om

produkten inte är ordentligt säkrad kan den överbalansera om stora fasningsvinklar väljs.

UNDERHÅLL

- Modifiera inte produkten på något sätt och använd inga tillbehör som inte godkänts av tillverkaren. Din och andras säkerhet kan vara i fara.
- Använd inte produkten om brytare, skydd eller andra funktioner inte fungerar som avsett. Lämna den till auktoriserat servicecenter för reparation eller justering.
- Gör inga justeringar medan sågbladet är i rörelse.
- Säkerställ alltid att batteripaketet har tagit bort från produkten innan du gör några justeringar, smörjer eller vid underhåll av produkten.
- Före och efter användning ska produkten kontrolleras så det inte finns skadade eller trasiga delar. Håll produkten i gott skick genom att omedelbart ersätta delar med reservdelar som tillhandahålls av tillverkaren.
- Bladet har skarpa kanter och kan vara varmt efter skärningsoperationer. Var extremt försiktig när du rengör det exponerade bladet. Använd handskar för att förhindra personskada.
- Rengör regelbundet sågen och dess tillbehör från damm, särskilt rörliga delar inklusive bladskyddet. Använd en borste eller dammsugare för att effektivt ta bort damm. Använd inte tryckluft.
- För ökad säkerhet och tillförlitlighet ska alla reparationer, inklusive byte av borstar, utföras av ett auktoriserat servicecenter.

⚠ WARNING! Försök inte plocka isär bladskyddsmontaget vid rengöring eller reparation. Skadade skydd får inte användas. Returnera till ett auktoriserat center för reparation eller utbyte.

Kalibrering av gersågens vinkel och skråvinkeln

Om kalibrering av gerings- och fasvinkel behövs, se sid. 213 – 217 och följ kalibreringsanvisningarna.

TRANSPORT OCH FÖRVARING

- Ta bort batteripaketet från produkten vid förvaring. Förvara produkten på säker plats där barn kan komma åt den.
- Rengör produkten med en borste eller dammsugare före förvaring.
- Om du tar bort sågbladet eller har reservdelar till enheten ska du förvara dem i originalförpackningen för att hindra skador.

För att säkra produkten före flyttning:

- Produkten ska förvaras i nollgradig lutning på gering och fas och vara låst i det läget. Handtaget ska låsas i nedre (säkra) läget med skydden stängda.

Flytta eller transportera i fordon:

- Säkra produkten före den flyttas så som beskrivs i bruksanvisningen.
- Ta bort produkten från bänken genom att lossa de fyra bultarna i hörnen. Säkra bultarna för framtida användning. Bär produkten med hjälp av det övre bärhandtaget eller sidobärhandtag med två händer.
- Vid transport i fordon ska produkten stå på sin bas och vara säkrad så den inte rör sig.

SYMBOLER PÅ PRODUKTEN



Säkerhetsvarning



CE-märkning



Brittisk CE-märkning



Ukrainsk CE-märkning



EurAsian överensstämmelsesymbol



Läs instruktionerna ordentligt innan start av maskinen.



Bär hörselskydd.



Bär alltid ögonskydd.



Håll händerna borta från skärområdet och det vassa bladet.



Får inte utsättas för regn eller användas i fuktiga miljöer.



Använd skyddshandskar



Riktning av bladrotationen (visas på sågblad)



Bladets rotationsriktning (visas på bladskyddet)



Bladbredd vid skärning (sågsnitt)



Antal tänder på detta blad



Skärkapacitet



För skärning av trä och analogt material



Inte avsedd för skärning av metall



Justera positionen för det glidande anslaget före du utför avfasning eller kombinerade skärningar.



Bladbultens lossningsriktning

Kassera inte uttjänta batterier, elavfall och elektronisk utrustning som restavfall. Uttjänta batterier, elavfall och elektronisk utrustning måste samlas in separat. Uttjänta batterier, uttjänta ackumulatörer och ljuskällor måste avlägsnas från utrustningen. Fråga din lokala myndighet eller återförsäljare för återvinningsråd och uppsamlingsplats. Beroende på lokala bestämmelser kan återförsäljare vara skyldiga att kostnadsfritt ta tillbaka uttjänta batterier samt elektriskt och elektroniskt avfall. Ditt bidrag till återanvändning och återvinning av uttjänta batterier samt elektriskt och elektroniskt avfall bidrar till att minska behovet av råmaterial. Uttjänta batterier, särskilt litiumbatterier, samt elavfall och elektronisk utrustning innehåller värdefulla och återvinningsbara material som kan påverka miljön och människors hälsa negativt, om de inte kasseras på ett miljömässigt sätt. Radera eventuella personuppgifter från avfallsutrustningen.



SYMBOLER I MANUALEN



Lås



Lås upp



Väntetid tills blad uppnått full hastighet eller stannat helt.



Delar och utrustning säljs separat



Notera



Varning

Viistesahan suunnittelussa on pidetty etusijalla turvallisuutta, suorituskykyä ja luotettavuutta.

KÄYTTÖTARKOITUS

Jiirikatkaisusaha on tarkoitettu massiiviipuun ja liimapuulevyjen, liimavaneria sisältävien tai sisältämättömien puunkaltaisten materiaalien sekä muovien sahaamiseen.

Jiirikatkaisusaha on tarkoitettu vain aikuisten käyttöön, jotka ovat lukeneet käyttöoppaan ja ymmärtävät riskit ja vaarat.

Jiirikatkaisusahan jalusta on kiinnitettävä lujan työpenkin päälle. Jos jalustaa ei ole kiinnitetty tiukasti, koko laite saattaa liikkua leikkaamisen aikana, mikä kasvattaa vakavan loukkaantumisen riskiä.

Jiirikatkaisusaha on suunniteltu vino- ja viisteleikkauksiin. Erialaisten katkaisujen ominaisuudet on ilmoitettu tämän oppaan teknisissä tiedoissa.

Jiirikatkaisusahaa on käytettävä kuivissa olosuhteissa erinomaisesti valaistussa ja riittävästi ilmastoidussa tilassa.

Jiirikatkaisusaha on tarkoitettu kuluttajakäyttöön. Sitä tulee käyttää vain yllä kuvatulla tavalla, eikä sitä ei ole suunniteltu mihinkään muuhun tarkoitukseen.

YLEISET SÄHKÖTYÖKALUJEN TURVALLISUUSVAROITUKSET

VAROITUS! Lue tarkkaavaisesti kaikki tämän työkalun kanssa toimitetut varoitukset, ohjeet ja spesifikaatiot, ja katso lisäksi kuvat. Seuraavassa esitettyjen ohjeiden laiminlyönnistä saattaa olla seurauksena onnettomuuksia kuten tulipalot, sähköiskut ja/tai vakavia kehon vammoja.

Säästä kaikki varoitukset ja ohjeet tulevaa käyttöä varten. Varoituksissa oleva termi "sähkötyökalu" viittaa verkkokäyttöiseen (johdollisiin) sähkötyökaluun tai akkukäyttöiseen (johdottomaan) sähkötyökaluun.

TYÖALUEEN TURVALLISUUS

- **Pidä työalue siistinä ja valoisana.** Epäjärjestyksessä olevat ja pimeät alueet myötävaikuttavat onnettomuuksiin.
- **Älä käytä sähkötyökalua räjähdyksalttiissa paikoissa, kuten helposti syttyvien nesteiden tai kaasujen tai pölyn läheisyydessä.** Sähkötyökalut kipinöivät, mikä saattaa sytyttää pölyn tai höyryt.
- **Pidä lapset ja siviliset loitolla, kun käytät sähkötyökaluja.** Häiriöt voivat saada koneen riistäytymään hallinnasta.

SÄHKÖTURVALLISUUS

- **Pistokkeen on sovittava pistorasiaan. Älä koskaan muunna pistoketta millään tavalla. Älä käytä maadoitettujen sähkötyökalujen kanssa minkäänlaisia sovitinpistokkeita.** Alkuperäiset pistokkeet ja niitä vastaavat pistorasiat pienentävät sähköiskun vaaraa.
- **Älä kosketa maadoitettuihin pintoihin, kuten putkiin, lämpöpattereihin, heloihin tai jääkaappeihin.** Jos ruumiisi on maadoitettu, sähköiskun vaara on suurempi.
- **Älä altista sähkötyökalua sateelle tai kosteudelle.** Sähkötyökaluun joutunut vesi kasvattaa sähköiskun vaaraa.
- **Pidä huolta sähköjohdosta. Älä koskaan kannata vedä sähkötyökalua johdosta tai irrota pistoketta johdosta vetämällä. Älä päästä johtoa koskettamaan kuumuuden lähteitä, öljyä, teräviä reunoja tai**

liikkuvia osia. Vioittunut tai takkuinen johto lisää sähköiskun vaaraa.

- **Kun käytät sähkötyökalua ulkotiloissa, käytä ulkokäyttöön sopivaa jatkojohtoa.** Ulkokäyttöön sopivan johdon käyttö pienentää sähköiskun vaaraa.
- **Jos sähkötyökalua on pakko käyttää kosteissa tiloissa, käytä jännönsvirtalaitteella (RCD) suojattua pistorasiaa.** RCD:n käyttö pienentää sähköiskun vaaraa.

KÄYTTÄJÄN TURVALLISUUS

- **Pysy valppaana, katso, mitä teet, ja käytä tervettä järkeä käyttäessäsi sähkötyökalua. Älä käytä sähkötyökalua, jos olet väsynyt, sairas tai huumeiden, alkoholin tai lääkkeiden vaikutuksen alainen.** Tarkkaamattomuus sähkötyökalua käytettäessä saattaa johtaa vakavaan loukkaantumiseen.
- **Käytä henkilösuojavarusteita. Käytä aina suojalaseja.** Suojavälineiden, kuten hengityssuojaimen, liukumattomien turvakkenien, kypärän ja kuulosuojainten, käyttö vähentää henkilövahinkoja.
- **Älä anna koneen käynnistyä vahingossa. Varmista, että kytkin on off-asennossa ennen kuin liität tuotteen sähköverkkoon ja/tai akkuun, nostat tai kuljetat sitä.** Jos kannat konetyökalua sormi kytkimellä tai jos kytket sähkötyökalun verkkoon kytkimen ollessa päällä, altistat itsesi onnettomuuksille.
- **Irrota säätöavaimet ja jakoavaimet ennen sähkötyökalun käynnistystä.** Sähkötyökalun pyöriivään osaan jätetty jako- tai säätöavain saattaa johtaa loukkaantumiseen.
- **Älä kurkota liian kauas. Säilytä aina kunnollinen jalansija ja tasapaino.** Tällöin sähkötyökalua on helpompi hallita odottamattomissa tilanteissa.
- **Pukeudu asianmukaisesti. Älä käytä väliji vaatteita tai koruja. Estä hiusten tai vaatteiden takertuminen liikkuviin osiin.** Löysät vaatteet, korut ja pitkät hiukset saattavat tarttua liikkuviin osiin.
- **Jos laitteen toimitukseen kuului varustus pölyn poistamiseen tai keräämiseen, varmista, että se on sahaan liitettynä ja toimii oikein.** Pölyn kerääminen voi vähentää pölyn liittyviä vaaroja.
- **Älä ole huolimaton ja laiminlyö turvaohjeita vain siksi, että olet usein ennenkin käyttänyt tämänkaltaisia työkaluja.** Varomaton toiminta – vaikka vain sekunnin murto-osan ajan – voi aiheuttaa vakavan loukkaantumisen.

SÄHKÖTYÖKALUN KÄYTTÖ JA HUOLTO

- **Älä pakota sähkötyökalua. Käytä käyttökohteeseesi sopivaa sähkötyökalua.** Oikea sähkötyökalu tekee työn paremmin ja turvallisemmin sillä nopeudella, jolle se on suunniteltu.
- **Älä käytä sähkötyökalua, jos se ei käynnisty ja sammu katkaisimesta.** Jos sähkötyökalua ei voida hallita katkaisimella, se on vaarallinen ja vaatii korjaamista.
- **Irrota kosketin virtalähteestä ja/tai akkupaketti konetyökalusta aina ennen säätämistä, lisävarusteiden vaihtamista tai työkalun varastoimista.** Tällaiset ennaltaehkäisevät turvallisuusstoimenpiteet vähentävät vaaraa koneen käynnistymisestä vahingossa.
- **Varastoi sähkötyökalu pois lasten ulottuvilta äläkä anna kenenkään, joka ei tunne työkonetta tai näitä**

ohjeita, käyttää sitä. Sähkötyökalut ovat vaarallisia kouluttamattomien käyttäjien käsissä.

- **Pidä konetyökalusi lisävarusteineen hyvässä kunnossa.** Tarkista, onko liikkuvat osat kohdistettu väärin tai ovatko ne takertuneet ja onko rikkoutuneita osia tai muita osuuteita, jotka voisivat vaikuttaa sähkötyökalun toimintaan. Jos laite on voittunut, vie se huoltoon ennen sen käyttöä. Monet onnettomuudet johtuvat huonosti huolletuista sähkötyökaluista.
- **Pidä leikkuuterät terävinä ja puhtaina.** Kun katkaisutyökalujen terät ovat terävät, ne eivät jumitu ja ohjaaminen on vaivatonta.
- **Käytä sähkötyökalua, tarvikkeita, osia jne. näiden ohjeiden mukaisesti ja ottaen huomioon työskentelyolosuhteet ja tehtävä työ.** Sähkötyökalun käyttö muuhun kuin sille tarkoitettuun työhön voi aiheuttaa vaarallisia tilanteita.
- **Pidä kahvat ja tarttumispinnat kuivina, puhtaina ja öljystä ja rasvasta tahrinuttomina.** Liukkaat kahvat ja tarttumispinnat vaarantavat laitteen turvallisen käsittelyn ja hallinnan ylläpitävissä tilanteissa.

AKKUTYÖKALUN KÄYTTÖ JA KUNNOSSAPITO

- **Lataa vain valmistajan määrittelemällä laturilla.** Yhden tyyppiselle akulle sopivan laturin käyttö toisenlaisen akun kanssa voi olla vaarallista.
- **Käytä konetyökaluissa vain nimenomaan niille tarkoitettuja akkuyksiköitä.** Muiden akkujen käyttö voi aiheuttaa loukkaantumisen ja tulipalovaaran.
- **Kun akkua ei käytetä, pidä se erillään metalliesineistä, kuten paperiliittimistä, kolikoista, avaimista, nauloista, ruuveista ja muista pienistä metalliesineistä, jotka voivat yhdistää akun navat.** Akun koskettimien oikosulku yhdessä saattaa aiheuttaa palovammoja tai tulipalon.
- **Väärästä käytöstä johtuen akusta voi tulla ulos nestettä; vältä kosketusta.** Jos kosketat vahingossa, huuhtelee vedellä. Jos nestettä pääsee silmiin, hakeudu lisäksi lääkäriin. Akusta ulos tuleva neste voi aiheuttaa ärsytystä tai palovammoja.
- **Vaurioitunutta tai muunneltua akkua tai työkalua ei saa käyttää.** Vaurioituneet tai muunnellut akut voivat käyttäytyä odottamattomasti, josta saattaa seurata tulipalo, räjähdys tai tapaturmavaara.
- **Älä altista akkua tai työkalua tulelle tai liian korkealle lämpötilalle.** Tullelle tai yli 130°C:n lämpötilalle altistuminen voi johtaa räjähdykseen.
- **Noudata kaikkia latausohjeita äläkä lataa akkua tai työkalua muissa kuin ohjeissa määritellyissä lämpötiloissa.** Virheellinen lataus tai määritellyistä poikkeavat lämpötilat saattavat johtaa akun vaurioitumiseen ja lisätä tulipalon vaaraa.

HUOLTO

- **Huollata työkone pätevällä huoltomiehellä, joka käyttää ainoastaan asianmukaisia varaosia.** Tämä varmistaa, että sähkötyökalu on turvallinen.
- **Vaurioituneita akkuja ei koskaan saa huoltaa.** Akkuja saa huoltaa vain valmistaja tai valtuutettu huoltoliike.

JIIRIKATKAISUSAHOJEN TURVALLISUUSOHJEET

- **Jiirikatkaisusahat on suunniteltu puun tai puunkaltaisen materiaalin leikkaamiseen, niillä ei voi käyttää himalaikkoja rautamateriaalin, kuten kiskojen, tankojen, niittien jne., katkaisuun.**

Hiomapöly aiheuttaa liikkuvien osien, kuten alasuojuksen, jumittumisen. Hiomalaikalla katkaisusta syntyvät kipinät polttavat alasuojuksen, sahausrakoinseritin ja muut muoviosat.

- **Kiinnitä työkappale puristimilla aina kun mahdollista.** Jos tuet työkalupäätä kädellä, pidä käsi aina vähintään 100 mm:n päässä terän molemmista puolista. Älä yritä katkaista tällä sahalla kappaleita, jotka ovat liian pieniä turvallisesti paikallaan pideltäviksi. Tapaturmariski kasvaa, jos käsi on liian lähellä terää.
- **Työkappaleen on oltava paikalleen puristettuna tai painettuna sekä suojusta että pöytää vasten.** Älä syötä kappaleita terälle tai katkaise ”vapaalla kädellä” missään olosuhteissa. Löysät tai liikkuvat työkalupäleet voivat sinkoutua suurella nopeudella ja aiheuttaa henkilövahingon.
- **Työnnä saha työkalupäleen läpi.** Älä vedä sahaa työkalupäleen läpi. Suorita katkaisu siten, että nostat sahan päätä ja vedät sitä ulospäin työkalupäleen yli, leikkaamatta, käynnistä moottori, paina sahan päätä alaspäin ja työnnä saha työkalupäleen läpi. Katkaisu terää vetämällä voi saada terän nousemaan työkalupäleen päälle, jolloin teräkokoonpano voi sinkoutua käyttäjää kohti.
- **Älä koskaan laita käsiäsi kaavailun katkaisulinjan ylle, ei terän eteen eikä taakse.** Työkappaleen paikallaan pitäminen siten, että käsi on terän yläpuolella, on hyvin vaarallista.
- **Älä vie kättä, roskien poistamiseksi tai mistä muusta syystä tahansa, suojuksen takana 100 mm lähemmäksi terää sen pyöriessä.** Välimatkaa pyörivästä terästä käteen voi olla vaikea hahmottaa tarkasti, jolloin tapaturman riski on suuri.
- **Tutki työkalupäle tarkasti ennen katkaisua.** Jos työkalupäle on taipunut tai vääntynyt, kiinnitä se siten, että taipunut ulkopuoli tulee suojusta vasten. Varmista aina, että työkalupäleen, suojuksen ja pöydän väliin ei jää katkaisulinjan suuntaista rakoa. Taipuneet tai vääntyneet työkalupäleet voivat kiertyä tai siirtyä ja jumittua pyörivän terän. Työkappaleessa ei saa olla nauloja tai muita vierasesineitä.
- **Varmista ennen sahan käynnistämistä, että pöydällä ei ole roskaa eikä muita esineitä kuin työstettävä kappale.** Puunkappaleet ja muut pienet roskat saattavat pyörivään terään osuessaan sinkoutua suurella nopeudella.
- **Katkaise vain yksi työkalupäle kerrallaan.** Useita päällekkäin pinottuja työkalupäleitä ei voi asianmukaisesti puristaa tai tukea paikalleen ja ne saattavat jumittua terän tai liikkua katkaisun aikana.
- **Varmista ennen sahan käyttämistä, että se on asennettu tai sijoitettu tasaiselle ja tukevalle alustalle.** Tasainen ja tukeva alusta pienentää riskiä sahan muuttumisesta epävakaaksi.
- **Suunnittele työtehtävä hyvin.** Aina kun muutat viiste- tai vinouskulman säätöjä, varmista, että säädettävä suojus on kunnolla paikallaan tukemassa työkalupäletä ja että se ei häiritse terän tai suojajärjestelmän toimintaa. Simuloi täydellinen katkaisu, kytkemättä virtaa ja ilman työkalupäletä, sen varmistamiseksi, että suojus ei häiritse katkaisutoimintoa eikä aiheuta mitään siihen liittyvää vaaraa.
- **Järjestä asianmukainen tuki, esim. pöydän jatkeet, sahauspukit jne., työkalupälelle, joka on pöytälevyvä leveämpi tai pidempi.** Jiirikatkaisusahan pöytää



pidemmät tai leveämmät työkappaleet saattavat kiepsahtaa, jos niitä ei ole kunnolla tuettu. Jos leikattu tai työstettävä kappale kiepsahtaa, se saattaa samalla nostaa alasuojusta tai singota pyörivän terän voimasta.

- **Älä käytä toista henkilöä korvaamaan pöydän jatketta tai tukemaan työstettävää kappaletta.** Työkappaleen epävaka tuki saattaa jumiuttaa terän tai aiheuttaa leikattavan kappaleen liikkumisen, jonka seurauksena voit auttavan henkilön kanssa tempautua vaarallisen lähelle pyörivää terää.
- **Leikattua kappaletta ei missään tapauksessa saa painaa pyörivää terää vasten.** Liian ahtaasti, esim. pituusrajottimilla, rajattu leikattu kappale saattaa kiilautua terää vasten ja sinkoutua suurella nopeudella.
- **Käytä aina puristinta tai pyöreän materiaalin, kuten tangon tai putken, tukemiseen suunniteltua kiinnitintä.** Tangot pyrkivät leikatessa pyörimään, jonka seurauksena terä "haukkaa" ja vetää pitelemääsi kappaletta itseään kohti.
- **Anna terän saavuttaa täysi pyörimisnopeus ennen kuin kosketat sillä työkappaletta.** Näin riski työkappaleen sinkoutumisesta pienenee.
- **Jos työkappale tai terä juuttuu, kytke jiirisaha "POIS PÄÄLTÄ".** Odota kaikkien liikkuvien osien pysähtymistä ja irrota pistoke pistorasiasta ja/tai poista akku. Irrota sen jälkeen jumiutunut materiaali. Sahausten jatkaminen jumiutuneella työkappaleella voi aiheuttaa työtehtävän kontrollin menetyksen tai voittaa sahaa.
- **Ennen kuin poistat katkaistun kappaleen, vapauta kytkin, pidä sahan pää alhaalla ja odota terän pysähtymistä.** Käden vieminen liian lähelle virran poiskytkemisen jälkeen vielä liikkuvaa terää on vaarallista.
- **Pidä kahvasta lujasti kiinni katkaisun aikana tai vapauttaessasi kytkintä, kunnes sahan pää on täysin ala-asennossaan.** Sahan jarrutustoiminnon seurauksena sahan pää saattaa äkillisesti vetää alaspäin, mikä voi aiheuttaa taturman.

PUUNKATKAISUTERÄN KÄYTTÖÄ KOSKEVAT TURVAOHJEET

- Lue käyttöopas ja ohjeet huolellisesti ennen sahanterän ja laitteen käyttämistä.
- Tuotteen on oltava hyvässä kunnossa ja karan vääristymätön ja tärinätön.
- Älä käytä sahaa ilman paikoilleen asennettuja suojia. Pidä suojukset hyvässä kunnossa ja huolla niitä asianmukaisesti.
- Varmista, että sahan käyttäjä on hyvin perillä käyttöä koskevista varoimista sekä sahan säädöistä ja toiminnasta.
- Käytä sahalta työskennellessäsi aina suojalaseja ja kuulosuojaimia. Suojakäsineiden, turvallisten ja tukevapohjaisten kenkien, kuulosuojainten ja suojaesiliinan käyttöä suositellaan.
- Tutustu käyttöoppaaseen ennen lisälaitteiden käyttöä. Lisälaitteen väärä käyttötapa voi johtaa vahinkoon ja mahdolliseen henkilövammaan.
- Käytä ainoastaan tämän käyttöoppaan mukaisia teriä, jotka noudattavat EN 847-1 -standardia.
- Noudata terään merkittyä maksiminopeutta. Varmista, että sahanterään merkitty nopeus on vähintään yhtä suuri kuin sahaan merkitty nopeus.

- Käytä aina akselille sopivia teräkojoja ja -muotoja. Akselille sopimattomat terät eivät pyöri oikealla tavalla ja voivat aiheuttaa työkalun hallinnan menettämisen.
- Älä käytä suositeltua suurempia tai pienempiä teriä. Älä käytä välilevyjä sovittaessasi terää karaan.
- Aina ennen käytön alkamista tarkista, näkykö sahanterän kirjässä vaurioita tai epäsäännöllistä kuluneisuutta. Vaurioituneet ja löystyneet kärjet voivat sinkoutua hallitsemattomasti ympäristöön ja aiheuttaa henkilövammoja.
- Rikkinäisiä sahanteriä tai sellaisia, jotka ovat muuttaneet muotoaan ei saa käyttää! Älä käytä sahanteriä, jotka ovat vahingoittuneet tai vääntyneet.
- Hävitä sahanteriä, joka on vaurioitunut, vääntynyt, kiero tai murtunut. Terän korjaaminen ei ole sallittua.
- Älä käytä pikateräksisiä teriä.
- Varmista, että terä on oikein kiinnitetty, kiristä karamutteri ennen käyttöä (kiristysmomentti n. 8-10 Nm).
- Kiinnitysruuvit ja -mutterit on kiristettävä asianmukaisella kiintoavaimella jne.
- Kiinnitystyökalun jatkaminen tai vasaran iskuilla tehty kiristys ei ole sallittua.
- Varmista, että terä ja laipat ovat puhtaat ja että holkin uralliset sivut ovat terää vasten.
- Tarkista, että terä pyörii oikeaan suuntaan.
- Tee ennen työn aloittamista koeleikkaus moottori päällä, jotta voit tarkistaa terän sijainnin ja suojien toiminnan laitteen osiin ja työkappaleeseen nähden.
- Älä koskaan jätä käynnissä olevaa sahaa valvomatta.
- Älä voitele terää sen pyöriessä.
- Älä koskaan puhdistaa tai huolla konetta sen käydessä ja pään ollessa poissa lepoasennosta.
- Älä koskaan yritä pysäyttää liikkuvaa laitetta nopeasti työntämällä työkalua tms. terää vasten; tämä voisi aiheuttaa vakavan onnettomuuden.
- Kytke saha irti verkkovirrasta ja irrota akku ennen terien vaihtamista tai huoltoa.
- Kiinnitä huomiota terän pakkaamiseen ja purkamiseen; terävät hampaat voivat helposti aiheuttaa loukkaantumisen.
- Käytä sahanterän pidintä tai käsineitä, kun käsittelet sahanteriä.
- Pidä ja säilytä terää alkuperäispakkauksessa tai muussa sopivassa pakkauksessa ja säilytä sitä kuivassa paikassa ja etäällä kemikaaleista, jotka voivat vahingoittaa terää.

MUITA TURVALLISUUSVAROITUKSIA

- Kiinnitä työkappale aina puristimilla turvallisesti ja tiukasti.
- Varmista, että tuote on aina vakaa ja tukeva (esim. kiinnitetty penkkiin).
- Käytä aina kuulosuojaimia. Altistuminen melulle voi vahingoittaa kuuloa.
- Käytä sahalta työskennellessäsi aina suojalaseja. Suosittelemme, että käytät käsineitä käsitellessäsi teriä ja viimeistelemättömiä materiaaleja, sekä tukevia lipsuamattomia jalkineita suojataksesi jalkasi työkappaleilta, jos ne putoavat leikkuualueelta.
- Kytke saha irti verkkovirrasta tai irrota akku ennen huolto- tai puhdistamistoimenpiteitä.



- Aseta akku paikallaan ainoastaan silloin, kun sahasta on virta poiskytketty.
- Älä koskaan kurota terän lähelle, ellei terä ole täysin pysähdyksissä.
- Tarkista saha ja akku ennen käyttöä perusteellisesti vaurioiden ja materiaalien väsymisen varalta. Korjauksia sahaan ja sen osiin saa tehdä ainoastaan valtuutettu huoltopalvelu.
- Käytä sahassa aina suoja. Älä käytä sahaa, jos suojat eivät ole paikoillaan ja toimi oikein.
- Alemman teräsuojuksen tulee avautua ainoastaan terän ollessa laskettuna työkappaleeseen, ja sen on aina voitava liikkua esteettä ja sulkeutua automaattisesti.
- Kiinnitä ja käytä katkaisun aikana työkappaleen tukemiseen aina jatkoalkkeja.
- Älä tee muutoksia sahaan tai sen toimintaan. Turvallisuutesi saattaa vaarantua.
- Älä käytä lohkeilleita, vaurioituneita tai vääristyneitä sahanteriä.
- Ei saa käyttää pikateräksestä valmistettuja sahanteriä.
- Käytä vain teräviä teriä. Vaihda tylsät terät.
- Käytä aina akselille sopivia teräkokoja ja -muotoja. Akselille sopimattomat terät eivät pyöri oikealla tavalla ja voivat aiheuttaa työkalun hallinnan menettämisen.
- Käytä ainoastaan käyttöoppaassa mainittuja, standardin EN 847-1 mukaisia puun työstämiseen tarkoitettuja teriä.
- Älä käytä sahanterää kiinnittäessäsi muita laippoja, välilevyjä tai muttereita kuin niitä, jotka toimitettiin tuotteen mukana tai jotka on merkitty käyttöoppaaseen.
- Valitse sahattavalle materiaalille sopiva sahanterä. Älä leikkaa sahalla muita kuin tämän käyttöoppaan "tarkoitettu käyttö" -osiossa mainittuja materiaaleja.
- On tärkeää, että terä ei pääse käytön aikana ylikuumentumaan, sillä se voi sulattaa muoviosia.
- On tärkeää noudattaa terälle asetettua enimmäisnopeutta, käytä ainoastaan terää, johon on merkitty sama tai suurempi nopeus kuin työkalussa.
- Vaihda pöydän sisäke, kun se on kulunut tai vioittunut.
- Tee ennen työtä koeleikkaus käynnistämättä moottoria, jotta terän asento, suojusten toiminta suhteessa koneen muihin osiin ja työkappale voidaan tarkistaa.
- Kun teet viisto- tai vinosahausta tai niiden yhdistelmää, säädä liu'utettava suojus tai alasuojus siten, että terän liikkumisvara tulee oikein asetetuksi.
- Vältä sahayksikön kontrolloimatonta vapautusta kokonaan alhaalla olevasta asennosta.
- Kahvan lukituksen on oltava päällä aina sahaa kuljettaessa.
- Pidä lattia puhtaana irtomateriaaleista, kuten lastuista ja leikkuujätteistä.
- Älä ota leikkuualueelta mitään työkappaleen leikkuujätteitä tai muita osia laitteen käydessä, kun sahapää ole lepoasennossa.
- Pitkiä työstökappaleita tulee tukea sopivin toimin. Sahan työalue käsittää työkappaleen kokonaisuudessaan. Käyttäjän tulee suojata tämä alue henkilöiltä ja esineiltä, jotka saattavat liikuttaa työkappaleita käytön aikana.
- Työkalun käytön seurauksena syntyvä pöly voi olla terveydelle haitallista. Käytä polynimurijärjestelmää ja asianmukaista pölyltä suojaavaa naamarina. Poista kerääntynyt pöly perusteellisesti imurilla.

- Riittävän välyksen varmistamiseksi voi ennen viisteen tai yhdistetyn leikkauksen tekemistä olla tarpeen säätää leikkuuohjain. Varmista, että leikkuuohjaimen lukitusruuvi on säädön jälkeen kiristetty tiukkaan.
- Pidike voidaan asentaa kummalle puolelle terää tahansa, ja sitä voidaan käyttää terän molemmin puolin. Joissakin toiminnoissa pidike voi häiritä teräsuojakokoonpanoa. Varmista, vakavien henkilövahinkojen riskin pienentämiseksi, aina ennen leikkaamisen aloittamista, että mikään ei häiritse teräsuojaa.
- Ympäristön lämpötila-alue työkalulle käytön aikana on 0–40 °C.
- Ympäristön lämpötila-alue työkalulle varastoinnin aikana on 0–40 °C.
- Suositeltu ympäristön lämpötila-alue latausjärjestelmän latauksen aikana on 10 °C ja 38 °C välillä.

LISÄÄ AKUN TURVALLISUUSVAROITUKSIA

- Jotta vältetään lyhytsulun aiheuttama tulipalon, loukkaantumisen tai tuotteen vahingoittumisen vaara, älä koskaan upota työkalua, vaihtoakkuja tai latauslaitetta nesteeseen ja huolehdi siitä, ettei mitään nesteitä pääse tunkeutumaan laitteiden tai akkujen sisään. Syövyttävät tai sähköä johtavat nesteet, kuten suolavesi, tietyt kemikaalit ja lalkaisuaineet tai valkaisuaineita sisältävät tuotteet voivat aiheuttaa lyhytsulun.
- Ympäristön lämpötila-alue akulle käytön aikana on 0 °C ja 40 °C välillä.
- Ympäristön lämpötila-alue akun varastoinnin aikana on 0 °C ja 20 °C välillä.

LITIUMAKKUJEN KULJETTAMINEN

Kuljeta akkua paikallisten ja kansallisten ehtojen ja säädösten mukaisesti.

Noudata kaikkia pakkaamista ja nimeämistä koskevia erikoissäädöksiä, kun kolmas osapuoli kuljettaa akkua. Varmista, että mikään akku ei kosketa muita akkuja tai johtavaa materiaalia kuljetuksen aikana suojaamalla paljaat navat eristävällä, johtamattomilla korkeilla tai teipillä. Älä kuljeta akkuja, jotka ovat halkeilleet tai vuotavat. Kysy välityritykseltä lisäneuvoja.

KÄYTÖN RISKIT

Vaikka tuotetta käytettäisiin ohjeiden mukaisesti, ei ole mahdollista täysin eliminoida tiettyjä käyttöön liittyviä riskitekijöitä. Käytössä voi aiheutua seuraavia vaaroja, ja käyttäjän tulee kiinnittää erityistä huomiota niiden välttämiseen:

- Pyörivän sahanterän suojaamattomien osien kosketusvaara.
- Työkappaleiden tai niiden osien takaisku vääran säädön tai käsittelyn vuoksi
- Viallisten karbidikirkien sinkoaminen sahanterästä.
- Henkitystievauriot.
HUOM: Käytä suodattimella varustettua hengityssuojainta, joka sopii käsiteltävälle materiaalille Huolehdi työpaikalla riittävästä tuuletuksesta. Älä syö, juo tai tupakoi työalueella.
- Kuulovamma, jos ei käytetä tehokkaita kuulosuojaimia.
- ▲ **VAROITUS!** Erilaisista maaleista, pinnoitteista ja materiaaleista syntyvä pöly saattaa aiheuttaa ärsytystä tai allergisia reaktioita hengitysteissä. Esim. tammen, pyökien ja MDF:n puupöly on karsinogeenistä. Vain asiaan

erikoistuneet työntekijät saavat käsitellä tai työstää asbestia sisältäviä materiaaleja.

VAROITUS! Laitteen pitkittynyt käyttö voi aiheuttaa tai vaikeuttaa vammoja. Kun käytät mitä tahansa laitetta pitkiä aikoja, muista pitää säännöllisiä taukoja.

TUNNE TUOTTEESI

Katso sivu 198.

1. Kahva, eristetty tartuntapinta
2. Virtakytkin
3. Lukitusvivun katkaisija
4. LED-kytkin
5. Alempi teränsuojus
6. Pääohjain
7. Sivukantokahva
8. Liukuva ohjain
9. Kääntöpöytä
10. Kerf-levy
11. Jiirin lukitusnappi
12. Jiiripidättimen vapautusvipu
13. Tukijalka
14. Akku
15. Yläkantokahva
16. Lineaarisen tangon rajoitusnappi
17. Puristin
18. Jiirikulman osoitin
19. Asennusreikä
20. Pääsuojan lukitusruuvit
21. Leikkusyvyyden säätöruuvi
22. Viistekulman osoitin
23. 45° viistekulman rajoittimen säätöruuvit
24. Särmäkulman lukitusnappi
25. Sahan pään lukitussockka
26. Pölypussi
27. Kuusiovain
28. 45° viistekulman rajoittimen säätöruuvit
29. Leikkuuohjaimen lukitusruuvi
30. Akselin lukintanappi
31. Ulkolaippa
32. Sahanterä

KÄYTTÖ

Tuotteessa on liukuva sahanterä, jonka käyttäjä voi säätää eri kulmiin leikatessaan työkappaletta, joka on kiinnitetty tukevasti tuotteen jalustaan. Laitetta saa käyttää vain yksi henkilö kerrallaan, jotta ei vahingossa kosketeta pyörivää sahanterää.

Tuotteen turvallisen käytön periaatteet ovat seuraavat:

- Pidä saha, terä ja työalue hyvässä kunnossa.
- Kiinnitä viistesahan jalusta tukevaan työpenkkiin. Tuote saattaa liikahtaa ja kaatua, jos sitä ei ole kiinnitetty asianmukaisesti.
- Säädä ja lukitse leikkuukulmat ja syvyys ennen leikkaamista.
- Kiinnitä työkappale viistesahan jalustaan. Käytä mukana toimitettua puristinta ja tarvittaessa lisäpuristimia tai -kiinnitysmekanismeja estääksesi työkappaleen tahattoman liikkeen leikattaessa.
 - Tarkista, että työkappaleen asento ei rajoita teränsuojusten toimintaa.
 - Varmista, että terä ei leikkaa ohjainta tai muita tuotteen osia laskeutuessaan leikkuuasentoon.
- Käynnistä moottori ja anna terän saavuttaa täysi nopeus ennen kuin lasket sen hitaasti leikkaamaan työkappaletta.

- Anna teräkokoontilan nosta yläasentoon, missä teränsuojukset ovat täysin kiinni. Sammuta moottori ja anna terän pysähtyä täysin, ennen kuin poistat työkappaleen tai siitä irronneet palaset ja ennen kuin kurotat teräalueelle.

Varmista ennen ensi käyttöä, että tuotteen särmä- tai viistesarjan kulma vastaa kulmaa, joka halutaan tuottaa työkappaleeseen. Tarkista tämä ylijäämäpuulla käyttäen kirvesmiehen työkaluja tai viistemittaa.

Sahanterän irrottaminen:

1. Käytä käsineitä, kun käsittelet sahanterää.
2. Katkaise virta ja irrota akku.
3. Löysää teräpultin kannen ruuvia mutta älä irrota sitä. Nosta teräpultin kansi.
4. Käännä itesulkeutuva suojus taakse ja pidä sitä paikallaan.
5. Paina karan lukituspainiketta ja irrota samalla teräpultti ruuvaamalla mukana toimitetulla kuusioavaimella. Irrota ulompi laippa.
6. Irrota sahanterä.

Sahanterän asentaminen:

Puhdista kaikki asennettavat osat tarvittaessa ennen asennusta.

Kohdan "Sahanterän irrottaminen" jälkeen.

1. Käytä käsineitä, kun käsittelet sahanterää.
2. Varmista, että virta on katkaistu ja akku on irrotettu.
3. Käännä itesulkeutuva suojus taakse ja pidä sitä paikallaan.
4. Aseta uusi sahanterä paikalleen. Varmista, että sahanterän pyörimissuunta on teränsuojuksessa olevan suuntanuolen mukainen.
5. Aseta laippa ja teräpultti paikalleen.
6. Paina karan lukituspainiketta, kunnes se kytkeytyy. Kiristä teräpultti.
7. Laita itesulkeutuva suojus alas.
8. Laske teräpultin kansi alas ja kiristä ruuvi.

VAROITUS! Varmista, että teräpultin kansi on laskettu alkuperäiseen asentoonsa ja että ruuvi on kiristetty.

Jiirikulman säätö:

Jiirikulma voidaan säätää 45 asteen (vasen puoli) ja 45 asteen (oikea puoli) välille.

1. Löysää jiirin lukitusnuppia.
2. Paina jiiripidättimen vapautusvipua. Käännä sahauspöytä jiirin lukitusnupista haluttuun jiirikulmaan.
3. Kiristä jiirin lukitusnappi uudelleen.

Viistekulman säätö:

Vinokulma voidaan säätää 0 - 45 asteen välille.

1. Löysää viistelun nuppia.
2. Kallista työkalun varsi kahvasta haluttuun vinokulmaan.
3. Pidä työkalun varsi tässä asennossa ja kiristä jälleen vinosahaapuristimen vipu.

VAROITUS! Valmistaja suosittelee, että tuote asennetaan aina tukevasti pöytälevylle.

Kun laitteen alusta on kiinnitetty tukevasti työtason neljällä mutterilla, pultilla ja aluslevyllä ohjeiden mukaisesti, laitetta voidaan käyttää suurimmalla viisteasetuksella sen kaatumatta. Jos tuotetta ei ole kiinnitetty kunnolla, se saattaa kaatua kun valitaan suuria särmäkulmia.

HUOLTO

- Älä muuntele tuotetta millään tavoin tai käytä muita kuin valmistajan hyväksymiä lisävarusteita. Sinun ja muiden turvallisuus saattaa vaarantua.
 - Älä käytä tuotetta, jos jokin kytkin, suojus tai muu toiminto ei toimi tarkoitettulla tavalla. Palauta se valtuutettuun huoltoon ammattilaisen korjattavaksi tai säädettäväksi.
 - Älä tee mitään säätöjä sahanterän pyöriessä.
 - Varmista aina ennen säätö-, voitelu- tai huoltotoimenpidettä, että akku on poistettu.
 - Tarkista tuote vaurioiden ja rikkoutuneiden osien varalta ennen jokaista käyttökertaa ja niiden jälkeen. Pidä tuote huippukunnossa vaihtamalla osat välittömästi valmistajan hyväksymiin varaosiin.
 - Terässä on terävät reunat, ja se voi myös olla kuuma leikkaamisen jälkeen. Ole erittäin varovainen, kun puhdistat esillä olevaa terää. Käytä käsineitä suojautuaksesi henkilövahingoilta.
 - Puhdista saha ja sen lisävarusteet pölystä säännöllisesti, erityisesti liikkuvat osat, kuten teräsuojus. Käytä puhdistamiseen harjaa tai pölynimuria. Älä käytä paineilmaa.
 - Turvallisuuden ja luotettavuuden parantamiseksi kaikki korjaukset, myös harjojen vaihdot, tulee teettää valtuutetussa huollossa.
- VAROITUS!** Älä yritä purkaa teräsuojuskokoonpanoa puhdistamista tai korjausta varten. Vahingoittuneita teräsuojuksia ei saa käyttää. Vie korjausta tai vaihtamista vaativia saha valtuutettuun huoltoliikkeeseen.

Jiiri- ja viistekulman kalibrointi

Jos jiiri- ja viistekulman kalibrointi on tarpeen, katso sivut 213–217 ja noudata kalibrointiohjeita.

KULJETUS JA SÄILYTYS

- Poista akku varastoinnin ajaksi. Säilytä tuotetta turvallisessa paikassa, johon lapset eivät pääse.
- Puhdista tuote harjalla tai pölynimurilla ennen tuotteen varastointia.
- Jos irrotat sahanterän tai säilytät varateriai tuotteen lähellä, säilytä ne alkuperäisessä pakkauksessaan estääksesi loukkaantumiset.

Tuotteen kiinnittäminen ennen siirtämistä:

- Tuotetta varastotaessa viiste- ja särmäkulman tulee olla lukittuna nolla-asentoon. Kahvan tulee olla lukittu aiasentoon (turvalliseen asentoon) ja suojien olla suljettu.

Siirto tai kuljetus ajoneuvossa:

- Kiinnitä tuote ennen siirtämistä oppaan ohjeiden mukaisesti.
- Irrota tuote pöytälevystä irrottamalla 4 pulttia, yksi kustakin kulmasta. Pidä pultit tallessa tulevaa käyttöä varten. Kanna tuotetta ylä- tai sivukantokahvoista kaksin käsin.
- Kun tuotetta kuljetetaan ajoneuvossa, laita se jalustalleen ja kiinnitä se siten, että se ei pääse liikkumaan.

TUOTTEESSA OLEVAT SYMBOLIT



Turvallisuusvaroitus



Eurooppalainen vaatimustenmukaisuusmerkintä



Brittiläinen vaatimustenmukaisuusmerkintä



Ukrainalainen vaatimustenmukaisuusmerkintä



EurAsian-vaatimustenmukaisuusmerkki

Lue ohjeet huolellisesti ennen laitteen käynnistämistä.



Käytä kuulosuojaimia



Käytä aina suojalaseja.



Pidä kädet loitolla leikkausalueesta ja terävästä terästä.



Älä jätä sateeseen tai kosteaan paikkaan.



Käytä suojäkäsineitä



Terän pyörimissuunta (merkitty terään)



Terän pyörimissuunta (merkitty teränsuojukseen)



Terän leikkuuleveys (sahasrako)



Tämän sahanterän hampaiden lukumäärä



Leikkuukapasiteetti



Puun ja vastaavan materiaalin leikkaamiseen



Ei metallien leikkaamiseen



Säädä leikkuuohjaimen asento ennen viisto- tai yhdistelmäleikkausten suorittamista.



Teräpultin avaamissuunta

Älä hävitä käytettyjä akkuja sekä sähkö- ja elektroniikkalaiteromua lajittelemattomana yhdyskuntajätteenä. Käytetyt akut sekä sähkö- ja elektroniikkalaiteromu on kerättävä erikseen. Käytetyt paristot ja akut ja hukkalähteet on poistettava laitteista. Kysy paikalliselta viranomaiselta tai jälleenmyyjältä kierrätysneuvoja ja keräyspiste. Paikallisten määräysten mukaan jälleenmyyjillä voi olla velvollisuus ottaa käytetyt akut sekä sähkö- ja elektroniikkalaiteromu takaisin veloituksetta. Panoksesi käytettyjen akkujen sekä sähkö- ja elektroniikkalaiteromun uudelleenkäyttöön ja kierrätykseen auttaa vähentämään raaka-aineiden kysyntää. Käytetyt, erityisesti litiumia sisältävät akut sekä sähkö- ja elektroniikkalaiteromu sisältävät arvokkaita ja kierrätettäviä materiaaleja, jotka voivat vaikuttaa haitallisesti ympäristöön ja ihmisten terveyteen, jos niitä ei hävitetä ympäristöystävällisellä tavalla. Poista mahdolliset henkilötiedot jätelaitteista.



KÄSIKIRJAN SYMBOLIT



Lukko



Avaa



Odotusaika, jolloin terä saavuttaa täyden nopeuden tai pysähtyy kokonaan.



Osat ja lisävarusteet on hankittava erikseen



Huom



Varoitus

Sikkerhet, ytelse og pålitelighet er gitt høyeste prioritet ved konstruksjonen av din gjæresag.

TILTENKT BRUK

Gjæresagen er beregnet på saging av hel- og limtre, trelignende materialer (med eller uten limet ferniss) og plast. Gjæresagen skal bare brukes av voksne operatører som har lest instruksjonshåndboken, og som forstår risikoene og farene.

Gjæresagen er designet for fastmontering på en solid verktøybenk. Hvis fundamentet ikke er forsvarlig festet vil hele sagbordet kunne bevege seg under saging, noe som øker muligheten for alvorlig personskade.

Gjæresagen er beregnet på skr- og gjæringskutt. Størrelsen på de forskjellige kuttene er gitt i produktspesifikasjonene i denne håndboken.

Gjæresagen er beregnet på bruk i tørre miljøer, med god belysning og tilstrekkelig ventilasjon.

Gjæresagen er beregnet til privatbruk, skal kun brukes som beskrevet ovenfor og i denne håndboken, og er ikke beregnet til noe annet formål.

GENERELLE SIKKERHETSADVARSLER FOR ELEKTRISK VERKTØY

⚠ ADVARSEL! Les nøye gjennom alle advarslene, instruksene og spesifikasjonene som følger med verktøyet, og se på tegningene. Hvis forskriftene nedenfor ikke overholdes, kan det forårsake ulykker som brann, elektrisk støt og/eller alvorlige personskader.

Ta vare på alle advarsler og anvisninger for senere bruk. Betegnelsen "elektroverktøy" i advarslene refererer til strømledningsdrevet elektroverktøy eller batteridrevet (trådløs) elektroverktøy.

SIKKERHET PÅ ARBEIDSSOMRÅDET

- **Hold arbeidsområdet rent, ryddig og godt opplyst.** Uryddige og dårlig opplyste områder fører lett til ulykker.
- **Ikke bruk elektrisk verktøy i eksplosive atmosfærer, hvor det finnes brennbare væsker, gasser eller støv.** Elektrisk verktøy skaper gnister som kan antenne støv eller gasser.
- **Hold barn og andre på avstand når et elektrisk verktøy brukes.** Distrasjon kan føre til tap av kontroll.

ELEKTRISK SIKKERHET

- **Støpslet på det elektriske verktøyet må stemme med stikkkontakten. Foreta aldri noen form for endringer av støpslet. Ikke bruk noen form for adapterstøpsel til jordet elektrisk verktøy.** Umodifiserte støpsler og tilpassede stikkontakter vil redusere risikoen for elektrisk støt.
- **Unngå kroppskontakt med jordede overflater som vannrør, radiatorer, kokeapparater og kjøleaggregater.** Det er økt risiko for elektrisk støt dersom kroppen din har kontakt med jord.
- **Ikke utsett elektrisk verktøy for regn eller høy fuktighet.** Vann som trenger inn i et elektrisk verktøy vil øke faren for elektrisk støt.
- **Ikke misbruk den elektriske ledningen. Bruk aldri ledningen til å bære det elektriske verktøyet eller trekke støpslet ut av stikkkontakten. Hold ledningen vekk fra varme, olje, skarpe kanter eller bevegelige deler.** Skadet eller sammenfloknet ledning øker risikoen for elektrisk støt.

- **Når du bruker det elektriske verktøyet utendørs, bruk en skjøteledning som er tilpasset utendørs bruk.** Bruk av ledning som er tilpasset utendørs bruk reduserer risikoen for elektrisk støt.
- **Dersom bruk av elektrisk verktøy i fuktige omgivelser ikke er til å unngå, bruk en strømkrets med restspenningsbeskyttelse (RCD) som er tilpasset verktøyet.** Bruk av strømkrets med sikring reduserer risikoen for elektrisk støt.

PERSONLIG SIKKERHET

- **Vær oppmerksom, følg med på hva du gjør og bruk sunn fornuft når du arbeider med et verktøy. Ikke bruk elektriske verktøy når du er trøtt eller påvirket av stoffer, alkohol eller medisiner.** Et øyeblikks uoppmerksomhet mens elektrisk eller luftdrevet verktøy brukes kan føre til alvorlige personskader.
- **Bruk personlig verneutstyr. Bruk alltid øyebeskyttelse.** Verneutstyr som støvmaske, sklisikre vernesko, hjelm og hørselsvern som brukes ved behov, vil redusere personskader.
- **Unngå utilsiktet start. Pass på at limpistolen er slått av før du kobler den til en strømkilde eller en batteripakke, tar den opp eller bærer den.** Ikke bær elektroverktøy med fingeren på bryteren eller mens verktøyet er slått på, da dette kan føre til ulykke.
- **Fjern justeringsnøkler og annet verktøy før du setter strøm på det elektriske verktøyet.** En fastnøkkel eller annet verktøy festet til en roterende del av et elektrisk verktøy når det startes kan føre til personskade.
- **Ikke len deg for langt frem. Sørg for godt fotfeste og god balanse til enhver tid.** Dette gir bedre kontroll over det elektriske verktøyet i en uventet situasjon.
- **Kle deg riktig. Ikke bruk løstsittende plagg og/eller løsthengende smykker. Hold hår og klær unna bevegelige deler.** Løse plagg, smykker og langt hår kan fanges opp av bevegelige deler.
- **Hvis utstyr gir mulighet for tilkobling av uttrekk og oppsamling av støv, må du forsikre deg om at de er tilkoblet og riktig brukt.** Bruk av utstyr for oppsamling av støv kan redusere faren forbundet med støv.
- **Ikke la hyppig bruk av verktøyet føre til at du blir uvøren og ikke tar hensyn til sikkerhetsprinsipper.** Tankeløse handlinger i bare en brøkdelen av et sekund kan føre til alvorlige personskader.

ELEKTRISK VERKTØY - BRUK OG STELL

- **Ikke bruk kraft mot det elektriske verktøyet. Bruk riktig elektroverktøy for applikasjonen din.** Det riktige elektroverktøyet vil gjøre jobben bedre og tryggere i det tempoet det ble konstruert for.
- **Ikke bruk verktøyet hvis bryteren ikke slår verktøyet av og på.** Ethvert elektrisk verktøy som ikke kan kontrolleres med bryteren er farlig og må repareres før det kan brukes.
- **Før du gjør justeringer på elektroverktøy, bytter tilbehør eller setter verktøyet bort, må du trekke pluggen ut av strømkilden eller fjerne batteriet hvis dette lar seg gjøre.** Slike forholdsregler reduserer risikoen for at verktøyet startes ved et uhell.
- **Oppbevar elektrisk verktøy som ikke brukes utenfor barns rekkevidde og la ikke personer som ikke er kjent med det elektriske verktøyet eller dets instruksjoner bruke det.** Elektrisk verktøy er farlig i hendene på uerfarne brukere.



- **Sørg for at elektroverktøy og tilbehør alltid er i god stand.** Kontroller for feiljusteringer eller binding av bevegelige deler, eventuelle ødelagte deler eller monteringsfester, samt enhver annen tilstand som kan påvirke korrekt drift. Dersom det er skadet må produktet repareres før bruk. Mange ulykker skyldes dårlig vedlikeholdte verktøyer.
- **Sørg for at skjæreverktøy alltid er skarpe og rene.** Sørg for at eggene på skjæreverktøy alltid er skarpe. Dette gir mindre risiko for at verktøyet sette seg fast, og gjør det lettere å styre verktøyet.
- **Bruk elektroverktøyet, tilbehør, verktøybits osv. i samsvar med disse anvisningene, og ta hensyn til arbeidsforholdene og arbeidet som skal utføres.** Bruk av elektrisk verktøy på en måte det ikke var tiltenkt kan skape farlige situasjoner.
- **Hold håndtakene og gripeflatene tørre, rene og fri for olje og fett.** Hvis håndtakene og gripeflatene er glatte, fører det til mindre sikker håndtering og styring av verktøyet i uventede situasjoner.

BRUK OG VEDLIKEHOLD AV BATTERIET

- **Lad bare batteriet med en batterilader som er spesifisert av produsenten.** En lader som passer til en type batteri kan skape risiko for brann dersom den brukes til en annen type batteri.
- **Elektroverktøy må bare brukes med batterier som er spesielt beregnet til dem.** Bruk av andre batterier kan medføre risiko for skade og brann.
- **Når batteripakken ikke er i bruk må den holdes vekk fra metallgjenstander som binders, mynter, nøkler, spiker, skruer og andre små metallgjenstander som kan forbinde terminalene med hverandre.** Ikke kortslutt batteripolene, da dette kan føre til brann.
- **Under vanskelige forhold kan det unnsnippe væske fra batteriet.** Unngå i tilfelle kontakt. Skyll med vann hvis du vel et uhell kommer i kontakt. Søk i i tillegg medisinsk hjelp hvis du får væske i øynene. Væske som unnsnipper fra batteriet, kan forårsake irritasjon eller brannskår.
- **Ikke bruk et batteri eller en sag som er skadet eller endret, da dette kan føre til at de vil oppføre seg uforutsigbart.** Batterier som er skadd eller endret, kan oppføre seg uforutsigbart, noe som kan føre til brann, eksplosjon og personskaade.
- **Ikke utsett batteriet eller verktøyet for ild eller høy temperatur.** Eksponering for brann eller temperatur over 130°C kan føre til eksplosjon.
- **Alle ladeinstruksjoner må følges.** Ikke lad batteriet eller verktøyet hvis omgivelsestemperaturen er utenfor området som er angitt i bruksanvisningen. Feil lading eller lading ved temperaturer utenfor det angitte området kan ødelegge batteriet og øke risikoen for brann.

SERVICE

- **Sørg for at reparasjoner og vedlikehold av ditt elektriske verktøy utføres av kvalifiserte teknikere som kun bruker originale reservedeler.** Dette vil sørge for at sikkerheten med verktøyet ivaretas.
- **Ikke prøv å reparere batteriet hvis det er skadet.** Batteriet må bare repareres av produsenten eller en autorisert tjenesteleverandør.

SIKKERHETSINSTRUKSJONER FOR GJÆRSAGER

- **Gjærstager er beregnet på saging i trevirke eller trelignende produkter.** De kan ikke brukes med slipende kappehjul for å sage i jernholdige materialer som stolper, stenger, nagler osv. Det resulterende metallstøvet vil forårsake at bevegelige deler, som den nedre beskyttelsen, vil kile seg fast. Gnister som dannes under saging av metall, vil svi den nedre beskyttelsen, snittinnsatsen og andre plastdeler.
- **Bruk klemmer for å feste emne dersom mulig.** Hvis du støtter arbeidsstykket med hånden, må du alltid holde hånden minst 100 mm unna hver side av sagbladet. Ikke bruk sagen til å sage i arbeidsstykker hvis stykkene er for små til at de kan spennes fast eller holdes fast med hånden. Hvis du har hånden for nært sagbladet, er risikoen stor for at du kommer borti sagbladet og skader deg.
- **Arbeidsstykket må være stasjonært og fastspent eller holdes mot både støtten og bordet.** Ikke skyv arbeidsstykket inn mot sagbladet eller sag for frihånd på noen måte. Hvis arbeidsstykket er i bevegelse eller ikke er spent fast, kan det bli kastet med høy hastighet og forårsake skade.
- **Skyv sagen gjennom arbeidsstykket. Ikke trekk sagen gjennom arbeidsstykket. For å lage et kutt løfter du saghodet og trekker det ut over arbeidsstykket uten å sage.** Start motoren, trykk saghodet ned, og skyv sagen gjennom arbeidsstykket. Hvis du sager på tilbaketrekk, risikerer du at sagbladet klatrer opp av arbeidsstykket, og at bladet med monteringsenhet kastes mot operatøren.
- **Før aldri hånden over den tiltenkte sagelinjen, hverken foran eller bak sagbladet.** Det er svært farlig å støtte arbeidsstykket «krysshendt», det vil si at du holder arbeidsstykket til høyre for sagbladet med venstre hånd eller omvendt.
- **Mens bladet roterer, må du ikke strekke noen av hendene bak gjerdet nærmere enn 10 cm fra noen av sidene på sagbladet for å fjerne trebiter eller av andre grunner.** Det er ikke uten videre tydelig hvor nært det roterende sagbladet hånden er, slik at du kan bli alvorlig skadet.
- **Kontroller arbeidsstykket visuelt før saging.** Hvis arbeidsstykket er bøyd eller vridd, må du klemme det med overflaten som er bøyd utover, mot gjerdet. Pass alltid på at det ikke er noe mellomrom mellom arbeidsstykket, gjerdet og bordet langs sagelinjen. Hvis arbeidsstykket er bøyd eller vridd, kan det vri eller bevege på seg og dermed føre til at sagbladet binder mens du sager. Arbeidsstykket må være fritt for nagler og andre fremmedlegemer.
- **Ikke bruk sagen før bordet er ryddet for verktøy, trebiter osv., bortsett fra selve arbeidsstykket.** Små rester, løse trebiter og andre gjenstander som kommer i kontakt med det roterende bladet, kan bli kastet med stor fart.
- **Sag bare i ett arbeidsstykke om gangen.** Hvis flere arbeidsstykker stables, er det ikke mulig å spenne dem tilstrekkelig godt fast. Dette kan føre til at bladet binder eller flytter utilsiktet på seg under sagingen.
- **Sørg for at gjærstagen er montert eller plassert på en plan, fast arbeidsflate før bruk.** En jevn og fast arbeidsflate reduserer risikoen for at gjærstagen blir ustabil.



- **Planlegg arbeidet.** Hver gang du endrer vinkelinnstillingen for skråkanten eller gjærsgagen, må du passe på at det justerbare gjerdet er plassert slik at det gir god støtte til arbeidsstykket og ikke kommer i veien for bladet eller vaktsystemet. Før du slår på sagen og plasserer arbeidsstykket på bordet, kjører du sagbladet gjennom et fullstendig simulert kutt for å sikre at ikke noe kommer i veien, og at det ikke er noen fare for å sage i gjerdet.
 - **Sørg for tilstrekkelig støtte i form av bordforlengere, sagbukker og liknende for arbeidsstykker som er bredere eller lengre enn bordplaten.** Arbeidsstykker som er lengre eller bredere enn bordet for gjærsgagen, kan tippe over hvis det ikke støttes sikkert. Hvis det avsagede stykket eller arbeidsstykket tipper over, kan det løfte den nedre vekten eller bli kastet av det roterende bladet.
 - **Ikke bruk en annen person i stedet for en bordforlengelse eller som ekstra støtte.** Hvis arbeidsstykket støttes opp med en ustabil støtte, kan det føre til at bladet binder, eller at arbeidsstykket flytter på seg under sagingen. Dette kan føre til at du og hjelperen din blir dratt inn i det roterende bladet.
 - **Det avsagede stykket må ikke kjøres fast eller presses på noen måte mot sagbladet mens det roterer.** Hvis stykket møter hindringer, for eksempel i form av lengdestopper, kan det bli klemt mot bladet og bli kastet med voldsom kraft.
 - **Bruk alltid en klemme eller en festeanordning som er beregnet på å gi skikkelig støtte til runde gjenstander som stenger eller rør.** Stenger kan lett rulle mens de blir saget og kan dermed få bladet til å «bite» og trekke arbeidsstykket og hånden din inn i bladet.
 - **La bladet oppnå full fart før du fører det mot arbeidsstykket.** Dette reduserer risikoen for at arbeidsstykket kastes.
 - **Hvis arbeidsstykket eller bladet blir fastkilt, må du slå av gjærsgagen. Vent til alle bevegelige deler har stoppet, og trekk ut støpselet fra strømkilden eller fjern batteriet. Deretter kan du forsøke å få løs det fastkjørte objektet.** Hvis du sager mens arbeidsstykket sitter fast, kan du miste kontrollen eller skade gjærsgagen.
 - **Etter at du er ferdig med kuttet, slipper du bryteren, holder saghodet nede og venter på at bladet stopper før du fjerner det avsagede stykket.** Det er farlig å strekke hånden ut i nærheten av bladet mens det kjører.
 - **Ha et godt tak i håndtaket mens du gjør en ufullstendig kutt, eller når du slipper bryteren før saghodet er helt i nedre stilling.** Bremsevirkningen på sagen kan føre til at saghodet plutselig trekkes nedover, noe som kan føre til at du skader deg.
- Bruk alltid vernebriller og hørselvern når du bruker verktøyet. Det anbefales å bruke arbeidshansker, faste og sklisikre sko og forkle.
 - Før det benyttes noen form for tilbehør, se brukermanualen. Feil bruk av tilbehør kan føre til skader og øke risikoen for personskade.
 - Bruk bare sagblader som er spesifisert i denne manualen og er i henhold til EN 847-1.
 - Observer maksimumshastigheten som er angitt på sagbladet. Påse at hastigheten som er merket av på sagbladet er minst lik hastigheten merket av på selve sagen.
 - Bruk alltid et blad som har en størrelse og en form som passer til spindelens diameter. Et blad som ikke passer til spindelen som det skal monteres på vil ikke gå rundt riktig og kan få deg til å miste kontroll over verktøyet.
 - Ikke bruk blader med større eller mindre diameter enn anbefalt. Ikke bruk avstandsstykker for å få bladet til å passe på spindelen.
 - Kontroller at tuppene på sagbladet ikke er skadet eller ser unormale ut før hver bruk. Tupper som er skadet eller sitter løst, kan løsne og fly gjennom luften, med økt risiko for personskade.
 - Sagblad som har sprekker eller som har endret form må ikke brukes! Ikke bruk sageblader som er skadet eller deformerte.
 - Kast sagbladet hvis det er skadet, deformert, forvridd eller har sprekker. Det skal ikke repareres.
 - Ikke bruk HSS-blader.
 - Pass på at sagbladet er riktig montert, og stram akselmutteren godt til før bruk (tiltrekingsmoment på 8-10 Nm).
 - Festeskruen og mutterne må strammes til med korrekt skiftenøkkel osv.
 - Det er ikke tillatt å bruke forlenger til skiftenøkkel eller stramme til ved hjelp av hammer.
 - Påse at bladet og flensene er rene og at de ferskede sidene av kragen er mot sagbladet.
 - Påse at sagbladet roterer i korrekt retning.
 - Før du starter arbeidet, gjør et liksomkutt uten at motoren er på for å se at bladet er posisjonert riktig, beskyttelsene er på i forhold til andre maskindeler og sjekk også selve emne.
 - La aldri sagen gå uten tilsyn.
 - Ikke påfør smøremidler på sagbladet mens det er i bevegelse.
 - Foreta aldri rengjøring eller vedlikehold på sagen mens sagbladet fortsatt er i bevegelse og hodet ikke er i hvileposisjon.
 - Gjør aldri forsøk på å stanse en bevegelse brått ved å sette et verktøy eller annen gjenstand mot sagbladet, alvorlige skader kan oppstå som følge av dette.
 - Koble strømforsyningen eller batteriet fra sagen før du skifter blad eller utfører vedlikehold.
 - Vær oppmerksom på tetting og utpakning av bladet. Det er fort gjort å skade seg på de skarpe knivspissene.
 - Bruk en bladholder eller ha på deg hansker når du håndterer et sagblad.
 - Oppbevar bladet i originalemballasjen eller annen egnet emballasje, hold det tørt og på god avstand fra kjemikalier som kan skade bladet.

SIKKERHETSREGLER FOR SAGBLAD FOR TREVIRKE

- Les bruksanvisningen og instruksjonene nøye før du bruker sagbladet og maskinen.
- Produktet må være i god stand, spindelen uten deformasjon og vibrasjon.
- Sagen må bare brukes når vernet er på plass. Hold beskyttelsen i god stand og vedlikehold regelmessig.
- Sørg for at operatøren har fått tilstrekkelig opplært i forholdsregler, justeringer og drift av elektroverktøyet.

SPESIELLE SIKKERHETSADVARSLER

- Sørg for at arbeidsstykket alltid er forsvarlig festet.
- Sørg for at produktet alltid er stabilt og trygt (f.eks. festet til en benk).
- Bruk alltid hørselvern. Støy kan føre til tap av hørselen.
- Bruk alltid vernebriller når du bruker produktet. Det anbefales å bruke hansker når sagbladet eller grove materialer berøres, pluss solide glisikre vernesko for å beskytte føttene fra arbeidsstykker som kan falle ned fra kappeområdet.
- Koble strømforsyningen eller fjern batteriet fra sagen før du utfører vedlikehold eller rengjør sagen.
- Batteriet må bare kobles til når sagen er slått av.
- Strekk aldri hender eller armer inn i området i nærheten av bladet dersom ikke sagbladet står helt stille.
- Før bruk må sagen og batteriet kontrolleres grundig med tanke på eventuelle skader eller materialtretthet. Sagen under ett skal bare repareres av et autorisert serviceverksted.
- Bruk alltid vaktene på produktet. Ikke bruk sagen hvis vernet ikke er på plass eller ikke fungerer riktig.
- Nedre bladvern skal kun åpnes når bladet er senket ned på arbeidsstykket og må alltid være i stand til å beveges fritt og lukkes automatisk.
- Fest og bruk alltid forlengelsesstenger for støtte av arbeidsstykket under drift.
- Ikke endre eller modifier sagen eller dens funksjon. Din sikkerhet vil kunne påvirkes negativt.
- Ikke bruk sagblad som er sprukket, skadet eller deformert.
- Bruk ingen sageblad laget av hurtigstål.
- Bruk bare sagblader som er skarpe. Erstatt sløve sagblader.
- Bruk alltid et blad som har en størrelse og en form som passer til spindelens diameter. Et blad som ikke passer til spindelen som det skal monteres på vil ikke gå rundt riktig og kan få deg til å miste kontroll over verktøyet.
- Bruk bare sagblader for trearbeid som er angitt i denne håndboken, og som overholder EN 847-1.
- Ikke bruk flenser, skiver eller muttere for å sikre sagbladet ut over de som fulgte med produktet eller som vises i brukermanualen.
- Bruk sagblad som er egnet for materialet som skal sages. Ikke bruk sagen til å kappe andre materialer enn dem som er angitt i delen om tiltenkt bruk i denne håndboken.
- Under saging er det viktig å unngå at bladet overopphetes, eller at plast smelter.
- Det er viktig å overholde den maksimale farten som er spesifisert på sagbladet. Bruk bare sagblad som er merket med en fart som er lik eller høyere enn farten som er angitt på sagen.
- Erstatt bordinnlegget når det er slitt eller skadet.
- Før arbeidet kan du lage et dobbelt kutt uten at motoren er slått på, slik at kniven, betjeningen av vernene med hensyn til andre maskindeler og arbeidsstykket kan kontrolleres.
- Når du utfører gjærings-, skråkant- eller sammensatte gjæringskutt, må du justere det bevegelige gjerdet eller undergjerdet for å sikre riktig klaring fra bladet.

- Unngå ukontrollert frigjøring av sagenheten fra nedre posisjon.
- Låsen på håndtaket må alltid være på når sagen transporteres.
- Hold gulvet fritt for løse materialer, for eksempel sagmugg og kapp.
- Avstå fra å fjerne kapp eller andre deler av arbeidsstykket fra skjæreområdet mens produktet er i gang og saghodet ikke befinner seg i hvileposisjon.
- Langt materiale skal støttet på egnet måte. Arbeidsområdet for sagen inkluderer også hele omfanget av arbeidsstykket. Operatøren må sørge for at andre personer eller gjenstander ikke kan komme i kontakt med dette området, som kan bevege arbeidsstykket under drift.
- Støvet som produseres ved bruk av produktet kan være helseskadelig. Bruk et avtrekkssystem for støv og bruk egnet støvbeskyttelsesmaske. Fjern det oppsamlede støvet grundig, f.eks. med en støvsuger.
- Det kan være nødvendig å justere skyveggerdet for å sikre riktig klaring før lagring av avfasingen eller forbindelseskutt. Se til at skyveggerdets låseskrue er trukket godt til etter justeringen.
- Klemmen kan installeres og brukes på begge sider av bladet. I noen betjeninger kan klemmen forstyrre bladverneheten. Se alltid til at det ikke er noen interferens med bladvernet før du betyner noen kutteoperasjon for å redusere risikoen for alvorlig personskade.
- Omgivelsestemperaturområdet for verktøyet under drift er mellom 0 °C og 40 °C.
- Omgivelsestemperaturområdet for lagring av verktøyet er mellom 0 °C og 40 °C.
- Den anbefalte omgivelsestemperaturen for ladesystemet under lading er mellom 10 °C og 38 °C.

EKSTRA ADVARSLER FOR BATTERISIKKERHET

- For å unngå fare for en brann forårsaket av en kortslutning, av personskader eller skader av produktet, må det forhindres at batteripakken eller laderen dyppes i væsker og også sørges for at ingen væsker kan komme inn i apparatene eller batteriene. Korroderende og ledende væsker som saltvann, visse kjemikalier og blekemidler eller produkt som inneholder blekemidler kan forårsake en kortslutning.
- Omgivelsestemperaturområdet for batteriet under drift er mellom 0 °C og 40 °C.
- En passende lagringstemperatur for batteriet er mellom 0°C og 20°C.

TRANSPORTERE LITIUM-BATTERIER

Transporter batteriet i samsvar med lokale og nasjonale forskrifter og bestemmelser.

Følg alle spesielle krav når det gjelder pakking og merking når tredje part skal transportere batteriene. Pass på at batteriene ikke kan komme i kontakt med andre batterier eller ledende materialer når de transporteres ved at du beskytter åpne koblinger med isolerende, ikkeledende hetter eller tape. Ikke transportert batterier som har sprekker eller lekket. Sjekk med transportfirmaet for ytterligere råd.

GJENVÆRENDE RISIKO

Også når produktet brukes som beskrevet, er det ikke mulig å utelukke risiko for brukere eller personer i nærheten. Følgende farer kan oppstå ved bruk og operatøren bør være spesielt oppmerksom på å unngå/sikre følgende:

- Fare for kontakt med utildekkede deler på det roterende sagbladet.
- Tilbakeslag fra arbeidsstykker eller deler av arbeidsstykker på grunn av feil justering eller håndtering
- Utkastelse av karbidtupper fra sagbladet.
- Skade på åndedrettssystemet.
NB: Bruk åndedrettsbeskyttelse med filter som er tilpasset materialene som skal kappes. Sørg for tilfredsstillende ventilasjon av arbeidsområdet. Ikke spis, drikk eller røyk i arbeidsområdet.

- Skader på hørselen dersom ikke effektivt hørselsvern brukes.

⚠ ADVARSEL! Støv fra visse malingtyper, belegg og materialer vil kunne skape irritasjoner eller allergiske reaksjoner i åndedrettssystemet. Støv fra tresorter som eik, bjørk, fiberplater og andre er kreftfremkallende. Materialer som inneholder må kun bearbeides av kvalifiserte spesialoperatører.

⚠ ADVARSEL! Skader kan oppstå eller forsterkes ved forlenget bruk av et verktøy. Når du bruker et verktøy over en lenger tidsperiode, husk å ta regelmessige pauser.

KJENN DITT PRODUKT.

Se side 198.

1. Håndtak, isolert gripeoverflate
2. Strømbryter
3. Bryter avlåsingspak
4. LED-bryter
5. Nedre bladbeskytter
6. Hovedinngjerdning
7. Bærehåndtak i siden
8. Skyveinngjerdning
9. Dreieskive
10. Kantplate
11. Gjæringslåseknot
12. Gjæring utsparingsfrigivelsesspak
13. Støttefot
14. Batteripakke
15. Bærehåndtak på toppen
16. Stoppeknot for lineær stang
17. Klemme
18. Gjærvinkelpeker
19. Monteringshull
20. Skruer for låsing av hovedgjerde
21. Kulltedybdejusteringsskrue
22. Skråvinkelpeker
23. Skrue for justering av 45 graders skråvinkelgrense
24. Låseknapp for skråkant
25. Saghodelåsebolt
26. Støvpøse
27. Sekskantnøkkel
28. Skrue for justering av 45 graders skråvinkelgrense
29. Skrue for låsing av skyvegjerdet
30. Spindellåseknapp
31. Utvendig sidestykke
32. Sagblad

BRUK

Produktet har et bevegelig sagblad som kan stilles inn i forskjellige vinkler av brukeren når det kappes arbeidsstykker som er forsvarlig festet til produktets fundament. Utstyret må kun betjenes av én person for å hindre tilfeldig kontakt med sagbladet når det er i bevegelse.

Prinsippene for trygg bruk av produktet er som følger:

- Vedlikehold sag, blader og arbeidsområde slik at de er i god stand.
- Sikre fundamentet for gjæringsstangen til en solid arbeidsbenk. Produktet kan komme i bevegelse og velte dersom det ikke er forsvarlig sikret.
- Sett opp og lås kappevinklene og dybden før kappet foretas.
- Fest arbeidsstykket til fundamentet for gjæringsstangen. Bruk den medfølgende klemmen, og, der det er nødvendig, bruk ytterligere klemmer eller holdemekanismer for å hindre utilsiktet bevegelse av arbeidsstykket under kappingen.
 - Påse at funksjonen til sagbladdekslet ikke begrenses av posisjonen til arbeidsstykket.
 - Påse at inngjerdningen og andre deler av produktet ikke vil bli kappet av når sagbladet senkes til kappeposisjon.
- Start motoren og la bladet nå full hastighet før den sakte senkes slik at den kapper arbeidsstykket.
- La sagbladenheten heves til den øvre posisjonen, der sagbladdekslet er helt lukket. Slå av motoren og la sagbladet stoppe helt før arbeidsstykket eller den delen som er kappet av fjernes, eller før operatøren strekker hånd eller arm inn i området der sagbladet befinner seg.

Før første gangs bruk må det påses at vinkelen på skråkant- eller gjæringssettet på produktet tilsvarer den vinkelen som skal utføres på arbeidsstykket. Sjekk dette på et stykke kassert tre med en snekkers gjæringsvinkel.

Fjerning av sagblad:

1. Ha på deg hansker når du håndterer sagbladet.
2. Slå av strømmen og fjern batteriet.
3. Løsne, men ikke fjern skruen på dekselet til knivbolten. Løft dekselet til knivbolten.
4. Sving tilbake det selvlukkende vernet og hold det.
5. Trykk på spindellåseknappen og skru løs bladbolten samtidig ved hjelp av den medfølgende nøkkelen. Demonter ytterflensen.
6. Fjern sagbladet.

Montering av sagblad:

Ved behov rengjør du alle deler før montering.

Etterpå følger du prosedyren "Fjern sagbladet".

1. Ha på deg hansker når du håndterer sagbladet.
2. Sørg for at strømmen er av og at batterisetet er fjernet.
3. Sving tilbake det selvlukkende vernet og hold det.
4. Sett inn det nye sagbladet. Kontroller at bladets rotasjonsretning stemmer overens med pilens retning på bladvernet.
5. Monter på flensen og bladbolten.
6. Trykk på spindellåseknappen inntil den aktiveres, og stram bladbolten.
7. Monter den selvlukkende beskyttelsesskinnen.
8. Senk dekselet til knivbolten og stram skruen.

⚠ ADVARSEL! Sørg for at dekselet til knivbolten er senket til opprinnelig posisjon og at skruen er strammet.

Justere gjæringsvinkelen:

Gjæringsvinkelen kan stilles inn fra 45 grader (venstre side) til 45 grader (høyre side).

1. Løsne gjæringslås Bryteren.
2. Press gjæringsutsparingsfrigivelsesspaken. Vri sagbordet til ønsket gjæringsvinkel ved hjelp av gjæringslåsebryteren.
3. Stram til gjæringslås Bryteren igjen.

Justere høvelvinkelen:

Høvelvinkelen kan stilles inn fra 0 grader til 45 grader.

1. Løsne høvellås Bryteren.
2. Skråstill verktøyarmen i ønsket høvelvinkel ved hjelp av håndtaket.
3. Hold verktøyarmen i denne posisjonen og stram til høvellåsknasten igjen.

⚠ ADVARSEL! Produsenten anbefaler så sterkt som mulig at produktet alltid er forsvarlig festet til toppen av en arbeidsbenk.

Når sokkelen på maskinen er godt festet til en benkettopp med fire muttere, bolter og skiver som forklart, kan maskinen brukes når den er innstilt på maksimal skråvinkel og gjæring uten risiko for at den velt. Hvis produktet ikke er forsvarlig festet vil det kunne velte når store skråvinkler velges.

VEDLIKEHOLD

- Ikke modifier produktet på noen måte eller bruk tilbehør som ikke er godkjent av produsenten. Din og andres sikkerhet vil kunne påvirkes negativt.
- Ikke bruk produktet hvis noen av bryterne, beskyttelsesutstyret eller andre funksjoner ikke virker som de skal. Oppsøk et autorisert servicesenter for profesjonelle reparasjoner eller justeringer.
- Ikke foreta noen justeringer mens sagbladet er i bevegelse.
- Pass alltid på at batteriet er fjernet fra sagen før du justerer, smører eller vedlikeholder sagen.
- Før og etter hver gangs bruk må produktet inspiseres for skader eller ødelagte deler. Hold produktet i topp stand ved umiddelbart å erstatte deler med reservedeler som er godkjent av produsenten.
- Bladet har skarpe kanter og kan forbli varmt etter et skjæreoperasjonene er gjennomført. Du må derfor være meget forsiktig når du rengjør et ubeskyttet blad. Bruk hansker for å beskytte deg mot personlig skade.
- Rengjør sagen og tilbehøret jevnlig for støv, særlig bevegelige deler, inkludert bladvakten. Bruk en håndbørste eller støvsuger for å fjerne støvet effektivt. Bruk ikke komprimert luft.
- For større sikkerhet og pålitelighet bør alle reparasjoner, inkludert bytte av børster, utføres av et autorisert servicesenter.

⚠ ADVARSEL! Ikke prøv å demontere bladvakten for å rengjøre eller reparere den. Ikke bruk en vakt som er skadd. Lever den inn til et autorisert servicesenter for reparasjon eller utskifting.

Gjærings- og avfasingsvinkelkalibrering

Hvis gjærings- og avfasingsvinkelkalibrering er nødvendig, se side 213–217 og følg kalibreringsanvisningene.

VEDLIKEHOLD OG OPPBEVARING

- Fjern batteriet fra sagen når sagen skal lagres. Oppbevar maskinen på et trygt sted der barn ikke har tilgang.

- Rengjør produktet med en børste eller støvsuger før det settes bort for lagring.
- Hvis du fjerner sagbladet eller har reserveblader sammen med enheten, påse at de er pakket i originalemballasjen for å unngå skader.

Før å sikre produktet før det beveges:

- Produktet må lagres med null grader gjæring og skråkant og låst i denne posisjonen. Håndtaket skal være låst i den nedre (trygge) posisjonen med beskyttelsen lukket.

Før å flytte eller transporteres i et kjøretøy:

- Sikre produktet før flytting som beskrevet i brukermanualen.
- Fjern produktet fra arbeidsbenken ved å frigjøre de 4 skruene, en i hvert hjørne. Sikre skruene for framtidig bruk. Bær produktet med to hender, i bærehåndtaket på toppen eller i siden.
- Når det transporteres i et kjøretøy settes produktet på sitt fundament og sikres mot å komme i bevegelse.

SYMBOLER PÅ PRODUKTET



Sikkerhetsadvarsel



Europeisk samsvarsmerking



Britisk samsvarsmerking



Ukrainsk samsvarsmerking



EurAsian Konformitetstegn



Vennligst les instruksjonene nøye før du starter maskinen.



Bruk hørselsvern



Bruk alltid øyebeskyttelse.



Hold hendene unna skjærområdet og det skarpe bladet.



Utsett ikke for regn eller bruk på fuktige steder.



Bruk sikkerhetshansker



Bladrotasjonsretning (vist på sagbladet)



Bladets roteringsretning (vist på sagbladdekslet)



Kuttets bladbredde (snitt)



Antall tenner på dette sagbladet



Sagekapasitet



Beregnet på saging av tre og tilsvarende materialer



Ikke for saging av metaller



Juster posisjonen til skyvegjerdet før du utfører avfasing eller forbindelseskutt.



Løsner retning på knivbolten.

Ikke kast avfallsbatterier, elektrisk og elektronisk utstyrsavfall som usortert kommunalt avfall. Avfallsbatterier og elektrisk og elektronisk utstyrsavfall må samles inn separat. Avfallsbatterier, avfallsakkumulatører og lyskilder må fjernes fra utstyret. Forhør deg med de lokale myndighetene for resirkuleringsråd og innsamlingspunkt. I henhold til lokale forskrifter kan forhandlere være forpliktet til å ta tilbake avfallsbatterier, elektrisk og elektronisk utstyrsavfall gratis. Ditt bidrag til gjenbruk av og gjenvinning av avfallsbatterier og elektrisk og elektronisk utstyrsavfall bidrar til å redusere etterspørselen etter råmaterialer. Avfallsbatterier, spesielt de som inneholder litium, og elektrisk og elektronisk utstyrsavfall inneholder verdifulle og resirkulerbare materialer som kan påvirke miljøet og menneskets helse negativt, hvis de ikke blir kastet på en miljøkompatibel måte. Slett personlig data fra utstyrsavfall, om noen.



Deler eller tilbehør solgt separat



Nb



Advarsel

SYMBOLER I MANUALEN



Lås



Låse opp



Ventetid før bladet når full hastighet eller stopper helt.

При разработке этой торцовочной пилы особое внимание уделялось безопасности, производительности и надежности.

НАЗНАЧЕНИЕ

Торцовочная пила предназначена для распила массивной и клееной древесины, а также аналогичных дереву материалов с добавлением шпона и пластика или без них.

К работе с торцовочной пилой допускаются только совершеннолетние лица, ознакомившиеся с инструкцией по эксплуатации и осознающие связанные с этим риски и угрозы.

Торцовочная пила фиксируется основанием на твердой поверхности. Если основание закреплено ненадежно, все устройство может двигаться во время резки, что повышает вероятность получения серьезных травм.

Торцовочная пила предназначена для выполнения наклонной или косо распила. Производительность по различным видам распила приводится в технических характеристиках изделия в настоящем руководстве.

Торцовочная пила подлежит использованию в сухом помещении в условиях достаточного освещения и вентиляции.

Торцовочная пила может использоваться только в соответствии с данной инструкцией и не предназначена для иных целей.

ОСНОВНЫЕ УКАЗАНИЯ ПО ТЕХНИКЕ БЕЗОПАСНОСТИ ПРИ РАБОТЕ С ЭЛЕКТРОИНСТРУМЕНТОМ

⚠ ОСТОРОЖНО! Прочтите все указания, инструкции, иллюстрации и спецификации, поставляемый с этим электроинструментом. Несоблюдение всех инструкций, указанных ниже, может привести к поражению электрическим током, пожару и / или серьезным травмам.

Сохраните все предупреждения и инструкции для дальнейшего использования. Термин «электроинструмент» в предупреждениях означает инструмент, работающий от электрической сети (проводной) или аккумулятора (беспроводной).

БЕЗОПАСНОСТЬ НА РАБОЧЕМ МЕСТЕ

- Рабочий участок должен быть свободным и хорошо освещенным. Загромождение или плохое освещение рабочей зоны может привести к несчастным случаям.
- Не используйте электроинструменты во взрывоопасной среде, например, при наличии легковоспламеняющихся жидкостей, газов или пыли. В электрических устройствах могут образовываться искры, что может привести к воспламенению пыли или газа.
- Не допускайте присутствия детей и посторонних лиц при работе с электроинструментом. Отвлечение на посторонних лиц может привести к потере контроля во время эксплуатации агрегата.

ЭЛЕКТРОБЕЗОПАСНОСТЬ

- Вилки кабеля питания инструмента должны соответствовать используемой розетке. Не подвергайте вилку кабеля каким-либо изменениям. Не используйте какие-либо

переходники с электроинструментами с заземляющим проводом. Использование оригинальных штепсельных вилок и соответствующих розеток предотвращает опасность поражения электрическим током.

- Не допускайте контакта частей тела с поверхностями заземленных предметов, например труб, радиаторов отопления, кухонных плит, холодильников. При соприкосновении частей тела человека с заземленными участками возрастает опасность поражения электрическим током.
- Не оставляйте электроинструменты под дождем или в условиях повышенной влажности. Попавшая внутрь электроинструмента вода увеличивает опасность поражения электрическим током.
- Не допускайте неправильного обращения с кабелем. Не используйте кабель для переноски, перемещения или отключения инструмента от сети питания. Не раскладываете кабель вблизи источников тепла, масла, острых предметов или подвижных элементов. Поврежденные или запутанные провода повышают опасность поражения электрическим током.
- При работе с электроинструментом вне помещений пользуйтесь удлинительным кабелем, предназначенным для наружного применения. Использование кабеля, предназначенного для наружного применения, снижает опасность поражения электрическим током.
- Если нет возможности избежать работы в условиях повышенной влажности, подключайте электроинструмент через устройство защитного отключения. При использовании устройства защитного отключения снижается опасность поражения электрическим током.

ЛИЧНАЯ БЕЗОПАСНОСТЬ

- Будьте бдительны, наблюдайте за тем, что делаете, и проявляйте здравый смысл при работе с инструментом. Воздержитесь от использования электроинструмента, если вы ощущаете усталость, а также под воздействием наркотиков, алкоголя или медицинских препаратов. Малейшая невнимательность при работе с электроинструментом может привести к серьезной травме.
- Используйте средства персональной защиты. Всегда надевайте защитные очки. Такие средства защиты, как противопылевая маска, нескользящая обувь, жесткий головной убор и средства защиты органов слуха, при использовании в соответствующих условиях позволят снизить риск получения травмы.
- Не допускайте непреднамеренного запуска. Перед подключением инструмента к источнику питания, заменой аккумуляторного блока, поднятием и переноской инструмента проверьте, чтобы переключатель находился в положении «выключено». При переноске электроинструментов с пальцем на переключателе или подаче питания к инструментам при переключателе в положении «вкл.» возможны несчастные случаи.
- Перед включением электроинструмента уберите все регулировочные и гаечные ключи. Гаечные

или регулировочные ключи, оставленные на вращающихся частях электроинструмента, могут привести к телесному повреждению.

- **Не прикладывайте чрезмерных усилий.** Старайтесь сохранять устойчивость и подыскивайте твердую опору. Это обеспечивает лучшую управляемость электроинструментом в непредвиденных ситуациях.
- **Одевайтесь соответствующим образом.** Не надевайте одежду свободного покроя и украшения. Не допускайте попадания волос и одежды в подвижные детали. Свободная одежда, украшения и длинные волосы могут попасть в движущиеся части.
- **При наличии оборудования для соединения пылеуловителей и пылеотделителей** обеспечьте его надлежащее подключение и эксплуатацию. Пылеулавливание может снизить угрозы, связанные с образованием пыли.
- **Не нарушайте правила техники безопасности,** даже несмотря на длительный опыт работы с инструментами. Даже секундная неосторожность может привести к тяжким телесным повреждениям.

ЭКСПЛУАТАЦИЯ ЭЛЕКТРОИНСТРУМЕНТА И УХОД ЗА НИМ

- **Не прикладывайте чрезмерное усилие к инструменту.** Используйте подходящий инструмент для выполнения работ. С помощью нужного инструмента вы выполните работу лучше и безопаснее с той скоростью, для которой он предназначен.
- **Не пользуйтесь электроинструментом, если выключатель не включается или не выключается.** Любой электроинструмент, не управляемый выключателем, представляет опасность и должен быть отремонтирован.
- **Перед регулировкой, заменой принадлежностей и помещением электроинструмента на хранение отсоедините вилку от источника питания и/или извлеките аккумуляторный блок (если это возможно).** Такие меры предосторожности снижают риск случайного пуска электроинструмента.
- **Храните неиспользуемые электроинструменты в месте, недоступном для детей, а также не допускайте к использованию данного инструмента лиц, не знакомых с его работой или не ознакомленных с данными данными инструкциями.** Использование электроинструментов лицами, не подготовленными к работе с подобными электроинструментами, может стать причиной создания опасных ситуаций.
- **Электроинструменты и принадлежности необходимо обслуживать.** Проверяйте положение и соединения подвижных деталей, наличие сломанных деталей, а также наличие условий, которые могут препятствовать нормальной эксплуатации инструмента. При повреждении изделия перед его дальнейшим использованием следует выполнить техническое обслуживание. Множество аварийных происшествий вызвано плохим техническим обслуживанием инструментов.
- **Поддерживайте режущие инструменты в заточенном и чистом виде.** Режущие инструменты

в надлежащем состоянии, с острыми кромками менее подвержены застреванию и более управляемы.

- **Используйте инструмент, принадлежности, наконечники и др. в соответствии с данными инструкциями, учитывая условия и характер работы.** Использование данного электроинструмента не по назначению может создать опасную ситуацию.
- **Поддерживайте захватные поверхности в сухом, чистом виде, без масла и смазки.** Скользкие рукоятки и захватные поверхности не дают возможности контролировать инструмент в нештатных ситуациях.

ЭКСПЛУАТАЦИЯ И ОБСЛУЖИВАНИЕ АККУМУЛЯТОРНОГО ИНСТРУМЕНТА

- **Заряжать аккумуляторы можно только зарядным устройством, разрешенным производителем инструмента.** Зарядное устройство, подходящее только для одного типа батарей, может создать опасность пожара при использовании для зарядки батарей иного типа.
- **В электроинструментах следует устанавливать аккумуляторные блоки, имеющие подходящую маркировку.** При использовании других аккумуляторных блоков возрастает риск пожара и получения травмы.
- **Когда батареи не используются, держите их вдали от металлических предметов, таких как зажимы, монеты, ключи, гвозди, винты или иные небольшие металлические предметы, которые могут создать контакт между полюсами.** Короткое замыкание на контактах аккумулятора может стать причиной пожара.
- **При неблагоприятных условиях из аккумулятора может вытечь жидкость; избегайте контакта с такой жидкостью. При случайном контакте промойте место воздействия водой.** При попадании жидкости в глаза промойте их водой и обратитесь к врачу. Аккумуляторная жидкость может вызвать раздражение кожи и слизистых оболочек или ожоги.
- **Использование поврежденного или модифицированного аккумуляторного блока и инструмента не допускается.** Поврежденные или модифицированные аккумуляторы могут работать непредсказуемо и стать причиной пожара, взрыва или травмы.
- **Запрещается подвергать аккумуляторный блок и инструмент воздействию огня и высокой температуры.** Воздействие огня или температуры выше 130°C может привести к взрыву.
- **Заряжайте аккумуляторные блоки и инструмент в соответствии с инструкцией, не подвергая их при этом воздействию температур вне диапазона, указанного в инструкции.** Зарядка без соблюдения инструкции или при воздействии температур вне предусмотренного диапазона может привести к повреждению аккумулятора и повысить риск возгорания.

ОБСЛУЖИВАНИЕ

- **Техническое обслуживание и ремонт электроинструмента должен выполнять только квалифицированный специалист с использованием взаимозаменяемы запасных**

частей. Это обеспечит нормальное техническое состояние устройства.

- **Обслуживание аккумуляторных блоков с признаками повреждения не допускается.** Обслуживание аккумуляторных блоков должно выполняться производителем или авторизованным сервисным центром.

ПРАВИЛА ТЕХНИКИ БЕЗОПАСНОСТИ ПРИ ИСПОЛЬЗОВАНИИ ТОРЦОВЫХ ПИЛ

- Торцовочные пилы предназначены для распила деревянных и древесноподобных изделий и не предназначены для работы с абразивными кругами для резки изделий из черного металла, таких как арматура, стержни, гвозди и т.д. Абразивная пыль способствует заклиниванию подвижных деталей, например, нижней защиты. Искры, образующиеся в процессе абразивного распила, способны оплавить нижнюю защиту, направляющий вкладыш и другие пластиковые детали.
- По возможности используйте зажимы для удерживания заготовки. При удержании обрабатываемой детали вручную убедитесь в том, чтобы рука всегда находилась не ближе 100 мм от полотна пилы. Запрещается использовать данную пилу для резки слишком мелких деталей, которые невозможно безопасно удерживать в зажиме или вручную. Если ваша рука находится слишком близко к полотну пилы, возрастает риск получения травмы.
- Обрабатываемая деталь должна быть надежно зафиксирована в зажиме или между ограничителем и столом. Запрещается подводить обрабатываемую деталь к лезвию или свободно удерживать ее руками. Без надлежащей фиксации обрабатываемая деталь может вылететь и нанести травму.
- Распил обрабатываемой детали следует выполнять движением от себя. Запрещается выполнять распил обрабатываемой детали движением на себя. Для выполнения распила поднимите головку пилы, наведите ее на обрабатываемую деталь без выполнения распила, запустите двигатель, опустите головку пилы и выполните распил движением от себя. Распил движением на себя с высокой долей вероятности может привести к соскакиванию полотна пилы из линии распила в сторону оператора.
- Запрещается помещать руку на предполагаемой линии распила перед или за полотном пилы. Удерживать обрабатываемую деталь «крест накрест», т.е. с правой стороны полотна левой рукой или наоборот, очень опасно.
- Запрещается заводить руку за ограничитель ближе 100 мм от вращающегося полотна пилы для удаления опилок и иных целей. Вы можете неправильно оценить расстояние до вращающегося полотна и получить серьезную травму.
- Перед выполнением распила следует осмотреть обрабатываемую деталь. В случае изгиба или искривления обрабатываемой детали зажмите ее внешней изогнутой стороной к ограничителю. Всегда следите за тем, чтобы по линии распила отсутствовал зазор между обрабатываемой деталью, ограничителем и столом. Изогнутые или

искривленные обрабатываемые детали подвержены скручиванию и смещению, что может стать причиной защемления полотна во время распила. В обрабатываемой детали не должно быть гвоздей и других посторонних предметов.

- **Использование пилы допускается только после удаления со стона всех инструментов, опилок и прочего.** Небольшой сор, древесные щепки и другие предметы при соприкосновении с вращающимся полотном могут разлетаться с высокой скоростью.
- **Единовременно следует выполнять распил только одной детали.** Обеспечить надлежащую фиксацию сложенных вместе деталей невозможно, и это может привести к повреждению полотна или смещению обрабатываемых деталей.
- **Перед началом работы убедитесь в том, что торцовочная пила установлена на ровной твердой поверхности.** Ровная твердая поверхность снижает риск нарушения устойчивости торцовочной пилы.
- **Работы следует выполнять по плану.** При каждом изменении угла распила следует соответствующим образом регулировать положение ограничителя для фиксации обрабатываемой детали и предотвращения его контакта с полотном и защитной системой. Не включая инструмент и не размещая обрабатываемую деталь на столе, проведите полотно по всей длине предполагаемого распила, убедившись в отсутствии помех и вероятности столкновения с ограничителем.
- **При обработке детали, длина которой превышает длину столешницы, используйте дополнительные приспособления, например, удлинители стола, пыльные козлы и т.д.** Если длина или ширина обрабатываемой детали превышает длину или ширину поверхности стола торцовочной пилы, без надлежащей поддержки может произойти ее опрокидывание. В случае опрокидывания отрез или деталь может поднять нижнюю защиту или быть отброшена вращающимся полотном.
- **Поддержка длинной детали с помощью человека вместо удлинителя стола не допускается.** Нестабильная фиксация обрабатываемой детали в процессе распила может стать причиной повреждения полотна или смещения детали, что может привести к затягиванию оператора или страхующего в рабочую зону полотна пилы.
- **Запрещается давить на отрезаемый край детали в процессе распила.** В зажатых условиях, например, при использовании упоров для установки длины, возможно резкое отбрасывание отреза вращающимся полотном.
- **Необходимо использовать зажим или специальное крепление для надежной фиксации круглых изделий, таких как арматура и труба.** В ходе распила может произойти проворачивание и «закусывание» арматуры, и, как следствие, затягивание детали вместе с вашей рукой в рабочую зону полотна.
- **Перед началом распила дождитесь, пока полотно достигнет максимальной скорости вращения.** Это позволит снизить риск отбрасывания детали.
- **В случае застревания обрабатываемой детали или лезвия отключите торцовочную пилу.** Дождитесь остановки всех движущихся частей

и отсоедините устройство от источника питания и/или извлеките аккумуляторный блок. Далее высвободите застрявшую деталь. Дальнейший распил застрявшей детали может привести к потере контроля и повреждению торцовочной пилы.

- По завершении распила отпустите переключатель, и не поднимая головку пилы, дождитесь останова полотна, после чего извлеките отрез. Подносить руку к вращающемуся по инерции полотну опасно.
- При выполнении частичного распила или отключении пилы до полного опускания головки, твердо удерживайте рукоять. Торможение пилы может стать причиной резкой оттяжки головки вниз и сопряжено с риском травмы.

ИНСТРУКЦИЯ ПО ТЕХНИКЕ БЕЗОПАСНОГО ОБРАЩЕНИЯ С ПОЛОТНОМ ДЛЯ РЕЗКИ ДРЕВЕСИНЫ

- Перед началом использования полотна пилы и самого устройства внимательно ознакомьтесь с руководством и всеми инструкциями.
- Устройство должно быть в хорошем состоянии, шпиндель не должен быть деформирован и не должен создавать вибрацию.
- Работа с устройством без надлежащей установки защиты не допускается. Защитные приспособления должны поддерживаться в хорошем рабочем состоянии и надлежащим образом обслуживаться.
- Убедитесь в том, что оператор ознакомлен со всеми мерами предосторожности, а также порядком настройки и эксплуатации изделия.
- В процессе работы с изделием следует использовать специальные очки и средства защиты органов слуха. Рекомендуется надевать перчатки, прочные нескользящие ботинки и фартук.
- Перед использованием принадлежностей обязательно прочитайте информацию о них в руководстве по эксплуатации. Ненадлежащее использование оборудования может привести к его повреждению, а также повышает риск получения травмы.
- Используйте только режущие диски, указанные в данном руководстве и удовлетворяющие требованиям стандарта EN 847-1.
- Во время работы не допускайте превышения максимальной скорости вращения, указанной на режущем диске. Убедитесь, что скорость, указанная на пильном диске, больше или равна скорости, указанной на пиле.
- Всегда используйте пильные диски правильного размера и формы, с соответствующим диаметром посадочного отверстия. Диски с посадочным отверстием не соответствующим диаметру шпинделя пилы будут работать с биением, что может привести к потере контроля над инструментом.
- Используйте режущие диски только предписанного диаметра! Не используйте прокладки для закрепления режущего диска в шпинделе.
- Перед каждым использованием проверяйте лезвия режущего полотна на отсутствие повреждений и видимых отклонений. Поврежденные и болтающиеся лезвия могут отлетать при использовании, что повышает риск получения травмы.

- Не используйте треснувшие или погнутые полотна пилы. Не используйте поврежденные или деформированные пильные полотна.
- Поврежденное, деформированное, изогнутое или треснутое режущее полотно необходимо сдать в лом, ремонт такого полотна запрещен.
- Не пользуйтесь режущими дисками из быстрорежущей стали.
- Перед началом работы проверьте правильность установки полотна и затяните зажимную гайку (момент затяжки - прим. 8 -10 Нм).
- Крепежный винт и гайки следует затягивать с помощью подходящего ключа.
- Перетяжка гаечным ключом, а также с помощью молотка запрещена.
- Следите за чистотой дисков и фланцев, проследите также, чтобы углубленные стороны втулки прилегали к режущему диску.
- Убедитесь в том, что режущий диск вращается в нужном направлении.
- Перед работой выполните имитирующий рез с выключенным двигателем, чтобы проверить положение лезвия, функционирование защитных приспособлений по отношению к другим деталям устройства и заготовке.
- Никогда не оставляйте изделие без присмотра.
- Не пытайтесь смазать маслом режущий диск во время его работы.
- Запрещается проводить работы по техническому обслуживанию и очистке, если устройство все еще работает, а его головная часть не вернулась в исходное положение.
- Никогда не пытайтесь остановить работающее устройство путем заклинивания инструмента или прикладывания предметов к режущему диску. Это может привести к серьезным травмам.
- Перед заменой полотна или проведением технического обслуживания отключите изделие от сети питания или извлеките аккумуляторный блок.
- Будьте внимательны при упаковке и распаковке лезвия, а то легко можете пораниться острыми концами лезвия.
- При выполнении манипуляций с лезвием используйте специальный держатель или наденьте перчатки.
- Хранение лезвия должно осуществляться в оригинальной упаковке или иной подходящей упаковке, а также в сухих помещениях вдали от химических веществ, способных повредить лезвие.

ДОПОЛНИТЕЛЬНЫЕ ПРЕДУПРЕЖДЕНИЯ ПО ТЕХНИКЕ БЕЗОПАСНОСТИ

- Всегда безопасно и надежно закрепляйте заготовку.
- Устройство всегда должно быть устойчивым и надежно закрепленным (например, на верстаке).
- Всегда используйте средства защиты органов слуха. Воздействие шума может привести к потере слуха.
- В процессе работы с изделием используйте защитные очки. Рекомендуется надевать перчатки при обращении с дисками и грубыми материалами, а также прочную нескользящую обувь для защиты ног от укусов, которые могут падать в зоне резки.



- Перед проведением любых операций по техническому обслуживанию или очистке отключите изделие от сети питания или извлеките аккумуляторный блок.
- Установка аккумуляторного блока должна осуществляться только при выключенном изделии.
- Не выполняйте никаких действий рядом с пильным диском, пока не произойдет полной остановки диска.
- Перед использованием тщательно осмотрите изделие и аккумуляторный блок на предмет наличия повреждений и износа материалов. Ремонт изделия должен выполняться только в авторизованном сервисном центре.
- Всегда используйте защитные перегородки. Воздержитесь от использования изделия, если защита не установлена или работает ненадлежащим образом.
- Нижнюю защиту полотна можно открывать только в момент опускания полотна на обрабатываемую деталь, и должна всегда перемещаться беспрепятственно и закрываться автоматически.
- В процессе работы всегда используйте наставки для поддержки обрабатываемой детали.
- Запрещается вносить изменения в конструкцию или порядок работы изделия. Ваша безопасность может быть нарушена.
- Не используйте пильные диски, которые треснуты, повреждены или деформированы.
- Не применяйте какие-либо пильные диски из быстрорежущей стали.
- Используйте только острые диски. Замените затупившиеся диски.
- Всегда используйте пильные диски правильного размера и формы, с соответствующим диаметром посадочного отверстия. Диски с посадочным отверстием не соответствующим диаметру шпинделя пилы будут работать с биением, что может привести к потере контроля над инструментом.
- Допускается использование только полотен по дереву, указанных в настоящем руководстве и соответствующих стандарту EN 847-1.
- Не используйте никакие фланцы, шайбы и гайки для крепления пильного диска, не входящие в комплект поставки или не указанные в руководстве по эксплуатации.
- Выберите пригодное для разрезаемого материала пильное полотно. Использование данного изделия для распила или резки материалов, не приведенных в разделе «Назначение» настоящего руководства, не допускается.
- При выполнении распила важно не допускать перегрева полотна и оплавки пластиковых деталей.
- Необходимо соблюдать максимальную скорость вращения, указанную на полотне пилы, а также использовать полотно, маркировка скорости на которой совпадает или превышает маркировку скорости на инструменте.
- Заменяйте пластину для пропила в случае ее износа или повреждения.
- Перед началом работы выполните тренировочный разрез, не включая мотор, чтобы проверить положение лезвия, рабочее состояние защитных кожухов и детали.
- При выполнении наклонных, косых или сложных распилов защиту следует регулировать с учетом необходимого зазора.
- Не допускайте неконтролируемого отброса пилы из нижнего положения.
- В процессе транспортировки изделия необходимо активировать фиксатор рукоятки.
- Не допускайте попадания на пол сыпучих материалов, таких как опилки и обрезки.
- Воздержитесь от уборки каких-либо обрезков и прочих частей деталей в зоне резки, пока инструмент работает, а головка пилы не находится в нейтральном положении.
- Длинные заготовки соответственно подоприте. Рабочая зона пилы включает в себя всю рабочую заготовку. Оператор должен обезопасить это место от случайного касания другими лицами или предметами, которые могут переместить заготовку во время работы.
- Пыль, образуемая в процессе эксплуатации изделия, может нанести вред здоровью. Используйте пылеотсасывающую систему и надевайте подходящую пылезащитную маску. Тщательно очищайте скапливающуюся пыль с помощью пылесоса.
- Перед выполнением косых или сложных распилов может потребоваться регулировка подвижной защиты с учетом необходимого зазора. После регулировки надежно затяните фиксирующий винт подвижной защиты.
- С одной из сторон полотна можно установить зажим. В отдельных случаях зажим может соприкоснуться с конструкцией защитного ограждения. Перед началом резки не допускайте контакта с защитным ограждением полотна для снижения риска получения серьезной травмы.
- Допустимый диапазон температуры окружающей среды в ходе эксплуатации изделия составляет от 0 °C до 40 °C.
- Допустимый диапазон температуры окружающей среды в ходе хранения изделия составляет от 0 °C до 40 °C.
- Рекомендуемая температура окружающей среды для зарядного устройства в процессе зарядки — в пределах диапазона от 10 °C до 38 °C.

ТРЕБОВАНИЯ БЕЗОПАСНОСТИ ПРИ ИСПОЛЬЗОВАНИИ ДОПОЛНИТЕЛЬНОЙ АККУМУЛЯТОРНОЙ БАТАРЕИ

- Для предотвращения опасности пожара в результате короткого замыкания, травм и повреждения изделия не опускайте инструмент, сменный аккумулятор или зарядное устройство в жидкости и не допускайте попадания жидкостей внутрь устройств или аккумуляторов. Коррозионные и проводящие жидкости, такие как соленый раствор, определенные химикаты, отбеливающие средства или содержащие их продукты, могут привести к короткому замыканию.
- Температура окружающей среды в процессе эксплуатации аккумулятора должна находиться в пределах диапазона от 0 °C до 40 °C.
- Температура окружающей среды для хранения аккумулятора должна быть в диапазоне от 0 °C до 20 °C.



ТРАНСПОРТИРОВКА ЛИТИЕВЫХ БАТАРЕЙ

Транспортируйте аккумуляторную батарею в соответствии с местными и государственными правилами и положениями.

При транспортировке батарей третьей стороной соблюдайте все специальные требования по упаковке и маркировке. Проверьте, чтобы аккумуляторные батареи не вступали в контакт с другими батареями или проводимыми материалами при транспортировке, для этого защитите оголенные разъемы изоляцией, изолирующими колпачками или лентами. Не переносите батареи с повреждениями или утечками. За дальнейшими консультациями обратитесь в транспортно-экспедиционную компанию.

ОСТАТОЧНЫЕ РИСКИ

Даже когда изделие используют согласно инструкциям, невозможно полностью устранить факторы риска. Следующие опасности могут возникнуть во время его использования, и во избежание их рабочий должен обратить особое внимание на следующее:

- Опасность контакта с незакрытыми частями вращающегося пильного диска.
- Отдача от деталей или частей деталей из-за неправильной регулировки или обращения
- Отбрасывание поврежденных твердосплавных пластин с режущего полотна пилы.
- Повреждение дыхательной системы.

ПРИМЕЧАНИЕ: Носите средства защиты органов дыхания, содержащие фильтры, соответствующие обрабатываемым материалам. Обеспечьте надлежащую вентиляцию на рабочем месте. Не ешьте, не пейте и не курите в рабочей зоне.

- Травмирования органов слуха вследствие игнорирования соответствующих средств защиты.

⚠ ОСТОРОЖНО! Пыль, представляющая собой частицы определенных красок, покрытий и материалов, может вызвать раздражение или аллергические реакции дыхательной системы. Пыль от дуба, бука, МДФ и прочей древесины является канцерогенной. К обработке материалов, содержащих асбест, допускаются только опытные квалифицированные операторы.

⚠ ОСТОРОЖНО! Продолжительное использование инструмента без перерыва может привести к травмам. При использовании инструмента в течение длительного времени делайте регулярные перерывы.

ИЗУЧИТЕ ИЗДЕЛИЕ

Стр 198.

1. Ручка, изолированная поверхность захвата
2. Выключатель питания
3. Рычаг фиксатора переключателя
4. Выключатель с подсветкой
5. Нижняя охранник
6. Основная направляющая планка
7. Боковая рукоятка для переноски
8. Раздвижная направляющая планка
9. Поворотный столик
10. Торцевая пластина
11. Ручка блокировки косога распила
12. Рычаг стопора косога распила
13. Опорная ножка
14. Аккумулятор
15. Верхняя рукоятка для переноски

16. Ручка останова стержня
17. Зажим
18. Указатель угла скоса
19. Монтажное отверстие
20. Винты для фиксации основного ограничителя
21. Винт регулировки глубины пропила
22. Указатель угла распила
23. Винты для ограничителя регулировки угла наклона 45°
24. Ручка блокировки угла наклона
25. Шплинт блокировки головки пильной шины
26. Пылесборный мешок
27. Шестигранный гаечный ключ
28. Винты для ограничителя регулировки угла наклона 0°
29. Винт для фиксации подвижной защиты
30. Блокировка шпинделя кнопку
31. Внешний фланец
32. Пильное полотно

ЭКСПЛУАТАЦИЯ

Компонентом изделия является движущийся пильный диск, который может быть установлен оператором под различными углами при резке обрабатываемой детали, которая надежно закрепляется на основании изделия. Необходимо, что управление осуществлял только один оператор во избежание случайного контакта с вращающимся пильным диском.

Ниже приведены принципы безопасной эксплуатации изделия.

- Поддерживайте пилу, диски и рабочую зону в хорошем состоянии.
- Закрепите основание торцовочной пилы на прочном верстаке. Изделие может сдвинуться или перевернуться, если оно недостаточно закреплено.
- Настройте и заблокируйте углы и глубину реза, прежде чем выполнять резку.
- Закрепите заготовку в основании торцовочной пилы. Используйте зажим, который входит в комплект поставки, и, где необходимо, используйте дополнительные зажимы или держатели для предотвращения непреднамеренного движения заготовки во время резки.
 - Убедитесь, что функционирование ограждения диска не ограничено положением обрабатываемой детали.
 - Убедитесь, что направляющая планка и другие части изделия не будут отрезаны при опускании лезвия к положению резки.

- Запустите двигатель и дайте диску достичь полной скорости, прежде чем начать медленно опускать его для резки заготовки.
- Дайте диску подняться в верхнее положение, где он полностью закрыт ограждением. Прежде чем извлечь рабочую заготовку или обрезки, а также выполнять каких-либо действия вблизи диска, выключите двигатель и дождитесь полной остановки диска.

Перед первым использованием убедитесь, что угол наклона или поворота, установленный на изделии, соответствует углу, который должен быть достигнут при обработке заготовки. Проверьте это на ненужном деревянном бруске, используя коробку для столярных инструментов или угольник.



Извлечение пильного полотна:

1. При выполнении манипуляций с лезвием необходимо использовать перчатки.
2. Отключите питание и извлеките аккумуляторный блок.
3. Ослабьте винт на крышке болта для фиксации полотна, однако полностью не отвинчивайте его. Приподнимите крышку болта для фиксации полотна.
4. Отведите предохранительный щиток и удерживайте его.
5. Нажмите на кнопку фиксации шпинделя и одновременно открутите фиксирующий болт с использованием шестигранного ключа, поставляемого в комплекте. Снимите внешний фланец.
6. Извлеките режущее полотно.

Установка пильного полотна:

При необходимости очистите все детали перед установкой.

После процедуры снятия пильного полотна.

1. При выполнении манипуляций с лезвием необходимо использовать перчатки.
2. Убедитесь в том, что питание отключено и аккумуляторный блок извлечен.
3. Отведите предохранительный щиток и удерживайте его.
4. Установите новое пильное полотно. Убедитесь в том, что направление вращения соответствует направлению стрелки на защите лезвия.
5. Установите фланец и фиксирующий болт.
6. Нажмите на кнопку фиксации шпинделя до соединения, затяните фиксирующий болт.
7. Опустите предохранительный щиток.
8. Опустите крышку болта для фиксации полотна и затяните винт.

⚠ ОСТОРОЖНО! Убедитесь, что крышка болта для фиксации полотна опущена в исходное положение, а винт затянут.

Регулировка угла скоса:

Угол скоса можно выставить в диапазоне от 45 градусов (левая сторона) до 45 градусов (правая сторона).

1. Открутите ручку блокировки косого распила.
2. Нажмите на рычаг стопора косого распила. С помощью ручки блокировки косого распила выставьте лезвие под желаемым углом.
3. Снова закрутите ручку блокировки косого распила.

Регулировка угла наклона:

Угол наклона можно выставить в диапазоне от 0 до 45 градусов.

1. Ослабьте фиксатор наклона.
2. Наклоните плечо инструмента на нужный угол посредством рукояти.
3. Удерживая плечо инструмента, затяните фиксатор наклона.

⚠ ОСТОРОЖНО! Производитель настоятельно рекомендует, чтобы изделие было всегда надежно закреплено на крышке верстака.

После закрепления основания инструмента на верстаке с помощью четырех гаек, болтов и шайб в соответствии с инструкцией, его можно использовать при максимальном наклоне и под максимальным углом без опасности опрокидывания. Если изделие не закреплено должным образом, оно может перевернуться, когда выбраны большие углы наклона.

ТЕХНИЧЕСКОЕ ОБСЛУЖИВАНИЕ

- Запрещается каким-либо образом изменять конструкцию изделия или использовать аксессуары, не рекомендованные производителем. Ваша безопасность и безопасность других людей может быть нарушена.
- Не используйте изделие, если выключатели, защитные приспособления или другие компоненты не функционируют должным образом. Обратитесь в авторизованный сервисный центр для ремонта или регулировки.
- Не выполняйте никакой регулировки, пока пильный диск находится в движении.
- Перед регулировкой, нанесением смазки или проведением технического обслуживания изделия следует извлечь аккумуляторный блок.
- Проверьте изделие на предмет повреждения или поломки деталей перед и после каждого использования. Держите изделие в хорошем рабочем состоянии, своевременно заменяя изношенные детали, используя запасные части, рекомендуемые производителем.
- Нож имеет острые края и в процессе работы станка может нагреваться. При очистке лезвия соблюдайте особую осторожность. Используйте перчатки для защиты от травм.
- Необходимо регулярно выполнять очистку пилы и дополнительных принадлежностей от пыли, особенно подвижных деталей, в том числе защитны. Для эффективного удаления пыли используйте обыкновенную щетку или пылесос. Не используйте сжатый воздух.
- В целях безопасности и надежности все ремонтные работы, включая замену щеток, должны производиться авторизованным сервисным центром.

⚠ ОСТОРОЖНО! Не пытайтесь разобрать конструкцию защиты полотна в целях очистки или ремонта. Использование поврежденной защиты не допускается. Отправьте изделие в авторизованный сервисный центр для ремонта или замены.

Калибровка углов наклонного и косого распила

При возникновении необходимости в калибровке углов наклонного и косого распила смотрите страницы 213 – 217 и следуйте инструкциям.

ТРАНСПОРТИРОВКА И ХРАНЕНИЕ

- При подготовке изделия к хранению извлеките аккумуляторный блок. Храните изделие в безопасном недоступном для детей месте.
- Перед постановкой изделия на хранение очищайте его, используя щетку или пылесос.
- Если вы извлекаете пильный диск или держите запасные диски вместе с устройством, следите за тем, чтобы они хранились в своей упаковке во избежание травм.

Закрепите изделие до начала транспортировки:

- При постановке изделия на хранение установите угол поворота и угол наклона равными нулю и заблокируйте это положение. Ручка должна быть зафиксирована в нижнем (безопасном) положении при закрытых защитных приспособлениях.



Чтобы перемещать или перевозить на автомобиле:

- Закрепите изделие до начала транспортировки, как описано в данном руководстве.
- Снимите изделие с крышки верстака, отвернув 4 болта, по одному на каждом углу. Закрепите болты для дальнейшего использования. Переноска изделия должна осуществляться двумя руками с использованием верхней рукоятки для переноски или боковых рукоятей для переноски.
- Для транспортировки в автомобиле установите изделие на его основание и закрепите во избежание перемещения.

УСЛОВНЫЕ ОБОЗНАЧЕНИЯ НА ПРОДУКТЕ



Сигнал опасности



Знак соответствия европейским стандартам



Знак соответствия стандартам Великобритании



Знак соответствия Украины



Знак Евразийского Соответствия



Перед использованием прибора внимательно ознакомьтесь с данной инструкцией.



Применяйте средства защиты органов слуха



Всегда надевайте защитные очки.



Не держите руки в зоне резки и не прикасайтесь к острому лезвию.



Не оставляйте под дождем или во влажных местах.



Надевайте защитные перчатки



Направление вращения полотна (указано на полотне пилы)



Направление вращения диска (показано на ограждении пильного диска)



Ширина распила (прорези)



Число зубьев на полотне



Режущая способность



Для распила дерева и аналогичного материала



Не подходит для работы по металлу



Перед выполнением косых или сложных распилов отрегулируйте положение подвижной защиты.



Направление откручивания болта для фиксации полотна

Утилизация аккумуляторов, электрического и электронного оборудования в месте с несортированными бытовыми отходами не допускается. Сбор аккумуляторов, электрического и электронного оборудования в целях утилизации должен осуществляться отдельно. Перед утилизацией необходимо извлечь из оборудования элементы питания, аккумуляторы и источники света. Уточните порядок утилизации и местонахождения пункта приема у местных властей или поставщика. Ритейлеры могут быть обязаны бесплатно принимать аккумуляторы, электрическое и электронное оборудование на утилизацию в соответствии с местными регламентами. Ваш вклад в повторную переработку аккумуляторов, а также электрического и электронного оборудования позволит сократить потребность в сырье. Аккумуляторы, в частности, содержащие литий, а также электрическое и электронное оборудование содержит ценные и подлежащие повторной переработке материалы, которые в случае ненадлежащей утилизации способны вредить экологии и здоровью людей. Перед утилизацией удалите с оборудования все персональные данные.



ОБОЗНАЧЕНИЯ В РУКОВОДСТВЕ



Зафиксировать



Расцепить



Время ожидания до максимального раскручивания или полной остановки полотна.



Детали или принадлежности,
приобретаемые отдельно



Примечание



Осторожно

Транспортировка:

Категорически не допускается падение и любые механические воздействия на упаковку при транспортировке.

При разгрузке/погрузке не допускается использование любого вида техники, работающей по принципу зажима упаковки.

Хранение:

Необходимо хранить в сухом месте.

Необходимо хранить вдали от источников повышенных температур и воздействия солнечных лучей.

При хранении необходимо избегать резкого перепада температур.

Хранение без упаковки не допускается.

Срок службы изделия составляет 5 лет.

Не рекомендуется к эксплуатации по истечении 5 лет хранения с даты изготовления без предварительной проверки.

Дата изготовления (код даты) отштампован на поверхности корпуса изделия.

Пример:

W17 Y2015, где Y2015 - год изготовления

W17 – неделя изготовления

Определить месяц изготовления можно согласно приведенной ниже таблице, на примере 2015 года.

Обратите внимание! Количество недель в месяце различается от года в год.

Срок службы изделия:

МЕСЯЦ	ЯНВАРЬ	ФЕВРАЛЬ	МАРТ	АПРЕЛЬ	МАЙ	ИЮНЬ	ИЮЛЬ	АВГУСТ	СЕНТЯБРЬ	ОКТАБРЬ	НОЯБРЬ	ДЕКАБРЬ	Год
Неделя	01	05	09	14	18	22	27	31	36	40	44	49	2015
	02	06	10	15	19	23	28	32	37	41	45	50	
	03	07	11	16	20	24	216	33	38	42	46	51	
	04	08	12	17	21	212	30	34	39	43	47	52	
	05	09	13	18	22	26	31	35	40	44	48	53	
			14			27							

W przypadku tej grzbietnicy zwrócono szczególną uwagę na zapewnienie bezpieczeństwa, wysokiej wydajności oraz niezawodności.

PRZEZNACZENIE

Ukośnica przeznaczona jest do cięcia drewna litego i płyt wiórowych z fornirem i bez, tworzyw sztucznych oraz materiałów drewnopodobnych.

Ukośnica przeznaczona jest wyłącznie dla dorosłych operatorów, którzy zapoznali się z instrukcją obsługi oraz rozumieją źródła ryzyka i zagrożenia.

Ukośnica przeznaczona jest do mocowania do solidnego stołu warsztatowego za podstawę. Jeśli podstawa nie jest dobrze zamocowana, cała maszyna może poruszyć się podczas cięcia, co zwiększa ryzyko poważnych urazów ciała.

Ukośnica przeznaczona jest do wykonywania cięć ukośnych i fazowań. Parametry poszczególnych cięć zamieszczono w specyfikacji produktu w tej instrukcji.

Ukośnicy należy używać w miejscach suchych, bardzo dobrze oświetlonych i odpowiednio wentylowanych.

Ukośnicy należy używać wyłącznie do zastosowań konsumenckich w sposób opisany powyżej i w niniejszej instrukcji — nie jest ona przeznaczona do żadnego innego celu.

OGÓLNE ZASADY BEZPIECZEŃSTWA DOTYCZĄCE URZĄDZEŃ ELEKTRYCZNYCH

⚠ OSTRZEŻENIE! Prosimy o uważne zapoznanie się z ostrzeżeniami, instrukcjami i specyfikacjami dostarczonymi z tym narzędziem oraz z zawartymi w nich ilustracjami. Nie przestrzeganie przedstawionych niżej zaleceń mogłoby pociągnąć za sobą wypadki takie jak pożary, porażenia prądem elektrycznym i /lub poważne obrażenia ciała.

Zachowaj wszystkie ostrzeżenia i instrukcje do wykorzystania w przyszłości. Określenie „elektronarzędzie” w ostrzeżeniach oznacza zasilane z sieci (przewodowe) elektronarzędzie lub zasilane akumulatorem (beprzewodowe) elektronarzędzie.

BEZPIECZEŃSTWO MIEJSCA PRACY

- **Miejsce pracy musi być utrzymywane w czystości i dobrze oświetlone.** „Zagracone” i słabo oświetlone miejsca pracy to częsta przyczyna wypadków.
- **Nie używać elektronarzędzi w atmosferze wybuchowej, np. w obecności łatwopalnych cieczy, gazów i pyłów.** Elektronarzędzia wytwarzają iskry, co może spowodować zapłon pyłu lub oparów.
- **Podczas używania narzędzi elektrycznych należy utrzymywać osoby postronne i dzieci z dala od miejsca pracy.** Utrata koncentracji może spowodować utratę kontroli nad urządzeniem.

BEZPIECZEŃSTWO ELEKTRYCZNE

- **Wtyczki zasilania elektronarzędzi muszą pasować do gniazd sieciowych. Nie wolno modyfikować wtyczek w żaden sposób. Nie wolno używać żadnych przejściówek do podłączania elektronarzędzi posiadających przewód zasilania z uziemieniem.** Stosowanie oryginalnych wtyczek i dopasowanych gniazd sieciowych zmniejsza ryzyko porażenia prądem.
- **Unikać kontaktu ciała z ziemią lub uziemioną powierzchnią (rury, instalacje grzewcze i**

chłodnicze). Kontakt ciała z masą lub uziemieniem zwiększa ryzyko porażenia prądem.

- **Nie narażać elektronarzędzi na działanie deszczu lub wody.** Woda dostająca się do elektronarzędzia stwarza zagrożenie porażenia prądem.
- **Nie rozciągając nadmiernie przewodu. Nie wolno używać przewodu zasilania do przenoszenia, ciągnięcia urządzenia lub jego odłączania z gniazda sieciowego. Przewód zasilania należy trzymać z dala od oleju, ostrych krawędzi lub ruchomych części.** Uszkodzony lub zaplątany przewód elektryczny zwiększa ryzyko porażenia prądem.
- **W przypadku używania urządzenia na zewnątrz, ewentualne przedłużacze muszą być do tego przystosowane.** Zastosowanie przedłużacza przystosowanego do warunków zewnętrznych zmniejsza ryzyko porażenia prądem.
- **Jeśli nie można uniknąć użytkowania urządzenia elektrycznego w warunkach wilgotnych, należy je zasilac z obwodu zabezpieczonego wyłącznikiem różnicowo-prądowym (RCD).** Zastosowanie takiego wyłącznika pozwala zmniejszyć ryzyko porażenia prądem elektrycznym.

BEZPIECZEŃSTWO OSOBISTE

- **Podczas obsługi elektronarzędzia zachowaj czujność, patrz, co robisz, i kieruj się zdrowym rozsądkiem! Nie używać elektronarzędzia w stanie zmęczenia lub pod wpływem narkotyków, alkoholu bądź leków.** Chwila nieuwagi podczas obsługi elektronarzędzi może spowodować poważne obrażenia ciała.
- **Stosować środki ochrony indywidualnej. Zawsze nosić okulary ochronne.** Zastosowanie w odpowiednich warunkach sprzętu ochronnego, takiego jak maska przeciwpyłowa, bezpieczne buty antypoślizgowe, kask czy ochronniki słuchu, umożliwia zapobieżenie obrażeniom.
- **Unikać możliwości przypadkowego uruchomienia urządzenia. Przed podłączeniem do źródła zasilania i/lub akumulatora bądź przystąpieniem do podnoszenia lub przenoszenia produktu upewnić się, że wyłącznik znajduje się w położeniu oznaczającym wyłączenie.** Przenoszenie produktów z napędem z palcem na przełączniku bądź podłączanie do zasilania produktów z przełącznikiem ustawionym w położeniu oznaczającym włączenie zwiększa prawdopodobieństwo wypadków.
- **Usunąć wszelkie narzędzia i klucze przed włączeniem zasilania.** Uruchomienie urządzenia z kluczem lub innym narzędziem założonym na ruchomym elemencie grozi poważnym wypadkiem.
- **Nie sięgać zbyt daleko. Należy cały czas pewnie opierać stopy i utrzymywać równowagę.** Zapewni to lepsze panowanie nad urządzeniem w nieprzewidywalnych sytuacjach.
- **Należy zakładać odpowiednią odzież ochronną. Nie zakładać luźnego ubioru ani biżuterii. Włosy i luźne fragmenty odzieży należy trzymać z dala od ruchomych części.** Luźna odzież, biżuteria lub długie włosy mogą zostać wciągnięte przez ruchome części.
- **Jeśli zapewniony został osprzęt do odprowadzania pyłu, należy upewnić się, że jest on podłączony i należy go stosować.** Zastosowanie odprowadzenia pyłu może ograniczyć zagrożenia związane z pyłem.

- **Nie należy dopuszczać do tego, aby wcześniejsza znajomość obsługi podobnych narzędzi doprowadziła do ignorowania zasad bezpiecznego posługiwania się narzędziem.** Należy pamiętać o tym, że nieostrożność trwająca nawet ułamek sekundy może być powodem bardzo poważnych obrażeń.

UŻYTKOWANIE I KONSERWACJA URZĄDZEŃ ELEKTRYCZNYCH

- **Nie należy wywierać nacisku na elektronarzędzie.** Elektronarzędzie należy odpowiednio dobrać do zastosowania. Właściwe elektronarzędzie wykona pracę lepiej i bezpieczniej oraz w tempie, do którego zostało zaprojektowane.
- **Nie wolno używać tego urządzenia, jeśli wyłącznik nie pracuje poprawnie.** Używanie urządzenia bez sprawnego wyłącznika jest zbyt niebezpieczne – należy oddać je do naprawy.
- **Przed przystąpieniem do regulacji lub wymiany akcesoriów bądź przed rozpoczęciem przechowywania należy odłączyć wtyczkę od źródła zasilania i/lub (o ile jest to możliwe) odłączyć akumulator od narzędzia z napędem.** Takie zapobiegawcze środki ostrożności ograniczają zagrożenie przypadkowym włączeniem narzędzia.
- **Nie używane urządzenia należy przechowywać poza zasięgiem dzieci. Nie wolno zezwalać osobom nie obeznanym z obsługą urządzeń elektrycznych na ich używanie.** Urządzenia elektryczne mogą być niebezpieczne w rękach osób nie posiadających odpowiedniego przygotowania.
- **Narzędzia z napędem i akcesoria należy utrzymywać w dobrym stanie technicznym.** Sprawdzić, czy części ruchome nie są niewłaściwie wyrównane lub zakleszczone oraz czy nie ma pękniętych części, a ponadto sprawdzić pozostałe warunki, które mogą mieć wpływ na prawidłowe działanie elektronarzędzia. W razie uszkodzenia przed kolejnym uruchomieniem należy przeprowadzić czynności naprawcze narzędzia. Wiele wypadków powodowanych jest przez niewłaściwie konserwowane elektronarzędzia.
- **Należy dbać o to, aby narzędzia tnące były zawsze ostre i czyste.** Należy je konserwować i naostrzone narzędzia tnące rzadziej się zakleszczają, a ponadto zapewniają lepszą kontrolę.
- **Używać elektronarzędzi, akcesoriów, ostrzy itp. zgodnie z niniejszymi zaleceniami, uwzględniając warunki pracy oraz charakter zadań do wykonania.** Używanie narzędzi w sposób niezgodny z ich przeznaczeniem jest niebezpieczne.
- **Należy dbać o to, aby uchwyty i powierzchnie chwytne były zawsze suche, czyste i niezatłuszczone.** Śliskie uchwyty i powierzchnie chwytne nie umożliwiają bezpiecznego manipulowania narzędziem i kontrolowania go w nieoczekiwanych sytuacjach.

EKSPLOATACJA I KONSERWACJA NARZĘDZI AKUMULATOROWYCH

- **Akumulatory należy ładować wyłącznie za pomocą ładowarki określonej przez producenta.** Nawet jeśli ładowarka pasuje do danego akumulatora, to użycie jej do ładowania innego akumulatora może grozić pożarem.
- **Z narzędziami z napędem należy stosować wyłącznie specjalnie wyznaczone akumulatory.** Stosowanie

jakichkolwiek innych akumulatorów może stwarzać ryzyko obrażeń i pożaru.

- **Gdy akumulator nie jest używany, przechowywać go z dala od innych metalowych przedmiotów, np. spinaczy, monet, kluczy, gwoździ, śrub lub innych małych metalowych przedmiotów, które mogłyby utworzyć połączenie między stykami, prowadząc do zwarcia.** Zwarcie biegunów akumulatora może spowodować oparzenia lub pożar.
- **W trudnych warunkach może dojść do wyrzutu cieczy z akumulatora; należy unikać kontaktu.** Jeżeli dojdzie do przypadkowego kontaktu, splukać wodą. Jeśli ciecz przedostanie się do oczu, oprócz tego zasięgnąć porady lekarza. Ciecz, która wydostała się z akumulatora, może powodować podrażnienia lub oparzenia.
- **Nie stosować uszkodzonych ani zmodyfikowanych akumulatorów i narzędzi.** Uszkodzone lub zmodyfikowane akumulatory mogą zachowywać się w sposób nieprzewidywalny, co może prowadzić do pożaru, wybuchu lub ryzyka obrażeń.
- **Nie narażać akumulatora lub narzędzia na działanie ognia lub zbyt wysokich temperatur.** Narażenie na działanie ognia lub temperatury powyżej 130°C może spowodować wybuch.
- **Przestrzegać wszystkich instrukcji ładowania i nie ładować akumulatora ani narzędzia poza podanym w instrukcji zakresem temperatur.** Ładowanie w niewłaściwy sposób lub w temperaturze poza określonym zakresem może doprowadzić do uszkodzenia akumulatora i wzrostu zagrożenia pożarowego.

SERWIS

- **Urządzenie elektryczne powinno być naprawiane przez wykwalifikowany personel, z zastosowaniem identycznych części zamiennych.** Dzięki temu zapewnione będzie bezpieczeństwo użytkownika urządzenia.
- **Nigdy nie serwisować uszkodzonych akumulatorów.** Serwisowaniem akumulatorów powinien zajmować się wyłącznie producent lub autoryzowany serwis.

INSTRUKCJE BEZPIECZEŃSTWA DOTYCZĄCE UKOŚNIC

- **Ukośnice przeznaczone są do cięcia drewna lub produktów przypominających drewno — nie można ich używać z przeznaczonymi do cięcia tarczami ściernymi w celu cięcia materiałów żelaznych, takich jak pręty, kolki itp. Pył powstający w trakcie ścierania powoduje zakleszczanie się części ruchomych, takich jak dolna osłona. Iskry powstające w trakcie cięcia ściernego powodują opalanie dolnej osłony, wkładki oraz innych części z tworzyw sztucznych.**
- **Jeśli jest to możliwe, należy przymocować obrabiany przedmiot zaciskami. W przypadku podtrzymywania elementu obrabianego dłonią należy zawsze utrzymywać odległość 100 mm między dłonią a najbliższą powierzchnią tarczy tnącej. Nie stosować ukośnicy do cięcia przedmiotów, które są zbyt małe, by można je było bezpiecznie zamocować lub trzymać dłonią.** Jeśli dłoń użytkownika znajdzie się zbyt blisko tarczy, wystąpi zwiększone ryzyko urazu spowodowanego kontaktem z ostrzem.

- **Element obrabiany musi być nieruchomy i zamocowany bądź dociskany ręcznie zarówno do ogranicznika, jak i do stołu. Nie dopychać elementu obrabianego do tarczy ani nie ciąć go, trzymając wyłącznie w dłoni, niezależnie od orientacji elementu.** Ruchome lub niedociśnięte do właściwych powierzchni ograniczających elementy obrabiane mogą być wyrzucane z dużą prędkością, co może powodować obrażenia.
- **Przepchnąć tarczę przez element obrabiany. Nie ciągnąć tarczy przez element obrabiany. W celu wykonania cięcia podnieść głowicę ukośnicy i przemieścić ją nad element obrabiany bez cięcia, uruchomić silnik, docisnąć głowicę ukośnicy w dół, a następnie przepchnąć ją przez element obrabiany.** Ciągnięcie głowicy w trakcie cięcia może spowodować ruch tarczy w kierunku górnej części elementu obrabianego i gwałtowne wyrzucenie zespołu tarczy w kierunku operatora.
- **Nigdy nie przemieszczać dłoni nad planowaną linią cięcia — ani przed tarczą, ani za nią.** Podtrzymywanie elementu obrabianego „na krzyż”, tj. trzymanie elementu obrabianego po prawej stronie tarczy lewą ręką bądź vice versa, jest bardzo niebezpieczne.
- **Gdy tarcza się obraca, nie sięgać za ogranicznik żadną z dłoni, zbliżając ją bliżej niż 100 mm z dowolnej strony tarczy w celu usunięcia resztek drewna lub z jakiegokolwiek innego powodu.** Niewielka odległość między obracającą się tarczą a dłonią może nie być oczywista, co może prowadzić do poważnych obrażeń.
- **Przed przystąpieniem do cięcia należy sprawdzić obrabiany element.** Jeśli obrabiany element jest wygięty lub wypaczony, zamocować go tak, by zewnętrzna, wygięta powierzchnia znajdowała się przy ograniczniku. Zawsze upewnić się, że pomiędzy obrabianym elementem, ogranicznikiem i stołem nie ma szczeliny wzdłuż linii cięcia. Wygięte lub wypaczone elementy obrabiane mogą się obracać lub przesuwać, co może skutkować zakleszczeniem obracającej się tarczy w trakcie cięcia. W elemencie obrabianym nie powinny znajdować się żadne gwoździe ani inne przedmioty.
- **Nie rozpoczynać korzystania z ukośnicy, dopóki ze stołu nie zostaną usunięte wszelkie narzędzia, fragmenty drewna itp.** Niewielkie pozostałości lub luźne fragmenty drewna bądź inne przedmioty mające kontakt z obracającą się tarczą mogą być wyrzucane z dużą prędkością.
- **Należy ciąć tylko jeden element naraz.** Ułożone na sobie elementy obrabiane nie mogą zostać odpowiednio zamocowane, a tym samym mogą zakleszczać się lub przesuwać w trakcie cięcia.
- **Przed rozpoczęciem korzystania z ukośnicy należy upewnić się, że jest ona zamontowana lub umieszczona na poziomej, nieruchomej powierzchni roboczej.** Pozioma, nieruchoma powierzchnia robocza ogranicza ryzyko utraty stabilności przez produkt.
- **Przewidziane prace należy dobrze zaplanować.** Po każdej zmianie kąta cięcia w którejkolwiek z płaszczyzn należy upewnić się, że regulowany ogranicznik jest prawidłowo ustawiony, tak by podparcia elementu obrabianego nie kolidowały z tarczą lub systemem osłon. Bez włączania narzędzia i umieszczenia elementu obrabianego na stole przesunąć tarczę przez cały planowany tor ruchu, aby upewnić się,

że nie znajdują się na nim żadne przeszkody, jak również że nie występuje zagrożenie przecięciem ogranicznika.

- **Jeżeli obrabiany element jest szerszy lub dłuższy niż blat stołu, należy zapewnić mu odpowiednie podparcie, takie jak przedłużenia stołu, kozły do piłowania itp.** Elementy obrabiane dłuższe lub szersze od blatu stołu, na którym znajduje się ukośnica, mogą się przechylić, jeśli nie zostaną odpowiednio podparte. Jeśli element odcinany lub obrabiany przechylił się, może to spowodować podniesienie lub odrzucenie dolnej osłony przez obracającą się tarczę.
- **Nie należy wykorzystywać innej osoby w celu przedłużenia stołu lub zapewnienia dodatkowego podparcia.** Niestabilne podparcie elementu obrabianego może spowodować zakleszczenie tarczy lub przesunięcie się elementu obrabianego w trakcie cięcia, co może skutkować pociągnięciem zarówno operatora, jak i pomocnika w stronę obracającej się tarczy.
- **Nie należy dopuszczać do zakleszczenia się elementu obrabianego na obracającej się tarczy, a ponadto nie należy go do niej dociskać.** W przypadku zastosowania ograniczników długości lub innych elementów ograniczających przemieszczanie elementu odcinany może zakleszczyć się na tarczy i zostać gwałtownie wyrzucony.
- **Zawsze stosować zacisk lub inne zamocowanie, którego konstrukcja umożliwiła należyte podparcie elementów okrągłych, takich jak pręty czy rury.** Pręty mają tendencję do toczenia się w trakcie cięcia, co skutkuje „chwytnością” elementu obrabianego przez tarczę i ciągnięciem go wraz z dłonią operatora w stronę tarczy.
- **Przed przyłożeniem tarczy do obrabianego elementu należy poczekać, aż osiągnie ona pełną prędkość.** Spowoduje to ograniczenie ryzyka wyrzucenia elementu obrabianego.
- **Jeżeli obrabiany przedmiot lub tarcza zakleszczą się, wyłączyć ukośnicę. Należy poczekać, aż wszystkie poruszające się części zatrzymają się, i wyjąć wtyczkę z gniazda i/lub wymontować akumulator.** Następnie należy uwolnić zakleszczony element. Kontynuacja cięcia mimo zakleszczenia elementu obrabianego może spowodować utratę kontroli lub uszkodzenie ukośnicy.
- **Po zakończeniu cięcia należy zwolnić przełącznik, opuścić głowicę tnącą i poczekać, aż tarcza zatrzyma się — następnie można usunąć odcięty fragment.** Zbliżanie dłoni do tarczy, która jeszcze nie zahamowała, jest niebezpieczne.
- **W trakcie wykonywania niekompletnego cięcia lub zwalniania przełącznika należy mocno trzymać uchwyt, do momentu całkowitego opuszczenia głowicy tnącej.** Hamująca tarcza może spowodować nagle pociągnięcie głowicy tnącej w górę, co zwiększa ryzyko obrażeń.

INSTRUKCJE BEZPIECZEŃSTWA DOTYCZĄCE TARCZY DO CIĘCIA DREWNA

- **Przed rozpoczęciem korzystania z tarczy i urządzenia należy dokładnie zapoznać się z podręcznikiem oraz instrukcjami.**
- **Produkt musi znajdować się w dobrym stanie, a wrzeczono nie może być zdeformowane i nie może wibrować.**



- Nie stosować produktu bez zamontowanych osłon. Należy zadbać o prawidłowe konserwowanie i działanie osłon.
- Upewnić się, że operator posiada odpowiednie przeszkolenie w zakresie środków ostrożności, regulacji oraz obsługi produktu.
- W trakcie pracy z produktem zawsze nosić okulary ochronne oraz ochronniki słuchu. Zalecane jest także noszenie rękawic, mocnego, nie ślizgającego się obuwia oraz ubrania roboczego.
- Przed użyciem jakichkolwiek akcesoriów należy zapoznać się z instrukcją obsługi. Niewłaściwe stosowanie akcesoriów może prowadzić do uszkodzeń oraz zwiększać prawdopodobieństwo uszczerbku na zdrowiu.
- Stosować wyłącznie ostrza wyszczególnione w tym materiale, zgodne z EN 847-1.
- Należy przestrzegać ograniczenia maksymalnej prędkości dot. ostrza piły. Należy upewnić się, że prędkość podana na ostrzu piły jest przynajmniej taka sama jak prędkość podana na pile.
- Używajcie zawsze tarcz o wymiarze i kształcie dostosowanym do otworu mocującego wrzeciona. Tarcze tnące nie dostosowane do wrzeciona, na którym mają być zamontowane nie będą się należyście obracały i mogą spowodować utratę kontroli nad narzędziem.
- Nie używać ostrzy o większej lub mniejszej średnicy od zalecanej średnicy ostrza. Nie stosować żadnych przekładek/podkładek, aby umożliwić dopasowanie wrzeciona.
- Przed każdym użyciem należy sprawdzić końcówki tarczy pilarki pod kątem braku uszkodzeń lub nietypowego wyglądu. Uszkodzone lub luźne końcówki mogą odrywać się w trakcie pracy, co z kolei może prowadzić do poważnych urazów.
- Nie używać pękniętych lub zniekształconych brzeszczotów! Nie używać brzeszczotów/tarcz, które są zniekształcone lub uszkodzone.
- Tarczę pilarki należy wyrzucić na złom w przypadku gdy dojdzie do jej uszkodzenia, odkształcenia lub pęknięcia. Naprawianie tarczy jest niedopuszczalne.
- Nie stosować ostrzy HSS.
- Przed rozpoczęciem pracy upewnić się, że tarcza jest prawidłowo zamontowana, a także dokładnie dokręcić nakrętkę osi (moment dokręcania około 8–10 Nm).
- Śrubę mocującą oraz nakrętki należy dokręcić odpowiednim kluczem maszynowym itp.
- Zabrania się stosowania przedłużenia kluczy lub dokręcania poprzez uderzenie młotkiem.
- Wszystkie ostrza i krawędzie maszyn muszą być czyste, a wpuszczone strony kołnierza muszą być skierowane w stronę ostrza.
- Sprawdzić, czy ostrza obracając się w odpowiednim kierunku.
- Przed pracą należy wykonać próbne cięcie przy włączonym silniku w celu sprawdzenia położenia ostrza, działania osłon w stosunku do innych części maszyny oraz obrabianego elementu.
- Nigdy nie pozostawiać produktu bez nadzoru.
- Nie aplikować smarów na obracające się ostrze.
- Nie wolno wykonywać czyszczenia ani konserwacji, gdy maszyna nadal działa, a głowica nie znajduje się w położeniu spoczynkowym.
- Nie próbować zatrzymać maszyny będącej w ruchu, poprzez przykładanie narzędzia lub innego przedmiotu do ostrza; w ten sposób może dojść do poważnych obrażeń ciała.
- Przed przystąpieniem do wymiany tarczy lub prac konserwacyjnych odłączyć produkt od źródła zasilania lub wymontować akumulator.
- W trakcie pakowania i rozpakowywania tarczy należy zachować szczególną ostrożność, ponieważ jej ostre końcówki mogą łatwo spowodować zranienie.
- W trakcie wymiany tarczy używać uchwyty lub nosić rękawice.
- Tarczę należy przechowywać w oryginalnym opakowaniu lub innym odpowiednim opakowaniu, w suchym miejscu oraz z dala od środków chemicznych, które mogą spowodować jej uszkodzenie.

DODATKOWE OSTRZEŻENIA BEZPIECZEŃSTWA

- Zawsze należy mocno i pewnie zamocować obrabiany element.
- Należy upewnić się, że produkt jest zawsze stabilny i bezpieczny (np. przymocowany do stołu warsztatowego).
- Zawsze nosić ochronniki słuchu! Narażenie na hałas może spowodować utratę słuchu.
- W trakcie pracy z produktem zawsze nosić okulary ochronne. Zalecane jest noszenie rękawic podczas obsługi ostrzy i szorstkich materiałów, oraz solidnych butów z podeszwą antypoślizgową, aby zabezpieczyć stopy przed upadkiem obrabianych elementów z miejsca cięcia.
- Przed przystąpieniem do prac konserwacyjnych lub czyszczenia produktu odłączyć produkt od źródła zasilania lub wymontować akumulator.
- Akumulator należy montować wyłącznie wówczas, gdy produkt jest wyłączony.
- Nigdy nie wolno sięgać w pobliże ostrza, które jeszcze się nie zatrzymało.
- Przed rozpoczęciem użytkowania dokładnie sprawdzać produkt i akumulator pod kątem wszelkich uszkodzeń i zmęczenia materiału. Naprawy całego produktu należy powierzać wyłącznie autoryzowanemu serwisowi.
- Zawsze stosować osłony produktu. Nie używać produktu, jeśli osłony nie są założone lub nie działają prawidłowo.
- Niższą osłonę tarczy należy otwierać wyłącznie gdy tarcza zostanie opuszczona na cięty element — zawsze musi istnieć możliwość jej swobodnego przemieszczania i automatycznego zamykania.
- Zawsze stosować i mocować pręty przedłużające w celu podparcia elementu obrabianego w trakcie pracy z produktem.
- Nigdy nie modyfikować produktu ani jego funkcji. Może dojść do obniżenia poziomu bezpieczeństwa użytkownika.
- Nie należy używać ostrzy piły, które są popękane, uszkodzone lub zdeformowane.
- Nie używać brzeszczotów wykonanych ze stali szybko tnącej.
- Należy wyłącznie używać ostrych ostrzy. Wymienić tępe ostrza.
- Używajcie zawsze tarcz o wymiarze i kształcie dostosowanym do otworu mocującego wrzeciona. Tarcze tnące nie dostosowane do wrzeciona, na którym



mają być zamontowane nie będą się naleźycie obracały i mogą spowodować utratę kontroli nad narzędziem.

- Stosować wyłącznie opisane w niniejszym podręczniku tarcze do cięcia drewna zgodne z normą EN 847-1.
- Nie używać żadnych kołnierzy, podkładek i nakrętek do mocowania ostrza piły, z wyjątkiem części dostarczonych lub wskazanych w podręczniku użytkownika.
- Brzeszczot należy dobrać odpowiednio do ciętego materiału. Nigdy nie stosować produktu do cięcia materiałów innych niż wyszczególnione w rozdziale niniejszej instrukcji, w którym opisano przeznaczenie produktu.
- Należy unikać przegrzewania się ostrza oraz topienia tworzywa sztucznego w trakcie cięcia.
- Konieczne jest przestrzeżenie podanej na tarczy prędkości maksymalnej — należy również stosować wyłącznie tarcze, na których podano prędkość co najmniej równą prędkości podanej na narzędziu.
- Wymienić wkład stołu, jeśli jest zużyty lub uszkodzony.
- Przed przystąpieniem do pracy należy wykonać próbnę cięcie bez włączonego silnika, aby sprawdzić położenie tarczy, a także działanie osłon w stosunku do innych części maszyny oraz obrabianego przedmiotu.
- W trakcie wykonywania cięć skośnych lub złożonych cięć skośnych należy regulować ogranicznik przesuwny lub jego część składową, aby zapewnić właściwy odstęp od tarczy.
- Unikać niekontrolowanego odblokowania piły z położenia całkowicie opuszczonego.
- W trakcie transportowania produktu blokada uchwytu musi być zawsze zablokowana.
- Dbać o to, aby na podłożu nie gromadziły się luźne fragmenty, takie jak wióry lub ścinki.
- Podczas pracy urządzenia oraz gdy głowica piły nie znajduje się w pozycji spoczynkowej, nie należy usuwać z obszaru cięcia odciętych elementów lub innych części przedmiotu obrabianego.
- Długie przedmioty obrabiane należy odpowiednio podeprzeć. Obszar pracy piły obejmuje cały obszar obrabianego elementu. Operator powinien zabezpieczyć ten obszar przed przypadkowym zetknięciem z innymi osobami lub obiektami, które mogą poruszyć obrabiany element podczas pracy.
- Pył wytwarzany podczas korzystania z produktu może być niebezpieczny dla zdrowia. Używać systemu odsysania pyłu i nosić odpowiednią maskę przeciwpyłową. Dokładnie usuwać osadzający się pył odkurzaczem.
- Konieczne może być wyregulowanie ogranicznika przesuwego w celu zapewnienia odpowiedniego prześwietu przed wykonaniem cięcia ukośnego lub złożonego. Po dokonaniu regulacji należy upewnić się, że śruba mocująca ogranicznika przesuwego jest dokładnie dokręcona.
- Zacisk można montować i wykorzystywać po dowolnej stronie tarczy. W przypadku niektórych czynności zacisk może kolidować z zespołem osłony tarczy. Przed rozpoczęciem cięcia należy zawsze upewnić się, że żaden z elementów nie koliduje z osłoną tarczy, tak by ograniczyć ryzyko poważnych obrażeń.
- W trakcie użytkowania narzędzia temperatura otoczenia musi mieścić się w zakresie 0–40°C.
- W trakcie przechowywania narzędzia temperatura otoczenia musi mieścić się w zakresie 0–40°C.

- Zalecany zakres temperatury otoczenia dla układu ładującego podczas ładowania to 10–38°C.

AKUMULATOR — DODATKOWE OSTRZEŻENIA DOTYCZĄCE BEZPIECZEŃSTWA

- Aby uniknąć niebezpieczeństwa pożaru, obrażeń lub uszkodzeń produktu na skutek zwarcia, nie wolno zanurzać narzędzia, akumulatora wymiennego ani ładowarki w cieczach i należy zatroszczyć się o to, aby do urządzeń i akumulatorów nie dostały się żadne ciecze. Zwarcie spowodować mogą korodujące lub przewodzące ciecze, takie jak woda morska, określone chemikalia i wybielacze lub produkty zawierające wybielacze.
- Zakres temperatury otoczenia dla akumulatora podczas eksploatacji to 0–40°C.
- Zakres temperatury otoczenia dla akumulatora podczas przechowywania to od 0°C do 20°C.

TRANSPORTOWANIE AKUMULATORÓW LITOWYCH

Akumulatory należy transportować zgodnie z lokalnymi i krajowymi przepisami i regulacjami.

Należy postępować zgodnie z wszystkimi specjalnymi wymaganiami dotyczącymi pakowania i etykietowania akumulatorów podczas transportu przez stronę trzecią. Upewnij się, że żadne akumulatory nie zetkną się z innymi akumulatorami lub materiałami przewodzącymi podczas transportu. W tym celu należy zabezpieczyć odkryte złącza nieprzewodzącymi nakładkami izolacyjnymi lub taśmą izolacyjną. Nie należy transportować pękniętych ani nieszczelnych akumulatorów. Szczegółowe porady można uzyskać w firmie spedycyjnej.

RYZYKO ZWIĄZANE Z UŻYTKOWANIEM

Nawet jeśli produkt jest używany zgodnie z zaleceniami, nadal nie jest możliwe wyeliminowanie określonych czynników ryzyka. Następujące zagrożenia mogą wystąpić podczas używania urządzenia i operator powinien zwracać szczególną uwagę na poniższe punkty:

- Występuje ryzyko kontaktu z nieosłoniętymi częściami obracającego się ostrza piły.
- Odbijanie się obrabianych przedmiotów lub ich części z powodu niewłaściwej regulacji lub obsługi.
- Odrzut z dużą siłą odłamków węglkowych z tarczy tnącej.
- Uszkodzenie układu oddechowego.
UWAGA: Należy nosić maskę ochronną z filtrem odpowiednim do obrabianego materiału. Należy zapewnić odpowiednią wentylację miejsca pracy. Nie jeść, nie pić i nie palić w miejscu pracy.
- Uszkodzenie słuchu w przypadku braku odpowiednich środków ochrony słuchu.

⚠ OSTRZEŻENIE! Pył z określonych farb, powłok oraz materiałów może powodować podrażnienie lub reakcje alergiczne układu oddechowego. Pył z drzew takich jak dąb, brzoza, z płyt MDF itp. jest rakotwórczy. Materiał zawierający azbest może być obsługiwany wyłącznie przez specjalnie wykwalifikowanych operatorów.

⚠ OSTRZEŻENIE! Długotrwale użytkowanie narzędzia może spowodować obrażenia ciała lub nasilić dolegliwości zdrowotne. W przypadku używania narzędzia przed dłuższy czas należy pamiętać o regularnych przerwach.

EN

FR

DE

ES

IT

NL

PT

DA

SV

FI

NO

RU

PL

CS

HU

RO

LV

LT

ET

HR

SL

SK

BG

UK

TR

EL

INFORMACJE O PRODUKCIE

Patrz strona 198.

1. Uchwyt, izolowana powierzchnia chwytana
2. Włącznik zasilania
3. Dźwignia zwalnająca blokadę włącznika
4. Włącznik diody
5. Dolna osłona tarczy
6. Główna prowadnica
7. Boczny uchwyt do przenoszenia
8. Przesuwany ogranicznik
9. Stół obrotowy
10. Wstawka stołowa
11. Pokrętko blokujące kąt
12. Dźwignia zwalnająca blokadę kąta
13. Stopka podporowa
14. Bateria
15. Górny uchwyt do przenoszenia
16. Pokrętko ogranicznika pręta liniowego
17. Zacisk
18. Wskaźnik kąta cięcia
19. Otwór montażowy
20. Śruby do mocowania ogranicznika głównego
21. Śruba do regulacji głębokości cięcia
22. Wskaźnik kąta fazowania
23. Śruby regulacyjne ogranicznika kąta fazowania 45°
24. Pokrętko blokady kąta pochylenia
25. Sworzeń blokujący głowicę piły
26. Worek na pył
27. Klucz do śrub sześciokątnych
28. Śruby regulacyjne ogranicznika kąta fazowania 0°
29. Śruba do mocowania ogranicznika przesuwanego
30. Przycisk blokady wrzeciona
31. Kołnierz zewnętrzny
32. Tarcza tnąca

OBSŁUGA

Produkt jest wyposażony w ruchome ostrze piły, które można ustawić pod różnymi kątami w celu cięcia obrabianych elementów, które są pewnie przymocowane do podstawy produktu. Produkt może być obsługiwany wyłącznie przez jedną osobę, aby nie dopuścić do przypadkowego kontaktu z obracającym się ostrzem piły.

Oto zasady bezpiecznej obsługi produktu:

- Piłę, ostrza oraz miejsce pracy należy utrzymywać w dobrym stanie.
- Zamocować podstawę ukośnicy do solidnego stołu roboczego. Produkt może się poruszyć i przewrócić, jeśli nie jest dobrze zamocowany.
- Przed cięciem należy ustawić i zablokować kąty cięcia.
- Zamocować obrabiany element do podstawy ukośnicy. Należy użyć dostarczonego zacisku i w razie potrzeby użyć dodatkowych zacisków lub mechanizmów mocujących, aby nie dopuścić do niezamierzonego przemieszczenia obrabianego elementu podczas cięcia.
 - Należy sprawdzić, czy działanie osłon ostrza nie jest ograniczone przez położenie obrabianego elementu.
 - Należy upewnić się, że prowadnica i inne części produktu nie zostaną przecięte po obniżeniu ostrza do pozycji cięcia.
- Uruchomić silnik i pozostawić ostrze w górnym położeniu, aby ostrze osiągnęło pełną prędkość; następnie powoli opuścić ostrze na obrabiany element.
- Należy unieść zespół ostrza do górnego położenia, gdzie osłony ostrza są całkowicie zamknięte. Wyłączyć silnik i odczekać, aż ostrze całkowicie się zatrzyma

przed wyjęciem obrabianego elementu lub pozostałości albo przed dotarciem do obszaru ostrza.

Przed pierwszym użyciem należy upewnić się, że kąt pochylenia lub kątowny ustawiony na produkcie jest zgodny z kątem uzyskanym na obrabianym elemencie. Należy sprawdzić to na niepotrzebnym kawałku drewna przy użyciu zestawu ciesielskiego lub kątownika ukośnicy.

Demontaż tarczy:

1. W trakcie pracy z tarczą nosić rękawice.
2. Wyłączyć zasilanie i wymontować akumulator.
3. Poluzować (nie demontując jednak) wkręt na osłonie śruby tarczy. Podnieść osłonę śruby tarczy.
4. Odchylić osłonę samozamykającą w tył i przytrzymać ją.
5. Wcisnąć przycisk blokady wrzeciona i jednocześnie wykręcić śrubę za pomocą dostarczonego klucza imbusowego. Zdemontować kołnierz zewnętrzny.
6. Wyjąć tarczę tnącą.

Montaż tarczy:

W razie potrzeby oczyścić wszystkie montowane części przed zamontowaniem.

Po wykonaniu procedury „Demontaż tarczy”.

1. W trakcie pracy z tarczą nosić rękawice.
2. Upewnić się, że zasilanie jest odłączone, a akumulator wymontowany.
3. Odchylić osłonę samozamykającą w tył i przytrzymać ją.
4. Założyć nową tarczę. Upewnić się, że kierunek obrotów tarczy jest zgodny z kierunkiem strzałki na osłonie tarczy.
5. Założyć kołnierz i wkręcić śrubę tarczy.
6. Nacisnąć przycisk blokady wrzeciona, dopóki blokada się nie załączy, a następnie dokręcić śrubę tarczy.
7. Docisnąć osłonę samozamykającą w dół.
8. Opuścić osłonę śruby tarczy i dokręcić umieszczony na tej osłonie wkręt.

⚠ OSTRZEŻENIE! Upewnić się, że osłona śruby tarczy jest opuszczona do pierwotnego położenia, a umieszczony na tej osłonie wkręt jest dokręcony.

Regulacja kąta cięcia:

Kąt cięcia można ustawiać w zakresie od 45 stopni wychyłu w lewo do 45 stopni wychyłu w prawo.

1. Poluzować pokrętko blokady kąta.
2. Nacisnąć dźwignię zwalnającą blokadę kąta. Użyć pokrętła blokady kąta, aby obrócić stół pilarki pod właściwym kątem cięcia.
3. Ponownie dokręcić pokrętko blokujące kąt cięcia.

Regulacja kąta fazowania:

Kąt fazowania można ustawiać w zakresie od 0 do 45 stopni.

1. Poluzować pokrętko blokady kąta fazowania.
2. Wychylić ramię narzędzia za pomocą uchwytu, ustawiając właściwy kąt fazowania.
3. Przytrzymać ramię narzędzia w tym położeniu i ponownie dokręcić pokrętko blokady kąta fazowania.

⚠ OSTRZEŻENIE! Producent zdecydowanie zaleca, aby produkt zawsze był dobrze przymocowany do blatu stołu.

Gdy podstawa produktu jest przymocowana do stołu warsztatowego czterema nakrętkami, śrubami i podkładkami zgodnie z instrukcją, produkt można używać przy maksymalnym wychyleniu w obydwu płaszczyznach bez ryzyka przewrócenia. Jeśli produkt nie jest prawidłowo zamocowany, może dojść do przewrócenia produktu w przypadku ustawienia za dużego kąta pochylenia.

KONSERWACJA

- Nie należy modyfikować produktu w żaden sposób ani nie używać akcesoriów, które nie są zalecane przez producenta. Może dojść do obniżenia poziomu bezpieczeństwa użytkownika oraz innych osób.
- Nie używać produktu, jeśli dowolny przycisk, osłona lub inna funkcja nie pracują prawidłowo. Przekazać urządzenie do autoryzowanego centrum serwisowego do naprawy lub regulacji.
- Nie wykonywać żadnych regulacji, gdy ostrze piły obraca się.
- Przed przystąpieniem do regulacji, smarowania lub konserwacji zawsze upewniać się, że z produktu wyjęto akumulator.
- Przed o po każdym użyciu należy sprawdzić, czy produkt i jego części nie są uszkodzone. Produkt należy utrzymywać w najlepszej kondycji roboczej, wymieniając natychmiast części na części zamienne zatwierdzone przez producenta.
- Ostrze ma ostre krawędzie, a po zakończeniu cięcia może być gorące. W trakcie czyszczenia odsłoniętego ostrza zachować skrajną ostrożność. Nosić rękawice w celu ochrony przed urazami.
- Regularnie czyścić ukośnicę i akcesoria z pyłu — zwłaszcza części ruchome, w tym osłonę tarczy. W celu skutecznego usunięcia pyłu należy użyć ręcznej szczoteczki lub odkurzacza. Nie stosować sprężonego powietrza.
- Dla większego bezpieczeństwa i niezawodności wszystkie naprawy, w tym wymiana szczotek, powinny być wykonywane przez autoryzowane centrum serwisowe.

⚠ OSTRZEŻENIE! Nie podejmować prób demontażu zespołu osłony tarczy w celu oczyszczenia lub naprawy. Uszkodzonych osłon nie należy używać. Należy je zwrócić do autoryzowanego serwisu w celu naprawy lub wymiany.

Kalibracja kąta cięcia ukośnego i fazowania

Jeśli wymagana okaże się kalibracja cięcia ukośnego i fazowania, należy zapoznać się z instrukcjami kalibracji zamieszczonymi na stronach 213–217.

TRANSPORT I PRZECHOWYWANIE

- Wymontować akumulator z produktu na czas przechowywania. Produkt należy przechowywać w bezpiecznym miejscu, które jest niedostępne dla dzieci.
- Przed schowaniem produktu należy wyczyścić go za pomocą szczotki lub odkurzacza.
- W przypadku zdjęcia ostrza piły lub zachowania części zamiennych z urządzeniem, należy upewnić się, że są one w oryginalnym opakowaniu, aby uniknąć urazu ciała.

Zabezpieczenie produktu przed przeniesieniem:

- Produkt powinien być przechowywany przy zerowym stopniu odchylenia bocznego i kąтового oraz pozycje regulacji powinny być zablokowane. Uchwyt należy zablokować w dolnym (bezpiecznym) położeniu z zamkniętymi osłonami

Przewożenie lub transport samochodem:

- Przed przeniesieniem produktu należy zamocować go, jak opisano w ty podręczniku.

- Odłączyć produkt od blatu, odkręcając 4 śruby znajdujące się w każdym rogu. Dokręcić śruby pod kątem wykorzystania w przyszłości. Przenieść produkt za pomocą górnego uchwytu do przenoszenia lub bocznych uchwytów do przenoszenia, trzymając go dwoma rękami.
- W przypadku transportu produktu w samochodzie należy oprzeć produkt na swojej podstawie i zabezpieczyć przed poruszeniem.

SYMBOLE PRODUKTU



Uwaga dotycząca bezpieczeństwa



Symbol zgodności z przepisami europejskimi



Symbol zgodności z przepisami brytyjskimi



Symbol zgodności z przepisami ukraińskimi



Znak zgodności EurAsian



Przed uruchomieniem urządzenia prosimy uważnie przeczytać instrukcję



Stosować środki ochrony słuchu



Zawsze nosić okulary ochronne.



Nie zbliżać dłoni do obszaru cięcia i tarczy.



Nie wystawiać urządzenia na działanie deszczu ani nie używać go w miejscach o dużej wilgotności.



Zakładać rękawice ochronne



Kierunek obrotu tarczy (przedstawiony na tarczy)



Kierunek obrotu ostrza (pokazany na osłonie ostrza)



Szerokość cięcia (rzazu)



Liczba zębów na tej tarczy



Zakres możliwości cięcia



Do cięcia drewna lub podobnych materiałów



Cięcie metali zabronione



Przed przystąpieniem do wykonywania cięć ukośnych lub złożonych wyregulować położenie ogranicznika przesuwne.



Kierunek odkręcania śruby tarczy



Zużytego sprzętu elektrycznego i elektronicznego, w tym zużytych baterii i akumulatorów, nie należy wyrzucać jako nieposortowanych odpadów komunalnych. Zużyty sprzęt elektryczny i elektroniczny, w tym zużyte baterie i akumulatory, musi być gromadzony osobno. Zużyte baterie, akumulatory i źródła światła muszą zostać usunięte ze sprzętu. Skontaktować się z lokalnymi władzami lub sprzedawcą detalicznym w celu uzyskania porad dotyczących recyklingu i punktu zbiórki odpadów. Zgodnie z lokalnymi przepisami sprzedawcy detaliczni mogą być zobowiązani do nieodpłatnego odbioru zużytego sprzętu elektrycznego i elektronicznego, w tym baterii i akumulatorów. Państwa wkład w ponowne wykorzystanie i recykling zużytego sprzętu elektrycznego i elektronicznego, w tym baterii i akumulatorów, pomaga zmniejszyć zapotrzebowanie na surowce. Zużyte baterie i akumulatory — w szczególności zawierające lit — a także pozostały sprzęt elektryczny i elektroniczny, zawierają nadające się do recyklingu i cenne materiały i surowce, które mogą mieć negatywny wpływ na środowisko naturalne i zdrowie ludzkie, jeśli nie są usuwane w sposób przyjazny dla środowiska naturalnego. Z używanego sprzętu należy usunąć wszelkie ewentualne dane osobowe.



Uwaga



Ostrzeżenie

SYMBOLE W INSTRUKCJI



Blokada



Odkręcenie uchwytu



Czas oczekiwania na osiągnięcie pełnej prędkości lub całkowite wyhamowanie tarczy.



Części lub akcesoria sprzedawane oddzielnie

Bezpečnost, výkon a spolehlivost byli hlavní prioritou při návrhu vaší pokosové pily.

ZAMÝŠLENÉ POUŽITÍ

Tato pokosová pila je určena k řezání pevného a lepeného dřeva, materiálů podobných dřevu, a to s lepenou překližkou a plasty nebo bez nich.

Tato pokosová pila je určena k používání pouze dospělými osobami, které četly návod k použití a chápou riziko a nebezpečí.

Pokosová pila je zkonstruována k upevnění základny na masivní stůl. Pokud není základna bezpečně upevněna, celý stroj se může při řezání pohybovat, což zvyšuje možnost vážného zranění.

Pokosová pila je určena k provádění řezů na úkos a zkosení. Funkce pro různé druhy řezů jsou uvedeny v technických vlastnostech výrobku v této příručce.

Pokosová pila musí být používána v suchém prostředí s vynikajícím osvětlením a přiměřeným větráním.

Tato pokosová pila je určena pro kutily a měla by být používána pouze tak, jak je popsáno výše a není určena k žádnému jinému účelu.

OBECNÁ BEZPEČNOSTNÍ VAROVÁNÍ K POHÁNĚNÝM NÁSTROJŮM

VAROVÁNÍ! Přečtěte si pozorně upozornění, pokyny a technické specifikace dodané s náradím a prohlédněte si ilustrace. Nedodržení uvedených pokynů může způsobit požár, úraz elektrickým proudem a/nebo jiné vážné zranění.

Uschovejte si všechny pokyny a varování pro budoucí nahlédnutí. Termín „elektrické nářadí“ ve výstrahách odkazuje na elektrické nářadí napájené ze sítě (s kabelem) nebo na baterie (bez kabelu).

BEZPEČNOST PRACOVNÍ OBLASTI

- **Udržujte pracovní prostor čistý a dobře osvětlený.** Zaházené nebo tmavé oblasti vedou k nehodám.
- **Neppracujte s tímto elektrickým nástrojem ve výbušných prostředích, například v přítomnosti hořlavých kapalin, plynu nebo prachu.** Elektrický poháněný nástroj vytváří jiskry, které mohou zapálit prach nebo výpary.
- **Udržujte děti a přihlízející během práce s elektrickým poháněným nástrojem stranou.** Rozptylování může způsobit ztrátu kontroly.

ELEKTRICKÁ BEZPEČNOST

- **Zástrčky elektricky poháněného nástroje musí být shodné s elektrickou zásuvkou.** Nepokoušejte se zástrčku jakýmkoliv způsobem upravovat. Nepoužívejte žádný adaptér zástrček se zemněným (uzemněným) elektricky poháněným nástrojem. Neupravené zástrčky a shodné zásuvky snižují nebezpečí elektrického úrazu.
- **Předcházejte tělesnému kontaktu s uzemněnými nebo zemněnými povrchy, například trubkami, radiátory, sporáky a lednicemi.** Je zde zvýšené nebezpečí zásahu elektrickým proudem, pokud je vaše tělo zemněno nebo uzemněno.
- **Nevystavujte elektrické nástroje dešti nebo vysoké vlhkosti.** Voda vnikající do elektricky poháněného nástroje zvyšuje nebezpečí elektrického úrazu.

- **Nepoškoďte napájecí kabel. Nikdy pro odpojování, táhnutí nebo přenášení elektricky poháněného nástroje nepoužívejte kabel. Udržujte kabel mimo horké plochy, olej, pohyblivé součásti nebo ostré hrany.** Poškozené nebo zamotané kabely zvyšují nebezpečí elektrického úrazu.
- **Pokud používáte elektricky poháněný nástroj ve venkovním prostředí, používejte prodlužovací kabel vhodný pro venkovní prostředí.** Použití kabelu vhodného pro venkovní prostředí snižuje nebezpečí elektrického úrazu.
- **Pokud používáte elektricky poháněný nástroj ve vlhkém prostředí, je nezbytné používat proudový chránič (PCH).** Použitím PCH snížíte nebezpečí poranění elektrickým proudem.

OSOBNÍ BEZPEČNOST

- **Dávejte pozor, sledujte, co děláte, a při práci s elektrickým náradím používejte své smysly. Elektrické nářadí nepoužívejte při únavě nebo pod vlivem drog, alkoholu nebo léků.** Chvilce nepozornosti při práci s tímto elektricky poháněným nástrojem může způsobit vážná poranění osob.
- **Používejte osobní ochranné pomůcky. Vždy noste ochranu očí.** Ochranné prostředky jako ochranná maska, protiskluzová bezpečnostní obuv, přilba a ochrana sluchu využívané podle podmínek snižují riziko úrazů.
- **Zabraňte náhodnému spuštění. Před připojením ke zdroji elektrického napětí, popř. vložením baterie, zvednutím nebo přenosem výrobku se vždy ujistěte, že je výrobek vypnutý.** Přenášení elektrického nářadí s prstem na spínači nebo připojování elektrického nářadí k napájení s vypínačem v poloze zapnuto zvyšuje riziko úrazů.
- **Odstraňte všechny seřizovací klíče nebo šroubováky, než zapnete elektricky poháněný nástroj.** Klíč nebo šroubovák ponechaný přiložený k pohyblivému dílu elektricky poháněného nástroje může způsobit poranění osob.
- **Nepřeceňujte se. Udržujte řádné postavení a rovnováhu po celou dobu práce.** Toto umožňuje lepší ovládnutí elektricky poháněného nástroje v neočekávaných situacích.
- **Správně se oblékejte. Nenoste volný oděv nebo šperky. Braňte styku vlasů a oděvu s pohyblivými částmi.** Volný oděv, šperky nebo dlouhé vlasy mohou být zachyceny do pohyblivých částí.
- **Pokud je k dispozici zařízení na odtah a sběr prachu a pilin, zajistěte jeho správné připojení a používání.** Sběr prachu a pilin může snižovat s související nebezpečí.
- **Nenechte se ukolébat znalostmi získanými při častém používání nástrojů a neignorujte bezpečnostní pravidla.** Nedbalostí, dokonce na zlomek vteřiny, mohou vést dokonce k vážnému poranění.

POUŽITÍ A PÉČE O NÁSTROJ

- **Netlačte na elektrické nářadí. Pro své účely použijte správné elektrické nářadí.** Správný přítlak přinese lepší a bezpečnější výsledek při otáčkách, na které byl nástroj zkonstruován.
- **Elektricky poháněný nástroj nepoužívejte, pokud spínač nezapíná a nevypíná.** Každý elektricky poháněný nástroj, který nemůže být ovládán spínačem, je nebezpečný a musí být opraven.



- Před jakýmkoliv seřizováním, výměnou doplňků, vyjímáním baterie nebo ukládáním elektrického nářadí odpojte nejdříve zástrčku od zdroje napájení elektrického nářadí, popřípadě, podle provedení, vyjměte baterii. Takovéto preventivní opatření snižuje riziko nechtěného spuštění nářadí.
- Ukládejte nečinný elektricky poháněný nástroj mimo dosah dětí a nenechávejte neznámé osoby pracovat s elektricky poháněným nástrojem nebo s těmito pokyny k obsluze elektrického nástroje. Elektricky poháněné nástroje jsou nebezpečné v rukou ne kvalifikovaných uživatelů.
- Provádějte údržbu elektrického nářadí i příslušenství. Zkontrolujte zarovnání a uchycení pohyblivých dílů, nefunkční součásti případně jejich špatný stav by mohli ovlivnit řádnou funkčnost nástroje. Pokud je poškozen, musí být nástroj před použitím opraven. Mnohé nehody jsou způsobeny špatně udržovaným elektrickým nářadím.
- Řezné nástroje udržujte ostré a čisté. U řádně udržovaných řezných nástrojů s ostrými břity je nižší pravděpodobnost drhnutí a snadněji se ovládají.
- Elektrické nářadí, jeho příslušenství, díly apod. používejte podle tohoto návodu k obsluze a vezměte na vědomí pracovní podmínky a prováděný úkon. Použití elektricky poháněného nástroje pro práce jiné, než zamýšlené by mohlo mít za následek nebezpečnou situaci.
- Rukojeti a úchopy udržujte suché a čisté, bez oleje a tuků. Kluzké rukojeti a úchopy brání bezpečné manipulaci a ovládání nářadí v neočekávaných situacích.

POUŽÍVÁNÍ A PÉČE O AKUMULÁTOROVÉ NÁŘADÍ

- K nabíjení použijte pouze nabíječku specifikovanou výrobcem. Nabíječka, která je vhodná pro jeden typ baterie může způsobit nebezpečí požáru, pokud se používá s jinou baterií.
- Elektrické nářadí používejte pouze s baterií, která je určena přímo pro něj. Použití jakékoli jiné baterie může vést k riziku poranění a požáru.
- Pokud bateriový modul nepoužíváte, uchovávejte jej mimo kovové předměty jako svorky pro papír, mince, klíče, hřebíky, šrouby nebo jiné malé kovové předměty, které mohou vytvořit propojení jednoho vývodu s druhým. Zkratování vývodů baterie může způsobit popáleniny nebo požár.
- Při špatném použití může dojít k vystříknutí tekutiny z baterie; nedotýkat se. V případě nechtěného kontaktu omyjte vodou. Pokud se tekutina dostane do očí, vyhledejte také odbornou lékařskou pomoc. Tekutina vystříknutá z baterie může způsobit podráždění nebo popáleniny.
- Nepoužívejte baterie ani nářadí, které je poškozené nebo upravené. Poškozené nebo upravené baterie se mohou chovat nepředvídatelně a důsledkem může být požár, výbuch nebo úraz.
- Nevystavujte baterii ani nástroj ohni nebo příliš vysokým teplotám. Vystavení ohni nebo teplotám nad 130 °C může způsobit výbuch.
- Postupujte podle všech pokynů k nabíjení a nenabíjejte baterie nebo nářadí mimo teplotní rozsah uvedený v návodu. Nesprávné nabíjení nebo nabíjení při teplotách mimo uvedený rozsah může poškodit baterii a zvýšit riziko požáru.

SERVIS

- Váš elektricky poháněný nástroj smí opravovat pouze kvalifikovaný opravárenský pracovník a musí používat pouze vhodné náhradní díly. Toto zajišťuje, že bezpečnost elektrického nástroje je udržována.
- Nikdy neopravujte poškozené baterie. Baterie by měl opravovat pouze výrobce nebo pověřený servis.

BEZPEČNOSTNÍ POKYNY PRO POKOSOVÉ PILY

- Pokosové pily jsou určeny k řezání dřeva a podobných materiálů. Nelze je používat s brusnými kotouči na řezání ocelových materiálů jako tyčovina, pruty, čepy atd. Prach a piliny z broušení způsobují zasekávání pohyblivých částí, například spodního ochranného krytu. Jiskry z brusného řezání opalují spodní ochranný kryt, vložku pro šířku řezu a další plastové díly.
- Použijte svorky na obrobek, kdykoli je to možné. Při přidržování obrobku rukou je nutné držet ruku nejméně 100 mm od ostří pily. Nepoužívejte tuto pilu k řezání kusů, které jsou příliš malé pro bezpečné upnutí nebo držení rukou. Při příliš krátké vzdálenosti ruky od ostří pily se zvyšuje riziko úrazu v důsledku kontaktu s ostřím.
- Obrobek musí být nehybný a upnut nebo držen jak proti rovnoběžné záračce (hrazení), tak proti stolu. Neposouvajte obrobek k pilovému kotouči ani jinak neřežejte „z ruky“. Nezajištěné nebo pohyblivé se obrobky mohou být odmrštěny vysokou rychlostí a způsobit úraz.
- Pílu skrze obrobek tlačte. Neposouvajte pílu skrze obrobek tažením. Postup řezání je takový, že zvednete hlavu pily, přetáhnete ji za obrobek bez řezání, zapnete motor, přesunete a stisknete hlavu pily dolů a tlačímen posouváte pílu skrze obrobek. Posouvání pily v řezu tahem může způsobit vyjetí řezného kotouče na horní stranu obrobku a prudké odhození jeho sestavy směrem k obsluze pily.
- Nikdy nedávejte ruku přes zamýšlenou přímku řezu před řezným kotoučem ani za ním. Přidržování obrobku „přes ruku“, tj jeho držení napravo od řezného kotouče levou rukou nebo obráceně, je velmi nebezpečné.
- Při odstraňování odřezků nebo za podobným účelem, když se řezný kotouč otáčí, ani jednou rukou nesahejte za rovnoběžnou záračku blíže než 100 mm od řezného kotouče. Přiblížení rotujícího řezného kotouče k ruce nemusí být zřejmé a může dojít k vážnému poranění.
- Před řezáním obrobek zkontrolujte. Pokud je obrobek ohnutý nebo zkroucený, upněte jej vnější stranou ohnutí proti paralelní záračce. Vždy zajistěte, aby nebyla podél přímky řezu mezera mezi obrobkem, paralelní záračkou a stolem. Ohnuté nebo zkroucené obrobky se mohou otáčet nebo posouvat a způsobit drhnutí rotujícího řezného kotouče během řezání. V obrobku nesmějí být hřebíky ani jiná cizí tělesa.
- Pílu nepoužívejte, dokud nejsou ze stolu odklizeny nástroje, odřezy atd., kromě obrobku. Úlomky a volné kusky dřeva nebo jiné předměty mohou být při styku s rotujícím řezným kotoučem odmrštěny vysokou rychlostí.
- Řezejte obrobky vždy jen po jednom. Na sebe naskládané obrobky nelze řádně upnout ani zapít a





během řezání může dojít k drhnutí řezného kotouče nebo posunu obrobků.

- **Před používáním zajistěte, aby byla pokosová pila umístěna na vodorovné a pevné pracovní ploše.** Vodorovná a pevná pracovní plocha snižuje riziko vzniku nestability pokosové pily.
- **Práci si předem dobře promyslete. Pokaždé, když se změní seřízení úhlu řezu na úkos nebo úhlu řezu na zkosení, zajistěte správné nastavení stavitelné rovnoběžné zarážky, aby přidržovala obrobek a nepřekážela řeznému kotouči ani ochranným krytům.** Zkontrolujte, zda v dráze řezu nebudou překážky a nedojde k naříznutí rovnoběžné zarážky tak, že řezným kotoučem provedete bez obrobku upnutého na stole simulaci zamýšleného řezu, aniž byste pilu zapnuli do pozice „ON“.
- **U obrobku širšího nebo delšího než plocha stolu zajistěte dostatečné podepření, například nástavci stolu, podpěrami (kozami) atd.** Bez pevného podepření se mohou obrobky širší nebo delší než pracovní stůl pokosové pily převrátit. Pokud se odříznutý konec nebo obrobek naklopí, může zdvihnutý spodní ochranný kryt nebo být odhoben rotujícím řezným kotoučem.
- **Nenahrazuje nástavce stolu nebo přidavné podpěry další osobou.** Nestabilní podíráání obrobku může v průběhu řezání způsobit drhnutí řezného kotouče nebo posunutí obrobku, což obsluhu i pomocníka může přitáhnout k rotujícímu řeznému kotouči.
- **Odřezek nesmí být žádným způsobem tlačěn proti rotujícímu řeznému kotouči.** Při použití zarážek na odměřování délky může být odřezek rotujícím řezným kotoučem prudce odmrštěn.
- **Pro přichycení kulatiny, tyčoviny nebo trubek vždy použijte k tomu určené upínadlo nebo přípravek.** Materiály s kruhovým průřezem mají tendenci se při řezání otáčet a to může způsobit „zakousnutí“ ostří a přitažení obrobku a ruky obsluhy směrem k řeznému kotouči.
- **Před kontaktem s obrobkem nechte řezný kotouč dosáhnout plných otáček.** Tím se sníží riziko odmrštění obrobku.
- **Pokud se opracovávají kus nebo kotouč ucpě, pokosovou pilu vypněte. Počkejte na zastavení všech pohyblivých částí a odpojte zástrčku od zdroje napájení, případně vyjměte baterii. Potom odstraňte materiál způsobující zaseknutí.** Pokračovat v řezání při zaseknutí do obrobku může způsobit ztrátu ovládnutí nebo poškození pokosové pily.
- **Po dokončení řezu před odstraněním odřezku uvolněte spínač, podržte hlavu pily dole a počkejte, než se řezný kotouč zastaví.** Setvačně otáčení řezného kotouče může způsobit poranění ruky.
- **Při provádění neúplného řezu nebo uvolňování spínače dřívě než hlava pily dosáhne spodní polohy držte rukojeť pevně.** Zabrzdění pily může způsobit náhlé přitažení hlavy pily směrem dolů, což představuje riziko úrazu.

BEZPEČNOSTNÍ POKYNY K ŘEZNÝM KOTOUČŮM NA ŘEZÁNÍ DŘEVA

- Před používáním řezného kotouče pily a celého přístroje si prosím přečtete pečlivě návod.
- Produkt musí být v dobrém stavu, včetně nesmí být zkrženo a nesmí vibrovat.
- Pílu nepoužívejte bez správně umístěných ochranných krytů. Udržujte kryty v provozuschopném stavu a řádně je udržujte.
- Zajistěte dostatečné proškolení obsluhy v bezpečnostních opatřeních, seřizování a používání výrobku.
- Při používání pily vždy používejte ochranné brýle a ochranu sluchu. Doporučuje se používat ochranné rukavice, pevnou protiskluzovou obuv a zástěru.
- Před použitím doplňku pečlivě přečtete návod k používání. Při nesprávném používání příslušenství může dojít ke škodám a může se zvyšovat riziko zranění.
- Používejte pouze kotouče určené manuálem, dle EN 847-1.
- Sledujte maximální rychlost kotouče, vyznačenou na pilovém kotouči. Ujistěte se, že je rychlostní značení pilového kotouče alespoň stejné jako rychlostní značení na pile.
- Vždy používejte kotouč odpovídající velikosti a tvaru s vhodným upínacím průměrem. Pilové kotouče s nesprávným upínacím průměrem se nebudou správně otáčet na hřídeli. Navíc existuje riziko, že ztratíte kontrolu nad nářadím.
- Nepoužívejte kotouče o menším či větším průměru, než doporučeném. Nepoužívejte distanční vložky pro upevnění kotouče na vřeteno.
- Před každým použitím zkontrolujte výčnělky řezného kotouče, zda nejsou poškozeny nebo nevykazují vzhledové anomálie. Poškozené či uvolněné výčnělky mohou při používání odlétnout a případně způsobit zranění osob.
- Nepoužívejte prasklé nebo polámané pilové kotouče. Nepoužívejte poškozené nebo deformované pilové listy.
- Řezný kotouč zlikvidujte, je-li poškozen, zdeformován, zkroucen či je-li prasklý. Kotouč není dovoleno opravovat.
- Nepoužívejte HSS kotouče.
- Před používáním zajistěte dokonalé nasazení řezného kotouče a pevné dotažení přídržné matice (moment dotahu přibližně 8 až 10 Nm).
- Šrouby a matice se musí utahovat pomocí vhodných utahovacích klíčů apod.
- Není dovoleno používat násady utahovacího klíče ani utahovat úderem kladiva.
- Zajistěte, aby všechny kotouče a příruby byly čisté a zahlušené strany objímek byly proti kotouči.
- Ujistěte se, že se pilový kotouč otáčí ve správném směru.
- Před prací proveďte zkušební řez bez zapnutého motoru tak, aby se dala zkontrolovat poloha nože, funkčnost krytů s ohledem na ostatní části stroje a obrobek.
- Nikdy nenechávejte pilu bez dozoru.
- Nemažte kotouč, když běží.
- Nikdy nečistěte či neudržujte, když stroj ještě běží nebo hlava není v klidové poloze.
- Nikdy se stroj nepokoušejte ihned zastavit zablokováním nástroje, můžete se těžce poranit.
- Před výměnou kotoučů nebo prováděním údržby pily odpojte od síťového napájení nebo vyjměte akumulátor.
- Při balení a rozbalování kotoučů dávejte pozor, protože se můžete snadno poranit o ostré zuby kotouče.



- Při výměně kotouče používejte držák kotouče nebo noste rukavice.
- Uchovávejte kotouče v originálním balení nebo v jiném vhodném obalu, udržujte je v suchu a z dosahu chemikálií, které by je mohly poškodit.

DOPLŇUJÍCÍ BEZPEČNOSTNÍ VAROVÁNÍ

- Vždy obrobek bezpečně upněte.
- Zajistěte, aby byl produkt vždy stabilně a bezpečně připraven (např. ke stolu).
- Vždy používejte ochranu sluchu. Působením hluku může dojít k poškození sluchu.
- Při používání této pily vždy noste ochranné brýle. Doporučuje se používat rukavice pro manipulaci s kotouči a surovinami a dále pevnou protiskluzovou obuv k ochraně nohou od obrobků, které se mohou padat z oblastí řezání.
- Před prováděním údržby nebo čištěním odpojte výrobek od síťového napájení nebo vyjměte baterii.
- Baterii instalujte pouze při vypnutém výrobku.
- Nikdy nesahejte do nebezpečné oblasti pilového kotouče, dokud se zcela nezastavil.
- Před použitím důkladně zkontrolujte, zda výrobek a baterie nejsou poškozeny a nevykazují únavu materiálu. Opravy celého výrobku smí provádět pouze pověřené servisní pracoviště.
- Vždy používejte ochranné kryty na výrobku. Pílu nepoužívejte, pokud nejsou ochranné kryty správně umístěny nebo správně nefungují.
- Spodní kryt řezného kotouče se smí otevírat pouze při spuštění řezného kotouče k obrobku a musí se vždy volně pohybovat a automaticky zavírat.
- Během provozu vždy připevněte a používejte nástavné podpěry.
- Výrobek nikdy nepozměňujte a neupravujte. Vaše bezpečnost může být ohrožena.
- Nepoužívejte kotouče prasklé, pokřivené či poškozené.
- Nepoužívejte pilové listy vyrobené z rychlořezné oceli.
- Používejte pouze kotouče, které jsou ostré. Vyměňte tupé nože.
- Vždy používejte kotouč odpovídající velikosti a tvaru s vhodným upínacím průměrem. Pilové kotouče s nesprávným upínacím průměrem se nebudou správně otáčet na hřídeli. Navíc existuje riziko, že ztratíte kontrolu nad nářadím.
- Používejte výhradně řezné kotouče pro práci s dřevem uvedené v této příručce, které splňují požadavky normy EN 847-1.
- Nepoužívejte příruby, podložky a matice k zajištění pilového kotouče jiné, než dodávané nebo uvedené v návodu k použití.
- Vyberte pilový list vhodný k řezání vybraného materiálu. Nikdy pílu nepoužívejte k řezání jiných materiálů než ke kterým je určena podle této příručky.
- Při řezání je důležité zabránit přehřívání řezného kotouče a tavení plastů.
- Zásadní význam má dodržování maximálních otáček uvedených na řezném kotouči. Používejte pouze řezné kotouče, které jsou označeny otáčkami shodnými nebo vyššími než je označení na pile.
- Vyměňujte opotřebované či poškozené vložky stolu.

- Před prací proveďte řez naprázdno s vypnutým motorem, abyste si mohli zkontrolovat pozici kotouče, funkčnost krytů vzhledem k ostatním součástem přístroje a obrobku.
- Při provádění řezů na zkosení, úkos nebo kombinovaných seřídte posuvnou rovnoběžnou zarážku nebo přidávnou mezizarážku k zajištění správného odstupu od ostří.
- Dejte si pozor na neočekávané uvolnění pilového kotouče v dolní pozici.
- Při přepravě pily musí být vždy aktivována aretace rukojeti.
- Udržujte podlahu čistou, bez úlomků materiálu, jako například kovových třísek a odězků.
- Neodstraňujte žádné odřezky ani další části obrobku z řezného prostoru při provozu přístroje, dokud není hlava pily v klidové poloze.
- Dlouhé obrobky vhodným způsobem podepřete. Pracovní prostor pily zahrnuje celý rozsah obrobku. Obsluha by měla zajistit tuto oblast proti náhodnému kontaktu s jinými osobami nebo s předměty, které se mohou pohybovat do obrobku během provozu.
- Prach a piliny vznikající při používání výrobku mohou představovat zdravotní riziko. Používejte systém odsávání prachu a noste vhodnou protiprachovou ochrannou masku. Důkladně odstraňte usazený prach pomocí vysavače.
- Před provedením úkosového řezu, případně složeného s pokosovým, může být nejrve nutné seřídít polohu posuvné zarážky k zajištění správného umístění řezu s ohledem na tloušťku pilového listu. Po seřízení zajistěte polohu posuvné zarážky utažením pojistného šroubu.
- Na libovolné straně od pilového kotouče lze použít svorku. Při některých postupech může svorka překážet sestavě ochranného krytu pilového kotouče. Aby se snížilo riziko vážného úrazu, před zahájením řezání vždy zkontrolujte, zda při něm nebude ochranný kryt pilového kotouče překážet.
- Rozmezí okolních teplot pro nástroj během provozu činí 0 až 40 °C.
- Rozmezí okolních teplot pro skladování nástroje činí 0 až 40 °C.
- Rozmezí doporučených teplot okolí při používání systému nabíjení činí 10 až 38 °C.

DOPLŇUJÍCÍ BEZPEČNOSTNÍ UPOZORNĚNÍ K BATERII

- Abyste zabránili nebezpečí požáru způsobeného zkratem, poraněním nebo poškozením výrobku, neponořujte nářadí, výměnnou baterii nebo nabíječku do kapalin a zajistěte, aby do zařízení a akumulátorů nevnikly žádné tekutiny. Korodující nebo vodivé kapaliny, jako je slaná voda, určité chemikálie a bělicí prostředky nebo výrobky, které obsahují bělidlo, mohou způsobit zkrat.
- Rozmezí provozních teplot okolí akumulátoru činí 0 až 40 °C.
- Rozsah skladovacích teplot okolí akumulátoru je od 0 °C do 20 °C.

TRANSPORT LITHIOVÝCH BATERÍ

Přenos baterie dle místních a národních opatření a předpisů. Dodržujte všechny zvláštní požadavky na balení a značení při transportu baterii třetí stranou. Zajistěte, aby žádné

baterie nepřišly do kontaktu s jinými bateriemi nebo vodivými materiály při transportu pomocí ochrany nekrytých kontaktů prostřednictvím izolace, nevodivých krytek či lepicích pásek. Nepřepravujte prasklé nebo baterie s unikajícím elektrolytem. Ptejte se u zásilkové společnosti na další radu.

ZBYTKOVÁ RIZIKA

Dokonce, i když se výrobek provozuje jak je předepsáno, je stále nemožné zcela eliminovat veškeré zbytkové rizikové faktory. Následující nebezpečí mohou nastat při používání; vyhýbejte se:

- Nebezpečí kontaktu s nezakrytými částmi rotujícího kotouče.
 - Zpětné kopnutí obrobku nebo jeho části v důsledku nesprávného nastavení nebo manipulace
 - Vymrštění ulomených zubů pilového kotouče.
 - Poškození dýchacího ústrojí.
- POZNÁMKA:** Noste dýchací masky obsahujících filtry vhodné pro obráběné materiály. Zajistit dostatečné větrání pracoviště. V pracovní oblasti výrobku nejíst, nepít, ani nekouřit.
- Poškození sluchu, pokud se nenosí účinná ochrana sluchu.

VAROVÁNÍ! Prach z určitých barev, laků a materiálů může způsobit podráždění nebo alergické reakce na dýchací ústrojí. Prach ze dřeva, jako je dub, buk, překližka a jiných, je karcinogenní. Materiál obsahující azbest se nesmí nikdy zpracovávat nebo pouze zpracovávat kvalifikovaným specialistou.

VAROVÁNÍ! Poranění mohou být způsobena, či zhoršena, prodlouženým používáním nástroje. Když používáte jakýkoliv nástroj delší dobu, dělejte pravidelné přestávky.

SEZNAMTE SE S VÝROBKEM

Viz strana 198.

1. Rukojeť s izolací a protiskluzovým povrchem
2. Vypínač napájení
3. Páčka zajištění spínače v poloze vypnutu
4. LED spínač
5. Dolní ochranný kryt pilového kotouče
6. Hlavní pravítko
7. Boční držadlo
8. Posuvné pravítko
9. Otočný stůl
10. Deska řezu
11. Knoflík aretace pokosového úhlu
12. Páčka odaretování pokosového úhlu
13. Noha
14. Bateriový modul
15. Horní držadlo
16. Šroub dorazu lineární tyče
17. Svorka
18. Ukazatel úhlu zkosení
19. Montážní otvor
20. Šrouby pro uzamčení hlavního chrániče
21. Šroub seřizování hloubky řezu
22. Ukazatel úhlu úkosu
23. Seřizovací šrouby zarážky pro úhel úkosu 45 °
24. Šroub zámku úhlu zkosení
25. Zarážka hlavy pily
26. Sáček pro prach
27. Klíč pro šestihřanné šrouby a matice
28. Seřizovací šrouby zarážky pro úhel úkosu 0 °
29. Šroub pro zajištění polohy posuvné zarážky

30. Tlačítko pro aretaci vřetene
31. Vnější příruba
32. Pilový kotouč

OBSLUHA

Charakteristikou výrobku je pilový kotouč, který lze nastavit v různých úhlech obsluhou při řezání obrobku, který je pevně uchycen k základně výrobku. Musí být provozováno pouze jednou osobou, aby se zabránilo náhodnému kontaktu s pohyblivým se pilovým kotoučem.

Zásady pro bezpečný provoz výrobku jsou následující:

- Udržujte pilové kotouče a pracovní prostor v dobrém stavu.
- Připevňte základnu pokosové pily pevnému stolu ponku. Výrobek se může pohybovat a naklápět, pokud není dostatečně zabezpečen.
- Nastavte a zablokujte řezací úhly a hloubku před provedením řezu.
- Zajistěte obrobek k základně pokosové pily. Použijte dodanou svorku a tam, kde je to nutné, použijte další svorky nebo přídržné mechanismy, aby se zabránilo nechtěnému pohybu obrobku při řezání.
 - Zkontrolujte, zda kryty kotouče nejsou omezeny polohou obrobku.
 - Ujistěte se, že pravítka a další části výrobku nebudou pořežány, když kotouč klesá do polohy řezání.
- Spusťte motor a nechte kotouč dosáhnout jeho plné rychlosti než jej pomalu spustíte pro řezání obrobku.
- Umožněte sestavě kotouče vystoupit do horní polohy, kde je kryt kotouče zcela uzavřen. Vypněte motor a nechte kotouč plně zastavit před odebráním obrobku nebo odřezků nebo před manipulací v oblasti kotouče.

Před prvním použitím se ujistěte, že úhel zkosení nebo pokosu nastavený na výrobku odpovídá úhlu, které mají být vyroben na obrobku. Zkontroluje na vyřazeném kusu dřeva pomocí tesařské sady nebo pokosového měřítka.

Vyjmutí pilového kotouče:

1. Při manipulaci s kotoučem pily noste rukavice.
2. Vypněte napájení a vyjměte akumulátor.
3. Povolte, ale neodstraňujte, šroub krytu šroubu pilového kotouče. Kryt šroubu pilového kotouče nadzvedněte.
4. Sklopte dozadu samozavírací ochranný kryt a přidržte jej.
5. Stiskněte tlačítko zámku vřetene a současně vyšroubujte šroub kotouče pomocí přiloženého šestihřanného klíče. Vyjměte vnější podložku.
6. sundejte pilový kotouč.

Montáž pilového kotouče:

Pokud je to zapotřebí, před sestavením všechny díly očistěte.

Po „Vyjmutí pilového kotouče“.

1. Při manipulaci s kotoučem pily noste rukavice.
2. Zkontrolujte, že je napájení vypnuto a akumulátor vyjmut.
3. Sklopte dozadu samozavírací ochranný kryt a přidržte jej.
4. Vložte nový pilový kotouč. Zkontrolujte, že směr otáčení kotouče souhlasí se směrem šipky na jeho chrániči.
5. Vložte podložku a šroub kotouče.
6. Tiskněte tlačítko zámku vřetene, dokud nezaklapne, dotáhněte šroub kotouče.
7. Sklopte samozavírací zábranu.

8. Kryt šroubu pilového kotouče vraťte dolů a utáhněte šroub krytu.

VAROVÁNÍ! Kryt šroubu pilového kotouče musí být dole ve své původní poloze a šroub krytu musí být utažen.

Nastavení úhlu zkosení:

Úhel zkosení můžete nastavit v rozsahu 45 (levá strana) až 45 stupňů (pravá strana).

1. Povolte knoflík aretace pokosového úhlu.
2. Stiskněte páčku odaretování pokosového úhlu. Knoflíkem aretace pokosového úhlu natočte pracovní stůl pily na požadovaný pokosový úhel.
3. Knoflík zajištění pokosového úhlu znovu utáhněte.

Nastavení úhlu úkosu:

Úhel úkosu může být nastaven v rozmezí 0 až 45 stupňů.

1. Povolte tlačítko aretace úkosu.
2. Nakloňte držadlem rameno nástroje do požadovaného úhlu úkosu.
3. Přidržte v této poloze rameno nástroje a znovu utáhněte tlačítko aretace úkosu.

VAROVÁNÍ! Výrobce důrazně doporučuje, aby byl výrobek vždy bezpečně namontován na horní straně ponku. Pokud je podstavec pily pevně uchycen k pracovnímu stolu čtyřmi šrouby, podložkami a maticemi podle návodu, lze pilu používat při nastaveném maximálním úkosu i zkosení bez převrácení. Pokud není výrobek řádně zabezpečen, může výrobek při obrábění ztratit rovnováhu při výběru velkých úhlů zkosení.

ÚDRŽBA

- Nepoužívejte s výrobkem příslušenství nebo doplňky, jež nejsou schváleny výrobcem. Vaše bezpečnost i bezpečnost osob, které se nacházejí v blízkosti, může být ohrožena.
- Nepoužívejte výrobek, pokud nějaké přepínače, kryty nebo jiné funkce nefungují tak, jak bylo zamýšleno. Odevzdejte nejbližšímu servisnímu středisku k profesionální opravě.
- Neprovádějte žádné úpravy, když je pilový kotouč v pohybu.
- Před seřizováním, promazáváním nebo prováděním údržby se vždy ujistěte, že byla z výrobku vyjmuta baterie.
- Před každým použitím zkontrolujte výrobek na poškození nebo zničené části. Udržujte výrobek ve špičkovém provozním stavu neprodlenou výměnou dílů za náhradní díly schválené výrobcem.
- Čepel má ostré hrany a po řezání může být horká. Při čištění obnažené čepele dbejte zvýšené opatrnosti. Používejte rukavice, abyste se nezranili.
- Z pily a jejího příslušenství pravidelně odstraňujte prach a piliny, obzvláště z pohyblivých částí včetně ochranného krytu řezného kotouče. K účinnému odstranění prachu a pilin používejte smeták nebo vysavač. Nepoužívejte stlačený vzduch.
- Pro větší bezpečnost a spolehlivost by všechny opravy včetně výměny kartáčů měly být prováděny v autorizovaném servisním centru.

VAROVÁNÍ! Nepokoušejte se rozmontovávat sestavu ochranného krytu řezného kotouče za účelem čištění nebo opravy. Poškozené ochranné kryty není povoleno používat. Jejich opravu nebo výměnu svěťte autorizovanému servisnímu centru.

Kalibrace úhlu úkosu a zkosení

Pokud je potřeba kalibrovat úhel úkosu a zkosení, řiďte se pokyny ke kalibraci na stranách 213 až 217.

PŘEPRAVA A SKLADOVÁNÍ

- Před skladováním výrobku z něj vyjměte akumulátor. Skladujte výrobek na bezpečném místě, které není přístupné dětem.
- Vyčistěte výrobek před uskladněním pomocí štětce a vysavače.
- Pokud odebíráte pilový kotouč nebo skladujete náhradní díly s jednotkou, zajistěte, že jsou v originálním obalu, aby se zabránilo poranění.

Pro zajištění výrobku proti pohybu:

- Výrobek by měl být skladován při nulovém úhlu pokosu a zkosení a v zablokované poloze. Rukojeť by měla být zablokována v dolní (bezpečné) poloze s zavřeným krytem.

Pro přesun ve vozidle:

- Zajistěte výrobek proti pohybu, jak je popsáno v návodu.
- Demontujte výrobek z desky stolu uvolněním 4 šroubů, na každém rohu je jeden. Zajistěte šrouby pro budoucí použití. Při přenášení držte pilu oběma rukama za horní držadlo nebo boční držadla.
- Při převozu ve vozidle umístěte výrobek na jeho základnu a zajistěte proti pohybu.

SYMBOLY NA VÝROBKU



Bezpečnostní výstraha



Značka shody s evropskými normami



Značka shody s britskými normami



Značka shody s ukrajinskými normami



Euroasijská značka shody



Před spuštěním přístroje si řádně přečtěte pokyny.



Noste ochranu sluchu



Vždy noste ochranu očí.



Udržujte ruce v dostatečné vzdálenosti od řezného prostoru a ostrého pilového kotouče.



Nevystavujte desti nebo nepoužívejte ve vlhkých místech.



Požívejte ochranné rukavice



Směr otáčení řezného nástroje (označený na nástroji)



Směr otáčení kotouče (uvedeno na krytu kotouče)



Šířka řezu



Počet zubů na tomto řezném kotouči



Maximální prořez



Pro řezání dřeva a obdobných materiálů



Nikoliv pro řezání kovů



Před provedením úkosového řezu, případně složeného s pokosovým, seřídte polohu posuvné zarážky.



Směr povolování šroubu pilového kotouče

Nelikvidujte vybité baterie a elektrické a elektronické zařízení společně s netříděným komunálním odpadem. Vybité baterie a elektrický a elektronický odpad musí být shromažďovány odděleně. Vybité baterie, akumulátory a odpadní světelné zdroje musí být od zařízení odděleny. Zjistěte si u místní samosprávy nebo u maloobchodníka, jaké jsou pokyny k recyklaci a kde je sběrné místo. Podle místních nařízení mohou mít maloobchodníci povinnost brát bezplatně zpět vybité baterie, elektrický a elektronický odpad. Když budete přispívat k opětovnému použití a recyklaci vybitých baterií a elektrického a elektronického odpadu, pomůže to snížit potřebu surovin. Vybité baterie, zejména ty s obsahem lithia, elektrický a elektronický odpad obsahují cenné a recyklovatelné materiály, které mohou mít nepříznivý dopad na životní prostředí a lidské zdraví, nebudou-li zlikvidovány ekologickým způsobem. Odstraňte z odpadu osobní údaje, pokud nějaké obsahuje.



Odemknuto



Délka čekání na dosažení úplných otáček nebo úplného zastavení pilového kotouče.



Díly nebo příslušenství jsou v prodeji samostatně



Poznámka



Varování

SYMBOLY POUŽITÉ V NÁVODU



Zamknuto



A gérvágó fűrész tervezésekor a biztonság, a teljesítmény és a megbízhatóság voltak a legfontosabb szempontok.

RENDELTETTÉSZERŰ HASZNÁLAT

A gérvágó fűrész ragasztott furnért és műanyagot tartalmazó vagy nem tartalmazó tömör fa, rétegelt falemez és fához hasonló anyagok fűrészeléséhez használható.

A gérvágó fűrész csak olyan felnőt működteszheti, aki előlvaszta a használzati utasítást, és megértette a kockázatokot és veszélyeket.

A gérvágó fűrész talpazatát rögzíteni kell egy szilárd munkafelületen. Ha az alapzat nincs biztonságosan rögzítve, a vágási művelet során a teljes gép mozoghat, ami megnöveli a súlyos személyi sérülések kockázatát.

A gérvágó fűrész ferde- és teljeságásra terveztek. A különböző vágásokhoz tartozó teljesítmények ebben a használzati utasításban találhatók a termékleírásoknál.

A gérvágó fűrész száraz körülmények között, kiváló megvilágítás és megfelelő szellőztetés mellett használándó.

A gérvágó fűrész nem ipari felhasználásra készült, és csak a fentiekben leírt módon szabad használni, más célra tilos.

ÁLTALÁNOS BIZTONSÁGI ELŐÍRÁSOK

⚠ FIGYELEM! Figyemesen olvassa el az ehhez a szerszámhoz mellékelt összes figyelmeztetést, utasítást és műszaki adatokat, valamint tanulmányozza az ábrákat is. Az alább részletezett előírások be nem tartása olyan baleseteket okozhat, mint pl. tűz, áramütés és/vagy súlyos testi sérülések.

A jövőbeli felhasználásra őrizze meg az összes figyelmeztetést és útmutatót. A figyelmeztetésekben a „nagy teljesítményű eszköz” a hálózatról működtesztett (vezetékes) gépére vagy az akkumulátorról üzemelő (vezeték nélküli) gépére utal.

A MUNKATERÜLET BIZTONSÁGA

- A munkaterületet tartsa tisztán és jól megvilágítva. A rendetlen vagy sötét munkaterületek balesetekhez vezethetnek.
- Az elektromos szerszámgepeket ne működtesse robbanásveszélyes környezetben, mint például robbanásveszélyes folyadékok, gázok vagy porok jelenlétében. Az elektromos készülékekben szikrák keletkeznek, amik begyűjthatják a port vagy a gőzöket.
- Az elektromos szerszámgep használatakor a gyerekeket és a kívülállókot tartsa távol. A figyelem elterelődése az irányítás elvesztését okozhatja.

ELEKTROMOS BIZTONSÁG

- Az elektromos szerszám dugaszának egyeznie kell az aljzattal. Semmilyen módon ne módosítsa a dugaszt. A földelt elektromos szerszámokhoz ne használjon csatlakozó adaptert. A nem módosított és illeszkedő dugasz csökkenti az áramütés kockázatát.
- Kerülje az érintkezést földelt felületekkel, mint például csövekkel, radiátorokkal és hűtőkkel. Megnöveli az áramütés kockázatát, ha a teste földeltté válik.
- Ne tegye ki az elektromos szerszámokat esőnek vagy nedves környezetnek. Az elektromos gépekbe kerülő víz növeli az áramütés kockázatát.
- Ne rongálja meg a kábelt. Az elektromos szerszám kábelét soha ne használja a szerszám hordozására, húzására vagy kihúzására. Tartsa távol a kábelt

hőforrásoktól, olajtól, éles szélektől és mozgó alkatrészektől. Sérült vagy beakadt kábelek növelik az áramütés kockázatát.

- Elektromos szerszám szabadtéri működtesztésekor egy kültéri használzatra is megfelelő hosszabbító kábelt használjon. Kültéri használzatra megfelelő hosszabbító kábel csökkenti az áramütés kockázatát.
- Ha a szerszámgep használata nedves környezetben elkerülhetetlen, használjon áram-védőkacsolót (RCD). Az RCD használata csökkenti az áramütés kockázatát.

SZEMÉLYI BIZTONSÁG

- Gép kezeléscor maradjon éber, figyeljen arra, mit csinál, és használja a józan eszt. Ne használja a szerszámot, ha fáradt, vagy drog, alkohol, illetve gyógyszer hatása alatt van. A szerszámgepek használata közben már egyetlen figyelmetlen pillanat is súlyos személyi sérüléshez vezethet.
- Használjon személyi védőfelszerelést. Mindig viseljen védőszemüveget. Az adott feltételekhez használjt védőfelszerelés, például porvédő maszk, csúszásmentes biztonsági cipő, védősisak vagy hallásvédő, csökkenti a személyi sérüléseket.
- Kerülje el a véletlen bekapcsolást. A termék felvétele, szállítása, tápellátáshoz/akkucsomaghoz csatlakoztatása előtt győződjön meg arról, hogy a kapcsoló kikapcsolt helyzetben van. Baleseteket okozhat, ha az ujjával a kapcsolón nagy teljesítményű gépeket szállít, vagy ezeket bekapcsolva áram alá helyezi.
- A szerszámgepről bekapcsolás előtt távolítsón el minden beállító kulcsot és csavarkulcsot. Egy a szerszámgep forgó alkatrészén maradt beállító kulcs vagy csavarkulcs személyi sérülést eredményezhet.
- Ne hajljon ki túlságosan. Mindig tartson megfelelő testtartást és egyensúlyt. Ez a szerszámgep jobb irányítását teszi lehetővé váratlan szituációkban.
- Viseljen megfelelő ruházatot. Ne vegyen fel laza ruhát vagy ékszeret. A haját és a ruházatát tartsa távol a mozgó alkatrészektől. A laza ruházat és ékszerek vagy a hosszú haj beakadhatnak a mozgó alkatrészekbe.
- Ha porelvezető vagy -gyűjtő tartozékok csatlakoztatásához szolgáló eszközökkel rendelkezik, akkor biztosítsa ezek csatlakoztatását és megfelelő használzatát. A porelvezetés használzata csökkenti a porhoz kapcsolódó veszélyeket.
- Ne töltse el elégedettséggel az, hogy a gyakori eszközhasználattól jól jártasságot szerzett, és ne hagyja figyelmen kívül az eszköz biztonsági alapelveit. A figyelmetlen műveletek akár egy másodperc töredéke alatt is súlyos személyi sérülést eredményezhetnek.

A SZERSZÁMGÉP HASZNÁLATA ÉS KARBANTARTÁSA

- Ne erőltesse a gépet. Használjon az alkalmazásának megfelelő gépet. A megfelelő gép jobban és biztonságosabban végzi el a feladatot azon a sebességen, amelyre tervezték.
- Ne használja a szerszámgepet, ha a kapcsoló nem kapcsol be és ki. Bármilyen szerszámgep veszélyes, amit a kapcsolóval nem lehet irányítani. Azt meg kell javítani.



- Mielőtt beállítást végezne, tartozékot cserélne vagy a nagy teljesítményű gépet eltávololná, húzza ki a csatlakozódugót a konnektorból és/vagy vegye ki az akkumulátort, ha eltávolítható. Az ilyen megelőző biztonsági intézkedések csökkentik a szerszám véletlen elindításának veszélyét.
- A használaton kívüli készüléket gyerekek számára nem elérhető helyen tárolja, és ne hagyja, hogy a szerszámgepet vagy a kézikönyvet nem ismerő személyek használják a szerszámgepet. Gyakorlatlan felhasználók kezében a szerszámgépek veszélyesek.

- Végezze el a nagy teljesítményű gépek és a tartozékok karbantartását. Ellenőrizze a mozgó alkatrészek esetleges téves beállítását vagy megszorulását, az alkatrészek esetleges törését, valamint minden egyéb olyan körülményt, amely a gép működését befolyásolhatja. Ha sérült, a szerszámot az újbóli használat előtt meg kell javítani. Sok balesetet rosszul karbantartott gépek okoznak.
- A vágóeszközöket tartsa élesen és tisztán. A megfelelően karbantartott, éles vágóélel rendelkező vágóeszközök kevésbé akadnak el, és egyszerűbben irányíthatók.
- A gépet, tartozékokat és szerszámfejeket stb. ezen útmutatónak megfelelően használja a munkakörülmények és a végrehajtandó munka figyelembevételével. A szerszám gép rendeltetésétől eltérő műveletekre való használata veszélyes helyzeteket eredményezhet.
- A markolatokat és a fogófelületeket tartsa szárazon, tisztán és ne legyenek zsírosak, olajosak. A csúszós markolatokkal és fogófelületekkel váratlan helyzetekben az eszköz kezelése és irányítása nem biztonságos.

AZ AKKUMULÁTOR HASZNÁLATA ÉS KARBANTARTÁSA

- Csak a gyártó által megadott töltőt használja a feltöltéshez. Egy adott akkumulátortípushoz való töltő egy másik típusú akkumulátorral való használata tűzveszélyes lehet.
- A nagy teljesítményű gépeket csak kifejezetten azokhoz tervezett akkumulátorral használja. Bármilyen más akkucsomag használata sérülés és tűz veszélyét okozhatja.
- Az akkumulátort használaton kívül tartsa távol más fém tárgyaktól, úgymint gemkapcsoktól, érméktől, kulcsoktól, szögektől, csavaroktól vagy más kisméretű fém tárgyaktól, amelyek rövidre zárhatják a két érintkezőt. Az akkumulátor pólussarujának rövidre zárása égést vagy tüzet okozhat.
- Helytelen körülmények között folyadék léphet ki az akkumulátorból, amihez ne érjen hozzá. Ha véletlenül mégis hozzáér, öblítse le vízzel. Ha a folyadék a szemébe kerül, forduljon orvoshoz. Az akkumulátorból kilépő folyadék irritációt vagy égési sérüléseket okozhat.
- Ne használjon sérült vagy átalakított akkucsomagot vagy eszközt. A sérült vagy átalakított akkumulátor előre nem látható módon üzemelhet, ami tüzet, robbanást, más kockázatot vagy sérülést okozhat.
- Ne tegye ki az akkucsomagot vagy az eszközt túl magas hőmérsékleti hatáskörbe és ne tegye tűzbe ezeket. A tűznek vagy a 130°C feletti hőmérsékletnek való kitétség robbanást okozhat.
- Tartsa be az összes feltöltési utasítást és ne töltsen az akkucsomagot vagy az eszközt az

utasításban megadott hőmérséklet-tartományon kívül. A helytelen töltés vagy a megadott tartományon kívüli hőmérsékleten való feltöltés az akkumulátort károsíthatja, és a tűzveszély kockázatát növelheti.

SZERVIZELÉS

- A szerszámgepet csak szakképzett szervizszakemberrel szervizeltesse, csak azonos cserealkatrészeket használva. Ez biztosítja, hogy a szerszám gép használata továbbra is biztonságos legyen.
- Soha ne javítson sérült akkucsomagokat. Az akkumulátorok javítását csak a gyártó vagy a hivatalos szervizek végezhetik.

GÉRVÁGÓ FŰRÉSZEK BIZTONSÁGI ÚTMUTATÁSAI

- A gérvágó fűrész fa vagy faszzerű termékek vágására szolgál, nem használható abrazív vágókoronggal vastartalmú anyagok (például rudak, huzalok, csapok stb.) vágásához. A csiszolópor a mozgóalkatrészek, például az alsó védőelem, beragadását okozhatja. Az abrazív vágás szikrái leégetik az alsó védőelemet, a fűrészjárat betétjét és más műanyag alkatrészeket.
- Amikor lehetséges, használjon szorítókat a munkadarab rögzítéséhez. Ha a munkadarabot kézzel tartja, akkor a kezét a fűrész tárcsa minden oldalától legalább 100 mm távolságra tartsa. Ne használja a fűrész olyan munkadarabok vágására, amelyek túl kicsik ahhoz, hogy biztosan befogja, vagy kézzel megtartsa. Ha a keze túl közel van a fűrész tárcsához, akkor a pengével való lehetséges érintkezés miatt nagyobb a sérülés kockázata.
- A munkadarabnak fix helyen kell lennie, rögzíteni kell vagy a határoló vas és az asztal között kell megtartani. A munkadarabot ne adagolja a fűrészhez, és ne vágjon szabad kézzel semmilyen körülmények között. A nem befogott vagy mozgó munkadarabok nagy sebességen elmozdulhatnak, és sérülést okozhatnak.
- Tolja át a fűrész tárcsát a munkadarabon. Ne húzza át a fűrész tárcsát a munkadarabon. A vágáshoz emelje fel a fűrészfejet és húzza át a munkadarabon vágás nélkül, indítsa el a motort, nyomja le a fűrészfejet és tolja át a fűrész tárcsát a munkadarabon. A húzó mozdulattal való vágással a fűrész tárcsa nagy valószínűséggel a munkadarab tetejére mozdulhat el, és a kezelő irányába erősen megdobhatja a lapot.
- Soha ne tegye a kezét a tervezett vágás vonalába, sem a fűrész tárcsa elé, sem a mögé. A munkadarabot keresztben tartani, azaz a munkadarabot a fűrész tárcsától balra tartani a jobb kezével, vagy fordítva, nagyon veszélyes.
- A kezével a határoló vasat a fűrész tárcsa egyik oldalához képest se közelítse meg 100 mm-nél kisebb távolságban, felforgács eltávolítására, vagy semmilyen más okból sem, amikor a fűrész tárcsa fog. A forgó fűrész tárcsa kezéhez való közelsége lehet, hogy nem nyilvánvaló, és komoly sérülést okozhat.
- Vágás előtt vizsgálja meg a munkadarabot. Ha a munkadarab meghajlott vagy megvetemedett, akkor a hajlott felület külsejét erősítse a határoló vashoz. Mindig győződjön meg róla, hogy ne legyen rés a vágás vonala mentén a munkadarab, a határoló vas és a munkaasztal között. A meghajlott vagy megvetemedett munkadarabok elfordulhatnak vagy



eltolódhatnak és vágáskor megakadhatnak a forgó fűrész tárcsán. A munkadarabon ne legyen szög vagy idegen tárgy.

- **Ne használja addig a fűrész, amíg a munkaasztalon a munkadarabon kívül bármi más, pl. szerszám, faforgács stb., van.** A forgó fűrész tárcsa az apró hulladékhöz, a laza fadarabokhoz vagy egyéb tárgyakhoz érhet, és azokat nagy sebességgel elmozdíthatja.
- **Egyszerre csak egy munkadarabot vágjon.** A halmozott munkadarabokat nem lehet megfelelően befogni, megtámasztani és a fűrész tárcsára szorulhatnak vagy elmozdulhatnak vágás közben.
- **Használat előtt biztosítsa, hogy a gérvágó fűrész vízszintes, szilárd felületre legyen helyezve.** A vízszintes, szilárd felület csökkenti annak kockázatát, hogy a gérvágó fűrész instabil legyen.
- **Tervezze meg a munkát. Minden alkalommal, amikor a ferde- vagy gérvágási szög beállítását módosítja, győződjön meg arról, hogy a beállítható határoló vas a munkadarab megtámasztásához megfelelően van igazítva, és nem ütközik a fűrész tárcsával vagy a védőrendszerrel.** Anélkül, hogy az eszközt „BE”-kapcsolná, és úgy, hogy a munkaasztalon nincs rajta a munkadarab, vezesse át a fűrész tárcsát és szimulálja a vágást. Így biztosíthatja, hogy ne legyen zavaró hatás, vagy a határoló vas átvágásának veszélye ne merüljön fel.
- **Ha a munkadarab a munkaasztal felső részénél hosszabb vagy szélesebb, biztosítson megfelelő támasztást, például munkaasztaltoldást, fűrészbakot stb.** Ha a munkadarab hosszabb vagy szélesebb, mint a gérvágó fűrész munkaasztala, akkor az nem biztos támaszték esetén elbillenhet. Ha a levágott darab vagy a munkadarab elbillen, akkor az felemelheti az alsó védelemet vagy a forgó fűrész tárcsát megdobhatja.
- **Ne kérje másik ember segítségét a munkaasztal megtöltése helyett vagy további támaszként.** A munkadarab nem stabil támasztéka a fűrész tárcsa megakadását vagy a munkadarab eltolódását okozhatja a vágóművelet során, ami Önt vagy a segítő személyt a forgó fűrész tárcsa felé húzhatja.
- **A levágott munkadarab semmi esetre sem szorulhat vagy nyomódhat be a forgó fűrész tárcsával szemben.** Ha beszorul, például hosszútközével, a levágott munkadarab a fűrész tárcsa közé ékelődhet, és a gép erősen megdobhatja.
- **A kerek alanyagokhoz, például rudakhoz vagy csövekhez, mindig használjon bilincset vagy rögzítőelemet, amely a megfelelő támasztást szolgálja.** A rudak általában átfordulnak vágás közben, és ez a fűrész tárcsa „harapását” okozza, a munkadarabot pedig a kezével együtt a fűrész tárcsába húzza.
- **Várja meg, amíg a fűrész tárcsa a teljes sebességet eléri, mielőtt hozzáérne a munkadarabhoz.** Ez csökkenti a munkadarab megdobásának kockázatát.
- **Ha a munkadarab vagy a fűrész lap elakad, kapcsolja „KI” a gérvágót. Várja meg, amíg az összes mozgó alkatrész megáll, és húzza ki a csatlakozódugót a konnektorból és/vagy vegye ki az akkumulátort. Azután távolítsa el a beragadt anyagot.** A beragadt munkadarabbal való folytatólagos fűrészeléskor elveszítheti a a gérvágó irányítását, vagy kárt tehet benne.
- **A vágás befejezése után oldja ki a kapcsolót, tartsa lefelé a fűrész fejet és várja meg, amíg a fűrész tárcsa**

leáll, és csak ezután távolítsa el a munkadarabot. A forgó tárcsa közelébe nyúlni veszélyes.

- **Tartsa meg szilárdan a kézikart, amikor nem teljes vágást végez, vagy ha a kapcsolót azelőtt oldja ki, hogy a fűrészfej teljes alsó pozícióban lenne.** A fűrész fékezési művelete a fűrész fejet hirtelen lefele húzhatja, ami sérülésveszélyt okoz.

BIZTONSÁGI UTASÍTÁSOK A FAANYAGVÁGÓ KORONGHOZ

- A fűrész tárcsa és a gép használata előtt olvassa el figyelmesen a kézikönyvet és a használati utasítást.
- A termék legyen jó állapotban, az orsó ne legyen deformálva és ne rezegjen.
- Ne használja úgy a terméket, hogy a védelemek nincsenek a helyükön. A védőberendezések legyenek működőképes, megfelelően karbantartott állapotban.
- Biztosítsa, hogy a gépkezelő a biztonságai óvintézkedésekről, a termék beállításáról és működtetéséről megfelelő képzést kapjon.
- A termék használatakor mindig viseljen védőszemüveget és hallásvédőt. Védőkesztyű, zárt és csúszámentes cipő, valamint védőkötény használata szintén javasolt.
- Bármilyen tartozék használata előtt olvassa el a használati útmutatót. Bármely tartozék helytelen használata az eszköz károsodását okozhatja, és növelheti a sérülésveszélyt.
- Csak az útmutatóban meghatározott fűrészlapot használjon, amely megfelel az EN 847-1 előírásainak.
- Ügyeljen a fűrész lapon látható maximális fordulatszámra. Ügyeljen arra, hogy a fűrész lap oldalán megadott fordulatszámérték legalább annyi legyen, mint a fűrész ten megadott.
- Kizárólag olyan tárcsákat használjon, melyek mérete és formája megfelel a tengely furatátmérőjének. Egy, a hajtótengelynek nem megfelelő fűrész tárcsa nem fog megfelelőképp fogorni, és így ahhoz vezethet, hogy elveszíti uralmát a gép felett.
- Ne használjon az ajánlottnál nagyobb vagy kisebb átmérőjű fűrész lapokat. Ne használjon távtartókat ahhoz, hogy a fűrész lap illeszkedjen az orsóra.
- Használat előtt ellenőrizze a fűrész korong éleit, nem sérültek-e meg, és nem tűnnek-e szabálytalanoknak. A sérült vagy kilazult fűrész korong élek használat közben elrepülhetnek, és megnövelhetik a személyi sérülés kockázatát.
- Tilos repedt vagy deformált fűrész lapot használni! Ne használjon sérült vagy deformálódott vágó lapot.
- Selejtezze le a fűrész korongot, ha megsérült, eldeformálódott, eltorzult vagy megrepedt, javítása tilos.
- Ne használjon HSS fűrész lapokat.
- Biztosítsa, hogy a fűrész tárcsa megfelelően legyen felszerelve, használat előtt szorítsa meg biztosan a rúd anyáját (kb. 8-10 Nm meghúzónyomaték).
- A rögzítőcsavarokat és anyákat a megfelelő csavarkulccsal stb. kell megszorítani.
- A csavarkulcs meghosszabbítása, illetve a rá kifejett kalapácsütésekkel történő megszorítás tilos.
- Ellenőrizze, hogy a teljes fűrész lap és peremek tiszták, és a gallér rovatkás oldala van a fűrész lapnál.
- Ellenőrizze, hogy a fűrész lap a megfelelő irányba forog.



- A munka megkezdése előtt bekapcsolt motor nélkül végezzen egy próbavágást a vágótárcsa helyzete, a védőberendezések működése, a gép más részei és a munkadarab helyzete ellenőrzése céljából.
- Soha ne hagyja felügyelet nélkül a gépet.
- Ne vigyen fel kenőanyagot a fűrészlapra, ha forog.
- Ne hajtson végre semmilyen tisztítási vagy karbantartási műveletet, ha a gép még forog és a fej nincs nyugalmi pozícióban.
- Ne próbálja hirtelen megállítani a gépet, ha mozgásban van, úgy, hogy beakaszt egy szerszámot vagy más tárgyat a fűrészlapra, mert ez súlyos balesetet okozhat.
- Karbantartás vagy fűrészlárcsacsere előtt húzza ki a termék csatlakozódugóját a konnektorból, vagy vegye ki az akkumulátort.
- Figyeljen oda a fűrészlap be- és kicsomagolására, a fűrészlap éles hegyei könnyen sérülést okozhatnak.
- Használjon fűrészlaptartót vagy viseljen védőkesztyűt, ha fűrészlappal dolgozik.
- A fűrészlapot az eredeti csomagolásában vagy más megfelelő csomagolásban tartsa és tárolja, száraz körülmények között, távol az olyan vegyszerektől, amelyek károsíthatnák.

TOVÁBBI BIZTONSÁGI FIGYELMEZTETÉSEK

- Mindig biztonságosan és erősen rögzítse a munkadarabot.
- Gondoskodjon arról, hogy a termék mindig stabil és biztos helyzetben legyen (pl. egy padhoz rögzítve).
- Mindig viseljen fülvédőt. A fokozott zajhatás hosszú távon a hallás elvesztését eredményezheti.
- A termék használatakor mindig viseljen védőszemüveget. Javasolt kesztyűt viselni a fűrészlapok és a durva anyagok kezelésékor, emellett vastos és csúszásgátló cipőt, hogy védje a lábait a vágási területről leeső munkadarabokkal szemben.
- Karbantartás vagy a termék tisztítása előtt húzza ki a termék csatlakozódugóját a konnektorból, vagy vegye ki az akkumulátort.
- Csak akkor helyezze be az akkumulátort, amikor a termék ki van kapcsolva.
- Ne nyúljon a fűrészlap körüli területre, amíg a fűrészlap teljesen meg nem áll.
- Használat előtt alaposan ellenőrizze a terméket és az akkumulátort bármilyen sérülés vagy anyagfáradás szempontjából. A teljes termék javítását csak hivatalos szervizközpont végezze.
- Mindig használja a terméken a védőelemeket. Ne használja a terméket, ha a védőelemek nincsenek a helyükön, vagy nem megfelelően működnek.
- Az alsó fűrészlárcsa védőeleme csak akkor legyen nyitva, ha a tárcsát a munkadarabhoz leengedi, és mindig szabadon kell tudni mozognia és automatikusan kell záródnia.
- Mindig használjon a munkadarab-támasztáshoz hosszabítórudat és rögzítse azt a munka során.
- Soha ne módosítsa a terméket vagy funkcióját. A biztonsága veszélybe kerülhet.
- Ne használjon megrepedt, károsodott vagy sérült fűrészlapokat.
- Ne használjanak gyorsacélból készült fűrészlapokat!
- Csak éles fűrészlapokat használjon. Cserélje ki a tompa fűrészlapokat.
- Kizárólag olyan tárcsákat használjon, melyek mérete és formája megfelel a tengely furatátmérőjének. Egy, a hajtótengelynek nem megfelelő fűrészlárcsa nem fog megfelelőképp forogni, és így ahhoz vezethet, hogy elveszíti uralmát a gép felett.
- Csak a jelen kézikönyvben meghatározott, fagegmunkáló fűrészlárcsát használjon, amely megfelel az EN 847-1 szabványnak.
- Ne használjon a mellékeltől vagy a kezelési útmutatóban megadottól eltérő peremet, alátétet és csavaranyát a fűrészlap rögzítéséhez.
- Válasszanak a vágni kívánt anyagnak megfelelő fűrészlapot! Soha ne használjon a kézikönyv rendeltetésszerű használat szakaszában megadott anyagoktól eltérő anyagokat.
- Fontos, hogy a fűrészlárcsa túlhevítését és a műanyag megolvadását a vágás során elkerülje.
- Lényeges, hogy a fűrészlárcsán megadott maximális sebességet betartsa, csak az eszközzön szereplő sebességnek megfelelő vagy annál magasabb értéket tartalmazó fűrészlárcsát használjon.
- Elhasználódás vagy sérülés esetén cserélje ki az asztalbetétet.
- Munka előtt végezzen próbavágást kikapcsolt motorral, hogy ellenőrizhesse a fűrészlap helyzetét, a védőelemek működését más gépalkatrészekhez képest, és a munkadarabot.
- Amikor gérvágást, ferde vágást vagy összetett gérvágást végez, állítsa be a csúszó-vezetőléceket vagy az alsó vezetőléceket, hogy a fűrészlárcsától való megfelelő mozgásteret biztosítsa.
- Kerülje a fűrészegység ellenőrizetlen elengedését teljesen leengedett helyzetben.
- A termék szállításakor a fogantyúzárát mindig alkalmazni kell.
- A padló területén ne legyenek szabadon álló anyagok, például forgácsok és levágott darabok.
- Ne vegye el a levágott darabokat vagy a munkadarab más részeit a vágási területről, amíg a termék működik és a fűrészfej nincs pihenőhelyzetben.
- A hosszú munkadarabokat alkalmas módon meg kell támasztani. A fűrész munkaterülete a teljes munkadarabot magába foglalja. A kezelőnek biztosítania kell ezt a területet a működés során a munkadarabot esetleg mozgató más személyekkel vagy tárgyakkal való véletlen érintkezés ellen.
- A termék használatá során termelt por az egészségre káros lehet. Használjon porelszívó rendszert, és viseljen megfelelő porvédő maszkot. A lerakódott port alaposan tisztítsa le porszívóval.
- A csúszó-vezetőléceket esetleg be kell állítani a megfelelő hézag biztosításához a ferde vagy összetett vágás előtt. Ellenőrizze, hogy a beállítás után a csúszó-vezetőléce rögzítéscsavarja szorosan meg van-e húzva.
- A bilincs a fűrészlárcsa bármelyik oldalán felszerelhető és használható. Egyes műveletekben a bilincs zavarhatja a fűrészlárcsa védőszerelevényét. Bármilyen vágási művelet előtt mindig győződjön meg arról, hogy semmi sem zavarja a fűrészlárcsa védőelemét, hogy csökkentse a súlyos személyi sérülés kockázatát.
- A szerszám környezeti hőmérséklet-tartománya a működés során: 0 °C – 40 °C.

- A szerszám környezeti hőmérséklet-tartománya a tárolás során: 0 °C – 40 °C.
- A töltőrendszer ajánlott környezeti hőmérséklet-tartománya töltés során: 10 °C – 38 °C.

AZ AKKUMULÁTOR KIEGÉSZÍTŐ BIZTONSÁGI FIGYELMEZTETÉSEI

- A rövidzárlat általi tűz, sérülések vagy termékkárosodások veszélye elkerülésére ne merítse a szerszámot, a cserélhető akkut vagy a töltőkészüléket folyadékokba, és gondoskodjon arról, hogy ne hatoljanak folyadékok a készülékekbe és az akkukba. A korrozív hatású vagy vezetőképes folyadékok, mint pl. a sós víz, bizonyos vegyi anyagok, fehéritők vagy fehéritő tartalmú termékek, rövidzárlatot okozhatnak.
- Az akkumulátor környezeti hőmérséklet-tartománya a használat során: 0 °C – 40 °C.
- Az akkumulátor környezeti hőmérséklet-tartománya a tárolás során: 0 °C – 20 °C.

LÍTIUM AKKUMULÁTOROK SZÁLLÍTÁSA

Az akkumulátorokat a helyi és nemzeti előírásokkal és szabályokkal összhangban szállítsa.

Az elemek külső fél általi szállításakor kövesse a csomagolásra és a címkézésre vonatkozó speciális előírásokat. Ügyeljen arra, hogy az akkumulátorok ne érhesenek más akkumulátorokhoz vagy vezető anyagokhoz szállítás közben; ehhez a szabadon maradt csatlakozókat védje szigetelő fedéllel vagy szalaggal. Ne szállítson repedt vagy szivárgó akkumulátorokat. További információért vegye fel a kapcsolatot a továbbítást végző céggel.

VISSZAMARADÓ KOCKÁZATOK

Még a termék rendeltetésszerű használatát esetén sem lehet teljesen kiküszöbölni minden kockázati tényezőt. A gép használata során a következő veszélyek merülhetnek fel, és a kezelőnek különösen oda kell figyelnie az alábbiak elkerülésére:

- Érintkezésveszély a forgó fűrészlap nem védett részeivel.
- Munkadarabok vagy azok részeinek visszaütése nem megfelelő beállítás vagy kezelés miatt
- Hibás karbid élek letérése a fűrészlapról.
- Légzőszervi károsodás.

MEGJEGYZÉS: Viseljen légzésvédő maszkot, ami a megmunkálendő anyagoknak megfelelő szűrőket tartalmaz Biztosítson megfelelő szellőztetést. Ne egyen, igyon vagy dohányozzon a munkaterületen.

- Halláskárosodás a fül viseletének elmulasztása miatt.

⚠ FIGYELEM! Bizonyos festékekből, bevonatokból és anyagokból a por irritációt vagy allergiás reakciót válthat ki a légzőrendszerben. A fából, pl. tölgy, bükk, MDF stb. származó por rákkeltő. Az azbeszttel tartalmazó anyaggal csak szakképzett kezelők dolgozhatnak, illetve csak ők dolgozhatják azt fel.

⚠ FIGYELEM! A gép hosszabb idejű folyamatos használata sérüléseket okozhat vagy súlyosbíthatja a tüneteket. Ha a gépet hosszú időn át kell használnia, tartson gyakran szünetet.

ISMERJE MEG A TERMÉKET

198. oldal.

1. Kar, szigetelt fogófelület
2. Főkapcsoló
3. Kapcsolót rögzítő kar
4. LED kapcsoló
5. Alsó fűrészlemez-védő
6. Fő vezetősín
7. Oldalsó emelőfogantyú
8. Csúszo vezetősín
9. Forgóasztal
10. Körfűrészlap
11. Gérvágás rögzítógomb
12. Gérvágó rögzítőpecek kioldókárja
13. Támasztóláb
14. Akkumulátor
15. Felső emelőfogantyú
16. Lineáris rúd ütközőgomb
17. Bilincs
18. Gérvágási szög mutatója
19. Rögzítőfurat
20. Fő vezetőlécezt rögzítő csavarok
21. Vágási mélység beállítócsavarja
22. Ferdevágási szög mutatója
23. Csavarok a 45°-os ferdevágási szögű határoló ütköző beállításához
24. Ferdevágási szög rögzítógomb
25. Fűrészfej rögzítőcsapja
26. Porzsák
27. Imbuszkulcs
28. Csavarok a 0°-os ferdevágási szögű határoló ütköző beállításához
29. Csavar a csúszo-vezetőléce rögzítéséhez
30. Tengely reteszgomb
31. Külső alátét
32. Fűrészlap

HASZNÁLAT

A termék egy forgó fűrészlappal rendelkezik, amelyet a kezelő különböző szögekbe tud beállítani a munkadarab vágásakor, ami szilárdan rögzítve van a termék alapjához. A terméket csak egy személy működtetheti, hogy elkerülhető legyen a forgó fűrészlappal való véletlenszerű érintkezés.

A termék biztonságos működésére vonatkozó elvek a következők:

- A fűrészlet, a fűrészlapokat és a munkaterületet tartsa jó állapotban.
- Rögzítse a gérvágó fűrész alapzatát egy robusztus munkapadhoz. A termék mozoghat és átfordulhat, ha nincs megfelelően rögzítve.
- A vágás előtt állítsa be és rögzítse a vágási szögeket és mélységet.
- Rögzítse a munkadarabot a gérvágó fűrész alapzatához. A mellékelt szorítókkal és – ahol szükséges – további szorítókkal vagy rögzítő mechanizmusokkal rögzítse a munkadarabot, hogy vágás közben ne tudjon véletlenül elmozdulni.
 - Ellenőrizze, hogy a fűrészlap védőburkolatok működését nem korlátozza a munkadarab pozíciója.
 - Ellenőrizze, hogy a vezetősín és a termék többi alkatrésze nem lesznek elvágvá, ha a fűrészlap leereszkedik vágási pozícióba.
- Indítsa el a motort, és hagyja, hogy a fűrészlap elérje a teljes fordulatszámot, mielőtt lassan leengedi azt a munkadarabra.

- Hagyja, hogy a fűrészlap szerelvény felemelkedjen a felső állásba, ahol a fűrészlap védőburkolatok teljesen zárva vannak. Kapcsolja ki a motort, és hagyja teljesen megállni a fűrészlapot, mielőtt eltávolítaná a munkadarabot vagy a levágott részeket, vagy mielőtt benyúlna a fűrészlap körüli területre.

Az első használat előtt ellenőrizze, hogy a terméken beállított ferde- vagy gérvágási szög megegyezik a munkadarabon kapott vágásával. Ellenőrizze ezt egy kiselejtett fadarabon egy ácsderékszög vagy félderékszögmérő segítségével.

A fűrészlap eltávolítása:

1. Viseljen védőkesztyűt, ha a fűrészlappal dolgozik.
2. Kapcsolja ki a készüléket, és távolítsa el az akkumulátort.
3. Lazítsa meg, de ne távolítsa el a fűrészlapcsavar burkolatán található csavart. Emelje fel a fűrészlapcsavar burkolatot.
4. Fordítsa vissza az önzáró védőelemet és tartsa meg.
5. Nyomja meg a tengelyrögztítő gombot, és csavarja ki a fűrészlapcsavart egyidejűleg a mellékelt imbuszkulccsal. Távolítsa el a külső peremet.
6. Távolítsa el a fűrészlapot.

A fűrészlap felhelyezése:

Ha szükséges, tisztson meg minden beszerelendő alkatrészt az összeszerelés előtt.

A „Fűrészlap eltávolítása” folyamat utáni következő lépések.

1. Viseljen védőkesztyűt, ha a fűrészlappal dolgozik.
2. Ellenőrizze, hogy a készülék ki van kapcsolva, és az akkumulátort eltávolítottá.
3. Fordítsa vissza az önzáró védőelemet és tartsa meg.
4. Helyezze be az új fűrészlapot. Győződjön meg arról, hogy a fűrészlap forgási iránya megegyezik a fűrészlap védőburkolatán lévő nyíl irányával.
5. Helyezze be a peremet és a fűrészlapcsavart.
6. Nyomja a tengelyrögztítő gombot, amíg be nem pattan, és szorítsa meg a fűrészlapcsavart.
7. Hajtsa le az önzáródó burkolatot.
8. Engedje le a fűrészlapcsavar burkolatot és húzza meg a csavart.

⚠ FIGYELEM! Ellenőrizze, hogy a fűrészlapcsavar burkolat le van engedve az eredeti pozícióba és a csavar szorosra van húzva.

A gérvágási szög beállítása:

A gérvágási szög 45 fok (bal oldal) és 45 fok (jobb oldal) közötti tartományban állítható.

1. Lazítsa meg a gérvágó rögzítőgombját.
2. Nyomja meg a gérvágó rögzítőpecek kioldókarját. Fordítsa el a fűrészasztalt a gérvágó rögzítőgombjával a kívánt gérvágási szöghöz.
3. Húzza meg újra a gérvágó rögzítőgombját.

A ferdevágási szög beállítása:

A ferdevágási szög 0 fok és 45 fok közötti tartományban állítható.

1. Lazítsa meg a ferdevágási szabályozógombot.
2. Döntse meg a szerszám karját a fogantyúval a kívánt ferdevágási szöghöz.
3. Tartsa meg a szerszám karját ebben a helyzetben, és húzza meg újra a ferdevágási szabályozógombot.

⚠ FIGYELEM! A gyártó erősen javasolja, hogy a terméket mindig erősen rögzítse egy munkapad tetejére.

Ha a termék talpát négy anyacsavarral, csavarral és alátéttel az útmutatás szerint, szilárdan rögzítették egy munkasztalhoz, akkor a termék a maximális ferde- és gérvágási beállítással használható, úgy, hogy az nem

borulhat fel. Ha a termék nem megfelelően van rögzítve, kibillenhet az egyensúlyából, ha nagy ferdevágási szög van kiválasztva.

KARBANTARTÁS

- Semmilyen módon ne módosítsa a terméket, és ne használjon a gyártó által nem jóváhagyott tartozékokat. Az Ön és mások biztonsága veszélybe kerülhet.
- Ne használja a terméket, ha valamelyik kapcsoló, védőburkolat vagy egyéb funkció nem rendeltetésszerűen működik. Szakszerű javításhoz vigye a gépet egy hivatalos szervizközpontba.
- Ne végezzen semmilyen beállítást, amikor a fűrészlap forog.
- Beállítások, karbantartás végzése vagy olajozás előtt mindig biztosítsa, hogy az akkumulátor a termékből el legyen távolítva.
- Károsodás vagy törött alkatrészek tekintetében minden egyes használat előtt ellenőrizze a terméket. Tartsa a terméket kiváló működési állapotban, azonnal cserélje le az alkatrészeket a gyártó által biztosított cserealkatrészekre.
- A kés éles és a vágás után forró lehet. A kés tisztítását rendkívüli óvatossággal végezze. A személyi sérülések elkerülése érdekében viseljen kesztyűt.
- Rendszeresen portalanítsa a fűrészt és tartozékait, különösen a mozgó alkatrészeket, beleértve a fűrésztárcsa védőelemét is. A por hatékony eltávolításához használjon kézikéfé vagy porszívót. Ne használjon sűrített levegőt.
- A nagyobb biztonságért és megbízhatóságért minden javítást, beleértve a kefék cseréjét, hivatalos szervizközpont végezzen.

⚠ FIGYELEM! Tisztítás vagy javítás céljából ne próbálja meg a fűrésztárcsa védőszerszámot leszerelni. Sérült védőelemet ne használjon. Javítás vagy csere céljából vigye vissza egy hivatalos szervizközpontba.

Gér- és ferdevágási szög kalibrálása

Ha a gér- és ferdevágási szög kalibrálása szükséges, tekintse meg a 213–217. oldalt, és kövesse a kalibrálási utasításokat.

SZÁLLÍTÁS ÉS TÁROLÁS

- A termék tárolásakor távolítsa el az akkumulátort. Gyerekektől elzárt helyen tárolja a terméket.
- Tárolás előtt egy kefével vagy porszívóval tisztítsa meg a terméket.
- Ha eltávolítja a fűrészlapot vagy a pót fűrészlapokat az egységnek tartja, a sérülés elkerülése érdekében ügyeljen rá, hogy azok az eredeti csomagolásban legyenek.

A termék rögzítéséhez a mozgatás előtt:

- A terméket nulla gérvágó és ferdevágási szögbe beállítva és rögzített állásban kell eltárolni. A fogantyút zárt védőburkolattal rögzíteni kell az alsó (biztonsági) pozícióba.

Mozgatás vagy járművön való szállítás:

- Mozgatás előtt rögzítse a terméket a kézikönyvben leírtak szerint.
- A sarkoknál található 4 csavar kioldásával távolítsa el a terméket a munkapadról. Őrizze meg a

csavarokat későbbi felhasználásra. A terméket a felső emelőfogantyú vagy az oldalsó emelőfogantyúk segítségével két kézzel megemelve szállítsa.

- Járműben való szállításkor állítsa a terméket az alapzatára, és rögzítse azt a mozgás ellen.

SZIMBÓLUMOK A TERMÉKEN



Biztonsági figyelmeztetés



Európai megfelelési jelölés



Ukrán megfelelési jelölés



Eurázsiai megfelelési jelzés



A gép bekapcsolása előtt figyelmesen olvassa el az útmutatót.



Viseljen fülvédőt



Mindig viseljen védőszemüveget.



Tartsa távol a kezét a vágási területtől és az éles fűrészlaptól.



Ne tegye ki esőnek és ne használja nedves környezetben.



Viseljen védőkesztyűt



Tárcsa forgásiránya (a fűrészlaptárcsán jelezve)



Fűrészlap forgásiránya (a fűrészlapvédőn látható)



Tárcsa vágási szélessége (fűrészjárat)



Fogak száma ezen a fűrészlaptárcsán



Vágásteljesítmény (vágási vastagság)



Fa és hasonló anyagok vágásához



Nem használható fém vágásához



Ferde vagy összetett vágások előtt állítsa be a csúszó-vezetőléc helyzetét.



A fűrészlaptárcsa megmozgatási iránya

Az akkumulátorok, valamint az elektromos és elektronikus berendezések hulladékait ne dobja a válogatatlan települési hulladékok közé. Az akkumulátorok, valamint az elektromos és elektronikus berendezések hulladékait elkülönítve gyűjtse. A hulladékká vált elemeket, akkumulátorokat és fényforrásokat vegye ki a berendezésből. Lépjen kapcsolatba a helyi hatósággal vagy kereskedővel az újrahasznosításra vonatkozó útmutatásért és a gyűjtőállomásokkal kapcsolatos információkért. A helyi szabályozások szerint a kereskedők kötelesek lehetnek ingyen visszavenni az akkumulátorok, illetve az elektromos és elektronikus berendezések hulladékait. A hozzájárulása az akkumulátorok, illetve az elektromos és elektronikus berendezések hulladékainak újrafelhasználásához és újrafeldolgozásához segít csökkenteni a nyersanyagok iránti keresletet. Különösen a lítiumot tartalmazó akkumulátorok, illetve az elektromos és elektronikus berendezések hulladékai értékes és újrafeldolgozható anyagokat tartalmaznak, amelyek káros hatással lehetnek a környezetre és az emberi egészségre, ha nem környezetbarát módon kezelik őket. A hulladékká vált berendezésből szükség esetén törölje a személyes adatokat.



A KÉZIKÖNYVBEN HASZNÁLT SZIMBÓLUMOK



Retesz



Szétnyitás



A penge teljes sebességre gyorsulásához vagy teljes leállításához szükséges várakozási idő.



Külön értékesített alkatrészek és kiegészítők



Megjegyzés



Figyelem

Au fost acordate priorități maxime siguranței, performanței și fiabilității în proiectarea ferăstrăului dvs. pentru tăieri înclinate.

DOMENIU DE APLICAȚII

Fierăstrăul cu mitră este conceput pentru a tăia lemn solid sau stratificat, diverse alte materiale similare lemnului, cu sau fără furnir, precum și materiale plastice.

Fierăstrăul cu mitră trebuie utilizat doar de operatori adulți, care au citit manualul de instrucțiuni și înțeleg riscurile și pericolele de accidentare.

Baza fierăstrăului cu mitră trebuie fixată pe un banc de lucru solid. Dacă baza nu este fixată bine, întregul echipament ar putea să se miște în timpul operațiunilor de tăiere, ceea ce crește posibilitatea de vătămare personală gravă.

Ferăstrăul cu mitră este conceput pentru a efectua tăieri la unghi și cu ajutorul mitrei. Dimensiunile posibile pentru diferitele tipuri de tăieturi sunt furnizate în specificațiile produsului din acest manual.

Fierăstrăul cu mitră trebuie folosit în medii uscate, cu lumină și ventilație adecvată.

Ferăstrăul cu mitră este destinat uzului casnic și trebuie să se utilizeze numai așa cum se descrie mai sus și în acest manual, întrucât n-a fost proiectat pentru niciun alt scop.

AVERTIZĂRI DE SIGURANȚĂ GENERALE PENTRU APARAT

⚠ AVERTISMENT! Citiți, cu atenție, toate avertismentele, instrucțiunile și specificațiile furnizate împreună cu aparatul, și consultați ilustrațiile. Nerespectarea instrucțiunilor prezentate în continuare poate provoca accidente cum ar fi incendii, electrocutare și/sau vătămări corporale grave.

Salvați toate avertizările și instrucțiunile pentru o consultare ulterioară. Termenul „unealtă electrică” din avertizări se referă la unealta dvs. electrică alimentată la curent (cu fir) sau la baterie (fără fir).

SIGURANȚA ZONEI DE LUCRU

- **Mențineți curată și bine iluminată zona de lucru.** Zonele dezordonate și întunecate prezintă pericol de accidente.
- **Nu operați cu unealta electrică în atmosfere explozive, precum în prezența lichidelor, gazelor sau a prafului inflamabil(e).** Unelele electrice creează scântei care pot aprinde praful sau vaporii.
- **Țineți copiii și persoanele din jur la distanță în timpul operării unei unelte electrice.** Distragerea atenției vă poate face să pierdeți controlul.

SIGURANȚĂ ELECTRICĂ

- **Ștecărele uneltelor electrice trebuie să se potrivească cu priza. Nu modificați niciodată ștecărul în nici un fel. Nu folosiți niciodată adaptoare de ștecăr cu uneltele electrice cu împământare.** Ștecărele nemodificate și prizele potrivite reduc riscul de electrocutare.
- **Evitați contactul corpului cu suprafețele conectate la împământare, precum țevi, radiatoare, reșouri, mașini de gătit și frigider.** Există un risc crescut de electrocutare când corpul dumneavoastră are contact cu împământarea.

- **Nu expuneți uneltele electrice la ploaie sau umezeală.** Apa care intră într-o unealtă electrică va crește riscul de electrocutare.
- **Nu forțați cablul. Nu trageți niciodată unealta electrică de cablul de alimentare pentru a o transporta, a o trage sau a scoate ștecărul din priză. Țineți cordonul la distanță de căldură, ulei, muchii ascuțite sau piese în mișcare.** Cablurile deteriorate sau încurcate cresc riscul de electrocutare.
- **Atunci când lucrați cu o unealtă electrică în aer liber, folosiți un prelungitor adecvat pentru utilizarea în aer liber.** Folosirea unui prelungitor adecvat pentru utilizarea în aer liber reduce riscul de electrocutare.
- **În cazul în care operarea uneltelor electrice într-o zonă umedă nu poate fi evitată, folosiți o alimentare protejată cu un dispozitiv de curent rezidual (RCD).** Utilizarea unui RCD reduce riscul de electrocutare.

SIGURANȚĂ PERSONALĂ

- **Fiți atenți la ceea ce faceți și exercitați logica bunului simț când operați cu o unealtă electrică. Nu utilizați unealta electrică dacă sunteți obosit, bolnav sau sub influența drogurilor, alcoolului sau medicamentelor.** Un moment de neatenție în timpul operării uneltelor electrice poate cauza vătămare personală gravă.
- **Folosiți echipament personal de protecție. Purtați întotdeauna ochelari de protecție.** Utilizarea echipamentelor de protecție, cum ar fi măști pentru praf, pantofi anti-derapanți sau protecții pentru auz conform condițiilor specifice de lucru ajută la evitarea pericolelor de răniri personale.
- **Evitați pornirea accidentală. Asigurați-vă că pistolul este oprit înainte de a-l conecta la rețea, înainte de a introduce bateria, înainte de a-l ridica sau transporta.** Transportarea uneltelor electrice cu degetul pe trăgaciul declanșator sau alimentarea uneltelor cu butonul de pornire apăsat constituie cauze frecvente ale accidentelor.
- **Îndepărtați orice cheie de reglare înainte de a porni unealta.** O cheie sau rămasă atașată de o piesă rotativă a uneltei electrice poate cauza vătămări corporale.
- **Nu vă întindeți excesiv. În timpul operării dispozitivului, păstrați-vă în permanență echilibrul și stabilitatea.** Acest lucru permite un mai bun control al uneltei electrice în situații neașteptate.
- **Îmbrăcați-vă corespunzător. Nu purtați haine largi sau bijuterii. Păstrați-vă părul și îmbrăcămintea departe de piesele în mișcare.** Hainele largi, bijuteriile sau părul lung pot fi prinse de piesele aflate în mișcare.
- **Dacă dispozitivele sunt echipate cu conectori pentru accesorii de colectare a prafului, asigurați-vă că acestea sunt conectate și utilizate adecvat.** Utilizarea accesoriilor de colectare a prafului poate reduce pericolele provocate de praf.
- **Obişnuința dobândită prin utilizarea frecventă a uneltelor nu trebuie să vă facă neglijent sau să vă determine să ignorați principiile de siguranță privind uneltele.** Acțiunile neglijente, chiar și pentru o fracțiune de secundă, pot conduce la rănirea gravă.

FOLOSIREA ȘI ÎNTREȚINEREA UNELTEI ELECTRICE

- **Nu forțați unealta electrică. Utilizați unealta electrică potrivit pentru aplicația dvs.** Unealta electrică potrivit va executa operațiile mai bine și mai sigur, la parametrii pentru care a fost concepută.



- **Nu folosiți unealta electrică dacă comutatorul nu o poate porni și opri.** Orice unealtă electrică, care nu poate fi controlată cu comutatorul este periculoasă și trebuie reparată.
- **Înainte de a efectua reglaje, de a schimba accesoriile sau de a depozita o unealtă electrică, deconectați ștecherul de la rețea și/sau acumulatorul de la unealtă.** Aceste măsuri preventive reduc riscul de pornire accidentală a unelei electrice.
- **Nu lăsați uneltele electrice la îndemâna copiilor și nu permiteți persoanelor nefamiliarizate cu unealta electrică sau cu aceste instrucțiuni să folosească unealta.** Uneltele electrice sunt periculoase în mâinile utilizatorilor neinstruiți.
- **Efectuați regulat lucrări de întreținere a uneltelor electrice și accesoriilor acestora.** Verificați alinierea și îmbinarea pieselor mobile, să nu fie piese fisurate sau articole de montare stricate și nici vreo altă defecțiune care ar putea afecta funcționarea adecvată a unelei electrice. Dacă este deteriorată, trimiteți unealta în service înainte de utilizare. Multe accidente sunt cauzate de întreținerea proastă a uneltelor electrice.
- **Păstrați uneltele de tăiere ascuțite și curate.** Uneltele de tăiere întreținute adecvat și care au muchii tăietoare bine ascuțite prezintă mai puține riscuri de încovoiere și sunt mai ușor de controlat.
- **Utilizați unealta electrică și accesoriile sale în conformitate cu aceste instrucțiuni, luând în considerare condițiile de lucru și operațiile pe care le realizați.** Utilizarea unelei electrice pentru alte operații decât cele preconizate poate duce la situații periculoase.
- **Păstrați mânerul și suprafețele de prindere uscate, curate și fără urme de ulei sau unsoare.** Mânerul și suprafețele de prindere alunecoase nu permit mânăuirea în siguranță și controlul unelei în situații neașteptate.

UTILIZAREA ȘI ÎNTREȚINEREA ACUMULATORULUI UNELTEI

- **Încărcați acumulatorul doar cu încărcătorul specificat de producător.** Un încărcător care poate fi potrivit pentru un tip de baterie, poate crea risc de incendiu când e folosit cu o altă baterie.
- **Utilizați uneltele electrice doar cu acumulatorii special concepuți pentru acestea.** Utilizarea altor acumulatori poate genera riscuri de accidentare și incendiu.
- **Atunci când acumulatorul nu este folosit, țineți-l ferit de alte obiecte de metal precum agrafe pentru hârtie, monede, cuie, șuruburi sau alte obiecte mici de metal ce pot face conexiunea unui terminal al bateriei la celălalt.** Scurtcircuitarea unui acumulator poate conduce la arsuri sau incendii.
- **În condiții de utilizare abuzivă, se poate scurge electrolitul din acumulator; evitați contactul cu acesta.** Dacă intrați în contact accidental cu electrolitul, clătiți-vă din abundență cu apă. În cazul în care electrolitul intră în contact cu ochii, clătiți-vă din abundență cu apă și consultați imediat un medic. Electrolitul din acumulator poate cauza iritații sau arsuri.
- **Nu utilizați un acumulator sau o unealtă deteriorată sau modificată.** Acumulatorii deteriorați sau modificați au un comportament imprevizibil și prezintă pericol de incendiu, explozie sau accidentare.

- **Nu expuneți acumulatorul sau unealta la foc sau temperaturi excesive.** Expunerea la foc sau temperaturi de peste 130°C prezintă pericol de explozie.
- **Respectați toate instrucțiunile de încărcare și nu încărcați acumulatorul sau unealta la temperaturi din afara intervalului specificat în instrucțiuni.** Încărcarea necorespunzătoare sau la o temperatură din afara intervalului specificat poate deteriora acumulatorul și crește riscul de incendiu.

OPERAȚII DE SERVICE

- **Solicitați efectuarea lucrărilor de service la unealta dvs. electrică numai de către o persoană calificată în reparații, folosind numai piese de schimb identice.** Acest lucru va asigura păstrarea în siguranță a unelei electrice.
- **Nu trebuie să efectuați niciodată reparații asupra acumulatorilor deteriorați.** Reparațiile asupra acumulatorilor trebuie să fie efectuate numai de către producător sau de furnizorii de servicii autorizati.

INSTRUCȚIUNI DE SIGURANȚĂ PENTRU FIERĂSTRAIELE CU MITRĂ

- **Fierăstraiele cu mitră sunt destinate tăierii lemnului sau materialelor similare.** Nu pot fi utilizate cu discuri tăietoare abrazive pentru tăierea materialelor feroase de tipul barelor, țelilor, bolțurilor, etc. Praful abraziv poate face ca piesele în mișcare, cum ar fi apărătoarea inferioară, să se blocheze. Scănteile produse de tăierea abrazivă vor arde apărătoarea inferioară, insertul pentru disc și alte piese din plastic.
- **Folosiți cleme de prindere pentru piesa de lucru oricând e posibil.** Dacă susțineți piesa în lucru cu mâna, întotdeauna apucați piesa de la o distanță de cel puțin 100 mm distanță față de discul tăietor. Nu utilizați acest fierăstrău la tăierea pieselor care sunt prea mici pentru a fi prinse în menghină sau ținute cu mâna în condiții de siguranță. Dacă țineți mâna prea aproape de discul tăietor, există riscuri crescute de rănire în urma contactului cu acesta.
- **Piesa prelucrată trebuie să fie nemișcată și prinsă în menghină sau ținută apăsând atât pe ghidajul de tăiere cât și pe blat.** Nu împingeți cu mâna piesa spre lamă și nu tăiați sub nicio formă „la mână”. Piesele în lucru nefixate pot fi proiectate la viteze ridicate, provocând răniri.
- **Apăsați fierăstrăul pe piesa prelucrată.** Nu trageți fierăstrăul prin piesa prelucrată. Pentru a efectua o tăietură, ridicați capul fierăstrăului și poziționați-l deasupra piesei în lucru fără a-l așeza pe aceasta, porniți motorul și apăsați fierăstrăul pe piesa în lucru. Tăierea în timpul mișcării spre înapoi a discului poate conduce la urcarea acestuia pe partea de sus a piesei și la aruncarea violentă a ansamblului de tăiere către operator.
- **Nu treceți niciodată mână peste linia de tăiere, nici prin față și nici prin spatele discului tăietor.** Sprijinirea piesei în lucru „cu mâinile în cruce”, adică ținerea piesei cu mâna stângă în partea din dreapta a discului tăietor și viceversa este extrem de periculoasă.
- **Nu întindeți mâna peste ghidajul de tăiere la mai puțin de 100 mm de laturile discului tăietor pentru a îndepărta resturile de lemn sau din orice alt motiv în timp ce discul se rotește.** Apropierea discului față de mâna dvs. ar putea să nu fie extrem de evidentă și riscați să vă răniți grav.



- **Inspectați piesa de prelucrat înainte de tăiere.** Dacă aceasta este curbată sau răsucită, fixați-o cu partea curbată îndreptată spre ghidajul de tăiere. Întotdeauna verificați să nu existe spațiu între piesa prelucrată, ghidajul de tăiere și masă pe linia de tăiere. Bucățile de material îndoite sau curbate se pot răsuci sau deplasa, provocând blocarea discului tăietor în timpul tăierii. Verificați să nu existe cuie sau alte obiecte străine în piesa prelucrată.
- **Nu utilizați fierăstrăul înainte de a elibera masa de alte unelte, resturi de lemn, etc., cu excepția piesei în lucru.** Resturile mici, bucățile nefixate de lemn sau alte obiecte pot intra în contact cu discul în rotație și pot fi proiectate cu viteză mare.
- **Nu tăiați decât printr-o singură bucată de material la o tăiere.** Bucățile de material grupate nu pot fi fixate sau sprijinite adecvat și pot bloca discul de tăiere sau se pot răsuci în timpul tăierii.
- **Înainte de utilizare verificați ca fierăstrăul să fie montat sau așezat pe o suprafață plană și stabilă.** O suprafață de lucru plană și stabilă reduce riscul ca fierăstrăul cu mitră să devină instabil.
- **Planificați-vă lucrul. De fiecare dată când schimbați unghiul de tăiere sau reglajul unghiului mitrei, asigurați-vă că ghidajul de tăiere reglabil este poziționat corect pentru a sprijini piesa prelucrată și că nu va atinge discul tăietor sau sistemul de apărători.** Fără a porni motorul unelei și fără a avea o piesă pe masa de lucru, efectuați o mișcare completă de simulare a tăierii cu fierăstrăul pentru a vă asigura că nu există obstacole sau pericol de tăiere a ghidajului.
- **Pentru piesele cu dimensiuni mai mari decât cele ale blatului mesei de lucru, folosiți suporturi adecvate, cum ar fi extensii pentru blat, capre, etc.** Piesele de prelucrat mai lungi sau mai late decât blatul fierăstrăului cu mitră se pot înclina dacă nu sunt sprijinite adecvat. Dacă bucată tăiată sau piesa în lucru se înclină, poate ridica apărătoarea inferioară sau poate fi aruncată spre discul în rotație.
- **Nu utilizați o altă persoană ca substitut pentru extensia blatului sau ca sprijin suplimentar.** Sprijinirea necorespunzătoare a piesei în lucru poate conduce la încovoierea discului tăietor sau la deplasarea acesteia în timpul tăierii, trăgându-vă pe dvs. și pe persoana care vă ajută spre discul în rotație.
- **Bucata de material tăiată nu trebuie blocată sau presată prin alte mijloace spre discul tăietor al fierăstrăului.** Dacă este blocată, de exemplu dacă se utilizează opritore pe lungime, bucată de material tăiată se poate prăși în discul tăietor și, ca urmare, poate fi aruncată cu violență.
- **Utilizați întotdeauna o menhină sau alte mijloace de fixare pentru a susține corespunzător materialele rotunde de tipul tijelor sau țevilor.** Obiectele cilindrice au tendința de a se roti în timpul tăierii, făcând ca discul tăietor să „muște” din material și ca urmare să tragă piesa împreună cu mâna dvs. spre disc.
- **Permiteți discului tăietor să atingă viteza de rotație maximă înainte de a-l introduce în material.** Acest fapt va reduce riscul ca piesa în lucru să fie aruncată.
- **Dacă piesa în lucru sau discul tăietor se blochează, opriți imediat produsul.** Așteptați ca toate piesele în mișcare să se oprească și deconectați cordonul de alimentare și/sau acumulatorul. Apoi interveniți pentru a îndepărta materialul blocat. Continuarea tăierii într-o bucată de material blocată în disc poate

conduce la pierderea controlului asupra fierăstrăului cu mitră sau la deteriorarea acestuia.

- **După ce ați terminat tăietura, eliberați comutatorul de pornire, țineți fierăstrăul în poziția coborât și așteptați ca discul tăietor să se oprească din rotație înainte de a scoate piesa tăiată.** Este periculos să întindeți mâna pe lângă un disc aflat încă în rotație.
- **Țineți mânerul ferm cu mâna când efectuați o tăiere incompletă sau când eliberați comutatorul de pornire înainte ca fierăstrăul să ajungă complet în poziția coborât.** Acțiunea de frânare a fierăstrăului poate face ca acesta să fie tras brusc în jos, ceea ce poate conduce la risc de rănire.

INSTRUCȚIUNI DE SIGURANȚĂ PENTRU LAMA DE TĂIERE A LEMNULUI

- **Vă rugăm să citiți cu atenție manualul și instrucțiunile înainte de a utiliza discul tăietor și unealta.**
- **Unealta trebuie să fie într-o stare tehnică bună, axul să nu fie deformat și să nu prezinte vibrații.**
- **Nu utilizați produsul fără ca apărătorile să fie pe poziție.** Țineți apărătorile în stare bună de funcționare și întreținute corespunzător.
- **Asigurați-vă că operatorul produsului este instruit cu privire la măsurile de siguranță, reglajele și operarea acestuia.**
- **Când utilizați produsul, purtați întotdeauna ochelari și protecții pentru urechi.** Se recomandă purtarea mănușilor, a încălțăminte solide nealunecoase și a șorțului de protecție.
- **Înainte de a utiliza orice accesoriu, consultați manualul de instrucțiuni.** Utilizarea necorespunzătoare a unui accesoriu poate deteriora echipamentul și crește șansele de accidentare.
- **Folosiți numai pânze specificate în acest manual, în conformitate cu EN 847-1.**
- **Respectați turația maximă marcată pe pânza de ferăstrău. Asigurați-vă că viteza marcată pe discul ferăstrăului este cel puțin egală cu viteza marcată pe ferăstrău.**
- **Utilizați întotdeauna lame de mărimea și forma adaptate la diametrul axului. Lamele neadaptate la axul pe care trebuie să fie montate nu se vor roti corect și pot conduce la o pierdere a controlului asupra aparatului.**
- **Nu folosiți pânze cu diametrul mai mare sau mai mic decât cel recomandat.** Nu utilizați distanțiere pentru a fixa pânza pe ax.
- **Verificați dinții lamei căutând semne de deteriorare sau aspect anormal înainte de fiecare utilizare.** Dinții uzați sau deteriorați pot deveni proiectile în timpul utilizării, crescând riscul unor accidentări grave.
- **Nu folosiți lame de ferăstrău crăpate sau deformat.** Nu folosiți pânze de circular deteriorate ori deformat.
- **Casați lama dacă este deteriorată, deformată sau crăpată; repararea nu este permisă.**
- **Nu utilizați pânze din oțel rapid (HSS).**
- **Asigurați-vă că discul tăietor este montat corect și strângeți piulița de fixare pe ax la cuplul recomandat înainte de utilizare (cuplu de strângere de aprox. 8-10 Nm).**
- **Șuruburile și piulițele de fixare trebuie strânse utilizând o șurubelniță adecvată, etc.**



- Nu este permisă strângerea șuruburilor cu prelungitoare (pentru creșterea cuplului) sau chei pneumatice.
- Asigurați-vă că toate pânzele și flanșele sunt curate și laturile încastrate ale mașonului se sprijină pe pânză.
- Asigurați-vă că pânza se rotește în direcția corectă.
- Înainte de lucru, faceți o tăiere de probă fără a avea motorul pornit în așa fel încât poziția discului, funcționarea apărătorilor față de alte părți ale aparatului și a piesei de lucru să poată fi verificate.
- Nu lăsați niciodată produsul nesupravegheat.
- Nu aplicați lubrifianți pe pânză atunci când aceasta este în funcțiune.
- Nu efectuați niciodată orice lucrare de întreținere sau de curățare atunci când aparatul este încă în funcțiune, iar capul nu este în poziția de repaus.
- Nu încercați niciodată să opriți rapid un aparat în mișcare prin blocarea cu o unealtă sau cu alte mijloace a pânzei, accidente grave pot fi cauzate neintenționat în acest fel.
- Deconectați produsul de la sursa de alimentare sau îndepărtați acumulatorul înainte de a schimba pânzele sau de a efectua lucrări de întreținere.
- Acordați atenție împachetării și despachetării lamei, se pot produce răniri de la dinții lamei.
- Folosiți un dispozitiv de manipulare sau mănuși de protecție când interveniți asupra discului de tăiere.
- Păstrați și depozitați lama în ambalajul original sau în alt ambalaj adecvat, păstrați-l în mediu uscat și departe de substanțele chimice care ar putea deteriora lama.

AVERTIZĂRI SUPPLEMENTARE DE SIGURANȚĂ

- Prindeți întotdeauna sigur și fix cu cleme piesa de lucru.
- Asigurați-vă că produsul este întotdeauna în condiții de stabilitate și siguranță (de ex. fixat pe un stand de lucru).
- Purtați întotdeauna antifoane. Expunerea la zgomot poate produce pierderea auzului.
- Când utilizați produsul, purtați întotdeauna ochelari de protecție. Este recomandat să purtați mănuși la manipularea discurilor și a materialelor aspre, plus încălțăminte rezistentă nealunecoasă pentru a vă proteja picioarele de piesele de lucru care ar putea să cadă din zona de tăiere.
- Deconectați produsul de la sursa de alimentare sau scoateți acumulatorul înainte de a efectua lucrări de întreținere sau de curățare a produsului.
- Montați acumulatorul numai când produsul este oprit.
- Nu vă întindeți niciodată înspre zona apropiată discului decât dacă discul este complet oprit.
- Înainte de utilizare, verificați cu atenție ca produsul și acumulatorul să nu prezinte defecte sau oboseală a materialului. Reparațiile produsului trebuie efectuate numai de către un centru de service autorizat.
- Utilizați în permanență apărătorii produsului. Nu utilizați produsul fără apărători sau cu apărători care nu funcționează corect.
- Protecția inferioară a lamei trebuie deschisă numai când lama este coborâtă la piesa de prelucrat și trebuie să poată în permanență să se miște liber și să se închidă automat.
- Întotdeauna utilizați și fixați barele de extensie pentru a sprijini piesa prelucrată în timpul operații produsului.
- Nu încercați niciodată să modificați produsul sau modul de funcționare. Siguranța dvs. poate fi periclitată
- Nu folosiți discuri de ferăstrău ce sunt crăpate, deteriorate sau deformate.
- Nu folosiți pânze de ferăstrău din oțel rapid.
- Folosiți doar discuri ce sunt ascuțite. Înlocuiți discurile tocite.
- Utilizați întotdeauna lame de mărimea și forma adaptate la diametrul axului. Lamele neadaptate la axul pe care trebuie să fie montate nu se vor roti corect și pot conduce la o pierdere a controlului asupra aparatului.
- Utilizați numai discurile tăietoare pentru tăierea lemnului specificate în manual, conforme cu standardul EN 847-1.
- Nu folosiți flanșe, șaibe sau piulițe pentru a fixa discul ferăstrăului, altele decât cele furnizate sau indicate în manualul de instrucțiuni.
- Folosiți pânza de ferăstrău potrivită pentru materialul care urmează a fi tăiat. Nu utilizați niciodată produsul la tăierea altor tipuri de materiale decât cele specificate în secțiunea referitoare la destinația de utilizare din acest manual.
- Este important să evitați supraîncălzirea discului și topirea plasticului în timpul tăierii.
- Este esențial să respectați viteza maximă specificată pentru discul tăietor; utilizați numai discuri tăietoare marcate cu o viteză mai mare sau egală cu cea marcată pe unealtă.
- Înlocuiți elementul de intercalație al mesei atunci când este uzat sau deteriorat.
- Înainte de lucru, faceți o verificare executând o tăiere în orb, fără a porni motorul astfel încât să verificați poziția lamei, funcționarea apărătoarelor față de alte piese ale mașinii și piesa de lucru.
- Atunci când efectuați tăieri cu mitra, tăieri la unghi sau tăieri combinate, reglați ghidajul de tăiere glisant sau apărătoarea inferioară pentru a asigura o distanță corectă față de discul tăietor.
- Evitați eliberarea accidentală a unității ferăstrăului din poziția coborâtă complet.
- Mănerul trebuie să fie întotdeauna în poziția de lucru la transportarea produsului.
- Țineți suprafața podelei curată, fără resturi de materiale precum așchii și țândări.
- Nu îndepărtați resturile de materiale sau alte bucăți din piesa de lucru din zona de tăiere în timp ce mașina este în funcționare iar capul ferăstrăului nu este în poziția de repaus.
- Piesele lungi se vor sprijini în mod corespunzător. Zona de lucru a ferăstrăului include întreaga dimensiune a piesei de lucru. Operatorul trebuie să asigure această zonă de contact accidentală a altor persoane sau obiecte ce ar putea muta piesa de lucru în timpul operații.
- Praful produs în timpul utilizării produsului poate reprezenta un pericol pentru sănătate. Utilizați un sistem de aspirare a rumegușului și purtați mască adecvată de protecție contra prafului. Îndepărtați rumegușul depus cu ajutorul unui aspirator.
- E posibil să fie necesar să se ajusteze apărătoarea glisantă pentru a se asigura un spațiu adecvat pentru tăierea unei buvuri sau a unei componente. Asigurați-vă că șurubul de fixare a apărătorii este bine strâns după ajustare.
- Clama poate fi instalată și utilizată pe oricare parte a lamei. În cadrul anumitor operațiuni, clama poate interfera cu ansamblul de protecție al lamei. Întotdeauna



asigurați-vă că nu este posibilă o interferență a acoperitoarei lamei înainte de a începe operațiunea de tăiere, pentru a reduce riscul de rănire gravă.

- Temperatura ambientală în timpul funcționării unelei trebuie să fie cuprinsă între 0°C și 40°C.
- Temperatura ambientală în timpul depozitării unelei trebuie să fie cuprinsă între 0°C și 40°C.
- Temperatura ambientală în timpul încărcării unelei (produsului) trebuie să fie cuprinsă între 10°C și 38°C.

AVERTISMENTE SUPPLEMENTARE PRIVIND SIGURANȚA LA UTILIZAREA BATERIILOR

- Pentru a reduce riscurile de incendiu, accidentare și deteriorare a produsului în urma unui scurtcircuit, nu scufundați niciodată unealta, acumulatorul sau încărcătorul în lichide și nici nu permiteți pătrunderea lichidelor în interiorul acestora. Lichidele corozive sau bune conducătoare de electricitate, precum apa de mare, anumite substanțe chimice industriale, hipocloritul de sodiu sau produsele care conțin hipoclorit de sodiu pot cauza scurtcircuite.
- Temperatura ambientală în timpul utilizării bateriei trebuie să fie cuprinsă între 0°C și 40°C.
- Temperatura ambientală în timpul depozitării bateriei trebuie să fie cuprinsă între 0°C și 20°C.

TRANSPORTAREA ACUMULATORILOR PE LITIU

Transportați bateria în conformitate cu prevederile și reglementările locale și naționale.

Urmați toate cerințele speciale de pe ambalaj și etichete atunci când transportați acumulatorii la o parte terță. Asigurați-vă că în timpul transportului nicio baterie nu vine în contact cu alte baterii sau materiale conducătoare de electricitate prin protejarea bornelor expuse cu bandă sau capace izolatoare non conducătoare de electricitate. Nu transportați acumulatori ce sunt crăpați sau au scurgeri. Verificați cu compania de transport pentru sfaturi ulterioare.

RISCURI REZIDUALE

Chiar dacă produsul este folosit așa cum este descris, este totuși imposibil să se elimine complet anumiți factori de risc reziduali. Următoarele pericole ar putea apărea în timpul folosirii iar operatorul trebuie să acorde o atenție specială pentru a evita următoarele:

- Risc de contact cu părți neacoperite ale discului de tăiere în rotire.
- Piese de lucru sau părți ale acestora pot prezenta recul cauzat manevrării sau ajustării inadecvate.
- Catapultarea vârfulor de carbură defecte ale pânzei de ferăstrău.
- Deteriorare a sistemului respirator.
NOTĂ: Purtați mască de protecție a respirației conținând filtre corespunzătoare cu materialele ce vin prelucrate. Asigurați aerisire adecvată la locul de muncă. Nu mâncați, beți sau fumați în zona de lucru.
- Afectiuni ale auzului, dacă nu este purtată protecție pentru auz.

⚠ AVERTISMENT! Praful de la anumite vopsele, tencuiei și materiale pot cauza iritații sau reacții alergice ale sistemului respirator. Praful de la lemn precum stejarul, fagul, PAL-ul și altele sunt cancerigene. Materialul conținând azbest trebuie să fie prelucrat sau procesat doar de către operatori specialiști calificați.

⚠ AVERTISMENT! Poti fi cauzate, sau agravate vătămări prin folosirea prelungită a sculei. Atunci când folosiți o sculă pentru perioade prelungite, asigurați-vă că luați pauze regulate.

CUNOAȘTEȚI-VĂ PRODUSUL.

Salt la pagina nr. 198.

1. Mâner, suprafață de contact izolată
2. Întrerupător alimentare.
3. Manetă de blocare
4. Întrerupător LED.
5. Protecția inferioară a lamei
6. Parapet principal.
7. Mâner de transport lateral
8. Parapet glisant
9. Masă rotativă
10. Plăcuță cu făgaș
11. Buton conic rotativ de blocare
12. Manetă de eliberare detentă fierăstrău unghiular
13. Picior de susținere
14. Pachet de baterii
15. Mâner de transport superior
16. Buton rotativ de blocare a țijeii liniare.
17. Clemă
18. Indicator unghi mitră
19. Gaură de montare
20. Șuruburi pentru blocarea limitatorului principal
21. Șurub de ajustare a adâncimii de tăiere.
22. Indicator unghi înclinat
23. Șuruburi pentru ajustarea limitei de oprire tăiere în unghi de 45°
24. Buton rotativ de blocare a unghiului oblic
25. Pinion de blocare cap fierăstrău
26. Sac pentru praf
27. Cheie hexagonală
28. Șuruburi pentru ajustarea limitei de oprire tăiere în unghi de 0°
29. Șurub pentru fixarea acoperitorii glisante
30. Buton de blocare a axului
31. Flanșă exterioră
32. Lama ferăstrăului

OPERAREA

Produsul prezintă un disc de ferăstrău mobil ce poate fi reglat la diferite unghiuri de către operator atunci când taie piesa de lucru care este fix prinsă de baza produsului. Trebuie să fie operat doar de către o persoană pentru a preveni contactul accidental cu discul ferăstrăului în mișcare.

Principiile pentru o operare în siguranță a produsului sunt după cum urmează:

- Mențineți ferăstrăul, discurile și zona de lucru în stare bună.
- Fixați baza debitorului pe un banc de lucru solid. Produsul ar putea să se miște sau să cadă dacă nu este fixat corespunzător.
- Reglați și blocați unghiurile și adâncimea de tăiere înainte de a face tăierea.
- Fixați piesa de lucru la baza ferăstrăului pentru tăieri înclinate. Folosiți cleva furnizată și unde e necesar, folosiți cleva suplimentare sau mecanisme de prindere pentru a preveni mișcarea accidentală a piesei de lucru în timpul tăierii.
 - Verificați ca operarea apărătoarelor discului să nu fie restricționată de poziția piesei de lucru.



- Asigurați-vă că parapetul și alte părți ale produsului nu vor fi tăiate pe măsură ce discul coboară în poziția de tăiere.
- Porniți motorul și lăsați discul să atingă viteză maximă înainte de a coborî viteza pentru a tăia piesa de lucru.
- Lăsați ansamblul lamei să se ridice la poziția sa de sus unde apărătorii lamei sunt complet închise. Opriti motorul și lăsați discul să se oprească complet înainte de a îndepărta piesa de lucru sau piesele tăiate, sau înainte de a ajunge în zona discului.

Înainte de fiecare folosire, asigurați-vă că unghiul oblic sau mitra reglată a produsului se potrivește cu unghiul ce va fi făcut pe piesa de lucru. Verificați acest lucru pe o piesă de lemn rebut folosind trusa de tâmplărie sau cu echerul oblic.

Scoaterea lamei de fierăstrău

1. Purtați mănuși de protecție la manevrarea discului tăietor.
2. Opriti alimentarea și îndepărtați acumulatorul.
3. Slăbiți, dar nu scoateți, șurubul de pe protecția bolțului lamei. Ridicați protecția lamei.
4. Basculați spre spate apărătoarea basculantă și fixați-o.
5. Apăsați pe știftul de blocare a discului și deșurubați bolțul de fixare al discului în același timp, utilizând cheia hexagonală furnizată. Îndepărtați flanșa exterioară.
6. Înlăturați lama ferăstrăului.

Montarea discului de tăiere:

Dacă este necesar, curățați toate piesele înainte de remontare.

După procedura de demontare a discului tăietor

1. Purtați mănuși de protecție la manevrarea discului tăietor.
2. Asigurați-vă că alimentarea este oprită și acumulatorul este îndepărtat.
3. Basculați spre spate apărătoarea basculantă și fixați-o.
4. Montați noul disc tăietor. Asigurați-vă că săgeata de pe disc este în aceeași direcție cu săgeata de pe apărătoarea discului.
5. Montați flanșa și bolțul de fixare a discului.
6. Apăsați pe știftul de blocare a discului până acesta se blochează.
7. Coborâți apărătoarea basculantă.
8. Coborâți protecția bolțului lamei și strângeți bolțul.

⚠️ AVERTISMENT! Asigurați-vă că protecția bolțului lamei este coborâtă în poziția originală și că bolțul este strâns.

Reglarea unghiului mitrei:

Unghiul de înclinare al mitrei poate fi ajustat între 45 de grade spre stânga și 45 de grade spre dreapta.

1. Slăbiți șurubul de fixare al fierăstrăului unghiular.
2. Apăsați maneta de eliberare detentă fierăstrău unghiular. Rotiți placa de tăiere la unghiul dorit acționând șurubul conic de fixare a fierăstrăului unghiular.
3. Strângeți la loc maneta de blocare a fierăstrăului unghiular.

Reglarea unghiului de înclinație:

Unghiul de înclinație poate fi reglat între 0 și 45 de grade.

1. Slăbiți mânerul rotativ de blocare pentru înclinație.
2. Înclinați brațul scutei la unghiul dorit trăgând de mâner.
3. Țineți brațul în această poziție și strângeți din nou mânerul rotativ de blocare a unghiului.

⚠️ AVERTISMENT! Producătorul recomandă ca produsul să fie întotdeauna montat fix pe partea superioară a bancului de lucru.

Dacă baza produsului este bine fixată pe banc, conform instrucțiunilor, cu patru șuruburi, șaibe și piulițe, acesta poate fi utilizat la limitele maxime ale mitrei și înclinării, fără a exista riscul de răsturnare. Dacă produsul nu este fixat corespunzător, produsul ar putea să se răstoarne când unghiuri mai mari de tăiere oblice sunt selectate

ÎNȚREȚINEREA

- Nu modificați produsul în niciun fel sau să folosiți accesorii neaprobate de producător. Siguranța dvs. și a celorlalți poate fi periclitată.
- Nu folosiți produsul dacă oricare din întrerupătoare, apărători sau alte funcții nu funcționează corespunzător. Returnați la un centru service autorizat pentru reparare profesională sau reglare.
- Nu faceți niciun reglaj cât timp discul ferăstrăului este în mișcare.
- Scoateți acumulatorul din produs înainte de a efectua reglaje, operații de lubrifiere sau întreținere a produsului.
- Înainte și după fiecare folosire, verificați produsul de deteriorare sau piese rupte/crăpate. Mențineți produsul în condiții optime de funcționare prin înlocuirea imediată a pieselor cu piese de schimb aprobate de producător.
- Lama tăietoare are margini ascuțite și poate avea temperaturi ridicate după efectuarea operațiilor de tăiere. Procedați cu maximă precauție la curățarea lamei tăietoare. Purtați mănuși pentru a vă proteja împotriva rănirii.
- Curățați de praf în mod regulat fierăstrăul și accesoriile sale, mai ales piesele în mișcare, inclusiv apărătoarea discului tăietor. Utilizați o perie sau un aspirator pentru a îndepărta eficient praful. Nu utilizați aer comprimat.
- Pentru o siguranță și fiabilitate mai mare, toate reparațiile inclusiv schimbarea periiilor trebuie efectuate la un centru de service autorizat.

⚠️ AVERTISMENT! Nu încercați să demontați apărătoarea discului tăietor pentru lucrări de curățare sau reparații. Nu utilizați apărători deteriorate. Returnați-le unui centru de service pentru reparare sau înlocuire.

Calibrarea unghiului înclinat și cu mitră

În cazul în care sunt necesare calibrarea unghiului înclinat și a celui cu mitră, consultați paginile 213-217 și urmați instrucțiunile de calibrare.

TRANSPORTARE ȘI DEPOZITARE

- La depozitarea produsului, scoateți acumulatorul. Depozitați produsul într-un loc sigur ce nu este accesibil copiilor.
- Curățați produsul folosind o perie sau aspiratorul înainte de a-l depozita.
- Dacă îndepărtați discul ferăstrăului sau păstrați piesele de schimb cu aparatul, asigurați-vă că sunt în ambalajul lor original pentru a preveni vătămarea.

Pentru a fixa produsul înainte de mutare:

- Produsul trebuie depozitat la zero grade a mitrei și unghiului oblic blocat în poziție. Mânerul trebuie să fie blocat în poziția inferioară (de siguranță) cu apărătorii închise.

Pentru a-l muta sau transporta într-un vehicul:

- Fixați produsul înainte de mutare așa cum este descris în manual.



- Îndepărtați produsul de pe partea superioară a bancului de lucru, deșurubând cele 4 șuruburi de la fiecare colț. Păstrați șuruburile pentru o folosire ulterioară. Transportați produsul folosind mânerul de transport superior sau mânerul de transport lateral cu două mâini.
- La transportarea într-un vehicul, reglați produsul pe bazele sale și prindeți-l împotriva mișcării.

SIMBOLURILE DE PE PRODUS.



Alertă de siguranță



Marcajul de conformitate europeană



Marcajul britanic de conformitate



Marcajul ucrainian de conformitate



Marcaj de conformitate EurAsian



Vă rugăm citiți instrucțiunile cu atenție înainte de pornirea aparatului.



Purtați echipamente de protecție a auzului



Purtați întotdeauna ochelari de protecție.



Nu apropiați mâinile de zona de tăiere și de discul tăietor.



Nu expuneți la ploaie sau la medii încărcate de umezeală.



Purtați mănuși de protecție



Direcția de rotație a discului tăietor (indicată pe disc)



Direcția de rotire a discului (arătată pe apărătoarea discului)



Lățimea de tăiere a discului tăietor (Kerf)



Numărul de dinți ai discului tăietor



Capacitate de tăiere



Pentru tăierea lemnului și a materialelor similare



Nu este destinat tăierii metalelor



Ajustați poziția acoperirii glisante înainte de a executa tăierea de bavuri sau de componente.



Slăbiți bolțul lamei

A nu se arunca deșeurile de echipamente electronice și electrice și bateriile epuizate la gunoii menajer. Deșeurile formate din echipamente electrice și electronice și bateriile epuizate trebuie colectate separat. Sursele de iluminare, bateriile și acumulatorii epuizați trebuie scoase din aceste echipamente. Solicitați consiliere de la autoritatea dvs. locală sau de la comerciantul de unde ați achiziționat aspiratorul, în privința punctului de colectare. Conform reglementărilor naționale, vânzătorii cu amănuntul au obligația de a colecta bateriile epuizate, deșeurile de echipament electric și electronic, gratuit. Contribuția dvs. la reciclarea și reutilizarea bateriilor, a echipamentelor electrice și electronice ajută la reducerea cererii de materii prime. Bateriile epuizate, în special cele cu litiu, deșeurile formate din echipamente electrice și electronice conțin materiale reciclabile valoroase, care pot avea o influență negativă asupra mediului înconjurător și asupra sănătății umane, dacă nu sunt eliminate într-o manieră ecologică. Ștergeți datele personale din echipamentul deșeu, dacă este cazul.



SIMBOLURILE DIN MANUAL



Piedică



Deblocare



Timp de așteptare pentru ca lama să atingă viteza maximă sau să se oprească de tot.



Piese sau accesorii vândute separat



Notă



Avertisment

Drošība, sniegums un uzticamība ir augstākā prioritāte jūsu leņķzāģī.

PAREDZĒTĀ LIETOŠANA

Leņķzāģis ir paredzēts masīvkoka vai līmētu koka detaļu, materiālu, kas līdzīgi kokam, ar vai bez finierējuma, kā arī plastikātu zāģēšanai.

Leņķzāģis ir paredzēts lietošanai pieaugušiem, kuri ir izlasījuši lietošanas rokasgrāmatu un izpratuši riskus un briesmas.

Leņķzāģis ir paredzēts nostiprināšanai pie pamatnes uz stabilas darba virsmas. Ja pamats nav droši nostiprināts, visa ierīce var kustēties darbības laikā, kas palielina iespēju gūt nopietnas traumas.

Leņķzāģis ir paredzēts slīpu un noliektu griezumu veikšanai. Dažādu griezumu iespējas ir norādītas instrumenta specififikācijās šajā rokasgrāmatā.

Leņķzāģi drīkst lietot sausos apstākļos, labā apgaismojumā un ar pietiekamu ventilāciju.

Leņķzāģis ir jāizmanto tikai kā aprakstīts iepriekš un šajā rokasgrāmatā un nav paredzēts nekādiem citiem nolūkiem.

VISPĀRĒJIE DROŠĪBAS BRĪDINĀJUMI

⚠ BRĪDINĀJUMS! Izlasiet visus drošības brīdinājumus, instrukcijas, specififikācijas un apskatiet attēlus šī elektroinstrumenta dokumentācijā. Visu uzskaitīto instrukciju neievērošana ir bīstama; tā var izraisīt elektrisko triecienu, aizdegšanos un/vai nopietnas traumas.

Visu brīdinājumu un norādījumu saglabāiet turpmākām uzziņām. Apzīmējums "elektroinstrumentus" brīdinājumos attiecas uz jūsu elektroinstrumentu, kas tiek darbināts no elektrotīkla (ar vadu) vai ar akumulatora (bezvadu) palīdzību.

DROŠĪBA DARBA VIETĀ

- Uzturiet darba vietu tīru un labi apgaismotu. Nekārtīgās vai tumšās vietās ir paaugstināts negadījumu risks.
- Nedarbiniet elektroinstrumentus sprādzienbīstamā vidē, piemēram, degošu šķidrumu, gāzu vai putekļu klātbūtnē. Elektroinstrumenti rada dzirksteles, kas var aizdedzināt putekļus vai gāzes.
- Neļaujiet bērniem un apkārtesošajiem atrasties tuvumā, kamēr tiek darbināts elektroinstrumenti. Izklaidības dēļ jūs varat zaudēt kontroli.

ELEKTRODROŠĪBA

- Elektroinstrumenta kontaktdakšām ir jābūt atbilstošām kontaktilgzdām. Nekad nekādā veidā neveiciet kontaktdakšas izmaiņas. Neizmantojiet adapterus ar zemētiem elektroinstrumentiem. Nemodificētas kontaktdakšas un atbilstošas kontaktilgzdas mazinās elektrošoka risku.
- Izvairieties no ķermeņa saskares ar zemētām virsmām, piemēram, caurulēm, radiatoriem, apgabaliem un saldētavām. Ja jūsu ķermenis ir ir zemēts, pastāv palielināts elektrošoka risks.
- Nepakļaujiet elektroinstrumenta lietum vai mitriem apstākļiem. Ūdens iekļūšana elektroinstrumentā palielina elektriskā trieciena risku.
- Izmantojiet barošanas vadu tikai pareizi. Nekad neizmantojiet kabeli elektroinstrumenta nēsāšanai, vilkšanai vai atvienošanai. Vadam jāatrodas pietiekamā atstatumā no siltumavotiem, eļļas, asām

malām un kustīgām detaļām. Bojāti vai sapinušies kabeli palielina elektrošoka risku.

- Darbinot elektroinstrumentu ārā, lietojiet pagarinātāja kabeli, kas ir piemērotas āra lietošanai. Izmantojot kabeli, kas ir piemērots lietošanai ārā, tiek samazināts elektrošoka risks.
- Ja elektroinstrumentu darbināšana mitrā vietā ir neizbēgama, izmantojiet ar paliekošas strāvas iekārtu (RCD) aizsargātu avotu. Izmantojot RCD, tiek samazināts elektrošoka risks.

PERSONAS DROŠĪBA

- Lietojot elektroinstrumentu, saglabājiet modrību, sekojiet tam, ko darāt, un ievērojiet vispārējo piesardzību. Neizmantojiet elektroinstrumentu, ja esat noguris, slims vai narkotiku, alkohola vai medikamentu ietekmē. Neuzmanības brīdis, strādājot ar elektroinstrumentiem, var izraisīt smagus ievainojumus.
- Lietojiet personīgos aizsardzības līdzekļus. Vienmēr lietojiet aizsargbrilles. Aizsardzības aprīkojums, piemēram, putekļu maska, neslīdoši drošības apavi, aizsargķivere, vai asu aizsarglīdzekļi, to izmantojot atbilstošos apstākļos, samazinās ievainojumu risku.
- Nepieļaujiet nejausu iedarbināšanu. Nodrošiniet, ka slēdzis ir izslēgtā stāvoklī, pirms pievienot pistoli spriegumam un/vai akumulatoru blokam, satverot vai pārnēsājot izstrādājumu. Elektroinstrumentu pārnēsāšana, pirkstam atrodoties uz slēdža, vai instrumenta, kas ir ieslēgtā stāvoklī, pieslēgšana elektrotīklam, palielina negadījumu iespējamību.
- Pirms elektroinstrumenta ieslēgšanas izņemiet visus regulējošos ķīļus vai uzgriežņu atslēgas. Pie elektromotora rotējošās daļas atstāta uzgriežņu atslēga vai ķīlis var izraisīt savainojumus.
- Nesniedzieties tam pāri. Visu laiku stāviet stingri un stabili. Tādējādi tiek nodrošināta labāka elektroinstrumenta kontrole negaidītās situācijās.
- Apģērbieties pareizi. Nenēsāiet vaļīgu apģērbu un rotaslietas. Netuviniet matus un apģērbu kustīgajām daļām. Vaļīgs apģērbs, rotaslietas vai gari mati var tikt ierauti starp kustīgām detaļām.
- Ja instruments ir apgādāts ar ierīcēm putekļu nosūkšanai, nodrošiniet, ka šīs ierīces tiek pieslēgtas un pareizi izmantotas. Putekļu savākšanas ierīču izmantošana var samazināt briesmas, kas saistītas ar putekļu uzkrāšanos.
- Neļaujiet biežas instrumentu lietošanas radītam pieradumam ļaut palikt nevērigam un neievērot instrumentu drošības principus. Neuzmanīga rīcība, pat ja tā ilgst tikai daļu sekundes, var izraisīt nopietnu traumu.

ELEKTROINSTRUMENTA LIETOŠANA UN APKOPE

- Nelietojiet elektroinstrumentu ar spēku. Izmantojiet nepieciešamajam darbam piemērotu elektroinstrumentu. Piemērots elektroinstrumenti darīs darbu labāk un drošāk ar ātrumu, kādam tas ir paredzēts.
- Nelietojiet elektroinstrumentu, ja slēdzis to neieslēdz un neizslēdz. Visi elektroinstrumenti, kurus nevar kontrolēt ar slēdzi, ir bīstami un tie ir jāremontē.
- Atvienojiet kontaktdakšu no sprieguma avota un/vai noņemiet akumulatoru bloku no elektroinstrumenta, pirms veikt jebkādu regulēšanu vai darba piederumu

maiņu vai novietot elektroinstrumentu glabāšanai. Šādi preventīvi drošības pasākumi samazina nejausas elektroinstrumenta ieslēgšanās risku.

- Turiet elektroinstrumentus bērniem nepieejamā vietā, un neļaujiet cilvēkiem, kas nepazīst šo elektroinstrumentu vai šīs instrukcijas, darbināt elektroinstrumentu. Neapmācītu lietotāju rokās elektroinstrumenti ir bīstami.
- Uzturiet elektroinstrumentus un to aksesuārus kārtībā. Pārbaudiet kustīgo daļu taisnumu vai saskari, jebkādas detaļu vai uzstādīšanas kronšteinu bojājumus vai plīsumus un jebkādas citus apstākļus, kas var ietekmēt elektroinstrumenta atbilstošu darbību. Ja instruments ir bojāts, pirms lietošanas veiciet tā remontu. Daudzus negadījumus izraisa slikti uzturēti elektroinstrumenti.
- Uzturiet griezējinstrumentus asus un tīrus. Pareizi uzturēti griezējinstrumentiem ar asu griezējasmēni ir mazāka iespēja iekerties, tos ir vieglāk vadīt.
- Izmantojiet elektroinstrumentu, aksesuārus, instrumentu uzgaļus utml. saskaņā ar šīm norādēm un ņemot vērā darba apstākļus un veicamā darba specifiku. Izmantojot elektroinstrumentu darbībā, kas nav paredzētas, var rasties bīstama situācija.
- Uzturiet rokturus un satveršanas virsmas sausas un tīras, arī no eļļas un smērvielām. Slideni rokturi un satvēriena virsmas nenodrošina drošu apiešanos un instrumenta vadību neparedzētās situācijās.

AKUMULATORA INSTRUMENTA LIETOŠANA UN KOPŠANA

- Veiciet uzlādēšanu tikai ar ražotāja noteikto lādētāju. Lādētājs, kas ir pielāgots noteiktam akumulatora veidam, var izraisīt aizdegšanās risku, ja tas tiek lietots citāda akumulatora lādēšanai.
- Izmantojiet elektroinstrumentus tikai ar īpašiem tiem radītiem akumulatoru blokiem. Jebkādu citu akumulatoru izmantošana var radīt ievainojumu un uzliesmošanas risku.
- Kad bateriju paka netiek lietota, glabājiet to attālumā no tādām metāla priekšmetiem kā saspraudes, monētas, atslēgas, naglas, skrūves un citi maza izmēra metāla priekšmeti, kas var izveidot savienojumu starp bateriju spaiļiem. Īssavienojuma radīšana starp akumulatora kontaktiem var radīt apdegumus vai uzliesmošanu.
- Nelabvēlīgos apstākļos no akumulatora var tikt izspiests šķidrums, izvairieties no saskarsmes ar to. Nejausi ar to saskaroties, noskalojiet ar ūdeni. Ja šķidrums nonāk saskarsmē ar acīm, papildus griezieties pēc medicīniskas palīdzības. No akumulatora izspiestais šķidrums var izraisīt kairinājumu vai apdegumus.
- Neizmantojiet akumulatoru bloku, kas ir bojāts vai pārveidots. Bojāts vai pārveidots akumulatoru bloks var izraisīt neparedzamu darbību, kas var izraisīt uzliesmošanu, sprādzienu vai ievainojumu risku.
- Nepakļaujiet akumulatoru bloku vai instrumentu liesmu vai paaugstinātas temperatūras iedarbībai. Pakļaujot liesmām vai temperatūrai virs 130°C var izraisīt sprādzienu.
- Ievērojiet visas lādēšanas instrukcijas un nelādējiet akumulatoru bloku vai instrumentu, ja temperatūra ir ārpus diapazona, kas norādīts instrukcijās. Nepareiza lādēšana vai lādēšana temperatūrā, kas

ir ārpus norādītā diapazona, var izraisīt akumulatora bojājumus un palielināt uzliesmošanas risku.

TEHNISKĀ APKOPE

- Nododiet savu elektroinstrumentu apkopei kvalificētam tehnikim, izmantojot tikai identiskas rezerves daļas. Tādā veidā tiek nodrošināta elektroinstrumenta drošība.
- Nekad neveiciet bojātu akumulatoru bloku remontu. Akumulatoru bloku remontu drīkst veikt tikai ražotājs vai tā pilnvarots servisa nodrošinātājs.

LEŅKZĀGA DROŠĪBAS INSTRUKCIJAS

- Leņķzāģi ir paredzēti koka vai līdzīgu materiālu zāģēšanai, tos nevar izmantot ar abrazīvajiem diskkiem tādu metālus saturošu materiālu zāģēšanai kā stieni, skrūves, profili utml. Abrazīvie putekļi rada kustīgo daļu, piemēram, apakšējā aizsarga iesprūšanu. Dzirksteles no abrazīvās zāģēšanas sadedzinās apakšējo aizsargu, atslēgas ieliktni un cita plastkāta daļas.
- Apstrādājamā objekta nostiprināšanai izmantojiet skrūvspīles, ja ir tāda iespēja. Atbalstot detaļu ar roku, nenovietojiet roku tuvāk par 100 mm jebkurai no zāģa asmens pusēm. Neizmantojiet šo zāģi, lai zāģētu gabaliņus, kuri ir pārāk mazi, lai tos droši turētu ar roku, vai nostiprinātu ar spaiļiem. Ja jūsu roka atrodas pārāk tuvu zāģa asmenim, palielinās iespēja gūt savainojumus no saskarsmes ar zāģa asmeni.
- Apstrādājamam materiālam ir jābūt nekustīgam un piespiestam gan pret galdu, gan pret aizmugurējo atduri. Nevirziet apstrādājamo gabalu pret asmeni, nekādā veidā nezāģējiet "no brīvas rokas". Nenostiprinātas vai kustīgas detaļas var tikt mestas ar lielu spēku, tā radot ievainojumus.
- Stumiet zāģi caur griezamo detaļu. Nevelciet zāģi caur galvu un velciet pāri zāģējamajai detaļai, to neaizskarot, ieslēdziet motoru, nospiediet zāģa galvu leļup un spiediet zāģi caur zāģējamu detaļu. Zāģējot ar vilkšanas kustību visticamākais, izraisīs zāģa asmens pacelšanos uz zāģējamās detaļas augšējās virsmas, un tās spēcīgu rāvienu lietotāja virzienā.
- Nekad nenovietojiet jūsu rokas šķērsām pāri paredzamajai zāģēšanas līnijai, ne zāģa asmens priekšā, ne aizmugurē. Apstrādājamās detaļas turēšana ar sakrustotām rokām, t.i. turot detaļu ar kreiso roku pa labi no zāģa vai otrādi, ir ļoti bīstama.
- Nesniedzieties aiz aizsarga ar jebkuru roku tuvāk par 100 mm no jebkuras zāģa puses, lai noņemtu koka skaidas vai kādam citam nolūkam, kamēr zāģa asmens griežas. Kustībā esoša zāģa ripas tuvums jūsu roka var nebūt acīmredzams, jūs varat gūt smagus ievainojumus.
- Aplūkojiet apstrādājamo detaļu pirms zāģēšanas. Ja detaļa ir izliekta vai savērpta, iespējāties to ar izliekuma ārējo virsmu pret atbalstu. Vienmēr pārliecinieties, ka zāģēšanas līnijas garumā starp detaļu, galda virsmu un aizmugurējo atduri nav spraugu. Saliekušās vai savērpušās detaļas var pagriezties vai pārvietoties, zāģēšanas laikā radot zāģa ripas iekļēšanās. Detaļai nedrīkst būt naglas vai citi svešķermeņi.



- **Neizmantojiet zāgi, līdz no galda nav noņemti instrumenti, tas attīrīts no skaidām un citiem priekšmetiem, un uz tā atrodas tikai zāgējamā detaļa.** Nelieli priekšmeti vai brīvi stāvoši koka gabali vai citi priekšmeti, saskaroties ar rotējošu asmeni var tikt mesti pa gaisu ar lielu ātrumu.
- **Vienlaikus grieziet tikai vienu detaļu.** Vienu uz otras novietotas vairākas detaļas nevar atbilstoši iespīlēt vai nostiprināt, tās var iekļēt asmeni vai zāgēšanas laikā pārvietoties.
- **Nodrošiniet, ka pirms lietošanas zāģis tiek novietots vai uzstādīts uz līdzenas, nekustīgas virsmas.** Līdzena, nekustīga virsma samazina risku, ka panelzāģis kļūst nestabils.
- **Plānojiet darbu.** Katru reizi mainot leņķa vai slīpuma iestatījumus, pārbaudiet, vai aizmugurējā atdure ir pareizi iestatīta un netraucēs zāģa ripas vai aizsardzības sistēmas kustībai. Neieslēdzot zāģi un neliekot detaļu uz galda, virziet zāģa asmeni visā plānotā grieziena garumā, lai pārliecinātos, ka tas nekur nepieskaras un nepieskaras aizmugurējai atdurei.
- **Nodrošiniet atbilstošu atbalstu, piemēram galda pagarinājumu, steķus utml. zāgējamām detaļām, kas ir garākas vai platākas par galda virsmu.** Detaļas, kas ir garākas vai platākas par zāģa galdu var savērties, ja nav atbilstoši nostiprinātas. Ja nogrieztais gabals vai detaļa sasveras, tā var pacelt zāģa asmens aizsargu vai tikt mesta pa gaisu ar rotējošo asmeni.
- **Neizmantojiet otru cilvēku kā aizvietotāju galda pagarinājumam vai papildu atbalstam.** Nestabils detaļas atbalsts var izraisīt asmens iekļīšanās vai detaļas izkustēšanas zāgēšanas laikā, ieraujot jūs vai palīgu rotējošajā asmenī.
- **Nogriezto gabalu nekādā veidā nedrīkst iespīlēt vai spiest pret rotējošo zāģa asmeni.** Ja detaļa ir iesprostota, piemēram, izmantojot garuma atdures, nogrieztais gabals var atsisties pret zāģa asmeni un ar lielu spēku aizmests.
- **Vienmēr izmantojiet spaili vai pielāgojumu, kas radīts lai atbalstītu apaļus materiālus, piemēram kātus vai caurules.** Apaļām detaļām ir tendence zāgēšanas laikā rotēt, izraisot zāģa ripas "iekošanos" un detaļas un jūsu rokas ieraušānu asmenī.
- **Ļaujiet zāģa ripai sasniegt pilnu darba ātrumu, pirms tā pieskaras detaļai.** Tas samazinās detaļas aizmešanas risku.
- **Ja griežamais materiāls vai asmens iesprūst, izslēdziet leņķzāģi.** Nogaidiet līdz visas kustīgās daļas apstājas un atvienojiet vadu no sprieguma avota un/vai noņemiet akumulatora bloku. Tad atbrīvojiet iesprūdušo materiālu. Nepārtraukta zāgēšana ar iesprostotu detaļu var izraisīt kontroles pār to zaudēšanu vai bojājumus zāģim.
- **Pēc grieziena pabeigšanas, atlaidiet slēdzi, turiet zāģa galvu nospiestu uz leju, līdz zāģa ripa apstājas, pirms noņemt nogriezto gabalu.** Rokas tuvināšana rotējošai zāģa ripai ir bīstama.
- **Stingri turiet rokturi, ja veicat nepilnu griezumus, vai atlaižot slēdzi, pirms zāģa galva ir galējā apakšējā stāvoklī.** Zāģa bremzējošā darbība var izraisīt zāģa galvas strauju raušānu uz leju, radot ievainojumu risku.
- Produktam jābūt labā stāvoklī, tā vārpstai nedrīkst būt deformāciju vai vibrāciju.
- Neizmantojiet produktu, ja aizsargi nav uzstādīti vietā. Uzturiet aizsargus labā darba kārtībā un kārtīgi apkoptus.
- Nodrošiniet, ka lietotājs ir pietiekoši apmācīts par produkta drošības pasākumiem, iestatīšanu un lietošanu.
- Lietojot produktu, vienmēr valkājiet aizsargbrilles un dzirdes aizsarglīdzekļus. Ieteicams valkāt cimdus, smagnējus, neslīdošus apavus un priekšautu.
- Pirms jebkura piederuma lietošanas skatiet informāciju lietošanas pamācībā. Papildaprīkojuma nepareiza lietošana var izraisīt bojājumus un palielināt ievainojumu gūšanas iespējas.
- Izmantojiet tikai šajā rokasgrāmatā norādītās ripas atbilstoši EN 847-1.
- Ievērojiet uz zāģa ripas norādīto maksimālo ātrumu. Pārliecinieties, ka uz zāģa plātnes norādītais ātrums, ir vismaz vienāds ar ātrumu, kas norādīts uz zāģa.
- Obligāti izmantojiet pareiza izmēra un formas zobus. Ripas, kuru forma neatbilst zāģa stiprināšanas ietaisēm, kustēsies ekscentriski, kas mazina kontroli pār zāģi.
- Neizmantojiet ripas, kuru diametrs ir lielāks vai mazāks par ieteicamo. Ripas uzstādīšanai uz ass neizmantojiet nekādas starplikas.
- Pārbaudiet zāģa asmens uzliku bojājumus vai normai neatbilstošu izskatu pirms katras lietošanas reizes. Uzlikas, kas ir bojātas vai vaļīgas, lietošanas laikā var kļūt par lidojošiem priekšmetiem un palielināt ievainojumu gūšanas iespēju.
- Neizmantojiet ieplaisājušus vai izkropļotus zāģa asmeņus. Neizmantojiet bojātus vai deformētus zāģa asmeņus.
- Iznīciniet zāģa asmeni, ja tas bojāts, deformēts, salauzts vai saplaisājis; remonts nav atļauts.
- Neizmantojiet HSS ripas.
- Nodrošiniet, ka zāģa asmens ir pareizi uzstādīts, kārtīgi pievelciet fiksācijas uzgriezni (novilkšanas spēks aptuveni 8-10 Nm).
- Fiksācijas skrūve un uzgriežņi ir jānovelk izmantojot piemērotu uzgriežņu atslēgu utml.
- Uzgriežņa atslēgas pagarināšana vai uzgriežņa novilkšana ar āmuru sitieniem nav atļauta.
- Pārliecinieties, vai visi asmeņi un atloki ir tīri un ieliktnā atvirzītās malas atrodas pret asmeni.
- Pārliecinieties, vai ripa griežas pareizajā virzienā.
- Pirms darba, veiciet izmēģinājuma zāgējumu, ar izslēgtu motoru, lai pārbaudītu asmens stāvokli, aizsargu darbību attiecībā pret pārējām iekārtas daļām un darba materiālu.
- Nekad neatstājiet produktu bez uzraudzības.
- Neļaujiet ripu tās ekspluatācijas laikā.
- Nekad neveiciet nekādus tīrīšanas vai apkopes darbus, ja mašīna joprojām darbojas un tās galva nav miera pozīcijā.
- Nekad nemēģiniet ātri apturēt kustībā esošu iekārtu, spiežot darba rīku vai kādu citu priekšmetu pret ripu, jo šādi var nejauši izraisīt nopietnus negadījumus.
- Atvienojiet instrumentu no sprieguma padeves vai noņemiet akumulatora bloku, pirms veikt zāģa ripu nomaiņu vai apkopi.

DROŠĪBAS NORĀDES KOKA ZĀĢA RIPAI

- Lūdzu rūpīgi izlasiet rokasgrāmatu un instrukcijas, pirms lietot ierīci un zāģa ripu.





- Uzmanieties, ieliekot vai izņemot asmeni no iepakojuma, asmens asie gali var viegli radīt ievainojumus.
- Rīkojoties ar zāga ripām, izmantojiet to turētāju vai valkājiet cimdus.
- Turiet un glabājiet asmeni oriģinālā iepakojumā vai citā piemērotā iepakojumā, uzglabājiet sausus apstākļos un atstātos no ķīmikālijām, kas var sabojāt asmeni.

PAPILDU DROŠĪBAS BRĪDINĀJUMI

- Vienmēr droši un cieši nostipriniet apstrādājamo objektu.
- Pārlicinieties, ka produkts vienmēr ir stabils un nostiprināts (piemēram, pie sola).
- Vienmēr valkājiet dzirdes aizsarglīdzekļus! Ausu pakļaušana trokšņa iedarbībai var izraisīt dzirdes traucējumus.
- Izmantojot produktu, vienmēr nēsājiet aizsargbrilles. Ieteicams valkāt cimdus, ja strādājat ar asmeni un neapstrādātu materiālu, kā arī izturīgus un ne slīdošus apavus, lai aizsargātu kājas no gabaliem, kas var nokrist no griešanas zonas.
- Atvienojiet produktu no sprieguma padeves vai noņemiet akumulatora bloku, pirms veikt jebkādas apkopes vai tīrīšanas darbus.
- Uzstādiet akumulatoru bloku tikai, ja produkts ir izslēgts.
- Nekādā gadījumā nemēģiniet aizsniegt laukumu asmens tuvumā, ja tas nav pilnībā apstājies.
- Pirms lietošanas rūpīgi pārbaudiet produktu un akumulatoru bloku, vai tam nav bojājumu vai materiāla noguruma pazīmes. Jebkādas produkta remontdarbus drīkst veikt tikai pilnvarots servisa centrs.
- Vienmēr uz produkta lietojiet aizsargus. Neizmantojiet produktu, ja aizsargi nav uzstādīti, vai pienācīgi nedarbojas.
- Apakšējam asmens aizsargam ir jāatveras tikai, kad asmens tiek nolaists uz zāgējamā materiāla, un tam vienmēr ir jāvar brīvi kustēties un aizvērties automātiski.
- Detaļas atbalstam darba laikā vienmēr nostipriniet un izmantojiet pagarinājuma stieņus.
- Nekad neizmaniet produktu vai tā funkcijas. Jūsu drošība var tikt apdraudēta.
- Neizmantojiet asmeņus, ja tie ir ieplaisājuši, bojāti vai deformēti.
- Neizmantojiet zāga asmeņus, kas izgatavoti no ātrgriezējtauda.
- Izmantojiet tikai asus asmeņus. Nomainiet trulus asmeņus.
- Obligāti izmantojiet pareiza izmēra un formas zobus. Ripas, kuru forma neatbilst zāga stiprināšanas ietaisēm, kustēsies ekscentriski, kas mazina kontroli pār zāģi.
- Izmantojiet tika kokapstrādes asmeņus, kas norādīti šajā rokasgrāmatā un atbilst standartam EN 847-1.
- Lietojiet tikai sniegtos vai pamācībā norādītos atlokus, paplāksnes un uzgriežņus, lai nostiprinātu zāga asmeni.
- Nepieciešams izvēlēties zāga asmeni, kas ir piemērots griežamajam materiālam. Nekad neizmantojiet produktu, lai zāģētu materiālus, kas nav norādīti šīs rokasgrāmatas sadaļā par paredzēto pielietojumu.
- Svarīgi ir nepieļaut asmens pārkaršanu un plastikāta kušanu zāģēšanas laikā.
- Ir svarīgi ievērot maksimālo rotācijas ātrumu, kas norādīts uz zāga ripas, izmantojot tikai zāga ripas, uz

kurām norādītais ātrums ir vienāds vai augstāks par norādīto uz instrumenta.

- Nomainiet galda ieliktni, ja tas ir nolietots vai bojāts.
- Pirms darba veiciet zāģēšanas kustības imitāciju bez ieslēgta motora, lai pārbaudītu asmens stāvokli, aizsargu darbību attiecībā pret citām mašīnas daļām un apstrādājamo materiālu.
- Veicot slīpus, noliekus vai kombinētos griezumus, pielāgojiet kustīgo atduri vai tās daļu, lai nodrošinātu, ka tās neatrodas zāga ripas ceļā.
- Izvairieties no nekontrolētas zāga bloka atlaišanas no paša apakšējā stāvokļa.
- Pārvadājot produktu, vienmēr nostipriniet ruktura aizsleģu.
- Nodrošiniet, ka darba zonā uz grīdas nemētājas priekšmeti, piemēram, skaidas un atgriezumi.
- Neveiciet nekādu atgriezumus vai citas apstrādājamā materiāla daļu noņemšanu no griešanas zonas, kamēr produkts darbojas un zāga galva nav sākuma stāvoklī.
- Gari apstrādājami materiāli atbilstoši jāatbalsta. Zāga darba zonā ietilpst viss darba galds. Operatoram būtu jānorobežo darba vieta no neaūšanas skares ar citām personām vai objektiem, kas darba laikā var kustēties.
- Produkta izmantošanas laikā radītie putekļi var būt kaitīgi veselībai. Lietojiet putekļu nosūkšanas sistēmu un valkājiet piemērotu putekļu aizsargmasku. Rūpīgi iztīriet uzkrājušos putekļus, piemēram ar putekļsūcēju.
- Var būt nepieciešams pielāgot bīdāmo aizsargu, lai nodrošinātu pareizu atstatumu pirms slīpa vai sagāzta griezuma veikšanas. Pārlicinieties, ka aizsarga fiksācijas skrūve pēc regulēšanas ir kārtīgi pievilktā.
- Skavu var uzstādīt un izmantot jebkurā asmens pusē. Dažos gadījumos skava var saskarties ar asmens aizsarga mezglu. Pirms zāģēšanas, lai samazinātu smagu ievainojumu risku, vienmēr pārlicinieties, ka nenotiek saskaršanās ar asmens aizsargu.
- Instrumenta lietošanas apkārtējās vides temperatūras diapazons ir no 0 °C līdz 40 °C.
- Instrumenta uzglabāšanas apkārtējās vides temperatūras diapazons ir no 0 °C līdz 40 °C.
- Ieteicamais apkārtējās vides temperatūras diapazons lādēšanas sistēmai uzlādes laikā ir no 10 °C līdz 38 °C.

PAPILDU AKUMULATORU BLOKA DROŠĪBAS BRĪDINĀJUMI

- Lai novērstu īssavienojuma izraisītu aizdegšanās, savainojumu vai produkta bojājuma risku, neiegremdējiet instrumentu, maināmo akumulatoru vai uzlādes ierīci šķidrums un rūpējieties par to, lai ierīcēs un akumulatoros neiekļūtu šķidrums. Koroziju izraisoši vai vadītspējīgi šķidrumi, piemēram, sālsūdens, noteiktas ķīmikālijas, balinātāji vai produkti, kas satur balinātājus, var izraisīt īssavienojumu.
- Akumulatora apkārtējās vides temperatūras diapazons lietošanas laikā ir no 0 °C līdz 40 °C.
- Apkārtējās vides temperatūras diapazons akumulatora uzglabāšanai ir starp 0°C un 20°C.

LĪTIJA AKUMULATORU PĀRVADĀŠANA

Pārvadājiet akumulatoru saskaņā ar vietējiem un valsts nosacījumiem un noteikumiem.

Ja akumulatoru pārvadāšanu veic trešā puse, ievērojiet visas īpašās prasības par iepakojšanu un marķēšanu.



Transportējot nodrošiniet, lai akumulatori nesaskaras ar citiem akumulatoriem vai vadošiem materiāliem, atsegtos savienotājus aizsargājot ar izolējošiem, nevadošiem vāciņiem vai lentī. Nepārvietojiet akumulatorus, kas ir ieplaisājuši vai ar noplūdi. Konsultējieties ar pārsūtīšanas uzņēmumu.

PALIEKOŠIE RISKI

Pat tad, ja ierīce tiek lietota, kā aprakstīts, joprojām nav iespējams pilnībā novērst atsevišķus riska faktorus. Lietošanas laikā var rasties šādas briesmas un strādniekam īpaša uzmanība jāpievērš šim:

- Pastāv savainojumu risks, ja rotējošs zāģis saskaras ar nenosegtu miesu.
 - Zāģējamā materiāla vai to daļu izmešana atpakaļ nepareizas regulēšanas vai pārvietošanas dēļ
 - Bojātu karbīda gabalu izvietošana no zāģa asmens.
 - Bojājums elpošanas sistēmai.
- PIEZĪME:** Valkājiet elpošanas aizsargmaskas, kurām ir apstrādājamiem materiāliem atbilstoši filtri. Darba vietā nodrošiniet atbilstošu ventilāciju. Darba vietā neēdiet, nedzeriet un nesmēķējiet.

■ Dzirdes bojājums, ja nelietojat efektīvu dzirdes aizsargu.

⚠ **BRĪDINĀJUMS!** Putekļi no dažādām krāsām, klājumiem un materiāliem var izraisīt kairinājumu vai alerģijas reakcijas elpošanas sistēmai. Putekļi no tādiem kokiem, kā ozols, dižskābardis, šķiedrkartons un citiem ir kancerogēni. Ar asbestu saturošu materiālu būtu jāstrādā tikai kvalificētiem speciālistiem.

⚠ **BRĪDINĀJUMS!** Ilgstoša instrumenta lietošana var izraisīt traumas vai pasliktināt veselības stāvokli. Ilgstoši lietojot jebkuru instrumentu, pārliecinieties, ka tiek veikti regulāri pārtraukumi.

IERĪCES IEPAZĪŠANA

Skatīt 198. lpp.

1. Rokturis, izolēta satveršanas virsma
2. Ieslēgšanas/izslēgšanas slēdzis.
3. Slēdža fiksācijas svira
4. LED slēdzis
5. Apakšējais aizsargs
6. Galvenais aizsargs
7. Pārnēsāšanas sānu rokturis
8. Bīdāmais aizsargs
9. Rotējošā daļa
10. Asmens ierobežotāja plāksne
11. Slīpuma fiksācijas poga
12. Slīpuma regulēšanas atbrīvošanas svira
13. Atbalsta pēda
14. Akumulators
15. Pārnēsāšanas augšējais rokturis
16. Lineārā stienīša apstāšanās poga
17. Skava
18. Slīpuma leņķa rādītājs
19. Uzstādīšanas caurums
20. Galvenā atbalsta fiksācijas skrūves
21. Griešanas dziļuma regulēšanas skrūve
22. Noliekuma leņķa rādītājs
23. Skrūves, 45° noliekuma leņķa ierobežotāja atdurei
24. Slīpuma un leņķa poga
25. Zāģa galvas fiksācijas tapa
26. Putekļu soma
27. Sešstūrveida uzgriežņu atslēga
28. Skrūves, 0° noliekuma leņķa ierobežotāja atdurei
29. Bīdāmā aizsarga fiksācijas skrūve

30. Vārpstas bloķēšanas poga

31. Ārējais atloks

32. Zāģa asmens

EKSPLUATĀCIJA

Ierīce ir aprīkota ar kustīgu zāģa asmeni, kas var tikt iestatīts dažādos leņķos, strādājot ar objektu, kas cieši nostiprināts uz pamatnes. To var lietot tikai viena persona, lai novērstu risku nejaūši saskarties ar kustīgu asmeni.

Ierīces drošas lietošanas principi:

- Uzturiet zāģi, asmeņus un darba vietu labā stāvoklī.
- Nostipriniet leņķzāģa pamatni pie izturīga darba sola. Ierīce var kustēties un apgāzties, ja tā nav pienācīgi nostiprināta.
- Uzstādiet griešanas leņķus un dziļumu pirms veicat griezumus.
- Nostipriniet apstrādājamo objektu pie zāģa pamata. Lietojiet sniegto skavu un, kur nepieciešams, izmantojiet papildu skavas vai turēšanas mehānismus, lai novērstu netīšu apstrādājamā objekta kustību griešanas laikā.
 - Pārliecinieties, ka asmens aizsargu darbību neierobežo apstrādājamā objekta pozīcija.
 - Pārliecinieties, ka aizsargs un citas ierīces daļas netiks sagrieztas asmenim nolaižoties zāģēšanas pozīcijā.
- Iedarbiniet ierīci un ļaujiet asmenim sasniegt maksimālo ātrumu, pirms nolaižat to, lai grieztu apstrādājamo objektu.
- Ļaujiet asmenim pacelties līdz tā augšējai pozīcijai, kur asmens aizsargi ir pilnībā aizvērti. Izslēdziet ierīci un ļaujiet asmenim pilnībā apstāties pirms noņemat apstrādājamo objektu vai atgriezumus, vai mēģiniet tuvotes asmenim.

Pirms pirmās lietošanas reizes, pārliecinieties, ka objekta leņķis vai slīpums atbilst ierīces leņķim. Pārbaudiet to uz nevajadzīga koka gabala, izmantojot galdnieka instrumentus vai leņķa stūreni.

Zāģa asmens noņemšana:

1. Ritkojoties ar zāģa ripu, valkājiet cimdus.
2. Izslēdziet elektrību un noņemiet akumulatora bloku.
3. Atskrūvējiet, taču neizņemiet uz asmens skrūves vāka esošo skrūvi. Paceliet asmens skrūves vāku.
4. Aizvirziet uz aizmuguri aizveramo aizsargu un pieturiet to.
5. Nospiediet ass fiksācijas pogu un vienlaikus, izmantojot komplektā esošo sešstūra atslēgu, atskrūvējiet zāģa ripas skrūvi. Neņemiet ārējo aplāksni.
6. Noņemiet zāģa asmeni.

Zāģa ripas uzlikšana:

Ja nepieciešams, pirms salikšanas notīriet visas nepieciešamās daļas.

Pēc procedūras "Zāģa ripas noņemšana" pabeigšanas.

1. Ritkojoties ar zāģa ripu, valkājiet cimdus.
2. Nodrošiniet, ka spriegums ir izslēgts un akumulatora bloks noņemts.
3. Aizvirziet uz aizmuguri aizveramo aizsargu un pieturiet to.
4. Uzlieciet jauno zāģa ripu. Pārliecinieties, ka zāģa ripas griešanās virziens sakrīt ar bultīņas virzienu uz asmens aizsarga.
5. Uzlieciet aplāksni un ieskrūvējiet zāģa ripas skrūvi.
6. Nospiediet ass fiksācijas pogu līdz ass tiek fiksēta, pievelciet asmens skrūvi.



7. Nolaidiet kustīgo asmens aizsargu.
 8. Nolaidiet asmens skrūves vāku un pievelciet skrūvi.
- ⚠ BRĪDINĀJUMS!** Pārliecinieties, ka asmens skrūves vāks ir nolaiests sākotnējā stāvoklī un skrūve ir pievilktā.

Slīpuma leņķa regulēšana:

Slīpuma leņķi var iestatīt no 45 grādiem (pa kresi) līdz 45 grādiem (pa labi).

1. Atlaidiet šķērsleņķa fiksācijas pogu.
2. Nospiediet slīpuma regulēšanas atbrīvošanas sviru Aiz leņķa regulēšanas pogas pagrieziet zāģa galdu līdz vēlamajam slīpumam.
3. Atkārtoti pievelciet slīpuma regulēšanas pogu.

Noliekuma leņķa regulēšana:

Noliekuma leņķi var iestatīt no 0 grādiem līdz 45 grādiem.

1. Atlaidiet noliekuma fiksācijas pogu.
2. Aiz roktura nolieciet zāģa augšējo daļu līdz vēlamajam leņķim.
3. Pieturiet zāģa rokturi šajā stāvoklī un pievelciet noliekuma fiksācijas pogu.

⚠ BRĪDINĀJUMS! Ražotājs iesaka, ka precei vienmēr jābūt droši nostiprinātai pie sola.

Kad instrumenta pamatne ir atbilstoši instrukcijām, nekustīgi nostiprināta uz sola virsmas ar četrām skrūvēm, paplāksnēm un uzgrīžņiem, to var izmantot ar maksimālajiem noliekuma un slīpuma iestatījumiem bez riska tam tikt apgāztam. Ja ierīce nav pareizi nostiprināta, tā var zaudēt līdzsvaru, ja ir izvēlēts liels leņķis.

APKOPE

- Nepārveidojiet ierīci jebkādā veidā, kā arī nelietojiet piederumus, kas nav ražotāja apstiprināti. Jūsu un citu drošība var tikt apdraudēta.
 - Neizmantojiet ierīci, ja slēdži, aizsargi vai citas funkcijas nestrādā kā paredzēts. Vērsieties pilnvarotā servisa centrā, lai saņemtu profesionālu remontu vai pielāgojumus.
 - Neveiciet pielāgojumus, kamēr asmens nav apstājies.
 - Vienmēr pārliecinieties, ka akumulatoru bloks ir noņemts no produkta pirms veikt regulēšanu, eļļošanu vai jebkādu produkta apkopi.
 - Pirms un pēc katras lietošanas reizes, pārbaudiet vai ierīce un tās detaļas nav bojātas. Uzturiet ierīci vislabākajā tehniskajā stāvoklī, nekavējoties nomainot bojātās detaļas ar ražotāja ieteiktām rezerves daļām.
 - Asmenim ir asas malas, pēc ēvelēšanas tas var būt sakarsis. Tūlīt atklātu asmeni, ievērojiet īpašu piesardzību. Valkājiet cimdus, lai aizsargātu no ievainojumiem.
 - Regulāri notīriet zāģi un tā piederumus no putekļiem, it īpaši kustīgās daļas, ieskaitot asmens aizsargu. Izmantojiet slotiņu vai putekļsūcēju, lai efektīvi notīrītu putekļus. Neizmantojiet saspīestu gaisu.
 - Lai nodrošinātu lielāku drošību un uzticamību, visi remontu, tostarp motora suku maiņa, jāveic pilnvarotam servisa centram.
- ⚠ BRĪDINĀJUMS!** Nemēģiniet izjaukt asmens aizsarga mezglu, lai to tīrītu vai remontētu. Nedrīkst izmantot bojātus aizsargus. Atgrieziet pilnvarotā servisa centrā remontam vai nomaiņai.

Slīpuma un noliekuma leņķa kalibrēšana

Ja nepieciešama slīpuma un noliekuma leņķa kalibrēšana, skatiet 213 - 217 lappusi un sekojiet kalibrēšanas norādēm.

TRANSPORTĒŠANA UN UZGLABĀŠANA

- Uzglabājot produktu, noņemiet akumulatoru bloku. Glabājiet ierīci drošā vietā, kas nav pieejama bērniem.
- Pirms uzglabāšanas, notīriet ierīci ar otīņu vai putekļu sūcēju.
- Ja noņemat zāģa asmeni un glabājat rezerves kopā ar ierīci, pārliecinieties, ka tās ir oriģinālajā iepakojumā, lai novērstu iespēju savainoties.

Lai nodrošinātu ierīci pirms pārvietošanas:

- Ierīce jāuzglabā nulle grādu leņķī un slīpumā un nostiprināta šādā pozīcijā. Rokturim ir jābūt nostiprinātam apakšējā (drošā) pozīcijā ar slēgtiem aizsargiem.

Pārvietojiet vai transportējot:

- Pirms pārvietošanas, nostipriniet ierīci kā norādīts instrukcijā.
- Noņemiet precī no sola, atskrūvējot 4 skrūves, pa vienai katrā stūrī. Saglabājiet skrūves turpmākai izmantošanai. Pārnēsājiet produktu, izmantojot augšējo rokturi vai sānu rokturus pārnēsāšanai ar divām rokām.
- Pārvietojiet ierīci transportlīdzeklī, novietojiet ierīci uz tās pamata un nostipriniet pret kustēšanos.

UZ PRECES ESOŠIE SIMBOLI



Drošības brīdinājums



Eiropas atbilstības zīme



Lielbritānijas atbilstības zīme



Ukrainas atbilstības zīme

001



EurAsian atbilstības marķējums



Pirms iedarbināt mašīnu, lūdzu rūpīgi izlasiet instrukcijas.



Lietojiet dzirdes aizsargus



Vienmēr lietojiet aizsargbrilles.



Turiet rokas atstatu no griešanas zonas un asmens.



Sargājiet no lietus un nelietojiet mitrās vietās.



Valkājiet aizsargcimdus





Zāģa ripas griešanās virziens (parādīts uz ripas)



Asmens rotācijas virziens (norādīts uz asmens aizsarga)



Asmens griezuma platums (ceļš)



Šīs zāģa ripas zobu skaits



Zāģēšanas ražība



Koka vai līdzīga materiāla zāģēšanai



Nav piemērots metāla zāģēšanai



Noregulējiet slīdošā aizsarga stāvokli pirms veikt slīpus vai sagāztus griezumus.



Asmens skrūves atskrūvēšanas virziens

Neizmetiet akumulatoru atkritumus kā nešķirotus sadzīves atkritumus. Akumulatoru atkritumi, elektrisko un elektronisko iekārtu atkritumi jāsavāc atsevišķi. Bateriju, akumulatoru un gaismas avotu atkritumi ir jāizņem no iekārtām. Sazinieties ar vietējo pašvaldību vai mazumtirgotāju, lai saņemtu ieteikumus pārstrādei un savākšanas punktus. Saskaņā ar vietējiem noteikumiem mazumtirgotājiem var būt pienākums bez maksas pieņemt atpakaļ akumulatoru, elektrisko un elektronisko iekārtu atkritumus. Jūsu ieguldījums elektrisko un elektronisko iekārtu atkritumu otrreizējā izmantošanā un otrreizējā pārstrādē palīdz samazināt izejvielu pieprasījumu. Akumulatoru atkritumi, it īpaši tie, kas satur litiju, un elektrisko un elektronisko iekārtu atkritumi satur vērtīgus un pārstrādājamus materiālus, kas var nelabvēlīgi ietekmēt vidi un cilvēku veselību, ja tos neapglabā videi draudzīgā veidā. Izdzēsiet no atkritumos nododamajām iekārtām personīgos datus, ja tādi tur ir.



Atbloķēt



Gaidīšanas laiks, līdz asmens sasniedz pilnus apgriezienus vai pilnīgi apstājas.



Atsevišķi nopērkamās daļas vai piederumi



Piezīme



Brīdinājums

SIMBOLI ROKASGRĀMATĀ



Bloķētājs



Projektuojant nuožambiu kampu pjaunantį pjūklą, didžiausias prioritetas suteiktas saugai, eksploatacinėms savybėms ir patikimumui.

NAUDOJIMO PASKIRTIS

Šis diskinis kampinis pjūklas skirtas vientsiai ir klijuotai medienai, taip pat į medieną panašioms medžiagoms su klijuota faneros ir plastiko apdaila arba be jos, pjauti.

Šį diskinį kampinį pjūklą leidžiama naudoti tik suaugusiems operatoriams, kurie perskaitė naudojimo instrukciją ir supranta galimus pavojus.

Šio diskinio kampinio pjūklo pagrindas tvirtinamas prie vientiso darbasatalio viršaus. Jeigu pagrindas negerai pritvirtintas, pjaunant gali pajudėti visas įrenginys, o tai padidina sunkių sužeidimų pavojų.

Šis diskinis kampinis pjūklas yra skirtas įstrižiesiems ir nuožambiesiems pjūviams atlikti. Įvairių pjūvių parametrai nurodyti gaminio specifikacijose šiose instrukcijose.

Diskinį kampinį pjūklą reikia naudoti sausomis sąlygomis, esant geram aplinkos apšvietimui ir pakankamai ventilacijai.

Šį diskinį kampinį pjūklą reikėtų naudoti tik taip, kaip aprašyta pirmiau ir šioje naudojimo instrukcijoje; jis nėra skirtas jokiai kitam tikslui.

BENDROSIOS ELEKTRINIO ĮRANKIO SAUGOS Taisyklės

⚠ ĮSPĖJIMAS! Perskaitykite visus saugos įspėjimus, visas instrukcijas, paveikslėlius ir techninius reikalavimus, pateikiamus su šiuo elektriniu įrankiu. Apacių išdėstytų instrukcijų nesilaikymas gali sukelti elektros smūgį, gaisrą ir (ar) sunkius sužeidimus.

Kad tinkamai naudotumėte įrankį, žr. visus perspėjimus ir nurodymus. Įspėjimuose naudojama sąvoka „elektrinis įrankis“ reiškia prie elektros tinklo jungiamą (laidinį) elektrinį įrankį arba akumuliatorių maitinamą (belaidį) elektrinį įrankį.

DARBO ZONOS SAUGAMOS

- Darbo vieta turi būti švari ir gerai apšviesta. Nelaimingi atsitikimai įvyksta netvarkingose ar tamsiose vietose.
- **Nenaudokite elektrinių įrankių, jei šalia yra degios ir sprogti galinčios medžiagos (degūs skysčiai, dujos ar dulkės).** Elektriniai įrankiai kibirkščiuoja ir gali uždegti dulkes arba garus.
- **Neleiskite vaikams ir šalia esantiems asmenims būti šalia įjungto elektrinio įrankio.** Išsiblaškę galite prarasti kontrolę.

ELEKTROS SAUGA

- Elektrinio įrankio kištukai turi atitikti kištukinį lizdą. Niekada nekeiskite kištuko. Su įžemintais (įžeminimo) elektriniais įrankiais niekada nenaudokite kištukų adapterių. Nepakeisti kištukai ir atitinkantys lizdai sumažina elektros smūgio pavojų.
- **Stenkitės nesiliesti prie įžemintų ar įžeminimo paviršių (vamzdžių, radiatorių, grandinių/viryklių, šaldytuvų).** Įžeminius savo kūną, padidės elektros smūgio pavojus.
- **Saugokite elektrinius įrankius nuo lietaus ar drėgmės.** Dėl vandens, patekusio į elektrinį įrankį, padidėja elektros smūgio pavojus.
- **Laidą naudokite pagal jo paskirtį. Niekada jo nenaudokite elektriniams įrankiams pernešti, tempti**

ar išjungti. Saugokite maitinimo laidą nuo karščio, tepalų, aštrių kampų bei judančių detalių. Pažeisti ar supainioti laidai padidina elektros smūgio galimybę.

- **Dirbdami su elektriniu įrankiu lauke, naudokite tik lauke naudoti skirtus ilginamuosius laidus.** Naudojant tinkamą laukui laidą sumažinama elektros smūgio tikimybė.
- **Jei būtina naudotis elektriniu įrankiu drėgnomis oro sąlygomis, naudokite likutinės srovės prietaisą (RCD).** Naudojant RCD sumažinama elektros smūgio tikimybė.

ASMENINĖ SAUGA

- **Naudodami elektrinį įrankį būkite budrūs, stebėkite, ką darote, pasitelkite sveiką protą. Nesinaudokite elektriniu įrankiu būdam pavargę, apsvaigę nuo narkotinių medžiagų, alkoholio ar vaistų.** Neatidumas darbo su elektriniu įrankiu metu gali sukelti sunkius sužeidimus.
- **Naudokite asmenines apsaugos priemones. Visada dėvėkite akių apsaugos priemones.** Apsauginės priemonės, pavyzdžiui, apsauginės kaukės, batai neslidžiais padais, šalmas arba klausos apsaugos priemonės, naudojamos atitinkamomis darbo sąlygomis, sumažins pavojų susižaloti.
- **Saugokitės, kad įrankis netyčia neužsivestų.** Prieš prijungdami gaminį prie maitinimo ir (arba) akumuliatorių bloko, jį keldami arba nešdami įsitikinkite, kad jungiklis būtų išjungimo padėtyje. Nešant elektrinius įrankius ir laikant pirštą ant įjungimo jungiklio arba prijungiant elektrinius įrankius esant įjungtam jungikliui gali kilti nelaimingų atsitikimų.
- **Prieš įjungiant elektrinį įrankį, išimkite derinimo raktą ar veržliaraktį.** Jei juos paliksite pridėtus prie besisukančios įrankio dalies, galite susižaloti.
- **Nesiekite per toli. Visada tvirtai stovėkite ir išlaikykite pusiausvyrą.** Tai padės geriau kontroliuoti įrankį netikėtų situacijų metu.
- **Dėvėkite tik darbu tinkamus drabužius. Nedėvėkite laisvų, neprigludusių drabužių ir juvelyrinių dirbinių. Saugokitės, kad judančios dalys neįtrauktų plaukų ir drabužių.** Laisvi drabužiai, papuošalai ar ilgi plaukai gali įsipainioti į judančias prietaiso detales.
- **Jei pateikiami prietaisai dulkių ištraukimo ir surinkimo įrenginiams prijungti, būtina tinkamai juos prijunkite ir naudokite.** Naudojant dulkių surinkimo sistemą galima sumažinti dulkių keliamus pavojus.
- **Nepasitikėkite vien savo patirtimi, įgyta dažnai naudojantis įrankiais,– neignorokite prietaiso naudojimo saugos taisyklių.** Neatsargūs veiksmai, net ir mažiausią sekundę, gali sukelti sunkius sužeidimus.

ELEKTRINIO ĮRANKIO NAUDOJIMAS IR PRIEŽIŪRA

- **Nenaudokite jėgos dirbdami su elektriniu įrankiu. Naudokite tinkamą elektrinį įrankį savo darbui.** Teisingas elektrinis įrankis atliks darbą geriau ir saugiau tuo tempu, kuriam jis buvo sukurtas.
- **Nenaudokite elektrinio įrankio, jei jungiklio negalite įjungti ir išjungti.** Jungikliu nevaldomas elektrinis įrankis yra pavojingas ir jį reikia taisyti.
- **Ištraukite kištuką iš energijos šaltinio ir (arba) išimkite iš elektrinio įrankio akumuliatorių, ir tik po to atlikite elektrinių įrankių reguliavimo, priedų keitimo arba paruošimo sandėliavimui darbus.**





Tokios prevencinės saugos priemonės sumažina pavojų netyčia įjungti elektrinį įrankį.

- **Laikykite elektrinį įrankį vaikams neprieinamoje vietoje ir neleiskite juo naudotis asmenims, kurie nemoka juo naudotis.** Neįgudusiems asmenims elektriniai įrankiai yra pavojingi.
- **Priziūrėkite elektrinius įrankius ir priedus.** Patikrinkite, ar tinkamai sulaužytos ir sutvirtintos judamosios dalys, ar nėra sulaužytų dalių ar montavimo varžtų, taip pat nustatykite bet kokias kitas sąlygas, kurios gali turėti įtakos įrankio naudojimui. Jei įrankis sugedęs, prieš naudojimą jį reikia suremontuoti. Daugelį nelaimingų atsitikimų sukelia prastai priziūrimi elektriniai įrankiai.
- **Pjovimo įrankiai privalo būti aštrūs ir švarūs.** Priziūrėkite, kad pjovimo įrankiai būtų švarūs ir aštrūs. Tinkamai priziūrimi pjovimo įrankiai su aštriais ašmenimis mažiau sukimba ir juos lengviau valdyti.
- **Elektrinį įrankį, priedus, įrankių antgalius ir kt. naudokite laikydamiesi šių instrukcijų, atsižvelgdami į darbo sąlygas ir darbo, kurį reikia padaryti, pobūdį.** Naudokite elektrinį įrankį tik pagal tiesioginę paskirtį, kitaip sukelsite pavojingą situaciją.
- **Rankenos ir paviršiai, už kurių yra laikomas prietaisas, privalo būti sausi, švarūs, netepaluoti ir nealyvuoti.** Slidžios rankenos ir laikymo paviršiai neleidžia saugiai naudotis prietaisu ir suvaldyti jo netikėtomis sąlygomis.

AKUMULIATORINIO ĮRANKIO NAUDOJIMAS IR PRIEŽIŪRA

- **Akumuliatorių įkraukite tik naudodami gamintojo nurodytą įkroviklį.** Vienam baterijų tipui pritaikytą įkroviklį naudojant kito tipo baterijoms įkrauti gali kilti gaisras.
- **Elektrinius įrankius naudokite tik su specialiai jiems skirtais akumuliatoriais.** Naudojant kitokius akumuliatorių blokus kyla sužalojimų ir gaisro pavojus.
- **Kai baterijų paketas nenaudojamas, laikykite jį atokiai nuo kitų metalinių daiktų, tokių kaip sąvaržėlės, monetos, raktai, vinys, varžtai ar kiti smulkūs metaliniai daiktai, kurie gali sujungti gnybtus.** Sulietę akumuliatoriaus gnybtus galite nusideginti arba sukelti gaisrą.
- **Esant netinkamoms sąlygomis iš akumuliatorių gali išsivėsti skystis – venkite sąlyčio su juo.** Įvykus netyčiniam sąlyčiui, nuplaukite vandeniu. Jei skystis pateko į akis, kreipkitės medicininės pagalbos. Iš akumuliatorių išsivėjęs skystis gali dirginti arba deginti.
- **Nenaudokite akumuliatoriaus ar prietaiso, kuris yra sugadintas arba pakeistas.** Sugadintas arba pakeistas akumuliatorius gali veikti neprognozuojamai ir dėl to gali kilti gaisras, sproginimas arba pavojus susižaloti.
- **Saugokite akumuliatorių nuo ugnies ir pernelyg aukštos temperatūros.** Patekus į ugnį arba veikiant aukštesnei nei 130 °C temperatūrai gali kilti sproginimas.
- **Laikykitės visų įkrovimo nurodymų ir neįkraukite akumuliatoriaus ar prietaiso, jei temperatūra yra už instrukcijoje nurodytų ribų.** Netinkamai įkraunant arba, jei temperatūra yra už nurodytų ribų, gali sugesti akumuliatorius ir padidėti gaisro pavojus.

TECHNINĖ PRIEŽIŪRA

- **Elektrinį įrankį turi remontuoti tik kvalifikuoti darbuotojai, kurie naudoja identiškas atsargines dalis.** Tai užtikrina elektrinio įrankio saugumą.
- **Niekada neremontuokite pažeistų akumuliatorių.** Akumuliatorius remontuoti gali tik jo gamintojai arba įgaliotieji techninės priežiūros paslaugų teikėjai.

KAMPINIŲ PJŪKLŲ NAUDOJIMO SAUGOS INSTRUKCIJA

- **Kampiniai pjūklai skirti medienai arba mediena primenančioms medžiagoms pjauti; jų negalima naudoti su šlifuojamaisiais pjovimo diskais geležies ruošiniams, pavyzdžiui strypams, armatūrai, vinims ir pan., pjaustyti. Šlifavimo metu kylančios dulksės strigdo judamasis dalis, pavyzdžiui apatinį apsauginį gaubtą. Šlifuojamojo pjovimo metu kylančios kibirkštys sugedins apatinį apsauginį gaubtą, prapjovos įdeklą ir kitas plastikines dalis.**
- **Kai yra galimybė paremkite ruošinį spaustuvais.** Jeigu ruošinys laikomas ranka, ranka privalo būti laikoma bent 100 mm atstumu nuo pjovimo disko iš bet kurios jo pusės. Nepjunkite šiuo pjūklų tokių ruošinių, kurie yra per maži, kad juos galima būtų saugiai įtvirtinti spaustuvais arba laikyti ranka. Jeigu ranka bus per arti pjovimo disko, kils didesnis pavojus susižaloti prisilietus prie disko.
- **Ruošinys privalo nejudėti ir būti įtvirtintas spaustuvais arba laikomas prispaustas prie abiejų kreiptuvų bei pagrindo.** Nestumkite ruošinio disko link ir jokiais būdais nepjunkite „iš rankos“. Neįtvirtinti arba judantys ruošiniai gali būti nusviesti dideliu greičiu ir sužaloti.
- **Pjunkite ruošinį, stumdami diską.** Nepjunkite ruošinio, traukdami disko. Norėdami padaryti pjūvį, pakelkite pjūklo galvutę ir nuleiskite ją ant ruošinio, neatlikdami ruošinio, įjunkite variklį ir, stumdami diską, pjaukite ruošinį. Pjaunant traukiant, pjovimo diskas gali iššokti iš ruošinio ir disko įtaisais gali būti didele jėga sviestas naudotojo link.
- **Niekada nesukryžiuokite rankų virš norimos pjovimo linijos nei prieš pjovimo diską, nei už jo.** Laikyti ruošinį sukryžiuotomis rankomis, t. y. kairiąja ranka laikyti ruošinį dešinėje pusėje ir atvirkščiai, yra labai pavojinga.
- **Nekiškite rankų už kreiptuvo mažesniu nei 100 mm atstumu iš bet kurios pjovimo disko pusės, norėdami pašalinti medienos drožles arba dėl bet kokių kitokių priežasčių, kai diskas sukasi.** Netiksliai nustačius atstumą nuo besisukančio pjovimo disko iki jūsų rankos, jūs galite būti sunkiai susižaloti.
- **Apžiūrėkite ruošinį, prieš pradėdami pjauti.** Jeigu ruošinys yra išlinkęs arba deformuotas, įtvirtinkite jį, atremdami išorinę išlinkusio paviršiaus pusę į kreiptuvą. Visada įsitikinkite, ar tarp ruošinio, kreiptuvo ir pagrindo išilgai pjovimo linijos nėra jokio tarpo. Išlinkę arba deformuoti ruošiniai gali pasisukti arba pasislinkti ir pjaunant įstrigdyti besisukančių pjovimo diską. Ruošinyje neturi būti vinių arba pašalinių elementų.
- **Nenaudokite pjūklo, kol nuo pagrindo nebus pašalinti visi įrankiai, medienos nuopjovos ir pan.; ant pagrindo turi būti tik ruošinys.** Mažos šiukšlės arba nupjautos medienos atraižos ar kiti daiktai gali



prisiliesti prie besisukančio disko ir būti nusviesti dideliu greičiu.

- **Vienu metu pjaukite tik po vieną ruošinį.** Sudėjus kelis ruošinius, jų neįmanoma tinkamai įtvirtinti arba suimti, todėl pjaunant jie gali pasislinkti arba gali užstrigti diskas.
- **Prieš naudodamiesi kampiniu pjūklų, pastatykite arba sumontuokite jį ant lygaus, tvirto darbo paviršiaus.** Lygus, tvirtas darbo paviršius mažina pavojų, kad kampinis pjūklas taps nestabilus.
- **Planuokite savo darbą. Kaskart pakeitę įstrižojo arba nuožambaus kampo nuostatą, būtina įsitikinkite, ar reguliuojamasis kreiptuvas yra tinkamai nustatytas ruošiniui atremti ir jis netrukdyt diskui arba apsauginių gaubtų sistemai.** NEJUNGDAMI įrankio ir nepadėję ant pagrindo ruošinio, stumkite pjovimo diską per visą išvaizduojamo pjūvio ilgį, kad įsitikintumėte, kad niekas netrukdyt ir nekils pavojus įpjauti kreiptuvą.
- **Už pagrindą platesnius arba ilgesnius ruošinius būtina tinkamai paremkite, pavyzdžiui pagrindo ilgutuvais, ožiais ir pan.** Tinkamai neparėmus už kampinio pjūklo pagrindą ilgesnių arba platesnių ruošinių, jie gali pasvirti. Jeigu nupjautoji dalis arba ruošinys pasvirs, jis gali pakelti apatinį apsauginį gaubtą arba jį gali nusviesti besisukantis diskas.
- **Neprašykite, kad kitas žmogus laikytų ruošinį vietoj pagrindo ilgutuvo arba papildomos atramos.** Nestabiliai paremtas ruošinys pjovimo metu gali užstrigdyti diską arba ruošinys gali pasislinkti ir patraukti jus ir jūsų padėjęją ant besisukančio disko.
- **Nupjautoji dalis jokiais būdais neturi būti priremta arba prispausta prie besisukančio pjovimo disko.** Sulaikytą nupjautoji dalis, pavyzdžiui, naudojant ilgio stabdiklius, gali būti įremta į diską ir didele jėga nusviesta.
- **Visada naudokite spaustuvus arba specialius fiksatorius, kad tinkamai įtvirtintumėte apvalius ruošinius, pavyzdžiui strypus arba vamzdžius.** Pjaunami strypai yra linkę sukintis, todėl diskas „įsikerta“ ir traukia ruošinį su jūsų ranka disko link.
- **Prieš paliečiant ruošinį, palaukite, kol diskas pradės sukintis visu greičiu.** Taip sumažės ruošinio nusiviedimo pavojus.
- **Jei ruošinys ar geležtė įstrigo, išjunkite pjūklą. Palaukite, kol visos judamosios dalys sustos, ir atjunkite elektros kištuką nuo elektros tinklo lizdo ir (arba) išimkite akumuliatorių. Tada pasistenkite atlaisvinti užstrigusią medžiagą.** Jeigu toliau pjausite užstrigusį ruošinį, galite nesuvaldyti kampinio pjūklo arba jį sugadinti.
- **Pabaigę pjauti, atleiskite jungiklį, palikite pjovimo galvutę nuleistą ir palaukite, kol diskas sustos, tada patraukite nupjautąją dalį.** Kišti rankas prie besisukančio disko yra pavojinga.
- **Tvirtai laikykite rankeną, kai atliekate pjūvį ne iki galo arba kai atleidžiate jungiklį, kol pjovimo galvutė dar nėra visiškai nuleista.** Stabdant pjūklą, pjūklo galvutė gali staigiai nusileisti, sukeldama sužalojimo pavojų.

- Įrenginys turi būti geros būklės, suktuvas turi būti be deformacijos ir vibracijos.
- Nenaudokite gaminio be tinkamai sumontuotų apsauginių gaubtų. Apsauginiai įrenginiai turi būti geros darbo būklės ir tinkamai prižiūrimi.
- Užtikrinkite, kad naudotojas būtų tinkamai kvalifikuotas naudoti ir reguliuoti gaminį, ir žinotų saugos taisykles.
- Naudodamiesi šiuo gaminiu, visada dėvėkite apsauginius darbo akinius ir klausos apsaugos priemones. Rekomenduojama mūvėti pirštines, stabilius batus neslystančiais padais bei prijuostę.
- Prieš naudojant bet kokį priedą susipažinkite su jo naudojimo instrukcijomis. Netinkamai naudojant priedus gali būti padaryta žala ir kyla didesnis pavojus susižeisti.
- Naudokite tik šioje instrukcijoje nurodytas geležtes, atitinkančias standartą EN 847-1.
- Atkreipkite dėmesį į didžiausią leistąją greitį, pažymėtą ant pjūklo geležtės. Pasirūpinkite, kad greitis, nurodytas ant pjūklo geležtės, mažiausiai atitiktų greitį, nurodytą ant pjūklo.
- Visada naudokite veleno angų geležtes tinkamo dydžio ir formos. Geležtės, nepritaikytos pagal pjūklo montavimo detales, sukis ekscentriškai, dėl to pjūklo nesuvaldysite.
- Nenaudokite didesnio ar mažesnio skersmens geležčių nei rekomenduojama. Nenaudokite jokių tarpiklių, norėdami geležtę pritaikyti taip, kad ji atitiktų sąs.
- Prieš naudodami patikrinkite pjūklo geležtės ašmenis, ar jos nėra pažeistos ir ar nėra pasikeitusi jų išvaizda. Ašmenų galai, kurie yra pažeisti arba atspalaidavę, naudojant gali būti išsviesti ir padaryti sužalojimų.
- Nenaudokite įskilusių ar deformuotų geležčių. Nenaudokite pažeistų ar įtrūkusių pjūklo geležčių.
- Jei pjūklo geležtė yra pažeista, deformuota, persikreipusi ar įtrūkusi, ją atiduokite į atliekas; remontuoti jos negalima.
- Nenaudokite didelio greičio plieno (HSS) geležčių.
- Įsitikinkite, ar diskas yra tinkamai sumontuotas, ir prieš naudojimą tvirtai užveržkite veleno varžlę (veržimo sukimo momentas t. b. maždaug 8–10 Nm).
- Tvirtinimo varžtus ir varžles privaloma užveržti tinkamu varžliarakčiu ir pan.
- Neleidžiama naudoti varžliarakčio ilgutuvų arba priveržti smūgiuojant plaktuku.
- Užtikrinkite, kad visos geležtės ir jungės būtų švarios ir movos pusės su grioveliais būtų nustatytos prie disko.
- Užtikrinkite, kad geležtė sukisusi teisinga kryptimi.
- Prieš pradėdami darbą, atlikite tuščiaiegių pjūvį esant išjungtam varikliui, kad patikrintumėte geležtės padėtį bei tai, kaip veikia apsauginiai įrenginiai kitų staklių dalių bei ruošinio atžvilgiu.
- Niekada nepalikite gaminio be priežiūros.
- Geležtei sukantis jos netepkite alyva.
- Niekada neatlikite jokių valymo ar techninės priežiūros darbų, kai įrenginys yra įjungtas ir veikiantis bei diskas sukasi.
- Veikiančio įrenginio niekada nebandykite sustabdyti staiga prie disko užkišdami kokį įrankį ar kitą daiktą, nes tokiu būdu netyčia galite sukelti nelaimingą atsitikimą.
- Prieš keisdami diskus arba atlikdami techninės priežiūros darbus, atjunkite gaminį nuo maitinimo tinklo arba išimkite akumuliatoriaus bloką.

MEDŽIO PJOVIMO MENTĖS SAUGOS INSTRUKCIJOS

- Prieš naudodamiesi šiuo pjovimo disku ir įrenginiu, atidžiai perskaitykite šią instrukciją.

- Atkreipkite dėmesį į geležtės pakuotę ir būkite atsargūs ją išpakuodami, aštriais ašmenų antgaliais ją lengva sužeisti.
- Pjūklo geležtę laikykite tik naudodamiesi laikikliu arba mūvėdami apsaugines pirštines.
- Geležtę laikykite ir saugokite originalioje pakuotėje arba kitoje tinkamoje pakuotėje, sausomis sąlygomis ir toliau nuo cheminių medžiagų, kurios gali pažeisti geležtę.

PAPILDOMI SAUGOS PERSPĖJIMAI

- Ruošinį būtina saugiai ir tvirtai suveržti.
- Įsitinkinkite, kad įrenginys visada būtų stabilus ir saugus (pvz., pritvirtintas prie stendo).
- Visada dėvėkite ausų apsaugos priemones. Jei ausų neapsaugosite, galite prarasti klausą.
- Naudodamiesi šiuo gaminiumi, visada dėvėkite apsauginius darbo akinius. Liečiant geležtes ir žaliavas, patartina mūvėti pirštines, taip pat patartina avėti tvirtus neslidžius batus, kad kojos būtų apsaugotos nuo ruošinių, kurie gali nukristi nuo darbatalio.
- Prieš atlikdami techninės priežiūros darbus arba valydami gaminį, atjunkite jį nuo maitinimo tinklo arba išimkite akumulatoriaus bloką.
- Akumulatoriaus bloką galima įdėti tik tada, kai gaminys yra išjungtas.
- Jokiu būdu negalima kišti rankų arti geležčių, jei jos nors kiek juda.
- Prieš naudojimą kruopščiai patikrinkite gaminį ir akumulatoriaus bloką, ar nėra pažeidimų ar medžiagos nuovargio požymių. Viso gaminio remontą leidžiama atlikti tik įgaliotajame techninės priežiūros centre.
- Visada naudokite ant gaminio esančius apsauginius gaubtus. Nesinaudokite gaminiumi, jei apsauginiai gaubtai nesumontuoti arba jie tinkamai neveikia.
- Apatinis apsauginis disko gaubtas turi atsidaryti tik tada, kai diskas yra nuleidžiamas ant ruošinio, ir jis visada privalo laisvai judėti bei automatiškai užsidaryti.
- Dirbdami visada užfiksukite ir naudokite ruošiniui atremti skirtus ilginimo strypus.
- Niekada nekeiskite ir nemonifikuokite gaminio ar jo funkcijos. Gali kilti pavojus jūsų saugai.
- Negalima naudoti sutrūkinėjusių, pažeistų ar deformuotų pjūklo geležčių.
- Nenaudokite pjūklo geležčių, pagamintų iš didelio greičio plieno.
- Reikia naudoti tik aštrias geležtes. Pakeiskite bukas geležtes.
- Visada naudokite veleno angų geležtes tinkamo dydžio ir formos. Geležtės, nepritaikytos pagal pjūklo montavimo detales, suksis ekscentriškai, dėl to pjūklas nesuvaldysite.
- Naudokite tik šioje instrukcijoje nurodytus medienos pjovimo diskus, kurie atitinka standartą EN 847-1.
- Pjūklo geležtės negalima tvirtinti jungėmis, poveržlėmis ir veržlėmis, kurių nėra įrankio komplekte arba kurios nenurodytos instrukcijų vadove.
- Būtina pasirinkti pjūklo geležtę, kuri yra tinkama pjaunamai medžiagai. Niekada nenaudokite gaminio kitoms medžiagoms pjauti, išskyrus tas, kurios yra nurodytos šioje naudojimo instrukcijoje.
- Vykdamt plastiką pjovimo darbus, svarbu, kad diskas neperkaistų ir plastikas neišsilydytų.
- Naudokite tik tuos pjovimo diskus, ant kurių nurodytas maksimalus sukimosi greitis prilygsta arba viršija ant įrankio nurodytą sukimosi greitį.
- Pakeiskite susidėvėjusį ar pažeistą stalo įdėklą.
- Prieš atlikdami darbą, pasitreniruokite pjauti NEJUNGDAMI variklio, kad geležtės padėtis, apsaugų veikimas kitų mašinos dalių ir ruošinio atžvilgiu būtų patikrintas.
- Kai pjausite nuožambiu kampu, įstrižai arba atliksite sudėtinis nuožambaus kampo pjūvius, slankujų nuožambių kampų kreiptuvą įtaisykite taip, kad liktų tinkamas tarpas.
- Stenkitės nekontroliuojamai neatleisti pjūklo, kai jis yra visiškai nuleistas.
- Gaminį transportuojant, rankena visada privalo būti užfiksuota.
- Grindų plotą laikykite švarų, be palaidų medžiagų, pvz., drožlių ir nuopjovų.
- Nebandykite pašalinti jokių nuopjovų ar kitų ruošinio dalių iš pjovimo vietos, kol įrenginys veikia, o pjovimo galvutė nėra neveikimo padėtyje.
- Ilgus ruošinius būtina atitinkamai paremti. Pjūklo darbo sritis apima visą ruošinį. Operatorius turi apsaugoti šią sritį, kad prie jos atsitiktinai neprisiliestų pašaliniai asmenys ar daiktai, kurie gali pajudinti pjaunamą ruošinį.
- Dulksės, kylančios naudojant šį įrenginį, gali kelti pavojų sveikatai. Naudokite dulkių siurbimo sistemą ir dėvėkite tinkamą apsaugos nuo dulkių kaukę. Dulkių siurbliu išvalykite visas susikaupusias dulkes.
- Norint padaryti įstrižąjį arba sudėtinį pjūvį, kad prireikti sureguliuoti slankujų kreiptuvą, kad būtų užtikrintas tinkamas tarpas. Sureguliuavę, būtina tvirtai užverkite slankiojo kreiptuvo fiksavimo varžtą.
- Spaustuvus galima sumontuoti ir naudoti bet kurioje disko pusėje. Atliekant tam tikrus darbus, spaustuvai gali trukdyti judėti disko apsauginiam gaubtui. Prieš pradėdami bet kokius pjovimo darbus, visada įsitinkinkite, ar spaustuvai netrukdo disko apsauginiam gaubtui, kad sumažėtų pavojus susižaloti.
- Įrankio darbo aplinkos temperatūra yra nuo 0°C iki 40°C.
- Įrankio saugojimo aplinkos temperatūra yra nuo 0°C iki 40°C.
- Rekomenduojama įkrovimo sistemų darbo aplinkos temperatūra yra nuo 10°C iki 38°C.

PAPILDOMI AKUMULATORIAUS SAUGOS ĮSPĖJIMAI

- Siekdami išvengti trumpojo jungimo sukiamą gaisro pavojaus, sužalojimų arba produkto pažeidimų, neikiškite įrankio, keičiamo akumulatoriaus arba įkroviklio į skysčius ir pasirūpinkite, kad į prietaisus arba akumulatorius nepatektų jokių skysčių. Koroziją sukeliantys arba laidūs skysčiai, pvz., sūrus vanduo, tam tikri chemikalai ir balikliai arba produktai, kurių sudėtyje yra baliklių, gali sukelti trumpąjį jungimą.
- Akumulatoriaus darbo aplinkos temperatūra yra nuo 0°C iki 40°C.
- Baterijos sandėliavimo aplinkos temperatūros diapazonas nuo 0°C iki 20°C.

LIČIO BATERIJŲ GABENIMAS

Gabenkite bateriją pagal įmonės ir valstybinius reikalavimus ir taisykles.

Gabendama baterijas, trečioji šalis privalo vadovautis ant pakuočės ar etikečių nurodytais specialiaisiais reikalavimais. Pasirūpinkite, kad gabenant baterijas nesusilietų su kitomis baterijomis ar laidžiomis medžiagomis: ant jungiamųjų elementų uždėkite izoliuojančius, nelaidžius apsauginius dangtelius arba šiuos elementus apvyniokite juosta. Negabenkite įtrūkusių ar pratekančių baterijų. Išsamesnio patarimo kreipkitės į gabentojo įmonę.

ŠALUTINIS PAVOJUS

Net naudojant gaminį griežtai pagal paskirtį neįmanoma visiškai atmesti kai kurių likusių rizikos veiksnių. Naudojant gali kilti toliau nurodyti pavojai ir naudotojas turi būti ypačingai atsargus, kad išvengtų šių pavojų:

- Kad išvengtumėte stroboskopinių efektų ir pavojų, parūpinkite tinkamą bendrą ar vietinį apšvietimą.
- Ruošinių arba jų dalių atatranka dėl netinkamo reguliavimo ar tvarkymo
- Sviedžiamos karbido dalelės nuo pjovimo disko.
- Žala kvėpavimo sistemai.

PASTABA: Dėvėkite kvėpavimo sistemos apsaugines kaukes su atitinkamais filtrais, nepraleidžiančiais nuo pjaunamų medžiagų atskiriančių dalelių Darbo vieta turi būti tinkamai vėdinama. Darbo vietoje negalima valgyti, gerti ar rūkyti.

- Jei nedėvima tinkama ausų apsauga – pakenkimas klausai.

⚠️ ĮSPĖJIMAS! Tam tikrų dažų, gruntų ir medžiagų dulksės gali dirginti ar sukelti alergines kvėpavimo sistemos reakcijas. Ažuolo, beržo, medienos plaušų plokščių ir kitos dulksės kancerogeninės. Medžiagas, kurių sudėtyje yra asbesto, gali pjauti ar apdirbti tik kvalifikuoti specialistai.

⚠️ ĮSPĖJIMAS! Ilgiau naudojant įrankį, galima susižaloti arba pakenkti sveikatai. Ilgiau naudojant įrankius, reikia reguliariai daryti pertraukas.

GERAI IŠMANYKITE APIE GAMINĮ

Žiūrėti 198 psl.

1. Rankena, izoliuotu paviršiumi
2. Power switch
3. Jungiklio atlaisvinimo svirtis
4. Šviesos diodų jungiklis
5. Apatinis apsauginis gaubtas
6. Pagrindinis aptvėrimas
7. Šoninė rankena įrenginiui nešti
8. Slankusis aptvėrimas
9. Diskas
10. Plokštė su įpjova
11. Nuožambio fiksavimo rankenėlė
12. Nuožambio fiksavimo atlaisvinimo svirtis
13. Atraminė kojėlė
14. Baterijos paketas
15. Viršutinė rankena įrenginiui nešti
16. Linijinio strypo stabdiklio galvelė
17. Veržtuvas (gnybtas)
18. Kampinis kampo žymeklis
19. Montavimo anga
20. Pagrindinės pertvaros užfiksavimo varžtai
21. Pjovimo gylio reguliavimo varžtas
22. Nuožulnaus kampo žymeklis
23. Varžtai, skirti 45° nuožulnaus kampo ribotuvo reguliavimui
24. Kampinio kampo fiksavimo galvelė
25. Pjūklo galvutės fiksavimo kaištis
26. Dulkių maišelis

27. Šešiakampis veržliaraktis
28. Varžtai, skirti 0° nuožulnaus kampo ribotuvo reguliavimui
29. Slankiojo krepo tuvo fiksavimo varžtas
30. Ašies užrakinimo mygtukas
31. Disko jungė
32. Pjūklo geležtė

VEIKIMAS

Gaminyje įtaisyta judanti pjūklo geležtė, kurią operatorius, įjaudamas prie gaminio pagrindo gerai pritvirtintą ruošinį, gali nustatyti įvairiais kampais. Juo dirbti turi tik vienas žmogus, kad niekas netyčia neprisilietų prie judančios pjūklo geležtės.

Saugaus šio gaminio naudojimo principai yra tokie:

- Pjūklas, geležtės ir darbo vieta visada turi būti geros būklės.
- Nuožambaus pjūklo pagrindas tvirtinamas prie tvirto darbatalio. Netinkamai pritvirtintas gaminys gali pajudėti ir apvirtti.
- Prieš pradėdami pjauti, nustatykite ir užfiksokite pjovimo kampus ir gylį.
- Pritvirtinkite ruošinį prie nuožambaus pjūklo pagrindo. Naudokite komplekte pridėtą veržtuvą (gnybtą) ir, jei reikia, papildomus veržtuvus (gnybtus) ar laikiklius, kad pjaunant ruošinys netyčia nepajudėtų.
 - Patikrinkite, ar ruošinio padėtis netrukdo geležtės apsauginių įtaisų veikimui.
 - Reikia pasirūpinti, kad geležtei nusileidžiant į pjovimo padėtį, ji neįpjautų aptvėrimo ir kitų gaminio dalių.
- Paleiskite variklį ir leiskite geležtei išvystyti maksimalų greitį; tik tada lėtai ją leiskite žemyn, kad pjautų ruošinį.
- Geležtės sistema turi pakilti į viršutinę padėtį geležtės apsauginiams įtaisams esant visiškai uždarytiems. Prieš nuimant ruošinį ar nuopjovas, arba ištiesiant rankas prie geležtės, reikia išjungti variklį ir palaukti, kol geležtė visiškai sustos.

Prieš gaminį naudojant pirmą kartą, reikia patikrinti, ar gaminio kampainio arba nuožambio sistemos kampas atitinka kampa, kuriuo ketinama pjauti ruošinį. Patikrinkite tai naudodami brokuotą medienos atraižą staliaus įrankiais arba nuožambio kampainiu.

Pjūklo geležtės nuėmimas

1. Dirbdami su pjūklo geležte mėvėkite pirštines.
2. Išjunkite maitinimą ir išimkite akumulatoriaus bloką.
3. Atsukite, bet nenuimkite varžto nuo geležtės varžto dangtelio. Pakelkite geležtės varžto dangtelį.
4. Atverskite atgal automatiškai užsidarantį apsauginį įtaisą ir laikykite jį.
5. Paspauskite ašies fiksavimo mygtuką ir kartu atsukite geležtės varžtą pridėtą šešiakampiu veržliarakčiu. Nuimkite išorinę jungę.
6. Nuimkite pjūklo geležtę.

Pjūklo geležtės įdėjimas:

Jei reikia, prieš montuodami valykite visas dalis.

Atlikę veiksmus, aprašytus dalyje „Pjūklo geležtės išėmimas“.

1. Dirbdami su pjūklo geležte mėvėkite pirštines.
2. Patikrinkite, ar gaminys atjungtas nuo maitinimo tinklo, o akumulatoriaus blokas išimtas.
3. Atverskite atgal automatiškai užsidarantį apsauginį įtaisą ir laikykite jį.



4. Įdėkite naują pjūklo geležtę. Patikrinkite, ar geležtės sukimosi kryptis atitinka rodyklę ant geležtės apsauginio įtaiso.
5. Uždėkite jungę ir įstatykite geležtės varžtą.
6. Spauskite ašies fiksavimo mygtuką, kol užsifiksuos, priveržkite peilio varžtą.
7. Nuleiskite automatiškai užsidarantį apsauginį įtaisą.
8. Nuleiskite geležtės varžto dangtelį ir priveržkite varžtą.

⚠️ ĮSPĖJIMAS! Įsitikinkite, kad geležtės varžto dangtelis nuleidžiamas į pradinę padėtį, o varžtas yra priveržtas.

Įstrižojo pjūvio kampo reguliavimas:

Įstrižojo pjūvio kampa galima nustatyti nuo 45 laipsnių kairėje pusėje iki 45 laipsnių dešinėje pusėje.

1. Atlaisvinkite nuožambio fiksavimo rankenėlę.
2. Paspauskite nuožambio fiksavimo atlaisvinimo svirtį. Suėmę už nuožambio fiksavimo rankenėlės, pasukite pjūklo pagrindą norimu nuožambiu kampu.
3. Vėl priveržkite nuožambio fiksavimo rankenėlę.

Nuožulnaus pjūvio kampo reguliavimas:

Nuožulnaus pjūvio kampa galima nustatyti nuo 0 laipsnių iki 45 laipsnių.

1. Atlaisvinkite nuožulnaus pjūvio fiksavimo rankenėlę.
2. Ranka pakreipkite įrankio svirtelę į norimo nuožulnaus pjūvio kampo padėtį.
3. Laikydami įrankio svirtelę šioje padėtyje priveržkite nuožulnaus pjūvio fiksavimo rankenėlę.

⚠️ ĮSPĖJIMAS! Gamintojas primygtinai rekomenduoja tvirtai tvirtinti gaminį prie darbastalio paviršiaus.

Įrenginio pagrindą tvirtai priveržus prie darbastalio keturiomis veržlėmis, varžtais ir poveržlėmis, kaip nurodyta, įrenginį galima drąsiai naudoti pasirenkant maksimalias įstrižųjų ir nuožambiųjų kampų nuostatas, nesibaiminant, kad įrenginys apvirus. Jeigu gaminys negerai pritvirtintas, nustačius didelius kampainio kampus, jis gali netekti pusiausvyros ir apvirsti.

PRIEŽIŪRA

- Gaminio negalima modifikuoti arba naudoti gamintojo nepatvirtintus priedus. Gali kilti pavojus jūsų bei kitų asmenų saugai.
- Gaminio negalima naudoti, jeigu netinkamai veikia jungikliai, apsauginiai įtaisai ar kitos dalys. Nugabenkite į įgaliotą techninio aptarnavimo centrą, kad sutaisytų ar sureguliuotų specialistai.
- Negalima atlikti jokių reguliavimo veiksmų, kol pjūklo geležtė juda.
- Prieš atlikdami reguliavimo, tepimo arba gaminio techninės priežiūros darbus, visada įsitinkite, ar akumulatoriaus blokas yra išimtas iš gaminio.
- Kiekvieną kartą prieš gaminį naudojant ir jį panaudojus reikia patikrinti, ar nėra pažeistų ar sugedusių dalių. Turi būti palaikoma geriausia gaminio darbo būklė; netinkamas dalis reikia nedelsiant pakeisti gamintojo patvirtintomis atsarginėmis dalimis.
- Peilis turi aštrias briaunas, be to, po pjūvio jis gali būti įkaitęs. Būkite itin atsargūs, valydami neapsaugotą peilį. Dėvėkite pirštines, kad apsisaugotumėte nuo susižalojimo.
- Reguliariai valykite dulkes nuo pjūklo ir jo priedų, ypač nuo judamųjų dalių, įskaitant disko apsauginį gaubtą. Dulkes efektyviai pašalinti naudokite rankinį šepetį arba dulkių siurbį. Nenaudokite suslėgto oro.

- Siekiant didesnio saugumo ir patikimumo, visus remonto darbus, įskaitant šepetčių keitimą, turėtų atlikti įgaliotasis techninės priežiūros centras.

⚠️ ĮSPĖJIMAS! Nebandykite ardyti disko apsauginio gaubto bloko, norėdami jį išvalyti arba suremontuoti. Negalima naudoti pažeistų apsauginių gaubtų. Gražinkite į įgaliotąjį techninės priežiūros centrą, kad jis būtų suremontuotas arba pakeistas nauju.

Nuožambiųjų ir įstrižųjų kampų nustatymas

Jei reikia nustatyti nuožambujį ir įstrižąjį kampa, žr. 213–217 puslapius ir vadovaukitės nurodymais, kaip nustatyti.

GABENIMAS IR LAIKYMAS

- Jei gaminio nenaudosite, išimkite iš jo akumulatoriaus bloką. Laikykite gaminį saugioje, vaikams nepasiekiamoje vietoje.
- Prieš padedant laikyti, gaminį reikia išvalyti šepetiu arba dulkių siurbliu.
- Nuimant pjūklo geležtę arba laikant atsargines dalis įrenginyje, siekiant išvengti sužeidimų, reikia pasirūpinti, kad šios dalys būtų originalioje pakuotėje.

Norint pritvirtinti gaminį prieš pajudant:

- Gaminį reikia laikyti nuožambį ir kampainį nustačius nulinio lygio kampu ir užspaudus stabdiklius. Rankeną reikia užfiksuoti apatinėje (saugioje) padėtyje apsauginiams įtaisams esant uždarytiems.

Perkeliant ar gabenant transporto priemone:

- Vadovaudamiesi vadove pateiktomis instrukcijomis, pritvirtinkite gaminį prieš jį paleisdami.
- gaminį reikia nuimti nuo darbastalio, kampuose atsukant 4 varžtus. Išsaugokite varžtus, kad galėtumėte juos panaudoti ateityje. Įrenginį neškite dviem rankomis paimdami už viršutinės rankenos arba šoninių rankenų.
- Gabenant transporto priemonėje, gaminį reikia padėti ant pagrindo ir pritvirtinti, kad nejudėtų.

SIMBOLIAI ANT ĮRENGINIO



Saugos perspėjimas



Europos atitikties ženklas



Didžiosios Britanijos atitikties ženklas



Ukrainos atitikties ženklas



„EurAsian“ atitikties ženklas



Atidžiai perskaitykite instrukcijas prieš pradėdami naudoti mechanizmą.



Dėvėkite klausos apsaugos priemones





Visada dėvėkite akių apsaugos priemones.



Laikykite rankas atokiai nuo pjovimo srities ir aštrių peilių.



Nenaudoti lyjant ar drėgnose vietose.



Mūvėkite apsaugines pirštines



Disko sukimosi kryptis (nurodyta ant pjovimo disko)



Geležtės sukimosi kryptis (parodyta ant geležtės apsauginio įtaiso)



Disko pjovimo plotis (prapjova)



Šio pjovimo disko dantukų skaičius



Pjovimo talpa



Medienai ir analogiškomis medžiagoms pjauti



Neskirtas metalams pjauti



Sureguliuokite slankiojo kreiptuvo padėtį prieš darydami įstrižuosius arba sudėtinius pjūvius.



Geležtės varžto atlaisvinimo kryptis



Neišmeskite senų akumuliatorių, elektros ir elektroninės įrangos atliekų kartu su nerūšiuotomis komunalinėmis atliekomis. Seni akumuliatoriai, elektros ir elektroninės įrangos atliekas privaloma surinkti atskirai. Senos baterijos, akumuliatoriai ir šviesos šaltinių atliekos turi būti pašalinti iš įrangos. Kur rasti surinkimo ir perdirbimo punktą ir kaip tinkamai užliuzuoti seną įrenginį, kreipkitės į vietos valdžios įstaigą ar pardavėją. Atsižvelgiant į vietos teisės aktus, mažmenininkai gali būti įpareigoti nemokamai priimti atgal senus akumuliatorius ir elektros bei elektroninės įrangos atliekas. Prisidėdami prie pakartotinio senų akumuliatorių ir elektros bei elektroninės įrangos atliekų panaudojimo ir perdirbimo padedate mažinti žaliavų poreikį. Senuose akumuliatoriuose, ypač tuose, kuriuose yra ličio, elektros ir elektroninės įrangos atliekose yra vertingų ir perdirbimui tinkamų medžiagų, kurios gali turėti neigiamą poveikį aplinkai ir žmonių sveikatai, jei nėra šalinamos aplinkai nekenksmingu būdu. Ištrinkite senuose prietaisuose esančius asmens duomenis, jei tokių buvo.

SIMBOLIAI VADOVE



Bloķėtājs



Atrakinti



Laukimo, kol peilis pasieks maksimalų greitį arba visiškai sustos, trukmė.



Detalės arba priedai yra parduodami atskirai



Pastaba



Įspėjimas

Nurgalõikesae konstrueerimisel on peaeesmärgiks olnud toote ohutus, tootlikkus ja töökindlus.

OTSTARBEKOHANE KASUTAMINE

Pendelsaag sobib täispuidu ja puidusarnaste materjalide (liimitud spooni või plastiga või ilma) saagimiseks.

Nurgasaagi tohivad kasutada ainult täiskasvanud isikud, kes on lugenud läbi kasutusjuhendi ning mõistavad sae kasutamiseiga seotud riske ja ohte.

Nurgasaag tuleb kinnitada alusega tugevale pingile või töölauale. Kui alus ei ole kindlalt fikseeritud, võib masin lõikamise ajal liikuma hakata ja põhjustada sellega raske kehavigastuse.

Nurgasaag sobib kald- ja eerunglõigete tegemiseks. Erinevate lõigete andmed on toodud kasutusjuhendis toote tehniliste andmete all.

Nurgasaagi tohib kasutada kuivas, hästi valgustatud ja piisava ventilatsiooniga töökohas.

Nurgasaag on mõeldud tavatarbijatele ja seda tohib kasutada üksnes ülal kirjeldatud viisil ja mitte ühelgi muul eesmärgil.

ÜLDISED OHUTUSREEGLID

⚠ HOIATUS! Lugege läbi kõik mehaanilise tööriista kohta esitatud ohuhoiatused ning tutvuge tööriista jooniste ja tehniliste andmetega. Allpool esitatud hoiatuste ja juhiste eiramise puhul on oht saada elektrilööki või raskeid kehavigastusi ning/või tekitada tulekahju.

Hoidke kõik hoiatused ja juhised edaspidiseks juhindumiseks alles. Hoiatuses kasutatav termin "mootortööriist" viitab võrgutoitega (juhtmega) tööriistale või akuga (juhtmata) tööriistale.

TÖÖKOHA OHUTUS

- Hoidke töökoht puhas ja hästi valgustatud. Korrastamata ja pimedas kohas töötamisel võivad juhtuda õnnetused.
- Ärge kasutage suruohutööriistu plahvatusohtlikes keskkondades, näiteks kergesti süttivate vedelike ja gaaside läheduses ega tolmuses kohas. Elektritööriistad tekitavad sädemeid, mis võivad tolmu või auru süüdata.
- Elektritööriistaga töötamisel hoidke lapsed ja kõrvalised isikud eemal. Tähelepanu hajumise korral võib teil kontroll kaduda.

ELEKTRIOHUTUS

- Elektritööriistade pistikud peavad pistikupesast sobima. Ärge püüdke pistiku konstruktsiooni mingil moel muuta. Ärge ühendage maanduskontaktiga (kordusmaandusega) elektritööriistu elektrivõrku läbi vahepistikute. Pistiku ja pistikupesast konstruktsiooni muutmise korral tekib elektrilöögi oht.
- Töötamisel hoiduge kehalisest kontaktist maandatud pindadega, näiteks torude, radiaatorite, elektripliitide ja külmikutega. Kehasade maandamisel suureneb elektrilöögi saamise oht.
- Ärge jätke tööriistu vihma kätte ega niiskesse kohta. Vee sattumisel elektrilisele tööriista sisemusse suureneb elektrilöögi saamise oht.
- Ärge kasutage toitejuhet nõuetvastasel. Ärge kasutage toitejuhet tööriista kandmiseks, vedamiseks või pistikupesast väljatõmbamiseks. Hoidke toitejuhte eemale kütkehadest, õlist,

teravatest servadest ja liukivatest osadest. Vigastatud või keerduv toitekaablid suurendavad elektrilöögi ohtu.

- Väljas töötamisel kasutage välistingimustes kasutamiseks sobivaid pikendusjuhtmeid. Välistingimustele sobiva pikendusjuhtme kasutamine vähendab elektrilöögi ohtu.
- Kui elektritööriista kasutamine niisketes oludes on vältimatu, siis kasutage rikkevoolu-kaitselülitiga (RCD) kaitsud vooluvõrku. RCD kasutamine vähendab elektrilöögi ohtu.

ISIKUKAITSE

- Olge tähelepanelik, vaadake, mida te teete ja kasutage elektritööriista kasutamisel tervet mõistust. Ärge kasutage elektritööriista, kui olete väsinud või narkootikumide, alkoholi või ravimite mõju all. Hetkeline tähelepanu hajumine tööriista kasutamise ajal võib põhjustada raske kehavigastuse.
- Kasutage isikukaitsevahendeid. Kandke alati silmakaitsevahendeid. Oludele vastavad kaitsevahendid, nagu tolumask, libisemist takistavad turvajalatsid, kiiver või kuulmiskaitsmed, vähendavad kehalisi vigastusi.
- Vältige tahtmatut käivitumist. Kontrollige, et lüliti on väljalülitatud asendis, enne kui ühendate toote vooluvõrguga ja/või akuga, võtate toote kätte või kannate seda. Kui elektrilisele tööriistale kandmise ajal on sorm lüliti või sisselülitatud seade lülitatakse elektrivõrku, võib juhtuda õnnetus.
- Enne tööriista sisselülitamist eemaldage sellelt reguleerivoti või mutrivoti. Elektritööriista külge jäetud reguleerivoti või mutrivoti võivad põhjustada raske kehavigastuse.
- Ärge küünitage end töötamisel liigselt välja. Hoidke end pidevalt jalgedel ja tasakaalus. Siis on teil ootamatu olukorra tekkimisel tööriista üle parem kontroll.
- Kandke tööks sobivat riietust. Ärge kandke lõtvu riideid ega ehteid. Hoidke juuksed ja riided liikuvatest osadest eemal. Lahtised riietusesemed, ehted ja pikad juuksed võivad haakuda liikuvate osade külge.
- Kui on olemas detailid tolmu väljatõmbe- ja kogumisvahenditega ühendamiseks, veenduge, et need on ühendatud ja neid kasutatakse õigesti. Tolmu kogumine vähendab tolmu saamise ohtu.
- Ärge muutuge hooletuks ega ignoreerige tööriista ohutusnõudeid, kui te seadet juba tunnete ja olete seda tihti kasutanud. Pidage meeles, muidosa sekundist piisab, et saada raske kehavigastus.

ELEKTRITÖÖRIISTA KASUTAMINE JA KORRASHOID

- Ärge kasutage tööriista jõudu. Kasutage oma rakendusala jaoks õiget elektritööriista. Õige elektriline tööriist teeb töö paremaks ja ohutumaks kiirusel, mille jaoks see oli mõeldud.
- Ärge kasutage elektritööriista, kui lüliti ei lülita seda sisse ja välja. Lülitiga lülitamatu tööriista kasutamine on ohtlik ja see tuleb lasta ära remontida.
- Enne tööriista reguleerimist, tarvikute vahetamist või tööriista hoiustamist ühendage pistik vooluallikast lahti ja/või eemaldage võimalusel tööriista aku. Need ennetavad ohutusmeetmed vähendavad toote ootamatu käivitumise riski.



- Hoidke kasutuses mitteolevaid elektritööriistu lastele kättesaamatus kohas ja ärge lubage elektritööriista mittetundvaid või kasutusjuhendiga mittetutvunud isikuid elektritööriista kasutada. Oskamatu kasutaja käes olev elektritööriist on ohtlik.
- Hooldage elektritööriistu ja tarvikuid. Kontrollige liikuvate osade nihkumist või kinnikiilumist, osade purunemist ja muid tingimusi, mis võivad elektritööriista tööd mõjutada. Kui mõni osa on vigastatud, siis laske seade enne kasutamist ära parandada. Paljud õnnetused on põhjustatud halvasti hooldatud elektritööriistadest.
- Hoidke lõiketerad teravad ja puhtad. Hästi hooldatud teravate lõikeservadega lõikeriistad kiiluvad kinni väiksema tõenäosusega ja neid on lihtsam juhtida.
- Kasutage elektrilist tööriista, tarvikuid, otsakuid jms kooskõlas nende juhistega ning võttes arvesse töötingimusi ja teostatavat tööd. Tööoperatsiooniks mitte ettenähtud elektritööriista kasutamine võib tekitada ohtliku olukorra.
- Hoidke käepidemed ja haardepinnad kuivad, puhtad ning õli- ja määrdevabad. Ootamatutes olukordades ei saa libedate käepidemete ja haardepindadega tööriista ohtult käsitseda ega kontrollida.

AKUGA TÖÖRIISTA KASUTAMINE JA HOOLDUS

- Laadimiseks kasutage ainult tootja poolt kindlaks määratud laadijat. Akule mittesobiva laadija kasutamine võib põhjustada tulekahju.
- Kasutage tööriista üksnes spetsiaalselt selleks ettenähtud akuga. Teiste akude kasutamine võib põhjustada vigastuste ja tulekahju ohtu.
- Sel ajal kui akupakett ei ole kasutusel, hoidke seda eemal metallesemetest nagu kirjaklambrid, mündid, võtmed, naelad, kruvid ja muudest väikestest metallobjektidest, mis võivad akulemmid lühistada. Akulemmide lühis võib põhjustada põletusi või tulekahju.
- Ebasobivates tingimustes võib vedelik akust välja tulla; vältige kontakti. Kui puutute kogemata vedelikuga kokku, loputage veega. Kui vedelik satub silma, pöörduge abi saamiseks arsti poole. Akuvedelik võib põhjustada nahaärritusi või põletusi.
- Ärge kasutage vigast või ümbertehtud akut ega tööriista. Vigased või ümbertehtud akud võivad toimida ettearvamatul, mille tagajärjeks on tulekahju, plahvatus või vigastuste oht.
- Ärge jätke akut või tööriista tule lähedale ega liiga kõrge temperatuuri kätte. Tuli või temperatuur üle 130°C võib põhjustada plahvatust.
- Järgige kõiki laadimisjuhiseid ning ärge laadige akut ega tööriista väljaspool juhistes määratletud temperatuurivahemikku. Vale laadimine või laadimine väljaspool määratletud temperatuurivahemikku võib akut rikkuda ja suurendada tulekahju ohtu.

HOOLDUS

- Laske oma elektrilist tööriista hooldada väljaõppinud teenindustöötajal. Remontimisel tohib kasutada ainult originaalvaruosi. See tagab hooldatud seadme elektriohutuse.
- Ärge kunagi remontige vigast akut. Vigast akut tohivad remontida vaid tootja või volitatud hooldustöötajad.

NURGASAAGIDE OHUTUSJUHISED

- Nurgasaed on mõeldud puidu või sarnase materjali lõikamiseks; saega ei tohi kasutada abrasiivlõikekettaid, et lõigata metallesemid (nt latid, vardad, naastud jt). Abrasiivtolm põhjustab liikuvate osade, nagu alumine kettakaitse, kinnikiilumise. Abrasiivlõikamisel tekivad sädemed põletavad alumist kaitset, soone sisemust ja teisi plastist osi.
- Juhul kui võimalik, kasutage tooriku kinnitamiseks pitskruvi. Toetades lõigatavat detaili käega, peab kätt hoidma vähemalt 100 mm kaugusel saeketta kummaltki poolt. Ärge lõigake saega liiga väikesi tükke, mida ei saa turvaliselt kinnitada ega käega hoida. Saekettale liiga lähedal olev käsi tekitab suurema riski saada vigastada kokkupuutest saekettaga.
- Lõigatav detail ei tohi liikuda ning peab olema kinnitatud või hoitud ni vastu suundlatti kui ka lauda. Ärge lükake detaili vastu saeketast ega teostage lõikamist detaili kinnitamata. Lahtised või liikuvad detailid võivad suure kiirusega lendu paiskuda ja põhjustada vigastusi.
- Lükake saag läbi töödeldava detaili. Ärge tõmmake saagi läbi töödeldava detaili. Lõikamiseks tõstke saepea üles ja tõmmake välja lõigatava detaili kohale ilma seda lõikamata, käivitage mootor, suruge saepea alla ja lükake saag läbi detaili. Tõmmetega lõigates võib saeketas lõigatava detaili peale tõusta ja kogu ketta konstruktsioon võib operaatori poole paiskuda.
- Ärge kunagi pange kätt saeketta ees ega taga üle soovitud lõikejoone. Väga ohtlik on hoida lõigatavat detaili ristis kätega, st hoida detaili saeketta paremal poolt vasaku käega ja vastupidi.
- Kui saeketas pöörleb, ärge pange oma käsi suundlatti taga saekettale lähemale kui 100 mm kummalgi pool, et eemaldada puidujätmeid või mingil muul põhjusel. Te ei pruugi näha, kui kaugel on pöörlev saeketas teie käest ning võite saada tõsiselt vigastada.
- Enne lõikamist kontrollige lõigatav detail üle. Kui lõigatav detail on kaarjas või kõver, kinnitage see väljapoole kaardus poolega vastu suundlatti. Alati veenduge, et mõnda lõikejoont ei oleks vahet lõigatava detaili, suunalati ja laua vahel. Kaardus detailid võivad keerduda või paigast nihkuda ning võivad lõikamise ajal pöörleva saeketta külge kinni jääda. Lõigatavas detailis ei tohi olla naelu ega vöörkehaseid.
- Sae kasutamise ajal tohib laual olla ainult lõigatav detail, mitte aga teised tööriistad, puidujätmed jne. Peenike prügi, lahtised puidutükid või muud esemed võivad pöörleva saekettaga kokku puutudes suure kiirusega eemale paiskuda.
- Lõigake detaile üksahaaval. Mitut kokkupandud detaili ei saa korralikult kinnitada ega toetada ning need võivad lõikamise ajal saeketta külge kinni jääda või paigast nihkuda.
- Enne sae kasutamist veenduge, et nurgasaag on paigaldatud või asub tasasel ja kindlal tööpinnal. Tasane ja kindel tööpind vähendab nurgasae ebastabiilseks muutumise riski.
- Planeeri oma tööd. Iga kord kald- või eerunglõike nurga muutmisel veenduge, et reguleeritav suundlatt toetab korralikult lõigatavat detaili ning ei takista saeketast ega kaitseüsteemi. Tehke saekettaga näiline lõige tööriista sisse lülitamata (asendisse „ON“)





ja laual olevate lõigatavate detailideta ning veenduge, et miski ei sega ja puudub oht lõigata suundlati.

- **Lauast laiemate või pikemate detailide toetamiseks kasutage laua pikendusi, saagimispukki jne.** Nurgasae lauast pikemad või laiemad lõigatavad detailid võivad kalduda, kui need ei ole turvaliselt toetatud. Mahalõigatud tükk või töödeldav detail võib kaldudes alumise kettakaitse üles tõsta või pöörleva saeketta alt eemale paiskuda.
- **Ärge kasutage teist inimest laua pikenduse ega lisatoetuse asemel.** Kui lõigatav detail ei ole piisavalt toetatud, võib lõikamise ajal saeketas kinni kiiluda või detail paigast nihkuda ning tõmmata teid ja abiliist pöörleva ketta vastu.
- **Mahalõigatud osa ei tohi mingil tingimusel suruda vastu pöörlevat saekettast.** Piiratud tingimustes, st kasutades pikkuse piirajaid, võib mahalõigatud osa kalduda vastu saekettast ja suure hooga eemale paiskuda.
- **Ümarate materjalide (nt vardad või torud) korralikult toetamiseks kasutage selleks mõeldud kinnitit või klambrit.** Torud kipuvad lõikamise ajal veerema, mis paneb sae nõ „hammustama“ ja tõmbab detaili koos teie käega vastu saekettast.
- **Enne lõigatava detailiga kokkupuutumist laske saekettal saavutada täiskiiirus.** See vähendab detaili lendumise ohtu.
- **Kui saetav detail või saeketas kiilub kinni, lülitage saag välja, keerates lüliti asendisse “OFF”. Oodake kuni kõik liikuvad osad peatuvad ning ühendage pistik vooluallikast lahti ja/või eemaldage aku.** Seejärel eemaldage kinnijäänud materjal. Kinnijäänud detailiga saagimist jätkates võib see põhjustada kontrolli kadumist tööriista üle või tekitab nurgasaele kahjustusi.
- **Pärast lõikamise teostamist vabastage lüliti, hoidke saepea all ja oodake, kuni saeketas peatub, enne kui eemaldate mahalõigatud tüki.** Ohtlik on hoida käsi vabakäigul liikuva lõiketera lähedal.
- **Hoidke käepidemest kindlalt kinni, kui teostate osalist lõikamist või vabastate lüliti, enne kui saepea on täiesti alumises asendis.** Sae katkestatud tegevus võib saepea äkiliselt alla tõmmata ja põhjustada vigastuste ohtu.

SAEKETTA OHUTUSESKIRJAD

- Enne saeketta ja masina kasutamist lugege kasutusjuhend ja selles olevad juhised korralikult läbi.
- Toode peab olema heas seisukorras, deformatsiooni ja vibratsioonita.
- Ärge kasutage toodet, mille kaitseid ei ole omal kohal. Hoidke kaitseid töökorras ja nõuetekohaselt hooldatud olekus.
- Veenduge, et kasutaja on saanud piisava väljaõppe ettevaatusabinõude, toote reguleerimise ja talitluse osas.
- Toodet kasutades kandke alati kaitseprille ja kõrvakaitsmeid. Soovitatakse kanda kaitsekindaid, tugevaid mittelibisevaid jalanõusid ja kaitsepõlle.
- Enne üksikõik millise tarviku kasutamist tutvuge kasutusjuhendi vastavate nõuetega. Tarviku väärkasutamine võib põhjustada kahju ja suurendada võimalike vigastuste ohtu.
- Kasutage ainult kasutusjuhendis ettenähtud saekettaid, mis vastavad standardile EN 847-1.

- Pidage kinni saekettale märgitud maksimaalkiirusest. Veenduge, et saekettal märgitud pöörlemiskiirus on sael märgitud pöörlemiskiirusega vähemalt võrdne.
- Kasutage ainult õiget mõõtu ja õige völliavaga saekettast. Sae kinnitustetailidega mittesobivad saekettad pöörlevad ekstsentriliselt ja põhjustavad sellega kontrolli kadumist sae üle.
- Ärge kasutage saekettaid, mille läbimõõt on suurem või väiksem kui soovitatud. Ärge kasutage saeketta sobitamiseks mingeid vaheseibe.
- Kontrollige enne iga kasutuskorda, et saeketta hambad ei oleks kahjustatud ega ebatavalise välimusega. Kahjustatud või lahtised hambatipud võivad tööriista kasutamise ajal lenduda ja suurendada vigastuste ohtu.
- Ärge kasutage pragunenud ega auklikku saekettast. Ärge kasutage saekettaid, mis on vigastatud või deformeerunud.
- Visake kahjustatud, deformeerunud, kõver või mõranenud saeketas ära; selle parandamine on keelatud.
- Ärge kasutage kiir lõiketerasest saekettaid.
- Veenduge, et saeketas on paigaldatud õigesti ja enne kasutamist pingutage völli mutrit tugevalt (pingutusmoment u 8-10 Nm).
- Kinnituskruvide ja -mutrite pingutamisel kasutage sobivat mutrivõtiti jne.
- Keelatud on kasutada mutrivõtme pikendust või lüüa haamriga.
- Veenduge, et saekettaid ja äärikud on puhtad ja ääriku tugipinnad on vastu saeketta pinda.
- Kontrollige, kas saetera pöörlemissuund on õige.
- Enne töö alustamist tehke lõiget imiteeriv liigutus mootorit käivitamata, et kontrollida lõikeketta asendit ja kaitsekatte liikumist teiste masinaosade ning tooriku suhtes.
- Ärge kunagi jätke toodet järelevalveta.
- Ärge kandke töötamise ajal saekettale määrdeaineid.
- Ärge hakake tegema mingeid puhastus- või hooldustööd seni, kui masin pöörleb ja saepea ei ole liikumatus olekus.
- Ärge kunagi püüdke masina pöörlemist järsult peatada saeketta tõkestamisega või muul viisil, sest see võib põhjustada raske õnnetuse.
- Enne saeterade vahetust või hooldustööd lülitage tööriist võrgutoitest välja või eemaldage aku.
- Pöörake tähelepanu lõiketerade pakkimisele ja lahtipakkimisele, teravate lõiketerade otste tõttu on lihtne vigastusi saada.
- Kui te käsitselt saekettast, kasutage kettahoidikut või kindaid.
- Hoidke ja hoiustage lõiketera originaalpakendis või muus sobivas pakendis, hoidke kuivas ja eemal kemikaalidest, mis võivad lõiketera kahjustada.

TÄIENDAVALD OHUTUSJUHISED

- Suruge toorik alati ohutult ja kindlalt kinni.
- Veenduge, et toode on alati stabiilne ja turvaline (nt kinnitatud pingile).
- Kasutage kuulmiskaitsevahendeid. Tugev müra võib põhjustada kuulmiskaotuse.
- Toodet kasutades kandke alati kaitseprille. Saekettaste ja kareda materjali käsitemisel soovitatakse kanda





- kindaid ja mittelbiseva tallaga töökingi, mis kaitsevad jalgu löikepiirkonnast kukkuvate toorikute eest.
- Enne hooldustöid või toote puhastamist lülitage toode võrgutoitest välja või eemaldage aku.
 - Aku paigaldamise ajaks peab toote välja lülitama.
 - Ärge küünitage end sae töötamise ajal löikeketta lähedusse enne kui saeketas on lõplikult peatunud.
 - Enne kasutamist kontrollige toodet ja akut põhjalikult võimalike kahjustuste või materjali väsimuse suhtes. Toote remonditöid võib teostada vaid selleks volitatud teeninduses.
 - Alati kasutage tootega kaitsmeid. Ärge kasutage toodet, kui kaitsmed ei ole omal kohal ja ei tööta õigesti.
 - Alumine terakaitse peaks avanema ainult siis, kui saeketas langetatakse lõigatavale detailile, ja sellel peab olema alati võimalik vabalt liikuda ning automaatselt sulguda.
 - Töötamise ajal kinnitage pikendusvardad ja kasutage neid töödeldava detaili toetamiseks.
 - Ärge kunagi muutke toodet ega selle funktsioone. Teie turvalisus võib olla ohustatud.
 - Ärge kasutage saekettaid, mis on pragunenud, vigastatud või deformeerunud.
 - Ärge kasutage kiirlöiketerasest saekettaid.
 - Kasutage ainult teravaid löikekettaid. Asendage nürid löikekettad.
 - Kasutage ainult õiget mõõtu ja õige võlliavaga saeketat. Sae kinnitusdetailidega mittesobivad saekettad pöörlevad ekstsentriliselt ja põhjustavad sellega kontrolli kadumist sae üle.
 - Kasutage üksnes käesolevas kasutusjuhendis määratletud puidutöödeks mõeldud terasid, mis vastavad standardile EN 847-1.
 - Ärge kasutage saeketta kinnitamiseks muid äärikuid, seibe ja mutreid kui neid, mis on komplektis ja mainitud kasutusjuhendis.
 - Valida tuleb saeketas, mis sobib lõigatava materjali jaoks. Kasutage toodet vaid nende materjalide lõikamiseks, mis on määratletud käesoleva kasutusjuhendi toote sihipärase kasutuse osas.
 - Lõikamise ajal on tähtis vältida saetera ülekuumenemist ja plasti sulamist.
 - Tähtis on järgida saekettale märgitud maksimaalset kiirust; kasutage vaid sellist saeketat, mille kiirus on võrdne või suurem kui tööriistale märgitud kiirus.
 - Asendage töölaua piluplaat, kui see on kulunud või vigastatud.
 - Enne tööd tehke näidislõikamine, ilma et mootor oleks sisse lülitatud, et saaksite kontrollida löiketera asendit, kaitsmete tööd teiste masina osade suhtes ja töödeldavat detaili.
 - Eerung-, kald- või liitnurgalõikeid sooritades reguleerige juhtpiire või alumine piire nii, et vahe saekettaga oleks õige.
 - Vältige sae kontrollimatut käivitumist, kui see on täielikult suunaga allapoole.
 - Toodet transportides peab käepide olema lukustatud.
 - Hoidke põrandapind vaba lahtistest materjalidest, näiteks laastudest ja lõikamisjääkidest.
 - Hoiduge lõigatava detaili lõikamisjääkide või muude osade eemaldamisest löikepiirkonnast, kui toode töötab ja saepea ei ole puhkeasendis.

- Pikkasid toorikuid tuleb nõuetekohaselt toetada. Tööpiirkond sisaldab kogu ala, milles toorikut liigutatakse. Operaator peab seda ala turvama, et kõrvalised isikud või esemed ei satuks seadmega kokkupuutesse ega liigutaks toorikut töötamise ajal.
- Tööriista kasutamisel tekkev tolm võib olla tervisele kahjulik. Kasutage tolmuimemissüsteemi ja kandke sobivat tolmumaski. Eemaldage ladestunud tolm põhjalikult tolmuimejaga.
- Enne kald- või liitnurgalõigete sooritamist reguleerige vajaduse korral juhtpiire nii, et vahe saekettaga oleks õige. Pärast reguleerimist keerake juhtpiirde lukustuskrui tugevasti kinni.
- Kinnitit võib kasutada saeketta kummalgi poolel. Mõne töö puhul võib kinniti kettakaitset takistada. Et vähendada tõsiste kehavigastuste ohtu, kontrollige enne lõigete tegemist, et miski ei sega kettakaitset.
- Tööriista ümbritseva keskkonna temperatuur töö ajal jääb vahemikku 0 °C ja 40 °C.
- Tööriista ümbritseva keskkonna temperatuur hoiustamise ajal jääb vahemikku 0 °C ja 40 °C.
- Selle laadimissüsteemi soovitatav ümbritseva keskkonna temperatuur laadimise ajal on vahemikus 10 °C ja 38 °C.

AKU LISAOHUTUSJUHISED

- Et vähendada tulekahju ja kehaliste vigastuste ohtu ning lühisest tulenevat toote kahjustamist, ärge kunagi kastke tööriista, akut või laadijat vedelikesse ega laske neil vedelikega kokku puutuda. Korrodeeruvad või elektrit juhtivad vedelikud, nagu soolvesi, teatud kemikaalid ja pleegitusained või pleegitusaineid sisaldavad tooted, võivad põhjustada lühist.
- Akut ümbritseva keskkonna temperatuur kasutamise ajal on vahemikus 0 °C ja 40 °C.
- Akut ümbritseva keskkonna temperatuur ladustamise ajal on vahemikus 0°C–2°C.

LIITUMAKUDE TEISALDAMINE

Akude transportimisel juhenduge kasutuskohas kehtivatest ja riiklikest määrustest ja eeskirjadest.

Akude transportimisel allettevõtjate poolt järgige kõiki spetsiaalseid pakkimise ja tähistamise nõudeid. Veenduge, et akud ei satu kokkupuutesse teiste akude ega voolu juhtivate materjalidega, transportimise ajal kaitske klemme voolu mittejuhtivate isoleerkatete või teibiga. Ärge transportige pragunenud või lekkivaid akusid. Küsige lisateavet transportettevõttelt.

JÄÄKRISKID

Isegi siis, kui seadet kasutatakse kirjeldatud viisil, ei ole võimalik kõrvaldada kõiki jääkriskide mõjureid. Töötamise ajal võivad tekkida järgmised ohud, millele operaator peab pöörama erilist tähelepanu.

- Õnnetuse tekkimise risk, mis on põhjustatud mittektaetud pöörlevast saekettast.
- Detailide või detailiosade tagasilööki, mis tuleneb sobimatust reguleerimisest või käsitsemisest
- Saeketta kõvamsulamist hambaotsakute väljapaiskumise.
- Daños al sistema respiratorio.

MÄRKUS: Kandke hingamismaski, milles on filter vastavalt lõigatavale materjalile Tagage töökohal



nõuetekohane ventilatsioon. Ärge töökohal sööge, jooge ega suitsetage.

- Kuulmiskahjustused, kui ei kanta nõutava kaitsevõimega kuulmiskaitset.

⚠ HOIATUS! Mõnede värvide tolm, pinnakatted ja materjalid võivad põhjustada hingamisteede ärritust või allergilisi reaktsioone. Tamme- ja kasepuu, MDF-i ja mõnede muude materjalide tolm on kantserogeenne. Asbesti sisaldavaid materjale tohivad lõigata vastava väljaõppega eriooperaatorid.

⚠ HOIATUS! Seadme pikaajalisel kasutamisel võite saada kehavigastusi või vigastused võivad süveneda. Seadme kasutamisel pika aja jooksul tuleb teha korralisi vaheaegsid.

ÕPPIGE OMA TOODET TUNDMA

Vt lk 198.

1. Isoleeritud haardepinnaga käepide
2. Toitelüliti
3. Lukustuslüli hoob
4. LED-i lüliti
5. Alumine kaitse
6. Põhipiire
7. Külgmine kandekäepide
8. Tugi piiraja
9. Pöördlaud
10. Lõikeplaat
11. Eerunginurga lukustusnupp
12. Nurga vabastushoob
13. Tugijalg
14. Aku
15. Ülemine kandekäepide
16. Varda piiraja nupp
17. Kinniti
18. Eerunginurga osuti
19. Kinnitusava
20. Peajuhiku lukustuskruvi
21. Lõikesügavuse reguleerikruvi
22. Kaldenurga osuti
23. Kruvid, mis on ette nähtud 45° kaldenurga piiraja reguleerimiseks
24. Kaldenurga lukustusnupp
25. Saepea lukustustihvt
26. Tolmukott
27. Kuuskantvõti
28. Kruvid, mis on ette nähtud 0° eerunginurga piiraja reguleerimiseks
29. Liugpiirde lukustuskruvi
30. Spindli lukustusnupp
31. Ketta äärik
32. Saeleht

KASUTAMINE

Võimaldab liigutada saeketast, mis on seatud operaatori poolt erinevate nurkade alla seadme alusele ohutult kinnitatud tooriku saagimisel. Seadmega tohib korraga töötada vaid üks inimene, et vältida tahtmatut kokkupuudet liikuva saekettaga.

Seadme ohutu kasutamise põhimõtted on järgmised.

- Hoidke saagi, saekettaid ja töökoht heas korras.
- Kinnitage kaldlõikesae alus tugevale tööpingile. Kui toorik ei ole piisavalt tugevasti kohale surutud, siis võib seade ümber kukkuda.
- Enne lõikamise alustamist reguleerige välja kaldenurgad ja lõikesügavus ning lukustage asendid.

- Suruge toorik vastu kaldsae alust. Kasutage komplektis olevat pitskruvi, vajaduse korral kasutage lisakinnitit või hoidemehhanismi, et vältida tooriku ootamatut liikumahakkamist.

- Kontrollige, et lõikeketta katted pole tõkestatud tooriku asendi tõttu.
- Tagake töökohal nõuetekohane ventilatsioon. Tagage, et piiraja ja muud seadme osad ei satu saeketta langetamisel lõiketeele.
- Käivitage mootor ja laske lõikekettal saavutada täiskiiirus, enne kui langetate selle tooriku lõikamiseks.
- Laske lõikesõlmel tõusta oma kõige kõrgemasse asendisse, kus kaitsekatted on suletud. Lülitage mootor välja ja laske saekettal täielikult peatuda, enne kui hakkate toorikut või jäätmeid eemaldama või enne kui lähene te saeketale.

Enne esmakordset kasutamist veenduge, et kaldenurk või kalde seadistus vastab tooriku kaldenurgale. Kontrollige seda mõnel puidutükil puussepa mõõtekomplektiga või mõõtenurgikuga.

Saeketta eemaldamine:

1. Saeketta käsitlemisel kandke kindaid.
2. Lülitage tööriist välja ja eemaldage aku.
3. Keerake lõiketera poldikatte kruvi lahti, kuid ärge seda eemaldage. Tõstke lõiketera poldikatte üles.
4. Pöörake isesulguv kate tagasi ja hoidke seda.
5. Vajutage spindli lukustusnuppu ja keerake samal ajal kettapolt lahti, kasutades kaasasolevat mutrivõtit. Eemaldage välisäärik.
6. Võtke saeleht maha.

Saeketta paigaldamine:

Enne paigaldamist puhastage vajadusel kõik osad.

Pärast toimingut „Saeketta eemaldamine“.

1. Saeketta käsitlemisel kandke kindaid.
2. Veenduge, et tööriist on välja lülitatud ja aku eemaldatud.
3. Pöörake isesulguv kate tagasi ja hoidke seda.
4. Asetage uus saeketas. Veenduge, et ketta pöörlemissuund ühtib kettakaitse peal oleva noole suunaga.
5. Asetage äärik ja kettapolt.
6. Vajutage spindli lukustusnuppu, kuni see rakendub, pingutage lõiketera polti.
7. Tõmmake isesulguv kate tagasi.
8. Laske lõiketera poldikatte alla ja keerake kruvi kinni.

⚠ HOIATUS! Veenduge, et lõiketera poldikatte oleks langetatud algasendisse ja kruvi oleks korralikult pingutatud.

Eerunginurga reguleerimine:

Eerunginurka saab reguleerida vahemikus 45 kraadi (vasakule) kuni 45 kraadi (paremale).

1. Keerake eerunginurga lukustusnupp veidi lahti.
2. Vajutage nurga vabastushooba. Keerake sae pöördlaud eerunginurga nupust soovitud nurga alla.
3. Keerake eerunginurga lukustusnupp uuesti kinni.

Kaldenurga reguleerimine:

Kaldenurka saab seadistada vahemikus 0 kuni 45 kraadi.

1. Keerake kaldenurga lukustusnupp lahti.
2. Saelaua käepidet kasutades seadistage kaldenurk soovitud asendisse.
3. Hoidke kaldenurk paigal ja keerake kaldenurga lukustusnupp kinni.

⚠ HOIATUS! Tootja soovib rangelt, et seade oleks alati turvaliselt tööalale kinnitatud.

Kui toote alus on vastavalt juhendile nelja mutri, poldi ja seibi abil tugevasti tööpingile kinnitatud, võib toodet kasutada kald- ja eerunglõigete tegemiseks maksimaalse nurga all, ilma et see ümber kukuks. Kui seade ei ole nõuetekohaselt kinnitatud, võib see tasakaaluolekust väljuda kui hakkate lõikama suure nurgaga kaldlõiget.

HOOLDUS

- Ärge püüdke seadme konstruktsiooni mingil viisil muuta ega kasutage varuosi või tarvikuid, mis pole tootja poolt soovitatud. Teie ja kõrvalolijate turvalisus võib olla ohustatud.
 - Ärge kasutage seadet kuni mõni lüliti, kaitsekate või funktsioon ei tööta nagu ette nähtud. Andke need volitatud hoolduskeskusesse remondiks või reguleerimiseks.
 - Ärge tehke mingeid reguleeritoiminguid sel ajal, kui lõikeketas pöörleb.
 - Enne toote reguleerimist, määrimist või hooldustööde tegemist veenduge, et aku on tootest eemaldatud.
 - Kontrollige seade enne ja pärast kasutamist vigastuste ning purunenud osade suhtes üle. Hoidke seadet heas töökorras, selleks asendage osad nende varuosadega, mis on tootja poolt heaks kiidetud.
 - Lõiketera servad on teravad ja võivad pärast hõõveldamist olla kuumad. Olge äärmiselt ettevaatlik, kui puhastate avatud lõiketera. Vigastuste vältimiseks kandke kindaid.
 - Puhastage saagi ja selle tarvikuid, eriti liikuvaid osi (k.a terakaitset), regulaarselt tolmust. Tolmu efektiivseks eemaldamiseks kasutage käsiharja või tolmuimejat. Ärge kasutage suruõhku.
 - Suurema ohutuse ja usaldusväärsuse huvides peaks kõik remonditööd, sealhulgas harjade vahetamise, tegema volitatud teeninduskeskus.
- ⚠ HOIATUS!** Ärge proovige terakaitset lahti võtta, et seda puhastada või parandada. Kahjustatud kaitsmeid ei tohi kasutada. Parandamiseks või asendamiseks pöörduge volitatud teenindusse.

Eerungi- ja kaldenurga kalibreerimine

Kui eerungi- ja kaldenurka on vaja kalibreerida, vaadake lk 213–217 ja järgige kalibreerimisjuhiseid.

TRANSPORTIMINE JA HOIUSTAMINE

- Toote hoiustamisel eemaldage aku. Hoidke seadet kaitset kohas, mis on lastele juurdepääsmatu.
- Enne hoiustamist puhastage seade harja või tolmuimejaga.
- Kui saeketta eemaldate või varuosi hoiustate, siis hoidke neid originaalpakendis, et kehavigastusi vältida.

Enne teisaldamist kinnitage seade järgmisel viisil.

- Hoiustamiseks peab kaldenurk ja püstikalle olema seatud nullile ja lukustatud. Käepide peab olema lukustatud madalaimasse (ohutus) asendisse ja kaitsekatted peavad olema suletud.

Teisaldamisel või transportimisel tehke järgmist.

- Kinnitage seade liikumise vastu nagu kirjeldatud kasutusjuhendis.
- Eemaldage seade tööpingilt 4 poldi lahtikeeramise, igas nurgas üks. Hoidke poldid alles edasiseks

kasutuseks. Kandke seadet kahe käega, kasutades ülemist või külgmisi käepidemeid.

- Sõidukil transportimisel seadke see oma alusele ja kinnitage liikumahakkamise vastu.

MASINAL OLEVAD SÜMBOLID



Ohuhoiatus



Euroopa vastavusmärgis



Suurbritannia vastavusmärgis



Ukraina vastavusmärgis



Euraasia vastavusmärk



Enne seadme kasutamist lugege palun kasutusjuhendit hoollega läbi.



Kandke kuulmise kaitsevahendeid



Kandke alati silmakaitsevahendeid.



Hoidke käed lõikepiirkonnast ja teravast saekettast eemal.



Ärge jätke vihma kätte või kasutage niisketes kohtades.



Kandke turvakindaid



Saeketta pöörlemissuund (kettal näidatud)



Lõikeketta pöörlemissuund (näidatud lõikeketta kaitsele)



Lõikelaius (sisselõige)



Saeketta hammaste arv



Lõikesügavus:



Puidu ja sellega sarnaste materjalide lõikamiseks



Mitte metalli lõikamiseks



Enne kald- või liitnurgalõigete sooritamist reguleerige juhtpiirde asendit.



Lõiketera poldi vabastussuund

Ärge kõrvaldage kasutatud patareisid ning elektri- ja elektroonikaseadmete jäätmeid sortimata olmejäätmetena. Kasutatud patareid ning elektri- ja elektroonikaseadmete jäätmed tuleb koguda eraldi. Patareijäätmed, akujäätmed ja jäätmetest valgusallikad tuleb seadmetest eemaldada. Taaskasutusnõuannete ja kogumispunktiga seotud teabe saamiseks pöörduge kohaliku omavalitsuse või edasimüüja poole. Kohalike eeskirjade kohaselt võib jaemüüjatel olla kohustus kasutatud patareid ning elektri- ja elektroonikaseadmete jäätmed tasuta tagasi võtta. Teie panus patareide ning elektri- ja elektroonikaseadmete jäätmete korduskasutamisse ja ringlussevõttu aitab vähendada toorainete nõudlust. Patareijäätmed, mis sisaldavad eelkõige liitiumi, ning elektri- ja elektroonikaseadmete jäätmed sisaldavad väärtuslikke ja ringlussevõetavaid materjale, mis võivad keskkonda ja inimeste tervist kahjustada, kui neid ei kõrvaldata keskkonnasäästlikul viisil. Olemasolul kustutage jäätmeseadmest isikuandmed.



KASUTUSJUHENDIS KASUTATUD SÜMBOLID



Lukk



Lahtikeeramine



Ooteaeg, mille möödumisel jõuab tera täiskiiruseni või peatub täielikult.



Eraldi ostetavad osad või tarvikud



Märkus



Hoiatus



U razvoju ove kutne pile dati su maksimalni prioriteti sigurnosti, performansama i pouzdanosti.

NAMJENA

Potezno-preklopna pila namijenjena je piljenju punog i prešanog drva, materijala sličnih drvu, s lijepljenim furnirom i plastikom ili bez njih.

Potezno-preklopnu pilu smiju upotrebljavati samo punoljetne osobe koje su pročitale upute za korištenje i razumjele rizike i opasnosti.

Potezno-preklopna pila osmišljena je tako da se njeno postolje učvrsti za površinu radnog stola. Ako postolje nije čvrsto pričvršćeno, cijeli uređaj se može pomicati tijekom postupka rezanja, što povećava mogućnost osbiljnih osobnih ozljeda.

Potezno-preklopna pila projektirana je za izradu kosih i kutnih rezova. Kapaciteti za različite rezove navedeni su u specifikacijama proizvoda u ovom priručniku.

Potezno-preklopna pila mora se koristiti u suhim uvjetima, pod odličnim osvjetljenjem i uz odgovarajuću ventilaciju.

Potezno-preklopna pila namijenjena je za korištenje od strane potrošača onako kako je opisano iznad i nije namijenjena za bilo koju drugu svrhu.

OPĆA SIGURNOSNA PRAVILA ZA KORIŠTENJE AKU ALATA

⚠ UPOZORENJE! Pažljivo pročitajte sva upozorenja, upute i specifikacije priložene uz alat i pogledajte crteže. Nepoštivanje svih uputa može dovesti do električnog udara, požara i / ili teške ozljede.

Spremite sva upozorenja i upute za buduće korištenje. Pojam „električni alat“ u upozorenjima odnosi se na vaš električni alat (žični) napajan iz električne mreže ili električni alat na baterije (bežični).

SIGURNOST RADNOG PODRUČJA

- **Držite radni prostor čistim i dobro osvijetljenim.** Zatrpani i neosvijetljeni radni prostori izazivaju nezgode.
- **Nemojte rukovati električnim alatima u eksplozivnim atmosferama poput onih u kojima su prisutne zapaljive tekućine, plinovi ili prašina.** Električni alati stvaraju iskre koje mogu zapaliti prašinu ili pare.
- **Tijekom rada s električnim alatom držite podalje djece i promatrače.** Ometanje može dovesti do toga da izgubite kontrolu.

ELEKTRIČNA SIGURNOST

- **Utikači električnog alata moraju odgovarati utičnici.** Nikada nemojte modificirati utikače ni na koji način. Nemojte koristiti nikakve adapter utikače s uzemljenim električnim alatima. Originalni utikači i odgovarajuće utičnice smanjuju opasnost od strujnog udara.
- **Izbjegavajte kontakt tijela s uzemljenim površinama poput cijevi, radijatora, štednjaka i hladnjaka.** Ako je vaše tijelo uzemljeno, povećava se opasnost od strujnog udara.
- **Nemojte izlagati električne alate kiši ili vlažnim uvjetima.** Ulazak vode u električni alat povećava opasnost od strujnog udara.
- **Nemojte zlorabiti kabel.** Nikada nemojte koristiti kabel za nošenje, povlačenje ili isključivanje električnog alata. Držite kabel podalje od topline,

ulja, oštih rubova ili rotirajućih dijelova. Oštećeni ili zapleteni kabeli povećavaju opasnost od strujnog udara.

- **Kada radite s električnim alatom na otvorenom, koristite produžni kabel prikladan za rad na otvorenom.** Korištenje kabela prikladnog za rad na otvorenom smanjuje opasnost od strujnog udara.
- **Ako se ne može izbjeći rad s električnim alatima u vlažnoj lokaciji koristite FID sklopku (RCD uređaj) za zaštitu napajanja.** Korištenje RCD uređaja smanjuje opasnost od električnog udara.

OSOBNJA SIGURNOST

- **Budite oprezni, pazite što radite i koristite zdrav razum prilikom rukovanja električnim alatom. Ne koristite električni alat ako ste umorni ili pod utjecajem droga, alkohola ili lijekova.** Trenutak nepažnje pri radu s električnim alatima može dovesti do teških osobnih ozljeda.
- **Koristite osobnu zaštitnu opremu. Uvijek nosite zaštitna sredstva za oči.** Zaštitna oprema poput maske za zaštitu od prašine, protukliznih sigurnosnih cipela, kacige, ili opreme za zaštitu sluha korištena u odgovarajućim uvjetima smanjit će tjelesne ozljede.
- **Izbjegavajte slučajno pokretanje. Prije priključivanja na izvor napajanja i/ili bateriju, podizanja ili prenošenja proizvoda, uvijek provjerite je li prekidač za paljenje u isključenom položaju.** Prenosnje električnih alata s prstom na prekidaču za paljenje proizvoda ili stavljanje pod napon električnih alata koji imaju upaljen prekidač za paljenje priziva nesreće.
- **Prije uključivanja električnog alata uklonite sve klinove za podešavanje i ključeve.** Ključ ili klin ostavljen priključen na rotirajućem dijelu električnog alata može dovesti do osobne ozljede.
- **Nemojte se naginjati preko rubova. Cijelo vrijeme držite pravilno uporište i ravnotežu.** Ovo u neočekivanim situacijama omogućuje bolju kontrolu nad električnim alatom.
- **Pravilno se odjenite. Nemojte nositi široku odjeću ili nakit.** Svoju kosu i odjeću držite podalje od dijelova u pokretu. Široka odjeća, nakit ili dugačka kosa mogu biti zahvaćeni u pokretne dijelove.
- **Ako su uređaji opremljeni priključkom na objekte za odvajanje i prikupljanje prašine, uvjerite se da su priključeni i pravilno korišteni.** Korištenje sustava za hvatanje prašine može smanjiti opasnosti povezane s prašinom.
- **Nemojte dopustiti da vas poznavanje alata zbog česte uporabe opusti toliko da zanemarite sigurnosne principe rukovanja alatom.** Nepažljive radnje čak i za djelić sekunde mogu dovesti do teških osobnih ozljeda.

KORIŠTENJE I BRIGA O ELEKTRIČNOM ALATU

- **Električni alat ne koristite na silu.** Koristite odgovarajući električni alat za vašu primjenu. Odgovarajući električni alat posao će obaviti bolje, sigurnije i brzinom za koju je projektiran.
- **Nemojte koristiti električni alat ako ga sklopka pravilno ne uključuje i isključuje.** Svaki električni alat koje se ne može kontrolirati pomoću sklopke je opasan i mora se popraviti.
- **Izvcite utikač iz izvora električnog napajanja i/ili uklonite baterijski sklop, ako je odvojiv, prije izvršavanja bilo kakvih prilagodbi ili skladištenja**





električnih alata. Takva preventivna sigurnosna mjera smanjuje rizik od slučajnog pokretanja električnog alata.

- **Električne alate pohranite u stanju mirovanja izvan dohvata djece i ne dopustite rad s električnim alatom osobama koje nisu upoznate s električnim alatom ili ovim uputama.** Električni alati su opasni u rukama nestručnih korisnika.
- **Održavajte električne alate i pribor.** Provjerite pogrešno poravnanje ili savijanje pokretnih dijelova, napuknuća dijelova i sve ostale uvjete koji bi mogli negativno utjecati na njegovu ispravnost. Ako je oštećen, uređaj prije korištenja servisirajte. Mnogo nesreća prouzročeno je loše održanim električnim alatima.
- **Održavajte oštrinu i čistoću reznih alata.** Pravilno održavani rezni alati oštiri reznih rubova vjerojatno će se manje savijati i njima se lakše upravljati.
- **Električni alat, dodatke i alatne nastavke i sl. koristite u skladu s ovim uputama, uzimajući u obzir radne uvjete i radni postupak koji namjeravate izvršiti tim alatom.** Korištenje električnog alata za radove drugačije od njegove namjene može dovesti do opasne situacije.
- **Ručke i zahvatne površine održavajte suhima, čistima i vodite računa da na njima nema ulja i masti.** Skliske ručke i zahvatne površine ne omogućavaju sigurno rukovanje i nadzor nad alatom u neočekivanim situacijama.

UPORABA I ODRŽAVANJE BATERIJE

- **Ponovno puniti koristeći isključivo punjač koji je specificirao proizvođač.** Punjač koji može biti prikladan za jednu vrstu baterija može dovesti do opasnosti od požara kada se koristi s drugom baterijom.
- **Električne alate koristite samo s točno određenim baterijskim sklopovima.** Korištenje baterija koje nisu specificirane od strane proizvođača povećava rizik od ozljeda ili požara.
- **Kada se baterija ne koristi držite je dalje od drugih metalnih predmeta kao što su spajalice za papir, kovanice, ključevi, čavli, vijci ili drugih malih metalnih predmeta koji mogu spojiti jedan pol na drugi.** Kratko spajanje baterijskih stezaljki može prouzročiti opekline ili požar.
- **Ako baterijom rukujete na grub način ili u teškim uvjetima rada, može doći do curenja tekućine iz baterije.** Izbjegavajte dodir s tom tekućinom. U slučaju dodira isperite pogođeno mjesto tekućom vodom. Ako tekućina dođe u kontakt s očima smjesta potražite liječničku pomoć. Curenje ili prskanje tekućine iz baterije može uzrokovati iritaciju kože ili opekline.
- **Nemojte koristiti bateriju ili alat koji su oštećeni ili modificirani.** Oštećene ili modificirane baterije mogu imati nepredvidivo ponašanje, što može dovesti do požara, eksplozije ili rizika od ozljede.
- **Nemojte izlagati baterijski sklop ili alat vatri ili visokoj temperaturi.** Izlaganje vatri ili temperaturi višoj od 130°C može dovesti do eksplozije.
- **Slijedite sve upute za punjenje i nemojte puniti bateriju ili alat na temperaturama izvan temperaturnog raspona specificiranog u uputama.** Nepravilno punjenje ili punjenje na temperaturama izvan specificiranog raspona može oštetiti bateriju i povećati rizik od požara.

SERVIS

- **Neka vaš električni alat servisira kvalificirana osoba za popravak koristeći samo identične zamjenske dijelove.** Ovo će osigurati da se održi sigurnost električnog alata.
- **Nikada nemojte popravljati oštećene baterije.** Popravak oštećenih baterijskih sklopova smije izvoditi isključivo proizvođač ili ovlašteni servisni centar.

SIGURNOSNE UPUTE ZA POTEZNO-PREKLOPNE PILE

- **Potezno-preklopne pile namijenjene su rezanju drva ili drvenih proizvoda, ne mogu se koristiti s abrazivnim diskovima za rezanje željeznim metalima kao što su poluge, šipke, svornjaci itd. Abrazivna prašina uzrokuje zaglavljivanje pokretnih tijelova poput donjeg štitnika.** Iskre nastale tijekom abrazivnog rezanja spalit će donji štitnik, umetak propiljka i ostale plastične dijelove.
- **Koristite spojnice za podršku izratka kad got je to moguće.** Ako obradak pridržavate rukom, ruku uvijek morate držati na udaljenosti od najmanje 100 mm od lista pile sa svake strane. Ovu pilu ne koristite za rezanje obradaka koji su premali za sigurno stezanje ili držanje rukom. Ako se vaša ruka nalazi preblizu listu pile, postoji povećan rizik od ozljede nastale u doticaju s listom pile.
- **Obradak mora biti nepokretan i stegnut ili zadržan kako na graničniku tako i na stolu.** Obradak ne usmjeravajte na list pile i ne režite ga "slobodnom rukom" na bilo koji način. Obraci koji nisu stegnuti ili koji se pomiču mogu izletjeti velikom brzinom, uzrokujući ozljedu.
- **Pilu gurajte kroz obradak.** Pilu nemojte povlačiti kroz obradak. Kako biste napravili rez, podignite glavu pile i povucite je prema van iznad obratka bez rezanja, pokrenite motor, pritisnite glavu pile prema dolje i gurnite pilu kroz obradak. Rezanje putem povlačenja vjerojatno će prouzročiti podizanje lista pile na vrh obratka i silovito odbaciti sklop lista pile prema rukovatelju.
- **Nikada ne stavljajte ruku preko zadane linije rezanja bilo ispred bilo iza lista pile.** Podupiranje obratka "prekriženih ruku" tj. držanje obratka na desnoj strani lista pile lijevom rukom ili obratno je vrlo opasno.
- **Dok se oštrica okreće, ne posežite rukom iza graničnika bilo kojom rukom bliže od 100 mm sa svake strane lista pile kako biste uklonili ostatke drva ili zbog bilo kojeg razloga.** Blizina oštrice pile koja se vrti pokraj vaše ruke možda neće biti očita i možete se teško ozlijediti.
- **Pregledajte svoj graničnik prije rezanja.** Ako je obradak ispučen ili izvitoperen stegnute ga tako da je vanjska ispuščena površina okrenuta prema štitniku. Uvijek se uvjerite da između obratka, graničnika i stola nema procjepa uzduž linije rezanja. Savijeni ili izvitopereni obraci mogu se uvijati ili pomaknuti i mogu prouzročiti savijanje rotirajućeg lista pile tijekom rezanja. U obratku ne smije biti čavala ili stranih tijela.
- **Ne koristite pilu sve dok se sa stola ne makne sav alat, otpaci drva itd. osim obratka.** Male krhotine ili otpali komadi drva ili drugi predmeti koji dođu u doticaj s rotirajućim listom mogu izletjeti velikom brzinom.





- **Režite samo jedan po jedan obradak.** Više nagomilanih obradaka nije moguće prikladno zategnuti ili pričvrstiti i može doći do njihovog kvačenja za list pile ili do pomaka tijekom rezanja.
- **Prije uporabe potežno-preklapne pile, uvjerite se da se nalazi na ravnom čvrstom tlu.** Ravna i čvrsta radna površina smanjuje rizik od nestabilnosti potežno-preklapne pile.
- **Planirajte svoj rad. Svaki puta kada promijenite postavku kosine ili kuta rezanja, uvjerite se da je pedesivi graničnik pravilno namješten za podupiranje obratka i da neće ometati list pile ili sustav štitnika.** Bez uključivanja alata i stavljanja postavke na "ON" ("UKLJUČENO") i bez obratka na stolu, list pile pomaknite kroz potpuno simulirani rez kako biste bili sigurni da neće biti smetnji ili opasnosti od rezanja graničnika.
- **Za obradak koji je širi ili dulji od površine stola osigurajte odgovarajuće potpore poput produžetaka stola, stalaka za piljenje itd.** Obraci koji su dulji ili širi od stola potežno-preklapne pile mogu se prevrnuti ako nemaju dobar oslonac. Ako se odrezani komad ili obradak prevrne, on može podići donji štitnik ili ga može izbaciti rotirajući list pile.
- **Nemojte koristiti druge ljude kao zamjenu za produžetak stola ili kao dodatni oslonac.** Nestabilna potpora za obradak može prouzročiti kvačenje ili pomak obratka tijekom postupka rezanja, što vas ili pomagača može povući prema rotirajućem listu pile.
- **Odrezani komad ne smije se zaglaviti ili ni na koji način pritisnuti rotirajući list pile.** Ako se nalazi u skućenom prostoru, tj. ako se zaustavlja zbog duljine, odrezani komad može se zabiti u list i biti silovito odbačen.
- **Uvijek koristite stegu ili okvir osmišljen za pravilno podupiranje zaobljenih materijala, kao što su šipke ili cijevi.** Šipke su sklone rotiranju za vrijeme rezanja, što uzrokuje zapinjanje ("zagriz") lista pile i povlačenje vaše ruke na oštricu.
- **Pustite da list pile postigne punu brzinu prije dolaska u doticaj s obratkom.** Time će se smanjiti rizik od izbacivanja obratka.
- **Ako se radni komad ili oštrica zaglave, isključite pilu. ("OFF").** Pričekajte da se svi pokretni dijelovi zaustave, a zatim izvucite utikač iz izvora napajanja i/ili izvadite baterijski sklop. Zatim radite na oslobađanju zaglavljenog materijala. Nastavite li piliti sa zaglavljenim obratkom moglo bi doći do gubitka nadzora nad potežno-preklapnom pilom ili do njezinog oštećenja.
- **Nakon što završite s rezanjem, pustite prekidač, držite glavu pile okrenutu prema dolje i pričekajte da se list pile zaustavi prije skidanja odrezanog komada.** Stavljanje ruku blizu lista pile u pokretu je opasno.
- **Čvrsto držite ručku tijekom nepotpunog rezanja ili dok puštate prekidač prije nego što se glava pile potpuno spusti u donji položaj.** Kočno djelovanje pile može prouzročiti naglo povlačenje glave pile prema dolje, stvarajući rizik od ozljede.
- **Proizvod mora biti u dobrom stanju, vreteno ne smije biti deformirano i ne smije vibrirati.**
- **Ne koristite proizvod ako štitnici nisu na svom mjestu.** Držite štitnike u dobrom stanju i pravilno održavanim.
- **Uvjerite se da je rukovatelj prošao odgovarajuću obuku za primjenu mjera opreza, podešavanje i rad s proizvodom.**
- **Prilikom korištenja proizvoda uvijek nosite naočale i zaštitu za uši.** Preporuča se nošenje rukavica, čvrstih cipela koje se ne klizaju i pregaču.
- **Prije korištenja bilo kakvog dodatnog pribora pogledajte upute za uporabu.** Nepravilno korištenje pribora može uzrokovati oštećenje alata i povećati mogućnost ozljede.
- **Koristite samo oštricu navedenu u ovim uputama koja je u skladu s EN 847-1.**
- **Održavajte maksimalnu brzinu naznačenu na listu pile.** Provjerite je li brzina označena na oštrici noža približno jednaka brzini označenoj na pili.
- **Oštrice koje nisu prilagođene osovini na koju se postavljaju neće se ispravno okretati te može doći do gubitka kontrole nad alatom.** Nikad ne upotrebljavajte vijke i podložne pločice koji su oštećeni ili neprilagođeni.
- **Nemojte koristiti oštrice većeg ili manjeg promjera od preporučenog.** Nemojte koristiti nikakve razmačnike kako biste priključili oštricu na osovinu.
- **Prije svakog korištenja provjerite izgledaju li zupci lista pravilno te je li list oštećen.** Oštećeni ili labavi zupci mogu prilikom korištenja alata postati leteći objekti i povećati opasnost od tjelesnih ozljeda.
- **Nemojte koristiti slomljene ili iskorištene oštrice pile.** Nemojte koristiti oštrice pile koje su oštećene ili deformirane.
- **List pile koji je oštećen, deformiran, iskrivljen ili napuknut nije dozvoljeno popravljati.**
- **Nemojte koristiti HSS oštrice.**
- **Uvjerite se da je list pile pravilno postavljen, čvrsto zategnite sigurnosnu maticu prije uporabe (moment pritezanja pribl. 8-10 Nm).**
- **Pritezni vijak i matice trebaju se zategzati pomoću odgovarajućeg ključa, itd.**
- **Nije dozvoljeno korištenje produljenja zateznog ključa ili zatezanje vijaka udarcima čekića.**
- **Osigurajte da su sve oštrice i prirubnice čiste i da su upuštene strane spojnice prema oštrici.**
- **Osigurajte da su rotirajuće oštrice u točnom smjeru.**
- **prije rada, izvršite probni rez bez uključenog motora kako biste pozicionirali oštricu, rad štitnika u odnosu na druge dijelove uređaja i izradak mogu se također provjeriti.**
- **Proizvod nikada ne ostavljajte bez nadzora.**
- **Ne podmazujte list pile kad je pokrenut.**
- **Nikad ne vršite čišćenje ili održavanje kad je uređaj još pokrenut i njegova glava nije u stanju mirovanja.**
- **Nikad ne pokušavajte zaustaviti uređaj u brzom kretanju zaglavlivanjem alata ili drugim načinom prema oštrici, može doći do ozbiljne nesreće izazvane s namjerom.**
- **Prije mijenjanja listova pile ili izvođenja radova održavanja, odvojite proizvod od izvora napajanja ili izvadite baterijski sklop.**
- **Pazite prilikom pakiranja i raspakiranja listova pile, lako je ozlijediti se oštrim vrhovima oštrice.**



SIGURNOSNE UPUTE ZA OŠTRICU (LIST) ZA REZANJE DRVA

- Molimo vas da prije korištenja lista pile i stroja pažljivo pročitate priručnik i upute.





- Prilikom rukovanja listovima pile koristite držač listova ili nosite rukavice.
- List pile držite i čuvajte u originalnom ili drugom prikladnom pakiranju, držite u suhim uvjetima i podalje od kemikalija koje mogu oštetiti list pile.

DODATNA SIGURNOSNA UPOZORENJA

- Uvijek stegnite izradak čvrsto.
- Pobrinite se da je proizvod uvijek stabilan i učvršćen (npr. pričvršćen za radni stol).
- Uvijek nosite štitnike za uši. Izlaganje buci može izazvati gubitak sluha.
- Prilikom korištenja proizvoda uvijek nosite sigurnosne naočale. Preporučujemo da nosite rukavice za rukovanje s oštricama i sirovim materijalom, plus neklizajuće cipele za zaštitu stopala od izratka koji može pasti iz reznog područja.
- Proizvod odvojite od izvora napajanja ili izvadite baterijski sklop prije svakog održavanja ili čišćenja proizvoda.
- Baterijski sklop stavljajte samo kada je proizvod isključen.
- Nikada ne posežite u područje blizu oštrice osim ako se oštrica nije potpuno zaustavila.
- Prije korištenja proizvod i baterijski sklop temeljito pregledajte na bilo kakva oštećenja ili zamor materijala. Popravke na cijelom proizvodu treba obavljati samo ovlašteni servisni centar.
- Na proizvodu uvijek koristite štitnike. Ne koristite proizvod ako štitnici nisu na mjestu i ako ne rade pravilno.
- Donji štitnik lista pile treba se otvoriti samo kada se list pile spusti prema obratku i uvijek se mora micati slobodno i automatski zatvarati.
- Uvijek učvrstite i koristite produžne šipke kao oslonac obratka tijekom rada.
- Nikada ne mijenjajte proizvod ili njegovu funkciju. Može doći u pitanje vaša sigurnost.
- Nemojte koristiti oštrice pile koje su napukle, oštećene ili deformirane.
- Nemojte koristiti oštrice pile izrađene od čelika za velike brzine.
- Koristite samo oštrice koje su oštre. Zamijenite tupe oštrice.
- Oštrice koje nisu prilagođene osovini na koju se postavljaju neće se ispravno okretati te može doći do gubitka kontrole nad alatom. Nikad ne upotrebljavajte vijke i podložne pločice koji su oštećeni ili neprilagođeni.
- Koristite samo listove pile za obradu drva navedene u ovom priručniku, sukladno normi EN 847-1.
- Za osiguranje oštrice pile nemojte koristiti nikakve prirubnice, podloške ili matice osim onih koje su isporučene ili naznačene u uputama za korištenje.
- Potrebno je odabrati oštricu pile koja je prikladna za materijal koji se reže. Proizvod nikada nemojte koristiti za rezanje materijala koji nisu navedeni u odjeljku o namjeni u ovom priručniku.
- Prilikom rezanja je važno spriječiti pregrijavanje lista pile i topljenje plastike.
- Bitno je pridržavati se maksimalne brzine navedene na listu pile, koristite samo list pile na kojem se nalazi

oznaka brzine koja je jednaka brzini označenoj na alatu ili veća od nje.

- Zamijenite umetnutu tablu kad se istroši ili se ošteti.
- Prije rada napravite lažni rez bez uključivanja motora, tako da namjestite oštricu, rad štitnika u odnosu na ostale dijelove stroja, i možete provjeriti obradak.
- Prilikom rezanja kutnih, kosih ili složenih rezova, namjestite klizni graničnik kako biste osigurali odgovarajući razmak od lista pile.
- Izbjegavajte nekontrolirano otpuštanje jedinice pile iz potpuno donjeg položaja.
- Blokada ručice uvijek mora biti aktivirana tijekom prenošenja proizvoda.
- Površinu poda očistite od rastresitih materijala, kao što su krhotine i ostaci od rezanja.
- Suzdržite se od uklanjanja bilo kakvih ostataka od rezanja ili drugih dijelova obratka s površine za rezanje dok proizvod radi, a glava pile nije u položenu položaju.
- Dugi izratci trebaju biti adekvatno poduprijeti. Operater treba osigurati ovo područje od slučajnog dodira ostalih osoba ili objekata koji mogu pomaknuti izradak tijekom rada.
- Prašina koja nastaje tijekom korištenja proizvoda može biti štetna za zdravlje. Koristite sustav za usisavanje prašine i nosite prikladnu masku za zaštitu od prašine. Nataloženu prašinu temeljito uklonite usisavačem.
- Možda će biti potrebno prilagoditi kliznu ogradu kako bi se osigurao odgovarajući razmak prije obavljanja kutnog ili složenog rezanja. Uvjerite se da je sigurnosni vijak klizne ograde dobro pričvršćen nakon prilagodbe.
- Stezaljka se može instalirati i koristiti na bilo kojoj strani noža. Prilikom nekih operacija, stezaljka može ometati sklop štitnika noža. Uvijek se uvjerite da nije došlo do ometanja štitnika noža prije početka bilo koje operacije rezanja kako bi se smanjio rizik od tjelesne ozljede.
- Raspon temperature okoliša za alat za vrijeme rada je između 0 °C i 40 °C.
- Raspon temperature okoliša za skladištenje alata je između 0 °C i 40 °C.
- Preporučeni raspon temperatura okoliša za sustav punjača za vrijeme punjenja je između 10 °C i 38 °C.

DODATNA SIGURNOSNA UPOZORENJA ZA BATERIJU

- Zbog izbjegavanja opasnosti od požara jednim kratkim spojem, opasnosti od ozljeda ili oštećenja proizvoda, alat, izmjenjivi akumulator ili napravu za punjenje ne uronjavati u tekućine i pobrinite se za to, da u uređaje ili akumulator ne prodiru nikakve tekućine. Korozirajuće ili vodljive tekućine kao slana voda, određene kemikalije i sredstva za bijeljenje ili proozvodi koji sadrže sredstva bijeljenja, mogu prouzročiti kratak spoj.
- Raspon temperatura okoliša za bateriju za vrijeme korištenja je između 0 °C i 40 °C.
- Raspon temperatura okoliša za pohranu baterije je između 0 °C i 20 °C.

TRANSPORTIRANJE LITIJUMSKIH BATERIJA

Transportirajte bateriju u skladu s lokalnim i nacionalnim pravilima i zakonima.

Slijedite sve specijalne zahtjeve na pakiranju i naljepnicama prilikom transporta baterije od treće strane. Osigurajte



da baterija ne može doći u kontakt s drugim baterijama ili provodnim materijalima tijekom transporta tako da zaštitite izložene priključke s izolacijom, kapticama koje ne provode energiju ili trakom. Nemojte transportirati baterije koje su polomljene ili cure. Provjerite kod kompanije koja transportira za daljnju pomoć.

PREOSTALE OPASNOSTI

Čak i kad je proizvod korišten kao što je prethodno opisano, još uvijek nije moguće potpuno isključiti ostale čimbenike opasnosti. Može doći do sljedećih opasnosti prilikom korištenja i operator mora obratiti posebnu pozornost kako bi izbjegao sljedeće:

- Postoji opasnost od kontakata s nepokrivenim rotirajućim dijelovima pile.
- Povratni udari obradaka ili dijelova obradaka do kojih dolazi zbog neprikladnog namještanja ili rukovanja
- Izbacivanje karbidnih tipli iz lista pile.
- Oštećenja na respiratornom sustavu.

NAPOMENA: Nosite respiratorne maske koje sadrže odgovarajuće filtere za materijale s kojima se radi. Osigurajte odgovarajuću ventilaciju radnog mjesta. Nemojte jesti, piti ili pušiti u radom području.

- Oštećenja na sluhu ako se ne nosi učinkovita zaštita za sluh.

⚠ UPOZORENJE! Prašina iz određenih boja, premaza i materijala mogu uzrokovati iritacije ili alergijske reakcije u respiratornom sustavu. Prašina iz drveta poput hrasta, bukve, MDF-a i ostalog je karcinogena. Materijalom koji sadrži azbest trebaju uvijek raditi ili obrađivati kvalificirani stručnjaci.

⚠ UPOZORENJE! Ozljede mogu biti uzorkovane ili izazvane produljenim vremenskim razdobljem korištenja alata. Kada koristite bilo koji alat dulje vremena, osigurajte da uzimate povremene stanke.

UPOZNAJTE SVOJ PROIZVOD

Pogledajte stranicu 198.

1. Drška, izolirana površina za hvatanje
2. Sklopka za napajanje
3. Ručica za blokiranje
4. LED prekidač
5. Donji štitnik
6. Glavna letva
7. Bočna ručka za nošenje
8. Pomična letva
9. Okretni stol
10. Ploča propiljka
11. Gumb za blokiranje nagiba
12. Ručica za otpuštanje zapirača kuta
13. Potporna noga
14. Baterija
15. Gornja ručka za nošenje
16. Gumb za linerano zaustavljanje šipke
17. Spojnica
18. Pokazivač kuta podrezivanja
19. Otvor za montažu
20. Vijci za blokiranje glavne ograde
21. Vijak za podešavanje dubine rezanja
22. Pokazivač kuta nagiba
23. Vijci za namještanje granice zaustavljanja kuta nagiba od 45°
24. Gumb za blokiranje kuta nagiba
25. Osigurač glave pile
26. Vrećica za prašinu

27. Ključ sa šesterokutnom glavom
28. Vijci za namještanje granice zaustavljanja kuta nagiba od 0°
29. Vijak za blokiranje kliznog graničnika
30. Gumb za zaključavanje osovine
31. Vanjska priрубnica
32. List pile

RAD

Funkcije proizvoda pomične kutne pile mogu se postaviti pod različitim kutovima od strane operatera kada se reže izradak koji je čvrsto utvrđen na postolje proizvoda. Smije raditi samo jedna osoba kako bi se spriječio nenamjeran kontakt s pokrenutom oštricom pile.

Principi za siguran rad proizvoda su:

- Održavajte pilu, oštricu i područje rada u dobrom stanju.
- Osigurajte postolje kutne pile na čvrsti stol. Proizvod se može pomaknuti i izvrnuti ako nije odgovarajuće pričvršćen.
- Postavite i blokirajte kutove rezanja i dubinu prije reza.
- Osigurajte izradak na postolje kutne pile. Koristite isporučenu spojku i kada je to potrebno, koristite dodatne spojnice ili mehanizme za držanje kako biste spriječili slučajno pomicanje izratka tijekom rezanja.
 - Provjerite da rad štitnika oštrice nije ograničen položajem izratka.
 - Osigurajte da letva i drugi dijelovi proizvoda neće biti prerezani kad se oštrica supusti u položaj za rezanje.
- Pokrenite motor i omogućite oštrici da postigne punu brzinu prije laganog spuštanja na izradak.
- Omogućite sklopu oštrice da se izdigne u gornjem položaju gdje su štitnici oštrice potpuno zatvoreni. Isključite motor i omogućite oštrici da se potpuno zaustavi prije uklanjanja izratka ili reza, ili prije dostizanja područja oštrice.

Prije prvog korištenja, osigurajte da je kut nagiba ili pile postavljen na proizvodu odgovarajući kutu koji se proizvodi na izratku. Provjerite ovo na odbačenom izratku drveta korištenjem stolarskog kompleta ili kutne pile.

Uklanjanje lista pile:

1. Pri rukovanju listovima pile nosite zaštitne rukavice.
2. Isključite napajanje i izvadite baterijski sklop.
3. Otpustite, ali ne skidajte vijak na poklopcu vijka oštrice. Podignite poklopac vijka oštrice.
4. Zanižite samozatvarajući štitnik unatrag i zadržite ga.
5. Pritisnite gumb za blokiranje vretena i istovremeno odvijte vijak lista pile pomoću dostavljenog imbus ključa. Uklonite vanjsku priрубnicu.
6. Uklonite list pile.

Montiranje lista pile:

Ako je to potrebno, očistite sve dijelove koje ćete montirati prije sklapanja u sklop.

Nakon izvršenog postupka "Uklanjanje lista pile".

1. Pri rukovanju listom pile nosite zaštitne rukavice.
2. Provjerite je li isključeno napajanje i jesu li izvađeni baterijski sklop.
3. Zanižite samozatvarajući štitnik unatrag i zadržite ga.
4. Postavite novi list pile. Osigurajte da je smjer rotacije oštrice istovjetan sa smjerom strelice na štitniku lista pile.
5. Smjestite priрубnicu i vijka za pričvršćivanje lista pile.
6. Pritisnite gumb za blokiranje vretena sve dok se isti ne aktivira, pritežući vijak lista pile.

7. Povucite samozatvarajući štitnik prema dolje.
 8. Spustite poklopac vijka oštrice i pritegnite vijak.
- ⚠ UPOZORENJE!** Uvjerite se da je poklopac vijka oštrice spušten na prvobitni položaj i da je vijak pritegnut.

Podešavanje kuta podrezivanja:

Kut podrezivanja može se postaviti u rasponu od 45 stupnjeva (lijeva strana) do 45 stupnjeva (desna strana).

1. Otpustite gumb za blokiranje kuta.
2. Pritisnite ručicu za otpuštanje zapirača kuta. Pomoću gumba za blokiranje kuta, okrenite stol pile u željeni položaj kuta rezanja.
3. Ponovno zategnite gumb za fiksiranje kuta.

Podešavanje kuta nagiba:

Kut nagiba moguće je podesiti u rasponu od 0 stupnjeva do 45 stupnjeva.

1. Otpustite okretni gumb za fiksiranje nagiba.
2. Pomoću ručke pomaknite krak alata na željeni kut podrezivanja.
3. Držite krak alata u ovom položaju i ponovno zategnite okretni gumb za fiksiranje nagiba.

⚠ UPOZORENJE! Proizvođač izričito preporučuje da je proizvod uvijek čvrsto montiran na stolu.

Kada je podnožje proizvoda dobro pričvršćeno za površinu radnog stola pomoću četiri matice, vijka i podloški prema uputama, proizvod se može koristiti pod maksimalnim nagibom i kutom podrezivanja bez mogućnosti njegovog prevrtanja. Ako proizvod nije pravilno pričvršćen, može se prevrnuti kada je odabran veći nagib kuta.

ODRŽAVANJE

- Nemojte modificirati proizvod ni na koji način ili koristiti dodatni pribor koji nije odobren od strane proizvođača. Može doći u pitanje vaša i sigurnost ostalih.
 - Nemojte koristiti proizvod ako neki prekidači, štitnici ili druge funkcije ne rade po namjeni. Vratite u ovlašteni servisni centar radi profesionalnog popravka ili zamjene.
 - Nemojte vršiti nikakva podešavanja dok se oštrica pile pokreće.
 - Prije namještanja, podmazivanja ili radova na održavanju proizvoda uvijek provjerite je li baterijski sklop izvađen iz proizvoda.
 - Prije i nakon svakog korištenja, provjerite proizvod na oštećenja ili polomljene dijelove. Držite proizvod u vrhunskom radnom stanju na način da odmah zamjenjujete dijelove s rezervnim dijelovima odobrenim od proizvođača.
 - Rubovi noža su oštri i mogu ostati vrući nakon rezanja. Budite iznimno oprezni prilikom čišćenja izloženog noža. Nosite rukavice kako biste se zaštitili od ozljeda.
 - Pilu i njezin pribor redovito čistite od prašine, posebno pokretne dijelove uključujući i štitnik lista pile. Kako biste učinkovito uklonili prašinu, koristite ručnu četku ili usisavač prašine. Nemojte koristiti komprimirani zrak.
 - Zbog veće sigurnosti i pouzdanosti, sve popravke, uključujući mijenjanje četki, treba obavljati ovlašteni servisni centar.
- ⚠ UPOZORENJE!** Ne pokušavajte rasklapati štitnik lista pile radi čišćenja ili popravka. Oštećeni štitnici ne smiju se koristiti. Vratite ih u ovlašteni servisni centar radi popravka ili zamjene.

Kalibracija kuta podrezivanja i nagiba

Ako je potrebna kalibracija kuta podrezivanja i nagiba, pogledajte stranice 213 – 217 i slijedite upute za kalibraciju.

TRANSPORT I SKLADIŠTENJE

- Prilikom skladištenja proizvoda, uklonite baterijski sklop. Skladištite proizvod na dobro osiguranom mjestu koje nije pristupačno djeci.
- Očistite proizvod korištenjem četke i usisavača prije spremanja.
- Ako uklanjate oštricu pile ili držite rezervne dijelove s jedinicom, osigurajte da su u originalnom pakiranju kako biste spriječili ozljede.

Za osiguranje proizvoda prije pomicanja.

- Proizvod treba biti spремljen pod nula kutom pile i nagibom kuta u zaključanom položaju Ručka treba biti blokirana u donjem (sigurnom) položaju sa zatvorenim štitnikom.

Za pomicanje ili transport u vozilu:

- Osigurajte proizvod prije pomicanja kao što je opisano u priručniku.
- Uklonite proizvod sa stola otpuštanjem 4 vijka, jedan po svakom kutu. Osigurajte vijke za buduće korištenje. Proizvod nosite služeći se gornjom ručkom za nošenje ili bočnim ručkama za nošenje s dvije ruke.
- Kada se prevozi u vozilu, postavite proizvod na postolje i osigurajte od pomicanja.

SIMBOLI NA PROIZVODU



Sigurnosno upozorenje



Europska oznaka sukladnosti



Britanska oznaka sukladnosti



Ukrajinska oznaka sukladnosti



EurAsian znak konformnosti



Molimo da pažljivo pročitate upute prije pokretanja stroja.



Nosite zaštitu za sluh



Uvijek nosite zaštitna sredstva za oči.



Ruke držite podalje od površine za rezanje i oštrog lista pile.



Nemojte izlagati kiši ili koristiti na vlažnim lokacijama.



Nosite zaštitne rukavice



Smjer okretanja lista (prikazan na listu pile)



Smjer rotacije noža (prikazano na štitniku oštrice)



Širina rezanja lista pile (Širina propiljka)



Broj zubaca na ovom listu pile



Kapacitet rezanja



Za rezanje drva i sličnog materijala



Nije namijenjeno rezanju metala



Namjestite položaj klizne ograde prije obavljanja složenog ili kutnog rezanja.



Smjer otpuštanja vijka oštrice

Otpadne akumulatore, otpadnu električnu i elektroničku opremu nemojte odlagati kao nesortirani komunalni otpad. Otpadni akumulatori i otpadna električna i elektronička oprema moraju se prikupljati odvojeno. Otpadne baterije, otpadni akumulatori i izvori svjetla moraju se ukloniti iz opreme. Od lokalnih nadležnih tijela ili trgovca zatražite savjete koji se odnose na recikliranje i mjesto za skupljanje otpada. U skladu s lokalnim propisima, trgovci u maloprodaji imaju obvezu besplatnog preuzimanja otpadnih baterija i otpadne električne i elektroničke opreme. Vaš doprinos ponovnoj upotrebi i recikliranju otpadnih baterija i otpadne električne i elektroničke opreme pomaže u smanjenju potrebe za sirovinama. Otpadne baterije, osobito one koje sadrže litij i električna i elektronička oprema sadrži i vrijedne materijale koje je moguće reciklirati, koji mogu negativno utjecati na okoliš i ljudsko zdravlje, ako se ne uklanja na način ekološki sukladan s okolišem. Izbrišite osobne podatke iz otpadne opreme, ako ih ima.



SIMBOLI U PRIRUČNIKU



Brava



Otključavanje



Vrijeme čekanja noža da postigne punu brzinu ili da se potpuno zaustavi.



Dijelovi ili pribor prodan odvojeno



Napomena



Upozorenje

Varnost, učinkovitost in zanesljivost so bile pri načrtovanju vaše zajeralne žage ključnega pomena.

NAMEN UPORABE

Kotna žaga je namenjena žaganju masivnega in lepljenega lesa, lesu podobnih materialov, s furnirjem ali brez, ter plastike.

Kotno žago smejo uporabljati izključno odrasle osebe, ki so podrobno seznanjene z navodili za uporabo in se zavedajo vseh tveganj in nevarnosti pri delu z žago.

Kotna žaga mora biti privita v trdno in stabilno delovno podlago. Če osnova ni tesno privita, se lahko med rezanjem celoten stroj začne premikati, kar poveča nevarnost resnih telesnih poškodb.

Kotna žaga je zasnovana za poševno in kotno rezanje. Zmogljivosti žage pri posameznih vrstah rezov so predstavljene v tehničnih specifikacijah v tem priročniku.

Kotno žago uporabljajte izključno v suhih prostorih z ustreznimi svetlobnimi pogoji in zadostnim prezračevanjem.

Kotna žaga je predvidena za uporabo s strani potrošnikov in se lahko uporablja samo, kot je opisano zgoraj, ter ni predvidena za noben drug namen.

SPLOŠNA VARNOSTNA NAVODILA ZA ELEKTRIČNA ORODJA

⚠ OPOZORILO! Preberite vsa varnostna opozorila, navodila, ilustracije in specifikacije, ki so priložene temu električnemu orodju. Če ne upoštevate opozoril in navodil, lahko pride do električnega udara, ognja in/ali hudih poškodb.

Vsa opozorila in vsa navodila shranite za bodočo referenco. Izraz »električno orodje« v opozorilih se nanaša na električno napajano (ožičeno) električno orodje ali baterijsko napajano (brezžično) električno orodje.

VARNOST NA DELOVNEM PROSTORU

- **Delovno območje naj bo čisto in dobro osvetljeno.** V neurejenih in temnih območjih se rade zgodijo nesreče.
- **Ne delajte z električnimi orodji v okolju, kjer je nevarnost eksplozije na primer v prisotnosti vnetljivih tekočin, plinov ali prahu.** Električna orodja proizvajajo iskre, ki lahko vnamejo prah ali hlape.
- **Med uporabo električnega orodja v bližino ne pustite otrok in drugih ljudi.** Zaradi zmanjšane koncentracije lahko izgubite nadzor.

ELEKTRIČNA VARNOST

- **Vtiči električnih orodij se morajo prilegati vtičnicam.** Vtiča nikoli in na noben način ne smete spreminjati. Z ozemljenimi električnimi orodji ne uporabljajte adapterskih vtičev. Nespremenjeni vtiči in ustrezne vtičnice zmanjšajo tveganje električnega udara.
- **Izogibajte se telesnemu stiku z ozemljenimi površinami, kot so cevi, radiatorji, kuhalniki in hladilniki.** Če je vaše telo ozemljeno, obstaja povečano tveganje električnega udara.
- **Električnih orodij ne izpostavljajte dežju ali vlažnim pogojem.** Voda v električnem orodju znatno poveča tveganje električnega udara.
- **Kabla ne uporabljajte za neustrezne namene.** Kabla nikoli ne uporabljajte za prenašanje, vleko ali izklop električnega orodja. Kabel imejte proč od vročine, olja, ostrih robov ali premikajočih se delov.

Poškodovani ali zapleteni kabli zvišujejo tveganje električnega udara.

- **Med uporabo električnega orodja na prostem uporabljajte podaljševalni kabel, ki je primeren za zunanjo uporabo.** Uporaba kabla, primerne za zunanjo uporabo, znižuje tveganje električnega udara.
- **Če je delo z električnimi orodji v vlažnem okolju neizogibno, uporabite tokovno zaščitno stikalo (RCD).** Uporaba naprave RCD zmanjša tveganje za električni udar.

OSEBNA VARNOST

- **Med delom z električnim orodjem bodite pozorni, glejte, kaj delate, in uporabljajte zdrav razum.** Električnega orodja ne uporabljajte, če ste utrujeni ali pod vplivom drog, alkohola ali zdravil. Trenutek nepazljivosti med uporabo električnega orodja - kompresorja lahko povzroči hude telesne poškodbe.
- **Uporabljajte osebno zaščitno opremo. Vedno nosite zaščitno za očmi.** Uporaba zaščitne opreme, na primer protiprašne maske, nedrsečih varnostnih čevljev, čelade ali zaščite ušes v ustreznih pogojih zmanjša nevarnost osebnih poškodb.
- **Preprečite nehoten zagon.** Poskrbite, da je pred priključitvijo naprave na vir napajanja in/ali akumulator ter pred pobiranjem ali prenašanjem naprave stikalo v položaju za izklop. Če električno orodje prenašate s prstom na stikalno za vklop ali polnite električne izdelke, ko je stikalo vklopljeno, lahko povzročite nesrečo.
- **Pred vklopom električnega orodja odstranite morebitne nastavitvene ključe ali izvijače.** Izvijač ali ključ, ki je pritrjen na vrtljivi del električnega orodja, lahko povzroči telesne poškodbe.
- **Ne segajte preko dosega. Pazite, da stojite stabilno in da imate ravnotežje.** To omogoča boljši nadzor nad električnim orodjem v nepričakovanih situacijah.
- **Bodite primerno oblečeni. Ne nosite ohlapnih oblačil ali nakita.** Las in oblačil ne približujte gibljivim delom. Ohlapna obleka, nakit ali dolgi spuščeni lasje se zlahka ujamejo v gibajoče se dele.
- **Če se na napravo lahko priključijo elementi za ekstrakcijo ali zbiranje prahu, poskrbite, da jih priključite in ustrezno uporabljate.** Zbiranje prahu lahko zmanjša nevarnosti, povezane s prahom.
- **Pazite, da zaradi pogoste uporabe orodja ne postanete preveč samozavestni pri svojem delu in ne namenite pozornosti upoštevanju varnostnih načel uporabe.** Neprevidna dejanja, ki lahko trajajo le delček sekunde, lahko povzročijo hude poškodbe.

UPORABA IN NEGA ELEKTRIČNEGA ORODJA

- **Električnega orodja ne uporabljajte na silo.** Uporabljajte ustrezno električno orodje za namen uporabe. Ustrezno električno orodje bo delo opravilo bolje in varneje, če ga uporabljate s hitrostjo, za katero je predvideno.
- **Ne uporabljajte električnega orodja, če ga stikalo ne vklopi ali izklopi, kot bi bilo treba.** Kakršno koli električno orodje, ki ga ni mogoče nadzirati s stikalom, je nevarno in ga je potrebno popraviti.
- **Pred izvajanjem prilagoditev, menjavanjem dodatkov ali shranjevanjem električnega orodja vtič izključite iz vira napajanja in/ali iz električnega orodja odstranite akumulatorsko baterijo, če se**

lahko odstrani. Tak preventivni varnostni ukrep zmanjša tveganje nenamernega vklopa električnega orodja.

- Električna orodja, ki niso v uporabi, shranjujte izven dosega otrok in ne dovolite, da bi električno orodje uporabljale osebe, ki niso seznanjene z električnim orodjem ali s temi navodili. Električna orodja so v rokah neusposobljenih uporabnikov nevarna.
- Električno orodje in dodatke vzdržujte. Preverite neoparavnost ali povezanost premikajočih se delov, ugotovite, ali obstajajo zlomljeni deli ter drugi pogoji, ki bi lahko vplivali na delovanje električnega orodja. Če se orodje poškoduje, ga pred ponovno uporabo popravite. Številne nesreče se zgodijo zaradi slabo vzdrževanega električnega orodja.
- Rezalno orodje naj bo vedno ostro in čisto. Ustrezno vzdrževano rezalno orodje z ostrimi rezili se manj verjetno sprime in lažje upravlja.
- Električno orodje, dodatke in nastavke za orodje uporabljajte v skladu s temi navodili ter upoštevajte delovne pogoje ter delo, ki ga izvajate. Uporaba električnega orodja za namene, ki so drugačni od tistih, za katere je bilo orodje zasnovano, lahko povzroči nevarne situacije.
- Ročaji in držalne površine naj bodo suhi, čisti in brez olja ter masti. Spolzki ročaji in držalne površine ne omogočajo varnega ravnanja z orodjem ter njegovega upravljanja v nepričakovanih situacijah.

UPORABA IN VZDRŽEVANJE ORODJA NA AKUMULATORJE

- Akumulator polnite samo s polnilcem, ki ga predpiše proizvajalec. Polnilce, ki praviloma ustreza eni vrsti baterij, je morda nevaren in škodljiv, če z njim polnite drugo vrsto baterij.
- Električno orodje uporabljajte izključno z zanj namenjenimi akumulatorskimi vložki. Uporaba drugih akumulatorjev lahko povzroči nevarnost poškodbe in požara.
- Ko baterije ne uporabljate, pazite, da bo odmaknjena od kovinskih predmetov, kot so papirne sponke, kovanci, ključi, žebelji, vijaki ali drugih majhni kovinski predmeti, ki bi lahko povzročili povezavo med obema terminaloma. Povzročitev kratkega stika priključkov akumulatorja lahko povzroči opekline ali požar.
- Ob grobi uporabi lahko iz akumulatorja brizgne tekočina; ne dotikajte se je. Če se tekočine slučajno dotaknete, jo sperite z vodo. Če vam tekočina pride v oči, poiščite tudi zdravniško pomoč. Tekočina, ki brizgne iz akumulatorja, lahko povzroči draženje ali opekline.
- Poškodovanega ali spremenjenega akumulatorskega vložka oziroma orodja ne uporabljajte. Poškodovani ali spremenjeni akumulatorji lahko delujejo na nepredvidljiv način, kar lahko povzroči požar, eksplozijo ali nevarnost telesne poškodbe.
- Akumulatorskega vložka ali orodja ne izpostavljajte ognju ali previsokim temperaturam. Ob izpostavljenosti ognju ali temperaturam, višjim od 130°C, lahko pride do eksplozije.
- Dosledno upoštevajte navodila za polnjenje in ne polnite akumulatorskega vložka oziroma orodja izven temperaturnega razpona, predpisanega v navodilih. Ob nepravilnem polnjenju oziroma polnjenju

pri temperaturah izven predpisanega razpona se lahko poškoduje akumulator in poveča nevarnost požara.

SERVIS

- Električno orodje naj servisira za to usposobljena oseba, uporabljati pa sme le originalne nadomestne dele. To bo zagotovilo vzdrževanje varnostni električne naprave.
- Nikoli ne servisirajte poškodovanih akumulatorskih vložkov. Akumulatorske vložke lahko servisira samo proizvajalec ali pooblaščen servisier.

VARNOSTNA NAVODILA ZA KOTNE ŽAGE

- Kotne žage so predvidene za rezanje lesa ali lesu podobnih izdelkov; ne sme se jih uporabljati z brusilnimi diski za rezanje kovinskih materialov, kot so palice, drogovci, stebri itd. Prah, ki nastane pri brušenju, povzroči zatikanje gibljivih delov, na primer spodnjega ščitnika. Iskre, ki nastanejo pri brusilnem rezanju, ožgejo spodnji ščitnik, rezalni vstavek in druge plastične dele.
- Uporabite primeže, da podprete obdelovanec, kadar koli je mogoče. Če obdelovanca podpirate z roko, jo morate vedno imeti vsaj 100 mm od katere koli strani rezila žage. Ne uporabljajte te žage za rezanje kosov, ki so premajhni, da bi jih lahko varno priželi ali držali z roko. Če roko položite preblizu rezila žage, se poveča nevarnost nastanka telesne poškodbe zaradi stika z rezilom.
- Obdelovanec mora biti pri miru in prižet, ali pa ga je treba potiskati ob zaščito in delovni pult. Obdelovanca ne približujte rezilu oziroma ga ne režite »prostoročno«. Nepritrjene ali premikajoče se obdelovanca lahko vrže v zrak z visoko hitrostjo in lahko vas poškodujejo.
- Potisnite žago skozi obdelovanca. Žage ne vlecite skozi obdelovanca. Režite tako, da glavo žage dvignete in jo potegnute prek obdelovanca, ne da bi rezali, zažene motor, potisnete glavo žage navzdol in potisnete žago skozi obdelovanca. Rezanje s potegom lahko povzroči, da se rezilo žage dvigne na vrh obdelovanca in grobo vrže sestav rezila proti operaterju.
- Nikoli ne postavite roke na nameravano rezalno črto, niti pred niti za rezilo žage. Podpiranje obdelovanca s prekrižanimi rokami, tj. držanje obdelovanca desno od rezila žage z vašo levo roko ali obratno, je zelo nevarno.
- Ne sezite za zaščito z nobeno roko bližje kot 100 mm od katere koli strani rezila žage, da bi odstranili žaganje ali iz katerega koli drugega razloga, če se rezilo vrtili. Bližina vrtečega se rezila žage vaših rok morda ni samoumevna in lahko se hudo poškodujete.
- Pred rezanjem preglejte obdelovanca. Če je obdelovanec ukrivljen ali zvit, ga vpnite tako, da je zunanja ukrivljena ploskev obrnjena proti zaščiti. Vedno se prepričajte, da vzdolž rezalne črte ni špranje med obdelovancem, zaščito in delovnim pultom. Ukrivljeni ali zviti obdelovanci se lahko upognejo ali premaknejo, kar povzroči zatikanje vrtečega se rezila žage med rezanjem. V obdelovancu ne sme biti žebeljev ali tujkov.
- Ne uporabljajte žage, dokler je na delovnem pultu orodje, žaganje in podobno. Majhne ostanke ali kose lesa oziroma druge predmete lahko ob stiku z vrtečim se rezilom vrže v zrak z visoko hitrostjo.

- **Režite samo enega obdelovanca naenkrat.** Več obdelovancev, zloženih v skladovnico, ni mogoče ustrezno prižeti in se lahko med rezanjem primejo na rezilo ali pa se premaknejo.
- **Poskrbite, da kotno žago pred uporabo pritrđite ali postavite na ravno, trđno delovno površino.** Ravna in trđna delovna površina zmanjša tveganje, da bi kotna žaga postala nestabilna.
- **Načrtujte svoje delo. Ob vsaki spremembi nastavitve kota vogelnice ali zajere se prepričajte, da je nastavljiva zaščita pravilno nastavljena, da lahko podpira obdelovanca in ne bo motila rezila ali zaščitnega sistema.** Ne da bi vklopili orodje in brez obdelovanca na delovnem pultu premaknite rezilo žage prek popolnega simuliranega reza, da se prepričate, da ne bo moten ali nevarnosti rezanja zaščite.
- **Če je obdelovanec daljši od delovnega pulta, uporabite ustrezno podporo, na primer podaljške delovnega pulta, kože za žaganje itd.** Če so obdelovanci daljši ali širši od delovnega pulta kotne žage, se lahko prevrnejo, če niso varno podrti. Če se odžagani kos ali obdelovanec prevrne, lahko dvigne spodnji ščitnik ali pa ga vrteče se rezilo vrže v zrak.
- **Ne uporabljajte druge osebe kot nadomestek za podaljšek delovnega pulta ali dodatno podporo.** Nestabilno podprt obdelovanec lahko povzroči sprijemanje rezila ali premikanje obdelovanca med rezanjem, kar lahko vas ali pomočnika potegne v vrteče se rezilo.
- **Odrezan kos ne sme biti zataknen ali na kakršen koli način potisnjen ob vrteče se rezilo žage.** Če je odžagani kos pritrjen, npr. z uporabo omejevalnikov dolžine, se lahko zatakne v rezilo in ga grobo vrže v zrak.
- **Vedno uporabljajte spono ali pritrdilne elemente, ki so ustrezno oblikovani za podpiranje okroglega materiala, na primer palic ali cevi.** Palice se med rezanjem rade vrtijo, zaradi česar rezilo »grize« in vašo roko potegne k rezilu.
- **Rezilo naj pred stikom z obdelovancem doseže polno hitrost.** S tem se zmanjša tveganje metanja obdelovanca v zrak.
- **Če se obdelovanec ali rezilo zagozdi, žago izklopite (OFF). Počakajte, da se vsi gibljivi deli zaustavijo, nato izvlecite vtič iz električne vtičnice in/ali odstranite akumulatorski vložek. Nato sprostite zataknen material.** Če se obdelovanec zagozdi, lahko z nadaljnjim žaganjem izgubite nadzor ali poškodujete kotno žago.
- **Po dokončanju reza sprostite stikalo, držite glavo žage navzdol in počakajte, da se rezilo ustavi, in šele nato odstranite odrezan kos.** Seganje z roko proti rezilu, ki se še vedno vrti, je nevarno.
- **Ob izvajanju nepopolnega reza ali sprostitvi stikala, preden je glava žage v povsem navzdol obrnjenem položaju, trđno držite ročaj.** Zaviranje žage lahko povzroči nenaden poteg glave žage navzdol, kar lahko privede do telesne poškodbe.
- Ne uporabljajte izdelka brez nameščenih ščitnikov. varovala morajo biti v dobrem delovnem stanju in ustrezno vzdrževana.
- Poskrbite, da je operater ustrezno usposobljen iz varnostnih previdnostnih ukrepov, nastavljanja in uporabe izdelka.
- Med uporabo izdelka vedno nosite očala in zaščito ušes. Priporočljivo je, da nosite rokavice, masivne čevlje, v katerih ne drsi, in predpasnik.
- Preden uporabite kateri koli dodatek, preverite navodila za uporabo. Nepravilna uporaba dodatka lahko privede do poškodb in povečanega tveganja za telesne poškodbe.
- Uporabljajte le rezila, ki so določena v teh navodilih in so v skladu z EN 847-1.
- Upošteвайте maksimalno hitrost, ki je označena na rezilu. Prepričajte se, da je hitrost, označena na rezilu, vsaj enaka hitrosti, označeni na žagi.
- Vedno uporabljajte rezila s pravilno velikostjo in obliko odprtine za vpenjanje. Če se rezila ne ujemajo z montažnimi elementi žage, je njihovo vrtenje ekscentrično, kar povzroči izgubo nadzora.
- Ne uporabljajte rezil večjega ali manjšega premera, kot je priporočen. Ne uporabljajte distančnikov, da bi namestili rezilo na vreteno.
- Konice žaginega lista pred vsako uporabo pregledite zaradi poškodb ali nepravilnega videza. Poškodovane ali zrahljane konice se lahko med uporabo snamejo in odletijo, s čimer povečajo možnost telesnih poškodb.
- Ne uporabljajte zvith ali počenih rezil. Nikoli ne uporabljajte poškodovanih ali deformiranih rezil.
- Poškodovane, deformirane, izkrivljene ali počene žagine liste zavrzite. Takšnih listov ne popravljajte.
- Ne uporabljajte rezil HSS.
- Poskrbite, da je rezilo žage pravilno nameščno; pred uporabo dobro privijte vretenasto matico (navor privitja pribl. 8-10 Nm).
- Pritrdilni vijak in matice je treba priviti z ustreznim ključem itd.
- Podaljševanje izvijača ali privijanje s pomočjo udarcev kladiva ni dovoljeno.
- Prepričajte se, da so vsa rezila in prirobnice čisti ter da so utori prirobnice usmerjeni proti rezilu.
- Prepričajte se, da se rezilo vrti v pravo smer.
- Pred začetkom dela najprej naredite »slepi« rez brez vključenega motorja, da preverite položaj rezila in delovanje zaščit glede na druge dele stroja ter glede na obdelovanec.
- Izdelka nikoli ne pustite brez nadzora.
- Ne mažite rezila, ko se rezilo vrti.
- Stroja nikoli ne čistite ali vzdržujte, ko stroj teče in glava ni v položaju mirovanja.
- Nikoli ne poskušajte stroja med delovanjem ustaviti na hitro tako, da rezilo blokirate z drugim pripomočkom ali sredstvom, saj lahko pride do hudih nesreč.
- Pred menjavo rezila ali vzdrževanjem žago obvezno izklopite iz napajanja ali odstranite akumulator.
- Med parkiranjem in odpakiranjem rezila bodite previdni, saj se z ostrimi rezili zlahka poškodujete.
- Za rokovanje z rezilom žate uporabite prijemalo ali si nadenite zaščitne rokavice.

VARNOSTNA NAVODILA ZA LIST ZA RAZREZ LESA

- Pred uporabo rezila žage in naprave pazljivo preberite priročnik ter navodila.
- Izdelek mora biti v dobrem stanju, vreteno ne sme biti deformirano in ne sme vibrirati.



- Rezilo spravite in shranite v originalni embalaži ali drugi primerni embalaži; shranjujte ga na suhem in stran od kemikalij, ki bi lahko poškodovale rezilo.

DODATNA VARNOSTNA OPOZORILA

- Obdelovani kos vedno trdno in varno spnite.
- Poskrbite, da je izdelek vedno stabilen in varen (npr. pritrdjen na delovni pult).
- Vedno nosite ščitnike za ušesa. Izpostavljenost hrupu lahko povzroči izgubo sluha.
- Med uporabo izdelka vedno nosite varnostna očala. Priporočamo, da med ravnanjem z rezili in grobimi materiali nosite rokavice in trdne čevlje proti zdrsom, s čimer boste noge zavarovali pred obdelovanci, ki lahko padejo z območja rezanja.
- Pred vzdrževanjem ali čiščenjem izdelka izklopite izdelek iz napajanja ali odstranite akumulatorski vložek.
- Akumulatorski vložek nameščajte le, če je izdelek izklopljen.
- Nikoli ne posegajte v območje blizu rezila, razen če je rezilo povsem zaustavljeno.
- Pred uporabo temeljito preglejte izdelek in akumulatorski vložek, da odkrijete morebitne poškodbe ali utrujenost materiala. Izdelek lahko popravljajo le na pooblaščenem servisu.
- Vedno uporabljajte ščitnike izdelka. Ne uporabljajte izdelka, če ščitniki niso nameščeni ali ne delujejo pravilno.
- Spodnji ščitnik rezila bi se moral odpreti šele, ko se rezilo približa obdelovancu, in se mora vedno neovirano premikati ter se samodejno zapirati.
- Med delom vedno namestite in uporabljajte podaljševalne palice za podporo obdelovanca.
- Nikoli ne spreminjajte ali prilagajajte izdelka oziroma njegovega delovanja. Vaša varnost je morda ogrožena.
- Nikoli ne uporabljajte počenih, poškodovanih ali deformiranih rezil.
- Ne uporabljajte rezil iz hitroreznega jekla.
- Uporabljajte samo ostra rezila. Zamenjajte topa rezila.
- Vedno uporabljajte rezila s pravilno velikostjo in obliko odprtine za vpenjanje. Če se rezila ne ujemajo z montažnimi elementi žage, je njihovo vrtenje ekscentrično, kar povzroči izgubo nadzora.
- Uporabljajte le rezila za obdelavo lesa, navedena v tem priročniku, ki so v skladu s standardom EN 847-1.
- Za pritrditev rezil ne uporabljajte prirobnic, podložk ali matic, ki niso priložene ali navedene v navodilih za uporabo.
- Pomembno je, da izberete rezilo, ki je primerno za material, ki ga režete. Nikoli ne uporabljajte izdelka za rezanje materialov, ki niso navedeni v razdelku »Predvidena uporaba« v tem priročniku.
- Med rezanjem je pomembno, da se prepreči pregretje rezila in taljenje plastike.
- Nujno je treba upoštevati najvišjo hitrost, navedeno na rezilu žage; uporabljajte le rezila žag, na katerih je navedena hitrost, ki je enaka ali višja od hitrosti, navedene na orodju.
- Vložek mize zamenjajte, ko je ta obrabljen ali poškodovan.

- Pred delom izvedite navidezen rez brez vklopljenega motorja, da preverite položaj rezila, delovanje ščitnikov glede na druge dele naprave in obdelovanca.
- Med izvajanjem zajernih, poševnih ali sestavljenih zajernih rezov nastavite drsno zaščito ali pomožno zaščito, da zagotovite ustrezen razmik od rezila.
- Preprečite nenadzorovano sprostitve enote žage iz skrajnega spodnjega položaja.
- Med prevozom izdelka mora biti zaklep ročaja vedno aktiviran.
- Poskrbite, da tla niso prekrita z odpadlim materialom, kot so odkruški in odrezki.
- Odrezkov ali drugih delov obdelovanca ne odstranjujte iz območja žaganja, ko izdelek deluje in glava žage ni v pospravljenem položaju.
- Dolge obdelovance je treba ustrezno podpreti. Delovno območje žage vključuje celoten doseg obdelovanca. Uporavlavec naj to območje zavaruje pred nenamernim stikom z drugimi osebami ali predmeti, ki bi lahko obdelovanca med delom premaknili.
- Prah, ki nastaja med uporabo izdelka, lahko škoduje zdravju. Uporabljajte sistem za sesanje prahu in nosite ustrezno protiprašno masko. Nakopičen prah povsem odstranite s sesalnikom.
- Morda je potrebno prilagoditi drsno pregrado, da se pred rezanjem stožca ali spoja zagotovi ustrezna oddaljenost. Poskrbite, da zaklepni vijak drsne pregrade po nastavitvi dobro privijete.
- Na katerokoli stran rezila se lahko namesti in uporablja spona. Pri nekaterih vrstah uporabe lahko spona ovira sestav ščitnika rezila. Pred začetkom rezanja se vedno prepričajte, da ščitnik rezila ni oviran, da zmanjšate možnost povzročitve hudih telesnih poškodb.
- Temperatura okolja delovanja orodja je med 0 °C in 40° C.
- Temperatura okolja za shranjevanje orodja je med 0 °C in 40 °C.
- Priporočena temperatura okolja za polnilni sistem med polnjenjem je med 10 °C in 38° C.

DODATNA VARNOSTNA OPOZORILA ZA BATERIJO

- V izogib, s kratkim stikom povzročene nevarnosti požara, poškodb ali okvar na proizvodu, orodja, izmenljivega akumulatorja ali polnilne naprave ne potaplajte v tekočine in poskrbite, da ne bo prihajalo do vdora tekočin v naprave in akumulatorje. Korozivne ali prevodne tekočine, kot so slana voda, določene kemikalije in belila ali proizvodi, ki le ta vsebujejo, lahko povzročijo kratek stik.
- Temperatura okolja za baterijo med uporabo je med 0 °C in 40° C.
- Temperatura okolja za shranjevanje baterije (izdelka) je med 0 °C in 20 °C.

PREVAŽANJE LITIJEVIH AKUMULATORJEV

Akumulator prevažajte v skladu z lokalnimi in državnimi uredbami in predpisi.

Upoštevajte vse posebne zahteve glede pakiranja in označevanja, kadar prevoz opravlja tretja oseba. Zagotovite, da akumulatorji med prevozom ne morejo priti v stik z drugimi akumulatorji ali prevodnimi materiali, tako da zaščitite izpostavljene konektorje z neprevodnimi izolacijskim pokrovciki ali trakom. Ne prevažajte



poškodovanih akumulatorjev oz. akumulatorjev, ki puščajo. Za nadaljnje informacije se obrnite na posredništvo.

PREOSTALA TVEGANJA

Nekateri preostalih dejavnikov tveganja ni mogoče povsem odpraviti, tudi če ta izdelek uporabljate v skladu z navodili. Med uporabo se lahko pojavijo nekatere nevarnosti, upravljavec pa naj bo pozoren na naslednje:

- Nevarnost stika z odkritimi deli vrtečega se rezila.
- Povratni udarec obdelovancev ali delov obdelovancem zaradi neustrezne prilagoditve ali ravnanja
- Katapultiranje poškodovanih karbidnih konic z rezila.
- Poškodbe dihal.

OPOMBA: Nosite zaščitne dihalne maske s primernimi filtri za obdelovane materiale. Zagotovite primerno prezračevanje prostora. V delovnem območju je prepovedano jesti, piti in kaditi.

- Okvare sluha, če ne nosite učinkovite zaščite za sluh.

⚠ OPOZORILO! Prah z določenih delov, premazi in materiali lahko povzročijo draženje ali alergijske reakcije dihal. Prah z lesa, kot je hrast, bukev, MDF-plošče ali drugi, je karcinogen. Materiale, ki vsebujejo azbest naj obdeluje ali procesira zgolj usposobljen specialističen upravljavec.

⚠ OPOZORILO! Zaradi daljše uporabe orodja lahko pride do poškodb oz. se morebitne poškodbe poslabšajo. Kadar orodje uporabljate dalj časa, si večkrat vzemite odmor.

SPOZNAJTE SVOJ IZDELEK

Glej stran 198.

1. Ročaj, izolirano držalo
2. Gumb za vklop
3. Vzvod za zaklepanje stikala
4. LED-stikalo
5. Spodnji ščitnik
6. Glavna ograja
7. Stranski ročaj za prenašanje
8. Ograja za drsenje.
9. Obračalna miza
10. Vrezovalna ploščica
11. Zaklepni gumb mitre
12. Vzvod za sprostitvev ustavljača mitre
13. Podporna noga
14. Baterija
15. Zgornji ročaj za prenašanje
16. Zaustavitveni gumb za linearno palico
17. Objemka
18. Kazalniki zajernega kota
19. Luknja za pritrditev
20. Vijaki za zaklep glavnega okvirja
21. Vijak za nastavljanje globine žaganja
22. Kazalniki poševnega kota
23. Vijaki za prilagoditev omejitve 45-stopinjskega poševnega kota
24. Zaklepanje poševnega kota
25. Zaklepni zatič glave žage
26. Vrečka za prah
27. Šeststrobi ključ
28. Vijaki za prilagoditev omejitve 0-stopinjskega poševnega kota
29. Vijak za zaklepanje drsnega ščitnika
30. Gumb za blokado vretena
31. Kolutna prirobnica
32. Rezilo žage

DELOVANJE

Izdelek ima premično rezilo, ki ga lahko upravljavec med rezanjem obdelovanca, ki je pritrjen na osnovo izdelka, nastavi na različne kote. Stroj naj vedno upravlja ena oseba naenkrat, da se izognete nenamernemu stiku s premikajočim se rezilom.

Načela za varno delovanje izdelka so sledeča:

- Žaga, rezila in delovno območje naj bodo vedno v dobrem stanju.
- Podnožje krožne namizne žage dobro pritrдите na trden delovni pult. Izdelek se lahko premakne in prevrne, če ni ustrezno pritrjen.
- Nastavite in zaklenite kote in globino rezanja, preden zarezete.
- Obdelovanec pritrдите na osnovo zajeralne žage. Uporabite priloženo objemko, in kadar je to potrebno, uporabite dodatne objemke ali pridržalne mehanizme, da preprečite neželjeno premikanje obdelovanca med rezanjem.
 - Preverite, da delovanje zaščit rezil ni omejeno s položajem obdelovanca.
 - Prepričajte se, da rezilo ob spuščanju na spodnji del ne bo prerezalo ograje ali drugih delov.
- Zaženite motor in dovolite, da rezilo doseže polno hitrost, preden ga počasi spustite, da zarezete v obdelovanec.
- Dovolite, da se zgornji sklop rezil dvigne do zgornjega položaja, kjer je zaščita za rezila povsem zaprta. Pred odstranjevanjem obdelovanca ali odrezkov ali pred poseganjem v območje rezila izklopite motor in počakajte, da se rezilo povsem ustavi.

Pred prvo uporabo se prepričajte, da se kot poševnega ali zajeralnega sklopa na izdelku ujema z nameranim kotom na obdelovancu. To preverite na odpadnem kosu lesa s pomočjo tesarjevega seta ali zajeralnega kvadrata.

Odstranitev rezila žage:

1. Pri delu z rezilom žage obvezno nosite zaščitne rokavice.
2. Žago izklopite in odstranite akumulator.
3. Rahlo odvijte, vendar ne odstranite vijaka na pokrovu rezila. Dvignite pokrov rezila.
4. Samozapiralni ščitnik povlecite nazaj in ga pridržite.
5. Pritisnite gumb za zaklepanje rezila in hkrati odvijte vijak rezila s priloženim šestkotnim ključem. Odstranite zunanjo prirobnico.
6. Odstranite rezilo žage.

Namestitev rezila žage:

Po potrebi vse dele očistite, preden jih namestite.

Po izvedbi postopka »Odstranitev rezila žage«.

1. Pri delu z rezilom žage nosite zaščitne rokavice.
2. Preverite, ali je žaga izklopljena in akumulator odstranjen.
3. Samozapiralni ščitnik povlecite nazaj in ga pridržite.
4. Namestite novo rezilo žage. Preverite, ali se smer vrtenja rezila ujema s smerno puščico na ščitniku rezila.
5. Namestite prirobnico in vijak rezila.
6. Pritisnite gumb za zaklepanje vretena, da se zatakne, in privijte vijak rezila.
7. Zaprite samozapiralni ščitnik.
8. Znova namestite pokrov rezila in privijte vijak.

⚠ OPOZORILO! Prepričajte se, da je pokrov rezila nameščen na prvotnem položaju in da je vijak zategnjen.

Nastavitev zajernalnega kota:

Zajeralni kot je nastavljen v razponu od 45 stopinj (leva stran) do 45 stopinj (desna stran).

1. Popustite zaklepni gumb mitre.
2. Pritisnite vzvod za sprostitvev ustavljača mitre. Z zaklepnim gumbom mitre obrnite žagino mizo na zeleni kot.
3. Znova privijte zaklepni gumb mitre.

Nastavitev poševnega kota:

Poševni kot je nastavljen v razponu od 0 stopinj do 45 stopinj.

1. Popustite gumb za zaklepanje poševnega kota.
2. Z ročajem nagnite roko žage na zeleni poševni kot.
3. Roko orodja pridržite v tem položaju in znova privijte gumb za zaklepanje poševnega kota.

⚠ OPOZORILO! Proizvajalec močno priporoča, da je izdelek vedno dobro nameščen na delovnem pultu.

Ko je podstavek izdelka s štirimi maticami, vijaki in podložkami po navodilih trdno pritrjen na delovni pult, se lahko izdelek uporablja z nastavitvijo največje poševnice in zajere brez nevarnosti, da bi se prevrnili. Če izdelek ni primerno zavarovan, se lahko izdelek pri izjemno poševnih kotih prevrne.

VZDRŽEVANJE

- Tega izdelka na noben način ne spreminjajte ali uporabljajte dodatkov, ki jih ni odobril proizvajalec. Vaša varnost in varnost drugih sta morda ogroženi.
- Izdelka ne uporabljajte, če stikala, zaščite ali druge funkcije ne delujejo, kot je bilo predvideno. Za profesionalno popravilo ali zamenjavo se obrnite na pooblaščen servis.
- Ne izvajajte prilagoditev, ko rezila obratujejo.
- Pred nastavljanjem, mazanjem ali vzdrževanjem izdelka poskrbite, da je akumulatorski vložek odstranjen iz izdelka.
- Pred in po vsaki uporabi preverite, ali je izdelek poškodovan oz. ali ima pokvarjene dele. Izdelek ohranjajte v vrhunskem stanju tako, da nemudoma zamenjate dele z nadomestnimi deli, ki jih je odobril proizvajalec.
- Rezilo ima ostre robove, ki lahko po rezanju ostanejo vroči. Pri čiščenju izpostavljenega rezila bodite izjemno previdni. Nosite rokavice, da se zaščitite pred telesnimi poškodbami.
- Z žage in dodatkov redno čistite prah, predvsem z gibljivih delov, vključno s ščitnikom rezila. Za učinkovito odstranjevanje prahu uporabite krtačo ali sesalec za prah. Ne uporabljajte stisnjenega zraka.
- Za zagotovitev večje varnosti in zanesljivosti morajo vsa popravila, vključno z menjavo krtač, izvesti na pooblaščenem servisu.

⚠ OPOZORILO! Med čiščenjem ali popravili ne razstavite sestava ščitnika rezila. Poškodovanih ščitnikov se ne sme uporabljati. Popravila ali zamenjave naj izvedejo na pooblaščenem servisu.

Umerjanje kota zajere in poševnice

Če je potrebno umerjanje kota zajere in poševnice, glejte strani 213–217 in sledite navodilom za umerjanje.

TRANSPORT IN SKLADIŠČENJE

- Med shranjevanjem izdelka odstranite akumulator. Izdelek shranjujte v varnem prostoru izven dosega otrok.

- Izdelek pred skladiščenjem očistite s pomočjo krtače in sesalca.
- Če odstranite rezila ali hranite nadomestne pri enoti, se prepričajte, da so v originalni embalaži, da se izognete poškodbam.

Za zavarovanje izdelka pred premikanjem:

- Izdelek naj bo shranjen zajernalnem in poševnem kotu v višini nič stopinj in v zaklenjenem položaju. Ročka mora biti zaklenjena v spodnjem (varnem) položaju z zaprtimi zaščitami.

Za premik ali transport v vozilu:

- Pred premikanjem izdelek pritrdite, kot je opisano v priročniku.
- Z delovnega pulta odstranite izdelek tako, da odvijete 4 vijake, enega na vsakem vogalu. Pritrdite vijake za prihodnjo uporabo. Izdelek med prenašanjem držite za zgornji ročaj za prenašanje ali ga z obema rokama držite za stranska ročaja za prenašanje.
- Ko ga prevažat v vozilu, izdelek postavite na osnovo in ga pritrdite, da se ne more premikati.

SIMBOLI NA IZDELKU

Varnostno opozorilo



Evropski znak skladnosti



Britanski znak skladnosti



Ukrajinski znak skladnosti



EurAsian oznaka o skladnosti



Prosimo, da si pred zagonom naprave pozorno preberete navodila



Nosite zaščito za ušesa



Vedno nosite zaščito za oči.



Z rokami ne segajte v območje žaganja in ostrega rezila.



Ne izpostavljajte dežju in ne uporabljajte na vlažnih mestih.



Nosite zaščitne rokavice



Smer vrtenja rezila (prikazana na rezilu žage)



Smer vrtenja rezil (prikazano na zaščiti rezil)



Širina rezila (reza)



Število zob na tem rezilu žage



Zmogljivost rezanja



Za rezanje lesa in podobnega materiala



Ni za rezanje kovin



Pred rezanjem stožcev ali spojev prilagodite položaj drsne pregrade.



Smer odvijanja vijaka rezila

Odpadnih baterij in odpadne električne in elektronske opreme ne odlagajte med nesortirane gospodinjske odpadke. Odpadne baterije in odpadno električno in elektronsko opremo je treba zbirati ločeno. Odpadne baterije, odpadne akumulatorje in svetlobne vire je treba odstraniti iz opreme. Glede recikliranja in zbirališča se posvetujte z lokalnim organom ali prodajalcem. Skladno z lokalnimi predpisi morajo trgovci na drobno odpadne baterije in odpadno električno in elektronsko opremo morda brezplačno prevzeti. Vaš prispevek k ponovni uporabi in recikliranju odpadnih baterij in odpadne električne in elektronske opreme pomaga zmanjšati zahteve po surovinah. Odpadne baterije, predvsem tiste, ki vsebujejo litij, in odpadna električna in elektronska oprema vsebujejo dragocene materiale in materiale, ki jih je mogoče reciklirati, in lahko v primeru, da se ne odložijo na način, skladen z okoljem, negativno vplivajo na okolje in zdravje ljudi. Če so v odpadni opremi shranjeni osebni podatki, jih izbrišite.



Trajanje čakanja, da rezilo doseže polno hitrost ali se povsem zaustavi.



Deli ali dodatki so na prodaj ločeno



Opomba



Opozorilo

SIMBOLI V PRIROČNIKU



Zaklenjeno



Odklenjeno

Pri navrhovaní tejto rozbrusovačky boli najvyššou prioritou bezpečnosť, výkon a spoľahlivosť.

ÚČEL POUŽITIA

Táto pokosová píla je určená na rezanie masívneho alebo lepeného dreva, materiálov podobných drevu, s dyhou alebo bez dyhy a plastov.

Túto pokosovú pílu môžu používať len dospelé osoby, ktoré si prečítali a porozumeli návodu na obsluhu, rizikám a nebezpečenstvám.

Táto pokosová píla je navrhnutá tak, aby sa dala v spodnej časti pripievať k pevnej doske stola. Pokiaľ základňa nie je bezpečne zaistená, celý stroj sa pri operáciách rezania môže pohybovať, čo zvyšuje možnosť závažného poranenia.

Pokosová píla je určená na vykonávanie šikmých a pokosových rezov. Možnosti vykonávať rôzne rezy sú uvedené v špecifikácii výrobku v tejto príručke.

Pokosová píla je určená použitiu v suchom prostredí, s výborným osvetlením okolia a dostatočným vetraním.

Táto pokosová píla je určená na spotrebiteľské použitie a mala by sa používať len podľa opisu uvedeného vyššie a nie je určená na žiadne iné účely.

VŠEOBECNÉ BEZPEČNOSTNÉ VÝSTRAHY PRE ELEKTRICKÝ NÁSTROJ

⚠ VAROVANIE! Prečítajte si všetky výstrahy, pokyny, vyobrazenia a špecifikácie dodané k tomuto elektrickému nástroju. Pri nedodržaní týchto výstrah a pokynov môže dôjsť k úrazu elektrickým prúdom, požiaru a/alebo závažnému poraneniu

Odložte všetky výstrahy a pokyny pre budúce použitie. Výraz „elektrické náradie“ uvádzaný vo výstrahách sa vzťahuje na elektrické náradie napájané zo siete (s káblom) alebo elektrické náradie napájané akumulátorom (bez kábla).

BEZPEČNOSŤ PRACOVISKA

- Pracovisko udržiavajte v čistote a správne osvetlené. Prepchané alebo tmavé miesta zvyšujú pravdepodobnosť nehôd.
- Nepracujte s mechanickými nástrojmi vo výbušných atmosférach, napríklad v blízkosti zápalných tekutín, plynov alebo prachu. Mechanické nástroje vytvárajú iskry, ktoré môžu podpáliť takýto prach alebo výpary.
- Deti a okolostojaci sa počas práce s mechanickým nástrojom nesmú zdržovať v jeho blízkosti. Rozptýlenie môže spôsobiť, že stratíte nad nástrojom kontrolu.

ELEKTRICKÁ BEZPEČNOSŤ

- Zásrčky mechanického nástroja musia zodpovedať zásuvke. Zásrčku nikdy žiadnym spôsobom neupravujte. S uzemnenými mechanickými nástrojmi nepoužívajte adaptérové zásuvky. Použitím neupravených zásrčiek a zodpovedajúcich zásuviek sa znižuje riziko úrazu elektrickým prúdom.
- Vyhýbajte sa telesnému kontaktu s uzemnenými povrchmi, napríklad rúrami, radiátormi, sporákmi a chladičkami. Ak je vaše telo uzemnené, hrozí vysoké riziko úrazu elektrickým prúdom.
- Mechanické nástroje nevystavujte dažďu ani mokrému prostrediu. Voda, ktorá vnikne do mechanického nástroja, zvyšuje riziko úrazu elektrickým prúdom.

- Kábel nenamáhajte. Nikdy nepoužívajte kábel na prenášanie, ťahanie alebo odpájanie mechanického nástroja. Kábel nedávajte do blízkosti tepla, oleja, ostrých hrán alebo pochybujúcich sa dielov. Poškodené alebo zamotané káble zvyšujú riziko úrazu elektrickým prúdom.
- Pri práci s mechanickým nástrojom v exteriéri používajte predĺžovací kábel vhodný pre použitie v exteriéri. S káblom vhodným pre použitie v exteriéri sa znižuje riziko úrazu elektrickým prúdom.
- Ak je nevyhnutné pracovať s mechanickými nástrojmi vo vlhkom prostredí, použite zdroj chránený zariadením pre zvyškový prúd. Použitie zariadenia pre zvyškový prúd znižuje riziko úrazu elektrickým prúdom.

OSOBNÁ BEZPEČNOSŤ

- Pri prevádzke elektrického náradia buďte ostražití, venujte pozornosť tomu, čo robíte, a používajte zdravý rozum. Elektrické náradie nepoužívajte, ak ste unavení, chorí alebo pod vplyvom drog, alkoholu či liekov. Chvíľa nepozornosti počas práce s mechanickými nástrojmi môže spôsobiť závažné osobné poranenie.
- Používajte osobné ochranné prostriedky. Vždy používajte chrániče zraku. Na redukovanie osobných poranení sa pre príslušné podmienky musia používať ochranné prostriedky, ako je protiprachová maska, ochranná obuv s protišmykovou úpravou, prilba alebo chrániče sluchu.
- Dbajte na to, aby nedochádzalo k neúmyselnému spusteniu. Pred pripojením k zdroju napájania a/alebo súprave batérií, zdvíhaním alebo prenášaním výrobku vždy vypínač prepnite do vypnutej polohy. Prenášanie elektrického náradia s prstom na vypínači alebo dodávanie energie do elektrického náradia s vypínačom v zapnutej polohe môže spôsobiť úraz.
- Pred zapnutím nástroja odstráňte prípadný nastavovací klin alebo kľúč. Keď necháte kľúč alebo klin nasadený na rotujúci diel mechanického nástroja, môže dôjsť k vážnemu poraneniu osôb.
- Nesiahajte príliš ďaleko. Neustále zachovávajte pevnú oporu nôh a rovnováhu. Tak si zaistíte lepšiu kontrolu nad mechanickým nástrojom v nečakaných situáciách.
- Primerane sa oblečte. Nenoste voľný odev ani šperky. Svoje vlasy a odev majte v bezpečnej vzdialenosti od pohyblivých dielov. Voľný odev, šperky či dlhé vlasy sa môžu zachytiť do pohyblivých častí.
- Ak sú zariadenia vybavené prípojkou pre zariadenie na odsávanie a zber prachu, pripojte ich a správne ich používajte. Použitie zberu prachu môže znížiť nebezpečenstvá súvisiace s prachom.
- Nedovoľte, aby znalosti získané počas častého používania náradia spôsobili, že budete ignorovať princípy bezpečnosti pre náradie. Nedbalosť, aj keď len na zlomok sekundy, môže spôsobiť vaše osobné poranenie.

POUŽÍVANIE ELEKTRICKÉHO NÁSTROJA A STAROSTLIVOSŤ OŇ

- Na elektrické náradie nepôsobte silou. Používajte správne elektrické náradie pre vašu aplikáciu. Správne elektrické náradie vykoná prácu lepšie



a bezpečnejšie pri rýchlosti, na ktorú bol bolo skonštruované.

- **Mechanický nástroj nepoužívajte, ak spínač nezapína a nevypína nástroj.** Mechanický nástroj, ktorý sa nedá ovládať spínačom, je nebezpečný a musí sa dať opraviť.
- **Pred vykonávaním akýchkoľvek úprav, výmenou príslušenstva alebo uskladnením elektrického náradia odpojte elektrickú zástrčku zo zdroja napájania a/alebo vyberte z elektrického náradia súpravu batérií, ak sa dá vybrať.** Takéto preventívne bezpečnostné opatrenia znižujú riziko náhodného spustenia elektrického náradia.
- **Nečinné mechanické nástroje odložte mimo dosahu detí a nedovoľte používať mechanický nástroj osobám neoboznámeným s mechanickým nástrojom alebo týmto pokynmi.** Mechanické nástroje sú v rukách netrénovaných osôb nebezpečné.
- **Vykonávajte údržbu elektrického náradia a príslušenstva.** Skontrolujte prípadné vyosenie alebo uviaznutie pohyblivých častí, poškodenie dielov a všetky ostatné stavy, ktoré môžu mať vplyv na správne fungovanie elektrického náradia. Pri poškodení nechajte pred opätovným použitím nástroj opraviť v servise. Veľa nehôd je spôsobených zle udržiavaným elektrickým náradím.
- **Udržujte ostrosť a čistotu rezného náradia.** Správne udržiavané rezné náradie s ostrými reznými hranami menej pravdepodobne uviazne a jednoduchšie sa ovláda.
- **Elektrické náradie, jeho príslušenstvo, nadstavce atď. používajte v súlade s týmito pokynmi, so zohľadnením pracovných podmienok a vykonávanej práce.** Pri používaní mechanického nástroja na iné ako určené činnosti môže dôjsť k nebezpečným situáciám.
- **Rúčky a úchopné povrchy uchovávajúce suché, čisté a bez oleja a maziva.** Smykľavé rúčky a úchopné povrchy neumožňujú bezpečnú manipuláciu a ovládanie náradia v neočakávaných situáciách.

POUŽÍVANIE A STAROSTLIVOSŤ O NÁRADIE NAPÁJANÉ BATÉRIOU

- **Nabíjajte len nabíjačkou, ktorú uvádza výrobca.** Nabíjačka, ktorá je vhodná pre jeden typ akumulátora, môže pri použití s iným akumulátorom spôsobiť riziko požiaru.
- **Elektrické náradie používajte len spolu so špecificky určenými súpravami batérií.** Používanie iných súprav batérií môže predstavovať riziko poranenia a požiaru.
- **Keď sa jednotka akumulátora nepoužíva, nedávajte ju do blízkosti iných kovových objektov, ako sú papierové sponky, mince, kľúče, klice, skrutky či iné malé kovové predmety, ktoré by mohli skratovať svorky.** Skratovanie koncoviek batérie môže spôsobiť popálenie alebo požiar.
- **Pri nevhodnom používaní môže z batérie vytekať tekutina; zabráňte kontaktu s ňou.** V prípade náhodného kontaktu opláchnite postihnuté miesto vodou. Ak tekutina príde do kontaktu s očami, vyhľadajte lekársku pomoc. Tekutina vytekajúca z batérie môže spôsobiť podráždenie alebo popálenie.
- **Poškodenú alebo upravenú súpravu batérií alebo náradie nepoužívajte.** Poškodené alebo upravené batérie môžu vykazovať nepredvídateľné správanie s následkom požiaru, výbuchu alebo poranenia.

- **Súpravu batérií ani náradie nevystavujte účinkom ohňa ani nadmernej teploty.** Vystavenie účinkom ohňa alebo teploty nad 130 °C môže spôsobiť výbuch.
- **Dodržiavajte všetky pokyny na nabíjanie a súpravu batérií ani náradie nenabíjajte mimo rozsahu teplôt, ktorý je uvedený v pokynoch.** Nesprávne nabíjanie alebo nabíjanie pri teplotách mimo uvedeného rozsahu môže poškodiť batériu a zvýšiť riziko vzniku požiaru.

SERVIS

- **Servis mechanického nástroja prenechajte kvalifikovanému servisnému pracovníkovi s použitím len identických náhradných dielov.** Týmto sa zabezpečí, že sa zachová bezpečnosť elektrického nástroja.
- **Nikdy nevykonávajte servis poškodených súprav batérií.** Servis súprav batérií sme vykonávať len výrobca alebo autorizovaní poskytovatelia servisu.

BEZPEČNOSTNÉ POKYNY PRE POKOSOVÉ PÍLY

- **Pokosové píly sú určené na rezanie dreva a drevu podobných výrobkov a nesmú sa používať spolu s rozbrusovacími kotúčmi na rezanie železných materiálov, ako sú tyče, drôty, klice atď.** Abrazívny prach vznikajúci spôsobuje uviaznutie pohyblivých dielov, ako je spodný chránič. Iskry vznikajúce pri rozbrusovaní spôsobia zapálenie spodného chrániča, škárovacej vložky či iných plastových dielov.
- **Pomocou svoriek podprite obrobok vždy, keď je to možné.** Ak budete obrobok podpierat rukou, ruku musíte mať aspoň 100 mm od ktorejkoľvek strany pílovej čepele. Túto pílu nepoužívajte na rezanie kusov, ktoré sú veľmi malé na bezpečné prichytenie či držanie rukou. Ak svoju ruku umiestnite veľmi blízko pílovej čepele, existuje zvýšené riziko poranenia v dôsledku kontaktu s čepeľou.
- **Obrobok musí byť stabilizovaný a prichytený alebo držaný proti zábrane aj stolu.** V žiadnom prípade sa obrobok nesmie prisúvať k pílovej čepele alebo rezat' „voľne z ruky“. Neupevnené alebo pohybujúce sa obrobky môžu byť odhodnené vysokou rýchlosťou a môžu spôsobiť poranenie.
- **Pílu tlačte cez obrobok.** Pílu cez obrobok neťahajte. Ak chcete vykonať rez, zdvihnite hlavu píly a potiahnite ju ponad obrobok bez rezania, naštartujte motor, stlačte hlavu píly nadol a pílu tlačte cez obrobok. Rezanie s pohybom ťahaním pravdepodobne spôsobí, že čepeľ vylezie na hornú časť obrobku a silne odhodí zostavu čepele smerom k obsluhu.
- **Nikdy nekladte svoju ruku križom cez zamýšľanú líniu rezu, a to ani pred ani za pílovou čepeľou.** Podopieranie obrobku „križom“, t. j. držiac obrobok vpravo od pílovej čepele ľavou rukou a naopak, je veľmi nebezpečné.
- **Kým sa čepeľ otáča, nenačahujte sa za zábranu ktoroukoľvek rukou bližšie 100 mm ku ktorejkoľvek strane čepele, aby ste odstránili drevené úlomky, ani z akéhokoľvek iného dôvodu.** Blízkosť otáčajúcej sa pílovej čepele k ruke nemusí byť zrejme a môžete sa vážne poraniť.
- **Pred rezaním obrobok skontrolujte.** Ak je obrobok ohnutý alebo zvlnený, upevnite ho vonkajšou ohnutou stranou k zábrane. Vždy zabezpečte, aby medzi obrobkom, zábranou a stolom nebola pozdĺž línie rezu žiadna medzera. Ohnuté alebo zvlnené





obrobky sa môžu stočiť alebo posunúť a môžu spôsobiť uviaznutie otáčajúcej sa pílovej čepele počas rezania. V obrobku sa nesmú nachádzať žiadne kĺnce ani cudzie predmety.

- **Pílu nepoužívajte, až kým zo stola okrem obrobku neodstránite všetky nástroje, drevené úlomky atď.** Malé úlomky a voľne položené kúsky dreva či iné predmety, ktoré sa dotknú otáčajúcej sa čepele, môžu byť odhodnené vysokou rýchlosťou.
- **Naraz reže len jeden obrobok.** Na seba poukladané obrobky nemožno primerane upnúť alebo zovrieť a počas rezania sa môžu zachytiť v čepeľi alebo posunúť.
- **Pred použitím pokosovú pílu namontujte na vodorovnom a pevnom pracovnom povrchu.** Vodorovný a pevný pracovný povrch redukuje riziko nestability pokosovej píly.
- **Svoju prácu si naplánujte.** Pri každej zmene uhla šikmosti alebo pokosu správne nastavte nastaviteľnú zábranu, aby podopierala obrobok a neprekážala čepeľi či systému ochrany. Bez toho, aby ste náradie zapli a na stôl položili obrobok, pohybujte pílou po kompletnej simulovanej línii rezu, aby ste overili, že nedôjde k porušeniu alebo nebezpečenstvu prerezania zábrany.
- **Pre obrobky, ktoré sú širšie alebo dlhšie ako pracovný stôl, zabezpečte primeranú podporu, ako je predĺženie stola, podpora na rezanie atď.** Ak obrobky, dlhšie alebo širšie, ako stôl s pokosovou pílou, nebudú bezpečne podopreté, môžu sa prevrhnúť. Ak sa odrezaný kus alebo obrobok prevrhne, môže zdvihnúť spodný chránič alebo môže dôjsť k jeho odhodneniu otáčajúcou sa čepeľou.
- **Ako náhradu za predĺženie stola alebo ako dodatočnú podporu nevyužívajte inú osobu.** Nestabilná podpera obrobku môže spôsobiť uviaznutie čepele alebo posunutie obrobku počas rezania, čím dôjde k potiahnutiu vás a pomocníka smerom k otáčajúcej sa čepeľi.
- **Odrezaný kus sa nesmie zasúvať ani tlačiť akýmkoľvek spôsobom smerom k otáčajúcej sa pílovej čepeľi.** V prípade ohraničenia, t. j. používania dĺžkových zarážok, by sa mohol odrezaný kus vkliniť smerom k čepeľi a mohlo by dôjsť k jeho silnému odhodneniu.
- **Na podopretie okrúhlych materiálov, ako sú tyče alebo rúry, vždy používajte príchytku alebo upevnenie navrhnuté pre takéto materiály.** Tyče majú tendenciu sa pri rezaní otáčať, čo spôsobuje, že sa čepeľ „zahryzne“ a ťahá obrobok s vašou rukou smerom k čepeľi.
- **Pred kontaktom s obrobkom nechajte čepeľ dosiahnuť maximálne otáčky.** Tým sa zníži riziko odhodnenia obrobku.
- **Ak dôjde k zaseknutiu obrobku alebo čepele, zastavte pokosovú pílu „OFF“.** Počkajte na zastavenie všetkých pohyblivých dielov a odpojte zástrčku zo zdroja napájania a/alebo vyberte súpravu batérií. Potom zaseknutý materiál uvoľnite. Ak by ste pokračovali v práci so zaseknutým materiálom, mohlo by dôjsť k strate ovládania alebo poškodeniu pokosovej píly.
- **Po dokončení rezu uvoľnite vypínač, hlavu píly držte dolu a počkajte na úplne zastavenie čepele; potom odoberte odrezaný kus.** Naťahovanie rukou do blízkosti otáčajúcej sa čepele je nebezpečné.

- **Pri vykonávaní neúplného rezu alebo pri uvoľňovaní vypínača pred tým, ako bude hlava píly v najspodnejšej polohe, držte rúčku pevne.** Brzdzenie píly môže spôsobiť náhle potiahnutie hlavy píly smerom nadol s rizikom možného poranenia.

BEZPEČNOSTNÉ POKYNY PRE WOOD CUTTING BLADE

- Pred používaním pílovej čepele a zariadenia si dôkladne prečítajte návod a pokyny.
- Výrobok musí byť v dobrom stave, vreteno bez deformácií a vibrácií.
- Výrobok nepoužívajte bez nainštalovaných chráničov. Ochranné kryty udržiavajte v dobrom prevádzkovom stave a správne udržiavané.
- Obsluha musí byť primerane vyškolená v oblasti bezpečnostných opatrení, nastavovaní a prevádzkovaní výrobku.
- Pri používaní výrobku vždy noste okuliare a ochranu sluchu. Odporúča sa používať rukavice, pevné nešmyklivé topánky a zásteru.
- Pred použitím akéhokoľvek príslušenstva si pozrite návod na použitie. Nesprávne používanie príslušenstva môže spôsobiť poškodenie a zvýšiť možnosť poranenia.
- Používajte len ostria špecifikované v tomto návode, ktoré spĺňajú normu EN 847-1.
- Dodržiavajte označenie maximálnej rýchlosti na pílovom ostri. Skontrolujte, či rýchlosť vyznačená na pílovom ostri je minimálne rovná rýchlosti vyznačenej na pile.
- Vždy používajte ostria s otvormi na hriadeľ správnej veľkosti a tvaru. Ostria, ktoré nie sú kompatibilné s montážnym technickým vybavením píly, budú bežať excentricky a spôsobia stratu kontroly.
- Nepoužívajte ostria väčšieho alebo menšieho priemeru ako odporúčané. Nepoužívajte žiadne rozpieryky umožňujúce prispôbenie ostria do vretena.
- Pred každým použitím skontrolujte, či nie sú hroty zubov pílového kotúča poškodené alebo príliš nevystupujú. Hroty, ktoré sú poškodené alebo uvoľnené, môžu pri použití odletieť a zvýšiť riziko zranenia osôb.
- Nepoužívajte prasknuté alebo porušené pílové kotúče. Nepoužívajte poškodené alebo deformované pílové kotúče.
- Ak je pílový kotúč poškodený, deformovaný, pokrivený alebo prasknutý, vyhodte ho do šrotu; oprava ja zakázaná.
- Nepoužívajte ostria HSS.
- Pred používaním skontrolujte, že pílová čepeľ je správne namontovaná, a dôkladne utiahnite upínaciu maticu (uťahovací moment približne 8 až 10 Nm).
- Upínacia skrutka a matica sa musia uťahovať správnym kľúčom atď.
- Uvoľnenie alebo dotiahnutie skrutky údermi kladiva na skrutkovač je zakázané.
- Dbajte na to, aby všetky ostria a príruby boli čisté a zapustené strany objímky boli oproti ostriu.
- Skontrolujte, či sa ostrie otáča v správnom smere.
- Pred začatím práce vykonajte skúšobný rez so zapnutým motorom, na kontrolu polohy ostria, funkčnosti ochranných krytov vzhľadom na ostatné súčasti stroja a obrobku.
- Výrobok nikdy nenechávajte bez dohľadu.



- Na ostrie nenanášajte mazivá počas behu.
- Nikdy nevykonávajte čistenie alebo údržbu, keď je stroj ešte spustený a hlava nie je v pokojovej polohe.
- Nikdy sa nepokúšajte rýchlo zastaviť stroj v pohybe tak, že zaseknete nástroj či iný predmet do ostria – takýmto spôsobom môže neúmyselne dôjsť k závažným poraniam.
- Pred výmenou čepeľí alebo pred vykonávaním údržby odpojte výrobok od elektrickej siete alebo vyberte súpravu batérií.
- Dávajte si pozor pri zabalení a vybalení na čepeľ pílového kotúča, ostré hroty čepele vás môžu ľahko poraniť.
- Použite držiak pílového kotúča alebo pri manipulácii s pílovým kotúčom nosíte rukavice.
- Čepeľ uchovávajte a skladujte v originálnom obale alebo inom vhodnom obale, uchovávajte v suchu a mimo dosahu chemikálií, ktoré by mohli čepeľ poškodiť.

ĎALŠIE BEZPEČNOSTNÉ VÝSTRAHY

- Obrobok vždy bezpečne a pevne upnite.
- Zabezpečte, aby bol výrobok vždy umiestnený stabilne a bezpečne (napr. pripavený k stolu).
- Vždy používajte ochranu sluchu. Vystavovanie hluku môže spôsobiť stratu sluchu.
- Pri používaní výrobku vždy nosíte ochranné okuliare. Odporúča sa pri manipulácii s ostrými a rezavými materiálmi používať rukavice plus pevnú nešmykľavú obuv na ochranu chodidiel pred obrobkami, ktoré môžu odpadávať z priestoru rezania.
- Pred vykonávaním údržby alebo čistením výrobku odpojte výrobok z elektrickej siete alebo z neho vyberte súpravu batérií.
- Súpravu batérií inštalujte len do vypnutého výrobku.
- Nikdy nesiahajte do priestoru v blízkosti ostria, kým sa ostrie úplne nezastaví.
- Pred použitím dôkladne skontrolujte výrobok a súpravu batérií, či nevykazujú akékoľvek poškodenie alebo únavu materiálu. Opravy celého výrobku smie vykonávať len autorizované servisné stredisko.
- Na výrobku vždy používajte chrániče. Výrobok nepoužívajte, ak nie sú chrániče v správnej polohe alebo ak nefungujú správne.
- Spodný chránič čepele by mal byť otvorený, len ak je čepeľ znížená k obrobku, a musí sa vždy voľne pohybovať a automaticky zatvárať.
- Obrobok počas činnosti vždy upevnite a používajte predlžovacie tyče.
- Výrobok ani jeho funkcie nikdy nepozmeňujte ani neupravujte. Môže dôjsť k narušeniu vašej bezpečnosti.
- Nepoužívajte prasknuté, poškodené alebo deformované pílové ostria.
- Nepoužívajte pílové kotúče vyrobené z vysokorychlostnej ocele.
- Používajte len ostria, ktoré sú ostré. Tupé ostria vymeňte.
- Vždy používajte ostria s otvormi na hriadeľ správnej veľkosti a tvaru. Ostria, ktoré nie sú kompatibilné s montážnym technickým vybavením píly, budú bežať excentricky a spôsobia stratu kontroly.
- Používajte len čepele určené na prácu s drevom, ktoré vyhovujú norme EN 847-1.

- Na zaistenie ostria píly nepoužívajte žiadne iné príruby, podložky ani matice okrem dodaných alebo uvedených v návode.
- Je nevyhnutné vybrať taký pílový kotúč, ktorý je vhodný pre rezaný materiál. Tento výrobok nepoužívajte na rezanie iných materiálov, než aké sú uvedené v časti o určenom používaní v tomto návode.
- Je dôležité predísť prehrievaniu a roztopeniu plastov počas rezania.
- Je dôležité dodržiavať maximálne otáčky uvedené na pílovej čepeľi a používať pílovú čepeľ označenú otáčkami, ktoré sú rovnaké alebo vyššie ako otáčky vyznačené na náradí.
- Keď je vložka taniera opotrebovaná alebo poškodená, vymeňte ju.
- Pred prácou vykonajte fiktívny rez bez zapnutého motora, aby ste mohli skontrolovať polohu noža, funkčnosť chráničov voči ostatným častiam stroja a obrobku.
- Pri vykonávaní šikmých, pokosových alebo zložených pokosových rezov upravte posuvnú zábranu alebo pomocnú zábranu tak, aby sa dosiahla správna vzdialenosť od čepele.
- Zabráňte nekontrolovanému uvoľneniu píly z najspodnejšej polohy.
- Pri preprave výrobku musí byť vždy zaradený zámok na rúčke.
- Udržiavajte podlahovú plochu bez uvoľnených materiálov, ako sú triesky a odrezky.
- Neodstraňujte žiadne odrezky alebo iné časti obrobku z oblasti rezania, keď je výrobok v chode a hlava píly nie je v pokojovej polohe.
- Dlhé obrobky musia byť vhodne podoprené. Pracovný priestor píly zahŕňa celý rozsah obrobku. Obsluhujúci musí zabezpečiť tento priestor pred náhodným kontaktom od ostatných osôb alebo objektov, ktoré môžu posunúť obrobok počas operácie.
- Prach vznikajúci pri používaní tohto výrobku môže byť zdraviu škodlivý. Používajte systém na odsávanie prachu a nosíte vhodnú ochrannú masku proti prachu. Nahromadený prach dôkladne odstráňte vysávačom.
- Pred vykonávaním pokosových alebo zložených rezov bude možno potrebné upraviť posuvnú zábranu, aby sa zaistila správna vzdialenosť. Po nastavení dôkladne zaistíte posuvnú skrutku posuvnej zábrany.
- Príchytku možno nainštalovať na ktorejkoľvek strane čepele. Pri niektorých činnostiach môže príchytká prekážať zostave chrániča čepele. Aby ste znížili riziko vážneho osobného poranenia, pred začatím akéhokoľvek rezu skontrolujte, že chrániču čepele nič neprekáža.
- Rozsah okolitej teploty počas prevádzkovania náradia je 0 °C až 40 °C.
- Rozsah okolitej teploty počas skladovania náradia je 0 °C až 40 °C.
- Odporúčaný rozsah okolitej teploty pre nabíjací systém počas nabíjania je 10 °C až 38 °C.

DOPLNKOVÉ BEZPEČNOSTNÉ VÝSTRAHY PRE BATÉRIU

- Aby ste zabránili nebezpečenstvu požiaru spôsobeného skratom, poraniam alebo poškodeniam výrobku, neponárajte náradie, výmennú batériu alebo nabíjačku

do kvapalín a postarajte sa o to, aby do zariadení a akumulátorov nevnikli žiadne tekutiny. Korodujúce alebo vodivé kvapaliny, ako je slaná voda, určité chemikálie a bieliace prostriedky alebo výrobky, ktoré obsahujú bielidlo, môžu spôsobiť skrat.

- Rozsah okolitej teploty počas používania batérie je 0 °C až 40 °C.
- Rozsah okolitej teploty počas skladovania batérie je 0 °C až 20 °C.

PREPRAVA LÍTIOVÝCH AKUMULÁTOROV

Akumulátor prepravujte v súlade s miestnymi smericami a nariadeniami.

Keď akumulátory prepravuje tretia strana, dodržiavajte všetky požiadavky na balení a označení. Zabezpečte, aby počas prepravy akumulátory neprišli do kontaktu s inými akumulátormi ani vodivými materiálmi – chráňte obnažené konektory pomocou izolácie, nevodivými viečkami alebo páskou. Neprepravujte akumulátory, ktoré sú prasknuté alebo vytekajú. Ďalšie pokyny zistíte u nasledujúcej spoločnosti.

ZVYŠKOVÁ RIZIKOVOSŤ

Aj keď sa nástroj používa podľa predpisu, nie je možné eliminovať určité zvyškové rizikové faktory. Pri použití vznikajú nasledujúce riziká a obsluhujúca osoba musí venovať zvláštnu pozornosť, aby nedošlo k nasledovnému:

- Riziko kontaktu následkom nezakrytých častí rotujúceho pílového ostria.
- Spätňý náraz obrobkov alebo ich častí v dôsledku nesprávneho nastavenia alebo manipulácie
- Vymrštenie úlomkov chýbného karbidu z pílového ostria.
- Hrozí poškodenie respiračného systému.

POZNÁMKA: Používajte dýchacie masky obsahujúce filtre vhodné pre obrábané materiály. Zabezpečte primerané vetranie pracoviska. Na pracovisku nejedzte, nepite ani nefajčite.

- Poškodenie sluchu pri nepoužívaní účinnej ochrany sluchu.

⚠ VAROVANIE! Prach z niektorých farieb, náterov a materiálov môže spôsobiť podráždenie alebo alergické reakcie dýchaciemu systému. Prach z dreva, napríklad, dubu, buku MDF a iných, je karcinogénny. S materiálom obsahujúcim azbest môžu manipulovať alebo ho spracovávať len kvalifikovaní obsluhujúci – špecialisti.

⚠ VAROVANIE! Dlhodobé používanie nástroja môže spôsobiť alebo zhoršiť poranenia. Pri používaní nástroja príliš dlhé obdobia si vždy doprajte pravidelné prestávky.

OBOZNÁMTE SA S VAŠIM PRODUKTOM

Vid' strana 198.

1. Rúčka, izolovaný povrch na držanie
2. Hlavný spínač
3. Poistná páčka spínača
4. Spínač LED
5. Spodný kryt
6. Hlavná bariéra
7. Bočná rukoväť na prenášanie
8. Posuvná bariéra
9. Točňa
10. Platňa na zárezy
11. Zaisťovací gombík pokosu
12. Páčka na uvoľnenie blokovania pokosu
13. Podperná päťka

14. Súprava batérie
15. Horná rukoväť na prenášanie
16. Tlačidlo zárazky lineárnej tyče
17. Upínač
18. Ukazovateľ uhla pokosu
19. Montážny otvor
20. Skrutky na zaistenie hlavného vodidla
21. Skrutka na nastavenie hĺbky rezu
22. Ukazovateľ šikmého uhla
23. Skrutky na nastavenie koncového dorazu šikmého uhla 45°
24. Tlačidlo zaistenia uhla úkosu
25. Čap na zaistenie hlavy píly
26. Vrečko na prach
27. Šesthranný kľúč
28. Skrutky na nastavenie koncového dorazu šikmého uhla 0°
29. Skrutka na zaistenie posuvnej zábrany
30. Tlačidlo blokovania vretena
31. Príruba disku
32. Čepeľ píly

PREVÁDZKA

Produkt je vybavený pohyblivým ostrím píly, ktoré možno nastaviť do rôznych uhlov obsluhujúcou osobou pri rezaní obrobku, ktorý je bezpečne pripevnený k základni produktu. Zariadenie môže obsluhovať len jedna osoba, aby nedošlo k neúmyselnému kontaktu s pohyblivým sa ostrím píly.

Princípy bezpečnej prevádzky produktu:

- Pílu, ostria a pracovný priestor udržiavajte v dobrom prevádzkovom stave.
- Základňu úkosovej píly zaistite k pevnému pracovnému stolu. Keď produkt nie je bezpečne zaistený, môže sa posunúť a prevrhnúť.
- Nastavte a uzamknite rezacie uhly a hĺbku pred vykonaním rezu.
- Zaistite obrobok k základni úkosovej píly. Pomocou pribalenej svorky a podľa potreby pomocou ďalších svoriek alebo pridŕžavacích mechanizmov zabránite neúmyselnému pohybu obrobku pri rezaní.
 - Skontrolujte, či činnosť krytov ostria nie je obmedzovaná polohou obrobku.
 - Dbajte na to, aby pri klesaní ostria do rezacej polohy nedošlo k zarezaniu do bariéry či iných dielov.
- Spustite motor a počkajte, kým ostrie nedosiahne maximálnu rýchlosť a až potom ho pomaly spúšťajte do obrobku.
- Nechajte jednotku ostria zdvihnúť sa do jej hornej polohy, kde sú kryty ostria úplne zatvorené. Predtým, ako odstránite obrobok alebo odrezky alebo ako saiahnete do priestoru ostria, vypnite motor a počkajte, kým sa ostrie úplne nezastaví.

Pred prvým použitím skontrolujte, či sa uhol sklonu alebo úkosu nastavený na produkte zhoduje s uhlom, ktorý chcete dosiahnuť na obrobku. Toto skontrolujte na odpadovom kuse dreva pomocou tesárskej sady alebo úkosného uholníka.

Demontáž pílového kotúča:

1. Pri manipulácii s pílovým kotúčom noste rukavice.
2. Odpojte napájanie a vyberte sadu batérií.
3. Uvoľnite, ale neodstraňujte skrutku na kryte skrutky čepele. Zdvihnite kryt skrutky čepele.



4. Preklopte dozadu samozatvárací ochranný kryt a podržte ho.
5. Stlačte tlačidlo zámkov vretena a súčasne odskrutkujte skrutku pílového kotúča, pomocou priloženého imbusového kľúča. Odmontujte vonkajšiu prírubu.
6. Odstráňte ostrie píly.

Montáž pílového kotúča:

V prípade potreby očistite pred montážou všetky diely, ktoré majú byť namontované.

Potom sa riadte podľa postupu „Demontáž pílového kotúča“.

1. Pri manipulácii s pílovým kotúčom noste rukavice.
2. Uistite sa, že je napájanie je odpojené a batéria je vybitá.
3. Preklopte dozadu samozatvárací ochranný kryt a podržte ho.
4. Založte nový pílový kotúč. Uistite sa, že smer otáčania na kotúči sa zhoduje so smerom šípky na ochrannom kryte kotúča.
5. Nasadte prírubu a skrutku pílového kotúča.
6. Stlačte tlačidlo zámkov vretena, až kým nezapadne, utiahnite skrutku kotúča.
7. Zatiahnite dole samozatvárací ochranný kryt.
8. Spustite kryt skrutky čepele a utiahnite skrutku.

VAROVANIE! Uistite sa, že je kryt skrutky čepele spustený do pôvodnej polohy a skrutka je dotiahnutá.

Nastavenie uhla pokosu:

Uhol pokosu je možné nastaviť v rozpätí od 45 stupňov (ľavá strana) do 45 stupňov (pravá strana).

1. Uvoľnite zaistovacie gombík pokosu.
2. Stlačte páčku na uvoľnenie blokovania pokosu. Držiak za zaistovacie gombík pokosu otočte pílový stôl na požadovaný uhol pokosu.
3. Znova utiahnite zaistovacie gombík pokosu.

Nastavenie šikmého uhla:

Šikmý uhol hol je možné nastaviť v rozpätí od 0 stupňov do 45 stupňov.

1. Uvoľnite blokovací gombík šikmého rezu.
2. Ručne nakloňte rameno nástroja na požadovaný šikmý uhol.
3. Udržte rameno nástroja v tejto polohe a znovu dotiahnite blokovací gombík šikmého rezu.

VAROVANIE! Výrobca dôrazne odporúča produkt vždy bezpečne namontovať k doske stola.

Ak je základňa výrobku pevne, pomocou štyroch matíc, skrutiek a podložiek a podľa pokynov priručienky k doske stola, výrobok možno používať s maximálnym nastavením pre sklon a pokos bez možnosti jeho prevrhnutia. Pokiaľ produkt nie je bezpečne zaistený, pri veľkých uhloch úkosu sa môže prevážiť!

ÚDRŽBA

- Produkt žiadnym spôsobom neupravujte ani nepoužívajte príslušenstvo, ktoré neschválil výrobca. Môže dôjsť k narušeniu bezpečnosti vás i iných osôb.
- Produkt nepoužívajte, ak akékoľvek spínače, ochranné kryty či iné funkcie nefungujú podľa ich účelu. Odovzdajte zariadenie do autorizovaného servisného centra na profesionálnu opravu alebo úpravu.
- Kým sa ostrie pohybuje, nevykonávajte žiadne nastavenia.
- Pred vykonávaním nastavení, mazania alebo akejkoľvek údržby výrobku vždy z výrobku vyberte súpravu batérií.

- Pred a po každom použití skontrolujte, či produkt nie je poškodený alebo nemá zlomené diely. Produkt udržiavajte v špičkovom prevádzkovom stave – okamžite vymeňte súčasti za náhradné diely schválené výrobcom.

- Čepeľ má ostré hrany a po činnostiach rezania môže byť horúca. Pri čistení nechránenej čepele dávajte maximálny pozor. Na ochranu pred osobným poranením noste rukavice.

- Pílu a jej príslušenstvo pravidelne čistite od prachu, hlavne pohyblivé diely a chrániče čepele. Na účinné odstránenie prachu používajte ručnú kefu alebo vysávač. Nepoužívajte stlačený vzduch.

- Pre väčšiu bezpečnosť a spoľahlivosť by všetky opravy vrátane výmeny kľef malo vykonávať autorizované servisné stredisko.

VAROVANIE! Nepokúšajte sa rozobrať zostavu chrániča čepele na účel čistenia alebo opravy. Poškodené chrániče sa nesmú používať. Na vykonanie opravy alebo výmeny ich zanešte do autorizovaného servisného strediska.

Kalibrácia pokosového a šikmého uhla

Ak je potrebné vykonať kalibráciu pokosového a šikmého uhla, pozrite si strany 213 až 217 a postupujte podľa pokynov na vykonanie kalibrácie.

PREPRAVA A SKLADOVANIE

- Pri skladovaní vyberte z výrobku súpravu batérií. Odložte zariadenie na bezpečné miesto, na ktoré nemajú prístup deti.

- Pred uskladnením vyčistite produkt pomocou kefy alebo vysávača.

- Ak odstránite ostrie píly alebo nechávajte náhradné diely na jednotke, dbajte na to, aby boli v originálnom balení, aby nedošlo k poraneniu.

Zaistenie produktu pred presúvaním:

- Produkt je potrebné skladovať s nulovým uhlom úkosu a sklону a uzamknutý v polohe. Rukovät' je potrebné uzamknúť do spodnej (bezpečnej) polohou s uzavretými kľutmi.

Presúvanie alebo prevoz vo vozidle:

- Produkt pred presúvaním zaistíte podľa popisu v tomto návode.

- Odstráňte produkt z dosky stola uvoľnením 4 maticových skrutiek, každá v jednom rohu. Maticové skrutky zaistíte pre budúce použitie. Výrobok prenášajte pomocou hornej rukoväte alebo bočných rukovätí oboma rukami.

- Pre prepravu vo vozidle nainštalujte produkt na jeho základňu a zaistíte pred posunutím.

SYMBOLY NA PRODUKTE



Buďte ostražití



Európske označenie zhody



Britské označenie zhody





Ukrajinské označenie zhody



Euroázijská značka zhody



Pred zapnutím zariadenia si prosím prečítajte inštrukcie



Noste ochranu sluchu



Vždy používajte chrániče zraku.



Udržujte ruky v dostatočnej vzdialenosti priestoru rezania a ostrej čepele.



Nevystavujte dažďu ani nepoužívajte vo vlhkom prostredí.



Používajte ochranné rukavice



Smer otáčania čepele kotúča (uvedený na pílovom kotúči)



Smer otáčania ostria (vyobrazené na kryte ostria)



Šírka rezu čepele (zárez)



Počet zubov tejto pílovej čepele



Kapacita rezania



Na rezanie dreva a podobných materiálov



Nie na rezanie kovov



Pred vykonávaním pokosových alebo zložených rezov upravte polohu posuvnej zábrany.



Smer uvoľňovania skrutky čepele



Odpadové batérie a akumulátory a odpadové elektrické a elektronické zariadenia nelikvidujte ako netriedený komunálny odpad. Odpadové batérie a akumulátory a odpadové elektrické a elektronické zariadenia sa musia zbierať separovane. Odpadové batérie, odpadové akumulátory a svetelné zdroje treba z výroby vybrať. Pokyny na recykláciu a miesta recyklácie zistíte u vášho miestneho orgánu alebo predajcu. Podľa miestnych predpisov môžu mať maloobchodníci povinnosť bezplatne prevziať odpadové batérie a akumulátory a odpadové elektrické a elektronické zariadenia. Váš príspevok k opätovnému použitiu a recyklácii odpadových batérií a akumulátorov a odpadových elektrických a elektronických zariadení pomáha znižovať dopyt po surovinách. Odpadové batérie a akumulátory, konkrétne tie, ktoré obsahujú lítium, a odpadové elektrické a elektronické zariadenia obsahujú cenné a recyklovateľné materiály, ktoré môžu mať nepriaznivý vplyv na životné prostredie a ľudské zdravie, ak sa nelikvidujú ekologicky vhodným spôsobom. Odstráňte prípadné osobné údaje z odpadového zariadenia.

SYMBOLY V NÁVODE



Zamknuté



Odomknuté



Čakanie na dosiahnutie maximálnych otáčok čepele alebo jej úplné zastavenie.



Diely alebo príslušenstvo predávané samostatne



Poznámka



Varovanie

Безопасността, работните характеристики и надеждността имат най-висок приоритет при проектирането на Вашия циркуляр за рязане под ъгъл.

ПРЕДНАЗНАЧЕНИЕ

Циркулярът за рязане под ъгъл е предназначен за отрязване на масивно и лепено дърво, материали подобни на дърво, с или без залепен фурнир и пластмаси.

Циркулярът е предназначен да се използва само от възрастни оператори, които са прочели ръководството с инструкции и разбират рисковете и опасностите.

Циркулярът е проектиран да бъде фиксиран в основата си на твърд плот. Ако основата не е здраво закрепена, цялата машина може да се премести по време на операции за рязане, което увеличава възможността от сериозни наранявания.

Циркулярът за рязане под ъгъл е предназначен за направа на конусни и наклонени срязвания. Възможностите за различни рязания са предвидени в спецификациите на продукта в това ръководство.

Циркулярът трябва да се използва на сухи места, с отлично осветление на обкръжаващата среда и подходяща вентилация.

Циркулярът е предназначен за потребителска употреба, трябва да се използва само както е описано по-горе и не е предназначен за други цели.

ОСНОВНИ ПРЕДУПРЕЖДЕНИЯ ЗА БЕЗОПАСНОСТ ПРИ РАБОТА С ЕЛЕКТРИЧЕСКИ ИНСТРУМЕНТИ

⚠ ПРЕДУПРЕЖДЕНИЕ! Прочетете всички предупреждения за безопасност инструкции, илюстрации и спецификации, предоставени с този електрически инструмент. Неспазването на инструкциите, изброени по-долу, може да доведе до електрически удар, пожар и/или тежки физически травми.

Съхранявайте всички предупреждения и инструкции за бъдещи справки. Терминът „електрически инструмент“ в предупрежденията се отнася за вашия инструмент - със захранване от електрическата мрежа (с кабел) или на батерия (безжичен).

БЕЗОПАСНОСТ НА РАБОТНАТА ЗОНА

- Поддържайте работното пространство чисто и добре осветено. Беспорядъкът или тъмнината в работното пространство са предпоставка за злополуки.
- Не използвайте електрически инструменти в експлозивни среди, например в присъствието на запалителни течности, газове или прах. По време на работа електрическите инструменти произвеждат искри, които могат да възпламенят прах или пари.
- Дръжте децата и страничните наблюдатели далече, докато боравите с електрически инструмент. Ако вниманието ви бъде отклонено, може да загубите контрола над електрическия инструмент.

ЕЛЕКТРИЧЕСКА БЕЗОПАСНОСТ

- Щепселът на електрическия инструмент трябва да е съвместим с контакта. В никакъв случай не внасяйте изменения в конструкцията на щепсела.

Когато работите със занулени електрически инструменти, не използвайте адаптери за щепсела. Използването на оригиналните щепсели и контакти намалява риска от токов удар.

- Избягвайте допир със заземени повърхности, като тръби, радиатори, печки и хладилници. Когато тялото ви е заземено, рискът от възникване на токов удар е по-голям.
- Не излагайте продукта на дъжд или влажни условия. Проникването на вода в електрическия инструмент повишава опасността от токов удар.
- Не насилвайте захранващия кабел. Никога не носете, не изключвайте и не дърпайте електрическия инструмент за кабела. Предпазвайте кабела от нагряване, омасляване, допир до остри ръбове или до подвижни звена на машини. Повредените или усукани кабели увеличават риска от токов удар.
- Когато работите с електрически инструмент на открито, използвайте само удължителни кабели, предназначени за работа на открито. Използването на удължител, предназначен за работа на открито, намалява риска токов удар.
- Ако не можете да избегнете използването на електрически инструмент на влажно място, използвайте RCD (прекъсвач със защитно изключване). Използването на RCD намалява опасността от електрически удар.

ЛИЧНА БЕЗОПАСНОСТ

- Бъдете бдителни, внимавайте какво правите и проявявайте благоразумие, когато боравите с електрически инструмент. Не използвайте електрическия инструмент, когато сте уморени или под влиянието на наркотични вещества, алкохол или лекарства. Миг невнимание, докато боравите с електрически инструмент, е достатъчен за получаването на сериозни наранявания.
- Използвайте лична защитна екипировка. Винаги носете защитни очила. Защитната екипировка, като маска против прах, пригодени против плъзгане защитни обувки, твърда шапка или антифони, използвани за подходящите условия, ще намали опасността от физически наранявания.
- Не допускайте нежелано стартиране. Преди да вдигате или носите инструмента и преди да го включате в електрическата мрежа и/или батерия, винаги проверявайте дали превключателят е на позиция OFF (изкл). Носенето на инструмента с пръст върху превключателя или включването му към електричеството, докато превключателят му е на включен, е предпоставка за злополуки.
- Махнете всички гаечни или френски ключове за настройка преди да включите инструмента. Помощен инструмент, забравен на въртящ се елемент, може да доведе до физически наранявания.
- Не се протягайте, за да работите на трудно достижими места. Винаги стъпвайте стабилно по време на работа и пазете равновесие. Това дава възможност за по-добър контрол над електрическия инструмент в неочаквани ситуации.
- Обличайте се целесъобразно. Не носете широки дрехи или украшения. Пазете косата и дрехите си далеч от движещите се части. Широките дрехи, украшенията, дългите коси могат да бъдат захванати и увлечени от движещи се елементи.



- Ако устройствата са оборудвани със съоръжение за издърпване и събиране на прах, уверете се, че е то свързано и функционира правилно. Използването на устройствата за събиране на прах ще намали рисковете, свързани с работа в прашни условия.
- Не позволявайте опита ви с често използване на инструменти да ви направи прекалено самоуверени и да ви накара да игнорирате принципите за безопасност. Едно небрежно действие може да доведе до сериозно нараняване в рамките само на секунда.

ИЗПОЛЗВАНЕ И ОБСЛУЖВАНЕ НА ЕЛЕКТРИЧЕСКИЯ ИНСТРУМЕНТ

- Не насилвайте продукта. Използвайте електрическия инструмент, съобразно неговото предназначение. Правилно подобреният електрически инструмент ще свърши работата по-добре и по-безопасно в зададения от производителя диапазон на натоварване.
- Не използвайте електрически инструменти, чиито пусков прекъсвач е повреден. Електрически инструмент, който не може да бъде контролиран посредством превключвател, е опасен и трябва да бъде ремонтиран.
- Изключете щепсела от захранващия източник и/или извадете акумулаторната батерия от електрическия инструмент, ако е демонтируема, преди извършване на каквито и да са настройки, смяна на принадлежности или съхраняване на електрически инструменти. Тази мярка премахва опасността от задействане на електрическия инструмент по невнимание.
- Съхранявайте незаемите електрически инструменти на недостъпни за деца места и не позволявайте на лица, непознати с инструмента или с тези указания, да боравят с него. Когато са в ръцете на неопитни потребители, електрическите инструменти могат да бъдат изключително опасни.
- Поддържайте в добро състояние електрическите инструменти и техните принадлежности. Проверявайте за неизправности или заклиняване в подвижните елементи, за счупени части или други обстоятелства, които могат да влошат работата на електрическия инструмент. Преди да използвате електрическия инструмент, се погрижете повредите да бъдат отстранени. Много от трудовете злополуки се дължат на недобре поддържани електрически инструменти.
- Поддържайте режещите инструменти винаги добре заточени и чисти. Инструменти, за които е полагана правилна грижа и са с добре наточени режещи елементи, се управляват по-лесно и вероятността да заядат е по-малка.
- Използвайте електрическите инструменти, принадлежностите и режещите и др. части съобразно тези указания, като се съобразявате с работните условия и с работата, която ще извършвате. Използването на електрически инструменти за различни от предвидените от производителя приложения повишава опасността от възникване на трудови злополуки.
- Поддържайте ръкохватките и повърхностите за захващане сухи, чисти и неомаслени. Хлъзгавите ръкохватки и повърхности за захващане

не дават възможност за безопасно управление и контролиране на инструмента при възникване на неочаквани ситуации.

ИЗПОЛЗВАНЕ И ОБСЛУЖВАНЕ НА ИНСТРУМЕНТА С БАТЕРИЯ

- Презареждайте единствено със зарядното устройство, посочено от производителя. Зарядно устройство, подходящо за зареждане на един вид батерии, може да предизвика риск от пожар, ако бъде използвано за други батерии.
- Използвайте електрически инструменти с батерии единствено със специално предназначение за тях батерии. Използването на всякакви други батерии може да създаде риск от нараняване и пожар.
- Когато батерията не се използва, съхранявайте я далеч от други метални обекти, като например кламери, монети, ключове, гвоздеи, гайки или други малки метални обекти, които могат да направят връзка между клемите. Късото съединение от клемите може да доведе до изгаряния или пожар.
- При неправилно използване батерията може да отдели течност; избягвайте контакт. Ако случайно настъпи контакт, промийте с вода. Ако течността влезе в контакт с очите, потърсете допълнително медицинска помощ. Отделената от батерията течност може да причини възпаление или изгаряния.
- Не използвайте акумулаторна батерия или инструмент, които са повредени или променени по някакъв начин. Повредените или променени батерии могат да работят по непредсказуем начин, което да доведе до пожар, взрив или опасност от наранявания.
- Не излагайте акумулаторната батерия или инструмент на огън или прекалено висока температура. Излагането на огън или на температура над 130°C може да причини взрив.
- Следвайте всички инструкции за зареждане и не зареждайте акумулаторната батерия или инструмента извън температурния диапазон, посочен в инструкциите. Неправилното зареждане или зареждането при температури извън посочения диапазон може да повреди батерията и да увеличи риска от пожар.

СЕРВИЗНО ОБСЛУЖВАНЕ

- Ремонтът на електрическите инструменти трябва да се извършва само от квалифицирани специалисти и само с използването на оригинални резервни части. По този начин се гарантира поддържането на безопасност при работа с електрическия инструмент.
- Никога не обслужвайте повредени акумулаторни батерии. Обслужването на акумулаторните батерии трябва да се извършва само от производителя или от оторизирани доставчици на услуги по обслужване.

ИНСТРУКЦИИ ЗА БЕЗОПАСНОСТ ЗА ЦИРКУЛЯРИ ЗА РЯЗАНЕ ПОД ЪГЪЛ

- Циркулярите за рязане под ъгъл са предназначени за рязане на дървесина или подобни на дървесина продукти. Те не могат да





се използват с абразивни режещи дискове за рязане на железни материали, като напр. щанги, пръти, шипове и др. Абразивният прах води до засядане на движещите се части, като напр. долния предпазител. Искрите от абразивното рязане ще изгорят долния предпазител, вложката с прорез и други пластмасови части.

- Използвайте стеги, за да закрепите работния детайл, когато е възможно. Ако поддържате работния детайл с ръка, винаги трябва да я държите най-малко на 100 mm от двете страни на режещия диск. Не използвайте този циркуляр за рязане на детайли, които са прекалено малки и не могат да се захванат здраво с помощта на стеги или с ръка. Ако ръката ви се намира твърде близо до режещия диск, се увеличава рискът от нараняване при контакт с острието.
- Работният детайл трябва да е неподвижен и захванат или държан както срещу водача, така и срещу масата. Не придвижвайте работния детайл към острието или не режете „свободно“ по никакъв начин. Незахванати или движещи се работни детайли могат да бъдат изхвърлени при високи обороти и да причинят нараняване.
- Натискайте циркуляра през работния детайл. Не дърпайте циркуляра през работния детайл. За да направите разрез, повдигнете режещата глава и я издърпайте над работния детайл, без да режете. След това стартирайте мотора, натиснете режещата глава надолу и натиснете циркуляра през детайла. Ако режете чрез издърпване, това може да повдигне режещия диск над работния детайл и острието да бъде изхвърлено към оператора.
- Никога не поставяйте ръката си на предвидената линия на рязане, независимо от коя страна на острието. Поддържането на детайла „кръстосано“, т.е. ако държите работния детайл отдалеч на острието с лявата си ръка или обратно, е много опасно.
- Не посягайте зад водача с ръка, на по-малко от 100 mm от двете страни на острието, за да отстраните стърготини или поради някаква друга причина, докато острието се върти. Възможно е да не забележите, че ръката ви е близо до въртящото се острие и може да получите сериозно нараняване.
- Проверете работния детайл преди рязане. Ако работният детайл е огънат и изкривен, го захванете с външната, огъната страна към водача. Винаги се уверявайте, че няма луфт между работния детайл, водача и масата по протежение на линията на рязане. Огънати или изкривени работни детайли могат да се усучат или изместят и това може да доведе до засичане на режещия диск по време на рязане. В работния детайл не трябва да има нито пирони, нито други чужди предмети.
- Не използвайте циркуляра, докато не премахнете всички инструменти, стърготини и др. от масата и на нея се намира само работният детайл. Малки отломки, хлабави парчета дърво или други предмети, които влизат в контакт с въртящото се острие, могат да бъдат изхвърлени с голяма скорост.
- Режете само един работен детайл. Ако желаете да работите по няколко детайла едновременно, те не могат да бъдат захванати или стегнати правилно и

могат да се изместят или да причинят засядане на острието по време на рязане.

- Преди употреба се уверете се, че циркулярът за рязане под ъгъл е монтиран или поставен върху равна, здрава работна повърхност. Равната и здрава повърхност намалява риска от нестабилност на циркуляра за рязане под ъгъл.
- Планирайте работата си. Всеки път, когато промените настройката на наклона или ъгъла, се уверявайте, че регулируемият водач е настроен правилно, за да поддържа работния детайл и няма да влезе във взаимодействие с острието или предпазната система. Без да включвате инструмента и работният детайл се намира върху масата, направете пълен въображаем разрез, за да се уверите, че дискът няма да влезе във взаимодействие или да среже водача.
- Осигурете достатъчно подпори, като напр. разширения на масата, „магаре“ и др., работен детайл, който е по-широк или по-дълъг от горната страна на масата. Работни детайли, които са по-дълги или по-широки от масата на циркуляра за рязане под ъгъл, могат да се преобърнат, ако не са закрепени. Ако отрязаното парче и работният детайл се преобърне, може да повдигне долния предпазител или да бъде изхвърлен от въртящото се острие.
- Не използвайте друг човек като заместител за разширение на масата или за допълнителна поддръжка. Нестабилната поддръжка на работния детайл може да доведе до засядане на острието или до изместване на детайла по време на операцията за рязане, което да дръпне вас и помощника ви към въртящото се острие.
- Отрязаното парче не трябва да засяда или да се натиска по никакъв начин към въртящия се режещ диск. Ако е ограничен, т.е. с помощта на ограничителни на дължината, отрязаното парче може да бъде захванат от острието и да бъде изхвърлено.
- Винаги използвайте стеги или приспособление, предназначено за правилна поддръжка на кръгли материали, като напр. пръти или тръби. Прътите имат тенденция да се търкалят по време на рязане, което води до „захапване“ на острието и издърпване на ръката ви към него.
- Оставете острието да достигне пълна скорост, преди да влезе в контакт с работния детайл. Това ще намали риска от изхвърляне на работния детайл.
- Ако детайлът или дискът се заклини, изключете потапящия циркуляр (превключвателя на „OFF“) Изчакайте всички движещи се части да спрат и изключете щелсела от електрозахранването и/или извадете акумулаторната батерия. След това освободете заклинения материал. Продължителното рязане при заседнал работен детайл може да причини загуба на контрол или повреда на циркуляра за рязане под ъгъл.
- След като завършите разреза, освободете превключвателя, задръжте режещата глава надолу и изчакайте острието да спре, преди да махнете отрязаното парче. Приближаването на ръката ви до острието е опасно.
- Дръжте здраво ръкохватката, когато правите непълен разрез или когато освобождавате превключвателя, преди режещата глава да бъде изцяло в долна позиция. Спирачното действие



на циркуляра може да доведе до рязко издърпване надолу на режещата глава и до риск от нараняване.

ИНСТРУКЦИИ ЗА РАБОТА С ОСТРИЕТА ЗА РЯЗАНЕ НА ДЪРВО

- Моля, прочетете ръководството и инструкциите внимателно, преди да използвате циркулярния диск и машината.
- Изделието трябва да бъде в добро състояние, шпинделът да не е деформиран и да няма вибрации.
- Не използвайте продукта, ако предпазителите не са поставени на място. Дръжте предпазителите в добро състояние за работа и извършвайте подходяща поддръжка.
- Уверете се, че операторът има подходящо обучение за мерки за безопасност, регулиране и работа с машината.
- Винаги носете предпазни очила и антифони, когато използвате машината. Препоръчително е да се носят ръкавици, здрави обувки без подхлъзване и престилка.
- Преди да използвате какъвто и да е аксесоар се консултирайте с ръководството. Неправилната употреба на аксесоар може да причини повреда и да увеличи възможността от нараняване.
- Използвайте само остриета, посочени в настоящото ръководство, които са в съответствие с EN 847-1.
- Наблюдавайте максималната скорост, отбелязана на острието на триона. Уверете се, че скоростта, отбелязана на острието на триона, е поне равна на скоростта, отбелязана на триона.
- Винаги използвайте циркулярни дискове с правилен размер и форма на отворите за вала. Остриета, които не съответстват на монтажната рамка на триона, ще работят ексцентрично, причинявайки загуба на контрол.
- Не използвайте остриета с по-голям или с по-малък диаметър от препоръчителния. Не използвайте разделители, за да напаснете острието върху шпиндела.
- Проверявайте върховете на циркулярното острие за повреда и необичаен външен вид преди всяка употреба. Върховете, които са повредени или хлабави, могат да се превърнат в летящи предмети при употреба и да увеличат възможността от физически наранявания.
- Не използвайте пукнати или изкривени циркулярни остриета. Не използвайте циркулярни остриета, които са повредени или деформирани
- Извършете циркулярното острие, ако е повредено, деформирано, изкривено или пукнато; не е разрешен ремонт.
- Не използвайте остриета от бързорежеща стомана.
- Уверете се, че циркулярният диск е правилно монтиран, затегнете надеждно гайката на вала преди използване (момент на затягане прилб. 8-10 Nm).
- Винтовете и гайките за закрепване трябва да се затягат с помощта на подходящ ключ и т.н.
- Не се разрешава удължаване на ключа или затягане с чук.
- Уверете се, че острието и фланците са чисти, а вдлъбнатите страни на пръстена са срещу острието.

- Уверете се, че острието се върти в правилната посока.
- Преди употреба направете пробен разрез, без да включвате мотора, за да проверите позицията на острието, работата на предпазителите по отношение на други части на машината и работния детайл.
- Никога не оставяйте продукта да работи без надзор.
- Не използвайте лубриканти върху острието, докато се върти.
- Никога не извършвайте дейности по почистване или поддръжка, докато машината все още работи и главата не е в позиция на покой.
- Никога не се опитвайте да спрете машината при бързо движение чрез заклиняване на инструмента или по друг начин срещу циркулярния диск, по този начин може неволно да бъдат причинени сериозни злополуки.
- Изключете продукта от електрическата мрежа или извадете акумулаторната батерия преди смяна на циркулярните дискове или извършване на поддръжка.
- Обърнете внимание на опаковането и разопаковането на циркулярния диск, лесно е да бъдете наранени от остриите върхове на циркулярния диск.
- Използвайте държач за острие или носете ръкавици, когато работите с циркулярно острие.
- Съхранявайте циркулярния диск в оригиналната опаковка или друга подходяща опаковка, в сухи условия и далеч от химикали, които могат да повредят остриетата.

ДОПЪЛНИТЕЛНИ ПРЕДУПРЕЖДЕНИЯ ЗА БЕЗОПАСНОСТ

- Винаги стягайте обработвания детайл безопасно и сигурно.
- Уверете се, че машината винаги е стабилна и закрепена (напр. закрепена към тезгях).
- Носете антифони. Излагането на шум може да доведе до увреждане на слуха.
- Винаги носете предпазни очила при използването на машината. Препоръчително е да се носят ръкавици за работа с циркулярни дискове и груб материал, както и здрави обувки без приплъзване, за защита на краката от обработвани детайли, които могат паднат от зоната за рязане.
- Изключете продукта от електрическата мрежа или извадете акумулаторната батерия преди извършване на поддръжка или почистване.
- Поставете акумулаторната батерия само при изключен продукт.
- Никога не посягайте в зоната близо до циркулярния диск, докато той не е напълно спрял.
- Преди употреба проверявайте внимателно продукта и акумулаторната батерия за повреда или износени материали. Ремонтите по целия продукт трябва да се извършват само от упълномощен сервизен център.
- Винаги използвайте предпазните устройства на машината. Не използвайте машината, ако предпазните устройства не са на място и не работят правилно.
- Долният предпазител на острието трябва да се отваря само когато острието е смъкнато до работния



детайл и винаги трябва да може да се движи свободно и да се затваря автоматично.

- Винаги фиксирайте и използвайте удължителни пръти за поддръжка на работния детайл по време на работа.
 - Никога не модифицирайте продукта или неговото действие. Безопасността Ви може да бъде компрометирана.
 - Не използвайте циркулярни дискове, които са напукани, повредени или деформирани.
 - Не използвайте циркулярни дискове, изработени от бързорежеща стомана.
 - Използвайте само циркулярни дискове, които са остри. Заменяйте затъпените циркулярни дискове.
 - Винаги използвайте циркулярни дискове с правилен размер и форма на отворите за вала. Остриета, които не съответстват на монтажната рамка на триона, ще работят ексцентрично, причинявайки загуба на контрол.
 - Използвайте само дървообработващи циркулярни дискове, описани в това ръководство, които съответстват на EN 847-1.
 - Не използвайте никакви фланци, шайби и гайки за закрепване на циркулярния диск, освен доставените или посочените в ръководството с инструкции.
 - Необходимо е да изберете циркулярен диск, който е подходящ за материала, който ще се реже. Никога не използвайте продукта за рязане на материали, различни от посочените в раздела за използване по предназначение в това ръководство.
 - Важно е да се избягва прегряване на острието и разтапяне на пластмасата по време на рязане.
 - От съществено значение е да се придържате към максималната скорост, посочена на режещия диск. Използвайте само режещи дискове, маркирани със скорост, равна или по-висока от скоростта, маркирана върху инструмента.
 - Заменете вложката на масата, когато е износена или повредена.
 - Преди употреба направете пробен разрез, без да включвате мотора, за да проверите позицията на острието, работата на предпазителите по отношение на други части на машината и работния детайл.
 - Когато се извършват скосявания, рязане под ъгъл или смесени рязания под ъгъл, регулирайте плъзгащия водач или под-водач, за да гарантирате правилния просвет от циркулярния диск.
 - Избягвайте неконтролирано освобождаване на триона от положение напълно надолу.
 - Фиксаторът на ръкохватката винаги трябва да бъде заключен при транспортиране на продукта.
 - Дръжте областта на пода свободна от насипни материали, като напр. трески и отрязани парчета.
 - Избягвайте да премахвате каквито и да е отрязани парчета или други части на обработвания детайл от зоната на рязане, докато машината работи и циркулярната глава не е в положение на покой.
 - Дълги обработвани детайли трябва да бъдат подкрепяни адекватно. Работната площ на циркуляра включва целия размер на обработвания детайл. Операторът трябва да обезопаси тази област от случаен контакт с други лица или обекти, които могат да преместят обработвания детайл по време на работа.
- Прахът, произведен при използването на продукта, може да бъде вреден за здравето. Използвайте системата за изсмукване на прах и носете подходяща противопрахова маска. Премахвайте напълно отложения прах с прахосмукачка.
 - Може да се наложи да регулирате плъзгащата се преграда, за да осигурите подходящото отстояние, преди да извършите скосения или комбинирания срез. Уверете се, че фиксиращият винт за плъзгащата се преграда е затегнат здраво след регулирането.
 - Стягата може да се монтира и да се използва от двете страни на диска. При някои операции стягата може да се допира до предпазния модул на диска. Винаги проверявайте дали предпазителя на диска няма да се допре, преди да започнете операция по рязане, за да намалите риска от сериозно физическо нараняване.
 - Диапазонът на околната температура при работа с инструмента е между 0°C и 40°C.
 - Диапазонът на околната температура при съхранение на инструмента е между 0°C и 40°C.
 - Препоръчителният диапазон на околната температура при зареждане със зарядната система е между 10°C и 38°C.

ДОПЪЛНИТЕЛНИ ПРЕДУПРЕЖДЕНИЯ ЗА БЕЗОПАСНОСТ ЗА БАТЕРИЯТА

- За да избегнете опасността от пожар, предизвикана от късо съединение, както и нараняванията и повредите на продукта, не потапяйте инструмента, сменяемата акумулаторна батерия или зарядното устройство в течности и се погрижете в уредите и акумулаторните батерии да не попадат течности. Течностите, предизвикващи корозия или провеждащи електричество, като солена вода, определени химикали, избелващи вещества или продукти, съдържащи избелващи вещества, могат да предизвикат късо съединение.
- Диапазонът на околната температура при използване на батерията е между 0°C и 40°C.
- Диапазонът на околната температура при съхранение на батерията е между 0°C и 20°C.

ТРАНСПОРТИРАНЕ НА ЛИТИЕВИ БАТЕРИИ

Транспортирайте батериите в съответствие с местните и национални постановления и разпоредби.

Спазвайте всички специални изисквания за пакетирание и етикетирание, когато транспортирате батерии чрез трето лице. Уверете се, че батериите не влизат в контакт с други батерии или проводими материали по време на транспортиране, като предпазете откритите конектори с изолация, непроводими капачета или лента. Не транспортирайте батерии, които са спукани или текат. Свържете се със следната компания за допълнителен съвет.

НЕПРЕДВИДЕНИ РИСКОВЕ

Дори когато продуктът се използва по предназначение, е невъзможно напълно да се ограничи влиянието на определени рискови фактори. Могат да възникнат следните опасности и операторът трябва да обърне особено внимание, за да ги избегне:





- Опасност от контакт с незакрити части на въртящия се циркулярен диск
- Откат на работни детайли или части от тях поради неправилно регулиране или използване
- Изхвърляне на дефектни твърдосплавни върхове от циркулярния диск
- увреждане на дихателната система
ЗАБЕЛЕЖКА: Носете маски за защита на дихателните пътища, които съдържат филтри, подходящи за материалите, които ще бъдат обработвани. Осигурете подходяща вентилация на работното място. Не употребявайте храни, напитки или цигари в зоната на работа.
- увреждане на слуха, ако не се използват ефективни предпазни средства.

⚠ ПРЕДУПРЕЖДЕНИЕ! Прах от определени бои, покрития и материали може да причини дразнене или алергични реакции на дихателната система. Прах от дърво, като напр. дъб, бук, MDF и други е канцерогенен. Материал, съдържащ азбест, винаги трябва да бъде обработван от квалифицирани оператори специалисти.

⚠ ПРЕДУПРЕЖДЕНИЕ! Продължителното използване на инструмента може да доведе до наранявания или влошаване. При използване на инструмента за продължителни периоди от време правете чести почивки.

ОПОЗНАЙТЕ ВАШИЯ ПРОДУКТ

Вж. страница 198.

1. Ръкохватка, изолирана повърхност за захващане
2. Силво изключвател
3. Лост за заключване на превключвателя
4. Превключвател със светодиоден индикатор
5. Долен предпазител
6. Основна направляваща релса
7. Странична ръкохватка за пренасяне
8. Плъзгача направляваща
9. Въртяща се маса
10. Плоча с разрез
11. Фиксатор за скосяване под ъгъл
12. Лост за освобождаване на ограничителя за скосяване под ъгъл
13. Опорно краче
14. Батерия
15. Горна ръкохватка за пренасяне
16. Фиксиращо копче на линейния прът
17. Скоба
18. Стрелка за ъгъла на скосяване
19. Монтажен отвор
20. Винтове за фиксиране на основния предпазител
21. Винт за настройка на дълбочината на рязане
22. Стрелка за ъгъла на наклона
23. Винтове за регулиране на граничния изключвател на ъгъла на наклона на 45°
24. Фиксиращо копче за ъгъла на наклона
25. Блокиращ шифт на режещата глава
26. Торба за прах
27. Ключ шестограм
28. Винтове за регулиране на граничния изключвател на ъгъла на наклона на 0°
29. Винт за фиксиране на плъзгачата се преграда
30. Бутон за заключване на шпиндела
31. Външен фланец
32. Режещ диск

РАБОТА

Машината разполага с подвижен циркулярен диск, който може да се настрои на различни ъгли от оператора, когато реже обработвания детайл, който надеждно се фиксира към основата на машината. Тя трябва да се експлоатира само от едно лице, за да се предотврати неволно контакт с движещия се циркулярен диск.

Принципите за безопасна експлоатация на машината са следните:

- Поддържайте циркуляра, циркулярните дискове и работното място в добро състояние.
- Закрепете основата на циркуляра за рязане под ъгъл към масивна работна маса. Машината може да се премести и наклони, ако не е достатъчно закрепена.
- Настройте и фиксирайте ъглите и дълбочината на рязане, преди да направите разреза.
- Закрепете обработвания детайл към основата на циркуляра за рязане под ъгъл. Използвайте доставената скоба и, когато е необходимо, използвайте допълнителни скоби или задържащи механизми, за да предотвратите неволно преместване на обработвания детайл по време на рязане.
 - Проверете дали работата на предпазните устройства на циркулярния диск не е ограничена от положението на обработвания детайл.
 - Уверете се, че направляващата релса и други части на машината няма да бъдат сръзани, когато се снижава циркулярния диск към положението за рязане.
- Стартирайте електродвигателя и позволете на циркулярния диск да достигне пълната си скорост, преди бавно да го снижите, за да режете обработвания детайл.
- Оставете възела на циркулярния диск да се издигне до горното си положение, където предпазните устройства на циркулярния диск са напълно затворени. Изключете електродвигателя и оставете циркулярния диск да спре напълно, преди да извадите обработвания детайл или отрязаните парчета, или преди да посегнете към областта на циркулярния диск.

Преди първоначално използване, се уверете, че ъгълът на наклона конуса или на скосяване, установен на машината, съответства на ъгъла, който трябва да се изработи на обработвания детайл. Проверявайте това на излязло от употреба дърво с помощта на дърводелски комплект или ъгълник с ъгли под 45 С.

Сваляне на циркулярния диск:

1. Носете ръкавици при работа с циркулярния диск.
2. Изключете захранването и свалете акумулаторната батерия.
3. Развийте, но не премахвайте винта на капака на болта на диска. Повдигнете капака на болта на диска.
4. Натиснете предпазната ключалка, завъртете обратно самозатварящия се предпазител и го задръжте.
5. Натиснете бутона за заключване на шпиндела и в същото време отвийте болта на диска с предоставения шестограмен ключ. Свалете външния фланец.
6. Свалете циркулярния диск.





Монтиране на циркулярния диск:

Ако е необходимо, почистете всички части, които ще бъдат монтирани преди сглобяване.

След това следвайте процедурата за „Сваляне на циркулярен диск“.

1. Носете ръкавици при работа с циркулярния диск.
2. Уверете се, електрозахранването е изключено и акумулаторната батерия е свалена.
3. Натиснете предпазната ключалка, завъртете обратно самозатварящия се предпазител и го задръжте.
4. Поставете нов циркулярен диск. Гарантирайте, че посоката на въртене на диска е в съответствие със стрелката за посока върху предпазителя на диска.
5. Поставете фланеца и болта на диска.
6. Натиснете заключващия бутон на шпиндела, докато зацели, затегнете болта на диска.
7. Поставете самозатварящия се предпазител.
8. Спуснете капака на болта на диска и затегнете винта.

⚠ ПРЕДУПРЕЖДЕНИЕ! Уверете се, че капакът на болта на диска е спуснат в първоначалното положение и винтът е затегнат.

Регулиране на ъгъла на скосяване:

Ъгълът на скосяване може да се установи в диапазона от 45 градуса (лява страна) до 45 градуса (дясна страна).

1. Разхлабете врътката за фиксиране на ъгъла на скосяване.
2. Натиснете лоста за освобождаване на ограничителя за скосяване под ъгъл. Завъртете масата на циркуляра до желания ъгъл на скосяване с помощта на врътката за фиксиране на ъгъла.
3. Затегнете отново врътката за фиксиране на ъгъла на скосяване.

Регулиране на ъгъла на наклона:

Ъгълът на наклона може да се зададе в диапазона от 0 градуса до 45 градуса.

1. Охлабете фиксиращото копче за наклона.
2. Наклонете рамото на инструмента до желания ъгъл на наклона с помощта на ръчката
3. Задръжте рамото на инструмента в това положение и затегнете отново фиксиращото копче за наклона.

⚠ ПРЕДУПРЕЖДЕНИЕ! Производителят строго препоръчва машината винаги да бъде сигурно монтирана на работната повърхност на работната маса. Когато основата на машината е сигурно закрепена към работната повърхност на работната маса чрез четири болта, гайки и шайби, както е според инструкциите, машината може да се използва при максимална настройка на ъгъла на наклона и на скосяването без възможност да се преобърне. Ако машината не е правилно закрепена, може излезе от равновесие, когато се избират големи ъгли на наклона.

ПОДДРЪЖКА

- По никакъв начин не модифицирайте машината и не използвайте принадлежности, които не са одобрени от производителя. Безопасността Ви и тази на другите може да бъде компрометирана.
- Не използвайте машината, ако някои превключватели, предпазни устройства или други функции не работят по предназначение. Занесете изделието на упълномощен сервизен център за професионален ремонт или настройка.

- Не правете никакви настройки, докато циркулярният диск е в движение.
- Винаги проверявайте дали акумулаторната батерия е извадена от продукта преди извършване на настройки, смазване, или когато извършвате каквато и да е поддръжка на машината.
- Преди и след всяко използване, проверявайте машината за повреда или счупени части. Съхранявайте машината в перфектно работно състояние като незабавно заменете части с резервни части, препоръчани от производителя.
- Ножът има остри ръбове и може също да остане горещ след операциите за рязане. Проявявайте изключително внимание, когато почиствате незащитен нож. Носете ръкавици, за да се предпазите от нараняване.
- Почистявайте редовно циркуляра и неговите принадлежности от прах, особена движещите се части, включително предпазителя на диска. Използвайте ръчна четка или прахосмукачка, за да отстраните праха ефективно. Не използвайте сгъстен въздух.
- За осигуряване на безопасност и надеждност всички ремонти, включително смяна на четките, трябва да се извършват от упълномощен сервизен център.

⚠ ПРЕДУПРЕЖДЕНИЕ! Не се опитвайте да разглобявате възела на предпазителя на диска за почистване или ремонтване. Не трябва да се използват повредени предпазители. Изпратете за ремонт или смяна на упълномощен сервиз.

Калибриране на циркуляра и ъгъла на наклона

Ако е необходимо калибриране на циркуляра и ъгъла на наклона, вижте страници 213 – 217 и следвайте инструкциите за калибриране.

ТРАНСПОРТИРАНЕ И СЪХРАНЕНИЕ

- При съхраняване на продукта изваждайте акумулаторната батерия. Съхранявайте продукта на сигурно място, което е недостъпно за деца.
- Почистете продукта с помощта на четка и прахосмукачка, преди да го приберете за съхранение.
- Ако свалите циркулярния диск или съхранявате резервните части с модула, се уверете, че са в оригиналната опаковка, за да се избегнат наранявания.

За да обезопасите машината преди преместване:

- Машината трябва да се съхранява при нула градуса ъгъл на скосяване и ъгъл на наклона в заключено положение. Ръчката трябва бъде заключена в долно (безопасно) положение със затворени предпазни устройства.

За преместване или транспортиране в превозно средство:

- Обезопасете машината преди преместване, както е описано в ръководството.
- Свалете машината от работната повърхност на работната маса чрез освобождаване на 4-те болта, по един на всеки ъгъл. Запазете болтовете за бъдеща употреба. Пренасяйте продукта, като използвате горната ръкохватка за пренасяне или страничните ръкохватки за пренасяне с две ръце.



- При транспортиране в превозно средство, установете машината върху основата ѝ и я закрепете срещу преместване.

СИМВОЛИ НА ПРОДУКТА



Предупреждение относно безопасността



Знак за съответствие с европейските изисквания

Знак за съответствие с изискванията на Обединеното кралство



Знак за съответствие с изискванията на Украйна



EurAsian знак за съответствие



Прочетете инструкциите внимателно, преди да стартирате машината.



Носете антифони



Винаги носете защитни очила.



Дръжте ръцете си далече от зоната на рязане и наостреното острие.



Не излагайте на дъжд и не използвайте на мокри места.



Носете предпазни ръкавици



Посока на въртене на циркулярния диск (показан на циркулярния диск)



Посока на въртене на циркулярния диск (показан на предпазното устройство на циркулярния диск)



Ширина на рязане на циркулярния диск (разрез)



Брой на зъбите на този циркулярен диск



Капацитет на рязане



За рязане на дърво и подобен материал



Не е за рязане на метали



Регулирайте позицията на плъзгачата се преграда, преди да извършвате скосени или комбинирани срезове.



Посока на развиване на болта на диска

Не изхвърляйте отпадъците от батерии, електрическо и електронно оборудване като несортирани битови отпадъци. Отпадъците от батерии и електрически и електронно оборудване трябва да се събират отделно. Отпадъците от батерии, акумулатори и светлинни източници трябва да бъдат премахнати от оборудването. За съвети относно рециклирането и пункта за събиране се обърнете към вашите местни власти или търговски представители. Съгласно местните разпоредби търговците на дребно трябва да бъдат задължени да приемат обратно отпадъци от батерии и електрическо и електронно оборудване. Вашият принос за повторната употреба и рециклирането на отпадъци от батерии и електрическо и електронно оборудване помага за намаляване на търсенето на суровини.



Отпадъците от батерии, особено съдържащите литий, и електрическо и електронно оборудване съдържат ценни, подходящи за рециклиране материали, които може да имат неблагоприятно въздействие върху околната среда и човешкото здраве, ако не бъдат изхвърлени по екологичен начин. Ако на отпадъчното оборудване има лични данни, изтрийте ги.

СИМВОЛИ В НАСТОЯЩОТО РЪКОВОДСТВО



Ключалка



Отключване



Време на изчакване за достигане на пълната скорост или спиране напълно на циркулярния нож.



Частите или принадлежностите се продават отделно



Забележка



Предупреждение

Головними міркуваннями при розробці цієї торцювальної пилки були безпека, ефективність та надійність.

ПРИЗНАЧЕННЯ

Акумуляторна комбінована торцювальна пилка призначена для розпилювання твердої та пресованої деревини, матеріалів, аналогічних деревині зі шпоном або без нього та пластику.

Торцювальна пила призначена для використання тільки дорослими користувачами, які прочитали інструкцію та розуміють ризики та небезпеку, пов'язані з експлуатацією приладу.

Торцювальна пила кріпиться на твердій поверхні робочого столу. Якщо основа не надійно закріплена, вся машина може рухатися під час різання, що збільшує можливість отримання серйозної травми.

Пила призначений для виконання косих зрізів та зрізів під кутом. Можливості щодо різновидів зрізів наведено в описі технічних характеристик приладу в цьому керівництві.

Торцювальна пила має використовуватись в сухому середовищі з гарним освітленням та достатньою вентиляцією.

Пила має побутове призначення; її слід використовувати у відповідності з наведеними інструкціями, і вона не призначена для інших цілей.

ГОЛОВНІ ПОПЕРЕДЖЕННЯ З БЕЗПЕКИ ЕЛЕКТРОІНСТРУМЕНТУ

⚠ ПОПЕРЕДЖЕННЯ! Прочитайте всі правила безпеки, інструкції, ілюстрації і специфікації, що поставляються з електроінструментом. Недотримання всіх зазначених інструкцій може призвести до ураження електричним струмом, пожежі та/або серйозних травм.

Збережіть всі інструкції і вказівки для майбутнього використання. Термін «електроінструмент» «в попередженнях відноситься до Вашого мережевого (з кабелем) електроінструменту або з батарейним живленням (бездротового) електроінструменту.

БЕЗПЕКА РОБОЧОГО МІСЦЯ

- Утримуйте робоче місце в чистоті і добре освітленим. Безлад на робочому місці або темні місця спричиняють аварії.
- Не використовуйте електроінструменти у вибухонебезпечній атмосфері, наприклад, у присутності легкозаймистих рідин, газів або пилу. Електричні інструменти створюють іскри, що можуть запалити пил або пари.
- Тримайте дітей та сторонніх осіб подалі під час роботи електроінструментом. Відволікання уваги може призвести до втрати контролю.

ЕЛЕКТРОБЕЗПЕКА

- Вилка живлення електроінструменту повинна відповідати розетці. Ніколи не змінюйте вилку. Не використовуйте ніякі вилки-перехідники з заземленими (замкнутими на землю) електроінструментами. Не змінені вилки та відповідні розетки зменшують ризик ураження електричним струмом.
- Уникайте контакту тіла з заземленими поверхнями, такими як труби, радіатори, плити

та холодильники. Існує підвищений ризик ураження електричним струмом, якщо ваше тіло заземлене.

- Не надавайте електроінструменти впливу дощу або вологих умов. Вода, що потрапила в електроінструмент збільшує ризик ураження електричним струмом.
- Не зловжуйте шнур. Ніколи не використовуйте шнур живлення для перенесення, переміщення або вилучення вилки з розетки. Тримайте шнур подалі від тепла, масла, гострих кромок або рухомих частин. Пошкоджені або заплутані шнури збільшують ризик ураження електричним струмом.
- При роботі з електроінструментом на вулиці, використовуйте подовжувач, відповідний для використання на відкритому повітрі. Використання кабелю, придатного для використання на відкритому повітрі, знижує ризик ураження електричним струмом.
- При роботі з електроінструментом у вологому середовищі використовуйте залишковий поточний пристрій (ЗПП) захищеного живлення. Використання ЗПП знижує ризик ураження електричним струмом.

ОСОБИСТА БЕЗПЕКА

- Будьте уважні, дивіться, що ви робите, і використовуйте здоровий глузд при роботі з електроприладами. Не використовуйте електроінструмент, якщо Ви втомилися або перебуваєте під впливом наркотиків, алкоголю або ліків. Найменша необережність при роботі з електроінструментом може призвести до серйозних травм.
- Використовуйте персональне захисне обладнання. Завжди надягайте захисні окуляри. Захисне устаткування, наприклад, респіратор, взуття на нековзній підшві, захисний шолом або засоби захисту органів слуху, використовувані в належних умовах, зменшать ризик отримання травми.
- Запобігайте випадковому запуску. Переконайтеся, що вимикач знаходиться у вимкненому положенні перед підключенням до джерела живлення та / або акумуляторної батареї, підніманням або переміщенням інструменту. Не переносьте електроінструмент з пальцем на вимикачі або подачею живлення на інструмент, який має перемикач, щоб запобігти нещасного випадку.
- Перед включенням електроінструменту знімайте регулювальний або гайковий ключ. Гайковий ключ або регулювальний ключ, залишений на обертаємій частині електроінструменту, може призвести до травми.
- Не тягніться. Зберігайте правильну стійку і баланс весь час. Це дозволяє краще контролювати інструмент в несподіваних ситуаціях.
- Одягайтеся правильно. Не носіть вільний одяг або прикраси. Тримайте волосся та одяг далі від частин пристрою, що рухаються. Вільний одяг, прикраси або довге волосся можуть потрапити в рухомі частини.
- Якщо є пристрої для підключення для збору пилу, переконайтеся, що вони під'єднані і використовуються правильно. Використання пилозбірника знижує небезпеку, пов'язану з запиленістю.

- Не дозволяйте звичці від частого використання пристрою стати причиною втрати пильності та не ігноруйте правила безпеки під час роботи з пристроєм. Необережна дія, впродовж навіть доли секунди, може призвести до серйозної травми.

ВИКОРИСТАННЯ ТА ДОГЛЯД ЗА ЕЛЕКТРОІНСТРУМЕНТОМ

- Не перевантажуйте електроінструмент. Використовуйте відповідний для вашої потреби електроінструмент. Електроінструмент виконає роботу краще і безпечніше при швидкості, для якої він був розроблений.
- Не використовуйте електроінструмент, якщо перемикач не включає та вимикає його. Будь-який електроінструмент, який не може управлятися за допомогою перемикача, є небезпечним і має бути відремонтований.
- Перед здійсненням будь-яких налаштувань, заміною аксесуарів або зберіганням пристрою від'єднайте штекер від електричної мережі та/або вийміть акумулятор з електричного пристрою, якщо він знімний. Такі профілактичні заходи безпеки зменшують ризик випадкового включення електроінструмента.
- Зберігайте неприцюючі електроприлади у недоступному для дітей місці і не дозволяйте особам, які незнайомі з інструкціями електричного прилада або з даними інструкціями, працювати з електроприладами. Електроінструменти небезпечні в руках недосвідчених користувачів.
- Проводьте обслуговування електричного пристрою та аксесуарів. Перевірте розрегульовані або зв'язані рухомі частини, поломані частини і будь-які інші умови, які можуть вплинути на роботу електроінструменту. Якщо пошкоджений, відремонтуйте електроінструмент перед використанням. Багато нещасних випадків є наслідком поганого догляду за електроінструментом.
- Тримайте ріжучий інструмент гострим і чистим. Добре доглянутий ріжучий інструмент з гострими ріжучими крайками рідше зв'язується і легше контролюється.
- Використовуйте електроінструмент, аксесуари та насадки відповідно до цих інструкцій, беручи до уваги умови роботи і роботу, що повинна бути виконана. Використання електричного інструменту для операцій, які відрізняються від призначених, може призвести до небезпечної ситуації.
- Тримайте ручки та різальні поверхні сухими, чистими та очищеними від олії та мастил. Ковзкі ручки та поверхні утримання не призначені для безпечного утримання та контролювання пристрою у неочікуваних ситуаціях.

ВИКОРИСТАННЯ І ДОГЛЯД ІНСТРУМЕНТУ НА БАТАРЕЙКАХ

- Перезаряджати тільки за допомогою зарядного пристрою, зазначеного виробником. Зарядний пристрій, що підходить для одного типу акумуляторів, може створити ризик загоряння при використанні з іншим акумуляторним блоком.
- Використовуйте електроінструменти тільки з призначеними для них акумуляторами. Використання будь-яких інших акумуляторів, може створити ризик отримання травми і пожежі.

- Коли акумулятор не використовується, тримайте його подаль від металевих предметів, таких як скріпки, монети, ключі, цвяхи, шурупи, або інші дрібні металеві предмети, які можуть підключити один контакт до іншого. Коротке замикання контактів акумулятора може призвести до опіків або пожежі.
- У важких умовах експлуатації, рідина може бути випущена з батареї; уникайте контакту. При випадковому контакті змийте водою. Якщо рідина потрапила в очі, зверніться за медичною допомогою. Рідина з акумулятора може викликати роздратування або опіки.
- Заборонено використовувати акумулятор або пристрій, якщо вони були пошкоджені або модифіковані. Використання пошкоджених або модифікованих акумуляторів може мати непередбачувані наслідки, серед яких: виникнення пожежі, вибуху та ризик травмування.
- Уникайте загоряння та високої температури акумулятора або пристрою. Загоряння або висока температура понад 130°C можуть стати причиною вибуху.
- Дотримуйтесь усіх інструкцій щодо заряджання пристрою та уникайте заряджання поза діапазоном температур, що позначені у інструкції. Неправильне заряджання або заряджання при температурі, поза межами позначеними в інструкції, може пошкодити акумулятор та підвищити ризик виникнення пожежі.

СЕРВІС

- Дозволяйте обслуговувати ваш електроінструмент тільки кваліфікованому персоналу, використовуючи тільки ідентичні запасні частини. Це буде гарантувати безпечне обслуговування електроінструменту.
- Забороняється проводити технічне обслуговування пошкоджених акумуляторних батарей. Обслуговування акумуляторів має бути здійснене тільки виробником або у авторизованому сервісному центрі.

ПРАВИЛА БЕЗПЕКИ ПРИ РОБОТІ З ТОРЦЮВАЛЬНОЮ ПИЛКОЮ

- Торцювальні пилки призначені для різання деревини та дерев'яних виробів, вони не можуть бути використані з абразивними відрізними дисками для різання різних матеріалів, таких як арматура, стрижні, палі і таке інше Абразивний пил приводить до руйнування таких частин, як нижній захисний кожух. Іскри від абразивного різання можуть оплавити нижній захисний кожух, вставну пластину для перерізу та інші пластикові частини.
- Використовуйте затискачі, щоб утримувати заготовку всякий раз, коли це можливо. Якщо ви тримаєте робочу заготовку рукою, ви повинні завжди тримати руку якнайменше на відстані 100 мм з будь-якого боку від леза пилки. Не використовуйте цю пилку для різання заготовок, які є занадто малими для надійного фіксування або утримання рукою. Якщо ваша рука знаходиться занадто близько до леза пилки, ризик травмування від контакту з лезом збільшується.



- Робоча заготовка має бути нерухомою та закріпленою або утримуватись між напрямною пильного стола та столом. Не рухайте заготовку під лезо та не намагайтесь різати «вручну» у будь-який спосіб. Заготовки, що не закріплені або рухаються, можуть відскочити з високою швидкістю та стати причиною травмування.
- Штовхайте пилку через заготовку. Не протягуйте пилку через заготовку. Для того, щоб зробити переріз, підніміть головку пилки та штовхніть її уздовж заготовки не перерізаючи, запустіть двигун, опустіть голівку пилки та штовхніть пилку уздовж робочої заготовки. Різання із натиском призведе до того, що лезо пилки може видертися на верхню частину заготовки та сильно відкинути лезо у зборі до користувача.
- Ніколи не тримайте руки на позначеній лінії різання попереду або позаду леза пилки. Перехресне утримання робочої заготовки, тобто утримання робочої заготовки праворуч від леза пилки лівою рукою або навпаки є дуже небезпечним.
- Не підставляйте руки за напрямну стола ближче ніж на 100 мм з кожного боку від леза пилки, щоб видалити дерев'яні рештки або з будь-якою іншою метою, поки лезо обертається. Близькість леза, що обертається до вашої руки може бути неочевидною, але ви можете отримати серйозні травми.
- Перевіряйте робочу заготовку перед перерізнанням. Якщо заготовка вигнута або деформована, закріплюйте її зовнішньою вигнутою стороною до напрямної стола. Завжди переконайтесь, що між заготовкою, напрямною та пильним столом немає проміжку вздовж лінії перерізнання. Нерівні або деформовані робочі заготовки можуть закрутитись або пересуватись та спричинити затиснення обертового леза пилки під час перерізнання. Заготовка має бути перевірена на наявність цвяхів та сторонніх об'єктів.
- Не використовуйте пилку доки стіл пилки не очищений від всіх інструментів, залишків деревини й тому подібного, за виключенням заготовки. Малі частини або незакріплені шматки деревини або інші об'єкти, які контактують із обертовим лезом можуть бути відкинуті на великій швидкості.
- Розрізайте лише одну заготовку за один раз. Кілька складених заготовок не можуть бути закріплені або зафіксовані належним чином, тому це може спричинити затиснення леза або пересування під час перерізнання.
- Перед використанням переконайтесь, що торцювальна пилка встановлена або розміщена на рівній, міцній робочій поверхні. Рівень розміщення та тверда робоча поверхня знижують ризик нестабільної роботи торцювальної пилки.
- Плануйте свою роботу. Кожного разу, коли ви змінюєте нахил або регулюєте кут, переконайтесь, що регульована напрямна правильно розміщена для належного утримання робочої заготовки та не буде контактувати з лезом або напрямною системою. Не вмикаючи пристрій та без робочої заготовки на пильному столі, проведіть лезом пилки уздовж розрізу, який ви плануєте зробити, щоб переконатись, що він ні з чим не перетинається та немає безпеки перерізнання напрямною.
- Забезпечте належне утримання, зокрема належне устаткування столу, козли для пиляння тощо для заготовки, що є ширшою або довшою, ніж пильний стіл. Не закріплена належним чином заготовка, що є ширшою або довшою, ніж стіл для торцювальної пилки, може перекинутись. Якщо відрізаний шматок або заготовка підіймається, вона може підняти нижній захисний кожух або бути викинутою обертальним лезом.
- Заборонено використовувати іншу особу задля розширення поверхні столу або як додаткову підтримку. Нестабільна підтримка заготовки може призвести до застрягання леза або зсуву деталі під час різання, потягнувши вас та помічника до обертального леза.
- Відрізаний шматок не повинен бути затиснутим або притиснутим будь-яким чином до леза пилки. При використанні обмежувачів, наприклад, при використанні упорів по довжині, відрізаний шматок може притискатися до леза, що може призвести до сильної віддачі.
- Завжди використовуйте затискачі або пристосування, призначені для надійної підтримки круглих матеріалів, як-от прутки або трубки. Прутки можуть прокручуватися під лезом, при цьому лезо може «захувати» матеріал і тягнути руку до леза.
- Перед тим, як підвести лезо до заготовки, дайте йому розігнатися до повної швидкості. Це зменшить ризик відкидання заготовки.
- Якщо заготовка або диск застрягли - вимкніть пилу, установивши режим «OFF». Дочекайтеся, доки всі рухомі частини зупиняться, та від'єднайте штекер від джерела живлення та/або від'єднайте акумуляторну батарею. Потім вивільніть матеріал, що застряг. При спробі розпилити заготовку, у якій застрягло лезо, можлива втрата керування або пошкодження пилки.
- Після закінчення розрізнання відпустіть перемикач, тримайте пилку голівкою вниз і зачекайте, поки лезо не зупиниться, перш ніж знімати відрізаний шматок. Не тримайтеся рукою біля леза, це небезпечно.
- Тримайте рукоятку міцно, коли робите неповний розріз або відпускаєте перемикач, перед тим як голівка пилки була повністю вниз. Гальмівна дія пилки може призвести до раптового опускання голівки вниз, що може спричинити травму.

ЗАХОДИ БЕЗПЕКИ ПРИ РОБОТІ З ДИСКАМИ ДЛЯ РІЗАННЯ ДЕРЕВИНИ

- Будь ласка, прочитайте керівництво та інструкції перед використанням пилки і машини.
- Виріб має знаходитися у гарному робочому стані; шпindel не повинен мати деформації або спричиняти вібрацію.
- Не використовуйте пристрій без захисних щитків у належному положенні. Тримайте кожухи в доброму робочому стані і належним чином встановленими.
- Оператор повинен добре знати заходи безпеки, вміти регулювати інструмент та користуватися ним.
- Для роботи з виробом завжди надягайте захисні окуляри та засоби захисту слуху. Рекомендується носити рукавички, надмічне не ковзанне взуття та фартух.





- Перед використанням будь-якого аксесуара, зверніться до інструкції з експлуатації. Неправильне використання приладдя може призвести до пошкодження і збільшити потенціал для травми.
- Використовуйте тільки леза, зазначені у цьому посібнику, з дотриманням EN 847-1.
- Дотримуйтесь максимальної швидкості, зазначеної на дисковій пилці. Забезпечте швидкість, зазначену на лезі пилки, принаймні дорівнюючі швидкості, позначеної на пилі.
- Завжди використовуйте леза з правильним розміром і формою отвору оправки. Леза, які не відповідають монтажному обладнанню пилки будуть працювати ексцентрично, що призведе до втрати контролю.
- Не використовуйте диски більшого чи меншого діаметру, ніж рекомендується. Не використовуйте прокладки, щоб посадити лезо на шпindel.
- Перевірте кінчики пилкового леза на наявність пошкоджень, або ненормальний вигляд перед кожним використанням. Кінчики, які були пошкоджені або ослаблені можуть стати летючими об'єктами при використанні і збільшити шанси отримання травми.
- Не використовуйте тріснуті або спотворені ріжучі полотна. Не використовуйте леза пилки, які були пошкоджені або деформовані.
- Викиньте пильне лезо, якщо воно пошкоджене, деформоване, спотворене або тріснуте, ремонт не допускається.
- Не використовуйте леза зі швидкоріжучої сталі.
- Перед користуванням перевірте правильність встановлення леза та надійно затягніть гайку (момент затягування прибл. 8-10 Нм).
- Кріпильний гвинт і гайки повинні бути затягнуті, використовуючи відповідний ключ, і т.д.
- Розширення гайкового ключа або затягування за допомогою ударів молотка не допускається.
- Переконайтеся, що лезо і фланці чисті і закриті з боку втулки проти леза.
- Переконайтеся, що лезо обертається в правильному напрямку.
- Перед роботою, зробити пробний зріз без включеного двигуна, щоб становити леза, робота захистів по відношенню до інших частин машини і заготовки можуть бути перевірені.
- Ніколи не залишайте прилад без нагляду.
- Не застосовуйте мастильні матеріали на лезі, коли воно працює.
- Ніколи не виконуйте будь-яке чищення або технічне обслуговування, коли машина все ще працює, і головка не в положенні спокою.
- Ніколи не намагайтеся швидко зупинити роботу машини шляхом блокування леза інструментом або іншими засобами, це може викликати серйозні аварії ненавмисно.
- Перед заміною леза або технічним обслуговуванням від'єднайте пристрій від електромережі або витягніть акумуляторну батарею.
- Зверніть увагу на упаковку і розпакування леза, легко отримати травму об гострі леза.
- Використовуйте тримач леза або носіть рукавички при роботі з лезом пилки.
- Тримайте і зберігайте лезо в оригінальній упаковці чи в іншій відповідній упаковці, тримайте у сухих

умовах, далеко від хімічних речовин, які можуть пошкодити лезо.

ДОДАТКОВІ ЗАХОДИ БЕЗПЕКИ.

- Завжди затисніть заготовку надійно і безпечно.
- Слідкуйте, щоби виріб завжди був стійким (наприклад, закріпленим на робочому столі).
- Завжди використовуйте засоби захисту слуху. Вплив шуму може призвести до втрати слуху.
- При роботі з виробом завжди надягайте захисні окуляри. Рекомендується носити рукавички для роботи з лезом і грубим матеріалом, плюс міцне, не ковзне взуття, щоб захистити ноги від заготовок, які можуть випасти з області різання.
- Перед чистою або технічним обслуговуванням від'єднайте пристрій від електромережі або витягніть акумуляторну батарею.
- Встановлюйте акумулятор тільки, коли пристрій вимкнено.
- Ніколи не торкайтеся області поблизу леза, якщо лезо повністю не зупинилося.
- Перед використанням ретельно перевірте пристрій на наявність пошкоджень або втомив матеріалу. Загальний ремонт пристрою може виконуватися лише у авторизованому сервісному центрі.
- Завжди використовуйте захисні щитки на інструменті. Забороняється використовувати виріб без захисних щитків або зі щитками, що працюють неправильно.
- Нижній захисний щиток мусить відкриватися лише тоді, коли лезо опускається до заготовки; щиток завжди має вільно рухатися та закриватися автоматично.
- Завжди закріплюйте деталі для роботи; за потреби використовуйте подовжувачі.
- Ніколи не змінюйте пристрій чи його функції. Ваша безпека може бути порушена.
- Не використовуйте леза пилки, які мають тріщини, пошкоджені або деформовані.
- Не використовуйте леза пилки, виготовлені з швидкорізальної сталі.
- Використовуйте тільки гострі леза. Заменіть тупі леза.
- Завжди використовуйте леза з правильним розміром і формою отвору оправки. Леза, які не відповідають монтажному обладнанню пилки будуть працювати ексцентрично, що призведе до втрати контролю.
- Використовуйте тільки деревообробні леза, зазначені у цьому посібнику, які відповідають EN 847-1.
- Не використовуйте ніякі фланці, шайби і гайки, щоб закріпити лезо пилки, крім тих, що поставляються або зазначені в інструкції з експлуатації.
- Треба вибрати пилку, яка підходить для розрізу матеріалу. Ніколи не використовуйте пристрій для різання матеріалів, відмінних від тих, що зазначені в розділі, щодо використання у цій інструкції з використання.
- Важливо уникати перегрівання леза та плавлення пластику під час різання.
- Важливо дотримуватися максимальної швидкості, зазначеної на диску пилки, використовуйте лише диски, на яких позначена швидкість, рівна або більша, ніж швидкість, зазначена на інструменті.





- Заменіть верстат, коли зношений або пошкоджений.
- Перед роботою, зробити пробний зріз без включеного двигуна, щоб становище леза, робота захистів по відношенню до інших частин машини і заготовки можуть бути перевірені.
- Під час виконання поперечних, косих або складних поперечних розрізів відрегулюйте упор так, щоби забезпечити правильний зазор леза.
- Не допускайте випадкового ввімкнення пилки у повністю опущеному положенні.
- Під час транспортування пристрою ручка завжди має бути зафіксованою.
- Тримайте поверхню вільною від сипучих матеріалів, таких як щєбінка та відрізки.
- Утримуйтеся від видалення будь-яких відрізків або інших частин заготовки з зони різання, поки пристрій працює, а головка пилки не знаходиться у нейтральному положенні.
- Довгі заготовки повинні належним чином підтримуватись. Робоча зона пилки включає весь ступінь заготовки. Оператор повинен забезпечити цю область від випадкового контакту з іншими людьми, або об'єктами, які можуть рухати заготовки під час роботи.
- Пил, що утворюється під час використання пристрою, може завдати шкоди здоров'ю. Використовуйте систему всмоктування пилу і носіть підходящу маску захисту від пилу. Видаліть нанесений пил ретельно за допомогою пилососа.
- Інколи перед тим як зробити косий або складний розріз, треба відрегулювати обмежувач. Після встановлення обмежувача переконайтеся, що гвинт фіксації обмежувача щільно затягнутий.
- На будь-якому боці пили можна встановити затискувач. При певних операціях затискувач може чіплятися за захисний щиток. Аби запобігти ризику отримання важких травм, перед різанням обов'язково переконайтеся, що захисний щиток не чіпляється за що-небудь.
- Придатний для експлуатації виробу діапазон навколишніх температур становить від 0°C до 40°C.
- Придатний для зберігання виробу діапазон навколишніх температур становить від 0°C до 40°C.
- Рекомендований діапазон температури навколишнього середовища для системи заряджання під час заряджання становить від 10°C до 38°C.

ТЕХНІКА БЕЗПЕКИ ПРИ ЕКСПЛУАТАЦІЇ АКУМУЛЯТОРНОЇ БАТАРЕЇ

- Для запобігання небезпеці пожежі в результаті короткого замикання, травматів і пошкодженню виробів не занурюйте інструмент, змінний акумулятор або зарядний пристрій у рідину і не допускайте потрапляння рідини всередину пристроїв або акумуляторів. Корозійні і струмопровідні рідини, такі як солоний розчин, певні хімікати, вибілювальні засоби або продукти, що їх містять, можуть призвести до короткого замикання.
- Діапазон температури навколишнього середовища для акумулятора під час використання становить від 0°C до 40°C.
- Діапазон температур зовнішнього середовища для зберігання акумулятора становить від 0°C до 20°C.

ТРАНСПОРТУВАННЯ ЛІТІЄВИХ БАТАРЕЙ

Транспортуйте батарею відповідно до місцевих та національних положень та правил.

Дотримуйтеся усіх спеціальних вимог щодо пакування та маркування при транспортуванні батареї третьою стороною. Переконайтеся, що батареї не можуть вступати в контакт з іншими батареями або провідними матеріалами при транспортуванні, захищаючи відкриті роз'єми ізоляційними непроводящими кришками або стрічкою. Не перевозити батареї, які мають тріщини або протечки. Консультуйтеся з експедиторською компанією для подальших консультацій.

ЗАЛИШКОВІ РИЗИКИ

Навіть коли продукт використовується як написано, залишається неможливим повністю усунути деякі залишкові чинники ризику. Наступні небезпеки можуть виникнути і оператор повинен звернути особливу увагу, щоб уникнути наступного:

- Ризик контакту з відкритими частинами обертаючогося пилкового леза
- Віддача деталей або частин заготовок через неправильне поводження або регулювання
- Катапультивання несправних кінчиків карбїду від пилкового диска
- Пошкодження дихальної системи.

ПРИМІТКА: Носіть респіраторні захисні маски, що містять фільтри, відповідні до обробляємих матеріалів. Забезпечте достатню вентиляцію на робочому місці. Не їжте, не пийте і не паліть в робочій зоні.

- Пошкодження слуху, якщо ефективний захист слуху не одягнутий.

⚠ ПОПЕРЕДЖЕННЯ! Пил від деяких фарб, покриттів і матеріалів може викликати подразнення або алергічні реакції дихальної системи. Пил від дерев, таких як дуб, бук, МДФ та інших подібних матеріалів може бути канцерогенним. Матеріали, що містять азбест повинні бути опрацьовані або оброблятися тільки кваліфікованими операторами-фахівцями.

⚠ ПОПЕРЕДЖЕННЯ! Тривале використання інструменту може викликати або посилити травми. При використанні інструменту протягом тривалого періоду, робіть регулярні перерви.

ЗНАЙТЕ СВІЙ ПРОДУКТ

Див. стор. 198.

1. Ручка, ізольована поверхня для утримання
2. Вимикач живлення
3. Важіль фіксатора вимикача
4. Перемикач СВД
5. Нижній захисний кожух
6. Головна напрямна деталь
7. Бічна ручка для перенесення
8. Розсувна напрямна деталь
9. Поворотний стіл
10. Планка розрізування
11. Ручка фіксатора кутового упору
12. Важіль вивільнення стопора регулятора кута
13. Опора
14. Акумуляторна батарея
15. Верхня ручка для перенесення
16. Кнопка обмежувача лінійної тяги
17. Затискач





18. Мітчик кута у 45°
19. Монтажний отвір
20. Гвинти для фіксації основної перегородки
21. Гвинт регулювання глибини різання
22. Мітчик кута скосу
23. Гвинти для регулювання упорів кута скосу у 45°
24. Кнопка блокування вуглу скосу
25. Фіксатор головки пили
26. Мішок для пилу
27. Пальцева прокладка
28. Гвинти для регулювання упорів кута скосу у 0°
29. Гвинт фіксації обмежувального повзунка
30. Блокування шпинделя кнопки
31. Зовнішній фланець
32. Різальний диск

ФУНКЦІОНУВАННЯ

Продукт має рухливе лезо пилки, яке може бути встановлено під різними кутами оператором при різанні обробленої деталі, яка надійно кріпиться до основи продукту. З ним повиненна працювати тільки одна людина, щоб запобігти ненавмисному контакту з рухомим лезом пилки.

Принципи безпечної експлуатації продукту:

- Підтримуйте леза пилки і робочу зону в хорошому стані.
- Закріпіть підставу торцювальної пилки на міцному верстаті. Продукт і кінцівка можуть рухатися, якщо вони не належним чином закріплені.
- Встановіть і зафіксуйте кути різання і глибину, перш ніж різати.
- Закріпіть заготовку на базі торцювальної пили. Використовуйте затиск, який надається та, при необхідності, використовуйте додаткові затискачі або утримуючі механізми для запобігання ненавмисному руху заготовки під час різання.
 - Переконайтеся, що експлуатація кожухів лез не обмежується становищем заготовки.
 - Переконайтеся, що кожух та інші частини товару не будуть порізані, коли лезо опускається до положення різання.
- Запустіть двигун і дайте лезу досягти повної швидкості до того, щоб повільно опустити його для різки.
- Дозвольте вузлу леза піднятися до його верхнього положення, коли кожухи леза повністю закриті. Вимкніть двигун і дайте лезу прийти до повної зупинки перед видаленням заготовки або обрізків, або до досягнення в області леза.

Перед першим використанням переконайтеся, що кут фаски або кут скосу, встановлені на виробі відповідають куту, що буде вироблятися на заготовці. Перевірте на непридатному шматку дерева за допомогою набору тесляра або відмірювача скосу.

Знімання різального диску:

1. Одягніть рукавички перед тим як братися за різальний диск.
2. Вимкніть прилад та від'єднайте акумуляторну батарею.
3. Ослабте, але не викручуйте повністю, гвинт на кришці гвинта ножа. Підніміть кришку гвинта ножа.
4. Відхиліть назад захисний кожух та утримуйте його.
5. Натисніть кнопку блокування шпинделя та, не відпускаючи її, відкрутіть дисковий болт,

використовуючи шестигранний ключ, що входить до комплексу. Зніміть зовнішній фланець.

6. Зніміть різальний диск.

Встановлення різального диску:

За необхідності перед монтажем очистіть всі деталі.

Після цього виконуйте інструкції розділу «Зняття різального диску».

1. Одягніть рукавички перед тим, як братися за різальний диск.
2. Переконайтеся, що виріб вимкнено, а акумуляторну батарею від'єднано.
3. Відхиліть назад захисний кожух та утримуйте його.
4. Вставте новий різальний диск. Переконайтеся, що напрямок обертання леза збігається зі стрілкою на захисному щитку.
5. Вставте фланець і дисковий болт.
6. Натисніть на кнопку блокування шпинделя та, утримуючи її, затягніть болт кріплення диску.
7. Опустіть захисний щиток.
8. Опустіть кришку гвинта ножа та затягніть гвинт.

⚠ ПОПЕРЕДЖЕННЯ! Переконайтеся, що кришку опущено повністю до початкового положення, а гвинт затягнуто.

Регулювання кута різання:

Кут різання може бути встановлений у діапазоні від 45 градусів (ліва сторона) до 45 градусів (права сторона).

1. Відкрутіть ручку блокування пили.
2. Придавіть важіль вивільнення стопора регулятора кута. За допомогою ручки блокування пили поверніть стіл до бажаного кута нахилу.
3. Закрутіть ручку блокування пили.

Регулювання кута скосу:

Кут скосу може бути встановлений у діапазоні від 0 градусів до 45 градусів.

1. Відкрутіть ручку фіксації кута скосу.
2. За допомогою ручки нахиліть руку інструменту на бажаний кут скосу.
3. Утримуючи важіль інструменту в цьому положенні, затягніть ручку фіксації кута.

⚠ ПОПЕРЕДЖЕННЯ! Виробник настійно рекомендує, щоб продукт був завжди надійно закріплений на поверхні верстату.

Якщо інструмент надійно закріплений на робочій поверхні чотирма гайками та болтами з шайбами згідно з інструкцією його можна використовуватися з максимальними налаштуваннями нахилу та скосу без імовірності перекидання. Якщо продукт не захищений належним чином, продукт може втратити баланс при виборі великих кутів скосу.

ОБСЛУГОВУВАННЯ

- Не змінюйте пристрій будь-яким способом або не використовуйте приладдя, не схвалені виробником. Ваша та інших безпека може бути порушена.
- Не використовуйте продукт, якщо які-небудь перемикачі, кожухи або інші функції не працюють належним чином. Поверніться в авторизований сервісний центр для професійного ремонту або налаштування.
- Не робіть будь-які коригування в той час як лезо пили знаходиться в русі.



- Завжди переконайтеся, що акумуляторну батарею було вилучено з пристрою, перш ніж робити регулювання, змащування або виконувати будь-яке технічне обслуговування.
- До і після кожного використання, перевірте продукт на предмет пошкоджень або зламаних деталей. Тримайте продукт в доброму робочому стані, негайно замініть деталі запчастинами, що затверджені виробником.
- Полотно пили має гостру ріжучу кромку і може бути гарячим після роботи. Будьте максимально обережними, чистячи полотно пили. Надягайте рукавиці, аби захиститися від травми.
- Регулярно чистіть пилу та аксесуари - зокрема, рухомі компоненти та захисний щиток - від пилу. Для видалення пилу скористайтеся ручною щіткою або пілососом. Не використовуйте стиснене повітря.
- Для кращої безпеки та надійності всі ремонтні роботи, зокрема і заміна щіток, повинні виконуватися кваліфікованим фахівцем у сервісному центрі.

⚠ ПОПЕРЕДЖЕННЯ! Не розбирайте вузол захисного щитка для чищення або ремонту. Забороняється використовувати пошкоджені щітки. Зверніться до авторизованого сервісного центру щодо ремонту або заміни.

Калібрування кута нахилу та кута скосу

Якщо потрібне калібрування кута нахилу та кута скосу див. стор. 213 - 217 та виконайте інструкції з калібрування.

ТРАНСПОРТУВАННЯ ТА ЗБЕРІГАННЯ

- Перед розміщенням виробу на зберігання вийміть акумуляторну батарею. Зберігайте продукт в надійному місці, недоступному для дітей.
- Очистіть продукт, використовуючи щітку та пілосос перед зберіганням.
- Якщо ви видалите лезо пили або тримаєте запасні частини з пристроєм переконайтеся, що вони знаходяться в оригінальній упаковці, щоб запобігти травмам.

Для забезпечення продукту до руху:

- Продукт слід зберігати при нульовому ступені нахилу і кутом скосу у замкнутому положенні. Ручка повинна бути зафіксована в нижньому (безпечному) положенні з закритими запобіжниками.

Для переміщення або перевезення в автомобілі:

- Забезпечте продукт до руху, як описано в керівництві.
- Зніміть продукт з поверхні верстата, відкрутивши 4 болта, по одному на кожному куті. Закріпіть болти для майбутнього використання. Переносити виріб слід двома руками, тримаючи його за верхню або бічну ручку для перенесення.
- При транспортуванні в автомобілі, встановіть продукт на його основі і зафіксуйте від руху.

СИМВОЛИ НА ПРОДУКТІ



Попередження безпеки



Європейський знак відповідності



Британський знак відповідності



Український знак відповідності



Євразійський знак відповідності



Будь ласка, уважно прочитайте інструкцію перед запуском продукту.



Носіть захист слуху



Завжди надягайте захисні окуляри.



Тримайте руки на відстані від зони різання та леза.



Захищати від дощу або не використовувати у сирих приміщеннях.



Надягати захисні рукавиці.



Напрямок обертання леза (показан на лезі пилки)



Напрямок обертання леза (показан на захисному кожусі леза)



Ширина різку леза (Проріз)



Кількість зубців на цьому пиловому лезі



Ріжуча здатність



Для різання дерева і аналогічної матеріалу



Не для різання металів



Перед виконанням косоного або складного розрізу відрегулюйте положення обмежувача.



Напрямок ослаблення болта леза





Не викидайте старі акумулятори, старе електричне та електронне устаткування разом із несорттованим побутовим сміттям. Старі акумулятори, старе електричне та електронне устаткування збираються окремо. З устаткування необхідно зняти старі батареї, акумулятори та джерела світла. За інформацією стосовно утилізації або місць збору звертайтеся до місцевої влади або дилера. Місцеве законодавство може зобов'язувати продавців безкоштовно приймати старі акумулятори та електричне й електронне устаткування. Ваш внесок до справи повторного використання та переробки старих акумуляторів, електричного та електронного устаткування зменшує потребу у сировині. В акумуляторах, особливо літєвих, і старому електричному та електронному устаткуванні містяться цінні, придатні для переробки матеріали, і якщо утилізація такого устаткування проводиться у неекологічний спосіб, це негативно впливає на навколишнє середовище та людське здоров'я. Видаліть персональні дані з устаткування, яке передається на переробку.

СИМВОЛИ В ЦІЄЇ ІНСТРУКЦІЇ З ЕКСПЛУАТАЦІЇ



Блокувати



Розблокувати



Час очікування для досягнення лезом максимальної швидкості або повної зупинки.



Запасні деталі або приналежності продаються окремо



Примітка



Попередження

Gönye testereniz tasarlanırken temel öncelik güvenlik, performans ve güvenilirlik özelliklerine verilmiştir.

KULLANIM AMACI

Gönye testere, ahşap veya plastik kaplamalı ve kaplamasız masif ve üretilmiş ahşap ve ahşap benzeri malzemeleri kesmek için kullanılır.

Gönye testere yalnızca talimat kılavuzunu okuyup, risk ve tehlikeleri anlayan yetişkin kullanıcılar tarafından kullanılmalıdır.

Gönye testere, kaidesi sağlam bir tezgah üzerine sabitlenecek şekilde tasarlanmıştır. Taşıyıcı taban sağlam bir şekilde sabitlenmemişse tüm makine, kesme çalışmaları sırasında hareket edebilir ve ciddi kişisel yaralanma olasılığını artırabilir.

Gönye testere eğimli ve şev kesimler yapmak için tasarlanmıştır. Çeşitli kesimler için kapasiteler bu kılavuzun ürün özellikleri bölümünde verilmektedir.

Gönye testere kuru ortamlarda, mükemmel ortam aydınlatması ve uygun havalandırma koşullarında kullanılmalıdır.

Gönye testere yalnızca tüketici kullanımı içindir ve yukarıda açıklandığı şekilde kullanılmalıdır ve başka bir amaçla kullanılmamalıdır.

ELEKTRİKLİ ALET İÇİN GENEL GÜVENLİK TALİMATLARI

⚠ UYARI! Bu aletle birlikte verilen tüm uyarı, talimat ve özellikleri dikkatlice okuyunuz ve resimli açıklamalara bakınız. Aşağıda belirtilen talimatlara uyulmaması, yangın, elektrik çarpması ve/veya ciddi bedensel yaralanmalar gibi kazalar sebep olabilir.

Tüm uyarıları ve talimatları daha sonra başvurmak üzere saklayın. Uyarılardaki "elektrikli alet" terimi şebeke elektrifiyle çalışan (kablolu) ya da pille çalışan (kablesiz) el aletini ifade eder.

ÇALIŞMA ALANI EMNİYETİ

- Çalışma alanını temiz ve iyi aydınlatılmış halde tutun. Dağınık ya da karanlık alanlar kazalara davetiyeye çıkarır.
- Elektrikli aletleri, yangıcı sıvıların, gazların veya tozların vb. bulunduğu patlayıcı ortamlarda çalıştırmayın. Elektrikli aletler buharı ateşleyebilecek kıvılcım çıkarırlar.
- Elektrikli bir alet çalışırken çocukları ve çevredekileri aletten uzak tutun. Dikkat dağılması kontrolünüzü kaybetmenize neden olabilir.

ELEKTRİKLE İLGİLİ GÜVENLİK

- Elektrikli aletin fişi elektrik prizine uymalıdır. Elektrik fişini asla modifiye etmeyin. Topraklanmış elektrikli aletlerle birlikte adaptör fişleri kullanmayın. Modifiye edilmemiş fişler ve doğru prizler elektrik çarpması riskini azaltır.
- Borular, radyatörler ve buzdolapları gibi topraklanmış yüzeylere temastan kaçının. Vücudunuz topraklanmışsa elektrifiye çarpılma riskiniz çok yüksektir.
- Elektrikli aletleri yağmura veya ıslak ortamlara maruz bırakmayın. Elektrikli aletin içine giren su elektrik çarpması riskini çoğaltacaktır.
- Elektrik kablosunu kötü kullanmayın. Elektrikli aleti taşımak, çekmek ya da fişini çekmek için asla elektrik kablosunu kullanmayın. Kabloyu ısıdan, yağdan, keskin kenarlardan ve hareketli parçalardan

uzak tutun. Hasarlı ya da dolaşmış kablolar elektrik çarpması riskini yükseltir.

- Elektrikli bir aleti dış mekanda kullanırken mutlaka dış mekanda kullanıma uygun bir uzatma kablosu kullanın. Dış mekana uygun bir uzatma kablosu kullanmak elektrik çarpması riskini azaltır.
- Elektrikli aleti nemli bir yerde kullanmak zorundaysanız, artık akım cihazı (RCD) korumalı bir besleme kullanın. RCD kullanımı elektrik çarpması riskini azaltır.

KİŞİSEL EMNİYET

- Motorlu bir aleti kullanırken dikkatli, yaptığımız işe odaklanın ve sağduyulu davranın. Yorgunken ya da uyuşturucu, alkol veya ilaç etkisi altındayken asla elektrikli bir alet kullanmayın. Elektrikli aletlerle çalışırken bir anlık dikkat eksikliği ciddi kişisel yaralanmalara neden olabilir.
- Kişisel koruma donanımı kullanın. Her zaman koruyucu gözlük kullanın. Uygun koşullarda kullanılan toz maskesi, kaymaz emniyet ayakkabıları, sert şapka veya koruyucu kulaklık kişisel yaralanmaları azaltır.
- İstemsiz çalıştırmalardan kaçının. Güç kaynağı ve/veya pil paketine takmadan, ürünü kaldırmadan ya da taşımadan önce ürünün kapalı konumda olduğundan emin olun. Parmağınız açma kapama düğmesindeyken elektrikli aletleri taşımak ya da düğmesi açık elektrikli aletleri çalıştırmak kazaya davetiyeye çıkarmaktır.
- Elektrikli aleti çalıştırmadan önce ayar anahtarını veya İngiliz anahtarını çıkarın. Elektrikli aletin dönen parçalarının üzerinde unutulmuş bir anahtar veya civata anahtarı kişisel yaralanmalara neden olabilir.
- Aşırı derecede uzanmayın. Her zaman güvenli ve dengede durun. Bu sayede elektrikli aletin beklenmedik durumlarda daha iyi kontrol edilmesi sağlanır.
- Uygun giysiler giyin. Bol giysiler giymeyin ya da takı takmayın. Saçlarınızı ve kıyafetlerinizi hareketli parçalardan uzak tutun. Bol elbiseler, takılar veya uzun saç hareketli parçalara kaptrılabilir.
- Toz boşaltma bağlantısı ve toplama araçları için sağlanan cihazlar varsa bunların bağlı olduğundan ve uygun kullanıldığından emin olun. Toz toplama aparatı kullanımı tozla ilgili tehlikeleri azaltabilir.
- Ürünü sık kullanmanın verdiği alışkanlığın dikkatsiz davranmanıza neden olmasına izin vermeyin ve alet güvenliği ilkelerini göz ardı etmeyin. Dikkatsiz hareketler, hatta bir anlığına bölünme bile ciddi kişisel yaralanmalara neden olabilir.

ELEKTRİKLİ CİHAZ KULLANIMI VE BAKIMI

- Motorlu aleti zorlamayın. Uygulamanıza uygun motorlu aleti kullanın. Doğru motorlu alet işi, tasarlandığı hızda daha iyi ve daha güvenli bir şekilde yerine getirir.
- Düğmesinden açılıp kapatılamıyorsa elektrikli aleti kullanmayın. Düğmesiyle kontrol edilemeyen elektrikli aletler tehlikelidir ve onarılması gerekir.
- Herhangi bir ayar yapmadan ya da aksesuar değiştirmeden önce fişi güç kaynağından ve/veya pil takımı çıkartılabiliyorsa aletten çıkarın. Bu gibi önleyici emniyet önlemleri ürünün kazayla çalışma riskini azaltır.
- Rölanti halindeki elektrikli aletleri çocukların ulaşamayacakları bir yerde muhafaza edin ve elektrikli aleti tanımayan veya kullanım talimatlarını

GÖNYE TESTERELER İÇİN GÜVENLİK TALİMATLARI

bilmeyen kişilerin kullanmasına izin vermeyin. Elektrikli aletler deneyimsiz kişilerin ellerinde tehlikeli olabilir.

- Elektrikli aletlerin ve aksesuarların bakımını yapın. Hareketli parçaların hizalanmasını ve sabitlemesini, kırık parça olup olmadığını ve motorlu aletin düzgün çalışmasını engelleyecek tüm diğer durumları kontrol edin. Alet hasar görürse tekrar kullanmadan önce onarımı yapılmış olmalıdır. Birçok kaza motorlu aletlerin bakımının iyi yapılmamış olmasından kaynaklanır.
- Kesme aletlerini keskin ve temiz tutun. Keskin kenarlı, bakımı düzgün yapılmış kesme aletlerinin tutukluk yapma ihtimali daha düşüktür ve kontrolleri daha kolaydır.
- Çalışma koşulları ve yapılacak işi göz önünde bulundurarak motorlu alet, aksesuarlar, parçalar vb.yi talimatlara uygun biçimde kullanın. Elektrikli aletin tasarladığından farklı bir işte kullanılması tehlikeli durumlara neden olabilir.
- Tutamakların ve kavrama yüzeylerinin kuru, temiz, yağ ve gresten arınmış olmasını sağlayın. Kaygan tutamaklar ve kavrama yüzeyleri güvenli kullanıma ve aletin beklenmedik durumlarda kontrol edilmesine imkan vermez.

BATARYA KULLANIMI VE BAKIMI

- Yalnızca üreticinin belirttiği şarj cihazı ile tekrar şarj edin. Sadece bir tür batarya için uygun olan şarj cihazı, başka bir batarya ile kullanıldığında yangın tehlikesi olabilir.
- Elektrikli aletleri yalnızca onlara özel batarya paketleriyle birlikte kullanın. Farklı pil paketi kullanımı yaralanma ya da yangın riski oluşturabilir.
- Batarya takımı kullanılmadığında bunları ataş, bozuk para, çivi, vida ya da bir ucundan diğer ucuna bağlantı kurabilen diğer küçük metal nesnelere uzak tutun. Batarya terminallerine kısa devre yaptırmak yanıklara veya bir yangına neden olabilir.
- Kötü kullanım durumlarında pilden sıvı sızabilir; sıvıyla temas etmekten kaçının. Kaza ile temas ederseniz bol su ile yıkayın. Sıvı göze temas ederse ek olarak tıbbi yardım alın. Pilden sızan sıvı iritasyon ya da yanmaya yol açabilir.
- Hasar görmüş ya da değiştirilmiş pil paketi ya da aleti kullanmayın. Hasar görmüş ya da değiştirilmiş piller yangın, patlama ya da yaralanma riskine yol açabilecek beklenmeyen davranış sergileyebilir.
- Pil paketi ya da aleti ateş ya da aşırı ısılarla maruz bırakmayın. Ateş ya da 130°C üzerinde ısıya maruz kalmak patlamaya neden olabilir.
- Şarj işlemine ilişkin tüm talimatlara uyun ve pil paketi ya da aleti talimatlarda belirtilen sıcaklık aralığı dışında şarj etmeyin. Belirtilen sıcaklık aralığı dışında şarj edildiğinde pil zarar görebilir ve yangın riski artar.

SERVİS

- Elektrikli aletin bakımını/onarımını sadece yetkili onarım personeline yaptırın, sadece orijinal yedek parça kullanılmasını sağlayın. Böylece elektrikli aletinizin güvenliği korunmuş olur.
- Hasarlı pil takımlarına asla bakım uygulamayın. Pil takımlarının bakımı üretici ya da yetkili hizmet sağlayıcılar tarafından yapılmalıdır.

- Gönye testereler, ahşap ve ahşap benzeri ürünleri kesmeye yöneliktir, çubuklar, parmaklıklar, çiviler vs. gibi demir içeren materyalleri kesmek için aşındırıcı kesme tekerleriyle kullanılamaz. Aşındırıcı toz alt muhafaza gibi hareketli parçaların tıkanmasına yol açabilir. Aşındırıcı kesmenin oluşturduğu kıvılcımlar alt muhafazayı, kertik girişini ve diğer plastik parçaları yakar.
- Mümkün olduğunda iş parçasını desteklemek için kelepçeler kullanın. İş parçasını elle destekliyorsanız, elinizi her zaman testere bıçağının her iki tarafından da 100 mm uzakta tutmalısınız. Güvenli bir şekilde mengelenmek veya elde tutulmak için çok küçük olan parçaları kesmek için bu testereyi kullanmayın. Ellerinizi testere bıçağına çok yakınsa bıçağına temasa bağlı yaralanma riski artar.
- İş parçası sabit ve mengelenmiş olmalıdır veya hem perdeye hem tablaya yaslanmış olmalıdır. Hiçbir şekilde iş parçasını bıçağına "serbest elle" beslemeyin veya kesmeyin. Sabitlememiş veya hareketli iş parçaları yüksek hızda fırlatarak yaralanmaya neden olabilir.
- Testereyi iş parçası boyunca itin. Testereyi iş parçası boyunca çekmeyin. Kesim yapmak için testere başını kaldırın ve kesmeden iş parçasının üzerine kaldırın, motoru başlatın, testere başını aşağı indirin ve testereyi iş parçası boyunca ittirin. Çekme hareketiyle kesmek testere bıçağının iş parçasının üstüne çıkmasına ve bıçak grubunu sert bir şekilde operatöre doğru fırlatmasına neden olabilir.
- Testere bıçağının önünde veya arkasında elinizi asla belirlenen kesme çizgisinin ötesine geçirmeyin. İş parçasını "çapraz elle" desteklemek, ör. iş parçasını sol elinizle testerenin sağından veya sağ elinizle soldan tutmak çok tehlikelidir.
- Bıçak dönerken, ahşap talaşlarını temizlemek veya başka herhangi bir nedenle elinizi, perdenin arkasından bıçağın sağına soluna 100 mm'den fazla yaklaştırmayın. Dönen testere bıçağının elinize yakınlığı açıkça görülmeyebilir ve ciddi bir şekilde yaralanabilirsiniz.
- Kesmeden önce iş parçasını inceleyin. İş parçası bükülmüş veya eğilmişse, eğri tarafının dışı perdeye dönük olacak şekilde mengeneleyin. Kesme çizgisi boyunca iş parçası, perde ve tabla arasında hiçbir boşluk olmadığında emin olun. Bükülmüş veya eğrilmiş iş parçaları dönebilir veya hareket edebilir veya keserken dönen testere bıçağının takılmasına neden olabilir. İş parçasında çivi veya yabancı madde olmamalıdır.
- Tabla iş parçası dışındaki aletlerden, ahşap talaşlarından vs. temizlenene kadar testereyi kullanmayın. Küçük talaşlar veya ahşap parçaları veya başka nesnelere dönen bıçağına temas ettiğinde yüksek hızla fırlatılabilir.
- Her seferinde yalnızca bir iş parçası kesin. İstif edilmiş birden fazla iş parçası yeterli şekilde mengenelemeyen veya desteklenemeyen veya bıçağına takılabilir veya kesim sırasında hareket edebilir.
- Kullanmadan önce gönye testerenin düz, sert bir iş yüzeyine monte edildiğinden veya yerleştirildiğinden emin olun. Düz ve sert bir çalışma yüzeyi gönye testerenin hareket etme riskini azaltır.

- **İşinizi planlayın. Eğim veya şev açısı ayarını her değiştirdiğinizde ayarlanabilir perdenin iş parçasını desteklemek için düzgün yerleştirildiğinden ve bıçakla ya da muhafaza sistemiyle temas etmediğinden emin olun.** Aleti "AÇIK" konuma getirmeden önce ve tabla üzerinde herhangi bir iş parçası yokken, testere bıçağını kesim yapıyormuş gibi hareket ettirerek perdeye temas etmediğinden veya perdeyi kesme tehlikesi olmadığının emin olun.
- **Tabla tezgahından daha uzun veya geniş bir iş parçası için tabla uzantısı, testere tezgahı vb. ile yeterli desteği sağlayın.** Gönye testere tablasından daha uzun ve geniş iş parçaları güvenli bir şekilde desteklenmezse devrilebilir. Kesilen parça veya iş parçası devrilirse, alt muhafazayı kaldırabilir veya dönen bıçak tarafından fırlatılabilir.
- **Bir tabla uzantısı için veya ek destek olarak başka bir insanı kullanmayın.** İş parçası için sabit olmayan destek bıçağın takılmasına ve iş parçasının kesme işlemi sırasında kayarak sizi ve yardımcınızı dönen bıçağa doğru çekmesine neden olabilir.
- **Kesilmiş parça herhangi bir şekilde dönen testere bıçağına sıkıştırılmamalı veya bastırılmamalıdır.** Ör. uzunluk durdurma çubukları kullanılarak tutulursa, kesilen parça bıçağa sıkışarak sert bir şekilde fırlayabilir.
- **Mil ve silindir gibi yuvarlak materyaller için bunları uygun bir şekilde destekleyecek şekilde tasarlanmış bir mengene veya bağlantı düzeneği kullanın.** Miller kesilirken dönme eğilimi vardır, bu da bıçağın "kapmasına" ve elinizi işle birlikte bıçağa doğru çekmesine neden olur.
- **İş parçasına temas etmeden önce bıçağın tam hıza erişmesine izin verin.** Bu, iş parçasının fırlama riskini azaltır.
- **İşlenen parça ya da bıçak sıkışınca, gönye testeresini "OFF (KAPALI)" konumuna getirin.** Tüm hareketli parçaların durmasını bekleyin, fişi elektrik kaynağından çekin ve/veya batarya takımını sökün. Ardından, tıkanan materyali çıkarmak için çalışın. Sıkışmış bir iş parçasıyla kesmeye devam etmek kontrolün kaybedilmesine veya gönye testerenin zarar görmesine neden olabilir.
- **Kesim işlemi bittikten sonra düğmeyi bırakın, testere başını aşağıda tutun ve kesilen parçayı çıkarmadan önce bıçağın durmasını bekleyin.** Hareketli bıçağın yanına elinizle uzanmak tehlikelidir.
- **Tam olmayan bir kesim yaparken veya testere başı tamamen aşağı pozisyona geçmeden önce düğmeyi bırakırken tutamağı iyice kavrayın.** Testerenin durdurulması testere başının aniden aşağı doğru çekilmesine neden olarak yaralanma riskine yol açabilir.

AHŞAP KESME BIÇAĞI İÇİN GÜVENLİK TALİM ATLARI

- Lütfen testere bıçağını ve makineyi kullanmadan önce kılavuzu ve talimatları dikkatli bir şekilde okuyun.
- Ürün iyi durumda olmalı, milde hasar ve titreşim olmamalıdır.
- Muhafazalar yerinde değilken ürünü kullanmayın. Koruyucuların iyi çalışır durumda olmasını ve düzgün olarak bakımının yapılmasını sağlayın.
- Operatörün ürünün emniyet önlemleri, ayarlanması ve çalıştırılması konusunda yeterli eğitime sahip olduğundan emin olun.

- Ürünü kullanırken her zaman koruyucu gözlük ve koruyucu kulaklık takın. Makineyi kullanırken eldiven, kaymayan ayakkabı ve önlük giymeniz önerilir.
- Herhangi bir aksesuar kullanmadan önce kullanım kılavuzuna başvurun. Herhangi bir aksesuarın uygunsuz kullanımı hasara yol açabilir ve yaralanma riskini artırabilir.
- Sadece bu kılavuzda açıklanan EN 847-1'e uygun bıçaklar kullanın.
- Testere bıçağında belirtilen maksimum hızı asla aşmayın. Testere bıçağında belirtilen hızın en az testere üzerindeki hıza eşit olduğundan emin olun.
- Dingilin niteliğine uygun olmayan bıçaklar düzgün olarak dönmeyecekler ve aletin kontrolünün kaybedilmesine neden olacaktır. Asla defolu yada uygun olmayan vida ve bıçak kenedi kullanmayın.
- Tavsiye edilen daha büyük veya küçük çapta bıçaklar kullanmayın. Bıçağı mile oturtmak amacıyla ara parçalar kullanmayın.
- Her kullanımdan önce testere bıçağının uçlarını hasar veya anormal görünüş açısından kontrol edin. Hasarlı veya gevşek uçlar kullanırken sırasında uçan cisim olabilir ve yaralanma riskini artırabilir.
- Çatlamış ya da eğri, düzgün olmayan testere kullanmayın. Arızalı ya da deforme olmuş testere kullanmayın.
- Hasarlı, biçimi bozulmuş, çarpılmış veya çatlamışsa testere bıçağını atın; onarım yasaktır.
- HSS bıçaklar kullanmayın.
- Testere bıçağının doğru monte edildiğinden emin olun, kullanmadan önce mil somununu güvenli bir şekilde sıkın (sıkma torku yaklaşık 8-10 Nm).
- Sabitleme vidası ve somunları uygun anahtar vb. kullanılarak sıkılmalıdır.
- Somun anahtarının uzatılması ya da çekiç darbeleriyle sıkıştırmak yasaktır.
- Tüm bıçak ve flanşların temiz olduğundan ve burcun oluklu kenarlarının bıçağa baktığından emin olun.
- Bıçağın doğru yönde döndüğünden emin olun.
- Çalışmadan önce motoru açmadan yapay bir kesim yaparak bıçak pozisyonunu, koruyucuların diğer makine parçalarına göre nasıl çalıştığını ve çalışma parçasını kontrol edin.
- Ürünü asla gözetimsiz bırakmayın.
- Çalıştığı sırada bıçağa yağlama yağı sürmeyin.
- Makine çalışırken ve makine kafası hareketliyken asla makine üzerinde temizlik ya da bakım işi yapmayın.
- Makine hareket halindeyken asla bıçağa karşı bir sıkıştırma aleti vs. koyarak makineyi durdurmaya çalışmayın; çok ciddi kazalar meydana gelebilir.
- Bıçağı değiştirmeden ya da bakım yapmadan önce ürünü güç kaynağından çekin ve batarya takımını çıkarın.
- Bıçağı paketlerken ve paketini açarken dikkatli olun. Keskin bıçak dişleri yaralanmaya neden olabilir.
- Testere bıçağına dokunurken bıçak tutucu ya da eldiven kullanın.
- Bıçağı orijinal paketinde veya uygun bir ambalajda tutun ve saklayın, kuru bir ortamda ve bıçağa zarar verebilecek kimyasallardan uzakta muhafaza edin.

İLAVE GÜVENLİK UYARILARI

- İş parçasını her zaman güvenli ve sıkı bir şekilde kelepçeleysin.
- Ürünün her zaman sabit ve hareketsiz (ör. bir tezgaha sabitlenmiş) olduğundan emin olun.
- Her zaman kulak koruyucu kullanın. Gürültüye maruz kalmak işitme kaybına neden olabilir.
- Ürünü kullanırken her zaman koruyucu gözlük takın. Bıçakların ve tırtıklı materyallerin taşınması için eldivenle birlikte ayaklarınızı kesme alanından düşebilecek iş parçalarının korumak için sağlam, kaymaz ayakkabılar giyilmesi önerilir.
- Ürünü temizlemeden veya herhangi bir bakım gerçekleştirmeden önce fişten çekin veya batarya paketini çıkartın.
- Batarya paketini yalnızca ürün kapalıyken takın.
- Bıçak tamamen durana kadar bıçağın yanındaki alana asla yaklaşmayın.
- Kullanmadan önce, ürünü ve batarya paketini her türlü hasar ve malzeme yorgunluğu açısından dikkatle inceleyin. Ürünün tamamında onarım yalnızca yetkili servis merkezi tarafından gerçekleştirilmelidir.
- Her zaman ürün üzerindeki muhafazaları kullanın. Muhafazalar yerinde değilse ve doğru çalışmıyorsa ürünü kullanmayın.
- Altta ki bıçak muhafazası sadece bıçak iş parçasına indirildiği zaman açılmalı ve her zaman serbest hareket edip otomatik kapanabilmelidir.
- Çalışma sırasında iş parçasını desteklemek için her zaman sabitleyin ve uzatma çubuklarını kullanın.
- Hiçbir zaman ürünü veya işlevini değiştirmeyin. Güvenliğiniz tehlikeye girebilir.
- Çatlak, hasarlı veya deforme olmuş testere bıçaklarını kullanmayın.
- Yüksek hız çeliğinden yapılmış testere bıçaklarını kullanmayın.
- Yalnızca keskin bıçaklar kullanın. Körelmiş bıçakları değiştirin.
- Dingilin niteliğine uygun olmayan bıçaklar düzgün olarak dönmeyecekler ve aletin kontrolünün kaybedilmesine neden olacaktır. Asla defolu yada uygun olmayan vida ve bıçak kenedi kullanmayınız.
- Yalnızca bu kılavuzda belirtilen EN 847-1 ile uyumlu ahşap işleme bıçaklarını kullanın.
- Testere bıçağını sabitlemek için tedarik edilenler veya talimat kılavuzunda belirtilenler dışında herhangi bir flanş, rondela ve somun kullanmayın.
- Makine de kesilecek malzemeye uygun testere kullanınız. Ürünü asla bu kılavuzun amaçlanan kullanım bölümünde belirtilenler dışında malzemeleri kesmek için kullanmayın.
- Bıçağın aşırı ısınmasını ve keserken plastiği eritmesini önlemek önemlidir.
- Testere bıçağında belirtilen maksimum hıza uymak çok önemlidir, yalnızca alet üzerinde işaretli hıza eşit veya ondan daha yüksek hıza sahip testere bıçaklarını kullanın.
- Tezgah bağlantı ekini aşındığında veya hasar gördüğünde değiştirin.
- Çalışmadan önce, motoru çalıştırmadan kesme tatbikatı yaparak, bıçağın pozisyonunu, muhafazaların diğer parçalara ve iş parçasına uyumlu çalıştığını kontrol edin.

- Şev, eğimli veya birleşik şevli kesim yaparken, kayan perdeyi ve alt perdeyi bıçakla arada doğru mesafe kalacak şekilde ayarlayın.
- Testere ünitesinin tamamen aşağı konumdan kontrolsüz biçimde serbest bırakmayın.
- Ürünü taşırken kulp kilidi her zaman takılı olmalıdır.
- Zemin alanından talaş ve kesik parçalar gibi gevşek malzemeleri uzaklaştırın.
- Ürün çalışırken ve testere başı istirahat pozisyonunda değilken kesik parçaları veya iş parçasının diğer kısımlarını kesme alanından uzaklaştırmaktan kaçının.
- Uzun malzemeler yeterince desteklenmelidir. Testerenin çalışma alanı içine iş parçasının tüm uzunluğu dahildir. Operatör bu alanı, başka kişilerle veya çalışma sırasında iş parçasını hareket ettirebilecek nesnelere temas karşı emniyete almalıdır.
- Ürünü kullanırken ortaya çıkan toz sağlığı zararlı olabilir. Toz çekme sistemi ve uygun bir toz koruma maskesi kullanın. Biriken tozu elektrik süpürgesi ile tamamen temizleyin.
- Yeterli açıklık sağlamak için kayar perdeyi şev ya da bileşim kesimini yapmadan önce ayarlamak gerekli olabilir. Ayar işleminden sonra kayar perde kilit vidasının sıkıldığından emin olun.
- Kelepçe bıçağın her iki tarafına da yerleştirilip kullanılabilir. Bazı işlemlerde, kelepçe bıçak korkuluğuna müdahale edebilir. Ciddi kişisel yaralanma riskini azaltmak için herhangi bir kesme işlemine başlamadan önce mutlaka bıçak korkuluğuna müdahale olmadığından emin olun.
- Alet için ortam sıcaklığı aralığı çalışma sırasında 0°C ile 40°C arasındadır.
- Alet için depolama ortam sıcaklığı aralığı 0°C ile 40°C arasındadır.
- Şarj sırasında şarj sistemi için önerilen ortam sıcaklığı aralığı 10°C ile 38°C arasındadır.

PİL İÇİN EK GÜVENLİK UYARILARI

- Bir kısa devreden kaynaklanan yangın, yaralanma veya ürün hasarları tehlikesini önlemek için aleti, güç paketini veya şarj cihazını asla sıvıların içine daldırmayınız ve cihazların ve pillerin içine sıvı girmesini önleyiniz. Tuzlu su, belirli kimyasallar, aşartıcı madde veya aşartıcı madde içeren ürünler gibi korozif veya iletken sıvılar kısa devreye neden olabilir.
- Batarya için ortam sıcaklığı aralığı çalışma sırasında 0°C ile 40°C arasındadır.
- Batarya için depolama ortam sıcaklığı aralığı 0°C ile 20°C arasındadır.

LİTYUM PİLLERİN NAKLİYESİ

Pili yerel ve ulusal hükümlere ve yönetmeliklere göre nakledin.

Piller üçüncü bir şahıs tarafından nakledilirken ambalaj ve etiket üzerindeki tüm özel gereksinimlere uyun. Açıkta ki konektörleri iletken olmayan yalıtım başlıkları veya bandı ile koruyarak pillerin nakliye sırasında diğer pillerle veya iletken materyallerle temas etmediğinden emin olun. Çatlak veya sızıntı yapan pilleri nakletmeyin. Daha fazla bilgi için nakliye şirketine danışın.

ARDIL RİSKLER

Ürün belirtildiği şekilde kullanıldığı zaman bile belirli artık risk faktörlerinin tamamen ortadan kaldırılması mümkün değildir. Kullanım sırasında aşağıdaki tehlikeler ortaya çıkabilir ve operatör bunlardan kaçınmak için özellikle dikkat etmelidir:

- Döner testere bıçağının korumasız parçalarına temas etme tehlikesi bulunmaktadır.
- Doğru ayarlanmayan veya tutulmayan iş parçalarını ve iş parçası kısımlarını geri itin
- Testere bıçağından kurbür ucu parçalarının fırlaması.
- Solunum sistemi hasar görebilir.
NOT: İşlenecek materyallere uygun filtreler içeren solunum koruma maskeleri takın Çalışma yerinin uygun şekilde havalandırıldığından emin olun. Çalışma alanı içinde bir şey yemeyin, içmeyin veya sigara içmeyin.
- Uygun tipte kulak koruyucusu kullanılmadığında işitme duyusunuz zarar görmesi.

⚠ UYARI! Belirli boyalardan, kaplamalardan veya materyallerden kaynaklanan toz solunum sisteminde tahrişe veya alerjik reaksiyona neden olabilir. Meşe, kayın, MDF ve diğer ağaçlar gibi ahşaptan kaynaklanan toz kanserojendir. Asbest içeren materyal yalnızca nitelikli uzman operatörler tarafından işlenmeli ve üzerinde çalışma yapılmalıdır.

⚠ UYARI! Bir aletin uzun süre kullanılması nedeniyle yaralanmalar olabilir veya mevcut yaraların durumu kötüleşebilir. Herhangi bir aleti uzun bir süre boyunca kullanırken düzenli olarak ara vermeyi ihmal etmeyin.

ÜRÜNÜZÜ TANIYIN

Sayfa 198'ya bakın.

1. Tutamak, yalıtılmış kavrama yüzeyi
2. Güç anahtarı
3. Anahtar kilit kolu
4. LED anahtarı
5. Alt bıçak koruyucu
6. Ana çit
7. Yan taşıma kulpu
8. Sürgülü çit
9. Döner tabla
10. Kertme plakası
11. Gönye kilit düğmesi
12. Gönye mandalı bırakma kolu
13. Destek ayağı
14. Batarya kutusu
15. Üst taşıma kulpu
16. Doğrusal rod durdurma düğmesi
17. Kelepçe
18. Şev açısı işaretleyicisi
19. Montaj deliği
20. Ana korkuluğu kilitleme vidaları
21. Kesme derinliği ayar vidası
22. Eğimli açısı işaretleyicisi
23. 45° eğimli açısı durma noktası ayarı vidaları
24. Şev açısı kilit düğmesi
25. Testere başı kilit pimi
26. Toz torbası
27. Altıgen anahtar
28. 0° eğimli açısı durma noktası ayarı vidaları
29. Kayar perdeyi kilitleme vidası
30. Mil kilitleme düğmesi
31. Dış flanş
32. Testere bıçağı

ÇALIŞTIRMA

Ürün, ürünün taşıyıcı tabanına sağlam bir şekilde sabitlenmiş bir iş parçasını keserken operatör tarafından çeşitli açılarda ayarlanabilen hareketli bir testere bıçağına sahiptir. Hareketli testere bıçağıyla kazara teması önlemek için yalnızca bir kişi tarafından kullanılmalıdır.

Ürünün güvenli kullanım ilkeleri aşağıdaki gibidir:

- Testereyi, bıçakları ve çalışma alanını iyi durumda muhafaza edin.
- Gönye kesme testeresinin tabanını dayanıklı bir tezgaha sabitleyin. Ürün doğru şekilde sabitlenmezse hareket edebilir ve devrilebilir.
- Kesim yapmadan önce kesme açılarını ve derinliğini ayarlayın ve kilitleyin.
- İş parçasını gönye kesme makinesi taşıyıcı tabanına sabitleyin. Ürünle birlikte verilen kelepçeyi kullanın ve gerektiği durumlarda kesim sırasında iş parçasının kazara hareket etmesini önlemek için ek kelepçeler veya tutma mekanizmaları kullanın.
 - Bıçak korumalarının işleyişinin iş parçasının konumu nedeniyle kısıtlanmadığını kontrol edin.
 - Çit ve ürünün diğer parçalarının bıçak kesme konumuna doğru alçalırken kesilmediğinden emin olun.
- Motoru çalıştırın ve iş parçasını kesmek için yavaşça alçaltmadan önce bıçağın tam hıza ulaşmasını bekleyin.
- Bıçak tertibatının, bıçak korumalarının tamamen kapandığı üst konuma gelmesini bekleyin. Motoru kapatın ve iş parçasını veya kesilen parçaları çıkarmadan önce veya bıçak alanına yaklaşmadan önce bıçağın tamamen durmasını bekleyin.

İlk kullanımdan önce ürün üzerinde ayarlı şev veya gönye açısının iş parçası üzerinde meydana gelen açıyla eşleştiğinden emin olun. Bunu bir marangoz takımı veya marangoz gönye kullanarak artık bir tahta parçası üzerinde kontrol edin.

Testere bıçağının sökülmesi:

1. Testere bıçağını ellerken eldiven giyin.
2. Gücü kapatın ve batarya takımını çıkarın.
3. Bıçak civatası kapağının üstündeki vidayı gevşetin ancak sökmeyin. Bıçak civatası kapağını yükseltin.
4. Kendi kendine kapanır korkuluğu geri çekip tutun.
5. Mil kilit düğmesine basarken bıçak somununu cihazla birlikte gelen alyan anahtarla sökün. Dış flanş çıkarın.
6. Testere bıçağını çıkarın.

Testere bıçağının takılması:

Gerekliyorsa, takılacak parçaları birleştirmeden önce temizleyin.

Testere Bıçağını Sökme prosedürünü uyguladıktan sonra.

1. Testere bıçağını ellerken eldiven giyin.
2. Gücün kapalı olduğundan ve batarya takımının çıkarıldığından emin olun.
3. Kendi kendine kapanır korkuluğu geri çekip tutun.
4. Yeni testere bıçağını yerleştirin. Bıçağın dönüş yönünün bıçak muhafazası üzerindeki okla uyduğundan emin olun.
5. Flanş ve bıçak civatasına yerleştirin.
6. Mil kilit düğmesini takılana kadar bastırın, bıçak civatasını sıkın.
7. Kendi kendine kapanır muhafazayı aşağıya çekin.
8. Bıçak civatası kapağını indirin ve vidayı sıkın.

⚠ UYARI! Bıçak civatası kapağının asıl konumuna indirildiğinden ve vidanın sıkıldığından emin olun.

Gönye açısının ayarlanması:

Gönye açısı 45 derece (sol taraf) ile 45 derece (sağ taraf) arasında ayarlanabilir.

1. Gönye kilit düğmesini gevşetin.
2. Gönye mandalı bırakma kolunu bastırın Testere tablasını gönye kilit düğmesinden tutarak istenen gönye açısına getirin.
3. Gönye kilit düğmesini yeniden sıkıştırın.

Eğim açısının ayarlanması:

Eğim açısı 0 derece ile 45 derece arasında ayarlanabilir.

1. Eğim kilitleme düğmesini gevşetin.
2. Alet kolunu kulptan tutarak arzulanan açıya yatırın.
3. Alet kolunu bu açıda tutarken eğim kilitleme düğmesini sıkıştırın.

⚠ UYARI! Üretici, ürünün her zaman bir tezgah tablasına sabitlenmesini şiddetle önermektedir.

Talimatlarda belirtildiği gibi ürünün tabanı bir tezgaha sıkı bir şekilde dört somun, civata ve pullarla sabitlendiğinde, ürün, devrilme olasılığı olmadan en yüksek eğiklik ve gönye ayarında kullanılabilir. Ürün doğru şekilde sabitlenmemişse geniş şev açıları seçildiğinde ürünün dengesi bozulabilir.

BAKIM

- Ürünü herhangi bir şekilde değiştirmeyin veya üretici tarafından onaylanmamış aksesuarlar kullanmayın. Sizin ve diğer kişilerin güvenliği tehlikeye girebilir.
- Herhangi bir şalter, koruma veya başka bir fonksiyon amaçlandığı şekilde çalışmıyorsa ürünü kullanmayın. Profesyonel onarım veya ayar işlemi için yetkili bir servis merkezine gönderin.
- Testere bıçağı hareket halindeyken herhangi bir ayar yapmayın.
- Ayar yaparken, yağlarken veya ürün üzerinde herhangi bir bakım yaparken batarya paketinin üründen çıkartılmış olduğundan emin olun.
- Her kullanımdan önce ve sonra ürünü hasara veya kırık parçalara karşı kontrol edin. Hasarlı parçaları hemen üretici tarafından onaylanan yedek parçalarla değiştirerek ürünü en iyi çalışma durumunda tutun.
- Bıçağın keskin kenarları vardır ve aynı zamanda kesme işlemlerinden sonra sıcaklığını korur. Açıktaki bıçağı temizlerken her zaman azami dikkat gösterin. Kendinizi kişisel yaralanmalardan korumak için eldiven takın.
- Testerenin ve aksesuarların özellikle de bıçak muhafazası gibi hareketli parçaların tozunu düzenli olarak temizleyin. Bir el fırçası veya elektrikli süpürge kullanarak tozu etkili bir şekilde temizleyin. Basınçlı hava kullanmayın.
- Daha güvenilir ve emniyetli çalışma için, fırça değişimleri dahil tüm onarımlar yetkili bir servis merkezi tarafından yapılmalıdır.

⚠ UYARI! Temizlik veya onarım için bıçak muhafaza aksamını sökmeye çalışmayın. Hasarlı muhafazalar kullanılmamalıdır. Onarım veya değiştirme için yetkili bir servis merkezine iade edin.

Gönye ve şev açısı kalibrasyonu

Gönye ve eğim açısı kalibrasyonu gerekiyorsa, kalibrasyon talimatları için bkz. sayfa 213 - 217.

TAŞIMA VE SAKLAMA

- Ürünü muhafaza ederken batarya takımını sökün. Ürünü çocukların erişemeyeceği güvenli bir yerde saklayın.
- Depolamadan önce ürünü bir fırça ve elektrikli süpürge kullanarak temizleyin.
- Testere bıçağını çıkartırsanız veya yedekleri üniteye tutarsanız yaralanmayı önlemek için orijinal ambalajlarında olduklarından emin olun.

Taşıma öncesi ürünü sabitlemek için:

- Ürün sıfır derece gönye ve şev açısında saklanmalı ve yerine kilitlemelidir. Kol, korumalar kapalı halde alt (güvenli) konuma kilitlemelidir.

Bir araçla taşımak veya nakletmek için:

- Ürünü taşımadan önce kılavuzda açıklandığı gibi sabitleyin.
- Her köşede bir tane bulunan 4 civatayı sökerek ürünü tezgah tablasından ayırın. Civataları ileride kullanmak üzere saklayın. Üst taşıma kulpunu veya iki elinizle yan taşıma kulplarını kullanarak ürünü taşıyın.
- Bir araç içinde taşırken ürünü taşıyıcı tabanı üzerine yerleştirin ve hareket etmemesi için sabitleyin.

ÜRÜN ÜZERİNDEKİ SEMBOLLER



Güvenlik ikazı



Avrupa Uyumluluk İşareti



Britanya Uyumluluk İşareti



Ukrayna Uyumluluk İşareti



EurAsian Uyumluluk İşareti



Makineyi çalıştırmadan talimatları dikkatlice okuyun.



Koruyucu kulaklık kullanın



Her zaman koruyucu gözlük kullanın.



Ellerinizi kesme alanı ve keskin bıçaktan uzak tutun.



Yağmura maruz bırakmayın veya nemli yerlerde kullanmayın.



Emniyet eldivenleri giyin



Bıçak dönme yönü (testere bıçağında gösterilir)



Bıçak dönüş yönü (bıçak koruması üzerinde gösterilmektedir)



Bıçak kesme genişliği (Kerf)



Bu testere bıçağındaki diş sayısı



Kesim kapasitesi



Ahşap veya benzeri materyalleri kesmek içindir



Metal kesimine uygun değildir



Şev ya da bileşim kesimi yapmadan önce kayar perdenin konumunu ayarlayın.



Bıçak civatasını gevşetme yönü

Atık pilleri, atık elektrikli ve elektronik ekipmanı, sınıflandırılmamış belediye atığı olarak bertaraf etmeyin. Atık piller ile atık elektrikli ve elektronik ekipmanlar ayrıca toplanmalıdır. Atık pil, akü ve ışık kaynakları ekipmandan çıkarılmalıdır. Yerel otorite veya satıcıdan geri dönüşüm tavsiyesi alın ve toplama noktasını öğrenin. Yerel düzenlemelere göre perakendecilerin atık piller ile atık elektrikli ve elektronik ekipmanı ücretsiz olarak geri alma yükümlülüğü olabilir. Atık bataryaların yanı sıra atık elektrikli ve elektronik ekipmanların yeniden kullanımı ve geri dönüşümüne katkınız, hammadde talebini azaltmaya yardımcı olur. Özellikle lityum içeren atık piller ile atık elektrikli ve elektronik ekipmanlar, çevreye uyumlu bir şekilde bertaraf edilmediği takdirde çevre ve insan sağlığını olumsuz yönde etkileyebilecek değerli ve geri dönüştürülebilir malzemeler içerir. Varsa, atık ekipmandaki kişisel verileri silin.



Parçalar ya da aksesuarlar ayrı olarak satılır.



Not



Uyarı

KİTAPÇIKTAKİ SEMBOLLER



Kilit



Kilidi açma



Bıçağın tam hızına ulaşması ya da bütünüyle durması için bekleme süresi.



Στον σχεδιασμό του κόφτη φαλτσωνιάς έχει δοθεί μέγιστη προτεραιότητα στην ασφάλεια, την απόδοση και την αξιοπιστία του.

ΠΡΟΟΡΙΖΟΜΕΝΗ ΧΡΗΣΗ

Το φαλτσοπρίονο προορίζεται για την κοπή συμπαγούς και συσσωματωμένου ξύλου και υλικών παρόμοιων με ξύλο με ή χωρίς καπλαμά, καθώς και πλαστικών.

Το φαλτσοπρίονο προορίζεται για χρήση μόνο από ενήλικες χειριστές που έχουν διαβάσει το εγχειρίδιο χρήσης και έχουν κατανοήσει τους κινδύνους.

Το φαλτσοπρίονο έχει σχεδιαστεί για σταθεροποίηση σε βάση που βρίσκεται σε σταθερό πάγκο εργασίας. Εάν η βάση δεν είναι καλά στερεωμένη, ολόκληρη η μηχανή μπορεί να μετακινηθεί κατά τη διάρκεια εργασιών κοπής, γεγονός που αυξάνει την πιθανότητα σοβαρής σωματικής βλάβης.

Το φαλτσοπρίονο έχει σχεδιαστεί για λοξή και φάλτσα κοπή. Οι παρεχόμενες επιλογές κοπής για κάθε περίπτωση, αναφέρονται στις προδιαγραφές προϊόντος, στο παρόν εγχειρίδιο.

Το φαλτσοπρίονο προορίζεται για χρήση σε συνθήκες χωρίς υγρασία, με άριστο φωτισμό χώρου και επαρκή εξαερισμό.

Το φαλτσοπρίονο προορίζεται για χρήση από ιδιώτες και θα πρέπει να χρησιμοποιείται όπως περιγράφεται παραπάνω και για κανέναν άλλον σκοπό.

ΓΕΝΙΚΕΣ ΣΥΣΤΑΣΕΙΣ ΑΣΦΑΛΕΙΑΣ ΧΡΗΣΗΣ ΗΛΕΚΤΡΟΚΙΝΗΤΩΝ ΕΡΓΑΛΕΙΩΝ

⚠ ΠΡΟΕΙΔΟΠΟΙΗΣΗ! Διαβάστε προσεκτικά όλες τις προειδοποιήσεις, οδηγίες και προδιαγραφές που παρέχονται με το εργαλείο και ανατρέξτε στις εικόνες. Η μη τήρηση των ακόλουθων οδηγιών μπορεί να επιφέρει ατυχήματα όπως πυρκαγιές, ηλεκτροπληξίες ή και σοβαρό σωματικό τραυματισμό.

Φυλάσσετε όλες τις προειδοποιήσεις και οδηγίες για μελλοντική χρήση. Ο όρος «μηχάνημα» στις προειδοποιήσεις αναφέρεται αναφέρεται στο χειροκίνητο (ενσύρματο) μηχάνημα ή σε μηχάνημα (ασύρματο) που λειτουργεί με μπαταρία.

ΑΣΦΑΛΕΙΑ ΣΤΟΝ ΧΩΡΟ ΕΡΓΑΣΙΑΣ

- Διατηρείτε τον χώρο εργασίας καθαρό και καλά φωτισμένο. Χώροι με υπερβολικά αντικείμενα ή μη φωτισμένοι προκαλούν ατυχήματα.
- Μην χρησιμοποιείτε ηλεκτροκίνητα προϊόντα σε εκρηκτικές ατμόσφαιρες, όπως στην παρουσία εύφλεκτων υγρών, αερίων ή σκόνης. Τα ηλεκτροκίνητα εργαλεία δημιουργούν σπινθήρες που μπορεί να προκαλέσουν ανάφλεξη στη σκόνη ή τις αναθυμιάσεις.
- Διατηρείτε τα παιδιά και τους παριστάμενους μακριά όσο χρησιμοποιείτε μηχανοκίνητα εργαλεία. Οι αποσπάσεις μπορούν να προκαλέσουν απώλεια ελέγχου.

ΗΛΕΚΤΡΙΚΗ ΑΣΦΑΛΕΙΑ

- Τα βύσματα των μηχανοκίνητων εργαλείων πρέπει να ταιριάζουν με την πρίζα. Μην τροποποιείτε ποτέ το βύσμα με οποιονδήποτε τρόπο. Μην χρησιμοποιείτε βύσματα προσαρμογέα με γειωμένα μηχανοκίνητα εργαλεία. Μην τροποποιημένα βύσματα και αντίστοιχες πρίζες μειώνουν τον κίνδυνο ηλεκτροπληξίας.

- Αποφύγετε την επαφή με γειωμένες επιφάνειες όπως σωλήνες, καλοριφέρ, εστίες και ψυγεία. Αν το σώμα σας γειωθεί, υπάρχει αυξημένος κίνδυνος ηλεκτροπληξία.
- Μην εκθέτετε τα ηλεκτροκίνητα εργαλεία σε βροχή ή συνθήκες υγρασίας. Η είσοδος νερού σε ηλεκτροκίνητα εργαλεία αυξάνει τον κίνδυνο ηλεκτροπληξίας.
- Προσέχετε στη χρήση του καλωδίου. Μην χρησιμοποιείτε ποτέ το καλώδιο για να μεταφέρετε, τραβάτε ή αποσυνδέετε το μηχανοκίνητο εργαλείο. Διατηρείτε το καλώδιο μακριά από θερμότητα, λάδι, αιχμηρές γωνίες ή κινούμενα εξαρτήματα. Φθαρμένα ή μπερδεμένα καλώδια αυξάνουν τον κίνδυνο ηλεκτροπληξίας.
- Όταν χρησιμοποιείτε μηχανοκίνητα εργαλεία σε εξωτερικούς χώρους, χρησιμοποιείτε και καλώδιο προέκτασης κατάλληλο για εξωτερική χρήση. Η χρήση κατάλληλου καλωδίου για εξωτερικούς χώρους μειώνει τον κίνδυνο ηλεκτροπληξίας.
- Όταν χρησιμοποιείτε μηχανοκίνητα εργαλεία σε νωπή τοποθεσία, χρησιμοποιείτε διάταξη προστασίας ρεύματος διαρροής (RCD). Η χρήση RCD μειώνει τον κίνδυνο ηλεκτροπληξίας.

ΠΡΟΣΩΠΙΚΗ ΑΣΦΑΛΕΙΑ

- Να είστε σε επιφυλακή, να εργάζεστε με προσοχή και να ενεργείτε με κοινή λογική κατά τη χρήση ενός ηλεκτρικού εργαλείου. Ποτέ μην χρησιμοποιείτε ηλεκτρικά εργαλεία αν είστε κουρασμένοι, άρρωστοι ή υπό την επήρεια οινοπνεύματος, ναρκωτικών και φαρμάκων. Μια στιγμή απροσεξίας κατά τον χειρισμό ηλεκτροκίνητων εργαλείων, αρκεί για να προκληθεί σοβαρός τραυματισμός.
- Χρήση προσωπικού προστατευτικού εξοπλισμού. Φοράτε πάντα προστατευτικά ματιών. Ο προστατευτικός εξοπλισμός, όπως προσωπίδα κατά της σκόνης, αντιολισθητικά παπούτσια, σκληρό καπέλο και προστατευτικά αυτιών, συμβάλουν στην πρόληψη τραυματισμών, εφόσον χρησιμοποιούνται σωστά.
- Αποφύγετε τις τυχαίες εκκινήσεις. Βεβαιωθείτε ότι ο διακόπτης βρίσκεται στην απενεργοποιημένη θέση πριν συνδεθείτε με την παροχή ρεύματος ή/και την μπαταρία, όταν σηκώνετε ή μεταφέρετε το προϊόν. Η μεταφορά προϊόντων με μπαταρία με το δάχτυλό σας στο διακόπτη ή ενεργοποίηση προϊόντων μπαταρίας με ενεργοποιημένο το διακόπτη μπορεί να προκαλέσει ατύχημα.
- Αφαιρέστε τυχόν κλειδιά πριν ενεργοποιήσετε το μηχανοκίνητο εργαλείο. Ένα κλειδί αφημένο σε περιστρεφόμενο μέρος του μηχανοκίνητου εργαλείου μπορεί να προκαλέσει τραυματισμούς.
- Μην τεντώνετε. Διατηρείτε σταθερό πάτημα και ισορροπία συνεχώς. Έτσι θα έχετε καλύτερο έλεγχο του μηχανοκίνητου εργαλείου σε περίπτωση απρόσμενων συνθηκών.
- Ντυθείτε κατάλληλα. Μην φοράτε χαλαρά ρούχα ή κοσμήματα. Κρατήστε τα μαλλιά και τα χέρια σας μακριά από κινούμενα μέρη. Τα χαλαρά ρούχα, κοσμήματα ή μακριά μαλλιά μπορούν να πιαστούν στα κινούμενα εξαρτήματα.
- Εάν παρέχονται συσκευές για τη διασύνδεση εξαρτημάτων εξαγωγής και συλλογής σκόνης, βεβαιωθείτε ότι είναι συνδεδεμένες και ότι χρησιμοποιούνται σωστά. Η χρήση εξαρτημάτων συλλογής σκόνης μπορεί να αποτρέψει τυχόν επικίνδυνες καταστάσεις που σχετίζονται με τη σκόνη.





- Μην παραλείπετε την εφαρμογή των κανόνων ασφάλειας της συσκευής όσο κι έχετε εξοικειωθεί με την χρήση της. Η απροσεξία, ακόμη και για ένα κλάσμα του δευτερολέπτου, μπορεί να οδηγήσει σε σοβαρό τραυματισμό.

ΧΡΗΣΗ ΚΑΙ ΦΡΟΝΤΙΔΑ ΕΡΓΑΛΕΙΟΥ

- Μην πιέζετε το ηλεκτρικό εργαλείο. Χρησιμοποιήστε το σωστό ηλεκτρικό εργαλείο για την εφαρμογή σας. Το σωστό ηλεκτρικό εργαλείο θα κάνει την εργασία καλύτερη και ασφαλέστερη στην ταχύτητα για την οποία σχεδιάστηκε.
- Μην χρησιμοποιείτε το μηχανοκίνητο εργαλείο αν ο διακόπτης δεν το ενεργοποιεί και απενεργοποιεί. Μηχανοκίνητα εργαλεία που δεν ελέγχονται με τον διακόπτη τους, είναι επικίνδυνα και θα πρέπει να επισκευάζονται.
- Πριν από τη διεξαγωγή εξοπλωνδήποτε ρυθμίσεων ή την αντικατάσταση εξαρτημάτων, αποσυνδέετε το φως από την παροχή ρεύματος και/ή τις μπαταρίες από το ηλεκτρικό εργαλείο, εφόσον αυτές αφαιρούνται. Αυτά τα προληπτικά μέτρα ασφαλείας μειώνουν τον κίνδυνο ακούσιας εκκίνησης του προϊόντος.
- Φυλάσσετε τα μηχανοκίνητα εργαλεία που δεν χρησιμοποιείτε μακριά από παιδιά και μην αφήνετε άτομα που δεν είναι εξοικειωμένα μαζί τους ή με αυτές τις οδηγίες να τα χρησιμοποιούν. Τα μηχανοκίνητα εργαλεία είναι επικίνδυνα όταν χρησιμοποιούνται από μη εκπαιδευμένους χρήστες.
- Συντηρείτε τα ηλεκτρικά εργαλεία και εξαρτήματα. Ελέγχετε την ευθυγράμμιση και τις ενώσεις των κινούμενων τμημάτων, τυχόν σπασμένα τμήματα και οποιαδήποτε άλλη κατάσταση μπορεί να επηρεάσει την ορθή λειτουργία του μηχανήματος. Σε περίπτωση ζημιάς, επισκευάστε το προϊόν πριν τη χρήση. Πολλά ατυχήματα προκαλούνται από κακοσυντηρημένα ηλεκτρικά εργαλεία.
- Διατηρείτε τα εργαλεία κοπής αιχμηρά και καθαρά. Τα σωστά συντηρημένα εργαλεία με ακονισμένες άκρες είναι λιγότερο πιθανό να στομώσουν και ελέγχονται ευκολότερα.
- Χρησιμοποιείτε το ηλεκτρικό εργαλείο, τα εξαρτήματα, τις μύτες του κ.α. σύμφωνα με τις παρούσες οδηγίες, συνυπολογίζοντας τις συνθήκες εργασίας και την εργασία που πρέπει να εκτελεστεί. Η χρήση του μηχανοκίνητου εργαλείου για εργασίες διαφορετικές από τις προοριζόμενες μπορεί να προκαλέσει κινδύνους.
- Διατηρείτε τις λαβές και τις επιφάνειες συγκράτησης στεγνές και καθαρές χωρίς λάδια και γράσα. Τυχόν γλιστερές λαβές και επιφάνειες συγκράτησης δεν επιτρέπουν τον ασφαλή χειρισμό και τον έλεγχο του εργαλείου σε μη αναμενόμενες καταστάσεις.

ΧΡΗΣΗ ΚΑΙ ΦΡΟΝΤΙΔΑ ΕΡΓΑΛΕΙΟΥ ΜΕ ΜΠΑΤΑΡΙΕΣ.

- Επαναφορτίστε μόνο με το φορτιστή που καθορίζει ο κατασκευαστής. Κάθε φορτιστής μπορεί να είναι κατάλληλος μόνο για έναν τύπο μπαταρίας και να προκαλέσει κίνδυνο φωτιάς αν χρησιμοποιηθεί με μπαταρία άλλου τύπου.
- Χρησιμοποιείτε μόνο τις ειδικά σχεδιασμένες μπαταρίες για τα ηλεκτρικά εργαλεία. Χρήση τυχόν άλλων μπαταριών μπορεί να προκαλέσει κίνδυνο τραυματισμού και πυρκαγιάς.

- Όταν η μπαταρία δεν χρησιμοποιείται, διατηρείτε την μακριά από άλλα μεταλλικά αντικείμενα όπως συνδετήρες, κέρματα, κλειδιά, καρφιά, βίδες ή άλλα μικρά μεταλλικά αντικείμενα που μπορούν να δημιουργήσουν σύνδεση μεταξύ των τερματικών. Τυχόν ένωση των άκρων των μπαταριών μπορεί να προκαλέσει εγκαύματα ή φωτιά.
- Υπό συνθήκες κακής χρήσης, μπορεί να εκρυσταλλωθεί υγρό από την μπαταρία. Αποφύγετε την επαφή. Αν προκύψει τυχαία επαφή, ξεπλύνετε με νερό. Αν το υγρό έρθει σε επαφή με τα μάτια, ζητήστε πρόσθετη ιατρική βοήθεια. Υγρό που εκρέει από την μπαταρία μπορεί να προκαλέσει ερεθισμό ή εγκαύματα.
- Μη χρησιμοποιείτε μπαταρίες ή εργαλεία, τα οποία έχουν υποστεί τροποποιήσεις ή φέρουν φθορές. Οι μπαταρίες που έχουν υποστεί τροποποιήσεις ή βλάβες ενδέχεται να εμφανίσουν απρόβλεπτη συμπεριφορά με αποτέλεσμα φωτιά, έκρηξη ή κίνδυνο τραυματισμού.
- Μην επιτρέπετε την έκθεση μπαταριών ή εργαλείων σε φωτιά ή πολύ υψηλή θερμοκρασία. Η έκθεση σε φωτιά ή θερμοκρασία υψηλότερη των 130°C μπορεί να προκαλέσει έκρηξη.
- Ακολουθείτε όλες τις οδηγίες φόρτισης. Μην φορτίζετε τις μπαταρίες ή το εργαλείο υπό θερμοκρασίες εκτός αυτών που αναφέρονται στις οδηγίες. Η λανθασμένη φόρτιση ή φόρτιση υπό θερμοκρασίες εκτός αυτών που αναφέρονται, μπορεί να προκαλέσει ζημιά στη μπαταρία και να αυξήσει τον κίνδυνο φωτιάς.

ΣΥΝΤΗΡΗΣΗ

- Επισκευάστε το μηχανοκίνητο εργαλείο σας από ειδικευμένους τεχνικούς, χρησιμοποιώντας μόνο πανομοιότυπα ανταλλακτικά. Έτσι θα διασφαλιστεί η διατήρηση της ασφάλειας του εργαλείου.
- Ποτέ μην επισκευάζετε μπαταρίες με βλάβη. Η επισκευή μπαταριών μπορεί να εκτελεστεί μόνο από τον κατασκευαστή ή εξουσιοδοτημένους παροχείς σέρβις.

ΟΔΗΓΙΕΣ ΑΣΦΑΛΕΙΑΣ ΓΙΑ ΦΑΛΤΣΟΠΡΙΟΝΑ

- Τα φαλτσοπρίονα προορίζονται για την κοπή ξύλου ή υλικών παρόμοιων με ξύλο. Δεν πρέπει να χρησιμοποιούνται με λειαντικούς τροχούς εκχονδρίσεως για την κοπή σιδηρούχων υλικών όπως μπάρες, ράβδοι ή κολάρα. Η λειαντική σκόνη μπορεί να φρακάρει τα κινούμενα μέρη όπως τον κάτω προφυλακτήρα. Οι σπίθες από το τρίψιμο θα κάψουν τον κάτω προφυλακτήρα, το ένθετο κοπής και άλλα πλαστικά μέρη.
- Χρησιμοποιήστε σφιγκτήρες για να υποστηρίξετε το κατεργαζόμενο τεμάχιο όποτε είναι δυνατόν. Εάν στηρίξετε το τεμάχιο κοπής με το χέρι, πρέπει πάντα να κρατάτε το χέρι σας τουλάχιστον 100 χιλ. μακριά από κάθε πλευρά της λεπίδας. Μην χρησιμοποιείτε το φαλτσοπρίονο για κοπή κομματιών που είναι πολύ μικρά ώστε να στερεωθούν ή να κρατηθούν με το χέρι. Εάν το χέρι σας βρίσκεται πολύ κοντά στη λεπίδα του φαλτσοπρίονου, υπάρχει αυξημένος κίνδυνος τραυματισμού από την επαφή με τη λεπίδα.
- Το τεμάχιο εργασίας πρέπει να παραμείνει ακίνητο και στερεωμένο ή να κρατιέται πάνω στον προφυλακτήρα και το τραπέζι. Μην τροφοδοτείτε το τεμάχιο εργασίας στη λεπίδα και σε καμία περίπτωση, μην κόβετε με ελεύθερο χέρι. Τυχόν μη στερεωμένα ή κινούμενα τεμάχια εργασίας μπορεί να πεταχτούν με δύναμη και να προκαλέσουν τραυματισμό.



- **Σπρώξτε το φалτσοπρίοно ώστε να διαπεράσει το τεμάχιο εργασίας. Μην τραβάτε το φалтσοπρίοно από το τεμάχιο εργασίας. Για να κόψετε, σηκώστε την κεφαλή του πριονιού και τραβήξτε τη προς τα έξω, πάνω από το τεμάχιο εργασίας χωρίς να κόψετε. Ενεργοποιήστε το μηχανήμα, πιάστε την κεφαλή προς τα κάτω και σπρώξτε το πριόνι μέσα από το τεμάχιο εργασίας. Εάν κόψετε τραβώντας, είναι πιθανό να ανέβει η λεπίδα πάνω από το τεμάχιο εργασίας και να εκσφενδονιστεί η διάταξη λεπίδας προς τον χειριστή.**
- **Ποτέ μην περνάτε το χέρι σας πάνω από την προκαθορισμένη γραμμή κοπής είτε εμπρός είτε πίσω από τη λεπίδα του φалтσοπρίοно. Είναι πολύ επικίνδυνο να στηρίζετε το τεμάχιο εργασίας «σταυρωτά», δηλαδή να κρατάτε το τεμάχιο εργασίας στα δεξιά της λεπίδας με το αριστερό σας χέρι ή αντίστροφα.**
- **Μην ακουμπάτε το χέρι σας πίσω από τον οδηγό, σε μικρότερη απόσταση από 100 χιλ. από τη λεπίδα, ενόσω αυτή κινείται, προκειμένου να απομακρύνετε πριονίδια ή για οποιονδήποτε άλλο λόγο. Είναι πιθανό να μην αντιληφθείτε πόσο κοντά βρίσκεται η κινούμενη λεπίδα στο χέρι σας και να τραυματιστείτε σοβαρά.**
- **Ελέγξτε το τεμάχιο εργασίας πριν την κοπή. Εάν το τεμάχιο εργασίας είναι κυρτωμένο ή παραμορφωμένο, στερεώστε το με την εξωτερική κυρτωμένη πλευρά του προς τον οδηγό. Πάντοτε να βεβαιώνετε ότι δεν υπάρχει κενό ανάμεσα στο τεμάχιο εργασίας, τον οδηγό και το τραπέζι κατά μήκος της γραμμής κοπής. Τυχόν λυγισμένα ή παραμορφωμένα τεμάχια εργασίας μπορεί να περιστραφούν ή να μετακινηθούν και να μαγκώσουν η λεπίδα μέσα τους κατά τη διάρκεια της κοπής. Το τεμάχιο εργασίας δεν πρέπει να φέρει καρφιά ή άλλα ξένα αντικείμενα.**
- **Πριν τη χρήση του φалтσοπρίοно, απομακρύνετε από το τραπέζι όλα τα εργαλεία, τα πριονίδια κτλ. και αφήστε μόνο το τεμάχιο εργασίας. Σκουπίδακια, χαλαρά κομμάτια ξύλου ή άλλα αντικείμενα μπορεί να εκτοξευτούν με δύναμη εάν έρθουν σε επαφή με την περιστρεφόμενη λεπίδα.**
- **Κόβετε μόνο ένα τεμάχιο εργασίας τη φορά. Στοίβαγμένα τεμάχια εργασίας δε μπορούν να στερεωθούν ή να στηριχτούν σωστά και μπορεί να μαγκώσουν στη λεπίδα ή να μετακινηθούν κατά την κοπή.**
- **Πριν από την χρήση, βεβαιωθείτε ότι το φалтσοπρίοно είναι στερεωμένο ή τοποθετημένο σε επίπεδη και σταθερή επιφάνεια εργασίας. Μια επίπεδη και σταθερή επιφάνεια μειώνει τον κίνδυνο αστάθειας του φалтσοπρίοно.**
- **Σχεδιάστε την εργασία σας. Κάθε φορά που αλλάζετε την κλίση ή τη ρύθμιση φалтσογωνίας, να βεβαιώνετε ότι ο ρυθμιζόμενος οδηγός έχει ρυθμιστεί σωστά ώστε να υποστηρίζει το τεμάχιο εργασίας και ότι δεν πρόκειται να παρεμβληθεί στη λεπίδα ή στους προφυλακτικές. Δίχως να θέσετε το εργαλείο σε λειτουργία (Θέση «ON») και χωρίς τεμάχιο εργασίας στο τραπέζι, μετακινήστε τη λεπίδα, με τον ίδιο τρόπο όπως όταν θέλετε να κάνετε μια κοπή, για να διασφαλίσετε ότι δεν θα υπάρξει καμία παρεμβολή και ότι δεν υπάρχει κίνδυνος να κόψετε τον οδηγό.**
- **Χρησιμοποιήστε κατάλληλα υποστηρικτικά, όπως προεκτάσεις τραπεζιού, καβαλέτα κ.α.,**

στην περίπτωση που το τεμάχιο εργασίας είναι πλατύτερο ή μακρύτερο από το τραπέζι σας. Τα τεμάχια εργασίας που είναι μακρύτερα ή πλατύτερα από το τραπέζι του φалтσοπρίοно ενδέχεται να γείρουν αν δε στερεωθούν σωστά. Αν το κομμένο κομμάτι ή το τεμάχιο εργασίας γέρνει, ενδέχεται να σηκώσει τον κάτω προφυλακτήρα ή να εκσφενδονιστεί από την περιστρεφόμενη λεπίδα.

- **Μην χρησιμοποιείτε άλλο άτομο αντί για προέκταση τραπεζιού ή για επιπλέον υποστήριξη. Τυχόν ασταθής υποστήριξη του τεμαχίου εργασίας μπορεί να προκαλέσει μάγκωμα της λεπίδας ή μετακίνηση του τεμαχίου εργασίας κατά τη διαδικασία κοπής και να τραβηχτείτε εσείς και ο βοηθός σας προς την περιστρεφόμενη λεπίδα.**
- **Το κομμένο κομμάτι δεν πρέπει να σφηνώνει ή να πιέζεται με κανέναν τρόπο πάνω στην περιστρεφόμενη λεπίδα. Εάν περιοριστεί, π.χ. με χρήση βιδών, το κομμένο κομμάτι μπορεί να σφηνωθεί πάνω στη λεπίδα και να εκσφενδονιστεί με ορμή.**
- **Χρησιμοποιείτε πάντοτε σφικτικές ή κάποια διάταξη κατάλληλη για την υποστήριξη κυλινδρικών αντικειμένων, όπως ράβδους ή σωλήνες. Οι ράβδοι έχουν την τάση να κυλούν ενώ κόβονται, πράγμα που προκαλεί αναπήδηση της λεπίδας και τράβηγμα του αντικείμενου που κρατάτε στη λεπίδα.**
- **Αφήστε τη λεπίδα να φτάσει στην τελική της ταχύτητα πριν τη φέρετε σε επαφή με το τεμάχιο εργασίας. Αυτό θα μειώσει τς πιθανότητες εκσφενδονισμού του τεμαχίου εργασίας.**
- **Σε περίπτωση εμπλοκής του αντικείμενου εργασίας ή της λεπίδας, απενεργοποιήστε το φалтσοπρίοно. Περιμένετε να σταματήσουν όλα τα κινούμενα μέρη και αποσυνδέστε το φως από την παροχή ρεύματος ή/και αφαιρέστε τις μπαταρίες. Μετά δοκιμάστε να βγάλετε το σφηνωμένο αντικείμενο. Εάν συνεχίσετε την κοπή με σφηνωμένο το τεμάχιο εργασίας, ενδέχεται να χάσετε τον έλεγχο του εργαλείου ή να του προκαλέσετε ζημιά.**
- **Αφού τελειώσετε το κόψιμο, αφήστε το διακόπτη, κρατήστε την κεφαλή προς τα κάτω και περιμένετε να σταματήσει να κινείται η λεπίδα, πριν αφαιρέσετε το κομμένο κομμάτι. Είναι επικίνδυνο να πλησιάσετε το χέρι σας κοντά στην περιστρεφόμενη λεπίδα.**
- **Κρατήστε καλά τη λαβή όταν εκτελείτε μη πλήρη κοπή ή όταν αφήνετε το διακόπτη ενώ η κεφαλή του πριονιού δεν βρίσκεται στην κατώτατη θέση. Η απότομη διακοπή λειτουργίας του πριονιού μπορεί να ωθήσει απότομα την κεφαλή του πριονιού προς τα κάτω με κίνδυνο τραυματισμού.**

ΟΔΗΓΙΕΣ ΑΣΦΑΛΕΙΑΣ ΓΙΑ ΤΗ ΛΑΜΑ ΚΟΠΗΣ ΞΥΛΟΥ

- Παρακαλείστε να διαβάσετε καλά το εγχειρίδιο χρήσης και τις οδηγίες πριν χρησιμοποιήσετε τη λεπίδα του πριονιού και το εργαλείο.
- Το εργαλείο πρέπει να είναι σε καλή κατάσταση και ο άξονας χωρίς παραμόρφωση και κραδασμούς.
- Μην χρησιμοποιείτε τη συσκευή χωρίς να είναι οι προφυλακτικές στη θέση τους. Διατηρείτε τα προστατευτικά σε καλή κατάσταση και συντηρείτε τα.
- Βεβαιωθείτε ότι ο χειριστής είναι επαρκώς ενημερωμένος αναφορικά με τις προφυλάξεις ασφάλειας, τη ρύθμιση και τη λειτουργία του εργαλείου.



- Φοράτε πάντοτε προστατευτικά γυαλιά και προστατευτικά ακοής κατά τη χρήση του εργαλείου. Συνιστανται τα προστατευτικά γάντια, τα σταθερά και αντλιοσθητικά παπούτσια και η ποδιά.
- Πριν χρησιμοποιήσετε οποιοδήποτε εξάρτημα, συμβουλευτείτε το εγχειρίδιο χρήσης. Η μη ενδεδειγμένη χρήση ενός εξαρτήματος μπορεί να προκαλέσει υλική ζημία και να αυξήσει την πιθανότητα τραυματισμού.
- Χρησιμοποιείτε μόνο λεπίδες που ορίζονται στο παρόν εγχειρίδιο, σύμφωνες με το EN 847-1.
- Τηρείτε τη μέγιστη ταχύτητα που ενδείκνυται στην λεπίδα κόπτη. Βεβαιωθείτε ότι η ταχύτητα που αναγράφεται στην λεπίδα κόπτη είναι τουλάχιστον ίση με την ταχύτητα που αναγράφεται στον κόπτη.
- Οι ακατάλληλοι για τον άξονα στον οποίο θα τοποθετηθούν δίσκοι δεν θα περιστραφούν σωστά και μπορούν να σας κάνουν να χάσετε τον έλεγχο του εργαλείου. Μη χρησιμοποιείτε ποτέ ελαττωματικές ή ακατάλληλες βίδες ή φλάντζες δίσκου.
- Μη χρησιμοποιείτε λεπίδες μεγαλύτερης ή μικρότερης διαμέτρου από το προτεινόμενο. Μη χρησιμοποιείτε σφήνες για να κάνετε τη λεπίδα να εφαρμόσει στην άτρακτο.
- Ελέγχετε τις ακμές της λάμας για ενδεχόμενη ζημία ή ασυνήθη όψη, πριν από κάθε χρήση. Οι ακμές που φέρουν φθορά ή δεν είναι σωστά σταθεροποιημένες ενδέχεται να εκσφενδονιστούν, αυξάνοντας την πιθανότητα τραυματισμού.
- Τεμάχια κατεργασίας μεγάλου μήκους πρέπει να στηρίζονται κατάλληλα. Μη χρησιμοποιείτε ελαττωματικές ή στρεβλωμένες πριονολάμες.
- Απορρίψτε τη λάμα σε περίπτωση φθοράς, παραμόρφωσης, στρέβλωσης ή ραγίσματος - η επισκευή της απαγορεύεται.
- Μη χρησιμοποιείτε λεπίδες HSS.
- Βεβαιωθείτε ότι η λεπίδα του πριονιού είναι στερεωμένη σωστά, σφίξτε καλά το παξιμάδι άξονα πριν από τη χρήση (ροπή σύσφιξης περ. 8-10 Nm).
- Η βίδα στερέωσης και τα παξιμάδια θα πρέπει να στερεώνονται με το κατάλληλο κλειδί.
- Απαγορεύεται η προέκταση του κλειδιού ή η εφαρμογή σφυροκοπημάτων.
- Βεβαιωθείτε ότι όλες οι λεπίδες και οι φλάντζες είναι καθαρές και ότι οι πλευρές του περιαυχένιου με εσοχές είναι κόντρα στην λεπίδα.
- Βεβαιωθείτε ότι η λεπίδα περιστρέφεται προς τη σωστή κατεύθυνση.
- Πριν ξεκινήσετε, κάντε μια πρόχειρη κοπή χωρίς να είναι ενεργοποιημένος ο κινητήρας, ώστε να ελέγξετε τη θέση της λεπίδας, τη λειτουργία των προστατευτικών σε σχέση με τα άλλα εξαρτήματα του μηχανήματος και το τεμάχιο εργασίας.
- Ποτέ μην αφήνετε το εργαλείο χωρίς επίβλεψη.
- Μην τοποθετείτε λιπαντικά στην λεπίδα όσο λειτουργεί.
- Μην εκτελείτε ποτέ εργασίες καθαρισμού ή συντήρησης όταν το μηάνημα λειτουργεί ακόμα και η κεφαλή δεν βρίσκεται στην θέση αναμονής.
- Μην προσπαθείτε να σταματήσετε ένα μηάνημα που κινείται γρήγορα χτυπώντας εργαλεία ή άλλα μέσα πάνω στη λεπίδα - υπάρχει κίνδυνος πρόκλησης σοβαρών ατυχημάτων.

- Αποσυνδέετε το προϊόν από το ρεύμα ή αφαιρείτε τη μπαταρία, πριν από την αντικατάσταση λεπίδων ή τη συντήρηση.
- Προσέξτε τη συσκευασία και την αποσυσκευασία των λεπίδων, είναι εύκολο να τραυματιστείτε από τις αιχμηρές άκρες της λεπίδας.
- Χρησιμοποιείτε συγκρατητή λεπίδων ή φοράτε γάντια κατά τον χειρισμό της λεπίδας πριονιού.
- Φυλάξτε και αποθηκεύστε τη λεπίδα στην αρχική ή σε άλλη κατάλληλη συσκευασία, φυλάξτε την σε συνθήκες χωρίς υγρασία και μακριά από χημικά που μπορεί να καταστρέψουν τη λεπίδα.

ΕΠΙΠΡΟΣΘΕΤΕΣ ΠΡΟΕΙΔΟΠΟΙΗΣΕΙΣ ΑΣΦΑΛΕΙΑΣ

- Να πιάνετε πάντα καλά και με ασφάλεια το τεμάχιο εργασίας.
- Πάντα να βεβαιώνετε ότι το μηάνημα είναι σταθερό και στερεωμένο (π.χ. σε πάγκο).
- Φοράτε πάντα προστατευτικά ακοής. Η επίδραση θορύβου μπορεί να προκαλέσει απώλεια ακοής.
- Φοράτε πάντοτε προστατευτικά γυαλιά κατά τη χρήση του εργαλείου. Συνιστάται να φοράτε γάντια για το χειρισμό λεπίδων και ακατέργαστων υλικών, καθώς και γερά αντλιοσθητικά παπούτσια για να προστατεύσετε τα πόδια σας από κομμάτια εργασίας που μπορεί να πέσουν από την περιοχή κοπής.
- Αποσυνδέετε το εργαλείο από την πρίζα ή αφαιρείτε την μπαταρία, πριν από τη συντήρηση ή τον καθαρισμό του.
- Τοποθετείτε μπαταρίες μόνο όταν το εργαλείο είναι εκτός λειτουργίας.
- Ποτέ μην πιάνετε στην περιοχή κοντά στη λεπίδα, εκτός εάν η λεπίδα έχει σταματήσει τελείως.
- Πριν από τη χρήση, ελέγχετε το εργαλείο και τις μπαταρίες για τυχόν ζημιές ή φθορές υλικού. Επισκευές στο εργαλείο θα πρέπει να εκτελούνται μόνο από εξουσιοδοτημένο πάροχο σέρβις.
- Χρησιμοποιείτε πάντα τους προφυλακτήρες του εργαλείου. Μη χρησιμοποιείτε το εργαλείο εάν οι προφυλακτήρες δεν είναι στη θέση τους και δεν λειτουργούν καλά.
- Ο προφυλακτήρας της κάτω λεπίδας θα πρέπει να ανοίγει μόνο όταν η λεπίδα έχει φτάσει στο τεμάχιο εργασίας, να μπορεί να κινείται ελεύθερα και να κλείνει αυτόματα.
- Πάντοτε στερεώνετε και χρησιμοποιείτε τις ράβδους προέκτασης για την υποστήριξη του τεμαχίου εργασίας κατά την κοπή.
- Χρησιμοποιείτε πάντοτε το εργαλείο στις εργασίες για τις οποίες προορίζεται. Η ασφάλειά σας μπορεί να τεθεί σε κίνδυνο.
- Μη χρησιμοποιείτε λεπίδες πριονιών με ρωγμές, κατεστραμμένες ή παραμορφωμένες.
- Δεν χρησιμοποιείτε πριονοδίσκους κατασκευασμένους από ταχυάλυβα.
- Χρησιμοποιείτε μόνο λεπίδες που είναι αιχμηρές. Αντικατάσταση στομωμένων λεπίδων.
- Οι ακατάλληλοι για τον άξονα στον οποίο θα τοποθετηθούν δίσκοι δεν θα περιστραφούν σωστά και μπορούν να σας κάνουν να χάσετε τον έλεγχο του εργαλείου. Μη χρησιμοποιείτε ποτέ ελαττωματικές ή ακατάλληλες βίδες ή φλάντζες δίσκου.



- Χρησιμοποιείτε μόνο λεπίδες ξυλουργικής οι οποίες αναφέρονται στο παρόν εγχειρίδιο και συμμορφώνονται με το πρότυπο EN 847-1.
- Μην χρησιμοποιείτε φλάντζες, ροδέλες και παξιμάδια για να ασφαλίσετε τη λεπίδα του πριονιού, εκτός εκείνων που παρέχονται ή υποδεικνύονται στο εγχειρίδιο οδηγιών.
- Επιλέγτε ένα κατάλληλο πριονοδίσκο για το υλικό που θέλετε να κόψετε. Ποτέ μην χρησιμοποιείτε το εργαλείο για την κοπή υλικών άλλων από αυτά που καθορίζονται στην ενότητα προτεινόμενης χρήσης στο παρόν εγχειρίδιο.
- Είναι σημαντικό κατά τη διαδικασία κοπής να αποφεύγεται η υπερθέρμανση της λεπίδας και το λιώσιμο των πλαστικών.
- Είναι σημαντικό να τηρείται η μέγιστη ταχύτητα που αναφέρεται στη λεπίδα του πριονιού. Χρησιμοποιείτε μόνο λεπίδες με ένδειξη ταχύτητας ίσης ή μεγαλύτερης από αυτή που αναγράφεται στο εργαλείο.
- Αντικαταστήστε το ένθετο πάγκου, όταν φθαρεί ή καταστραφεί.
- Πριν από την εργασία, κάντε μια εικονική τομή χωρίς τον κινητήρα ενεργοποιημένο, ώστε να μπορεί να ελεγχθεί η θέση της λεπίδας, η λειτουργία των προφυλακτήρων σε σχέση με άλλα εξαρτήματα του μηχανήματος και το τεμάχιο εργασίας.
- Κατά την εκτέλεση λοξοτομής, κοπής υπό γωνία ή μικτής λοξοτομής, ρυθμίστε τον κυλιόμενο οδηγός ή υπο-οδηγό για να βεβαιωθείτε ότι έχει τη σωστή απόσταση από τη λεπίδα.
- Αποφύγετε τυχόν μη ελεγχόμενη μετακίνηση του πριονιού από την εντελώς κάτω θέση.
- Η λαβή ασφάλισης πρέπει να είναι πάντα κλειστή κατά τη μεταφορά του εργαλείου.
- Διατηρείτε την περιοχή του δαπέδου καθαρή από σκόρπια υλικά, όπως ροκανίδια και υπόλοιπα κοπής.
- Αποφεύγετε να αφαιρείτε τυχόν υπόλοιπα κοπής ή άλλα μέρη του τεμαχίου εργασίας από την περιοχή κοπής ενώ το προϊόν λειτουργεί και η κεφαλή του πριονιού δεν βρίσκεται στη θέση ηρεμίας.
- Να σιγουρεύεστε πως η μηχανή είναι σταθερή (π.χ. στρέωση στον πάγκο εργασίας). Η περιοχή εργασίας του πριονιού περιλαμβάνει ολόκληρη την έκταση του τεμαχίου εργασίας. Ο χειριστής θα πρέπει να ασφαλίσει την περιοχή αυτή από την τυχαία επαφή από άλλα πρόσωπα ή αντικείμενα τα οποία μπορεί να μετακινήσουν το κομμάτι εργασίας κατά τη διάρκεια της λειτουργίας.
- Η σκόνη που παράγεται κατά τη χρήση του εργαλείου μπορεί να είναι επιβλαβής για την υγεία. Χρησιμοποιήστε σύστημα αναρρόφησης σκόνης και φορέστε κατάλληλη μάσκα προστασίας από τη σκόνη. Αφαιρέστε καλά την εναποθετημένη σκόνη με ηλεκτρική σκούπα.
- Μπορεί να χρειαστεί να ρυθμίσετε τον κυλιόμενο οδηγό ώστε να διασφαλίσετε τη σωστή απόσταση πριν την εκτέλεση κοπής υπό γωνία ή μικτής λοξοτομής. Βεβαιωθείτε ότι η βίδα ασφάλισης του κυλιόμενου οδηγού έχει σφίξει καλά μετά τη ρύθμιση.
- Ο σφιγκτήρας μπορεί να τοποθετηθεί και να χρησιμοποιηθεί σε οποιαδήποτε από τις δύο πλευρές της λεπίδας. Σε κάποιες λειτουργίες, ο σφιγκτήρας μπορεί να παρεμβάλλεται στη διάταξη του προφυλακτήρα λεπίδας. Πάντα βεβαιώνετε ότι δεν παρεμβάλλεται ο προφυλακτήρας λεπίδας πριν την έναρξη οποιασδήποτε

λειτουργίας κοπής, έτσι ώστε να μειώνεται ο κίνδυνος σοβαρού προσωπικού τραυματισμού.

- Το εύρος θερμοκρασίας περιβάλλοντος για το εργαλείο στη διάρκεια της λειτουργίας είναι μεταξύ 0 °C και 40 °C.
- Το εύρος θερμοκρασίας περιβάλλοντος για αποθήκευση του εργαλείου είναι μεταξύ 0 °C και 40 °C.
- Το συσταίμενο εύρος θερμοκρασίας περιβάλλοντος για το σύστημα φόρτισης στη διάρκεια της φόρτισης είναι μεταξύ 10 °C και 38 °C.

ΕΠΙΠΡΟΣΘΕΤΕΣ ΠΡΟΕΙΔΟΠΟΙΗΣΕΙΣ ΑΣΦΑΛΕΙΑΣ ΜΠΑΤΑΡΙΑΣ

- Για να αποτρέπεται τον κίνδυνο πυρκαγιάς λόγω βραχυκυκλώματος, τραυματισμούς ή ζημιές του προϊόντος, να μη βυθίζετε το εργαλείο, τον ανταλλακτικό συσσωρευτή ή τη συσκευή φόρτισης σε υγρά και να φροντίζετε, ώστε να μη διεισδύουν υγρά στις συσκευές και τους συσσωρευτές Διαβρωτικές ή αγώγιμες υγρές ουσίες, όπως αλατόνερο, ορισμένες χημικές ουσίες και λευκαντικά ή προϊόντα που περιέχουν λευκαντικά, μπορεί να προκαλέσουν βραχυκύκλωμα.
- Το εύρος θερμοκρασίας περιβάλλοντος για την μπαταρία κατά τη διάρκεια της χρήσης είναι μεταξύ 0 °C και 40 °C.
- Το εύρος θερμοκρασίας περιβάλλοντος για την αποθήκευση της μπαταρίας είναι μεταξύ 0 °C και 20 °C.

ΜΕΤΑΦΟΡΑ ΜΠΑΤΑΡΙΩΝ ΛΙΘΙΟΥ

Μεταφέρετε τη μπαταρία σε συμφωνία με τις τοπικές εθνικές διατάξεις και τους κανονισμούς.

Τηρείτε όλες τις ειδικές απαιτήσεις στη συσκευασία και στην ετικέτα κατά τη μεταφορά των μπαταριών από τρίτους. Εξασφαλίζετε ότι δεν θα έρχονται σε επαφή οι μπαταρίες με άλλες μπαταρίες ή με αγώγιμα υλικά κατά τη διάρκεια της μεταφοράς, προστατεύοντας τους εκτεθειμένους συνδέσμους με μόνωση, μη αγώγιμα τούματα ή ταινία. Μη μεταφέρετε μπαταρίες που έχουν χτυπήματα ή διαρροή. Ενημερωθείτε από τη πρακτορείο μεταφορών για περαιτέρω ειδοποιήσεις.

ΆΛΛΟΙ ΚΙΝΔΥΝΟΙ

Ακόμη και όταν το προϊόν χρησιμοποιείται σύμφωνα με τις οδηγίες, δεν είναι δυνατή η απόλυτη απαλειφή συγκεκριμένων παραγόντων κινδύνου. Κατά τη χρήση μπορεί να προκύψουν οι ακόλουθοι κίνδυνοι και ο χειριστής πρέπει να δίδει ιδιαίτερη προσοχή προς αποφυγή των εξής:

- Κίνδυνος επαφής με ακάλυπτα εξαρτήματα της περιστρεφόμενης λεπίδας.
- Κλώσημα τεμαχίων ή τμημάτων τεμαχίων εργασίας λόγω ακατάλληλης ρύθμισης ή χειρισμού
- Εκτίναξη ελαττωματικών άκρων καρβιδίου από τη λεπίδα κόπτη.
- Βλάβες στο αναπνευστικό σύστημα.
ΣΗΜΕΙΩΣΗ Φορέστε μάσκα προστασίας της αναπνοής που περιέχουν κατάλληλα φίλτρα για τα υλικά που επεξεργάζεστε Βεβαιωθείτε ότι υπάρχει επαρκής εξαερισμός του χώρου εργασίας. Μην τρώτε, πίνετε ή καπνίζετε στον χώρο εργασίας.
- Βλάβες στην ακοή αν δεν χρησιμοποιούνται αποτελεσματικά προστατευτικά ακοής.

⚠ ΠΡΟΕΙΔΟΠΟΙΗΣΗ! Η σκόνη από ορισμένα χρώματα, επιχρίσματα και υλικά μπορεί να προκαλέσει ερεθισμό ή αλλεργικές αντιδράσεις στο αναπνευστικό σύστημα. Η σκόνη από ξύλο, όπως η δρυς, οξιά, MDF και άλλα είναι

EN

FR

DE

ES

IT

NL

PT

DA

SV

FI

NO

RU

PL

CS

HU

RO

LV

LT

ET

HR

SK

SL

BG

UK

TR



καρκινογόνος. Υλικά που περιέχουν αμίαντο πρέπει να υποβάλλονται σε επεξεργασία μόνο από εξειδικευμένο έμπειρο προσωπικό.

⚠ ΠΡΟΕΙΔΟΠΟΙΗΣΗ! Υπάρχει κίνδυνος πρόκλησης ή επιδείνωσης τραυματισμού, από την παρατεταμένη χρήση εργαλείου. Όταν χρησιμοποιείτε το εργαλείο για μεγάλες περιόδους, κάνετε τακτικά διαλείμματα.

ΓΝΩΡΙΣΤΕ ΤΟ ΠΡΟΪΟΝ ΣΑΣ

Βλέπε σελίδα 198.

1. Λαβή, μονωμένη επιφάνεια λαβής
2. Διακόπτης λειτουργίας
3. Μοχλός κλειδώματος διακόπτη
4. Διακόπτης LED
5. Κάτω προστατευτικό λάμας
6. Κύριος φράχτης
7. Πλαϊνή λαβή μεταφοράς
8. Συρόμενος φράχτης
9. Περιστρεφόμενο τραπέζι
10. Πλάκα kef
11. Κουμπί ασφάλισης φάλτσου
12. Μοχλός αποδέσμευσης συγκράτησης φάλτσου
13. Πόδι στήριξης
14. Μπαταρία
15. Πάνω λαβή μεταφοράς
16. Κουμπί στοπ γραμμικής ράβδου
17. Σφινκτήρας
18. Δεικτής φάλτσογωνίας
19. Τρύπα τοποθέτησης
20. Βίδες κλειδώματος κύριου οδηγού
21. Βίδα ρύθμισης βάθους κοπής
22. Δεικτής γωνίας λοξοτομής
23. Βίδες για ρύθμιση οριακού στοπ γωνίας λοξοτομής 45°
24. Κουμπί κλειδώματος γωνίας λοξής τομής
25. Πείρος ασφάλισης κεφαλής πριονιού
26. Σακούλα σκόνης
27. Εξαγωνικό κλειδί
28. Βίδες για ρύθμιση οριακού στοπ γωνίας λοξοτομής 0°
29. Βίδα για ασφάλιση κυλιόμενου οδηγού
30. Πλήκτρο ασφάλισης του άξονα
31. Εξωτερική φλάντζα
32. Λεπίδα κόπτη

ΛΕΙΤΟΥΡΓΙΑ

Το προϊόν διαθέτει μια κινούμενη λεπίδα πριονιού που μπορεί να ρυθμιστεί σε διάφορες γωνίες από τον χειριστή κατά την κοπή ενός κομματιού εργασίας που είναι ασφαλώς στερεωμένο στη βάση του προϊόντος. Ο χειρισμός πρέπει να γίνεται από ένα μόνο άτομο για να αποτραπεί η ακούσια επαφή με την κινούμενη λεπίδα του πριονιού.

Οι αρχές για την ασφαλή λειτουργία του προϊόντος είναι ως ακολούθως:

- Διατηρήστε το πριόνι, τις λεπίδες και τον χώρο εργασίας σε καλή κατάσταση.
- Ασφαλίστε τη βάση του κόπτη φάλτσογωνίας σε έναν σταθερό πάγκο εργασίας. Το προϊόν μπορεί να μετακινηθεί και να ανατραπεί αν δεν είναι επαρκώς ασφαλισμένο.
- Ρυθμίστε και ασφαλίστε τις γωνίες κοπής και το βάθος πριν κάνετε την κοπή.
- Ασφαλίστε το τεμάχιο εργασίας στη βάση του φάλτσοπριονιού. Χρησιμοποιήστε το σφινκτήρα που παρέχεται και όπου είναι απαραίτητο, χρησιμοποιήστε πρόσθετους σφινκτήρες ή μηχανισμούς στερέωσης για

να αποτρέπεται την ακούσια μετακίνηση του τεμαχίου εργασίας κατά την κοπή.

- Βεβαιωθείτε ότι η λειτουργία των προφυλακτήρων λάμας δεν περιορίζεται από τη θέση του τεμαχίου εργασίας.
- Βεβαιωθείτε ότι ο φράκτης και άλλα μέρη του προϊόντος δεν θα κοπούν καθώς η λεπίδα κατεβαίνει στη θέση κοπής.

- Ξεκινήστε τον κινητήρα και αφήστε τη λεπίδα να φτάσει στη μέγιστη ταχύτητα πριν την κατεβάσετε αργά για να κόψετε το τεμάχιο εργασίας.
- Αφήστε το συγκρότημα λεπίδας να ανέβει στην επάνω θέση του, όπου οι προφυλακτήρες λάμας είναι τέρμα κλειστοί. Σβήστε τον κινητήρα και αφήστε τη λεπίδα να σταματήσει τελείως πριν αφαιρέσετε το κομμάτι εργασίας ή τα κομμένα κομμάτια, ή πριν πιάσετε κάτι στην περιοχή της λεπίδας.

Πριν την πρώτη χρήση, βεβαιωθείτε ότι η γωνία της λοξής τομής στο προϊόν ταιριάζει με την γωνία που πρέπει να κάνετε στο κομμάτι εργασίας. Ελέγξτε το αυτό σε ένα άχρηστο κομμάτι ξύλου με σετ ξυλουργού ή φάλτσογωνία.

Αφαίρεση της Λεπίδας:

1. Φοράτε γάντια όταν χειρίζεστε τη λεπίδα κοπής.
2. Αποσυνδέστε το προϊόν από το ρεύμα και αφαιρέστε το πακέτο μπαταριών.
3. Χαλαρώστε, αλλά μην αφαιρέσετε, τη βίδα στο κάλυμμα του μπουλονιού της λεπίδας. Ανεβάστε το κάλυμμα του μπουλονιού της λεπίδας.
4. Ωθήστε την προστατευτική διάταξη που κλείνει αυτόματα προς τα πίσω, και κρατήστε την.
5. Πιέστε το κουμπί ασφάλισης της ατράκτου, και ταυτόχρονα, ξεβιδώστε το μπουλόνι της λεπίδας, χρησιμοποιώντας το παρεχόμενο εξαγωνικό κλειδί. Αφαιρέστε την εξωτερική φλάντζα.
6. Αφαιρέστε τη λεπίδα κόπτη.

Τοποθέτηση Λεπίδας:

Εφόσον απαιτηθεί, καθαρίστε όλα τα εξαρτήματα που πρόκειται να τοποθετηθούν, πριν τη συναρμολόγηση.

Μετά την εκτέλεση της διαδικασίας «Αφαίρεση της λεπίδας».

1. Φοράτε γάντια όταν χειρίζεστε τη λεπίδα κοπής.
2. Βεβαιωθείτε ότι δεν υπάρχει σύνδεση στην παροχή ρεύματος και το πακέτο μπαταριών έχει αφαιρεθεί.
3. Ωθήστε την προστατευτική διάταξη που κλείνει αυτόματα προς τα πίσω, και κρατήστε την.
4. Τοποθετήστε την καινούρια λεπίδα. Βεβαιωθείτε πως η κατεύθυνση περιστροφής της λεπίδας συμφωνεί με την κατεύθυνση του βέλους στο κάλυμμα της λεπίδας.
5. Τοποθετήστε το μπουλόνι της φλάντζας και της λεπίδας.
6. Πιέστε το κουμπί ασφάλισης του άξονα, μέχρι να ασφαλίσει σε αυτή τη θέση.
7. Τραβήξτε την προστατευτική διάταξη που κλείνει αυτόματα προς τα κάτω.
8. Κατεβάστε το κάλυμμα του μπουλονιού της λεπίδας και σφίξτε τη βίδα.

⚠ ΠΡΟΕΙΔΟΠΟΙΗΣΗ! Βεβαιωθείτε ότι το κάλυμμα του μπουλονιού της λεπίδας έχει κατέβει στην αρχική του θέση και ότι η βίδα είναι σφιγμένη.

Ρύθμιση φάλτσογωνίας:

Η φάλτσογωνία μπορεί να ρυθμιστεί μεταξύ 45 μοιρών (αριστερή πλευρά) και 45 μοιρών (δεξιά πλευρά).

1. Χαλαρώστε το κουμπί ασφάλισης φάλτσου.





2. Πατήστε το μοχλό αποδέσμευσης συγκράτησης φάλτσου. Περιστρέψτε το τραπέζι κοπής με το κουμπί ασφάλισης φάλτσου στην επιθυμητή γωνία φάλτσοκοπής.
3. Σφίξτε εκ νέου το κουμπί ασφάλισης φάλτσου.

Ρύθμιση γωνίας λοξοτομής:

Η λοξοτομή μπορεί να ρυθμιστεί μεταξύ 0 μοιρών και 45 μοιρών.

1. Ξεβιδώστε το κουμπί κλειδώματος λοξοτομής.
2. Δώστε την επιθυμητή κλίση λοξοτομής στο βραχίονα του εργαλείου, με τη χειρολαβή.
3. Κρατήστε το βραχίονα του εργαλείου σε αυτήν τη θέση και σφίξτε εκ νέου το κουμπί κλειδώματος λοξής κοπής.

⚠ ΠΡΟΕΙΔΟΠΟΙΗΣΗ! Ο κατασκευαστής συστήνει το προϊόν να είναι πάντα καλά ασφαλισμένο σε πάγκο εργασίας.

Όταν η βάση του προϊόντος είναι καλά στερεωμένη στον πάγκο εργασίας με τα τέσσερα παξιμάδια, τις βίδες και τις ροδέλες, όπως υποδεικνύεται στις οδηγίες, το προϊόν μπορεί να χρησιμοποιηθεί στη μέγιστη ρύθμιση λοξοτομής και φάλτσου χωρίς κίνδυνο ανατροπής. Εάν το προϊόν δεν έχει στερεωθεί καλά, το προϊόν μπορεί να χάσει την ισορροπία όταν επιλέγονται μεγάλες γωνίες φάλτσου.

ΣΥΝΤΗΡΗΣΗ

- Μην τροποποιήσετε το προϊόν με οποιονδήποτε τρόπο ή χρησιμοποιήσετε αξεσουάρ που δεν είναι συγκεκριμένα από τον κατασκευαστή. Η ασφάλεια σας και η ασφάλεια των άλλων μπορεί να υποβαθμιστεί.
 - Μην χρησιμοποιείτε το προϊόν εάν υπάρχουν διακόντες, προφυλακτικές ή άλλες λειτουργίες που δεν λειτουργούν όπως θα έπρεπε. Επιστρέψτε το σε ένα εξουσιοδοτημένο κέντρο επισκευών για επαγγελματική επισκευή ή ρύθμιση.
 - Μην κάνετε οποιεσδήποτε προσαρμογές, ενώ η λεπίδα πριονιού κινείται.
 - Πάντοτε να βεβαιώνετε ότι οι μπαταρίες έχουν αφαιρεθεί από το εργαλείο πριν εκτελεστούν ρυθμίσεις, λίπανση ή συντήρηση του εργαλείου.
 - Πριν και μετά από κάθε χρήση, ελέγξτε το προϊόν για ζημιές ή χαλασμένα μέρη. Διατηρήστε το προϊόν σε άριστη κατάσταση λειτουργίας με την άμεση αντικατάσταση εξαρτημάτων με ανταλλακτικά εγκεκριμένα από τον κατασκευαστή.
 - Η λεπίδα έχει αιχμηρές άκρες και μπορεί να είναι καυτή για κάποια ώρα μετά την εκτέλεση κοπτικών εργασιών. Επιδείξτε ιδιαίτερη προσοχή κατά τον καθαρισμό γυμνών λεπίδων. Χρησιμοποιείτε γάντια προς αποφυγή τραυματισμών.
 - Καθαρίζετε το πριόνι και τα εξαρτήματά του τακτικά από τη σκόνη, ειδικότερα τα κινούμενα μέρη και τον προφυλακτήρα λεπίδας. Χρησιμοποιείτε βούρτσα χειρός ή ηλεκτρική σκούπα για την αποτελεσματική απομάκρυνση της σκόνης. Μη χρησιμοποιείτε συμπιεσμένο αέρα.
 - Για μεγαλύτερη ασφάλεια και αξιοπιστία, όλες οι επισκευές, συμπεριλαμβανομένης της αλλαγής βουρτσών, θα πρέπει να εκτελούνται από εξουσιοδοτημένο κέντρο σέρβις.
- ⚠ ΠΡΟΕΙΔΟΠΟΙΗΣΗ!** Μην επιχειρείτε να αποσυναρμολογήσετε τον προφυλακτήρα σκόνης κατά τον καθαρισμό ή την επισκευή. Προφυλακτικές με φθορές δεν πρέπει να χρησιμοποιούνται. Παραδώστε τους για επισκευή ή αντικατάσταση σε εξουσιοδοτημένο πάροχο σέρβις.

Βαθμονόμηση γωνίας φάλτσοτομής και κλίσης

Εάν απαιτείται βαθμονόμηση γωνίας φάλτσου και λοξοτομής, συμβουλευτείτε τις σελίδες 213-217 και ακολουθήστε τις σχετικές οδηγίες.

ΜΕΤΑΦΟΡΑ ΚΑΙ ΑΠΟΘΗΚΕΥΣΗ

- Αφαιρέστε τη μπαταρία κατά την αποθήκευση του εργαλείου. Αποθηκεύστε το προϊόν σε ένα ασφαλές μέρος που δεν είναι προσβάσιμο στα παιδιά.
- Καθαρίστε το προϊόν με μια βούρτσα και ηλεκτρική σκούπα πριν από την αποθήκευση.
- Αν αφαιρέσετε τη λεπίδα του πριονιού ή να διατηρήτε ανταλλακτικά με τη μονάδα, βεβαιωθείτε ότι είναι στην αρχική συσκευασία τους για να αποφύγετε τραυματισμούς.

Για να ασφαλίσετε το προϊόν πριν από τη μετακίνηση:

- Το προϊόν πρέπει να φυλάσσεται με ρύθμιση μηδέν μοιρών και γωνία κλίσης και κλειδωμένο στη θέση του. Η χειρολαβή θα πρέπει να κλειδωθεί στην κάτω (ασφαλή) θέση με τα προστατευτικά κλειστά.

Για να το μετακινήσετε ή να το μεταφέρετε με όχημα:

- Ασφαλίστε το προϊόν πριν από τη μεταφορά, όπως περιγράφεται στο εγχειρίδιο.
- Αφαιρέστε το προϊόν από τον πάγκο εργασίας, αφαιρώντας τα 4 μπουλόνια, ένα σε κάθε γωνία. Ασφαλίστε τις βίδες για μελλοντική χρήση. Μεταφέρετε το προϊόν χρησιμοποιώντας την επάνω λαβή μεταφοράς ή τις πλαϊνές λαβές μεταφοράς και με τα δύο χέρια.
- Κατά τη μεταφορά με όχημα, βάλτε το προϊόν στη βάση του και ασφαλίστε το ώστε να μην μετακινήθει.

ΣΥΜΒΟΛΑ ΣΤΟ ΠΡΟΪΟΝ



Προειδοποίηση ασφαλείας



Ευρωπαϊκό σήμα συμμόρφωσης



Βρετανικό σήμα συμμόρφωσης



Ουκρανικό σήμα συμμόρφωσης



EurAsian σήμα πιστότητας



Παρακαλούμε διαβάστε τις οδηγίες προσεκτικά πριν ξεκινήσετε το μηχάνημα.



Φοράτε προστατευτικά αυτιών



Φοράτε πάντα προστατευτικά ματιών.



Κρατάτε τα χέρια σας μακριά από την περιοχή κοπής και την αιχμηρή λεπίδα.





Να μην εκτίθεται σε βροχή και να μην χρησιμοποιείται σε τοποθεσίες με υγρασία.



Φοράτε γάντια ασφαλείας



Κατεύθυνση περιστροφής λεπίδας (σημειώνεται πάνω στη λεπίδα του πριονιού)



Κατεύθυνση περιστροφής λεπίδας (επισημαίνεται στο προστατευτικό κάλυμμα)



Πλάτος κοπής λεπίδας (Αρμός κοπής)



Αριθμός δοντιών στη λεπίδα



Ικανότητα κοπής



Για κοπή ξύλου και παρόμοιων υλικών



Ακατάλληλο για κοπή μετάλλων.



Ρυθμίστε τη θέση του κυλιόμενου οδηγού πριν την εκτέλεση κοπής υπό γωνία ή μικτής λοξοτομής.



Κατεύθυνση χαλάρωσης του μπουλονιού λεπίδας

Οι μπαταρίες καθώς και ο ηλεκτρονικός και ηλεκτρικός εξοπλισμός δεν πρέπει να απορρίπτονται στα αδιαχώριστα απορρίμματα της κοινότητας. Οι μπαταρίες καθώς και ο ηλεκτρονικός και ηλεκτρικός εξοπλισμός προς απόρριψη θα πρέπει να συλλέγονται χωριστά. Οι μπαταρίες, οι συσσωρευτές και οι πηγές φωτός προς απόρριψη θα πρέπει να αφαιρούνται από τον εξοπλισμό. Επικοινωνήστε με την τοπική σας αρχή ή τον προμηθευτή σας για συμβουλές ανακύκλωσης και σημείο συλλογής. Σύμφωνα με τους τοπικούς κανονισμούς, οι προμηθευτές ενδέχεται να υποχρεούνται να παραλαμβάνουν τον ηλεκτρονικό και ηλεκτρικό εξοπλισμό προς απόρριψη, χωρίς χρέωση. Η συμβολή σας στην επαναχρησιμοποίηση και την ανακύκλωση ηλεκτρονικού και ηλεκτρικού εξοπλισμού προς απόρριψη βοηθά στη μείωση της ζήτησης πρώτων υλών. Οι άχρηστες μπαταρίες, και κυρίως όσες περιέχουν λίθιο, όπως και ο άχρηστος ηλεκτρονικός και ηλεκτρικός εξοπλισμός, περιέχουν πολύτιμα ανακυκλώσιμα υλικά, τα οποία μπορεί να βλάψουν τόσο το περιβάλλον, όσο και την ανθρώπινη υγεία, εάν δεν απορρίπτονται με τρόπο φιλικό προς το περιβάλλον. Διαγράψτε τυχόν προσωπικά δεδομένα από τον εξοπλισμό.



ΣΥΜΒΟΛΑ ΣΤΟ ΕΓΧΕΙΡΙΔΙΟ



Κλειδωμα



Ξεκλειδωμα



Χρόνος αναμονής για να φθάσει σε πλήρη ταχύτητα η λεπίδα ή να σταματήσει εντελώς.



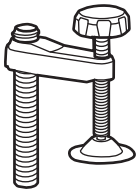
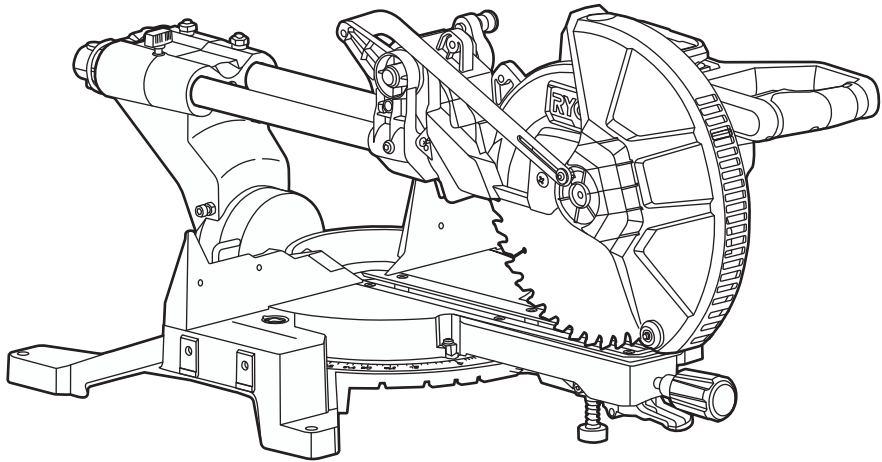
Αναλλακτικά και εξαρτήματα πωλούνται χωριστά



Σημείωση



Προειδοποίηση



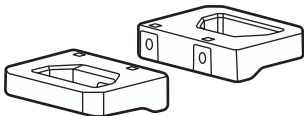
x1



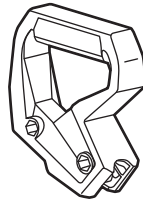
x1



13 mm



x1



x1



M8

x4



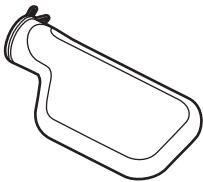
M8

x4

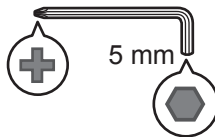


D13 x D8
x 1.6mm

x8

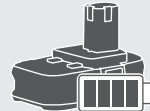


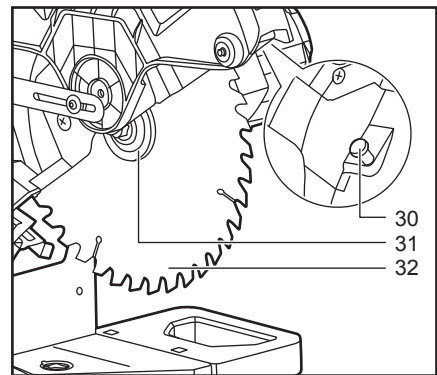
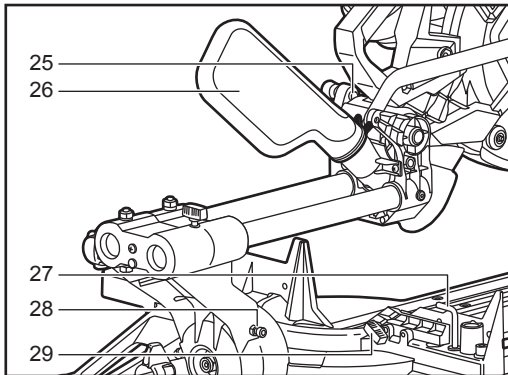
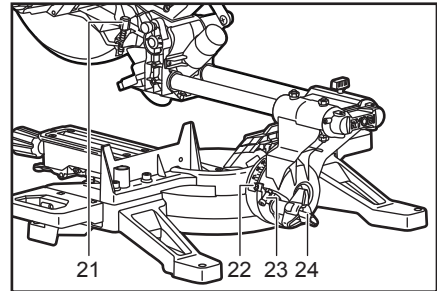
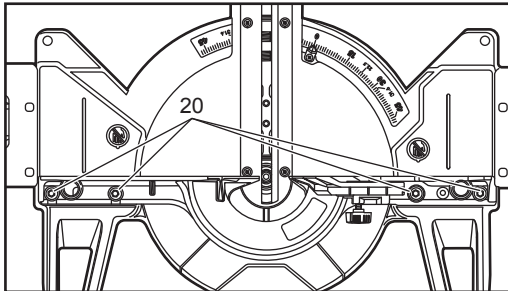
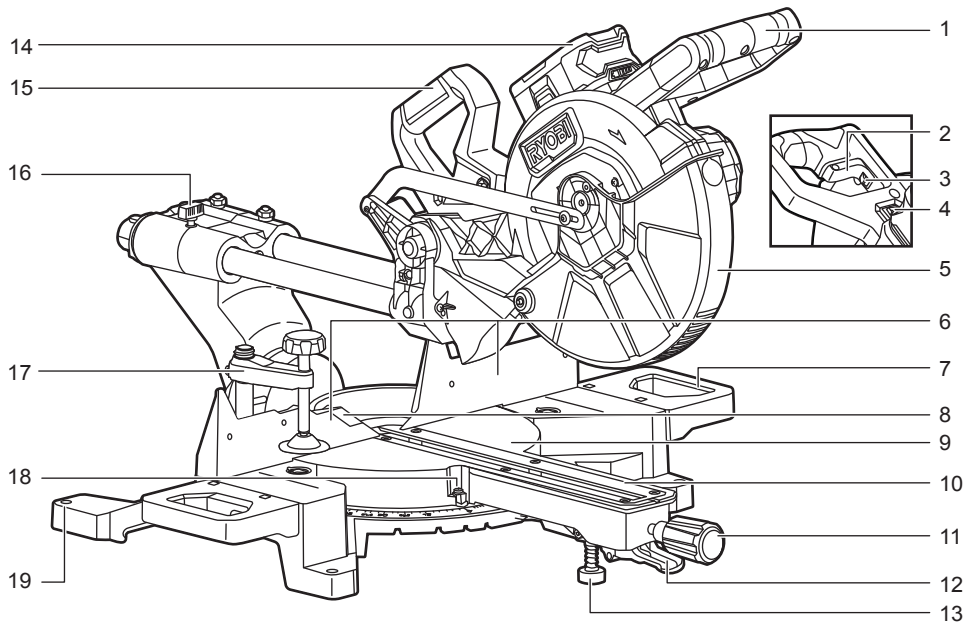
x1

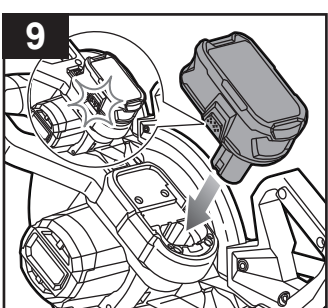
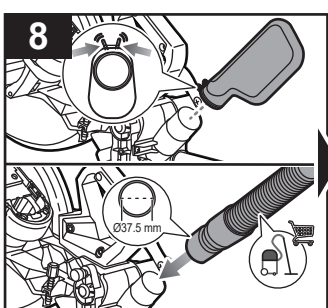
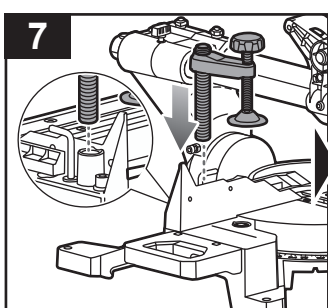
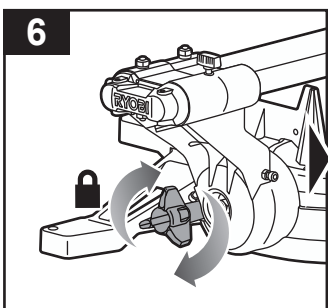
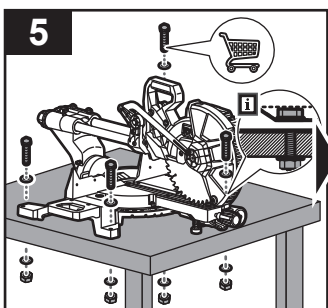
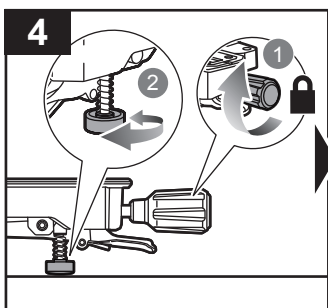
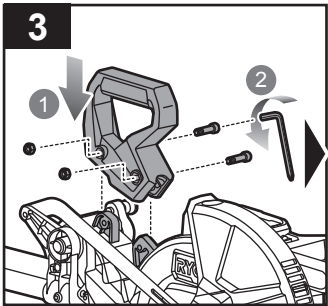
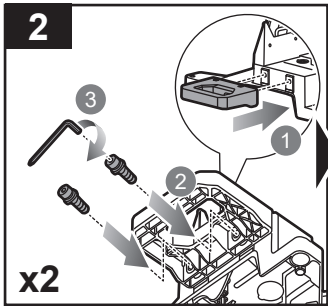
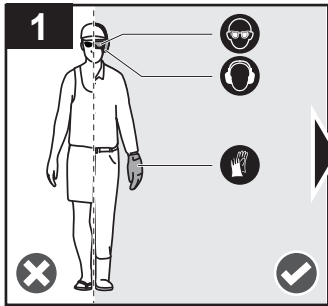


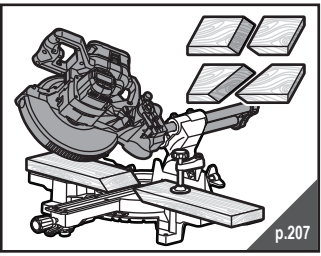
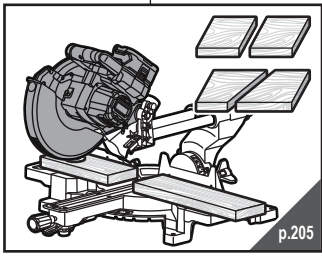
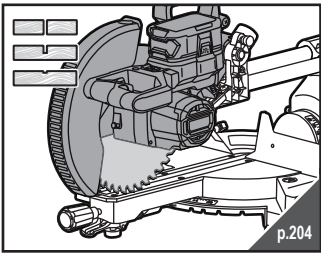
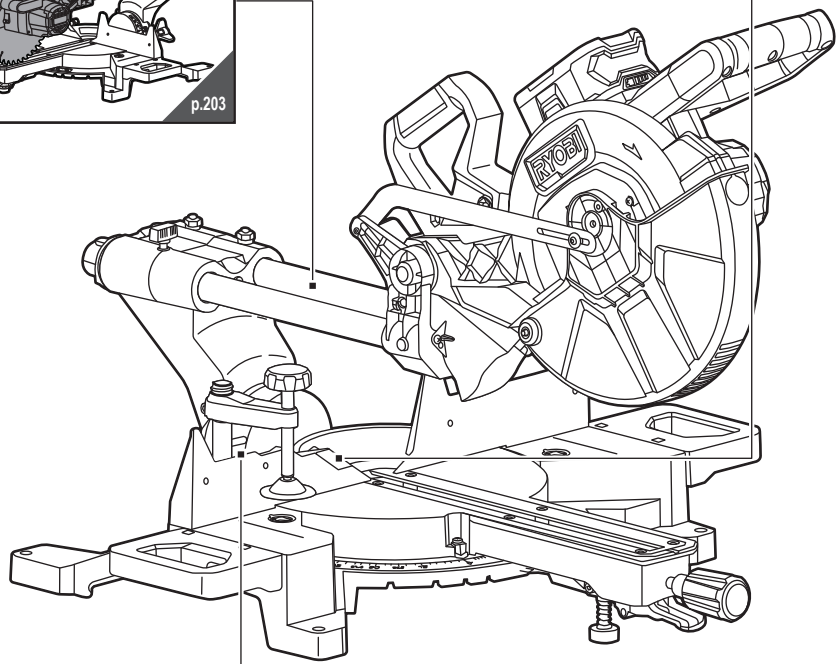
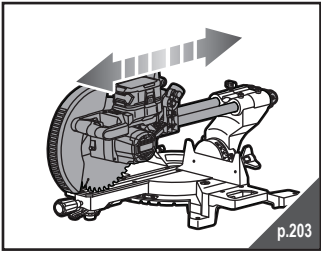
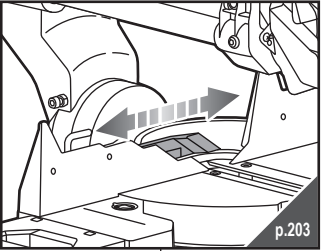
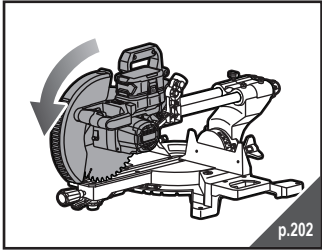
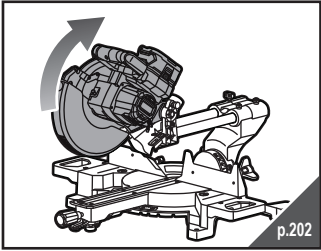
5 mm

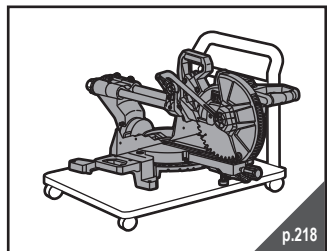
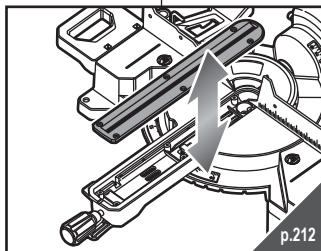
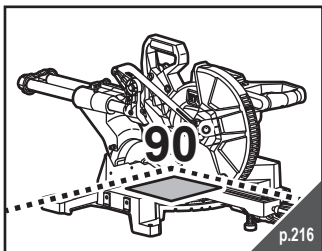
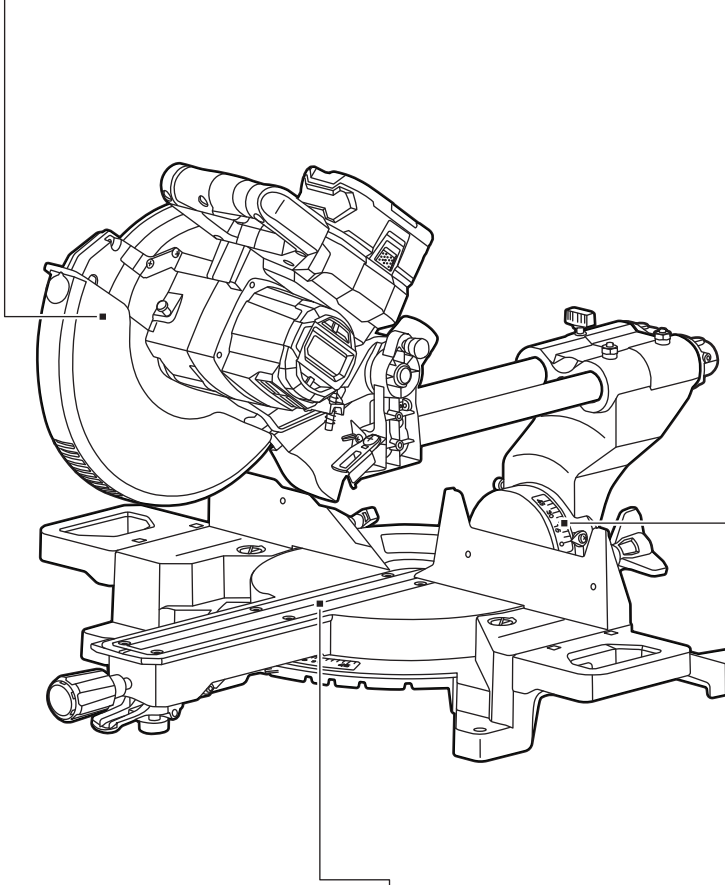
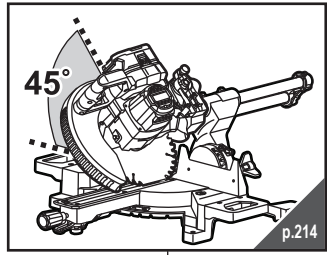
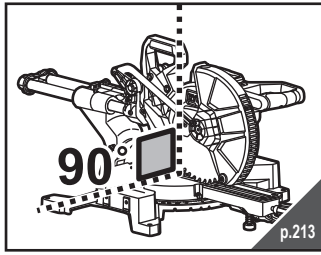
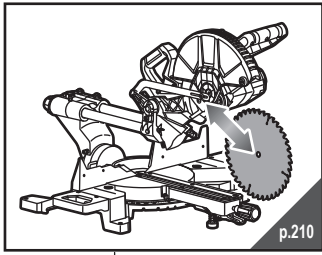
x1

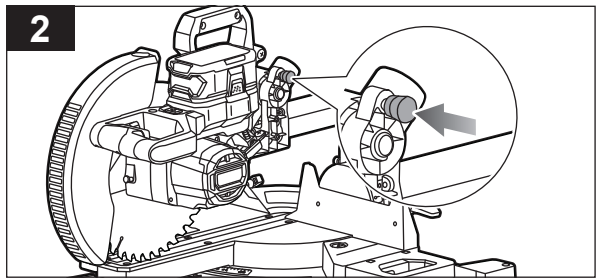
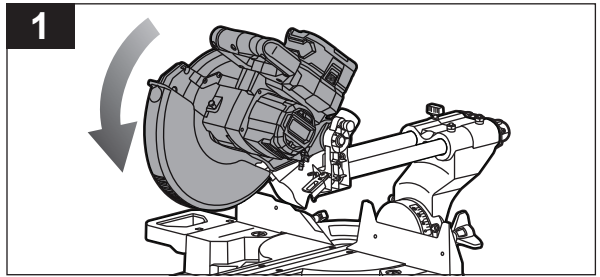
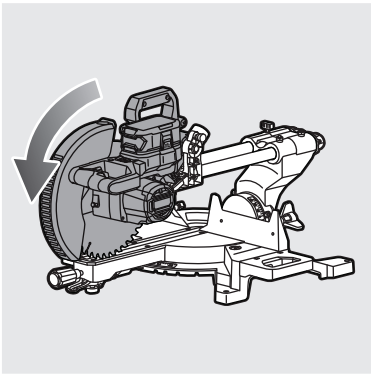
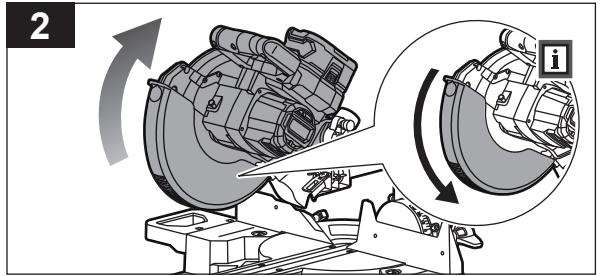
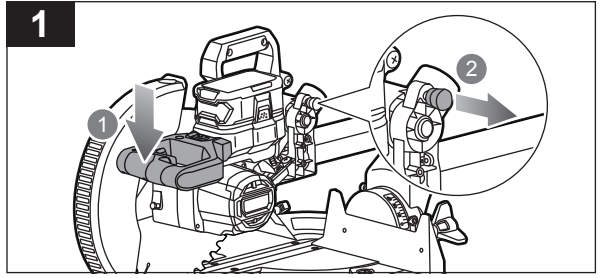
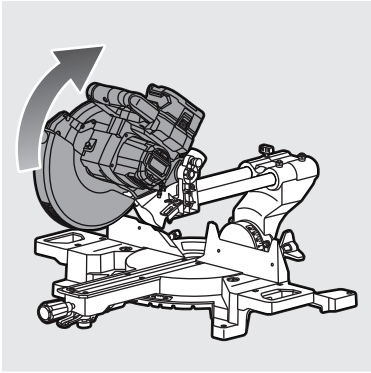


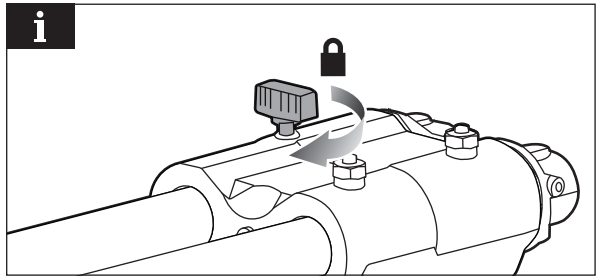
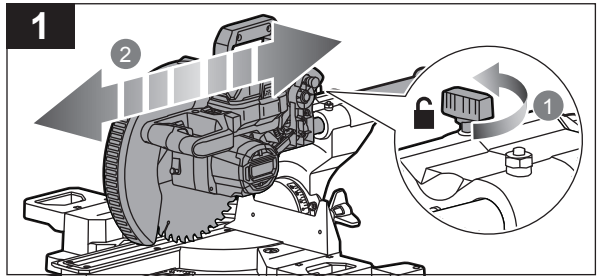
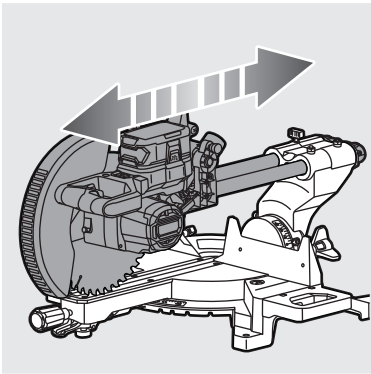
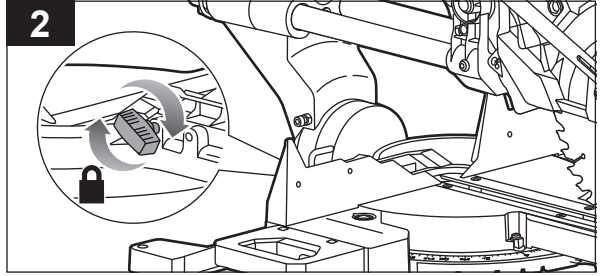
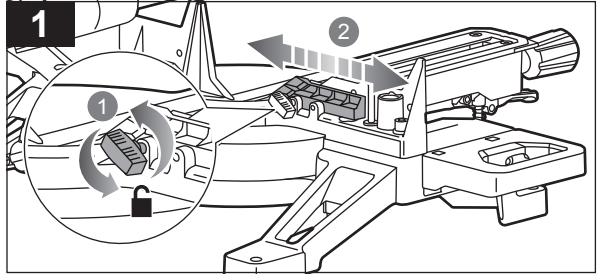
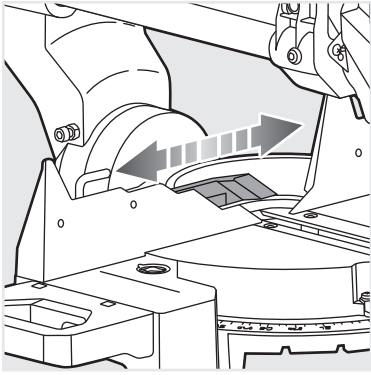


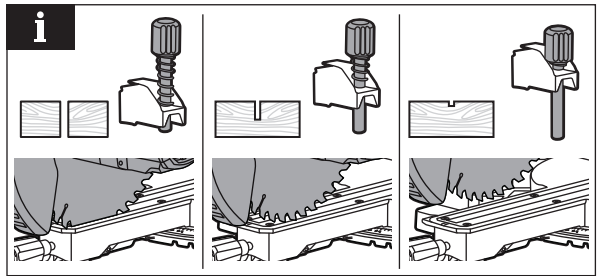
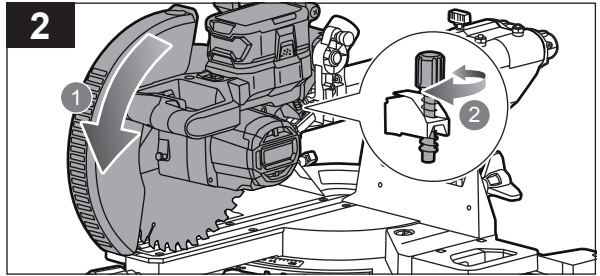
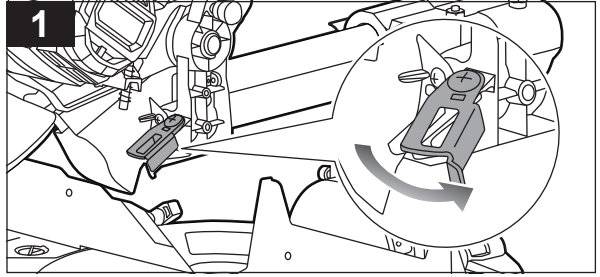
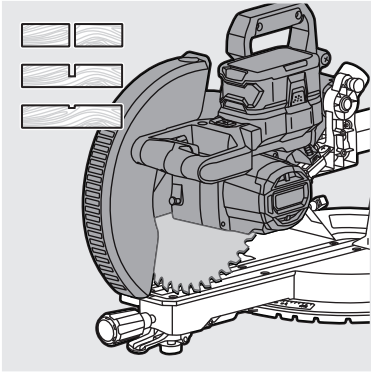


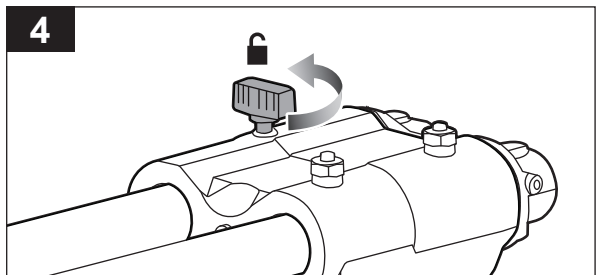
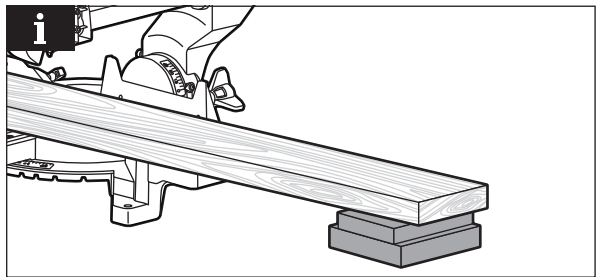
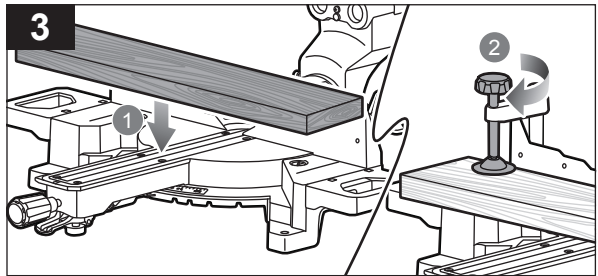
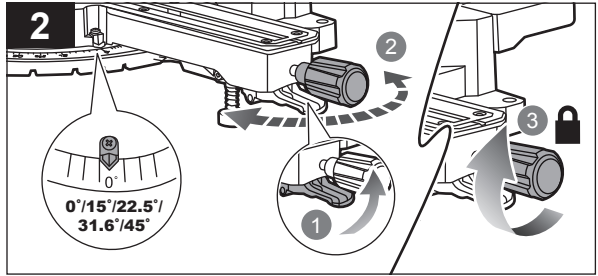
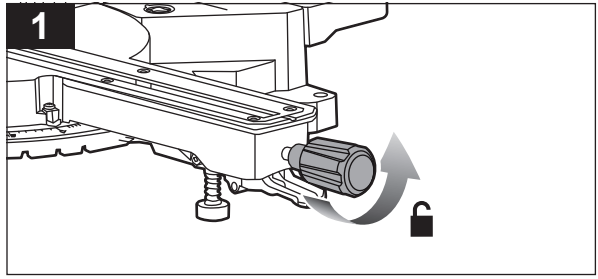
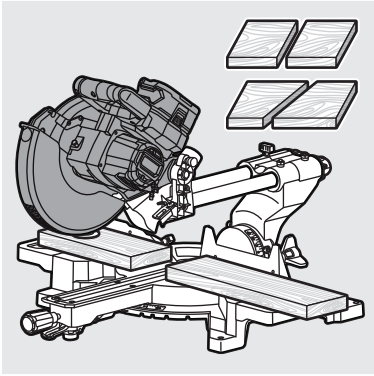




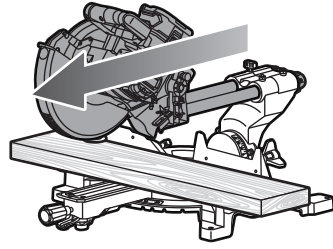




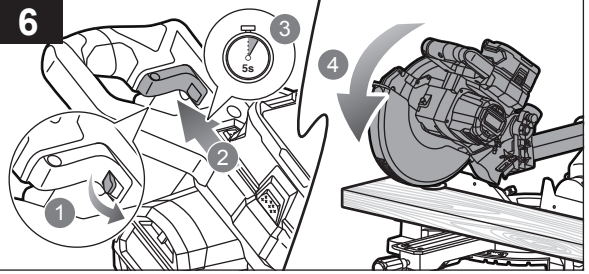




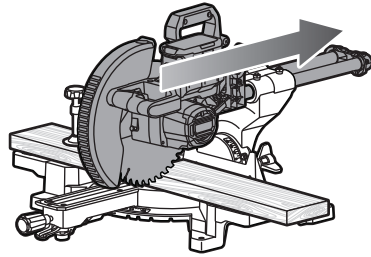
5



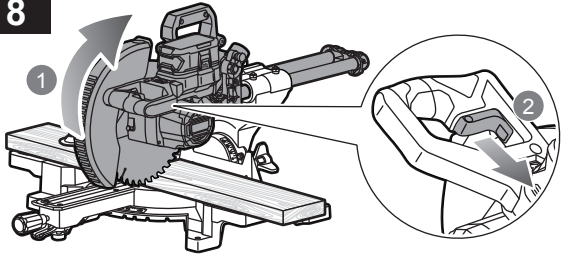
6



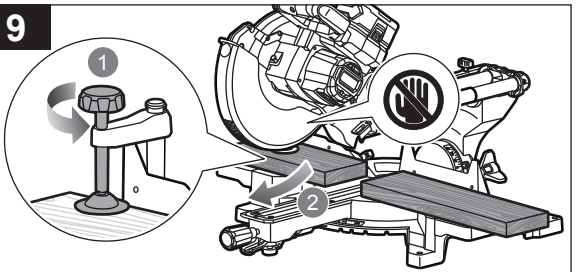
7

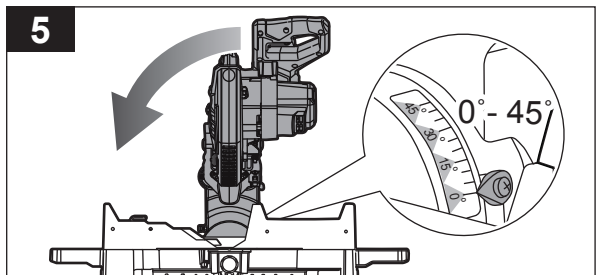
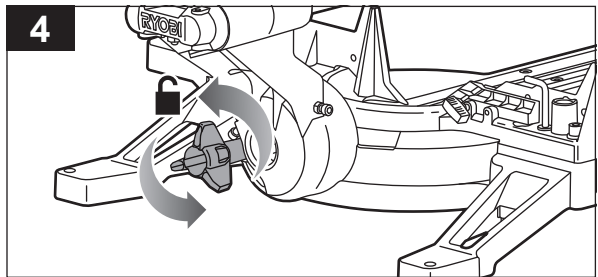
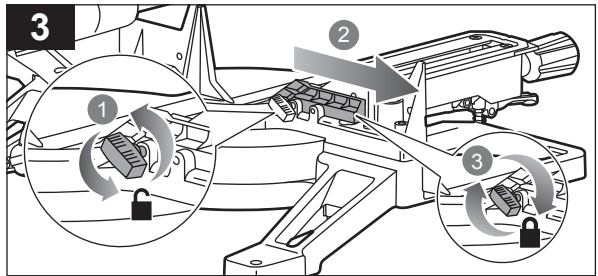
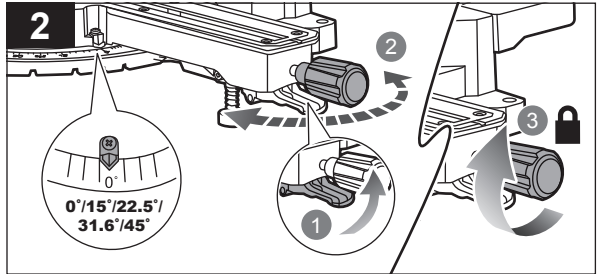
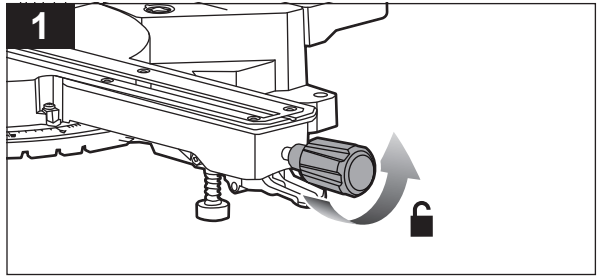
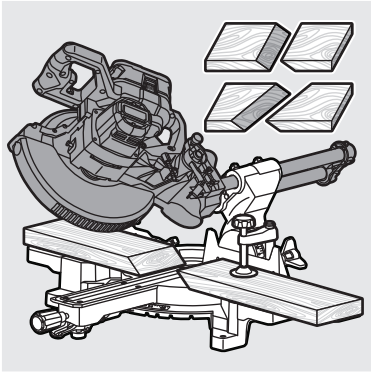


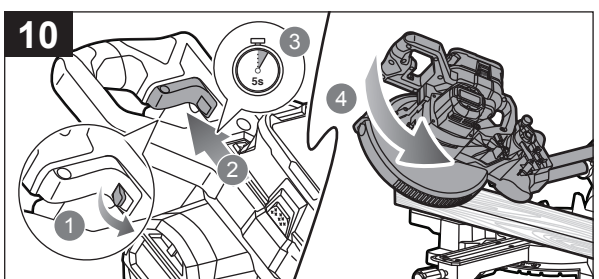
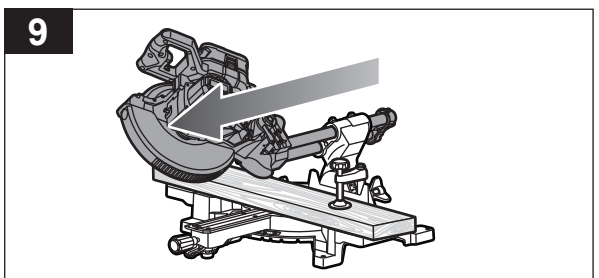
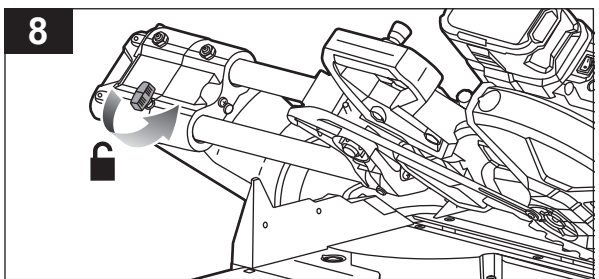
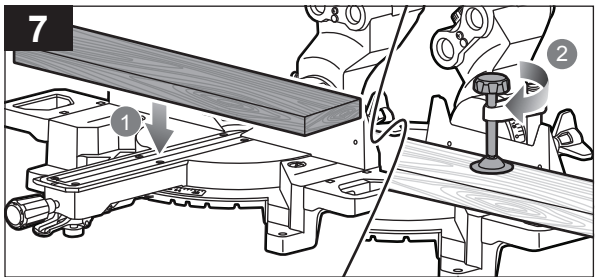
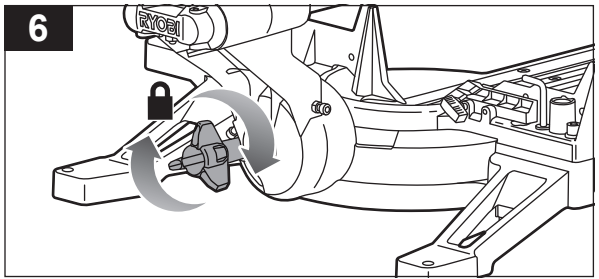
8



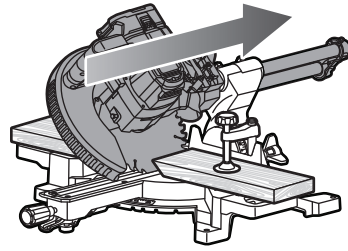
9



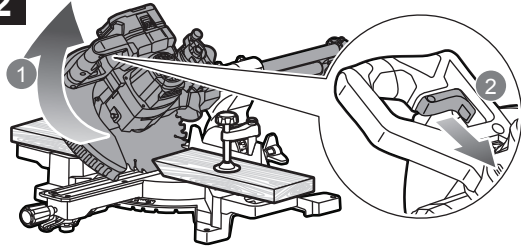




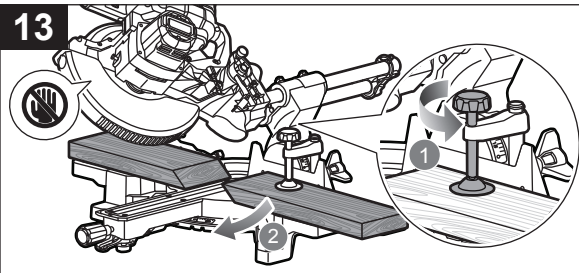
11

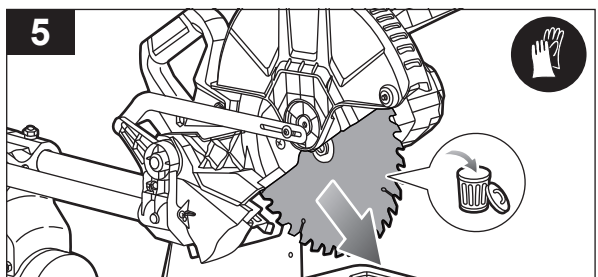
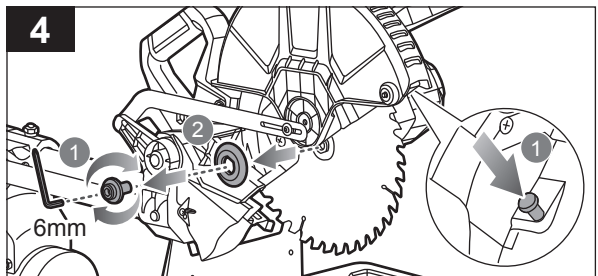
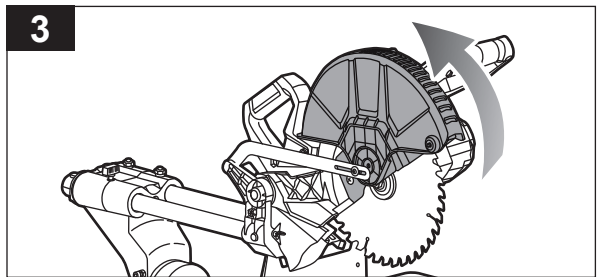
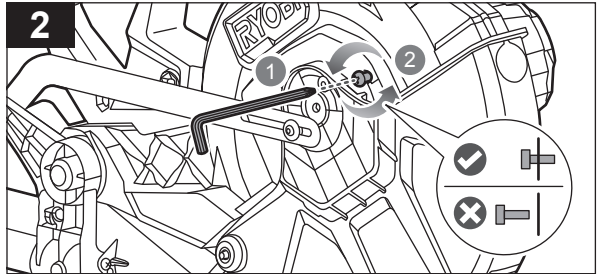
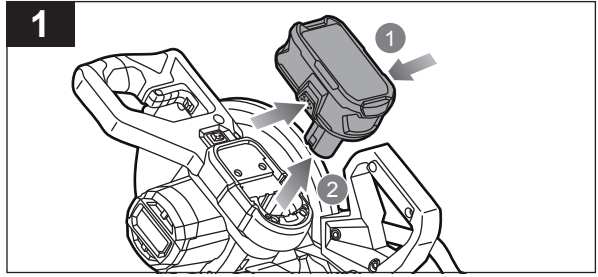
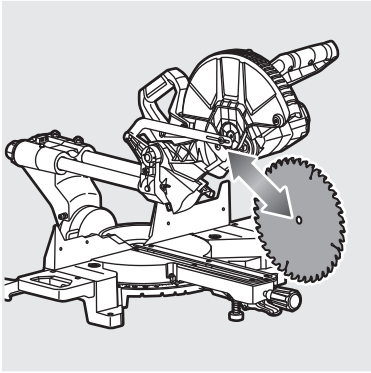


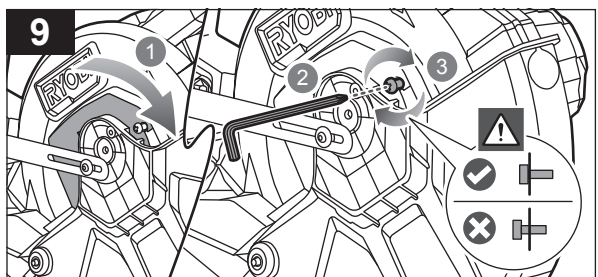
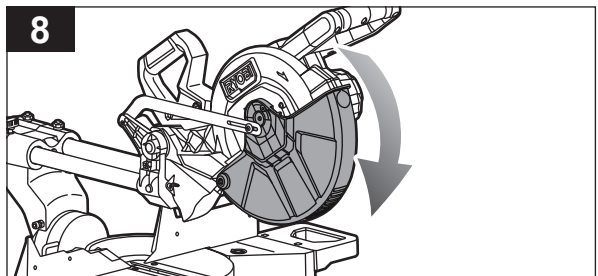
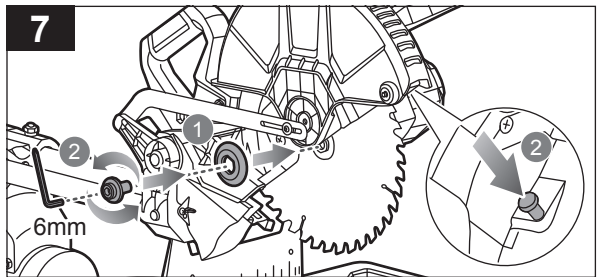
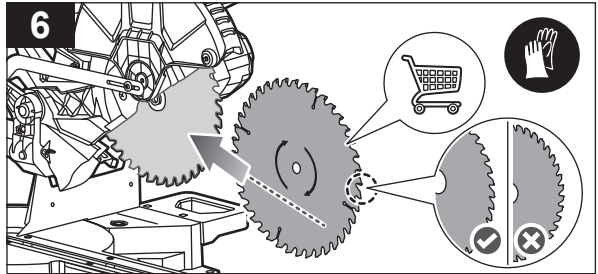
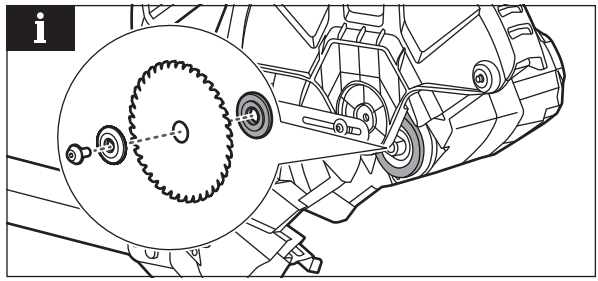
12

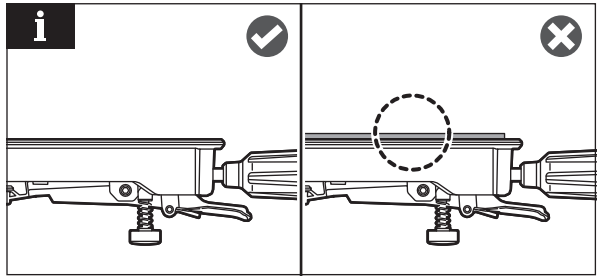
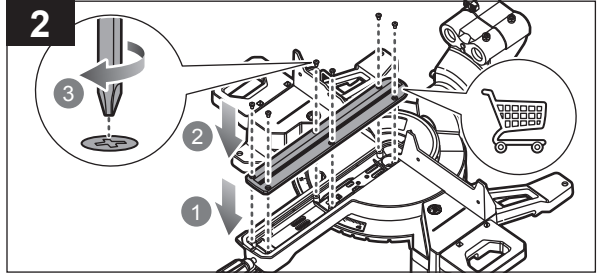
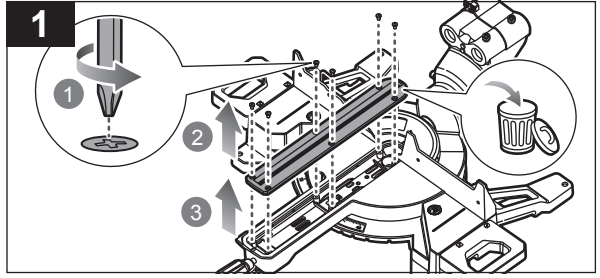
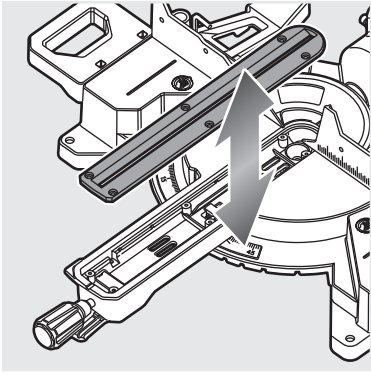


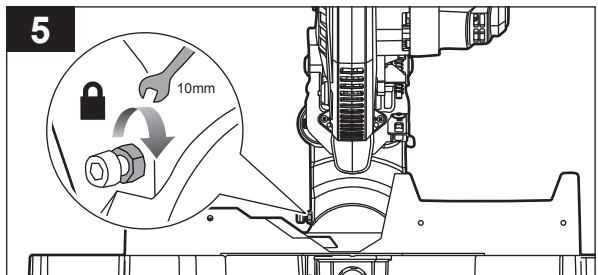
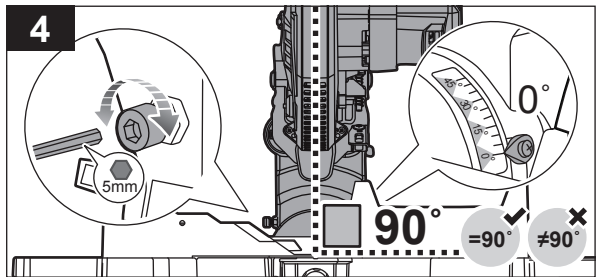
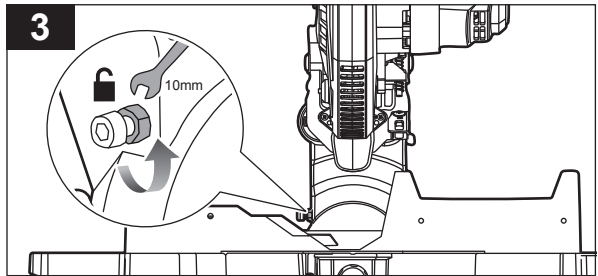
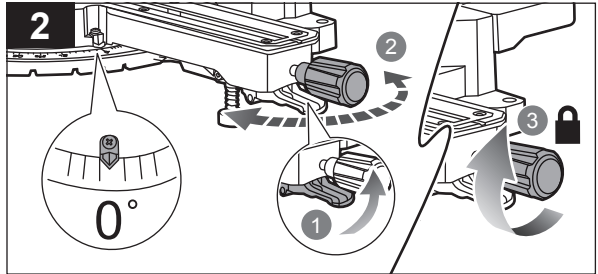
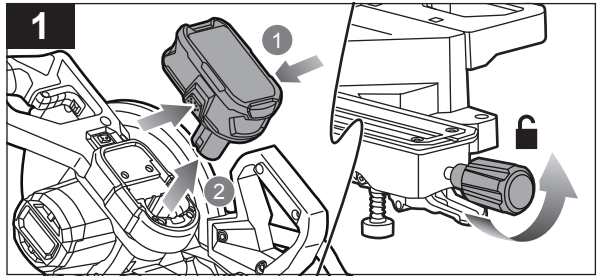
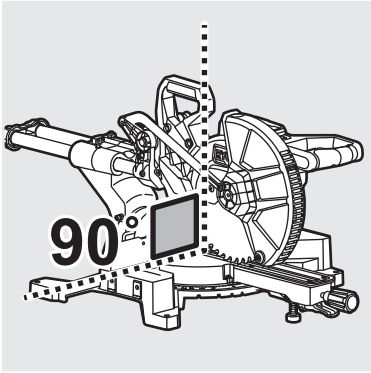
13

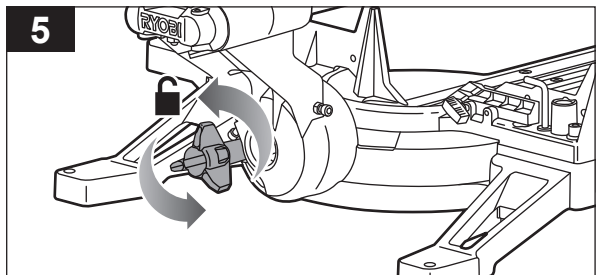
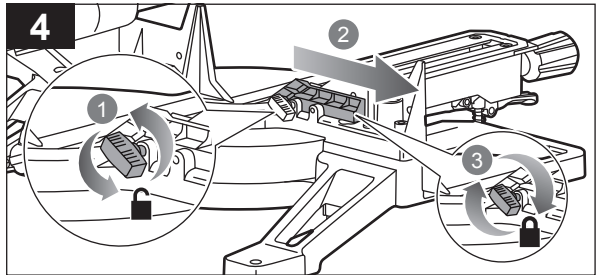
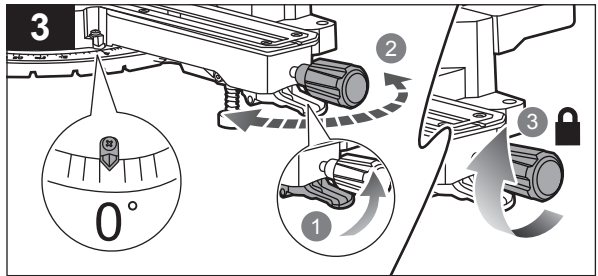
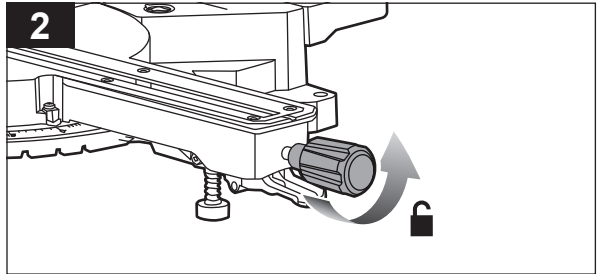
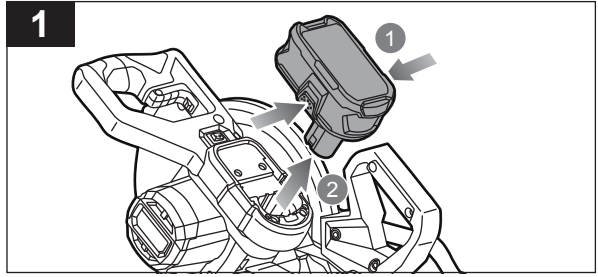
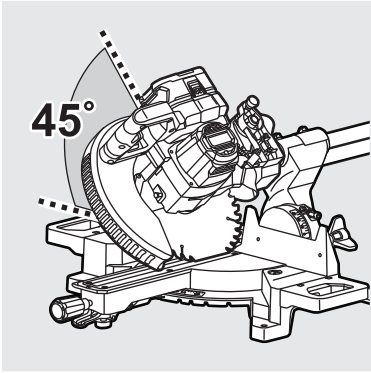


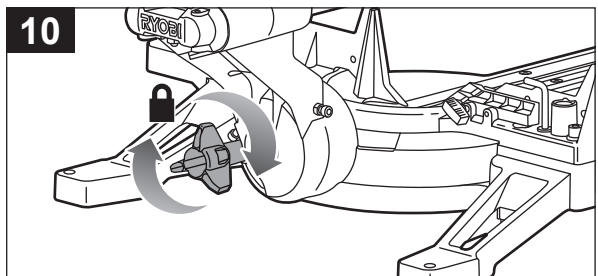
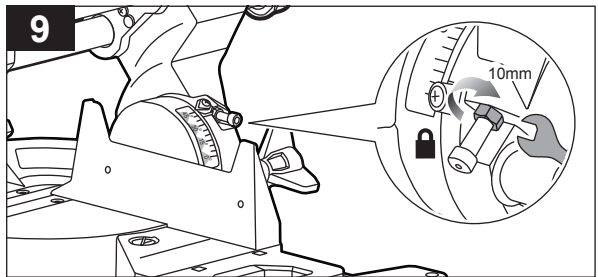
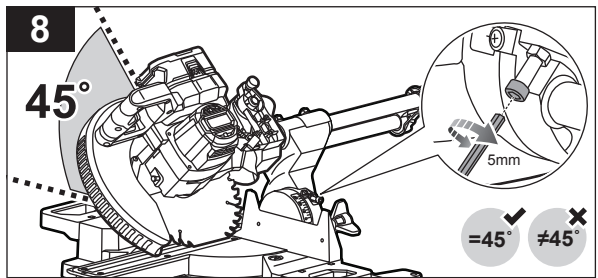
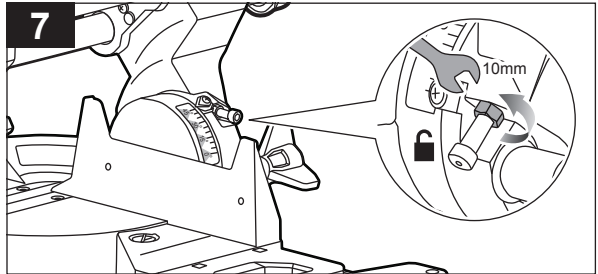
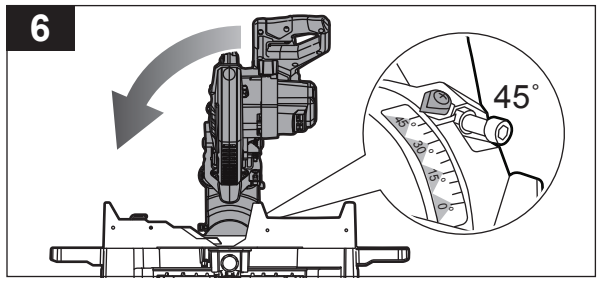


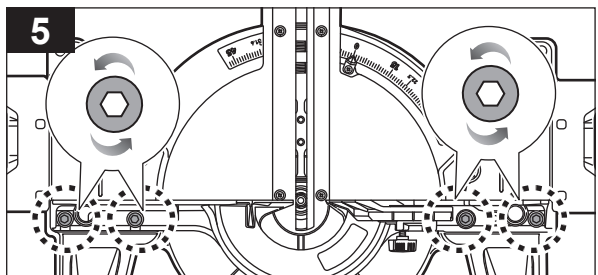
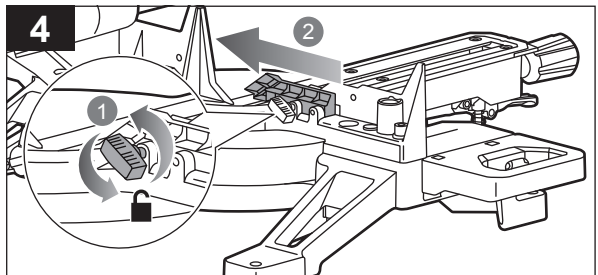
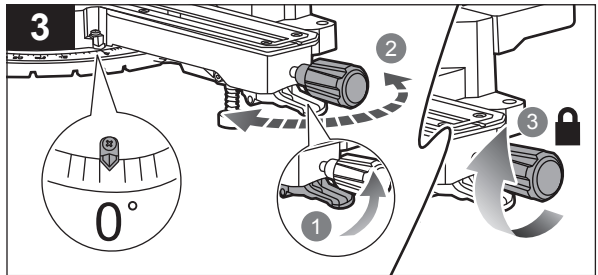
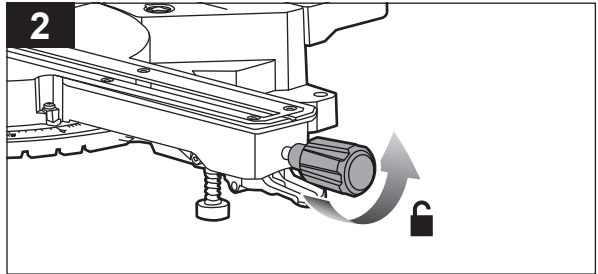
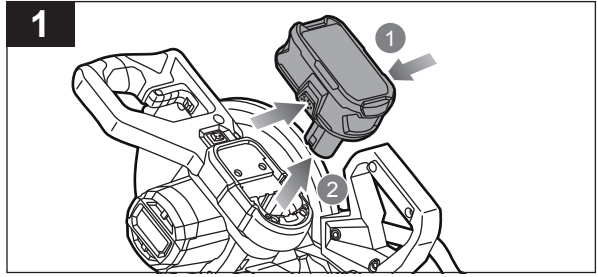
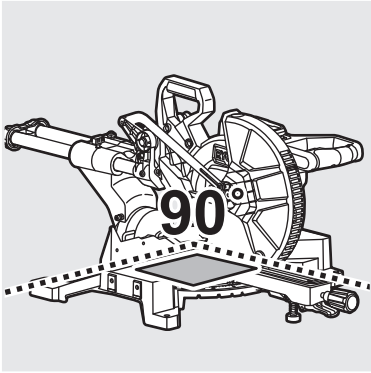


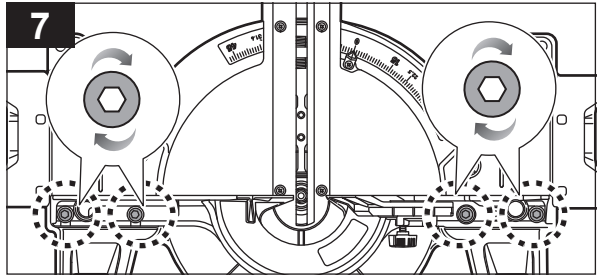
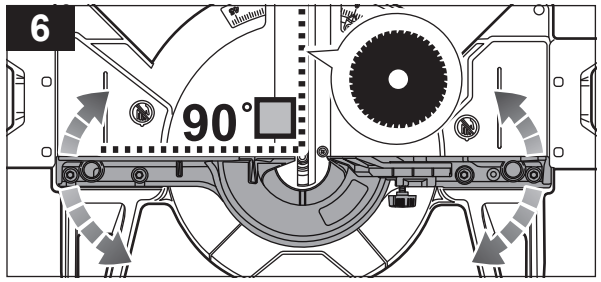


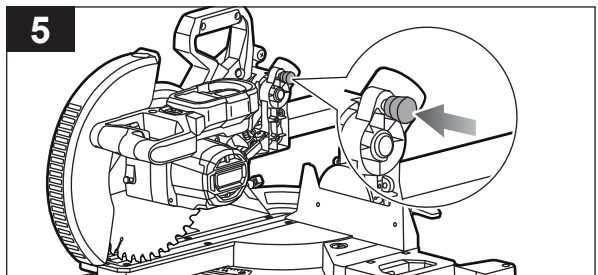
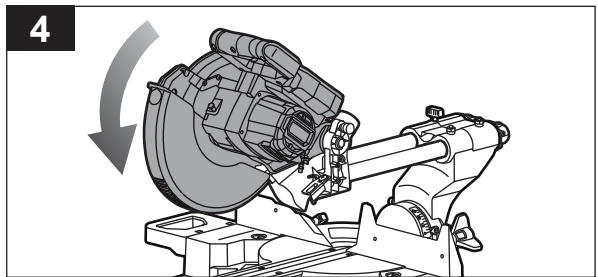
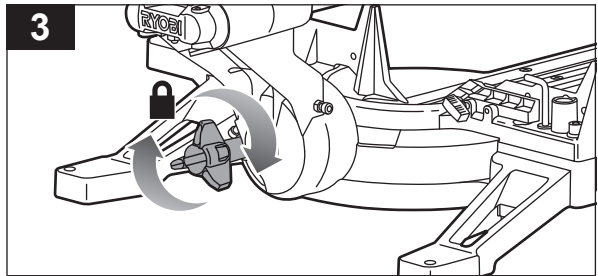
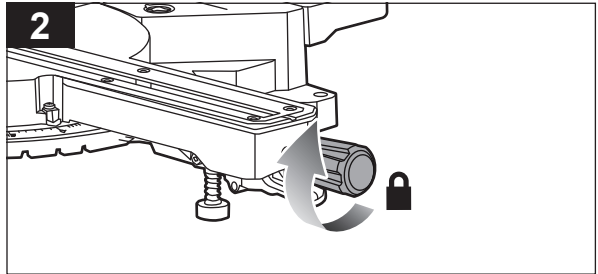
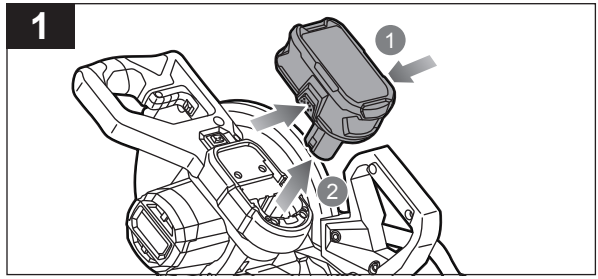
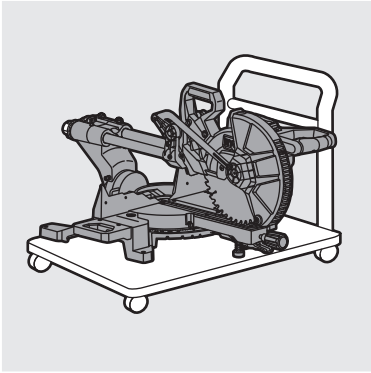


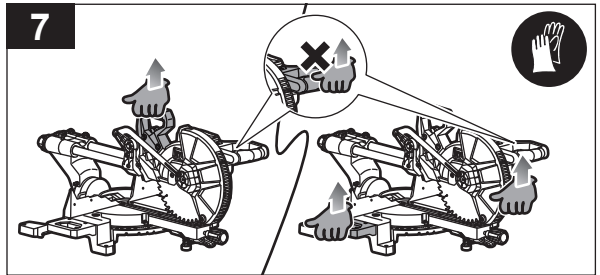
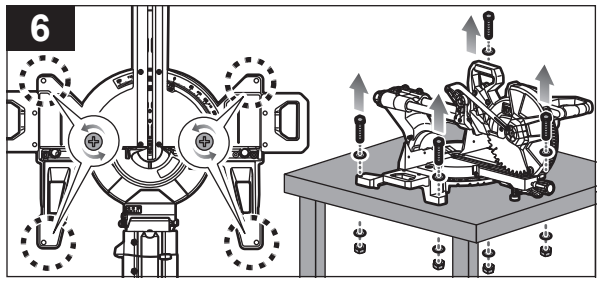














English	Français	Deutsch	Español	Italiano	Nederlands	Português
Product specifications	Caractéristiques de l'appareil	Produkt-Spezifikationen	Especificaciones del producto	Specifiche prodotto	Productspecificaties	Especificações do produto
Mitre saw	Scie à onglet	Gehrungskappsäge	Ingledadora	Sega per tagli obliqui	Verstekzaag	Serra de esquadria
Model	Modèle	Modell	Modelo	Modello	Model	Modelo
Net weight	Poids net	Nettogewicht	Peso neto	Peso netto	Netto gewicht	Peso líquido
Blade diameter	Diamètre du disque de coupe	Sägeblattdurchmesser	Díametro de la hoja	Diametro lama	Zaagblad ø	Díametro da lâmina
Arbor hole	Trou de broche	Mittelloch	Huevo del eje	Foro dell'albero	Centergat	Orifício do eixo
Blade teeth	Nombre de dents	Sägezähne	Dientes de la hoja	Denti lame	Zaagbladanden	Dentes da lâmina
Width of cut	Largeur de coupe	Breite des Schnitts	Ancho del corte	Ampiezza di taglio	Zaagbreedte	Largura do corte
No-load speed	Vitesse de rotation à vide	Leerlaufgeschwindigkeit	Velocidad sin carga	Velocità senza carico	Snelheid zonder lading	Velocidade sem carga
Input	Alimentation	Eingangsspannung	Tensión nominal	Alimentazione	Input	Admissão
Cutting capacity:	Capacité de coupe :	Schnittleistung:	Capacidad de corte:	Capacità di taglio:	Snijcapaciteit:	Capacidade de corte:
Mitre 0° x bevel 0°	Onglet 0° x biseau 0°	Gehrung 0° x Neigung 0°	Inglete 0° x bisel 0°	Sega 0° x bisello 0°	Verstek 0° x afschuining 0°	Esquadria 0° x chanfro 0°
Mitre 0° x bevel 45°	Onglet 0° x biseau 45°	Gehrung 0° x Neigung 45°	Inglete 0° x bisel 45°	Sega 0° x bisello 45°	Verstek 0° x afschuining 45°	Esquadria 0° x chanfro 45°
Mitre 45°(L) x bevel 0°	Onglet 45°(G) x biseau 0°	Gehrung 45°(L) x Neigung 0°	Inglete 45° (izq.) x bisel 0°	Sega 45° (sin.) x bisello 0°	Verstek 45° (L) x afschuining 0°	Esquadria 45° (E) x chanfro 0°
Mitre 45°(R) x bevel 0°	Onglet 45°(D) x biseau 0°	Gehrung 45°(R) x Neigung 0°	Inglete 45° (der.) x bisel 0°	Sega 45° (destr.) x bisello 0°	Verstek 45° (R) x afschuining 0°	Esquadria 45° (D) x chanfro 0°
Mitre 45°(L) x bevel 45°	Onglet 45°(G) x chanfrein 45°	Gehrung 45°(L) x Neigung 45°	Inglete 45° (izq.) x bisel de 45°	Sega 45° (sin.) x bisello 45°	Verstek 45°(L) x afschuining 45°	Esquadria 45° (E) x chanfro 45°
Mitre 45°(R) x bevel 45°	Onglet 45°(D) x chanfrein 45°	Gehrung 45°(R) x Neigung 45°	Inglete 45° (der.) x bisel de 45°	Sega 45° (destr.) x bisello 45°	Verstek 45°(R) x afschuining 45°	Esquadria 45° (D) x chanfro 45°
Minimum workpiece dimensions	Dimensions minimum de la pièce de travail	Mindestabmessungen des Werkstücks	Dimensiones mínimas de la pieza de trabajo	Dimensioni minime del pezzo di lavoro	Minimale afmetingen van het werkstuk	Dimensões mínimas da peça de trabalho
Measured values determined according to EN62841 A-weighted sound pressure level	Valeurs mesurées obtenues selon EN 62841 Niveau de pression sonore pondéré-A	Gemäß EN 62841 gemessene Werte A-bewerteter Schalldruckpegel	Valores medidos determinados de acuerdo con EN 62841 Nivel de presión acústica ponderada en A	Valori misurati determinati in accordo con lo standard EN 62841 Livello di pressione sonora pesato A	Gemeten waarden bepaald volgens EN62841 A-gewogen geluidsrukniveau	Valores medidos calculados de acordo com EN 62841 Nivel de pressão sonora ponderada A
Uncertainty K	Incertitude K	Unsicherheit K	Incertidumbre K	Incertezza K	Onzekerheid K	Incerteza K
Measured values determined according to EN62841 A-weighted sound power level	Valeurs mesurées obtenues selon EN 62841 Niveau de puissance sonore pondéré A	Gemäß EN 62841 gemessene Werte A-bewerteter Schalleistungspegel	Valores medidos determinados de acuerdo con EN 62841 Nivel de potencia acústica ponderada en A	Valori misurati determinati in accordo con lo standard EN 62841 Livello di potenza sonora pesato A	Gemeten waarden bepaald volgens EN62841 A-gewogen geluidsniveau	Valores medidos calculados de acordo com EN 62841 Nivel de potencia sonora ponderada A
Uncertainty K	Incertitude K	Unsicherheit K	Incertidumbre K	Incertezza K	Onzekerheid K	Incerteza K
Replacement parts	Pièces de rechange	Ersatzteile	Piezas de repuesto	Ricambi	Vervangende onderdelen	Peças sobresselentes
Saw blade	Lame de scie	Sägeblatt	Cuchilla de la sierra	Lama sega	Zaagblad	Lâmina da serra
Kerf plate	Plaque de trait de scie	Schnittplatte	Placa de corte	Piastra intagliata	Kerfplaat	Placa de corte
Hex key	Clé hexagonale	Sechskantschlüssel	Llave hexagonal	Chiave esagonale	Inbussleutel	Chave hexagonal
Dust bag	Sac à poussière	Staubauffangeinrichtung	Bolsa para el polvo	Sacchetto per la polvere	Stofzak	Saco para o pó





Dansk	Svenska	Suomi	Norsk	Русский	Polksi	
Produktspecifikationer	Produktspecifikationer	Tuotteen tekniset tiedot	Produktspesifikasjoner	Характеристики изделия	Parametry techniczne	
Geringssav	Geringssåg	Viistesaha	Gjærsag	Торцово-усовочная пила	Pilarka ukosowa	
Model	Modell	Maili	Modell	Модель	Model	RMS18254X
Nettovægt	Nettovikt	Kokonaispaino	Nettovekt	Вес нетто	Massa netto	14 kg
Klingediameter	Klingdiameter	Terän läpimitta	Bladdiameter	Диаметр режущего диска	Średnica tarczy tnącej	254 mm
Spindelhul	Spindelhål	Karan reikä	Spindelhull	Рабочее отверстие	Otwór trzpienia	30 mm
Klingetænder	Sågtand	Terän hampaat	Bladtenner	Число зубьев	Liczba zębów tarczy	40
Snitbredde	Skärbredd	Leikkauksen leveys	Bredde på kappet	Ширина разреза	Szerokość cięcia	2,6 mm
Tomgangshastighed	Hastighet utan belastning	Nopeus ilman kuormaa	Tomgangshastighet	Холодная скорость	Prędkość obrotowa bez obciążenia	4100 min ⁻¹
Strømforsyning	Matningsspänning	Virrankulutus	Input	Питание	Zasilanie	18V
Skæreevne:	Kapkapacitet:	Leikkauskapasiteetti:	Kuttekapasitet:	Производительность резки:	Głębokość cięcia:	
Gering 0° X affasning 0	Gering 0° x avfasning 0°	Jiiri 0° x viiste 0°	Gjære 0° x høvel 0°	Наклон 0° x скос 0°	Skos 0° x ukos 0°	89 mm x 320 mm
Gering 0° X affasning 45	Gering 0° x avfasning 45°	Jiiri 0° x viiste 45°	Gjære 0° x høvel 45°	Наклон 0° x скос 45°	Skos 0° x ukos 45°	42 mm x 320 mm
Gering 45°(L) X affasning 0	Gering 45° (V) x avfasning 0°	Jiiri 45° (V) x viiste 0°	Gjære 45° (L) x høvel 0°	Наклон 45°(L) x скос 0°	Skos 45°(L) x ukos 0°	89 mm x 225 mm
Gering 45°(R) X affasning 0	Gering 45° (H) x avfasning 0°	Jiiri 45°(O) x viiste 0°	Gjære 45° (R) x høvel 0°	Наклон 45°(R) x скос 0°	Skos 45°(R) x ukos 0°	89 mm x 225 mm
Gering 45°(L) x affasning 45	Gering 45° (V) x avfasning 45°	Jiiri 45° (V) x viiste 45°	Gjære 45° (L) x høvel 45°	Наклон 45°(L) x скос 45°	Skos 45°(L) x ukos 45°	42 mm x 225 mm
Gering 45°(R) X affasning 45	Gering 45° (H) x avfasning 45°	Jiiri 45°(O) x viiste 45°	Gjære 45° (R) x høvel 45°	Наклон 45°(R) x скос 45°	Skos 45°(R) x ukos 45°	42 mm x 225 mm
Minimum mål på emnet	Minsta mått för arbetsstycke	Työstettävän kappaleen vähimmäismitat	Minimum arbeidsstykke mål	Минимальный размер обрабатываемой детали	Minimalne wymiary przedmiotu obrabianego	215 mm x 35 mm x 2,5 mm
Målte værdier bestemmes i henhold til EN 62841 A-vægtet lydtryksniveau	Värden uppmätta enligt EN 62841 A-vägd ljudtrycksnivå	Mitatut arvot määritetty EN 62841 -standardin mukaan A-painotettu äänenpainetaso	Målte verdier i samsvar med EN 62841 A-vektet lydtryknivå	Измеренные значения определены в соответствии с EN 62841 Уровень A-взвешенного звукового давления	Zmierzone wartości określone wg EN 62841 A-ważony poziom ciśnienia hałasu	$L_{pa} = 90,69 \text{ dB(A)}$
Usikkerhed K	Osäkerhet K	Epätarkkuus K	Usikkerhet K	Погрешность K	Niepewność pomiaru K	3 dB(A)
Målte værdier bestemmes i henhold til EN 62841 A-vægtet lydeffektniveau	Värden uppmätta enligt EN 62841 A-vägd ljudeffektnivå	Mitatut arvot määritetty EN 62841 -standardin mukaan A-painotettu äänenteho	Målte verdier i samsvar med EN 62841 A-vektet lydeffektnivå	Измеренные значения определены в соответствии с EN 62841 Уровень A-взвешенной звуковой мощности	Zmierzone wartości określone wg EN 62841 A-ważony poziom mocy akustycznej	$L_{wa} = 101,69 \text{ dB(A)}$
Usikkerhed K	Osäkerhet K	Epätarkkuus K	Usikkerhet K	Погрешность K	Niepewność pomiaru K	3 dB(A)
Reserve dele	Reservdelar	Varaosat	Reservdelar	Запасные части	Części zamienne	
Savklinge	Sågblad	Sahanterä	Sagblad	Пильное полотно	Tarcza tnąca	089112001185
Snitplade	Platta för sågsnitt	Kerf-levy	Kantplate	Торцевая пластина	Wstawka stolowa	089856007163
Sekskantnøgle	Sekskantsnyckel	Kuusioavain	Sekskantnøkkel	Шестигранный гаечный ключ	Klucz do śrub sześciokątnych	08985600735
Støvpose	Dampåse	Pölypussi	Støvpose	Пылесборный мешок	Worek na pył	089856007172





Čeština	Magyar	Română	Latviski	Lietuviškai	Eesti
Technické údaje produktu	Termék műszaki adatai	Specificațiile produsului	Produkta specifikācijas	Gaminio techninės savybės	Toole tehnilised andmed
Pokosová pila	Gérvágó fűrész	Ferăstrău unghiular	Leņķzāģis	Skersinis pjūklas	Miisaag
Model	Típus	Model	Modelis	Modelis	Mudeli tähis
Čistá hmotnost	Nettó súly	Greutate netă	Svars neto	Neto svoris	Netomass
Průměr kotouče	Tárca átmérője	Diametru lamă	Asmens diametrs	Pjovimo disko skersmuo	Saeketta läbimõõt
Orvor hřidele	Tengelyfurat	Orificiu arbore	Vārpstas atvere	Ašies anga	Võlliava
Zub kotouče	Fűrészlap fogai	Dinte lamă	Asmens zobi	Geležėtis dantukų skaičius	Lõiketera hammas
Širka řezu	Vágás szélessége	Lățime a tăierii	Griezuma platums	Pjovimo plotis	Lõikelaius
Rychlost naprázdno	Úresjárati fordulatszám	Viteză fără sarcină	Tukšgaitas ātrums	Greitis be apkrovimo	Tühikäigukiirus
Vstup	Bemenet	Intrare	Ieeja	Ivestis	Vooluvõrk
Řezné parametry:	Vágási kapacitás:	Capacitate de tăiere:	Griešanas spēja:	Pjovimo galia:	Lõikevõimsus:
Zkosení 0° x úkos 0°	Gérvágás 0° x ferde síkú vágás 0°	Mitră 0° x înclinajie 0°	Slipums 0° X noliekums 0	[strizainė 0° x kampas 0°	Kaldenurk 0° x lāngnurk 0°
Zkosení 0° x úkos 45°	Gérvágás 0° x ferde síkú vágás 45°	Mitră 0° x înclinajie 45°	Slipums 0° X noliekums 45	[strizainė 0° x kampas 45°	Kaldenurk 0° x lāngnurk 45°
Zkosení 45° (L) x úkos 0°	Gérvágás 45°(B) x ferde síkú vágás 0°	Mitră 45° (L) x înclinajie 0°	Slipums 45° (pa kreisi) x noliekums 0	[strizainė 45°(K) x kampas 0°	Kaldenurk 45°(V) x lāngnurk 0°
Zkosení 45° (P) x úkos 0°	Gérvágás 45°(J) x ferde síkú vágás 0°	Mitră 45°(R) x înclinajie 0°	Slipums 45° (pa labi) x noliekums 0	[strizainė 45°(D) x kampas 0°	Kaldenurk 45°(P) x lāngnurk 0°
Zkosení 45° (L) x úkos 45°	Gérvágás 45°(B) x ferde síkú vágás 45°	Mitră 45° (L) x înclinajie 45°	Slipums 45° (pa kreisi) x noliekums 45	[strizainė 45°(K) x kampas 45°	Kaldenurk 45°(V) x lāngnurk 45°
Zkosení 45° (P) x úkos 45°	Gérvágás 45°(J) x ferde síkú vágás 45°	Mitră 45°(R) x înclinajie 45°	Slipums 45° (pa labi) x noliekums 45	[strizainė 45°(D) x kampas 45°	Kaldenurk 45°(P) x lāngnurk 45°
Minimální rozměry obrobku	Munkadarab minimális méretei	Dimensiunile minime ale piesei de prelucrat	Minimālie slīpējamā materiāla izmēri	Minimalūs ruošinio matmenys	Töödeldava detaili miinimum-mõõmed
Naměřené hodnoty zjištěné dle EN 62841 Hladina akustického tlaku vážená funkcí A	A mért értékek meghatározása az EN 62841 szerint történt A-súlyozott hangnyomásszint	Valori măsurate determinate în conformitate cu EN 62841 Nivel de presiune acustică ponderată A	Izmērtās vērtības saskaņā ar EN 62841 A-līmeņa skaņas spiediena līmenis	Išmatuotosis vertės nustatytos pagal EN 62841 A-svertinis garso galios lygis	Mõõleväärtused on kindlaks määratud vastavalt standardile EN 62841 A-kaalutud helirõhu tase
Nejistota K	Bizonytalanság K	Incertitudine K	NeNOTEIKTĪBA K	Nepastovumas K	Määramatus K
Naměřené hodnoty zjištěné dle EN 62841 Hladina akustického výkonu vážená funkcí A	A mért értékek meghatározása az EN 62841 szerint történt A-súlyozott hangteljesítményszint	Valori măsurate determinate în conformitate cu EN 62841 Nivel de putere acustică ponderată A	Izmērtās vērtības saskaņā ar EN 62841 A-līmeņa skaņas jaudas līmenis	Išmatuotosis vertės nustatytos pagal EN 62841 A-svertinis akustinis lygis	Mõõleväärtused on kindlaks määratud vastavalt standardile EN 62841 A-kaalutud helivõimsuse tase
Nejistota K	Bizonytalanság K	Incertitudine K	NeNOTEIKTĪBA K	Nepastovumas K	Määramatus K
Náhradní díly	Cserealkatrészek	Piese de schimb	Maņas detaļas	Atsarginės dalys	Varuosad
Pilový kotouč	Fűrészlap	Lama ferăstrăului	Zāģa asmens	Pjūklo geležtė	Saehrt
Deska řezu	Kőfűrészlap	Plăcuță cu făgaș	Asmens ierobežotāja plāksne	Plokštė su įjova	Lõikeplaat
Klíč pro šestihřanné šrouby a matice	Imbuszkulcs	Cheie hexagonală	Sešstūrveida uzgriežņu atslēga	Šešiakampis varžliaraktis	Kuuskanntvõti
Sáček pro prach	Porzsák	Sac pentru praf	Putekļu soma	Dulkų maišelis	Tolmukott





Hrvatski	Slovenščina	Slovenčina	България	українська мова	Türkçe	Ελληνικά	
Specifikacije proizvoda	Specifikacije izdelka	Špecifikácia	Спецификации на продукта	Технічні характеристики продукту	Ürün Özellikleri	Προδιαγραφές Προϊόντος	
Kutina pila	Zajeralna žaga	Rozbrusovačka	Трион за рязане под ъгъл	Торцювальна пила	Gönye testeresi	Κόπτης για φαλατογυμνός	
Model	Model	Model	Модел	Модель	Model	Μοντέλο	RMS18254X
Neto težina	Neto teža	Netto hmotnosť	Нетно тегло	Вага нетто	Net ağırlık	Καθαρό βάρος	14 kg
Promjer rezne ploče	Premer rezila	Priemer pilového kotúča	Диаметър на острието	Диаметр леза	Biçak çapı	Διάμετρος λεπίδας	254 mm
Otvor za vratilo	Izvirtna vretena	Otvor hriadeľa	Отвор на шпиндела	Отвір валу	Milî deliği	Οπή άξονα	30 mm
Zubi pile	Zobje rezila	Zúbky čepele	Зъби на острието	Зубці леза	Biçak dişleri	Δόντια λεπίδας	40
Širina reza	Širina rezanja	Šírka rezu	Ширина на рязане	Ширина різу	Kesim genişliği	Πλάτος κοπής	2,6 mm
Brzina bez opterećenja	Hitrost neobremenjenega motorja	Rýchlosť naprázdno	Скорост в ненатоварен режим	Швидкість без навантаження	Yüksüz hız	Ταύτητα στ κεν	4100 min ⁻¹
Ulaz	Vhody	Vstup	Вход	Вхідний	Giriş	Είσοδος ρεύματος	18V
Kapacitet rezanja:	Rezalna zmogljivost:	Rezná kapacita:	Капацитет на рязане:	Різальна спроможність	Kesme kapasitesi:	Δυνατότητα κοπής:	
Kosi rez 0° x kosina 0°	Zajeralni rez 0° x poševni rez 0°	Pokos 0° x úkos 0°	Скосяване 0° x наклон 0°	Кут 0° x сніс 0°	Gönye 0° x eğim 0°	Φάλτσο 0° x λοξοτομή 0°	89 mm x 320 mm
Kosi rez 0° x kosina 45°	Zajeralni rez 0° x poševni rez 45°	Pokos 0° x úkos 45°	Скосяване 0° x наклон 45°	Кут 0° x сніс 45°	Gönye 0° x eğim 45°	Φάλτσο 0° x λοξοτομή 45°	42 mm x 320 mm
Kosi rez 45°(L) x kosina 0°	Zajeralni rez 45°(L) x poševni rez 0°	Pokos 45°(L) x úkos 0°	Скосяване 45°(L) x наклон 0°	Кут 45°(Л) x сніс 0°	Gönye 45°(Sol) x eğim 0°	Φάλτσο 45°(αρ.) x λοξοτομή 0°	89 mm x 225 mm
Kosi rez 0°(D) x kosina 0°	Zajeralni rez 45°(R) x poševni rez 0°	Pokos 45°(R) x úkos 0°	Скосяване 45°(R) x наклон 0°	Кут 45°(П) x сніс 0°	Gönye 45°(Sag) x eğim 0°	Φάλτσο 45°(δεξ.) x λοξοτομή 0°	89 mm x 225 mm
Kosi rez 45°(L) x kosina 45°	Zajeralni rez 45°(L) x poševni rez 45°	Pokos 45°(L) x úkos 45°	Скосяване 45°(L) x наклон 45°	Кут 45°(Л) x сніс 45°	Gönye 45°(Sol) x eğim 45°	Φάλτσο 45°(αρ.) x λοξοτομή 45°	42 mm x 225 mm
Kosi rez 0°(D) x kosina 45°	Zajeralni rez 45°(R) x poševni rez 45°	Pokos 45°(R) x úkos 45°	Скосяване 45°(R) x наклон 45°	Кут 45°(П) x сніс 45°	Gönye 45°(Sag) x eğim 45°	Φάλτσο 45°(δεξ.) x λοξοτομή 45°	42 mm x 225 mm
Minimalne dimenzije obratka	Najmanjše dimenzije obdelovanja	Minimálne rozmery obrátky	Минимални размери на работния детайл	Мінімальні розміри заготовки	Minimum iş parçası boyutları	Ελάχιστες διαστάσεις τεμαχίου εργασίας	215 mm x 35 mm x 2,5 mm
Mjerene vrijednosti određene su prema EN 62841	Izmerjene vrednosti določene v skladu s standardom EN 62841	Namerané hodnoty určené podľa EN 62841	Измерени стойности, определени в съответствие с EN 62841	Вимірні значення відповідно до EN 62841	EN 62841 ile uyumlu olarak belirlenen ölçülen değerler	Οι υπολογισμένες τιμές καθορίστηκαν σύμφωνα με το EN 62841	L _{pk} = 90,69 dB(A)
Ponderirana razina tlaka zvuka	A-izmerjena raven zvočnega tlaka	Vážená A hladina akustického tlaku	Ниво на шумово налягане с равнище А	А-зважений рівень звукового тиску	A-ağırlıklı ses basınç seviyesi	Α-σταθμισμένο επίπεδο πίεσης ήχου	
Neodređenost K	Negotovost K	Neurčitost K	Променливост (K)	Невизначеність K	Belirsizlik K	Αβεβαιότητα K	3 dB(A)
Mjerene vrijednosti određene su prema EN 62841	Izmerjene vrednosti določene v skladu s standardom EN 62841	Namerané hodnoty určené podľa EN 62841	Измерени стойности, определени в съответствие с EN 62841	Вимірні значення відповідно до EN 62841	EN 62841 ile uyumlu olarak belirlenen ölçülen değerler	Οι υπολογισμένες τιμές καθορίστηκαν σύμφωνα με το EN 62841	L _{wk} = 101,69 dB(A)
Ponderirana razina zvučne snage	A-izmerjena raven zvočne moči	Vážená A hladina akustického výkonu	Ниво на силата на шума с равнище А	А-зважений рівень звукової потужності	A-ağırlıklı ses gücü seviyesi	Α-σταθμισμένο επίπεδο έντασης ήχου	
Neodređenost K	Negotovost K	Neurčitost K	Променливост (K)	Невизначеність K	Belirsizlik K	Αβεβαιότητα K	3 dB(A)
Zamjenski dijelovi	Vymeniteľné diely	Nadomestni deli	Резервни части	Запасні частини	Yedek parçalar	Ανταλλακτικά	
List pile	Rezilo žage	Čepel pily	Резещ диск	Різальний диск	Testere bıçağı	Λεπίδα κόπτη	089112001185
Ploča propiljika	Vrezovalna ploščica	Platňa na zárezy	Плоча с разрез	Планка розрізання	Kertme plakası	Πλάκα keef	089856007163
Ključ sa šestokrakutnom glavom	Šestbrojni ključ	Šesthranný kľúč	Ключ шестограм	Пальцева прокладка	Alligen anahtar	Εξογκωτικό κλειδί	08985600735
Vrećica za prašinu	Vrečka za prah	Vrecko na prach	Торба за прах	Мішок для пилу	Toz torbasi	Σακούλα σκόνης	089856007172





English	Français	Deutsch	Español	Italiano	Nederlands	Português	
Battery and charger	Batterie et chargeur	Akku und Ladegerät	Batería y cargador	Batteria e caricatore	Accu en lader	Bateria e carregador	
Compatible battery packs (not included)	Pack batterie compatible (non compris)	Kompatible Akkupacks (nicht im Lieferumfang enthalten)	Packs de Batería compatibles (no incluido)	Gruppo batterie compatibile (non incluso)	Compatibel accupack (niet inbegrepen)	Baterias compatíveis (não incluída)	RB18..
Compatible chargers (not included)	Chargeur compatible (non compris)	Kompatibles Ladegerät (nicht im Lieferumfang enthalten)	Cargador compatible (no incluido)	Caricatore compatibile (non incluso)	Compatibele oplader (niet inbegrepen)	Carregador compatível (não incluída)	BCL1418..H RC18..

Dansk	Svenska	Suomi	Norsk	Русский	Polski	Čeština	
Batteri og oplader	Batteri och laddare	Akku ja laturi	Batteri og lader	Батарея и зарядное устройство	Akumulator i ładowarka	Baterie a nabíječka	
Kompatibelt batteri (medfølger ikke)	Kompatibelt batteripack (inte inkluderat)	Yhteensopiva akku (ei mukana)	Kompatible batteripakker (ikke inkludert)	Совместимая аккумуляторная батарея (не входит в комплект поставки)	Pasujące akumulatory (nie dołączona)	Kompatibilní akumulátor (nepřibalen)	RB18..
Kompatibel oplader (medfølger ikke)	Passande laddare (inte inkluderat)	Yhteensopiva laturi (ei mukana)	Kompatibel lader (ikke inkludert)	Совместимое зарядное устройство (не входит в комплект поставки)	Odpowiednia ładowarka (nie dołączona)	Kompatibilní nabíječka (nepřibalen)	BCL1418..H RC18..



Magyar	Română	Latviski	Lietuviškai	Eesti	Hrvatski	
Akkumulátor és töltő	Baterie și încărcător	Akumulators un lādētājs	Baterija ir įkroviklis	Aku ja laadija	Baterija i punjač	
Kompatibilis akkumulátor (nem tartozék)	Acumulatori compatibili (neinclus)	Saderīgu akumulatoru komplekts (nav kompl.)	Suderinamas baterijos paketas (nepriedama)	Ühilduvad akupaketid (ei ole komplektis)	Kompatibilno pakiranje baterija (nije uključeno)	RB18..
Kompatibilis töltő (nem tartozék)	Încărcător compatibil (neinclus)	Saderīgs lādētājs (nav kompl.)	Tinkamas įkroviklis (nepriedama)	Kasutatav laadija (ei ole komplektis)	Kompatibilni punjač (nije uključeno)	BCL1418..H RC18..



Slovenščina	Slovenčina	България	Українська мова	Türkçe	Ελληνικά	
Baterija in polnilnik	Akumulátor a nabíjačka	Батерия и зарядно устройство	Акумулятор і зарядний пристрій	Batarya ve şarj aleti	Μπαταρία και φορτιστής	
Zdrüjlive baterije (ni priložen)	Kompatibilná jednotka akumulátorov (nie je súčasťou balenia)	Съвместима акумулаторна батерия (не е включена в комплекта)	Сумісний акумулятор (не входить в комплект)	Uyumlu pil takımı (dahil değildir)	Συμβατή μπαταρία (δεν περιλαμβάνεται)	RB18..
Zdrüjliv polnilec (ni priložen)	Kompatibilná nabíjačka (nie je súčasťou balenia)	Съвместимо зарядно устройство (Не е включено)	Сумісний зарядний пристрій (не входить в комплект)	Uyumlu şarj cihazı (dahil değildir)	Συμβατος φορτιστης (δεν περιλαμβάνεται)	BCL1418..H RC18..



EN**⚠ WARNING**

The declared noise emission value(s) have been measured in accordance with a standard test method, and may be used for comparing one tool with another. The declared noise value(s) may also be used in a preliminary assessment of exposure.

The noise emissions during actual use of the power tool can differ from the declared values depending on the ways in which the tool is used especially what kind of workpiece is processed.

Identify safety measures to protect the operator based on an estimation of exposure in the actual conditions of use (taking account of all parts of the operating cycle such as the times when the tool is switched off and when it is running idle in addition to the trigger time).

Wear hearing protection. Exposure to noise can cause hearing loss.

FR**⚠ AVERTISSEMENT**

Les valeurs d'émission sonore déclarées ont été mesurées en suivant la procédure de test standard des normes et peuvent être utilisées pour comparer les différents outils.

Les valeurs d'émission sonore déclarées peuvent aussi servir à une évaluation préliminaire d'exposition au bruit.

Les émissions sonores lors de l'utilisation d'un outil électrique peuvent être différentes des valeurs déclarées en fonction de la méthode d'utilisation de l'outil, surtout selon le type de la pièce qui est traitée.

Identifiez les mesures de sécurité pour protéger l'opérateur en fonction de l'estimation de l'exposition dans les conditions d'utilisation réelles (en tenant compte de toutes les phases du cycle de fonctionnement, notamment les périodes pendant lesquelles l'outil est éteint et celles où il fonctionne au ralenti, en plus du temps de déclenchement).

Portez des protections auditives. L'influence du bruit peut provoquer la surdité.

DE**⚠ WARNUNG**

Die ausgewiesenen Geräuschemissionswerte wurden gemäß einer Standardtestmethode gemessen und können zum Vergleichen von Werkzeugen verwendet werden.

Die ausgewiesenen Geräuschemissionswerte können auch für die Erstbewertung der Emission verwendet werden.

Geräuschemissionen während des Betriebs des Elektrowerkzeugs können sich, abhängig von der Verwendung des Werkzeugs und insbesondere des Werkstücks, von den ausgewiesenen Werten unterscheiden.

Legen Sie die Sicherheitsmaßnahmen fest, die den Bediener basierend auf einer Schätzung der Belastung unter tatsächlichen Einsatzbedingungen schützen (unter Berücksichtigung aller Phasen des Betriebszyklus, beispielsweise die Zeiten, wenn das Werkzeug aus- und eingeschaltet ist und sich zusätzlich zur Startzeit im Leerlauf befindet).

Tragen Sie einen Gehörschutz. Die Einwirkung von Lärm kann Gehörverlust bewirken.

ES**⚠ ADVERTENCIA**

Los valores de emisiones de ruido declarados se han medido conforme a un método de prueba estándar y se pueden usar para comparar una herramienta con otra.

Los valores de ruido declarados se pueden usar en una evaluación de exposición preliminar.

Las emisiones de ruido durante el uso actual de la herramienta eléctrica pueden diferir de los valores declarados en función de las maneras en las que se usa la herramienta, especialmente el tipo de pieza de trabajo que se esté procesando.

Identificar las medidas de seguridad para proteger al operario en función del cálculo de exposición en las condiciones actuales de uso (teniendo en cuenta todas las piezas del ciclo operativo como las veces que se apaga la herramienta y cuando funciona al ralentí además del tiempo del gatillo).

¡Utilice protecciones auditivas. La exposición a niveles de ruido excesivos puede causar pérdida de audición.

IT**⚠ AVVERTENZE**

I valori di emissione sonora dichiarati che sono stati misurati in base a un metodo di prova standardizzato e possono essere utilizzati per confrontare uno strumento con un altro.

I valori sonori dichiarati possono inoltre essere utilizzati in una valutazione preliminare dell'esposizione.

Le emissioni sonore durante l'uso effettivo dell'elettrostrumento possono differire dai valori dichiarati a seconda delle modalità in cui lo strumento è utilizzato, soprattutto in base al tipo di pezzo trattato.

Identificare le misure di sicurezza per proteggere l'operatore in base alla valutazione dell'esposizione nelle attuali condizioni d'uso (tenendo conto di tutte

le parti del ciclo operativo come il numero di volte in cui lo strumento viene spento e quando gira al minimo, oltre al tempo di attivazione).

Indossare una protezione dell'udito. L'esposizione prolungata al rumore senza protezione può causare danni all'udito.

NL**⚠ WAARSCHUWING**

De opgegeven geluidsemissiewaarde(n) is (zijn) gemeten volgens een standaard testmethode en kan (kunnen) gebruikt worden om het ene werktuig met het andere te vergelijken.

De opgegeven geluidswaarde(n) kan (kunnen) ook worden gebruikt bij een voorafgaande beoordeling van de blootstelling.

De geluidsemissie tijdens het feitelijke gebruik van het elektrische gereedschap kan afwijken van de opgegeven waarden, afhankelijk van de manier waarop het gereedschap wordt gebruikt, in het bijzonder welk werkstuk wordt ingezet.

Identificeer veiligheidsmaatregelen om de bediener te beschermen op basis van een schatting van de blootstelling in de werkelijke gebruiksomstandigheden (rekening houdend met alle onderdelen van de werkingscyclus, zoals de tijden waarop het apparaat wordt uitgeschakeld en wanneer het naast de activeringstijd stationair draait).

Draag gehoorbescherming. Blootstelling aan geluid kan het gehoor beschadigen.

PT**⚠ AVISO**

Os valores da emissão de ruído declarados foram medidos de acordo com um método de teste padrão das normas e poderão ser utilizados para comparar uma ferramenta com outra.

Os valores de ruído declarados também poderão ser utilizados numa avaliação da exposição preliminar.

As emissões de ruído durante a utilização real da ferramenta elétrica podem ser diferentes dos valores declarados, dependendo das formas como a ferramenta é utilizada e, particularmente, que tipo de peça de trabalho é processada.

Identifique medidas de segurança para proteger o operador com base numa estimativa da exposição nas condições de utilização reais (considerando todas as partes do ciclo de operação, tal como os períodos em que a ferramenta está desligada e quando está a funcionar ao ralenti, bem como o tempo de acionamento do gatilho).

Use proteção auditiva. A influência de ruídos pode causar surdez.

DA**⚠ ADVARSEL**

De angivne støjemissionsværdier er målt i overensstemmelse med en standardtestmetode og kan bruges til at sammenligne et værktøj med et andet.

De angivne støjværdier kan også anvendes i en foreløbig vurdering af eksponeringen.

Støjniveauet under selve brugen af elværktøjet kan afvige fra de deklarerede værdier afhængigt af, hvordan værktøjet bruges, især hvad slags emne behandles. Identifier sikkerhedsforanstaltninger for at beskytte operatøren ud fra et estimat af eksponering under de aktuelle anvendelsesbetingelser (under hensyntagen til alle dele af driftcyklussen, som f.eks. de tider, hvor værktøjet er slukket, og når det kører tomgang ud over udløserens tid).

Brug høreværn. Støjpåvirkning kan berive tab af hørelse.

SV**⚠ WARNING**

Angivna brusnivåer har mätts i enlighet med en standardmetod, och kan användas för att jämföra ett verktyg med ett annat.

De angivna brusnivåerna kan även användas i en preliminär exponeringsbedömning. Brusnivåerna vid verklig användning av elverktyget kan skilja sig från de angivna värdena beroende på vilket sätt verktyget används på, särskilt när det kommer till vilken typ av arbetsstycke som bearbetas.

Identifiera säkerhetsåtgärder för att skydda operatören baserat på en uppskattad exponering under verkliga användningsförhållanden (med betraktande av alla delar av driftcykeln såsom när verktyget stängs av och när det körs i tomgångsläge, förutom utlösningstiden).

Använd hörselskydd. Bullerbelastning kan orsaka hörselskador.

FI**⚠ VAROITUS**

Ilmoitetut melutasot on mitattu vakiotestimenetelmän mukaisesti, ja niitä voidaan käyttää työkalujen vertailussa.

Ilmoitettuja melutasoja voidaan käyttää myös altistumisen ennakkoarvioinnissa. Sähkötyökalun käyttöä aikaisest todelliset melutasot voivat poiketa ilmoitetuista arvoista riippuen siitä, miten työkalua käytetään ja erityisesti siitä, minkä tyyppisiä työkaluja käytetään.

Tunnista turvakeinot, joiden avulla työntekijää suojataan, todellisten käyttöolosuhteiden altistusarvion perusteella (ota huomioon käyttöjakson kaikki

osut, kuten ajat, joina työkalu on pois päältä ja milloin se on joutokäynnissä laukaisujan lisäksi).

Käytä kuulosuojaimia. Altistuminen melulle voi vahingoittaa kuuloa.

NO



ADVARSEL

De erklærte utslippsverdiene er blitt målt i samsvar med en standardisert testmetode og kan brukes til å sammenligne et verktøy med et annet.

De erklærte støyverdiene kan også brukes i en preliminær eksponeringsvurdering. Støyutslippene under faktisk bruk av det elektriske verktøyet kan skille seg fra de erklærte verdiene avhengig av måten verktøyet brukes på, spesielt i henhold til hvilke materiale som behandles.

Identifiser sikkerhetstiltak for å beskytte operatoren basert på en beregning av eksponering i de faktiske bruksforholdene (ta i vurdering alle deler i driftsyklusen, slik som tidene da verktøyet er avslått og når det kjører i tomgang i tillegg til utslagsstiden).

Bruk hørselsvern. Støy kan føre til tap av hørselen.

RU



ОСТОРОЖНО

Заявленние уровни шумового воздействия получены с использованием метода тестирования и могут применяться для сравнения инструментов.

Заявленные уровни шума также могут применяться в ходе предварительной оценки общего воздействия.

Фактическая шумность работающего электронного инструмента может отличаться от заявленных значений в зависимости от условий использования, в частности от обрабатываемого материала.

Меры безопасности оператора должны определяться с учетом примерного воздействия в фактических условиях эксплуатации (принимая во внимание все этапы рабочего цикла, например, периоды отключения инструмента и работы на холостом ходу).

Используйте средства защиты органов слуха. Воздействие шума может привести к потере слуха.

PL



OSTRZEŻENIE

Deklarowany(-e) poziom(y) emisji hałasu został(y) zmierzony(-e) zgodnie ze znormalizowaną metodą badania i może(-ją) być wykorzystywany(-e) do porównywania poszczególnych narzędzi.

Deklarowany(-e) poziom(y) hałasu można również wykorzystywać do wstępnej oceny narażenia.

Emisja hałasu podczas rzeczywistego użytkowania narzędzia z napędem może różnić się od deklarowanych wartości w zależności od sposobu jego użytkowania, a w szczególności w zależności od rodzaju obrabianego przedmiotu.

Należy zidentyfikować środki bezpieczeństwa w celu ochrony operatora w oparciu o szacunkową ocenę narażenia w rzeczywistych warunkach użytkowania (z uwzględnieniem wszystkich etapów cyklu operacyjnego, takich jak włączanie, przestój przy włączonym silniku czy rozruch).

Nosić ochronę słuchu. Narażenie na hałas może spowodować utratę słuchu.

CS



VAROVÁNÍ

Udávané hodnoty akustické hladiny hluku byly změněny s využitím standardních zkušebních metod a lze je použít k porovnání hlučnosti různého nářadí.

Udávané hodnoty hlučnosti lze také využít k předběžnému vyhodnocení účinků na osoby.

Skutečná hlučnost se může od udávaných hodnot lišit v závislosti na způsobu používání nářadí, obzvláště na druhu obrobku.

Určete bezpečnostní opatření na ochranu obsluhy na základě odhadnutého účinku za podmínek konkrétního používání (při zohlednění všech součástí provozního cyklu, například kromě obrábění také když je nářadí vypnuto nebo běží na volnoběh).

Používejte ochranu sluchu. Působením hluku může dojít k poškození sluchu.

HU



FIGYELMEZTETÉS

A közölt zajkibocsátási érték(ek)et szabványos vizsgálati módszerrel mérték, és ez(ek) felhasználható(k) az egyik szerszám másikkal való összehasonlításához.

A közölt zajszintérték(ek) alapján előzetesen felmérhető a kitettség mértéke.

A szerszám tényleges használati során kibocsátott zajszint a szerszám használati módjától, különösen a feldolgozott munkadarabtól függően eltérhet.

A tényleges használati körülmények miatti kitettségi szint alapján állapítsa meg a kezelő védelméhez szükséges biztonsági intézkedéseket (vegye figyelembe a működési ciklus összes részét, pl. a szerszám kikapcsolási és újrásratási idejét, valamint az indítási időt).

Viseljen hallásvédelmet. A fokozott zajhatás hosszú távon a hallás elvesztését eredményezheti.

RO



AVERTISMENT

Valoarea declarată a emisiilor de zgomot a fost măsurată în conformitate cu o metodă de testare standard și poate fi utilizată pentru compararea uneltelor.

Valoarea de zgomot declarată poate fi utilizată și pentru evaluarea preliminară a expunerii.

Emisiile de zgomot în timpul utilizării efective a unelei electrice pot fi diferite față de valorile declarate în funcție de modul în care este utilizată uneala și în special de tipul de piesă prelucrată.

Identificați măsurile de siguranță pentru protecția operatorului, pe baza unei estimări a expunerii în condițiile reale de lucru (având în vedere toate părțile ciclului de funcționare, precum perioadele când uneala este oprită și când funcționează la ralanti, plus perioada de activare).

Purtați protecție pentru urechi. Expunerea la zgomot poate produce pierderea auzului.

LV



BRĪDINĀJUMS

Deklarētais radīto trokšņu līmeņa vērtība(s) ir mērīta saskaņā ar standartā testa metodēm, kas var tikt izmantotas viena instrumenta salīdzināšanai ar citu.

Deklarētās trokšņu vērtība(s) var tikt izmantotas arī sākotnējai ietekmes novērtēšanai.

Trokšņu līmeņi faktiskās elektroinstrumenta lietošanas laikā var atšķirties no deklarētās vērtības, atkarībā no veida, kādā instruments tiek izmantots, un it sevišķi, kāds materiāls tiek apstrādāts.

Nosakiet drošības pasākumus, lai aizsargātu lietotāju, pamatojoties uz ietekmes aplēsi faktiskajos apstākļos (ņemot vērā visas darba cikla daļas, piemēram laiku, kad instruments ir izslēgts un kad tas darbojas tukšgājā papildu izmantošanas laikā).

Valkājiet dzirdes aizsarglīdzekļus. Ausu pakļaušana trokšņam iedarbībai var izraisīt dzirdes traucējumus.

LT



ĮSPĖJIMAS

Deklaruotoji keliamo triukšmo vertė(-ės) nustatyta(-os) atsižvelgiant į standartinį bandymo metodą, todėl ją(jas) galima palyginti su kitų elektrinių įrankių keliamu triukšmu.

Deklaruota keliamo triukšmo vertė(-ės) taip pat gali būti naudojama(-os) preliminariam triukšmo poveikiui įvertinti.

Faktiškai naudojant elektrinį įrankį, keliamo triukšmo lygis gali skirtis nuo paskelbtosios vertės, priklausomai nuo būdų, kuriais yra naudojamas šis įrankis, ir ypač nuo to, koks ruošinys yra apdirbamas.

Siekiant apsaugoti naudotoją, būtina įvertinti kaitos saugos priemones, remdamiesi triukšmo poveikiu įvertinimu esant faktinėms naudojimo sąlygoms (atsižvelgiant į visas darbo ciklo dalis, pavyzdžiui, ne tik kiek laiko įrankis veikia, bet ir kiek kartų jis yra išjungiamas bei kai jis veikia be aprovų).

Naudokite klausos apsaugos priemones. Jei ausų neapsaugosite, galite prarasti klausą.

ET



HOIATUS

Deklarēeritud mērataseme vārtust(ed) on mōdetud vastavalt standardtesti meetodile ja seda saab kasutada tōõristade vōrdlemiseks.

Deklarēeritud mērataseme vārtust (vārtusteisu) saab kasutada ka kokkupuute eelhinnauguks.

Elektritōõrista kasutamisega kaasnev mēratase vōib erineda deklarēeritud vārtustest, sōltuvalt tōõrista kasutamise viisist, eriti sellest, millist tooritkut tōõdeldaks.

Tehke kindlaks ohutusmeetmed, et kaitsa operaatorit vastavalt tegelike kasutustingimuste hinnaugule (vōttes arvesse kōiki tōõtsukli osasid, nāiteks tōõrista vāljalulitamise aegu ja vabakāigul tōõtamise aega lisaks kāivitamise ajale).

Kandke kuuldekaitset. Tugev mēra vōib pōhjustada kuulmiskaotuse.

HR



UPOZORENJE

Deklarirane vrijednosti emisije buke izmjerene su u skladu sa standardnom isplnom metodom i mogu se koristiti za usporedbu jednog alata s drugim.

Deklarirana vrijednost buke može se koristiti i za preliminarnu procjenu izlaganja.

Emisije buke tijekom trenutnog korištenja električnog alata mogu se razlikovati od deklariranih vrijednosti ovisno o načinima korištenja alata, osobito o vrsti obrade radnog komada.

Utvrđite sigurnosne mjere za zaštitu rukovatelja na temelju procjene izlaganja u sadašnjim uvjetima korištenja (vodeti računa o svim dijelovima radnog ciklusa kao što su vremena isključivanja alata i kada alat radi u praznom hoduz vrijeme odijanja).

Nosite zaštitu za sluh. Izlaganje buci može izazvati gubitak sluha.

**SL****OPOZORILO**

Navedene vrednosti oddajanja hrupa so bile izmerjene v skladu s standardno testno metodo in se lahko uporabljajo za medsebojno primerjavo orodij. Navedene vrednosti oddajanja hrupa ase lahko uporabijo tudi za predhodno oceno izpostavljenosti.

Emisije hrupa med dejansko uporabo električnega orodja so lahko drugačne od navedenih vrednosti, kar je odvisno od načinov uporabe orodja in predvsem vrste obdelovanca.

Varnostne ukrepe za zaščito operaterja ugotovite na podlagi ocene izpostavljenosti v dejanskih pogojih uporabe (pri čemer upoštevajte vse dele cikla uporabe, to je čas dejanske uporabe in tudi čas, v katerem je orodje izklopljeno in ko teče v prostem teku).

Uporabljajte zaščito sluha. Izpostavljenost hrupu lahko povzroči izgubo sluha.

SK**VAROVANIE**

Udávane hodnoty emisii hluku boli namerané v súlade so štandardným spôsobom testovania a môžu sa používať na porovnávanie jednotlivých nástrojov.

Udávane hodnoty hluku sa môžu tiež používať na predbežné posúdenie expozície.

Emisie hluku počas skutočného používania elektrického náradia sa môžu od udávaných hodnôt líšiť v závislosti od spôsobov používania náradia, hlavne od opracovaného obrobku.

Identifikujte bezpečnostné opatrenia s cieľom chrániť obsluhu na základe približného stanovenia expozície v aktuálnych podmienkach používania (pri zohľadnení všetkých súčastí prevádzkového cyklu; okrem času spustenia zohľadnite aj časy vypnutia náradia a jeho spustenia na volnobehu).

Používajte ochranu sluchu. Vystavovanie hluku môže spôsobiť stratu sluchu.

BG**ВНИМАНИЕ**

Посочените стойности на шумовите емисии са измерени по стандартен тестов метод и могат да се използват за сравняване на един инструмент с друг.

Посочените стойности на шума могат да се използват също така и при предварителна оценка на излагането.

Шумовите емисии по време на действителната употреба на електрически инструменти може да се различават от посочени стойности в зависимост от начините, по които се използва инструментът, и по-специално от вида на обработвания детайл.

Идентифициране на мерките за безопасност за защита на оператора въз основа на излагането в действителните условия на употреба (като се вземат предвид всички части на работния цикъл, като напр. времето, през което инструментът е изключен и когато работи на празен ход в допълнение към времето на работа).

Носете антифони. Излагането на шум може да причини увреждане на слуха.

UK**ПОПЕРЕДЖЕННЯ**

Заявлені значення випромінювання шуму було виміряно у відповідності зі стандартним методом випробування та можуть бути використані для порівняння одного інструменту з іншим.

Заявлені значення шуму також можуть бути використані при попередній оцінці впливу.

Викиди шуму при фактичному використанні електроінструменту можуть відрізнятись від заявлених значень залежно від способів використання інструменту, особливо того, який вид оброблюваної деталі обробляється.

Визначити заходи безпеки для захисту оператора на основі оцінки впливу в реальних умовах використання (з урахуванням всіх частин робочого циклу, таких як час, коли інструмент вимикається і коли він працює на холостому ході на додаток до часу вмикання).

Носіть захист слуху. Вплив шуму може призвести до втрати слуху.

TR**UYARI**

Açıklanan gürültü emisyon değeri/değerleri uyumlu standart test yöntemleriyle ölçülmüş olup, bir aleti diğeriyle karşılaştırmak için kullanılabilir.

Açıklanan gürültü değeri/değerleri maruz kalma ön değerlendirmesi için de kullanılabilir.

Aletin kullanıma yöntemleri ve özellikle işlenen parçanın türüne bağlı olarak, elektrikli aletin fiili kullanım sırasındaki gürültü emisyonları açıklanan değerlere göre farklılık gösterebilir.

Operatörü korumak için, işletme döngüsünün bütün safhalarını (çalışma süresine ilave olarak aletin çalıştırılmadığı ve boşta çalıştığı süreler de dahil) göz önünde bulundurarak fiili kullanım koşullarındaki maruz kalma tahminini temel alıp gerekli güvenlik önlemlerini belirleyin.

Kulak tıkacı kullanın. Gürültüye maruz kalmak işitme kaybına neden olabilir.

EL**ΠΡΟΕΙΔΟΠΟΙΗΣΗ**

H(O₁) δηλωθείσα(-ες) τιμή(-ές) εκπομπής θορύβου έχει(-ουν) μετρηθεί σύμφωνα με μια τυπική μέθοδο δοκιμών και μπορεί(-ούν) να χρησιμοποιηθεί(-ούν) για τη σύγκριση ενός εργαλείου με ένα άλλο.

Οι δηλωθείσες τιμές εκπομπής θορύβου μπορεί επίσης να χρησιμοποιηθούν σε προκαταρκτική εκτίμηση έκθεσης.

Οι εκπομπές θορύβου κατά τη διάρκεια της πραγματικής χρήσης του ηλεκτρικού εργαλείου μπορεί να διαφέρουν από τις δηλωθείσες τιμές ανάλογα με τους τρόπους με τους οποίους χρησιμοποιείται το εργαλείο, και ιδίως το είδος του κατεργαζόμενου τεμαχίου.

Προσδιορίστε τα μέτρα ασφαλείας για την προστασία του χειριστή με βάση την εκτίμηση της έκθεσης στις πραγματικές συνθήκες χρήσης (λαμβάνοντας υπόψη όλα τα μέρη του κύκλου λειτουργίας, όπως είναι οι χρόνοι κατά τις οποίες το εργαλείο είναι απενεργοποιημένο και όταν βρίσκεται σε αδρανή κατάσταση επιπροσθέτως του χρόνου πυροδότησης).

Φοράτε προστατευτικά ακοής. Η επίδραση θορύβου μπορεί να προκαλέσει απώλεια ακοής.



EN RYOBI WARRANTY APPLICATION CONDITIONS

In addition to any statutory rights resulting from the purchase, this product is covered by a warranty as stated below.

1. The warranty period is 24 months for consumers and commences on the date the product was purchased. This date has to be documented by an invoice or other proof of purchase. The product is designed and dedicated to consumer and private use only. So there is no warranty provided in case of professional or commercial use. This warranty applies only on new products.
2. There is a possibility to extend for a part of the range of power tools (AC/DC) the warranty period over the period described above using the registration on the www.ryobitools.eu website. The eligibility of products for extended warranty is clearly displayed in stores and / or on packaging and is contained within the product documentation. The end user is required to register his/her newly-acquired products online within 30 days from the date of purchase. The end user may register for the extended warranty in his/her country of residence if listed on the online registration form where this option is valid. Furthermore, end users must give their consent to the storage of their personal data that is required to be entered online. They must also accept the terms and conditions. The registration confirmation receipt, which is sent out by e-mail, and the original invoice showing the date of purchase will serve as proof of the extended warranty.
3. The warranty covers all defects of the product during the warranty period due to faults in workmanship or material at the purchase date. The warranty is limited to repair and/or replacement and does not include any other obligations including but not limited to incidental or consequential damages. The warranty is not valid if the product has been misused, used contrary to the instruction manual, or has been incorrectly connected to a power supply. This warranty does not apply to:
 - any damage to the product that is the result of improper or lack of maintenance
 - any product that has been altered or modified
 - any product where original identification (trade mark, serial number) markings have been defaced, altered or removed
 - any damage caused by non-observance of the instruction manual
 - any product not displaying the CE approval mark on the rating plate
 - any product that has been attempted to be repaired by a non-authorized warranty service centre or without prior authorisation by Techtronic Industries
 - any product connected to improper power supply (amps, voltage, frequency)
 - any damage caused by external influences (water, chemical, physical, shocks) or foreign substances
 - normal wear and tear spare parts
 - inappropriate use, overloading of the tool
 - use of non-approved accessories or parts
 - Power tool accessories provided with the tool or purchased separately, including but not limited to screw driver bits, drill bits, abrasive discs, sand paper and blades, lateral guide, etc.
 - Components (parts and accessories) subject to natural wear and tear, including but not limited to service & maintenance kits, carbon brushes, bearings, chuck, SDS drill bit attachment or reception, power cord, auxiliary handle, transport carry case, sanding plate, dust bag, dust exhaust tube, felt washers, impact wrench pins & springs, etc.
4. For servicing, the product must be sent or presented to a RYOBI authorised service station listed for each country in the following list of service station addresses. In some countries your local RYOBI dealer undertakes to send the product to the RYOBI service organisation. When sending a product to a RYOBI service station, the product should be safely packed without any dangerous contents such as petrol, marked with sender's address and accompanied by a short description of the fault.
5. A repair / replacement under this warranty is free of charge. It does not constitute an extension or a new start of the warranty period. Exchanged parts or products become our property. In some countries delivery charges or postage will have to be paid by the sender. Your statutory rights arising from the purchase of the product remain unaffected.
6. This warranty is valid in the European Community, Switzerland, Iceland, Norway, Liechtenstein, Turkey, Russia, and the United Kingdom. Outside these areas, please contact your authorised RYOBI dealer to determine if another warranty applies.

AUTHORISED SERVICE CENTRE

Any request or issue with the product can be addressed to your local authorised service centres (visit www.ryobitools.eu) or directly to: Techtronic Industries GmbH, Max Eyth Straße 10, 71364 Winnenden, Germany. Please state the serial number and product type printed on the label.

FR RYOBI CONDITIONS D'APPLICATION DE LA GARANTIE

En plus des droits statutaires liés à l'achat, ce produit est couvert par une garantie telle que décrite ci-dessous.

1. La durée de la garantie accordée au consommateur est de 24 mois à partir de la date d'achat. Cette date doit être authentifiée par une facture ou toute autre preuve d'achat. Le produit a été conçu en vue d'une utilisation strictement privée. Aucune garantie ne s'applique donc en cas d'utilisation professionnelle ou commerciale.
2. Il existe pour une partie de la gamme d'outils électroportatifs (AC/DC), une possibilité d'étendre la période de garantie au-delà de la période précédemment décrite en utilisant le formulaire d'enregistrement présent sur le site Internet www.ryobitools.eu. L'éligibilité d'un outil est clairement affichée dans les points de vente et/ou sur l'emballage et la documentation. L'utilisateur final doit enregistrer son/ses outil(s) nouvellement acheté(s) en ligne dans les 30 jours qui suivent la date d'achat. L'utilisateur a la possibilité de s'enregistrer pour l'extension de garantie dans son pays de résidence si celui-ci est listé dans le formulaire d'enregistrement en ligne où cette option est valide. L'utilisateur final doit donner son consentement pour l'enregistrement des données requises pour accéder au site et doit accepter les termes et conditions. La confirmation d'enregistrement, envoyée par courrier électronique, ainsi que la facture originale mentionnant la date d'achat serviront de preuve de l'extension de garantie.
3. La garantie couvre pendant la période de garantie les défauts des produits liés à la fabrication et aux matériaux à la date d'achat. La garantie est limitée à la réparation et/ou au remplacement et n'inclut aucune autre obligation, tel que, mais sans s'y limiter, les dommages accessoires ou indirects. La garantie est non valable en cas de mauvaise utilisation du produit, d'utilisation contraire aux instructions du mode d'emploi, ou en cas de branchement incorrect. Cette garantie ne s'applique pas pour :
 - tout dommage au produit résultant d'un mauvais entretien
 - tout produit ayant été altéré ou modifié
 - tout produit dont les marquages originaux d'identification (marque, numéro de série) ont été dégradés, altérés ou retirés
 - tout dommage causé par le non-respect des instructions du mode d'emploi
 - tout produit non CE
 - tout produit ayant subi une tentative de réparation par du personnel non qualifié ou sans autorisation préalable de Techtronic Industries
 - tout produit raccordé à une alimentation secteur non conforme (ampérage, voltage, fréquence)
 - tout dommage causé par des influences extérieures (chimiques, physiques, chocs) ou par des substances étrangères
 - l'usure normale des pièces consommables
 - une utilisation inappropriée, une surcharge de l'outil
 - l'utilisation de pièces ou accessoires non agréés
 - accessoires de l'outil électrique fournis avec l'outil ou achetés séparément. Cela comprend notamment les embouts de vissage, les forets de perçuse, les disques abrasifs, le papier de verre et les lames, le guide latéral
 - Les composants (pièces et accessoires) sujets à l'usure naturelle, ceci incluant notamment les mandrins, les charbons, adaptateurs SDS, les cordons d'alimentation, les poignées auxiliaires, les mallettes de transport, les plateaux de ponçage, les sacs collecteurs de poussière, les tubes d'extraction de poussière, les carrés de clé à choc, etc.
4. Si le produit doit être réparé, envoyez-le à un service après-vente agréé RYOBI dont vous trouverez ci-dessous la liste pour chaque pays. Dans certains pays, votre revendeur RYOBI se chargera d'envoyer le produit à un centre de réparation RYOBI. Lorsque vous envoyez un produit à un service après-vente RYOBI, celui-ci doit être correctement emballé, sans contenir aucun produit dangereux tel que de l'essence, et vous devez indiquer votre adresse ainsi qu'une courte description du problème.
5. Une réparation / un remplacement sous garantie est gratuit(e). Ceci ne constituera pas une extension de garantie ni un nouveau départ de la période de garantie. Les pièces ou les outils remplacés deviennent notre propriété. Dans certains pays, les frais de port devront être assumés par l'expéditeur. Vos droits statutaires restent inchangés.
6. Cette garantie est valable dans la Communauté européenne, la Suisse, l'Islande, la Norvège, le Liechtenstein, la Turquie, la Russie et le Royaume-Uni. En dehors de ces zones, veuillez contacter votre distributeur agréé RYOBI pour déterminer si une autre garantie s'applique.

CENTRE DE SERVICE AGRÉÉ

Toute demande ou tout problème concernant le produit peut être transmis à votre centre de service agréé local (consultez www.ryobitools.eu) ou directement à : Techtronic Industries GmbH, Max Eyth Straße 10, 71364 Winnenden, Allemagne. Veuillez mentionner le numéro de série et le type de produit imprimés sur l'étiquette.

DE RYOBI GARANTIEBEDINGUNGEN

Zusätzlich zu den gesetzlichen Rechten aus dem Kauf gilt für dieses Produkt die nachstehend aufgeführte Garantie.

- Der Garantiezeitraum beträgt für Verbraucher 24 Monate und beginnt mit dem Datum des Kaufs. Dieses Datum muss durch eine Rechnung oder einen anderen Kaufbeleg dokumentiert werden. Dieses Produkt wurde ausschließlich zur privaten Nutzung durch Verbraucher entwickelt. Für den Fall einer professionellen bzw. kommerziellen Nutzung besteht daher keine Garantie.
- Es besteht die Möglichkeit, für einen Teil des Sortiments der Elektrogeräte (AC/DC) den Garantiezeitraum über den oben genannten Zeitraum hinaus zu verlängern, indem der Verbraucher die Registrierung auf der Website www.ryobitools.eu durchführt. Die Berechtigung der Werkzeuge für die Garantieverlängerung ist deutlich im Geschäft und/oder auf der Verpackung beschrieben und in der Produktdokumentation erwähnt. Der Verbraucher muss das neu erworbene Gerät online innerhalb von 30 Tagen ab dem Kaufdatum registrieren. Der Verbraucher kann das Gerät zwecks Garantieverlängerung in seinem Wohnsitzland/Heimatland registrieren, wenn dieses Land auf dem Online-Registrierungsformular aufgeführt und die Option gültig ist. Darüber hinaus muss der Verbraucher seine Zustimmung zur Speicherung der Daten geben, die online eingegeben werden müssen, und er muss die allgemeinen Geschäftsbedingungen akzeptieren. Die Bestätigung der Registrierung, die per E-Mail versandt wird, und die Originalrechnung mit dem Kaufdatum gelten als Beleg für die Garantieverlängerung.
- Die Garantie deckt alle Defekte des Geräts während des Garantiezeitraums ab, die auf zum Zeitpunkt des Kaufs bestehende Verarbeitungs- oder Materialfehler zurückzuführen sind. Die Garantie beschränkt sich auf Reparatur und/oder Ersatz und beinhaltet keine anderen Verpflichtungen, insbesondere keinen Schadenersatz für Folge- oder Nebenschäden. Die Garantie gilt nicht, wenn das Gerät fehlerhaft eingesetzt wurde, gegensätzlich zur Bedienungsanleitung eingesetzt wurde oder falsch angeschlossen wurde. Die Garantie gilt nicht für Folgendes:
 - Schäden am Gerät, die auf unkorrekte Wartung zurückzuführen sind
 - Geräte, an denen Veränderungen vorgenommen wurden
 - Produkte, bei denen die ursprüngliche Identifizierung (Handelsmarke, Seriennummer) unleserlich gemacht, verändert oder entfernt wurde
 - Schäden durch Nichtbeachtung der Bedienungsanleitung
 - nicht-CE-zertifizierte Geräte
 - Geräte, an denen durch nicht-qualifizierte Personen oder ohne vorherige Genehmigung von Technonic Industries Reparaturversuche vorgenommen wurden
 - Geräte, die an unkorrekte Energiequellen (Ampere, Volt, Frequenz) angeschlossen wurden
 - Schäden durch äußere Einflüsse (chemisch, physisch, Stöße) oder Fremdstoffe
 - normaler Verschleiß von Ersatzteilen
 - unangemessene Nutzung, Überlastung des Geräts
 - Nutzung nicht genehmigter Zubehörteile oder Ersatzteile
 - mit dem Gerät gelieferte oder separat erworbene Zubehörteile. Dieser Ausschuss beinhaltet, ist aber nicht beschränkt auf Schraubendreher-Bits, Bohreinsätze, Schleifscheiben, Sandpapier und Klängen, Seitenführungen
 - Komponenten (Ersatzteile und Zubehörteile), die natürlichen und normalen Verschleißerscheinungen unterworfen sind, einschließlich aber nicht beschränkt auf : Service- und Wartungssätze, Kohlebürsten, Lager, Spannfüter, SDS-Bohreraufnahme /Bit-Adapter, Netzkabel, Zusatzhandgriff, Transportkoffer , Schleifteller, Staubbeutel, Staubsaugrohr, Filzunterlegscheiben, Bolzen und Federn von Schlagschraubern usw.
- Zum Service muss das Gerät zu einer von RYOBI autorisierten Servicestation gebracht oder dorthin gesendet werden. Die Servicestationen für die einzelnen Länder sind in der folgenden Liste aufgeführt. In einigen Ländern sendet Ihr RYOBI-Händler vor Ort das Gerät an das RYOBI-Serviceunternehmen. Beim Einsenden an die RYOBI-Servicestation sollte das Gerät sicher verpackt sein, ohne gefährliche Inhalte wie Benzin, und es sollte mit der Adresse des Absenders und einer kurzen Beschreibung des Fehlers versehen sein.
- Eine Reparatur bzw. ein Ersatz gemäß dieser Garantie ist kostenlos. Hieraus ergibt sich weder eine Garantieverlängerung noch der Beginn eines neuen Garantiezeitraums. Die ausgetauschten Ersatzteile oder Werkzeuge gehen in unser Eigentum über. In einigen Ländern müssen die Zustellgebühren oder die Versandkosten vom Absender gezahlt werden. Ihre gesetzlichen Rechte aus dem Kauf des Geräts bleiben hiervon unberührt.
- Diese Garantie ist gültig in der Europäischen Gemeinschaft, der Schweiz, Island, Norwegen, Liechtenstein, der Türkei, Russland und dem Vereinigten Königreich. Bitte wenden Sie sich außerhalb dieser Gebiete an Ihren autorisierten RYOBI-Händler, um festzustellen, ob eine andere Garantie gilt.

AUTORISierter KUNDENDIENST

Bitte wenden Sie sich bei Fragen zum oder Problemen mit dem Gerät an das örtliche autorisierte Servicecenter (siehe www.ryobitools.eu) oder direkt an: Technonic Industries GmbH, Max Eyth Straße 10, 71364 Winnenden, Germany. Bitte geben Sie die Seriennummer und den auf dem Typenschild aufgedruckten Gerätetyp an.

ES CONDICIONES DE APLICACIÓN DE LA GARANTÍA DE RYOBI

Además de cualquier derecho legal derivado de la compra, este producto está cubierto por una garantía que se indica a continuación.

- El periodo de garantía es de 24 meses para consumidores y comienza en la fecha en que se comprara el producto. Dicha fecha debe documentarse con una factura u otro comprobante de compra. El producto está diseñado y concebido únicamente para el uso privado del consumidor. Por lo tanto, no se ofrece garantía en caso de uso profesional o comercial.
- Existe la posibilidad de ampliar el periodo de garantía respecto a una parte de la gama de herramientas eléctricas (CA/CC) durante el periodo descrito más arriba y mediante el registro en el sitio web www.ryobitools.eu. La elegibilidad de las herramientas para que se amplíe el periodo de garantía se muestra claramente en las tiendas o en el embalaje y está incluida en la documentación del producto. El usuario final tiene que registrar en línea sus herramientas recientemente adquiridas en un plazo de 30 días a partir de la fecha de compra. El usuario final podrá registrarse para obtener la garantía ampliada en su país de residencia si este aparece en la lista del formulario de registro en línea cuando esta opción sea válida. Además, los usuarios finales deberán dar su consentimiento al almacenamiento de los datos necesarios para el acceso en línea y tienen que aceptar los términos y condiciones. El recibo de confirmación de registro, que se envía por correo electrónico, y la factura original que muestra la fecha de compra servirán como comprobante para la garantía ampliada.
- La garantía cubre todos los defectos del producto durante el periodo de garantía debido a fallos de mano de obra o material en la fecha de compra. La garantía se limita a la reparación o sustitución y no incluye ninguna otra obligación como, por ejemplo, daños accidentales o consecuentes. La garantía no es válida si se ha usado mal el producto, se ha usado contraviniendo el manual de instrucciones o se ha conectado de forma incorrecta. Esta garantía no es aplicable a:
 - ningún daño en el producto que sea consecuencia de un mantenimiento inadecuado
 - ningún producto que haya sido alterado o modificado
 - ningún producto en el que los marcos de identificación originales (marca comercial, número de serie) se hayan borrado, modificado o eliminado
 - ningún daño provocado por no seguir el manual de instrucciones
 - ningún producto que no sea CE
 - ningún producto que haya sufrido un intento de reparación por parte de un profesional no cualificado o sin la autorización previa de Technonic Industries.
 - ningún producto conectado a un suministro eléctrico inadecuado (amperios, voltaje, frecuencia)
 - ningún daño causado por influencias externas (químicas, físicas, impactos) o sustancias extrañas
 - desgaste normal de piezas de repuesto
 - uso inadecuado, sobrecarga de la herramienta
 - uso de accesorios o piezas no aprobados
 - Accesorios de herramientas eléctricas proporcionados con la herramienta o comprados por separado. Tales exclusiones incluyen, entre otros, brocas de destornilladores, brocas de taladro, discos abrasivos, papel de lija y cuchillas, y guías laterales
 - Componentes (piezas y accesorios) sujetos a un desgaste natural, que incluyen, entre otros, equipos de servicio y mantenimiento, escobillas de carbono, cojinetes, pinzas, accesorio o recepción de broca de taladro SDS, cable eléctrico, manillar auxiliar, bolsa de transporte, hoja lijadora, bolsa de polvo, tubo de escape de polvo, disco de fieltro, pasadores y resortes de llave de impacto, etc.
- Para su mantenimiento, el producto debe enviarse o presentarse a una estación de servicio de RYOBI autorizada que figure en la siguiente lista de direcciones de estaciones de servicio por países. En algunos países, su distribuidor RYOBI local se responsabiliza de enviar el producto a la compañía de servicio de RYOBI. Cuando se envíe un producto a una estación de servicio de RYOBI, este debe estar empaquetado de forma segura sin contenidos peligrosos como gasolina, marcado con la dirección del remitente y acompañado de una breve descripción del fallo.
- Una reparación / sustitución con esta garantía es gratuita. No constituye una ampliación ni un nuevo comienzo del periodo de garantía. Las piezas o herramientas intercambiadas pasan a ser de nuestra propiedad. En algunos países, los gastos de envío o correo tendrán que pagarlos el remitente. Sus derechos legales derivados de esta compra de la herramienta no se verán afectados.
- Esta garantía es válida en la Comunidad Europea, Suiza, Islandia, Noruega, Liechtenstein, Turquía, Rusia y el Reino Unido. Fuera de estas zonas, póngase en contacto con su distribuidor de RYOBI autorizado para determinar si es aplicable otra garantía.

SERVICIO TÉCNICO AUTORIZADO

Cualquier solicitud o problema relacionado con el producto se puede remitir a su centro de servicio autorizado local (visite www.ryobitools.eu) o directamente a: Technonic Industries GmbH, Max Eyth Straße 10, 71364 Winnenden, Germany. Bitte geben Sie el número de serie y el tipo de producto que aparecen impresos en la etiqueta.

IT CONDIZIONI DI VALIDITÀ DELLA GARANZIA RYOBI

In aggiunta ai diritti di legge risultanti dall'acquisto, il prodotto è coperto dalla garanzia sotto descritta.

1. Il periodo di garanzia è di 24 mesi per i consumatori, a decorrere dalla data di acquisto del prodotto. La data deve essere documentata da una fattura o altra prova d'acquisto. Il prodotto è progettato e destinato solo all'utilizzo privato dei consumatori. Pertanto non viene fornita alcuna garanzia in caso di uso professionale o commerciale.
2. Per una serie di utensili elettrici (CA/CC) è possibile prolungare il periodo di garanzia oltre quello descritto, registrandosi sul sito web www.ryobitools.eu. Gli utensili per i quali è possibile prolungare il periodo di garanzia sono chiaramente indicati nei negozi e/o sulle confezioni e nella documentazione dei prodotti. L'utente deve registrare online l'utensile acquistato entro 30 giorni dalla data di acquisto. L'utente può registrarsi per la garanzia prolungata nel proprio paese di residenza, se questo è elencato nel modulo di registrazione online dove questa opzione sia valida. Inoltre gli utenti devono fornire il proprio consenso alla conservazione dei dati da immettere online e devono accettare le condizioni generali. La conferma di registrazione, inviata tramite e-mail, e la fattura originale indicante la data di acquisto, costituiranno la prova della garanzia prolungata.
3. La garanzia copre tutti i difetti del prodotto durante il periodo di garanzia, risultati da manodopera o materiali alla data di acquisto. La garanzia è limitata alla riparazione e/o sostituzione e non include alcun altro obbligo quali, a mero titolo esemplificativo, i danni incidentali o consequenziali. La garanzia non è valida se il prodotto è stato usato scorrettamente, in modo contrario al manuale di istruzioni o se è stato collegato in modo errato. La garanzia non è valida per:
 - qualsiasi danno al prodotto dovuto a manutenzione errata;
 - qualsiasi prodotto che sia stato alterato o modificato;
 - qualsiasi prodotto le cui marcature di identificazione originali (marchi di fabbrica, numero di serie) siano state cancellate, alterate o rimosse;
 - qualsiasi danno causato dalla non osservanza delle istruzioni del manuale;
 - qualsiasi prodotto privo di omologazione CE;
 - qualsiasi prodotto che sia stato sottoposto a un tentativo di riparazione da parte di un professionista non qualificato oppure senza la previa autorizzazione di Techtronic Industries;
 - qualsiasi prodotto collegato a un'alimentazione errata (per ampere, tensione, frequenza);
 - qualsiasi danno causato da influenze esterne (chimiche, fisiche, urti) o sostanze estranee;
 - la normale usura delle parti di ricambio;
 - uso inappropriato, sovraccarico dell'utensile;
 - uso di accessori o parti non omologate;
 - accessori per utensili elettrici forniti con l'utensile o acquistati separatamente. Questa esclusione comprende, a mero titolo esemplificativo, punte per cacciaviti, punte per trapani, dischi abrasivi, carta vetrata, lame e guide laterali;
 - componenti (parti e accessori) soggetti alla normale usura compresi, a mero titolo esemplificativo, kit di servizio e manutenzione, spazzole al carbonio, cuscinetti, mandrini, attacchi per punte a vite autoproforante, cavi di alimentazione, maniglie ausiliarie, custodie di trasporto, piastre di levigatura, sacchetti per la polvere, tubi di scarico della polvere, rondelle di feltro, perni e molle per avvitatori ecc.
4. Per la manutenzione il prodotto dev'essere spedito o portato presso uno dei centri assistenza autorizzati RYOBI elencati per ogni paese nel seguente elenco di indirizzi dei centri. In alcuni paesi il rivenditore locale RYOBI si incarica di inviare il prodotto all'organizzazione di assistenza RYOBI. Quando si invia un prodotto a un centro assistenza RYOBI, imballarlo in modo sicuro senza contenuti pericolosi come la benzina, apporre l'indirizzo del mittente e accompagnarlo da una breve descrizione del guasto.
5. La riparazione/sostituzione ai sensi della presente garanzia è gratuita. Non costituisce un prolungamento o un nuovo inizio del periodo di garanzia. Le parti o gli utensili scambiati diventano di nostra proprietà. In alcuni paesi i costi di consegna o di spedizione postale devono essere pagati dal mittente. I diritti di legge derivanti dall'acquisto dell'utensile rimangono inalterati.
6. La presente garanzia è valida in Comunità Europea, Svizzera, Islanda, Norvegia, Liechtenstein, Turchia, Russia e Regno Unito. Al di fuori di tali aree contattare il rivenditore autorizzato RYOBI per sapere se è valida un'altra garanzia.

CENTRO SERVIZI AUTORIZZATO

Qualsiasi richiesta o problema con il prodotto può essere indirizzato ai centri di assistenza autorizzati locali (visitare www.ryobitools.eu) o direttamente a: Techtronic Industries GmbH, Max Eyth Straße 10, 71364 Winnenden, Germany. Si prega di indicare il numero di serie e il tipo di prodotto stampati sull'etichetta.

NL RYOBI GARANTIEVOORWAARDEN

Naast de wettelijke rechten die voortvloeien uit de aankoop, wordt dit product gedekt door een garantie, zoals hieronder staat vermeld.

1. De garantietermijn voor consumenten bedraagt 24 maanden en gaat in op de datum waarop het product is gekocht. Deze datum moet worden gedocumenteerd met een factuur of een ander aankoopbewijs. Het product is uitsluitend ontworpen en bedoeld voor persoonlijk gebruik door consumenten. Er wordt dus geen garantie gegeven voor professioneel of commercieel gebruik.
2. Voor een deel van een aanbod van elektrische gereedschappen (AC/DC) is het mogelijk om de garantietermijn te verlengen over de boven beschreven termijn, met behulp van de website www.ryobitools.eu. De gereedschappen die in aanmerking komen voor de verlenging van de garantietermijn wordt duidelijk weergegeven in winkels en/of verpakkingen en staat beschreven in de productdocumentatie. De eindgebruiker moet zijn/haar nieuw gekochte gereedschappen binnen 30 dagen na aankoop online registreren. De eindgebruiker kan zich registreren voor de verlengde garantietermijn als zijn woonland staat vermeld op het online registratieformulier waar deze optie geldig is. Bovendien moeten eindgebruikers toestemming geven voor de opslag van de gegevens die online ingevuld moeten worden en moeten ze de algemene voorwaarden accepteren. Het ontvangstbewijs van de registratie, dat per e-mail wordt verzonden en de oorspronkelijke factuur met de aankoopdatum vormt het bewijs van de verlengde garantietermijn.
3. De garantie dekt tijdens de garantietermijn alle gebreken van het product vanwege defecten in vakmanschap of materiaal op de aankoopdatum. De garantie is beperkt tot reparatie en/of vervanging en bevat geen andere verplichtingen, waaronder maar niet beperkt tot incidentele of gevolgschade. De garantie is niet geldig als het product is misbruikt, in strijd met de gebruiksaanwijzing wordt gebruikt of onjuist is aangesloten. Deze garantie geldt niet voor:
 - alle schade aan het product die het gevolg is van onjuist onderhoud
 - elk product dat is veranderd of aangepast
 - elk product waar de oorspronkelijke identificatie (handelsmerk, serienummer) is beschadigd, gewijzigd of verwijderd
 - alle schade die is veroorzaakt door het niet opvolgen van de gebruiksaanwijzing
 - elk niet-CE-product
 - elk product waar een poging tot reparatie is gedaan door een niet-erkende professional of zonder voorafgaande toestemming door Techtronic Industries.
 - elk product dat is verbonden met een verkeerde voeding (amperage, spanning, frequentie)
 - alle schade die is veroorzaakt door externe invloeden (chemisch, fysisch, schokken) of vreemde stoffen
 - normale slijtage van reserveonderdelen
 - ongepast gebruik, overbelasting van het gereedschap
 - gebruik van niet-goedgekeurde accessoires of onderdelen
 - gereedschapsaccessoires die bij het gereedschap worden geleverd of afzonderlijk zijn aangeschaft. Zulke uitzonderingen bevatten, maar niet beperkt tot schroevendraaierbits, boorbits, slijpschijven, schuurpapier en zagen, laterale geleiding
 - Componenten (onderdelen en accessoires) die onderhevig zijn aan natuurlijke slijtage, waaronder maar niet beperkt tot service- en onderhoudsets, koolstofborstels, lagers, boorkoppen, SDS boorbitbevestigingen of ontvangers, stroom snoeren, hulpgrepen, transporttassen, schuurplateaus, stofzakken, stofafvoerbuizen, viltlingen, pennen en veren van slagmoersleutels, etc.
4. Voor onderhoud moet het product worden verzonden of gebracht naar een erkend servicestation van RYOBI die voor elk land staan vermeld in de volgende lijst met adressen voor servicestations. In sommige landen zal uw lokale RYOBI-dealer het product verzenden naar de RYOBI-serviceorganisatie. Wanneer u het product naar een servicestation van RYOBI verzendt, moet het product veilig worden verpakt zonder enige gevaarlijke inhoud, zoals benzine, met het adres van de afzender en vergezeld van een korte beschrijving van het defect.
5. Een reparatie/vervanging die onder deze garantie valt is gratis. Het vormt geen verlenging of een nieuwe start van de garantietermijn. Verwisselde onderdelen of gereedschappen worden ons eigendom. In sommige landen moeten de verzendkosten door de afzender worden betaald. Uw wettelijke rechten die voortvloeien uit de aankoop van het gereedschap blijven onaangetast.
6. Deze garantie is geldig binnen de Europese Gemeenschap, Zwitserland, IJsland, Noorwegen, Liechtenstein, Turkije, Rusland en het Verenigd Koninkrijk. Buiten deze gebieden moet u contact opnemen met uw erkende RYOBI-dealer om vast te stellen of er een andere garantie van toepassing is.

GEAUTORISEERD ONDERHOUDSCENTRUM

Elk verzoek of probleem met het product kan worden gericht aan uw lokale geautoriseerde servicecentra (bezoek www.ryobitools.eu) of rechtstreeks aan: Techtronic Industries GmbH, Max Eyth Straße 10, 71364 Winnenden, Germany. Vermeld het serienummer en het type product dat op het etiket staat.

PT CONDIÇÕES DE APLICAÇÃO DA GARANTIA RYOBI

Para além de quaisquer direitos previstos por lei resultantes da compra, este produto está coberto por uma garantia conforme descrição abaixo.

- O período da garantia é de 24 meses para consumidores particulares e inicia-se na data de compra do produto. Esta data tem de ser documentada por uma factura ou por outra prova de compra. O produto foi concebido para e destina-se apenas a consumidores particulares e uso privado. Assim, não é dada garantia em caso de utilização por profissionais ou uso comercial.
- Para uma parte da gama de ferramentas eléctricas (AC/DC) existe a possibilidade de prolongamento do período da garantia para além do período descrito acima, mediante registo no Web site www.ryobitools.eu. A elegibilidade das ferramentas para prolongamento do período da garantia é claramente visível nas lojas e/ou nas embalagens e está contida na documentação do produto. O utilizador final tem de fazer o registo online das suas ferramentas recém-adquiridas no prazo de 30 dias após a data de compra. O utilizador final pode fazer o registo para prolongamento da garantia no seu país de residência, desde que esteja listado no formulário de registo online e para os casos em que esta opção seja válida. Para além disso, os utilizadores finais têm de autorizar o armazenamento dos dados cujo preenchimento lhes for solicitado online e têm de aceitar os termos e as condições. O recibo de confirmação do registo é enviado por e-mail e, em conjunto com a factura original ostentando a data de compra, servirá de prova do prolongamento da garantia.
- A garantia cobre todos os defeitos do produto durante o período da garantia devidos a defeitos de fabrico ou de material à data da compra. A garantia está limitada à reparação e/ou substituição e não inclui quaisquer outras obrigações, incluindo mas não se limitando a, perdas complementares ou indirectas. A garantia não é válida se o produto tiver sido utilizado incorrectamente, utilizado de forma contrária ao Manual de Instruções ou se as respectivas ligações tiverem sido feitas incorrectamente. Esta garantia não se aplica ao seguinte:
 - quaisquer danos ao produto que sejam resultado de manutenção incorrecta
 - qualquer produto que tenha sido alterado ou modificado
 - qualquer produto cujas marcações de identificação de origem (marca comercial, número de série) tiverem sido apagadas, alteradas ou retradas
 - quaisquer danos causados pelo incumprimento do Manual de Instruções
 - qualquer produto que não seja da Comunidade Europeia
 - qualquer produto ao qual tenha sido feita, ou tentada fazer, uma reparação por outra pessoa que não um profissional habilitado ou sem autorização prévia da Techtronic Industries.
 - qualquer produto ligado a uma fonte de alimentação eléctrica incorrecta (Amperes, Voltagem e Frequência)
 - qualquer dano causado por influências externas (químicas, físicas, impactos) ou substâncias estranhas
 - desgaste e degradação normal de sobresselentes
 - utilização incorrecta, sobrecarga da ferramenta
 - utilização de acessórios ou peças não aprovados
 - acessórios para ferramentas eléctricas fornecidos com a ferramenta ou comprados em separado. Estas exclusões incluem mas não se limitam a, pontas de aparafusadora, brocas, discos abrasivos, papel de lixa e lâminas, guia lateral
 - Componentes (peças e acessórios) sujeitos a desgaste e degradação natural, incluindo mas não se limitando a, Kits de Assistência e Manutenção, escovas de carvão, rolamentos, bucha, acessórios ou recepções de brocas SDS, cabos eléctricos, pegas auxiliares, estojos de transporte, placas de lixagem, sacos de poeiras, tubos de saída de poeiras, anilhas de feltro, pinos e molas da aparafusadora de impacto, etc.
- Para assistência, o produto tem de ser enviado para, ou apresentado em, um posto de assistência autorizado RYOBI, conforme listado para cada país na lista de moradas de postos de assistência seguinte. Nalguns países, o seu concessionário RYOBI local encarrega-se de enviar o produto para a organização de assistência RYOBI. Quando enviar um produto para um posto de assistência RYOBI, o produto deve ser embalado de forma segura, sem conter nenhuns conteúdos perigosos (por exemplo, gasolina), marcado com o endereço do remetente e acompanhado por uma breve descrição da avaria.
- Uma reparação/substituição ao abrigo desta garantia é gratuita. Não constitui um prolongamento a, nem um novo início de, o período da garantia. As peças ou ferramentas substituídas tomam-se propriedade nossa. Nalguns países, o remetente terá de pagar os custos de entrega ou a remessa postal. Os seus direitos previstos por lei resultantes da compra da ferramenta mantêm-se inalterados
- Esta garantia é válida na Comunidade Europeia, Suíça, Islândia, Noruega, Liechtenstein, Turquia, Rússia e Reino Unido. Fora destas áreas, entre em contacto com o seu concessionário autorizado RYOBI para determinar se existe outra garantia aplicável.

CENTRO DE ASSISTÊNCIA AUTORIZADO

Qualquer pedido ou problema relacionado com o produto pode ser encaminhado para os seus centros de reparação autorizados locais (visite www.ryobitools.eu) ou directamente para: Techtronic Industries GmbH, Max Eyth Straße 10, 71364 Winnenden, Germany. Indique o número de série e o tipo de produto impressos na etiqueta.

DA RYOBI BETINGELSER FOR GARANTI

Udover lovbestemte rettigheder, som resulterer af købet, er dette produkt dækket af en garanti, som anført herunder.

- Garantiperioden er 24 måneder for brugere og begynder på den dato, som produktet blev købt. Denne dato skal dokumenteres af en faktura eller andet bevis for køb. Produktet er udelukkende designet og dedikeret til forbrugere og privat brug. Så der ydes ingen garanti i tilfælde af professionel eller kommerciel brug.
- Der er en mulighed for at forlænge garantiperioden for en del af udvalget af elværktøj (AC/DC), hen over den ovenfor beskrevne periode vha. registrering på hjemmesiden www.ryobitools.eu. Betingelsen for forlængelse af garantiperioden er tydeligt vist i butikker og/eller på emballage/og indeholdt i produktokumentationen. Slutbrugeren skal registrere hans/hendes nyligt indkøbte værktøj online indenfor 30 dage efter købsdatoen. Slutbrugeren kan registrere sig for den forlængede garanti i sit land, hvis han/hun er opført på den online registreringsformular, hvor denne mulighed er gyldig. Derudover skal slutbrugere give deres samtykke til at opbevare data, som er påkrævet at indtaste online, og de er nødt til at acceptere vilkår og betingelser. Registreringsbekræftelseskvitteringen, som sendes ud på e-mail, og den originale faktura, som viser købsdatoen, vil fungere som bevis for den forlængede garanti.
- Garantien dækker alle defekter, som et produkt måtte have i løbet af garantiperioden, og som skyldes produktionsfejl eller materialefejl på købsdatoen. Garantien er begrænset til reparation og/eller udskiftning og inkluderer ikke andre forpligtelser, inklusiv men ikke begrænset til tilfældige skader eller følgeskader. Garantien er ugyldig, hvis produktet er blevet misbrugt, brugt uden at overholde vejledningen, eller det er blevet forkert tilsat. Denne garanti gælder ikke:
 - Beskadigelse af produktet, som er et resultat af uegnet vedligeholdelse
 - Et produkt der er blevet ændret eller modificeret
 - Et produkt hvor de originale identifikationsmærkninger (varemærke, serienummer) er blevet ødelagt, ændret eller fjernet.
 - Enhver beskadigelse forårsaget af manglende overholdelse af vejledningen
 - Ethvert ikke CE-produkt
 - Ethvert produkt som er blevet forsøgt repareret af en ukvalificeret professionel eller uden tidligere autorisation af Techtronic Industries.
 - Ethvert produkt som er tilsat uegnet strømforsyning (ampere, spænding, frekvens)
 - Enhver skade forårsaget af eksternt påvirkning (kemisk, fysisk, chok) eller fremmedelementer
 - Normal slid på reservedele
 - Uegnet brug, overbelastning af værktøjet
 - Brug af ikke-godkendt tilbehør eller dele
 - Elværktøjstilbehør som leveres med værktøjet eller købes separat. Sådanne undtagelser inkluderer men er ikke begrænset til skruetrækkerbits, bor, bits, silbeskiver, sandpapir og klinger, sideslyr
 - Komponenter (dele og tilbehør) som er udsat for naturligt slid og ælde, inklusiv men ikke begrænset til Service- og vedligeholdelsesæt, kulbørster, lejer, bøsninger, påsætning eller modtagelse af SDS-bor, EI ledning, hjælpéhåndtag, transporttaske, sandplade, støvpose, støvudsledningslange, filtskiver, nåle og fjedre slagnøgle etc.
- For eftersyn skal produktet sendes til eller præsenteres for en RYOBI-autoriseret service værksted, som er oplyst for hvert land i den følgende liste over service værksteder. I nogle lande påtager din lokale RYOBI-forhandler sig ansvaret for at sende produktet til RYOBI-serviceorganisationen. Når et produkt sendes til en RYOBI-service værksted, skal det pakkes sikkert ind uden noget farligt indhold som benzin, mærkes med afsenderens adresse og med en kort beskrivelse af fejlen.
- En reparation/erstatning under denne garanti er gratis. Den udgør ikke en forlængelse eller en ny start på garantiperioden. Udvaskede dele eller værktøjer bliver vores ejendom. I nogle lande skal leveringsafgifter eller porto betales af afsenderen. Dine lovbestemte rettigheder i forbindelse med købet forbliver uanfægtede
- Denne garanti gælder i EU, Schweiz, Island, Norge, Liechtenstein, Tyrkiet, Rusland og Storbritannien. Udenfor disse områder bedes du kontakte din autoriserede RYOBI-forhandler for at afgøre, om en anden garanti gælder.

AUTORISEREDE SERVICEVÆRKSTEDER

Enhver anmodning eller problem angående produktet kan adresseres til dine lokale autoriserede servicecentre (gå ind på www.ryobitools.eu) eller direkte til: Techtronic Industries GmbH, Max Eyth Straße 10, 71364 Winnenden, Germany. Angiv serienummer og produkttype, der er trykt på etiketten.

SV RYOBI ANVÄNDNINGSVILLKOR FÖR GARANTI

Förutom eventuella lagstadgade rättigheter som uppstår genom köpet, täcks den här produkten av en garanti som anges nedan.

- Garantiperioden är 24 månader för konsumenter och börjar gälla från det datum då produkten köptes. Detta datum måste dokumenteras på en faktura eller annat köpbevis. Produkten är utformad och avsedd för konsumenter och privat bruk. Därmed tillhandahålls ingen garanti vid yrkesmässigt eller kommersiellt bruk.
- Det finns möjlighet att förlänga garantiperioden för en del av utbudet för elverktyg (AC/DC) under den period som anges ovan genom att använda registreringen på webbplatsen www.ryobitools.eu. De verktyg som är berättigade till en förlängning av garantiperioden visas tydligt i butik och/eller på förpackningen/och anges i produktdokumentationen. Slut användaren behöver registrera hans/hennes nyförvärvade verktyg online inom 30 dagar från köpdatumet. Slut användaren kan registrera sig för den förlängda garantin i det land där han/hon bor om landet finns angivet i registreringsformuläret online och där detta alternativ är giltigt. Dessutom måste slut användaren ge sitt medgivande till lagring av data vilket krävs vid registrering online samt acceptera villkoren. Bekräftelsekvittot för registreringen som skickas ut via e-post och originalfakturan som visar köpdatumet kommer att gälla som bevis för den förlängda garantin.
- Garantin täcker alla produktdefekter under garantiperioden som beror på brister i utförande eller material vid köpdatumet. Garantin är begränsad gällande reparation och/eller utbyte och inkluderar inte några skyldigheter inklusive men inte begränsat till oförutsedda skador eller följskador. Garantin är inte giltig om produkten har missbrukats, använts i strid med bruksanvisningen eller inte anslutits på rätt sätt. Denna garanti täcker inte:
 - eventuella skador på produkten som uppstått till följd av felaktigt underhåll
 - produkter som har ändrats eller modifierats
 - produkter där ursprungliga identifieringsmärken (varumärke, serienummer) har målats över, ändrats eller tagits bort
 - eventuella skador som uppstått till följd av att bruksanvisningen inte efterföljts
 - alla icke CE-produkter
 - eventuella produkter som har försökts repareras av en icke-kvalificerad yrkesman eller utan föregående medgivande från Technronic Industries.
 - eventuella produkter som anslutits till felaktig strömförsörjning (ampere, volt, frekvens)
 - eventuella skador som uppstått till följd av yttre påverkan (kemisk, fysisk, stötar) eller främmande ämnen
 - normalt slitage av reservdelar
 - olämplig användning, överbelastning av verktyget
 - användningen av icke-godkända tillbehör eller delar
 - tillbehör till elverktyg som medföljde verktyget eller köpts separat. Sådana undantag inkluderar men är inte begränsat till skruvmejselbits, borrbits, slipskivor, sandpapper, blad och sidoskena
 - Komponenter (delar och tillbehör) är föremål för naturligt slitage, inklusive men inte begränsat till service- och underhållsatsar, kolborstar, kullager, chuck, tillbehör eller tillhörande SDS-borrbitt, strömladd, hjälphandtag, transportväska, sliplatta, dampåsa, dammutblåsör, filterbrickor, stift och fjädrar till mutterdragare osv.
- Vid service måste produkten skickas eller uppvisas för en RYOBI- auktoriserad servicestation som står angiven för varje land i följande adresslista över servicestationer. I vissa länder tar din lokala RYOBI-återförsäljare på sig ansvaret att skicka produkten till RYOBI-serviceorganisationen. När en produkt skickas till en RYOBI-servicestation, ska produkten paketeras säkert utan något farligt innehåll såsom bensin, markeras med avsändarens adress samt en kort beskrivning av felet.
- En reparation/ett utbyte under denna garanti är kostnadsfri. Det utgör inte en förlängning eller förnyelse av garantiperioden. Utbyta delar eller verktyg blir vår egendom. I vissa länder måste leveranskostnader eller porto betalas av avsändaren. Dina lagstadgade rättigheter som härrör från köpet av verktyget förblir opåverkade
- Denna garanti är giltig i Europeiska gemenskapen, Schweiz, Island, Norge, Liechtenstein, Turkiet, Ryssland och Storbritannien. Utanför dessa länder, kontakta din auktoriserade RYOBI-återförsäljare för att avgöra om en annan garanti gäller.

AUKTORISERAT SERVICECENTER

Varje begäran eller problem avseende produkten kan adresseras till ditt lokala auktoriserade servicecenter (besök www.ryobitools.eu) eller direkt till: Technronic Industries GmbH, Max Eyth Straße 10, 71364 Winnenden, Germany. Ange serienumret och produkttypen som anges på etiketten.

FI RYOBI-TAKUUN SOVELTAMISEHDOT

Tällä tuotteella on oston luomien lakisääteisten oikeuksien ohella alla mainitun mukainen takuu.

- Takuun kesto on kuluttajille 24 kuukautta ja takuuaika alkaa tuotteen ostohetkestä. Tämän päivämäärän tulee lukea laskussa tai muussa ostositotteessa. Tuote on suunniteltu vain kuluttajien ja yksityiseen käyttöön. Takuu ei siis kata ammatti- eikä kaupallista käyttöä.
- Joidenkin sähkötyökalujen (AC/DC) takuun kesto on mahdollista laajentaa yllä mainittua kestoä pidemmäksi verkkosivuston www.ryobitools.eu rekisteröinnin kautta. Työkalujen kolpoisuus takuujakson laajennukseen näky selkeästi myymälöissä ja/tai pakkauksissa ja/tai tämä tieto sisältyy tuotetiedokumentaation. Loppukäyttäjän täytyy rekisteröidä vasta hankitut työkalut internetissä 30 päivän kuluessa ostopäivämäärästä. Loppukäyttäjät voi rekisteröidä laajennetun takuun kotimaassaan, jos se on luetteluna online-rekisteröintilomakkeessa, jossa mainitaan, missä tämä vaihtoehto on voimassa. Loppukäyttäjien täytyy lisäksi hyväksyä tietojen tallennus, jotka heidän täytyy antaa online-tilassa sekä ehdot. Rekisteröinnin vahvistuskuitti, joka lähetetään sähköpostitse, ja alkuperäinen ostopäivämäärän ilmaiseva lasku toimivat laajennetun takuun toistiteina.
- Takuu kattaa kaikki tuotteeseen takuuaikana tulevat viat, joiden aiheuttajina ovat tuotteessa ostopäivänä olleet valmistus- tai materiaali viat. Takuu on rajoitettu korjaukseen ja/tai vaihtoon eikä se sisällä mitään muita velvoitteita mukaan lukien satunnais- ja seurannaisvaihinkoja, mutta rajoittumatta niihin. Takuu ei päde, jos tuote on käytetty väärin, käyttöohjeen vastaisesti tai jos se on liitetty virheellisesti. Tämä takuu ei kata:
 - virheellisestä huollosta johtuvia vaurioita
 - muunnettua tai muutettua tuotetta
 - tuotetta, jonka alkuperäiset tunnistemerkinnät (tavaramerkki, sarjanumero) on turmeltu, muutettu tai poistettu
 - tämän käyttöoppaan laiminlyönnistä johtuvia vaurioita
 - ei-CE-tuotetta
 - tuotetta, jota on yrittänyt korjata epäpätevä ammattilainen tai joka on korjattu ilman Technronic Industriesin ennakkolupaa.
 - tuotetta, joka on liitetty virheelliseen lohoteeseen (ampeeri, jännite, taajuus)
 - ulkoisten vaikutusten (kemiallinen, fyysinen, iskut) tai vieraiden aineiden aiheuttamaa vauriota
 - normaleja kuluvia vaurioita
 - virheellistä käyttöä, työkalun ylikuormitusta
 - ei-hyväksytyjen tarvikkeiden tai osien käyttöä
 - sähkötyökalun tarvikkeita, jotka on toimitettu työkalun mukana tai ostettu erikseen. Poissuljettuja osia ovat ruuvausterät, poranterät, hiomalaikat, hiekkapaperi ja terät, sivuohjain, näihin kuitenkään rajoittumatta
 - Luonnollisesti kuluvia komponentteja (osia tai tarvikkeita), joihin sisältyvät huolto- ja kunnossapitoselit, hiilirajat, laakerit, teräsiikat, SDS-porian kiinnitin tai istukka, virtajohto, apukahva, kuljetuskotelo, hiomalaikka, pölypussi, pölynpoistoputki, huopatiivisteet, iskunvääntimen pultit ja jouset yms. näihin kuitenkään rajoittumatta.
- Tuote on lähetettävä huollettavaksi valtuutettuun RYOBI-huoltoon tai näytettävä siellä. Niiden osoitteet kussakin maassa löytyvät seuraavasta luettelosta. Joissakin maissa paikallinen RYOBI-jälleenmyyjä huolehtii tuotteen lähetyksestä RYOBI-huolto-organisaation. Kun tuote lähetetään RYOBI-huoltoon, se täytyy pakata hyvin ilman vaarallisia aineita, kuten polttoainetta, ja pakkaukseen täytyy merkitä lähetettävän nimi sekä vian lyhyt kuvaus.
- Takuun kattama korjaus/vaihto on maksuton. Se ei tarkoita takuuaajan laajennusta tai alkamista alusta. Vaihdetut osat tai työkalut siirtyvät valmistajan omistukseen. Joissakin maissa lähetetään täytyy maksaa lähetyksustannukset tai postikulut. Työkalun oston luomat lakisääteiset oikeudet pysyvät koskemattomina
- Tämä takuu on voimassa Euroopan yhteisössä, Sveitsissä, Islannissa, Norjassa, Liechtensteinissa, Turkissa, Venäjällä ja Yhdistyneessä kuningaskunnassa. Ota näiden alueiden ulkopuolella yhteyttä omaan valtuutettuun RYOBI-jälleenmyyjään ja selvitä, onko jotain muuta takuuta.

VALTUUTETTU HUOLTO

Kaikki tuotteeseen liittyvät pyynnöt tai kysymykset voidaan osoittaa paikallisille valtuutetuille huoltoilijoille (katso www.ryobitools.eu) tai suoraan osoitteeseen: Technronic Industries GmbH, Max Eyth Straße 10, 71364 Winnenden, Germany. Ilmoita tarraan painettu sarjanumero ja tuotetyyppi.

NO RYOBI GARANTIBETINGELSER

I tillegg til eventuelle lovbestemte rettigheter som følger av kjøpet, er dette produktet dekket av en garanti som angitt nedenfor.

- Garantiperioden er 24 måneder for konsumenter og gjelder fra den datoen som produktet ble kjøpt. Denne datoen skal dokumenteres med en faktura eller annet kjøpsbevis. Produktet er designet og beregnet kun til konsument- og privat bruk. Så det gir ingen garanti ved profesjonell eller kommersiell bruk.
- For en del av utvalget av elektriske verktøy (AC/DC) er det muligst til å utvide garantiperioden i den perioden som er beskrevet ovenfor ved bruk av registreringer på nettsidene www.ryobitools.eu. Kvalifisering av verktøyene for en utvidelse av garantiperioden er tydelig vist i butikker og/eller på pakningen / og finnes innen produktokumentasjonen. Sluttbrukeren må registrere sine nylig anskaffede verktøy online innen 30 dager etter kjøpsdato. Sluttbrukeren kan registrere seg for den utvidede garantien i sitt land hvis det er opplistet på online registreringsskjemaet der dette alternativet er gyldig. Videre må sluttbrukere gi sitt samtykke til oppbevaring av dataene som kreves for å gå online, og de må godta vilkår og betingelser. Registreringsbekreftelsen, som sendes ut på e-post, og den originale fakturaen som viser kjøpsdato, vil tjene som bevis for den utvidede garantien.
- Garantien dekker alle defekter i produktet under garantiperioden på grunn av defekter i utførelse eller materiale på kjøpsdato. Garantien er begrenset til å reparere og/eller erstatte og inkluderer ikke noen andre forpliktelser, inkludert, men ikke begrenset til, tilfældige eller følgesmessige skader. Garantien er ikke gyldig hvis produktet har blitt misbrukt, brukt på annen måte enn det som beskrives i bruksanvisningen eller er koblet til på feil måte. Denne garantien gjelder ikke for:
 - enhver skade på produktet som er resultat av utilsikkelig vedlikehold
 - ethvert produkt som har blitt endret eller modifisert
 - ethvert produkt der de originale identifiseringsmerkene (varemerke, serienummer) har blitt uleselig, er endret eller fjernet
 - enhver skade som forårsakes av ikke-overholdelse av instruksjonshåndboken
 - ethvert ikke-CE-produkt
 - ethvert produkt som har blitt forsøkt reparert eller av en ikke-kvalifisert fagperson eller uten tidligere autorisasjon fra Techtronic Industries.
 - ethvert produkt tilkoblet feil strømforsyning (ampere, spenning, frekvens)
 - enhver skade som er forårsaket av eksterne påvirkninger (kjemiske, fysiske, støt) eller fremmede stoffer
 - normal slitasje og sliitereservedeler
 - feil bruk, overbelastning av verktøyet
 - bruk av ikke-godkjent tilbehør eller deler
 - Elektrisk verktøy/tilbehør levert med verktøyet eller kjøpt separat. Slike ekskluderinger, inkludert, men ikke begrenset til skrutrekkerbits, drillbits, slipedisker, sandpapir og blader, lateral føring
 - Komponenter (deler og tilbehør) som er utsatt for naturlig slitasje, inkludert, men ikke begrenset til service- og vedlikeholdsett, karbonbørster, lagre, chuk, SDS-borrbistefte eller -mottak, strømledning, hjelpéhåndtak, transportbærevske, sandingsplate, støvpose, støvutslippsrør, filtpakninger, støtnøkkelpinne og fjær, osv.
- For service må produktet sendes eller fremlegges for en RYOBI-autorisert servicestasjon opplistet for hvert land i den følgende listen over servicestasjonsadresser. I noen land sender den lokale RYOBI-forhandleren produktet til RYOBI serviceorganisasjonen. Ved å sende et produkt til en RYOBI servicestasjon skal produktet være sikkert pakket uten noe farlig innhold, slik som bensin, merket med senderens adresse og fulgt av en kort beskrivelse av feilen.
- En reparasjon/erstatning under denne garantien er gratis. Den utgjør ingen forlengelse eller en ny start av garantiperioden. Utskledede deler eller verktøy blir vår eiendom. I noen land vil leveringskostnader eller franking måtte betales av senderen. Dine lovbestemte rettigheter som oppstår fra kjøp av verktøyet forblir uberørt.
- Denne garantien er gyldig i EU, Sveits, Island, Norge, Liechtenstein, Tyrkia, Russland og Storbritannia. Utenfor disse områdene ta kontakt med din autoriserte RYOBI-forhandler om en annen garanti gjelder.

AUTORISERT SERVICESENTER

Enhver forespørsel eller problem med produktet kan henvises til de lokale autoriserte serviceentrene (se www.ryobitools.eu) eller direkte til: Techtronic Industries GmbH, Max Eyth Straße 10, 71364 Winnenden, Germany. Angi serienummer og produkttype som er trykket på etiketten.

RU УСЛОВИЯ ПРИМЕНЕНИЯ ГАРАНТИИ НА ПРОДУКЦИЮ RYOBI

Помимо законных прав, возникающих при покупке, данное изделие покрывается гарантией в соответствии с приведенными ниже пунктами.

- Гарантийный период для покупателя составляет 24 месяца с даты покупки изделия. Дата покупки должна быть подтверждена полностью заполненным гарантийным талоном и чеком о покупке. Данное изделие предназначено только для частного использования покупателем. Поэтому гарантия не распространяется на использование в профессиональных или коммерческих целях.
- Предусмотрена возможность продления для части изделий линейки электроинструментов (AC/DC) гарантийного периода с помощью регистрации на сайте www.ryobitools.eu. Право инструмента на продление гарантийного периода четко указано в магазинах и / или на упаковке / и содержится в сопутствующей инструменту документации. Конечный пользователь должен зарегистрировать свой приобретенный инструмент в течение 30 дней с даты покупки. Конечный пользователь может зарегистрировать свой инструмент на продление гарантии в стране своего проживания, если она указана в форме онлайн-регистрации. Кроме того, конечный пользователь должен дать свое согласие на хранение данных, которые необходимо ввести в онлайн-форму и принять правила и условия. Подтверждение регистрации, которое вы получите по электронной почте, заполненный гарантийный талон и оригинальный чек, в котором указана дата покупки, будут служить доказательством продленной гарантии.
- Гарантия покрывает в течение гарантийного периода все дефекты качества или материала изделия на дату покупки. Гарантия ограничена ремонтом и / или заменой и не включает никакие другие обязательства, включая, но не ограничиваясь случайными или косвенными убытками. Гарантия становится недействительной, если изделие использовалось не по назначению, вопреки инструкциям, данным в Руководстве пользователя или было неправильно подключено. Настоящая гарантия не распространяется на:
 - любые повреждения, вызванные несоблюдением инструкций Руководства пользователя
 - любые изделия, не сертифицированные маркировкой "CE" для продажи в Европейском союзе
 - любые изделия, подвергшиеся попыткам ремонта неквалифицированным работником или без предварительного утверждения компанией Techtronic Industries.
 - любые изделия, подключенные к неправильному источнику питания (сила тока, напряжение, частота)
 - любые повреждения, вызванные внешними воздействиями (химические, физические, удары) или посторонними веществами
 - естественный износ запасных деталей
 - несоответствующее использование, перегрузка инструмента
 - использование неутвержденных аксессуаров и неоригинальных запасных деталей
 - аксессуары электроинструментов, поставляемые с инструментом или приобретаемые отдельно. К этому списку относятся, но не исчерпывают его: сверла, шуруповорты, дрели, абразивные диски, наждачную бумагу, лезвия и боковые направляющие
 - компоненты (детали и аксессуары), подверженные естественному износу и разрыву, включая, но не ограничиваясь наборы для технического обслуживания, угольные щетки, подшипники, патроны, переходники SDS, кабели питания, дополнительные ручки, футляры для транспортировки, шифровальные подошвы, пылесборники, трубки для отвода пыли, войлочные шайбы, штири и пружины ударных ключей и др.
- Для проведения технического обслуживания изделие следует направлять в авторизованные сервисные центры RYOBI, указанные для каждой страны в приведенном ниже списке адресов станций сервисного обслуживания. В некоторых странах местные дилеры RYOBI отправляют изделия в сервисные организации RYOBI. При отправке изделия в сервисный центр RYOBI, изделие должно быть безопасно упаковано и не содержать никаких опасных веществ, таких как бензин, должен быть подписан адрес отправителя и сопровождаться кратким описанием неисправности.
- Ремонт / замена проводится в рамках настоящей гарантии бесплатно. Он не продлевает гарантию и не начинает новый гарантийный период. Замененные детали и инструменты становятся нашей собственностью. В некоторых странах отправитель должен оплачивать стоимость отправки. Ваши законные права, возникшие при покупке инструмента, остаются неизменными
- Настоящая гарантия действительна в Европейском Сообществе, Швейцарии, Испании, Норвегии, Лихтенштейне, Турции, России и Великобритании. Вне указанных территорий обращаются к своему авторизованному дилеру RYOBI, чтобы узнать, применяются ли условия каких-либо других гарантий.

УПОЛНОМОЧЕННЫЙ СЕРВИСНЫЙ ЦЕНТР

При возникновении проблем с изделием обращайтесь в один из региональных авторизованных сервисных центров (см. www.ryobitools.eu) или напрямую: Techtronic Industries GmbH, Max Eyth Straße 10, 71364 Winnenden, Germany. Укажите серийный номер и тип изделия, указанные на табличке.

PL WARUNKI GWARANCJI RYOBI

Opócz praw ustawowych wynikających z zakupu produkt jest objęty gwarancją, której warunki podano poniżej.

1. Okres gwarancyjny wynosi 24 miesiące dla konsumentów i rozpoczyna się w dniu zakupu produktu. Datę zakupu należy udokumentować fakturą lub innym dowodem zakupu. Produkt został zaprojektowany i jest przeznaczony do użytku konsumencyjnego i prywatnego. W związku z tym gwarancja nie obejmuje zastosowań profesjonalnych i komercyjnych.
2. Istnieje możliwość wydużenia okresu gwarancyjnego dla części asortymentu narzędzi ręcznych z napędem mechanicznym (AC/DC) poprzez zarejestrowanie produktu na stronie internetowej www.ryobitools.eu. Kwalifikowalność narzędzi do wydużenia okresu gwarancyjnego jest wyraźnie określona w sklepach i/lub na opakowaniu oraz w dokumentacji produktu. Użytkownik końcowy musi zarejestrować nowo kupione narzędzia online w ciągu 30 dni od daty zakupu. Użytkownik końcowy może zarejestrować się w celu przedłużenia gwarancji w swoim kraju zamieszkania, jeżeli jest on wymieniony w formularzu rejestracji online, gdzie opcja ta obowiązuje. Ponadto użytkownicy końcowi muszą wyrazić zgodę na przechowywanie danych, wprowadzanych na stronie internetowej i zaakceptować regulamin. Dowodem wydużenia gwarancji jest wysłane pocztą elektroniczną potwierdzenie rejestracji i oryginał faktury potwierdzającej datę zakupu.
3. Gwarancja obejmuje wszystkie wady produktu ujawnione w okresie gwarancyjnym wynikające usterek wykonania lub materiału obecnego w dniu zakupu. Gwarancja jest ograniczona do naprawy i/lub wymiany i nie obejmuje żadnych innych zobowiązań, w tym między innymi odpowiedzialności za szkody przypadkowe lub wtórne. Gwarancja nie obowiązuje, jeżeli produkt był nieprawidłowo używany, używany niezgodnie z instrukcją lub nie był prawidłowo podłączony. Gwarancja nie obejmuje:
 - uszkodzenia produktu wynikającego z nieprawidłowej konserwacji,
 - produktu, który został zmieniony lub zmodyfikowany,
 - produktu, którego oryginalne oznaczenie (znak towarowy, numer seryjny) zostało zniszczone, zmienione lub usunięte,
 - jakiegokolwiek uszkodzeń wynikających z nieprzestrzegania instrukcji,
 - jakiegokolwiek produktu bez certyfikatu CE,
 - jakiegokolwiek produktu, który próbowano naprawić z pomocą niewykwalifikowanej osoby lub bez uzyskania wcześniejszej zgody firmy Technonic Industries.
 - jakiegokolwiek produktu podłączonego nieprawidłowo źródła zasilania (nieprawidłowe nateżenie prądu, napięcie, częstotliwość),
 - jakiegokolwiek uszkodzeń spowodowanych wpływem czynników zewnętrznych (chemicznych, fizycznych, drgań) lub substancji obcych,
 - normalnego zużycia części zamiennych,
 - nieprawidłowego użycia, przecięcia narzędzia,
 - stosowania niezatwierdzonych akcesoriów lub części,
 - akcesoriów narzędzi ręcznych z napędem mechanicznym dostarczonych z narzędziami lub kupionych oddzielnie. Takie wyłączenia obejmują, między innymi, wymienne ostrza wkrętaka, wiertła, tarce cierne, papier ścierny i ostrza, prowadnicę boczną,
 - elementów (części i akcesoriów) podlegających naturalnemu zużyciu obejmujących, między innymi, zestawy do konserwacji i serwisu, szczotki węglowe, łożyska, uchwyty, przystawkę wiertła SDS, gniazdo, przewód zasilania, uchwyty pomocnicze, skrzynie transportowa, płytę szlifującą, worek pyłowy, rurę odprowadzania pyłu, podkładki filcowe, kolki i sprężyny klucza udarowego itp.
4. W celu serwisowania produkt należy wysłać lub okazać w autoryzowanym punkcie serwisowym RYOBI znajdującym się na przedstawionym poniżej wykazie punktów serwisowych w poszczególnych krajach. W niektórych krajach lokalny dystrybutor produktów RYOBI podejmuje się wysyłki produktu do centrum serwisowego RYOBI. W przypadku wysyłki do punktu serwisowego RYOBI produkt — pozbawiony jakiegokolwiek niebezpiecznych substancji, na przykład benzyny — należy bezpiecznie zapakować i dołączyć adres nadawcy oraz krótki opis usterek.
5. Naprawa/wymiana w ramach niniejszej gwarancji jest bezpłatna. Nie stanowi jednak o przedłużeniu lub rozpoczęciu od nowa biegu okresu gwarancyjnego. Wymienione części lub narzędzia stają się naszą własnością. W przypadku niektórych krajów nadawca będzie musiał uregulować koszty dostawy lub opłaty pocztowe. Prawa ustawowe wynikające z zakupu narzędzia pozostają niezmienione.
6. Niniejsza gwarancja obowiązuje we Wspólnocie Europejskiej, Szwajcarii, na Islandii, w Norwegii, a także w Liechtensteinie, Turcji, Rosji oraz Zjednoczonym Królestwie Wielkiej Brytanii i Irlandii Północnej. Poza tymi obszarami należy skontaktować się z autoryzowanym dostawcą produktów RYOBI i ustalić, czy obowiązuje inna gwarancja.

AUTORYZOWANY PUNKT SERWISOWY

Wszelkie zapytania i problemy z produktem można zgłaszać do lokalnych autoryzowanych centrów serwisowych (patrz www.ryobitools.eu) lub bezpośrednio do: Technonic Industries GmbH, Max Eyth Straße 10, 71364 Winnenden, Germany. Prosimy o podanie wyprodukowanego na etykietce numeru seryjnego oraz typu produktu.

CS ZÁRUČNÍ PODMÍNKY RYOBI

Kromě zákonných práv vyplývajících z koupě výrobku se na tento výrobek vztahuje také níže uvedené záruka.

1. Záruční doba pro spotřebitele je 24 měsíců a začíná datem nákupu výrobku. Datum musí být zaznamenáno na faktuře nebo jiném dokladu o koupi. Tento výrobek je navržen a určen pouze pro soukromé účely spotřebitelů. Záruka se tedy nevztahuje na profesionální nebo komerční využití výrobku.
2. U některých elektrických nástrojů (AC/DC) je možné záruční dobu prodloužit. K tomu je nutná registrace na stránkách www.ryobitools.eu. Možnost prodloužené záruční doby výrobky jsou jasně uvedena v prodejních, popř. na obalech nebo v dokumentech o výrobku. Koncový uživatel musí svůj nový nástroj zaregistrovat online do 30 dnů od data nákupu. Koncový uživatel se může k prodloužené záruční době zaregistrovat v zemi trvalého pobytu, pokud je tato uvedena na internetovém registračním formuláři u výrobku, kde je tato možnost dostupná. Koncový uživatel musí dále souhlasit s uloženími osobních údajů, která musí zadat na internetu, a přijmout obchodní podmínky. E-mail s potvrzením registrace a původní faktura s datem koupě poslouží jako důkaz o prodloužené záruce.
3. Záruka se vztahuje na veškeré vady na výrobku v rámci záruční doby způsobené výrobními vadami nebo vadami materiálu v době koupě. Záruka je omezena na opravu, popřípadě výměnu a nezahrnuje žádné další povinnosti, včetně mimo jiné vedlejších či následných odškodnění. Záruka neplatí při použití výrobku k nevhodným účelům, v rozporu s uživatelskou příručkou nebo při nesprávném zapojení. Záruka se nevztahuje na:
 - veškeré škody na výrobku způsobené nesprávnou údržbou
 - veškeré produkty, které byly pozměněny nebo upraveny
 - veškeré produkty, kde byly původní identifikační prvky (obchodní značka, sériové číslo) poňeny, pozměněny nebo odstraněny
 - veškeré škody způsobené nedodržováním pokynů uživatelské příručky
 - veškeré produkty bez CE certifikace
 - veškeré produkty, které se pokusil opravit nekvalifikovaný odborník nebo opravy bez předchozího svolení společnosti Technonic Industries.
 - veškeré produkty zapojené do nesprávného elektrického zdroje (proud, napětí, frekvence)
 - veškeré škody způsobené externími vlivy (chemickými, fyzickými, nárazy) nebo cizími látkami
 - běžné opotřebování dílů
 - nevhodné použití, přetěžování nástroje
 - použití neschválených příslušenství nebo dílů
 - příslušenství k elektrickému nástroji poskytnuté s nástrojem nebo zakoupené samostatně. Tyto výjimky se vztahují mimo jiné na šroubovací bity, vrtáky, brusné disky, brusný papír a čepele, postranní vodič lišty
 - komponenty (díly a příslušenství) podléhající přirozenému opotřebování, včetně mimo jiné servisních sad, karbonových kartáčů, ložisek, sklíčidla, SDS nástavce na vrtači bity, napájecího kabelu, pomocné rukojeti, přepravního pouzdra, brusné desky, prachového vaku, výfukové prachové trubice, plstěných podložek, západek a pružin rázového utahovačů atd.
4. K provedení servisu musí být výrobek zastán nebo předán do autorizovaného servisního centra společnosti RYOBI, jejichž adresy jsou uvedeny podle zemi v seznamu servisních center. V některých zemích za vás výrobek pošle servisní organizaci RYOBI sám prodejce výrobků této značky. Při zaslání výrobku do servisního centra RYOBI je potřeba výrobek bezpečně zabalit bez nebezpečného obsahu jako benzín, opatřit adresu odesílatele a připojit krátký popis závady.
5. Oprava, popř. výměna v rámci této záruky je zdarma. Neznamená to prodloužení nebo začátek nové záruční lhůty. Vyměněné díly nebo nástroje přejdou do našeho vlastnictví. V některých zemích platí poštovné odesílatele. Vaše zákonná práva vyplývající z koupě tohoto nástroje zůstávají nedotčena.
6. Tato záruka platí v Evropském společenství, Švýcarsku, na Islandu, v Norsku, Lichtenštejnku, Turecku, Rusku a Spojeném království. Mimo tato území kontaktujte autorizovaného prodejce značky RYOBI, který zjistí, zda se na výrobek vztahuje jiná záruka.

POVĚŘENÉ SERVISNÍ STŘEDISKO

S požadavky nebo problémy týkajícími se tohoto výrobku se můžete obracet na mistři pověřena servisní střediska (podle www.ryobitools.eu) nebo přímo na: Technonic Industries GmbH, Max Eyth Straße 10, 71364 Winnenden, Germany. Uvedte výrobní číslo a druh výrobku ze štítku.

HU A RYOBI GARANCIA ALKALMAZÁSÁNAK FELTÉTELEI

A vásárlásból adódó törvényben rögzített jogok mellett a termékre az alábbi garancia vonatkozik.

1. A fogyasztói garancia tartama 24 hónap, mely a termék vásárlásának napjával kezdődik. Ezt a dátumot számlával vagy a vásárlást igazoló egyéb dokumentummal kell bizonyítani. A termék rendelkezése csak fogyasztói és magáncélú használat. Ezért professzionális vagy kereskedelmi használat esetén a garancia nem érvényes.
2. A szerszámgépek (egyenáramú/váltóáramú) egy részénél a garancia időtartama a www.ryobitools.eu weblapon regisztrálva meghosszabbítható. Az áruházakban, a csomagoláson, illetve a termék dokumentációjában egyértelműen jelzve van, hogy az adott termék garanciája meghosszabbítható-e. A végfelhasználónak a vásárlás dátumától számított 30 napon belül regisztrálnia kell az újonnan vásárolt szerszámot. A végfelhasználó akkor regisztrálhat a kiterjesztett garanciára, ha az ország, ahol lakik, fel van sorolva az online regisztrációs úrlapon azon országok között, ahol választható ez az opció. Ezenkívül a végfelhasználónak bele kell egyeznie az online regisztrálás során szükséges adatok tárolásába, és el kell fogadnia a felhasználási feltételeket. A kiterjesztett garanciát a regisztráció beérkezésétől e-mailben küldött visszaigazolás és a vásárlás dátumát tartalmazó eredeti számla igazolja.
3. A garancia a termék vásárlásakor fennálló, a gyártás során keletkezett hibákra és anyaghibákra érvényes a garanciális időtartamon belül. A garancia csak a javításra/cserére korlátozódik, és nem terjed ki semmilyen egyéb kötelezettségre, nem kizárólagosan ideértve a véletlen vagy szándékos rongálást. A garancia nem érvényes, ha a terméket nem megfelelően, a használati utasításban foglaltakkal ellentétben, illetve nem megfelelően csatlakoztatva használták. A garancia nem vonatkozik:
 - a terméket a nem megfelelő karbantartás következtében ért károsodásra
 - megváltoztatott vagy átalakított termékre
 - olyan termékre, melyen az eredeti azonosított (védjegy, sorozatszám) megrongálták, megváltoztatták vagy eltávolították
 - a használati utasítás be nem tartásából eredő kárra
 - CE jelöléssel nem rendelkező termékekre
 - olyan termékre, melyet nem képzett, illetve a Techtronic Industries által nem feljogosított szerelő javított
 - nem megfelelő (áramerősségű, feszültségű, frekvenciájú) áramforrásra csatlakoztatott termékre
 - külső (vegyi, fizikai, ütés) hatásokból vagy idegen anyagokból eredő károokra
 - a cserélhető alkatrészek természetes kopására és elhasználódására
 - a szerszám helytelen használatára, túlterhelésére
 - nem jóváhagyott tartozékok és alkatrészek használatára
 - A szerszámmal adott vagy külön megvásárolt tartozékokra. Ilyenek például (de nem kizárólag) a csavarhúzófejek, fűrészarak, csiszolókorongok, csiszolópapír, kések, oldalirányú terelők.
 - A természetes kopásnak, elhasználódásnak kitett alkatrészek és kiegészítők, például (de nem kizárólag) szerviz- és karbantartókészletek, szénkéfék, csapágycsák, tokmány, SDS fűrészar csatlakozója, tápkábel, segédfogantyú, szállítótok, csiszolólap, porzsák, porelvezető cső, ficalátétek, ütműves csavarbehajító gép csapszege és rugója stb.
4. A terméket javításra el kell vinni egy meghatalmazott RYOBI szervizbe; ezeket az egyes országokhoz a következő listában találja. Egyes országokban a helyi RYOBI kereskedő vállalja a termék elszállítását a RYOBI szervizbe. A terméket veszélyes tartalom, például benzín nélküli csomagolva, a feladó címét feltüntetve, a hiba rövid leírásával együtt küldje el a RYOBI szervizbe.
5. A jelen garancia hatálya alatt végzett javítás, illetve cseréje ingyenes. Nem jelenti a garanciális időtartam újraindulását. A kicserélhető alkatrészek és szerszámok a mi tulajdonunkba kerülnek. Egyes országokban a szállítás vagy postázás költsége a feladó viselése. A vevőnek a szerszám megvásárlásából adódó törvényes jogai nem változnak.
6. Ez a garancia az Európai Közösségekben, Svájcban, Izlandon, Norvégiában, Liechtensteinben, Törökországban, Oroszországban és az Egyesült Királyságban érvényes. E területeken kívül kérdezze meg a RYOBI forgalmazót, hogy milyen garancia van érvényben.

HIVATALOS SZERVIZKÖZPONT

Ha bármilyen kérése vagy problémája van a termékkel kapcsolatban, forduljon a helyi hivatalos szervizközpontozhoz (átgogasson el a www.ryobitools.eu oldalra), vagy közvetlenül ide: Techtronic Industries GmbH, Max Eyth Straße 10, 71364 Winnenden, Germany. Adja meg a címkére nyomtatott sorozatszámot és terméktypust.

RO CONDIȚII DE APLICARE A GARANȚIEI PENTRU PRODUSELE RYOBI

În plus față de condițiile statutare rezultate din achiziționarea acestui produs, acesta este acoperit de garanția stipulată mai jos.

1. Perioada de garanție este de 24 de luni pentru consumatori și începe de la data achiziționării produsului. Data de începere a garanției trebuie demonstrată cu o factură sau altă dovadă a cumpărării produsului. Produsul este destinat și conceput doar pentru utilizare în scopuri personale. Din acest motiv, nu se oferă garanție pentru utilizarea sa în scop profesional sau comercial.
2. Există posibilitatea de extindere a perioadei de garanție pentru gama de unelte electrice (de CA/CC) peste perioada stipulată mai sus prin înscrierea produsului pe website-ul www.ryobitools.eu. Eligibilitatea pentru perioada de extindere a garanției este afișată în mod clar în magazinele de vânzare și/sau pe ambalaj sau este inclusă în documentația livrată împreună cu produsul. Utilizatorul final este obligat să-și înregistreze produsul online în termen de maxim 30 de zile de la achiziția acestuia. Utilizatorul final poate înregistra produsul pentru garanția extinsă oferită în țara sa de rezidență dacă aceasta este listată în formularul de înregistrare online și dacă această opțiune este validă. În plus, utilizatorii finali trebuie să-și dea acordul pentru stocarea datelor personale solicitate la înregistrarea online și trebuie să accepte termenii și condițiile. Mesajul de confirmare a înregistrării, trimis prin e-mail și factura originală cu data achiziției vor dovedi perioada de garanție extinsă.
3. Garanția acoperă toate defectunile produsului survenite în perioada de garanție datorate defectelor de execuție sau materialelor folosite, începând cu data achiziției acestuia. Garanția este limitată la reparare și/sau înlocuire și nu include alte obligații, inclusiv, dar fără a se limita la daune accidentale sau rezultate pe cale de consecință. Garanția își pierde valabilitatea dacă produsul este utilizat necorespunzător, utilizat neconform cu instrucțiunile de utilizare din manualul cu instrucțiuni sau conectat incorect. Garanția nu se aplică în cazul:
 - oricărei defecțiuni survenite în urma întreținerii necorespunzătoare a produsului
 - oricărui produs alterat sau modificat
 - oricărui produs la care inscripțiile cu datele de identificare (marca comercială, numărul de serie) au fost șterse, modificate sau îndepărtate
 - oricărei defecțiuni datorate neconformării cu instrucțiunile din manualul de utilizare
 - oricărui produs necertificat CE
 - oricărui produs asupra căruia au fost efectuate tentative de reparare de către personal necalificat sau fără autorizație prealabilă din partea Techtronic Industries.
 - oricărui produs conectat la o sursă de alimentare necorespunzătoare (curent, tensiune, frecvență)
 - uzurii și fisurării normale a pieselor de rezervă
 - utilizării neadecvate, suprasolicitării uneltei
 - utilizării de piese și accesorii neaprobate
 - accesoriilor pentru unelți furnizate odată cu aceasta sau achiziționate separat. Aceste excluderi se aplică, dar fără a se limita la următoarele: burghie, biji de șurubelniță, discuri abrazive, hârtie abrazivă și lame de tăiere, ghidaje laterale
 - Componentele (piese și accesorii) supuse uzurii normale, care includ, fără a se limita la, kituri de întreținere și service, perii de cărbune, lumelni, mandrină, adaptor pentru burghie SDS, cordoane de alimentare, manere auxiliare, cutii de transport, placă pentru șlefit, sac pentru praf, tub pentru evacuarea prafului, discuri de păsă, adaptoare și resorturi pentru cheile de strângere prin vibrație, etc.
4. Pentru efectuarea reparațiilor, produsul trebuie trimis sau adus la un centru de reparații autorizat RYOBI din lista următoare de centre de reparații prezentate pentru fiecare țară. În anumite țări, reprezentant local RYOBI va trimite produsul spre reparare la sediul central de reparații RYOBI. Atunci când trimiteți produsul spre reparare la un centru de reparații RYOBI, acesta trebuie ambalat în siguranță, fără conținut periculos (cum ar fi benzină), marcat cu adresa expeditorului și însoțit de o scurtă descriere a defectului.
5. Repararea/inlocuirea în perioada de garanție este gratuită. Aceasta nu este însoțită de o prelungire sau o reînțiere a perioadei de garanție. Piesele sau uneltele schimbate devin proprietatea dvs. În anumite țări, taxele de expediție sau poștale vor fi suportate de expeditor. Drepturile dvs. statutare rezultate din achiziția produsului rămân neschimbate
6. Această garanție este valabilă în Comunitatea Europeană, Elveția, Islanda, Norvegia, Liechtenstein, Turcia, Rusia și Marea Britanie. În afara acestor zone, vă rugăm să contactați reprezentantul dvs. local RYOBI pentru a determina dacă se aplică alt tip de garanție.

CENTRU DE SERVICE AUTORIZAT

Orice întrebare sau problemă în legătură cu produsul se poate adresa la centrele locale autorizate de service (vizitați www.ryobitools.eu) sau direct la: Techtronic Industries GmbH, Max Eyth Straße 10, 71364 Winnenden, Germany. Vă rugăm să specificați numărul de serie și tipul de produs tipărite pe etichetă.

LV RYOBI GARANTIJAS PIEMĒROŠANAS NOSACĪJUMI

Papildus jebkādam likumiskajam tiesībām, kuras rodas, veicot pirkumu, izstrādājums tiek nodrošināts ar tālāk noteikto garantiju.

1. Garantijas periods patērētājiem ir 24 mēneši, tā atskaitē tiek sākota no datuma, kurā veikta izstrādājuma iegāde. Šim datumam jābūt dokumentētam rēķinā vai citā pirkumu apliecināšā dokumentā. Izstrādājums ir radīts un paredzēts tikai patērētāja privātai lietošanai. Saistībā ar iepriekšminēto, garantija netiek nodrošināta profesionālās vai komerciālās lietošanas gadījumā.
2. Pastāv iespēja pagarināt daļas no elektroinstrumentu klāsta (Majņstrāvas/akumulatoru) garantiju ilgāk par iepriekš minēto periodu, izmantojot reģistrāciju internetā vietnē www.ryobitools.eu. Instrumenti, kas pakļauti garantijas perioda pagarināšanai, tiek skaidri apzīmēti veikalos un/vai uz iepakojuma un izstrādājumu komplektējošajā dokumentācijā. Gala lietotājam nepieciešams reģistrē tā iegādāto jauno instrumentu 30 dienu laikā no pirkuma datuma. Gala lietotājs var reģistrēties pagarinātajai garantijai savā mītnes valstī, ja tā minēta tiešsaistes reģistrācijas veidlapā, kurā šī iespēja ir aktīva. Bez tam, gala lietotājam ir jāsniedz piekrišana tiešsaistes ievadīšanai nepieciešamo datu glabāšanai un jāpiekrīt noteikumiem un nosacījumiem. Reģistrācijas apstiprinājums, kas tiek nosūtīts, izmantojot e-pastu, un rēķina oriģināls, kurā norādīts iegādes datums, kalpo kā pagarinātās garantijas apstiprinājums.
3. Garantija attiecas uz visiem izstrādājuma defektiem garantijas periodā, kas saistīti ar ražošanas vai materiālu defektiem no pirkuma datuma. Šī garantija tiek ierobežota ar remontu un/vai nomaiņu un neietver jebkādas citas saistības, tajā skaitā, bet ne tikai, cēloņsakarīgos vai saistītos bojājumus. Garantija nav spēkā, ja izstrādājums ir nepareizi lietots, izmantots pretēji norādēm lietošanas rokasgrāmatā vai bijis nepareizi pieslēgts. Šī garantija netiek attiecināta uz:
 - jebkādiem izstrādājuma bojājumiem, kas radušies nepareizas uzturēšanas rezultātā
 - jebkuru izstrādājumu, kas ticis pārveidots vai mainīts
 - jebkuru izstrādājumu, kura oriģinālās identifikācijas (preču zīme, sērijas numurs) marķējums ir ticis nodzēsts, mainīts vai noņemts
 - jebkādiem bojājumiem, kuri radušies neievērojot norādes lietošanas rokasgrāmatā
 - jebkādam izstrādājumam bez CE sertifikācijas
 - jebkuru izstrādājumam, kura remontu mēģinājis veikt nekvalificēts personāls vai bez Techtronic Industries iepriekšējas autorizācijas.
 - jebkuru izstrādājumam, kurš bijis pieslēgts neatbilstošu parametru (strāvas, sprieguma, frekvences) sprieguma avotam
 - jebkuriem bojājumiem, kuri radušies ārējas iedarbības (ķīmiskas, fiziskas, triecieni) vai vielu ietekmē
 - detaļu normāla lietošanas nodiluma rezultātā
 - nepareizas lietošanas vai instrumentu pārdozēšanas rezultātā
 - neapstiprinātu detaļu vai aprīkojuma lietošanas rezultātā
 - elektroinstrumentu aksesuāriem, kas atrodas instrumenta komplektācijā vai ir iegādāti atsevišķi. Šis izņēmums attiecināms uz, bet neaprobežojoties ar, skrūvgriežu uzgaliem, urbjiem, abrazīvajiem diskiem, smilšpapīru un asmeņiem, sānu vadotnēm
 - komponentiem (daļām un aksesuāriem), kas pakļauti normālam nodilumam, ieskaitot, bet neaprobežojoties ar Servisa un apkopju komplekti, ogļekļa suku, gultņi, patrona, SDS urbju uztvērējiem vai uzlietas, elektrības vads, papildus rokturis, transportēšanas un pārnēsāšanas kaste, slīpmašīnas plāksne, putekļu maiss, putekļu izvadīšanas caurule, paplākšņi, trieksniatslēgu tapas un atsperes, u.t.t.
4. Servisa nodrošināšanai, izstrādājums ir jānodod pilnvarotā RYOBI servisa centrā, kas norādīts katrai valstij tālāk minētajā servisa centru adresē sarakstā. Dažās valstīs Jūsu vietējais RYOBI izplatītājs uzņemas izstrādājuma nosūtīšanu uz RYOBI servisa organizāciju. Nosūtīt izstrādājumu uz RYOBI servisa centru, izstrādājuma jābūt droši iepakotam, tas nedrīkst saturēt bīstamas vielas kā degvielu, sūtījumam jābūt marķētam ar sūtītāja adresi un īsu kļūmes aprakstu.
5. Remonts/nomaiņa šīs garantijas ietvaros ir bezmaksas. Tas nerada garantijas perioda pagarināšanu vai jaunu garantiju. Nomināltās daļas vai instrumentu kļūst par mūsu īpašumu. Dažās valstīs piegādes vai pasta izmaksas būs jāapmaksā sūtītājam. Jūsu likumiskās tiesības, kas nodibinās, iegādājoties instrumentu, paliek nemainīgas
6. Šī garantija ir spēkā Eiropas Kopienā, Šveicē, Islandē, Norvēģijā, Lihtenšteinā, Turcijā, Krievijā un Apvienotajā Karalistē. Ārpus šīm teritorijām, Lūdzu, sazinieties ar Jūsu pilnvaroto RYOBI izplatītāju, lai noteiktu, vai ir piemērojama cita garantija.

AUTORIZĒTS APKALPOŠANAS CENTRS

Ar jebkuru pieprasījumu vai problēmu, kas saistīta ar produktu, var vērsties Jūsu vietējā pilnvarotajā servisa centrā (apmeklējiet www.ryobitools.eu) vai tieši pie: Techtronic Industries GmbH, Max Eyth StraÙe 10, 71364 Winnenden, Germany. Lūdzu, norādiet sērijas numuru un produkta tipu, kas norādīts uz etiķetes.

LT „RYOBI“ GARANTIJOS TAIKĀMO SĀLYGOS

Papildant bet kokias įstatymuose numatytas perkant atsižandantis teises, šiam įrenginiui taikoma toliau nurodyta garantija.

1. Vartotojams suteikiama 24 mėnesių trukmės garantija nuo įrenginio įsigijimo datos. Ši data turi būti nurodyta sąskaitoje faktūroje ar kitame pirkinį įrodančiame dokumente. Šis įrenginys skirtas tik vartotojų rinkai ir asmeniniam naudojimui. Todėl garantija netaikoma, jei įrenginys naudojamas profesionaliai ar komerciniams reikmėms.
2. Įsigijus tam tikrus elektrinius įrenginius (AC/DC), suteikiama galimybė pratęsti garantiją, kad ji galėtų ilgiau, nei nurodyta pirmiau, naudotais registracija interneto svetainėje www.ryobitools.eu. Ar galima pratęsti įrenginio garantinį laikotarpį, aiškiai nurodoma parduotuvėse ir (arba) ant įrenginio pakuočės, ir (arba) įrenginio dokumentuose. Galutinis naudotojas turi užregistruoti savo naujai įsigytą įrenginį per 30 dienų nuo įsigijimo datos. Galutinis naudotojas gali registruotis išplėstinei garantijai savo gyvenamojoje šalyje, jei ji nurodyta internetinėje registracijos formoje, kurioje siūloma tokia galimybė. Be to, galutinai naudotojai turi sutikti su duomenų, kuriuos reikia įvesti internetu, saugojimu ir svetainės naudojimo sąlygomis. Kaip išplėstinės garantijos įrodymas naudojamas registracijos patvirtinimo kvitas, atsiunčiamas el. paštu, ir originali sąskaita faktūra, kurioje nurodyta įsigijimo data.
3. Ši garantija apima visus garantiniu laikotarpiu aptiktus įrenginio trūkumus, atsiradusius dėl gamybos arba medžiaginių defektų nuo įsigijimo datos. Ši garantija ribojama remontu ir (arba) pakeitimu, ji neapima jokių kitų įsipareigojimų, įskaitant (bet ne apimant) šalinimus arba antrinius nuostolius. Garantija anuliuojama, jei įrenginys buvo naudojamas netinkamai, naudojamas ne pagal naudojimo instrukciją arba netinkamai prijungtas. Ši garantija netaikoma:
 - jokiai įrenginiui padarytai žalai, kurią lėmė netinkama techninė priežiūra;
 - jokiai įrenginiui, kuris buvo keičiamas ar modifikuojamas;
 - jokiai įrenginiui, kurio originalūs identifikavimo ženklai (prekės ženklas, serijos numeris) buvo sugadinti, pakeisti arba pašalinti;
 - jokiai žalai, kurią lėmė naudojimo instrukcijos nesilaikymas;
 - jokiems CE ženklui nepažymėtiems įrenginiams;
 - jokiai įrenginiui, kurį bandė remontuoti nekvalifikuoti asmenys arba kuris buvo remontuojamas be „Techtronic Industries“ leidimo;
 - jokiai įrenginiui, kuris buvo prijungtas prie netinkamo maitinimo tinklo (netinkamos srovės, įtampos, dažnio);
 - jokiai žalai, kurią lėmė išorinis poveikis (cheminis, fizinis, smūgiai) arba pašalinės medžiagos;
 - dėvimosioms dalims;
 - netinkamam naudojimui, įrenginio perkrovai;
 - nepatvirtintų priedų arba dalių naudojimui;
 - su įrenginiu pateiktiems arba atskiri įsigytiems elektrinio įrenginio priedams. Šios išimys apima (tuo neapsiribojant) atsuktųjų antgalių, gražtų antgalių, šlifavimo diskus, švitrinį popierių ir geležtes, šoninį kreiptuvą;
 - komponentams (dalims ir priedams), kurie natūraliai dėvi, įskaitant (bet tuo neapsiribojant) įprastines ir technines priežiūros rinkinius, anglinius šepetėlius, guolius, laikiklį, SDS gražtų antgalių priedą arba lizdą, maitinimo kabelį, pagalbinių rankena, nešiojimo dėklą, šlifavimo diską, maišelį dulkmės, dulkių ištraukimo vamzdelį, fetro poveržles, smūginio veržliarakčio kaiščius ir spyruokles ir pan.
4. Prieikite atlikti priežiūros darbus, įrenginį reikia siųsti arba atvežti RYOBI įgaliotajam priežiūros centrui, nurodytam kiekvienos šalies priežiūros centrų adresų sąrašė. Kai kurioje šalyje vietinis RYOBI atstovas siunčia įrenginį RYOBI priežiūros organizacijai. Siunčiant įrenginį RYOBI priežiūros centrui, reikia saugiai jį supakuoti pašalinant visas pavojingas medžiagas, pvz., benzina, nurodyti ant pakuočės siuntėjo adresą ir pridėti trumpą gedimo aprašymą.
5. Pagal šią garantiją remontas / keitimas atliekama nemokamai. Tokie veiksmai netaikomi garantijos prašėjimu arba naujam garantinio laikotarpio pradžia. Dalys arba įrenginiai, kuriuos pakeitėme, tampa mūsų nuosavybe. Kai kurioje šalyse pristatymo ir pašto išlaidas turi padengti siuntėjas. Įstatymuose numatytos jūsų teisės, atsižandantis perkant įrenginį, lieka nepakeistos
6. Ši garantija galioja Europos Bendrijos šalyse, Šveicarijoje, Islandijoje, Norvegijoje, Lihtenšteinėje, Turkiijoje, Rusijoje ir Jungtinėje Karalystėje. Jei gyvenate ne šios šalyje, kreipkitės į įgaliotąjį RYOBI atstovą ir sužinokite, ar jums taikoma kita garantija.

ĮGALIOTAS TECHINIS PRIEŽIŪROS CENTRAS

Jei turite kokių nors pageidavimų ar problemų, susijusių su šiuo gaminiu, galite kreiptis į artimiausią įgaliotąjį techninės priežiūros centrą apsilankydami www.ryobitools.eu arba tiesiogiai: Techtronic Industries GmbH, Max Eyth StraÙe 10, 71364 Winnenden, Germany. Nurodykite etiketėje išspausdintą serijos numerį ir gaminio tipą.

ET RYOBI GARANTIIINGIMUSED

Lisaks toote ostust tulenevatele seadusjärgsetele õigustele, kehtib tootele ka alltoodud garantiiga.

1. Tarbijatele on garantiiaeg 24 kuud ja algab sellel kuupäeval, mil toode osteti. Selle kuupäeva tõestuseks on vaja arvet või mõnda teist tõendit ostu sooritamise kohta. Toode on mõeldud eratarbijatele ainult isiklikuks kasutamiseks. Seega ei kehti garantii ostu kasutamisel kutsetegevuses või kaubanduslikel eesmärkidel.
2. Teatud osade elektrilistele (vahelduvvoolu/alisivvoolu) tööriistadele on võimalik pikendada eespool toodud garantiiaega, kasutades toote registreerimist veebilehel www.ryobitools.eu. Teave tööriista võimaliku pikendatud garantiiaja kohta on selgelt esitatud toodetes ja/või pakendis / ning see sisaldub toote dokumentatsioonis. Lõpparbitja peab registreerima oma uued tööriistad interneti teel 30 päeva jooksul pärast ostupäeva. Lõppkasutaja võib registreerida pikendatud garantiiaja saamise oma elukohariigis, kui veebis olevas registreerimisvormis on see valik lubatav. Lisaks peavad kasutajad andma oma nõusoleku veebis nõutud sisestatavate andmete säilitamiseks ning nad peavad nõustuma tingimustega. E-posti teel saadetak registreerimise kinnitus ja arve originaal, kus on näha ostu sooritamise kuupäev, on pikendatud garantiiaja tõestuseks.
3. Garantii katab kõik defektid toote garantiiaja jooksul, kui ostu kuupäeval ilmnevad talitus- või materjalivead. Garantii piirneb toote remondi ja/või väljavahetamisega ning ei sisalda muid kohustusi, muu hulgas ettenägemataid või kaudeid kahjusid. Garantii ei kehti, kui toodet ei ole kasutatud sihtotstarbelselt või kooskõlas kasutusjuhendiga või see on valesti ühendatud. Garantii ei kehti järgmistel põhjustel:
 - toode on kahjustatud vale hoolitsemise tõttu
 - toodet on muudetud
 - toode algupäraseid identifitseerimisjärjendusi (kaubamärk, seerianumber) on rikutud, muudetud või eemaldatud
 - kahju on tekkinud kasutusjuhendi mittejärgimisest
 - tootel puudub CE-märk
 - toode on püüdnud remondida vastavalt kvalifikatsiooni mitte omav isik või ilma jama Technonic Industries eelneva loata.
 - toode on ühendatud valesse toiteallikasse (voolutugevus, pinge, sagedus)
 - välismõjude (keemilised, füüsilised, elektroloogid) või võõrkehade tekitatud kahju
 - tavapärase kulumine ja katkised varuosad
 - ebaõige kasutamine, tööriista ülekoormamine
 - heakskiitmata tarvikute või osade kasutamine
 - koos tööriistaga saadud või eraldi ostetud elektriliste tööriistade tarvikud, Need erandid puudutavad muu hulgas kruvikeeraja otsakuid, puuriterasid, lihvkettaid, lihvpaberit ja -taldu, küljjuhkuid
 - Komponentid (osad ja tarvikud), mida iseloomustab kulumine ja vananemine, muu hulgas remondi- ja hooliduskomplektid, süsinikharjad, laagrid, padrunid, SDS-puuriterade tarvikud, toltejuhe, lisakäepide, transpordikott, lihvlaat, tolmuokti, tolmu väljalasketoru, vildist sebid, löökmutrivõtme võllid ja vedrud jne.
4. Hoolitsemiseks peab toote saatma või viima RYOBI volitatud teenindusse, mille aadressi leiata järgnevast teeninduspunkti nimekirjast vastava riigi alt. Mõnedes riikides võtab kohalik RYOBI edasimüüja enda kanda kohustuse saata toode RYOBI teenindusorganisatsiooni. Toote saatmisel RYOBI teenindusse peab toode olema ohutult pakitud ja ei tohi sisaldada ohtlike aineid (nt bensiini), kirjas peab olema saatja aadress ja lisatud vae lühikirjeldus.
5. Garantii alusel tehtavad remonditööd / asendamine on tasuta. See ei pikenda garantii kehtivusaega ega tähistu uue garantiiaja algust. Väljavahetatud osad või tööriistad kuuluvad meile. Mõnedes riikides maksab kätetoimetamis- ja postikulud saatja. Teile jäävad kehtima tööriista ostust tulenevad seadusjärgsed õigused.
6. See garantii kehtib Euroopa Liidus, Šveitsis, Islandil, Norras, Liechtensteinis, Türgis, Venemaal ja Ühendkuningriigis. Väljaspool neid piirkondi võtke ühendust volitatud RYOBI edasimüüjaga, et teha kindlaks kas kehtib mõni teine garantii.

VOLITATUD HOOLDUSKESKUS

Tootega seotud päringute või probleemide korral pöörduge kohaliku volitatud hooliduskeskuse poole (vt www.ryobitools.eu) või otse aadressile: Technonic Industries GmbH, Max Eyth Straße 10, 71364 Winnenden, Germany. Märkige ära sideli olev seerianumber ja toote tüüp.

HR UVJETI PRIMJENE JAMSTVA TVRTKE RYOBI

Osim svim zakonskim pravima koja proizlaze iz kupnje, ovaj je proizvod pokriven jamstvom kako je navedeno u nastavku.

1. Jamstveno razdoblje za potrošače traje 24 mjeseca i počinje s datumom na koji je proizvod kupljen. Taj datum mora se dokumentirati računom ili drugim dokazom o kupnji. Proizvod je konstruiran i namijenjen samo za privatnu upotrebu korisnika. Stoga se jamstvo ne daje u slučaju profesionalne ili komercijalne upotrebe.
2. Postoji mogućnost da se za dio asortimana električnih alata pokretanih izmjeničnom strujom (AC/DC) proizvodi gore navedeno jamstveno razdoblje putem registriranja na mrežnom mjestu www.ryobitools.eu. Uvjeti koje je potrebno zadovoljiti kako bi se produžilo jamstveno razdoblje jasno su istaknuti u prodavaonicama i/ili na pakiranju i/ili nalaze se unutar dokumentacije proizvoda. Krajnji korisnik mora registrirati svoje novo kupljene alate na mreži u roku od 30 dana od datuma kupnje. Krajnji korisnik može se registrirati za produženo jamstvo u svojoj zemlji boravišta ako se nalazi na popisu u mrežnom obrascu za registraciju gdje je ta opcija važeća. Nadalje, krajnji korisnici moraju dati svoj pristanak na pohranu podataka koji su potrebni za mrežni ulazak i moraju prihvatiti odredbe i uvjete. Potvrda o prijemu registracije, koja se šalje putem e-pošte, kao i originalni račun s vidljivim datumom kupnje poslužiti će kao dokaz produženog jamstva.
3. Jamstvo pokriva sve nedostatke proizvoda tijekom jamstvenog razdoblja koji su nastali zbog neispravnosti prilikom izrade ili materijala s datumom kupnje. Jamstvo je ograničeno na popravak i/ili zamjenu i ne obuhvaća nikakve druge obveze, uključujući, ali ne ograničavajući se na slučajne ili posljedne štete. Jamstvo ne vrijedi ako je proizvod bio zlorabljivan, korišten u suprotnosti s priručnikom s uputama ili ako je pogrešno spojen. Ovo jamstvo ne primjenjuje se na:
 - svaku štetu koja je na proizvodu nastala kao rezultat nepravilnog održavanja
 - svaki proizvod koji je promijenjen ili izmijenjen
 - svaki proizvod na kojem su izvorne identifikacijske oznake (žig, serijski broj) bile oštećene, izmijenjene ili uklonjene
 - svaku štetu prouzročenu nepridržavanjem priručnika s uputama
 - svaki proizvod koji nema oznaku CE
 - svaki proizvod koji je pokušao popraviti neovlašten profesionalac ili onaj koji je popravljan bez prethodnog odobrenja tvrtke Technonic Industries.
 - svaku štetu koju je spojen na neprikladan izvor električnog napajanja (neodgovarajuća amperža, napon, frekvencija)
 - svaku štetu prouzročenu unutarnjim utjecajima (kemijskim, fizikalnim, udarima) ili stranim tvarima
 - normalno habanje i trošenje rezervnih dijelova
 - neodgovarajuću uporabu, preopterećenje alata
 - upotrebu neodobrene pribora ili dijelova
 - dodatnu opremu električnog alata isporučenu s alatom ili kupljenu odvojeno. Takvi izuzetci uključuju ali nisu ograničeni na vrhove odvijača, svrdla bušilice, abrazivne diske, brusni papir i noževe, bočnu vodilicu
 - Komponente (dijelovi i pribor) podložne prirodnom trošenju i habanju, što uključuje, ali nije ograničeno na komplete za servisiranje i održavanje, ugljične četkice, ležajeve, steznu glavu, nastavak ili priključak za svrdla za SDS bušilicu, priključni kabel, pomoćnu ruku, transportne torbe, brusnu ploču, vreću za prašinu, ispušni cijev za prašinu, podloške od filca, udarni ključ, zatici i opruge, itd.
4. Za potrebe servisiranja, proizvod se mora poslati ili odnijeti u ovlašteno servisnu postaju tvrtke RYOBI navedenu na sljedećem popisu s adresama servisnih postaja u svakoj zemlji. U nekim zemljama, vaš lokalni RYOBI zastupnik obvezuje se da će poslati proizvod u servisnu organizaciju tvrtke RYOBI. Kada se proizvod šalje u neku servisnu postaju tvrtke RYOBI, proizvod se mora sigurno pakirati bez ijednog od opasnih sadržaja kao što je benzin, na mora mora pisati adresa pošiljatelja i mora biti popraćen kratkim opisom kvara.
5. Popravak / zamjena pod ovim jamstvom su besplatni. Oni ne predstavljaju produženje ili novi početak jamstvenog razdoblja. Zamijenjeni dijelovi ili alati postaju naše vlasništvo. U nekim državama troškove isporuke ili poštarinu mora platiti pošiljatelj. Vaša zakonska prava koja proizlaze iz kupnje alata ostaju nepromijenjena
6. Ovo jamstvo je valjano u zemljama Europske zajednice, Švicarskoj, Islandu, Norveškoj, Lihtenštajnu, Turskoj, Rusiji i Ujedinjenoj Kraljevini. Izvan tih područja vas molimo da se obratite svojem ovlaštenom zastupniku tvrtke RYOBI kako biste utvrdili primjenjuje li se drugo jamstvo.

OVLAŠTENI SERVISNI CENTAR

Za svaki zahtjev ili problem s proizvodom možete se obratiti vašim ovlaštenim servisnim centrima (posjetite adresu www.ryobitools.eu) ili izravno na: Technonic Industries GmbH, Max Eyth Straße 10, 71364 Winnenden, Germany. Navedite serijski broj i vrstu proizvoda otišnutu na naljepnici.

SL POGOJI ZA VELJAVNOST GARANCIJE RYOBI

Poleg morebitnih zakonsko določenih pravic, ki izvirajo iz nakupa, za ta izdelek velja spodaj navedena garancija.

- Garancijsko obdobje je za potrošnike 24 mesecev in začne teči z dnem nakupa izdelka. Ta datum mora biti dokumentiran z računom ali drugim dokazilom o nakupu. Izdelek je zasnovan in namenjen izključno za potrošniško zasebno uporabo. V primeru strokovne oziroma komercialne uporabe izdelka garancija ne velja.
- Obstaja možnost podaljšanja garancije na del naše ponudbe električnih orodij (AC/DC) prek obdobja garancije, opisanega zgoraj, s pomočjo registracije na spletnem mestu www.ryobitools.eu website. Ustrezno orodje za podaljšanje garancijskega obdobja je jasno prikazana v trgovinah in/ali na embalaži oziroma je navedena v dokumentaciji izdelka. Končni uporabnik mora registrirati svoje novo orodje na spletu v 30 dneh po datumu nakupa. Končni uporabnik lahko registrira podaljšano garancijo v svoji državi bivanja, če je na obrazcu spletne registracije navedeno, da ta možnost velja za njegovo državo. Poleg tega morajo končni uporabniki podati svoje soglasje za shranjevanje podatkov, ki so potrebni za spletni dostop in morajo sprejeti pogoje in določila uporabe spletnega mesta. Potrdilo o registraciji, ki ga pošljemo prek e-pošte, in originalni račun, ki prikazuje datum nakupa, služita kot dokazilo o podaljšani garanciji.
- Garancija krije vse okvare izdelka, do katerih pride v garancijskem obdobju zaradi napak v izdelavi ali materialu, ki so bile prisotne ob datumu nakupa. Garancija je omejena na popravilo in/ali zamenjavo in ne vključuje nobenih drugih obveznosti, med drugim vključno z naključno ali posledično škodo. Garancija ne velja, če je bil izdelek napačno uporabljen, uporabljen v nasprotju z navodili iz priložnice za uporabo ali če ni bil pravilno povezan. Ta garancija ne velja za:
 - škodo na izdelku, ki je posledica neustreznega vzdrževanja
 - spremenjen ali prilagojen izdelek
 - izdelek, katerega originalna identifikacijska oznaka (blagovna znamka, serijska številka) je bil poškodovan, spremenjena ali odstranjena
 - škodo, ki je posledica neupoštevanja navodil iz priložnice za uporabo
 - izdelek, ki nima oznake CE
 - izdelek, ki ga je poskušal popraviti nekvalficirani strokovnjak ali ki je bil popravljen brez predhodne odobritve s strani družbe Technonic Industries.
 - izdelek, ki je bil povezan na neustrezno napajanje (amperska moč, napetost, frekvenca)
 - škodo, ki jo povzročijo zunanji vplivi (kemični, fizični, mehanski) ali tuje snovi
 - rezervne dele, ki so podvrženi običajni uporabi
 - neprimerno uporabo, preobremenitev orodja
 - uporabo neodobrenih dodatkov ali delov
 - Dodatno električno orodje, priloženo orodju ali kupljeno ločeno. Take izjeme so med drugim nastavki za izvijanje, svedri, abrazivni diski, brusni papir in rezila, stranska vodila.
 - Komponente (sestavni in rezervni deli), ki so podvrženi običajni obrabi, med drugim vključno s kompleti za servisiranje in vzdrževanje, oglikovimi krtačkami, ležaji, vpenjali, svedni priključki SDS ali s vprajnimi odprtini zanje, napajalnimi kablji, pomožnimi ročajmi, prenosnimi kovčki, brusnimi ploščami, vreckami za pračo, ovmi za izpuh prahu, tesnilni iz filca, iglami in vzmetni udarnega ključa itd.
- Za servisiranje morate izdelek poslati ali prinesiti v pooblaščen servisni center družbe RYOBI, ki je naveden za vsako državo na naslednjem seznamu naslovov servisnih centrov. V nekaterih državah se vaš lokalni posrednik družbe RYOBI obveže, da bo poslal izdelek na servis družbe RYOBI. Ko pošiljate izdelek v servisni center družbe RYOBI, mora biti izdelek varno zapakiran in ne sme vsebovati nobenih nevarnih snovi, kot je npr. bencin, opremenjen pa mora biti z naslovom pošiljatelja in vsebovati kratek opis napake.
- Popravilo/zamenjava v skladu s to garancijo sta brezplačni storitvi. To pa ne predstavlja podaljšanja ali ponovnega začetka garancijskega obdobja. Zamenjani deli ali orodja postanejo naša last. V nekaterih državah stroške dostave ali poštno plača pošiljatelj. Vaše zakonsko določene pravice, ki izvirajo iz nakupa orodja, ostajajo nespremenjene.
- Ta garancija velja v Evropski skupnosti, Švici, na Islandiji, Norveškem, v Lichtenštajnu, Turčiji, Rusiji in Združenem kraljestvu. Izven teh območij se obrnite na svojega pooblaščenega posrednika izdelkov RYOBI, dealer ki vam bo povedal, ali velja kakšna druga garancija.

POOBLAŠČEN SERVISNI CENTER

V primeru zahtev ali težav v zvezi z izdelkom se lahko obrnete na lokalne pooblaščenne servisne centre (obiščite www.ryobitools.eu) ali neposredno na: Technonic Industries GmbH, Max Eyth Straße 10, 71364 Winnenden, Germany. Prosimo, da navedete serijsko številko in tip izdelka, ki sta natisnjena na oznaki.

SK ZÁRUČNÉ PODMIENKY RYOBI

Na tento výrobok sa okrem všetkých zákonných práv, vyplývajúcich z nákupu, vzťahuje záruka v nasledovnom znení.

- Záručná doba pre spotrebiteľa je 24 mesiacov a začína plynúť odo dňa, kedy bol výrobok zakúpený. Tento dátum musí byť doložený faktúrou alebo iným dokladom o kúpení. Výrobok je navrhnutý a určený pre spotrebiteľa a len na súkromné používanie. Preto sa záruka sa neposkytuje v prípade použitia na profesionálne a komerčné účely.
- V prípade elektrického náradia (na striedavý/jednosmerný prúd AC/DC), existuje možnosť predĺženia záručnej doby proti záručnej dobe, uvedenej vyššie, s využitím on-line registrácie na webovej stránke www.ryobitools.eu. Označenie na náradí o nároku na predĺženie záručnej doby je zreteľne uvedené v obchodoch a/alebo na obale a je uvedené v dokumentácii k výrobku. Koncový používateľ musí zaregistrovať svoje novozískané náradie on-line do 30 dní odo dňa nákupu. Koncový používateľ sa môže zaregistrovať na predĺženú záruku v krajine svojho bydliska, ak je v on-line registračnom formulári uvedená táto možnosť. Ďalej musia koncoví používatelia ešte dať svoj súhlas k uchovávaniu údajov, ktoré je potrebné zadať on-line a musia súhlasiť s podmienkami. Potvrdenie o prijatí registrácie, ktorý je zasielané e-mailom a original faktúry, v ktorej je uvedený dátum nákupu, slúžia ako dôkaz o predĺženej záruke.
- Záruka sa vzťahuje na všetky poruchy výrobu v záručnej dobe, spôsobené chybami materiálu alebo spracovania k dátumu nákupu. Táto záruka je obmedzená na opravu a/alebo výmenu a nezahŕňa ďalšie povinnosti, vrátane, okrem iných, náhodné alebo následné škody. Táto záruka je neplatná, ak bol výrobok nesprávne používaný, bol používaný v rozpore s návodom na použitie alebo bol nesprávne zapojený. Táto záruka sa nevzťahuje na:
 - akékoľvek poškodenie výrobku, ktoré bolo spôsobené nesprávnou obsluhou
 - akýkoľvek výrobok, ktorý bol zmenený alebo upravený
 - akýkoľvek výrobok, na ktorom bolo poškodené, upravené alebo odstránené identifikačné označenie (ochranná známka, výrobné číslo)
 - akékoľvek škody, spôsobené neododaným návodom na obsluhu
 - akýkoľvek výrobok, ktorý neobsahuje označenie CE
 - akýkoľvek výrobok, ktorý sa pokúšal opraviť nekvalficovaný odborník alebo bol opravený bez predchádzajúceho súhlasu zo strany spoločnosti Technonic Industries.
 - akýkoľvek výrobok, pripojený k nesprávnemu napájacímu zdroju (ampéry, napätie, frekvencia)
 - akékoľvek poškodenia, spôsobené vonkajšími vplyvmi (chemickými, fyzikálnymi, nárazmi) alebo cudzoročnými látkami
 - bežné opotrebovanie náhradných dielov
 - nevhodné používanie, preťažovanie nástroja
 - používanie neschváleného príslušenstva a dielov
 - príslušenstvo k elektrickému náradíu, dodávané spolu s náradím alebo zakúpené oddelene. Takéto vylúčenia sa vzťahujú, okrem iného, na násady skrutkovačov, vrtáky, brusne kotúče, brusny papier a čepele, bočné vodiace lišty
 - Súčiastky (diely a príslušenstvo), ktoré podliehajú prirodzenému opotrebeniu, okrem iného súpravy na servis a údržbu, uhľiky, ložiská, skúfcovadlá, SDS vrták a príslušenstvo, príloh alebo prijímanie, napájací kábel, pomocná rukoväť, prepravná skriňa, brusná doska, prachové vrecko, výfuková trubica, plstené podložky, kolký a pružiny na rázový utahovač atď.
- Na opravu musí byť výrobok odoslaný alebo doručený do autorizovaného servisného strediska RYOBI, uvedeného pre každú krajinu v nasledovnom zozname adres servisných stredísk. V niektorých krajinách miestny zástupca RYOBI preberá na seba záväzok zaslať tovar do servisnej organizácie RYOBI. Pri odosielaní výrobku do servisného strediska RYOBI je potrebné výrobok bezpečne zabaliť bez akéhokoľvek nebezpečného obsahu, ako je benzín, s vyznačením adresy odosielateľa, s krátkym popisom poruchy.
- Oprava/výmena je vrámcí tejto záruky bezplatná. Nezmenené to predĺženie záruky alebo spustenie novej záručnej doby. Vymenené diely alebo nástroje sa stávajú našim vlastníctvom. V niektorých krajinách náklady na odoslanie alebo poštovné musí zaplatiť odosielateľ. Vaše zákonné práva, vyplývajúce z nákupu náradia, zostávajú nedotknuté
- Táto záruka je platná v Európskych spoločnostiach, Švajčiarsku, Islande, Nórsku, Lichtenštajnsku, Turecku, Rusku a Spojenom kráľovstve. Ak sa nachádzate mimo týchto oblastí, obráťte sa na autorizovaného predajcu RYOBI na určenie, či sa dá uplatniť iná záruka.

AUTORIZOVANÉ SERVISNÉ CENTRUM

Všetky žiadosti alebo problémy s výrobkom možno adresovať miestnym autorizovaným servisným strediskám (navštívte www.ryobitools.eu) alebo priamo na: Technonic Industries GmbH, Max Eyth Straße 10, 71364 Winnenden, Germany. Uveďte sériové číslo a typ výrobku uvedené na etike.

BG УСЛОВИЯ ЗА ВАЛИДНОСТ НА ГАРАНЦИЯТА НА RYOBI

В допълнение към законоустановените права, произтичащи от покупката, този продукт е обхванат от гаранция, както е изложено по-долу.

- Гаранционният срок е 24 месеца за клиенти и започва да тече от деня на закупуване на продукта. Тази дата трябва да се докаже с фактура или друго доказателство за покупка. Продуктът е изработен и предназначен само за потребителска и лична употреба. Следователно не се дава гаранция в случай на използване от професионалисти или с търговска цел.
- Съществува възможност за удължаване на гаранционния срок за част от диапазона на гаранцията на електрически инструменти (AC/DC) след изтичането на описания тук чрез регистрацията на веб сайта www.ryobitools.eu. В магазините и/или на опаковката или вътре в документацията на продукта е показано ясно дали инструментът отговаря на условията за такова удължаване на гаранционния срок. Крайният потребител трябва да регистрира своите новопридобити инструменти онлайн в рамките на 30 дни от датата на покупка. Крайният потребител може да се регистрира за удължена гаранция в държавата си на пребиваване, ако е посочена във формуляра за онлайн регистрация като място, където тази опция е валидна. Освен това крайните потребители трябва да дадат съгласието си за съхранение на данните, които са задължителни за попълване онлайн, и трябва да приемат общите условия. Полагателното потвърждение за регистрация, изпратено по електронна поща, и оригиналната фактура, показваща датата на покупка, ще служат като доказателство за удължената гаранция.
- Гаранцията покрива всички дефекти на продукта по време на гаранционния срок, които се дължат на проблеми в изработката или материалите към момента на покупката. Гаранцията е ограничена до ремонт и/или замана и не включва други задължения, включително, но не само, случаи или осезаеми щети. Гаранцията е невалидна, ако продуктът е използван неправилно или в противоречие с ръководството с инструкции, както и ако е свързан неправилно. Тази гаранция не важи за:
 - щети по продукта в резултат на неправилна профилация
 - продукти, които са били изменени или модифицирани
 - продукт, при който оригиналните маркировки за идентификация (търговска марка, сериен номер) са изтрили, променени или премахнати
 - повреда, причинена от неспазване на ръководството с инструкции
 - продукт без CE маркировка
 - продукт, за който е направен опит за ремонт от невалифициран специалист или без предварително разрешение от Techtronc Industries.
 - продукт, свързан към неподходящо електрозахранване (ампераж, волтаж, честота)
 - щети, причинени от външни влияния (химични, физични, удари) или чужди вещества
 - нормално износване на резервни части
 - неподходяща употреба, претоварване на инструмента
 - използване на неодобриени аксесоари или частиАксесоариите за електрически инструмент са предоставени с инструмента или се купуват отделно. Тези изключения включват, но не само, найкрайници за отвертка, свердела, абразивни дискове, шкурка и остриета, страничен водач
 - Компоненти (части и аксесоари), подложени на естествено износване, включително, но не само, комплекти за обслужване и поддръжка, карбонови четки, лагери, патронник, приставка със средло SDS или приемно устройство, захранващ кабел, спомагателна ръкохватка, кутия за транспортиране, шифовъчна пластина, торба за прах, трябва за отвеждане на прах, фицови шайби, шифтове и пружини за винтоверти и др.
- За обслужване продуктът трябва да се изпрати или занесе на авторизиран сервиз на RYOBI, посочен за всяка държава в следния списък с адреси на сервиси. В някои държави местният търговец на RYOBI поема отговорността да изпрати продукта до сервизен център на RYOBI. При изпращане на продукт до сервиз на RYOBI той трябва да е опакован безопасно без опасно съдържание, напр. бензин, да е маркиран с адреса на подателя и придружен от кратко описание на повредата.
- Ремонт/замяната по силата на тази гаранция са безплатни. Те не водят до удължаване или подновяване на гаранционния срок. Сменените части или инструменти стават наша собственост. В някои държави таксите за доставка или изпращане трябва да се платят от подателя. Законоустановените ви права, произтичащи от закупуването на инструмента, остават незаесенгати
- Тази гаранция е валидна в Европейската общност, Швейцария, Исландия, Норвегия, Лихтенщайн, Турция и Обединеното кралство. Извън тези области се съхранява с изпълномощия търговец на RYOBI, за да се установи дали е приложима друга гаранция.

УПЪЛНОМОЩЕН СЕРВИЗЕН ЦЕНТЪР

Всички заявки или проблеми, свързани с продукта, могат да бъдат отправяни към местните изпълномощени сервизни центрове (посетете www.ryobitools.eu) или директно до: Techtronc Industries GmbH, Max Eyth Straße 10, 71364 Winnenden, Germany. Посочете серийния номер и типа на продукта, отпечатани върху етикета.

UK ГАРАНТИЙНИ УМОВИ ДЛЯ RYOBI

Осрм загалом установенлхн законном прав, що стосується покупки, цей пристрій покривається гарантією, що зазначено нижче.

- Гарантійний період для споживачів складає 24 місяці і починається з моменту придбання цього пристрою. Ця дата повинна бути задокументована у гарантійному талоні або чеку. Цей пристрій був розроблений і призначений тільки для споживчого та приватного використання. У разі професійного або комерційного використання цього пристрою, він втрачає гарантію.
- Існує можливість продовжити гарантійний період для частини лінійки електроінструментів (перемінного/постійного струму), понад період описаний вище за допомогою реєстрації на сайті www.ryobitools.eu. Пристрої, які мають право на продовження гарантійного періоду, мають чіткі позначки щодо цього в магазинах і / або на упаковці / та документації до пристрою. Кінцевий користувач повинен зареєструвати його/її новопридбаний пристрій онлайн протягом 30 днів з дати покупки. Кінцевий користувач може зареєструватися для продовження гарантійного періоду в своїй країні постійного перебування, якщо вона є доступною у відповідній опції онлайн форми реєстрації. Крім того, кінцеві користувачі повинні дати свою згоду на зберігання даних, які необхідні для введення онлайн, а також вони повинні прийняти правила та умови. Отримання підтвердження реєстрації, яке відправляється на адресу електронної пошти, та оригінал гарантійного талона із зазначеною датою покупки буде слугувати доказом продовженої гарантії.
- Гарантія поширюється на всі дефекти пристрою протягом гарантійного терміну щодо недотримання стандартів виробництва або матеріалів на дату придбання. Гарантія обмежується ремонтом та/або заміною, та не включає в себе будь-яких інших зобов'язань, в тому числі, але не обмежена у разі випадковостей та подальших пошкоджень. Гарантія не діє, якщо пристрій використовувався неналежним чином, всупереч інструкції з експлуатації або був неправильно підключений до мережі. Дана гарантія не поширюється на:
 - пристрої, що були пошкоджені у результаті неправильного технічного обслуговування;
 - пристрої, що були видозмінені або модифіковані;
 - пристрої, оригінальні ідентифікаційні (товарний знак, серійний номер) маркування яких було пошкоджене, змінене або видалене;
 - будь-які пошкодження, заподіяні недотриманням інструкцій з експлуатації;
 - пристрої, що не мають маркування CE;
 - пристрої, що були відремонтовані невалідованим фахівцем або за відсутності попереднього дозволу від Techtronc Industries;
 - пристрої, підключені до невідповідного джерела живлення (сила току, напруження, частота);
 - будь-які пошкодження спричинені зовнішнім впливом (хімічним, фізичним, стрибком напруги) або сторонніми речовинами;
 - нормальну амортизацію запасних частин;
 - невідповідне використання, перевантаження пристрою;
 - використання непідтверджених запасних частин або аксесуарів;
 - приладдя до електроінструменту, що постачається разом з пристроєм або купується окремо. Такі винятки враховують але не є обмеженнями для наконечників викруток, свердел, абразивних дисків, наждачного паперу та лез, бічних напрямних
 - компоненти(частини та приладдя) за урахуванням нормального зношування, враховуючи, але без обмеження на комплекти профілактики та технічного обслуговування, вузькі щітки, підшипники, патрони, кріплення або прийом SDS свердел, кабелі живлення, додаткові рукоятки, чохла для транспортування, шліфувальні пластини, мішки для збору пилу, трубки вихлопу, фетрові кільця, штирі і пружини гайковерту і т.д.
- Для обслуговування, пристрій має бути відправлений або поданий до одного з авторизованих сервісних центрів RYOBI, які перелічені для кожної країни у наступному переліку адрес сервісних центрів. У деяких країнах місцевий дилер RYOBI зобов'язується відправити пристрій до сервісного центру RYOBI. При відправленні пристрою до сервісного центру RYOBI, пристрій має бути надійно упакований без будь-якого небезпечного вмісту, наприклад бензину, з позначеною адресою відправника та супроводжуватися коротким описом несправності.
- Ремонт / заміна відповідно до цієї гарантії здійснюється безкоштовно. Це не є основою для продовження або початку нового гарантійного періоду. Замінені частини або прилади переходять до власності компанії. У деяких країнах вартість доставки або поштові витрати повинні бути сплачені відправником. Загально встановлені права покупця на пристрій залишаються незмінними
- Ця гарантія є дієною у країнах, членах ЄС, Швейцарії, Ісландії, Норвегії, Лихтенштейні, Туреччині, Росії та Великій Британії. За межами цих зон, будь ласка, зверніться до офіційного дилера RYOBI, щоб визначити, чи застосовується інша гарантія.

АВТОРИЗОВАНІ СЕРВІСНІ ЦЕНТРИ

З будь-яких питань або проблем, пов'язаних з пристроєм, ви можете звернутись до місцевих авторизованих сервісних центрів (відвідайте www.ryobitools.eu) або напрямку до: Techtronc Industries GmbH, Max Eyth Straße 10, 71364 Winnenden, Germany. Будь ласка, вкажіть серійний номер та тип продукту, вказані на етикетці.

TR RYOBI GARANTİ UYGULAMA KOŞULLARI

Alımdan kaynaklanan yasal haklara ek olarak, ürün aşağıda belirtilen garanti kapsamındadır.

1. Tüketiciler için 24 ay alım garantisi süresi, ürünün satın alındığı tarihte başlar. Bu tarihin bir fatura ya da alım kantıyla belgelenmesi gerekir. Ürün sadece tüketim ve özel kullanım için geliştirilmiş ve adanmıştır. Bu nedenle, profesyonel ya da ticari kullanım halinde garanti kapsamı sağlanmaz.
2. Elektrikli el aletlerinin bir bölümü (AC/DC) için www.ryobitools.eu sayfasındaki kayıt işlemi kullanılarak garantinin belirlenilmesinin süresinin ötesine uzatma imkanı mevcuttur. Aletlerin garanti süresinin uzatılmasına uygun olup olmadığı mevzuatlarla ve / veya ambalajda açıkça belirtilmiş olup, ürün dokümantasyonunda gösterilir. Son kullanıcının yeni aldığı aletleri satın alma tarihi izleyen 30 gün içinde kaydedilmesi gerekir. Son kullanıcının ikamet ettiği ülkede, bu seçeneğin geçerli olduğu çevrimiçi kayıt formunda belirtilmişse, uzatılmış garanti süresi için kayıt yaptırabilir. Dahası, son kullanıcıların çevrimiçi giriş için gerekli verilerin kaydedilmesine izin vermesi ve hüküm ve koşulları kabul etmelidir. E-posta ile gönderilen kayıt teyit makbuzu ve alım tarihini gösteren orijinal fatura uzatılmış garantinin kanıtı olarak değerlendirilir.
3. Garanti, ürünün alım tarihindeki içişlik ve malzeme kusurları nedeniyle garanti süresi içinde oluşacak bütün arızaları kapsar. Bu garanti onarım ve değiştirilme için ücretsizdir. Dahası, son kullanıcıların çevrimiçi giriş için gerekli verilerin kaydedilmesine izin vermesi ve hüküm ve koşulları kabul etmelidir. E-posta ile gönderilen kayıt teyit makbuzu ve alım tarihini gösteren orijinal fatura uzatılmış garantinin kanıtı olarak değerlendirilir.
4. Ürünün servis için her ülkede aşağıdaki servis istasyonları adres listesinde yer alan yetkili bir RYOBI servis istasyonuna gönderilmesi ya götürülmesi gereklidir. Bazı ülkelerde, yerel RYOBI distribütörünüz ürünü RYOBI servis teşkilatına göndermeyin. Ürün bir arıza için RYOBI servis istasyonuna gönderilirse, ürünün güvenli bir biçimde ambalajlanması, benzin gibi tehlikeli maddeler içermemesi, gönderinin adresini taşımaması ve arızanın kısa bir açıklamasını içermesi gerekir.
5. Bu garanti kapsamında yapılacak onarım / değişiklik ücretsizdir. Garanti süresinin uzatılması ya da yeniden başlatılması anlamına gelmez. Değiştirilmiş parçalar veya aletler bize ait olur. Bazı ülkelerde teslimat ücretleri veya posta giderlerinin gönderici tarafından ödenmesi gerekir. Alımdan kaynaklanan yasal haklarınız etkilenmez.
6. Bu garanti Avrupa Birliği'nde, İsviçre, İzlanda, Norveç, Litvanya, Türkiye, Rusya ve Birleşik Krallık'ta geçerlidir. Bu alanların dışında, başka bir garantinin geçerli olup olmadığını belirlemek için lütfen yetkili RYOBI distribütörünüzle iletişime geçin.

YETKİLİ SERVİS MERKEZİ

Ürünü ilgili her türlü talep ve sorun yerel yetkili servis merkezlerine (www.ryobitools.eu adresini ziyaret edin) veya doğrudan aşağıdaki şekilde iletişime: Technonic Industries GmbH, Max Eyth Straße 10, 71364 Winnenden, Germany. Lütfen etikette yer alan seri numarasını ve ürün tipini belirtin.

EL OPOI ΕΦΑΡΜΟΓΗΣ ΤΩΝ ΠΡΟΫΠΟΘΕΣΕΩΝ ΕΓΓΥΗΣΗΣ ΤΗΣ RYOBI

Εκτός από τα νόμιμα δικαιώματα, τα οποία προκύπτουν από την αγορά, το προϊόν καλύπτεται από εγγύηση, λεπτομέρειες της οποίας ακολουθούν στη συνέχεια.

1. Η διάρκεια της εγγύησης για τους καταναλωτές είναι 24 μήνες και αρχίζει από την ημερομηνία αγοράς. Η ημερομηνία θα πρέπει να αναγράφεται στην απόδειξη ή σε άλλο αποδεικτικό αγοράς. Το προϊόν έχει σχεδιαστεί και προορίζεται αποκλειστικά για οικιακή χρήση από καταναλωτές. Συνεπώς, δεν παρέχεται εγγύηση σε περίπτωση επαγγελματικής ή εμπορικής χρήσης.
 2. Υπάρχει η δυνατότητα επέκτασης της εγγύησης για ορισμένα ηλεκτρικά εργαλεία (AC/DC), πέραν του παραπάνω αναφερόμενου χρονικού διαστήματος, μέσω εγγραφής στο δικτυακό τόπο www.ryobitools.eu. Η επλεξιμότητα των εργαλείων με δυνατότητα επέκτασης της περιόδου εγγύησης αναγράφεται ρητά στα καταστήματα και/ή επάνω στα συσκευασια, ενώ περιέχεται στην τεκμηρίωση του προϊόντος. Το τελικό χρήστη θα πρέπει να καταχωρίσει τα προσωπικά αποκτήθιστα εργαλεία online, εντός 30 ημερών από την ημερομηνία αγοράς. Ο τελικός χρήστης μπορεί να εγγραφεί για την επέκταση εγγύησης στη χώρα κατοικίας, εφόσον αυτή περιλαμβάνεται στο online έντυπο εγγραφής, εάν υπάρχει η δυνατότητα επέκτασης. Επιπλέον, οι τελικοί χρήστες θα πρέπει να παρέχουν τη συγκατάθεσή τους για την αποθήκευση των στοιχείων τους, τα οποία σφραγίζονται με καταχωρίσονται online, όπως και να αποδοθούν του όρους και τις προϋποθέσεις. Η απόδειξη επιβεβαίωσης της εγγραφής, η οποία αποστέλλεται μέσω email, και η πρωτότυπη απόδειξη αγοράς, η οποία αναγράφει την ημερομηνία αγοράς, αποτελούν αποδεικτικά της παρατεταμένης εγγύησης.
 3. Η εγγύηση καλύπτει όλα τα ελαττώματα του προϊόντος, κατά τη διάρκεια της περιόδου εγγύησης, λόγω κατασκευαστικών ελαττωμάτων ή αστοχίας υλικού κατά την ημερομηνία αγοράς. Η εγγύηση περιορίζεται στην επισκευή και/ή την αντικατάσταση και δεν περιλαμβάνει καμία άλλη υποχρέωση, συμπεριλαμβανομένων, ενδεικτικά, συμπτωματικών ή παρεπόμενων ζημιών. Η εγγύηση δεν ισχύει εφόσον, έχει σημειωθεί κακομεταχείριση του προϊόντος, δεν έχουν τηρηθεί οι οδηγίες του εγχειριδίου οδηγιών ή το προϊόν έχει συνδεθεί λανθασμένα. Η εγγύηση δεν ισχύει για:
 - οποιαδήποτε ζημία στο προϊόν, η οποία είναι αποτέλεσμα κακής συντήρησης
 - οποιαδήποτε προϊόν, το οποίο έχει αλλοιωθεί ή τροποποιηθεί
 - οποιαδήποτε προϊόν, στο οποίο έχει αλλοιωθεί, τροποποιηθεί ή αφαιρεθεί το γνήσιο αναγνωριστικό (σήμα κατατεθέν, σειριακό αριθμό)
 - οποιαδήποτε ζημία προκλήσει λόγω μη τήρησης του εγχειριδίου οδηγιών
 - οποιαδήποτε προϊόν χωρίς σήμανση CE
 - οποιαδήποτε προϊόν, στο οποίο έχει γίνει προσπάθεια επισκευής από μη καταρτισμένο επαγγελματία ή χωρίς την προηγούμενη έγκριση της Technonic Industries.
 - οποιαδήποτε προϊόν, το οποίο έχει συνδεθεί σε ακατάλληλη παροχή ρεύματος (αμπερ, ισχύ, συχνότητα)
 - οποιαδήποτε ζημία έχει προκληθεί από εξωτερικές επιδράσεις (χημικές, φυσικές, κλιμακωνογικές) ή ξένες ουσίες
 - φυσιολογική φθορά και ρήξη ανταλλακτικών
 - ακατάλληλη χρήση, υπερφόρτωση του εργαλείου
 - χρήση μη ενδεδειγμένων εξαρτημάτων ή ανταλλακτικών
 - Εξαρτήματα ηλεκτρικών εργαλείων που παραστέθηκαν με το εργαλείο ή αγοράστηκαν ξεχωριστά. Τέτοιες εξαρτήσεις περιλαμβανομένων, ενδεικτικά, μπιές καταβόθρας, τρυπάνια, δίσκος λίανσης, γυαλόχαρτο και λιπίδες, πλευρικό οδηγό
 - Εξαρτήματα (ανταλλακτικά και αξεσουάρ) που υπόκεινται σε φυσική φθορά και θραύση, συμπεριλαμβανομένων, ενδεικτικά, σε επισκευές ή συντήρησης, μηχανών άνθρακα, εφεδρικών, τσοκ, εξαρτημάτων ή υποδοχών τρυπανιών SDS, καθυλών ισχύος, βοηθητικής λαβής, βαλίτσας μεταφοράς, βάσης τριβείου, σκαρούλας συλλογής σκόνης, σωλήνα εξαγωγής σκόνης, ροβελιών τσόχας, μυτών και ελατηρίων κροστικού κλειδιού κοχλίων, κτλ.
4. Το προϊόν θα πρέπει να αποσταλεί ή να παραδοθεί για επισκευή ή συντήρηση σε εξουσιοδοτημένο σημείο σέρβις της RYOBI που περιλαμβάνεται στον ακόλουθο κατάλογο διευθύνσεων για κάθε χώρα. Σε ορισμένες χώρες, το τοπικό σημείο πώλησης της RYOBI αναλαμβάνει την αποστολή του προϊόντος στο κεντρικό σέρβις της RYOBI. Κατά την αποστολή ενός προϊόντος σε σημείο σέρβις της RYOBI, αυτό θα πρέπει να είναι ασφαλώς συσκευασμένο, χωρίς επικίνδυνου περιεχόμενο, όπως, πετρέλαιο, να φέρει τη διεύθυνση του αποστολέα και να συνοδεύεται από σύντομη περιγραφή της βλάβης.
 5. Η επίδοξη αυτή ισχύει υπό την παρούσα εγγύηση παρέχεται δωρεάν. Δε συνιστά παράταση της περιόδου εγγύησης ή εκκίνηση νέας περιόδου εγγύησης. Τα μέρη που αντικαθίστανται περιέχονται στην κυριότητα μας. Σε ορισμένες χώρες, τα ενδεχόμενα έξοδα παράδοσης ή μεταφοράς βαρύνουν τον αποστολέα. Τα νόμιμα δικαιώματά σας, τα οποία απορρέουν από την αγορά του εργαλείου, δεν θινονται.
 6. Η εγγύηση αυτή ισχύει στην Ευρωπαϊκή Ένωση, την Ελβετία, την Ισλανδία, τη Νορβηγία, το Λιχτενστάιν, την Τουρκία, τη Ρωσία και το Ηνωμένο Βασίλειο. Εκτός των παραπάνω περιοχών, σας παρακαλούμε να επικοινωνήσετε με εξουσιοδοτημένο κατάστημα πώλησης της RYOBI, προκειμένου να διαπιστωθεί ένα ισχύει κάποια άλλη εγγύηση.

ΕΞΟΥΣΙΟΔΟΤΗΜΕΝΟ ΚΕΝΤΡΟ ΣΕΡΒΙΣ

Για οποιοδήποτε αίτημα ή πρόβλημα με το προϊόν μπορείτε να απευθυνθείτε στα τοπικά εξουσιοδοτημένα κέντρα σέρβις (επισκεφθείτε τη διεύθυνση www.ryobitools.eu) ή απευθείας στη διεύθυνση: Technonic Industries GmbH, Max Eyth Straße 10, 71364 Winnenden, Germany. Αναφέρετε τον σειριακό αριθμό και τον τύπο προϊόντος που αναγράφονται στην ετικέτα.



EN EC DECLARATION OF CONFORMITY

Mitre saw

Brand: RYOBI | Manufacturer¹ | Model number² | Serial number range³

We declare as the manufacturer under our sole responsibility that the product mentioned below fulfills all the relevant provisions of the following European Directives, European Regulations and harmonised standards⁴

Authorised to compile the technical file:⁵

FR DÉCLARATION CE DE CONFORMITÉ

Scie à onglet

Marque: RYOBI | Fabricant¹ | Numéro de modèle² | Étendue des numéros de série³

Nous déclarons, en qualité de fabricant, sous notre entière responsabilité, que le produit mentionné ci-dessous remplit toutes les dispositions pertinentes des directives et réglementations européennes suivantes, ainsi que des normes harmonisées⁴

Autorisé à rédiger le dossier technique:⁵

DE EG-KONFORMITÄTSEKTLÄRUNG

Gehringkappsäge

Marke: RYOBI | Hersteller¹ | Modellnummer² | Seriennummernbereich³

Wir als Hersteller erklären in alleiniger Verantwortung, dass das nachstehend erwähnte Produkt allen einschlägigen Bestimmungen der folgenden EU-Richtlinien, EU-Verordnungen und harmonisierten Normen entspricht⁴

Autorisiert die technische Datei zu erstellen:⁵

ES DECLARACIÓN CE DE CONFORMIDAD

Ingletadora

Marca: RYOBI | Fabricante¹ | Número de modelo² | Intervalo del número de serie³

Como fabricante, declaramos, bajo nuestra exclusiva responsabilidad, que el producto mencionado a continuación cumple con todas las disposiciones relevantes de las siguientes directivas, normas armonizadas y reglamentos europeos⁴

Autorizado para elaborar la ficha técnica:⁵

IT DICHIARAZIONE CE DI CONFORMITÀ

Sega per tagli obliqui

Marca: RYOBI | Ditta produttrice¹ | Numero modello² | Gamma numero seriale³

In qualità di produttore, dichiariamo, sotto la nostra esclusiva responsabilità, che il prodotto descritto di seguito ottempera a tutte le pertinenti disposizioni delle seguenti direttive europee, normative europee e dei seguenti standard armonizzati⁴

Autorizzato per compilare il file tecnico:⁵

NL EG-VERKLARING VAN OVEREENSTEMMING

Verstekzaag

Merk: RYOBI | Fabrikant¹ | Modelnummer² | Seriennummerbereik³

Wij verkelen naar onze eigen verantwoordelijkheid als fabrikant, dat het hieronder genoemde product voldoet aan alle relevante bepalingen van de volgende Europese richtlijnen, Europese verordeningen en geharmoniseerde normen⁴

Afgevaardigde voor het samenstellen van de technische fiche:⁵

PT DECLARAÇÃO CE DE CONFORMIDADE

Serra de esquadria

Marca: RYOBI | Fabricante¹ | Número do modelo² | Intervalo do número de série³

Declaramos na qualidade de fabricante e sob nossa exclusiva responsabilidade que o produto mencionado abaixo cumpre todas as disposições aplicáveis das seguintes diretivas, regulamentos e normas harmonizadas da União Europeia⁴

Autorizado para compilar o ficheiro técnico:⁵

DA EF-ØVERENSSTEMMELSEERKLÆRING

Geringssav

Brand: RYOBI | Producent¹ | Modelnummer² | Seriennummerområde³

Vi erklærer som fremstiller under eget ansvar, at produktet nævnt nedenfor opfylder alle de relevante forskrifter i de følgende europæiske direktiver, europæiske forordninger og harmoniserede standarder⁴

Bemyndiget til at udarbejde det tekniske kartotek:⁵

SV EG-FÖRSÅKRAN ÖVERENSSTÄMMELSE

Geringssåg

Marke: RYOBI | Tillverkare¹ | Modellnummer² | Seriennummerintervall³

Vi som tillverkare förklarar under eget ansvar att den produkt som nämns nedan uppfyller alla relevanta föreskrifter i följande europeiska direktiv, europeiska förordningar och harmoniserade standarder⁴

Godkänd att sammanställa den tekniska filen:⁵

FI EY-VAATIMUSTENMUKAISUUSVAKUUTUS

Viistesaha

Tuotemerkki: RYOBI | Valmistaja¹ | Mallinumero² | Sarjanumerovalue³

Valmistajana vakuutan alla maintenance tuotteen täyttävän seuraavien eurooppalaisten direktiivien, asetusten ja yhdenmukaistettujen standardien kaikki asiaankuuluvat vaatimukset⁴

Valtuutettu kokoamaan tekninen tiedosto:⁵

NO CE-SAMSVARERKLÆRING

Gjærsag

Märke: RYOBI | Produzent¹ | Modellnummer² | Seriennummerserie³

Vi erklærer, som produsent, på eget ansvar at produktet beskrevet nedenfor oppfyller alle de relevante bestemmelserne i de europeiske direktiver, europeiske forskrifter og harmoniserte standarder⁴

Autorisert til å sette sammen den tekniske filen:⁵

RU ДЕКЛАРАЦИЯ О СООТВЕТСТВИИ СТАНДАРТАМ ЕС

Торцово-усовочная пила

Марка: RYOBI | Изготовитель¹ | Номер модели² | Диапазон заводских номеров³

Со всей ответственностью как производитель заявляю, что нижеупомянутое изделие отвечает всем соответствующим положениям следующих европейских директив, европейских регламентов, а также гармонизированных стандартов⁴

Лицо, ответственное за подготовку технической документации:⁵

PL DEKLARACJA ZGODNOŚCI WE

Pilarka ukosowa

Marka: RYOBI | Producent¹ | Numer modelu² | Zakres numerów seryjnych³

Jako producent oświadczamy na własną odpowiedzialność, że produkt opisany w sekcji „Specyfikacja” spełnia wszystkie istotne postanowienia wymienionych poniżej dyrektyw UE, przepisów europejskich oraz norm zharmonizowanych⁴

Osoba upoważniona do sporządzenia dokumentu technicznego:⁵

CS ES PROHLÁŠENÍ O SHODĚ

Pokosová píla

Značka: RYOBI | Výrobce¹ | Číslo modelu² | Rozsah sériových čísel³

Jako výrobce prohlašujeme výhradně na vlastní odpovědnost, že níže uvedeny výrobek splňuje všechna příslušná ustanovení evropských směrnic, evropských nařízení a harmonizovaných norem⁴

Pověření ke kompilaci technického souboru:⁵

HU EK-MEGFELELŐSÉGI NYILATKOZATA

Gérvágó fűrész

Márka: RYOBI | Gyártó¹ | Típuszám² | Sorozatszám tartomány³

Gyártóként kizárólagos felelősségünk tudatában nyilatkozunk, hogy az alább említett termék megfelel a következő európai irányelvek, szabályzások és harmonizált szabványok vonatkozó rendelkezéseinek⁴

A műszaki dokumentáció összeállítására felhatalmazott:⁵

RO DECLARAȚIE DE CONFORMITATE CE

Ferăstrău unghiular

Marcă: RYOBI | Producător¹ | Număr serie² | Gamă număr serie³

În calitate de producător, declarăm pe proprie responsabilitate că produsul menționat mai jos îndeplinește toate prevederile relevante ale directivei Uniunii Europene, ale Regulamentelor UE și standardele armonizate⁴

Autorizat să completeze fișa tehnică:⁵

LV EK ATBILSTĪBAS DEKLARĀCIJA

Leņķzāģis

Zīmols: RYOBI | Ražotājs¹ | Modeļa numurs² | Sērijas numura intervāls³

Ar pilnu atbildību mēs kā ražotājs deklarējam, ka tālāk norādītais produkts izpilda visas atbilstošās norādīto Eiropas direktīvu, Eiropas regulu un harmonizēto standartu prasības⁴

Pilnvarots sastādīt tehnisko failu:⁵

LT EB ATITIKTIES DEKLARACIJA

Skersinis pjūklas

Prekės ženklas: RYOBI | Gamintojas¹ | Modelio numeris² | Serijinio numerio diapazonas³

Mes, gamintojai, atsakingai pareiškiame, kad toliau minimas gaminytis atitinka nurodytus Europos direktyvas, Europos reglamentus ir darniuosius standartus⁴

Igaliotas sudaryti techninį failą:⁵

ET EÜ VASTAVUSDEKLARATSIOON

Miisusaag

Mark: RYOBI | Tootja¹ | Mudeli number² | Seerianumbri vahemik³

Kinnitame tootjana ainuiskuliselt, et allpool nimetatud toode vastab järgmistele Euroopa direktiivide, Euroopa määruste ja ühtlustatud standardite kõigile asjaomastele sätetele⁴

Tehnilise faili koostamiseks volitatud isik:⁵

HR IZJAVA O SUKLADNOSTI

Kutna pila

Marka: RYOBI | Proizvođač¹ | Broj modela² | Raspon serijskog broja³

Kao proizvođač, pod punom odgovornošću izjavljujemo da proizvod naveden u nastavku zadovoljava sve relevantne odredbe sljedećih europskih direktiva, europskih uredbi i usklađenih normi⁴

Ovlašten da sastavi tehničku datoteku:⁵



SL ES-IZJAVA O SKLADNOSTI

Zajeralna žaga

Znamka: RYOBI | Proizvajalec¹ | Številka modela² | Razpon serijskih števil³
Kot proizvajalec pod izključno lastno odgovornostjo izjavljamo, da spodaj navedeni izdelki izpolnjuje vse ustrezne predpise naslednjih evropskih direktiv, evropskih uredb in harmoniziranih standardov⁴.
Pooblaščenca oseba za sestavo tehnične dokumentacije.⁵

SK ES VYHLÁSENIE O ZHODE

Rozbrusovačka

Značka: RYOBI | Výrobca¹ | Číslo modelu² | Rozsah sériových čísiel³
Ako výrobca na vlastnú zodpovednosť vyhlasujeme, že dolu uvedený výrobok vyhovuje príslušným ustanoveniam nasledujúcich európskych smerníc, európskych nariadení a harmonizovaných noriem⁴.
Oprávnená osoba na zostavenie technického súboru.⁵

BG CE - ДЕКЛАРАЦИЯ ЗА СЪОТВЕТСТВИЕ

Трион за рязане под ъгъл

Марка: RYOBI | Производител¹ | Номер на модела² | Обхват на серийни номера³
Като производител декларираме на своя лична отговорност, че продуктът, посочен по-долу, отговаря на всички съответни разпоредби на директивите и регламентите на Европейския съюз и хармонизираните стандарти по-долу⁴.
Упълномощено лице за съставяне на техническия файл.⁵

UK СЕРТИФИКАТ ВІДПОВІДНОСТІ ВИМОГАМ ЄС

Торцовальна пила

Марка: RYOBI | Виробник¹ | Номер моделу² | Діапазон серійного номеру³
Як виробник ми відповідально заявляємо, що описаний нижче пристрій відповідає всім чинним положенням директив ЄС, Європейських норм та гармонізованих стандартів⁴.
Дозвіл на складання технічного файлу.⁵

TR CE UYGUNLUK BEYANI

Gönye testeresi

Marka: RYOBI | Üretici¹ | Model numarası² | Seri numarası aralığı³
Üretici olarak tüm sorumluluğu bize ait olmak üzere, aşağıda belirtilen ürünün aşağıdaki Avrupa Direktifleri, Avrupa Mevzuatı ve uyumlaştırılmış standartların ilgili hükümlerini yerine getirdiğini beyan ederiz⁴.
Teknik dosya hazırlamaya yetkilidir.⁵

EL ΔΗΛΩΣΗ ΣΥΜΜΟΡΦΩΣΗΣ ΕΚ

Κόπτης για φαλτσγωνίες

Μάρκα: RYOBI | Κατασκευαστής¹ | Αριθμός μοντέλου² | Εύρος σειριακών αριθμών³
Δηλώνουμε, με αποκλειστικά δική μας ευθύνη, ότι το παρακάτω αναφερόμενο προϊόν πληρεί όλες τις σχετικές διατάξεις των ακόλουθων Ευρωπαϊκών Οδηγιών, Ευρωπαϊκών Κανονισμών και εναρμονισμένων προτύπων⁴.
Εξουσιοδοτημένο άτομο για σύνταξη τεχνικού αρχείου.⁵

¹ Techtronic Industries GmbH
Max-Eyth-Straße 10, 71364 Winnenden, Germany

² RMS18254X

³ 48629301000001 - 48629301999999

⁴ 2006/42/EC, 2014/30/EU, 2011/65/EU, EN IEC 55014-1:2021,
EN IEC 55014-2:2021, EN 62841-1-1:2015, EN IEC 62841-3-9:2020+A11:2020,
EN IEC 63000:2018

Todd Chipner
Vice President, Quality - Asia
Winnenden, Aug. 12, 2022

⁵ Alexander Krug, Managing Director
Techtronic Industries GmbH
Max-Eyth-Straße 10, 71364 Winnenden, Germany

GB-DECLARATION OF CONFORMITY

Manufacturer: Techtronic Industries GmbH
Max-Eyth-Straße 10, 71364 Winnenden, Germany

We declare as the manufacturer under our sole responsibility that the product mentioned below

Mitre saw
Brand: RYOBI
Model number: RMS18254X
Serial number range: 48629301000001 - 48629301999999

fulfills all the relevant provisions of the following Regulations: S.I. 2008/1597 (as amended), S.I. 2016/1091 (as amended), S.I. 2012/3032 (as amended) and that the following designated standards have been used:

BS EN IEC 55014-1:2021, BS EN IEC 55014-2:2021,
BS EN 62841-1:2015, BS EN IEC 62841-3-9:2020+A11:2020,
BS EN IEC 63000:2018

Todd Chipner
Vice President, Quality - Asia
Winnenden, Aug. 12, 2022

Authorised to compile the technical file:
Techtronic Industries (UK) Ltd
Parkway
Marlow Bucks SL7 1YL
UK





EN RYOBI is a trade mark of Ryobi Limited, and is used under license.
FR RYOBI est une marque déposée de Ryobi Limited, et est utilisée sous license.
DE RYOBI ist ein Markenzeichen von Ryobi Limited und wird in Lizenz verwendet.
ES RYOBI es una marca registrada de Ryobi Limited, y se utiliza bajo licencia.
IT L'utilizzo del marchio registrato RYOBI è legato alla licenza concessa da Ryobi Limited.
NL RYOBI is een handelsmerk van Ryobi Limited en wordt onder licentie gebruikt.
PT RYOBI é uma marca comercial de Ryobi Limited, e é utilizada sob licença.
DA RYOBI er et varemærke tilhørende Ryobi Limited og bruges under licens.
SV RYOBI är en del av varumärke Ryobi Limited och dess användning är licensierad.
FI RYOBI on Ryobi Limitedin omistama tavaramerkki, ja sitä käytetään lisenssin puitteissa.
NO RYOBI er et varemerke for Ryobi Limited, og brukes under lisens.
RU RYOBI является товарным знаком компании Ryobi Limited, используемым по лицензии.
PL RYOBI to znak towarowy firmy Ryobi Limited i jest używany zgodnie z udzieloną licencją.
CS RYOBI je ochranná známka společnosti Ryobi Limited a její používání podléhá licenci.
HU A RYOBI a Ryobi Limited védjegye, használata licenc keretében történik.
RO RYOBI este o marcă comercială a firmei Ryobi Limited și este utilizată sub licență.
LV RYOBI ir Ryobi Limited preču zīme un tiek izmantota saskaņā ar licenci.
LT „RYOBI“ yra „Ryobi Limited“ prekės ženklas, naudojamas pagal licenciją.
ET RYOBI on ettevõtte Ryobi Limited kaubamärk, mida kasutatakse litsentsi alusel.
HR RYOBI je žig tvrtke Ryobi Limited i koristi se po licenci
SL RYOBI je blagovna znamka družbe Ryobi Limited in se uporablja na podlagi dovoljenja.
SK RYOBI je ochranná známka spoločnosti Ryobi Limited a používa sa na základe licencie.
BG RYOBI е търговска марка на Ryobi Limited и се използва под лиценз.
UK RYOBI є товарним знаком Ryobi Limited, і використовується за ліцензією.
TR RYOBI, Ryobi Limited şirketine ait olup, lisans altında kullanılan bir ticari markadır.





Techtronic Industries GmbH

Max-Eyth-Straße 10,
71364 Winnenden, Germany

Techtronic Industries (UK) Ltd

Parkway
Marlow Bucks SL7 1YL
UK

20220818v1b

