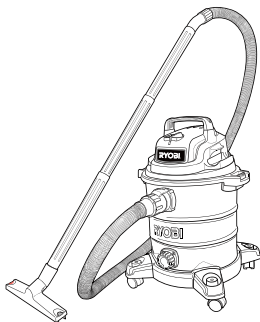


RYOBI®

RVC-1220I-G

EN	WET AND DRY VACUUM CLEANER	USER'S MANUAL	9
FR	ASPIRATEUR EAU ET POUSSIÈRE	MANUEL D'UTILISATION	15
DE	FEUCHT- UND TROCKEN-STRAUBSAUGER	BEDIENUNGSANLEITUNG	22
ES	ASPIRADORA EN SECO Y EN MOJADO	MANUAL DE UTILIZACIÓN	29
IT	ASPIRAPOLVERE E ASPIRALIQUIDI	MANUALE D'USO	36
NL	NAT EN DROOG STOFZUIGER	GEBRUIKSHANDLEIDING	42
PT	ASPIRADOR A SECO E MOLHADO	MANUAL DE UTILIZAÇÃO	48
DA	VÅD/TØR-STØVSUGER	BRUGERVEJLEDNING	55
SV	VÅT- OCH TORRDAMMSAUGARE	INSTRUKTIONSBOK	61
FI	MÄRÄN JA KUIVAN ROSKAN IMURI	KÄYTTÄJÄN KÄSIKIRJA	67
NO	VÅT OG TØRR STØVSUGER	BRUKSANVISNING	73
RU	ПЫЛЕСОС ДЛЯ СУХОЙ И ВЛАЖНОЙ УБОРКИ	РУКОВОДСТВО ПО ЭКСПЛУАТАЦИИ	79
PL	ODKURZACZ WODNY	INSTRUKCJA OBSŁUGI	86
CS	VYSAVAČ MOKRÝCH A SUCHÝCH NEČISTOT	NÁVOD K OBSLUZE	93
HU	NEDVES ÉS SZÁRAZ PORSZÍVÓ	HASZNÁLATI ÚTMUTATÓ	99
RO	ASPIRATOR CU CURĂȚARE UMEDĂ ȘI USCATĂ	MANUAL DE UTILIZARE	106
LV	SLAPJĀS UN SAUSĀS TĪRĪŠANAS PUTEKLĪSŪCĒJS	LIETOTĀJA ROKASGRĀMATA	112
LT	ŠLAPIO IR SAUSO VALYMO DULKIŲ SIURBLYS	NAUDOJIMO VADOVAS	118
ET	MÄRG-KUIVIMUR	KASUTAJAJUHEND	124
HR	USISAVAČ ZA VLAŽNO I SUHO ČIŠĆENJE	KORISNIČKI PRIRUČNIK	130
SL	VAKUUMSKI SESALNIK ZA MOKRO IN SUHO SESANJE	UPORABNIŠKI PRIROČNIK	136
SK	VYSAVAČ NA MOKRÉ A SUCHÉ VYSÁVANIE	NÁVOD NA POUŽITIE	142
BG	ПРАХОСМУКАЧКА ЗА МОКРО И СУХО ПОЧИСТВАНЕ	РЪКОВОДСТВО ЗА ОПЕРАТОРА	148
UK	ПІЛІВСОМУКІВУВАЧ ДЛЯ СУХОГО ТА ВОЛОГОГО ПРИБИРАННЯ	ПОСІБНИК ОПЕРАТОРА	155
TR	ISLAK KURU ELEKTRIKLI SÜPÜRGE	KULLANIM KILAVUZU	162
EL	ΣΚΟΥΠΑ ΓΙΑ ΣΤΕΓΝΕΣ ΚΑΙ ΥΓΡΕΣ ΕΠΙΦΑΝΕΙΕΣ	ΟΔΗΓΙΕΣ ΧΡΗΣΗΣ	168

EN ORIGINAL INSTRUCTIONS | FR TRADUCTION DES INSTRUCTIONS ORIGINALES | DE ÜBERSETZUNG DER ORIGINALANLEITUNG | ES TRADUCCIÓN DE LAS INSTRUCCIONES ORIGINALES | IT TRADUZIONE DELLE ISTRUZIONI ORIGINALI | NL VERTALING VAN DE ORIGINELE INSTRUCTIES | PT TRADUÇÃO DAS INSTRUÇÕES ORIGINAIS | DA ÖVERSÆTTELSE AF DE ORIGINALE INSTRUKTIONER | SV ÖVERSÄTTNING AV DE URSPRUNGLIGA INSTRUKTIONERNA | FI ALKUPERÄISTEN OHJEIDEN SUOMENNOS | NO ÖVERSETTELSE AV DE ORIGINALE INSTRUKSJONENE | RU ПЕРЕВОД ОРИГИНАЛЬНЫХ ИНСТРУКЦИЙ | PL TŁUMACZENIE INSTRUKCJI ORYGINALNEJ | CS PŘEKLAD ORIGINALNÍCH POKYŇŮ | HU AZ EREDETI ÚTMUTATÓ FORDÍTÁSA | RO TRADUCEREA INSTRUCȚIUNILOR ORIGINALE | LV TULKOTS NO ORIGINALĀS INSTRUKCIJAS | LT ORIGINALIŲ INSTRUKCIJŲ VERTIMAS | ET ORIGINAALJUHENDI TÖLGE | HR PRIJEVOD ORIGINALNIH UPUTA | SL PREVOD ORIGINALNIH NAVODIL | SK PŘEKLAD ORIGINALNEHO NÁVODU | BG ПЕРЕВОД ОТ ОРИГИНАЛНИТЕ ИНСТРУКЦИИ | UK ПЕРЕКЛАД ОРИГІНАЛЬНИХ ІНСТРУКЦІЙ | TR ORJINAL TALIMATLARIN TERÇÜMESİ | EL ΜΕΤΑΦΡΑΣΗ ΤΩΝ ΠΡΟΤΥΠΩΝ ΟΔΗΓΙΩΝ





Important!	It is essential that you read the instructions in this manual before assembling, maintaining and operating the product.
Attention!	Il est essentiel que vous lisiez les instructions contenues dans ce manuel avant d'assembler, d'entretenir et d'utiliser le produit.
Achtung!	Es ist wichtig, dass Sie vor Zusammenbau, Wartung und Benutzung des Produktes die Anweisungen in dieser Anleitung lesen.
¡Atención!	Resulta fundamental que lea este manual de instrucciones antes de realizar el montaje, el mantenimiento y de utilizar este producto
Attenzione!	E' importante leggere le istruzioni contenute nel presente manuale prima di montare il prodotto, svolgere le operazioni di manutenzione sullo stesso e metterlo in funzione.
Let op!	Het is van essentieel belang dat u de instructies in deze gebruiksaanwijzing leest voor u het product monteert, onderhoudt en gebruikt.
Atenção!	É fundamental que leia as instruções deste manual antes da montagem, manutenção e operação do aparelho.
OBS!	Det er vigtigt, at man læser instrukserne i denne brugsanvisning, inden man samler, vedligeholder og betjener produktet.
Observera!	Det är viktigt att du läser instruktionerna i manualen före montering, användning och underhåll av produkten.
Huomio!	On tärkeää, että luet tämän käsikirjan ohjeet ennen tuotteen kokoamista, huoltoa ja käyttöä.
Advarell!	Det er viktig at du leser instruksjonene i denne manualen før sammensetning, vedlikehold og bruk av produktet
Внимание!	Необходимо прочитать инструкции в данном руководстве перед сборкой, обслуживанием и эксплуатацией этого изделия.
Uwaga!	KoniecznIE należy przeczytać instrukcje zawarte w tym podręczniku przed montażem, obsługą oraz konserwacją produktu.
Důležité upozornění!	Neinstalujte, neprovádějte údržbu ani nepoužívejte tento výrobek dříve, než si přečtete pokyny uvedené v tomto návodu.
Figyelem!	Fontos, hogy a termék összeszerelése, karbantartása és használata előtt elolvassa a kézikönyvben található utasításokat.
Atenție!	Este esențial să citiți instrucțiunile din acest manual înainte de asamblare, efectuarea întreinerii și operarea produsului.
Uzmanību!	Ir svarīgi izlasīt šīs rokasgrāmatas instrukcijas pirms uzstādīšanas, apkopes un precēs darbināšanas.
Dėmesio!	Prieš surenkant, prižiūrint ir naudojant gaminį, būtina perskaityti šiame vadove pateiktus nurodymus.
Tähtis!	Enne masina kokkupanekut, hooldamist ja kasutama hakkamist tuleb käesolevas juhendis esitatud juhised kindlasti läbi lugeda.
Upozorenje!	Vrlo je važno da ste prije sklapanja, održavanja i rada s ovim proizvodom pročitali upute u ovom priručniku.
Pomembno!	Pomembno je da pred montažo vzdrževanjem in uporabo tega izdelka preberete navodila v tem priločniku.
Upzornenie!	Je dôležité, aby ste si pred montážou, údržbou a obsluhou produktu prečítali pokyny v tomto návode.
Важно!	Искључително важно е да прочетете инструкциите в настоящото ръководство, преди да преминете към сглобяване, поддръжка или работа с продукта.
Важливо!	Дуже важливо, щоб ви прочитали інструкції в цьому керівництві перед складанням, обслуговуванням та експлуатацією цієї машини.
Dikkat!	Ürünün montajını, bakımını yapmadan ve ürünü çalıştırmadan önce bu kılavuzda yer alan talimatları okumanız önemlidir.
Προσοχή!	Είναι πολύ σημαντικό να διαβάσετε τις οδηγίες στο παρόν εγχειρίδιο πριν συναρμολογήσετε, συντηρήσετε ή λειτουργήσετε το προϊόν.

Subject to technical modification | Sous réserve de modifications techniques | Technische Änderungen vorbehalten | Bajo reserva de modificaciones técnicas | Con riserva di eventuali modifiche tecniche | Technische wijzigingen voorbehouden | Com reserva de modificações técnicas | Med forbehold for tekniske ændringer | Med förbehåll för tekniska ändringar | Tekniset muutokset varataan | Med forbehold om tekniske ændringer | могут быть внесены технические изменения | Z zastrzeżeniem modyfikacji technicznych | Změny technických údajů vyhrazeny | A műszaki módosítás jogát fenntartjuk | Sub rezerva modificărilor tehnice | Paturam tiesības mainīt tehniskos raksturlielumus | Pasilieikant teisę daryti techninius pakeitimus | Tehnilised muudatused võimalikud | Podložno tehničkim promjenama | Tehnične spremembe dopuščene | Právo na technické zmeny je vyhradené | Подлежи на технически модификации | Є об'єктом для технічних змін | Teknik değışiklik hakkı saklıdır | Υπό την επιφύλαξη τεχνικών τροποποιήσεων



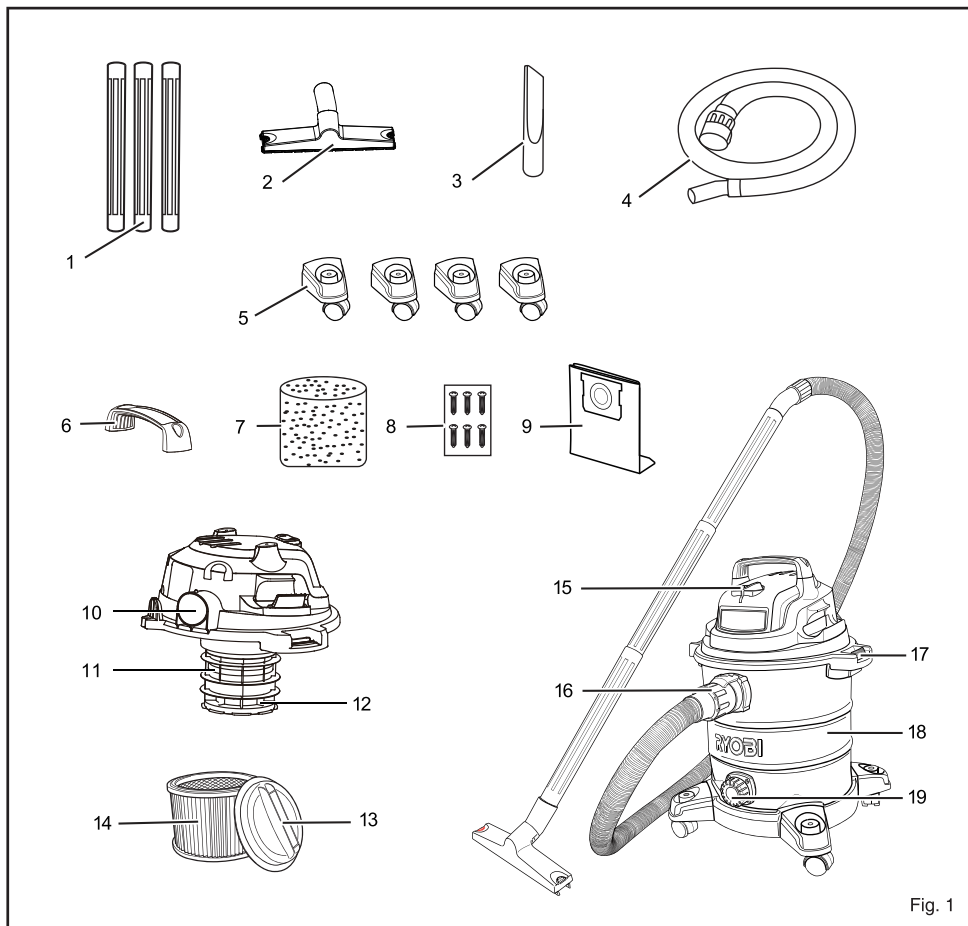


Fig. 1

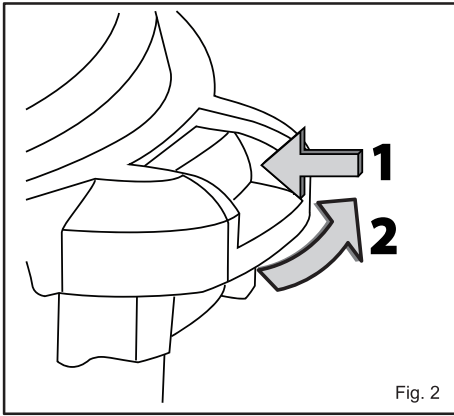


Fig. 2

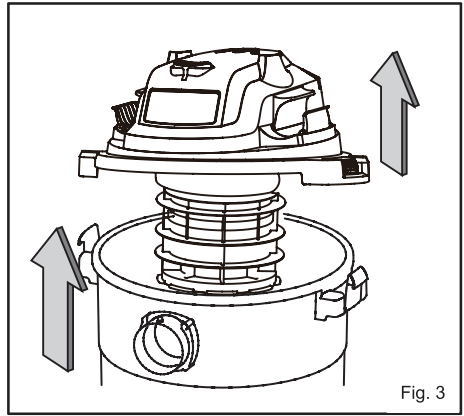


Fig. 3

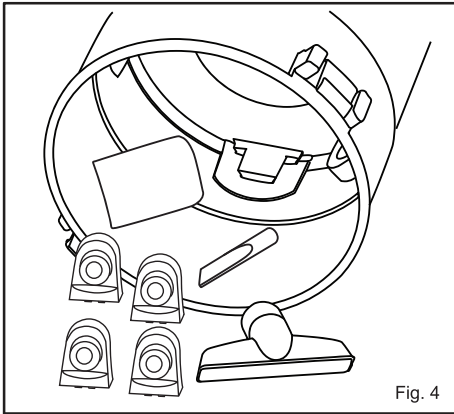


Fig. 4

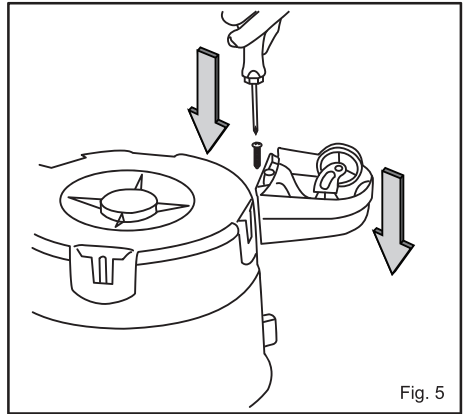


Fig. 5

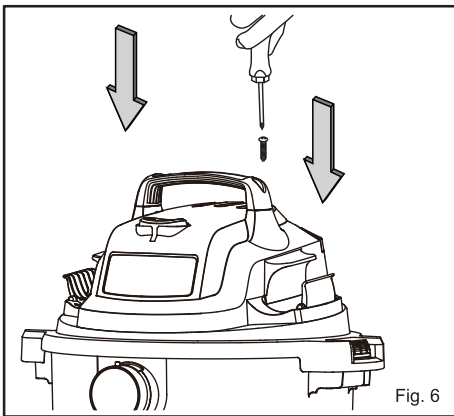


Fig. 6

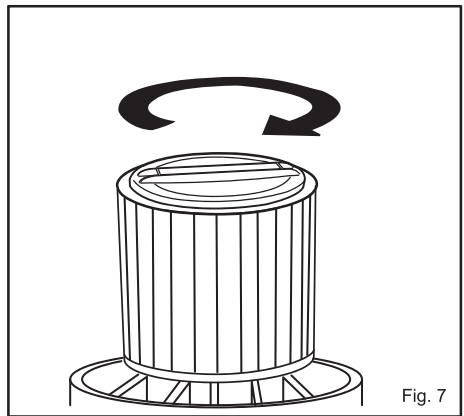


Fig. 7

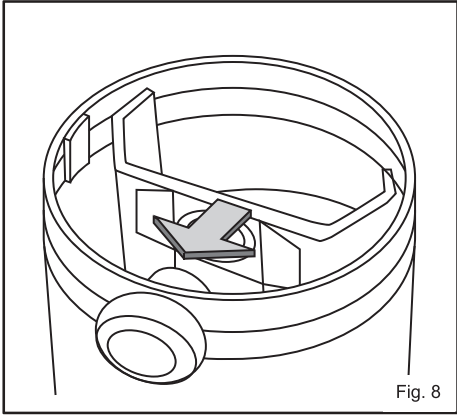


Fig. 8

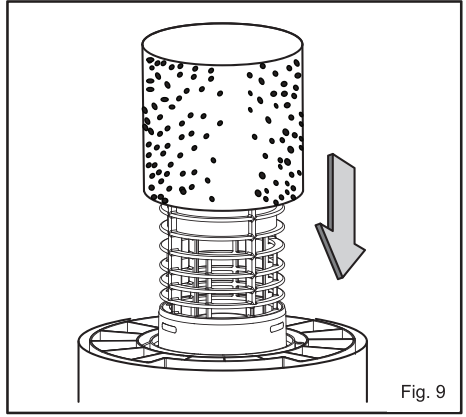


Fig. 9

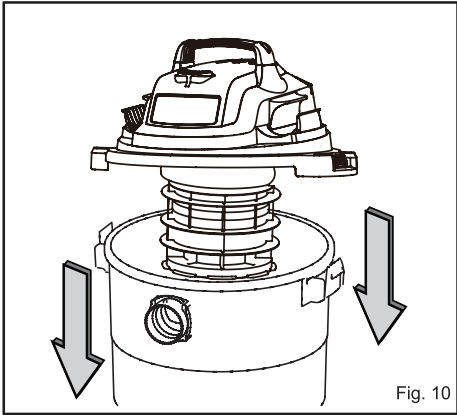


Fig. 10

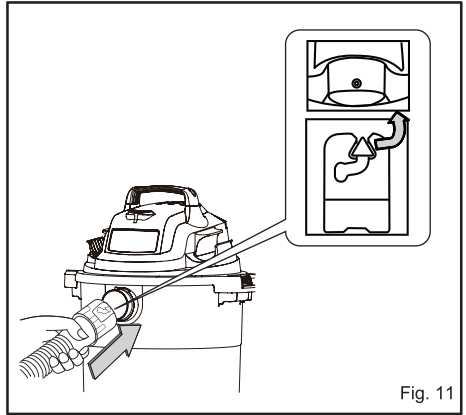


Fig. 11

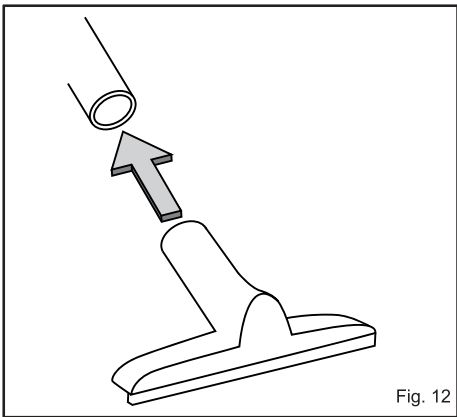


Fig. 12

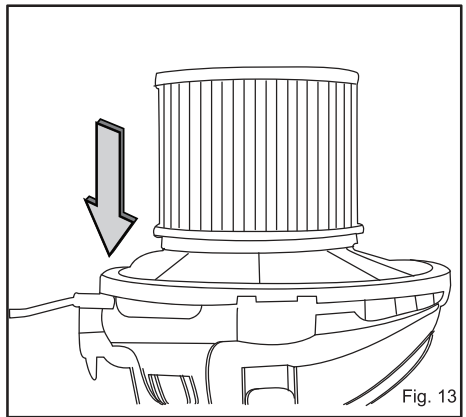


Fig. 13

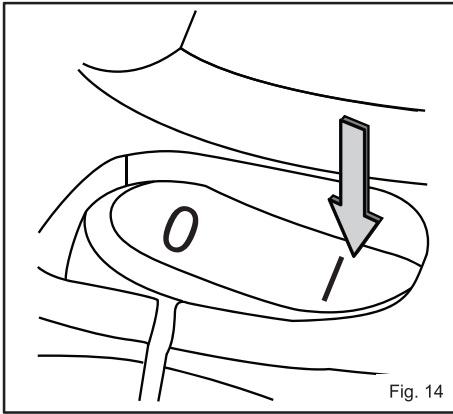


Fig. 14

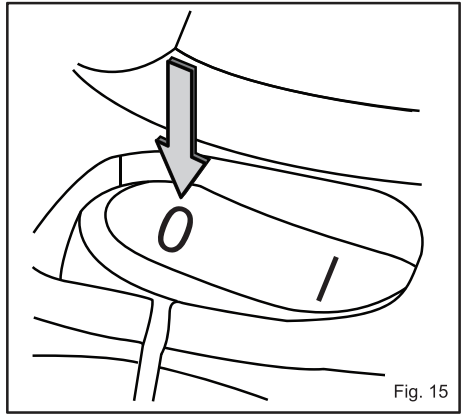


Fig. 15

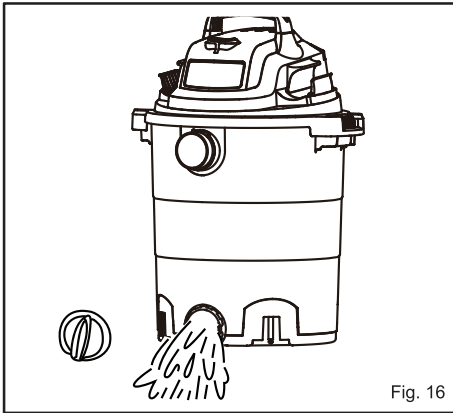


Fig. 16

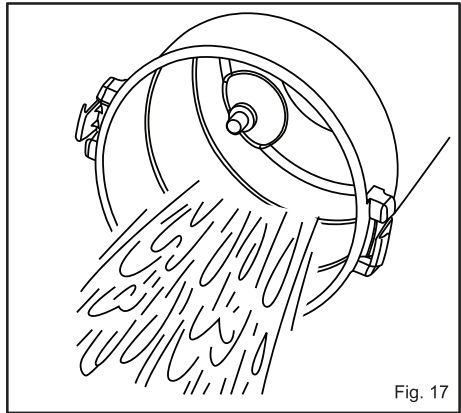


Fig. 17

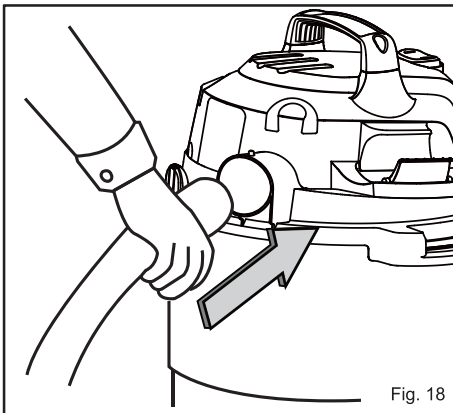


Fig. 18

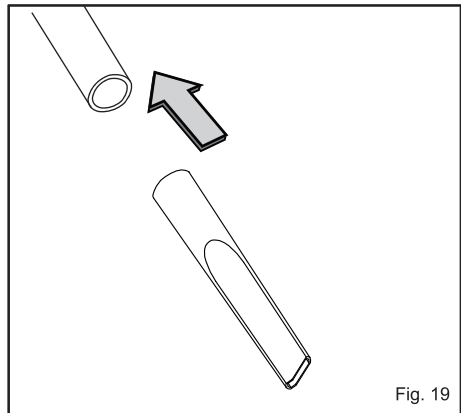
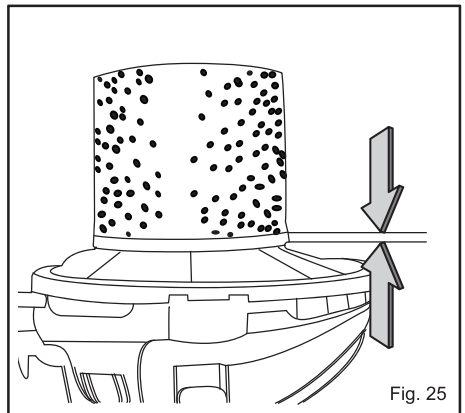
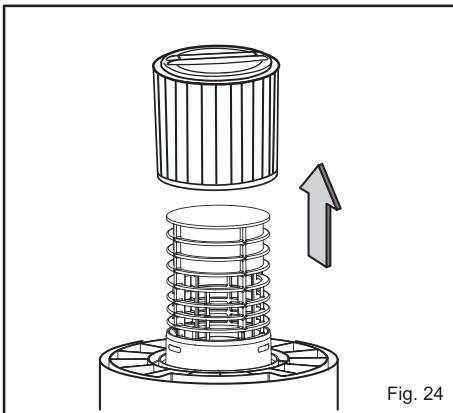
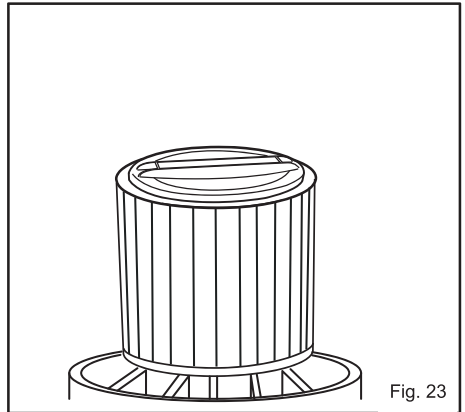
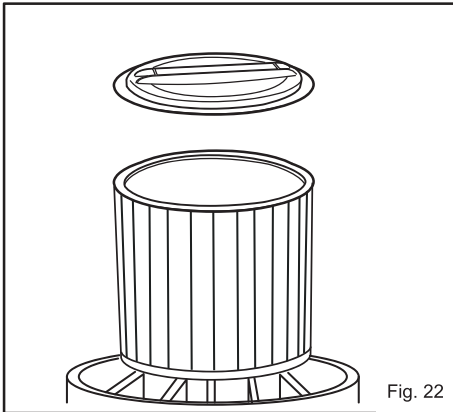
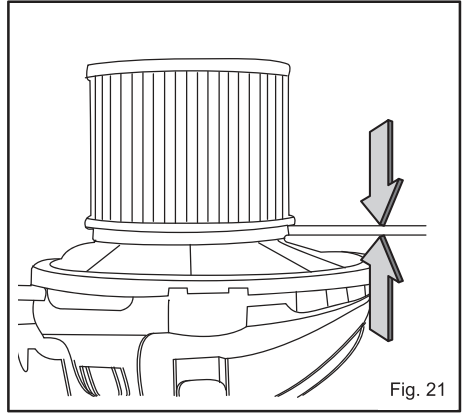
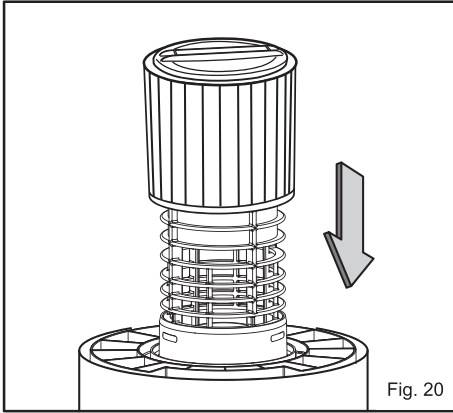


Fig. 19



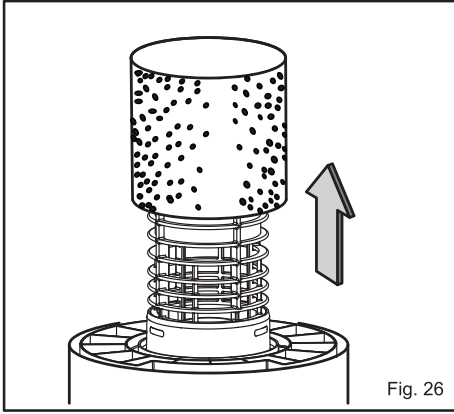


Fig. 26

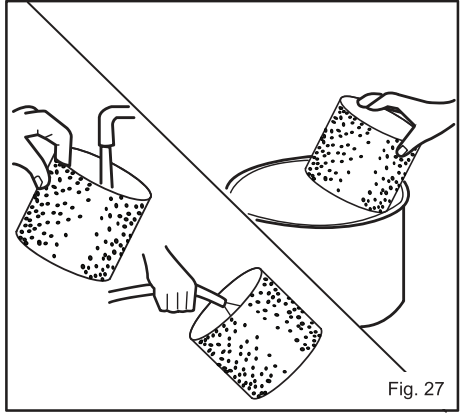


Fig. 27



English

DESCRIPTIONS

Components list

1. Extension Wand (x3)
2. Floor tool
3. Crevice tool
4. Hose set
5. Castor (x4)
6. Handle
7. Foam filter
8. Screws
9. Dust bag
10. Blower connection
11. Filter basket
12. Safety float valve
13. Cartridge filter cap
14. Cartridge filter (non washable)
15. ON/OFF switch
16. Connection for the vacuum hose
17. Clamp (x2)
18. Tank
19. Drain outlet

SPECIFICATIONS

Supply voltage	220-240V~50 Hz
Rated power	1250 W
Tank volume	20 L
Hose system	Ø 35 mm
Filter - dry	Cartridge filter
Filter - wet	Foam filter
IP rating	IPX4
Suction	17 kpa / 2.47 PSI
Max air flow l/sec motor	48.5 dm ³ /s
Max vac pressure l/sec motor	20.5 Kpa
Cord length	4 m
Weight according to EPTA- Procedure 01/2003	3.6 kg

⚠ WARNING!

Read all safety warnings and all instructions. Failure to follow the warnings and instructions may result in electric shock, fire and/or serious injury.

Save all warnings and instructions for future

reference.

GENERAL POWER TOOL SAFETY WARNINGS

⚠ WARNING!

This appliance complies with the compulsory safety regulations for electric equipment. However, improper use can be harmful to people and property. Please read these operating instructions carefully and completely before switching the appliance on. Keep the operating instructions, the guarantee certificate, the receipt, as well as the packaging and packaging material if at all possible.

This appliance is designed solely for use in the private sector and for the designated purpose. The appliance is not suitable for commercial use. Don't use the appliance outdoors (unless it has been specifically designed for use outdoors). Don't subject the appliance to heat, direct sunshine or very high moisture (e.g., rain).

Never immerse the appliance in liquids and be aware of sharp edges that may damage it. Never use the appliance with wet or damp hands. Unplug it immediately if the appliance becomes wet or damp when it is running. Don't immerse the appliance in water.

This wet/dry vacuum cleaner may only be used and kept in a private home.

The appliance is designed to vacuum up materials that are not hazardous to your health and that are not flammable.

Never hold the connectors in front of your face (especially your eyes, ears, etc.). Never direct the nozzle towards persons or animals.

Only use the appliance for its designated purpose. Any other types of use are at your own risk and are possibly dangerous.

Other uses and unattended operation are not allowed. The manufacturer cannot be made responsible for damages that are caused by improper use or incorrect operation.

Wear protective clothing and gloves.

Connect the appliance only to a 240V alternating current receptacle.

Make sure that the correct dust bag has been inserted securely in its holder before using the appliance. The wrong dust bag or incorrectly installed dust bags can cause damage to the appliance and cause the guarantee to become void.

If the power cord is damaged, it must be completely replaced along with the cable protector by an authorised service centre or other qualified service organisation.

Do not vacuum up ashes, hot coals and the like, large fragments of glass and sharp objects.

Don't vacuum up any toner dust, which is used in printers and copiers for example, because it is electrically





English

conductive. In addition, it is possible that it will not be completely filtered out by the filter system of the wet/dry vacuum cleaner and can be released into the air via the exhaust fan.

Never vacuum flammable or poisonous liquids like petrol, oil, acids, or other volatile substances.

Don't vacuum up liquids that are hotter than 60°C or any poisonous or flammable dusts.

Never lay the appliance on its side. Pay particular attention to a horizontal position and adequate stability on stairs.

Always unplug the appliance after use and before cleaning or changing the filters or accessories.

Only trained specialists may make repairs on electric equipment. Improper repairs could result in considerable danger to the user.

Do not store the appliance directly beside a hot oven or radiator.

Children, disabled persons, and the aged are often not aware of the dangers that can result from handling electric appliances. The above mentioned persons and untrained persons must never work with this electrical appliance.

When cleaning or removing the appliance, always switch it off. Pull the plug out of the receptacle, if you are not going to use the appliance for an extended period of time. Never pull on the cable to unplug the appliance, rather pull on the plug itself. Also, remove any special accessories from the appliance.

Always keep the appliance clean. Don't use any solvents or cleaners that may damage or be harmful to the appliance or user.

Never leave the appliance switched on unattended. If you leave the work area, switch the appliance off or unplug it from the receptacle (don't pull the cord, but use the plug).

In order to protect children from electric household appliances, make sure that the cable can't cause children to stumble and don't give children access to the appliance.

Never use the appliance when you are under the influence of medication, alcohol or drugs, if you are currently under medical care, or if you are tired.

Check the appliance and the power cord regularly for any possible damage. Don't use damaged appliances.

Don't try to repair the appliance yourself. Always use an authorised technician for repairs. Always have faulty power cords replaced immediately by the manufacturer or a qualified service organisation. Use the same type of cable in order to prevent any danger of electric shock and injury.

Only use original spare parts and accessories. Non approved parts or third-party accessories may be a possible source of danger and cause the guarantee to become void.

Check the float often.

If you notice liquid leaking from your appliance, switch it off immediately and unplug it.

Do not submerge the appliance in water. Make sure that water is not spilled on the appliance.

When disposing of the wastewater, make sure that you observe any legal regulations.

Only store the appliance in a safe and dry location outside the reach of children.

Please also pay particular attention to the following "Special Safety Rules".

This appliance is not intended to be used or cleaned by persons with reduced physical, sensory or mental capabilities, or lack of experience or knowledge, unless they have been given instructions concerning the safe use of the appliance by a person legally responsible for their safety. They should be supervised whilst using the appliance. Children shall not use, clean or play with this appliance, which when not in use should be secured out of their reach.

Children should be supervised to ensure that they do not play with the appliance.

If the supply cord is damaged, it must be replaced by the manufacturer, its service agent or similarly qualified persons in order to avoid a hazard.

Electrical power should be supplied via a residual current device (RCD) with a tripping current of not more than 30 mA.

Only use a weather proof extension cord. Check the extension cord before every use for damage. Always uncoil the extension cord during use because coiled cords can overheat. Damaged extension cords should not be repaired. They should be replaced with an equivalent type.

WHEN USING BLOWER FUNCTION:

Direct air discharge at work area only - never at people or animals.

Do not use blower as a sprayer in wet mode. Wear a dust mask and protective eye wear.

⚠ WARNING

Always switch off and unplug the machine from the electrical outlet before assembling, opening, emptying the dirt container, before connecting/disconnecting the attachments, or carrying out maintenance or troubleshooting checks.

IMPORTANT!





English

If the hose or tools are blocked, switch off the cleaner and remove the blockage(s) before re-starting your machine.

IMPORTANT!

Cleaning filters and replacing them regularly maintains vacuum performance. Vax recommends that your filters should be checked, cleaned and replaced periodically.

DAMAGE TO THE VACUUM CLEANER CAUSED AS A DIRECT RESULT OF NOT ADHERING TO THE GENERAL SAFETY INFORMATION AND THE INSTRUCTIONS IN THIS USER GUIDE INVALIDATES THE WARRANTY.

PLEASE KEEP THESE INSTRUCTIONS FOR FURTHER USE.

SPECIAL SAFETY RULES

Never vacuum up hot ashes, pointed or sharp objects.

Never use the appliance in damp rooms.

Don't use the appliance without a dust bag (an exception is wet vacuuming or with the cartridge filter). Make sure that the dust bag is inserted into the appliance correctly.

When using the appliance, make sure that no hair, clothing, or members are drawn in.

Keep the vacuum cleaner away from heat sources such as radiant heaters, ovens, and so on.

DISPOSAL INFORMATION

The appliance contains electric and electronic components and may not be disposed of as household garbage.

The local and currently applicable legislation must be observed unconditionally.

SPECIFIED CONDITIONS OF USE

The appliance is suitable for picking up dry, non-flammable dust and liquids.

This appliance is designed solely for use in the private sector and for the designated purpose. The appliance is not suitable for commercial use. Don't use the appliance outdoors (unless it has been specifically designed for use outdoors). Don't subject the appliance to heat, direct sunshine or very high moisture (e.g., rain).

Any other use is considered as improper use. The manufacturer accepts no liability for any damage resulting from such use. The risk for such use is borne solely by the user.

Proper use also includes proper operation, servicing and repairs as specified by the manufacturer.

EC-DECLARATION OF CONFORMITY

We declare under our sole responsibility that the product described under "Technical Data" fulfills all the relevant provisions of the directives 2011/65/EU (RoHS), 2014/35/EU, 2014/30/EU and the following harmonised standards have been used:

EN 60335-1:2012/A2:2019
 EN 60335-2-2:2010/A1:2013
 EN 62233:2008
 EN 55014-1:2017
 EN 55014-2:2015
 EN 61000-3-2:2014
 EN 61000-3-3:2013
 EN IEC 63000:2018

Winnenden, 2020-05-25

Branko Lenger
 Senior Vice President, Engineering and Quality - Asia,
 Engineering Commercial Product Development
 Authorized to compile the technical file.



Techtronic Industries GmbH
 Max-Eyth-Straße 10
 71364 Winnenden
 Germany

PACKAGING CONTENT

See Fig. 2 - Fig. 4

Carefully unpack the contents of the box.

Hold the two clamps, which hold the upper section in its position and fold them upwards.

Loosen the clamps, remove the upper section, and remove the contents from the tank.

Please check the parts using the components list to make sure they are complete and that there has been no damage in transport.

If any parts are missing or damaged, then please contact your dealer immediately.

ASSEMBLY

1. Ensure that the power cord is disconnected from the power outlet.
2. Undo the clamps. (Fig. 2)
3. Lift the top section off the tank. (Fig. 3)
4. Remove the contents from inside the tank. (Fig. 4)





English

5. Turn the tank upside down, and insert the casters on to the four feet of the tank.
6. Ensure that they are mounted correctly. Do not over tighten. (Fig. 5)
7. Insert the handle into the slots on the power head and pressure into place. (Fig. 6)
8. For dry vacuum cleaning, install the supplied cartridge filter and dust bag. (Fig. 7, Fig. 8)
9. For wet vacuum cleaning, install the supplied foam filter. (Fig. 9)
10. Replace the top section on the tank. (Fig. 10)
11. Align the top section with the clamps and snap into place by applying pressure until clamps click. (Fig. 10)
12. Insert the large end of the hose into the front inlet of the tank and turn to lock. (Fig. 11)
13. Fit the required accessory on to the suction tube. (Fig. 12)

OPERATION

DRY VACUUMING

WARNING

Ensure that you read, understand, and apply the safety instructions.

Reminder: DO NOT vacuum hazardous substances. The use of an incorrect dust bag will invalidate the warranty.

1. Ensure that the power cord is disconnected from the power outlet.
2. Ensure that the cartridge filter is completely mounted.
3. Ensure that the filter is inserted all the way. (Fig. 13) Verify that the dust bag is installed to the inside of the tank. (Fig. 8)
4. Replace the top section on the tank, and secure it in place using the clamps. (Fig. 10)
5. Insert the larger end of the hose into the front inlet on the tank and lock it in place. Push the required attachment on to the free end of the hose or extension. (Fig. 12)
6. Plug the power cord in to the power outlet.
7. Turn the motor on by flipping the switch to the 'I' (ON) position. (Fig. 14)
8. Once you have finished vacuuming, flip the switch to the 'O' (OFF) position and unplug the power cord from the power outlet. (Fig. 15)

WARNING

DO NOT USE THE CARTRIDGE FILTER FOR WET OR SHARP MATERIALS.

DO NOT USE DUST BAG FOR LIQUID VACUUMING.

WET VACUUMING

WARNING

1. Ensure that you read, understand, and apply the safety instructions.
Reminder: DO NOT vacuum hazardous substances.
2. Ensure that the power cord is disconnected from the power outlet.
Ensure that the tank is clean and free of dust and dirt.
3. Remove the cartridge filter and dust bag, and install a foam filter over the filter basket and place the top section back on the tank. (Fig. 9)
DO NOT use the cartridge filter for wet or sharp materials.
4. Fit the desired nozzle to the vacuum hose. (Fig. 12)
5. Ensure that the switch is in the 'O' (OFF) position before plugging the power cord into the power outlet.
6. Turn the motor on by flipping the switch to the "I" (ON) position. (Fig. 14)
7. After use, flip the switch to the "O" position (Fig. 15) and unplug the power cord, then empty and dry the tank. (Fig. 16, Fig. 17)

WARNING

The foam filter must be removed after wet vacuuming, and a cartridge filter must be installed before dry vacuuming again.

IMPORTANT!

When vacuuming large quantities of liquids, do not immerse the nozzle completely in the liquid; leave a gap at the tip of the nozzle opening to allow air inflow.

The machine is fitted with a float valve that stops the suction action when the container reaches its maximum capacity. You will notice an increase in motor speed.

When this happens, turn off the machine, disconnect from power supply, and drain the liquid into a suitable receptacle or drain. To continue vacuuming, refit the container with the drain cap. After wet vacuuming, turn the machine off and remove plug from power supply.

Empty the container, clean and dry the inside and outside before storage.

BLOWER OPERATION

This Wet/Dry Vac has blowing capabilities.

To use the blower feature follow the instructions listed.

WARNING

Always wear safety goggles before using blower.

Keep bystanders clear from blowing debris.

Wear a dust mask if blowing creates dust that might be inhaled.





English

1. Insert the large end of the hose into the blower connection in the top of the motor housing. (Fig. 18)
2. Fit the crevice tool to the vacuum hose. (Fig. 19)
3. Ensure the power switch is turned off and plug in the power supply.
4. Turn the motor on by flipping the switch to the "I" (ON) position. (Fig. 14)
5. The unit will now blow through the vacuum hose and can be used to clear obstructions within the hose.
6. Once you have finished operation, flip the switch to the 'O' (OFF) position and unplug the power cord from the power outlet. (Fig. 15)

⚠ WARNING

If after a few seconds the hose continues to be blocked, turn off the unit and clear the hose manually.

MAINTENANCE

INSTALLING AND CLEANING THE DRY FILTER

Note: Unplug machine from the power outlet before performing maintenance.

Installing Dry Filter

1. Install the dry filter over the filter cage with the flat end of the filter towards the vacuum power head. Carefully push filter in until it stops against the power head. (Fig. 20 & 21)
2. Place filter retainer on top of cartridge filter over the raise lip and tighten down by turning retainer clockwise, do not overtighten. (Fig. 22 & 23)

Removing And Cleaning Dry Filter (THIS FILTER IS NOT WASHABLE)

1. Unlock and remove the filler retainer by turning retainer handle anti clockwise.
2. Carefully hold and pull the dry filter up for removal. (Fig. 24)
3. Clean the cartridge filler by gently tapping or brushing dirt off. For optimal performance it is recommended to regularly change this filler depending on level of use (e.g., 3-6 months).
4. Install cleaned or new filter into place as instructed above.

INSTALLING AND CLEANING THE FOAM FILTER

Note: Unplug machine from the power outlet before performing maintenance.

Installing Foam Filter

Follow instructions to remove dry dust filter first before changing to foam filter.

Carefully slide foam filter down over the filler cage making

sure the whole cage is covered. (Fig. 9 & 25)

Cleaning Foam Filter

Carefully remove foam filter. (Fig. 26)

Use a mild soap and water solution to wash foam filter and rinse with clean water. (Fig. 27)

Allow filter to air dry before installing and using again.

SYMBOLS



CAUTION! WARNING! DANGER!

V Volts

Hz Hertz

~ Alternating Current

W Watts



Please read the instructions carefully before starting the machine.



Class II equipment



Recycle



Do not dispose of electric tools together with household waste material.

Electric tools and electronic equipment that have reached the end of their life must be collected separately and returned to an environmentally compatible recycling facility. Check with your local authority or retailer for recycling advice and collection point.



European Conformity Mark





English

FREQUENTLY ASKED QUESTIONS

⚠ WARNING!

To reduce the risk of personal injury, unplug the cleaner before performing maintenance/troubleshooting checks.

Problem	Cause	Solution
The appliance doesn't work.	No power. Functional fault in the power cord, switch, or motor. Tank is full of liquid.	Check the power supply. Have the damaged part checked by qualified personnel or replace it. Empty the tank.
Dust is escaping from the motor cover.	The dust bag is missing or damaged.	Put in a dust bag or replace it.
Low suction power and high motor speed / vibrations.	Dust bag is full. Suction nozzle, hose, or tank inlet is blocked..	Replace the dust bag. Check the suction nozzle, hose, and tank inlet for obstructions.





Français

DESCRIPTIONS

Liste des composants

1. Tube d'extension (x3)
2. Outil pour plancher
3. Suceur plat
4. Jeu de flexibles
5. Roulettes (x4)
6. Poignée
7. Filtre en mousse
8. Vis
9. Sac à poussière
10. Connexion de souffleur
11. Panier de filtre
12. Vanne de sécurité à flotteur
13. Bouchon de filtre cartouche
14. Filtre cartouche (non lavable)
15. Interrupteur marche/arrêt
16. Connexion pour le flexible d'aspiration
17. Attache (x2)
18. Réservoir
19. Sortie de vidange

CARACTÉRISTIQUES

Tension d'alimentation	220-240V~50 Hz
Puissance nominale	1250 W
Volume du réservoir	20 L
Système de flexible	Ø 35 mm
Filtre pour poussière	Filtre de cartouche
Filtre pour liquide	Filtre en mousse
Indice de protection	IPX4
Aspiration	17 kpa / 2.47 PSI
Débit d'air max. l/sec. du moteur	48.5 dm ³ /s
Sous pression max. l/sec. du moteur	20.5 Kpa
Longueur du câble	4 m
Poids - en respect de la procédure EPTA 01/2003	3.6 kg

A AVERTISSEMENT!

Lisez tous les avertissements de sécurité et toutes les instructions. Le non-respect des avertissements et instructions peut entraîner une décharge électrique, un incendie et/ou de graves blessures.

Conservez tous les avertissements et toutes les instructions pour pouvoir vous y reporter

ultérieurement.

AVERTISSEMENTS DE SÉCURITÉ GÉNÉRAUX POUR L'OUTIL ÉLECTRIQUE

A AVERTISSEMENT!

Cet appareil est conforme aux règles de sécurité obligatoires pour les équipements électriques. Une mauvaise utilisation peut toutefois être nocive pour les personnes et les biens. Lire attentivement et intégralement ce mode d'emploi avant d'allumer l'appareil. Conserver le mode d'emploi, le certificat de garantie, le reçu, ainsi que l'emballage et le matériel d'emballage, si possible.

Cet appareil est conçu uniquement pour être utilisé dans le secteur privé et aux fins spécifiées. L'appareil n'est pas adapté à un usage commercial. Ne pas utiliser l'appareil à l'extérieur (à moins qu'il n'ait été spécialement conçu pour une utilisation en l'extérieur). Ne pas soumettre l'appareil à la chaleur, à la lumière directe du soleil ou à une humidité très élevée (p. ex. : pluie).

Ne jamais plonger l'appareil dans des liquides et faire attention aux bords tranchants qui peuvent l'endommager. Ne jamais utiliser l'appareil avec les mains mouillées ou humides. Débrancher immédiatement l'appareil s'il devient humide ou mouillé alors qu'il est en marche. Ne pas immerger l'appareil dans l'eau.

Cet aspirateur pour poussière/liquide ne peut être utilisé et conservé que dans une habitation privée.

L'appareil est conçu pour aspirer des matières qui ne sont pas dangereuses pour la santé et qui ne sont pas inflammables.

Ne jamais tenir les connecteurs devant le visage (surtout les yeux, les oreilles, etc.). Ne jamais diriger la buse vers des personnes ou des animaux.

N'utiliser l'appareil qu'aux fins désignées. Tous les autres types d'utilisation sont aux risques et périls de l'utilisateur.

Toute autre utilisation et un fonctionnement sans surveillance ne sont pas autorisés. Le fabricant ne peut être tenu responsable des dommages causés par une mauvaise utilisation ou un mauvais fonctionnement.

Porter des vêtements et des gants de protection.

Connecter l'appareil uniquement à une prise de courant alternatif de 240 V.

S'assurer que le sac de poussière correct a été inséré correctement dans son support avant d'utiliser l'appareil. Un sac à poussière incorrect ou des sacs à poussière mal installés peuvent endommager l'appareil et annuler la garantie.

Si le cordon d'alimentation est endommagé, il doit être complètement remplacé avec le protecteur de câble par un centre d'entretien agréé ou un autre organisme de service qualifié.





Français

Ne pas aspirer les cendres, les charbons ardents et autres, les gros fragments de verre et d'objets pointus.

Ne pas aspirer de poussière de toner utilisé dans les imprimantes et les photocopieurs, par exemple. Il s'agit, en effet, d'un conducteur électrique. Il est également possible qu'il ne soit pas complètement filtré par le système de filtre de l'aspirateur pour poussière/liquide et soit libéré dans l'air via le ventilateur d'échappement.

Ne jamais aspirer de liquides inflammables ou toxiques comme l'essence, l'huile, les acides ou d'autres substances volatiles.

Ne pas aspirer de liquides à des températures supérieures à 60 °C ou des poussières toxiques ou inflammables.

Ne poser jamais l'appareil sur le côté. Veiller à ce que l'appareil soit en position horizontale et bien stable dans les escaliers.

Toujours débrancher l'appareil après utilisation et avant de nettoyer ou de changer les filtres ou accessoires.

Seuls des spécialistes formés peuvent effectuer des réparations sur l'équipement électrique. Des réparations inappropriées peuvent exposer l'utilisateur à un grand danger.

Ne ranger pas l'appareil directement à côté d'un four chaud ou d'un radiateur.

Les enfants, les personnes handicapées et les personnes âgées ne sont souvent pas conscients des dangers que peut entraîner la manipulation d'appareils électriques. Les personnes susmentionnées et les personnes non formées ne doivent jamais travailler avec cet appareil électrique.

Toujours éteindre l'appareil avant de le nettoyer ou de le ranger. Retirer la fiche de la prise si aucune utilisation de l'appareil n'est prévue pendant une longue période de temps. Ne jamais tirer sur le câble pour débrancher l'appareil, mais plutôt sur la fiche elle-même. Retirer également tous les accessoires spéciaux de l'appareil.

Toujours veiller à ce que l'appareil reste propre. Ne pas utiliser de solvants ou de nettoyeurs susceptibles d'endommager ou d'être nocifs pour l'appareil ou l'utilisateur.

Ne laisser jamais l'appareil allumé sans surveillance. Avant de quitter la zone de travail, mettre l'appareil hors tension ou le débrancher de la prise (ne tirer pas le cordon, mais sur la fiche).

Afin de protéger les enfants des appareils ménagers électriques, s'assurer que le câble ne peut pas les faire trébucher et ne pas leur donner accès à l'appareil.

Ne jamais utiliser l'appareil lorsque sous l'influence de médicaments, d'alcool ou de drogues, sous traitement médical ou en cas de fatigue.

Vérifier régulièrement que l'appareil et le cordon d'alimentation ne sont pas endommagés. Ne pas utiliser d'appareils endommagés.

Ne pas essayer de réparer l'appareil soi-même. Toujours faire appel à un technicien agréé pour les réparations. Toujours faire remplacer immédiatement les cordons d'alimentation défectueux par le fabricant ou un organisme d'entretien qualifié. Utiliser le même type de câble afin d'éviter tout risque de choc électrique et de blessure.

Utiliser uniquement des pièces de rechange et des accessoires d'origine. Les pièces non approuvées ou les accessoires tiers peuvent constituer une source possible de danger et annuler la garantie.

Vérifier souvent le flotteur.

En cas de fuite de liquide de votre appareil, l'éteindre immédiatement et le débrancher.

Ne pas plonger l'appareil dans de l'eau. S'assurer qu'aucune eau ne s'est déversée sur l'appareil.

Lors de l'élimination des eaux usées, bien observer les dispositions légales.

Ne ranger l'appareil que dans un endroit sûr et sec, hors de portée des enfants.

Porter également une attention particulière aux « consignes spéciales de sécurité ».

Cet appareil ne doit pas être utilisé par des personnes aux capacités physiques, sensorielles ou mentales réduites, ou par des personnes manquant d'expérience et de connaissances à moins qu'elles n'aient été initiées à son utilisation et qu'elles ne soient surveillées par une personne légalement responsable de leur sécurité. Ces personnes doivent être surveillées lorsqu'elles utilisent l'appareil. Les enfants ne doivent utiliser ou nettoyer ou jouer avec l'appareil, qui doit être tenu hors de leur portée lorsqu'il n'est pas utilisé.

Les enfants doivent être surveillés afin de s'assurer qu'ils ne jouent pas avec l'appareil.

Si le cordon d'alimentation est endommagé, il doit être remplacé par le fabricant, par son prestataire de service, ou par des personnes de qualification équivalente, afin d'éviter tout danger.

L'alimentation électrique doit être fournie par l'intermédiaire d'un dispositif de courant résiduel (RCD), avec un courant de déclenchement de 30 mA tout au plus.

Utiliser une rallonge étanche uniquement. Avant chaque utilisation, vérifier que la rallonge n'est pas endommagée. Les cordons enroulés peuvent surchauffer. Aussi, toujours dérouler la rallonge lors de son utilisation. Les rallonges endommagées ne doivent pas être réparées. Elles doivent être remplacées par un produit de type équivalent.





Français

LORS DE L'UTILISATION DE LA FONCTION DE SOUFFLEUR :

Diriger l'air soufflé uniquement vers la zone de travail - jamais vers des personnes ou des animaux.

Ne pas utiliser le souffleur en tant que pulvérisateur en mode liquide. Porter un masque anti-poussière et une protection oculaire.

A AVERTISSEMENT

Toujours éteindre et débrancher la machine de la prise électrique avant d'assembler, d'ouvrir, de vider le conteneur de saletés, avant de connecter/déconnecter les accessoires, ou d'effectuer des vérifications d'entretien ou de dépannage.

IMPORTANT!

Si le ou les outils sont bloqués, éteindre l'aspirateur et retirer le(s) obstruction(s) avant de démarrer la machine.

IMPORTANT!

Le nettoyage des filtres et leur remplacement régulier permettent de préserver les performances d'aspiration. Vax recommande une vérification, un nettoyage et un remplacement régulier de vos filtres.

LES DOMMAGES SUBIS PAR L'ASPIRATEUR EN CONSÉQUENCE DIRECTE DU NON-RESPECT DES CONSIGNES DE SÉCURITÉ GÉNÉRALES ET DES INSTRUCTIONS CONTENUES DANS CE GUIDE D'UTILISATION INVALIDENT LA GARANTIE

CONSERVER CES INSTRUCTIONS POUR UN USAGE ULTÉRIEUR

RÈGLES PARTICULIÈRES DE SÉCURITÉ

Ne passer aspirer de cendres chaudes, d'objets pointus ou tranchants.

Ne jamais utiliser l'appareil dans les pièces humides.

Ne pas utiliser l'appareil sans sac à poussière (sauf pour l'aspiration de liquides ou avec le filtre cartouche). S'assurer que le sac à poussière est inséré correctement dans l'appareil.

Lors de l'utilisation de l'appareil, veiller à ne pas happer de cheveux, de vêtement ou de membre du corps.

Garder l'aspirateur à l'écart des sources de chaleur telles que les radiateurs à rayonnement, les fours, etc.

INFORMATIONS CONCERNANT LA MISE AU REBUT

L'appareil contient des composants électriques et électroniques et, de ce fait, ne peut pas être mis au rebut avec les ordures ménagères.

La législation locale en vigueur doit être respectée sans condition.

UTILISATION CONFORME AUX PRESCRIPTIONS

L'appareil permet d'éliminer les poussières sèches et non inflammables, ainsi que des liquides.

Cet appareil est conçu uniquement pour être utilisé dans le secteur privé et aux fins spécifiées. L'appareil n'est pas adapté à un usage commercial. Ne pas utiliser l'appareil à l'extérieur (à moins qu'il n'ait été spécialement conçu pour une utilisation en l'extérieur). Ne pas soumettre l'appareil à la chaleur, à la lumière directe du soleil ou à une humidité très élevée (p. ex. : pluie).

Tout autre usage est considéré comme non approprié. Le fabricant n'accepte aucune responsabilité pour tout dommage résultant d'une telle utilisation. Le risque d'une telle utilisation est assumé uniquement par l'utilisateur.

L'utilisation appropriée inclut également le bon fonctionnement, l'entretien et les réparations tels que spécifiés par le fabricant.

DÉCLARATION DE CONFORMITÉ CE

Nous déclarons sous notre entière responsabilité que le produit décrit dans le cadre des « Données techniques » remplit toutes les dispositions pertinentes des directives 2011/65/UE (RoHs), 2014/35/UE, 2014/30/UE et que les normes harmonisées suivantes ont été observées :

- EN 60335-1:2012/A2:2019
- EN 60335-2-2:2010/A1:2013
- EN 62233:2008
- EN 55014-1:2017
- EN 55014-2:2015
- EN 61000-3-2:2014
- EN 61000-3-3:2013
- EN IEC 63000:2018

Winnenden, 2020-05-25

Branko Lenger
Senior Vice President, Engineering and Quality - Asia,
Engineering Commercial Product Development
Autorisé à compiler le fichier technique.



Techtronic Industries GmbH
Max-Eyth-Straße 10
71364 Winnenden
Germany





Français

CONTENU DE L'EMBALLAGE

Voir figure 2 - 4

Déballer soigneusement le contenu du carton.

Maintenir les deux attaches qui maintiennent la partie supérieure en position et les plier vers le haut.

Desserrer les attaches, retirer la section supérieure et le contenu du réservoir.

À l'aide de la liste des composants, vérifier qu'aucune pièce n'est manquante et qu'aucune d'elle n'a été endommagée durant le transport.

Si des pièces sont manquantes ou endommagées, contacter immédiatement le revendeur.

MONTAGE

1. S'assurer que le cordon d'alimentation est déconnecté de la prise de courant.
2. Défaire les attaches. (Illustration 2)
3. Soulever la partie supérieure du réservoir. (Illustration 3)
4. Retirer le contenu de l'intérieur du réservoir. (Illustration 4)
5. Retourner le réservoir à l'envers et insérer les roulettes sur les quatre pieds du réservoir.
6. S'assurer qu'ils sont montés correctement. Ne pas trop serrer. (Illustration 5)
7. Insérer la poignée dans les fentes de la tête motorisée et appuyer. (Illustration 6)
8. Pour l'aspiration de poussières, installer le filtre cartouche et le sac à poussière fournis. (Illustration 7, Illustration 8)
9. Pour l'aspiration de liquides, installer le filtre à mousse fourni. (Illustration 9)
10. Remettre la partie supérieure sur le réservoir. (Illustration 10)
11. Aligner la partie supérieure avec les attaches et clipser en place. Pour cela, appuyer jusqu'à ce que les attachent émettent un « clic ». (Illustration 10)
12. Insérer la grande extrémité du flexible dans l'arrivée située à l'avant du réservoir et tourner pour verrouiller. (Illustration 11)
13. Installer l'accessoire requis sur le tube d'aspiration. (Illustration 12)

UTILISATION

ASPIRATION DE POUSSIÈRES

AVERTISSEMENT

Bien lire, comprendre et appliquer les consignes de sécurité.

Rappel : NE PAS aspirer de substances dangereuses. L'utilisation d'un sac à poussière incorrect aura pour effet d'annuler la garantie.

1. S'assurer que le cordon d'alimentation est déconnecté de la prise de courant.
2. S'assurer que le filtre cartouche est entièrement monté.
3. S'assurer que le filtre est bien inséré. (Illustration 13) Vérifier que le sac à poussière est installé à l'intérieur du réservoir. (Illustration 8)
4. Remettre la partie supérieure sur le réservoir et la fixer à l'aide des attaches. (Illustration 10)
5. Insérer la extrémité la plus grande du flexible dans l'arrivée située à l'avant du réservoir et tourner pour verrouiller. Enfoncer l'accessoire requis sur l'extrémité libre du flexible ou de la rallonge. (Illustration 12)
6. Brancher le cordon d'alimentation à la prise d'alimentation.
7. Allumer le moteur. Pour cela, mettre l'interrupteur en position « I » (MARCHE). (Illustration 14)
8. Une fois l'aspiration terminée, mettre le commutateur en position « O » (OFF) et débrancher le cordon d'alimentation de la prise d'alimentation. (Illustration 15)

AVERTISSEMENT

NE PAS UTILISER LE FILTRE CARTOUCHE POUR ASPIRER DES MATÉRIAUX HUMIDES OU TRANCHANTS.

NE PAS UTILISER DE SAC À POUSSIÈRE POUR L'ASPIRATION DE LIQUIDES

ASPIRATION DE LIQUIDES

AVERTISSEMENT

1. Bien lire, comprendre et appliquer les consignes de sécurité.
Rappel : NE PAS aspirer de substances dangereuses.
2. S'assurer que le cordon d'alimentation est déconnecté de la prise de courant.
S'assurer que le réservoir est propre et exempt de poussières et de saletés.
3. Retirer le filtre cartouche et le sac à poussière, puis installer un filtre en mousse sur le panier de filtre et placer la partie supérieure sur le réservoir. (Illustration 9)
NE PAS utiliser le filtre cartouche pour aspirer des matériaux humides ou tranchants.
4. Placer la buse désirée sur le flexible d'aspiration. (Illustration 12)
5. S'assurer que le commutateur est en position « O » (OFF) avant de brancher le cordon d'alimentation dans la prise d'alimentation.





Français

- Allumer le moteur. Pour cela, mettre l'interrupteur en position « I » (MARCHE). (Illustration 14)
- Après utilisation, remettre l'interrupteur en position « O » (Fig. 15) et débrancher le cordon d'alimentation, puis vider et sécher le réservoir. (Illustration 16, Illustration 17)

AVERTISSEMENT

Le filtre en mousse doit être enlevé après l'aspiration de liquides ; un filtre cartouche doit être installé avant d'aspirer à nouveau des poussières.

IMPORTANT!

Lors de l'aspiration de grandes quantités de liquides, ne pas immerger complètement la buse dans le liquide ; laisser un espace à l'extrémité de l'ouverture de la buse pour permettre l'entrée d'air.

La machine est équipée d'une vanne de sécurité à flotteur qui arrête l'aspiration lorsque le récipient atteint sa capacité maximale. Une augmentation de la vitesse du moteur peut être observée.

Lorsque cela se produit, éteindre la machine, se déconnecter de l'alimentation électrique et vider le liquide dans un récipient ou un drain approprié. Pour continuer à aspirer, remettre le bouchon de vidange du contenant en place. Après avoir aspiré des liquides, éteindre la machine et retirer la fiche de la prise de courant.

Vider le récipient, nettoyer et sécher l'intérieur et l'extérieur avant de le ranger.

FONCTIONNEMENT DU SOUFFLEUR

Cet aspirateur pour poussière/liquide a une fonction de soufflage.

Pour utiliser la fonction de souffleur, suivre les instructions indiquées.

AVERTISSEMENT

Toujours porter des lunettes de sécurité avant d'utiliser le souffleur.

Tenir les passants à l'écart des débris soufflés.

Porter un masque anti-poussière si le soufflage crée de la poussière qui pourrait être inhalée.

- Insérer la grande extrémité du flexible dans la connexion de soufflante, dans le haut du boîtier du moteur. (Illustration 18)
- Placer le suceur plat sur le flexible d'aspiration. (Illustration 19)
- S'assurer que le commutateur d'alimentation est éteint et brancher l'alimentation.
- Allumer le moteur. Pour cela, mettre l'interrupteur en position « I » (MARCHE). (Illustration 14)
- L'appareil souffle à présent via le flexible d'aspiration et peut être utilisé pour éliminer les obstructions dans

le flexible.

- Une fois l'opération terminée, mettre le commutateur en position « O » (OFF) et débrancher le cordon d'alimentation de la prise d'alimentation. (Illustration 15)

AVERTISSEMENT

Si, au bout de quelques secondes, le flexible est toujours bloqué, éteindre l'appareil et dégager manuellement le flexible.

ENTRETIEN

INSTALLATION ET NETTOYAGE DU FILTRE À POUSSIÈRE

Note: Débrancher la machine de la prise de courant avant de procéder à l'entretien.

Installation du filtre à poussière

- Installer le filtre à poussière sur la cage de filtre, avec l'extrémité plate du filtre dirigée vers la tête motorisée de l'aspirateur. Enfoncer soigneusement le filtre jusqu'à ce qu'il butte contre la tête motorisée. (Illustration 20, Illustration 21)
- Placer le dispositif de retenue de filtre sur le filtre cartouche par-dessus le rebord, et serrer en tournant le dispositif dans le sens horaire. Ne pas trop serrer. (Illustration 22, Illustration 23)

Retrait et nettoyage du filtre à poussière (CE FILTRE N'EST PAS LAVABLE)

- Déverrouiller et retirer le dispositif de retenue du filtre. Pour cela, tourner la poignée de retenue dans le sens inverse des aiguilles d'une montre
- Maintenir délicatement le filtre à poussière et le tirer vers le haut pour le retirer. (Illustration 24)
- Nettoyer le filtre de la cartouche. Pour cela, le taper doucement ou brosser délicatement la saleté. Pour des performances optimales, il est recommandé de remplacer régulièrement ce filtre en fonction du niveau d'utilisation (p. ex. : tous les 3 à 6 mois).
- Installer le filtre nettoyé ou un filtre neuf en place comme indiqué ci-dessus.

INSTALLATION ET NETTOYAGE DU FILTRE EN MOUSSE

Note: Débrancher la machine de la prise de courant avant de procéder à l'entretien.

Installation du filtre en mousse

Suivre les instructions pour retirer le filtre à poussière et passer à un filtre à mousse.

Abaisser soigneusement le filtre en mousse sur la cage





Français

de filtre en veillant à ce recouvrir entièrement celle-ci. (Illustration 9, Illustration 25)

Nettoyage du filtre en mousse

Retirer soigneusement le filtre en mousse. (Illustration 26)

Laver le filtre à mousse avec une solution de détergent doux et d'eau et rincer à l'eau propre. (Illustration 27)

Laisser sécher le filtre à l'air avant de l'installer et de l'utiliser à nouveau.

SYMBOLES



ATTENTION! AVERTISSEMENT!
DANGER!

V Volts

Hz Hertz

~ Courant alternatif

W Watts



Veillez lire attentivement le mode d'emploi avant de démarrer la machine.



Équipement de classe II



Recyclage



Ne pas jeter pas les outils électriques avec les ordures ménagères.

Les outils électriques et les équipements électroniques ayant atteint leur fin de vie doivent être collectés séparément et envoyés vers un centre de recyclage respectueux de l'environnement. Pour obtenir des conseils en matière de recyclage et de points de collecte, se renseigner auprès des autorités locales ou du détaillant.



Marque de conformité européenne





Français

QUESTIONS FRÉQUEMMENT POSÉES

AVERTISSEMENT!

Pour réduire le risque de blessures, débrancher le nettoyeur avant de procéder à des vérifications d'entretien/de dépannage.

Problème	Cause	Solution
L'appareil ne fonctionne pas.	Pas de connexion électrique. Défaut fonctionnel dans le cordon d'alimentation, l'interrupteur ou le moteur. Le réservoir est plein de liquide.	Vérifier l'alimentation électrique. Faire vérifier la pièce endommagée par du personnel qualifié ou la remplacer. Vider le réservoir.
De la poussière s'échappe du couvercle du moteur.	Le sac à poussière est manquant ou endommagé.	Le mettre dans un sac à poussière ou le remplacer.
Faible puissance d'aspiration et vitesse élevée/fortes vibrations.	Le sac à poussière est plein. La buse d'aspiration, le flexible ou l'entrée du réservoir est bloqué(e).	Remplacer le sac à poussière. Vérifier que la buse d'aspiration, le flexible et l'entrée du réservoir ne sont pas obstrués.





Deutsch

BESCHREIBUNGEN

Teilleiste

1. Verlängerungsstab (3 x)
2. Bodenaufsatz
3. Fugendüse
4. Schlauchset
5. Rolle (4 x)
6. Griff
7. Schaumstofffilter
8. Schrauben
9. Staubauffangeinrichtung
10. Gebläseanschluss
11. Filterkorb
12. Sicherheits-Schwimmventil
13. Deckel des Kartuschenfilters
14. Kartuschenfilter (nicht waschbar)
15. Ein-/Ausschalter
16. Anschluss Saugerschlauch
17. Klemme (2 x)
18. Tank
19. Ablassventil

TECHNISCHE DATEN

Betriebsspannung	220-240V~50 Hz
Nennleistung	1250 W
Tankvolumen	20 L
Schlauchsystem	Ø 35 mm
Filter – trocken	Kartuschenfilter
Filter – nass	Schaumstofffilter
IP-Klasse	IPX4
Einlass	17 kPa / 2.47 PSI
Max. Luftdurchsatz l/s Motor	48.5 dm ³ /s
Maximaler Unterdruck l/s Motor	20.5 Kpa
Kabellänge	4 m
Gewicht - Gemäß EPTA-Verfahren 01/2003	3.6 kg

! WARNUNG!

Lesen Sie alle Sicherheitshinweise und Anweisungen. Versäumnisse bei der Einhaltung der Sicherheitshinweise und Anweisungen können elektrischen Schlag, Brand und/oder schwere Verletzungen verursachen.
Bewahren Sie alle Sicherheitshinweise und Anweisungen für die Zukunft auf.

ALLGEMEINE SICHERHEITSHINWEISE FÜR ELEKTROWERKZEUGE

! WARNUNG!

Dieses Gerät entspricht den Sicherheitsvorschriften für Elektrogeräte. Dennoch können bei fehlerhafter Nutzung Menschen verletzt und Gegenstände beschädigt werden. Bitte lesen Sie diese Bedienungsanleitung vor dem Einschalten des Geräts aufmerksam und vollständig. Bewahren Sie die Bedienungsanleitung, das Garantiezertifikat, die Quittung sowie das Verpackungsmaterial nach Möglichkeit auf.

Dieses Gerät wurde ausschließlich zum Einsatz im privaten Bereich und zum vorgesehenen Zweck konzipiert. Das Gerät ist nicht zur kommerziellen Verwendung geeignet. Verwenden Sie das Gerät nicht im Freien (es sei denn, es wurde speziell zur Verwendung im Freien konzipiert). Setzen Sie das Gerät nicht Hitze, direkter Sonneneinstrahlung oder sehr hoher Feuchtigkeit (z. B. Regen) aus.

Tauchen Sie das Gerät niemals in Flüssigkeiten ein und achten Sie auf scharfe Kanten, die es beschädigen könnten. Bedienen Sie das Gerät niemals mit feuchten oder nassen Händen. Unterbrechen Sie unverzüglich die Stromversorgung, wenn das Gerät während des Betriebs feucht oder nass wird. Tauchen Sie das Gerät nicht in Wasser ein.

Dieser Nass-/Trockensauger darf nur in Privaträumen verwendet und aufbewahrt werden.

Das Gerät wurde zum Aufsaugen von Materialien konzipiert, die weder gesundheitsschädlich noch entflammbar sind.

Halten Sie sich die Anschlüsse niemals vor das Gesicht (vor allem nicht vor Augen, Ohren usw.). Richten Sie die Düse niemals auf Menschen oder Tiere.

Nutzen Sie das Gerät ausschließlich für den vorgesehenen Zweck. Alle anderen Arten der Nutzung geschehen auf Ihr eigenes Risiko und sind möglicherweise gefährlich.

Sonstige Nutzungsarten und der unbeaufsichtigte Betrieb sind nicht erlaubt. Der Hersteller kann nicht für Fehler verantwortlich gemacht werden, die durch fehlerhafte Nutzung oder falsche Bedienung entstehen.

Tragen Sie Schutzkleidung und Handschuhe.

Schließen Sie das Gerät ausschließlich an Steckdosen mit 240V-Wechselstrom an.

Stellen Sie vor dem Verwenden des Geräts sicher, dass der korrekte Staubsaugerbeutel sicher in die Halterung eingesetzt wurde. Falsche Staubsaugerbeutel und falsch eingesetzte Staubsaugerbeutel können das Gerät beschädigen und die Garantie ungültig werden lassen.

Wenn das Stromkabel beschädigt ist, muss es zusammen mit dem Kabelschutz von einem autorisierten





Deutsch

Servicecenter oder einem anderen qualifizierten Serviceunternehmen ersetzt werden.

Saugen Sie keine Asche, heiße Kohlen und Ähnliches und weder große Glasstücke noch scharfkantige Objekte auf.

Saugen Sie keinen Tonerstaub auf, wie er beispielsweise in Druckern und Kopierern verwendet wird, denn er ist elektrisch leitend. Darüber hinaus ist es möglich, dass Tonerstaub durch das Filtersystem des Nass-/Trockensaugers unvollständig ausgefiltert und dann über den Lüftungsventilator in die Luft freigesetzt wird.

Saugen Sie niemals entflammare oder giftige Flüssigkeiten wie Benzin, Öl, Säuren oder sonstige flüchtige Substanzen auf.

Saugen Sie weder Flüssigkeiten mit einer Temperatur über 60 °C, noch giftige oder entflammare Stäube auf.

Legen Sie das Gerät niemals auf die Seite. Achten Sie besonders auf Treppen auf eine horizontale Position und angemessene Stabilität.

Unterbrechen Sie nach der Nutzung und vor dem Reinigen oder dem Austauschen der Filter bzw. dem Wechseln der Zubehörteile immer die Stromzufuhr.

Reparaturen an Elektrogeräten dürfen ausschließlich von geschulten Fachleuten vorgenommen werden. Fehlerhafte Reparaturen können zu beträchtlicher Gefahr für den Bediener führen.

Bewahren Sie das Gerät nicht direkt neben einem heißen Ofen oder einer Heizung auf.

Kindern, Menschen mit Behinderungen und älteren Menschen sind die Gefahren, die aus dem Umgang mit Elektrogeräten entstehen können, häufig nicht bewusst. Die oben genannten Personengruppen und ungeschulte Personen dürfen niemals mit diesem Elektrogerät arbeiten.

Schalten Sie das Gerät beim Reinigen oder Transportieren immer ab. Wenn Sie das Gerät über einen längeren Zeitraum nicht verwenden, ziehen Sie den Stecker aus der Steckdose. Ziehen Sie niemals am Kabel, um die Stromzufuhr zu unterbrechen, sondern am Stecker selbst. Entfernen Sie auch alle speziellen Zubehörteile vom Gerät.

Halten Sie das Gerät immer sauber. Verwenden Sie keine Lösungsmittel oder Reinigungsmittel, die das Gerät beschädigen oder den Bediener verletzen könnten.

Lassen Sie das Gerät niemals unbeaufsichtigt, wenn es eingeschaltet ist. Wenn Sie den Arbeitsbereich verlassen, schalten Sie das Gerät aus oder ziehen Sie den Stecker aus der Steckdose (ziehen Sie nicht am Kabel, sondern am Stecker).

Um Kinder vor Gefahren durch Elektrogeräte zu schützen, stellen Sie sicher, dass das Kabel nicht zu einer Stolperfalle für Kinder werden kann, und geben Sie Kindern keinen Zugriff auf das Gerät.

Verwenden Sie das Gerät niemals, wenn Sie unter dem Einfluss von Medikamenten, Alkohol oder Drogen stehen, wenn Sie unter ärztlicher Betreuung stehen oder wenn Sie müde sind.

Überprüfen Sie das Gerät und das Stromkabel regelmäßig auf Beschädigungen. Verwenden Sie keine beschädigten Geräte.

Versuchen Sie nicht, das Gerät selbst zu reparieren. Lassen Sie Reparaturen immer von einem autorisierten Techniker durchführen. Lassen Sie fehlerhafte Stromkabel immer unverzüglich vom Hersteller oder einem qualifizierten Serviceunternehmen ersetzen. Nutzen Sie Kabel derselben Art, um die Gefahr von Stromschlägen und Verletzungen zu verhindern.

Verwenden Sie ausschließlich Originalersatzteile und -zubehör. Nicht zugelassene Teile oder Zubehör von Dritten können eine potenzielle Gefahrenquelle darstellen und führen dazu, dass die Garantie ungültig wird.

Überprüfen Sie den Schwimmer häufig.

Wenn Sie feststellen, dass das Gerät Flüssigkeit verliert, schalten Sie es unverzüglich aus und ziehen Sie den Stecker aus der Steckdose.

Tauchen Sie das Gerät nicht in Wasser ein. Stellen Sie sicher, dass kein Wasser auf dem Gerät verschüttet wird.

Stellen Sie beim Entsorgen des Abwassers sicher, dass Sie eventuell geltende gesetzliche Vorschriften einhalten.

Bewahren Sie das Gerät nur an einem sicheren und trockenen Ort außerhalb der Reichweite von Kindern auf.

Bitte beachten Sie besonders die folgenden „besonderen Sicherheitshinweise“.

Dieses Gerät darf nicht von Personen mit eingeschränkten physischen, sensorischen oder mentalen Fähigkeiten, oder mangelnder Erfahrung und Wissen benutzt oder gereinigt werden, es sei denn, sie werden durch eine Person, die für ihre Sicherheit verantwortlich ist, beaufsichtigt oder erhalten von solch einer Person Anweisungen zum Gebrauch des Geräts. Sie sollten während der Benutzung des Geräts beaufsichtigt werden. Kinder dürfen das Gerät nicht benutzen, reinigen oder damit spielen, und das Gerät sollte bei Nichtgebrauch außer Reichweite von Kindern sein.

Kinder müssen beaufsichtigt werden, so dass gewährleistet ist, dass sie nicht mit dem Gerät spielen.

Wenn das Stromkabel beschädigt ist, muss es durch den Hersteller, seinen Vertreter oder ähnlich qualifizierte Personen ersetzt werden, um Gefahren zu vermeiden.

Die Stromversorgung sollte über eine Fehlerstrom-





Deutsch

Schutzeinrichtung mit einem Auslösestrom von maximal 30 mA erfolgen.

Nutzen Sie ausschließlich wasserfeste Verlängerungskabel. Überprüfen Sie das Verlängerungskabel vor jeder Benutzung auf Beschädigungen. Rollen Sie das Verlängerungskabel während der Nutzung immer ab, denn aufgerollte Kabel können überhitzen. Beschädigte Verlängerungskabel sollten nicht repariert werden. Sie sollten durch Kabel gleicher Art ersetzt werden.

BEI DER VERWENDUNG DER GEBLÄSEFUNKTION:

Richten Sie die Luftentladung ausschließlich auf den Arbeitsbereich – niemals auf Menschen oder Tiere.

Verwenden Sie das Gebläse im Nassmodus nicht als Sprühgerät. Tragen Sie eine Staubmaske und eine Schutzbrille.

⚠️ WARNUNG

Schalten Sie das Gerät immer ab und ziehen Sie den Stecker aus der Steckdose, bevor Sie den Schmutzbehälter montieren, öffnen oder leeren, bevor Sie Zubehörteile anschließen/demontieren oder Wartungsarbeiten durchführen bzw. Fehler beheben.

WICHTIG!

Wenn der Schlauch oder die Werkzeuge blockiert sind, schalten Sie den Reiniger aus und entfernen Sie die Blockade(n), bevor Sie das Gerät erneut einschalten.

WICHTIG!

Durch regelmäßiges Reinigen und Ersetzen der Filter bleibt die maximale Leistung erhalten. Vax empfiehlt, die Filter von Zeit zu Zeit zu überprüfen, zu reinigen und zu ersetzen.

BEI BESCHÄDIGUNGEN AM STAUBSAUGER, DIE DIREKT AUS DER NICHTEINHALTUNG DER ALLGEMEINEN SICHERHEITSHINWEISE UND DER ANLEITUNGEN IN DIESER BEDIENUNGSANLEITUNG RESULTIEREN, WIRD DIE GARANTIE UNGÜLTIG.

BITTE BEWAHREN SIE DIESE ANLEITUNG ZWECKS SPÄTERER NUTZUNG AUF.

BESONDERE SICHERHEITSVORSCHRIFTEN

Saugen Sie niemals heiße Asche oder spitze bzw. scharfkantige Gegenstände auf.

Verwenden Sie das Gerät niemals in feuchten Räumen.

Verwenden Sie das Gerät nicht ohne Staubsaugerbeutel (mit Ausnahme des Nasssaugens oder bei Nutzung des Kartuschenfilters). Stellen Sie sicher, dass der Staubsaugerbeutel korrekt in das Gerät eingesetzt wurde.

Stellen Sie beim Verwenden des Geräts sicher, dass keine

Haare, Kleidungsstücke oder Körperteile eingesogen werden.

Halten Sie den Staubsauger von Hitzequellen wie Heizungen, Öfen usw. fern.

INFORMATIONEN ZUR ENTSORGUNG

Das Gerät enthält elektrische und elektronische Komponenten und darf nicht im Hausmüll entsorgt werden.

Die aktuell geltenden örtlichen Gesetze müssen ausnahmslos beachtet werden.

BESTIMMUNGSGEMÄSSE VERWENDUNG

Das Gerät ist zum Aufnehmen von trockenen, nicht-entflammaren Stäuben und Flüssigkeiten geeignet.

Dieses Gerät wurde ausschließlich zum Einsatz im privaten Bereich und zum vorgesehenen Zweck konzipiert. Das Gerät ist nicht zur kommerziellen Verwendung geeignet. Verwenden Sie das Gerät nicht im Freien (es sei denn, es wurde speziell zur Verwendung im Freien konzipiert). Setzen Sie das Gerät nicht Hitze, direkter Sonneneinstrahlung oder sehr hoher Feuchtigkeit (z. B. Regen) aus.

Jegliche sonstige Verwendung gilt als fehlerhafte Verwendung. Der Hersteller übernimmt keine Haftung für Schäden aus solcher Verwendung. Das Risiko einer solchen Verwendung trägt ausschließlich der Bediener.

Die korrekte Verwendung beinhaltet auch die korrekte Bedienung, Wartung und Reparaturen wie vom Hersteller definiert.

EU-KONFORMITÄTSERKLÄRUNG

Wir erklären in alleiniger Verantwortung, dass das unter „Technische Daten“ beschriebene Produkt allen einschlägigen Bestimmungen der Richtlinien 2011/65/EU (RoHs), 2014/35/EU, 2014/30/EU entspricht und die folgenden harmonisierten Normen angewandt wurden:

- EN 60335-1:2012/A2:2019
- EN 60335-2-2:2010/A1:2013
- EN 62233:2008
- EN 55014-1:2017
- EN 55014-2:2015
- EN 61000-3-2:2014
- EN 61000-3-3:2013
- EN IEC 63000:2018

Winnenden, 2020-05-25

Handwritten signature





Deutsch

Branko Lenger

Senior Vice President, Engineering and Quality - Asia,
Engineering Commercial Product Development
Zum Erstellen der technischen Datei autorisiert.



Techtronic Industries GmbH
Max-Eyth-Straße 10
71364 Winnenden
Germany

LIEFERUMFANG

Siehe Abbildung 2 - 4.

Packen Sie den Inhalt des Kartons vorsichtig aus.

Nehmen Sie die beiden Klemmen, die den oberen Teil an seinem Platz halten, und kippen Sie sie nach oben.

Lösen Sie die Klemmen, entfernen Sie den oberen Teil und entfernen Sie den Inhalt aus dem Tank.

Bitte überprüfen Sie die Teile mittels der Teileliste, um sicherzustellen, dass alle Teile geliefert wurden und keine Transportschäden aufgetreten sind.

Sollten Teile fehlen oder beschädigt sein, wenden Sie sich bitte unverzüglich an den Händler.

ZUSAMMENBAU

1. Stellen Sie sicher, dass das Stromkabel nicht in der Steckdose steckt.
2. Lösen Sie die Klemmen. (Abbildung 2)
3. Heben Sie den oberen Teil vom Tank ab. (Abbildung 3)
4. Entfernen Sie den Inhalt aus dem Tank. (Abbildung 4)
5. Drehen Sie den Tank um und setzen Sie die Rollen in die vier Füße des Tanks ein.
6. Stellen Sie sicher, dass die Rollen korrekt montiert sind. Überdrehen Sie sie nicht. (Abbildung 5)
7. Setzen Sie den Griff in die Schlitzle am Triebkopf ein und drücken Sie ihn fest. (Abbildung 6)
8. Setzen Sie zum Trockensaugen den mitgelieferten Kartuschenfilter und einen Staubsaugerbeutel ein. (Abbildung 7, Abbildung 8)
9. Setzen Sie zum Nasssaugen den mitgelieferten Schaumstofffilter ein. (Abbildung 9)
10. Setzen Sie den oberen Teil des Tanks wieder auf. (Abbildung 10)
11. Richten Sie den oberen Teil an den Klemmen aus und lassen Sie ihn einrasten, indem Sie Druck ausüben, bis die Klemmen klicken. (Abbildung 10)
12. Setzen Sie das breite Ende des Schlauchs in die vordere Einlassöffnung des Tanks ein und drehen Sie den Schlauch bis zum Einrasten. (Abbildung 11)
13. Setzen Sie das erforderliche Zubehörteil auf das Saugrohr auf. (Abbildung 12)

BETRIEB

TROCKENSAUGEN

WARNUNG

Stellen Sie sicher, dass Sie die Sicherheitshinweise lesen, verstehen und befolgen.

Erinnerung: SAUGEN SIE KEINE gefährlichen Substanzen auf. Bei Nutzung des falschen Staubsaugerbeutels wird die Garantie nichtig.

1. Stellen Sie sicher, dass das Stromkabel nicht in der Steckdose steckt.
2. Stellen Sie sicher, dass der Kartuschenfilter vollständig montiert ist.
3. Stellen Sie sicher, dass der Filter vollständig eingesetzt ist. (Abbildung 13) Überprüfen Sie, dass der Staubsaugerbeutel innen im Tank angebracht ist. (Abbildung 8)
4. Setzen Sie den oberen Teil des Tanks wieder auf und sichern Sie ihn mit den Klemmen. (Abbildung 10)
5. Setzen Sie das breitere Ende des Schlauchs in die vordere Einlassöffnung des Tanks ein und drehen Sie den Schlauch bis zum Einrasten. Schieben Sie das benötigte Zubehörteil auf das freie Ende des Schlauchs bzw. der Verlängerung. (Abbildung 12)
6. Stecken Sie den Stecker in die Steckdose.
7. Schalten Sie den Motor ein, indem Sie den Schalter in die Position ‚I‘ (ON) schieben. (Abbildung 14)
8. Schieben Sie nach dem Beenden des Saugvorgangs den Schalter in die Position ‚O‘ (OFF) und ziehen Sie den Stecker aus der Steckdose. (Abbildung 15)

WARNUNG

VERWENDEN SIE DEN KARTUSCHENFILTER NICHT FÜR NASSE ODER SCHARFKANTIGE MATERIALIEN.

VERWENDEN SIE DEN STAUBSAUGERBEUTEL NICHT ZUM NASSSAUGEN

NASSSAUGEN

WARNUNG

1. Stellen Sie sicher, dass Sie die Sicherheitshinweise lesen, verstehen und befolgen.
Erinnerung: SAUGEN SIE KEINE gefährlichen Substanzen auf.
2. Stellen Sie sicher, dass das Stromkabel nicht in der Steckdose steckt.
Stellen Sie sicher, dass der Tank sauber und frei von Staub und Schmutz ist.
3. Entfernen Sie den Kartuschenfilter und den Staubsaugerbeutel, setzen Sie den Schaumstofffilter über dem Filterkorb ein und setzen Sie den oberen Teil wieder auf den Tank. (Abbildung 9)
VERWENDEN SIE den Kartuschenfilter NICHT für





Deutsch

- nasse oder scharfkantige Materialien.
4. Setzen Sie die gewünschte Düse auf den Staubsaugerschlauch. (Abbildung 12)
 5. Stellen Sie sicher, dass sich der Schalter in der Position ‚0‘ (OFF) befindet, bevor Sie den Stecker in die Steckdose stecken.
 6. Schalten Sie den Motor ein, indem Sie den Schalter in die Position ‚I‘ (ON) schieben. (Abbildung 14)
 7. Drücken Sie den Schalter nach dem Saugen zurück in die Position ‚0‘ (Abb. 15) und ziehen Sie den Stecker aus der Steckdose; leeren und trocknen Sie danach den Tank. (Abbildung 16, Abbildung 17)

2. Setzen Sie die Spaltendüse auf den Saugerschlauch auf. (Abbildung 19)
3. Stellen Sie sicher, dass das Gerät ausgeschaltet ist, und stecken Sie den Stecker in die Steckdose.
4. Schalten Sie den Motor ein, indem Sie den Schalter in die Position ‚I‘ (ON) schieben. (Abbildung 14)
5. Das Gerät bläst jetzt durch den Saugerschlauch und kann verwendet werden, um Blockaden im Schlauch zu lösen.
6. Schieben Sie nach dem Beenden des Vorgangs den Schalter in die Position ‚0‘ (OFF) und ziehen Sie den Stecker aus der Steckdose. (Abbildung 15)

⚠️ WARNUNG

Der Schaumstofffilter muss nach dem Nasssaugen entfernt werden, und vor dem erneuten Trockensaugen muss ein Kartuschenfilter eingesetzt werden.

⚠️ WARNUNG

Wenn der Schlauch nach einigen Sekunden weiterhin blockiert ist, schalten Sie das Gerät aus und lösen Sie die Blockade im Schlauch manuell.

WICHTIG!

Wenn Sie große Flüssigkeitsmengen saugen, tauchen Sie die Düse nicht vollständig in die Flüssigkeit ein; lassen Sie an der Spitze der Düse eine Lücke, damit Luft hineinfließen kann.

WARTUNG UND PFLEGE

EINSETZEN UND REINIGEN DES

Bitte beachten: Trockenfilters Ziehen Sie vor der Durchführung von Wartungsarbeiten den Stecker aus der Steckdose.

Das Gerät ist mit einem Schwimmerventil ausgestattet, das den Saugvorgang beendet, wenn der Behälter die maximale Kapazität erreicht hat. Sie werden eine Erhöhung der Motorgeschwindigkeit feststellen.

Einsetzen des Trockenfilters

1. Setzen Sie den Trockenfilter über dem Filterkorb ein, wobei das flache Ende des Filters zum Triebkopf des Staubsaugers zeigt. Schieben Sie den Filter vorsichtig hinein, bevor er am Triebkopf anhält. (Abbildung 20 & Abbildung 21)
2. Setzen Sie die Filterhalterung über der erhöhten Lippe auf den Kartuschenfilter und ziehen Sie sie an, indem Sie die Halterung im Uhrzeigersinn drehen. Überdrehen Sie nicht. (Abbildung 22 & Abbildung 23)

Wenn dies geschieht, schalten Sie das Gerät aus, unterbrechen Sie die Stromzufuhr und lassen Sie die Flüssigkeit in einen geeigneten Behälter oder in einen Abfluss ab. Um den Saugvorgang fortzusetzen, setzen Sie den Deckel des Abflusses wieder auf. Schalten Sie nach dem Nasssaugen das Gerät aus und ziehen Sie das Stromkabel ab.

Leeren Sie den Behälter und reinigen und trocknen Sie ihn vor dem Aufbewahren von innen und außen.

BEDIENUNG DES GEBLÄSES

Entfernen und Reinigen des Trockenfilters (DIESER FILTER IST NICHT WASCHBAR)

Dieser Nass-/Trockensauger verfügt über eine Gebläsefunktion.

1. Entsperren und entfernen Sie die Filterhalterung, indem Sie den Griff der Halterung gegen den Uhrzeigersinn drehen.
2. Halten Sie den Trockenfilter vorsichtig und ziehen Sie ihn zum Entfernen nach oben. (Abbildung 24)
3. Reinigen Sie den Kartuschenfilter, indem Sie den Schmutz sanft abklopfen oder abbürsten. Zwecks optimaler Leistung wird empfohlen, diesen Filter je nach Nutzungsstärke regelmäßig auszutauschen (z. B. alle drei bis sechs Monate)
4. Setzen Sie den gereinigten oder neuen Filter entsprechend der Anleitung oben ein.

Um die Gebläsefunktion zu verwenden, befolgen Sie die aufgeführte Anleitung.

⚠️ WARNUNG

Tragen Sie beim Verwenden des Gebläses immer eine Schutzbrille.

Blasen Sie keinen Schmutz in die Richtung umstehender Personen.

Tragen Sie eine Staubmaske, wenn das Gebläse Staub erzeugt, der eingeatmet werden könnte.

1. Setzen Sie das große Ende des Schlauchs in den Gebläseanschluss oben im Motorgehäuse ein. (Abbildung 18)





Deutsch

EINSETZEN UND REINIGEN DES SCHAUMSTOFFFILTERS

Bitte beachten: Trockenfilters Ziehen Sie vor der Durchführung von Wartungsarbeiten den Stecker aus der Steckdose.

Einsetzen des Schaumstofffilters

Befolgen Sie zunächst die Anleitung zum Entfernen des Trockenfilters, bevor Sie zum Schaumstofffilter übergehen.

Schieben Sie den Schaumstofffilter vorsichtig über den Filterkorb und achten Sie darauf, dass der gesamte Korb abgedeckt ist. (Abbildung 9 & Abbildung 25)

Reinigen des Schaumstofffilters

Entfernen Sie den Schaumstofffilter vorsichtig. (Abbildung 26)

Nutzen Sie eine Lösung aus milder Seife und Wasser, um den Schaumstofffilter zu waschen, und spülen Sie den Filter mit klarem Wasser. (Abbildung 27)

Lassen Sie den Filter an der Luft trocknen, bevor Sie ihn erneut einsetzen und verwenden.



Entsorgen Sie Elektrogeräte nicht zusammen mit dem Hausmüll!

Elektrogeräte, die das Ende der Nutzungsdauer erreicht haben, müssen getrennt gesammelt und an eine umweltgerechte Recyclingeinrichtung zurückgegeben werden. Informieren Sie sich bei den örtlichen Behörden oder bei Ihrem Einzelhändler über Recyclingoptionen und die Entsorgungseinrichtung.



Europäisches Konformitätskennzeichen

SYMBOLLE



ACHTUNG! WARNUNG! GEFAHR!

V Volt

Hz Hertz

~ Wechselstrom

W Watt



Bitte lesen Sie die Anweisungen sorgfältig, bevor Sie das Gerät einschalten.



Elektrowerkzeug der Schutzklasse II



Wiederverwerten





Deutsch

HÄUFIG GESTELLTE FRAGEN

WARNUNG!

Um die Gefahr von Verletzungen zu verringern, ziehen Sie vor dem Durchführen von Wartungsarbeiten/vor der Problembehebung den Stecker aus der Steckdose.

Problem	Grund	Lösung
Das Gerät funktioniert nicht.	Es hat keinen Strom. Funktionsfehler an Stromkabel, Schalter oder Motor Der Tank ist voll Flüssigkeit.	Überprüfen Sie die Stromversorgung. Lassen Sie das beschädigte Teil von qualifiziertem Person überprüfen oder ersetzen Sie es. Leeren Sie den Tank.
Staub entweicht unter der Motorabdeckung.	Der Staubsaugerbeutel fehlt oder ist beschädigt.	Setzen Sie einen Staubsaugerbeutel ein oder ersetzen Sie ihn.
Geringe Saugleistung und hohe Motorgeschwindigkeit/Vibrationen	Der Staubsaugerbeutel ist voll. Die Saugdüse, der Schlauch oder der Tankzufluss ist blockiert.	Ersetzen Sie den Staubsaugerbeutel. Überprüfen Sie Saugdüse, Schlauch und Tankzufluss auf Blockaden.



DESCRIPCIONES

Lista de componentes

1. Tubo de extensión (x3)
2. Herramienta para suelos
3. Accesorio para espacios reducidos
4. Juego de mangueras
5. Rueda (x4)
6. Mango
7. Filtro de espuma
8. Tornillos
9. Bolsa para el polvo
10. Conexión para soplador
11. Cesta del filtro
12. Válvula de flotador de seguridad
13. Tapa del filtro de cartucho
14. Filtro de cartucho (no lavable)
15. Interruptor de encendido/apagado
16. Conexión para la manguera de aspiración
17. Fijación (x2)
18. Depósito
19. Salida de drenaje

ESPECIFICACIONES

Tensión de alimentación	220-240V~50 Hz
Potencia nominal	1250 W
Volumen del depósito	20 L
Sistema de manguera	Ø 35 mm
Filtro (sólidos)	Filtro de cartucho
Filtro (líquidos)	Filtro de espuma
Clasificación IP	IPX4
Aspiración	17 kpa / 2.47 PSI
Flujo máx. de aire l/s, motor	48.5 dm ³ /s
Presión máx. de aspiración l/s, motor	20.5 Kpa
Longitud del cable	4 m
Peso - conforme al Procedimiento EPTA 01/2003	3.6 kg

⚠ ADVERTENCIA!

Lea todas las instrucciones y advertencias de seguridad. No seguir las advertencias e instrucciones correctamente puede provocar descargas eléctricas, incendios y/o daños graves.

Guarde todas estas advertencias e instrucciones para futuras referencias.

INSTRUCCIONES GENERALES DE SEGURIDAD DE LA HERRAMIENTA

⚠ ADVERTENCIA!

Este aparato cumple con las normas de seguridad obligatorias para equipos eléctricos. No obstante, un uso inadecuado del mismo puede provocar daños a personas y bienes materiales. Lea estas instrucciones de uso atentamente y en su totalidad antes de poner en funcionamiento el aparato. Guarde las instrucciones de uso, el certificado de garantía, el recibo de compra y el material de embalaje si fuera posible.

Este aparato está diseñado únicamente para su uso privado y para el uso previsto designado. Este aparato no es adecuado para un uso comercial. No utilice el aparato en espacios exteriores (a menos que se haya diseñado específicamente para su uso en espacios exteriores). No someta el aparato a calor, la luz directa del sol o niveles de humedad muy elevados (por ejemplo, lluvia).

No sumerja nunca el aparato en líquidos y recuerde que los bordes afilados pueden dañarlo. No utilice nunca el apartado con las manos mojadas o húmedas. Desenchufe el aparato inmediatamente si se moja o humedece durante su funcionamiento. No sumerja el aparato en agua.

Este aspirador para líquidos/sólidos solo se puede utilizar y guardar en un hogar privado.

El aparato está diseñado para aspirar materiales no peligrosos para su salud y que no sean inflamables.

No sujete nunca los conectores delante de la cara (especialmente, delante de ojos, oídos, etc.). No oriente nunca la boquilla hacia personas o animales.

Utilice el aparato solamente para su uso previsto. Cualquier otro tipo de uso se realizará por su cuenta y riesgo, y posiblemente será peligroso.

No se permite ningún otro tipo de uso ni el funcionamiento del aparato sin supervisión. El fabricante no será responsable de los daños causados por un uso inadecuado o incorrecto.

Utilice prendas y guantes de protección.

Conecte el aparato únicamente a una toma de corriente alterna de 240 V.

Asegúrese de que se ha colocado la bolsa de polvo correcta en su soporte antes de utilizar el aparato. El uso de una bolsa de polvo incorrecta o una instalación deficiente de las bolsas de polvo puede provocar daños en el aparato y anular la garantía.

Si el cable de alimentación está dañado, deberá ser sustituido junto con el protector de cable por parte de un centro de servicio autorizado u otra organización de servicio cualificada.

No aspire cenizas, brasas calientes y similares,



Español

fragmentos grandes de cristal ni objetos afilados.

No aspire polvo de tóner (como el utilizado, por ejemplo, en impresoras y fotocopiadoras), ya que es un producto conductor de la electricidad. Además, es posible que no pueda ser filtrado en su totalidad por el sistema de filtrado del aspirador para líquidos/sólidos y que se expulse al exterior a través del ventilador de escape.

No aspire nunca líquidos inflamables o tóxicos, como gasolina, aceite, ácidos u otras sustancias volátiles.

No aspire líquidos que estén a una temperatura superior a 60 °C ni ningún polvo tóxico o inflamable.

No apoye nunca el aparato sobre un lateral. Preste especial atención a la hora de mantener una posición horizontal y una estabilidad adecuada cuando se encuentre en unas escaleras.

Desenchufe siempre el aparato después de su uso y antes de limpiar o cambiar los filtros o accesorios.

Solo personal especializado y con la debida formación podrá realizar reparaciones en los equipos eléctricos. Unas reparaciones inadecuadas pueden dar como resultado un peligro importante para el usuario.

No guarde el aparato junto a un horno o radiador.

Los niños, las personas discapacitadas y las personas mayores a menudo no son conscientes de los peligros derivados del uso y la manipulación de los aparatos eléctricos. Las personas mencionadas anteriormente y las personas sin la formación pertinente no deben trabajar nunca con este aparato eléctrico.

Cuando vaya a limpiar o retirar el aparato, apáguelo siempre. Retire el enchufe de la toma si no va a utilizar el aparato durante un periodo de tiempo prolongado. No tire nunca del cable para desenchufar el aparato; tire únicamente del enchufe. Además, retire cualquier accesorio especial del aparato.

Mantenga siempre limpio el aparato. No utilice ningún disolvente o producto de limpieza que pueda dañar o ser peligroso para el aparato o el usuario.

No deje nunca el aparato encendido sin supervisión. Si se va de la zona de trabajo, apague el aparato o desenchúfelo de la toma eléctrica (no tire del cable, sino del enchufe).

Para proteger a los niños de los electrodomésticos eléctricos, asegúrese de que el cable no pueda provocar tropiezos de los niños y no permita que los niños puedan acceder al aparato.

No utilice nunca el aparato cuando esté bajo los efectos de medicamentos, alcohol o drogas, si está bajo supervisión médica o si está cansado/a.

Compruebe el aparato y el cable de alimentación de forma periódica en busca de cualquier posible daño. No utilice aparatos dañados.

No intente reparar el aparato usted mismo/a. Acuda

siempre a un técnico autorizado para realizar cualquier reparación. Solicite siempre la sustitución de cualquier cable eléctrico defectuoso por parte del fabricante o de una organización de servicio cualificada. Utilice el mismo tipo de cable para evitar cualquier peligro de descarga eléctrica o lesión.

Utilice exclusivamente piezas de recambio y accesorios originales. Las piezas o accesorios de terceros no aprobados pueden suponer un peligro y provocar la anulación de la garantía.

Compruebe el flotador con frecuencia.

Si observa fugas de líquido en el aparato, apáguelo inmediatamente y desenchúfelo.

No sumerja el aparato en agua. Asegúrese de que no se derrame agua sobre el aparato.

A la hora de eliminar el agua residual, asegúrese de que seguir todas las normas legales en vigor.

Guarde el aparato únicamente en un lugar seco y seguro, fuera del alcance de los niños.

Preste especial atención a las siguientes «Normas de seguridad especiales».

Este aparato no está diseñado para ser utilizado o para ser limpiado por personas con discapacidades físicas, sensoriales o mentales, o con falta de experiencia y conocimiento, a menos que la persona legalmente responsable de su seguridad les instruya en el uso del aparato. Deben ser supervisados durante la utilización del aparato. Los niños no deben utilizar, limpiar ni jugar con este aparato, mantener fuera del alcance de los niños mientras no se utilice.

Los niños deben ser supervisados para evitar que jueguen con el aparato.

Si el cable de alimentación está dañado, debe ser sustituido por el fabricante, su servicio técnico o personas igualmente cualificadas para evitar peligros.

La corriente eléctrica se debe suministrar a través de un dispositivo de corriente residual (RCD, por sus siglas en inglés), con una corriente de desconexión no superior a 30 mA.

Utilice únicamente un cable alargador impermeable. Compruebe el cable alargador antes de cada uso en busca de posibles daños. Desenrolle siempre el cable prolongador durante su uso, ya que los cables enrollados se pueden sobrecalentar. Los cables prolongadores dañados no se deben reparar. Se deben sustituir por un cable equivalente.



CUANDO SE UTILICE LA FUNCIÓN DE SOPLADO:

Dirija la abertura de expulsión de aire únicamente hacia la zona de trabajo, nunca hacia personas o animales.

No utilice el soplador como un pulverizador en el modo de uso para líquidos. Utilice una mascarilla antipolvo y gafas de protección.

⚠ ADVERTENCIA

Apague y desenchufe siempre la máquina de la toma de corriente antes de montar, abrir, vaciar el contenedor de suciedad, antes de conectar/desconectar los accesorios, o a la hora de realizar el mantenimiento o la búsqueda de averías.

IMPORTANTE!

Si se produce una obstrucción en la manguera o en las herramientas, apague el aspirador y elimine las obstrucciones antes de volver a poner en marcha la máquina.

IMPORTANTE!

La limpieza y sustitución periódica de los filtros permite mantener el rendimiento del aspirador. Vax recomienda comprobar, limpiar y sustituir sus filtros de forma periódica.

LOS DAÑOS SUFRIDOS POR EL ASPIRADOR QUE HAYAN SIDO CAUSADOS COMO RESULTADO DIRECTO DEL INCUMPLIMIENTO DE LA INFORMACIÓN Y LAS INSTRUCCIONES GENERALES DE SEGURIDAD INCLUIDAS EN ESTA GUÍA DEL USUARIO ANULARÁN LA GARANTÍA

GUARDE ESTAS INSTRUCCIONES PARA PODER CONSULTARLAS EN EL FUTURO

NORMAS ESPECIALES DE SEGURIDAD

No aspire nunca brasas calientes ni objetos puntiagudos o afilados.

No utilice nunca el aparato en habitaciones húmedas.

No utilice el aparato sin una bolsa de polvo (salvo cuando aspire líquidos o cuando aspire con el filtro de cartucho). Asegúrese de que la bolsa de polvo esté bien insertada en el aparato.

Cuando utilice el aparato, asegúrese de no aspirar pelo, ropa o extremidades.

Mantenga el aspirador alejado de las fuentes de calor, como radiadores, hornos, etc.

INFORMACIÓN SOBRE LA ELIMINACIÓN DEL APARATO

El aparato contiene componentes eléctricos y electrónicos, y no se puede desechar junto con los residuos domésticos. En este sentido, es obligatorio el cumplimiento de la

legislación aplicable local.

APLICACIÓN DE ACUERDO A LA FINALIDAD

El aparato es adecuado para la aspiración de sólidos, polvo y líquidos no inflamables.

Este aparato está diseñado únicamente para su uso privado y para el uso previsto designado. Este aparato no es adecuado para un uso comercial. No utilice el aparato en espacios exteriores (a menos que se haya diseñado específicamente para su uso en espacios exteriores). No someta el aparato a calor, la luz directa del sol o niveles de humedad muy elevados (por ejemplo, lluvia).

Cualquier otro uso se considerará un uso inadecuado. El fabricante no acepta ninguna responsabilidad por cualquier daño derivado de un uso inadecuado. En este caso, el riesgo siempre será asumido únicamente por el usuario.

Un uso adecuado también incluye un correcto funcionamiento, el mantenimiento y las reparaciones, de acuerdo con lo establecido por el fabricante.

DECLARACIÓN DE CONFORMIDAD CE

Declaramos bajo nuestra exclusiva responsabilidad que el producto descrito en la «Ficha técnica» cumple con todas las disposiciones relevantes de las directivas 2011/65/EU (RoHS), 2014/35/EU, 2014/30/EU y se han utilizado los siguientes estándares armonizados:

- EN 60335-1:2012/A2:2019
- EN 60335-2-2:2010/A1:2013
- EN 62233:2008
- EN 55014-1:2017
- EN 55014-2:2015
- EN 61000-3-2:2014
- EN 61000-3-3:2013
- EN IEC 63000:2018

Winnenden, 2020-05-25



Branko Lenger
Senior Vice President, Engineering and Quality - Asia,
Engineering Commercial Product Development
Autorizado para recopilar la ficha técnica.



Techtronic Industries GmbH
Max-Eyth-Straße 10
71364 Winnenden
Germany



CONTENIDO DEL PAQUETE

Ver figura 2 - 4.

Desembale con cuidado el contenido de la caja.

Sujete las dos fijaciones que mantienen la sección superior en su posición y pliéguelas hacia arriba.

Suelte las fijaciones, retire la sección superior y retire el contenido del depósito.

Compruebe los componentes utilizando la lista de componentes para asegurarse de que estén completos y que no hayan sufrido daños durante su transporte.

Si falta alguna pieza o se observan daños, póngase en contacto con su distribuidor inmediatamente.

MONTAJE

1. Asegúrese de que el cable de alimentación esté desconectado de la toma de corriente.
2. Afloje las fijaciones. (Figura 2)
3. Levante la sección superior del depósito. (Figura 3)
4. Retire el contenido del interior del depósito. (Figura 4)
5. Dé la vuelta al depósito y coloque las ruedas en las cuatro patas del depósito.
6. Asegúrese de que queden bien montadas. No las apriete en exceso. (Figura 5)
7. Introduzca el asa en las ranuras del cabezal y presione para fijarla en su posición. (Figura 6)
8. Para la aspiración de sólidos, instale el filtro de cartucho y la bolsa de polvo suministrados. (Figura 7, Figura 8)
9. Para la aspiración de líquidos, instale el filtro de espuma suministrado. (Figura 9)
10. Vuelva a colocar la sección superior del depósito. (Figura 10)
11. Alinee la sección superior con las fijaciones y fíjela en su posición aplicando presión hasta que escucha un clic de acoplamiento en las fijaciones. (Figura 10)
12. Introduzca el extremo grande de la manguera en la entrada delantera del depósito y gírela para bloquearla. (Figura 11)
13. Acople el accesorio necesario en el tubo de aspiración. (Figura 12)

FUNCIONAMIENTO

ASPIRACIÓN DE SÓLIDOS

ADVERTENCIA

Asegúrese de leer, comprender y aplicar las instrucciones de seguridad.

Recordatorio: NO aspire sustancias peligrosas. El uso de una bolsa de polvo incorrecta anulará la validez de

la garantía.

1. Asegúrese de que el cable de alimentación esté desconectado de la toma de corriente.
2. Asegúrese de que el filtro de cartucho esté correctamente montado.
3. Asegúrese de que el filtro esté totalmente insertado. (Figura 13) Compruebe que la bolsa de polvo esté instalada en el interior del depósito. (Figura 8)
4. Vuelva a colocar la sección superior del depósito y fíjela en su posición con las fijaciones. (Figura 10)
5. Introduzca el extremo más grande de la manguera en la entrada delantera del depósito y bloquéela en su posición. Instale el accesorio requerido presionándolo en el extremo libre de la manguera o de la extensión. (Figura 12)
6. Conecte el cable de alimentación a la toma de corriente.
7. Encienda el motor colocando el interruptor en la posición «I» (encendido). (Figura 14)
8. Cuando haya finalizado la aspiración, coloque el interruptor en la posición «O» (apagado) y desconecte el cable de alimentación de la toma de corriente. (Figura 15)

ADVERTENCIA

NO UTILICE EL FILTRO DE CARTUCHO PARA MATERIALES HÚMEDOS O AFILADOS.

NO UTILICE LA BOLSA DE POLVO PARA LA ASPIRACIÓN DE LÍQUIDOS

ASPIRACIÓN DE LÍQUIDOS

ADVERTENCIA

1. Asegúrese de leer, comprender y aplicar las instrucciones de seguridad.
Recordatorio: NO aspire sustancias peligrosas.
2. Asegúrese de que el cable de alimentación esté desconectado de la toma de corriente.
Asegúrese de que el depósito esté limpio y libre de polvo y suciedad.
3. Retire el filtro de cartucho y la bolsa de polvo, instale un filtro de espuma sobre la cesta del filtro y vuelva a colocar la sección superior del depósito. (Figura 9)
NO utilice el filtro de cartucho para materiales húmedos o afilados.
4. Acople la boquilla deseada en la manguera de aspiración. (Figura 12)
5. Asegúrese de que el interruptor esté situado en la posición «O» (apagado) antes de conectar el cable de alimentación a la toma de corriente.
6. Encienda el motor colocando el interruptor en la posición «I» (encendido). (Figura 14)
7. Después de su uso, coloque el interruptor en la posición «O» (Fig. 15) y desconecte el cable de





Español

alimentación; a continuación, vacíe y seque el depósito. (Figura 16, Figura 17)

A ADVERTENCIA

El filtro de espuma se debe retirar después de la aspiración de líquidos y se debe instalar un filtro de cartucho antes de volver a aspirar sólidos.

IMPORTANTE!

Cuando se aspiren grandes cantidades de líquidos, no sumerja la boquilla totalmente en el líquido; deje una separación en la punta de la abertura de la boquilla que permita la entrada de aire.

La máquina cuenta con una válvula de flotador que detiene la aspiración cuando el contenedor alcanza su capacidad máxima. Notará un aumento en la velocidad del motor.

Cuando esto suceda, apague la máquina, desconéctela de la alimentación y drene el líquido en un contenedor o deságüe adecuado. Para continuar con la aspiración, vuelva a acoplar el contenedor con el tapón de drenaje. Tras una aspiración de líquidos, apague la máquina y desenchúfela de la toma de corriente.

Vacíe el contenedor; limpie y seque el interior y el exterior de la máquina antes de su almacenamiento.

FUNCIONAMIENTO DEL SOPLADOR

Este aspirador de líquidos/sólidos tiene una función de soplado.

Para utilizar la función de soplado, siga las instrucciones ofrecidas a continuación.

A ADVERTENCIA

Póngase siempre gafas de seguridad antes de poner en marcha el soplador.

Mantenga a cualquier transeúnte alejado de los residuos soplados.

Utilice una mascarilla antipolvo si el soplado genera polvo que se puedan inhalar.

1. Introduzca el extremo grande de la manguera en la conexión del soplador situada en la parte superior de la carcasa del motor. (Figura 18)
2. Acople el accesorio para espacios reducidos en la manguera de aspiración. (Figura 19)
3. Asegúrese de que el interruptor de encendido/apagado esté en la posición de apagado y conecte la alimentación.
4. Encienda el motor colocando el interruptor en la posición «I» (encendido). (Figura 14)
5. La unidad iniciará el soplado a través de la manguera de aspiración y se podrá utilizar para eliminar cualquier obstrucción que haya en el interior de la manguera.
6. Cuando haya finalizado la operación, coloque el interruptor en la posición «O» (apagado) y desconecte

el cable de alimentación de la toma de corriente. (Figura 15)

A ADVERTENCIA

Si después de unos segundos, la manguera sigue obstruida, apague la unidad y elimine la obstrucción de la manguera manualmente.

MANTENIMIENTO

INSTALACIÓN Y LIMPIEZA DEL FILTRO PARA SÓLIDOS

Nota: Desconecte la máquina de la toma de corriente antes de realizar el mantenimiento.

Instalación del filtro para sólidos

1. Instale el filtro para sólidos sobre la cesta del filtro, con el extremo plano del filtro orientado hacia el cabezal de aspiración. Presione el filtro con cuidado hasta que haga tope contra el cabezal. (Figura 20 & 21)
2. Coloque el retenedor del filtro situado encima del filtro de cartucho sobre el reborde y apriete hacia abajo girando el retenedor en el sentido de las agujas del reloj; no apriete en exceso. (Figura 22 & 23)

Retirada y limpieza del filtro para sólidos (ESTE FILTRO NO SE PUEDE LAVAR)

1. Desbloquee y retire el retenedor del filtro girando la manija del retenedor en el sentido contrario al de las agujas del reloj.
2. Sujete y tire del filtro para sólidos hacia arriba con cuidado. (Figura 24)
3. Limpie el filtro de cartucho golpeando con cuidado la suciedad o cepillándola. Para obtener un rendimiento óptimo, se recomienda cambiar de forma periódica el filtro en función de su nivel de uso (por ejemplo, cada 3-6 meses).
4. Instale un filtro limpio o nuevo en su posición tal como se ha indicado anteriormente.

INSTALACIÓN Y LIMPIEZA DEL FILTRO DE ESPUMA

Nota: Desconecte la máquina de la toma de corriente antes de realizar el mantenimiento.

Instalación del filtro de espuma

Siga las instrucciones para retirar el filtro de polvo seco antes de cambiarlo por el filtro de espuma.

Deslice con cuidado el filtro de espuma sobre la cesta del filtro, asegurándose de que toda la cesta quede cubierta. (Figura 9 & 25)

Limpieza del filtro de espuma

Retire con cuidado el filtro de espuma. (Figura 26)











Español

Utilice una solución de jabón suave y agua para lavar el filtro de espuma y aclárelo con agua limpia. (Figura 27)

Deje que el filtro se seque al aire antes de volver a instalarlo y utilizarlo.

SÍMBOLOS

	PRECAUCIÓN! PELIGRO!	ADVERTENCIA!
V	Voltios	
Hz	Hertzios	
~	Corriente alterna	
W	Vatios	
	Por favor lea las instrucciones detenidamente antes de arrancar la máquina.	
	Equipo de Clase II	
	Reciclar	
	<p>No deseche las herramientas eléctricas junto con los residuos domésticos.</p> <p>Las herramientas eléctricas y equipos electrónicos que han llegado al final de su vida útil se deben recoger por separado y se deben depositar en una instalación de reciclaje respetuosa con el medioambiente. Consulte a sus autoridades locales o a su vendedor para obtener información sobre reciclaje y puntos de recogida.</p>	
	Marca de conformidad europea	





Español

PREGUNTAS FRECUENTES

⚠ ADVERTENCIA!

Para reducir el riesgo de lesión personal, desenchufe el aspirador antes de llevar a cabo cualquier mantenimiento / comprobaciones de averías.

Problema	Causa	Solución
El aparato no funciona.	Sin alimentación eléctrica. Fallo funcional en el cable de alimentación, el interruptor o el motor. El depósito está lleno de líquido.	Compruebe la alimentación eléctrica. Solicite que personal cualificado compruebe o sustituya el componente dañado. Vacíe el depósito.
Hay un escape de polvo a través de la cubierta del motor.	Falta la bolsa de polvo o está dañada	Coloque una bolsa de polvo o sustitúyala.
Potencia de aspiración baja y velocidad/vibraciones altas del motor.	La bolsa de polvo está llena. La boquilla de aspiración, la manguera o la entrada del depósito están bloqueadas.	Sustituya la bolsa de polvo. Compruebe si hay alguna obstrucción en la boquilla de aspiración, la manguera y la entrada del depósito.





Italiano

DESCRIZIONI

Elenco dei componenti

1. Prolunga (x3)
2. Strumento a pavimento
3. Bocchetta piatta
4. Set di tubi
5. Rotelle (x4)
6. Manico
7. Filtro in schiuma
8. Viti
9. Sacchetto per la polvere
10. Collegamento aspiratore
11. Cestino filtro
12. Valvola galleggiante di sicurezza
13. Tappo filtro cartuccia
14. Filtro cartuccia (non lavabile)
15. Interruttore On/Off (Acceso/Spento)
16. Collegamento per tubo di aspirazione
17. Fascetta (x2)
18. Serbatoio
19. Uscita di scarico

SPECIFICHE

Tensione di alimentazione	220-240V~50 Hz
Potenza nominale	1250 W
Volume serbatoio	20 L
Sistema tubo flessibile	Ø 35 mm
Filtro – polveri	Filtro cartuccia
Filtro – liquidi	Filtro in schiuma
Omologazione IP	IPX4
Aspirazione	17 kpa / 2.47 PSI
Flusso massimo aria l/sec motore	48.5 dm ³ /s
Massima pressione di aspirazione l/sec motore	20.5 Kpa
Lunghezza cavo	4 m
Peso - secondo la Procedura EPTA 01/2003	3.6 kg

A AVVERTENZE!

Leggere tutti gli avvertimenti e le istruzioni di sicurezza. La mancata osservanza delle avvertenze e delle istruzioni potrà causare scosse elettriche, incendi e/o gravi lesioni personali.

Conservare tutte le istruzioni e le avvertenze per eventuali riferimenti futuri.

NORME DI SICUREZZA GENERALI

A AVVERTENZE!

Questo apparecchio rispetta le normative di sicurezza obbligatorie. Tuttavia, l'uso improprio può essere dannoso per le persone e la proprietà stessa. Leggere con attenzione e per intero le presenti istruzioni operative prima di utilizzare questo apparecchio. Se possibile, conservare istruzioni operative, certificato di garanzia, ricevuta fiscale e materiale di imballaggio.

Questo apparecchio è pensato specificamente per l'uso nel settore privato e per lo scopo designato. L'apparecchio non è adatto per l'uso commerciale. Non utilizzare l'apparecchio all'esterno, salvo se specificamente pensato per tale uso. Non sottoporre l'apparecchio a calore, luce diretta del sole o elevata umidità (ad es. pioggia).

Non immergere mai l'apparecchio nei liquidi e prestare attenzione ai bordi affilati che potrebbero danneggiarlo. Non utilizzare mai l'apparecchio con le mani umide o bagnate. Staccare immediatamente la spina se si bagna durante il funzionamento. Non immergere l'apparecchio nell'acqua.

Questo aspirapolvere/aspiraliquidi può essere utilizzato e conservato solo per uso domestico.

Questo apparecchio è pensato per aspirare i materiali che non sono pericolosi per la salute e che non sono infiammabili.

Non mettere mai i connettori davanti al viso, specialmente occhi, orecchie ecc. Non dirigere mai l'ugello verso persone o animali.

Utilizzare l'apparecchio solo per lo scopo previsto. Altri tipi di uso sono a proprio rischio e potenzialmente pericolosi.

Altri utilizzi e un funzionamento non presidiato non sono consentiti. Il produttore non potrà essere ritenuto responsabile per eventuali danni causati da uso improprio o funzionamento non corretto.

Indossare sempre abiti e guanti protettivi.

Collegare l'apparecchio solo a una presa di corrente alternata di 240 V.

Assicurarsi che sia stato inserito correttamente il sacchetto per la polvere nel relativo supporto prima di utilizzare l'apparecchio. Un sacchetto non idoneo o installato in modo corretto può causare danni all'apparecchio e rendere nulla la garanzia.

Se il cavo di alimentazione è danneggiato, deve essere interamente sostituito insieme al protettore di cavo da un centro di assistenza autorizzato o altra organizzazione di assistenza qualificata.

Non aspirare ceneri, carboni caldi e simili, grossi frammenti di vetro e oggetti appuntiti.

Non aspirare la polvere di toner, che è utilizzata in stampanti e fotocopiatrici ad esempio, perché è





Italiano

elettricamente conduttiva. Inoltre, è possibile che non sarà completamente filtrato dal sistema di filtraggio dell'aspiratore per polveri/liquidi e può essere rilasciato nell'aria mediante la ventola di scarico.

Non aspirare mai liquidi infiammabili o velenosi come benzina, olio, acidi o altre sostanze volatili.

Non aspirare i liquidi che superano i 60°C o altri polveri velenose o infiammabili.

Non mettere l'apparecchio lateralmente. Prestare particolare attenzione alla posizione orizzontale e alla giusta stabilità sulle scale.

Staccare sempre l'apparecchio dalla corrente dopo l'uso e prima di pulire o sostituire filtri o accessori.

Le riparazioni sulle apparecchiature elettriche possono essere effettuate solo da specialisti addestrati. Le riparazioni non adeguate possono produrre danni notevoli all'utente.

Non conservare l'apparecchio nelle immediate vicinanze di un forno caldo o radiatore.

Bambini, persone disabili e anziani non sono sempre consapevoli dei pericoli che possono risultare dalla gestione delle apparecchiature elettriche. Le persone summenzionate e non addestrate non devono mai lavorare con le apparecchiature elettriche.

Spegnere sempre l'apparecchio per effettuare la pulizia o lo spegnimento. Staccare la spina dalla presa, se non si intende utilizzare l'apparecchio per un periodo di tempo prolungato. Non tirare mai il cavo per staccare l'apparecchio, invece di tirare la spina. Rimuovere inoltre gli accessori speciali dall'apparecchio.

Mantenere sempre l'apparecchio pulito. Non utilizzare solventi o detersivi che possono danneggiare l'apparecchio o l'utente.

Non lasciare mai l'apparecchio acceso non presidiato. Se si lascia l'area di lavoro, spegnere l'apparecchio o staccarlo dalla presa (non tirare il cavo, ma utilizzare la presa).

Per proteggere i bambini dagli apparecchi domestici elettrici, assicurarsi che il cavo non faccia inciampare i bambini e non consentire loro l'uso.

Non utilizzare mai l'apparecchio se si è sotto l'effetto di farmaci, alcool o droghe o se si è sotto trattamento medico o se si è stanchi.

Controllare regolarmente l'apparecchio e il cavo di alimentazione per la presenza di eventuali danni. Non utilizzare l'apparecchio se danneggiato.

Non provare a riparare l'apparecchio da soli. Chiamare sempre un tecnico autorizzato per le riparazioni. Far sempre sostituire i cavi di alimentazione guasti dal produttore o da un'organizzazione di assistenza qualificata. Utilizzare sempre lo stesso tipo di cavo per prevenire danni di scosse elettriche e lesioni.

Utilizzare solo pezzi di ricambio o accessori originali. Pezzi non approvati o accessori di terze parti possono essere una possibile fonte di pericolo e possono causare l'annullamento della garanzia.

Verificare spesso il galleggiamento.

Se si notano perdite di liquido nell'apparecchio, spegnerlo e staccarlo immediatamente.

Non immergere l'apparecchio in acqua. Assicurarsi che l'acqua non sia schizzata sull'apparecchio.

Per lo smaltimento nelle acque reflue, assicurarsi di rispettare le normative legali.

Conservare l'apparecchio in modo sicuro e asciutto fuori dalla portata dei bambini.

Prestare particolare attenzione alle seguenti "Normative di sicurezza speciali".

Questo dispositivo non deve essere utilizzato o pulito da persone con ridotte capacità fisiche, sensoriali o mentali o senza l'adeguata conoscenza o esperienza, a meno che non abbiano ricevuto istruzioni riguardanti l'utilizzo sicuro del dispositivo da persone legalmente responsabili della loro sicurezza. Devono essere supervisionati quando utilizzano il dispositivo. I bambini non devono utilizzare, pulire o giocare con il dispositivo e quando lo stesso non viene utilizzato dovrà essere tenuto lontano dalla portata dei bambini.

Supervisionare i bambini per assicurarsi che non giochino con il dispositivo.

Se il cavo di alimentazione è danneggiato, deve essere sostituito dal produttore o dal Centro Assistenza Autorizzato o da personale qualificato al fine di evitare situazioni pericolose.

La potenza elettrica deve essere fornita mediante un salvavita (RCD) con una corrente anomala di non oltre 30 mA.

Utilizzare esclusivamente cavi di prolunga resistenti alle intemperie. Prima di ogni uso, verificare che la prolunga non sia danneggiata. Aprire sempre il cavo di prolunga durante l'uso perché i cavi potrebbero surriscaldarsi. Le prolunghie danneggiate non devono essere riparate. Queste dovranno essere sostituite da un tipo equivalente.

QUANDO SI UTILIZZA LA FUNZIONE DI ASPIRATORE:

Indirizzare l'aria solo sull'area di lavoro, mai su persone o animali.

Non utilizzare l'aspiratore come spruzzatore in modalità liquidi. Indossare una maschera antipolvere e una protezione oculare.





Italiano

A AVVERTENZE

Spegnere sempre e staccare la macchina dalla presa elettrica prima di montare, aprire e svuotare il contenitore sporco prima di collegare/scollegare gli accessori o di effettuare i controlli di manutenzione o la risoluzione dei problemi.

IMPORTANTE!

Se il tubo flessibile o gli strumenti sono bloccati, spegnere l'aspiratore e rimuovere il blocco prima di riavviare la macchina.

IMPORTANTE!

La pulizia e la sostituzione dei filtri consente di mantenere le prestazioni di aspirazione regolari. Vax consiglia di controllare, pulire e sostituire periodicamente i filtri.

I DANNI ALL'ASPIRATORE CAUSATI DA MANCATO RISPETTO DELLE INFORMAZIONI E ISTRUZIONI DI SICUREZZA GENERALI PRESENTI IN QUESTO MANUALE UTENTE INVALIDANO LA GARANZIA

CONSERVARE QUESTE ISTRUZIONI PER USI FUTURI.

NORME SPECIALI DI SICUREZZA

Non aspirare mai ceneri calde, oggetti affilati o appuntiti.

Non utilizzare mai l'apparecchio in stanze umide.

Non utilizzare l'apparecchio senza un sacchetto per la polvere (unica eccezione è l'aspirazione di liquidi o con il filtro della cartuccia). Assicurarsi che il sacchetto per la polvere sia inserito correttamente nell'apparecchio.

Quando si utilizza l'apparecchio, assicurarsi che non siano aspirati capelli, abiti od oggetti.

Tenere l'aspirapolvere lontano da fonti di calore come riscaldamenti, forni e così via.

INFORMAZIONI SULLO SMALTIMENTO

L'apparecchio contiene componenti elettrici ed elettronici che non possono essere smaltiti come rifiuti domestici.

La legislazione locale e al momento applicabile deve essere osservata in maniera incondizionata.

UTILIZZO CONFORME

L'apparecchio è idoneo per raccogliere liquidi e polvere asciutta e non infiammabile.

Questo apparecchio è pensato specificamente per l'uso nel settore privato e per lo scopo designato. L'apparecchio non è adatto per l'uso commerciale. Non utilizzare l'apparecchio all'esterno, salvo se specificamente pensato per tale uso. Non sottoporre l'apparecchio a calore, luce diretta del sole o elevata umidità (ad es. pioggia).

Qualsiasi altro uso è considerato uso improprio. Il produttore non si assume la responsabilità per eventuali danni prodotti da tale uso. Il rischio per tale uso è esclusivamente a carico dell'utente.

L'uso corretto include inoltre corretto funzionamento, manutenzione e riparazioni come specificato dal produttore.

DICHIARAZIONE DI CONFORMITÀ CE

Dichiariamo sotto la nostra esclusiva responsabilità che il prodotto descritto in "Dati tecnici" soddisfa tutte le disposizioni pertinenti delle direttive 2011/65/EU (RoHS), 2014/35/EU, 2014/30/EU e che sono state utilizzate le seguenti normative armonizzate:

EN 60335-1:2012/A2:2019

EN 60335-2-2:2010/A1:2013

EN 62233:2008

EN 55014-1:2017

EN 55014-2:2015

EN 61000-3-2:2014

EN 61000-3-3:2013

EN IEC 63000:2018

Winnenden, 2020-05-25

Branko Lenger

Senior Vice President, Engineering and Quality - Asia, Engineering Commercial Product Development

Autorizzato a costituire la documentazione tecnica.

CE

Techtronic Industries GmbH

Max-Eyth-Straße 10

71364 Winnenden

Germany

CONTENUTO DELLA CONFEZIONE

Vedere la figura 2 - 4.

Aprire con attenzione il contenuto della confezione.

Mantenere le due fascette, che mantengono la sezione superiore in posizione e piegarle verso l'alto.

Allentare le fascette, rimuovere la sezione superiore e il contenuto dal serbatoio.

Controllare i pezzi utilizzando l'elenco dei componenti per assicurarsi che siano completi e che non ci siano stati danni durante il trasporto.

Se ci sono pezzi mancanti o danneggiati, contattare immediatamente il rivenditore.





Italiano

MONTAGGIO

1. Assicurarsi che il cavo di corrente sia scollegato dalla presa.
2. Aprire le fascette. (Figura 2)
3. Sollevare la sezione superiore del serbatoio. (Figura 3)
4. Rimuovere il contenuto dall'interno del serbatoio. (Figura 4)
5. Ruotare il serbatoio sotto sopra e inserire le rotelle sui quattro piedi del serbatoio.
6. Assicurarsi che siano correttamente montati. Non stringere eccessivamente. (Figura 5)
7. Inserire la maniglia nelle fessure sulla testa motrice e premere in posizione. (Figura 6)
8. Per l'aspirazione di polveri, installare il filtro della cartuccia fornito e il sacchetto per la polvere. (Figura 7, Figura 8)
9. Per l'aspirazione di liquidi, installare il filtro in schiuma fornito. (Figura 9)
10. Sostituire la sezione superiore sul serbatoio. (Figura 10)
11. Allineare la sezione superiore con le fascette e farla scattare in posizione applicando la pressione fino a quando le fascette non scattano. (Figura 10)
12. Inserire l'estremità larga del tubo flessibile nell'ingresso anteriore del serbatoio e ruotarla per bloccarla. (Figura 11)
13. Montare l'accessorio richiesto sul tubo di aspirazione. (Figura 12)

FUNZIONAMENTO

ASPIRAZIONE DI POLVERI

AVVERTENZE

Assicurarsi di aver letto, compreso e applicato le istruzioni di sicurezza.

Nota: NON aspirare le sostanze pericolose. L'uso di un sacchetto di polvere non idoneo invaliderà la garanzia.

1. Assicurarsi che il cavo di corrente sia scollegato dalla presa.
2. Assicurarsi che il filtro della cartuccia sia completamente montato.
3. Assicurarsi che il filtro sia completamente inserito. (Figura 13) Verificare che il sacchetto per la polvere sia installato all'interno del serbatoio. (Figura 8)
4. Sostituire la sezione superiore sul serbatoio e fissarlo in posizione utilizzando le fascette. (Figura 10)
5. Inserire l'estremità più grande del tubo flessibile sul serbatoio e bloccarlo in posizione. Premere l'accessorio richiesto sull'estremità libera del tubo flessibile o prolunga. (Figura 12)

6. Inserire il cavo di alimentazione nella presa.
7. Ruotare il motore spostando l'interruttore in posizione "I" (ON). (Figura 14)
8. Una volta finito di aspirare, portare l'interruttore in posizione "O" (OFF) e staccare il cavo di alimentazione dall'uscita. (Figura 15)

AVVERTENZE

NON UTILIZZARE IL FILTRO DELLA CARTUCCIA PER I MATERIALI BAGNATI O APPUNTITI.

NON UTILIZZARE IL SACCHETTO PER LA POLVERE PER ASPIRARE IL LIQUIDO.

ASPIRAZIONE DI LIQUIDI

AVVERTENZE

1. Assicurarsi di aver letto, compreso e applicato le istruzioni di sicurezza.
Nota: NON aspirare le sostanze pericolose.
2. Assicurarsi che il cavo di corrente sia scollegato dalla presa.
Assicurarsi che il serbatoio sia pulito e privo di polvere e sporco.
3. Rimuovere il filtro della cartuccia e il sacchetto della polvere e installare un filtro in schiuma sul cestino e posizionare la sezione superiore di nuovo sul serbatoio. (Figura 9)
NON utilizzare il filtro della cartuccia per i materiali bagnati o appuntiti.
4. Montare l'ugello desiderato sul tubo di aspirazione. (Figura 12)
5. Assicurarsi che l'interruttore sia in posizione "O" (OFF) prima di inserire il cavo di alimentazione nella presa.
6. Ruotare il motore spostando l'interruttore in posizione "I" (ON). (Figura 14)
7. Dopo l'uso, ruotare l'interruttore in posizione "O" (Fig. 15) e staccare il cavo di alimentazione, quindi svuotare e asciugare il serbatoio. (Figura 16, Figura 17)

AVVERTENZE

Il filtro in schiuma deve essere rimosso dopo l'aspirazione di liquidi e deve essere installato un filtro a cartuccia prima di aspirare di nuovo.

IMPORTANTE!

Quando si aspirano grosse quantità di liquidi, non immergere completamente l'ugello nei liquidi; lasciare uno spazio sulla punta dell'apertura dell'ugello per consentire l'ingresso d'aria.

La macchina è dotata di una valvola galleggiante che arresta l'azione di aspirazione quando il contenitore raggiunge la capacità massima. Si noterà un incremento della velocità del motore.

Quando questo accade, spegnere la macchina, scollegare





Italiano

la corrente e scaricare il liquido in una presa o scarico idoneo. Per procedere con l'aspirazione, rimontare il contenitore con il tappo di scarico. Dopo l'aspirazione dei liquidi, spegnere la macchina e staccare la presa dalla corrente.

Svuotare il contenitore, pulire e asciugare sia la parte interna che esterna prima di conservarlo.

FUNZIONAMENTO DELL'ASPIRATORE

Questo aspirapolvere/aspiraliquidi ha funzioni di aspirazione.

Per utilizzare la funzione di aspirazione seguire le istruzioni elencate.

AVVERTENZE

Indossare sempre le protezioni oculari prima di utilizzare l'aspirazione.

Tenere i passanti lontano dai detriti.

Indossare la maschera antipolvere se l'aspiratore crea polvere che potrebbe essere inalata.

1. Inserire l'estremità grande del tubo flessibile nel collegamento dell'aspiratore nella parte superiore dell'alloggiamento del motore. (Figura 18)
2. Montare lo strumento nel tubo flessibile di aspirazione. (Figura 19)
3. Assicurarsi che l'interruttore di alimentazione sia spento e inserirlo nell'alimentazione.
4. Ruotare il motore spostando l'interruttore in posizione "I" (ON). (Figura 14)
5. L'unità aspirerà attraverso il tubo flessibile e può essere utilizzata per rimuovere ostruzioni all'interno dello stesso.
6. Una volta finito di aspirare, portare l'interruttore in posizione 'O' (OFF) e staccare il cavo di alimentazione dall'uscita. (Figura 15)

AVVERTENZE

Se dopo pochi secondi il tubo flessibile continua a essere bloccato, spegnere l'unità e pulire manualmente il tubo flessibile.

MANUTENZIONE

INSTALLAZIONE E PULIZIA DEL FILTRO ASCIUTTO

Note: Staccare la macchina dalla presa di corrente prima di effettuare la manutenzione.

Installazione del filtro per polveri

1. Installare il filtro per polveri sulla gabbia con l'estremità piatta del filtro verso la testa motrice di aspirazione. Pulirlo con attenzione fino a quando non si ferma contro la testa motrice. (Figura 20 & 21)
2. Posizionare il fermo del filtro sulla parte superiore

del filtro della cartuccia sul labbro di sollevamento e stringere ruotando il fermo in senso orario. (Figura 22 & 23)

Rimozione e pulizia del filtro per polveri (QUESTO FILTRO NON È LAVABILE)

1. Sbloccare e rimuovere il fermo del filtro ruotando la maniglia del fermo in senso antiorario
2. Mantenere e tirare con attenzione il filtro per polveri in alto per la rimozione. (Figura 24)
3. Pulire il filtro della cartuccia rimuovendo delicatamente lo sporco. Per prestazioni ottimali si consiglia di cambiare regolarmente questo filtro a seconda del livello di utilizzo (ad es, 3-6 mesi).
4. Installare un filtro pulito o nuovo in posizione come indicato in alto.

INSTALLAZIONE E PULIZIA DEL FILTRO IN SCHIUMA

Note: Staccare la macchina dalla presa di corrente prima di effettuare la manutenzione.

Installazione del filtro in schiuma

Seguire le istruzioni per rimuovere il filtro della polvere prima di sostituire il filtro in schiuma.

Far scorrere con attenzione il filtro in schiuma sulla gabbia filtro assicurandosi che sia coperta l'intera gabbia. (Figura 9 & 25)

Pulizia del filtro in schiuma

Rimuovere con attenzione il filtro in schiuma. (Figura 26)

Utilizzare un sapone delicato e una soluzione d'acqua per lavare il filtro in schiuma e sciacquare con acqua pulita. (Figura 27)

Lasciare che il filtro si asciughi all'aria prima di installarlo e riutilizzarlo.

SIMBOLI



ATTENZIONE!
PERICOLO!

AVVERTENZE!

V Volt

Hz Hertz

 Corrente alternata

W Watt



Leggere attentamente le istruzioni prima di avviare l'utensile.





Italiano



Apparecchiatura di classe C



Riciclare



Non smaltire gli utensili elettrici insieme ai rifiuti domestici.

Una volta raggiunto il termine del loro ciclo di vita utile, gli utensili elettrici e le apparecchiature elettroniche devono essere raccolte separatamente e inviate a un impianto di riciclaggio compatibile con i requisiti ambientali. Consultare l'autorità locale o il rivenditore per consigli sullo smaltimento e il punto di raccolta.



Marchio di conformità europeo



FAQ

⚠ AVVERTENZE!

Per ridurre il rischio di lesioni personali, staccare l'aspiratore prima di effettuare i controlli di manutenzione e la risoluzione dei problemi.

Problema	Causa	Solución
L'apparecchio non funziona.	Mancanza di corrente. Guasto di funzionamento nel cavo di alimentazione, interruttore o motore. Il serbatoio è pieno di liquido.	Controllare l'alimentazione. Far controllare i pezzi danneggiati da personale qualificato o sostituirli. Svuotare il serbatoio.
La polvere fuoriesce dal coperchio del motore.	Il sacchetto manca o è danneggiato.	Inserire un sacchetto oppure sostituirlo.
Bassa potenza di aspirazione e alta velocità del motore / vibrazioni.	Il sacchetto è pieno. Ugello di aspirazione, tubo flessibile o ingresso del serbatoio sono bloccati.	Sostituire il sacchetto. Controllare la presenza di ostruzioni in ugello di aspirazione, tubo flessibile e ingresso del serbatoio.





Nederlands

BESCHRIJVINGEN

Onderdelenlijst

1. Verlengde staaf (x3)
2. Vloergereedschap
3. Kierenmondstuk
4. Slangenset
5. Zwenkwiel (x4)
6. Handvat
7. Schuimfilter
8. Schroeven
9. Stofzak
10. Blazer aansluiting
11. Filterkorf
12. Veiligheidsklep
13. Patroonfilterdop
14. Patroonfilter (niet wasbaar)
15. Aan-/uitschakelaar
16. Aansluiting voor de aanzuigslang
17. Klem (x2)
18. Tank
19. Afvoerpijp

SPECIFICATIES

Voedingsspanning	220-240V~50 Hz
Nominale vermogen	1250 W
Tankvolume	20 L
Slangstelsel	Ø 35 mm
Filter - droog	Patroonfilter
Filter - nat	Schuimfilter
IP-rating	IPX4
Anzuigdeel	17 kpa / 2.47 PSI
Max. luchtstroom l/sec motor	48.5 dm ³ /s
Max. vacuümdruk l/sec motor	20.5 Kpa
Snoerlengte	4 m
Gewicht - volgens EPTA-procedure 01/2003	3.6 kg

⚠ WAARSCHUWING!

Lees alle veiligheids waarschuwingen en instructies. Wanneer u deze en en instructies niet opvolgt, kan dit leiden tot electrocutie, brand en/of ernstige letstels.

Bewaars alle waarschuwingen en instructies voor toekomstig gebruik.

ALGEMENE VEILIGHEIDSVORSCHRIFTEN

⚠ WAARSCHUWING!

Dit apparaat voldoet aan de verplichte veiligheidsvoorschriften voor elektrische apparatuur. Onjuist gebruik kan echter schadelijk zijn voor mensen en eigendommen. Lees deze gebruiksaanwijzing zorgvuldig en volledig door, alvorens het apparaat in te schakelen. Bewaar indien mogelijk de gebruiksaanwijzing, het garantiebewijs, de kassabon, evenals de verpakking en het verpakkingsmateriaal.

Dit apparaat is uitsluitend ontworpen voor gebruik in de particuliere sector en voor het daarvoor bestemde doel. Het apparaat is niet geschikt voor commercieel gebruik. Gebruik het apparaat niet buitenshuis (tenzij het speciaal is ontworpen voor gebruik buitenshuis). Stel het apparaat niet bloot aan hitte, direct zonlicht of zeer veel vocht (bijv. regen).

Dompel het apparaat nooit onder in vloeistoffen en let op scherpe randen die het kunnen beschadigen. Gebruik het apparaat nooit met natte of vochtige handen. Trek de stekker onmiddellijk uit het stopcontact als het apparaat nat of vochtig wordt tijdens het draaien. Dompel het apparaat niet onder in water.

Deze natte/droge stofzuiger mag alleen worden gebruikt en bewaard in een privéwoning.

Het apparaat is ontworpen om materialen op te zuigen die niet gevaarlijk zijn voor de gezondheid en die niet ontvlambaar zijn.

Houd de connectoren nooit voor uw gezicht (vooral uw ogen, oren, etc.). Richt het mondstuk nooit op personen of dieren.

Gebruik het apparaat alleen voor het doel waarvoor het bestemd is. Alle andere vormen van gebruik zijn op eigen risico en mogelijk gevaarlijk.

Andersoortig en onbeheerd gebruik zijn niet toegestaan. De fabrikant kan niet aansprakelijk worden gesteld voor schade die wordt veroorzaakt door verkeerd gebruik of onjuiste bediening.

Draag beschermende kleding en handschoenen.

Sluit het apparaat alleen aan op een 240V-wisselstroomaansluiting.

Zorg ervoor dat de juiste stofzak stevig in de houder is geplaatst alvorens het apparaat te gebruiken. Een verkeerde stofzak of verkeerd geplaatste stofzakken kunnen het apparaat beschadigen en de garantie ongeldig maken.

Als het netsnoer beschadigd is, moet het samen met de kabelbeschermer volledig worden vervangen door een geautoriseerd servicecentrum of een andere gekwalificeerde serviceorganisatie.





Nederlands

Zuig geen as, hete kolen en dergelijke, grote glasscherven en scherpe voorwerpen op.

Zuig geen tonerstof op, dat bijvoorbeeld in printers en kopieerapparaten wordt gebruikt, omdat het elektrisch geleidend is. Bovendien is het mogelijk dat deze niet volledig door het filtersysteem van de natte/droge stofzuiger wordt uitgefilterd en via de afzuigventilator in de lucht terechtkomt.

Zuig nooit brandbare of giftige vloeistoffen op zoals benzine, olie, zuren of andere vluchtige stoffen.

Zuig geen vloeistoffen of ontvlambare stofdeeltjes op die heter zijn dan 60°C of giftig.

Leg het apparaat nooit op zijn kant. Let vooral op een horizontale positie en voldoende stabiliteit op trappen.

Haal altijd de stekker uit het stopcontact na gebruik en voor het reinigen of vervangen van de filters of accessoires.

Alleen getrainde specialisten mogen reparaties aan elektrische apparatuur uitvoeren. Onjuiste reparaties kunnen leiden tot aanzienlijk gevaar voor de gebruiker.

Bewaar het apparaat niet direct naast een hete oven of radiator.

Kinderen, gehandicapten en ouderen zijn zich vaak niet bewust van de gevaren die de omgang met elektrische apparaten met zich mee kan brengen. Bovengenoemde personen en ongetrainde personen mogen nooit met dit elektrische apparaat werken.

Schakel het apparaat altijd uit als u het reinigt of verwijdert. Trek de stekker uit het stopcontact als u het apparaat voor langere tijd niet zult gebruiken. Trek nooit aan de kabel om de stekker uit het apparaat te halen, maar beter aan de stekker zelf. Verwijder ook eventuele speciale accessoires uit het apparaat.

Houd het apparaat altijd schoon. Gebruik geen oplosmiddelen of reinigingsmiddelen die het apparaat of de gebruiker kunnen beschadigen of schadelijk kunnen zijn.

Laat het apparaat nooit onbeheerd achter. Als u het werkgebied verlaat, schakel dan het apparaat uit of haal de stekker uit het stopcontact (trek niet aan het snoer, maar aan de stekker).

Om kinderen te beschermen tegen elektrische huishoudapparaten, moet u ervoor zorgen dat de kabel niet kan leiden tot struikelende kinderen en vooral, dat kinderen geen toegang krijgen tot het apparaat.

Gebruik het apparaat nooit als u onder invloed bent van medicijnen, alcohol of drugs, als u momenteel onder medische zorg staat of als u moe bent.

Controleer het apparaat en het netsnoer regelmatig op eventuele schade. Gebruik geen beschadigde apparaten.

Probeer het apparaat niet zelf te repareren. Gebruik voor reparaties altijd een geautoriseerde technicus. Laat

defecte stroomkabels altijd onmiddellijk door de fabrikant of een gekwalificeerde serviceorganisatie vervangen. Gebruik hetzelfde type kabel om gevaar voor elektrische schokken en verwondingen te voorkomen.

Gebruik alleen originele reserveonderdelen en accessoires. Niet-goedgekeurde onderdelen of accessoires van derden kunnen een mogelijke bron van gevaar zijn en de garantie doen vervallen.

Controleer de vlotter regelmatig.

Als u merkt dat er vloeistof uit uw apparaat lekt, schakel het dan onmiddellijk uit en trek de stekker uit het stopcontact.

Dompel het apparaat niet onder in water. Zorg ervoor dat er geen water op het apparaat wordt gemorst.

Let er bij het afvoeren van het afvalwater op dat u de wettelijke voorschriften in acht neemt.

Bewaar het apparaat alleen op een veilige en droge plaats buiten het bereik van kinderen.

Let ook op de volgende "Bijzondere Veiligheidsregels".

Dit apparaat is niet geschikt om te worden gebruikt of gereinigd door personen met verminderde fysieke, zintuigelijke of mentale vermogens of een gebrek aan ervaring of kennis tenzij ze instructies hebben ontvangen inzake het veilig gebruik van het apparaat door een persoon die wettelijk aansprakelijk is voor hun veiligheid. Ze moeten onder toezicht staan terwijl ze het apparaat gebruiken. Kinderen mogen het apparaat niet gebruiken, reinigen of ermee spelen en moet buiten hun bereik worden beveiligd indien het niet wordt gebruikt.

Kinderen dienen onder toezicht te staan om ervoor te zorgen dat ze niet met het apparaat spelen.

Als het netsnoer is beschadigd moet het door de fabrikant, zijn serviceagent of gelijkwaardig bevoegde personen worden vervangen worden, om gevaar te vermijden.

De elektrische stroom moet worden geleverd via een aardlekschakelaar (RCD) met een uitschakelstroom van niet meer dan 30 mA.

Gebruik uitsluitend een weerbestendig verlengsnoer. Controleer de kabel voor elk gebruik op schade. Rol het snoer altijd helemaal uit, aangezien opgerolde snoeren tot oververhitting kunnen leiden. Beschadigde verlengsnoeren mogen niet worden gerepareerd. Ze moeten worden vervangen door een gelijkwaardig type.

BIJ GEBRUIK VAN DE BLAASFUNCTIE:

Directe luchtafvoer alleen rond de werkplek - nooit bij mensen of dieren.





Nederlands

Gebruik de blazer niet als een sproeier in de natte modus. Draag een stofmasker en oogbescherming.

A WAARSCHUWING

Schakel de machine altijd uit en haal de stekker uit het stopcontact alvorens de vuilcontainer te monteren, te openen, of te legen en voordat u de hulpstukken aansluit of loskoppelt, dan wel voordat u onderhouds- of storingscontroles uitvoert.

BELANGRIJK!

Als de slang of het gereedschap is geblokkeerd, schakel dan de reiniger uit en verwijder de verstopping(en) voordat u uw machine opnieuw opstart.

BELANGRIJK!

Door de filters te reinigen en regelmatig te vervangen blijven de vacuümprestaties behouden. Vax adviseert om uw filters regelmatig te controleren, te reinigen en te vervangen.

SCHADE AAN DE STOFZUIGER ALS DIRECT GEVOLG VAN HET NIET NALEVEN VAN DE ALGEMENE VEILIGHEIDSinSTRUCTIES EN DE INSTRUCTIES IN DEZE GEBRUIKERSHANDLEIDING, MAAKT DE GARANTIE ONGELDIG.

GELIEVE DEZE INSTRUCTIES TE BEWAREN VOOR VERDER GEBRUIK.

BIJZONDERE VEILIGHEIDSVoORSCHRIFTEN

Zuig nooit hete as, puntige of scherpe voorwerpen op.

Gebruik het apparaat nooit in vochtige ruimtes.

Gebruik het apparaat niet zonder stofzak (een uitzondering is nat zuigen of met het patroonfilter). Zorg ervoor dat de stofzak op de juiste manier in het apparaat is geplaatst.

Zorg er bij het gebruik van het apparaat voor dat er geen haar, kleding of ledematen worden aangetrokken.

Houd de stofzuiger uit de buurt van warmtebronnen zoals stralingskachels, ovens, etc.

INFORMATIE OVER AFVALVERWERKING

Het apparaat bevat elektrische en elektronische componenten en mag niet als huishoudelijk afval worden weggegooid.

De lokale en momenteel geldende wetgeving moet onvoorwaardelijk worden nageleefd.

VOORGESCHREVEN GEBRUIK VAN HET SYSTEEM

Het apparaat is geschikt voor het opnemen van droog, onbrandbaar stof en vloeistoffen.

Dit apparaat is uitsluitend ontworpen voor gebruik in de particuliere sector en voor het daarvoor bestemde doel. Het apparaat is niet geschikt voor commercieel gebruik. Gebruik het apparaat niet buitenshuis (tenzij het speciaal is ontworpen voor gebruik buitenshuis). Stel het apparaat niet bloot aan hitte, direct zonlicht of zeer veel vocht (bijv. regen).

Elk ander gebruik wordt beschouwd als oneigenlijk gebruik. De fabrikant aanvaardt geen aansprakelijkheid voor schade die voortvloeit uit dergelijk gebruik. Het risico voor een dergelijk gebruik is uitsluitend voor rekening van de gebruiker.

Het juiste gebruik omvat ook een goede werking, onderhoud en reparaties zoals gespecificeerd door de fabrikant.

EG-VERKLARING VAN OVEREENSTEMMING

We verklaren geheel onder eigen verantwoordelijkheid dat het product beschreven onder "Technische gegevens" voldoet aan alle relevante bepalingen van de richtlijnen 2011/65/EU (RoHS), 2014/35/EU, 2014/30/EU en dat de volgende normen van toepassing zijn:

EN 60335-1:2012/A2:2019
 EN 60335-2-2:2010/A1:2013
 EN 62233:2008
 EN 55014-1:2017
 EN 55014-2:2015
 EN 61000-3-2:2014
 EN 61000-3-3:2013
 EN IEC 63000:2018

Winnenden, 2020-05-25

Branko Lenger
 Senior Vice President, Engineering and Quality - Asia,
 Engineering Commercial Product Development
 Bevoegd om het technische dossier samen te stellen.



Techtronic Industries GmbH
 Max-Eyth-Straße 10
 71364 Winnenden
 Germany

INHOUD VAN DE VERPAKKING

Zie afbeelding 2 - 4.

Pak de inhoud van de doos voorzichtig uit.

Houd de twee klemmen, die het bovenste gedeelte op zijn





Nederlands

plaats houden, vast en klap ze naar boven.

Maak de klemmen los, verwijder het bovenste gedeelte en verwijder de inhoud van de tank.

Controleer de onderdelen aan de hand van de onderdelenlijst om er zeker van te zijn dat ze voltallig zijn en dat er geen schade is ontstaan tijdens het transport.

Als er onderdelen ontbreken of beschadigd zijn, neem dan onmiddellijk contact op met uw leverancier.

MONTAGE

1. Zorg ervoor dat het netsnoer is losgekoppeld van het stopcontact.
2. Maak de klemmen los. (Afbeelding 2)
3. Verwijder het bovenste gedeelte van de tank. (Afbeelding 3)
4. Verwijder de inhoud van de tank. (Afbeelding 4)
5. Draai de tank ondersteboven en plaats de wielen op de vier poten van de tank.
6. Zorg ervoor dat ze op de juiste manier zijn gemonteerd. Niet te strak aantrekken. (Afbeelding 5)
7. Steek de handgreep in de gleuven van de aandrijfkop en druk hem op zijn plaats. (Afbeelding 6)
8. Voor de droge stofzuiger moet u het meegeleverde patroonfilter en de stofzak installeren. (Afbeelding 7, Afbeelding 8)
9. Voor het nat zuigen installeert u het bijgeleverde schuimfilter. (Afbeelding 9)
10. Vervang het bovenste gedeelte van de tank. (Afbeelding 10)
11. Breng het bovenste gedeelte in lijn met de klemmen en klik het op zijn plaats door druk uit te oefenen totdat de klemmen vastklikken. (Afbeelding 10)
12. Steek het grote uiteinde van de slang in de voorste inlaat van de tank en draai om te vergrendelen. (Afbeelding 11)
13. Monteer het benodigde accessoire op de aanzuigbuis. (Afbeelding 12)

BEDIENING

DROOGZUIGEN

WAARSCHUWING

Zorg ervoor dat u de veiligheidsinstructies leest, begrijpt en toepast.

Herinnering: Zuig GEEN gevaarlijke stoffen op. Het gebruik van een verkeerde stofzak maakt de garantie ongeldig.

1. Zorg ervoor dat het netsnoer is losgekoppeld van het stopcontact.
2. Zorg ervoor dat het patroonfilter volledig is gemonteerd.

3. Zorg ervoor dat het filter helemaal is geplaatst. (Afbeelding 13) Controleer of de stofzak aan de binnenkant van de tank is geïnstalleerd. (Afbeelding 8)
4. Plaats het bovenste gedeelte terug op de tank en zet het vast met behulp van de klemmen. (Afbeelding 10)
5. Steek het grotere uiteinde van de slang in de voorste inlaat van de tank en vergrendel deze. Schuif het gewenste hulpstuk op het vrije uiteinde van de slang of het verlengstuk. (Afbeelding 12)
6. Steek de stekker in het stopcontact.
7. Zet de motor aan door de schakelaar in de stand "I" (ON) te zetten. (Afbeelding 14)
8. Als u klaar bent met stofzuigen, zet u de schakelaar in de stand 'O' (OFF) en haalt u de stekker uit het stopcontact. (Afbeelding 15)

WAARSCHUWING

GEBRUIK HET PATROONFILTER NIET VOOR NATTE OF SCHERPE MATERIELEN.

GEBRUIK GEEN STOFZUIGERZAK VOOR HET OPZUIGEN VAN VLOEISTOFFEN.

NAT ZUIGEN

WAARSCHUWING

1. Zorg ervoor dat u de veiligheidsinstructies leest, begrijpt en toepast.
Herinnering: Zuig GEEN gevaarlijke stoffen op.
2. Zorg ervoor dat het netsnoer is losgekoppeld van het stopcontact.
Zorg ervoor dat de tank schoon is en vrij van stof en vuil.
3. Verwijder het patroonfilter en de stofzak en plaats een schuimfilter over de filterkorf en plaats het bovenste gedeelte terug op de tank. (Afbeelding 9)
Gebruik het patroonfilter NIET voor natte of scherpe materialen.
4. Monteer het gewenste mondstuk op de zuigslang. (Afbeelding 12)
5. Zorg ervoor dat de schakelaar in de stand 'O' (OFF) staat voordat u het netsnoer in het stopcontact steekt.
6. Zet de motor aan door de schakelaar in de stand "I" (ON) te zetten. (Afbeelding 14)
7. Zet na gebruik de schakelaar in de stand "O" (afb. 15) en haal de stekker uit het stopcontact, maak vervolgens de tank leeg en droog. (Afbeelding 16, Afbeelding 17)

WAARSCHUWING

Het schuimfilter moet na het nat zuigen worden verwijderd en er moet een patroonfilter worden geïnstalleerd voordat er weer droog wordt gezogen.

BELANGRIJK!





Nederlands

Bij het opzuigen van grote hoeveelheden vloeistof mag het mondstuk niet volledig in de vloeistof worden ondergedompeld; laat een spleet aan de punt van de mondstukopening achter om lucht toe te laten.

De machine is voorzien van een vlotterafsluiter die de zuigkracht stopt wanneer de container zijn maximale capaciteit bereikt. U zult een verhoging van de motorsnelheid opmerken.

Als dit gebeurt, schakel dan de machine uit, trek de stekker uit het stopcontact en laat de vloeistof in een geschikte bak of afvoer lopen. Om verder te kunnen zuigen, moet u de container met de aftapdop weer monteren. Zet de machine na het nat zuigen uit en haal de stekker uit het stopcontact.

Leeg de container, maak de binnenkant en de buitenkant schoon en droog voor de opslag.

BLAZER BEDIENING

Deze nat-/droogzuiger heeft blaasopties.

Om de blaasfunctie te gebruiken, volgt u de vermelde instructies.

WAARSCHUWING

Draag altijd een veiligheidsbril voordat u de blazer gebruikt.

Houd omstanders vrij van het blazen van puin.

Draag een stofmasker als er door het blazen stof ontstaat dat kan worden ingeademd.

1. Steek het grote uiteinde van de slang in de ventilator aansluiting in de bovenkant van het motorhuis. (Afbeelding 18)
2. Monteer het spleetgereedschap op de zuigslang. (Afbeelding 19)
3. Zorg ervoor dat de stroomschakelaar is uitgeschakeld en sluit de stroomvoorziening aan.
4. Zet de motor aan door de schakelaar in de stand "I" (ON) te zetten. (Afbeelding 14)
5. Het apparaat blaast nu door de vacuümslang en kan worden gebruikt om obstakels in de slang te verwijderen.
6. Als u klaar bent met stofzuigen, zet dan de schakelaar in de stand 'O' (OFF) en haal de stekker uit het stopcontact. (Afbeelding 15)

WAARSCHUWING

Als de slang na enkele seconden nog steeds geblokkeerd is, schakel dan het apparaat uit en maak de slang met de hand schoon.

ONDERHOUD

INSTALLATIE EN REINIGING VAN HET DROOGFILTER

Opmerking: Haal de stekker van de machine uit het stopcontact alvorens onderhoud uit te voeren.

Installeren van een droog filter

1. Installeer het droge filter over de filterkooi met het platte uiteinde van het filter in de richting van de zuigkrachtbron. Duw het filter voorzichtig naar binnen tot het tegen de stroomkop aankomt. (Afbeelding 20 & 21)
2. Plaats de filterhouder bovenop het patroonfilter over de heflus en draai deze vast door de houder met de wijzers van de klok mee te draaien, niet te hard aan. (Afbeelding 22 & 23)

Verwijderen en reinigen van het droge filter (DIT FILTER IS NIET WASBAAR)

1. Ontgrendel en verwijder de filterhouder door de houder tegen de wijzers van de klok in te draaien.
2. Houd het droge filter voorzichtig vast en trek het omhoog om het te verwijderen. (Afbeelding 24)
3. Maak het patroonfilter schoon door zachtjes te tikken of vuil af te borstelen. Voor optimale prestaties is het aanbevolen om dit filter regelmatig te vervangen, afhankelijk van het gebruiksniveau (bijv. 3-6 maanden).
4. Installeer het gereinigde of nieuwe filter zoals hierboven beschreven.

INSTALLEREN EN REINIGEN VAN HET SCHUIMFILTER

Opmerking: Haal de stekker van de machine uit het stopcontact alvorens onderhoud uit te voeren.

Installeren van een schuimfilter

Volg de instructies om het droge stoffilter eerst te verwijderen voordat u het vervangt door een schuimfilter.

Schuimfilter voorzichtig over de filterkooi schuiven en ervoor zorgen dat de hele kooi bedekt is. (Afbeelding 9 & 25)

Schuimfilter reinigen

Verwijder het schuimfilter voorzichtig. (Afbeelding 26)

Gebruik een milde zeep- en wateroplossing om het schuimfilter te wassen en spoel het af met schoon water. (Afbeelding 27)

Laat het filter aan de lucht drogen voordat u het installeert en weer gebruikt.



Nederlands

SYMBOLLEN



LET OP! WAARSCHUWING! GEVAAR!

V Volt

Hz Hertz

~ Wisselstroom

W Watt



Lees de instructies zorgvuldig voordat u de machine in gebruik neemt.



Klasse II apparatuur



Recycleren



Gooi elektrisch gereedschap niet samen met huishoudelijk afval weg.

Elektrische en elektronische apparaten die het einde van hun levensduur hebben bereikt, moeten gescheiden worden ingezameld en naar een milieuvriendelijke recyclingfaciliteit worden gebracht. Neem contact op met uw gemeente of winkelier voor advies over recycling en het inzamelpunt.



CE-markering

VEELGESTELDE VRAGEN

WAARSCHUWING!

Om het risico op persoonlijk letsel te verminderen, dient u de stekker van de reiniger uit het stopcontact te halen alvorens de onderhouds- of storingscontrole uit te voeren.

Probleem	Oorzaak	Oplossing
Het apparaat werkt niet.	Geen stroom. Functiestoring in het netsnoer, de schakelaar of de motor. Tank zit vol met vloeistof.	Controleer de stroomvoorziening. Laat het beschadigde onderdeel controleren door gekwalificeerd personeel of vervang het.. Leeg de tank.
Er ontsnapt stof uit de motorkap.	De stofzak ontbreekt of is beschadigd.	Plaats een stofzak of vervang deze.
Lage zuigkracht en hoge motorsnelheid / trillingen.	Stofzak is vol. Zuigmond, slang of tankinlaat is geblokkeerd.	Vervang de stofzak. Controleer de zuigmond, de slang en de tankinlaat op verstoppingen..



Português

DESCRIÇÕES

Lista de componentes

1. Cano extensível (x3)
2. Ferramenta para chão
3. Ferramenta para fissuras
4. Conjunto de tubos
5. Rodízios (x4)
6. Manípulo
7. Filtro de espuma
8. Parafusos
9. Saco para o pó
10. Ligação do soprador
11. Cesto do filtro
12. Válvula flutuante de segurança
13. Tampão do filtro de cartucho
14. Filtro de cartucho (não lavável)
15. Interruptor desligado/ligado
16. Ligação para o tubo de aspiração
17. Grampo (x2)
18. Depósito
19. Saída de drenagem

ESPECIFICAÇÕES

Tensão de alimentação	220-240V~50 Hz
Potência nominal	1250 W
Volume do depósito	20 L
Sistema de tubos	Ø 35 mm
Filtro – seco	Filtro de cartucho
Filtro – líquidos	Filtro de espuma
Classificação IP	IPX4
Sucção	17 kpa / 2.47 PSI
Fluxo de ar máx. l/seg. do motor	48.5 dm ³ /s
Pressão de vácuo máx. l/seg. do motor	20.5 Kpa
Comprimento do cabo	4 m
Peso – de acordo com o Procedimento EPTA 01/2003	3.6 kg

⚠ AVISO!

Leia todos os avisos de segurança e todas as instruções. O incumprimento em seguir os s e as instruções pode ter como consequências o choque eléctrico, incêndio e/ou lesões graves.

Guarde todos os avisos e instruções para futuras consultas.

AVISOS GERAIS DE SEGURANÇA DE FERRAMENTAS ELÉCTRICAS

⚠ AVISO!

Este aparelho cumpre os regulamentos de segurança obrigatórios para equipamentos eléctricos. No entanto, a utilização inadequada pode provocar ferimentos pessoais e danos materiais. Leia atentamente e na íntegra estas instruções de utilização antes de ligar o aparelho. Guarde as instruções de utilização, o certificado de garantia, o recibo e, tanto quanto possível, a embalagem e o material de embalagem.

Este aparelho foi concebido exclusivamente para utilização no setor privado e para a finalidade descrita. O aparelho não é adequado para a utilização comercial. Não utilize o aparelho ao ar livre (salvo se tiver sido especificamente concebido para a utilização em espaços ao ar livre). Não sujeite o aparelho ao calor, exposição solar direta ou níveis muito elevados de humidade (por exemplo, chuva).

Nunca mergulhe o aparelho em substâncias líquidas e note que as arestas aguçadas podem danificá-lo. Nunca utilize o aparelho com as mãos molhadas ou húmidas. Desligue imediatamente da corrente se o aparelho se molhar ou ficar húmido em resultado de exposição à chuva. Não mergulhe o aparelho em água.

Este aspirador para secos/molhados só pode ser utilizado e guardado numa residência privada.

O aparelho foi concebido para aspirar materiais que não seja perigosos para a sua saúde e que não sejam inflamáveis.

Nunca segure os conectores em frente do rosto (especialmente dos olhos, ouvidos, etc.). Nunca dirija o bocal para outras pessoas ou animais.

Utilize o aparelho apenas para a sua finalidade descrita. Quaisquer outros tipos de utilização são da responsabilidade do utilizador e podem ser perigosos.

Não são permitidas outras utilizações ou o funcionamento sem supervisão. O fabricante não pode ser responsabilizados por danos causados pela utilização inadequada ou funcionamento incorreto.

Use vestuário e luvas de proteção.

Ligue o aparelho apenas a uma tomada de corrente alterna de 240 V.

Certifique-se de que introduz firmemente o saco de pó correto no respetivo suporte antes de utilizar o aparelho. Um saco de pó incorreto ou sacos de pó instalados incorretamente podem provocar danos no aparelho e invalidar a garantia.

Se o cabo de alimentação estiver danificado, deve ser substituído na íntegra, juntamente com o protetor de cabo, por um centro de assistência autorizado ou outra





Português

organização de assistência qualificada.

Não aspire cinza, brasas quentes e produtos similares, grandes pedaços de vidro e objetos aguçados.

Não aspire qualquer pó de toner que seja utilizado, por exemplo, em impressoras e fotocopiadoras, uma vez que é eletricamente condutor. Além disso, é possível que não seja totalmente filtrado pelo sistema de filtros do aspirador de secos/molhados e possa ser libertado no ar através do ventilador de escape.

Nunca aspire líquidos inflamáveis ou venenosos, tais como gasolina, óleo, ácidos ou outras substâncias voláteis.

Não aspire líquidos com temperaturas superiores a 60 °C ou quaisquer pós venenosos ou inflamáveis.

Nunca coloque o aparelho de lado. Preste particular atenção a uma posição horizontal e à estabilidade adequada em escadas.

Desligue sempre o aparelho após a utilização e antes da limpeza ou mudança de filtros ou acessórios.

Apenas os especialistas habilitados poderão fazer reparações em equipamentos elétricos. As reparações incorretas poderão resultar em perigos consideráveis para o utilizador.

Não guarde o aparelho diretamente ao lado de um forno ou radiador quente.

As crianças, pessoas com incapacidades e idosas ignoram frequentemente os perigos que podem resultar do manuseamento de aparelhos elétricos. As pessoas mencionadas acima e pessoas sem formação nunca devem utilizar este aparelho elétrico.

Desligue sempre ao limpar ou remover o aparelho. Retire a ficha da tomada se não utilizar o aparelho durante um período de tempo prolongado. Nunca puxe pelo cabo para desligar o aparelho; pegue pela própria ficha. Retire também quaisquer acessórios especiais do aparelho.

Mantenha sempre o aparelho limpo. Não utilize quaisquer solventes ou produtos de limpeza que possam danificar ou ser nocivos para o aparelho ou para o utilizador.

Nunca deixe o aparelho ligado sem supervisão. Se abandonar a área de trabalho, desligue no aparelho ou retire a ficha da tomada (não puxe pelo cabo; retire pela ficha).

Para proteger as crianças de aparelhos domésticos, certifique-se de que o cabo não provocam a queda de crianças devido a tropeços, nem permita que as crianças acedam ao aparelho.

Nunca utilize o aparelho se estiver sob a influência de medicamentos, álcool ou estupefacientes, se estiver sob cuidados médicos ou se sentir fadiga.

Verifique o aparelho e o cabo de alimentação regularmente para identificar possíveis danos. Não utilize aparelhos

danificados.

Não tente reparar o aparelho. Recorra sempre a um técnico autorização para a realização de reparações. Providencie a substituição imediata de cabos de alimentação defeituosos pelo fabricante ou por uma organização de assistência qualificada. Utilize o mesmo tipo de cabo para evitar quaisquer perigos de choques elétricos e ferimentos.

Utilize apenas peças sobresselentes e acessórios originais. As peças não aprovadas ou acessórios de terceiros poderão constituir uma possível fonte de perigo e invalidar a garantia.

Verifique regularmente o flutuante.

Se identificar qualquer fuga de líquidos do aparelho, desligue-o imediatamente e retire a ficha da tomada.

Não submerja o aparelho em água. Certifique-se de que não é derramada água sobre o aparelho.

Ao eliminar a água suja, certifique-se de que observa quaisquer regulamentos legais.

Guarde apenas o aparelho num local seguro e seco, fora do alcance das crianças.

Preste ainda especial atenção às seguintes "Regras de segurança especiais".

Este aparelho não deve ser utilizado nem limpo por pessoas com capacidades físicas, sensoriais ou psicológicas reduzidas nem por pessoas que careçam de experiência ou de conhecimentos para tal, exceto se tiverem recebido instruções sobre a utilização segura do aparelho por pessoa juridicamente responsável pela respetiva segurança. Estas pessoas devem ser supervisionadas enquanto utilizam o aparelho. As crianças não devem utilizar, limpar ou brincar com este aparelho que, quando não estiver em utilização, deve ser mantido fora de alcance.

As crianças devem ser supervisionadas de modo a evitar que brinquem com o aparelho.

Se o cabo de corrente estiver danificado, tem obrigatoriamente de ser substituído pelo fabricante, pelo representante de assistência do fabricante ou por outra pessoa com qualificações semelhantes, para evitar um perigo potencial.

A corrente elétrica deve ser fornecida através de um dispositivo de corrente residual (DCR) com uma corrente de disparo não superior a 30 mA.

Utilize apenas um cabo de extensão à prova de intempérie. Verifique o cabo de extensão para verificar a existência de danos antes de cada utilização. Desenrole sempre o cabo de extensão durante a utilização, uma vez que os





Português

cabos enrolados podem provocar sobreaquecimentos. Os cabos de extensão danificados não devem ser reparados. Devem ser substituídos por cabos de tipo equivalente.

AO UTILIZAR A FUNÇÃO DE SOPRADOR:

Dirija a descarga de ar apenas para a área de trabalho e nunca para pessoas ou animais.

Não utilize o soprador como um pulverizador no modo molhado. Use uma máscara de pó e equipamento de proteção ocular.

AVISO

Desligue sempre e retire a ficha do equipamento da tomada elétrica antes de montar, abrir, esvaziar o depósito de sujidade, antes de ligar/desligar os acessórios ou realizar tarefas de manutenção ou verificações de resolução de problemas.

IMPORTANTE!

Se o tubo ou as ferramentas ficarem obstruídos, desligue o aparelho de limpeza e retire o(s) bloqueio(S) antes de ligar novamente o aparelho.

IMPORTANTE!

Limpar os filtros e substituí-los regularmente mantém o desempenho do aspirador. A Vax recomenda que os seus filtros sejam inspecionados, limpos e substituídos regularmente.

OS DANOS NO ASPIRADOR PROVOCADOS COMO RESULTADO DIRETO DO INCUMPRIMENTO DAS INFORMAÇÕES DE SEGURANÇA GERAIS E AS INSTRUÇÕES INCLUÍDAS NO PRESENTE MANUAL DO UTILIZADOR INVALIDAM A GARANTIA

GUARDE ESTAS INSTRUÇÕES PARA UTILIZAÇÃO FUTURA.

REGRAS ESPECIAIS DE SEGURANÇA

Nunca aspire cinzas quentes, objetos pontiagudos ou afiados.

Nunca utilize o aparelho em divisões húmidas.

Não utilize o aparelho sem um saco de pó instalado (uma exceção é a aspiração de líquidos ou com o filtro de cartucho). Certifique-se de que o saco de pó está corretamente inserido no aparelho.

Ao utilizar o aparelho, certifique-se de que não são sugados cabelos, peças de vestuário ou membros do corpo.

Mantenha o aspirador afastado de fontes de calor, tais como aquecedores, fornos e similares.

INFORMAÇÃO SOBRE A ELIMINAÇÃO

O aparelho contém componentes elétricos e eletrônicos e não podem ser eliminado juntamente com o lixo doméstico.

A legislação local e atualmente em vigor deve ser cumprida incondicionalmente.

UTILIZAÇÃO AUTORIZADA

O aparelho é adequado para a recolha de pó seco, não inflamável e líquidos.

Este aparelho foi concebido exclusivamente para utilização no setor privado e para a finalidade descrita. O aparelho não é adequado para a utilização comercial. Não utilize o aparelho ao ar livre (salvo se tiver sido especificamente concebido para a utilização em espaços ao ar livre). Não sujeite o aparelho ao calor, exposição solar direta ou níveis muito elevados de humidade (por exemplo, chuva).

Qualquer outra utilização é considerada uma utilização inadequada. O fabricante não aceita qualquer responsabilidade por danos resultantes de tal utilização. O risco de tal utilização pertence exclusivamente ao utilizador.

A correta utilização também inclui a correta operação, assistência e reparações, de acordo com as especificações do fabricante.

DECLARAÇÃO DE CONFORMIDADE DA CE

Declaramos sob nossa exclusiva responsabilidade que o produto descrito em "Dados técnicos" cumpre todas as disposições aplicáveis das diretivas 2011/65/EU (RoHs), 2014/35/EU, 2014/30/EU e foram utilizadas as seguintes normas harmonizadas:

EN 60335-1:2012/A2:2019
 EN 60335-2-2:2010/A1:2013
 EN 62233:2008
 EN 55014-1:2017
 EN 55014-2:2015
 EN 61000-3-2:2014
 EN 61000-3-3:2013
 EN IEC 63000:2018

Winnenden, 2020-05-25



Branko Lenger
 Senior Vice President, Engineering and Quality - Asia,
 Engineering Commercial Product Development
 Autorizado a compilar o ficheiro técnico.





Português



Techtronic Industries GmbH
Max-Eyth-Straße 10
71364 Winnenden
Germany

CONTEÚDO DA EMBALAGEM

Ver figura 2 - 4.

Desembale cuidadosamente os conteúdos da embalagem.

Segure nos dois grampos, que fixam a secção superior na respetiva posição e dobre para cima.

Solte os grampos, retire a secção superior e retire o conteúdo do depósito.

Verifique as peças, utilizando a lista de componentes para garantir que estão completas e que não ocorreram danos durante o transporte.

Se existirem quaisquer peças em falta ou danificadas, contacte o seu representante imediatamente.

MONTAGEM

1. Certifique-se de que desliga o cabo de alimentação da tomada de corrente elétrica.
2. Desaperte os grampos. (Figura 2)
3. Levante a secção superior do depósito. (Figura 3)
4. Retire o conteúdo do interior do depósito. (Figura 4)
5. Volte o depósito ao contrário e introduza os rodízios nos quatro pés do depósito.
6. Certifique-se de que são montados corretamente. Não aperte demasiado. (Figura 5)
7. Introduza a pega nas ranhuras na cabeça elétrica e pressione na posição. (Figura 6)
8. Para a limpeza por aspiração a seco, instale o filtro de cartucho fornecido e o saco de pó. (Figura 7, Figura 8)
9. Para a limpeza por aspiração de líquidos, instale o filtro de espuma fornecido. (Figura 9)
10. Coloque novamente a secção superior do depósito. (Figura 10)
11. Alinhe a secção superior com os grampos e encaixe no local, aplicando pressão até encaixar com um estalido. (Figura 10)
12. Introduza a extremidade grande do tubo na entrada frontal do depósito e rode para trancar. (Figura 11)
13. Instale o acessório necessário no tubo de sucção. (Figura 12)

OPERAÇÃO

ASPIRAR A SECO

AVISO

Certifique-se de que lê, compreende e aplica as instruções de segurança.

Não esquecer: NÃO aspirar substâncias perigosas. A utilização de um saco de pó incorreto invalida a garantia.

1. Certifique-se de que desliga o cabo de alimentação da tomada de corrente elétrica.
2. Certifique-se de que o filtro de cartucho está completamente montado.
3. Certifique-se de que o filtro está totalmente inserido. (Figura 13) Verifique se o saco de pó está instalado no interior do depósito. (Figura 8)
4. Coloque novamente a secção superior no depósito e fixe-a na posição, utilizando os grampos. (Figura 10)
5. Introduza a extremidade maior do tubo na entrada frontal do depósito e tranque na posição. Encaixe o acessório necessário na extremidade livre do tubo ou da extensão. (Figura 12)
6. Ligue o cabo de alimentação à tomada de corrente elétrica.
7. Ligue o motor, colocando o interruptor na posição "I" (Ligado). (Figura 14)
8. Quando terminar a aspiração, coloque o interruptor na posição "O" (Desligado) e desligue o cabo de alimentação da tomada de corrente elétrica. (Figura 15)

AVISO

NÃO UTILIZE O FILTRO DE CARTUCHO PARA MATERIAIS LÍQUIDOS OU AFIADOS.

NÃO UTILIZAR O SACO DE PÓ PARA ASPIRAR LÍQUIDOS.

ASPIRAÇÃO DE LÍQUIDOS

AVISO

1. Certifique-se de que lê, compreende e aplica as instruções de segurança.
Não esquecer: NÃO aspirar substâncias perigosas.
2. Certifique-se de que desliga o cabo de alimentação da tomada de corrente elétrica.
Certifique-se de que o depósito está limpo e livre de pó e sujidade.
3. Retire o filtro de cartucho e o saco de pó e instale um filtro de espuma sobre o cesto do filtro e volte a colocar a secção superior no depósito. (Figura 9)
NÃO utilize o filtro de cartucho para materiais líquidos ou afiados.





Português

- Instale o bocal pretendido no tubo do aspirador. (Figura 12)
- Certifique-se de que o interruptor está na posição "O" (Desligado) antes de ligar o cabo de alimentação à tomada de corrente elétrica.
- Ligue o motor, colocando o interruptor na posição "I" (Ligado). (Figura 14)
- Após a utilização, coloque o interruptor na posição "O" (Fig. 15) e desligue o cabo de alimentação; em seguida, esvazie e seque o depósito. (Figura 16, Figura 17)
- Certifique-se de que o interruptor está desligado e ligue a alimentação elétrica.
- Ligue o motor, colocando o interruptor na posição "I" (Ligado). (Figura 14)
- A unidade sopra agora através do tubo do aspirador e pode ser utilizada para desimpedir obstruções no interior do tubo.
- Quando terminar a operação, coloque o interruptor na posição "O" (Desligado) e desligue o cabo de alimentação da tomada de corrente elétrica. (Figura 15)

AVISO

O filtro de espuma deve ser retirado após a aspiração de líquidos e deve ser instalado um filtro de cartucho antes de voltar a aspirar a seco.

IMPORTANTE!

Ao aspirar grandes quantidades de líquidos, não mergulhe o bocal totalmente no líquido; deixe uma distância entre a ponta da abertura do bocal para permitir a circulação do ar.

O equipamento está equipado com uma válvula flutuante que para a ação de sucção quando o recipiente atingir a sua capacidade máxima. Notará um aumento na velocidade do motor.

Quando isto acontecer, desligue o aparelho, retire a ficha da tomada de corrente elétrica e escorra o líquido para um recipiente ou esgoto adequado. Para continuar a aspirar, instale novamente o recipiente com o tampão de drenagem. Após a aspiração de líquidos, desligue o aparelho e retire a ficha da tomada de corrente elétrica.

Esvazie o recipiente, limpe e seque o interior e o exterior antes de arrumar.

FUNCIONAMENTO DO SOPRADOR

Este aspirador para secos/líquidos possui funcionalidades de soprador.

Para utilizar a funcionalidade de soprador, siga as instruções indicadas.

AVISO

Use sempre óculos de proteção antes de utilizar o soprador.

Mantenha os transeuntes afastados da trajetória dos resíduos soprados.

Use uma máscara de pó se a operação de soprar criar pó que possa ser inalado.

- Introduza a extremidade grande do tubo na ligação do soprador, na parte superior da caixa do motor. (Figura 18)
- Instale a ferramenta de "bico" no tubo do aspirador. (Figura 19)

AVISO

Se, após alguns segundos, o tubo continuar obstruído, desligue a unidade e desobstrua o tubo manualmente.

MANUTENÇÃO

INSTALAR E LIMPAR O FILTRO SECO

Nota: Desligue o aparelho da tomada de corrente elétrica antes de realizar tarefas de manutenção.

Instalar o filtro seco

- Instale o filtro seco sobre a armação do filtro, com o lado plano do filtro voltado para a cabeça elétrica do aspirador. Empurre cuidadosamente o filtro até parar contra a cabeça elétrica. (Figura 20 & 21)
- Coloque o fixador do filtro na parte superior do filtro de cartucho sobre o rebordo levantado e aperte, rodando o fixador para a direita; não aperte demasiado. (Figura 22 & 23)

Retirar e limpar o filtro seco (ESTE FILTRO NÃO É LAVÁVEL)

- Desprenda e retire o fixador do filtro, rodando o manípulo do fixador para a esquerda.
- Segure cuidadosamente e puxe o filtro seco para cima para remover. (Figura 24)
- Limpe o filtro de cartucho, batendo suavemente ou escovando a sujidade. Para o melhor desempenho, é recomendada a mudança regular deste filtro, dependendo do nível de utilização (por exemplo, 3 a 6 meses).
- Instale o filtro limpo ou um filtro novo na posição, seguindo as instruções acima.

INSTALAR E LIMPAR O FILTRO DE ESPUMA

Nota: Desligue o aparelho da tomada de corrente elétrica antes de realizar tarefas de manutenção.

Instalar o filtro de espuma

Siga as instruções para retirar o filtro de pó seco primeiro, antes de mudar o filtro de espuma.



Português

Deslize cuidadosamente o filtro de espuma para baixo, sobre a armação do filtro, garantindo que cobre toda a armação. (Figura 9 & 25)

Limpar o filtro de espuma

Retire cuidadosamente o filtro de espuma. (Figura 26)

Utilize uma solução de detergente suave e água para lavar o filtro de espuma e enxágüe com água limpa. (Figura 27)

Deixe o filtro secar ao ar antes de instalar e utilizar novamente.

SÍMBOLOS



CAUTELA! AVISO! PERIGO!

V Volts

Hz Hertz

~ Corrente alterna

W Watts



Agradecemos que leia atentamente as instruções antes de iniciar a máquina.



Equipamento da Classe II



Reciclar



Não elimine ferramentas elétricas juntamente com o lixo doméstico normal.

As ferramentas elétricas e os equipamentos eletrônicos que tenham atingido o fim da respetiva vida útil têm obrigatoriamente que ser recolhidos em separado e enviados para instalações de reciclagem compatíveis com o meio ambiente. Consulte a sua autoridade local ou retalhista para obter aconselhamento sobre reciclagem e pontos de recolha.



Marca europeia de conformidade



Português

PERGUNTAS MAIS FREQUENTES

⚠ AVISO!

Para reduzir o risco de ferimentos pessoais, desligue o aparelho de limpeza antes de realizar verificações de manutenção_/resolução de problemas.

Problema	Causa	Solução
O aparelho não funciona.	Sem energia. Avaria funcional no cabo de alimentação, interruptor ou motor. O depósito está cheio de líquido.	Verifique a fonte de alimentação. Providencie a verificação da peça danificada ou pessoal qualificado ou proceda à sua substituição. Esvazie o depósito.
Sai pó da tampa do motor.	O saco de pó está em falta ou danificado.	Instale um saco de pó ou substitua-o.
Reduzida potência de sucção ou velocidade/vibração do motor elevada.	O saco de pó está cheio. O bocal de sucção, tubo ou entrada do depósito está obstruído.	Substitua o saco de pó. Verifique o bocal de sucção, tubo e entrada do depósito quanto à existência de obstruções.





Dansk

BESKRIVELSER

Komponentliste

1. Forlængerstang (x3)
2. Gulvværktøj
3. Mellemrumsværktøj
4. Slangesæt
5. Castor (x4)
6. Håndtag
7. Skumfilter
8. Skruer
9. Støvpose
10. Blæserforbindelse
11. Filterkurv
12. Sikkerhedsflydeventil
13. Dæksel til patronfilter
14. Patronfilter (ikke vaskbart)
15. Tænd/Sluk-kontakt
16. Tilslutning til støvsugerslangen
17. Hægte (x2)
18. Beholder
19. Tømningsåbning

SPECIFIKATIONER

Forsyningsspænding	220-240V~50 Hz
Nominel effekt	1250 W
Beholderstørrelse	20 L
Slangesystem	Ø 35 mm
Filter – tørt	Patronfilter
Filter – vådt	Skumfilter
IP-klassificering	IPX4
Sugeevne	17 kpa / 2.47 PSI
Maksimal luftgennemstrømning I/ sek motor	48.5 dm ³ /s
Maksimalt vacuum-tryk I/sek motor	20.5 Kpa
Ledningslængde	4 m
Vægt - i henhold til EPTA-procedure 01/2003	3.6 kg

A ADVARSEL!

Alle sikkerhedsadvarslere og alle anvisninger skal læses. Hvis advarslen og instruktionerne ikke følges, kan det medføre elektrisk stød og/eller alvorlig personskade.

Gem alle advarslere og brugsanvisninger til senere brug.

ALMINDELIGE SIKKERHEDSREGLER FOR ELVÆRKTØJET

A ADVARSEL!

Dette apparat overholder de obligatoriske sikkerhedsbestemmelser for elektrisk udstyr. Ukorrekt brug kan dog forårsage skader på mennesker og ejendom. Læs denne betjeningsvejledning grundigt, inden du tænder for apparatet. Opbevar betjeningsvejledningen, garantibeviset, kvitteringen samt emballagen og emballeringsmaterialet, hvis det er muligt.

Dette apparat er udelukkende designet til brug i den private sektor og til det angivne formål. Apparatet er ikke egnet til kommerciel brug. Brug ikke apparatet udendørs (medmindre det er specielt designet til udendørsbrug). Udsæt ikke apparatet for varme, direkte solskin eller meget høj fugtighed (f.eks. Regn).

Nedsænk aldrig apparatet i væsker og vær opmærksom på skarpe kanter, der kunne beskadige det. Brug aldrig apparatet med våde eller fugtige hænder. Træk straks stikket ud, hvis apparatet bliver vådt eller fugtigt, mens det kører. Nedsænk ikke apparatet i vand.

Denne våd/tør støvsuger må kun bruges og opbevares i et privat hjem.

Apparatet er designet til at støvsuge materialer, der ikke er sundhedsfarlige, og som ikke er brandfarlige.

Hold aldrig stikkene foran dit ansigt (især dine øjne, ører osv.). Ret aldrig mundstykket mod personer eller dyr.

Brug kun apparatet hensigtsmæssigt. Enhver anden form for brug er på egen risiko og kan muligvis være farlig.

Uhensigtsmæssig brug og uovervåget drift er ikke tilladt. Producenten kan ikke holdes ansvarlig for skader, der skyldes uhensigtsmæssig brug eller ukorrekt betjening.

Bær beskyttelsesbeklædning og -handsker

Tilslut kun apparatet til et 240 V stik med vekselstrøm.

Tjek at den korrekte støvsugerpose er sikkert isat holderen, inden du bruger apparatet. Brug af den forkerte støvsugerpose eller forkert installerede støvsugerposer kan beskadige apparatet og medføre, at garantien bortfalder.

Ved skader på ledningen, skal den udskiftes fuldstændigt sammen med kabelbeskytteren af et autoriseret servicecenter eller anden kvalificeret serviceorganisation.

Støvsug ikke aske, varmt kul og lignende, store glasskår og skarpe ting.

Støvsug ikke tonerstøv, der f.eks. anvendes i printere og kopimaskiner, fordi det er elektrisk ledende. Derudover er det muligt, at det ikke filtreres fuldstændigt fra af våd/tør støvsugerens filtersystem og kan udledes i luften via udsugningsventilatoren.

Støvsug aldrig brandfarlige væsker som f.eks. petroleum,





Dansk

olie, syre eller andre flygtige stoffer.

Støvsug ikke væsker, der er varmere end 60° C, eller giftigt eller brandfarligt støv.

Lad aldrig apparatet ligge på siden. Vær særlig opmærksom på at apparatet holdes i en vandret position og tilstrækkeligt stabilt på trapper.

Sørg for at stikket er trukket ud af stikkontakten inden rengøring eller udskiftning af filtrene eller tilbehør.

Kun autoriserede fagmænd må foretage reparationer på elektrisk udstyr. Ukorrekt reparation kan medføre betydelig fare for brugeren.

Opbevar ikke apparatet direkte ved siden af en varm ovn eller radiator.

Børn, handicappede og ældre er ofte ikke opmærksomme på farene ved håndtering af elektriske apparater. Ovennævnte og uuddannede personer må aldrig arbejde med dette elektriske apparat.

Sluk altid for apparatet, ved rengøring eller flytning. Lad aldrig støvsugeren være slået til en stikkontakt, når du ikke bruger den i en længere periode. Hiv aldrig i ledningen, men tag fat om selve stikket, når du tager det ud af stikkontakten. Fjern også specielt tilbehør fra apparatet.

Sørg for at støvsugeren altid holdes ren. Brug ikke opløsningsmidler eller rengøringsmidler, der kan beskadige eller være skadelige for apparatet eller brugeren.

Lad aldrig apparatet være tændt uden opsyn. Hvis du forlader arbejdsområdet, skal du slukke for apparatet eller tage det ud af stikkontakten (træk ikke i ledningen, men tag fat om stikket).

For at beskytte børn mod elektriske husholdningsapparater skal du sørge for, at kablet ikke er lagt således, at børn kan snuble over det, og at børn ikke har adgang til selve apparatet.

Brug aldrig apparatet, når du er under indflydelse af medicin, alkohol eller stoffer, hvis du for øjeblikket er under lægebehandling, eller hvis du er træt.

Tjek jævnligt støvsugeren og ledningen for skader. Benyt aldrig apparater, hvis de er beskadigede.

Du må aldrig selv reparere støvsugeren. Overlad altid reparationer til en autoriseret fagmand. Lad altid defekte netledninger udskiftes straks af producenten eller en autoriseret serviceorganisation. Brug den samme type kabel for at forhindre enhver risiko for elektrisk stød og personskade.

Brug kun originalt tilbehør og reservedele. Ikke godkendte dele eller tilbehør fra tredjepart kan være en mulig kilde til fare og medfører, at garantien bortfalder.

Tjek ofte flydeventilen.

Hvis der løber væske ud fra støvsugeren, skal du straks slukke for den og trække ledningen ud.

Nedsænk ikke støvsugeren i vand. Pas på ikke at spilde vand på apparatet.

Når du bortskaffer spildevand, skal du sørge for at overholde alle gældende lovbestemmelser.

Opbevar kun apparatet et sikkert og tørt sted uden for børns rækkevidde.

Læs også grundigt de følgende "særlige sikkerhedsregler".

Dette produkt er ikke beregnet til at blive brugt eller rengjort af personer med nedsatte fysiske, sensoriske eller mentale evner, eller med manglende erfaring eller viden, med mindre disse personer er blevet instrueret i sikker brug af produktet af en person, der er juridisk ansvarlig for disse personers sikkerhed. De skal være under opsyn, så længe de benytter produktet. Børn må hverken benytte, rengøre eller lege med dette produkt, som - når det ikke benyttes - skal opbevares utilgængeligt for børn.

Børn bør holdes under opsyn, så man er sikker på, at de ikke leger med produktet.

Hvis strømledningen er beskadiget, skal den udskiftes af producenten, serviceagenten eller en lignende kvalificeret person, så man kan undgå fare.

Elektrisk strøm skal leveres via en fejlstrømsafbryder (RCD), der kobler ud ved 30 mA.

Brug kun en vejrbestandig forlængerledning. Kontroller forlængerledningen for beskadigelse før hver brug. Rul altid forlængerledningen ud under brug, fordi opviklede kabler kan blive overophedet. Beskadigede forlængerledninger bør ikke repareres. De bør udskiftes med en tilsvarende type.

VED BRUG AF BLÆSERFUNKTIONEN:

Ret kun luftudledning mod arbejdsområdet - aldrig mod mennesker eller dyr.

Brug ikke blæserem som sprøjte i våd tilstand. Bær en støvmaske og beskyttelsesbriller.

ADVARSEL

Sluk altid for maskinen og tag stikket ud af stikkontakten inden montering, åbning, tømning af snavs fra beholderen, inden tilslutning/fjernelse af tilbehør eller udførelse af vedligeholdelse eller fejlfindingskontrol.

VIGTIGT!

Hvis slangen eller værktøjet er tilstoppet, skal du slukke for maskinen og fjerne tilstopningen(erne), før du starter maskinen igen.





Dansk

VIGTIGT!

Rengøring af filtre og regelmæssig udskiftning bevarer sugeevnen. Vax anbefaler, at du med jævne mellemrum kontrollerer, rengør og udskifter dine filtre.

SKADER PÅ STØVSUGEREN, DER ER EN DIREKTE FØLGE AF MANGLENDE OVERHOLDELSE AF DE GENERELLE SIKKERHEDSINFORMATIONER OG INSTRUKTIONERNE I DENNE BRUGERVEJLEDNING MEDFØRER AT GARANTIEEN BORTFALDER

OPBEVAR DISSE INSTRUKTIONER FOR SENERE BRUG

SÆRLIGE SIKKERHEDSREGLER

Støvsug ikke varm aske, spidse eller skarpe genstande.

Brug aldrig apparatet i fugtige rum.

Brug ikke apparatet uden en støvsugerpose (undtagen ved vådstøvsugning eller med patronfilteret). Sørg for, at støvsugerposen er indsat korrekt i apparatet.

Når du bruger apparatet, skal du sørge for, at hår, tøj eller lemmer ikke suges ind.

Hold støvsugereren borte fra varmekilder, såsom strålevarmere, ovne osv.

OPLYSNINGER OM BORTSKAFFELSE

Apparatet indeholder elektriske og elektroniske komponenter og må ikke bortskaffes som husholdningsaffald.

Den lokale og aktuelt gældende lovgivning skal ubetinget overholdes.

TILTÆNKT FORMÅL

Apparatet er egnet til opsamling af tørt, ikke-brændbart støv og væsker.

Dette apparat er udelukkende designet til brug i den private sektor og til det angivne formål. Apparatet er ikke egnet til kommerciel brug. Brug ikke apparatet udendørs (medmindre det er specielt designet til udendørsbrug). Udsæt ikke apparatet for varme, direkte solskin eller meget høj fugtighed (f.eks. Regn).

Enhver anden anvendelse betragtes som ukorrekt brug. Producenten påtager sig intet ansvar for skader som følge af sådan brug. Risikoen ved sådan brug hviler udelukkende på brugeren.

Korrekt brug inkluderer også korrekt drift, service og reparationer som specificeret af producenten.

EF-OVERENSSTEMMELSESERKLÆRING

Vi erklærer hermed, at produktet beskrevet i afsnittet "Tekniske data" opfylder alle de relevante forordninger i direktiverne 2011/65/EU (RoHS), 2014/35/EU, 2014/30/EU, og de følgende harmoniserede standarder er blevet anvendt:

EN 60335-1:2012/A2:2019
 EN 60335-2-2:2010/A1:2013
 EN 62233:2008
 EN 55014-1:2017
 EN 55014-2:2015
 EN 61000-3-2:2014
 EN 61000-3-3:2013
 EN IEC 63000:2018

Winnenden, 2020-05-25

Branko Lenger
 Senior Vice President, Engineering and Quality - Asia,
 Engineering Commercial Product Development
 Bemyndiget til at compilere den tekniske fil.



Techtronic Industries GmbH
 Max-Eyth-Straße 10
 71364 Winnenden
 Germany

EMBALLAGEINDHOLD

Se figur 2 - 4.

Pak forsigtigt kassen indhold ud.

Tag fat om de to hæfter, der holder den øverste del i position, og fold dem opad.

Løsn hæfterne, fjern den øvre del, og tøm beholderen.

Kontroller delene ved hjælp af komponentlisten for at sikre, at de alle er der, og at der ikke er sket nogen skade under transport.

Hvis nogen dele mangler eller er beskadiget, skal du straks kontakte din forhandler.

MONTERING

1. Sørg for, at netledningen er trukket ud af stikkontakten.
2. Løsn hæfterne. (Figur 2)
3. Løft den øvre del bort fra beholderen. (Figur 3)
4. Fjern indholdet fra beholderen. (Figur 4)
5. Vend beholderen på hovedet, og sæt hjulene fast på beholderens fire fødder.





Dansk

- Sørg for, at de er monteret korrekt. Stram ikke for hårdt. (Figur 5)
- Sæt håndtaget i åbningerne på motorhovedet, og tryk det på plads. (Figur 6)
- Installer det medfølgende patronfilter og støvsugerposen til tørstøvsugning. (Figur 7, Figur 8)
- Installer det medfølgende skumfilter til vådstøvsugning. (Figur 9)
- Sæt den øvre del tilbage på beholderen. (Figur 10)
- Juster den øverste del med hæfterne, og klik den på plads ved at trykke ned, indtil hæfterne klikker. (Figur 10)
- Indsæt slangens tykkere ende i beholderens forreste slangeindgang, og drej den til den låses på plads. (Figur 11)
- Monter det nødvendige tilbehør på støvsugerslangens rør. (Figur 12)

BETJENING

TØRSTØVSUGNING

ADVARSEL

Sørg for at læse, forstå og følge sikkerhedsinstruktionerne.

Påmindelse: Støvsug IKKE farlige stoffer. Brug af en forkert støvsugerpose bortfalder garantien.

- Sørg for, at netledningen er trukket ud af stikkontakten.
- Sørg for, at patronfilteret er fuldstændigt monteret.
- Sørg for, at filteret er sat hele vejen ind. (Figur 13) Kontroller, at støvsugerposen er installeret på indersiden af beholderen. (Figur 8)
- Placer igen den øverste sektion på beholderen, og fastgør den med hægterne. (Figur 10)
- Indsæt slangens større ende i beholderens forreste indgang, og drej den på plads. Skub det påkrævede tilbehør fast på slangens frie ende eller forlængelsen. (Figur 12)
- Sæt netledningen i stikkontakten.
- Tænd motoren ved at føre kontakten til "I" (TÆND) positionen. (Figur 14)
- Når du er færdig med betjeningen, skal du flytte kontakten til "O" (SLUK) positionen og trække netledningen ud af stikkontakten. (Figur 15)

ADVARSEL

BRUG IKKE PATRONFILTERET TIL VÅDE ELLER SKARPE MATERIALER.

BRUG IKKE STØVSUGERPOSE VED VÅDSTØVSUGNING

VÅDSTØVSUGNING

ADVARSEL

- Sørg for at læse, forstå og følge sikkerhedsinstruktionerne.
Påmindelse: Støvsug IKKE farlige stoffer.
- Sørg for, at netledningen er trukket ud af stikkontakten. Sørg for, at beholderen er ren og fri for støv og snavs.
- Fjern patronfilteret og støvsugerposen, og installer et skumfilter over filterholderen, og sæt den øverste del tilbage på beholderen. (Figur 9)
Brug IKKE patronfilteret til våde eller skarpe materialer.
- Monter det ønskede mundstykke på støvsugerslangen. (Figur 12)
- Sørg for, at kontakten er i "O" (SLUK) positionen, før du sætter netledningen i stikkontakten.
- Tænd motoren ved at føre kontakten til "I" (TÆND) positionen. (Figur 14)
- Efter brug skal du flytte kontakten over til "O"-positionen (fig. 15) og trække netledningen ud, derefter tømme og tørre beholderen. (Figur 16, Figur 17)

ADVARSEL

Skumfilteret skal fjernes efter vådstøvsugning, og der skal installeres et patronfilter inden tørstøvsugning igen udføres.

VIGTIGT!

Når du støvsuger store mængder væsker, må du ikke nedsænke mundstykket helt i væsken. Lad en sprække være til luftcirkulation ved dysens åbning.

Maskinen er udstyret med en flydeventil, der stopper sugningen, når beholderen når sin maksimale kapacitet. Du vil bemærke en øget motorhastighed.

Når dette sker, skal du slukke for maskinen, afbryde strømforsyningen og hælde væsken over i en passende beholder eller i et afløb. For at fortsætte støvsugningen, monter beholderen med afløbshætten. Sluk for strømmen, og træk stikket ud af stikkontakten efter våd støvsugning.

Tøm beholderen, rengør og tør den indvendigt og udvendigt inden opbevaring.

BLÆSNING

Denne våde/tørre Vac kan også blæse.

Følg instruktionerne på listen for at bruge blæserfunktionen.

ADVARSEL

Bær altid beskyttelsesbriller, inden du bruger blæser.

Hold omkringstående borte fra udblæst snavs.

Brug en støvmaske, hvis blæsningen danner støv, der kan indåndes.

- Indsæt slangens tykke ende i udblæsningsudgangen i





Dansk

- toppen af motorhuset. (Figur 18)
- Monter sprækkestudsden på støvsugerlangen. (Figur 19)
- Sørg for, at afbryderen er slukket, og tilslut derefter maskinen til strømforsyningen.
- Tænd motoren ved at føre kontakten til "I" (TÆND) positionen. (Figur 14)
- Enheden blæser nu ud gennem støvsugerlangen og kan bruges til at fjerne forhindringer inde i slangen.
- Når du er færdig med at anvende apparatet, skal du føre kontakten til "O" (SLUK) positionen og trække netledningen ud af stikkontakten. (Figur 15)

ADVARSEL

Hvis slangen fortsat er blokeret efter et par sekunder, skal du slukke for enheden og rense slangen manuelt.

VEDLIGEHOLDELSE

INSTALLATION OG RENGØRING AF STØVFILTERET.

Bemærk: Træk stikket ud af stikkontakten, før du udfører vedligeholdelse.

Installering af støvfilter

- Installer støvfilteret ned over filterkurven med den flade ende af filteret mod den øvre del (med motoren). Skub forsigtigt filteret ind, indtil det stopper mod den øvre del. (Figur 20 & Figur 21)
- Placer filterholderen oven på patronfilteret over den løftede kant, og stram den ved at dreje holderen med uret, og stram ikke for meget. (Figur 22 & Figur 23)

Fjernelse og rengøring af støvfilteret (DETTE FILTER ER IKKE VASKBART)

- Åbn og fjern filterkurven ved at dreje kurven mod urets retning
- Hold og træk forsigtigt støvfilteret op for at fjerne det. (Figur 24)
- Rengør patronfilteret ved let at banke eller børste snavset af. For optimal ydelse anbefales det, at man regelmæssigt udskifter dette filter afhængigt af anvendelsesniveauet (f.eks. hver 3-6 måneder).
- Sæt rensed eller nyt filter på plads som beskrevet ovenfor.

INSTALLATION OG RENGØRING AF SKUMFILTERET

Bemærk: Træk stikket ud af stikkontakten, før du udfører vedligeholdelse.

Installering af skumfilter

Følg instruktionerne til først at fjerne støvfilteret, før du skifter til skumfilteret.

Lad filteret glide forsigtigt ned over filterkurven. Sørg for at

hele kurven er dækket. (Figur 9 & Figur 25)

Rens skumfilter

Fjern forsigtigt skumfilteret. (Figur 26)

Brug en mild sæbe- og vandopløsning til at vaske skumfilteret og skyl efter med rent vand. (Figur 27)

Lad filteret lufttørre inden installation og brug igen.

SYMBOLER



VÆR OPMÆRKSOM! ADVARSEL! FARE!

V Volt

Hz Hertz

~ Vekselstrøm

W Watt



Læs venligst vejledningen grundigt igennem før maskinen tages i brug.



Klasse II-udstyr



Genbrug



Elektrisk værktøj må ikke bortskaffes sammen med husholdningsaffald.

Elværktøj og elektronisk udstyr, der har nået enden på sin driftslevetid, skal indsamles separat og indleveres til et miljøvenligt genbrugsanlæg. Kontakt din lokale myndighed eller forhandler for rådgivning om genbrug og indsamlingssted.



Europæisk overensstemmelsesmærkning





Dansk

OFTE STILLEDE SPØRGSMALE

ADVARSEL!

For at reducere risikoen for personskade skal du tage stikket ud af kontakten, inden du udfører vedligeholdelse/fejlfindingskontrol

Problem	Årsag	Løsning
Apparatet fungerer ikke	Ingen strøm. Funktional fejl ved netledningen, kontakten eller motoren. Beholderen er fuld af væske.	Tjek strømforsyningen. Få den beskadigede del undersøgt af en kvalificeret person, eller udskift den. Tøm beholderen.
Der slipper støv ud af motordækslet.	Støvsugerposen mangler eller er beskadiget.	Indsæt en støvsugerpose eller udskift den.
Lav sugekraft og stor motorhastighed/vibrationer.	Støvsugerposen er fuld. Sugemundstykket, slangen eller indgangen til slange på beholderen er blokeret.	Udskift støvsugerposen. Kontroller mundstykket, slangen og indgangen til slange på beholderen for objekter.





Svenska

BESKRIVNINGAR

Komponentlista

1. Förlängningsarm (x3)
2. Golvverktyg
3. Verktyg för springor och fogar
4. Slangsats
5. Styrhjul (x4)
6. Handtag
7. Skumfilter
8. Skruvar
9. Damppåse
10. Blåsmaskinens anslutning
11. Filterkorg
12. Säkerhetsflottörventil
13. Patronfilters lock
14. Patronfilter (icke-tvättbart)
15. Av/på-knapp
16. Dammsugar slangens anslutning
17. Klämma (x2)
18. Tank
19. Dräneringsutlopp

SPECIFIKATIONER

Matningsspänning	220-240V~50 Hz
Nominell effekt	1250 W
Tankvolym	20 L
Slangsystem	Ø 35 mm
Filter – torr	Patronfilter
Filter – våt	Skumfilter
IP-klass	IPX4
Sugförmåga	17 kpa / 2.47 PSI
Max luftflöde LS-motor	48.5 dm ³ /s
Max vakuumtryck LS-motor	20.5 Kpa
Sladdlängd	4 m
Vikt - enligt EPTA-förfarandet 01/2003	3.6 kg

⚠ VARNING!

Läs alla säkerhetsvarningar och anvisningar. Att inte följa en och instruktionerna kan resultera i elstöt, brand och/eller allvarlig skada.

Behåll dessa varningar och anvisningar för framtida referens.

ALLMÄNNA SÄKERHETSFORESKRIFTER FÖR MASKINVERKTYG

⚠ VARNING!

Denna apparat överensstämmer med de obligatoriska säkerhetsföreskrifterna för elektrisk utrustning. Felaktig användning kan vara skadlig för människor och egendom. Läs dessa driftinstruktioner noggrant och fullständigt före du startar apparaten. Behåll driftinstruktionerna, garantiercertifikatet, kvittot, samt förpackningen och förpackningsmaterialet om möjligt.

Denna apparat är endast utformad för användning i den privata sektorn och för dess avsedda ändamål. Denna apparat är inte lämplig för kommersiell användning. Använd inte apparaten utomhus (såvida den inte har utformats särskilt för utomhusbruk). Utsätt inte apparaten för värme, direkt solljus eller väldigt hög fuktighet (tex. regn).

Nedsänk aldrig apparaten i vätskor och uppmärksamma vassa kanter som kan skada den. Använd aldrig apparaten med våta eller fuktiga händer. Koppla från den omedelbart om apparaten blir våt eller fuktig när den körs. Nedsänk inte apparaten i vatten.

Denna våt-/torrdammsugare får endast användas och förvaras i ett privat hem.

Apparaten är utformad för att suga upp material som inte är farligt för din hälsa och som inte är lättantändligt.

Håll aldrig kontaktorna framför ditt ansikte (särskilt i närheten av dina ögon, öron osv.). Rikta aldrig munstycket mot människor eller djur.

Använd endast apparaten för dess avsedda ändamål. All annan användning sker på egen risk och är möjligen farlig.

Annan användning och oövervakad drift är inte tillåten. Tillverkaren kan inte hållas ansvarig för skador som orsakas av olämplig användning eller felaktig drift.

Bär skyddskläder och skyddshandskar.

Anslut apparaten till ett växelströmsuttag på 240 V.

Säkerställ att korrekt dammsugarpåse har installerats säkert i behållaren före du använder apparaten. Felaktig dammsugarpåse eller felaktigt installerade dammsugarpåsar kan skada apparaten och göra att garantin ogiltigförklaras.

Om strömsladden är skadad måste den ersättas tillsammans med kabelskyddet av ett auktoriserat servicecenter eller annan kvalificerad serviceorganisation.

Dammsug inte upp aska, varmt kol och liknande, stora fragment av glas och vassa föremål.

Dammsug inte upp eventuellt tonerdamm som används i skrivare och kopiatorer exempelvis, eftersom det är elektriskt ledande. Dessutom är det möjligt att det inte filtreras helt av våt-/torrdammsugarens filtersystem och





Svenska

kan frigöras i luften via frånluftsfläkten.

Dammsug aldrig lättantändliga eller giftiga vätskor såsom bensin, olja, syror eller andra flyktiga ämnen.

Dammsug inte upp vätskor som är varmare än 60 °C eller något giftigt eller lättantändligt stoft.

Lägg aldrig apparaten på sidan. Var särskilt uppmärksam på horisontellt läge och adekvat stabilitet i trappor.

Koppla alltid ur apparaten efter användning och före rengöring eller vid utbyte av filtren eller tillbehören.

Endast utbildade specialister kan utföra reparationer på elektrisk utrustning. Felaktiga reparationer kan resultera i betydande fara för användaren.

Förvara inte apparaten direkt intill en varm ugn eller ett element.

Barn, personer med funktionshinder och äldre människor är ofta inte medvetna om farorna som kan uppstå vid hanteringen av elektriska apparater. Ovannämnda personer och utbildade personer får aldrig arbeta med denna elektriska apparat.

Stäng alltid av apparaten vid rengöring eller borttagning. Dra ur kontakten från strömuttaget om du inte tänker använda apparaten under en längre tidsperiod. Dra aldrig i kabeln när du kopplar ur apparaten, dra i själva stickkontakten. Ta även bort eventuella specialtillbehör från apparaten.

Håll alltid apparaten ren. Använd inte lösningsmedel eller rengöringsmedel som kan skada eller vara skadliga för apparaten eller användaren.

Lämna aldrig apparaten oövervakad när den är påslagen. Stäng av apparaten eller koppla ur den från strömuttaget om du lämnar arbetsområdet (dra inte i sladden, använd stickkontakten).

För att skydda barn från elektriska hushållsapparater, säkerställ att kabeln inte kan göra så att barn snubblar och låt inte barn få åtkomst till apparaten.

Använd aldrig apparaten när du är påverkad av medicin, alkohol eller droger, om du för tillfället är under medicinsk vård eller om du är trött.

Kontrollera apparaten och strömsladden regelbundet efter möjliga skador. Använd inte skadade apparater.

Försök inte reparera apparaten på egen hand. Vänd dig alltid till en auktoriserad servicetekniker vid reparationer. Låt alltid tillverkaren eller en kvalificerad serviceorganisation omedelbart byta ut defekta strömsladdar. Använd samma kabeltyp för att förhindra eventuell risk för elchocker eller personskadorna.

Använd endast originalreservdelar och originaltillbehör. Icke-godkända delar eller tredjepartstillbehör kan vara en möjlig källa till fara och göra att garantin ogiltigförklaras.

Kontrollera flottören ofta.

Stäng omedelbart av apparaten och koppla ur den om du

upptäcker att vätska läcker ut.

Nedsänk inte apparaten i vatten. Säkerställ att vatten inte spills på apparaten.

Säkerställ att du följer alla lagliga bestämmelser vid avyttring av avloppsvattnet.

Förvara endast apparaten på en säker och torr plats utom räckhåll för barn.

Var även uppmärksam på följande "särskilda säkerhetsregler".

Utrustningen är inte avsedd för att användas av personer med nedsatt fysisk, sensibel eller mental förmåga, eller som inte har erfarenhet och kunskap såvida de inte har instruerats gällande säkerhet för utrustningen av någon person som ansvarar för deras säkerhet. De ska övervakas då utrustningen används. Barn får inte använda, rengöra eller leka med utrustningen som när den inte används ska förvaras utom räckhåll för barn.

Barn ska övervakas så att de inte leker med enheten.

Om strömsladden är skadad måste den ersättas av tillverkaren, dennes serviceombud eller liknande behöriga personer för att fara ska undvikas.

Elektrisk ström ska matas via en jordfelsbrytare (RCD) med en utlösningssström på max. 30 mA.

Använd endast en väderbeständig förlängningssladd. Kontrollera förlängningssladden efter skador före användning. Rulla alltid ut förlängningssladden under användning eftersom inrullade sladdar kan överhettas. Skadade förlängningssladdar bör inte repareras. De bör bytas ut mot en likvärdig typ.

VID ANVÄNDNING AV BLÅSFUNKTIONEN:

Rikta endast luftutsläpp mot arbetsområdet - aldrig mot människor eller djur.

Använd inte blåsmaskinen som en färgpistol i våtläge. Bär en dammskyddsmask och skyddsglasögon.

VARNING

Stäng alltid av och koppla ur maskinen från det elektriska uttaget före montering, öppning, tömning av smutsbehållaren, före anslutning/urkoppling av tillbehör, eller vid underhållsarbete eller felsökningskontroller.

VIKTIGT!

Om slangen eller verktygen är blockerade, stäng av dammsugaren och avlägsna blockeringarna före du startar maskinen.

VIKTIGT!





Svenska

Rengöring av filtren och regelbundet utbyte av dem bibehåller sugprestandan. Vax rekommenderar att dina filter kontrolleras, rengörs och byts ut regelbundet.

SKADA PÅ DAMMSUGAREN SOM ORSAKAS SOM EN DIREKT FÖLJD AV ATT DEN ALLMÄNNA SÄKERHETSINFORMATIONEN OCH INSTRUKTIONERNA I DENNA BRUKSANVISNING INTE FÖLJS GÖR ATT GARANTIN OGILTIGFÖRKLARAS.

BEHÅLL DESSA INSTRUKTIONER FÖR FRAMTIDA ANVÄNDNING.

SPECIFIKA SÄKERHETSREGLER

Dammsug aldrig upp varm aska, spetsiga eller vassa föremål.

Använd aldrig apparaten i fuktiga rum.

Använd inte apparaten utan en dammsugarpåse (ett undantag är vid våtdammsugning eller vid användning av patronfiltret). Säkerställ att dammsugarpåsen installeras korrekt i apparaten.

Säkerställ att inget hår, kläder eller delar dras in i apparaten vid användning.

Håll dammsugaren borta från varma källor såsom värmeelement, ugnar osv.

AVFALLSINFORMATION

Apparaten innehåller elektriska komponenter och får inte kasseras som hushållsavfall.

Lokal och gällande lagstiftning måste följas villkorslöst.

ANVÄND MASKINEN ENLIGT ANVISNINGARNA

Apparaten är lämplig för uppsamling av torrt, icke-lättantändligt damm och vätskor.

Denna apparat är endast utformad för användning i den privata sektorn och för dess avsedda ändamål. Denna apparat är inte lämplig för kommersiell användning. Använd inte apparaten utomhus (såvida den inte har utformats särskilt för utomhusbruk). Utsätt inte apparaten för värme, direkt solljus eller väldigt hög fuktighet (tex. regn).

All annan användning anses vara olämplig användning. Tillverkaren tar inget ansvar för eventuell skada som uppstår från sådan användning. Endast användaren tar ansvar för risker som uppstår från sådan användning.

Lämplig användning inkluderar även korrekt drift, underhåll och korrekta reparationer såsom anges av tillverkaren.

EG-FÖRSÄKRAN OM ÖVERENSSTÄMMELSE

Vi förklarar under eget ansvar att den produkt som beskrivs under "Tekniska uppgifter" uppfyller alla relevanta föreskrifter i direktiven 2011/65/EU (RoHS), 2014/35/EU, 2014/30/EU och att följande harmoniserade standarder har använts:

- EN 60335-1:2012/A2:2019
- EN 60335-2-2:2010/A1:2013
- EN 62233:2008
- EN 55014-1:2017
- EN 55014-2:2015
- EN 61000-3-2:2014
- EN 61000-3-3:2013
- EN IEC 63000:2018

Winnenden, 2020-05-25

Branko Lenger
Senior Vice President, Engineering and Quality - Asia,
Engineering Commercial Product Development
Auktoriserad för att kompilera den tekniska filen.



Techtronic Industries GmbH
Max-Eyth-Straße 10
71364 Winnenden
Germany

FÖRPACKNINGENS INNEHÅLL

Se bild 2 - 4.

Packa försiktigt upp innehållet ur kartongen.

Håll de två klämmorna som håller samman den övre delen i dess position och vik dem uppåt.

Lossa på klämmorna, ta bort den övre delen och avlägsna innehållet från tanken.

Kontrollera delarna mot komponentlistan för att säkerställa att de är fullständiga och att ingen skada har skett under transport.

Ta omedelbart kontakt med din återförsäljare om några delar saknas eller är skadade.

HOPSÄTTNING

1. Säkerställ att strömsladden är urkopplad från strömuttaget.
2. Lossa klämmorna. (Figur 2)
3. Lyft den övre delen av tanken. (Figur 3)
4. Ta ur innehållet från insidan av tanken. (Figur 4)





Svenska

- Vänd tanken upp och ner och sätt i styrhjulen på tankens fyra ben.
- Säkerställ att de är monterade korrekt. Dra inte åt för hårt. (Figur 5)
- Sätt i handtaget i de fyra öppningarna på drivhuvudet och tryck det på plats. (Figur 6)
- Vid torrdammsugning installera det medföljande patronfiltret och dammsugarpåsen. (Figur 7, Figur 8)
- Vid våtdammsugning installera det medföljande skumfiltret. (Figur 9)
- Byt ut den övre delen av tanken. (Figur 10)
- Rikta in den övre delen med klämmorna och lås på plats genom att tillämpa tryck tills klämmorna klickar på plats. (Figur 10)
- Sätt i den stora änden av slangen i tankens främre inlopp och vrid för att låsa. (Figur 11)
- Montera nödvändigt tillbehör på sugslangen. (Figur 12)

ANVÄNDNING

TORRDAMMSUGNING

VARNING

Säkerställ att du läser, förstår och tillämpar säkerhetsinstruktionerna.

Påminnelse: Dammsug INTE upp farliga ämnen. Användningen av en felaktig dammsugarpåse gör att garantin ogiltigförklaras.

- Säkerställ att strömsladden är urkopplad från strömuttaget.
- Säkerställ att patronfiltret är helt monterat.
- Säkerställ att filtret förs in hela vägen. (Figur 13) Bekräfta att dammsugarpåsen är installerad inuti tanken. (Figur 8)
- Byt ut den övre delen på tanken och lås den på plats med klämmorna. (Figur 10)
- Sätt i den större änden av slangen på tankens främre inlopp och lås den på plats. Skjut det nödvändiga tillbehöret över slangens eller förlängningens lediga ände. (Figur 12)
- Anslut strömsladden till strömuttaget.
- Starta motorn genom att vrida reglaget till läget "I" (PÅ). (Figur 14)
- När du är färdig med dammsugningen vrid reglaget till läget "O" (AV) och koppla från strömsladden från strömuttaget. (Figur 15)

VARNING

ANVÄND INTE PATRONFILTRET FÖR VÅTA ELLER VASSA MATERIAL.

ANVÄND INTE DAMMSUGARPÅSEN VID VÄTSKEDAMMSUGNING.

VÅTDAMMSUGNING

VARNING

- Säkerställ att du läser, förstår och tillämpar säkerhetsinstruktionerna.
Påminnelse: Dammsug INTE upp farliga ämnen.
- Säkerställ att strömsladden är urkopplad från strömuttaget.
Säkerställ att tanken är ren och fri från damm och smuts.
- Avlägsna patronfiltret och dammsugarpåsen och installera ett skumfilter över filterkorgen och sätt tillbaka den övre delen på tanken. (Figur 9)
ANVÄND INTE patronfiltret för våta eller vassa material.
- Montera önskat munstycke till dammsugarslangen. (Figur 12)
- Säkerställ att strömbrytaren är i läget "O" (AV) före du ansluter strömsladden till strömuttaget.
- Starta motorn genom att vrida reglaget till läget "I" (PÅ). (Figur 14)
- Efter användning vrid strömbrytaren till läget "O" (bild 15) och koppla ur strömsladden, töm och torka sedan tanken. (Figur 16, Figur 17)

VARNING

Skumfiltret måste avlägsnas efter våtdammsugning och ett patronfilter måste installeras före torrdammsugning.

VIKTIGT!

Vid dammsugning av stora mängder vätska nedsänk inte munstycket helt i vätskan, lämna en lucka vid munstycksöppningens spets för att tillåta luftinflöde.

Maskinen är utrustad med en flottörventil som stoppar sugåtgården när behållaren uppnår sin maxkapacitet. Du kommer att märka av en ökad motorhastighet.

När detta sker stäng av maskinen, koppla ur den från strömförsörjningen och dränera vätskan i en lämplig behållare eller ett avlopp. Sätt tillbaka behållaren med dräneringskåpan för att fortsätta dammsuga. Efter våtdammsugningen stäng av strömmen och ta ur stickkontakten från strömuttaget.

Töm behållaren, rengör och torka insidan och utsidan före förvaring.

BLÅSMASKINENS DRIFT

Våt-/torrdammsugaren har blåskapaciteter.

För att använda blåsfunktionen följ instruktionerna.

VARNING

Använd alltid skyddsglasögon före du använder blåsmaskinen.





Svenska

Håll personer i närheten borta från omkringblåsande skräp.

Använd en dammskyddsmask om blåsandet skapar damm som kan andas in.

1. Sätt i slangens stora ände i blåsmaskinens anslutning i det övre motorhöljet. (Figur 18)
2. Montera sprickverktyget till dammsugarlangen. (Figur 19)
3. Säkerställ att strömbrytaren är avstängd och anslut strömförsörjningen.
4. Starta motorn genom att vrida reglaget till läget "I" (PÅ). (Figur 14)
5. Enheten kommer nu att blåsa genom dammsugarlangen och kan användas för att rensa blockeringar i slangens.
6. När du är färdig med användningen vrid reglaget till läget "O" (AV) och koppla från strömsladden från strömuttaget. (Figur 15)

VARNING

Om slangens fortsätter vara blockerad efter några sekunder, stäng av enheten och rensa slangens manuellt.

UNDERHÅLL

INSTALLERA OCH RENGÖRA TORRFILTRET.

Notera: Koppla från maskinen från strömuttaget före du utför underhåll.

Installera torrfilter

1. Installera torrfiltret över filterburen med den platta änden av filtret mot dammsugarens drivhuvud. Tryck försiktigt in filtret tills det tar emot drivhuvudet. (Figur 20 & 21)
2. Placera filterhållaren ovanpå patronfiltret över lyftläppen och dra åt nedåt genom att vrida hållaren medurs, dra inte åt för hårt. (Figur 22 & 23)

Borttagning och rengöring av torrfilter (DETTA FILTER ÄR ICKE-TVÄTTBART)

1. Läs upp och ta bort filterhållaren genom att vrida hållaren moturs
2. Håll och dra försiktigt torrfiltret uppåt vid borttagning. (Figur 24)
3. Rengör patronfiltret genom att försiktigt knacka och borsta bort smuts. För optimal prestanda är det rekommenderat att regelbundet byta detta filter beroende på användningsnivån (tex. var 3-6 månad).
4. Installera ett rengjort eller nytt filter enligt instruktionerna ovan.

INSTALLERA OCH RENGÖRA SKUMFILTRET

Notera: Koppla från maskinen från strömuttaget före du utför underhåll.

Installera skumfilter

Följ instruktionerna för att ta bort torrfiltret före byte till skumfiltret.

Skjut försiktigt skumfiltret nedåt över filterburen för att säkerställa att hela buren är täckt. (Figur 9 & 25)

Rengöra skumfilter

Ta försiktigt bort skumfiltret. (Figur 26)

Använd en mild tvål och vattenlösning för att tvätta skumfiltret och skölj med rent vatten. (Figur 27)

Låt filtret lufttorka före du installerar och återanvänder det.

SYMBOLER



FÖRSIKTIGHET! VARNING! FARA!

V Volt

Hz Hertz

~ Växelström

W Watt



Läs instruktionerna ordentligt innan start av maskinen.



Klass II-utrustning



Återvinning



Kassera inte elektriska verktyg tillsammans med hushållsavfall.

Elektriska verktyg och elektronisk utrustning som nått slutet på sin livslängd måste samlas in separat och överlämnas till en återvinningsstation för miljövänligt bortskaftande. Fråga din lokala myndighet eller återförsäljare för återvinningsråd och uppsamlingsplats.



CE-märkning





Svenska

VANLIGA FRÅGOR

VARNING!

Koppla från rengöraren före du utför underhålls-/felsökningskontroller för att minska risken för personskador.

Problem	Orsak	Lösning
Apparaten fungerar inte.	Ingen ström. Funktionsfel i strömsladden, strömbrytaren eller motorn. Tanken är full av vätska.	Kontrollera strömförsörjningen. Låt den skadade delen kontrolleras av kvalificerad personal eller byt ut den. Töm tanken.
Damm läcker ut från motorhöljet.	Dammsugarpåsen saknas eller är skadad.	Sätt i en dammsugarpåse eller byt ut den.
Låg sugkraft och hög motorhastighet/höga vibrationer.	Dammsugarpåsen är full. Sugmunstycke, slang eller tankinlopp är blockerat.	Byt ut dammsugarpåsen. Kontrollera sugmunstycket, slangen och tankinloppet efter blockeringar.





Suomi

KUVAUKSET

Osaluettelo

1. Jatkovarsi (x3)
2. Lattiatyökalu
3. Suulake
4. Letkusarja
5. Pyörä (x4)
6. Kädensija
7. Vaahtomuovisuodatin
8. Ruuvit
9. Pölypussi
10. Puhaltimen liitäntä
11. Suodatinpussi
12. Turvaimuriventtiili
13. Kennosuodattimen kansi
14. Kennosuodatin (ei pestävä)
15. Käynnistys/sammutuskytkin
16. Imuletkun liitäntä
17. Puristinkiinnike (x2)
18. Säiliö
19. Tyhjennysaukko

TEKNISET TIEDOT

Syöttöjännite	220-240V~50 Hz
Nimellisteho	1250 W
Säiliön tilavuus	20 L
Letkujärjestelmä	Ø 35 mm
Suodatin – kuiva	Patruunasuodatin
Suodatin – märkä	Vaahtomuovisuodatin
IP-arvo	IPX4
Imu	17 kpa / 2.47 PSI
Suurin ilmavirtaus l/s, moottori	48.5 dm ³ /s
Suurin imupaine l/s, moottori	20.5 Kpa
Johdon pituus	4 m
Paino - EPTA-menettelyn mukaisesti	3.6 kg

A VAROITUS!

Lue kaikki turvallisuusvaroitukset ja ohjeet. ten ja ohjeiden laiminlyönnistä voi seurata sähköisku, tulipalo ja/ tai vakava loukkaantuminen.

Säästä kaikki varoitukset ja ohjeet tulevaa käyttöä varten.

YLEISET SÄHKÖTYÖKALUJEN TURVALLISUUSVAROITUKSET

A VAROITUS!

Tämä laite on sähkölaitteiden pakollisten turvallisuusmääräysten mukainen. Väärä käyttö voi kuitenkin aiheuttaa vahinkoa ihmisille ja omaisuudelle. Lue nämä käyttöohjeet huolellisesti kokonaan ennen laitteen käynnistämistä. Mikäli mahdollista, säilytä käyttöohjeet, takuutodistus, kuitti sekä pakkaus materiaaleineen.

Tämä laite on tarkoitettu käytettäväksi vain yksityisellä sektorilla, määrättyyn tarkoitukseen. Laite ei sovellu kaupalliseen käyttöön. Älä käytä laitetta ulkona (ellei sitä ole erityisesti suunniteltu ulkona käytettäväksi). Älä altista laitetta kuumuudelle, suoralle auringonpaisteelle tai erittäin suurelle kosteudelle (esim. sade).

Älä upota laitetta mihinkään nesteeseen, ja varo teräviä reunoja, jotka saattavat vahingoittaa sitä. Älä käytä laitetta mällä tai kosteilla käsillä. Irrota pistoke pistorasiasta heti, jos laite käynnissä ollessaan kastuu tai kostuu. Älä upota laitetta veteen.

Tätä märkä-/kuivaimuria saa käyttää ja säilyttää vain kotitalouksissa.

Laite on suunniteltu imemään terveydelle vaarattomia materiaaleja, jotka eivät ole helposti syttyviä.

Älä pidä liittimiä kasvojen edessä (etenkään silmien, korvien jne.). Älä suuntaa suutinta henkilöihin tai eläimiin.

Käytä laitetta vain tarkoitukseen, johon se on suunniteltu. Kaikenlainen muu käyttö on omalla vastuullasi ja mahdollisesti vaarallista.

Muu käyttö ja valvoton käyttö eivät ole sallittuja. Valmistaja ei ole vastuussa vahingoista, jotka aiheutuvat väärästä tai virheellisestä käytöstä.

Pidä suojavaatetusta ja käsiäsi.

Kytke laite vain 240 V:n vaihtovirtaliittimeen.

Varmista ennen laitteen käyttöä, että siinä on oikeanlainen pölypussi – ja tukevasti pidikkeessään. Vääränlainen tai väärin liitetty pölypussi voi vahingoittaa laitetta ja mitätöidä takuun.

Jos virtajohto vahingoittuu, se on suojuksineen vaihdettava kokonaan uuteen valtuutetussa huoltoiliikkeessä tai muussa pätevässä huoltopisteessä.

Älä imuroi tuhkaa, kuumia hiiliä ja vastaavia, suuria lasinpaloja ja teräviä esineitä.

Älä imuroi tulostimien ja kopiokoneiden väriainepölyä, sillä se on sähköä johtavaa. Voi myös olla, että märkä-/kuivaimurin suodatinjärjestelmä ei suodata sitä kokonaan ja sitä voi näin ollen päästä ilmaan poistoilmapuhaltimen kautta.

Älä imuroi syttyviä tai myrkyllisiä nesteitä, kuten bensiniä, öljyä, happoja tai muita haihtuvia aineita.





Suomi

Älä imuroi nestettä, jonka lämpötila on yli 60 °C, tai myrkyllistä tai syttyvää pölyä.

Älä aseta laitetta milloinkaan kyljelleen makaamaan. Kiinnitä erityistä huomiota vaakatasoon ja riittävään vakauteen portaissa.

Irrota laite pistorasiasta aina käytön jälkeen ja ennen suodattimien tai lisävarusteiden puhdistamista tai vaihtamista.

Sähkölaitteita saavat korjata vain tehtävään koulutetut asiantuntijat. Virheellinen korjaus asettaa käyttäjän alttiiksi suurelle vaaralle.

Älä säilytä laitetta suoraan kuuman uunin tai lämpöpatterin vieressä.

Lapset, kehitykseltään rajoitteiset ja ikääntyneet eivät usein ole tietoisia sähkölaitteiden käsittelyyn sisältyvistä vaaroista. Heidän ja kenenkään tämän laitteen käyttöön harjaantumattoman ei pidä työskennellä sillä.

Kytke laitteesta virta pois aina ennen kuin puhdistat sitä tai irrotat siitä mitään. Irrota pistoke liittimestä, jos laitteen on tarkoitus seistä pitkään käyttämättömänä. Älä irrota pistoketta johdosta vetämällä, tartu aina pistokkeesta. Poista laitteesta myös kaikki erikoisvarusteet.

Pidä laite aina puhtaanä. Älä käytä laitteen puhdistamisessa liuottimia tai puhdistusaineita, jotka saattavat vahingoittaa sitä tai käyttäjää.

Älä jätä laitetta päälle ilman valvontaa. Jos poistut työskentelyalueelta, kytke laitteesta virta pois tai irrota pistoke (älä vedä virtajohdosta, tartu pistokkeesta).

Kun käytät laitetta, huolehdi siitä, että virtajohtoon ei kompastuta, äläkä anna lasten käyttää laitetta.

Älä käytä laitetta väsyneenä, lääkityksen, alkoholin, muiden päihteiden tai lääketieteellisen hoidon alaisena.

Tarkista laite ja virtajohto säännöllisesti mahdollisten vaurioiden varalta. Älä käytä viallista laitetta.

Älä yritä itse korjata laitetta. Jos laite tarvitsee korjaamista, käytä aina valtuutettua ammattilaista. Vaihdata vialliset virtajohdot aina viivyttämättä valmistajalla tai pätevässä huoltoliikkeessä. Käytä sähköiskun ja loukkaantumisen välttämiseksi aina samantyyppistä virtajohtoa.

Käytä vain alkuperäisiä tarvikkeita ja varaosia. Hyväksyttömät osat tai kolmannen osapuolen lisävarusteet voivat aiheuttaa vaaran ja mitätöidä takuun.

Tarkista uimuri usein.

Jos huomaat laitteen vuotavan nestettä, sammuta se välittömästi ja irrota pistoke pistorasiasta.

Älä upota laitetta veteen. Huolehdi, ettei laitteelle roisku vettä.

Hävität jätevesi lakisäätöisten määräysten mukaisesti.

Säilytä laitetta kuivassa, turvallisessa paikassa, poissa lasten ulottuvilta.

Kiinnitä erityistä huomiota myös jäljempänä olevaan

"Erityiset turvallisuusmääräykset" -osioon.

Tätä laitetta ei ole tarkoitettu sellaisten ihmisten käytettäväksi tai puhdistettavaksi, joiden ruumiin, aistien tai mielen suorituskyky on heikentynyt tai joilta puuttuu kokemusta ja yleistietämystä, ellei heidän turvallisuudestaan laillisesti vastuussa oleva neuvo heitä laitteen käytössä. Heitä on valvottava laitteen käytön aikana. Lapset eivät saa käyttää tai puhdistaa laitetta tai leikkiä sillä, ja kun se ei ole käytössä, se tulee olla poissa lasten ulottuvilta.

Lapsia on pidettävä silmällä, jotta he eivät pääse leikkimään lisälaitteilla.

Jos virtajohto vaurioituu, vaaratilanteiden välttämiseksi sen uusinta on annettava valmistajan, valmistajan huolto liikkeen tai vastaavan ammattitaitoisen henkilön tehtäväksi.

Sähkövirran on tultava vikavirtasuojakytkimen (RCD) kautta, laukaisuvirta saa olla enint. 30 mA.

Käytä vain säänkestävää jatkojohtoa. Tarkista jatkojohto vaurioiden varalta aina ennen jokaista käyttökertaa. Suorista jatkojohto käytön aikana, sillä vyyhdillä olevat johdot voivat ylikuumentua. Vahingoittuneita jatkojohtoja ei saa korjata. Ne on korvattava uusilla, vastaavantyyppisillä johdoilla.

KUN KÄYTÄT PUHALINTOIMINTOINTO:

Suuntaa ilmanpoisto ainoastaan työskentelyalueelle – ei koskaan ihmisiin tai eläimiin.

Älä käytä puhallinta ruiskuna märkätoimintatilassa. Käytä pölymaskia ja suojalaseja.

VAROITUS

Sammuta laite ja irrota pistoke pistorasiasta aina ennen kuin asennat, avaat tai tyhjennät likasäiliön tai liität/irrotat lisävarusteita tai teet huolto- tai vianmääritystarkistuksia.

TÄRKEÄÄ!

Jos letku tai työkalut ovat tukossa, sammuta laite ja poista tukos ennen uudelleenkäynnistystä.

TÄRKEÄÄ!

Suodattimien säännöllinen puhdistus ja vaihto ylläpitävät imurin suorituskykyä. Vax suosittelee, että suodattimet tarkistetaan, puhdistetaan ja vaihdetaan säännöllisin väliajoin.

TAKUU EI KORVAA PÖLYNIMURIN VAURIOTA, JOKA JOHTUU YLEISTEN TURVALLISUUSTIETOJEN JA NÄIDEN KÄYTTÖOHJEIDEN NOUDATTAMISEN LAIMINLYÖNNISTÄ

SÄILYTÄ NÄMÄ KÄYTTÖOHJEET MYÖHEMPÄÄ





Suomi

TARVETTA VARTEN

ERITYISET TURVALLISUUSSÄÄNNÖT

Älä imuroi kuumaa tuhkaa äläkä teräviä, leikkaavia esineitä.

Älä käytä imuria märkätiloissa.

Älä käytä laitetta ilman pölypussia (poikkeuksena märkäimurointi tai kennosuodattimen käyttö). Varmista, että pölypussi on asennettu laitteeseen oikein.

Kun käytät laitetta, huolehdi, että hiukset, vaatteet, kädet tai jalat eivät ole vaarassa joutua laitteen sisään.

Pidä pölynimuri loitolla lämmönlähteistä, kuten lämmittimistä, uuneista ja vastaavista.

LAITTEEN HÄVITTÄMINEN

Laite sisältää sähkö- ja elektroniikkakomponentteja, eikä sitä siksi saa hävittää kotitalousjätteenä.

Hävittämisessä on ehdottomasti noudatettava paikallista voimassa olevaa lainsäädäntöä.

TARKOITUKSEN MUKAINEN KÄYTTÖ

Laite soveltuu kuivan, syttymättömän pölyn ja nesteiden keräämiseen.

Tämä laite on tarkoitettu käytettäväksi vain yksityisellä sektorilla, määrättyyn tarkoitukseen. Laite ei sovellu kaupalliseen käyttöön. Älä käytä laitetta ulkona (ellei sitä ole erityisesti suunniteltu ulkona käytettäväksi). Älä altista laitetta kuumuudelle, suoralle auringonpaisteelle tai erittäin suurelle kosteudelle (esim. sade).

Kaikkea muuta käyttöä pidetään vääränä. Valmistaja ei vastaa mistään tällaisesta käytöstä johtuvasta vahingosta. Tällaiseen käyttöön sisältyvä riski on yksinomaan käyttäjän vastuulla.

Laitteen oikea käyttö käsittää valmistajan antamien asianmukaista käyttöä, huoltoa ja korjauksia koskevien ohjeiden noudattamisen.

EY-VAATIMUSTEN MUKAISUUSVAKUUTUS

Vakuutamme vain omalla vastuullamme, että Teknisissä tiedoissa kuvattu tuote täyttää kaikki direktiivien 2011/65/EU (RoHS), 2014/35/EU, 2014/30/EU määräykset ja että seuraavia yhdenmukaistettuja standardeja on käytetty:

EN 60335-1:2012/A2:2019
 EN 60335-2-2:2010/A1:2013
 EN 62233:2008
 EN 55014-1:2017
 EN 55014-2:2015
 EN 61000-3-2:2014
 EN 61000-3-3:2013

EN IEC 63000:2018

Winnenden, 2020-05-25

Branko Lenger

Senior Vice President, Engineering and Quality - Asia,
 Engineering Commercial Product Development
 Valtuutettu laatimaan tekninen tiedosto.



Techtronic Industries GmbH
 Max-Eyth-Straße 10
 71364 Winnenden
 Germany

PAKKAUKSEN SISÄLTÖ

Katso kuvaa 2 - 4.

Pura laatikon sisältö huolellisesti.

Tartu kahteen yläosaan paikallaan pitävään puristinkiinnittimeen ja taita ne ylöspäin.

Löysää kiinnittimet, poista yläosa ja sen jälkeen säiliön sisältö.

Tarkista osaluettelosta, että mitään osia ei puutu, tarkista myös, että kuljetuksenaikaisia vaurioita ei ole.

Jos osia puuttuu tai jokin osa on vahingoittunut, ota heti yhteyttä jälleenmyyjään.

KOKOAMINEN

1. Varmista, että virtajohto on irti pistorasiasta.
2. Avaa kiinnittimet. (Kuva 2)
3. Nosta yläosa pois säiliöstä. (Kuva 3)
4. Poista säiliön sisältö. (Kuva 4)
5. Käännä säiliö ylösalaisin ja työnnä sen neljään jalkaan pyörät.
6. Varmista, että kiinnitys tulee oikein. Älä kiristä liikaa. (Kuva 5)
7. Työnnä kädensija tehopäässä oleviin hahloihin ja paina paikalleen. (Kuva 6)
8. Laita yläosa takaisin säiliöön. (Kuva 10)
9. Laita märkäimurointiin toimituksen mukana tulleet kennosuodatit ja pölypussi paikoilleen. (Kuva 7, Kuva 8)
10. Laita märkäimurointiin toimituksen mukana tulleet vaahtomuovisuodatit paikalleen. (Kuva 9)
11. Laita yläosa takaisin säiliöön. (Kuva 10)
11. Kohdistä yläosa puristinkiinnittimiin ja paina sitä, kunnes kiinnikkeet napsahtavat. (Kuva 10)
12. Työnnä letkun leveämpi pää säiliön etupuolella olevaan tuloaukkoon, ja lukitse se paikalleen kääntämällä. (Kuva 11)





Suomi

13. Kiinnitä imuputkeen imuroinnissa tarvittava lisävaruste. (Kuva 12)

KÄYTTÖ

KUIVAIMUROINTI

VAROITUS

Lue turvallisuutta koskevat ohjeet niin, että ymmärrät ne, ja noudata niitä.

Muistettavaa: ÄLÄ imuroi vaarallisia aineita. Vääränlaisen pölypussin käyttö mitätöi takuun.

1. Varmista, että virtajohto on irti pistorasiasta.
2. Varmista, että kennosuodatin on laitettu paikalleen oikein.
3. Varmista, että suodatin on työnnetty sisään koko pituudeltaan. (Kuva 13) Varmista, että säiliössä on pölypussi. (Kuva 8)
4. Laita yläosa takaisin säiliöön, ja kiinnitä se puristinkiinnikkeillä lujasti paikalleen. (Kuva 10)
5. Työnnä letkun leveämpi pää säiliön etupuolella olevaan tuloaukkoon, ja lukitse se paikalleen. Paina tarvittava lisäosa paikalleen letkun tai jatkeen vapaaseen päähän. (Kuva 12)
6. Liitä virtajohto pistorasiaan.
7. Kytke moottori päälle kääntämällä kytkin I-asentoon (PÄÄLLÄ). (Kuva 14)
8. Käännä kytkin imuroinnin jälkeen O-asentoon (POIS PÄÄLTÄ) ja irrota virtajohto pistorasiasta. (Kuva 15)

VAROITUS

ÄLÄ KÄYTÄ KENNOSUODATINTA MÄRILLE TAI TERÄVILLE MATERIAALEILLE.

ÄLÄ KÄYTÄ PÖLYPUSSEJA MÄRKÄIMUROINNISSA.

MÄRKÄIMUROINTI

VAROITUS

1. Lue turvallisuutta koskevat ohjeet niin, että ymmärrät ne, ja noudata niitä. Muistettavaa: ÄLÄ imuroi vaarallisia aineita.
2. Varmista, että virtajohto on irti pistorasiasta. Varmista, että säiliö on puhdas ja pölytön.
3. Poista kennosuodatin ja pölypussi, laita vaahtomuovisuodatin suodatinkorin päälle ja säiliön yläosa takaisin paikalleen. (Kuva 9) ÄLÄ käytä kennosuodatinta märille tai teräville materiaaleille.
4. Liitä imuletkuun imuroinnissa kulloinkin tarvittava suutin. (Kuva 12)
5. Varmista, että kytkin on O-asennossa (POIS PÄÄLTÄ), ennen kuin liität virtajohdon pistorasiaan.
6. Kytke moottori päälle kääntämällä kytkin I-asentoon

(PÄÄLLÄ). (Kuva 14)

7. Käännä kytkin käytön jälkeen O-asentoon (kuva 15) ja irrota virtajohto, tyhjennä ja kuivaa säiliö sen jälkeen. (Kuva 16, Kuva 17)

VAROITUS

Vaahtomuovisuodatin on poistettava märkäimuroinnin jälkeen ja muistettava asentaa sen tilalle kennosuodatin ennen seuraavaa kuivaimurointia.

TÄRKEÄÄ!

Kun imuroit suuria nestemääriä, älä upota suutinta kokonaan nesteeseen; jätä suuttimen aukon kärkeen rako, jotta ilma pääsee virtaamaan sisään.

Laitteen uimuriventtiili pysäyttää imutoiminnon säiliön saavutettua enimmäiskapasiteettinsa. Huomaat moottorin nopeuden kasvun.

Sammuta tällöin laite, irrota se virransyötöstä ja tyhjennä neste sopivaan astiaan tai viemäriin. Jos haluat jatkaa imurointia, laita tyhjennysaukon korkki takaisin kiinni. Kun lopetat märkäimuroinnin, sammuta laite ja irrota pistoke virransyötöstä.

Tyhjennä säiliö, ja puhdista ja kuivaa se sisä- ja ulkopuolelta ennen säilytykseen siirtämistä.

PUHALTIMEN TOIMINTA

Tässä märkä-/kuivaimurissa on puhallustoiminto.

Kun haluat käyttää puhallintoimintoa, noudata lueteltuja ohjeita.

VAROITUS

Pidä suojalaseja aina kun käytät puhallinta.

Pidä sivulliset loitolla, kun puhallat roskia.

Pidä kasvomaskia, jos puhallaminen nostattaa pölyä.

1. Työnnä letkun paksu pää moottorin kotelon yläosassa olevaan puhaltimen liitäntään. (Kuva 18)
2. Liitä rakosuutin imuletkuun. (Kuva 19)
3. Varmista, että virtakytkin on kytketty pois päältä, ja liitä pistoke pistorasiaan.
4. Kytke moottori päälle kääntämällä kytkin I-asentoon (PÄÄLLÄ). (Kuva 14)
5. Laite puhalltaa nyt imuletkun läpi, ja sitä voidaan käyttää letkun tukoksen poistamiseen.
6. Kun lopetat toiminnon, käännä kytkin O-asentoon (POIS PÄÄLTÄ) ja irrota pistoke pistorasiasta. (Kuva 15)

VAROITUS

Jos letku on edelleen tukossa, sammuta laite ja puhdista letku käsin.





Suomi

HUOLTO

KUIVASUODATTIMEN ASENNUS JA PUHDISTUS

Huom: Irrota laite pistorasiasta aina ennen huoltotoimenpiteiden suorittamista.

Kuivasuodattimen asentaminen

1. Asenna kuivasuodatin suodatinkotelon päälle litteä pää kohti alipainepäätä. Paina suodatin varovasti sisään, kunnes se pysähtyy tehopäätä vasten. (Kuva 20 & 21)
2. Aseta suodattimen pidike kennosuodattimen päälle korotusreunuksen yli ja kiristä se kiertämällä pidikettä myötäpäivään, älä kiristä liikaa. (Kuva 22 & 23)

Kuivasuodattimen irrottaminen ja puhdistaminen (TÄTÄ SUODATINTA EI SAA PESTÄ)

1. Avaa suodattimen pidike ja irrota se kääntämällä pidikkeen kahvaa vastapäivään
2. Tartu kuivasuodattimeen ja vedä sitä varovasti ylöspäin poistamista varten. (Kuva 24)
3. Poista liika kennosuodattimesta varovasti napauttamalla tai harjaamalla. Parhaan suorituskyvyn saavuttamiseksi suosittelemme suodattimen vaihtamista 3–6 kuukauden välein, käyttöasteesta riippuen.
4. Laita puhdistettu tai uusi suodatin paikalleen edellä kuvattujen ohjeiden mukaisesti.

VAAHTOMUOVISUODATTIMEN ASENNUS JA PUHDISTUS

Huom: Irrota laite pistorasiasta aina ennen huoltotoimenpiteiden suorittamista.

Asenna vaahtomuovisuodatin

Ennen kuin asennat vaahtomuovisuodattimen, poista kuivapölysuodatin ohjeiden mukaisesti.

Liuta vaahtomuovisuodatin varovasti suodatinkoteloon siten, että kotelo peittyy kokonaan. (Kuva 9 & 25)

Puhdista vaahtomuovisuodatin

Poista vaahtomuovisuodatin varovasti. (Kuva 26)

Pese vaahtomuovisuodatin miedolla saippuvedellä ja huuhtele puhtaalla vedellä. (Kuva 27)

Anna suodattimen kuivua ilmassa ennen seuraavaa asennusta ja käyttöä.

V Voltti

Hz Hertz

~ Vaihtovirta

W Watti



Lue ohjeet huolellisesti ennen laitteen käynnistämistä.



II luokan laitteisto



Kierrätä



Älä hävitä sähkötyökaluja kotitalousjätteen mukana.

Käyttöikänsa päänhan tulleet sähkötyökalut ja elektroniset laitteet on kerättävä erikseen ja toimitettava niille tarkoitettuun ympäristövaatimukset täyttävään jätteenkierrätyslaitokseen. Kysy paikalliselta viranomaiselta tai jälleenmyyjältä kierrätysneuvoja ja keräyspiste.



Eurooppalainen vaatimustenmukaisuusmerkintä

SYMBOLIT



VAROITUS! VAROITUS! VAARA!





Suomi

USEIN KYSYTYT KYSYMYKSET

VAROITUS!

Pienennä henkilövahingon vaaraa irrottamalla imurin pistoke pistorasiasta aina ennen huolto-/vianmääritystarkistuksia

Ongelma	Syy	Ratkaisu
Laite ei toimi.	Laitteessa ei ole virtaa. Toimintahäiriö virtajohdossa, kytkimessä tai moottorissa. Säiliö täynnä nestettä.	Tarkista virransyöttö. Anna pätevän henkilön tarkistaa viallinen osa tai vaihda se. Tyhjennä säiliö.
Pölyä poistuu moottorin kannesta.	Pölypussi revennyt tai puuttuu kokonaan.	Laita pölypussi paikalleen tai vaihda se.
Heikko imuteho ja suuri moottorin nopeus / voimakas tärinä.	Pölypussi täynnä. Imusuutin, letku tai säiliön tuloaukko tukossa.	Vaihda pölypussi. Tarkista imusuutin, letku ja säiliön tuloaukko tukoksen varalta.





Norsk

BESKRIVELSER

Komponentliste

1. Forlengelsesstav (x3)
2. Gulvverktøy
3. Slisseverktøy
4. Slangesett
5. Hjul (x4)
6. Håndtak
7. Skumfilter
8. Skruer
9. Støvpose
10. Viftetilkobling
11. Filterkurv
12. Sikkerhetsflottventil
13. Patronfilterhette
14. Patronfilter (ikke-vaskbart)
15. Av/På-bryter
16. Tilkobling for vakuumslangen
17. Klemme (x2)
18. Tank
19. Avløpsutgang

SPESIFIKASJONER

Forsyningsspenning	220-240V~50 Hz
Nominell effekt	1250 W
Tankvolum	20 L
Slangesystem	Ø 35 mm
Filter – tørt	Patronfilter
Filter – vått	Skumfilter
IP-klassifisering	IPX4
Suging	17 kpa / 2.47 PSI
Maks luftstrøm l/sek motor	48.5 dm ³ /s
Maks vak. trykk l/sek motor	20.5 Kpa
Ledningslengde	4 m
Vekt – i samsvar med EPTA-prosedyre 01/2003	3.6 kg

⚠ ADVARSEL!

Les alle sikkerhetsadvarslene og alle instruksjonene. Dersom man ikke holder seg til advarsler og instruksjoner kan det føre til elektrisk støt, brann og/eller alvorlig personskade.

Ta vare på alle advarsler og anvisninger for senere bruk.

GENERELLE SIKKERHETSADVARSLER FOR ELEKTRISK VERKTØY

⚠ ADVARSEL!

Dette apparatet er i samsvar med de obligatoriske sikkerhetsforskriftene for elektrisk utstyr. Men feil bruk kan være skadelig for personer og eiendom. Les denne bruksanvisningen nøye og fullstendig før du slår på apparatet. Oppbevar bruksanvisningen, garantisertifikatet, kvitteringen, samt pakningen og pakningsmaterialene hvis mulig.

Dette apparatet ble designet kun til bruk i privat sektor og til det beregnede formålet. Apparatet er ikke egnet for kommersiell bruk. Ikke bruk apparatet utendørs (med mindre det har blitt spesifikt designet for utendørs bruk). Ikke utsett apparatet for varme, direkte sollys eller svært høy fuktighet (f.eks. regn).

Dykk aldri produktet ned i væsker, og vær klar over skarpe kanter som kan skade det. Bruk aldri apparatet med våte eller fuktige hender. Trekk ut pluggen umiddelbart dersom apparatet blir vått eller fuktig under drift. Ikke dykk apparatet ned i vann.

Denne våte/tørre støvsugeren skal kun brukes og oppbevares i et privat hjem.

Apparatet er designet til å støvsuge materialer som ikke er skadelige for helsen og som ikke er antennerlige.

Hold aldri kontaktene foran ansiktet ditt (spesielt øyne, ører osv.). Rett aldri dysen mot personer eller dyr.

Bruk kun apparatet til det tiltenkte formålet. Enhver annen type bruk er på egen risiko og er muligens farlig.

Andre bruksområder og drift uten tilsyn er ikke tillatt. Produsenten kan ikke gjøres ansvarlig for skader som er forårsaket av feil bruk eller feil betjening.

Bruk verneklær og -hansker.

Koble apparatet kun til en 240 V vekselstrømskontakt.

Se til at riktig støvpose er satt inn sikkert i holderen før bruk av apparatet. Feil støvpose eller feil installerte støvposer kan forårsake skade på apparatet og gjøre garantien ugyldig.

Hvis strømledningen er skadet, må den skiftes helt ut sammen med kabelbeskytteren eller av et autorisert servicesenter eller annen kvalifisert serviceorganisasjon.

Ikke støvsug aske, varm kull og lignende, store glassbiter og skarpe gjenstander.

Ikke støvsug noe annet tonerstøv som brukes i skrivere og kopimaskiner for eksempel fordi de er elektrisk ledende. I tillegg er det mulig at det ikke vil filtreres helt ut av filtersystemet for den våte/tørre vakuummengjøringsmaskinen og kan frigis til luften via eksosviften.

Støvsug aldri antennerlige eller giftige væsker som bensin,





Norsk

olje, syrer eller andre flyktige stoffer.

Ikke støvsug opp væsker som er varmere enn 60 °C eller noen andre giftige eller antenkelige støvtyper.

Legg aldri apparatet på siden. Vær spesielt oppmerksom på en horisontal posisjon og tilstrekkelig stabilitet på trapper.

Trekk alltid ut pluggen til apparatet etter bruk og før rengjøring eller utskifting av filtre eller tilbehør.

Der er kun opplærte spesialister som kan foreta reparasjoner på elektrisk utstyr. Feil reparasjon kan føre til en betydelig fare for brukeren.

Ikke oppbevar apparatet direkte ved siden av en varm ovn eller radiator.

Barn, tilbakestående personer og eldre er ofte ikke klar over de farene som kan oppstå fra håndtering av elektriske apparater. Personene som er nevnt ovenfor og uopplærte personer må aldri arbeide med dette elektriske apparatet.

Ved rengjøring eller fjerning av apparatet, slå det alltid av. Trekk ut pluggen fra kontakten hvis du ikke skal bruke apparatet i lengre tid. Trekk aldri i kablet for å koble fra apparatet, trekk heller i selve pluggen. Og fjern eventuelle spesialtilbehør fra apparatet.

Hold alltid apparatet rent. Ikke bruk noen løsemidler eller rengjøringsmidler som kan skade eller være farlige for apparatet eller brukeren.

Forlat aldri apparatet påslått og uten tilsyn. Hvis du forlater arbeidsområdet, slå av apparatet eller trekk ut pluggen fra kontakten (ikke trekk etter ledningen, bruk pluggen).

For å beskytte barn mot elektriske husholdningsapparater, se til at kablet ikke kan få barn til å snuble, og ikke gi barn tilgang til apparatet.

Bruk aldri apparatet når du er under påvirkning av legemidler, alkohol eller narkotika, hvis du er under medisinsk behandling, eller hvis du er trøtt.

Kontroller apparatet og strømledningen regelmessig for eventuell skade. Ikke bruk skadede apparater.

Ikke prøv å reparere apparatet selv. Bruk alltid en autorisert tekniker for reparasjoner. Få alltid defekte strømledninger erstattet umiddelbart av produsenten eller en kvalifisert serviceorganisasjon. Bruk samme type kabel for å forhindre enhver fare for elektrisk støt og skade.

Bruk kun originale reservedeler og tilbehør. Ikke-godkjente deler eller tredjeparts tilbehør kan være en mulig farekilde og gjøre garantien ugyldig.

Kontroller flottøren ofte.

Hvis du merker lekkasje fra apparatet, slå det av umiddelbart og trekk ut pluggen.

Ikke dykk apparatet ned i vann. Se til at det ikke søles vann på apparatet.

Ved kassering av avfallsvann, se til at du overholder

eventuelle juridiske forskrifter.

Bruk kun apparatet på et sikkert og tørt sted utlignelig for barn.

Vær også oppmerksom på følgende "Spesielle sikkerhetsregler".

Dette apparatet skal ikke brukes eller rengjøres av personer med reduserte fysiske, sensoriske eller mentale evner, eller personer som ikke har tilstrekkelig erfaring eller kunnskap, unntatt hvis de har fått opplæring av en person som er rettslig ansvarlig for deres sikkerhet i hvordan man trygt bruker apparatet. I så tilfelle skal slike personer ha tilsyn under bruk. Barn skal ikke bruke, rengjøre eller leke med dette apparatet. Apparatet må være plassert og sikret utenfor barns rekkevidde når det ikke brukes.

Barn må passes på for å sikre at de ikke leker med utstyret.

Hvis nettleddningen er skadet, må den byttes ut av produsenten, produsentens serviceleverandør eller en annen kvalifisert person for å unngå at det oppstår farlige situasjoner.

Strøm skal forsynes på for å sikre at de ikke leker med utstyret. Hvis nettleddningen er skadet, må den byttes ut av produsenten, produsentens serviceleverandør eller en annen kvalifisert person for å unngå at det oppstår farlige situasjoner.

Bruk kun en værfast skjøteledning. Kontroller skjøteledningen før hver bruk for skade. Vikle alltid ut skjøteledningen under bruk, da viklete ledninger kan bli overopphetet. Skadede skjøteledninger skal ikke repareres. De skal skiftes ut med en tilsvarende type.

VED BRUK AV VIFTEFUNKSJON:

Rett lufttømmingen kun mot arbeidsområdet - aldri mot personer eller dyr.

Ikke bruk viften som en sprayer i våt modus. Bruk en støvmaske og vernebriller.

ADVARSEL

Slå alltid av og trekk ut pluggen til maskinen fra strømuttaket før montering, åpning, tømming av støvbeholderen, før tilkobling/frakobling av velegg eller utføring av vedlikeholds- eller feilsøkingsskontroller.

VIKTIG!

Hvis slangen eller verktøyene er blokkert, slå av rengjøringsenheten og fjern blokkeringen(e) før gjenstart av maskinen.

VIKTIG!

Rengjør filtre og skift dem ut regelmessig for å opprettholde





Norsk

støvsugingsytelsen. Vax anbefaler at filtrene kontrolleres, rengjøres og skiftes ut regelmessig.

SKADE PÅ STØVSUGEREN SOM ER FORÅRSAKET SOM ET DIREKTE RESULTAT AV Å IKKE OVERHOLDE GENERELL SIKKERHETSINFORMASJON OG INSTRUKSJONENE I DENNE BRUKERHÅNDBOKEN, UGYLDIGGJØR GARANTIE.

OPPBEVAR DISSE ANVISNINGENE FOR YTTERLIGERE BRUK.

EN 60335-2-2:2010/A1:2013
EN 62233:2008
EN 55014-1:2017
EN 55014-2:2015
EN 61000-3-2:2014
EN 61000-3-3:2013
EN IEC 63000:2018

Winnenden, 2020-05-25

Branko Lenger
Senior Vice President, Engineering and Quality - Asia,
Engineering Commercial Product Development
Autorisert til å compilere den tekniske filen.



Techtronic Industries GmbH
Max-Eyth-Straße 10
71364 Winnenden
Germany

SPESIELLE SIKKERHETSREGLER

Støvsug aldri varm aske, spisse eller skarpe gjenstander.

Bruk aldri apparatet i fuktige rom.

Bruk ikke apparatet uten en støvpose (et unntak er våt støvsuging eller med patronfilteret). Se til at støvposen settes riktig inn i apparatet.

Ved bruk av apparatet, se til at ingen hår, klær eller kroppsdeler trekkes inn.

Hold støvsugeren på avstand fra varmekilder som strålevarmere, ovner og så videre.

AVFALLSHÅNTERINGSINFORMASJON

Apparatet inneholder elektriske og elektroniske komponenter og kan ikke kastes som husholdningsavfall.

Den lokale og aktuelt gjeldende lovgivningen må observeres ubetinget.

FORMÅLSMESSIG BRUK

Apparatet egner seg til å plukke opp tørt, ikke-antennelig støv og væsker.

Dette apparatet ble designet kun til bruk i privat sektor og til det beregnede formålet. Apparatet er ikke egnet for kommersiell bruk. Ikke bruk apparatet utendørs (med mindre det har blitt spesifikt designet for utendørs bruk). Ikke utsett apparatet for varme, direkte sollys eller svært høy fuktighet (f.eks. regn).

En annen bruk anses som feil bruk. Produsenten tar ikke noen ansvar for noen skade som forårsakes av slik bruk. Risikoen for slik bruk bæres kun av brukeren.

Riktig bruk inkluderer også riktig betjening, service og reparasjoner, slik som spesifisert av produsenten.

EU-ERKLÆRING OM SAMSVAR

Vi erklærer på eget ansvar at produktet beskrevet under «Tekniske data» oppfyller alle de relevante bestemmelsene i direktivene 2011/65/EU (RoHS), 2014/35/EU, 2014/30/EU og at følgende standarder er brukt:
EN 60335-1:2012/A2:2019

PAKNINGENS INNHOLD

Se fig. 2 - 4.

Pakk forsiktig ut innholdet i boksen.

Hold de to klemmene i den øvre posisjonen og brett dem oppover.

Løsne klemmene, fjern den øvre delen og fjern innholdet fra tanken.

Sjekk delene ved bruk av komponentlisten for å sikre at de er fullstendige og at det ikke har blitt noen skade under transporten.

Hvis noen deler mangler eller er skadet, ta kontakt med forhandleren umiddelbart.

MONTERING

1. Se til at strømledningen er koblet fra strømuttaket.
2. Løsne klemmene. (Figur 2)
3. Løft toppdelen av fra tanken. (Figur 3)
4. Fjern innholdet fra innsiden av tanken. (Figur 4)
5. Vend tanken oppned, og sett inn hjulene på de fire føttene til tanken.
6. Se til at de er riktig montert. Ikke overstram. (Figur 5)
7. Sett inn håndtaket i åpningene på strømhodet og trykk på plass. (Figur 6)
8. For tørr støvsuging installer medfølgende patronfilter og støvpose. (Figur 7, Figur 8)
9. For våt støvsuging installer medfølgende skumfilter. (Figur 9)





Norsk

10. Skift ut toppdelen av tanken. (Figur 10)
11. Innjuster toppdelen med klemmene og klem dem på plass ved å påføre trykk inntil klemmene klikker. (Figur 10)
12. Sett inn den store enden av slangen i frontinntaket på tanken og dreii for å låse. (Figur 11)
13. Fest nødvendig tilbehør på sugeslangen. (Figur 12)

BRUK

TØRR STØVSUGING

ADVARSEL

Se til at du leser, forstår og bruker sikkerhetsanvisningene.

Påminnelse: IKKE støvsug farlige stoffer. Bruk av feil støvpose vil gjøre garantien ugyldig.

1. Se til at strømledningen er koblet fra strømuttaket.
2. Se til at patronfilteret er helt montert.
3. Se til at filteret er satt helt inn. (Figur 13) Verifiser at støvposen er installert på innsiden av tanken. (Figur 8)
4. Skift ut toppdelen på tanken og sikre den på plass ved bruk av klemmene. (Figur 10)
5. Sett inn den store enden av slangen i frontinntaket på tanken og lås den på plass. Skyv det nødvendige festet på den frie enden av slangen eller forlengelsen. (Figur 12)
6. Plugg strømledningen inn i strømuttaket.
7. Slå på motoren ved å vippe bryteren til stillingen "I" (på). (Figur 14)
8. Når du er ferdig med å støvsuge, vipp bryteren til stillingen "O" (av) og trekk ut strømledningen fra strømuttaket. (Figur 15)

ADVARSEL

IKKE BRUK PATRONFILTERET FOR VÅTE ELLER SKARPE MATERIALER.

IKKE BRUK STØVPOSE FOR VÅT STØVSUGING.

VÅT STØVSUGING

ADVARSEL

1. Se til at du leser, forstår og bruker sikkerhetsanvisningene.
Påminnelse: IKKE støvsug farlige stoffer.
2. Se til at strømledningen er koblet fra strømuttaket. Se til at tanken er ren og fri for støv og smuss.
3. Fjern patronfilteret og støvposen, og installer et skumfilter over filterkurven, og plasser toppdelen tilbake på tanken. (Figur 9)
IKKE bruk patronfilteret for våte eller skarpe materialer.
4. Monter den ønskede dysen på filterslangen. (Figur 12)
5. Se til at bryteren er i stillingen "O" (av) før du plugger

inn strømledningen i strømuttaket.

6. Slå på motoren ved å vippe bryteren til stillingen "I" (på). (Figur 14)
7. Etter bruk, vipp bryteren til stillingen "O" (fig. 15) og trekk ut strømledningen, deretter tøm og tørk tanken. (Figur 16, Figur 17)

ADVARSEL

Skumfilteret må fjernes etter våt støvsuging, og et partonfilter må installeres igjen før tørr støvsuging.

VIKTIG!

Ved støvsuging av store væskemengder, ikke dykk dysen helt ned i væsken, la det være igjen en åpning på spissen av dyseåpningen for å la luft strømme inn.

Maskinen er montert med en flottørventil som stopper sugehandlingen når beholderen når sin maksimale kapasitet. Du vil merke en økning i motorhastigheten.

Når dette skjer, slå av maskinen, koble den fra strømforsyningen og tøm væsken ned i en egnet beholder eller avløp. For å fortsette støvsugingen, monter beholderen med avløpshetten. Etter våt støvsuging slå av maskinen og fjern pluggen fra strømforsyningen.

Tøm beholderen, rengjør og tørk innsiden og utsiden før lagring.

VIFTEOPERASJON

Denne våte/tørre støvsugeren har evner til å blåse.

For å bruke blåsefunkskkjonen følg de opplistede anvisningene.

ADVARSEL

Ta alltid på vernebriller før bruk av blåseren.

Ikke blås avfall mot folk som står i nærheten.

Bruk støvmaske hvis blåsingen skaper støv som kan inhaleres.

1. Sett inn den store enden av slangen i toppen av motorhuset. (Figur 18)
2. Monter spalteverktøyet til støvsugingsslangen. (Figur 19)
3. Se til at strømbryteren er slått av og plugg inn i strømuttaket.
4. Slå på motoren ved å vippe bryteren til stillingen "I" (på). (Figur 14)
5. Enheten vil nå kun blåse gjennom vakuumslangen og kan brukes til å fjerne tilstoppinger inne i slangen.
6. Når du er ferdig med operasjonen, vipp bryteren til stillingen "O" (av) og trekk ut strømledningen fra strømuttaket. (Figur 15)

ADVARSEL

Hvis slangen fortsatt er blokkert etter noen sekunder, slå





Norsk

av enheten og tøm slangen manuelt.

VEDLIKEHOLD

INSTALLERING OG RENGJØRING AV TØRRFILTERET.

Nb: Trekk ut pluggen til maskinen fra strømuttaket før det utføres vedlikehold.

Installere tørt filter

1. Installer det tørre filteret over filterburet med den flate enden på filteret mot støvsugereffekthodet. Skyv forsiktig inn filteret inntil det stopper mot effekthodet. (Figur 20 & 21)
2. Plasser filterholderen oppå patronfilteret over den hevede kanten og trekk ned ved å dreie beholderen med klokka, ikke overstram. (Figur 22 & 23)

Fjerning og rengjøring av tørt filter (DETTE FILTERET KAN IKKE VASKES)

1. Lås opp og fjern filterholderen ved å dreie holderhåndtaket mot klokka.
2. Hold og trekk forsiktig tørrfilteret opp for å ta det ut. (Figur 24)
3. Rengjør patronfilteret ved å banke forsiktig eller børste av smuss. For optimal ytelse anbefales det regelmessig skifte dette filteret avhengig av bruksnivå (f.eks. 3-6 måneder).
4. Remonter rengjort eller nytt filter som anvist over.

INSTALLERE OG RENGJØRE SKUMFILTERET

Nb: Trekk ut pluggen til maskinen fra strømuttaket før det utføres vedlikehold.

Installere skumfilter

Følg anvisningene for å fjerne tørt støvfilter først før skifting til skumfilter.

Skyv skumfilteret forsiktig ned over filterburet for å se til at hele buret er dekket. (Figur 9 & 25)

Rengjøre skumfilteret

Fjern skumfilteret forsiktig. (Figur 26)

Bruk en mild såpe- og vannløsning for å vaske skumfilteret, og skyl med rent vann. (Figur 27)

La filteret tørke før installering og bruk igjen.

SYMBOLER



ADVARSEL! ADVARSEL! FARE!

V Volt

Hz Hertz

~ Vekselstrøm

W Watt



Vennligst les instruksjonene nøye før du starter maskinen.



Utstyr av klasse II



Gjenvinne



Elektriske verktøy skal ikke kastes sammen med annet husholdningsavfall.

Elektrisk og elektronisk utstyr som har nådd slutten av sin levetid, skal samles inn separat og returneres til en miljøkompatibel resirkuleringsstasjon. Forhør deg med de lokale myndighetene for resirkuleringsråd og innsamlingspunkt.



Europeisk samsvarsmerking





Norsk

OFTE STILTE SPØRSMÅL

ADVARSEL!

For å redusere risikoen for personskader trekk ut pluggen til rengjøringsenheten før det utføres vedlikehold/feilsøkingsskontroller.

Problem	Arsak	Løsning
Apparatet fungerer ikke.	Ingen strøm. Funksjonsfeil i strømledningen, bryteren eller motoren. Tanken er full av væske.	Kontroller strømforsyningen. Få den skadede delen kontrollert av kvalifisert personale, eller skift den ut. Tøm tanken.
Støv kommer ut av motordekselet.	Støvposen mangler eller er skadet.	Legg inn en støvpose eller skift den ut.
Lav sugkraft og høy motorhastighet / vibrasjoner.	Støvposen er full. Sugedyse, slange eller tankinntak er blokkert.	Skift ut støvposen. Kontroller sugedysen, slangen eller tankinntaket for tilstoppinger.





Русский

ОПИСАНИЯ

Перечень компонентов

1. Удлинительная штанга (x3)
2. Насадка для пола
3. Щелевая насадка
4. Шланг в сборе
5. Ролик (x4)
6. Ручка
7. Пенный фильтр
8. Винты
9. Пылесборный мешок
10. Соединение для воздуходувки
11. Корзина фильтра
12. Предохранительный поплавковый клапан
13. Крышка картриджного фильтра
14. Картриджный фильтр (не моющийся)
15. Тумблер включения/выключения
16. Соединение для вакуумного шланга
17. Зажим (x2)
18. Резервуар
19. Сливное отверстие

ТЕХНИЧЕСКИЕ ХАРАКТЕРИСТИКИ

Напряжение питания	220-240V~50 Hz
Номинальная мощность	1250 W
Объем резервуара	20 L
Шланговая система	Ø 35 mm
Фильтр – сухой	Картриджный фильтр
Фильтр – влажный	Пенный фильтр
Рейтинг IP	IPX4
Всасывание	17 kpa / 2.47 PSI
Макс. скорость возд. потока л/сек мотор	48.5 dm ³ /s
Макс. вак. давление л/сек мотор	20.5 Кра
Длина кабеля питания	4 m
Вес - в соответствии с Процедурой 01/2003 Европейской ассоциации производителей электроинструмента	3.6 kg

⚠ ОСТОРОЖНО!

Прочтите все указания и инструкции по технике

безопасности. Несоблюдение предостережений и инструкций может привести к поражению электрическим током, возгоранию и/или серьезным травмам.

Сохраните все предупреждения и инструкции для дальнейшего использования.

ОСНОВНЫЕ УКАЗАНИЯ ПО ТЕХНИКЕ БЕЗОПАСНОСТИ ПРИ РАБОТЕ С ЭЛЕКТРОИНСТРУМЕНТОМ

⚠ ОСТОРОЖНО!

Данный прибор соответствует обязательным требованиям безопасности для электрооборудования. Тем не менее, ненадлежащее использование может представлять опасность для людей и имущества. Внимательно ознакомьтесь с настоящей инструкцией по эксплуатации перед включением прибора. По возможности сохраните инструкцию по эксплуатации, гарантийный талон, чек, а также упаковку и упаковочный материал.

Настоящий прибор предназначен исключительно для использования в частном секторе, в указанных целях. Прибор не подходит для коммерческого использования. Эксплуатация прибора вне помещений не допускается (если он не предназначен для использования вне помещений). Не подвергайте прибор воздействию высоких температур, прямых солнечных лучей и повышенной влажности (например, дождя).

Не погружайте прибор в жидкости и следите за острыми углами, которые могут повредить его. Не касайтесь прибора мокрыми или влажными руками. Незамедлительно отключите от розетки при попадании влаги на работающий прибор. Запрещается погружать прибор в воду.

Данный пылесос для влажной и сухой уборки может использоваться и храниться только в частном жилище.

Прибор предназначен для уборки невоспламеняемых материалов, не представляющих опасности для здоровья.

Запрещается держать соединения перед лицом (особенно перед глазами, ушами и т.д.). Запрещается направлять сопло в сторону людей и животных.

Использовать только по прямому назначению. Вы принимаете на себя риск за любые другие формы использования, поскольку они потенциально опасны.

Другие варианты использования и работа без присутствия оператора не допускаются. Производитель не может быть привлечен к ответственности за ущерб, понесенный вследствие ненадлежащей или неправильной эксплуатации.





Русский

Используйте защитную одежду и перчатки.

Подключайте прибор только к розетке 240 В переменного тока.

Перед использованием прибора проверьте надежность установки пылевого мешка в держателе. Неподходящий пылевой мешок или его некорректная установка может привести к поломке прибора и снятию с гарантии.

В случае повреждения шнур питания необходимо заменить целиком, вместе с кабельным протектором в авторизованном сервисном центре или другой квалифицированной обслуживающей организации.

Запрещается пылесосить пепел, горячие угли и аналогичные материалы, а также крупные куски стекла и острые предметы.

Запрещается пылесосить тонерную пыль, применяемую, например, в принтерах и копировальный аппаратах по причине ее электропроводности. Кроме того, существует вероятность того, что она не будет удерживаться системой фильтрации пылесоса для влажной и сухой уборки и будет попадать в воздух через вытяжной вентилятор.

Запрещается пылесосить воспламеняющиеся и ядовитые жидкости, такие как бензин, масло, кислоты и другие летучие вещества.

Запрещается пылесосить жидкости, температура которых превышает 60°C, а также любую ядовитую или воспламеняемую пыль.

Запрещается ставить прибор на бок. Строго следите за горизонтальным положением и устойчивостью прибора на лестнице.

Всегда отключайте прибор от сети питания после использования и перед очисткой или заменой фильтров и принадлежностей.

К ремонту электрооборудования допускаются только обученные специалисты. Ненадлежащий ремонт может представлять серьезную угрозу для пользователя.

Запрещается хранить прибор в непосредственной близости от горячей плиты или радиатора.

Дети, лица с ограниченными возможностями и пожилые люди часто не подозревают об опасностях при обращении с электрическими приборами. Вышеуказанные категории лиц, а также неподготовленные лица не допускаются к работе с данным электроприбором.

При выполнении очистки или удалении прибора всегда выключайте его. Если вы не собираетесь использовать прибор в течение длительного времени, извлеките вилку из розетки. Запрещается тянуть за шнур питания, вместо этого нужно брать за саму вилку. Кроме того, отсоедините все принадлежности

от прибора.

Поддерживайте прибор в чистоте. Запрещается использовать растворители или чистящие средства, способные навредить прибору или пользователю.

Никогда не оставляйте включенный прибор без присмотра. Покидая рабочую зону, выключайте прибор и вынимайте вилку из розетки (тяните за вилку, а не за шнур).

В целях защиты детей от бытовых электроприборов разместите шнур таким образом, чтобы дети не споткнулись об него, а также не подпускайте детей к прибору.

Запрещается использовать прибор под воздействием медикаментов, алкоголя или наркотиков, а также если вы проходите курс лечения или чувствуете усталость.

Регулярно осматривайте прибор и шнур питания на предмет повреждений. Использование неисправных приборов не допускается.

Не пытайтесь выполнять ремонт прибора самостоятельно. Всегда обращайтесь к авторизованным техническим специалистам. Неисправные шнуры питания подлежат немедленной замене производителем или квалифицированной обслуживающей организацией. Используйте шнур аналогичного типа во избежание риска поражения током или травмы.

Используйте только оригинальные и запасные детали и принадлежности. Неодобренные детали и принадлежности сторонних производителей могут являться потенциальным источником опасности, их использование может привести к снятию с гарантии.

Часто проверяйте поплавок.

Если вы заметили, что из прибора вытекает жидкость, немедленно выключите его и отсоедините от розетки.

Запрещается погружать прибор в воду. Не допускайте попадания воды на прибор.

Слив отработанной воды должен осуществляться с соблюдением всех нормативных требований.

Хранить прибор следует в безопасном сухом месте вне досягаемости от детей.

Кроме того, обратите особое внимание на нижеуказанные "Специальные правила безопасности".

Данное устройство не предназначено для использования или очистки людьми с ограниченными физическими или умственными способностями или людьми с недостаточным опытом и знаниями. Исключением является случай, когда они были обучены пользованию устройством лицом, ответственным за их





Русский

безопасность. Такие люди должны быть под наблюдением при использовании данного устройства. Дети не должны использовать, очищать это устройство или играть с ним. Оно должно храниться в недоступном для детей месте.

Дети должны контролироваться, чтобы гарантировать, что они не играют с прибором.

При повреждении кабеля электропитания, во избежание потенциального риска, его замену должен осуществлять производитель, сервисный агент или другое лицо соответствующей квалификации.

Питание должно поступать через устройство дифференциальной защиты (RCD), отключающееся при силе тока свыше 30 мА.

Допускается использование только влагонепроницаемого удлинительного шнура. Перед каждым использованием проверяйте удлинительный шнур на предмет повреждений. Всегда раскручивайте удлинительный шнур в процессе использования, поскольку скрученные шнуры могут перегреваться. Поврежденный удлинительный шнур ремонту не подлежит. Его необходимо заменить на аналогичный.

ПРИ ИСПОЛЬЗОВАНИИ ФУНКЦИИ ВОЗДУХОДУВКИ:

Поток воздуха направлять только на рабочую зону, и никогда - на людей и животных.

Использование воздуходувки в качестве распылителя в режиме влажной уборки не допускается. Используйте пылезащитную маску и защитные очки.

⚠ ОСТОРОЖНО

Всегда выключайте прибор и отсоединяйте от розетки перед сборкой, открытием, опустошением контейнера для сбора грязи, подсоединением/отсоединением принадлежностей, проведением технического обслуживания и проверки технического состояния.

ВАЖНОЕ ЗАМЕЧАНИЕ!

В случае засора шланга или инструментов выключите пылесос и удалите засор перед повторным запуском устройства.

ВАЖНОЕ ЗАМЕЧАНИЕ!

Регулярная очистка и замена фильтров обеспечивает оптимальную производительность пылесоса. Vax рекомендует периодически выполнять проверку, очистку и замену фильтров.

ПОВРЕЖДЕНИЕ ПЫЛЕСОСА В СЛЕДСТВИЕ НЕСОБЛЮДЕНИЯ ОБЩИХ УКАЗАНИЙ ПО БЕЗОПАСНОСТИ И ИНСТРУКЦИЙ, ПРЕДСТАВЛЕННЫХ В НАСТОЯЩЕМ

РУКОВОДСТВЕ ПОЛЬЗОВАТЕЛЯ, НЕ ЯВЛЯЕТСЯ ГАРАНТИЙНЫМ СЛУЧАЕМ

СОХРАНИТЕ ДАННУЮ ИНСТРУКЦИЮ ДЛЯ ДАЛЬНЕЙШЕГО ИСПОЛЬЗОВАНИЯ.

ОСОБЫЕ ПРАВИЛА БЕЗОПАСНОСТИ

Запрещается пылесосить горячий пепел, заостренные или острые предметы.

Запрещается использовать прибор во влажных помещениях.

Запрещается использовать прибор без пылевого мешка (исключением является влажная уборка или применение картриджного фильтра). Проверьте правильность установки пылевого мешка в приборе.

В ходе работы с прибором не допускайте попадания в него волос, предметов одежды и частей тела.

Держите прибор на расстоянии от источников тепла, таких как радиаторные обогреватели, печи и так далее.

ИНФОРМАЦИЯ ОБ УТИЛИЗАЦИИ

Прибор содержит электрические и электронные компоненты и не подлежит утилизации вместе с бытовыми отходами.

Действующее местное законодательство должно соблюдаться неукоснительно.

ИСПОЛЬЗОВАНИЕ

Прибор подходит для уборки сухой невоспламеняемой пыли и жидкостей.

Настоящий прибор предназначен исключительно для использования в частном секторе, в указанных целях. Прибор не подходит для коммерческого использования. Эксплуатация прибора вне помещений не допускается (если он не предназначен для использования вне помещений). Не подвергайте прибор воздействию высоких температур, прямых солнечных лучей и повышенной влажности (например, дождя).

Использование прибора в иных целях является ненадлежащим. Производитель не несет ответственности за ущерб, понесенный вследствие такого использования. Риск за подобный характер эксплуатации берет на себя пользователь.

Надлежащее использование предполагает правильную эксплуатацию, обслуживание и ремонт в соответствии с рекомендациями производителя.





Русский

ДЕКЛАРАЦИЯ О СООТВЕТСТВИИ ЕЭС

Мы заявляем со всей ответственностью, что изделие, описанное в разделе "Технические характеристики", отвечает всем соответствующим положениям директив 2011/65/EU (RoHs), 2014/35/EU, 2014/30/EU и соответствует следующим гармонизированным стандартам:

EN 60335-1:2012/A2:2019
 EN 60335-2-2:2010/A1:2013
 EN 62233:2008
 EN 55014-1:2017
 EN 55014-2:2015
 EN 61000-3-2:2014
 EN 61000-3-3:2013
 EN IEC 63000:2018

Winnenden, 2020-05-25

Branko Lenger
 Senior Vice President, Engineering and Quality - Asia,
 Engineering Commercial Product Development
 Авторизованный составитель технической документации.



Techtronic Industries GmbH
 Max-Eyth-Straße 10
 71364 Winnenden
 Germany

СОДЕРЖИМОЕ УПАКОВКИ

См. рис. 2 - 4.

Аккуратно распакуйте содержимое коробки.

Удерживайте фиксирующие верхнюю часть зажимы в данном положении и сместите их вверх.

Раскройте зажимы, снимите верхнюю часть и извлеките содержимое из резервуара.

Сверьтесь с перечнем компонентов, убедитесь в наличии всех деталей и отсутствии повреждений при транспортировке.

В случае недостатка или повреждения каких-либо деталей немедленно свяжитесь с поставщиком.

СБОРКА

1. Убедитесь в том, что шнур питания отсоединен от розетки.
2. Раскройте зажимы. (Рисунок 2)

3. Снимите верхнюю часть с резервуара. (Рисунок 3)
4. Извлеките содержимое резервуара. (Рисунок 4)
5. Переверните резервуар и вставьте ролики в ножки резервуара.
6. Надежно закрепите их. Не перетягивайте. (Рисунок 5)
7. Вставьте рукоять в отверстия силовой головки и прижмите ее. (Рисунок 6)
8. Для выполнения сухой уборки установите входящие в комплект картриджный фильтр и пылевой мешок. (Рисунок 7, Рисунок 8)
9. Для выполнения влажной уборки установите входящий в комплект пенный фильтр. (Рисунок 9)
10. Установите верхнюю часть на резервуар. (Рисунок 10)
11. Выровняйте верхнюю часть с под зажимы и закройте их, надавив сверху до характерного щелчка. (Рисунок 10)
12. Вставьте шланг большим концом в переднее впускное отверстие резервуара и поверните его, чтобы зафиксировать. (Рисунок 11)
13. Установите необходимую насадку на всасывающую трубку. (Рисунок 12)

ЭКСПЛУАТАЦИЯ

СУХАЯ УБОРКА

ОСТОРОЖНО

Внимательно ознакомьтесь с инструкциями по безопасности и соблюдайте их.

Напоминание: ЗАПРЕЩАЕТСЯ пылесосить опасные вещества. Использование неподходящего пылевого мешка влечет за собой снятие с гарантии.

1. Убедитесь в том, что шнур питания отсоединен от розетки.
2. Убедитесь в том, что картриджный фильтр полностью установлен.
3. Убедитесь в том, что фильтр вставлен до конца. (Рисунок 13) Проверьте, чтобы внутри резервуара был установлен пылевой мешок. (Рисунок 8)
4. Установите верхнюю часть на резервуар и зафиксируйте ее зажимами. (Рисунок 10)
5. Вставьте шланг большим концом в переднее впускное отверстие резервуара и зафиксируйте его. Установите необходимую насадку на свободный конец шланга или удлинителя. (Рисунок 12)
6. Подсоедините шнур питания к электрической розетке.
7. Включите двигатель, переведя выключатель в положение "I" (ВКЛ). (Рисунок 14)
8. По завершении уборки переведите выключатель в





Русский

положение "О" (ВЫКЛ) и извлеките шнур питания из розетки. (Рисунок 15)

⚠ ОСТОРОЖНО

ЗАПРЕЩАЕТСЯ ИСПОЛЬЗОВАТЬ КАРТРИДЖНЫЙ ФИЛЬТР ПРИ УБОРКЕ ВЛАЖНЫХ ИЛИ ОСТРЫХ МАТЕРИАЛОВ.

НЕ ИСПОЛЬЗУЙТЕ ПЫЛЕВОЙ МЕШОК ВО ВРЕМЯ ВЛАЖНОЙ УБОРКИ.

ВЛАЖНАЯ УБОРКА

⚠ ОСТОРОЖНО

1. Внимательно ознакомьтесь с инструкциями по безопасности и соблюдайте их.
Напоминание: **ЗАПРЕЩАЕТСЯ** пылесосить опасные вещества.
2. Убедитесь в том, что шнур питания отсоединен от розетки.
3. Убедитесь в чистоте резервуара и в отсутствии в нем пыли и грязи.
3. Извлеките картриджный фильтр и пылевой мешок, после чего установите пенный фильтр поверх корзиночного фильтра и поместите верхнюю часть обратно на резервуар. (Рисунок 9)
ЗАПРЕЩАЕТСЯ использовать картриджный фильтр при уборке влажных или острых материалов.
4. Установите нужную насадку на вакуумный шланг. (Рисунок 12)
5. Перед подсоединением шнура питания к электрической розетке убедитесь в том, что выключатель находится в положении "О" (ВЫКЛ).
6. Включите двигатель, переведя выключатель в положение "I" (ВКЛ). (Рисунок 14)
7. После использования переведите выключатель в положение "О" (Рис. 15) и отсоедините шнур питания, далее опустошите и высушите резервуар. (Рисунок 16, Рисунок 17)

⚠ ОСТОРОЖНО

По завершении влажной уборки необходимо извлечь пенный фильтр, и перед началом сухой уборки необходимо установить картриджный фильтр.

ВАЖНОЕ ЗАМЕЧАНИЕ!

В процессе уборки больших объемов жидкостей запрещается полностью погружать насадку в жидкость; оставьте зазор между краем насадки и жидкостью для обеспечения потока воздуха.

Устройство оснащается поплавковым клапаном, прекращающим всасывание при заполнении контейнера. Вы заметите увеличения скорости работы

двигателя.

В этом случае выключите устройство, отсоедините его от розетки и слейте жидкость в подходящий резервуар или канализацию. Для дальнейшей уборки установите сливную крышку на контейнер. По завершении влажной уборки отключите устройство и извлеките вилку из розетки электропитания.

Перед размещением на хранение опустошите контейнер, очистите и осушите внутреннюю и внешнюю поверхность.

ФУНКЦИЯ ВОЗДУХОДУВКИ

Данный пылесос для влажной и сухой уборки оснащен функцией воздуходувки.

При использовании функции воздуходувки следуйте указанным инструкциям.

⚠ ОСТОРОЖНО

Перед началом работы всегда надевайте защитные очки.

Не допускайте попадания выдаваемого мусора на окружающих.

Если в ходе работы поднимается пыль, способная попасть в органы дыхания, используйте пылезащитную маску.

1. Вставьте шланг большим концом в соединение воздуходувки на верхней части корпуса двигателя. (Рисунок 18)
2. Подсоедините щелевую насадку к шлангу. (Рисунок 19)
3. Убедитесь в том, что выключатель питания находится в положении ВЫКЛ., и вставьте вилку в розетку.
4. Включите двигатель, переведя выключатель в положение "I" (ВКЛ). (Рисунок 14)
5. Блок начнет выдавать воздух через шланг и может использоваться для прочистки шланга.
6. По завершении работы переведите выключатель в положение "О" (ВЫКЛ) и извлеките шнур питания из розетки. (Рисунок 15)

⚠ ОСТОРОЖНО

Если по прошествии нескольких секунд шланг не прочистился, выключите блок и прочистите шланг вручную.

ТЕХНИЧЕСКОЕ ОБСЛУЖИВАНИЕ

УСТАНОВКА И ОЧИСТКА СУХОГО ФИЛЬТРА

Примечание: Перед выполнением технического обслуживания отсоедините устройство от розетки.



Русский

Установка сухого фильтра

1. Установите сухой фильтр поверх каркаса фильтра плоским концом к силовой головке пылесоса. Аккуратно нажимайте на фильтр до тех пор, пока он не упрется в силовую головку. (Рисунок 20 & 21)
2. Установите фиксатор на верхнюю часть картриджного фильтра, поверх специальной кромки и закрепите его, вращая по часовой стрелке, но не перетягивайте. (Рисунок 22 & 23)

Снятие и очистка сухого фильтра (ДАННЫЙ ФИЛЬТР НЕ МОЕТСЯ)

1. Раскройте и снимите фиксатор фильтра, вращая его рукоять против часовой стрелке.
2. Осторожно вытяните сухой фильтр вертикально. (Рисунок 24)
3. Очистите картриджный фильтр, аккуратно постучав по нему пальцем или смахнув грязь. Для обеспечения оптимальной работы рекомендуется регулярно менять данный фильтр в зависимости от частоты использования (например, через 3-6 месяцев).
4. Установите чистый или новый фильтр на место в соответствии с инструкциями выше.

УСТАНОВКА И ОЧИСТКА ПЕННОГО ФИЛЬТРА

Примечание: Перед выполнением технического обслуживания отсоедините устройство от розетки.

Установка пенного фильтра

Извлеките сухой пылевой фильтр по инструкции, после чего замените пенный фильтр.

Аккуратно наденьте пенный фильтр на каркас фильтра, закрыв его целиком. (Рисунок 9 & 25)

Очистка пенного фильтра

Аккуратно извлеките пенный фильтр. (Рисунок 26)

Промойте пенный фильтр мыльным раствором и ополосните его чистой водой. (Рисунок 27)

Дождитесь высыхания фильтра для дальнейшей установки и использования.

УСЛОВНЫЕ ОБОЗНАЧЕНИЯ



ВНИМАНИЕ! ОСТОРОЖНО! ОПАСНО!

V Вольт

Hz Герц

~ Переменный ток

W Ватт



Перед использованием прибора внимательно ознакомьтесь с данной инструкцией.



Оборудование класса II



Повторный цикл



Запрещается выбрасывать электроинструменты вместе с бытовым мусором.

Электрическое и электронное оборудование, выработавшее свой ресурс, должно утилизироваться отдельно в условиях специального перерабатывающего предприятия. Уточните порядок утилизации и местонахождения пункта приема у местных властей или поставщика.



Знак соответствия европейским стандартам



Русский

ВОПРОСЫ И ОТВЕТЫ

⚠ ОСТОРОЖНО!

В целях снижения риска получения травмы отключайте пылесос от сети перед выполнением технического обслуживания/проверки технического состояния.

Неисправность	Причина	Способ устранения
Прибор не работает.	Отсутствует питание. Неисправность шнура питания, выключателя или двигателя. Резервуар полон.	Проверьте источник питания. Обратитесь к квалифицированным специалистам для проверки и замены неисправной детали. Опустошите резервуар.
Пыль выходит из-под крышки двигателя.	Пылевой мешок отсутствует или поврежден.	Установите или замените пылевой мешок.
Недостаточная мощность всасывания и высокая скорость работы / вибрации двигателя.	Пылевой мешок заполнен. Засор всасывающей насадки, шланга или входного отверстия резервуара.	Установите пылевой мешок на место. Осмотрите всасывающую насадку, шланг и впускное отверстие резервуара на предмет засоров.



**Polski****OPISY****Listy części**

1. Przedłużenie (x3)
2. Końcówka do podłóg
3. Końcówka do odkurzania szczeliny
4. Zestaw węża
5. Kółko (x4)
6. Rękojeść
7. Filtr piankowy
8. Wkręty
9. Worek na pył
10. Złącze dmuchawy
11. Koszyk filtra
12. Pływakowy zawór bezpieczeństwa
13. Nasadka filtru wkładowego
14. Filtr wkładowy (niezmywalny)
15. Przełącznik Wł-Wył
16. Złącze węża zasysającego
17. Zacisk (x2)
18. Zbiornik
19. Spust

PARAMETRY TECHNICZNE

Napięcie zasilania	220-240V~50 Hz
Moc znamionowa	1250 W
Objętość zbiornika	20 L
Typ węża	Ø 35 mm
Filtr suchy	Filtr z wkładem filtrującym
Filtr mokry	Filtr piankowy
Klasa IP	IPX4
Ssanie	17 kpa / 2.47 PSI
Maks. przepływ powietrza l/s silnik	48.5 dm ³ /s
Maks. podciśnienie l/s silnik	20.5 Kpa
Długość przewodu	4 m
Ciężar - zgodnie z procedurą EPTA 01/2003	3.6 kg

⚠ OSTRZEŻENIE!

Zapoznaj się ze wszystkimi zasadami bezpieczeństwa i instrukcjami. Nieprzestrzeganie instrukcji i zasad bezpieczeństwa zawartych w ostrzeżeniach grozi porażeniem prądem elektrycznym, pożarem lub poważnymi obrażeniami.

Zachowaj wszystkie ostrzeżenia i instrukcje do wykorzystania w przyszłości.

OGÓLNE ZASADY BEZPIECZEŃSTWA DOTYCZĄCE URZĄDZEŃ ELEKTRYCZNYCH**⚠ OSTRZEŻENIE!**

To urządzenie jest zgodne z obligatoryjnymi przepisami bezpieczeństwa dotyczącymi sprzętu elektrycznego. Niewłaściwe użytkowanie może być jednak szkodliwe dla osób i mienia. Przed włączeniem urządzenia należy uważnie zapoznać się z całą niniejszą instrukcją obsługi. W miarę możliwości należy zachować instrukcje obsługi, świadectwo gwarancji, paragon, a także opakowania i materiały opakowaniowe.

Urządzenie przeznaczone jest wyłącznie do użytku osobistego i do wyznaczonego celu. Urządzenie nie nadaje się do użytku komercyjnego. Nie używać urządzenia na zewnątrz (chyba że zostało specjalnie zaprojektowane do użytku na zewnątrz). Nie narażać urządzenia na działanie ciepła, bezpośredniego światła słonecznego lub bardzo wysokiej wilgotności (np. deszczu).

Nigdy nie zanurzać urządzenia w płynach i uważać na ostre krawędzie, które mogą je uszkodzić. Nigdy nie używać urządzenia, trzymając je mokrymi lub wilgotnymi dłońmi. Natychmiast odłączyć urządzenie, jeśli w trakcie pracy ulegnie zamoczeniu lub zawilgoceniu. Nie zanurzać urządzenia w wodzie.

Ten odkurzacz do odkurzania na sucho i na mokro może być używany i przechowywany wyłącznie w gospodarstwach domowych.

Urządzenie przeznaczone jest do odkurzania substancji, które nie są niebezpieczne dla zdrowia ani łatwopalne.

Nigdy nie należy trzymać złączy przed twarzą (a zwłaszcza przy oczach, uszach itp.). Nigdy nie kierować dyszy w stronę osób lub zwierząt.

Urządzenia należy używać wyłącznie zgodnie z jego przeznaczeniem. Wszelkie inne rodzaje użytkowania odbywają się na własne ryzyko użytkownika i mogą być niebezpieczne.

Inne zastosowania i pozostawianie działającego urządzenia bez nadzoru są niedozwolone. Producent nie ponosi odpowiedzialności za szkody spowodowane niewłaściwym użytkowaniem lub nieprawidłowym działaniem.

Nosić odzież ochronną, w tym rękawice.

Urządzenie należy podłączać wyłącznie do gniazda prądu przemiennego 240 V.

Przed użyciem worek na kurz został prawidłowo włożony do uchwyty. Niewłaściwy lub nieprawidłowo zamontowany worek na kurz może spowodować uszkodzenie urządzenia





Polski

i unieważnienie gwarancji.

Jeśli przewód zasilający jest uszkodzony, musi zostać w całości wymieniony wraz z osłoną przez autoryzowane centrum serwisowe lub inne wykwalifikowane organizacje serwisowe.

Nie odkurzać popiołów, gorących węgli itp., dużych fragmentów szkła ani ostrych przedmiotów.

Nie odkurzać pyłu z tonera, stosowanego na przykład w drukarkach i kopiarkach, ponieważ przewodzi on prąd elektryczny. Ponadto istnieje możliwość, że nie zostanie on całkowicie odfiltrowany przez układ filtrujący odkurzacza i może zostać uwolniony do powietrza przez wentylator wydmuchowy.

Nigdy nie odkurzać łatwopalnych lub trujących cieczy, takich jak benzyna, olej, kwasy lub inne lotne substancje.

Nie odkurzać cieczy o temperaturze przekraczającej 60°C ani trujących lub łatwopalnych pyłów.

Nigdy nie kłaść urządzenia na boku. Zwrócić szczególną uwagę na położenie poziome i odpowiednią stabilność na schodach.

Zawsze odłączać urządzenie od zasilania po użyciu i przed czyszczeniem lub wymianą filtrów lub akcesoriów.

Naprawy sprzętu elektrycznego mogą wykonywać wyłącznie przeszkoleni specjaliści. Niewłaściwe naprawy mogą spowodować poważne zagrożenie dla użytkownika.

Nie przechowywać urządzenia bezpośrednio przy gorącym piekarniku lub grzejniku.

Dzieci, osoby niepełnosprawne i osoby w podeszłym wieku często nie są świadome zagrożeń, które mogą wynikać z obsługi urządzeń elektrycznych. Wyżej wymienione osoby oraz osoby nieprzeszkolone nigdy nie mogą pracować z tym urządzeniem elektrycznym.

Na czas czyszczenia lub przechowywania urządzenia należy je zawsze wyłączać. Wyjąć wtyczkę z gniazdka, jeśli nie zamierza się używać urządzenia przez dłuższy czas. Nigdy nie pociągać za kabel, aby odłączyć urządzenie — zamiast tego pociągnąć za wtyczkę. Należy również wyjąć z urządzenia wszelkie akcesoria specjalne.

Urządzenie należy zawsze utrzymywać w czystości. Nie należy używać rozpuszczalników ani środków czyszczących, które mogą uszkodzić urządzenie lub być szkodliwe dla użytkownika.

Nigdy nie pozostawiać włączonego urządzenia bez nadzoru. Przed opuszczeniem obszaru roboczego należy wyłączyć urządzenie lub odłączyć je od gniazdka (ciągnąc za wtyczkę, a nie za przewód).

Aby chronić dzieci przed elektrycznymi urządzeniami gospodarstwa domowego, należy upewnić się, że nie mogą się one potknąć o przewód, a ponadto nie dawać dzieciom dostępu do urządzenia.

Nigdy nie używać urządzenia pod wpływem leków,

alkoholu lub narkotyków, w trakcie choroby lub w stanie zmęczenia.

Regularnie sprawdzać urządzenie i przewód zasilający pod kątem ewentualnych uszkodzeń. Nie używać uszkodzonych urządzeń.

Nie próbować naprawiać urządzenia samodzielnie. Naprawy należy zawsze powierzać wykwalifikowanemu technikowi. Wymianę wadliwych przewodów zasilających należy niezwłocznie powierzać producentowi lub wykwalifikowanemu serwisowi. Użyć tego samego typu kabla, aby zapobiec jakemukolwiek niebezpieczeństwu porażenia prądem i obrażeń.

Stosować wyłącznie akcesoria i części zamienne. Niezatwierdzone części lub akcesoria innych producentów mogą stanowić źródło zagrożenia i spowodować utratę gwarancji.

Często sprawdzać pływak.

W przypadku zauważenia wycieku płynu z urządzenia należy je natychmiast wyłączyć i odłączyć od zasilania.

Nie zanurzać urządzenia w wodzie. Upewnić się, że woda nie została rozlana na urządzenie.

Podczas usuwania ścieków należy przestrzegać wszelkich przepisów prawa.

Urządzenie należy przechowywać wyłącznie w bezpiecznym i suchym miejscu poza zasięgiem dzieci.

Należy również zwrócić szczególną uwagę na wymienione poniżej „Specjalne zasady bezpieczeństwa”.

To urządzenie nie jest przeznaczone do użytkowania lub czyszczenia przez osoby o ograniczonej zdolności fizycznej, czuciowej lub umysłowej, lub nieposiadające doświadczenia i wiedzy, chyba że zostały one poinstruowane w zakresie bezpiecznego użytkowania urządzenia przez osobę odpowiedzialną za ich bezpieczeństwo. Takie osoby powinny być nadzorowane podczas używania urządzenia. Dzieciom nie wolno używać, czyścić ani bawić się tym urządzeniem. Nieużywane urządzenie powinna być bezpiecznie schowane poza zasięgiem dzieci.

Nie powinno się pozwalać dzieciom na zabawy z tym urządzeniem.

Jeżeli przewód zasilający jest uszkodzony, musi zostać wymieniony przez producenta, jego przedstawiciela serwisowego lub podobnie wykwalifikowane osoby, tak by można było uniknąć zagrożenia.

Zasilanie elektryczne powinno być dostarczane poprzez wyłącznik różnicowoprądowy (RCD) o prądzie zadziałania





Polski

nie większym niż 30 mA.

Używać wyłącznie przedłużaczy odpornych na warunki atmosferyczne. Przed każdym użyciem sprawdzić przedłużacz pod kątem braku uszkodzeń. Zawsze rozwijać przedłużacz na czas użytkowania, ponieważ zwinięte przewody mogą się przegrzewać. Uszkodzonych przedłużaczy nie należy naprawiać. Należy je wymienić na równoważny typ.

W PRZYPADKU KORZYSTANIA Z FUNKCJI DMUCHAWY:

Odprowadzać powietrze tylko w obrębie stanowiska pracy — nigdy na ludzi lub zwierzęta.

Nie używać dmuchawy jako opryskiwacza w trybie mokrym. Nosić maskę przeciwpyłową i okulary ochronne.

A OSTRZEŻENIE

Przed montażem, otwarciem, opróżnianiem pojemnika na brud, podłączeniem i odłączeniem osprzętu dodatkowego lub przeprowadzeniem kontroli konserwacyjnych i diagnostyki problemów należy zawsze wyłączyć urządzenie i odłączyć je od gniazdka elektrycznego.

WAŻNE!

Jeśli wąż lub narzędzia są zablokowane, przed ponownym uruchomieniem urządzenia należy wyłączyć odkurzacz i usunąć blokady.

WAŻNE!

Czyszczenie filtrów i ich regularna wymiana pozwalają na utrzymywanie odpowiedniej mocy ssania. Vax zaleca okresową kontrolę, czyszczenie i wymianę filtrów.

USZKODZENIE ODKURZACZA SPOWODOWANE BEZPOŚREDNIO PRZEZ NIEPRZESTRZEGANIE OGÓLNYCH ZASAD BEZPIECZEŃSTWA I WSKAZÓWEK ZAWARTYCH W NINIEJSZEJ INSTRUKCJI OBSŁUGI POWODUJE UTRATĘ GWARANCJI.

NINIEJSZĄ INSTRUKCJĘ NALEŻY ZACHOWAĆ DO WGLĄDU NA PRZYSZŁOŚĆ.

SPECJALNE ZASADY BEZPIECZEŃSTWA

Nigdy nie odkurzać gorących popiołów lub ostrych przedmiotów.

Nigdy nie używać urządzenia w wilgotnych pomieszczeniach.

Nie używać urządzenia bez worka na kurz (wyjątkiem jest odkurzanie na mokro lub z filtrem wkładowym). Upewnij się, że worek na kurz jest prawidłowo włożony do urządzenia.

Podczas użytkowania urządzenia należy upewnić się, że nie są wciągane żadne włosy, ubrania ani kończyny.

Odkurzacz należy przechowywać z dala od źródeł ciepła, takich jak grzejniki promiennikowe, piece itp.

INFORMACJE DOTYCZĄCE UTYLIZACJI

Urządzenie zawiera elementy elektryczne i elektroniczne i nie może być wyrzucane jako odpad komunalny.

Należy bezwarunkowo przestrzegać lokalnych i aktualnie obowiązujących przepisów.

WARUNKI UŻYTKOWANIA

Urządzenie nadaje się do zbierania suchego, niepalnego pyłu oraz cieczy.

Urządzenie przeznaczone jest wyłącznie do użytku osobistego i do wyznaczonego celu. Urządzenie nie nadaje się do użytku komercyjnego. Nie używać urządzenia na zewnątrz (chyba że zostało specjalnie zaprojektowane do użytku na zewnątrz). Nie narażać urządzenia na działanie ciepła, bezpośredniego światła słonecznego lub bardzo wysokiej wilgotności (np. deszczu).

Wszelkie inne zastosowania uważa się za niewłaściwe. Producent nie odpowiada za jakiegokolwiek szkody powstałe w wyniku takiego użytkowania. Ryzyko związane z takim użytkowaniem ponosi wyłącznie użytkownik.

Właściwe użytkowanie obejmuje również prawidłową eksploatację, serwisowanie i naprawy zgodnie z zaleceniami producenta.

DEKLARACJA ZGODNOŚCI WE

Oświadczamy na własną odpowiedzialność, że produkt opisany w sekcji „Specyfikacja” spełnia wszystkie istotne postanowienia dyrektyw 2011/65/UE (RoHS), 2014/35/UE, 2014/30/UE jak również że posłużono się następującymi normami zharmonizowanymi:

EN 60335-1:2012/A2:2019
EN 60335-2-2:2010/A1:2013
EN 62233:2008
EN 55014-1:2017
EN 55014-2:2015
EN 61000-3-2:2014
EN 61000-3-3:2013
EN IEC 63000:2018

Winnenden, 2020-05-25

Branko Lenger
Senior Vice President, Engineering and Quality - Asia,
Engineering Commercial Product Development





Polski

Uprawniony do sporządzania dokumentacji technicznej.



Techtronic Industries GmbH
Max-Eyth-Straße 10
71364 Winnenden
Germany

ZAWARTOŚĆ OPAKOWANIA

Zobacz rysunek 2 - 4.

Ostrożnie rozpakować zawartość opakowania.

Przytrzymać dwa zaciski, które utrzymują górną część w miejscu, i złożyć je do góry.

Poluzować zaciski, zdemontować górną część i opróżnić zbiornik.

Sprawdzić części, korzystając z listy komponentów, aby upewnić się, że wszystkie dostarczono, jak również że w trakcie transportu nie wystąpiły żadne uszkodzenia.

W przypadku braku lub uszkodzenia jakichkolwiek części należy niezwłocznie skontaktować się ze sprzedawcą.

MONTAŻ

1. Upewnić się, że przewód zasilający jest odłączony od gniazdka elektrycznego.
2. Odczepić zaciski. (Rysunek 2)
3. Podnieść górną część zbiornika. (Rysunek 3)
4. Usunąć zawartość zbiornika. (Rysunek 4)
5. Obrócić zbiornik do góry dnem i wprowadzić osie kółek w otwory w stopkach zbiornika.
6. Upewnić się, że są one prawidłowo zamontowane. Nie wciskać zbyt mocno. (Rysunek 5)
7. Wprowadzić uchwyt w szczeliny na głowicy i docisnąć go do oporu. (Rysunek 6)
8. W celu odkurzenia na sucho należy zainstalować dostarczony filtr wkładowy i worek na kurz. (Rysunek 7, Rysunek 8)
9. W celu odkurzenia na mokro należy zamontować dostarczony filtr piankowy. (Rysunek 9)
10. Ponownie zamontować górną część zbiornika. (Rysunek 10)
11. Wyrównać górną część z zaciskami i zatrzasknąć, naciskając aż do kliknięcia zacisków. (Rysunek 10)
12. Wprowadzić duży koniec węża w przedni wlot zbiornika i obrócić w celu zablokowania. (Rysunek 11)
13. Zamontować wymagane akcesorium na rurze ssącej. (Rysunek 12)

OBSŁUGA

ODKURZANIE NA SUCHO

OSTRZEŻENIE

Upewnić się, że operator przeczytał i zrozumiał instrukcje bezpieczeństwa oraz przestrzega ich.

Przypomnienie: **NIE** odkurzać substancji niebezpiecznych. Użycie nieprawidłowego worka na kurz spowoduje utratę gwarancji.

1. Upewnić się, że przewód zasilający jest odłączony od gniazdka elektrycznego.
2. Upewnić się, że filtr wkładowy jest całkowicie zamontowany.
3. Upewnić się, że filtr jest włożony do końca. (Rysunek 13) Sprawdzić, czy worek na kurz jest przymocowany do wnętrza zbiornika. (Rysunek 8)
4. Ponownie zamocować górną część zbiornika i zamocować ją za pomocą zacisków. (Rysunek 10)
5. Wprowadzić duży koniec węża w przedni wlot zbiornika i zablokować go. Wcisnąć wymaganą nasadkę na wolny koniec węża lub przedłużenia. (Rysunek 12)
6. Podłączyć przewód zasilający do gniazdka elektrycznego.
7. Włączyć silnik, przestawiając przełącznik w położenie „I” (WŁĄCZONE). (Rysunek 14)
8. Po zakończeniu odkurzenia należy przestawić przełącznik w położenie „O” (WYŁĄCZONY) i odłączyć przewód zasilający od gniazdka. (Rysunek 15)

OSTRZEŻENIE

NIE UŻYWAĆ FILTRA WKŁADOWEGO DO FILTROWANIA MATERIAŁÓW WILGOTNYCH LUB POSIADAJĄCYCH OSTRE KRAWĘDZIE.

NIE UŻYWAĆ WORKA NA KURZ DO ODKURZANIA CIECZY.

ODKURZANIE NA MOKRO

OSTRZEŻENIE

Upewnić się, że operator przeczytał i zrozumiał instrukcje bezpieczeństwa oraz przestrzega ich.

Przypomnienie: **NIE** odkurzać substancji niebezpiecznych.

1. Upewnić się, że przewód zasilający jest odłączony od gniazdka elektrycznego.
Upewnić się, że zbiornik jest czysty i wolny od kurzu i brudu.
2. Wyjąć filtr wkładowy i worek na kurz, zainstalować filtr piankowy nad koszem filtra i umieścić górną część z powrotem na zbiorniku. (Rysunek 9)
NIE używać filtra wkładowego do filtrowania materiałów wilgotnych lub posiadających ostre krawędzie.





Polski

- Zamontować wybraną dyszę na wężu ssącym. (Rysunek 12)
- Przed podłączeniem przewodu zasilającego do gniazdka upewnić się, że przełącznik znajduje się w położeniu „O” (WYŁĄCZONE).
- Włączyć silnik, przestawiając przełącznik w położenie „I” (WŁĄCZONE). (Rysunek 14)
- Po użyciu przestawić przełącznik w położenie „O” (rys. 15) i odłączyć przewód zasilający, a następnie opróżnić i wysuszyć zbiornik. (Rysunek 16, Rysunek 17)
- położeniu oznaczającym wyłączenie, i podłączyć źródło zasilania.
- Włączyć silnik, przestawiając przełącznik w położenie „I” (WŁĄCZONE). (Rysunek 14)
- Urządzenie będzie teraz wydmuchiwać powietrze przez wąż, co można wykorzystać do usunięcia jego zatorów.
- Po zakończeniu pracy z dmuchawą należy przestawić przełącznik w położenie „O” (WYŁĄCZONY) i odłączyć przewód zasilający od gniazdka. (Rysunek 15)

A OSTRZEŻENIE

Po odkurzeniu na mokro należy wyjąć filtr piankowy, a przed ponownym odkurzaniem na sucho należy zainstalować filtr wkładowy.

WAŻNE!

W przypadku odkurzania dużych ilości cieczy nie należy całkowicie zanurzać dyszy w cieczy, lecz pozostawić szczelinę na końcu otworu dyszy, aby umożliwić dopływ powietrza.

Urządzenie wyposażone jest w zawór pływakowy, który zatrzymuje ssanie, gdy zbiornik zostanie całkowicie napełniony. Można wówczas zaobserwować wzrost prędkości silnika.

W takim przypadku należy wyłączyć urządzenie, odłączyć je od zasilania i spuścić ciecz do odpowiedniego pojemnika lub kanału ściekowego. Aby kontynuować odkurzanie, zamontować ponownie pojemnik z korkiem spustowym. Po zakończeniu odkurzania na mokro wyłączyć zasilanie i wyciągnąć wtyczkę z gniazda.

Przed rozpoczęciem przechowywania opróżnić pojemnik oraz wyłączyć i osuszyć go od wewnątrz i od zewnątrz.

DZIAŁANIE DMUCHAWY

Ten odkurzacz do pracy na mokro/sucho może działać jako dmuchawa.

Aby skorzystać z funkcji dmuchawy, należy postępować zgodnie z podanymi instrukcjami.

A OSTRZEŻENIE

Przed użyciem dmuchawy należy zawsze założyć okulary ochronne.

Chronić osoby postronne przed odpadkami miotanymi w rezultacie działania dmuchawy.

Nosić maskę przeciwpyłową, jeżeli w wyniku nadmuchu powstaje pył, który może być wdychany.

- Włożyć duży koniec węża do przyłącza dmuchawy w górnej części obudowy silnika. (Rysunek 18)
- Zamontować końcówkę szczelinową na wężu. (Rysunek 19)
- Upewnić się, że wyłącznik zasilania znajduje się w

A OSTRZEŻENIE

Jeśli po kilku sekundach wąż nadal będzie zablokowany, należy wyłączyć urządzenie i udrożnić wąż ręcznie.

KONSERWACJA

INSTALACJA I CZYSZCZENIE FILTRA SUCHEGO

Uwaga: Przed wykonaniem czynności konserwacyjnych należy odłączyć urządzenie od gniazda zasilania.

Instalacja filtra suchego

- Zamontować filtr suchy nad kłatką filtra płaskim końcem filtra w kierunku głowicy odkurzacza. Ostrożnie wepchnąć filtr, aż zatrzyma się przy głowicy. (Rysunek 20 & 21)
- Umieścić element ustalający filtra na górze filtra wkładowego nad wypustem i dokręcić go, obracając element ustalający w prawo, jednak nie dokręcać go zbyt mocno. (Rysunek 22 & 23)

Demontaż i czyszczenie filtra suchego (TEN FILTR NIE NADAJE SIĘ DO MYCIA)

- Wyczyścić filtr wkładowy, delikatnie stukając w niego lub szczotkując go.
- Ostrożnie przytrzymać i wyciągnąć filtr suchy do góry w celu jego wyjęcia. (Rysunek 24)
- Wyczyścić filtr wkładowy, delikatnie stukając w niego lub szczotkując go. W celu uzyskania optymalnej wydajności zaleca się regularną wymianę tego filtra w zależności od stopnia zużycia (np. 3–6 miesięcy).
- Oczyszczony lub nowy filtr zamontować zgodnie z powyższą instrukcją.

MONTAŻ I CZYSZCZENIE FILTRA PIANKOWEGO

Uwaga: Przed wykonaniem czynności konserwacyjnych należy odłączyć urządzenie od gniazda zasilania.

Montaż filtra piankowego

Postępować zgodnie z instrukcjami, aby najpierw zdemontować suchy filtr przeciwpyłowy, a następnie zastąpić go filtrem piankowym.

Ostrożnie przesunąć filtr piankowy w dół, nasuwając go



Polski

na klatkę filtra, upewniając się, że cała klatka jest zakryta. (Rysunek 9 & 25)

Czyszczenie filtra piankowego

Ostrożnie zdemontować filtr piankowy. (Rysunek 26)

Umyć filtr piankowy łagodnym roztworem mydła w wodzie, a następnie opłukać go czystą wodą. (Rysunek 27)

Przed montażem i ponownym użyciem pozostawić filtr do wyschnięcia na powietrzu.

SYMBOLE



UWAGA! OSTRZEŻENIE!
NIEBEZPIECZEŃSTWO!

V Wolt

Hz Herc

~ Prąd przemienny

W Wat



Przed uruchomieniem urządzenia prosimy uważnie przeczytać instrukcję



Sprzęt klasy II



Oddać do recyklingu



Nie wyrzucać narzędzi elektrycznych z odpadami komunalnymi!

Zużyte narzędzia elektryczne i sprzęt elektroniczny muszą być zbierane osobno i zwracane do przestrzegającego przepisów dotyczących ochrony środowiska punktu recyklingu. Skontaktować się z lokalnymi władzami lub sprzedawcą detalicznym w celu uzyskania porad dotyczących recyklingu i punktu zbiórki odpadów.



Symbol zgodności z przepisami europejskimi



Polski

CZĘSTO ZADAWANE PYTANIA

⚠ OSTRZEŻENIE!

Aby zmniejszyć ryzyko obrażeń ciała, przed przystąpieniem do konserwacji/rozwiązywania problemów należy odłączyć odkurzacz od zasilania.

Problem	Przyczyna	Rozwiązanie
Urządzenie nie działa.	Brak zasilania. Usterka funkcjonalna przewodu zasilającego, przełącznika lub silnika. Zbiornik jest całkowicie napęczniały ciecżą.	Sprawdzić zasilanie. Zlecić kontrolę uszkodzonej części wykwalifikowanemu personelowi lub wymienić ją. Opróżnić zbiornik.
Pył wydostaje się z pokrywy silnika.	Brakuje worka na kurz lub jest on uszkodzony.	Włożyć worek na kurz lub wymienić go.
Niska moc ssania i wysoka prędkość obrotowa silnika / wibracje.	Worek na kurz jest pełny. Ssawka, wąż lub wlot zbiornika są zablokowane.	Wymienić worek na kurz. Sprawdzić, czy ssawka, wąż i wlot zbiornika nie są zatkane.





Čeština

POPISY

Seznam součástí

1. Prodlužovací trubice na stěny (3×)
2. Podlahová hubice
3. Štěrbínová hubice
4. Sestava hadice
5. Kolečko (4×)
6. Rukojeť
7. Pěnový filtr
8. Šrouby
9. Sáček pro prach
10. Připojení fukaru
11. Košíkový filtr
12. Bezpečnostní plovákový ventil
13. Víko kazetového filtru
14. Kazetový filtr (neomývatelný)
15. Spínač On/Off (Omývatelný)
16. Připojení pro hadici vysavače
17. Svorka (2×)
18. Nádrž
19. Vypouštěcí otvor

TECHNICKÉ ÚDAJE

Napájecí napětí	220-240V~50 Hz
Jmenovitý výkon	1250 W
Objem nádrže	20 L
Systém hadic	Ø 35 mm
Filtr – suchý	Kazetový filtr
Filtr – mokrý	Pěnový filtr
Stupeň krytí	IPX4
Sací podtlak	17 kpa / 2.47 PSI
Maximální průtok vzduchu l/s motor	48.5 dm ³ /s
Maximální sací tlak l/s motor	20.5 Kpa
Délka kabelu	4 m
Hmotnost v souladu s postupem EPTA 01/2003	3.6 kg

A VAROVÁNÍ!

Přečtěte si všechny pokyny a bezpečnostní varování. Nedodržování upozornění a těchto pokynů může vést k úrazu elektrickým proudem, ke vzniku požáru nebo vážnému zranění.

Ušchovejte si všechny pokyny a varování pro budoucí nahlédnutí.

OBECNÁ BEZPEČNOSTNÍ VAROVÁNÍ K POHÁNĚNÝM NÁSTROJŮM

A VAROVÁNÍ!

Tento spotřebič vyhovuje předepsaným bezpečnostním předpisům pro elektrické vybavení. Nesprávné používání však může přivodit úraz lidem a škody na majetku. Před zapnutím spotřebiče si prosím pozorně přečtěte celý tento návod k používání. Uchovávejte návod k použití, záruční list, účet a původní obal, pokud je to možné.

Tento spotřebič je určen pouze k používání v soukromém sektoru a k navrženému účelu. Tento spotřebič není vhodný pro komerční účely. Nepoužívejte spotřebič venku (pokud nebyl specificky navržen pro venkovní použití). Nevystavujte spotřebič vlivu horka, přímého slunečního svitu nebo velmi vysoké vlhkosti (např. dešti).

Nikdy nenořte spotřebič do tekutin a dávejte pozor na ostré hrany, které by jej mohly poškodit. Nikdy neobsluhujte spotřebič mokřma nebo vlhkýma rukama. Odpojte spotřebič v okamžiku, když začne být při provozu mokrý nebo vlhký. Neponořujte spotřebič do vody.

Tento vysavač na sucho může být používán a skladován jen v soukromém domě.

Tento spotřebič je navržen k vysávání materiálů, které neohrožují Vaše zdraví a nejsou hořlavé.

Nikdy nedržte kontakty před obličejem (zejména před očima, ušima atd.). Nikdy neobracejte trysky proti osobám nebo zvířatům.

Používejte spotřebič jen k účelu, k němuž byl vyroben. Všechny ostatní druhy používání jsou na Vaše riziko a jsou potenciálně nebezpečné.

Jiné druhy používání a provoz bez obsluhy nejsou povoleny. Výrobce nemůže převzít odpovědnost za škody způsobené nesprávným používáním nebo nesprávným provozem.

Používejte ochranný oděv a rukavice.

Připojte spotřebič pouze do zásuvky se střídaným proudem a napětím 240 V.

Před použitím spotřebiče se ujistěte, že je správný prachový sáček řádně vložen do svého držáku. Nesprávný prachový sáček nebo nesprávně vložené prachové sáčky mohou zapříčinit poškození spotřebiče a zavinit zneplatnění záruky.

Jestliže je napájecí kabel poškozen, musí být kompletně vyměněn i s chráničem v autorizovaném servisu nebo v jiné kvalifikované servisní organizaci.

Nevyšávejte popel, horké uhlíky a podobné odpadky, velké úlomky skla ani ostré předměty.

Nevyšávejte prach z toneru používaného například v tiskárnách a kopírkách, protože je elektricky vodivý. Navíc je možné, že prach nebude úplně odfiltrován





Čeština

filtračním systémem vysavače na mokro/na sucho a může se uvolňovat do vzduchu prostřednictvím výfukového ventilátoru.

Nikdy nevysávejte hořlavé nebo toxické tekutiny jako benzín, olej, kyseliny nebo další prchavé látky.

Nevysávejte kapaliny o teplotě přesahující 60 °C nebo toxický či hořlavý prach.

Nikdy nepokládejte spotřebič na bok. Na schodech dbejte především na vodorovnou pozici a adekvátní stabilitu.

Po použití a před čištěním nebo výměnou filtrů nebo příslušenství spotřebič vždy vypněte.

Elektrické zařízení mohou opravovat pouze vyškolení specialisté. Neodborné opravy by mohly vyústit v závažné nebezpečí pro uživatele.

Neukládejte spotřebič v blízkosti horkého topidla nebo radiátoru.

Děti, postižení a staří lidé si často neuvědomují nebezpečí vyplývající z používání elektrických spotřebičů. Výše zmiňované osoby nikdy nesmí pracovat s tímto elektrospotřebičem.

Při čištění nebo ukližení spotřebiče jej vždy vypněte. Pokud se spotřebič nechystáte v dohledné době použít, vytáhněte napájecí kabel ze zásuvky. Nikdy nevytahujte vodič ze zásuvky za kabel, raději jej vytáhněte za zástrčku. Odpojte také od spotřebiče všechny speciální doplňky.

Udržujte spotřebič stále v čistotě. Nepoužívejte rozpouštědla ani čističe, které by mohly poškodit spotřebič nebo poranit uživatele.

Nikdy nenechávejte spotřebič zapnutý bez dozoru. Při odchodu z pracoviště vypněte spotřebič nebo jej odpojte ze zásuvky (netahejte za kabel, ale použijte zástrčku).

Abyste ochránili děti před elektrickými spotřebiči v domácnosti, zajistěte, aby nemohly zakopnout o kabel a aby neměly přístup ke spotřebiči.

Spotřebič nikdy nepoužívejte pod vlivem léků, alkoholu nebo drog a jste-li právě pod lékařským dohledem nebo jste unaveni.

Pravidelně kontrolujte spotřebič i napájecí kabel, zda nejsou poškozeny. Nepoužívejte poškozené spotřebiče.

Nepokoušejte se samostatně opravovat porouchaný spotřebič. K opravám vždy využijte služeb autorizovaného technika. Poškozené napájecí kabely si neprodleně nechte vyměnit výrobcem nebo v autorizovaném servisu. Používejte stejný typ kabelů, abyste zabránili nebezpečí elektrického šoku a úrazu elektrickým proudem.

Používejte pouze původní náhradní díly a příslušenství. Neschválené součástky nebo doplňky vyrobené cizí firmou mohou být zdrojem nebezpečí a způsobit ztrátu záruky.

Často kontrolujte plovák.

Pokud zjistíte, že ze spotřebiče uniká kapalina, neprodleně

jej vypněte a odpojte ze zásuvky.

Neponořujte spotřebič do vody. Ujistěte se, že spotřebič není polity vodou.

Při likvidaci odpadní vody se ujistěte, že dodržujete právní předpisy.

Spotřebič uchovávejte na bezpečném a suchém místě mimo dosah dětí.

Dbejte zejména na následující „Zvláštní bezpečnostní předpisy“.

Tento spotřebič není určen pro používání nebo čištění osobami se sníženou tělesnou, smyslovou nebo duševní schopností nebo nedostatkem zkušeností a znalostí, pokud neprošli školením ohledně používání spotřebiče od osoby zodpovědné za jejich bezpečnost. Je nutný dohled, když spotřebič používají. Děti nesmí tento spotřebič používat, čistit nebo si s ním hrát, když není používán, je nutno jej zabezpečit proti přístupu.

Děti je třeba kontrolovat, aby se zajistilo, že si nebudou hrát s přístrojem.

Je-li napájecí kabel poškozen, je nutné jej nechat vyměnit u výrobce, příslušného servisního zástupce nebo u podobně kvalifikovaných osob, aby tak bylo zabráněno rizikům.

Elektrina by měla být dodávána přes proudový chránič (RCD) s vypínacím proudem nepřesahujícím 30 mA.

Používejte pouze vodě odolný prodlužovací kabel. Před každým použitím zkontrolujte prodlužovací kabel, zda není poškozen. Prodlužovací kabel během používání vždy rozvíňte, protože svinuté kabely se mohou přehřát. Poškozené prodlužovací kabely by se neměly opravovat. Měly by být nahrazeny rovnocenným typem.

PŘI POUŽÍVÁNÍ FUNKCE FUKARU:

Vypouštějte vzduch jen do pracovního prostoru – nikdy ne na lidi či zvířata.

Nepoužívejte fukar jako rozstřikovač v mokrému režimu. Mějte nasazenu protiprachovou ústenku a ochranné brýle.

! VAROVÁNÍ

Vždy vypněte přístroj a odpojte jej ze zásuvky před montáží, otevřením, vyprazdňováním nádrže na špinavou vodu, před připojením/odpojením doplňků nebo před údržbou či opravou.

DŮLEŽITÉ!

Jestliže jsou hadice nebo nástroje ucpány, vypněte čistič a odstraňte ucpávku(-y), než spustíte stroj nanovo.



Čeština

DŮLEŽITÉ!

Čištění filtrů a jejich pravidelná výměna udržují výkonnost vysavače. Vax doporučuje, abyste pravidelně kontrolovali, čistili a vyměňovali filtry.

POŠKOZENÍ VYSAVAČE V PŘÍMÉM DŮSLEDKU PORUŠENÍ VŠEOBECNÝCH BEZPEČNOSTNÍCH INFORMACÍ A INSTRUKCÍ V TÉTO UŽIVATELSKÉ PŘÍRUČCE RUŠÍ PLATNOST ZÁRUKY.

UCHOVEJTE SI PROSÍM TYTO POKYNY PRO DALŠÍ POUŽITÍ.

ZVLÁŠTNÍ BEZPEČNOSTNÍ PŘEDPISY

Nikdy nevysávejte horký popel ani špičaté nebo ostré předměty.

Nikdy nepoužívejte spotřebič ve vlhkých místnostech.

Nepoužívejte spotřebič bez prachového sáčku (výjimkou je vysávání na mokro s kazetovým filtrem). Ujistěte se, že je prachový sáček správně vložen do spotřebiče.

Při používání spotřebiče se ujistěte, že do něho nejsou nasávány chlupy a že se nepřisává k oděvům nebo členům domácnosti.

Udržujte vysavač dále od tepelných zdrojů, jako jsou radiátory, sporáky apod.

INFORMACE K LIKVIDACI

Spotřebič obsahuje elektrické a elektronické součástky a nemůže být vyhozen do domovního odpadu.

Bezpodmínečně je nutno dodržovat platné místní předpisy.

OBLAST VYUŽITÍ

Spotřebič je vhodný k uklízení suchého, nehořlavého prachu a kapalin.

Tento spotřebič je určen pouze k používání v soukromém sektoru a k navrženému účelu. Tento spotřebič není vhodný pro komerční účely. Nepoužívejte spotřebič venku (pokud nebyl specificky navržen pro venkovní použití). Nevystavujte spotřebič vlivu horka, přímého slunečního svitu nebo velmi vysoké vlhkosti (např. dešti).

Jakékoli jiné použití je považováno za nesprávné. Výrobce nepřebírá odpovědnost za žádnou škodu způsobenou nesprávným použitím. Riziko spojené s takovýmto použitím nese na svých bedrech výlučně uživatel.

Správné používání zahrnuje také správný provoz, údržbu a opravy podle specifikace výrobce.

PROHLÁŠENÍ O SHODĚ EC

Prohlašujeme v souladu s naší výhradní odpovědností, že výrobek popsany v části „Technické údaje“ splňuje všechna relevantní ustanovení směrnice 2011/65/EU (RoHS), 2014/35/EU, 2014/30/EU a že byly použity následující harmonizované normy:

EN 60335-1:2012/A2:2019
 EN 60335-2-2:2010/A1:2013
 EN 62233:2008
 EN 55014-1:2017
 EN 55014-2:2015
 EN 61000-3-2:2014
 EN 61000-3-3:2013
 EN IEC 63000:2018

Winnenden, 2020-05-25



Branko Lenger
 Senior Vice President, Engineering and Quality - Asia,
 Engineering Commercial Product Development
 Pověření sestavením technické dokumentace.



Techtronic Industries GmbH
 Max-Eyth-Straße 10
 71364 Winnenden
 Germany

OBSAH BALENÍ

Viz obrázek 2 - 4.

Opatrně rozbalte obsah krabice.

Přidrte obě svorky, které drží horní víko ve své pozici, a sklopte je nahoru.

Povolte svorky, odklopte horní víko a vylijte obsah nádrže. Zkontrolujte prosím součástky podle seznamu a ujistěte se, že jsou všechny a že nebyly poškozeny při přepravě.

Pokud některá ze součástí chybí nebo je poškozena, kontaktujte prosím neprodleně svého prodejce.

MONTÁŽ

1. Ujistěte se, že je napájecí kabel odpojen od zásuvky.
2. Povolte svorky. (Obr. 2)
3. Zvedněte horní víko nádrže. (Obr. 3)
4. Odstraňte vnitřní obsah nádrže. (Obr. 4)
5. Obratle nádrž vzhůru nohama a připojte kolečka na čtyři nožičky nádrže.
6. Ujistěte se, že jsou správně přimontována.



Čeština

- Nedotahujte je příliš. (Obr. 5)
- Vložte rukojeť do otvoru v hlavě pohonu a zatlačte ji na místo. (Obr. 6)
 - Pro vysávání na sucho nainstalujte dodaný kazetový filtr a prachový sáček. (Obr. 7, Obr. 8)
 - Pro vysávání na sucho nainstalujte dodaný pěnový filtr. (Obr. 9)
 - Přiklopte horní víko nádrže. (Obr. 10)
 - Srovnajte horní víko nádrže podél svorek a zatlačte je na místo, až svorky zacvaknou. (Obr. 10)
 - Vložte dlouhý konec hadice do přední vpusti nádrže a zajistěte jej otočením. (Obr. 11)
 - Připojte na sací trubici požadované příslušenství. (Obr. 12)

OBSLUHA

VYSÁVÁNÍ NA SUCHO

VAROVÁNÍ

Ujistěte se, že jste přečetli, pochopili a uplatnili bezpečnostní pokyny.

Upozornění: NEVYSÁVEJTE nebezpečné látky. Používání nesprávného prachového sáčku má za následek ukončení platnosti záruky.

- Ujistěte se, že je napájecí kabel odpojen od zásuvky.
- Ujistěte se, že je kazetový filtr důkladně namontován.
- Zajistěte úplné zasunutí filtru. (Pozice 13) Ověřte si, že je prachový sáček nainstalován dovnitř nádrže. (Obr. 8)
- Přiklopte horní víko nádrže a zajistěte je svorkami. (Obr. 10)
- Vložte dlouhý konec hadice do přední vpusti nádrže a zajistěte jej. Zasaňte požadovaný nástavec do volného konce hadice nebo prodlužovací trubice. (Obr. 12)
- Připojte napájecí kabel do elektrické zásuvky.
- Zapněte motor přepnutím přístroje do pozice „I“ (ZAPNUTO). (Obr. 14)
- Po dokončení vysávání přepněte vypínač do polohy „O“ (VYPNUTO) a odpojte napájecí kabel ze zásuvky. (Obr. 15)

VAROVÁNÍ

NEPOUŽÍVEJTE KAZETOVÝ FILTR NA MOKRÉ NEBO OSTRÉ MATERIÁLY.

NEPOUŽÍVEJTE PRACHOVÝ SÁČEK PŘI VYSÁVÁNÍ NA MOKRO.

VYSÁVÁNÍ NA MOKRO

VAROVÁNÍ

- Ujistěte se, že jste přečetli, pochopili a uplatnili bezpečnostní pokyny.

Upozornění: NEVYSÁVEJTE nebezpečné látky.

- Ujistěte se, že je napájecí kabel odpojen od zásuvky. Ujistěte se, že je nádrž čistá a zbavená prachu a špíny.
- Vyjměte kazetový filtr a prachový sáček a nad košíkový filtr nainstalujte pěnový filtr, pak přiklopte horní víko zpět na nádrž. (Obr. 9)
NEPOUŽÍVEJTE kazetový filtr na mokré nebo ostré materiály.
- Připojte k sací hadici požadovanou trysku. (Obr. 12)
- Zajistěte přepnutí přístroje do pozice „O“ (VYPNUTO), než připojíte napájecí kabel do zásuvky.
- Zapněte motor přepnutím přístroje do pozice „I“ (ZAPNUTO). (Obr. 14)
- Po použití přepněte spotřebič do pozice „O“ (obr. 15), odpojte napájecí kabel a pak vyprázdněte a vysušte nádrž. (Obr. 16, Obr. 17)

VAROVÁNÍ

Po vysávání na mokro musí být odstraněn pěnový filtr a před vysáváním na sucho musí být zpět nainstalován kazetový filtr.

DŮLEŽITÉ!

Když vysáváte velké množství tekutiny, nenote trysku úplně do kapaliny; nechte před konečkem trysky mezeru, abyste zde umožnili proudění vzduchu.

Přístroj je vybaven plovákovým ventilem, který zastaví sání, když nádrž dosáhne své maximální kapacity. Povšimnete si zvýšení otáček motoru.

Když se tak stane, vypněte přístroj, odpojte jej ze zásuvky a vylijte tekutinu do vhodné nádrže nebo do odtoku. Abyste mohli pokračovat ve vysávání, nasadte na nádrž vypouštěcí víčko. Po dokončení vysávání na mokro přístroj vypněte a odpojte od zdroje elektrického napětí.

Vyprázdněte nádrž, vyčistěte a vysušte její vnitřní i vnější povrch, než přístroj uložíte.

PROVOZ FUKARU

Tento vysavač na mokro/na sucho má funkci fukaru.

Při používání fukaru dodržujte uvedené pokyny.

VAROVÁNÍ

Před použitím fukaru si vždy nasadte ochranné brýle.

Dbejte na to, aby okolostojící nebyli zasaženi vyfukovanými nečistotami.

Jestliže foukání vytváří prach, který byste mohli vdechnout, nasadte si protiprachovou ústenku.

- Vložte dlouhý konec hadice do přípojky fukaru ve vrchní části krytu motoru. (Obr. 18)
- Připojte k sací hadici štěrbínovou hubici. (Obr. 19)
- Ujistěte se, že je přístroj vypnut, a připojte jej do zásuvky.



Čeština

- Zapněte motor přepnutím přístroje do pozice „I“ (ZAPNUTO). (Obr. 14)
- Jednotka nyní bude foukat skrze sací hadici a může být použita k odstranění překážek v hadici.
- Po dokončení činnosti přepněte vypínač do polohy „O“ (VYPNUTO) a odpojte napájecí kabel ze zásuvky. (Obr. 15)

VAROVÁNÍ

Jestliže i po několika sekundách zůstává hadice ucpána, vypněte jednotku a vyčistěte hadici ručně.

ÚDRŽBA

INSTALACE A ČIŠTĚNÍ SUCHÉHO FILTRU.

Poznámka: Před zahájením údržby odpojte přístroj ze zásuvky.

Instalace suchého filtru

- Nasaďte suchý filtr na filtrační klíčku plochou stranou filtru směrem k hlavě pohonu. Opatrně zasuňte filtr a potlačte jej, až se zastaví o hlavu pohonu. (Obr. 20 & 21)
- Umístěte držák filtru na vrchní část kazetového filtru nad zvednutý okraj a dotáhněte jej otáčením držáku ve směru hodinových ručiček, ale ne příliš silně. (Obr. 22 & 23)

Vytažení a vyčištění suchého filtru (TENTO FILTR JE NEOMYVATELNÝ)

- Odjistěte a vytáhněte držák filtru otáčením držáku proti směru hodinových ručiček.
- Opatrně uchopte a vytáhněte suchý filtr. (Obr. 24)
- Vyčistěte kazetový filtr jemným poklepáním nebo vykartáčováním špíny. Pro optimální výkon se doporučuje pravidelná výměna tohoto filtru v závislosti na úrovni používání (např. vždy po 3–6 měsících).
- Nainstalujte vyčištěný nebo nový filtr podle výše uvedených pokynů.

INSTALACE A ČIŠTĚNÍ PĚNOVÉHO FILTRU

Poznámka: Před zahájením údržby odpojte přístroj ze zásuvky.

Instalace pěnového filtru

Před výměnou pěnového filtru postupujte podle instrukcí k odstranění prachového filtru.

Opatrně zasuňte pěnový filtr dolů na filtrační klíčku a ujistěte se, že je jím celá klíčka zakryta. (Obr. 9 & 25)

Čištění pěnového filtru

Opatrně vytáhněte pěnový filtr. (Obr. 26)

K vyčištění pěnového filtru použijte roztok jemného mýdla

ve vodě a pak jej opláchněte čistou vodou. (Obr. 27)

Nechte filtr vyschnout, než jej opět nainstalujete a použijete.

SYMBOLY



POZOR! VAROVÁNÍ! NEBEZPEČÍ!

V Napětí

Hz Hertz

~ Střídavý proud

W Watt



Před spuštěním přístroje si řádně přečtěte pokyny.



Nářadí 2. třídy



Recyklace



Nelikvidujte elektrické nástroje společně s domovním odpadem.

Elektrické nářadí a elektronická zařízení, která dosáhla konce životnosti, musí být shromažďována odděleně a vrácena na místo zabývající se ekologicky šetrnou recyklací. Zjistěte si u místní samosprávy nebo u maloobchodníka, jaké jsou pokyny k recyklaci a kde je sběrné místo.



Značka shody s evropskými normami



Čeština

ČASTÉ OTÁZKY A ODPOVĚDI

⚠ VAROVÁNÍ!

Abyste omezili riziko úrazu, odpojte čistič před prováděním údržby/kontrolou poruchy ze zásuvky.

Problém	Příčina	Řešení
Spotřebič nefunguje.	Nejde proud. Porucha funkce napájecího kabelu, vypínače nebo motoru. Nádrž je naplněna kapalinou.	Zkontrolujte zdroj napájení. Nechte si porouchanou součástku zkontrolovat nebo vyměnit kvalifikovaným personálem. Vyprázdněte nádrž.
Prach vystupuje z krytu motoru.	Prachový sáček chybí nebo je poškozen.	Vložte prachový sáček nebo jej vyměňte.
Nízká sací síla a vysoké otáčky motoru / vibrace.	Prachový sáček je naplněn. Sací tryska, hadice nebo vpust nádrže jsou ucpány.	Vyměňte prachový sáček. Zkontrolujte, zda se v sací trysce, hadici nebo vpusti nádrže nenachází nějaká překážka.





Magyar

ISMERTETŐ

Alkatrészek listája

1. Bővítőcső (3 db)
2. Padlótisztító fej
3. Szívófej
4. Tömlőkészlet
5. Görgő (4 db)
6. Fogantyú
7. Szivacszsűrő
8. Csavarok
9. Porzsák
10. Fűjósatlakozó
11. Szűrőkosár
12. Biztonsági úszószelep
13. Szűrőpatronsapka
14. Szűrőpatron (nem mosható)
15. Be/ki kapcsoló
16. Szívótömlő-csatlakozás
17. Rögzítőkapocs (2 db)
18. Tartály
19. Folyadékkeeresztő nyílás

MŰSZAKI ADATOK

Hálózati feszültség	220-240V~50 Hz
Névleges teljesítmény	1250 W
Tartály térfogata	20 L
Tömlőrendszer	Ø 35 mm
Szűrő – száraz	Szűrőpatron
Szűrő – nedves	Szivacszsűrő
IP értékelés	IPX4
Szívás	17 kpa / 2.47 PSI
Max. légáram l/mp, motor	48.5 dm ³ /s
Max. vákuumnyomás l/mp, motor	20.5 Kpa
Kábel hossza	4 m
Súly - a 2003/01 EPTA eljárás szerint	3.6 kg

⚠ FIGYELEM!

Olvassa el az összes biztonsági figyelmeztetést és utasítást. A figyelmeztetések és előírások be nem tartása elektromos áramütést, tüzet és/vagy súlyos sérülést eredményezhet.

A jövőbeli felhasználásra őrizze meg az összes figyelmeztetést és útmutatót.

ÁLTALÁNOS BIZTONSÁGI ELŐÍRÁSOK

⚠ FIGYELEM!

Ez a készülék megfelel az elektromos berendezésekre vonatkozó kötelező biztonsági előírásoknak. A nem rendeltetésszerű használat azonban ártalmas lehet az emberekre és környezetükre. Mielőtt bekapcsolná a készüléket, figyelmesen olvassa végig a használati útmutatót. Tartsa meg a használati útmutatót, a jótállási jegyet, a nyugtát, valamint a csomagolóanyagot, ha lehetséges.

Ez a készülék kizárólag magáncélú használatra készült, az útmutatóban megjelölt rendeltetéssel. A készülék kereskedelmi használatra nem alkalmas. Ne használja a készüléket kültéren (kivéve, ha a készülék kifejezetten kültéri használatra készült). A készüléket ne tegye ki hőnek, közvetlen napsugárzásnak vagy nagyon nagy nedvességnek (pl. eső).

Soha ne merítse a készüléket folyadékokba. Ügyeljen az éles sarkokra és peremekre, mivel azok kárt tehetnek a készülékben. Ne használja a készüléket, ha vizes vagy nyirkos a keze. Ha a készülék működés közben vizes vagy nedves lesz, azonnal húzza ki a konnektorból. Ne merítse vízbe a készüléket.

Ez a nedves-száraz porszívó csak magánlakásokban használható.

A készülék csak egészségre nem veszélyes, illetve nem gyúlékony anyagok felszívására alkalmas.

Soha ne tartsa a csatlakozókat az arca (különösen a szeme, füle stb.) elé. Soha ne irányítsa a szívófejet emberek vagy állatok felé.

A készüléket csak rendeltetésszerűen használja. Mindenfajta, ettől eltérő használat veszélyes lehet, és csak saját felelősségre végezhető.

Mindenfajta egyéb használat és a felügyelet nélküli működtetés tilos. A gyártó nem vonható felelősségre azokért a károkért, amelyek a nem rendeltetésszerű használat vagy a helytelen üzemeltetés következményei.

Viseljen védőruházatot és -kesztyűt.

A készüléket csak 240 V hálózati feszültséggel rendelkező AC aljzatba csatlakoztassa.

Mielőtt használná a készüléket, győződjön meg arról, hogy a megfelelő porzsákokat tette be, és azt helyesen rögzítette a tartójában. A nem megfelelő vagy a helytelenül behelyezett porzsák kárt tehet a készülékben, és érvénytelenítheti a jótállást.

Ha a hálózati kábel sérült, azt teljes egészében cserélni kell a kábelvédővel együtt. A cserét csak hivatalos szervizközpont vagy más szakszerviz képzett munkatársa végezheti.

Soha ne szívjon fel a porszívóval hamut, forró szenet vagy





Magyar

hasonló anyagokat, továbbá nagy méretű üvegdarabokat és éles tárgyakat.

Ne porszívózzon fel a készülékkel a nyomtatókban és fénymásolókból használatos tonerből származó port, mivel ez elektromosan vezető anyag. Elképzelhető továbbá, hogy a készülék szűrőrendszere nem szűri ki teljesen ezeket a részecskéket, így azok a levegőbe kerülhetnek az elszívóventilátoron keresztül.

Soha ne szívjon fel a készülékkel gyúlékony vagy mérgező folyadékokat, például benzint, olajat, savakat, vagy egyéb illékony anyagokat.

Ne szívjon fel 60 °C-nál magasabb hőmérsékletű folyadékokat, illetve mérgező vagy gyúlékony porokat.

Soha ne fektesse a készüléket az oldalára. Lépcsőn való használat esetén fordítson kiemelt figyelmet arra, hogy a készülék vízszintesen és kellően stabilan álljon.

Használat után, valamint tisztítás, szűrő- és tartozékcseré előtt mindig válassza le a készüléket az elektromos hálózatról.

Elektromos berendezéseken csak képzett szakemberek végezhetnek javítást. A szakszerűtlen javítás nagyfokú veszélyt jelenthet a felhasználóra nézve.

Ne tárolja a készüléket közvetlenül forró sütő vagy fűtőtest mellett.

Gyermekek, fogyatékkal élő és idős emberek gyakran nincsenek tisztában az elektromos készülékek kezelésével kapcsolatos veszélyekkel. Ők és figyetlen személyek nem használhatják ezt az elektromos berendezést.

A berendezés tisztítása vagy mozgatása során a készülék mindig legyen kikapcsolva. Húzza ki a csatlakozódugót a konnektorból, ha huzamosabb ideig nem használja a készüléket. A készüléket ne a kábelnél, hanem mindig a csatlakozódugónál fogva húzza ki a hálózati aljzatból. A különböző speciális tartozékokat is vegye le a készülékről.

A készüléket mindig tartsa tisztán. Ne használjon olyan oldó- vagy tisztítószerkeket, amelyek ártalmasak lehetnek a készülékre vagy használójára nézve.

Soha ne hagyja a készüléket felügyelet nélkül bekapcsolva. Ha elhagyja a munkaterületet, kapcsolja ki a készüléket, vagy húzza ki a konnektort a hálózati kábelt (ne a kábelnél, hanem a csatlakozódugónál fogva).

Annak érdekében, hogy megvédje a gyermekeket az elektromos háztartási berendezések veszélyeitől, gondoskodjon a következőkről: a gép vezetékében a gyermekek nem botlanak el, illetve gyermekek nem férnek hozzá a készülékhez.

Soha ne használja a készüléket, ha gyógyszerek, alkohol, vagy drogok hatása alatt áll, illetve ha valamilyen gyógykezelésben részesül, vagy ha fáradt.

Rendszeresen ellenőrizze a készüléket és a hálózati kábelt, hogy nem sérültek-e. Ne használjon sérült készülékeket.

Ne kísérelje meg a készüléket saját kezűleg javítani. Mindig képzett szervizszakemberekkel végeztesse a javítást. A sérült hálózati kábelt mindig azonnal cseréltesse le a gyártóval vagy szakképzett szervizszakemberekkel. Az áramütés és egyéb sérülések elkerülése érdekében az eredetivel megegyező típusú vezetéket használjon.

Csak eredeti cserealkatrészeket és tartozékokat használjon. A nem jóváhagyott alkatrészek vagy a harmadik féltől származó tartozékok lehetséges veszélyforrások; ezek használata esetén elvész a jótállás.

Gyakran ellenőrizze az úszószелеpet.

Ha a készülék bármely részén folyadékszivárgást észlel, azonnal kapcsolja ki a berendezést és válassza le az elektromos hálózatról.

Ne merítse vízbe a készüléket. Ügyeljen arra, hogy ne folyjon víz a készülékre.

A szennyvíz kezelése során vegye figyelembe a helyi szabályozásokat.

A készüléket biztonságos és száraz helyen tárolja, gyermekektől távol.

Fordítson kiemelt figyelmet a következő "Különleges biztonsági szabályok" c. részre is.

A gépet nem használhatják és nem tisztíthatják csökkent fizikai, érzékelési vagy értelmi képességű személyek, vagy akiknek nincs meg a tapasztalatuk vagy tudásuk ehhez; kivéve, ha a biztonságukért felelős személy a készülék biztonságos használatára megtanítja őket. A készülék használata közben megfelelő felügyeletet igényelnek. Gyermekek nem használhatják, tisztíthatják a készüléket és nem játszhatnak vele; a készüléket használaton kívül gyerekek számára hozzá nem férhető helyen kell tartani.

A gyerekekre oda kell figyelni, nehogy játsszanak a készülékkel.

Ha a hálózati csatlakozókábel megsérült, az áramütés kockázatának csökkentése érdekében azt azonnal ki kell cserélni a gyártó, a feljogosított szerviz, vagy egy szakképzett személy által biztosított ép kábelre.

Az elektromos áramot áram-védőkapcsolón (RCD) keresztül kell biztosítani, 30 mA-nél nem nagyobb kioldóárammal.

Csak időjárásálló hosszabbítókábelt használjon. Minden használat előtt ellenőrizze a hosszabbítókábel épségét. A használat során mindig tekerje le a kábelt, mert a feltekerített kábelek túlmelegedhetnek. A sérült hosszabbítókábeleket nem szabad javítani. A sérült kábelt mindig azonos típusú kábelre kell cserélni.





Magyar

A FÚJÓ FUNKCIÓ HASZNÁLATA KÖZBEN:

Közvetlen légkibocsátást csak a munkaterületen végezzen; soha ne irányítsa a fűjőegységet emberek vagy állatok felé.

Ne használja a készülék fűjő funkcióját nedves üzemmódban permetezésre. Viseljen védőszemüveget és porvédő maszkot.

A FIGYELEM

Összeszerelés, felnyitás, a hulladéktartály kiürítése, a tartozékok fel- és leszerelése, illetve karbantartási és javítási munkálatok végzése előtt mindig kapcsolja ki a gépet, és válassza le az elektromos hálózatról.

FONTOS!

Ha a tömlő vagy az eszközök eltömődnek, kapcsolja ki a készüléket, és távolítsa el az akadály(oka)t, mielőtt a porszívót újraindítaná.

FONTOS!

A szűrők rendszeres tisztításával és cseréjével biztosítható az állandó szívóteljesítmény. A Vax ajánlása szerint a szűrőket rendszeresen kell ellenőrizni, tisztítani és cserélni.

A PORSZÍVÓN AZ ÁLTALÁNOS BIZTONSÁGI INFORMÁCIÓKBAN ÉS AZ E HASZNÁLATI ÚTMUTATÓBAN FOGLALTAKTÓL VALÓ ELTÉRÉS KÖZVETLEN ERDMÉNYEKÉPPEN KELETKEZETT KÁROK ESETÉN A JÓTÁLLÁS ÉRVÉNYÉT VESZTI

TARTSA MEG A HASZNÁLATI ÚTMUTATÓT TOVÁBBI FELHASZNÁLÁS CÉLJÁBÓL

SPECIÁLIS BIZTONSÁGI ELŐÍRÁSOK

Soha ne szívjon fel a porszívóval forró hamut, hegyes vagy éles tárgyakat.

Soha ne használja a készüléket nyirkos, páras helyiségekben.

Ne használja a készüléket porzsák nélkül (kivéve, ha nedves porszívózást végez, vagy ha szűrőpatron van a készülékben). Ellenőrizze, hogy a porzsákat megfelelően helyezte-e be a készülékbe.

A berendezés használata közben ügyeljen arra, hogy haját, ruházatát és testrészeket ne szívjon be a készülék.

A készüléket tartsa távol az olyan hőforrásoktól, mint a hősugárzók, sütők és hasonló berendezések.

ÁRTALMATLANÍTÁSRA VONATKOZÓ INFORMÁCIÓK

A készülék elektromos és elektronikus alkatrészeket tartalmaz, amelyek nem helyezhetők el háztartási hulladékként.

A helyi szabályozásokat és az érvényben lévő jogszabályokat feltétlenül be kell tartani.

RENDELTELTÉSSZERŰ HASZNÁLAT

A készülék száraz, nem gyúlékony por és folyadékok felszívására alkalmas.

Ez a készülék kizárólag magáncélú használatra készült, az útmutatóban megjelölt rendeltetéssel. A készülék kereskedelmi használatra nem alkalmas. Ne használja a készüléket kültéren (kivéve, ha a készülék kifejezetten kültéri használatra készült). A készüléket ne tegye ki hőnek, közvetlen napfénynek vagy nagyon nagy nedvességnek (pl. eső).

A fentiekől eltérő használat nem rendeltetésszerű használatnak minősül. A gyártó nem vállal semmilyen felelősséget a helytelen használatból eredő károkért. A helytelen használatból eredő károk kockázatát kizárólag a felhasználó viseli.

A rendeltetésszerű használat fogalmába a helyes működtetés és a gyártó által előírt megfelelő karbantartás és javítás is beletartozik.

EK-MEGFELELŐSÉGI NYILATKOZAT SZERINT

Kizárólagos felelősségünk tudatában kijelentjük, hogy a „Műszaki adatok” szakaszban ismertetett termék a 2011/65/EU (RoHS), a 2014/35/EU és a 2014/30/EU irányelvek minden vonatkozó rendelkezésének megfelel, és a következő harmonizált szabványokat alkalmazzuk:

EN 60335-1:2012/A2:2019
 EN 60335-2-2:2010/A1:2013
 EN 62233:2008
 EN 55014-1:2017
 EN 55014-2:2015
 EN 61000-3-2:2014
 EN 61000-3-3:2013
 EN IEC 63000:2018

Winnenden, 2020-05-25

Branko Lenger
 Senior Vice President, Engineering and Quality - Asia,
 Engineering Commercial Product Development
 A műszaki dokumentáció összeállítására jogosult személy.



Techtronic Industries GmbH
 Max-Eyth-Straße 10
 71364 Winnenden





Magyar

Germany

A CSOMAGOLÁS TARTALMA

Lásd 2 - 4. ábrát.

Óvatosan pakolja ki a doboz tartalmát.

Fogja meg a két rögzítőkapcsot, amely a felső részt tartja a helyén, és hajtsa őket felfelé.

Lazítsa meg a rögzítőkapcsokat, vegye le a felső részt, majd távolítsa el a tartály tartalmát.

Ellenőrizze az alkatrészeket az alkatrészlista segítségével, hogy meggyőződjön arról, hogy minden alkatrész megvan, illetve hogy a kapott alkatrészek nem sérültek a szállítás során.

Ha bármelyik alkatrész hiányzik vagy sérült, azonnal vegye fel a kapcsolatot a kereskedővel.

ÖSSZESZERELÉS

1. Győződjön meg arról, hogy a hálózati kábelt kihúzta a dugaljából.
2. Pattintsa ki a rögzítőkapcsokat. (2 Ábra)
3. Emelje le a felső részt a tartályról. (3 Ábra)
4. Távolítsa el a tartály tartalmát. (4 Ábra)
5. Fordítsa a tartályt fejjel lefelé, majd illessze be a görgőket a tartály négy talpába.
6. Gondoskodjon arról, hogy a görgők megfelelően rögzüljenek. Ne húzza túl őket. (5 Ábra)
7. Illessze a fogantyút a motorfejen lévő nyílásokba, és nyomja a helyére. (6 Ábra)
8. Száraz porszívózáshoz helyezze be a mellékelt szűrőpatront és porzsákot. (7, 8 Ábra)
9. Nedves porszívózáshoz helyezze be a mellékelt szivacszűrőt. (9 Ábra)
10. Cserélje ki a tartályon lévő felső részt. (10 Ábra)
11. Igazítsa be a készülék felső részét a rögzítőkapcsok helyzete szerint, és nyomja le, hogy a kapcsok a helyükre pattanjanak. (10 Ábra)
12. Helyezze be a tömlő nagyobbik felét a tartály elülső bemeneti nyílásába, és fordítsa el a reteszt. (11 Ábra)
13. Illessze a kívánt tartozékot a szívócsőre. (12 Ábra)

HASZNÁLAT

SZÁRAZ PORSZÍVÓZÁS

FIGYELEM

Olvassa el, értelmezze és alkalmazza a biztonsági utasításokat.

Ne felelde: NE szívjon fel a készülékkel veszélyes anyagokat. Nem megfelelő porzsák használata érvényteleníti a jótállást.

1. Győződjön meg arról, hogy a hálózati kábelt kihúzta a dugaljából.
2. Győződjön meg arról, hogy a szűrőpatron teljesen rögzült.
3. Győződjön meg arról, hogy a szűrőt teljes hosszában behelyezte. (13 Ábra) Ellenőrizze, hogy a porzsák a tartály belsejében helyezkedik-e el. (8 Ábra)
4. Helyezze vissza a tartály felső részét, és a rögzítőkapcsok segítségével rögzítse a helyére. (10 Ábra)
5. Helyezze be a tömlő nagyobbik felét a tartály elülső bemeneti nyílásába, és rögzítse a helyére. A tömlő vagy a bővítő szívócső szabad végére illessze rá a kívánt tartozékot. (12 Ábra)
6. Dugja be a hálózati kábelt a konnektorba.
7. Indítsa el a motort a kapcsoló „I” (BE) helyzetbe fordításával. (14 Ábra)
8. Ha befejezte a porszívózást, fordítsa a kapcsolót „O” (KI) helyzetbe, és húzza ki a hálózati kábelt a konnektorból. (15 Ábra)

FIGYELEM

A SZÜRŐPATRONT NE HASZNÁLJA NEDVES VAGY ÉLES ANYAGOK ESETÉN.

NE HASZNÁLJA A PORZSÁKOT FOLYADÉK FELSZÍVÁSA ESETÉN

NEDVES PORSZÍVÓZÁS

FIGYELEM

1. Olvassa el, értelmezze és alkalmazza a biztonsági utasításokat.
Ne felelde: NE szívjon fel a készülékkel veszélyes anyagokat.
2. Győződjön meg arról, hogy a hálózati kábelt kihúzta a dugaljából.
Győződjön meg arról, hogy a tartály tiszta, és portól és szennyeződéstől mentes.
3. Vegye ki a szűrőpatront és a porzsákot, ezután helyezze a szivacszűrőt a szűrőkosárra, majd tegye vissza a felső részt a tartályra. (9 Ábra)
A szűrőpatront NE használja nedves vagy éles anyagok esetén.
4. Illessze a kívánt szívófejet a szívócsőre. (12 Ábra)
5. Mielőtt a hálózati kábelt csatlakoztatná a konnektorba, győződjön meg arról, hogy a kapcsoló „O” (KI) helyzetben van.
6. Indítsa el a motort a kapcsoló „I” (BE) helyzetbe fordításával. (14 Ábra)
7. Használat után fordítsa a kapcsolót „O” helyzetbe (15. ábra), és húzza ki a hálózati kábelt a konnektorból. Ezután ürítse és szárítsa ki a tartályt. (16, 17 Ábra)

FIGYELEM





Magyar

Nedves porszívózást követően a szivacsoszűrőt ki kell venni, száraz porszívózás előtt pedig szűrőpatront kell a készülékbe helyezni.

FONTOS!

Ha nagy mennyiségű folyadékot szív fel a készülékkel, a szívófejet ne merítse teljesen a folyadékba; hagyjon rést a szívófej csúcsánál, hogy a levegő beáramlását biztosítsa.

A gép úszószeleppel rendelkezik, amely leállítja a szívást, amikor a tartály teljesen megteleik. A motor fordulatszámában növekedést tapasztal.

Ilyen esetben kapcsolja ki a készüléket, válassza le a hálózatról, és eressze le a folyadékot egy megfelelő edénybe vagy a lefolyóba. A porszívózás folytatásához helyezze vissza a tartályra a leeresztőnyílás fedelét. Nedves porszívózás után kapcsolja ki a gépet és húzza ki a hálózati kábelt a konnektorból.

Tárolás előtt ürítse ki a tartályt, tisztítsa és szárítsa meg a belsejét és a külsejét is.

FÚJÁSI MŰVELET

Ez a száraz–nedves porszívó fújó funkcióval is rendelkezik.

A fújó funkció használatához az itt felsorolt utasításokat kövesse.

FIGYELEM

A fújó funkció használata közben mindig viseljen védőszemüveget.

Ügyeljen arra, hogy a készülék a hulladékot ne a közelben lévőkre fújja.

Ha a fújás funkció használata közben por keletkezik, amelyet belélegezhet, viseljen porvédő maszkot.

1. A tömlő nagyobbik felét illessze a motor házának tetején lévő fújócsatlakozóba. (18 Ábra)
2. Illessze a résszívó fejet a szívótömlőre. (19 Ábra)
3. Győződjön meg arról, hogy a bekapcsológomb KI helyzetben van, majd csatlakoztassa a hálózati kábelt a konnektorbá.
4. Indítsa el a motort a kapcsoló „I” (BE) helyzetbe fordításával. (14 Ábra)
5. Az egység így a szívótömlőn át fogja fújni a levegőt. Ez a funkció a tömlőben lévő eltömődések eltávolítására is használható.
6. Ha végzett a művelettel, fordítsa a kapcsolót „O” (KI) helyzetbe, és húzza ki a hálózati kábelt a konnektorból. (15 Ábra)

FIGYELEM

Ha pár másodperc elteltével a tömlő még mindig nem átjárható, kapcsolja ki a készüléket, és kézzel tisztítsa ki a tömlőt.

KARBANTARTÁS

A SZÁRAZSZŰRŐ BEHELYEZÉSE ÉS TISZTÍTÁSA

Megjegyzés: Mielőtt megkezdene a műveletet, húzza ki a készüléket a hálózati dugaljából.

A szárazszűrő behelyezése

1. Helyezze be a szárazszűrőt a szűrőkosár fölé úgy, hogy a szűrő lapos vége a motorfej felé nézzen. Óvatosan nyomja be a szűrőt, amíg az neki nem ütközik a motorfejnek. (20 & 21 Ábra)
2. Helyezze a szűrő rögzítőelemét a szűrőpatron tetejére a megemelt perem felett, és az óramutató járásával megegyező irányba fordítva húzza meg, de ne túlságosan. (22 & 23 Ábra)

A szárazszűrő eltávolítása és tisztítása (EZ A SZŰRŐ NEM MOSHATÓ)

1. Oldja ki és távolítsa el a szűrő rögzítőelemét úgy, hogy a fogantyúnál fogva elfordítja az óramutató járásával ellentétes irányba
2. Óvatosan fogja meg és húzza felfelé a szárazszűrőt. (24 Ábra)
3. Tisztítsa meg a szűrőpatront úgy, hogy finoman megütögeti az ujjával, vagy egy kefével eltávolítja róla a szennyeződések. Az optimális teljesítmény érdekében a szűrőt ajánlott a használat függvényében rendszeresen (pl. 3–6 havonta) cserélni.
4. A tisztított vagy új szűrőt a fenti utasításoknak megfelelően helyezze be.

A SZIVACSSZŰRŐ BEHELYEZÉSE ÉS TISZTÍTÁSA

Megjegyzés: Mielőtt megkezdene a műveletet, húzza ki a készüléket a hálózati dugaljából.

A szivacsoszűrő behelyezése

A szivacsoszűrőre váltáshoz először kövesse a száraz porszívó eltávolítására vonatkozó utasításokat.

Óvatosan csúsztassa lefelé a szivacsoszűrőt a szűrőkosár felett, és ügyeljen arra, hogy a teljes szűrőkosár fedve legyen. (9 & 25 Ábra)

A szivacsoszűrő tisztítása

Óvatosan vegye ki a szivacsoszűrőt. (26 Ábra)

A szivacsoszűrőt enyhe tisztítószeres-vizes oldattal mossa le, majd öblítse le tiszta vízzel. (27 Ábra)

Várja meg, míg a szűrő megszárad, mielőtt visszatenné és újra használná.



Magyar

SZIMBÓLUMOK



VIGYÁZAT! FIGYELEM! VESZÉLY!

V Volt

Hz Hertz

~ Váltóáram (AC)

W Watt



A gép bekapcsolása előtt figyelmesen olvassa el az útmutatót.



II. osztályú berendezés



Hasznosítsa újra



Az elektromos eszközöket ne helyezze a háztartási hulladékba.

Az élettartamuk végét elérő elektromos eszközöket és berendezéseket szelektíven kell gyűjteni, és azokat a környezettel összhangban lévő újrahasznosító létesítménybe kell vinni. Lépjen kapcsolatba a helyi hatósággal vagy kereskedővel az újrahasznosításra vonatkozó útmutatásért és a gyűjtőállomásokkal kapcsolatos információkért.



Európai megfelelőségi jelölés



Magyar

GYAKRAN ISMÉTELT KÉRDÉSEK

FIGYELEM!

A személyi sérülés kockázatának csökkentése érdekében a karbantartási, javítási és ellenőrzési műveletek elvégzése előtt mindig válassza le a készüléket a hálózatról.

Probléma	Ok lehetséges megoldás	Megoldás
A készülék nem működik.	Nincs áramellátás. A hálózati kábel, a kapcsoló vagy a motor működési hibája. A tartály megtelt folyadékkal.	Ellenőrizze az áramellátást. A sérült alkatrészt képzett szakemberrel ellenőriztesse, vagy cserélje ki. Ürítse ki a tartályt.
A motor házából por szivárog.	A porzsák hiányzik vagy sérült.	Tegyen be egy porzsákot, vagy cserélje ki a régít.
Alacsony szívóerő és magas motorfordulatszám, vagy rezgés.	A porzsák megtelt. A szívófej, a tömlő, vagy a tartály bemeneti nyílása eltömődött.	Cserélje ki a porzsákot. Ellenőrizze, hogy nincs-e eltömődés a szívófejben, a tömlőben, vagy a tartály bemeneti nyílásánál.





Română

DESCRIERE

Lista componentelor

1. Tub extensibil (x3)
2. Accesoriu pentru podea
3. Accesoriu pentru spații înguste
4. Set furtun
5. Role (x4)
6. Mâner
7. Filtru de spumă
8. Șuruburi
9. Sac pentru praf
10. Racord suflantă
11. Coș filtru
12. Supapă de siguranță flotor
13. Capacul cartușului filtrant
14. Cartuș filtrant (nelavabil)
15. Întrerupător pornire/oprire
16. Racord furtun de aspirare
17. Clame (x2)
18. Rezervor
19. Evacuare apă

SPECIFICAȚII

Voltaaj sursă	220-240V~50 Hz
Putere nominală	1250 W
Volum rezervor	20 L
Sistem furtun	Ø 35 mm
Filtru – uscat	Cartușul filtrului
Filtru – umed	Filtru de spumă
Capacitate nominală IP	IPX4
Aspirare	17 kpa / 2.47 PSI
Motor cu debit maxim de aer de l/sec.	48.5 dm ³ /s
Motor cu presiune maximă de aspirare de l/sec.	20.5 Kpa
Lungime cablu	4 m
Greutate - conform procedurii EPTA 01/2003	3.6 kg

A AVERTISMENT!

Citiți toate avertismentele și instrucțiunile de siguranță. Neurmarea avertizării și instrucțiunilor ar putea cauza electrocutare, incendiu și/sau vătămare gravă.

Salvați toate avertizările și instrucțiunile pentru o consultare ulterioară.

AVERTIZĂRI DE SIGURANȚĂ GENERALE PENTRU APARAT

A AVERTISMENT!

Acest aparat electrocasnic este conform cu normele obligatorii de securitate pentru echipamentele electrice. Totuși, utilizarea acestuia inadecvată poate fi dăunătoare pentru persoane și obiecte. Vă rugăm citiți aceste instrucțiuni de operare cu atenție și în totalitate, înainte de a porni aparatul electrocasnic. Păstrați instrucțiunile de operare, certificatul de garanție și bonul de casă, precum și ambalajul și materialele de ambalare, dacă este posibil aceasta.

Acest aparat electrocasnic este destinat în exclusivitate pentru sectorul privat și pentru scopul propus. Aparatul nu este potrivit pentru uz comercial. A nu se utiliza în spații deschise (decât dacă a fost conceput în mod specific pentru uzul în exterior). A nu se supune acest aparat electrocasnic la căldură, razele directe ale soarelui sau umezeală excesivă (de ex. ploaie).

A nu se scufunda niciodată în lichide acest electrocasnic și trebuie acordată atenție marginilor ascuțite care îl pot deteriora. Nu utilizați niciodată acest aparat electrocasnic cu mâinile ude sau umede. Deconectați imediat aspiratorul de la priză dacă în timpul funcționării se udă sau se umezește. Nu scufundați aspiratorul în apă.

Acest aspirator cu aspirare umed/uscată poate fi ținut și utilizat numai într-o casă privată.

Acest aparat electrocasnic este conceput pentru aspirarea materialelor care nu sunt inflamabile și nu prezintă pericol pentru sănătatea dvs.

Nu țineți niciodată racordurile în fața dvs. (mai ales în fața ochilor, a urechilor, etc.). Nu îndreptați niciodată duza către persoane sau animale.

Utilizați aspiratorul numai pentru scopul său destinat. Orice alte tipuri de utilizări sunt pe propria dvs. răspundere și posibil să fie periculoase.

Nu sunt admise alte utilizări și operarea nesupravegheată. Producătorul nu poate fi tras la răspundere pentru daunele cauzate de utilizarea incorectă sau inadecvată.

Purtați echipament și mănuși de protecție

Conectați aspiratorul numai la priză de 240V, curent alternativ.

Înainte de a utiliza aspiratorul, asigurați-vă că este inserat un sac adecvat de colectare a prafului în suport. Un sac de colectare a prafului inadecvat sau incorect instalat, poate cauza deteriorarea aspiratorului și este o cauză pentru invalidarea garanției.

Dacă cablul de alimentare cu energie este deteriorat, trebuie înlocuit integral, împreună cu protecția sa, la un centru autorizat de service sau de către o organizație de service calificată.





Română

Nu aspirați cenușă, cărbuni aprinși și altele asemenea, cioburi mari de sticlă și nici obiecte tăioase.

Nu aspirați pulbere de toner utilizat la imprimante și copiatoare, de exemplu, fiindcă acestea sunt conductoare electrice. În plus, este posibil să nu se poată scoate complet din sistemul filtru al aspiratorului umed/ uscat și poate fi eliberat în atmosferă prin intermediul ventilatorului de evacuare.

Nu aspirați niciodată lichide otrăvitoare sau inflamabile, precum petrol, benzină, acizi sau alte substanțe volatile.

Nu aspirați niciodată lichide cu temperatura mai mare de 60°C sau alte pulberi otrăvitoare sau inflamabile.

Nu lăsați niciodată aspiratorul culcat pe o parte. Acordați o atenție deosebită poziției orizontale și stabilității pe scări.

Întotdeauna aspiratorul trebuie deconectat de la priza de curent înainte de a fi curățat sau înainte de a i se schimba accesoriile sau filtrele.

Reparațiile la un echipament electric trebuie făcute numai de către personal specializat. Reparațiile inadecvate pot determina un risc considerabil pentru utilizator.

Nu depozitați aspiratorul direct lângă un radiator sau cuptor încins.

Copii, persoanele cu dizabilități și persoanele în vârstă deseori nu sunt conștienți de pericolul care rezultă din mânăuirea aparatelor electrocasnice. Persoanele de tipul celor mai sus menționate și persoanele neinstruite nu trebuie să lucreze niciodată cu acest aparat electrocasnic.

Când acest aparat electrocasnic este curățat sau mutat, întotdeauna trebuie oprit. Deconectați aspiratorul de la priza de perete, dacă intenționați să nu îl utilizați un timp mai îndelungat. Nu trageți niciodată de cablu pentru a-l scoate din priză, în schimb țineți bine de priză și de ștecher. La fel, scoateți și accesoriile speciale de la aspirator.

Întotdeauna țineți aspiratorul în stare de curățenie. Nu utilizați solvenți sau soluții de curățare care ar putea fi dăunătoare pentru aspirator sau pentru utilizator.

Nu lăsați niciodată aspiratorul funcționând nesupravegheat. Dacă părăsiți zona de lucru, opriți aspiratorul de la comutator și deconectați-l de la priza de perete (nu trageți de cablu, ci apucați cu mâna ștecherul).

Pentru a proteja copiii împotriva riscurilor implicate de aparatele electrocasnice, asigurați-vă că nu se vor împiedica copiii în cablul de alimentare și nu permiteți copiilor accesul la aspirator.

Nu utilizați niciodată aparatul electrocasnic când sunteți sub influența medicamentelor, a alcoolului sau a drogurilor, dacă sunteți sub tratament medical sau dacă sunteți în stare de oboseală.

Verificați cu regularitate aspiratorul și cablul de alimentare cu energie să nu fie posibile defecte. Nu utilizați aparate electrocasnice defecte.

Nu încercați să reparați dvs. înșivă aparatul electrocasnic. Pentru reparații, apălați întotdeauna la un tehnician autorizat. Cablurile de alimentare cu energie electrică defecte trebuie înlocuite imediat de către producător sau de către un centru de service calificat. Utilizați același tip de cablu pentru a preveni pericolul de electrocutare.

Utilizați doar accesorii și piese de schimb originale Piesele și accesoriile neaprobate sau de la terți pot fi o posibilă sursă de pericol și pot fi cauza invalidării garanției.

Verificați cu regularitate flotorul.

Dacă observați scurgeri de lichid de la aspiratorul dvs, opriți-l imediat și deconectați-l de la priza de curent.

Nu scufundați aspiratorul în apă. Asigurați-vă că aparatul electrocasnic nu este stropit cu apă.

La aruncarea apei uzate, asigurați-vă că respectați toate normele legale.

Depozitați aparatul electrocasnic într-un loc uscat și în condiții de siguranță, departe de accesul copiilor.

Vă rugăm acordați o atenție deosebită capitolului următor „Reguli speciale de siguranță”.

Acest aparat nu este destinat a fi folosit sau curățat de către persoane cu capacități fizice, senzoriale sau mintale reduse, sau de către cele fără experiență sau cunoștințe decât dacă au fost instruite în ce privește folosirea în siguranță a acestui aparat din partea unei persoane legal responsabilă pentru siguranța lor. Ele trebuie supravegheate în timpul folosirii aparatului. Copiii nu trebuie să folosească, să curețe sau să se joace cu acest aparat, care atunci când nu este folosit trebuie păstrat ferit de copii.

Copiii trebuie supravegheați pentru a nu avea posibilitatea să se joace cu acest dispozitiv.

Pentru evitarea oricărui pericol, un cablu de alimentare deteriorat trebuie înlocuit de producător, de agentul său de service sau de personal cu calificare similară.

Energia electrică trebuie furnizată printr-un dispozitiv de curent rezidual (DCR) cu curent de anclanșare nu mai mare de 30 mA.

A se utiliza numai cablu prelungitor rezistent la intemperii. Înainte de fiecare utilizare, verificați cablul prelungitor să nu aibă defecte. Întotdeauna desfășurați cablul prelungitor întrucât un cablu înfășurat se poate încinta. Cablurile prelungitoare defecte nu trebuie reparate. Acestea trebuie înlocuite cu altele de aceeași tip.

CÂND UTILIZAȚI FUNCȚIA SUFLANTĂ:

Direcționați jetul de aer evacuat numai către zona de lucru - niciodată către persoane sau animale.





Română

Nu utilizați suflanta pe post de pulverizator în modul umed. Purtați o mască de praf și ochelari de protecție.

A AVERTISMENT

Întotdeauna opriți din comutator aspiratorul și deconectați-l de la priza de curent înainte de asamblarea, deschiderea și golirea containerului de gunoi, înainte de montarea/demontarea accesoriilor sau atunci când se efectuează operațiile de întreținere sau verificările în vederea depanării.

IMPORTANT!

Dacă furtunul sau accesoriile sunt blocate, opriți aspiratorul de la comutator și îndepărtați materiile obstruente înainte de a porni din nou aspiratorul.

IMPORTANT!

Curățarea și înlocuirea filtrelor cu regularitate menține performanța aspiratorului. Vax recomandă să vă verificați filtrele periodic, să le curățați și să le înlocuiți

DEFECTELE ASPIRATORULUI CAUZATE CA URMARE DIRECTĂ A NERESPECTĂRII INFORMAȚIILOR ȘI INSTRUCȚIUNILOR GENERALE PRIVIND SIGURANȚA, DIN ACEST GHID AL UTILIZATORULUI, INVALIDEAZĂ GARANȚIA

PĂSTRAȚI ACESTE INSTRUCȚIUNI PENTRU UTILIZARE ULTERIOARĂ.

REGULI SPECIALE PRIVIND SIGURANȚA

Nu aspirați niciodată cenușă fierbinte, obiecte ascuțite sau tăioase.

Nu utilizați niciodată aspiratorul în camere cu umezeală.

Nu utilizați aspiratorul fără sac de colectare a prafului (cu excepția aspirării umede sau cu cartuș filtrant). Asigurați-vă că sacul de colectare a prafului este inserat corect în aspirator.

Când utilizați aspiratorul, asigurați-vă că nu vă prindeți părul, hainele sau membrele.

Țineți aspiratorul departe de sursele de căldură precum radiatoarele, cuptoarele sau altele asemenea.

INFORMAȚII CU PRIVIRE LA ELIMINARE

Aspiratorul conține componente electrice și electronice și nu trebuie eliminat ca gunoi menajer.

Normele legislative locale aplicabile în mod curent trebuie respectate fără excepție.

CONDIȚII DE UTILIZARE SPECIFICATE

Aspiratorul este potrivit pentru aspirarea uscată a prafului și a lichidelor neinflamabile.

Acest aparat electrocasnic este destinat în exclusivitate pentru sectorul privat și pentru scopul propus. Aparatul nu este potrivit pentru uz comercial. A nu se utiliza în spații deschise (decât dacă a fost conceput în mod specific pentru uzul în exterior). A nu se supune acest aparat electrocasnic la căldură, razele directe ale soarelui sau umezeală excesivă (de ex. ploaie).

Orice alt mod de utilizare este considerat inadecvat. Producătorul nu este responsabil pentru defecțiunile cauzate de o astfel de utilizare. Riscul pentru astfel de utilizare este exclusiv responsabilitatea utilizatorului.

Utilizarea adecvată include și operarea, service-ul și reparațiile adecvate, după cum este specificat de producător.

DECLARAȚIA CE DE CONFORMITATE

Declarăm pe proprie responsabilitate că produsul descris în cadrul „Datelor tehnice” îndeplinește toate prevederile relevante ale directivelor 2011/65/EU (RoHS), 2014/35/EU, 2014/30/EU precum și următoarele standarde:

EN 60335-1:2012/A2:2019
 EN 60335-2-2:2010/A1:2013
 EN 62233:2008
 EN 55014-1:2017
 EN 55014-2:2015
 EN 61000-3-2:2014
 EN 61000-3-3:2013
 EN IEC 63000:2018

Winnenden, 2020-05-25

Branko Lenger
 Senior Vice President, Engineering and Quality - Asia,
 Engineering Commercial Product Development
 Autorizat pentru compilarea fișei tehnice.



Techtronic Industries GmbH
 Max-Eyth-Straße 10
 71364 Winnenden
 Germany

CONȚINUTUL PACHETULUI

A se vedea figura 2 - 4.

Despachetați cu atenție conținutul cutiei.

Luați cele două clame care susțin secțiunea superioară în poziție și pliați-le în sus.

Eliberând clamele, scoateți capacul și scoateți ce se află





Română

În rezervor.

Verificați piesele utilizând lista de componente pentru a vă asigura că acestea sunt toate și că nu s-au defectat în timpul transportului.

Dacă lipsesc piese sau sunt defecte, vă rugăm să contactați imediat dealerul dvs.

ASAMBLAREA

1. Asigurați-vă că aveți cablul de alimentare cu energie deconectat de la priza de perete.
2. Desfaceți clamele. (Figura 2)
3. Ridicați capacul de pe rezervor. (Figura 3)
4. Scoateți conținutul din interiorul rezervorului. (Figura 4)
5. Întoarceți rezervorul cu susul în jos și montați rolele pe cele patru picioare ale rezervorului.
6. Asigurați-vă că acestea sunt corect montate. Nu strângeți excesiv de mult. (Figura 5)
7. Inserați mânerul în fantele de pe capătul care conține motorul și apăsați pentru a se fixa în poziție. (Figura 6)
8. Pentru aspirarea uscată, instalați cartușul filtrant și sacul de colectare a prafului furnizate. (Figura 7, Figura 8)
9. Pentru aspirarea umedă, instalați filtrul de spumă furnizat. (Figura 9)
10. Puneți la loc capacul pe rezervor. (Figura 10)
11. Aliniați capacul cu clamele și închideți-le fixându-le pe poziție prin apăsare până când clamele scot un sunet gen clic. (Figura 10)
12. Inserați capătul mai larg al furtunului în admisia rezervorului și rotiți-l pentru a-l fixa. (Figura 11)
13. Montați accesoriul necesar pe tubul de aspirare. (Figura 12)

OPERAREA

ASPIRAREA USCATĂ

AVERTISMENT

Asigurați-vă că ați citit, ați înțeles și aplicați instrucțiunile de siguranță.

Nu uitați: A NU se aspira substanțe periculoase! Utilizarea incorectă a sacului de colectare a prafului va duce la invalidarea garanției.

1. Asigurați-vă că aveți cablul de alimentare cu energie deconectat de la priza de perete.
2. Asigurați-vă că aveți cartușul filtrant complet instalat.
3. Asigurați-vă că filtrul este inserat până la capăt. (Figura 13) Verificați dacă sacul de colectare a prafului este instalat în interiorul rezervorului. (Figura 8)
4. Puneți la loc capacul pe rezervor și securizați-l pe poziție utilizând clamele. (Figura 10)

5. Inserați capătul mai larg al furtunului în admisia rezervorului și rotiți-l pentru a-l fixa. Fixați prin împingere accesoriul necesar la capătul liber al furtunului sau al prelungitorului. (Figura 12)
6. Introduceți ștecherul în priză.
7. Porniți motorul prin punerea comutatorului pe poziția „I” (ON). (Figura 14)
8. Când ați terminat de aspirat, puneți comutatorul pe poziția „O” (OFF) și scoateți ștecherul din priză. (Figura 15)

AVERTISMENT

A NU SE UTILIZA CARTUȘUL FILTRANT PENTRU ASPIRAREA MATERIALELOR ASCUȚITE NICI PENTRU ASPIRARE UMEDĂ.

A NU SE UTILIZA SACUL DE COLECTARE A PRAFULUI LA ASPIRAREA LICHIDELOR.

ASPIRAREA UMEDĂ

AVERTISMENT

1. Asigurați-vă că ați citit, ați înțeles și aplicați instrucțiunile de siguranță.
Nu uitați: A NU se aspira substanțe periculoase!
2. Asigurați-vă că aveți cablul de alimentare cu energie deconectat de la priza de perete.
Asigurați-vă că rezervorul este curat și fără praf sau gunoi în el.
3. Scoateți cartușul filtrant și sacul de colectare a prafului și montați filtrul de spumă pe coșul filtrului și puneți la loc capacul pe rezervor. (Figura 9)
A NU se utiliza cartușul filtrant pentru aspirarea materialelor ascuțite nici pentru aspirare umedă.
4. Montați duza dorită pe furtunul de aspirare. (Figura 12)
5. Asigurați-vă că aveți comutatorul pe poziția „O” (OFF) înainte de a introduce ștecherul în priză.
6. Porniți motorul prin punerea comutatorului pe poziția „I” (ON). (Figura 14)
7. După utilizare comutați la poziția „O” (Fig. 15) și scoateți ștecherul din priză, apoi goliți rezervorul. (Figura 16, Figura 17)

AVERTISMENT

Filtrul de spumă trebuie scos după aspirarea umedă și trebuie instalat un cartuș filtrant înainte de a începe din nou aspirarea uscată.

IMPORTANT!

Când aspirați cantități mari de lichide, nu scufundați duza complet în lichid. Lăsați un spațiu gol la vârful duzei pentru a permite trecerea aerului.

Aspiratorul este echipat cu o supapă flotantă care oprește aspirarea atunci când rezervorul atinge capacitatea maximă. Veți observa o creștere a vitezei motorului.





Română

Când se întâmplă așa, opriți motorul și deconectați aspiratorul de la priză de curent. Scurgeți lichidul la canal sau într-un vas adecvat acestui scop. Pentru a continua aspirarea, montați din nou capacul de drenaj la rezervor. După aspirarea umedă, opriți alimentarea și scoateți ștecherul din priză.

Goliți rezervorul, curățați-l și ștergeți-l la interior și exterior înainte de a-l depozita.

OPERAREA CA SUFLANTĂ

Acest aspirator umed/uscat are și capabilități de suflantă. Pentru a-l utiliza ca suflantă, urmați instrucțiunile enumerate.

AVERTISMENT

Trebuie să purtați întotdeauna ochelari de protecție când utilizați suflanta.

Nu lăsați persoane în zona unde pot fi suflate gunoai.

Purtați mască de praf în cazul în care suflanta generează praf ce poate fi inhalat.

1. Inserați capătul mai mare al furtunului în racordul pentru suflantă de pe partea superioară a carcasei motorului. (Figura 18)
2. Instalați duza îngustă pe furtunul de aspirare. (Figura 19)
3. Asigurați-vă că comutatorul este pe poziția off și introduceți ștecherul în priză.
4. Porniți motorul prin punerea comutatorului pe poziția „I” (ON). (Figura 14)
5. Acum aspiratorul va sufla prin furtunul de aspirare și poate fi utilizat pentru a se scoate materialele ce obstrucționează furtunul.
6. Când ați terminat cu lucrul, puneți comutatorul pe poziția „O” (OFF) și scoateți ștecherul din priză. (Figura 15)

AVERTISMENT

Dacă după câteva secunde furtunul continuă să fie blocat, opriți aspiratorul și curățați furtunul manual.

ÎNȚEȚINEREA

INSTALAȚI ȘI CURĂȚAȚI FILTRUL USCAT.

Notă: Deconectați aspiratorul de la priză înainte de a executa operațiunile de întreținere.

Instalarea filtrului uscat

1. Instalați filtrul uscat pe cartușul filtrant cu capătul plat al filtrului către motorul aspiratorului. Cu atenție împingeți filtrul în interior până când acesta atinge capătul. (Figura 20 & 21)
2. Puneți suportul filtrului pe partea superioară a

cartușului filtrant peste capacul său de ridicare și strângeți-l prin rotirea în sensul acelor de ceasornic. Nu îl strângeți prea mult. (Figura 22 & 23)

Scoaterea și curățarea filtrului uscat (ACEST FILTRU NU ESTE LAVABIL)

1. Desfaceți și scoateți suportul filtrului prin rotirea mânerului său în sens invers acelor de ceasornic.
2. Cu atenție, apucați și trageți filtrul uscat ca să-l scoateți. (Figura 24)
3. Curățați cartușul filtrant bătându-l ușor sau perind mizeria de pe el. Pentru o funcționare optimă, este recomandabil să se schimbe filtrul cu regularitate, în funcție de nivelul de utilizare (de ex. la 3-6 luni).
4. Instalați filtrul nou sau curățat, conform instrucțiunilor de mai sus.

INSTALAREA ȘI CURĂȚAREA FILTRULUI DE SPUMĂ

Notă: Deconectați aspiratorul de la priză înainte de a executa operațiunile de întreținere.

Instalarea filtrului de spumă

Urmați mai întâi instrucțiunile pentru scoaterea filtrului uscat pentru praf, înainte de a schimba filtrul de spumă.

Cu atenție, gisați filtrul de spumă în jos, pe cutia filtrului, asigurându-vă că întreaga cutie este acoperită. (Figura 9 & 25)

Curățarea filtrului de spumă

Scoateți cu atenție filtrul de spumă. (Figura 26)

Cu o soluție blândă de apă și săpun, spălați filtrul de spumă și clătiți-l cu apă curată. (Figura 27)

Lăsați filtrul să se usuce la aer înainte de a-l monta și utiliza din nou.

SIMBOLURI



PRECAUȚIE! AVERTISMENT! PERICOL!

V Volți

Hz Herți

~ Curent alternativ

W Wați



Vă rugăm citiți instrucțiunile cu atenție înainte de pornirea aparatului.





Română



Echipament clasa II



Reciclare



Nu aruncați uneltele electrice uzate împreună cu gunoiul menajer!

Uneltele electrice și echipamentele electronice ajunse la sfârșitul duratei de viață trebuie colectate separat și predate la un centru de colectare specializat, pentru a proteja mediul înconjurător. Solicitați consiliere de la autoritatea dvs. locală sau de la comerciantul de unde ați achiziționat aspiratorul, în privința punctului de colectare.



Marcajul de conformitate europeană

ÎNTREBĂRI FRECVENTE

⚠️ AVERTISMENT!

Pentru a reduce riscul de rănire personală, deconectați de la priză aspiratorul înainte de a efectua verificările pentru întreținere/depanare.

Problemă	Cauză	Soluție
Aspiratorul nu funcționează.	Nu este sub tensiune. Nefuncționarea cablului de alimentare cu energie, a comutatorului sau a motorului. Rezervorul este plin cu lichid.	Verificați sursa de alimentare cu energie.. Duceți aspiratorul la personal calificat pentru verificare sau înlocuire. Goliți rezervorul.
Praful iese pe la capacul motorului.	Sacul de colectare a prafului lipsește sau este deteriorat.	Instalați un sac de colectare a prafului sau înlocuiți-l.
Putere slabă de aspirare și viteză / vibrații mari la motor.	Sacul de colectare a prafului este plin. Duza de aspirare, furtunul sau admisia în rezervor sunt obstrucționate.	Înlocuiți sacul de colectare a prafului. Verificați să nu fie obstrucționate duza de aspirare, furtunul sau admisia în rezervor.





Latviski

APRAKSTI

Sastāvdaļu saraksts

1. Pagarinājuma kāts (x3)
2. Grīdas rīks
3. Uzgalis šaurām spraugām
4. Šļūtenes komplekts
5. Ritentiņi (x4)
6. Rokturis
7. Sūkļa filtrs
8. Skrūves
9. Putekļu soma
10. Pūtēja savienojums
11. Filtra grozs
12. Drošības pludiņa vārsts
13. Kasetnes filtra vāks
14. Kasetnes filtrs (nav mazgājams)
15. Ieslēgšanas/izslēgšanas slēdzis
16. Savienojums putekļsūcēja caurulei
17. Skava (x2)
18. Tvertne
19. Noliešanas atvere

SPECIFIKĀCIJAS

Barošanas spriegums	220-240V~50 Hz
Nominālā jauda	1250 W
Tvertnes tilpums	20 L
Cauruļu sistēma	Ø 35 mm
Filtrs - sausais	Kasetnes filtrs
Filtrs - mitrais	Sūkļa filtrs
IP klase	IPX4
Sūkšana	17 kpa / 2.47 PSI
Maksimālā gaisa plūsma l/s motors	48.5 dm³/s
Maksimālais vakuuma spiediens l/s motors	20.5 Kpa
Kabeļa garums	4 m
Svars - saskaņā ar EPTA procedūru 01/2003	3.6 kg

A BRĪDINĀJUMS!

Izlasiet visus drošības brīdinājumus un visas instrukcijas. Brīdinājumu un instrukciju neievērošana var izraisīt elektrošoku, aizdegšanos un/vai nopietnus ievainojumus.

Visus brīdinājumus un norādījumus saglabāiet turpmākām uzziņām.

VISPĀRĒJIE DROŠĪBAS BRĪDINĀJUMI

A BRĪDINĀJUMS!

Šī ierīce atbilst obligātajām prasībām elektriskajam aprīkojumam. Tomēr nepareiza lietošana var būt bīstama cilvēkiem un īpašumam. Lūdzu, rūpīgi izlasiet šīs lietošanas instrukcijas pirms ierīces ieslēgšanas. Glabājiet lietošanas instrukcijas, garantijas sertifikātu, čeku kā arī iepakojumu un iepakojuma materiālu, ja tas iespējams.

Šī ierīce ir paredzēta izmantošanai tikai privātām vajadzībām un paredzētajam pielietojumam. Ierīce nav piemērota komerciālai lietošanai. Neizmantojiet ierīci ārpus telpām (ja vien tā nav īpaši paredzēta lietošanai ārpus telpām). Nepakļaujiet ierīci karstuma, tiešu saules staru vai ļoti augsta mitruma (piemēram, lietus) ietekmei.

Nekad neiegremdējiet ierīci šķidrums un ņemiet vērā, ka asas malas var to sabojāt. Nekad nelietojiet ierīci ar slapjām vai mitrām rokām. Nekavējoties atvienojiet to no elektrotīkla, ja darba laikā ierīce kļūst slapja vai mitra. Neiemērciet ierīci ūdenī.

Šo slapjās/sausās uzkopšanas putekļsūcēju var izmantot un glabāt tikai privātiem nolūkiem.

Ierīce ir paredzēta, lai savāktu materiālus, kas nav bīstami Jūsu veselībai un nav uzliesmojoši.

Nekad neturiet savienotājus sejas priekšā (it īpašu acu un ausu tuvumā). Nekad nevērsiet sprauslu pret cilvēkiem vai dzīvniekiem.

Izmantojiet ierīci tikai tās paredzētajam nolūkam. Jebkura cita pielietojuma gadījumā Jūs uzņematies visu risku, un tas, iespējams, ir bīstami.

Cits pielietojums vai atstāšana bez uzraudzības nav atļauta. Ražotāju nevar padarīt atbildīgu par bojājumiem, kuri radušies neatbilstošas lietošanas vai nepareizas izmantošanas rezultātā.

Valkājiet aizsargapģērbu un cimdus.

Pievienojiet ierīci tikai 240 V maiņstrāvas kontaktligzdai.

Pirms ierīces izmantošanas pārliecinieties, ka turētājā ir ievietots pareizs putekļu maiss. Nepareizs putekļu maiss vai nepareizi ievietots putekļu maiss var izraisīt ierīces bojājumus un garantijas anulēšanu.

Ja barošanas vads ir bojāts, to ir pilnīgi jānomaina kopā ar vada aizsargu pilnvarotā servisa centrā vai citā kvalificētā apkopes vietā.

Neveiciet pelnu, karstu ogļu, tāpat kā lielu stikla lausku un asu priekšmetu savākšanu.

Neuzsūciet jebkādu tonera, kas tiek izmantots printeros un kopētājos, putekļus, jo tas ir elektrību vadošs. Bez tam, iespējams, ka tas netiks izfiltrēts mitrās/sausās savākšanas putekļsūcēja filtru sistēmā un var tikt izpūsts gaisā caur izplūdes atveri.

Nekad nesavāciet uzliesmojošus vai indīgus šķidrums,





Latviski

piemēram benzīnu, eļļu, skābes vai citas gaistošas vielas. Nesavāciet šķidrumus, kas ir karstāki par 60°C vai jebkādas indīgus vai uzliesmojošus putekļus.

Nekad negāziet ierīci uz sāna. Pievērsiet īpašu uzmanību tās horizontālajam stāvoklim un atbilstošai stabilitātei uz pakāpieniem.

Vienmēr atvienojiet ierīci no elektrības pēc lietošanas un pirms tīrīšanas vai filtru un papildaprīkojuma maiņas.

Tikai apmācīti speciālisti var veikt elektroietaišu remontu. Nepareizs remonts var izraisīt lietotājam būtisku apdraudējumu.

Neglabājiet ierīci tieši blakus karstai krāsnij vai radiatoram.

Bērni, personas ar ierobežotām spējām vai veci cilvēki bieži nepazinās bīstamību, kas var rasties, rīkojoties ar elektriskajām ierīcēm. Iepriekš minētās personas un neapmācītas personas nekad nedrīkst strādāt ar šo elektrisko ierīci.

Tīrot vai atverot ierīci vienmēr to izslēdziet. Atvienojiet kontaktdakšu no sprieguma, ja neizmantosiet ierīci ilgāku laika posmu. Nekad nevelciet aiz vada, lai atvienotu ierīci, velciet tikai aiz paša kontaktdakšas. Atvienojiet no ierīces arī jebkādu īpašo papildaprīkojumu.

Vienmēr uzturiet ierīci tīru. Neizmantojiet nekādus šķīdinātājus vai tīrītājus, kas var sabojāt ierīci vai nodarīt kaitējumu tai vai lietotājam.

Nekad neatstājiet ieslēgtu ierīci bez uzraudzības. Ja Jūs aizejat no darba zonas, izslēdziet ierīci vai atvienojiet to no kontaktlīnizdas (nevelciet ierīci aiz vada, izmantojiet kontaktdakšu).

Lai pasargātu bērnus no elektriskajām mājāsaimniecības ierīcēm, pārliecinieties, ka vads nevar izraisīt bērna pakļupšanu un nodrošiniet, ka bērni nevar piekļūt ierīcei.

Nekad neizmantojiet ierīci, kad esat medikamentu, alkohola vai narkotiku ietekmē, ja atrodaties medicīniskajā aprūpē vai esat noguris.

Regulāri pārbaudiet ierīci un barošanas vadu, vai tiem nav radušies bojājumi. Neizmantojiet bojātas ierīces.

Nemēģiniet pašrocīgi remontēt ierīci. Vienmēr ierīces remontam izmantojiet pilnvarota tehniķa pakalpojumus. Vienmēr nekavējoties nomainiet bojātu barošanas vadu pie ražotāja vai kvalificētā servisa centrā. Izmantojiet tāda paša veida vadu, lai novērstu jebkādu elektrības trieciena vai ievainojumu risku.

Izmantojiet tikai oriģinālās rezerves daļas un papildaprīkojumu. Neapstiprinātas daļas vai trešo pušu papildaprīkojums var būt iespējams apdraudējuma avots un var būt par iemeslu garantijas anulēšanai.

Regulāri pārbaudiet pludiņus.

Ja pamanāt no ierīces izplūstam šķidrumu, nekavējoties izslēdziet to un atvienojiet no elektrotīkla.

Neiegremdējiet ierīci ūdenī. Nodrošiniet, ka uz ierīces

netiek izliets ūdens.

Izlejot netīro ūdeni, pārliecinieties, ka ievērojat jebkādas juridiskos noteikumus.

Glabājiet ierīci tikai drošā un sausā vietā, kas nav pieejama bērniem.

Pievērsiet īpašu uzmanību tālāk norādītajiem "Īpašajiem drošības noteikumiem".

Šī ierīce nav paredzēta lietošanai personām ar samazinātu fizisko, sensorisko vai garīgo spēju, vai personām bez pieredzes vai zināšanām, ja vien persona, kura ir juridiski atbildīga par to drošību nav instruējusi par to, kā droši izmantot ierīci. Ierīces izmantošanas laikā viņus ir jāuzrauga. Bērni nedrīkst izmantot, tīrīt vai spēlēties ar ierīci, kad tā netiek izmantota tai jābūt novietotai bērniem nepieejamā vietā.

Jāuzrauga bērni, lai nodrošinātu, ka viņi nespēlējas ar ierīci.

Ja sprieguma padeves vads ir bojāts, tā nomaīņu jāveic ražotājam, tā servisa pārstāvim vai līdzīgi kvalificētām personām, lai novērstu apdraudējumu rašanos.

Elektrības padeve jānodrošina caur atlikušā sprieguma noplūdes automātu ar nostrādāšanas strāvu, kas nav lielāka par 30 mA.

Izmantot tikai mitruma drošu pagarinātāju. Pirms katras lietošanas reizes pārbaudiet, vai pagarinātājam nav bojājumu. Vienmēr attīniet pagarinātāja vadu lietošanas laikā, jo saīti vadi var pārkarst. Bojātus pagarinātāja vadus nedrīkst labot. Tāpat jāņem vērā arī tāda paša veida.

IZMANTOJOT PŪTĒJA FUNKCIJU:

Vērsiet gaisa plūsmu tikai pret darba zonu - nekad pret cilvēkiem vai dzīvniekiem.

Neizmantojiet pūtēju kā izsmidzinātāju mitrajā režīmā. Valkājiet putekļu masku un acu aizsargus.

A BRĪDINĀJUMS

Vienmēr izslēdziet ierīci un atvienojiet to no elektrības kontaktlīnizdas pirms salikšanas, atvēršanas, netīrumu tvertnes iztukšošanas, papildaprīkojuma pievienošanas/atvienošanas vai apkopes, vai traucējummeklēšanas pārbaužu veikšanas.

SVARĪGI!

Ja šūtene vai rīki ir nosprostoti, izslēdziet tīrītāju un iztīriet nosprostojumu(-s) pirms atkal ieslēgt ierīci.

SVARĪGI!

Filtru regulāra tīrīšana un nomaīņa uztur putekļsūcēja





Latviski

veiktspēju. Vax iesaka periodiski pārbaudīt, tīrīt un mainīt filtrus.

BOJĀJUMI PUTEKLSŪCĒJAM, KAS TIEŠI RADUŠIES, NEIEVĒROJOT VISPĀRĒJO DROŠĪBAS INFORMĀCIJU UN NORĀDES ŠAJĀ LIETOTĀJĀ PAMĀCĪBĀ, ANULĒ GARANTIJU

LŪDZU SAGLABĀJIET ŠĪS INSTRUKCIJAS TURPMĀKAI LIETOŠANAI.

SPECIĀLIE DROŠĪBAS NOTEIKUMI

Nekad nesavāciet karstus pelnus, asus vai smailus priekšmetus.

Nekad neizmantojiet ierīci mitrās telpās.

Neizmantojiet ierīci bez putekļu maisa (izņemot mitro uzkopšanu vai ar kasetnes filtru). Pārlicinieties, ka putekļu maiss tiek pareizi ievietots ierīcē.

Izmantojot ierīci, nodrošiniet, ka tajā netiek iesūkta mati, apģērbs vai ķermeņa daļas.

Glabājiet putekļsūcēju atstatu no karstuma avotiem, piemēram siltuma starotājiem, krāsnīm un līdzīgiem.

UTILIZĀCIJAS INFORMĀCIJA

Ierīce satur elektriskas un elektroniskas sastāvdaļas, un to nedrīkst utilizēt kā mājсаинniecības atkritumus.

Bez ierunām jāievēro vietējā un pašlaik spēkā esošā likumdošana.

ĪPAŠI LIETOŠANAS APSTĀKĻI

Ierīce ir piemērota sausu, neuzliesmojošu putekļu un šķidrumu uzsūkšanai.

Šī ierīce ir paredzēta izmantošanai tikai privātām vajadzībām un paredzētajam pielietojumam. Ierīce nav piemērota komerciālai lietošanai. Neizmantojiet ierīci ārpus telpām (ja vien tā nav īpaši paredzēta lietošanai ārpus telpām). Nepakļaujiet ierīci karstuma, tiešu saules staru vai ļoti augsta mitruma (piemēram, lietus) ietekmei.

Jebkura cita izmantošana tiek uzskatīta par nepiemērotu lietošanu. Ražotājs neuzņemas atbildību par jebkādiem bojājumiem, kas radušies šādas lietošanas rezultātā. Risku par šādu izmantošanu pilnībā uzņemas lietotājs.

Pareiza lietošana ietver arī pareizu izmantošanu, apkopi un remontu kā norādījis ražotājs.

ES ATBILSTĪBAS DEKLARĀCIJA

Mēs ar pilnu atbildību deklarējam, ka izstrādājums, kas aprakstīts sadaļā "Tehniskie dati" izpilda visas attiecīgās direktīvu 2011/65/ES (RoHS), 2014/35/ES, 2014/30/ES norādes, un ir atbilstošs šādiem harmonizētajiem

standartiem:

EN 60335-1:2012/A2:2019
 EN 60335-2-2:2010/A1:2013
 EN 62233:2008
 EN 55014-1:2017
 EN 55014-2:2015
 EN 61000-3-2:2014
 EN 61000-3-3:2013
 EN IEC 63000:2018

Winnenden, 2020-05-25

Branko Lenger
 Senior Vice President, Engineering and Quality - Asia,
 Engineering Commercial Product Development
 Pilnvarots sastādīt tehnisko dokumentāciju.



Techtronic Industries GmbH
 Max-Eyth-Straße 10
 71364 Winnenden
 Germany

IEPAKOJUMA SATURS

Skatiet 2 - 4. attēlu.

Uzmanīgi izpakojiet kastes saturu.

Satveriet divas skavas, kas notur vietā augšējo daļu un ielieciet tās uz augšu.

Atlaidiet skavas, noņemiet augšējo daļu un izņemiet no tvertnes tās saturu.

Lūdzu pārbaudiet daļas, izmantojot sastāvdaļu sarakstu, lai pārlicinātos, ka atrodas visas daļas un tās nav bojātas pārvadāšanas laikā.

Ja jebkādas daļas trūkst, vai ir bojātas, nekavējoties sazinieties ar savu izplatītāju.

MONTĀŽA

1. Nodrošiniet, ka sprieguma vads ir atvienots no elektrotīkla kontaktlīdždas.
2. Atveriet skavas. (2 Attēls)
3. Nocoļiet augšējo daļu nost no tvertnes. (3 Attēls)
4. Izņemiet saturu, kas atrodas tvertnē. (4 Attēls)
5. Apgrieziet tvertni otrādi un ievietojiet ritenišus četrās tvertnes kājās.
6. Nodrošiniet, ka tie ir pareizi ievietoti. Nepārvelciet. (5 Attēls)
7. Ievietojiet rokturi rievās uz motora galvas un iespiediet





Latviski

- to vietā. (6 Attēls)
- Sauso putekļu sūkšanai uzstādiēt komplektā iekļauto kasetnes filtru un putekļu maisu. (7 Attēls, 8 Attēls)
 - Mitrājam sūkšanai uzstādiēt komplektā iekļauto sūkļa filtru. (9 Attēls)
 - Uzlieciet vietā tvertnes augšējo daļu. (10 Attēls)
 - Savietojiet augšējo daļu ar skavām un iespiediet vietā, pielietojot spiedienu līdz skavas noklikšķ. (10 Attēls)
 - Ievietojiet šļūtenes lielo galu priekšējā tvertnes atverē un pagrieziet, lai nostiprinātu. (11 Attēls)
 - Uzlieciet uz iesūkšanas caurules nepieciešamos papildpiederumus. (12 Attēls)

EKSPLUATĀCIJA

SAUSĀ PUTEKĻU SŪKŠANA

BRĪDINĀJUMS

Nodrošiniet, ka izlasāt, saprotat un ievērojāt drošības norādes.

Atgādinājums: NEUZSŪCIET bīstamas vielas. Nepareiza putekļu maisa izmantošana anulēs garantiju.

- Nodrošiniet, ka sprieguma vads ir atvienots no elektrotīkla kontaktlīdzdas.
- Nodrošiniet, ka kasetnes filtrs ir līdz galam uzlikt.
- Nodrošiniet, ka filtrs ir līdz galam ievietots. (13 Attēls) Pārbaudiet, vai tvertē ir uzstādīts putekļu maiss. (8 Attēls)
- Uzlieciet vietā uz tvertnes augšējo daļu un nostipriniet to ar skavām. (10 Attēls)
- Ievietojiet šļūtenes resnāko galu priekšējā tvertnes atverē un pagrieziet, lai nostiprinātu to vietā. Uzbīdiēt nepieciešamo papildaprīkojumu uz šļūtenes vai pagarinājuma brīvā gala. (12 Attēls)
- Pievienojiet barošanas vadu elektrības kontaktlīdzdai.
- Ieslēdziet motoru, pārslēdzot slēdzi stāvoklī "I" (IESLĒGTS). (14 Attēls)
- Kad esat pabeiguši putekļu sūkšanu, pārslēdziet slēdzi stāvoklī "O" (Izslēgts) un atvienojiet barošanas vadu no elektrotīkla kontaktlīdzdas. (15 Attēls)

BRĪDINĀJUMS

NEIZMANTOJIET KASETNES FILTRU MITRIEM UN ASIEM MATERIĀLIEM.

NEIZMANTOJIET PUTEKĻU MAISU ŠĶIDRUMU UZSŪKŠANAI.

MITRĀ UZSŪKŠANA

BRĪDINĀJUMS

- Nodrošiniet, ka izlasāt, saprotat un ievērojāt drošības norādes.

Atgādinājums: NEUZSŪCIET bīstamas vielas.

- Nodrošiniet, ka sprieguma vads ir atvienots no elektrotīkla kontaktlīdzdas.
- Nodrošiniet, ka tvertne ir tīra, un brīva no putekļiem un netīrumiem.
- Noņemiet kasetnes filtru un putekļu maisu un uzstādiēt sūkļa filtru uz filtra groza un uzlieciet augšējo daļu atpakaļ uz tvertnes. (9 Attēls) **NEIZMANTOJIET** kasetnes filtru mitriem un asiem materiāliem.
- Uzlieciet uz putekļsūcēja šļūtenes vēlamo uzgali. (12 Attēls)
- Nodrošiniet, ka slēdzis ir stāvoklī "O" (IZSLĒGTS) pirms barošanas vada pievienošanas elektrotīkla kontaktlīdzdai.
- Ieslēdziet motoru, pārslēdzot slēdzi stāvoklī "I" (IESLĒGTS). (14 Attēls)
- Pēc lietošanas pārslēdziet slēdzi stāvoklī "O" (15. attēls) un atvienojiet barošanas vadu no tīkla, tad iztukšojiet un izžāvējiet tvertni. (16 Attēls, 17 Attēls)

BRĪDINĀJUMS

Sūkļa filtrs ir jānoņem pēc mitrās tīrīšanas, un kasetnes filtrs ir jāuzstāda pirms sausās putekļu sūkšanas.

SVARĪGI!

Savācot lielus šķidrumu daudzumus, neiegremdējiet uzgali pilnīgi šķidrumā, atstājiet uzgaļa galā spraugu gaisa ieplūšanai.

Ierīce ir aprīkota ar pludiņa vārstu, kas aptur sūkšanas darbību, kad šķidruma līmenis tvertnē sasniedz maksimālo ietilpību. Jūs pamanīsiet motora apgriezīgu palielināšanos.

Kad tas notiek, izslēdziet ierīci, atvienojiet no elektrotīkla un izlejiet šķidrumu piemērotā traukā vai notekā. Lai turpinātu uzsūkšanu, uzlieciet vietā tvertnes notekas vāciņu. Pēc mitrās uzsūkšanas izslēdziet ierīci un atvienojiet kontaktdakšu no elektrotīkla.

Iztukšojiet tvertni, iztīriet un izžāvējiet iekšpusi un ārpusi pirms novietošanas glabāšanai.

PŪTĒJA LIETOŠANA

Šim mitrās/sausās savākšanas putekļsūcējam ir pūtēja spējas.

Lai izmantotu pūtēja funkciju, ievērojiet tālākās norādes.

BRĪDINĀJUMS

Pirms pūtēja lietošanas vienmēr izmantojiet aizsargbrilles.

Turiet apkārtējos atstatu no pūstajiem gruziem.

Ja pūšanas rezultātā rodas putekļi, kas var tikt ieelpoti, valkājiet putekļu aizsargmasku.





Latviski

1. Ievietojiet šļūtenes resno galu pūtēja savienojumā motora korpusa augšpusē. (18 Attēls)
2. Uzlieciet uz putekļsūcēja šļūtenes sprauslas rīku. (19 Attēls)
3. Pārliecinieties, ka ieslēgšanas slēdzis ir izslēgts un pievienojiet ierīci elektrotīklam.
4. Ieslēdziet motoru, pārslēdzot slēdzi stāvoklī "I" (IESLĒGTS). (14 Attēls)
5. Tagad ierīce pūtīs gaisu caur putekļsūcēja šļūteni. To var izmantot arī nosprostojumu iztīrīšanai šļūtenē.
6. Kad esat pabeiguši darbu, pārslēdziet slēdzi stāvoklī "O" (Izslēgts) un atvienojiet barošanas vadu no elektrotīkla kontaktligzdas. (15 Attēls)

⚠ BRĪDINĀJUMS

Ja pēc pāris sekundēm šļūtene joprojām ir nosprostota, izslēdziet ierīci un iztīriet šļūteni manuāli.

APKOPE

SAUSĀ FILTRA UZSTĀDĪŠANA UN TĪRĪŠANA.

Piezīme: Pirms apkopes veikšanas atvienojiet ierīci no elektrotīkla kontaktligzdas.

Sausā filtra uzstādīšana

1. Uzstādiet sauso filtru uz filtra groza ar filtra plakano galu vērstu pret putekļsūcēja motora galvu. Uzmanīgi virziet filtru līdz tas atduras pret motora galvu. (20 & 21 Attēls)
2. Uzlieciet filtra turētāju virsū kasetnes filtram pāri izceltajai malai un pievelciet, griežot savilcēju pulksteņrādītāja virzienā. Nepārvelciet. (22 & 23 Attēls)

Sausā filtra noņemšana un tīrīšana (ŠIS FILTRS NAV MAZGĀJAMS)

1. Atlaidiet un noņemiet filtra turētāju, griežot savilcēja rokturi pretī pulksteņrādītāja virzienam.
2. Uzmanīgi turiet un velciet sauso filtru augšup, lai to noņemtu. (24 Attēls)
3. Iztīriet kasetnes filtru, maigi to pasitot vai noslaukot netīrumus. Optimālai veiktspējai ieteicams regulāri mainīt šo filtru, atkarībā no lietošanas biežuma (piem. 3-6 mēneši).
4. Uzstādiet vietā iztīrīto vai jaunu filtru kā norādīts iepriekš.

SŪKĻA FILTRA UZSTĀDĪŠANA UN TĪRĪŠANA

Piezīme: Pirms apkopes veikšanas atvienojiet ierīci no elektrotīkla kontaktligzdas.

Sūkļa filtra uzstādīšana

Sekojiēt norādēm, lai noņemtu sauso putekļu filtru pirms nomaīņas uz sūkļa filtru.

Uzmanīgi uzvelciet sūkļa filtru uz filtra groza, pārliecinoties, ka viss grozs ir nosegts. (9 & 25 Attēls)

Sūkļa filtra tīrīšana

Uzmanīgi noņemiet sūkļa filtru. (26 Attēls)

Sūkļa filtra mazgāšanai izmantojiet vāju ziepjūdeni, tad izskalojiet ar tīru ūdeni. (27 Attēls)

Ļaujiet filtram nožūt pirms to uzstādīt un izmantot atkārtoti.

APZĪMĒJUMI



UZMANĪBU! BRĪDINĀJUMS! BĪSTAMI!

V Volti

Hz Herci

~ Maiņstrāva

W Vati



Pirms iedarbināt mašīnu, lūdzu rūpīgi izlasiet instrukcijas.



II klases aprīkojums



Pārstrādāt



Neutilizējiet elektroinstrumentus kopā ar māsasaimniecības atkritumiem.

Elektroinstrumenti un elektroniskais aprīkojums, kas vairs nav derīgi lietošanai ir jāsavāc atsevišķi un jānodod utilizācijai videi draudzīgā pārstrādes uzņēmumā. Sazinieties ar vietējo pašvaldību vai mazumtirgotāju, lai saņemtu ieteikumus pārstrādei un savākšanas punktus.



Eiropas atbilstības zīme





Latviski

BIEŽI UZDOTIE JAUTĀJUMI

BRĪDINĀJUMS!

Lai samazinātu ievainojumu risku, atvienojiet tīrītāju pirms veikt apkopes/traucējummeklēšanas pārbaudes.

Problēma	Iemesls	Risinājums
Ierīce nedarbojas.	Nav sprieguma. Funkcionāla kļūme barošanas vadā, slēdzī vai motorā. Tvertne ir pilna ar šķidrumu.	Pārbaudiet elektrība padevi. Lieciet kvalificētam personālam pārbaudīt un nomainīt bojāto daļu. Iztukšojiet tvertni.
No motora pārsega nāk ārā putekļi.	Nav uzstādīts vai bojāts putekļu maiss.	Ievietojiet vai nomainiet putekļu maisu.
Zema sūkšanas jauda un lieli motora apgriezieni / vibrācijas.	Putekļu maiss ir pilns. Iesūkšanas uzgalis, šļūtene vai tvertnes ieeja ir nosprostota.	Nomainiet putekļu maisu. Pārbaudiet iesūkšanas uzgali, šļūteni un tvertnes ieeju, vai nav nosprostojumu.





Lietuviškai

APRAŠYMAI

Sudedamųjų dalių sąrašas

1. Įlginamasis vamzdis (3 vnt.)
2. Grindų valymo antgalis
3. Siaurasis antgalis
4. Žarnos komplektas
5. Ratukas (4 vnt.)
6. Rankena
7. Poroloninis filtras
8. Varžtai
9. Dulkių maišelis
10. Pūstuvo jungtis
11. Filto dėklas
12. Apsauginis plūdinis vožtuvas
13. Kasetinio filtro gaubtas
14. Kasetinis filtras (neplaunamas)
15. Įjungimo / išjungimo mygtukas
16. Dulkių siurblio žarnos jungtis
17. Spaustukas (2 vnt.)
18. Rinktuvas
19. Išleidimo anga

TECHNINIAI REIKALAVIMAI

Maitinimo įtampa	220-240V~50 Hz
Vardinė galia	1250 W
Rinktuvo talpa	20 L
Žarnų sistema	Ø 35 mm
Sausojo valymo filtras	Kasetinis filtras
Šlapijojo valymo filtras	Poroloninis filtras
IP klasė	IPX4
Siurbimas	17 kpa / 2.47 PSI
Maksimalaus oro srauto L/sek. variklis	48.5 dm ³ /s
Maks. vak. slėgio l/s variklis	20.5 Kpa
Laido ilgis	4 m
Svoris - pagal EPTA procedūrą 01/2003	3.6 kg

⚠️ ĮSPĖJIMAS

Perskaitykite visus saugos įspėjimus ir visą instrukciją. Įspėjimų ir instrukcijų nesilaikymas gali sukelti elektros smūgį, gaisrą ir (ar) sunkius sužeidimus.

Kad tinkamai naudotumėte įrankį, žr. visus perspėjimus ir nurodymus.

BENDROSIOS ELEKTRINIO ĮRANKIO SAUGOS TAISYKLĖS

⚠️ ĮSPĖJIMAS

Šis prietaisas atitinka privalomas elektros įrangos saugos taisykles. Tačiau, netinkamai naudojant, galima sužaloti žmones ir patirti turtinės žalos. Prieš įjungdami prietaisą, atidžiai perskaitykite visą šią naudojimo instrukciją. Išsaugokite naudojimo instrukciją, garantijos sertifikatą, pirkimo čekį, taip pat pakuotę ir pakavimo medžiagas, jei tik įmanoma.

Šis prietaisas skirtas naudoti tik privačiame ūkyje ir pagal numatytąją paskirtį. Prietaisas nėra tinkamas komerciniam naudojimui. Nenaudokite prietaiso lauke (nebent jis būtų specialiai skirtas naudoti lauke). Saugokite prietaisą nuo karščio, tiesioginės saulės šviesos ir labai didelės drėgmės (pvz., lietaus).

Niekada nemerkite prietaiso į skysčius ir saugokite nuo aštrių kraštų, kurie gali jį sugadinti. Niekada nenaudokite prietaiso šlapiomis ar drėgnomis rankomis. Nedelsdami atjunkite prietaisą nuo elektros tinklo, jei veikiantis prietaisas sudrėksta ar sušlampa. Nekiškite prietaiso į vandenį.

Šį šlapiąjo / sausojo valymo dulkių siurblių galima naudoti ir laikyti tik privačiuose namuose.

Šis prietaisas skirtas svecikatai nepavojingoms ir nedegioms medžiagoms siurbti.

Niekada nelaikykite jungiamųjų antgalių priešais veidą (ypač akis, ausis ir pan.). Niekada nenukreipkite antgalio link žmonių ar gyvūnų.

Prietaisą naudokite tik pagal paskirtį. Naudodami prietaisą ne pagal numatytąją paskirtį, už bet kokią riziką ir galimus pavojus atsakysite patys.

Kiti panaudojimo būdai ir netinkamas eksploatavimas yra draudžiami. Gamintojas neatsako už žalą, atsiradusią dėl netinkamo naudojimo ar naudojimo ne pagal paskirtį.

Dėvėkite apsauginius drabužius ir pirštines.

Prietaisąjunkite tik prie 240 V kintamosios srovės lizdo.

Prieš naudodami prietaisą, įdėkite tinkamą dulkių maišelį į jo laikiklį. Naudojant netinkamą dulkių maišelį arba netinkamai įdėjus dulkių maišelį, prietaisas gali sugesti ir gali nebegalioti jo garantijas.

Jei maitinimo kabelis yra pažeistas, jį visą, kartu su kabelio apsauga, privalo pakeisti įgaliotasis techninės priežiūros centras ar kita kvalifikuota techninės priežiūros įstaiga.

Nesiurbkite pelenų, karštų anglių ir pan., taip pat didelių stiklo šukių ir aštrių daiktų.

Nesiurbkite jokių dažomųjų miltelių, kurie naudojami, pavyzdžiui, spausdintuvuose ir kopijavimo aparatuose, nes jie yra laidūs elektrai. Be to, gali būti, kad šlapiąjo / sausojo dulkių valymo sistema nevisiškai juos sulaukys ir





Lietuviškai

jie kartu su oru pro išmetimo angą pateks į orą.

Niekada nesiurbkite degių ar nuodingų skysčių, pavyzdžiui, benzino, alyvos, rūgščių ar kitų lakiųjų medžiagų.

Nesiurbkite skysčių, kurie yra karštesni nei 60 °C, taip pat – jokių nuodingų ar degių dulkių.

Niekada neguldysite prietaiso ant šono. Ypač užtikrinkite, kad prietaisas stovėtų horizontaliai, taip pat – pakankamai stabiliai stovėtų naudojant ant laiptų.

Pasinaudoję prietaisu, prieš valydami arba keisdami filtrus ar priedus, visada atjunkite prietaisą nuo elektros tinklo.

Elektros įrangą remontuoti gali tik kvalifikuoti specialistai. Netinkamai atliktus remonto darbus, naudotojui gali kilti didelis pavojus.

Nelaikykite prietaiso tiesiai šalia karštos orkaitės ar radiatoriaus.

Vaikai, neįgalieji ir vyresnio amžiaus žmonės dažnai nežino apie pavojus, kurių gali kilti tvarkant elektrinius prietaisus. Pirmiau minėtiems ir neįgaliesiems asmenims niekada negalima naudotis šiuo elektros prietaisu.

Valydami ar ardydami prietaisą, visada jį išjunkite. Ištraukite kištuką iš lizdo, jei prietaiso nenaudosite ilgesnį laiką. Niekada netraukite už kabelio, norėdami atjungti prietaisą nuo elektros tinklo, verčiau pritraukite už paties kištuko. Taip pat išimkite iš prietaiso visus specialius priedus.

Prietaisas visada privalo būti švarus. Nenaudokite jokių tirpiklių ar valiklių, kurie gali sugadinti prietaisą ar pakentti naudotojui.

Niekada nepalikite įjungto prietaiso be priežiūros. Jei palikssite darbo vietą, išjunkite prietaisą arba atjunkite jį nuo elektros lizdo (traukite ne už kabelio, o už kištuko).

Norėdami apsaugoti vaikus nuo elektrinių buitinių prietaisų, užtikrinkite, kad jie negalėtų užkliūti už kabelio, ir neleiskite vaikų artyn prie prietaiso.

Niekada nenaudokite prietaiso būdami apsvaigę nuo vaistų, alkoholio ar narkotinių medžiagų, taip pat, jei tuo metu jums yra taikomas medicininis gydymas arba esate pavargę.

Reguliariai tikrinkite prietaisą ir maitinimo kabelį, ar jie nėra pažeisti. Nenaudokite sugadintų prietaisų.

Nebandykite patys taisyti prietaiso. Remonto darbus visada privalo vykdyti tik įgaliotasis meistras. Visada pasirūpinkite, kad pažeistus maitinimo kabelius nedelsiant pakeistų gamintojas arba kvalifikuota techninės priežiūros įstaiga. Norėdami išvengti elektros smūgio ir sužeidimų, naudokite tu paties tipo kabelius.

Naudokite tik originalius priedus ir atsargines dalis. Gamintojo nepatvirtintos dalys arba trečiųjų šalių priedai gali kelti pavojų ir gali nebegalioti garantija.

Dažnai tikrinkite plūdę.

Jei pastebėtumėte, kad iš prietaiso teka skystis,

nedelsdami jį išjunkite ir atjunkite nuo elektros tinklo.

Nekiškite prietaiso į vandenį. Saugokite prietaisą, kad ant jo nepatektų vandens.

Išleisdami purviną vandenį, būtinai atsižvelkite į galiojančius gamtos apsaugos aktus.

Prietaisą laikykite tik saugioje, sausoje, vaikams nepasiekiamoje vietoje.

Taip pat atkreipkite ypatingą dėmesį į šias „Specialias saugos taisykles“.

Šis prietaisas nėra skirtas naudoti ar valyti asmenims su sumažintomis fizinėmis, sensorinėmis ar psichinėmis galimybėmis arba neturintiems patirties ar žinių, neturintiems teisiškai atsakingo už jų saugą asmens nurodymų apie saugų prietaiso naudojimą. Naudojant prietaisą, šie asmenys turi būti prižiūrimi. Vaikams negalima prietaiso naudoti, valyti ar juo žaisti: nenaudojamas prietaisas turi būti saugiai laikomas vaikams nepasiekiamoje vietoje.

Pasirūpinkite, kad vaikai nežaistų su šiuo prietaisu.

Jei pažeistas maitinimo kabelis, siekiant išvengti pavojaus, jį turi pakeisti gamintojas, jo techninės priežiūros atstovas arba panašios kvalifikacijos asmuo.

Elektros energija privalo būti tiekiamą per liekamosios srovės įtaisą (RCD), kurio išjungimo srovė yra ne didesnė kaip 30 mA.

Naudokite tik vandeniui nepralaidų ilginamąjį kabelį. Kiekvieną kartą, prieš naudodami ilginamąjį kabelį, patikrinkite, ar jis nepažeistas. Naudodami ilginamąjį kabelį, visada jį išvyniokite, nes suvynioti kabeliai gali perkaisti. Pažeisti ilginamųjų kabelių taisyti negalima. Jį privaloma pakeisti tokio pat tipo kabeliu.

NAUDOJANT PŪSTUVO FUNKCIJĄ:

Orą tiesiogiai galima išleisti nukreipus tik į darbo vietą, o ne žmones ar gyvūnus.

Nenaudokite pūstuvo kaip purkštuvo, pasirinkę šlapiojo valymo režimą. Dėvėkite apsauginę kaukę ir apsauginius akinius.

A ĮSPĖJIMAS

Prieš surinkdami, atidarydami, ištuštinami dulkių rinktuvą, taip pat prieš prijungdami / atjungdami antgalius arba vykdydami techninės priežiūros ar trikčių šalinimo darbus, visada atjunkite prietaisą nuo elektros lizdo.

SVARBU!

Jei žarna ar įrankiai yra užsikimšę, prieš vėl paleisdami prietaisą, išjunkite dulkių siurbį ir pašalinkite juos



Lietuviškai

užkimšusius nešvarumus.

SVARBU!

Reguliariai valant ir keičiant filtrus, dulkių siurblys visada veiks efektyviai. „Vax“ rekomenduoja reguliariai tikrinti, valyti ir keisti filtrus.

JEI DULKIŲ SIURBLYS BUS SUGADINTAS NESILAIKANT BENDRŲJŲ SAUGOS TAISYKLIŲ IR ŠIOJE NAUDOJIMO INSTRUKCIJOJE PATEIKTŲ NURODYMŲ, GARANTIJA NEBEGALIOS

IŠSAUGOKITE NAUDOJIMO INSTRUKCIJĄ ATEIČIAI.

SPECIALIOS SAUGOS TAISYKLĖS

Niekada nesiurbkite karštų pelenų, smalių ar aštrių daiktų.

Niekada nenaudokite prietaiso drėgnose patalpose.

Nenaudokite prietaiso be dulkių maišelio (išskyrus tada, kai siurbiate skysčius arba naudojate kasetinį filtrą). Įsitikinkite, ar tinkamai įdėjote dulkių maišelį į prietaisą.

Naudodamiesi prietaisu būkite atsargūs, kad nebūtų įtraukti plaukai, drabužiai ar kūno dalys.

Dulkių siurblyį laikykite atokiai nuo šilumos šaltinių, pavyzdžiui, šildytuvų, orkaitių ir pan.

INFORMACIJA APIE SENŲ PRIETAISŲ UTILIZAVIMĄ

Prietaise yra elektrinių ir elektroninių komponentų, todėl juo negalima išmesti kartu su įprastomis buitinėmis atliekomis.

Privaloma besąlygiškai laikytis galiojančių vietos įstatymų.

YPATINGOS NAUDOJIMO SĄLYGOS

Prietaisas tinka sausoms, nedegioms dulkėms ir skysčiams susiurbti.

Šis prietaisas skirtas naudoti tik privačiame ūkyje ir pagal numatytąją paskirtį. Prietaisas nėra tinkamas komerciniam naudojimui. Nenaudokite prietaiso lauke (nebent jis būtų specialiai skirtas naudoti lauke). Saugokite prietaisą nuo karščio, tiesioginės saulės šviesos ir labai didelės drėgmės (pvz., lietaus).

Bet koks kitas naudojimas ne pagal paskirtį laikomas netinkamu naudojimu. Gamintojas nepisiima jokios atsakomybės už žalą, atsiradusią dėl tokio naudojimo. Riziką dėl tokio naudojimo prisiima tik naudotojas.

Tinkamas naudojimas – tai taip pat yra tinkamas eksploatavimas, techninė priežiūra ir remontas, kaip nurodyta gamintojo.

EB ATITIKTIES DEKLARACIJA

Mes atsakingai tvirtiname, kad šis gaminys, aprašytas skyriuje „Techniniai duomenys“, atitinka visas taikytinas direktyvų 2011/65/ES (RoHS), 2014/35/ES, 2014/30/ES nuostatas ir toliau nurodytus darniuosius standartus:

EN 60335-1:2012/A2:2019

EN 60335-2-2:2010/A1:2013

EN 62233:2008

EN 55014-1:2017

EN 55014-2:2015

EN 61000-3-2:2014

EN 61000-3-3:2013

EN IEC 63000:2018

Winnenden, 2020-05-25



Branko Lenger

Senior Vice President, Engineering and Quality - Asia,
Engineering Commercial Product Development
Įgaliotas sudaryti techninę bylą.

CE

Techtronic Industries GmbH
Max-Eyth-Straße 10
71364 Winnenden
Germany

PAKUOTĖS TURINYS

Žr. 2 - 4 pav.

Atsargiai išpakuokite dėžę.

Suimkite du spaustukus, kurie laiko viršutinę dalį, ir patraukite juos į viršų.

Atsekite spaustukus, nuimkite viršutinę dalį ir išpilkite šiukšles iš rinktuvo.

Patikrinkite dalis pagal sudedamųjų dalių sąrašą, kad įsitikintumėte, jog jos visos yra, taip pat patikrinkite, ar vežant jos nebuvo apgadintos.

Jei trūktų kokių nors dalių ar jos būtų sugadintos, nedelsdami susisiekite su pardavėju.

MONTAVIMAS

1. Įsitikinkite, kad maitinimo kabelis yra atjungtas nuo elektros lizdo.
2. Atsekite spaustukus. (2 Paveikslas)
3. Nuimkite viršutinę dalį nuo rinktuvo. (3 Paveikslas)
4. Išpilkite rinktuve esančias šiukšles. (4 Paveikslas)
5. Apsverskite rinktuvą aukštn kojomis ir įtaisykite



Lietuviškai

ratukus ant keturių rinktuvo kojelių.

- Įsitikinkite, kad jie yra tinkamai sumontuoti. Neperveržkite. (5 Paveikslas)
- Įkiškite rankenos galus į variklio bloko angas ir tinkamai įspauskite. (6 Paveikslas)
- Jei siurbsite sausas dulkes, įdėkite komplekte esantį kasetinį filtrą ir dulkių maišelį. (7, 8 Paveikslas)
- Jei siurbsite drėgnas medžiagas ar skysčius, įdėkite pateiktą poroloninį filtrą. (9 Paveikslas)
- Vėl uždėkite viršutinę dalį ant rinktuvo. (10 Paveikslas)
- Sulygiuokite viršutinę dalį su spaustukais ir tinkamai juos užfiksukite užspausdami. (10 Paveikslas)
- Įkiškite didį žarnos galą į priekinę rinktuvo angą ir įsukite ją. (11 Paveikslas)
- Pritvirtinkite reikiamą priedą prie siurbimo vamzdžio. (12 Paveikslas)

VEIKIMAS

SAUSŲ MEDŽIAGŲ SIURBIMAS

A ĮSPĖJIMAS

Būtinai perskaitykite ir supraskite saugos instrukciją bei vadovaukitės joje pateiktais nurodymais.

Priminimas. NESIURBKITE pavojingų medžiagų. Naudojant netinkamus dulkių maišelius, garantija nebegalios.

- Įsitikinkite, kad maitinimo kabelis yra atjungtas nuo elektros lizdo.
- Įsitikinkite, kad kasetinis filtras yra iki galo sumontuotas.
- Įsitikinkite, kad filtras yra įkištas iki pat galo. (13 Paveikslas) Patikrinkite, ar dulkių maišelis įdėtas į rinktuvą. (8 Paveikslas)
- Vėl uždėkite viršutinę dalį ant rinktuvo ir užfiksukite ją spaustukais. (10 Paveikslas)
- Įkiškite didį žarnos galą į priekinę rinktuvo angą ir tinkamai ją užfiksukite. Pritvirtinkite reikiamą antgalį prie laisvo žarnos ar ilginamojo vamzdžio galo. (12 Paveikslas)
- Prijunkite maitinimo kabelį prie elektros lizdo.
- Įjunkite variklį, perjungdami jungiklį į padėtį „I“ (JUNGTAS). (14 Paveikslas)
- Baigę siurbti, perjunkite jungiklį į padėtį „O“ (IŠJUNGTAS) ir atjunkite maitinimo kabelį nuo elektros lizdo. (15 Paveikslas)

A ĮSPĖJIMAS

NENAUDOKITE KASETINIO FILTRO ŠLAPIOMS AR AŠTRIOMS MEDŽIAGOMS SIURBTI.

NENAUDOKITE DULKIŲ MAIŠELIO SKYŠČIAMS SIURBTI.

ŠLAPIASIS VALYMAS

A ĮSPĖJIMAS

- Būtinai perskaitykite ir supraskite saugos instrukciją bei vadovaukitės joje pateiktais nurodymais. Priminimas. NESIURBKITE pavojingų medžiagų.
- Įsitikinkite, kad maitinimo kabelis yra atjungtas nuo elektros lizdo. Įsitikinkite, kad rinktuvas yra švarus, nedulkėtas ir nesuteptas.
- Nuimkite kasetinį filtrą ir dulkių maišelį, uždėkite poroloninį filtrą ant filtro laikiklio ir uždėkite viršutinę dalį ant rinktuvo. (9 Paveikslas) **NENAUDOKITE** kasetinio filtro šlapioms ar aštrioms medžiagoms siurbti.
- Pritvirtinkite norimą antgalį prie dulkių siurblio žarnos. (12 Paveikslas)
- Prieš kišdami maitinimo kabelio kištuką į elektros lizdą, įsitikinkite, kad jungiklis yra padėtyje „O“ (IŠJUNGTAS).
- Įjunkite variklį, perjungdami jungiklį į padėtį „I“ (JUNGTAS). (14 Paveikslas)
- Pasinaudoję prietaisu, perjunkite jungiklį į padėtį „O“ (15 pav.) ir atjunkite maitinimo kabelį nuo elektros lizdo, tada ištuštinkite ir nusauskite rinktuvą. (16, 17 Paveikslas)

A ĮSPĖJIMAS

Poroloninį filtrą po šlapijo valymo privaloma išimti, ir, prieš pradėdami siurbti sausas dulkes, įdėti kasetinį filtrą.

SVARBU!

Siurbdami didelį kiekį skysčių, nekiškite viso antgalio į skystį; antgalio angos gale palikite tarpą, kad įeitų oras.

Prietaise yra plūdinis vožtuvas, kuris sustabdo siurbimą, kai rinktuvas maksimaliai pripildomas. Pastebėsite, kad variklis pradės veikti tiesiogiai sukiais.

Kai taip atsitiks, išjunkite prietaisą, atjunkite nuo elektros tinklo ir išleiskite vandenį į tinkamą indą ar kanalizaciją. Norėdami siurbti toliau, vėl įtaisykite rinktuvo išleidimo angos dangtelį. Pabaigę valyti šlapiuoju būdu, išjunkite prietaisą ir ištraukite kištuką iš elektros lizdo.

Prieš padėdami prietaisą į saugojimo vietą, ištuštinkite rinktuvą, išvalykite ir išdžiovinkite jį iš vidaus ir išorės.

PŪSTUVO NAUDOJIMAS

Šis šlapijo / sausojo valymo dulkių siurblys turi pūtimo funkciją.

Norėdami naudoti pūstovo funkciją, vadovaukitės pateiktais nurodymais.

A ĮSPĖJIMAS





Lietuviškai

Prieš naudodami pūstuvą, visada užsidėkite apsauginius darbo akinius.

Neleiskite artyn pašalinių žmonių, kad jų nesužalotų pučiamos šiukšlės.

Dėvėkite apsauginę kaukę, jei pučiant kyla dulkių, kurias galima įkvėpti.

1. Prijunkite didįjį žarnos galą prie pūstuvo jungties, esančios variklio korpuso viršuje. (18 Paveikslas)
2. Pritvirtinkite siaurąjį antgalį prie dulkių siurblio žarnos. (19 Paveikslas)
3. Įsitikinkite, kad maitinimo jungiklis yra išjungtas, tada prijunkite prie elektros tinklo.
4. Įjunkite variklį, perjungdami jungiklį į padėtį „I“ (JUNGTAS). (14 Paveikslas)
5. Įrenginys pūs orą pro dulkių siurblio žarną ir pašalins žarną užkimšusias šiukšles.
6. Baigę darbą, atjunkite jungiklį į padėtį „O“ (IŠJUNGTAS) ir atjunkite maitinimo kabelį nuo elektros lizdo. (15 Paveikslas)

ĮSPĖJIMAS

Jei po kelių sekundžių žarna vis tiek užkišta, išjunkite įrenginį ir patys mechaniškai išvalykite žarną.

PRIEŽIŪRA

SAUSOJO VALYMO FILTRO MONTAVIMAS IR VALYMAS

Pastaba: Prieš atlikdami techninę priežiūrą, atjunkite prietaisą nuo elektros lizdo.

Sausojo valymo filtro montavimas

1. Sausojo valymo filtrą ant filtro dėklo dėkite plokščiuoju filtro galu dulkių siurblio variklio bloko link. Atsargiai stumkite filtrą vidun, kol jis atsirems į variklio galvą. (20 & 21 Paveikslas)
2. Dėkite filtro fikساتorių ant kasetinio filtro iškilais kraštais, ir priveržkite, sukdami fikساتorių pagal laikrodžio rodyklę, bet neperveržkite. (22 & 23 Paveikslas)

Sausojo valymo filtro nuėmimas ir valymas (ŠIS FILTRAS YRA NEPLAUNAMAS)

1. Atsekite ir nuimkite filtro fikساتorių, sukdami fikساتoriaus rankeną prieš laikrodžio rodyklę.
2. Atsargiai laikydami ištraukite sausą filtrą. (24 Paveikslas)
3. Išvalykite kasetinį filtrą, atsargiai jį pabaksnodami arba nuvalydami nešvarumus šepetėliu. Norint, kad prietaisas veiktų optimaliai, rekomenduojama reguliariai keisti šį filtrą, atsižvelgiant į naudojimo intensyvumą (pvz., kas 3–6 mėn.)
4. Sumontuokite išvalytą arba naują filtrą, kaip nurodyta pirmiau.

POROLONINIO FILTRO MONTAVIMAS IR VALYMAS

Pastaba: Prieš atlikdami techninę priežiūrą, atjunkite prietaisą nuo elektros lizdo.

Poroloninio filtro montavimas

Vykdydami nurodymus, prieš keisdami poroloninį filtrą, pirmiausia išimkite sausojo valymo filtrą.

Atsargiai užmaukite poroloninį filtrą ant filtro laikiklio, užtikrindami, kad būtų uždengtas visas laikiklis. (9 & 25 Paveikslas)

Poroloninio filtro valymas

Atsargiai išimkite poroloninį filtrą. (26 Paveikslas)

Poroloninį filtrą išplaukite švelniu muilu ir vandens tirpalu ir išskalaukite švariu vandeniu. (27 Paveikslas)

Prieš vėl sumontuodami ir naudodami filtrą, palaukite, kol jis išdžius.

ŽENKLAI



ATSARGIAI! ĮSPĖJIMAS PAVOJUS!

V Voltai

Hz Hercai

~ Kintamoji srovė

W Vatai



Atidžiai perskaitykite instrukcijas prieš pradėdami naudoti mechanizmą.



II klasės įranga



Perdirbkite



Neišmeskite elektrinių įrankių kartu su buitinėmis atliekomis!

Elektriniai įrankiai, kurių eksploatavimo laikotarpis baigėsi, turi būti surenkami atskirai ir grąžinami į atliekų tvarkymo įmonę, kad būtų perdirbti aplinkai nekenksmingu būdu. Kur rasti surinkimo ir perdirbimo punktą ir kaip tinkamai utilizuoti seną įrenginį, kreipkitės į vietos valdžios įstaigą ar pardavėją.





Lietuviškai



Europos atitikties ženklas

DAŽNAI UŽDUODAMI KLAUSIMAI

ĮSPĖJIMAS

Norėdami sumažinti susižalojimo riziką, prieš atlikdami techninės priežiūros / trikčių šalinimo darbus, atjunkite valiklį nuo elektros tinklo.

Gedimas	Priežastis	Sprendimas
Prietaisas neveikia.	Nėra elektros energijos. Funkcinis maitinimo kabelio, jungiklio ar variklio gedimas. Rinktuvas pilnas skysčio.	Patikrinkite elektros tinklą. Pasirūpinkite, kad sugadintą dalį patikrintų kvalifikuotas meistras, arba pakeiskite ją nauja dalimi. Ištuštinkite rinktuvą.
Pro variklio gaubtą veržiasi dulkės.	Nejdėtas dulkių maišelis arba jis praplyšo.	Įdėkite dulkių maišelį arba pakeiskite jį nauju.
Maža siurbimo galia ir dideli variklio sūkiai / smarki vibracija.	Dulkių maišelis pilnas. Užsikimšo siurbimo antgalis, žarna arba rinktuvo įleidimo anga.	Vėl įdėkite dulkių maišelį. Patikrinkite, ar neužsikimšo siurbimo antgalis, žarna ir rinktuvo anga.





Eesti

KIRJELDUSED

Osade loend

1. Pikendusvars (x3)
2. Põrandatööriist
3. Piluotsak
4. Voolik
5. Ratas (x4)
6. Käepide
7. Vahtfilter
8. Poldid
9. Tolmukott
10. Puhuri ühendus
11. Filtrikorv
12. Ohutuse ujukklapp
13. Padrunfiltri kaas
14. Padrunfilter (mitte pestav)
15. „Sisse/välja“-lüliti
16. Vaakumvooliku ühendus
17. Klamber (x2)
18. Paak
19. Tühjendusava

TEHNILISED ANDMED

Toitepinge	220-240V~50 Hz
Arvutuslik võimsus	1250 W
Paagi maht	20 L
Voolikusüsteem	Ø 35 mm
Filter – kuiv	Padrunfilter
Filter – märg	Vahtfilter
IP reiting	IPX4
Imemisvõimsus	17 kpa / 2.47 PSI
Maksimaalne õhuvool l/sek mootor	48.5 dm ³ /s
Maksimaalne vaakumirõhk l/sek mootor	20.5 Kpa
Toitejuhtme pikkus	4 m
Kaal - vastavalt EPTA-protseduurile 01/2003	3.6 kg

A HOIATUS!

Lugege kõik ohuhoiatused ja juhised läbi. Hoiatuse ja juhiste eiramise puhul on oht saada elektrilööki või raskeid kehavigastusi ning/või põhjustada tulekahju.

Hoidke kõik hoiatused ja juhised edaspidiseks juhendamiseks alles.

ÜLDISED OHUTUSREEGLID

A HOIATUS!

See seade vastab elektriseadmete kohustuslikele ohutusnõuetele. Ebaõige kasutamine võib kahjustada nii inimesi kui ka vara. Enne seadme sisselülitamist tutvuge selle kasutusjuhendiga hoolikalt ja mõistke seda. Hoidke kasutusjuhend, garantiisertifikaat, kviitung, samuti pakend ja pakkematerjal, kui vähegi võimalik, edaspidiseks alles.

See seade on mõeldud kasutamiseks ainult erasektoris ja selleks ettenähtud otstarbel. Seade ei sobi äriliseks kasutamiseks. Ärge kasutage seadet õues (v.a juhul, kui see on spetsiaalselt mõeldud kasutamiseks välitingimustes). Ärge laske seadmel kokku puutuda kuumuse, otsese päikesevalguse ega suure niiskusega (nt vihm).

Ärge kunagi kastke seadet vette ja arvestage teravate servadega, mis võivad seda kahjustada. Ärge kunagi kasutage seadet märgade või niiskete kätega. Kui seade saab töötamise ajal märjaks või puutub kokku niiskusega, eemaldage see kohe vooluvõrgust. Ärge kastke seadet vette.

Seda märg-/kuivpuhastit tohib kasutada ja hoida ainult eramajapidamises.

Seade on ette nähtud kasutamiseks materjalide korral, mis pole teie tervisele ohtlikud ega pole tuleohtlikud.

Ärge kunagi hoidke pistikuid oma näo lähedal (silmad, kõrvad jne). Ärge kunagi suunake otsikut inimeste ega loomade poole.

Kasutage seadet ainult selleks ettenähtud otstarbel. Kõik muud kasutusviisid on teie enda vastutusel ja võivad olla ohtlikud.

Muud kasutusviisid ja järelevalveta kasutamine pole lubatud. Tootja ei vastuta kahjude eest, mis on põhjustatud valest kasutamisest.

Kandke kaitseriietust ja kindaid.

Ühendage seade ainult 240 V vahelduvvoolu pistikupespa.

Enne seadme kasutamist veenduge, et hoidikusse oleks kinnitatud õige tolmuokott. Vale tolmuokott või valesti paigaldatud tolmuokotid võivad seadet kahjustada ja muuta garantii kehtetuks.

Kui toitejuhe on kahjustatud, peab selle koosjuhtmekaitsega täielikult asendama volitatud teeninduskeskus või muu kvalifitseeritud teenindusettevõte.

Ärge imege tolmuimejaga tuhka, kuuma sütt jmt, suuri klaasikilde ja teravaid esemeid.

Ärge imege tolmuimejaga tuhka, mida kasutatakse näiteks printerites ja koopiamasinates, kuna see juhib elektrit. Lisaks on võimalik, et märg-/kuivpuhasti filtrisüsteem ei ole võimeline seda täielikult filtreerima ning see paisatakse väljalaskeventilaatori kaudu taas õhku.





Eesti

Ärge kunagi imege tolmuimejaga kergestisüttivaid või mürgiseid vedelikke nagu bensiin, õli, happed või muud lenduvad ained.

Ärge imege tolmuimejaga üle 60 °C kuumi vedelikke ega mürgist või tuleohtlikku tolmu.

Ärge kunagi asetage seadet küllili. Pöörake erilist tähelepanu horisontaalsele asendile ja piisavale stabiilsusele treppidel.

Pärast kasutamist ja enne filtreid või tarvikute puhastamist või vahetamist eemaldage seade alati vooluvõrgust.

Elektriseadmeid võivad remontida ainult väljaõppinud spetsialistid. Vale parandamine kujutab endast kasutajale märkimisväärset ohtu.

Ärge hoidke seadet kuuma ahju või radiaatori kõrval.

Lapsed, puuetega inimesed ja vanurid ei mõista sageli ohte, mis võivad tuleneda elektriseadmete käsitsemisest. Eespool nimetatud ja koolitamata isikud ei tohi selle elektriseadmega kunagi töötada.

Seadme puhastamisel või liigutamisel lülitage see alati välja. Kui te ei kavatse seadet pikemat aega kasutada, tõmmake pistik pistikupesast välja. Ärge kunagi tõmmake seadme lahtiühendamiseks juhtmet - tõmmake alati pistikut. Samuti eemaldage seadmest kõik spetsiaalsed liseseadmed.

Hoidke seade alati puhtana. Ärge kasutage lahusteid ega puhastusvahendeid, mis võivad seadet või kasutajat kahjustada või vigastada.

Ärge jätke seadet kunagi järelevalveta sisselülitatud olekusse. Kui lahkute tööpiirkonnast, lülitage seade välja või eemaldage see vooluvõrgust (ärge tõmmake juhtmet, kasutage alati pistikut).

Kaitsmaks lapsi elektriliste kodumasinate eest veenduge, et lapsed ei saaks seadme juhtme taha komistadaja hoidke seda nende käeulatusest väljas.

Ärge kunagi kasutage seadet, kui olete ravimite, alkoholi või narkootiliste ainete mõju all, kui vajate meditsiinilist hooldust või olete väsinud.

Kontrollige seadet ja toitejuhet regulaarselt võimalike kahjustuste suhtes. Ärge kasutage kahjustatud seadmeid.

Ärge proovige seadet ise parandada. Remondiks kasutage alati volitatud tehnikut. Kahjustatud toitejuhtmed tuleb alati tootja juures või kvalifitseeritud teeninduskeskuses välja vahetada. Elektrilöögi ja vigastusohu vältimiseks kasutage sama tüüpi juhet.

Kasutage üksnes originaaltarvikuid ja -varuosi. Heakskiitmata osad või kolmandate osapoolte tarvikud võivad olla võimalikuks ohuallikaks ja muudavad garantii kehtetuks.

Kontrollige sageli ujukit.

Kui märkate, et seadmet lekitab vedelikku, lülitage see koheselt välja ja eemaldage vooluvõrgust.

Ärge kastke seadet vette. Veenduge, et seade ei saaks märjaks.

Reovee kõrvaldamisel järgige kehtivaid seadusi.

Hoidke seadet ainult ohutus ja kuivas kohas, mis ei ole lastele kättesaadav.

Pöörake erilist tähelepanu ka järgmistele ohutuseeskirjadele.

Seadme kasutamine või puhastamine on keelatud nendel isikutel, kellel on piiratud füüsilised, sensoorsed või vaimsed võimed ning kogemusteta ja väljaõppeta isikutel, välja arvatud siis, kui neid juhendatakse ohutu kasutamise osas ametlikult vastutava isiku poolt. Nad peavad seadme kasutamise ajal järelevalve all olema. Lapsed ei tohi seda seadet kasutada, seda puhastada ega sellega mängida ning seade ei tohi olla nendele kättesaadav.

Laste järele tuleb valvata, et nad seadmega ei mängiks.

Kui toitejuhe on kahjustatud, peab selle asendama tootja, tööriista remondi- ja hooldustööde teostaja või vastava kvalifikatsiooniga isik, et vältida võimalikku ohtu.

Elektritoide peab toimuma jääkvooluseadme (RCD) kaudu, mille väljalülitusvool ei ületa 30 mA.

Kasutage vaid ilmastikukindlat pikendusjuhet. Kontrollige pikendusjuhet enne iga kasutamist võimalike kahjustuste suhtes. Kasutamise ajal kerige pikendusjuhe alati lahti, sest keerdsu juhtmed võivad üle kuumeneda. Kahjustatud pikendusjuhtmeid ei tohi parandada. Need tuleks asendada samaväärselga.

PUHURI-FUNKTSIOONI KASUTAMISEL:

Otsene õhu väljalaskmine ainult tööpiirkonnas - mitte kunagi inimeste ega loomade suunas.

Ärge kasutage puhurit märgrežiimis pihustina. Kandke tolmumaski ja silmakaitset.

HOIATUS

Enne mustusepaagi kinnitamist, avamist, tühjendamist; enne tarvikute ühendamist/lahtiühendamist ja hooldus- või veaotsingute kontrolle lülitage masin alati välja ning eemaldage seinakontaktist.

OLULINE!

Kui voolik või tööriistad on ummistunud, lülitage enne masina uuesti käivitamist seade välja ja eemaldage ummistus(ed).

OLULINE!

Filtriite puhastamine ja korrapärane väljavahetamine tagab





Eesti

imemisvõime. Vax soovitab filtreid regulaarselt kontrollida, puhastada ja välja vahetada.

PUHASTI KAHJUSTUSTE KORRAL, MIS TULENEVAD ÜLDISE OHUTUSTEABE JA KÄESOLEVAS KASUTUSJUHENDIS TOODUD JUHISTE EIRAMISEST, MUUTUB GARANTII KEHTETUKS.

HOIDKE KÄESOLEV JUHEND EDASPIDISEKS ALLES.

OHUTUSE ERINÕUDED

Ärge kunagi imege tolmuimejaga kuuma tuhka ega teravaid esemeid.

Ärge kunagi kasutage seadet niisketes ruumides.

Ärge kasutage seadet ilma tolmutotita (erandiks on märgimine või koos padrunfiltriga). Veenduge, et tolmutot oleks seadmesse õigesti sisestatud.

Seadme kasutamisel veenduge, et sellesse ei imetaks juukseid, riideid ega väikesi esemeid.

Hoidke puhastit eemal soojusallikatest nagu kiirgussoojendid, ahjud jms.

KÕRVALDAMISE TEAVE

Seade sisaldab elektrilisi ja elektroonilisi komponente ning seda ei tohi ära visata olmeprügina.

Tingimusteta tuleb järgida kohalikke ja praegu kehtivaid õigusakte.

MÄÄRATUD TÖÖTINGIMUSED

Seade sobib kuiva mittesüttiva tolmu ja vedelik kokkukogumiseks.

See seade on mõeldud kasutamiseks ainult erasektoris ja selleks ettenähtud otstarbel. Seade ei sobi äriliseks kasutamiseks. Ärge kasutage seadet õues (v.a juhul, kui see on spetsiaalselt mõeldud kasutamiseks välitingimustes). Ärge laske seadmel kokku puutuda kuumuse, otsese päikesevalguse ega suure niiskusega (nt vihm).

Igasugune muu kasutamine loetakse sobimatuks kasutamiseks. Tootja ei vastuta sellise kasutamise tagajärjel tekkinud kahjude eest. Sellise kasutamise riski korral vastutab ainult kasutaja.

Õige kasutamine hõlmab ka tootja poolt ette nähtud nõuetekohast kasutamist, hooldust ja remonti.

EÜ VASTAVUSDEKLARATSIOON

Kinnitame oma ainuvastutusel, et "Tehniliste andmete" osas kirjeldatud toode vastab direktiivide 2011/65/EL (RoHS), 2014/35/EL ja 2014/30/EL kõigile asjakohastele sätetele ja kasutatud on järgmisi ühtlustatud standardeid:

EN 60335-1:2012/A2:2019
EN 60335-2-2:2010/A1:2013
EN 62233:2008
EN 55014-1:2017
EN 55014-2:2015
EN 61000-3-2:2014
EN 61000-3-3:2013
EN IEC 63000:2018

Winnenden, 2020-05-25

Branko Lenger
Senior Vice President, Engineering and Quality - Asia,
Engineering Commercial Product Development
Volitatud koostama tehnilise toimiku.



Techtronic Industries GmbH
Max-Eyth-Straße 10
71364 Winnenden
Germany

PAKENDI SISU

Vaata joonist 2 - 4.

Pakkige karbi sisu ettevaatlikult lahti.

Hoidke kahte klambrit, mis hoiavad ülemist osa oma asendis, ja keerake need ülespoole.

Vabastage klambrit, eemaldage ülemine osa ja võtke sisu paagist välja.

Kontrollige komponente Osade loendi abil, veendumaks et need on täielikud ja et ei esineks transportimisel tekkinud kahjustusi.

Kui mõni osa puudub või on kahjustatud, pöörduge viivitamatult edasimüüja poole.

KOKKUPANEK

1. Veenduge, et toitejuhe oleks pistikupesast lahti ühendatud.
2. Võtke klambrit lahti. (Joonis 2)
3. Eemaldage paagi ülaosa. (Joonis 3)
4. Võtke kogu paagi sisu välja. (Joonis 4)
5. Pöörake paak tagurpidi ja kinnitage paagi nelja jala külge rattad.
6. Veenduge, et need oleksid õigesti paigaldatud. Ärge pingutage üle. (Joonis 5)
7. Sisestage käepide toitepea piludesse ja suruge oma kohale. (Joonis 6)





Eesti

8. Kuiv-imemiseks paigaldage kaasasolev padrunifilter ja tolmukott. (Joonis 7, Joonis 8)
9. Märg-imemiseks paigaldage kaasasolev vahtfilter. (Joonis 9)
10. Pange paagi ülemine osa tagasi oma kohale. (Joonis 10)
11. Joondage ülemine osa klambritega ja kohaldage survet, kuni klambrid klõpsavad oma kohale. (Joonis 10)
12. Sisestage vooliku suure ots paagi eesmise sisselaskevasse ja lukustamiseks keerake seda. (Joonis 11)
13. Paigaldage soovitud tarvik imitoru külge. (Joonis 12)

ja järgite neid.

Tähelepanu! ÄRGE imege tolmuimejaga ohtlikke aineid.

2. Veenduge, et toitejuhe oleks pistikupesast lahti ühendatud.
Veenduge, et paak oleks puhas ning tolmu- ja mustusevaba.
3. Eemaldage padrunifilter ja tolmukott, paigaldage filtrikorvi kohale vahtfilter ning asetage ülemine osa tagasi paagi peale. (Joonis 9)
ÄRGE kasutage padrunifiltrit märgade või teravate materjalide korral.
4. Kinnitage soovitud otsik imemisvooliku külge. (Joonis 12)
5. Enne toitejuhtme pistikupesassa ühendamist veenduge, et lüliti oleks asendis "O" (VÄJAS).
6. Lülitage mootor sisse, keerates lüliti asendisse "I" (SEES). (Joonis 14)
7. Pärast kasutamist lükake lüliti asendisse "O" (joonis 15), eemaldage toitejuhe ja seejärel tühjendage ning kuivatage paak. (Joonis 16, Joonis 17)

KASUTAMINE

KUIV-IMEMINE

HOIATUS

Veenduge, et loete ohutusjuhiseid lugenud, mõistate ja järgite neid.

Tähelepanu! ÄRGE imege tolmuimejaga ohtlikke aineid. Vale tolmukoti kasutamine muudab garantii kehtetuks.

1. Veenduge, et toitejuhe oleks pistikupesast lahti ühendatud.
2. Veenduge, et padrunifilter oleks täielikult paigaldatud.
3. Veenduge, et filter oleks lõpuni sisestatud. (Joonis 2)
Veenduge, et tolmukott oleks paaki paigaldatud. (Joonis 8)
4. Pange paagi ülemine osa tagasi ja kinnitage see klambrite abil oma kohale. (Joonis 10)
5. Sisestage vooliku suurem ots paagi eesmise sisselaskevasse ja lukustage see oma kohale. Lükake soovitud tarvik vooliku või pikenduse vaba otsa külge. (Joonis 12)
6. Ühendage toitejuhe pistikupesaga.
7. Lülitage mootor sisse, keerates lüliti asendisse "I" (SEES). (Joonis 14)
8. Kui olete töö tolmuimejaga lõpetanud, keerake lüliti asendisse "O" (OFF) ja eemaldage toitejuhe pistikupesast. (Joonis 15)

HOIATUS

ÄRGE KASUTAGE PADRUNIFILTRIT MÄRGADE VÕI TERAVATE MATERJALIDE KORRAL.

ÄRGE KASUTAGE TOLMUKOTTI VEDELIKU IMEMISEKS.

MÄRG-IMEMINE

HOIATUS

1. Veenduge, et loete ohutusjuhiseid lugenud, mõistate

HOIATUS

Vahtfilter tuleb pärast märg-imemist eemaldamist ja enne uuesti kuiv-imemist tuleb paigaldada padrunifilter.

OLULINE!

Suurtres kogustes vedeliku imemise korral ärge kastke otsikut täielikult vedelikku - jätke otsikuavasse tühimik, et õhk saaks sisse voolata.

Masinal on ujukklapp, mis peatab imemise, kui paak saab täis. Märkate, et mootor töötab kiiremini.

Sel juhul lülitage masin välja, eemaldage toide ja tühjendage vedelik sobivasse anumasse või äravoolu. Imemisega jätkamiseks taaspaigaldage paak koos tühjenduskorgiga. Pärast märg-imemist lülitage masin välja ja eemaldage pistik vooluvõrgust.

Enne hoiustamist tühjendage paak ning puhastage ja kuivatage seda nii seest kui ka väljast.

PUHURI KASUTAMINE

Sellel märg-/kuivpuhastil on ka puhuri-funktsioon.

Puhuri-funktsiooni kasutamiseks järgige loetletud juhiseid.

HOIATUS

Enne puhuri kasutamist kandke alati kaitseprilli.

Puhuri kasutamisel ja prügi lendamisel kõrvaliste isikutega.

Kandke tolumumaski, kui puhudes tekib tolmu, mida on võimalik sisse hingata.

1. Sisestage vooliku suur ots mootori korpuse ülaosas





Eesti

asuvasse puhuriühendusse. (Joonis 18)

2. Kinnitage pilutööriist vaakumvooliku külge. (Joonis 19)
3. Veenduge, et toitelüliti oleks välja lülitatud, ja ühendage toide.
4. Lülitage mootor sisse, keerates lüliti asendisse "I" (SEES). (Joonis 14)
5. Nüüd puhub seade läbi imivooliku ja seda saab kasutada voolikus olevate takistuste kõrvaldamiseks.
6. Kui olete töö lõpetanud, keerake lüliti asendisse "O" (OFF) ja eemaldage toitejuhe pistikupesast. (Joonis 15)

HOIATUS

Kui mõne sekundi pärast on voolik endiselt umbes, lülitage seade välja ja puhastage voolikut käsitsi.

HOOLDUS

KUIVFILTRI PAIGALDAMINE JA PUHASTAMINE

Märkus: Enne hooldustöödega alustamist eemaldage seade vooluvõrgust.

Kuivfiltri paigaldamine

1. Paigaldage kuivfilter üle filtrikorvi nii, et filtri lame ots jääks suunaga imitoitepea suunas. Lükake filter ettevaatlikult sisse, kuni see vastu toitepead peatub. (Joonis 20 & 21)
2. Asetage filtrihoidja padrunfiltri ülaosale, ülestõstetava ääre kohale ja keerake kinni, pöörates hoidikut päripäeva. Ärge pingutage üle. (Joonis 22 & 23)

Kuivfiltri eemaldamine ja puhastamine (SEDA FILTRIT EI SAA PESTA)

1. Avage ja eemaldage filtrihoidik, keerates hoidiku käepidet vastupäeva
2. Hoidke ja tõmmake kuivfiltrit eemaldamiseks ettevaatlikult üles. (Joonis 24)
3. Puhastage padrunfilter, koputades või eemaldades mustuse ettevaatlikult harjaga. Parimate tulemuste saamiseks on soovitatav filtrit korrapäraselt vahetada, sõltuvalt kasutustasemest (nt 3-6 kuu tagant).
4. Paigaldage puhastatud või uus filter ülaltoodud juhiste järgi.

VAHTFILTRI PAIGALDAMINE JA PUHASTAMINE

Märkus: Enne hooldustöödega alustamist eemaldage seade vooluvõrgust.

Vahtfiltri paigaldamine

Enne vahtfiltri vahetamist järgige esmalt kuiv-tolmufiltrit eemaldamise juhiseid.

Libistage vahtfilter üle filtrikorvi ettevaatlikult alla, veendudes, et kogu kirv oleks kaetud. (Joonis 9 & 25)

Vahtfiltri puhastamine

Eemaldage vahtfilter ettevaatlikult. (Joonis 26)

Vahtfiltri pesemiseks kasutage pehmetoimelise seebi ja vee lahust ning loputage puhta veega. (Joonis 27)

Enne taaspaigaldamist ja kasutamist laske filtril õhu käes kuivada.

SÜMBOLID



ETTEVAATUST! HOIATUS! OHT.

V Volt

Hz Hertz

~ Vahelduvvool

W Watt



Enne seadme kasutamist lugege palun kasutusjuhend hoolega läbi.



II klassi seadmed



Taaskäitlus



Ärge käidelda elektrilisi tööriistu koos olmejäätmetega.

Kasutuskõlbmatuks muutunud elektrilised tööriistad ja elektroonikaseadmed tuleb koguda eraldi ja viia keskkonnasäästlikku jäätmekäitlusasutusse.

Taaskasutusnõuannete ja kogumispunktiga seotud teabe saamiseks pöörduge kohaliku omavalitsuse või edasimüüja poole.



Euroopa vastavusmärgis





Eesti

KORDUMA KIPPUVAD KÜSIMUSED

HOIATUS!

Vigastusohu vähendamiseks eemaldage enne hooldus- ja tõrkeotsingu kontrolli puhasti vooluvõrgust.

Ilming	Põhjus	Lahendus
Seade ei tööta.	Puudub toide. Toitejuhtme, lüliti või mootori rike. Paak on vedelikku täis.	Kontrollige toiteallikat. Laske kahjustunud osa kontrollida kvalifitseeritud töötajal või vahetage see välja. Tühjendage paak.
Mootori kaane alt tuleb tolmu.	Tolmukott puudub või on kahjustatud.	Sisestage või asendage tolmukott.
Kehv imemisvõimsus ja suur mootori kiirus / vibratsioon.	Tolmukott on täis. Otsik, voolik või paagi sisselaskeava on umbes.	Asendage tolmukott. Kontrollige imemisotsikut, voolikut ja paagi sisselaskeava seoses ummistustega.





Hrvatski

OPISI

Popis komponenti

1. Produžni štap (x3)
2. Podni alat
3. Alat za uske prostore
4. Komplet crijeva
5. Kotačić (x4)
6. Ručka
7. Pjenasti filter
8. Vijci
9. Vrećica za prašinu
10. Priključak puhalice
11. Košara filtra
12. Sigurnosni plutajući ventil
13. Poklopac uložnog filtra
14. Uložni filter (neperiv)
15. Sklopka za Uklj./isklj. (ON/OFF)
16. Priključak crijeva usisavača
17. Stezaljka (x2)
18. Spremnik
19. Otvor za pražnjenje

SPECIFIKACIJE

Napon napajanja	220-240V~50 Hz
Nazivna snaga	1250 W
Zapremnina spremnika	20 L
Sustav crijeva	Ø 35 mm
Filter – suhi	Filter uložka
Filter – mokri	Pjenasti filter
IP ocjena	IPX4
Usis	17 kpa / 2.47 PSI
Maks. protok zraka l/s motora	48.5 dm ³ /s
Maks. tlak usisa l/s motora	20.5 Kpa
Duljina kabela	4 m
Težina - prema EPTA proceduri 01/2003	3.6 kg

⚠ UPOZORENJE!

Pročitajte sva sigurnosna upozorenja i sve upute. Nepridržavanje upozorenja i uputa navedenih u nastavku može dovesti do električnog udara, požara i/ili ozbiljnih tjelesnih ozljeda.

Spremite sva upozorenja i upute za buduće korištenje.

OPĆA SIGURNOSNA PRAVILA ZA KORIŠTENJE AKU ALATA

⚠ UPOZORENJE!

Ovaj aparat usklađen je s obaveznim sigurnosnim propisima koji se odnose na električnu opremu. Međutim, nepravilna upotreba može biti štetna za ljude i imovinu. Ove upute za rad pročitajte pažljivo i do kraja prije nego što uključite aparat. Ako je uopće moguće, sačuvajte upute za rad, jamstveni certifikat, račun, kao i ambalažu i ambalažni materijal.

Ovaj aparat konstruiran je samo za upotrebu u privatnom sektoru i za predviđenu namjenu. Aparat nije prikladan za komercijalnu upotrebu. Aparat nikada ne koristite na otvorenom (osim ako nije konstruiran upravo za korištenje na otvorenom). Aparat ne izlažite toplini, izravnom sunčevom svjetlu ili vrlo velikoj vlazi (npr. kiši).

Aparat nikada ne uranjajte u tekućine i pazite na oštre rubove koji bi ga mogli oštetiti. Aparat nikada ne koristite dok su vam ruke vlažne ili mokre. Odmah izvucite njegov utikač iz utičnice ako se aparat smooči ili navlaži tijekom rada. Aparat ne uranjajte u vodu.

Ovaj mokri/suhi usisavač može se koristiti i čuvati u privatnoj kući.

Aparat je konstruiran za usisavanje materijala koji nisu opasni po vaše zdravlje i koji nisu zapaljivi.

Konektore nikada ne držite ispred lica (osobito očiju, ušiju, itd.). Mlaznicu nikada ne usmjeravajte prema ljudima ili životinjama.

Aparat koristite samo za predviđenu namjenu. Za sve ostale vrste upotrebe snosite vlastitu odgovornost, moguće je da su i opasne.

Ostale upotrebe i rad bez nadzora nisu dozvoljeni. Proizvođač ne može snositi odgovornost za oštećenja koja su prouzročena nepravilnom upotrebom ili pogrešnim rukovanjem.

Nosite zaštitnu odjeću i obuću.

Aparat priključite samo na utičnicu izmjenične struje od 240 V.

Prije korištenja aparata provjerite je li odgovarajuća vrećica za prašinu sigurno umetnuta u njezin držač. Pogrešna vrećica za prašinu ili nepravilno postavljene vrećice za prašinu mogu oštetiti aparat i dovesti do poništenja jamstva.

Ako je kabel napajanja oštećen, mora se potpuno zamijeniti zajedno sa štitnikom kabela u ovlaštenom servisnom centru ili drugim stručnim servisnim poduzećima.

Ne usisavajte pepeo, vrući ugljen i slične tvari, velike komade stakla niti oštre predmete.

Ne usisavajte nikakav prah za tonere koji se koristi primjerice, u pisačima i fotokopirnim uređajima jer je





Hrvatski

električki vodljiv. Uz to, moguće je da ga filterski sustav mokrog/suhog usisavača neće u potpunosti filtrirati i može doći do njegovog ispuštanja u zrak putem ispušnog ventilatora.

Nikada ne usisavajte zapaljive ili otrovne tekućine poput benzina, nafte, kiselina ili drugih hlapljivih tvari.

Ne usisavajte tekućine koje su toplije od 60°C niti bilo kakve otrovne ili zapaljive prahove.

Uređaj nikada ne odlažite na bočnu stranu. Osobitu pozornost posvetite vodoravnom položaju i odgovarajućoj stabilnosti na stubama.

Uvijek izvucite utikač aparata iz utičnice nakon upotrebe i prije čišćenja ili mijenjanja filtera ili pribora.

Samo obučeni specijalisti smiju popravljati električnu opremu. Nestručni popravci mogu predstavljati značajnu opasnost za korisnika.

Aparat ne držite neposredno pokraj vruće pećnice ili radijatora.

Djeca, invalidne i starije osobe često nisu svjesne opasnosti do kojih dolazi tijekom korištenja električnih aparata. Gore navedene osobe i neobučene osobe nikada ne smiju raditi s ovim električnim aparatom.

Kada čistite ili premješate aparat, uvijek ga isključite. Ako aparat nećete koristiti dulje vremensko razdoblje, izvucite njegov utikač iz utičnice. Nikada nemojte povlačiti kabel kako biste izvukli utikač, radije povucite sam utikač. Isto tako, uklonite sav poseban pribor iz aparata.

Uvijek održavajte čistoću aparata. Ne koristite nikakva otapala niti sredstva za čišćenje koja bi mogla oštetiti aparat ili ozlijediti korisnika.

Aparat nikada ne ostavljajte uključenim ili bez nadzora. Ako napuštate radno područje, isključite aparat ili izvucite njegov utikač iz utičnice (ne vucite kabel nego utikač).

Kako biste zaštitili djecu od električnih kućanskih aparata, uvjerite se da se djeca ne mogu spotaknuti na kabel i djeci zabranite pristup aparatu.

Nikada ne koristite aparat pod utjecajem lijekova, alkohola ili droge, ako ste trenutno na liječenju ili ste umorni.

Redovito provjeravajte aparat i kabel napajanja i potražite bilo kakva moguća oštećenja. Ne koristite oštećene aparate.

Ne pokušavajte sami popraviti uređaj. U slučaju da je potreban popravak, uvijek zatražite pomoć ovlaštenog serviser. Proizvođač ili kvalificirano servisno poduzeće uvijek i odmah moraju zamijeniti neispravne kabele napajanja. Uvijek koristite istu vrstu kabela kako biste spriječili pojavu opasnosti od strujnog udara i ozljede.

Koristite samo originalne rezervne dijelove i pribor. Dijelovi koji nisu odobreni ili pribor trećih osoba mogu biti moguć izvor opasnosti i dovesti do poništenja jamstva.

Često provjeravajte plutanje.

Ako primijetite da vaš aparat ispušta tekućinu, odmah ga isključite i izvucite njegov utikač iz utičnice.

Ne uranjajte aparat u vodu. Uvjerite se da aparat nije popliskan vodom.

Prilikom odlaganja otpadne vode, svakako se pridržavajte svih zakonskih propisa.

Aparat čuvajte samo na sigurnom i suhom mjestu izvan dohvata djece.

Osobitu pozornost posvetite sljedećim „Posebnim sigurnosnim pravilima“.

Ovaj uređaj nije namijenjen korištenju ili čišćenju od strane osoba smanjenih tjelesnih, osjetilnih ili mentalnih mogućnosti ili osobama koje ne raspolažu iskustvom ili znanjem osim ako nisu pod nadzorom osobe odgovorne za njihovu sigurnost i rade po uputama koje se odnose na korištenje uređaja. Treba ih nadzirati tijekom korištenje uređaja. Djeca ne smiju koristiti, čistiti ili se igrati s ovim uređajem koji kada se ne koristi treba biti izvan njihovog dohvata.

Djecu je potrebno nadzirati kako bi se osiguralo da se ne igraju s uređajem.

Ako je napojni vod oštećen, mora ga zamijeniti proizvođač, njegov zastupnik ili slično kvalificirano osoblje kako bi se izbjegle opasne situacije.

Električno napajanje treba se isporučiti putem uređaja za rezidualnu struju (RCD) s okidnom strujom ne većom od 30 mA.

Koristite samo produžni kabel otporan na vremenske uvjete. Prije svake upotrebe provjerite je li produžni kabel oštećen. Tijekom korištenja uvijek razmotajte produžni kabel jer se namotani kabeli mogu pregrijati. Oštećeni produžni kabeli ne smiju se popravljati. Potrebno ih je zamijeniti kabelima iste vrste.

PRILIKOM KORIŠTENJA FUNKCIJE PUHALICE:

Otvor za ispuštanje zraka usmjeravajte samo prema radnoj površini - nikada prema ljudima ili životinjama.

Puhalicu ne koristite kao prskalicu u mokrom načinu rada. Nosite masku za zaštitu od prašine i zaštitu za oči.

UPOZORENJE

Uvijek isključite uređaj i izvucite njegov utikač iz električne utičnice prije sastavljanja, otvaranja, pražnjenja spremnika za prašinu, prije spajanja/odvajanja priključaka ili provođenja održavanja ili provjera za otklanjanje poteškoća.

VAŽNO!





Hrvatski

Ako su crijevo ili alati blokirani, isključite usisavač i uklonite smetnje prije ponovnog pokretanja vašeg uređaja.

VAŽNO!

Redovito čišćenje i zamjena filtera održava učinkovitost usisavača. Vax preporučuje periodičnu provjeru čišćenje i zamjenu vaših filtera.

OŠTEĆENJE USISAVAČA PRAŠINE KOJE JE PROUZROČENO KAO IZRAVNA POSLJEDICA NEPRIDRŽAVANJA OPĆIH SIGURNOSNIH INFORMACIJA I UPUTA U OVOM KORISNIČKOM VODIČU PONIŠTAVA VALJANOST JAMSTVA

ČUVAJTE OVE UPUTE ZA BUDUĆU UPOTREBU

POSEBNA SIGURNOSNA PRAVILA

Nikada ne usisavajte vrući pepeo, šiljaste ili oštre predmete.

Aparat nikada ne koristite u mokrim prostorijama.

Aparat ne koristite bez vrećice za prašinu (iznimka je mokro usisavanje ili usisavanje s uložnim filtrom). Provjerite je li vrećica za prašinu pravilno umetnuta u aparat.

Prilikom korištenja aparata, pazite da se u njega ne povuče kosa, odjeća ili dijelovi tijela.

Usisavač držite podalje od izvora topline kao što su grijalice, pećnice itd.

INFORMACIJE O ODLAGANJU

Aparat sadrži električne i elektroničke komponente i ne smije se odlagati kao otpad iz kućanstva.

Lokalni i trenutno primjenjivi zakonski propis moraju se bezuvjetno poštovati.

SPECIFICIRANI UVJETI KORIŠTENJA

Aparat je prikladan za sakupljanje suhe, nezapaljive prašine i tekućina.

Ovaj aparat konstruiran je samo za upotrebu u privatnom sektoru i za predviđenu namjenu. Aparat nije prikladan za komercijalnu upotrebu. Aparat nikada ne koristite na otvorenom (osim ako nije konstruiran upravo za korištenje na otvorenom). Aparat ne izlažete toplini, izravnom sunčevom svjetlu ili vrlo velikoj vlazi (npr. kiši).

Sva ostala upotreba smatra se neprikladnom. Proizvođač ne prihvaća odgovornost za bilo koju štetu nastalu zbog takve upotrebe. Rizik od takve upotrebe snosi samo korisnik.

Pravilna upotreba uključuje pravilno rukovanje, servisiranje i popravljanje koje obavlja proizvođač.

EZ IZJAVA O SUKLADNOSTI

Pod vlastitom odgovornošću izjavljujemo da proizvod opisan u poglavlju „Tehnički podaci“ ispunjava sve važeće odredbe direktiva 2011/65/EU (RoHS), 2014/35/EU, 2014/30/EU te da su primijenjene sljedeće usklađene norme:

EN 60335-1:2012/A2:2019
 EN 60335-2-2:2010/A1:2013
 EN 62233:2008
 EN 55014-1:2017
 EN 55014-2:2015
 EN 61000-3-2:2014
 EN 61000-3-3:2013
 EN IEC 63000:2018

Winnenden, 2020-05-25

Branko Lenger
 Senior Vice President, Engineering and Quality - Asia,
 Engineering Commercial Product Development
 Ovlašten za ispunjavanje tehničke dokumentacije.



Techtronic Industries GmbH
 Max-Eyth-Straße 10
 71364 Winnenden
 Germany

SADRŽAJ PAKIRANJA

Pogledajte sliku 2 - 4.

Pažljivo raspakirajte sadržaj i izvadite ga iz kutije.

Uхватite dvije stezaljke koje drže gornji dio u njegovom položaju i presavinite ih prema gore.

Nakon što ste olabavili stezaljke, uklonite gornji dio i izvadite sadržaj iz spremnika.

Pažljivo provjerite dijelove pomoću popisa komponenti i uvjerite se da su cijele i da nije došlo do njihovog oštećenja prilikom transporta.

Ako bilo koji dio nedostaje ili je oštećen, odmah se obratite svojem trgovcu.

SASTAVLJANJE

1. Uvjerite se da je kabel napajanja izvučen iz električne utičnice.
2. Otputite stezaljke. (Slika 2)
3. Podignite gornji dio sa spremnika. (Slika 3)
4. Uklonite sadržaj iz unutrašnjosti spremnika. (Slika 4)





Hrvatski

5. Preokrenite spremnik naopako i natakните kotačice na četiri noge spremnika.
6. Uvjerite se da su pravilno postavljeni. Nemojte ih prejako zategnuti. (Slika 5)
7. Ručku utaknite u utore na pogonskoj glavi i pritisnite je da sjedne na svoje mjesto. (Slika 6)
8. Za potrebe suhog usisavanja, umetnite dostavljeni uložni filter i vrećicu za prašinu. (Sliku 7, Sliku 8)
9. Za mokro usisavanje, umetnite dostavljeni pjenasti filter. (Slika 9)
10. Vratite na mjesto gornji dio spremnika. (Slika 10)
11. Poravnajte gornji dio sa stezaljkama i vratite ga na mjesto pritiskajući sve dok stezaljke ne kliknu. (Slika 10)
12. Umetnite široki kraj crijeva u prednji ulazni otvor spremnika i okrenite ga kako bi se blokirao. (Slika 11)
13. Postavite potreban pribor na usisnu cijev. (Slika 12)

RAD

SUHO USISAVANJE

! UPOZORENJE

Svakako pročitajte, shvatite i primijenite sigurnosne upute.

Podsjetnik: NEMOJTE usisavati opasne tvari. Upotreba neodgovarajuće vrećice za prašinu poništiti će jamstvo.

1. Uvjerite se da je kabel napajanja izvučen iz električne utičnice.
2. Uvjerite se da je uložni filter potpuno montiran.
3. Uvjerite se da je filter utaknut do kraja. (Sliku 13) Provjerite je li vrećica za prašinu postavljena u unutrašnjost spremnika. (Slika 8)
4. Vratite na mjesto gornji dio spremnika i pričvrstite ga svom mjestu pomoću stezaljki. (Slika 10)
5. Umetnite širi kraj crijeva u prednji ulazni otvor spremnika i blokirajte ga na njegovom mjestu. Željeni priključak utisnite na slobodan kraj crijeva ili nastavka. (Slika 12)
6. Utičać kabla napajanja utaknite u električnu utičnicu.
7. Uključite motor stavljanjem prekidača u položaj "I" (UKLJUČENO). (Slika 14)
8. Nakon što završite s usisavanjem, stavite prekidač u položaj "O" (ISKLUČENO) i izvucite utičać kabla napajanja iz strujne utičnice. (Slika 15)

! UPOZORENJE

NEMOJTE KORISTITI ULOŽNI FILTER ZA MOKRE ILI OŠTRE MATERIJALE.

VREĆICU ZA PRAŠINU NE KORISTITE ZA USISAVANJE TEKUĆINE

MOKRO USISAVANJE

! UPOZORENJE

1. Svakako pročitajte, shvatite i primijenite sigurnosne upute.
Podsjetnik: NEMOJTE usisavati opasne tvari.
2. Uvjerite se da je kabel napajanja izvučen iz električne utičnice.
Uvjerite se da je spremnik čist i da u njemu nema prašine niti prljavštine.
3. Uklonite uložni filter i vrećicu za prašinu pa postavite pjenasti filter preko košare filtra i gornji dio vratite natrag na spremnik. (Slika 9)
NEMOJTE koristiti uložni filter za mokre ili oštre materijale.
4. Željenu mlaznicu prilagodite crijevu usisavača. (Slika 12)
5. Uvjerite se da je prekidač u položaju "O" (ISKLUČENO) prije nego što utaknete utičać kabla napajanja u strujnu utičnicu.
6. Uključite motor stavljanjem prekidača u položaj "I" (UKLJUČENO). (Slika 14)
7. Nakon upotrebe, prekidač stavite u položaj "O" (Sl. 15) i izvucite utičać kabla napajanja, a zatim ispraznite i osušite spremnik. (Slika 16, Slika 17)

! UPOZORENJE

Pjenasti filter mora se ukloniti nakon mokrog usisavanja, a uložni filter mora se ugraditi prije ponovnog suhog usisavanja.

VAŽNO!

Prilikom usisavanja velikih količina tekućine mlaznicu nemojte potpuno uroniti u tekućinu; ostavite procijep na vrhu otvora mlaznice kako biste omogućili ulazanje zraka.

Uređaj je opremljen plutajućim ventilom koji zaustavlja djelovanje usisa kada spremnik postigne svoju maksimalni kapacitet. Primijetit ćete povećanje brzine motora.

Kada se to dogodi, isključite uređaj, odvojite ga od izvora napajanja i ispusite tekućinu u odgovarajuću posudu ili odvod. Kako biste nastavili s usisavanjem, na spremnik ponovno postavite poklopac za ispuštanje. Nakon mokrog usisavanja, isključite uređaj i izvucite utičać iz izvora napajanja.

Ispraznite spremnik, očistite ga i osušite iznutra i izvana prije nego što ga spremite.

UKLOVANJE PUHALICOM

Ovaj mokri/suhi usisavač ima mogućnosti puhanja.

Kako biste upotrijebili značajku puhalice slijedite navedene upute.

! UPOZORENJE





Hrvatski

Uvijek nosite sigurnosne naočale prije korištenja pihalice. Nazočne osobe držite podalje od otpadaka koji se otpuhuju.

Nosite masku za zaštitu od prašine ako puhanje stvara prašinu koju je moguće udahnuti.

1. Široki kraj crijeva utaknite u priključak pihalice na vrhu kućišta motora. (Slika 18)
2. Nastavak za usisavanje pukotina pričvrstite na crijevo usisavača. (Slika 19)
3. Provjerite je li prekidač za uključivanje i isključivanje u isključenom položaju i utaknite utikač u izvor električnog napajanja.
4. Uključite motor stavljanjem prekidača u položaj "I" (UKLJUČENO). (Slika 14)
5. Sada će jedinica puhati kroz crijevo usisavača i može se upotrijebiti za otklanjanje začepljenja unutar crijeva.
6. Nakon što završite s radom, stavite prekidač u položaj 'O' (ISKLJUČENO) i izvucite utikač kabela napajanja iz strujne utičnice. (Slika 15)

UPOZORENJE

Ako je nakon nekoliko sekundi crijevo i dalje blokirano, isključite jedinicu i ručno očistite crijevo.

ODRŽAVANJE

POSTAVLJANJE I ČIŠĆENJE SUHOG FILTRA

Napomena: Utikač uređaja izvucite iz strujne utičnice prije provođenja postupka održavanja.

Postavljanje suhog filtra

1. Suhi filter postavite preko rešetke filtra s ravnim krajem filtra okrenutim prema pogonskoj glavi usisavača. Pažljivo pritišćite filter sve dok se ne zaustavi na pogonskoj glavi. (Slika 20 & 21)
2. Držač filtra stavite na oložni filter iznad podignutog jezička i stegnite ga okretanjem držača u smjeru kazaljki na satu, nemojte ga previše stegnuti. (Slika 22 & 23)

Uklanjanje i čišćenje suhog filtra (OVAJ FILTAR NIJE PERIV)

1. Deblokirajte i skinite držač filtra okretanjem ručke držača u smjeru suprotnom od okretanja kazaljki na satu
2. Pažljivo primite i povucite prema gore suhi filter kako biste ga uklonili. (Slika 24)
3. Očistite uložni filter blago lupkajući po njemu ili četkom skinite prljavštinu. Za optimalnu učinkovitost preporučuje se da redovito mijenjate taj filter ovisno o razini korištenja (npr. svakih 3-6 mjeseci).
4. Očišćeni ili novi filter stavite na njegovo mjesto u skladu s prethodnim uputama.

POSTAVLJANJE I ČIŠĆENJE PJENASTOG FILTRA

Napomena: Utikač uređaja izvucite iz strujne utičnice prije provođenja postupka održavanja.

Postavljanje pjenastog filtra

Slijedite upute kako biste prvo uklonili filter za suhu prašinu prije nego što ga zamijenite pjenastim filtrom.

Pažljivo povucite pjenasti filter tako da klizne preko rešetke filtra pazeći pritom da je cijela rešetka pokrivena. (Slika 9 & 25)

Čišćenje pjenastog filtra

Pažljivo izvucite pjenasti filter. (Slika 26)

Pomoću blage otopine sapuna i vode operite pjenasti filter i isperite ga čistom vodom. (Slika 27)

Pustite da se filter osuši prije ponovnog umetanja i korištenja.

SIMBOLI



OPREZ! UPOZORENJE! OPASNOST!

V Volti

Hz Herzi

~ Izmjenična struja

W Wati



Molimo da pažljivo pročitate upute prije pokretanja stroja.



Oprema klase II



Recikliranje



Električni alat nemojte odlagati u otpad zajedno s kućanskim otpadom.

Električni alati i elektronička oprema koji su na kraju svog životnog vijeka moraju se sakupljati odvojeno i vratiti u postrojenje za recikliranje koje primjenjuje mjere za očuvanje okoliša. Od lokalnih nadležnih tijela ili trgovca zatražite savjete koji se odnose na recikliranje i mjesto za skupljanje otpada.





Hrvatski



Europska oznaka sukladnosti

ČESTA PITANJA

⚠ UPOZORENJE!

Kako biste smanjili opasnost od tjelesnih ozljeda, izvucite utikač usisavača iz utičnice prije nego što obavite održavanje/provjere za otklanjanje poteškoća.

Problem	Uzrok	Rješenje
Aparat ne radi.	Nema napajanja. Funkcionalni kvar u kabelu napajanja, prekidaču ili motoru. Spremnik je pun tekućine.	Provjerite napajanje. Neka oštećeni dio provjeri ili zamijeni stručno osoblje. Ispraznite spremnik.
Prašina izlazi iz poklopca motora.	Vrećice za prašinu nema ili je oštećena.	Stavite vrećicu za prašinu ili je zamijenite.
Mala snaga usisa i velika brzina/vibracije motora.	Vrećica za prašinu je puna. Usisna mlaznica, crijevo ili ulaz u spremnik su blokirani.	Zamijenite vrećicu za prašinu. Provjerite jesu li začepljeni usisna mlaznica, crijevo ili ulazni otvor spremnika.





Slovensko

OPISI

Seznam delov

1. Podaljševalna palica (x3)
2. Nastavek za tla
3. Režasto orodje
4. Komplet cevi
5. Kolesce (x4)
6. Ročaj
7. Penasti filter
8. Vijaki
9. Vrečka za prah
10. Priključek za pihalnik
11. Košara za filter
12. Varnostni plovni ventil
13. Pokrov filtrskega vložka
14. Filtrski vložek (ni primeren za pranje)
15. Stikalo za vklop/izklop
16. Priključek za cev sesalnika
17. Sponka (x2)
18. Rezervoar
19. Odtok

SPECIFIKACIJE

Napajalna napetost	220-240V~50 Hz
Menovitý výkon	1250 W
Prostornina rezervoarja	20 L
Sistem cevi	Ø 35 mm
Filter – suhi	Filtrski vložek
Filter – mokri	Penasti filter
Nazivna vrednost IP	IPX4
Sesanje	17 kpa / 2.47 PSI
Največji zračni pretok l/sek motor	48.5 dm ³ /s
Največji sesalni tlak l/sek motor	20.5 Kpa
Dolžina kabla	4 m
Teža – skladno s postopkom EPTA 01/2003	3.6 kg

A OPOZORILO!

Preberite vsa varnostna opozorila in navodila. Neupoštevanje opozoril in navodil lahko privede do električnega udara, požara in/ali resnih poškodb.

Vsa opozorila in vsa navodila shranite za bodočo referenco.

SPLOŠNA VARNOSTNA NAVODILA ZA ELEKTRIČNA ORODJA

A OPOZORILO!

Ta naprava je v skladu z obveznimi varnostnimi predpisi za električno opremo. Z nepravilno uporabo pa lahko poškodujete osebe ali lastnino. Pred vklopom naprave pazno in v celoti preberite ta navodila za uporabo. Shranite navodila za uporabo, garancijski list, račun in po možnosti tudi embalažo ter embalažni material.

Ta naprava je zasnovana izključno za zasebno uporabo in za predvideni namen. Naprava ni primerna za komercialno uporabo. Naprave ne uporabljajte na prostem (razen, če je bila zasnovana posebej za uporabo na prostem). Naprave ne izpostavljajte toploti, neposredni sončni svetlobi ali zelo visoki vlagi (npr. dežju).

Naprave ne potopite v tekočino in bodite pozorni na ostre robove, ki bi jo lahko poškodovali. Naprave ne uporabljajte z mokrimi ali vlažnimi rokami. Če naprava med uporabo postane mokra ali vlažna, jo takoj iztaknite iz napajanja. Naprave ne potopite v vodo.

Ta mokri/suhi sesalnik se lahko uporablja in shranjuje izključno v zasebnih prostorih.

Naprava je zasnovana za sesanje materialov, ki niso nevarni za zdravje in niso vnetljivi.

Priključkov nikoli ne držite pred obrazom (predvsem pred očmi, ušesi itd.). Šobe nikoli ne usmerjajte v osebe ali živali.

Napravo uporabljajte izključno za predvideni namen. Če napravo uporabljate v druge namene, to počnete na lastno odgovornost in verjetno povzročate nevarnost.

Druge vrste uporabe in nenadzorovano delovanje niso dovoljene. Proizvajalec ne more prevzeti odgovornosti za škodo, ki nastane zaradi neustrezne ali nepravilne uporabe.

Nosite zaščitna oblačila in rokavice.

Napravo priključite izključno v vtičnico za izmenični tok 240 V.

Pred uporabo naprave se prepričajte, da je v nosilec dobro vstavljena ustrežna vrečka za prah. Napačna vrečka za prah ali nepravilno nameščena vrečka za prah lahko povzroči poškodbe naprave in izniči garancijo.

Če je napajalni kabel poškodovan, morajo celotni kabel skupaj s kabelsko zaščito zamenjati na pooblaščenem ali drugem usposobljenem servisu.

Ne sesajte pepela, vročega oglja in podobnega, velikih steklenih črepinj in ostrih predmetov.

Ne sesajte prahu tonerja, ki se na primer uporablja v tiskalnikih in kopirnih strojih, ker ta prevaja elektriko. Poleg tega obstaja možnost, da ga filtrirni sistem mokrega/suhega sesalnika ne bo povsem prefiltriral, zato se lahko





Slovensko

prek izpušnega ventilatorja sprosti v zrak.

Nikoli ne sesajte vnetljivih ali strupenih tekočin, kot so bencin, olje, kisline ali druge hlapne snovi.

Ne sesajte tekočin, katerih temperatura presega 60 °C, ali strupenega oziroma vnetljivega prahu.

Naprave ne polagajte na bok. Na stopnicah bodite še posebej pozorni na vodoraven položaj in ustrezno stabilnost.

Napravo po uporabi in pred čiščenjem ali menjavo filtrov ali dodatkov vedno iztaknite iz električnega napajanja.

Električno opremo lahko popravljajo le usposobljeni strokovnjaki. Neustrezna popravila lahko povzročijo veliko nevarnost za uporabnika.

Naprave ne shranjujte v neposredni bližini vroče pečice ali radiatorja.

Otroci, invalidi in starejše osebe se pogosto ne zavedajo nevarnosti, ki jih lahko povzroči uporaba električnih naprav. Zgoraj navedene osebe in neusposobljene osebe te električne naprave ne smejo uporabljati.

Napravo pred čiščenjem ali prestavljanjem vedno izklopite. Če naprave dalj časa ne boste uporabljali, iztaknite vtič iz vtičnice. Napajalnega kabla ne iztikajte tako, da povlečete kabel; namesto tega povlecite vtič. Z naprave odstranite tudi vse posebne dodatke.

Napravo vzdržujte v čistem stanju. Ne uporabljajte topil ali čistilnih sredstev, ki bi lahko poškodovala ali škodovala uporabniku naprave.

Vklopljene naprave ne puščajte nenadzorovane. Če zapustite delovno območje, napravo izklopite ali jo iztaknite iz električne vtičnice (povlecite za vtič, ne za kabel).

Za zaščito otrok pred električnimi gospodinjstvi aparati poskrbite, da se ne morejo spotakniti prek kabla in otrokom ne zagotovite dostopa do naprave.

Naprave ne uporabljajte, če ste pod vplivom zdravil, alkohola ali mamil, če ste v zdravniški oskrbi ali utrujeni.

Redno preverjajte, ali sta naprava in napajalni kabel poškodovana. Ne uporabljajte poškodovanih naprav.

Naprave na poskušajte popraviti sami. Popravila lahko izvaja le pooblaščen tehnik. Poškodovane napajalne kable vedno takoj zamenjajte pri prodajalcu ali usposobljenem serviserju. Za preprečitev nevarnosti elektrošoka in telesne poškodbe uporabite kabel istega tipa.

Uporabljajte le originalne rezervne dele in dodatke. Neodobreni deli ali dodatki tretjih proizvajalcev lahko povzročijo nevarnost in izničenje garancije.

Plovec redno preverjajte.

Če opazite, da iz naprave uhaja tekočina, jo takoj izklopite in iztaknite iz napajanja.

Naprave ne potopite v vodo. Preprečite škropljenje vode

po napravi.

Odpadno vodo odlagajte v skladu z morebitnimi zakonskimi predpisi.

Napravo shranjujte izključno na varnem in suhem mestu izven dosega otrok.

Pozorno upoštevajte tudi naslednja »Posebna varnostna navodila«.

Naprava ni namenjena uporabi s strani oseb, ki imajo pomanjkljive fizične, čutne ali mentalne zmogljivosti, premo izkušenj in znanja, razen če so nadzorovane ali so bile ustrezno podučene o varni uporabi naprave s strani osebe, ki je odgovorna za njihovo varnost. Med uporabo naprave jih je treba nadzorovati. Otroci naprave ne smejo uporabljati, jo čistiti ali se z njo igrati. Kadar naprava ni v uporabi, jo je treba shraniti zunaj dosega otrok.

Otroke nenehno nadzorujte, da se ne bodo igrali z napravo.

V izogib nevarnosti mora poškodovane napajalne kable menjati proizvajalec, servisna služba ali primerljivo usposobljena oseba.

Električno napajanje se mora dovajati prek odklopne naprave na preostali tok (RCD) z največjim sprožilnim tokom 30 mA.

Uporabljajte izključno podaljške, odporne na vremenske razmere. Pred vsako uporabo preverite, ali je podaljšek poškodovan. Podaljšek pred uporabo vedno odvijte, ker se naviti kabli lahko pregrejejo. Poškodovanih podaljškov se ne sme popravljati. Nadomestiti jih je treba z enakovrednimi izdelki.

OB UPORABI FUNKCIJE PUHALNIKA:

Zračni tok usmerjajte samo v delovno območje – nikoli v osebe ali živali.

Puhalnika ne uporabljajte kot škropilnika v mokrem načinu. Nosite protiprašno masko in zaščitna očala.

A OPOZORILO

Napravo pred sestavljanjem, odpiranjem, praznjenjem posode za umazanijo, pred nameščanjem/odstranjevanjem dodatkov ali vzdrževanjem oziroma odpravljanjem napak vedno izklopite ter iztaknite iz napajanja.

POMEMBNO!

Če so cevi ali nastavki zamašeni, čistilec izklopite in odstranite blokade ter napravo ponovno vklopite.

POMEMBNO!





Slovensko

Redno čiščenje in menjanje filtrov ohranja zmogljivost sesalnika. Vax priporoča redno preverjanje, čiščenje in menjavo filtrov.

POŠKODBE SESALNIKA, KI SO NEPOSREDNA POSLEDICA NEUPOŠTEVANJA SPLOŠNIH VARNOSTNIH INFORMACIJ IN NAVODIL V TEM PRIROČNIKU ZA UPORABO, RAZVELJAVIJO GARANCIJO.

TA NAVODILA SHRANITE ZA POZNEJŠO UPORABO.

harmonizirani standardi:

EN 60335-1:2012/A2:2019
EN 60335-2-2:2010/A1:2013
EN 62233:2008
EN 55014-1:2017
EN 55014-2:2015
EN 61000-3-2:2014
EN 61000-3-3:2013
EN IEC 63000:2018

SPECIFIČNA VARNOSTNA PRAVILA

Ne sesajte vročega pepela, koničastih ali ostrih predmetov.

Naprave ne uporabljajte v vlažnih prostorih.

Naprave ne uporabljajte brez vrečke za prah (razen pri mokrem sesanju ali s filtrskim vložkom). Prepričajte se, da je v napravo pravilno vstavljena vrečka za prah.

Med uporabo naprave poskrbite, da ne vsesavate las, oblačil ali okončin.

Sesalnika ne približujte virom toplote, kot s radiatorji, pečiče in podobno.

INFORMACIJE O ODLAGANJU

Naprava vsebuje električne in elektronske komponente, zato je ni dovoljeno odlagati med gospodinjske odpadke.

Brezpogojno je treba upoštevati lokalno in trenutno veljavno zakonodajo.

DOLOČENI POGOJI ZA UPORABO

Naprava je primerna za sesanje suhega, nevnetljivega prahu in tekočin.

Ta naprava je zasnovana izključno za zasebno uporabo in za predvideni namen. Naprava ni primerna za komercialno uporabo. Naprave ne uporabljajte na prostem (razen, če je bila zasnovana posebej za uporabo na prostem). Naprave ne izpostavljajte toploti, neposredni sončni svetlobi ali zelo visoki vlagi (npr. dežju).

Vsaka druga uporaba se šteje za neprimerno uporabo. Proizvajalec ne prevzame nobene odgovornosti za škodo, ki nastane zaradi takšne uporabe. Tveganje v zvezi s takšno uporabo nosi izključno uporabnik.

Ustrezna uporaba pomeni tudi ustrezno upravljanje, servisiranje in popravila v skladu z navedbami proizvajalca.

IZJAVA O SKLADNOSTI ES

Pod izključno lastno odgovornostjo izjavljamo, da izdelek iz poglavja »Tehnični podatki« izpolnjuje vse zadevne določbe direktiv 2011/65/EU (RoHS), 2014/35/EU, 2014/30/EU in da so bili uporabljeni naslednji

Winnenden, 2020-05-25

Branko Lenger
Senior Vice President, Engineering and Quality - Asia,
Engineering Commercial Product Development
Pooblaščen za pripravo tehnične dokumentacije.



Techtronic Industries GmbH
Max-Eyth-Straße 10
71364 Winnenden
Germany

VSEBINA EMBALAŽE

Glejte sliko 2 - 4.

Previdno razpakirajte vsebino embalaže.

Primitve dve sponki, ki držita zgornji del v ustreznem položaju, in ju upognite navzgor.

Popustite sponke, odstranite zgornji del in odstranite vsebino iz rezervoarja.

S pomočjo seznama delov preverite dele, da se prepričate, da so vsi priloženi in se med prevozom niso poškodovali.

Če katerikoli del manjka ali je poškodovan, se takoj obrnite na prodajalca.

MONTAŽA

1. Poskrbite, da je napajalni kabel iztaknjen iz vtičnice.
2. Popustite sponke. (Slika 2)
3. Zgornji del privzdignite z rezervoarja. (Slika 3)
4. Odstranite vsebino rezervoarja. (Slika 4)
5. Rezervoar obrnite na glavo in vstavite kolesca v štiri nožice na rezervoarju.
6. Prepričajte se, da so pravilno nameščena. Ne privijte prekomerno. (Slika 5)
7. Ročico vstavite in reže na pogonski glavi in jo potisnite na svoje mesto. (Slika 6)
8. Za suho sesanje namestite priloženi filtrski vložek in





Slovensko

- vrečko za prah. (Slika 7, Slika 8)
9. Za mokro sesanje namestite priloženi penasti filter. (Slika 9)
 10. Znova namestite zgornji del rezervoarja. (Slika 10)
 11. Zgornji del poravnajte s sponkami in pritisnite nanj, da se sponke s klikom zaskočijo na ustrezno mesto. (Slika 10)
 12. Večji konec cevi vstavite v sprednji dovod rezervoarja in jo zavrtite, da jo zaklenete. (Slika 11)
 13. Namestite zeleni dodatek na sesalno cev. (Slika 12)

DELOVANJE

SUHO SESANJE

OPOZORILO

Poskrbite, da preberete, razumete in upoštevate varnostna navodila.

Opomnik: NE sesajte nevarnih snovi. Uporaba neustrezne vrečke za prah izniči garancijo.

1. Poskrbite, da je napajalni kabel iztaknjen iz vtičnice.
2. Poskrbite, da je filterni vložek dobro nameščen.
3. Poskrbite, da je filter do konca vstavljen. (Slika 13) Preverite, ali je v posodi nameščena vrečka za prah. (Slika 8)
4. Znova namestite zgornji del rezervoarja in ga pritrдите s sponkami. (Slika 10)
5. Večji konec cevi vstavite v sprednji dovod rezervoarja in jo zavrtite, da jo zaklenete. Ustrezen dodatek potisnite na prosti konec cevi ali podaljška. (Slika 12)
6. Vtaknite napajalni kabel v električno vtičnico.
7. Vključite motor s preklopom stikala v položaj »I« (VKLOP). (Slika 14)
8. Po končanju sesanja preklopite stikalo v položaj »O« (OFF) in iztaknite napajalni kabel iz električne vtičnice. (Slika 15)

OPOZORILO

FILTRSKEGA VLOŽKA NE UPORABLJAJTE ZA MOKRE ALI OSTRE MATERIALE.

VREČKE ZA PRAH NE UPORABLJAJTE ZA MOKRO SESANJE.

MOKRO SESANJE

OPOZORILO

1. Poskrbite, da preberete, razumete in upoštevate varnostna navodila.
Opomnik: NE sesajte nevarnih snovi.
2. Poskrbite, da je napajalni kabel iztaknjen iz vtičnice. Poskrbite, da je rezervoar čist in v njem ni prahu ter umazanije.
3. Odstranite filterni vložek in vrečko za prah ter

namestite penasti filter prek košare za filter in zgornji del namestite nazaj na rezervoar. (Slika 9)
Filternega vložka NE uporabljajte za mokre ali ostre materiale.

4. Namestite zeleno šobo na cev sesalnika. (Slika 12)
5. Preden napajalni kabel vtaknete v električno vtičnico, se prepričajte, da je stikalo v položaju »O« (IZKLOP).
6. Vključite motor s preklopom stikala v položaj »I« (VKLOP). (Slika 14)
7. Po uporabi preklopite stikalo v položaj »O« (Slika 15) in iztaknite napajalni kabel, nato pa izpraznite in posušite rezervoar. (Slika 16, Slika 17)

OPOZORILO

Po mokrem sesanju je treba odstraniti penasti filter in nato pred suhim sesanjem namestiti filterni vložek.

POMEMBNO!

Ob sesanju velike količine tekočine šobe ne potopite povsem v tekočino; na koncu šobe pustite odprtino, da zagotovite pretok zraka.

Naprava je opremljena s plovnim ventilom, ki prekine sesanje, ko se posoda povsem napolni. Opazili boste povečanje hitrosti motorja.

Če se zgodi navedeno, izklopite napravo, iztaknite jo iz električnega napajanja in tekočino zlijte v primerno posodo ali odtok. Za nadaljevanje sesanja znova namestite posodo z odtočnim pokrovom. Po mokrem sesanju izklopite napravo in odstranite vtič iz napajalne vtičnice.

Pred shranjevanjem odstranite posodo in očistite njeno notranjost ter zunanost.

DELOVANJE PUHALNIKA

Ta sesalec za mokro/suho sesanje omogoča tudi uporabo kot puhalnik.

Funkcijo puhalnika uporabljajte po navedenih navodilih.

OPOZORILO

Pred uporabo puhalnika si vedno nadenite varnostna očala.

Opazovalci naj se ne približujejo razpihanemu drobirju.

Če se med puhanjem dviga prah, ki bi ga lahko vdihavali, nosite protiprašno masko.

1. Večji konec cevi vstavite v priključek puhalnika na vrhu ohišja motorja. (Slika 18)
2. Namestite nastavek za špranje na cev sesalnika. (Slika 19)
3. Prepričajte se, da je stikalo za vklop izklopljeno, in priključite električno napajanje.
4. Vključite motor s preklopom stikala v položaj »I« (VKLOP). (Slika 14)
5. Enota bo zdaj pihala skozi sesalno cev, da lahko





Slovensko

- odstranite ovire iz cevi.
6. Po končanju dela preklonite stikalo v položaj »O« (OFF) in iztaknite napajalni kabel iz električne vtičnice. (Slika 15)

A OPOZORILO

Če je cev po nekaj sekundah še vedno zamašena, izklopite enoto in cev ročno odmašite.

VZDRŽEVANJE

NAMESTITEV IN ČIŠČENJE SUHEGA FILTRA

Opomba: Napravo pred vzdrževanjem iztaknite iz električnega napajanja.

Nameščanje suhega filtra

1. Namestite suhi filter prek kletke za filter tako, da je ploski konec filtra obrnjen proti pogonski glavi sesalnika. Filter previdno potisnite, dokler se ne nasloni ob pogonsko glavo. (Slika 20 & 21)
2. Položite držalo filtra na vrh filtrskega vložka nad dvignjen rob in držalo zavrtite v smeri urinega kazalca, da ga zategnete, vendar ne pretirano. (Slika 22 & 23)

Odstranjevanje in čiščenje suhega filtra (TA FILTER NI PRIMEREN ZA PRANJE)

1. Zadrževalno ročico zavrtite v nasprotni smeri urinega kazalca, da odklenete in odstranite zadrževalnik filtra.
2. Sui filter previdno primite in povlecite, da ga odstranite. (Slika 24)
3. Očistite filtrski vložek, tako da nanj rahlo potrkate ali pa umazanijo obrišite. Za zagotovitev ustreznega delovanja priporočamo, da ta filter redno menjate glede na pogostost uporabe (npr. vsakih 3-6 mesecev).
4. Po zgornjih navodilih namestite očiščeni ali novi filter.

NAMEŠČANJE IN ČIŠČENJE PENASTEGA FILTRA

Opomba: Napravo pred vzdrževanjem iztaknite iz električnega napajanja.

Nameščanje penastega filtra

Pred menjavo penastega filtra po navodilih najprej odstranite filter za suhi prah.

Penasti filter previdno potisnite navzdol prek kletke filtra, pri čemer poskrbite, da je pokrita celotna kletka. (Slika 9 & 25)

Čiščenje penastega filtra

Previdno odstranite penasti filter. (Slika 26)

Penasti filter operite z blago milnico in sperite s čisto vodo. (Slika 27)

Pred ponovno namestitvijo in uporabo filtra počakajte, da se posuši na zraku.

SIMBOLI



POZOR! OPOZORILO! NEVARNOST!

V Volti

Hz Hertz

~ Izmenični tok

W Watt



Prosimo, da si pred zagonom naprave pozorno preberete navodila



Oprema razreda II



Reciklaža



Električnega orodja ne odlagajte skupaj z gospodinjskimi odpadki.

Električno orodje in elektronsko opremo, ki je dosegla konec življenjske dobe, je treba zbirati ločeno in jo vrniti v okoljsko združljiv obrat za recikliranje. Glede recikliranja in zbirališča se posvetujte z lokalnim organom ali prodajalcem.



Evropski znak skladnosti





Slovensko

POGOSTO POSTAVLJENA VPRAŠANJA

⚠ OPOZORILO!

Za zmanjšanje nevarnosti telesnih poškodb čistilnik pred vzdrževanjem/odpravljanjem težav iztaknite iz napajanja.

Težava	Razlog	Rešitev
Naprava ne deluje.	Ni napajanja. Napaka na napajalnem kablu, stikalu ali motorju. Rezervoar je poln tekočine.	Preverite napajanje. Poškodovani del naj pregleda usposobljen mehanik ali pa ga zamenjajte. Izpraznite rezervoar.
Prah uhaja skozi pokrov motorja.	Ni vrečke za prah ali pa je poškodovana.	Vstavite vrečko za prah ali jo zamenjajte.
Šibko sesanje in visoka hitrost motorja/vibracije.	Vrečka za prah je polna. Sesalna šoba, cev ali dotok v rezervoar je zamašen.	Zamenjajte vrečko za prah. Preverite, ali so sesalna šoba, cev in dotok v rezervoar zamašeni.



Slovenčina

OPIS

Zoznam dielov

1. Predlžovacia rúrka (x3)
2. Podlahová hubica
3. Štrbinová hubica
4. Súprava hadice
5. Kolesko (x4)
6. Držadlo
7. Penový filter
8. Skrutky
9. Vrecko na prach
10. Prípojka fukára
11. Košík filtra
12. Bezpečnostný plavákový ventil
13. Kryt kazetového filtra
14. Kazetový filter (neprateľný)
15. Hlavný spínač
16. Prípojka na hadicu vysávača
17. Svorka (x2)
18. Nádržka
19. Vypúšťací nátrubok

TECHNICKÉ ÚDAJE

Napájacie napätie	220-240V~50 Hz
Nazivna moč	1250 W
Objem nádržky	20 L
Hadicový systém	Ø 35 mm
Filter – suchý	Kazetový filter
Filter – mokrý	Penový filter
Hodnota IP	IPX4
Satie	17 kpa / 2.47 PSI
Max. prietok vzduchu l/s (motor)	48.5 dm ³ /s
Max. podtlak l/s (motor)	20.5 Kpa
Dĺžka kábla	4 m
Hmotnosť – podľa postupu EPTA 01/2003	3.6 kg

! VAROVANIE!

Prečítajte si všetky bezpečnostné výstrahy a pokyny. Ak nerespektujete a inštrukcie, môže to mať za následok úraz elektrickým prúdom, požiar a/alebo vážne zranenie.

Odložte všetky výstrahy a pokyny pre budúce použitie.

VŠEOBECNÉ BEZPEČNOSTNÉ VÝSTRAHY PRE ELEKTRICKÝ NÁSTROJ

! VAROVANIE!

Tento spotrebič vyhovuje povinným bezpečnostným nariadeniam pre elektrické zariadenia. Nesprávne používanie však môže spôsobiť zranenie osôb a poškodenie majetku. Skôr ako zapnete spotrebič si pozorne a dôkladne prečítajte tento návod na obsluhu. Ak je to možné, odložte si tento návod na obsluhu, záručný list, blok od nákupu ako aj balenie a obalový materiál.

Tento spotrebič je určený výhradne na použitie v súkromnom sektore a na stanovený účel. Spotrebič nie je vhodný na komerčné použitie. Spotrebič nepoužívajte vonku (pokiaľ nebol osobitne určený na používanie vonku). Spotrebič nevystavuje teplu, priamemu slnečnému žiareniu alebo veľmi vysokej vlhkosti (napr. dážď).

Spotrebič nikdy neponárajte do tekutín a chráňte ho pred ostrými hranami, ktorá by ho mohli poškodiť. Spotrebič nikdy nechytajte vlhkými a mokrymi rukami. Ak príde spotrebič, ktorý je v prevádzke, do kontaktu s vlhkým alebo mokrym prostredím, okamžite ho odpojte z elektrickej siete. Spotrebič neponárajte do vody.

Ten mokrý/suchý vysávač sa môže používať a uchovávať v domácnosti.

Spotrebič je určený na vysávanie predmetov, ktoré nie sú nebezpečné pre vaše zdravie a sú nehorľavé.

Konektory nikdy nedržte pred tvárou (najmä pred očami, ušami atď.). Dýzou nikdy nemierte na ľudí alebo zvieratá.

Spotrebič používajte iba na určený účel. Akékoľvek iné použitie je na vaše riziko a je pravdepodobne nebezpečné.

Iný spôsob používania ako aj prevádzka bez dozoru nie sú povolené. Výrobca nemôže zodpovedať za škody spôsobené nevhodným používaním alebo nesprávnou obsluhou.

Používajte ochranný odev a rukavice.

Spotrebič pripojte iba do zásuvky so striedavým napätím 240 V.

Pred používaním spotrebiča sa presvedčte, že do jeho držiaka bolo bezpečne vložené správne vrecko na prach. Nesprávne vrecko na prach alebo jeho nesprávne vloženie môže viesť k poškodeniu spotrebiča a neplatnosti záruky.

Ak je napájací kábel poškodený, musí byť kompletne vymenený, vrátane chrániča kábla, v autorizovanom servisnom stredisku alebo inou kvalifikovanou servisnou spoločnosťou.

Nevysávajte popol, horúce uhličky a podobné predmety, veľké úlomky skla a ostré predmety.

Nevysávajte prach z tonera, ktorý sa používa napríklad v tlačiarňach a kopírovacích strojoch, pretože je elektricky vodivý. Okrem toho sa môže stať, že nebude úplne



Slovenčina

odfiltrovaný filtračným systémom mokrého/suchého vysávača a môže sa uvoľniť do ovzdušia cez výfukový ventilátor.

Nikdy nevysávajte horľavé alebo jedovaté tekutiny, ako napríklad: benzín, nafta, kyseliny alebo iné prchavé látky. Nevysávajte tekutiny, ktoré majú vyššiu teplotu ako 60 °C ani žiadny jedovatý alebo horľavý prach.

Nikdy neukladajte spotrebič nabok. Buďte obzvlášť opatrený a spotrebič uchovávajte v horizontálnej polohe a dbajte o jeho náležitú stabilitu na schodoch.

Spotrebič vždy po používaní odpojte zo siete ako aj pri jeho čistení alebo výmene filtrov alebo príslušenstva.

Elektrické zariadenia môžu opravovať len vyškolení odborníci. Neadekvátne opravy môžu predstavovať značné nebezpečenstvo pre používateľa.

Spotrebič neskladujte v bezprostrednej blízkosti horúcej pece alebo radiátora.

Deti, postihnuté osoby a starí ľudia si často nie sú vedomí rizík spojených s obsluhou elektrických spotrebičov. Vyššie uvedené ako aj nezaškolené osoby nesmú nikdy obsluhovať tento elektrický spotrebič.

Spotrebič pred čistením alebo odkladaním vždy vypnite. Ak spotrebič nebudete používať dlhší čas, odpojte zástrčku zo zásuvky. Pri odpájaní spotrebiča nikdy neťahajte za kábel. Radšej ťahajte za zástrčku. Zo spotrebiča tiež odstráňte všetko špeciálne príslušenstvo.

Spotrebič vždy udržiavajte v čistote. Nepoužívajte žiadne rozpúšťadlá alebo čistiace prostriedky, ktoré by mohli byť škodlivé pre spotrebič alebo používateľa.

Nikdy nenechávajte zapnutý spotrebič bez dozoru. Ak opúšťate pracovný priestor, spotrebič vypnite alebo ho odpojte zo zásuvky (neťahajte za kábel ale za zástrčku).

Deti chráňte pred domácimi elektrickými spotrebičmi tak, že zaistíte, aby sa o kábel nepotkli a ani im neumožňujú prístup k nemu.

Spotrebič nikdy nepoužívajte, ak ste pod vplyvom liekov, alkoholu alebo drog, ak ste práve pod lekársym dohľadom alebo ak ste unavený.

Pravidelne kontrolujte spotrebič a napájací kábel, či nie sú poškodené. Poškodené spotrebiče nepoužívajte.

Spotrebič sa nepokúšajte sami opravovať. Na opravy využite vždy autorizovaného technika. Poškodené napájacie káble si vždy okamžite nechajte vymeniť výrobcom alebo kvalifikovanou servisnou spoločnosťou. Aby ste predišli nebezpečenstvu zásahu elektrickým prúdom a zraneniu, používajte rovnaký typ kábla.

Používajte len originálne náhradné diely a príslušenstvo. Neschválené diely alebo príslušenstvo tretích strán môžu byť zdrojom prípadného nebezpečenstva a spôsobiť neplatnosť záruky.

Často kontrolujte plavák.

Ak si všimnete, že zo spotrebiča uniká voda, okamžite ho vypnite a odpojte zo zásuvky.

Spotrebič neponárajte do vody. Zabezpečte, aby sa na spotrebič nevyliala voda.

Pri likvidácii odpadovej vody sa uistite, že dodržiavate všetky právne nariadenia.

Spotrebič skladujte na bezpečnom a suchom mieste mimo dosahu detí.

Venujte taktiež náležitú pozornosť týmto „osobitným bezpečnostným pravidlám“.

Toto zariadenie nie je určené na použitie alebo čistenie osobami so zníženými fyzickými, zmyslovými alebo duševnými schopnosťami alebo nedostatočnými skúsenosťami či znalosťami, pokiaľ nedostali pokyny na bezpečné používanie zariadenia osobou právne zodpovednou za ich bezpečnosť. Pri používaní zariadenia musia byť pod dozorom. Toto zariadenie nesmú používať ani čistiť deti, ani sa s nám nesmú hrať a keď sa zariadenie nepoužíva, musí byť zaistené mimo dosahu detí.

Deti musia byť pod dozorom, aby sa nemohli so zariadením hrať.

Pokiaľ je napájací kábel poškodený, musí byť nahradený výrobcom, jeho servisným zástupcom alebo rovnako kvalifikovanými osobami, aby sa predišlo nebezpečenstvu.

Prívod elektrickej energie sa má dodávať cez prúdový chránič s vypínacím prúdom maximálne 30 mA.

Používajte len vodoodolný predlžovací kábel. Pred každým použitím skontrolujte predlžovací kábel, či nie je poškodený. Predlžovací kábel pred použitím vždy celý rozviňte, pretože zvinutý kábel sa môže prehrievať. Poškodené predlžovacie káble sa nemajú opravovať. Je potrebné ich nahradiť podobným typom kábla.

KEĎ POUŽIVATE FUNKCIU FUKÁRA:

Vypúšťanie vzduchu namierte len na pracovnú plochu. Nikdy nemierte na ľudí alebo zvieratá.

Fukár nepoužívajte ako postrekovač vo vlhkom režime. Noste protiprachovú masku a ochranu očí.

VAROVANIE

Pred každou montážou, otvorením, vyprázdnením nádoby na špinu, pripojením/odpojením príslušenstva alebo vykonávaním údržby či kontrole pri riešení problémov stroj vždy vypnite a odpojte z elektrickej siete.

DÔLEŽITÉ!

Ak sú hadica alebo nástroje upchaté, vysávač vypnite a





Slovenčina

skôr ako ho znova pustíte, odstráňte prekážku.

DÔLEŽITÉ!

Pravidelné čistenie filtrov a ich výmena udržiavajú výkon vysávača. Vax odporúča, aby ste vaše filtre kontrolovali, čistili a vymieňali pravidelne.

POŠKODENIE VYSÁVAČA SPÔSOBENÉ PRIAMO V DÔSLEDKU NEDODRŽANIA VŠEOBECNÝCH BEZPEČNOSTNÝCH INFORMÁCIÍ A POKYNOV V TEJTO POUŽIVATEĽSKEJ PRÍRUČKE RUŠÍ PLATNOSŤ ZÁRUKY.

ODLOŽTE SI TIETO POKYNY NA ĎALŠIE POUŽITIE.

ŠPECIÁLNE BEZPEČNOSTNÉ PRAVIDLÁ

Nikdy nevyšávajte horúci popol, špicaté alebo ostré predmety.

Spotrebič nikdy nepoužívajte vo vlhkých miestnostiach.

Spotrebič nepoužívajte bez vrečka na prach (výnimkou je mokré vysávanie alebo s kazetovým filtrom). Presvedčte sa, že vrečko na prach je správne vložené vo vysávači.

Keď používate spotrebič uistite sa, že nezachytí žiadne vlasy, odev alebo členov domácnosti.

S vysávačom sa nezdržujte v blízkosti tepelných zdrojov ako sú sálajúce ohrievače, pece a podobne.

INFORMÁCIE O LIKVIDÁCIÍ

Spotrebič obsahuje elektrické a elektronické súčiastky a nesmie sa likvidovať ako súčasť odpadu z domácností.

Bezpodmienečne sa musia dodržať miestne a aktuálne platné právne predpisy.

ŠPECIFIKOVANÉ PODMIENKY POUŽITIA

Spotrebič je vhodný na zachytávanie suchého, nehoriavého prachu a kvapalín.

Tento spotrebič je určený výhradne na použitie v súkromnom sektore a na stanovený účel. Spotrebič nie je vhodný na komerčné použitie. Spotrebič nepoužívajte vonku (pokiaľ nebol osobitne určený na používanie vonku). Spotrebič nevystavuje teplu, priamemu slnečnému žiareniu alebo veľmi vysokej vlhkosti (napr. dážď).

Akékoľvek iné použitie sa považuje za nevhodné používanie. Výrobca neprijíma žiadnu zodpovednosť za akékoľvek škody spôsobené takýmto používaním. Riziko takéhoto používania znáša výlučne používateľ.

Správne používanie zahŕňa tiež správnu obsluhu, servis a opravy, ako uvádza výrobca.

VYHLÁSENIE O ZHODE ES

Na svoju výhradnú zodpovednosť vyhlasujeme, že výrobok opísaný v časti „Technické údaje“ spĺňa všetky príslušné ustanovenia smerníc 2011/65/EÚ (RoHS), 2014/35/EÚ, 2014/30/EÚ a že sa použili nasledujúce harmonizované normy:

EN 60335-1:2012/A2:2019
EN 60335-2-2:2010/A1:2013
EN 62233:2008
EN 55014-1:2017
EN 55014-2:2015
EN 61000-3-2:2014
EN 61000-3-3:2013
EN IEC 63000:2018

Winnenden, 2020-05-25

Branko Lenger
Senior Vice President, Engineering and Quality - Asia,
Engineering Commercial Product Development
Opravený na zostavenie technickej dokumentácie.



Techtronic Industries GmbH
Max-Eyth-Straße 10
71364 Winnenden
Germany

OBSAH BALENIA

Pozrite si obrázok 2 - 4.

Starostlivo vybalte celý obsah škatule.

Uchopte dve svorky, ktoré držia vrchnú časť na svojom mieste a preklopte ich smerom nahor.

Svorky uvoľnite, zložte vrchnú časť a z nádržky vyberte obsah.

Skontrolujte diely podľa zoznamu dielov, aby ste sa presvedčili, že sú úplné a že sa pri preprave nepoškodili.

Ak akýkoľvek diel chýba alebo je poškodený, okamžite sa obráťte na vášho predajcu.

MONTÁŽ

1. Uistite sa, že napájací kábel je odpojený z elektrickej zástrčky.
2. Odstráňte svorky. (Obrázok 2)
3. Nadvihnite vrchnú časť nádržky. (Obrázok 3)
4. Z vnútra nádržky vyberte obsah. (Obrázok 4)
5. Nádržku otočte a vložte kolieska do štyroch nožičiek





Slovenčina

na nádržke.

6. Presvedčte sa, že sú správne namontované. Nepretiahnite ich. (Obrázok 5)
7. Do otvorov na hlave pohonu vložte rukoväť a zatlačte na miesto. (Obrázok 6)
8. Pre suché vysávanie namontujte dodaný kazetový filter a vrecko na prach. (Obrázok 7, Obrázok 8)
9. Pre mokré vysávanie namontujte dodaný penový filter. (Obrázok 9)
10. Vrchnú časť nádržky uložte na svoje miesto. (Obrázok 10)
11. Vrchnú časť zarovnajete so svorkami a tlakom zacvaknite na miesto až kým svorky nezapadnú. (Obrázok 10)
12. Do predného vstupného otvoru nádržky vložte hadicu a otočením zaistíte. (Obrázok 11)
13. Na saciu hadicu nasadíte požadované príslušenstvo. (Obrázok 12)

PREVÁDZKA

SUCHÉ VYSÁVANIE

VAROVANIE

Uistite sa, že ste si prečítali, pochopili a postupujete v súlade s bezpečnostnými pokynmi.

Pripomienka: NEVYSÁVAJTE nebezpečné predmety. Používaním nesprávneho vrecka na prach sa ruší platnosť záruky.

1. Uistite sa, že napájací kábel je odpojený z elektrickej zástrčky.
2. Presvedčte sa, že kazetový filter je úplne namontovaný.
3. Uistite sa, že filter je úplne zasunutý. (Obrázok 13) Presvedčte sa, že vrecko na prach je namontované vnútri nádržky. (Obrázok 8)
4. Nasadíte vrchnú časť nádržky a zaistíte ju na mieste pomocou svoriek. (Obrázok 10)
5. Do predného vstupného otvoru nádržky vložte väčší koniec hadice a zaistíte na mieste. Na voľný koniec hadice alebo jej predĺženie nasuňte požadované príslušenstvo. (Obrázok 12)
6. Napájací kábel zasuniete do elektrickej zástrčky.
7. Motor naštartujete prepnutím spínača do polohy „I“ (ON = ZAPNÚŤ). (Obrázok 14)
8. Po skončení vysávania prepnete spínač do polohy „O“ (OFF = VYPNÚŤ) a napájací kábel vyberte z elektrickej zástrčky. (Obrázok 15)

VAROVANIE

KAZETOVÝ FILTER NEPOUŽÍVAJTE NA MOKRÉ ALEBO OSTRÉ MATERIÁLY.

VRECKO NA PRACH NEPOUŽÍVAJTE NA VYSÁVANIE KVAPALÍN.

MOKRÉ VYSÁVANIE

VAROVANIE

1. Uistite sa, že ste si prečítali, pochopili a postupujete v súlade s bezpečnostnými pokynmi. Pripomienka: NEVYSÁVAJTE nebezpečné predmety.
2. Uistite sa, že napájací kábel je odpojený z elektrickej zástrčky. Presvedčte sa, že je nádržka čistá a bez prachu a špiny.
3. Vyberte kazetový filter a vrecko na prach a namontujte penový filter na košík filtra. Vrchnú časť nádržky uložte späť na svoje miesto. (Obrázok 9) Kazetový filter NEPOUŽÍVAJTE na mokré alebo ostré materiály.
4. Nasadíte požadovanú dýzu na hadicu vysávača. (Obrázok 12)
5. Skôr ako zasuniete napájací kábel do elektrickej zástrčky sa presvedčte, že je spínač v polohe „O“ (OFF = VYPNUTÝ).
6. Motor naštartujete prepnutím spínača do polohy „I“ (ON = ZAPNÚŤ). (Obrázok 14)
7. Po použití prepnete spínač do polohy „O“ (obr. 15) a vytiahnite napájací kábel, potom vyprázdnite a vysušte nádržku. (Obrázok 16, Obrázok 17)

VAROVANIE

Po mokrom vysávaní sa musí penový filter vybrať. Pred suchým vysávaním sa musí namontovať kazetový filter.

DÔLEŽITÉ!

Pri vysávaní veľkého množstva tekutiny neponárajte dýzu úplne do tekutiny. Na špičke otvoru dýzy nechajte priestor, aby ste umožnili prúdenie vzduchu.

Stroj je vybavený plavákovým ventilom, ktorý zastaví nasávanie, keď nádobu dosiahne svoju maximálnu kapacitu. Všimnete si to podľa zvýšenej rýchlosti motora.

Keď nastane táto situácia, stroj vypnite, odpojte zo zdroja napájania a kvapalinu prelejte do vhodnej nádoby alebo do výlevky. Po opätovnom nasadení vypúšťacieho uzáveru pokračujte vo vysávaní. Po mokrom vysávaní vypnite stroj a vytiahnite zástrčku zo zdroja napájania.

Nádobu vyprázdnite a pred odložením vysávača vyčistite a osušte zvnútra aj zvonka.

OBSLUHA FUKÁRA

Tento mokrý/suchý vysávač má funkciu fukára.

Funkciu fukára použijete podľa uvedených pokynov.

VAROVANIE

Pred používaním fukára si nasadíte ochranné okuliare.





Slovenčina

Okolostojaci by mali byť v dostatočnej vzdialenosti od vyfukovaných úlomkov.

Ak pri fúkaní vzniká prach, ktorý by ste mohli vdýchnuť, nasadte si protiprachovú masku.

1. Väčší koniec hadice vložte do prípojky fukára vo vrchnej časti skrine motora. (Obrázok 18)
2. Na hadicu vysávača nasadte štrbinovú hubicu. (Obrázok 19)
3. Presvedčte sa, že je hlavný vypínač vypnutý a zástrčka je v zdroji napájania.
4. Motor naštartujete prepnutím spínača do polohy „I“ (ON = ZAPNÚŤ). (Obrázok 14)
5. Jednotka bude fúkať cez hadicu vysávača a môže sa použiť na čistenie prekážok v hadici.
6. Po skončení práce prepnete spínač do polohy „O“ (OFF = VYPNUTÝ) a napájací kábel vyberte z elektrickej zástrčky. (Obrázok 15)

VAROVANIE

Ak zostane aj po pár sekundách hadica upchatá, jednotku vypnite a hadicu vyčistite manuálne.

ÚDRŽBA

MONTÁŽ A ČISTENIE SUCHÉHO FILTRA

Poznámka: Pred údržbou vypnite stroj z elektrickej zástrčky.

Montáž suchého filtra

1. Suchý filter namontujte na filtračnú klietku plochým koncom filtra smerom k hlave motora vysávača. Filter opatrne zatlačte kým nezastaví o hlavu motora. (Obrázok 20 & 21)
2. Položte zarážku filtra na vrch kazetového filtra nad zdvihnutý jazyček a utiahnite otočením zarážky v smere hodinových ručičiek. Nepretiahnite. (Obrázok 22 & 23)

Odstránenie a čistenie suchého filtra (TENTO FILTER NIE JE UMÝVATEĽNÝ)

1. Zarážku filtra uvoľnite a odstránite otáčaním rukoväte zarážky proti smeru hodinových ručičiek.
2. Suchý filter opatrne držte a vytiahnite ho smerom hore. (Obrázok 24)
3. Kazetový filter vyčistite jemným poklepaním alebo odstránením nečistôt kefkou. Pre optimálny výkon sa odporúča pravidelne meniť tento filter v závislosti od úrovne používania (napr. každých 3 až 6 mesiacov).
4. Podľa nižšie uvedených pokynov namontujte vyčistený alebo nový filter.

MONTÁŽ A ČISTENIE PENOVÉHO FILTRA

Poznámka: Pred údržbou vypnite stroj z elektrickej zástrčky.

Montáž penového filtra

Podľa pokynov najprv demontujte suchý prachový filter a potom vymeňte za penový.

Opatrne nasuňte penový filter cez filtračnú klietku a uistite sa, že celá klietka je zakrytá. (Obrázok 9 & 25)

Čistenie penového filtra

Penový filter opatrne zložte. (Obrázok 26)

Penový filter umyte jemným mydlom s vodným roztokom a opláchnite čistou vodou. (Obrázok 27)

Pred opätovnou montážou a používaním nechajte filter vysušiť na vzduchu.

SYMBOLY



UPOZORNENIE!
NEBEZPEČENSTVO!

VAROVANIE!

V Napätie

Hz Hertz

~ Striedavý prúd

W Watty



Pred zapnutím zariadenia si prosím prečítajte inštrukcie



Zariadenie triedy II



Recyklujte



Elektrické náradie nelikvidujte spolu s domovým odpadom!

Elektrické náradia a elektronické zariadenia sa po skončení svojej životnosti musia separovať a odovzdať do zariadenia, ktoré vykonáva ekologické recyklovanie. Pokyny na recykláciu a miesta recyklácie zistíte u vášho miestneho orgánu alebo predajcu.



Európske označenie zhody





Slovenčina

ČASTO KLADENÉ OTÁZKY

VAROVANIE!

Na zníženie rizika zranenia osôb vysávač odpojte zo zásuvky skôr, ako budete vykonávať údržbu alebo kontrolu spojenú s riešením problémov.

Problém	Príčina	Riešenie
Spotrebič nefunguje.	Nie je elektrický prúd. Funkčná porucha v napájacom kábli, spínači alebo motore. Nádržka je plná tekutiny.	Skontrolujte zdroj napájania. Poškodenú časť nechajte skontrolovať kvalifikovanému pracovníkovi alebo ju vymeňte. Nádržku vyprázdnite.
Z krytu motora vychádza prach.	Chýba vrečko na prach alebo je poškodené.	Vložte vrečko na prach alebo ho vymeňte.
Nízky sací výkon a vysoká rýchlosť motora/vibrácie.	Vrečko na prach je plné. Sacia dýza, hadica alebo prívod do nádržky sú upchaté.	Vymeňte vrečko na prach. Skontrolujte či sa v sacjej dýze, hadici a prívode do nádržky nenachádzajú prekážky.



България

ОПИСАНИЕ

Списък с компоненти

1. Удължителен твърд преходник (x3)
2. Инструмент за под
3. Инструмент за процепи
4. Маркуч
5. Ролка (x4)
6. Ръкохватка
7. Филтър от пяна
8. Винтове
9. Торба за прах
10. Връзка на уреда за обдухване
11. Филтърен кош
12. Предпазен поплавков клапан
13. Капачка на касетъчния филтър
14. Касетъчен филтър (не се мие)
15. Превключвател ON/OFF (ВКЛЮЧВАНЕ/ИЗКЛЮЧВАНЕ)
16. Връзка на маркуча за засмукване
17. Щипка (x2)
18. Резервоар
19. Отвор за източване

СПЕЦИФИКАЦИИ НА ПРОДУКТА

Захранващо напрежение	220-240V~50 Hz
Номинална мощност	1250 W
Обем на контейнера	20 L
Система на маркуча	Ø 35 mm
Филтър – сух	Филтър на касетата
Филтър – мокър	Филтър от пяна
IP рейтинг	IPX4
Всмукване	17 кра / 2.47 PSI
Макс. въздушен поток I/ втори двигател	48.5 dm ³ /s
Макс. налягане при засмукване I/втори двигател	20.5 Кра
Дължина на кабела	4 m
Тегло според процедурата на ЕРТА 01/2003	3.6 kg

⚠ ПРЕДУПРЕЖДЕНИЕ!

Прочетете всички предупреждения относно безопасността и всички инструкции. Неспазването на предупрежденията и инструкциите може да доведе

до токов удар, пожар и/или сериозни наранявания.

Съхранявайте всички предупреждения и инструкции за бъдещи справки.

ОСНОВНИ ПРЕДУПРЕЖДЕНИЯ ЗА БЕЗОПАСНОСТ ПРИ РАБОТА С ЕЛЕКТРИЧЕСКИ ИНСТРУМЕНТИ

⚠ ПРЕДУПРЕЖДЕНИЕ!

Този уред отговаря на задължителните изисквания за безопасност за електрическото оборудване. Неправилната употреба обаче може да бъде вредна за хората и имуществото. Прочетете внимателно и изцяло инструкциите за експлоатация, преди да включите уреда. Запазете инструкциите за експлоатация, гаранционния сертификата, касовата бележка, както и опаковката и опаковъчните материали, ако е възможно.

Този уред е проектиран за употреба единствено в частния сектор и за определеното му предназначение. Този уред не е подходящ за търговска употреба. Не използвайте уреда на открито (освен ако не е предназначен специално за това). Не излагайте уреда на топлина, пряка слънчева светлина или много висока влага (напр. дъжд).

Никога не потапяйте уреда в течности и внимавайте за остри ръбове, които може да го повредят. Никога не използвайте уреда с мокри или влажни ръце. Изключете уреда незабавно от ел. захранването, ако бъде намокрен или навлажнен, докато работи. Не потапяйте уреда във вода.

Тази прахосмукачка за мокро/сухо почистване може да се използва и държи само в частни домове.

Уредът е проектиран да засмуква материали, които не са опасни за вашето здраве и не са запалими.

Никога не дръжте конекторите пред лицето си (особено очите, ушите и др.). Никога не насочвайте дюзата към хора или животни.

Използвайте уреда само по предназначение. Всеки друг вид употреба е на ваш собствен риск и е потенциално опасен.

Не са разрешени други видове употреба и неумишлена експлоатация. Производителят не може да бъде подведен под отговорност за повреди, причинени от неправилна употреба или експлоатация.

Носете предпазно облекло и ръкавици.

Включвайте уреда само в контакт с променлив ток 240 V.

Уверете се, че правилната торба за прах е поставена здраво в държача, преди да използвате уреда. Неправилна торба за прах или неправилно монтирани торби за прах могат да причинят повреда на уреда и



България

да анулират гаранцията.

Ако захранващият кабел е повреден, той трябва да бъде подменен напълно, заедно с протектора от оторизирани сервизен център или друг квалифициран сервиз.

Не засмуквайте пепел, горещи въглища и други подобни, големи парчета стъкло и остри предмети.

Не засмуквайте прах от тонер, който се използва например в принтери и копирни машини, защото е електропроводим. Освен това е възможно той да не бъде напълно филтриран от филтърната система на прахосмукачката за мокро/сухо почистване и може да бъде пуснат във въздуха чрез изпускателния вентилатор.

Никога не засмуквайте запалими или отровни течности като бензин, масло, киселини или други летливи вещества.

Не засмуквайте течности, които са по-горещи от 60 °C, или отровни или запалими прахове.

Никога не поставяйте уреда настрани. Обръщайте специално внимание на хоризонталното положение и подходящата стабилност на уреда, когато се движите по стълби.

Винаги изключвайте уреда от ел. захранването след употреба и преди почистване или смяна на филтрите или принадлежности.

Само обучени специалисти могат да ремонтират електрическо оборудване. Неправилният ремонт може да доведе до значителна опасност за потребителя.

Не съхранявайте уреда непосредствено до гореща фурна или радиатор.

Децата, хората с увреждания и възрастните хора често не са наясно с опасностите, които могат да възникнат при работа с електрически уреди. Горепосочените и необучени лица никога не трябва да работят с този електрически уред.

Винаги изключвайте уреда, когато го почиствате или приборите за съхранение. Изключете щепсела от контакта, ако няма да използвате уреда за продължителен период от време. Никога не дърпайте кабела, за да изключите уреда от контакта, а дръпнете самия щепсел. Освен това премахнете всички специални принадлежности от уреда.

Винаги поддържайте уреда чист. Не използвайте разтворители или почистващи препарати, които могат да повредят или да навредят на уреда или потребителя.

Никога не оставяйте уреда включен без надзор. Ако напуснете работната зона, изключете уреда или го разкачете от контакта (не дърпайте кабела, а използвайте щепсела).

За да предпазите децата от електрически домакински

уреди, уверете се, че те не могат да се препънат в кабела и не им дават достъп до уреда.

Никога не използвайте уреда, когато сте под въздействието на лекарства, алкохол или наркотици, ако в момента сте под медицински грижи или ако сте уморени.

Проверявайте редовно уреда и захранващия кабел за възможни повреди. Не използвайте повредени уреди.

Не опитвайте да ремонтирате уреда сами. Винаги използвайте упълномощен техник за ремонт. Винаги подменяйте незабавно неизправните захранващи кабели при производителя или квалифициран сервиз. Използвайте същия тип кабел, за да предотвратите опасност от токов удар и нараняване.

Използвайте само оригинални резервни части и принадлежности. Неодобрените части или принадлежности, предоставени от трети страни, могат да представляват възможен източник на опасност и да доведат до анулиране на гаранцията.

Проверявайте често поплавъка.

Ако забележите изтичане на течност от вашия уред, незабавно го изключете и го разкачете от контакта.

Не потапяйте уреда във вода. Уверете се, че върху уреда не се излива вода.

Когато изхвърляте отпадъчните води, не забравяйте да спазвате всички законови разпоредби.

Съхранявайте уреда само на безопасно и сухо място, недостъпно за деца.

Моля, обърнете специално внимание и на следните „Специални правила за безопасност“.

Този уред не е предназначен да бъде използван или почистван от лица с намалени физически, сетивни или умствени способности или от лица, които нямат необходимите опит и знания, освен ако същите не са инструктирани относно безопасното използване на този уред от лице, носещо законова отговорност за тяхната безопасност. Те трябва да бъдат под надзор, докато използват уреда. Не трябва да се допуска деца да използват, да почистват или да си играят с този уред; когато уредът не се използва, той трябва да бъде поставян на място, до което децата нямат достъп.

Децата трябва да бъдат надзиравани, за да се гарантира, че не си играят с уреда.

Ако захранващият кабел е повреден, трябва да бъде сменен от производителя, негов сервизен





България

представител или подобно квалифицирано лице, за да се избегнат опасностите.

Уредът трябва да бъде захранван чрез прекъсвач за защитно изключване, пропускащ ток не повече от 30 mA.

Използвайте само удължителен кабел, устойчив на атмосферни влияния. Проверявайте удължаващия кабел за повреди преди всяка употреба. Винаги развивайте удължаващия кабел при работа, защото неразвитите кабели могат да прегреят. Повредените удължителни кабели не трябва да се ремонтират. Те трябва да бъдат подменени с еквивалентен тип.

КОГАТО ИЗПОЛЗВАТЕ ФУНКЦИЯТА ЗА ОБДУХВАНЕ:

Директно изпускане на въздух само в работната зона – никога срещу хора или животни.

Не използвайте уреда за обдухване като пръскачка в мокър режим. Носете противопрахова маска и предпазни очила.

ПРЕДУПРЕЖДЕНИЕ

Винаги изключвайте машината и изваждайте кабела от електрическия контакт преди сглобяване, отваряне, изпразване контейнера за мръсотия, преди свързване/разкачване на приставките или извършване на проверки за поддръжка или отстраняване на неизправности.

ВАЖНО!

Ако маркучът или инструментите са задръстени, изключете уреда за почистване и отстранете задръстването/задръстванията, преди да стартирате отново машината.

ВАЖНО!

Редовното почистване и подмяната на филтрите поддържат ефективността на прахосмукачката. Vax препоръчва периодична проверка, почистване и подмяна на вашите филтри.

ПОВРЕДА НА ПРАХОСМУКАЧКАТА, ПРИЧИНЕНА КАТО ПРЯК РЕЗУЛТАТ ОТ НЕСПАЗВАНЕ НА ОБЩАТА ИНФОРМАЦИЯ ЗА БЕЗОПАСНОСТ И ИНСТРУКЦИТЕ В НАСТОЯЩОТО РЪКОВОДСТВО ЗА ПОТРЕБИТЕЛЯ, АНУЛИРА ГАРАНЦИЯТА

СЪХРАНЯВАЙТЕ РЪКОВОДСТВОТО ЗА ЕКСПЛОАТАЦИЯ НА СИГУРНО МЯСТО, ЗА ДА МОЖЕТЕ ДА ГО ПОЛЗВАТЕ И ПО-КЪСНО.

СПЕЦИФИЧНИ ПРАВИЛА ЗА БЕЗОПАСНОСТ

Никога не засмуквайте гореща пепел, заострени или остри предмети.

Никога не използвайте уреда във влажни помещения.

Не използвайте уреда без торба за прах (с изключение на засмукване на течности или с касетъчния филтър). Уверете се, че торбата за прах е поставена правилно в уреда.

Когато използвате уреда, се уверете, че той не засмуква косата, дрехите ви или части от тях.

Дръжте прахосмукачката далеч от източници на топлина като лъчисти нагреватели, фурни и др.

ИНФОРМАЦИЯ ЗА ИЗХВЪРЛЯНЕ

Уредът съдържа електрически и електронни компоненти и не може да се изхвърля като битов отпадък.

Местното и приложимо в момента законодателство трябва да се спазва безусловно.

ОПРЕДЕЛЕНИ УСЛОВИЯ НА УПОТРЕБА

Уредът е подходящ за събиране на сух, незапалим прах и течности.

Този уред е проектиран за употреба единствено в частния сектор и за определеното му предназначение. Този уред не е подходящ за търговска употреба. Не използвайте уреда на открито (освен ако не е предназначен специално за това). Не излагайте уреда на топлина, пряка слънчева светлина или много висока влага (напр. дъжд).

Всеки друг вид използване се приема за неправилна употреба. Производителят не поема отговорност за каквито и да е щети, произтичащи от такава употреба. Рискът от такава употреба се поема единствено от потребителя.

Правилната употреба включва също така и правилна експлоатация, обслужване и ремонти, както е посочено от производителя.

ДЕКЛАРАЦИЯ НА ЕО ЗА СЪОТВЕТСТВИЕ

Ние декларираме на своя лична отговорност, че продуктът, описан в „Технически данни“, отговаря на всички съответни разпоредби на директивите 2011/65/ЕС (RoHS), 2014/35/ЕС, 2014/30/ЕС, и че са използвани следните хармонизирани стандарти:

EN 60335-1:2012/A2:2019
EN 60335-2-2:2010/A1:2013
EN 62233:2008
EN 55014-1:2017
EN 55014-2:2015
EN 61000-3-2:2014
EN 61000-3-3:2013
EN IEC 63000:2018





България

Winnenden, 2020-05-25

Branko Lenger
Senior Vice President, Engineering and Quality - Asia,
Engineering Commercial Product Development
Упълномощено лице за съставяне на техническия
файл:



Techtronic Industries GmbH
Max-Eyth-Straße 10
71364 Winnenden
Germany

СЪДЪРЖАНИЕ НА ОПАКОВКАТА

Виж Фигура 2 - 4.

Внимателно разопаковайте съдържанието на кутията.
Хванете двете щипките, които задържат горната част
на място, и ги сгънете нагоре.

Разхлабете щипките, махнете горната част и
премахнете съдържанието от контейнера.

Проверете частите според списъка с компоненти,
за да се уверите, че разполагате с всички и те не са
повредени по време на транспорта.

Ако липсват части или има повредени такива,
незабавно се свържете с вашия дилър.

СГЛОБЯВАНЕ

1. Уверете се, че захранващият кабел е изключен от електрическия контакт.
2. Откачете щипките. (Фиг. 2)
3. Повдигнете горната част от контейнера. (Фиг. 3)
4. Премахнете съдържанието на контейнера. (Фиг. 4)
5. Обърнете контейнера с горната част надолу и поставете колелцата на четирите крачета на контейнера.
6. Уверете се, че са монтирани правилно. Не затягайте прекалено много. (Фиг. 5)
7. Поставете ръкохватката в гнездата на задвижващата глава и я натиснете, докато я фиксирате на място. (Фиг. 6)
8. За сухо прахосмучене монтирайте предоставения касетъчен филтър и торбата за прах. (Фиг. 7 Фиг. 8)
9. За мокро прахосмучене монтирайте предоставения филтър от пяна. (Фиг. 9)
10. Поставете отново горната част върху контейнера. (Фиг. 10)

11. Подравнете горната част със щипките и ги натиснете, докато щракнат на място. (Фиг. 10)
12. Вкарайте големия край на маркуча в предния отвор на контейнера и го завъртете, за да го заключите. (Фиг. 11)
13. Монтирайте необходимата принадлежност на тръбата за засмукване. (Фиг. 12)

РАБОТА

СУХО ПРАХОСМУЧЕНЕ

ПРЕДУПРЕЖДЕНИЕ

Уверете се, че сте прочели, разбрали и прилагате инструкциите за безопасност.

Напомняне: НЕ засмуквайте опасни вещества. Използването на неправилна торба за прах ще анулира гаранцията.

1. Уверете се, че захранващият кабел е изключен от електрическия контакт.
2. Уверете се, че касетъчният филтър е монтиран напълно.
3. Уверете се, че филтърът е вкаран докрай. (Фиг. 13)
Проверете дали торбата за прах е монтирана във вътрешността на резервоара. (Фиг. 8)
4. Поставете отново горната част на контейнера и я фиксирайте на място с помощта на щипките. (Фиг. 10)
5. Вкарайте по-големия край на маркуча в предния отвор на контейнера и го завъртете, за да го заключите. Натиснете необходимата приставка върху свободния край на маркуча или удължителя. (Фиг. 12)
6. Включете захранващия кабел в ел. контакта.
7. Включете двигателя, като завъртите превключвателя на позиция „I“ (ВКЛ.). (Фиг. 14)
8. След като приключите с почистването, завъртете превключвателя на позиция „O“ (ИЗКЛ.) и разкачете захранващия кабел от ел. контакта. (Фиг. 15)

ПРЕДУПРЕЖДЕНИЕ

НЕ ИЗПОЛЗВАЙТЕ КАСЕТЪЧНИЯ ФИЛТЪР ЗА МОКРИ ИЛИ ОСТРИ МАТЕРИАЛИ

НЕ ИЗПОЛЗВАЙТЕ ТОРБАТА ЗА ПРАХ ЗА ЗАСМУКВАНЕ НА ТЕЧНОСТИ

МОКРО ПРАХОСМУЧЕНЕ

ПРЕДУПРЕЖДЕНИЕ

1. Уверете се, че сте прочели, разбрали и прилагате инструкциите за безопасност.
Напомняне: НЕ засмуквайте опасни вещества.
2. Уверете се, че захранващият кабел е изключен от





България

електрическият контакт.

Уверете се, че резервоарът е чист и в него няма прах или мръсотия.

3. Премахнете касетъчния филтър и торбата за прах, монтирайте филтър от пяна върху филтърния кош и поставете отново горната част върху контейнера. (Фиг. 9)
НЕ използвайте касетъчния филтър за мокри или остри материали.
4. Монтирайте предпочитаната дюза към маркуча за засмукване. (Фиг. 12)
5. Уверете се, че превключвателят е на позиция „О“ (ИЗКЛ.), преди да включите захранващия кабел в електрическият контакт.
6. Включете двигателя, като завъртите превключвателя на позиция „I“ (ВКЛ.). (Фиг. 14)
7. След употреба завъртете превключвателя на позиция „О“ (Фиг. 15), изключете захранващия кабел и след това изпразнете и изсушете резервоара. (Фиг. 16 Фиг. 17)

⚠ ПРЕДУПРЕЖДЕНИЕ

Филтърът от пяна трябва да бъде премахнат след мокро прахосмучене, а касетъчният филтър трябва да бъде монтиран отново преди сухо прахосмучене.

ВАЖНО!

Когато засмуквате големи количества течности, не потапяйте дюзата напълно в течността; оставете разстояние между върха на дюзата и течността, за да позволите приток на въздух.

Машината е снабдена с поплавков клапан, който спира смукателното действие при достигане на максималния капацитет на контейнера. Ще забележите повишаване на скоростта на двигателя.

Когато това се случи, изключете машината, разкачете захранващия кабел от ел. контакта и източете течността в подходящ съд или в канала. За да продължите почистването, поставете отново капачката за източване на контейнера. След мокро прахосмучене изключете машината и извадете щепсела от ел. захранването.

Изпразнете контейнера, почистете и подсушете отвътре и отвън преди съхранение.

РАБОТА С УРЕДА ЗА ОБДУХВАНЕ

Тази прахосмучачка за мокро/сухо почистване има функция за обдухване.

За да използвате функцията за обдухване, следвайте съответните инструкции.

⚠ ПРЕДУПРЕЖДЕНИЕ

Винаги носете предпазни очила при използване на уреда за обдухване.

Близкостоящите лица трябва да стоят далече от издухваните отпадъци.

Носете маска против прах, ако при обдухването се отдели прах, който може да бъде вдишан.

1. Вкарайте големия край на маркуча в съединението на вентилатора в горната част на корпуса на двигателя. (Фиг. 18)
2. Монтирайте инструмента за процеци към маркуча за засмукване. (Фиг. 19)
3. Уверете се, че превключвателят за захранването е изключен и включете уреда в електрическият контакт.
4. Включете двигателя, като завъртите превключвателя на позиция „I“ (ВКЛ.). (Фиг. 14)
5. Сега уредът ще обдухва през смукателния маркуч и може да се използва за почистване на задръстване в маркуча.
6. След като приключите с тази операция, завъртете превключвателя на позиция „О“ (ИЗКЛ.) и разкачете захранващия кабел от ел. контакта. (Фиг. 15)

⚠ ПРЕДУПРЕЖДЕНИЕ

Ако след няколко секунди маркучът продължава да е задръстен, изключете уреда и почистете маркуча ръчно.

ПОДДРЪЖКА

МОНТАЖ И ПОЧИСТВАНЕ НА СУХИЯ ФИЛТЪР

Забележка: Преди да извършите поддръжка, изключете машината от електрическият контакт.

Монтаж на сухия филтър

1. Монтирайте сухия филтър върху клетката на филтъра, с плоския край към задвижващата глава на прахосмукачката. Внимателно натиснете филтъра, докато стигне до задвижващата глава. (Фиг. 20 & Фиг. 21)
2. Поставете държача на филтъра върху касетъчния филтър над повдигащия ръб и го затегнете, като завъртите държача по посока на часовниковата стрелка; не го затягайте прекалено много. (Фиг. 22 & Фиг. 23)

Премахване и почистване на сухия филтър (ТОЗИ ФИЛТЪР НЕ МОЖЕ ДА СЕ МИЕ)

1. Отключете и премахнете държача на филтъра, като завъртите ръкохватката му по посока обратно на часовниковата стрелка.
2. Внимателно хванете и дръпнете сухия филтър, за да го премахнете. (Фиг. 24)



България

3. Почистете касетъчния филтър с леко потупване и с помощта на четка. За оптимална производителност се препоръчва редовно да сменяте този филтър в зависимост от степента на употреба (например на 3-6 месеца).
4. Монтирайте почищения или нов филтър съгласно инструкциите по-горе.

МОНТАЖ И ПОЧИСТВАНЕ НА ФИЛТЪРА ОТ ПЯНА

Забележка: Преди да извършите поддръжка, изключете машината от електрическия контакт.

Монтаж на филтъра от пяна

Следвайте инструкциите, за да премахнете сухия филтър за прах, преди да смените филтъра от пяна.

Внимателно плъзнете филтъра от пяна надолу върху клетката филтъра, като се уверите, че цялата клетка е покрита. (Фиг. 9 & Фиг. 25)

Почистване на филтъра от пяна

Внимателно премахнете филтъра от пяна. (Фиг. 26)

Използвайте мек сапун и воден разтвор, за да измиете филтъра от пяна и го изплакнете с чиста вода. (Фиг. 27)

Изчакайте филтърът да изсъхне, преди да го монтирате и да го използвате отново.



Не изхвърляйте електрическите инструменти заедно с битови отпадъци.

Електрическите инструменти и електронното оборудване, които са достигнали края на своя жизнен цикъл, трябва да се събират отделно и да се предават в съоръжение за рециклиране, съвместимо с екологичните норми. За съвети относно рециклирането и пункта за събиране се обърнете към вашите местни власти или търговски представители.



Знак за съответствие с европейските изисквания

СИМВОЛИ



ВНИМАНИЕ!
ОПАСНОСТ!

ПРЕДУПРЕЖДЕНИЕ!

V

Напрежение

Hz

Херц



Променлив ток

W

Ватове



Прочетете инструкциите внимателно, преди да стартирате машината.



Оборудване от клас II



Рециклируема



България

ЧЕСТО ЗАДАВАНИ ВЪПРОСИ

ПРЕДУПРЕЖДЕНИЕ!

За да намалите риска от физическо нараняване, изключете уреда за почистване от контакта, преди да извършите проверки за поддръжка/отстраняване на неизправности.

Проблем	Причина	Решение
Уредът не работи.	Няма захранване. Функционална неизправност в захранващия кабел, превключвател или двигателя. Контейнерът е пълен с течност.	Проверете електрозахранването. Повредената част трябва да бъде проверена или подменена от квалифицирани служители. Изпразнете контейнера.
От капака на двигателя излиза прах.	Торбата за прах липсва или е повредена.	Поставете торба за прах или я подменете.
Ниска смукателна мощност и висока скорост на двигателя/вибрации.	Торбата за прах е пълна. Смукателната дюза, маркучът или отворът на контейнера са блокирани..	Подменете торбата за прах. Проверете смукателната дюза, маркуча и отвора на контейнера за задръствания.





українська мова

ОПИС

Перелік компонентів

1. Подовжувальна трубка (x3)
2. Насадка для підлоги
3. Щілинна насадка
4. Набір шлангів
5. Ролик (x4)
6. Ручка
7. Поролоновий фільтр
8. Гвинти
9. Мішок для пилу
10. З'єднання для продувки
11. Кошик фільтра
12. Запобіжний поплавковий клапан
13. Кришка картриджного фільтра
14. Змінний фільтр (не підлягає очищенню)
15. Перемикач увімкн. / вимкн.
16. Підключення для вакуумного шланга
17. Затискач (x2)
18. Резервуар
19. Спусковий отвір

СПЕЦИФІКАЦІЇ

Напруга живлення	220-240V~50 Hz
Номінальна потужність	1250 W
Ємкість резервуара	20 L
Система шлангів	Ø 35 mm
Фільтр - сухий	Картриджний фільтр
Фільтр - вологий	Поролоновий фільтр
Захист IP	IPX4
Всмоктування	17 кра / 2.47 PSI
Макс. потік повітря /сек мотор	48.5 dm ³ /s
Макс. розрідження /сек мотор	20.5 Кра
Довжина шнура	4 m
Вага - відповідно до процедури EPTA 01/2003	3.6 kg

⚠ ПОПЕРЕДЖЕННЯ!

Читайте всі правила безпеки та інструкції. Недотримання попереджень та інструкцій може призвести до ураження електричним струмом, пожежі та / або серйозної травми.

Збережіть всі інструкції і вказівки для майбутнього

використання.

ГОЛОВНІ ПОПЕРЕДЖЕННЯ З БЕЗПЕКИ ЕЛЕКТРОІНСТРУМЕНТУ

⚠ ПОПЕРЕДЖЕННЯ!

Цей пристрій відповідає обов'язковим нормам безпеки для електрообладнання. Неналежне використання може бути шкідливим для людей і майна. Перш ніж вмикати пристрій, обов'язково уважно та повністю прочитайте цю інструкцію з експлуатації. Зберігайте цю інструкцію з експлуатації, гарантійний сертифікат, квитанцію, а також упаковку і пакувальні матеріали, якщо це можливо.

Цей продукт призначений для використання виключно за призначенням та в приватному секторі. Продукт не призначений для комерційного використання. Не використовуйте продукт на відкритому повітрі (якщо він не був спеціально розроблений для використання на відкритому повітрі). Тримайте пристрій подалі від джерел тепла, прямих сонячних променів або дуже високої вологості (напр. дощ)

Ніколи не занурюйте пристрій в рідину і тримайте подалі від гострих кромek, які можуть пошкодити його. Ніколи не торкайтеся пристрою вологими або мокрими руками. Вимкніть його негайно, якщо під час використання на пристрій потрапила рідина. Не занурюйте пристрій у воду.

Цій пилосос для вологого та сухого використання можна експлуатувати і зберігати лише у приватному господарстві.

Пристрій призначений для прибирання негорючих та безпечних для вашого здоров'я матеріалів.

Ніколи не підносьте з'єднання до обличчя (особливо до очей, вух тощо). Ніколи не направляйте насадку на людей або тварин.

Використовуйте пристрій лише за його прямим призначенням. Використання для будь-яких інших цілей здійснюється на ваш власний розсуд і ризик і може бути потенційно небезпечним.

Інші види використання та використання без нагляду заборонено. Виробник не несе відповідальність за шкodu, яку може спричинити неналежне використання або неналежна експлуатація.

Надягайте захисний одяг і рукавички.

Підключайте пристрій тільки до розетки змінного струму 230В.

Перед використанням пристрою переконайтеся, що мішок для сміття вставлений в утримувач належним чином. Неналежний мішок для збору сміття або неправильно встановлений мішок для збору сміття може призвести до порушень у роботі пристрою і до втрати





українська мова

гарантії.

При пошкодженні кабелю живлення, його слід повністю замінити разом з кабельним барабаном в авторизованому сервісному центрі або у іншому спеціалізованому сервісному центрі.

Не збирайте за допомогою пилососу попіл, гарячі вуглі, великі фрагменти скла та предмети з гострими кінцями.

Не збирайте пил з тонера, який використовується, наприклад, у принтерах і копіювальних апаратах, тому, що він є електропровідним. Крім того, цілком можливо, що такий пил не буде повністю відфільтрований фільтрувальною системою пилососа для сухого та вологого прибирання і може потрапити у повітря через витяжний вентилятор.

Заборонено всмоктувати легкозаймисті або отруйні рідини, такі як бензин, олія, кислота та інші летючі речовини.

Не всмокуйте рідини, які гарячіші, ніж 60 °C або будь-який отруйний або горючий пил.

Ніколи не кладіть пристрій на бік. Особливу увагу слід звертати на горизонтальне положення і достатню стійкість на сходах.

Завжди відключайте прилад після використання, перед очищенням або заміною фільтрів чи приладдя.

Ремонт електричного обладнання повинні виконувати тільки кваліфіковані спеціалісти. Інакше це може призвести до значної небезпеки для користувача.

Не зберігайте продукт поруч з гарячою піччю або радіатором.

Діти, особи з обмеженими можливостями та люди у похилому віці часто не знають про ризики, пов'язані з роботою з електричним обладнанням. Перелічені вище особи, а також особи без необхідної підготовки не повинні працювати з таким електричним обладнанням.

Перед чищенням або прибиранням пристрою, завжди вимкніть його. Якщо ви не плануєте користуватися пристроєм впродовж тривалого періоду, витягніть вилку з розетки. Вимикаючи пристрій з мережі, тягніть за штепсель, а не за шнур. Крім того, з пристрою слід зняти будь-яке спеціальне приладдя.

Завжди зберігайте пристрій у чистому вигляді. Не використовуйте розчинники або інші чистячі засоби, які можуть пошкодити пристрій або травмувати користувача.

Ніколи не залишайте працюючий виріб без нагляду. Якщо ви залишаєте робочу зону, вимкніть пристрій або відключіть його від мережі (забороняється тягнути за шнур, лише за штепсель).

Щоб запобігти травмуванню дітей через електричні побутові прилади, переконайтеся, що діти не можуть спіткнутися через кабель та не дозволяйте дітям

доторкатися до пристрою.

Ніколи не використовуйте пристрій, коли ви перебуваєте під впливом ліків, алкоголю або наркотиків, під медичним наглядом, або якщо ви втомилися.

Регулярно перевіряйте пристрій і кабель живлення на наявність можливих пошкоджень. Ніколи не використовуйте пошкоджений пристрій.

Не намагайтеся ремонтувати пристрій самостійно. Завжди звертайтеся до кваліфікованого персоналу авторизованого сервісного центру. Пошкоджені шнури живлення слід замінити негайно у виробника або в авторизованому сервісному центрі. Для запобігання ризику ураження електричним струмом та отримання травм завжди використовуйте той самий тип кабелю.

Використовуйте тільки оригінальні запасні частини та приладдя. Використання не схвалених запасних частин або неоригінального приладдя може бути джерелом небезпеки і привести до втрати гарантії.

Регулярно перевіряйте вільний рух поплавця.

Якщо ви помітили витік рідини з пристрою, негайно вимкніть його і відключіть його від мережі

Не занурюйте пристрій у воду. Переконайтеся, що вода не потрапила на пристрій.

При утилізації стічних вод, переконайтеся, що ви дотримуетесь відповідних приписів.

Слід зберігати пристрій тільки у сухому і безпечному місці поза досяжністю дітям.

Слід також звернути особливу увагу на наступні "Особливі правила безпеки".

Цей прилад не призначений для використання або очищення особами з обмеженими фізичними, сенсорними або розумовими здібностями, або без досвіду та знань, якщо тільки їм не були надані інструкції, що стосуються безпечного використання приладу з боку особи, юридично відповідальної за їх безпеку. Вони повинні знаходитися під спостереженням під час використання пристрою. Діти не повинні використовувати, чистити або грати з цим пристроєм, якщо він не використовується, то повинен знаходитися поза їх досяжністю.

Не дозволяйте дітям гратися з виробом.

У разі пошкодження кабелю живлення його слід замінити; для цього зверніться до виробника, агента з обслуговування або кваліфікованого спеціаліста, щоб уникнути небезпеки.





українська мова

Живлення має постачатися через пристрій диференційованого захисту зі струмом спрацювання не більше 30 mA.

Використовуйте лише подовжувач, захищений від впливу атмосферних умов. Кожен раз перед використанням перевіряйте подовжувач на наявність пошкоджень. Завжди розмотуйте подовжувач під час використання, оскільки у змотаному стані він може перегріватися. Пошкоджений подовжувач не підлягає ремонту. Його слід замінити на аналогічний.

ПРИ ВИКОРИСТАННІ ПИЛОСОСА В ЯКОСТІ КОМПРЕСОРА:

Спрямовуйте потік повітря виключно на робочу зону і ніколи не направляйте на людей або тварин.

Не використовуйте в якості розбризкувача в режимі вологого прибирання. Надягайте пилозахисну маску та окуляри.

A ПОПЕРЕДЖЕННЯ

Завжди вимикайте пристрій та від'єднайте його від мережі живлення перед виконанням таких операцій, як збирання, відкриття, опорожнення контейнеру для пилу, під'єднання чи від'єднання додаткових пристосувань, технічне обслуговування або перевірка на справність.

ВАЖЛИВО!

Якщо шланги або насадки забилися, вимкніть пилосос і почистіть шланг та (або) насадку, після чого можна поновити роботу.

ВАЖЛИВО!

Для забезпечення ефективної роботи пилососа необхідно регулярно прочищати та замінювати фільтри. Вах рекомендує періодично перевіряти, чистити та замінювати фільтри.

ПОШКОДЖЕННЯ ПИЛОСОСУ ВНАСЛІДОК ПРЯМОГО НЕДОТРИМАННЯ ЗАГАЛЬНИХ ЗАХОДІВ БЕЗПЕКИ ТА ЦИХ ІНСТРУКЦІЙ РОБЛЯТЬ ГАРАНТІЙНІ ЗОБОВ'ЯЗАННЯ НЕДІЙСНИМИ.

ЗБЕРЕЖІТЬ ЦЮ ІНСТРУКЦІЮ ДЛЯ КОРИСТУВАННЯ В МАЙБУТНЬОМУ.

СПЕЦІАЛЬНІ ПРАВИЛА БЕЗПЕКИ

Ніколи не всмоктуйте гарячий попіл, загострені або гострі предмети.

Ніколи не використовуйте пристрій у вологих приміщеннях.

Не користуйтеся пристроєм без мішка для збору сміття (винятком є вологе прибирання пилососом або з використанням картриджного фільтру). Переконайтеся,

що мішок для збору сміття вставлений в пристрій правильно.

При використанні пристрою, переконайтеся, що волосся чи одяг не втягується у пристрій.

Тримайте пилосос подалі від джерел тепла, таких як інфрачервоні обігрівачі, печі тощо.

ІНФОРМАЦІЯ ЩОДО УТИЛІЗАЦІЇ

Продукт містить електричні та електронні компоненти, тому його не можна утилізувати зі звичайними побутовими відходами

Слід дотримуватися чинних місцевих норм та директив.

ОСОБЛИВІ УМОВИ ЕКСПЛУАТАЦІЇ

Заборонено використовувати пристрій для прибирання легкозаймистих або горючих рідин, таких як бензин, або в місцях, де вони можуть бути присутніми.

Цей продукт призначений для використання виключно за призначенням та в приватному секторі. Продукт не призначений для комерційного використання. Не використовуйте продукт на відкритому повітрі (якщо він не був спеціально розроблений для використання на відкритому повітрі). Тримайте пристрій подалі від джерел тепла, прямих сонячних променів або дуже високої вологості (напр. дощ)

Будь-яке інше використання вважається нецільовим. Виробник не несе відповідальності за будь-яку шкоду, спричинену нецільовим використанням. Усі ризики при нецільовому використанні лягають виключно на користувача.

Правильне використання передбачає також правильну експлуатацію, обслуговування та ремонт у відповідності з зазначеними виробником умовами.

ДЕКЛАРАЦІЯ ВІДПОВІДНОСТІ ЄС

Ми заявляємо про свою виключну відповідальність, що пристрій, описаний у розділі "Технічні характеристики" відповідає вимогам усіх чинних директив 2011/65/ЄС (RoHs), 2014/35/ЄС, 2014/30/ЄС та наступним гармонізованим стандартам:

- EN 60335-1:2012/A2:2019
- EN 60335-2-2:2010/A1:2013
- EN 62233:2008
- EN 55014-1:2017
- EN 55014-2:2015
- EN 61000-3-2:2014
- EN 61000-3-3:2013
- EN IEC 63000:2018





українська мова

Winnenden, 2020-05-25

Branko Lengler
Senior Vice President, Engineering and Quality - Asia,
Engineering Commercial Product Development
Дозвіл на складання технічного файлу.



Techtronic Industries GmbH
Max-Eyth-Straße 10
71364 Winnenden
Germany

ВМІСТ УПАКУВАННЯ

Дивіться малюнки 2 - 4.

Обережно розпакуйте вміст коробки.

Візьміться за фіксатори, що утримують верхню секцію у правильному положенні та підійміть догори.

Ослабте фіксатори, зніміть верхню секцію та видаліть вміст резервуара.

Перевірте частини відповідно до переліку частин пристрою та переконайтеся, що вони всі у наявності та не пошкоджені під час транспортування.

Якщо будь-які частини пристрою відсутні або пошкоджені, негайно зверніться до постачальника.

ЗБИРАННЯ

1. Переконайтеся, що дріт живлення від'єднано від джерела живлення.
2. Відкрийте затискачі. (Малюнки 2)
3. Підніміть верхню частину ємності. (Малюнки 3)
4. Вийміть все з ємності. (Малюнки 4)
5. Переверніть ємність і вставте чотири ролики у чотири ніжки ємності.
6. Переконайтеся у правильності встановлення. Не перетягуйте. (Малюнки 5)
7. Вставте ручку в отвори на моторному відсіку і натисніть, щоби вони зафіксувалися. (Малюнки 6)
8. Для сухого прибирання вставте змінний фільтр і мішок для пилу. (малюнки 7, малюнки 8)
9. Для вологого прибирання вставте пінний фільтр, який входить до комплекту. (Малюнки 9)
10. Встановіть верхню секцію на резервуар. (Малюнки 10)
11. Поставте верхню частину на місце і натисніть так, щоби затискачі зафіксували її. (Малюнки 10)
12. Вставте більший кінець шлангу у передній вихід

ємності та поверніть до фіксації. (Малюнки 11)

13. Встановіть необхідну насадку на трубку всмоктування. (Малюнки 12)

ФУНКЦІОНУВАННЯ

СУХЕ ПРИБИРАННЯ

ПОПЕРЕДЖЕННЯ

Ви повинні прочитати, зрозуміти всі вказівки з безпеки та дотримуватися них.

Нагадування. ЗАБОРОНЯЄТЬСЯ збирати пилососом небезпечні речовини. При використанні непридатного мішка для пилу гарантійні зобов'язання втрачають силу.

1. Переконайтеся, що дріт живлення від'єднано від джерела живлення.
2. Переконайтеся, що змінний фільтр вставлено повністю.
3. Переконайтеся, що фільтр вставлено повністю. (малюнки 13) Переконайтеся, що в ємність встановлено мішок для пилу. (Малюнки 8)
4. Встановіть верхню частину ємності на місце і закріпіть її затискачами. (Малюнки 10)
5. Вставте більший кінець шлангу у передній вихід ємності до фіксації. Надягніть необхідну насадку на другий кінець шлангу або трубки. (Малюнки 12)
6. Вставте вилку в розетку.
7. Увімкніть двигун, перемістивши перемикач в положення "I" ON. (Малюнки 14)
8. Після завершення прибирання переведіть перемикач у положення "O" ("Вимкнено") та витягніть шнур з розетки живлення. (Малюнки 15)

ПОПЕРЕДЖЕННЯ

НЕ ВИКОРИСТОВУЙТЕ ЗМІННИЙ ФІЛЬТР ПРИ ЗБИРАННІ ВОЛОГОХ АБО ГОСТРИХ МАТЕРІАЛІВ.

НЕ ВИКОРИСТОВУЙТЕ МІШОК ДЛЯ ПИЛУ ПРИ ВОЛОГОМУ ПРИБИРАННІ.

ВОЛОГЕ ПРИБИРАННЯ

ПОПЕРЕДЖЕННЯ

Ви повинні прочитати, зрозуміти всі вказівки з безпеки та дотримуватися них.

Нагадування. ЗАБОРОНЯЄТЬСЯ збирати пилососом небезпечні речовини.

1. Переконайтеся, що дріт живлення від'єднано від джерела живлення.
Переконайтеся, що ємність чиста.
2. Зніміть змінний фільтр і мішок для пилу, встановіть над кошиком для фільтру пінний фільтр і поверніть верхню частину ємності на місце. (Малюнки 9)





українська мова

ЗАБОРОНЯЄТЬСЯ використовувати змінний фільтр для збирання вологих або гострих матеріалів.

4. Встановіть насадку з проріззю на вакуумний шланг. (Малюнки 12)
5. Переконайтеся, що перемикач знаходиться у положенні "O" OFF, перш ніж підключити кабель живлення до мережі.
6. Увімкніть двигун, перемістивши перемикач в положення "I" ON. (Малюнки 14)
7. Після використання переведіть перемикач у положення "O" (Рис. 15), витягніть шнур живлення з розетки, після чого випорожніть та просушіть ємність. (малюнки 16, малюнки 17)

⚠ ПОПЕРЕДЖЕННЯ

Після вологого прибирання пінний фільтр зніміть, перед сухим прибиранням встановіть змінний фільтр.

ВАЖЛИВО!

При збиранні великої кількості рідини не занурюйте насадку в рідину повністю; тримайте її на невеличкій відстані від рідини, щоби забезпечити доступ повітря.

Виріб обладнаний поплавковим клапаном, який зупиняє всмоктування, коли рівень наповнення ємності сягає максимуму. Ви відчуєте, як швидкість мотора збільшується.

У такій ситуації вимкніть пристрій, від'єднайте його від мережі живлення та злийте рідину у відповідну ємність або каналізацію. Щоби продовжити прибирання, встановіть контейнер із кришкою зливу на місце. Після вологого прибирання вимкніть пристрій і від'єднайте вилку від розетки живлення.

Випорожніть контейнер, почистіть та просушіть його всередині та ззовні.

РЕЖИМ ПОВІТРОДУВКИ

Пилосос для вологого/сухого прибирання Wet/Dry Vac може використовуватися в якості повітродувки

Щоби скористатися цією функцією, виконайте наведені вказівки

⚠ ПОПЕРЕДЖЕННЯ

Перед увімкненням режиму нагнітання обов'язково надягайте захисні окуляри.

Стороннім особам слід триматися подалі від сміття, що вдувається.

Одягайте респіратор, якщо дуття створює пил, який можна вдихнути.

1. Вставте більший кінець шлангу в отвір нагнітання у верхній частині корпусу мотора. (Малюнки 18)
2. Встановіть насадку з проріззю на вакуумний шланг.

(Малюнки 19)

3. Переконайтеся, що перемикач знаходиться у вимкнутому положенні, і вставте вилку в розетку.
4. Увімкніть двигун, перемістивши перемикач в положення "I" ON. (Малюнки 14)
5. В цьому режимі повітря виводатиметься зі шлангу, і в такий спосіб можна видалити предмети, що застрягли в шлангу.
6. Після завершення роботи переведіть перемикач у положення "O" ("Вимкнено") та витягніть шнур з розетки живлення. (Малюнки 15)

⚠ ПОПЕРЕДЖЕННЯ

Якщо шланг після кількох секунд роботи не прочищається, вимкніть пристрій та прочистіть його вручну.

ОБСЛУГОВУВАННЯ

ВСТАНОВЛЕННЯ ТА ЧИЩЕННЯ СУХОГО ФІЛЬТРУ

Примітка: Перед обслуговуванням від'єднайте пристрій від мережі живлення.

Встановлення сухого фільтру

1. Встановіть сухий фільтр над кошиком для фільтру так, щоби пласкою стороною фільтр був направлений в бік моторного відсіку. Обережно натискайте на фільтр, аж доки він не упреться в моторний відсік. (малюнки 20 & 21)
2. Встановіть кріплення фільтру поверх картриджу над кромкою і затягніть, повертаючи кріплення за годинниковою стрілкою, але не затягуйте занадто сильно. (малюнки 22 & 23)

Зняття та очищення сухого фільтру (ЦЕЙ ФІЛЬТР НЕ ПРИДАТНИЙ ДЛЯ МИТТЯ)

1. Відкрутіть кріплення проти годинникової стрілки та зніміть його.
2. Візьміться за корпус фільтру та обережно витягніть його. (Малюнки 24)
3. Очистіть його, несильно постукавши по ньому або за допомогою щітки. Для оптимальної ефективності рекомендується регулярно замінювати фільтр у залежності від інтенсивності використання (наприклад, з інтервалом 3-6 місяців)
4. Встановіть очищений або новий фільтр, дотримуючись наведених вище інструкцій.

ВСТАНОВЛЕННЯ ТА ЧИЩЕННЯ ПІННОГО ФІЛЬТРУ

Примітка: Перед обслуговуванням від'єднайте пристрій від мережі живлення.



українська мова

Встановлення пінного фільтру

Перед встановленням пінного фільтру зніміть сухий фільтр, дотримуючися наведених вище інструкцій

Обережно надягніть пінний фільтр на кошик для фільтру і переконайтеся, що кошик закритий повністю (малюнки 9 & 25)

Чищення пінного фільтру

Обережно зніміть пінний фільтр (Малюнки 26)

Промийте пінний фільтр спочатку у м'якому мильному розчині, потім у чистій воді (Малюнки 27)

Перед встановленням дайте фільтру просохнути

СИМВОЛИ



УВАГА! ПОПЕРЕДЖЕННЯ! НЕБЕЗПЕКА!

V Вольти

Hz Герц

~ Змінний струм

W Ватти



Будь ласка, уважно прочитайте інструкцію перед запуском продукту.



Обладнання класу II



Переробка



Не викидайте електричні інструменти разом із побутовими відходами.

Електричні інструменти та електронні пристрої, термін служби яких спливає, збираються окремо та передаються для екологічно безпечної утилізації. За інформацією стосовно утилізації або місць збору звертайтеся до місцевої влади або дилера.



Європейський знак відповідності



українська мова

ПОШИРЕНІ ЗАПИТАННЯ

⚠ ПОПЕРЕДЖЕННЯ!

Щоби зменшити ризик травмування, перед обслуговуванням або пошуком несправностей від'єднуйте пристрій від електромережі.

Проблема	Причина	Рішення
Пристрій не працює.	Немає живлення. Функціональна несправність шнура живлення, перемикача або мотора. Резервуар заповнений рідиною.	Перевірте наявність живлення. Здайте пошкоджену частину на перевірку кваліфікованому спеціалісту або замініть її. Опорожніть ємність.
Пил просочується з-під кришки мотора/.	Мішок для пилу відсутній або пошкоджений.	Встановіть або замініть мішок для пилу.
Мала потужність всмоктування та висока швидкість мотору / вібрація.	Мішок для пилу заповнений. Забилася насадка для всмоктування, шланг або вхідний отвір на ємності.	Замініть мішок для пилу. Перевірте насадку для всмоктування, шланг або вхідний отвір на ємності на наявність сторонніх предметів.





Türkçe

AÇIKLAMALAR

Bileşen listesi

1. Uzatma borusu (x3)
2. Zemin aleti
3. Yarık aleti
4. Hortum seti
5. Tekerlek (x4)
6. Tutamak
7. Köpük filtresi
8. Vidalar
9. Toz torbası
10. Havalandırma bağlantısı
11. Filtre sepeti
12. Güvenlik şamandıra valfi
13. Kartuş filtresi kapağı
14. Kartuş filtresi (yıkanamaz)
15. Açma/kapama anahtarı
16. Süpürge hortumu için bağlantı
17. Kelepçe (x2)
18. Hazne
19. Tahliye çıkışı

ÖZELLİKLER

Besleme voltajı	220-240V~50 Hz
Anma Gücü	1250 W
Hazne hacmi	20 L
Hortum sistemi	Ø 35 mm
Filtre - kuru	Kartuş filtresi
Filtre - ıslak	Köpük filtresi
IP sınıfı	IPX4
Emme	17 kpa / 2.47 PSI
Maksimum hava akışı l/s motor	48.5 dm ³ /s
Maksimum vakum basıncı l/s motor	20.5 Kpa
Kablo uzunluğu	4 m
Ağırlık - EPTA Prosedür 01/2003 uyarınca	3.6 kg

⚠ UYARI!

Tüm güvenlik uyarılarını ve talimatlarını okuyun. Uyarıların ve talimatların yerine getirilmemesi elektrik çarpması, yangın ve/veya ciddi yaralanmalara yol açabilir.

Tüm uyarıları ve talimatları daha sonra başvurmak üzere saklayın.

ELEKTRİKLİ ALET İÇİN GENEL GÜVENLİK TALİMATLARI

⚠ UYARI!

Bu ev aleti elektrikli ekipmanlara yönelik zorunlu güvenlik mevzuatlarına uygundur. Ancak, uygunsuz kullanım halinde insanlara ve mülke zarar verebilir. Lütfen bu kullanım talimatlarını dikkatlice ve eksiksiz bir şekilde okuduktan sonra ev aletinizi açın. Kullanım talimatlarını, garanti sertifikasını, fişi ve aynı zamanda mümkünse ambalajı ve ambalaj malzemelerini saklayın.

Bu ev aleti yalnızca özel sektörde kullanıma yönelik ve belirlenen amaca uygun kullanım için tasarlanmıştır. Ev aleti ticari kullanıma uygun değildir. Ev aletini dış mekanlarda kullanmayın (dış mekanlarda kullanılmak üzere tasarlanmadığı sürece). Ev aletini ısıya, doğrudan gün ışığına veya çok yüksek neme (örn. yağmur) maruz bırakmayın.

Ev aletini asla sıvılara batırmayın ve kendisine zarar verebilecek sivri kenarlara dikkat edin. Ev aletini asla ıslak veya nemli ellerle kullanmayın. Ev aleti çalışırken ıslanmış durumda veya nemlendiğinde hemen prizden çekin. Ev aletini suya batırmayın.

Islak/kuru elektrikli süpürge yalnızca evde kullanılabilir ve tutulabilir.

Ev aleti, sağlığa zararlı olmayan ve yanıcı olmayan materyallerin süpürülmesine yönelik tasarlanmıştır.

Konnektörleri asla yüzünüze doğru (özellikle de gözlerinize, kulaklarınıza vs. doğru) tutmayın. Ucunu asla kişilere veya hayvanlara yönlendirmeyin.

Ev aletini yalnızca belirlenen amacına uygun kullanın. Başka her türlü kullanımın riski size aittir ve bu muhtemelen tehlikelidir.

Başka kullanımlar ve başıboş çalıştırmaya izin verilmez. Üretici uygunsuz kullanım veya yanlış çalıştırmanın neden olduğu hasarlardan sorumlu tutulamaz.

Koruyucu kıyafet ve eldiven giyin.

Ev aletini yalnızca 240 V alternatif akım prize bağlayın.

Ev aletini kullanmadan önce doğru toz torbasının tutucusuna güvenli bir şekilde yerleştirildiğinden emin olun. Yanlış toz torbası veya yanlış takılmış toz torbaları ev aletinde hasara ve garantinin geçersiz olmasına neden olabilir.

Elektrik kablosu hasarlıysa kablo koruyucusuyla birlikte yetkili bir servis merkezinde veya diğer yetkili servis şirketlerinde tamamen değiştirilmelidir.

Külleri, sıcak kömürleri ve benzerlerini, büyük cam parçalarını ve sivri nesnelere süpürmeyin.

Örneğin yazıcılarda ve fotokopi makinelerinde kullanılan toner tozunu süpürmeyin, çünkü bunlar elektriği iletir. Ayrıca, ıslak/kuru süpürge için filtre sistemi tarafından





Türkçe

tamamen filtrelenemeyebilirler ve havalandırma fanı ile havaya salınabilirler.

Petrol, yağ, asitler veya diğer uçucu maddeler gibi yanıcı veya zehirli sıvıların asla süpürgeyle çekmeyin.

60°C'den sıcak sıvıları veya herhangi bir yanıcı zehirli tozu süpürgeyle çekmeyin.

Ev aletini asla yan yatırmayın. Yatay pozisyona özellikle dikkat edin ve merdivenlerde yeterli sabıtlığı sağlayın.

Kullanımdan sonra temizlemeden veya filtrelerini ya da aksesuarlarını değiştirmeden önce ev aletini daima prizden çekin.

Yalnızca eğitimli uzmanlar elektrikli ekipmanı onarabilir. Uygunsuz onarımlar kullanıcının önemli düzeyde zarar görmesine neden olabilir.

Ev aletini sıcak bir ocağın veya radyatörün doğrudan arkasına yerleştirmeyin.

Çocuklar, engelliler ve yaşlılar genelde elektrikli ev aletlerini kullanmanın yol açabileceği tehlikelerin farkında değildir. Yukarıda belirtilen kişiler ve eğitimsiz kişiler asla bu ev aletiyle çalışmamalıdır.

Ev aletini temizlerken veya sökerken daima kapatın. Ev aletini uzun süre kullanmayacaksınız fişi prizden çekin. Ev aletini prizden çıkarmak için asla kabloyu çekmeyin, bunun yerine fişi çekin. Aynı zamanda her türlü özel aksesuarı da ev aletinden çıkartın.

Ev aletini daima temiz tutun. Ev aleti veya kullanıcıya hasara neden olabilecek ve belki de zararlı olabilecek çözümleri veya temizlik malzemelerini kullanmayın.

Ev aletini asla açık ve başıboş bırakmayın. Çalışma alanından ayrılırsanız, ev aletini kapatın ve fişini prizden çekin (kabloyu çekmeyin, fişi kullanın).

Çocukları elektrikli ev aletlerinden korumak için kabloun çocukların takılmasına neden olmayacağından emin olun ve çocukların ev aletine erişmesine izin vermeyin.

Ev aletini asla bir ilacın, alkolün veya uyuşturucuların etkisi altındayken, halihazırda tıbbi tedavi görüyorsanız veya yorgunsanız kullanmayın.

Herhangi bir olası hasar için ev aletini ve elektrik kablosunu düzenli olarak kontrol edin. Hasarlı ev aletlerini kullanmayın.

Ev aletini kendi başınıza onarmaya çalışmayın. Onarımlar için her zaman yetkili bir teknisyen kullanın. Arızalı elektrik kablolarının her zaman üretici tarafından veya yetkili bir servis tarafından anında değiştirilmesini sağlayın. Herhangi bir elektrik çarpması ve yaralanma riskini önlemek için aynı türde kablo kullanın.

Orijinal yedek parçaları ve aksesuarları kullanın. Onaylı olmayan parçalar veya üçüncü taraf aksesuarlar olası bir tehlike kaynağı olabilir ve garantinin geçersiz olmasına neden olabilir.

Şamandırayı sık sık kontrol edin.

Ev aletinizden sıvı sızdığını fark ederseniz, anında kapatın ve fişini çekin.

Ev aletini suya daldırmayın. Ev aletinin üstüne su dökülmediğinden emin olun.

Atık suyu boşaltırken her türlü yasal mevzuata uyduğunuzdan emin olun.

Ev aletini yalnızca çocukların erişemeyeceği güvenli ve kuru bir yerde saklayın.

Lütfen aynı zamanda aşağıdaki "Özel Güvenlik Kurallarına" da özel dikkat gösterin.

Bu cihaz, fiziksel, duyuşsal ya da mental fonksiyonları düşük veya deneyimi ya da bilgisi olmayan kişiler tarafından, kendilerine cihazın güvenli kullanımıyla ilgili talimatlar yasal olarak güvenliklerinden sorumlu kişiler tarafından verilmediği sürece kullanılmamalıdır ya da temizlenmemelidir. Bu kişiler cihazı kullanırken gözetim altında tutulmalıdır. Çocuklar bu cihazı kullanmamalı, temizlememeli ya da onunla oynamamalıdır. Dolayısıyla cihaz kullanılmadığı zamanlarda çocukların yetiştirileceği bir yere kaldırılmalıdır.

Cihazla oynamalarını engellemek için çocuklar gözetim altında tutulmalıdır.

Güç kablosunun hasar görmesi halinde, tehlikeli bir durum oluşmaması için üretici, servis yetkilisi ya da aynı ölçüde kalifiye kişiler tarafından değiştirilmelidir.

Elektrik gücü, ani kapama akımı 30 mA'dan fazla olmayan bir artık akım cihazı (RCD) üzerinden tedarik edilmelidir.

Yalnızca hava şartlarına dayanıklı uzatma kablosu kullanın. Her kullanımdan önce uzatma kablosunda hasar olup olmadığını kontrol edin. Sarılı kablolar aşırı ısınabileceğinden uzatma kablosunu kullanım sırasında daima açın. Hasarlı uzatma kabloları onarılmamalıdır. Muadili bir türle değiştirilmelidir.

ÜFLEMELİ İŞLEVİNİ KULLANIRKEN:

Hava çıkışını yalnızca çalışma alanına yöneltin asla insanlara veya hayvanlara yöneltmeyin.

Üfleme cihazını ıslak modda püskürtücü olarak kullanmayın. Bir toz maskesi ve koruyucu gözlük takın.

⚠ UYARI

Toz kabını takmadan, açmadan, boşaltmadan önce, ataşmanları takıp/çıkarmadan veya bakım ya da sorun giderme kontrolleri yapmadan önce daima makineyi kapatın ve fişini elektrik prizinden çekin.

ÖNEMLİ!





Türkçe

Hortum ve aletler tıkanırsa, süpürgeyi kapatın ve yeniden çalıştırmadan önce tıkanıklıkları giderin.

ÖNEMLİ!

Filtreleri temizlemek ve düzenli olarak değiştirmek süpürge performansını korur. Vax, filtrelerinizin düzenli olarak kontrol edilmesini, temizlenmesini ve değiştirilmesini önerir.

GENEL GÜVENLİK BİLGİLERİNE VE BU KULLANIM KILAVUZUNDAKİ TALİMATLARA UYMAMANIN DOĞRUDAN SONUCU OLARAK SÜPÜRGENİN ZARAR GÖRMESİ GARANTİYİ GEÇERSİZ KILAR.

LÜTFEN BU TALİMATLARI İLERİDE KULLANMAK ÜZERE SAKLAYIN.

ÖZEL GÜVENLİK KURALLARI

Asla sıcak külleri, sivri veya keskin nesnelere süpürmeyin. Ev aletini asla nemli odalarda kullanmayın.

Ev aletini asla toz torbası olmadan kullanmayın (ıslak süpürme veya kartuş filtreyle süpürme istisna olabilir). Toz torbasının ev aletine doğru şekilde yerleştirildiğinden emin olun.

Ev aletini kullanırken saç, kıyafet gibi şeylerin içeri çekilmediğinden emin olun.

Elektrik süpürgesini radyan ısıtıcılar, ocaklar vs. gibi ısı kaynaklarından uzakta tutun.

İMHA BİLGİLERİ

Ev aleti elektrik ve elektrikli bileşenler içerir ve ev çöpüne atılamaz.

Yerel ve halihazırda geçerli mevzuat koşulsuz uygulanmalıdır.

KULLANIM ŞARTLARI

Ev aleti kuru, yanıcı olmayan toz ve sıvıların çekilmesi içindir.

Bu ev aleti yalnızca özel sektörde kullanıma yönelik ve belirlenen amaca uygun kullanım için tasarlanmıştır. Ev aleti ticari kullanıma uygun değildir. Ev aletini dış mekanlarda kullanmayın (dış mekanlarda kullanılmak üzere tasarlanmadığı sürece). Ev aletini ısıya, doğrudan gün ışığına veya çok yüksek neme (örn. yağmur) maruz bırakmayın.

Başka her türlü kullanım uygun olmayan kullanım olarak değerlendirilecektir. İmalatçı bu tür kullanımdan kaynaklanan herhangi bir hasar için sorumluluk kabul etmez. Bu tür bir kullanımın riski tamamen kullanıcıya aittir.

Uygun kullanım; uygun çalıştırma, servis ve onarımların

üreticinin belirttiği şekilde gerçekleştirilmesini içerir.

AT-UYGUNLUK BEYANI

Tüm sorumluluğu bize ait olmak üzere, aşağıda açıklanan "Teknik Verilerin" 2011/65/EU (RoHS), 2014/35/EU, 2014/30/EU direktiflerinin ilgili hükümlerini yerine getirdiğini ve aşağıdaki uyumlu hale getirilmiş standartların uygulandığını beyan ederiz:

EN 60335-1:2012/A2:2019
EN 60335-2-2:2010/A1:2013
EN 62233:2008
EN 55014-1:2017
EN 55014-2:2015
EN 61000-3-2:2014
EN 61000-3-3:2013
EN IEC 63000:2018

Winnenden, 2020-05-25

Branko Lenger

Senior Vice President, Engineering and Quality - Asia, Engineering Commercial Product Development
Teknik dosyayı derleme yetkisine sahip.



Techtronic Industries GmbH
Max-Eyth-Straße 10
71364 Winnenden
Germany

AMBALAJ İÇERİĞİ

Şekle bakınız 2 - 4.

Kutunun içindekileri dikkatli bir şekilde ambalajından çıkartın.

Üst bölümü yerinde tutan kelepçeleri tutun ve onları yukarı doğru katlayın.

Kelepçeleri gevşetin, üst bölümü sökün ve haznenin içinde parçaları çıkartın.

Lütfen bileşenler listesini kullanarak eksiksiz olduklarından ve taşıma sırasında hasar görmediklerinden emin olmak için parçaları kontrol edin.

Eksik veya hasarlı parça varsa, lütfen hemen satıcınızla iletişime geçin.





Türkçe

MONTAJ

1. Elektrik kablosunun elektrik çıkışından çıkarıldığından emin olun.
2. Kelepçeleri açın. (Şekil 2)
3. Haznenin üst bölümünü kaldırın. (Şekil 3)
4. Haznenin içindeki bileşenleri çıkartın. (Şekil 4)
5. Hazneyi ters çevirin ve haznenin dört ayağına tekerlekleri takın.
6. Doğru monte edildiklerinden emin olun. Fazla sıkmayın. (Şekil 5)
7. Tutma kolunu güç kafasındaki yuvalara yerleştirin ve yerine bastırın. (Şekil 6)
8. Kuru süpürme için gönderilen kartuş filtresini ve toz torbasını takın. (Şekil 7, Şekil 8)
9. Islak süpürme için gönderilen köpük filtresini takın. (Şekil 9)
10. Haznenin üst kısmını yerine yerleştirin. (Şekil 10)
11. Üst bölümü kelepçelerle dengeleyin ve kelepçeler klik sesi çıkartana kadar baskı uygulayarak yerine oturtun. (Şekil 10)
12. Hortumun geniş ucunu haznenin ön girişine yerleştirin ve kilitlemek için çevirin. (Şekil 11)
13. Gerekli aksesuarı emme tüpüne takın. (Şekil 12)

ÇALIŞTIRMA

KURU SÜPÜRME

⚠ UYARI

Güvenlik talimatlarını okuduğunuzdan, anladığınızdan ve uyguladığınızdan emin olun.

Hatırlatıcı: Tehlikeli maddeleri SÜPÜRMEYİN. Yanlış toz torbası kullanımını garantiyi geçersiz kılar.

1. Elektrik kablosunun elektrik çıkışından çıkarıldığından emin olun.
2. Kartuş filtresinin tamamen monte edildiğinden emin olun.
3. Filtrenin sonuna kadar sokulduğundan emin olun. (Şekil 13) Toz torbasının haznenin içine monte edildiğini doğrulayın. (Şekil 8)
4. Haznenin üst kısmını çıkarın ve kelepçeleri kullanarak yerine sabitleyin. (Şekil 10)
5. Hortumun geniş ağzını haznenin ön girişine takın ve yerine sabitleyin. Gerekli ek parçasını hortumun veya uzantının serbest ucuna itin. (Şekil 12)
6. Elektrik kablosunu elektrik prizine takın.
7. Açma kapama düğmesini "I" (AÇIK) konuma getirerek motoru açın. (Şekil 14)
8. Süpürmeyi tamamladıktan sonra anahtar "O" (Kapalı) pozisyonuna getirin ve elektrik kablosunu elektrik prizinden çekin. (Şekil 15)

⚠ UYARI

KARTUŞ FİLTRESİNİ ISLAK VEYA SERT MATERYALLER İÇİN KULLANMAYIN.

TOZ TORBASINI SIVILARIN SÜPÜRÜLMESİNDE KULLANMAYIN.

ISLAK SÜPÜRME

⚠ UYARI

1. Güvenlik talimatlarını okuduğunuzdan, anladığınızdan ve uyguladığınızdan emin olun.
Hatırlatıcı: Tehlikeli maddeleri SÜPÜRMEYİN.
2. Elektrik kablosunun elektrik çıkışından çıkarıldığından emin olun.
Haznenin temiz olduğundan, tozlu ve kirli olmadığından emin olun.
3. Kartuş filtresini ve toz torbasını sökün ve filtre sepetinin üstüne bir köpük filtresi takın ve üst kısmı tekrar haznenin üstüne yerleştirin. (Şekil 9)
Kartuş filtresini ıslak veya sert materyaller için KULLANMAYIN.
4. İstenen başlığı süpürge hortumuna takın. (Şekil 12)
5. Elektrik kablosunu elektrik prizine takmadan önce açma kapama düğmesinin "O" (KAPALI) konumunda olduğundan emin olun.
6. Açma kapama düğmesini "I" (AÇIK) konuma getirerek motoru açın. (Şekil 14)
7. Kullanımdan sonra açma kapa düğmesini "O" pozisyonuna (Şek. 15) getirin, sonra hazneyi boşaltın ve kurulaştırın. (Şekil 16, Şekil 17)

⚠ UYARI

Köpük filtresi ıslak süpürmeden sonra sökülmelidir ve kuru temizlemekten önce tekrar bir kartuş filtresi monte edilmelidir.

ÖNEMLİ!

Büyük miktarda sıvı süpürürken, ucunu tamamen sıvıya daldırmayın; süpürge ucunda biraz açıklık bırakarak havanın içeri girmesine imkan verin.

Makine, hazne maksimum kapasitesine ulaştığında emme eylemini durdurun bir hazneyi tahliye başlığıyla birlikte takın. Motor hızının arttığını hissedersiniz.

Bu olduğunda, makineyi kapatın, elektrik prizinden çıkartın ve sıvıyı uygun bir kaba veya gidere boşaltın. Süpürmeye devam etmek için hazneyi tahliye başlığıyla birlikte takın. Islak süpürmeden sonra, makineyi kapatın ve fişi prizden çekin.

Hazneyi boşaltın, temizleyin ve içini - dışını kuruttuktan sonra muhafaza edin.

ÜFLEYİCİNİN ÇALIŞTIRILMASI

Bu Islak/Kuru Süpürge'nin üfleme özelliği vardır.

Üfleme özelliğini kullanmak için listelenen talimatları





Türkçe

izleyin.

A UYARI

Üfleyciyi kullanmadan önce daima güvenlik gözlükleri takın.

Etraftakileri üflenen birikintilerin uzağında tutun.

Üfleme solunabilecek bir toz oluşturuyorsa bir toz maskesi takın.

1. Hortumun geniş ucunu motor yuvasının en üstünde yer alan üfleyci bağlantısına yerleştirin. (Şekil 18)
2. Dar ağızlı ucu süpürge hortumuna takın. (Şekil 19)
3. Açma kapama düğmesinin kapalı olduğundan emin olun ve fişi prize takın.
4. Açma kapama düğmesini "I" (AÇIK) konuma getirerek motoru açın. (Şekil 14)
5. Ünite artık süpürge hortumundan üfleyecek ve hortum içinde takılanları temizlemek için kullanılabilir.
6. Çalışmayı tamamladıktan sonra açma kapama düğmesini "O" (KAPALI) konumuna getirin ve elektrik kablosunu elektrik prizinden çekin. (Şekil 15)

A UYARI

Birkaç dakika sonra hortum hala tıkalıysa üniteyi kapatın ve hortumu elle temizleyin.

BAKIM

KURU FİLTREYİ TAKMA VE TEMİZLEME

Not: Bakım gerçekleştirmeden önce makineyi prizden çıkartın.

Kuru Filtrenin Takılması

1. Kuru filtreyi filtre kafesinin üstüne filtrenin düz ucu süpürge gücü başlığına gelecek şekilde takın. Filtre güç başlığına doğru ilerlemeyi durdurana kadar filtreyi dikkatlice itin. (Şekil 20 & 21)
2. Kartuş filtresinin üstüne filtre tutucuyu yerleştirin ve tutucuyu saat yönünde çevirerek sıkın, aşırı sıkmayın. (Şekil 22 & 23)

Kuru Filtrenin Sökülmesi ve Temizlenmesi (BU FİLTRE YIKANABİLİR DEĞİLDİR)

1. Filtre tutucunun kilidini açın ve tutucu kolunun saat yönünün tersine çevirerek filtre tutucuyu çıkartın
2. Kuru filtreyi dikkatli bir şekilde tutup çekerek çıkartın. (Şekil 24)
3. Nazıkçe vurarak veya kiri fırçalayarak kartuş filtresini temizleyin. Optimum performans için, bu filtreyi kullanım seviyesine bağlı olarak düzenli aralıklarla (örn. 3-6 ay) değiştirmeniz önerilir.
4. Temizlenmiş ya da yeni filtreyi yukarıda belirttiği şekilde yerine takın.

KÖPÜK FİLTRESİNİN TAKILMASI VE TEMİZLENMESİ

Not: Bakım gerçekleştirmeden önce makineyi prizden çıkartın.

Köpük Filtresinin Takılması

Köpük filtresini değiştirmeden önce kuru toz filtresini sökmeye talimatlarını izleyin.

Köpük filtreyi tüm kafesin kaplandığından emin olacak şekilde dikkatlice filtre kafesinin üzerinden kaydırın. (Şekil 9 & 25)

Köpük Filtresinin Temizlenmesi

Köpük filtresini dikkatli bir şekilde sökün. (Şekil 26)

Hafif bir sabun ve su solüsyonu kullanarak köpük filtresini yıkayın ve temiz suyla durulayın. (Şekil 27)

Monte edip tekrar kullanmadan önce filtenin hava akımıyla kurumasını bekleyin.

SEMBOLLER



DİKKAT! UYARI! TEHLİKE!

V Volt

Hz Hertz

~ Alternatif akım

W Watt



Makineyi çalıştırmadan talimatları dikkatlice okuyun.



Sınıf II ekipman



Gerici dönüşüm



Elektrikli cihazları ev atığı malzemeye birlikte bertaraf etmeyin.

Kullanım ömrünün sonuna gelen elektrikli aletler ve elektrikli ekipmanlar ayrıca toplanmalıdır ve çevreye uyumlu bir geri dönüşüm tesisine geri gönderilmelidir. Yerel otorite veya satıcıdan geri dönüşüm tavsiyesi alın ve toplama noktasını öğrenin.



Avrupa Uyumluluk İşareti





Türkçe

SIK SORULAN SORULAR

⚠ UYARI!

Kişisel yaralanma riskini azaltmak için bakım/sorun giderme kontrollerini gerçekleştirmeden önce süpürgeyi prizden çekin

Sorun	Nedeni	Çözümü
Ev aleti çalışmıyor.	Elektrik yok. Elektrik kablosunda, açma kapama düğmesinde veya motorda arıza. Hazne su dolu.	Güç kaynağını kontrol edin. Hasarlı parçanın yetkili bir personel tarafından kontrol edilmesini sağlayın ve değiştirin. Hazneyi boşaltın.
Motor kapağından toz kaçıyor.	Toz torbası eksik veya hasarlı.	Bir toz torbası takın veya toz torbasını değiştirin.
Düşük emme gücü ve yüksek motor hızı/titreşimler.	Toz torbası dolu. Emiş ağzı, hortum ve hazne girişi tıkalı.	Toz torbasını değiştirin. Emiş ağzını, hortumu, hazne girişini tıkanıklıklara karşı kontrol edin.





Ελληνικά

ΠΕΡΙΓΡΑΦΕΣ

Κατάλογος εξαρτημάτων

1. Ράβδος επέκτασης (x3)
2. Εργαλείο πατώματος
3. Εξάρτημα για χαραμάδες
4. Σετ εύκαμπτου σωλήνα
5. Ροδάκι (x4)
6. Λαβή
7. Φίλτρο αφρού
8. Βίδες
9. Σακούλα σκόνης
10. Σύνδεσμος φυσητήρα
11. Καλάθι φίλτρου
12. Βαλβίδα ασφαλείας
13. Καπάκι φίλτρου κασέτας
14. Φίλτρο κασέτας (μη πλενόμενο)
15. Διακόπτης ενεργοποίησης/απενεργοποίησης (on/off)
16. Σύνδεσμος σωλήνα σκούπας
17. Σφηνκτήρας (x2)
18. Δοχείο
19. Έξοδος αποστράγγισης

ΠΡΟΔΙΑΓΡΑΦΕΣ

Τάση παροχής	220-240V~50 Hz
Ονομαστική ισχύς	1250 W
Όγκος δοχείου	20 L
Σύστημα σωλήνα	Ø 35 mm
Φίλτρο - στερεών	Φίλτρο φύσιγγας
Φίλτρο - υγρών	Φίλτρο αφρού
Διαβάθμιση IP	IPX4
Αναρρόφηση	17 kpa / 2.47 PSI
Κινητήρας μέγιστης ροής αέρα l/δευτ.	48.5 dm ³ /s
Κινητήρας μέγιστης πίεσης λειτουργίας l/δευτ.	20.5 Kpa
Μήκος καλωδίου	4 m
Βάρος - σύμφωνα με τη Διαδικασία ΕΡΤΑ 01/2003	3.6 kg

⚠ ΠΡΟΕΙΔΟΠΟΙΗΣΗ!

Διαβάστε όλες τις συστάσεις ασφαλείας και τις οδηγίες. Αν δεν τηρηθούν οι προειδοποιήσεις και οδηγίες, υπάρχει κίνδυνος ηλεκτροπληξίας, φωτιάς και / ή σοβαρού τραυματισμού.

Φυλάσσετε όλες τις προειδοποιήσεις και οδηγίες για

μελλοντική χρήση.

ΓΕΝΙΚΕΣ ΣΥΣΤΑΣΕΙΣ ΑΣΦΑΛΕΙΑΣ ΧΡΗΣΗΣ ΗΛΕΚΤΡΟΚΙΝΗΤΩΝ ΕΡΓΑΛΕΙΩΝ

⚠ ΠΡΟΕΙΔΟΠΟΙΗΣΗ!

Αυτή η συσκευή συμμορφώνεται με τους υποχρεωτικούς κανονισμούς ασφαλείας για ηλεκτρικό εξοπλισμό. Ωστόσο, τυχόν εσφαλμένη χρήση μπορεί να είναι επιβλαβής για τους ανθρώπους και την ιδιοκτησία. Διαβάστε προσεκτικά και πλήρως αυτές τις οδηγίες λειτουργίας πριν ενεργοποιήσετε τη συσκευή. Διατηρήστε, εάν είναι δυνατόν, τις οδηγίες λειτουργίας, το πιστοποιητικό εγγύησης, την απόδειξη, καθώς και τη συσκευασία και το υλικό συσκευασίας.

Αυτή η συσκευή έχει σχεδιαστεί αποκλειστικά για ιδιωτική χρήση και για τον καθορισμένο σκοπό. Η συσκευή δεν είναι κατάλληλη για επαγγελματική χρήση. Μην χρησιμοποιείτε τη συσκευή σε εξωτερικούς χώρους (εκτός εάν έχει σχεδιαστεί ειδικά για χρήση σε εξωτερικούς χώρους). Μην εκθέτετε τη συσκευή σε θερμότητα, άμεσο ηλιακό φως ή σε πολύ υγρασία (π.χ. βροχή).

Ποτέ μην βυθίζετε τη συσκευή σε υγρά και προσέχετε τυχόν αιχμηρές άκρες που μπορούν να την καταστρέψουν. Ποτέ μην χρησιμοποιείτε τη συσκευή με βρεγμένα ή υγρά χέρια. Βγάλτε αμέσως τη συσκευή από την πρίζα εάν η συσκευή βραχεί ή υγρανθεί ενόσω λειτουργεί. Μην βυθίζετε τη συσκευή σε νερό.

Αυτή η σκούπα υγρών/στερεών μπορεί να χρησιμοποιείται και να φυλάσσεται μόνο σε ιδιωτικό χώρο.

Η συσκευή έχει σχεδιαστεί για τον καθαρισμό υλικών που δεν είναι επικίνδυνα για την υγεία σας και δεν είναι εύφλεκτα.

Ποτέ μην κρατάτε τους συνδετήρες μπροστά από το πρόσωπό σας (ειδικά τα μάτια, τα αυτιά σας κτλ.). Ποτέ μην στρέψετε το ακροφύσιο προς την κατευθυνση ανθρώπων ή ζώων.

Χρησιμοποιήστε τη συσκευή μόνο για τον σκοπό για τον οποίο έχει σχεδιαστεί. Οποιαδήποτε άλλη χρήση θα γίνεται με δική σας ευθύνη και πιθανόν να είναι επικίνδυνη.

Άλλες χρήσεις και λειτουργία χωρίς παρακολούθηση δεν επιτρέπονται. Ο κατασκευαστής δεν μπορεί να θεωρηθεί υπεύθυνος για ζημιές που προκαλούνται από ακατάλληλη χρήση ή εσφαλμένη λειτουργία.

Φοράτε προστατευτικά ρούχα και γάντια.

Συνδέετε τη συσκευή μόνο σε εναλλασσόμενο ρεύμα 240V.

Βεβαιωθείτε ότι η σωστή σακούλα σκόνης έχει τοποθετηθεί με ασφάλεια στη θήκη της πριν χρησιμοποιήσετε τη συσκευή. Η χρήση λανθασμένου σάκου σκόνης ή λανθασμένα τοποθετημένου σάκου σκόνης μπορεί να προκαλέσει ζημιά στη συσκευή και να επιφέρει ακύρωση





Ελληνικά

της εγγύησης.

Εάν το καλώδιο τροφοδοσίας είναι κατεστραμμένο, πρέπει να αντικατασταθεί εξ ολοκλήρου μαζί με το προστατευτικό καλωδίου από εξουσιοδοτημένο κέντρο σέρβις ή άλλον εξουσιοδοτημένο οργανισμό σέρβις.

Μην καθαρίζετε στάχτη, κάρβουνα και παρόμοια υλικά, μεγάλα θραύσματα γυαλιού και αιχμηρά αντικείμενα.

Μην σκουπίζετε σκόνη από τόνερ π.χ. εκτυπωτών και φωτοτυπικών μηχανημάτων, επειδή είναι καλός αγωγός του ηλεκτρικού ρεύματος. Επιπλέον, είναι πιθανό ότι δεν θα φιλτραρισθεί πλήρως από το σύστημα φίλτρου της ηλεκτρικής σκούπας υγρών/στερεών και μπορεί να απελευθερωθεί στον αέρα μέσω του ανεμιστήρα εξεραισμού.

Ποτέ μην σκουπίζετε εύφλεκτα ή δηλητηριώδη υγρά όπως βενζίνη, λάδι, οξέα ή άλλες πτητικές ουσίες.

Μην σκουπίζετε υγρά θερμοκρασίας μεγαλύτερης από 60°C ή άλλα δηλητηριώδεις ή εύφλεκτες σκόνες.

Ποτέ μην ακουμπάτε τη συσκευή στο πλάι της. Προσέξτε ιδιαίτερα να βρισκείται σε οριζόντια θέση και να στέκεται επαρκώς σταθερά στα скаλοπτάτια.

Πάντα να βγάζετε τη συσκευή από την πρίζα μετά από τη χρήση και πριν από τον καθαρισμό ή την αλλαγή φίλτρων ή εξαρτημάτων.

Μόνο εκπαιδευμένοι τεχνικοί μπορούν να προβαίνουν σε επισκευές ηλεκτρικού εξοπλισμού. Τυχόν εσφαλμένες επισκευές μπορούν να θέσουν τον χρήστη σε σημαντικό κίνδυνο.

Μην αποθηκεύετε τη συσκευή ακριβώς δίπλα σε ζεστό φούρνο ή θερμαντικό σώμα.

Παιδιά, ανάπηρα άτομα και ηλικιωμένοι συχνά δεν αντιλαμβάνονται τους κινδύνους που παρουσιάζει ο χειρισμός ηλεκτρικών συσκευών. Τα παραπάνω άτομα και τα μη εκπαιδευμένα άτομα δεν πρέπει ποτέ να εργάζονται με αυτήν την ηλεκτρική συσκευή.

Πάντοτε να θέτετε εκτός λειτουργίας τη συσκευή όταν πρόκειται να την μετακινήσετε ή να την καθαρίσετε. Βγάζετε το βύσμα από την υποδοχή εάν δεν πρόκειται να χρησιμοποιήσετε τη σκούπα για μεγάλο χρονικό διάστημα. Ποτέ μην τραβάτε το καλώδιο για να αποσυνδέσετε τη συσκευή από το ρεύμα, τραβήξτε μόνο το φισ. Επίσης, αφαιρέστε τυχόν ειδικά εξαρτήματα από τη συσκευή.

Διατηρείτε πάντα τη συσκευή καθαρή. Μην χρησιμοποιείτε διαλυτικά ή καθαριστικά που μπορούν να προκαλέσουν ζημιά ή είναι βλαβερά για τη συσκευή ή τον χρήστη.

Ποτέ μην αφήνετε τη συσκευή σε λειτουργία χωρίς επίβλεψη. Εάν εγκαταλείψετε την περιοχή εργασίας, απενεργοποιήστε το μηχάνημα ή αποσυνδέστε την από το δοχείο (μην τραβήξετε το καλώδιο, αλλά χρησιμοποιήστε το βύσμα).

Προστατέψτε τα παιδιά από τις ηλεκτρικές συσκευές τοποθετώντας τα καλώδια έτσι ώστε να μην μπορούν να

σκοντάψουν και μην τους επιτρέπετε την πρόσβαση σε αυτές.

Ποτέ μην χρησιμοποιείτε τη συσκευή αν είστε υπό την επήρεια φαρμάκων, αλκοόλ ή ναρκωτικών, εάν βρίσκεστε σε ιατρική περίθαλψη ή αν είστε κουρασμένοι.

Ελέγχετε τη συσκευή και το καλώδιο τακτικά για τυχόν ζημιές. Μην χρησιμοποιείτε χαλασμένες συσκευές.

Μην επιχειρείτε να επισκευάσετε μόνοι σας τη συσκευή. Πάντοτε να αναθέτετε τις επισκευές σε εξουσιοδοτημένο τεχνικό. Πάντα να φροντίζετε για την άμεση αντικατάσταση χαλασμένων καλωδίων, είτε από τον κατασκευαστή ή από έναν εξουσιοδοτημένο φορέα σέρβις. Χρησιμοποιείτε τους ίδιους τύπους καλωδίων προς αποφυγή ηλεκτροπληξίας ή τραυματισμού.

Χρησιμοποιείτε μόνο γνήσια εξαρτήματα και ανταλλακτικά. Η χρήση μη εγκεκριμένων ανταλλακτικών ή εξαρτημάτων τρίτων ενδέχεται να αποτελούν πιθανή πηγή κινδύνου και να καταστήσουν άκυρη την εγγύηση.

Ελέγχετε συχνά το πλωτήρα.

Εάν παρατηρήσετε διαρροή υγρού από τη συσκευή σας, απενεργοποιήστε την αμέσως και βγάλτε το φισ.

Μην βυθίζετε τη συσκευή στο νερό. Βεβαιωθείτε ότι δεν πετάγεται νερό πάνω στη συσκευή.

Κατά την απόρριψη του βρώμικου νερού, βεβαιωθείτε ότι τηρείτε τυχόν νομικούς κανονισμούς.

Αποθηκεύστε τη συσκευή αποκλειστικά σε ασφαλή και στεγνό χώρο μακριά από παιδιά.

Δώστε επίσης ιδιαίτερη προσοχή στους ακόλουθους «Ειδικούς κανόνες ασφάλειας».

Η συσκευή δεν πρέπει να χρησιμοποιείται ή να καθαρίζεται από άτομα με μειωμένες σωματικές, αισθητήριες ή νοητικές ικανότητες, ή έλλειψη πείρας ή γνώσεων, εκτός εάν τους έχουν δοθεί οδηγίες αναφορικά με την ασφαλή χρήση της συσκευής από άτομο που είναι νομίμως υπεύθυνο για την ασφάλειά τους. Θα πρέπει να υπάρχει επίβλεψη κατά τη χρήση της συσκευής. Απαγορεύεται η χρήση, ο καθαρισμός ή το παιχνίδι με τη συσκευή από παιδιά. Όταν δεν χρησιμοποιείται, η συσκευή πρέπει να φυλάσσεται μακριά από παιδιά.

Επιβλέπετε τα παιδιά και φροντίστε να μην παίζουν με τη συσκευή.

Σε περίπτωση φθοράς του καλωδίου ισχύος, απαιτείται η αντικατάστασή του από τον κατασκευαστή, τον αντιπρόσωπο σέρβις του ή παρόμοια καταρτισμένους επαγγελματίες, προκειμένου να αποφευχθεί ο κίνδυνος.

Το ηλεκτρικό ρεύμα πρέπει να τροφοδοτείται μέσω





Ελληνικά

συσκευής υπολειπόμενου ρεύματος (RCD) με ρεύμα ενεργοποίησης που δεν υπερβαίνει τα 30 mA.

Χρησιμοποιείτε μόνο αδιάβροχο καλώδιο προέκτασης. Ελέγξτε το καλώδιο προέκτασης για φθορές πριν από κάθε χρήση. Ξετυλίγετε πάντοτε το καλώδιο προέκτασης κατά την χρήση γιατί τα τυλιγμένα καλώδια υπερθερμαίνονται. Τυχόν κατεστραμμένα καλώδια προέκτασης δεν πρέπει να επισκευάζονται. Θα πρέπει να αντικαθίστανται με έναν ισοδύναμο τύπο καλωδίου.

ΚΑΤΑ ΤΗΝ ΧΡΗΣΗ ΤΗΣ ΛΕΙΤΟΥΡΓΙΑΣ ΦΥΣΗΜΑΤΟΣ:

Κατευθύνετε την έξοδο αέρα μόνο στην περιοχή εργασίας και ποτέ προς την κατεύθυνση ανθρώπων ή ζώων.

Μην χρησιμοποιείτε τον φυσητήρα ως ψεκαστήρια στη λειτουργία συλλογής υγρών. Φοράτε μάσκα σκόνης και προστατευτικά γυαλιά.

ΠΡΟΕΙΔΟΠΟΙΗΣΗ

Πάντοτε απενεργοποιείτε και αποσυνδέετε το μηχάνημα από την πρίζα πριν από τη συναρμολόγηση, το άνοιγμα, το άδειασμα του δοχείου απορριμμάτων, πριν από τη σύνδεση / αποσύνδεση εξαρτημάτων ή τη διενέργεια ελέγχων συντήρησης ή αντιμετώπισης προβλημάτων.

ΣΗΜΑΝΤΙΚΟ!

Εάν ο εύκαμπος σωλήνας ή τα εργαλεία μπλοκαριστούν, απενεργοποιήστε τον καθαριστή και αφαιρέστε τα μπλοκαρίσματα πριν θέσετε ξανά σε λειτουργία το μηχάνημά σας.

ΣΗΜΑΝΤΙΚΟ!

Ο καθαρισμός και η αντικατάσταση των φίλτρων ανά τακτά χρονικά διαστήματα συμβάλει στη διατήρηση της απόδοσης της σκούπας. Η Vaxx προτείνει τα φίλτρα σας να ελέγχονται, να καθαρίζονται και να αντικαθίστανται περιοδικά.

ΤΥΧΟΝ ΖΗΜΙΑ ΣΤΗ ΣΚΟΥΠΑ, Η ΟΠΟΙΑ ΟΦΕΙΛΕΤΑΙ ΣΕ ΜΗ ΣΥΜΜΟΡΦΩΣΗ ΣΤΙΣ ΓΕΝΙΚΕΣ ΠΛΗΡΟΦΟΡΙΕΣ ΑΣΦΑΛΕΙΑΣ ΚΑΙ ΤΙΣ ΟΔΗΓΙΕΣ ΣΕ ΑΥΤΟΝ ΤΟΝ ΟΔΗΓΟ ΧΡΗΣΗΣ, ΕΠΙΦΕΡΕΙ ΑΚΥΡΩΣΗ ΤΗΣ ΕΓΓΥΣΗΣ.

ΔΙΑΤΗΡΗΣΤΕ ΑΥΤΕΣ ΤΙΣ ΟΔΗΓΙΕΣ ΓΙΑ ΜΕΛΛΟΝΤΙΚΗ ΧΡΗΣΗ.

ΕΙΔΙΚΟΙ ΚΑΝΟΝΕΣ ΑΣΦΑΛΕΙΑΣ

Ποτέ μην σκουπίζετε καυτή στάχτη και αιχμηρά ή μυτερά αντικείμενα.

Ποτέ μην χρησιμοποιείτε τη συσκευή σε δωμάτια με υγρασία.

Μην χρησιμοποιείτε τη συσκευή χωρίς σακούλα σκόνης (με εξαίρεση τον καθαρισμό υγρών ή το σκούπισμα με το φίλτρο κασέτας). Βεβαιωθείτε ότι η σακούλα σκόνης έχει τοποθετηθεί σωστά μέσα στη συσκευή.

Κατά τη χρήση της συσκευής, φροντίστε να μην τραβάει τρίχες, ρούχα ή μέλη.

Κρατήστε την ηλεκτρική σκούπα μακριά από πηγές θερμότητας, όπως θερμαντικά σώματα, φούρνους και άλλα παρόμοια.

ΠΛΗΡΟΦΟΡΙΕΣ ΑΠΟΡΡΙΨΗΣ

Η συσκευή περιέχει ηλεκτρικά και ηλεκτρονικά εξαρτήματα και ενδέχεται να μην μπορεί να απορριφθεί μαζί με τα οικιακά απορρίμματα.

Πρέπει να τηρείται απαρρέκλιτα η ισχύουσα τοπική νομοθεσία.

ΧΡΗΣΗ ΣΥΜΦΩΝΑ ΜΕ ΤΟ ΣΚΟΠΟ ΠΡΟΟΡΙΣΜΟΥ

Η συσκευή είναι κατάλληλη για τη συλλογή ξηρής και μη εύφλεκτης σκόνης και υγρών.

Αυτή η συσκευή έχει σχεδιαστεί αποκλειστικά για ιδιωτική χρήση και για τον καθορισμένο σκοπό. Η συσκευή δεν είναι κατάλληλη για επαγγελματική χρήση. Μην χρησιμοποιείτε τη συσκευή σε εξωτερικούς χώρους (εκτός εάν έχει σχεδιαστεί ειδικά για χρήση σε εξωτερικούς χώρους). Μην εκθέτετε τη συσκευή σε θερμότητα, άμεσο ηλιακό φως ή σε πολύ υγρασία (π.χ. βροχή).

Οποιαδήποτε άλλη χρήση θεωρείται λανθασμένη χρήση. Ο κατασκευαστής δεν φέρει καμία ευθύνη για οποιαδήποτε ζημιά προκύψει από λανθασμένη χρήση. Ο κίνδυνος λόγω εσφαλμένης χρήσης βαρύνει αποκλειστικά τον χρήστη.

Η σωστή χρήση περιλαμβάνει επίσης τη σωστή λειτουργία, τη συντήρηση και τις επισκευές, όπως καθορίζεται από τον κατασκευαστή.

ΔΗΛΩΣΗ ΣΥΜΜΟΡΦΩΣΗΣ ΕΚ

Δηλώνουμε με δική μας ευθύνη ότι το προϊόν που περιγράφεται στην ενότητα «Τεχνικά Στοιχεία» πληρεί όλες τις σχετικές διατάξεις των οδηγιών 2011/65 / ΕΕ (RoHS), 2014/35 / ΕΕ, 2014/30/ΕΕ και έχουν χρησιμοποιηθεί τα ακόλουθα εναρμονισμένα πρότυπα:

EN 60335-1:2012/A2:2019
 EN 60335-2-2:2010/A1:2013
 EN 62233:2008
 EN 55014-1:2017
 EN 55014-2:2015
 EN 61000-3-2:2014
 EN 61000-3-3:2013
 EN IEC 63000:2018

Winnenden, 2020-05-25





Ελληνικά

Branko Lenger
Senior Vice President, Engineering and Quality - Asia,
Engineering Commercial Product Development
Εξουσιοδότηση για τη σύνταξη του τεχνικού αρχείου.



Techtronic Industries GmbH
Max-Eyth-Straße 10
71364 Winnenden
Germany

ΠΕΡΙΕΧΟΜΕΝΟ ΣΥΣΚΕΥΑΣΙΑΣ

Βλ. Σχήμα 2 - 4.

Αποσυσκευάστε προσεκτικά τα περιεχόμενα του κουτιού.
Κρατήστε τους δύο σφικτήρες, οι οποίοι κρατούν το πάνω
τμήμα στη θέση του και διπλώστε τους προς τα πάνω.

Χαλαρώστε τους σφικτήρες, αφαιρέστε το πάνω τμήμα
και βγάλτε τα περιεχόμενα από το δοχείο.

Ελέγξτε τα ανταλλακτικά χρησιμοποιώντας τον κατάλογο
εξαρτημάτων για να βεβαιωθείτε ότι δεν λείπει κάποιο και
ότι δεν έγινε κάποια ζημιά κατά τη μεταφορά.

Εάν κάποια ανταλλακτικά λείπουν ή έχουν υποστεί ζημιά,
επικοινωνήστε αμέσως με τον αντιπρόσωπό σας.

ΣΥΝΑΡΜΟΛΟΓΗΣΗ

1. Βεβαιωθείτε ότι το καλώδιο τροφοδοσίας είναι
αποσυνδεδεμένο από την πρίζα.
2. Ανοίξτε τους σφικτήρες. (Σχήμα 2)
3. Σηκώστε το πάνω τμήμα από το δοχείο. (Σχήμα 3)
4. Αφαιρέστε τα περιεχόμενα από το εσωτερικό του
δοχείου. (Σχήμα 4)
5. Αναποδογυρίστε το δοχείο και τοποθετήστε τα ροδάκια
στα τέσσερα πόδια της δοχείου.
6. Βεβαιωθείτε ότι έχουν στερεωθεί καλά. Μην σφίγγετε
υπερβολικά. (Σχήμα 5)
7. Εισαγάγετε τη λαβή στις υποδοχές της κεφαλής
τροφοδοσίας και πιέστε τη λαβή στη θέση της. (Σχήμα
6)
8. Για στεγνό σκούπισμα, τοποθετήστε το παρεχόμενο
φίλτρο κασέτας και τη σακούλα σκόνης. (Σχήμα 7,
Σχήμα 8)
9. Για υγρό σκούπισμα, τοποθετήστε το παρεχόμενο
φίλτρο αφρού. (Σχήμα 9)
10. Ξανατοποθετήστε το πάνω τμήμα του δοχείου. (Σχήμα
10)
11. Ευθυγραμμίστε το επάνω τμήμα με τους σφικτήρες
και ασφαλίστε το στη θέση του ασκώντας πίεση έως

όπου οι σφικτήρες κάνουν κλικ. (Σχήμα 10)

12. Εισαγάγετε το μεγάλο άκρο του εύκαμπτου σωλήνα
στην μπροστινή είσοδο του δοχείου και γυρίστε το στο
κλειδώμα. (Σχήμα 11)
13. Εφαρμόστε το απαιτούμενο εξάρτημα στον σωλήνα
αναρρόφησης. (Σχήμα 12)

ΛΕΙΤΟΥΡΓΙΑ

ΚΑΘΑΡΙΣΜΑ ΣΤΕΡΕΩΝ

ΠΡΟΕΙΔΟΠΟΙΗΣΗ

**Βεβαιωθείτε ότι έχετε διαβάσει, κατανοήσει και
εφαρμόσει τις οδηγίες ασφαλείας.**

**Υπενθύμιση: ΜΗΝ ΣΚΟΥΠΙΖΕΤΕ επικίνδυνες ουσίες.
Η χρήση ακατάλληλης σακούλας σκόνης θα ακυρώσει
την εγγύηση.**

1. Βεβαιωθείτε ότι το καλώδιο τροφοδοσίας είναι
αποσυνδεδεμένο από την πρίζα.
2. Βεβαιωθείτε ότι το φίλτρο κασέτας είναι καλά
στερεωμένο.
3. Βεβαιωθείτε ότι το φίλτρο έχει μπει ολόκληρο. (Σχήμα
13) Ελέγξτε αν η σακούλα σκόνης είναι τοποθετημένη
στο εσωτερικό του δοχείου. (Σχήμα 8)
4. Τοποθετήστε ξανά το επάνω τμήμα του δοχείου και
ασφαλίστε το στη θέση του χρησιμοποιώντας τους
σφικτήρες. (Σχήμα 10)
5. Εισαγάγετε το μεγάλο άκρο του εύκαμπτου σωλήνα
στην μπροστινή είσοδο του δοχείου και γυρίστε το
για να κλειδώσει. Ωθήστε το απαιτούμενο εξάρτημα
στο ελεύθερο άκρο του εύκαμπτου σωλήνα ή της
προέκτασης. (Σχήμα 12)
6. Βάλτε το φιλτράκι στην πρίζα.
7. Ενεργοποιήστε το μοτέρ γυρνώντας τον διακόπτη στη
θέση «I» (ON). (Σχήμα 14)
8. Μόλις ολοκληρώσετε το σκούπισμα, γυρίστε τον
διακόπτη στη θέση «O» (OFF) και βγάλτε το καλώδιο
τροφοδοσίας από την πρίζα. (Σχήμα 15)

ΠΡΟΕΙΔΟΠΟΙΗΣΗ

**ΜΗΝ ΧΡΗΣΙΜΟΠΟΙΕΙΤΕ ΤΟ ΦΙΛΤΡΟ ΚΑΣΕΤΑΣ ΣΕ
ΥΓΡΑ Ή ΛΙΧΜΗΡΑ ΥΛΙΚΑ.**

**ΜΗΝ ΧΡΗΣΙΜΟΠΟΙΕΙΤΕ ΣΑΚΟΥΛΑ ΣΚΟΝΗΣ ΓΙΑ ΤΟ
ΚΑΘΑΡΙΣΜΑ ΥΓΡΩΝ**

ΚΑΘΑΡΙΣΜΑ ΥΓΡΩΝ

ΠΡΟΕΙΔΟΠΟΙΗΣΗ

1. Βεβαιωθείτε ότι έχετε διαβάσει, κατανοήσει και
εφαρμόσει τις οδηγίες ασφαλείας.
Υπενθύμιση: ΜΗΝ ΣΚΟΥΠΙΖΕΤΕ επικίνδυνες ουσίες.
2. Βεβαιωθείτε ότι το καλώδιο τροφοδοσίας είναι
αποσυνδεδεμένο από την πρίζα.





Ελληνικά

Βεβαιωθείτε ότι το δοχείο είναι καθαρό και απαλλαγμένο από σκόνη και βρωμιά.

3. Αφαιρέστε το φίλτρο κασέτας και τη σακούλα σκόνης, τοποθετήστε ένα φίλτρο αφρού πάνω από το καλάθι φίλτρου και τοποθετήστε το επάνω τμήμα πίσω στο δοχείο. (Σχήμα 9)
ΜΗΝ ΧΡΗΣΙΜΟΠΟΙΕΙΤΕ το φίλτρο κασέτας σε υγρά ή αιχμηρά υλικά.
4. Τοποθετήστε το επιθυμητό ακροφύσιο στον σωλήνα της σκούπας. (Σχήμα 12)
5. Βεβαιωθείτε ότι ο διακόπτης είναι στη θέση «Ο» (OFF) πριν συνδέσετε το καλώδιο τροφοδοσίας στην πρίζα.
6. Ενεργοποιήστε το μοτέρ γυρνώντας τον διακόπτη στη θέση «I» (ON). (Σχήμα 14)
7. Μετά από τη χρήση, γυρίστε τον διακόπτη στη θέση «Ο» (Εικ. 15), βγάλτε το καλώδιο τροφοδοσίας από την πρίζα και μετά, αδειάστε και στεγνώστε το δοχείο. (Σχήμα 16, Σχήμα 17)

ΠΡΟΕΙΔΟΠΟΙΗΣΗ

Το φίλτρο αφρού πρέπει να αφαιρείται μετά από το καθάρισμα υγρών και να τοποθετείται ένα φίλτρο κασέτας πριν στεγνώσει ξανά η ηλεκτρική σκούπα.

ΣΗΜΑΝΤΙΚΟ!

Κατά την αναρρόφηση μεγάλων ποσοτήτων υγρών, μην βυθίζετε το ακροφύσιο εντελώς στο υγρό. αφήστε ένα κενό στην άκρη του ανοίγματος του ακροφυσίου για να επιτρέψετε την εισροή αέρα.

Το μηχάνημα είναι εφοδιασμένο με πλωτήρα που σταματά την αναρρόφηση όταν το δοχείο φτάσει τη μέγιστη χωρητικότητά του. Θα παρατηρήσετε αύξηση της ταχύτητας του μοτέρ.

Όταν συμβεί αυτό, απενεργοποιήστε το μηχάνημα, αποσυνδέστε το από την παροχή ρεύματος και αδειάστε το υγρό σε κατάλληλο δοχείο ή αποστραγγίστε. Για να συνεχίσετε το καθάρισμα, ξανατοποθετήστε στο δοχείο το πώμα αποστράγγισης. Μετά το καθάρισμα υγρών, θέστε το μηχάνημα εκτός λειτουργίας και βγάλτε το φιν από την πρίζα.

Αδειάστε το δοχείο, καθαρίστε και στεγνώστε το εσωτερικό και το εξωτερικό πριν από την αποθήκευση.

ΛΕΙΤΟΥΡΓΙΑ ΦΥΣΗΜΑΤΟΣ

Αυτή η σκούπα Υγρών/Στερεών διαθέτει λειτουργία φυσήματος.

Για να χρησιμοποιήσετε τη λειτουργία φυσήματος, ακολουθήστε τις παρακάτω οδηγίες.

ΠΡΟΕΙΔΟΠΟΙΗΣΗ

Φοράτε πάντα προστατευτικά γυαλιά όταν χρησιμοποιείτε τον φυσητήρα.

Απομακρύνετε τυχόν παρευρισκόμενους κατά τον φύσημα

σκουπιδιών.

Φοράτε μάσκα σκόνης εάν κατά το φύσημα δημιουργείται σκόνη που μπορεί να εισπνευστεί.

1. Εισαγάγετε το μεγάλο άκρο του εύκαμπτου σωλήνα στον σύνδεσμο του φυσητήρα στο πάνω μέρος του περιβλήματος του μοτέρ. (Σχήμα 18)
2. Τοποθετήστε το εργαλείο για χαραμάδες στον εύκαμπο σωλήνα της σκούπας. (Σχήμα 19)
3. Βεβαιωθείτε ότι ο διακόπτης τροφοδοσίας είναι απενεργοποιημένος και συνδέστε με την πρίζα.
4. Ενεργοποιήστε το μοτέρ γυρνώντας τον διακόπτη στη θέση «I» (ON). (Σχήμα 14)
5. Η μονάδα θα φυσάει τώρα μέσω του εύκαμπτου σωλήνα κενού και μπορεί να χρησιμοποιηθεί για την απομάκρυνση των εμποδίων μέσα στον εύκαμπο σωλήνα.
6. Μόλις ολοκληρώσετε το σκούπισμα, γυρίστε τον διακόπτη στη θέση «Ο» (OFF) και βγάλτε το καλώδιο τροφοδοσίας από την πρίζα. (Σχήμα 15)

ΠΡΟΕΙΔΟΠΟΙΗΣΗ

Εάν μετά από λίγα δευτερόλεπτα ο εύκαμπος σωλήνας εξακολουθεί να είναι μπλοκαρισμένος, απενεργοποιήστε τη μονάδα και καθαρίστε το σωλήνα χειροκίνητα.

ΣΥΝΤΗΡΗΣΗ

ΕΓΚΑΤΑΣΤΑΣΗ ΚΑΙ ΚΑΘΑΡΙΣΜΟΣ ΤΟΥ ΦΙΛΤΡΟΥ ΣΤΕΡΕΩΝ.

Σημείωση: Αποσυνδέστε το μηχάνημα από την πρίζα πριν από τη συντήρηση.

Τοποθέτηση φίλτρου στερεών

1. Τοποθετήστε το φίλτρο στερεών πάνω από το κλουβί φίλτρου με την επίπεδη πλευρά του φίλτρου προς την κεφαλή τροφοδοσίας της σκούπας. Σπρώξτε προσεκτικά το φίλτρο μέχρι να σταματήσει πάνω στην κεφαλή τροφοδοσίας. (Σχήμα 20 & Σχήμα 21)
2. Τοποθετήστε τον συγκρατητήρα φίλτρου πάνω στο φίλτρο κασέτας πάνω από το χείλος και σφίξτε προς τα κάτω περιστρέφοντας το συγκρατητήρα δεξιόστροφα, χωρίς να σφίγγετε υπερβολικά. (Σχήμα 22 & Σχήμα 23)

Αφαίρεση και καθαρισμός φίλτρου στερεών (ΤΟ ΦΙΛΤΡΟ ΑΥΤΟ ΔΕΝ ΕΙΝΑΙ ΠΛΕΝΟΜΕΝΟ)

1. Ξεκλειδώστε και αφαιρέστε τον συγκρατητήρα φίλτρου γυρνώντας τη λαβή αριστερόστροφα.
2. Κρατήστε προσεκτικά και τραβήξτε το φίλτρο στερεών για να το αφαιρέσετε. (Σχήμα 24)
3. Καθαρίστε το φίλτρο κασέτας χτυπώντας το ελαφρά ή βουρτσίζοντας τη βρωμιά. Για καλύτερη απόδοση, συνιστάται η τακτική αλλαγή του φίλτρου, ανάλογα με





Ελληνικά

τη χρήση (π.χ. κάθε 3-6 μήνες).
 4. Τοποθετήστε το καθαρισμένο φίλτρο στη θέση του όπως περιγράφεται παραπάνω.

ΤΟΠΟΘΕΤΗΣΗ ΚΑΙ ΚΑΘΑΡΙΣΜΟΣ ΤΟΥ ΦΙΛΤΡΟΥ ΑΦΡΟΥ

Σημείωση: Αποσυνδέστε το μηχάνημα από την πρίζα πριν από τη συντήρηση.

Τοποθέτηση φίλτρου αφρού

Ακολουθήστε τις οδηγίες για να αφαιρέσετε πρώτα το φίλτρο ξηρής σκόνης πριν αλλάξετε σε φίλτρο αφρού.

Σύρετε προσεκτικά το φίλτρο αφρού προς τα κάτω πάνω από το κλουβί φίλτρου, φροντίζοντας ολόκληρο το κλουβί να είναι καλυμμένο. (Σχήμα 9 & Σχήμα 25)

Καθαρισμός φίλτρου αφρού

Αφαιρέστε προσεκτικά το φίλτρο αφρού. (Σχήμα 26)

Χρησιμοποιήστε ένα ήπιο διάλυμα σαπουνιού και νερού για να πλύνετε το φίλτρο αφρού και ξεπλύνετε με καθαρό νερό. (Σχήμα 27)

Αφήστε το φίλτρο να στεγνώσει στον αέρα πριν να τοποθετήσετε και να χρησιμοποιηθεί ξανά.



Μην απορρίπτετε τα ηλεκτρικά εργαλεία μαζί με τα οικιακά απορρίμματα.

Τα ηλεκτρικά εργαλεία που έχουν φθάσει στο τέλος του χρόνου ζωής τους πρέπει να συλλέγονται χωριστά και να παραδίδονται σε φιλική προς το περιβάλλον εγκατάσταση ανακύκλωσης. Επικοινωνήστε με την τοπική σας αρχή ή τον προμηθευτή σας για συμβουλές ανακύκλωσης και σημείο συλλογής.



Ευρωπαϊκό σήμα συμμόρφωσης

ΣΥΜΒΟΛΑ



ΠΡΟΣΟΧΗ!
 ΚΙΝΔΥΝΟΣ!

ΠΡΟΕΙΔΟΠΟΙΗΣΗ!

V

Βολτ

Hz

ερτς



Εναλλασσμεν ρεύμα

W

Βατ



Παρακαλούμε διαβάστε τις οδηγίες προσεκτικά πριν ξεκινήσετε το μηχάνημα.



Εξοπλισμός Κλάσης II



Ανακυκλώνετε





Ελληνικά

ΣΥΧΝΕΣ ΕΡΩΤΗΣΕΙΣ

⚠ ΠΡΟΕΙΔΟΠΟΙΗΣΗ!

Για να μειώσετε τον κίνδυνο τραυματισμού, αποσυνδέστε τον καθαριστή πριν πραγματοποιήσετε ελέγχους συντήρησης/αντιμετώπισης προβλημάτων

Προβλημα	Αιτια	Λύση
Η συσκευή δεν λειτουργεί.	Δεν υπάρχει ρεύμα. Λειτουργική βλάβη στο καλώδιο τροφοδοσίας, τον διακόπτη ή το μοτέρ. Το δοχείο είναι γεμάτο υγρό.	Ελέγξτε την παροχή ρεύματος. Αναθέστε τον έλεγχο του κατεστραμμένου τμήματος σε εξειδικευμένο προσωπικό ή αντικαταστήστε το. Αδειάστε το δοχείο.
ηΦεύγει σκόνη από το κάλυμμα του μοτέρ.	Δεν υπάρχει σακούλα σκόνης ή έχει πάθει ζημιά.	Τοποθετήστε σακούλα σκόνης ή αντικαταστήστε την παλιά.
Χαμηλή ισχύς αναρρόφησης και υψηλή ταχύτητα / δονήσεις μοτέρ.	Η σακούλα σκόνης είναι γεμάτη. Το στόμιο αναρρόφησης, ο εύκαμπτος σωλήνας ή η είσοδος του δοχείου είναι μπλοκαρισμένα.	Αντικαταστήστε τη σακούλα σκόνης. Ελέγξτε το στόμιο αναρρόφησης, τον εύκαμπτο σωλήνα και την είσοδο του δοχείου για μπλοκάρισμα.



EN RYOBI WARRANTY APPLICATION CONDITIONS

In addition to any statutory rights resulting from the purchase, this product is covered by a warranty as stated below.

1. The warranty period is 24 months for consumers and commences on the date the product was purchased. This date has to be documented by an invoice or other proof of purchase. The product is designed and dedicated to consumer and private use only. So there is no warranty provided in case of professional or commercial use. This warranty applies only on new products.
2. There is a possibility to extend for a part of the range of power tools (AC/DC) the warranty period over the period described above using the registration on the www.ryobitools.eu website. The eligibility of products for extended warranty is clearly displayed in stores and / or on packaging and is contained within the product documentation. The end user is required to register his/her newly-acquired products online within 30 days from the date of purchase. The end user may register for the extended warranty in his/her country of residence if listed on the online registration form where this option is valid. Furthermore, end users must give their consent to the storage of their personal data that is required to be entered online. They must also accept the terms and conditions. The registration confirmation receipt, which is sent out by e-mail, and the original invoice showing the date of purchase will serve as proof of the extended warranty.
3. The warranty covers all defects of the product during the warranty period due to faults in workmanship or material at the purchase date. The warranty is limited to repair and/or replacement and does not include any other obligations including but not limited to incidental or consequential damages. The warranty is not valid if the product has been misused, used contrary to the instruction manual, or has been incorrectly connected to a power supply. This warranty does not apply to:
 - any damage to the product that is the result of improper or lack of maintenance
 - any product that has been altered or modified
 - any product where original identification (trade mark, serial number) markings have been defaced, altered or removed
 - any damage caused by non-observance of the instruction manual
 - any product not displaying the CE approval mark on the rating plate
 - any product that has been attempted to be repaired by a non-authorised warranty service centre or without prior authorisation by Techtronic Industries
 - any product connected to improper power supply (amps, voltage, frequency)
 - any damage caused by external influences (water, chemical, physical, shocks) or foreign substances
 - normal wear and tear spare parts
 - inappropriate use, overloading of the tool
 - use of non-approved accessories or parts
 - Power tool accessories provided with the tool or purchased separately, including but not limited to screw driver bits, drill bits, abrasive discs, sand paper and blades, lateral guide, etc.
 - Components (parts and accessories) subject to natural wear and tear, including but not limited to service & maintenance kits, carbon brushes, bearings, chuck, SDS drill bit attachment or reception, power cord, auxiliary handle, transport carry case, sanding plate, dust bag, dust exhaust tube, felt washers, impact wrench pins & springs, etc.
4. For servicing, the product must be sent or presented to a RYOBI authorised service station listed for each country in the following list of service station addresses. In some countries your local RYOBI dealer undertakes to send the product to the RYOBI service organisation. When sending a product to a RYOBI service station, the product should be safely packed without any dangerous contents such as petrol, marked with sender's address and accompanied by a short description of the fault.
5. A repair / replacement under this warranty is free of charge. It does not constitute an extension or a new start of the warranty period. Exchanged parts or products become our property. In some countries delivery charges or postage will have to be paid by the sender. Your statutory rights arising from the purchase of the product remain unaffected
6. This warranty is valid in the European Community, Switzerland, Iceland, Norway, Liechtenstein, Turkey, Russia, and the United Kingdom. Outside these areas, please contact your authorised RYOBI dealer to determine if another warranty applies.

AUTHORISED SERVICE CENTRE

Any request or issue with the product can be addressed to your local authorised service centres (visit www.ryobitools.eu) or directly to: Techtronic Industries GmbH, Max Eyth Straße 10, 71364 Winnenden, Germany. Please state the serial number and product type printed on the label.

FR RYOBI CONDITIONS D'APPLICATION DE LA GARANTIE

En plus des droits statutaires liés à l'achat, ce produit est couvert par une garantie telle que décrite ci-dessous.

1. La durée de la garantie accordée au consommateur est de 24 mois à partir de la date d'achat. Cette date doit être authentifiée par une facture ou toute autre preuve d'achat. Le produit a été conçu en vue d'une utilisation strictement privée. Aucune garantie ne s'applique donc en cas d'utilisation professionnelle ou commerciale.
2. Il existe pour une partie de la gamme d'outils électroportatifs (AC/DC), une possibilité d'étendre la période de garantie au-delà de la période précédemment décrite en utilisant le formulaire d'enregistrement présent sur le site Internet www.ryobitools.eu. L'éligibilité d'un outil est clairement affichée dans les points de vente et/ou sur l'emballage et la documentation. L'utilisateur final doit enregistrer son/ses outil(s) nouvellement acheté(s) en ligne dans les 30 jours qui suivent la date d'achat. L'utilisateur a la possibilité de s'enregistrer pour l'extension de garantie dans son pays de résidence si celui-ci est listé dans le formulaire d'enregistrement en ligne ou cette option est valide. L'utilisateur final doit donner son consentement pour l'enregistrement des données requises pour accéder au site et doit accepter les termes et conditions. La confirmation d'enregistrement, envoyée par courrier électronique, ainsi que la facture originale mentionnant la date d'achat serviront de preuve de l'extension de garantie.
3. La garantie couvre pendant la période de garantie les défauts des produits liés à la fabrication et aux matériaux à la date d'achat. La garantie est limitée à la réparation et/ou au remplacement et n'inclut aucune autre obligation, tel que, mais sans s'y limiter, les dommages accessoires ou indirects. La garantie est non valable en cas de mauvaise utilisation du produit, d'utilisation contraire aux instructions du mode d'emploi, ou en cas de branchement incorrect. Cette garantie ne s'applique pas pour :
 - tout dommage au produit résultant d'un mauvais entretien
 - tout produit ayant été altéré ou modifié
 - tout produit dont les marquages originaux d'identification (marque, numéro de série) ont été dégradés, altérés ou retirés
 - tout dommage causé par le non-respect des instructions du mode d'emploi
 - tout produit non CE
 - tout produit ayant subi une tentative de réparation par du personnel non qualifié ou sans autorisation préalable de Techtronic Industries
 - tout produit raccordé à une alimentation secteur non conforme (ampérage, voltage, fréquence)
 - tout dommage causé par des influences extérieures (chimiques, physiques, chocs) ou par des substances étrangères
 - l'usure normale des pièces consommables
 - une utilisation inappropriée, une surcharge de l'outil
 - l'utilisation de pièces ou accessoires non agréés
 - accessoires de l'outil électrique fournis avec l'outil ou achetés séparément. Cela comprend notamment les embouts de vissage, les forets de perçuse, les disques abrasifs, le papier de verre et les lames, le guide latéral
 - Les composants (pièces et accessoires) sujets à l'usure naturelle, ceci incluant notamment les mandrins, les charbons, adaptateurs SDS, les cordons d'alimentation, les poignées auxiliaires, les mallettes de transport, les plateaux de ponçage, les sacs collecteurs de poussière, les tubes d'extraction de poussière, les carrés de clé à choc, etc.
4. Si le produit doit être réparé, envoyez-le à un service après-vente agréé RYOBI dont vous trouverez ci-dessous la liste pour chaque pays. Dans certains pays, votre revendeur RYOBI se chargera d'envoyer le produit à un centre de réparation RYOBI. Lorsque vous envoyez un produit à un service après-vente RYOBI, celui-ci doit être correctement emballé, sans contenir aucun produit dangereux tel que de l'essence, et vous devez indiquer votre adresse ainsi qu'une courte description du problème.
5. Une réparation / un remplacement sous garantie est gratuit(e). Ceci ne constituera pas une extension de garantie ni un nouveau départ de la période de garantie. Les pièces ou les outils remplacés deviennent notre propriété. Dans certains pays, les frais de port devront être assumés par l'expéditeur. Vos droits statutaires restent inchangés.
6. Cette garantie est valable dans la Communauté européenne, la Suisse, l'Islande, la Norvège, le Liechtenstein, la Turquie, la Russie et le Royaume-Uni. En dehors de ces zones, veuillez contacter votre distributeur agréé RYOBI pour déterminer si une autre garantie s'applique.

CENTRE DE SERVICE AGRÉÉ

Toute demande ou tout problème concernant le produit peut être transmis à votre centre de service agréé local (consultez www.ryobitools.eu) ou directement à : Techtronic Industries GmbH, Max Eyth Straße 10, 71364 Winnenden, Allemagne. Veuillez mentionner le numéro de série et le type de produit imprimés sur l'étiquette.

DE RYOBI GARANTIEBEDINGUNGEN

Zusätzlich zu den gesetzlichen Rechten aus dem Kauf gilt für dieses Produkt die nachstehend aufgeführte Garantie.

- Der Garantiezeitraum beträgt für Verbraucher 24 Monate und beginnt mit dem Datum des Kaufs. Dieses Datum muss durch eine Rechnung oder einen anderen Kaufbeleg dokumentiert werden. Dieses Produkt wurde ausschließlich zur privaten Nutzung durch Verbraucher entwickelt. Für den Fall einer professionellen bzw. kommerziellen Nutzung besteht daher keine Garantie.
- Es besteht die Möglichkeit, für einen Teil des Sortiments der Elektrogeräte (AC/DC) den Garantiezeitraum über den oben genannten Zeitraum hinaus zu verlängern, indem der Verbraucher die Registrierung auf der Website www.ryobitools.eu durchführt. Die Berechtigung der Werkzeuge für die Garantieverlängerung ist deutlich im Geschäft und/oder auf der Verpackung beschrieben und in der Produktdokumentation erwähnt. Der Verbraucher muss das neu erworbene Gerät online innerhalb von 30 Tagen ab dem Kaufdatum registrieren. Der Verbraucher kann das Gerät zwecks Garantieverlängerung in seinem Wohnsitzland/Heimatland registrieren, wenn dieses Land auf dem Online-Registrierungsformular aufgeführt ist und die Option gültig ist. Darüber hinaus muss der Verbraucher seine Zustimmung zur Speicherung der Daten geben, die online eingegeben werden müssen, und er muss die allgemeinen Geschäftsbedingungen akzeptieren. Die Bestätigung der Registrierung, die per E-Mail versandt wird, und die Originalrechnung mit dem Kaufdatum gelten als Beleg für die Garantieverlängerung.
- Die Garantie deckt alle Defekte des Geräts während des Garantiezeitraums ab, die auf zum Zeitpunkt des Kaufs bestehende Verarbeitungs- oder Materialfehler zurückzuführen sind. Die Garantie beschränkt sich auf Reparatur und/oder Ersatz und beinhaltet keine anderen Verpflichtungen, insbesondere keinen Schadenersatz für Folge- oder Nebenschäden. Die Garantie gilt nicht, wenn das Gerät fehlerhaft eingesetzt wurde, gegensätzlich zur Bedienungsanleitung eingesetzt wurde oder falsch angeschlossen wurde. Die Garantie gilt nicht für Folgendes:
 - Schäden am Gerät, die auf unkorrekte Wartung zurückzuführen sind
 - Geräte, an denen Veränderungen vorgenommen wurden
 - Produkte, bei denen die ursprüngliche Identifizierung (Handelsmarke, Seriennummer) unleserlich gemacht, verändert oder entfernt wurde
 - Schäden durch Nichtbeachtung der Bedienungsanleitung
 - nicht-CE-zertifizierte Geräte
 - Geräte, an denen durch nicht-qualifizierte Personen oder ohne vorherige Genehmigung von Technronic Industries Reparaturversuche vorgenommen wurden
 - Geräte, die an unkorrekte Energiequellen (Ampere, Volt, Frequenz) angeschlossen wurden
 - Schäden durch äußere Einflüsse (chemisch, physisch, Stöße) oder Fremdstoffe
 - normaler Verschleiß von Ersatzteilen
 - unangemessene Nutzung, Überlastung des Geräts
 - Nutzung nicht genehmigter Zubehöriteile oder Ersatzteile
 - mit dem Gerät gelieferte oder separat erworbene Zubehöriteile. Dieser Ausschluss beinhaltet, ist aber nicht beschränkt auf Schraubendreher-Bits, Bohreinsätze, Schleifschelben, Sandpapier und Klingen, Seitenführungen
 - Komponenten (Ersatzteile und Zubehöriteile), die natürlichen und normalen Verschleißerscheinungen unterworfen sind, einschließlich aber nicht beschränkt auf: Service- und Wartungssätze, Kohlebürsten, Lager, Spannfrüh, SDS-Bohreraufnahme /Bit-Adapter, Netzkabel, Zusatzhandgriff, Transportkoffer, Schleifteller, Staubbeutel, Staubabsaugrohr, Filzunterlegscheiben, Bolzen und Federn von Schlagschraubern usw.
- Zum Service muss das Gerät zu einer von RYOBI autorisierten Servicestation gebracht oder dorthin gesendet werden. Die Servicestationen für die einzelnen Länder sind in der folgenden Liste aufgeführt. In einigen Ländern sendet Ihr RYOBI-Händler vor Ort das Gerät an das RYOBI-Serviceunternehmen. Beim Einsenden an die RYOBI-Servicestation sollte das Gerät sicher verpackt sein, ohne gefährliche Inhalte wie Benzin, und es sollte mit der Adresse des Absenders und einer kurzen Beschreibung des Fehlers versehen sein.
- Eine Reparatur bzw. ein Ersatz gemäß dieser Garantie ist kostenlos. Hieraus ergibt sich weder eine Garantieverlängerung noch der Beginn eines neuen Garantiezeitraums. Die ausgetauschten Ersatzteile oder Werkzeuge gehen in unser Eigentum über. In einigen Ländern müssen die Zustellgebühren oder die Versandkosten vom Absender gezahlt werden. Ihre gesetzlichen Rechte aus dem Kauf des Geräts bleiben hiervon unberührt.
- Diese Garantie ist gültig in der Europäischen Gemeinschaft, der Schweiz, Island, Norwegen, Lichtenstein, der Türkei, Russland und dem Vereinigten Königreich. Bitte wenden Sie sich außerhalb dieser Gebiete an Ihren autorisierten RYOBI-Händler, um festzustellen, ob eine andere Garantie gilt.

AUTORISIERTER KUNDENDIENST

Bitte wenden Sie sich bei Fragen zum oder Problemen mit dem Gerät an das örtliche autorisierte Servicecenter (siehe www.ryobitools.eu) oder direkt an: Technronic Industries GmbH, Max Eyth Straße 10, 71364 Winnenden, Germany. Bitte geben Sie die Seriennummer und den auf dem Typenschild aufgedruckten Gerätetyp an.

ES CONDICIONES DE APLICACIÓN DE LA GARANTÍA DE RYOBI

Además de cualquier derecho legal derivado de la compra, este producto está cubierto por una garantía que se indica a continuación.

- El periodo de garantía es de 24 meses para consumidores y comienza en la fecha en que se comprara el producto. Dicha fecha debe documentarse con una factura u otro comprobante de compra. El producto está diseñado y concebido únicamente para el uso privado del consumidor. Por lo tanto, no se ofrece garantía en caso de uso profesional o comercial.
- Existe la posibilidad de ampliar el periodo de garantía respecto a una parte de la gama de herramientas eléctricas (CA/CC) durante el periodo descrito más arriba y mediante el registro en el sitio web www.ryobitools.eu. La elegibilidad de las herramientas para que se amplíe el periodo de garantía se muestra claramente en las tiendas o en el embalaje y está incluida en la documentación del producto. El usuario final tiene que registrar en línea sus herramientas recientemente adquiridas en un plazo de 30 días a partir de la fecha de compra. El usuario final podrá registrarse para obtener la garantía ampliada en su país de residencia si este aparece en la lista del formulario de registro en línea cuando esta opción sea válida. Además, los usuarios finales deberán dar su consentimiento al almacenamiento de los datos necesarios para el acceso en línea y tienen que aceptar los términos y condiciones. El recibo de confirmación de registro, que se envía por correo electrónico, y la factura original que muestra la fecha de compra servirán como comprobante para la garantía ampliada.
- La garantía cubre todos los defectos del producto durante el periodo de garantía debido a fallos de mano de obra o material en la fecha de compra. La garantía se limita a la reparación o sustitución y no incluye ninguna otra obligación como, por ejemplo, daños accidentales o consecuentes. La garantía no es válida si se ha usado mal el producto, se ha usado contraviniendo el manual de instrucciones o se ha conectado de forma incorrecta. Esta garantía no es aplicable a:
 - ningún daño en el producto que sea consecuencia de un mantenimiento inadecuado
 - ningún producto que haya sido alterado o modificado
 - ningún producto en el que los marcados de identificación originales (marca comercial, número de serie) se hayan borrado, modificado o eliminado
 - ningún daño provocado por no seguir el manual de instrucciones
 - ningún producto que no sea CE
 - ningún producto que haya sufrido un intento de reparación por parte de un profesional no cualificado o sin la autorización previa de Technronic Industries.
 - ningún producto conectado a un suministro eléctrico inadecuado (amperios, voltaje, frecuencia)
 - ningún daño causado por influencias externas (químicas, físicas, impactos) o sustancias extrañas
 - desgaste normal de piezas de repuesto
 - uso inadecuado, sobrecarga de la herramienta
 - uso de accesorios o piezas no aprobados
 - Accesorios de herramientas eléctricas proporcionados con la herramienta o comprados por separado. Tales exclusiones incluyen, entre otros, brocas de destornilladores, brocas de taladro, discos abrasivos, papel de lija y cuchillas, y guías laterales
 - Componentes (piezas y accesorios) sujetos a un desgaste natural, que incluyen, entre otros, equipos de servicio y mantenimiento, escobillas de carbono, cojinetes, pinzas, accesorio o recepción de broca de taladro SDS, cable eléctrico, manillar auxiliar, bolsa de transporte, hoja lijadora, bolsa de polvo, tubo de escape de polvo, disco de fieltro, pasadores y resortes de lave de impacto, etc.
- Para su mantenimiento, el producto debe enviarse o presentarse a una estación de servicio de RYOBI autorizada que figure en la siguiente lista de direcciones de estaciones de servicio por países. En algunos países, su distribuidor RYOBI local se responsabiliza de enviar el producto a la compañía de servicio de RYOBI. Cuando se envíe un producto a una estación de servicio de RYOBI, este debe estar empaquetado de forma segura sin contenidos peligrosos como gasolina, marcado con la dirección del remitente y acompañado de una breve descripción del fallo.
- Una reparación / sustitución con esta garantía es gratuita. No constituye una ampliación ni un nuevo comienzo del periodo de garantía. Las piezas o herramientas intercambiadas pasan a ser de nuestra propiedad. En algunos países, los gastos de envío o correo tendrá que pagarlos el remitente. Sus derechos legales derivados de esta compra de la herramienta no se verán afectados.
- Desta garantía es válida en la Comunidad Europea, Suiza, Islandia, Noruega, Lichtenstein, Turquía, Rusia y el Reino Unido. Fuera de estas zonas, póngase en contacto con su distribuidor de RYOBI autorizado para determinar si es aplicable otra garantía.

SERVICIO TÉCNICO AUTORIZADO

Cualquier solicitud o problema relacionado con el producto se puede remitir a su centro de servicio autorizado local (visite www.ryobitools.eu) o directamente a: Technronic Industries GmbH, Max Eyth Straße 10, 71364 Winnenden, Germany. Indique el número de serie y el tipo de producto que aparecen impresos en la etiqueta.

IT CONDIZIONI DI VALIDITÀ DELLA GARANZIA RYOBI

In aggiunta ai diritti di legge risultanti dall'acquisto, il prodotto è coperto dalla garanzia sotto descritta.

- Il periodo di garanzia è di 24 mesi per i consumatori, a decorrere dalla data di acquisto del prodotto. La data deve essere documentata da una fattura o altra prova d'acquisto. Il prodotto è progettato e destinato solo all'utilizzo privato dei consumatori. Pertanto non viene fornita alcuna garanzia in caso di uso professionale o commerciale.
- Per una serie di utensili elettrici (CA/CC) è possibile prolungare il periodo di garanzia oltre quello descritto, registrandosi sul sito web www.ryobitools.eu. Gli utensili per i quali è possibile prolungare il periodo di garanzia sono chiaramente indicati nei negozi e/o sulle confezioni e nella documentazione dei prodotti. L'utente deve registrare online l'utensile acquistato entro 30 giorni dalla data di acquisto. L'utente può registrarsi per la garanzia prolungata nel proprio paese di residenza, se questo è elencato nel modulo di registrazione online dove questa opzione sia valida. Inoltre gli utenti devono fornire il proprio consenso alla conservazione dei dati da immettere online e devono accettare le condizioni generali. La conferma di registrazione, inviata tramite e-mail, e la fattura originale indicante la data di acquisto, costituiranno la prova della garanzia prolungata.
- La garanzia copre tutti i difetti del prodotto durante il periodo di garanzia, risultati da manodopera o materiali alla data di acquisto. La garanzia è limitata alla riparazione e/o sostituzione e non include alcun altro obbligo quali, a mero titolo esemplificativo, i danni incidentali o consequenziali. La garanzia non è valida se il prodotto è stato usato scorrettamente, in modo contrario al manuale di istruzioni o se è stato collegato in modo errato. La garanzia non è valida per:
 - qualsiasi danno al prodotto dovuto a manutenzione errata;
 - qualsiasi prodotto che sia stato alterato o modificato;
 - qualsiasi prodotto le cui marcature di identificazione originali (marchi di fabbrica, numero di serie) siano state cancellate, alterate o rimosse;
 - qualsiasi danno causato dalla non osservanza delle istruzioni del manuale;
 - qualsiasi prodotto privo di omologazione CE;
 - qualsiasi prodotto che sia stato sottoposto a un tentativo di riparazione da parte di un professionista non qualificato oppure senza la previa autorizzazione di Technonic Industries;
 - qualsiasi prodotto collegato a un'alimentazione errata (per ampere, tensione, frequenza);
 - qualsiasi danno causato da influenze esterne (chimiche, fisiche, urti) o sostanze estranee;
 - la normale usura delle parti di ricambio;
 - uso inappropriato, sovraccarico dell'utensile;
 - uso di accessori o parti non omologate;
 - accessori per utensili elettrici forniti con l'utensile o acquistati separatamente. Questa esclusione comprende, a mero titolo esemplificativo, punte per cacciaviti, punte per trapani, dischi abrasivi, carta vetrata, lame e guide laterali;
 - componenti (parti e accessori) soggetti alla normale usura compresi, a mero titolo esemplificativo, kit di servizio e manutenzione, spazzole al carbonio, cuscinetti, mandrini, attacchi per punte a vite autoporforante, cavi di alimentazione, maniglie ausiliarie, custodie di trasporto, piastre di levigatura, sacchetti per la polvere, tubi di scarico della polvere, rondelle di filtro, perni e molle per avvitatori ecc.
- Per la manutenzione il prodotto dev'essere spedito o portato presso uno dei centri assistenza autorizzati RYOBI elencati per ogni paese nel seguente elenco di indirizzi dei centri. In alcuni paesi il rivenditore locale RYOBI si incarica di inviare il prodotto all'organizzazione di assistenza RYOBI. Quando si invia un prodotto a un centro assistenza RYOBI, imballarlo in modo sicuro senza contenuti pericolosi come la benzina, apporre l'indirizzo del mittente e accompagnarlo da una breve descrizione del guasto.
- La riparazione/sostituzione ai sensi della presente garanzia è gratuita. Non costituisce un prolungamento o un nuovo inizio del periodo di garanzia. Le parti o gli utensili scambiati diventano di nostra proprietà. In alcuni paesi i costi di consegna o di spedizione postale devono essere pagati dal mittente. I diritti di legge derivanti dall'acquisto dell'utensile rimangono inalterati.
- La presente garanzia è valida in Comunità Europea, Svizzera, Islanda, Norvegia, Liechtenstein, Turchia, Russia e Regno Unito. Al di fuori di tali aree contattare il rivenditore autorizzato RYOBI per sapere se è valida un'altra garanzia.

CENTRO SERVIZI AUTORIZZATO

Qualsiasi richiesta o problema con il prodotto può essere indirizzato ai centri di assistenza autorizzati locali (visitare www.ryobitools.eu) o direttamente a: Technonic Industries GmbH, Max Eyth Straße 10, 71364 Winnenden, Germany. Si prega di indicare il numero di serie e il tipo di prodotto stampati sull'etichetta.

NL RYOBI GARANTIEVOORWAARDEN

Naast de wettelijke rechten die voortvloeien uit de aankoop, wordt dit product gedekt door een garantie, zoals hieronder staat vermeld.

- De garantietermijn voor consumenten bedraagt 24 maanden en gaat in op de datum waarop het product is gekocht. Deze datum moet worden gedocumenteerd met een factuur of een ander aankoopbewijs. Het product is uitsluitend ontworpen en bedoeld voor persoonlijk gebruik door consumenten. Er wordt dus geen garantie gegeven voor professioneel of commercieel gebruik.
- Voor een deel van ons aanbod van elektrische gereedschappen (AC/DC) is het mogelijk om de garantietermijn te verlengen over de boven beschreven termijn, met behulp van de website www.ryobitools.eu. De gereedschappen die in aanmerking komen voor de verlenging van de garantietermijn wordt duidelijk weergegeven in winkels en/of verpakkingen en staat beschreven in de productdocumentatie. De eindgebruiker moet zijn/haar nieuw gekochte gereedschappen binnen 30 dagen na aankoop online registreren. De eindgebruiker kan zich registreren voor de verlengde garantietermijn als zijn woonland staat vermeld op het online registratieformulier waar deze optie geldig is. Bovendien moeten eindgebruikers toestemming geven voor de opslag van de gegevens die online ingevuld moeten worden en moeten ze de algemene voorwaarden accepteren. Het ontvangstbewijs van de registratie, dat per e-mail wordt verzonden en de oorspronkelijke factuur met de aankoopdatum vormt het bewijs van de verlengde garantietermijn.
- De garantie dekt tijdens de garantietermijn alle gebreken van het product vanwege defecten in vakmanschap of materiaal op de aankoopdatum. De garantie is beperkt tot reparatie en/of vervanging en bevat geen andere verplichtingen, waaronder maar niet beperkt tot incidentele of gevoelschade. De garantie is niet geldig als het product is misbruikt, in strijd met de gebruiksaanwijzing wordt gebruikt of onjuist is aangesloten. Deze garantie geldt niet voor:
 - alle schade aan het product die het gevolg is van onjuist onderhoud
 - elk product dat is veranderd of aangepast
 - elk product waar de oorspronkelijke identificatie (handelsmerk, serienummer) is beschadigd, gewijzigd of verwijderd
 - alle schade die is veroorzaakt door het niet opvolgen van de gebruiksaanwijzing
 - elk niet-CE-product
 - elk product waar een poging tot reparatie is gedaan door een niet-erkende professional of zonder voorafgaande toestemming door Technonic Industries.
 - elk product dat is verbonden met een verkeerde voeding (ampereage, spanning, frequentie)
 - alle schade die is veroorzaakt door externe invloeden (chemisch, fysisch, schokken) of vreemde stoffen
 - normale slijtage van reserveonderdelen
 - ongepast gebruik, overbelasting van het gereedschap
 - gebruik van niet-goedgekeurde accessoires of onderdelen
 - gereedschapsaccessoires die bij het gereedschap worden geleverd of afzonderlijk zijn aangeschaft. Zulke uitzonderingen bevatten, maar niet beperkt tot schroevendraaibits, boorbits, slijpschijven, schuurpapier en zagen, laterale geleiding
 - Componenten (onderdelen en accessoires) die onderhevig zijn aan natuurlijke slijtage, waaronder maar niet beperkt tot service- en onderhoudsets, koolstofborstels, lagers, boorkoppen, SDS boorbitbevestigingen of ontvangers, stroomsnoeren, hulpgrepen, transporttassen, schuurplateaus, stofzakken, stofafvoerbuisen, vilttringen, pennen en veren van slagmoersleutels, etc.
- Voor onderhoud moet het product worden verzonden of gebracht naar een erkend servicestation van RYOBI die voor elk land staan vermeld in de volgende lijst met adressen voor servicestations. In sommige landen zal uw lokale RYOBI-dealer het product verzenden naar de RYOBI-serviceorganisatie. Wanneer u het product naar een servicestation van RYOBI verzendt, moet het product veilig worden verpakt zonder enige gevaarlijke inhoud, zoals benzine, met het adres van de afzender en vergezeld van een korte beschrijving van het defect.
- Een reparatie/vervangende die onder deze garantie valt is gratis. Het vormt geen verlenging of een nieuwe start van de garantietermijn. Verwisselde onderdelen of gereedschappen worden ons eigendom. In sommige landen moeten de verzendkosten door de afzender worden betaald. Uw wettelijke rechten die voortvloeien uit de aankoop van het gereedschap blijven onaangetast.
- Deze garantie is geldig binnen de Europese Gemeenschap, Zwitserland, IJsland, Noorwegen, Liechtenstein, Turkije, Rusland en het Verenigd Koninkrijk. Buiten deze gebieden moet u contact opnemen met uw erkende RYOBI-dealer om vast te stellen of er een andere garantie van toepassing is.

GEAUTORISEERD ONDERHOUDSCENTRUM

Elk verzoek of probleem met het product kan worden gericht aan uw lokale geautoriseerde servicecentra (bezoek www.ryobitools.eu) of rechtstreeks aan: Technonic Industries GmbH, Max Eyth Straße 10, 71364 Winnenden, Germany. U wordt verzocht het serienummer en het type product dat op het etiket staat.

PT CONDIÇÕES DE APLICAÇÃO DA GARANTIA RYOBI

Para além de quaisquer direitos previstos por lei resultantes da compra, este produto está coberto por uma garantia conforme descrição abaixo.

1. O período da garantia é de 24 meses para consumidores particulares e inicia-se na data de compra do produto. Esta data tem de ser documentada por uma factura ou por outra prova de compra. O produto foi concebido para e destina-se apenas a consumidores particulares e uso privado. Assim, não é dada garantia em caso de utilização por profissionais ou uso comercial.
2. Para uma parte da gama de ferramentas eléctricas (AC/DC) existe a possibilidade de prolongamento do período da garantia para além do período descrito acima, mediante registo no Web site www.ryobitools.eu. A elegibilidade das ferramentas para prolongamento do período da garantia é claramente visível nas lojas e/ou nas embalagens e está contida na documentação do produto. O utilizador final tem de fazer o registo online das suas ferramentas recém-adquiridas no prazo de 30 dias após a data de compra. O utilizador final pode fazer o registo para prolongamento da garantia no seu país de residência, desde que esteja listado no formulário de registo online e para os casos em que esta opção seja válida. Para além disso, os utilizadores finais têm de autorizar o armazenamento dos dados cujo preenchimento lhes for solicitado online e têm de aceitar os termos e as condições. O recibo de confirmação do registo é enviado por e-mail e, em conjunto com a factura original ostentando a data de compra, servirá de prova do prolongamento da garantia.
3. A garantia cobre todos os defeitos do produto durante o período da garantia devidos a defeitos de fabrico ou de material à data da compra. A garantia está limitada à reparação e/ou substituição e não inclui quaisquer outras obrigações, incluindo mas não se limitando a, perdas complementares ou indirectas. A garantia não é válida se o produto tiver sido utilizado incorrectamente, utilizando de forma contrária ao Manual de Instruções ou se as respectivas ligações tiverem sido feitas incorrectamente. Esta garantia não se aplica ao seguinte:
 - quaisquer danos ao produto que sejam resultado de manutenção incorrecta
 - qualquer produto que tenha sido alterado ou modificado
 - qualquer produto cujas marcações de identificação de origem (marca comercial, número de série) tiverem sido apagadas, alteradas ou retiradas
 - quaisquer danos causados pelo incumprimento do Manual de Instruções
 - qualquer produto que não seja da Comunidade Europeia
 - qualquer produto ao qual tenha sido feita, ou tentada fazer, uma reparação por outra pessoa que não um profissional habilitado ou sem autorização prévia da Technonic Industries.
 - qualquer produto ligado a uma fonte de alimentação eléctrica incorrecta (Amperes, Voltagem e Frequência)
 - qualquer dano causado por influências externas (químicas, físicas, impactos) ou substâncias estranhas
 - desgaste e degradação normal de sobresselentes
 - utilização incorrecta, sobrecarga da ferramenta
 - utilização de acessórios ou peças não aprovados
 - acessórios para ferramentas eléctricas fornecidos com a ferramenta ou comprados em separado. Estas exclusões incluem mas não se limitam a, pontas de aparafusadora, brocas, discos abrasivos, papel de lixa e lâminas, guias lateral
 - Componentes (peças e acessórios) sujeitos a desgaste e degradação natural, incluindo mas não se limitando a, Kits de Assistência e Manutenção, escovas de carvão, rolamentos, bucha, acessórios ou recepções de brocas SDS, cabos eléctricos, pegas auxiliares, estojos de transporte, placas de lixagem, sacos de poeiras, tubos de saída de poeiras, anilhas de feltro, pinos e molas da aparafusadora de impacto, etc.
4. Para assistência, o produto tem de ser enviado para, ou apresentado em, um posto de assistência autorizado RYOBI, conforme listado para cada país na lista de moradas de postos de assistência seguinte. Nalguns países, o seu concessionário RYOBI local encarrega-se de enviar o produto para a organização de assistência RYOBI. Quando enviar um produto para um posto de assistência RYOBI, o produto deve ser embalado de forma segura, sem conter nenhuns conteúdos perigosos (por exemplo, gasolina), marcado com o endereço do remetente e acompanhado por uma breve descrição da avaria.
5. Uma reparação/substituição ao abrigo desta garantia é gratuita. Não constitui um prolongamento a, nem um novo início de, o período da garantia. As peças ou ferramentas substituídas tornam-se propriedade nossa. Nalguns países, o remetente terá de pagar os custos de entrega ou a remessa postal. Os seus direitos previstos por lei resultantes da compra da ferramenta mantêm-se inalterados
6. Esta garantia é válida na Comunidade Europeia, Suíça, Islândia, Noruega, Liechtenstein, Turquia, Rússia e Reino Unido. Fora destas áreas, entre em contacto com o seu concessionário autorizado RYOBI para determinar se existe outra garantia aplicável.

CENTRO DE ASSISTÊNCIA AUTORIZADO

Qualquer pedido ou problema relacionado com o produto pode ser encaminhado para os seus centros de reparação autorizados locais (visite www.ryobitools.eu) ou directamente para: Technonic Industries GmbH, Max Eyth Straße 10, 71364 Winnenden, Germany. Indique o número de série e o tipo de produto impressos na etiqueta.

DA RYOBI BETINGELSER FOR GARANTI

Udover lovbestemte rettigheder, som resulterer af købet, er dette produkt dækket af en garanti, som anført herunder.

1. Garantiperioden er 24 måneder for forbrugere og begynder på den dato, som produktet blev købt. Denne dato skal dokumenteres af en faktura eller andet bevis for køb. Produktet er udelukkende designet og dedikeret til forbrugere og privat brug. Så der ydes ingen garanti i tilfælde af professionelle eller kommercielle brug.
2. Der er en mulighed for at forlænge garantiperioden for en del af udvalget af elværktøj (AC/DC), hen over den ovenfor beskrevne periode vha. registrering på hjemmesiden www.ryobitools.eu. Betingelsen af værkøjtillid forlængelse af garantiperioden er tydeligt vist i butikker og/eller på emballage/og indeholdt i produktokumentationen. Slutbrugeren skal registrere hans/hendes nyligt indkøbte værktøj online indenfor 30 dage efter købsdatoen. Slutbrugeren kan registrere sig for den forlængede garanti i sit land, hvis han/hun er opført på den online registreringsformular, hvor denne mulighed er gyldig. Derudover skal slutbrugere give deres samtykke til at opbevare data, som er påkrævet at indtaste online, og de er nødt til at acceptere vilkår og betingelser. Registreringsbekræftelseskvitteringen, som sendes ud på e-mail, og den originale faktura, som viser købsdatoen, vil fungere som bevis for den forlængede garanti.
3. Garantien dækker alle defekter, som et produkt måtte have i løbet af garantiperioden, og som skyldes produktionsfejl eller materialefejl på købsdatoen. Garantien er begrænset til reparation og/eller udsifting og inkluderer ikke andre forpligtelser, inklusiv men ikke begrænset til tilfældige skader eller følgeskader. Garantien er ugyldig, hvis produktet er blevet misbrugt, brugt uden at overholde vejledningen, eller det er blevet forkert tilsat. Denne garanti gælder ikke:
 - Beskadigelse af produktet, som er et resultat af uegnet vedligeholdelse
 - Et produkt der er blevet ændret eller modificeret
 - Et produkt hvor de originale identifikationsmærkninger (varemærke, serienummer) er blevet ødelagt, ændret eller fjernet.
 - Enhver beskadigelse forårsaget af manglende overholdelse af vejledningen
 - Ethvert ikke CE-produkt
 - Ethvert produkt som er blevet forsagt repareret af en ukvalificeret professionel eller uden tidligere autorisation af Technonic Industries.
 - Ethvert produkt som er tilsat uetnet strømforsyning (ampere, spænding, frekvens)
 - Enhver skade forårsaget af eksternt påvirkning (kemisk, fysisk, chok) eller fremmedelemter
 - Normal slid på reservedele
 - Uegnet brug, overbelastning af værktøjet
 - Brug af ikke-godkendt tilbehør eller dele
 - Elværktøjstilbehør som leveres med værktøjet eller købes separat. Sådanne udtagelser inkluderer men er ikke begrænset til skruetrækkerbitts, bor, bits, silbeskiver, sandpapir og klinger, sidesty
 - Komponenter (dele og tilbehør) som er udsat for naturligt slid og ælde, inklusiv men ikke begrænset til Service- og vedligeholdelsessæt, kulbørster, lejer, bøsninger, påsætning eller modtagelse af SDS-bor, El ledning, hjælpehåndtag, transporttaske, sandplade, støvpose, støvdætningslange, filtskiver, nåle og fjedre slagnagle etc.
4. For eftersyn skal produktet sendes til eller præsenteres for en RYOBI-autoriseret service værksted, som er oplyst for hvert land i den følgende liste over service værksted adresser. I nogle lande påtager din lokale RYOBI-forhandler sig ansvaret for at sende produktet til RYOBI-serviceorganisationen. Når et produkt sendes til en RYOBI-service værksted, skal det pakkes sikkert ind uden noget farligt indhold som benzin, mærkes med afsenderens adresse og med en kort beskrivelse af fejlen.
5. En reparation/erstatning under denne garanti er gratis. Den udgør ikke en forlængelse eller en ny start på garantiperioden. Udvekslede dele eller værktøjer bliver vores ejendom. I nogle lande skal leveringsafgifter eller porto betales af afsenderen. Dine lovbestemte rettigheder i forbindelse med købet forbliver uanfægtede.
6. Denne garanti gælder i EU, Schweiz, Island, Norge, Liechtenstein, Tyrkiet, Rusland og Storbritannien. Udendfor disse områder bedes du kontakte din autoriserede RYOBI-forhandler for at afgøre, om en anden garanti gælder.

AUTORISEREDE SERVICEVÆRKSTEDER

Enhver anmodning eller problem angående produktet kan adresseres til dine lokale autoriserede servicecentre (gå ind på www.ryobitools.eu) eller direkte til: Technonic Industries GmbH, Max Eyth Straße 10, 71364 Winnenden, Germany. Angiv serienummer og produkttype, der er trykt på etiketten.

SV RYOBI ANVÄNDNINGSVILLKOR FÖR GARANTI

Förutom eventuella lagstadgade rättigheter som uppstår genom köpet, täcks den här produkten av en garanti som anges nedan.

- Garantiperioden är 24 månader för konsumenter och börjar gälla från det datum då produkten köptes. Detta datum måste dokumenteras på en faktura eller annat köpbevis. Produkten är utformad och avsedd för konsumenter och privat bruk. Därmed tillhandahålls ingen garanti vid yrkesmässigt eller kommersiellt bruk.
- Det finns möjlighet att förlänga garantiperioden för en del av utbudet för elverktyg (AC/DC) under den period som anges ovan genom att använda registrering på webbplatsen www.ryobitools.eu. De verktyg som är berättigade till en förlängning av garantiperioden visas tydligt i butik och/eller på förpackningen/och anges i produktdokumentationen. Slut användaren behöver registrera hans/hennes nyförvärvade verktyg online inom 30 dagar från köpdatumet. Slut användaren kan registrera sig för den förlängda garantin i det land där han/hon bor om landet finns angivet i registreringsformuläret online och där detta alternativ är giltigt. Dessutom måste slut användaren ge sitt medgivande till lagring av data vilket krävs vid registrering online samt acceptera villkoren. Bekräftelsekvittot för registreringen som skickas ut via e-post och originalfakturan som visar köpdatumet kommer att gälla som bevis för den förlängda garantin.
- Garantin täcker alla produktdefekter under garantiperioden som beror på brister i utformning eller material vid köpdatumet. Garantin är begränsad gällande reparation och/eller utbyte och inkluderar inte några skyldigheter inklusive men inte begränsat till oförutsedda skador eller följdskador. Garantin är inte giltig om produkten har missbrukats, använts i strid med bruksanvisningen eller inte anslutits på rätt sätt. Denna garanti täcker inte:
 - eventuella skador på produkten som uppstått till följd av felaktigt underhåll
 - produkter som har ändrats eller modifierats
 - produkter där ursprungliga identifieringsmärkning (varumärke, serienummer) har målats över, ändrats eller tagits bort
 - eventuella skador som uppstått till följd av att bruksanvisningen inte efterföljs
 - alla icke CE-produkter
 - eventuella produkter som har försökts repareras av en icke-kvalificerad yrkesman eller utan föregående medgivande från Technronic Industries.
 - eventuella produkter som anslutits till felaktig strömförsörjning (ampere, volt, frekvens)
 - eventuella skador som uppstått till följd av yttre påverkan (kemisk, fysisk, stöt) eller främmande ämnen
 - normalt slitage av reservdelar
 - olämplig användning, överbelastning av verktyget
 - användningen av icke-godkända tillbehör eller delar
 - tillbehör till elverktyg som medföljer verktyget eller köpts separat. Sådana undantag inkluderar men är inte begränsat till skruvmejselbits, borrbits, slipkiv, sandpapper, blad och sidoskenor.
 - Komponenter (delar och tillbehör) är föremål för naturligt slitage, inklusive men inte begränsat till service- och underhållsatsler, kolborstar, kullager, chuck, tillbehör eller tillhörande SDS-borrbitt, strömsladd, hjälphandtag, transportväska, slippplatta, dammpåse, dammutblåsör, filterbrickor, stift och fjäder till mutterdragare osv.
- Vid service måste produkten skickas eller uppvisas för en RYOBI- auktoriserad servicestation som står angiven för varje land i följande adresslista över servicestationer. I vissa länder tar din lokala RYOBI-återförsäljare på sig ansvaret att skicka produkten till RYOBI-serviceorganisationen. När en produkt skickas till en RYOBI-servicestation, ska produkten paketeras säkert utan något farligt innehåll såsom bensin, markeras med avsändarens adress samt en kort beskrivning av felet.
- En reparation/ett utbyte under denna garanti är kostnadsfri. Det utgör inte en förlängning eller förnyelse av garantiperioden. Utbyta delar eller verktyg blir vår egendom. I vissa länder måste leveranskostnader eller porto betalas av avsändaren. Dina lagstadgade rättigheter som härrör från köpet av verktyget förblir opåverkade
- Denna garanti är giltig i Europeiska gemenskapen, Schweiz, Island, Norge, Liechtenstein, Turkiet, Ryssland och Storbritannien. Utanför dessa länder, kontakta din auktoriserade RYOBI-återförsäljare för att avgöra om en annan garanti gäller.

AUKTORISERAT SERVICECENTER

Varje begäran eller problem avseende produkten kan adresseras till ditt lokala auktoriserade servicecenter (besök www.ryobitools.eu) eller direkt till: Technronic Industries GmbH, Max Eyth Straße 10, 71364 Winnenden, Germany. Ange serienumret och produkttypen som anges på etiketten.

FI RYOBI-TAKUUN OVELTAMISEHDOT

Tällä tuotteella on oston luomien lakisääteisten oikeuksien ohella alla mainitun mukainen takuu.

- Takuun kesto on kuluttajille 24 kuukautta ja takuu-aika alkaa tuotteen ostohetkestä. Tämän päivämäärän tulee lukea laskusta tai muussa ostotosituksesta. Tuote on suunniteltu ja tarkoitettu vain kuluttajien ja yksityiseen käyttöön. Takuu ei siis kata ammatti- eikä kaupallista käyttöä.
- Joidenkin sähkötyökalujen (AC/DC) takuu kesto on mahdollista laajentaa yllä mainittua kestoja pidemmäksi verkkosivuston www.ryobitools.eu rekisteröinnin kautta. Työkalujen kalpoisuus takuujensa laajennukseen näkyy selkeästi myymälöissä ja/tai pakkauksissa ja/tai tämä tieto sisältyy tuotetodokumentaation. Loppukäyttäjän täytyy rekisteröidä vasta hankittu työkalu internetissä 30 päivän kuluessa ostopäivämäärästä. Loppukäyttäjällä voi rekisteröidä laajennettua takuun kotimaassaan, jos se on luettuna online-rekisteröintilomakkeessa, jossa maintaan, missä tämä vaihtoehto on voimassa. Loppukäyttäjien täytyy lisäksi hyväksyä tietojen tallennus, jotka heidän täytyy antaa online-tilassa sekä ehdot. Rekisteröinnin vahvistuskuitti, joka lähetetään sähköpostitse, ja alkuperäinen ostopäivämäärän ilmaiseva lasku toimivat laajennettua takuun tositteina.
- Takuu kattaa kaikki tuotteenen valmistus- tai materiaali- viat, joiden aiheuttajina ovat tuotteenen ostopäivämäärästä alkaen tulla- tai materiaali- viat. Takuu on rajoitettu korjaukseen ja/tai vaihtoon eikä se sisällä mitään muuta velvoitetta mukaan lukien satunnais- ja seruaissivahinkoja, mutta rajoittamatta niihin. Takuu ei päde, jos tuotetta on käyty väärin, käyttöohjeen vastaisesti tai jos se on liitetty virheellisesti. Tämä takuu ei kata:
 - virheellisestä huollosta johtuvia vaurioita
 - muunnettua tai muutettua tuotetta
 - tuotetta, jonka alkuperäiset tunnistemerkinnät (tavaramerkki, sarjanumero) on turmeltu, muutettu tai poistettu
 - tämän käyttöoppaan laiminyönnistä johtuvia vaurioita
 - ei-CE- tuotetta
 - tuotetta, jota on yritetty korjata epäpätevä ammattilainen tai joka on korjattu ilman Technronic Industrien ennakklupaa
 - tuotetta, joka on liitetty virheelliseen teholähteeseen (ampeirit, jännite, taajuus)
 - ulkoisten vaikutusten (kemiallinen, fyysinen, iskut) tai vieraiden aineiden aiheuttamaa vauriota
 - normaaleja kuluja varaosia
 - virheellistä käyttöä, työkalun ylikuormitusta
 - ei-hyväksytyjen tarvikkeiden tai osien käyttöä
 - sähkötyökalun tarvikkeita, jotka on toimitettu työkalun mukana tai ostettu erikseen. Poissuljettuja osia ovat ruuvausterät, poranterät, hiomalaikat, hiekkapaperi ja terät, sivohiujat, näihin kuitenkaan rajoittamatta
 - Luoimollisesti kuluja komponentteja (osia tai tarvikkeita), joihin sisältyy huolto- ja kunnossapitoasetit, hiiliharjat, laakerit, irtelästukat, SDS-porien kiinnittin tai istukka, virtajohto, apuväheä, kuljetuskotelo, hiomalaikka, pölypussi, polystyropoistuki, huopatiivisteet, iskuruvääntimen pulitit ja jouset yms. näihin kuitenkaan rajoittamatta.
- Tuote on lähetettävä huollettavaksi välttämättömästi RYOBI-huoltoon tai näytettävä siellä. Niiden osoitteet kussakin maassa löytyvät seuraavasta luettelosta. Joissakin maissa paikallinen RYOBI-jälleenviemäjä huolehtii tuotteen lähetyksestä RYOBI-huolto-organisaatioon. Kun tuote lähetetään RYOBI-huoltoon, se täytyy pakata hyvin ilman vaarallisia aineita, kuten polttoainetta, ja pakkaukseen täytyy merkittä lähettäjän nimi sekä vian lyhyt kuvaus.
- Takuun kattama korjaus/vaihto on maksuton. Se ei tarkoita takuun laajennusta tai alkamista alusta. Valhdetut osat tai työkalut siirtyvät valmistajan omistukseen. Joissakin maissa lähettäjän täytyy maksaa lähetyskustannukset tai postikulut. Työkalun oston luomat lakisääteiset oikeudet pysyvät koskemattomina
- Tämä takuu on voimassa Euroopan yhteisöissä, Sveitsissä, Islanmissa, Norjassa, Liechtensteinissä, Turkissa, Venäjällä ja Yhdistyneessä kuningaskunnassa. Osa näiden alueiden ulkopuolella yhteyttä omaan valtuutettuun RYOBI-jälleenviemäjään ja selvitä, onko joiain muuta takuuta.

VALTUUTETTU HUOLTO

Kaikki tuotteenen liittyvät pyynnöt tai kysymykset voidaan osoittaa paikallisille valtuutetuille huoltoilikoille (katso www.ryobitools.eu) tai suoraan osoitteeseen: Technronic Industries GmbH, Max Eyth Straße 10, 71364 Winnenden, Germany. Ilmoita tarraan painettu sarjanumero ja tuotetyyppi.

NO RYOBI GARANTIBETINGELSER

I tillegg til eventuelle lovbestemte rettigheter som følger av kjøpet, er dette produktet dekket av en garanti som angitt nedenfor.

1. Garantiperioden er 24 måneder for konsumenter og gjelder fra den datoen som produktet ble kjøpt. Denne datoen skal dokumenteres med en faktura eller annet kjøpsbevis. Produktet er designet og beregnet kun til konsument- og privat bruk. Så det gis ingen garanti ved profesjonell eller kommersiell bruk.
2. For en del av utvalget av elektriske verktøy (AC/DC) er det mulighet til å utvide garantiperioden i den perioden som er beskrevet ovenfor ved bruk av registrering på nettsidene www.ryobitools.eu. Kvalifiseringen av verktøyene for en utvidelse av garantiperioden er tydelig vist i bulkkter og/eller på pakningen / og finnes innen produktokumentasjonen. Sluttbrukeren må registrere sine nylig anskaffede verktøy online innen 30 dager etter kjøpsdato. Sluttbrukeren kan registrere seg for den utvidede garantien i sitt land hvis det er opplyst på online registreringsskjemaet der dette alternativet er gyldig. Videre må sluttbrukere gi silt samtykke til oppbevaring av dataene som kreves for å gå online, og de må godta vilkår og betingelser. Registreringsbekreftelsen, som sendes ut på e-post, og den originale fakturaen som viser kjøpsdato, vil tjene som bevis for den utvidede garantien.
3. Garantien dekker alle defekter i produktet under garantiperioden på grunn av defekter i uferøse eller materiale på kjøpsdato. Garantien er begrenset til å reparere og/eller erstatte og inkluderer ikke noen andre forpliktelser, inkludert, men ikke begrenset til, tilfellelige eller fellesmessige skader. Garantien er ikke gyldig hvis produktet har blitt misbrukt, brukt på annen måte enn det som beskrives i bruksanvisningen eller er koblet til på feil måte. Denne garantien gjelder ikke for:
 - enhver skade på produktet som er resultat av utilstrekkelig vedlikehold
 - ethvert produkt som har blitt endret eller modifisert
 - ethvert produkt der de originale identifiseringsmerkene (varemerke, serienummer) har blitt uleselig, er endret eller fjernet
 - enhver skade som forårsaker å ikke-overholdelse av instruksjonshåndboken
 - ethvert ikke-CE-produkt
 - ethvert produkt som har blitt forsøkt reparert eller av en ikke-kvalifisert fagperson eller uten tidligere autorisasjon fra Technronic Industries.
 - ethvert produkt tilkoblet feil strømforsyning (ampere, spenning, frekvens)
 - enhver skade som er forårsaket av eksterne påvirkninger (kjemiske, fysiske, støt) eller fremmede stoffer
 - normal slitasje og slitereservedeler
 - feil bruk, overbelastning av verktøyet
 - bruk av ikke-godkjent tilbehør eller deler
 - Elektrisk verktøytilbehør levert med verktøyet eller kjøpt separat. Slike ekskluderinger, inkludert, men ikke begrenset til skrutrekkerbits, drillbits, slipeskiver, sandpapir og blader, lateral føring
 - Komponenter (deler og tilbehør) som er utsatt for naturlig slitasje, inkludert, men ikke begrenset til service- og vedlikeholdssett, karbonbørster, lagre, chuck, SDS-borrbistese eller -mottak, strømledning, hjelpéhåndtak, transportbæreske, sandingsplate, støvpose, støvutslippsrør, filtpakninger, støttokkelpinner og fjær, osv.
4. For service må produktet sendes eller fremlegges for en RYOBI-autorisert servicestasjon opplyst for hvert land i den følgende listen over servicestasjonsadresser. I noen land sender den lokale RYOBI-forhandleren produktet til RYOBI serviceorganisasjonen. Ved å sende et produkt til en RYOBI servicestasjon skal produktet være sikret pakket uten noe farlig innhold, slik som bensin, merket med senderens adresse og fulgt av en kort beskrivelse av feilen.
5. En reparasjon/erstatning under denne garantien er gratis. Den utgår ingen foretlengelse eller en ny start av garantiperioden. Utskedsede deler eller verktøy blir vår eiendom. I noen land vil leveringskostnader eller franking måtte betales av senderen. Dine lovbestemte rettigheter som oppstår fra kjøp av verktøyet forblir uberørt.
6. Denne garantien er gyldig i EU, Sveits, Island, Norge, Liechtenstein, Tyrkia, Russland og Storbritannia. Utfor disse områdene ta kontakt med din autoriserte RYOBI-forhandler om en annen garanti gjelder.

AUTORISERT SERVICECENTER

Enhver forespørsel eller problem med produktet kan henvises til de lokale autoriserte serviceentrene (se www.ryobitools.eu) eller direkte til: Technronic Industries GmbH, Max Eyth Straße 10, 71364 Winnenden, Germany. Angi serienummer og produkttype som er trykket på etiketten.

RU УСЛОВИЯ ПРИМЕНЕНИЯ ГАРАНТИИ НА ПРОДУКЦИЮ RYOBI

Помимо законных прав, возникающих при покупке, данное изделие покрывается гарантией в соответствии с приведенными ниже пунктами.

1. Гарантийный период для покупателя составляет 24 месяца с даты покупки изделия. Дата покупки должна быть подтверждена полностью заполненным гарантийным талоном и чеком о покупке. Данное изделие предназначено только для частного использования покупателем. Поэтому гарантия не распространяется на использование в профессиональных или коммерческих целях.
2. Предусмотрена возможность продления для части изделий линейки электроинструментов (AC/DC) гарантийного периода с помощью регистрации на сайте www.ryobitools.eu. Право инструмента на продление гарантийного периода четко указано в магазинах / и или на упаковке / и содержится в сопутствующей инструменту документации. Конечный пользователь должен зарегистрировать свой приобретенный инструмент в течение 30 дней с даты покупки. Конечный пользователь может зарегистрировать свой инструмент на продление гарантии в стране своего проживания, если она указана в форме онлайн-регистрации. Кроме того, конечный пользователь должен дать свое согласие на хранение данных, которые необходимо ввести в онлайн-форму и принять правила и условия. Подтвержденные регистрации, которые вы получите по электронной почте, заполненный гарантийный талон и оригинальный чек, в котором указана дата покупки, будут служить доказательством продленной гарантии.
3. Гарантия покрывает в течение гарантийного периода все дефекты качества или материала изделия на дату покупки. Гарантия ограничена ремонтом и / или заменой и не включает никакие другие обязательства, включая, но не ограничиваясь, обменными или косвенными убытками. Гарантия становится недействительной, если изделие использовалось не по назначению, вопреки инструкциям, данным в Руководстве пользователя или было неправильно подключено. Настоящая гарантия не распространяется на:
 - любые повреждения изделия в результате неправильного технического обслуживания или недостаточного ухода за инструментом
 - любые изделия, подвергшиеся изменениям и модификации
 - любые изделия, оригинальные идентификационные отметки которого (торговая марка, серийный номер) были повреждены, изменены или удалены
 - любые повреждения, вызванные несоблюдением инструкций Руководства пользователя
 - любые изделия, не сертифицированные маркировкой "CE" для продажи в Европейском союзе
 - любые изделия, подвергшиеся попыткам ремонта неквалифицированным работником или без предварительного утверждения компанией Technronic Industries.
 - любые изделия, подключенные к неправильному источнику питания (сила тока, напряжение, частота)
 - любые повреждения, вызванные внешними воздействиями (химические, физические, удары) или посторонними веществами
 - естественный износ запасных деталей
 - несоответствующее использование, перегрузка инструмента
 - использование неутвержденных аксессуаров и неоригинальных запасных деталей
 - аксессуары электроинструментов, поставляемые с инструментом или приобретаемые отдельно. К этому списку относятся, но не исчерпывают его: сверла шуруповертов, дрелей, абразивные диски, наждачную бумагу, лезвия и боковые направляющие
 - компоненты (детали и аксессуары), подверженные естественному износу и разрыву, включая, но не ограничиваясь наборы для технического обслуживания, угольные щетки, подшипники, патроны, переходники SDS, кабели питания, дополнительные ручки, футляры для транспортировки, шифовальные подошвы, пылесборники, трубки для отвода пыли, войлочные шайбы, штыри и пружины ударных ключей и др.
4. Для проведения технического обслуживания изделие следует направлять в авторизованные сервисные центры RYOBI, указанные для каждой страны в приведенном ниже списке адресов станций сервисного обслуживания. В некоторых странах местные дилеры RYOBI отправляют изделия в сервисные организации RYOBI. При отправке изделия в сервисный центр RYOBI, изделие должно быть безопасно упаковано и не содержать никаких опасных веществ, таких как бензин, должен быть подписан адрес отправителя и сопровождаться кратким описанием неисправности.
5. Ремонт / замена проводится в рамках настоящей гарантии бесплатно. Он не продлевает гарантию и не начинает новый гарантийный период. Замененные детали и инструменты становятся нашей собственностью. В некоторых странах отправитель должен оплачивать стоимость отправки. Ваши законные права, возникшие при покупке инструмента, остаются неизменными.
6. Настоящая гарантия действительна в Европейском Сообществе, Швейцарии, Исландии, Норвегии, Лихтенштейне, Турции, России и Великобритании. Вне указанных территорий обращайтесь к своему авторизованному дилеру RYOBI, чтобы узнать, применяются ли условия каких-либо других гарантий.

УПОЛНОМОЧЕННЫЙ СЕРВИСНЫЙ ЦЕНТР

При возникновении проблем с изделием обращайтесь в один из национальных авторизованных сервисных центров (см. www.ryobitools.eu) или напрямую: Technronic Industries GmbH, Max Eyth Straße 10, 71364 Winnenden, Germany. Укажите серийный номер и тип изделия, указанные на табличке.

PL WARUNKI GWARANCJI RYOBI

Opiszc praw ustawowych wynikajacych z zakupu produktu jest objety gwarancja, ktorej warunki podano ponizej.

- Okres gwarancyjny wynosi 24 miesiace dla konsumentow i rozpoczyna sie w dniu zakupu produktu. Date zakupu nalezy udokumentowac faktura lub innym dowodem zakupu. Produkt zostal zaprojektowany i jest przeznaczony do uzytku konsumenskiego i prywatnego. W zwiazku z tym gwarancja nie obejmuje zastosowan profesjonalnych i komercyjnych.
- Istnieje mozliwosc wykluczenia okresu gwarancyjnego dla czesci asortymentu narzedzi ręcznych z napędem mechanicznym (AC/DC) poprzez zarejestrowanie produktu na stronie internetowej www.ryobitools.eu. Kwalifikowalnosc narzedzi do wykluczenia okresu gwarancyjnego jest wyraznie okreslona w sklepach i/lub na opakowaniu oraz w dokumentacji produktu. Uzytkownik końcowy musi zarejestrowac nowo kupione narzedzia online w ciagu 30 dni od daty zakupu. Uzytkownik końcowy moze zarejestrowac sie w celu przedluzenia gwarancji w swoim kraju zamieszkania, jezeli jest on wymieniony w formularzu rejestracji online, gdzie opcja ta obowiazuje. Ponadto uzytkownicy końcowi musza wyrazic zgode na przechowywanie danych, wprowadzanych na stronie internetowej i zaakceptowac regulamin. Dowodem wykluczenia gwarancji jest wyslany poczta elektroniczna potwierdzenie rejestracji i oryginal faktury potwierdzajacej date zakupu.
- Gwarancja obejmuje wszystkie wady produktu ujawnione w okresie gwarancyjnym wynikajace usterek wykonania lub materialu obecnyc w dniu zakupu. Gwarancja jest ograniczona do naprawy i/lub wymiany i nie obejmuje zadnych innych zobowiazan, w tym między innymi odpowiedzialnosci za szkody przypadkowe lub wtórne. Gwarancja nie obowiazuje, jezeli produkt byl nieprawidlowo uzywany, uzywany niezgodnie z instrukcja lub nie byl prawidlowo podlaczony. Gwarancja nie obejmuje:
 - uszkodzenia produktu wynikajacego z nieprawidlowej konserwacji,
 - produktu, który zostal zmieniony lub zmodyfikowany,
 - produktu, ktorego oryginalne oznaczenie (znak towarowy, numer seryjny) zostalo zniszczone, zmienione lub usuniete,
 - jakichkolwiek uszkodzen wynikajacych z nieprzestrzegania instrukcji,
 - jakiegokolwiek produktu bez certyfikatu CE,
 - jakiegokolwiek produktu, który próbowano naprawiac z pomocą niewykwalifikowanej osoby lub bez uzyskania wcześniejszej zgody firmy Technonic Industries,
 - jakiegokolwiek produktu podlaczzonego nie nieprawidlowego źródła zasilania (nieprawidlowe nalgzenie prądu, napięcie, czestotliwosc),
 - jakichkolwiek uszkodzen spowodowanych wpływem czynnikow zewnetrznych (chemicznych, fizycznych, drag) lub substancji obcych,
 - normalnego zuzycia czesci zamiennych,
 - nieprawidlowego uzytia, przeciazenia narzedzia,
 - stosowania niezatwierdzonych akcesoriow lub czesci,
 - akcesoriow narzedzi ręcznych z napędem mechanicznym dostarczonych z narzedziem lub kupionych oddzielnie. Takie wykluczenia obejmują, między innymi, wymienne ostrza wkrętkata, wiertla, tarczki cierne, papier ścierny i ostrza, prowadnice boczna.
 - elementow (czesci i akcesoriow) podlegajacych naturalnemu zuzyciu obejmujacych, między innymi, zestawy do konserwacji i serwisu, szcztolki węglowe, lozyska, uchwyty, przylastkowe wiertla SDS, gniazdo, przewód zasilania, uchwyty pomocniczy, skrzynię transportowa, plyte szlifarska, worek pylowy, nure odprowadzania pylu, podkladki filtowe, kolki i sprężyny klucza udarowego itp.
- W celu serwisowania produkt nalezy wyslac lub okazac w autoryzowanym punkcie serwisowym RYOBI znajdujacych sie na przedstawionym ponizej wykazie punktow serwisowych w poszczegolnych krajach. W niektórych krajach lokalny dystrybutor produktow RYOBI podejmuje sie wyslki produktu do centrum serwisowego RYOBI. W przypadku wyslki do punktu serwisowego RYOBI produkt — pozbowajny jakichkolwiek niebezpiecznych substancji, na przyklad benzyny — nalezy bezpiecznie zapakowac i dolaczyc adres nadawcy oraz krótki opis usterek.
- Naprawa/wymiana w ramach niniejszej gwarancji jest bezplatna. Nie stanowi jednak o przedluzeniu lub rozpoczeciu od nowa biegu okresu gwarancyjnego. Wymienione czesci lub narzedzia staja się nasza własnoscia. W przypadku niektórych krajow nadawca bedzie musial uregulowac koszty dostawy lub opłaty pocztowe. Prawa ustawowe wynikajace z zakupu narzedzia pozostaja niezmienione.
- Niniejsza gwarancja obowiazuje we Wspolnocie Europejskiej, Szwajcarii, na Islandii, w Norwegii, a takze w Liechtensteinie, Turcji, Rosji oraz Zjednoczonym Królestwie Wielkiej Brytanii i Irlandii Północnej. Poza tymi obszarami nalezy skontaktowac sie z autoryzowanym dostawca produktow RYOBI i ustalic, czy obowiazuje inna gwarancja.

AUTORYZOWANY PUNKT SERWISOWY

Wszelkie zapytania i problemy z produktem mozna zglaszac do lokalnych autoryzowanych centrów serwisowych (patrz www.ryobitools.eu) lub bezposrednio do: Technonic Industries GmbH, Max Eyth Straße 10, 71364 Winnenden, Germany. Prosimy o podanie wydrukowanego na etykiecie numeru seryjnego oraz typu produktu.

CS ZÁRUČNÍ PODMÍNKY RYOBI

Kromě zákonných práv vyplývajících z koupě výrobku se na tento výrobek vztahuje také níže uvedené záruka.

- Záruční doba pro spotřebitele je 24 měsíců a začíná datem nákupu výrobku. Datum musí být zaznamenáno na fakturu nebo jiném dokladu o koupi. Tento výrobek je navržen a určen pouze pro soukromé účely spotřebitelů. Záruka se tedy nevztahuje na profesionální nebo komerční využití výrobku.
- U některých elektrických nástrojů (AC/DC) je možné záruční dobu prodloužit. K tomu je nutná registrace na stránkách www.ryobitools.eu. Možnost prodloužené záruční doby výrobků je jasně uvedena v prodejních, popř. na obalech nebo v dokumentech o výrobku. Koncový uživatel musí svůj nový nástroj zaregistrovat online do 30 dnů od data nákupu. Koncový uživatel se může k prodloužené záruční době zaregistrovat v zemi trvalého pobytu, pokud je tato možnost na internetovém registračním formuláři u výrobku, kde je tato možnost dostupná. Koncový uživatel musí dále souhlasit s uložením osobních údajů, která musí zadat na internetu, a přijmout obchodní podmínky. E-mail s potvrzením registrace a původní faktura s datem koupe poslouží jako důkaz o prodloužené záruce.
- Záruka se vztahuje na veškeré vady na výrobku v rámci záruční doby způsobené výrobními vadami nebo vadami materiálu v době koupě. Záruka je omezena na opravu, popřípadě výměnu a nezahrnuje žádné další povinnosti, včetně mimo jiné vedlejších či následných odškodnění. Záruka neplatí při použití výrobku k nevhodným účelům, v rozporu s uživatelskou příručkou nebo při nesprávném zapojení. Záruka se nevztahuje na:
 - veškeré škody na výrobku způsobené nesprávnou údržbou
 - veškeré produkty, které byly pozměněny nebo upraveny
 - veškeré produkty, kde byly původní identifikační prvky (obchodní značka, sériové číslo) poničeny, pozměněny nebo odstraněny
 - veškeré škody způsobené nedodržením pokynů uživatelské příručky
 - veškeré produkty bez CE certifikace
 - veškeré produkty, které se pokusil opravit nekvalifikovaný odborník nebo opravy bez předchozího svolení společnosti Technonic Industries,
 - veškeré produkty zapojené do nesprávného elektrického zdroje (proud, napětí, frekvence)
 - veškeré škody způsobené externími vlivy (chemickými, fyzickými, nárazy) nebo cizími látkami
 - běžné opotřebování dílů
 - nevhodné použití, přetěžování nástroje
 - použití neschválených příslušenství nebo dílů
 - příslušenství k elektrickému nástroji poskytnuté s nástrojem nebo zakoupené samostatně. Tyto výjimky se vztahují mimo jiné na šroubováky bity, vrtáky, brusné disky, brusný papír a čepěle, postranní vodičí lišty
 - komponenty (díly a příslušenství) podléhající přirozenému opotřebování, včetně mimo jiné servisních sad, karbonových kartáčů, ložisek, sklíčidla, SDS nástavce na vrtací bity, napájecího kabelu, pomocné rukojeti, přepravního pouzdra, brusné desky, prachového vaku, výfukové prachové trubice, plstěných podložek, západek a pružin rázového utahovačku atd.
- K provedení servisu musí být výrobek zaslán nebo předán do autorizovaného servisního centra společnosti RYOBI. Jejich adresy jsou uvedeny podle země v seznamu servisních center. V některých zemích za vás výrobek pošle servisní organizaci RYOBI sám prodejce výrobků této značky. Při zaslání výrobku do servisního centra RYOBI je potřeba výrobek bezpečně zabalit bez nebezpečného obsahu jako benzín, opatřit adresou odesílatele a přiložit krátký popis závady.
- Oprava, popř. výměna v rámci této záruky je zdarma. Neznámená to prodloužení nebo začátek nové záruční lihy. Vyměněné díly nebo nástroje přejdou do našeho vlastnictví. V některých zemích platí poštovné odesílatele. Vaše zákonná práva vyplývající z koupě tohoto nástroje zůstávají nedotčena.
- Tato záruka platí v Evropském společenství, Švýcarsku, na Islandu, v Norsku, Lichtenštejnsku, Turecku, Rusku a Spojeném království. Mimo tato území kontaktujte autorizovaného prodejce značky RYOBI, který zjistí, zda se na výrobek vztahuje jiná záruka.

POVĚŘENÉ SERVISNÍ STŘEDIŠKO

S požadavky nebo problémy týkajícími se tohoto výrobku se můžete obracet na místní pověřené servisní středisko (podle www.ryobitools.eu) nebo přímo na: Technonic Industries GmbH, Max Eyth Straße 10, 71364 Winnenden, Germany. Uveďte výrobní číslo a druh výrobku ze štítku.

HU A RYOBI GARANCIA ALKALMAZÁSÁNAK FELTÉTELEI

A vásárlásból adódó törvényben rögzített jogok mellett a termékre az alábbi garancia vonatkozik.

- A fogyasztói garancia tartama 24 hónap, mely a termék vásárlásának napjával kezdődik. Ezt a dátumot számlával vagy a vásárlást igazoló egyéb dokumentummal kell bizonyítani. A termék rendeltetése csak fogyasztói és magánéleti használat. Ezért professzionális vagy kereskedelmi használat esetén a garancia nem érvényes.
- A szerszámgépek (egyenáramú/váltóáramú) egy részéni a garancia időtartama a www.ryobitools.eu webapon regisztrálva meghosszabbítható. Az áruházakban, a csomagolásban, illetve a termék dokumentációjában egyértelműen jelezzük, hogy az adott termék garanciája meghosszabbítható-e. A végfelhasználónak a vásárlás dátumától számított 30 napon belül regisztrálnia kell az újonnan vásárolt szerszámot. A végfelhasználó akkor regisztrálhat a kiterjesztett garanciára, ha az ország, ahol lakik, fel van sorolva az online regisztrációs útirapon azon országok között, ahol választható ez az opció. Ezenkívül a végfelhasználónak bele kell egyeznie az online regisztrálás során szükséges adatok tárolásába, és el kell fogadnia a felhasználási feltételeket. A kiterjesztett garanciát a regisztráció beérkezésétől e-mailben küldött visszaigazolással és a vásárlás dátumát tartalmazó eredeti számla igazolja.
- A garancia a termék vásárlásakor fennálló, a gyártás során keletkezett hibákra és anyaghibákra érvényes a garanciális időtartamon belül. A garancia csak a javításra/cserére korlátozódik, és nem terjed ki semmilyen egyéb kötelezettségre, nem kizárólagosan ideértve a véletlen vagy szándékos rongálást. A garancia nem érvényes, ha a terméket nem megfelelően, a használati utasításban foglaltakkal ellentétben. Illetve nem megfelelően csatlakoztatva használták. A garancia nem vonatkozik:
 - a terméket a nem megfelelő karbantartás következtében ért károsodásra
 - megváltoztatott vagy átalakított termékre
 - olyan termékre, melyen az eredeti azonosított (védjegy, sorozatszám) megrongálták, megváltoztatták vagy eltávolították
 - a használati utasítás be nem tartásából eredő kárra
 - CE jelöléssel nem rendelkező termékekre
 - olyan termékre, melyet nem képzett, illetve a Techtronic Industries által nem feljogosított szerelő javított
 - nem megfelelő (áramerősségű, feszültségű, frekvenciájú) áramforrásra csatlakoztatott termékre
 - külső (vegyi, fizikai, ütés) hatásokból vagy idegen anyagokból eredő károkkra
 - a cserélhető alkatrészek természetes kopására és elhasználódására
 - a szerszám helytelen használatára, túlterhelésére
 - nem jóváhagyott tartozékok és alkatrészek használatára
 - A szerszámmal adott vagy külön megvásárolt tartozékokra. Ilyenek például (de nem kizárólag) a csavarhúzófejek, fűrészek, csiszolókorongok, csiszolópapír, kések, oldaldaráló terelők.
 - A természetes kopásnak, elhasználódásnak kitett alkatrészek és kiegészítők, például (de nem kizárólag) szerviz- és karbantartóalkészletek, szénkefék, csapágyak, tokmány, SDS fűrészar csatlakozója, tápkábel, segédfogantyú, szállítók, csiszolólap, porzsák, porelvetető cső, filcaláték, ütőműves csavarbehajlító gép csapszege és rugója stb.
- A termék javításra el kell vinni egy meghatalmazott RYOBI szervizbe; ezeket az egyes országokhoz a következő listában találja. Egyes országokban a helyi RYOBI kereskedő vállalja a termék elszállítását a RYOBI szervizbe. A termék veszélyes tartalom, például benzin nélkül csomagolva, a feladó címét feltüntetve, a hiba rövid leírásával együtt küldje el a RYOBI szervizbe.
- A jelen garancia hatálya alatt végzett javítás, illetve csere ingyenes. Nem jelenti a garanciális időtartam újraindulását. A kicserélt alkatrészek és szerszámok a mi tulajdonunkba kerülnek. Egyes országokban a szállítás vagy postázás költségét a feladó viseli. A vevőnek a szerszám megvásárlásából adódó törvényes jogai nem változnak.
- Ez a garancia az Európai Közösségekben, Svájcban, Izlandon, Norvégiában, Liechtensteinben, Törökországban, Oroszországban és az Egyesült Királyságban érvényes. E területen kívül kérdezze meg a RYOBI forgalmazót, hogy milyen garancia van érvényben.

HIVATALOS SZERVIZKÖZPONT

Ha bármilyen kérésre vagy problémára van a termékkel kapcsolatban, forduljon a helyi hivatalos szervizközponthoz (függetlenül a www.ryobitools.eu oldalra), vagy közvetlenül ide: Techtronic Industries GmbH, Max Eyth Straße 10, 71364 Winnenden, Germany. Adja meg a címkeire nyomtatott sorozatszámot és terméktypust.

RO CONDIȚII DE APLICARE A GARANȚIEI PENTRU PRODUSELE RYOBI

În plus față de condițiile statutare rezultate din achiziționarea acestui produs, acesta este acoperit de garanția stipulată mai jos.

- Perioada de garanție este de 24 de luni pentru consumatori și începe de la data achiziționării produsului. Data de începere a garanției trebuie demonstrată cu o factură sau altă dovadă a cumpărării produsului. Produsul este destinat și conceput doar pentru utilizare în scopuri personale. Din acest motiv, nu se oferă garanție pentru utilizarea sa în scop profesional sau comercial.
- Există posibilitatea de extindere a perioadei de garanție pentru gama de unelte electrice (de CA/CC) peste perioada stipulată mai sus prin înscrisura produsului pe website-ul www.ryobitools.eu. Eligibilitatea pentru perioada de extindere a garanției este afișată în mod clar în magazinele de vânzare și/sau pe ambalaj sau este inclusă în documentația livrată împreună cu produsul. Utilizatorul final este obligat să-și înregistreze produsul online în termen de maxim 30 de zile de la achiziția acestuia. Utilizatorul final poate înregistra produsul pentru garanția extinsă oferită în țara sa de rezidență dacă aceasta este listată în formularul de înregistrare online și dacă această opțiune este validă. În plus, utilizatorul final trebuie să-și dea acordul pentru stocarea datelor personale solicitate la înregistrarea online și trebuie să accepte termenii și condițiile. Mesajul de confirmare a înregistrării, trimis prin e-mail și factura originală cu data achiziției vor dovedi perioada de garanție extinsă.
- Garanția acoperă toate defecțiunile produsului survenite în perioada de garanție datorate defectelor de execuție sau materialelor folosite, începând cu data achiziției acestuia. Garanția este limitată la reparare și/sau înlocuire și nu include alte obligații, inclusiv, dar fără a se limita la daune accidentale sau rezultate pe cale de consecință. Garanția își pierde valabilitatea dacă produsul este utilizat necorespunzător, utilizat neconform cu instrucțiunile de utilizare din manualul cu instrucțiuni sau conectat încorect. Garanția nu se aplică în cazul:
 - oricărei defecțiuni survenite în urma întreținerii necorespunzătoare a produsului
 - oricărui produs alterat sau modificat
 - oricărui produs la care inscripțiile cu datele de identificare (marca comercială, numărul de serie) au fost șterse, modificate sau îndepărtate
 - oricărei defecțiuni datorate neconformării cu instrucțiunile din manualul de utilizare
 - oricărui produs necertificat CE
 - oricărui produs asupra căruia au fost efectuate tentative de reparare de către personal necalificat sau fără autorizație prealabilă din partea Techtronic Industries.
 - oricărui produs conectat la o sursă de alimentare necorespunzătoare (curent, tensiune, frecvență)
 - oricărui defecțiuni datorate unor influențe externe (chimice, fizice, șocuri) sau substanțe străine
 - uzurii și fisurării normale a pieselor de rezervă
 - utilizării neadecvate, suprasolicitării uneltei
 - utilizării de piese și accesorii neaprobate
 - accesoriilor pentru unelțile furnizate odată cu aceasta sau achiziționate separat. Aceste excluderi se aplică, dar fără a se limita la următoarele: burghie, biț de șurubelniță, discuri abrazive, hârtie abrazivă și lame de tăiere, ghidaje laterale
 - Componentele (piese și accesorii) supuse uzurii normale, care includ, fără a se limita la, kituri de întrețineri și service, perii de cărbune, rulmenți, mandrină, adaptor pentru burghie SDS, cordon de alimentare, maner auxiliare, cutie de transport, placă pentru șlefuit, sac pentru praf, tub pentru evacuarea prafului, discuri de pâslă, adaptoare și resorturi pentru cheile de strângere prin vibrație, etc.
- Pentru efectuarea reparațiilor, produsul trebuie trimis sau adus la un centru de reparații autorizat RYOBI din lista următoare de centre de reparații prezentate pentru fiecare țară. În anumite țări, reprezentativ local RYOBI va trimite produsul spre reparare la sediul central de reparații RYOBI. Atunci când trimiteți produsul spre reparare la un centru de reparații RYOBI, acesta trebuie ambalat în siguranță, fără conținut periculos (cum ar fi benzină), marcat cu adresa expeditorului și însoțit de o scurtă descriere a defectului.
- Repararea/înlocuirea în perioada de garanție este gratuită. Aceasta nu este însoțită de o prelungire sau o reînțiere a perioadei de garanție. Piesele sau uneltele schimbate devin proprietatea dvs. În anumite țări, taxele de expediție sau poștale vor fi suportate de expeditor. Drepturile dvs. statutare rezultate din achiziția produsului rămân neschimbate
- Această garanție este valabilă în Comunitatea Europeană, Elveția, Islanda, Norvegia, Liechtenstein, Turcia, Rusia și Marea Britanie. În afara acestor zone, vă rugăm să contactați reprezentantul dvs. local RYOBI pentru a determina dacă se aplică alt tip de garanție.

CENTRU DE SERVICE AUTORIZAT

Orice întrebare sau problemă în legătură cu produsul se poate adresa la centrele locale autorizate de service (vizitați www.ryobitools.eu) sau direct la: Techtronic Industries GmbH, Max Eyth Straße 10, 71364 Winnenden, Germany. Vă rugăm să specificați numărul de serie și tipul de produs tipărite pe etichetă.

LV RYOBI GARANTIJAS PIEMĒROŠANAS NOSACĪJUMI

Papildus jebkādam likumiskajām tiesībām, kuras rodas, veicot pirkumu, izstrādājums tiek nodrošināts ar tālāk tekstā noteikto garantiju.

1. Garantijas periods patērētājiem ir 24 mēneši, tā atskaitē tiek sākta no datuma, kad veikta izstrādājuma iegāde. Šim datumam jābūt dokumentētām rēķinā vai citā pirkumu apliecināšā dokumentā. Izstrādājums ir radīts un paredzēts tikai patērētāja privātai lietošanai. Saistībā ar iepriekšminēto, garantija netiek nodrošināta profesionāļiem vai komerciālas lietošanas gadījumā.
2. Pasāļtu iespēja pagarināt daļas no elektroninstrumentu kasta (Mainstrāvas/akumulātoru) garantiju ietgāk par iepriekš minēto periodu, izmantojot reģistrāciju interneta vietnē www.ryobitools.eu. Instrumenti, kas pakļauti garantijas perioda pagarināšanai, tiek skaidri apzīmēti veikalos un/vai uz iepakojuma un izstrādājuma komplektējošajā dokumentā. Gala lietotājam nepieciešams reģistrē tā iegādāto jauno instrumentu 30 dienu laikā no pirkuma datuma. Gala lietotājs var reģistrēties pagarinātajai garantijai savā mītnes valstī, ja tā minēta tiešsaistes reģistrācijas veidlapā, kurā šī iespēja ir aktīva. Bez tam, gala lietotājam ir jāsniedz pierādīšana tiešsaistes ievadīšanai nepieciešamo datu glabāšanai un jāpiekrīt noteikumiem un nosacījumiem. Reģistrācijas aplsīprīnījums, kas tiek nosūtīts, izmantojot e-pastu, un rēķinā oriģināls, kurā norādīts iegādes datums, kalpo kā pagarinātās garantijas aplsīprīnījums.
3. Garantija attiecas uz visiem izstrādājuma defektiem garantijas periodā, kas saistīti ar ražošanas vai materiālu defektiem no pirkuma datuma. Šī garantija tiek ierobežota ar remontu un/vai nomaiņu un neietver jebkādas citas saistības, tajā skaitā, bet ne tikai, cēloņsakarīgas vai saistītas bojājums. Garantija nav spēkā, ja izstrādājums ir nepareizi lietots, izmantots pretējā norādē lietošanas rokasgrāmatā vai bijis nepareizi pieslēgts. Šī garantija netiek attiecināta uz:
 - jebkādiem izstrādājuma bojājumiem, kas radušies nepareizas uzturešanas rezultātā
 - jebkuru izstrādājumu, kas ticis pārveidots vai mainīts
 - jebkuru izstrādājumu, kura oriģinālās identifikācijas (preču zīme, sērijas numurs) marķējums ir ticis nodzēsts, mainīts vai noņemts
 - jebkādiem bojājumiem, kuri radušies neievērojot norādes lietošanas rokasgrāmatā
 - jebkādam izstrādājumam bez CE sertifikācijas
 - jebkuru izstrādājumam, kura remontu mēģinājis veikt nekvalificēts personāls vai bez Techronic Industries iepriekšējas autorizācijas.
 - jebkuru izstrādājumam, kurš bijis pieslēgts neatbilstošam parametru (strāvas, sprieguma, frekvences) sprieguma avotam
 - jebkuriem bojājumiem, kuri radušies ārējas iedarbības (ķīmiskas, fiziskas, triecieni) vai vielu ietekmē
 - detaļu normāla lietošanas nodiluma rezultātā
 - nepareizas lietošanas vai instrumentu pārslodzes rezultātā
 - neapstiprinātu detaļu vai aprīkojuma lietošanas rezultātā
 - elektroninstrumentu aksesuāriem, kas dotas instrumenta komplektācijā vai ir iegādāti atsevišķi. Šis izņēmums attiecināms uz, bet neaprobežojoties ar, skrūvgrīžu uzgāļiem, urbjiem, abrazīvajiem diskjiem, spalpiņšūru un asmeņiem, sānu vadotnēm
 - komponentiem (daļām un aksesuāriem), kas pakļauti normālam nodilumam, ieskaitot, bet neaprobežojoties ar Servisa un apkopju komplekti, oglekļa sukās, gultņi, patrona, SDS urbju uzdevējiem vai uzlīkas, elektrības vadus, papildus rōktunis, transportēšanas un pārnēsāšanas kaste, slīpmašīnas plāksne, putekļu maiss, putekļu izvadīšanas caurule, papīrkāšņi, triecienslāgu tapas un atsperes, u.t.t.
4. Servisa nodrošināšana, izstrādājums ir jānodod pilnvarotā RYOBI servisa centrā, kas norādīts katrai valstij tālāk minētajā servisa centru adrešu sarakstā. Dažās valstīs Jūsu vietējais RYOBI izplatītājs uzņemas izstrādājuma nosūtīšanu uz RYOBI servisa organizāciju. Nosotot izstrādājumu uz RYOBI servisa centru, izstrādājuma jābūt droši iepakotam, tas nedrīkst saturēt bīstamas vielas kā degvielu, sūtiņjumam jābūt marķētam ar sūtiņtāja adrešu un īsu kļūmes aprakstu.
5. Remontu/nomaiņu šīs garantijas ietvaros ir bezmaksas. Tas nerada garantijas perioda pagarināšanu vai jaunu garantiju. Nomaiņitās daļas vai instrumentu kļūst par mūsu īpašumu. Dažās valstīs piegādes vai pasta izmaksas būs jāpmaksā sūtiņtājam. Jūsu likumiskās tiesības, kas nodibinās, iegādājoties instrumentu, paliek nemainīgas.
6. Šī garantija ir spēkā Eiropas Kopienā, Šveicā, Islandā, Norvēģijā, Līhtenšteinā, Turcijā, Krievijā un Apvienotajā Karalistē. Ārpus šīm teritorijām, lodžu, sazinieties ar Jūsu pilnvaroto RYOBI izplatītāju, lai noteiktu, vai ir piemērojama cita garantija.

AUTORIZĒTS APKALPOŠANAS CENTRS

Ar jebkuru pieprasījumu vai problēmu, kas saistīta ar produktu, var vērsties Jūsu vietējā pilnvarotajā servisa centrā (apmeklējiet www.ryobitools.eu) vai tieši pie: Techronic Industries GmbH, Max Eyth StraÙe 10, 71364 Winnenden, Germany. Lōdžu, norādiet sērijas numuru un produkta tipu, kas norādīts uz etiķetes.

LT „RYOBI“ GARANTIJOS TAIKĀMO ŠALYGOS

Papildint bet kokias įstatymuose numatytas perkant atsirandancias teises, šiam įrenginiui taikoma tolkiau nurodyta garantija.

1. Vartotojams suteikiama 24 mėnesių trukmės garantija nuo įrenginio įsigijimo datos. Ši data turi būti nurodyta sąskaitoje faktūroje ar kitame pirkimą įrodančiame dokumente. Šis įrenginys skirtas tik vartotojų rinkai ir asmeniniam naudojimui. Todėl garantija netaikoma, jei įrenginys naudojamas profesiniems ar komercinėms reikmėms.
2. Įsigijus tam tikrus elektrinius įrenginius (AC/DC), suteikiama galimybė pratęsti garantiją, kad ji galuotų ilgiau, nei nurodyta pirmiau, naudojantis registracija interneto svetainėje www.ryobitools.eu. Ar galima pratęsti garantiją laikotarpi, aiškiai nurodoma parduotuoties ir (arba) ant įrenginio pakotės, ir (arba) įrenginio dokumentuose. Galutinis naudotojas turi užregistruoti savo naujai įsigytą įrenginį per 30 dienų nuo įsigijimo datos. Galutinis naudotojas gali registruotis išplėstinei garantijai savo gyvenamojoje šalyje, jei ji nurodyta internetinėje registracijos formoje, kurioje siūloma tokia galimybė. Be to, galutinai naudotojai turi sukurti su duomenų, kuriuos reikia įvesti internetu, saugojimu ir svetainės naudojimo sąlygomis. Kaip išplėstinės garantijos įrodymas naudojamas registracijos patvirtinimo kvitas, atsiunčiamas e. paštu, ir originali sąskaita faktūra, kurioje nurodyta įsigijimo data.
3. Ši garantija apima visus garantiniai laikotarpiu aptiktus įrenginio trūkumus, atsiradusius dėl gamybos arba leidžiančių defektų nuo įsigijimo datos. Ši garantija ribojama remontu ir (arba) pakeitimu, ji neapima jokių kitų įsipareigojimų, įskaitant (bet tuo neapsiribojant) šaltinius arba antrinius nuostolius. Garantija anuluojama, jei įrenginys buvo naudojamas netinkamai, naudojamas ne pagal naudojimo instrukciją arba netinkamai prijungtas. Ši garantija netaikoma:
 - jokiai įrenginiui padarytai žalai, kurią lėmė netinkama techninė priežiūra;
 - jokiai įrenginiui, kuris buvo keičiamas ar modifikuojamas;
 - jokiai įrenginiui, kurio originalūs identifikavimo ženklai (prekės ženklas, serijos numeris) buvo sugadinti, pakeisti arba pašalinti;
 - jokiai žalai, kurią lėmė naudojimo instrukcijos nesilaikymas;
 - jokiems CE ženklu nepažymėtiems įrenginiams;
 - jokiai įrenginiui, kurį bandė remontuoti nekvalifikuoti asmenys arba kuris buvo remontuojamas be „Techronic Industries“ leidimo;
 - jokiai įrenginiui, kuris buvo prijungtas prie netinkamo maitinimo tinklo (netinkamas srovės, įtampas, dažnio);
 - jokiai žalai, kurią lėmė išorinis poveikis (cheminis, fizinis, smūgiai) arba pašalinės medžiagos;
 - dėvimosioms dalims;
 - netinkamam naudojimui, įrenginio perkrovai;
 - nepatvirtintų priedų arba dalių naudojimui;
 - su įrenginiu pateiktiems arba atskirai įsigytiems elektrinio įrenginio priedams. Šios šimtyb apimties (tuo neapsiribojant) atsuktųjų antgalius, gražtų antgalius, slīfavimo diskus, švitinį popierių ir geležtes, šoninį kreiptuvį;
 - komponentams (dalims ir priedams), kurie natūraliai dėvėsi, įskaitant (bet tuo neapsiribojant) įprastines ir technines priežiūros rinkinius, anglinius šepetėlius, guolius, laikiklį, SDS gražtų antgalių priedą arba lizdą, maitinimo kabelį, pagalbinių rankėnų, neįėjimo dėklį, slīfavimo diską, maišelį dulksmės, dulkių ištraukimo vamzdelį, fetro poveržles, smūginio veržiarakčio kaiščius ir spyruokles ir pan.
4. Prieiks atlikti priežiūros darbus, įrenginį reikia siūsti arba atvežti RYOBI įgaliojotam priežiūros centrui, nurodant kiekvienos šalies priežiūros centrų adresų sąrašą. Kai kuriose šalyse vietinis RYOBI atstovas siunčia įrenginį RYOBI priežiūros organizacijai. Siunčiant įrenginį RYOBI priežiūros centrui, reikia saugiai jį supakuoti pašalinant visas pavojingas medžiagas, pvz., benzina, nurodyti ant pakotės siuntėjo adresą ir pridėti trumpą gedimo aprašymą.
5. Pagal šią garantiją remontas / keitimas atliekami nemokamai. Tokie veiksmai nelaikomi garantijos pratęsimu arba naujo garantinio laikotarpio pradžia. Dalys arba įrenginiai, kuriuos pakeitėme, tampa mūsų nuosavybe. Kai kuriose šalyse pristatymo ir pašto išlaidas turi padengti siuntėjas. Įstatymuose numatytos jūsų teisės, atsirandancios perkant įrenginį, lieka nepakeistos.
6. Ši garantija galioja Europos Bendrijos šalyse, Šveicarijoje, Islandijoje, Norvegijoje, Lichtenštaine, Turkiijoje, Rusijoje ir Jungtinėje Karalystėje. Jei gyvenate ne šiose šalyse, kreipkitės į įgaliojotą RYOBI atstovą ir sužinokite, ar jums taikoma kita garantija.

ĮGALIOJOTAS TECHININIS PRIEŽIŪROS CENTRAS

Jei turite kokių nors pagedavimų ar problemų, susijusių su jūsų gaminiu, galite kreiptis į artimiausią įgaliojotą techninės priežiūros centrą aplankydami www.ryobitools.eu arba tiesiogiai: Techronic Industries GmbH, Max Eyth StraÙe 10, 71364 Winnenden, Germany. Nurodykite etiketėje išspausdintą serijos numerį ir gaminio tipą.

ET RYOBI GARANTIINGIMUSED

Lisaks toote ostust tulenevatele seadusjärgsetele õigustele, kehtib tootele ka alltoodud garantiaga.

1. Tarbijatele on garantiiaeg 24 kuud ja algab sellel kuupäeval, mil toode osteti. Selle kuupäeva tõestuseks on vaja arvet või mõnda teist tõendit ostu sooritamise kohta. Toode on mõeldud eratarbijatele ainult isiklikuks kasutamiseks. Seega ei kehti garantiid ostu kasutamisel ketusetugevuse või kaubanduslikel eesmärkidel.
2. Teatud osale elektrilistele (vahelduvvoolu/alaalisvoolu) tööriistadele on võimalik pikendada eespool toodud garantiiaega, kasutades toote registreerimist veebilehel www.ryobitools.eu. Tasev tööriista võimaliku pikendamise garantiiaja kohta on selgelt esile toodud poodides ja/või pakendil / ning see sisaldub toote dokumentatsioonis. Lõpptarbijaja peab registreerima oma uued tööriistad interneti teel 30 päeva jooksul pärast ostupäeva. Lõppkasutaja võib registreerida pikendatud garantiiaja saamise oma elukohariigis, kui veebis olevas registreerimisvormis on see valik lubatud. Lisaks peavad kasutajad andma oma nõusoleku veebis nõutud sisetatavate andmete salgitamiseks ning nad peavad nõustuma tingimustega. E-posti teel saadetak registreerimise kinnitus ja arve originaal, kus on näha ostu sooritamise kuupäev, on pikendatud garantiiaja tõestuseks.
3. Garantii katab kõik defektid toote garantiiaja jooksul, kui ostu kuupäeval ilmnevad talitlus- või materjalivead. Garantii piirub toote remondi ja/või väljavahetamisega ning ei sisalda muid kohustusi, muu hulgas ettenägematud või kaudeiselt kahjusid. Garantii ei kehti, kui toodet ei ole kasutatud sihtotstarbeiselt või kooskõlas kasutusjuhendiga või see on valesti ühendatud. Garantii ei kehti järgmistel põhjustel:
 - toode on kahjustatud vale hoolduse tõttu
 - toodet on muudetud
 - toote algpärased identifitseerimismärgised (kaubamärk, seerianumber) on rikutud, muudetud või eemaldatud
 - kahju on tekkinud kasutusjuhendi mittejärgimisest
 - tootel puudub CE-märkis
 - toodet on püüdnud remontida vastavalt kvalifikatsiooni mitte omav isik või ilma firma Technronic Industries eelneva loata.
 - toode on ühendatud valesse toiteallikasse (voolutugevus, pinge, sagedus)
 - välismõjude (keemilised, füüsilised, elektrilöögid) või võrkehade tekitatud kahju
 - tavapärase kulumine ja katkised varuosad
 - ebaõige kasutamine, tööriista ülekoormamine
 - heakskiitmata tarvikute või osade kasutamine
 - koos tööriistaga saadud või eraldi ostetud elektriliste tööriistade tarvikud. Need erandid puudutavad muu hulgas kruvikeeraja otsakuid, puuriterasid, lihvkettaid, lihvpaberit ja -taldu, küljjuhiüksid
 - Komponentid (osad ja tarvikud), mida iseloomustab kulumine ja vananemine, muu hulgas remondi- ja hoolduskomplektid, süsinikharijad, laagrid, padrunid, SDS-puuriterasid tarvikud, toelتهجه, lisakäepide, transpordikott, lihvlaat, tolmuokt, tolmur, väljalasketoru, viilid seibid, löökmütrivõme viilid ja vedrud jne.
4. Hoolduseks peab toote saatma või viima RYOBI volitatud teenindusse, mille aadressi leiab järgnevast teeninduspunkti nimekirjast vastava riigi alt. Mõnedes riikides võtab kohalik RYOBI edasimüüja enda kanda kohustuse saata toode RYOBI teenindusorganisatsiooni. Toote saatmisel RYOBI teenindusse peab toode olema ohutult pakitud ja ei tohi sisaldada ohtlikke aineid (nt bensiini), kirjjas peab olema saatja aadress ja lisatud vea lühikirjeldus.
5. Garantii alusel tehtavad remonditööd / asendamine on tasuta. See ei pikenda garantiit kehtivuslega ega tähistu uue garantiiaja algust. Väljavahetatud osad või tööriistad kuuluvad meile. Mõnedes riikides maksab käitetöötamis- ja postikulud saatja. Teile jäävad kehtima tööriista ostust tulenevad seadusjärgsed õigused
6. See garantiit kehtib Euroopa Liidus, Šveitsis, Islandil, Norras, Liechtensteinis, Türgis, Venemaal ja Ühendkuningriigis. Väljaspool neid piirkondi võtke ühendust volitatud RYOBI edasimüüjaga, et teha kindlaks kas kehtib mõni teine garantiit.

VOLITATUD HOOLDUSKESKUS

Tooteaga seotud päringute või probleemide korral pöörduge kohaliku volitatud hoolduskeskuse poole (vt www.ryobitools.eu) või otse aadressile: Technronic Industries GmbH, Max Eyth Straße 10, 71364 Winnenden, Germany. Märkige ära siidi olev seerianumber ja toote tüüp.

HR UVJETI PRIMJENE JAMSTVA TVRTKE RYOBI

Osim svim zakonskim pravima koja proizlaze iz kupnje, ovaj je proizvod pokriven jamstvom kako je navedeno u nastavku.

1. Jamstveno razdoblje za potrošače traje 24 mjeseca i počinje s datumom na koji je proizvod kupljen. Taj datum mora se dokumentirati računom ili drugim dokazom o kupnji. Proizvod je konstruiran i namijenjen samo za privatnu upotrebu korisnika. Stoga se jamstvo ne daje u slučaju profesionalne ili komercijalne uporabe.
2. Postoji mogućnost da se za dio asortimana električnih alata pokretanih izmjeničnom strujom (AC/DC) proizvodi gore navedeno jamstveno razdoblje putem registriranja na mrežnom mjestu www.ryobitools.eu. Uvjeti koje je potrebno zadovoljiti kako bi se produžilo jamstveno razdoblje jasno su istaknuti u prodavaonicama i / ili na pakiranju i / ili nalaze se unutar dokumentacije proizvoda. Krajnji korisnik mora registrirati svoje novo kupljene alate na mreži u roku od 30 dana od datuma kupnje. Krajnji korisnik može se registrirati za produženo jamstvo u svojoj zemlji boravišta ako se nalazi na popisu u mrežnom obrascu za registraciju gdje je ta opcija važeća. Nadalje, krajnji korisnici moraju dati svoj pristanak na pohranu podataka koji su potrebni za mrežni ulazak i moraju prihvatiti odredbe i uvjete. Potvrda o prijemu registracije, koja se šalje putem e-pošte, kao i originalni račun s vidljivim datumom kupnje poslužić će kao dokaz produženog jamstva.
3. Jamstvo pokriva sve nedostatke proizvoda tijekom jamstvenog razdoblja koji su nastali zbog neispravnosti prilikom izrade ili materijala s datumom kupnje. Jamstvo je ograničeno na popravak i / ili zamjenu i ne obuhvaća nikakve druge obveze, uključujući, ali ne ograničavajući se na slučajne ili posljedne štete. Jamstvo ne vrijedi ako je proizvod bio zlorabljivan, korišten u spratnosti s priborikom s uputama ili ako je pogrešno spojen. Ovo jamstvo ne primjenjuje se na:
 - svaku štetu koja je na proizvodu nastala kao rezultat nepravilnog održavanja
 - svaki proizvod koji je promijenjen ili izmijenjen
 - svaki proizvod na kojem su izvorne identifikacijske oznake (žig, serijski broj) bile oštećene, izmijenjene ili uklonjene
 - svaku štetu prouzročenu neprikladnom upotrebom priborika s uputama
 - svaki proizvod koji nema oznaku CE
 - svaki proizvod koji je pokušao popraviti nekvificirani profesionalac ili onaj koji je popravljan bez prethodnog odobrenja tvrtke Technronic Industries.
 - svaki proizvod koji je spojen na neprikladan izvor električnog napajanja (neodgovarajuća amperaža, napon, frekvencija)
 - svaku štetu prouzročenu unutarnjim utjecajima (kemijskim, fizikalnim, udarnima) ili sitnim tvornim
 - normalno habanje i trošenje rezervnih dijelova
 - neodgovarajuću upotrebu, preopterećenje alata
 - upotrebu neodobrenog pribora ili dijelova
 - dodatnu opremu električnog alata isporučenu s alatom ili kupljenu odvojeno. Takvi izuzetci uključuju ali nisu ograničeni na vrhove odlijača, svrta bušilice, abrazivne diske, brusni papir i noževe, bočnu vodilicu
 - Komponente (dijelovi i pribor) podložne prirodnom trošenju i habanju, što uključuje, ali nije ograničeno na komplete za servisiranje i održavanje, uglične četkice, ležajeve, steznu glavu, nastavak ili priključak za svrdla za SDS bušilicu, priključni kabel, pomoćnu ručku, transportne torbe, brusnu ploču, vreću za prašinu, ispušnu cijev za prašinu, polodške od filca, udarni ključ, zatici i opruge, itd.
4. Za potrebe servisiranja, proizvod se mora poslati ili odnijeti u ovlaštenu servisnu postaju tvrtke RYOBI navedenu na sljedećem popisu s adresama servisnih postaja u svakoj zemlji. U nekim državama, vaši lokalni RYOBI zastupnik obvezuje se da će poslati proizvod u servisnu organizaciju tvrtke RYOBI. Kada se proizvod šalje u neku servisnu postaju tvrtke RYOBI, proizvod se mora sigurno pakirati bez jednog od opasnih sadržaja kao što je benzin, na njemu mora pisati adresa pošiljatelja i mora biti popraćen kratkim opisom kvara.
5. Popravak / zamjena pod ovim jamstvom su besplatni. Oni ne predstavljaju produženje ili novi početak jamstvenog razdoblja. Zamijenjeni dijelovi ili alati postaju naše vlasništvo. U nekim državama troškove isporuke ili poštarinu mora platiti pošiljatelj. Vaša zakonska prava koja proizlaze iz kupnje alata ostaju nepromijenjena
6. Ovo jamstvo je valjano u zemljama Europske zajednice, Švicarskoj, Islandu, Norveškoj, Lichtenštajnu, Turskoj, Rusiji i Ujedinjenoj Kraljevini. Izvan tih područja vas molimo da se obratite svojem ovlaštenom zastupniku tvrtke RYOBI kako biste utvrdili primjenjuje li se drugo jamstvo.

OVLAŠTENI SERVISNI CENTAR

Za svaki zahtjev ili problem s proizvodom možete se obratiti vašim ovlaštenim servisnim centrima (posjetite adresu www.ryobitools.eu) ili izravno na: Technronic Industries GmbH, Max Eyth Straße 10, 71364 Winnenden, Germany. Navedite serijski broj i vrstu proizvoda oisnutu na naljepnici.

SL POGOJI ZA VELJAVNOST GARANCJE RYOBI

Poleg morebitnih zakonsko določenih pravic, ki izvirajo iz nakupa, za ta izdelek velja spodaj navedena garancija.

- Garancijsko obdobje je za potrošnike 24 mesecev in začne teči z dnem nakupa izdelka. Ta datum mora biti dokumentiran z računom ali drugim dokazilom o nakupu. Izdelek je zasnovan in namenjen izključno za potrošniško zasebno uporabo. V primeru strokovne oziroma komercialne uporabe izdelka garancija ne velja.
- Obstaja možnost podaljšanja garancije na del naše ponudbe električnih orodij (AC/DC) prek obdobja garancije, opisaneha zgoraj, s pomočjo registracije na spletnem mestu www.ryobitools.eu website. Ustrezno orodje za podaljšanje garancijskega obdobja je jasno prikazano v trgovinah in/ali na embalaži oziroma je navedena v dokumentaciji izdelka. Končni uporabnik mora registrirati svoje novo orodje na spletu v 30 dneh po datumu nakupa. Končni uporabnik lahko registrira podaljšano garancijo v svoji državi bivanja, če je na obrazcu spletne registracije navedeno, da ta možnost velja za njegovo državo. Poleg tega morajo končni uporabniki podati svoje soglasje za shranjevanje podatkov, ki so potrebni za spletni dostop in morajo sprejeti pogoje in določila uporabe spletnega mesta. Potrdilo o registraciji, ki ga pošljemo prek e-pošte, in originalni račun, ki prikazuje datum nakupa, služita kot dokazilo o podaljšanji garanciji.
- Garancija krije vse okvare izdelka, do katerih pride v garancijskem obdobju zaradi napak v izdelavi ali materialu, ki so bile prisotne ob datumu nakupa. Garancija je omejena na popravilo in/ali zamenjavo in ne vključuje nobenih drugih obveznosti, med drugim vključno z naključno ali posledično škodo. Garancija ne velja, če je bil izdelek napačno uporabljen, uporabljen v nasprotju z navodili iz priložnice za uporabo ali če ni bil pravilno povezan. Ta garancija ne velja za:
 - škodo na izdelku, ki je posledica neustreznega vzdrževanja
 - spremenjen ali prilagojen izdelek
 - izdelek, katerega originalna identifikacijska oznaka (blagovna znamka, serijska številka) je bil poškodovan/a, spremenjena ali odstranjena
 - škodo, ki je posledica neupoštevanja navodil iz priložnice za uporabo
 - izdelek, ki nima oznake CE
 - izdelek, ki ga je poskušal popraviti nekvalificiran strokovnjak ali ki je bil popravljen brez predhodne odobritve s strani družbe Techtronic Industries.
 - izdelek, ki je bil povezan na neustrezno napajanje (amperska moč, napetost, frekvenca)
 - škodo, ki jo povzročijo zunanji vplivi (kemični, fizični, mehanski) ali tuje snovi
 - rezervne dele, ki so podvrženi običajni uporabi
 - neprimerno uporabo, preobremenitev orodja
 - uporabo neodobrenih dodatkov ali delov
 - Dodatno električno orodje, priloženo orodju ali kupljeno ločeno. Take izjeme so med drugim nastavki za izvijače, središča, abrazivni diski, brusni papir in rezila, stranska vodila.
 - Komponente (sestavni in rezervni deli), ki so podvrženi običajni obrabi, med drugim vključno s kompleti za servisiranje in vzdrževanje, oglikovimi krtačkami, ležaji, vpenjalci, svedri priključki SDS ali sprejemnimi odprtini zanke, napajalnimi kablji, pomožnimi ročajmi, prenosnimi kovčki, brusnimi ploščami, vreckami za prah, cevmi za izpuh prahu, tesnilni iz filca, iglami in vzmetni udarnega kluha itd.
- Za servisiranje morate izdelek poslati ali prinesiti v pooblaščen servisni center družbe RYOBI, ki je naveden za vsako državo na naslednjem seznamu naslovov servisnih centrov. V nekaterih državah se vaš lokalni posrednik družbe RYOBI obveže, da bo poslal izdelek na servis družbe RYOBI. Ko pošiljate izdelek v servisni center družbe RYOBI, mora biti izdelek varno zapakiran in ne sme vsebovati nobenih nevarnih snovi, kot je npr. bencin, opremljen pa mora biti z naslovom pošiljatelja in vsebovati kratak opis napake.
- Popravilo/zamenjava v skladu s to garancijo sta brezplačni storitvi. To pa ne predstavlja podaljšanja ali ponovnega začetka garancijskega obdobja. Zamenjani deli ali orodja postanejo naša last. V nekaterih državah stroške dostave in poštno plačilo pošiljatelj. Vaše zakonsko določene pravice, ki izvirajo iz nakupa orodja, ostajajo nespremenjene.
- Ta garancija velja v Evropski skupnosti, Švicí, na Islandiji, Norveškem, v Lichtenštajnu, Turčiji, Rusiji in Združenem kraljestvu. Izven teh območij se obrnite na svojega pooblaščenega posrednika izdelkov RYOBI, dealer ki vam bo povedal, ali velja kakšna druga garancija.

POOBLAŠČEN SERVISNI CENTER

V primeru zahtev ali težav v zvezi z izdelkom se lahko obrnete na lokalne pooblaščenec servisne centre (obišcite www.ryobitools.eu) ali neposredno na: Techtronic Industries GmbH, Max Eyth Straße 10, 71364 Winnenden, Germany. Prosimo, da navedete serijsko številko in tip izdelka, ki sta natisnjena na oznaki.

SK ZÁRUČNÉ PODMIENKY RYOBI

Na tento výrobok sa okrem všetkých zákonných práv, vyplývajúcich z nákupu, vzťahuje záruka v nasledovnom znení.

- Záručná doba pre spotrebiteľa je 24 mesiacov a začína plynúť odo dňa, kedy bol výrobok zakúpený. Tento dátum musí byť doložený faktúrou alebo iným dokladom o zakúpení. Výrobok je navrhnutý a určený pre spotrebiteľa a len na súkromné používanie. Preto sa záruka sa neposkytuje v prípade použitia na profesionálne a komerčné účely.
- V prípade elektrického náradia (na striedavý/jednosmerný prúd AC/DC), existuje možnosť predĺženia záručnej doby opraviť záručnej dobe, uvedenej vyššie, s využitím on-line registrácie na webovej stránke www.ryobitools.eu. Označenie na náradí o nároku na predĺženie záručnej doby je zreteľne uvedené v obchodoch alebo na obale a je uvedené v dokumentácii k výrobku. Koncový používateľ musí zaregistrovať svoje novozískané náradie on-line do 30 dní odo dňa nákupu. Koncový používateľ sa môže zaregistrovať na predĺženu záruku v krajine svojej bydliska, ak je v on-line registračnom formulári uvedená táto možnosť. Ďalej musia koncoví používatelia ešte dať svoj súhlas s uchovávaním údajov, ktoré je potrebné zadať on-line a musia súhlasiť s podmienkami. Potvrdenie o prijatí registrácie, ktorý je zaslané e-mailom a originál faktúry, v ktorej je uvedený dátum nákupu, slúžia ako dôkaz o predĺžení záruky.
- Záruka sa vzťahuje na všetky poruchy výrobku v záručnej dobe, spôsobené chybami materiálů alebo spracovania k dátumu nákupu. Táto záruka je obmedzená na opravu alebo výmenu a nezahŕňa ďalšie povinnosti, vrátane, okrem iných, náhodné alebo následné škody. Táto záruka je neplatná, ak bol výrobok nesprávne používaný, bol používaný v rozpore s návodom na použitie alebo bol nesprávne zapojený. Táto záruka sa nevzťahuje na:
 - akékoľvek poškodenie výrobku, ktoré bolo spôsobené nesprávnou obsluhou
 - akýkoľvek výrobok, ktorý bol zmenený alebo upravený
 - akýkoľvek výrobok, na ktorom bolo poškodené, upravené alebo odstránené identifikčné označenie (ochranná známka, výrobné číslo)
 - akékoľvek škody, spôsobené nedodržaním návodu na obsluhu
 - akýkoľvek výrobok, ktorý neobsahuje označenie CE
 - akýkoľvek výrobok, ktorý sa pokúšal opraviť nekvalifikovaný odborník alebo bol opravovaný bez predchádzajúceho súhlasu so strany spoločnosti Techtronic Industries.
 - akýkoľvek výrobok, pripojený k nesprávnemu napájaciemu zdroju (ampéry, napätie, frekvencia)
 - akékoľvek poškodenia, spôsobené vonkajšími vplyvmi (chemickými, fyzikálnymi, nárazmi) alebo cudzorodými látkami
 - bežné opotrebovanie náhradných dielov
 - nevhodné používanie, preťažovanie nástroja
 - používanie neschváteného príslušenstva a dielov
 - príslušenstvo k elektrickému náradíu, dodávané spolu s náradím alebo zakúpené oddelene. Takéto vytúčenia sa vzťahujú, okrem iného, na násady skrutkovačov, vrtáky, brusne kotúče, brusny papier a čepele, bočné vodiace lišty
 - Súčiastky (diely príslušenstva), ktoré podliehajú prirodzenému opotrebeniu, okrem iného súpravy na servis a údržbu, uhľiky, ložiská, skľučovadlá, SDS vrtáky a príslušenstvo, príloh alebo príjmanie, napájacie kábel, pomocná rukoväť, prepravná skriňa, brusna doska, pracovné vrecko, výfuková trúbica, pistené podložky, kolíky a pružiny na rázový ťahačovač atd.
- Na opravu musí byť výrobok odoslaný alebo doručený do autorizovaného servisného strediska RYOBI, uvedeného pre každú krajinu v nasledovnom zozname adries servisných stredísk. V niektorých krajinách miestny zástupca RYOBI preberá na seba záväzok zaslať tovar do servisnej organizácie RYOBI. Pri odosielaní výrobku do servisného strediska RYOBI je potrebné výrobok bezpečne zabaliť bez akéhokoľvek nebezpečného obsahu, ako je bencín, s vyznačením adresy odosielateľa, s krátkym popisom poruchy.
- Oprava/výmena je vrátane tejto záruky bezplatná. Vymenené diely alebo nástroje sa stávajú našim vlastníctvom. V niektorých krajinách náklady na odoslanie alebo poštovné musí zaplatiť odosielateľ. Vaše zákonné práva, vyplývajúce z nákupu náradia, zostávajú nedotknuté.
- Táto záruka je platná v Európskych spoločnostiach, Švajčiarsku, Islande, Nórsku, Lichtenštajnsku, Turecku, Rusku a Spojenom kráľovstve. Ak sa nachádzate mimo týchto oblastí, obráťte sa na autorizovaného predajcu RYOBI na určenie, či sa dá uplatniť iná záruka.

AUTORIZOVANÉ SERVISNÉ CENTRUM

Všetky žiadosti alebo problémy s výrobkom možno adresovať miestnym autorizovaným servisným strediskám (navštívte www.ryobitools.eu) alebo priamo na: Techtronic Industries GmbH, Max Eyth Straße 10, 71364 Winnenden, Germany. Uveďte sériové číslo a typ výrobku uvedené na etikete.

BG УСЛОВИЯ ЗА ВАЛИДНОСТ НА ГАРАНЦИЯТА НА RYOBI

В допълнение към законоустановените права, произтичащи от покупката, този продукт е обхванат от гаранция, както е изложено по-долу.

- Гаранционният срок е 24 месеца за клиенти и започва да тече от деня на закупуване на продукта. Тази дата трябва да се докаже с фактура или друго доказателство за покупка. Продуктът е изработен и предназначен само за потребителска и лична употреба. Следователно не се дава гаранция в случай на използване от професионалисти или с търговска цел.
- Съществува възможност за удължаване на гаранционния срок за част от диапазона на гаранцията на електрически инструменти (AC/DC) след изтичането на описания тук чрез регистрация на уеб сайта www.ryobitools.eu. В магазините и/или на опаковката или вътре в документацията на продукта е показано ясно дали инструментът отговаря на условията за такова удължаване на гаранционния срок. Крайният потребител трябва да регистрира своите новопридобити инструменти онлайн в рамките на 30 дни от датата на покупка. Крайният потребител може да се регистрира за удължена гаранция в държавата си на пребиваване, ако е посочена във формуляра за онлайн регистрация като място, където тази опция е валидна. Освен това крайните потребители трябва да дадат съгласието си за съхранение на данните, които са задължителни за попълване онлайн, и трябва да приемат общите условия. Полученото потвърждение за регистрация, изпратено по електронна поща, и оригиналната фактура, показваща датата на покупка, ще служат като доказателство за удължената гаранция.
- Гаранцията покрива всички дефекти на продукта по време на гаранционния срок, които се дължат на проблем в изработката или материалите към момента на покупката. Гаранцията е ограничена до ремонт и/или замяна и не включва други задължения, включително, но не само, случайни или косвени щети. Гаранцията е невалидна, ако продуктът е използван неправилно или в противоречие с ръководството с инструкции, както и ако е свързан неправилно. Тази гаранция не важи за:
 - щети по продукта в резултат на неправилна профилактика
 - продукти, които са били изменени или модифицирани
 - продукти, при които оригиналните маркировки за идентификация (Търговска марка, серийн номер) са изтрили, променени или премахнати
 - повреда, причинена от неспазване на ръководството с инструкции
 - продукт без CE маркировка
 - продукт, за който е направен опит за ремонт от невалифициран специалист или без предварително разрешение от Technonic Industries.
 - продукт, свързан със неподходящо електрозахранване (ампераж, волтаж, честота)
 - щети, причинени от външни влияния (химични, физични, удари) или чужди вещества
 - нормално износване на резервни части
 - неподходяща употреба, претоваряване на инструмента
 - използване на неодобрен аксесоари или части
 - Аксесоари за електрически инструмент са предоставени с инструментите или се купуват отделно. Тези изключения включват, но не само, найкръйни за отвертка, свердела, абразивни дискове, шкурка и остриета, странични водач
 - Компоненти (части и аксесоари), подложени на естествено износване, включително, но не само, комплекти за обслужване и поддръжка, карбонови четки, лагери, патронки, приставка със свердело SDS или приемно устройство, захравнац кабел, спомогателна ръкохватка, кутия за транспортиране, шлифовъчна пластина, торба за прах, тръба за отвеждане на прах, филцови шабii, щифтове и пружини за винтоверти и др.
- За обслужване продуктът трябва да се изпрати или занесе на авторизиран сервис на RYOBI, посочен за всяка държава в следния списък с адреси на сервиси. В някои държави местният търговец на RYOBI поема отговорността да изпрати продукта до сервисен център на RYOBI. При изпращане на продукт до сервис на RYOBI той трябва да е опакован безопасно без опасно съдържание, напр. бензин, да е маркиран с адреса на подателя и придружен от кратко описание на повредата.
- Ремонтът/замяната по силата на тази гаранция са безплатни. Те не водят до удължаване или подновяване на гаранционния срок. Сменените части или инструментите стават наша собственост. В някои държави таксите за доставка или изпращане трябва да се платят от подателя. Законоустановените ви права, произтичащи от закупуването на инструментите, остават незасегнати.
- Тази гаранция е валидна в Европейската общност, Швейцария, Исландия, Норвегия, Лихтенщайн, Турция и Обединеното кралство. Извън тези области се свържете с упълномощения търговец на RYOBI, за да се установи дали е приложима друга гаранция.

УПЪЛНОМОЩЕН СЕРВИЗЕН ЦЕНТЪР

Всички заявки или проблеми, свързани с продукта, могат да бъдат отправяни към местните упълномощени сервисни центрове (посетете www.ryobitools.eu) или директно до: Technonic Industries GmbH, Max Eyth Straße 10, 71364 Winnenden, Germany. Посочете сервисния номер и типа на продукта, отпечатани върху етикета.

UK ГАРАНТИЙНИ УМОВИ ДЛЯ RYOBI

Окрім загалом установлених законом прав, що стосуються покупки, цей пристрій покривається гарантією, що зазначено нижче.

- Гарантійний період для споживачів складає 24 місяці і починається з моменту придбання цього пристрою. Ця дата повинна бути задокументована у гарантійному талоні або чеку. Цей пристрій був розроблений і призначений тільки для споживчого та приватного використання. У разі професійного або комерційного використання цього пристрою, він втрачає гарантію.
- Існує можливість подовжити гарантійний період для частини лінійки електричних інструментів (переминого/постійного струму), понад період описаний вище за допомогою реєстрації на сайті www.ryobitools.eu. Пристрої, які мають право на подовження гарантійного періоду, мають чіткі позначки щодо цього в магазинах і / або на упаковці / та документації до пристрою. Кінцевий користувач повинен зареєструвати його/її новопридбаний пристрій онлайн протягом 30 днів з дати покупки. Кінцевий користувач може зареєструватися для подовження гарантійного періоду в своїй країні постійного перебування, якщо вона є доступною у відповідній онлайн формі реєстрації. Крім того, кінцеві користувачі повинні дати свою згоду на зберігання даних, які необхідні для введення онлайн, а також вони повинні прийняти правила та умови. Отримання підтвердження реєстрації, яке відправляється на адресу електронної пошти, та оригінал гарантійного талона із зазначеною датою покупки буде слугувати доказом подовженої гарантії.
- Гарантія поширюється на всі дефекти пристрою протягом гарантійного терміну щодо недотримання стандартів виробництва або матеріалів на дату придбання. Гарантія обмежується ремонтом та/або заміною, та не включає в себе будь-яких інших зобов'язань, в тому числі, але не обмежена у разі виладкових та подальших пошкоджень. Гарантія не діє, якщо пристрій використовувався неналежним чином, всупереч інструкції з експлуатації або був неправильно підключений до мережі. Дані гарантія не поширюється на:
 - пристрій, що був пошкоджений у результаті неправильного технічного обслуговування;
 - пристрій, що був видозмінений або модифікований;
 - пристрій, оригінальне ідентифікаційне (товарний знак, серійний номер) маркування яких було пошкоджене, змінене або видалено;
 - будь-які пошкодження, заподіяні недотриманням інструкції з експлуатації;
 - пристрій, що не мають маркування CE;
 - пристрій, що були відремонтвані невалідованим фахівцем або за відсутності попереднього дозволу від Technonic Industries;
 - пристрій, підключений до невідповідного джерела живлення (сила току, напруження, частота);
 - будь-які пошкодження спричинені зовнішнім впливом (хімічним, фізичним, стрибком напруги) або сторонніми речовинами;
 - нормальну амортизацію запасних частин;
 - невідповідне використання, перевантаження пристрою;
 - використання не підтверджених запасних частин або аксесуарів;
 - прилада до електронного пристрою, що постачається разом з пристроєм або купується окремо. Такі винятки враховують але не є обмеженнями для наконечників викруток, свердел, абразивних дисків, наждачного паперу та лез бiчних напрямних
 - компоненти/частини та прилади з урахуванням нормального зношування, враховуючи, але без обмеження на комплекти профілактики та технічного обслуговування, вулічні щипці, підшипники, патрони, кріплення або прийом SDS свердел, кабелі живлення, додаткові рукоятки, чохла для транспортування, шлифовальні пластини, мішки для збору пилу, трубки вихлопу, фетрові кільця, штирі і пружини гайковерту і т.д.
- Для обслуговування, пристрій має бути відправлений або поданий до одного з авторизованих сервісних центрів RYOBI, які перелічені для кожної країни у наступному переліку адрес сервісних центрів. У деяких країнах місцевий дилер RYOBI зобов'язується відправити пристрій до сервісного центру RYOBI. При відправленні пристрою до сервісного центру RYOBI, пристрій має бути надійно упакований без будь-якого небезпечного вмісту, наприклад бензину, з позначеною адресою відправника та супроводжується коротким описом несправності.
- Ремонт / заміна відповідно до цієї гарантії здійснюється безкоштовно. Це не є основою для подовження або початку нового гарантійного періоду. Замінені частини або прилади переходять до власності компанії. У деяких країнах вартість доставки або поштової витрати повинні бути сплачені відправником. Загально встановлені правила покупки на пристрій залишаються незмінними.
- Ця гарантія є діючою у країнах, членях ЄС, Швейцарії, Ісландії, Норвегії, Лихтенштейні, Туреччині, Росії та Великій Британії. За межами цих зон, будь ласка, зверніться до офіційного дилера RYOBI, щоб визначити, чи застосовується інша гарантія.

АВТОРИЗОВАНІ СЕРВІСНІ ЦЕНТРИ

З будь-яких питань або проблем, пов'язаних з пристроєм, ви можете звернутись до місцевих авторизованих сервісних центрів (відвідайте www.ryobitools.eu) або напрямку до: Technonic Industries GmbH, Max Eyth Straße 10, 71364 Winnenden, Germany. Будь ласка, вкажіть сервісний номер та тип продукту, вказані на етикетці.

TR RYOBI GARANTİ UYGULAMA KOŞULLARI

Alımdan kaynaklanan yasal haklara ek olarak, ürün aşağıda belirtilen garanti kapsamındadır.

1. Tüketicileri için 24 ay olan garanti süresi, ürünün satın alındığı tarihte başlar. Bu tarihin bir fatura ya da alım kanıtıyla belgelenmesi gerekir. Ürün sadece tüketim ve özel kulanim için geliştirilmiştir ve anadımıtır. Bu nedenle, profesyonel ya da ticari kulanim halinde garanti kapsamı sađlanmaz.
2. Elektrikli el aletlerinin bir bölümü (AC/DC) için www.ryobitools.eu sayfasındaki kayıt iřlerini kullanarak garantinin belirtilen sùrünün ötesine uzatma imkanı mevcuttur. Aletlerin garanti sùresinin uzatılmasına uygun olup olmadıđı, mađazalar ve / veya ambalajda açıkça belirtilmiř olup, ürün dokümantasyonunda gösterilir. Son kulancının yeni aldıđı aletleri satın alma tarihini izleyen 30 gün içinde kaydedilmesi gerekir. Son kulancın ikamet ettiği ÷lke, bu sepeđin geđereli olduđu çevrimiçi kayıt formunda belirtilmiře, uzatılmıř garanti sùresi için kayıt yaptırabilir. Dahası, son kulancın icametini geđerici giriř için gerekli verilerin kaydedilmesine izin vermek ve hüküm ve kořulları kabul etmelidir. E-posta ile gönderilen kayıt teyit makbuzası ve alım tarihini gösteren orijinal fatura uzatılmıř garantinin kanıtı olarak deđerlendirilir.
3. Garanti, ürünün alım tarihindeki iřlik ve malzeme kusurları nedeniyle garanti sùresi içinde olacak bütün ařzalarını kapsar. Bu garanti onarım ve deđiřtirmeye sınırlı olup, tasaddı ya da dolaylı hasarlar da dahil, ancak bunlarla kısıtlı olmayan bařka hiçbir tahahhüdü kapsamaz. Garanti, ürünün kötü, kulancın kilavuzuna aykırı kulanimlı ya da yanlış bađlanmıř olması halinde geđereli deđildir. Bu garanti ařadıđakileri kapsamaz:
 - üründe, yanlıř bakımından kaynaklanan herhangi bir hasar
 - deđiřtirilmıř ya da modifiye edilmiř herhangi bir ürün
 - orijinal tanıtım iřaretleri (ticari marka, seri numarası) silinmiř, deđiřtirilmıř ya da kaldırımılmıř herhangi bir ürün
 - kulanim kilavuzuna uymamaktan kaynaklanmıř herhangi bir hasar
 - herhangi bir AT dıřı ürün
 - kalifiye olmayan personel tarafından ya da önceden Technronic Industries onayı alınmadan onarımlar herhangi bir ürün,
 - uygunsuz güç kaynađına (amper, voltaj, frekans) bađlanmıř herhangi bir ürün
 - harici etkenlerden (kimyasal, fiziksel, darbe) veya yabancı cisimlerden kaynaklanan her türlü hasar
 - normal ařınır ve yıpranır aksam
 - uygunsuz kulanim, aletin ařırı yüklenmesi
 - onaysız aksesuar veya parça kulanimı
 - Aletle birlikte sađlanmıř ya da ayrıca alınmıř elektrikli alet aksesuarları, Tornavida uçları, matkap uçları, ařındırıcı dişler, zımpara kađıdı ve bıçakları, yanlal kilavuz gibi aksesuarları, ancak bunlarla sınırlı olmayan eklentiler
 - Servis ve Bakım kitiyle, kömür fırıçalar, yataklar, kovanlar, SDS matkap ucu bađlantısı ya da yalvanlar, gaz kablosu, ezgeç kulamak, nakliye ve taşıma kutusu, kulanimla ilgili, toz torbası, toz yoktor borusu, keçe rondelleri, Darbeli Tornavida Pim ve yayları vb. gibi parçaları kapsayan, ancak bunlarla sınırlı olmayan, ařınma ve yıpranmaya tabi bileřenler (aksam ve aksesuarlar).
4. Ürünün servis için her ÷lke de ařadıđıđı servis istasyonları adres listesinde yer alan yetkili bir RYOBI servis istasyonuna gönderilmesi ya götürülmesi gereklidir. Bazı ÷lkelerde, yerel RYOBI distribütörünüzdü RYOBI servis teřkilatına göndermeyi öđstünlr. Bir ürün bir RYOBI servis istasyonuna gönderilirken, ürünün güvenli bir biçimde ambalajlanmasi, bunun gibi tehlikeli maddeler içermemesi, gönderilmeden indirimi tasdınması ve arızanın kısa bir açıklamasını içermesi gerekir.
5. Bu garanti kapsamında yapılacak onarım / deđiřiklik ücretsizdir. Garanti sùresinin uzatılmasi ya da yeniden bađlantılması anlamına gelmez. Deđiřtirilmıř parçalar veya aletler bize ait olur. Bazı ÷lkelerde teslimat ücretleri veya posta giderlerinin gönderici tarafından ödennesi gerekir. Alımdan kaynaklanan yasal haklarınza etkilenmez.
6. Bu garanti Avrupa Birliđinde, İsviçre, İzlanda, Norveç, Lithenstajın, Türkiye, Rusya ve Birleşik Krallık'ta geđerelidir. Bu alanların dıřında, bařka bir garantinin geđereli olup olmadıđını belirlemek için lütfen yetkili RYOBI distribütörünüze irtibata geçin.

YETKİLİ SERVİS MERKEZİ

Ürüne ilgili her türlü talep ve sorun yerel yetkili servis merkezlerine (www.ryobitools.eu adresini ziyaret edin) veya doğrudan ařadıđıđı şekilde iletilebilir: Technronic Industries GmbH, Max Eyth Straße 10, 71364 Winnenden, Germany. Lütfen etikette yer alan seri numarasını ve ürün tipini belirtin.

EL ÖROİ EFAARMÖĞESİ TÖN PRÖYÖPÖEÖÖÖN EĞİTİŐİŐE THER RYOBI

Ektiős από ta nómiμα δικαιώματα, ta οποία προκύπτουν από την αγορά, to προϊόν καλύπτεται από εγγύηση, λεπτομέρειες της οποίας ακολουθούν τη συνέχεια.

1. Η διάρκεια της εγγύησης για τους καταναλωτές είναι 24 μήνες και αρχίζει από την ημερομηνία αγοράς. Η ημερομηνία θα πρέπει να αναγράφεται στην απόδειξη ή σε άλλο αποδεικτικό αγοράς. Το προϊόν έχει σχεδιαστεί και προορίζεται αποκλειστικά για οικιακή χρήση από καταναλωτές. Συνεπώς, δεν παρέχεται εγγύηση σε περίπτωση επαγγελματικής ή εμπορικής χρήσης.
2. Υπάρχει η δυνατότητα επέκτασης της εγγύησης για ορισμένα ηλεκτρικά εργαλεία (AC/DC), πέραν του παραπάνω αναφερόμενου χρονικού διαστήματος, μέσω εγγραφής στο δικτυακό τόπο www.ryobitools.eu. Η επέκτασή της των εργαλείων με δυνατότητα επέκτασης της περιόδου εγγύησης αναγράφεται ρητά στο καταστήματα και/ή επάνω στη συσκευασία, ενώ περιέχεται στην τεκμηρίωση του προϊόντος. Το τελικό χρήστη θα πρέπει να καταχωρήσει τη εγγραφή, αποκτιήθέντα εργαλεία online, εντός 30 ημερών από την ημερομηνία αγοράς. Ο τελικός χρήστης μπορεί να εγγραφεί για την επέκταση εγγύησης στη χώρα κατοικίας, εφόσον αυτή περιλαμβάνεται στο online έντυπο εγγραφής, εάν υπάρχει η δυνατότητα επέκτασης. Επιπλέον, οι τελικοί χρήστες θα πρέπει να παρέχουν τη συγκεκριμένη τους για την αποθήκευση των στοιχείων τους, ta οποία οφείλουν να καταχωρούν online, όπως και να αποθηκεύουν το όρα και τις προτιμήσεις. Η απόδειξη επιβεβαίωσης της εγγραφής, η οποία αποστέλλεται μέσω email, και η πρωτότυπη απόδειξη αγοράς, η οποία αναγράφει την ημερομηνία αγοράς, αποτελούν αποδεικτικά της παρατεταμένης εγγύησης.
3. Η εγγύηση καλύπτει όλα ta ελαττώματα του προϊόντος, κατά τη διάρκεια της περιόδου εγγύησης, λόγω κατασκευαστικών ελαττωμάτων ή αστοχίας υλικού κατά την ημερομηνία αγοράς. Η εγγύηση περιορίζεται στην αποσκευή και/ή την αντικατάσταση και δεν περιλαμβάνει καμία άλλη επισκευή, συμπεριλαμβανομένων, ενδεικτικά, συμπεριλαμβανόμενων ή παρεπόμενων ζημιών. Η εγγύηση δεν ισχύει εφόσον, έχει σημειωθεί κακομεταχείριση του προϊόντος, δεν έχουν τηρηθεί οι οδηγίες του χειριřιώου οδηγίου ή το προϊόν έχει συνδεθεί λανθασμένα. Η εγγύηση δεν ισχύει για:
 - αποσιδήπότε ζήμια στο προϊόν, η οποία είναι αποτέλεσμα κακής συντήρησης
 - αποσιδήπότε προϊόν, το οποίο έχει αλλοιωθεί ή τροποποιηθεί
 - αποσιδήπότε προϊόν, στο οποίο έχει αλλοιωθεί, τροποποιηθεί ή αφαιρεθεί το γνήσιο αναγνωριστικό (ή/και κατασκευή, σειριακό αριθμό)
 - αποσιδήπότε ζήμια προκληθεί λόγω μη τήρησης του χειριřιώου οδηγίου
 - αποσιδήπότε προϊόν χωρίς σήμανση CE
 - αποσιδήπότε προϊόν, στο οποίο έχει γίνει προσπάθεια επισκευής από μη καταρτισμένο επαγγελματία ή χωρίς την προηγούμενη έγκριση της Technronic Industries.
 - αποσιδήπότε προϊόν, το οποίο έχει συνδεθεί σε ακατάλληλη παροχή ρεύματος (αμπερ, ισχύ, συχνότητα)
 - αποσιδήπότε ζήμια έχει προκληθεί από εξωτερικές επιδράσεις (χημικές, φυσικές, κλιματισμού) ή ξένες ουσίες
 - φυσικολογική φθορά και ρήξη ανταλλακτικών
 - ακατάλληλη χρήση, υπερφόρτωση του εργαλείου
 - χρήση μη ενδεδειγμένων εξαρτημάτων ή ανταλλακτικών
 - Εξαρτήματα ηλεκτρικών εργαλείων που παραρτήθηκαν με το εργαλείο ή αγοράστηκαν ξεχωριστά. Τέτοιες εξαρτήματα περιλαμβάνουν, ενδεικτικά, μύτες καταβιδιού, τρυπάνια, δίσκους λειανσης, ψυλαχάρτο και λεπτιδες, τηλευρικό οδηγό
 - Εξαρτήματα (ανταλλακτικά και αξεσουάρ) που υπόκεινται σε φυσική φθορά και θραύση, συμπεριλαμβανομένων, ενδεικτικά, σει επισκευής & συντήρησης, υψικιών άνθρακα, σφαιρώνων, τοσκ, εξαρτημάτων ή υποδοχών τρυπανών SDS, καλβίνου ισχύος, βοηθητικής λαβής, βαλίτσας μεταφοράς, βάσης τριβείου, σκαλοτάς συλλογής σκόνης, σωλήνα εξαγωγής σκόνης, ροδαλών τσάχας, μυτών και ελατηρίων κρουστικού κλειδιού κοχλίων, κτλ.
4. Το προϊόν θα πρέπει να αποσταλεί ή να παραδοθεί για επισκευή ή συντήρηση σε εξουσιοδοτημένο σημείο σέρβις της RYOBI που περιλαμβάνεται στον ακόλουθο κατάλογο διεύθυνσεων για κάθε χώρα. Σε ορισμένες χώρες, το τοπικό σημείο πώλησης της RYOBI αναλαμβάνει την αποστολή του προϊόντος στο κεντρικό σέρβις της RYOBI. Κατά την αποστολή ενός προϊόντος σε σημείο σέρβις της RYOBI, αυτό θα πρέπει να είναι ασφαλώς συσκευασμένο, χωρίς επικίνδυνο περιεχόμενο, όπως, πετρέλαιο, να φέρει τη διεύθυνση του αποστολέα και να συνοδεύεται από σύντομη περιγραφή της βλάβης.
5. Η επιδιόρθωση / αντικατάσταση υπό την παρούσα εγγύηση παρέχεται δωρεάν. Δε συνιστά παράταση της περιόδου εγγύησης ή εκκίνηση νέας περιόδου εγγύησης. Τα μέτρα που αντικαθίστανται πέρερονται στην κυριότητα μας. Σε ορισμένες χώρες ή εδάφη παροχής ή μεταφοράς ή προϊόντων του αποστολέα, τα νόμιμα δικαιώματα σας, ta οποία απορρέουν από την αγορά του εργαλείου, δεν θίνονται.
6. Η εγγύηση αυτή ισχύει στην Ευρωπαϊκή Ένωση, την Ελβετία, την Ισπανία, τη Νορβηγία, το Λιχτενστάιν, τη Τουρκία, τη Ρωσία και το Ηνωμένο Βασίλειο. Εκτός των παραπάνω περιοχών, σας παρακαλούμε να επικοινωνήσετε με εξουσιοδοτημένο κατάστημα πώλησης της RYOBI, προκειμένου να διαπιστωθεί ένα ισχύει κάποια άλλη εγγύηση.

ΕΞΟΥΣΙΟΔΟΤΗΜΕΝΟ ΚΕΝΤΡΟ ΣΕΡΒΙΣ

Gia αποσιδήπότε αίτημα ή πρόβλημα με το προϊόν μπορείτε να απευθυνθείτε στα τοπικά εξουσιοδοτημένα κέντρα σέρβις (επισκεφθείτε τη διεύθυνση www.ryobitools.eu) ή απευθείας στη διεύθυνση: Technronic Industries GmbH, Max Eyth Straße 10, 71364 Winnenden, Germany. Αναφέρετε τον σειριακό αριθμό και τον τύπο προϊόντος που αναγράφονται στην ετικέτα.









- EN** RYOBI is a trade mark of Ryobi Limited, and is used under license.
- FR** RYOBI est une marque déposée de Ryobi Limited, et est utilisée sous licence.
- DE** RYOBI ist ein Markenzeichen von Ryobi Limited und wird in Lizenz verwendet.
- ES** RYOBI es una marca registrada de Ryobi Limited, y se utiliza bajo licencia.
- IT** L'utilizzo del marchio registrato RYOBI è legato alla licenza concessa da Ryobi Limited.
- NL** RYOBI is een handelsmerk van Ryobi Limited en wordt onder licentie gebruikt.
- PT** RYOBI é uma marca comercial de Ryobi Limited, e é utilizada sob licença.
- DA** RYOBI er et varemærke tilhørende Ryobi Limited og bruges under licens.
- SV** RYOBI är en del av varumärke Ryobi Limited och dess användning är licensierad.
- FI** RYOBI on Ryobi Limitedin omistama tavaramerkki, ja sitä käytetään lisenssin puitteissa.
- NO** RYOBI er et varemerke for Ryobi Limited, og brukes under lisens.
- RU** RYOBI является товарным знаком компании Ryobi Limited, используемым по лицензии.
- PL** RYOBI to znak towarowy firmy Ryobi Limited i jest używany zgodnie z udzieloną licencją.
- CS** RYOBI je ochranná známka společnosti Ryobi Limited a její používání podléhá licenci.
- HU** A RYOBI a Ryobi Limited védjegye, használatá licenc keretében történik.
- RO** RYOBI este o marcă comercială a firmei Ryobi Limited și este utilizată sub licență.
- LV** RYOBI ir Ryobi Limited preču zīme un tiek izmantota saskaņā ar licenci.
- LT** „RYOBI” yra „Ryobi Limited” prekės ženklas, naudojamas pagal licenciją.
- ET** RYOBI on ettevõtte Ryobi Limited kaubamärk, mida kasutatakse litsentsi alusel.
- HR** RYOBI je žig tvrtke Ryobi Limited i koristi se po licenci.
- SL** RYOBI je blagovna znamka družbe Ryobi Limited in se uporablja na podlagi dovoljenja.
- SK** RYOBI je ochranná známka spoločnosti Ryobi Limited a používa sa na základe licencie.
- BG** RYOBI е търговска марка на Ryobi Limited и се използва под лиценз.
- UK** RYOBI є товарним знаком Ryobi Limited, і використовується за ліцензією.
- TR** RYOBI, Ryobi Limited şirketine ait olup, lisans altında kullanılan bir ticari markadır.
- EL** Το RYOBI αποτελεί εμπορικό σήμα της Ryobi Limited και χρησιμοποιείται μετά από χορήγηση άδειας.





Techtronic Industries GmbH
Max-Eyth-Straße 10,
71364 Winnenden, Germany

20211119v2

