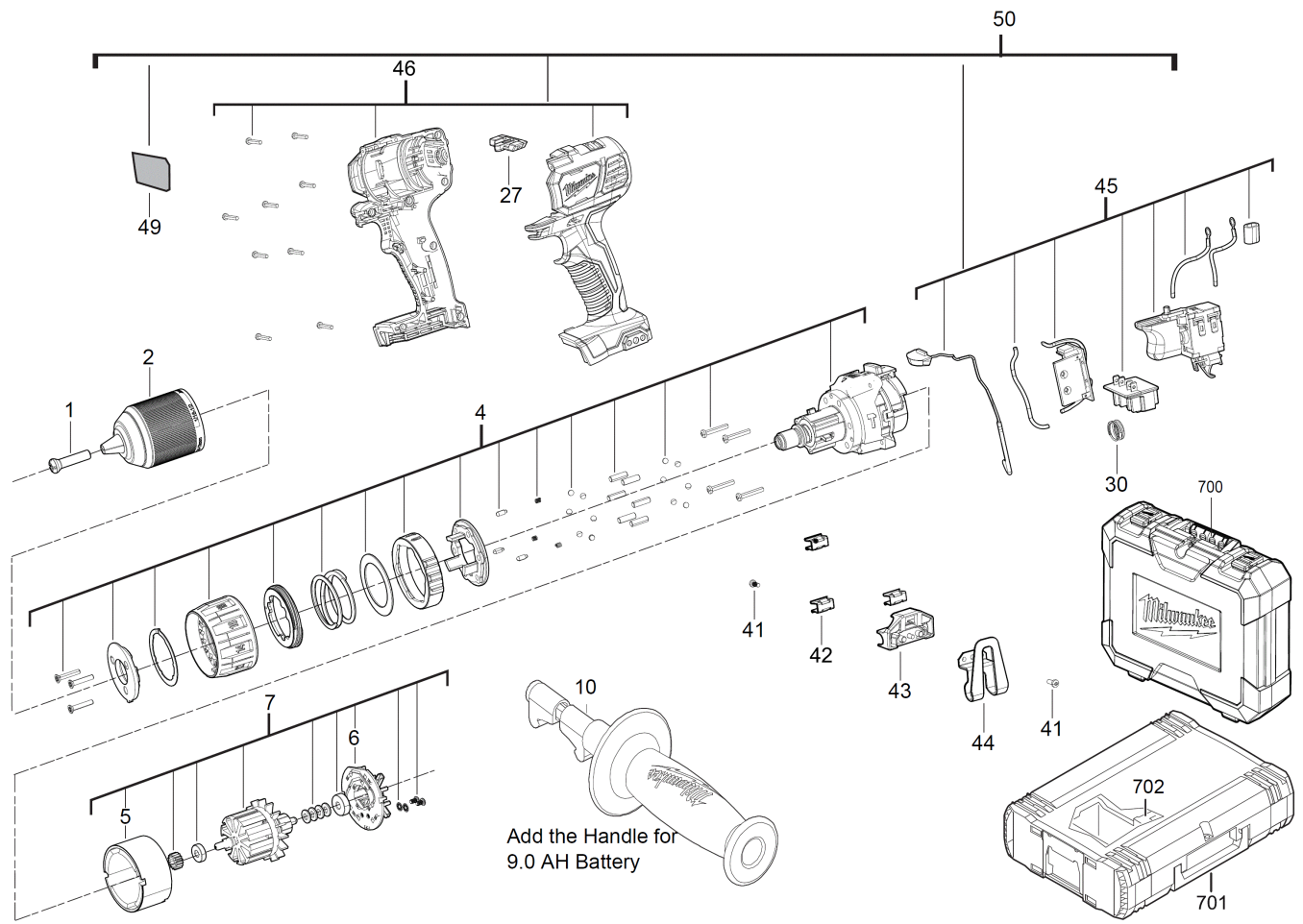


# M18BPD-0 BTY.PERCUSS.DRILL XXX

4933443500 - M18BPD - 4000443501





Position	Quantity	Description	Part number	EAN
0001	1	SCREW	4931433297	4002395896684
0002	1	CHUCK	4931436758	4002395809851
0004	1	GEAR BOX	4931436140	4002395879489
0005	1	ELECTRIC FIELD	4931431940	4002395898817
0006	1	CARBON BRUSH	4931436131	4002395878796
0007	1	MOTOR ASSEMBLY	4931436141	4002395879496
0010	1	AUXILIARY HANDLE	4931454527	4058546009557
0027	1	LEVER	4931436133	4002395879410
0030	1	PRESSURE SPRING	4931408243	4002395814466
0041	1	SCREW	660820001	4002395828920
0042	1	BIT HOLDER	630206001	4002395819164
0043	1	BIT HOLDER	516723001	4002395828975
0044	1	HOOK	4931436134	4002395879427
0045	1	SWITCH ASSEMBLY	4931436142	4002395880102
0046	1	HANDLE COMPL.	4931436136	4002395879441
0049	1	RATING PLATE	4931436143	4002395880119
0050	1	BODY HOUSINGÂ +SWITCH	4931447954	4002395251001
0700	1	CARRYING CASE	4931436138	4002395879465
0701	1	CARRYING CASE WITH FOAM INSERT MET	4932378986	4002395349401
0702	1	INSERT	4931440936	4002395863129