

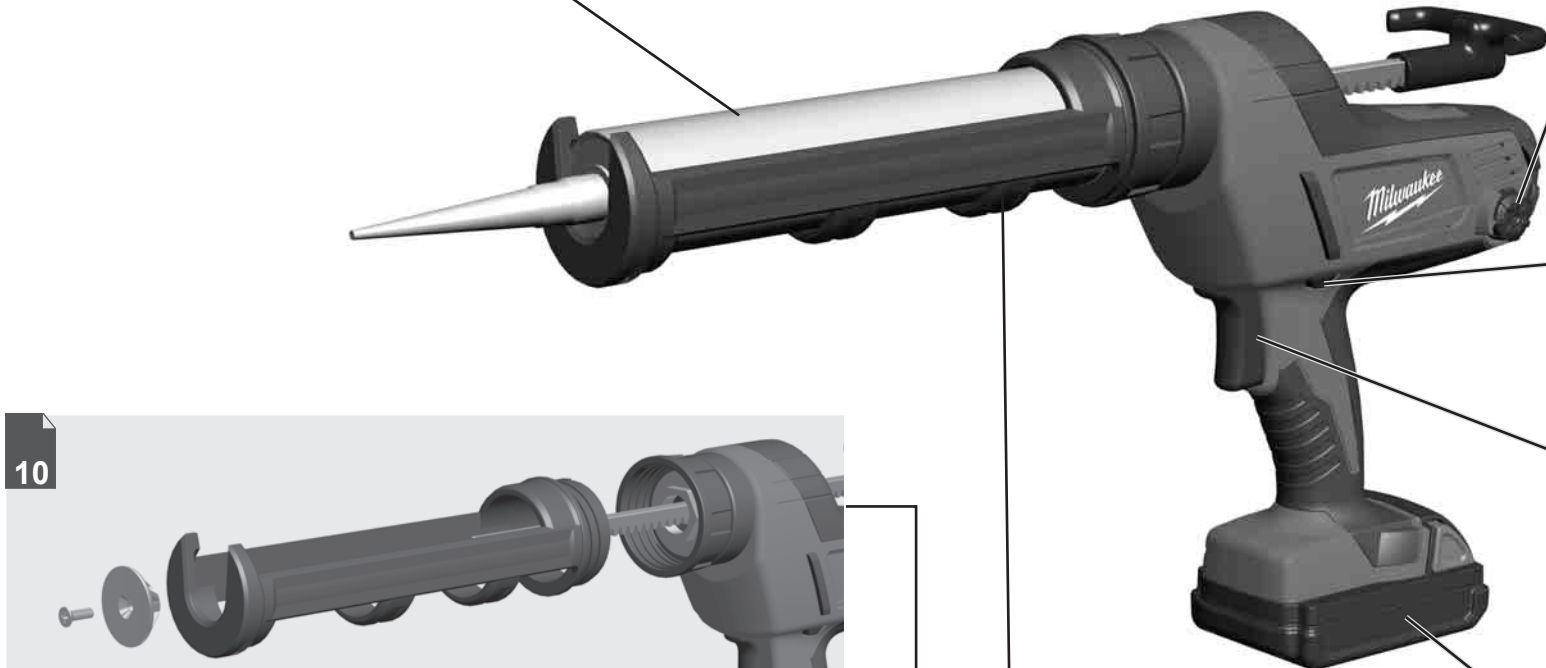
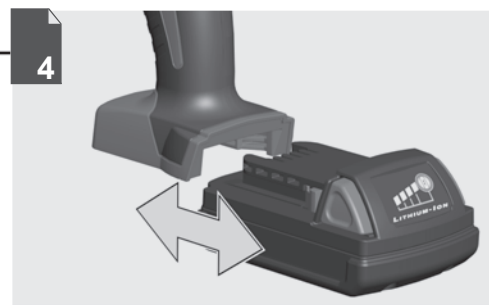
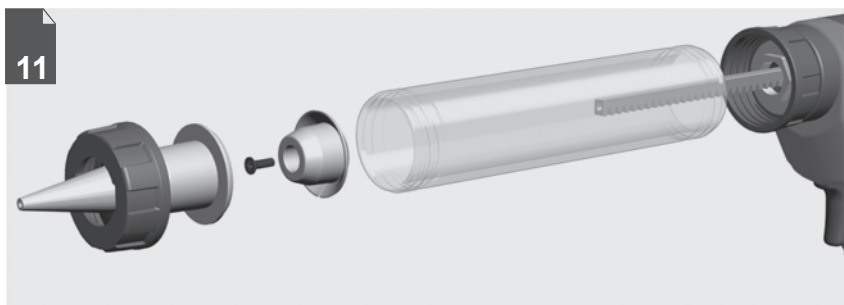
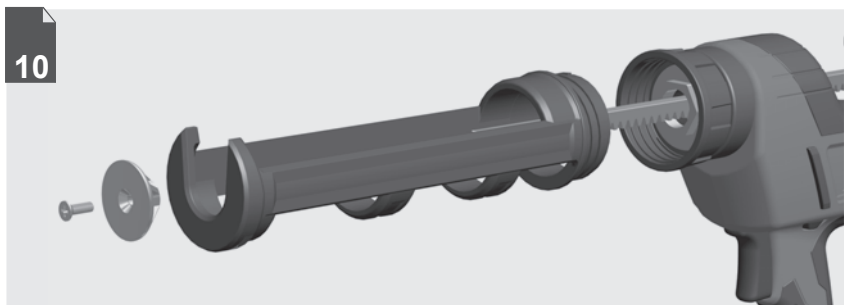
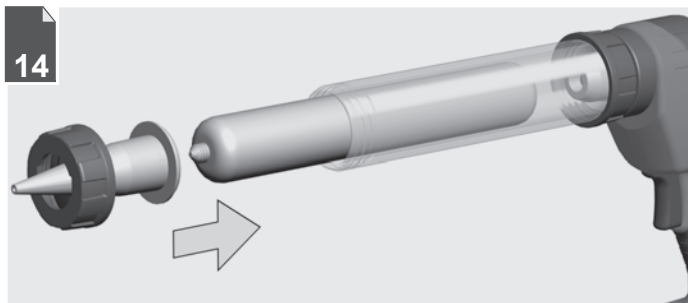
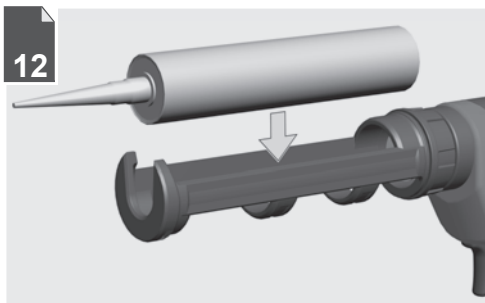
Milwaukee[®]

Nothing but **HEAVY DUTY**.[®]

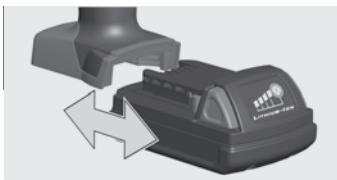


C18 PCG

Original instructions



16 Text section with Technical Data, important Safety and Working Hints and description of Symbols



Remove the battery pack before starting any work on the machine.

Vor allen Arbeiten an der Maschine den Wechselakku herausnehmen

Avant tous travaux sur la machine retirer l'accu interchangeable.

Prima di iniziare togliere la batteria dalla macchina.

Retire la batería antes de comenzar cualquier trabajo en la máquina.

Antes de efectuar cualquier intervención na máquina retirar o bloco acumulador.

Voor alle werkzaamheden aan de machine de akku verwijderen.

Ved arbejde inden i maskinen, bør batteriet tages ud.

Ta ut vekslebatteriet før du arbeider på maskinen

Drag ur batteripaket innan arbete utföres på maskinen.

Tarkista pistotulppa ja verkkojohdo mahdollisilta vaurioilta. Viat saa korjata vain alan erikoismies.

Πριν από κάθε εργασία στη μηχανή αφαιρέστε την ανταλλακτική μπαταρία.

Aletin kendingde bir çalışma yapmadan önce kartuş aküyü çıkarın.

Před zahájením veškerých prací na vrtacím šroubovákú vyjmout výměnný akumulátor.

Pred každou pracou na stroji výměnný akumulátor vytiahnuť.

Przed przystąpieniem do jakichkolwiek prac na elektronarzędziu należy wyjąć wkładkę akumulatorową.

Karbantartás, javítás, tisztítás, stb. előtt az akkumulátort ki kell venni a készülékből.

Pred deli na stroju izvlcite izmenljivi akumulator.

Prije svih radova na stroju izvaditi bateriju za zamjenu.

Pirms mašīnai veikt jebkāda veida apkopes darbus, ir jāizņem ārā akumulators.

Prieš atlikdami bet kokius darbus įrenginyje, išimkite keičiamą akumuliatorių.

Enne kõiki töid masina kallal võtke vahetatava aku välja.

Выньте аккумулятор из машины перед проведением с ней каких-либо манипуляций.

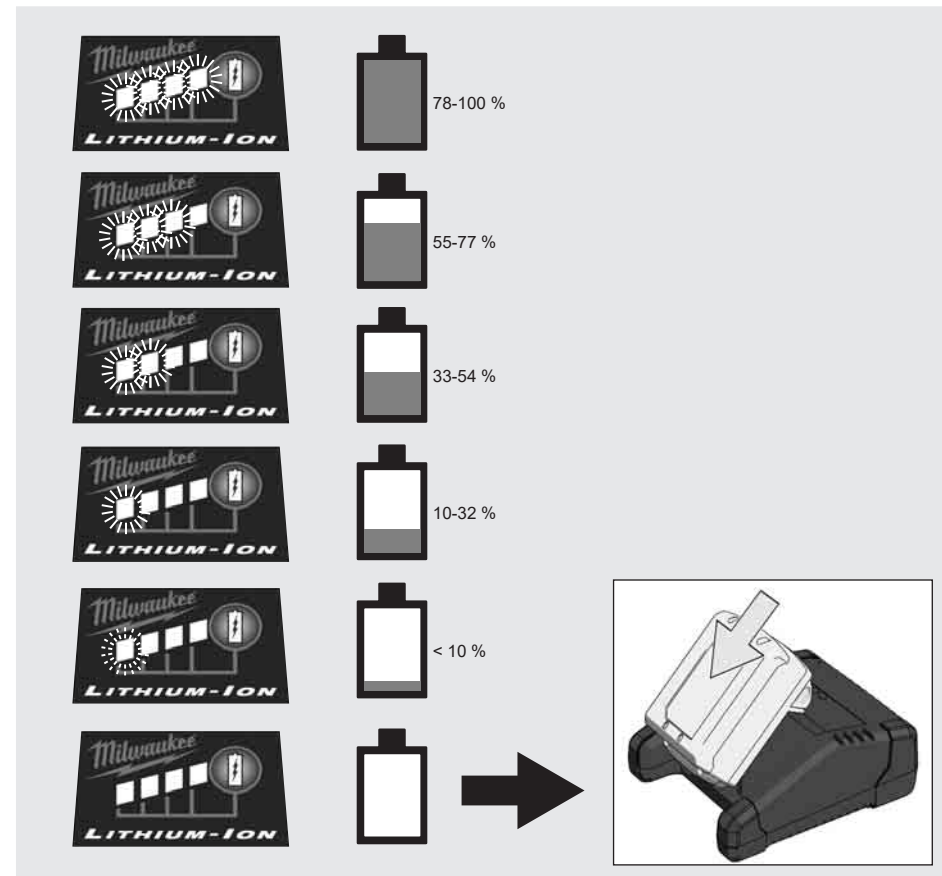
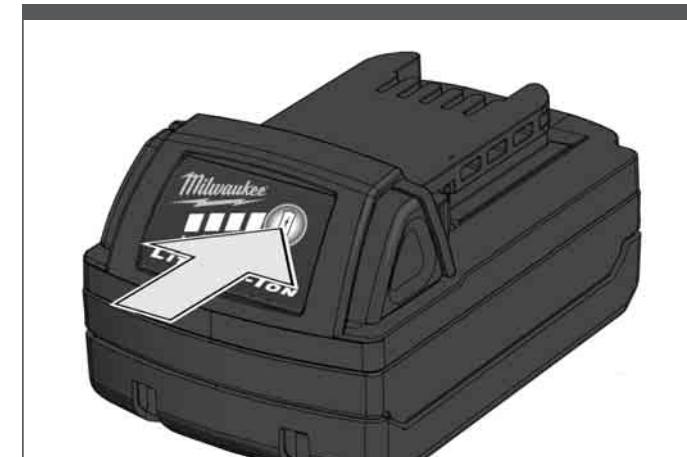
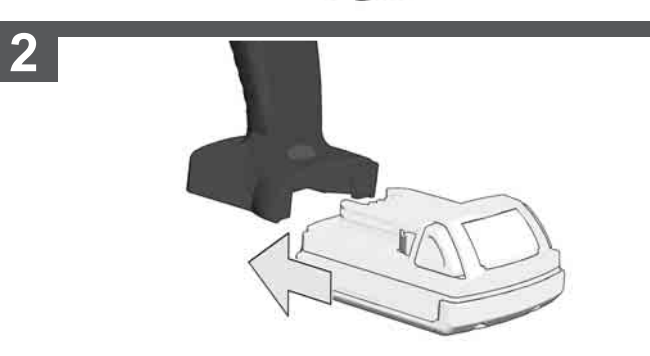
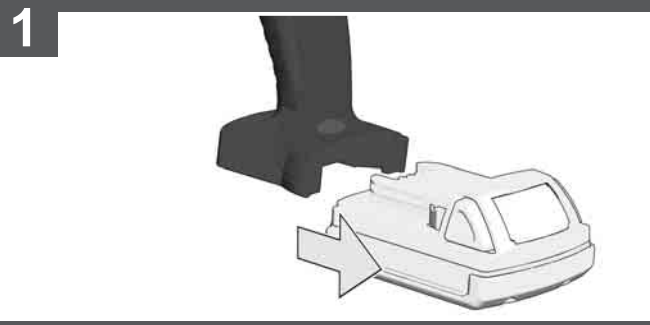
Преди започване на каквито е да е работи по машината извадете акумулатора.

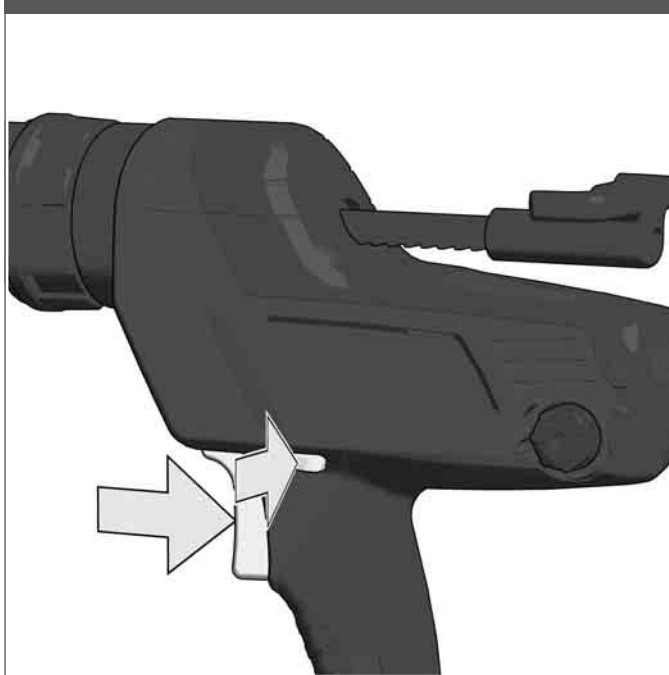
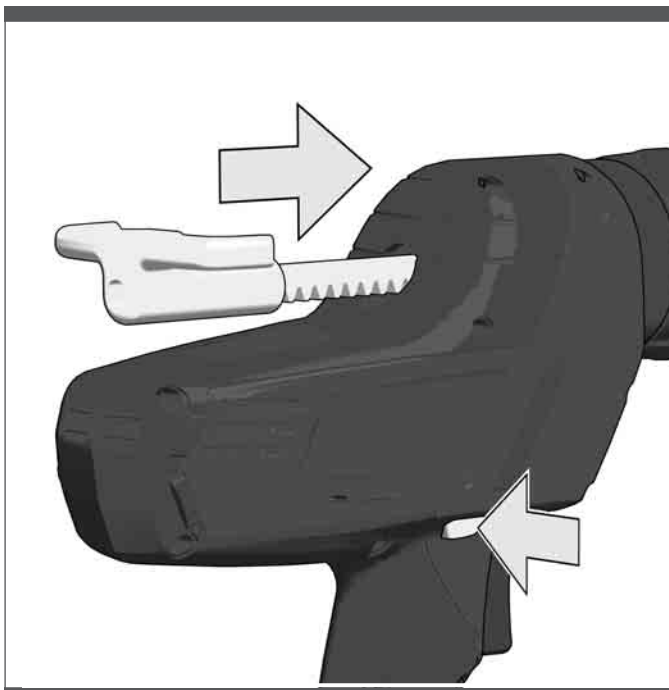
Scoateți acumulatorul înainte de a începe orice intervenție pe mașină.

Отстранете ја батеријата пред да започнете да ја користите машината.

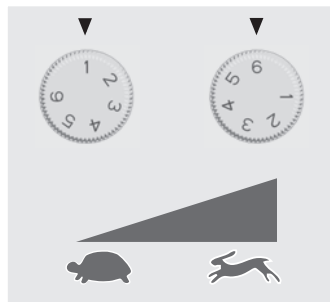
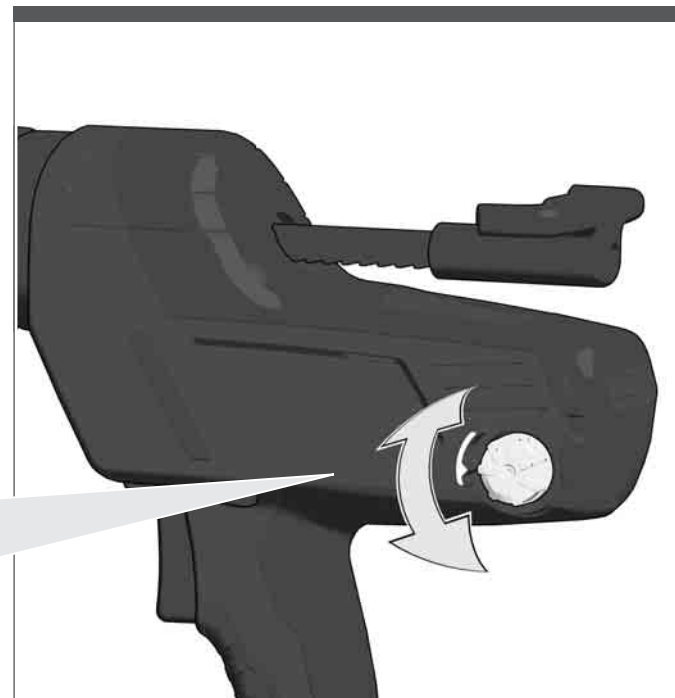
Перед будь-якими роботами на машині ви́няти змінну акумуляторну батарею.

قم بإزالة حزمة البطارية قبل البدء في أي أعمال على الجهاز.



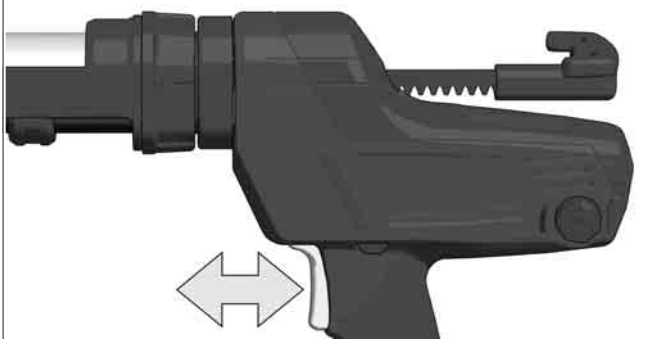


electronic





START



STOP



When the trigger is released, the motor will run for a short time to release the rod. This prevents a drip. When a tube is emptied, the motor will run for a short time to release the rod.

Nach Loslassen des Schalterdrückers läuft der Motor für kurze Zeit nach und entlastet so die Schubstange. Dies verhindert ein Nachtropfen. Bei einer leeren Tube läuft der Motor kurz nach um die Schubstange zu entlasten.

Si l'on relâche le bouton de fonctionnement, le moteur continuera à tourner pour un court laps de temps, en délestent la tige de poussée. On prévient ainsi l'égouttement. Lorsque le tube sera vide, le moteur continuera à tourner pour un court laps de temps pour délester la tige de poussée.

Rilasciando il tasto di funzionamento, il motore continuerà a girare per un breve periodo, scaricando l'asta di spinta. In questo modo si previene lo sgocciolamento. Quando la cartuccia sarà vuota, il motore continuerà a girare per un breve periodo per scaricare l'asta di spinta.

Después de soltar el interruptor, el motor sigue marchando en inercia durante un corto periodo de tiempo y descarga de este modo la biela de empuje. Debido a esta operación se evita un goteo. Si el cartucho está vacío, el motor sigue marchando en inercia durante un corto periodo de tiempo para descargar la biela de empuje.

Depois de soltar o gatilho, o motor funcionará algum tempo por inércia e descarregará a biela. Isso evita o gotejamento. Quando o tubo estiver vazio, o motor funcionará algum tempo por inércia para descarregar a biela.

Na het loslaten van de druschakelaar loopt de motor nog even door en ontlast zo de schuifstang. Hierdoor wordt nadruppelen voorkomen. In geval van een lege tube loopt de motor nog even door om de schuifstang te ontlasten.

Når trykkkontakten slippes, kører motoren kortvarigt videre og aflaster på den måde stødstangen. Dette forhindrer efterdryp. Når tuben er tom, kører motoren kortvarigt videre for at aflaste veiestangen.

Etter at trykkbryteren slippes løs fortsetter motoren å gå en kort stund og avlaster slik veivstangen. Dette forhindrer at det drypper. Når tuben er tom fortsetter motoren å gå en liten stund for å avlaste veiestangen.

Når du släpper tryckknappen fortsätter motorn att gå en kort stund och avlaster så tryckstängen. Denna avlastning förhindrar efterdroppning. När en tub är tom fortsätter motorn att gå en kort stund och avlaster så tryckstängen.

Kun painimesta päästää irti, moottori käy vielä jonkin aikaa ja vapauttaa näin työntötangon. Se estää jälkivuotamisen. Patruunan ollessa tyhjä moottori käy vielä jonkin aikaa ja vapauttaa näin työntötangon.

Μετά την ελευθέρωση της σκανδάλης ο κινητήρας συνεχίζει να λειτουργεί για σύντομο διάστημα και αποφορτίζει τη ράβδο ώθησης. Αυτό αποτρέπει το στάξιμο. Σε ένα άδειο σωληνάριο ο κινητήρας συνεχίζει να λειτουργεί για σύντομο διάστημα για να αποφορτίσει τη ράβδο ώθησης.

Şalter düğmesinin serbest bırakılmasından sonra motoru kısa bir süre çalışır ve bu süre içerisinde itme demirini hafifletir. Boş bir tüpte itme demirinin yük altından kurtulması için motor kısa süre çalışır.

Po uvoľnení spoušťačoho tlačítka motor ešte po krátkou dobu dobíhá a odlehčuje tak suvnu tyč. To zabraňuje dokapávaní. V

případě prázdné kartuše motor ještě po krátkou dobu dobíhá, aby odlehčil suvnu tyč.

Po uvoľnení spúšťacieho tlačidla motor ešte po krátkou dobu dobieha a odľahčuje tak posuvnú tyč. To zabraňuje dokvapkávaniu. V prípade prázdnej kartuše motor ešte po krátkou dobu dobieha, aby odľahčil posuvnú tyč.

Po zwolnieniu przycisku wyłącznika silnik pracuje jeszcze przez chwilę i odciąża w ten sposób suwak. Zapobiega to wyciekaniu kropli.

Po opróznieniu tubki silnik pracuje jeszcze przez chwilę, aby odciążyc suwak.

A kapcsológomb elengedése után a motor még egy rövid ideig jár, és így tehermentesíti a tolórudat. Ez megakadályozza az utáncsepogést. Kiürült patron esetén a motor a tolórúd tehermentesítéséhez még rövid ideig jár.

Po izpustitvi tipke motor še kratek as tee in tako razbremenil pomikalnik. To prepreuje naknadno kapljanje.

Pri prazni tubi motor za razbremenitev pomikalnika še kratek as tee.

Poslije ispuštanja sklopke motor kratko vrijeme radi dalje i rasterećuje pogonsku motku. To sprječava naknadno kapanje. Kod jedne prazne tube motor kratko radi dalje, kako bi se rasteretila pogonska motka.

Pēc ieslēgšanas slēdža nospiešanas dzinēja darbība nedaudz kavējas un tādā veidā atslōgo bīdstieni. Tas novērš pilēšanu. Tukšas tūbinas gadījumā dzinējs uz brīdi apstājas, lai tādā veidā atslōgotu bīdstieni.

Atleidus jungiklio mygtuką, variklis dar trumpą laiką dirba ir atpalaiduoja stūmimo svirtį. Tai padeda apsaugoti nuo medžiagos lašėjimo. Esant tuščiam vamzdeliui, variklis kurį laiką veikia, kad atplaiduotų stūmimo svirtį.

Pärast päästiklüliti lahtilaskmist töötab mootor hetke vältel edasi ja vabastab nii lükkevarda koormusest. Sellega välditakse tilkumist. Tühja tuubi korral töötab mootor lükkevarda koormusest vabastamiseks hetke vältel edasi.

После отпущания нажимного выключателя двигатель некоторое время работает по инерции и разгружает шатун. В результате этого предотвращается подтекание. После опорожнения магазина двигатель некоторое время работает по инерции, чтобы разгрузить шатун.

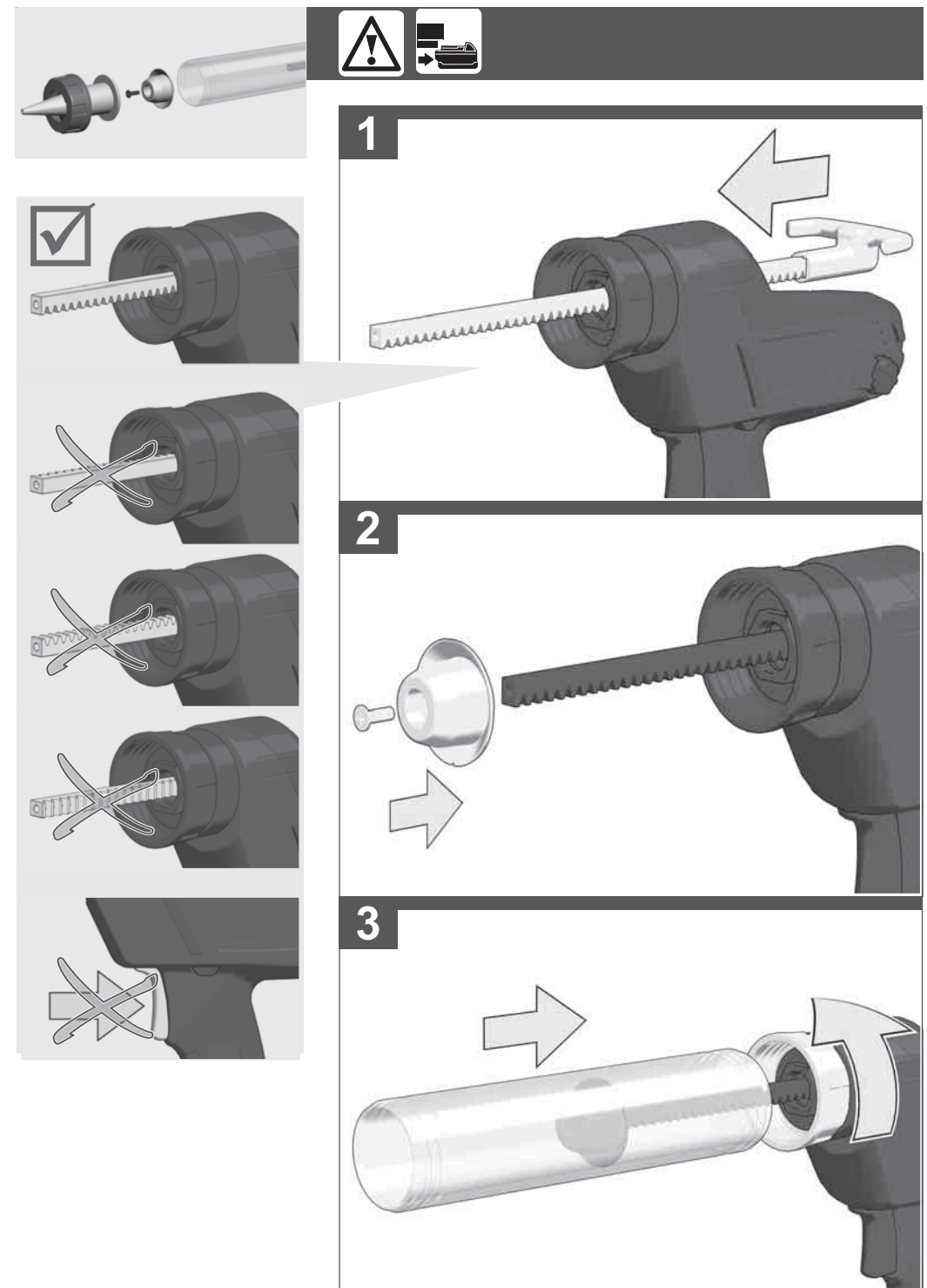
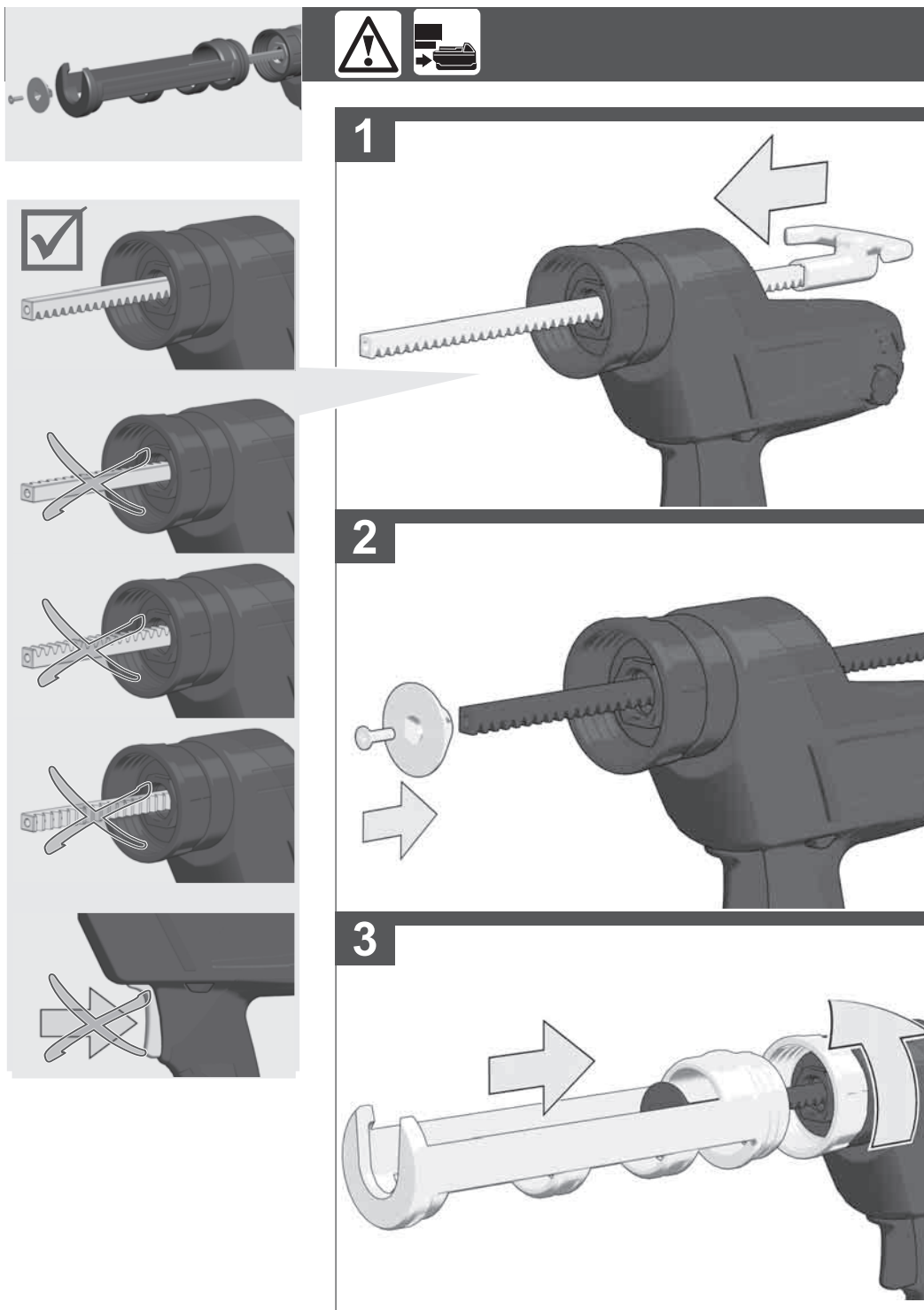
След пускание на спуська моторът продължава да работи за кратко и по този начин освобождава напрежението в тласкащата шанга. Това предотвратява последващото капане. При празна туба моторът продължава да работи за кратко с цел освобождаване на напрежението в шангата.

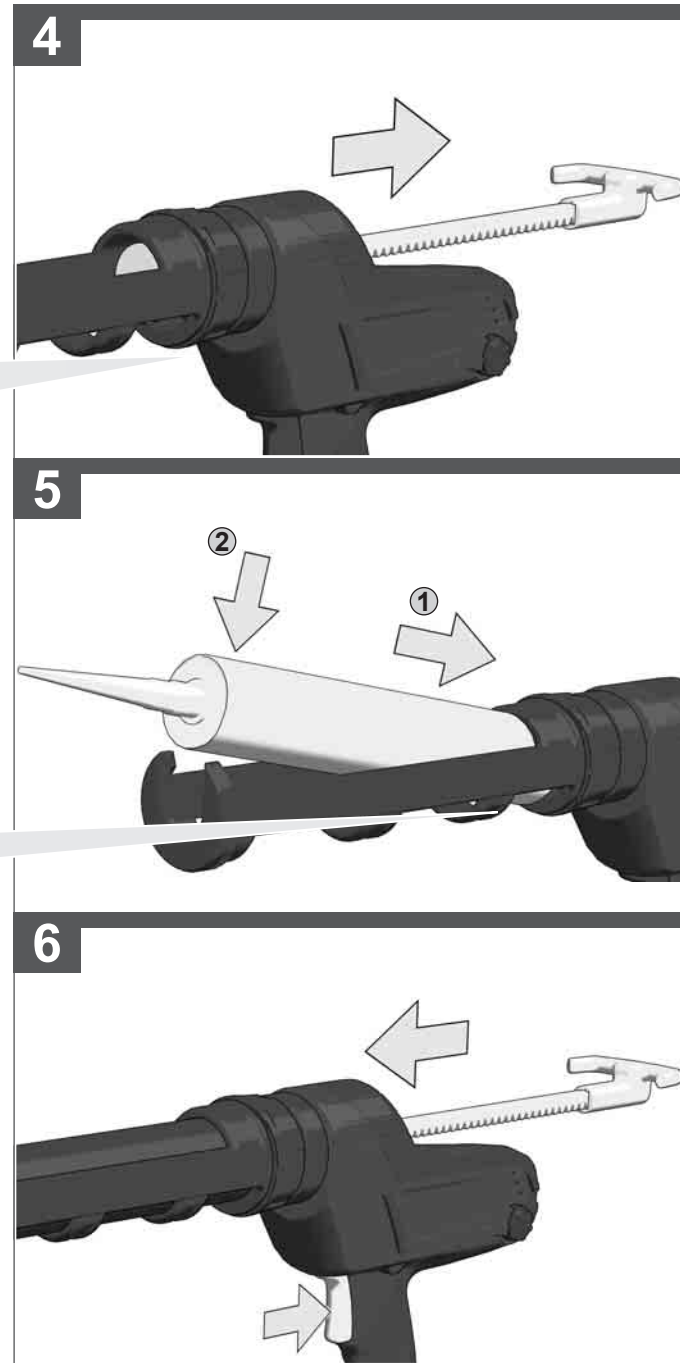
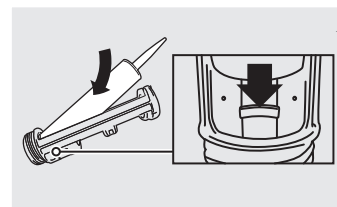
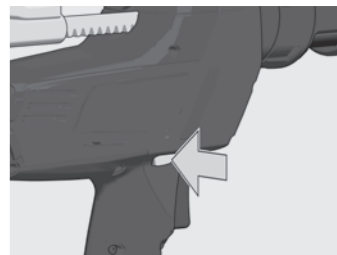
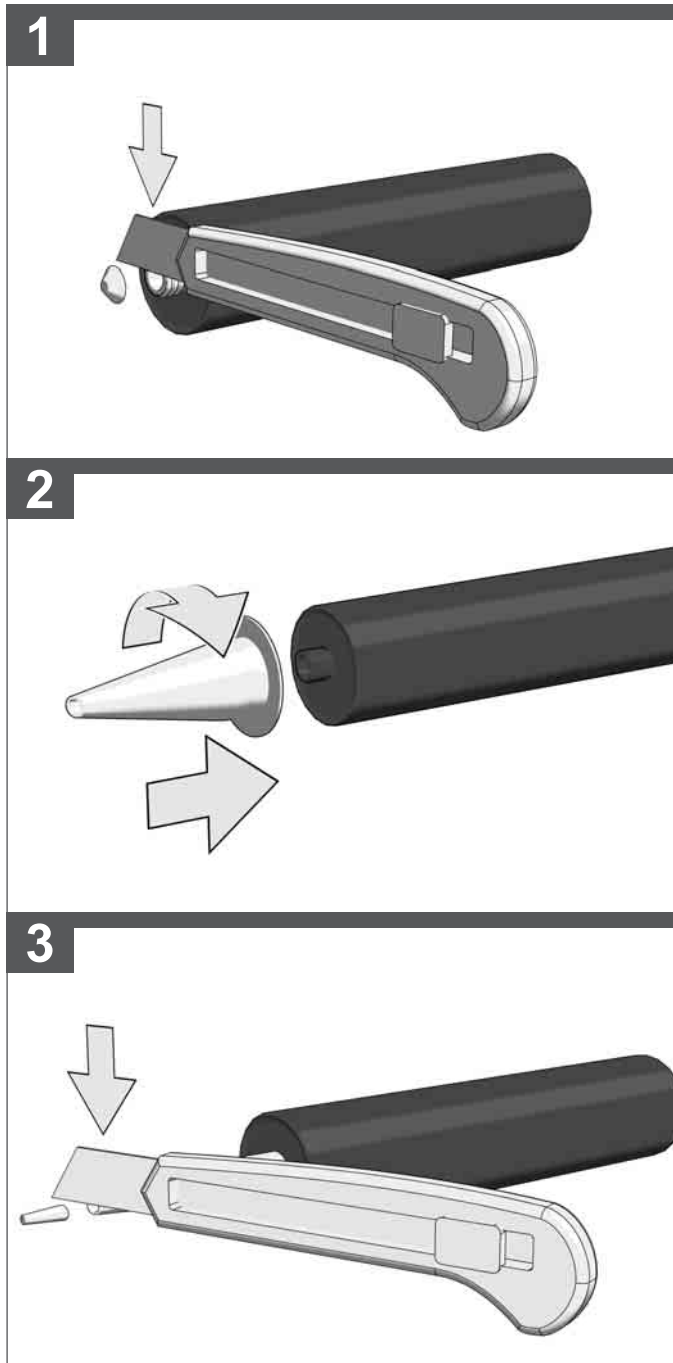
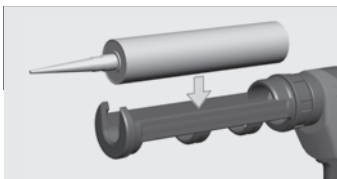
După eliberarea manetei de pornire, motorul mai funcționează în continuare pentru un scurt timp și astfel detensionează tija de împingere. Acest lucru împiedică o picurare ulterioară. Dacă tubul este gol, motorul mai funcționează în continuare pentru un scurt timp pentru a detensiona tija de împingere.

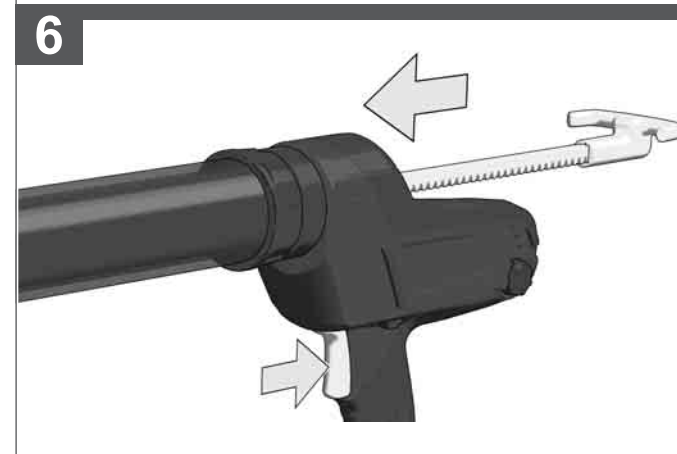
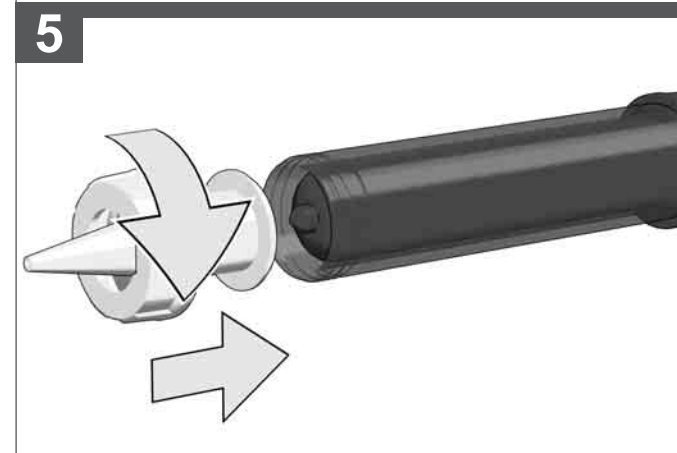
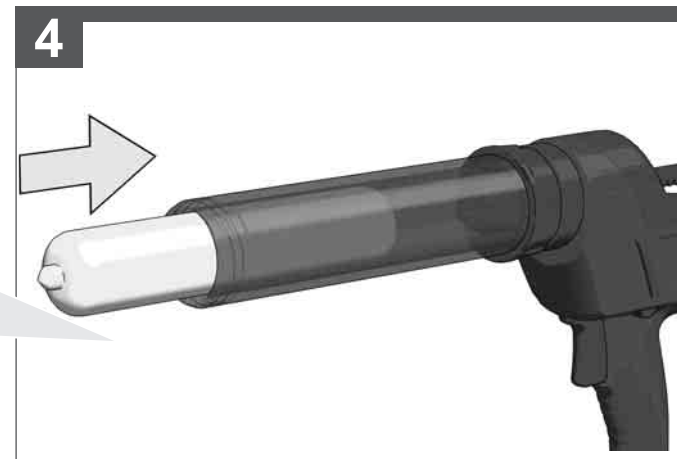
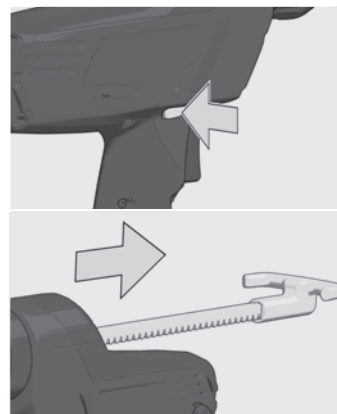
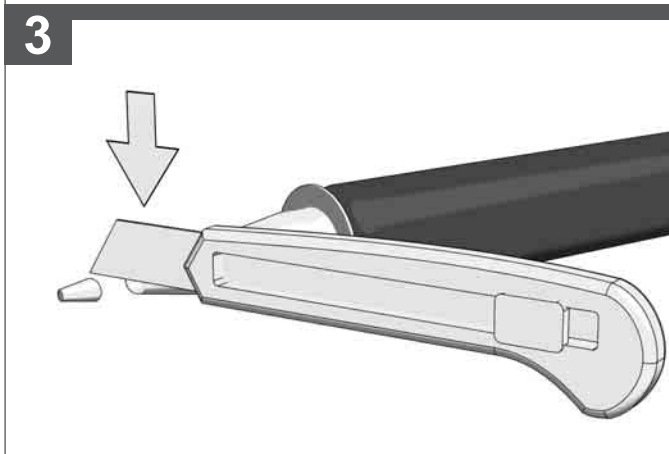
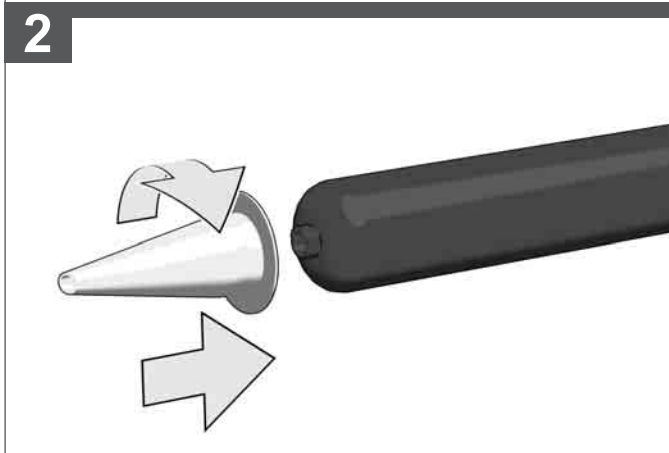
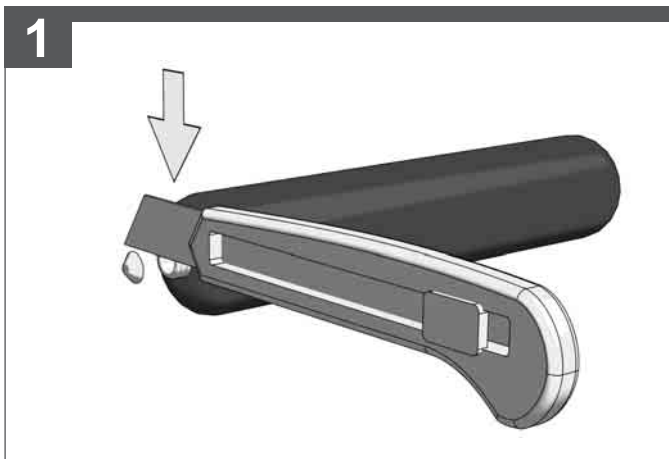
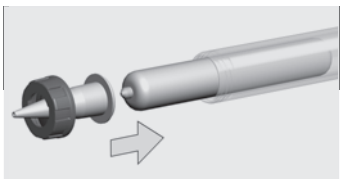
По отпуштање на копчето прекинувач моторот за кратко време работи и на тој начин ја растеретува погонската шипка. Тоа спречува дополнително капнување. Во случај на празна туба моторот после кратко време работи за да ја растерети погонската шипка.

Після відпускання кнопки викидача двигун деякий час рухається за інерцією і таким чином знімає навантаження зі штоку штовхача. Це запобігає витіканню. Якщо тубик порожній, то двигун деякий час рухається за інерцією, щоб зняти навантаження зі штоку штовхача.

بعد تحرير الزناد، يتم تشغيل المحرك لفترة قصيرة لتحرير القضيب. يمنع هذا حدوث التقطر.







TECHNICAL DATA	CAULKING GUN	C18 PCG
Production code.....	4315 81 04...	...000001-999999
Feed force	4500 N	
Battery voltage.....	18 V	
Weight according EPTA-Procedure 01/2014 (1,5 Ah).....	2,3 kg	
Weight according EPTA-Procedure 01/2014 (3,0 Ah).....	2,5 kg	
Recommended ambient operating temperature.....	-18°C ... +50°C	
Recommended battery types.....	M18B...; M18HB...	
Recommended charger.....	M12-18...; M1418C6	

Noise/vibration information

Measured values determined according to EN 62841.

Typically, the A-weighted noise levels of the tool are:

Sound pressure level (Uncertainty K=3dB(A))	68 dB (A)
Sound power level (Uncertainty K=3dB(A)).....	79 dB (A)

Total vibration values (vector sum in the three axes) determined according to EN 62841.

Vibration emission value a _h	< 2,5 m/s ²
Uncertainty K=.....	1,5 m/s ²

WARNING

The vibration and noise emission level given in this information sheet has been measured in accordance with a standardized test given in EN 62841 and may be used to compare one tool with another. It may be used for a preliminary assessment of exposure.

The declared vibration and noise emission level represents the main applications of the tool. However if the tool is used for different applications, with different accessories or poorly maintained, the vibration and noise emission may differ. This may significantly increase the exposure level over the total working period.

An estimation of the level of exposure to vibration and noise should also take into account the times when the tool is switched off or when it is running but not actually doing the job. This may significantly reduce the exposure level over the total working period.

Identify additional safety measures to protect the operator from the effects of vibration and/or noise such as: maintain the tool and the accessories, keep the hands warm, organization of work patterns.

⚠ WARNING Read all safety warnings, instructions, illustrations and specifications provided with this power tool. Failure to follow all instructions listed below may result in electric shock, fire and/or serious injury. **Save all warnings and instructions for future reference.**

SAFETY INSTRUCTIONS

Read and understand the charger operator's manual packaged with your charger.

Always wear goggles when using the machine.

Remove the battery pack before starting any work on the machine.

Do not dispose of used battery packs in the household refuse or by burning them. AEG Distributors offer to retrieve old batteries to protect our environment.

Do not store the battery pack together with metal objects (short circuit risk).

Use only System C18 chargers for charging System C18 battery packs. Do not use battery packs from other systems.

Never break open battery packs and chargers and store only in dry rooms. Keep dry at all times.

To reduce the risk of injury, electric shock, and damage to the tool, never immerse your tool in liquid or allow a liquid to flow inside the tool.

Battery acid may leak from damaged batteries under extreme load or extreme temperatures. In case of contact with battery acid wash it off immediately with soap and water. In case of eye contact rinse thoroughly for at least 10 minutes and immediately seek medical attention.

Warning! To reduce the risk of fire, personal injury, and product damage due to a short circuit, never immerse your tool, battery pack or charger in fluid or allow a fluid to flow inside them. Corrosive or conductive fluids, such as seawater, certain industrial chemicals, and bleach or bleach containing products, etc., can cause a short circuit.

SPECIFIED CONDITIONS OF USE

The caulking gun is intended to apply tube or sausage pack caulks and adhesives to surfaces. In case of doubt, please read the caulk or adhesive manufacturers' instructions.

Do not use this product in any other way as stated for normal use.

EC-DECLARATION OF CONFORMITY

We declare as the manufacturer under our sole responsibility that the product described under "Technical Data" fulfills all the relevant regulations and the directives 2011/65/EU (RoHS), 2014/30/EU, 2006/42/EC, and the following harmonized standards have been used:

EN 62841-1:2015
EN 55014-1:2017+A11:2020
EN 55014-2:2015
EN IEC 63000:2018

Winnenden, 2020-11-10



Alexander Krug
Managing Director



Authorized to compile the technical file.

Techtronic Industries GmbH
Max-Eyth-Straße 10
71364 Winnenden
Germany

GB-DECLARATION OF CONFORMITY

We declare as the manufacturer under our sole responsibility that the product described under "Technical Data" fulfills all the relevant provisions of the following Regulations S.I. 2008/1597 (as amended), S.I. 2016/1091 (as amended), S.I. 2012/3032 (as amended) and that the following designated standards have been used:

BS EN 62841-1:2015
BS EN 55014-1:2017+A11:2020

BS EN 55014-2:2015
BS EN IEC 63000:2018

Winnenden, 2020-11-10



Alexander Krug
Managing Director

Authorized to compile the technical file.

Techtronic Industries GmbH
Max-Eyth-Straße 10
71364 Winnenden

BATTERIES

Battery packs which have not been used for some time should be recharged before use.

Temperatures in excess of 50°C (122°F) reduce the performance of the battery pack. Avoid extended exposure to heat or sunshine (risk of overheating).

The contacts of chargers and battery packs must be kept clean.

For an optimum life-time, the battery packs have to be fully charged, after used.

To obtain the longest possible battery life remove the battery pack from the charger once it is fully charged.

For battery pack storage longer than 30 days:

Store the battery pack where the temperature is below 27°C and away from moisture

Store the battery packs in a 30% - 50% charged condition
Every six months of storage, charge the pack as normal.

BATTERY PACK PROTECTION LI-ION BATTERY

The battery pack has overload protection that protects it from being overloaded and helps to ensure long life.

Under extreme stress the battery electronics switch off the machine automatically. To restart, switch the machine off and then on again. If the machine does not start up again, the battery pack may have discharged completely. In this case it must be recharged in the battery charger.

ADVICE FOR OPERATION

Anti-Drip and Rod Release

The caulk gun features an automatic anti-drip to prevent drips after the trigger is released. When the trigger is released, the motor will run for a short time to release the rod.

When a tube is emptied, the motor will run for a short time to release the rod, then shut off. Release the trigger and change the tube.

Overload

When an overload occurs, the tool will reach the maximum drive force and continue to hold this maximum force until the user releases the trigger. If material is not dispensing, make sure that:

- Nozzle tip is cut
- Inner seal in the caulk tube is broken
- Hardened material is removed from the nozzle
- Caulk tube is not damaged or frozen
- Rod is free of caulk/adhesive materials

TRANSPORTING LITHIUM BATTERIES

Lithium-ion batteries are subject to the Dangerous Goods Legislation requirements.

Transportation of those batteries has to be done in accordance with local, national and international provisions and regulations.

- The user can transport the batteries by road without further requirements.
- Commercial transport of Lithium-Ion batteries by third parties is subject to Dangerous Goods regulations. Transport preparation and transport are exclusively to be carried out by appropriately trained persons and the process has to be accompanied by corresponding experts.

When transporting batteries:

- Ensure that battery contact terminals are protected and insulated to prevent short circuit.
- Ensure that battery pack is secured against movement within packaging.
- Do not transport batteries that are cracked or leak.

Check with forwarding company for further advice











MAINTENANCE

CAUTION! Carriage and rod must remain clean and free of caulk and adhesive materials. Clean off materials according to caulk/adhesive manufacturer's recommendations.

Use only AEG accessories and AEG spare parts. Should components need to be replaced which have not been described, please contact one of our AEG service agents (see our list of guarantee/service addresses).

If needed, an exploded view of the tool can be ordered. Please state the machine type printed as well as the six-digit No. on the label and order the drawing at your local service agents or directly at: Techtronic Industries GmbH, Max-Eyth-Straße 10, 71364 Winnenden, Germany.

SYMBOLS

	CAUTION! WARNING! DANGER!
	Always disconnect the plug from the socket before carrying out any work on the machine.
	Please read the instructions carefully before starting the machine.
	Always wear goggles when using the machine.
	Do not dispose electric tools, batteries/rechargeable batteries together with household waste material. Electric tools and batteries that have reached the end of their life must be collected separately and returned to an environmentally compatible recycling facility. Check with your local authority or retailer for recycling advice and collection point.
n_0	No-load speed
V	Volts
	Direct current
	European Conformity Mark
	British Conformity Mark
	Ukraine Conformity Mark
	EurAsian Conformity Mark

Copyright 2020
Techtronic Industries GmbH
Max-Eyth-Str. 10
71364 Winnenden
Germany
+49 (0) 7195-12-0
www.milwaukeeetool.eu

Techtronic Industries (UK) Ltd
Fieldhouse Lane
Marlow Bucks SL7 1HZ
UK

 **EAC UK
CA**
(11.20)
4100 4141 80