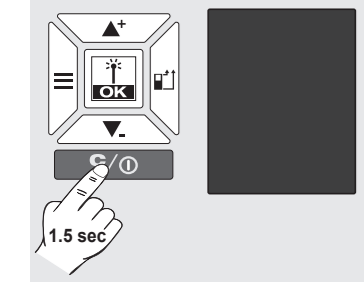
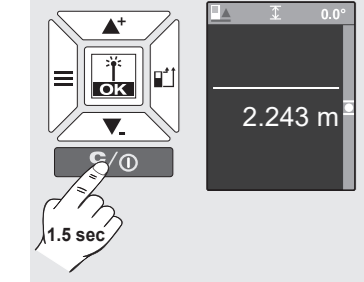
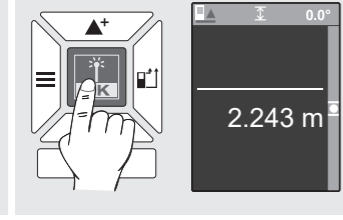
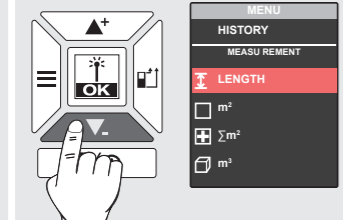
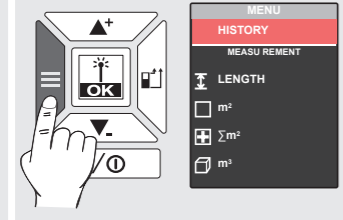


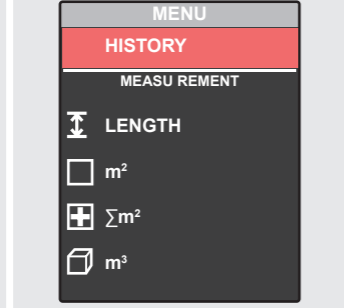
ON/OFF



NAVIGATION



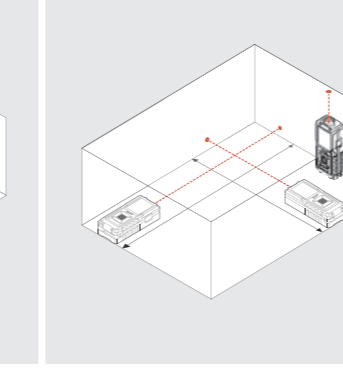
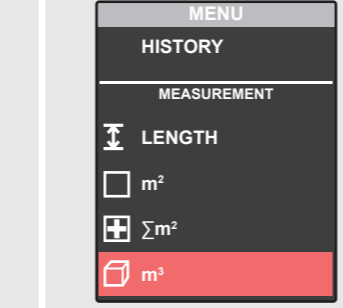
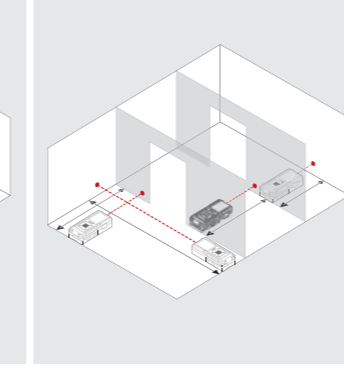
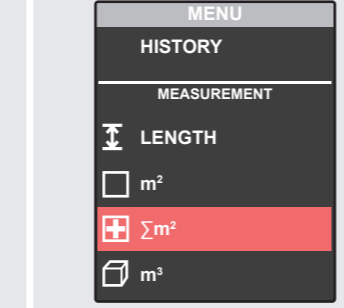
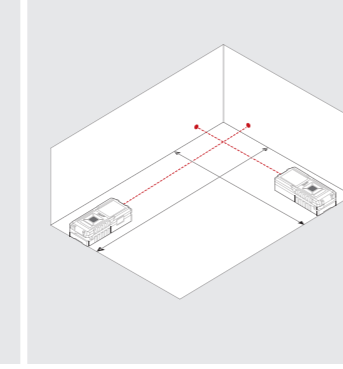
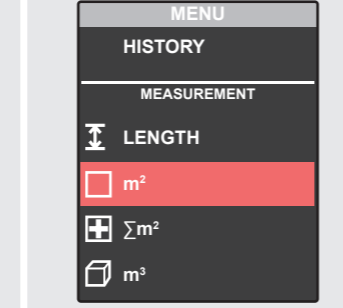
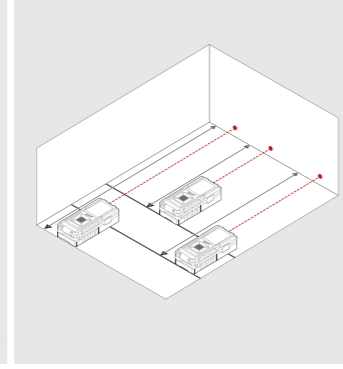
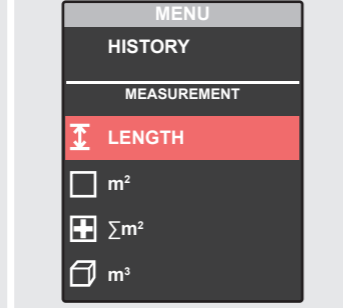
HISTORY



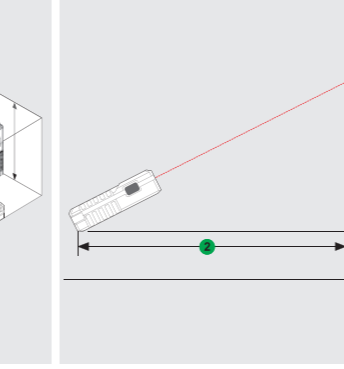
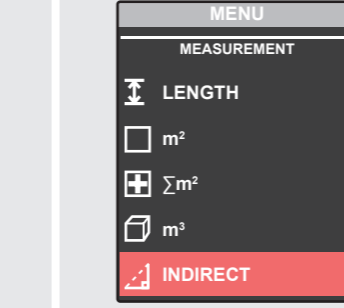
Store measurements
Messergebnisspeicher
Sauvegarder la valeur mesurée
Salva il valore misurato
Guardar el valor medido
Memorizar o valor de medição
Meetwaarde opslaan
Gem måleværdi
Lagre måleværdien
Spara mätvärde
Tallenna mittausarvo
Αποθηκεύω μετρήσεις τηής
Ολοζήτ deđerini kaydet
Uložít naměřenou hodnotu
Uložít nameranú hodnotu

Zapisz wynik pomiaru
Mért érték mentése
Shrani merilno vrednost
Mjerenu vrijednost pohraniti
Saglabāt mērījuma vērtību
Íssaugoti matavimo vertę
Mõõtmisväärtuse salvestamine
Сохранить результат измерения
Запам'ятовувати на отчетената стойност
Salvare valoare măsurată
Зачувати на измерената вредност
Зберегти результат вимрювання
حفظ القيمة التي تم قياسها

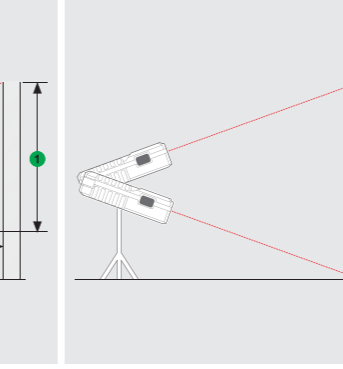
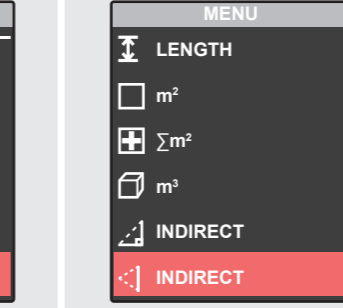
MEASUREMENT



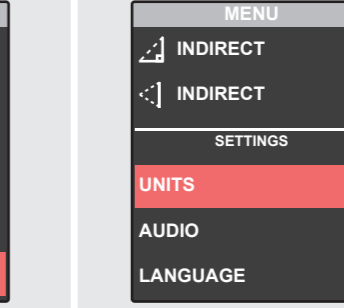
LDM 100



LDM 100

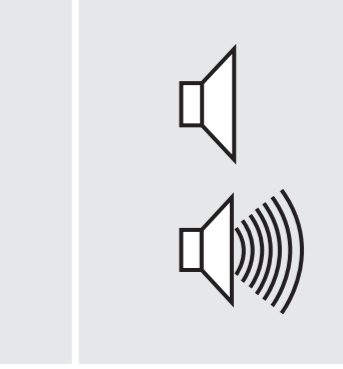
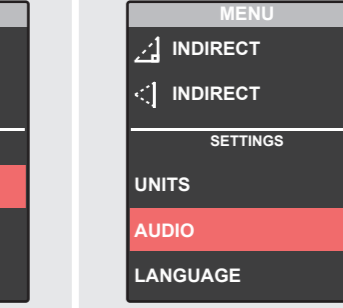


SETTINGS

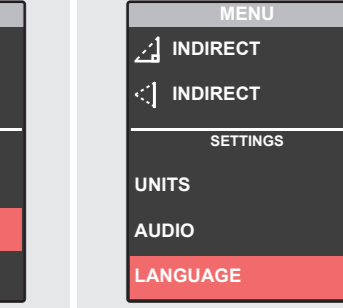


ft <-> m

MENU



MENU



ENGLISH
DEUTSCH
FRANÇAIS
ITALIANO
ESPAÑOL
PORTUGUÊS
NEDERLANDS
DANSK
NORSK
SVENSKA
SUOMI
ΕΛΛΗΝΙΚΑ
TÜRKÇE
CESKÝ

SLOVENSKY
POLSKI
MAGYAR
SLOVENSKO
HRVATSKI
LATVISKI
LIETUVIŠKAI
EESTI
RUSSIAN
БЪЛГАРСКИ
ROMÂNIA
МАКЕДОНСКИ
УКРАЇНСЬКА
عربي

STATUS BAR

▶ Reference Point of Measurement, Type of Measurement, Angle (LDM 100 only), Level (LDM 100 only)

DISPLAY

▶ Menu
▶ Measurements
▶ Settings

UP / ADD

▶ navigate up through menus
▶ add value

MEASURE / OK

▶ turn the laser on
▶ store measurement
▶ select OK in the menu

MENU

▶ History
▶ Measurement
▶ Settings

DOWN / SUBTRACT

▶ navigate down through menus
▶ subtract value

CLEAR / POWER

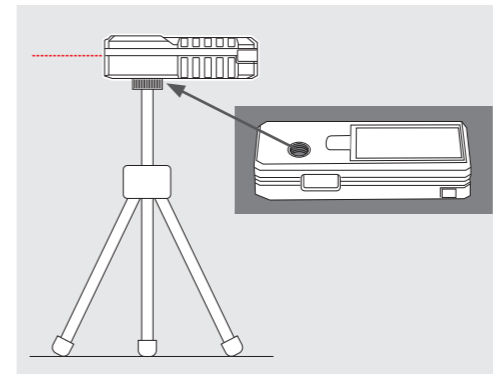
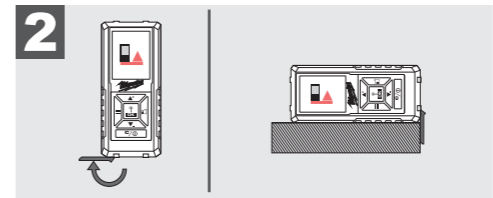
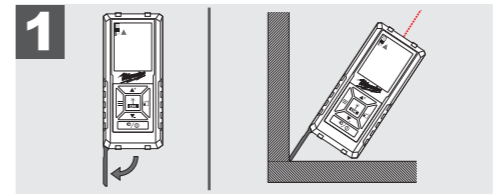
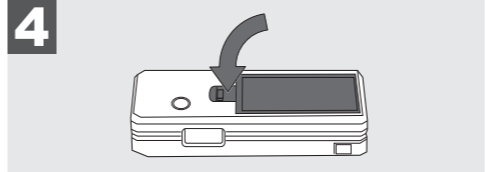
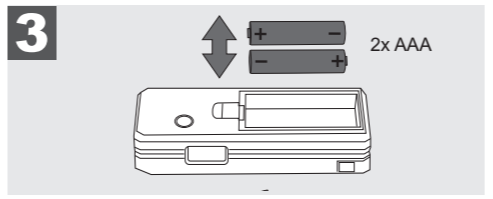
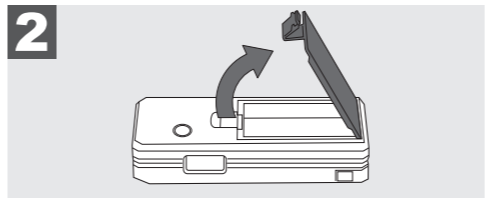
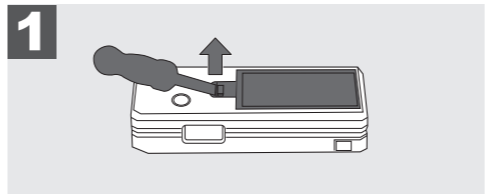
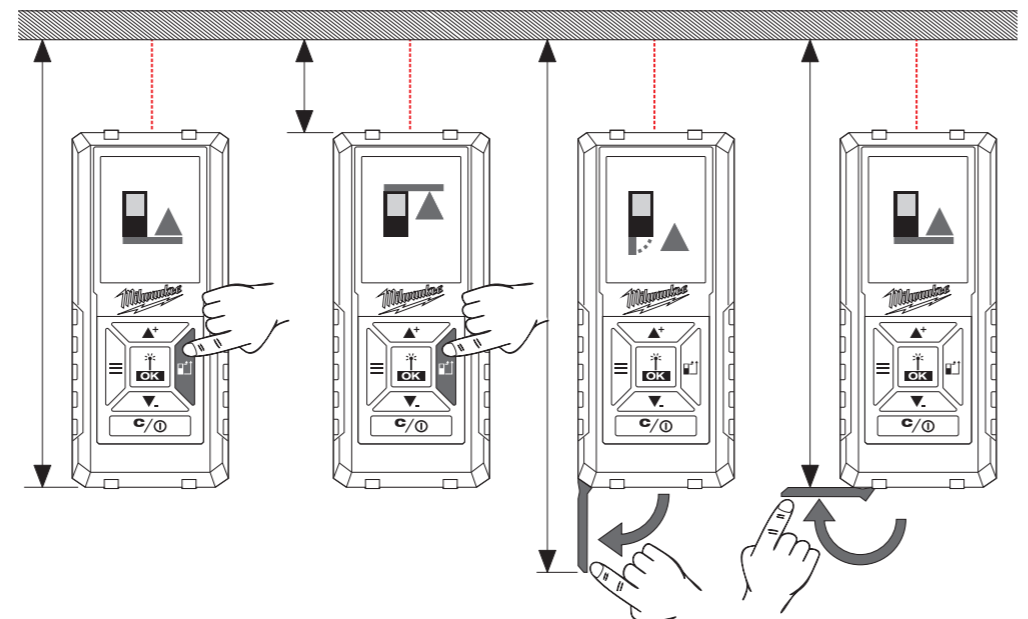
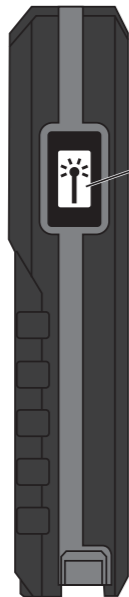
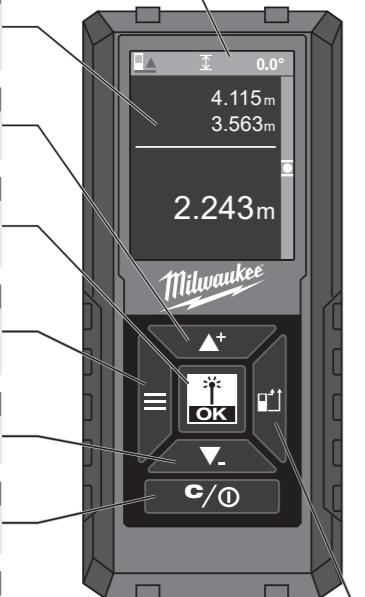
▶ on / off (press and hold until unit beeps)
▶ clear measurement

POINT OF MEASURE

▶ Bottom (standard automatic)
▶ Front
▶ Corner pin (activates automatically by extending the lever)

MEASURE

▶ turn the laser on
▶ store measurement



LDM 45, LDM 100 Quickstart Guide



EN 60825-1:2014
< 1 mW, 635 nm

Copyright 2021
Techtronic Industries GmbH
Max-Eyth-Str. 10
71364 Winnenden
Germany
+49 (0) 7195-12-0
www.milwaukeeetool.eu

Techtronic Industries (UK) Ltd
Fieldhouse Lane
Marlow Bucks SL7 1HZ
UK



(06.21)
4931 4148 75