

RYOBI®

RPW110B

ORIGINAL INSTRUCTIONS
TRADUCTION DES INSTRUCTIONS ORIGINALES
ÜBERSETZUNG DER ORIGINALANLEITUNG
TRADUCCIÓN DE LAS INSTRUCCIONES ORIGINALES
TRADUZIONE DELLE ISTRUZIONI ORIGINALI
VERTALING VAN DE ORIGINELE INSTRUCTIES
TRADUÇÃO DAS INSTRUÇÕES ORIGINAIS
OVERSÆTTELSE AF DE ORIGINALE INSTRUKTIONER
ÖVERSÄTTNING AV DE URSPRUNGLIGA INSTRUKTIONERNA
ALKUPERÄISTEN OHJEIDEN SUOMENNOS
OVERSETTELSE AV DE ORIGINALE INSTRUKSJONENE
ПЕРЕВОД ОРИГИНАЛЬНЫХ ИНСТРУКЦИЙ
TŁUMACZENIE INSTRUKCJI ORYGINALNEJ
PŘEKLAD ORIGINÁLNÍCH POKYNŮ
AZ EREDETI ÚTMUTATÓ FORDÍTÁSA
TRADUCEREA INSTRUCȚIUNILOR ORIGINALE
TULKOTS NO ORIĢINĀLĀS INSTRUKCIJAS
ORIGINALIŲ INSTRUKCIJŲ VERTIMAS
ORIGINALAALJUHENDI TÕLGE
PRIJEVOD ORIGINALNIH UPUTA
PREVOD ORIGINALNIH NAVODIL
PREKLAD ORIGINÁLNYCH POKYNOV
ПРЕВОД ОТ ОРИГИНАЛНИТЕ ИНСТРУКЦИИ
ПЕРЕКЛАД ОРИГИНАЛЬНИХ ІНСТРУКЦІЙ
ORIJINAL TALÍMATLAR



EN
FR
DE
ES
IT
NL
PT
DA
SV
FI
NO
RU
PL
CS
HU
RO
LV
LT
ET
HR
SL
SK
BG
UK
TR





- Important!** It is essential that you read the instructions in this manual before assembling, maintaining and operating the product.
- Attention!** Il est essentiel que vous lisiez les instructions contenues dans ce manuel avant d'assembler, d'entretenir et d'utiliser le produit.
- Achtung!** Es ist wichtig, dass Sie vor Zusammenbau, Wartung und Benutzung des Produktes die Anweisungen in dieser Anleitung lesen.
- ¡Atención!** Resulta fundamental que lea este manual de instrucciones antes de realizar el montaje, el mantenimiento y de utilizar este producto
- Attenzione!** È importante leggere le istruzioni contenute nel presente manuale prima di montare il prodotto, svolgere le operazioni di manutenzione sullo stesso e metterlo in funzione.
- Let op!** Het is van essentieel belang dat u de instructies in deze gebruiksaanwijzing leest voor u het product monteert, onderhoudt en gebruikt.
- Atenção!** É fundamental que leia as instruções deste manual antes da montagem, manutenção e operação do aparelho.
- OBS!** Det er vigtigt, at man læser instrukserne i denne brugsanvisning, inden man samler, vedligeholder og betjener produktet.
- Observera!** Det är viktigt att du läser instruktionerna i manualen före montering, användning och underhåll av produkten.
- Huomio!** On tärkeää, että luet tämän käsikirjan ohjeet ennen tuotteen kokoamista, huoltoa ja käyttöä.
- Advarsel!** Det er viktig at du leser instruksjonene i denne manualen før sammensetning, vedlikehold og bruk av produktet
- Внимание!** Необходимо прочитать инструкции в данном руководстве перед сборкой, обслуживанием и эксплуатацией этого изделия.
- Uwaga!** Koniecznie należy przeczytać instrukcje zawarte w tym podręczniku przed montażem, obsługą oraz konserwacją produktu.
- Důležité upozornění!** Neinstalujte, neprovádějte údržbu ani nepoužívejte tento výrobek dříve, než si přečtete pokyny uvedené v tomto návodu.
- Figyelem!** Fontos, hogy a termék összeszerelése, karbantartása és használatá elött elolvassa a kézikönyvben található utasításokat.
- Atenție!** Este esențial să citiți instrucțiunile din acest manual înainte de asamblare, efectuarea întreinerii și operarea produsului.
- Uzmanību!** Ir svarīgi izlasīt šīs rokasgrāmatas instrukcijas pirms uzstādīšanas, apkopes un precas darbināšanas.
- Dėmesio!** Prieš surenkant, prižiūrint ir naudojam gaminį, būtina perskaityti šiam vadove pateiktus nurodymus.
- Tähtis!** Enne masina kokkupanekut, hooldamist ja kasutama hakkamist tuleb käesolevas juhendis esitatud juhised kindlasti läbi lugeda.
- Upozorenje!** Vrlo je važno da ste prije sklapanja, održavanja i rada s ovim proizvodom pročitali upute u ovom priručniku.
- Pomembno!** Pomembno je da pred montažo vzdrževanjem in uporabo tega izdelka preberete navodila v tem priročniku.
- Upozornenie!** Je dôležité, aby ste si pred montážou, údržbou a obsluhou produktu prečítali pokyny v tomto návode.
- Важно!** Исключительно важно е да прочетете инструкциите в настоящото ръководство, преди да преминете към сглобяване, поддръжка или работа с продукта.
- Важливо!** Дуже важливо, щоб ви прочитали інструкції в цьому керівництві перед складанням, обслуговуванням та експлуатацією цієї машини.
- Önemli!** Ürünü monte etmeden, kullanmadan ve bakımını yapmadan önce bu kılavuzdaki talimatları okumanız önemlidir.

Subject to technical modification | Sous réserve de modifications techniques | Technische Änderungen vorbehalten | Bajo reserva de modificaciones técnicas | Con riserva di eventuali modifiche tecniche | Technische wijzigingen voorbehouden | Com reserva de modificações técnicas | Med forbehold for tekniske ændringer | Med förbehåll för tekniska ändringar | Tekniset muutokset varataan | Med forbehold om tekniske endringer | могут быть внесены технические изменения | Z zastrzeżeniem modyfikacji technicznych | Změny technických údajů vyhrazeny | A műszaki módosítás jogát fenntartjuk | Sub rezerva modificărilor tehnice | Paturam tiesības mainīt tehniskos raksturlielumus | Pasiliekiant teisę daryti techninius pakeitimus | Tehnilised muudatused võimalikud | Podloženo tehničkim promjenama | Tehnične spremembe dopuščene | Právo na technické zmeny je vyhradené | Подлежи на технически модификации | Є об'єктом для технічних змін | Teknik değişikliğe tabidir.



Safety, performance, and dependability have been given top priority in the design of your electric high pressure cleaner.

INTENDED USE

The electric high pressure cleaner is only intended for use outdoors. For safety reasons the product must be adequately controlled by using two-handed operation.

The product is designed for home or domestic use. It is intended to clean machines, vehicles, buildings, floors, tools, facades, terraces, floors, and concrete walkways by removal of stubborn dirt using clean water with or without cleaning detergent.

The product can be used with turbo nozzle, spray nozzle, wash brush, and surface cleaner. The wash brush is used for effective cleaning of cars, bikes, or other items that require spraying or with the use of detergent. The spray nozzle is used for cleaning surfaces that require spraying or with the use of detergent. The surface cleaner is used for cleaning and brushing surfaces.

It should be used in dry and well-illuminated conditions.

Do not use the product for any other purpose.

⚠ WARNING

The product is designed for use with a neutral cleaning agent supplied or recommended by the manufacturer. The use of other cleaning agents or chemicals may adversely affect the safety of the product.

GENERAL SAFETY WARNINGS

⚠ WARNING

Read all safety warnings and all instructions. Failure to follow the warnings and instructions may result in electric shock, fire, and/or serious injury.

⚠ CAUTION

The product must not be used on the drinking water supply without a backflow preventer being installed that corresponds to EN 12729 Type BA. Water flowing through a backflow preventer is considered non-drinkable. Always observe the regulations of your local water utility company when connecting the product to a water supply line.

- The product is not intended for use by children or persons with reduced physical, sensory, or mental capabilities, or lack of experience and knowledge. Children should be adequately supervised to ensure they do not play with the product.
- Wear a complete personal protective equipment when operating the product, such as boots, safety gloves, safety helmets with visor, and hearing protection. Use high-impact visors only with liquid splash protection.

⚠ WARNING

Do not use the product when people are within range, unless they wear protective clothing.

- To reduce the risk of injury, keep children and visitors away. All visitors should wear safety glasses and be kept at a safe distance from the work area.
- Inspect the safety devices, such as safety valves, flow switches, and pressure switches to check if they are in good working condition. Make sure all safety devices are operating properly before each use, such as:
 - On/off switch
 - The on/off switch prevents unintentional operation of the product.
 - Trigger handle lock
 - The trigger handle lock locks the trigger and prevents unintentional opening of the high-pressure jet.
 - Overflow valve with pressure switch
 - The overflow valve prevents the permissible working pressure from being exceeded. If the lever on the trigger gun is released, the pressure

switch turns off the pump and the high-pressure jet stops. If the lever is pulled, the pump turns on again.

- Overload protection
 - A thermal sensor protects the product from overloading. The product will automatically shut the power down while overheating.
- Do not use the product if the important parts are damaged, such as safety devices, high-pressure hoses, or trigger gun.
- Exercise caution when opening the trigger. Hold the handle firmly with two hands to avoid injury when the handle kicks back.

⚠ WARNING

During use of high pressure cleaners, aerosols may be formed. Inhalation of aerosols can be hazardous to health.

⚠ WARNING

Depending on the application, shielded nozzles can be used for high-pressure cleaning, which will reduce the emission of hydrous aerosols. However, not all applications allow the use of such a device. If shielded nozzles are not applicable for the protection against aerosols, a respiratory mask of class FFP 2 or equivalent may be needed, depending on the cleaning environment.

- Always stop the product when you leave it unattended.
- High-pressure jet is dangerous if misused. Do not direct the jet to people, live electrical equipment, or the product itself.
- To avoid a risk of explosion, do not spray flammable liquids.
- Do not direct the jet against yourself or others in order to clean clothes or footwear.
- Do not use the product to clean electronic devices, clothes, or footwear.
- High-pressure hoses, fittings, and couplings are important for the safety of the product. Use only hoses, fittings, and couplings recommended by the manufacturer.

ELECTRICAL SAFETY WARNINGS

- The plug must match the outlet. Never modify the plug in any way. Unmodified

plugs and matching outlets reduces the risk of electric shock.

- Do not use the product if the power cord or other important parts, such as safety devices, are damaged.
- Check the power cord and the extension cord for damage before each use. If the power cord or the extension cord is damaged, it must be replaced by the manufacturer, its service agent, or similarly qualified persons in order to avoid a hazard.
- Keep the power cord away from heat, oil, and sharp edges.
- Never touch the mains plug and the socket with wet hands.
- Inadequate extension cords can be dangerous. If an extension cord is used, it shall be suitable for outdoor use, and the connection has to be kept dry and off the ground. Use a cord wheel to keep the socket at least 60 mm above the ground.
- The electric supply connection must be made by a qualified electrician and must comply with IEC 60364-1. It is recommended that the electric supply to the product should include either a residual current device that interrupts the supply if the leakage current to earth exceeds 30 mA for 30 ms or a device that proves the earth circuit.

ADDITIONAL SAFETY WARNINGS

- Some regions have regulations that restrict the use of the product in some operations. Check with your local authority for advice.
- Before each use, check for damage. A damaged high-pressure hose must be replaced immediately. Ensure all connections, such as high-pressure hose and nozzle, are secure. Unwind the hose properly so they may not get twisted or kinked.
- Do not allow children or untrained individuals to use the product.
- Before starting any cleaning operation, close doors and windows. Clear the area to be cleaned of debris, toys, outdoor furniture, or other objects that could create a hazard.
- Never pick up or carry the product while the motor is running.

- Do not use the product in temperatures below 0°C.
- Do not use acids, alkalines, solvents, flammable material, bleaches, or industrial grade solutions in the product. These products can cause physical injuries to the operator and irreversible damage to the product.
- Always operate the product on a level surface.

⚠ WARNING
High-pressure jet can be dangerous if subject to misuse. The jet must not be directed to people, animals, electrical devices, or the product itself.

- Hold the trigger handle securely with both hands. Expect the handle to move when the trigger is pulled due to reaction forces. Failure to do so could cause loss of control and injury to yourself and others.
- Make sure the air in the hose and pump is released before you turn on the product. To remove the air in the hose and pump, connect the water supply to the pump using a garden hose, connect the trigger handle to pump using the high-pressure hose, disengage the trigger handle lock, and press the trigger until there is a steady flow.
- Exercise caution to avoid slipping or falling.
- Keep firm footing and balance. Do not overreach. Overreaching can result in loss of balance.
- Only use accessories that are recommended by the manufacturer. The use of improper accessories may cause injury.
- Never leave the product running unattended. Turn the product off. Do not leave the product until it comes to a complete stop.
- Be familiar with the controls. Know how to stop the product and bleed the pressure quickly.
- Stay alert and exercise control. Watch what you are doing and use common sense.
- Do not use the product when you are tired, ill, or under the influence of drugs, alcohol, or medication. A moment of inattention

- while operating the product may result in serious personal injury.
- Do not use the product if the switch does not turn it on and off. Any product that cannot be controlled with a switch is dangerous and must be repaired.
- Keep a minimum distance of 30 cm when cleaning vehicles. The high-pressure jet may damage or burst vehicle tires and/or tire valves.
- Use a garden hose with a maximum length of 15 m and minimum diameter of 18 mm (3/4 in.)
- Before each use, ensure that the accessory is securely attached to the trigger gun.

OVERLOAD PROTECTION

The product has an overload protection device that is activated when overheating or when a current spike occurs, automatically shutting down power within the product. To resume operation, disconnect the product from the power supply, wait for about 15 min, and reconnect the product to the power supply.

TRANSPORTATION AND STORAGE

⚠ CAUTION
Mind the weight of the product when selecting the storage location and during transportation to prevent accidents or injuries.

- Stop the product, disconnect from the power supply, and allow the product to cool down. Disconnect the product from the water supply before storing or transporting. Never place the product in any position other than upright.
- Remove water from all hoses and the pump, and empty the detergent tank before storing the product.
- Clean all foreign materials from the product. Store it in a cool, frost-free, dry, and well-ventilated place that is inaccessible to children. Keep away from corrosive agents such as garden chemicals and de-icing salts. Do not store outdoors.
- For transportation in a vehicle, secure the product against movement or falling to prevent injury to persons or damage to the product.

⚠ WARNING

Only store the product indoor. Storing in an area with temperature below 0°C will damage the product.

MAINTENANCE

⚠ WARNING

Use only original manufacturer's replacement parts, accessories, and attachments. Failure to do so can cause possible injury and poor performance, and may void your warranty.

⚠ WARNING

Servicing requires extreme care and knowledge and should be performed only by a qualified service technician. For service, bring the product to an authorised service centre. When servicing, use only original replacement parts.

- Stop the product, disconnect from the power supply, and allow the product to cool down. Disconnect the product from the water supply before:
 - cleaning the product
 - maintaining the product
 - replacing spare parts
- You may make adjustments or repairs described in this manual. For other repairs, contact an authorised service centre.
- Regularly inspect and maintain the high pressure cleaner for safe operation. RYOBI recommends inspecting the product every 6 months.
- Check all nuts, bolts, and screws at frequent intervals for proper tightness to ensure the product is in safe working condition. Any part that is damaged should be properly repaired or replaced by an authorised service centre.

RESIDUAL RISKS

Even when the product is used as prescribed, it is still impossible to completely eliminate certain residual risk factors. The following hazards may arise in use and the operator should pay special attention to avoid the following:

- Injury caused by the high-pressure jet
 - Avoid pointing the high-pressure jet to people, animals, and to yourself.
- Injury caused by kickback
 - Always hold the handle or the trigger wand firmly with your two hands.
- Injury caused by inhalation of aerosols
 - Wear appropriate respiratory mask.
- Injury caused by exposure to noise
 - Wear ear protection.

RISK REDUCTION

It has been reported that vibrations from hand-held tools may contribute to a condition called Raynaud's Syndrome. Symptoms may include tingling, numbness, and blanching of the fingers, usually apparent upon exposure to cold. Hereditary factors, exposure to cold and dampness, diet, smoking, and work practices are all thought to contribute to the development of these symptoms. There are measures that can be taken by the operator to possibly reduce the effects of vibration:

- Keep your body warm in cold weather. When operating the product, wear gloves to keep the hands and wrists warm.
- After each period of operation, exercise to increase blood circulation.
- Take frequent work breaks. Limit the amount of exposure per day.

If you experience any of the symptoms of this condition, immediately discontinue use and see your physician.

⚠ WARNING

Injuries may be caused, or aggravated, by prolonged use of a tool. When using any tool for prolonged periods, ensure you take regular breaks.

KNOW YOUR PRODUCT

See page 181.

1. Trigger handle lock
2. Trigger
3. Handle
4. Power switch
5. Power cord holder
6. Power cord
7. Water outlet
8. High pressure hose

9. Turbo nozzle wand
10. Spray nozzle wand
11. Adaptor *
12. Soap bottle
13. Water inlet coupler with filter
14. Water inlet
15. Extended wand
16. Trigger handle holder
17. Trigger gun
18. Trigger gun inlet

* Compatible adaptor for KÄRCHER pressure cleaner accessories. KÄRCHER is a registered trademark of Alfred Kärcher GmbH & Co. KG.

NOTE: Check the specification of the accessory part if it matches the specifications of the RYOBI high pressure cleaner.

NOTE: If using detergent, refer to the Material Safety Data Sheet of the detergent.

SYMBOLS ON THE PRODUCT



Warning



Class II tool, double insulation



To reduce the risk of injury, user must read and understand operator's manual before using this product.



Wear eye and hearing protection.



Remove plug from the mains immediately if cable is damaged or cut.



Electrical shock hazard



The product is not suitable for connection to the drinking water mains without backflow preventer.



Never point the spray wand to people, animals, the body of the product, power supply, or any electric appliances.



Burst hazard



Conforms to all regulatory standards in the country in the EU where the product is purchased.



EurAsian Conformity Mark



Ukrainian mark of conformity



The guaranteed sound power level is 92 dB.



Waste electrical products should not be disposed of with household waste. Please recycle where facilities exist. Check with your local authority or retailer for recycling advice.

SYMBOLS IN THIS MANUAL



Wear non-slip, heavy-duty, protective gloves when handling.



Connect to power outlet.



Disconnect from power outlet.



Parts or accessories sold separately



Note



Warning

The following signal words and meanings are intended to explain the levels of risk associated with this product.

⚠ DANGER

Indicates an imminently hazardous situation, which, if not avoided, will result in death or serious injury.

⚠ WARNING

Indicates a potentially hazardous situation, which, if not avoided, could result in death or serious injury.



⚠ CAUTION

Indicates a potentially hazardous situation, which, if not avoided, may result in minor or moderate injury.

CAUTION

Without safety alert symbol

Indicates a situation that may result in property damage.



TROUBLESHOOTING

Problem	Possible causes	Solution
Product refuses to start	Product not plugged in	Plug in product.
	Defective socket	Try another socket.
	Defective extension cable	Try without the extension cable.
Fluctuating pressure	Pump sucking air	Check that hoses and connections are air tight.
	Valves dirty, worn out or stuck	Bring the product to an authorized service centre for service or repair.
	Pump seals worn out	Bring the product to an authorized service centre for service or repair.
Product stops	Fuse has blown	Bring the product to an authorized service centre for service or repair.
	Incorrect mains voltage	Check that the mains voltage corresponds to specification on the model tag.
	Thermal sensor activated	Leave the cleaner for 15 minutes to cool down.
	Nozzle partially blocked	Clean the nozzle.
Product pulsating	Air in inlet hose/pump	Allow the product to run with open trigger until regular working pressure resumes.
	Inadequate supply of mains water	Check that the water supply corresponds to the specifications required (see model tag). Avoid using long, thin hoses.
	Nozzle partially blocked	Clean the nozzle.
	Water filter blocked	Clean the filter.
	Hose kinked	Straighten out hose.
Product often starts and stops by itself	Pump/spray handle is leaking	Bring the product to an authorized service centre for service or repair.
Product starts, but no water comes out	Pump/hoses or accessory frozen	Wait for pump/hoses or accessory to thaw.
	No water supply	Connect the water inlet port to a water supply.
	Water filter blocked	Clean the filter.
No detergent	Nozzle blocked	Clean the nozzle.
	Nozzle adjusted to high pressure	Adjust to low pressure.
	Tank is empty.	Fill the tank.

Votre nettoyeur haute pression électrique a été conçu en donnant priorité à la sécurité, à la performance et à la fiabilité.

UTILISATION PRÉVUE

Le nettoyeur haute pression électrique est destiné à une utilisation en extérieur. Pour des raisons de sécurité, l'appareil doit être manipulé de manière appropriée, en utilisant les deux mains.

Ce produit est destiné à un usage domestique ou privé. Il est conçu pour nettoyer les machines, les véhicules, les bâtiments, les sols, les outils, les façades, les terrasses, les sols et les allées en béton en éliminant la saleté tenace avec de l'eau propre, avec et sans produit nettoyant.

Le produit peut être utilisé avec un embout turbo, un embout de pulvérisation, une brosse de lavage et un nettoyeur de surface. La brosse de lavage permet un nettoyage efficace des voitures, deux-roues et autres produits nécessitant le recours à un détergent ou à une pulvérisation. L'embout de pulvérisation est utilisé pour nettoyer les surfaces nécessitant d'être pulvérisées ou avec un détergent. Le nettoyeur de surface est utilisé pour nettoyer et brosser les surfaces.

Il doit être utilisé dans un environnement sec et bien éclairé.

Ne l'utilisez pour aucun autre travail.

⚠ AVERTISSEMENT

Ce produit est conçu pour une utilisation avec un agent nettoyant neutre fourni ou recommandé par le fabricant. L'utilisation d'autres produits nettoyants ou chimiques peut affecter la sécurité du produit.

AVERTISSEMENTS GÉNÉRAUX DE SÉCURITÉ

⚠ AVERTISSEMENT

Lire tous les avertissements et indications. Le non-respect des avertissements et instructions peut entraîner une décharge électrique, un incendie et/ou de graves blessures.

⚠ MISE EN GARDE

Le produit ne doit pas être utilisé sur l'alimentation en eau potable sans une valve anti-retour conforme à la norme EN 12729 type BA. Le flux d'eau traversant une valve anti-retour est considéré comme non potable. Toujours respecter les dispositions de l'entreprise d'approvisionnement en eau lors de la connexion du produit à une conduite d'alimentation en eau.

- Le produit n'est pas conçu pour une utilisation par des enfants ou des personnes avec une capacité physique, sensorielle ou mentale réduite, un manque d'expérience ou de connaissances. Les enfants doivent être bien surveillés afin de s'assurer qu'ils ne jouent pas avec le produit.
- Porter un équipement de protection individuelle lors de l'utilisation du produit comme des bottes, des gants de sécurité, un casque de sécurité avec visière et une protection auditive. Utiliser des visières à fort impact avec une protection contre la projection de liquide.

⚠ AVERTISSEMENT

Ne pas utiliser le produit lorsque des personnes se trouvent à proximité, à moins qu'elles ne portent des vêtements de protection.

- Pour réduire les risques de blessures, tenir les enfants et les visiteurs éloignés. Tout visiteur doit porter des lunettes de protection et rester à bonne distance de la zone de travail.
- Inspecter les appareils de sécurité comme les vannes de sécurité, les vannes antireflux et les vannes sous pression pour vérifier qu'elles sont en bon état. S'assurer que tous les appareils de sécurité fonctionnent correctement avant chaque utilisation:
 - Bouton poussoir marche
 - L'interrupteur marche/arrêt empêche toute mise en route non intentionnelle du produit.
 - Verrou de la poignée du déclencheur
 - Le verrou de la poignée du déclencheur bloque le déclencheur et évite toute ouverture accidentelle du jet sous haute pression.



EN
FR
DE
ES
IT
NL
PT
DA
SV
FI
NO
RU
PL
CS
HU
RO
LV
LT
ET
HR
SL
SK
BG
UK
TR

- Vanne de décharge avec interrupteur de pression
 - La vanne de décharge évite de dépasser la pression de travail admissible. Si la poignée du pistolet déclencheur est relâchée, l'interrupteur de pression éteint la pompe et le jet à haute pression s'arrête. Si on tire sur le levier, la pompe redémarre.
- Protection contre les surcharges
 - Un capteur thermique protège le produit contre les surcharges. En cas de surchauffe, le produit se met automatiquement hors tension.
- Ne pas utiliser le produit si des pièces importantes sont endommagées, comme des appareils de sécurité, des tuyaux à haute pression ou des pistolets déclencheurs.
- Être prudent lors de l'ouverture du déclencheur. Maintenir fermement la poignée à deux mains pour éviter les blessures lorsque la poignée recule.

- Ne dirigez pas le jet vers vous-même ou en direction des autres pour nettoyer des vêtements ou des chaussures.
- Ne pas utiliser le produit pour nettoyer des appareils électroniques, des vêtements ou des chaussures.
- Les tuyaux, les fixations et couplages à haute pression sont importants pour la sécurité du produit. Utiliser uniquement des tuyaux, des fixations et des couplages recommandés par le fabricant.

AVERTISSEMENTS SUR LA SÉCURITÉ ÉLECTRIQUE

- Les fiches secteur doivent correspondre à la prise de courant. Ne pas modifier en aucun cas la fiche. L'utilisation de fiches secteur non modifiées et adaptées à la prise de courant réduit le risque de décharge électrique.
- Ne pas utiliser le produit si le cordon d'alimentation ou d'autres pièces importantes sont endommagées comme des appareils de sécurité.
- Vérifier le bon état du cordon d'alimentation et du câble avant chaque utilisation. Si le cordon d'alimentation ou la rallonge est endommagée, elle doit être remplacée par le fabricant, son agent de maintenance ou des personnes de même qualification afin d'éviter les risques.
- Gardez le câble d'alimentation éloigné de la chaleur, des graisses et des bords coupants.
- Ne jamais toucher la fiche et la prise avec les mains mouillées.
- Des rallonges non adaptées peuvent être dangereuses. Si une rallonge est utilisée, elle doit être adaptée à une utilisation en extérieur et la connexion doit être gardée sèche et éloignée du sol. Utiliser une bobine pour garder la fiche au moins 60 mm au-dessus du sol.
- Le raccord d'alimentation électrique doit être effectué par un électricien qualifié et doit respecter la norme CEI 60364-1. Il est recommandé que l'alimentation électrique du produit comporte soit un disjoncteur différentiel qui interrompe l'alimentation si le courant de fuite vers la terre dépasse 30 mA pendant 30 ms, soit un dispositif qui vérifie le circuit à la terre.

⚠ AVERTISSEMENT

Pendant l'utilisation de nettoyeurs haute pression, des aérosols peuvent se former. Inhaler les aérosols peut être dangereux pour la santé.

⚠ AVERTISSEMENT

En fonction de l'application, des buses armées peuvent être utilisées pour le nettoyage à haute pression, cela réduit l'émission d'aérosols hydriques. Cependant, toutes les applications ne permettent pas l'utilisation d'un tel appareil. Si les embouts blindés ne permettent pas de protéger contre les aérosols, un masque respiratoire de classe FFP 2 ou équivalent peut être nécessaire en fonction de l'environnement de nettoyage.

- Toujours arrêter le produit lorsque vous le laissez sans surveillance.
- Un jet à haute pression est dangereux s'il est mal utilisé. Ne pas diriger le jet vers les personnes, les équipements électriques sous tension ou le produit lui-même.
- Pour éviter un risque d'explosion, ne pas vaporiser des liquides inflammables.



INSTRUCTIONS DE SÉCURITÉ ADDITIONNELLES

- La législation de certaines régions restreint l'utilisation du produit. Contactez les autorités locales pour obtenir des conseils.
 - Vérifier du point de vue des dommages avant chaque utilisation. Un tuyau à haute pression endommagé doit être remplacé immédiatement. S'assurer que toutes les connexions telles que les tuyaux et buses à haute pression sont sécurisées. Dérouler correctement le tuyau de sorte à ce qu'il ne soit pas tordu ou plié.
 - Ne laissez pas des enfants ou des personnes inexpérimentées utiliser ce produit.
 - Avant de commencer le nettoyage, fermer les portes et les fenêtres. Nettoyer la zone de tout débris, jouet, meuble d'extérieur ou autre objet pouvant représenter un risque.
 - Ne transportez ni ne soulevez jamais le produit lorsque son moteur tourne.
 - Ne pas utiliser le produit à des températures inférieures à 0°C.
 - Ne pas utiliser des acides, des alcalins, des solvants, des matières inflammables, des produits de blanchiment ou des solutions industrielles dans le produit. Ces produits peuvent causer des blessures physiques à l'opérateur et des dommages irréversibles sur le produit.
 - Toujours utiliser le produit sur une surface plane.
- ⚠ AVERTISSEMENT**
- Le jet à haute pression peut être dangereux s'il est mal utilisé. Le jet ne doit pas être dirigé vers les personnes, les animaux, les appareils électriques ou le produit lui-même.
- Maintenez fermement le déclencheur avec les deux mains. Ne pas oublier que la poignée va se déplacer lorsque l'on tire le déclencheur en raison des forces de réaction. Ne pas respecter cela peut entraîner une perte de contrôle et une blessure pour vous-même et les autres.
 - S'assurer que l'air dans le tuyau et la pompe est relâché avant d'allumer le produit. Pour retirer l'air dans le tuyau et dans la pompe, branchez l'arrivée d'eau à la pompe avec un tuyau de jardin, connectez la poignée du déclencheur à la pompe en utilisant le flexible à haute pression, libérez le système de blocage de la poignée du déclencheur et appuyez sur le déclencheur jusqu'à obtenir un débit constant.
 - Être prudent pour éviter de glisser ou de tomber.
 - Gardez un bon appui et un bon équilibre. Ne pas se précipiter. Ne travaillez pas en extension, vous pourriez perdre l'équilibre.
 - N'utilisez que les accessoires recommandés par le fabricant. L'utilisation d'accessoires inadaptés peut entraîner des risques de blessures corporelles graves.
 - Ne jamais laisser le produit sans surveillance. Éteindre le produit. Ne pas laisser le produit avant qu'il ne s'arrête complètement.
 - Se familiariser avec les commandes. Savoir comment arrêter le produit et laisser rapidement la pression s'échapper.
 - Soyez toujours vigilant et restez maître de votre outil. Regardez bien ce que vous faites et faites preuve de bon sens.
 - N'utilisez pas cette tondeuse lorsque vous êtes fatigué ou sous l'influence de l'alcool, de drogues ou de médicaments. Un moment d'inattention lors de l'utilisation du produit peut provoquer de graves blessures.
 - N'utilisez pas le produit si son interrupteur marche/arrêt est inopérant. Tout appareil qui ne peut pas être contrôlé par son interrupteur est dangereux et doit être réparé.
 - Conserver une distance minimum de 30 cm lors du nettoyage des véhicules. Le jet à haute pression peut endommager ou faire exploser les pneus et/ou les valves de pneus.
 - Utilisez un tuyau de jardin ayant une longueur maximale de 15 m et un diamètre minimal de 18 mm (3/4").
 - Avant chaque utilisation, assurez-vous que l'accessoire est bien fixé au pistolet du déclencheur.

PROTECTION CONTRE LES SURCHARGES

Cet appareil est équipé d'un dispositif de protection contre les surcharges qui se déclenche en cas de surchauffe ou de choc, et qui coupe dans ce cas automatiquement l'alimentation de l'appareil. Pour reprendre le travail, débranchez l'appareil de sa source d'alimentation, attendez environ 15 minutes, et rebranchez l'appareil.

TRANSPORT ET STOCKAGE

⚠ MISE EN GARDE

Tenir compte du poids du produit lors de la sélection du lieu de stockage et pendant le stockage afin d'éviter les accidents ou les blessures.

- Arrêter le produit, débranchez-le de la prise secteur et permettre au produit de refroidir. Déconnecter le produit de l'alimentation en eau avant le stockage ou le transport. Ne jamais placer le produit dans une position autre que debout.
- Retirer l'eau de tous les tuyaux et de la pompe, vider le réservoir du détergent avant de stocker le produit.
- Débarrassez l'appareil de tous les corps étrangers. Stocker dans un endroit frais, protéger du gel, sec et bien ventilé, hors de la portée des enfants. Ne la rangez pas à proximité d'agents corrosifs tels que produits chimiques de jardinage ou sels de dégel. Ne rangez pas à l'extérieur.
- Pour le transport, attachez le produit pour l'empêcher de bouger ou de tomber, afin d'éviter toute blessure et tout dommage matériel.

⚠ AVERTISSEMENT

Stockez le produit uniquement dans un endroit fermé. Le stockage du produit dans une zone avec une température inférieure à 0 °C endommagerait le produit.

ENTRETIEN

⚠ AVERTISSEMENT

N'utilisez que des pièces détachées et accessoires d'origine constructeur. Le non respect de cette précaution peut entraîner de mauvaises performances, des blessures, et annuler votre garantie.

⚠ AVERTISSEMENT

Les réparations demandent un soin et des connaissances extrêmes et ne doivent être effectuées que par un réparateur qualifié. Pour l'entretien et les réparations, apportez le produit à un service après-vente agréé. N'utilisez que des pièces détachées d'origine constructeur pour les opérations d'entretien.

- Arrêter le produit, débranchez-le de la prise secteur et permettre au produit de refroidir. Déconnecter le produit de l'alimentation en eau avant:
 - nettoyer le produit
 - entretenir le produit
 - remplacer les pièces de rechange
- Vous n'êtes autorisé à effectuer que les réglages ou réparations décrits dans ce manuel. Pour d'autres réparations ou conseils, faites vous assister par un service après-vente agréé.
- Inspecter régulièrement et entretenir le nettoyeur haute pression pour un fonctionnement sûr. RYOBI recommande d'inspecter le produit tous les 6 mois.
- Vérifiez régulièrement le bon serrage des écrous, vis et boulons pour que le produit soit toujours en bon état de fonctionnement. Toute pièce endommagée doit être correctement remplacée ou réparée par un service après-vente agréé.

RISQUES RÉSIDUELS

Même lorsque le produit est utilisé selon les prescriptions, il reste impossible d'éliminer totalement certains facteurs de risque résiduels. Les dangers suivants risquent de se présenter en cours d'utilisation et l'utilisateur doit prêter particulièrement garde à ce qui suit:

- Blessure causée par le jet à haute pression.

- Éviter de pointer le jet à haute pression vers les personnes, les animaux et vous-même.

- Blessure causée par recul.
 - Toujours maintenir la poignée ou la baguette du déclencheur avec les deux mains.
- Blessure causée par l'inhalation des aérosols.
 - Porter un masque de respiration approprié.
- Blessures dues au bruit
 - Portez une protection auditive

RÉDUCTION DES RISQUES

Il a été reporté que les vibrations engendrées par les outils à main peuvent contribuer à l'apparition d'un état appelé le Syndrome de Raynaud chez certaines personnes. Les symptômes peuvent comprendre des fourmillements, un engourdissement et un blanchiment des doigts, généralement par temps froid. Des facteurs héréditaires, l'exposition au froid et à l'humidité, le régime alimentaire, le tabagisme et les habitudes de travail peuvent contribuer au développement de ces symptômes. Certaines mesures peuvent être prises par l'utilisateur pour aider à réduire les effets des vibrations:

- Gardez votre corps au chaud par temps froid. Lorsque vous utilisez le produit, portez des gants afin de garder vos mains et vos poignets au chaud.
- Après chaque session de travail, pratiquez des exercices qui favorisent la circulation sanguine.
- Faites des pauses fréquentes. Limitez la quantité d'exposition journalière.

Si vous ressentez l'un des symptômes associés à ce syndrome, arrêtez immédiatement le travail et consultez votre médecin pour lui en faire part.

AVERTISSEMENT

L'utilisation prolongée d'un outil est susceptible de provoquer ou d'aggraver des blessures. Assurez-vous de faire des pauses de façon régulière lorsque vous utilisez tout outil de façon prolongée.

APPRENEZ À CONNAÎTRE VOTRE PRODUIT

Voir page 181.

1. Verrou de la poignée du déclencheur
2. Déclencheur
3. Poignée
4. Interrupteur
5. Support du cordon d'alimentation
6. Cordon d'alimentation
7. Sortie d'eau
8. Tuyau à haute pression
9. Baguette de l'embout turbo
10. Baguette de l'embout de pulvérisation
11. Adaptateur *
12. Flacon de savon
13. Raccord d'arrivée d'eau avec filtre
14. Arrivée d'eau
15. Baguette allongée
16. Support de la poignée du déclencheur
17. Pistolet déclencheur
18. Admission du pistolet déclencheur

* Adaptateur compatible pour les accessoires des nettoyeurs sous pression KÄRCHER. KÄRCHER est une marque déposée d'Alfred Kärcher GmbH & Co. KG.

REMARQUE: Consultez les spécifications de la pièce de l'accessoire pour vérifier que celle-ci est compatible avec celles du nettoyeur haute pression RYOBI.

REMARQUE: En cas d'utilisation de détergent, consultez la fiche technique de celui-ci.

SYMBOLES APPLIQUÉS SUR LE PRODUIT



Avertissement



Outil de Classe II, isolation double



Afin de réduire les risques de blessures, il est indispensable de bien lire et de bien comprendre le présent manuel d'utilisation avant d'utiliser cet outil.



Portez une protection oculaire et auditive.



Débrancher immédiatement la prise du secteur si le câble est endommagé ou coupé.



Risque de décharge électrique.



Le produit n'est pas adapté pour être raccordé au réseau d'eau potable sans dispositif anti-reflux.



Ne jamais diriger la lance de pulvérisation vers des personnes, des animaux, le corps de la machine, l'alimentation électrique ou tout autre appareil électrique.



Risque d'éclatement



Cet outil est conforme à l'ensemble des normes réglementaires du pays de l'UE où il a été acheté.



Marque de qualité EurAsian



Marque de conformité ukrainienne



Le niveau de puissance acoustique garanti indiqué sur cette étiquette est de 92 dB.



Les produits électriques hors d'usage ne doivent pas être jetés avec les ordures ménagères. Recyclez-les par l'intermédiaire des structures disponibles. Contactez les autorités locales pour vous renseigner sur les conditions de recyclage.



Remarque



Avertissement

Les symboles suivants, et les noms qui leur sont associés, permettent d'expliquer les différents niveaux de risques liés à l'utilisation de cet outil.

⚠ DANGER

Situation potentiellement dangereuse qui, si l'on n'y prend garde, peut entraîner la mort ou des blessures graves.

⚠ AVERTISSEMENT

Situation potentiellement dangereuse qui, si l'on n'y prend garde, peut entraîner la mort ou des blessures graves.

⚠ MISE EN GARDE

Situation potentiellement dangereuse qui, si l'on n'y prend garde, peut entraîner des blessures moyennes ou légères.

MISE EN GARDE

Sans symbole d'alerte de sécurité. Indique une situation pouvant entraîner des dommages matériels.

- EN
- FR**
- DE
- ES
- IT
- NL
- PT
- DA
- SV
- FI
- NO
- RU
- PL
- CS
- HU
- RO
- LV
- LT
- ET
- HR
- SL
- SK
- BG
- UK
- TR

SYMBOLES DE CE MANUEL



Portez des gants de protection solides et antidérapants.



Branchez sur le secteur.



Débranchez du secteur.



Pièces détachées et accessoires vendus séparément

GUIDE DE DÉPANNAGE

Problème	Cause possible	Solution
La machine refuse de démarrer	La machine n'est pas branchée	Brancher la machine.
	Prise défectueuse	Essayez une autre prise
	Câble de rallonge défectueux	Essayez sans la rallonge.
Pression fluctuante	La pompe aspire de l'air	Vérifier que les tuyaux et raccords sont hermétiques.
	Les vannes sont sales, usées ou colmatées	Pour l'entretien et les réparations, apportez le produit à un service après-vente agréé.
	Les joints de la pompe sont usés	Pour l'entretien et les réparations, apportez le produit à un service après-vente agréé.
La machine s'arrête	Le fusible est grillé.	Pour l'entretien et les réparations, apportez le produit à un service après-vente agréé.
	Tension secteur incorrecte	Vérifier que la tension secteur est conforme à la spécification sur la plaque signalétique.
	Le capteur thermique est activé	Laisser le produit refroidir pendant 15 minutes.
	Embout partiellement bloqué	Nettoyer la buse.
La machine pulse	Air dans le tuyau d'entrée/la pompe	Laisser le produit fonctionner avec le déclencheur ouvert jusqu'à ce que la pression de travail ordinaire reprenne.
	Alimentation en eau inadaptée	Vérifier que l'alimentation en eau correspond aux spécifications requises (voir plaque signalétique). Éviter d'utiliser des tuyaux longs et fins.
	Embout partiellement bloqué	Nettoyer la buse.
	Filtre à eau bloqué	Nettoyer le filtre.
	Tuyau plié	Raidir le tuyau.
La machine démarre et s'arrête souvent d'elle-même	La pompe/la poignée de pulvérisation fuit	Pour l'entretien et les réparations, apportez le produit à un service après-vente agréé.
La machine démarre mais l'eau ne sort pas.	La pompe, les tuyaux ou les autres accessoires sont gelés	Attendre que la pompe, les tuyaux ou les autres accessoires soient décongelés.
	Aucune alimentation en eau	Connecter le port d'entrée d'eau à une alimentation en eau.
	Filtre à eau bloqué	Nettoyer le filtre.
	Embout bloqué	Nettoyer la buse.
Aucun détergent.	Embout ajusté en mode haute pression	Ajuster en mode basse pression.
	Le réservoir est vide.	Remplir le réservoir.

Sicherheit, Leistung und Zuverlässigkeit hatten oberste Priorität bei der Entwicklung Ihres elektrischen Hochdruckreinigers.

BESTIMMUNGSGEMÄSSE VERWENDUNG

Der elektrische Hochdruckreiniger ist ausschließlich zur Nutzung im Freien geeignet. Aus Sicherheitsgründen muss das Produkt bei der Benutzung immer mit beiden Händen ausreichend kontrolliert werden.

Dieses Produkt wurde für den Hausgebrauch entwickelt. Der Hochdruckreiniger ist geeignet zum Reinigen von Maschinen, Fahrzeugen, Gebäuden, Böden, Werkzeugen, Fassaden, Terrassen und Betongehwegen. Er entfernt hartnäckigen Schmutz mittels sauberem Wasser mit oder ohne Reinigungsmittel.

Das Gerät kann mit einer Turbodüse, einer Sprühdüse, Waschbürste und einem Oberflächenreiniger verwendet werden. Die Turbodüse wird zur normalen Reinigung verwendet. Die Sprühdüse wird zum Reinigen von Oberflächen verwendet bei denen Sprühen oder ein Reinigungsmittel erforderlich ist. Die Waschbürste dient zur effizienten Reinigung von Autos, Fahrrädern oder anderen Artikeln die ab gesprüht oder mit Reinigungsmitteln gereinigt werden müssen. Der Oberflächenreiniger wird zum Reinigen und Bürsten von Oberflächen verwendet.

Er darf nur in trockener, gut beleuchteter Umgebung benutzt werden.

Nicht für andere Zwecke verwenden.

⚠️ WARNUNG

Das Produkt wurde zur Nutzung mit einem neutralen vom Hersteller angebotenen oder empfohlenen Reinigungsmittel entwickelt. Die Nutzung anderer Reinigungsmittel oder Chemikalien kann sich negativ auf die Sicherheit des Produkts auswirken.

ALLGEMEINE SICHERHEITSWARNUNGEN

⚠️ WARNUNG

Lesen Sie alle Sicherheitshinweise und Anweisungen. Die Nichtbeachtung der Warnungen und Anweisungen kann zu Stromschlag, Feuer und/oder schweren Verletzungen führen.

⚠️ VORSICHT

Das Produkt darf nur dann an eine Trinkwasserversorgung angeschlossen werden, wenn ein Rückflussverhinderer gemäß EN 12729 Type BA installiert ist. Wasser, das durch einen Rückflussverhinderer geflossen ist, gilt als nicht trinkbar. Beachten Sie beim Anschließen des Produkts an eine Trinkwasserleitung immer die Vorschriften des örtlichen Wasserversorgers.

- Das Produkt darf nicht von Kindern oder Personen mit eingeschränkten körperlichen, Sinnes- oder geistigen Fähigkeiten oder Personen mit mangelnder Erfahrung und Kenntnis benutzt werden. Kinder müssen ausreichend beaufsichtigt werden, so dass gewährleistet ist, dass sie nicht mit dem Produkt spielen.
- Tragen Sie beim Bedienen dieses Produkts eine vollständige persönliche Schutzausrüstung, z.B. Stiefel, Schutzhandschuhe, Schutzhelm mit Visier und Gehörschutz. Nutzen Sie ausschließlich ein stark schlagfestes Visier mit Spritzschutz.

⚠️ WARNUNG

Verwenden Sie das Produkt nicht innerhalb der Reichweite anderer Personen, sofern diese nicht ebenfalls Schutzkleidung tragen.

- Halten Sie Kinder und Besucher von dem Produkt fern, um die Verletzungsgefahr zu verringern. Alle beistehenden Personen sollten Schutzbrillen tragen und sicheren Abstand zum Arbeitsbereich halten.
- Überprüfen Sie die Sicherheitsvorrichtungen, beispielsweise

Sicherheitsventile, Strömungswächter und Druckschalter, auf ihren Zustand. Stellen Sie vor jeder Nutzung sicher, dass alle diese Sicherheitsvorrichtungen korrekt funktionieren:

- Ein-/Ausschalter
 - Der Ein-/Aus-Schalter verhindert den unbeabsichtigten Betrieb des Produkts.
- Einschaltsperrung
 - Die Einschaltsperrung in der Spritzpistole sperrt den Betätigungsdrücker und verhindert ein unbeabsichtigtes Auslösen des Hochdruckstrahls.
- Sicherheitsventil mit Druckschalter
 - Das Sicherheitsventil verhindert, dass der zulässige Betriebsdruck überschritten wird. Wenn der Hebel an der Spritzpistole gelöst wird, schaltet der Druckschalter die Pumpe aus und der Hochdruckstrahl stoppt. Wenn der Hebel gezogen wird, schaltet sich die Pumpe wieder ein.
- Überlastschutz
 - Ein Thermosensor schützt das Produkt vor der Überlastung. Dieses Produkt schaltet sich bei Überhitzung automatisch ab.
- Benutzen Sie das Produkt nicht, wenn wichtige Teile beschädigt sind, beispielsweise Sicherheitsvorrichtungen, Hochdruckschläuche oder Spritzpistole.
- Seien Sie vorsichtig beim Betätigen des Betätigungsdrückers. Halten Sie den Griff mit beiden Händen fest, um Verletzungen durch den Rückstoß zu verhindern.

⚠ WARNUNG

Während der Verwendung von Hochdruckreinigern können sich Aerosole bilden. Das Inhalieren von Aerosolen kann gesundheitsschädlich sein.

⚠ WARNUNG

In Abhängigkeit von der Anwendung können Sprühdüsen mit Schutzabdeckung für die Hochdruckreinigung verwendet werden, wodurch die Emission von wasserhaltigem Aerosol stark verringert wird. Nicht bei allen Anwendungen ist die Verwendung einer solchen Eichrichtung zulässig. Wenn Sprühdüsen mit Schutzeinrichtung für den Schutz gegen Aerosole nicht anwendbar sind, kann in Abhängigkeit vom Reinigungsumfeld eine Atemschutzmaske der Klasse FFP2 oder gleichwertig erforderlich sein.

- Schalten Sie das Produkt immer aus, wenn Sie es unbeaufsichtigt lassen.
- Der Hochdruckstrahl ist bei Missbrauch gefährlich. Halten Sie den Strahl nicht in die Richtung von anderen Personen, aktive elektrische Ausrüstung oder des Produkts selbst.
- Um ein Explosionsrisiko zu verhindern, versprühen Sie keine entzündlichen Flüssigkeiten.
- Richten Sie den Strahl nicht gegen sich selbst oder gegen andere Personen, um etwa Kleidung oder Schuhe zu reinigen.
- Nutzen Sie das Produkt nicht zum Reinigen von Elektrogeräten, Kleidungsstücken oder Schuhen.
- Die Hochdruckschläuche, -armaturen und -kupplungen sind wichtig für die Maschinensicherheit. Nutzen Sie nur die vom Hersteller empfohlenen Schläuche, Armaturen und Verbindungsstücke.

ELEKTRIKBEZOGENE SICHERHEITSHINWEISE

- Der Netzstecker muss in die Steckdose passen. Der Stecker darf in keiner Weise verändert werden. Nicht-modifizierte Stecker und passende Steckdosen reduzieren das Risiko von Stromschlägen.
- Verwenden Sie das Produkt nicht, wenn das Stromkabel oder andere wichtige Teile wie beispielsweise Sicherheitsvorrichtungen beschädigt ist bzw. sind.
- Prüfen Sie die Anschlußleitung und das Verlängerungskabel vor jeder Verwendung auf Beschädigungen. Wenn Anschlussleitung oder Verlängerungskabel

beschädigt sind, muss es vom Hersteller, dem Kundendienst oder einer ähnlich qualifizierten Person ersetzt werden, um Gefahren zu vermeiden.

- Halten Sie das Netzkabel fern von Hitze, Öl, und scharfen Kanten.
- Berühren Sie den Stecker und die Steckdose niemals mit nassen Händen.
- Ungeeignete Verlängerungskabel können gefährlich sein. Wenn ein Verlängerungskabel verwendet wird, muss es für die Nutzung im Freien geeignet sein, und die Verbindungsstelle muss trocken bleiben und darf den Boden nicht berühren. Nutzen Sie eine Kabeltrommel, damit sich die Steckdose mindestens 60 mm über dem Boden befindet.
- Der elektrische Anschluss muss von einem qualifizierten Elektriker vorgenommen werden und IEC 60364-1 entsprechen. Es wird empfohlen, dass die Stromversorgung zu dieser Maschine entweder über einen Fehlerstromschutzschalter angeschlossen werden sollte, der die Energiezufuhr unterbricht, sobald der Ableitstrom zur Erde 30 mA für 30 ms überschreitet, oder über einen Erdungsprüfer verfügt.

ZUSÄTZLICHE SICHERHEITSWARNUNGEN

- In einigen Regionen können Vorschriften die Benutzung dieses Produkts einschränken. Lassen Sie sich von Ihrer örtlichen Behörde beraten.
- Prüfen Sie das Produkt vor jeder Nutzung auf Beschädigungen. Beschädigte Hochdruckschläuche müssen unverzüglich ersetzt werden. Stellen Sie sicher, dass alle Verbindungen, beispielsweise Hochdruckschlauch und -sprühdüse, sicher sind. Rollen Sie den Schlauch ordentlich ab, so dass er sich nicht verdreht oder knickt.
- Erlauben Sie Kindern oder ungeschulten Personen nicht den Gebrauch des Produktes.
- Schließen Sie vor dem Reinigen Türen und Fenster. Entfernen Sie Unrat, Spielzeug, Gartenmöbel und andere Gegenstände, die zu einer Gefahr werden können, vom zu reinigenden Bereich.
- Heben oder tragen Sie niemals das Produkt

mit laufendem Motor.

- Nutzen Sie das Produkt nicht bei Temperaturen unter 0 °C.
- Nutzen Sie das Produkt nicht mit Säuren, Laugen, Lösemitteln, entflammaren Flüssigkeiten, Bleiche oder Industrielösungen. Diese Flüssigkeiten können zu Verletzungen des Bedieners und unwiderruflichen Beschädigungen des Produkts führen.
- Betreiben Sie das Produkt immer auf einer ebenen Oberfläche.

⚠ WARNUNG

Der Hochdruckstrahl kann bei Missbrauch gefährlich sein. Der Strahl darf nicht auf Personen, Tiere, aktive elektrische Ausrüstung oder die Maschine selbst gerichtet werden.

- Halten Sie die Spritzpistole fest mit beiden Händen. Gehen Sie davon aus, dass sich die Pistole aufgrund der Reaktion bewegt, wenn der Betätigungsdrücker gedrückt wird. Wenn der Bediener dies nicht erwartet, kann er die Kontrolle verlieren; dies kann dazu führen, dass der Bediener und andere Personen verletzt werden.
- Stellen Sie vor dem Einschalten des Produkts sicher, dass die Luft im Schlauch und der Pumpe freigesetzt wird. Um die Luft im Schlauch und in der Pumpe zu entfernen, schließen Sie die Wasserversorgung an der Pumpe an, verwenden Sie dabei einen Gartenschlauch, schließen Sie die Spritzpistole an der Pumpe an, verwenden Sie dabei den Hochdruckschlauch. Entriegeln Sie die Einschaltsperrung an der Pistole und drücken Sie den Betätigungsdrücker, bis sie einen gleichmäßigen Fluss gibt.
- Achten Sie darauf, nicht zu rutschen oder zu fallen.
- Sorgen Sie für einen sicheren Stand und halten Sie das Gleichgewicht. Vermeiden Sie eine abnormale Körperhaltung. Eine abnormale Körperhaltung kann zu Gleichgewichtsverlust führen.
- Benutzen Sie nur geeignete und zugelassene Ersatzteile. Die Benutzung von ungeeignetem Zubehör kann zu Verletzungen führen.

- Lassen Sie das Produkt nicht unbeaufsichtigt in Betrieb. Schalten Sie das Produkt aus. Lassen Sie das Produkt nicht unbeaufsichtigt, bis es vollkommen gestoppt ist.
- Machen Sie sich mit den Bedienelementen vertraut. Sie müssen wissen, wie das Produkt stoppt und wie kurzfristig Druck abgelassen werden kann.
- Bleiben Sie aufmerksam und behalten Sie die Kontrolle. Achten Sie auf das, was Sie tun, und setzen Sie Ihren gesunden Menschenverstand ein.
- Arbeiten Sie mit diesem Produkt nicht, wenn Sie müde oder krank sind, oder unter dem Einfluss von Alkohol, Drogen oder Medikamenten stehen. Ein kurzer Moment der Unachtsamkeit bei der Verwendung des Produktes kann zu schweren Verletzungen führen.
- Benutzen Sie kein Produkt, dessen Schalter defekt ist. Ein Elektrowerkzeug, das sich nicht mehr ein- oder ausschalten lässt, ist gefährlich und muss repariert werden.
- Halten Sie beim Reinigen von Fahrzeugen einen Mindestabstand von 30 cm ein. Der Hochdruckstrahl kann Fahrzeugreifen und/ oder Reifventile beschädigen oder zum Platzen bringen.
- Verwenden Sie einen Gartenschlauch mit einer Höchstlänge von 15 m und einem Mindestdurchmesser von 18 mm (3/4 in.)
- Vergewissern Sie sich vor jedem Einsatz, dass Zubehörteile sicher an der Spritzpistole befestigt sind.

ÜBERLASTUNGSSCHUTZ

Das Produkt ist mit einem Überlastungsschutz ausgestattet, der aktiviert wird wenn Überhitzung oder eine Stromspitze auftritt, und das Produkt automatisch ausschaltet. Um den Betrieb wieder aufzunehmen, trennen Sie das Produkt vom Stromnetz, warten ungefähr 15 Minuten und schließen das Produkt wieder an das Stromnetz an.

TRANSPORT UND LAGERUNG

⚠ VORSICHT

Berücksichtigen Sie bei der Auswahl des Lagerplatzes und während des Transports das Gewicht des Produkts, um Unfälle und Verletzungen zu verhindern.

- Schalten Sie das Produkt aus, unterbrechen Sie die Stromversorgung und lassen Sie das Produkt abkühlen. Trennen Sie vor Lagerung und Transport die Verbindung zur Wasserversorgung. Platzieren Sie das Produkt immer aufrecht.
- Lassen Sie vor dem Lagern des Produkts das Wasser aus allen Schläuchen und der Pumpe ab und leeren Sie den Reinigungsmitteltank.
- Entfernen Sie alle Fremdkörper vom Produkt. Bewahren Sie das Produkt an einem kühlen, frostfreien, trockenen und gut belüfteten Platz auf, der für Kinder unzugänglich ist. Von korrodierend wirkenden Stoffen, wie Gartenchemikalien und Enteisierungssalzen, fernhalten. Nicht im Freien lagern.
- Sichern Sie die Maschine beim Transport in einem Fahrzeug gegen Bewegung oder Herunterfallen, um Verletzungen und Beschädigung des Produkts zu verhindern.

⚠ WARNUNG

Das Produkt muss in einem Innenraum eingelagert werden. Wenn das Produkt in einem Bereich mit einer Temperatur unter 0° eingelagert wird, wird es beschädigt.

WARTUNG UND PFLEGE

⚠ WARNUNG

Verwenden Sie ausschließlich original Ersatzteile, Zubehör und Aufsätze des Herstellers. Nichtbefolgung kann mögliche Verletzungen oder schlechte Leistung verursachen und Ihre Garantie ungültig machen.

⚠️ WARNUNG

Service und Wartung des Produktes erfordert besonderen Sorgfalt und Kenntnisstand und darf nur durch qualifiziertes Personal durchgeführt werden. Bringen Sie das Produkt zur Wartung zu einem autorisierten Kundendienst. Verwenden Sie zur Wartung ausschließlich Original-Ersatzteile des Herstellers.

- Schalten Sie das Produkt aus, unterbrechen Sie die Stromversorgung und lassen Sie das Produkt abkühlen. Unterbrechen Sie die Wasserversorgung des Produkts bevor
 - Sie das Produkt reinigen.
 - Sie das Produkt warten
 - Sie Teile auswechseln
- Sie dürfen nur die in dieser Bedienungsanleitung beschriebenen Einstellungen oder Reparaturen durchführen. Für andere Reparaturen oder Rat, ziehen Sie einen autorisierten Kundendienst hinzu.
- Prüfen Sie den Hochdruckreiniger regelmäßig und warten Sie ihn, damit das Produkt sicher läuft. RYOBI empfiehlt, das Produkt alle 6 Monate zu überprüfen.
- Überprüfen Sie Bolzen, Muttern und Schrauben immer wieder, ob alle fest angezogen sind, so dass das Produkt in einem sicheren Zustand ist. Jedes beschädigte Teil muss durch den autorisierten Kundendienst ordnungsgemäß repariert oder ausgetauscht werden.

RESTRISIKEN

Sogar wenn das Produkt wie vorgeschrieben benutzt wird, ist es unmöglich ein gewisses Restrisiko vollständig zu beseitigen. Die folgenden Gefahren können bei der Benutzung entstehen, und der Benutzer sollte besonders auf folgende Punkte achten:

- Durch den Hochdruckstrahl verursachte Verletzungen
 - Richten Sie den Hochdruckstrahl weder auf sich selbst noch auf andere Personen oder auf Tiere.
- Durch den Rückstoß verursachte Verletzungen
 - Halten Sie die Pistole und Sprühlanze

immer mit beiden Händen fest.

- Durch das Einatmen von Aerosolen verursachte Verletzungen
 - Tragen Sie eine angemessene Atemmaske.
- Lärm kann zu Gehörschaden führen.
 - Tragen Sie einen Gehörschutz

RISIKOVERRINGERUNG

Vibrationen von in der Hand gehaltenen Werkzeugen können bei einigen Personen zu einem Zustand, der Raynaud-Syndrom genannt wird, führen. Symptome sind u.a. Kribbeln, Taubheitsgefühl und episodische Weißfärbung der Finger und treten normalerweise bei Kälte auf. Man geht davon aus, dass ererbte Faktoren, Kälte und Feuchtigkeit, Essgewohnheiten, Rauchen und Arbeitsweise zur Entwicklung dieser Symptome beitragen. Der Anwender kann Maßnahmen ergreifen, um die Auswirkungen der Vibrationen möglicherweise zu verringern:

- Halten Sie den Körper bei Kälte warm. Tragen Sie beim Betrieb des Produktes Handschuhe, um Hände und Handgelenke warm zu halten.
- Betätigen Sie sich nach jedem Einsatz körperlich, um den Blutkreislauf zu steigern.
- Machen Sie regelmäßig Pausen. Beschränken Sie die Beanspruchung pro Tag.

Sollten bei Ihnen Symptome dieses Zustands auftreten, stellen Sie unverzüglich den Betrieb ein und suchen Sie in Hinsicht auf die Symptome einen Arzt auf.

⚠️ WARNUNG

Verletzungen können durch lange Benutzung eines Werkzeugs entstehen oder verschlimmert werden. Machen Sie regelmäßig Pause, wenn Sie ein Werkzeug für lange Zeit benutzen.

MACHEN SIE SICH MIT IHREM PRODUKT VERTRAUT

Siehe Seite 181.

1. Einschaltsperr
2. Betätigungsdrücker
3. Griff
4. Netzschalter

5. Aufbewahrung für Anschlussleitung
6. Anschlussleitung
7. Wasserauslass
8. Hochdruckschlauch
9. Lanze mit Turbodüse
10. Lanze mit Sprühdüse
11. Adapter *
12. Behälter für Reinigungsmittel
13. Wassereinflussverbindung mit Filter
14. Wassereinfluss
15. Verlängerung
16. Halterung Spritzpistole
17. Spritzpistole
18. Wassereinfluss Spritzpistole

* Kompatibler Adapter für Zubehör für KÄRCHER Hochdruckreiniger. KÄRCHER ist ein eingetragenes Warenzeichen der Alfred Kärcher GmbH & Co. KG.

HINWEIS: Prüfen Sie, ob die Spezifikationen des Zuberhörteils den Spezifikationen des RYOBI Hochdruckreinigers entsprechen.

HINWEIS: Beim Einsatz von Reinigungsmitteln ziehen Sie bitte das Sicherheitsdatenblatt des betreffenden Reinigungsmittels zu Rate.

SYMBOLS AUF DEM PRODUKT



Warnung



Klasse II Werkzeug,
Doppelisolierung

Um das Risiko von Verletzungen zu minimieren, muss der Benutzer die Bedienungsanleitung lesen und verstehen bevor er dieses Produkt benutzt.



Tragen Sie eine Schutzbrille- und Gehörschutz.



Ziehen Sie den Stecker sofort aus dem Stromnetz, wenn das Kabel beschädigt oder angeschnitten ist.



Gefahr von Stromschlag



Das Produkt ist ohne Rückflussverhinderer nicht zum Anschließen an die Trinkwasserversorgung geeignet.



Richten Sie die Sprühlanze niemals auf Menschen, Tiere, das Produkt, die Stromversorgung oder andere elektrische Produkte.



Explosionsrisiko



Dieses Produkt entspricht allen gesetzlichen Normen des Landes der Europäischen Union, in dem es gekauft wurde.



EurAsian Konformitätszeichen



Ukrainisches Prüfzeichen



Der auf diesem Etikett angegebene garantierte Schalldruckpegel beträgt 92 dB.

Elektrische Produkte sollten nicht mit dem übrigen Müll entsorgt werden.



Bitte entsorgen Sie diese an den entsprechenden Entsorgungsstellen. Wenden Sie sich an die örtliche Behörde oder Ihren Händler, um Auskunft über die Entsorgung zu erhalten.

SYMBOLS IN DIESER BEDIENUNGSANLEITUNG



Tragen Sie rutschfeste, strapazierfähige Schutzhandschuhe.



Anschließen an das Stromnetz.



Trennen vom Stromnetz.



Teile oder Zubehör getrennt erhältlich



Hinweis



Warnung

Mit den folgenden Symbolen wird die Bedeutung der verschiedenen Risikostufen, die mit dem Produkt einhergehen, dargestellt.

GEFAHR

Weist auf eine unmittelbare gefährliche Situation hin, die, falls nicht vermieden, zu Tod oder ernsthafter Verletzung führen kann.

WARNUNG

Weist auf eine mögliche gefährliche Situation hin, die, falls nicht vermieden, zu Tod oder ernsthafter Verletzung führen kann.

VORSICHT

Weist auf eine mögliche gefährliche Situation hin, die, falls nicht vermieden, zu einer leichten oder mittleren Verletzung führen kann.

VORSICHT

Ohne Sicherheitswarnsymbol
Weist auf eine Situation hin, die zu Sachbeschädigungen führen kann.

EN

FR

DE

ES

IT

NL

PT

DA

SV

FI

NO

RU

PL

CS

HU

RO

LV

LT

ET

HR

SL

SK

BG

UK

TR

FEHLERBEHEBUNG

Problem	Mögliche Ursache	Lösung
Produkt kann nicht gestartet werden	Produkt nicht eingesteckt	Stecken Sie das Produkt ein.
	Defekte Steckdose	Versuchen Sie es mit einer anderen Steckdose
	Defektes Verlängerungskabel	Prüfen Sie die Funktion ohne Verlängerungskabel
Druckschwankung	Die Pumpe saugt Luft an	Überprüfen Sie, ob die Schläuche und Verbindungen luftdicht sind.
	Die Ventile sind verschmutzt, abgenutzt oder stecken fest	Bringen Sie das Produkt zur Wartung zu einem autorisierten Kundendienst.
Das Produkt stoppt	Pumpendichtungen abgenutzt	Bringen Sie das Produkt zur Wartung zu einem autorisierten Kundendienst.
	Die Sicherung ist durchgebrannt.	Bringen Sie das Produkt zur Wartung zu einem autorisierten Kundendienst.
	Falsche Netzspannung	Überprüfen Sie, ob die Netzspannung mit der Spezifikation auf dem Modelletikett übereinstimmt.
Produkt pulsiert	Thermosensor aktiviert	Lassen Sie das Produkt 15 Minuten lang abkühlen.
	Düse teilweise verstopft	Düse reinigen.
	Luft im Einlassschlauch/in der Pumpe	Lassen Sie das Produkt mit gedrücktem Betätigungsschalter in Betrieb, bis wieder der normale Betriebsdruck erreicht wird.
	Unzureichende Leitungswasserversorgung	Überprüfen Sie, ob die Wasserzufuhr den erforderlichen Spezifikationen entspricht (siehe Modelletikett). Verwenden Sie keine langen, dünnen Schläuche.
	Düse teilweise verstopft	Düse reinigen.
Das Produkt startet und stoppt oft von selbst	Wasserfilter verstopft	Reinigen Sie den Filter.
	Schlauch geknickt	Schlauch ohne Knicke auslegen.
	Pumpe/Pistole ist undicht	Bringen Sie das Produkt zur Wartung zu einem autorisierten Kundendienst.
	Die Pumpe, Schläuche und andere Zubehörteile sind eingefroren.	Warten Sie, bis die Pumpe, Schläuche oder anderen Zubehörteile aufgetaut sind.
Das Produkt startet, kommt aber kein Wasser.	Keine Wasserzufuhr	Schließen Sie den Wasserzulauf an die Wasserversorgung an.
	Wasserfilter verstopft	Reinigen Sie den Filter.
	Düse verstopft	Düse reinigen.
Kein Reinigungsmittel	Düse auf Hochdruck eingestellt	Auf niedrigen Druck einstellen.
	Tank ist leer.	Tank nachfüllen.

La seguridad, el rendimiento y la fiabilidad han sido las máximas prioridades a la hora de diseñar esta limpiadora de alta presión eléctrica.

USO PREVISTO

La limpiadora de alta presión eléctrica se debe utilizar exclusivamente en el exterior. Por razones de seguridad, es necesario controlar el producto correctamente utilizando las dos manos.

El producto está diseñado para uso doméstico. Está concebida para limpiar máquina, vehículos, edificios, suelos, herramientas, fachadas, terrazas y calzadas de cemento, eliminando la suciedad resistente mediante agua limpia con o sin detergente de limpieza.

El producto se puede utilizar con una boquilla turbo, una boquilla pulverizadora, un cepillo de lavado y un limpiador de superficies. El cepillo de lavado se utiliza para conseguir una limpieza eficaz de coches, motocicletas o cualquier otro objeto que requiera pulverización o el uso de detergente. La boquilla pulverizadora se utiliza para limpiar las superficies que requieren pulverización o el uso de detergente. El limpiador de superficies se utiliza para limpiar y cepillar superficies.

Debe utilizarse en un lugar seco y bien iluminado.

No la use para ninguna otra finalidad.

⚠ ADVERTENCIA

El producto está diseñado para usarse con un agente limpiador neutro suministrado o recomendado por el fabricante. El uso de otros agentes limpiadores o productos químicos podría afectar negativamente a la seguridad del producto.

ALERTA DE SEGURIDAD GENERAL

⚠ ADVERTENCIA

Lea todas las advertencias de peligro e instrucciones. El incumplimiento de las advertencias e instrucciones puede provocar descargas eléctricas, incendios y/o lesiones graves.

⚠ ADVERTENCIA

El producto no debe usarse en el suministro de agua potable sin haber instalado un supresor de reflujo correspondiente a EN 12729 Tipo BA. El agua que fluye a través de un supresor de reflujo no se considera potable. Respete siempre las normativas de su compañía de suministro de agua local al conectar el producto a una red de suministro de agua.

- El producto no está diseñado para que lo usen niños ni personas con capacidades físicas, sensoriales o mentales reducidas o con falta de experiencia y conocimientos. Los niños deben estar adecuadamente supervisados para asegurarse de que no juegan con el producto.
- Use un equipo de protección individual completo cuando utilice el producto, como botas, guantes de seguridad, cascos de seguridad con visera y protección auditiva. Use viseras de alto impacto solo con protección contra salpicaduras líquidas.

⚠ ADVERTENCIA

No use el producto cuando haya personas dentro del alcance, a menos que lleven puesta ropa protectora.

- Para reducir el riesgo de lesiones, mantenga a los niños y a los visitantes alejados. Toda persona presente debe llevar gafas de protección y mantenerse a una distancia prudente de la zona de trabajo.
- Inspeccione los dispositivos de seguridad, como válvulas de seguridad, interruptores de flujo e interruptores de presión, para comprobar si se encuentran en un buen estado de funcionamiento. Asegúrese de que todos los dispositivos de seguridad funcionan correctamente antes de cada uso:
 - Interruptor Marcha
 - El interruptor de encendido/apagado evita que el producto se encienda accidentalmente.
 - Bloqueo del mango del gatillo
 - El cierre del mango del gatillo bloquea y evita que el chorro de alta presión se abra involuntariamente.

- Válvula de descarga con interruptor de presión
 - La válvula de descarga evita que se supere la presión de trabajo permitida. Si se libera la palanca de la pistola con gatillo, el interruptor de presión apaga la bomba y se detiene el chorro de alta presión. Si se tira de la palanca, la bomba se enciende de nuevo.
- Protección contra sobrecargas
 - Un sensor térmico protege el producto contra posibles sobrecargas. El producto cortará automáticamente la alimentación en caso de sobrecalentamiento.
- No use el producto si hay piezas importantes dañadas, tales como dispositivos de seguridad, mangueras de alta presión o la pistola con gatillo.
- Tenga cuidado al abrir el gatillo. Sujete firmemente el mango con las dos manos para evitar lesionarse cuando el mango del gatillo retroceda.

⚠ ADVERTENCIA

Cuando se usen limpiadores de alta presión, se pueden formar aerosoles. La inhalación de aerosoles puede ser perjudicial para la salud.

⚠ ADVERTENCIA

Dependiendo de la aplicación, se pueden usar boquillas apantalladas para una limpieza de alta presión, lo que reducirá la emisión de aerosoles acuosos. No obstante, no todas las aplicaciones permiten el uso de tal dispositivo. Si no se dispone de boquillas apantalladas para la protección frente a aerosoles, puede ser necesaria una máscara respiratoria de clase FFP 2 o equivalente, dependiendo del entorno de limpieza.

- Pare siempre el producto cuando lo deje desatendido.
- Un chorro a alta presión es peligroso si no se usa bien. No dirija el chorro hacia personas, equipo eléctrico con corriente ni hacia el propio producto.
- Para evitar riesgos de explosión, no

pulverice líquidos inflamables.

- No utilice el chorro para limpiar ni su ropa ni sus zapatos, ni los de otra persona.
- No use el producto para limpiar dispositivos electrónicos, ropa ni calzado.
- Las mangueras de alta presión, accesorios y acoplamientos son importantes para la seguridad del producto. Use solo mangueras, accesorios y acoplamientos recomendados por el fabricante.

ADVERTENCIAS DE SEGURIDAD ELÉCTRICA

- Los enchufes deben ser adecuados para la toma de corriente. No modifique el enchufe de ninguna manera. Utilizar enchufes sin modificar y tomas correspondientes reducirán el riesgo de descargas eléctricas.
- No use el producto si el cable de alimentación u otras piezas importantes, tales como dispositivos de seguridad, están dañados.
- Compruebe que el cable de alimentación y el cable de extensión no presenten daños antes de cada uso. Si el cable de alimentación o el de extensión están dañados, deben ser sustituidos por el fabricante, su centro de servicio u otras personas igualmente cualificadas para evitar el riesgo.
- Mantenga el cable eléctrico lejos de fuentes de calor, aceite y bordes afilados.
- Nunca toque el enchufe de la red con las manos húmedas.
- Los cables de extensión inadecuados pueden ser peligrosos. Si se usa un cable de extensión, debe ser adecuado para su uso en exteriores y la conexión debe mantenerse seca y apartada del suelo. Use una rueda para cable para mantener el enchufe al menos a 60 mm por encima del suelo.
- La conexión al suministro eléctrico la debe realizar un electricista cualificado y debe cumplir con la norma IEC 60364-1. Se recomienda que el suministro eléctrico del producto incluya o un dispositivo de corriente residual que interrumpa el suministro si la corriente de fuga supera los 30 mA durante 30 ms o un dispositivo que pruebe el circuito de tierra.

AVISOS DE SEGURIDAD ADICIONALES

- Algunas regiones tienen normas que limitan el uso del producto. Consulte con su autoridad local para obtener información.
- Antes de cada uso, compruebe que no haya daños. Una manguera de alta presión dañada debe sustituirse inmediatamente. Asegúrese de que todas las conexiones, como la manguera de alta presión y la boquilla, estén seguras. Desenrolle la manguera correctamente para que no se enrede o retuerza.
- No permita que niños o individuos sin experiencia utilicen este producto.
- Antes de comenzar la operación de limpieza, cierre puertas y ventanas. Despeje la zona que se vaya a limpiar de basura, juguetes, mobiliario de exterior u otros objetos que podrían suponer un peligro.
- Nunca levante ni transporte el aparato con el motor en marcha.
- No use el producto a temperaturas por debajo de 0°C.
- No use disolventes ácidos ni alcalinos, material inflamable, lejías ni soluciones de grado industrial para el producto. Tales productos pueden provocar lesiones físicas al usuario y daños irreversibles al producto.
- Utilice siempre el producto sobre una superficie plana.

⚠ ADVERTENCIA

Un chorro a alta presión puede ser peligroso si se somete a un mal uso. El chorro no debe dirigirse hacia personas, animales, dispositivos eléctricos o el propio producto.

- Sostenga el mango del gatillo firmemente con ambas manos. El mango se desplaza cuando se tira del gatillo debido a fuerzas de reacción. Si esto no ocurre, podría producirse una pérdida de control y lesionarse usted o a otros.
- Asegúrese de haber liberado el aire de la manguera y la bomba antes de encender el producto. Para quitar el aire de la manguera y la bomba, conecte el suministro de agua a la bomba con una manguera de jardín, conecte el mango del gatillo a la bomba

con la manguera de alta presión, quite el cierre del mango del gatillo y apriete el gatillo hasta que haya un flujo constante.

- Tenga precaución para evitar resbalar o caerse.
- Mantenga su pisada firme y su equilibrio. No se extienda demasiado. Si lo hace, podrá perder el equilibrio.
- Sólo utilice accesorios aprobados por el fabricante. La utilización de accesorios inadaptados puede provocar heridas corporales graves.
- Nunca deje el producto en marcha sin supervisión. Apague el producto. No suelte el producto hasta que se haya detenido por completo.
- Familiarícese con los controles. Sepa cómo detener el producto y purgar la presión rápidamente.
- Esté siempre atento y controle su herramienta. Fíjese bien en lo que está haciendo y actúe con sentido común.
- No utilice el cortacésped cuando esté cansado o bajo la influencia de drogas, alcohol o medicamentos. En un momento de descuido, mientras utiliza el producto podrían ocurrir lesiones personales graves.
- No utilice el aparato en caso de que el interruptor no encienda ni apague el aparato. Cualquier producto que no puede ser controlada con el interruptor de encendido es peligroso y debe ser reparado.
- Mantenga una distancia mínima de 30 cm cuando limpie vehículos. El chorro de alta presión puede dañar o reventar neumáticos del vehículo o las válvulas de los neumáticos.
- Utilice una manguera de jardín con una longitud máxima de 15 m y un diámetro mínimo de 18 mm (3/4 pul.)
- Antes de cada uso, asegúrese de que el accesorio esté bien acoplado a la pistola con gatillo.

PROTECCIÓN CONTRA SOBRECARGA

El producto tiene un dispositivo de protección contra sobrecarga que se activa cuando ocurre un pico de corriente o sobrecalentamiento, cortando automáticamente la corriente al producto. Para reiniciar el funcionamiento, desconecte el producto de la toma de

corriente, espere unos 15 minutos y vuelva a conectar el producto a la toma de corriente.

TRANSPORTE Y ALMACENAMIENTO

⚠ ADVERTENCIA

Tenga en cuenta el peso del producto al seleccionar el lugar de almacenamiento y durante el transporte para evitar accidentes o lesiones.

- Detenga el producto, desconéctelo del suministro eléctrico y deje que se enfríe. Desconecte el producto del suministro de agua antes de guardarlo o transportarlo. Nunca coloque el producto en una posición que no sea hacia arriba.
- Extraiga el agua de las mangueras y la bomba y vacíe el depósito de detergente antes de guardar el producto.
- Limpie todo el material extraño que pueda permanecer en el producto. Guárdelo en un lugar fresco, libre de heladas, seco y bien ventilado que sea inaccesible para los niños. Evite el contacto con agentes corrosivos tales como productos químicos de jardinería o sales descongelantes. No almacenar al aire libre.
- Para transportar el producto, sujételo de modo que no se mueva ni se caiga para evitar lesiones personales o daños al producto.

⚠ ADVERTENCIA

Guarde siempre el producto en interior. Guardarlo en una zona con una temperatura inferior a 0 °C dañará el producto.

MANTENIMIENTO

⚠ ADVERTENCIA

Utilice sólo piezas y accesorios de recambio originales del fabricante. Si no lo hace podría ocurrir un mal funcionamiento, podrían producirse daños o podría quedar anulada la garantía.

⚠ ADVERTENCIA

Las reparaciones requieren tener mucho cuidado y conocimiento y sólo debe realizarse por un técnico de servicio calificado. Para operaciones de servicio, lleve el producto a un centro de servicio autorizado. Utilice solo recambios originales del fabricante para las operaciones de mantenimiento.

- Detenga el producto, desconéctelo del suministro eléctrico y deje que se enfríe. Desconecte el producto del suministro de agua antes de:
 - limpiar el producto
 - realizar el mantenimiento del producto
 - sustituir piezas
- Usted solo puede realizar los ajustes o reparaciones descritos en este manual. Para otras reparaciones o consejos, busque la ayuda de un centro de servicio autorizado.
- Inspeccione con regularidad y realice labores de mantenimiento en la limpiadora de alta presión para un funcionamiento seguro. RYOBI recomienda inspeccionar el producto cada 6 meses.
- Verifique a intervalos frecuentes si todas las tuercas, pernos y tornillos están apretados apropiadamente para asegurarse de que el producto esté en buenas condiciones de trabajo. Cualquier pieza dañada debe ser sustituida o reparada adecuadamente por un centro de servicio autorizado.

RIESGOS RESIDUALES

Incluso cuando se utiliza el producto según las instrucciones, sigue siendo imposible eliminar por completo ciertos factores de riesgo residuales. Los siguientes peligros pueden surgir en el uso y el operador debe prestar especial atención para evitar lo siguiente:

- Lesión causada por el chorro de alta presión
 - Evite apuntar con el chorro de alta presión a personas, animales o a usted mismo.
- Lesión provocada por retroceso
 - Sostenga siempre el mango o la vara del gatillo firmemente con ambas manos.

- Lesión provocada por inhalación de y aerosoles.
 - Use máscara respiratoria adecuada.
- Lesiones a causa del ruido
 - Use protección auditiva

REDUCCIÓN DEL RIESGO

Se ha informado de que las vibraciones de las herramientas de mano puede contribuir a una condición llamada síndrome de Raynaud en ciertos individuos. Los síntomas pueden incluir hormigueo, entorpecimiento y decoloración de los dedos, generalmente aparentes cuando tiene lugar una exposición al frío. Se considera que los factores hereditarios, exposición al frío y a la humedad, dieta, tabaquismo y prácticas de trabajo contribuyen al desarrollo de estos síntomas. Existen medidas que pueden ser tomadas por el operador para reducir los efectos de vibración:

- Mantenga su cuerpo caliente durante el tiempo frío. Al manipular el producto, utilice guantes para mantener las manos y las muñecas calientes.
- Después de cada período de funcionamiento, realice ejercicios para aumentar la circulación sanguínea.
- Haga pausas de trabajo frecuentes. Limite la cantidad de exposición por día.

Si siente alguno de los síntomas de esta enfermedad, interrumpa inmediatamente el uso y consulte a su médico estos síntomas.

⚠ ADVERTENCIA

El uso prolongado de una herramienta puede causar o agravar lesiones. Al utilizar cualquier herramienta durante períodos prolongados asegúrese de tomar descansos regulares.

CONOZCA SU PRODUCTO

- Véase la página 181.
1. Bloqueo del mango del gatillo
 2. Gatillo
 3. Mango
 4. Interruptor de alimentación
 5. Soporte del cable de alimentación
 6. Cable de alimentación
 7. Salida de agua
 8. Manguera de alta presión
 9. Lanza de la boquilla turbo

10. Lanza de la boquilla pulverizadora
11. Adaptador *
12. Botella de jabón
13. Acoplador de la entrada de agua con filtro Water inlet coupler with filter
14. Entrada de agua
15. Lanza extendida
16. Soporte del mango del gatillo
17. Pistola con gatillo
18. Entrada de la pistola con gatillo

* Adaptador compatible para los accesorios de las limpiadoras a presión KÄRCHER. KÄRCHER es una marca registrada de Alfred Kärcher GmbH & Co. KG.

OBSERVACIÓN: Consulte las especificaciones del accesorio para comprobar si es compatible con las especificaciones de la limpiadora de alta presión de RYOBI.

OBSERVACIÓN: Si va a utilizar detergente, consulte la ficha de datos de seguridad de materiales del detergente.

SÍMBOLOS EN EL PRODUCTO



Advertencia



Herramienta de tipo II, doble aislamiento



Para reducir el riesgo de heridas, lea atentamente y comprenda el presente manual de utilización antes de utilizar la herramienta.



Utilice gafas de protección y otros dispositivos de protección para los oídos.



Quite el enchufe de la corriente inmediatamente su el cable está dañado o cortado.



Puede sufrir descargas eléctricas.



El producto no debe conectarse al suministro de agua corriente sin supresor de reflujo.



Nunca apunte con la lanza pulverizadora hacia personas, animales, la estructura de la máquina, el suministro eléctrico o cualquier aparato eléctrico.



Peligro de explosión



Esta herramienta responde a todas las normas reglamentarias del país de la UE donde se ha comprado.



Certificado EAC de conformidad



Marca de conformidad ucraniana



El nivel de potencia acústica garantizado mostrado en esta etiqueta es de 92 dB.



Los productos eléctricos de desperdicio no deben desecharse con desperdicios caseros. Por favor recíclelos donde existan dichas instalaciones. Compruebe con su autoridad local o minorista para reciclar.

⚠ **ADVERTENCIA**

Indica una situación peligrosa que, de no evitarse, puede ocasionar la muerte o heridas de gravedad.

⚠ **ADVERTENCIA**

Indica una situación potencialmente peligrosa que, de no evitarse, puede ocasionar heridas leves.

ADVERTENCIA

Sin símbolo de alerta de seguridad

Indica una situación que puede causar daños en las cosas.

SÍMBOLOS EN ESTE MANUAL



Utilice guantes protectoras antideslizantes resistentes.



Conectar a la toma de corriente.



Desconectar de la toma de corriente.



Las piezas o accesorios se venden por separado



Nota



Advertencia

Los siguientes símbolos y palabras detallan los niveles de cuidado necesarios para usar este producto.

⚠ **PELIGRO**

Indica una situación potencialmente peligrosa que, de no evitarse, puede ocasionar la muerte o heridas de gravedad.

RESOLUCIÓN DE PROBLEMAS

Problema	Causa posible	Solución
La máquina no arranca	La máquina no está enchufada	Enchufe la máquina.
	Enchufe defectuoso	Inténtelo en otro enchufe.
	Cable de extensión defectuoso	Inténtelo sin cable de extensión.
Variaciones de presión	La bomba succiona aire	Compruebe que las mangueras y las conexiones son herméticas.
	Las válvulas están sucias, desgastadas u obstruidas	Para operaciones de servicio, lleve el producto a un centro de servicio autorizado.
	Los sellos de las bombas están desgastados	Para operaciones de servicio, lleve el producto a un centro de servicio autorizado.
La máquina se detiene	Se ha fundido el fusible.	Para operaciones de servicio, lleve el producto a un centro de servicio autorizado.
	Tensión de alimentación incorrecta	Compruebe la tensión de alimentación correspondiente a la especificación en la etiqueta del modelo.
	Sensor térmico activado	Deje que la limpiadora de alta presión se enfríe durante 15 minutos.
	La boquilla está parcialmente bloqueada	Limpie la boquilla.
La máquina parpadea	Aire en la bomba/manguera de entrada	Deje que el producto funcione con el gatillo abierto hasta que se recupere la presión de trabajo regular.
	Suministro de agua inadecuado	Compruebe que el suministro de agua se corresponde con las especificaciones necesarias (ver la etiqueta del modelo). Evite utilizar mangueras largas y finas.
	La boquilla está parcialmente bloqueada	Limpie la boquilla.
	Filtro de agua bloqueado	Limpie el filtro.
A menudo, la máquina arranca y se detiene sola	Manguera retorcida	Estire la manguera.
	El asa de la bomba/pulverizadora gotea	Para operaciones de servicio, lleve el producto a un centro de servicio autorizado.
La máquina arranca, pero no sale agua	La bomba, las mangueras y otros accesorios están congelados	Espere a que la bomba, las mangueras u otros accesorios se descongelen.
	Sin suministro de agua	Conecte el puerto de entrada de agua a un suministro de agua.
	Filtro de agua bloqueado	Limpie el filtro.
Sin detergente	Boquilla bloqueada	Limpie la boquilla.
	Boquilla ajustada para alta presión	Ajuste a baja presión.
	El depósito está vacío.	Llene el depósito.

Durante la progettazione di questo pulitore ad alta pressione elettrico è stata assegnata la massima priorità a sicurezza, prestazioni e affidabilità.

UTILIZZO RACCOMANDATO

Il pulitore ad alta pressione elettrico è destinato al solo uso all'aperto. Per ragioni di sicurezza, l'utensile deve essere adeguatamente controllato utilizzando sempre due mani.

Prodotto disegnato per utilizzo privato o domestico. Il prodotto serve a pulire macchine, veicoli, edifici, pavimenti, utensili, facciate, terrazze e sentieri in cemento, ed effettua la rimozione dello sporco difficile utilizzando acqua pulita con o senza un detergente.

Il prodotto può essere utilizzato con ugello turbo, ugello a spruzzo, spazzola di lavaggio e puliscisuperfici. La spazzola di lavaggio pulisce efficacemente auto, moto o altri oggetti che necessitano di spruzzatura e detergenti. L'ugello a spruzzo viene usato per pulire le superfici che richiedono una spruzzatura o l'uso del detergente. Il puliscisuperfici viene usato per la pulizia e la spazzolatura delle superfici.

Utilizzare solo in luoghi asciutti e ben illuminati. Non utilizzare per altri scopi.

⚠ AVVERTENZA

Il pulitore ad alta pressione è stato progettato per l'utilizzo con un agente detergente neutro in dotazione o raccomandato dal produttore. L'utilizzo di altri agenti o sostanze chimiche di pulizia potrebbe influire sulla sicurezza del prodotto.

AVVERTENZE GENERALI DI SICUREZZA

⚠ AVVERTENZA

Leggere tutte le avvertenze di sicurezza e le istruzioni. La mancata osservanza di tutte le istruzioni potrà causare scosse elettriche, incendi e/o gravi lesioni personali.

⚠ ATTENZIONE

Il pulitore non deve essere utilizzato su forniture di acqua potabile senza disporre di un dispositivo per la prevenzione dell'inquinamento da riflusso equivalente a EN 12729 Tipo BA. L'acqua che scorre attraverso il dispositivo per la prevenzione dell'inquinamento da riflusso è considerata non potabile. Osservare sempre le normative dell'azienda idrica locale quando si collega il prodotto ad un condotto di fornitura dell'acqua.

- Il prodotto non deve essere utilizzato da bambini o da individui con ridotte capacità fisiche, mentali o sensoriali, oppure da persone che non dispongono di esperienza e conoscenza. Supervisionare adeguatamente i bambini per assicurarsi che non giochino con il prodotto.
- Indossare equipaggiamento di protezione individuale completo quando si utilizza il prodotto, come stivali, guanti di sicurezza, caschi di sicurezza con visiera e protezione per le orecchie. Utilizzare soltanto visiere molto resistenti agli urti con protezione contro gli schizzi di liquido.

⚠ AVVERTENZA

Non utilizzare il prodotto in presenza di astanti, a meno che essi indossino abbigliamento protettivo.

- Tenere a distanza bambini e visitatori per ridurre il rischio di lesioni. Eventuali persone estranee devono indossare occhiali di protezione e rimanere a debita distanza dall'area di lavoro.
- Ispezionare i dispositivi di sicurezza, come le valvole, gli interruttori di flusso e di pressione, per accertarsi che siano in buone condizioni operative. Prima di ciascun utilizzo, accertarsi che i dispositivi di sicurezza stiano funzionando correttamente:
 - Pulsante di messa in funzione
 - L'interruttore di accensione previene il funzionamento accidentale del prodotto.
 - Grilletto di blocco della maniglia
 - La sicura blocca il grilletto per prevenire l'apertura accidentale del

getto ad alta pressione.

- Valvola di limitazione della portata con interruttore di pressione
 - La valvola di limitazione della portata impedisce di superare la pressione di lavoro consentita. Se la leva sulla pistola del grilletto è rilasciata, l'interruttore di pressione spegne la pompa e il getto ad alta pressione si interrompe. Se la leva è inserita, la pompa si accende di nuovo.
- Protezione dai sovraccarichi
 - Un sensore termico protegge il prodotto dai sovraccarichi. In caso di surriscaldamento il prodotto si spegne automaticamente.
- Non utilizzare il prodotto se parti importanti dello stesso sono danneggiate, come i dispositivi di sicurezza, i tubi flessibili ad alta pressione o la pistola di azionamento.
- Prestare attenzione quando si apre il grilletto. Per evitare lesioni dovute al rinculo dell'impugnatura, afferrarla saldamente con due mani.

▲ AVVERTENZA

Durante l'utilizzo di detersivi ad alta pressione, possono formarsi vaporizzazioni. L'inalazione delle vaporizzazioni è pericolosa per la salute.

▲ AVVERTENZA

In base all'applicazione, possono essere utilizzati ugelli schermati per la pulizia ad alta pressione; tale accorgimento ridurrà l'emissione di vaporizzazioni idrate. Comunque, non tutte le applicazioni consentono l'utilizzo di tale dispositivo. Se gli ugelli schermati non sono pertinenti per la protezione dalle vaporizzazioni, una maschera respiratoria di classe FFP 2 o equivalente potrebbe essere necessaria, in base all'ambiente di pulizia.

- Spegnerne sempre il prodotto lasciato incustodito.
- Il getto ad alta pressione è pericoloso se utilizzato male. Non rivolgere il getto verso persone, apparecchiature elettriche sotto tensione o il prodotto stesso.
- Per evitare rischi di esplosione, non

spruzzare i liquidi infiammabili.

- Non dirigere il getto verso se stessi o gli altri al fine di pulire indumenti o calzature.
- Non utilizzare il prodotto per pulire dispositivi elettronici, abbigliamento o calzature.
- I tubi flessibili ad alta pressione, i raccordi e gli agganci sono importanti per la sicurezza del prodotto. Utilizzare soltanto tubi flessibili, raccordi e agganci consigliati dal produttore.

AVVERTENZE SULLA SICUREZZA ELETTRICA

- Le prese dell'alimentazione devono essere compatibili con la spina. Non modificare la spina in alcun modo. Spine non modificate e prese corrispondenti ridurranno il rischio di scosse elettriche.
- Non utilizzare il prodotto se il cavo di alimentazione o altre parti importanti, come i dispositivi di sicurezza, sono danneggiati.
- Controllare il cavo di alimentazione e la prolunga per accertarsi che non ci siano danni prima dell'utilizzo. Se il cavo di alimentazione o la prolunga sono stati danneggiati, devono essere sostituiti dal fabbricante, da un suo agente di assistenza o da altra persona qualificata analoga per evitare pericoli.
- Tenere il cavo lontano da fonti di calore, olio ed angoli appuntiti.
- Non toccare mai la spina e la presa con le mani bagnate.
- Le prolunghine non adeguate possono essere pericolose. Se viene utilizzata una prolunga, è necessario che sia idonea ad usi esterni e che la connessione sia mantenuta asciutta e sollevata dal suolo. Utilizzare una ruota per cavo per mantenere la presa sollevata dal suolo di almeno 60 mm.
- Il collegamento all'alimentazione elettrica dev'essere eseguito da un elettricista qualificato e dev'essere conforme a IEC 60364-1. Si raccomanda che l'alimentazione elettrica del prodotto includa un salvavita che interrompa l'alimentazione nel caso in cui la dispersione di corrente a terra superi i 20 mA per 30 ms oppure un dispositivo che verifichi il circuito di terra.

ULTERIORI AVVERTENZE DI SICUREZZA

- Alcune regioni hanno norme che limitano l'utilizzo del prodotto. Rivolgersi alle autorità locali per eventuali consigli.
- Verificare la presenza di danni prima di ogni utilizzo. Un tubo flessibile ad alta pressione danneggiato deve essere sostituito immediatamente. Accertarsi che tutte le connessioni, come il tubo flessibile ad alta pressione e l'ugello siano ben salde. Srotolare il tubo flessibile attentamente, facendo attenzione che non si attorcigli né si pieghi.
- Non permettere a bambini o a persone non qualificate di utilizzare questo prodotto.
- Prima di avviare l'operazione di pulizia, chiudere porte e finestre. Pulire l'area in modo che sia priva di detriti, giocattoli, mobili per ambienti esterni o altri oggetti che potrebbero costituire un pericolo.
- Non alzare né trasportare il prodotto con il motore in funzione.
- Non utilizzare il prodotto a temperature inferiori a 0° C.
- Non utilizzare sostanze acide, alcaline, solventi, materiale infiammabile, candeggine o soluzioni di grado industriale nel prodotto. Queste sostanze possono causare lesioni fisiche all'operatore e danni irreversibili al prodotto.
- Azionare sempre il prodotto su una superficie piana.

▲ AVVERTENZA

Il getto ad alta pressione può essere pericoloso se utilizzato male. Il getto non deve essere rivolto verso persone, animali, dispositivi elettrici o il prodotto stesso.

- Afferrare l'impugnatura del grilletto saldamente con entrambe le mani. A causa delle forze di reazione, aspettarsi che l'impugnatura si muova quando il grilletto viene tirato. La mancata osservanza di questa precauzione potrebbe causare la perdita di controllo e lesioni all'operatore e agli altri.
- Accertarsi che sia stata rilasciata l'aria nel tubo flessibile e nella pompa prima di accendere il prodotto. Per rimuovere l'aria dal tubo e dalla pompa, collegare

l'erogazione dell'acqua alla pompa usando un tubo da giardinaggio, connettere la maniglia del grilletto alla pompa tramite un tubo ad alta pressione, rilasciare la sicura del grilletto e premere quest'ultimo finché non c'è un flusso continuo.

- Procedere con cautela per evitare scivolamenti o cadute.
- Mantenere sempre un appoggio saldo e l'equilibrio. Non protendersi. Protendersi potrà causare una perdita di equilibrio.
- Utilizzare solo accessori approvati dalla stessa ditta. L'impiego di accessori non adatti può comportare il rischio di gravi lesioni fisiche.
- Non lasciare mai senza supervisione il prodotto quando è in funzione. Spegnerlo il prodotto. Non lasciare il prodotto prima che si sia completamente arrestato.
- Familiarizzarsi con i comandi. Essere a conoscenza di come arrestare il prodotto e spurgare la pressione rapidamente.
- Fare sempre attenzione e mantenere il controllo dell'apparecchio. Fare sempre attenzione alle operazioni che si effettuano e agire con buon senso.
- Un momento di disattenzione potrà causare gravi lesioni personali. Un momento di disattenzione mentre si mette in funzione il prodotto potrà causare gravi lesioni personali.
- Non utilizzare il prodotto se l'interruttore non si accende o spegne. Un prodotto che non può essere controllato dall'interruttore è pericoloso e deve essere riparato.
- Mantenere una distanza minima di 30 cm quando si puliscono i veicoli. Il getto ad alta pressione potrebbe danneggiare o forare gli pneumatici e/o le valvole degli pneumatici del veicolo.
- Usare un tubo da giardino di lunghezza massima 15 m e diametro minimo 18 mm (3/4 poll.)
- Dopo ogni utilizzo, assicurarsi che l'accessorio sia saldamente fissato alla pistola.

PROTEZIONE SOVRACCARICO

Il prodotto è dotato di un dispositivo di protezione dal sovraccarico che si attiva quando l'utensile si surriscalda o quando si verificano picchi di corrente, spegnendo



automaticamente il dispositivo. Per riavviare le operazioni, scollegare il prodotto dall'alimentazione, attendere per 15 minuti e ricollegarlo all'alimentazione.

TRASPORTO E RIPONIMENTO

⚠ ATTENZIONE

Quando si sceglie il luogo di conservazione e durante il trasporto, valutare sempre il peso del prodotto per evitare incidenti o lesioni.

- Arrestare il prodotto, disconnettere la fornitura di alimentazione e lasciare che il prodotto si raffreddi. Disconnettere il prodotto dalla fornitura dell'acqua prima dell'immagazzinaggio o del trasporto. Collocare sempre il prodotto in posizione verticale.
- Rimuovere l'acqua da tutti i tubi flessibili e dalla pompa, e svuotare il serbatoio del detergente prima di immagazzinare il prodotto.
- Rimuovere eventuali materiali di scarto dal prodotto. Conservare in un luogo freddo, asciutto, privo di brina e ben ventilato, non accessibile ai bambini, tenerlo a distanza da agenti corrosivi, come le sostanze chimiche per il giardinaggio e il fondente chimico. Non riporre all'esterno.
- Per il trasporto, assicurare il prodotto contro ogni movimento o contro eventuali cadute per evitare lesioni a persone o danni al prodotto.

⚠ AVVERTENZA

Conservare il prodotto solo al chiuso. La conservazione del prodotto a una temperatura inferiore a 0°C danneggerà il prodotto.

MANUTENZIONE

⚠ AVVERTENZA

Utilizzare solo parti di ricambio, accessori e dispositivi originali della ditta produttrice. In caso contrario si potranno causare lesioni, prestazioni basse e la garanzia verrà invalidata.

⚠ AVVERTENZA

Le operazioni di manutenzione devono essere svolte con grande attenzione e accortezza solo da un tecnico qualificato. Per la manutenzione, portare il prodotto presso un centro servizi autorizzato. Quando si svolgono le operazioni di manutenzione, utilizzare solo parti di ricambio originali della ditta produttrice.

- Arrestare il prodotto, disconnettere la fornitura di alimentazione e lasciare che il prodotto si raffreddi. Disconnettere il prodotto dalla fornitura dell'acqua prima di:
 - Pulire il prodotto
 - effettuare la manutenzione del prodotto
 - sostituire le parti di ricambio
- Sarà solo possibile svolgere le regolazioni o riparazioni indicate nel presente manuale. Per altre riparazioni o consigli, rivolgersi a un centro servizi autorizzato.
- Esaminare ed effettuare la manutenzione regolarmente del pulitore ad alta pressione per garantire un funzionamento sicuro. RYOBI raccomanda l'ispezione del prodotto ogni 6 mesi.
- Controllare frequentemente dadi, bulloni e viti, verificando che siano stati assicurati correttamente per fare in modo che il prodotto garantisca condizioni di lavoro ottimali. Riparare eventuali parti danneggiate o farle sostituire da un centro servizi autorizzato.

RISCHI RESIDUI

Anche quando il prodotto viene utilizzato come indicato, è impossibile eliminare completamente alcuni fattori di rischio residuo. Si potranno verificare i seguenti rischi durante l'utilizzo e l'operatore dovrà prestare attenzione speciale per evitare quanto segue:

- Lesione causata dal getto ad alta pressione
 - Evitare di puntare il getto ad alta pressione verso le persone, gli animali o verso se stessi.
- Lesione causata dal contraccoppo
 - Afferrare sempre l'impugnatura o la lancia del grilletto saldamente con due mani.
- Lesione causata dall'inalazione di vaporizzazioni



- Indossare l'opportuna maschera di respirazione.

■ Lesioni causate dal rumore.

- Indossare cuffie di protezione

RIDUZIONE DEL RISCHIO

Si è accertato che le vibrazioni causate da utensili a mano possono contribuire a causare una condizione chiamata Sindrome di Raynaud in alcune persone. I sintomi, comprendenti formicolio, intorpidimento e perdita di colore alle dita, si verificano di solito quando ci si espone al freddo. Fattori ereditari, esposizione a freddo e umidità, una dieta scorretta, fumo e condizioni di lavoro non sicure potranno contribuire allo sviluppo di questi sintomi. È possibile prendere delle precauzioni per ridurre le vibrazioni:

- Tenere il corpo al caldo a basse temperature. Quando si utilizza il prodotto indossare guanti per tenere le mani e i polsi caldi.
- Dopo aver utilizzato l'utensile per un certo periodo, fare degli esercizi per stimolare la circolazione del sangue.
- Fare spesso delle pause. Limitare la quantità di esposizione giornaliera.

Nel caso in cui si provino i sintomi di questa condizione, interrompere immediatamente l'utilizzo dell'utensile e consultare un dottore.

⚠ AVVERTENZA

Il prolungato utilizzo dell'utensile potrà causare o aggravare lesioni. Quando si utilizza questo utensile per periodi di tempo prolungati, assicurarsi di fare sempre delle pause regolari.

FAMILIARIZZARE CON IL PRODOTTO

Vedere pagina 181.

1. Grilletto di blocco della maniglia
2. Grilletto
3. Manico
4. Interruttore di accensione
5. Portacavo
6. Cavo di alimentazione
7. Uscita dell'acqua
8. Tubo flessibile ad alta pressione
9. Lancia di erogazione turbo
10. Lancia ugello spray
11. Adattatore *

12. Flacone del sapone
13. Accoppiamento per l'acqua in ingresso con filtro
14. Ingresso dell'acqua
15. Lancia prolungata
16. Supporto dell'impugnatura del grilletto
17. Pistola
18. Presa della pistola

* Adattatore compatibile con gli accessori del pulitore ad alta pressione KÄRCHER. KÄRCHER è un marchio commerciale registrato di Alfred Kärcher GmbH & Co. KG.

NOTA: Controllare che le specifiche dell'accessorio corrispondano con quelle del pulitore ad alta pressione RYOBI.

NOTA: Se si utilizza un detergente, consultarne la Scheda Dati di Sicurezza.

SIMBOLI SUL PRODOTTO



Avvertenze



Utensile di Classe II, isolamento doppio



Per ridurre i rischi di lesioni, è indispensabile leggere attentamente e comprendere il presente manuale d'uso prima di utilizzare l'apparecchio.



Indossare occhiali e cuffie di protezione.



Se il cavo è danneggiato o tagliato, scollegare immediatamente la spina dalla rete elettrica.



Rischio di scosse elettriche.



Il prodotto non è idoneo per la connessione a tubature dell'acqua potabile se non è presente un dispositivo di prevenzione del riflusso.



Non puntare mai la lancia di erogazione verso persone, animali, il corpo della macchina, la fornitura di alimentazione o altri apparecchi elettrici.



Pericolo di scoppio



Questo apparecchio è conforme a tutte le norme vigenti nel paese dell'UE in cui è stato acquistato.



Marchio di conformità EurAsian



Marchio di conformità ucraino



Il livello di pressione sonora garantito indicato su questa etichetta è di 92 dB.



I prodotti elettrici non devono essere smaltiti con i rifiuti domestici. Vi sono strutture per smaltire tali prodotti. Informarsi presso il proprio Comune o rivenditore di sicurezza per smaltire adeguatamente tali rifiuti.

SIMBOLI NEL PRESENTE MANUALE



Indossare guanti di protezione resistenti e anti-scivolo.



Collegare alla presa dell'alimentazione.



Scollegare dalla presa dell'alimentazione.



Parti o accessori venduti separatamente



Note



Avvertenze

I seguenti simboli indicano i livelli di rischio associati a questo prodotto.

⚠ PERICOLO

Indica una situazione pericolosa che, se non evitata attentamente, potrà causare gravi lesioni alla persona o morte.

⚠ AVVERTENZA

Indica una situazione potenzialmente pericolosa che, se non evitata

attentamente, potrà causare gravi lesioni alla persona o morte

⚠ ATTENZIONE

Indica una situazione potenzialmente pericolosa che, se non evitata attentamente, potrà causare lesioni minori o moderate alla persona.

ATTENZIONE

Senza simbolo di allerta di sicurezza Indica una situazione che potrà risultare in gravi danni a cose.

RISOLUZIONE DEI PROBLEMI

Problema	Causa	Soluzione
La macchina si rifiuta di partire	La macchina non è collegata alla rete elettrica	Collegare la macchina alla rete elettrica.
	Presa difettosa	Provare con un'altra presa.
	Prolunga difettosa	Provare con un'altra prolunga,
Pressione non costante	La pompa aspira aria	Verificare che i tubi flessibili e gli attacchi siano ermetici
	Le valvole sono sporche, usurate o inceppate	Per la manutenzione, portare il prodotto presso un centro servizi autorizzato.
	Tenute delle pompa usurate	Per la manutenzione, portare il prodotto presso un centro servizi autorizzato.
La macchina si ferma	Il fusibile è saltato.	Per la manutenzione, portare il prodotto presso un centro servizi autorizzato.
	Tensione di rete non corretta	Verificare che la tensione di rete corrisponda a quella specificata nell'etichetta del modello.
	Sensore termico attivato	Lasciare raffreddare il prodotto per 15 minuti.
La macchina pulsa	Ugello parzialmente ostruito	Pulire l'ugello.
	Aria nel tubo flessibile di ingresso o nella pompa	Lasciar funzionare il prodotto con il grilletto aperto fino a quando torna la normale pressione di funzionamento.
	Fornitura della rete dell'acqua inadeguata	Verificare che la fornitura dell'acqua sia conforme alle specifiche richieste (vedere etichetta del modello). Evitare di utilizzare tubi flessibili lunghi e sottili.
	Ugello parzialmente ostruito	Pulire l'ugello.
La macchina spesso si avvia e si ferma da sola	Filtro dell'acqua bloccato	Pulire il filtro.
	Tubo flessibile aggrovigliato	Distendere il tubo flessibile.
	La pompa/l'impugnatura di spruzzo perde	Per la manutenzione, portare il prodotto presso un centro servizi autorizzato.
La macchina parte ma non esce acqua.	La pompa, i tubi flessibili o gli altri accessori sono congelati	Attendere che la pompa, i tubi flessibili o gli altri accessori si scongelino.
	Fornitura d'acqua assente	Collegare la presa d'acqua alla fornitura d'acqua.
	Filtro dell'acqua bloccato	Pulire il filtro.
	Ugello ostruito	Pulire l'ugello.
Assenza di detergente	L'ugello è regolato per l'alta pressione.	Regolarlo alla bassa pressione.
	Il serbatoio è vuoto.	Riempire il serbatoio.

Bij het ontwerp van uw elektrische hogedrukreiniger op benzine hebben veiligheid, prestaties en betrouwbaarheid de hoogste prioriteit gekregen.

VOORGESCHREVEN GEBRUIK

De elektrische hogedrukreiniger is alleen bedoeld voor gebruik buiten. Om veiligheidsredenen moet dit product met twee handen op de juiste wijze worden bediend en vastgehouden.

Het product is geschikt voor huishoudelijk gebruik. Het apparaat is bedoeld voor het reinigen van machines, voertuigen, gebouwen, vloeren, gereedschap, gevels, terrassen, vloeren en betonnen voetpaden door verwijdering van hardnekkig vuil met schoon water met of zonder reinigingsmiddel.

Het product kan gebruikt worden met een turbomondstuk, een sproeimondstuk een wasborstel en een oppervlakreiniger. De wasborstel wordt gebruikt voor het effectief schoonmaken van auto's, fietsen of andere items die gespoten moeten worden of met wasmiddel gereinigd worden. Het sproeimondstuk wordt gebruikt voor de reiniging van oppervlakken waarvoor sproeien of schoonmaakmiddel nodig is. De oppervlakreiniger wordt gebruikt voor het reinigen en borstelen van oppervlakken.

Het moet worden gebruikt in droge, goed verlichte omstandigheden.

Gebruik niet voor andere doeleinden.

⚠ WAARSCHUWING

Ontworpen voor gebruik met een door de fabrikant aanbevolen of geleverd neutraal reinigingsmiddel. Het gebruik van andere reinigingsmiddelen of chemicaliën kan een negatieve invloed hebben op de veiligheid van het apparaat.

ALGEMENE VEILIGHEIDSWAARSCHUWINGEN

⚠ WAARSCHUWING

Lees alle veiligheidswaarschuwingen en instructies. Wanneer niet de waarschuwingen en instructies niet opvolgt, kan dit leiden tot elektrische schok en/of ernstig letsel.

⚠ LET OP

Het apparaat mag niet gebruikt worden bij een drinkwatervoorziening zonder gemonteerde terugslagklep die aan EN 12729 Type BA voldoet. Water dat door een terugslagklep stroomt, wordt als ondrinkbaar beschouwd. Neem bij aansluiting van het apparaat op een waterleiding altijd de voorschriften van het plaatselijke waterleidingbedrijf in acht.

- Het apparaat is niet bedoeld voor gebruik door kinderen of personen met verminderde lichamelijke, zintuiglijke of geestelijke vermogens, of met onvoldoende ervaring en kennis. Kinderen moeten onder toezicht staan om ervoor te zorgen dat ze niet met het product spelen.
- Draag bij gebruik van het apparaat volledige persoonlijke beschermingsmiddelen, zoals laarzen, handschoenen, veiligheidshelmen met vizier en gehoorbescherming. Gebruik alleen vizieren voor hoge belasting met spatbescherming.

⚠ WAARSCHUWING

Gebruik het apparaat niet wanneer mensen zich binnen het bereik bevinden, tenzij ze beschermende kleding dragen.

- Houd kinderen en bezoekers uit de buurt om het risico op letsel te verminderen. Laat bezoekers het apparaat of het verlengsnoer niet aanraken terwijl het in werking is.
- Controleer de veiligheidsvoorzieningen, zoals veiligheidsschakelaars, stromingsschakelaars en drukschakelaars op goede staat. Zorg er vóór elk gebruik voor dat alle veiligheidsvoorzieningen goed werken:
 - Drukknop aan
 - De aan-/uitschakelaar voorkomt onbedoeld gebruik van het apparaat.
 - Vergrendeling van trekkerhandgreep
 - De vergrendeling van de trekkerhandgreep vergrendelt de trekker en voorkomt onbedoeld openen van de hogedrukspuit.
 - Overloopklep met drukschakelaar
 - De overloopklep voorkomt dat de toelaatbare werkdruk wordt overschreden. Als de hendel op de

trekkerhandgreep wordt losgelaten, schakelt de drukschakelaar de pomp uit en stopt de hogedrukstraal. Als de hendel wordt overgehaald, wordt de pomp weer ingeschakeld.

- Bescherming tegen overbelasting
 - Een thermische sensor beschermt het product tegen overbelasting. Tijdens oververhitting wordt het product automatisch uitgeschakeld.
- Gebruik het apparaat niet als belangrijke onderdelen beschadigd zijn, zoals de veiligheidsvoorzieningen, hogedrukslangen of de trekker.
- Wees voorzichtig bij het openen van de trekker. Houd de handgreep stevig met beide handen vast om letsel te voorkomen bij terugklappen van de trekker.

⚠ WAARSCHUWING

Bij gebruik van een hogedrukreiniger kunnen aerosolen worden gevormd. Inademing van aerosolen kan gevaarlijk zijn voor de gezondheid.

⚠ WAARSCHUWING

Afhankelijk van het gebruik kunnen voor hogedrukreiniging afgeschermd spuitstukken worden gebruikt om de uitstoot van waterhoudende aerosolen te verminderen. Dergelijke stukken kunnen echter niet bij elk gebruik worden ingezet. Indien voor bescherming tegen aerosolen geen afgeschermd spuitstukken kunnen worden gebruikt, kan afhankelijk van de soort reiniging een beademingsmasker uit klasse FFP 2 of gelijkwaardig nodig zijn.

- Stop het apparaat altijd wanneer u het onbeheerd achterlaat.
- Bij onjuist gebruik is een hogedrukstraal gevaarlijk. Richt de straal niet op mensen, ingeschakelde elektrische apparaten, of op het apparaat zelf.
- Om explosiegevaar te vermijden, niet met brandbare vloeistoffen spuiten.
- Richt de straal niet rechtstreeks op uzelf of anderen om kleding of schoenen te reinigen.
- Gebruik het apparaat niet voor het reinigen van elektronische apparaten, kleding of

schoeisel.

- Hogedrukslangen, fittingen en koppelingen zijn belangrijk voor de veiligheid van het apparaat. Gebruik alleen door de fabrikant aanbevolen slangen, fittingen en koppelingen.

VEILIGHEIDSWAARSCHUWINGEN VOOR ELEKTRICITEIT

- De stekker moet overeenkomen met de contactdoos. Wijzig de stekker nooit. Niet-gewijzigde stekkers en overeenkomstige contactdozen zullen het risico op elektrische schok verminderen.
- Gebruik het apparaat niet als het netsnoer of andere belangrijke onderdelen, zoals de veiligheidsvoorzieningen, beschadigd zijn.
- Controleer voorafgaand aan elke gebruik het netsnoer en het verlengsnoer op schade. Als het netsnoer of verlengsnoer beschadigd is, moet dit om gevaar te voorkomen worden vervangen door de fabrikant of diens technische dienst, of personen met vergelijkbare kwalificaties.
- Houd het stroomsnoer weg van hitte, olie en scherpe randen.
- Raak de stekker en het stopcontact nooit aan met natte handen.
- Onjuiste verlengsnoeren kunnen gevaarlijk zijn. Als er een verlengsnoer wordt gebruikt, dient dit geschikt te zijn voor gebruik buitenshuis, en de aansluiting moet droog en van de grond worden gehouden. Gebruik een haspel om de aansluiting ten minste 60 mm boven de grond te houden.
- De elektriciteit dient aangesloten te worden door een gekwalificeerd elektricien en de aansluiting moet voldoen aan richtlijn IEC 60364-1. De stroomtoevoer naar het product dient uitgerust te worden met een aardlekschakelaar, die de toevoer onderbreekt als deze hoger wordt dan 30 mA voor 30 ms, of een apparaat dat het gearde circuit beschermt.

BIJKOMENDE VEILIGHEIDSWAARSCHUWINGEN

- Enkele regio's hebben regels die het gebruik van het product beperken. Raadpleeg uw lokale autoriteit voor advies.
- Controleer vóór elk gebruik op schade. Een beschadigde hogedrukslang moet

direct worden vervangen. Zorg dat alle aansluitingen, zoals de hogedrukslang en het spuitstuk, veilig zijn. Wikkel de slang correct af, zodat deze niet wordt gedraaid of geknikt.

- Laat kinderen of niet-opgeleide personen dit product niet gebruiken.
- Sluit deuren en ramen voordat u gaat reinigen. Verwijder vuil, speelgoed, tuinmeubilair, of andere voorwerpen die gevaar kunnen opleveren uit het te reinigen gebied.
- Hef het product nooit op of draag het nooit terwijl de motor draait.
- Het apparaat niet gebruiken in temperaturen onder 0°C.
- Gebruik geen zuren, logen, oplosmiddelen, brandbaar materiaal, bleekmiddelen, of industriële oplossingen in het apparaat. Deze producten kunnen lichamelijk letsel aan de gebruiker, en onherstelbare schade aan het apparaat veroorzaken.
- Gebruik het apparaat alleen op een vlakke ondergrond.

⚠ WAARSCHUWING

Hogedrukstralen kunnen bij onjuist gebruik gevaarlijk zijn. De straal mag niet worden gericht op mensen, dieren, elektrische apparatuur, of het apparaat zelf.

- Houd de trekkerhandgreep stevig met twee handen vast. Door reactieve krachten komt de trekker in beweging bij het overhalen van de trekker. Wanneer u hier niet op bent voorbereid, kunt u de controle over het apparaat verliezen en letsel aan uzelf en anderen toebrengen.
- Zorg vóórdat u het apparaat inschakelt dat de lucht in de slang en pomp is afgevoerd. Om de lucht uit de slang en de pomp te verwijderen, sluit u de watertoevoer naar de pomp met een tuinslang, daarna sluit u de trekkerhandgreep aan op de pomp met de hogedrukslang, en koppelt u de vergrendeling van de trekkerhandgreep, voordat u de trekker indrukt totdat er een gestage stroom ontstaat.
- Wees voorzichtig om uitglijden of vallen te voorkomen.
- Bewaar steeds een stevige houvast en goed evenwicht. Overrek u niet. Rek u

niet uit, waardoor u uw evenwicht kunt verliezen.

- Gebruik alleen toebehoren die door de fabrikant werden goedgekeurd. Het gebruik van ongeschikte accessoires kan gevaar voor ernstig lichamelijk letsel met zich meebrengen.
- Laat het apparaat tijdens gebruik nooit onbeheerd achter. Schakel het apparaat uit. Verlaat het apparaat niet totdat het volledig tot stilstand is gekomen.
- Raak vertrouwd met de bediening. Leer hoe u het apparaat kunt stopzetten en de druk snel kunt ontlasten.
- Wees altijd oplettend en zorg dat u uw gereedschap de baas blijft. Concentreer u op wat u doet en gebruik uw gezonde verstand.
- Bedien de grasmaaier niet wanneer u moe bent of onder de invloed bent van drugs, alcohol of medicatie. Een ogenblik van onoplettendheid tijdens het gebruik van het product kan leiden tot ernstige persoonlijke letsels.
- Gebruik het product niet als de schakelaar het product niet in- of uitschakelt. Een product dat niet met de schakelaar kan worden bediend, is gevaarlijk en moet worden gerepareerd.
- Houd minstens 30 cm afstand bij het reinigen van voertuigen. De hogedrukstraal kan banden en/of de kleppen van banden beschadigen of laten barsten.
- Gebruik een tuinslang met een maximale lengte van 15 m en een minimale diameter van 18 mm.
- Zorg er voorafgaand aan gebruik voor dat het onderdeel stevig aan het trekkerpistool bevestigd is.

OVERBELASTINGSBESCHERMING

Het product beschikt over een overbelastingsbeschermingsvoorziening die wordt geactiveerd bij oververhitting of stroompiek, waardoor het product automatisch wordt uitgeschakeld. Om het gebruik te hernemen, ontkoppelt u het product van de stroomtoevoer, wacht u ongeveer 15 minuten en verbindt u het product dan opnieuw met de stroomtoevoer.

TRANSPORT EN OPSLAG

⚠ LET OP

Let bij de keuze voor de opslaglocatie en tijdens vervoer op het gewicht van het apparaat om ongevallen of letsels te voorkomen.

- Stop het apparaat, haal de stekker uit het stopcontact, en laat het product afkoelen. Koppel het apparaat vóór de opslag of het vervoer los van de watertoevoer. Zet het apparaat nooit in een andere positie dan rechtopstaand.
- Vóór opslag van het apparaat het water uit alle slangen en de pomp verwijderen, en de tank voor reinigingsmiddel legen.
- Verwijder alle vreemde voorwerpen van het product. Bewaar het apparaat op een koele, vorstvrije, droge en goed geventileerde plaats die niet toegankelijk is voor kinderen. Houd corrosieve producten, zoals tuinchemicaliën en strooizout uit de buurt van het apparaat. Bewaar niet buitenshuis.
- Voor transport beveiligt u het product tegen bewegen of vallen om lichamelijke letsels of schade aan het product te voorkomen.

⚠ WAARSCHUWING

Berg het apparaat altijd binnen op. Opslag in een omgeving kouder dan 0°C zal het apparaat beschadigen.

ONDERHOUD

⚠ WAARSCHUWING

Gebruik uitsluitend originele vervangonderdelen, accessoires en voorzetstukken van de fabrikant. Als u dit niet doet, kan dit mogelijks letsels of slechte prestaties veroorzaken waardoor uw garantie kan vervallen.

⚠ WAARSCHUWING

Het onderhoud vereist extreme voorzichtigheid en deskundigheid en mag enkel door een gekwalificeerde onderhoudstechnicus worden uitgevoerd. Voor onderhoud brengt u het product naar een geautoriseerd onderhoudscentrum. Gebruik uitsluitend originele vervangonderdelen wanneer u onderhoudswerken aan de machine uitvoert.

- Stop het apparaat, haal de stekker uit het stopcontact, en laat het product afkoelen. Koppel het apparaat los van de watertoevoer vóór het onderstaande:
 - het product reinigen
 - onderhoud aan het apparaat
 - vervanging van onderdelen
- U mag uitsluitend de afstellingen of herstellingen uitvoeren die in deze gebruiksaanwijzing worden beschreven. Voor andere herstellingen of advies, vraagt u hulp in een geautoriseerd onderhoudscentrum.
- Voor veilig gebruik de hogedrukreiniger regelmatig inspecteren en onderhouden. RYOBI raadt aan het apparaat elke 6 maanden te inspecteren.
- Controleer regelmatig of alle moeren, bouten en vijzen goed zijn vastgemaakt om zeker te zijn dat het product veilig kan worden gebruikt. Een beschadigd onderdeel moet door een geautoriseerd onderhoudscentrum goed worden gerepareerd of vervangen.

RESTRISICO'S

Zelfs wanneer het product zoals voorgeschreven wordt gebruikt, is het nog steeds onmogelijk om bepaalde restrisico's volledig te elimineren. De volgende gevaren kunnen zich voordoen tijdens het gebruik en de gebruiker dient in het bijzonder aandacht te hebben om de volgende situaties te vermijden:

- Letsel veroorzaakt door de hogedrukstraal
 - Richt de hogedrukstraal niet op mensen, dieren, en op uzelf.
- Letsel veroorzaakt door terugslag
 - Houd de handgreep of trekkersteel altijd stevig met beide handen vast.

- Letsel veroorzaakt door inademing van aerosolen.
 - Draag een geschikt beademingsmasker.
- Verwondingen veroorzaakt door geluid.
 - Draag gehoorbescherming

RISICOBEPERKING

Er zijn meldingen dat trillingen van handwerktuigen bij sommige mensen bijdragen tot het Syndroom van Raynaud. Symptomen kunnen ondermeer tintelingen, gevoelloosheid en bleek worden van de vingers omvatten, wat normaal gezien duidelijk wordt bij blootstelling aan koude. Erfelijke factoren, blootstelling aan koude en vocht, dieet, roken en werkrouetine kunnen allemaal bijdragen tot de ontwikkeling van deze symptomen. Er kunnen door de bediener maatregelen worden genomen om de gevolgen van de trillingen te beperken:

- Houd bij koud weer uw lichaam warm. Draag handschoenen terwijl u het product gebruikt om de handen en polsen warm te houden.
- Doe oefeningen om de bloeddorstrooming te bevorderen na elke periode van gebruik.
- Neem regelmatig een pauze. Beperk het aantal uren dat u per dag wordt blootgesteld.

Wanneer u enige van de symptomen van deze aandoening ervaart, stop dan onmiddellijk met het gebruik van het toestel en raadpleeg uw dokter

⚠ WAARSCHUWING

Letsels kunnen worden veroorzaakt of ernstiger worden door verlengd gebruik van een werktuig. Als u een werktuig gedurende langere periodes gebruikt, neem dan regelmatig pauze.

KEN UW PRODUCT

Zie pagina 181.

1. Vergrendeling van trekkerhandgreep
2. Aan-/uit-hendel
3. Handvat
4. Stroomschakelaar
5. Netsnoerhouder
6. Stroomsnoer
7. Wateruitvoer
8. Hogedrukslang

9. Steel van turbo-spuitkop
10. Steel voor spuitstuk
11. Adapter *
12. Zeepfles
13. Watertoevoerfilter met koppelaar
14. Watertoevoer
15. Verlengde lans
16. Houder van trekkerhandgreep
17. Trekkerpistool
18. Inlaat trekkerpistool

* Compatibele adapter voor onderdelen voor drukreinigers van KÄRCHER KÄRCHER is een geregistreerd handelsmerk van Alfred Kärcher GmbH & Co. KG.

OPMERKING: Controleer of de specificatie van het onderdeel overeenkomt met de specificaties van de RYOBI hogedrukreiniger.

OPMERKING: Raadpleeg bij het gebruik van een wasmiddel het veiligheidsinformatieblad van het wasmiddel.

SYMBOLEN OP HET PRODUCT



Waarschuwing



Klasse II-apparaat, dubbele isolatie



Om gevaar voor lichamelijk letsel te verminderen dient u deze gebruikshandleiding absoluut goed door te lezen en te begrijpen voordat u het apparaat gaat gebruiken.



Draag gezichts- en gehoorbescherming.



Haal de stekker onmiddellijk uit het stopcontact als het snoer is beschadigd of doorgesneden.



Gevaar voor elektrische schok.



Het apparaat is zonder terugstroombeveiliging niet geschikt voor aansluiting op het drinkwaternet.



Richt de spuitsteel nooit op mensen, dieren, het apparaat zelf, de voeding, of een elektrisch apparaat.



Risico op barsten



Dit apparaat voldoet aan alle geldende normen van Lid-Staat van de Europese Unie waar het werd gekocht.



EurAsian-symbool van overeenstemming



Oekraïensconformiteitssymbool



De gegarandeerde geluidsdruk wordt op dit etiket als zijnde 92 dB.



Elektrisch afval mag niet samen met ander huishoudafval worden weggegooid. Gelieve te recycleren indien de mogelijkheid bestaat. Neem contact op met uw lokaal bestuur of handelaar om advies te krijgen over recyclage.

SYMBOLLEN IN DEZE GEBRUIKSAANWIJZING



Draag zware antislip beschermhandschoenen.



Met een contactdoos verbinden.



Trek uit de contactdoos.



Onderdelen of accessoires afzonderlijk verkocht



Opmerking



Waarschuwing

GEVAAR

Wijst op een gevaarlijke situatie die, als ze niet wordt voorkomen, dodelijk kan zijn of ernstige verwondingen kan veroorzaken.

WAARSCHUWING

Wijst op een mogelijks gevaarlijke situatie die, als ze niet wordt voorkomen, dodelijk kan zijn of ernstige verwondingen kan veroorzaken.

LET OP

Wijst op een mogelijks gevaarlijke situatie die, als ze niet wordt voorkomen, kleine of middelmatige verwondingen kan veroorzaken.

LET OP

Zonder veiligheidswaarschuwingssymbool Wijst op een situatie die kan leiden tot materiële schade.

De volgende kernwoorden en verklaringen zijn bedoeld om de gevaarniveaus die op dit toestel betrekking hebben, te verklaren.

PROBLEEMOPLOSSEN

Probleem	Mogelijke oorzaak	Oplossing
Machine weigert te starten	Stekker van machine niet aangesloten	Sluit stekker van machine aan.
	Defect stopcontact	Probeer een ander stopcontact.
	Defect verlengsnoer	Probeer zonder het verlengsnoer.
Wisselende druk	Pomp zuigt lucht	Controleer of slangen en aansluitingen luchtdicht zijn.
	Kleppen zijn vuil, versleten, of verstopt	Voor onderhoud brengt u het product naar een geautoriseerd onderhoudscentrum.
	Pompafdichtingen versleten	Voor onderhoud brengt u het product naar een geautoriseerd onderhoudscentrum.
Machine stopt	Zekering is doorgebrand.	Voor onderhoud brengt u het product naar een geautoriseerd onderhoudscentrum.
	Onjuiste netspanning	Controleer of de netspanning overeenkomt met de specificaties op het typeplaatje.
	Warmtesensor geactiveerd	Laat het product 15 minuten lang afkoelen.
	Spuitstuk gedeeltelijk geblokkeerd	Reinig het spuitstuk.
Machine trilt	Lucht in toevoerslang/pomp	Gebruik het apparaat met open trekker totdat normale werkdruk wordt bereikt.
	Onvoldoende watertoevoer	Controleer of de watertoevoer voldoet aan de vereiste specificaties (zie typeplaatje). Vermijd het gebruik van lange, dunne slangen.
	Spuitstuk gedeeltelijk geblokkeerd	Reinig het spuitstuk.
	Waterfilter geblokkeerd	Reinig het filter.
	Slang geknikt	Verwijder kinkken in de slang.
Machine start en stopt vaak uit zichzelf	Pomp/spuitpistool lekt	Voor onderhoud brengt u het product naar een geautoriseerd onderhoudscentrum.
Machine start, maar er komt geen water.	De pomp, slangen, of een ander accessoire is bevroren.	Wacht tot de pomp, slangen of andere accessoire ontdooien.
	Geen watertoevoer	Sluit de watertoevoer aan op een watervoorziening.
	Waterfilter geblokkeerd	Reinig het filter.
	Spuitstuk geblokkeerd	Reinig het spuitstuk.
Geen afwasmiddel	Spuitstuk aangepast voor hoge druk	Aanpassen aan lage druk.
	Tank is leeg.	Vul de tank.

No design da sua lavadora de alta pressão eléctrica demos prioridade à segurança, ao desempenho e à fiabilidade.

USO PREVISTO

A lavadora de alta pressão eléctrica destina-se a ser utilizada apenas ao ar livre. Por motivos de segurança, o produto tem obrigatoriamente de ser controlado adequadamente, utilizando ambas as mãos durante a operação.

O produto foi concebido para uso doméstico. Destina-se a limpar máquinas, veículos, edifícios, pavimentos, ferramentas, fachadas, terraços e passeios de betão, removendo sujidade difícil utilizando água limpa, com ou sem detergente de limpeza.

O produto pode ser utilizado com um bocal turbo, um bocal de vaporização, uma escova de lavagem e um limpador de superfícies. A escova de lavagem é utilizada para a limpeza eficaz de carros, motas, ou outros artigos que requeiram a vaporização ou a utilização de detergente. O bocal de vaporização é utilizado para a limpeza de superfícies que precisem de vaporização ou que precisem de detergente. O limpador de superfícies é utilizado para a limpeza e escovagem de superfícies.

Deve ser usada num local seco e bem iluminado.

Não a use para nenhuma outra finalidade.

⚠ ADVERTÊNCIA

O produto destina-se a ser utilizado com um produto de limpeza neutro, fornecido ou recomendado pelo fabricante. A utilização de outros produtos de limpeza ou produtos químicos pode ter um impacto negativo na segurança do produto.

AVISOS GERAIS DE SEGURANÇA

⚠ ADVERTÊNCIA

Leia todos os avisos de segurança e todas as instruções. O facto de não seguir os avisos e as instruções pode conduzir a choque eléctrico, fogo e/ou lesão grave.

⚠ ADVERTÊNCIA

O produto não pode nunca ser utilizado com ligação à rede de abastecimento de água potável sem que esteja instalado um dispositivo anti-retorno que satisfaça a norma EN 12729 Tipo BA. A água que corre através de um dispositivo anti-retorno é considerada não potável. Quando fizer a ligação do produto à rede de abastecimento de água potável, cumpra sempre os regulamentos da entidade local de abastecimento de água.

- O produto não se destina a ser utilizado por crianças nem por pessoas que tenham capacidades reduzidas a nível físico, sensorial ou mental, ou que sejam inexperientes ou desconhecedoras. As crianças devem ser mantidas sob vigilância adequada para se garantir que não brincam com o produto.
- Quando utilizar o produto, utilize sempre equipamento completo de protecção individual, como botas, luvas de segurança, capacete de segurança com viseira e protecção para os ouvidos. Use viseiras para alto-impacto apenas com protecção contra salpicos de líquidos.

⚠ ADVERTÊNCIA

Não utilize o produto quando houver pessoas dentro do raio de alcance, a menos que utilizem vestuário de protecção.

- Para reduzir o risco de ferimentos, mantenha crianças e visitantes à distância. Qualquer visitante deve usar óculos de protecção e permanecer a uma boa distância da zona de trabalho.
- Inspeccione os dispositivos de segurança (tais como válvulas de segurança, interruptores de caudal e interruptores de pressão), para verificar se estão em boas condições de funcionamento. Antes de cada utilização, certifique-se de que todos os dispositivos de segurança estão a funcionar correctamente:
 - Botão de premir Liga
 - O interruptor de Ligado/Desligado (ON/OFF) impede a utilização accidental do produto.



- Bloqueio da pega do gatilho
 - O bloqueio da pega do gatilho trava o gatilho e impede a abertura accidental do jacto de alta pressão.
- Válvula de caudal excessivo, com interruptor de pressão
 - A válvula de caudal excessivo impede que a pressão de trabalho permissível seja excedida. Se o manípulo na pistola do gatilho for libertado, o interruptor de pressão desliga a bomba e o jacto de alta pressão pára. Se o manípulo for premido, a bomba liga-se novamente.
- Protecção contra sobrecarga
 - Um sensor térmico protege o produto contra sobrecargas. O produto irá desligar-se automaticamente em caso de sobreaquecimento.
- Não use o produto se alguma peça importante estiver danificada (por exemplo, os dispositivos de segurança, as mangueiras de alta pressão ou a pistola do gatilho).
- Tenha cuidado quando abrir o gatilho. Agarre a pega com firmeza, com as duas mãos, para evitar ferimentos causados pelo ressalto da pega do gatilho.

⚠ ADVERTÊNCIA

Durante a utilização de lavadoras de alta pressão podem formar-se aerossóis. A inalação de aerossóis pode ser prejudicial para a saúde.

⚠ ADVERTÊNCIA

Dependendo da aplicação, podem ser usados bocais escudados para a lavagem a alta pressão, o que irá reduzir a emissão de aerossóis de água. Contudo, nem todas as aplicações permitem a utilização desse tipo de dispositivo. Se os bocais escudados não estiverem disponíveis como protecção contra aerossóis, poderá ser precisa uma máscara respiratória da classe FFP 2 ou equivalente, dependendo do ambiente da lavagem.

- Desligue sempre o produto quando o deixar desacompanhado.
- O jacto de alta pressão é perigoso se

for mal utilizado. Não aponte o jacto a pessoas, a equipamento eléctrico ligado à corrente, nem ao próprio produto.

- Para evitar o risco de explosão, não pulverize líquidos inflamáveis.
- Não aponte o jacto a si próprio nem a outras pessoas, por exemplo para limpar a roupa ou o calçado.
- Não use o produto para limpar aparelhos electrónicos, roupas ou calçado.
- As mangueiras de alta pressão, os terminais e os acoplamentos são importantes para a segurança do produto. Use apenas mangueiras, terminais e acoplamentos recomendados pelo fabricante.

AVISOS DE SEGURANÇA ELÉCTRICA

- As ligações devem ser adequadas para a tomada de corrente. Nunca altere a ficha seja de que maneira for. As fichas não modificadas e tomadas compatíveis reduzirão o risco de choque eléctrico.
- Não use o produto se o cabo de alimentação ou outra peça importante estiver danificada (por exemplo os dispositivos de segurança).
- Antes de cada utilização, inspeccione o cabo de alimentação eléctrica e o cabo de extensão eléctrica, procurando danos. Se o cabo de alimentação eléctrica ou o cabo de extensão eléctrica estiver danificado, tem de ser substituído pelo fabricante, pelo agente de assistência técnica do fabricante ou por uma pessoa com qualificações semelhantes, para evitar um perigo de incêndio ou choque eléctrico.
- Mantenha o cabo eléctrico afastado do calor, óleo e pontas afiadas.
- Nunca toque na ficha e na tomada da alimentação eléctrica de rede com as mãos molhadas!
- Cabos de extensão eléctrica do tipo inadequado podem ser perigosos. Se for utilizado um cabo de extensão eléctrica, então tem de ser adequado para utilização ao ar livre, e a ligação tem de ser mantida seca e afastada do chão. Use um cabo de extensão eléctrica do tipo com bobinador à vertical, para manter a tomada a pelo menos 60 mm acima do chão.
- A ligação à alimentação eléctrica tem obrigatoriamente de ser feita por um



electricista qualificado e tem de estar em conformidade com a norma IEC 60364-1. É recomendado que a alimentação eléctrica do produto inclua um dispositivo de protecção diferencial residual (RCD) que interrompa a alimentação se a fuga de corrente à terra exceder 30 mA durante 30 ms, ou por um dispositivo que comprove o circuito de terra.

AVISOS DE SEGURANÇA ADICIONAIS

- Algumas regiões têm normas que limitam o uso do produto. Consulte a sua autoridade local para obter informação.
- Inspeccione antes de cada utilização, procurando danos. Uma mangueira de alta pressão danificada tem obrigatoriamente de ser substituída imediatamente! Certifique-se de que todas as ligações (por exemplo, mangueira de alta pressão e bocal) estão apertadas com firmeza e em segurança. Desenrole a mangueira correctamente, para que não possa ficar torcida nem vincada.
- Não permita que crianças ou indivíduos inexperientes entrem em contacto com este produto.
- Antes de começar qualquer operação de limpeza, feche portas e janelas. Limpe e desimpeça a área a ser limpa, removendo resíduos, brinquedos, mobiliário de jardim ou outros objectos que possam constituir um perigo.
- Nunca levante nem transporte o aparelho com o motor em funcionamento.
- Não use o produto em temperaturas abaixo de 0 °C.
- Não use ácidos, alcalinos, solventes, materiais inflamáveis, branqueadores, nem soluções de graduação industrial no produto. Estes produtos podem causar ferimentos ao operador e danos irreversíveis ao produto.
- Utilize sempre o produto numa superfície plana e nivelada.

⚠ ADVERTÊNCIA

O jacto de alta pressão pode ser perigoso se for utilizado incorrectamente. O jacto não pode nunca ser apontado a pessoas, animais, aparelhos eléctricos, nem ao próprio produto!

- Agarre a pega do gatilho com firmeza e em segurança, com ambas as mãos. Quando premir o gatilho, conte com o movimento da pega do gatilho, devido às forças de reacção. Se não o fizer, isso poderá causar uma perda de controlo e causar ferimentos a si próprio e a outras pessoas.
- Antes de ligar o produto, certifique-se de que ar dentro da mangueira e da bomba é libertado. Para libertar o ar aprisionado dentro da mangueira e da bomba, use uma mangueira de jardim para fazer a ligação entre o abastecimento de água e a bomba, use a mangueira de alta pressão para fazer a ligação entre a pega do gatilho e a bomba, destrave o travão de bloqueio do gatilho da pega e, em seguida, prima o gatilho até haver um caudal constante.
- Tenha cuidado, para evitar escorregar ou cair.
- Mantenha-se bem apoiado e equilibrado. Não se aproxime em demasia. Tentar esticar-se demais pode provocar a perda de equilíbrio.
- Use apenas os acessórios aprovados pelo fabricante. A utilização de acessórios inadaptados pode provocar riscos de ferimentos.
- Nunca deixe o produto a trabalhar desacompanhado. Desligue o produto. Não se afaste do produto enquanto o produto não tiver parado completamente.
- Familiarize-se com os controlos. Saiba como parar o produto e purgar a pressão rapidamente.
- Seja sempre vigilante e exerça o controlo da sua ferramenta. Veja bem o que está a fazer e use o seu bom senso.
- Não utilize o corta-relva quando se sentir cansado ou se encontrar sob a influência de drogas, álcool ou medicamentos. Um momento de desatenção enquanto opera o produto pode resultar em ferimentos graves.
- Não use o aparelho caso o interruptor não ligue ou desligue o aparelho. Qualquer produto que não possa ser controlado com o interruptor é perigoso e deve ser reparado.
- Quando lavar veículos, mantenha uma distância mínima de 30 cm. O jacto de alta pressão pode danificar ou rebentar

os pneus do veículo e/ou as válvulas dos pneus.

- Utilize uma mangueira de jardim com um comprimento máximo de 15 m e um diâmetro mínimo de 18 mm (3/4 de polegada).
- Antes de cada utilização, certifique-se de que o acessório está montado com firmeza e em segurança na pistola do gatilho.

PROTECÇÃO CONTRA SOBRECARGA

O produto tem um dispositivo de protecção contra sobrecarga que se activa quando ocorre um pico de corrente ou sobreaquecimento, cortando automaticamente a corrente ao produto. Para reiniciar o funcionamento, desligue o produto da tomada de corrente, espere uns 15 minutos e volte a ligar o produto à tomada eléctrica.

TRANSPORTE E ARMAZENAMENTO

⚠ ADVERTÊNCIA

Para evitar acidentes e ferimentos, quando escolher o local para armazenamento e durante o transporte, tenha sempre em mente o peso do produto.

- Desligue o produto, desencaixe a ficha do produto da tomada da rede eléctrica e deixe o produto arrefecer. Antes de armazenar ou transportar o produto, desfaça a ligação do produto ao abastecimento de água. Nunca coloque o produto em nenhuma outra posição sem ser à vertical.
- Antes de armazenar o produto, esvazie a água de todas as mangueiras e da bomba, e esvazie também o depósito de detergente.
- Limpe todos os materiais estranhos do produto. Armazene num local fresco, protegido da geada, seco e bem ventilado, fora do alcance de crianças. Mantenha-o afastado de substâncias corrosivas, tais como produtos químicos utilizados em jardinagem e sais de descongelação. Não armazenar ao ar livre.
- Para transportar, prenda o aparelho de modo a evitar que este se mova ou caia, para evitar lesões ou danos no produto.

⚠ ADVERTÊNCIA

Armazene o produto apenas em recintos fechados. O armazenamento numa área com temperaturas abaixo de 0 °C (ou seja, abaixo do ponto de congelamento da água) irá danificar o produto.

MANUTENÇÃO

⚠ ADVERTÊNCIA

Utilize apenas peças de substituição, acessórios e encaixes do fabricante original. A inobservância desta indicação pode causar um fraco desempenho, possíveis lesões e poderá anular a sua garantia.

⚠ ADVERTÊNCIA

Os serviços de manutenção requerem extremo cuidado e conhecimentos e devem apenas ser realizado por um técnico de assistência qualificado. Para operações de serviço, leve o produto a um centro de serviço autorizado. Durante as operações de manutenção, utilize peças de substituição originais do fabricante.

- Desligue o produto, desencaixe a ficha do produto da tomada da rede eléctrica e deixe o produto arrefecer. Desfaça a ligação do produto ao abastecimento de água antes de fazer o seguinte:
 - limpar o produto
 - prestar manutenção ao produto
 - substituir sobresselentes
- Só pode proceder aos ajustes ou reparações descritas neste manual. Para outros reparos ou conselhos, procurar a ajuda de um centro de serviço autorizado.
- Para garantir a utilização em segurança, inspeccione e faça manutenção com regularidade à lavadora de alta pressão. A RYOBI recomenda a inspecção do produto a cada 6 meses.
- Verifique todas as porcas, pregos e parafusos com intervalos frequentes para confirmar a tensão apropriada e se certificar que o produto está em condições seguras de funcionamento. Qualquer peça danificada deve ser substituída ou reparada adequadamente por um centro de serviço autorizado.

RISCOS RESIDUAIS

Mesmo quando se utiliza o produto segundo as instruções, continua a ser impossível eliminar por completo certos fatores de risco residuais. Os seguintes perigos podem surgir na utilização e o operador deve prestar especial atenção para evitar o seguinte:

- Ferimentos causados pelo jacto de alta pressão
 - Evite apontar o jacto de alta pressão a pessoas, animais e a si próprio.
- Ferimentos causados por ressalto
 - Agarre sempre a pega ou a varinha do gatilho com firmeza, com as duas mãos.
- Ferimentos causados pela inalação de aerossóis
 - Use máscara respiratória adequada.
- Lesões devido ao ruído
 - Use protecção para os ouvidos

REDUÇÃO DO RISCO

Foi reportado que as vibrações das ferramentas de mão podem contribuir para uma doença designada de Síndrome de Raynaud em determinados indivíduos. Os sintomas podem incluir formigueiro, entorpecimento e empalidecimento dos dedos, habitualmente visível aquando da exposição ao frio. Estima-se que os factores hereditários, exposição ao frio e humidade, dieta, tabagismo e práticas de trabalho contribuem todos para o desenvolvimento destes sintomas. Existem medidas que podem ser tomadas pelo operador para possivelmente reduzir os efeitos da vibração:

- Mantenha o seu corpo quente durante o tempo frio. Ao operar o produto, use luvas para manter as mãos e os pulsos quentes.
- Após cada período de operação, exercite para aumentar a circulação sanguínea.
- Faça pausas frequentes no trabalho. Limite o tempo de exposição por dia.

Caso sinta algum dos sintomas desta doença, interrompa de imediato a sua utilização e consulte o seu médico sobre estes sintomas.

⚠ ADVERTÊNCIA

O uso prolongado de uma ferramenta pode causar o agravar lesões. Ao usar qualquer ferramenta durante períodos prolongados, assegure-se que faz intervalos regulares.

CONHEÇA O SEU APARELHO

Ver a página 181.

1. Bloqueio da pega do gatilho
2. Gatilho
3. Manipulo
4. Interruptor de alimentação eléctrica
5. Suporte do cabo de alimentação eléctrica
6. Cabo de alimentação
7. Saída de água
8. Mangueira de alta pressão
9. Varinha do bocal turbo
10. Varinha do bocal de vaporização
11. Adaptador *
12. Frasco de detergente
13. Acoplador da entrada de água, com filtro
14. Entrada de água
15. Varinha alongada
16. Suporte da pega do gatilho
17. Pistola do gatilho
18. Entrada da pistola do gatilho

* Adaptador compatível para acessórios de lavadora de alta pressão KÄRCHER. KÄRCHER é uma marca registada da Alfred Kärcher GmbH & Co. KG.

NOTA: Verifique e certifique-se de que as especificações do acessório correspondem às especificações da lavadora de alta pressão RYOBI.

NOTA: Se utilizar detergente, consulte a Ficha de Dados de Segurança de Materiais do detergente.

SÍMBOLOS NO PRODUTO



Aviso



Ferramenta de tipo II, duplo isolamento



Para reduzir os riscos de ferimentos, é indispensável que leia e compreenda bem este manual de utilização antes de utilizar esta ferramenta.



Protecção para os olhos e ouvidos.



Se o cabo de alimentação eléctrica estiver danificado ou cortado, desenchaje imediatamente a ficha da tomada da rede eléctrica.



Perigo de choque eléctrico.



O produto não é adequado para ligação à rede de abastecimento de água potável sem um dispositivo anti-retorno.



Nunca aponte a varinha de vaporização a pessoas, a animais, ao corpo da máquina, à fonte de alimentação eléctrica, nem a aparelhos eléctricos!



Perigo de rebentamento



Esta ferramenta obedece a todas as normas regulamentares do país da UE onde foi comprada.



Marca de conformidade EurAsian



Marca de conformidade ucraniana



O nível garantido de potência sonora mostrado neste rótulo é de 92 dB.



Os aparelhos eléctricos antigos não devem ser eliminados juntamente com o lixo doméstico. Recicle onde existem instalações para o efeito. Verifique com as suas Autoridades Locais ou revendedor para obter informações sobre reciclagem.



Desligar da tomada de corrente.



As peças ou acessórios vendem-se separadamente



Nota



Aviso

As seguintes palavras de sinal e significados destinam-se a explicar os níveis de risco associados a este produto.

⚠ PERIGO

Indica uma situação perigosa iminente, que, se não evitada, poderá resultar em morte ou ferimentos graves.

⚠ ADVERTÊNCIA

Indica uma situação potencialmente perigosa, que, se não evitada, poderá conduzir à morte ou graves lesões.

⚠ ADVERTÊNCIA

Indica uma situação potencialmente perigosa, que, se não evitada, poderá resultar em pequenas ou moderadas lesões.

ADVERTÊNCIA

Sem símbolo de alerta de segurança
Indica uma situação que pode resultar em danos de propriedade.

SÍMBOLOS NESTE MANUAL



Utilize luvas protectoras antideslizantes resistentes.



Ligar à tomada de corrente.

RESOLUÇÃO DE PROBLEMAS

Problema	Possível causa	Solução
A máquina recusa-se a arrancar	A ficha do cabo de alimentação eléctrica da máquina não está encaixado na tomada da rede eléctrica	Encaixe a ficha do cabo de alimentação eléctrica da máquina na tomada da rede eléctrica.
	A tomada da rede eléctrica está avariada	Tente outra tomada da rede eléctrica.
	O cabo de extensão eléctrica está avariado	Tente sem o cabo de extensão eléctrica.
Pressão instável	A bomba está a chupar ar	Certifique-se de que as mangueiras e as ligações são estanque (ou seja, que não têm fugas de ar).
	As válvulas estão sujas, gastas ou encravadas	Para operações de serviço, leve o produto a um centro de serviço autorizado.
	Os vedantes da bomba estão gastos	Para operações de serviço, leve o produto a um centro de serviço autorizado.
A máquina pára	O fusível está queimado.	Para operações de serviço, leve o produto a um centro de serviço autorizado.
	A voltagem da rede eléctrica é incorrecta	Certifique-se de que a voltagem da rede eléctrica corresponde às especificações na placa de características do produto.
	Sensor térmico activado	Deixe o produto arrefecer durante 15 minutos.
	O fusível queimou-se	Limpe o bocal.
A máquina trabalha por impulsos	Há ar aprisionado dentro da mangueira de entrada/dentro da bomba	Deixe o produto trabalhar com o gatilho aberto até voltar à pressão de trabalho normal.
	O abastecimento de água da rede é insuficiente	Certifique-se de que o abastecimento de água corresponde às especificações necessárias (veja a placa de características do modelo do produto). Evite usar mangueiras compridas e finas.
	O fusível queimou-se	Limpe o bocal.
	O filtro de água está entupido	Limpe o filtro.
	A mangueira está dobrada	Endireite a mangueira.
	A máquina pára e arranca sozinha com frequência	A bomba/a pega de vaporização tem uma fuga
A máquina arranca mas não sai água	A bomba, as mangueiras ou outros acessórios estão congelados	Espere até a bomba, as mangueiras ou outros acessórios descongelarem.
	Não há abastecimento de água	Faça a ligação do orifício da entrada de água a uma fonte de abastecimento de água.
	O filtro de água está entupido	Limpe o filtro.
	O bocal está entupido	Limpe o bocal.
Não sai detergente	O bocal está regulado para alta pressão	Mude a regulação para baixa pressão.
	O depósito está vazio.	Encha o depósito.

Ved udformningen af din elektriske højtryksrenser har vi givet topprioritet til sikkerhed, ydelse og driftssikkerhed.

TILTÆNKET ANVENDELSESFORMÅL

Den elektriske højtryksrenser er kun beregnet til udendørsbrug. Af sikkerhedsmæssige årsager skal produktet betjenes med to hænder, så man kan kontrollere det ordentligt.

Produktet er beregnet til privat eller hjemlig brug. Den er beregnet til at rense maskiner, køretøjer, bygninger, gulve, værktøjer, facader, terrasser og betonstier ved at fjerne genstridigt snavs ved hjælp af rent vand med eller uden rengøringsmiddel.

Produktet kan bruges med turbodysse, sprøjtedyse, vaskebørste og overfladerenser. Vaskebørsten bruges til effektiv rengøring af biler, cykler eller andre ting, der kræver sprøjtning eller brug af et vaskemiddel. Sprøjtedysen anvendes til rengøring/rensning af overflader, der kræver sprøjtning eller brug af rengørings-/rensemiddel. Overfladerenseren anvendes til rengøring og børstning af overflader.

Bør anvendes under tørre, godt oplyste forhold.

Må ikke bruges til andre formål.

⚠ ADVARSEL

Produktet er beregnet til at blive brugt sammen med et neutralt rengøringsmiddel leveret eller anbefalet af producenten. Brugen af andre rengøringsmidler eller kemikalier kan påvirke produktets sikkerhed.

GENERELLE SIKKERHEDSADVARSLER

⚠ ADVARSEL

Alle sikkerhedsadvarsler og alle anvisninger skal læses. Manglende overholdelse af advarslerne og anvisningerne kan medføre elektrisk stød, brand og/eller alvorlige personskader.

⚠ PAS PÅ

Produktet må ikke tilsluttes en drikkevandsforsyning uden at der er monteret en tilbageløbsventil i henhold til EN 12729, type BA. Vand, der strømmer gennem en tilbageløbsventil, kan ikke drikkes. Følg altid forskrifterne fra det lokale vandværk, når du tilslutter produktet til vandforsyningsnettet.

- Produktet er ikke beregnet til brug af børn eller personer med begrænsede fysiske, sensoriske eller psykiske evner eller manglende erfaring og viden. Børn bør holdes under tilstrækkeligt opsyn, så man er sikker på, at de ikke leger med produktet.
- Brug komplet personligt beskyttelsesudstyr ved betjening af produktet såsom støvler, beskyttelseshandsker, sikkerhedshjelm med visir og høreværn. Brug kun stødsikre visirer med stænkbeskyttelse.

⚠ ADVARSEL

Anvend ikke maskinen i nærheden af personer, medmindre disse bærer beskyttelsestøj.

- Hold børn og tilskuere på sikker afstand for at reducere risikoen for personskader. Alle tilskuere bør bære sikkerhedsbriller og holde sig på sikker afstand af arbejdsområdet.
- Undersøg sikkerhedsanordninger såsom sikkerhedsventiler, flow- og trykafbrydere for at kontrollere, at de er i god driftstilstand. Sørg for, at alle sikkerhedsanordninger fungerer korrekt før hver brug:
 - Tænd/sluk-kontakt
 - Tænd/sluk-kontakten forhindrer utilsigtet aktivering af produktet
 - Pistolhåndtagets lås
 - Pistolhåndtagets lås låser aftrækkeren og forhindrer utilsigtet åbning af højtryksstrålen.
 - Overstrømsventil med trykkontakt
 - Overstrømsventilen forhindrer, at det tilladte arbejdstryk overskrides. Hvis håndtaget på pistolhåndtaget slippes, vil trykkontakten slukke for pumpen, og højtryksstrålen vil stoppe. Hvis der trækkes i håndtaget, tændes der for pumpen igen.

- Overbelastningssikring
 - En termosensor beskytter produktet mod overbelastning. Produktet afbryder automatisk strømmen ved overophedning.
- Brug ikke produktet, hvis vigtige dele er beskadiget såsom sikkerhedsanordninger, højtryksslanger eller sprøjtepistolen.
- Vær forsigtig ved åbning af aftrækket. Hold ordentlig fast på håndtaget med to hænder for at undgå personskader, når håndtaget slår tilbage.

⚠ ADVARSEL

Under brug af højtryksrensere kan sprøjetåger dannes. Indånding af sprøjetåger kan være farlige for helbredet.

⚠ ADVARSEL

Alt efter anvendelse kan skærmede dyser bruges til højtryksrensning, hvilket reducerer udledningen af vandholdige sprøjetåger. Skærmede dyser er dog ikke egnede til alle anvendelsesformål. Hvis afskærmede dyser er ikke egnede til beskyttelse mod sprøjetåger, kan åndedrætsværn i klasse FFP 2 eller tilsvarende være nødvendigt, afhængigt af arbejdsmiljøet.

- Stop altid produktet, hvis du efterlader det uden opsyn.
- Højtryksstråler er farlige ved misbrug. Vandstrålen må ikke rettes mod personer, strømførende elektrisk udstyr eller selve produktet.
- Sprøjt ikke med brandbare væsker for at undgå risikoen for eksplosion.
- Ret ikke vandstrålen mod dig selv eller andre for at rense/rengøre tøj eller fodtøj.
- Brug ikke produktet til at rense elektronisk udstyr, tøj eller fodtøj.
- Højtryksslanger, fittings og koblinger er vigtige for produktets sikkerhed. De benyttede slanger, fittings og koblinger skal være anbefalet af producenten.

SIKKERHEDSADVARSLER FOR ELUDSTYR

- Elværktøjets elstik skal passe til stikkontakten. Elstikket må aldrig modificeres på nogen som helst måde.

Umodificerede elstik og passende elnetkontakter reducerer faren for elektrisk stød.

- Brug ikke produktet, hvis ledningen eller andre vigtige dele er beskadiget såsom sikkerhedsanordninger.
- Kontrollér ledningen og forlængerledningen for skader før hver enkelt brug. Hvis strømledningen eller forlængerledningen er beskadiget, skal den udskiftes af producenten, dennes serviceværksted eller en tilsvarende kvalificeret fagmand for at undgå ulykker.
- Hold strømforsyningsledningen på afstand af varme, olie og skarpe kanter.
- Rør aldrig stikkontakten eller stikket med våde hænder.
- Mangelfulde forlængerledninger kan være farlige. Brug kun forlængerledninger, der er beregnet til udendørsbrug. Hold stikket tørt og væk fra jordoverfladen. Brug en ledningstrømle til at holde stikket mindst 60 mm over jordoverfladen.
- El-tilslutningen skal udføres af en aut. elektriker og overholde IEC 60364-1. Det anbefales, at produktets el-tilslutning enten bør omfatte en fejlstrømsafbryder, der afbryder strømmen, hvis lækstrømmen til jord overstiger 30 mA i 30 ms, eller et HFI-relæ.

EKSTRA SIKKERHEDSADVARSLER

- Nogle områder har regler, som begrænser brugen af produktet. Forhør dig hos de lokale myndigheder.
- Kontrollér for skader før hver brug. Højtryksslangen skal udskiftes med det samme, hvis den er beskadiget. Sørg for, at alle tilslutninger såsom højtryksslange og strålemundstykke er fastgjorte. Rul slangen ordentlig ud, så den ikke bliver snoet eller bøjet.
- Lad ikke børn eller uskoledede personer bruge dette produkt.
- Luk døre og vinduer, før du starter højtryksrensningen. Ryd området, der skal renses, for affald, legetøj, udendørsmøbler, eller andre genstande, som kan udgøre en fare.
- Løft eller bær aldrig produktet med kørende motor.
- Du må ikke bruge produktet i temperaturer

under 0 °C.

- Brug ikke syrer, basiske produkter, opløsningsmidler, brandfarligt materiale, blegemidler eller industriopløsninger med dette produkt. Disse produkter kan skade brugeren og påføre produktet permanent skade.
- Brug kun produktet på en plan overflade.

⚠ ADVARSEL

Højtryksstråler kan være farlige ved misbrug. Vandstrålen må ikke rettes mod personer, dyr, strømførende elektrisk udstyr eller selve produktet.

- Hold godt fast i aftrækkerhåndtaget med begge hænder. Vær forberedt på, at håndtaget bevæger sig på grund af reaktionskræfter, når der trykkes på aftrækkeren. Er du ikke det, kan du miste kontrollen og skade dig selv og andre.
- Sørg for at frigøre luften i slangen og pumpen, før du tænder for produktet. For at fjerne luft i slangen og pumpen: Tilslut pistolhåndtaget til pumpen ved hjælp af højtryksslangen, deaktiver pistolhåndtagets lås, og tryk på aftrækkeren, indtil der er et stabilt gennemløb.
- Vær forsigtig for ikke at glide eller falde.
- Hold et godt fodfæste og balance. Overstræk ikke. Overstrækning kan føre til tab af balancen.
- Anvend kun tilbehør godkendt af producenten. Brug af ukorrekte tilbehørsdele kan medføre personskader.
- Lad aldrig produktet køre uden opsyn. Sluk for produktet. Forlad ikke produktet, før det er stoppet fuldstændigt.
- Bliv fortrolig med betjeningshåndtag. Du skal vide, hvordan man hurtigt stopper produktet og frigiver trykket.
- Vær opmærksom og i kontrol. Hold øje med, hvad du gør, og brug sund fornuft.
- Anvend ikke græsslåmaskinen hvis du er træt eller under indflydelse fra stoffer, alkohol eller medicin. Et øjeblik uopmærksomhed under anvendelse af produktet kan medføre alvorlige personskader.
- Undlad at bruge produktet, hvis TÆND/

SLUK-kontakten ikke virker. Et produkt, som ikke kan betjenes med TÆND-/SLUK-kontakten, er farligt og skal repareres.

- Hold en afstand på min. 30 cm. ved rengøring af køretøjer. Højtryksstrålen kan beskadige eller sprænge bildæk og/eller dækventiler.
- Brug en haveslange med en maks. længde på 15 m og en minimumsdiameter på 18 mm (3/4 in.)
- Kontroller inden hver brug, at tilbehøret er forsvarligt fastgjort til aftrækkerpistolen.

OVERBELASTNINGSBESKYTTELSE

Produktet har en overbelastningsbeskyttelse, som aktiveres i tilfælde af strøm-spike, og den afbryder automatisk strømforsyningen internt i produktet. Man genstarter produktet ved at afbryde det fra strømforsyningen, vente i ca. 15 minutter, og atter slutte produktet til strømforsyningen.

TRANSPORT OG OPBEVARING

⚠ PAS PÅ

Tænk over produktets vægt ved valg af opbevaringssted og under transport for at forhindre ulykker og personskader.

- Stop produktet, træk stikket ud af stikkontakten, og lad produktet køle af. Frakobl produktet fra vandforsyningen før opbevaring eller transport. Produktet må kun placeres i opretstående stilling.
- Fjern vand fra alle slanger og pumpen, og tøm rengøringsmiddelanken før produktet opbevares.
- Afrens alle fremmedlegemer fra produktet. Opbevar det på et køligt, frostfrit, tørt sted med god ventilation, som er utilgængeligt for børn. Opbevar motorsaven på afstand af ætsende midler som f.eks. havekemikalier og optøningsssalt. Må ikke opbevares udendørs.
- Til transport skal man sikre produktet, så den ikke kan bevæge sig eller vælte; dette for at forebygge personskader eller skader på produktet.

⚠ ADVARSEL

Produktet må kun opbevares indendørs. Hvis produktet opbevares et sted med temperatur under 0° C, vil det blive beskadiget.

VEDLIGEHOJDELSE

⚠ ADVARSEL

Brug kun originale reservedele, ekstraudstyr og tilbehør fra producenten. I modsat fald er der fare for personskader, dårlig maskinydelse og annullering af garantien.

⚠ ADVARSEL

Vedligeholdelse kræver stor omhyggelighed og viden og kun bør udføres af en kvalificeret tekniker. Servicering af produktet skal ske på et autoriseret servicecenter. Brug kun originale reservedele fra maskinproducenten i forbindelse med servicearbejde.

- Stop produktet, træk stikket ud af stikkontakten, og lad produktet køle af. Frakobl produktet fra vandforsyningen før:
 - rengøring af produktet
 - Vedligeholdelse af produktet
 - Udskiftning af reservedele
- Man kan selv foretage de justeringer eller reparationer, der er beskrevet i denne brugsanvisning. For andre reparationer eller råd skal man søge assistance på et autoriseret servicecenter.
- Efterse og vedligehold regelmæssigt højtryksrenseren for at opnå en sikker drift. RYOBI anbefaler, at produktet efterses hver 6. måned.
- Tjek ofte alle møtrikker, bolte og skruer om de sidder godt fast, og sørg for at produktet fungerer ordentligt. Enhver del, som bliver beskadiget, skal repareres ordentligt eller udskiftes på et autoriseret servicecenter.

UUNDGÅELIGE RISICI

Selv om produktet anvendes som foreskrevet, er det stadig umuligt at eliminere visse uundgåelige risikofaktorer fuldstændigt. Følgende risici kan opstå under brug, og operatøren bør være særligt opmærksom for at undgå følgende:

- Personskader forårsaget af højtryksstrålen
 - Ret ikke vandstrålen mod andre personer, dyr eller dig selv.
- Personskader forårsaget af tilbageslag
 - Hold altid godt fast i håndtaget og sprøjtelansen med begge hænder.
- Personskader forårsaget af indånding af sprøjtetåger.
 - Brug passende åndedrætsværn.
- Personskader forårsaget af støj
 - Bær høreværn

RISIKOREDUKTION

Der er rapporteret om, at vibrationer fra håndholdte værktøjer kan være medvirkende til en lidelse kaldet Raynauds syndrom hos visse personer. Symptomerne herpå kan være prikken, følelsesløshed og blegning af fingrene, der normalt viser sig ved kuldepåvirkning. Faktorer som arvelighed, udsættelse for kulde og fugt, kost, rygning og arbejdsvaner menes alle at medvirke til udviklingen af disse symptomer. Der findes forholdsregler, som operatøren kan træffe for at begrænse påvirkningen fra vibrationer:

- Hold kroppen varm i koldt vejr. Brug handsker, så hænder og vriste holdes varme under arbejdet.
- Motionér efter hver arbejdsperiode for at øge blodcirkulationen.
- Hold hyppige arbejdspauser. Begræns eksponeringen for vibrationer pr. dag.

Hvis du mærker nogen af symptomerne på denne tilstand, skal du straks ophøre med arbejdet og søge læge.

⚠ ADVARSEL

Længere tids brug af et værktøj kan forårsage - eller forværre - personskader. Når man bruger et værktøj i længere perioder ad gangen, skal man huske at holde hyppige pauser.

KEND PRODUKTET

Se side 181.

1. Pistolhåndtagets lås
2. Udløser
3. Håndtag
4. Strømkontakt
5. Holder til strømledning

6. Elledning
7. Vandudløb
8. Højtryksslange
9. Turbodyse til sprøjtelanse
10. Sprøjtedyse-lanse
11. Adaptor *
12. Sæbeflaske
13. Vandindløbskobling med filter
14. Vandindløb
15. Udskudt lanse
16. Holder til pistolhåndtag
17. Aftrækkerpistol
18. Aftrækkerpistolindløb

* Kompatibel adapter til KÄRCHER trykreusertilbehør. KÄRCHER er et registreret varemærke tilhørende Alfred Kärcher GmbH & Co. KG.

BEMÆRK: Kontroller specifikationen for tilbehørsdelen for at se, om den svarer til specifikationerne på RYOBI højtryksrensere.

BEMÆRK: Ved brug af vaskemiddel henvises der til materialesikkerhedsbladet for vaskemidlet.



Sprængningsfare



Dette redskab overholder alle lovkrav og standarder i det EU-land, hvor det er købt.



EurAsian overensstemmelsesmærke



Ukrainsk overensstemmelsesmærke



Det garanterede lydtryksniveau vist på denne mærkat er 92 dB.



Elektriske affaldsprodukter bør ikke afskaffes sammen med husholdningsaffald. Genbrug venligst hvor faciliteterne tillader dette. Tjek med din lokale kommune eller forhandler for genbrugsråd.

SYMBOLER PÅ PRODUKTET



Advarsel



Klasse II-værktøj, dobbelt-isoleret



For at mindske risikoen for uheld, så skal brugeren læse og forstå denne brugsanvisning, inden produktet tages i brug.



Bær øjen- og høreværn.



Træk straks stikket ud af stikkontakten, hvis ledningen er beskadiget eller skåret.



Fare for elektrisk stød.



Produktet er ikke egnet til at blive tilsluttet drikkevandsforsyningen, hvis der ikke er installeret en enhed til at forhindre tilbagestrømning.



Ret aldrig sprøjtelanse mod andre personer, dyr, selve højtryksrenseren, strømforsyningen eller andre elapparat.

SYMBOLER I DENNE BRUGSANVISNING



Brug friktionsfri, kraftige beskyttelseshandsker.



Tilslut til stikkontakt.



Træk stikket ud af stikkontakten.



Dele eller tilbehør, der sælges separat



Bemærk



Advarsel

De følgende ikoner og betydninger er beregnet til at forklare risikoen involveret i at anvende denne enhed.

FARE

Indikerer en meget farlig situation, som hvis ikke undgås, kan føre til alvorlige skader og i værste fald døden.



⚠ ADVARSEL

Indikerer en potentielt farlig situation, som hvis ikke undgås, kan føre til alvorlige skader og i værste fald døden.

⚠ PAS PÅ

Indikerer en potentielt farlig situation, som hvis ikke undgås, kan føre til mindre eller moderate skader.

PAS PÅ

Uden sikkerhedsadvarselssymbol

Indikerer en situation, som kan medføre materiel skade.

FEJLFINDER

Problem	Mulig årsag	Løsning
Maskinen starter ikke	Maskinen er ikke sluttet til elnettet	Tilslut maskinen til elnettet.
	Defekt stikkontakt	Prøv en anden stikkontakt.
	Defekt forlængerledning	Prøv uden forlængerledning.
Svingende tryk	Pumpen suger luft ind	Kontroller, at slanger og tilslutninger er lufttætte.
	Ventilerne er beskidt, slidte eller sidder fast	Servicering af produktet skal ske på et autoriseret servicecenter.
	Pumpeforseglingerne er slidte	Servicering af produktet skal ske på et autoriseret servicecenter.
Maskinen stopper	Sikringen er gået.	Servicering af produktet skal ske på et autoriseret servicecenter.
	Forkert netspænding	Kontrollér, at netspændingen svarer til specifikationen på modellens typeskilt.
	Termisk sensor aktiveret	Lad produktet være i 15 minutter, så det køler af.
	Dysen er delvist blokeret	Rengør dysen.
Maskinen pulserer	Luft i indløbsslange/pumpe	Lad produktet køre med åben aftrækker, indtil der atter er almindeligt arbejdstryk.
	Vandtilførslen er utilstrækkelig	Kontroller, at vandtilførslen svarer til de påkrævede specifikationer (se modelmærket). Undgå at bruge lange tynde slanger.
	Dysen er delvist blokeret	Rengør dysen.
	Vandfilteret er blokeret	Rens filteret.
	Slangen er bøjet	Ret slangen ud.
Maskinen starter og stopper ofte af sig selv.	Pumpen/sprøjtehåndtaget lækker	Servicering af produktet skal ske på et autoriseret servicecenter.
Maskinen starter, men der kommer ikke vand ud.	Da pumpen, slanger eller andet tilbehør er frosset	Vent, til pumpe, slange eller andet tilbehør er tøet op.
	Ingen vandtilførsel	Tilslut vandindløbsporten til en vandforsyning.
	Vandfilteret er blokeret	Rens filteret.
	Dysen er blokeret	Rengør dysen.
Intet rengøringsmiddel	Dyse justeret til højtryk	Juster til lavtryk.
	Tank er tom.	Fyld tanken.

Säkerhet, prestanda och pålitlighet har fått högsta prioritet vid utformningen av din elektriska högtryckstvätt.

ANVÄNDNINGSSOMRÅDE

Den elektriska högtryckstvätten är endast avsedd för användning utomhus. Av säkerhetsskäl ska båda händerna användas för korrekt manövrering av produkten.

Produkten är avsedd för hemma- eller privat bruk. Den är avsedd för rengöring av maskiner, fordon, byggnader, golv, verktyg, fasader, terrasser och betongbelagda gångvägar genom att hårdnackad smuts avlägsnas med rent vatten, med eller utan rengöringsmedel.

Produkten kan användas med turbomunstycke, sprejmunstycke, tvättborste och ytreningsenhet. Tvättborsten används för effektiv rengöring av bilar, cyklar eller andra föremål som kräver sprejning, eller tillsammans med rengöringsmedel. Sprejmunstycket används för rengöring av ytor som kräver sprejning eller där ett rengöringsmedel ska användas. Ytrensingsenheten används för rengöring och borstning av ytor.

Det ska användas under torra, väl belysta förhållanden.

Får ej användas för annat ändamål.

⚠ VARNING

Produkten är avsedd för användning med ett neutralt rengöringsmedel som levereras eller rekommenderas av tillverkaren. Användning av andra rengöringsmedel eller kemikalier kan påverka produktens säkerhet negativt.

ALLMÄNNA SÄKERHETSFÖRESKRIFTER

⚠ VARNING

Läs alla säkerhetsvarningar och alla instruktioner. Om du inte följer varningarna och anvisningarna kan du orsaka elektrisk stöt, brand och allvarlig skada.

⚠ PÅMINNELSE

Produkten får inte kopplas till dricksvattenförsörjningen utan att en backventil som förhindrar returflöde, motsvarande EN 12729 Typ BA, har installerats. Vatten som passerar genom en backventil anses som odrinkbart. Följ alltid din lokala vattenleverantörs regler när du ansluter produkten till en försörjningsledning för vatten.

- Produkten är inte avsedd att användas av barn eller av personer med minskad fysisk, sensorisk eller mental förmåga, eller som saknar erfarenhet och kunskap. Barn ska alltid övervakas så att de inte leker med produkten.
- Använd komplett personlig skyddsutrustning vid drift av produkten, som stövlar, säkerhetshandskar, hjälm med visir och hörselskydd. Använd endast visir som tål högt tryck och skyddar mot vätskestänk.

⚠ VARNING

Använd inte produkten om andra personer befinner sig inom dess räckvidd, om inte dessa bär skyddskläder.

- För att minska olycksrisken, håll barn och besökare på avstånd. Alla åskådare ska använda skyddsglasögon och hålla sig på ett säkert avstånd från arbetsområdet.
- Kontrollera säkerhetsanordningarna, som säkerhetsventiler, flödesbrytare och tryckbrytare för att se om de är i gott, funktionsdugligt skick. Säkerställ att alla säkerhetsanordningar fungerar korrekt före varje användning:
 - Omkopplare av/på
 - PÅ/AV-strömbrytaren förhindrar oavsiktlig påslagning av produkten.
 - Spärr för reglagehandtag
 - Spärren för reglagehandtaget låser reglaget och förhindrar oavsiktlig öppning av högtrycksstrålen.
 - Överströmningsventil med tryckströmbrytare
 - Överströmningsventilen förhindrar det tillåtna arbetstrycket från att överskridas. Om reglaget på

pistolmunstycket släpps, stänger tryckströmbrytaren av pumpen och högtrycksstrålen stannar. Om reglaget trycks in, startar pumpen igen.

- Överlastskydd
 - En värmesensor skyddar produkten mot överlast. Produkten stänger automatiskt av strömmen vid överhettning.
- Använd inte produkten om viktiga komponenter är skadade, såsom säkerhetsanordningar, högtrycksslangar eller pistolmunstycke.
- Var försiktig vid öppning av reglaget. Håll handtaget stadigt med båda händerna för att undvika olycksfall när reglagehandtaget studsar tillbaka.

⚠ VARNING

Vid användning av högtrycksvättar kan aerosoler bildas. Inandning av aerosoler kan vara skadligt för hälsan.

⚠ VARNING

Beroende på tillämpning kan skyddsmunstycken som minskar utsläppet av vattenhaltiga aerosoler användas vid högtrycksrengöring. En sådan anordning passar emellertid inte för alla tillämpningar. Om skyddsmunstycken inte passar för användning som skydd mot aerosoler kan det hända att en andningsmask i klass FFP 2 eller likvärdig behövs, beroende på omgivningen vid rengöringen.

- Stoppa alltid produkten när du lämnar den utan uppsikt.
- En högtrycksstråle är farlig om den missbrukas. Rikta inte strålen mot människor, inkopplad elektrisk utrustning eller mot själva produkten.
- För att undvika explosionsrisk, spreja inte antändliga vätskor.
- Rikta inte strålen mot dig själv eller andra för att rengöra kläder eller skor.
- Använd inte produkten för att rengöra elektroniska enheter, kläder eller skor.
- Högtrycksslangar, -fästen och -kopplingar är viktiga för produktens säkerhet. Använd endast slangar, fästen och kopplingar som

rekommenderas av tillverkaren.

SÄKERHETSVARNINGAR FÖR ELEKTRICITET

- Elverktygets kontakt måste passa i uttaget. Modifiera inte kontakten på något sätt. Omodifierade kontakter och matchande uttag minskar risken för elektrisk stöt.
- Använd inte produkten om elkabeln eller andra viktiga komponenter, som säkerhetsanordningar, är skadade.
- Kontrollera elkabeln och förlängningssladden avseende skador före varje användning. Om ström- eller förlängningssladden är skadad, måste den bytas ut av tillverkaren, dess serviceombud eller liknande kvalificerade personer för att förhindra fara.
- Håll el-kabeln borta från värme, olja och skarpa kanter.
- Vidrör aldrig elkontakt eller uttag med våta händer.
- Olämpliga förlängningssladdar kan vara farliga. Om en förlängningssladd används måste den vara lämplig för utomhusbruk och anslutningen måste hållas torr och ovanför marken. Använd en sladdvinda för att hålla kontakten minst 60 mm ovanför marken.
- Den elektriska anslutningen måste utföras av en kvalificerad elektriker och måste motsvara IEC 60364-1. Det rekommenderas att produktens strömförsörjning endera inkluderar en enhet för restström som avbryter strömmen om läckströmmen till jord överstiger 30 mA under 30 ma, eller en enhet som tillhandahåller en jordströmkrets.

YTTERLIGARE SÄKERHETSFORESKRIFTER

- I vissa regioner finns regleringar som begränsar användning av produkten. Ta kontakt med lokala myndigheter för information.
- Före varje användning, kontrollera produkten avseende skador. En skadad högtrycksslang måste omedelbart bytas ut. Säkerställ att alla anslutningar, som mellan högtrycksslangen och munstycket, är säkra. Rulla ut slangen ordentligt, så att den inte vrids eller knickas.

- Låt inte barn eller icke utbildade personer använda produkten.
- Stäng dörrar och fönster innan du påbörjar någon rengöringsprocess. Avlägsna skräp, leksaker, utemöbler och andra föremål som kan utgöra en risk från det område som ska rengöras.
- Lyft aldrig upp och bär produkten när motorn är i gång.
- Använd inte produkten vid temperaturer under 0 °C.
- Använd inte syror, alkaliska medel, lösningsmedel, antändliga ämnen, blekmedel eller lösningar avsedda för industrin i produkten. Dessa produkter kan skada operatören fysiskt och skada produkten oåterkalleligt.
- Använd alltid produkten på en plan yta.

⚠ VARNING

En högtrycksstråle kan vara farlig om den missbrukas. Strålen får inte riktas mot människor, djur, elektriska enheter eller mot själva produkten.

- Håll reglagehandtaget stadigt med båda händerna. Var beredd på att handtaget rör sig när reaktionskrafterna verkar på reglaget. Att inte vara beredd kan orsaka att du förlorar kontrollen och skadar dig själv eller andra.
- Säkerställ att luften i slangen och pumpen släpps ut innan du slår på produkten. För att släppa ut luften ur slangen och pumpen, anslut vattenförsörjningen till pumpen med en trädgårdsslang, anslut reglagehandtaget till pumpen med högtrycksslangen, frigör spärren för reglagehandtaget och tryck på spärren tills flödet är stadigt.
- Var försiktig så att du inte halkar eller faller.
- Bibehåll ett bra fotfäste och bra balans. Sträck dig inte. Att sträcka sig kan resultera i balansförlust.
- Använd endast tillbehör som är godkända av tillverkaren. Användning av felaktiga tillbehör kan orsaka material- och personskador.
- Lämna aldrig produkten påslagen utan uppsikt. Slå av produkten. Lämna inte produkten förrän den är helt avstängd.
- Se till att du förstår kontrollerna. Lär dig hur

du stoppar produkten och snabbt släpper ut trycket.

- Var uppmärksam och ha alltid kontroll. Se upp med vad du gör och använd sunt förnuft.
- Använd inte gräsclipparen om du är trött eller påverkad av droger, alkohol eller mediciner. Ett ögonblick av bristande uppmärksamhet vid användning av produkten kan innebära risk för allvarlig personskada.
- Använd inte produkten om reglaget för av och på inte fungerar. En produkt som inte kan styras med strömbrytaren är farlig och ska repareras.
- Håll ett minsta avstånd på 30 cm vid rengöring av fordon. Högtrycksstrålen kan skada eller spränga fordonsdäck och/eller däckventiler.
- Använd en trädgårdsslang med en maximal längd på 15 m och en minsta diameter på 18 mm (3/4 in.)
- Före varje användning, se till att tillbehöret är säkert fäst vid pistolgreppet.

ÖVERBELASTNINGSSKYDD

Produkten har överbelastningsskydd som aktiveras vid överhettning eller effektoppar och då automatiskt stänger av produkten. För att återuppta användning ska produkten kopplas bort från kraftkällan, vänta sedan ca 15 minuter och anslut åter produkten till kraftkällan.

TRANSPORT OCH FÖRVARING

⚠ PÅMINNELSE

Tänk på produktens vikt för att undvika olycksfall och skador när du väljer förvaringsplats och under transport.

- Stoppa produkten, koppla bort den från strömförsörjningen och låt produkten svalna. Koppla loss produkten från vattenförsörjningen före förvaring eller transport. Placera aldrig produkten i något annat läge än upprätt.
- Töm ut vattnet från alla slangar och från pumpen, och töm behållaren för rengöringsmedel innan du förvarar produkten.
- Ta bort allt främmande material från

produkten. Förvara den på en sval, frostskyddad, torr och väl ventilerad plats som är oåtkomlig för barn. Förvara på avstånd från frätande medel, t.ex. trädgårdskemikalier och vägsalt. Förvara den inte utomhus.

- Vid transport ska produkten säkras mot rörelser eller fallande för att förhindra personskador eller att produkten skadas.

⚠ VARNING

Förvara endast produkten inomhus. Förvaring på platser med en temperatur under 0 °C skadar produkten.

UNDERHÅLL

⚠ VARNING

Använd enbart ersättningsdelar och tillbehör från tillverkaren. Om inte kan det eventuellt orsaka skador, sämre resultat och kan upphäva garantin.

⚠ VARNING

Att serva produkten kräver extrem försiktighet och kunskap och bör endast utföras av en kvalificerad servicetekniker. Vid service ska produkten lämnas till auktoriserat servicecenter. Under servicearbete ska enbart tillverkarens originaltillbehör användas.

- Stoppa produkten, koppla bort den från strömförsörjningen och låt produkten svalna. Koppla loss produkten från vattenförsörjningen före:
 - rengöring av produkten
 - underhåll av produkten
 - montering av reservdelar
- Du får enbart göra justeringar eller reparationer som nämns i denna manual. För andra reparationer eller för råd ska du alltid vända till auktoriserat servicecenter.
- Inspektera regelbundet och underhåll högtryckstvätten för säker drift. RYOBI rekommenderar att produkten inspekteras var 6:e månad.
- För att vara säker på att produkten är säker att använda, kontrollera alla muttrar, bultar och skruvar regelbundet för att säkerställa

att de är åtdragna ordentligt. Skadade delar skall repareras ordentligt eller bytas ut av en auktoriserad servicefirma.

KVARSTÅENDE RISKER

Även om produkten används enligt instruktionerna går det inte att eliminera alla eventuella riskfaktorer. Följande risker kan uppkomma under bruk och användaren ska vara extra uppmärksam för att undvika följande:

- Skada orsakad av högtrycksstråle
 - Rikta inte högtrycksstrålen mot andra människor, djur eller mot dig själv.
- Skada orsakad av återstuds
 - Håll alltid handtaget eller reglagearmen stadigt med båda händerna.
- Skada orsakad av inandning av aerosoler.
 - Använd lämplig andningsmask.
- Skador orsakade av damm
 - Använd hörselskydd

RISKMINSKNING

Det finns rapporter om att vibrationer från handhållna verktyg kan bidra till ett tillstånd som kallas Raynauds syndrom för vissa personer. Symptomen brukar vara att det sticker i fingrarna och att de domnar bort; fingrarna kan också bli vita, särskilt vid kyla. Ärtliga faktorer, kyla och fukt, diet, rökning och arbetsrutiner tros alla bidra till att orsaka dessa symptom. Det finns förebyggande åtgärder som du kan vidta för att försöka minska vibrationernas påverkan:

- Håll dig varm när du arbetar i kallt väder. Använd handskar för att hålla händer och handleder varma under användning.
- Träna och rör på dig efter varje användningstillfälle för att öka blodcirkulationen.
- Ta ofta pauser från arbetet. Begränsa tiden du utsätter dig varje dag.

Upphör omedelbart om du upplever några av dessa symptom och uppsök din läkare.

⚠ VARNING

Risk för person- eller slitageskador vid användning av verktyget under lång tid. Om verktyget används under längre perioder krävs regelbundna pauser.

LÄR KÄNNA PRODUKTEN

Se sida 181.

1. Spärr för reglagehandtag
2. Avtryckare
3. Handtag
4. Strömbrytare
5. Hållare för strömsladd
6. Strömsladd
7. Vattenutlopp
8. Högtrycksslang
9. Arm för turbomunstycke
10. Arm för sprejmunstycke
11. Adapter *
12. Tvåflaska
13. Vatteninloppskoppling med filter
14. Vatteninlopp
15. Förlängd arm
16. Hållare för reglagehandtag
17. Pistolgrepp
18. Inlopp till pistolgrepp

* Kompatibel adapter för KÄRCHER tillbehör till högtryckstvättar. KÄRCHER är ett registrerat varumärke för Alfred Kärcher GmbH & Co. KG.

ANMÄRKNING: Kontrollera tillbehörsdelens specifikation för att se om det passar specifikationerna för RYOBI högtryckstvätt.

ANMÄRKNING: Vid användning av rengöringsmedel, se materialdatabladet för rengöringsmedlet.

SYMBOLER PÅ PRODUKTEN



Varning



Klass II-verktyg, dubbelt isolerat



För att minska risken för skador måste användaren läsa, och förstå användningsmanualen innan han eller hon använder produkten.



Bär ögon- och hörselskydd.



Ta omedelbart ut kontakten från elnätet om kabeln är skadad eller skuren.



Risk för elektrisk stöt.



Produkten är inte lämplig för anslutning till dricksvattenförsörjningen utan backventil.



Rikta aldrig spolarmen mot andra människor, djur, maskinstommen, strömförsörjningen eller andra elektriska enheter.



Sprängningsrisk



Detta verktyg uppfyller alla standarder i de EU-länder där det kan köpas.



EurAsian överensstämmelsesymbol



Ukrainskt märke för överensstämmelse



Den garanterade ljudnivån som visas på denna etikett är 92 dB.



Gamla elektroniska produkter ska inte kastas med hushållssoporna. Återvinn där sådana faciliteter finns. Kontrollera med din lokala myndighet eller säljaren för att få återvinningstips.

SYMBOLER I MANUALEN



Använd kraftiga, halkskyddade handskar.



Koppla den till ett väggurtag.



Urkoppling från väggurtag.



Delar och utrustning säljs separat



Notera



Varning

Följande signalord och betydelser är tänkta att förklara de olika risknivåerna som är associerade med denna produkt.

⚠ FARA

Indikerar en överhängande farlig situation som kan, om den inte undviks, resultera i dödsfall eller allvarlig skada.

⚠ VARNING

Indikerar en potentiellt farlig situation som kan, om den inte undviks, resultera i dödsfall eller allvarlig skada.

⚠ PÅMINNELSE

Indikerar en potentiellt farlig situation som kan, om den inte undviks, resultera i mindre eller medelstora skador.

PÅMINNELSE

Utan säkerhetssymbol

Visar på en situation som kan orsaka skada på egendom.

EN
FR
DE
ES
IT
NL
PT
DA
SV
FI
NO
RU
PL
CS
HU
RO
LV
LT
ET
HR
SL
SK
BG
UK
TR

FELSÖKNING

Problem	Möjlig orsak	Lösning
Maskinen startar inte	Maskinen är inte inkopplad	Koppla in maskinen.
	Defekt uttag	Prova ett annat uttag.
	Defekt förlängningskabel	Prova utan förlängningskabeln.
Varierande tryck	Pump suger luft	Kontrollera att slangar och anslutningar är lufttäta.
	Ventiler är smutsiga, utslitna eller sitter fast	Vid service ska produkten lämnas till auktoriserat servicecenter.
	Pump tätningar utslitna	Vid service ska produkten lämnas till auktoriserat servicecenter.
Maskinen stannar	Säkring har utlösts.	Vid service ska produkten lämnas till auktoriserat servicecenter.
	Felaktig nätspänning	Kontrollera så att nätspänningen överensstämmer med det som står angivet på modelletiketten.
	Värme sensor aktiverad	Låt produkten vara avstängd i 15 minuter så att den svalnar.
	Munstycke delvis blockerat	Rengör munstycket.
Maskinen pulserar	Luft i inloppsslang/-pump	Låt produkten köra med öppet reglage tills normalt arbetstryck återupptas.
	Bristfällig vattenförsörjning	Kontrollera att vattenförsörjningen överensstämmer med nödvändiga specifikationer (se modelletikett). Undvik att använda långa, tunna slangar.
	Munstycke delvis blockerat	Rengör munstycket.
	Vattenfilter blockerat	Rengör filtret.
	Slang knickad	Sträck ut slang.
Maskinen startar och stannar ofta av sig själv	Pump-/Sprejhandtag läcker	Vid service ska produkten lämnas till auktoriserat servicecenter.
Maskinen startar, men inget vatten kommer ut.	Pumpen, slangarna eller andra frusna tillbehör	Vänta tills pumpen, slangarna eller andra tillbehör tinat.
	Ingen vattenförsörjning	Anslut vattnets inloppsport till en vattenförsörjning.
	Vattenfilter blockerat	Rengör filtret.
	Munstycke blockerat	Rengör munstycket.
Inget rengöringsmedel	Munstycket inställt för högtryck	Ställ in för lågtryck.
	Behållaren är tom.	Fyll behållaren.

Turvallisuus, tehokkuus ja käyttövarmuus ovat sähkökäyttöisen korkeapainepesurimme tärkeimpiä ominaisuuksia.

KÄYTTÖTARKOITUS

Sähkökäyttöinen korkeapainepesuri on tarkoitettu vain ulkokäyttöön. Turvallisuuden varmistamiseksi tuotetta on ohjattava hallintakahvoilla kahdella kädellä.

Tuote on tarkoitettu kotikäyttöön. Se on tarkoitettu puhdistamaan koneita, ajoneuvoja, rakennuksia, lattioita, työkaluja, rakennusten julkisivuja, terasseja sekä betonipäällystettyjä jalkakäytäviä pinttyneestä liasta käyttämällä puhdasta vettä puhdistusaineiden kanssa tai ilman niitä.

Laitteeseen voidaan liittää turbosuutin, suihkusuutin, pesuharja ja pintapuhdistin. Pesuharjaa käytetään autojen, polkupyörien tai muiden kohteiden tehokkaaseen, suihkuttamista tai pesuainetta vaativaan puhdistamiseen. Suihkusuutinta käytetään pintoihin, joita on ruiskutettava tai silloin, kun käytetään myös pesuainetta. Pintapuhdistinta käytetään pintojen pesuun ja harjaamiseen.

Setä tulee käyttää kuivassa, hyvin valaistussa ympäristössä.

Älä käytä muihin tarkoituksiin.

VAROITUS

Tämä tuote on suunniteltu käyttämään mukana toimitettua tai valmistajan suosittelemaa neutraalia puhdistusainetta. Muiden puhdistusaineiden tai kemikaalien käyttö saattaa vaikuttaa haitallisesti tuotteen turvallisuuteen.

YLEISET TURVALLISUUSVAROITUKSET

VAROITUS

Lue kaikki turvallisuusvaroitukset ja ohjeet. Varoitusten ja ohjeiden laiminlyönnistä voi seurata sähköisku, tulipalo ja/tai vakava loukkaantuminen.

HUOMAUTUS

Tuotetta ei saa liittää juomaveden tuloliitäntään ilman, että siihen on asennettu takaisvirtauksen estin, joka täyttää standardin EN 12729, tyyppin BA vaatimukset. Takaisvirtauksen estimen läpi virtaava vesi ei ole juomakelpoista. Noudata aina paikallisen vesiyhtiön määräyksiä, kun liität tämän tuotteen vesijohtoverkkoon.

- Tätä tuotetta eivät saa käyttää lapset tai sellaiset henkilöt, joiden fyysiset, aistimukselliset tai henkiset kyvyt ovat alentuneet tai joilta puuttuu tuotteen käyttöön tarvittava kokemus ja tuntemus. Lapsia on pidettävä asianmukaisesti silmällä, jotta he eivät pääse leikkimään tuotteella.
- Tätä tuotetta käytettäessä on käytettävä täydellistä henkilösuojainten varustusta, kuten turvakengkiä, turvakäsineitä, kuulosuojaimia sekä turvakypärää, jossa on silmiensuojain. Käytä vain kovia iskuja kestävää silmiensuojainta, joka suojaa nesteroiskeilta.

VAROITUS

Älä käytä tuotetta silloin, kun muita ihmisiä on lähellä, paitsi jos he käyttävät suojavaatetusta.

- Vähentääksesi henkilövahinkojen riskiä pidä lapset ja vierailijat pois työskentelypaikoilta. Vierailijat eivät saa koskea työkaluun eivätkä jatkojohtoon kun työkalu on käynnissä.
- Tarkasta, että turvalaitteet, kuten varoventtiilit, virtauskytkimet ja painekeytkimet, ovat hyvässä toimintakunnossa. Varmista ennen käyttöä, että kaikki turvalaitteet toimivat kunnolla:
 - Virtakytkin
 - On/off-kytkin estää tuotteen tahattoman käytön.
 - Liipaisinkahvalukko
 - Liipaisinkahvalukko lukitsee liipaisimen ja estää korkeapaineisen suihkun tahattoman avautumisen.
 - Ylivirtausventtiili painekeytkimellä
 - Ylivirtausventtiili estää sallitun

EN
FR
DE
ES
IT
NL
PT
DA
SV
FI
NO
RU
PL
CS
HU
RO
LV
LT
ET
HR
SL
SK
BG
UK
TR

työpaineen ylitkyksen. Jos liipaisinpistoolin vipu vapautetaan, paineekytkin sammuttaa pumpun, jolloin korkeapaineinen suihku lakkaa. Jos vipua vedetään, pumppu käynnistyy taas.

- Ylivirtasuojaa
 - Lämpöanturi suojaa laitetta ylikuormitukselta. Jos laite ylikuumentuu, virta katkeaa automaattisesti.
- Älä käytä tuotetta, jos sen tärkeät osat, kuten turvalaitteet, korkeapaineletkut tai liipaisinpistooli, ovat vahingoittuneet.
- Noudata varovaisuutta, kun käytät liipaisinta. Pidä kahvasta tukevasti kiinni molemmin käsin, jotta voit välttää loukkaantumisen, kun kahva iskee takaisin.

▲ VAROITUS

Korkeapainepesureiden käytön aikana saattaa muodostua aerosoleja. Aerosolien hengittäminen voi olla terveydelle haitallista.

▲ VAROITUS

Käyttökohteesta riippuen korkeapainepesussa voidaan käyttää suojattuja suuttimia, mikä vähentää vesipitoisten aerosolien päästöjä. Tällaista varustetta ei voida kuitenkaan käyttää kaikissa käyttökohteissa. Jos suojattuja suuttimia ei voida käyttää suojauskeinona aerosoleja vastaan, FFP 2 -luokan hengitysnaamari tai muu vastaava saattaa olla tarpeen puhdistusympäristön mukaan.

- Sammuta tuote aina, kun jätät sen yksin.
- Korkeapainesuihku on väärin käytettynä vaarallinen. Älä kohdistaa suihkua ihmisiä tai jännitteen alaisia sähkölaitteita kohti tai itse tuotteeseen.
- Jotta voit välttää räjähdysten, älä ruiskuta syttyviä nesteitä.
- Älä suuntaa pesuria itseäsi tai muita ihmisiä kohti, kun puhdistat vaatteita tai jalkineita.
- Älä käytä tuotetta sähkölaitteiden, vaatteiden tai jalkineiden puhdistamiseen.
- Korkeapaineletkut, kiinnittimet ja liittimet ovat tärkeitä tuotteen turvallisuudelle. Käytä vain valmistajan suosittelemia letkuja, kiinnittimiä ja liittimiä.

SÄHKÖTURVALLISUUSVAROITUKSET

- Pistokkeen on sovittava pistorasiaan. Älä koskaan muunna pistoketta millään tavalla. Alkuperäiset pistokkeet ja niitä vastaavat pistorasiat pienentävät sähköiskun vaaraa.
- Älä käytä tuotetta, jos virtajohto tai muut tärkeät osat, kuten turvalaitteet, ovat vahingoittuneet.
- Tarkasta ennen jokaista käyttöä, onko virtajohdossa ja jatkojohdossa vikoja. Jos virtajohto tai jatkojohto ovat vahingoittuneet, vaarojen välttämiseksi valmistajan, valmistajan huoltotyöntekijän tai vastaavan henkilön on vaihdettava ne.
- Älä päästä virtajohtoa koskettamaan kuumuuden lähteitä, öljyä tai teräviä reunoja.
- Älä kosketa koskeaan pistotulppaa tai pistorasiaa märillä käsillä.
- Sopimattomat jatkojohdot voivat olla vaarallisia. Jos jatkojohtoa käytetään, sen on oltava sopiva ulkokäyttöön ja liitäntä on pidettävä kuivana ja pois maan pinnasta. Käytä jatkojohtokelaa pitääksesi pistorasian vähintään 60 mm maanpinnan yläpuolella.
- Virransyöttöliitäntä on pätevän sähköasentajan tehtävä, ja siinä on noudatettava standardia IEC 60364-1. Suosituksena on, että tuotteen virransyötössä on joko vikavirtasuojakytkin, joka keskeyttää virransyötön, jos vuotovirta maahan ylittää 30 mA 30 ms:n ajan tai laite, joka tarkistaa maadoituspiirin.

MUITA TURVALLISUUSVAROITUKSIA

- Joillain alueilla vallitsee säädöksiä, jotka rajoittavat tämän tuotteen käyttöä. Pyydä paikallisilta viranomaisilta neuvoa.
- Tarkasta aina ennen käyttöä, onko tuotteessa vaurioita. Vaurioitunut korkeapaineletku täytyy vaihtaa välittömästi. Varmista, että kaikki liitännät, kuten korkeapaineletkun ja suuttimen kytkentä, on tehty asianmukaisesti. Vedä letku ulos kelasta kunnolla niin, että se ei väännä tai taitu.
- Älä anna lasten tai kouluttamattomien henkilöiden käyttää tätä tuotetta.
- Sulje ovet ja ikkunat ennen puhdistustyön aloittamista. Poista roskat, lelut, ulkokuonekalut tai muut mahdollisesti

vaaroja synnyttävät esineet puhdistettavalta alueelta.

- Älä koskaan nosta tai kannata tuotetta moottorin käydessä.
- Älä käytä tuotetta alle 0 °C:n lämpötiloissa.
- Älä käytä happoja, emäksisiä aineita, liuottimia, syttyviä materiaaleja, valkaisuaineita tai teollisuuskäytön vahvoja liuoksia tuotteessa. Nämä tuotteet voivat aiheuttaa fyysisiä vammoja käyttäjälle tai pysyviä vaurioita tuotteeseen.
- Käytä tuotetta aina tasaisella pinnalla.

VAROITUS

Korkeapainesuihku voi olla vaarallinen, jos sitä käytetään väärin. Suihku ei saa kohdistaa ihmisiin, eläimiin, sähkölaitteisiin tai itse tuotteeseen.

- Pidä liipaisinkahvasta kiinni tukevalla otteella molemmin käsin. Valmistu siihen, että kahva liikkuu reaktivoimien vuoksi, kun liipaisinta vedetään. Tämän ohjeen laiminlyönti voi johtaa hallinnan menetykseen ja itsesi tai muiden loukkaantumiseen.
- Varmista, että letkussa ja pumpussa oleva ilma vapautetaan, ennen kuin käynnistät tuotteen. Kun haluat poistaa ilman letkusta ja pumpusta, liitä vedensyöttö pumppuun puutarhaletkun avulla, liitä liipaisinkahva pumppuun korkeapaineletkun avulla, vapauta liipaisinkahvan lukko, ja paina liipaisinta, kunnes virtaus on tasainen.
- Noudata varovaisuutta liukastumisien tai kaatumisen välttämiseksi.
- Pidä vakaa tasapaino. Älä kurkota liian pitkälle. Liian pitkälle kurkotta minen saattaa johtaa tasapainon menettämiseen.
- Käytä ainoastaan valmistajan hyväksymiä lisäosia. Sopimattomien lisävarusteiden käyttö voi aiheuttaa vakavaa loukkaantumisvaaraa.
- Älä koskaan jätä käynnissä olevaa tuotetta valvomatta. Katkaise tuotteesta virta. Älä jätä tuotetta valvomatta, ennen kuin se on pysähtynyt täysin.
- Tutustu hyvin kaikkiin säätimiin. Tunne, kuinka tuote sammutetaan ja kuinka paine vapautetaan nopeasti.

- Pysy aina valppaana ja hallitse työkalusi. Keskity työhösi ja käytä tervettä järkeä.
- Älä leikkaa ruohoa, jos olet väsynyt tai alkoholin, huumausaineiden tai lääkkeiden vaikutuksen alainen. Tarkkaamattomuus tuotetta käytettäessä saattaa johtaa vakavaan loukkaantumiseen.
- Älä käytä tuotetta, jos se ei käynnisty ja sammu katkaisimesta. Jos tuotetta ei voida hallita katkaisimella, se on vaarallinen ja vaatii korjaamista.
- Säilytä vähintään 30 cm:n etäisyys, kun puhdistat ajoneuvoja. Korkeapainesuihku voi vahingoittaa ajoneuvon renkaita tai niiden venttiilejä.
- Käytä puutarhaletkua, jonka enimmäispituus on 15 m ja vähimmäishalkaisija 18 mm (3/4 tuumaa).
- Varmista aina ennen käyttöä, että lisävaruste on lujasti kiinni liipaisinvarressa.

YLIKUORMITUSSUOJAUS

Tuotteessa on ylikuormitus suojauslaite, joka aktivoituu, kun laite ylikuumenee tai kokee virtapiikin, katkaisten tällöin virran tuotteen sisällä automaattisesti. Voit jatkaa tuotteen käyttöä irrottamalla se pistorasiasta, odottamalla noin 15 minuuttia ja kytkemällä se uudelleen pistorasiaan.

KULJETUS JA VARASTOITAESSA

HUOMAUTUS

Ota huomioon tuotteen paino, kun valitset säilytyspaikkaa, ja kuljetuksen aikana, jotta voit estää onnettomuuksia ja henkilövahinkoja.

- Sammuta tuote, kytke irti virtalähteestä ja anna tuotteen jäähtyä. Irrota tuote vesijohtoverkosta ennen kuljetusta tai siirtämistä säilytyspaikkaan. Älä aseta tuotetta koskaan mihinkään muuhun asentoon kuin pystyasentoon.
- Poista vesi kaikista letkuista ja pumpusta ja tyhjennä pesuainesäiliö ennen tuotteen säilytyspaikkaan siirtämistä.
- Puhdista laitteesta kaikki vieraat materiaalit. Säilytä tuotetta kuivassa, viileässä ja hyvin tuuletetussa paikassa, jossa lämpötila on yli 0 °C:ta ja johon lapsilla ei ole pääsyä. Pidä poissa syövyttäviltä

aineilta kuten puutarhakemikaaleilta ja jäänsulatussuolailta. Älä säilytä ulkona.

- Kiinnitä tuote kuljetettaessa siten, että se ei pääse liikkumaan tai kaatumaan, jotta vältytään loukkaantumisilta ja vaurioilta.

VAROITUS

Säilytä laitetta ainoastaan sisätiloissa. Jos laitetta säilytetään alle 0 °C:n lämpötilassa, se vaurioituu.

HUOLTO

VAROITUS

Käytä ainoastaan alkuperäisiä valmistajan tuottamia varaosia, lisälaitteita ja lisävarusteita. Tämän noudattamatta jättäminen voi johtaa loukkaantumiseen ja huonoon tulokseen ja voi mitätöidä takuun.

VAROITUS

Huolto kaipaa suurta huolellisuutta ja hyvää työkalun tuntemusta: Se on annettava pätevän teknikon tehtäväksi. Kun tuote vaatii huoltoa, vie tuote valtuutettuun huoltoon. Käytä huollossa ainoastaan alkuperäisiä valmistajan tuottamia varaosia.

- Sammuta tuote, kytke irti virtalähteestä ja anna tuotteen jäähtyä. Irrota tuote vesijohtoverkosta ennen
 - tuotteen puhdistaminen
 - tuotteen huoltamista
 - varaosien vaihtamista.
- Sinulla on lupa suorittaa ainoastaan tässä käsikirjassa kuvattuja säätöjä ja korjauksia. Pyydä apua valtuutetusta huollosta muiden korjaus- tai neuvontatarpeiden tapauksessa.
- Varmista korkeapainepesurin turvallinen toiminta tarkastamalla ja huoltamalla se säännöllisesti. RYOBI suosittelee tuotteen tarkastamista joka 6 kuukauden välein.
- Varmista aina, että ruuvit ja mutterit ovat tiukasti kiinni, jotta tuote olisi aina turvallinen ja käyttövalmis. Valtuutetun huoltopisteen on korjattava tai vaihdettava voittuneet osat asianmukaisesti.

KÄYTTÖÖN LIITTYVÄT RISKIT

Vaikka tuotetta käytettäisiin ohjeiden mukaisesti, ei ole mahdollista täysin eliminoida tiettyjä käyttöön liittyviä riskitekijöitä. Käytössä voi aiheutua seuraavia vaaroja, ja käyttäjän tulee kiinnittää erityistä huomiota niiden välttämiseen:

- Korkeapainesuihkun aiheuttama vahinko
 - Älä osoita korkeapainesuihkuja ihmisiä, eläimiä tai itseäsi kohti.
- Takaiskun aiheuttama henkilövahinko
 - Pidä aina kahvasta tai liipaisinsauvasta kiinni lujasti molemmin käsin.
- Aerosolien hengittämisestä aiheutuva henkilövahinko
 - Käytä asianmukaista hengityksenaamaria.
- Melun aiheuttama vamma
 - Käytä kuulosuojaimia

RISKIEN VÄHENTÄMINEN

Raporttien mukaan käsikäyttöisten laitteiden tärinä voi joidenkin kohdalla myötävaikuttaa Raynaud's Syndromen (Raynaudin oireen) ilmenemiseen. Oireita ovat pistely, turtuus ja sormien kalpeneminen, yleensä kylmässä ilmassa. Perinnölliset tekijät, kylmyys ja kosteus, ruokavalio, tupakointi sekä työtavat voivat kaikki myötävaikuttaa näiden oireiden ilmenemiseen. Käyttäjä voi ehkäistä tärinän aiheuttamia vaikutuksia seuraavasti:

- Pidä itsesi lämpimänä kylmällä säällä. Käytä tuotteen käytön aikana käsineitä, jotta kätesi ja ranteesi pysyvät lämpöisinä.
- Harjoita kunkin käyttöjakson jälkeen liikuntaa, jotta verenkierto lisääntyisi.
- Pidä työn aikana säännöllisesti taukoja. Rajoita päivittäisen tärinän määrä.

Jos mitään yllä mainittuja oireita ilmenee, lopeta heti laitteen käyttö ja kerro oireista lääkärille.

VAROITUS

Laitteen pitkittynyt käyttö voi aiheuttaa tai vaikeuttaa vammoja. Kun käytät mitä tahansa laitetta pitkiä aikoja, muista pitää säännöllisiä taukoja.

TUNNE TUOTTEESI

Katso sivu 181.

1. Liipaisinkahvalukko
 2. Liipaisin
 3. Kädensija
 4. Virtakytkin
 5. Virtajohton pidike
 6. Virtajohto
 7. Veden ulostulo
 8. Korkeapaineletku
 9. Turbo-suuttimen varsi
 10. Suihkusuuttimen varsi
 11. Sovitin *
 12. Saippuapullo
 13. Veden tuloliitin ja suodatin
 14. Veden sisääntulo
 15. Jatkovarsi
 16. Liipaisinkahvan pidin
 17. Liipaisinvarren laukaisuläppä
 18. Liipaisinvarren laukaisuläppä tuloaukko
- * KÄRCHER-painepesurin lisävarusteiden kanssa yhteensopiva sovitin. KÄRCHER on Alfred Kärcher GmbH & Co:n rekisteröity tavaramerkki. KG.

HUOMAUTUS: Varmista lisävarusteen eritelmistä, että se on RYOBI-painepesurin kanssa yhteensopiva.

HUOMAUTUS: Jos käytät pesuainetta, lue käytettävän pesuaineen käyttöturvallisuustiedote.

TUOTTEESSA OLEVAT SYMBOLIT



Varoitus



Luokan II laite, kaksoiseristetty



Onnettomuusvaarojen vähentämiseksi tämän käsikirjan sisältö on ehdottomasti luettava ja ymmärrettävä ennen työkalun käyttöä.



Käytä suojalaseja ja kuulosuojaimia.



Jos johto on vahingoittunut tai siinä on viiltoja, irrota pistoke välittömästi virransyötöstä.



Sähköiskun vaara.



Tämä tuote ei sovellu yhdistettäväksi juomavesiverkkoon ilman takaisinvirtauksen estolaitetta.



Älä koskaan osoita suihkutussauvaa ihmisiä, eläimiä, koneen runkoa, virtalähdettä tai mitään sähkölaitetta kohti.



Korkeapainesuihkuvaara



Tämä työkalu on sen EU-maan kaikkien sääntömääräisten standardien mukainen, josta se on ostettu.



EurAsian-vaatimustenmukaisuusmerkki



Ukrainalainen säädöstenmukaisuusmerkintä



Tässä tarrassa näytetty taattu äänenpaine on 92 dB.



Käytöstä poistettavia sähkölaitteita ei pidä hävittää talousjätteiden mukana. Ne on mahdollisuuksien mukaan pantava kiertoon. Kierrätysohjeita antavat kunnan viranomaiset ja vähittäiskauppiat.

TÄMÄN KÄSIKIRJAN SYMBOLIT



Käytä luisumattomia raskaan käytön suojakäsineitä.



Kytke pistorasiaan.



Irrota pistorasiasta.



Osat ja lisävarusteet on hankittava erikseen



Huom



Varoitus

Seuraavat signaalisanat ja merkitykset on tarkoitettu selittämään tähän tuotteeseen liittyviä riskin tasoja.

⚠ VAARA

Ilmaisee välitöntä vaaratilannetta, joka ellei sitä vältetä, johtaa kuolemaan tai vakavaan loukkaantumiseen.

⚠ VAROITUS

Ilmaisee potentiaalisen vaaratilanteen, joka ellei sitä vältetä, johtaa kuolemaan tai vakavaan loukkaantumiseen.

⚠ HUOMAUTUS

Ilmaisee potentiaalisen vaaratilanteen, joka ellei sitä vältetä, saattaa johtaa pienempään tai keskivaikeaan loukkaantumiseen.

HUOMAUTUS

Ilman turvallisuusvaroitussymbolia
Ilmoittaa tilanteesta, jossa omaisuutta saattaa vaurioitua.

VIANHAKU

Ongelma	Mahdollinen syy	Ratkaisu
Kone ei käynnisty	Konetta ei ole kytketty virtaan	Kytke kone virtaan.
	Viallinen pistorasia	Kokeile toista pistorasiaa
	Viallinen jatkojohto	Kokeile ilman jatkojohtoa.
Paine vaihtelee	Pumppu imee ilmaa	Tarkista, että letkut ja kytkennät ovat ilmatiiviitä.
	Venttiilit ovat likaisia, kuluneita tai juuttuneita	Kun tuote vaatii huoltoa, vie tuote valtuutettuun huoltoon.
	Pumpun tiivisteet ovat kuluneet	Kun tuote vaatii huoltoa, vie tuote valtuutettuun huoltoon.
Laite pysähtyy	Sulake on palanut.	Kun tuote vaatii huoltoa, vie tuote valtuutettuun huoltoon.
	Väärä verkkojännite	Tarkista, että verkkojännite vastaa mallin tunnistetietoja.
	Lämpöanturi aktivoitunut	Anna tuotteen jäähtyä 15 minuuttia.
	Suutin on osittain tukossa	Puhdista suutin.
Laite toimii epätasaisesti	Ilmaa tuloletkussa/pumpussa	Anna tuotteen käydä liipaisin auki, kunnes saavutetaan tavallinen työpaine.
	Vedensyöttö ei ole riittävä	Tarkista, että veden tulo vastaa vaatimuksia (katso mallikilpi). Vältä pitkien ja ohuiden letkujen käyttöä.
	Suutin on osittain tukossa	Puhdista suutin.
	Vesisuodatin on tukossa	Puhdista suodatin.
	Letku on taittunut	Suorista letku.
Laite käynnistyy ja sammuu usein itseksensä	Pumppu/suihkutuskaava vuotaa	Kun tuote vaatii huoltoa, vie tuote valtuutettuun huoltoon.
Laite käynnistyy, mutta siitä ei tule vettä	Pumppu, letku tai muu varuste on jäähtynyt	Odota, että pumppu, letku tai muu varuste sulaa.
	Ei veden tuloa	Kytke vedentulo vedensaantiin.
	Vesisuodatin on tukossa	Puhdista suodatin.
	Suutin on tukossa	Puhdista suutin.
	Ei pesuainetta	Suutin säädetty suurpaineelle Säiliö on tyhjä.

Sikkerhet, ytelse og pålitelighet har fått topp prioritet under utformingen av denne elektriske høytrykksspyleren.

TILTENKT BRUK

Maskinen er bare beregnet til utendørsbruk. Av sikkerhetshensyn må produktet betjenes på forsvarlig vis med to hender.

Dette produktet er konstruert for hjemmebruk. Den brukes til rengjøring av maskiner, kjøretøy, bygninger, gulv, verktøy, fasader, terrasser, gulv og gangveier av betong ved at den fjerner fastsittende skitt med rent vann med eller uten vaskemiddel.

Produktet kan brukes med turboduse, sprayduse, vaskebørste og overflaterengjørere. Vaskebørsten brukes til effektiv rengjøring av biler, sykler eller andre gjenstander som krever sprut eller ved bruk av rengjøringsmiddel. Spraydysen brukes ved overflaterengjøring hvor det er nødvendig med spraying eller bruk av rengjøringsmiddel. Overflaterengjøreren brukes til å rengjøre og børste overflater.

Det må brukes under tørre og godt opplyste forhold.

Ikke bruk til noe annet formål.

⚠ ADVARSEL

Det er meningen at maskinen brukes med et nøytralt vaskemiddel fra produsenten eller et vaskemiddel som produsenten har anbefalt. Bruk av andre rengjøringsmidler eller kjemikalier kan gå ut over maskinens sikkerhet.

GENERELLE SIKKERHETSADVARSLER

⚠ ADVARSEL

Les alle sikkerhetsadvarslene og alle instruksjonene. Å unnlate å følge advarslene og instruksjonene kan føre til elektrisk støt, brann og alvorlig personskade.

⚠ FORSIKTIGHETSREGEL

Hvis maskinen kobles til en drikkevannskilde, må den først utstyres med en tilbakeslagsventil tilsvarende EN 12729 type BA. Vann som strømmer gjennom en tilbakeslagsventil, egner seg ikke som drikkevann. Følg alltid forskriftene fra det lokale vannverket når du kobler maskinen til en vanntilførselsledning.

- Maskinen skal ikke brukes av barn eller personer med redusert fysisk, sensorisk eller mental kapasitet, eller personer som mangler erfaring og kunnskaper. Barn må ha riktig tilsyn for å sikre at de ikke leker med produktet.
- Bruk fullstendig personlig verneutstyr når du bruker maskinen, som støvler, vernehansker, vernehjelmer med visir og hørselvern. Bruk bare et kraftig visir med sprutvern.

⚠ ADVARSEL

Maskinen må ikke brukes når folk uten verneutstyr er innenfor rekkevidde.

- Hold barn og besøkende unna for å redusere risikoen for skader. Alle besøkende må bruke beskyttelsesbriller og holdes på trygg avstand fra arbeidsområdet.
- Inspiser sikkerhetsinnretninger som sikkerhetsventiler, strømningsvakter og trykkvakter for å kontrollere at de er i god stand. Pass på at alle sikkerhetsinnretninger fungerer som de skal før hver gangs bruk:
 - Av/PÅ-bryter
 - Strømbryteren hindrer utilsiktet bruk av spyleren.
 - Sperre på utløserhåndtak
 - Sperren sperrer for utløserhåndtaket og hindrer at det utilsiktet blir åpnet for høytrykksstrålen.
 - Overløpsventil med trykkbryter
 - Overløpsventilen sikrer at det tillatte driftstrykket ikke blir overskredet. Hvis spaken på utløserhåndtaket slippes, slår trykkbryteren av pumpen slik at høytrykksstrålen stopper. Pumpen slås på igjen når du trekker i spaken.

- Overbelastningsbeskyttelse
 - En termisk sensor beskytter produktet mot overbelastning. Produktet vil automatisk slå av strømmen ved overoppheting.
- Ikke bruk maskinen hvis viktige deler er skadet, for eksempel sikkerhetsanordninger, høytrykkslanger eller utløserhåndtaket.
- Vær forsiktig når du åpner utløseren. Hold fast i håndtaket med to hender for at du skader deg når det spretter tilbake.

⚠ ADVARSEL

Det kan danne seg aerosoler under bruken av høytrykkspylere. De kan være helseskadelig å puste inn aerosoler.

⚠ ADVARSEL

Avhengig av bruken kan skjermede dyser brukes ved høytrykksrengjøring. Dette vil redusere utslippet av vannholdige aerosoler. Imidlertid gjør ikke alle bruksområder det mulig å bruke en slik anordning. Hvis det ikke lar seg gjøre å bruke en skjermet dyse til vern mot aerosoler, kan det være nødvendig å bruke en luftmaske av klasse FFP 2 eller tilsvarende, avhengig av rengjøringsomgivelsene.

- Stopp maskinen når du forlater den uten tilsyn.
- Høytrykksstrålen er farlig hvis den brukes feil. Ikke rett strålen mot folk, strømførende utstyr eller selve maskinen.
- Ikke spray brennbare væsker, da dette kan føre til eksplosjon.
- Ikke rett strålen mot deg selv eller andre i den hensikt å rengjøre klær eller fottøy.
- Ikke bruk maskinen til rengjøring av elektronisk utstyr, klær eller fottøy.
- Høytrykkslanger, beslag og koblinger er viktige for maskinens sikkerhet. Bruk bare slanger, beslag og koplinger som er anbefalt av produsenten.

ELEKTRISKE SIKKERHETSADVARSLER

- Strømpluggene må passe til kontaktene. Foreta aldri noen form for endringer av støpslet. Umodifiserte støpsler og passende stikkontakter vil redusere risikoen for elektrisk støt.

- Ikke bruk maskinen hvis strømledningen eller andre viktige deler, som for eksempel sikkerhetsanordninger, er skadet.
- Se etter skader på strømledningen og skjøteledningen før hver bruk. Hvis strømledningen eller skjøteledningen er skadet, må den erstattes av produsenten, produsentens serviceverksted eller tilsvarende kvalifisert personell for å unngå fare.
- Hold ledningen vekk fra varme, olje og skarpe kanter.
- Støpselet og stikkkontakten må aldri berøres med våte hender.
- Mangelfulle skjøteledninger kan være farlige. Hvis du bruker en skjøteledning, må den være egnet for utendørs bruk, og tilkoblingen må holdes tørr og oppe fra bakken. Bruk en ledningskveile for å holde kontakten minst 6 cm over bakken.
- El-installasjonen må monteres av en kvalifisert elektriker og være i samsvar med IEC 60364-1. Det anbefales at produktets el-forsyning enten inneholder en reststrømenhet som avbryter strømforsyningen hvis lekkasjespenningen til jorden overstiger 30 mA for 30 ms, eller en enhet som sikrer jordingen.

SPEIELLE SIKKERHETSADVARSLER

- Noen regioner har bestemmelser som begrenser bruk av dette produktet. Spør de lokale myndigheter for råd.
- Se etter eventuelle skader før hver gangs bruk. Høytrykksslangen må skiftes umiddelbart hvis den er skadet. Pass på at alle tilkoblinger, som høytrykksslangen og munnstykket, er sikre. Rull slangen ordentlig ut slik at den ikke blir vridd eller får en bend.
- Ikke la barn eller ukyndige bruke dette utstyret.
- Lukk dører og vinduer før rengjøringen. Rydd området som skal rengjøres, for rusk, leker, utemøbler og andre gjenstander som kan skape farlige situasjoner.
- Løft aldri opp eller bær produktet mens motoren går.
- Ikke bruk maskinen når det er minusgrader.
- Ikke bruk syrer, baser, løsemidler, brennbart materiale, blekemidler eller industrielle oppløsninger i maskinen.

Slike produkter kan føre til fysiske skader på operatøren og irreversibel skade på maskinen.

- Bruk alltid maskinen på et plant underlag.

⚠ ADVARSEL

Høytrykksstrålen kan være farlig hvis den brukes feil. Strålen må ikke rettes mot personer, dyr, elektrisk utstyr eller selve maskinen.

- Hold utløserhåndtaket sikkert med begge hender. På grunn av tilbakeslagskreftene må du være forberedt på at håndtaket kan slå tilbake når du trykker inn utløseren. Ellers risikerer du at du mister kontrollen og skader deg selv og andre.
- Pass på å slippe ut luften i slangen og pumpen ut før du slår på maskinen. Når du skal fjerne luft i slangen og pumpen, kobler du vanntilførselen til pumpen med en hageslange. Deretter kobler du utløserhåndtaket til pumpen med høytrykkslangen. Løsne sperreren på utløserhåndtaket, og trykk på avtrekkeren til det kommer en jevn vannstrøm.
- Vær forsiktig så du ikke sklir eller faller.
- Ha god fotfeste og ballanse til enhver tid. Ikke len deg for langt. Hvis du lener deg for langt, kan du miste balansen.
- Bruk kun tilbehør som har blitt godkjent av produsenten. Bruken av upassende tilbehør kan føre til personskade.
- La aldri maskinen gå uten tilsyn. Slå av maskinen. Ikke gå fra maskinen før den har stoppet helt.
- Gjør deg kjent med kontrollene. Sett deg inn i hvordan du stopper maskinen og utløser trykket raskt.
- Vær våken og behold kontrollen. Se hva du gjør og bruk fornuft.
- Ikke bruk et slikt verktøy dersom du er trøtt eller påvirket av narkotika, alkohol eller medisiner. Et øyeblikk med uoppmerksomhet under bruk av produktet kan føre til alvorlige personskader.
- Ikke bruk verktøyet hvis bryteren ikke slår verktøyet av og på. Et produkt som ikke kan kontrolleres med bryteren er farlig og må repareres.

- Hold en avstand på minst 30 cm når du rengjør biler. Høytrykksstrålen kan skade dekk og dekkventiler eller få dem til å revne.
- Bruk en hageslange på maks 15 m og min. diameter på 18 mm
- Før hver bruk se til at tilbehøret er godt festet til utløserpistolen.

OVERBELASTNINGSBESKYTTELSE

Produktet har en overbelastningsbeskyttelse som aktiveres når overoppheting eller en spenningstopp inntreffer, og vil automatisk slå av strømmen inne i produktet. For å kunne fortsette bruken må produktet frakobles strømmettet i ca. 15 minutter og dernest tilbakekobles strømmettet.

TRANSPORT OG LAGRING

⚠ FORSIKTIGHETSREGEL

Ta hensyn til vekten av maskinen når du velger oppbevaringsplass eller skal transportere maskinen, for å unngå ulykker og personskader.

- Stopp maskinen, koble fra strømforsyningen, og la maskinen kjøle seg ned. Koble maskinen fra vanntilførselen før du setter den bort eller transporterer den. Pass på at maskinen alltid bare står i oppreist stilling.
- Tøm alle slanger og pumper for vann, og tøm vaskemiddeltanken før du setter bort maskinen.
- Fjern alle fremmedelementer fra produktet. Oppbevar den på et kjølig, frostfritt og tørt sted med god utlufting og utilgjengelig for barn. Hold den borte fra korrosive materialer, så som ugressmidler og veisalt. Ikke oppbevar utendørs.
- Ved transport må produktet sikres mot å komme i bevegelse eller falle for å unngå skade på personer eller produktet.

⚠ ADVARSEL

Maskinen skal bare oppbevares innendørs. Produktet vil ta skade hvis det oppbevares på et sted under 0°C.

VEDLIKEHOLD

⚠ ADVARSEL

Bruk kun produsentens originale reservedeler, tilleggsutstyr og påsatser. Dersom dette ikke følges, kan det forårsake personskader, dårlig funksjon og kan annullere garantien din.

⚠ ADVARSEL

Service krever meget stor forsiktighet og kunnskap og bør utføres kun av kvalifisert teknisk personale. For service skal produktet leveres til et autorisert serviceverksted. For service av maskinen, bruk kun produsentens originale reservedeler.

- Stopp maskinen, koble fra strømforsyningen, og la maskinen kjøle seg ned. Koble maskinen fra vanntilførselen før:
 - rengjøring av produktet
 - maskinen vedlikeholdes
 - reservedeler byttes ut
- Du kan bare foreta justeringer og reparasjoner som er beskrevet i denne brukermanualen. For andre typer reparasjoner eller råd anbefales det å kontakte et autorisert servicesenter.
- Inspiser og vedlikehold høytrykksspyleren regelmessig for å sørge for sikker drift. RYOBI anbefaler at maskinen inspiseres hver 6 måned.
- Kontroller all mutter, bolter og skruer med jevne mellomrom at de er skrudd fast for å sikre at produktet er i driftssikker stand. Enhver del som er skadet må repareres eller skiftes ut ved et autorisert serviceverksted.

GJENVÆRENDE RISIKO

Selv om utstyret brukes som beskrevet er det ikke mulig å unngå enhver gjenværende risiko. Følgende faresituasjoner kan oppstå ved bruk, og operatøren må legge spesielt vekt på å unngå følgende:

- Skade forårsaket av høytrykksstrålen
 - Unngå å rette strålen mot mennesker, dyr og deg selv.

- Skade forårsaket av tilbakeslag
 - Hold alltid godt fast i håndtaket eller utløserøret med begge hender.
- Skade forårsaket av innånding av aerosoler
 - Bruk egnet åndedrettsvern.
- Skader skapt av støy
 - Bruk hørselsvern

FAREREDUKSJON

Det foreligger rapporter om at vibrasjoner fra håndholdt verktøy for enkelte personer kan bidra til en tilstand som kalles Raynauds Syndrome. Symptomene kan omfatte følelseløshet og gjøre fingrene bleke, vanligvis synlig ved eksponering til lave temperaturer. Arvelige faktorer, eksponering mot lave temperaturer og fuktighet, diett, røyking og arbeidspraksis blir alle ansett for å kunne bidra til å utvikle disse symptomene. Brukeren kan iverksette tiltak for mulig å redusere virkningene av vibrasjonene:

- Hold kroppen din varm i kaldt vær. Bruk hansker og hold hender og håndledd varme ved bruk av produktet.
- Etter hver arbeidsperiode bør det utføres øvelser for å øke blodsirkulasjonen.
- Ta ofte pauser fra arbeidet som utføres. Begrens mengden av eksponering pr. dag.

Hvis du opplever noen av symptomene på denne tilstanden må du øyeblikkelig avbryte arbeidet og oppsøke en lege med disse symptomene.

⚠ ADVARSEL

Hvis man bruker verktøyet for lenge av gangen, kan det føre til eller forverre allerede eksisterende personskade. Når du bruker et verktøy over en lenger tidsperiode, husk å ta regelmessige pauser.

KJENN PRODUKTET DITT

- Se side 181.
1. Sperre på utløserhåndtak
 2. Avtrekker
 3. Håndtak
 4. Strømbryter
 5. Ledningsfeste
 6. Elektrisk ledning
 7. Vannutløp
 8. Høytrykkslange

9. Turbomunnstykkerør
 10. Spraymunnstykkerør
 11. Adapter *
 12. Såpeflaske
 13. Vanninntakskobling med filter
 14. Vanninntak
 15. Forlenget stang
 16. Krok til utløserhåndtak
 17. Utløserpistol
 18. Utløserpistolinnang
- * Kompatibel adapter for KÄRCHER høytrykksspylertilbehør. KÄRCHER er et registrert varemerke som tilhører Alfred Kärcher GmbH & Co. KG.

MERK: Kontroller spesifikasjonen på tilbehørsdelen om den stemmer overens med spesifikasjonene til RYOBI høytrykksspyler.

MERK: Hvis det brukes rengjøringsmiddel, se materialsikkerhetsdatabladet til rengjøringsmiddelet.

SYMBOLER PÅ PRODUKTET



Advarsel



Klasse II verktøy, dobbelisolasjon



For å redusere faren for personskade må brukeren ha lest og forstått bruksanvisningen før produktet tas i bruk.



Bruk vernebriller og hørselvern.



Trekk støpselet ut av kontakten øyeblikkelig hvis kabelen er skadet eller kuttet.



Fare for elektrisk støt.



Hvis maskinen skal kobles til en drikkevannskilde, må den først utstyres med en tilbakeslagsventil.



Rett aldri sprayrøret mot mennesker, dyr, maskinen selv, strømforsyningen eller elektriske apparater.



Fare for brudd



Dette verktøyet overholder samtlige standarder i det EU-landet det er kjøpt i.



EurAsian Konformitetstegn



Ukrainsk merke for konformitet



Det garanterte lydtrykksnivået er på 92 dB og er angitt på etiketten.



Avfall fra elektriske produkter skal ikke kastes sammen med husholdningsavfall. Vennligst resirkulervedeksisterende avfallsbehandlingssted. Undersøk hos dine lokale myndigheter eller forhandler for råd om resirkulering.

SYMBOLER I DENNE MANUALEN



Bruk sklisikre og kraftige beskyttelseshansker.



Tilkoble til strømkontakten.



Ta ut av strømkontakten.



Deler eller tilbehør solgt separat



Nb



Advarsel

Følgende symboler og betydninger forklarer risikonivået som er assosiert med dette produktet.

⚠ FARE

Indikerer en øyeblikkelig farlig situasjon, som, hvis ikke unngås, kan resultere i død eller alvorlig personskade.

⚠ ADVARSEL

Indikerer en potensiell farlig situasjon, som, hvis ikke unngås, kan resultere i død eller alvorlig personskade.

⚠ FORSIKTIGHETSREGEL

Indikerer en potensiell farlig situasjon, som, hvis ikke unngås, kan resultere i mindre eller moderat personskade.

FORSIKTIGHETSREGEL

Uten sikkerhetsvarselsymbol

Indikerer en situasjon som kan føre til skade på eiendom.

EN
FR
DE
ES
IT
NL
PT
DA
SV
FI
NO
RU
PL
CS
HU
RO
LV
LT
ET
HR
SL
SK
BG
UK
TR

FEILSØKING

Problem	Mulig årsak	Løsning
Maskinen vil ikke starte	Støpselet er ikke satt i	Sett i støpselet.
	Defekt stikkontakt	Prøv en annen stikkontakt.
	Defekt skjøteledning	Prøv uten skjøteledningen.
Varierende trykk	Pumpen suger luft	Kontroller at slangene og koblingene er lufttette.
	Ventilene er skitne eller slitte eller har satt seg fast	For service skal produktet leveres til et autorisert serviceverksted.
	Slitte pumpeetninger	For service skal produktet leveres til et autorisert serviceverksted.
Maskinen stopper	Sikringen er gått.	For service skal produktet leveres til et autorisert serviceverksted.
	Feil nettspenning	Kontroller at nettspenningen tilsvarer spesifikasjonene på typeskiltet.
	Den termiske sensoren er aktivert	La produktet kjøle seg ned i 15 minutter.
	Munnstykket er delvis blokkert	Rengjør munnstykket.
Maskinen pulserende	Luft i inntaksslangen eller -pumpen	La maskinen kjøre med åpen utløser inntil driftstrykket igjen er normalt.
	Utilstrekkelig vanntilførsel	Kontroller at vannforsyningen tilsvarer de nødvendige spesifikasjonene (se typeskiltet). Unngå å bruke lange, tynne slanger.
	Munnstykket er delvis blokkert	Rengjør munnstykket.
	Vannfilteret er blokkert	Rengjør filteret.
	Det er knekk på slangen	Rett ut slangen.
Maskinen starter og stopper ofte av seg selv	Pumpen eller sprayhåndtaket lekker	For service skal produktet leveres til et autorisert serviceverksted.
Maskinen starter, men det kommer ikke ut vann.	Pumpen, slangene eller annet tilbehør er frosset	Vent til pumpen, slangene eller det andre tilbehøret tiner.
	Ingen tilførsel av vann	Koble vanninntaket til en vannforsyning.
	Vannfilteret er blokkert	Rengjør filteret.
	Munnstykket er tett	Rengjør munnstykket.
Ikke noe rengjøringsmiddel	Dyse justert til høyt trykk	Juster til lavt trykk.
	Tanken er tom.	Fyll tanken.

В основе конструкции вашего электрического очистителя высокого давления лежат принципы безопасности, продуктивности и надежности.

НАЗНАЧЕНИЕ

Электрический очиститель высокого давления предназначен для использования только вне помещений. В целях безопасности инструментом необходимо управлять двумя руками.

Изделие предназначено для домашнего использования. Он предназначен для очистки машин, транспортных средств, зданий, пола, инструментов, фасадов, террас и бетонных дорожек путем удаления несмываемой грязи с помощью чистой воды с добавлением или без добавления моющего средства.

Изделие может использоваться с турбонасадкой, распылителем, щеткой для смывания и очистителем поверхностей. Щетка для смывания предназначена для эффективной мойки автомобилей, мотоциклов и другой техники с использованием распылителя или моющего средства. Распылитель используется для очистки таких поверхностей, для которых требуется распыление или использование моющего средства. Очиститель поверхностей используется для очистки и обработки поверхностей щеткой.

Пользоваться инструментом следует в сухих хорошо освещенных условиях.

Не используйте устройство для каких-либо иных целей.

▲ ОСТОРОЖНО

Инструмент предназначен для использования с нейтральным моющим средством, поставляемым или рекомендуемым производителем. Использование других моющих средств или химических веществ может оказать отрицательное влияние на безопасность инструмента.

ОБЩИЕ ПРАВИЛА БЕЗОПАСНОСТИ

▲ ОСТОРОЖНО

Прочтите все предупреждения и инструкции по технике безопасности. Несоблюдение приводимых ниже предупреждений и инструкций может привести к поражению электрическим током, возгоранию или тяжким телесным повреждениям.

▲ ПРЕДОСТЕРЕЖЕНИЕ

Инструмент нельзя использовать в системе питьевого водоснабжения без обратного клапана, установленного в соответствии со стандартом EN 12729 тип ВА. Вода, проходящая через обратный клапан, считается непригодной для питья. При подключении инструмента к сети водоснабжения всегда соблюдайте правила вашей местной компании коммунального водоснабжения.

- Инструмент не предназначен для использования детьми или людьми с ограниченными физическими, сенсорными или умственными способностями или с недостатком опыта или знаний. Не допускайте того, чтобы дети играли с этим устройством.
- При работе с инструментом используйте средства индивидуальной защиты, такие как ботинки, защитные перчатки, защитные шлемы с маской и защитой органов слуха. Используйте только ударопрочные маски с защитой от разбрызгиваемой среды.

▲ ОСТОРОЖНО

Не используйте инструмент, если в зоне досягаемости находятся люди, за исключением случаев, если они находятся в защитной одежде.

- Чтобы снизить риск получения травм, не допускайте детей и посетителей к инструменту. Всем лицам, осматривающим устройство, необходимо надевать защитные очки и находиться на безопасном расстоянии от рабочего участка.

EN
FR
DE
ES
IT
NL
PT
DA
SV
FI
NO
RU
PL
CS
HU
RO
LV
LT
ET
HR
SL
SK
BG
UK
TR

- Проверяйте состояние защитных устройств, таких как предохранительные клапаны, сигнализаторы потока жидкости и выключатели давления. Перед каждым использованием инструмента проверяйте работоспособность всех защитных устройств:

- Выключатель ВКЛ/ВЫКЛ
 - Переключатель вкл/выкл предотвращает самопроизвольное срабатывание инструмента.
- Предохранитель кнопки пуска
 - Предохранитель кнопки пуска блокирует спусковой элемент и предотвращает произвольный выброс струи высокого давления.
- Перепускной клапан с мембранным выключателем
 - Перепускной клапан не допускает превышения допустимого рабочего давления. Если рычаг на спусковом механизме опущен, мембранный выключатель отключает насос и подача воды под высоким давлением прекращается. Если потянуть за рычаг, насос снова включится.
- Защита от перегрузки
 - Температурный датчик защищает изделие от перегрузки. При перегрузке изделие автоматически отключается.
- Не используйте инструмент, если важные детали, такие как защитные устройства, шланги высокого давления или пусковой пистолет, повреждены.
- Открывайте пусковой крючок с осторожностью. Крепко держите ручку двумя руками, чтобы избежать травм при отбрасывании ручки.

▲ ОСТОРОЖНО

При использовании очистителей высокого давления в воздух могут выбрасываться взвешенные частицы. Вдыхание взвешенных частиц опасно для здоровья.

▲ ОСТОРОЖНО

В зависимости от целей применения для очистки под высоким давлением можно использовать защитные насадки, которые снизят выброс жидких взвешенных частиц. Тем не менее, данное устройство подходит не для всех целей применения. Если защитные насадки не подходят для защиты от взвешенных частиц, необходимо использовать респиратор класса FFP 2 или аналогичный, в зависимости от условий очищаемого участка.

- Всегда выключайте инструмент, если оставляете его без присмотра.
- При использовании не по назначению струя высокого давления представляет опасность. Не направляйте струю на людей, включенное электрооборудование или на сам инструмент.
- Во избежание риска взрыва не распыляйте легковоспламеняющиеся жидкости.
- Не направляйте струю на себя или окружающих с целью очистки одежды и обуви.
- Не используйте инструмент для очистки электронных устройств, одежды и обуви.
- Для безопасной работы инструмента пользуйтесь шлангами, крепежными деталями и соединителями, предназначенными для работы под высоким давлением. Пользуйтесь только шлангами, крепежными деталями и соединителями, рекомендованными производителем.

ТЕХНИКА БЕЗОПАСНОСТИ ПРИ РАБОТЕ С ЭЛЕКТРИЧЕСКИМИ ИНСТРУМЕНТАМИ

- Вилка должна соответствовать розетке. Не подвергайте вилку кабеля каким-либо изменениям. Использование оригинальных штепсельных вилок и соответствующих розеток предотвращает опасность поражения электрическим током.
- Не используйте инструмент, если шнур электропитания и другие важные детали, такие как защитные устройства, повреждены.

EN
FR
DE
ES
IT
NL
PT
DA
SV
FI
NO
RU
PL
CS
HU
RO
LV
LT
ET
HR
SL
SK
BG
UK
TR

- Перед каждым использованием проверяйте шнур электропитания и удлинитель на наличие повреждений. Во избежание риска замену поврежденного кабеля питания или удлинителя должен выполнять производитель, авторизованный сервисный центр или специалист, обладающий соответствующей квалификацией.
- Не раскладываете кабель питания вблизи источников тепла, емкостей с маслом и острых предметов.
- Никогда не касайтесь сетевой вилки и розетки мокрыми руками.
- Использование несоответствующего требованиям удлинителя опасно. Если вы используете удлинитель, он должен быть предназначен для использования вне помещений, а соединение должно быть сухим и не находиться на земле. Используйте катушку, чтобы розетка находилась на расстоянии не менее 60 мм выше земли.
- Подключение к сети электропитания должно производиться квалифицированным электриком и соответствовать требованиям IEC 60364-1. При подключении к сети электропитания рекомендуется использовать либо устройство защитного отключения, прерывающее подачу электроэнергии в случае, если ток утечки на землю превышает 30 мА в течение 30 мс, или устройство заземления.

ДОПОЛНИТЕЛЬНЫЕ УКАЗАНИЯ ПО БЕЗОПАСНОСТИ

- В некоторых регионах существуют правила, ограничивающие использование этого продукта. Проконсультируйтесь с местными органами власти.
- Перед каждым использованием инструмента проверьте его на наличие повреждений. Поврежденный шланг высокого давления следует немедленно заменить. Проверьте надежность соединения таких деталей, как шланги и насадки высокого давления. Разматывайте шланг аккуратно, чтобы он не перекрутился и не запутался.
- Не позволяйте пользоваться

- устройством детям или не обученным лицам.
- Перед началом процедуры очистки закройте двери и окна. Освободите участок, подлежащий очистке, от мусора, игрушек, садовой мебели и других предметов, которые могут представлять риск.
- Не поднимайте и не несите изделие с работающим двигателем.
- Не используйте инструмент при температуре ниже 0°C.
- Не используйте с инструментом кислоты, щелочи, растворители, воспламеняющиеся материалы, отбеливатели и технические растворы. Такие вещества могут стать причиной травмы оператора и нанести непоправимый ущерб инструменту.
- Используйте инструмент на ровной поверхности.

▲ ОСТОРОЖНО

Струя высокого давления при неправильном использовании является источником опасности. Струю нельзя направлять на людей, животных, электрические приборы, а также на сам инструмент.

- Крепко удерживайте рукоять с кнопкой пуска двумя руками. Имейте в виду, что ручка может выдернуться при нажатии на кнопку пуска под воздействием реактивной силы. Если ручка удерживается недостаточно крепко, может произойти потеря управления и оператор или другие люди могут получить травмы.
- Перед включением инструмента убедитесь, что в шланге и насосе нет воздуха. Для удаления воздуха из шланга и насоса подсоедините насос к водопроводу с помощью садового шланга, подсоедините спусковую рукоять к насосу с помощью шланга высокого давления, отключите блокировку спусковой рукояти, нажмите и удерживайте рукоять до установления равномерного потока.
- Работайте осторожно, чтобы не поскользнуться и не упасть.

- Держать устойчивую опору и баланс. Не перенапрягать. Перенапряжение может кончатся потерей баланса.
- Только используйте принадлежности, одобренные изготовителем. Использование ненадлежащих приспособлений может привести к телесным повреждениям.
- Никогда не оставляйте работающий инструмент без присмотра. Выключите инструмент. Не оставляйте инструмент без присмотра до его полного отключения.
- Изучите органы управления инструментом. Узнайте, как можно остановить инструмент и быстро спустить давление.
- Соблюдайте осторожность и осуществляйте контроль. Будьте внимательны во время работы и руководствуйтесь здравым смыслом.
- Не используйте косилку, в то время как утомлены или под влиянием наркотиков, алкоголя, или лечения. Малейшая невнимательность при работе с устройством может привести к серьезным травмам.
- Не пользуйтесь устройством, если выключатель не включается или не выключается. Любое изделие с неработающим выключателем представляет опасность и должно быть отремонтировано.
- При очистке транспортных средств соблюдайте минимальную дистанцию 30 см. Струя высокого давления может повредить или прорвать шины и/или клапаны шин транспортного средства.
- Используйте шланг, имеющий максимальную длину 15 м и минимальный диаметр 18 мм (3/4 дюйма)
- Перед каждым использованием проверяйте надежность установки принадлежности на пистолете.

ЗАЩИТА ОТ ПЕРЕГРУЗОК

Данное продукт оборудован устройством защиты от перегрузки, которое срабатывает при перегреве или токовом выбросе, автоматически отключая питание продукта. Для возобновления работы отключите устройство от сети питания,

выждите приблизительно 15 минут и снова подключите устройство к сети питания.

ТРАНСПОРТИРОВКА И ХРАНЕНИЕ

⚠ ПРЕДОСТЕРЕЖЕНИЕ

При выборе участка хранения и при транспортировке учитывайте вес инструмента для предотвращения повреждений и травм.

- Выключите инструмент, отключите его от источника питания и дайте инструменту остыть. Перед помещением инструмента на хранение и транспортировкой отключите инструмент от водоснабжения. Инструмент всегда должен находиться только в вертикальном положении.
- Перед помещением инструмента на хранение удалите воду из всех шлангов и насоса и опустошите бак для моющего раствора.
- Очистите устройство от всех посторонних материалов. Храните инструмент в недоступном для детей, сухом, прохладном, хорошо вентилируемом помещении без образования инея. Не держите бензопилу рядом с коррозионными веществами, такими как садовые химикаты или размораживающая соль. Не храните на открытом воздухе.
- Для транспортировки закрепите изделие так, чтобы оно не могло перемещаться или упасть во избежание травмирования персонала или повреждения изделия.

⚠ ОСТОРОЖНО

Храните инструмент только в помещении. Хранение инструмента при температуре ниже 0° приведет к его поломке.

ТЕХНИЧЕСКОЕ ОБСЛУЖИВАНИЕ

⚠ ОСТОРОЖНО

Используйте только оригинальные запчасти, аксессуары и насадки от производителя. Невыполнение этого требования может привести к травме, к снижению производительности и к аннулированию гарантии.

▲ ОСТОРОЖНО

Обслуживание требует чрезвычайной заботы и знания и должно быть выполнено только квалифицированным техником обслуживания. Обратитесь в авторизованный сервисный центр для техобслуживания. При выполнении технического обслуживания используйте только оригинальные запчасти от производителя.

- Выключите инструмент, отключите его от источника питания и дайте инструменту остыть. Отключите инструмент от водоснабжения перед:
 - Чистка изделия
 - техническим обслуживанием инструмента
 - заменой деталей
- Вы можете выполнять работы по регулировке и обслуживанию, которые описаны в данном руководстве. Для проведения других ремонтных работ или за получением рекомендаций обращайтесь в авторизованный сервисный центр.
- Регулярно проводите осмотр и техническое обслуживание очистителя высокого давления для безопасной его эксплуатации. RYOBI рекомендует проводить осмотр инструмента каждые 6 месяцев.
- Проверить все болты, задвижки, и винты, через короткие интервалы, на надлежащую плотность, чтобы убедиться, что изделие находится в безопасном, рабочем состоянии. В случае повреждения какой-либо детали необходимо обратиться в авторизованный сервисный центр для выполнения надлежащего ремонта или замены.

БУДЬТЕ ВСЕГДА ОСТОРОЖНЫ

Даже когда изделие используют согласно инструкциям, невозможно полностью устранить факторы риска. При эксплуатации могут возникнуть следующие ситуации, которым пользователь должен уделять особое внимание, чтобы избежать проблем:

- Травмы, вызванные струей высокого давления
 - Не направляйте струю высокого давления на людей, животных и на себя.
- Травмы при отбрасывании
 - Всегда крепко удерживайте ручку с кнопкой пуска двумя руками.
- Травмы в результате вдыхания взвешенных частиц
 - Работайте в респираторе соответствующего типа.
- Травма, вызванная шумом.
 - Следует надевать средства защиты органов слуха

СНИЖЕНИЕ РИСКА

Считается, что вибрация ручного инструмента может привести к проявлению у отдельных лиц так называемой болезни Рейно (Raynaud's Syndrome). К симптомам могут относиться покалывание, онемение и побеление пальцев (как при переохлаждении). Считают, что наследственные факторы, охлаждение и влажность, диета, курение и практический опыт способствуют развитию этих симптомов. Ниже приводятся меры, которые может принять оператор для снижения воздействия вибрации:

- Одевайтесь теплее в холодную погоду. При эксплуатации изделия носите перчатки, чтобы сохранить руки и запястья в тепле.
- После каждого этапа работы выполните упражнения для усиления кровообращения.
- Чаще делайте перерывы в работе. Сократите длительность ежедневного пребывания на открытом воздухе.

При появлении каких-либо из указанных симптомов сразу же прекратите работу и обратитесь по их поводу к врачу.

▲ ОСТОРОЖНО

Слишком продолжительное использование инструмента может привести к травме. При использовании инструмента в течение длительного времени делайте регулярные перерывы.

EN
FR
DE
ES
IT
NL
PT
DA
SV
FI
NO
RU
PL
CS
HU
RO
LV
LT
ET
HR
SL
SK
BG
UK
TR

ИЗУЧИТЕ УСТРОЙСТВО

См. стр. 181.

1. Предохранитель кнопки пуска
2. Курковый выключатель
3. Рукоятка
4. Выключатель питания
5. Фиксатор кабеля питания
6. Кабель питания
7. Водовыпускное отверстие
8. Шланг высокого давления
9. Турбо-насадка
10. Насадка распылителя
11. Переходник *
12. Емкость для мыльного раствора
13. Муфта впускного отверстия для воды с фильтром
14. Водовыпускное отверстие
15. Удлиненная насадка
16. Держатель ручки с пусковым крючком
17. Пистолет
18. Впускное отверстие пистолета

* Совместимый адаптер для принадлежностей мойки под давлением KÄRCHER является зарегистрированным товарным знаком компании Alfred Kärcher GmbH & Co. KG.

ПРИМЕЧАНИЕ: Убедитесь в том, что спецификация вспомогательной детали совпадает со спецификацией очистителя высокого давления RYOBI.

ПРИМЕЧАНИЕ: При использовании моющего средства ознакомьтесь с паспортом безопасности материала.

УСЛОВНЫЕ ОБОЗНАЧЕНИЯ НА ПРОДУКТЕ



Осторожно



Инструмент класса II, двойная изоляция



Во избежание телесных повреждений пользователь должен внимательно ознакомиться и запомнить указания данного руководства до использования инструмента.



Пользуйтесь средствами защиты органов зрения и слуха.



В случае повреждения кабеля немедленно выдерните вилку из розетки электропитания.



Опасность поражения электрическим током.



Инструмент нельзя подключать к сети коммунального водоснабжения питьевой водой без обратного клапана.



Никогда не направляйте распылитель на людей, животных, корпуса транспортных средств, источники электропитания и электрические приборы.



Опасность разрыва



Настоящий инструмент отвечает всем официальным стандартам страны ЕС, в которой он был приобретен.

Знак Евразийского Соответствия Сертификат Соответствия № TC RU C-DE.PC52.B.01381
Срок действия Сертификата Соответствия По 18.09.2023
АНО экспертизы и контроля качества - Центр сертификации «Евро-Тест» 123060, город Москва, улица Маршала Рыбалко, дом 2, корпус 9, помещение 638.



Украинский знак стандартизации



Гарантированный уровень звуковой мощности, указанный на настоящей табличке, составляет 92 дБ.



Отработанная электротехническая продукция должна уничтожаться вместе с бытовыми отходами. Утилизируйте, если имеется специальное техническое оборудование. По вопросам утилизации проконсультируйтесь с местным органом власти или предприятием розничной торговли.

⚠ ПРЕДОСТЕРЕЖЕНИЕ

Указывает потенциально опасную ситуацию, которая, если не избежать, может кончиться малым или уменьшенным ущербом.

ПРЕДОСТЕРЕЖЕНИЕ

Употребляется без предупреждающего знака
Указывает на ситуацию, которая может привести к повреждению имущества.

- EN
- FR
- DE
- ES
- IT
- NL
- PT
- DA
- SV
- FI
- NO
- RU**
- PL
- CS
- HU
- RO
- LV
- LT
- ET
- HR
- SL
- SK
- BG
- UK
- TR

УСЛОВНЫЕ ОБОЗНАЧЕНИЯ В ДАННОМ РУКОВОДСТВЕ



Надевайте нескользящие защитные перчатки для тяжелых условий работы.



Подключение к сетевой розетке.



Отсоединение от сетевой розетки.



Детали или принадлежности, приобретаемые отдельно



Примечание



Осторожно

Следующие сигнальные слова и значения предназначены, чтобы объяснить уровни риска, связанного с этим изделием.

⚠ ОПАСНО

Указывает неизбежно опасную ситуацию, которая, если не избежать, кончится смертельным или серьезным ущербом.

⚠ ОСТОРОЖНО

Указывает потенциально опасную ситуацию, которая, если не избежать, может кончиться смертельным или серьезным ущербом.

Транспортировка:

Категорически не допускается падение и любые механические воздействия на упаковку при транспортировке.

При разгрузке/погрузке не допускается использование любого вида техники, работающей по принципу зажима упаковки.

Хранение:

Необходимо хранить в сухом месте.

Необходимо хранить вдали от источников повышенных температур и воздействия солнечных лучей.

При хранении необходимо избегать резкого перепада температур.

Хранение без упаковки не допускается.

Срок службы изделия:

Срок службы изделия составляет 5 лет.

Не рекомендуется к эксплуатации по истечении 5 лет хранения с даты изготовления без предварительной проверки.

Дата изготовления (код даты) отштампован на поверхности корпуса изделия.

Пример:

W17 Y2015, где Y2015 - год изготовления

W17 – неделя изготовления

Определить месяц изготовления можно согласно приведенной ниже таблице, на примере 2015 года.

Обратите внимание! Количество недель в месяце различается от года в год.

Месяц	Январь	Февраль	Март	Апрель	Май	Июнь	Июль	Август	Сентябрь	Октябрь	Ноябрь	Декабрь	Год
Неделя	01	05	09	14	18	22	27	31	36	40	44	49	2015
	02	06	10	15	19	23	28	32	37	41	45	50	
	03	07	11	16	20	24	29	33	38	42	46	51	
	04	08	12	17	21	25	30	34	39	43	47	52	
	05	09	13	18	22	26	31	35	40	44	48	53	
		14			27								

ПОИСК НЕИСПРАВНОСТЕЙ

Проблема	Возможные причины	Решение
Инструмент не запускается	Инструмент не подключен к сети питания	Подключите инструмент к сети питания.
	Неисправная розетка	Попробуйте подключить инструмент к другой розетке.
	Неисправный удлинитель	Попробуйте подключить инструмент без удлинителя.
Пульсирующее давление	Насос засасывает воздух	Проверьте герметичность шлангов и соединений.
	Клапаны загрязнены, повреждены или забиты	Обратитесь в авторизованный сервисный центр для техобслуживания.
	Уплотнители насоса повреждены	Обратитесь в авторизованный сервисный центр для техобслуживания.
Инструмент отключается	Предохранитель перегорел.	Обратитесь в авторизованный сервисный центр для техобслуживания.
	Несоответствующее напряжение сети	Проверьте, чтобы напряжение сети соответствовало спецификации на маркировочной табличке инструмента.
	Термодатчик включен	Оставьте изделие на 15 минут для охлаждения.
	Распылитель частично забит	Прочистите сопло.
Инструмент вибрирует	Воздух во впускном шланге/ насосе	Дайте инструменту поработать с открытой кнопкой пуска до восстановления нормального рабочего давления.
	Недостаточный напор в водопроводе	Проверьте соответствие напора воды необходимым требованиям (смотрите маркировочную табличку). Не используйте длинные и тонкие шланги.
	Распылитель частично забит	Прочистите сопло.
	Водный фильтр заблокирован	Очистите фильтр.
Инструмент часто самопроизвольно включается и выключается	Шланг перекручен	Выпрямите шланг.
	Насос/распылитель протекает	Обратитесь в авторизованный сервисный центр для техобслуживания.
Инструмент включается, но вода не выходит	Насос, шланги или другая деталь заморожены	Подождите, пока насос, шланги или другая деталь оттают.
	Отсутствует подача воды	Подключите водовпускное отверстие к источнику водоснабжения.
	Водный фильтр заблокирован	Очистите фильтр.
	Распылитель забит	Прочистите сопло.
Нет мощющего средства	Форсунка настроена на высокое давление	Уменьшите давление.
	Бак пуст.	Наполните бак.

Najwyższymi priorytetami w trakcie projektowania zakupionej przez Państwa elektrycznej myjki ciśnieniowej były bezpieczeństwo, wydajność i niezawodność.

PRZEZNACZENIE

Elektryczna myjka ciśnieniowa przeznaczona jest do stosowania wyłącznie poza pomieszczeniami. Ze względów bezpieczeństwa produkt należy obsługiwać dwiema rękami.

Produkt jest przeznaczony do domowego użytkowania. Produkt przeznaczony jest do czyszczenia maszyn, pojazdów, budynków, podłóg, narzędzi, elewacji, tarasów i betonowych chodników poprzez usuwanie zabrudzeń przy użyciu czystej wody z dodatkiem detergentu lub bez niego.

Produkt można używać z dyszą turbo, dyszą rozpylającą, szczotką myjącą oraz przystawką do czyszczenia powierzchni. Szczotka myjąca służy do skutecznego czyszczenia samochodów, rowerów oraz innych obiektów, które wymagają natryśnięcia bądź użycia detergentu. Dysza rozpylająca przeznaczona jest do czyszczenia powierzchni wymagających natryśnięcia lub do czyszczenia przy użyciu detergentu. Przystawka do czyszczenia powierzchni przeznaczona jest do czyszczenia i szczotkowania powierzchni.

Urządzenie należy stosować w warunkach suchych, przy dobrym oświetleniu.

Nie używać do żadnych innych celów.

▲ OSTRZEŻENIE

Produkt przeznaczony jest do stosowania z neutralnym środkiem czyszczącym dostarczonym lub zalecanym przez producenta. Stosowanie innych środków czyszczących lub środków chemicznych może niekorzystnie wpływać na bezpieczeństwo produktu.

OGÓLNE OSTRZEŻENIA DOTYCZĄCE BEZPIECZEŃSTWA

▲ OSTRZEŻENIE

Zapoznaj się ze wszystkimi zasadami bezpieczeństwa i instrukcjami. Niezastosowanie się do ostrzeżeń i instrukcji może spowodować porażenie prądem, pożar oraz/lub poważne obrażenia ciała.

▲ UWAGA

Produkt nie może być zasilany ze źródła wody pitnej bez zabezpieczającego przed przepływem zwrotnym przerywacza próżni zgodnego z normą EN 12729 typ BA. Woda przepływająca przez zabezpieczający przed przepływem zwrotnym przerywacz próżni jest uważana za niezdadną do picia. Podczas podłączania produktu do linii wodociągowej należy bezwzględnie przestrzegać przepisów lokalnego zakładu wodociągowego.

- Produkt nie jest przeznaczony do używania przez dzieci lub osoby o ograniczonej sprawności fizycznej lub sensorycznej bądź ograniczonych zdolnościach umysłowych, bądź też pozbawione doświadczenia lub wiedzy. Należy dopilnować, aby dzieci nie bawiły się produktem.
- Podczas pracy urządzenia należy nosić kompletny zestaw środków ochrony indywidualnej, takich jak obuwie, rękawice ochronne, bezpieczne hełmy z osłoną i ochrona słuchu. Stosować wyłącznie wysoce wytrzymałe osłony oczu z zabezpieczeniem przed rozpryskami cieczy.

▲ OSTRZEŻENIE

Nie używać produktu, gdy w jego zasięgu przebywają ludzie, o ile nie noszą oni odzieży ochronnej.

- Dzieci i goście powinni przebywać z dala od produktu, tak by można było zmniejszyć ryzyko obrażeń. Osoby postronne powinny mieć założone okulary ochronne i zachowywać bezpieczną odległość do miejsca pracy.

- Sprawdzić, czy urządzenia zabezpieczające, takie jak zawory bezpieczeństwa i przełączniki przepływu oraz ciśnienia, znajdują się w dobrym stanie technicznym. Przed każdym użyciem upewnić się, czy wszystkie urządzenia zabezpieczające działają prawidłowo:
 - Wyłącznik WŁĄCZENIE/WYŁĄCZENIE
 - Wyłącznik zapobiega niezamierzonemu włączeniu produktu.
 - Blokada spustu
 - Blokada spustu blokuje spust i zapobiega przypadkowemu włączeniu strumienia wysokociśnieniowego.
 - Zawór przelewowy z przełącznikiem ciśnieniowym
 - Zawór przelewowy zapobiega przekroczeniu dopuszczalnego poziomu ciśnienia roboczego. W przypadku zwolnienia spustu pistoletu przełącznik ciśnieniowy wyłącza pompę, a strumień wody pod wysokim ciśnieniem zostaje zatrzymany. W przypadku pociągnięcia spustu pompa włącza się ponownie.
 - Zabezpieczenie przed przeciążeniem
 - Czujnik termiczny chroni produkt przed przeciążeniem. Przegrzewający się produkt automatycznie odcina zasilanie.
- Nie używać produktu, jeśli istotne części, takie jak zabezpieczenia, węże wysokociśnieniowe lub pistolet, są uszkodzone.
- Zachować ostrożność w trakcie pociągania za spust. Mocno trzymać uchwyt obiema dłońmi, aby uniknąć obrażeń spowodowanych jego odrzutem.

▲ OSTRZEŻENIE

Podczas stosowania myjek ciśnieniowych mogą powstawać aerozole. Wdychanie aerozoli może być niebezpieczne dla zdrowia.

▲ OSTRZEŻENIE

W zależności od zastosowania do czyszczenia pod wysokim ciśnieniem można stosować dysze osłonięte, co zmniejszy emisję aerozoli wodnych. Użycie takiego osprzętu nie jest jednak możliwe w przypadku wszystkich zastosowań. W przypadku gdy w celu ochrony przed aerozolami nie zostaną zastosowane dysze osłonięte, konieczne może być zastosowanie maski oddechowej klasy FFP 2 lub równoważnej, w zależności od warunków mycia.

- Zawsze zatrzymywać produkt, który pozostawiany jest bez nadzoru.
- Strumień pod wysokim ciśnieniem jest niebezpieczny w przypadku nieprawidłowego stosowania. Nie kierować strumienia w stronę ludzi, sprzętu elektrycznego pod napięciem lub samego produktu.
- Aby uniknąć ryzyka wybuchu, nie rozpylać cieczy łatwopalnych.
- Nie kierować strumienia na siebie lub inne osoby w celu oczyszczenia ubrań lub obuwia.
- Nie używać produktu do czyszczenia urządzeń elektronicznych, odzieży lub obuwia.
- Stosowanie wysokociśnieniowych węży, złączy i innych elementów osprzętu jest istotne dla bezpieczeństwa produktu. Stosować wyłącznie węże, złączki i inne elementy osprzętu zalecane przez producenta.

OSTRZEŻENIA ZWIĄZANE Z BEZPIECZEŃSTWEM ELEKTRYCZNYM

- Wtyczka musi pasować do gniazda elektrycznego. Nie wolno modyfikować wtyczek w żaden sposób. Stosowanie oryginalnych wtyczek i dopasowanych gniazd sieciowych zmniejsza ryzyko porażenia prądem.
- Nie używać produktu, jeśli kabel zasilający lub inne ważne części, takie jak zabezpieczenia, są uszkodzone.
- Przed każdym użyciem sprawdzić przewód zasilający i przedłużacz pod kątem uszkodzeń. Uszkodzony przewód zasilający lub przedłużacz musi zostać

wymieniony przez producenta, jego serwisanta lub osoby posiadające podobne kwalifikacje, tak by można było uniknąć zagrożenia.

- Przewód zasilania trzymać z dala od źródeł ciepła, oleju i ostrych krawędzi.
- Nigdy nie dotykać wtyczki przewodu zasilania ani gniazda mokrymi dłońmi.
- Nieodpowiednie przedłużacze mogą być niebezpieczne. Stosowany przedłużacz powinien nadawać się do stosowania na zewnątrz, a połączenie musi być zawsze suche oraz znajdować się nad gruntem. Stosować przedłużacz ze szpulą, tak by gniazdo znajdowało się co najmniej 60 mm nad gruntem.
- Połączenie elektryczne musi zostać wykonane przez wykwalifikowanego elektryka i zgodnie z normą IEC 60364-1. Zaleca się, aby obwód zasilający produkt zawierał wyłącznik różnicowoprądowy przerywający zasilanie w przypadku gdy natężenie prądu upływającego do ziemi przekroczy 30 mA przez ponad 30 ms bądź urządzenie zapewniające poprawność działania obwodu uziemienia.

DODATKOWE OSTRZEŻENIA DOTYCZĄCE BEZPIECZEŃSTWA

- W niektórych regionach obowiązują przepisy ograniczające używanie produktu. Informacje na ten temat można uzyskać w lokalnych urzędach.
- Przed każdym użyciem sprawdzić produkt pod kątem braku uszkodzeń. Uszkodzony wąż wysokociśnieniowy należy natychmiast wymienić. Upewnić się, czy wszystkie połączenia, takie jak połączenie węża wysokociśnieniowego i dyszy, są bezpieczne. Rozwijać wąż prawidłowo, tak by nie został skręcony lub zagięty.
- Nie wolno zezwalać dzieciom ani osobom bez odpowiedniego przeszkolenia na korzystanie z tego urządzenia.
- Przed rozpoczęciem mycia zawsze zamykać drzwi i okna. Z przeznaczonej do czyszczenia powierzchni należy usunąć gruz, zabawki, meble ogrodowe i inne przedmioty, które mogłyby spowodować zagrożenie.
- Nigdy nie wolno podnosić ani przenosić produktu, gdy silnik pracuje.

- Nie używać produktu w temperaturach poniżej 0°C.
- Nie stosować w produkcie kwasów, ługów, rozpuszczalników, materiałów łatwopalnych, wybielaczy ani roztworów przemysłowych. Produkty te mogą spowodować fizyczne obrażenia operatora i nieodwracalne uszkodzenie urządzenia.
- W trakcie pracy zawsze stawiać produkt na poziomej powierzchni.

▲ OSTRZEŻENIE

Strumień pod wysokim ciśnieniem może być niebezpieczny w przypadku nieprawidłowego stosowania. Strumienia nie wolno kierować w stronę ludzi, zwierząt, urządzeń elektrycznych lub samego produktu.

- Mocno trzymać spust oburącz. Po naciśnięciu spustu należy spodziewać się odrzutu spowodowanego siłami reakcji. Niespełnienie tego warunku może spowodować utratę kontroli i obrażenia operatora oraz innych osób.
- Przed włączeniem produktu upewnić się, czy z węża i pompy usunięte zostało powietrze. Aby usunąć powietrze z węża i pompy, podłączyć dopływ wody do pompy przy użyciu węża ogrodowego, podłączyć pistolet do pompy za pomocą węża wysokociśnieniowego, zwolnić blokadę pistoletu i nacisnąć spust do momentu gdy strumień ustabilizuje się.
- Zachować ostrożność, aby uniknąć poślizgu lub upadku.
- Stać stabilnie, zachowując równowagę. Nie sięgać zbyt daleko. Sięganie zbyt daleko grozi utratą równowagi.
- Należy stosować wyłącznie przystawki zatwierdzone przez producenta. Zastosowanie niewłaściwych akcesoriów grozi zranieniem.
- Nigdy nie pozostawiać włączonego produktu bez nadzoru. Wyłączyć produkt. Nie odchodzić od produktu przed całkowitym wyhamowaniem.
- Zapoznać się z elementami sterującymi. Zapoznać się ze sposobami zatrzymywania produktu i szybkiego zmniejszania ciśnienia.

- Zachować ostrożność i nie dopuszczać do utraty kontroli nad urządzeniem. Obserwować miejsce pracy i wykonywane czynności, zachować zdrowy rozsądek.
- Nie wolno używać kosiarki będąc zmęczonym, pod wpływem leków, alkoholu lub środków odurzających. Chwila nieuwagi podczas obsługi urządzenia może spowodować poważne urazy ciała.
- Nie wolno używać tego urządzenia, jeśli wyłącznik nie pracuje poprawnie. Używanie urządzenia bez sprawnego wyłącznika jest zbyt niebezpieczne - należy oddać je do naprawy.
- W trakcie mycia pojazdów zachować minimalną odległość 30 cm. Strumień pod wysokim ciśnieniem może spowodować uszkodzenie lub rozerwanie opon lub wentyli opon pojazdu.
- Stosować wąż ogrodowy o maksymalnej długości 15 m i minimalnej średnicy 18 mm (3/4 cala)
- Przed każdym użyciem należy upewnić się, że akcesorium jest dobrze przymocowane do pistoletu.

ZABEZPIECZENIE PRZECIĄŻENIOWE

Produkt posiada zabezpieczenie przeciążeniowe, które uruchamia się w chwili przegrzania lub skoku natężenia prądu, wyłączając automatycznie dopływ zasilania do produktu. Aby wznowić działanie, należy odłączyć produkt od źródła zasilania, odczekać około 15 minut i ponownie podłączyć produkt do źródła zasilania.

TRANSPORT I PRZECHOWYWANIE

▲ UWAGA

Przy wyborze miejsca przechowywania i w trakcie transportu zwracać uwagę na ciężar produktu, aby zapobiec wypadkom i urazom.

- Zatrzymać produkt, odłączyć od zasilania i pozostawić do ostygnięcia. Przed rozpoczęciem przechowywania lub transportu odłączyć produkt od sieci wodociągowej. Nigdy nie umieszczać produktu w pozycji innej niż pionowa.
- Przed rozpoczęciem przechowywania produktu usunąć wodę ze wszystkich

przewodów i pompy oraz opróżnić zbiornik na detergent.

- Usunąć z produktu wszelkie zanieczyszczenia. Przechowywać produkt w miejscu suchym, dobrze wentylowanym i chłodnym, ale zabezpieczonym przed mrozem, a także niedostępnym dla dzieci. Nie chowajcie jej w pobliżu czynników żrących, takich jak ogrodowe produkty chemiczne czy sole odmrażające. Nie przechowywać na zewnątrz.
- W przypadku transportu produktu należy zabezpieczyć go przed przemieszczaniem się lub upadkiem, aby nie dopuścić do obrażeń ciała lub uszkodzenia urządzenia.

▲ OSTRZEŻENIE

Przechowywać produkt wyłącznie w pomieszczeniach. Przechowywanie w temperaturze poniżej 0°C spowoduje uszkodzenie produktu.

KONSERWACJA

▲ OSTRZEŻENIE

Należy stosować wyłącznie oryginalne części zamienne, akcesoria oraz przystawki producenta. W przeciwnym razie może dojść do obrażeń ciała, niskiej wydajności oraz do unieważnienia gwarancji.

▲ OSTRZEŻENIE

Serwisowanie wymaga wyjątkowej staranności i wiedzy. Może być wykonywane wyłącznie przez wykwalifikowany personel serwisowy. Serwisowanie produktu należy zlecić autoryzowanemu przedstawicielowi serwisu. Do serwisowania należy stosować wyłącznie oryginalne części zamienne producenta.

- Zatrzymać produkt, odłączyć od zasilania i pozostawić do ostygnięcia. Odłączyć produkt od sieci wodociągowej przed przystąpieniem do:
 - czyszczenia produktu
 - konserwacji produktu, a także
 - wymiany części zamiennych.
- Użytkownik może jedynie wykonywać czynności regulacyjne i naprawcze opisane

w tej instrukcji obsługi. W przypadku innych napraw lub pytań należy zwrócić się o pomoc do autoryzowanego punktu serwisowego.

- Regularnie sprawdzać i konserwować myjkę ciśnieniową w celu zapewnienia bezpiecznej pracy. RYOBI zaleca przeprowadzanie inspekcji produktu co 6 miesięcy(-ące).
- Systematycznie sprawdzać, czy wszystkie nakrętki, wkręty i śruby są dobrze dokręcone, aby upewnić się, że produkt jest w bezpiecznym stanie. Każdą uszkodzoną część należy odpowiednio naprawić lub wymienić w autoryzowanym punkcie serwisowym.

RYZIKO ZWIĄZANE Z UŻYTKOWANIEM

Nawet jeśli produkt jest używany zgodnie z zaleceniami, nadal nie jest możliwe wyeliminowanie określonych czynników ryzyka. Następujące zagrożenia mogą wystąpić podczas używania urządzenia i operator powinien zwracać szczególną uwagę na poniższe punkty:

- Obrażenia spowodowane przez strumień pod wysokim ciśnieniem
 - Unikać kierowania strumienia pod wysokim ciśnieniem na ludzi, zwierzęta i siebie.
- Obrażenia spowodowane odrzutem
 - Zawsze mocno trzymać uchwyt lub końcówkę natryskową oburącz.
- Obrażenia spowodowane przez wdychanie aerozoli.
 - Nosić odpowiednią maskę oddechową.
- Urazy ciała spowodowane hałasem
 - Nosić środki ochrony słuchu

OGRANICZENIE RYZYKA

Badania dowodzą, że wibracje powodowane przez narzędzia ręczne mogą wywoływać u niektórych osób objawy syndromu Raynauda. Typowe objawy to mrowienie, drętwienie i blednięcie palców, widoczne zwykle po wystawieniu na działanie zimna. Uważa się, że czynniki dziedziczne, wystawienie na działanie zimna i wilgoci, dieta, palenie papierosów i przyjęte zwyczaje przyczyniają się do rozwoju tych objawów. Istnieją środki zaradcze, które może podjąć operator narzędzia, aby zmniejszyć efekt wibracji:

- Zadbaj w niskich temperaturach o ciepłotę własnego ciała, zakładając odpowiednie ubranie. Podczas obsługi produktu należy nosić rękawice, aby dłonie i nadgarstki były ciepłe.
- Podczas przerw w pracy należy wykonywać ćwiczenia poprawiające krążenie krwi..
- Podczas pracy robić częste przerwy. Ograniczyć ekspozycję w ciągu dnia.

W razie doświadczenia dowolnego z wymienionych objawów, należy niezwłocznie zaprzestać użytkowania tego urządzenia i skontaktować się z lekarzem.

▲ OSTRZEŻENIE

Długotrwałe użytkowanie narzędzia może spowodować obrażenia ciała lub nasilić dolegliwości zdrowotne. W przypadku używania narzędzia przed dłuższy czas należy pamiętać o regularnych przerwach.

ZAPOZNAJ SIĘ ZE SWOIM PRODUKTEM

Patrz str. 181.

1. Blokada spustu
2. Przycisk uruchamiający
3. Rękojeść
4. Wyłącznik
5. Uchwyt przewodu zasilającego
6. Przewód zasilania
7. Wylot wody
8. Wąż wysokociśnieniowy
9. Końcówka z turbodyszą
10. Końcówka z dyszą natryskową
11. Adapter *
12. Butla na mydło w płynie
13. Złączka wlotowa wody z filtrem
14. Włot wody
15. Przedłużana lanca
16. Uchwyt na pistolet
17. Pistolet
18. Włot pistoletu

* Zgodny adapter do akcesoriów do myjek ciśnieniowych KÄRCHER. KÄRCHER jest zarejestrowanym znakiem handlowym Alfred Kärcher GmbH & Co. KG.

OBJAŚNIENIE: Należy sprawdzić specyfikację akcesorium, aby upewnić się, czy spełnia ono specyfikacje myjki ciśnieniowej RYOBI.

OBJAŚNIENIE: W przypadku stosowania detergentu należy zapoznać się z jego Kartą Charakterystyki Substancji Niebezpiecznej.

SYMBOLE PRODUKTU



Ostrzeżenie!



Narzędzie klasy II, podwójna izolacja



Aby zmniejszyć ryzyko zranienia, użytkownik musi przeczytać i zrozumieć podręcznik obsługi przed przystąpieniem do użytkowania tego urządzenia.



Zakładać środki ochrony wzroku i słuchu.



W przypadku uszkodzenia lub przecięcia kabla natychmiast wyjąć wtyczkę z gniazda.



Występuje ryzyko porażenia prądem elektrycznym.



Produkt nie jest przystosowany do podłączania do sieci wody pitnej bez urządzenia zapobiegającemu przepływowi zwrotnemu.



Nigdy nie kierować końcówki natryskowej w stronę ludzi, zwierząt, korpusu produktu, źródeł zasilania lub jakichkolwiek urządzeń elektrycznych.



Ryzyko rozerwania



Narzędzie to spełnia wymogi wszystkich norm reglamentacji kraju UE, w którym było ono zakupione.



Znak zgodności EurAsian



Ukraiński znak zgodności



Podany na tej etykiecie gwarantowany poziom dźwięku to 92 dB.



Zużyte produkty elektryczne nie powinny być utylizowane z odpadami domowymi. Prosimy poddawać recyklingowi w odpowiednich miejscach. Informacje o właściwych metodach recyklingu można uzyskać u władz lokalnych lub sprzedawcy.

SYMBOLE W TYM PODRĘCZNIKU



Nosić nieślizgające się, trwałe rękawice ochronne.



Podłączyć do gniazda zasilania.



Odłączyć z gniazda zasilania.



Części lub akcesoria sprzedawane oddzielnie



Objaśnienie



Ostrzeżenie!

Poniższe symbole i nazwy które im nadano, pozwalają wyjaśnić różne poziomy ryzyka związanego z używaniem tego narzędzia.

⚠ NIEBEZPIECZEŃSTWO

Wskazuje na realne zagrożenie, które może spowodować śmierć lub poważne zranienie, jeżeli się nie uniknie tego niebezpieczeństwa.

⚠ OSTRZEŻENIE

Wskazuje na potencjalne zagrożenie, które może spowodować śmierć lub poważne zranienie, jeżeli się nie uniknie tego niebezpieczeństwa.

⚠ UWAGA

Wskazuje na potencjalne zagrożenie, które może spowodować mniejsze lub bardziej poważne zranienie, jeżeli się nie uniknie tego niebezpieczeństwa.

UWAGA

Bez symbolu ostrzeżenia
Sytuacja, która może grozić uszkodzeniem mienia.

ROZWIĄZYWANIE PROBLEMÓW

Problem	Możliwa przyczyna	Rozwiązanie
Urządzenie nie uruchamia się	Urządzenie niepodłączone do sieci	Podłączyć urządzenie do sieci.
	Wadliwe gniazdo	Wypróbować inne gniazdo.
	Wadliwy przedłużacz	Wypróbować urządzenie bez przedłużacza.
Wahania ciśnienia	Pompa zasysa powietrze	Sprawdzić, czy węże i połączenia są szczelne.
	Zawory są brudne, zużyte lub zakleszczone	Serwisowanie produktu należy zlecić autoryzowanemu przedstawicielowi serwisu.
	Zużyte uszczelki pompy	Serwisowanie produktu należy zlecić autoryzowanemu przedstawicielowi serwisu.
Urządzenie zatrzymuje się	Bezpiecznik przepalił się.	Serwisowanie produktu należy zlecić autoryzowanemu przedstawicielowi serwisu.
	Nieprawidłowe napięcie sieciowe	Sprawdzić, czy napięcie sieciowe odpowiada podanemu na etykiecie modelu.
	Czujnik ciepła aktywował się	Odstawić produkt na 15 minut, aby ostygł.
	Dysza częściowo zablokowana	Oczyścić dyszę.
Urządzenie pulsuje	Powietrze w wężu doprowadzającym/pompie	Przytrzymać naciśnięty spust i poczekać, aż powróci normalne ciśnienie robocze.
	Nieodpowiednie doprowadzenie wody z sieci	Sprawdzić, czy zasilanie w wodę odpowiada wymagany parametrom (patrz etykieta modelu). Unikać stosowania długich, cienkich węży.
	Dysza częściowo zablokowana	Oczyścić dyszę.
	Zablokowany filtr wody	Oczyścić filtr.
Urządzenie często uruchamia się i zatrzymuje bez interwencji operatora.	Zagięty wąż	Wyprostować wąż.
	Pompa/pistolet natryskowy przeciekają	Serwisowanie produktu należy zlecić autoryzowanemu przedstawicielowi serwisu.
Urządzenie się uruchamia, ale nie wydobywa się z niego woda	Pompa, węże lub inne akcesoria są zamrożone	Poczekać, aż woda stopnieje w pompie, węzłach lub pozostałych akcesoriach.
	Brak zasilania w wodę	Połączyć otwór wlotowy wody z dopływem wody.
	Zablokowany filtr wody	Oczyścić filtr.
	Dysza zablokowana	Oczyścić dyszę.
Bez detergentu	Dysza przystosowana do wysokiego ciśnienia	Zmniejszyć ciśnienie.
	Zbiornik jest pusty.	Napełnić zbiornik.

Při konstrukci elektrického vysokotlakého čističe hrály hlavní roli bezpečnost, výkon a spolehlivost.

ZAMÝŠLENÉ POUŽITÍ

Elektrický vysokotlaký čistič je určen pouze k venkovnímu použití. Z bezpečnostních důvodů je nutné s produktem řádně manipulovat oběma rukama.

Výrobek je navržen pro domácí používání. Je určen k čištění strojů, vozidel, budov, podlah, nářadí, fasád, teras a betonových cestiček. Odstraňuje usazenou špínu pomocí čisté vody s čisticím prostředkem nebo bez něj.

Zařízení lze používat s turbo tryskou, rozprašovací tryskou, mycím kartáčem a čističem povrchů. Mycí kartáč slouží k účinnému mytí vozidel, jízdních kol a dalších předmětů, jejichž mytí vyžaduje postřik nebo použití saponátu. Stříkací násada se používá k čištění povrchů, které je potřeba stříkat, nebo s čisticím prostředkem. Čistič povrchů slouží k mytí povrchů proudem vody a kartáčem.

Měl by se používat v suchých, dobře osvětlených podmínkách.

Přístroj nepoužívejte ji k jiným účelům.

VAROVÁNÍ

Tento výrobek je určen k použití s neutrálním čisticím prostředkem dodávaným nebo doporučeným výrobcem. Použití jiných čisticích prostředků nebo chemikálií může mít nepříznivý dopad na bezpečnost výrobku.

VŠEOBECNÁ BEZPEČNOSTNÍ VAROVÁNÍ

VAROVÁNÍ

Přečtěte si všechny pokyny a bezpečnostní varování. Opomenutí dodržování varování a pokynů uvedených níže může způsobit úraz elektrickým proudem a/ nebo vážná poranění osob.

VAROVÁNÍ

Výrobek nesmí být používán na přívodu pitné vody bez instalace zábrany proti zpětnému průtoku, který vyhovuje normě EN 12729 typu BA. Voda proudící zábranou zpětného průtoku není pitná. Při připojování výrobku k rozvodu pitné vody se vždy řiďte nařízenými místními vodáren.

- Výrobek není určen k použití dětmi nebo osobami se sníženou fyzickou, smyslovou nebo duševní schopností nebo s nedostatkem zkušeností a znalostí. Dohlédněte, aby si děti se spotřebičem nehrály.
- Při obsluze výrobku používejte kompletní ochranné pracovní pomůcky, včetně bot, ochranných rukavic, bezpečnostních přileb s hledím a ochranou sluchu. Použijte pouze vysoce nárazuvzdorné hledí s ochranou proti stříkajícím kapalinám.

VAROVÁNÍ

Výrobek nepoužívejte, pokud jsou v dosahu lidé bez ochranného oblečení.

- Ke snížení rizika úrazu udržujte mimo dosah dětí a přihlízejících. Všichni přihlízející musí mít nasazeny bezpečnostní brýle a musí dodržovat bezpečnou vzdálenost od místa výkonu práce.
- Zkontrolujte, zda jsou bezpečnostní prvky jako bezpečnostní ventily, regulační průtokové ventily a tlakové vypínače v dobrém provozním stavu. Před každým použitím se ujistěte, že všechny bezpečnostní prvky správně fungují:
 - Spínač ZAPNUTO/VYPNUTO
 - Hlavní vypínač brání neúmyslnému spuštění výrobku.
 - Zámek spouště
 - Zámek spouště blokuje spoušť a brání tak neúmyslnému otevření vysokotlaké trysky.
 - Přetlakový ventil s tlakovým spínačem
 - Přetlakový ventil brání překročení povoleného provozního tlaku. Při uvolnění páčky na spouštěcí pistolí vypíná tlakový spínač čerpadlo a zastavuje vysokotlaký proud. Při zatažení za páčku se čerpadlo opět zapne.

- Tepelná ochrana
 - Teplotní snímač chrání zařízení před přetížením. Při přehřátí se zařízení automaticky vypne.
- Výrobek nepoužívejte, pokud jsou poškozené důležité díly jako bezpečnostní prvky, vysokotlaké hadice nebo spouštěč pistole.
- Při obsluze spouště dbejte zvýšené opatrnosti. Uchopte rukojeť pevně oběma rukama, aby nedošlo při zpětném rázu rukojeti k úrazu.

▲ VAROVÁNÍ

Během použití vysokotlakých čističů může dojít k tvorbě aerosolů. Vdechnutí aerosolu může být zdraví škodlivé.

▲ VAROVÁNÍ

V závislosti na účelu použití můžete k vysokotlakému čištění použít kryté trysky, které sniží emisi vodnatých aerosolů. Takovéto zařízení není však možné použít pro všechny účely. Pokud nelze kryté trysky k ochraně proti aerosolům použít, budete podle podmínek potřebovat ochrannou dýchací masku třídy FFP 2 nebo její obdobu.

- Nikdy nenechávejte zapnutý výrobek bez dozoru.
- Při nesprávném použití je vysokotlaký proud nebezpečný. Nemířte proud na lidi, elektrické zařízení pod proudem ani na samotný výrobek.
- Z důvodu prevence rizika výbuchu nestříkejte na hořlavé kapaliny.
- Nemířte proud na sebe ani na druhé za účelem umytí oděvů či obuvi.
- Výrobek nepoužívejte k čištění elektronického zařízení, oblečení či obuvi.
- Vysokotlaké hadice, fitinky a spojky jsou důležité pro bezpečnost výrobku. Používejte pouze hadice, fitinky a spojky doporučené výrobcem.

VAROVÁNÍ

- Elektrické zástrčky musí být shodné s elektrickou zásuvkou. Nepokoušejte se zástrčku jakýmkoliv způsobem upravovat. Neupravené zástrčky a shodné zásuvky snižují nebezpečí elektrického úrazu.

- Výrobek nepoužívejte, pokud je poškozený napájecí kabel nebo některé důležité díly jako bezpečnostní prvky.
- Před použitím se jistěte, že není napájecí a prodlužovací kabel poškozený. Pokud je napájecí nebo prodlužovací kabel poškozen, musí jej nahradit výrobce, jeho servisní technik nebo srovnatelně kvalifikované osoby, aby se předešlo možnému riziku.
- Dávejte pozor, aby se napájecí kabel nedostal do kontaktu s horkem, olejem nebo ostrými hranami.
- Nikdy se nedotýkejte zásuvek a zástrček mokřýma rukama.
- Nedostačující prodlužovací kabel může být nebezpečný. Prodlužovací kabel musí být vhodný k použití venku a připojení musí být suché a nad zemí. Použijte kabelovou cívku, aby byla zásuvka alespoň 60 mm nad zemí.
- Elektrické připojení musí zajistit kvalifikovaný elektrikář a musí vyhovovat normě IEC 60364-1. Doporučujeme, aby elektrický přívod k výrobku obsahoval buď ochranu proti zbytkovému proudu, který ruší přívod elektřiny při přívodu proudu do zemniče nad 30 mA za 30 ms, nebo zařízení proti zkratu.

DOPLŇJÍCÍ BEZPEČNOSTNÍ VAROVÁNÍ

- Místní předpisy mohou omezovat použití výrobku. Ověřte si u svého orgánu místní správy toto nařízení.
- Před každým použitím zkontrolujte, zda není výrobek poškozený. Poškozená vysokotlaká hadice musí být okamžitě vyměněna. Ujistěte se, že všechna příslušenství jako vysokotlaká hadice a tryska jsou bezpečně připevněná. Řádně hadici narovnejte, aby se nezalomila nebo nezkroutila.
- Nenechávejte děti nebo neproškolené osoby používat tento přístroj.
- Před začátkem čištění zavřete dveře a okna. Ukliděte čistěný prostor a odstraňte veškeré volné předměty, hračky, venkovní nábytek a jiné věci, které by mohly způsobit problém.
- Nikdy výrobek nepřevracejte ani nepřenášejte, pokud je motor v chodu.
- Výrobek nepoužívejte při teplotách pod 0

°C.

- S výrobkem nepoužívejte kyseliny, rozpouštědla, hořlavý materiál, bělidla ani průmyslové roztoky. Tyto výrobky mohou způsobit fyzickou újmu uživateli a nevratně poškodit výrobek.
- Výrobek vždy používejte na vodorovném povrchu.

⚠ VAROVÁNÍ

Při nesprávném použití může být vysokotlaký proud nebezpečný. Proud nesmíte mířit na lidi, zvířata, elektrická zařízení ani na samotný výrobek.

- Rukojeť spouště držte pevně oběma rukama. Počítejte s tím, že sebou při zmáčknutí spouště rukojeť vlivem reakční síly cukne. Jinak byste mohli ztratit nad výrobkem kontrolu a ublížit sobě a ostatním.
- Před spuštěním výrobku nejdříve vypustěte vzduch z hadice a čerpadla. Vzduch z hadice a čerpadla odstraníte tak, že připojíte vodní zdroj k čerpadlu pomocí zahradní hadice, připojte rukojeť spouště k čerpadlu pomocí vysokotlaké hadice, odpojte zámek spouště a zmáčkněte spoušť, dokud nezačne proudit voda.
- Dávejte pozor, abyste neuklouzli nebo nespadli.
- Udržujte bezpečné postavení a rovnováhu. Nepřeceňujte se. Přeceňování může způsobit ztrátu rovnováhy.
- Používejte pouze příslušenství schválené výrobcem. Použití nesprávného příslušenství může způsobit nebezpečí poranění.
- Nikdy nenechávejte čistič v chodu bez dozoru. Vypněte výrobek. Neodcházejte od čističe, dokud se úplně nezastaví.
- Obeznamte se z ovládacími prvky. Zjistěte, jak výrobek zastavit a rychle uvolnit tlak.
- Buďte ostražití a obezřetní. Sledujte to, co děláte a použijte cit.
- Nepoužívejte, pokud jste unaveni nebo pod vlivem drog, alkoholu nebo léků. Chvilce nepozornosti při práci s tímto výrobkem může způsobit vážná osobní poranění.
- Výrobek nepoužívejte, pokud přepínač nezapíná nebo nevypíná. Elektrický nástroj,

ktej nemuže být ovládan spínačem, je nebezpečný a musí být opraven.

- Při čištění vozidel udržujte minimálně 30cm odstup. Pod vysokotlakým proudem může dojít k poškození nebo prasknutí pneumatik, popř. ventilků.
- Použijte hadici o max. délce 15 m a s min. průměrem 18 mm.
- Před používáním vždy zajistěte, aby byly doplňky pevně připevněny k rukojeti spouště.

OCHRANA PROTI PŘETIŽENÍ

Výrobek má ochranu proti přetížení, která se aktivuje, když dojde k přehřátí či proudové špičce, to je, že se automaticky vypne pohon výrobku. Pro obnovení funkce odpojte výrobek od napájení, vyčkejte cca 15 minut a znovu připojte výrobek k napájení.

TRANSPORT A SKLADOVÁNÍ

⚠ VAROVÁNÍ

Při výběru místa ke skladování a během přepravy vezměte v úvahu hmotnost výrobku, aby nedošlo k nehodám či úrazům.

- Zastavte výrobek, odpojte ze zdroje elektrického napájení a nechte jej vychladnout. Před uschováním nebo přepravou odpojte výrobek od přívodu vody. Nikdy nepokládejte výrobek jinak než na výšku.
- Před uschováním výrobku odstraňte vodu ze všech hadic i čerpadla a vyprázdněte nádobu na čisticí prostředky.
- Odstraňte z výrobku všechn cizí materiál. Uschovejte na chladném, suchém a dobře větraném místě při teplotách nad 0 °C, kam nemají přístup děti. Náradí neuskładňujte v blízkosti žiravých látek, jako například v blízkosti zahradkářských nebo zahradnických chemických přípravků nebo soli na zimní sypaní komunikací. Neskladujte mimo budovu.
- Při transportu výrobku zajistěte proti pohybum nebo pádu, abyste zabránili poranění osob nebo poškození výrobku.

⚠ VAROVÁNÍ

Čistič ukládejte pouze ve vnitřním prostoru. Skladování v prostoru s teplotou pod 0 °C čistič poškodí.

ÚDRŽBA

⚠ VAROVÁNÍ

Používejte pouze originální příslušenství, doplňky a náhradní díly výrobce. Zanedbání může zapříčinit možné poranění, slabý výkon a může dojít ke ztrátě záruky.

⚠ VAROVÁNÍ

Údržba vyžaduje extrémní péči a znalosti a měla by být prováděna pouze kvalifikovaným servisním technikem. Pro servis vraťte výrobek do autorizovaného servisního centra. Při údržbě používejte pouze původní náhradní díly výrobce.

- Zastavte výrobek, odpojte ze zdroje elektrického napájení a nechte jej vychladnout. Odpojte výrobek od přívodu vody, pokud se chystáte:
 - čištění výrobku
 - provést údržbu výrobku
 - vyměnit náhradní díly
- Můžete provádět pouze v návodu k obsluze uvedené opravy a seřízení. Pro jiné opravy nebo poradenství, požádejte o pomoc autorizované servisní středisko.
- K zajištění bezpečného provozu pravidelně vysokotlaký čistič kontrolujte a provádějte jeho údržbu. RYOBI doporučuje kontrolu výrobku každých 6 měsíců.
- Zkontrolujte všechny šrouby, matice v častých intervalech na řádné utažení, aby se zajistilo, že výrobek bude pracovat v bezpečných pracovních podmínkách. Jakýkoliv poškozený díl je nutné správně opravit nebo nechat vyměnit v autorizovaném servisním středisku.

ZBYTKOVÁ RIZIKA

Dokonce, i když se výrobek provozuje jak je předepsáno, je stále nemožné zcela eliminovat veškeré zbytkové rizikové faktory. Následující nebezpečí mohou nastat při

používání; vyhýbejte se:

- Úraz způsobený vysokotlakým proudem
 - Nemiřte vysokotlaký proud na lidi, zvířata ani na sebe.
- Úraz způsobený zpětným rázem
 - Vždy uchopte rukojeť nebo tyč spouště pevně oběma rukama.
- Úraz způsobený vdechnutím aerosolů.
 - Používejte vhodnou dýchací masku.
- Zranění způsobené hlukem
 - Noste ochranu sluchu

SNÍŽENÍ RIZIKA

Bylo zjištěno, že vibrace z ručních pracovních nástrojů mohou u některých osob přispívat ke stavu tzv. Raynaud's Syndrome (Raynaudovu syndromu). Mezi jeho příznaky patří brnění, necitlivost a zbledení prstů, patrné obvykle po pobytu v chladu. Vědci se domnívají, že k rozvinutí těchto příznaků přispívají dědičné faktory, pobyt v chladu a vlhku, strava, kouření a pracovní návyky. Uživatel může omezit případné působení vibrací použitím vhodných opatření:

- Za chladného počasí se teple oblečte. Při práci s výrobkem si navlékněte rukavice, abyste udrželi ruce a zápěstí v teple.
- Během práce si v pravidelných intervalech zacvičte, abyste zvýšili krevní oběh.
- Zařazujte časté pracovní přestávky. Omezte dobu práce za den.

Jakmile pocítíte některý z výše uvedených příznaků tohoto syndromu, okamžitě přerušte práci a vyhledejte lékaře.

⚠ VAROVÁNÍ

Poranění mohou být způsobena, či zhoršena, prodlouženým používáním nástroje. Když používáte jakýkoliv nástroj delší dobu, dělejte pravidelně přestávky.

POZNEJTE SVŮJ NÁSTROJ

Viz strana 181.

1. Zámek spouště
2. Spoušť
3. Rukojeť
4. Hlavní vypínač
5. Držák napájecího kabelu
6. Napájecí kabel

7. Vývod vody
8. Vysokotlaká hadice
9. Tyč turbo-trysky
10. Tyč rozprašovací trysky
11. Adaptér *
12. Lahev na čisticí prostředek
13. Přípojka pro přívod vody s filtrem
14. Vstup vody
15. Prodloužená tyč
16. Držák rukojeti spouště
17. Rukojeť spouště
18. Vtok do rukojeti spouště

* Redukce kompatibilní s doplňky k vysokotlakým čističům KÄRCHER. KÄRCHER je registrovaná ochranná známka společnosti Alfred Kärcher GmbH & Co. KG.

POZNÁMKA: Zkontrolujte, zda technické vlastnosti doplňku odpovídají technickým podmínkám vysokotlakého čističe RYOBI.

POZNÁMKA: Při používání saponátu se obeznamte s údaji v jeho bezpečnostním listu.

SYMBOLY NA VÝROBKU



Varování



Zařízení třídy II, dvojité izolováno



Pro snížení nebezpečí poranění musí uživatel před použitím tohoto nástroje přečíst a pochopit návod k použití.



Použití ochrany očí a sluchu.



Okamžitě vytáhněte zástrčku ze zásuvky, jakmile dojde k poškození nebo přeseknutí kabelu.



Nebezpečí úrazu elektrickým proudem.



Čistič není vhodný pro připojení k vodovodu s pitnou vodou bez zpětného ventilu.



Nikdy nemiřte stříkáací tyč na lidi, zvířata, tělo stroje, zdroj elektrického napětí ani na elektrické spotřebiče.



Riziko prasknutí



Toto nářadí je v souladu se všemi normami a předpisy platnými v zemi EU, ve které bylo zakoupeno.



Euroasijská značka shody



Ukrajinská značka shody



Garantovaná hladina akustického výkonu zobrazená na tomto štítku je 92 dB.



Odpad elektrických výrobků se nesmí likvidovat v domovním odpadu. Recyklujte prosím na sběrných místech. Ptejte se u místních úřadů nebo prodejce na postup při recyklaci.

SYMBOLY V NÁVODU



Navlékněte si pevné neklouzavé pracovní rukavice.



Zapojení do elektrické zásuvky.



Odpojení od elektrické sítě.



Díly nebo příslušenství jsou v prodeji samostatně



Poznámka



Varování

Následující signální slova a významy jsou vhodné pro vysvětlení úrovně nebezpečí spojených s tímto výrobkem.

⚠ NEBEZPEČÍ

Označuje bezprostředně rizikovou situaci, které je třeba předejít, jinak bude jejím následkem smrt nebo vážné zranění.



⚠ VAROVÁNÍ

Označuje možnou rizikovou situaci, které je třeba předejít, jinak jejím následkem může být smrt nebo vážné zranění.

⚠ VAROVÁNÍ

Označuje možnou rizikovou situaci, které je třeba předejít, jinak jejím následkem může být smrt nebo vážné zranění.

VAROVÁNÍ

Bez symbolu bezpečnostní výstrahy

Určuje situaci, která může mít za následek vážné poškození.



ŘEŠENÍ PROBLÉMŮ

Problém	Možná příčina	Řešení
Stroj se nechce spustit	Stroj není připojen do zásuvky	Připojte stroj.
	Vadná zásuvka	Vyzkoušejte jinou zásuvku.
	Vadná prodlužovačka	Vyzkoušejte to bez prodlužovačky.
Kolísání tlaku	Čerpadlo nasává vzduch.	Zkontrolujte těsnost hadic a spojů.
	Ventily jsou znečištěné, opotřebované nebo zaseknuté.	Pro servis vraťte výrobek do autorizovaného servisního centra.
	Opotřebovaná těsnění čerpadla	Pro servis vraťte výrobek do autorizovaného servisního centra.
Čistič se zastaví	Pojistka vyhořela.	Pro servis vraťte výrobek do autorizovaného servisního centra.
	Nesprávné napětí v síti	Zkontrolujte, zda napětí v síti odpovídá údajům uvedenému na štítku.
	Sepnutí teplotního snímače	Nechte výrobek 15 minut vychladnout.
Pulzování čističe	Částečné ucpání trysky	Vyčistěte trysku.
	Vzduch v přívodní hadici / v čerpadle	Nechte čistič v chodu při otevřené spoušti, dokud nedojde k obnovení správného provozního tlaku.
	Nedostatečný přívod vody z řadu	Zkontrolujte splnění technických podmínek přívodu vody (podle přístrojového štítku čističe). Nepoužívejte dlouhé hadice s malým průřezem.
	Částečné ucpání trysky	Vyčistěte trysku.
	Ucpaný vodní filtr	Filtr vyčistěte.
Čistič se často sám zapíná a vypíná.	Zašmodrchaná hadice	Hadici rozmotejte a narovnejte.
	Netěsné čerpadlo nebo rukojeť	Pro servis vraťte výrobek do autorizovaného servisního centra.
	Čerpadlo, hadice nebo jiné příslušenství je zamrzlé	Vyčkejte rozmrznutí čerpadla, hadic nebo jiného příslušenství.
Čistič se spustí, ale z čerpadla nevychází voda	Bez přívodu vody	Připojte vstup vody k přívodu vody.
	Ucpaný vodní filtr	Filtr vyčistěte.
	Ucpání trysky	Vyčistěte trysku.
Bez saponátu	Tryska nastavena na vysoký tlak	Nastavit nízký tlak.
	Nádržka je prázdná.	Naplnit nádržku.

Villanymotoros nagynyomású tisztítógépe tervezésekor három legfontosabb szempontunk a biztonság, teljesítőképesség és megbízhatóság volt.

RENDELTETÉSSZERŰ HASZNÁLAT

A villanymotoros nagynyomású tisztítógép csak kültéren használható. Biztonsági okokból a terméket kétkezes működtetéssel megfelelő ellenőrzés alatt kell tartani.

A termék otthoni vagy háztartási használatra készült. Rendeltetésszerűen gépek, járművek, épületek, padlók, szerszámok, homlokzatok és beton járófelületek tisztítására használható, amelyekről tisztítószerezrel kevert vagy tiszta vízszugárral letisztítja a makacs szennyeződések.

A terméket turbó fúvókával, fecskendező fúvókával, mosókefével és felülettisztítóval használható. A mosókefe gépkocsik kerékpárok vagy más olyan tárgyak hatékony tisztítására szolgál, amelyek permetezést vagy tisztítószer használatát igénylik. A fecskendező fúvókát olyan felületek tisztításához lehet használni, melyek permetezést vagy tisztítószer használatát igénylik. A felülettisztító felületek tisztításához és lesöpréséhez használatos.

Száraz, jól megvilágított környezetben kell használni.

Semmilyen más célra ne használja.

▲ FIGYELMEZTETÉS

Ellenőrizze a biztonsági elemek, például biztonsági szelepek, folyadékáram-átkapcsolók és nyomáskapcsolók kifogástalan műszaki állapotát. Más tisztítószerek vagy vegyszerek ronthatják a termék biztonságát.

ÁLTALÁNOS BIZTONSÁGI FIGYELMEZTETÉSEK

▲ FIGYELMEZTETÉS

Olvassa el az összes biztonsági figyelmeztetést és útmutatást. A figyelmeztetések és utasítások be nem tartása elektromos áramütést, tüzet és/vagy súlyos sérülést eredményezhet.

▲ FIGYELEM FELHÍVÁS

A terméket nem szabad az ivóvízhálózatra kötni EN 12729 BA típusú visszafolyásgátló nélkül. A visszafolyásgátlón átfolyó víz nem ihatónak minősül. Mindig tartsa be a helyi vízszolgáltató rendelkezéseit a terméknek a vízhálózatra kötésekor.

- A terméket nem használhatják gyermekek, korlátozott fizikai, érzékszervi vagy értelmi képességű, illetve kellő tapasztalattal és tudással nem rendelkező személyek. A gyerekekre oda kell figyelni, nehogy játsszanak a termékkel.
- A termék használatakor viseljen teljes egyéni védőfelszerelést, azaz csizmát, védőkesztyűt, szemvédős védősisakot és hallásvédőt. A szemvédő legyen ütés- és folyadékugár-álló.

▲ FIGYELMEZTETÉS

Ne használja a terméket védőruházatot nem viselő személyek közelében.

- A sérülések kockázatának csökkentéséhez mindig tartsa távol a terméktől a gyermekeket és látogatókat. Minden látogatónak védőszemüveget kell viselnie, és biztonságos távolságba kell tartózkodnia a munkaterülettől.
- Ellenőrizze a biztonsági elemek, például biztonsági szelepek, folyadékáram-átkapcsolók és nyomáskapcsolók kifogástalan műszaki állapotát. Használat előtt győződjön meg az összes biztonsági elem kifogástalan működéséről:
 - BE/KI kapcsoló gomb
 - A be/ki kapcsoló megakadályozza az termék véletlen működtetését.
 - Markolatzár
 - A markolatzár zárja a kapcsolót, így megakadályozza a nagynyomású sugár akaratlan megnyitását.
 - Túlfolyószelep nyomáskapcsolóval
 - A túlfolyószelep megakadályozza, hogy a gép túllépje a megengedett üzemi nyomást. Ha a kezelőpisztoly karját kioldja, a nyomáskapcsoló kikapcsolja a szivattyút és a nagynyomású vízszugár leáll. Ha a kart meghúzza, a szivattyú újra bekapcsol.

- Túlterhelésvédelem
 - A terméket egy hőérzékelő védi a túlterheléstől. Túlmelegedés esetén a termék automatikusan leállítja a tápellátást.
- Ne használja a terméket, ha megsérültek fontos részei, például biztonsági elemek, nagynyomású tömlők vagy a kezelőpisztoly.
- A pisztoly használatakor legyen elővigyázatos. Tartsa erősen, két kézzel a kart, hogy ne sérüljön meg, amikor a kar visszazúg.

▲ FIGYELMEZTETÉS

Nagynyomású tisztítógépek használatakor folyadékköd képződhet. A köd belélegzése egészségre ártalmas lehet.

▲ FIGYELMEZTETÉS

Az alkalmazástól függően a tisztítást végezheti sugárvédős fúvókával, amely csökkenti a vizes köd képződését. Sugárvédős fúvóka azonban nem használható minden alkalmazáshoz. Ha sugárvédős fúvóka nem használható a köd elleni védelemre, szükség lehet FFP 2 vagy egyenértékű osztályú légzésvédő álarcra, a tisztítási környezettől függően.

- Mindig állítsa le a terméket, mielőtt eltávozik a közeléből.
- A nagynyomású vízsugár veszélyes, ha nem rendeltetésszerűen használják. Ne irányítsa a vízsugarat emberre, feszültség alatt álló villamos berendezésre vagy magára a termékre.
- A robbanásveszély elkerüléséhez ne szórjon gyúlékony folyadékot.
- Ne irányítsa a sugarat önmagára vagy másokra ruházat vagy lábbeli tisztításához.
- Ne tisztítson a termékkel elektronikus eszközöket, ruhát vagy lábbelit.
- A nagynyomású tömlők, szerelvények és csatlakozók fontosak a termék biztonságához. Csak a gyártó által ajánlott tömlőket, szerelvényeket és csatlakozókat használja.

VILLAMOS MUNKAVÉDELMI FIGYELMEZTETÉSEK

- A dugasznak illeszkednie kell az aljzathoz. Semmilyen módon ne módosítsa a dugaszt. A nem módosított és illeszkedő dugasz csökkenti az áramütés kockázatát.
- Ne használja a terméket, ha megsérültek fontos részei, például hálózati kábele vagy biztosító készülékei.
- Minden használat előtt ellenőrizze a hálózati kábel és a hosszabbítókábel sértetlenségét. Ha megsérül az áramkábel vagy a hosszabbító kábel sérült, akkor azt a veszély elkerülése érdekében a gyártónak, annak szerelőjének vagy hasonló képesített személynek ki kell cserélnie.
- Hőtől, olajtól és éles szélektől tartsa távol a tápkábelt.
- Soha ne nyúljon nedves kézzel a hálózati dugaszhoz vagy aljzathoz.
- A hosszabbító veszélyes lehet, ha nem megfelelő. Ha hosszabbítót használ, az legyen alkalmas szabadtéri használatra, és álljon száraz helyen, nem közvetlenül a padlón vagy talajon. Úgy használjon kábeldobot, hogy a dugaszolóaljzata legalább 6 cm-rel a padló vagy talaj felett álljon.
- Az áramellátáshoz való csatlakoztatást képesített villanyszerelőnek kell végeznie, és meg kell felelnie az IEC 60364-1 előírásainak. Ajánlott, hogy a termék áramellátásához legyen áramvédőkészülék, ami megszakítja az áramellátást, ha a kóboráram a földelés felé meghaladja 30 ms esetében a 30 mA-t, vagy egy olyan készülék, ami megvizsgálja a földáramkört.

TOVÁBBI BIZTONSÁGI FIGYELMEZTETÉSEK

- Egyes régiókban olyan előírások érvényesek, amelyek korlátozzák a termék használatát. További információért forduljon a helyi önkormányzathoz.
- Minden használat előtt ellenőrizze a sérülésmentességet. A sérült nagynyomású tömlőt azonnal cserélje ki. Gondoskodjon minden nagynyomású tömlő- és fúvókacsatlakozás biztonságos állapotáról. A tömlőt úgy tekerje le, hogy ne csavarodjon meg és ne képezzen hurkot.

EN
FR
DE
ES
IT
NL
PT
DA
SV
FI
NO
RU
PL
CS
HU
RO
LV
LT
ET
HR
SL
SK
BG
UK
TR



- Ne engedje, hogy gyerekek vagy megfelelő gyakorlattal nem rendelkező személyek használják a terméket.
- A tisztítás megkezdése előtt zárja be az ajtókat és ablakokat. Takarítsa le a tisztítandó területről a szemetet, játékokat, szabadtéri bútort és más tárgyakat, amelyek elrepülve veszélyforrássá válhatnak.
- Ne emelje fel és ne szállítsa a terméket működő motorral.
- Ne használja a terméket 0 °C alatti hőmérsékleten.
- Ne használjon a termékben savat, lúgot, oldószert, gyúlékony anyagot, hipót vagy ipari oldatokat. Ezek károsíthatják a kezelő egészségét és tönkretelhetik a terméket.
- A terméket mindig vízszintes felületen használja.

▲ FIGYELMEZTETÉS

A nagynyomású sugár veszélyes lehet, ha nem előírászerűen használják. Tilos emberre, állatra, villamos berendezésre vagy magára a termékre irányítani.

- Két kézzel, szilárdan tartsa a markolatot. A kioldóbillentyű meghúzásakor a kar visszarág – számíton erre. Ha ezt elmulasztja, elvesztheti a termék feletti uralmát, megsérülhet és másokat is veszélybe sodorhat.
- A termék bekapcsolása előtt légtelenítse a tömlőt és a szivattyút. A tömlőben és szivattyúban levő levegő eltávolításához kösse rá a vízellátást egy locsolótömlővel a szivattyúra, csatlakoztassa a markolatot a nagynyomású tömlővel a szivattyúra, kapcsolja ki a kapcsolózárát, és húzza meg addig a kapcsolót, hogy egyenletes áramlás keletkezzen.
- Vigyázzon, nehogy megcsússzon és elessen.
- Stabilan álljon és vegyen fel megfelelő egyensúlyt. Ne hajoljon ki túlságosan. A túlzott kihajlás egyensúlyvesztést eredményezhet.
- Csak a gyártó által engedélyezett tartozékokat használja. Nem megfelelő kiegészítők használata sérülést eredményezhet.
- Soha ne hagyja felügyelet nélkül működni

a gépet. Kapcsolja ki a terméket. Ne hagyja magára a terméket, amíg az teljesen le nem áll.

- Ismerje meg a kezelőszerveket. Tanulja meg, hogyan kell a terméket leállítani és gyorsan nyomásmentesíteni.
- Legyen éber és gyakorolja az irányítást. Figyeljen arra, amit csinál, és használja az összes érzékszervét.
- Ne működtesse a fűnyírót, ha fáradt, ha alkohol, gyógyszer vagy tudatmódosító szerek hatása alatt áll. A termékek használata közben már egyetlen figyelmen kívül hagyott pillanat is súlyos személyi sérüléshez vezethet.
- Ne használja a terméket, ha a kapcsoló nem kapcsolja be vagy ki a terméket. A kapcsolóval nem vezérelhető termék veszélyes, ezért azt meg kell javítani.
- Tisztítandó járművektől tartson legalább 30 cm távolságot. A nagynyomású sugár megsértheti vagy átlukaszthatja járművek gumiabroncsát és szelepet.
- Legalább 15 m hosszú és 18 mm (3/4 hüvelykes) átmérőjű locsolótömlőt használjon.
- Minden használat előtt győződjön meg róla, hogy a tartozék biztonságosan csatlakozik a szórópisztolyhoz.

TÚLTERHELÉS ELLENI VÉDELEM

A termék el van látva túlterhelés elleni védőeszközzel, ami aktiválódik, ha túlhevülés vagy egy áramerősség-tüske jön létre, és automatikusan kikapcsolja a termék áramellátását. A működés folytatásához válassza le a terméket az elektromos hálózatról, várjon körülbelül 15 percet, és csatlakoztassa újra a terméket az elektromos hálózathoz.

SZÁLLÍTÁS ÉS TÁROLÁS

▲ FIGYELEM FELHÍVÁS

Vegye figyelembe a termék súlyát a tárolási hely kiválasztásakor és szállításkor, hogy megelőzze a baleseteket és sérüléseket.

- Állítsa le és feszültségmentesítse a terméket, és hagyja lehűlni. Tárolás vagy szállítás előtt válassza le a terméket a vízellátásról. A terméket mindig tartsa álló





helyzetben.

- A termék tárolása előtt ürítse le a vizet minden tömlőből és a szivattyúból, és ürítse le a mosószer tartályt is.
- Minden idegen anyagtól tisztítsa meg a terméket. Tárolja a terméket hűvös, fagymentes, száraz, jól szellőző, gyermekektől elzárt helyen. Ne tárolja olyan oxidálószerrel közelében, mint pl. kerti munkáknál használatos vegyszerek vagy jégmentesítő sók. Ne tárolja a szabadban.
- Szállításkor rögzítse a terméket elmozdulás és leesés ellen, hogy elkerülje a sérüléseket és a termék sérülését.

▲ FIGYELMEZTETÉS

A terméket kizárólag beltéren tárolja. A terméket károsítja, ha 0 °C alatti hőmérsékleten tárolja.

KARBANTARTÁS

▲ FIGYELMEZTETÉS

Csak a gyártó eredeti cserealkatrészeit, tartozékait és szerelékeit használja. Ennek figyelmen kívül hagyása gyenge motorteljesítményt, esetleges sérülést és a jótállás elvesztését okozhatja.

▲ FIGYELMEZTETÉS

szervizelés különös figyelmet és hozzáértést igényel, és csak szakképzett szerelő végezheti el. A szervizeléshez vigye el a terméket egy hivatalos szervizközpontba. Szervizeléskor csak eredeti, gyártó által előállított cserealkatrészeket használjon.

- Állítsa le és feszültségmentesítse a terméket, és hagyja lehűlni. Válassza le a terméket a vízellátásról a következő beavatkozások előtt:
 - a termék tisztítása
 - a termék karbantartása
 - pótalkatrészek cseréje
- Ön csak a használati útmutatóban leírt beállításokat és javításokat végezheti el. További javításokért vagy tanácsért kérjen segítséget egy hivatalos szervizközpontban.

- Rendszeresen vizsgálja át és tartsa karban a nagynyomású tisztítót, hogy biztonságosan működjön. A RYOBI 6 havonkénti átvizsgálást javasol.
- Gyakori időközönként ellenőrizze a csavaranyák, csavarok és fejecscsavarok megfelelő meghúzását, hogy a termék biztonságos üzemi állapotban legyen. A sérült alkatrészeket egy hivatalos szervizközpontban kell megjavíttatni vagy kicseréltetni.

FENNMARADÓ KOCKÁZAT

Még a termék rendeltetésszerű használata esetén sem lehet teljesen kiküszöbölni minden kockázati tényezőt. A gép használata során a következő veszélyek merülhetnek fel, és a kezelőnek különösen oda kell figyelnie az alábbiak elkerülésére:

- A nagynyomású vízszög sérülést okozhat
 - Ne irányítsa a nagynyomású vízszögat emberre, állatra vagy saját magára.
- A visszarúgás sérülést okozhat
 - Mindig erősen, két kézzel fogja a kart vagy a kioldóbillentyűt.
- Folyadékföd belégzésének egészségre káros hatása
 - Viseljen légzésvédőt.
- Zaj okozta sérülések
 - Viseljen fülvédőt

KOCKÁZATCSÖKKENTÉS

Arról számoltak be, hogy a kéziszerszámok használata során fellépő vibráció bizonyos személyeknél hozzájárulhat az úgynevezett Raynaud-szindróma (Raynaud's Syndrome) nevű állapot kialakulásához. A tünetei lehetnek: az ujjak zsibbadása, elfehéredése, szúrások érzése, amelyek hidegnek kitéve gyakran felerősödnek. Az öröklődő tényezők, a hidegnek kitettség és verejtékezés, a diéta, a dohányzás és munka közben alkalmazott fogások valószínűleg mind hozzájárulhatnak ezen tünetek megjelenéséhez. A vibráció hatásainak csökkentése érdekében a kezelőnek be kell tartani az alábbi óvintézkedéseket:

- Hideg időben tartsa melegen a testét. A termék használatakor viseljen kesztyűt a kéz és a csukló melegen tartásához.
- Bizonyos időtartamú használat után mindig

EN
FR
DE
ES
IT
NL
PT
DA
SV
FI
NO
RU
PL
CS
HU
RO
LV
LT
ET
HR
SL
SK
BG
UK
TR



végezzen gyakorlatokat a vérkeringés javításához.

- Gyakran tartson munkaszünetet. Korlátozza a napi munkaidőt.

Ha ezen állapot bármelyik tünetét tapasztalja, azonnal hagyja abba a munkát, és tájékoztassa az orvosát a tünetekről.

▲ FIGYELMEZTETÉS

Hosszabb használat sérülést okozhat. Ha a gépet hosszú időn át kell használnia, tartson gyakran szünetet.

ISMERJE MEG A TERMÉKET

Lásd 181. oldal.

1. Markolatzár
2. Kioldó
3. Fogantyú
4. Főkapcsoló
5. Áramkábeltartó
6. Tápkábel
7. Víz kimenete
8. Nagynyomású tömlő
9. Turbó fúvókaszár
10. Fecskendező fúvókaszár
11. Adapter *
12. Mosószer tartály
13. Vízbemenet szűrővel
14. Vízbemenet
15. Kihúzható rúd
16. Markolattartó
17. Szórópisztoly
18. Szórópisztoly bemenet

* Kompatibilis adapter a KÄRCHER nagynyomású tisztító tartozékokhoz. A KÄRCHER az Alfred Kärcher GmbH & Co. KG bejegyzett védjegye. védjegye.

MEGJEGYZÉS: Ellenőrizze a tartozék műszaki adatait, hogy megfelel-e a RYOBI nagynyomású tisztító előírásainak.

MEGJEGYZÉS: Tisztítószer használata esetén olvassa el a tisztítószer anyagbiztonsági adatlapját.

SZIMBÓLUMOK A TERMÉKEN



Figyelem



Class II gép, kettős szigetelés



A sérülések kockázatának csökkentése érdekében a felhasználónak a termék használata előtt el kell olvasnia és meg kell értenie a kezelői kézikönyv tartalmát.



Viseljen szem- és fülvédőt.



Ha a kábel sérült vagy elvágták azt, akkor azonnal távolítsa el az aljzatból a csatlakozódugót.



Áramütés veszélye.



A termék visszafolyásgátló nélkül nem csatlakoztatható az ivóvízhálózatra.



Ne irányítsa a permetezőszárat emberre, állatra, a gép testére, áramforrásra vagy elektromos készülékre.



Robbanásveszély



Ez a szerszám minden, a vásárlás európai uniós országában hatályos szabványnak megfelel.



Eurázsiai megfelelési jelzés



Ukrainai megfelelési nyilatkozat



A címkén látható garantált hangteljesítményszint 92 dB.



A kiselejtezett elektromos termékeket nem szabad a háztartási hulladékkal együtt kidobni. Ezeket újra kell hasznosítani, ha van rá lehetőség. Az újrahasznosítással kapcsolatban érdeklődjön a helyi önkormányzatnál vagy a termék forgalmazójánál.

A KÉZIKÖNYVBEN HASZNÁLT SZIMBÓLUMOK



Viseljen csúszásgátló bevonatú, nehéz igénybevételre tervezett védőkesztyűt.



Csatlakoztassa egy elektromos hálózati aljzathoz.



Húzza ki az elektromos hálózati aljzathból.



Külön értékesített alkatrészek és kiegészítők



Megjegyzés



Figyelem

A következő jelölőszavak és jelentések arra szolgálnak, hogy megmagyarázzák a termékkel kapcsolatos veszélyességi szinteket.

⚠ VESZÉLY

Egy bekövetkező veszélyes helyzetet jelez, ami, ha nem előzik meg, halált vagy komoly sérülést eredményez.

⚠ FIGYELMEZTETÉS

Egy potenciálisan bekövetkező veszélyes helyzetet jelez, amit, ha nem előznek meg, halált vagy komoly sérülést eredményezhet.

⚠ FIGYELEMFELHÍVÁS

Egy potenciálisan veszélyes helyzetet jelez, ami, ha nem előzik meg, kisebb vagy mérsékelt sérülést eredményezhet.

FIGYELEMFELHÍVÁS

Biztonsági figyelmeztető szimbólum nélkül
Egy olyan helyzetet jelez, ami anyagi kárt eredményezhet.

HIBAELHÁRÍTÁS

Probléma	Lehetséges ok	Megoldás
A gép nem indul el	A gép nincs csatlakoztatva	Csatlakoztassa a gépet.
	Hibás aljzat	Próbálja meg másik aljzattal.
	Hibás hosszabbító kábel	Próbáljon másik hosszabbító kábelt használni.
Ingadozó nyomás	A szivattyú levegőt szív	Ellenőrizze, hogy a tömlők és a csatlakozások légmentesek-e.
	A szelepek piszkosak, elhasználtak vagy el vannak tömődve	A szervizeléshez vigye el a terméket egy hivatalos szervizközpontba.
	A szivattyútömítések elhasználódtak	A szervizeléshez vigye el a terméket egy hivatalos szervizközpontba.
A gép leáll	A biztosíték kiégett.	A szervizeléshez vigye el a terméket egy hivatalos szervizközpontba.
	Nem megfelelő a hálózati feszültség	Ellenőrizze, hogy a hálózati feszültség megfelel-e a modell címkéjén található jelölésnek.
	A hőérzékelő aktiválva van	Hagyja a terméket lehűlni 15 percen át.
	A fűvóka részlegesen elzáródott	Tisztítsa meg a fűvókát.
A gép pulzál	Levegő van a tömlőben/ szivattyúban	Hagyja, hogy a készülék nyitott indítóval menjen, amíg a szokásos üzemi nyomás helyreáll.
	Nem megfelelő hálózati vízellátás	Ellenőrizze, hogy a vízellátás megfelel-e az előírt specifikációnak (lásd a modell címkéjét). Ne használjon hosszú, vékony tömlőket.
	A fűvóka részlegesen elzáródott	Tisztítsa meg a fűvókát.
	A vízszűrő elzáródott	Tisztítsa meg a szűrőt.
A gép gyakran magától elindul és leáll	A tömlő összegabalyodott	Egyenesítse ki a tömlőt.
	A szivattyú/ fecskendezőmarkolat szivárog	A szervizeléshez vigye el a terméket egy hivatalos szervizközpontba.
A gép elindul, de nem jön víz	A szivattyú, a tömlők vagy más alkatrész megfagyott	Várja meg, amíg a szivattyú, a tömlők vagy az egyéb alkatrész kiolvad.
	Nincs vízellátás	Csatlakoztassa a vízbemenet nyílását a vízellátáshoz.
	A vízszűrő elzáródott	Tisztítsa meg a szűrőt.
	A fűvóka elzáródott	Tisztítsa meg a fűvókát.
Nincs tisztítószér	A fűvóka nagy nyomásra van beállítva.	Állítsa alacsony nyomásra.
	A tartály üres.	Töltse fel a tartályt.

La proiectarea curățătorului cu apă sub presiune electric s-au avut în vedere în primul rând siguranța, performanța și fiabilitatea în exploatare.

UTILIZARE PREVĂZUTĂ

Curățătorul cu apă sub presiune electric este destinat doar utilizării în exterior. Din motive de siguranță, produsul trebuie manevrat corespunzător, cu ambele mâini.

Produsul este proiectat pentru uz casnic și domestic. Este destinat curățării autovehiculelor, clădirilor, podelelor, instrumentelor, fațadelor, teraselor și aleilor pavate cu beton prin îndepărtarea murdăriei persistente cu apă curată, cu sau fără detergent.

Produsul poate fi utilizat împreună cu o duză turbo, o duză pentru jet dispersat și un cap de curățare a suprafețelor. Peria de spălare este utilizată la curățarea autovehiculelor, a bicicletelor sau a altor obiecte care necesită spălare cu jet, cu sau fără detergent. Duza pentru jet dispersat este utilizată la curățarea suprafețelor care necesită pulverizare sau utilizarea de detergent. Capul de curățat suprafețe este utilizat pentru curățarea și perierea suprafețelor.

Trebuie folosit în zone uscate și bine iluminate. Nu folosiți în alte scopuri.

⚠ AVERTISMENT

Produsul este proiectat pentru utilizarea cu un agent de curățire neutru, furnizat sau recomandat de fabricant. Utilizarea altor tipuri de agenți de curățare sau a altor substanțe chimice poate afecta siguranța echipamentului.

AVERTISMENTE GENERALE PRIVIND SIGURANȚA

⚠ AVERTISMENT

Citiți toate avertismentele și instrucțiunile de siguranță. Nerespectarea acestor avertismente și instrucțiuni poate conduce la șocuri electrice, incendii și/sau accidente grave.

⚠ ATENȚIE

Produsul nu trebuie conectat la sursa de alimentare cu apă potabilă fără a avea montată pe circuit o supapă antiretur conform standardului EN 12729 Tip BA. Apa care circulă prin prevenitorul de retur nu este considerată potabilă. Respectați întotdeauna regulamentele companiei dvs. locale de furnizare a apei la conectarea echipamentului la sursa de alimentare cu apă.

- Produsul nu este destinat utilizării de către copii sau persoane cu deficiențe fizice, senzoriale sau mentale, sau fără experiență și cunoștințe. Copiii trebuie să fie supravegheați adecvat pentru a vă asigura că nu se joacă cu produsul.
- Purtați echipament personal de protecție complet la utilizarea echipamentului: cizme, mănuși, cască cu vizor și protecții pentru urechi. Utilizați doar ochelari cu protecție împotriva stropirii cu lichide.

⚠ AVERTISMENT

Nu utilizați echipamentul în apropierea altor persoane, cu excepția celor care poartă echipament de protecție.

- Pentru a reduce riscul de rănire, nu permiteți apropierea copiilor și a altor persoane. Toți vizitatorii trebuie să poarte ochelari de protecție și să fie ținuți la o distanță sigură de spațiul de lucru.
- Verificați starea dispozitivelor de siguranță, cum ar fi supapele de siguranță, robinetii și supapele de presiune. Asigurați-vă că toate dispozitivele de siguranță funcționează corect înainte de fiecare utilizare:
 - Întrerupător PORNIT/OPRIT
 - Comutatorul de pornire/oprire previne pornirea neintenționată a produsului.
 - Siguranța trăgaciului
 - Siguranța trăgaciului blochează trăgaciul și împiedică pornirea neintenționată a jetului de înaltă presiune.
 - Supapă de preaplin cu presostat
 - Supapa de preaplin împiedică depășirea presiunii maxime admise. Dacă levierul pistolului este eliberat,

presostatul oprește pompa, iar jetul de înaltă presiune este oprit. Dacă levierul este apăsat, pompa pornește din nou.

- Dispozitiv de protecție la suprasarcină
 - Un senzor termic care protejează produsul împotriva suprasarcinilor. Produsul va decupla automat alimentarea atunci când se supraîncălzește.
- Nu utilizați echipamentul dacă există componente defecte, cum ar fi dispozitivele de siguranță, furtunurile de înaltă presiune sau pistolul de stropire.
- Acționați cu grijă trăgaciul mânerului pulverizatorului. Țineți mânerul pistolului ferm, cu ambele mâini, pentru a evita accidentarea din cauza reculului.

▲ AVERTISMENT

În timpul utilizării curățătoarelor de înaltă presiune se pot forma aerosoli. Inhalarea acestora poate provoca decesul.

▲ AVERTISMENT

În funcție de aplicație, se pot utiliza duze protejate pentru curățare la înaltă presiune, ceea ce va reduce emisiile de aerosoli. Cu toate acestea, nu toate aplicațiile permit utilizarea unui astfel de dispozitiv. Dacă nu se pot folosi duze protejate, este necesară purtarea unei măști de protecție de clasă FFP2 sau echivalentă, în funcție de mediul de lucru.

- Opriți întotdeauna echipamentul dacă plecați de lângă el.
- Jetul de înaltă presiune este periculos. Nu direcționați jetul spre persoane, echipamente electrice sau direct către echipament.
- Pentru a evita riscul de explozie, nu pulverizați lichide inflamabile.
- Nu îndreptați jetul spre dvs. sau spre alte persoane în scopul curățării hainelor sau încălțămintei.
- Nu utilizați echipamentul pentru a curăța dispozitive electronice, îmbrăcăminte sau încălțămintă.
- Pentru siguranța echipamentului este important să se utilizeze furtunuri, conectori

și fittinguri de înaltă presiune. Utilizați doar furtunuri, fittinguri și conectori recomandați de producător.

AVERTISMENTE PRIVIND SIGURANȚA DIN PUNCT DE VEDERE ELECTRIC

- Ștecherile trebuie să se potrivească cu prizele. Nu modificați niciodată ștecărul în nici un fel. Ștecărele nemodificate și prizele potrivite reduc riscul de electrocutare.
- Nu utilizați echipamentul cu un cablu de alimentare sau alte componente importante, cum ar fi dispozitivele de siguranță, deteriorate.
- Verificați cablul de alimentare și prelungitorul înainte de fiecare utilizare. În cazul în care cablul de alimentare (sau prelungitorul acestuia) este deteriorat, trebuie înlocuit de producător, de un agent de service sau de o persoană cu calificare similară, pentru evitarea oricărui pericol.
- Păstrați cablul departe de căldură, ulei sau margini ascuțite.
- Nu atingeți ștecherul sau priza cu mâinile umede.
- Prolungitoarele neadecvate pot fi periculoase. Dacă folosiți un prelungitor, acesta trebuie să fie adecvat pentru utilizare la exterior, conexiunea trebuie păstrată uscată și nu trebuie să fie amplasată pe sol. Utilizați un prelungitor cu rolă pentru a păstra priza la cel puțin 60 de cm deasupra solului.
- Conexiunea de alimentare cu energie electrică trebuie făcută de un electrician calificat și trebuie să respecte standardul IEC 60364-1. Este recomandat ca alimentarea către produs să includă fie un dispozitiv de curent rezidual care să întrerupă alimentarea în cazul în care curentul descărcat prin împământare depășește 30 mA timp de 30 ms, sau un dispozitiv care să testeze circuitul de împământare.

AVERTIZĂRI SUPLIMENTARE DE SIGURANȚĂ

- Anumite regiuni au reglementări ce restricționează folosirea produsului. Pentru sfaturi întrebați autoritățile dvs. locale.
- Înainte de fiecare utilizare verificați starea componentelor. Un furtun de înaltă presiune deteriorat trebuie înlocuit imediat.



Asigurați-vă că toate conexiunile, cum ar fi furtunul și duza de înaltă presiune, sunt fixate. Desfășurați adecvat furtunul, astfel încât să nu fie îndoit sau sugrumat.

- Nu permiteți copiilor sau persoanele fără experiență să utilizeze acest produs.
- Înainte de începerea unei operații de curățare, închideți ușile și ferestrele. Eliberați zona de curățat de resturi, jucării, mobilier de exterior sau alte obiecte care pot crea pericole.
- Nu ridicăți și nu purtați produsul când motorul funcționează.
- Nu utilizați echipamentul la temperaturi sub 0°C.
- Nu introduceți în echipament acizi, baze, solvenți, substanțe inflamabile, produse pe bază de clor sau alte soluții industriale. Aceste echipamente pot provoca vătămări fizice operatorului și defectarea definitivă a echipamentului.
- Așezați întotdeauna echipamentul pe o suprafață plană.

▲ AVERTISMENT

Jetul de înaltă presiune poate fi periculos în caz de utilizare neadecvată. Jetul nu trebuie direcționat către oameni, animale, dispozitive electrice sau spre echipament.

- Țineți ferm cu ambele mâini de mânerul cu trăgaci. Așteptați-vă ca mânerul pistolului să aibă un recul la acționare, cauzat de forța jetului. Dacă nu sunteți pregătit pentru aceasta, puteți să pierdeți controlul și să vă răniți personal sau să răniți alte persoane din jur.
- Asigurați-vă că furtunul și pompa nu sunt sub presiune înainte de a porni echipamentul. Pentru a scoate aerul din furtun și pompă, conectați sursa de alimentare cu apă la pompă folosind un furtun de grădină, conectați mânerul cu trăgaci la pompă folosind furtunul de înaltă presiune, deblocați siguranța trăgaciului și apăsați pe trăgaci până când va ieși un flux stabil de apă prin duză.
- Manevrați pistolul cu atenție, pentru a evita alunecarea sau căderea.
- Mențineți sprijin ferm pe picioare și echilibru. Nu vă aplecați excesiv. Aplecarea excesivă poate cauza pierderea echilibrului.

- Folosiți doar accesorii aprobate de producător. Utilizarea unor accesorii neadecvate poate provoca rănirea.
- Nu lăsați niciodată produsul să funcționeze nesupravegheat. Oprii echipamentul. Nu lăsați pistolul din mână înainte ca jetul să se oprească total.
- Familiarizați-vă cu comenzile. Trebuie să știți cum se oprește rapid echipamentul și cum se descarcă presiunea din instalație.
- Fiți vigilenți și mențineți controlul. Fiți atenți la ceea ce faceți și folosiți-vă simțul practic.
- Nu operați mașina dacă sunteți obosit sau sub influența medicamentelor, a alcoolului sau a drogurilor. Un moment de neatenție în timpul operării produsului poate rezulta în vătămare personală gravă.
- Nu folosiți produsul dacă întrerupătorul nu pornește sau oprește produsul. Un produs care nu poate fi controlat cu ajutorul întrerupătorului este periculos și trebuie reparat.
- Păstrați o distanță de minim 30 cm la curățarea autovehiculelor. Jetul de înaltă presiune poate deteriora sau rupe anvelopele sau ventilele autovehiculului.
- Utilizați un furtun de grădină cu o lungime maximă de 15 m și un diametru maxim de 18 mm (3/4 in.)
- Asigurați-vă că accesoriul este fixat în siguranță pe mânerul cu trăgaci înainte de fiecare utilizare.

PROTECȚIE LA SUPRASARCINĂ

Produsul dispune de un dispozitiv de protecție la suprasarcină care este activat atunci când apare supraîncălzirea sau un vârf de curent, oprind în mod automat alimentarea produsului. Pentru a relua funcționarea, deconectați produsul de la sursa de alimentare, așteptați aproximativ 15 minute și reconectați produsul la sursa de alimentare.

TRANSPORTAREA ȘI DEPOZITAREA

▲ ATENȚIE

Țineți cont de greutatea echipamentului atunci când alegeți locația de depozitare sau în timpul transportului pentru a preveni accidentele sau vătămările.



- Opriti echipamentul, deconectați sursa de alimentare și lăsați-l să se răcească. Deconectați echipamentul de la sursa de alimentare cu apă înainte de depozitare sau transport. Așezați întotdeauna echipamentul cu fața în sus.
- Scoateți apa din furtunuri și pompă și goliți rezervorul de detergent înainte de depozitarea echipamentului.
- Curățați toate materialele străine din produs. Depozitați echipamentul într-o locație rece, ferită de îngheț, uscată și bine ventilată, inaccesibilă copiilor. Nu-l depozitați în apropiere de agenți corozivi cum ar fi produși chimici de grădinarit sau săruri anti-îngheț. Nu depozitați în aer liber.
- Pentru transportare, fixați produsul împotriva mișcării sau căderii pentru a preveni vătămarea persoanelor sau deteriorarea produsului.

⚠ AVERTISMENT

Depozitați produsul doar în interior. Depozitarea într-o zonă cu temperatură sub 0°C va determina defectarea produsului.

ÎNTREȚINEREA

⚠ AVERTISMENT

Folosiți doar piese de schimb, accesorii și atasamente originale ale producătorului. Neurmarea acestora poate cauza posibilă vătămare, slaba funcționare și ar putea anula garanția.

⚠ AVERTISMENT

Service-ul necesită atenție și cunoștințe deosebite și trebuie îndeplinit doar de către un tehnician service calificat. Pentru service, duceți produsul la un centru service autorizat. La efectuarea serviciului, folosiți doar piese de schimb originale ale producătorului.

- Opriti echipamentul, deconectați sursa de alimentare și lăsați-l să se răcească. Deconectați echipamentul de la sursa de alimentare cu apă înainte de:
 - curățarea produsului
 - efectuarea de lucrări de întreținere a echipamentului

- înlocuirea pieselor

- Puteți face doar reglajele sau reparațiile descrise în acest manual. Pentru alte reparații sau sfaturi, căutați asistență din partea unui centru service autorizat.
- Verificați și întrețineți regulat curățitorul de înaltă presiune pentru a asigura o funcționare sigură. RYOBI recomandă revizia echipamentului la fiecare 6 luni.
- Verificați toate piulițele, suruburile la intervale frecvente de timp ca să fie corespunzător strânse pentru a vă asigura că produsul este în stare de lucru în siguranță. Orice piesă deteriorată trebuie să fie reparată în mod corespunzător sau înlocuită de un service autorizat.

RISURI REZIDUALE

Chiar dacă produsul este folosit așa cum a fost prescris, este totuși imposibil să se elimine complet anumiți factori de risc reziduali. Următoarele pericole pot apărea în timpul folosirii și operatorul trebuie să acorde atenție specială pentru a evita următoarele:

- Răniri provocate de jetul de înaltă presiune
 - Evitați îndreptarea jetului de înaltă presiune către oameni, animale sau către dvs.
- Răniri provocate de recul
 - Țineți întotdeauna mânerul pistolului sau tija de pulverizare ferm, cu ambele mâini.
- Răniri provocate de inhalarea de aerosoli
 - Purtați mască de protecție adecvată.
- Vătămare cauzată de zgomot.
 - Purtați protecție pentru urechi

REDUCEREA RISCULUI

S-a raportat faptul că vibrațiile produse de unelte manuale pot contribui, la anumite persoane, la o afecțiune denumită Sindromul Raynaud. Simptomele pot include furnicături, amorțeală și albirea degetelor, care apare, de obicei, după expunerea la frig. Factori ereditari, expunerea la frig și umiditate, dieta, fumatul și practicile de muncă contribuie la dezvoltarea acestor simptome. Există măsurători care pot fi efectuate de către operator pentru a reduce efectele de vibrațiilor:

- Păstrați-vă temperatura corporală ridicată pe vreme rece. Când operați produsul

purtați mănuși pentru a menține calde mâinile și încheieturile.

- După fiecare perioadă de operare, trebuie făcute exerciții pentru a crește circulația sângelui.
- Trebuie făcute pauze la intervale de timp regulate. Limitați expunerea zilnică.

Dacă sunt experimentate oricare dintre simptomele acestei afecțiuni, trebuie întreruptă utilizarea și consultat un medic.

▲ AVERTISMENT

Pot fi cauzate sau agravate vătămările de la folosirea prelungită a aparatului. Atunci când folosiți o sculă pentru perioade prelungite, asigurați-vă că luați pauze regulate.

CUNOAȘTEȚI-VĂ PRODUSUL

Vezi pagina 181.

1. Siguranța trăgaciului
2. Declanșator
3. Mâner
4. Comutator de pornire
5. Suport cablu de alimentare
6. Cordon de alimentare
7. Racord de ieșire apă
8. Furtun de înaltă presiune
9. Tijă (lance) cu duză turbo
10. Tijă (lance) pentru jet dispersat
11. Adaptor *
12. Sticla pentru săpun
13. Cuplaj de racordare la apă cu filtru
14. Racord de intrare apă
15. Tijă de extensie
16. Suport pentru mânerul pistolului de pulverizare
17. Mâner cu trăgaci
18. Intrarea pentru mânerul cu trăgaci

* Adaptor compatibil cu accesoriile curățitoarelor cu presiune KÄRCHER. KÄRCHER este o marcă comercială înregistrată a Alfred Kärcher GmbH & Co. KG.

OBSERVAȚIE: Verificați dacă specificațiile accesoriului se potrivesc cu cele ale curățitorului cu presiune RYOBI.

OBSERVAȚIE: Dacă utilizați detergent, consultați mai întâi fișa cu specificații tehnice a detergentului.

SIMBOLURILE DE PE PRODUS



Avertisment



Aparat clasa II, izolație dublă.



Pentru a reduce riscul vătămării, utilizatorul trebuie să citească și să înțeleagă manualul de utilizare înainte să utilizeze acest produs.



Purtați protecție pentru ochi și urechi.



În cazul în care cablul de alimentare este deteriorat sau tăiat, deconectați-l imediat de la priză.



Pericol electrocutare.



Produsul nu este destinat conectării la rețeaua de alimentare cu apă potabilă fără un dispozitiv de prevenire a scurgerii apei din produs înapoi în rețeaua de alimentare.



Nu îndreptați niciodată tija pulverizatorului către oameni, animale, carcasa echipamentului, sursa de alimentare cu energie electrică sau aparate electrice.



Pericol de rănire cu jet de înaltă presiune



Acest aparat este conform cu ansamblul normelor reglementare din țara din UE în care a fost cumpărat.



Marcaj de conformitate EurAsian



Semn de conformitate ucrainean



Nivelul de putere acustică indicat pe eticheta acestui echipament este de 92 dB.



Deșeurile produselor electrice nu trebuie să fie înlăturate împreună cu deșeurile casnice. Vă rugăm să reciclați acolo unde există facilități. Verificați la autoritatea dvs. locală sau la vânzător pentru sfaturi privind reciclarea.

SIMBOLURI DIN ACEST MANUAL



Purtați mănuși care nu alunecă, de protecție la sarcinile dificile.



Conectarea la priză.



Deconectați de la priză.



Piese sau accesorii vândute separat



Notă



Avertisment

Următoarele cuvinte simbol și înțelesul lor au intenția de a explica nivelele de risc asociate cu acest produs.

PERICOL

Indică o situație periculoasă iminentă, care dacă nu este evitată va cauza decesul sau vătămarea gravă.

AVERTISMENT

Indică o situație periculoasă iminentă, care dacă nu este evitată poate rezulta în deces sau vătămare gravă.

ATENȚIE

Indică o situație potențial periculoasă, care dacă nu este evitată poate cauza vătămarea moderată sau ușoară.

ATENȚIE

Fără a simbolul de alertă privind siguranța
Indică o situație care poate duce la pagube materiale.

REMEDIEREA DEFECTIUNILOR

Problemă	Cauză posibilă	Soluție
Produsul refuză să pornească	Produsul nu este conectat la rețeaua electrică	Introduceți ștecherul în priză.
	Priză defectă	Încercați o altă priză.
	Prelungitor defect	Încercați să porniți produsul fără prelungitor.
Presiune fluctuantă	Pompa absoarbe aer	Verificați dacă furtunurile și conexiunile sunt etanșe.
	Există racorduri/supape murdare, uzate sau colmatate	Pentru service, duceți produsul la un centru service autorizat.
	Garniturile pompei sunt uzate	Pentru service, duceți produsul la un centru service autorizat.
Produsul se oprește	Siguranța este arsă.	Pentru service, duceți produsul la un centru service autorizat.
	Tensiune de alimentare incorectă.	Verificați dacă tensiunea de alimentare corespunde cu specificațiile de pe eticheta produsului.
	A fost activat senzorul de temperatură	Lăsați produsul să se răcească timp de 15 minute.
Motorul pulsează	Duza este parțial blocată	Curățați duza.
	A pătruns aer în furtunul de alimentare sau în pompă	Lăsați produsul să funcționeze cu trăgaciul apăsat până când se atinge presiunea normală de lucru.
	Sursa de alimentare cu apă are un debit inadecvat	Verificați dacă sursa de alimentare cu apă corespunde cu parametrii produsului (consultați eticheta produsului). Evitați furtunurile lungi și subțiri.
	Duza este parțial blocată	Curățați duza.
	Filtrul de apă este blocat.	Curățați filtrul.
Produsul pulsează și se oprește singur	Furtunul este strangulat	Îndreptați furtunul.
	Pompa sau pistolul prezintă scurgeri	Pentru service, duceți produsul la un centru service autorizat.
	Produsul pornește, dar nu iese apă prin duză.	Pompa, furtunurile și/sau alte accesorii sunt înghețate.
Lipsă detergent	Produsul nu este alimentat cu apă	Conectați racordul de alimentare la o sursă de alimentare cu apă.
	Filtrul de apă este blocat.	Curățați filtrul.
	Duza este blocată	Curățați duza.
	Duza reglată pe înaltă presiune	Reglați pe joasă presiune.
	Rezervorul este gol.	Umpleți rezervorul.

Radot jūsu elektrisko augstspiediena mazgātāju, drošībai, veiktspējai un uzticamībai ir pievērsta vislielākā vērība.

PAREDZĒTAIS LIETOJUMS

Elektriskais augstspiediena mazgātājs ir paredzēts lietošanai tikai ārpus telpām. Drošības nolūkos, trimmeri jāizmanto, to atbilstoši vadot ar abām rokām.

Šī ierīce ir paredzēta lietošanai mājas apstākļos. Tas ir paredzēts iekārtu, transportlīdzekļu, ēku, grīdu, instrumentu, fasāžu, klājumu un betona celiņu mazgāšanai, ņemot ieeđušos netīrumus ar tīru ūdeni, ar vai bez mazgāšanas līdzekļa.

Produktu var izmantot ar turbo sprauslu, izsmidzināšanas sprauslu, mazgāšanas birsti un virsmas tīrītāju. Mazgāšanas birste tiek izmantota efektīvai mazgāšanai automašīnām, motocikliem vai citiem priekšmetiem, kuriem nepieciešama apsmidzināšana vai mazgāšanas līdzekļa izmantošana. Izsmidzināšanas sprausla tiek izmantota virsmu tīrīšanai, kad nepieciešama noskalošana vai apstrāde ar mazgāšanas līdzekli. Virsmas tīrītājs tiek izmantots virsmu tīrīšanai un apstrādei ar birsti.

To ieteicams lietot sausos, labi apgaismotos apstākļos.

Nelietojiet citiem mērķiem.

▲ BRĪDINĀJUMS

Izstrādājums ir paredzēts izmantošana ar neitrālu tīrīšanas līdzekli, kuru piegādā vai iesaka ražotājs. Citu tīrīšanas līdzekļu vai ķīmikāliju izmantošana var negatīvi ietekmēt izstrādājuma drošību.

VISPĀRĪGIE DROŠĪBAS BRĪDINĀJUMI

▲ BRĪDINĀJUMS

Izlasiet visus drošības brīdinājumus un norādījumus. Brīdinājumu un norādījumu neizpildīšana var izraisīt elektrisko triecienu, aizdegšanos un/vai smagu ievainojumu.

▲ UZMANĪBU

Izstrādājumu nedrīkst izmantot, pieslēdzot to dzeramā ūdens padevei, neuzstādot atpakaļplūsmas ierobežotāju, kas atbilst EN 12729 tipam BA. Ūdens, kas plūst cauri atpakaļplūsmas vārstam nav uzskatāms par dzeramu. Pievienojot izstrādājumu ūdens padevei, vienmēr ievērojiet jūsu vietējā ūdens apgādes uzņēmuma noteikumus.

- Izstrādājums nav paredzēs lietošanai bērniem vai personām ar ierobežotām fiziskajām, sensorajām vai mentālajām spējām, vai ar pieredzes un zināšanu trūkumu. Nepieciešams pienācīgi uzmanīt bērnus, lai nodrošinātu, ka tie nespēlējas ar ierīci.
- Lietojot izstrādājumu, valkājiet pilnīgu aizsargapģērbu kā apavus, aizsargcimdus, drošības ķiveri ar acu aizsargu un ausu aizsargus. Izmantojiet acu aizsargus, kas paredzēti aizsardzībai pret stipriem triecieniem un šļakatām.

▲ BRĪDINĀJUMS

Neizmantojiet izstrādājumu, ja tuvumā atrodas cilvēki, ja vien tie nevalkā aizsargapģērbu.

- Lai samazinātu ievainojumu risku, neļaujiet tuvoties bērniem un apmeklētājiem. Visiem apmeklētājiem ir jāuzliek aizsargbrilles un jāatrodas drošā attālumā no darba zonas.
- Pārbaudiet drošības ierīces, tādas kā drošības vārstus, plūsmas slēdžus un spiediena slēdžus, lai pārliecinātos, ka tās ir labā darba kārtībā. Pirms katras lietošanas pārliecinieties, ka visas drošības ierīces atbilstoši darbojas:
 - Slēdzis "ieslēgšana"/"apturēšana"
 - Ieslēgšanas/izslēgšanas slēdzis novērš nejaušu izstrādājuma lietošanu.
 - Mēlītes roktura fiksators
 - Mēlītes bloķētais fiksē mēlīti un novērš nejaušu augstspiediena strūkļas izsmidzināšanu.
 - Pārplūdes vārsts ar spiediena aktivizāciju
 - Pārplūdes vārsts novērš maksimālā pieļaujamā darba spiediena

pārsniegšanu. Ja izsmidzināšanas pistoles mēlīte tiek atlaista, spiediena slēdzis aptur sūkni un augstspiediena strūkļa tiek apturēta. Ja pistoles mēlīte tiek nospiesta, sūknis atkal sāk strādāt.

- Pārslodzes aizsardzība
 - Termo sensors aizsargā produktu no pārslodzes. Produkts, pārkarstot, automātiski atslēdz sprieguma padevi.
- Neizmantojiet izstrādājumu, ja ir bojātas svarīgas daļas, kā drošības ierīces, augstspiediena šļūtenes vai pistole.
- Nospiežot pistoles mēlīti, ievērojiet piesardzību. Turiet rokturi stingri ar abām rokām, lai izvairītos no pistoles atsitiena radītiem ievainojumiem.

▲ BRĪDINĀJUMS

Izmantojot augstspiediena tīrīšanas līdzekļus, var veidoties aerosoli. Aerosolu ieelpošana var būt bīstama veselībai.

▲ BRĪDINĀJUMS

Atkarībā no pielietojuma, augstspiediena mazgāšanai var izmantot uzgaļus ar aizsargiem, kas samazina šķidrumu aerosolu izplatīšanos. Tomēr, ne visos gadījumos iespējams izmantot šādas ierīces. Ja uzgaļus ar aizsargiem pret aerosolu veidošanos nav iespējams izmantot, atbilstoši mazgāšanas videi var būt nepieciešama FFP 2 klases respiratora maska.

- Vienmēr apturiet izstrādājumu, kad atstājat to bez uzraudzības.
- Nepareizi lietojot, augstspiediena strūkļa ir bīstama. Nevērsiet strūkļu pret cilvēkiem, elektrisko aprīkojumu zem sprieguma vai pašu izstrādājumu.
- Lai izvairītos no sprādziena riska, neizsmidziniet uzliesmojošus šķidrumus.
- Nevērsiet strūkļu pret sevi vai citiem, lai nomazgātu apģērbu vai apavus.
- Neizmantojiet izstrādājumu, lai mazgātu elektroniskas ierīces, apģērbu vai apavus.
- Augstspiediena šļūtenes, uzgaļi un savienojumi ir būtiski izstrādājuma drošībai. Izmantojiet tikai šļūtenes, uzgaļus un savienojumus, kurus izmantošanai

iesaka ražotājs.

ELEKTRISKIE DROŠĪBAS BRĪDINĀJUMI

- Kontaktdakšai ir jābūt tādai pašai kā elektrības izejai. Nekad nepārveidojiet kontaktdakšu. Nepārveidotas kontaktdakšas un atbilstošas kontaktligzdas samazinās elektriskā trieciena risku.
- Neizmantojiet izstrādājumu, ja sprieguma vads vai citas svarīgas daļas kā drošības ierīces, ir bojātas.
- Pārbaudiet, vai elektrības vads un pagarināšanas vads nav bojāti, pirms katras lietošanas reizes. Ja strāvas vads vai pagarinātāja vads ir bojāts, lai izvairītos no bīstamām situācijām, tā nomaigā jāveic ražotāja, servisa centra speciālistiem vai personām ar līdzīgu kvalifikāciju.
- Turiet elektrības vadu prom no siltuma avota, eļļas un asām šķautnēm.
- Nekad nepieskarieties elektrības kontaktdakšai vai kontaktligzdai ar mitrām rokām.
- Nepiemēroti pagarinātāji var būt bīstami. Izmantojot pagarinātāju, tam jābūt piemērotam lietošanai ārpus telpām un savienojuma vieta jāuztur sausa, tā nedrīkst atrasties uz zemes. Izmantojiet vada spoli, lai novietoti kontaktligzdu vismaz 60 mm virs zemes.
- Elektrības padeves pieslēgumu ir jāizveido kvalificētam elektriķim, tam jāatbilst IEC 60364-1 prasībām. Ieteicams, ka izstrādājuma elektrības padeve ietver zemējuma drošinātāju, kas pārtrauc sprieguma padevi gadījumā, ja notiek sprieguma noplūde uz zemi, pārsniedzot 30 mA uz 30 ms, vai ierīci, kas pārbauda zemējuma slēgumu.

PAPILDU DROŠĪBAS BRĪDINĀJUMI

- Dažos reģionos pastāv noteikumi, kas ierobežo preces lietošanu. Vērsieties pie atbildīgajām amatpersonām pēc padoma.
- Pirms katras lietošanas pārbaudiet, vai nav bojājumu. Bojāta augstspiediena šļūtene ir nekavējoties jānomaina. Nodrošiniet, ka visi savienojumi kā augstspiediena šļūtenes ar uzgaļi, ir droši. Pareizi attīniet šļūteni, lai tā nevarētu savērpīties vai aizlikties.
- Neļaujiet bērniem vai personām bez



apmācības izmantot šo ražojumu.

- Pirms jebkādas mazgāšanas darbības aizveriet durvis un logus. Atbrīvojiet mazgājamo zonu no drāzām, rotaļlietām, dārza mēbelēm vai citiem priekšmetiem, kas var radīt bīstamību.
- Nekad nepaceliet vai nesiet precī, kamēr darbojas motors.
- Neizmantojiet izstrādājumu temperatūrās, kas zemākas par 0°C.
- Neizmantojiet izstrādājumā skābes, sārmus, šķīdinātājus, uzliesmojošus materiālus, balinātājus vai industriālos šķīdumus. Šie izstrādājumi var radīt fiziskus ievainojumus lietotājam un neatgriezeniski sabojāt mazgātāju.
- Vienmēr lietojiet izstrādājumu uz līdzenas virsmas.

▲ BRĪDINĀJUMS

Augstspiediena strūkļa var būt bīstama, ja tiek izmantota nepareizi. Strūkļu nedrīkst vērst pret cilvēkiem, dzīvniekiem, elektriskām ierīcēm vai pašu mazgātāju.

- Turiet pistoles rokturi stingri ar abām rokām. Sagaidiet, ka pistoles mēlītes rokturis pēc pistoles mēlītes nospiešanas, reaktīvo spēku ietekmē kustēsies. Šo apstākļu neievērošana var izraisīt kontroles zaudēšanu un ievainojumus jums un citiem.
- Pirms izstrādājuma ieslēgšanas pārliecinieties, ka no šļūtenes un sūkņa tiek izlaists gaiss. Lai atgaisotu šļūteni un sūknī, pievienojiet ūdens padevi sūknim, izmantojot dārza šļūteni, ar augstspiediena caurules palīdzību pievienojiet sūknim pistoles rokturi, atbrīvojiet pistoles mēlītes bloķētāju un nospiediet mēlīti, līdz parādās vienmērīga ūdens strūkļa.
- Ievērojiet piesardzību, lai izvairītos no paslīdēšanas vai krišanas.
- Visada tvirtai stovēkite ir išlaikykite pusiausvyrā. Nepersitempkite. Persitempe galite prarasti pusiausvyrā.
- Lietojiet tikai ražotāja sankcionētus piederumus. Nepareiza papildaprīkojuma lietošana var izraisīt savainojumus.
- Nekad neatstājiet ieslēgtu izstrādājumu bez uzraudzības. Izslēdziet izstrādājumu. Neatstājiet izstrādājumu bez uzraudzības,

līdz tas pilnīgi apstājas.

- Iepazīstieties ar vadības ierīcēm. Ziniet, kā ātri apturēt izstrādājumu un nolaist spiedienu.
- Saglabājiet modrību un kontroli. Vērojiet savu darbu un rīkojieties saskaņā ar veselo saprātu.
- Nedarbiniet pļaujmašīnu noguruma stāvoklī vai atrodoties narkotisko vielu, alkohola vai zāļu ietekmē. Neuzmanīga rīcība, darbojoties ar ierīci var radīt smagu personisku traumu.
- Neizmantojiet ražojumu, ja slēdzis neieslēdz vai neizslēdz ražojumu. Ražojums, kuru nevar kontrolēt ar slēdzi, ir bīstams un ir jānodod remontā.
- Mazgājot transportlīdzekļus, ieturiet minimālo attālumu 30 cm. Augstspiediena strūkļa var sabojāt vai likt pārsprāgt transportlīdzekļa riepiem un/vai riepu ventīļiem.
- Izmantojiet dārza šļūteni ar maksimālo garumu 15 m un minimālo diametru 18 mm (3/4 collas)
- Pirms katras lietošanas pārliecinieties, ka aksesuārs ir kārtīgi pievienots mazgāšanas pistolei.

PĀRSLODZES AIZSARDZĪBA

Produkts ir aprīkots ar pārslodzes aizsardzības ierīci, kas tiek aktivizēta pārkaršanas vai pārstrāvas gadījumā, automātiski atslēdzot strāvas padevi produktā. Lai atsāktu darbu, atvienojiet produktu no strāvas avota, apmēram 15 minūtes pagaidiet un no jauna pievienojiet produktu strāvas avotam.

TRANSPORTĒŠANA UN UZGLABĀŠANA

▲ UZMANĪBU

Izvēloties glabāšanas vietu vai transportēšanas laikā, ņemiet vērā izstrādājuma svaru, lai izvairītos no negadījumiem vai ievainojumiem.

- Apturiet izstrādājumu, atvienojiet no sprieguma avota un ļaujiet izstrādājumam atdzist. Pirms novietošanas glabāšanai vai pārvadāšanas, atvienojiet izstrādājumu no ūdens padeves. Nekad novietoja izstrādājumu savādāk kā stāvus.
- Pirms novietošanas glabāšanai izlaidiet



ūdeni no sūkņa un visām šļūtenēm, iztukšojiet mazgāšanas līdzekļa tvertni.

- Notīriet visus svešķermeņus no izstrādājuma. Uzglabājiet vēsā, sausā un labi vēdināmā vietā, kura nav pakļauta sala iedarbībai un nav pieejama bērniem. Neglabājiet to vietā, kur tuvumā atrodas korozīvas vielas, piemēram dārza darbos izmantojamas ķīmikālijas vai atsaldēšanai domāta sāls. Neuzglabājiet ārpus telpām.
- Transportējot nostipriniet ierīci, lai tā nekustētos un neapgāztos, jo tas var izraisīt miesas bojājumus un ierīces bojājumus.

▲ BRĪDINĀJUMS

Glabājiet izstrādājumu tikai iekštelpās. Glabājot izstrādājumu vietā, kur temperatūra ir zemāka par 0°C, radīs bojājumus.

APKOPE

▲ BRĪDINĀJUMS

Lietojiet tikai oriģinālās ražotāja rezerves daļas, piederumus un uzgaļus. Pretējā gadījumā var tikt radīti ievainojumi un parādīts slikts sniegums, kā arī var tikt anulēta garantija.

▲ BRĪDINĀJUMS

Aptarnavimā atlikti būtina itin atdīzai, todėl rekomenduojame, kad techninē apžiūrā vykdytū kvalifikuotas specialistas. Lai veiktu remontu, nogādājiet ierīci pilnvarotā servisa centrā. Veicot apkopi, lietojiet tikai oriģinālās ražotāja rezerves daļas.

- Apturiet izstrādājumu, atvienojiet no sprieguma avota un ļaujiet izstrādājumam atdzist. Pirms novietošanas glabāšanai vai pārvadāšanas:
 - izstrādājuma tīrīšana
 - veikt izstrādājuma apkopi
 - veikt rezerves daļu nomaiņu
- Jūs varat veikt tikai šajā rokasgrāmatā aprakstīto regulēšanu un remontdarbus. Cita veida remontam vai konsultācijām, vērsieties pēc padoma autorizētā servisa centrā.
- Regulāri pārbaudiet un uzturiet augstspiediena mazgātāju kārtībā, lai nodrošinātu drošu lietošanu. RYOBI

iesaka veikt izstrādājuma pārbaudi reizi 6 mēnešos.

- Regulāri pārbaudiet visus uzgriežņus, stiprinājumus un skrūves, lai pārliecinātos, ka tās ir cieši pievilktas un izstrādājums ir drošā darba stāvoklī. Jebkura bojāta detaļa jānodod remontam vai nomaiņai pilnvarotā apkopes centrā.

OBJEKTĪVIE RISKI

Pat ka prece ir lietotā kā noteikts, nav iespējams pilnībā novērst noteiktus riska faktorus. Lietošanas laikā var rasties šādas bīstamas situācijas, un lietotājam ir jāpievērš pastiprināta uzmanība, lai tās novērstu:

- Augstspiediena strūkļas radīti ievainojumi
 - Izvairieties no augstspiediena strūkļas vēšanas pret cilvēkiem, dzīvniekiem un sevi pašu.
- Atsietiena izraisīti ievainojumi
 - Vienmēr turiet mazgāšanas pistoles mēlītes rokturi vai pistoli stingri abās rokās.
- Aerosolu ieelpošanas radīti ievainojumi.
 - Valkājiet atbilstošu respiratora masku.
- Trokšņa radīti miesas bojājumi
 - Lietojiet dzirdes aizsargus

RISKA SAMAZINĀŠANA

Ir ticis ziņots, ka vibrācijas no rokas instrumentiem atsevišķos cilvēkos var veicināt kaiti, ko sauc par Reino sindromu. Simptomi var ietvert pirkstu tīkšķēšanu, nejutīgumu un nobālēšanu, parasti aukstā laikā. Tiek uzskatīts, ka tradicionālie faktori, aukstums un mitrums, uzturs, smēķēšana un darba prakse sekmē šo simptomu attīstību. Operators var veikt pasākumus, lai iespējami samazinātu vibrācijas efektu:

- Aukstā laikā ķermenim jābūt siltam. Kad darbināt precī valkājiet cimdus, lai rokas un plaukstu locītavas būtu siltas.
- Ik pēc laika apturiet darbu un veiciet vingrinājumus, kas uzlabo asins cirkulāciju.
- Strādājot jābūt biežiem pārtraukumiem. Ierobežojiet iedarbības ilgumu dienā.

Ja jūs izjūtat kādu no šiem simptomiem, nekavējoties apturiet ierīces lietošanu un sazinieties ar ārstu par šiem simptomiem.

EN
FR
DE
ES
IT
NL
PT
DA
SV
FI
NO
RU
PL
CS
HU
RO
LV
LT
ET
HR
SL
SK
BG
UK
TR

⚠ BRĪDINĀJUMS

Ilgstoša preces lietošana var radīt ievainojumus vai pasliktināt jau esošos. Ilgstoši lietojot jebkuru instrumentu, pārlicinieties, ka tiek veikti regulāri pārtraukumi.

PAZĪSTIET SAVU IERĪCI

Skatīt 181. lappusi

1. Mēlītes roktura fiksators
2. Mēlīte
3. Rokturis
4. Ieslēgšanas slēdzis
5. Strāvas vada turētājs
6. Strāvas vads
7. Ūdens izplūde
8. Augstspiediena šjūtene
9. Pistole ar turbosprauslu
10. Smidzinātāja sprauslas pistole
11. Adapteris *
12. Ziepju pudele
13. Ūdens iepļūdes savienotājs ar filtru
14. Ūdens iepļūde
15. Pagarinātā pistole
16. Mazgāšanas pistoles roktura turētājs
17. Mazgāšanas pistole
18. Pistoles roktura iepļūde

* Savietojams adapters KÄRCHER augstspiediena mazgātāju aksesuāriem. KÄRCHER ir Alfred Kärcher GmbH & Co reģistrēta preču zīme. KG.

PIEZĪME: Pārbaudiet aksesuāra daļas specifikāciju, vai tā sakrīt ar RYOBI augstspiediena mazgāšanas iekārtas specifikāciju.

PIEZĪME: Izmantojot mazgāšanas līdzekli, skatīt datus no mazgāšanas līdzekļa Materiālu drošības datu lapā.

UZ PRECES ESOŠIE SIMBOLI



Brīdinājums



2. klases instruments, dubulta izolācija



Lai samazinātu ievainojumu risku, lietotājam ir jāizlasa un jāizprot operatora rokasgrāmata pirms šī izstrādājuma lietošanas.



Valkājiet aizsargbrilles un dzirdes aizsargaprīkojumu.



Ja kabelis ir bojāts vai tam ir iegriezums, nekavējoties atvienojiet kontaktdakšu no strāvas avota.



Elektrošoka risks.



Izstrādājums nav piemērots pievienošanai dzeramā ūdens padevei bez atpakaļplūsmas bloķēšanas vārsta.



Nekad nevērsiet izsmidzināšanas pistoli pret cilvēkiem, dzīvniekiem, iekārtas korpusu, elektrības kontaktiem vai jebkurām elektriskām ierīcēm.



Pārsprāgšanas briesmas



Darbarīks atbilst visām normām ES valstī, kurā tas ir iegādāts.



EurAsian atbilstības marķējums



Ukrainas apstiprinājuma zīme



Uz šīs etiķetes norādītais garantētā skaņas spiediena jauda ir 92 dB.



Izlietotie elektroprodukti nedrīkst tikt izmesti kopā ar mājāsaimniecības atkritumiem. Lūdzu, nododiet tos attiecīgajās atkār tolas izmantošanas vietās. Sazinieties ar savu vietējo varas pārstāvi vai izplatītāju, lai noskaidrotu, kur iespējama atkārtota pārstrāde.

SIMBOLI ŠAJĀ ROKASGRĀMATĀ



Nēsājiet neslīdošus, smagam darbam piemērotus aizsargcimdus.



Pievienojiet enerģijas avotam.



Atvienojiet no enerģijas avota.



Atsevišķi nopērkamās daļas vai piederumi



Piezīme



Brīdinājums

Lai izskaidrotu risku, kas saistīti ar izstrādājumu, līmeni, paredzēti šādi norādījuma vārdi un jēdzieni.

BĪSTAMI

Norāda draudošo bīstamo situāciju, kas, ja no tās neizvairās, var novest pie nāves vai nopietnas traumas.

BRĪDINĀJUMS

Norāda potenciālo bīstamo situāciju, kas, ja no tās neizvairās, var novest pie nāves vai nopietnas traumas.

UZMANĪBU

Norāda potenciālo bīstamo situāciju, kas, ja no tās neizvairās, var novest pie nelielas vai vidējas traumas.

UZMANĪBU

Bez drošības brīdinājuma apzīmējuma

Norāda uz situāciju, kas var radīt īpašuma bojājumus.

EN

FR

DE

ES

IT

NL

PT

DA

SV

FI

NO

RU

PL

CS

HU

RO

LV

LT

ET

HR

SL

SK

BG

UK

TR

GEDIMŪ NUSTATYMAS

Gedimas	Iespējamais cēlonis	Sprendimas
Ierīci nevar iedarbināt	Ierīce nav pieslēgta barošanas avotam	Pievienojiet ierīces kontaktdakšu strāvas avotam.
	Bojāta strāvas kontaktlīdzda	Mēģiniet pieslēgt citai kontaktlīdzda.
	Bojāts pagarinātāja kabelis	Mēģiniet darbināt bez pagarinātāja kabeļa.
Mainīgs spiediens	Sūknis iesūc gaisu	Pārļiecinieties, ka šļūtenes un savienojumi ir noblīvēti.
	Vārsti ir netīri, nodiluši vai iestrēguši	Lai veiktu remontu, nogādājiet ierīci pilnvarotā servisa centrā.
	Nodilušas sūkņa blīves	Lai veiktu remontu, nogādājiet ierīci pilnvarotā servisa centrā.
Iekārta apstājas	Izdedzis drošinātājs.	Lai veiktu remontu, nogādājiet ierīci pilnvarotā servisa centrā.
	Nepareizs strāvas spriegums	Pārbaudiet, vai strāvas spriegums atbilst specifikācijai, kas norādīta modeļa etiķetē.
	Aktivizēts pārkaršanas sensors	Atstājiet izstrādājumu 15 minūtes atdzist.
	Sprausla daļēji nosprostota	Iztīriet sprauslu.
Iekārtas pulsējoša darbība	Gaiss ieplūdes šļūtenē/sūknī	Darbiniet izstrādājumu ar nospiestu pistoles mēlīti, līdz atjaunojas normāls darba spiediens.
	Nepietiekoša ūdens daudzuma padeve	Pārļiecinieties, ka ūdens padeve atbilst noteiktajām specifikācijām (skatīt modeļa etiķeti). Izvairieties no garu un tievu šļūteņu izmantošanas.
	Sprausla daļēji nosprostota	Iztīriet sprauslu.
	Nosprostots ūdens filtrs	Iztīriet filtru.
	Aizliekusies šļūtene	Iztaisnojiet šļūteni.
Iekārta pati no sevis bieži sāk darboties un apstājas.	Ūdens noplūde sūknim/izsmidzināšanas pistolei	Lai veiktu remontu, nogādājiet ierīci pilnvarotā servisa centrā.
Iekārta ieslēdzas, tomēr no tās nenāk ūdens	Sūknis, šļūtenes vai cits aprīkojums ir aizsalis	Nogaidiet līdz sūknis, šļūtenes vai cits aprīkojums atkūst.
	Nav ūdens padeves	Pievienojiet ūdens padeves pieslēgumvietai ūdens avotu.
	Nosprostots ūdens filtrs	Iztīriet filtru.
	Sprausla nosprostota	Iztīriet sprauslu.
Bez mazgāšanas līdzekļiem	Sprausla pielāgota augstam spiedienam	Noregulējiet zēmam spiedienam.
	Tvertne ir tukša.	Uzpildiet tvertni.



Projektuojant mūsų benzininį didžiaslėgį valytuvą pirmenybė buvo teikiama saugai, eksploatacinėms charakteristikoms ir funkciniam patikimumui.

NAUDOJIMO PASKIRTIS

Elektrinis didžiaslėgis valytuvus skirtas naudoti tik lauke. Darbo šiuo įrenginiu saugą galima užtikrinti tik dirbant abiem rankomis.

Gaminys skirtas namų savininkams arba buitiniam naudojimui. Juo galima valyti mechanizmus, transporto priemones, pastatus, grindis, įrankius, fasadus, terasas ir betoninius takelius naudojant švarų vandenį su cheminiu valymo plovikliu ar be jo, kad būtų pašalintas sukietėjęs purvas.

Šį prietaisą galima naudoti su turbininiu antgaliu, purškimo antgaliu, plovimo šepetčiu ir paviršiaus valikliu. Plovimo šepetys naudojamas automobiliams, dviračiams ar kitiems gaminiams, kuriuos reikia nuplauti vien vandens srove ar naudojant ploviklį, efektyviai nuplauti. Purškimo antgalius skirtas paviršiams, kuriuos reikia apipurkšti, arba kai naudojama kokia nors valymo priemonė. Paviršiaus valiklis skirtas paviršiams valyti juos patrinant.

Jį reikia naudoti sausose ir gerai apšviestose vietose.

Nenaudokite kitais tikslais.

⚠ ĮSPĖJIMAS

Įrenginys skirtas naudoti su pateiktu neutraliu ar gamintojo rekomenduojamu valikliu. Naudojant kitokius valiklius ar chemines medžiagas gaminio saugai gali būti daromas nepalankus poveikis.

BENDRIEJI SAUGOS ĮSPĖJIMAI

⚠ ĮSPĖJIMAS

Perskaitykite visus saugos įspėjimus ir visą instrukciją. Įspėjimų ir instrukcijų nesilaikymas gali sukelti elektros smūgį, gaisrą ir (ar) rimtus sužeidimus.

⚠ ATSARGIAI

Jeigu nesumontuotas standarto EN 12729 reikalavimus atitinkantis B šeimos A tipo atbulinio tekėjimo skyriklis, įrenginį naudoti tiekiant geriamąjį vandenį neleidžiama. Per atbulinio tekėjimo skyriklį tekantis vanduo nėra tinkamas gerti. Įrenginį prijungdami prie vandens tiekimo vamzdžio visada atsižvelkite į jūsų vietinės vandentiekio bendrovės taisykles.

- Vaikams ar asmenims, nesugebantiems saugiai naudotis šiuo įrenginiu dėl savo psichinio, jutiminio arba protinio neįgalumo arba patirties bei žinių trūkumo, šiuo įrenginiu naudotis neleidžiama. Vaikus reikia tinkamai prižiūrėti, kad jie nežaistų su krūmapjove.
- Eksploatuodami įrenginį naudokite visas asmeninės apsaugos priemones, t. y. batus, apsaugines pirštines, apsauginį šalną su akių skydeliu ir klausos apsaugus. Naudokite tik nuo didelio smūgio ir skysčio srovės apsaugančius akių skydelius.

⚠ ĮSPĖJIMAS

Nenaudokite įrenginio, jeigu darbo zonoje yra žmonių, nebent jie dėvėtų apsauginius drabužius.

- Siekiant išvengti sužeidimo pasirūpinkite, kad arti nebūtų vaikų ar pašalinių. Visi žiūrovai privalo naudoti apsauginius akinius ir atsitraukti saugiu atstumu nuo darbo vietos.
- Patikrinkite, ar saugos įtaisų, pvz., apsauginių vožtuvų, srauto jungiklių ir slėginių jungiklių darbinė būseną atitinka reikalavimus. Kiekvieną kartą prieš imdamiesi naudoti įrenginį patikrinkite, ar visi saugos įtaisai veikia pagal reikalavimus:
 - ĮJUNGIMO/IŠJUNGIMO jungiklis
 - Įjungimo / išjungimo jungiklis apsaugo nuo netyčinio prietaiso naudojimo.
 - Paleidiklio rankenos fiksatorius
 - Paleidžiamojo įtaiso rankenos fiksatorius užfiksuoja gaiduką ir apsaugo nuo netyčinio aukšto slėgio srovės paleidimo.
 - Apsauginis vožtuvas su slėgio jungikliu
 - Apsauginis vožtuvas neleidžia viršyti leistino darbinio slėgio. Paleidus

EN
FR
DE
ES
IT
NL
PT
DA
SV
FI
NO
RU
PL
CS
HU
RO
LV
LT
ET
HR
SL
SK
BG
UK
TR



svirtelę ant paleidiklio pistoleto, slėgio jungiklis išjungia siurbį ir aukšto slėgo srovė stabdoma. Patraukus svirtelę, siurblys vėl įjungiamas.

- Apsauga nuo perkrovos
 - Šiluminis jutiklis apsaugo prietaisą nuo perkrovos. Jei prietaisas perkaista, jis automatiškai išsijungia.
- Įrenginį naudoti draudžiama, jeigu svarbios dalys yra pažeistos, pvz., saugos įtaisai, didžiaslėgės žarnos arba paleidžiamasis įtaisas.
- Jungdami paleidžiamąjį įtaisą privalote būti ypač atsargūs. Rankeną stipriai suimkite abiem rankom, kad nebūtumėte sužeisti, kai paleidžiamojo įtaiso rankena atšoks atgal.

▲ ĮSPĖJIMAS

Naudojant didžiaslėgius valytuvus gali susidaryti aerosoliai. Įkvėpti aerosoliai gali pakenkti jūsų sveikatai.

▲ ĮSPĖJIMAS

Atsižvelgiant į didžiaslėgio valymo pobūdį galima naudoti ekranuotuosius antgalius, sumažinančius išmetamų vandens aerosolių kiekį. Tačiau ne su visais taikymo būdais šiuos antgalius įmanoma naudoti. Jeigu nuo aerosolių apsaugantieji ekranuotieji antgaliai nėra taikomi, atsižvelgiant į valymo aplinką gali tekti naudoti FFP 2 ar lygiavertės klasės kvėpavimo kaukę.

- Jeigu įrenginį paliekate be priežiūros, visada jį išjunkite.
- Didžiaslėgis srautas kelia pavojų, jeigu naudojamas netinkamai. Srauto nenukreipkite į žmones, įtampingąją elektros įrangą ar patį įrenginį.
- Kad apsisaugotumėte nuo sprogo, nepurškite degiųjų skysčių.
- Nenukreipkite srovės į save ar kitus, ketindami nuvalyti drabužius arba avalynę.
- Įrenginiu neleidžiama valyti elektronikos įtaisų, drabužių ar avalynės.
- Įrenginio sauga glaudžiai susijusi su žarnomis, jungiamosiomis detalėmis ir movomis. Naudokite tik gamintojo rekomenduotas žarnas, jungiamąsias detales ir movas.

ELEKTROS SAUGOS ĮSPĖJIMAI

- Maitinimo kištukai turi atitikti lizdą. Niekada nekeiskite kištuko. Nepakeisti kištukai ir atitinkantys lizdai sumažina elektros smūgio pavojų.
- Jeigu pažeistas maitinimo kabelis ar kitos svarbios dalys, pvz., saugos įtaisai, įrenginį naudoti draudžiama.
- Kiekvieną kartą prieš imdamiesi naudoti patikrinkite maitinimo kabelį ir ilginamąjį kabelį. Jei maitinimo kabelis arba ilginamasis kabelis sugadintas, siekiant išvengti pavojaus, jį turi pakeisti gamintojas, jo priežiūros atstovas ar kitas kvalifikuotas asmuo.
- Saugokite maitinimo laidą nuo karščio, alyvos ir aštrių briaunų.
- Drėgnomis rankomis nelieskite maitinimo tinklo kištuko ir šio tinklo lizdo.
- Reikalavimų neatitinkantis ilginamasis kabelis gali kelti pavojų. Jeigu naudojamas ilginamasis kabelis, jis turi būti pritaikytas naudoti lauke, jungtis turi būti apsaugota nuo drėgmės ir pakelta virš žemės paviršiaus. Naudokite kabelio būgną, kad lizdas būtų bent 60 mm aukštyje virš pagrindo.
- Elektros lizdą, kuris turi atitikti IEC 60364-1 standarto reikalavimus, turi įrengti kvalifikuotas elektrikas. Rekomenduojama elektros tiekimo linijoje įrengti automatinis srovės jungiklius, kurie nutraukia elektros tiekimą, jei srovės nutekėjimas į žeminimo kontūrą 30 ms išsilaiko aukštesnis, nei 30 mA, arba prietaisą, užtikrinantį tinkamą įžeminimą.

PAPILDOMI SAUGOS ĮSPĖJIMAI

- Kai kuriuose regionuose taisyklės riboja įrenginio naudojimą. Kreipkitės patarimo į vietos įstaigą.
- Kiekvieną kartą prieš imdamiesi naudoti įrenginį, patikrinkite, ar jis nėra pažeistas. Pažeista didžiaslėgė žarna turi būti pakeičiama nedelsiant. Patikrinkite, ar visos jungtys, pvz., didžiaslėgė žarna ir antgalis, atitinka saugos reikalavimus. Žarnas išvyniokite tinkamai, kad jos nebūtų sulenkiamos ar susukamos.
- Neleiskite vaikams ar neapmokytiems asmenims naudotis šiuo prietaisu.
- Prieš imdamiesi bet kokių valymo darbų



uždarykite duris ir langus. Iš valytinos zonos pašalinkite šiukšles, žaislus, lauko baldus ar kitus galinčius kelti pavojų objektus.

- Jokiu būdu negalima kelti gaminio ar jį nešti veikiant varikliui.
- Įrenginio nenaudokite žemesnėje kaip 0°C temperatūroje.
- Su įrenginiu nenaudokite rūgščių, šarmų, tirpiklių, degių medžiagų, balinimo medžiagų ar pramonės reikmėms skirtų tirpalų. Minėti produktai gali sužaloti operatorių ir nepataisoma sugadinti įrenginį.
- Įrenginį naudokite tik ant lygaus paviršiaus.

▲ ĮSPĖJIMAS

Didžiaslėgis srautas kelia pavojų, jeigu būtų naudojamas ne pagal paskirtį. Srauto neleidžiama nukreipti į žmones, gyvūnus, elektros įtaisus ar į įrenginį.

- Tvirtai laikykite svirtinę rankeną abiem rankomis. Numatykite, kad rankena pajudės, kai patraukus paleidžiamąjį įtaisą jį veiks sąveikos jėgos. Jeigu į šiuo dalykus neatsižvelgsite, galite to įtaiso nesuvaldyti ir būsite sužeistas pats ar sužeisite kitus.
- Prieš įjungdami įrenginį patikrinkite, ar iš žarnos ir siurblio yra išleistas oras. Norėdami pašalinti orą iš žarnos ir siurblio, prijunkite prie siurblio sodo žarną, kad būtų tiekiamas vanduo, prijunkite prie siurblio svirtinę rankeną, panaudodami aukšto slėgio žarną, atleiskite gaiduko rankenos fiksatorių ir spauskite gaiduką, kol pradės tekėti pastovi srovė.
- Judėkite apdairiai, kad nepaslystumėte ar nepargriūtumėte.
- Visada tvirtai stovėkite ir išlaikykite pusiausvyrą. Nepersitempkite. Persitempę galite prarasti pusiausvyrą.
- Naudokite tik gamintojo patvirtintus priedus. Netinkamų papildomų detalių naudojimas gali sukelti sužeidimų pavojų.
- Niekada nepalikite veikiančio prietaiso be priežiūros. Gaminio išjungimas. Nepalikite prietaiso, kol jis nesustos visiškai.
- Susipažinkite, kaip reikia naudoti valdymo įtaisus. Susižinokite, kaip galima išjungti įrenginį ir greitai sumažinti slėgį.

- Būkite budrūs ir kontroliuokite situaciją. Stebėkite, ką darote ir vadovaukitės sveika nuovoka.
- Nenaudokite įrankio jei esate pavargę, paveikti kvaišalų, alkoholio ar vaistų. Naudojant krūmapjovę, dėl menkiausio neatidumo, galima sunkiai susižeisti.
- Jei jungikliu prietaiso negalite tinkamai įjungti ir išjungti, prietaiso nenaudokite. Jungikliu nevaldomas bet koks prietaisas yra pavojingas ir jį reikia taisyti.
- Valydami transporto priemones užtikrinkite ne mažesnę kaip 30 cm atstumą. Didžiaslėgis srautas gali apgadinti ar susprogdinti transporto priemonės padangas ir (arba) padangų ventilius.
- Naudokite laistymui skirtą, neilgesnę nei 15 m ir nemažesnio, nei 18 mm (3/4 colio) skersmens, žarną.
- Prieš kiekvieną naudojimą įsitikinkite, ar priedas tvirtai prijungtas prie svirtinės rankenos.

APSAUGA NUO PERKROVOS

Šiame įrankyje yra apsauginis įtaisas nuo perkrovos, kuris įsijungia esant perkaitinimui ar srovės pertrūkiui bei automatiškai išjungia elektros tiekimą į įrankį. Jei norite toliau dirbti, atjunkite prietaisą nuo maitinimo šaltinio, palaukite apie 15 minučių bei vėl jį prijunkite prie maitinimo šaltinio.

GABENIMAS IR LAIKYMAS

▲ ATSARGIAI

Rinkdamiesi laikymo vietą ir gabendami įrenginį atsižvelkite į jo masę, kad būtų apsisaugota nuo nelaimės ar sužeidimo.

- Išjunkite variklį, atjunkite nuo maitinimo tinklo ir palaukite, kol įrenginys atauš. Prieš sandėliuodami įrenginį ar prieš jį gabendami atjunkite nuo vandens tiekimo linijos. Įrenginys visada turi būti laikomas tik stačias.
- Prieš sandėliuodami įrenginį iš visų žarnų ir siurblio pašalinkite vandenį bei ištuštinkite ploviklio talpyklą.
- Nuo įrankio nuvalykite visas pašalines medžiagas. Įrenginį sandėliuokite vėsioje, apsaugotoje nuo šalčio, sausoje, tinkamai ventiliuojamoje ir vaikams neprieinamoje



vietoje. Nelaikykite jo arti nuo tokių koroziją sukeliančių reagentų kaip cheminės sodininkystės medžiagos arba druskos, naudojamos prieš apledėjimą. Nelaikykite lauke.

- Paruošiant gabenimui, gaminį reikia pritvirtinti, kad nejudėtų ir nenukrsitų, nes priešingu atveju jis gali sužaloti žmones arba sugesti pats.

⚠ ĮSPĖJIMAS

Prietaisą laikykite tik patalpoje. Laikant prietaisą žemesnėje nei 0 °C temperatūroje, jis gali sugesti.

PRIEŽIŪRA

⚠ ĮSPĖJIMAS

Keitimui naudokite tik originalias gamintojo atsargines dalis. Neoriginalios dalys gali būti sužeidimų ir įrenginio blogo veikimo priežastis, ir dėl to gali būti anuliuotas garantinis pažymėjimas.

⚠ ĮSPĖJIMAS

Aptarnavimą atlikti būtina itin atidžiai, todėl rekomenduojame, kad techninę apžiūrą vykdytų kvalifikuotas specialistas. Jei reikia atlikti techninio aptarnavimo darbus, nugabenkite gaminį į įgaliotą techninio aptarnavimo centrą. Atlikdami prietaiso techninę priežiūrą, keitimui naudokite tik originalias, prietaiso gamintojo atsargines dalis.

- Išjunkite variklį, atjunkite nuo maitinimo tinklo ir palaukite, kol įrenginys atauš. Įrenginį atjunkite nuo vandens tiekimo linijos prieš:
 - gaminio valymas
 - imdamiesi įrenginio techninės priežiūros darbų;
 - keisdami atsargines dalis.
- Gaminį reguliuoti ar taisyti patiems galima tik tiek, kiek aprašyta šiame vadove. Dėl kitų dalių taisymo ar pagalbos taisant reikia kreiptis į įgaliotą techninio aptarnavimo centrą.
- Reguliariai tikrinkite, ar didžiaslėgis valytuvus atitinka saugos reikalavimus

ir atlikite jo techninę priežiūrą. „RYOBI“ rekomenduoja įrenginį patikrinti kas 6 mėnesius.

- Dažnai tikrinkite visas varžles, varžtus ir sraigtus, ar jie tvirtai laikosi ir ar gaminyje yra saugios darbo būklės stovyje. Bet kurią apgadintą detalę leidžiama remontuoti arba keisti tik autorizotame aptarnavimo centre.

ŠALUTINIAI PAVOJAI

Net naudojant gaminį pagal nurodymus, neįmanoma visiškai atmesti visų pavojaus veiksnių. Gali kilti toliau nurodyti pavojai, todėl operatorius turi būti itin dėmesingas, kad išvengtų šių dalykų:

- Didžiaslėgio srauto sukeliamas sužalojimas
 - Didžiaslėgio srauto neleidžiama nukreipti į žmones, gyvūnus ar į save.
- Atgalinio bloškimo sukeltas sužeidimas
 - Rankeną arba paleidiklio purškimo vamzdelį visada tvirtai laikykite abiem rankom.
- Sužeidimas, kuris gresia įkvėpus aerozolių.
 - Dėvėkite tinkamą kvėpavimo kaukę.
- Triukšmo sukelta trauma
 - Dėvėkite ausų apsaugos priemones

RIZIKOS MAŽINIMAS

Turime pranešimų, kad vibracija nuo ranka laikomų įrankių kai kuriems asmenims gali turėti neigiamos įtakos vystantis Raynaud sindromui. Šios ligos požymiai yra pirštų dilgčiojimas, nutirpimas ir pabalimas, paprastai pasireiškiantis nuo šalčio. Šie simptomai vystosi dėl paveldimų veiksnių, nesisaugant nuo šalčio ir drėgmės, dėl mitybos, rūkymo ir darbo praktikos. Operatorius gali imtis šių priemonių, kurios gali sumažinti vibracijos poveikį:

- Apsirenkite kuo šilčiau šaltu oru. Naudojant gaminį, reikia mūvėti pirštines, kad plaštakos ir riešai neatšaltų.
- po darbo kiekvieną kartą pasportuokite, kad pagerėtų kraujo apytaka;
- dažnai darykite darbo pertraukas. Apribokite darbo laikotarpį per dieną.

Jei jums pasireiškia kokie nors šios būklės simptomai, nedelsdami nutraukite darbą ir kreipkitės į gydytoją.

⚠ ĮSPĖJIMAS

Ilgiau naudojant, įrankis kelia sužeidimų pavojų ir apsunkina darbą. Ilgiau naudojant įrankius, reikia reguliariai daryti pertraukas.

PAŽINKITE SAVO GRANDININĮ PJŪKLĄ

Žr. 181 psl.

1. Paleidiklio rankenos fiksatorius
2. Perjungiklis
3. Rankena
4. Maitinimo jungiklis
5. Maitinimo kabelio laikiklis
6. Maitinimo laidas
7. Vandens išvadas
8. Aukšto slėgio žarna
9. „Turbo“ antgalio vamzdelis
10. Purškimo antgalio vamzdelis
11. Adapteris *
12. Skysto muilo buteliukas
13. Vandens įvado mova su filtru
14. Vandens įvadas
15. Ilginamasis vamzdis
16. Paleidžiamo įtaiso rankenos laikiklis
17. Svirtinė rankena
18. Svirtinės rankenos įvadas

* Suderinamas adapteris, skirtas KÄRCHER slėginio valymo įrenginio priedams prijungti. KÄRCHER yra registruotasis „Alfred Kärcher GmbH & Co“ prekės ženklas. KG.

PASTABA: Patikrinkite, ar papildomos dalies specifikacija atitinka RYOBI aukšto slėgio valymo įrenginio specifikacijas.

PASTABA: Jei naudojate plovimo priemonę, žr. plovimo priemonės saugos duomenų lapą.

SIMBOLIAI ANT ĮRENGINIO



Įspėjimas!



II klasės įrankis, dviguba izoliacija



Prieš pradėdami naudoti šį gaminį perskaitykite ir supraskite šią vartotojo instrukciją, kad sumažintumėte sužeidimų pavojų.



Dėvėkite akių ir klausos apsaugą.



Jei kabelis sugadinamas arba įpjauamas, nedelsdami atjunkite kištuką nuo maitinimo tinklo.



Elektros smūgio pavojus.



Šio prietaiso negalima jungti prie geriamojo vandens tinklo, jei nesumontuotas apsaugos nuo atbulinio srauto įtaisas.



Purškimo vamzdelį draudžiama nukreipti į žmones, gyvūnus, mechanizmo korpusą, elektros energijos tiekimo įrangą arba bet kokius elektros įtaisus.



Trūkimo pavojus



Šis prietaisas atitinka visas reglamentuotas normas ES šalies, kur jis buvo nupirktas.



„EurAsian“ atitikties ženklas



Ukrainos atitikties ženklas



Garantuotas garso galios lygis rodomas šioje etiketėje yra 92 dB.



Elektrinių produktų atliekos neturi būti metamos kartu su namų ūkio atliekomis. Prašome perdirbkite jas ten, kur yra tokios perdirbimo bazės. Dėl perdirbimo patarimo kreipkitės į savo vietinę savivaldybę ar pardavėją.

SIMBOLIAI VADOVE



Mūvėkite neslystančias, tvirtas apsaugines pirštines.



Pajunkite į maitinimo lizdą.



Atvienojiet no energijos avota.



Detalės arba priedai yra parduodami atskirai



Pastaba



Įspėjimas!

Šie signaliniai žodžiai yra skirti nurodyti su prietaiso naudojimu susijusio pavojaus lygį.

⚠ PAVOJUS

Reiškia ypač pavojingą padėtį, kurios neišvengus bus patirti sunkūs ar net mirtini sužeidimai.

⚠ ĮSPĖJIMAS

Reiškia potencialiai pavojingą situaciją, kurios neišvengus galimi sunkūs ar net mirtini sužeidimai.

⚠ ATSARGIAI

Reiškia potencialiai pavojingą situaciją, kurios neišvengus galimi lengvi ar vidutinio sunkumo sužeidimai.

ATSARGIAI

Be įspėjamųjų simbolių
Reiškia nuosavybės žalos tikimybę.

GEDIMŲ NUSTATYMAS

Gedimas	Galima priežastis	Sprendimas	
Prietaisas neįsijungia	Prietaisas neprijungtas	Prijunkite prietaisą.	
	Sugedo lizdas	Bandykite naudoti kitą lizdą.	
	Sugedo ilginamasis kabelis	Bandykite naudoti prietaisą be ilginamojo kabelio.	
Nepastovus slėgis	Į siurbį patenka oro	Patikrinkite, ar žarnos ir jungtys yra sandarios.	
	Vožtuvai nešvarūs, nusidėvėję arba įstrigę	Jei reikia atlikti techninio aptarnavimo darbus, nugabenkite gaminį į įgaliotą techninio aptarnavimo centrą.	
	Nusidėvėjęs siurblio sandarikliai	Jei reikia atlikti techninio aptarnavimo darbus, nugabenkite gaminį į įgaliotą techninio aptarnavimo centrą.	
Prietaisas išsijungia	Saugiklis yra perdegęs.	Jei reikia atlikti techninio aptarnavimo darbus, nugabenkite gaminį į įgaliotą techninio aptarnavimo centrą.	
	Netinkama maitinimo tinklo įtampa	Patikrinkite, ar maitinimo tinklo įtampa atitinka parametrus, nurodytus modelio lentelėje.	
	Suveikė šilumos jutiklis	Palikite produktą 15 minučių, kad atvėstų.	
Prietaisas pulsuoja	Dalis antgalio užsikimšo	Išvalykite antgalį.	
	Oras įleidimo žarnoje / siurblyje	Leiskite prietaisui veikti su atidarytu paleidikliu, kol jis ims veikti įprastu darbinio slėgiu.	
	Nepakankamas vandens tiekimas iš tinklo	Patikrinkite, ar vandens tekimas atitinka nurodytus parametrus (žr. modelio lentelę). Nenaudokite ilgų ir plonų žarnų.	
	Dalis antgalio užsikimšo	Išvalykite antgalį.	
	Užsikimšo vandens filtras	Valykite filtrą.	
Prietaisas dažnai pats įsijungia ir išsijungia	Susisuko žarna	Ištiesinkite žarną.	
	Nesandarūs siurblys / purškimo rankena	Jei reikia atlikti techninio aptarnavimo darbus, nugabenkite gaminį į įgaliotą techninio aptarnavimo centrą.	
	Prietaisas įsijungia, bet neteka vanduo	Užšalo siurblys, žarnos ar kitas priedas	Palaukite, kol siurblys, žarnos ar kitas priedas atšils.
	Nutrūko vandens tiekimas	Prijunkite vandens įleidimo prievadą prie vandens šaltinio.	
	Užsikimšo vandens filtras	Valykite filtrą.	
Nėra ploviklio	Užsikimšo antgalis	Išvalykite antgalį.	
	Nustatytas aukštas antgalio slėgis	Nustatykite žemesnį slėgį.	
	Bakelis tuščias.	Pripildykite bakelį.	

Elektrilise survepesuri juures on peetud esmatähtsaks ohutust, töövõimet ja töökindlust.

OTSTARBEKOHANE KASUTAMINE

Elektrilist survepesurit tohib kasutada ainult välitingimustes. Ohutuse tagamise eesmärgil peab töötamise ajal hoidma tööriista kahe käega, et seda saaks piisavalt kontrollida.

Seade on ette nähtud kasutamiseks kodumajapidamises. See on mõeldud masinate, sõidukite, hoonete, põrandate, tööriistade, fassaadide, terrasside ja betoonist jalgteede puhastamiseks, kasutades mustuse eemaldamiseks puhast vett koos puhastusvahendiga või ilma selleta.

Toodet saab kasutada koos turbootsaku, pihustusotsaku, pesuharja ja pinnapuhastajaga. Pesuharja kasutatakse autode, rataste või teiste pihustamist vajavate asjade tõhusaks puhastamiseks või koos puhastusvahendiga. Pihustusotsakut kasutatakse pihustamist vajavate pindade puhastamiseks või koos puhastusvahendiga. Pinnapuhastajat kasutatakse pindade puhastamiseks ja pühkimiseks.

Seda tuleb kasutada kuivas ja heades valgustustingimustes.

Ärge kasutage ühekski muuks otstarbeks.

⚠ HOIATUS

Tootega võib kasutada kaasasolevat või tootja poolt soovitatud neutraalset puhastusvahendit. Teiste puhastusvahendite või kemikaalide kasutamine võib kahjustada toote ohutust.

OHUTUSE ÜLDEESKIRJAD

⚠ HOIATUS

Lugege kõik ohuhoiatused ja juhised läbi. Hoiatuste ja juhiste eiramisel on oht saada elektrilööki või raskeid kehavigastusi ning/või põhjustada tulekahju.

⚠ ETTEVAATUST

Toodet ei tohi kasutada ilma EN 12729 BA-tüüpi tagasisivooluventiiliga joogiveevõrgus. Tagasisivooluventiilist läbivoolavat vett peetakse joogikõlbmatuks. Toote veevarustustusega ühendamisel järgige kohaliku veevärgiettevõtte eeskirju.

- Toodet ei tohi kasutada lapsed või isikud, kelle füüsilised või vaimsed võimed on piiratud või kellel ei ole seadme kasutamiseks vajalikke kogemusi või teadmisi. Laste järele tuleb piisavalt valvata, et nad seadmega ei mängiks.
- Tootega töötamise ajal kasutage isikukaitsevahendeid, nagu saapad, kaitsekindad, näokaitsega kiiver ja kuulmiskaitsevahendid. Kasutage ainult pritsmekaitsega löögikindlat näokaitset.

⚠ HOIATUS

Ärge kasutage toodet inimeste läheduses, kes ei kannu isikukaitsevahendeid.

- Vigastuste ohu vähendamiseks hoidke lapsed ja kõrvalised isikud eemal. Kõik kõrvalseisjad peavad kandma turvaprilile ja asuma tööalast ohutul kaugusel.
- Kontrollige, kas turvaseadmed nagu kaitseklapid, veemõõtjad ja surveregulaatorid on töökorras. Iga kord enne kasutamist veenduge, et kõik turvaseadmed töötavad korralikult:
 - SISSE/VÄLJA lüliti
 - Sisse-/väljalüliti hoiab ära toote tahtmatu käitamise.
 - Päästiku lukustuslüüti
 - Päästiku lukustuslüüti lukustab päästiku ja hoiab ära survejoa tahtmatu vabastamise.
 - Survelülitiga ülevooluventiil
 - Ülevooluventiil hoiab ära lubatud tööõrhu ületamise. Kui vabastada päästikuga püstoli hoo, lülitab survelüliti pumba välja ja survejuga seiskub. Hooba tõmmates lülitub pump uuesti sisse.
 - Ülekoormuse kaitse
 - Temperatuuriandur kaitseb toodet ülekoormuse eest. Ülekuumenemise

korral lülitub toode automaatselt välja.

- Ärge kasutage toodet, kui olulised osad nagu turvaseadmed, survevoolikud või päästikuga püstol on kahjustatud.
- Olge päästiku vabastamisel ettevaatlik. Tagasilöögist tingitud vigastuste vältimiseks hoidke käepidemest kindlalt mõlema käega kinni.

▲ HOIATUS

Survepesuri kasutamisel võib tekkida aerosooli. Aerosooli sissehingamine võib tervist kahjustada.

▲ HOIATUS

Sõltuvalt rakendusest võib survepuhastuseks kasutada kaetud otsakuid, mis vähendavad veeaerosooli moodustumist. Neid ei saa aga iga töö puhul kasutada. Kui vee pihustumise vastast kaetud otsakut aerosoolide vastaseks kaitseks kasutada ei saa, võib sõltuvalt keskkonnast vaja minna FFP2-klassi või samaväärset respiraatorit.

- Ärge jätke pesurit tööle järelevalveta.
- Survejuga on vale kasutamise puhul ohtlik. Ärge suunake juga inimeste, voolu all olevate elektriseadmete ega toote enda peale.
- Plahvatusohtu vältimiseks ärge pihustage süttivaid vedelikke.
- Ärge suunake juga enda ega teiste poole, et puhastada riideid või jalanõusid.
- Ärge kasutage toodet elektrooniliste seadmete, riiete ega jalanõude puhastamiseks.
- Survevoolikud, liitmikud ja muhvid on toote ohutuse seisukohalt olulised. Kasutage ainult tootja soovitatud voolikuid, liitmikke ja muhve.

ELEKTRIOHUTUSE HOIATUSED

- Toitepistikud peavad pistikupessa sobima. Ärge püüdke pistiku konstruktsiooni mingil moel muuta. Pistiku ja pistikupesa konstruktsiooni muutmise korral tekib elektrilöögi oht.
- Ärge kasutage toodet, kui toitejuhe või

muud olulised osad, nagu turvaseadmed, on kahjustatud.

- Iga kord enne kasutamist kontrollige, kas toitejuhe ja pikendusjuhe on terved. Kui toitekaabel või pikenduskaabel on vigane, peab selle välja vahetama tootja, tootja poolt volitatud hooldustöötaja või sarnase kvalifikatsiooniga isikud, et vältida ohtusid.
- Hoidke toitejuhe eemal kuumusest, õlist ja teravatest servadest.
- Ärge kunagi puudutage toitepistikut ja pistikupesa märgade kätega.
- Rikkis pikendusjuhe võib olla ohtlik. Pikendusjuhtme kasutamisel peab see olema mõeldud väliskasutuseks ning ühendus tuleb hoida kuivana ja maast kõrgemal. Pistiku maast vähemalt 600 mm kõrgusel hoidmiseks kasutage pooli.
- Elektriühenduse peab teostama kvalifitseeritud elektrik kooskõlas standardiga IEC 60364-1. On soovitatav, et toote elektriühendus sisaldaks kas rikkevoolukaitselülitit, mis katkestab toite, kui lekkevool maasse ületab 30 mA 30 ms jooksul, või seadet, mis katkestab maanduse.

TÄIENDAVAD OHUTUSJUHISED

- Mõnedes piirkondades on seadused, mis piiravad selle toote kasutamist. Lisateavet saate kohalikust omavalitsusest.
- Iga kord enne kasutamist kontrollige, kas esineb kahjustusi. Kahjustatud survevoolik tuleb otsekohe välja vahetada. Tagage, et kõik ühendused (nt survevoolik ja otsak) oleks turvalised. Kerige voolik lahti õigesti, et see ei läheks keerdu ega sõlme.
- Ärge lubage seadet kasutada lastel ega väljaõppeta isikutel.
- Enne puhastamist sulgege aknad ja ukSED. Puhastatavas piirkonnas ei tohi olla prahti, mänguasju, aiameööblit ega muid ohtlikuks osutada võivaid esemeid.
- Ärge mingil juhul mootori töötamise ajal kultivaatorit üles tõstke ega kandke.
- Ärge kasutage toodet temperatuuril alla 0 °C.
- Ärge kasutage toodet hapete, aluste, lahustite, süttiva materjali, valgendite ega tööstuslike lahustitega. Need tooted võivad kasutajat füüsiliselt vigastada ja toodet pöördumatult kahjustada.

- Kasutage toodet ainult tasasel pinnal.

⚠ HOIATUS

Valesti kasutatav survejuga võib olla ohtlik. Ärge suunake juga inimeste, voolu all olevate elektriseadmete ega toote enda peale.

- Hoidke päästikuga käepidemest mõlema käega tugevalt kinni. Olge valmis selleks, et käepide võib päästiku tõmbamisel reaktsoonijõudude tõttu liikuda. Kui päästikut kindlalt ei hoita, võib kontroll pesuri üle kaduda ja te võite ennast või teisi vigastada.
- Enne toote sisselülitamist veenduge, et õhk on voolikus ja pump on vaba. Voolikust ja pumbast õhu eemaldamiseks ühendage pump aiavooliku abil veevarustusega, ühendage päästikuga käepide pumba külge survevooliku abil, vabastage päästiku lukustus ja vajutage päästikut, kuni tekib ühtlane veevool.
- Olge ettevaatlik, et te ei libiseks ega kukuks.
- Hoidke kindlat jalgade asendit ja tasakaalu. Ärge kummardage. Kummardamine võib põhjustada tasakaalu kadumist.
- Kasutage ainult tootja poolt lubatud lisaseadmeid. Ebasobivate tarvikute kasutamine võib põhjustada kehavigastuse ohu.
- Ärge kunagi jätke toodet tööle järelevalveta. Lülitage toode välja. Ärge lahkuge toote juurest enne selle täielikku peatumist.
- Tehke juhtelemendid endale selgeks. Tehke endale selgeks toote peatamine ja kiiresti surve alt vabastamine.
- Olge tähelepanelik ja hoidke seadet kontrolli all. Jälgige mida teete ja kasutage tervet mõistust.
- Ärge kasutage muruniidukit, kui olete väsinud või mõnuainete, alkoholi või ravimite mõju all. Hetkeline tähelepanu hajumine seadme kasutamise ajal võib põhjustada raske kehavigastuse.
- Ärge kasutage seadet, kui lüliti ei lülita seda sisse ja välja. Lülitiga lülitamatu seadme kasutamine on ohtlik ja see tuleb lasta ära remontida.
- Auto puhastamisel hoidke vähemalt 30

cm vahet. Survejuga võib autorehve ja/või ventiile kahjustada või nad ära lõhkuda.

- Kasutage ajavoolikut, mille maksimaalne pikkus on 15 m ja minimaalne läbimõõt 18 mm.
- Iga kord enne kasutamist veenduge, et tarvik on pihustuspüstoli külge turvaliselt kinnitatud.

ÜLEKOORMUSE KAITSE

Seadmel on ülekoormuse kaitse, mis aktiveeritakse ülekuumenemisel või voolutõuke ilmnemisel lülitab seadme automaatselt välja. Tööolekusse lähtestamiseks ühendage toitepinge lahti, oodake 15 minutit ja ühendage toode seejärel uuesti toitevõrku.

TRANSPORTIMINE JA HOIUSTAMINE

⚠ ETTEVAATUST

Hoiukohta valides ja transportides pidage õnnetuste ja vigastuste vältimiseks silmas toote kaalu.

- Seisake toode, ühendage toide lahti ja laske tootel maha jahtuda. Enne hoiustamist või transporti ühendage toode veevarustuse küljest lahti. Toode võib olla ainult püstiasendis.
- Enne toote hoiustamist eemaldage kõigest voolikutest ja pumbast vesi ning tühjendage puhastusvahendi paak.
- Puhastage seade kõikidest võõrkehadest. Hoidke pesurit jahedas, kuivas ja hästi ventileeritud ning lastele kättesaamatus kohas. Hoidke kettsaagi eemal söövitavatest ainetest nagu aiakemikaalid ja jäätörjevahendid. Ärge hoiustage õues.
- Vedamise ajal tõkestage kultivaator liikuma hakkamise ja alla kukkumise vastu, et vältida kehavigastusi ja masinaosade kahjustamist.

⚠ HOIATUS

Hoiustage toodet ainult siseruumides. Toote hoiustamine madalama kui 0 °C temperatuuri juures kahjustab toodet.

HOOLDUS

⚠ HOIATUS

Kasutage ainult tootja originaalvaruosi, tarvikuid ja tööorganeid. Selle nõude eiramine võib põhjustada, kehavigastuse, tootluse languse ja teile antud garantii tühistamise.

⚠ HOIATUS

Hooldamine nõuab ülimalt korrashoidu ja teadmisi ning tuleks teostada ainult kvalifitseeritud hooldustehnikute poolt. Hoolduseks andke seade volitatud hoolduskeskusesse. Muruniiduki hooldamisel kasutage ainult tootja originaalvaruosi.

- Seisake toode, ühendage toide lahti ja laske tootel maha jahtuda. Ühendage toode veevarustuse küljest lahti enne:
 - toote puhastamine
 - toote hooldamist
 - varuosade vahetamist
- Lubatud on teha ainult selles kasutusjuhendis kirjeldatud reguleerimis- ja parandustoiminguid. Muude remonditööde tellimiseks ja abi saamiseks pöörduge volitatud hoolduskeskusesse.
- Tööohutuse tagamiseks tuleb survepesurit regulaarselt kontrollida ja hooldada. RYOBI soovitab toode iga 6 kuu tagant üle vaadata.
- Kontrollige kõiki mutreid, polte ja kruvisid sagedaste intervallidega õige pinguloleku suhtes, et veenduda toote ohutus töökorras olemises. Vigastatud osad tuleb lasta pädeval hooldajal parandada või asendada.

JÄÄKRISKID

Isegi siis, kui kultivaatorit kasutatakse kirjeldatud viisil, ei ole võimalik kõrvaldada kõiki jääkriskide mõjureid. Töötamise ajal võivad tekkida järgmised ohud, millele operaator peab pöörama erilist tähelepanu.

- Survejoast põhjustatud vigastused
 - Ärge suunake survejuga inimeste, loomade ega enda poole.

- Tagasilöögist põhjustatud vigastused
 - Hoidke käepidemest või päästikuga pihustustorust alati mõlema käega kindlalt kinni.
- Aerosoolide sissehingamisest põhjustatud vigastused
 - Kasutage sobivat hingamismaski.
- Mürast põhjustatud vigastus
 - Kandke kuulmiskaitsevahendeid

RISKI ALANDAMINE

Teadaolevalt võib käsitööriistade kasutamine põhjustada mõnedel inimestel seisundit, mida nimetatakse Raynaud' sündroomiks. Sümptomidena võib ilmned a sõrmede tuiumus ja valkjaks muutumine, mis tavaliselt ilmneb külmas töötamisel. Nende sümptomite puhul tuleb hoiduda külmast ja niiskusest, dieedist ning suitsetamisest ja kasutada õigeid töövõtteid. Vibratsiooni mõju vähendamiseks tuleb rakendada järgmisi abinõusid.

- Külma ilmaga hoidke oma keha soe. Kandke kindaid, et hoida oma käed ja randmed soojad.
- Pärast külmas töötamist tehke harjutusi, et verevarustust kiirendada.
- Tehke regulaarselt töövaheaegasid. Piirake tööperioodi pikkust.

Kui ilmnevad haigustunnused, lõpetage kohe töö ja pöörduge arsti poole.

⚠ HOIATUS

Seadme pikaajalisel kasutamisel võite saada kehavigastusi ja varasemad vigastused võivad süveneda. Seadme kasutamisel pika aja jooksul tuleb teha korralisi vaheaegasid.

ÕPPIGE OMA TOODET TUNDMA

Vt leht 181.

1. Päästiku lukustuslüüti
2. Päästik
3. Käepide
4. Toitelüüti
5. Toitekaabli hoidik
6. Toitejuhe
7. Vee väljalase
8. Survevoolik
9. Turbootsaku toru
10. Pihustusotsaku vars

11. Kogumiskoti toru *
12. Puhastusvahendipudel
13. Filtriga veesisendi liitmik
14. Vee sisselase
15. Pikendatav toru
16. Päästikuga käepideme hoidik
17. Pesupüstol
18. Pihustuspüstoli voolikuliitmik

* Ühilduv adapter KÄRCHERi survesuri tarvikutele. KÄRCHER on Alfred Kärcher GmbH & Co. KG registreeritud kaubamärk.

MÄRKUS: Kontrollige lisatarviku tehnilisest kirjeldusest, kas see sobib RYOBI kõrgsurvesuri spetsifikatsiooniga.

MÄRKUS: Pesuvahendit kasutades vaadake selle materjali ohutuskaarti.

MASINAL OLEVAD SÜMBOLID



Hoiatus



Tööriista klass II, topeltisolatsiooniga



Vigastusohu vähendamiseks peab kasutaja enne seadme kasutamist kasutusjuhendi läbi lugema ja endale selgeks tegema.



Kandke kaitseprille ja kõrvaklappe.



Kui kaabel on vigane või katki, eemaldage otsekohe pistik vooluvõrgust.



Elektrilöögi oht.



Toodet ei tohi ühendada joogiveevõrguga ilma tagasivoolukaitseta.



Ärge kunagi suunake pihustustoru inimeste, loomade, masina korpuse, toiteallika ega elektriseadmete poole.



Lõhkemisoht



Vastab kõigile eeskirjadele EL-i liikmesriigis, kus toode on ostetud.



Euraasia vastavusmärk



Ukraina vastavusmärgis



Etiketil näidatud tagatud helivõimsusetase on 92 dB.



Mittekasutatavaid elektritooteid ei tohi visata olmejäätmete hulka. Vaid tuleb viia vastavasse kogumispunkti. Vajadusel küsige sellekohast nõu oma edasimüüjalt või vastavalt kohaliku omavalitsuse institutsioonilt.

KASUTUSJUHENDI SÜMBOLID



Kandke libisemiskindlaid, tugevdatud kaitsekindaid.



Ühendage pistikupesassa.



Võtke pistikupesast välja.



Eraldi ostetavad osad või tarvikud



Märkus



Hoiatus

Järgnevad märguandesõnad ja tähendused on mõeldud selle toote kasutamisega seotud riskitasemete kirjeldamiseks.

⚠ OHT.

Viitab kohe tekkivale ohtlikule situatsioonile, mis, kui ei väldita, lõpeb surma või tõsise vigastusega.

⚠ HOIATUS

Viitab võimalikule ohtlikule situatsioonile, mis, kui ei väldita, võib lõppeda surma või tõsise vigastusega.

⚠ ETTEVAATUST

Viitab võimalikule ohtlikule situatsioonile, mis, kui ei väldita, võib lõppeda väiksemate või keskmiste vigastusega.

ETTEVAATUST

Ilma hoiatussümbolita

Osutab olukorrale, mis võib põhjustada varakahju.

EN
FR
DE
ES
IT
NL
PT
DA
SV
FI
NO
RU
PL
CS
HU
RO
LV
LT
ET
HR
SL
SK
BG
UK
TR

RIKKEOTSING

Probleem	Võimalik põhjus	Lahendus
Masin ei käivitu	Masin ei ole vooluvõrku ühendatud	Ühendage masin vooluvõrku.
	Vigane pistikupesa	Proovige teist pistikupesa.
	Vigane pikenduskaabel	Proovige ilma pikenduskaablita.
Kõikuv surve	Pump imeb õhku	Kontrollige, kas voolikud ja ühendused on õhukindlad.
	Ventiilid on mustad, kulunud või kinnijäänud	Hoolduseks andke seade volitatud hoolduskeskusesse.
	Pumbatihendid on kulunud	Hoolduseks andke seade volitatud hoolduskeskusesse.
Masin peatub	Kaitse on läbi.	Hoolduseks andke seade volitatud hoolduskeskusesse.
	Vale võrgupinge	Kontrollige, kas võrgupinge vastab mudeli etiketil toodud nõuetele.
	Temperatuuriandur on aktiveeritud	Laske tootel 15 minutit maha jahtuda.
	Otsak on osaliselt ummistunud	Puhastage otsakut.
Masin pulseerib	Sisselaskevoolikus/pumbas on õhk	Laske tootel töötada avatud päästikuga, kuni taastub normaalne tööõhk.
	Veevarustus ei ole piisav	Kontrollige, kas veevarustus vastab ettenähtud nõuetele (vt mudeli etiketti). Vältige pikkade peenikeste voolikute kasutamist.
	Otsak on osaliselt ummistunud	Puhastage otsakut.
	Veefilter on ummistunud	Puhastage filtrit.
	Voolik on keerdus	Tõmmake voolik sirgeks.
Sageli masin käivitub ja peatub iseenesest	Pump/pihustustoru lekib	Hoolduseks andke seade volitatud hoolduskeskusesse.
Masin käivitub, kuid vett ei tule välja	Pump, voolikud või muud tarvikud on külmunud	Oodake, kuni pump, voolikud või muud tarvikud üles sulavad.
	Puudub veevarustus	Ühendage vee sisselaskeava veevarustusega.
	Veefilter on ummistunud	Puhastage filtrit.
	Otsak on ummistunud	Puhastage otsakut.
Ei ole puhastusvahendit	Otsak on reguleeritud	Seadke madala surve peale.
	Paak on tühi.	Täitke paak.

Vodeću ulogu u dizajnu Vašeg električnog visokotlačnog čistača imaju sigurnost, performanse i pouzdanost.

NAMJENA

Električni visokotlačni čistač namijenjen je isključivo uporabi na otvorenom prostoru. Iz sigurnosnih razloga proizvod za vrijeme rukovanja uvijek držite pod kontrolom držeći ga s obje ruke.

Ovaj proizvod namijenjen je za kućnu ili upotrebu u domaćinstvu. Ovaj uređaj, namijenjen čišćenju strojeva, vozila, zgrada, podova, alata, fasada, terasa i asfaltiranih staza, uklanja tvrdokornu prljavštinu mlazom čiste vode s ili bez uporabe sredstva za pranje.

Proizvod se može upotrijebiti s turbomlaznicom, mlaznicom za prskanje, četkom za pranje i nastavkom za čišćenje površine. Četka za pranje koristi se za učinkovito čišćenje automobila, bicikala ili drugih artikala koje je potrebno prskati ili koristiti s deterdžentom. Mlaznica-sprej se koristi za čišćenje površina koje zahtijevaju prskanje raspršenim mlazom ili korištenje deterdženta. Čistač površina se koristi za čišćenje i četkanje površina.

Treba se koristiti samo u suhim, dobro osvijetljenim uvjetima.

Nemojte koristiti oštricu u nikakvu drugu svrhu.

⚠ UPOZORENJE

Proizvod je osmišljen za uporabu s neutralnim sredstvom za pranje, koje se isporučuje s njim ili koje preporuča proizvođač. Uporaba drugih sredstava za pranje ili kemikalija može nepovoljno utjecati na sigurnost proizvoda.

OPĆA SIGURNOSNA PRAVILA

⚠ UPOZORENJE

Pročitajte sva sigurnosna upozorenja i sve upute. Nepridržavanje upozorenja i uputa može izazvati strujni udar, požar i/ili ozbiljne ozljede.

⚠ UPOZORENJE

Proizvod se ne smije koristiti na dovodu tekuće vode ako prethodno nije montiran uređaj za sprječavanje povratnog toka vode koji odgovara normi EN 12729, tip BA. Voda koja protječe kroz uređaj za sprječavanje povratnog toka nije pogodna za piće. Pri spajanju proizvoda na priključak vodovoda uvijek poštuju propise vašeg lokalnog isporučitelja vodnih usluga javne vodoopskrbe i javne odvodnje.

- Proizvod ne smiju koristiti djeca ili osobe smanjenih motoričkih, senzornih ili mentalnih sposobnosti, te nestručne osobe i osobe bez iskustva. Djecu je potrebno odgovarajuće nadzirati kako bi se osiguralo da se ne igraju s proizvodom.
- Pri radu proizvodom koristite cjelokupnu zaštitnu opremu: zaštitne čizme, rukavice, sigurnosnu kacigu s vizirrom i zaštitu za sluh. Koristite samo vizire koji mogu izdržati snažne udarce i prskanja tekućine.

⚠ UPOZORENJE

Nemojte koristiti proizvod u blizini drugih osoba, osim ako te osobe također ne nose zaštitnu opremu.

- Kako biste smanjili rizik od ozljeda, djecu i posjetitelje držite podalje od mjesta rada. Svi posjetitelji trebaju nositi zaštitne naočale i biti na sigurnoj udaljenosti od radnog područja.
- Pregledajte sigurnosne uređaje: sigurnosne ventile, prekidače toka i tlačne prekidače i provjerite jesu li u dobrom radnom stanju. Prije svake uporabe provjerite rade li svi sigurnosni uređaji ispravno:
 - Sklopka za UKLJUČIVANJE/ ISKLJUČIVANJE
 - Prekidač za paljenje/gašenje sprečava slučajno pokretanje proizvoda.
 - Blokada ručice s okidačem (pištolja)
 - Blokada ručice s okidačem zaključava okidač i sprječava slučajno otvaranje visokotlačnog mlaza.
 - Preljevni ventil s tlačnim prekidačem
 - Preljevni ventil sprečava da radni tlak prijeđe dopuštenu granicu. Ako

se otpusti poluga na pištolju uređaja, tlačni prekidač isključuje pumpu i visokotlačni mlaz se zaustavlja. Povlačenjem poluge ponovno se uključuje pumpa.

- Zaštita od preopterećenja
 - Toplinski senzor štiti proizvod od preopterećenja. Proizvod će automatski isključiti napajanje ako se pregrije.
- Nemojte koristiti proizvod ako su oštećeni njegovi važni dijelovi, kao što su to sigurnosni uređaji, visokotlačna crijeva ili pištolj s okidačem.
- Budite oprezni pri otvaranju mlaza pištolja. Kako biste izbjegli ozljede zbog trzaja i povratnog udara, držite ručicu čvrsto s obje ruke.

▲ UPOZORENJE

Za vrijeme korištenja visokotlačnih čistača postoji mogućnost stvaranja aerosola. Udisanje aerosola može biti opasno po zdravlje.

▲ UPOZORENJE

Ovisno o primjeni uređaja, za čišćenje pod visokim tlakom moguće je upotrijebiti oklopljene mlaznice, koje smanjuju emisiju štetnog aerosola. Međutim, takve mlaznice nije moguće upotrijebiti u svim primjenama uređaja. Ako za zaštitu od aerosola nije moguće upotrijebiti oklopljene mlaznice, potrebno je koristiti masku za disanje klase FFP 2 ili ekvivalentne, ovisno o okolišu.

- Uvijek zaustavite proizvod ako ga ostavljate bez nadzora.
- Visokotlačni mlaz je opasan ako se koristi na pogrešan način. Nemojte usmjeravati mlaz prema osobama, električnoj opremi pod naponom ili samom proizvodu.
- Kako biste izbjegli rizik od eksplozije, nemojte prskati zapaljive tekućine.
- Nemojte usmjeravati mlaz prema sebi ili drugima radi čišćenja odjeće ili obuće.
- Nemojte koristiti ovaj proizvod za čišćenje elektronskih uređaja, odjeće ili obuće.
- Visokotlačna crijeva, priključci i spojnice su važni za sigurnost proizvoda. Koristite samo crijeva, priključke i spojnice

preporučene od strane proizvođača.

SIGURNOSNA UPOZORENJA ZA ELEKTRIČNU OPREMU

- Utikači moraju odgovarati utičnici. Nikada nemojte modificirati utikače ni na koji način. Originalni utikači i odgovarajuće utičnice smanjuju opasnost od strujnog udara.
- Nemojte koristiti proizvod ako je oštećen naponski kabel ili drugi njegovi važni dijelovi, kao što su to, primjerice, sigurnosni uređaji.
- Prije svakog korištenja uređaja, povjerite naponski kabel i produžni naponski kabel. Kako bi se izbjegli mogući rizici i opasnosti, oštećeni naponski kabel ili produžni naponski kabel mora ga zamijeniti proizvođač, njegov servisni predstavnik ili slična kvalificirana osoba.
- Držite kabel za napajanje podalje od topline, ulja i oštih rubova.
- Nikada nemojte dodirivati utikač i utičnicu naponske mreže mokrim rukama.
- Neodgovarajući ili oštećeni produžni naponski kabeli mogu biti opasni. Ako koristite produžni naponski kabel, on mora biti odgovarajuće klase za uporabu na otvorenom i nenatkrivenom prostoru, a spoj mora biti na suhom mjestu i podignut od tla. Pomoću namota za kabel držite utičnicu najmanje 60 mm od tla.
- Spoj s izvorom električnog napajanja mora izvesti kvalificirani električar i mora biti sukladan sa zahtjevima IEC 60364-1. Preporučuje se da se u sklopu električnog napajanja proizvoda postavi ili zaštitni uređaj diferencijalne struje koji će prekinuti dovod napona ako odvođenje struje prema uzemljenju premašuje 30 mA u trajanju od 30 ms ili ako je uređaj na krugu uzemljenja.

DODATNA SIGURNOSNA UPOZORENJA

- Neke regije imaju pravila koja ograničavaju korištenje proizvoda. Provjerite kod lokalnih tijela za savjet.
- Prije svake uporabe provjerite na oštećenja. Oštećeno visokotlačno crijevo mora se odmah zamijeniti. Svi spojevi, kao što su, primjerice, visokotlačno crijevo i mlaznice, moraju biti čvrsto zategnuti i sigurno spojeni. Crijevo odmotajte tako da se ne savija ili uvija.



- Nemojte dopustiti djeci ili nestručnim osobama da koriste ovaj proizvod.
- Prije započinjanja postupka čišćenja zatvorite vrata i prozore. Oslobodite područje koje želite čistiti od ostataka, igračaka, vanjskog namještaja ili drugih predmeta koji mogu predstavljati opasnost.
- Nikada ne podižite ili ne nosite proizvod dok motor radi.
- Nemojte koristiti proizvod na temperaturama nižim od 0°C.
- Nemojte koristiti kiseline, lužine, zapaljive materijale, izbjeljivače ili industrijske otopine. Ovi proizvodi mogu prouzročiti tjelesne ozljede operateru i nepovratnu štetu na proizvodu.
- Proizvodom uvijek rukujte na ravnoj površini.

⚠ UPOZORENJE

Mlaz pod visokim tlakom može biti opasan ako se zlorabi ili pogrešno upotrebljava. Zabranjeno je usmjeravati mlaz prema ljudima, električnim uređajima ili samom proizvodu.

- Držite ručicu s okidačem čvrsto s obje ruke. Očekujte da će se, zbog reakcijskih sila i djelovanja mlaza, ručica pištolja pomaknuti kada povučete okidač. Ako ne slijedite ove upute možete izgubiti kontrolu nad uređajem i prouzročiti tjelesne ozljede sebi i drugim osobama u okolici.
- Prije uključivanja proizvoda provjerite je li ispušten zrak iz crijeva i pumpe. Za ispuštanje svog zraka iz crijeva i pumpe, spojite dobavu vode na pumpu pomoću vrtnog crijeva, spojite ručicu s okidačem na pumpu pomoću visokotlačnog crijeva, isključite blokadu ručice s okidačem i pritisnite i držite prekidač sve dok se ne pojavi stabilan tok mlaza.
- Budite iznimno oprezni kako se ne biste okliznuli ili pali.
- Zauzmite čvrst stav i ravnotežu. Ne sežite preko određene granice. Seznanje preko određene granice može imati za posljedicu gubitak ravnoteže.
- Koristite samo pribor koji je odobrio proizvođač. Korištenje neprikladnih dodatnih pribora može dovesti do ozljeda.

- Nikada ne ostavljajte proizvod da radi bez nadzora. Isključite proizvod. Nemojte ostavljati proizvod sve dok se proizvod potpuno ne zaustavi.
- Upoznajte se s komandama uređaja. Morate znati kako zaustaviti proizvod i kako brzo ispustiti tlak.
- Budite na oprezu i imajte kontrolu nad alatom. Gledajte to što radite i pri radu s alatom koristite zdrav razum.
- Ne rukujte kosilicom kada ste pod utjecajem droga, alkohola ili lijekova. Trenutak nepažnje pri radu s proizvodom može dovesti do teških osobnih ozljeda.
- Nemojte koristiti proizvod ako ga sklopka pravilno ne uključuje ili isključuje. Proizvod koje se ne može kontrolirati pomoću sklopke je opasan i mora se popraviti.
- Pri čišćenju vozila držite rastojanje od površine minimalno 30 cm. Mlaz pod visokim tlakom može oštetiti ili probiti gume vozila i/ili ventile guma.
- Koristite vrtno crijevo maksimalne duljine 15 m i minimalnog promjera 18 mm (3/4 inča)
- Prije svake upotrebe pribora, uvjerite se da je dobro pričvršćen za pištolj s okidačem.

ZAŠTITA OD PREOPTEREĆENJA

Proizvod ima uređaj za zaštitu od preopterećenja koja se aktivira kad dođe do pregrijavanja ili vršne struje, automatski isključujući napajanje proizvoda. Za nastavka rada, isključite proizvod iz napajanja, pričekajte oko 15 minuta i ponovno priključite proizvod na napajanje.

PRIJEVOZ I SKLADIŠTENJE

⚠ UPOZORENJE

Kako biste spriječili nesreće ili ozljede, pri odabiru lokacije skladištenja i za vrijeme transporta imajte na umu težinu proizvoda.

- Zaustavite proizvod, isključite ga s izvora napajanja, i pustite da se ohladi. Prije skladištenja ili transporta odspojite proizvod s dovoda vode. Nikada nemojte postavljati proizvod u bilo koji drugi položaj osim uspravnog.
- Prije pohrane i skladištenja proizvoda izbacite vodu iz svih crijeva i pumpe,



te ispraznite spremnik sa sredstvom za pranje.

- Očistite svaki strani materijal s uređaja. Čuvajte na hladnom, suhom i dobro prozračivanom mjestu bez opasnosti od smrzavanja i izvan dohvata djece. Nemojte ju ostavljati u blizini korozivnih agenasa kao ni vrtnih kemijskih proizvoda i soli za odmrzavanje. Ne ostavljajte na otvorenom.
- Za prijevoz, osigurajte uređaj protiv pomicanja ili pada kako biste spriječili povrede osoba ili oštećenja na uređaju.

▲ UPOZORENJE

Proizvod pohranjujte isključivo u zatvorenim prostorima. Pohranjivanje proizvoda na temperaturama nižim od 0°C će oštetiti proizvod.

ODRŽAVANJE

▲ UPOZORENJE

Koristite samo originalne zamjenske dijelove, dodatni pribor i priključke od proizvođača. Nepoštivanje ovih uputa može dovesti do mogućih ozljeda, loše učinkovitosti i može dovesti do poništenja jamstva.

▲ UPOZORENJE

Servisiranje iziskuje krajnju pažnju i znanje i treba da ga vrši samo kvalificirani serviser. Radi servisa, donesite proizvod u ovlaštenu servisni centar. Prilikom servisiranja, koristite samo originalne zamjenske dijelove od proizvođača.

- Zaustavite proizvod, isključite ga s izvora napajanja, i pustite da se ohladi. Proizvod isključite s dovoda vode prije:
 - čistite svoj proizvod
 - održavanja proizvoda
 - zamjene rezervnih dijelova
- Možete samo vršiti podešavanje ili popravke opisane u ovom manualu. Za ostale popravke ili savjete, potražite pomoć ovlaštenog servisnog centra.
- Za siguran i pouzdan rad redovito provjeravajte i održavajte svoj visokotlačni

čistač. RYOBI preporučuje pregled proizvoda svakih 6 mjeseci.

- Često provjeravajte sve matice i zavrtnje da li su dobro pritegnuti kako biste bili sigurni da je proizvod u sigurnom radnom stanju. Svaki oštećeni dio trebao bi pravilno popraviti ili zamijeniti ovlaštenu servisni centar.

OSTALE OPASNOSTI

Čak i kad je proizvod korišten kao što je prethodno opisano, još uvijek nije moguće potpuno isključiti ostale čimbenike opasnosti. Može doći do sljedećih opasnosti prilikom korištenja i operater mora obratiti posebnu pozornost kako bi izbjegao sljedeće:

- Ozljede uzrokovane mlazom visokog tlaka
 - Nemojte usmjeravati visokotlačni mlaz prema ljudima, životinjama ili prema sebi.
- Ozljeda uzrokovana povratnim udarom
 - Ručicu ili cijev pištolja uvijek držite čvrsto, s obje ruke.
- Ozljede uzrokovane udisanjem aerosola
 - Nosite odgovarajuću masku za disanje.
- Ozljede uzrokovane bukom
 - Nosite zaštitu za sluh

SMANJENJE OPASNOSTI

Prijavljeno je da vibracije alata koje se drži u ruci kod određenih pojedinaca mogu doprinijeti stanju pod nazivom Raynaud's Syndrome. Simptomi mogu uključivati trnce, ukočenost i bjelinu prstiju, obično uočljivo po izlaganju hladnoći. Smatra se da nasljedne osobine, izlaganje hladnoći i vlazi, dijeta, pušenje i radni postupci pridonose razvoju ovih simptoma. Postoje mjere koje operator može poduzeti kako bi smanjio moguće učinke vibracije:

- Održavajte svoje tijelo toplim u hladnim vremenskim uvjetima. Kad radite s proizvodom nosite rukavice kako biste ruke i zglobove održavali toplima.
- Nakon svakog perioda rada vježbajte kako biste povećali cirkulaciju krvi.
- Uzimajte česte stanke u radu. Ograničite količinu izlaganja po danu.

Ako osjetite neke od simptoma ovog stanja, odmah prekinite korištenje i obratite se svome liječniku vezano uz ove simptome.

⚠ UPOZORENJE

Povrede mogu biti uzrokovane ili zadobivene produljenim korištenjem alata. Kada koristite bilo koji alat dulje vremena, osigurajte da uzimate povremene stanke.

UPOZNAJTE SVOJ PROIZVOD

Pogledajte stranicu 181.

1. Blokada ručice s okidačem (pištolja)
2. Sklopka za pokretanje
3. Ručka
4. Prekidač za paljenje
5. Držač za naponski kabel
6. Kabel za napajanje
7. Izlaz vode
8. Visokotlačno crijevo
9. Cijev za turbo mlaznicu
10. Cijev za mlaznicu za prskanje
11. Adapter *
12. Boca sapuna
13. Spojnica ulaza vode s filtrom
14. Ulaz vode
15. Produženo koplje
16. Nosač ručke s pištoljem
17. Pištolj s okidačem
18. Ulaz pištolja s okidačem

* Kompatibilan adapter za pribor visokotlačnog čistača KÄRCHER. KÄRCHER je registrirani žig tvrtke Alfred Kärcher GmbH & Co. KG.

NAPOMENA: Provjerite poklapa li se specifikacija dijela pribora sa specifikacijama visokotlačnog čistača RYOBI.

NAPOMENA: Ako koristite deterdžent, pogledajte Sigurnosno-tehnički list materijala tog deterdženta.

SIMBOLI NA PROIZVODU



Upozorenje



Alat II razreda s dvostrukom izolacijom



Kako bi se smanjila opasnost od ozljeda, prije korištenja ovog proizvoda korisnik mora pročitati i shvatiti ove upute za korištenje.



Nosite zaštitu za vid i sluh.



Ako je kabel oštećen ili presječen, odmah izvadite utikač iz naponske utičnice.



Opasnost od strujnog udara.



Proizvod nije pogodan za spajanje na vodoopskrbne sustave s pitkom vodom bez montaže uređaja za sprečavanje povratnog toka.



Nikada nemojte uperiti cijev prema ljudima, životinjama, tijelu stroja, dovodu električne energije ili električnim uređajima.



Opasnost od pucanja



Ovaj alat usklađen je sa svim normama i propisima zemlje Europske unije u kojoj je kupljen.



EurAsian znak konformnosti



Ukrajinska oznaka za sukladnost



Deklarirani zvučni tlak prikazan na ovoj naljepnici iznosi 92 dB.



Otpadni električni proizvodi ne treba da se odlažu s otpadom iz domaćinstva. Molimo da reciklirate gdje je to moguće. Potražite savjet od lokalnih vlasti ili prodavca kako reciklirati.

SIMBOLI U OVOM PRIRUČNIKU



Nosite zaštitne rukavice velike debljine koje se ne klizu.



Priključite u utičnicu za napajanje.



Isključite iz utičnice za napajanje.



Dijelovi ili pribor prodan odvojeno



Napomena



Upozorenje

Slijedeće riječi upozorenja i značenja imaju namjeru da objasne nivo rizika u vezi s ovim proizvodom.

⚠ OPASNOST

Ukazuje na neposrednu opasnu situaciju, koja, ukoliko se ne izbjegne, može rezultirati smrću ili opasnim povredama

⚠ UPOZORENJE

Ukazuje na moguću opasnu situaciju, koja, ukoliko se ne izbjegne, može rezultirati smrću ili opasnim povredama

⚠ UPOZORENJE

Ukazuje na moguću opasnu situaciju, koja, ukoliko se ne izbjegne, može rezultirati manjim ili blažim povredama

UPOZORENJE

Bez sigurnosnog simbola upozorenja
Naznačuje situaciju koja može rezultirati oštećenjem imovine.

OTKLANJANJE SMETNJI

Problem	Mogući uzrok	Rješenje
Stroj se neće pokrenuti	Stroj nije spojen na izvor napajanja	Spojite stroj na izvor napajanja
	Neispravna utičnica	Pokušajte s drugom utičnicom.
	Neispravan produžni naponski kabel	Pokušajte priključiti stroj bez produžnog kabela.
Kolebanja tlaka	Pumpa usisava zrak	Provjerite jesu li spojevi crijeva nepropusni za zrak.
	Ventili su prljavi, istrošeni ili zaglavljani	Radi servisa, donesite proizvod u ovlaštenu servisnu centar.
	Istrošene brtve pumpe	Radi servisa, donesite proizvod u ovlaštenu servisnu centar.
Stroj se zaustavlja	Osigurač je pregorio.	Radi servisa, donesite proizvod u ovlaštenu servisnu centar.
	Pogrešni napon mreže.	Provjerite odgovara li napon mreže specifikacijama na pločici modela.
	Aktiviran je toplinski senzor	Pustite proizvod da se ohladi na 15 minuta.
	Djelomično blokirana mlaznica	Očistite mlaznicu.
Stroj pulsira	Zrak u usisnom crijevu/pumpi	Pustite proizvod da radi s otvorenim okidačem sve dok se ne uspostavi normalni radni tlak.
	Nedovoljna dobava vode	Provjerite odgovara li dobava vode zahtijevanim specifikacijama (pogledajte pločicu modela). Izbjegavajte koristiti duga, tanka crijeva.
	Djelomično blokirana mlaznica	Očistite mlaznicu.
	Blokiran filter za vodu	Očistite filter.
	Savijeno crijevo	Izravnajte crijevo.
Stroj se često pali i gasi sam od sebe.	Pumpa/cijev za prskanje cure	Radi servisa, donesite proizvod u ovlaštenu servisnu centar.
Stroj se pokreće, ali iz vode ne izlazi	Pumpa, crijeva ili drugi dodaci su zaleđeni	Pričekajte da se odmrznu pumpa, crijevo ili drugi dodaci uređaja.
	Nema dobave vode	Spojite priključak za usis vode na dobavu vode.
	Blokiran filter za vodu	Očistite filter.
	Blokirana mlaznica	Očistite mlaznicu.
Nema deterđenta	Mlaznica prilagođena visokom tlaku	Prilagodite je niskom tlaku.
	Spremnik je prazan.	Napunite spremnik.

Električni visokotlačni čistilec je zasnovan in izdelan za zagotavljanje najvišje ravni varnosti, učinkovitosti in zanesljivosti delovanja.

NAMEN UPORABE

Električni visokotlačni čistilec je predviden samo za uporabo na prostem. Zaradi varnosti je zahtevano dvoročno krmiljenje naprave.

Izdelek je namenjen za domačo uporabo. Predviden je za čiščenje strojev, vozil, stavb, tal, orodja, fasad, teras, talnih oblog in betonskih poti, s katerih odstrani trdovratno umazanijo s pomočjo čiste vode z dodatnim čistilnim sredstvom ali brez njega.

Izdelek se lahko uporablja s turbo šobo, škropilno šobo, pralno krtačo in čistilcem za površine. Pralna krtača se uporablja za učinkovito čiščenje avtomobilov, koles ali drugih stvari, pri katerih je potrebno škropljenje ali uporaba čistilnega sredstva. Škropilna šoba se uporablja za čiščenje površin, ki jih je treba škropiti, ali za uporabo s čistilnim sredstvom. Čistilec za površine se uporablja za čiščenje in krtačenje površin.

Uporabljati ga je treba v suhih razmerah z dobro svetlobo.

Za druge namene ga ne uporabljajte.

⚠ OPOZORILO

Izdelek je zasnovan za uporabo z nevtralnim čistilnim sredstvom, ki ga dobavi ali priporoči proizvajalec. Uporaba drugih čistilnih sredstev ali kemikalij lahko škodljivo vpliva na varnost izdelka.

SPLOŠNA VARNOSTNA OPOZORILA

⚠ OPOZORILO

Preberite vsa varnostna opozorila in navodila. Zaradi neupoštevanja opozoril in navodil lahko pride do električnega udara, požara in/ali resnih poškodb.

⚠ POZOR

Izdelka se ne sme uporabljati na vodovodu za pitno vodo brez nameščene zapore povratnega toka, ki je v skladu s standardom EN 12729, tipom BA. Voda, ki teče skozi zaporo povratnega toka, ni pitna. Ob priključitvi izdelka na vodovod vedno upoštevajte predpise lokalnega vodovodnega podjetja.

- Izdelek ni namenjen za uporabo s strani otrok ali oseb z zmanjšanimi fizičnimi, čutnimi ali duševnimi sposobnostmi oziroma nezadostnimi izkušnjami in znanjem. Otroke nenehno primerno nadzorujte, da se ne bodo igrali z napravo.
- Med uporabo izdelka nosite popolno osebno zaščitno opremo, kot so škornji, varnostne rokavice, varnostne čelade z vizirjem in oprema za zaščito sluha. Uporabljajte izključno vizirje, odporne na močne udarce, z zaščito pred škropljenjem tekočin.

⚠ OPOZORILO

Ne uporabljajte izdelka, če so v delovnem območju druge osebe, ki ne nosijo zaščitnih oblačil.

- Za zmanjšanje nevarnosti poškodb naj se otroci in obiskovalci ne zadržujejo v bližini. Vsi opazovalci morajo nositi zaščitna očala in stati na varnostni razdalji od delovnega območja.
- Preverite, ali so varnostne naprave, kot so varnostni ventili, stikala za tok in tlačna stikala v dobrem delovnem stanju. Pred vsako uporabo se prepričajte, da vse varnostne naprave pravilno delujejo:
 - Stikalo za vklop/izklop
 - Stikalo za vklop/izklop preprečuje nenamerno delovanje izdelka.
 - Zaklep sprožilnega ročaja
 - Zaklep sprožilnega ročaja zaklene sprožilec in prepreči nenamerno odpiranje visokotlačnega curka.
 - Varnostni ventil s tlačnim stikalom
 - Varnostni ventil preprečuje prekoračitev dopustnega delovnega tlaka. Ob sprostitvi ročice na sprožilni pištoli tlačno stikalo izklopi črpalko in

ustavi visokotlačni curek. S potegom ročice se črpalka znova vklopi.

- Zaščita pred preobremenitvijo
 - Termalni senzor varuje izdelek pred preobremenitvijo. Če se izdelek pregreje, se napajanje samodejno prekine.
- Če so poškodovani pomembni deli, kot so varnostne naprave, visokotlačne cevi ali sprožilna pištola, izdelka ne uporabljajte.
- Pri odpiranju sprožilca bodite previdni. Ročaj trdno držite z obema rokama, da se izognete poškodbam, ki bi lahko nastale ob povratnem udarcu ročaja.

⚠ OPOZORILO

Med uporabo visokotlačnih čistilcev lahko nastanejo aerosoli. Vdihavanje aerosolov lahko škoduje zdravju.

⚠ OPOZORILO

Glede na vrsto dela lahko za visokotlačno čiščenje uporabite zaščitene šobe, da zmanjšate izpuste vodnih aerosolov. Vendar uporaba teh naprav ni možna pri vseh vrstah dela. Če uporaba zaščitene šobe za zaščito pred aerosoli ni možna, morate glede na okolje, v katerem poteka čiščenje, morda uporabiti dihalno masko razreda FFP 2 ali enakovredno.

- Če izdelek pustite nenadzorovan, ga vedno ustavite.
- Visokotlačni curek je lahko ob napačni uporabi nevaren. Curka ne usmerjajte v osebe, električno opremo pod napetostjo ali sam izdelek.
- Za preprečitev nevarnosti eksplozije ne škropite vnetljivih tekočin.
- Ne čistite oblačil ali obuval tako, da bi curek usmerili vase ali v druge osebe.
- Izdelka ne uporabljajte za čiščenje elektronskih naprav, oblačil ali obutve.
- Visokotlačne gibke cevi, pritrdila in spojke so pomembne za varnost izdelka. Uporabljajte izključno gibke cevi, pritrdila in spojke, ki jih priporoča proizvajalec.

VARNOSTNA OPOZORILA GLEDE ELEKTRIKE

- Vtiči električnih orodij se morajo prilegati vtičnicam. Vtiča nikoli in na noben način ne smete spreminjati. Nespremenjeni vtiči in ustrezne vtičnice zmanjšajo tveganje električnega udara.
- Če je poškodovan napajalni kabel ali drugi pomembni deli, kot so varnostne naprave, izdelka ne uporabljajte.
- Pred vsako uporabo preverite, ali sta napajalni kabel in električni podaljšek poškodovana. Poškodovan napajalni kabel ali podaljšek mora zamenjati proizvajalec, njegov servisni agent ali podobno usposobljena oseba, da se prepreči nevarnost.
- Kabel držite proč od vročine, olja ali ostrih robov.
- Električnega vtiča in vtičnice se nikoli ne dotikajte z mokrimi rokami.
- Neustrezni električni podaljški so lahko nevarni. Če uporabljate električni podaljšek, mora biti primeren za zunanjo uporabo, priključek pa mora biti suh in dvignjen od tal. Uporabite podaljšek na kolutu, katerega vtičnica je vsaj 60 mm nad tlemi.
- Električni priključek mora izdelati usposobljen električar in mora biti v skladu z IEC 60364-1. Priporočamo, da električno napajanje izdelka vsebuje napravo za preostali tok, ki prekine napajanje, če uhajajoči tok na ozemljitev preseže 30 mA za 30 ms, ali napravo, ki zaščiti ozemljitveni tokokrog.

DODATNA VARNOSTNA OPOZORILA

- Predpisi nekaterih regij omejujejo uporabo tega izdelka. Za nasvet se obrnite na lokalne oblasti.
- Pred vsako uporabo preverite, ali je izdelek poškodovan. Poškodovano visokotlačno gibko cev je treba takoj zamenjati. Prepričajte se, da so vse povezave, kot sta visokotlačna gibka cev in šoba, trdne. Gibko cev pravilno odvijte, da preprečite pregibanje in nastajanje zank.
- Otrokom in neusposobljenim osebam ne dovolite, da bi uporabljali ta izdelek.
- Pred čiščenjem zaprite vrata in okna. Iz območja, ki ga želite očistiti, odstranite grušč, igrače, zunanje pohištvo ali druge



predmete, ki bi lahko povzročili nevarnost.

- Nikoli ne dvigujte ali prenašajte izdelka med delovanjem motorja.
- Izdelka ne uporabljajte pri temperaturah, nižjih od 0 °C.
- V izdelku ne uporabljajte kislin, alkalnih sredstev, topil, vnetljivega materiala, belil ali industrijskih raztopin. Ti izdelki lahko povzročijo telesne poškodbe uporabnika in nepopravljive poškodbe izdelka.
- Izdelek vedno uporabljajte na ravni površini.

⚠ OPOZORILO

Visokotlačni curek je lahko ob napačni uporabi nevaren. Curka se ne sme usmerjati v osebe, živali, električne naprave ali sam izdelek.

- Sprožilni ročaj trdno držite z obema rokama. Ob potegu sprožilca pričakujte premik ročaja zaradi povratne sile. Če tega ne pričakujete, lahko izgubite nadzor in poškodujete sebe ter druge.
- Pred vklopom izdelka poskrbite, da iz gibke cevi in črpalke izpustite zrak. Zrak iz gibke cevi in črpalke odstranite tako, da priključite vodo na črpalko z uporabo vrtno cevi, priključite ročaj sprožilca na črpalko z uporabo visokotlačne gibke cevi, deaktivirate zaklep ročaja sprožilca in držite sprožilec, dokler ne dosežete enakomernega toka.
- Bodite previdni, da vam ne spodrsne in ne padete.
- Pazite na ravnotežje in ne pretiravajte. Nesiahajte preliš daleko. Pretiravanje lahko povzroči izgubo ravnotežja.
- Uporabljajte samo dodatno opremo, ki je odobrena s strani proizvajalca. Uporaba neprimernih dodatkov lahko privede do poškodb.
- Izdelka nikoli ne pustite delovati brez nadzora. Izklopite izdelek. Počakajte ob izdelku, dokler se povsem ne ustavi.
- Seznanite se z upravljanjem. Naučite se, kako ustavite izdelek in hitro sprostite tlak.
- Bodite pozorni in imejte nadzor. Bodite pozorni kaj delate in uporabljajte občutek.
- Ne uporabljajte je, ko ste utrujeni ali pod vplivom drog, alkohola ali zdravil. Trenutek

nepazljivosti med uporabo izdelka lahko privede do resnih telesnih poškodb.

- Ne uporabljajte izdelka, če se ga s stikalom ne da vklopiti ali izklopiti. Izdelek, ki ga ni mogoče upravljati s stikalom, je nevaren in ga je potrebno popraviti.
- Med čiščenjem vozil vzdržujte najmanjšo razdaljo 30 cm. Visokotlačni curek lahko poškoduje ali preluknja pnevmatike vozil in/ali ventile pnevmatik.
- Uporabite vrtno cev, dolgo največ 15 m in najmanjšega premera 18 mm (3/4 in.)
- Pred vsako uporabo poskrbite, da je dodatek varno pritrdjen na sprožilno pištolo.

ZAŠČITA PRED PREOBREMENITVIJO

Izdelek ima pripravo za zaščito pred preobremenitvijo, če se pregreje ali pride do tokovnega viška, ki samodejno izklopi tok v izdelku. Za nadaljevanje delovanja, morate napravo odklopiti z električnega omrežja, počakati 15 minut in jo nato ponovno priključiti.

TRANSPORT IN SHRANJEVANJE

⚠ POZOR

Pri izbiri mesta shranjevanja izdelka in med njegovim prevozom upoštevajte njegovo težo, da preprečite nesreče ali poškodbe.

- Ustavite izdelek, izklopite ga iz napajanja in počakajte, da se ohladi. Izdelek pred shranjevanjem ali prevozom izklopite iz vodovodnega priključka. Izdelek naj bo vedno v pokončnem položaju.
- Pred shranjevanjem izdelka odstranite vodo iz vseh cevi in črpalke ter izpraznite rezervoar za čistilno sredstvo.
- Očistite vse tujke z izdelka. Shranite ga na hladno, suho in dobro prezračevano mesto, ki je zavarovano pred zmrzaljo in nedostopno otrokom. Hranite proč od jedkih sredstev, kot so kemikalije za vrtnarjenje in soli za odmrzovanje. Ne shranjujte na prostem.
- Za transport zavarujte izdelek pred premiki ali padci, da preprečite poškodbe oseb ali izdelka.



⚠ OPOZORILO

Izdelek shranjujte izključno v zaprtih prostorih. Ob shranjevanju pri temperaturah, nižjih od 0° C, se izdelek poškoduje.

VZDRŽEVANJE

⚠ OPOZORILO

Uporabljajte le originalne rezervne dele in dodatke, ki jih priporoča proizvajalec. V nasprotnem primeru naprava lahko slabo deluje, povzroči poškodbe, garancija pa ne velja več.

⚠ OPOZORILO

Servisiranje zahteva posebno pozornost in znanje in naj jo zato opravlja samo izurjeni servisni tehnik. Za servisiranje odnesite izdelek na pooblaščen servis. Pri servisiranju uporabljajte samo originalne nadomestne dele.

- Ustavite izdelek, izklopite ga iz napajanja in počakajte, da se ohladi. Izdelek izklopite iz vodovodnega priključka pred naslednjimi opravili:
 - čiščenje izdelka
 - vzdrževanje izdelka
 - nameščanje rezervnih delov
- Opravite lahko samo tukaj navedene prilagoditve ali popravila. Za druga popravila ali nasvete se posvetujte s pooblaščenim storitvenim centrom.
- Visokotlačni čistilec redno pregledujte in vzdržujte, da zagotovite varno delovanje. Podjetje RYOBI priporoča, da izdelek pregledate vsakih 6 mesecev.
- Pogosto preverjajte, ali so vse matice in vijaki dobro priviti in tako zagotovite varno delovno stanje izdelka. Vsak poškodovani del mora ustrezno popraviti ali zamenjati pooblaščen servisni center.

REZIDUALNA TVEGANJA

Tudi če izdelek uporabljate tako, kot je predpisano, še vedno ne moremo izključiti določenih preostalih dejavnikov tveganja. Med uporabo se lahko pojavijo naslednje nevarnosti, upravljavec pa naj bo pozoren na sledeče:

- Poškodbe, ki jih povzroči visokotlačni curek
 - Visokotlačnega curka ne usmerjajte v osebe, živali in vase.
- Poškodbe, ki jih povzroči povratni udarec
 - Ročaj ali sprožilec vedno trdno držite z obema rokama.
- Poškodbe, ki jih povzroči vdihavanje aerosolov
 - Nosite ustrezno dihalno masko.
- Poškodbe, ki jih povzroči hrup
 - Nosite zaščito za ušesa

ZMANJŠANJE TVEGANJA

Ugotovljeno je bilo, da lahko pri nekaterih posameznikih vibracije ročnih orodij povzročijo Raynaudov sindrom. Simptomi so lahko mravljinca, otrplost in pobeljeni prsti, kar je običajno vidno, kadar je oseba izpostavljena mrazu. Dedni dejavniki, izpostavljenost mrazu in vlagi, dieta, kajenje in delovne navade naj bi pripomogle k razvoju teh simptomov. Za zmanjšanje učinkov vibracij lahko upravljavec upošteva naslednja navodila:

- Poskrbite, da bo vaše telo na mrazu toplo. Med upravljanjem nosite rokavice in tako ohranjajte toploto vaših dlani in zapestij.
- Po vsakem obdobju upravljanja naprave telovadite in tako pospešite krvni obtok.
- Pogosto si vzemite odmor. Omejite dnevno količino izpostavljenosti.

Če zaznavate kakršne koli simptome takšnega stanja, takoj prenehajte z uporabo naprave in se o simptomih posvetujte z zdravnikom.

⚠ OPOZORILO

Daljša uporaba orodja lahko privede do poškodb ali pa so poškodbe lahko hujše. Kadar orodje uporabljate dalj časa, si večkrat vzemite odmor.

SPOZNAJTE SVOJ IZDELEK

Glejte stran 181

1. Zaklep sprožilnega ročaja
2. Sprožilec
3. Ročaj
4. Stikalo za vklop
5. Držalo napajalnega kabla
6. Napajalni kabel
7. Vodni odtok
8. Visokotlačna gibka cev

9. Palica s turbo šobo
10. Palica škropilne šobe
11. Adapter *
12. Posoda za milo
13. Nastavek za dovod vode s filtrom
14. Vodni dotok
15. Podaljšana palica
16. Držalo ročaja sprožilca
17. Sprožilna pištola
18. Dovod sprožilne pištole

* Združljivi prilagojevalnik za dodatke tlačnih čistilcev KÄRCHER. KÄRCHER je registrirana blagovna znamka podjetja Alfred Kärcher GmbH & Co. KG.

OPOMBA: Preverite, ali se tehnični podatki dodatka ujemajo s tehničnimi podatki visokotlačnega čistilca RYOBI.

OPOMBA: Če uporabljate čistilno sredstvo, glejte materialni varnostni podatkovni list čistilnega sredstva.

SIMBOLI NA IZDELKU



Opozorilo



Orodje razreda II, dvojna izolacija



Za zmanjšanje nevarnosti poškodb si preberite in osvojite vsebino navodil, preden izdelek uporabite.



Nosite zaščito za oči in ušesa.



Če je kabel poškodovan ali prerezan, ga takoj izklopite iz vtičnice.



Nevarnost električnega udara.



Izdelek ni primeren za priključitev na vodovod za pitno vodo brez naprave za preprečevanje povratnega toka.



Škropilne palice nikoli ne usmerjajte v osebe, živali, stroje, napajalne naprave ali električne naprave.



Nevarnost izbruha



Ustreza vsem predpisanim standardom v državi članici EU, kjer je bil kupljen izdelek.



EurAsian oznaka o skladnosti



Ukrajinska oznaka za skladnost



Zajamčena raven zvočne moči na tej oznaki je 92 dB.



Odpadne električne izdelke odlagajte skupaj z ostalimi gospodinjstvi odpadki. Reciklažo opravljajte na predpisanih mestih. Za reciklažni nasvet se obrnite na lokalne oblasti.

SIMBOLI V TEM PRIROČNIKU



Nadenite si nedrseče zaščitne rokavice za težka dela.



Priključite v vtičnico.



Izključite iz vtičnice.



Deli ali dodatki so na prodaj ločeno



Opomba



Opozorilo

Sledeče signalne besede in pomeni naj bi pojasnili ravni tveganja, ki so povezane s tem izdelkom.

⚠ NEVARNOST

Označuje neizbežno tvegano stanje, ki če se ji ne izognete lahko povzroči smrt ali resno poškodbo.

⚠ OPOZORILO

Označuje morebitno tvegano stanje, ki če se ji ne izognete lahko povzroči smrt ali resno poškodbo.

⚠ POZOR

Označuje morebitno tvegano stanje, ki če se mu ne izognete lahko povzroči manjšo ali srednje resno poškodbo.

POZOR

Brez simbola za varnostno opozorilo

Prikazuje situacijo, ki lahko povzroči materialno škodo.

EN
FR
DE
ES
IT
NL
PT
DA
SV
FI
NO
RU
PL
CS
HU
RO
LV
LT
ET
HR
SL
SK
BG
UK
TR

ODPRAVLJANJE NAPAK

Problem	Možen vzrok	Rešitev	
Naprava se ne zažene.	Naprava ni vklopljena v napajanje.	Vklopite napravo.	
	Pokvarjena vtičnica.	Poskusite drugo vtičnico.	
	Pokvarjen podaljšek.	Poskusite brez podaljška.	
Nihanje tlaka.	Črpalka sesa zrak.	Preverite, ali gibke cevi in priključki tesnijo.	
	Ventili so umazani, izrabljeni ali zatakneni.	Za servisiranje odnesite izdelek na pooblaščen servis.	
	Obrabljena tesnila črpalke.	Za servisiranje odnesite izdelek na pooblaščen servis.	
Motor se ustavi.	Varovalka je pregorela.	Za servisiranje odnesite izdelek na pooblaščen servis.	
	Napačna napetost napajanja.	Preverite, ali napetost napajanja ustreza tehničnim podatkom, navedenim na ploščici modela.	
	Aktiviral se je temperaturni senzor.	Počakajte 15 minut, da se izdelek ohladi.	
Naprava pulzira.	Šoba je delno zamašena.	Očistite šobo.	
	Zrak v dovodni gibki cevi/črpalci.	Izdelek pustite delovati pri odprtem sprožilcu, dokler se znova ne vzpostavi delovni tlak.	
	Nezadostna oskrba z vodo.	Preverite, ali dovod vode izpolnjuje zahtevane tehnične podatke (glejte ploščico modela). Ne uporabljajte dolgih, tankih gibkih cevi.	
	Šoba je delno zamašena.	Očistite šobo.	
	Zamašen vodni filter.	Očistite filter.	
Naprava se pogosto sama zažene in ustavi.	Zavozlana gibka cev.	Zravnajte gibko cev.	
	Puščanje črpalke/škopilnega ročaja.	Za servisiranje odnesite izdelek na pooblaščen servis.	
	Naprava se zažene, ne teče voda	iz črpalke, gibkih cevi ali drugih dodatkov ne teče voda zaradi zmrzali.	Počakajte, da se črpalka, gibke cevi ali drugi dodatki odtalijo.
		Ni oskrbe z vodo.	Priklopite priključek za dovod vode na oskrbo z vodo.
Zamašen vodni filter.		Očistite filter.	
Ni čistilnega sredstva	Zamašena šoba.	Očistite šobo.	
	Šoba nastavljena na visok tlak	Nastavite na nizek tlak.	
	Rezervoar je prazen.	Napolnite rezervoar.	

Bezpečnosť, efektívnosť a spoľahlivosť boli prvoradá pri navrhovaní vášho elektrického vysokotlakového čističa.

ÚČEL POUŽITIA

Elektrický vysokotlakový čistič je určený len na vonkajšie použitie. Z bezpečnostných dôvodov musí byť krovínorez náležite ovládaný pomocou oboch rúk.

Tento produkt je určený na domáce použitie. Je určený na čistenie strojov, vozidiel, budov, podláh, náradia, fasád, terás, betónových podláh a chodníkov odstraňovaním odolných nečistôt pomocou čistej vody alebo vody s čistiacim prostriedkom.

Tento výrobok sa môže používať s turbo dýzou, striekacou dýzou, kefou na umývanie a povrchovým čističom. Kefa na umývanie sa používa na účinné čistenie áut, bicyklov a iných predmetov vyžadujúcich striekanie alebo používanie čistiaceho prípravku. Striekacia dýza sa používa na čistenie povrchov, ktoré vyžadujú postriekanie, alebo ak sa používa detergent. Povrchový čistič sa používa na čistenie povrchov a ošetrovanie povrchov kefou.

Musí sa používať v suchom a dobre osvetlenom prostredí.

Nepoužívajte na žiadne iné účely.

VAROVANIE

Tento výrobok je určený na použitie s neutrálnym čistiacim prostriedkom, dodaným alebo odporučeným výrobcom. Použitie iných čistiacich prostriedkov alebo chemikálií môže mať nepriaznivý vplyv na bezpečnosť výrobku.

VŠEOBECNÉ BEZPEČNOSTNÉ VÝSTRAHY

VAROVANIE

Prečítajte si všetky bezpečnostné výstrahy a pokyny. Pri nedodržaní týchto výstrah a pokynov môže dôjsť k úrazu elektrickým prúdom, požiaru a/alebo závažnému poraneniu.

VAROVANIE

Tento výrobok nesmie byť pripojený k prívodu pitnej vody bez nainštalovaného spätného ventilu, ktorý zodpovedá norme EN 12729 typ BA. Voda, ktorá pretečie spätným ventilom, sa už viac nepovažuje za pitnú vodu. Vždy dodržiavajte predpisy miestnej vodárenskej spoločnosti pri pripojovaní výrobku do vodovodnej siete.

- Výrobok nie je určený na to, aby ho používali deti alebo osoby so zníženými fyzickými, zmyslovými alebo duševnými schopnosťami alebo s chýbajúcimi skúsenosťami a vedomosťami. Deti musia byť pod primeraným dozorom, aby sa nemohli s produktom hrať.
- Pri používaní výrobku noste kompletné osobné ochranné prostriedky, ako sú topánky, ochranné rukavice, bezpečnostné prilby s chráničom a ochranu sluchu. Používajte ochranný štít, odolný proti odstrekujúcej kvapaline.

VAROVANIE

Nepoužívajte výrobok v dosahu osôb, ktoré nemajú oblečený ochranný odev.

- Aby ste znížili riziko úrazu, udržiavajte deti a prizerajúce sa osoby v bezpečnej vzdialenosti. Všetky iné osoby by mali mať ochranné okuliare a stáť v dostatočnej vzdialenosti od pracoviska.
- Skontrolujte bezpečnostné zariadenia, ako sú poistné ventily, prietokové spínače a tlakové spínače, aby ste si overili, či sú v dobrom prevádzkovom stave. Pred každým použitím sa uistite, že všetky bezpečnostné zariadenia pracujú správne:
 - Spínač na zapnutie/vypnutie
 - Hlavný vypínač zabraňuje náhodnému spusteniu výrobku.
 - Poistka vypínača na rukoväti
 - Poistka vypínača na rukoväti zaisťuje vypínač a zabraňuje náhodnému otvoreniu vysokotlakového prúdu vody.
 - Prepúšťací ventil s tlakovým spínačom
 - Prepúšťací ventil zabraňuje prekročeniu povoleného prevádzkového tlaku. Ak uvoľníte

páčku na striekacej pištoli, tlakový spínač vypne čerpadlo a vysokotlakový prúd vody sa zastaví. Po potiahnutí páčky sa čerpadlo znova spustí.

- Ochrana pred preťažením
 - Tepelný snímač chráni výrobok pred preťažením. Pri preťažení sa výrobok automaticky vypne.
- Nepoužívajte výrobok, ak sú poškodené jeho dôležité súčasti, ako sú bezpečnostné zariadenia, vysokotlakové hadice, alebo striekacia pištoľ.
- Buďte opatrní pri otvaraní spúšťača. Držte rukovať pevne obidvomi rukami, aby ste sa vyhli zraneniu pri spätnom ráze rukováti.

⚠ VARO VANIE

Pri použití vysokotlakových čističov sa môžu vytvárať aerosóly. Vdychovanie aerosólov môže byť nebezpečné pre zdravie.

⚠ VARO VANIE

V závislosti od použitia, je možné na tlakové čistenie použiť zakryté trysky, ktoré znižujú emisiu vodných aerosólov. Nie všetky aplikácie však umožňujú použitie takéhoto zariadenia. V prípade, že na ochranu proti aerosólom nie je možné použiť zakryté trysky, bude potrebné použiť respiračnú masku triedy FFP 2 alebo jej ekvivalent, v závislosti od čistoty prostredia.

- Nikdy nenechávajte výrobok zapnutý bez dozoru, vždy ho vypnite.
- Vysokotlakový prúd je nebezpečný pri nesprávnom používaní. Prúd vody nesmerujte na osoby, elektrické zariadenia pod napätím alebo na samotné zariadenie.
- Aby ste zabránili nebezpečenstvu výbuchu, nikdy nerozstrekujte horľavé kvapaliny.
- Prúd nesmerujte na seba ani na iné osoby, aby ste očistili odev alebo obuv.
- Nepoužívajte výrobok na čistenie elektrických zariadení, oblečenia alebo obuvi.
- Vysokotlakové hadice, armatúry a spojky majú veľký význam z hľadiska bezpečnosti výrobku. Používajte výhradne vysokotlakové hadice, armatúry a spojky odporúčané výrobcom.

ELEKTRICKÉ BEZPEČNOSTNÉ VÝSTRAHY

- Elektrické zástrčky musia zodpovedať zásuvke. Zástrčku nikdy žiadnym spôsobom neupravujte. Použitím neupravovaných zástrčiek a zodpovedajúcich zásuviek sa znižuje riziko úrazu elektrickým prúdom.
- Nepoužívajte tento výrobok, ak je poškodený napájací kábel alebo iné dôležité súčasti, ako sú bezpečnostné zariadenia.
- Pred každým použitím skontrolujte, či nie je poškodený napájací alebo predlžovací kábel. Ak dôjde k poškodeniu sieťového alebo predlžovacieho kábla, musí ho vymeniť výrobca, jeho servisný zástupca alebo podobne kvalifikovaná osoba, aby sa predišlo nebezpečenstvu.
- Napájací kábel nedávajte do blízkosti tepla, oleja alebo ostrých okrajov.
- Nikdy sa nedotýkajte sieťovej zástrčky a zásuvky mokrymi rukami.
- Nevhodné predlžovacie káble môžu byť nebezpečné. V prípade použitia predlžovacieho kábla, musí byť tento vhodný na vonkajšie použitie a pripojenie sa musí nachádzať na suchom mieste mimo podlahy. Používajte navíjací bubon, bola zásuvka umiestnená minimálne 60 mm nad zemou.
- Pripojenie k zdroju napájania musí realizovať kvalifikovaný elektrotechnik a musí byť dodržaná norma IEC 60364-1. Odporúčame, aby zdroj napájania výrobku elektrickou energiou obsahoval zariadenie na zvyškový prúd, ktoré preruší napájanie, ak zvodový prúd smerom k zemi prekročí 30 mA počas 30 ms, alebo zariadenie, ktorým sa zrealizuje uzemňovací obvod.

AKUMULÁTOR – BEZPEČNOSTNÉ VÝSTRAHY

- Niektoré regióny majú nariadenia, ktoré obmedzujú použitie produktu. Poradte sa s miestnym úradom.
- Pred každým použitím skontrolujte výrobok, či nie je poškodený. Poškodená vysokotlaková hadica musí byť okamžite vymenená. Zaiste bezpečnosť všetkých pripojení, ako sú vysokotlaková hadica a dýza. Odmotávajte hadicu správne, aby nedochádzalo k jej skrúteniu alebo zalomeniu.



- Nedovoľte tento produkt používať deťom a nezaškoleným osobám.
- Pred spustením akéhokoľvek čistenia zatvorte dvere a okná. Odstráňte z miesta, ktoré sa chytáte vyčistiť úlomky, hračky, záhradný nábytok alebo iné predmety, ktoré by mohli predstavovať nebezpečenstvo.
- Produkt nikdy nedvíhajte ani neprenášajte, keď motor beží.
- Nepoužívajte výrobok pri teplotách nižších ako 0 °C.
- Nepoužívajte v tomto výrobku kyseliny, zásady, rozpúšťadlá, horľavé materiály, bielidlá, alebo priemyselné roztoky. Tieto látky môžu spôsobiť telesné zranenie obsluhy a nezvratné škody na zariadení.
- Vždy používajte výrobok na rovnom povrchu.

⚠ VAROVANIE

Vysokotlakový prúd vody môže byť pri nebezpečný, ak sa používa nesprávne. Prúd vody nesmie byť nasmerovaný na osoby, zvieratá, elektrické zariadenia a na výrobok samotný.

- Rukoväť spúšťača držte pevne obidvomi rukami. Očakávajú spätný pohyb rukoväti pri stlačení spúšťača, ako dôsledok reakčných síl. Neočakávaný spätný pohyb môže spôsobiť stratu kontroly a zranenie vás alebo iných osôb.
- Pred zapnutím výrobku preverte, či je vzduch v hadici a čerpadle uvoľnený. Ak chcete odstrániť vzduchu z hadice a čerpadla, pomocou záhradnej hadice pripojte prívod vody k čerpadlu, pomocou vysokotlakovej hadice pripojte rúčku s vypínačom k čerpadlu, uvoľnite poistku na rúčke s vypínačom a vypínač stlačte, až kým nedosiahnete rovnomerný prúd.
- Dávajte pozor, aby ste sa nepošmykli alebo nespadli.
- Udržujte bezpečný postoj a rovnováhu. Neprečúňte sa. Prečúvanie sa môže spôsobiť stratu rovnováhy.
- Používajte výhradne príslušenstvo schválené výrobcom. Použitie nesprávneho príslušenstva môže zapríčiniť poranenie.
- Spustený výrobok nikdy nenechávajte bežať bez dozoru. Vypnite výrobok.

Výrobok až do úplného zastavenia neopúšťajte.

- Zoznámte sa s ovládacími prvkami. Naučte sa, ako zastaviť výrobok a rýchlo vypustiť tlak.
- Buďte ostražití a vykonávajte kontrolu. Sledujte, čo robíte a používajte zdravý rozum.
- Stroj nikdy nepoužívajte, ak ste unavení, pod vplyvom liekov, alkoholu alebo drog. Chvíľa nepozornosti počas obsluhy produktu môže spôsobiť závažné osobné poranenie.
- Nepoužívajte zariadenie, ak ho spínač nezapína a nevypína. Produkt, ktorý sa nedá ovládať spínačom, je nebezpečný a musí sa dať opraviť.
- Pri čistení vozidla dodržiavajte minimálnu vzdialenosť 30 cm. Vysokotlakový prúd vody môže poškodiť alebo spôsobiť popraskanie pneumatík vozidla alebo poškodiť ventily na pneumatikách.
- Používajte záhradnú hadicu maximálnej dĺžky 15 m s minimálnym priemerom 18 mm (3/4 palca.)
- Pred každým použitím skontrolujte, že príslušenstvo je bezpečne nástroji so spúšťačom.

OCHRANA PROTI PREŤAŽENIU

Tento produkt má zariadenie na ochranu proti preťaženiu, ktoré sa aktivuje pri prehriatí alebo prírodovej špičke a automaticky vypne napájanie produktu. Prevádzku obnovíte tak, že odpojíte produkt z elektrickej siete, počkáte asi 15 minút a znova ho zapojíte.

PREPRAVA A SKLADOVANIE

⚠ VÝSTRAHA

Pri výbere miesta skladovania a počas prepravy berte do úvahy hmotnosť výrobku, aby sa tak zabránilo vzniku nehôd alebo zraneniam.

- Zastavte výrobok, odpojte ho od zdroja napájania a nechajte výrobok vychladnúť. Pred uskladnením alebo prepravou odpojte výrobok od prívodu vody. Nikdy neukladajte výrobok do inej ako vzpriamenej polohy.
- Odstráňte vodu zo všetkých hadíc a čerpadla a vyprázdňte nádržku na čistiaci



prostriedok pred uskladnením výrobku.

- Odstráňte zo zariadenia všetky cudzie materiály. Uskladnite ho na suchom, dobre vetranom, mieste chránenom pred mrazom, do ktorého nemajú prístup deti. Náradie neuskladňujte v blízkosti žieravých látok, ako napríklad v blízkosti záhradníckych chemických prípravkov alebo solí na zimný posyp komunikácií. Neskladujte v exteriéri.
- Pri preprave zaistíte produkt pred pohybom alebo pádom, aby nedošlo k poraneniu osôb alebo poškodeniu produktu.

⚠ VAROVANIE

Výrobok skladujte len vnútri. Skladovaním na mieste s teplotou pod 0° sa výrobok poškodí.

ÚDRŽBA

⚠ VAROVANIE

Používajte len originálne náhradné diely, príslušenstvo a nástavce výrobcu. V opačnom prípade môže dôjsť k možnému poraneniu, nedostatočnému výkonu a strate platnosti záruky.

⚠ VAROVANIE

Údržba vyžaduje extrémnu starostlivosť a znalosti, a musí byť prevádzkaná výhradne v autorizovanom servise. Ak chcete vykonať servis, prineste produkt do autorizovaného servisného centra. Pri servise používajte len originálne náhradné diely výrobcu.

- Zastavte výrobok, odpojte ho od zdroja napájania a nechajte výrobok vychladnúť. Odpojte výrobok od prívodu vody pred:
 - čistenie produktu
 - údržbou výrobku
 - výmenou náhradných dielov
- Môžete vykonávať len úpravy alebo opravy popísané v tejto príručke. Pri ostatných opravách alebo ak potrebujete radu, vyhľadajte pomoc v autorizovanom servisnom centre.
- Pravidelne kontrolujte a vykonávajte údržbu vysokotlakového čističa pre jeho bezpečnú prevádzku. Spoločnosť RYOBI odporúča vykonávať kontrolu výrobku každých 6 mesiacov.

- Skontrolujte všetky skrutky, matice v častých intervaloch či sú riadne utiahnuté, aby sa zaistila bezpečná prevádzka produktu. Akýkoľvek poškodený diel sa musí náležite opraviť alebo vymeniť v autorizovanom servisnom centre.

ZVYŠKOVÉ RIZIKÁ

Aj keď sa nástroj používa podľa predpisu, nie je možné eliminovať určité zvyškové rizikové faktory. Pri použití vznikajú nasledujúce riziká a obsluhujúca osoba musí venovať zvláštnu pozornosť, aby nedošlo k nasledovnému:

- Poranenie spôsobené vysokotlakovým prúdom vody
 - Vyvarujte sa namiereniu vysokotlakového prúdu vody na osoby, zvieratá alebo na seba.
- Poranenie spôsobené spätným rázom
 - Vždy držte ruku alebo tyč spúšťača pevne obidvomi rukami.
- Poranenie spôsobené vdýchnutím aerosólov
 - Noste vhodnú respiračnú masku.
- Zranenie spôsobené hlukom
 - Používajte chrániče sluchu

OBMEDZENIE RIZIKA

Boli hlásené prípady, kedy vibrácie z ručných nástrojov u niektorých osôb prispeli k stavu nazývanému Raynaudov syndróm. K symptómom patria: trpnutie, znecitlivenie a blednutie prstov, zvyčajne zjavné po vystavení zime. Je známe, že k vývoju týchto symptómov prispievajú: dedičné faktory, vystavovanie zime a vlhkosti, diéta, fajčenie a pracovné návyky. Opatrenia, ktoré môže vykonať obsluhujúca osoba na možné zníženie účinkov vibrácií:

- V studenom počasí udržiavajte svoje telo v teple. Pri práci s produktom noste rukavice, aby ste mali ruky a zápästia v teple.
- Po každom určitom časovom úseku prevádzky cvičte, aby ste zlepšili krvný obeh.
- Počas práce si doprajte časté prestávky. Obmedzte počet vystavení za deň.

Ak zistíte ktorýkoľvek zo symptómov tohto stavu, okamžite prerušte používanie zariadenia, navštívte svojho lekára a povedzte mu o symptómoch.

⚠ V AROVANIE

Pri dlhodobom alebo zvýšenom používaní môže dôjsť k zraneniam. Pri používaní nástroja príliš dlhé obdobia si vždy doprajte pravidelnej prestávky.

OBOZNÁMTE SA S VAŠIM PRODUKTOM

Pozrite stranu 181.

1. Poistka vypínača na rukoväti
2. Spínač
3. Rúčka
4. Hlavný vypínač
5. Držiak sieťového kábla
6. Napájací kábel
7. Odtok vody
8. Vysokotlaková hadica
9. Tyč s turbo dýzou
10. Tyč so striekacou dýzou
11. Adaptér *
12. Fľaša so saponátom
13. Spojka prívodu vody s filtrom
14. Prívod vody
15. Predĺžená tyč
16. Držiak rukoväti spúšťača
17. Nástroj so spúšťačom
18. Prívod do nástroja so spúšťačom

* Kompatibilný adaptér pre príslušenstvo pre tlakový čistič KÄRCHER. KÄRCHER je registrovaná ochranná známka spoločnosti Alfred Kärcher GmbH & Co. KG.

POZNÁMKA: Skontrolujte, že špecifikácia príslušenstva vyhovuje špecifikáciám vysokotlakového čističa RYOBI.

POZNÁMKA: Pri používaní čistiaceho prípravku si pozrite kartu bezpečnostných údajov čistiaceho prípravku.

SYMBOLY NA PRODUKTE



Varovanie



Nástroj triedy II, dvojité izolácia



Na zníženie nebezpečenstva poranenia si musí užívateľ pred použitím tohto produktu prečítať a pochopiť návod na obsluhu.



Používajte chrániče zraku a sluchu.



Ak dôjde k poškodeniu alebo prerazaniu kábla, okamžite vyťahujte elektrickú zástrčku zo zásuvky.



Nebezpečenstvo zásahu elektrickým prúdom.



Výrobok nie je vhodný na pripojenie k prívodu pitnej vody bez zariadenia na zabránenie spätného toku.



Nikdy nesmerujte striekacou tyčou na osoby, zvieratá, karosériu stroja, zdroj elektrickej energie ani žiadne elektrické spotrebiče.



Nebezpečenstvo výbuchu



Vyhovuje všetkým regulačným normám v krajine EÚ, v ktorej bol výrobok zakúpený.



Euroázijská značka zhody



Ukrajinské označenie zhody



Garantovaná hladina akustického výkonu, uvedená na tomto štítku, je 92 dB.



Opatrebované elektrické zariadenia by ste nemali odhadzovať do domového odpadu. Prosíme o recykláciu ak je možné. Kontaktujte miestne úrady, alebo predajcu pre viac informácií ohľadom ekologického spracovania.

SYMBOLY V TOMTO NÁVODE



Používajte protišmykové odolné ochranné rukavice.



Pripojte do elektrickej zásuvky.



Odpojte z elektrickej zásuvky.



Diely alebo príslušenstvo
predávané samostatne



Poznámka



Varovanie

Nasledujúce značky a významy vysvetľujú
úroveň rizika spojeným s výrobkom.

NEBEZPEČENSTVO

Označuje bezprostredne nebezpečnú
situáciu, ktorá môže vyústiť v smrť, alebo
vážne zranenie.

VAROVANIE

Označuje potenciálne nebezpečnú
situáciu, ktorá môže vyústiť v smrť, alebo
vážne zranenie.

VÝSTRAHA

Označuje potenciálne nebezpečnú
situáciu, ktorá môže vyústiť v ľahké, alebo
stredne ťažké zranenie.

VÝSTRAHA

Bez symbolu bezpečnostného alarmu
Označuje situáciu, ktorá môže zapríčiniť
poškodenie majetku.

RIEŠENIE PROBLÉMOV

Problém	Možná príčina	Riešenie
Zariadenie odmieta naštartovať	Zariadenie nie je pripojené k elektrickej sieti	Zariadenie pripojte k elektrickej sieti.
	Chybná zásuvka	Skúste použiť inú zásuvku.
	Chybný predlžovací kábel	Skúste nepoužiť predlžovací kábel.
Kolísavý tlak	Čerpadlo nasáva vzduch	Skontrolujte vzduchotesnosť hadíc a pripojení.
	Ventily sú znečistené, opotrebované alebo zaseknuté	Ak chcete vykonať servis, prineste produkt do autorizovaného servisného centra.
	Tesnenia čerpadla sú opotrebované	Ak chcete vykonať servis, prineste produkt do autorizovaného servisného centra.
Zariadenie sa zastaví	Poistka je vypálená.	Ak chcete vykonať servis, prineste produkt do autorizovaného servisného centra.
	Nesprávne sieťové napätie	Overte, že sieťové napätie zodpovedá parametrom na výrobnom štítku.
	Je aktivovaný tepelný snímač	Výrobok nechajte 15 minút chladnúť.
	Dýza je čiastočne zablokovaná	Dýzu vyčistite.
Zariadenie pulzuje	Vzduch v prívodnej hadici/ čerpadle	Výrobok nechajte s otvoreným vypínačom bežať, až kým sa neobnoví štandardný prevádzkový tlak.
	Nepostačujúci prívod vody zo siete	Skontrolujte, že prívod vody zodpovedá požadovaným parametrom (pozrite si výrobný štítek). Vyhnite sa používaniu dlhých tenkých hadíc.
	Dýza je čiastočne zablokovaná	Dýzu vyčistite.
	Vodný filter je zanesený	Vyčistite filter.
	Na hadici je slučka	Hadicu narovnajete.
Zariadenie sa často samo spustí a zastaví	Čerpadlo/postrekovacia tyč vykazuje úniky	Ak chcete vykonať servis, prineste produkt do autorizovaného servisného centra.
Zariadenie sa spustí, nevyteká žiadna voda	z čerpadla alebo hadíc iné príslušenstvo zamrznuté	Počkajte na roztopenie čerpadla, hadíc či iného príslušenstva.
	Žiadny prívod vody	Otvor prívodu vody pripojte k zdroju vody.
	Vodný filter je zanesený	Vyčistite filter.
	Dýza je zablokovaná	Dýzu vyčistite.
Žiadny detergent	Dýza je nastavená na vysoký tlak	Nastavte na nízky tlak.
	Nádržka je prázdna.	Nádržku naplňte.

Безопасността, производителността и надеждността са аспектите, на които е отделен най-голям приоритет при проектирането на вашата водоструйка.

ПРЕДНАЗНАЧЕНИЕ

Електрическата водоструйка е предназначена за употреба само на открито. От съображения за сигурност, продуктът трябва да бъде управляван адекватно чрез работа с двете ръце.

Този продукт е предназначен за домашна или битова употреба. Тя е предназначена за почистване на машини, превозни средства, сгради, подове, инструменти, фасади, тераси и бетонни пътеки чрез отстраняване на упорити замърсявания с помощта на чиста вода, с или без почистващ разтвор.

Продуктът може да се използва с турбо дюза, дюза за пръскане, четка за измиване и приспособление за почистване на повърхности. Четката за измиване се използва за ефективно почистване на автомобили, велосипеди или други предмети, които изискват напръскване или обработка с почистващ препарат. Дюзата за пръскане се използва за почистване на повърхности, при което се изисква пръскане или използване на почистващ препарат. Приспособлението за почистване на повърхности се използва за почистване и полиране на повърхности.

Трябва да се използва при сухи условия с добра осветеност.

Не го използвайте за никакви други цели.

⚠ ПРЕДУПРЕЖДЕНИЕ

Продуктът е предназначен за употреба с доставения в комплекта почистващ препарат или с друг, който също е препоръчан от производител. Използването на други почистващи препарати или химикали може да повлияе неблагоприятно на безопасността на продукта.

ОБЩИ ПРЕДУПРЕЖДЕНИЯ ЗА БЕЗОПАСНОСТ

⚠ ПРЕДУПРЕЖДЕНИЕ

Прочетете всички предупреждения относно безопасността и всички инструкции. Неспазването на предупрежденията и инструкциите може да доведе до токов удар, пожар и/или сериозни наранявания.

⚠ ВНИМАНИЕ

Продуктът не трябва да се използва върху източник на питейна вода, без да има монтиран възвратен клапан, който отговаря на EN 12729 Тип BA. Водата, преминаваща през възвратния клапан, не е годна за пиене. Винаги съблюдавайте разпоредбите на вашата място дружество за водоснабдяване, когато свързвате продукта към линия за подаване на вода.

- Продуктът не е предназначен за използване от деца или лица с намалени физически, сетивни или умствени способности или от лица, които нямат необходимите опит и познания. Децата трябва да бъдат внимателно надзиравани, за да се гарантира, че не си играят с продукта.
- Когато работите с продукта, носете пълна лична защитна екипировка, като напр. ботуши, защитни ръкавици, защитни каски с визьор и антифони. Използвайте визьори против силни удари само със защита против разливане на течности.

⚠ ПРЕДУПРЕЖДЕНИЕ

Не използвайте продукта в близост до други хора, освен ако те не носят защитно облекло.

- За да намалите риска от наранявания, дръжте децата и посетителите надалеч. Всички странични наблюдатели трябва да носят предпазни очила и да стоят на безопасно разстояние от работното пространство.
- Инспектирайте защитните устройства, като напр. предпазните клапаните,

превключвателите за потока и налягането, за да проверите дали са в добро работно състояние. Преди всяка употреба се уверете, че всички защитни устройства работят правилно:

- Превключвател ПУСКАНЕ/СПИРАНЕ
 - Превключвателят „вкл/изкл“ предотвратява неумишлена работа на изделието.
- Ключалка за спусъка на ръкохватката
 - Ключалката за спусъка на ръкохватка заключва спусъка и предотвратява неволно отваряне на струята под високо налягане.
- Преливен вентил с пресостат
 - Преливният вентил предотвратява надвишаване на допустимото работно налягане. Ако лостът на пистолет разпръсквача е отпуснат, пресостатът изключва помпата и струята високо налягане спира. Ако лостът е натиснат, помпата се включва отново.
- Защита от претоварване
 - Термичен датчик защитава продукта от претоварване. При претоварване захранването на продукта ще се изключи автоматично.
- Не използвайте продукта, ако има повредени важни части, напр. защитните устройства, високонапорните маркучи и пистолета.
- Внимавайте, когато работите със спусъка. Дръжте здраво ръкохватката с две ръце, за да избегнете нараняване, когато дръжката удря обратно.

⚠ ПРЕДУПРЕЖДЕНИЕ

При употреба на водоструйки може да се създадат аерозоли. Вдишването на аерозоли може да бъде опасно за здравето.

⚠ ПРЕДУПРЕЖДЕНИЕ

В зависимост от приложението, предпазните дюзи могат да се използват за почистване с високо налягане, което ще намали емисиите на водосъдържащи аерозоли. Въпреки това не всички приложения позволяват употребата на такова устройство. Ако предпазните дюзи не са приложими за защитата от аерозоли, може да бъде необходима защитна маска от клас FFP 2 или еквивалентна, в зависимост от средата за почистване.

- Винаги спирайте продукта, когато го оставяте без надзор.
- Струята под високо налягане е опасна, ако се не използва правилно. Не насочвайте струята към хора, електрическо оборудване под напрежение или към самия продукт.
- За да избегнете риск от взрив, не пръскайте запалими течности.
- Не насочвайте струята срещу себе си или други хора, за да чистите дрехи или обувки.
- Не използвайте продукта за почистване на електронни устройства, дрехи или обувки.
- Високонапорните маркучи, фитингите и куплунгите са важни за безопасността на продукта. Използвайте само маркучи, фитинги и куплунги, препоръчани от производителя.

ПРЕДУПРЕЖДЕНИЯ ЗА БЕЗОПАСНОСТ ПРИ РАБОТА С ЕЛЕКТРИЧЕСТВО

- Щепселът на инструмента трябва да е съвместим с контакта. В никакъв случай не внасяйте изменения в конструкцията на щепсела. Използването на оригиналните щепсели и контакти намалява риска от токов удар.
- Не използвайте продукта, ако има повреден захранващ кабел или други важни части, напр. защитните устройства.
- Проверявайте захранващия кабел и удължителя за повреда преди всяка употреба. Ако захранващият или удължителният кабел е повреден, той трябва да бъде заменен от

производителя, негов сервизен агент или подобни квалифицирани лица, за да се избегне опасност.

- Дръжте захранващия кабел далече от топлина, масло и остри предмети.
- Никога не докосвайте ел. щепсел и контакт с мокри ръце.
- Неподходящите удължителни кабели могат да бъдат опасни. Ако използвате удължителен кабел, той трябва да бъде подходящ за употреба на открито и мястото на включване трябва да бъде сухо и на разстояние от земята. Използвайте удължител с макара, за да държите контакта най-малко на 60 мм над земята.
- Свързването към електрозахранването трябва да се извърши от квалифициран електротехник и трябва да отговаря на стандарт IEC 60364-1. Препоръчва се електрозахранването към продукта да включва или устройство за дефектнотокова защита, което да прекъсне захранването, ако токът на утечка към земя надхвърли 30 mA за 30 ms, или заземително устройство.

ДОПЪЛНИТЕЛНИ ПРЕДУПРЕЖДЕНИЯ ЗА БЕЗОПАСНОСТ

- В някои региони действат наредби, които ограничават употребата на продукта. За съвети се обръщайте към местните власти.
- Проверявайте за повреди преди всяка употреба. Ако има повреден високонапорен маркуч, той трябва да бъде сменен незабавно. Уверете се, че всички свързки, напр. на високонапорния маркуч или дюзата, са здрави и сигурни. Внимателно махайте маркуча, така че да не се усуче или прекъсне.
- Не позволявайте на деца или необучени лица да използват този продукт.
- Преди да започнете работа по почистване, затворете вратите и прозорците. В зоната за почистване не трябва да има отпадъци, играчки, външни мебели или други предмети, които могат да причинят някаква опасност.
- Никога не вдигайте и не носете продукта, докато моторът му работи.

- Не използвайте продукта при температура под 0°C.
- Не използвайте киселини, основи, разтвори, запалими материали, избелители или промишлени разтвори в продукта. Те могат да причинят физически наранявания на оператора и необратима повреда на продукта.
- Винаги работете с продукта на равна повърхност.

⚠ ПРЕДУПРЕЖДЕНИЕ

Струята под високо налягане може да бъде опасна, ако не се използва правилно. Струята не трябва да бъде насочвана към хора, животни, електрически уреди или към самия продукт.

- Дръжте ръкохватката със спусъка здраво с двете ръце. Очаквайте ръкохватката да се движи, когато спусъкът е изтеглен поради силите на реакция. Ако не сте готови за това, може да загубите контрол и да нараните себе си и други хора.
- Уверете се, че в маркуча и помпата няма въздух, преди да включите продукта. За да отстраните въздуха в маркуча и помпата, свържете подаването на вода към помпата с помощта на градински маркуч, свържете ръкохватката на спусъка към помпата с помощта на маркуч за високо налягане, освободете предпазителя на спусъка и натискайте спусъка, докато има постоянен поток.
- Внимавайте да не се подхлъзнете или да не паднете.
- Заемайте стабилна позиция и пазете баланс. Не се протягайте, за да работите на трудно достижими места. Протягането може да доведе до загуба на равновесие.
- Използвайте само одобрени от производителя аксесоари. Използването на неподходящи принадлежности може да доведе до нараняване.
- Никога не оставяйте изделието да работи без надзор. Изключете продукта. Не оставяйте изделието, докато то не стигне до пълно спиране.
- Запознайте се с устройствата за управление. Научете как да спирате

продукта и бързо да освободите налягането.

- Бъдете нащрек и упражнявайте контрол през цялото време. Внимавайте какво правите и проявявайте благоразумие.
- Не използвайте тази машина, ако сте уморени или под влиянието на наркотици, алкохол или лекарства. Миг невнимание по време на работа с продукта може да предизвика сериозни физически наранявания.
- Не използвайте продукта, ако превключателят не включва или изключва продукта. Продукт, който не може да бъде контролиран посредством превключвател, е опасен и трябва да бъде ремонтиран.
- Когато почиствате автомобили, го правете най-малко от 30 см. Струята под високо налягане може да повреди или разруши гумите и/или вентилите.
- Използвайте градински маркуч с максимална дължина 15 м и минимален диаметър 18 мм
- Преди всяко използване проверявайте дали всеки аксесоар и здраво прикрепен към пистолета.

ЗАЩИТА ОТ ПРЕТОВАРВАНЕ

Продуктът има устройство за защита от претоварване, което се активира, когато възникне прегряване или пик в тока, като автоматично изключва захранването в продукта. За да възобновите работата, изключете продукта от електрическата мрежа, изчакайте около 15 минути и включете отново продукта към захранването.

ТРАНСПОРТИРАНЕ И СЪХРАНЕНИЕ

⚠ ВНИМАНИЕ

Имайте предвид теглото на продукта, когато избирате място за съхранение и по време на транспортиране, за да предотвратите нещастни случаи или наранявания.

- Спрете продукта, изключете го от електрозахранването и го оставете да се охлади. Изключете продукта от линията за подаване на вода, преди

да го приберете или транспортирате. Винаги поставяйте продукта изправен.

- Източете водата от всички маркучи и от помпата и изпразнете резервоара за препарат, преди да приберете продукта.
- Почистете продукта от всички чужди частици. Съхранявайте на хладно, защитено от замръзване, сухо и добре проветрено място, което е недостъпно за деца. Не го оставяйте в близост до корозивни материали като градински химикали или соли за размразяване. Не съхранявайте на открито.
- Когато транспортирате продукта, го обезопасете така, че да не може да се движи или да падне, защото това може да доведе до евентуални наранявания на хора или повреди по продукта.

⚠ ПРЕДУПРЕЖДЕНИЕ

Съхранявайте изделието само на закрито. Съхраняването на място с температура под 0 °C ще повреди изделието.

ПОДДРЪЖКА

⚠ ПРЕДУПРЕЖДЕНИЕ

Използвайте само оригинални резервни части, аксесоари и приставки от производителя. В противен случай може да се влоши работата на инструмента или да получите тежки контузии, а гаранцията ви ще стане невалидна.

⚠ ПРЕДУПРЕЖДЕНИЕ

Сервизното обслужване изисква изключително внимание и специфични познания и следва да бъде извършвано само от квалифициран техник. За сервизно обслужване занесете продукта в оторизиран сервизен център. При извършване на сервизни дейности използвайте само оригинални резервни части от производителя.

- Спрете продукта, изключете го от електрозахранването и го оставете да се охлади. Изключете продукта от линията за подаване на вода, преди да:

- почистване на продукта
- извършват поддръжка на продукта
- сменяте резервни части
- Можете да правите само такива настройки и поправки, които са описани в настоящото ръководство. За други поправки или съвети потърсете съдействието от оторизиран сервизен център.
- За да гарантирате безопасното функциониране на водоструйката, я проверявайте и поддържайте редовно. RYOBI препоръчват инспектиране на продукта на всеки 6 месеца.
- Периодично проверявайте дали всички гайки, болтове и винтове са правилно затегнати, за да сте сигурни, че продуктът е в изправност. Всяка повредена част трябва да бъде поправена или заменена от упълномощен сервизен център.

НЕПРЕДВИДЕНИ РИСКОВЕ

Дори когато продуктът се използва по предназначение, е невъзможно напълно да се ограничи влиянието на определени рискови фактори. Рисковете, описани по-долу, може да възникнат по време на употреба и операторът трябва да внимава за избягването на следното:

- Наранявания, причинени от струята под високо налягане
 - Избягвайте насочване на струята под високо налягане към хора, животни и към самите вас.
- Наранявания, причинени от откат
 - Винаги дръжте дръжката или преходника на спусъка здраво с две ръце.
- Наранявания, причинени от вдишване на аерозоли
 - Носете подходяща защитна дихателна маска.
- Наранявания, причинени от шум
 - Носете антифони

НАМАЛЯВАНЕ НА РИСКА

Известно е, че вибрациите, произвеждани от ръчни инструменти може да предизвикат у някои индивиди заболяване, наречено Синдром на Рейнолд (Raynaud's Syndrome). Симптомите може да включват

изтръпване, схващане и изbledняване на пръстите, обикновено се забелязват при излагане на студ. Смята се, че наследствените фактори, излагането на студ и влага, диетите, пушенето и някои работни навици допринасят за развитието на тези симптоми. Могат да се вземат някои мерки, които могат да се предприемат от оператора, за да се намалят ефектите от вибрациите:

- Поддържайте телесната температура в студено време. Когато работите с продукта, носете ръкавици, за да поддържате ръцете и китките си топли.
- Правете упражнения за активизиране на кръвообращението след всеки работен цикъл.
- Редовно излизайте в почивка. Ограничете излагането на вибрации на ден.

При поява на някои от симптомите на това заболяване, незабавно прекратете употребата на инструмента и посетете лекар.

⚠ ПРЕДУПРЕЖДЕНИЕ

Продължителното използване на инструмента може да доведе до наранявания или влошаване. При използване на инструмента за продължителни периоди от време правете чести почивки.

ОПОЗНАЙТЕ ВАШИЯ ПРОДУКТ

Вж. страница 181.

1. Ключалка за спусъка на ръкохватката
2. Спусък
3. Ръкохватка
4. Превключвател на захранването
5. Носач на захранващия кабел
6. Захранващ кабел
7. Изходящ отвор за вода
8. Маркуч за високо налягане
9. Твърд преходник за турборазпръсквач
10. Твърд преходник за пулверизационна дюза
11. Адаптер *
12. Бутилка за сапун
13. Входящ съединител за вода с филтър
14. Входящ отвор за вода
15. Удължена пръскалка
16. Държач на ръкохватката със спусък

17. Пистолет

18. Входящ отвор на пистолета

* Съвместим адаптер за аксесоари за водоструйки KÄRCHER. KÄRCHER е регистрирана търговска марка на Alfred Kärcher GmbH & Co. KG.

ЗАБЕЛЕЖКА: Проверете дали спецификацията на съответния аксесоар съответства на спецификациите на водоструйката RYOBI.

ЗАБЕЛЕЖКА: Ако използвате почистващ препарат, направете справка с информационния лист за безопасност на материалите на почистващия препарат.

СИМВОЛИ НА ПРОДУКТА



Предупреждение



Инструмент от клас II, двойна изолация



За да се намали опасността от наранявания, потребителят трябва да прочете и да разбере ръководството за оператора, преди да използва този продукт.



Носете средства за защита на зрението и слуха.



Ако кабелът е повреден или срязан, извадете веднага щепсела от електрическата мрежа.



Опасност от токов удар.



Изделието не е подходящо за свързване към мрежата с питейна вода без предпазно устройство за обратен поток.



Никога не насочвайте пръскалката към хора, животни, тялото на машината, електрозахранването или други електрически уреди.



Опасност от взрив



Тази машина е в съответствие с нормативната уредба на държавата от ЕС, където е била закупена.



EurAsian знак за съответствие



Украински знак за съответствие



Гарантираното ниво на силата на шум, показано на този етикет, е 92 dB.



Електрическите уреди не трябва да се изхвърлят заедно с битовите отпадъци. Рециклирайте, където има възможност. Обърнете се за съвет по рециклирането към местните власти или разпространителите.

СИМВОЛИ В НАСТОЯЩОТО РЪКОВОДСТВО



Носете здрави предпазни ръкавици, пригодени против плъзгане.



Свържете към електрически контакт.



Изключете от електрическия контакт.



Частите принадлежностите или продават отделно се



Забележка



Предупреждение

Следните сигнални думи и значенията им са предназначени да обяснят вавата на опасност, свързани с този продукт.

⚠ ОПАСНОСТ

Указва неминуемо опасна ситуация, която ако не бъде избегната, ще доведе до сериозни наранявания или смърт.

⚠ ПРЕДУПРЕЖДЕНИЕ

Указва потенциално опасна ситуация, която ако не бъде избегната, може да доведе до сериозни наранявания или смърт.

⚠ ВНИМАНИЕ

Указва потенциално опасна ситуация, която ако не бъде избегната, може да доведе до дребни или средни наранявания.

ВНИМАНИЕ

Без предупредителен символ за безопасност

Указва ситуация, която може да доведе до имуществени щети.

ОТСТРАНЯВАНЕ НА ПРОБЛЕМИ

Проблем	Възможна причина	Решение
Машината отказва да стартира	Машината не е включена в електрическата мрежа	Включете машината в електрическата мрежа.
	Дефектен контакт	Опитайте друг контакт.
Пулсации на налягането	Дефектен удължителен кабел	Опитайте без удължителен кабел.
	Помпата засмуква въздух	Проверете дали маркучите и свързванията са въздухонепроницаеми.
	Вентилите са замърсени, износени или заседнали	За сервизно обслужване занесете продукта в оторизиран сервизен център.
Машината спира	Уплътненията на помпата са износени	За сервизно обслужване занесете продукта в оторизиран сервизен център.
	Предпазителят е изгорял.	За сервизно обслужване занесете продукта в оторизиран сервизен център.
	Неправилно напрежение на електрическата мрежа	Проверете дали напрежението на електрическата мрежа съответства на спецификацията на табелката за модела.
	Температурният сензор е активиран	Оставете продукта в покой за 15 минути, за да се охлади.
Машината пулсира	Разпръскващата дюза е частично блокирана	Почистете разпръскващата дюза
	Въздух във входящия маркуч/помпата	Позволете на изделиято да работи с активиран спусък, докато се възобнови редовното работно налягане.
	Недостатъчно захранване от водопровода	Проверете дали захранването с вода съответства на необходимите спецификации (вижте табелката за модела). Избягвайте използването на дълги и тънки маркучи.
	Разпръскващата дюза е частично блокирана	Почистете разпръскващата дюза
	Водният филтър е блокиран	Почистете филтъра.
Машината често стартира и спира от само себе си	Пречупен маркуч	Изправете маркуча
	Помпата/ръкохватката на разпръсквача тече	За сервизно обслужване занесете продукта в оторизиран сервизен център.
Машината стартира, но не излиза никаква вода	Помпата, маркучите или друга принадлежност е замръзнала	Изчакайте, докато помпата, маркучите или другата принадлежност се размрази.
	Няма водоснабдяване	Свържете входящия отвор за вода към водоснабдяването.
	Водният филтър е блокиран	Почистете филтъра.
	Блокирана разпръскваща дюза	Почистете разпръскващата дюза
Няма почистващ препарат	Дюзата е регулирана на високо налягане	Регулирайте я на ниско налягане.
	Резервоарът е празен.	Напълнете резервоара.

Головними міркуваннями при розробці цієї електричної мийки високого тиску були безпека, ефективність та надійність.

ПЕРЕДБАЧУВАНОМУ ВИКОРИСТАННІ

Електрична мийка високого тиску призначена тільки для використання на свіжому повітрі. Задля безпеки керування інструментом має здійснюватися обома руками.

Продукт призначений для домашнього або місцевого використання. Пристрій призначено для очищення машин, транспортних засобів, будівель, підлог, інструментів, фасадів, терас та бетонних тротуарів шляхом видалення бруду за допомогою чистої води з додаванням миючого засобу або без нього.

Пристрій може використовуватися із турбонасадкою, розпилюючою насадкою та очищувачем поверхонь. Миюча щітка використовується для ефективного очищення автомобілів, велосипедів або інших предметів, якщо потрібно розпилення або використання миючого засобу. Розпилююча насадка призначена для очищення поверхонь, які потребують обприскування або використання чистячого засобу. Очищувач поверхонь призначений для очищення поверхонь та очищення поверхонь за допомогою щітки.

Він повинен бути використаний у сухих, добре освітлених умовах.

Не використовуйте для будь-яких інших цілей.

ПОПЕРЕДЖЕННЯ

Пристрій призначений для використання із нейтральними миючими засобами, які постачаються або рекомендуються виробником. Використання інших миючих засобів або хімікатів може негативно вплинути на безпеку пристрою.

ЗАГАЛЬНІ ЗАХОДИ БЕЗПЕКИ

ПОПЕРЕДЖЕННЯ

Прочитайте всі правила безпеки та інструкції. Недотримання попереджень та інструкцій може призвести до ураження електричним струмом, пожежі та / або серйозної травми.

УВАГА

Заборонено підключати пристрій до системи постачання питної води без встановленого зворотного клапану який відповідає вимогам EN 12729 типу ВА. Вода, що тече через зворотний клапан не придатна для пиття. Завжди дотримуйтесь правил вашої місцевої компанії водопостачальника при підключенні пристрою до водопровода.

- Пристрій не призначений для використання дітьми, особами з обмеженими фізичними, сенсорними або інтелектуальними здібностями та особам, яким бракує досвіду та знань. Потрібно належним чином стежити за дітьми, щоб вони не грали з машиною.
- При використанні пристрою, одягайте засоби індивідуального захисту, такі як чоботи, захисні рукавички, захисні шоломи із маскою та засоби захисту органів слуху. Використовуйте тільки ударостійкі маски із захистом від бризок рідини.

ПОПЕРЕДЖЕННЯ

Заборонено використовувати пристрій, якщо у межах досяжності знаходяться люди, за винятком випадку, коли вони одягнені в захисний одяг.

- Тримайте пристрій подалі від дітей та сторонніх осіб, щоб знизити ризик травмування. Всі спостерігачі повинні одягати захисні окуляри та знаходитись на безпечній відстані від робочої зони.
- Перевірте, чи в належному стані є захисне приладдя, таке як захисні клапани, перемикачі потоку та тиску. Перед кожним використанням,



переконайтесь, що захисне приладдя працює належним чином:

- Перемикач УВІМК/ВИМК
 - Вимикач живлення "on/off" запобігає випадковому функціонуванню приладу.
- Фіксатор пускової ручки
 - Фіксатор пускової ручки блокує пуск та запобігає ненавмисному відкриттю мийки високого тиску.
- Пропускний клапан з реле тиску
 - Пропускний клапан запобігає перевищенню допустимого робочого тиску. Якщо відпустити важіль розпилювача, реле тиску відключить насос і мийка високого тиску зупиниться. Якщо потягнути важіль, насос включиться знову.
- Захист від перевантаження
 - Термодатчик захищає пристрій від перевантаження. Пристрій автоматично вимикає живлення під час перегріву.

- Заборонено використання пристрою, якщо пошкоджені важливі деталі, такі як захисне приладдя, шланги високого тиску або курок пістолета-розпилювача.
- Будьте обережні при розблокуванні курка. Тримайте ручку міцно двома руками, щоб уникнути травм коли ручка повертається у вихідне положення.

⚠ ПОПЕРЕДЖЕННЯ

Під час використання очищувачів високого тиску, ймовірне утворення аерозолів. Вдихання аерозолів може бути небезпечним для здоров'я.

⚠ ПОПЕРЕДЖЕННЯ

Залежно від застосування, для очищення під високим тиском можуть бути використані захисні насадки, що дозволяють знизити викид водомістких аерозолів. Проте, не всі застосування дозволяють використання таких насадок. Якщо використання захисних насадок неможливе для захисту від вдихання аерозолів, відповідно до умов зони очищення необхідно одягати респіраторну маску типу FFP 2 або еквівалентну до неї.

- Завжди вимикайте пристрій, залишаючи його без нагляду.
- Струмінь високого тиску є небезпечним при неправильному використанні. Заборонено спрямовувати струмінь у бік людей, підключене електричне обладнання або на сам пристрій.
- Заборонено розпилювати горючі рідини, щоб уникнути ризику вибуху.
- Заборонено спрямовувати струмінь на себе або інших людей з метою очищення одягу або взуття.
- Заборонено використовувати пристрій для очищення електричного обладнання, одягу або взуття.
- Шланги високого тиску, пристосування та стикування важливі для безпеки пристрою. Використовуйте лише шланги, пристосування та стикування рекомендовані виробником.

ПОПЕРЕДЖЕННЯ З ЕЛЕКТРИЧНОЇ БЕЗПЕКИ

- Вилка живлення електроінструменту повинна відповідати розетці. Ніколи не змінюйте вилку. Не змінні вилки та відповідні розетки зменшують ризик ураження електричним струмом.
- Заборонено використання пристрою, якщо пошкоджений дріт живлення або інші важливі частини, такі як захисне приладдя.
- Перед кожним використанням перевіряйте дріт живлення та подовжувач на наявність пошкоджень. Щоб уникнути небезпеки, у випадку пошкодження шнура живлення або подовжувача, їх повинен замінити виробник, його представник з технічного обслуговування або відповідна кваліфікована особа.
- Тримайте шнур живлення далеко від тепла, масла і гострих країв.
- Заборонено торкатись штекеру або розетки вологими руками.
- Пошкоджені подовжувачі є небезпечними. Якщо використовується подовжувач, він має бути призначеним для використання на свіжому повітрі, з'єднання має бути сухим та не торкатись землі. Використовуйте котушку для

EN
FR
DE
ES
IT
NL
PT
DA
SV
FI
NO
RU
PL
CS
HU
RO
LV
LT
ET
HR
SL
SK
BG
UK
TR



дроту, щоб зберігати до землі відстань найменше 60 мм.

- Підключення до електричної мережі має бути здійснено кваліфікованим електриком та має відповідати ІЕС 60364-1. Рекомендується при підключенні пристрою до електричної мережі використовувати пристрій захисного відключення, якій перериває подачу електроенергії, якщо струм витоку на землю перевищує 30 мА протягом 30 мс, або пристрій, що контролює контур заземлення.

ДОДАТКОВІ ЗАГАЛЬНІ ПОПЕРЕДЖЕННЯ ЩОДО БЕЗПЕКИ

- У деяких регіонах існують правила, що обмежують використання продукту для деяких операцій. Перевірте з вашим місцевим органом влади для консультацій
- Перевіряйте наявність пошкоджень перед кожним використанням. Пошкоджений шланг високого тиску має бути негайно замінений. Переконайтесь, що всі з'єднання, такі як шланг високого тиску та насадки, надійні. Розмотайте шланг правильно, не має бути жодних викривлень та перекручень.
- Не дозволяйте дітям або ненавченим людям користуватися пристроєм.
- Закрийте вікна та двері перед початком будь-якого очищення. Приберіть зону очищення від сміття, іграшок, вуличних меблів та інших предметів, що можуть спричинити небезпечну ситуацію.
- Ніколи не підіймайте або носіть пристрій під час його роботи.
- Заборонено використання пристрою за температури нижче 0°C.
- Заборонено використання із пристроєм кислот, луг, розчинників, легкозаймистих матеріалів, відбілювачів, або розчинників промислового класу. Ці засоби можуть спричинити травмування оператора та незворотні пошкодження пристрою.
- Завжди використовуйте пристрій на рівній поверхні.

⚠ ПОПЕРЕДЖЕННЯ

При неналежному використанні струмів високого тиску є небезпечним. Струмів не має бути спрямований на людей, тварин, електричне обладнання або сам пристрій.

- Міцно тримайте ручку з курком двома руками. Очікуйте на переміщення ручки при натисканні на пусковий гачок через вплив сили реакції. Якщо це зроблено неправильно, може бути втрачений контроль або спричинене травмування оператора чи інших людей.
- Переконайтесь, що зі шлангу та насосу випущене повітря перед тим, як увімкнути пристрій. Для видалення повітря зі шлангу та насоса, підключить водопостачання до насоса за допомогою садового шлангу, приєднайте ручку тригера до насоса за допомогою шлангу високого тиску, ослабте фіксатор ручки тригера та натисніть на спусковий гачок доки потік не стане сталим.
- Будьте обережні, щоб уникнути ковзання або падіння.
- Тримайте міцну опору і рівновагу. Не тягніться. Намагання дотягнутися можуть призвести до втрати рівноваги.
- Використовуйте тільки аксесуари, затверджені виробником. Використання невідповідних аксесуарів може стати причиною травмування.
- Ніколи не залишайте увімкнений прилад без нагляду. Вимкніть пристрій. Не залишайте прилад доки він повністю не зупиниться.
- Добре ознайомтесь з керуванням. Знайте, як зупинити пристрій та швидко знизити тиск.
- Будьте уважними та здійснюйте перевірки. Дивіться, що ви робите та керуйтеся здоровим глуздом.
- Не використовуйте цю машину, якщо ви втомилася, хворі, або під впливом алкоголю, наркотиків або ліків. Найменша необережність при роботі з електроінструментом може призвести до серйозних травм.
- Не використовуйте пристрій у разі, якщо кнопка вимикання не працює. Продукт, який не може управлятися за допомогою

перемикача, небезпечний і повинен бути відремонтований.

- Дотримуйтесь мінімальної дистанції у 30 см, коли очищуєте транспортні засоби. Струмий високого тиску може призвести до пошкодження або розривання автомобільних покришок та / або клапанів покришок.
- Використовуйте садовий шланг максимальною довжиною 15 м та мінімальним діаметром 18 мм (3/4 дюйма)
- Перед кожним використанням переконайтеся, що аксесуар надійно прикріплений до ручки з курком.

ЗАХИСТ ВІД ПЕРЕВАНТАЖЕННЯ

Виріб обладнано пристроєм захисту від перевантаження, який активується у разі перегріву або пікового струму, автоматично вимикаючи подачу живлення на виріб. Для повторного ввімкнення від'єднайте виріб від мережі живлення, зачекайте приблизно 15 хвилин і знов приєднайте його до мережі.

ТРАНСПОРТУВАННЯ ТА ЗБЕРІГАННЯ

⚠ УВАГА

Пам'ятайте про вагу пристрою під час вибору місця зберігання або під час транспортування для попередження нещасних випадків та травмування.

- Зупиніть пристрій, від'єднайте від електричної мережі та дайте пристрою охолонути. Від'єднайте пристрій від водопроводу перед тим, як зберігати або транспортувати. Заборонено тримати пристрій у будь-якому положенні, окрім вертикального.
- Перед зберіганням продукту видаліть всю воду з шлангів та насосу, спустошить бак для мийного засобу.
- Почистіть всі сторонні матеріали з продукту. Зберігайте в прохолодному при температурі вище 0 гр., сухому та добре вентильованому місці, недоступному для дітей. Зберігати подалі від агресивних агентів, таких як садові хімікати і солей проти обледеніння. Не зберігайте на відкритому повітрі.
- Для транспортування, забезпечіть

машину від руху або падіння, щоб запобігти травми людей або пошкодження машини.

⚠ ПОПЕРЕДЖЕННЯ

Зберігайте прилад лише у приміщенні. Зберігання при температурі нижче 0° C призведе до пошкодження приладу.

ТЕХНІЧНЕ ОБСЛУГОВУВАННЯ

⚠ ПОПЕРЕДЖЕННЯ

Використовуйте тільки оригінальні запасні частини, аксесуари та обладнання від виробника. Невиконання цієї вимоги може привести до можливої травми, поганої продуктивності та може призвести до втрати гарантії.

⚠ ПОПЕРЕДЖЕННЯ

Обслуговування вимагає крайньої обережності і знання і повинно бути виконане тільки кваліфікованим фахівцем. Для обслуговування, доставте продукт до авторизованого сервісного центру. При технічному обслуговуванні використовуйте тільки ідентичні заміні частини.

- Зупиніть пристрій, від'єднайте від електричної мережі та дайте пристрою охолонути. Від'єднайте пристрій від водопроводу перед:
 - очищенням продукту
 - технічним обслуговуванням пристрою
 - заміною запасних частин
- Ви можете зробити регулювання та ремонт, описані в цьому посібнику користувача. Для інших ремонтних робіт, зверніться до авторизованого сервісного агента.
- Для безпечного використання регулярно перевіряйте та проводьте технічне обслуговування мийки високого тиску. RYOBI рекомендує перевіряти повну справність пристрою кожні 6 місяців.
- Перевірте всі гайки, болти і гвинти після короткого проміжка часу на правильну герметичність, щоб забезпечити продукт у безпечному робочому стані. Будь-

яка пошкоджена деталь, має бути правильно відремонтована або замінена в авторизованому сервісному центрі.

і зверніться до вашого лікаря згідно цих симптомів.

НЕПЕРЕДБАЧЕНІ РИЗИКИ

Навіть за належного використання інструмента неможливо повністю нейтралізувати певні фактори залишкового ризику. Наступні небезпеки можуть виникати при використанні продукту та оператору слід звернути особливу увагу, щоб уникнути наступного:

- Травмування, спричинені струмом високого тиску
 - Уникайте спрямування струму високого тиску у бік людей, тварин та на себе.
- Травмування в наслідок віддачі
 - Завжди тримайте ручку або пускову ручку міцно двома руками.
- Травмування, які є наслідком вдихання аерозолів.
 - Одягайте відповідну респіраторну маску.
- Підвищений рівень шуму може спричинити пошкодження слуху.
 - Одягайте засоби для захисту слуху.

ЗНИЖЕННЯ РИЗИКУ

Відомі випадки, коли вібрація від ручних інструментів сприяє появі так званого синдрому Рейно. Симптоми схожі на ті, що з'являються під впливом холоду, включаючи поколювання, оніміння та збліднення пальців. Вважається, що спадкові чинники, вплив холоду і сирості, харчування, куріння і деякі звички роботи сприяють розвитку цих симптомів. Можна прийняти деякі заходи, які можуть бути прийняті оператором, щоб зменшити вплив вібрації:

- Підтримувати температуру тіла в холодну погоду. При використанні інструменту надягайте рукавички, щоб тримати руки та зап'ястки у теплі.
- Вправа для активації кровообігу після кожного запуску.
- Регулярно йдуть на перерву. Лімітуйте кількість роботи на день.

Якщо ви виявили будь-який з цих симптомів, негайно припиніть використання

ПОПЕРЕДЖЕННЯ

Тривале використання інструменту може призвести до травмування або загострення існуючої травми. При використанні приладу протягом тривалого періоду часу, часті перерви.

ЗНАЙ СВІЙ ПРОДУКТ

Дивіться сторінку 181.

1. Фіксатор пускової ручки
2. Клямка
3. Ручка
4. Вимикач живлення
5. Тримач шнура живлення
6. Шнур живлення
7. Випускний отвір для води
8. Шланг високого тиску
9. Насадка для турбо-режиму трубка
10. Палка насадки для розпилування
11. Перехідник *
12. Пляшка з миючим засобом.
13. З'єднання з фільтром для впуску води
14. Впускний отвір для води
15. Струменева трубка
16. Фіксатор ручки з курком
17. Ручка з курком
18. Отвір до ручки з курком

* Адаптер для аксесуарів для очищення під тиском KÄRCHER. KÄRCHER - зареєстрована торгова марка Alfred Kärcher GmbH & Co. KG.

ПРИМІТКА: Перевірте специфікацію до аксесуарів чи вони відповідають технічним характеристикам для пристроїв для чищення під високим тиском RYOBI.

ПРИМІТКА: Перш ніж використовувати миючий засіб, зверніться до Паспорту безпеки матеріалів миючого засобу.

СИМВОЛИ НА ПРОДУКТІ



Попередження



Клас II, Подвійна ізоляція



Для запобігання ризику травми користувач повинен прочитати та зрозуміти керівництво користувача перед використанням цього виробу.



Носіть захист очей і вух.



Негайно видаліть вилку з розетки, якщо кабель пошкоджено або порізано.



Небезпека ураження електричним струмом.



Прилад не призначений для підключення до мережі питної води без пристрою запобігання зворотного витоку.



Заборонено спрямовувати розпилювальну трубку на людей, тварин, корпус механізму, блок живлення та будь-яке електричне обладнання.



Небезпека вибуху



Відповідає всім нормативним стандартам в країнах ЄС, де вироб було придбано.



Євразійська знак відповідності.



Український знак відповідності



Гарантований рівень звуку, показаний на цьому малюнку, становить 92 дБ.



Не викидати відпрацьовані електричні прилади разом із побутовими відходами. Утилізувати у спеціально призначених закладах. За консультацією по утилізації приладу зверніться до органу місцевої влади або дилера

СИМВОЛИ В ЦЬОМУ ПОСІБНИКУ



Носіть неслизькі, надміцні рукавички.



Підключення до електричної розетки.



Відключення від електричної розетки.



Запчастини та аксесуари, що продаються окремо



ПРИМІТКА



Попередження

Наступні сигнальні слова і змісти призначені для пояснення рівнів ризику, пов'язаних з продуктом.

⚠ НЕБЕЗПЕКА

Вказує на неминуче небезпечну ситуацію, яка, якщо її не уникнути, може призвести до смерті або серйозних травм.

⚠ ПОПЕРЕДЖЕННЯ

Вказує на потенційно небезпечну ситуацію, яка, якщо її не уникнути, може призвести до смерті або серйозних травм.

⚠ УВАГА

Вказує на потенційно небезпечну ситуацію, яка, якщо її не уникнути, може призвести до легкої або середньої травм.

УВАГА

Без попереджуючих символів Вказує на ситуацію, яка може призвести до пошкодження майна.

ПОШУК І УСУНЕННЯ НЕСПРАВНОСТЕЙ

Проблема	Можливі Причини	Рішення
Машина не запускається	Машина не підключена	Підключіть машину.
	Пошкоджене гніздо	Спробуйте інше гніздо.
	Несправний кабель-подовжувач	Спробуйте без подовжувача.
Плаваючий тиск	Насос всмоктує повітря	Перевірте герметичність шлангів і з'єднань.
	Клапани забруднені, зношені або застрягли	Принесіть продукт в авторизований сервісний центр для ремонту.
	Зношені ущільнення насоса	Принесіть продукт в авторизований сервісний центр для ремонту.
Машина зупинилась	Перегорів запобіжник.	Принесіть продукт в авторизований сервісний центр для ремонту.
	Некоректна напруга мережі	Переконайтеся, що напруга мережі відповідає технічним вимогам на табличці з позначенням моделі.
	Спрацював термодатчик	Залиште прилад на 15 хвилин, щоб він охолонув.
	Частково забита насадка	Очистіть сопло.
Машина вібрує	Повітря у впускному шлангу/насосі	Дозвольте приладу попрацювати з відкритим курком, поки не відновиться нормальний робочий тиск.
	Недостатнє постачання водопровідної води	Переконайтеся, що подача води відповідає необхідним характеристикам (див. табличку з позначенням моделі). Уникайте використання довгих, тонких шлангів.
	Частково забита насадка	Очистіть сопло.
	Фільтр для води забитий	Очистіть фільтр.
	Перекручений шланг	Випряміть шланг.
Машина часто самостійно вмикається та вимикається	Насос/ручка розпилювача протікає	Принесіть продукт в авторизований сервісний центр для ремонту.
Машина запускається, але вода не виходить	Насос, шланги або інший аксесуар заморожено	Зачекайте, поки насос, шланги, або інші приналежності відтануть.
	Немає водопостачання	Під'єднайте водяний впускний отвір до джерела водопостачання.
	Фільтр для води забитий	Очистіть фільтр.
	Насадка заблокована	Очистіть сопло.
Немає миючого засобу	Насадка, що регулюється для високого тиску	Налаштуйте на низький тиск.
	Бак порожній.	Наповніть бак.

Elektrikli yüksek basınçlı temizleyicinin tasarımında güvenlik, performans ve güvenilirliğe en yüksek öncelik verilmiştir.

KULLANIM AMACI

Elektrikli yüksek basınçlı temizleyici yalnızca dış mekânlarda kullanım için tasarlanmıştır. Güvenlik nedenleriyle ürün iki elle kullanılarak uygun şekilde kontrol edilmelidir.

Ürün evde veya domestik kullanım için tasarlanmıştır. Makineler, araçlar, binalar, katlar, aletler, dış cepheler, teraslar ve beton kaldırımların temizleme deterjanı ile birlikte ya da sadece temiz su kullanılarak inatçı kirlerden temizlenmesi için kullanılır.

Ürün turbo nozül, sprey başlığı, yıkama fırçası ve yüzey temizleyiciyle kullanılabilir. Yıkama fırçası otomobillerin, bisikletlerin veya deterjan püskürtülerek temizlik gerektiren diğer eşyanın etkin temizliğinde kullanılır. Sprey başlığı, püskürtme gerektiren yüzeyleri temizlemek veya deterjan ile temizlemek için kullanılır. Yüzey temizleyici yüzeyleri temizlemek ve fırçalamak için kullanılır.

Kuru, aydınlatmanın iyi olduğu durumlarda kullanılmalıdır.

Başka herhangi bir amaçla kullanmayın.

⚠ UYARI

Bu ürün üretici tarafından tedarik edilen ya da tavsiye edilen nötr temizleme maddesi ile kullanılacak şekilde tasarlanmıştır. Farklı temizleme maddelerinin kullanımı ürünün emniyetli kullanımını olumsuz yönde etkileyebilir.

GENEL GÜVENLİK UYARILARI

⚠ UYARI

Tüm güvenlik uyarılarını ve tüm talimatları okuyun. Uyarılara ve talimatlara uymamak elektrik çarpması, yangın ve/veya ciddi yaralanma ile sonuçlanabilir.

⚠ İKAZ

Ürün EN 12729 Tip BA ile uyumlu bir şekilde kurulan geri akış engelleyicisi olmadan içme suyu şebekesine bağlı şekilde kullanılmamalıdır. Geri akış engelleyicisi içinden akan su içilemez. Ürünü su şebekesine bağlarken her zaman yerel su şebekesi şirketinizin düzenlemelerine uyun.

- Ürün çocuklar ya da kısıtlı fiziksel, duyuşsal ya da zihinsel becerilere sahip ya da yeterli deneyimi veya bilgisi olmayan kişilerin kullanımına uygun değildir. Ürünle oynamadıklarından emin olmak için çocuklara uygun şekilde nezaret edilmelidir.
- Ürünü çalıştırırken çizme, emniyet eldiveni, vizörlü emniyet kaskı ve işitme koruması gibi koruyucu ekipman kullanın. Yalnızca sıvı sıçrama korumasına sahip yüksek etkili vizör kullanın.

⚠ UYARI

Ürünü koruyucu kıyafeti olmayan kişiler yakınıdayken kullanmayın.

- Yaralanma riskini azaltmak için çocuk ve ziyaretçileri üründen uzak tutun. Tüm ziyaretçilerin emniyet gözlükleri kullanması ve çalışma alanından güvenli bir mesafede bulunması gerekir.
- Emniyet valfi, akım anahtarları ve basınç anahtarları gibi emniyet cihazlarının çalışır durumda olup olmadıklarının kontrol edin. Her kullanımdan önce tüm emniyet cihazlarının düzgün şekilde çalıştığından emin olun:
 - Açma/Kapama Anahtarı
 - Açma/kapama düğmesi ürünün kazara çalıştırılmasını önler.
 - Tetik tutamak kilidi
 - Tetik tutamak kilidi tetiği kilitler ve yüksek basınçlı jetin kazara açılmasını önler.
 - Basınç düğmeli taşıma supabı
 - Taşıma supabı izin verilen çalışma basıncının aşılmasını önler. Tetik tabancası üzerindeki kol bırakılırsa basınç düğmesi pompayı kapatır ve yüksek basınçlı jet durur. Kol çekildiğinde pompa tekrar çalışır.

- Aşırı yük koruması
 - Bir ısı sensörü ürünü aşırı yükten korur. Aşırı ısındığında, ürün otomatik olarak gücü keser.
- Emniyet cihazları, yüksek basınçlı hortumlar ya da tabanca gibi önemli parçalar hasarlıysa ürünü kullanmayın.
- Tetiği açarken dikkatli olun. Tutamak geri teperken yaralanmadan kaçınmak için tutamağı iki elinizle sıkıca tutun.

⚠ UYARI

Yüksek basınçlı temizleyici kullanımı esnasında aerosoller oluşabilir. Aerosollerin solunması sağlığa zararlı olabilir.

⚠ UYARI

Uygulamaya bağlı olarak yüksek basınçlı temizlik için sulu aerosollerin emisyonunu azaltan korumalı nozüller kullanılabilir. Ancak bu cihaz tüm uygulamalarda kullanılamaz. Aerosollere karşı koruma için korumalı nozüller kullanılmazsa temizlik ortamına bağlı olarak FFP 2 sınıfı ya da eşdeğeri bir solunum maskesi gerekli olabilir.

- Ürünü tek başına bırakırken her zaman durdurun.
- Yüksek basınçlı jet yanlış kullanıldığında tehlikelidir. Jeti kişilere, çalışan elektrikli ekipmanlara ya da ürünün kendisine doğru kullanmayın.
- Patlama riskinden kaçınmak için alev alabilen sıvıları sprey şeklinde sıkmayın.
- Kıyafet ya da ayakkabıları temizlemek için jeti kendinize ya da başkalarına doğrultmayın.
- Ürünü elektronik cihaz, kıyafet ya da ayakkabı temizliği için kullanmayın.
- Yüksek basınçlı hortum, tertibat ve rakorlar ürünün emniyeti için önemlidir. Yalnızca üreticinin tavsiye ettiği hortum, tertibat ve rakor kullanın.

ELEKTRİK EMNİYET UYARILARI

- Elektrik fişleri prize uygun olmalıdır. Fişi hiçbir zaman hiçbir şekilde değiştirmeyin. Üzerinde değişiklik yapılmayan fişler ve uygun prizler elektrik çarpması riskini azaltır.

- Güç kablosu ya da emniyet cihazları gibi önemli parçalar hasarlıysa ürünü kullanmayın.
- Her kullanımdan önce güç kablosu ve uzatma kablosunu kontrol edin. Elektrik kablosu veya uzatma kablosu hasarlıysa, bir tehlikeyi önlemek için üretici, servis yetkilisi veya benzer bir yetkili kişi tarafından değiştirilmelidir.
- Güç kablosunu ısı, yağ ve keskin kenarlı nesnelere uzak tutun.
- Ana prize ve fişe elleriniz ıslakken asla temas etmeyin.
- Yetersiz uzatma kabloları tehlikeli olabilir. Uzatma kablosu kullanılıyorsa dış mekan kullanımına uygun olmalı ve bağlantı kuru ve yerden yukarıda tutulmalıdır. Soketi yerden en az 60 mm yukarıda tutmak için kablo makarası kullanın.
- Elektrik beslemesi bağlantısı nitelikli bir elektrikçi tarafından yapılmalıdır ve IEC 60364-1 ile uyumlu olmalıdır. Ürüne giden elektrik beslemesinin, topraklamaya giden kaçak akımın 30 ms için 30 mA'yı geçmesi halinde beslemeyi kesen bir artık akım cihazı ya da toprak devresini onaylayan bir cihaz bulundurulması önerilir.

EK GÜVENLİK UYARILARI

- Bazı bölgeler ürünün bazı çalışmalarda kullanımına kısıtlama getiren yönetmeliklere sahiptir. Tavsiye için bölgenizdeki yetkili merciyeye başvurun.
- Her kullanım öncesi üründe hasar olup olmadığını kontrol edin. Hasar görmüş yüksek basınçlı hortumun derhal değiştirilmesi gereklidir. Yüksek basınçlı hortum ve nozül gibi bağlantıların tamamının emniyetli olduğundan emin olun. Hortumu katlanıp sıkışmaması için düzgün şekilde açın.
- Çocukların ve eğitimsiz kişilerin bu üniteyi kullanmasına izin vermeyin.
- Herhangi bir temizlik işlemine başlamadan önce kapı ve pencereleri kapatın. Temizlenecek alanı çöp, oyuncak, bahçe mobilyası ya da tehlike oluşturabilecek diğer nesnelere arındırın.
- Ürünü çalışır konumdayken asla kaldırmayın ya da taşımayın.
- Ürünü 0°C altındaki sıcaklıklarda kullanmayın.

- Ürüne asit, alkalın, çözücü, alev alabilir malzeme, ağartıcı ya da endüstriyel solüsyonlar koymayın. Bu ürünler kullanıcıda fiziksel yaralanmaya yol açabileceği gibi ürüne tamiri mümkün olmayan hasar verebilir.
- Ürünü her zaman düz bir yüzeyde kullanın.

⚠ UYARI

Yüksek basınçlı jet yanlış kullanıma maruz kaldığında tehlikelidir. Jet kişilere, hayvanlara, elektrikli ekipmanlara ya da ürünün kendisine doğru tutulmamalıdır.

- Tetiği iki elinizle güvenli bir şekilde tutun. Tetik çekildiğinde reaksiyon vereceğinden tutamağın hareket etmesini bekleyin. Aksi halde kontrolünüzü kaybedebilir ve kendiniz ile diğer kişilerin yaralanmasına yol açabilirsiniz.
- Ürünü çalıştırmadan önce boru ve pompadaki havanın alındığından emin olun. Hortum ve pompadaki havayı gidermek için bahçe hortumuyla su tedarikini pompaya bağlayın, yüksek basınçlı hortumu kullanarak tetik tutamağını pompaya bağlayın, tetik tutamak kilidini devre dışı bırakın ve sürekli akış gelene dek tetiğe basılı tutun.
- Kayma ve düşmeye karşı dikkatli olun.
- Yere sağlam basın ve dengede durun. Yukarıya doğru erişmeye çalışmayın. Yukarıya erişmeye çalışmak dengeyi kaybetmenize neden olabilir.
- Sadece üretici tarafından onaylanmış aksesuarları kullanın. Uygun olmayan aksesuarların kullanılması yaralanma riskine neden olabilir.
- Çalışır vaziyetteyken asla ürünün yanından ayrılmayın. Ürünü kapatın. Ürün tamamen durana dek ürünün yanından ayrılmayın.
- Kontrol elemanlarını iyi tanıyın. Ürünü hızlı bir şekilde durdurup basıncı boşaltmayı öğrenin.
- Dikkatli olun ve tetikte kalın. Yaptığınız işe dikkat edin ve sağduyulu olun.
- Ürünü hiçbir zaman yorgunken, hastayken veya alkol, uyuşturucu veya ilaç etkisi altındayken kullanmayın. Ürünü kullanırken bir anlık dikkatsizlik ciddi kişisel yaralanmaya yol açabilir.

- Eğer anahtar açılıp kapanmıyorsa makineyi kullanmayın. Anahtarla kontrol edilemeyen her elektrikli alet tehlikelidir ve onarılmalıdır.
- Araçları temizlerken en az 30 cm mesafe bırakın. Yüksek basınç araç lastiklerine ve/veya siboplarına hasar verebilir veya patlatabilir.
- Maksimum uzunluğu 15 m veya minimum çapı 18 mm (3/4 inç) olan bir bahçe hortumu kullanın.
- Her kullanımdan önce, aksesuarın tetik tabancasına sıkıca bağlandığından emin olun.

AŞIRI YÜK KORUMASI

Üründe aşırı ısınma ya da akım artışı olduğunda devreye giren ve ürün içindeki gücü otomatik olarak kapatan bir aşırı yük koruma cihazı bulunur. Çalışmaya devam etmek için ürünün güç kaynağı bağlantısını sökün, yaklaşık 15 dakika bekleyin ve ürünü güç kaynağına geri takın.

TAŞIMA VE DEPOLAMA

⚠ İKAZ

Kaza ve yaralanmalardan kaçınmak için depolama yeri seçerken ve taşıma esnasında ürünün ağırlığını hesaba katın.

- Ürünü durdurun, güç kaynağı bağlantısını kesin ve ürünün soğumasını bekleyin. Depolama ya da taşıma öncesinde ürünün su tedariki bağlantısını kesin. Ürünü dik konum dışında hiçbir konumda yerleştirmeyin.
- Ürünü depolamadan önce tüm boru ve pompadaki suyu, depodaki deterjanı boşaltın.
- Üründeki tüm yabancı maddeleri temizleyin. Ürünü çocukların erişemeyeceği serin, donma yapmayan, kuru ve iyi havalandırılmış bir yerde depolayın. Bahçe kimyasalları ve buz çözücü tuzlar gibi korozif maddelerden uzak tutun. Açık alanda depolamayın.
- Taşınacağı zaman insanların yaralanmasını veya ürünün zarar görmesini önlemek amacıyla ürünü hareket etmemesi veya düşmemesi için sabitleyin.

⚠ UYARI

Ürünü yalnızca iç mekanlarda depolayın. Sıcaklığın 0° derecenin altında olduğu yerde depolama ürüne zarar verecektir.

BAKIM

⚠ UYARI

Sadece orijinal üreticinin yedek parçalarını, aksesuarlarını ve ek parçalarını kullanın. Aksi hâlde olası yaralanmalara, zayıf performansa neden olabilir ve garantinizi geçersiz kılabilir.

⚠ UYARI

Servis çalışması en yüksek düzeyde dikkat ve bilgi gerektirir ve sadece nitelikli bir servis teknisyeni tarafından yapılmalıdır. Servis için ürünü onarım amacıyla size en yakın yetkili servis merkezi'ne göndermenizi öneriyoruz. Servis yapılırken sadece aynı yedek parçaları kullanın.

- Ürünü durdurun, güç kaynağı bağlantısını kesin ve ürünün soğumasını bekleyin. Aşağıdaki işlemlerden önce ürünün su tedariki bağlantısını kesin:
 - ürünün temizlenmesi
 - ürüne bakım yapma
 - yedek parçaları değiştirme
- Sadece bu kılavuzda açıklandığı şekilde ayar veya onarım yapabilirsiniz. Diğer onarımlar için yetkili servis temsilcisini arayın.
- Güvenli çalışma için yüksek basınçlı temizleyiciyi düzenli şekilde teftiş edin ve bakımını yapın. RYOBI ürünün her 6 ayda bir teftiş edilmesini önerir.
- Ürünün güvenli çalışma durumunda olduğundan emin olmak için tüm somunların, civataların ve vidaların doğru sıklıkta sık aralıklarla takıldığını kontrol edin. Hasarlı her tür parça yetkili servis merkezi tarafından uygun şekilde onarılmalı veya değiştirilmelidir.

ARTIK RİSKLER

Ürün belirtilen şekilde kullanıldığında bile belirli artık risk faktörlerini tamamen ortadan

kaldırmak mümkün değildir. Kullanım sırasında aşağıdaki tehlikeler ortaya çıkabilir ve kullanıcının aşağıdaki durumları önlemek için özellikle dikkatli olması gerekir:

- Yüksek basınçlı jet nedeniyle yaralanma
 - Yüksek basınçlı jeti kişiler, hayvanlar ve kendinize doğrultmaktan kaçının.
- Tepme nedeniyle yaralanma
 - Her zaman tutamağı ya da tetik çubuğunu iki elinizle sıkıca tutun.
- Aesollerin solunması nedeniyle yaralanma
 - Uygun solunum maskesi kullanın.
- Gürültüye maruz kalma nedeniyle işitme kaybı meydana gelebilir.
 - Kulak tıkacı takın.

RİSK AZALTMA

El aletlerinden kaynaklanan titreşimlerin belirli kişilerde Raynaud Sendromu adı verilen bir durumu etkilediği bildirilmiştir. Semptomlar içerisinde parmaklarda genellikle soğuğa maruz kaldığında açığa çıkan karıncalanma, hissizlik ve ağarma yer bulunabilir. Kalıtsal faktörler, soğuğa ve neme maruz kalma, diyet, sigara içme ve çalışma uygulamalarının hepsinin bu semptomların gelişimini etkilediği düşünülmektedir. Titreşim etkilerini azaltmak için kullanıcı tarafından alınabilecek önlemler vardır:

- Soğuk havada vücut ısınızı koruyun. Ürünü kullanırken ellerinizi ve bilekleriniz sıcak tutmak için eldiven giyin.
- Her kullanım süresinden sonra kan dolaşımını artırmak için egzersiz yapın.
- Sık çalışma molası verin. Günlük maruz kalma miktarını sınırlayın.

Eğer bu durumla ilgili herhangi bir semptom görürseniz çalışmayı derhal bırakın ve doktorunuza başvurun.

⚠ UYARI

Ürünün uzun süre kullanılması nedeniyle yaralanmalar meydana gelebilir veya kötüleşebilir. Herhangi bir alet uzun süre kullanıldığında düzenli molalar verdiğinizden emin olun.

ÜRÜNÜNÜZÜ TANIYIN

Bkz. sayfa 181.

1. Tetik tutamak kilidi
2. Tetik
3. Kulp
4. Güç düğmesi
5. Elektrik kablosu tutucu
6. Güç kablosu
7. Su çıkışı
8. Yüksek basınçlı hortum
9. Turbo başlık çubuğu
10. Sprey başlığı çubuğu
11. Adaptör *
12. Sabun şişesi
13. Filtreyle birleştirilmiş su girişi
14. Su girişi
15. Uzatılmış çubuk
16. Tetik tutamağı tutucu
17. Tetik tabancası
18. Tetik tabancası girişi

* KÄRCHER basınçlı temizlik aksesuarlarıyla uyumlu adaptör. KÄRCHER, Alfred Kärcher GmbH & Co. KG. şirketinin tescilli ticari markasıdır.

NOT: RYOBI yüksek basınçlı temizleyicinin teknik özelliklerini karşılayıp karşılamadığını belirlemek için aksesuar parçasının teknik özelliklerini kontrol edin.

NOT: Deterjan kullanırken, deterjanın Malzeme Güvenlik Veri Föyüne bakın.

ÜRÜN ÜZERİNDEKİ SEMBOLLER



Uyarı



Sınıf II alet, çift yalıtımlı



Yaralanma riskini azaltmak için kullanıcı ürünü kullanmadan önce kullanıcı kılavuzunu okuyup anlamalıdır.



Koruyucu gözlük ve kulak tıkacı kullanın.



Kablo hasarlıysa veya kesilmişse fişi hemen elektrikten çekin.



Elektrik çarpma tehlikesi.



Ürün geri akış önleyici olmayan içme suyu şebekesine bağlanmaya uygun değildir.



Sprey çubuğunu asla kişiler, hayvanlar, makine gövdesi, güç kaynağı ya da elektrikli aletlere doğrultmayın.



Patlama tehlikesi



Ürünün satın alındığı AB ülkesindeki tüm düzenleyici standartlara uygundur.



EurAsian Uygunluk İşareti



Ukrayna uygunluk işareti.



Güvenceli ses gücü seviyesi bu etikette 92 dB olarak gösterilmektedir.



Atık elektrikli ürünler evsel atıklarla birlikte atılmamalıdır. Lütfen tesislerin mevcut olduğu yerlerde geri dönüştürün. Geri dönüşüm tavsiyesi için bölgenizdeki yetkili merciye veya satıcıya başvurun.

BU KILAVUZDAKİ SEMBOLLER



Kaymaz, ağır iş eldiveni giyin.



Elektrik fişine bağlayın.



Elektrik fişinden ayırın.



Ayrı satılan parçalar veya aksesuarlar



Not



Uyarı

Aşağıdaki işaret sözcükler ve anlamları bu ürünle ilişkili risk seviyelerinin açıklanmasına yöneliktir.

⚠ TEHLİKE

Önlenmemesi durumunda ölüm veya ciddi yaralanma ile sonuçlanacak ciddi tehlike içeren bir durumu gösterir.

⚠ UYARI

Önlenmemesi durumunda ölüm veya ciddi yaralanma ile sonuçlanabilecek potansiyel olarak tehlikeli bir durumu gösterir.

⚠ İKAZ

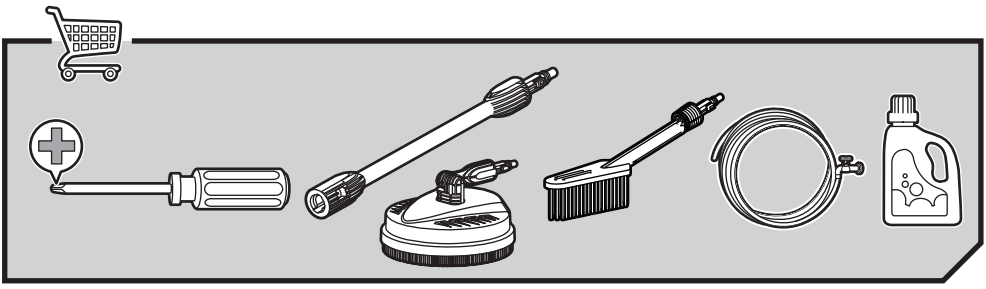
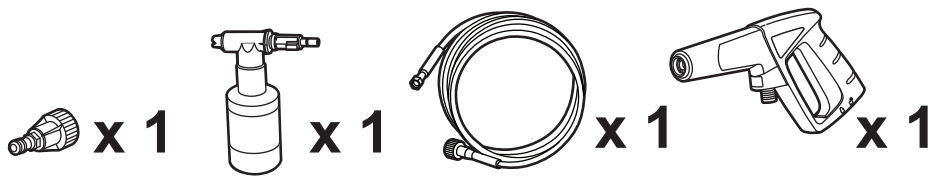
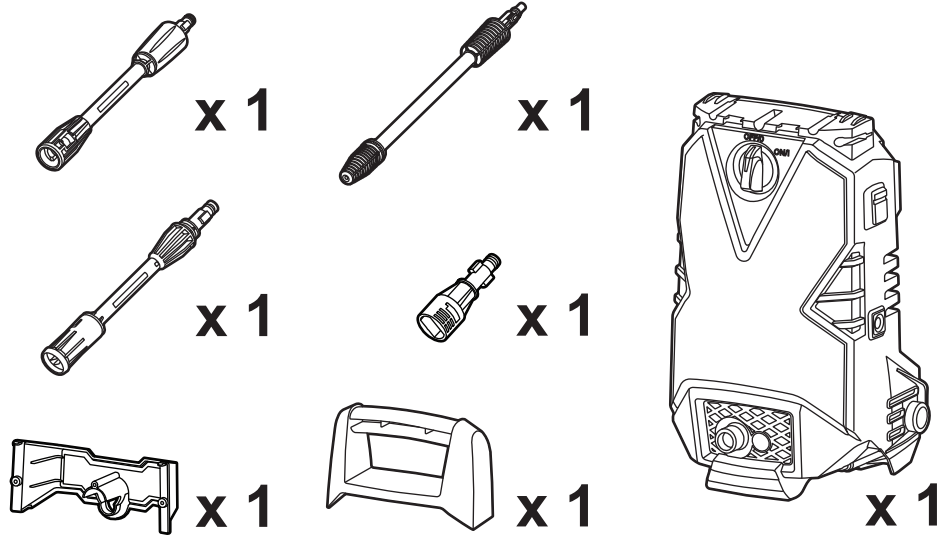
Önlenmemesi durumunda önemsiz veya orta derece yaralanma ile sonuçlanabilecek potansiyel olarak tehlikeli bir durumu gösterir.

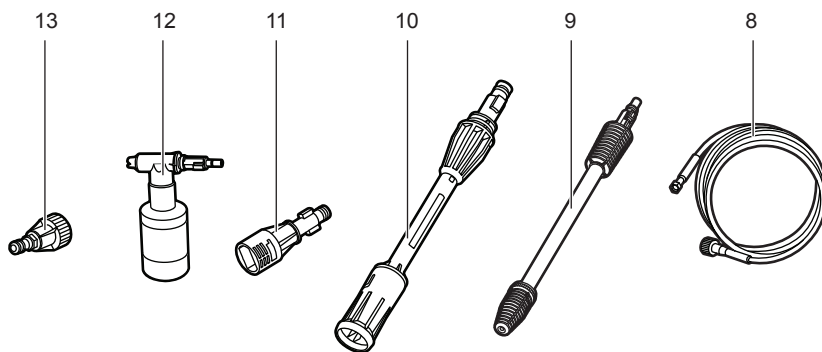
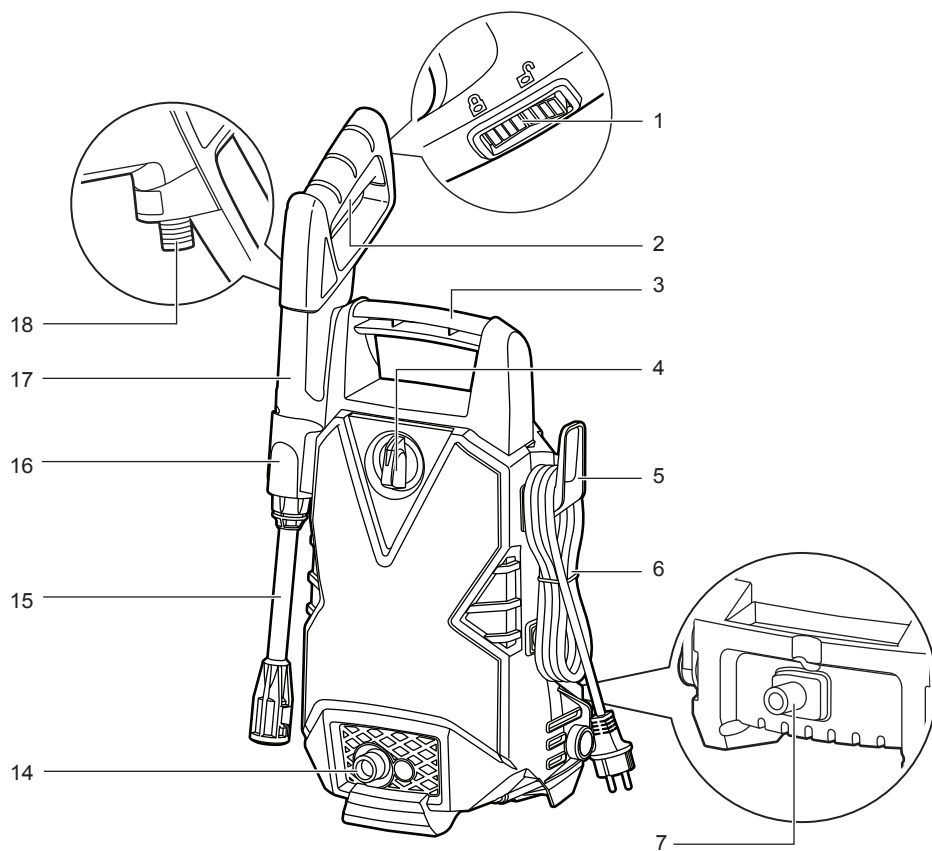
İKAZ

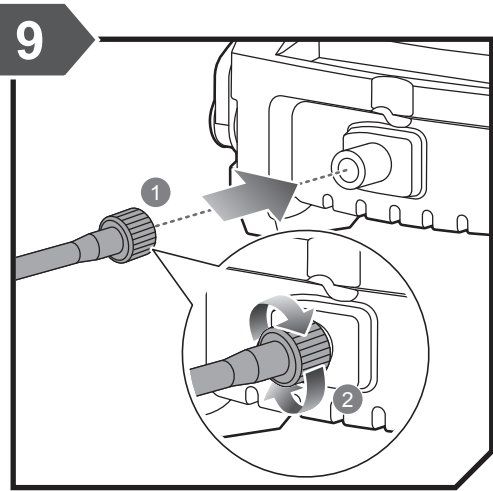
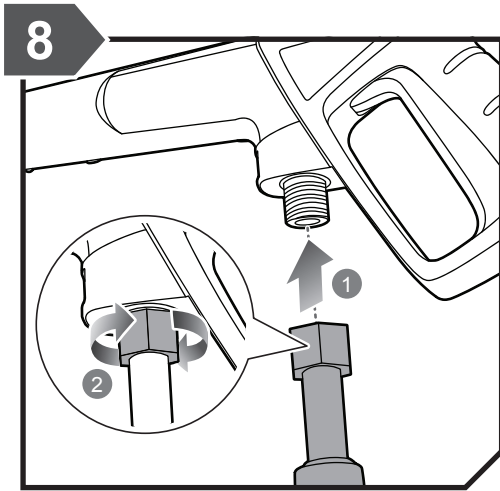
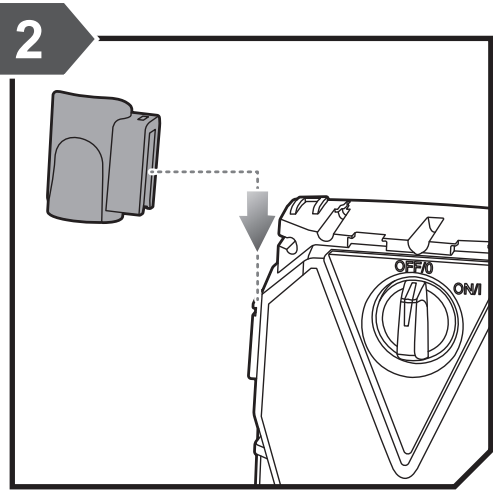
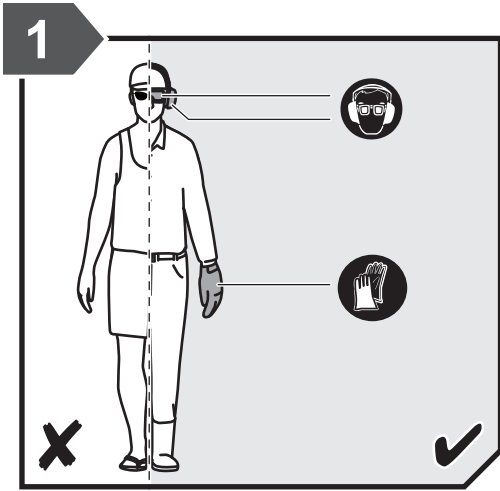
Güvenlik uyarısı sembolü olmadığında Maddi hasarla sonuçlanabilecek bir durumu gösterir.

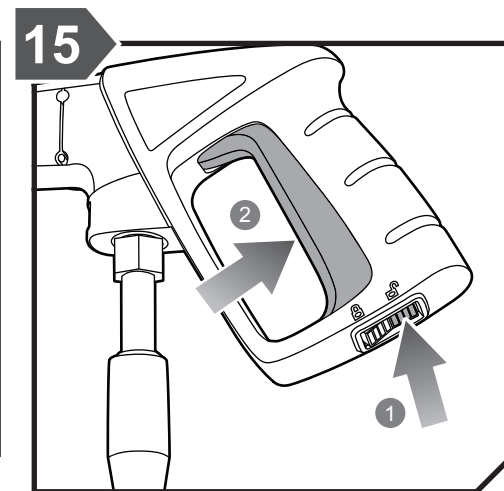
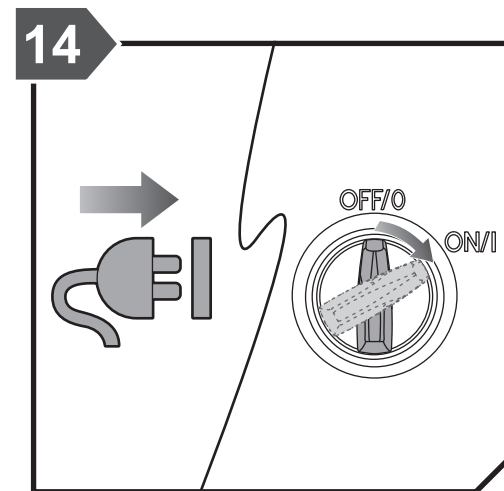
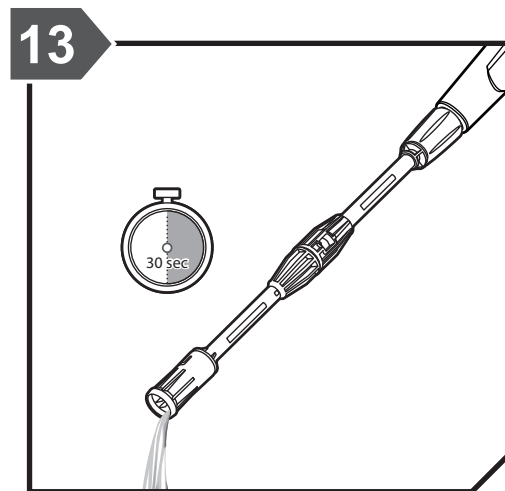
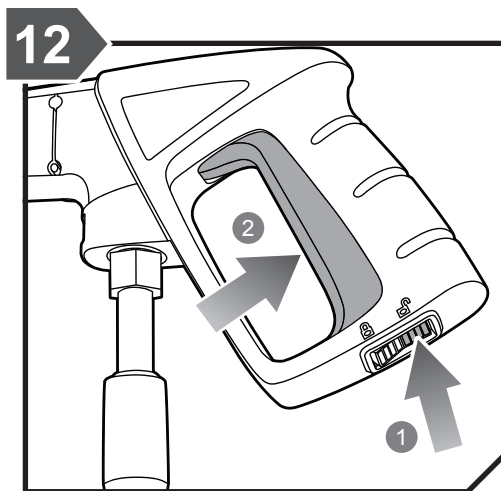
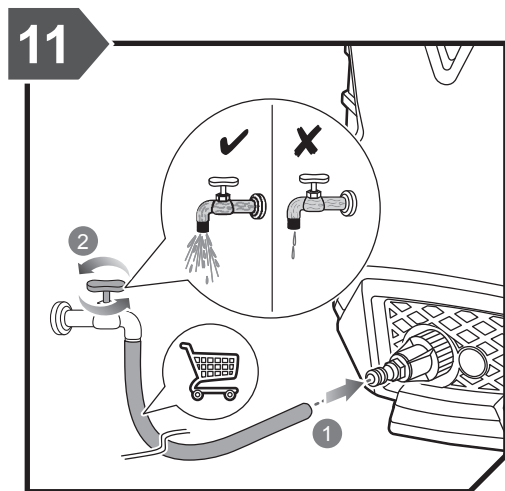
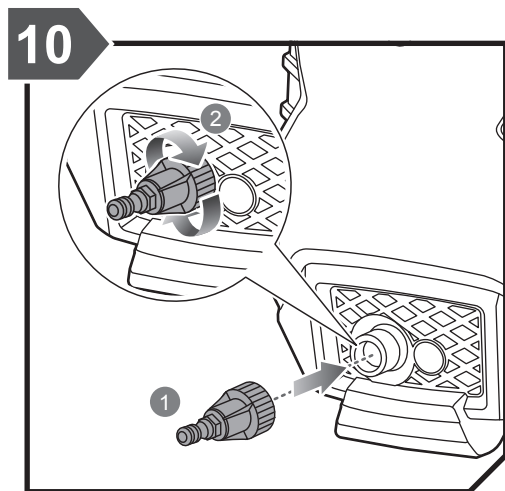
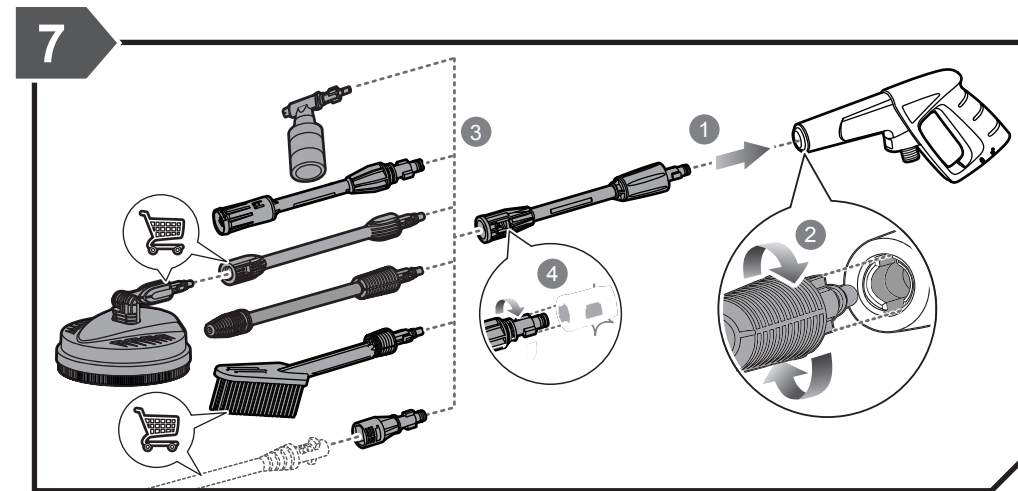
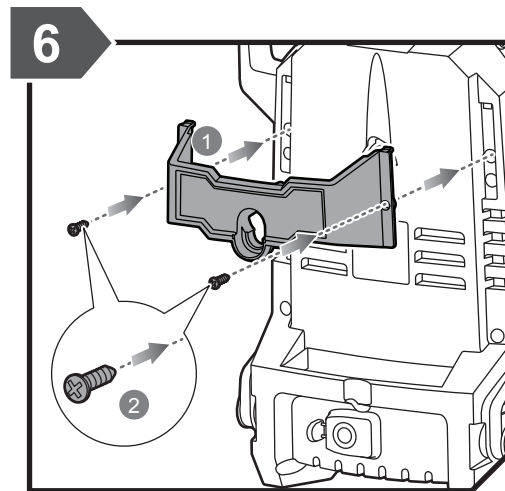
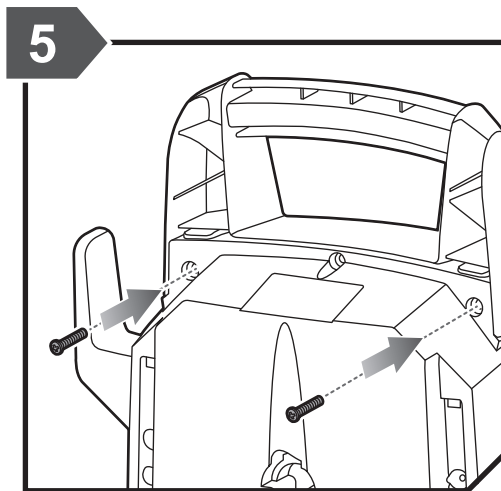
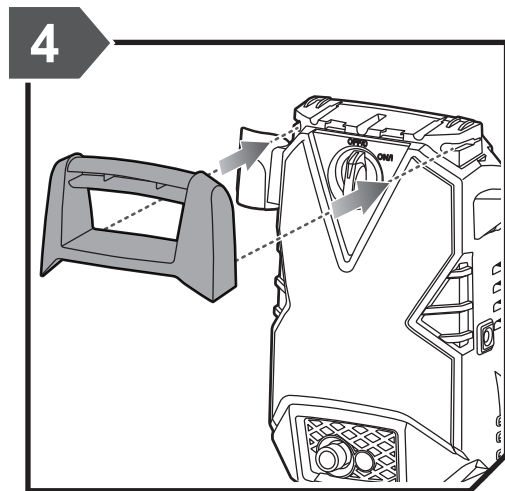
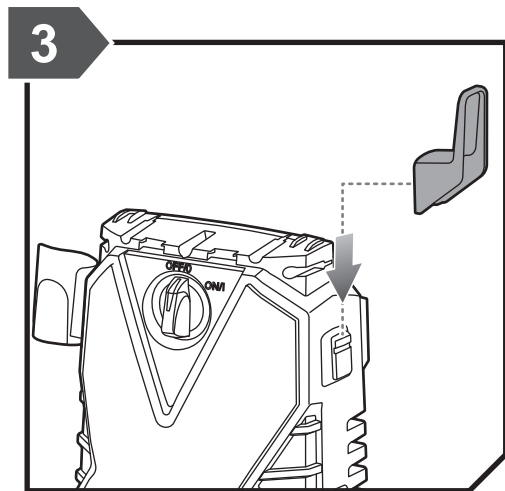
SORUN GİDERME

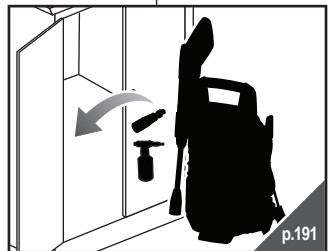
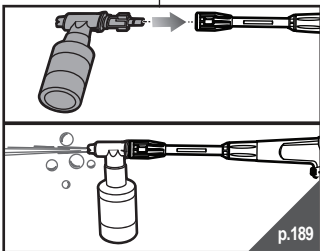
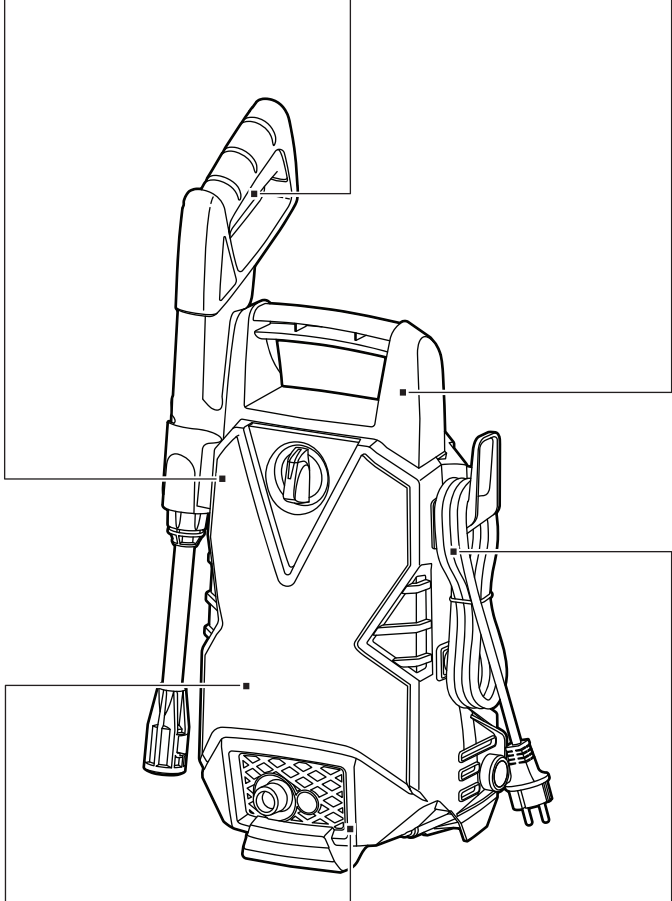
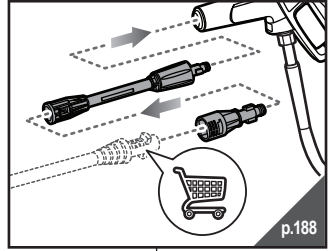
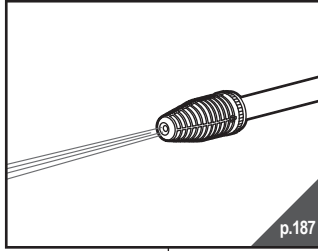
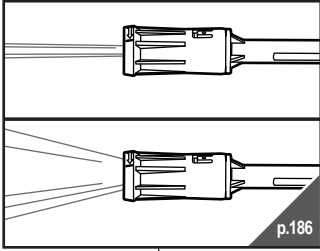
Sorun	Olası nedeni	Çözümü
Makine çalışmaya başlamıyor	Makine prize takılı değil	Makineyi prize takın.
	Arızalı soket	Başka bir soket deneyin.
	Arızalı uzatma kablosu	Uzatma kablosu olmadan deneyin.
Değişken basınç	Pompa hava emiyor	Hortum ve bağlantıların hava sızdırmazlığını kontrol edin.
	Kollar kirlî, eskimiş ya da sıkışmış	Servis için ürünü onarım amacıyla size en yakın yetkili servis merkezi'ne göndermenizi öneriyoruz.
	Pompa keçeleri aşınmış	Servis için ürünü onarım amacıyla size en yakın yetkili servis merkezi'ne göndermenizi öneriyoruz.
Makine duruyor	Sigorta yanmış	Servis için ürünü onarım amacıyla size en yakın yetkili servis merkezi'ne göndermenizi öneriyoruz.
	Yanlış şebeke voltajı	Şebeke voltajının model etiketindekiyle aynı olup olmadığını kontrol edin.
	Termal sensör etkinleştirilmiş	Ürünün soğuması için 15 dakika bekleyin.
	Nozül kısmen tıkalı	Nozülü temizleyin.
Makine sarsılıyor	Hortum/pompada hava var	Düzgün çalışma basıncına erişene dek ürünü tetik açık bir şekilde çalıştırın.
	Yetersiz ana su tedariki	Su kaynağının gerekli spesifikasyonlara uygun olup olmadığını kontrol edin (model etiketine bakın). Uzun, ince hortum kullanmayın.
	Nozül kısmen tıkalı	Nozülü temizleyin.
	Su filtresi tıkalı	Filtreyi temizleyin.
	Hortum kıvrılmış	Hortumu düzeltin.
Makine kendi kendine çalışıp duruyor	Pompa/sprey tutamağında sızıntı var	Servis için ürünü onarım amacıyla size en yakın yetkili servis merkezi'ne göndermenizi öneriyoruz.
Makine çalışmaya başlıyor ancak su gelmiyor	Pompa, hortum ya da diğer aksesuarlardan su gelmiyor, donmuşlar	Pompa, hortum ya da diğer aksesuarların çözülmesini bekleyin.
	Su tedariki yok	Su giriş yuvasını su kaynağına bağlayın.
	Su filtresi tıkalı	Filtreyi temizleyin.
	Nozül tıkalı	Nozülü temizleyin.
Deterjan yok	Nozül yüksek basınca göre ayarlanmıştır	Düşük basınca göre ayarlayın.
	Tank boş.	Tankı doldurun.

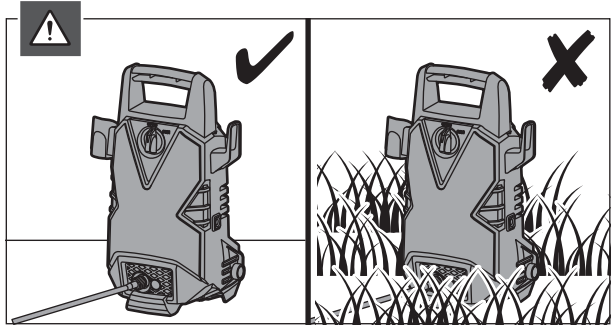
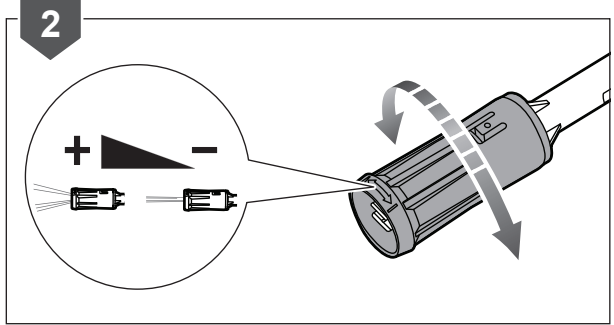
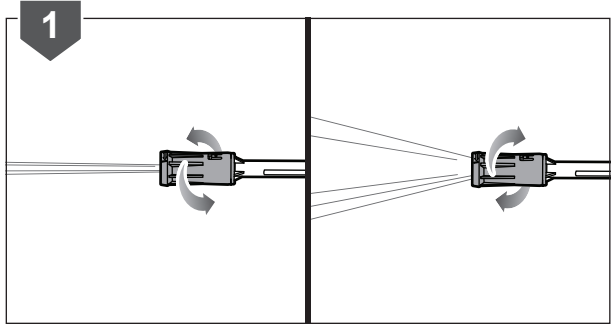
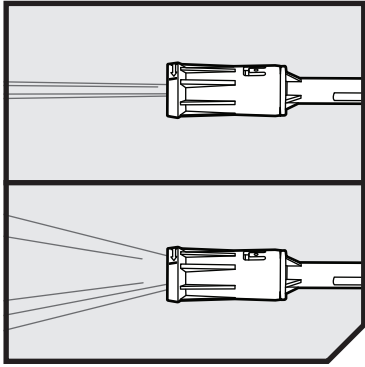


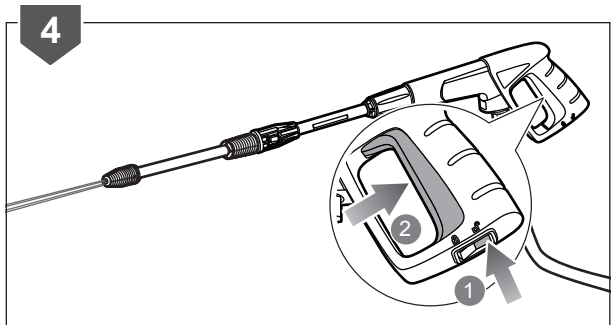
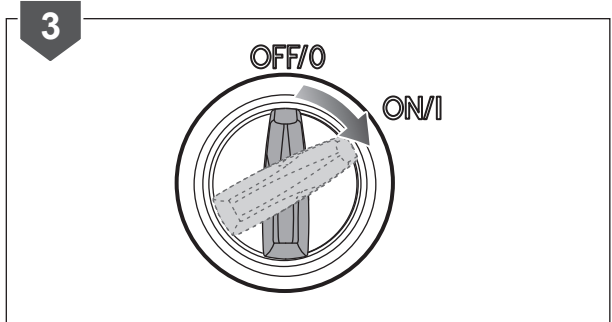
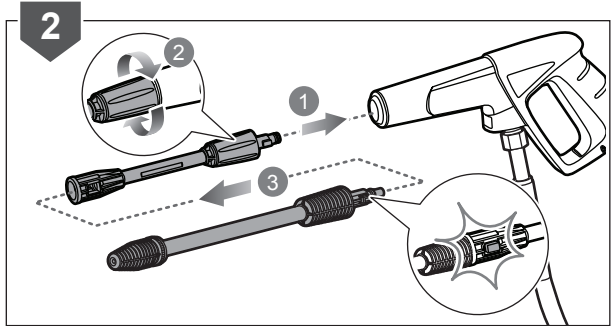
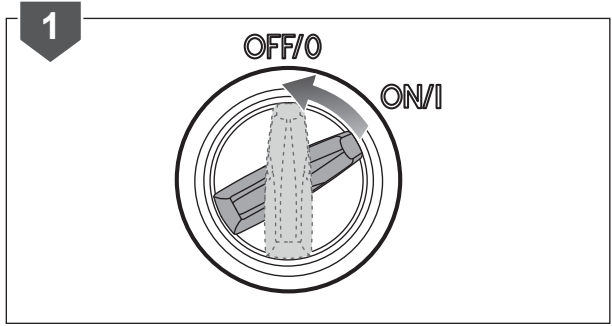
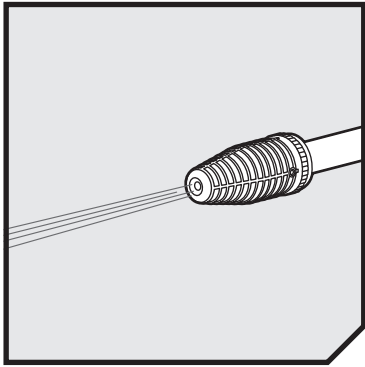


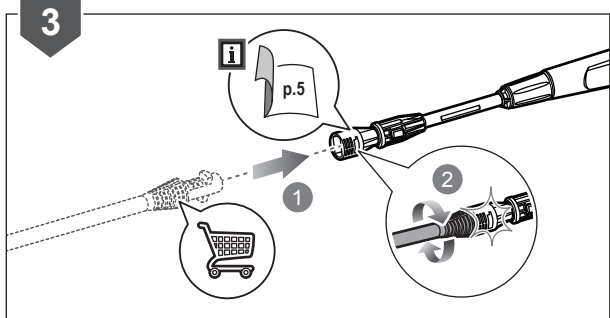
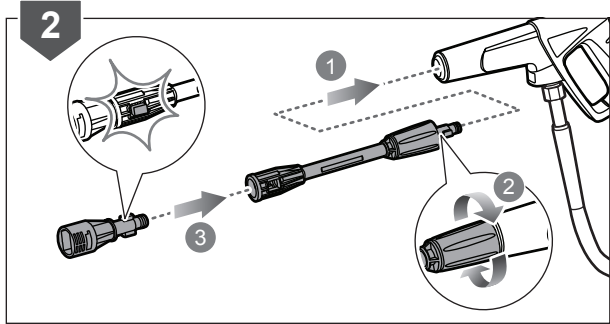
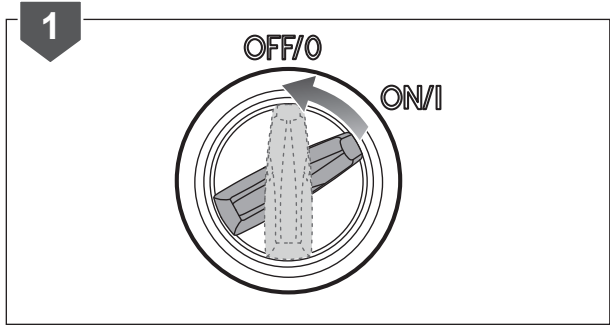
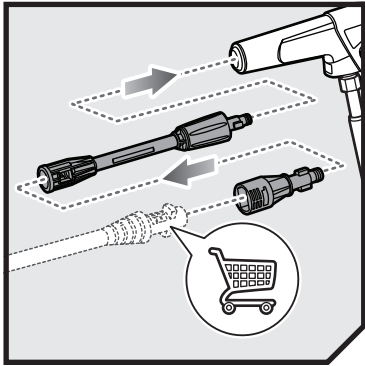


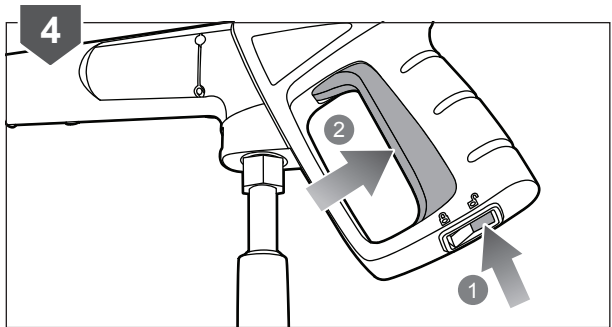
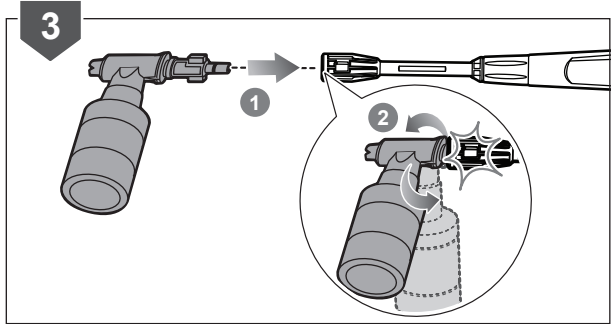
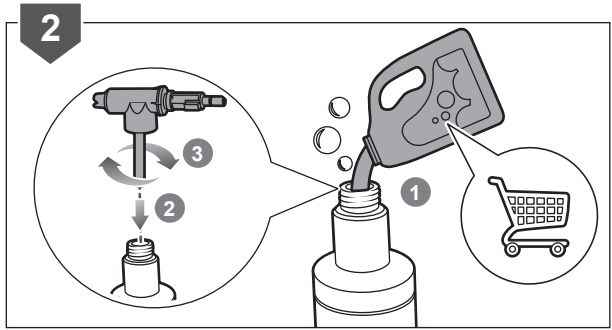
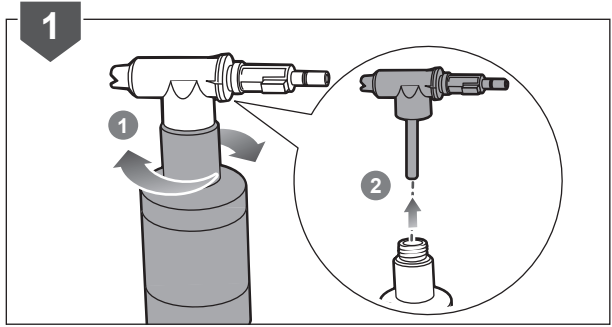
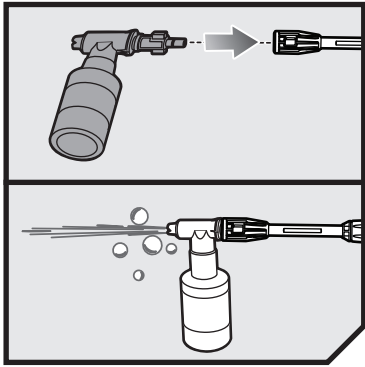


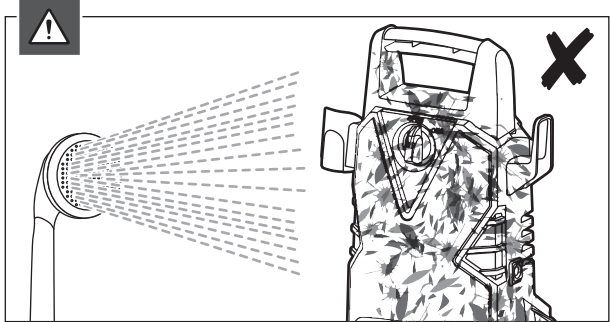
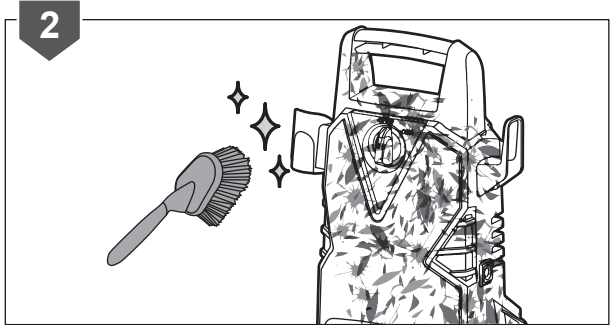
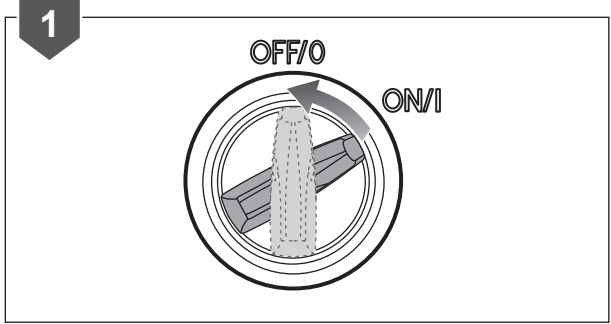


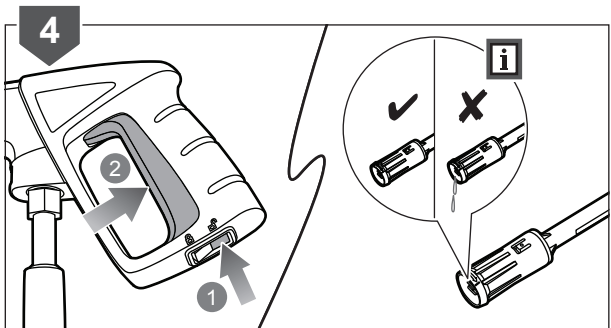
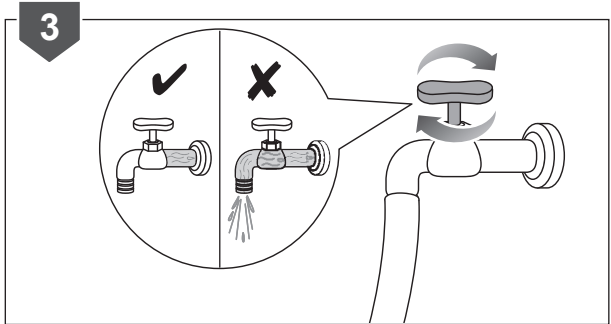
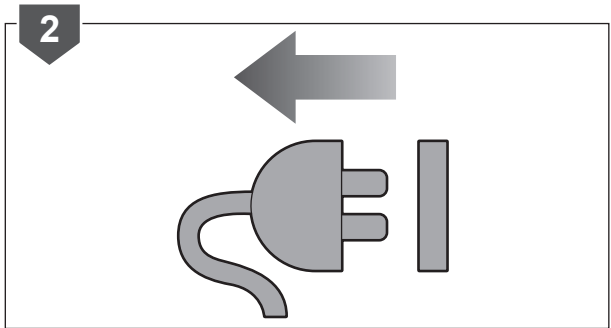
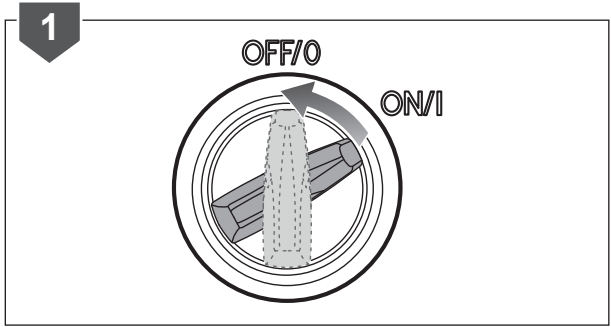
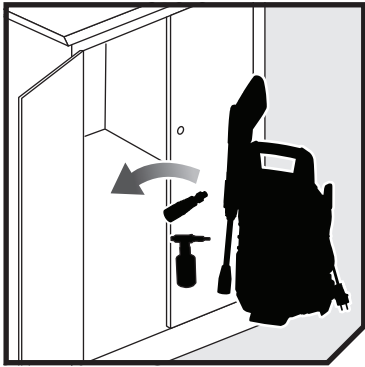


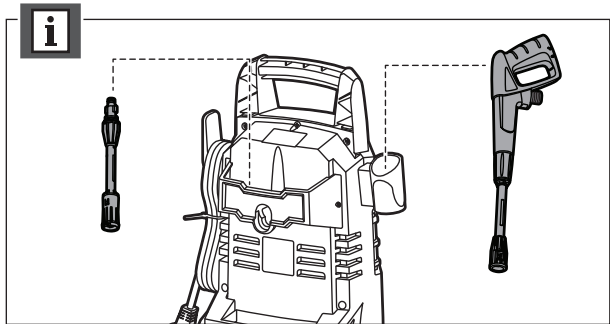
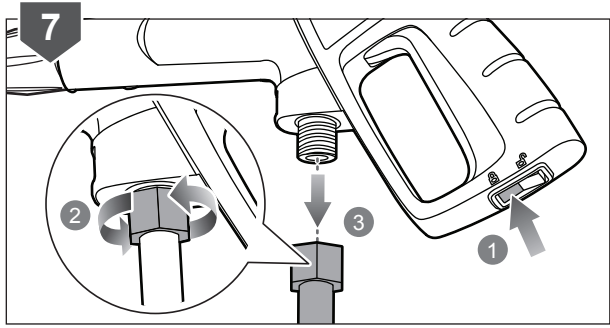
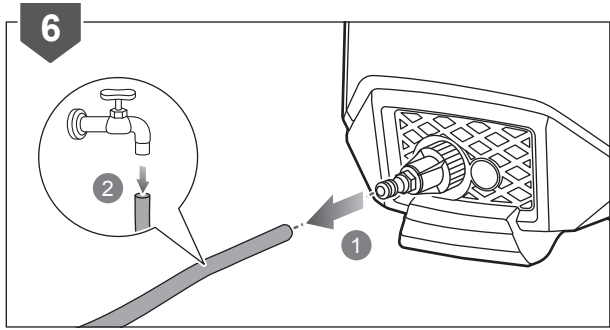
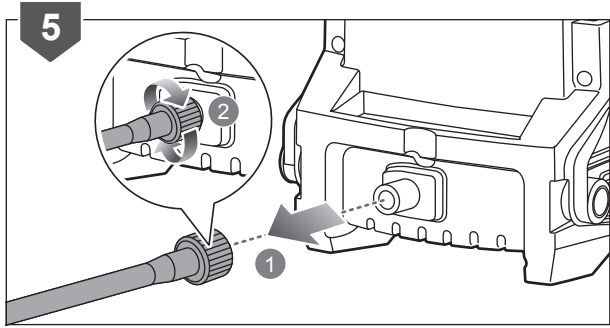


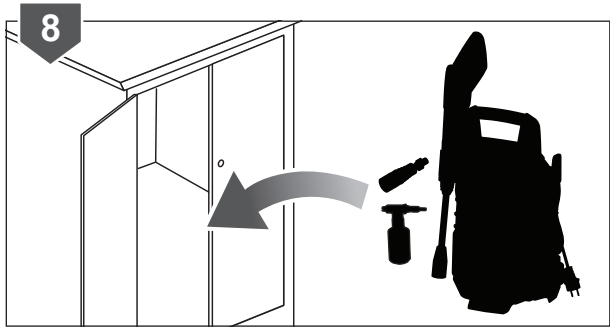












EN PRESSURE WASHER ADAPTOR

GENERAL INFORMATION:

Compatible adaptor for KÄRCHER pressure cleaner accessories. KÄRCHER is a registered trademark of Alfred Kärcher GmbH & Co. KG.

NOTE: Check the specification of the accessory part if it matches the specifications of the RYOBI high pressure cleaner.

FR ADAPTEURS DE NETTOYEUR HAUTE PRESSION

INFORMATIONS GÉNÉRALES:

Adaptateur compatible pour les accessoires des nettoyeurs sous pression KÄRCHER. KÄRCHER est une marque déposée d'Alfred Kärcher GmbH & Co. KG.

REMARQUE: Consulter les spécifications de la pièce de l'accessoire pour vérifier que celle-ci est compatible avec celles du nettoyeur haute pression RYOBI.

DE ADAPTER FÜR HOCHDRUCKREINIGER

ALLGEMEINE INFORMATION:

Kompatibler Adapter für Zubehör für KÄRCHER Hochdruckreiniger. KÄRCHER ist ein eingetragenes Warenzeichen der Alfred Kärcher GmbH & Co. KG.

HINWEIS: Prüfen Sie, ob die Spezifikation des Zuberhörteils den Spezifikationen des RYOBI Hochdruckreinigers entsprechen.

ES ADAPTADORES PARA LIMPIADORES A PRESIÓN

INFORMACIÓN GENERAL:

Adaptador compatible para los accesorios de las limpiadoras a presión KÄRCHER. KÄRCHER es una marca registrada de Alfred Kärcher GmbH & Co. KG.

OBSERVACIÓN: Consulte las especificaciones del accesorio para comprobar si es compatible con las especificaciones de la limpiadora de alta presión de RYOBI.

IT ADATTATORI PER IDROPULTRICE

INFORMAZIONI GENERALI:

Adattatore compatibile con gli accessori del pulitore ad alta pressione KÄRCHER. KÄRCHER è un marchio commerciale registrato di Alfred Kärcher GmbH & Co. KG.

NOTA: Controllare che le specifiche dell'accessorio corrispondano con quelle del pulitore ad alta pressione RYOBI.

NL ADAPTERS VOOR HOGEDRUKREINIGERS

ALGEMENE INFORMATIE:

Compatibele adapter voor onderdelen voor drukreinigers van KÄRCHER. KÄRCHER is een geregistreerd handelsmerk van Alfred Kärcher GmbH & Co. KG.

OPMERKING: Controleer of de specificatie van het onderdeel overeenkomt met de specificaties van de RYOBI hogedrukreiniger.

PT UNIÃO PARA LAVADORA DE ALTA PRESSÃO

INFORMAÇÕES GERAIS:

Adaptador compatível para acessórios de lavadora de alta pressão KÄRCHER. KÄRCHER é uma marca registrada da Alfred Kärcher GmbH & Co. KG.

NOTA: Verifique e certifique-se de que as especificações do acessório correspondem às especificações da lavadora de alta pressão RYOBI.

DA ADAPTORER TIL HØJTRYKSENSER

GENEREL INFORMATION:

Kompatibel adapter til KÄRCHER trykrensertilbehør. KÄRCHER er et registreret varemærke tilhørende Alfred Kärcher GmbH & Co. KG.

BEMÆRK: Kontroller specifikationen for tilbehørsdelen for at se, om den svarer til specifikationerne på RYOBI højtryksrensere.

SV ADAPTRAR FÖR HÖGTRYCKSTVÅTTAR

ALLMÄN INFORMATION:

Kompatibel adapter för KÄRCHER tillbehör till högttryckstvättar. KÄRCHER är ett registrerat varumärke för Alfred Kärcher GmbH & Co. KG.

ANMÄRKNING: Kontrollera tillbehörsdelens specifikation för att se om det passar specifikationerna för RYOBI högttryckstvätt.

FI PAINEPESURIN SOVITTIMET

YLEISESTI:

KÄRCHER-painepesurin lisävarusteiden kanssa yhteensopiva sovitin. KÄRCHER on Alfred Kärcher GmbH & Co:n rekisteröity tavaramerkki. KG.

HUOMAUTUS: Varmista lisävarusteen eritelmistä, että se on RYOBI-painepesurin kanssa yhteensopiva.

NO ADAPTERE TIL HØYTRYKSSVASKER

GENERAL INFORMASJON:

Kompatibel adapter for KÄRCHER høytrykkspylertilbehør. KÄRCHER er et registrert varemerke som tilhører Alfred Kärcher GmbH & Co. KG.

MERK: Kontroller spesifikasjonen på tilbehørsdelen om den stemmer overens med spesifikasjonene til RYOBI høytrykkspyler.

RU АДАПТЕРЫ МОЙКИ ВЫСОКОГО ДАВЛЕНИЯ

ОБЩАЯ ИНФОРМАЦИЯ:

Совместимый адаптер для принадлежностей мойки под давлением KÄRCHER. KÄRCHER является зарегистрированным товарным знаком компании Alfred Kärcher GmbH & Co. KG.

ПРИМЕЧАНИЕ: Убедитесь в том, что спецификация вспомогательной детали совпадает со спецификацией очистителя высокого давления RYOBI.

PL ADAPTERY MYJKI CIŚNIENIOWEJ

INFORMACJE OGÓLNE:

Zgodny adapter do akcesoriów do myjek ciśnieniowych KÄRCHER. KÄRCHER jest zarejestrowanym znakiem handlowym Alfred Kärcher GmbH & Co. KG.

OBJAŚNIENIE: Należy sprawdzić specyfikację akcesorium, aby upewnić się, czy spełnia ono specyfikację myjki ciśnieniowej RYOBI.

CS ADAPTÉRY PRO VYSOKOTLAKOVÝ ČISTIČ

VŠEOBECNÉ INFORMACE:

Redukce kompatibilní s doplňky k vysokotlakým čističům KÄRCHER. KÄRCHER je registrovaná ochranná známka společnosti Alfred Kärcher GmbH & Co. KG.

POZNÁMKA: Zkontrolujte, zda technické vlastnosti doplňku odpovídají technickým podmínkám vysokotlakého čističe RYOBI.

HU ADAPTER NAGYNYOMÁSÚ MOSÓHÓZ

ÁLTALÁNOS INFORMÁCIÓK:

Kompatibilis adapter a KÄRCHER nagynyomású tisztító tartozékokhoz. A KÄRCHER az Alfred Kärcher GmbH & Co. KG bejegyzett védjegye. védjegye.

MEGJEGYZÉS: Ellenőrizze a tartozék műszaki adatait, hogy megfeleljen a RYOBI nagynyomású tisztító előírásainak.

RO ADAPTOARE PENTRU CURĂȚĂTOARE CU ÎNALTĂ PRESIUNE

INFORMAȚII GENERALE:

Adaptor compatibil cu accesoriiile curățătoarelor cu presiune KÄRCHER. KÄRCHER este o marcă comercială înregistrată a Alfred Kärcher GmbH & Co. KG.

OBSERVAȚIE: Verificați dacă specificațiile accesoriului se potrivesc cu cele ale curățătorului cu presiune RYOBI.

LV AUGSTSPIEDIENA MAZGĀTĀJA ADAPTERI

VIŠPĀRĒJA INFORMĀCIJA:

Savietojams adapters KÄRCHER augstspiediena mazgātāju aksesuāriem. KÄRCHER ir Alfred Kärcher GmbH & Co reģistrēta precu zīme. KG.

PIEZĪME: Pārbaudiet aksesuāra daļas specifikāciju, vai tā sakrīt ar RYOBI augstspiediena mazgāšanas iekārtas specifikāciju.

LT AUKŠTO SLĒGIO PLAUTUVO ADAPTERIAI

BENDROJI INFORMACIJA:

Suderinamas adapteris, skirtas KÄRCHER slėginio valymo įrenginio priedams prijungti. KÄRCHER yra registruotas „Alfred Kärcher GmbH & Co“ prekės ženklas. KG.

PASTABA: Patikrinkite, ar papildomos dalies specifikacija atitinka RYOBI aukšto slėgio valymo įrenginio specifikacijas.

ET SURVEPESURI ADAPTERID

ŪLDINFO:

Ūhilduv adapter KÄRCHERi survepesuri tarvikutele. KÄRCHER on Alfred Kärcher GmbH & Co. KG registreeritud kaubamärk.

MÄRKUS: Kontrollige lisatarviku tehnilisest kirjeldusest, kas see sobib RYOBI kõrgsurvepesuri spetsifikatsiooniga.

HR ADAPTERI ZA VISOKOTLAČNI ČISTAČ

OPĆE INFORMACIJE:

Kompatibilan adapter za pribor visokotlačnog čistača KÄRCHER. KÄRCHER je registrirani žig tvrtke Alfred Kärcher GmbH & Co. KG.

NAPOМЕНА: Provjerite poklapa li se specifikacija dijela pribora sa specifikacijama visokotlačnog čistača RYOBI.

SL ADAPTERJI ZA VISOKOTLAČNE ČISTILNIKE

SPLOŠNE INFORMACIJE:

Združljivi prilagojevalnik za dodatke tlačnih čistilcev KÄRCHER. KÄRCHER je registrirana blagovna znamka podjetja Alfred Kärcher GmbH & Co. KG.

OPOMBA: Preverite, ali se tehnični podatki dodatka ujemajo s tehničnimi podatki visokotlačnega čistilca RYOBI.

SK ADAPTÉRY PRE TLAKOVÚ UMÝVAČKU

VŠEOBECNÉ INFORMÁCIE:

Kompatibilný adaptér pre príslušenstvo pre tlakovú čistič KÄRCHER. KÄRCHER je registrovaná ochranná známka spoločnosti Alfred Kärcher GmbH & Co. KG.

POZNÁMKA: Skontrolujte, že špecifikácia príslušenstva vyhovuje špecifikáciám vysokotlakového čističa RYOBI.

BG АДАПТЕРИ ЗА ВОДОСТРУЙКИ

ОБЩА ИНФОРМАЦИЯ:

Съвместим адаптер за аксесоари за водоструйки KÄRCHER. KÄRCHER е регистрирана търговска марка на Alfred Kärcher GmbH & Co. KG.

ЗАБЕЛЕЖКА: Проверете дали спецификацията на съответния аксесоар съответства на спецификациите на водоструйката RYOBI.

UK АДАПТЕРИ МИЙКИ ВИСОКОГО ТИСКУ

ЗАГАЛНА ІНФОРМАЦІЯ:

Адаптер для аксесуарів для очищення під тиском KÄRCHER. KÄRCHER - зареєстрована торгова марка Alfred Kärcher GmbH & Co. KG.

ПРИМІТКА: Перевірте специфікацію до аксесуарів чи вони відповідають технічним характеристикам для пристроїв для чищення під високим тиском RYOBI.

TR BASINÇLI YIKAYICI ADAPTÖRLERİ

GENEL BİLGİLER:

KÄRCHER basınçlı temizlik aksesuarlarıyla uyumlu adaptör. KÄRCHER, Alfred Kärcher GmbH & Co. KG. şirketinin tescilli ticari markasıdır.

NOT: RYOBI yüksek basınçlı temizleyicinin teknik özelliklerini karşılayıp karşılamadığını belirlemek için aksesuar parçasının teknik özelliklerini kontrol edin.

English	Français	Deutsch	Español	Italiano	Nederlands
Product specifications	Caractéristiques produit	Produkt-Spezifikationen	Características del producto	Caratteristiche del prodotto	Productgegevens
Electric high pressure cleaner	Nettoyeur haute pression électrique	Elektrischer Hochdruckreiniger	Limpiadora eléctrica de alta presión	Pulitore elettrico ad alta pressione	Elektrische hogedrukreiniger
Model	Modèle	Modell	Modelo	Modello	Model
Rated voltage	Tension nominale	Nennspannung	Tensión nominal	Voltaggio nominale	Toegekende spanning
Frequency	Fréquence	Frequenz	Frecuencia	Frequenza	Frequentie
Power	Sous tension	Leistung	Conectado	Sotto tensione	Apparaat onder stroom
Maximum pressure	Pression maximale	Maximaler Druck	Presión máxima	Pressione massima	Maximale druk
Rated pressure	Pression nominale	Nendruck	Presión nominal	Pressione nominale	Beoordeelde druk
Degree of protection	Indice de protection	Schutzart	Grado de protección	Grado di protezione	Beschermgraad
Rated flow	Flux nominal	Nennfluss	Flujo nominal	Portata nominale	Beoordeeld debiet
Max. flow	Flux max.	Max. Fluss	Flujo máx.	Portata massima	Max. debiet
Max. inlet water pressure	Pression d'entrée d'eau (maximum)	Einlasswasserdruck (maximal)	Presión de entrada de agua (máxima)	Pressione d'ingresso dell'acqua (massima)	Druk van watertoevoer (maximum)
Detergent tank	Réservoir de détergent	Reinigungsmitteltank	Depósito de detergente	Detergente del serbatoio	Reinigingsmiddeltank
Power cord length	Longueur du cordon d'alimentation	Länge des Netzkabels	Longitud del cable de alimentación	Lunghezza cavo di alimentazione	Lengte stroomsnoer
Sound pressure level (L_{pa}) (in accordance with EN 60335-2-79)	Niveau de pression acoustique (L_{pa}) (selon EN 60335-2-79)	Schalldruckpegel (L_{pa}) (nach EN 60335-2-79)	Nivel de presión acústica (L_{pa}) (de acuerdo con la norma EN 60335-2-79)	Livello pressione acustica (L_{pa}) (secondo quanto indicato dalle norme EN 60335-2-79)	Geluidsdrukniveau (L_{pa}) (in overeenstemming met EN 60335-2-79)
Uncertainty	Incertitude	Unsicherheit	Incertidumbre	Incertezza	Onzekerheid
Sound power level (L_{wa}) (in accordance with EN 60335-2-79)	Niveau de puissance sonore (L_{wa}) (selon EN 60335-2-79)	Schalleistung (L_{wa}) (nach EN 60335-2-79)	Nivel de la potencia sonora (L_{wa}) (de acuerdo con la norma EN 60335-2-79)	Livello potenza sonora (L_{wa}) (secondo quanto indicato dalle norme EN 60335-2-79)	Geluidsniveau (L_{wa}) (in overeenstemming met EN 60335-2-79)
Uncertainty	Incertitude	Unsicherheit	Incertidumbre	Incertezza	Onzekerheid
Vibration value (in accordance with EN 60335-2-79)	Niveau de vibration (selon EN 60335-2-79)	Vibrationsgrad (nach EN 60335-2-79)	Nivel de vibración (de acuerdo con la norma EN 60335-2-79)	Livello vibrazioni (secondo quanto indicato dalle norme EN 60335-2-79)	Trillingsniveau (in overeenstemming met EN 60335-2-79)
Uncertainty	Incertitude	Unsicherheit	Incertidumbre	Incertezza	Onzekerheid
Weight	Poids	Gewicht	Peso	Peso	Peso
Maximum garden hose length	Longueur maximale: Tuyau de jardin	Maximale Länge: Gartenschlauch	Longitud máxima: Manguera de jardín	Lunghezza massima: tubo da giardino	Maximale lengte: Tuinslang
Minimum garden hose diameter	Diamètre minimum: Tuyau de jardin	Minimaler Durchmesser: Gartenschlauch	Díametro mínimo: Manguera de jardín	Diametro minimo: tubo da giardino	Minimale diameter: Tuinslang
Replacement parts	Pièces de Rechange	Ersatzteile	Piezas de repuesto	Parti di ricambio	Vervangonderdelen
Trigger gun	Pistolet déclencheur	Spritzpistole	Pistola con gatillo	Pistola	Trekkerpistool
High pressure hose	Tuyau à haute pression	Hochdruckschlauch	Manguera de alta presión	Tubo flessibile ad alta pressione	Hogedrukslang



Português	Dansk	Svenska	Suomi	Norsk	Русский	
Características do aparelho	Produktspecifikationer	Produktspecifikationer	Tuotteen tekniset tiedot	Produktspecificasjoner	Характеристики изделия	
Lavadora de alta pressão eléctrica	Elektrisk højtryksrensler	Elektrisk högtryckstvätt	Sähköinen korkeapainepesuri	Elektrisk høytrykksspylar	Электрический очиститель высокого давления	
Modelo	Model	Modell	Malli	Modell	Модель	RPW110B
Tensão nominal	Mærkespænding	Spänning	Nimellisännite	Nominell spenning	Номинальное напряжение	220 - 240 V
Frequência	Frekvens	Frekvens	Taajuus	Frekvens	Частота	50 Hz
Em tensão	Strøm til stede	Under spänning	Jännite	Strømtilførsel	Под напряжением	1 500 W
Pressão máxima	Maksimaltryk	Maximalt tryck	Maksimipaine	Maksimalt trykk	Максимальное давление	11 MPa (110 bar)
Pressão nominal	Dimensioneringstryk	Nominellt tryck	Nimellisaine	Nominelt trykk	Номинальное давление	8 MPa (80 bar)
Grau de protecção	Beskyttelsesklasse	Grad av skydd	Suojausluokka	Grad av beskyttelse	Класс защиты	IPX5
Caudal nominal	Specificeret gennemstrømning	Nominellt flöde	Nimellisvirtaus	Nominell vannstrøm	Номинальная пропускная способность	5,6 L/min
Caudal máx.	Maks. gennemstrømning	Max. flöde	Maksimivirtaus	Maks vannstrøm	Максимальная пропускная способность	6,0 L/min
Pressão de água à entrada (máximo)	Vandindløbstryk (max)	Inloppsvattentryck (max)	Tuloveden paine (max.)	Inntakstrykk (maksimalt)	Давление воды на впуске (максимум)	0,7 MPa (7 bar)
Depósito de detergente	Beholder til rengøringsmiddel	Behållare för rengöringsmedel	Pesuainesäiliö	Vaskemiddeltank	Бак для моющего раствора	0,35 L
Comprimento do cabo de alimentação	Strømforsyningskabels længde	Strömkabelns längd	Virtajohdon pituus	Strømkabelengde	Длина шнура питания	5 m
Nível de pressão sonora (L_{pA}) (de acordo com a norma EN 60335-2-79)	Lydtryksniveau (L_{pA}) (i henhold til EN 60335-2-79)	Ljudtrycknivå (L_{pA}) (i enlighet med EN 60335-2-79)	Äänenpainetaso (L_{pA}) (standardin EN 60335-2-79 -standardin mukaan)	Lydtryknivå (L_{pA}) (i henhold til EN 60335-2-79)	Акустическое давление (L_{pA}) (в соответствии со стандартом EN 60335-2-79)	75,9 dB(A)
Incerteza	Usikkerhed	Osäkerhet	Epätarkkuus	Usikkerhet	Погрешность	1,0 dB
Nível da potência sonora (L_{WA}) (de acordo com a norma EN 60335-2-79)	Lydeffektniveau (L_{WA}) (i henhold til EN 60335-2-79)	Ljudnivå (L_{WA}) (i enlighet med EN 60335-2-79)	Ääniteho (L_{WA}) (standardin EN 60335-2-79 -standardin mukaan)	Lydeffektivå (L_{WA}) (i henhold til EN 60335-2-79)	Уровень звуковой мощности (L_{WA}) (в соответствии со стандартом EN 60335-2-79)	90,4 dB(A)
Incerteza	Usikkerhed	Osäkerhet	Epätarkkuus	Usikkerhet	Погрешность	1,0 dB
Nível de vibração (de acordo com a norma EN 60335-2-79)	Vibrationsniveau (i henhold til EN 60335-2-79)	Vibrationsnivå (i enlighet med EN 60335-2-79)	Tärinätao (standardin EN 60335-2-79 -standardin mukaan)	Vibrasjonsnivå (i henhold til EN 60335-2-79)	Уровень вибрации (в соответствии со стандартом EN 60335-2-79)	3,2 m/s ²
Incerteza	Usikkerhed	Osäkerhet	Epätarkkuus	Usikkerhet	Погрешность	1,5 m/s ²
Peso	Vikt	Vægt	Vekt	Paino	Нмолност	5,1 kg
Comprimento máximo: Mangueira de jardim	Maks. længde: Haveslange	Maximal längd: Trädgårdsslang	Maksimipituus: Puutarhaletku	Maks lengde: Hageslange	Максимальная длина: Садовый шланг	15 m
Diâmetro mínimo: Mangueira de jardim	Min. diameter: Haveslange	Minsta diameter: Trädgårdsslang	Minimihalkaisija: Puutarhaletku	Minste diameter: Hageslange	Минимальный диаметр: Садовый шланг	18 mm (3/4 in.)
Peças de substituição	Reserve dele	Utbytesdelar	Varaosat	Erstatningsdeler	Запасные части	
Pistola do gatilho	Aftrækkerpistol	Pistolgrepp	Liipaisinvarren laukaisulappä	Utløserpistol	Пистолет	5131041333
Mangueira de alta pressão	Højtryksslange	Högtrycksslang	Korkeapaineletku	Høytryksslange	Шланг высокого давления	5131041335





Polski	Čeština	Magyar	Română	Latviski	Lietuviškai	Eesti
Parametry techniczne	Technické údaje produktu	Termék műszaki adatai	Specificațiile produsului	Produkta specifikācijas	Gaminio techninės savybės	Toote tehnilised andmed
Elektryczna myjka ciśnieniowa	Elektrický vysokotlaký čistič	Elektromos nagynyomású tisztító	Curățitor electric de înaltă presiune	Elektriskais augstspiediena mazgātājs	Elektrinis aukšto slėgio valytuvas	Elektriline survepesur
Model	Model	Tipus	Model	Modelis	Modelis	Mudel
Napięcie znamionowe	Jmenovité napětí	Névleges feszültség	Tensiunea nominală	Nominālais spriegums	Nominali įtampa	Nimipinge
Częstotliwość	Frekvence	Frekvencia	Frecvență	Frekvence	Dažnis	Sagedus
Pod napięciem	Pod napětím	Feszültség alatt	Sub tensiune	Barošana	Energija	Toide
Ciśnienie maksymalne	Maximální tlak	Legnagyobb nyomás	Presiunea maximă	Maksimālais spiediens	Maksimalus slėgis	Maksimaalne surve
Ciśnienie znamionowe	Jmenovitý tlak	Névleges nyomás	Presiune nominală	Nominālais spiediens	Nominalusis slėgis	Nimirõhk
Stopień ochrony	Stupeň ochrany	Védelem foka	Gradul de protecție	Aizsardzības pakāpe	Apsaugos laipsnis	Kaitseklass
Znamionowe natężenie przepływu	Jmenovitý průtok	Névleges áramlás	Debit nominal	Nominālā plūsma	Vardinis srautas	Nominaalne vooluhulk
Maksymalne natężenie przepływu	Maximální průtok	Max. áramlás	Debit maxim	Maksimālā plūsma	Maks. srautas	Max vooluhulk
Włotowe ciśnienie wody (maks.)	Tlak přivodní vody (maximální)	Bemeneti víznyomás (maximális)	Presiune de alimentare (maximum)	Ūdens spiediens ieplūde (maksimālais)	Tiekiamo vandens slėgis (maksimali)	Sisendvee rõhk (maksimum)
Zbiornik na detergent	Nádobka na čističí přípravek	Mosószerartály	Rezervor de detergent	Mazgāšanas līdzekļa tvertne	Ploviklio talpykla	Puhastusvahendi paak
Długość przewodu zasilającego	Délka napájecího kabelu	Tápkábel hossza	Lungime cablu de alimentare	Strāvas vada garums	Maitinimo laido ilgis	Toitejuhtme pikkus
Poziom ciśnienia akustycznego (L _{WA}) (zgodnie z normą EN 60335-2-79)	Úroveň akustického tlaku (L _{WA}) (v souladu s EN 60335-2-79)	Hangnyomás szintje (L _{WA}) (a EN 60335-2-79 szerint)	Nivel de presiune acustică (L _{WA}) (în conformitate cu EN 60335-2-79)	Skaņas spiediena līmenis (L _{WA}) (saskaņā ar EN 60335-2-79)	Akustinio slėgio lygis (L _{WA}) (pagal EN 60335-2-79)	Helirõhk (L _{WA}) (vastavalt standardile EN 60335-2-79)
Niepewność pomiaru	Nejistota	Bizonytalanság	Incertitudine	NeNOTEIKTĪBA	Nepastovumas	Määramatus
Poziom natężenia akustycznego (L _{WA}) (zgodnie z normą EN 60335-2-79)	Hladina akustického výkonu (L _{WA}) (v souladu s EN 60335-2-79)	Hangteljesítményszint (L _{WA}) (a EN 60335-2-79 szerint)	Nivel de putere a zgomotului (L _{WA}) (în conformitate cu EN 60335-2-79)	Skaņas jaudas līmenis (L _{WA}) (saskaņā ar EN 60335-2-79)	Garso galingumo lygis operatoriaus ausims (L _{WA}) (pagal EN 60335-2-79)	Helivõimsuse tase (L _{WA}) (vastavalt standardile EN 60335-2-79)
Niepewność pomiaru	Nejistota	Bizonytalanság	Incertitudine	NeNOTEIKTĪBA	Nepastovumas	Määramatus
Poziom vibracji (zgodnie z normą EN 60335-2-79)	Úroveň vibrací (v souladu s EN 60335-2-79)	Vibrációs szint (a EN 60335-2-79 szerint)	Nivel de vibrație (în conformitate cu EN 60335-2-79)	Vibrācijas līmenis (saskaņā ar EN 60335-2-79)	Vibracijos lygis (pagal EN 60335-2-79)	Vibratsioonitase (vastavalt standardi EN 60335-2-79)
Niepewność pomiaru	Nejistota	Bizonytalanság	Incertitudine	NeNOTEIKTĪBA	Nepastovumas	Määramatus
Greutate	Waga	Bec	Tömeg	Teža	Težina	Mass
Długość maksymalna: Wąż ogrodowy	Maximální délka: Zahradní hadice	Maximális hossz: Locsolótömlő	Lungime maximă: Furtun de grădină	Maksimālais garums: Dārza šļūtene	Maksimalus ilgis: Sodo žarna	Maksimaalne pikkus: Aiavoolik
Średnica minimalna: Wąż ogrodowy	Minimální průměr: Zahradní hadice	Minimális átmérő: Locsolótömlő	Diametru minim: Furtun de grădină	Minimālais diametrs: Dārza šļūtene	Minimalus skersmuo: Sodo žarna	Minimaalne läbimõõt: Aiavoolik
Części zamienne	Náhradní díly	Cserealkatrészek	Piese de schimb	Rezerves daļas	Atsarginės detalės	Asendusosad
Pistolet	Rukojeľ spouště	Szórópisztoly	Măner cu trăgaci	Mazgāšanas pistole	Svirtinė rankena	Pesupüstol
Wąż wysokociśnieniowy	Vysokotlaká hadice	Nagynyomású tömlő	Furtun de înaltă presiune	Augstspiediena šļūtene	Aukšto slėgio žarna	Survevoolik





Hrvatski	Slovensko	Slovenčina	България	Українська	Turce	
Specifikacije proizvoda	Specifikacije izdelka	Špecifikácie produktu	Технически характеристики	Технічні характеристики пристрою	Ürün teknik özellikleri	
Električni visokotlačni čistač	Električni visokotlačni čistilec	Elektrický vysokotlakový čistič	Електрическа почистваща машина под високо налягане	Електрична мийка високого тиску	Elektrikli yüksek basınçlı temizleyici	
Model	Model	Modelis	Модел	Модель	Model	RPW110B
Nazivni napon	Nazivna napetost	Menovité napätie	Номинален волтаж	Номинална напруга	Nominal voltaj	220 - 240 V
Frekvencija	Frekvencija	Frekvencia	Честота	Частота	Frekans	50 Hz
Pod naponom	Moč	Zapnuté	Захранване	Потужність	Güç	1 500 W
Maksimalni tlak	Najvišji tlak	Maximálny tlak	Максимално налягане	Максималний тиск	Maksimum basınç	11 MPa (110 bar)
Nazivni tlak	Nazivni tlak	Menovitý tlak	Номинално налягане	Номинальний тиск	Ölçülmüş basınç	8 MPa (80 bar)
Stupanj zaštite	Stopnja zaščite	Stupeň ochrany	Степен на защита	Рівень захисту	Koruma derecesi	IPX5
Nazivni protok	Nazivni pretok	Menovitý prietok	Номинален разход	Номинальний потік	Ölçülmüş akış	5,6 L/min
Maks. protok	Najveći pretok	Max. prietok	Макс. разход	Максималний потік	Maks. akış	6,0 L/min
Tlak vode na ulazu (maksimalno)	Dovodni vodni tlak (največ)	Tlak vody na prívode (maximálne)	Налягане на водата на входа (максимална)	Макс. Впускний тиск води	Maks. Giriş su basıncı	0,7 MPa (7 bar)
Spremnik sredstva za čišćenje	Rezervoar za čistilno sredstvo	Nádžrka na čistiaci prostriedok	Резервоар за препарат	Бак для мийного засобу	Deterjan deposu	0,35 L
Duljina kabela za napajanje	Dolžina napajalnega kabla	Dĺžka napájacieho kábla	Дължина на захранващия кабел	Довжина кабелю	Güç kablosu uzunluğu	5 m
Razina pritiska zvuka (L_{WA}) (u skladu s EN 60335-2-79)	Raven zvočnega tlaka (L_{WA}) (skladno z EN 60335-2-79)	Úroveň akustického tlaku (L_{WA}) (podľa normy EN 60335-2-79)	Ниво на шумово налягане (L_{WA}) (в съответствие с EN 60335-2-79)	Рівень звукового тиску (L_{WA}) (відповідно до EN 60335-2-79)	Ses basıncı seviyesi (L_{WA}) (EN 60335-2-79 uyarınca)	75,9 dB(A)
Neodređenost	Negotovost	Neurčitost	Променливост	Похибка	Belirsiz	1,0 dB
Razina zvučne snage (L_{WA}) (u skladu s EN 60335-2-79)	Raven zvočne moči (L_{WA}) (skladno z EN 60335-2-79)	Hladina akustického výkonu (L_{WA}) (podľa normy EN 60335-2-79)	Ниво на шумово налягане (L_{WA}) (в съответствие с EN 60335-2-79)	Рівень звукової потужності (L_{WA}) (відповідно до EN 60335-2-79)	Ses gücü seviyesi (L_{WA}) (EN 60335-2-79 uyarınca)	90,4 dB(A)
Neodređenost	Negotovost	Neurčitost	Променливост	Похибка	Belirsiz	1,0 dB
Razina vibracija (u skladu s Dodatkom B EN 60335-2-79)	Nivo vibracij (skladno z EN 60335-2-79)	Úroveň vibrácií (podľa normy EN 60335-2-79)	Ниво на вибрациите (в съответствие с EN 60335-2-79)	Рівень вібрації (відповідно до EN 60335-2-79)	Titreşim seviyesi (EN 60335-2-79 uyarınca)	3,2 m/s ²
Neodređenost	Negotovost	Neurčitost	Променливост	Похибка	Belirsiz	1,5 m/s ²
Masé	Svars	Hmotnosť	Тегло	Вага	Ağırlık	5,1 kg
Maksimalna duljina: Vrtno crijevo	Najveća dolžina: Vrtna cev za zalivanje	Maximálna dĺžka: Záhradná hadica	Максимална дължина: Градински маркуч	Максимална довжина: Садовий шланг	Maksimum uzunluk: Bahçe hortumu	15 m
Minimalni promjer: Vrtno crijevo	Najmanjši premer: Vrtna cev za zalivanje	Minimálny priemer: Záhradná hadica	Минимален диаметър: Градински маркуч	Мінімальний діаметр: Садовий шланг	Minimum çap: Bahçe hortumu	18 mm (3/4 in.)
Zamjena dijelova	Nadomestni deli	Náhradné diely	Резервни части	Запасні частини	Yedek Parça	
Pištól s okidačem	Sprožina pištola	Nástroj so spušťačom	Пистолет	Ручка з курком	Tetik tabancası	5131041333
Visokotlačno crijevo	Visokotlačna gibka cev	Visokotlaková hadica	Маркуч за високо налягане	Шланг високого тиску	Yüksek basınçlı hortum	5131041335



EN RYOBI® WARRANTY APPLICATION CONDITIONS

In addition to any statutory rights resulting from the purchase, this product is covered by a warranty as stated below.

- The warranty period is 24 months for consumers and commences on the date when the product was purchased. This date has to be documented by an invoice or other proof of purchase. The product is designed and dedicated to consumer and private use only. So there is no warranty provided in case of professional or commercial use. This warranty applies only on new products.
- There is a possibility to extend for a part of the range of power tools (AC/DC) the warranty period over the period described above using the registration on the www.ryobitools.eu website. The eligibility of products for extended warranty is clearly displayed in stores and / or on packaging and is contained within the product documentation. The end user is required to register his/her newly-acquired products online within 30 days from the date of purchase. The end user may register for the extended warranty in his/her country of residence if listed on the online registration form where this option is valid. Furthermore, end users must give their consent to the storage of their personal data that is required to be entered online. They must also accept the terms and conditions. The registration confirmation receipt, which is sent out by e-mail, and the original invoice showing the date of purchase will serve as proof of the extended warranty.
- The warranty covers all defects of the product during the warranty period due to faults in workmanship or material at the purchase date. The warranty is limited to repair and/or replacement and does not include any other obligations including but not limited to incidental or consequential damages. The warranty is not valid if the product has been misused, used contrary to the instruction manual, or has been incorrectly connected to a power supply. This warranty does not apply to:
 - any damage to the product that is the result of improper or lack of maintenance
 - any product that has been altered or modified
 - any product where original identification (trade mark, serial number) markings have been defaced, altered or removed
 - any damage caused by non-observance of the instruction manual
 - any product not displaying the CE approval mark on the rating plate
 - any product that has been attempted to be repaired by a non-authorised warranty service centre or without prior authorisation by Techtronic Industries
 - any product connected to improper power supply (amps, voltage, frequency)
 - any product used with inappropriate fuel mixture (fuel, oil, ratio of oil/ fuel mixture)
 - any damage caused by external influences (water, chemical, physical, shocks) or foreign substances
 - normal wear and tear spare parts
 - inappropriate use, overloading of the tool
 - use of non-approved accessories or parts
 - Accessories provided with the tool or purchased separately including but not limited to blades, saw chains, cutting lines, etc.
 - Any periodic adjustments to or maintenance cleaning of carburettors
 - Components (parts and accessories) subject to natural wear and tear, including but not limited to bump knobs, drive belts, clutch, blades of hedge trimmers or lawn mowers, harness, cable throttle, carbon brushes, power cord, tines, felt washers, hitch pins, blower fans, blower and vacuum tubes, vacuum bag and straps, guide bars, saw chains, hoses, connector fittings, spray nozzles, wheels, spray wands, inner reels, outer spools, cutting lines, spark plugs, air filters, gas filters, mulching blades, etc.
- For servicing, the product must be sent or presented to a RYOBI authorised service station listed for each country in the following list of service station addresses. In some countries your local RYOBI dealer undertakes to send the product to the RYOBI service organisation. When sending a product to a RYOBI service station, the product should be safely packed without any dangerous contents such as petrol, marked with sender's address and accompanied by a short description of the fault.
- A repair / replacement under this warranty is free of charge. It does not constitute an extension or a new start of the warranty period. Exchanged parts or products become our property. In some countries delivery charges or postage will have to be paid by the sender. Your statutory rights arising from the purchase of the product remain unaffected.
- This warranty is valid in the European Community, Switzerland, Iceland, Norway, Liechtenstein, Turkey and Russia. Outside these areas, please contact your authorised RYOBI dealer to determine if another warranty applies.

AUTHORISED SERVICE CENTRE

To find an authorised service centre near you, visit <http://en.ryobitools.eu/header/service-and-support/service-agents>.

FR RYOBI® CONDITIONS D'APPLICATION DE LA GARANTIE

En plus des droits statutaires liés à l'achat, ce produit est couvert par une garantie telle que décrite ci-dessous.

- La durée de la garantie accordée au consommateur est de 24 mois à partir de la date d'achat. Cette date doit être authentifiée par une facture ou tout autre preuve d'achat. Le produit a été conçu en vue d'une utilisation strictement privée. Aucune garantie ne s'applique donc en cas d'utilisation professionnelle ou commerciale.
- Il existe pour une partie de la gamme « jardin » (AC/DC), une possibilité d'étendre la période de garantie au-delà de la période précédemment décrite en utilisant le formulaire d'enregistrement présent sur le site Internet www.ryobitools.eu. L'éligibilité d'un outil est clairement affichée dans les points de vente et/ou sur l'emballage et la documentation. L'utilisateur final doit enregistrer son/ses outil(s) nouvellement acheté(s) en ligne dans les 30 jours qui suivent la date d'achat. L'utilisateur a la possibilité de s'enregistrer pour l'extension de garantie dans son pays de résidence si celui-ci est listé dans le formulaire d'enregistrement en ligne où cette option est validée. L'utilisateur final doit donner son consentement pour l'enregistrement des données requises pour accéder au site et doit accepter les termes et conditions. La confirmation d'enregistrement, envoyée par courrier électronique, ainsi que la facture originale mentionnant la date d'achat serviront de preuve de l'extension de garantie.
- La garantie couvre pendant la période de garantie les défauts des produits liés à la fabrication et aux matériaux à la date d'achat. La garantie est limitée à la réparation et/ou au remplacement et n'inclut aucune autre obligation, tel que, mais sans s'y limiter, les dommages accessoires ou indirects. La garantie est non valable en cas de mauvaise utilisation du produit, d'utilisation contraire aux instructions du mode d'emploi, ou en cas de branchement incorrect. Cette garantie ne s'applique pas pour :
 - tout dommage au produit résultant d'un mauvais entretien
 - tout produit ayant été altéré ou modifié
 - tout produit dont les marquages originaux d'identification (marque, numéro de série) ont été dégradés, altérés ou retirés
 - tout dommage causé par le non-respect des instructions du mode d'emploi
 - tout produit non CE
 - tout produit ayant subi une tentative de réparation par du personnel non qualifié ou sans autorisation préalable de Techtronic Industries
 - tout produit raccordé à une alimentation secteur non conforme (ampérage, voltage, fréquence)
 - tout produit utilisé avec un mélange inapproprié (essence, huile, pourcentage d'huile)
 - tout dommage causé par des influences extérieures (chimiques, physiques, chocs) ou par des substances étrangères
 - l'usure normale des pièces consommables
 - une utilisation inappropriée, une surcharge de l'outil
 - l'utilisation de pièces ou accessoires non agréés
 - Tout réglage périodique ou tout nettoyage de maintenance des carburateurs
 - les composants (pièces et accessoires) sujets à une usure naturelle, incluant de façon non exhaustive les têtes de fil à frapper, les courroies de transmission, les embrayages, les lames des taille-haies ou des tondeuses à gazon, les harnais, les câbles d'accélérateur, les charbons, les cordons d'alimentation, les fraises de cultivateurs, les rondelles feutre, les goupilles de fraise, les turbines et lame de broyage des souffleurs, les tubes de soufflage et d'aspiration des souffleurs, les sacs de souffleurs et leurs lanières, les guides-chaîne, les chaînes de tronçonneuses, les tuyaux et raccords, les buses et lances de nettoyeurs haute pression, les roues, les recharges de fil des têtes de coupe, les têtes de coupe, le fil de coupe, les bougies d'allumage, les filtres à air, les filtres à essence, etc.
- Si le produit doit être réparé, envoyez-le à un service après-vente agréé RYOBI dont vous trouverez ci-dessous la liste pour chaque pays. Dans certains pays, votre revendeur RYOBI se chargera d'envoyer le produit à un centre de réparation RYOBI. Lorsque vous envoyez un produit à un service après-vente RYOBI, celui-ci doit être correctement emballé, sans contenir aucun produit dangereux tel que de l'essence, et vous devez indiquer votre adresse ainsi qu'une courte description du problème.
- Une réparation / un remplacement sous garantie est gratuit(e). Ceci ne constituera pas une extension de garantie ni un nouveau départ de la période de garantie. Les pièces ou les outils remplacés deviennent notre propriété. Dans certains pays, les frais de port devront être assumés par l'expéditeur. Vos droits statutaires restent inchangés.
- Cette garantie est valable au sein de l'Europe, de la Suisse, de l'Islande, de la Norvège, du Liechtenstein, de la Turquie, de la Russie. En dehors de ces zones, veuillez contacter votre distributeur agréé RYOBI pour déterminer si une autre garantie s'applique.

SERVICE APRÈS-VENTE AGRÉÉ

Pour trouver le service après-vente agréé le plus proche, rendez-vous sur <http://fr.ryobitools.eu/header/service-and-support/service-agents>

DE RYOBI® GARANTIEBEDINGUNGEN

Zusätzlich zu den gesetzlichen Rechten aus dem Kauf gilt für dieses Produkt die nachstehend aufgeführte Garantie.

- Der Garantiezeitraum beträgt für Verbraucher 24 Monate und beginnt mit dem Datum des Kaufs. Dieses Datum muss durch eine Rechnung oder einen anderen Kaufbeleg dokumentiert werden. Dieses Produkt wurde ausschließlich zur privaten Nutzung durch Verbraucher entwickelt. Für den Fall einer professionellen bzw. kommerziellen Nutzung besteht daher keine Garantie.
- Es besteht die Möglichkeit, für einen Teil des Sortiments der Gartenwerkzeuge (AC/DC) den Garantiezeitraum über den oben genannten Zeitraum hinaus zu verlängern, indem der Verbraucher die Registrierung auf der Website www.ryobitools.eu durchführt. Die Berechtigung der Werkzeuge für die Garantieverlängerung ist deutlich im Geschäft und/oder auf der Verpackung beschrieben und in der Produktdokumentation erwähnt. Der Verbraucher muss das neu erworbene Gerät online innerhalb von 30 Tagen ab dem Kaufdatum registrieren. Der Verbraucher kann das Gerät zwecks Garantieverlängerung in seinem Wohnsitzland/Heimatland registrieren, wenn dieses Land auf dem Online-Registrierungsformular aufgeführt und die Option gültig ist. Darüber hinaus muss der Verbraucher seine Zustimmung zur Speicherung der Daten geben, die online eingegeben werden müssen, und er muss die allgemeinen Geschäftsbedingungen akzeptieren. Die Bestätigung der Registrierung, die per E-Mail versandt wird, und die Originalrechnung mit dem Kaufdatum gelten als Beleg für die Garantieverlängerung.
- Die Garantie deckt alle Defekte des Geräts während des Garantiezeitraums ab, die auf zum Zeitpunkt des Kaufs bestehende Verarbeitungs- oder Materialfehler zurückzuführen sind. Die Garantie beschränkt sich auf Reparatur und/oder Ersatz und beinhaltet keine anderen Verpflichtungen, insbesondere keinen Schadenersatz für Folge- oder Nebenschäden. Die Garantie gilt nicht, wenn das Gerät fehlerhaft eingesetzt wurde, gegensätzlich zur Bedienungsanleitung eingesetzt wurde oder falsch angeschlossen wurde. Die Garantie gilt nicht für Folgendes:
 - Schäden am Gerät, die auf unkorrekte Wartung zurückzuführen sind
 - Geräte, an denen Veränderungen vorgenommen wurden
 - Produkte, bei denen die ursprüngliche Identifizierung (Handelsmarke, Seriennummer) unleserlich gemacht, verändert oder entfernt wurde
 - Schäden durch Nichtbeachtung der Bedienungsanleitung
 - nicht-CE-zertifizierte Geräte
 - Geräte, an denen durch nicht-qualifizierte Personen oder ohne vorherige Genehmigung von Techtronic Industries Reparaturversuche vorgenommen wurden
 - Geräte, die an unkorrekte Energiequellen (Ampere, Volt, Frequenz) angeschlossen wurden
 - Geräte, die mit einer fehlerhaften Treibstoffmischung (Treibstoff, Öl, Ölanteil) betrieben wurden
 - Schäden durch äußere Einflüsse (chemisch, physisch, Stöße) oder Fremdstoffe
 - normaler Verschleiß von Ersatzteilen
 - unangemessene Nutzung, Überlastung des Geräts
 - Nutzung nicht genehmigter Zubehörteile oder Ersatzteile
 - Regelmäßige Einstellung oder Wartungsreinigung des Vergasers
 - Komponenten (Ersatzteile und Zubehörteile), die natürlicherem Verschleiß unterliegen, einschließlich, aber nicht begrenzt auf Service- und Wartungssets, Kohlebürsten, Lager, Spannvorrichtungen, SDS-Bohreraufnahme / Bit-Adapter, Netzkabel, Zusatzhandgriff, Transportkoffer, Schleifplatten, Staubbeutel, Staubabführungen, Filzunterlegscheiben, Bolzen und Federn von Schlagschraubern, einschließlich, aber nicht beschränkt auf Fadenköpfe, Antriebsriemen, Kupplungen, die Klängen von Heckenscharen oder Rasenmähern, Kabelstränge, Gaszüge, Zinken, Steckbolzen, Lüfter, Saug- und Gebläserohre oder Düsen, Fangsäcke und Gurte, Führungsschienen, Sägeketten, Schläuche, Verbinder, Sprühdüsen, Räder, Sprühstäbe, innere Rollen, äußere Spulen, Schneidfäden, Zündkerzen, Luftfilter, Benzin-/ Ölfilter, Hackseil-Messer usw.
- Zum Service muss das Gerät zu einer von RYOBI autorisierten Servicestation gebracht oder dorthin gesendet werden. Die Servicestationen für die einzelnen Länder sind in der folgenden Liste aufgeführt. In einigen Ländern sendet Ihr RYOBI-Händler vor Ort das Gerät an das RYOBI-Serviceunternehmen. Beim Einsenden an die RYOBI-Servicestation sollte das Gerät sicher verpackt sein, ohne gefährliche Inhalte wie Benzin, und es sollte mit der Adresse des Absenders und einer kurzen Beschreibung des Fehlers versehen sein.
- Eine Reparatur bzw. ein Ersatz gemäß dieser Garantie ist kostenlos. Hieraus ergibt sich weder eine Garantieverlängerung noch der Beginn eines neuen Garantiezeitraums. Die ausgetauschten Ersatzteile oder Werkzeuge gehen in unser Eigentum über. In einigen Ländern müssen die Zustellgebühren oder die Versandkosten vom Absender gezahlt werden. Ihre gesetzlichen Rechte aus dem Kauf des Geräts bleiben hiervon unberührt.
- Diese Garantie gilt in der Europäischen Union, der Schweiz, Island, Norwegen, Liechtenstein, der Türkei und Russland. Bitte wenden Sie sich außerhalb dieser Gebiete an Ihren autorisierten RYOBI-Händler, um festzustellen, ob eine andere Garantie gilt.

AUTORISIERTER KUNDENDIENST

Besuchen Sie <http://de.ryobitools.eu/header/service-and-support/service-agents>, um einen autorisierten Kundendienst in Ihrer Nähe zu finden.

ES CONDICIONES DE APLICACIÓN DE LA GARANTÍA DE RYOBI®

Además de cualquier derecho legal derivado de la compra, este producto está cubierto por una garantía que se indica a continuación.

- El periodo de garantía es de 24 meses para consumidores y comienza en la fecha en que se comprara el producto. Dicha fecha debe documentarse con una factura u otro comprobante de compra. El producto está diseñado y concebido únicamente para el uso privado del consumidor. Por lo tanto, no se ofrece garantía en caso de uso profesional o comercial.
- Existe la posibilidad de ampliar el periodo de garantía respectivo a una parte de la gama de herramientas de jardinería (CA/CC) durante el periodo descrito más arriba y mediante el registro en el sitio web www.ryobitools.eu. La elegibilidad de las herramientas para que se amplie el periodo de garantía se muestra claramente en las tiendas o en el embalaje y está incluida en la documentación del producto. El usuario final tiene que registrar en línea sus herramientas recientemente adquiridas en un plazo de 30 días a partir de la fecha de compra. El usuario final podrá registrarse para obtener la garantía ampliada en su país de residencia si este aparece en la lista del formulario de registro en línea cuando esta opción sea válida. Además, los usuarios finales deberán dar su consentimiento al almacenamiento de los datos necesarios para el acceso en línea y tienen que aceptar los términos y condiciones. El recibo de confirmación de registro, que se envía por correo electrónico, y la factura original que muestra la fecha de compra servirán como comprobante para la garantía ampliada.
- La garantía cubre todos los defectos del producto durante el periodo de garantía debido a fallos de mano de obra o material en la fecha de compra. La garantía se limita a la reparación o sustitución y no incluye ninguna otra obligación como, por ejemplo, daños accidentales o consecuentes. La garantía no es válida si se ha usado mal el producto, se ha usado contraviniendo el manual de instrucciones o se ha conectado de forma incorrecta. Esta garantía no es aplicable a:
 - ningún daño en el producto que sea consecuencia de un mantenimiento inadecuado
 - ningún producto que haya sido alterado o modificado
 - ningún producto en el que los marcados de identificación originales (marca comercial, número de serie) se hayan borrado, modificado o eliminado
 - ningún daño provocado por no seguir el manual de instrucciones
 - ningún producto que no sea CE
 - ningún producto que haya sufrido un intento de reparación por parte de un profesional no cualificado o sin la autorización previa de Techtronic Industries.
 - ningún producto conectado a un suministro eléctrico inadecuado (amperios, voltaje, frecuencia)
 - ningún producto usado con una mezcla de combustible inadecuada (combustible, aceite, porcentaje de aceite)
 - ningún daño causado por influencias externas (químicas, físicas, impactos) o sustancias extrañas
 - desgaste normal de piezas de repuesto
 - uso inadecuado, sobrecarga de la herramienta
 - uso de accesorios o piezas no aprobados
 - Cualquier ajuste periódico o limpieza de mantenimiento de los carburadores
 - Componentes (piezas y accesorios) sujetos al desgaste natural incluyendo, entre otros, pomos de golpes, correas de transmisión, embragues, cuchillas de cortasetos o cortacésped, arneses, cable del acelerador, escobillas de carbono, cables eléctricos, discos, platos de filtro, pasadores de enganche, ventiladores de soplador, tubos de aspiración y de soplado, bolsas y correas de aspiración, barras guías, cadenas de sierra, mangueras, herrajes de conectores, boquillas pulverizadoras, ruedas, lanzas pulverizadoras, bobinas interiores, carretes exteriores, líneas de corte, bujías, filtros de aire, filtros de gas, cuchillas de compostaje, etc.
- Para su mantenimiento, el producto debe enviarse o presentarse a una estación de servicio de RYOBI autorizada que figure en la siguiente lista de direcciones de estaciones de servicio por países. En algunos países, su distribuidor RYOBI local se responsabiliza de enviar el producto a la compañía de servicio de RYOBI. Cuando se envíe un producto a una estación de servicio de RYOBI, este debe estar empaquetado de forma segura sin contenidos peligrosos como gasolina, marcado con la dirección del remitente y acompañado de una breve descripción del fallo.
- Una reparación / sustitución con esta garantía es gratuita. No constituye una ampliación ni un nuevo comienzo del periodo de garantía. Las piezas o herramientas intercambiadas pasan a ser de nuestra propiedad. En algunos países, los gastos de envío o correo tendrá que pagarlos el remitente. Sus derechos legales derivados de esta compra de la herramienta no se verán afectados.
- Esta garantía es válida en la Unión Europea, Suiza, Islandia, Noruega, Liechtenstein, Turquía y Rusia. Fuera de estas zonas, póngase en contacto con su distribuidor de RYOBI autorizado para determinar si es aplicable otra garantía.

SERVICIO TÉCNICO AUTORIZADO

Para encontrar el servicio técnico autorizado más cercano, visite <http://es.ryobitools.eu/header/service-and-support/service-agents>.

IT CONDIZIONI DI VALIDITÀ DELLA GARANZIA RYOBI®

In aggiunta ai diritti di legge risultanti dall'acquisto, il prodotto è coperto dalla garanzia sotto descritta.

- Il periodo di garanzia è di 24 mesi per i consumatori, a decorrere dalla data di acquisto del prodotto. La data deve essere documentata da una fattura o altra prova d'acquisto. Il prodotto è progettato e destinato solo all'utilizzo privato dei consumatori. Pertanto non viene fornita alcuna garanzia in caso di uso professionale o commerciale.
- Per una serie di utensili da giardino (CA/CC) è possibile prolungare il periodo di garanzia oltre quello descritto, registrandosi sul sito web www.ryobitools.eu. Gli utensili per i quali è possibile prolungare il periodo di garanzia sono chiaramente indicati nei negozi e/o sulle confezioni e nella documentazione dei prodotti. L'utente deve registrare online l'utensile acquistato entro 30 giorni dalla data di acquisto. L'utente può registrarsi per la garanzia prolungata nel proprio paese di residenza, se questo è elencato nel modulo di registrazione online dove questa opzione sia valida. Inoltre gli utenti devono fornire il proprio consenso alla conservazione dei dati da immettere online e devono accettare le condizioni generali. La conferma di registrazione, inviata tramite e-mail, e la fattura originale indicante la data di acquisto, costituiscono la prova della garanzia prolungata.
- La garanzia copre tutti i difetti del prodotto durante il periodo di garanzia, risultanti da manodopera o materiali alla data di acquisto. La garanzia è limitata alla riparazione e/o sostituzione e non include alcun altro obbligo quali, a mero titolo esemplificativo, i danni incidentali o consequenziali. La garanzia non è valida se il prodotto è stato usato scorrettamente, in modo contrario al manuale di istruzioni o se è stato collegato in modo errato. La garanzia non è valida per:
 - qualsiasi danno al prodotto dovuto a manutenzione errata;
 - qualsiasi prodotto che sia stato alterato o modificato;
 - qualsiasi prodotto le cui marcature di identificazione originali (marchi di fabbrica, numero di serie) siano state cancellate, alterate o rimosse;
 - qualsiasi danno causato dalla non osservanza delle istruzioni del manuale;
 - qualsiasi prodotto privo di omologazione CE;
 - qualsiasi prodotto che sia stato sottoposto a un tentativo di riparazione da parte di un professionista non qualificato oppure senza la previa autorizzazione di Techtronic Industries;
 - qualsiasi prodotto collegato a un'alimentazione errata (per ampere, tensione, frequenza);
 - qualsiasi prodotto usato con una miscela di carburante errata (carburante, olio, percentuale di olio);
 - qualsiasi danno causato da influenze esterne (chimiche, fisiche, urti) o sostanze estranee;
 - la normale usura delle parti di ricambio;
 - uso inappropriato, sovraccarico dell'utensile;
 - uso di accessori o parti non omologate;
 - qualsiasi regolazione periodica o pulizia di manutenzione dei carburatori;
 - componenti (parti e accessori) soggetti alla normale usura compresi, a mero titolo esemplificativo, testine a filo, cinghie di trasmissione, frizioni, lame di tagliaspine o tagliaerba, imbragature, cavi di accelerazione, spazzole al carbonio, cavi di alimentazione, denti, rondelle di feltro, perni di aggancio, ventole dei soffiatori, tubi di soffiatori e aspiratori, sacchetti e cinghie per aspirapolvere, barre guida, catene per seghe, tubi, raccordi di connessione, ugelli di spruzzo, ruote, erogatori, bobine interne ed esterne, linee di taglio, candele, filtri dell'aria, filtri del gas, lame per mulching ecc.
- Per la manutenzione il prodotto dev'essere spedito o portato presso uno dei centri assistenza autorizzati RYOBI elencati per ogni paese nel seguente elenco di indirizzi dei centri. In alcuni paesi il rivenditore locale RYOBI si incarica di inviare il prodotto all'organizzazione di assistenza RYOBI. Quando si invia un prodotto a un centro assistenza RYOBI, imballarlo in modo sicuro senza contenuti pericolosi come la benzina, apporre l'indirizzo del mittente e accompagnarlo da una breve descrizione del guasto.
- La riparazione/sostituzione ai sensi della presente garanzia è gratuita. Non costituisce un prolungamento o un nuovo inizio del periodo di garanzia. Le parti o gli utensili scambiati diventano di nostra proprietà. In alcuni paesi i costi di consegna o di spedizione postale devono essere pagati dal mittente. I diritti di legge derivanti dall'acquisto dell'utensile rimangono inalterati.
- La presente garanzia è valida in Unione Europea, Svizzera, Islanda, Norvegia, Liechtenstein, Turchia e Russia. Al di fuori di tali aree contattare il rivenditore autorizzato RYOBI per sapere se è valida un'altra garanzia.

CENTRO SERVIZI AUTORIZZATO

Per individuare il più vicino centro servizi autorizzato, visitare il sito <http://it.ryobitools.eu/header/service-and-support/service-agents>.

NL RYOBI® GARANTIEVOORWAARDEN

Naast de wettelijke rechten die voortvloeien uit de aankoop, wordt dit product gedekt door een garantie, zoals hieronder staat vermeld.

- De garantietermijn voor consumenten bedraagt 24 maanden en gaat in op de datum waarop het product is gekocht. Deze datum moet worden gedocumenteerd met een factuur of een ander aankoopbewijs. Het product is uitsluitend ontworpen en bedoeld voor persoonlijk gebruik door consumenten. Er wordt dus geen garantie gegeven voor professioneel of commercieel gebruik.
- Voor een deel van ons aanbod van tuingeredschappen (AC/DC) is het mogelijk om de garantietermijn te verlengen over de boven beschreven termijn, met behulp van de website www.ryobitools.eu. De gereedschappen die in aanmerking komen voor de verlenging van de garantietermijn wordt duidelijk weergegeven in winkels en/of verpakkingen en staat beschreven in de productdocumentatie. De eindgebruiker moet zijn/haar nieuw gekochte gereedschappen binnen 30 dagen na aankoop online registreren. De eindgebruiker kan zich registreren voor de verlengde garantietermijn als zijn woonland staat vermeld op het online registratieformulier waar deze optie geldig is. Bovendien moeten eindgebruikers toestemming geven voor de opslag van de gegevens die online ingevuld moeten worden en moeten ze de algemene voorwaarden accepteren. Het ontvangstbewijs van de registratie, dat per e-mail wordt verzonden en de oorspronkelijke factuur met de aankoopdatum vormt het bewijs van de verlengde garantietermijn.
- De garantie dekt tijdens de garantietermijn alle gebreken van het product vanwege defecten in vakmanschap of materiaal op de aankoopdatum. De garantie is beperkt tot reparatie en/of vervanging en bevat geen andere verplichtingen, waaronder maar niet beperkt tot incidentele of gevolgschade. De garantie is niet geldig als het product is misbruikt, in strijd met de gebruiksaanwijzing wordt gebruikt of onjuist is aangesloten. Deze garantie geldt niet voor:
 - alle schade aan het product die het gevolg is van onjuist onderhoud
 - elk product dat is veranderd of aangepast
 - elk product waar de oorspronkelijke identificatie (handelsmerk, serienummer) is beschadigd, gewijzigd of verwijderd
 - alle schade die is veroorzaakt door het niet opvolgen van de gebruiksaanwijzing
 - elk niet-CE-product
 - elk product waar een poging tot reparatie is gedaan door een niet-erkende professional of zonder voorafgaande toestemming door Techtronic Industries.
 - elk product dat is verbonden met een verkeerde voeding (amperage, spanning, frequentie)
 - elk product dat wordt gebruikt met een verkeerd brandstofmengsel (brandstof, olie, oliegehalte)
 - alle schade die is veroorzaakt door externe invloeden (chemisch, fysisch, schokken) of vreemde stoffen
 - normale slijtage van reserveonderdelen
 - ongepast gebruik, overbelasting van het gereedschap
 - gebruik van niet-goedgekeurde accessoires of onderdelen
 - Alle periodieke aanpassingen aan of het onderhoud en reiniging van carburateurs
 - Componenten (onderdelen en accessoires) die onderhevig zijn aan natuurlijke slijtage, waaronder maar niet beperkt tot stookknoppen, aandrijfmotoren, koppelingen, messen van hegtrimmers of grasmaaiers, harnas, gaskabel, koolstofborstels, stroomsnoeren, tanden, viltringen, koppelingsspannen, blazers, blaas- en zuigbuizen, zuigzakken en-riemen, geleidingsstaven, zaagkettingen, slangen, koppelingen, mondstukken, wielen, spuitsokken, binnenhaspels, buitenhaspels, snijdraden, bogies, luchtfilters, gasfilters, maaimessen, etc.
- Voor onderhoud moet het product worden verzonden of gebracht naar een erkend servicestation van RYOBI die voor elk land staan vermeld in de volgende lijst met adressen voor servicestations. In sommige landen zal uw lokale RYOBI-dealer het product verzenden naar de RYOBI-serviceorganisatie. Wanneer u het product naar een servicestation van RYOBI verzendt, moet het product veilig worden verpakt zonder enige gevaarlijke inhoud, zoals benzine, met het adres van de afzender en vergezeld van een korte beschrijving van het defect.
- Een reparatie/vervangende die onder deze garantie valt is gratis. Het vormt geen verlenging of een nieuwe start van de garantietermijn. Verwisselde onderdelen of gereedschappen worden ons eigendom. In sommige landen moeten de verzendkosten door de afzender worden betaald. Uw wettelijke rechten die voortvloeien uit de aankoop van het gereedschap blijven onaangetast.
- Deze garantie is geldig in de Europese Gemeenschap, Zwitserland, IJsland, Noorwegen, Liechtenstein, Turkije en Rusland. Buiten deze gebieden moet u contact opnemen met uw erkende RYOBI-dealer om vast te stellen of er een andere garantie van toepassing is.

GEAUTORISEERD ONDERHOUDSCENTRUM

Om een geautoriseerd onderhoudscentrum in uw buurt te vinden, surf u naar <http://nl.ryobitools.eu/header/service-and-support/service-agents>.

PT CONDIÇÕES DE APLICAÇÃO DA GARANTIA RYOBI®

Para além de quaisquer direitos previstos por lei resultantes da compra, este produto está coberto por uma garantia conforme descrição abaixo.

1. O período da garantia é de 24 meses para consumidores particulares e inicia-se na data de compra do produto. Esta data tem de ser documentada por uma factura ou por outra prova de compra. O produto foi concebido para e destina-se apenas a consumidores particulares e uso privado. Assim, não é dada garantia em caso de utilização por profissionais ou uso comercial.
2. Para uma parte da gama de ferramentas de jardim (AC/DC) existe a possibilidade de prolongamento do período da garantia para além do período descrito acima, mediante registo no Web site www.ryobitools.eu. A elegibilidade das ferramentas para prolongamento do período da garantia é claramente visível nas lojas e/ou nas embalagens e está contida na documentação do produto. O utilizador final tem de fazer o registo online das suas ferramentas recém-adquiridas no prazo de 30 dias após a data de compra. O utilizador final pode fazer o registo para prolongamento da garantia no seu país de residência, desde que esteja listado no formulário de registo online e para os casos em que esta opção seja válida. Para além disso, os utilizadores finais têm de autorizar o arrojamento dos dados cujo preenchimento lhes for solicitado online e têm de aceitar os termos e as condições. O recibo de confirmação do registo é enviado por e-mail e, em conjunto com a factura original ostentando a data de compra, servirá de prova do prolongamento da garantia.
3. A garantia cobre todos os defeitos do produto durante o período da garantia devidos a defeitos de fabrico ou de material à data da compra. A garantia está limitada à reparação e/ou substituição e não inclui quaisquer outras obrigações, incluindo mas não se limitando a, perdas complementares ou indirectas. A garantia não é válida se o produto tiver sido utilizado incorrectamente, utilizado de forma contrária ao Manual de Instruções ou se as respectivas ligações tiverem sido feitas incorrectamente. Esta garantia não se aplica ao seguinte:
 - quaisquer danos ao produto que sejam resultado de manutenção incorrecta
 - qualquer produto que tenha sido alterado ou modificado
 - qualquer produto cujas marcações de identificação de origem (marca comercial, número de série) tiverem sido apagadas, alteradas ou retiradas
 - quaisquer danos causados pelo incumprimento do Manual de Instruções
 - qualquer produto que não seja da Comunidade Europeia
 - qualquer produto ao qual tenha sido feita, ou tentada fazer, uma reparação por outra pessoa que não um profissional habilitado ou sem autorização prévia da Technonic Industries.
 - qualquer produto ligado a uma fonte de alimentação eléctrica incorrecta (Amperes, Voltagem e Frequência)
 - qualquer produto utilizado com uma mistura de combustível incorrecta (combustível, óleo, percentagem de óleo)
 - qualquer dano causado por influências externas (químicas, físicas, impactos) ou substâncias estranhas
 - desgaste e degradação normal de sobresselentes
 - utilização incorrecta, sobrecarga da ferramenta
 - utilização de acessórios ou peças não aprovados
 - quaisquer ajustes periódicos a, ou limpeza de manutenção de, carburadores
 - Componentes (peças e acessórios) sujeitos a desgaste e degradação natural, incluindo mas não se limitando a, maganetas anti-choque, correias de transmissão, embraiagens, lâminas de recortadores de sebes ou corta-relvas, arneses, cabos de acelerador, escovas de carvão, cabos eléctricos, dentes, anilhas de feltro, pinos de engate, ventoinhas do soprador, tubos do soprador e do aspirador, cintas e sacos do aspirador, barras de guia, correntes de serra, mangueiras, peças de ligação, bocais de pulverização, rodas, varinhas de pulverização, bobinas interiores, bobinas exteriores, linhas de corte, velas de ignição, filtros do ar, filtros de gasolina, lâminas trituradoras, etc.
4. Para assistência, o produto tem de ser enviado para, ou apresentado em, um posto de assistência autorizado RYOBI, conforme listado para cada país na lista de moradas de postos de assistência seguinte. Nalguns países, o seu concessionário RYOBI local encarega-se de enviar o produto para a organização de assistência RYOBI. Quando enviar um produto para um posto de assistência RYOBI, o produto deve ser embalado de forma segura, sem conter nenhuns conteúdos perigosos (por exemplo, gasolina), marcado com o endereço do remetente e acompanhado por uma breve descrição da avaria.
5. Uma reparação/substituição ao abrigo desta garantia é gratuita. Não constitui um prolongamento a, nem um novo início de, o período da garantia. As peças ou ferramentas substituídas tornam-se propriedade nossa. Nalguns países, o remetente terá de pagar os custos de entrega ou a remessa postal. Os seus direitos previstos por lei resultantes da compra da ferramenta mantêm-se inalterados
6. Esta garantia é válida na Comunidade Europeia, Suíça, Islândia, Noruega, Liechtenstein, Turquia e Rússia. Fora destas áreas, entre em contacto com o seu concessionário autorizado RYOBI para determinar se existe outra garantia aplicável.

CENTRO DE ASSISTÊNCIA AUTORIZADO

Para encontrar um centro de assistência autorizado próximo de si, visite <http://pt.ryobitools.eu/header/service-and-support/service-agents>.

DA RYOBI® BETINGELSER FOR GARANTI

Udover lovbestemte rettigheder, som resulterer af købet, er dette produkt dækket af en garanti, som anført herunder.

1. Garantiperioden er 24 måneder for forbrugere og begynder på den dato, som produktet blev købt. Denne dato skal dokumenteres af en faktura eller andet bevis for køb. Produktet er udelukkende designet og dedikeret til forbrugere og privat brug. Så der ydes ingen garanti til fælde af professionel eller kommerciel brug.
2. Der er en mulighed for at forlænge garantiperioden for en del af udvalget af haveværktøj (AC/DC), hen over den ovenfor beskrevne periode vha. registrering på hjemmesiden www.ryobitools.eu. Berettigelsen af værktøjet til forlængelse af garantiperioden er tydeligt vist i butikker og/eller på emballage/og indeholdt i produktokumentationen. Slutbruger skal registrere hans/hendes nyligt indkøbte værktøj online indenfor 30 dage efter købsdatoen. Slutbruger kan registrere sig for den forlængede garanti i sit land, hvis han/hun er opført på den online registreringsformular, hvor denne mulighed er gyldig. Derudover skal slutbrugere give deres samtykke til at opbevare data, som er påkrævet til indtaste online, og de er nødt til at acceptere vilkår og betingelser. Registreringsbekræftelseskvitteringen, som sendes ud på e-mail, og den originale faktura, som viser købsdatoen, vil fungere som bevis for den forlængede garanti.
3. Garantien dækker alle defekter, som et produkt måtte have i løbet af garantiperioden, og som skyldes produktionsfejl eller materialefejl på købsdatoen. Garantien er begrænset til reparation og/eller udskiftning og inkluderer ikke andre forpligtelser, inklusiv men ikke begrænset til tilfældige skader eller følgeskader. Garantien er ugyldig, hvis produktet er blevet misbrugt, brugt uden at overholde vejledningen, eller det er blevet forkert tilsuttet. Denne garanti gælder ikke:
 - Beskadigelse af produktet, som er et resultat af uegnet vedligeholdelse
 - Et produkt der er blevet ændret eller modificeret
 - Et produkt hvor de originale identifikationsmærkninger (varemærke, serienummer) er blevet ødelagt, ændret eller fjernet.
 - Enhver beskadigelse forårsaget af manglende overholdelse af vejledningen
 - Ethvert ikke CE-produkt
 - Ethvert produkt som er blevet forårsaget repareret af en ukvalificeret professionel eller uden tidligere foranstaltning af Technonic Industries.
 - Ethvert produkt som er tilsuttet uegnet strømforsyning (ampere, spænding, frekvens)
 - Ethvert produkt som bruges med uegnet brændstoftilblanding (brændstof, olie, procentdel olie)
 - Enhver skade forårsaget af ekstern påvirkning (kemisk, fysisk, chok) eller fremmedelementer
 - Normal slid på reservedele
 - Uegnet brug, overbelastning af værktøjet
 - Brug af ikke-godkendt tilbehør eller dele
 - Alle regelmæssige justeringer eller vedligeholdelsesrengøring af karburatorer
 - Komponenter (dele og tilbehør) som er udsat for naturlig slid og ælde, inklusiv men ikke begrænset til drejeknapper, drivrem, greb, klinger til hæktrimmere eller plæneklippere, sele, kabel gasspjæld, kulbørster, elledning, tænder, filtskiver, ophængstapper, blæserventilatorer, blæser- og sugeslanger, sugespøse og stropper, styrestænger, savkæder, slanger, forbindelsespakninger, sprøjtedyser, hjul, sprøjtetave, indvendige ruller, udvendige ruller, udvendige spoler, skærelinjer, tændrør, luftfilter, gasfilter, tildækningsblade etc.
4. For eftersyn skal produktet sendes til eller præsenteres for en RYOBI- autoriseret service værksted, som er oplyst for hvert land i den følgende liste over service værksted adresser. I nogle lande påtager din lokale RYOBI-forhandler sig ansvaret for at sende produktet til RYOBI-serviceorganisationen. Når et produkt sendes til en RYOBI-service værksted, skal det pakkes sikkert ind uden noget farligt indhold som benzin, mærkes med afsenderens adresse og med en kort beskrivelse af fejlen.
5. En reparation/erstatning under denne garanti er gratis. Den udgør ikke en forlængelse eller en ny start på garantiperioden. Uvedlegede dele eller værktøjer bliver vores ejendom. I nogle lande skal leveringsafgifter eller porto betales af afsenderen. Dine lovbestemte rettigheder i forbindelse med købet forbliver uanfægtede
6. Denne garanti gælder i EU, Schweiz, Island, Norge, Liechtenstein, Tyrkiet og Rusland. Udenfor disse områder bedes du kontakte din autoriserede RYOBI-forhandler for at afgøre, om en anden garanti gælder.

AUTORISEREDE SERVICEVÆRKSTEDER

Find nærmeste autoriserede serviceværksted på <http://dk.ryobitools.eu/header/service-and-support/service-agents>.

SV RYOBI® ANVÄNDNINGSVILLKOR FÖR GARANTI

Förutom eventuella lagstadgade rättigheter som uppstår genom köpet, täcks den här produkten av en garanti som anges nedan.

- Garantiperioden är 24 månader för konsumenter och börjar gälla från det datum då produkten köptes. Detta datum måste dokumenteras på en faktura eller annat köpbevis. Produkten är utformad och avsedd för konsumenter och privat bruk. Därmed tillhandahålls ingen garanti vid yrkesmässigt eller kommersiellt bruk.
- Det finns möjlighet att förlänga garantiperioden för en del av utbudet för trädgårdsverktyg (AC/DC) under den period som anges ovan genom att använda registreringen på webbplatsen www.ryobitools.eu. De verktyg som är berättigade till en förlängning av garantiperioden visas tydligt i butiker och/eller på förpackningen och anges i produktokumentationen. Slutanvändaren behöver registrera hans/hennes nyförvävade verktyg online inom 30 dagar från köpdatumet. Slutanvändaren kan registrera sig för den förlängda garantin i det land där han/hon bor om landet finns angivet i registreringsformuläret online och där detta alternativ är giltigt. Dessutom måste slutanvändaren ge sitt medgivande till lagring av data vilket krävs vid registrering online samt acceptera villkoren. Bekräftelsekvittot för registreringen som skickas ut via e-post och originalfakturan som visar köpdatumet kommer att gälla som bevis för den förlängda garantin.
- Garanti täcker alla produktdefekter under garantiperioden som beror på brister i utförande eller material vid köpdatumet. Garantin är begränsad gällande reparation och/eller utbyte och inkluderar inte några skyldigheter inklusive men inte begränsat till oförutsedda skador eller följdskador. Garantin är inte giltig om produkten har missbrukats, använts i strid med bruksanvisningen eller inte anslutits på rätt sätt. Denna garanti täcker inte:
 - eventuella skador på produkten som uppstått till följd av felaktigt underhåll
 - produkter som har ändrats eller modifierats
 - produkter där ursprungliga identifieringsmärkningarna (varumärke, serienummer) har målats över, ändrats eller tagits bort
 - eventuella skador som uppstått till följd av att bruksanvisningen inte efterföljts
 - alla icke CE-produkter
 - eventuella produkter som har försökts repareras av en icke-kvalificerad yrkesman eller utan föregående medgivande från Techtronic Industries.
 - eventuella produkter som anslutits till felaktig strömförsörjning (ampere, volt, frekvens)
 - eventuella produkter som använts med olämplig bränsleblandning (bränsle, olja, oljeprocent)
 - eventuella skador som uppstått till följd av yttre påverkan (kemisk, fysisk, stöt) eller främmande ämnen
 - normalt slitage av reservdelar
 - olämplig användning, överbelastning av verktyget
 - användningen av icke-godkända tillbehör eller delar
 - Eventuella periodiska justeringar av eller vid underhållsrengöring av förgasare
 - Komponenter (delar och tillbehör) är föremål för naturligt slitage, inklusive men inte begränsat till tryckknappar, drivremmar, koppling, blad till kantrimrar eller gräsklippare, sele, gasreglagevajer, kolborstar, strömsladd, spetsar, filtbrickor, kopplingsprint, blåsfäkt, blås- och sugrör, sugpåse och remmar, styrskenor, sägkedjor, slangar, anslutningsdonörördel, spraymunstycken, hjul, spraystavar, innerrullar, ytterspolar, skärtråd, tändstift, luftfilter, gasfilter, sönderdelningsblad osv.
- Vid service måste produkten skickas eller uppvisas för en RYOBI- auktoriserad servicestation som står angiven för varje land i följande adresslista över servicestationer. I vissa länder tar din lokala RYOBI- återförsäljare på sig ansvaret att skicka produkten till RYOBI- serviceorganisationen. När en produkt skickas till en RYOBI-servicestation, ska produkten paketeras säkert utan något farligt innehåll såsom bensin, markeras med avståndens adress samt en kort beskrivning av felet.
- En reparation/ett utbyte under denna garanti är kostnadsfri. Det utgör inte en förlängning eller förnyelse av garantiperioden. Utbyta delar eller verktyg blir vår egendom. I vissa länder måste leveranskostnader eller porto betalas av avståndens. Dina lagstadgade rättigheter som härrör från köpet av verktyget förblir opåverkade
- Denna garanti är giltig i Europeiska gemenskapen: Schweiz, Island, Norge, Liechtenstein, Turkiet och Ryssland. Utanför dessa länder, kontakta din auktoriserade RYOBI-återförsäljare för att avgöra om en annan garanti gäller.

AUKTORISERAT SERVICECENTER

Du hittar närmaste auktoriserade servicecenter genom att gå till <http://se.ryobitools.eu/header/service-and-support/service-agents>.

FI RYOBI®-TAKUUN SOVELTAMISEHDOT

Tällä tuotteella on oston luomien lakisäasteiden oikeuksien ohella alla mainitun mukainen takuu.

- Takuun kesto on kuluttajille 24 kuukautta ja takuuaika alkaa tuotteen ostohetkestä. Tämän päivämäärän tulee lukea laskussa tai muussa ostositteissa. Tuote on suunniteltu ja tarkoitettu vain kuluttajien ja yksityiseen käyttöön. Takuu ei siis kata ammatti- eikä kaupallista käyttöä.
- Joidenkin puutarhatyökalujen (AC/DC) takuun kesto on mahdollista laajentaa yllä mainitua kesto pidemmäksi verkkosivuston www.ryobitools.eu rekisteröinnin kautta. Työkalujen kelposuus takujakson laajennukseen näkyy selkeästi myymälöissä ja/tai pakkaussissa ja/tai tämä tieto säilyttää tuotetiedokumentaation. Loppukäyttäjän täytyy rekisteröidä vasta hankittu työkalu internetissä 30 päivän kuluessa ostopäivämäärästä. Loppukäyttäjän voi rekisteröidä laajennetun takuun kotimaassaan, jos se on luettuna online-rekisteröintilomakkeessa, jossa mainitaan, missä tämä vaihtoehto on voimassa. Loppukäyttäjien täytyy lisäksi hyväksyä tietojen tallennus, jotka heidän täytyy antaa online-tilassa sekä ehdot. Rekisteröinnin vahvistuskuitti, joka lähetetään sähköisesti, ja alkuperäinen ostopäivämäärän ilmaiseva lasku toimivat laajennetun takuun tositteina.
- Takuu kattaa kaikki tuotteen takuuaikana tulevat viat, joiden aiheuttajina ovat tuotteen ostopäivän olleet valmistus- tai materiaali viat. Takuu on rajoitettu korjaukseen ja/tai vaihtoon eikä se sisällä mitään muita velvoitteita mukaan lukien satunnaisia ja seurannaisvahinkoja, mutta rajoittumatta niihin. Takuu ei päde, jos tuotetta on käytetty väärin, käyttöohjeen vastaisesti tai jos se on liitetty virheellisesti. Tämä takuu ei kata:
 - virheellisesti huolosta johtuvia vaurioita
 - muunnettua tai muutettua tuotetta
 - tuotetta, jonka alkuperäiset tunnistemerkinnät (tavaramerkki, sarjanumero) on turmeltu, muutettu tai poistettu
 - tämän käyttöoppaan laiminlyönnistä johtuvia vaurioita
 - ei-CE-tuotetta
 - tuotetta, jota on yrittänyt korjata epäpätevä ammattilainen tai joka on rajoittu ilman Techtronic Industrien ennakkolupaa.
 - tuotetta, joka on liitetty virheelliseen teholahteeseen (ampeirit, jännite, taajuus)
 - tuotetta, jossa on käytetty väärää polttoaineseosta (polttoaine, öljy, öljyprosentti)
 - ulkoisten vaikutusten (kemiallinen, fyysinen, iskut) tai vieraiden aineiden aiheuttamaa vauriota
 - normaaleja kuluvia varaosia
 - virheellistä käyttöä, työkalun ylikuormitusta
 - ei-hyväksytytjen tarvikkeiden tai osien käyttöä
 - Kaasutinten säännöllistä säätöä tai ylläpitävää puhdistusta
 - Luonnollisesti kuluvia komponentteja (osia tai tarvikkeita), joihin sisältyvät puskunupit, käyttöihinat, kytkin, pensasleikkuriin tai ruohonleikkuriin terät, valjaat, kaasuvaijeri, hiiharijat, virtajohto, piikit, huopatiivisteet, sokkatapit, puhallinten tuuletimet, puhallin- ja imuputket, imuriin säkit ja hinnat, terälevyt, sahankeijut, letkut, liitososat, suihkusuihuttimet, pyörät, ruiskutusputket, sisä- ja ulkokelat, leikkuusuiimat, hehkutulpat, ilmansuodattimet, kaasusuodattimet, silppuperät yms. näihin kuitenkin rajoittumatta.
- Tuote on lähetettävä huollettavaksi valituttuun RYOBI-huoltoon tai näytettävä silleä. Niiden osissaett kussakin maassa lälytyvät seuraavasta luettelosta. Joissakin maissa paikallinen RYOBI-jälleenmyyjä huolehtii tuotteen lähetyksestä RYOBI-huolto-organisaatioon. Kun tuote lähetetään RYOBI-huoltoon, se täytyy pakata hyvin ilman vaarallisia aineita, kuten polttoainetta, ja pakkaukseen täytyy merkitä lähettäjän nimi sekä vieän lyhyt kuvaus.
- Takuun kattama korjaus/vaihto on maksuton. Se ei tarkoita takuujajan laajennusta tai alkamista alusta. Vahdetut osat tai työkalut siirtyvät valmistajan omistukseen. Joissakin maissa lähettäjän täytyy maksaa lähetyskustannukset tai postikulut. Työkalun oston luomat lakisäasteiset oikeudet pysyvät koskemattomina
- Tämä takuu on voimassa Euroopan yhteisössä, Sveitsissä, Islannissa, Norjassa, Liechtensteinissa, Turkissa ja Venäjällä. Ota näiden alueiden ulkopuolella yhteyttä omaan valituttuun RYOBI-jälleenmyyjään ja selvitä, onko jotain muuta takuuta.

VALTUUTETTU HUOLTO

Voit etsiä lähimmän valtuutetun huollon sivulta <http://fi.ryobitools.eu/header/service-and-support/service-agents>.

NO RYOBI® GARANTIBETINGELSER

I tillegg til eventuelle lovbestemte rettigheter som følger av kjøpet, er dette produktet dekket av en garanti som angitt nedenfor.

- Garantiperioden er 24 måneder for konsumenter og gjelder fra den datoen som produktet ble kjøpt. Denne datoen skal dokumenteres med en faktura eller annet kjøpsbevis. Produktet er designet og beregnet kun til konsument- og privat bruk. Så det gis ingen garanti ved profesjonell eller kommersiell bruk.
- For en del av utvalget av hageverktøy (AC/DC) er det mulighet til å utvide garantiperioden i den perioden som er beskrevet ovenfor ved bruk av registrering på nettsidene www.ryobitools.eu. Kvalifiseringen av verktøyene for en utvidelse av garantiperioden er tydelig vist i butikker og 7eller på pakningen / og finnes innen produktdokumentasjonen. Sluttbrukeren må registrere sine nylig anskaffede verktøy online innen 30 dager etter kjøpsdato. Sluttbrukeren kan registrere seg for den utvidede garantien i sitt land hvis det er opplistet på online registreringsskjemaet der dette alternativet er gyldig. Videre må sluttbrukere gi sitt samtykke til oppbevaring av dataene som kreves for å gå online, og de må godta vilkår og betingelser. Registreringsbekreftelsen, som sendes ut på e-post, og den originale fakturaen som viser kjøpsdato, vil tjene som bevis for den utvidede garantien.
- Garantien dekker alle defekter i produktet under garantiperioden på grunn av defekter i utførelse eller materiale på kjøpsdato. Garantien er begrenset til å reparere og/eller erstatte og inkluderer ikke noen andre forpliktelser, inkludert, men ikke begrenset til, tilfældige eller følgesmessige skader. Garantien er ikke gyldig hvis produktet har blitt misbrukt, brukt på annen måte enn det som beskrives i bruksanvisningen eller er koblet til på feil måte. Denne garantien gjelder ikke for:
 - enhver skade på produktet som er resultat av utilstrekkelig vedlikehold
 - ethvert produkt som har blitt endret eller modifisert
 - ethvert produkt der de originale identifiseringsmerkene (varemerke, serienummer) har blitt uleselig, er endret eller fjernet
 - enhver skade som forårsakes av ikke-overholdelse av instruksjonshåndboken
 - ethvert ikke-CE-produkt
 - ethvert produkt som har blitt forsøkt reparert eller av en ikke-kvalifisert fagperson eller uten tidligere autorisasjon fra Technonic Industries.
 - ethvert produkt tilkoblet feil strømforsyning (ampere, spenning, frekvens)
 - ethvert produkt som brukes med feil drivstoffblanding (drivstoff, olje, prosentandel olje)
 - enhver skade som er forårsaket av eksterne påvirkninger (kjemiske, fysiske, støt) eller fremmede stoffer
 - normal slitasje og sliteservvedeler
 - feil bruk, overbelastning av verktøyet
 - bruk av ikke-godkjent tilbehør eller deler
 - Eventuelle periodiske justeringer av eller vedlikeholdsrengjøring av forbrennere
 - Komponenter (deler og tilbehør) som er underlagt naturlig slitasje, inkludert, men ikke begrenset til bulkknott, drivreimer, clutch, blader på hektrimmere eller gressklippere, seler, kabelspjeld, karbonbørster, strømledning, kniver, feltpakninger, heispinner, blåseviser, blåse- og vakuumslang, vakuumpose og reimer, førerstenger, sagkjeder, strømpere, koblingsmonteringer, spraydyser, hjul, spraystenger, indre spoler, ytre spoler, kuttelinjer, tennplugg, luftfilter, gassfilter, mulchingblader osv.
- For service må produktet sendes eller fremlegges for en RYOBI- autorisert servicestasjon opplistet for hvert land i den følgende listen over servicestasjonsadresser. I noen land sender den lokale RYOBI-forhandleren produktet til RYOBI serviceorganisasjonen. Ved å sende et produkt til en RYOBI servicestasjon skal produktet være sikkert pakket uten noe farlig innhold, slik som bensin, merket med senderens adresse og fulgt av en kort beskrivelse av feilen.
- En reparasjon/erstatning under denne garantien er gratis. Den utgjør ingen forlengelse eller en ny start av garantiperioden. Utvekslede deler eller verktøy blir vår eiendom. I noen land vil leveringskostnader eller franking måtte betales av senderen. Dine lovbestemte rettigheter som oppstår fra kjøp av verktøyet forblir uberørt.
- Denne garantien er gyldig i EU, Sveits, Island, Norge, Liechtenstein, Tyrkia og Russland. Utenfor disse områdene ta kontakt med din autoriserte RYOBI-forhandler om en annen garanti gjelder.

AUTORISERT SERVICESENTER

For å finne et autorisert servicecenter i nærheten, gå til <http://no.ryobitools.eu/header/service-and-support/service-agents>.

RU УСЛОВИЯ ПРИМЕНЕНИЯ ГАРАНТИИ НА ПРОДУКЦИЮ RYOBI®

Помимо законных прав, возникающих при покупке, данное изделие покрывается гарантией в соответствии с приведенными ниже пунктами.

- Гарантийный период для покупателя составляет 24 месяца с даты покупки изделия. Дата покупки должна быть подтверждена полностью заполненным гарантийным талоном и чеком о покупке. Данное изделие предназначено только для частного использования покупателем. Поэтому гарантия не распространяется на использование в профессиональных или коммерческих целях.
- Предусмотрена возможность продления для части изделий линейки садовых инструментов (AC/DC) гарантийного периода с помощью регистрации на сайте www.ryobitools.eu. Право инструмента на продление гарантийного периода четко указано в магазинах и / или на упаковке / и содержится в сопутствующей инструменту документации. Конечный пользователь должен зарегистрировать свой приобретенный инструмент в течение 30 дней с даты покупки. Конечный пользователь может зарегистрировать свой инструмент на продление гарантии в стране своего проживания, если она указана в форме онлайн-регистрации. Кроме того, конечный пользователь должен дать свое согласие на хранение данных, которое необходимо ввести в онлайн-форму и принять правила и условия. Подтверждение регистрации, которое вы получите по электронной почте, заполненный гарантийный талон и оригинальный чек, в котором указана дата покупки, будут служить доказательством продленной гарантии.
- Гарантия покрывает в течение гарантийного периода все дефекты качества или материала изделия на дату покупки. Гарантия ограничена ремонтом и / или заменой и не включает никакие другие обязательства, включая, но не ограничиваясь случайными или косвенными убытками. Гарантия становится недействительной, если изделие использовалось не по назначению, вопреки инструкциям, данным в Руководстве пользователя или было неправильно подключено. Настоящая гарантия не распространяется на:
 - любые повреждения изделия в результате неправильного технического обслуживания или недостаточного ухода за инструментом
 - любые изделия, подвергшиеся изменениям и модификации
 - любые изделия, оригинальные идентификационные отметки которого (торговая марка, серийный номер) были повреждены, изменены или удалены
 - любые повреждения, вызванные несоблюдением инструкций Руководства пользователя
 - любые изделия, не сертифицированные маркировкой "CE" для продажи в Европейском союзе
 - любые изделия, подвергшиеся попыткам ремонта неквалифицированным работником или без предварительного утверждения компании Technonic Industries.
 - любые изделия, подключенные к неправильному источнику питания (сила тока, напряжение, частота)
 - любые изделия, в которых использовались несоответствующие топливные смеси (топливо, масло, процент масла)
 - любые повреждения, вызванные внешними воздействиями (химические, физические, удары) или посторонними веществами
 - естественный износ запасных деталей
 - несоответствующее использование, перегрузка инструмента
 - использование неутвержденных аксессуаров и неоригинальных запасных деталей
 - любые регулярные регулировки, техническое обслуживание или чистка карбюраторов
 - компоненты (детали и аксессуары), подверженные естественному износу, включая, но не ограничиваясь фиксаторы шпильки приводные ремни, ценные муфты, лезвия триммеров и газонокосилок, плечевые ремни, кабельный дроссельный регулятор, угольные щетки, кабели питания, зубья, войлочные шаблы, фиксирующие шпильки, вентиляторы воздуходувки, трубки воздуходувки и пылесоса, мешок для сбора мусора и ремни, пыльные шины, пыльные цепи, шланги, соединительные детали, распылительные насадки, колеса, распрыскивательные переходники, внутренние катушки и шпильки, режущую леску, свечи зажигания, воздушные и топливные фильтры, мульчирующие лезвия и др.
- Для проведения технического обслуживания изделие следует направлять в авторизованные сервисные центры RYOBI, указанные для каждой страны в приведенном ниже списке адресов станций сервисного обслуживания. В некоторых странах местные дилеры RYOBI отправляют изделия в сервисные организации RYOBI. При отправке изделия в сервисный центр RYOBI, изделие должно быть безопасно упаковано и не содержать никаких опасных веществ, таких как бензин, должен быть подписан адрес отправителя и сопровождаться кратким описанием неисправности.
- Ремонт / замена проводится в рамках настоящей гарантии бесплатно. Он не продлевает гарантию и не начинает новый гарантийный период. Заменяемые детали и инструменты становятся нашей собственностью. В некоторых странах отправитель должен оплачивать стоимость отправки. Ваши законные права, возникающие при покупке инструмента, остаются неизменными
- Данная гарантия действительна в Европейском Сообществе, Швейцарии, Исландии, Норвегии, Лихтенштейне, Турции и России. Вне указанных территорий обращайтесь к своему авторизованному дилеру RYOBI, чтобы узнать, применяются ли условия каких-либо других гарантий.

УПОЛНОМОЧЕННЫЙ СЕРВИСНЫЙ ЦЕНТР

Чтобы найти ближайший уполномоченный сервисный центр, обратитесь к веб-сайту <http://ru.ryobitools.eu/header/service-and-support/service-agents>.

PL WARUNKI GWARANCJI RYOBI®

Oprócz praw ustawowych wynikających z zakupu produkt jest objęty gwarancją, której warunki podano poniżej.

- Okres gwarancyjny wynosi 24 miesiące dla konsumentów i rozpoczyna się w dniu zakupu produktu. Datę zakupu należy udokumentować fakturą lub innym dowodem zakupu. Produkt został zaprojektowany i jest przeznaczony do użytku komercyjnego i prywatnego. W związku z tym gwarancja nie obejmuje zastosowań profesjonalnych i komercyjnych.
- Istnieje możliwość wydłużenia okresu gwarancyjnego dla części asortymentu narzędzi ogrodniczych (AC/DC) poprzez zarejestrowanie produktu na stronie internetowej www.ryobitools.eu. Kwalifikowalność narzędzi do wydłużenia okresu gwarancyjnego jest wyraźnie określona w sklepach i/lub na opakowaniu oraz w dokumentacji produktu. Użytkownik końcowy musi zarejestrować nowo kupione narzędzia online w ciągu 30 dni od daty zakupu. Użytkownik końcowy może zarejestrować się w celu przedłużenia gwarancji w swoim kraju zamieszkania, jeżeli jest on wymieniony w formularzu rejestracji online, gdzie opcja ta obowiązuje. Ponadto użytkownicy końcowi muszą wyrazić zgodę na przechowywanie danych, wprowadzanych na stronie internetowej i zaakceptować regulamin. Dowodem wydłużenia gwarancji jest wysłane pocztą elektroniczną potwierdzenie rejestracji i oryginalny faktur potwierdzający datę zakupu.
- Gwarancja obejmuje wszystkie wady produktu ujawnione w okresie gwarancyjnym wynikające usterki wykonania lub materiału obecnego w dniu zakupu. Gwarancja jest ograniczona do naprawy i/lub wymiany i nie obejmuje żadnych innych zobowiązań, w tym między innymi odpowiedzialności za szkody przypadkowe lub wtórne. Gwarancja nie obowiązuje, jeżeli produkt był nieprawidłowo używany, używany niezgodnie z instrukcją lub nie był prawidłowo podłączony. Gwarancja nie obejmuje:
 - uszkodzenia produktu wynikającego z nieprawidłowej konserwacji,
 - produktu, który został zmieniony lub zmodyfikowany,
 - produktu, którego oryginalne oznaczenie (znak towarowy, numer seryjny) zostało zniszczone, zmienione lub usunięte,
 - jakichkolwiek uszkodzeń wynikających z nieprzestrzegania instrukcji,
 - jakiegokolwiek produktu bez certyfikatu CE,
 - jakiegokolwiek produktu, który próbowano naprawiać z pomocą niewykwalifikowanej osoby lub bez uzyskania wcześniejszej zgody firmy Techtronic Industries.
 - jakiegokolwiek produktu podłączonego nie nieprawidłowego źródła zasilania (nieprawidłowe napięcie prądu, napięcie, czystość),
 - jakiegokolwiek produktu, który był używany z nieprawidłową mieszanką paliwową (paliwo, olej, procentowy udział oleju),
 - jakichkolwiek uszkodzeń spowodowanych wpływem czynników zewnętrznych (chemicznych, fizycznych, drgań) lub substancji obcych,
 - normalnego zużycia części zamiennych,
 - nieprawidłowego użycia, przeciążenia narzędzia,
 - stosowania niezatwierdzonych akcesoriów lub części,
 - jakichkolwiek okresowych regulacji lub czyszczenia gaźników w ramach konserwacji
 - elementów (części i akcesoriów) podlegających naturalnemu zużyciu, obejmujących, między innymi, kopułki do zwalniania żyłki, pasy napędowe, sprzęgło, ostrza przycinarek do żywoptłotów lub kosiarzek do trawy, urząz, przepustnice linkowa, szcztolki węglowe, przewód zasilania, zęby, podkładki filcowe, kolki podnośnika, wentylatory dmuchawy, rury nadmuchowe i ssawne, worek na śmieci i paski, prowadnice, łańcuchy piły, węże, mocowanie złącz, dysze natryskowe, goła, ostrza natryskowe, szpule wewnętrzne, szpule zewnętrzne, filtry gazu, opręta do ściółkowania itp.
- W celu serwisowania produkt należy wysłać lub okazać w autoryzowanym punkcie serwisowym RYOBI znajdującym się na przedstawionym poniżej wykazie punktów serwisowych w poszczególnych krajach. W niektórych krajach lokalny dystrybutor produktów RYOBI podejmuje się wysyłki produktu do centrum serwisowego RYOBI. W przypadku wysyłki do punktu serwisowego RYOBI produkt — pozbawiony jakichkolwiek niebezpiecznych substancji, na przykład benzyny — należy bezpiecznie zapakować i dołączyć adres nadawcy oraz krótki opis usterki.
- Naprawa/wymiana w ramach niniejszej gwarancji jest bezpłatna. Nie stanowi jednak o przedłużeniu lub rozpoczęciu od nowa biegu okresu gwarancyjnego. Wymienione części lub narzędzia stają się naszą własnością. W przypadku niektórych krajów nadawca będzie musiał uregulować koszty dostawy lub opłaty pocztowe. Prawa ustawowe wynikające z zakupu narzędzia pozostają niezmienione.
- Niniejsza gwarancja obowiązuje w Unii Europejskiej, Szwajcarii, Islandii, Norwegii, Liechtensteinie, Turcji i Rosji. Poza tymi obszarami należy skontaktować się z autoryzowanym dostawcą produktów RYOBI i ustalić, czy obowiązuje inna gwarancja.

AUTORYZOWANY PUNKT SERWISOWY

Najbliższy autoryzowany punkt serwisowy można wyszukać w witrynie internetowej <http://pl.ryobitools.eu/header/service-and-support/service-agents>.

CS ZÁRUČNÍ PODMÍNKY RYOBI®

Kromě zákonných práv vyplývajících z koupě výrobku se na tento výrobek vztahuje také níže uvedené záruka.

- Záruční doba pro spotřebitele je 24 měsíců a začíná datem nákupu výrobku. Datum musí být zaznamenáno na faktuře nebo jiném dokladu o koupi. Tento výrobek je navržen a určen pouze pro soukromé účely spotřebitelů. Záruka se tedy nevztahuje na profesionální nebo komerční využití výrobku.
- U některých zahradních nástrojů (AC/DC) je možné záruční dobu prodloužit. K tomu je nutná registrace na stránkách www.ryobitools.eu. Možnost prodloužené záruční doby výrobků je jasně uvedena v prodejních, popř. na obalech nebo v dokumentech o výrobku. Koncový uživatel musí svůj nový nástroj zaregistrovat online do 30 dnů od data nákupu. Koncový uživatel se může k prodloužené záruční době zaregistrovat v zemi trvalého pobytu, pokud je tato uvedena na internetovém registračním formuláři u výrobku, kde je tato možnost dostupná. Koncoví uživatelé musí dále souhlasit s uložením osobních údajů, která musí zadat na internetu, a přijmout obchodní podmínky. E-mail s potvrzením registrace a původní faktura s datem koupě poslouží jako důkaz o prodloužené záruce.
- Záruka se vztahuje na veškeré vady na výrobku v rámci záruční doby způsobené výrobními vadami nebo vadami materiálu v době koupě. Záruka je omezena na opravu, popřípadě výměnu a nezahrnuje žádné další povinnosti, včetně mimo jiné vedlejších či následných odškodnění. Záruka neplatí při použití výrobku k nevhodným účelům, v rozporu s uživatelskou příručkou nebo při nesprávném zapojení. Záruka se nevztahuje na:
 - veškeré škody na výrobku způsobené nesprávnou údržbou
 - veškeré produkty, které byly pozděně napraveny
 - veškeré produkty, kde byly původní identifikační prvky (obchodní značka, sériové číslo) poničeny, pozděně nebo odstraněny
 - veškeré škody způsobené nedodržováním pokynů uživatelské příručky
 - veškeré produkty bez CE certifikace
 - veškeré produkty, které se pokusil opravit nekvalifikovaný odborník nebo opravy bez předchozího svolení společnosti Techtronic Industries.
 - veškeré produkty zapojené do nesprávného elektrického zdroje (proud, napětí, frekvence)
 - veškeré produkty používané s nevhodnou palivovou směsí (paliwo, olej, procento oleje)
 - veškeré škody způsobené externími vlivy (chemickými, fyzickými, nárazy) nebo cizími látkami
 - běžné opotřebování dílů
 - nevhodné použití, přetěžování nástroje
 - použití neschválených příslušenství nebo dílů
 - veškerá pravidelná seřízení nebo čištění v rámci údržby karburátorů
 - komponenty (díly a příslušenství) podléhající opotřebení, včetně mimo jiné nárazových koleček, posuvných pásů, spojek, nožů plotových nůžek a sekaček na trávu, popruhu, plynového lanka, karbonových kartáčů, napájecího kabelu, zubů, plstěných podložek, závěsných kolků, větráků fukaru, trubic fukaru a vysavače, vaku a popruhů vysavače, vodících lišt, pilových řetězů, hadic, konektorů, trysek, kol, stříkacích tyčí, vnitřních cívek, vnějších kotoučů, řezných strun, zapalovacích svíček, vzduchových filtrů, plynových filtrů, mulčovačích nožů atd.
- K provedení servisu musí být výrobek zaslán nebo předán do autorizovaného servisního centra společnosti RYOBI, jejichž adresy jsou uvedeny podle zemi v seznamu servisních center. V některých zemích za vás výrobek pošle servisní organizaci RYOBI sám prodejce výrobků této značky. Při zaslání výrobku do servisního centra RYOBI je potřeba výrobek bezpečně zabalit bez nebezpečného obsahu jako benzín, opatřit adresou odesílatele a připojit krátký popis závady.
- Oprava, popř. výměna v rámci této záruky je zdarma. Neznamená to prodloužení nebo začátek nové záruční lhůty. Vyměněné díly nebo nástroje přejdou do našeho vlastnictví. V některých zemích platí poštovné odesílatele. Vaše zákonná práva vyplývající z koupě tohoto nástroje zůstávají nedotčena.
- Tato záruka platí v Evropském Společenství, Švýcarsku, Norsku, Lichtenštejnsku, Turecku, Rusku a na Islandu. Mimo tato území kontaktujte autorizovaného prodejce značky RYOBI, který zjistí, zda se na výrobek vztahuje jiná záruka.

POVĚŘENÉ SERVISNÍ STŘEDISKO

Pro nalezení nejbližšího pověřeného servisního střediska navštivte <http://cz.ryobitools.eu/header/service-and-support/service-agents>.

HU A RYOBI® GARANCIA ALKALMAZÁSÁNAK FELTÉTELEI

A vásárlásból adódó törvényben rögzített jogok mellett a termékre az alábbi garancia vonatkozik.

1. A fogyasztói garancia tartama 24 hónap, mely a termék vásárlásának napjával kezdődik. Ezt a dátumot számlával vagy a vásárlást igazoló egyéb dokumentummal kell bizonyítani. A termék rendelkezése csak fogyasztói és magáncéllú használat. Ezért professzionális vagy kereskedelmi használat esetén a garancia nem érvényes.
2. A kerti szerszámok (egyenáramú/váltóáramú) egy részénél a garancia időtartama a www.ryobitools.eu weboldalon regisztrálva meghosszabbítható. Az áruházakban, a csomagoláson, illetve a termék dokumentációjában egyértelműen jelezzük, hogy az adott termék garanciája meghosszabbítható-e. A végfelhasználónak a vásárlás dátumától számított 30 napon belül regisztrálnia kell az újonnan vásárolt szerszámot. A végfelhasználó akkor regisztrálhat a kiterjesztett garanciára, ha az ország, ahol lakik, fel van sorolva az online regisztrációs űrlapon azon országok között, ahol választható ez az opció. Ezenkívül a végfelhasználónak bele kell egyeznie az online regisztrálás során szükséges adatok tárolásába, és el kell fogadnia a felhasználási feltételeket. A kiterjesztett garanciát a regisztráció beérkezésétől e-mailben küldött visszaigazolás és a vásárlás dátumát tartalmazó eredeti számla igazolja.
3. A garancia a termék vásárlásakor fennálló, a gyártás során keletkezett hibákra és anyaghibákra érvényes a garanciális időtartamon belül. A garancia csak a javításra/cseréire korlátozódik, és nem terjed ki semmilyen egyéb kötelezettségre, nem kizárólagosan ideértve a véletlen vagy szándékos rongálást. A garancia nem érvényes, ha a terméket nem megfelelően, a használati utasításban foglaltakkal ellentétben, illetve nem megfelelően csatlakoztatva használták. A garancia nem vonatkozik:
 - a terméket a nem megfelelő karbantartás következtében ért károsodásra – megváltoztatott vagy átalakított termékre
 - olyan termékre, melyen az eredeti azonosítókat (védjegy, sorozatszám) megrongálták, megváltoztatták vagy eltávolították
 - a használati utasítás be nem tartásából eredő kárra
 - CE jelöléssel nem rendelkező termékekre
 - olyan termékre, melyet nem képzett, illetve a Techtronic Industries által nem feljogosított szerelő javított
 - nem megfelelő (áramerősségű, feszültségű, frekvenciájú) áramforrásra csatlakoztatott termékre
 - nem megfelelő üzemanyag-keverékkel (üzemanyag, olaj, olaj aránya) használt termékre
 - külső (fizikai, utás) hatásokból vagy idegen anyagokból eredő károkra
 - a cserélhető alkatrészek természetes kopására és elhasználódására
 - a szerszám helytelen használatára, túlterhelésére
 - nem jóváhagyott tartozékok és alkatrészek használatára
 - A karburátorok rendszeres beállítása, karbantartása, tisztítása
 - A természetes kopásnak és elhasználódásnak kitett alkatrészek és kiegészítők, például (de nem kizárólag) damildobok, ékszíjak, foglalatok, sövényvágók és fűnyírók kése, heveder, gázbowden, szénkefék, tápkábel, kultivátorfogak, ficalátetek, akasztószögek, fűvókészülékek ventilátora, fűvő- és szívócsövek, szívózsák és pántok, terelőrudak, fűrészláncok, tömlők, csatlakozószervevények, permetezőfejek, kerekék, permetezőszárak, belső dobok, külső csévék, vágódamlok, gyűjtőgyertyák, légszűrők, gázsűrők, mulcsozókékek stb.
4. A terméket javításra el kell vinni egy meghatalmazott RYOBI szervizbe; ezeket az egyes országokhoz a következő listában találja. Egyes országokban a helyi RYOBI kereskedő vállalja a termék elszállítását a RYOBI szervizbe. A terméket veszélyes tartalom, például benzín nélkül csomagolva, a feladó címét feltüntetve, a hiba rövid leírásával együtt küldje el a RYOBI szervizbe.
5. A jelen garancia hatálya alatt végzett javítás, illetve csere ingyenes. Nem jelenti a garanciális időtartam újraindulását. A kicserélt alkatrészek és szerszámok a mi tulajdonunkba kerülnek. Egyes országokban a szállítás vagy postázás költségét a feladó viseli. A vevőnek a szerszám megvásárlásából adódó törvényes jogai nem változnak.
6. Jelen garancia az Európai Közösségben, Svájcban, Izlandon, Norvégiában, Liechtensteinben, Törökországban és Oroszországban érvényes. E területen kívül kérdezze meg a RYOBI forgalmazót, hogy milyen garancia van érvényben.

HIVATALOS SZERVIZKÖZPONT

A legközelebbi hivatalos szervizközpont megtalálásához látogasson el a <http://hu.ryobitools.eu/header/service-and-support/service-agents>.

RO CONDIȚII DE APLICARE A GARANȚIEI PENTRU PRODUSELE RYOBI®

În plus față de condițiile statutare rezultate din achiziționarea acestui produs, acesta este acoperit de garanția stipulată mai jos.

1. Perioada de garanție este de 24 de luni pentru consumatori și începe de la data achiziționării produsului. Data de începere a garanției trebuie demonstrată cu o factură sau altă dovadă a cumpărării produsului. Produsul este destinat și conceput doar pentru utilizare în scopuri personale. Din acest motiv, nu se oferă garanție pentru utilizarea sa în scop profesional sau comercial.
2. Există posibilitatea de extindere a perioadei de garanție pentru gama de unelte electrice pentru grădină (de CA/CC) peste perioada stipulată mai sus prin înscrierea produsului pe website-ul www.ryobitools.eu. Eligibilitatea pentru perioada de extindere a garanției este afișată în mod clar în magazinele de vânzare și/sau pe ambalaj sau este inclusă în documentația livrată împreună cu produsul. Utilizatorul final este obligat să-și înregistreze produsul online în termen de maxim 30 de zile de la achiziția acestuia. Utilizatorul final poate înregistra produsul pentru garanția extinsă oferită în țara sa de rezidență dacă aceasta este listată în formularul de înregistrare online și dacă această opțiune este validă. În plus, utilizatorii finali trebuie să-și dea acordul pentru stocarea datelor personale solicitate la înregistrarea online și trebuie să accepte termenii și condițiile. Mesajul de confirmare a înregistrării, trimis prin e-mail și factura originală cu data achiziției vor dovedi perioada de garanție extinsă.
3. Garanția acoperă toate defecțiunile produsului survenite în perioada de garanție datorate defectelor de execuție sau materialelor folosite, începând cu data achiziției acestuia. Garanția este limitată la reparație și/sau înlocuire și nu include alte obligații, inclusiv, dar fără a se limita la daune accidentale sau rezultate pe cale de consecință. Garanția își pierde valabilitatea dacă produsul este utilizat necorespunzător, utilizat necorespunzător în instrucțiunile de utilizare din manualul cu instrucțiuni sau conectat incorect. Garanția nu se aplică în cazul:
 - oricărei defecțiuni survenite în urma întreruperii necorespunzătoare a produsului
 - oricărui produs alterat sau modificat
 - oricărui produs la care inscripțiile cu datele de identificare (marca comercială, numărul de serie) au fost șterse, modificate sau îndepărtate
 - oricărei defecțiuni datorate neconformării cu instrucțiunile din manualul de utilizare
 - oricărui produs necertificat CE
 - oricărui produs asupra căruia au fost efectuate tentative de reparație de către personal necalificat sau fără autorizație prealabilă din partea Techtronic Industries.
 - oricărui produs conectat la o sursă de alimentare necorespunzătoare (curent, tensiune, frecvență)
 - oricărui produs utilizat cu un amestec de carburant necorespunzător (combustibil, ulei, proporții de adaos ulei)
 - oricărui defecțiune datorate unor influențe externe (chimice, fizice, șocuri) sau substanțe străine
 - uzurii și fisurării normale a pieselor de rezervă
 - utilizării neadecvate, suprasolicitării uneltei
 - utilizării de piese și accesorii neaprobate
 - Operațiunile de curățare sau reglare periodică a carburatoarelor
- Componentele (piese și accesorii) supuse uzurii și defectării normale, care includ, fără a se limita la manșoane de protecție, curele de transmisie, ambreiaji, lamele de la tăietoarele de arbore sau gazon, harnașamente, cablu de accelerație, perii de cărbune, cordon de alimentare, dinți, discuri de păslă, știfturi de siguranță, ventilatoare de suflantă, tuburi de aspirare sau suflare, sac de colectare resturi și banda de susținere a acestuia, bare de ghidare, lanțuri de fierăstrău, furturniri, accesorii de conectare, duze de pulverizare, volante, baghete de pulverizare, moșoare interne, carcase exterioare pentru moșoare, fire tăietoare, bujii, filtre de aer, filtre de gaz, lame de tocător, etc.
4. Pentru efectuarea reparațiilor, produsul trebuie trimis sau adus la un centru de reparații autorizat RYOBI din lista următoare de centre de reparații prezentate pentru fiecare țară. În anumite țări, reprezentatul local RYOBI va trimite produsul spre reparație la sediul central de reparații RYOBI. Atunci când trimiteți produsul spre reparație la un centru de reparații RYOBI, acesta trebuie ambalat în siguranță, fără conținut periculos (cum ar fi benzină), marcat cu adresa expeditorului și însoțit de o scurtă descriere a defectului.
5. Repararea/înlocuirea în perioada de garanție este gratuită. Aceasta nu este însoțită de o prelungire sau o reințiere a perioadei de garanție. Piesele sau uneltele schimbate devin proprietatea dvs. În anumite țări, taxele de expediție sau postale vor fi suportate de expeditor. Drepturile dvs. statutare rezultate din achiziția produsului rămân ne schimbate.
6. Această garanție este valabilă în Comunitatea Europeană, Elveția, Islanda, Norvegia, Liechtenstein, Turcia și Rusia. În afara acestor zone, vă rugăm să contactați reprezentantul dvs. local RYOBI pentru a determina dacă se aplică alt tip de garanție.

CENTRU DE SERVICE AUTORIZAT

Pentru a găsi un centru de service autorizat lângă dvs., vizitați <http://en.ryobitools.eu/header/service-and-support/service-agents>.

LV RYOBI® GARANTIJAS PIEMĒROŠANAS NOSACĪJUMI

Papildus jebkādam likumiskajām tiesībām, kuras rodas, veicot pirkumu, izstrādājums tiek nodrošināts ar tālāk tekstā noteikto garantiju.

1. Garantijas periods patērētājiem ir 24 mēneši, tas atskaitē tiek sāktas no datuma, kurā veikta izstrādājuma iegāde. Šim datumam jābūt dokumentētām rēķinā vai citā pirkumu apliecināošā dokumentā. Izstrādājums ir radīts un paredzēts tikai patērētāja privātai lietošanai. Saistībā ar iepriekšminēto, garantija netiek nodrošināta profesionālās vai komerciālas lietošanas gadījumā.
2. Pastāv iespēja pagarināt daļas no dārza instrumentu klāsta (Maignstrāvas/akumulatoru) garantiju ilgāk par iepriekš minēto periodu, izmantojot reģistrāciju interneta vietnē www.ryobitools.eu. Instrumenti, kas pakļauti garantijas perioda pagarināšanai, tiek skaidri apzīmēti veikalos un/vai uz iepakojuma un izstrādājumu komplektējošajā dokumentācijā. Gala lietotājam nepieciešams reģistrēt tā iegādāto jauno instrumentu 30 dienu laikā no pirkuma datuma. Gala lietotājs var reģistrēties pagarinātajai garantijai savā mītnes valstī, ja tā minēta tiešsaistes reģistrācijas veidlapā, kurā šī iespēja ir aktīva. Bez tam, gala lietotājam ir jāsniedz piekrišana tiešsaistes ievadīšanai nepieciešamo datu glabāšanai un jāpiekrīt noteikumiem un nosacījumiem. Reģistrācijas apstiprinājums, kas tiek nosūtīts, izmantojot e-pastu, un rēķina oriģināls, kurā norādīts iegādes datums, kalpo kā pagarinātās garantijas apstiprinājums.
3. Garantija attiecas uz visiem izstrādājumu defektiem garantijas periodā, kas saistīti ar ražošanas vai materiālu defektiem no pirkuma datuma. Šī garantija tiek ierobežota ar remontu un/vai nomaiņu un neietver jebkādas citas saistības, tajā skaitā, bet ne tikai, cēloņsakarīgos vai saistītos bojājumus. Garantija nav spēkā, ja izstrādājums ir nepareizi lietots, izmantots pretēji norādēm lietošanas rokasgrāmatā vai bijis nepareizi pieslēgts. Šī garantija netiek attiecināta uz:
 - jebkādiem izstrādājuma bojājumiem, kas radušies nepareizas uzstādīšanas rezultātā
 - jebkuru izstrādājumu, kas ticis pārveidots vai mainīts
 - jebkuru izstrādājumu, kura oriģinālās identifikācijas (preču zīme, sērijas numurs) marķējums ir ticis nodzēsts, mainīts vai noņemts
 - jebkādiem bojājumiem, kuri radušies neveidojot norādes lietošanas rokasgrāmatā
 - jebkādam izstrādājumam bez CE sertifikācijas
 - jebkurai izstrādājumam, kura remontu mēģinājis veikt nekvalificēts personāls vai bez Technonic Industries iekšējās autorizācijas.
 - jebkurai izstrādājumam, kurš bijis pieslēgts neatbilstoši parametru (strāvas, sprieguma, frekvences) sprieguma avotam
 - jebkurai izstrādājumam, kurš bijis izmantots ar nepareizu degvielas maisījumu (degviela, eļļa, eļļas procentuālais saturs)
 - jebkuriem bojājumiem, kuri radušies ārējas iedarbības (ķīmiskas, fiziskas, triecieni) vai vielu ietekmē
 - detaļu normāla lietošanas nodiluma rezultātā
 - nepareizas lietošanas vai instrumentu pārslodzes rezultātā
 - neapstiprinātu detaļu vai aprīkojuma lietošanas rezultātā
 - jebkādu periodiskus karburatoru regulēšanas darbus vai apkopes tīrīšanu
 - Komponentus (daļas un aksesuārus), kas pakļauti dabīgām nodilumam, ieskaitot, bet neaprobežojoties ar atslēgta pogām, piedziņas sīksnādi, sajūgjiem, krūmu šķēru un pļaujmašīnu asmeņiem, uzkabēm, droseļu trošlēm, oglekļa sukām, elektrības vadiem, tapām, filca aplākšņiem, sakābes tapām, pūtēja ventilatoriem, pūtēja un sūkšanas caurulēm, savākšanas maisiem un sīksnādi, vadotņu plankām, zaģu ķēdēm, šļūtenēm, savienojumu uzgaļiem, izsmidzinātāja uzgaļiem, riteņiem, izsmidzinātāja caurulēm, iekšējām spoļēm, ārējām spoļēm, pļaušanas aukām, aizdedzes svečēm, gaisa filtriem, degvielas filtriem, mulčēšanas asmeņiem, utt.
4. Servisa nodrošināšanai, izstrādājums ir jānodod pilnvarotā RYOBI servisa centrā, kas norādīts katrai valstij tālāk minētajā servisa centru adresē sarakstā. Dažās valstīs jūsu vietējais RYOBI izplatītājs uzņemas izstrādājuma nosūtīšanu uz RYOBI servisa organizāciju. Nosūtīt izstrādājumu uz RYOBI servisa centru, izstrādājuma jābūt droši iepakotam, tas nedrīkst saturēt bīstamas vielas kā degvielu, sūtiņjam jābūt marķētam ar sūtiņtāja adresi un īsu ķūmes aprakstu.
5. Remonts/nomaiņa šīs garantijas ietvaros ir bezmaksas. Tas nerada garantijas perioda pagarināšanu vai jaunu garantiju. Nomināltās daļas vai instrumentu kļūd par mūsu īpašumu. Dažās valstīs piegādes vai pasta izmaksas būs jāapmaksā sūtiņtājam. Jūsu likumiskās tiesības, kas nodibinās, iegādājoties instrumentu, paliek nemainīgas
6. Šī garantija ir spēkā Eiropas Kopienā, Šveicē, Islandē, Norvēģijā, Līhtenšteinā, Turcijā un Krievijā. Ārpus šīm teritorijām, lūdz, sazinieties ar jūsu pilnvaroto RYOBI izplatītāju, lai noteiktu, vai ir piemērojama cita garantija.

AUTORIZĒTS APKALPOŠANAS CENTRS

Lai atrastu tuvāko autorizēto apkalpošanas centru, apmeklējiet <http://en.ryobitools.eu/header/service-and-support/service-agents>.

LT „RYOBI®“ GARANTIJOS TAIKIMO SĄLYGOS

Papildant bet kokias įstatymuose numatytas perkant atsižandantis teises, šiam įrenginiui taikoma toliau nurodyta garantija.

1. Vartotojams suteikiama 24 mėnesių trukmės garantija nuo įrenginio įsigijimo datos. Ši data turi būti nurodyta sąskaitoje faktūroje ar kitame pirkimą įrodančiame dokumente. Šis įrenginys skirtas tik vartotojų rinkai ir asmeniniam naudojimui. Todėl garantija netaikoma, jei įrenginys naudojamas profesinėms ar komercinėms reikmėms.
2. Įsigijus tam tikrus šio įrenginius (AC/DC), suteikiama galimybė pratęsti garantiją, kad ji galiojūt ilgiau, nei nurodyta pirmiau, naudojantis registracija interneto svetainėje www.ryobitools.eu. Ar galima pratęsti įrenginio garantiją laikotarpi, aiškiai nurodoma parduotuvėse ir (arba) ant įrenginio pakuočės, ir (arba) įrenginio dokumentuose. Galutinis naudotojas turi užregistruoti savo naujai įsigytą įrenginį per 30 dienų nuo įsigijimo datos. Galutinis naudotojas gali registruotis išplėstinei garantijai savo gyvenamojoje šalyje, jei ji nurodyta internetinėje registracijos formoje, kurioje siūloma tokia galimybė. Be to, galutiniai naudotojai turi sutikti su duomenų, kuriuos reikia įvesti internetu, saugojimu ir svetainės naudojimo sąlygomis. Kaip išplėstinės garantijos įrodymas naudojamas registracijos patvirtinimo kvitas, atsiunčiamas el. paštu, ir originali sąskaita faktūra, kurioje nurodyta įsigijimo data.
3. Ši garantija apima visus garantiniui laikotarpiu aptiktus įrenginio trūkumus, atsiradusius dėl gamybos arba medžiaginių defektų nuo įsigijimo datos. Ši garantija ribojama remontu ir (arba) pakeitimu, ir neapima jokių kitų įsipareigojimų, įskaitant (bet tuo neapsiribojant) šalutinius arba antrinius nuostolius. Garantija anuliuojama, jei įrenginys buvo naudojamas netinkamai, naudojamas ne pagal naudojimo instrukciją arba netinkamai prijungtas. Ši garantija netaikoma:
 - jokiai įrenginiui padarytai žalai, kurią lemė netinkama techninė priežiūra;
 - jokiai įrenginiui, kuris buvo keičiamas ar modifikuojamas;
 - jokiai įrenginiui, kurio originalūs identifikavimo ženklai (prekės ženklas, serijos numeris) buvo sugadinti, pakeisti arba pašalinti;
 - jokiai žalai, kurią lemė naudojimo instrukcijos nesilaikymas;
 - jokiais CE ženklu nepažymėtiems įrenginiams;
 - jokiai įrenginiui, kuri bandė remontuoti nekvalifikuoti asmenys arba kuris buvo remtuojamas be „Technonic Industries“ leidimo;
 - jokiai įrenginiui, kuris buvo prijungtas prie netinkamo maitinimo tinklo (netinkamos srovės, įtampos, dažnio);
 - jokiai įrenginiui, kuris buvo naudojamas su netinkamu degalų mišiniu (degalai, alyva, maišymo santykis);
 - jokiai žalai, kurią lemė išorinis poveikis (cheminis, fizinis, smūgiai) arba pašalinės medžiagos;
 - dėvimosioms dalims;
 - netinkamam naudojimui, įrenginio perkrovai;
 - nepatvirtintų priedų arba dalių naudojimui;
 - detaļu reguliariam karburatorių reguliavimui arba priežiūros ir valymo darbams
 - Komponentams (dalims ir priedams), kurie natūraliai dėvisi, įskaitant (bet tuo neapsiribojant) spyruklinės galvutės, pavarų diržus, sankabą, gyvatvorių genėtuvą ar žoliapjūvį geležtes, diržus, trosinį drošelį, anglinius šepetėlius, maitinimo kabelį, virbus, fetro poveržles, prikabinimo kaiščius, pūstuvu ventilatorius, pūstuvu ir siurblio vamzdžius, siurblio maišą ir diržus, kreipiamuosius strypus, pjūklų grandines, žarneles, jungiamąsias detales, purškimo antgalius, ratus, purškimo liestukus, vidines rites, išorines rites, pjovimo vielą, uždegimo žvakės, oro filtrus, dujų filtrus, mulčiavimo geležtes ir pan.
4. Prireikus atlikti priežiūros darbus, įrenginį reikia siųsti arba atvežti RYOBI įgaliotajam priežiūros centrui, nurodytam kiekvienos šalies priežiūros centrų adresų sąraše. Kai kuriose šalyse vietinis RYOBI atstovas siunčia įrenginį RYOBI priežiūros organizacijai. Siunčiant įrenginį RYOBI priežiūros centrui, reikia saugiai jį supakuoti pašalinant visas pavojingas medžiagas, pvz., benzina, nurodyti ant pakuotės siuntėjo adresą ir pridėti trumpą gedimo aprašymą.
5. Pagal šią garantiją remontas / keitimas atliekami nemokamai. Tokie veiksmai netaikomi garantijos pratęsimo arba naujo garantinio laikotarpio pradžia. Dalys arba įrenginiai, kuriuos pakeitėme, tampa mūsų nuosavybe. Kai kuriose šalyse pristatymo ir pašto išlaidas turi padengti siuntėjas. Įstatymuose numatytos jūsų teisės, atsižandantis perkant įrenginį, lieka nepakeistos
6. Ši garantija galioja Europos bendrijoje, Šveicarijoje, Islandijoje, Norvegijoje, Lichtenšteine, Turkiijoje ir Rusijoje. Jei gyvenate ne šiose šalyse, kreipkitės į įgaliotąjį RYOBI atstovą ir sužinokite, ar jums taikoma kita garantija.

ĮGALIOTAS TECHININĖS PRIEŽIŪROS CENTRAS

Jei norite surasti įgaliotą techninės priežiūros centrą netoli Jūsų, apsilankykite interneto svetainėje <http://en.ryobitools.eu/header/service-and-support/service-agents>.

ET RYOBI® GARANTIINGIMUSED

Lisaks toote ostust tulenevatele seadusjärgsetele õigustele, kehtib tootele ka alltoodud garantiiga.

1. Tarbijatele on garantiiaeg 24 kuud ja algab sellel kuupäeval, mil toode osteti. Selle kuupäeva tõestuseks on vaja arvet või mõnda teist tõendit ostu sooritamise kohta. Toode on mõeldud etarbijatele ainult isiklikeks kasutamiseks. Seega ei kehti garantiid ostu kasutamisel kutsetegevuses või kaubanduslikel eesmärkidel.
2. Teatud osale (vahelduvvoolu/alalisvoolu) aiatööriistadele on võimalik pikendada eespool toodud garantiiaega, kasades toote registreerimist veebilehel www.ryobitools.eu. Teave tööriista võimaliku pikendatud garantiiaja kohta on selgelt esile toodud poodides ja/või pakendil / ning see sisaldub toote dokumentatsioonis. Lõpptarbijaja peab registreerima oma uued tööriistad interneti teel 30 päeva jooksul pärast ostupäeva. Lõppkasutaja võib registreerida pikendatud garantiiaja saamise oma elukohariigis, kui veebis olevas registreerimisvormis on see valik lubatud. Lisaks peavad kasutajad andma oma nõusoleku veebis nõutud sisestatavate andmete säilitamiseks ning nad peavad nõustuma tingimustega. E-posti teel saadetav registreerimise kinnitus ja arve originaal, kus on näha ostu sooritamise kuupäev, on pikendatud garantiiaja tõestuseks.
3. Garantiid katab kõik defektid toote garantiiaja jooksul, kui ostu kuupäeval ilmnevad talitus- või materjalivead. Garantiid piirub toote remondi ja/või väljavahetamisega ning ei sisalda muid kohustusi, muu hulgas ettenägematuid või kaudseid kahjusid. Garantiid ei kehti, kui toodet ei ole kasutatud sihtotstarbelselt või kooskõlas kasutusjuhendiga või see on valesti ühendatud. Garantiid ei kehti järgmistel põhjustel:
 - toode on kahjustatud vale hoolduse tõttu
 - toode on muudetud
 - toote algupäraseid identifitseerimisjärjestusi (kaubamärk, seerianumber) on rikutud, muudetud või eemaldatud
 - kahju on tekkinud kasutusjuhendi mittejärgimisest
 - tootel puudub CE-märgis
 - toode on püüdnud remondida vastavalt kvalifikatsiooni mitte omav isik või ilma firma Techtronic Industries eelneva loata.
 - toode on ühendatud valesse teiteallikasse (voolutugevus, pinge, sagedus)
 - tootega kasutati sobimatut kütusesegu (kütus, õli, õli protsent)
 - välismõjude (keemilised, füüsilised, elektrilöögid) või võõrkehade tekitatud kahju
 - tavapärase kulumine ja katkised varuosad
 - ebaõige kasutamine, tööriista ülekoormamine
 - heakskiitmata tarvikute või osade kasutamine
 - Karburaatorite korralised reguleerimistööd või hooldus- ja puhastustööd
 - Komponentid (osad ja tarvikud), mida iseloomustab kulumine ja vananemine, muu hulgas puutenupud, kiilrihmad, sidur, heklöökurite või muruniidukite löiketerad, rakmed, gaasitorid, süsinikharjad, toitejuhe, freesiterad, vildist seibid, tihvtid, õhuvventilaatorid, puhuri- ja imuritord, kogumiskott ja riimad, juhikud, saeketid, voolikud, liitmikud, pihusti otsakud, rattad, pritsi varred, sisemised poolid, välimised poolid, jõhvid, süüteküünlad, õhufiltrid, gaasifiltrid, multšimisterad jne.
4. Hoolduseks peab toote saatma või viima RYOBI tootjate teenindusse, mille aadressi leiate järgnevat teeninduspunkti nimekirjast vastava riigi alt. Mõnedes riikides võtab kohalik RYOBI edasimüüja enda kanda kohustuse saata toode RYOBI teenindusorganisatsiooni. Toote saatmisel RYOBI teenindusse peab toode olema ohutult pakitud ja ei tohi sisaldada ohtlikke aineid (nt bensiini), kirjas peab olema saatja aadress ja lisatud vea lühikirjeldus.
5. Garantiid alusel tehtavad remonditööd / asendamine on tasuta. See ei pikenda garantiid kehtivusaega ega tähistu uue garantiiaja algust. Väljavahetatud osad või tööriistad kuuluvad meile. Mõnedes riikides maksab kätetoimetamis- ja postikulud saatja. Teile jäävad kehtima tööriista ostust tulenevad seadusjärgsed õigused
6. See garantiid kehtib Euroopa Ühenduse territooriumil, Šveitsis, Islandil, Norras, Liechtensteinis, Türgis ja Venemaal. Väljaspool neid piirkondi võtke ühendust volitatud RYOBI edasimüüjaga, et teha kindlaks kas kehtib mõni teine garantiid.

VOLITATUD HOOLDUSKESKUS

Oma volitatud hoolduskeskuse leiate veebisaidilt <http://en.ryobitools.eu/header/service-and-support/service-agents>.

HR UVJETI PRIMJENE JAMSTVA TVRTKE RYOBI®

Osim svim zakonskim pravima koja proizlaze iz kupnje, ovaj je proizvod pokriven jamstvom kako je navedeno u nastavku.

1. Jamstveno razdoblje za potrošače traje 24 mjeseca i počinje s datumom na koji je proizvod kupljen. Taj datum mora se dokumentirati računom ili drugim dokazom o kupnji. Proizvod je konstruiran i namijenjen samo za privatnu upotrebu korisnika. Stoga se jamstvo ne daje u slučaju profesionalne ili komercijalne uporabe.
2. Postoji mogućnost da se za dio asortimana vrtnih alata pokretanih izmjeničnom strujom (AC/DC) proizvodi gore navedeno jamstveno razdoblje putem registriranja na mrežnima mjestu www.ryobitools.eu. Uvjeti koje je potrebno zadovoljiti kako bi se produžilo jamstveno razdoblje jasno su istaknuli u prodavaonicama i / ili na pakiranju i / nalaze se unutar dokumentacije proizvoda. Krajnji korisnik mora registrirati svoje novo kupljene alate na mreži u roku od 30 dana od datuma kupnje. Krajnji korisnik može se registrirati za produženo jamstvo u svojoj zemlji boravišta ako se nalazi na popisu u mrežnom obrascu za registraciju gdje je ta opcija važeća. Nadalje, krajnji korisnici moraju dati svoj pristanak na pohranu podataka koji su potrebni za mrežni ulazak i moraju prihvatiti odredbe i uvjete. Potvrda o prijemu registracije, koja se šalje putem e-pošte, kao i originalni račun s vidljivim datumom kupnje poslužuje č kao dokaz produženog jamstva.
3. Jamstvo pokriva sve nedostaje proizvoda tijekom jamstvenog razdoblja koji su nastali zbog neispravnosti prilikom izrade ili materijala s datumom kupnje. Jamstvo je ograničeno na popravak i/ili zamjenu i ne obuhvaća nikakve druge obveze, uključujući, ali ne ograničavajući se na slučajne ili posljedične štete. Jamstvo ne vrijedi ako je proizvod bio zlorabljivan, korišten u suprotnosti s priručnikom s uputama ili ako je pogrešno spojen. Ovo jamstvo ne primjenjuje se na:
 - svako oštećenje proizvoda koje je rezultat nepravilnog održavanja
 - svaki proizvod koji je izmijenjen ili modificiran
 - svaki proizvod gdje su originalne identifikacijske oznake (zaštitni znak, serijski broj) izbrisane, zamijenjene ili uklonjene
 - svako oštećenje uzrokovano neprirodavanjem korisničkog priručnika
 - svaki proizvod koji nije CE
 - svaki proizvod koji je pokušao popraviti neovlašten profesionalac ili bez prethodnog odobrenja od strane Techtronic Industries
 - svaki proizvod priključen na nepravilno napajanje energijom (amperi, napon, frekvencija)
 - Svaki proizvod korišten s neodgovarajućom mješavinom (gorivo, ulje, postotak ulja)
 - svako oštećenje uzrokovano vanjskim utjecajima (kemijsko, fiziko, udar) ili stranim stvarima
 - normalno trošenje i habanje rezervnih dijelova
 - nepravilno korištenje, preopterećenje alata
 - korištenje neodobrenog dodatnog pribora ili dijelova
 - rasplinjača nakon 6 mjeseci, podešavanje rasplinjača nakon 6 mjeseci
 - komponente (dijelovi i dodatni pribor) koji su predmet prirodnog trošenja i habanja, uključujući no ne ograničavajući se na gumbe za otpuštanje, pogonske remene, spojku, oštrice trimera za grmlje ili kosilicu, kope, sajle gasa, ugljene četke, kabele za napajanje, nožve, podloške, ztkice za zglobnu vezu, ventilatore puhalice, cijevi za ispuhavanje i usisavanje, vakuumske vrećice i trake, vodilice, lance pile, crijeva, priključene elemente, mlaznice za raspršivanje, kotače, koplja za raspršivanje, unutarnje kolote, vanjske kaleme, flaksove, svjećice, filtre za zrak, filtre za plin, oštrice za usitnjavanje itd.
4. Za potrebe servisiranja, proizvod se mora poslati ili odnijeti u ovlaštenu servisnu postaju tvrtke RYOBI navedenu na sljedećem popisu s adresama servisnih postaja u svakoj zemlji. U nekim zemljama, vaš lokalni RYOBI zastupnik obvezuje se da će poslati proizvod u servisnu organizaciju tvrtke RYOBI. Kada se proizvod šalje u neku servisnu postaju tvrtke RYOBI, proizvod se mora sigurno pakirati bez jednog od opasnih sadržaja kao što je benzin, na njemu mora pisati adresa pošiljatelja i mora biti popraćen kratkim opisom kvara.
5. Popravak / zamjena pod ovim jamstvom su besplatni. Oni ne predstavljaju produženje ili novi početak jamstvenog razdoblja. Zamijenjeni dijelovi ili alati postaju naše vlasništvo. U nekim državama troškove isporuke ili poštarinu mora platiti pošiljatelj. Vaša zakonska prava koja proizlaze iz kupnje alata ostaju nepromijenjena
6. Ovo jamstvo vrijedi u Europskoj uniji, Švicarskoj, Islandu, Norveškoj, Lichtenštajnu, Turskoj i Rusiji. Izvan tih područja vas molimo da se obratite svojem ovlaštenom zastupniku tvrtke RYOBI kako biste utvrdili primjenjuje li se drugo jamstvo.

OVLÁŠTENI SERVISNI CENTAR

Za pronalazjenje ovlaštenog servisnog centra pored vas posjetite <http://en.ryobitools.eu/header/service-and-support/service-agents>.

SL POGOJI ZA VELJAVNOST GARANCIJE RYOBI®

Poleg morebitnih zakonsko določenih pravic, ki izvirajo iz nakupa, za ta izdelek velja spodaj navedena garancija.

- Garancijsko obdobje je za potrošnike 24 mesecev in začne teči z dnem nakupa izdelka. Ta datum mora biti dokumentiran z računom ali drugim dokazilom o nakupu. Izdelek je zasnovan in namenjen izključno za potrošniško zasebno uporabo. V primeru strokovne oziroma komercialne uporabe izdelka garancija ne velja.
- Obstaja možnost podaljšanja garancije na del naših ponudbe vrtnih orodij (AC/DC) prek obdobja garancije, opisanega zgoraj, s pomočjo registracije na spletnem mestu www.ryobitools.eu. Ustreznost orodij za podaljšanje garancijskega obdobja je jasno prikazana v trgovinah in/ali na embalaži oziroma je navedena v dokumentaciji izdelka. Končni uporabnik mora registrirati svoje novo orodje na spletu v 30 dneh po datumu nakupa. Končni uporabnik lahko registrira podaljšano garancijo v svoji državi bivanja, če je na obrazcu spletne registracije navedeno, da ta možnost velja za njegovo državo. Poleg tega morajo končni uporabniki podati svoje soglasje za shranjevanje podatkov, ki so potrebni za spletno orodje in morajo sprejeti pogoje in določila uporabe spletnega mesta. Potrdilo o registraciji, ki ga pošljemo preko e-pošte, in originalni račun, ki prikazuje datum nakupa, služita kot dokazilo o podaljšani garanciji.
- Garancija krije vse okvare izdelka, do katerih pride v garancijskem obdobju zaradi napak v izdelavi ali materialu, ki so bile prisotne ob datumu nakupa. Garancija je omejena na popravilo in/ali zamenjavo in ne vključuje nobenih drugih obveznosti, med drugim vključno z naključno ali posledično škodo. Garancija ne velja, če je bil izdelek napačno uporabljen, uporabljen v nasprotju z navodili iz priročnika za uporabo ali če ni bil pravilno povezan. Ta garancija ne velja za:
 - škodo na izdelku, ki je posledica neustreznega vzdrževanja
 - spremenjen ali prilagojen izdelek
 - izdelek, katerega originalna identifikacijska oznaka (blagovna znamka, serijska številka) je bil poškodovan, spremenjena ali odstranjena
 - škodo, ki je posledica neupoštevanja navodil iz priročnika za uporabo
 - izdelek, ki nima oznake CE
 - izdelek, ki ga je poskušal opraviti ne kvalificiran strokovnjak ali ki je bil popravljen brez predhodne odobritve s strani družbe Techtronic Industries.
 - izdelek, ki je bil povezan na neustrezno napajanje (amperska moč, napetost, frekvenca)
 - izdelek, ki je bil uporabljen z neustrezno mešanico goriva (gorivo, olje, odstotek olja)
 - škodo, ki jo povzročijo zunanji vplivi (kemični, fizični, mehanski) ali tuje snovi
 - rezervne dele, ki so podvrženi običajni uporabi
 - neprimerno uporabo, preobremenitev orodja
 - uporabo neodobrenih dodatkov ali delov
 - Vsako redno prilagajanje ali vzdrževalno čiščenje uplinjačev
 - Komponente (sestavni in rezervni deli), ki so podvrženi običajni obrabi, med drugim vključno z gumbi obdajka, pogonskimi jermeni, sklopko, rezili obrezovalnikov za žive meje ali kosilnic za trato, nosilnimi pasovi, kablji, dušilnimi ventili, oglikovimi krtačami, napajalnimi kablji, zobci, tesnili iz filca, veznimi zatiči, ventilatorji pihalnika, cevni pihalnika in sesalnika, vrečko in pasovi sesalnika, vodilnimi palicami, verigami motorne žage, cevami, priključki, razpršilnimi šobami, kolesi, razpršilnimi palicami, notranjimi kolesci, zunanji motki, rezalnimi vrvmici, vžigalnimi svečkami, zračnimi filtri, plinskimi filtri, rezili za mulčenje itd.
- Za servisiranje morate izdelek poslati ali prinesiti v pooblaščen servisni center družbe RYOBI, ki je naveden za vsako državo na naslednjem seznamu naslovov servisnih centrov. V nekaterih državah se vaš lokalni posrednik družbe RYOBI obveže, da bo poslal izdelek na servis družbe RYOBI. Ko pošiljate izdelek v servisni center družbe RYOBI, mora biti izdelek varno zapakiran in ne sme vsebovati nobenih nevarnih snovi, kot je npr. bencin, opremljen pa mora biti z naslovom pošiljatelja in vsebovati kratek opis napake.
- Popravilo/zamenjava v skladu s to garancijo sta brezplačni storitvi. To pa ne predstavlja podaljšanja ali ponovnega začetka garancijskega obdobja. Zamenjani deli ali orodja postanejo naša last. V nekaterih državah stroške dostave ali poštno plača pošiljatelj. Vaše zakonsko določene pravice, ki izvirajo iz nakupa orodja, ostajajo nespremenjene.
- Ta garancija velja v Evropski skupnosti, Švici, Islandiji, na Norveškem, v Lihtenštajnu, v Turčiji in Rusiji. Izven teh območij se obrnite na svojega pooblaščenega posrednika izdelkov RYOBI, dealer ki vam bo povedal, ali velja kakšna druga garancija.

POOBLAŠČEN SERVISNI CENTER

Pooblaščen servisni center blizu vas poiščite na <http://en.ryobitools.eu/header/service-and-support/service-agents>.

SK ZÁRUČNÉ PODMIENKY RYOBI®

Na tento výrobok sa okrem všetkých zákonných práv, vyplývajúcich z nákupu, vzťahuje záruka v nasledovnom znení.

- Záručná doba pre spotrebiteľa je 24 mesiacov a začína plynúť odo dňa, kedy bol výrobok zakúpený. Tento dátum musí byť doložený faktúrou alebo iným dokladom o zakúpení. Výrobok je navrhnutý a určený pre spotrebiteľov a len na súkromné používanie. Preto sa záruka sa neposkytuje v prípade použitia na profesionálne a komerčné účely.
- V prípade záhradného náradia (na striedavý/jednosmerný prúd AC/DC), existuje možnosť predĺženia záručnej doby oproti záručnej dobe, uvedenej vyššie, s využitím on-line registrácie na webovej stránke www.ryobitools.eu. Označenie na náradí o nároku na predĺženie záručnej doby je zreteľne uvedené v obchodoch a/alebo na obale a je uvedené v dokumentácii k výrobku. Koncový používateľ musí zaregistrovať svoje novozískané náradie on-line do 30 dní odo dňa nákupu. Koncový používateľ sa môže zaregistrovať na predĺženie záruky v krajine svojho bydliska, ak je v on-line registračnom formulári uvedená táto možnosť. Ďalej musia koncoví používatelia ešte dať svoj súhlas k uchovávaní údajov, ktoré je potrebné zadať on-line a musia súhlasiť s podmienkami. Potvrdenie o prijatí registrácie, ktorá je zaslaná e-mailom a originál faktúry, v ktorej je uvedený dátum nákupu, slúžia ako dôkaz o predĺženej záruke.
- Záruka sa vzťahuje na všetky poruchy výrobku v záručnej dobe, spôsobené chybami materiálu alebo spracovania k dátumu nákupu. Táto záruka je omezená na opravu a/alebo výmenu a nezahtáva žiadne ďalšie povinnosti, vrátane, okrem iných, náhodné alebo následné škody. Táto záruka je neplatná, ak bol výrobok nesprávne používaný, bol používaný v rozpore s návodom na použitie alebo bol nesprávne zapojený. Táto záruka sa nevzťahuje na:
 - akékoľvek poškodenie výrobku, ktoré bolo spôsobené nesprávnou obsluhou
 - akýkoľvek výrobok, ktorý bol zmenený alebo upravený
 - akýkoľvek výrobok, na ktorom bolo poškodené, upravené alebo odstránené identifikačné označenie (ochranná znamka, výrobné číslo)
 - akékoľvek škody, spôsobené nedodržaním návodu na obsluhu
 - akýkoľvek výrobok, ktorý neobsahuje označenie CE
 - akýkoľvek výrobok, ktorý sa pokúšal opraviť nekvalifikovaný odborník alebo bol opravovaný bez predchádzajúceho súhlasu zo strany spoločnosti Techtronic Industries.
 - akýkoľvek výrobok, pripojený k nesprávnemu napájaciemu zdroju (ampéry, napätie, frekvencia)
 - akýkoľvek výrobok, používaný s nesprávnou palivovou zmesou (palivo, olej, percento oleja)
 - akékoľvek poškodenia, spôsobené vonkajšími vplyvmi (chemickými, fyzikálnymi, nárazmi) alebo cudzorodými látkami
 - bežné opotrebovanie náhradných dielov
 - nehodné použitie, preťažovanie nástroja
 - používanie neschváleného príslušenstva a dielov
 - Akékoľvek pravidelné úpravy alebo čistenie karburátorov, vykonávaných vrámi údržby
 - Súčiastky (diely a príslušenstvo), ktoré podliehajú prirodzenému opotrebeniu, okrem iných, otočné gombíky, hnače remene, spojka, nože na nožnice na živý plot alebo kosačky na trávu, popruhy, lanko škrtiacej klapky, uhľiky, napájací kábel, radičky, pistené podložky, závesné kince, lopatky fúkačov, trubice vysávača a fúkača, vak do vysávača a popruhy, vodiace lišty, reťazové pily, hadice, spojovacie armatúry, trysky, kolesá, striekacie rúrky, vnútorné cievky, vonkajšie cievky, žacie lanká, zapalovacie sviečky, vzduchové filtre, benzínové filtre, mulčovacie nože atď.
- Na opravu musí byť výrobok odoslaný alebo doručený do autorizovaného servisného strediska RYOBI, uvedeného pre každú krajinu v nasledovnom zozname adries servisných stredísk. V niektorých krajinách miestny zástupca RYOBI preberá na seba záväzok zaslať tovar do servisnej organizácii RYOBI. Pri odosielaní výrobku do servisného strediska RYOBI je potrebné výrobok bezpečne zabaliť bez akéhokoľvek nebezpečného obsahu, ako je benzín, s vyznačením adresy odosiadateľa, s krátkym popisom poruchy.
- Oprava/výmena je vrámi tejto záruky bezplatná. Neznamená to predĺženie záruky alebo spustenie novej záručnej doby. Vymenené diely nástroje sa stávajú našim vlastníctvom. V niektorých krajinách náklady na odoslanie alebo poštné musí zaplatiť odosiadateľ. Vaše zákonné práva, vyplývajúce z nákupu náradia, zostávajú nedotknuté
- Táto záruka platí v Európskej únii, Švajčiarsku, Islande, Nórsku, Lihtenštajnsku, Turesku a Rusku. Ak sa nachádzate mimo týchto oblastí, obráťte sa na autorizovaného predajcu RYOBI na určenie, či sa dá uplatniť iná záruka.

AUTORIZOVANÉ SERVISNÉ CENTRUM

Ak chcete nájsť najbližšie autorizované servisné centrum, navštívte stránku <http://en.ryobitools.eu/header/service-and-support/service-agents>.

BG УСЛОВИЯ ЗА ВАЛИДНОСТ НА ГАРАНЦИЯТА НА RYOBI®

В допълнение към законоустановените права, произтичащи от покупката, този продукт е обхванат от гаранция, както е описано по-долу.

- Гаранционният срок е 24 месеца за клиенти и започва да тече от деня на закупуване на продукта. Тази дата трябва да се докаже с фактура или друго доказателство за покупка. Продуктът е изработен и предназначен само за потребителска и лична употреба. Следователно не се дава гаранция в случай на използване от професионалисти или с търговска цел.
- Съществува възможност за удължаване на гаранционния срок за част от диалогана на гаранцията на градински инструменти (AC/DC) след изтичането на описания тук чрез регистрация на уеб сайта www.ryobitools.eu. В магазините и/или на опаковката или вътре в документацията на продукта е показано ясно дали инструментът отговаря на условията за такова удължаване на гаранционния срок. Крайният потребител трябва да регистрира своите новопридобити инструменти онлайн в рамките на 30 дни от датата на покупка. Крайният потребител може да се регистрира за удължена гаранция в държавата си на пребиваване, ако е посочена във формуляра за онлайн регистрация като място, където тази опция е валидна. Освен това крайните потребители трябва да дадат съгласието си за съхранение на данните, които са задължителни за ползване онлайн, и трябва да приемат общите условия. Полученото потвърждение за регистрация, изпратено по електронна поща, и оригиналната фактура, показваща датата на покупка, ще служат като доказателство за удължената гаранция.
- Гаранцията покрива всички дефекти на продукта по време на гаранционния срок, които се дължат на проблеми в изработката или материалите към момента на покупката. Гаранцията е ограничена до ремонт и/или замяна и не включва други задължения, включително, но не само, случайни или косвени щети. Гаранцията е невалидна, ако продуктът е използван неправилно или в противоречие с ръководството с инструкции, както и ако е свързан неправилно. Тази гаранция не важи за:
 - щети по продукта в резултат на неправилна профилактика
 - продукти, които са били изменени или модифицирани
 - продукт, при който оригиналните маркировки за идентификация (търговска марка, сериен номер) са изтрети, променени или премахнати
 - повреда, причинена от неспазване на ръководството с инструкции
 - продукт без CE маркировка
 - продукт, за който е направен опит за ремонт от неквалифициран специалист или без предварително разрешение от Techtronic Industries.
 - продукт, свързан към неподходящо електрохранване (ампераж, волтаж, честота)
 - продукт, използван с неподходяща горивна смес (гориво, масло, процент масло)
 - щети, причинени от външни влияния (химични, физични, удари) или чужди вещества
 - нормално износване на резервни части
 - неподходяща употреба, претоварване на инструмента
 - използване на неодобрен аксесоари или части
 - Всякакви периодични настройки или почистване с цел извършване на поддръжка на карбуратори
 - Компоненти (части и аксесоари), подложени на естествено износване, включително, но не само, копчета за тласкане, задвижващи ремъци, съединители, остриета на ножици за жив плет или косачки за трева, пресрама, кабелен дросел, карбонови четки, ذخаранващ кабел, остриета, филцови шабви, осигурителни шифтове, вентилатори на уреди за обдухване, тръби за обдухване и всмукване, торба за отпадъци и ремъци, водещи шини, вериги за триони, маркучи, фитинги на конектори, дюзи, колепа, пръскалки, вътрешни и външни макари, режещо влакно, запалителни свещи, въздушни филтри, горивни филтри, остриета за мулчиране и др.
- За обслужване продуктът трябва да се изпрати или занесе на оторизиран сервиз на RYOBI, посочен за всяка държава в следния списък с адреси на сервиси. В някои държави местният търговец на RYOBI посочва отговорността да изпрати продукта до сервизен център на RYOBI. При изпращане на продукт до сервиз на RYOBI той трябва да е опакован безопасно без опасност съдържане, напр. бензин, да е маркиран с адреса на подателя и придружен от кратко описание на повредата.
- Ремонтът/замяната по силата на тази гаранция са безплатни. Те не водят до удължаване или подновяване на гаранционния срок. Сменените части или инструменти стават наша собственост. В някои държави таксите за доставка или изпращане трябва да се платят от подателя. Законоустановените ви права, произтичащи от закупуването на инструмента, остават незасегнати
- Тази гаранция е валидна в Европейската общност, Швейцария, Исландия, Норвегия, Лихтенщайн, Турция и Русия. Извън тези области се свържете с упълномощения търговец на RYOBI, за да се установи дали е приложима друга гаранция.

УПЪЛНОМОЩЕН СЕРВИЗЕН ЦЕНТЪР

За да намерите упълномощен сервизен център близо до вас, посетете <http://en.ryobitools.eu/header/service-and-support/service-agents>.

UK ГАРАНТИЙНИ УМОВИ ДЛЯ RYOBI®

Окрім загалом установлених законом прав, що стосуються покупки, цей пристрій покривається гарантією, що зазначено нижче.

- Гарантійний період для споживачів складає 24 місяці і починається з моменту придбання цього пристрою. Ця дата повинна бути задокументована у гарантійному талоні або чеку, що підтверджує покупку. Цей пристрій був розроблений і призначений тільки для споживчого та приватного використання. У разі професійного або комерційного використання цього пристрою, він втрачає гарантію.
- Існує можливість продовжити гарантійний період, понад період описаний вище, для частини лінійки садових інструментів (перемінного/ постійного струму) за допомогою реєстрації на сайті www.ryobitools.eu. Пристрої, які мають право на подовження гарантійного періоду, мають чіткі позначки щодо цього в магазинах і / або на упаковок / та документаші до пристрою. Кінцевий користувач повинен зареєструвати його/її новопридбаний пристрій онлайн протягом 30 днів з дати покупки. Кінцевий користувач може зареєструватися для подовження гарантійного періоду в своїй країні постійного перебування, якщо вона є доступною у відповідній опції онлайн форми реєстрації. Крім того, кінцеві користувачі повинні дати свою згоду на зберігання даних, які необхідні для введення онлайн, а також вони повинні прийняти правила та умови. Отримання підтвердження реєстрації, яке відправляється на адресу електронної пошти, та оригінал гарантійного талона із зазначеною датою покупки буде слугувати доказом подовженої гарантії.
- Гарантія поширюється на всі дефекти пристрою протягом гарантійного терміну щодо недотримання стандартів виробництва або матеріалів на дату придбання. Гарантія обмежується ремонтом та/або заміною, та не включає в себе будь-яких інших зобов'язань, в тому числі, але необмежена у разі випадкових та подальших пошкоджень. Гарантія не діє, якщо пристрій використовувався нена належним чином, всупереч інструкції з експлуатації або був неправильно підключений до мережі. Дана гарантія не поширюється на:
 - пристрої, що були пошкоджені у результаті неправильного технічного обслуговування;
 - пристрої, що були видозмінені або модифіковані;
 - пристрої, оригінальні ідентифікаційне (товарний знак, серійний номер) маркування яких було пошкоджене, змінене або видалено;
 - будь-які пошкодження, заподіяні недотриманням інструкції з експлуатації;
 - пристрої, що не мають маркування CE;
 - пристрої, що були відремонтовані некваліфікованим фахівцем або за відсутності попереднього дозволу від Techtronic Industries;
 - пристрої, підключені до невідповідного джерела живлення (сила току, напруження, частота);
 - пристрої, що використовувались із невідповідною паливною сумішшю (паливом, оливою, відсотковою часткою оливи);
 - будь-які пошкодження спричинені зовнішнім впливом (хімічними, фізичним, стрибком напруги) або сторонніми речовинами;
 - нормальну амортизацію запасних частин;
 - невідповідне використання, перевантаження пристрою;
 - використання непідтверджених запасних частин або аксесуарів;
 - Будь-які періодичні коригування або технічне очищення карбураторів
 - Компоненти (частини та аксесоари) з урахуванням нормального зношування, враховуючи але без обмеження на імпульсні кнопки, реміні приводу, зчеплення, леза куцоріза або газонокосарки, реміні, троси дротельного клапану, вугільні штиці, шнури живлення, зубці, фетрові підкладки, зліпні штирі, вентилятори повітродувки, труби пилососа та повітродувки, вакуумні мішки та накладаки, напрямні, ланцюги, гнучкі шланги, з'єднувальні фітинги, розпилювальні насадки, колеса, жорсткі сопла, внутрішні котушки, зовнішні золотники, ріжучу волосінку, свічки запалення, повітряні фільтри, протигазові фільтри, мультисувальні леза, т.д.
- Для обслуговування, пристрій має бути відравлений або поданий до одного з авторизованих сервісних центрів RYOBI, які перелічені для кожної країни у наступному переліку адрес сервісних центрів. У деяких країнах місцевий дилер RYOBI зобов'язується відравити пристрій до сервісного центру RYOBI. При відравленні пристрою до сервісного центру RYOBI, пристрій має бути надібно упакуваний для будь-якого безбезпечного вмісту, наприклад бензину, з позначеною адресою відравника та супроводжується коротким описом несправності.
- Ремонт / заміна відповідно до цієї гарантії здійснюється безкоштовно. Це не є основою для подовження або початку нового гарантійного періоду. Замінені частини або прилади переходять до власності компанії. У деяких країнах вартість доставки або поштові витрати повинні бути сплачені відравником. Загально встановлені права покупки на пристрій залишаються незмінними
- Ця гарантія діє в Європейському Союзі, Швейцарії, Ісландії, Норвегії, Лихтенштейні, Туреччині та Росії. За межами цих зон, будь ласка, зверніться до офіційного дилера RYOBI, щоб визначити, чи застосовується інша гарантія.

АВТОРИЗОВАНІ СЕРВІСНІ ЦЕНТРИ

Для отримання оновленого переліку авторизованих сервісних центрів, відвідайте <http://en.ryobitools.eu/header/service-and-support/service-agents>.

TR RYOBI® GARANTİ UYGULAMA KOŞULLARI

Alımdan kaynaklanan yasal haklara ek olarak, ürün aşağıda belirtilen garanti kapsamındadır.

1. Tüketiciler için 24 ay olan garanti süresi, ürünün satın alındığı tarihte başlar. Bu tarihin bir fatura ya da alım kantıtyla belgelenmesi gerekir. Ürün sadece tüketim ve özel kullanım için geliştirilmiş ve adanmıştır. Bu nedenle, profesyonel ya da ticari kullanım halinde garanti kapsamı sağlanmaz.
2. Bahçe aletlerinin bir bölümü (AC/DC) için www.ryobitools.eu sayfasındaki kayıt işlemini kullanarak garantinin belirtilen sürenin ötesine uzatma imkanı mevcuttur. Aletlerin garanti süresinin uzatılmasına uygun olup olmadığı mağazalarda ve / veya ambalajda açıkça belirtilmiş olup, ürün dokümantasyonunda gösterilir. Son kullanıcının yeni aldığı aletleri satın alma tarihini izleyen 30 gün içinde kaydetmesi gerekir. Son kullanıcı ikamet ettiği ülkede, bu seçeneğin geçerli olduğu çevrimiçi kayıt formunda belirtilmişse, uzatılmış garanti süresi için kayıt yaptırabilir. Dahası, son kullanıcıların çevrimiçi giriş için gerekli verilerin kaydedilmesine izin vermesi ve hüküm ve koşulları kabul etmelidir. E-posta ile gönderilen kayıt teyit makbuzu ve alım tarihini gösteren orijinal fatura uzatılmış garantinin kanıtı olarak değerlendirilir.
3. Garanti, ürünün alım tarihindeki işçilik ve malzeme kusurları nedeniyle garanti süresi içinde oluşacak bütün arızalarını kapsar. Bu garanti onarım ve değiştirmeyle sınırlı olup, tesadüfi ya da dolaylı hasarlar da dahil, ancak bunlarla kısıtlı olmayan başka hiçbir taahhüdü kapsamaz. Garanti, ürünün kötü, kullanıcı kılavuzuna aykırı kullanılmış ya da yanlış bağlanmış olması halinde geçerli değildir. Bu garanti aşağıdakileri kapsamaz:
 - ürende, yanlış bakımdan kaynaklanan herhangi bir hasar
 - değiştirilmiş ya da modifiye edilmiş herhangi bir ürün
 - orijinal tanıtmış işaretleri (ticari marka, seri numarası) silinmiş, değiştirilmiş ya da kaldırılmış herhangi bir ürün
 - kullanma kılavuzuna uymamaktan kaynaklanmış herhangi bir hasar
 - herhangi bir AT dışı ürün
 - kalifiye olmamış personel tarafından ya da önceden Techtronic Industries onayı alınmadan onarılmış herhangi bir ürün.
 - uygunsuz güç kaynağına (amper, voltaj, frekans) bağlanmış herhangi bir ürün
 - uygunsuz bir yakıt karışımıyla (yakıt, yağ, yap yüzdesi) kullanılmış herhangi bir ürün
 - harici etkenlerden (kimyasal, fiziksel, darbe) veya yabancı cisimlerden kaynaklanan her türlü hasar
 - normal aşınır ve yıpranır aksam
 - uygunsuz kullanım, aletin aşırı yüklenmesi
 - onaysız aksesuar veya parça kullanımı
 - Karbüratörlere uygulanacak her türlü periyodik ayar, bakım veya temizlik
 - Darbe Düğmeleri, Tahrik Kayışları, Kavrama, Çit Budama ya da Çim Bıçma Makinelerinin Bıçakları, Kayış Koşumlar, Kablo Gaz, Kömür Fırçalar, Güç Kablo, Dişler, Keçe Rondelalar, Bağlantı Pimleri, Üfleyci Pervaneleri, Üfleyci ve Vakum Boruları, Vakum Torbası ve Kayışları, Kılavuz Çubuklar, Zincir Testere, Hortumlar, Konektör bağlantıları, Püskürtme Memeleri, Çarklar, Püskürtme Çubukları, Dahili Makaralar, Harici Makaralar, Kesme Telleri, Bujiler, Hava Filtreleri, Gaz Filtreleri, Malçlama Bıçakları vb. gibi parçaları kapsayan, ancak bunlarla sınırlı olmayan, aşınma ve yıpranmaya tabi bileşenler (aksam ve aksesuarlar).
4. Ürünün servis için her ülkede aşağıdaki servis istasyonları adres listesinde yer alan yetkili bir RYOBI servis istasyonuna gönderilmesi ya götürülmesi gereklidir. Bazı ülkelerde, yerel RYOBI distribütörünüz ürünü RYOBI servis teşkilatına göndermeyi üstlenir. Bir ürün bir RYOBI servis istasyonuna gönderilirken, ürünün güvenli bir biçimde ambalajlanması, benzin gibi tehlikeli maddeler içermemesi, gönderenin adresini taşıması ve arızanın kısa bir açıklamasını içermesi gerekir.
5. Bu garanti kapsamında yapılacak onarım / değişiklik ücretsizdir. Garanti süresinin uzatılması ya da yeniden başlatılması anlamına gelmez. Değiştirilmiş parçalar veya aletler bize ait olur. Bazı ülkelerde teslim ücretleri veya posta giderlerinin gönderici tarafından ödenmesi gerekir. Alımdan kaynaklanan yasal haklarınız etkilenmez.
6. Bu Garanti Avrupa Topluluğu, İsviçre, İzlanda, Norveç, Liechtenstein, Türkiye ve Rusya'da geçerlidir. Bu alanların dışında, başka bir garantinin geçerli olup olmadığını belirlemek için lütfen yetkili RYOBI distribütörünüzle iletişime geçin.

YETKİLİ SERVİS MERKEZİ

En yakın yetkili servis merkezini öğrenmek için <http://en.ryobitools.eu/header/service-and-support/service-agents> sitesine girin.

EN DECLARATION OF CONFORMITY

Techtronic Industries GmbH
Max-Eyth-Straße 10, 71364 Winnenden, Germany

Herewith we declare that the product

Electric high pressure cleaner
Brand: RYOBI
Model number: RPW110B
Serial number range: 46254601000001 - 46254601999999

is in conformity with the following European Directives and harmonised standards

2006/42/EC, 2014/30/EU, 2000/14/EC, 2005/88/EC, 2011/65/EU,
EN 61000-3-2:2014, EN 61000-3-3:2013, EN 60335-1:2012+A11:2014,
EN 60335-2-79:2012, EN 62233:2008, EN 55014-1:2017,
EN 55014-2:2015 EN 50581:2012

Measured sound power level: 90,4 dB(A)

Guaranteed sound power level: 92 dB(A)

Conformity assessment method to Annex V Directive 2000/14/EC amended by 2005/88/EC.

Sven Eschrich
Senior Director of Engineering - TTI Outdoor Power Division
Winnenden, Dec. 31, 2017

Authorised to compile the technical file:

Alexander Krug, Managing Director
Techtronic Industries GmbH
Max-Eyth-Straße 10, 71364 Winnenden, Germany



DE KONFORMITÄTserklärung

Techtronic Industries GmbH
Max-Eyth-Straße 10, 71364 Winnenden, Germany

Hiermit erklären wir, dass die Produkte

Elektrischer Hochdruckreiniger
Marke: RYOBI
Modellnummer: RPW110B
Seriennummernbereich: 46254601000001 - 46254601999999

mit den folgenden europäischen Richtlinien und harmonisierten Normen entspricht

2006/42/EC, 2014/30/EU, 2000/14/EC, 2005/88/EC, 2011/65/EU,
EN 61000-3-2:2014, EN 61000-3-3:2013, EN 60335-1:2012+A11:2014,
EN 60335-2-79:2012, EN 62233:2008, EN 55014-1:2017,
EN 55014-2:2015 EN 50581:2012

Gemessener Schalleistungspegel: 90,4 dB(A)

Garantierter Schalleistungspegel: 92 dB(A)

Konformitätsbeurteilungsmethode zu Anhang V Richtlinie 2000/14/EC wie durch 2005/88/EC.

Sven Eschrich
Generaldirektor Technik - TTI Outdoor Power Division
Winnenden, Dec. 31, 2017

Autorisiert die technische Datei zu erstellen:

Alexander Krug, Geschäftsführer
Techtronic Industries GmbH
Max-Eyth-Straße 10, 71364 Winnenden, Germany



FR DÉCLARATION DE CONFORMITÉ

Techtronic Industries GmbH
Max-Eyth-Straße 10, 71364 Winnenden, Germany

Déclarons par la présente que le produit

Nettoyeur haute pression électrique
Marque: RYOBI
Numéro de modèle: RPW110B
Étendue des numéros de série: 46254601000001 - 46254601999999

est conforme aux Directives Européennes et Normes Harmonisées suivantes

2006/42/EC, 2014/30/EU, 2000/14/EC, 2005/88/EC, 2011/65/EU,
EN 61000-3-2:2014, EN 61000-3-3:2013, EN 60335-1:2012+A11:2014,
EN 60335-2-79:2012, EN 62233:2008, EN 55014-1:2017,
EN 55014-2:2015 EN 50581:2012

Niveau de puissance sonore mesuré: 90,4 dB(A)

Niveau de puissance sonore garanti: 92 dB(A)

Méthode d'évaluation de conformité de l'annexe V Directive 2000/14/EC modifiée 2005/88/EC.

Sven Eschrich
Directeur Principal de l'ingénierie - TTI Outdoor Power Division
Winnenden, Dec. 31, 2017

Autorisé à rédiger le dossier technique:

Alexander Krug, Directeur Général
Techtronic Industries GmbH
Max-Eyth-Straße 10, 71364 Winnenden, Germany



ES DECLARACIÓN DE CONFORMIDAD

Techtronic Industries GmbH
Max-Eyth-Straße 10, 71364 Winnenden, Germany

Por la presente declaramos que los productos

Limpiadora eléctrica de alta presión
Marca: RYOBI
Número de modelo: RPW110B
Intervalo del número de serie: 46254601000001 - 46254601999999

se encuentra en conformidad con las siguientes Directivas Europeas y normas armonizadas

2006/42/EC, 2014/30/EU, 2000/14/EC, 2005/88/EC, 2011/65/EU,
EN 61000-3-2:2014, EN 61000-3-3:2013, EN 60335-1:2012+A11:2014,
EN 60335-2-79:2012, EN 62233:2008, EN 55014-1:2017,
EN 55014-2:2015 EN 50581:2012

Nivel de potencia acústica medido: 90,4 dB(A)

Nivel de potencia acústica garantizado: 92 dB(A)

Método de evaluación de conformidad con el anexo V Directiva 2000/14/EC modificada por la 2005/88/EC.

Sven Eschrich
Director sénior de Ingeniería - TTI Outdoor Power Division
Winnenden, Dec. 31, 2017

Autorizado para elaborar la ficha técnica:

Alexander Krug, Administrador Ejecutivo
Techtronic Industries GmbH
Max-Eyth-Straße 10, 71364 Winnenden, Germany





IT DICHIARAZIONE DI CONFORMITÀ

Techtronic Industries GmbH
Max-Eyth-Straße 10, 71364 Winnenden, Germany

Si dichiara con la presente che il prodotto

Pulitore elettrico ad alta pressione
Marca: RYOBI
Numero modello: RPW110B
Gamma numero seriale: 46254601000001 - 46254601999999

è conforme alle seguenti Direttive Europee e ai seguenti standard armonizzati
2006/42/EC, 2014/30/EU, 2000/14/EC, 2005/88/EC, 2011/65/EU,
EN 61000-3-2:2014, EN 61000-3-3:2013, EN 60335-1:2012+A11:2014,
EN 60335-2-79:2012, EN 62233:2008, EN 55014-1:2017,
EN 55014-2:2015 EN 50581:2012

Livello di potenza acustica misurato: 90,4 dB(A)
Livello di potenza sonora garantita: 92 dB(A)

Metodo di valutazione sulla conformità all'allegato V Direttiva 2000/14/EC modificata con la 2005/88/EC.

Sven Eschrich
Direttore Senior Sezione Ingegneria - TTI Outdoor Power Division
Winnenden, Dec. 31, 2017

Autorizzato per compilare il file tecnico:
Alexander Krug, Direttore Amministrativo
Techtronic Industries GmbH
Max-Eyth-Straße 10, 71364 Winnenden, Germany



PT DECLARAÇÃO DE CONFORMIDADE

Techtronic Industries GmbH
Max-Eyth-Straße 10, 71364 Winnenden, Germany

Pelo presente declaramos que os produtos

Lavadora de alta pressão eléctrica
Marca: RYOBI
Número do modelo: RPW110B
Intervalo do número de série: 46254601000001 - 46254601999999

se encontra em conformidade com as seguintes Directivas Europeias e normas harmonizadas

2006/42/EC, 2014/30/EU, 2000/14/EC, 2005/88/EC, 2011/65/EU,
EN 61000-3-2:2014, EN 61000-3-3:2013, EN 60335-1:2012+A11:2014,
EN 60335-2-79:2012, EN 62233:2008, EN 55014-1:2017,
EN 55014-2:2015 EN 50581:2012

Nível de potência sonora medido: 90,4 dB(A)
Nível de potência sonora garantida: 92 dB(A)

Método de avaliação de conformidade para o anexo V Directiva 2000/14/EC alterada por 2005/88/EC.

Sven Eschrich
Director Sénior de Engenharia - TTI Outdoor Power Division
Winnenden, Dec. 31, 2017

Autorizado para compilar o ficheiro técnico:
Alexander Krug, Administrador Executivo
Techtronic Industries GmbH
Max-Eyth-Straße 10, 71364 Winnenden, Germany



NL CONFORMITEITSVERKLARING

Techtronic Industries GmbH
Max-Eyth-Straße 10, 71364 Winnenden, Germany

Hierbij verklaren wij dat het product

Elektrische hogedrukreiniger
Merk: RYOBI
Modelnummer: RPW110B
Serienummerbereik: 46254601000001 - 46254601999999

is in overeenstemming met de volgende Europese Richtlijnen en geharmoniseerde normen

2006/42/EC, 2014/30/EU, 2000/14/EC, 2005/88/EC, 2011/65/EU,
EN 61000-3-2:2014, EN 61000-3-3:2013, EN 60335-1:2012+A11:2014,
EN 60335-2-79:2012, EN 62233:2008, EN 55014-1:2017,
EN 55014-2:2015 EN 50581:2012

Gemeten geluidsniveau: 90,4 dB(A)
Gegarandeerd geluidsniveau: 92 dB(A)

Evaluatiemethode conformiteit volgens bijlage V Richtlijn 2000/14/EC gewijzigd door 2005/88/EC.

Sven Eschrich
Directeur Ontwerp - TTI Outdoor Power Division
Winnenden, Dec. 31, 2017

Afgevaardigde voor het samenstellen van de technische fiche:
Alexander Krug, Directeur
Techtronic Industries GmbH
Max-Eyth-Straße 10, 71364 Winnenden, Germany



DA OVERENSSTEMMELSESERKLÆRING

Techtronic Industries GmbH
Max-Eyth-Straße 10, 71364 Winnenden, Germany

Vi erklærer hermed, at produktet

Elektrisk højtryksrensner
Brand: RYOBI
Modelnummer: RPW110B
Serienummerområde: 46254601000001 - 46254601999999

er i overensstemmelse med følgende EU-direktiver og harmoniserede standarder

2006/42/EC, 2014/30/EU, 2000/14/EC, 2005/88/EC, 2011/65/EU,
EN 61000-3-2:2014, EN 61000-3-3:2013, EN 60335-1:2012+A11:2014,
EN 60335-2-79:2012, EN 62233:2008, EN 55014-1:2017,
EN 55014-2:2015 EN 50581:2012

Målt støjniveau: 90,4 dB(A)
Garanteret støjniveau: 92 dB(A)

Overensstemmelsesvurderingsmetode til bilag V Direktiv 2000/14/EC ændret ved 2005/88/EC.

Sven Eschrich
Maskinteknisk underdirektør - TTI Outdoor Power Division
Winnenden, Dec. 31, 2017

Bemyndiget til at udarbejde det tekniske kartotek:
Alexander Krug, Administrerende Direktør
Techtronic Industries GmbH
Max-Eyth-Straße 10, 71364 Winnenden, Germany



SV KONFORMITETSDEKLARATION

Techtronic Industries GmbH
Max-Eyth-Straße 10, 71364 Winnenden, Germany

Härmed deklarerar vi att produkterna

Elektrisk högttryckstvätt
Märke: RYOBI
Modellnummer: RPW110B
Serienummerintervall: 46254601000001 - 46254601999999

är i enlighet med följande EU-direktiv och harmoniserade standarder
2006/42/EC, 2014/30/EU, 2000/14/EC, 2005/88/EC, 2011/65/EU,
EN 61000-3-2:2014, EN 61000-3-3:2013, EN 60335-1:2012+A11:2014,
EN 60335-2-79:2012, EN 62233:2008, EN 55014-1:2017,
EN 55014-2:2015 EN 50581:2012

Uppmätt ljudeffektnivå: 90,4 dB(A)
Garanterad ljudeffektnivå: 92 dB(A)

Konformitetsbedömning gjord enligt metod i V Direktiv 2000/14/EC samt tillägg
i 2005/88/EC.

Sven Eschrich
Senior Director of Engineering - TTI Outdoor Power Division
Winnenden, Dec. 31, 2017

Godkänd att sammanställa den tekniska filen:
Alexander Krug, VD
Techtronic Industries GmbH
Max-Eyth-Straße 10, 71364 Winnenden, Germany



NO SAMSVARERKLÆRING

Techtronic Industries GmbH
Max-Eyth-Straße 10, 71364 Winnenden, Germany

Herved erklærer vi at produktet

Elektrisk høytrykksspylter
Märke: RYOBI
Modellnummer: RPW110B
Serienummerserie: 46254601000001 - 46254601999999

er i samsvar med følgende europeiske direktiver og harmoniserte standarder
2006/42/EC, 2014/30/EU, 2000/14/EC, 2005/88/EC, 2011/65/EU,
EN 61000-3-2:2014, EN 61000-3-3:2013, EN 60335-1:2012+A11:2014,
EN 60335-2-79:2012, EN 62233:2008, EN 55014-1:2017,
EN 55014-2:2015 EN 50581:2012

Målt lydteffektivå: 90,4 dB(A)
Garantert lydteffektivå: 92 dB(A)

Metode for vurdering av konformitet til Tillegg V Direktiv 2000/14/EC endret ved
2005/88/EC.

Sven Eschrich
Seniorleder ingeniørvdeling - TTI Outdoor Power Division
Winnenden, Dec. 31, 2017

Autorisert til å sette sammen den tekniske filen:
Alexander Krug, Administrerende Direktør
Techtronic Industries GmbH
Max-Eyth-Straße 10, 71364 Winnenden, Germany



FI SÄÄNNÖSTEN NOUDATTAMINEN

Techtronic Industries GmbH
Max-Eyth-Straße 10, 71364 Winnenden, Germany

Ilmoitamme täten, että tuotteet

Sähköinen korkeapainepesuri
Tuotemerkki: RYOBI
Mallinumero: RPW110B
Sarjanumeroaue: 46254601000001 - 46254601999999

noudattaa seuraavia EU-direktiivejä ja harmonoituja standardeja
2006/42/EC, 2014/30/EU, 2000/14/EC, 2005/88/EC, 2011/65/EU,
EN 61000-3-2:2014, EN 61000-3-3:2013, EN 60335-1:2012+A11:2014,
EN 60335-2-79:2012, EN 62233:2008, EN 55014-1:2017,
EN 55014-2:2015 EN 50581:2012

Mitattu äänenteho: 90,4 dB(A)
Taattu ääniteho: 92 dB(A)

Säännösten noudattaminen tarkastettu direktiivin 2000/14/EC liitteen V mukaisesti
muunnettu direktiivillä 2005/88/EC.

Sven Eschrich
Suunnitteluosaston pääjohtaja - TTI Outdoor Power Division
Winnenden, Dec. 31, 2017

Valtuutettu kokoamaan tekninen tiedosto:
Alexander Krug, Toimitusjohtaja
Techtronic Industries GmbH
Max-Eyth-Straße 10, 71364 Winnenden, Germany



RU ЗАЯВЛЕНИЕ О СООТВЕТСТВИИ ТРЕБОВАНИЯМ

Techtronic Industries GmbH
Max-Eyth-Straße 10, 71364 Winnenden, Germany

Настоящим мы заявляем, что данный продукт

Электрический очиститель высокого давления
Марка: RYOBI
Номер модели: RPW110B
Диапазон заводских номеров: 46254601000001 - 46254601999999

соответствует требованиям следующих Директив ЕС и согласованных
стандартов
2006/42/EC, 2014/30/EU, 2000/14/EC, 2005/88/EC, 2011/65/EU,
EN 61000-3-2:2014, EN 61000-3-3:2013, EN 60335-1:2012+A11:2014,
EN 60335-2-79:2012, EN 62233:2008, EN 55014-1:2017,
EN 55014-2:2015 EN 50581:2012

Измеренный уровень звуковой мощности: 90,4 dB(A)
Гарантируемый уровень звуковой мощности: 92 dB(A)

Способ оценки соответствия, приложение V к директиве 2000/14/EC с
изменениями 2005/88/EC.

Sven Eschrich
Старший технический директор - TTI Outdoor Power Division
Winnenden, Dec. 31, 2017

Лицо, ответственное за подготовку технической документации:
Alexander Krug, Директор
Techtronic Industries GmbH
Max-Eyth-Straße 10, 71364 Winnenden, Germany



PL DEKLARACJA ZGODNOŚCI

Techtronic Industries GmbH
Max-Eyth-Straße 10, 71364 Winnenden, Germany

Niniejszym deklarujemy, że produkt

Elektryczna myjka ciśnieniowa
Marka: RYOBI
Numer modelu: RPW110B
Zakres numerów seryjnych: 46254601000001 - 46254601999999

jest zgodny z następującymi dyrektywami europejskimi i zharmonizowanymi normami

2006/42/EC, 2014/30/EU, 2000/14/EC, 2005/88/EC, 2011/65/EU,
EN 61000-3-2:2014, EN 61000-3-3:2013, EN 60335-1:2012+A11:2014,
EN 60335-2-79:2012, EN 62233:2008, EN 55014-1:2017,
EN 55014-2:2015 EN 50581:2012

Zmierzony poziom natężenia hałasu: 90,4 dB(A)
Maksymalny poziom natężenia hałasu: 92 dB(A)

Metoda ocena zgodności zgodnie z aneksem V Dyrektywa 2000/14/EC zmieniona przez dyrektywę 2005/88/EC.

Sven Eschrich
Dyrektor Techniczny - TTI Outdoor Power Division
Winnenden, Dec. 31, 2017

Osoba upoważniona do sporządzenia dokumentu technicznego:

Alexander Krug, Dyrektor Zarządzający
Techtronic Industries GmbH
Max-Eyth-Straße 10, 71364 Winnenden, Germany

HU MEGFELELŐSÉGI NYILATKOZAT

Techtronic Industries GmbH
Max-Eyth-Straße 10, 71364 Winnenden, Germany

Ezúton kijelentjük, hogy a termék

Elektromos nagynyomású tisztító
Márka: RYOBI
Típusszám: RPW110B
Sorozatszám tartomány: 46254601000001 - 46254601999999

megfelel az alábbi Európai irányelvek és harmonizált szabványok vonatkozó rendelkezéseinek

2006/42/EC, 2014/30/EU, 2000/14/EC, 2005/88/EC, 2011/65/EU,
EN 61000-3-2:2014, EN 61000-3-3:2013, EN 60335-1:2012+A11:2014,
EN 60335-2-79:2012, EN 62233:2008, EN 55014-1:2017,
EN 55014-2:2015 EN 50581:2012

Mért hangteljesítményszint: 90,4 dB(A)
Garantált hangteljesítményszint: 92 dB(A)

A megfelelőségi értékelési eljárás a 2000/14/EC irányelv V függeléke szerint történt által módosított 2005/88/EC irányelv.

Sven Eschrich
Senior Tervezési igazgató - TTI Outdoor Power Division
Winnenden, Dec. 31, 2017

A műszaki dokumentáció összeállítására felhatalmazott:

Alexander Krug, Ügyvezető igazgató
Techtronic Industries GmbH
Max-Eyth-Straße 10, 71364 Winnenden, Germany

CS PROHLÁŠENÍ O SHODĚ

Techtronic Industries GmbH
Max-Eyth-Straße 10, 71364 Winnenden, Germany

Tímto prohlašujeme, že výrobky

Elektrický vysokotlaký čistič
Značka: RYOBI
Číslo modelu: RPW110B
Rozsah sériových čísel: 46254601000001 - 46254601999999

že tento výrobek je v souladu s evropskými a harmonizovanými standardy

2006/42/EC, 2014/30/EU, 2000/14/EC, 2005/88/EC, 2011/65/EU,
EN 61000-3-2:2014, EN 61000-3-3:2013, EN 60335-1:2012+A11:2014,
EN 60335-2-79:2012, EN 62233:2008, EN 55014-1:2017,
EN 55014-2:2015 EN 50581:2012

Změřená hladina akustického výkonu: 90,4 dB(A)
Zaručená hladina akustického výkonu: 92 dB(A)

Soulad s metodou určování pro přílohu V směrnice 2000/14/EC upravená 2005/88/EC.

Sven Eschrich
Vedoucí ředitel pro strojní zařízení - TTI Outdoor Power Division
Winnenden, Dec. 31, 2017

Pověření ke kompilaci technického souboru:

Alexander Krug, Generální ředitel
Techtronic Industries GmbH
Max-Eyth-Straße 10, 71364 Winnenden, Germany

RO DECLARAȚIE DE CONFORMITATE

Techtronic Industries GmbH
Max-Eyth-Straße 10, 71364 Winnenden, Germany

Prin prezenta, declarăm că produsele

Curățitor electric de înaltă presiune
Mărcă: RYOBI
Număr serie: RPW110B
Gamă număr serie: 46254601000001 - 46254601999999

este în conformitate cu următoarele Directive Europene și standarde armonizate

2006/42/EC, 2014/30/EU, 2000/14/EC, 2005/88/EC, 2011/65/EU,
EN 61000-3-2:2014, EN 61000-3-3:2013, EN 60335-1:2012+A11:2014,
EN 60335-2-79:2012, EN 62233:2008, EN 55014-1:2017,
EN 55014-2:2015 EN 50581:2012

Nivelul măsurat al puterii acustice: 90,4 dB(A)
Nivel garantat al puterii acustice: 92 dB(A)

Metoda de evaluare a conformității cu Anexa V Directiva 2000/14/EC modificată prin 2005/88/EC.

Sven Eschrich
Director general de inginerie - TTI Outdoor Power Division
Winnenden, Dec. 31, 2017

Autorizat să completeze fișa tehnică:

Alexander Krug, Director General
Techtronic Industries GmbH
Max-Eyth-Straße 10, 71364 Winnenden, Germany

LV ATBILSTĪBAS DEKLARĀCIJA

Techtronic Industries GmbH
Max-Eyth-Straße 10, 71364 Winnenden, Germany

Ar šo paziņojam, ka produkti

Elektriskais augstspiediena mazgātājs
Zīmols: RYOBI
Modeļa numurs: RPW110B
Sērijas numura intervāls: 46254601000001 - 46254601999999

atbilst šādām Eiropas direktīvām un saskaņotajiem standartiem

2006/42/EC, 2014/30/EU, 2000/14/EC, 2005/88/EC, 2011/65/EU,
EN 61000-3-2:2014, EN 61000-3-3:2013, EN 60335-1:2012+A11:2014,
EN 60335-2-79:2012, EN 62233:2008, EN 55014-1:2017,
EN 55014-2:2015 EN 50581:2012

Izmērītās skaņas jaudas līmenis: 90,4 dB(A)
Garantētais skaņas intensitātes līmenis: 92 dB(A)

Atbilstības novērtēšanas metode pielikumam V Direktīvai 2000/14/EC labota 2005/88/EC.

Sven Eschrich
Inženieru nodaļas vadītājs - TTI Outdoor Power Division
Winnenden, Dec. 31, 2017

Pilnvarots sastādīt tehnisko failu:

Alexander Krug, Izpilddirektors
Techtronic Industries GmbH
Max-Eyth-Straße 10, 71364 Winnenden, Germany

ET VASTAVUSDEKLARATSIOON

Techtronic Industries GmbH
Max-Eyth-Straße 10, 71364 Winnenden, Germany

Kinnitame, et see toode

Elektriline survepesur
Mark: RYOBI
Mudeli number: RPW110B
Seriianumbri vahemik: 46254601000001 - 46254601999999

vastab järgmistele Euroopa direktiividele ja harmoneeritud standarditele

2006/42/EC, 2014/30/EU, 2000/14/EC, 2005/88/EC, 2011/65/EU,
EN 61000-3-2:2014, EN 61000-3-3:2013, EN 60335-1:2012+A11:2014,
EN 60335-2-79:2012, EN 62233:2008, EN 55014-1:2017,
EN 55014-2:2015 EN 50581:2012

Möödetud helivõimsuse tase: 90,4 dB(A)
Garanteeritud helivõimsuse tase: 92 dB(A)

Vastavushindamine vastavalt lisale V direktiivis 2000/14/EC muudetud direktiiviga 2005/88/EC.

Sven Eschrich
Tehnika-peakdirektor - TTI Outdoor Power Division
Winnenden, Dec. 31, 2017

Tehnilise faili koostamiseks volitatud isik:

Alexander Krug, Tegevdirektor
Techtronic Industries GmbH
Max-Eyth-Straße 10, 71364 Winnenden, Germany

LT ATITIKTIES DEKLARACIJA

Techtronic Industries GmbH
Max-Eyth-Straße 10, 71364 Winnenden, Germany

Mes pareiškiame, kad šie produktai

Elektrinis aukšto slėgio valytuvus
Prekės ženklas: RYOBI
Modelio numeris: RPW110B
Serijinio numerio diapazonas: 46254601000001 - 46254601999999

pagamins laikantis toliau nurodytųjų Europos Direktyvų ir darniųjų standartų

2006/42/EC, 2014/30/EU, 2000/14/EC, 2005/88/EC, 2011/65/EU,
EN 61000-3-2:2014, EN 61000-3-3:2013, EN 60335-1:2012+A11:2014,
EN 60335-2-79:2012, EN 62233:2008, EN 55014-1:2017,
EN 55014-2:2015 EN 50581:2012

Išmatuotas akustinis lygis: 90,4 dB(A)
Garantuotas akustinis lygis: 92 dB(A)

Atitikties įvertinimo metodas pagal direktyvos 2000/14/EC, V Priedą su pataisomis 2005/88/EC.

Sven Eschrich
Vyr. inžinerijos direktorius - TTI Outdoor Power Division
Winnenden, Dec. 31, 2017

Įgaliosis sudaryti techninį failą:

Alexander Krug, Generalinis Direktorius
Techtronic Industries GmbH
Max-Eyth-Straße 10, 71364 Winnenden, Germany

HR IZJAVA O USKLADENOSTI

Techtronic Industries GmbH
Max-Eyth-Straße 10, 71364 Winnenden, Germany

Ovime izjavljujemo da su proizvodi

Električni visokotlačni čistač
Marka: RYOBI
Broj modela: RPW110B
Raspon serijskog broja: 46254601000001 - 46254601999999

usklađen sa sljedećim Europskim Direktivama i usklađenim normama

2006/42/EC, 2014/30/EU, 2000/14/EC, 2005/88/EC, 2011/65/EU,
EN 61000-3-2:2014, EN 61000-3-3:2013, EN 60335-1:2012+A11:2014,
EN 60335-2-79:2012, EN 62233:2008, EN 55014-1:2017,
EN 55014-2:2015 EN 50581:2012

Izmjerena razina zvučne snage: 90,4 dB(A)
Jamčena razina zvučne snage: 92 dB(A)

Metoda procjene usklađenosti prema Dodatku V Direktive 2000/14/EC navedeno u 2005/88/EC.

Sven Eschrich
Viši direktor inženjerinja - TTI Outdoor Power Division
Winnenden, Dec. 31, 2017

Ovlašten da sastavi tehničku datoteku:

Alexander Krug, Direktor Upravljanja
Techtronic Industries GmbH
Max-Eyth-Straße 10, 71364 Winnenden, Germany

SL IZJAVA O SKLADNOSTI

Techtronic Industries GmbH
Max-Eyth-Straße 10, 71364 Winnenden, Germany

Izjavljamo, da je izdelek

Električni visokotlačni čistilec
Znamka: RYOBI
Številka modela: RPW110B
Razpon serijskih števil: 46254601000001 - 46254601999999

v skladu s sledečimi evropskimi direktivami in harmoniziranimi standardi

2006/42/EC, 2014/30/EU, 2000/14/EC, 2005/88/EC, 2011/65/EU,
EN 61000-3-2:2014, EN 61000-3-3:2013, EN 60335-1:2012+A11:2014,
EN 60335-2-79:2012, EN 62233:2008, EN 55014-1:2017,
EN 55014-2:2015 EN 50581:2012

Izmerjena raven zvočne moči: 90,4 dB(A)

Zajamčena raven zvočne moči: 92 dB(A)

Način ugotavljanja skladnosti z aneksom V direktive 2000/14/EC ki je bila spremenjena z 2005/88/EC.

Sven Eschrich
Višji direktor tehničnega oddelka - TTI Outdoor Power Division
Winnenden, Dec. 31, 2017

Pooblaščen oseba za sestavo tehnične dokumentacije:

Alexander Krug, Izvršni Direktor
Techtronic Industries GmbH
Max-Eyth-Straße 10, 71364 Winnenden, Germany



BG ДЕКЛАРАЦИЯ НА ЗА СЪОТВЕТСТВИЕ

Techtronic Industries GmbH
Max-Eyth-Straße 10, 71364 Winnenden, Germany

C настоящето декларираме, че продуктите

Електрическа почистваща машина под високо налягане
Марка: RYOBI
Номер на модела: RPW110B
Обхват на серийни номера: 46254601000001 - 46254601999999

отговаря на следните директиви на ЕС и хармонизирани стандарти

2006/42/EC, 2014/30/EU, 2000/14/EC, 2005/88/EC, 2011/65/EU,
EN 61000-3-2:2014, EN 61000-3-3:2013, EN 60335-1:2012+A11:2014,
EN 60335-2-79:2012, EN 62233:2008, EN 55014-1:2017,
EN 55014-2:2015 EN 50581:2012

Измерено ниво на шум: 90,4 dB(A)

Гарантирано ниво на шум: 92 dB(A)

Метод за оценяване на съответствието с приложението V Директива 2000/14/EC, изменена от 2005/88/EC.

Sven Eschrich
Старши директор „Машиностроене“ - TTI Outdoor Power Division
Winnenden, Dec. 31, 2017

Упълномощено лице за съставяне на техническия файл:

Alexander Krug, Изпълнителен Директор
Techtronic Industries GmbH
Max-Eyth-Straße 10, 71364 Winnenden, Germany



SK PREHLÁSENIE O ZHODE

Techtronic Industries GmbH
Max-Eyth-Straße 10, 71364 Winnenden, Germany

Týmto vyhlasujeme, že výrobok

Električný vysokotlakový čistič
Značka: RYOBI
Číslo modelu: RPW110B
Rozsah sériových čísiel: 46254601000001 - 46254601999999

je v súlade s nasledujúcimi Európskymi smernicami a harmonizovanými normami

2006/42/EC, 2014/30/EU, 2000/14/EC, 2005/88/EC, 2011/65/EU,
EN 61000-3-2:2014, EN 61000-3-3:2013, EN 60335-1:2012+A11:2014,
EN 60335-2-79:2012, EN 62233:2008, EN 55014-1:2017,
EN 55014-2:2015 EN 50581:2012

Navrhovaná úroveň hluku: 90,4 dB(A)

Garantovaná úroveň hluku: 92 dB(A)

Spôsob určenia zhody podľa Dodatku V Smernica 2000/14/EC doplnená o 2005/88/EC.

Sven Eschrich
Vyšší strojnícky riaditeľ - TTI Outdoor Power Division
Winnenden, Dec. 31, 2017

Oprávnená osoba na zostavenie technického súboru:

Alexander Krug, Generálny Riaditeľ
Techtronic Industries GmbH
Max-Eyth-Straße 10, 71364 Winnenden, Germany



UK ДЕКЛАРАЦИЯ ПРО ВІДПОВІДНІСТЬ

Techtronic Industries GmbH
Max-Eyth-Straße 10, 71364 Winnenden, Germany

При цьому ми заявляємо, що продукт

Електрична милка високого тиску
Марка: RYOBI
Номер моделі: RPW110B
Діапазон серійного номеру: 46254601000001 - 46254601999999

у відповідності з наступними європейськими директивами та гармонізованими стандартами

2006/42/EC, 2014/30/EU, 2000/14/EC, 2005/88/EC, 2011/65/EU,
EN 61000-3-2:2014, EN 61000-3-3:2013, EN 60335-1:2012+A11:2014,
EN 60335-2-79:2012, EN 62233:2008, EN 55014-1:2017,
EN 55014-2:2015 EN 50581:2012

Вимірний рівень звукової потужності: 90,4 dB(A)

Гарантований рівень звукової потужності: 92 dB(A)

Метод оцінки відповідності Annex V Directive 2000/14/EC з поправками, внесеними 2005/88/EC.

Sven Eschrich
Старший технічний директор - TTI Outdoor Power Division
Winnenden, Dec. 31, 2017

Дозвіл на складання технічного файла:

Alexander Krug, керуючий Директор
Techtronic Industries GmbH
Max-Eyth-Straße 10, 71364 Winnenden, Germany



TR UYGUNLUK BEYANI

Techtronic Industries GmbH
Max-Eyth-Straße 10, 71364 Winnenden, Germany

İş bu belge ile bu ürünün

Elektrikli yüksek basınçlı temizleyici

Marka: RYOBI

Model numarası: RPW110B

Seri numarası aralığı: 46254601000001 - 46254601999999

aşağıdaki Avrupa Direktiflerine ve uyumlaştırılmış standartlara uygun olduğunu beyan ediyorum

2006/42/EC, 2014/30/EU, 2000/14/EC, 2005/88/EC, 2011/65/EU,
EN 61000-3-2:2014, EN 61000-3-3:2013, EN 60335-1:2012+A11:2014,
EN 60335-2-79:2012, EN 62233:2008, EN 55014-1:2017,
EN 55014-2:2015 EN 50581:2012

Ölçülen ses gücü seviyesi: 90,4 dB(A)

Güvenceli ses gücü seviyesi: 92 dB(A)

2005/88/AT ile değiştirilen 2000/14/AT Direktifi Ek V uyarınca uygunluk değerlendirme yöntemi



CE

Sven Eschrich
Kıdemli Mühendislik Yöneticisi - TTI Outdoor Power Division
Winnenden, Dec. 31, 2017

Teknik dosyayı derlemekle yetkili sorumlu:
Alexander Krug, İdari Müdür
Techtronic Industries GmbH
Max-Eyth-Straße 10, 71364 Winnenden, Germany







Techtronic Industries GmbH
Max-Eyth-Straße 10,
71364 Winnenden, Germany

099903023001-02